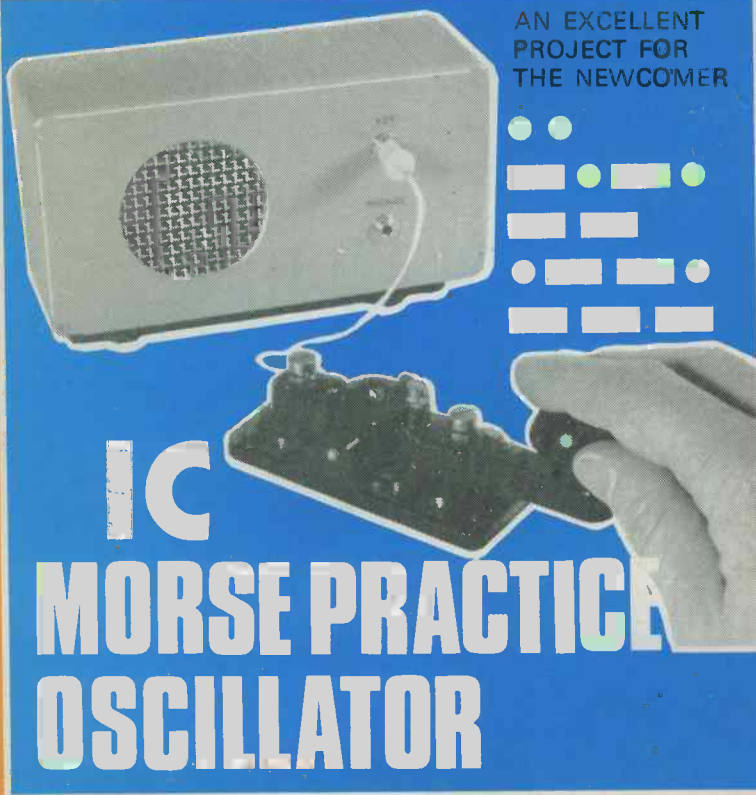


RADIO & ELECTRONICS

CONSTRUCTOR

MARCH 1979
50p



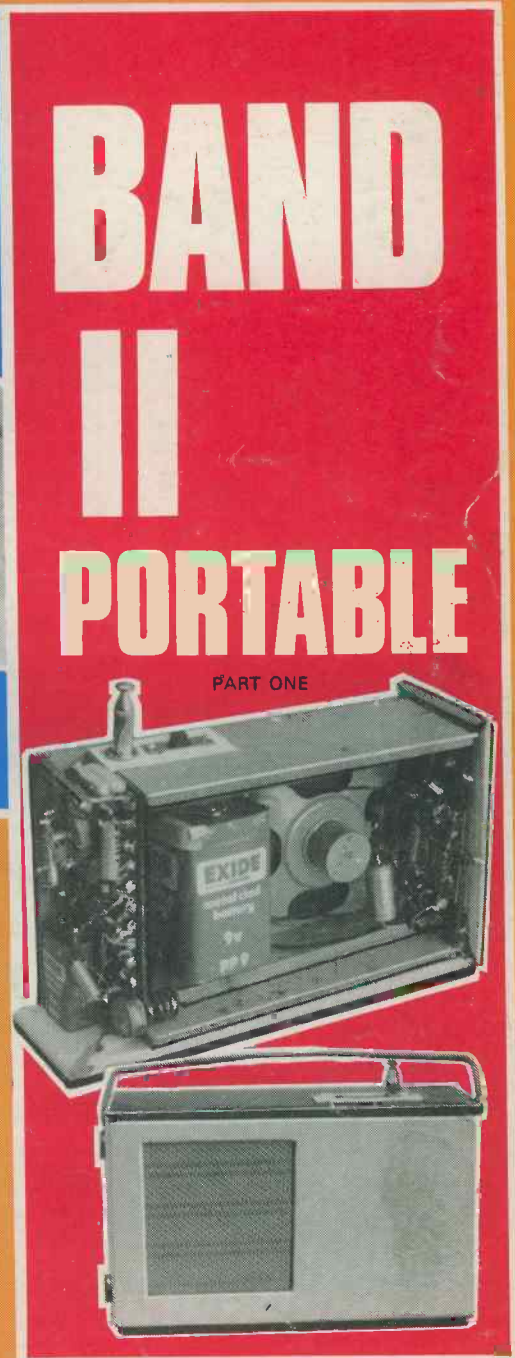
AN EXCELLENT PROJECT FOR THE NEWCOMER

IC MORSE PRACTICE OSCILLATOR

The image shows a white rectangular speaker enclosure with a circular mesh grille on the left side. A white cable is connected to the back of the enclosure. Below the enclosure, a hand is shown holding a small printed circuit board (PCB) with several electronic components, including a single integrated circuit (IC) and various resistors and capacitors. To the right of the PCB, there are several horizontal lines of varying lengths and colors (white, yellow, green), representing Morse code patterns.

BAND II PORTABLE

PART ONE



The image shows a portable electronic device in a metal case. The top half of the case is open, revealing the internal components, including a large cylindrical component, a smaller component, and a battery labeled 'EXIDE' with '9V' and 'PP3' markings. The bottom half of the case is closed, showing a speaker grille on the front panel.

NOVEL TESTING TECHNIQUE



CONSTANT CURRENT TRANSISTOR TESTER

ALSO FEATURED

- ★ DOPPLER SHIFT ADD-ON UNIT
- ★ ELECTRONIC 'HANGMAN'

DIODES/ZENERS			
QTY.			
1N914	100v	10mA	.05
1N4005	600v	1A	.08
1N4007	1000v	1A	.15
1N4148	75v	10mA	.05
1N4733	5.1v	1 W Zener	.25
1N753A	6.2v	500 mW Zener	.25
1N758A	10v	"	.25
1N759A	12v	"	.25
1N5243	13v	"	.25
1N5244B	14v	"	.25
1N5245B	15v	"	.25

SOCKETS/BRIDGES			
QTY.			
8-pin	pcb	.20 ww	.35
14-pin	pcb	.20 ww	.40
16-pin	pcb	.20 ww	.40
18-pin	pcb	.25 ww	.95
20-pin	pcb	.35 ww	.95
22-pin	pcb	.35 ww	.95
24-pin	pcb	.35 ww	.95
28-pin	pcb	.45 ww	1.25
40-pin	pcb	.50 ww	1.25
Molex pins	.01	To-3 Sockets	.25
2 Amp Bridge		100-prv	.95
25 Amp Bridge		200-prv	1.50

TRANSISTORS, LEDS, etc.			
QTY.			
2N2222	(2N2222 Plastic .10)		.15
2N2222A			.19
2N2907A	PNP		.19
2N3906	PNP (Plastic Unmarked)		.10
2N3904	NPN (Plastic Unmarked)		.10
2N3054	NPN		.45
2N3055	NPN 15A 60v		.60
T1P125	PNP Darlington		1.95
LED Green,	Red, Clear, Yellow		1.15
D.L.747	7 seg 5/8" High com-anode		1.95
MAN72	7 seg com-anode (Red)		1.25
MAN3610	7 seg com-anode (Orange)		1.25
MAN82A	7 seg com-anode (Yellow)		1.25
MAN74	7 seg com-cathode (Red)		1.50
FND359	7 seg com-cathode (Red)		1.25

9000 SERIES			
QTY.		QTY.	
9301	.85	9322	.65
9309	.35	9601	.20
9316	1.10	9602	.45

MICRO'S, RAMS, CPU'S, E-PROMS			
QTY.		QTY.	
8T13	1.50	2107B-4	4.95
8T23	1.50	2114	9.50
8T24	2.00	2513	6.25
8T97	1.00	2708	10.50
74S188	3.00	2716 D.S.	34.00
1488	1.25	2716 (5v)	59.00
1489	1.25	2758 (5v)	23.95
1702A	4.50	3242	10.50
AM 9050	4.00	4116	11.50
		6800	13.95
		6850	7.95
MM 5314	3.00	8080	7.50
MM 5316	3.50	8080	7.50
MM 5387	3.50	8212	2.75
MM 5389	2.95	8214	4.95
TR 1602B	3.95	8216	3.50
UPD 414	4.95	8224	3.25
Z 80 A	22.50	8228	6.00
Z 80	17.50	8251	7.50
Z 80 PIO	10.50	8253	18.50
2102	1.45	8255	8.50
2102L	1.75	TMS 4044	9.95

C MOS	
QTY.	
4000	.15
4001	.15
4002	.20
4004	3.95
4006	.95
4007	.20
4008	.75
4009	.35
4010	.35
4011	.20
4012	.20
4013	.40
4014	.75
4015	.75
4016	.35
4017	.75
4018	.75
4019	.35
4020	.85
4021	.75
4022	.75
4023	.20
4024	.75
4025	.20
4026	1.95
4027	.35
4028	.75
4029	1.15
4030	.30
4033	1.50
4034	2.45
4035	.75
4037	1.80
4040	.75
4041	.69
4042	.65
4043	.50
4044	.65
4046	1.25
4048	.95
4049	.45
4050	.45
4052	.75
4053	.75
4066	.55
4069/74C04	.35
4071	.25
4081	.30
4082	.30
4507	.95
4511	.95
4512	1.10
4515	2.95
4519	.85
4522	1.10
4526	.95
4528	1.10
4529	.95
MC 14409	14.50
MC 14419	4.85
74C151	1.50

LINEARS, REGULATORS, etc.			
QTY.		QTY.	
MCT2	.95	LM323K	5.95
8038	3.95	LM324	1.25
LM201	.75	LM339	.75
LM301	.45	7805 (340T5)	.95
LM308	.65	LM340T12	.95
LM309H	.65	LM340T15	.95
LM309K (340K-5)	1.50	LM340T18	.95
LM310	.85	LM340T24	.95
LM311D	.75	LM340K12	1.25
LM318	1.75	LM340K15	1.25
LM320H6	.79	LM340K18	1.25
LM320H15	.79	LM340K24	1.25
LM320H24	.79	LM373	2.95
7905 (LM320K5)	1.65	LM377	3.95
LM320K12	1.65	78L05	.75
LM320K24	1.65	78L12	.75
LM320T5	1.65	78L15	.75
LM320T12	1.65	78M05	.75
LM320T15	1.65		
		LM380 (8-14 Pin)	1.19
		LM709 (8-14 Pin)	.35
		LM711	.45
		LM723	.40
		LM725	2.50
		LM739	1.50
		LM741 (8-14)	.35
		LM747	1.10
		LM1307	1.25
		LM1458	.65
		LM3900	.50
		LM75451	.65
		NE555	.45
		NE556	.85
		NE565	.95
		NE566	1.25
		NE567	.95

- T T L -			
QTY.		QTY.	
7400	.10	7482	.75
7401	.15	7483	.75
7402	.15	7485	.55
7403	.15	7486	.25
7404	.10	7489	1.05
7405	.25	7490	.45
7406	.25	7491	.70
7407	.55	7492	.45
7408	.15	7493	.35
7409	.15	7494	.75
7410	.15	7495	.60
7411	.25	7496	.80
7412	.25	74100	1.15
7413	.25	74107	.25
7414	.75	74121	.35
7416	.25	74122	.55
7417	.40	74123	.35
7420	.15	74125	.45
7426	.25	74126	.35
7427	.25	74132	.75
7430	.15	74141	.90
7432	.20	74150	.85
7437	.20	74151	.65
7438	.20	74153	.75
7440	.20	74154	.95
7441	1.15	74156	.70
7442	.45	74157	.65
7443	.45	74161	.55
7444	.45	74163	.85
7445	.65	74164	.60
7446	.70	74165	1.10
7447	.70	74166	1.25
7448	.50	74175	.80
7450	.25	74176	.85
7451	.25	74180	.55
7453	.20	74181	2.25
7454	.25	74182	.75
7460	.40	74190	1.25
7470	.45	74191	1.25
7472	.40	74192	.75
7473	.25	74193	.85
7474	.30	74194	.95
7475	.35	74195	.95
7476	.40	74196	.95
7480	.55	74197	.95
7481	.75	74198	1.45
74221	1.00	74367	.95
74241	.20	75108A	.35
74251	.50	75491	.50
74252	.50	75492	.50
74253	.50	74H00	.15
74254	.50	74H01	.20
74255	.50	74H04	.20
74256	.50	74H05	.20
74257	.50	74H08	.35
74258	.50	74H10	.35
74259	.50	74H11	.25
74260	.50	74H15	.45
74261	.50	74H20	.25
74262	.50	74H21	.25
74263	.50	74H22	.40
74264	.50	74H30	.20
74265	.50	74H40	.25
74266	.50	74H50	.25
74267	.50	74H51	.25
74268	.50	74H52	.15
74269	.50	74H53	.25
74270	.50	74H55	.20
74271	.50	74H72	.35
74272	.50	74H74	.35
74273	.50	74H101	.75
74274	.50	74H103	.55
74275	.50	74H106	.95
74276	.50	74L00	.25
74277	.50	74L02	.20
74278	.50	74L03	.25
74279	.50	74L04	.30
74280	.50	74L10	.20
74281	.50	74L20	.35
74282	.50	74L30	.45
74283	.50	74L47	1.95
74284	.50	74L51	.45
74285	.50	74L55	.65
74286	.50	74L72	.45
74287	.50	74L73	.40
74288	.50	74L74	.45
74289	.50	74L75	.85
74290	.50	74L93	.55
74291	.50	74L123	.85
74292	.50	74LS00	.30
74293	.50	74LS01	.30
74294	.50	74LS02	.30
74295	.50	74LS04	.35
74296	.50	74LS05	.30
74297	.50	74LS08	.35
74298	.50	74LS10	.35
74299	.50	74LS11	.35
74300	.50	74LS12	.35
74301	.50	74LS13	.35
74302	.50	74LS14	.35
74303	.50	74LS16	1.20
74304	.50	74LS17	.85
74305	.50	74LS18	.85
74306	.50	74LS19	.85
74307	.50	74LS20	.85
74308	.50	74LS21	.85
74309	.50	74LS22	.35
74310	.50	74LS23	.35
74311	.50	74LS24	1.70
74312	.50	74LS26	.95
74313	.50	74LS27	.95
74314	.50	74S00	.35
74315	.50	74S02	.35
74316	.50	74S03	.25
74317	.50	74S04	.25
74318	.50	74S05	.35
74319	.50	74S08	.35
74320	.50	74S10	.35
74321	.50	74S11	.35
74322	.50	74S20	.25
74323	.50	74S40	.20
74324	.50	74S50	.20
74325	.50	74S51	.25
74326	.50	74S64	.15
74327	.50	74S74	.35
74328	.50	74S112	.60
74329	.50	74S114	.65
74330	.50	74S133	.40
74331	.50	74S140	.55
74332	.50	74S151	.30
74333	.50	74S153	.35
74334	.50	74S157	.75
74335	.50	74S158	.30
74336	.50	74S194	1.05
74337	.50	74S257 (8123)	1.05
74338	.50	8131	2.75

CABLE ADDRESS: ICUSD
TELEX #

HOURS: 9 A.M. - 6 P.M. MON. thru SUN.

INTEGRATED CIRCUITS UNLIMITED

7889 Clairemont Mesa Blvd. • San Diego, California 92111 U.S.A.
NO MINIMUM

COMMERCIAL AND MANUFACTURING ACCOUNTS INVITED
ALL PRICES IN U.S. DOLLARS. PLEASE ADD POSTAGE TO COVER METHOD OF SHIPPING.
ORDERS OVER \$100 (U.S.) WILL BE SHIPPED AIR NO CHARGE.

PAYMENT SUBMITTED WITH ORDER SHOULD BE IN U.S. DOLLARS.
ALL IC'S PRIME/GUARANTEED ALL ORDERS SHIPPED SAME DAY RECEIVED.

CREDIT CARDS ACCEPTED:

Phone (714) 278-4394 BarclayCard / Access / American Express / BankAmericard / Visa / MasterCharge

SPECIAL DISCOUNTS

RADIO & ELECTRONICS CONSTRUCTOR

MARCH 1979
Volume 32 No. 7

Published Monthly
(3rd of preceding Month)

First Published 1947

Incorporating The Radio Amateur

Editorial and Advertising Offices
57 MAIDA VALE LONDON W9 1SN

Telephone **Telegrams**
01-286 6141 Databux, London

© *Data Publications Ltd.*, 1979. Contents may only be reproduced after obtaining prior permission from the Editor. Short abstracts or references are allowable provided acknowledgement of source is given.

Annual Subscription: £7.50, Overseas £8.50 (U.S.A. and Canada \$15.00) including postage. Remittances should be made payable to "Data Publications Ltd". Overseas readers, please pay by cheque or International Money Order.

Technical Queries. We regret that we are unable to answer queries other than those arising from articles appearing in this magazine nor can we advise on modifications to equipment described. We regret that queries cannot be answered over the telephone, they must be submitted in writing and accompanied by a stamped addressed envelope for reply.

Correspondence should be addressed to the Editor, Advertising Manager, Subscription Manager or the Publishers as appropriate.

Opinions expressed by contributors are not necessarily those of the Editor or proprietors.

Production— Web Offset.

CONSTANT CURRENT TRANSISTOR TESTER by John Baker	408
NEWS AND COMMENT	414-
RECENT PUBLICATIONS	416
ELECTRONIC "HANGMAN" — Suggested Circuit by G. A. French	417
TUNE-IN TO PROGRAMS — Part 2 The second in our down-to-earth series on calculator programming — by Ian Sinclair	419
NEW CASES FOR TEST EQUIPMENT	421
TUNNEL DIODE OSCILLATORS by P. R. Arthur	422
I.C. MORSE PRACTICE OSCILLATOR by I. M. Attrill	424
THE DECISION MAKER by Ian Sinclair Double Decker Series No. 5	428
SHORT WAVE NEWS — For DX Listeners by Frank A. Baldwin	430
BAND 11 PORTABLE — Part 1 by Sir Douglas Hall, Bt., K.C.M.G.	432
STEREO RECORD PLAYER TROUBLE — In Your Workshop	438
IN NEXT MONTH'S ISSUE	443
DOPPLER SHIFT ADD-ON UNIT by R. A. Penfold	444
A DRILL FOR PRINTED BOARDS by I. B. Brodribb	448
LOGIC INVERTERS — Electronics Data No. 43 For the Beginner	iii

Published in Great Britain by the Proprietors and Publishers, Data Publications Ltd, 57 Maida Vale, London W9 1SN.

The *Radio & Electronics Constructor* is printed by Swale Press Ltd.

THE APRIL ISSUE
WILL BE PUBLISHED
ON 10th MARCH

STEVENSON

Electronic Components

KNOBS

Ideal for use on mixers, etc. Push on type with coloured cap in red, black, green, blue, yellow and grey.

Position line marked 14p each.



POTENTIOMETERS

5K-2M2 single 26p ea. 100Ω-2M2 horizontal
5K-2M2 stereo (dual) 75p ea. or vertical preset 6p ea.
5K-2M2 DP switched 60p ea.

BRIDGE RECTIFIERS

Type	PIV	I	Type	PIV	I
W005	50	1A	2KBB10	100	2A
W01	100	1A	2KBB20	200	2A
W02	200	1A	2KBB40	400	2A
W04	400	1A	BY225	200	4.2A

METAL FILM RESISTORS

A range of high precision, very high stability, low noise resistors. Rated at ¼W. 1% tolerance.

Available from 51 ohms to 330K in E24 series. Any mix

	each	100+	1000+
¼W 1%	4p	3.5p	3.2p

Special development pack consisting of 10 of every value from 51 ohms to 330K (a total of 930 resistors) £23.75

MINIATURE TRANSFORMERS

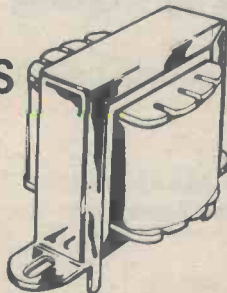
240 Volt Primary

Secondary rated at 100mA.

Available with secondaries

of: 6-0-6, 9-0-9

and 12-0-12. 92p each



HEAT SINKS

T018	9p each	T03	20p each	T0220	20p each
T05	9p each	T0126	20p each		

Double T03 predrilled plain finish.

100mm x 124 x 27mm 90p each

Mounting kits: T03, T066 and T0220 all 4p per kit.

We now have an express telephone order service. We guarantee that all orders received before 5pm. are shipped first class on that day. Contact our Sales Office now! Telephone: 01-464 2951/5770.

ORDERS
DESPATCHED
BY RETURN
POST

Quantity discounts on any mix TTL, CMOS, 74LS and Linear circuits: 25+ 10%. 100+ 15%. Prices VAT inc. Please add 30p for carriage. All prices valid to 30th April 1979. Official orders welcome.

BARCLAYCARD AND ACCESS WELCOME.



Mail orders to: STEVENSON (Dept RE)

236 High St, Bromley, Kent, BR1 1PQ, England

TRANSISTORS

AC127	17p	BCY71	14p	ZTX109	14p
AC128	16p	BCY72	14p	ZTX300	16p
AC176	18p	BD131	35p	2N697	12p
AD161	38p	BD132	35p	3N1302	38p
AD162	38p	BD135	38p	2N2905	22p
BC107	8p	BD139	35p	2N2907	22p
BC108	8p	BD140	35p	2N3053	18p
BC109	8p	BF244B	36p	2N3055	50p
BC147	7p	BFY50	15p	2N3442	135p
BC148	7p	BFY51	15p	2N3702	8p
BC149	8p	BFY52	15p	2N3704	8p
BC158	9p	MJ2955	98p	2N3705	9p
BC177	14p	MPSA06	20p	2N3706	9p
BC178	14p	MPSA56	20p	2N3708	8p
BC179	14p	TIP29C	60p	2N3709	9p
BC182	10p	TIP30C	70p	2N3709	9p
BC182L	10p	TIP31C	65p	2N5457	32p
BC184	10p	TIP32C	80p	2N5458	30p
BC184L	10p	ZTX107	14p	2N5459	32p
BC212	10p	ZTX108	14p	2N5777	50p
BC212L	10p				
BC214	10p				
BC214	10p	1N914	4p	1N4148	3p
BC477	19p	1N4001	4p	1N5401	13p
BC478	19p	1N4002	4p	1N5402	15p
BC479	19p	1N4004	5p	1N5404	16p
BC548	10p	1N4006	6p	1N5406	18p
BCY70	14p				

DIODES

1N914	4p	1N4148	3p
1N4001	4p	1N5401	13p
1N4002	4p	1N5402	15p
1N4004	5p	1N5404	16p
1N4006	6p	1N5406	18p

BZY88 series 2V7 to 33V 8p each.

74LS

LS00	16p	LS95	65p
LS01	16p	LS123	56p
LS02	16p	LS125	40p
LS03	16p	LS126	40p
LS04	16p	LS132	60p
LS08	16p	LS136	36p
LS10	16p	LS138	54p
LS13	30p	LS139	50p
LS14	70p	LS151	50p
LS20	16p	LS153	50p
LS30	16p	LS155	80p
LS32	24p	LS156	80p
LS37	26p	LS157	45p
LS40	22p	LS164	90p
LS42	53p	LS174	60p
LS47	70p	LS175	60p
LS48	48p	LS190	80p
LS54	29p	LS192	70p
LS56	29p	LS193	70p
LS73	29p	LS196	80p
LS74	29p	LS251	60p
LS75	44p	LS257	55p
LS76	35p	LS258	55p
LS78	35p	LS266	40p
LS83	60p	LS283	60p
LS85	70p	LS290	55p
LS86	33p	LS365	45p
LS90	45p	LS366	45p
LS93	45p	LS367	45p
		LS368	45p
		LS386	35p
		LS670	180p

LINEAR

A SELECTION ONLY!
DETAILS IN CATALOGUE.

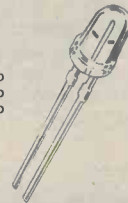
709	25p	LM324	50p	NE556	60p
741	22p	LM339	50p	NE565	120p
747	50p	LM380	75p	NE567	170p
748	30p	LM382	120p	SN76003	200p
CA3046	55p	LM1830	150p	SN76013	140p
CA3080	70p	LM3900	50p	SN76023	140p
CA3130	90p	LM3909	60p	SN76033	200p
CA3140	70p	MC1496	60p	TBA800	70p
LM301AN	28p	MC1458	35p	TDA1022	650p
LM318N	125p	NE555	25p	ZN414	75p

OPTO

LEDs	0.125in.	0.2in.	
Red	TIL209	TIL220	9p
Green	TIL211	TIL221	13p
Yellow	TIL213	TIL223	13p
Clips	3p	3p	

DISPLAYS

DL704	0.3 in CC	130p
DL707	0.3 in CA	130p
FND500	0.5 in CC	100p



RESISTORS

Carbon film resistors.
High stability, low noise 5%.

E12 series. 4.7ohms to 10M. Any mix:

	each	100+	1000+
0.25W	1p	0.9p	0.8p
0.5W	1.5p	1.2p	1p

Special development packs consisting of 10 of each value from 4.7 ohms to 1 Megohm (650 res.)
0.5W £7.50. 0.25W £5.70

CAPACITORS

HERE ARE JUST
A FEW OF THE
CAPACITORS STOCKED

TANTALUM BEAD

0.1, 0.15, 0.22, 0.33, 0.47, 0.68, 1 & 2.2uF @ 35V	each	9p
4.7, 6.8, 10uF @ 25V		13p
22 @ 16V, 47 @ 6V, 100 @ 3V		16p

MYLAR FILM

0.001, 0.01, 0.022, 0.033, 0.047		3p
0.068, 0.1		4p

RADIAL LEAD ELECTROLYTIC

63V	0.47	1.0	2.2	4.7	10	5p
			22	33	47	7p
						13p
			220			20p
25V	10	22	33	47		5p
	100					8p
		220				10p
			470			15p
						23p
10V		220				5p
			470			9p
		1000				13p
			2200			23p

TTL

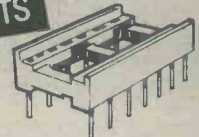
7400	12p	7493	34p
7401	12p	7494	52p
7402	12p	7495	52p
7404	12p	7496	50p
7408	14p	74121	25p
7410	12p	74122	33p
7413	25p	74123	40p
7414	48p	74125	35p
7415	25p	74126	35p
7416	25p	74132	50p
7417	25p	74141	56p
7418	25p	74148	90p
7419	25p	74150	70p
7420	12p	74151	50p
7421	12p	74156	52p
7422	14p	74157	52p
7423	14p	74164	70p
7424	14p	74165	70p
7425	14p	74170	125p
7426	14p	74174	68p
7427	14p	74177	58p
7428	14p	74190	72p
7429	14p	74191	72p
7430	12p	74192	64p
7431	12p	74193	64p
7432	12p	74196	55p
7433	12p	74197	55p

CMOS

FULL DETAILS
IN CATALOGUE

4001	15p	4029	60p
4002	15p	4040	68p
4007	15p	4042	54p
4011	15p	4046	100p
4013	35p	4049	28p
4015	60p	4050	28p
4016	35p	4066	40p
4017	35p	4068	20p
4018	65p	4069	16p
4023	15p	4071	16p
4024	45p	4075	16p
4026	95p	4093	48p
4027	35p	4510	70p
4028	52p	4511	70p
		4518	70p
		4520	65p

SKTS



Low profile by Texas

8 pin	10p	24 pin	24p
14 pin	12p	28 pin	28p
16 pin	13p	40 pin	40p

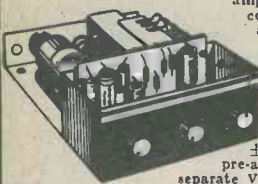
Soldercon pins: 100: 50p
1000: 370p

AT LAST! OUR
NEW 40 PAGE
CATALOGUE
OF COMPONENTS IS
AVAILABLE.
SEND S.A.E.



SUPERSOUND 13 HI-FI MONO AMPLIFIER

A superb solid state audio amplifier. Brand new components throughout. 5 Silicon transistors plus 2 power output transistors in push-pull. Full wave rectification. Output approx. 13 watts r.m.s. into 8 ohms. Frequency response 12Hz. 30KHz \pm 3db. Fully integrated pre-amplifier stage with separate Volume, Bass boost and Treble cut controls. Suitable for 8-15 ohm speakers. Input for ceramic or crystal cartridge. Sensitivity approx. 40mV for full output. Supplied ready built and tested, with knobs, escutcheon panel, input and output plugs. Overall size 3" high x 6" wide x 7 1/2" deep. AC 200/250V. PRICE £16.00. P. & P. £1.20.



HARVERSONIC MODEL P.A. TWO ZERO

An advanced solid state general purpose mono amplifier suitable for Public Address system, Disco, Guitar, Gram., etc. Features 3 individually controlled inputs (each input has a separate 2 stage pre-amp). Input 1, 15mV into 47k. Input 2, 15mV into 47k. (suitable for use with mic. or guitar etc.) Input 3 200mV into 1 meg. suitable for gram, tuner, or tape etc. Full mixing facilities with full range bass & treble controls. All inputs plug into standard jack sockets on front panel. Output socket on rear of chassis for an 8 ohm or 16 ohm speaker. Output in excess of 20 watts R.M.S. Very attractively finished purpose built cabinet made from black vinyl covered steel, with a brushed anodised aluminium front escutcheon. For ac mains operation 200/240V. Size approx. 12 1/2" w. x 5" h. x 7 1/2" d.



Special introductory price £28.00 + £2.50 carr & pkg.

HARVERSONIC STEREO 44

A solid state stereo amplifier chassis, with an output of 3-4 watts per channel into 8 ohm speakers. Using the latest high technology integrated circuit amplifiers with built in short term thermal overload protection. All components including rectifier smoothing capacitor, fuse, tone control, volume controls, 2 pin din speaker sockets and 5 pin din tape rec./play socket are mounted on the printed circuit panel, size approx. 9 1/2" x 2 1/2" x 1" max. depth. Supplied brand new and tested, with knobs, brushed anodised aluminium 2 way escutcheon (to allow the amplifier to be mounted horizontally or vertically), at only £10.00 plus 50p P. & P. Mains transformer with an output of 17V a/c at 500 mA can be supplied at £2.00 plus 40p P. & P. if required. Full connection details supplied.

BRAND NEW MULTI-RATIO MAINS TRANSFORMERS. Giving 13 alternatives. Primary: 0-210-240V. Secondary combinations 0-5-10-15-20-25-30-35-40-60V. half wave at 1 amp, or 10-10-10, 20-20-20, 30-30-30V. at 2 amps full wave. Size 3in. long x 3 1/2in. wide x 3in. deep. Price £3.20 P. & P. £1.20.

MAINS TRANSFORMER. For power supplies. Pri. 200/240V. Sec. 9-0-9 at 500 mA. £1.80 P. & P. 65p. Pri. 200/240V. Sec. 12-0-12 at 1 amp. £2.00 P. & P. 65p. Pri. 200/240V. Sec. 10-0-10 at 2 amp. £2.70 P. & P. 90p. Pri. 200/240V. Sec. 23V. at 1.5 amp, 6V at .6 amp, 8V. at 50 mA. £2.25 + 60p P. & P.

MAINS TRANSFORMER. Pri. 0, 110 and 240 Sec. 28V at 1.8 amps. Also tapped at 12V, 3 amp. Size 2 1/2in hx 3 1/2in w x 2 1/2in d. £2.50 + f1 P. & P.

ALL PURPOSE POWER SUPPLY UNIT 200/240V. A.C. input. Four switched fully smoothed D.C. outputs giving 6V, and 7 1/2V, and 9V, and 12V. at 1 amp on load. Fitted insulated output terminals and pilot lamp indicator. Hammer finish metal case overall size 6" x 3 1/2" x 2 1/2". Ready built and tested. Price £6.75. P. & P. 95p

STEREO-DECODER SIZE, 2" x 3" x 1 1/2"

Ready-built. Pre-aligned and tested. Sens. 20-500mV for 9-16V neg. earth operation. Can be fitted to almost any FM VHF radio or tuner. Stereo beacon light can be fitted if required. Full details and instructions (inclusive of bins and tips) supplied. £8.00 plus 20p P. & P. Stereo beacon light if required 40p extra.

QUALITY RECORD PLAYER AMPLIFIER MK. II
A top quality record player amplifier employing heavy duty double wound mains transformer, ECC83, EL84, and rectifier. Separate Bass, Treble and Volume controls. Complete with output transformer matched for 3 ohm speaker. Size 7in wide x 3in deep x 6in high. Ready built and tested. PRICE £7.00. P. & P. £1.25
ALSO AVAILABLE mounted on board with output transformer and speaker. PRICE £8.00. P. & P. £1.30.

Open 9.30-5.30 Monday to Friday, 9.30-5 Saturday
Closed Wednesday.
Prices and specifications correct at time of press. Subject to alteration without notice

MAINS OPERATED SOLID STATE AM/FM STEREO TUNER

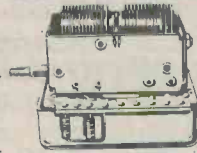


200/240V Mains operated Solid State A/M F/M Stereo Tuner. Covering M.W. A.M. 540-1605 KHZ, VHF/FM 88-108 MHz. Built-in Ferrite rod aerial for M.W. Full AFC and AGC on AM and FM. Stereo Beacon Lamp Indicator. Built-in Pre-amps with variable output voltage adjustable by pre-set control. Max o/p Voltage 600 mV RMS into 20K. Simulated teak finish cabinet. Will match almost any amplifier. Size 8 1/2" w. x 4" h. x 9 1/2" d. approx. LIMITED NUMBER ONLY at £28.00 + £1.50 P. & P.

SPECIAL OFFERS

Mullard LP1169 RF-IF Double Tuned Amplifier Module for nominal 470kHz. Size approx. 2 1/2" x 1 1/2" x 2 1/2" 7-6V + earth. Brand new pre-aligned. Full specification and connection details supplied. £2.25 + P. & P. 20p.

Fye VHF/FM Tuner Head covering 88-108MHz. 10-7MHz IF output 7-8V + earth. Supplied pre-aligned, with full circuit diagram. Connection details supplied. Beautifully made with precision-gear FM Gang and 323 Pf + 323 Pf AM Tuning Gang only £3.15 + P. & P. 35p.



PRECISION MADE
Push Button Switch bank. 8 Buttons giving 16 B/P C/O interlocked switches plus 1 Cancel Button Plus 3 d/p c/o. Overall size 5" x 2 1/2" x 1". Supplied complete with chrome finished switch buttons 2 for £1.00 + 20p, P. & P.

SPECIAL OFFER Limited number only!

New but very slightly shop soiled transistor radios by well known manufacturer. Very smart and attractive, vinyl covered with carrying handle.

Two models available:
AC mains or battery operated and covering VHF/FM and MW bands. £10.00 + £1.30 p&p

Similar to above but battery operation only. Five wavebands, MW, FM, SW and two VHF bands for reception of aircraft and some public service systems. £11.00 + £1.30 p&p

Size (either model), 7in.H x 9 1/2in.W x 4in.D approx. Both types have telescopic aerials for VHF/FM reception and internal ferrite aerials for AM bands, also earphone socket for personal listening. Either model uses four HP11 or SP11 batteries (not supplied).

LOUDSPEAKER BARGAINS

5in. 3 ohm £2.20, P. & P. 35p. 7 x 4in. 3 ohm £2.80, P. & P. 45p. 10 x 6in. 3 or 15 ohm £3.65, P. & P. 75p. 8 x 5in. 3 ohm with high flux magnet £3.80, P. & P. 90p. Tweeter. Approx. 3". Available 3 or 8 or 15 ohms, £2.20, 30p P. & P.

2" PLASTIC CONE HF TWEETER 4 ohm, £2.50 per matched pair + 50p P. & P.

HIGH POWER HI-FI 8 ohm Dome Tweeter. 1" voice coil. Magnet size 3" dia. Suitable for use in up to 50 watt systems. £4.50 each + 60p P. & P.

VYNAIR & REXINE SPEAKERS & CABINET FABRICS app. 54 in. wide. Our price £2.00 yd. length. P. & P. 50p per yd. (min. 1 yd.). S.A.E. for samples.

"POLY PLANAR" WAFER-TYPE, WIDE RANGE ELECTRO-DYNAMIC SPEAKER
Size 11 1/2" x 14 1/2" x 1 1/2" deep. Weight 19oz. Power handling 20W r.m.s. (40W peak). Impedance 8 ohm only. Response 40Hz-20kHz. Can be mounted on ceilings, walls, etc. and used with or without baffle. Send S.A.E. for details. Only £8.40 each. P. & P. 90p for one, £1.10 for two. Now available in either 8" round version or 4 1/2" x 8 1/2" rectangular 10 watts R.M.S. 60Hz-20KHz £5.25 + P. & P. (one 65p, two 75p)

SONOTONE 9TAHC COMPATIBLE STEREO CARTRIDGE
T/O stylus Diamond Stereo LP and Sapphire 78. ONLY £2.50 P. & P. 20p. Also available fitted with twin, Diamond T/O stylus for Stereo LP. £3.00 P. & P. 120p.
LATEST CRYSTAL T/O STEREO/COMPATIBLE CARTRIDGE for EP/LP/Stereo 78. £2.00 P. & P. 20p
LATEST T/O MONO COMPATIBLE CARTRIDGE for playing EP/LE/78 mono or stereo records on mono equipment. Only £2.00. P. & P. 20p.
STEREO MAGNETIC PRE-AMP sens. 3mV in for 100mV out 15 to 35V neg earth. Equ. \pm 1db. From 20 Hz to 20 KHz. Input impedance 47k. Size 1 1/2in x 2 1/2in x 5 1/2in. £2.60 + 20p P. & P.

HARVERSONIC SUPER SOUND 10 + 10 STEREO AMPLIFIER KIT



A really first-class Hi-Fi Stereo Amplifier Kit. Uses 14 transistors including Silicon Transistors in the first five stages on each channel resulting in even lower noise level with improved sensitivity. Integrated pre-amp with Bass, Treble and two Volume Controls. Suitable for use with Ceramic or Crystal cartridges—instructions included. Very simple to modify to suit magnetic cartridge—instructions included. Output stage for any speakers from 8 to 15 ohms. Compact design, all parts supplied including drilled metal work, high quality ready drilled printed circuit board with component identification clearly marked, smart brushed anodised aluminium front panel with matching knobs, wire, solder, nuts, bolts—no extras to buy. Simple step by step instructions enable any constructor to build an amplifier to be proud of. Brief specifications: Power output: 14 watts r.m.s. per channel into 8 ohms. Frequency response \pm 3dB 12-30,000 Hz Sensitivity: better than 80mV into 1M Ω . Full power bandwidth: \pm 3dB 12-15,000 Hz. Bass, boost approx. to \pm 12dB. Treble cut approx. to \pm 16dB. Negative feedback 18dB over main amp. Power requirements 35v. at 1.0 amp. Overall Size 12" w. x 8" d. x 2 1/2" h.

Fully detailed 7 page construction manual and parts list free with kit or send 25p plus large S.A.E.
AMPLIFIER KIT £14.50 P. & P. 80p
MAGNETIC input components 33p extra
POWER PACK KIT £8.00 P. & P. 95p
CABINET £8.00 P. & P. 95p

Special offer — only £25.00 if all 3 units ordered at one time plus £1.25 P. & P.

Full after sales service
Also available ready built and tested £31.25. P. & P. £1.50.



3-VALVE AUDIO AMPLIFIER HA34 MK II.

Designed for Hi-Fi reproduction of records. A.C. Mains operation. Ready built on plated heavy gauge metal chassis, size 7 1/2" w. x 4" d. x 4 1/2" h. Incorporates ECC83, EL84, EZ80 valves. Heavy duty, double wound mains transformer and output transformer matched for 3 ohm speaker. Separate volume control and now with improved wide range tone controls giving bass and treble lift and cut. Negative feedback line. Output 4 1/2 watts. Front panel can be detached and leads extended for remote mounting of controls. Complete with knobs, valves, etc., wired and tested for only £8.50. P. & P. £1.40.

HSL "FOUR" AMPLIFIER KIT. Similar in appearance to HA34 above but employs entirely different and advanced circuitry. Complete set of parts, etc. £8.00. P. & P. £1.40.

10/14 WATT HI-FI AMPLIFIER KIT

A stylishly finished monaural amplifier with an output of 14 watts from 2 EL84s in push-pull. Super reproduction of both music and speech, with negligible hum. Separate inputs for mike and gram. flow records and announcements to follow each other.

Fully shrouded section wound output transformer to match 3-15 Ω speaker and 2 independent volume controls, and separate bass and treble controls are provided giving good lift and cut. Valve line-up 2 EL84s, ECC83, EF56 and EZ80 rectifier. Simple instruction booklet 25p x S.A.E. (Free with parts). All parts sold separately. ONLY £18.50. P. & P. £1.40. Also available ready built and tested. £20.00. P. & P. £1.40.

SPECIAL LINES OFFERED SUBJECT TO STOCK AVAILABILITY

Limited number of British Manufacturer's Surplus professional 100 watt RMS Slave amplifiers. Special features: 2 separate power modules, 1 for Bass response, and 1 for mid. range/tweeter, 5 stage LED display for power o/p indication. A/c mains i/p switchable for 110 or 240V. Can easily be converted to stereo.
AVAILABLE TO PERSONAL CALLERS ONLY—LEASE PHONE TO CONFIRM AVAILABILITY.
Brand new and tested only £33.75.

OUR PRICES INCLUDE VAT AT CURRENT RATES

HARVERSON SURPLUS CO. LTD.

(Dept. REC) 170 MERTON HIGH ST., MERTON, LONDON, SW.19. Tel: 01-540 3985.

A few minutes from South Wimbledon Tube Station

SEND SAE WITH ALL ENQUIRIES. FOR PERSONAL CALLERS ONLY: WE CAN NOW OFFER A FULL REPAIR SERVICE ON ALL HI-FI EQUIPMENT, DISCO, CASSETTES, CAR RADIO, ETC.

(Please write clearly)

PLEASE NOTE: P. & P. CHARGE QUOTED APPLY TO U.K. ONLY. P. & P. ON OVERSEAS ORDERS CHARGED EXTRA.

OSTS

Since AMBIT introduced the "One Stop Technology Shop" to our service, we have been pleased to see just how many users of electronic components appreciate our guarantee to supply goods only from BS9000 approved sources. More than ever, professional and amateur electronics engineers cannot afford to waste time on anything less than perfect pedigree products.

SEE THE AMBIT AD TOOL

CD 4000 CMOS

4000	17p	4059	563p	4522	149p
4001	17p	4060	115p	4527	157p
4002	17p	4063	109p	4528	102p
4006	109p	4066	53p	4529	141p
4007	18p	4067	400p	4530	90p
4008	80p	4068	25p	4531	141p
4009	58p	4069	20p	4532	125p
4010	59p	4070	20p	4534	614p
4011	17p	4071	20p	4536	380p
4012	17p	4072	20p	4538	150p
4013	55p	4073	20p	4539	110p
4016	52p	4075	20p	4541	141p
4017	80p	4076	90p	4543	174p
4018	80p	4077	20p	4549	399p
4019	60p	4078	20p	4553	440p
4020	93p	4081	20p	4554	153p
4021	82p	4082	20p	4555	77p
4022	90p	4085	82p	4557	386p
4023	17p	4086	82p	4558	117p
4024	76p	4089	150p	4559	388p
4025	17p	4093	50p	4560	218p
4026	180p	4094	190p	4561	65p
4027	55p	4096	105p	4562	530p
4028	72p	4097	372p	4566	159p
4029	100p	4098	110p	4568	281p
4030	50p	4099	122p	4569	303p
4031	250p	4160	90p	4572	25p
4032	100p	4161	90p	4580	600p
4033	145p	4162	90p	4581	319p
4034	200p	4163	90p	4582	164p
4035	120p	4174	104p	4583	84p
4036	250p	4175	95p	4584	63p
4037	100p	4194	23p	4585	100p
4038	105p	4501	91p		
4039	250p	4502	91p		
4040	83p	4503	69p		
4041	90p	4506	51p		
4042	85p	4507	55p		
4043	85p	4508	248p		
4044	80p	4510	99p		
4045	150p	4511	149p		
4046	130p	4512	98p		
4047	99p	4513	206p		
4048	60p	4514	260p		
4049	55p	4515	300p		
4050	55p	4516	125p		
4051	85p	4517	382p		
4052	65p	4518	103p		
4053	65p	4519	57p		
4054	120p	4520	109p		
4055	135p	4521	236p		

Micromarket

8800 series	8216	1.95	2114	£10
8800P	8224	3.50	2708	£10.55
8820P	8228	4.78		
8850P	8251	6.25		
6810P	8255	5.40		
8852	3.65			
MEMORIES				
2102	£1.70			
2112	£3.40			
2513	£7.54			
4027	£5.78			

PRICES SLASHED

TTL: Standard AND LP Schottky

	'N'	'LSN'	'N'	'LSN'	'N'	'LSN'	'N'	'LSN'	LSN			
7400	13	20	7455	35	24	74126	57	44	74185	134	74377	124
7401	13	20	7460	17		74128	74		74188	275	74378	93
7402	14	20	7463			74132	73		74190	115	74379	130
7403	14	20	7470	28		74133			74191		74386	37
7404	14	24	7472	28		74136			74192	105	74390	140
7405	18	26	7473	32		74138			74193	105	74395	139
7406	38		7474	27	38	74139			74194	105	74396	133
7407	38		7475	38	40	74141	56		74195	95	74398	180
7408	17	24	7476	37		74142	265		74197	85	74399	150
7409	17	24	7478			74143	312		74198	150	74447	90
7410	15	24	7480	48		74144	312		74199	160	74490	140
7411	20	24	7481	86		74145	65		74248		74468	110
7412	17	24	7482	69		74147	175		74249		74567	249
7413	30	52	7483A			74148	109		74251	93	MISCELLANY	
7414	51	130	7484	97		74150	99		74251	90	74253	105
7415	30	24	7485	104	99	74151	64	84	74253	105	74257	108
7416	30		7486		40	74153	64	54	74258	153	74259	420
7417	30		7489		205	74154	96		74260	153	74261	353
7420	16	24	7490	33	90	74155	80	110	74261	153	74262	40
7421	29	24	7491	76	110	74156	80	110	74262	40	74263	124
7422	24	24	7492	38	78	74157	67	55	74263	124	74264	312
7423	27		7493	32	99	74158	210		74264	312	74265	52
7425	27		7494	78		74159	210		74265	52	74266	124
7426	36	27	7495A	65	99	74160	82	130	74266	124	74267	124
7427	27	29	7496	58	120	74161	92	78	74267	124	74268	124
7428	35	32	7497	185		74162	92	78	74268	124	74269	124
7430	17	24	74100	119		74163	92	78	74269	124	74270	124
7432	25	24	74104	63		74164	104		74270	124	74271	124
7433	40	32	74105	62		74165	105		74271	124	74272	124
7437	40	24	74107	32	38	74166			74272	124	74273	124
7438	33	24	74109	63	38	74167	20		74273	124	74274	124
7440	17	24	74110	54		74168			74274	124	74275	124
7441	74		74111	68		74169		200	74275	124	74276	124
7442	70	99	74112	88		74170	230	200	74276	124	74277	124
7443	115		74113		38	74172	625		74277	124	74278	124
7444	112		74114		38	74173	170		74278	124	74279	124
7445	94		74116	198		74174	87	120	74279	124	74280	124
7446	94		74118	83		74175	87	110	74280	124	74281	124
7447	82		74119	119		74176	75		74281	124	74282	124
7448	56	99	74120	115		74177	78		74282	124	74283	124
7449	17	99	74121	25		74180	85		74283	124	74284	124
7450	17		74122	46		74181	165	350	74284	124	74285	124
7451	17	24	74123	48		74182	160		74285	124	74286	124
7453	17		74124			74183		210	74286	124	74287	124
7454	17	24	74125	38	44	74184	135		74287	124	74288	124

Voltage Regs

NEW LOW PRICES	
7800 series UC TO220 package 1A	all 95p
7900 series UC TO220 package 1A	all £1
78MUC series TO220 package 1/2A	all 90p
78LCP series TO92 100mA	all 35p
L200 up to 3A/adjustable V&A	195p
78MGT2C 2amp adjustable volts	175p
79MGT2C 2amp adjustable volts	175p
723C precision controller	65p
MAINS FILTERS FOR NOISE/RFI etc	
1 amp in IEC connector	£4.83
5 amp in 'wire in' case	£3.87
NE550A	73p

LINEARS non-consumer

BIMOS			
CA3130E	84p	LM339N	66p
CA3130T	90p	LM348N	186p
CA3140E	35p	LM3900N	60p
CA3140T	72p	709HC to5	64p
CA3160E	90p	709PC di	36p
CA3160T	90p	710HC to5	65p
		710PC di	59p
Op amps		723CN	65p
LM301AH	67p	741CN to5	66p
LM301AN	30p	741CN 8di	27p
LM308H	121p	747CN	70p
LM308N	97p	748CN	36p
LM318H	279p	NE531T	120p
LM318N	224p	NE531N	105p

OPTO 7 seg displays

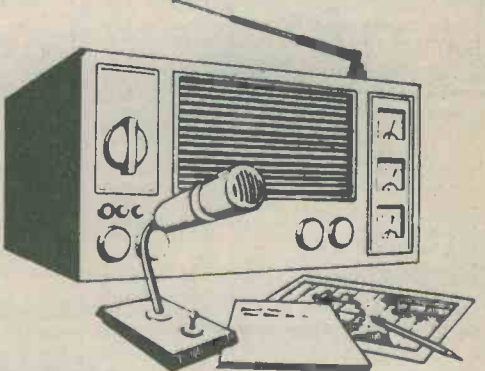
0.43" High Efficiency HP:		
5082-7650	red CA	} 233p
5082-7653	red CC	
5082-7660	yellow CA	
5082-7663	yellow CC	
5082-7670	green CA	
5082-7673	green CC	
0.3" Standard HP		
5082-7730	red CA	} 147p
5082-7740	red CC	
0.5" Fairchild		
FND500	red CC	150p
FND507	red CA	150p

The ICL7216BPI is still the cheapest way to make a full 8 digit 10MHz frequency counter/timer, and with 10 external components & display - it is also one of the simplest. For £19.82, it takes a lot of beating. The mains filters have been extended now to include a 6amp IEC version at £5.10, and with the amount of electronic noise on the average supply (next door's fridge, for instance) it is a really worthwhile addition to any sensitive equipment. LPSN TTL now includes many more of latest types, all - of course - are absolutely prime first quality types. And don't forget our range of OPTO displays includes Hewlett Package high efficiency 0.43" types in all colours - renowned as the finest quality in the market. For other types of component - discrete LEDs, radio and audio devices, tuner modules, kits etc., see our other advertisement for more details - or send for the AMBIT catalogue system. Part one (45p) includes details of our background 'standard' items, and the new part two includes all the latest introductions and developments, plus a rundown on OSTs.

2 Gresham Road, Brentwood, Essex.

Electronics. Make a job of it....

Enrol in the BNR & E School and you'll have an entertaining and fascinating hobby. Stick with it and the opportunities and the big money await you, if qualified, in every field of Electronics today. We offer the finest home study training for all subjects in radio, television, etc., especially for the CITY AND GUILDS EXAMS (Technicians' Certificates), the Grad. Brit. I.E.R. Exam, the RADIO AMATEUR'S LICENCE, P.M.G. Certificates; the R.T.E.B. Servicing Certificates; etc. Also courses in Television; Transistors; Radar; Computers; Servo-mechanisms; Mathematics and Practical Transistor Radio course with equipment. We have OVER 20 YEARS' experience in teaching radio subjects and an unbroken record of exam successes. We are the only privately run British home study College specialising in electronics subjects only. Full details will be gladly sent without any obligation.



Become a Radio Amateur.

Learn how to become a radio-amateur in contact with the whole world. We give skilled preparation for the G.P.O. licence.

Free!

Brochure without obligation to:

RFI 3 79

British National Radio & Electronic School

P.O. Box 156, Jersey, Channel Islands.

NAME _____

ADDRESS _____

Block caps please

THIS is the Catalogue you need to solve your component buying problems!



Many people have called it "the finest components catalogue yet published." Others call it "the electronic constructor's Bible." Whatever you call it, at £1.25 including packing and postage, the Home Radio Components catalogue is a wonderful bargain. Just look at these features...

- About 2,500 items clearly listed and indexed
 - Profusely illustrated
 - 128 A-4 size pages, bound in full-colour cover
 - Bargain List of unrepeatable offers included free
 - Catalogue contains details of simple Credit Scheme
- Send the coupon today with cheque or P.O. for £1.25

Please write your Name and Address in block capitals

NAME
ADDRESS



POST THIS COUPON
WITH CHEQUE OR P.O. FOR
£1.25

HOME RADIO (Components) LTD., Dept. RC
234 240 London Road, Mitcham, Surrey CR4 3HD
Regd. No. 912966, London

HOME RADIO (Components) LTD. Dept. RC, 234-240 London Road, Mitcham, CR4 3HD. Phone: 01-648 8422

ambit international [®]

The PW Sandbanks Metal Locator: a kit based on this recently published design for this uniquely effective type of metal locator is available for only £35.00 + 8% VAT. The kit closely resembles the appearance as published, except that a close fitting injection moulded housing replaces the vacuum moulded electronics box - to improve the environmental suitability of the construction. Carriage for complete kits £1.

The New Catalogue - "Tecknowledgy Part 2"

Part 2 of the catalogue: by the time this advert reaches the press, part 2 should be on sale. Sorry it's late, but it contains so many new and interesting things that we felt we had to hold up production to include them. Part three by the autumn - and already there are many new items to go in! Part one 45p, part 2 50p. (inc PP etc).

Radio ICs		Discrete devices: more than ever:
TDA1062	HF/VHF tunerhead	1.95
TDA1083	One chip AM/FM rx	1.95
TDA1090	One chip HiFi am/fm	3.35
TDA1220	One chip am/fm rx	1.75
HA1137W	HiFi AM tuner IC	1.40
CA3123E	AM tuner IC	1.40
TBA651	AM tuner IC	1.81
CA3089E	Famous FM IF system	1.94
CA3189E	As 3089+ deviation mute	
	AF preamp, adj, agc	2.75
HA1137W	Improved S/N 3089	2.20
TBA120	limiting amp+detector	0.75
TBA120S	high gain	1.00
MC1350P	agc'd IF preamp	1.20
MC1330P	synch AM/video detector	1.35
KB4406	Cascade IF preamp	0.65
uA753	limiting FM preamp	1.95

Communications circuits		Misc. ICs for radio audio applications		
SD6800	DMOS RF/Mixer pair	U2378	5 LED bargraph driver	0.80*
KB4412	Bal mixers, IF +agc	SAS6610	4 station touch tune IC	1.48*
KB4413	AM/SSB det, squelch, agc	SAS6710	adds 4 stations to 6610	1.48
KB4417	mic processor	MSM5523/4	LW, MW, SW and FM digital frequency readout plus clock, timers, stopwatch	£14*
MC3357	best thing in NBFM yet	MSM5526	LW/MW/FM DFM with direct drive for LCD	£11*
MC1496P	popular double bal mixer	TCA730	DC volume control	3.50
Multiplex decoders + noise blanker:		TCA740	DC tone control	3.50
MC1310P	popular PLL decoder	TDA1028	DC input switch	3.50
uA758	buffered 1310	TDA1029	DC mode switch	3.50
CA3090AO	RCA PLL decoder			
HA1196	improved PLL decoder with stereo preamps			
HA11223	19kHz pilot cancel, low distortion, high S/N as HA11223 with remote VCO kill facility			
KB4437	stereo MUTING preamp for post decoder mute			
KB4438	impulse noise blanker			

Radio and Tuner modules.
We cannot really list all the details we would like to here - but with advent of the new mark 3 tuner system, the Dorchester and matching AF units, Ambit offers you the widest choice ever, plus hardware and styling that matches the very high standards we have set in this new range.

At last, DIY HiFi which looks as if it isn't.

That's not to say it doesn't look like HiFi - just that it doesn't look like the usual sort of thing you have come to associate with DIY HiFi. The Mk3 outstrips and outperforms all British made HiFi tuners, and most imported ones too. Certainly at the price, there isn't one near it. But more than that, it looks superb - a small pic here would be an insult, so send an SAE for details on the kit that looks as if it isn't. It's something else.....

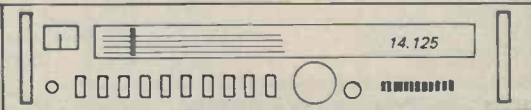
- ★ Exceptionally high performance - exceptionally straightforward assembly
- ★ Baseboard and plug-in construction. Future circuit developments will readily plug in, to keep the MkIII at the forefront of technical achievement
- ★ Various options and module line-ups possible to enable an installation approach to the system

and now previewing the matching 60W/channel VMOS amplifier:

- ★ Matching both the style and design concepts of the MkIII HiFi FM tuner
- ★ Hitachi VMOS power fets - characterized especially for HiFi applications
- ★ Power output readily multiplied by the addition of further MOSFETs
- ★ VU meters on the preamp - not simply dancing according to vol level
- ★ Backed with the usual Ambit expertise and technical capacity in audio

The PW Dorchester LW, MW, SW, & FM stereo tuner

THE DIGITAL DORCHESTER ALL BAND TUNER



With styling and dimensions to fit in with the rest of AMBIT's new range of tuner & audio equipment.

When the new range of OKI digital frequency display ICs was announced, the original prototype of the Dorchester had been made - but since so many of you wanted to use the OKI frequency counter/display system with the Dorchester, we quickly designed a unit to incorporate the necessary facilities. The Digital Dorchester is designed in 19 inch form, and forms a perfect match for the other units in the range. If you don't want to go to the expense of the full Ambit DFM1 module, with AM/FM/Time/Timers, then the MA1023 clock module can be used instead.

The Dorchester has been described in PW Dec., Jan. and Feb. issues - but for those of you who may have missed it - it is an All Band broadcast tuner, covering LW MW SW and FM stereo in 6 switched ranges. Construction is very straightforward, with all the switching being PCB mounted - and the revolutionary TDA1090 IC used for AM FM.

The electronics for the radio section of the Dorchester remain unchanged at £33.00 with 12.5% VAT. The hardware package, of case, meter, PSU now costs £33.00 - 8% with the MA1023 available for an extra £5 only.

For the fully digital version, with Ambit DFM1, the price is £56.50 - 8% VAT

2 Gresham Road, Brentwood, Essex.

TERMS etc: CWO please, VAT on Ambit Items is generally 12%, except where marked (*). Catalogue part 1: 45p, part 2: 50p all inclusive. Postage 25p per order, carriage on tuner kits £3. Phone Brentwood (02771) 216029/227050 9am-7pm. Callers welcome inc. Saturdays.

It's W-W-WINTER S-S-S

74 SERIES TTL IC'S

Type	Price	Type	Price	Type	Price	Type	Price	Type	Price
7440	£0.07	7427	£0.21	7472	£0.19	74107	£0.22	74165	£0.85
7401	£0.07	7428	£0.28	7473	£0.22	74110	£0.38	74166	£0.76
7402	£0.09	7430	£0.08	7474	£0.22	74111	£0.88	74167	£2.00
7403	£0.09	7432	£0.20	7475	£0.27	74118	£0.78	74174	£0.80
7404	£0.09	7433	£0.28	7476	£0.22	74119	£1.10	74175	£0.80
7405	£0.09	7437	£0.20	7480	£0.40	74121	£0.22	74176	£0.88
7406	£0.28	7438	£0.20	7481	£0.80	74122	£0.35	74177	£0.88
7407	£0.22	7440	£0.10	7482	£0.85	74123	£0.38	74180	£0.80
7408	£0.12	7441	£0.45	7483	£0.55	74136	£0.50	74181	£1.25
7409	£0.12	7442	£0.38	7484	£0.82	74141	£0.80	74182	£0.55
7410	£0.09	7443	£0.88	7485	£0.85	74145	£0.54	74184	£1.00
7411	£0.18	7444	£0.58	7486	£0.22	74150	£0.85	74189	£0.88
7412	£0.18	7445	£0.84	7489	£1.80	74151	£0.48	74191	£0.88
7413	£0.22	7446	£0.80	7490	£0.30	74153	£0.45	74192	£0.88
7414	£0.46	7447	£0.45	7491	£0.80	74154	£0.80	74193	£0.60
7416	£0.22	7448	£0.82	7492	£0.32	74155	£0.48	74194	£0.88
7417	£0.22	7450	£0.09	7493	£0.28	74156	£0.48	74195	£0.88
7420	£0.09	7451	£0.09	7494	£0.70	74157	£0.48	74196	£0.80
7421	£0.19	7452	£0.09	7495	£0.45	74160	£0.55	74197	£0.58
7422	£0.18	7453	£0.09	7498	£0.48	74161	£0.60	74198	£1.00
7425	£0.18	7454	£0.09	74100	£0.80	74162	£0.60	74199	£1.00
7426	£0.21	7470	£0.24	74105	£0.35	74163	£0.80	74279	£1.00
						74164	£0.88		

COMOS I.C.'s

Type	Price	Type	Price	Type	Price	Type	Price
CD4000	£0.12	CD4017	£0.85	CD4031	£1.80	CD4055	£1.00
CD4001	£0.13	CD4018	£0.70	CD4035	£0.80	CD4056	£1.18
CD4002	£0.13	CD4019	£0.38	CD4037	£0.78	CD4069	£0.15
CD4008	£0.80	CD4020	£0.80	CD4040	£0.78	CD4070	£0.18
CD4007	£0.14	CD4022	£0.78	CD4041	£0.88	CD4071	£0.18
CD4008	£0.80	CD4023	£0.13	CD4042	£0.88	CD4072	£0.18
CD4009	£0.40	CD4024	£0.55	CD4043	£0.78	CD4081	£0.18
CD4010	£0.42	CD4025	£0.88	CD4044	£0.78	CD4082	£0.18
CD4011	£0.13	CD4026	£1.00	CD4045	£1.18	CD4083	£0.80
CD4012	£0.14	CD4027	£0.45	CD4046	£0.95	CD4511	£0.80
CD4013	£0.35	CD4028	£0.80	CD4047	£0.78	CD4518	£0.88
CD4014	£0.70	CD4029	£0.78	CD4049	£0.35	CD4519	£0.88
CD4015	£0.30	CD4030	£0.40	CD4050	£0.35	CD4520	£0.88
CD4016	£0.78			CD4054	£0.95		

BOOKS BY BABANI

The following books are offered at 10% off their normal retail price

	Normal Price	Sale Price
BP6 Engineers & Machinists Ref. Tables	£0.50	£0.45
BP14 2nd Book of Transistor Equivs & Subs.	£1.10	£0.99
BP22 75 Electronic Novelty Circuits	£0.75	£0.68
BP24 52 Projects using IC741 (or equivs)	£0.95	£0.88
BP26 Radio Antenna Handbook for Long Distance Reception & Transmission	£0.85	£0.77
BP27 Giant Chart of Radio Electronics Semiconductor & Logic Systems	£0.60	£0.54
BP32 How to Build Your Own Metal & Treasure Locators	£1.00	£0.90
BP34 Practical Repair & Renovations of Colour TVs	£0.95	£0.88
BP35 Handbook of IC Audio Pre-amplifier & Power Amplifier Construction	£0.80	£0.72
BP36 50 Circs. Using Germanium/Silicon Diodes	£0.75	£0.68
BP37 50 Projects Using Relays/SCRs/Triacs	£1.10	£0.99
BP39 50 (FET) Field Effect Trans. Projects	£1.25	£1.13
BP40 Digital IC Equivs. & Pin Connections	£2.50	£2.28
BP41 Lin IC Equivs & Pin Connections	£2.25	£2.02
BP42 50 Simple LED Circuits	£0.75	£0.68
BP43 How to Make Walkie Talkies	£1.25	£1.13
BP44 IC 555 Timer Projects	£1.45	£1.31
BP45 Projects in Opto-electronics	£1.45	£1.31
BP46 Radio Circuits Using IC's	£1.35	£1.22
BP47 Mobile Disco Handbook	£1.35	£1.22
BP48 Electronic Projects for Beginners	£1.35	£1.22
BP49 Popular Electronic Projects	£1.35	£1.22
BP50 IC LM3300 Projects	£1.35	£1.22
BP55 Radio Stations Guide	£1.45	£1.31
BP180 Coll Design & Constructor Manual	£0.75	£0.68
BP202 Handbook of IC's Equivs & Subs	£1.00	£0.90
BP205 1st Book of Hi-Fi Loudspeaker Enclosures	£0.75	£0.68
BP213 Electronic Circuits for Model Railways	£0.85	£0.77
BP216 Shortwave Circuits — Gen for Experiments & Radio Hams	£0.85	£0.77
BP216 Electronic Gadgets & Games	£0.85	£0.77
BP217 Solid State Power Supply Handbook	£0.85	£0.77
BP221 28 Testad Translator Projects	£0.95	£0.88
BP222 Solid State Shortwave Receivers for Beginners	£0.95	£0.88
BP223 50 Projects using IC CA3130	£0.95	£0.88
BP224 50 CMOS IC Projects	£0.95	£0.88
BP225 A Practical Intro. to Digital IC's	£1.20	£1.08
BP226 How to Build Advanced Short Wave Receivers	£1.25	£1.13
BP227 Beginners Guide to Building Electronic Projects	£1.25	£1.13
BP228 Essential Theory for the Electronics Hobbyist	£1.25	£1.13
RCC Resistor Colour Code Disc Calculator	£0.10	£0.09

VPS30 VARIABLE REGULATED STABILISED POWER SUPPLY MODULE

Incorporating a short circuit protection and current limiting:
 Voltage Regulation 2-30V
 Regulated Current 0-2A
 AC Input Maximum 25V
 Eliminates the use of batteries and thus saves £'s — can be used time and time again.

ONLY £7.50 plus V.A.T.

BRAND NEW

ITT 923 Silicon Diodes
 200mA 200V
 100 off — £2.00
 500 off — £9.00
 1000 off — £15.00
 10,000 off — £130.00

P.C. BOARD

Single-Sided
 Fibre Glass Board

S143 12 in. x 3 3/4 in. approx 2 pcs
 £0.80

THYRISTORS

No. THY1A/50	1 Amp.	50 volt	T05	18p
No. THY1A/400	1 Amp.	400 volt	T05	32p
No. THY3A/50	3 Amp.	50 volt	T064	25p
No. THY3A/200	3 Amp.	200 volt	T064	32p
No. THY3A/400	3 Amp.	400 volt	T064	40p
No. THY5A/50	5 Amp.	50 volt	T066	25p
No. THY5A/400	5 Amp.	400 volt	T066	40p
No. THY5A/600	5 Amp.	600 volt	T066	50p
No. C106/4	6 Amp.	400 volt	T0220	42p

TRIAC

S84 8 Amp. 400 volt T0220 Plastic 80p

DIACS

ITT V413 eqvt 12p
 BR100 D32 each 12p

CAPACITOR PAKS

16201	18 Electrolytics	4.7uF-10uF	
16202	18 Electrolytics	10uF-100uF	
16203	18 Electrolytics	100uF-880uF	

All 4 at SPECIAL PRICE of £1.20*

16180	24 Ceramic Caps	22pF-82pF	
16181	24 Ceramic Caps	100pF-390pF	
16182	24 Ceramic Caps	470pF-3300pF	
16183	21 Ceramic caps	4700pF-0.047uF	

All 4 at SPECIAL PRICE of £1.60*

RESISTOR PAKS

16213	601W	100 ohm-820 ohm	
16214	601W	1K-8.2K	
16215	601W	10K-82K	
16216	601W	100K-820K	

All 4 at SPECIAL PRICE of £1.80*

16217	401W	100 ohm-820 ohm	
16218	401W	1W-8.2K	
16219	401W	1K-8.2K	
16220	401W	100K-820K	

All 4 at SPECIAL PRICE of £1.60*

S145 40 Resistors mixed value 1 & 2 watts @ £0.60*

VOLTAGE REGULATORS

Positive			
No. MVR7805	uA7805	T0220	55p
No. MVR7812	uA7812	T0220	55p
No. MVR7815	uA7815	T0220	55p
No. MVR7818	uA7818	T0220	55p
No. MVR7824	uA7824	T0220	55p
Negative			
No. MVR7905	uA7905	T0220	75p
No. MVR7912	uA7912	T0220	75p
No. MVR7915	uA7915	T0220	75p
No. MVR7918	uA7918	T0220	75p
No. MVR7924	uA7924	T0220	75p
uA723C T099	38p	72723 14 pin DII	38p
		LM309K T03	£1.20

SWITCHES

No. 16178	5 x Mains Slide Switches	40p*
No. S17	5 x Miniature Slide Switches	40p*
No. S18	4 x Standard Slide Switches	40p*
No. S19	4 x Miniature Push to Make single hole mounting	40p*
No. S20	3 x Miniature Push to Break single hole mounting	40p*
No. S21	Push button Switch Pak 4 x Assorted types multi bank and singles Latching and non-Latching	£1.00*

AUDIO LEADS

127	4 Audio lead 5 pin DIN plug to 4 phono plugs	90p*
129	Audio lead 5 pin plug to 5 pin DIN plug—mirror image	70p*
130	5 metre lead 2 pin DIN plug to 2 pin DIN inline socket	45p*

AUDIO PLUG AND SOCKET PAKS

Order No		Price
S1	5 x 3.5 mm Plastic Jack Plugs	40p*
S2	5 x 2.5 mm Plastic Jack Plugs	40p*
S3	4 x Std. Plastic Jack Plugs	50p*
S4	2 x Stereo Jack Plugs	30p*
S5	5 x 5 Pin 180° DIN Plugs	50p*
S6	8 x 2 Pin Loudspeaker Plugs	50p*
S7	6 x Phono Plastic Plugs	50p*
S8	5 x 3.5 mm Chassis Sockets (Switched)	26p*
S9	5 x 2.5 mm Chassis Sockets (Switched)	26p*
S11	2 x Stereo Jack Sockets with instruction leaflet for H/Phone connection	50p*
S12	5 x 5 Pin 180° DIN Chassis Sockets	40p*
S13	8 x 2 Pin DIN Chassis Sockets	50p*
S14	6 x Single Phono Sockets	40p*

P.C. BOARD

S110 Mixed Bundle, P.C.B., Fibreglass/paper, single & double-sided. Fantastic value 75p

SPECIAL OFFER!

UNTESTED SEMICONDUCTOR PAKS

Code No's shown below are given as a guide to the type of device. The devices themselves are normally unmarked.

No. 16130	100 Germ. Gold bonded diodes like OA47	40p
No. 16131	150 Germ. Point contact diodes like OA70/81	40p
No. 16132	100 200mA sil. diodes like OA200	40p
No. 16133	150 75mA Sil. Fast switching diodes like 1N4148	40p
No. 16134	50 750mA Sil. top hat Rects.	40p
No. 16135	20 3 amp Sil. stud Rect.	40p
No. 16136	50 400mW Zenner DO7 case	40p
No. 16137	30 NPN Plastic trans. like BC107/8	40p*
No. 16138	30 PNP Plastic trans. like BC177/8	40p*
No. 16139	25 NPN trans. like 2N697/2N1711 T039	40p*
No. 16140	25 PNP trans. like 2N2905 T039	40p
No. 16141	30 NPN trans. like 2N705 T016	40p*
No. 16142	30 NPN Plastic trans. like 2N3906	40p*
No. 16144	30 PNP Plastic trans. like 2N3905	40p*
No. 16145	30 PNP Germ trans. like OC71	40p*
No. 16147	10 NPN T03 Power trans. like 2N3055	80p

I.C. SOCKET PAKS

No. S66	11 x 8 pin DIL Sockets	£1.00
No. S67	10 x 14 pin DIL Sockets	£1.00
No. S68	9 x 16 pin DIL Sockets	£1.00
No. S69	4 x 24 pin DIL Sockets	£1.00
No. S70	3 x 28 pin DIL Sockets	£1.00

MAMMOTH I.C. PAK

Approx. 200 Pieces. Assorted fall-out integrated circuits including: Logic. 74 series. Linear. Audio and D.T.L. Many coded devices, but some unmarked — you to identify.
 Order No. 16223 £1.00

MATCHED PAIRS OF PNP GERMANIUM MED POWER TRANS

2 amp	VCE	VCB	HFE	750mW
NKT301	40	80	30-100	35p per pair
NKT302	40	80	60-160	35p per pair
NKT303	20	30	30-100	25p per pair
NKT304	20	30	50-150	25p per pair

From U.S.A. by

DINDY
SCREW CASED
LOW NOISE
CASSETTES C90

Order No. S53 10 for £3.50*
HEAD-CLEANING CASSETTE 45p each

RETURN OF THE AL20A AUDIO AMPLIFIER

By popular demand — this useful 5 watt RMS Power Amplifier is offered at the re-introduitory price of £2.75* — Hook-up and data supplied.

ETCH RESIST PENS

Order No. 1609 50p each

UNIUNION TRANSISTORS

UT46	TS43	20p
2N3819	16p	2N5468 18p

SALE T-T-TIME again!

SPECIAL OFFER! COMPONENT PAKS

Order No.	Quantity	Price
16168	5 pieces Assorted Ferrite rods	40p
16169	2 pieces Tuning gangs MW/LW colours	40p
16170	50 metres Single strand wire assorted wire	40p
16171	10 Reed switches	40p
16172	3 Micro switches	40p
16176	20 Assorted electrolytic Trans types	40p
16177	1 pack Assorted hardware nuts, bolts etc.	40p
16179	20 Assorted tag strips and panels	40p
16180	15 Assorted control knobs	40p
16184	15 Assorted Fuses 100mA-5 amp	40p
16188	60W resistors mixed values	40p
16187	30 metres stranded wire assorted colours	40p
S100	120 1/2 watt resistors. Pre-formed. 1978 Prod. Our mix	60p*
S101	120 1/2 watt resistors. Pre-formed. 1978 Prod. Mixed values	60p*
S102	250 1/2 watt resistors. Range 100ohms - 1.8 meg	£2.00*
S103	220 1/2 watt resistors. Range 100ohms - 10 meg	£2.00*
S104	60 Low ohms 1/2 watts res. 10 - 100ohms	60p*
S105	40 Low ohms 1/2 watt resistors 12-100 ohms	60p*
S106	26 Mixed wireboard resistors	60p*
S107	20 Tantulum bead caps .22 - 100mF Our mix	£1.00*
16204	C280 Pak. Contains 50 metal foil caps	£1.00*

POTENTIOMETERS

Order No.	Quantity	Price
SLIDER 40mm TRAVEL		
16191	6 x 470ohm LIN Single	40p*
S24	6 x 1 K LIN Single	40p*
S25	6 x 5 K LIN Single	40p*
16193	6 x 22 K LIN Single	40p*
16195	6 x 47 K LOG Single	40p*
16194	6 x 47 K LIN Single	40p*
S27	6 x 100 K LIN Single	40p*
S28	6 x 100 K LOG Single	40p*
S29	6 x 500 K LOG Single	40p*
S32	6 x 50 K LIN Single	40p*

Order No.	Quantity	Price
SLIDER 60mm TRAVEL		
S30	6 x 2.5 K LOG Single	40p*
S34	4 x 5 K LOG Dual	40p*
S36	4 x 100 K LOG Dual	40p*
S37	4 x 1.3 MEG LOG Dual	40p*
S94	6 x 220K LIN Single	40p*
S95	6 x 100 K LOG Single	40p*
S96	6 x 500 K LIN Single	40p*
S38	Mixed slider pots various values and sizes our mix	£1.00*
S39	6 x Chrome slider knobs	40p*

WIREWOUND

S90	Wirewound Pots. Linear 1W rating Mixed useful values	5 for £1.00*
-----	--	--------------

CARBON TYPES

S91	Car Radio type. Dual Switched Pot. PC mounting. 100K LIN Switched 2.5 K LIN	60p each*
-----	---	-----------

DUAL POTS PC MOUNTING

Order No.	Quantity	Price
S92	4 x 100 K LIN	£1.00*
S93	4 x 100 K LOG	£1.00*
16173	15 Rotary Pot Assorted	40p*
16186	25 Pre-sets Assorted Values	40p*

ZENER PAKS

No. S55	20 mixed values 400mW Zener diodes 3-10V	£1.00
No. S56	20 mixed values 400mW Zener diodes 11-33V	£1.00
No. S57	10 mixed values 1W Zener diodes 3-10V	£1.00
No. S58	10 mixed values 1W Zener diodes 11-33V	£1.00

SILICON POWER TRANS N.P.N.

S97	BD371 2amp 1.2w. 60Vceo Hfe 40-400, Case T092 with heat tab 5 for 60p*	
S98	2N5293 R.C.A. 36w 4amps 75Vceo Hfe 30-120	5 for £1.00*

CRYSTAL EAR PIECES

S126 Less plug £0.20*

PLUGS FOR ABOVE

No. 16106 2.5 plastic £0.09*
No. 1697 3.5 plastic £0.11*

Mono Crystal Cartridge

S127 GP91/1SC Special Offer £1.00*

Nickel Cadmium Rechargeable Batteries 1.25v

S128 3500D Cell size - U2 £2.50
S129 900C Cell size - 1/2U11 £0.90
S130 Complete kit of parts to build nickel cadmium charger £3.50

SUPER SAVE PAK

S124 6 x 741P £1.00
S125 5 x 555 £1.00

S138 Surplus/End of Manufacturers Line/Pre-amp. with Base. Treble, Volume Control and circuit diagram supplied.
ONCE ONLY OFFER £1.25*

S137 20 Assorted Slider Knobs Chrome/Black £1.00*

S131 2 x 12v Relays plastic case £0.70*
S132 2 x 24v Relays plastic case £0.60*
S133 1 switch bank 5 way incl. silver knob £0.75*

S134 2 x Magnets suitable for reed switches £0.10

S135 1 Veroboard pak 2 pcs 45 sq. ins. appx. £0.80

S136 15 Veroboard pak 2 pcs 60 sq. ins. appx. £1.10

16199 1 Veroboard pak 30 sq. ins. appx. £0.50

16200 15 Veroboard pak 30 sq. ins. appx. £0.50

SUPER DUPER COMPONENT BOX

Min. 3 lbs in weight consisting of a fantastic assortment of Electronic Components - Pots, Resistors, Cons, Switches, Relays, Board-Semiconductors. wire, hardware, Etc., etc., etc.

* This is a fine box and is sent separate to your order *

S140 £2.50 including p&p

TRANSFORMERS

SALE OFFER

S141 2035 240v primary 0-55v at 2 Amp secondary £4.50* + £1.00 p&p

S142 0349 240v primary 0-20v at 2Amp. secondary £3.50* + £0.86 p&p

Complete Amplifier Kits

STA15 15 watts per channel amplifier kit. Consists: 2 x AL60, 1 x PA100 1 x SPM80, 1 x 2034 transformer 2 x coupling capacitors £37.70 inc. VAT + 85p p&p

STA25 25 watts per channel amplifier kit. Consists: 2 x AL60, 1 x PA100 1 x SPM120/45, 1 x 2040 transformer. 1 x reservoir cap, 2 x coupling capacitors £41.45 inc. VAT + £1.16p p&p

STA35 35 watts per channel amplifier kit. Consists: 2 x AL60, 1 x PA100 1 x SPM120, 1 x 2041 transformer. 1 reservoir capacitor, 2 x coupling capacitors £48.45 inc. VAT + £1.16 p&p

STA50 50 watts per channel amplifier kit. Consists: 2 x AL120, 1 x PA200, 1 x SPM120/65, 1 x 2041 transformer. 1 reservoir capacitor 2 x coupling capacitors £58.20 inc. VAT + £1.16 p&p

STA125 125 watts per channel amplifier kit. Consists: 2 x AL250, 1 x PA200, 2 x SPM120/65, 2 x 2041 Transformers. 1 x reservoir capacitor. 2 x coupling capacitors £72.85 inc. VAT + £1.25 p&p

TRANSISTORS BRAND NEW - FULLY GUARANTEED

Type	Price	Type	Price	Type	Price	Type	Price	Type	Price
AC107	25p	BC177	12p	BF194	*9p	TIP32C	36p	2N1613	15p
AC126	14p	BC178	12p	BF195	*9p	TIP41A	34p	2N1711	15p
AC127	16p	BC179	12p	BF196	*12p	TIP41B	35p	2N1893	28p
AC128	16p	BC182	*9p	BF197	*12p	TIP41C	36p	2N2218	15p
AC128K	24p	BC182L	*9p	BF200	25p	TIP42A	36p	2N2218A	18p
AC176K	16p	BC183	*9p	BFX29	22p	TIP42B	37p	2N2219	15p
AC187	16p	BC184	*9p	BFX84	18p	TIP42C	38p	2N2219A	18p
AC187K	26p	BC184L	*9p	BFY51	12p	TIP2955	66p	2N2221	16p
AC188	16p	BC212	*10p	BFY52	12p	TIP3055	42p	2N2222	15p
AC188K	26p	BC212L	*10p	MPSA05	*22p	ZTX107	*6p	2N2222A	16p
AD161	80p	BC213	*10p	MPSA06	*22p	ZTX108	*6p	2N2369	10p
162MP	80p	BC213L	*10p	MPSA55	*22p	ZTX109	*7p	2N2904	14p
AF139	30p	BC214	*10p	MPSA56	*22p	ZTX300	*7p	2N2904A	15p
AF239	30p	BC214L	*10p	OC44	*22p	ZTX301	*7p	2N2905	14p
BC107	6p	BC251	*10p	OC45	12p	ZTX302	*9p	2N2905A	15p
BC108	6p	BCY70	12p	OC71	9p	ZTX600	*9p	2N2906	12p
BC109	6p	BCY71	12p	OC72	12p	ZTX501	*10p	2N2906A	14p
BC118	*10p	BCY72	12p	OC75	10p	ZTX502	*12p	2N2907	12p
BC147	*8p	BD115	40p	OC81	14p	ZN696	10p	2N2907A	13p
BC148	*8p	BD131	*35p	TIP29A	35p	ZN697	10p	2N2926G	*8p
BC149	*8p	BD132	*37p	TIP29B	36p	ZN706	7p	2N3053	12p
BC154	*16p	BF115	17p	TIP30A	38p	ZN706A	8p	2N3055	35p
BC157	*9p	BF167	12p	TIP30B	39p	ZN708	8p	2N3072	*7p
BC158	*9p	BF173	25p	TIP30C	39p	ZN1302	12p	2N3073	*7p
BC159	*9p	BF180	25p	TIP31A	32p	ZN1303	15p	2N3074	*6p
BC169C	*10p	BF182	25p	TIP31B	33p	ZN1304	15p	2N3903	*11p
BC171	*6p	BF183	25p	TIP31C	34p	ZN1307	18p	2N3904	*11p
BC172	*6p	BF184	25p	TIP32A	34p	ZN1308	22p	2N3905	*11p
BC173	7p	BF185	25p	TIP32B	35p	ZN1309	22p	2N3906	*11p

Programmable unijunction 2N6027 supplied with data at 24p each

DIODES

Type	Price	Type	Price	Type	Price	Type	Price
AA119	5p	BAX16/	5p	EY216	30p	OA85	7p
AAZ13	4p	OA202	5p	EY217	28p	OA90	6p
BA100	6p			EY218	28p	OA91	7p
BA115	5p	BY100	15p	EY219	28p	OA95	7p
BA144	5p	BY127	*10p				
BA148	10p	BY210	32p	OA47	5p	IN34	5p
BA173	10p	BY211	32p	OA70	5p	IN60	6p
BAX13/		BY212	32p	OA79	7p	IN914	4p
OA200	5p	BY213	30p	OA81	7p	IN4148	4p

LINEAR I.C.'s

Type	Price	Type	Price	Type	Price
TBAB00	*£0.75	uA711	*£0.25	uA748	*£0.28
TBAB10	*£0.85	uA703	*£0.45	72558	*£0.45
TBA820	*£0.65	741P	*£0.18	MC1310P	*£1.25
LM380	*£0.80	72741	*£0.20	76115	*£1.25
LM381	*£1.25	uA741C	*£0.20	NE555	*£0.22
72709	*£0.20	72749	*£0.55	SL414A	*£1.80
uA709	*£0.20	748P	*£0.28		

ZN 414 RADIO CHIP

75p*

OPTOELECTRONICS

Displays		
No. 1510	707 LED Display	£0.70
No. 1511	747 LED Display	£1.50
No. 1512	727 Dual LED Display	£1.55

LED's		
No. S120	.125 Bright Red	£0.09
No. S121	2 Bright Red	£0.09
No. S102	.125 Green	£0.12
No. S105	2 Green	£0.12
No. S103	.125 Yellow	£0.12
No. S106	2 Yellow	£0.12
No. S82	Clear 2 Illuminating Red	£0.10

2nd Quality LED Paks		
No. 1507	10 Assorted Colours and Size	£0.76
No. S122	10 x .125 Red	£0.60
No. S123	10 x .2 Red	£0.80

LED Clips		
No. 1508/125	.125	5 for £0.12
No. 1508/2	.2	5 for £0.15

No. S139	Infra Red Emitter Fairchild FPE100	£0.50
----------	------------------------------------	-------

SPECIAL REDUCTIONS

No. 1514	NORP 12	45p each
No. S76	OC711	5 for £1.00
No. S83 S.	NIXIE Tubes ITT 5870 ST (Including Data)	£2.00

No. S77	Neon Indicator Lamps 230V A.C. state Colour (Red, Amber and Green)	25p each
---------	--	----------

P.O. RELAYS

S85-2	Off Post Office relays	40p*
-------	------------------------	------

BATTERY HOLDERS

	to take 5 x HP7's	
Order No. 202		10p each

EX. G.P.O. MICROSWITCHES

Order No. S61		4 for 50p
---------------	--	-----------

CABLE CLIPS

S65 - 50	2 in. round single pin fixing	30p
----------	-------------------------------	-----

TOOLS All with insulated handles

No. 2011	5 in. wire cutters	£1.55
No. 2012	5 in. long wire pleyer	£1

SEMICONDUCTORS. ALL FULL SPEC. BC212, BC182, BC237, BF197, BC159, all 8p each. RCA 2015, TO3 POWER TRANSISTORS (SIM. 2N3055), 35p. BA102 VARICAP DIODES 15p. FET's SIMILAR TO 2N3819 17p. MOSFET SIMILAR 40673 35p. 3N140 MOSFETS 50p. M203 DUAL MATCHED PAIR MOSFETS, SINGLE GATE PER FET 40p. MIN. E.H.T. SIL. RECS. 15K.V., 2.5mA. 30p. INTEL C1103 1024 BIT MOS RAMS 95p. BB 113 TRIPLE VARICAP DIODE 35p. MC1310 STEREO DECODER IC £1.20. CD 4051 IC's 50p. DIODES: IN4002 4p. IN4005 7p. RED LED's 0.2" or 0.125" 12p. NIXIES: ITT 5870ST 85p. GN9A 65p. MAN3A 3/mm 7 SEC. DISPLAYS 50p. NE555V 28p.

MICROPHONES: GRUNDIG ELECTRET MICROPHONE INSERTS WITH FET PREAMP £1.50. CRYSTAL MIKE INSERTS 37mm 45p. ELECTRET CONDENSER MIKES 1K IMP. WITH STANDARD JACK PLUG £2.85. EM506 CONDENSER MIKES UNI DIRECTIONAL. FET AMP DUAL IMPEDANCE 50K/600 OHMS ON OFF SWITCH 30-18KHz £11.00. EM104 MIN. TIE CLIP CONDENSER MIKES OMNI, 1K IMP. USES DEAF AID BATTERY (SUPPLIED) £4.95.

MORSE KEYS: ALL METAL HI-SPEED TYPE £2.25 PLASTIC TYPE 95p.

HEADPHONES: 8 OHM STEREO PHONES PADDED EARPIECES AND HEADBAND, CURLY CORD, 30-18KHz ONLY £3.00.

OPTO-ISOLATORS. TYPE BX504. INFRA RED LED TO PHOTO CELL 4 HEAD 25p.

AEROSOL 'TOUCH UP' PAINT. 1 COLOUR. YELLOW/GREY. 35p 6oz can.

PHILIPS UHF VARICAP TUNERS, NEW BOXED, £2.50.

SOLDER SUCKERS: PLUNGER TYPE. REPLACEABLE NOZZLE. EYE PROTECTION SHIELD. HIGH SUCTION £4.95.

741 8 PIN D.I.L. I-C's 6 FOR £1.00

CRYSTALS. 300KHz 40p.

EDGE CONNECTORS: 0.1 MATRIX 64 WAY 65p. 32 WAY 40p.

RELAYS: 4 POLE CHANGEOVER, 700 OHM 55p. 12V 130R RLA 290, 1N/O, 1N/C 55p. 4 POLE REED RELAYS, 12 volts 20p, 24 VOLT 2P C/O SEALED RELAYS, 3 AMP CONTACTS, NEW 55p.

SPECIAL OFFER SGS TB800 IC's...10 for £6.00.

CIRCUIT TESTER, simple method of continuity testing...£1.20

AMPHENOL CONNECTORS
PL259 plugs 45p SO239 sockets 40p Reducers 12p

300Ω F.M. INDOOR TAPE AERIALS, T pattern...35p

NEW LOW COST MULTIMETERS
KRT100, 1,000 Ohms per volt, 1KV AC/DC, 150mA DC current, 0-100K RES. mirror scale, range selector switch...£4.65

KRT101, as above but range selection by test prod insertion...£3.50

12VDC 15 watt PORTABLE SOLDERING IRON, £1.60

SPECIAL OFFER:
7" x 4" 15/20 Ohm SPEAKERS, new 75p each

HORN SIREN, 125M/M, high pitched wailing note of varying frequency...£7.75

Cassette Power Supply, plugs into 13 amp socket, 6-7.5-9VDC outputs at 300mA £2.95
DC Car Adaptor, 12VDC input, 6VDC output, fully regulated, 1 amp max £1.90

MOTORS

Small synchronous 240VAC Motors, with gearbox, 1/5th RPM.....70p

Crouzet 115 VAC 4 rpm Motors. New. 95p

Heavy duty 240V A.C. Solenoids, 2" pull, 25lbs. £3.95 + 54p p&p
Small side cutter, insulated handles £1.35
Small snub-nosed pliers, insulated handles £1.35

9 VOLT BATTERY ELIMINATORS, stabilized output, at 120MA max...only £2.45

MOTORS: 1-5 TO 6v DC MODEL MOTORS 20p. SUB. MIN. 'BIG INCH' 115v AC 3RPM MOTORS 30p. 12 V.D.C. 5 POLE MOTOR 35p.

BOXES: BLACK ABS PLASTIC PROJECT BOXES, BRASS INSERTS AND LID 75 x 56 x 35mm 44p. 95 x 71 x 36mm 52p. 115 x 95 x 36mm 60p.

MAINS TRANSFORMERS. All 240VAC primary, postage shown in brackets per transformer.

6-0-6 100MA (9-0-9 75MA, 12-0-12 50MA 75p each (15p) 0-4-6-9 150MA NO MOUNTING BRACKET, 65p (20p) 12-0-12 100MA 95p (15p). 12V 500MA 95p (22p). 12V 2 AMP £2.25 (45p). 12VOLT 4 AMP 2-75p (54p) 15-0-15V 1 AMP 2-10p (45p). 30-0-30V 1 AMP 2-75p (54p). 0-12-15-20-24-30V TAPPED AT 2AMP 4-50p (54p). 20-0-20V 2AMP 3-50p (54p). 25V 1-5AMP 1-45p (54p). 18V 1-5AMP RECTIFIED 2-00P (45p). 35V 2A, 2-5V 2A TOROID 2-95p (54p). 20VOLTS 2-5A 2-20p (54p).

1 1 XENON/TRIAC PULSE TRANSFORMERS 30p. 1:1+1 PULSE T/F 60p. BUZZERS: GPO TYPE 6-12 volts 30p. 12 volt LARGE PLASTIC DOMED BUZZERS (50mm) LOUD NOTE 50p. MIN. SOLID STATE BUZZERS. 6-9-12 OR 24 volt. ALL 15mA 75p each.

U.H.F. TUNERS: PUSH BUTTON T.V. TYPE (NOT VARICAP) NEW AND BOXED £2.50.

TAPE HEADS: STEREO CASSETTE £3.00. MN1330 DUAL IMPED. R/P HALF TRACK HEADS 50p. SRP90 1/2 TRACK R/P HEADS £1.95. STANDARD 8 TRACK STEREO £1.75. TD10 DUAL HEAD ASSEMBLIES 2 HEADS, BOTH 1/2 TRACK R/P WITH BUILT-IN ERASE, MOUNTED ON BRACKET £1.20.

SPECIAL OFFER: ZN414 RADIO CHIPS 75p. LM380 80p. COLVERN 3K 5W wirebound pots 15p.

METERS: 200 MICRO AMP MIN. LEVEL METERS 75p. GRUNDIG IMA BATT LEVEL METERS 40 x 40mm £1.10. DUBILIER 1MFD 600V D.C. MIXED DIELECTRIC CAPACITORS 15p.

50 VAC CAM UNITS, WITH 10 C/O MICRO SWITCHES, SUPPLIED WITH CAPACITOR FOR 240 VAC USE. EX EQUIPMENT. £1.95 (+35p p&p)

SWITCHES: MIN. TOGGLE SPST 8 x 5 x 7mm 45p, DPDT 8 x 7 x 7mm 50p. DPDT CENTRE OFF 12 x 11 x 9mm 75p. MIN. PUSH TO MAKE OR PUSH TO BREAK 16 x 16mm 15p EACH TYPE. SLIDER SWITCHES: DPDT MIN. 12p. DPDT C/OFF 20p. 8-WAY RIBBON CABLE, MIN. SOLID CORE, 15p metre.

8-TRACK 12 volt motors, new £1.25
6v Cassette motors, new £1.35

ROSS SIREN ALARMS, operate on 6VDC 85p

ORP61. MULLARD NEW BOXED...30p

ORP12 (PHILIPS TYPE)...45p

10MFD 600VDC BLOCK PAPER CAPS, new 65p

TOSHIBA 0.2" GREEN LED'S...14p

MICRO SWITCHES

Standard size, SPCO roller operated 15p
Heavy duty, 15 amps, button operated
SPCO, 65 x 15 x 15mm 25p

JUMPER TEST LEAD SETS

10 leads with insulated croc clips each end, different colours80p

LM309K 5V REGS...75p

LM340T, 6V 1A, VOLTAGE REGS...40p

741S (wide bandwidth) 8-pin DIL 35p

TL305 ALPHA NUMERICAL DISPLAYS
full spec with data sheet £2.50

TAPE HEAD DEMAGNETISERS, 240 VAC with on/off switch £2.00

TELEPHONE PICK UP COIL, suction type with lead and 3.5mm plug 50p

PRECISION SCREWDRIVER SETS, 6 drivers in plastic case...£1.75

MURATA MA401L 40kHz TRANSDUCERS, REC/SENDER, £3.25 pair

AMPLIFIERS

OT1410 10 watt module into 8 Ohms mono, 28VDC max £4.65
OT15 stereo amplifier module, 3 watts output into 8 Ohms 12VDC £3.35

LOW COST METAL DETECTOR, with Telescopic Search Coil Shaft, new and boxed...£9.75

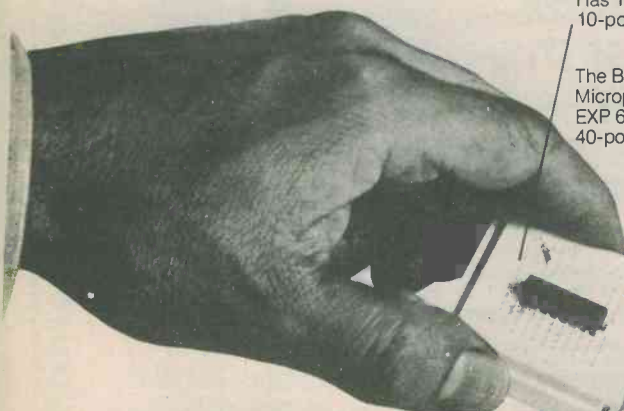
12 AMP RUBBER TRAILER EXTENSION SOCKETS. 38p.
LA1230 ADJ.CORE 15MM DIAM. 14MH. HI Q 6 for 50p.

TERMS: CASH WITH ORDER (OR OFFICIAL ORDER FROM COLLEGES ETC.)
POSTAGE 30p. OVERSEAS POST AT COST. V.A.T. INCLUDED IN ALL PRICES
S.A.E. PLEASE FOR NEW ILLUSTRATED LISTS

PROGRESSIVE RADIO

31 CHEAPSIDE, LIVERPOOL 2.

A breadboard as big as your ideas.



EXPERIMENTOR 325 £2.54

The ideal Breadboard for 1 chip circuits. Accepts 8, 14, 16 and up to 22 pin IC's. Has 130 contact points including two 10-point bus-bars.

EXPERIMENTOR 600 £7.88

The Breadboard for quick construction of Microprocessors and other circuits. EXP 600 has 550 contacts including two 40-point bus-bars with 0.6" centres.

EXPERIMENTOR 650 £4.70

Perfect for checking out Microprocessors. EXP 650 has 270 contacts including two 20-point bus-bars with 0.6" centres.

EXPERIMENTOR QUAD BUS STRIP £3.29 Need more bus-bars, clip on an EXP 4B and you have four 40-point bus-strips with 8-, 12- and 16-line address, create data-buses by combining EXP 4B, Bus Strips.

No soldering simply plug all standard components in and out, nickel-silver contacts allow Breadboard and components to be used over and over again without damage.

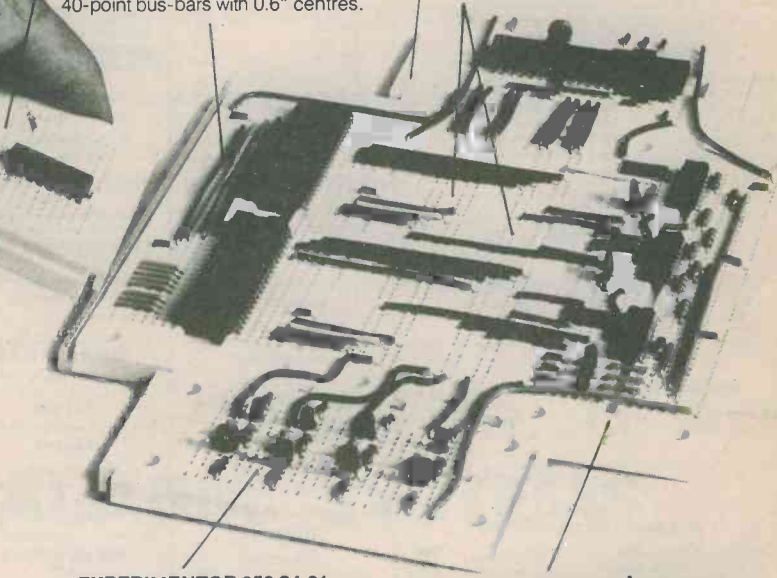
Adaptable accepts any component without adaptors or jumper leads, use 22-30 gauge solid wire for jumper leads.

Mix and Match large and small chips in the same circuit. Use 300 series for smaller and 0.3" pitch DIP's. 600 series for Microprocessors with 0.6" centre channel for full fan-out with larger chips.

Smallest to Biggest, remember CSC's Breadboards "snap-lock" together so you can start with a small idea and expand your ideas to as Big a Breadboarding area as you like.

Easy Permanent Mounting, using four screws from front or six self-tappers from rear. Vinyl-insulated backing lets you fasten to any surface.

Pick any project that you want to build, or any part of a project that you want to test or modify. Count up the number of IC's you need for the project. Then simply look up in the box opposite the Breadboard you require. If you need more than two bus-bars simply add the correct number of Quad-Bus Strips. **GET STARTED NOW FOR AS LITTLE AS £2.54.**



EXPERIMENTOR 350 £4.21

EXP 350, specifically designed for the hobbyist working with up to 3 x 14 DIP IC's. With 270 contact points including two 20-point bus-bars the EXP 350 accepts any size DIP with 0.3" spacing.

Marked Contact Points transfer component by component from letter/number position on Breadboard to finished P.C. Board or Wiring Table.

Ruggedly built of abrasion-resistant materials that withstand 100°C.

EXPERIMENTOR 300 £7.29

The hobbyists ideal Breadboard, accepts 6 x 14 DIP or 5 x 16 DIP, has 550 contact points including two 40-point bus-bars, accepts any size DIP with 0.3" spacing.

Tailor-Made Breadboards e.g. a project requires up to 5 x 14 DIP chips and needs up to six bus-bars. Which to buy? Easy from the table below select an EXP 300 plus an EXP 4B, total cost £10.58.

MODEL NO.	NUMBER OF CONTACT HOLES	IC CAPACITY (14-pin DIP's)	UNIT PRICE (includes Post & VAT)
EXP 300	550	6	£7.29
EXP 600	550	use with 0.6" PITCH DIP's	£7.88
EXP 350	270	3	£4.21
EXP 650	270	use with 0.6" PITCH DIP's	£4.70
EXP 325	130	1	£2.54
EXP 4B	FOUR 40-point Bus-Bars		£3.29

How to order. Telephone 0799 21682 and give your Access, American Express or Barclaycard number, and your order will be in the post that night. Or send your order, enclosing cheque, postal order, or stating credit card number and expiry date. For full catalogue showing all CSC products for the engineer and hobbyist send large S.A.E.

CONTINENTAL SPECIALTIES CORPORATION



Europe, Africa, Mid-East: CSC UK LTD. Shire Hill Industrial Estate, Units 1 and 2 Dept. 16K, Saffron Walden, Essex CB 11 3AQ Telephone Number: SAFFRON WALDEN 21682 TLX 817477

**TO ALL TRADERS, MAIL ORDER HOUSES
CONTACT MRS TINA KNIGHT FOR "PROFIT-PACKAGE" DETAILS**

BARGAIN COMPONENTS

ALL GOODS NO HIDDEN EXTRAS POST PAID TO PAY PRICES LISTED VALID UNTIL 28/3/79

<p>SUPER TESTED PAKS</p> <p>Twenty BC107 36p Six rotary pots 44p Twenty V/W resistors 38p Six photo transistors 45p Twenty electrolytics 32p Six 2N3819 type FET's 75p Twenty BC108 40p Four assorted trimmers 38p Forty 1/2 and 1/4 w resistors 28p Six p-channel FET's 55p Twenty BC109 40p Fifty assorted diodes 44p Ten assorted new I.C.'s 28p Thirty C280 capacitors 25p Thirty ceramic capacitors 25p Thirty polystyrene capacitors 25p Twenty AC128 40p Twenty 2W zener diodes 32p Ten vari-cap diodes 25p Thirty assorted transistors 55p Forty assorted capacitors 38p</p>	<p>AUDIO TRANSFORMERS Miniature transistor output types:</p> <p>pin 50mW 18p pin 100mW 20p pin 250mW 24p pin 500mW 28p pin 750mW 34p Interstage types 24p</p> <p>*** STAR OFFER Ten plastic power — medium power — some metal assorted transistors, all coded and new 80p</p>	<p>POTS Rotary carbon modern types</p> <p>680 ohm lin 15p 2K7 lin 15p 4K7 lin 15p 10K lin 15p 25K lin 16p 50K lin 15p 100K lin 16p 200K lin 14p 500K lin 14p 1 meg lin 14p 2 meg lin 14p Dual 100K lin 18p Dual 250K lin 19p</p>	<p>TRANSISTORS</p> <p>AC128 6p BC107 4p BC108 5p BC109 5p BD187 32p OC57 8p OC140 30p OC702 12p MP8112 24p MP8512 24p BC177 8p TIP29 30p TIP318 22p TIP33 35p ASY51 10p ASY66 10p 2N3866 45p 2N3553 60p 2S302 20p 2N527 24p 2N215 10p 2SA53 8p 2SA235 6p 2SA29 6p 2G304 14p MM2613 5p 2N3054 34p 2N456 30p 2N3819 equiv. 14p 2N3773 £1.50 OC206 40p BCY30 30p BCY40 40p BFY84 20p 2N3501 15p BSY11 16p 8SX30 22p 2N3300 18p AS221 80p 2N4416 18p 8CY43 15p JK100B 10p DC204 40p CV7346 10p IN2969 8p MD33D 12p 2N1507 15p CV7057 12p 25004 12p CV7002 8p CV7083 8p 2S702 8p P348A 6p</p>	<p>*** STAR PAK POWER TRANSISTORS A total of ten full spec coded transistors as listed: 2 x 2N3055 2 x TIP29 2 x TIP33 4 x BD187 only £2.40</p> <p>ELECTROLYTIC CAPACITORS</p> <p>Radial 6.8uf/25V 4p 33uf/160V 6p 47uf/25V 4p 64uf/70V 4p 2mfd/40V 3p 100uf/40V 3p 140uf/100V 7p 150uf/16V 4p 150uf/18V 4p 22/25V 2p 320uf/18V 5p 330uf/25V 4p 400uf/25V 5p 470uf/16V 6p 1500uf/3V 7p</p> <p>Axial 16uf/30V 3p 25uf/12V 3p 40uf/16V 3p 400uf/10V 6p 64uf/10V 3p 68uf/6.3V 3p 68uf/16V 3p 470uf/5.3V 5p 125uf/10V 3p 150uf/6.3V 3p 250uf/16V 4p 1000uf/10V 12p</p>
<p>WIREBOUND RESISTORS</p> <p>1.5 ohm 5W 3p 30 ohm 5W 3p 56 ohm 5W 3p 100 ohm 5W 3p 500 ohm 10W 4p 560 ohm 5W 3p</p> <p>680 ohm 4W 3p 1k ohm 10W 4p 1k2 ohm 4W 3p 2.2k ohm 5W 3p 2.7k ohm 5W 3p 6.8k ohm 5W 3p</p>	<p>SLIDER-POTS</p> <p>470R lin 12p 1K lin 12p 4.7K log 12p 5K lin 12p 10K lin 12p 25K lin 12p 100K lin 12p</p>	<p>POLYSTYRENE CAPACITORS Sufflex types</p> <p>47pF/400V 2p 60pF/350V 2p 61pF/125V 2p 163pF/125V 2p 390pF/160V 2p 395pF/350V 2p 1000pF/350V 2p 3070pF/125V 2p 4000pF/125V 2p</p>	<p>*** STAR OFFER ROTARY SWITCHES 240V/10A only 18p each</p>	<p>TELESCOPIC AERIAL extending to 22 1/2" with swivel base 84p each</p>
<p>TRIMMERS</p> <p>Solder-in tubular types: 3pF, 6pF, 8pF, 12pF all 10 each</p> <p>Compression types: 10pF, 30pF, 50pF, 1,000pF all 15p each</p>	<p>C280 CAPACITORS AU 250V wkg</p> <p>0.10uF 3p 0.15uF 3p 0.47uF 3p 0.68uF 3p 15000pF 4p 47000pF 4p 56000pF 4p</p>	<p>TAA320 PRE-AMPLIFIER I.C.'s new and tested, supplied with data and circuits 45p</p>	<p>*** STAR OFFER 1/2" Coll Formers with core 7p</p>	<p>AXIAL WARNING DEVICES made by Smiths, encapsulated and transistorised, requires 4 to 12V, can be driven by TTL 74p each</p>
<p>THYRISTORS</p> <p>10 amp 100piv 35p 10 amp 800piv 75p</p> <p>Small glass reed relays 8p each</p>	<p>INSULATION COVERS to fit over T03 power transistors. Nylon material up to 30Kv ins 5p each</p>	<p>CABLE NEATERS Small metal push-on clips (ten) 24p</p>	<p>RELAYS Miniature plug-in types, plastic covers 2-pole c/o 24V 55p each</p>	<p>PHOTO DIODE DETECTOR & EMITTER Independently mounted with 4 inch fly leads 80p per pair</p>
<p>CAN-TYPE ELECTROLYTIC CAPACITORS</p> <p>32 + 32uf 275V wkg 16p 32 + 32uf 350V wkg 29p 50 + 50uf 275V wkg 22p 3300uf 16V wkg 22p 100 mfd + 500 mfd 210V wkg 18p</p>	<p>I.C. SKTS Low profile</p> <p>8 pin 10p 14 pin 13p 16 pin 14p</p>	<p>TO3 MOUNTING KIT Comprises two nylon insulating bushes, mica washer and two 68A nuts and bolts. One kit 12p Four kit 40p</p>	<p>NUTS & BOLTS Pak of ten assorted length 68A bolts and ten 58A nuts at 18p Pak of ten assorted 48A bolts and nuts at 18p</p>	<p>TAPE HEADS We have various types but no data. New at 28p each</p>
<p>DRYFIT BATTERIES These are sealed lead acid jellified electrolyte rechargeable batteries, all ex-equip, but in very good condition and tested</p> <p>6V 900ma £1.80 6V 2.6AH £3.50 6V 6AH £4.80 6V 7.5AH £6.75</p> <p>Please add extra 50p postage per battery</p>	<p>PHOTO RESISTOR ORP12 at 52p each</p> <p>TOGGLE SWITCH S/P type but very good quality and strong 29p each</p>	<p>MICRO SWITCH type V3 by Burgess. Single break contact rated 240V 15A 17p each</p>	<p>RF CHOKES 1A at 8p each</p> <p>WIRE NEONS 6mm dia. glass 17mm long 90V 8p each</p>	<p>TBA 120s FM DETECTOR I.C.'s 12V supply, 14 pin dip package, current drain 14 ma. IF volts, gain 68db. New but untested, with data 16p each</p>
<p>GLASS BEAD INSULATORS Feedthrough types, overall diameter 5mm Ten for 18p</p>	<p>13A RUBBER SKTS For fly lead extension cables 40p each</p>	<p>NEON INDICATORS Red 240V AC 34p Green 240V AC 38p</p>	<p>FET'S P channel 13p N-channel 14p</p>	<p>DO NOT ADD ANY EXTRAS UNLESS INDICATED Some of the advertised components are offered below normal prices due to their being unmarked but identified and tested new and workable by ourselves, any unsatisfied customer may return goods purchased within 8 days for full refund as long as the goods are undamaged.</p>
<p>PUSH BUTTON LATCH-SWITCHES Single switch d.p. changeover 12p Three banked switches each with 4 d.p. changeovers 24p Five banked switches, three with d.p. changeovers, two with 3 r.p. changeovers 29p All brand new.</p> <p>100-0-100ua TUNING METERS 1 1/2" x 1 1/2" £1.30</p>	<p>AMPLIFIER I.C.'s Wideband Radar type 10 to 150 mhz new but untested with data 18p each</p> <p>WIREWOUND POTS All new 5 ohm H/D 22p 15 ohm 18p 20 ohm 18p 25 ohm 18p 250 ohm 18p 250K 18p 1m 18p 2.5m 18p</p>	<p>ORDER DETAILS It is helpful if you send a S.A.E. with all orders or enquiries, lists free on request.</p> <p>ELECTROVANCE Tel: 01-736 0685 MAIL ORDER ONLY P.O. BOX 191 LONDON SW6 2LX</p>	<p>TELESCOPIC AERIAL extending to 22 1/2" with swivel base 84p each</p>	<p>PHOTO DIODE DETECTOR & EMITTER Independently mounted with 4 inch fly leads 80p per pair</p>

New for 1979

QUESTIONS AND ANSWERS RADIO REPAIR

Les Lawry-Johns

Can a signal injector be used for testing loudspeakers?

How can transistors be checked using an ohmmeter?

What are the major problems with small i.f. coils?

What does an electrolytic capacitor do when it 'dries up'?

How are tuning slugs re-aligned?

What is the difference between a trimmer and a padder?

What is a Phantom Dabblers?

What causes poor reception and background noises?

Simple and concise answers to these and many other questions which puzzle the beginner and student – from first principles to a useful level of practical knowledge are given in this practical book.

0 408 00367 7 £1.50 US \$ 3.50 1979

BURGLAR ALARM SYSTEMS

Vivian Capel

- ★ Will your home or business figure in next year's crime statistics?
- ★ On average a break-in takes place every three minutes and even now your premises may be under observation by a thief just awaiting his chance!
- ★ Is it not surprising that an alarm system is becoming essential for every home and business?

Here is everything that the house owner or businessman needs to know to protect his premises, and there is also much of interest to the professional installer.

0 408 00405 3 £4.70 approx. US \$ 10.75 approx. 1979



Newnes Technical Books

Borough Green, Sevenoaks,
Kent TN15 8PH

TRADE COMPONENTS

NO LISTS: TOO MANY ITEMS. PAY A VISIT — THOUSANDS MORE ITEMS BELOW WHOLESALE PRICE. CALLERS PAY LESS AS PRICES INCLUDE POSTAGE AND VAT AND ADDITIONAL DISCOUNT IN LIEU OF GUARANTEE. GOODS SENT AT CUSTOMERS RISKS UNLESS SUFFICIENT ADDED FOR REGISTRATION OR COMPENSATION FEE POST.

OFFERS CORRECT AT 19/1/79 APPLICABLE TO ORDERS RECEIVED DURING FEBRUARY

VALVE BASES

Printed circuit B7G	7p
Chassis B7-B7G	11p
Shrouded Chassis B7G-B8A	13p
B12A tube. Chassis B9A	13p

Speaker 6" x 4" 5 ohm ideal for car radio	£1.55
4 3/4" diam. 30 Ω	£1.75
2 1/2" diam. 32 or 8 Ω	£1.07

TAG STRIP—6 way 4p	5 x 50pF or 1000 +
9 way 6p Single 1 1/2p	300pF trimmers 35p

Car type panel lock and key 65p

Transformer 9V 4A £3.78

Aluminium Knobs for 1/4" shaft. Approx. 5/8" x 7/8" with indicator Pack of 5 95p

BOXES — Grey polystyrene 61 x 112 x 31mm, top secured by 4 self tapping screws 57p clear perspex sliding lid, 46 x 39 x 24 mm 15p.

ABS, ribbed inside 5mm centres for P.C.B., brass corner inserts, screw down lid, 50 x 100 x 25mm orange 65p; 80 x 150 x 50mm black 97p; 109 x 185 x 60mm black £1.52.

DIECAST ALI superior heavy gauge with sealing gasket, approx 6 1/2" x 2 3/8" x 1 3/8" £1.50; 3 3/4" x 2 3/8" x 1 3/8" £1.25.

VARIABLE CAMM PROGRAMMER 10, 12 or 15 pole 2 way, 50VAC motor — series with 1mfd, or 3k 10W or 15W pygmy bulb for mains operation. Ex equipment £4.32

SWITCHES

Pole	Way	Type	
2	2	Slide	15p
6	2	Slide	24p
2	1	Rotary Mains	28p
2	Alternating	Micro with roller	30p
2	3	Miniature Slide	20p
2	1	Toggle	32p
1	2	Sub-Min Toggle	75p
2	Alternating	2A Mains Push (1/4" hole)	43p
2	Alternating	Slide	15p

S.P.S.T. 10 amp 240v. white rocker switch with neon. 1" square flush panel fitting 38p; 1 pole 2 way 10 amp oblong clip in mains rocker appliance switch 38p

Standard thumb-wheel switch 0-9 in 1248N or 8 or Comp. 1242 also 2p co. £1.20
Standard Lever Key Switch D.P.D.T. locking plus D.P.D.T. and S.P.S.T. Heavy Duty non latching 82p

AUDIO LEADS

3 pin din to open end, 1 1/2yd, twin screened	45p
3 pole jack both ends 4ft	£1
3 pole jack plug to tag ends, 4ft	45p

COMPUTER & AUDIO BOARDS/ASSEMBLIES
VARYING CONTENTS INCLUDE ZENER, GOLD BOND, SILICON, GERMANIUM, LOW AND HIGH POWER TRANSISTORS AND DIODES, HI STAB RESISTORS, CAPACITORS, ELECTROLYTICS, TRIMPOTS, POT CORES, CHOKES, INTEGRATED CIRCUITS, ETC.

3lb for £2 7lb for £3.70

1k horizontal preset with knob 10 for 40p	3" Tape Spools 5p
	1" Terry Clips 5p
	12 Volt Solenoid 40p

ENM Ltd. cased 7-digit counter 2 1/4 x 1 1/4 x 1 1/4" approx. 12V d.c. (48 a.c.) or mains £1.10

Auto charger for 12v Nicads, ex-new equipment £5.19

Miniature 0 to 5mA d.c. meter approx 7/8" diameter	£1.25
RS Yellow Wander Plug Box of 12	40p
18 SWG multicore solder	3 1/2p foot
SAPPHIRE STYLII. 15 different, dual and single point, current and hard to get types. My mix	£2.

BRIAN J. REED

161 ST. JOHNS HILL, BATTERSEA, LONDON SW11 1TQ

Open 10 a.m. till 7 p.m. Tuesday to Saturday. VAT receipts on request.

Terms: Payment with order Telephone: 01-223 5016

JAP 4 gang min. sealed tuning condensers 40p

ELECTROLYTICS Many others in stock

		63-	200-	300-	450-				
		Up to 10V	25V	50V	75V	100V	250V	350V	500V
MFD	10	6p	7p	7p	10p	13p	15p	26p	32p
	25	6p	7p	7p	10p	13p	18p	32p	37p
	50	6p	7p	7p	12p	16p	23p	32p	37p
	100	7p	8p	13p	15p	24p	26p	-	-
	250	12p	13p	15p	22p	36p	-	£1.10	£1.30
	500	13p	15p	22p	30p	55p	-	-	£1.60
	1000	16p	27p	50p	60p	-	£1.05	-	-
	2000	28p	47p	55p	93p	-	-	-	-

As total values are too numerous to list, use this price guide to work out your actual requirements
8/20, 10/20, 12/20, 22/50, 47/25. Tub. Tant 24p each 16-32/275V, 100/150V, 100-100/275V
40p 50-50/385V, 2+2/200V non polar, 32-32-50/300V, 20-20-20/350V 0.1+0.1/500V AC 80p
200V, 100-200-60/300V £1.30 100-300-100-16/300V £1.85

RS 100-0-100 micro amp null indicator Approx. 2" x 1 1/2" x 1/2" £1.85

INDICATORS

Bulgin D676 red, takes M.E.S. bulb	38p
12 volt, or Mains neon, red pushfit	23p
R.S. Scale Print, pressure transfer sheet	12p

CAPACITOR GUIDE — maximum 500V

Up to .01 ceramic 4 1/2p. Up to .01 poly 6p
.013 up to .1 poly etc. 7p. 12 up to .68 poly etc. 8p. Silver mica up to 360pF 10p, then to 2,200pF 13p; then to .01 mfd 21p.
1/750 13p. .01/1000, 8/20, .1/900, .22/900, 4/16, 25/250 AC (600v/DC). 15p. 5/150, 10/150, 40/150 50p.

Many others and high voltage in stock.

SONNENSCHNEIN/POWERSONIC DRI-FIT RECHARGEABLE SEALED GEL (Lead Antimony) BATTERY, 6V 1 amp.hr. (3 1/4" x 2" x 1 1/4") £3.70.
6 amp. hr. (4 1/2" x 2" x 3") £7.60
Ex-equipment, little used.

CONNECTOR STRIP

Belling Lee L1469, 4 way polythene. 9p each

1 1/2 glass fuses 250 m/a or 3 amp (box of 12)	20p
Bulgin 5mm Jack plug and switched socket (pair)	40p

Reed Switch 28mm, body length 11p

Aluminium circuit tape, 1/4 x 36 yards—self adhesive. For window alarms, circuits, etc. 95p

TV MAINS DROPPERS

5 assorted multiple units for.....75p

100pF air-spaced tuning capacitor	£1.30
5 1/4" x 2 1/4" Speaker, ex-equipment 3 ohm	65p
2 Amp Suppression Choke	10p
3 x 2 1/2 x 1 1/2" } PAXOLINE	5 for 35p
4 1/2 x 1 1/2 x 1 1/2" }	10 for 15p
PVC or metal clip on MES bulb Holder	5 for 30p
VALVE RETAINER CLIP, adjustable	5 for 15p

Sub-miniature Transistor Transformer 35p
Valve type output transformer 90p

POT CORES with adjuster LA2508-LA2519 43p per pair

16 Watt Power Amp. Module 35v 1A power required, giving 16 watt RMS into 8 Ω £3.45

REGULATED TAPE MOTOR

Grundig 6V approx., 3" x 1 1/2", inc. shock absorbing carrier, or Jap 9V, 1 1/2" diam.	£1.05
3.5mm metal stereo plug	30p
Fane 8 ohm 3" sq. heavy duty communications speaker	£1.60
RS neg. volt regulator 103, 306-099 (equiv. MPC900) 10A, 100 watt 4-30 volt. Adjustable short circuit protection. Normally £12.50+.	£6.65

Digital count unit. Counts in steps of 1, 2, 5 or 10 with total limit switch (2 x D.I.L. BCD), reed relay remote output. Mains power supply, relay and delay unit. UNUSED Displays on 2 Minitron. 7 segments sold separately. £5.40

ACOS DUST JOCKEY Automatic record cleaner £1.30

Burglar alarm, cord-powered for windows, doors, luggage and personal attack. Battery powered 86p

McMurdo 4 or 8 way wafer and socket ex-equipment 50p

Makswitch 1p 10-way wafer 15p Wood cased 8-12V buzzer £2.50

DEAC rechargeable NICAD 450K. Capacity 6V 450 m.a.h. at 10 hour rate. Ex-new equipment £4.11

Crouzet 30-minute timer-programmer, multi-variable contacts £7.56

ACOS DUST JOCKEY Automatic record cleaner £1.30

Mail Order Over £50 deduct 10% Over £100 deduct 20%

100 Electrolytics £3.00
 100 Resistors 1W £2.00
 100 Resistors 2-5W £3.00
 100 Wirewound Resistors £4.50
 Well mixed values and voltages

100 Capacitors £2.50
 100 Resistors up to 1W £1.00
 100 Resistors 2-5W £3.00
 100 1% & 2% Resistors £3.50

Mullard + 12-0-12V 1A-4A stabilized regulated power supply. Approx. 8 1/2" x 4 3/4" x 3 1/2" with handbook £4.32

UK & EIRE — Postal Orders for same day service. Cheques require 8 days from a Tuesday banking to ensure clearance. export — banker's draft (sterling) same day service. Foreign currency money orders etc. can lose value and take 4-6 weeks to clear.

SEMICONDUCTORS Full spec. by Mullard etc. Many others in stock

AC126/128/176 20p	8D113 57p	BFX84/88.89 20p	— 412 80p
ACY29 22p	BD115 35p	BFY51 16p	2N2483 28p
AD161/2 match pr. 85p	BD116(BRC116T) £1.15	BFY90 57p	2N2904/5/6/7/7A 18p
ADZ12 £4.00p	BD130Y £1.50	BR101 34p	2N3053 16p
AF116 20p	BD131/2/3 40p	BRY39/56 29p	2N3055 R.C.A. 60p
AF124/6/7 28p	BD135/6/7/8/9 35p	BSV64 36p	2N3133/4062 24p
AF139 23p	BD137/138 match pr 82p	BSV79/80 F.E.T.s 90p	2N3553/3866 56p
AF178/80/81 35p	BD201/2/3/4 92p	BSV81 Mosfet £1.00	2N4037 39p
AF239 35p	BD232/3/4/5/8 55p	BSX20/21 16p	2N5484 FET 39p
ASU27/73 35p	BDX77 £1.15	BSY40 30p	2SA141/2/360 38p
AU110/113 £2.50	BD437 58p	BSY95A 14p	2SB135/6/457 24p
BC107/8/9 + A/B/C 8p	.BF115/167/173 18p	BU204 -Mount Kit £1.85	2SC372/644/735 15p
BC147/8/9 + A/B/C 8p	BF178/9 23p	BU208 £2.26	2SC583 30p
BC157/8/9 + A/B/C 8p	BF180/1/2/3/4/5 18p	CV7042 (OC41/44 ASY63) 12p	40250(2N3054) 35p
BC173 8p	BF194/5/6/7 8p	GET111/E112 45p	
BC178A/B 179B 14p	BF194A, 195C 8p	OC45(ME2) 13p	
BC184/LC 11p	BF200 258 324 23p	OC22 23p	
BC186/7 23p	BF262/3 35p	R2008B/2010B £2.30	
8C213L/2148/238 10p	BF336/274 31p	TIP30 50p	
BC327/8 337/8 13p	BFS28 Dual Mosfet £1.15	TIS43 (2N2646) 39p	
BC547/8 + A/B/C 13p	BFS1 40p	uA7805 £1.85	
BC556/7/7B/8/9 11p	BFW10/11 F.E.T. 46p	ZT1486 £1.15	
BCX32/36 15p	BFW30 £1.15	ZTX300/341 9p	
8CY31 90p	BFW57/58 21p	2N393 (MA393) 35p	
BCY70/1/2 14p	BFX12/29/30 23p	2N456A 57p	
BCZ11 32p		2N706A 18p	
		2N918 30p	
		2N929 16p	
		2N987 45p	
		2N1484 £1.15	
		2N1507/2219 18p	
		2N2401 35p	

BRIDGE RECTIFIERS

Amp	Volt	
1	1,600	BYX10 34p
1	140	OSH01-200 30p
5	100	Ex Equip 73p
0.6	110	EC433 20p
5	400	Texas £1.10
2 1/2	100	I.R. 48p
3 1/2	100	B40C 3200 58p

RECTIFIERS

Amp	Volt	
M1	68	5p
1N4005/6	6/800	6p
1N4007/BYX94	1250	8p
BY103	1,500	21p
SR100	100	9p
SR400	400	10p
REC53A	1,250	16p
LT102	30	15p
BYX22-200	300	25p
BYX38-300R	300	48p
BYX38-600	600	52p
BYX38-900	900	60p
BYX38-1200	1,200	65p
BYX49-300R	300	35p
BYX49-600	600	42p
BYX49-900	900	47p
BYX49-1200	1,200	60p
BYX48-300R	300	47p
BYX48-600	600	60p
BYX48-900	900	70p
BYX48-1200R	1,200	92p
BYX72-150R	150	42p
BYX72-300R	300	52p
BYX72-500R	500	65p
BYX42-300	300	36p
1N5401	3	100 16p
1N5402	3	200 18p
MR856	3	600 24p
BYX42-900	900	92p
BYX42-1200	1,200	£1.07
BYX46-300R*	300	£1.19
BYX46-600R*	400	£1.75
BYX46-900R*	500	£2.00
BYX46-600*	600	£2.30
BYX20-200	25	200 72p
BYX52-300	40	300 £2.05
BYX52-1200	40	1,200 £2.90
RAS310AF*	1.25	1,250 48p

*Avalanche type

Amp	Volt	TRIACS	
25	900	BTX94-900	£4.50
25	1200	BTX49-1200	£6.75

Diode Characteristic, Equip., and Subs. 82p

Transistor equivalents and substitutes Book 1 38p Book 2 82p

Chrome Car Radio fascia	28p
Rubber Car Radio gasket	10p
DLI Pal Delayline	90p
Relay Socket miniature 2PCO	20p
28 pin d.i.l. socket low profile	38p
Colour EHT Tray 3000/3500	£5.50
Nylon self-locking, 3 1/2" tie clips	3p
1.5, 10, 22 or 750 µh choke	12p
0-30, or 0-15, black pvc, 360° dial, silver digits, self adhesive	4 1/2" dia. 13p
Mullard Semiconductor, Valve & Component Data Book 1976-78	50p

OPTO ELECTRONICS

Diodes	Photo transistor
8PX40 57p	8PX29 92p
8PX42 92p	OC71 75p
BPY10 92p	
(VOLIAC)	L.E.D.'s
BPY68 2" Red 16p	TIL209 .125" Red 14p
BPY69 92p	Green 16p
BPY77 92p	
Wire end neons 9p	

PHOTO SILICON CONTROLLED SWITCH

BPX66 PNP 10 amp £1.16

3" red 7 segment L.E.D. 14
 D.I.L. 0-9 + D.P. display 1.9v
 19m/a segment, common anode .95p
 RS 0.6in. green £2.25
 Minitron 0.3in 3015F filament £1.25

CQY11B L.E.D.
 Infra red transmitter £1.15
 One fifth of trade

R.S. Battery Holder for 4 x HP/SP 1130p

McMurdo PP108 8 way edge plug 12p
 Multicore Solder 3kg. 16 or 18 or 20 s.w.g. 60/40 £5.00
 3 inch 8 Ω speaker £1.15

New unmarked, or marked ample lead ex new equipment

ACY17-20 10p	TIC44 28p
AS220 10p	2G240 £1.17
AS221 35p	2G302 6p
BC186 13p	2G401 6p
BCY30-34 24p	2N711 28p
BCY70/1/2 10p	2N2926 6p
BY126/7 5p	2N598/9 8p
HG1005 12p	2N1091 10p
HG5009 4p	1N1907 £1.17
HG5079 4p	Germ. diode 2p
L78/9 4p	2N3055 5p
M3 12p	Motorola 36p
OA81 4p	GET120 (AC128 in 1" sq. heat sink 22p
OA47 4p	GET872 15p
OA200-2 4p	2S3230 34p
OC23 27p	TIS43 25p
OC200-5 24p	
C106 THY 38p	

MINIATURE EDGE METERS

100uA f.s.d., scaled 0.5. 12V illuminated blue perspex front, 35mm x 14mm £3.45
 200uA level meter, clear front. 10 x 18mm £1.20

NEW B. V.A. VALVES

EB91 49p	ECL80 67p
PCC84 59p	6SN7/6K7 89p
6AT6 89p	EZ81 59p
OC3 £1.20	KT66 £6.00

TRANSFORMERS

Ferromag C core. Screens 95-105-115-125-200-220-240v input output 17v 1A x 2 + 24-0-24v 1.04A x 20v 1mA. these current ratings can be safely exceeded by 50%. £4.90
 Cassette Dynamic Microphone with switch and twin plug £1.80
 Telephone Pickup sucker with lead and 3.5 plug 70p

THYRISTORS

Amp	Volt	Model	Price
1	240	BTX18-200	35p
1	400	BTX18-300	41p
1	240	BTX30-200	35p
4	500	40506	80p
15	500	BT107	£1.14
6.5	500	BT109-500R/SCR957/BRC4444	£1.14
20	600	BTW92-600RM	£3.40
15	800	BTX95-800R Pulse Modulated	£8.75

PAPER BLOCK CONDENSER

0.25MFD 800 volt 87p
 1MFD 250 volt 54p
 1MFD 400 volt 65p

TV KNOB

Dark grey plastic for recessed shaft (quarter inch) with free shaft extension 8p

CHASSIS SOCKETS

Car Aerial 11p, Coax 8p, 5 pin 180° 11p, 5 or 6 pin 240° din 8p, speaker din switched 13p, 3.5 mm switched 7p, stereo 1/4" jack enclosed 20p.

SPECIAL OFFERS

2500 mfd. 40v 56p
 0.1 mfd. 350/500v 10 for 50p
 10000 mfd. 15v 3 for £1.16
 6800 mfd. 10v 3 for 90p
 32 + 32/275v 3 for 90p
 16 + 32/350v 3 for 90p
 B+8 mfd. 375v4 for 90p
 1 mfd. non-polar 350v 10 for £1.19
 25000 mfd. 25v 65p
 12000/12v 3 for £1.16
 G.E.C. 5% Hi-stab capacitors 013.
 061, 066, 069, 075, 08, 10 for 65p
 AY5/8300 I.C. 10 for £6.00
 BC548B 500 for £28.50
 BC556 500 for £28.50
 BCY71 500 for £43.50
 BD437 50 for £13.75
 BD133 100 for £16.60
 2N2906 500 for £43.50
 TBA920 10 for £11.50
 Vero card handle 10 for 65p
 62 Ω 1/2W Resistor 2,000 for £6.75
 ON222 (superior matched BF181) 10 for £1.20

OTHER DIODES

1N916 8p	1N4009 9p	1N4148 4p	BA145 17p
Centercel 29p	BZY61/BA148/OA81 12p	BB103/110 Varicap 24p	BB113 Triple Varicap 43p
BA182 15p	OA5/7/10 17p	BZY88 up to 43 volt 10p	BZX61 11 volt 17p
AA133 10p	BZY96C 10V 34p	BZY95C 33V 34p	

RS Irravin high temperature wire, 19/0.16, minus 55° to 105°C, 600V 3A, white, black or red. Half trade price at 54p 10M coil.

PVC QUALITY TAPE

Lasso 10m x 15mm grey 38p
 33m x 33mm green £1.13p

Trimmer: Post stamp type 3 30pF 16p
 10-80pF 19p
 30-140pF 23p

GARRARD

GCS23T Crystal Stereo Cartridge £1.20
 Mono (Stereo compatible) Ceramic or crystal £1

INTEGRATED CIRCUITS

TBA920 TCA270	£2.20
TAA700	£2.40
TBA800	£1.24
741/7490/7473	28p
uA702 op amp	53p
(72) 709	52p
74107/74122	38p
SN76228N	£2.03
SN76131N	£1.55
74107N	38p
TAD100 AMRF	£1.22
CA3001 R.F. Amp	58p
CA3132	£2.22
74151	45p
CD4069	24p
TAA300 1 wt Amp	£1.15
TAA550 Y or G	26p
TAA263 Amp	75p
TAA320	£1.15
7400/7401	16p
7402/4/10/20/30	16p
7414/74132N	64p
7438/7474/7432	27p
AY5/8300	£1.00
7483/74520	79p
7493/CD4013	41p
LM300 2/20v reg	£1.15
LM1303N	£1.15
74154/74B810	£1.02
TBA550Q/745112	£1
ZN414/74LS19Z	£1

HANDLES

Rigid light blue nylon 6 1/2" with secret fitting screws 11p
 Belling Lee white plastic surface coax outlet box 40p
 Miniature Axial Lead Ferrite Choke formers 5 for 13p
 RS 10 Turn pot 1% 250 500 Ω 1K, 50K £1.70
 Copper coated board 10" x 9" approx. 60p
 Geared Knob 8-1 ratio. 1 1/2" diam, black 93p
 KLIPPON 25A 440V TERMINAL BLOCKS
 Professional leaf spring clamp. twin with clip-over cover 11p
 Strip of 4, 40A 440V 16p

VAT & POST PAID MINIMUM ORDER £3 OTHERWISE ADD 50% FOR SMALL ORDER HANDLING COSTS (UNDER £1.00 TOTAL ALSO INCLUDE 9p S.A.E.)

NO MORE TO ADD — Prices INCLUDE UK VAT and Post/Packing

ALL ENQUIRIES, ETC., MUST BE ACCOMPANIED BY A STAMPED ADDRESSED ENVELOPE

DIRECT READER SERVICE

RADIO & ELECTRONICS BOOKS

1. **50 PROJECTS USING RELAYS, SCR's & TRIACS**
by F. G. Rayer £1.25
2. **FUN & GAMES WITH YOUR ELECTRONIC CALCULATOR** by J. Vine 90p
3. **50 (FET) FIELD EFFECT TRANSISTOR PROJECTS**
by F. G. Rayer £1.40
4. **DIGITAL IC EQUIVALENTS AND PIN CONNECTIONS**
by Adrian Michaels £2.70
5. **50 SIMPLE L.E.D. CIRCUITS**
by R. N. Soar 90p
7. **THE COMPLETE CAR RADIO MANUAL**
by F. C. Palmer 90p
8. **SOLID STATE NOVELTY PROJECTS**
by M. H. Babani £1.00
9. **28 TESTED TRANSISTOR PROJECTS**
by R. Torrens £1.10
10. **SOLID STATE SHORT WAVE RECEIVERS FOR BEGINNERS** by R. A. Penfold £1.10
11. **50 PROJECTS USING IC CA3130**
by R. A. Penfold £1.10
12. **50 CMOS IC PROJECTS**
by R. A. Penfold £1.10
13. **HOW TO BUILD ADVANCED SHORT WAVE RECEIVERS** by R. A. Penfold £1.35
14. **BEGINNERS' GUIDE TO BUILDING ELECTRONIC PROJECTS** by R. A. Penfold £1.40
15. **50 CIRCUITS USING GERMANIUM SILICON & ZENER DIODES** by R. N. Soar 90p
16. **LINEAR I.C. EQUIVALENTS AND PIN CONNECTIONS**
by Adrian Michaels £3.00

all prices include postage & packing

To: Data Publications Ltd., 57 Maida Vale, London W9 1SN

Please send me within 21 days copy/copies of

.....
..... No.

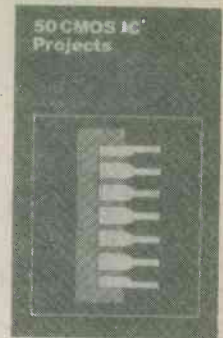
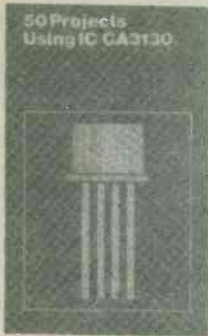
I enclose Postal Order/Cheque for £.....

Name

Address

(Block Letters Please)

(We regret this offer is only available to readers in the U.K.)



THE MODERN BOOK CO

BEGINNER'S GUIDE TO HAM RADIO

by Len Buckwalter K10DH

Price: £4.00

SOLID STATE BASICS FOR THE RADIO AMATEUR

by D. DeMaw Price £3.75

UNDERSTANDING AMATEUR RADIO
by J. Rusgrove Price £4.25

SOLID STATE DESIGN FOR THE RADIO AMATEUR
by ARRL Price £6.00

THE A.R.R.L. ANTENNA BOOK
by ARRL Price £4.25

FM AND REPEATERS FOR THE RADIO AMATEUR
by ARRL Price £3.50

REPAIRING POCKET TRANSISTOR RADIOS
by I. R. Sinclair Price £2.50

BEGINNER'S GUIDE TO RADIO
by G. J. King Price £3.00

BUILDING & DESIGNING TRANSISTOR RADIOS - A BEGINNER'S GUIDE
by R. H. Warring Price £3.30

OP-AMPS - THEIR PRINCIPLES AND APPLICATIONS
by J. B. Dance Price £2.50

ELECTRONICS FAULT DIAGNOSIS
by I. R. Sinclair Price £3.00

UNDERSTANDING DIGITAL ELECTRONICS

by Texas Instruments Price £3.90

NEWNES RADIO & ELECTRONICS ENGINEER'S POCKET BOOK
by Newnes Price £2.80

BEGINNER'S GUIDE TO TAPE RECORDING
by I. R. Sinclair Price £3.20

BEGINNER'S GUIDE TO AUDIO
by I. R. Sinclair Price £3.00

BEGINNER'S GUIDE TO INTEGRATED CIRCUITS
by I. R. Sinclair Price £3.00

BEGINNER'S GUIDE TO COLOUR TV
by G. J. King Price £2.50

BEGINNER'S GUIDE TO ELECTRIC WIRING
by F. Guillou Price £2.50

THE OSCILLOSCOPE IN USE
by I. R. Sinclair Price £2.75

THE CATHODE-RAY OSCILLOSCOPE AND ITS USE
by G. N. Patchett Price £4.00

INTRODUCING AMATEUR ELECTRONICS
by I. R. Sinclair Price £1.50

* PRICES INCLUDE POSTAGE *

ABC'S OF ELECTRONICS

by F. J. Waters Price £4.15

BEGINNER'S GUIDE TO HOME COMPUTERS
by M. Grosswirth Price £3.20

ADVENTURES WITH ELECTRONICS
by T. Duncan Price £2.85

PROJECT PLANNING & BUILDING
by M. A. Colwell Price £2.20

110 COSMOS DIGITAL IC PROJECTS FOR THE HOME CONSTRUCTOR
by R. M. Marston Price £3.00

110 OPERATIONAL AMPLIFIER PROJECTS FOR THE HOME CONSTRUCTOR
by R. M. Marston Price £2.75

TESTING METHODS AND RELIABILITY ELECTRONICS
by A. Simpson Price £4.30

DIGITAL ELECTRONIC CIRCUITS AND SYSTEMS
by N. M. Morris Price £4.30

BEGINNER'S GUIDE TO MICROPROCESSORS
by C. M. Gilmore Price £4.75

GETTING ACQUAINTED WITH MICROCOMPUTERS
by L. Frenzel Price £7.00

We have the Finest Selection of English and American Radio Books in the Country

19-21 PRAED STREET (Dept RC) LONDON W2 1NP

Telephone 01-723 4185

CHESTER ELECTRONICS

HI VOLTAGE TUBULAR CERAMIC CAPACITORS

1.1pf, 1.5pf, 1.8pf, 2.0pf, 2.25pf, 2.7pf, 3.9pf, 4.2pf, 4.7pf, 5pf, 5.6pf, 6.8pf, 9.1pf, 10pf, 12pf, 15pf, 16pf, 17.5pf, 18pf, 18.5pf, 20pf, 22pf, 22.6pf, 39pf, 60pf, 68pf, 70pf, 700pf, 820pf, 1200pf, 1300pf, 1800pf, 2000pf, 2200pf, 2500pf, 2800pf, 3300pf. All at 5p each, 50 for £2.00.

POLYESTER CAPACITORS

0.01u, 0.015u, 0.033u, 0.068u, 0.1u, all 250V @ 5p each
0.15u, 0.22u, 0.33u, all at 250V @ 7p each
1.0u, 2.2u, at 250V @ 15p each

MYLAR CAPACITORS

0.0015u/50V, 0.0068u/50V, 0.005u/100V, 0.02u/100V all at 5p each

SPECIAL OFFER: Hunts 300pf 600V, 0.0015u/400V at 5p each

Silver mica 39pf 2% only 8p each

Reversible Capacitors: 6.8u 40V, 5p each, 400u, 40V only 10p each

0.25W Pre-Sets available at 7p each, 50 for £3, 100 for £5

Vertical: 100 ● 220 ● 470 ● 500 ● 2K2, 4K7, 22K, 47K, 220K, 1M.

Horizontal: 100 ● 1K, 4K7, 10K, 15K, 470K, 1M, 3M3.

(Values of both styles may be mixed to obtain price breaks)

AC154	15p	BC125	10p	BD132	34p	BT106	£1.25
AC187K	25p	BC147	7p	BD135	32p	BU208	£2.00
AD142	65p	BC148	7p	BD136	32p	BFY50	15p
AD149	50p	BC153	10p	BD232	65p	BFY51	15p
AD161	35p	BC184C	7p	BD234	50p	BFY52	15p
AD162	35p	BC184LC	8p	BD238	45p	TIP32C	45p
AU110	£1.00	BC212	10p	BF262	30p	2N3055	35p
BC107	8p	BC213	10p	BF271	15p	2N3703	8p
BC108	8p	BC214	10p	BFX89	20p	2N2926D	10p
BC109	8p	BD131	34p	BRY39	26p	2N3503	18p

(All the above transistors are fully branded, full spec devices)

Small slow motors (Smiths clocks) 50 ● 2W. New only £1 each

ROTARY POTS (Brand New)

LOG (Less Switch)

4K7, 10K, 22K, 47K, 100K, 470K, 1M 2Ms, 2Bp each

LIN (Less Switch)

470 ● 1K, 2K2, 4K7, 10K, 22K, 47K, 100K, 220K, 470K, 1M, 2M2, 2Bp each

PANEL METERS 2 1/2" x 1 1/8" x 1 1/8" (Brand New)

0-50UA	0-50MA	0-50Volts	500-0-500UA
0-100UA	0-100MA	0-300Volts	0-30VDC
0-500UA	0-500MA	"S" Strength Meter	
0-1MA	0-1Amp	V.U. Meter	
0-5MA	0-2Amp	50-0-50UA	ALL METERS ONLY
0-10MA	0-25Volts	100-0-100UA	£5.00 each

MINIATURE TOGGLE SWITCHES

Single Pole Single throw 75p each
Single Pole Double throw 77p each
Double Pole Double throw 83p each

SLIDE SWITCHES

Standard Double Pole Double Throw 15p each
Standard Double Pole Double Throw (Centre Off) 17p each

Banana Plugs Banana Sockets

Red 15p each
Black 15p each
Chassis type Red 15p each
Chassis type Black 15p each

SPECIAL OFFER: 741 B pin DIL Brand

New full spec etc.

1 off 18p each, 50 for £8.100 for £15.00

RUBBER FEET 10 for 50p

MULTITESTERS

All of the multimeters listed below are brand new.

Type	Specification	Price Each
LT101	Economy 1000 OPV	£9.00
T1	Standard 1000 OPV	£12.00
PROE	20,000 OPV	£48.00
TMK500	20,000 OPV (Incl. case)	£31.00

SOLDERING IRONS

(Brand New)

Antex CCN £5.00
Antex CX £4.75
Antex C £4.75
Antex X25 £4.75
Antex SK1 Kit £8.00
Antex SK3 Kit £7.50

LEADS FOR THE ABOVE

Standard test leads £1.50 each

Curly lead with Banana Plug £2.10 each

Test Lead Kit £2.50 each (Ideal for the beginner)

PROBE: 25KV High Voltage 1000 Meg. Ohms probe only £15.00

SPECIAL OFFER: VERO-BOARD 0.1" 18" long x 3 1/2" wide only £1.75 each

JACK PLUGS

1/2" Mono Plastic Unscreened 15p each
1/2" Mono Metal Screened 30p each
1/2" Stereo Plastic Unscreened 28p each
1/2" Stereo Metal Screened 38p each

JACK SOCKETS

1/2" Jack Line Mono Plastic 20p each
1/2" Jack Line Mono Metal 35p each
1/2" Jack Chassis Mono Plastic Closed 20p each
1/2" Jack Chassis Stereo Plastic Closed 30p each

Do not add VAT to the above prices. Only add 20p Post & Packing. No callers please as we have no retail facilities.

SEND YOUR ORDERS TO: **CHESTER ELECTRONICS**
6 Hunter Street Chester CH1 2 AU

CONSTANT CURRENT TRANSISTOR TESTER

By John Baker

NOVEL TESTING TECHNIQUE MEASURES TRANSISTOR GAIN AT A CONSTANT COLLECTOR CURRENT

This relatively simple transistor tester has practical gain measuring ranges of 10 to 250 and 100 to 2,500 at collector currents of 1mA and 10mA. The unit incorporates a meter which gives a direct read-out in terms of current gain and the base current drawn by the device under test. The correct collector current is automatically fed to the test device and it is not necessary to adjust the current manually before a reading can be made.

The unit can also be used to make leakage measurements and there are three leakage current ranges: 0-10 μ A, 0-100 μ A and 0-1,000 μ A.

METHOD OF OPERATION

A simple form of transistor tester having direct meter read-out is shown in Fig. 1(a). Here, the transistor being tested is fed with a known current via a base bias resistor. The resultant collector current is measured by a meter connected in the collector circuit of the transistor.

In a practical circuit the base current could be 1 μ A, and the meter could have an f.s.d. sensitivity of 1mA. the test transistor would then require a gain of 1,000 to produce f.s.d. in the meter. Lower

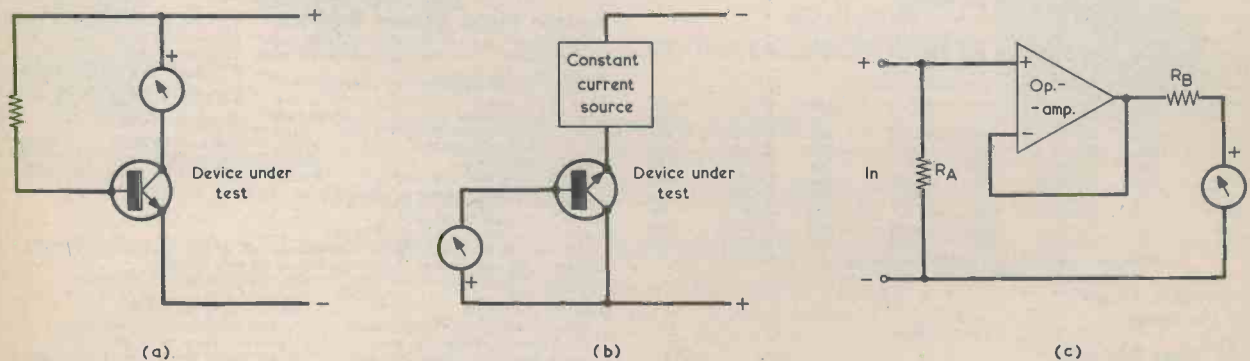


Fig. 1(a). A simple form of transistor tester. A fixed base current is applied to the transistor under test and the meter indicates the consequent collector current
(b) An alternative approach in which a constant current is allowed to flow through the emitter and collector of the test transistor. The meter reads the base current needed to maintain the collector current
(c) An electronic current-reading meter. Its functioning is described in the text



An angled view of the tester. The case dimensions are 120 by 100 by 45mm. deep

gains would obviously give proportionately lower meter readings. A gain of 200, for example, would give a meter reading of $200\mu\text{A}$, and a gain of 100 would give a meter reading of $100\mu\text{A}$. Thus, a direct read-out in gain can be obtained with little or no recalibration of the meter.

One slight flaw in this arrangement is that the gain of the transistor is not measured at any predetermined collector current. In the example just given the collector current would vary from about 1mA for a very high gain device to a few microamps for a low gain one.

The gain of a transistor normally varies considerably with changes in collector current with, in general, reduced collector current resulting in reduced gain. This can result in the simple arrangement of Fig. 1(a) giving rather low readings for devices which have moderate levels of gain, and extremely low readings for devices which have low but acceptable gain levels.

The difficulty can be overcome by using the arrangement shown in Fig. 1(b). In this, a constant current flows through the emitter and collector terminals, and a meter connected between the collector and base terminals measures the base current that is drawn by the test transistor. The meter has a significant internal resistance, with the result that, in addition to measuring current, it allows a voltage to appear between the collector and the base of the transistor under test. The current indicated by the meter will be the base current needed to maintain the constant current which flows through the emitter and the collector. What we have done, in consequence, is to change the test approach from using a fixed base bias current and measuring the resulting collector current to using a fixed collector current and measuring the consequent base current.

The internal resistance of the meter must not, of course, be too high as it would then prevent the flow of adequate base current with a low gain test transistor. A suitable resistance would be one which

drops a little more than half the supply voltage when the meter is at full-scale deflection.

The meter read-out will not be as convenient as in the previous arrangement because base current is inversely proportional to the gain of the transistor. In other words, the higher the gain of the test transistor the lower the resultant base current and meter reading. Ideally, the meter should be given an additional scale calibrated in terms of current gain, but this is not absolutely necessary as it is a simple matter to mentally convert base current into terms of current gain. In fact, once the user has become familiar with a tester employing a base current read-out, conversion to gain figures tends to be carried out automatically with hardly any conscious thought.

A possible shortcoming with the arrangement is that the transistor emitter current is really collector current plus base current, so that with a very low gain device a significant amount of the constant current would be drawn by the base. The collector current would then be lower than the nominal value of the constant current, whilst the base current indicated by the meter would be that needed for this reduced collector current.

However, all transistors in common usage have minimum gain figures of 20 or more, whereupon the effect will not introduce serious errors and can be considered to be of academic importance only.

CURRENT METER

Another factor which has to be considered is that the base current drawn by a high gain transistor will be very small, perhaps less than $2\mu\text{A}$ for a collector current of 1mA. Panel-mounting meters having f.s.d. sensitivities of the order of $10\mu\text{A}$ or so as would be required here are not readily available, but this problem is easily overcome by using an amplifier to boost the sensitivity of a standard meter.

A practical meter amplifier circuit is shown in Fig. 1(c). An operational amplifier has its output connected back to its inverting input, giving 100% d.c. negative feedback. The amplifier is a unity gain voltage follower, and the voltage at its output is virtually equal to the voltage at its non-inverting input.

If, assuming negligible resistance in the meter movement, R_A is equal to R_B and a positive voltage is applied to the non-inverting input, the current flowing through R_B will be equal to the current flowing through R_A . This must be so, because both resistors have the same value and the same voltage appears across each. If R_A has ten times the value of R_B then, for any positive voltage at the non-inverting input, the current in R_A will be one-tenth of that in R_B . The circuit may then be used as an electronic current meter, with the current to be measured passing through R_A and the meter indicating this current multiplied by ten. The sensitivity of the meter is therefore increased by ten times. Should R_A have one-tenth the value of R_B , it follows that the meter will indicate one-tenth of the current flowing through R_A .

Thus, the sensitivity of the circuit can be easily varied by simply choosing appropriate values for R_A and R_B , and the f.s.d. sensitivity may be made equal to, greater than or smaller than the actual f.s.d. sensitivity of the meter movement itself.

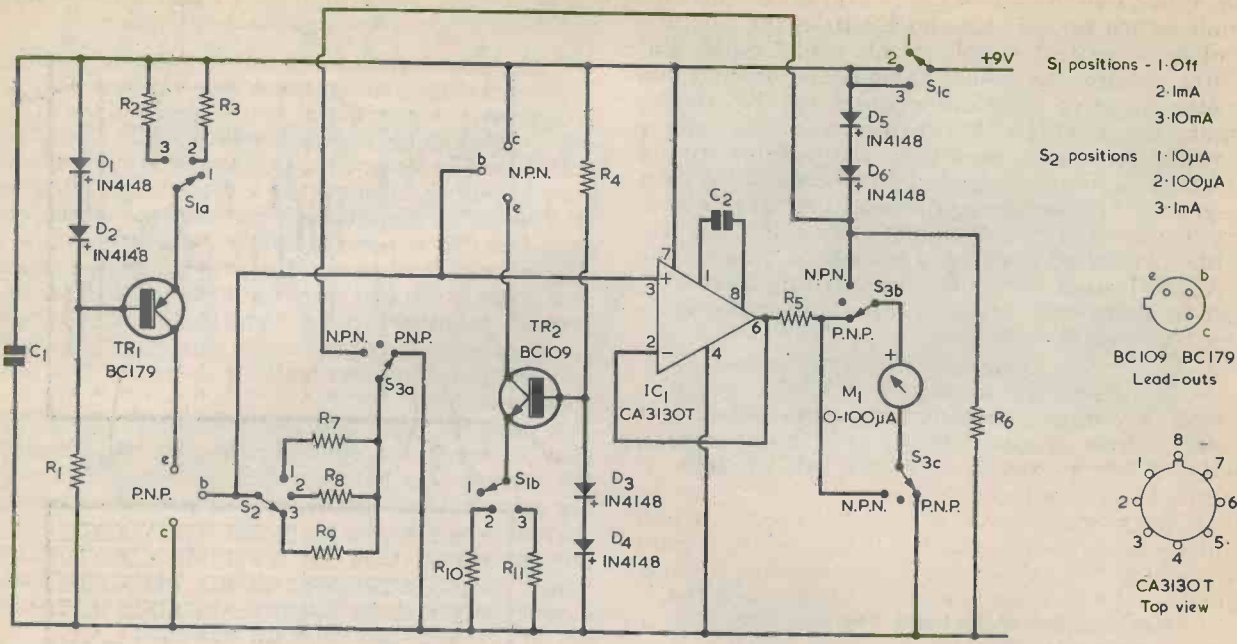


Fig. 2. The circuit of the constant current transistor tester

THE CIRCUIT

The complete circuit of the transistor tester is given in Fig. 2. In order to minimise the n.p.n.-p.n.p. switching needed, separate constant current generators and test sockets are used for the n.p.n. and p.n.p. testing modes. TR1 is the p.n.p. constant current source and the base of this transistor is held about 1.3 volts negative of the positive supply rail by the simple stabilizer formed by R1 and the forward biased silicon diodes, D1 and D2. There is a voltage drop of some 0.6 to 0.65 volt across the base-emitter junction of the transistor, leaving 0.7 to 0.65 volt across whichever of the two emitter resistors is selected by S1(a). R3 has a value of 680 Ω and causes a constant current with a

nominal value of 1mA to be given. The resistance of R2 is 68 Ω resulting in a constant current having a nominal value of 10mA.

In the p.n.p. mode the electronic current meter is the same as that shown in Fig. 1(c), with RA being replaced by R7, R8 or R9, according to the setting of S2, and RB being replaced by R5. The f.s.d. meter sensitivities selected by S2 are 10 μ A, 100 μ A and 1mA respectively.

TR2 is the constant current generator for the n.p.n. test mode. The circuit around this transistor is identical to that for TR1 except that all the polarities are reversed.

S3 provides polarity reversal when changing from the p.n.p. to the n.p.n. test mode and vice versa.

COMPONENTS

Resistors

(All $\frac{1}{4}$ watt 5% unless otherwise stated)

- R1 4.7k Ω
- R2 68 Ω 2%
- R3 680 Ω 2%
- R4 4.7k Ω
- R5 56k Ω 2%
- R6 2.7k Ω
- R7 560k Ω 2%
- R8 56k Ω 2%
- R9 5.6k Ω 2%
- R10 680 Ω 2%
- R11 68 Ω 2%

Capacitors

- C1 0.1 μ F type C280 (Mullard)
- C2 100pF ceramic plate

Semiconductors

- IC1 CA3130T
- TR2 BC109
- TR1 BC179
- D1-D6 1N4148

Switches

- S1 3-way 3-pole rotary (see text)
- S2 3-way 1-pole rotary (see text)
- S3 3-way 3-pole rotary (see text)

Meter

- M1 0-100 μ A moving-coil (see text)

Miscellaneous

- Plastic case (see text)
- 9-volt battery type PP3
- Battery connector
- 3-off control knobs
- 2-off 3-way DIN sockets
- 3-way DIN plug
- Veroboard, 0.1in. matrix
- Test leads
- 3-off crocodile clips
- Wire, solder, etc.

sa. When switching to n.p.n., S3(a) takes the common return for R7, R8 and R9 from the negative rail to a positive supply point, whilst S3(b) and S3(c) change the meter connections so that the meter negative terminal couples via R5 to the operational amplifier output and the meter positive terminal connects to the positive supply point. The positive supply point is about 1.3 volts negative of the positive rail, being held at this level by the forward biased silicon diodes, D5 and D6. This method of working is necessary because the CA3130T used as the operational amplifier does not function well when its inputs are close to its positive supply potential.

C1 is the supply decoupling capacitor and C2 is the compensation capacitor for IC1. S1(c) provides on-off switching. The tester has a quiescent current consumption of about 9mA, and this increases, when a test transistor is connected, by 1mA or 10mA according to the setting of S1.

In the prototype, M1 is a 0-100 μ A meter with a resistance of 580 Ω , and it has a plastic front measuring 60 by 45mm. It is available from a number of suppliers, including Maplin Electronic Supplies. Switches S1 and S3 are 4-pole 3-way miniature rotary types with one pole unused. S2, in the prototype, was one pole of a 3-pole 4-way miniature rotary switch, with an adjustable end stop set for 3-way operation. It could alternatively be one pole of a 4 pole 3 way switch. S3, it will be noted, has a central blank position. This is because most miniature rotary switches have a make-before-break action. If two adjacent contacts of such a switch were used for polarity changing, the supply could be momentarily short-circuited via D5 and D6 as the switch was moved from one setting to the other.

CONSTRUCTION

The transistor tester is assembled in a white plastic case measuring approximately 120 by 100 by 45mm. This is a case type V219, available from Greenweld, 443 Millbrook Road, Southampton, SO1 0HX. The parts are mounted on the lid, which

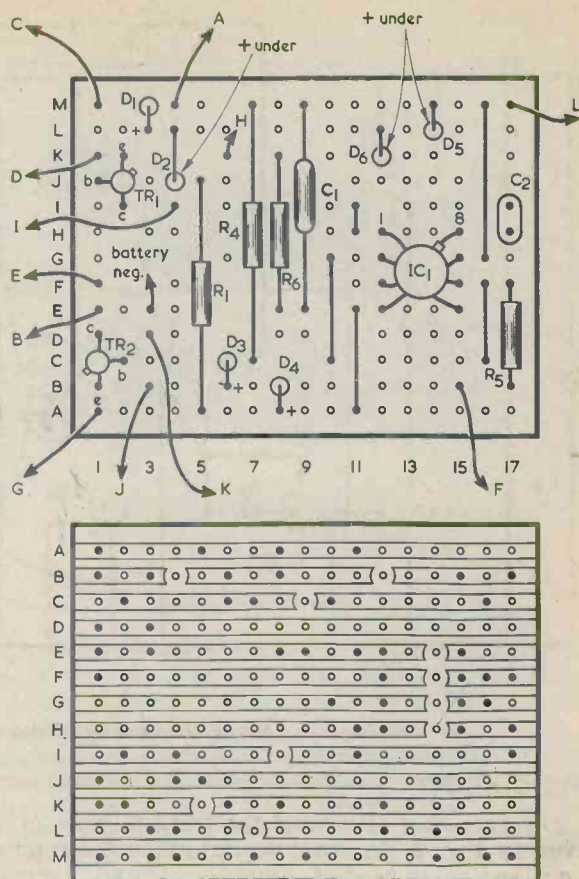
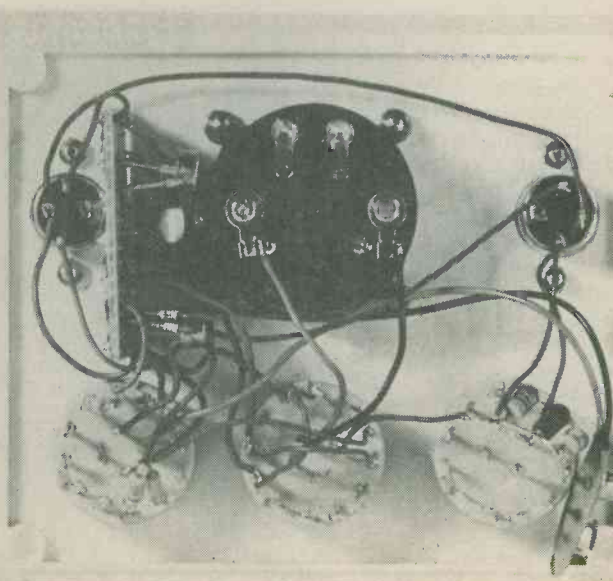


Fig. 3. Much of the circuit is constructed on a Veroboard panel of 0.1in. matrix

then effectively becomes the front panel of the unit. The general layout can be seen from the photographs. Looking at the front of the tester, the p.n.p. test socket is to the left of the meter and the n.p.n. socket is to the right. The three switches are

Apart from the battery, all the parts are mounted behind the front panel. There is adequate space for the battery inside the case, and this may be secured in place with a simple home-made clamp



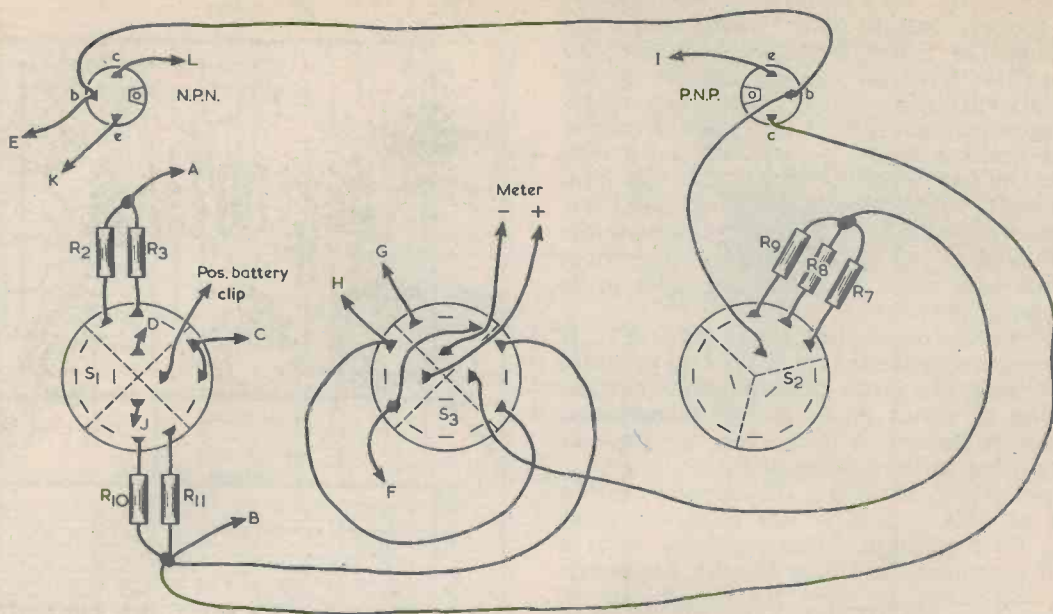


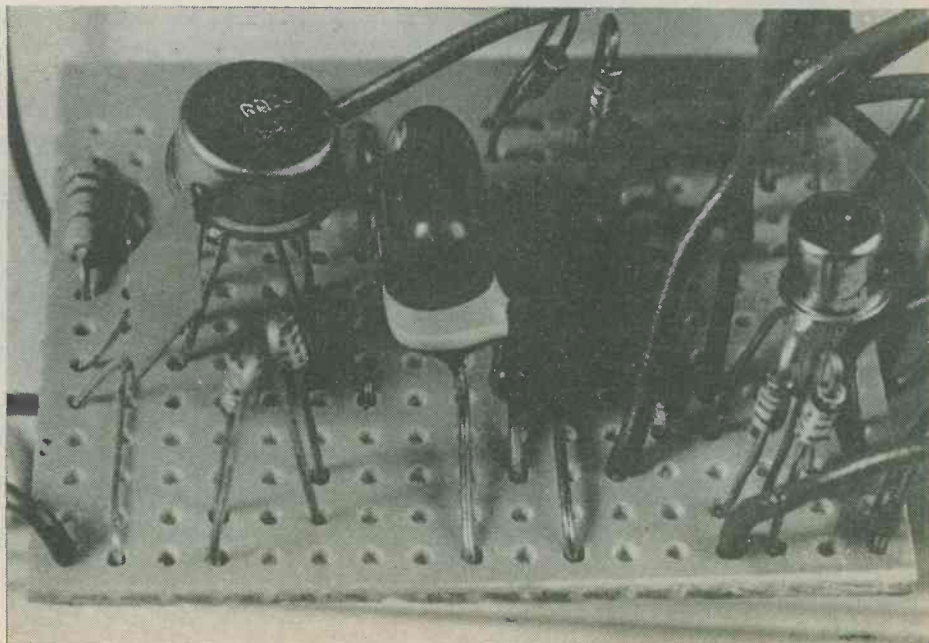
Fig. 4. The remaining wiring is to the meter and the front panel components. Before connecting to the switches check visually, or with a continuity tester, the outer tags corresponding to each inner tag. Their relative positioning may differ, with some switches, from that shown here

in a horizontal row below the meter with S2 ("Range") to the left, S3 ("Mode") in the centre and S1 ("Function") on the right.

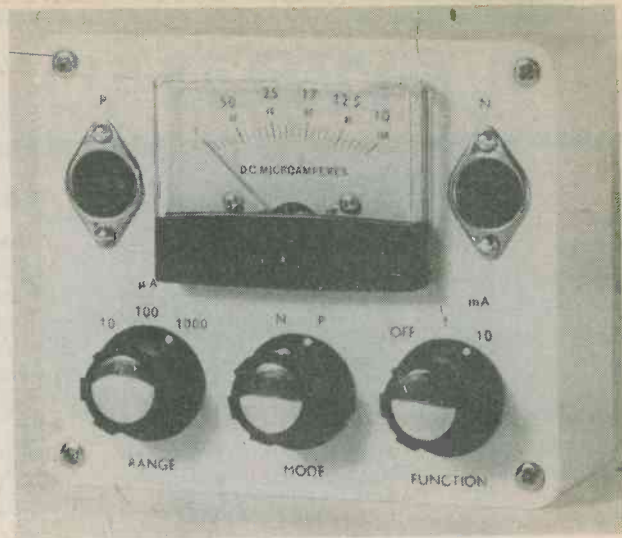
3-way DIN sockets are used as test transistor

sockets, and TO18 and TO5 transistors will readily plug into these, as will certain other types. A set of test leads is made up for other transistor styles. This merely consists of a 3-way DIN plug to which

The Veroboard panel, which takes most of the smaller components



The front panel of the constant current transistor tester. The lettering and legends are taken from "Panel Signs" Set No. 4



three short insulated flexible wires of different colours are connected. The wires are terminated in small crocodile clips, which clip on to the leads of the transistor being tested.

Most of the smaller components are wired up on a small 0.1in. matrix Veroboard having 13 copper strips by 17 holes. The Veroboard assembly is shown in Fig. 3. IC1 has a PMOS input stage and can therefore be damaged by high static voltages. It will normally be supplied in a protective package and should be left in this until it is soldered to the Veroboard. The i.c. should be the last component to be fitted to the board, and its lead-out should be soldered with an iron having a reliably earthed bit.

Fig. 4 shows the component layout behind the front panel, and it will be seen that some of the resistors are soldered to the switch tags. Interconnections between the front panel components and the Veroboard are identified by the letters "A" to "L" in Figs. 3 and 4. The board is positioned vertically between the meter and the n.p.n. test socket, with the component side towards the meter. If fairly stout and short wires are used for the connections between the Veroboard and the panel components, these will provide the board with quite a firm mounting, and no other means of securing it are then necessary.

USING THE TESTER

The transistor under test is either plugged into the appropriate test socket or connected to it by the test leads, and S3 is switched to the correct mode. When testing most small transistors S1 should be switched to the 1mA position, as small signal transistors usually have their gain quoted at a current of about this level in brief form data sources. Some small signal devices, mainly r.f. and switching types, have their gain levels quoted at a higher collector current of about 10 or 20mA. In such instances the 10mA setting of S1 should obviously be used.

The 10mA setting should also be used when checking medium and high power transistors. It must then be borne in mind that these devices normally have their gains quoted at a collector current

of 100mA or more. However, it is not really practicable to provide such high currents in a small battery powered unit such as this, and so the lower current must be used. This will tend to give a slightly low gain figure with the power transistors.

When S1 is in the 1mA position only the 10 μ A and 100 μ A ranges of the tester are used. The 10 μ A range represents a gain of 100 at full-scale deflection, rising to a gain of 2,500 at the first meter scale division of 4 μ A. The corresponding levels on the 100 μ A range are 10 and 250. With S1 in the 10mA position, only the 100 μ A and 1mA meter ranges are employed, and again these provide scale limits of 100 to 2,500 and 10 to 250 respectively.

If desired, numbers taken from "Panel Signs" Set No. 4 can be affixed to the meter scale as a guide to the gain figures. The number "10" can be added above the 100 on the meter scale, "12.5" above 80, "17" above 60, "25" above 40 and "50" above 20. The fronts of modern meters simply unclip to allow access to the scale, but the addition of the numbers should only be carried out by constructors who feel competent to undertake the task; the meter has a delicate mechanical construction which can be very easily damaged by careless handling or the ingress of dirt or dust particles.

Leakage current (the current which flows between emitter and collector when the base is open-circuit) can be measured by connecting the emitter normally, and the collector to the base socket, or base test clip. No connection is made to the base. Silicon transistors, when they are fully functional, usually have very low leakage currents of less than 1 μ A. On the other hand germanium transistors, including power types in particular, can often exhibit quite high leakage currents even when they are fully serviceable. Of course, if a device does have a very high leakage current the gain figure provided by the tester will be higher than the true value. This is because a significant part of the collector current will be leakage current, whereupon a correspondingly lower base current is required. Fortunately, this state of affairs can be detected by the leakage current test, and it will in any case only apply with a small proportion of obsolescent germanium transistors. ■



NEW DIGITAL PHOTO TACHOMETER

New from Power Instruments of the USA is a touchless, digital photo tachometer, designed for measuring the rpm of rotating objects from distances of between $\frac{1}{4}$ " to 30" using a beam of light and readout on a digital scale.

A piece of reflective tape, provided with the tachometer, is fixed on the surface of an object, and when it is rotated, a beam of light from the probe is focused on it. A "target eye" lights up on the tachometer, showing when contact is made, and a rpm readout is given on five $\frac{3}{8}$ " LED's on the digital scale. An exclusive "never forget" memory holds the reading indefinitely.

Powered by ordinary batteries, the model 1891 touchless tachometer is provided with a robust, aluminium carrying case, reflective tape and other accessories. Measuring only $8\frac{1}{2}$ " x $4\frac{1}{2}$ " x 2", it weighs $1\frac{1}{2}$ lbs. and is 100% solid state optional extra accessories include measuring wheels, hand held or permanent surface mounted to measure linear speed.

Price is £155, plus VAT and carriage, from the sole UK importers, Electronics Brokers Ltd, 49/53 Pancras Road, London NW1 2QB.

As regular readers will know we have always borne in mind the short wave interest of so many electronics enthusiasts. Following last month's *3 Band Short wave Preselector* article we feature in this issue an *I.C. Morse Practice Oscillator*. It is a simple to build project particularly suitable for beginners who aspire to become radio amateurs with their own call sign.

Short Wave enthusiasts, in particular, when in London may very well like to visit *HMS Belfast* moored in the Pool of London, between Tower Bridge and London Bridge. There is an amateur station aboard which,

last autumn, was granted a special Amateur Radio call sign, GB2RN. During the summer months the ship is open to the public from 1100 to 1800 hours and from 1100 to 1630 hours in the winter, British local time.

The station is especially interested in establishing schedules with other special interest stations worldwide, these and other stations requiring schedules should contact Don Walmsley, 153 Worple Road, Isleworth, Middlesex TW7 7HT.

All HF bands from 1.8 to 28MHz are covered CW or SSB. The station operates under the auspices of the Royal Naval Amateur Radio Society.

BATTERY HOLDER OF SIMPLE CLIP-IN DESIGN

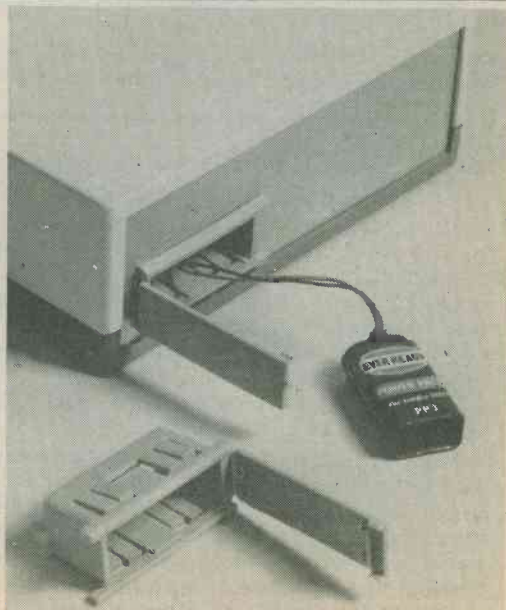
Most small enclosures on the market today make no provision for battery housing and dismantling a complete instrument in order to replace an exhausted battery is both tedious and time consuming.

Vero Electronics Limited now make available an injection-moulded battery housing of simple clip-in design offering access for battery changing from outside the instrument.

The holder accepts a 9V battery and may be easily fitted to a panel of enclosure with a thickness of 1.5 to 3mm. All that is required for fitting is a rectangular cut-out into which the holder is pressed home, where it is firmly held by the unique clip-type retention feature.

The cover, with a flip-over type hinge moulded as part of the housing opens easily for battery changing and snaps closed securely.

Supplied as a kit, the battery holder comes complete with battery connector and lead for less than £1.00.



RADIO AND ELECTRONICS CONSTRUCTOR

COMMENT

FULLY SELF-CONTAINED CURRENT-TIME INTEGRATING METERS

Mega Electronics Ltd., of 9 Radwinter Road, Saffron Walden, Essex, have announced a new range of current-time integrating meters designed primarily for applications in electroplating.

These new, low-cost units can be supplied with counting units of either ampere minutes or ampere seconds, or can be alternatively factory adjusted to meet individual requirements. They feature linearities of 1.0% or 0.2%.

Two basic models are available. One reads up to 99999 units and is manually resettable, while the other incorporates a presettable counter which operates a changeover contact when the integrating meter reaches the preset number. Both can be supplied as free standing or panel mounted (DIN) units, and only require connection to the a.c. mains



supply and two current sensing wires preparatory to operation. There are no operator wires controls.

Operational features include normal sensitivities of 50mV or 75mV, and a maximum count rate of 20 units per second. They are priced from £65.00.

ELECTRONIC PROJECTS INDEX

A very commendable non-profit making venture has been set up by the Principal Librarian (Technical) of North Tyneside Libraries and Arts Department. The venture is the publication of an index covering all electronic projects which have appeared *Radio & Electronics Constructor* and other electronic journals over the period of 1972 to 1977. Projects are listed under subject headings such as "Calculators", "Disco Equipment", "Displays", etc., and each entry consists of the title of the article presenting the project together with a succinct description of the project itself. The Index comprises 119 large pages, and is well printed and laid out.

The Electronic Projects Index may be obtained by post from M. L. Scaife, Central Library, Northumberland Square, North Shields, Tyne & Wear, NE30 1QU. Postal orders and cheques should be made payable to "North Tyneside M.B.C.". Prices, which include postage and packing, are £1.50 each for 1 to 2 copies, £1.40 each for 3 to 6 copies and £1.35 each for 7 to 10 copies.

TV FOR THE DEAF

The Independent Broadcasting Authority (IBA) and the Independent Television Companies Association (ITCA) are jointly supporting a research project at Southampton University to help the deaf and partially deaf to benefit more fully from television programmes.

The work expected to cost over £50,000 is aimed at providing optional sub-titling for the deaf and hard of hearing by means of the ORACLE teletext system.

The project, expected to take three years, will be to establish the form of sub-titling which would most benefit the deaf and hard of hearing. Since the commencement of the ORACLE service, it has been appreciated that teletext offers a valuable means of providing an optional sub-titling service without distraction to other viewers.

HOME RADIO CATALOGUE

The latest edition of the catalogue of Home Radio (Components) Ltd. has now been published and brings up to date the listing of this well known company's stocks. Containing 128 large pages, the catalogue is profusely illustrated with photographs and line drawings.

The various items proceed through the catalogue in alphabetical order, starting with Aerials, followed by Batteries, then Books, and so on. The ability to locate any individual component is assisted by a comprehensive cross-reference index at the end of the catalogue.

Of particular interest are the "Bargain Lists", which are being increased in size. These offer new and unused components at very low prices, and apply while stocks of these components last.

The general component listing follows the helpful approach evident in previous Home Radio catalogues. The very wide range takes in such items as tuning drive parts, all types of capacitor and resistor, tools, test gear, transformers, and many other categories of electronic component. The price of the catalogue is £1 plus 25p postage and packing, or it may be obtained for £1 and the special coupon in the Home Radio advertisement in this issue.



"It's either a remote control footballer or the latest details of our Early Warning System!"

RECENT PUBLICATIONS



WORLD COMMUNICATION: THREAT OR PROMISE? By Colin Cherry. 243 pages, 270 x 190mm. (10½ x 7½ in.) Published by John Wiley & Sons Limited. Price £11.00.

This very perceptive book covers such a vast range that there must inevitably be shortcomings in any attempt to discuss it in a short review. It does not deal with communications from the engineering point of view; instead it discusses the effects that the present communications explosion is having upon the social structures of the world, both in the Western nations and in the developing countries.

The general viewpoint of the book would appear to be that the present advanced and future advancing systems of communications are beneficial rather than otherwise, for instance, domestic communications systems such as radio and television do not reduce the ability of people to think for themselves but enhance it. The book also deals with communications in the economic sphere, with telephone communication, newspapers, railways and roads, all in the light of environmental change, and is particularly concerned with the very different communications conditions which exist in the poor and the rich countries of the world.

Professor Cherry contends that the outcome of wide-ranging international communications will be the creation of overlapping federations rather than a centralised fount of control. He points out that "progress" is achieved only by *dissent*. A situation will never be altered by those who are satisfied with it; evolution, and hence change, must almost inevitably proceed with each rising generation. All discussion in the book is backed by extensive research and the bibliography extends to no fewer than 391 titles.

This is a book for the thoughtful and the concerned. Originally appearing in 1971, it is a revised edition which updates statistical data and diagrams, and takes into account comments arising from the earlier version.

SPECIMEN ANSWERS TO EXAMINATION PAPERS 1972-1976.
By John G. Halley, T. Eng. (C.E.I.), F.S.E.R.T. 102 pages, 215 x 135mm. (8½ x 5¼ in.) plus 6 fold-out diagrams. Published by Norman Price (Publishers) Ltd. Price £2.95.

The full title of this volume is "Television (Colour and Monochrome) Part III: 4th Year. Specimen Answers To Examination Papers 1972-1976", and it is particularly intended for students studying for the City and Guilds examination in Television (Colour and Monochrome) Course 222, Part III, 4th Year. In addition to the answers, additional explanatory notes have been given where it is considered necessary to assist the reader.

The book is very well produced, with clear text and diagrams. The fold-out diagrams are the circuits of complete commercial television chassis. So far as the student at which it is aimed is concerned, the book offers quite excellent value for its cost. Whilst it is obviously not a textbook, service engineers and others interested in television engineering could find the book a useful aid towards testing and brushing up their technical knowledge of colour and monochrome television reception.

CLOSED CIRCUIT TELEVISION FOR TECHNICIANS, Volume 1.
By K. J. Bohlman, T. Eng. (C.E.I.), F.S.E.R.T., A.M.Inst.E. 255 pages, 215 x 130mm. (8½ x 5 in.) Published by Norman Price (Publishers) Ltd. Price £4.50.

Another exceptionally good book from Norman Price, the work under review has been written for the technician who is required to adjust and maintain CCTV equipment in industrial and commercial applications. The present volume is concerned mainly with monochrome television, and a later volume will deal with the implications of colour. The approach is largely non-mathematical, and it is assumed that the reader already has a basic knowledge of semiconductors and electronic circuits. Also kept in mind are domestic television service engineers who are considering entering the CCTV field.

The first chapter in the book gives an introduction to its subject and then deals with basic elements of light. This is followed by chapters covering lenses, CCTV signals and principles, camera tubes, camera circuit operation, video monitors and monitor tubes, camera and monitor adjustments, lighting, and special features of the signal cable in CCTV. The final chapter is devoted to fault finding and presents a series of fault finding charts. There follow four appendices dealing with sync separation, transistor reactance, maximum viewing distance and the lens equation.

The book has many helpful diagrams as well as some well produced photographs. The author is Senior Lecturer in Television at Lincoln College of Technology.



ELECTRONIC "HANGMAN"

By G. A. French

In the last October issue the author introduced a method of causing an ordinary domestic electric bell to give a single "ping" when activated instead of a sustained ringing. In the article, "Pinging Bell Circuits", it was pointed out that a "ping" can have a more pleasant sound than is given by continuous ringing.

The author has returned to this subject and hopes to produce some unusual "pinging" circuits in the future. In the meantime, the present article describes a simple novelty project which enables a single "ping" to be given when a finger is applied to a touch-button.

and the small current at TR1 base causes TR3 to turn hard on. In so doing TR3 allows capacitor C2 to discharge through the bell, producing a single "ping". When the finger is removed from the touch-button TR3 turns off again and C2 is allowed to charge rapidly once more via R5. Applying a finger to the touch-button again will produce a further "ping" of the bell.

Diode D1 is connected across the

bell to prevent the possible formation of high reverse e.m.f. voltages which could damage TR3. R2 and R4 are merely current limiting resistors which ensure that unnecessarily high currents are not passed by TR1 and TR2. The connection to the touch-button is made by screened cable since the lead to TR1 base, if unscreened, could pick up mains hum and r.f. with consequent irregularity of opera-

CIRCUIT OPERATION

The circuit of the project appears in Fig. 1. Transistors TR1 and TR2 are two emitter followers coupled in cascade, with the emitter of TR2 connecting to the base of TR3. TR1 and TR2 are small signal devices whilst TR3 is a power transistor with a maximum peak collector current rating of 4 amps. The circuit is powered by the mains supply consisting of transformer T1, half-wave rectifier D2 and reservoir capacitor C3!

When the unit is switched on at S1 the rectified supply voltage appears across R5 and C2 in series, whereupon C2 charges rapidly to the supply voltage. Transistors TR1, TR2 and TR3 are all cut off since the base of TR1 is held at the potential of the negative supply rail by R3.

If a finger is applied to the touch-button, bridging its two contacts, a small current flows through the skin of the finger and then through R1 into the base of TR1. There is a very high level of current gain from the base of TR1 to the base of TR3,

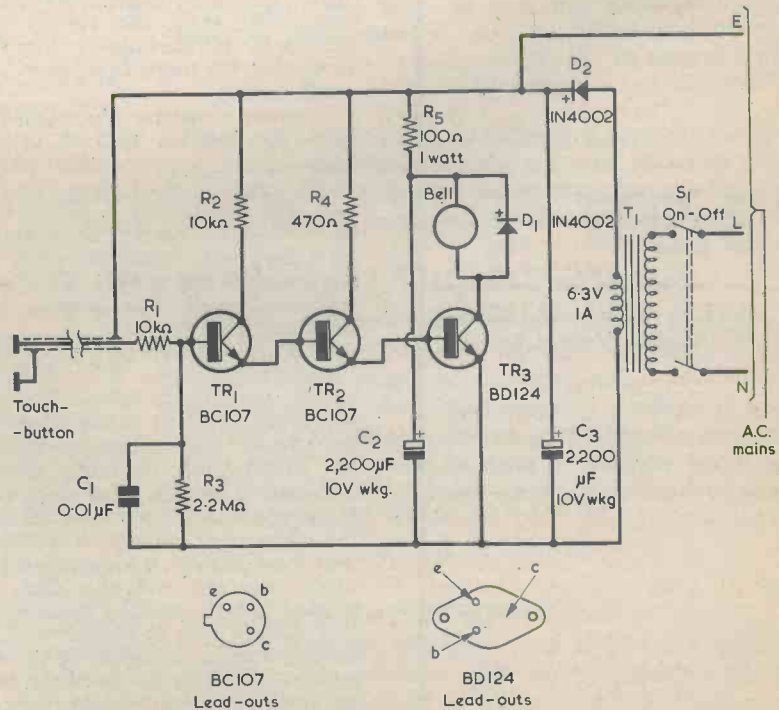


Fig. 1. The circuit of the touch-button "pinger". Bridging the touch-button contacts with a finger causes TR3 to turn on and discharge C2 through the bell

UNDERSTANDING TELEVISION



by

J. R. DAVIES

Over 500 pages
300 diagrams

- Principles of 405 line reception
- Principles of 625 line reception
- Nature of the television signal
- Receiver tuner units
- A.F. and video amplifiers
- Deflector coil assemblies
- Automatic gain and contrast control
- Receiver aerials
- The cathode ray tube
- Receiver i.f. amplifiers
- Vertical and horizontal timebases
- Synchronising
- Power supply circuits
- Introduction to Colour TV

£3.95 P. & P. 70p

To: DATA PUBLICATIONS Ltd., 57 Maida Vale London W9

Please supply copy(ies) of "Understanding Television" Data Book No. 17. I enclose cheque/crossed postal order for

Name

Address

BLOCK LETTERS PLEASE

tion. R1 and C1 provide r.f. filtering. If the unit is employed in an extremely noisy environment so far as hum and r.f. are concerned, there is a possibility that the circuit will trigger if the finger is applied to the touch-button contact which couples to R1 as well as to both touch-button contacts. This is because the body acts as an aerial and is effectively applying the local noise to the base of TR1. With the prototype, however, it was found that the screened wire and the presence of R1 and C1 were quite adequate to prevent such an event occurring. If the lead coupling the circuit to the touch-button is less than say, a foot in length, the screened wire is not needed and connection can be made via two unscreened wires.

MAINS TRANSFORMER

The mains transformer used in the author's circuit was a 6.3 volt 1 amp "heater" transformer. Mains transformers with 6.3 volt secondaries were very common in the days of valves and many of the older experimenters will have a suitable transformer in their spares box. They are not so readily available at present (although it is noted that a 6.3 volt 1.5 amp transformer is listed in the Electrovalue catalogue). A transformer with a 6 volt secondary could also, of course, be used, but it is advisable to employ one whose secondary is rated at 500mA or more. The current drawn by the circuit when TR3 is turned on is only about 80mA, but a transformer with a secondary rated at 500mA or more will allow the supply rail voltage to recover quickly to its full level when the finger is taken off the touch-button.

A power transistor is employed in the TR3 position because of the high initial peak current which flows when C2 discharges into the bell. The dissipation in TR3 is low and it does not need to be mounted on a heat sink. Apart from R5, all the resistors are $\frac{1}{4}$ watt. R5 is a 1 watt component. The resistors may be 5% or 10% types.

The bell consists of a Friedland "Underdome" type 792, which is widely available in shops retailing electrical goods. It is modified for the present application by having its interruptor contacts short-circuited. The thin base plate and the gong of the bell are removed and the interruptor contacts identified. The fixed contact is secured with a screw, and one end of a thin insulated wire is carefully soldered to this contact close to the screw. The moving contact, actuated by the armature, connects to one of the two terminal screws on the upper side of the bell. The thin wire is passed through the hole through which the bell supply wires pass, and its end is secured under the terminal screw,

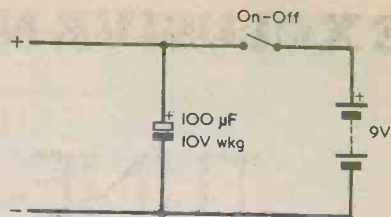


Fig. 2. For non-continuous use, the circuit may be powered by a 9 volt battery

in company with one of the supply wires. The second supply wire connects in normal fashion to the remaining terminal screw on the upper side of the bell, after which the base plate and gong are refitted. The link wire can easily be removed without damage to the bell if it is later intended to use it for normal operation.

The mains connections in the circuit should be suitably covered to ensure that there is no risk of accidental shock. It is essential that the positive supply rail be connected to a reliable mains earth, as shown in Fig. 1.

The circuit of Fig. 1 can be left switched on continually, the current drawn from the mains being negligibly small. The circuit will also function with a 9 volt battery. In this case the mains transformer, D2 and C3 are omitted, and a 100µF decoupling capacitor is connected across the supply rails, as illustrated in Fig. 2. The 9 volt battery is then applied across the supply coils via an on-off switch. The current drawn from the 9 volt battery is relatively high, at about 90mA, when the touch-button contacts are bridged by a finger, and a large battery, such as a PP9, should be used. Continual operation from a battery is not recommended. The quiescent current drawn by the circuit consists only of leakage current in the transistors and electrolytic capacitors, but this can rise to some 10µA or more in some instances. Battery operation would then be uneconomic if the unit were left switched on for periods of days or weeks.

The touch-button is home-made and consists of two flat pieces of shiny metal mounted close to each other on a sheet of insulating material. The contacts could, for instance, be provided by the heads of two chrome plated panel-headed screws.

Finally, it should be pointed out that, with both the mains and battery powered versions, capacitor C2 can only charge after the finger has been taken off the touch-button. A period of about half a second has then to elapse before the circuit is capable of producing a further "ping".

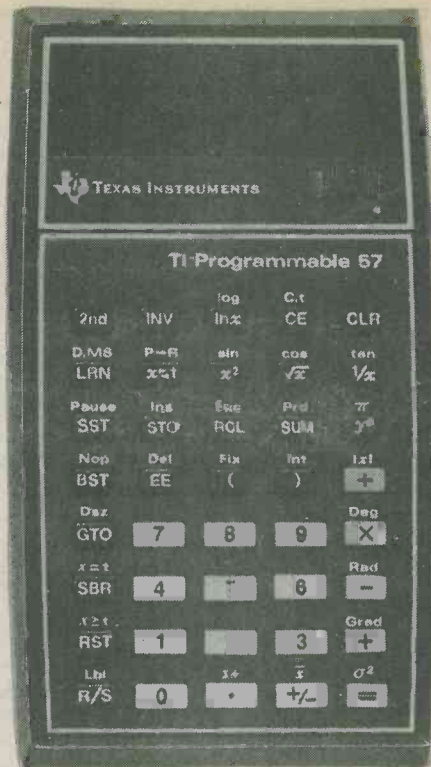
EXCLUSIVE NEW SERIES

TUNE-IN TO PROGRAMS

Part 2

By Ian Sinclair

The second in our down-to-earth series on calculator programming.



The keyboard of the Texas Instruments TI-57 programmable calculator. Most keys have a second function, whereupon facilities are nearly double the number of keys provided

SETTING UP A PROGRAM

When we use a calculator to solve a problem, we make use of the normal range of number and function keys such as 1, 2, 3, +, -, = and others. If we want to make use of the action of these keys as part of a program of instructions, we need some method of signalling to the calculator that the key-strokes are part of a program. This is done on the Texas Instruments TI-57 programmable calculator by pressing the key marked [LRN]. Once the [LRN] (for learn) key has been pressed, every following key-stroke forms part of a program which will be stored in a separate memory. Pressing the [LRN] key again signals that the program is complete, and the calculator can be used normally again. Meanwhile, the program is stored until the calculator is switched off.

What can we instruct the calculator to do? Well, on a calculator such as the TI-57 the prospects are pretty wide, but we must get one important point clear. Any function key, whether it is part of a program or not, always operates on the number which is in the X-register. That, in normal language means the number that you are looking at in the display. Before we can ask a program to do anything, we must make sure that there is a number in the display to work on. If that number is zero, then some operations are possible, but others are not.

For example, suppose that our program starts with the instructions

[+] [1] [=].

What the machine will do when this program runs is to take the number that is displayed, add 1 to that number, and display the result. You can then pat it on the head. If, however, the instructions had been

[X] [2] [=],

the program would run if the number had been -1, 1, 5, 8.9 or anything else, but *not* zero. Zero is the number that is displayed if nothing else is keyed into the display, and zero times anything is still zero. You can add or subtract with zero in the display and get an answer, but multiplication or division will give zero or the flashing display that indicates an error. It's the laws of arithmetic that you're up against here, and not the rules of programming.

RUNNING AND STOPPING

Let's suppose that we have a simple program stored in the machine, and we're itching to try it. First of all, we need to make sure that there is a number showing in the display, because that is the number that the program will operate on (later we'll look at other methods). Ready to start? No, not yet,

[LRN]
[+]
[1]
[=]
[R/S]
[LRN]

Fig. 1.

[LRN]
[+]
[1]
[=]
[R/S]
[RST]
[LRN]

Fig. 2.

[LRN]
[X]
[5]
[=]
[R/S]
[RST]
[LRN]

Fig. 3.

[LRN]
[+]
[1]
[=]
[Pause]
[RST]
[LRN]

Fig. 4.

[LRN]
[X]
[2]
[=]
[Pause]
[RST]
[LRN]

Fig. 5.

there's one more point. When the machine was programmed, it was instructed step by step. We now have to give one additional instruction — go back to the start of the program. If we don't add this instruction somewhere, then the machine will start at a blank part of the program with no instructions stored, just where the program ended when the [LRN] key was pressed for the second time. The [RST] (reset) key is the one we need to make the program start at the beginning.

Now we can run the program. Press the [R/S] key (run/stop) and the program runs. How do we instruct it to stop? Easy, we make [R/S] the last step in the program. Let's go through a program now, a really simple one which just adds 1 to the number shown in the display. See Fig. 1. The [LRN] key instructs the calculator that this is the start of a program, and the [+][1][=] key-strokes instruct the calculator to add 1 to the number that was displayed, and then to display the new number. [R/S] then stops the program, so that the answer is displayed steadily, and the second press of the [LRN] key completes the program so that any other key-strokes are not part of the program. Now we can put a number into the display by pressing the appropriate key or keys (take your pick!) and we press [RST] to reset the program. Now press [R/S], the display flickers and obediently changes to the next number up. To repeat, press [RST] and [R/S] again.

PROGRAM START

1. Make sure that the program is complete (the [LRN] key completes the program, and the reference numbers which appear on the left hand side of the display during programming disappear).
2. Clear the display, using [CLR].
3. Reset the program ready to start, using [RST].
4. Key in any figures which must be present at the start of the program.
5. Start the program running, using [R/S].

Wait a minute though, why are we having to press the [RST] key each time? Can't we instruct the calculator to do this for itself? We certainly can and the best place to have the [RST] instruction is right after the [R/S]. Then next time the program runs and gets to the [R/S] it will display the number which is the result of its calculation; but the next time [R/S] is pressed, starting the program running, the next instruction in the program is [RST], so that the program goes back and starts at the beginning again. We have therefore made the reset automatic, by incorporating it into the program. We've saved an operation each time, and that's what it's all about. The revised program looks as shown in Fig. 2, with the [RST] step now included. Each depression of the [R/S] key will now cause the number in the display to be increased by 1. We must, of course, start our program by clearing the display, using [CLR], setting to the start using [RST], keying in whatever figure we want at the start for the program to operate on, and then starting everything off with the [R/S] key.

Very interesting, but useless, you think? Well, we have to start somewhere and it's not so useless as it might seem. Suppose we want to calculate the reactance of a capacitor at 1kHz frequency intervals from 1kHz upwards. The little program of Fig. 2 would have to be part of our reactance calculating program (we call such a part a **subroutine**) to ensure that the value of frequency is changed by 1kHz each time. There's a bit more to that one, though, which must wait for later.

We can just as easily now set up a program which will **multiply** the number in the display by 5, and continue to do so. The program is shown in Fig. 3, but we have to remember to start with a number such as 1 in the display, because if we start with zero, then the answer will be zero. Couldn't we place that 1 into the program, do I hear you say? We could, but then the answer would always be 5, because we would always be starting with 1, and not with the result of the previous calculation. It can be done, but not at this stage!

AUTOMATIC RECYCLING

All this key-pressing wears your fingers flat, so let's look for a way of making the whole process automatic. If we left out the [R/S] step in the programs of Fig. 2 and Fig. 3, then the machine would return to the start of a program automatically, and we would need to press the [R/S] key only once. There's one small snag here; the calculator works rapidly, so that there is no chance that we would be able to see each answer as it flashed on the display. Texas have thought about that one, though. Above

the [SST] key is the instruction [Pause] which we activate by pressing [2nd] [SST] in that sequence. Now when this pause instruction is written into a program, the program will do just that, pausing for about $\frac{3}{4}$ of a second so that you can take a look at the display. If you want more time, perhaps to write down the number, then you can program in [Pause] [Pause], or even three of them to increase the time at the expense of the number of program steps.

Let's try it. The program of Fig. 4 should do what we want, with the display counting up 1 at a time. If it happened that one cycle of the program took exactly 1 second, we could even use this to check the time we have spent on it!

Successive multiplication is just as easy; the program of Fig. 5 multiplies by 2 each time, so that it generates the numbers of the binary scale, 1, 2, 4, 8, 16, 32 and so on, as long as we remember to start with 1. It doesn't take very long to get to some rather impressive numbers, either.

Now have a go for yourself. We convert voltage gain figures into decibels by using the formula

$$\text{db} = 20 \log G,$$

where G is the voltage gain. Can you write a program which will convert a voltage gain figure in the display into decibels when the [R/S] key is pressed? One point of information is needed. We take the log of a number in the display by pressing the log key, and we don't have to follow it with [=]. (Answer on page 446.)

So far, so good, but it restricts us to working with the number which is in the display and no others except those fixed in the program. To make our programs more useful, we need some method of working with more than one number at a time, and this means using the memories. For example, going back to the idea of calculating capacitor reactance in 1kHz steps, using the formula

$$X_c = \frac{1}{2 \pi f C}$$

we can use our counting program for the frequency f, but we need at some stage to multiply by 2π and by the value of C, as well as adjusting the figures for the use of kHz rather than Hz, and μ F rather than F. Each operation of this type places a new number into the display, so that the others are lost unless they have been stored somewhere ready to use again.

In the next part, then, we shall be looking at the [STO] (store) and [RCL] (recall) steps, along with [SUM] and [Prd] (product) keys. The TI-57 has eight memories, which leaves room for some rather impressive number juggling. Watch this space!

PRO100 DIFFERENCES

For readers using the CBM PRO100, the following important differences exist.

1. A 3-position switch is used in place of the [LRN] key of the TI-57. To load a program, this switch is put to the [LOAD] setting. When the program steps have been completed, the switch is returned to the [RUN] position. The program can be erased completely by setting the switch to [CLEAR] and pressing [R/S].

2. There is no [Pause] key on the PRO100. In the programs using a pause, this must be replaced by [R/S], and the [R/S] key will have to be pressed after each display of an answer.

3. There is no [RST] key on the PRO100. The instructions [GOTO] [O] [O] must be used in place of [RST] both in the program and in preparing the calculator to run a program.

Other differences will be dealt with in future parts.

(To be continued)

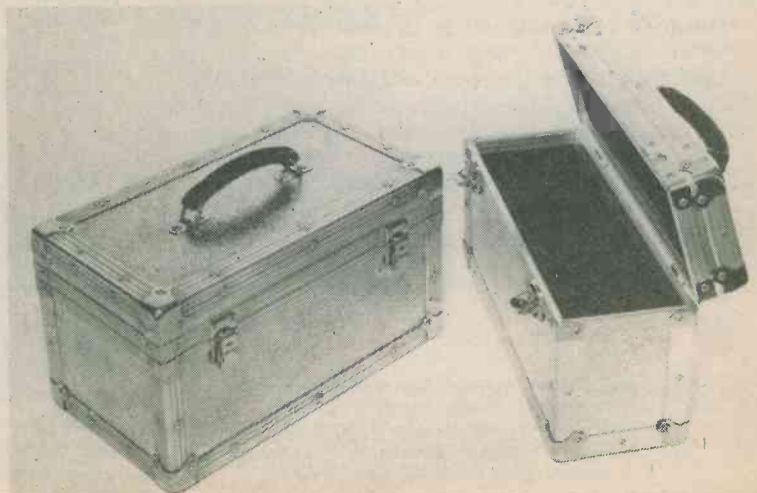
NEW CASES FOR TEST EQUIPMENT

Rossmayne Limited of 16a Reading Road South, Fleet, Hampshire, have introduced aluminium flight cases designed to carry instruments and test equipment.

Monitor Flight Cases have internal dimensions from 8 x 6 x 6 inches to 21 x 12 x 15 inches. Special sizes and internal designs can be made without additional tool costs, enabling equipment to be custom fitted, for transportation, if required.

Manufactured in 24 SWG embossed patterned aluminium, they are also lined with 6 mm plywood for resilient strength. All corners and edges are reinforced, and the total unit will

withstand the weight of a man. All fastenings are lockable for extra security.



TUNNEL DIODE OSCILLATORS

By P. R. Arthur

Tunnel diode negative resistance eliminates need for oscillator feedback.

Although tunnel diodes have been readily available to the amateur electronics enthusiast for well over ten years now, these interesting devices are very rarely featured in the amateur electronics magazines. It must be admitted that the tunnel diode is rather limited in its practical applications so far as the home-constructor is concerned, but it does represent an interesting and unusual component for the experimenter to use.

OPERATING THEORY

The operating theory of the tunnel diode is complicated, and is different from that of other semiconductor devices. The tunnel diode has a p-n junction in the same way as other semiconductor devices, but it uses germanium which has a much higher level of doping than would normally be the case; about 1,000 or more times the normal level in fact. When slightly forward biased the diode will conduct due to electrons "tunnelling" through the depletion layer, and it is from this effect rather than from any physical characteristic that the device derives its name.

Increasing the forward bias voltage results in the tunnelling effect falling away, and the current flow through the device reduces. Still further increasing the bias causes the device to conduct in the same way as does a normal germanium diode.

The circuit symbol normally used for a tunnel diode is shown in Fig. 1(a), but occasionally a

different symbol may be used and there seems to be no general standard here. The symbol of Fig. 1(a) is also sometimes used for the zener diode, of course. Tunnel diodes have a wide variety of encapsulations and lead-out configurations, but the AEY11 device which is employed in the circuits described in this article has a standard TO-18 encapsulation with the lead-out configuration shown in Fig. 1(b). Note that there are three lead-out wires, two of which connect to the anode of the component.

NEGATIVE RESISTANCE

The voltage versus current characteristic for a forward biased tunnel diode is shown in Fig. 1(c). As just explained, as the bias voltage is increased the current flow first rises to a peak point, then rapidly falls away into a valley region, and finally increases steadily as the device begins to function as an ordinary diode. The significant part of this characteristic is the section between the peak and valley regions. Here the current actually falls with increasing voltage, or rises with decreasing voltage, which is of course the exact opposite to normal!

This effect is often called "negative resistance", but the term is rather misleading since resistance is equal to voltage divided by current, and since some applied voltage is needed in order to produce a current flow through the diode, the component always has a positive resistance. "Negative resistance" simply means that on some part of the voltage — current characteristic of a device the normal relationship of increased voltage producing increased current is reversed. Incidentally, this effect is not unique to the tunnel diode, and occasionally f.e.t. and bipolar transistors are used in circuits which produce the same result.

TUNNEL DIODE OSCILLATOR

Tunnel diodes can be employed in various switching applications, but to the amateur they are probably most useful as oscillators, and a typical basic example is shown in Fig. 2. This merely consists of a potential divider network, RA and RB, which biases the diode into its negative resistance region, and a tuned circuit which is connected in series with the tunnel diode. In a normal circuit the natural oscillations which are produced in a tuned circuit when it is excited soon die away due to the effects of positive resistance. In the negative

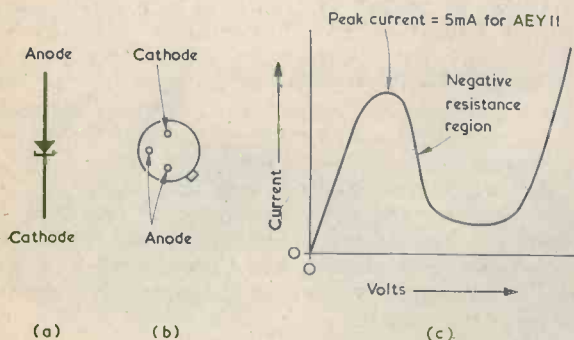


Fig. 1(a). Circuit symbol commonly used for the tunnel diode
(b). Lead-out layout for the AEY11 diode
(c). Typical forward voltage — current characteristic for a tunnel diode

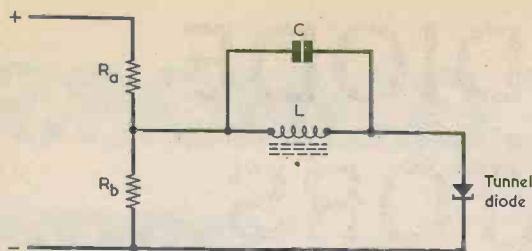


Fig. 2. A possible tunnel diode oscillator circuit. The diode is biased onto the negative resistance section of its characteristic

resistance circuit of Fig. 2 the negative resistance overcomes the positive resistance and continuous oscillation results.

In practice the circuit tends not to work very well, since in addition to the required oscillations there is also quite a high wide-band noise output. Better results were obtained by either making one connection to a tapping in the coil, or connecting the circuit to an untuned winding of an r.f. transformer. This is shown in the practical circuits of Figs. 3 and 4 respectively. Presumably the lower impedance coupled to the tunnel diode results in reduced loading on the tuned circuit with a consequently higher effective Q and lower spurious output.

The circuit of Fig. 3 is for a b.f.o. or i.f. alignment generator working at a frequency of around 455 to 470kHz, adjustable by means of the core of T1. T1 is a Denco i.f. transformer type IFT13, although the circuit would probably work using any other transistor type i.f. transformer with one winding untuned in the appropriate frequency range. C1 is an integral part of the i.f. transformer. R1 is adjusted to bias D1 into its negative resistance region, and this occurs with about 0.15 volt at the junction of R1 and R2.

If a readily adjustable frequency shift control is required, this can be provided by either connecting a variable capacitor of about 10pF in parallel with C1, or by connecting it across D1. The second method of connection has the advantage of allowing one side of the capacitor to connect to an earthy part of the circuit.

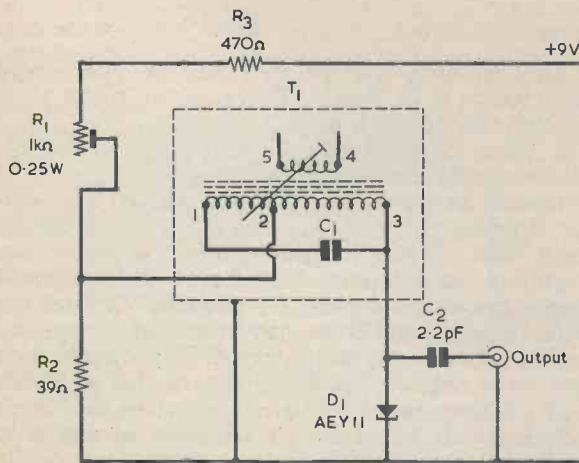


Fig. 3. A practical tunnel diode oscillator with a frequency range of around 455 to 470kHz

If the output from the circuit is found to be rather noisy and lacking in purity, adding a resistor of about 2.2Ω in series with D1 should rectify this.

WIDE RANGE

The circuit of Fig. 4 uses Denco Miniature Dual Purpose Green coils (originally designed for valve usage) and it can cover a wide range of frequencies. Green coils in Ranges 2 to 5 can be employed, giving the following coverage: Range 2, 0.525 to 1.7MHz; Range 3, 1.6 to 6MHz; Range 4, 5 to 16MHz; Range 5, 10 to 33MHz. Thus the circuit could, for example, form the basis of a wide range signal generator.

For those who are unfamiliar with the Denco coils, these have a 9-pin base which enables them to be plugged into a standard B9A valveholder so that plug-in range changing can be carried out. They have an adjustable core which can be adjusted here so that about 10mm. of metal screw thread protrudes above the top of the coil.

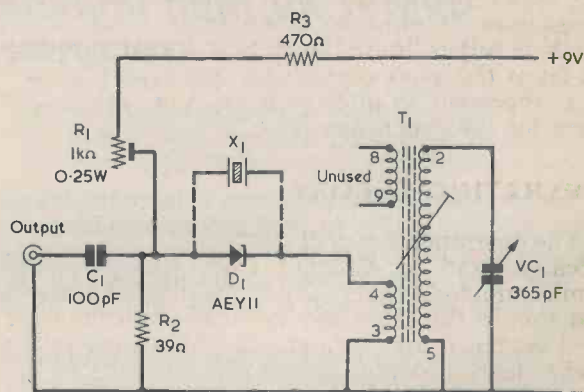


Fig. 4. Employing four plug-in coils for range changing, this oscillator can cover 0.525 to 33MHz. Crystal control can be achieved by adding the crystal X1 and resonating the tuned circuit at crystal frequency

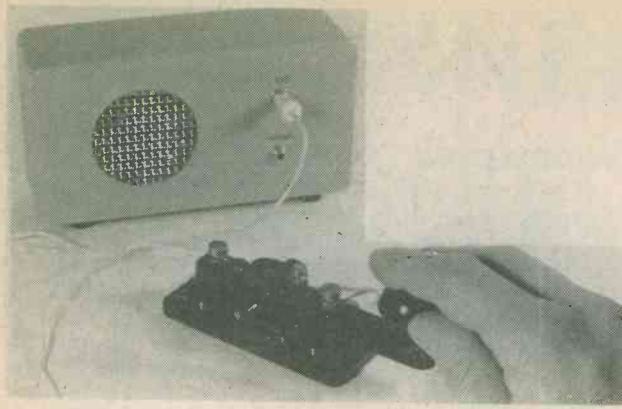
The circuit of Fig. 4 can readily be made to operate as a crystal controlled oscillator by adding a crystal across D1, and resonating T1 at the crystal frequency. In this application VC1 would be replaced by a trimmer capacitor. It should be noted that, if T1 is resonant at a frequency well away from the crystal frequency, oscillations will be produced at the T1 frequency. Also, care must be taken to adjust VC1 to a setting which gives reliable operation. If it is somewhat off-tune the circuit may not always start when the supply is connected (as is the case with many crystal oscillators which also employ an LC tuned circuit).

The current consumption of the circuits shown in Figs. 3 and 4 is about 9mA.

Tunnel diodes can be made to operate at frequencies from the sub-audio range to hundreds of MHz. The upper limit is often governed by the encapsulation inductance, and tunnel diodes having special housings can operate at frequencies beyond 10GHz (10,000MHz)!

AVAILABILITY

The AEY11 tunnel diode employed in the circuits is available from Watford Electronics, 33/35 Cardiff Road, Watford, Herts, WD1 8ED.



I.C. MORSE OSCILLATOR

AN EXCELLENT PROJECT FOR THE
NEWCOMER

A simple to build self-contained unit, having an internal speaker and battery supply with an output for high impedance headphones or tape recorder provided

Many people find it necessary to learn the Morse code, and the ability to send and receive Morse is needed in order to obtain an amateur transmitting license type A. It is also a desirable asset for the short wave listener, and is useful in many other fields.

A Morse practice oscillator is a very useful piece of equipment to have when learning the code, and a simple unit of this type is described here. The unit is self-contained, having an internal speaker and battery supply, but an output for high impedance headphones or a tape recorder is provided. The circuit is very simple and utilises an audio power amplifier i.c. plus a few passive components. It makes an excellent project for the newcomer to electronics.

WIEN NETWORK

Obviously any audio tone generator can be used in this application, but a sine wave oscillator has the advantage of producing a signal of the same type as that given by a real c.w. signal, and it is also less tiring to listen to for long periods than other waveforms. It was therefore decided to design the unit to generate a reasonably pure sine wave signal, and the circuit is based on the well known Wien Bridge type oscillator circuit.

A Wien network is shown in Fig. 1(a) and, as will be apparent from this, it merely consists of two resistors and two capacitors. The attenuation provided by the network varies with frequency, minimum loss occurring at a frequency determined by the values of the resistors and capacitors. It is frequently convenient to have R_A equal to R_B , and C_A equal to C_B , whereupon the minimum loss is 9.5 dB. The frequency at minimum loss is then equal to

$$f = \frac{1}{2\pi \sqrt{R_A C_A}}$$

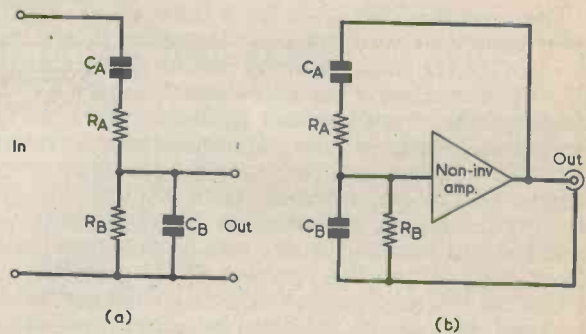


Fig. 1(a). The Wien network

(b). The Wien network inserted in a positive feedback loop. With the requisite amplifier gain, the circuit oscillates at a frequency dependent on the values of the resistors and capacitors

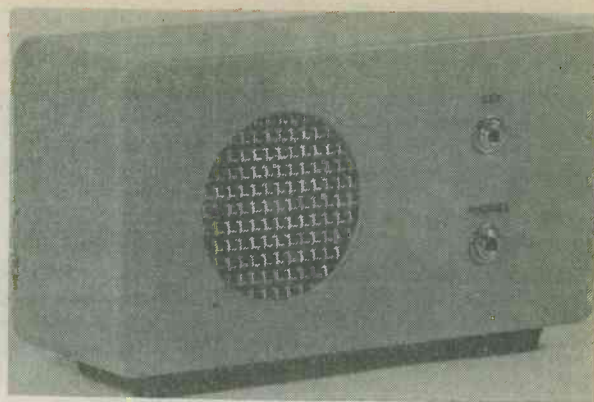
where frequency is in Hz, resistance is in ohms and capacitance is in farads. There is zero phase shift through the network at this frequency.

A Wien network can be employed in the oscillator configuration shown in Fig. 1(b). Here it is connected between the input and output of a non-inverting amplifier (i.e. an amplifier which has its input and output in phase) and, provided the amplifier has a gain of more than 9.5 dB (about 3 times), it will compensate for the losses through the Wien network and there will be sufficient positive feedback to sustain oscillation. In order to obtain a sine wave output signal the gain of the amplifier must be just adequate to give oscillation, and there will then only be sufficient feedback to maintain oscillation at the Wien network frequency. If amplifier gain is too high the circuit will oscillate violently, with consequent clipping and distortion of the output signal.

PRACTICE LATOR

THE

By I. M. Attrill



The only items on the front panel are the speaker, the socket for the key and the socket for optional headphones. An on-off switch is not required as the oscillator is only turned on when the Morse key plug is inserted and the key is pressed

COMPLETE CIRCUIT

The complete circuit of the Morse practice oscillator is given in Fig. 2, and it is based on an LM380 audio power amplifier integrated circuit. This i.c. has both inverting and non-inverting inputs, and only the latter is required for the present application. The inverting input, at pin 6, is connected to the negative supply rail.

The Wien network consists of C3, R2, R1 and C1, and these produce an operating frequency of

about 1kHz. The gain of the LM380 is internally pre-set at approximately 34dB (50 times), which is far higher than the gain needed for oscillation at the Wien network frequency. The Wien network is,

COMPONENTS

Resistors

(All fixed values $\frac{1}{4}$ watt 5%)

R1 3.3k Ω

R2 3.3k Ω

R3 3.3k Ω

R4 470 Ω pre-set potentiometer, 0.1 watt, horizontal

R5 27 Ω

Capacitors

C1 0.047 μ F type C280

C2 10 μ F electrolytic, 10V. Wkg.

C3 0.047 μ F type C280

C4 6.8 μ F electrolytic, 10V. Wkg.

Semiconductor

IC1 LM380

Speaker

LS1 50 Ω to 80 Ω , miniature

Sockets

SK1 3.5mm. jack socket

SK2 3.5mm. jack socket

Miscellaneous

Plastic case (see text)

Veroboard, 0.1in. matrix

Morse key

3.5mm. jackplug

9 volt battery type PP3

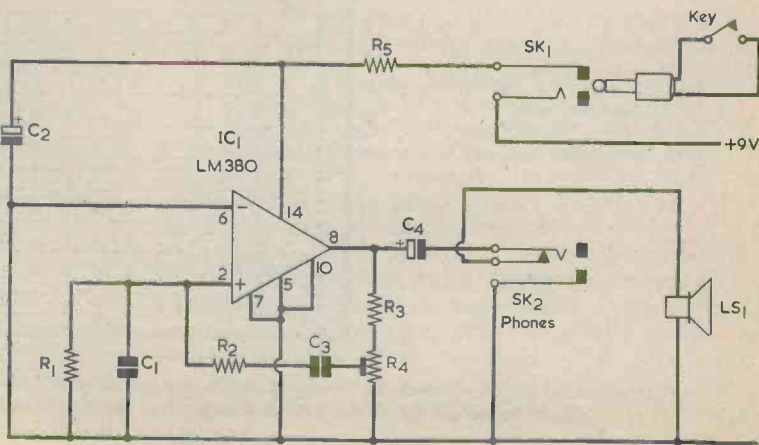
Battery connector

14-way d.i.l. i.c. holder

Speaker fabric

Wire, nuts, bolts, etc:

Fig. 2. The circuit of the Morse practice oscillator. High impedance or crystal headphones may be plugged into SK2, whereupon the speaker is automatically muted



therefore, not fed directly from the output of the amplifier, but from a potential divider consisting of R3 and R4. The latter is adjusted so that the level of feedback is just sufficient to sustain oscillation at an adequate amplitude, enabling a good output waveform and volume level to be obtained.

C4 is the output d.c. blocking capacitor, and this feeds the loudspeaker by way of a break contact on the phone socket, SK2. The contact automatically disconnects the internal speaker when a pair of headphones is connected to the unit. C2 is a supply decoupling capacitor, and it helps to give a good keying characteristic. It discharges very rapidly when the key is raised and does not alter the formation of the Morse characters. R5 is a current limiting resistor and prevents the very high current surges which would otherwise flow, due to charging current in C2, when the key closes. R5 also helps to give a good keying characteristic as well as preventing sparking at the key contacts, with a consequent improvement in the contact life.

No on-off switch is required as no power is consumed by the unit until the key is pressed. With the key down, current consumption is about 20mA, but the precise figure will depend to a large extent on

the setting of R4. The author used a PP3 battery in the prototype, but a larger 9 volt battery, such as the PP7, could be employed if desired. The larger battery will, of course, have a longer life than the PP3.

The two electrolytic capacitors in the circuit are specified as 10 volts working. It is, of course, quite in order to use capacitors having higher working voltages, when these are more readily available.

CONSTRUCTION

The unit can be housed in any small plastic case capable of taking the parts and the battery, and that used by the author measured about 150 by 80 by 50mm.

The case stands on its side and what would otherwise be the bottom becomes the front panel. As can be seen from the photographs, the front panel layout is very simple. SK1 and SK2 are mounted to the right, with SK1 above SK2. The circular speaker aperture, which can have a diameter of about 48mm., is to the left. A miniature speaker having any impedance between 50Ω and 80Ω can be used, and its diameter can be of the order of 60mm. or so. One way of cutting out the

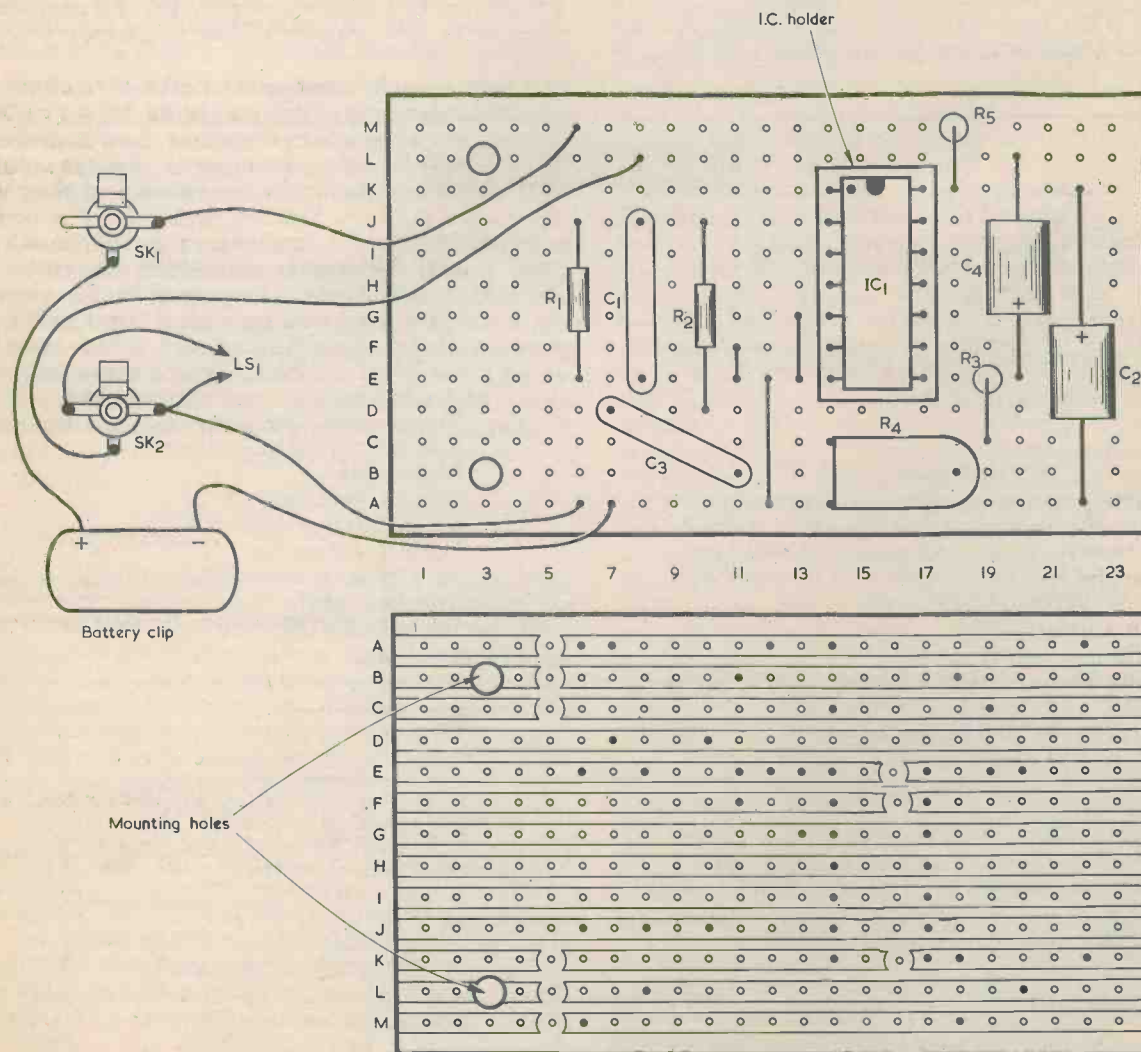
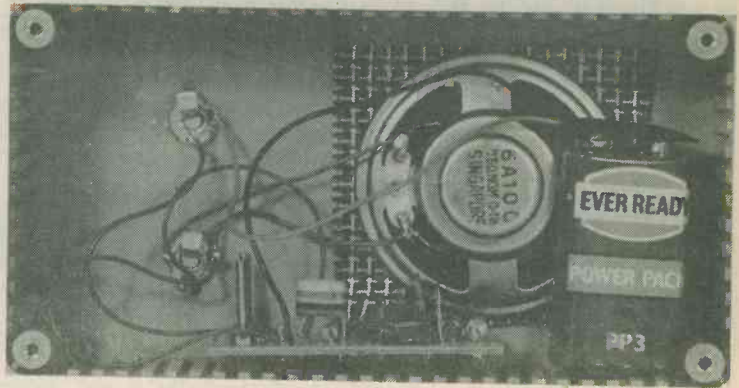


Fig. 3. Wiring details. Nearly all the components are assembled on a Veroboard panel of 0.1in. matrix. The strips should be cut at the points indicated in the lower view before commencing wiring

Apart from the two sockets and the speaker, all the oscillator components are assembled on a small Veroboard panel



aperture in the front panel is to drill a ring of small holes, say about 3 to 4mm. in diameter, just inside the periphery of the required aperture. Provided the holes are closely spaced it should then be possible to punch out the material at the centre. A large half-round file is then used to smooth the inevitable rough outline of the cut-out and also to enlarge the hole to the appropriate size. An alternative method consists of simply cutting out the circle with a miniature round file or a fretsaw. A piece of speaker fabric is glued in place on the inside of the aperture, and the speaker is then glued to the fabric. It is important to ensure that the adhesive is applied only around the outer rim of the speaker; if any adhesive becomes smeared over the speaker diaphragm or its surround the performance of the speaker may be impaired.

The remaining components are assembled on a piece of 0.1in. Veroboard having 13 copper strips by 23 holes. The layout and connections here, as well as external wiring, are illustrated in Fig. 3. The two mounting holes may be 6BA or M3 clearance. The i.c. is mounted in a 14-way d.i.l. holder; this is soldered to the Veroboard and the i.c. is inserted later. The panel is mounted on the bottom of the case with R4 towards the rear, so that it can be adjusted easily. Spacing washers are required between the inside of the case and the Veroboard underside. Without such washers the panel will be strained and is liable to crack when the mounting bolts and nuts are tightened. The panel should not be finally mounted until it has been wired up to SK1, SK2 and the battery connector.

The wiring is finally completed by making the two connections between SK2 and the speaker, and by connecting the positive battery connector lead to the appropriate tag of SK1. There should be plenty of space for the battery inside the case, and it may be held in place by a simple home-made clamp. Alternatively, foam rubber or plastic may be placed over it so that it is secured in position when the rear of the case is screwed on.

ADJUSTMENT

The slider of R4 is set to the fully anti-clockwise position and the key is then plugged in and pressed, whereupon the unit should oscillate. (If it does not do so, the wiring should be carefully checked for errors.) At this stage the output waveform will lack

purity and will be virtually a square wave. A more pleasant tone will be produced if R4 slider is adjusted in a clockwise direction, but the slider must not be advanced too far or the volume level will become very low, or the oscillation will cease altogether. The final setting for R4 is a good compromise between purity of tone and output volume level.

A pair of high impedance or crystal headphones can be plugged into SK2 and, as explained earlier, this will mute the internal speaker. Low impedance headphones should not be plugged in as the volume in these will probably be excessive and they will also cause a heavy battery drain. It is in order, however, to use low impedance headphones if a 100Ω $\frac{1}{4}$ watt resistor is connected externally in series with the phones. The output can be coupled via a screened lead to a high level input of a tape recorder. It should not be applied to a tape recorder microphone input, as the latter will almost certainly be overloaded unless a suitable attenuator is interposed between the oscillator and the recorder.

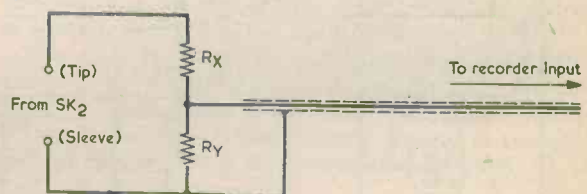


Fig. 4. A simple attenuator for coupling the oscillator output to a low level tape recorder input. The terms "tip" and "sleeve" apply to the appropriate contacts of the jack plug fitted into SK2

The attenuator may take the form shown in Fig. 4, in which the signal voltage fed to the recorder is equal to the fraction $R_Y/(R_X+R_Y)$ of the oscillator output. If, for example, R_Y is 10Ω and R_X is $1k\Omega$, the input to the recorder will be very slightly less than one-hundredth of the output of the oscillator.

THE DECISION MAKER

Instructive circuit incorporates serial multivibrator and binary divider

The decision maker, or coin-toss, circuit is one which gives a yes-no decision at random, just as the toss of a coin should. Decision-maker circuits of this type can be used as an amusement, but can also be the basis of serious work since they can generate random numbers for use in draws or statistical work. Since the output of each decision circuit will be a 1 or a 0, each circuit gives a binary digit, and a large number of such circuits can give large binary numbers. For example, a six stage decision maker could give numbers between 000000 (zero) and 111111 (63) at random. This could give instant random numbers for football pools or other selections.

Simple single-DeC versions of the decision maker often suffer from the problem of trying to do too much with too few transistors, and the present circuit achieves greater reliability by separating the different parts of the circuit.

SERIAL MULTIVIBRATOR

TR1 and TR2 form an oscillator circuit. To keep the number of components down, a serial multivibrator has been used, with the collector of the p.n.p. transistor TR1 connected directly to the base of the n.p.n. TR2. The base of TR1 is also connected directly to the collector of TR2, completing a positive feedback loop around these two transistors. R2 is the collector load resistor for TR2, whilst R1 and C1 are oscillator timing components connected to the emitter of TR1.

To understand the operation of this oscillator, imagine that the circuit is just being switched on with C1 discharged, so that the emitter of TR1 is at zero volts with respect to the negative rail. The collector of TR2 will start at 3 volts, because of the equal value resistors R2 and R3, so that the base of TR1 is also held at this voltage. Since TR1 is a p.n.p. silicon transistor it will only start to conduct

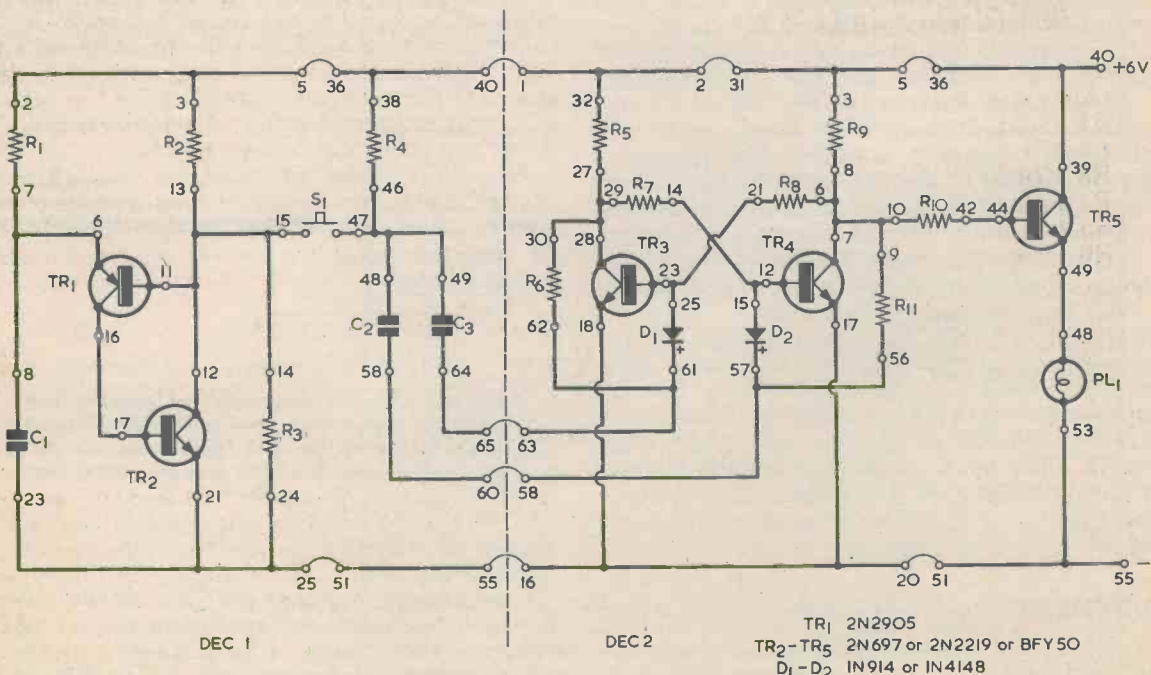


Fig. 1. The decision maker circuit. TR1 and TR2 form a serial multivibrator, TR3 and TR4 a bistable, and TR5 functions as a lamp driver

when the base voltage is about 0.5 volt *negative* of the emitter (or, of course, when the emitter is 0.5 volt positive of the base). At the instant of switch-on, therefore, with the base of TR1 3 volts positive of its emitter, TR1 does not conduct. With TR1 non-conducting, there is no base bias current for TR2 so that this transistor is also cut off.

Immediately after switch-on C1 commences to charge through R1. After a period rather less than the time constant of R1 and C1, the voltage at the emitter of TR1 will reach 3.5 volts positive of the negative rail, causing its base to be 0.5 volt negative of the emitter. TR1 will now start to conduct, and an initially small current will flow into the base of TR2, turning on this transistor. TR2 collector draws an amplified current through the base of TR1, turning this transistor hard on and, in consequence, turning TR2 hard on as well. The two transistors then cause C1 to be rapidly discharged; and a steep negative-going pulse edge appears at TR2 collector.

When C1 discharges to a level below 1 volt, the current from this capacitor flowing into TR1 emitter commences to reduce. There is a corresponding reduction in the base current of TR2 with, at a certain level, a reduction in TR2 collector current. The voltage at TR2 collector rises, taking the base of TR1 positive with respect to its emitter. TR1 collector current reduces further and the two transistors very quickly turn off, allowing TR2 collector to return to its starting voltage of 3 volts positive. Capacitor C1 commences to charge again via R1, and another cycle begins.

The output waveform at TR2 collector has steep negative-going and positive-going pulse edges. The frequency is of the order of 1kHz. Note that in this serial multivibrator the transistors are either both on or both off, unlike the usual type of circuit.

COMPONENTS

Resistors

(All $\frac{1}{4}$ watt 5%)

R1 150k Ω	R7 22k Ω
R2 4.7k Ω	R8 22k Ω
R3 4.7k Ω	R9 1.8k Ω
R4 150k Ω	R10 4.7k Ω
R5 1.8k Ω	R11 150k Ω
R6 150k Ω	

Capacitors

C1 0.01 μ F polyester or mylar
C2 0.001 μ F polyester or mylar
C3 0.001 μ F polyester or mylar

Semiconductors

TR1 2N2905
TR2-TR5 2N697 or 2N2219 or BFY50
D1, D2 1N914 or 1N4148

Switch

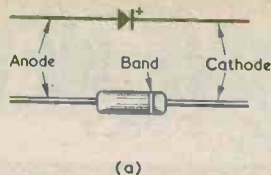
S1 push-button, press to close

Lamp

PL1 6V, 60mA, m.e.s.

Miscellaneous

2-off S-DeC
6V battery
Lampholder, m.e.s.



2N2905 2N697
2N2219 BFY50
Lead-outs
(b)

Fig. 2(a). The cathode end of a silicon diode is usually identified by a white band on the diode body

(b). Lead-out layout of the transistors employed in the circuit

BISTABLE

The oscillator output is taken to the decision switch, S1. When this switch is closed, the pulses from TR2 collector are fed through C2 and C3 to the steering diodes of the bistable circuit incorporating TR3 and TR4. This is the usual bistable circuit, such as was described in the third article in the Double Decker series. An output is taken from TR4. On each negative pulse from TR2 the bistable changes states, so that the output at TR4 collector is alternately high and low for successive pulses from TR2.

The collector of TR4 is coupled through R10 to the base of TR5, which is connected as an emitter follower with the 6 volt lamp, PL1, in its emitter circuit. When TR4 is cut off and its collector is high, current can flow through R9 and R10 to the base of TR5, allowing the lamp to glow. The lamp is extinguished when TR4 collector voltage is low. With the oscillator connected to the bistable circuit (S1 on) the output of the bistable is a square wave having a frequency which is half that of the oscillator. This frequency is too high for the lamp to follow, so that it merely glows very faintly.

When S1 is opened, however, the bistable is no longer triggered and will remain in the state it was switched to by the last pulse passed to it. The collector voltage of TR4 will therefore be either high or low, and will not change until S1 is closed again. If the collector voltage of TR4 is high the lamp will be lit, and if the collector voltage of TR4 is low the lamp will be extinguished.

We can call the lit condition the YES or 1 answer, and the extinguished condition the NO or 0 answer. Since either of these is equally likely when we open the switch the answer we get is purely a matter of chance, a truly random decision.

S-DEC CONSTRUCTION

To construct this circuit as a Double Decker, first clip the two DeCs together, end to end, to form one long DeC. Plug in the nine wire links, noting the long links from points 60 and 65 of DeC 1 to points 58 and 63 of DeC 2. These link wires carry the trigger pulses. The switch S1 and the lamp PL1 can be mounted on the front panel of one DeC, or positioned remotely, as desired. Remember that single strand wire should be used for connections.

Now plug in the capacitors, followed by the diodes. The capacitors are not electrolytic in this circuit, so that they may be plugged in either way round, but care should be taken to ensure that the diodes are inserted with correct polarity. Diodes generally have a red spot or white band to identify

Continued on Page 431

SHORT WAVE NEWS

FOR DX LISTENERS



By Frank A. Baldwin

Times = GMT

Frequencies = kHz

● BRASIL

Radio Relogio, Rio de Janeiro, on **4905** at 0058, OM with announcements in Portuguese, time signals (pips) in the background. The schedule is from 0800 to 0300 and the power is 5kW.

Radio Sociedad, Feira de Santana, on **4865** at 0150, OM with announcements then into a programme of recorded local pops. The schedule is from 0730 to 0400 and the power is 2kW.

Radio Aparecida, Aparecida, on **5035** at 0205, OM with announcements, OM with a local ballad. The schedule is from 0900 to 0300 and the power is 1kW.

Radio Itatiata, Belo Horizonte, on **4805** at 0225, OM with a sports commentary in Portuguese. The schedule is on a 24-hour basis and the power is 25kW.

Radio Tabajara, Joao Pessoa, on **4795** at 0133, OM with a love song in Portuguese, OM with identification at 0135. The schedule is from 0730 to 0400 and the power is 2kW.

Radio Riberao Preto, Riberao Preto, on **3205** at 0020, OM with a sports commentary in Portuguese, the schedule of this one being from 0800 to 0400 and the power is 5kW.

Radio Clube do Para, Belem, on **4855** at 0432, OM with announcements, local pops on records. The schedule is from 0800 to 0500 and the power is 10kW.

Radio Globo, Rio de Janeiro, on **11805** at 0100, OM with identification in Portuguese under interference from Radio Moscow. Radio Globo has a schedule from 0800 to 0330 (the closing time can vary) and the power is 10kW.

Radio Clube de Pernambuco, Pernambuco, on **11865** at 0115, OM with a sports commentary in Portuguese. The schedule is from 0800 to 0430 and the power is 1kW.

Next month some Colombian stations which may be logged on the LF 60 metre band will be featured here.

● SOUTH AFRICA

RSA Johannesburg on **11900** at 1800, interval signal, identification, six 'pips' time-check followed the programme in German, scheduled from 1800 to 1850.

SABC Meyerton on **4835** at 1811, pops on records, OM announcer in English. This is the English programme radiated from September through to May from 0358 (Saturday 0430, Sunday 0500) to 0635 and from 1520 to 2115 (Saturday until 2205). The power is 100kW.

● U.S.S.R.

Ashkhabad, Turkmen SSR, on **4930** at 0116, classical orchestral music. Ashkhabad relays Moscow 2 on a 24-hour schedule.

Naryn, Kirgiz SSR, on **4795** at 1805, OM with a ballad in Russian. Naryn relays Frunze 1 from 2300 through to 1930.

Osh, Kirgiz SSR, on **4810** at same time as above and with the same programme. This transmitter operates in parallel with Naryn.

Kalinin, Moscow Oblast, on **4860** at 1817, OM with a talk in Russian. This one transmits the Foreign Service to North America in English, Spanish and Ukrainian from 2200 through to 0530 and at other times, schedule unknown, relays Moscow 2.

Kiev, Ukrainian SSR, on **4940** at 1836, opera in Ukrainian. Kiev 2 relay in Ukrainian is scheduled from 0300 through to 2330. The schedule is from 0300 through to 2300.

Tbilisi, Georgian SSR, on **5040** at 0248, OM with local folk songs. This transmitter relays Tbilisi 1 mostly but also includes relays of Moscow 1. The schedule is from 0200 to 2105 and the languages used are Armenian, Azerbaijani, Georgian and Russian.

Alma Ata, Kazakh SSR, on **5035** at 1842, OM and YL alternate in Chinese. The schedule is from 0000 to 1200 relaying Alma Ata 1, from 1200 to 1630 relaying the Tashkent/Alma Ata Foreign Service in Kazakh and Uigher and from 1630 to 2300 with the Moscow Foreign Service and 'Peace and Progress' in Chinese.

Yerevan, Armenian SSR, on **4810** at 0207, OM and YL alternate with news in Armenian. This one relays Yerevan 1 from 0200 to 1300 and Yerevan 2 from 1300 to 2000.

Petrozavodsk, Karelian ASSR, on **4780** at 0226, YL with instructions for physical exercises to music. The schedule is from 0200 to 2100 relaying Moscow 1 except for the period 1500 to 1530 when local programmes are featured.

Tyumen, Tyumen Oblast, on **4895** at 0120, YL with instructions for physical exercises to piano music. The schedule is from 0100 to 2005 relaying Moscow 1 except for local programmes at the following times; Monday to Friday from 0235 to 0300, from 0315 to 0400, from 0420 to 0430, from 1445 to 1530. Saturday from 0230 to 0300, 0420 to 0430 and from 0515 to 0600. Sunday from 0215 to 0300.

Dushanbe, Tadzhik SSR, on **4975** at 0010, OM with a newscast in Russian. The schedule is from

0000 to 1200 relaying Dushanbe 1, 1200 to 1300 local programmes in Russian and Tadzhik and from 1300 to 1330 relaying the Moscow Foreign Service in Farsi (Persian).

Radio Moscow on 11750 at 0421, OM with the Spanish programme for Latin America ("Peace and Progress"), scheduled from 0400 to 0430 on this channel and in parallel on 11850, 11890, 11900 and on 11920.

Radio Moscow on 11880 at 0425, YL with the English programme to Africa, scheduled from 0400 to 0600 here and in parallel on 11980 — and many other channels on other bands.

● HUNGARY

Radio Budapest on 11910 at 1505, OM with local songs in the Hungarian programme for Europe, scheduled from 1500 to 1630 (Sunday only, Saturday only until 1530).

● AFGHANISTAN

Kabul on 4775 at 0130, 4 pips time-check, readings from the Holy Qur'an. This is the Home Service 1 scheduled here from 0100 to 0330, 1230 to 1740 except for the periods 1300 to 1530 when the Foreign Service is radiated (English from 1400 to 1430). The power is 100kW.

● GUINEA

Conakry on 4910 at 0405, OM with a talk in French on national affairs. The schedule is from 1230 through to 0730 and the power is 18kW.

● ALBANIA

Gjirocastr on a measured 5057 at 1755, local music on an accordian-type instrument in the Tirana Home Service, scheduled here from 0400 (October to April from 0500) to 1930. The power is 50kW.

● CHAD

Ndjamana on a measured 4904.5 at 1835, African drums and instruments with YL's chanting. The schedule is from 0425 to 0630 and from 1740 to 2200 (Saturday until 2300). The power is 100kW.

● AUSTRALIA

ABC Brisbane on 4920 at 1923, pops on records, OM announcing in English. The schedule of this local transmitter is from 1900 (Sunday from 1930) to 1402 and the power is 10kW.

● ECUADOR

Radio Splendit, Cuenca, on 5025 at 0400, OM with identification, OM song in Spanish, local-type music. The schedule is from 0900 to 0500 but closing can vary to 0430 and, just to confuse matters, sometimes operates around the clock and can vary

in frequency to 5026. The power is 5kW — at least that is constant — we hope!

● HONDURAS

La Voz Evangelica, Tegucigalpa, on 4820 at 0332, OM with a religious programme in English. The schedule is from 1030 to 0500 with programmes in English from 1500 to 1600, 0300 to 0400 and from 0415 to 0430. The power is 5kW.

● CHINA

CPBS Peking on 3920 at 2014, OM with the Domestic Service 1 Programme, scheduled here from 1000 to 1735 and from 2000 to 2400.

CPBS Peking on a measured 7504 at 2020, OM and YL announcing a Chinese music programme in the Domestic Service 1, scheduled here from 2000 to 1735.

Radio Peking on 15045 at 1310, OM with a programme in Malay, scheduled from 1300 to 1400.

Radio Peking on 15030 at 1945, YL with the Italian programme for Somalia, scheduled from 1930 to 2000.

● HUNGARY

Radio Budapest on 15225 at 0328, YL with identification in English and interval signal at the end of the English programme to North America, scheduled from 0300 to 0330.

● ROMANIA

Bucharest on 15250 at 1300, OM with identification in English in the programme for Europe, scheduled from 1300 to 1330.

● FINLAND

Helsinki on 15265 at 1305, OM with the English programme to Europe, North America, the Far East and Australasia, scheduled from 1300 to 1325.

● EGYPT

Radio Cairo on 15175 at 1250, OM with identification in Arabic in the Domestic Service, radiated here from 0700 to 1300.

Radio Cairo on 15475 at 0530, OM with a newscast in Arabic.

● CZECHOSLAVAKIA

Radio Prague on 15395 at 0920, OM and YL with the English programme to Africa, the Far East, South Asia, Australia and New Zealand, scheduled here from 0830 to 0900 (Saturday and Sunday until 0930).

● AUSTRIA

Vienna on 15335 at 1812, local-type music in the German programme to Europe, East and South Africa and the Middle East, scheduled from 1700 to 1830.

THE DECISION MAKER (Continued from Page 429)

the cathode lead-out, but unmarked diodes will need to have their polarity determined. If a multimeter switched to an ohms range is used to check diodes, remember that the terminal polarity is reversed when the ohms range is used. With the diode connected to the multimeter in the manner which causes the needle to be deflected (due to the diode conducting) the "+" terminal of the meter is connected to the diode cathode, and the cathode end of the diode body should be marked using quick-drying paint. The multimeter will not nor-

mally indicate zero ohms when the diode is connected to it so that it conducts, this being due to the forward voltage drop in the diode itself.

The transistors can now be fitted to the DeCs. Remember that TR1, the p.n.p. type, has the same lead-out arrangement as the n.p.n. types used in the remainder of the circuit. If necessary, make sure that the p.n.p. type can be identified should the type number rub off.

Finally, plug in the resistors and connect the battery. The Decision Maker is then ready for use.

BAND II PORTABLE

Part 1 By Sir Douglas Hall, Bt., KCMG

Unique and highly sensitive receiver design for v.h.f. f.m. transmissions

The author has published a number of receiver designs, both a.m. and f.m., incorporating his "Spontaflex" r.f.-a.f. reflex circuitry. This article deals with the latest f.m. version, which is the most sensitive so far and which can be relied on to receive Band II signals very well in most parts of the British Isles. An output power of about 400mW is available.

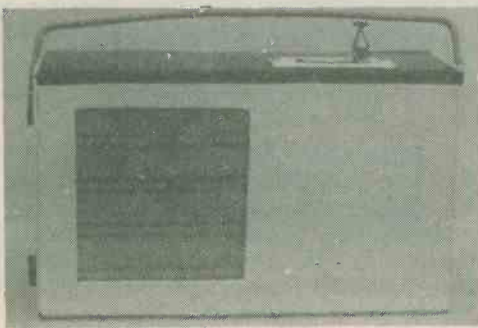
CIRCUIT OPERATION

The circuit of the receiver appears in Fig. 1, in which the vertical dashed line shows how the components are divided, in construction, between two tagboards. The aerial signal is applied to the emitter of TR1 through the isolating capacitor, C1, and is amplified by TR1 in the common base mode. The amplified signal at TR1 collector next passes via C2 to the tuned circuit, VC1, L1, and thence to the base of TR2, operating as an emitter follower. TR2 is in a gently oscillating state, and demodulation takes place at the germanium diode, D1, by the synchronous method. The amplitude of oscillation is set by VR2 which, due to silicon diode D2, has a stabilized direct voltage across it of about 0.6 volt. When the slider of VR2 is at the top of its track as shown in the circuit, or when its central knob is turned fully anti-clockwise, a forward current of a

few hundred microamps flows through the detector diode D1. This reduces the impedance of the diode, thereby increasing the damping across the tuned circuit. As the control is turned clockwise, causing the slider to approach the negative rail, damping of the tuned circuit reduces until oscillation starts. Oscillation takes place in the capacitive or Colpitts mode, due to C5, C7 and internal capacitances in TR2.

Three advantages accrue from this method of oscillation control. First, adjustment of VR2 has practically no effect on tuning in Band II (although this standard of performance is not so good at lower frequencies, for which the present receiver is not designed). Second, the audio gain of TR2, in the common base mode, is greater when the impedance of D1 is reduced by the forward current passing through it than it would be if the only current flowing through the diode were TR2 emitter current on its own. Third, there is a compensating effect as the battery runs down. With reduced battery voltage there will be a smaller current flowing through D2 and the zener diode D3, resulting in a slight lowering of the voltage across D2 and, hence, the current in D1. The reduced damping imposed by D1 on the tuned circuit then counteracts the slightly reduced supply voltage for TR2 and helps to maintain TR2 in the gently oscillating condition. In practice, the setting of VR2 remains reasonably constant throughout the useful life of the battery. Note that D1 must be a high efficiency diode as specified, whilst almost any silicon diode will do for D2. C5 is in parallel with C6 in order to provide a low impedance circuit path at v.h.f. The leads of C5 must, in the assembled circuit, be kept as short as possible.

As has just been mentioned, TR2 provides a.f. gain as a common base amplifier, the a.f. signal at its collector being built up across VR1 and applied back to the base of TR1. TR1 now operates as a common emitter a.f. amplifier with the a.f. output appearing mainly across R1. The a.f. input impedance at TR1 base is high because of the small amount of negative feedback given by R3, the high amplification factor of TR1 and the low current which passes through it. This high input impedance matches adequately with the similarly high a.f. impedance at TR2 collector.



Although it is completely home-constructed, the case of the portable Band II receiver has an effective appearance

COMPONENTS

(All fixed values $\frac{1}{4}$ watt 10%)

- R1 8.2k Ω
- R2 2.2k Ω
- R3 330 Ω
- R4 2.7k Ω
- R5 1.2k Ω
- R6 2.2k Ω
- R7 1.5k Ω
- R8 12k Ω
- R9 12k Ω
- R10 3.3k Ω
- R11 47k Ω
- R12 4.7 Ω
- VR1 100k Ω pre-set potentiometer, 0.25 watt, horizontal
- VR2 4.7k Ω potentiometer, linear
- VR3 22k Ω potentiometer, log
- VR4 4.7k Ω pre-set potentiometer, 0.25 watt, horizontal

Capacitors

- C1 22pF silvered mica or ceramic
- C2 1pF silvered mica
- C3 470pF silvered mica or ceramic
- C4 470pF silvered mica or ceramic
- C5 0.1 μ F polyester
- C6 160 μ F or 150 μ F electrolytic, 3 V. Wkg.
- C7 6.8pF silvered mica or ceramic
- C8 200 μ F electrolytic, 3 V. Wkg.
- C9 10 μ F electrolytic, 6 V. Wkg.
- C10 47 μ F electrolytic, 3 V. Wkg.
- C11 0.1 μ F polyester
- C12 100pF silvered mica or ceramic
- C13 1,000 μ F electrolytic, 10 V. Wkg.
- VC1 5pF variable, type C804 (Jackson)

Inductor

L1 see text

Semiconductors

- TR1 BC169C
- TR2 2N3663
- TR3 2N4289
- TR4 2N3707
- TR5 2N3405
- D1 0A81 or 0A91
- D2 1S44
- D3 BZY88C6V2
- D4 BZY88C3V0
- D5 1S44

Switch

S1(a) (b) d.p.d.t. slide switch, standard size

Speaker

LS1 15 Ω 5in. (see text)

Miscellaneous

- 9 volt battery type PP3
- 9 volt battery type PP9
- Battery connectors
- Telescopic aerial (see text)
- 18-way group panel (see text)
- 2 polystyrene rods, $\frac{1}{4}$ in. dia. (see text)
- $\frac{1}{4}$ in. grommets (see text)
- 3 knobs (see text)
- Materials for receiver assembly and case (see text)

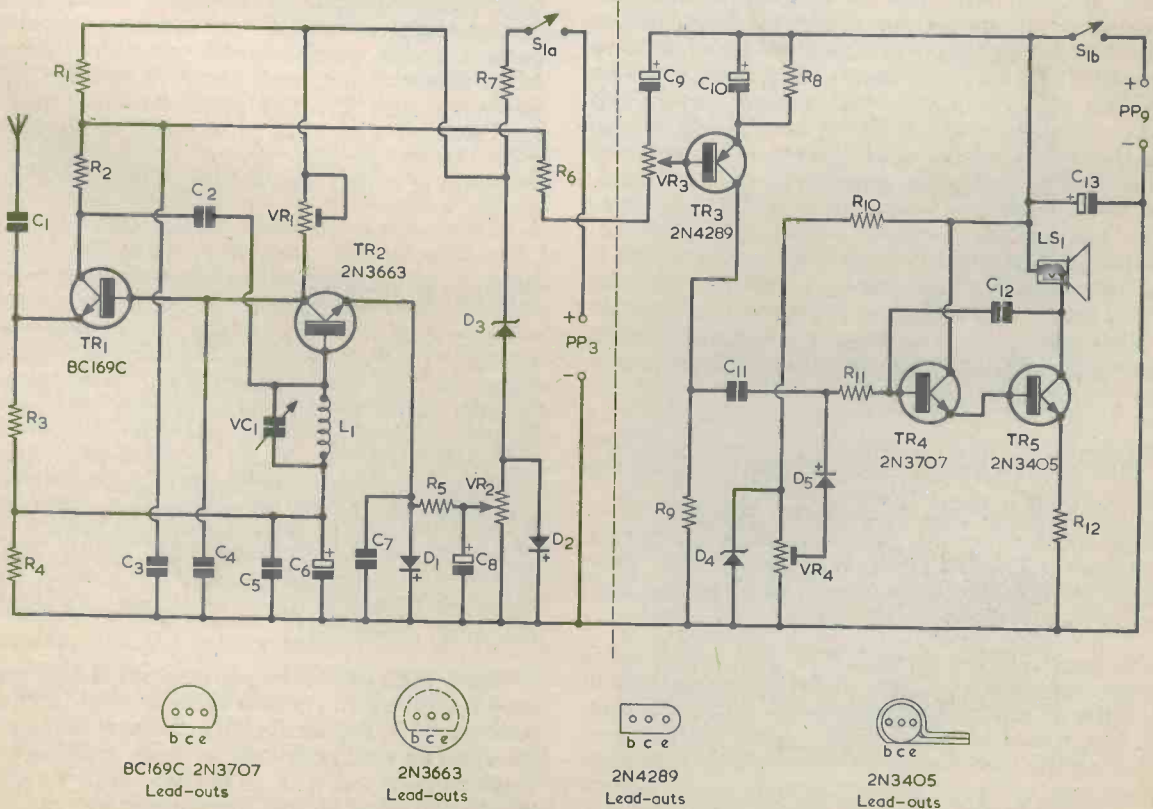
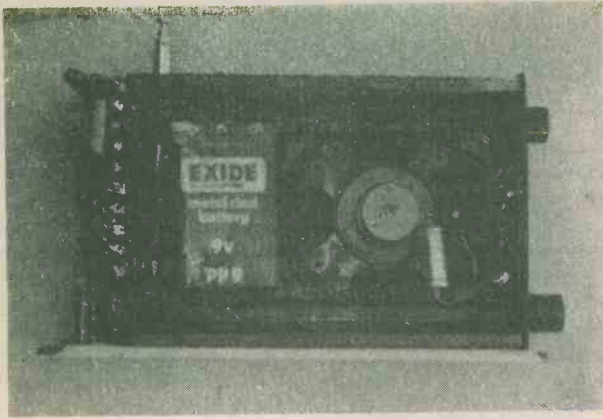


Fig. 1. The circuit of the Band II portable receiver. The vertical dashed line divides the tuner section from the a.f. amplifier section



Looking at the receiver assembly from the side opposite the speaker. The 13 way tagboard is at the left and the 5 way tagboard is to the right

A.F SECTION

All the processes so far described take place on the first of the two tagboards on which the receiver components are assembled. The a.f. signal now passes through the r.f. stopper R6 to the volume control, VR3, on the other side of the vertical dashed line in Fig. 1. The slider of VR3 connects to the base of TR3, which gives a high level of gain in the common emitter mode, with its collector signal passing via C11 and R11 to the base of emitter follower TR4. TR4 emitter couples directly into the base of the output transistor, TR5.

It will be noted that diode D5 is also in the base circuit of TR4, and that its cathode is returned to the slider of pre-set potentiometer VR4, across whose track appears a stabilized voltage of about 3 volts. In the absence of signal, VR4 is set up such that TR4 and TR5 pass a low current only. When an a.f. signal is applied, D5 causes C11 to charge such that its right hand plate goes positive to a level corresponding with the amplitude of the signal. The result is that the base current of TR4 increases with increasing input signal amplitude, automatically taking TR5 to the state in which it can handle the signal level. Consequently, the battery supplying TR5 is only required to provide the current which is necessary for the incoming signal. Thus, although the circuit is in the form of a Class A amplifier, it exhibits the economy attributes of a Class B amplifier. Since VR4 is supplied by the zener diode D4, the standing bias for TR4 and TR5 is kept reasonably steady as the battery voltage falls.

A small level of negative feedback in the output stage is given by R12, in the emitter circuit of TR5. C12 provides a necessary degree of selective feedback across TR4 and TR5.

The tuner section to the left of the dashed line is powered by a PP3 battery, whilst the a.f. section to the right of the line has a separate PP9 battery. The use of two batteries gives several advantages, including the fact that tuner supply voltage is completely free of variations resulting from large output currents in the a.f. section when high level a.f. signals are being reproduced. There is also a considerable simplification in supply decoupling. Since the current drawn from the PP3 battery is

only about 2mA, its life is very long.

Some points need to be discussed concerning components. Both C2 and VC1 are low capacitance components, and they are available from Home Radio. The 2N3663 transistor can be obtained from Electrovalue. The 0A81, 0A91 and 1S44 diodes are listed by several suppliers, including Bi-Pak Semiconductors. The 15Ω 5in speaker employed by the author was obtained from Radio Component Specialists, 337 Whitehorse Road, West Croydon. Other speakers of the same impedance and nominal size may be employed, although they might not fit as readily into the receiver layout. (As will be made clear in next month's concluding article, the speaker is not bolted directly to its panel but is fitted, instead, by a non-microphonic floating mounting.)

The two tagboards on which most of the receiver components are wired consist of a Doram "Standard" 18 way group panel cut into two sections. This group panel can also be obtained from Home Radio. Extension spindles are required for VR2 and VC1, and these consist of two $\frac{1}{4}$ in diameter polystyrene rods 12in. long, which are cut to length after the assembly of the receiver. The rods couple to the component spindles by way of home-constructed flexible couplers, each of which is made up of two grommets having $\frac{1}{4}$ in. central holes. A further grommet of this type is used at the forward end of the extension rod for VC1 to keep the rod centralised. Suitable grommets are available, in packets of 25, as Type G10 from Electrovalue. A telescopic aerial with an extended length of some 3 to 4ft. is employed, this being preferably a type which, when extended, can be set to different angles. The telescopic aerals most commonly available have tapped 4BA holes at the centre of the bottom for mounting purposes. The control knobs on the prototype were Type JV18 from Electrovalue, and these fit neatly into the receiver assembly. The potentiometers employed for VR2 and VR3 need to be small in physical size to fit into the receiver layout. These having a body diameter of 0.79in. and a depth behind the panel of 0.45in.

CONSTRUCTION

Turn to Fig. 2 and start construction by cutting out the three sections shown, using $\frac{1}{8}$ in. thick s.r.b.p. for Fig. 2(a) and $\frac{1}{4}$ in. plywood for Figs. 2(b) and 2(c). Two sections cut to the dimensions of Fig. 2(b) are required; one is an upper section having the $\frac{1}{2}$ in. hole and the slide switch cut-out shown in the diagram, whilst the other is a lower section without the hole or the cut-out. The bottom section of the telescopic aerial passes through the $\frac{1}{2}$ in. hole. If the particular aerial used requires a hole of different diameter, the size of the hole should be amended accordingly.

Next, take the 18 way group panel and cut a 13 way section from it. This section must be 5in. long and it will be found that to achieve this the cut will be close to the 14th pair of tags. Drill two small holes at each end $\frac{1}{8}$ in. in to take small wood screws which will later secure the tagboard to the ends of the upper and lower sections of Fig. 2(b), as in Fig. 3(e). Drill a $\frac{3}{8}$ in. hole at the upper end of the tagboard, as shown in Fig. 3(e), this being central

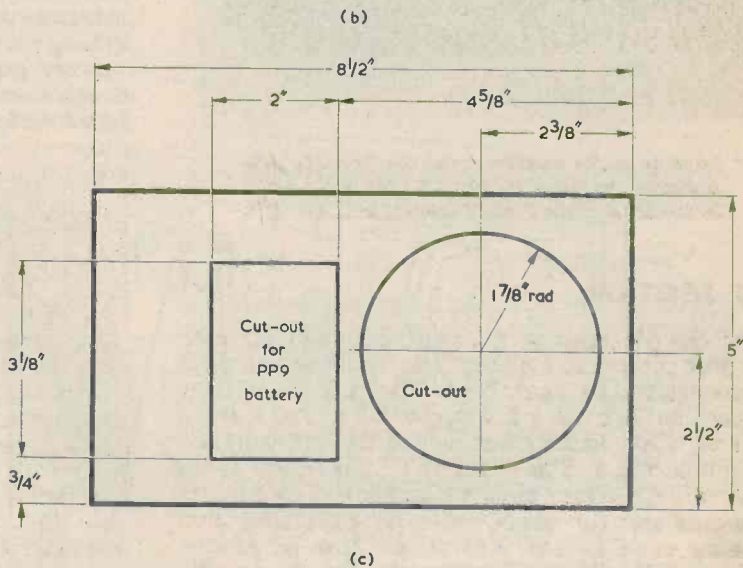
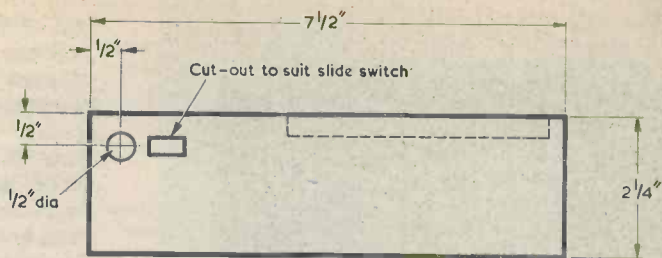
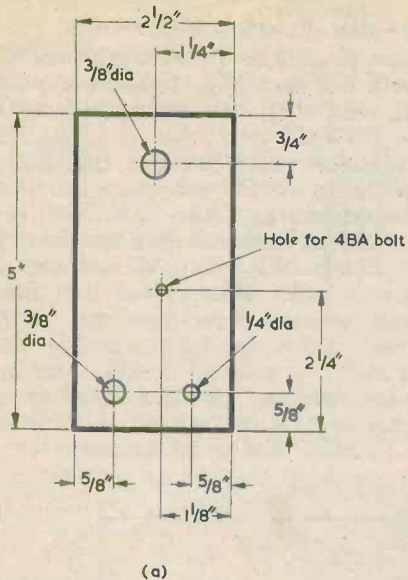


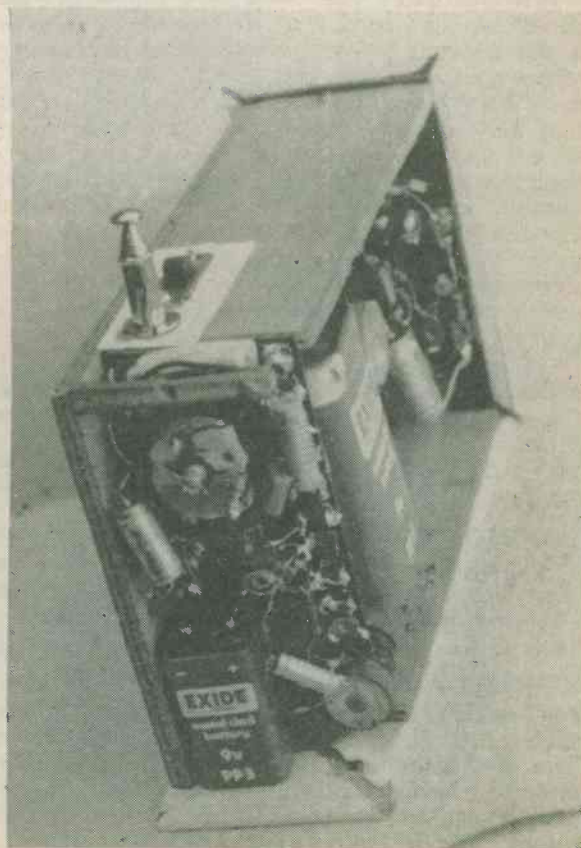
Fig. 2(a). S.R.B.P. panel on which are mounted the 5-way tagboard and, in the lower left hole, VR3. As will be shown next month, extension control spindles for VR2 and VC1 pass through the 1/4 in. lower right hole and the upper 3/8 in. hole

(b). Top panel of the receiver assembly. The bottom panel has the same outside dimensions but does not have the circular and rectangular cut-outs. The material is 1/4 in. plywood

(c) The speaker panel, again consisting of 1/4 in. plywood. The PP9 battery fits in the rectangular cut-out and is held in place when the case is fitted onto the receiver assembly

on the board and 3/4 in. down from the top. The spindle of VC1 passes centrally through this hole. Still following Fig. 3(e), remove the three tags at the bottom right hand corner. Drill out a 3/8 in. hole in the board at the point indicated. VR2 is mounted to this hole with its body on the same side as the tags.

Cut out and drill the section shown in Fig. 3(a). This is made up of 1/4 in. s.r.b.p. and will later have VC1 mounted on it. Because of the high audio gain in the receiver it is necessary for VC1 to be secured on a pliable mounting as, otherwise, howling can occur due to acoustic and mechanical feedback from the speaker at audio frequencies. Take a standard rubber pencil eraser measuring about 1 1/4 in. by 1 in. by 1/2 in. and cut it down the middle, leaving two sections measuring 1 1/4 in. by 1/2 in. by 1/2 in. Drill a 1/8 in. hole through the centre of one of the sections, then drill two 3/8 in. holes in both sections about 1/8 in. from the ends, ensuring that the holes match up section to section. Bolt the rubber section with the central hole to the item of Fig. 3(a) using a countersunk 6BA bolt passing through the rubber into the 3/8 in. hole in the s.r.b.p., and with a 6BA nut on the s.r.b.p. piece. Cut off the screw flush with the nut. Mount VC1 on the item of Fig. 3(a). Using the rubber pieces as a template mark out two holes at the top end of the 13-way tagboard which will enable thin woodscrews to be passed, later, through the rubber and the tagboard into the end of the up-



End view of the receiver. VC1 is readily visible at the upper end of the 13 way tagboard

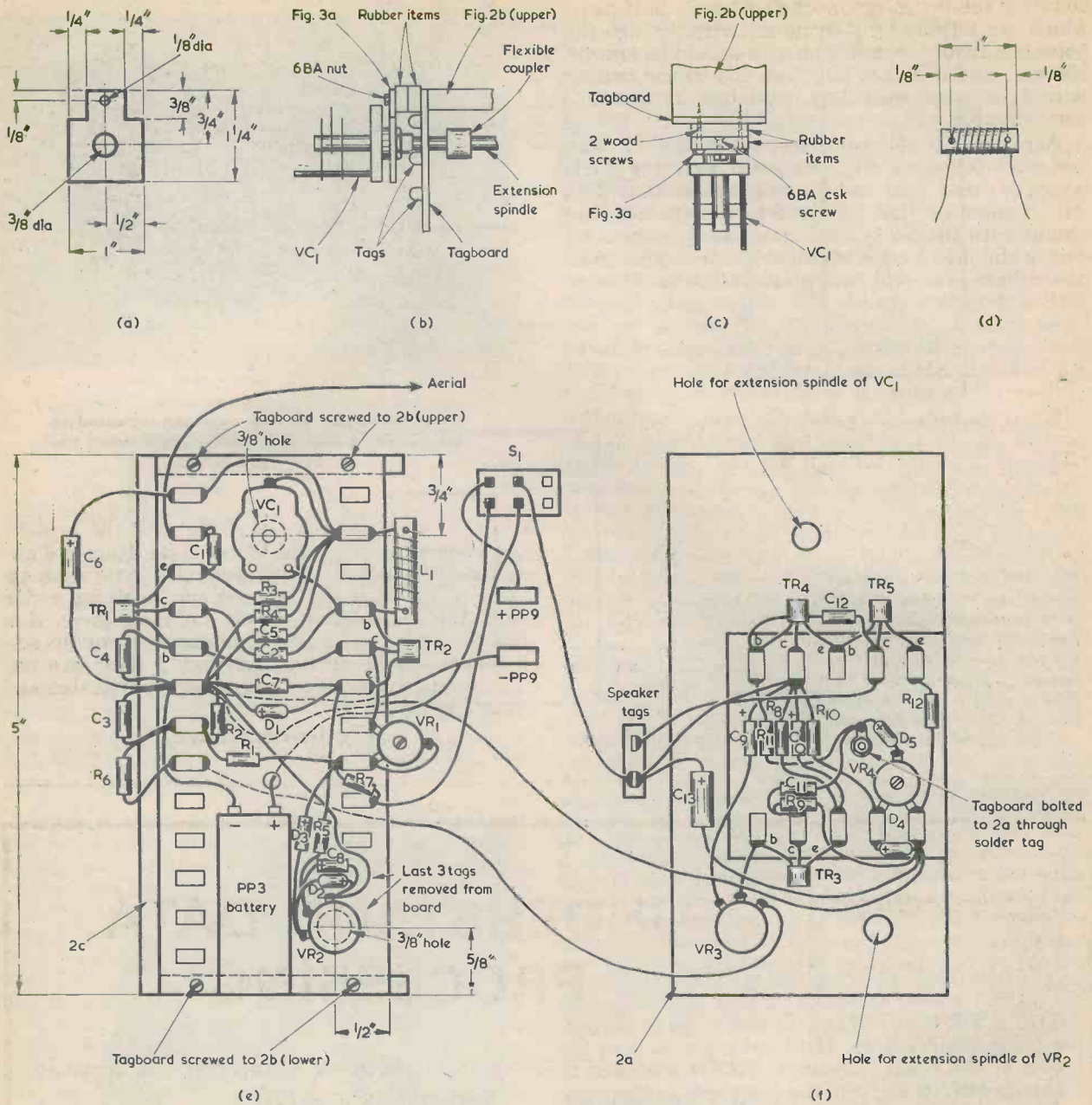


Fig. 3(a). The s.r.b.p. item on which VC1 is mounted
 (b) Side view showing the non-microphonic mounting for VC1

(c) Looking down on the mounting. The two woodscrews pass through both the rubber items, through the tagboard and then into Fig. 2(b) upper. The 6BA screw passes through only one rubber piece

(d). Winding coil L1. Details of the former are given in the text

(e). The wiring on the 13-way tagboard. For ease of presentation the PP3 battery is shown smaller than actual size

(f). The 5-way tagboard is mounted on the item of Fig. 2(a). The manner in which the receiver sections are assembled will be shown in detail in next month's issue.

per Fig. 2(b) item. These holes should be positioned such that the spindle of VC1 is central in the $\frac{3}{8}$ in. hole in the tagboard and will not touch it. This provides the non-microphonic mounting for VC1, and further details are given in Figs. 3(b) and (c). Put the rubber and s.r.b.p. assembly, with VC1 mounted on it, on one side for the time being. Incidentally, the woodscrews passing through the

rubber items are clear of Fig. 3(a) because the corners of the latter are cut away.

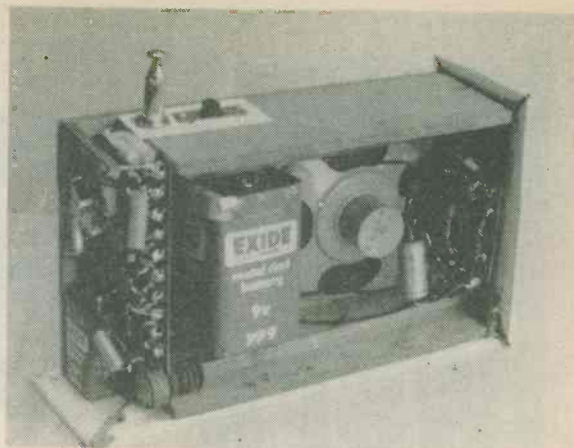
Coil L1 is next wound, and this is illustrated in Fig. 3(d). The former is a 1 in. length cut from the outer casing of a "Bic" ball-point pen. Drill two $\frac{1}{8}$ in. holes $\frac{1}{2}$ in. in, at the ends of the former, so that there is $\frac{3}{4}$ in. between the holes. Wind on 8 turns of wire, as illustrated in Fig. 3(d). When

counting the turns, ignore the two extra half turns which are formed by passing the wire through the holes to anchor the coil. The wire should be around 20s.w.g., and ordinary single strand tinned copper wiring-up wire with the insulation removed is very suitable.

Wire up all the components on the 13 way tagboard following Fig. 3(e), but omitting VC1, which is fitted later and for which room should be left. Remember that C5 should be connected into circuit with the leads as short as are possible. All wiring should be kept reasonably short, and component bodies should not lie outside the board area. They are shown spread out in Fig. 3(e) for ease of presentation. The PP3 battery takes up the approximate position shown, and the connections to the aerial, to S1, to the audio amplifier board and to the PP9 battery are made later.

The remaining 5 way tagboard is mounted to the item of Fig. 2(a) in the manner shown in Fig. 3(f). A 4BA bolt is passed through the 4BA clear hole in Fig. 2(a) and this secures the tagboard, as well as a solder tag which provides a useful extra connection point. Fit VR3 to the panel of Fig. 2(a) with its body on the same side as the tagboard. Then complete the wiring illustrated, omitting C13 and the wiring to the tuner board and the speaker. No connection is made to the integral heat sink of TR5. In Figs. 3(e) and (f) the cathodes of zener diodes D3 and D4 are indicated by plus signs. The cathode lead is identified by a white band on the actual component.

Constructional details will be completed in next

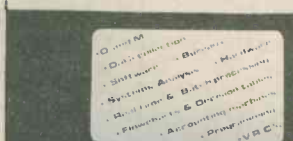


The PP9 battery fits into a cut-out provided on the speaker panel. It is held in place when the receiver case is fitted

month's issue, and the next article will also explain the manner in which the items so far discussed are assembled together. Readers should, on no account, attempt to bring the receiver into working order from the information which has been given this month. There are some important setting-up adjustments to be carried out and if these are not done properly incorrect operation or even damage could result.

(To be concluded)

DATA PROCESSING



EC OLIVER, RJ CHAPMAN

UNDERSTAND DATA PROCESSING

DATA PROCESSING, by Oliver & Chapman, is now in its Third Edition — first published 1972.

200 pages 9 $\frac{3}{4}$ " x 6 $\frac{3}{4}$ "

PRICE £2.75

P.&P. 35p

PUBLISHED BY D. P. PUBLICATIONS

The primary aim of this outstanding manual is to provide a simplified approach to the understanding of data processing — (previous knowledge of the subject is not necessary).

The 40 chapters and appendices cover the following topics: Introduction to Data Processing; Organisation and Methods; Conventional Methods; Introduction to EDP and Computers; Hardware; Computer Files; Data Collection and Control; Programming and Software; Flowcharts and Decision Tables; Systems Analysis; Applications; Management of EDP, etc.

Available from: **DATA PUBLICATIONS LTD.,**
57 MAIDA VALE, LONDON W9 1SN.



In your work -shop

STEREO RECORD PLAYER TROUBLE

"This looks like a nice little job to finish off the day."

Smithy took up a stereo record player, which was all that was left on the "For Repair" rack, placed it carefully on his bench and spent a minute or two examining it externally for any obvious signs of disrepair. Straightening up, he was surprised to see that its two small speakers had mysteriously appeared at either end of his bench. Dick's voice became audible behind him.

"I thought I'd just give you a hand, Smithy."

Smithy turned round.

"Blimey, where did you spring up from? The last time I looked over at your bench you had your nose poked inside a cassette recorder."

"I've just fixed that," said Dick. "And since there's nothing else in for repair I decided to join you on this record player."

DISTORTION

"Fair enough," stated Smithy. "Well, perhaps you could start to make yourself useful by getting out the service manual for it."

Dick noted the make and type number of the player and cheerfully made his way towards the filing cabinet. As he did so, Smithy plugged the record player into the mains and connected up its two speakers. He then reached up to the shelf over his bench, took up an l.p. disc and put it on the turntable. He next started the turntable, placed the pick-up stylus on the outside groove of the record and turned up the volume.

The music from the right hand speaker was a splendid reproduction of all the instruments of the orchestra whose sound was entrapped in the grooves of the revolving disc. The woodwind played like the trilling of early waking birds, the cadences of the strings swept sensually along their scale, the brass called stridently in concord and the tympani was as the fulminating resonance of approaching thunder.

The noise from the left hand speaker, on the other hand, was terrible.

Smithy turned off the record player.

"Gosh," came Dick's voice as he returned from the filing cabinet, "what was that ghastly racket?"

"Very heavy distortion in the left hand channel," stated Smithy briefly. "Let's take a butcher's at the circuit diagram."

He took the service manual which Dick had extracted from the filing cabinet, opened it out at its circuit diagram and laid it down flat on the surface of his bench. (Fig. 1.)

"It looks," ventured Dick, "pretty straightforward."

"Yes," agreed Smithy, "it's one of those nice simple amplifier circuits with discrete transistors which are still being used in some of the lower price record players. As you can see, there's a ceramic pick-up which couples via a $1M\Omega$ series resistor into the base of the first transistor. The presence of the $1M\Omega$ resistor ensures that the pick-up response is reasonably flat although there is, of course, quite a loss of signal voltage in it. The first tran-

sistor is a straightforward common emitter amplifier with a fair amount of negative feedback given by the unbypassed $3.3k\Omega$ resistor in its emitter circuit. The amplified signal at its collector passes to a top-cut tone control consisting of a $0.047\mu F$ capacitor in series with a $47k\Omega$ pot and also to the volume control. After that we get the main amplifier part of the circuit. Which has a voltage gain of 100 times."

"You caught me out on this voltage gain business once before," chuckled Dick, "but you're not going to do so this time. Let's see, now. Is the voltage gain 100 times because of the $1k\Omega$ resistor going back from the output transistor emitters to the emitter of TR2?"

"That's half of it. The $1k\Omega$ resistor forms an a.f. feedback circuit coupling through the $220\mu F$ electrolytic down to the 10Ω resistor going to chassis. It's a classic negative feedback circuit from an amplifier output to its inverting input, and since $1k\Omega$ divided by 10Ω is 100, the voltage gain of the amplifier is held at 100 times." (Fig. 2.)

"Let's just trace the feedback loop all the way through," said Dick. "The $1k\Omega$ resistor connects to the emitter of TR2, and the signal at the collector of this transistor will be in phase with that at its emitter. This signal is next applied to the base of TR3, whose collector is out of phase with its base."

"Right," put in Smithy briskly, "and this out-of-phase signal is then fed to the two output transistors, which are both emitter followers and which do not therefore change

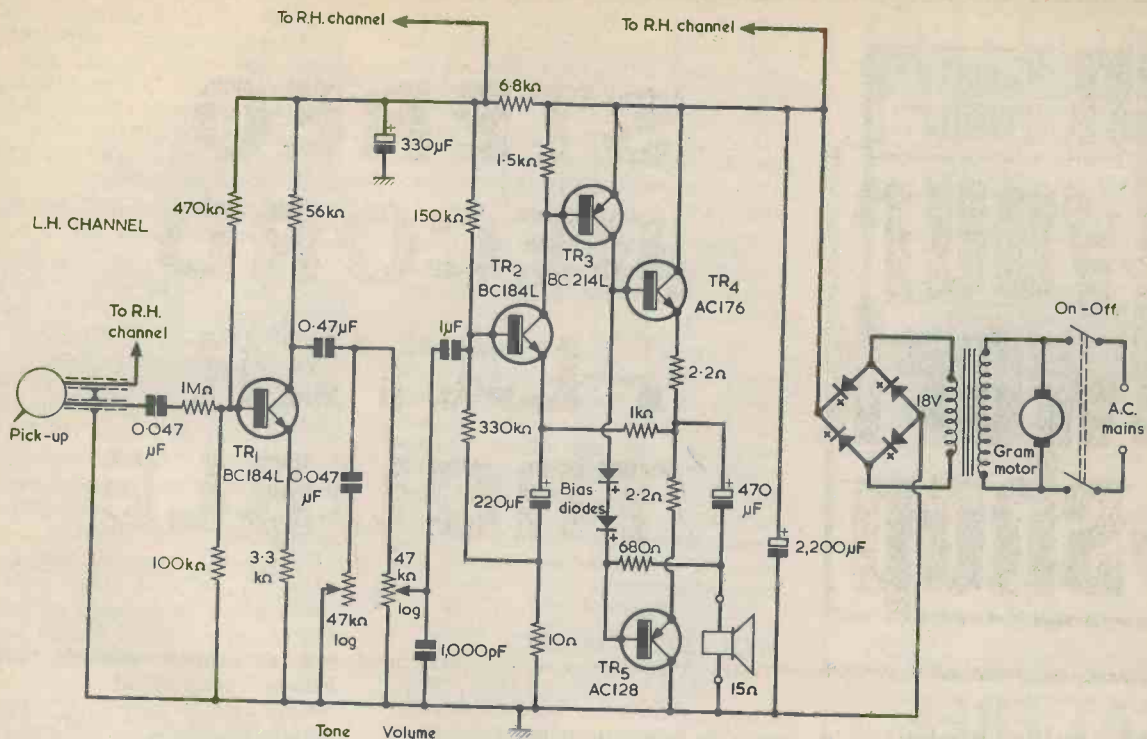


Fig. 1. Despite the availability of a.f. integrated circuits, many current stereo record players continue to use the basic amplifier circuit shown here. The right hand channel is identical, and the 6.8k Ω and 330μF decoupling components are common to both channels. Component values are representative of commercial practice

the phase at their bases. The overall result is that the signal at the output emitters is an inverted version of that at the emitter of TR2. Just what is required for negative feedback. Here, what on earth are you up to?"

PSYCHIC SERVICING

With sudden alarm, Smithy stood back and watched his assistant. Dick had taken a pin from the lapel of his overall jacket and, his eyes closed, was now holding it with its point down over the service manual circuit. He swung the pin across the surface of the manual and then suddenly brought it down. Its point went through the exact centre of the upper output transistor, TR4.

Dick opened his eyes.

"There you are," he grinned. "That's what's wrong with the left hand channel of this record player amplifier. TR4 has gone faulty!"

"What in heaven's name are you raving about?"

"It's my new type of servicing," explained Dick. "I've just been reading in a book about a champion water diviner who can detect the presence of water anywhere simply by working with a map of the district concerned. I'm carrying out the same principle for servicing. I'm divining the presence of a fault by just working with the circuit of the faulty equipment!"

MARCH 1979

"You must," spluttered Smithy, "be out of your tiny mind."

"We'll see," stated Dick mysteriously. "Don't forget that there are many strange unexplained things these days, even in the technological world of 1979. Tell you what, I'll bet you 20 pence that the faulty part in this amplifier channel is TR4."

Smithy glanced suspiciously at his assistant.

"I'm not a betting man," he said abruptly. "I would suggest that the best thing you can do next is stop messing around with pins and get the printed board out of this record player so that we can do a few voltage checks on it and find the real fault."

"Which," intoned Dick darkly, "will be TR4. You just wait and see."

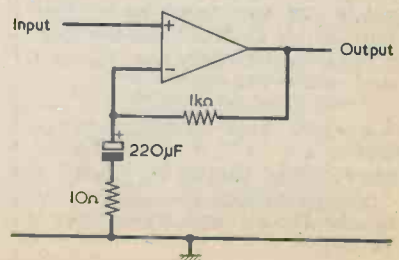
As Smithy looked at him irritably, Dick set about removing

the printed circuit board from the record player cabinet. Eventually he was able to withdraw it completely, still connected to its input, speaker and supply leads.

"Why," he asked, as he neared the completion of his task, "do these record players still use discrete transistor amplifiers. You'd have thought the manufacturers would have gone over to integrated circuit amplifiers ages ago."

"That's a very good question," replied Smithy, manifestly relieved that the conversation had changed from the subject of Dick's fault-divining powers. "A lot of record players do use i.c.'s, of course, but discrete transistor amplifiers of the type we have here still keep cropping up, even in the very newest models. The amplifiers all have the same basic stage line-up after the volume control, although you'll frequently find that the transistor

Fig. 2. The amplifier stages between the emitter and base of TR2, and the emitters of TR4 and TR5, may be reduced to the block diagram shown here. A.F. negative feedback is via the 1k Ω resistor from the output to the inverting input, with the 10 Ω resistor coupling to chassis. Voltage gain is 100 times



PEATS for PARTS

ELECTRONIC COMPONENTS

RADIO & TELEVISION

For the convenience of Irish enthusiasts we supply:

Radio & Electronics
Constructor Data Books
Panel Signs
Transfers

Also a postal service

PEATS
the world of electronics
25 Parnell Street, Dublin 1. Telephone 749972

5,000

ODDS AND ENDS

Mechanical Electrical

CAT FREE

WHISTON DEPT R.E.C.

NEW MILLS, STOCKPORT

JEFFRIES

For

Hi-Fi Equipment

Tape Recorders

Television

Transistor Radios

6A ALBERT PARADE
VICTORIA DRIVE
EASTBOURNE · SUSSEX

ELECTRONIC CONSTRUCTORS

SAVE MONEY!

With our BARGAIN PARCEL...

Contains:

10 x BC107, 10 x BC108, 10 x BC109, 3 x BFY51, 3 x 2N3819, 3 x 2N2926 and 10 Mixed Values - ELECTROLYTICS; 10 Mixed Values - CERAMIC CAPS; 20 Mixed Values - FIXED CAPS; 10 DIODES GERMANIUM - Sim, OAS1; 10 DIODES SILICON - Sim, IN914; 2 x 741 IC's, 1 2gsm PHIAL CYNOACRYLAITE ADHESIVE, VAT inc. in price (all items are brand new).

Plus a Free Gift worth 75p

Send £5 plus 50p p&p

(Cheque, Postal Order, Money Order) to

SIGTRONIC ELECTRONICS

27 Malvern Street, Stapenhill
Burton-on-Trent, Staffs. DE16 9DY
Tel: (0283) 46868 special orders

and supply polarities are reversed. In that case TR2 would be p.n.p., TR3 would be n.p.n., TR4 would be p.n.p. and TR5 n.p.n. But all the circuits have the first transistor with negative feedback applied to its emitter, a second common emitter driver transistor and, finally, the two output emitter followers."

"This one," pointed out Dick, "uses old-fashioned germanium transistors as the output emitter followers."

"I know," agreed Smithy, "and you'll find germanium output transistors in quite recent amplifiers, too. I think that the latest amplifiers do use silicon output transistors, though. At any event, the basic circuit is a very well established one so far as relatively inexpensive record players offering about 3 to 4 watts per channel are concerned."

VOLTAGE CHECKS

"I notice," continued Dick, "that this circuit uses two diodes to provide quiescent biasing between the output transistor bases."

"Those will be two forward biased germanium diodes," replied Smithy, "with a drop of about 0.1 to 0.15 volt across each. Just enough to keep the germanium output transistors conducting when there's no signal. Incidentally, there are quite a few current paths in the circuit from the positive to the negative rail, and if you are interested in tracing out any of these you simply follow the arrows."

"Follow the arrows?"

"That's right. 'Conventional current', which is assumed to flow from positive to negative, flows in the direction of the emitter arrow in a transistor and in the direction

of the arrow-head which is implicit in the symbol for a diode. As an example, current flows from the positive rail into the emitter of TR3, passes out at the collector, goes next through the two bias diodes and finally ends up at the negative rail by way of the 680Ω resistor and the speaker."

"Follow the arrows, eh? Right, I'll remember that."

"Good," said Smithy. "Well, let's do a few voltage checks on that board next. Since it's a stereo amplifier with two channels we can, if we like, compare voltages on the serviceable channel with those in the duffy channel. Switch on, Dick, and see what the supply voltage is."

Obediently, Dick turned on the record player and applied his test prods between chassis and the positive rail. (Fig. 3(a).)

"I'm getting about 24 volts here," he called out.

"Now try the output emitters," said Smithy. "They should be sitting at around half the supply voltage." (Fig. 3(b).)

"Okeydoke," said Dick. "I'll try the serviceable right hand channel first. The output emitters here are giving — just a jiffy — 11 volts."

"And the left hand channel?"

Dick reapplied the positive test prod of his meter to the output emitters of the faulty channel.

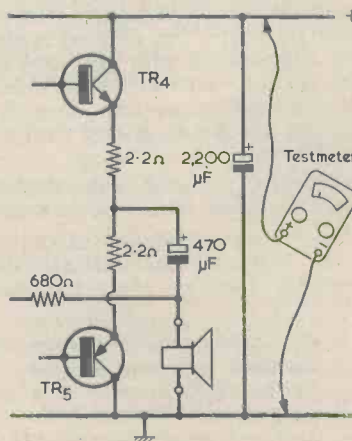
"Just under 11 volts."

A gleam appeared in Smithy's eyes.

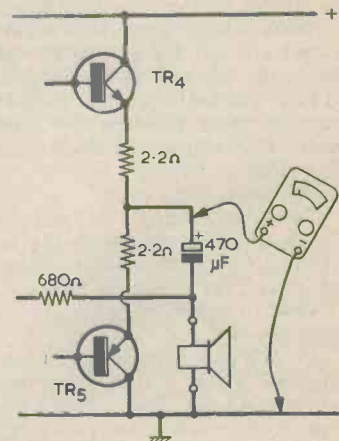
"Are you still willing to bet that it's TR4 which is faulty? You mentioned 20 pence just now."

"You wouldn't take me up on it."

"I've changed my mind," said Smithy hastily. "What's more, I'm even prepared to increase the bet to a pound. If, as you say it is, TR4 is causing the trouble, I give you a pound."



(a)



(b)

Fig. 3(a). Measuring the supply voltage across the 2,200µF reservoir capacitor

(b). In a serviceable amplifier the quiescent voltage at the output emitters will be approximately half the supply voltage

RADIO AND ELECTRONICS CONSTRUCTOR

"And if it isn't?"
 "You give me a pound!"
 "Hey," protested Dick, "take it easy, Smithy. I meant that original bet to be more of a joke than anything else."

"Come on," retorted the Serviceman. "You were keen enough to risk a bet then. Don't say that you're now chickening out."

"Oh, all right," said Dick, incensed. "A pound it is, then."

"And you've lost it," crowed Smithy triumphantly. "That last voltage check has proved that the output stage is perfectly all right. So TR4 can't be faulty."

"How do you make that out?"

"You remember that audio feedback circuit with the 1kΩ and 10Ω resistors?"

"Yes."

"Well, there's a d.c. negative feedback circuit there as well. If we assume that the 220μF electrolytic capacitor connecting to TR2 emitter has almost infinite resistance, there is 100% d.c. feedback." (Fig. 4.)

"How come?"

"Look at the circuit," replied Smithy. "The base of TR2 is held somewhat higher than half supply voltage by the 150kΩ and 330kΩ resistors which connect to it. In the absence of signal, the output emitters then stabilize at a slightly lower voltage which, in practice, is about equal to half the supply voltage. This allows just sufficient direct current to flow through the 1kΩ resistor connecting to the emitter of TR2 to stabilize the output emitters at the half supply point. If, for some reason, the output emitters try to go positive the emitter current for TR2 falls. TR2 collector current, and hence TR3 base current, also falls, and the collector of TR3 goes negative. This counteracts the initial attempt of the output emitters to go positive."

"I suppose," said Dick gloomily, as he gazed at the circuit, "if the output emitters try to go negative the opposite happens and the collector of TR3 pulls them positive again. And, since we're getting the correct half supply voltage at those output emitters, all this means that TR4 simply cannot be faulty."

"Precisely," beamed Smithy. "One pound please!"

"Don't go so fast, Smithy. I'll wait until we've finally found the fault."

"As you wish," said Smithy magnanimously. "I'm a patient sort of a bloke and I don't mind waiting for my money."

Dick was clearly annoyed at the turn of events.

"Let's try some other voltage checks."

"Fair enough," replied Smithy airily. "Now that we know that the output stage is all right we should soon be able to trace the fault in this left hand channel."

MARCH 1979

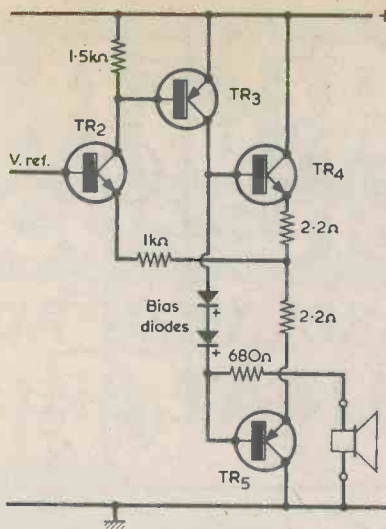


Fig. 4. With the capacitors removed, the d.c. negative feedback loop incorporating TR2 to TR5 is readily apparent. The quiescent voltage at the output emitters is controlled by the voltage at TR2 base

FOLLOW THE ARROWS

But, despite exhaustive comparative checks by Dick under the instructions of Smithy, there were no differences in voltage readings between the two channels at any point in their circuits.

Smithy frowned.

"We'd better check some voltages with a signal going through," he announced gruffly. "Back to those output emitters again, Dick!"

"Righty-ho, Smithy. I've got my test prod on the right hand channel output emitters now."

Smithy started the turntable and placed the pick-up on the record lead-in groove. The undistorted output from the right hand speaker and the heavily distorted sound from the left hand speaker once more became audible.

"The meter needle's just quivering a bit," stated Dick, looking down at his testmeter.

"Try the left hand output."

"Okeydoke, Smithy!"

There was a pause as Dick shifted his test prod to the output emitters of the left hand channel. The sound from the speakers was suddenly drowned in a cry of amazement from Dick.

"What's the matter?"

"It's this meter reading," stuttered Dick. "The voltage it's showing just goes down and down as the music gets louder. It only goes back to the half supply level during very quiet passages."

Smithy leaned over to look at the meter. The needle was, indeed, showing a voltage which very noticeably reduced in sympathy

THE MODERN BOOK CO.

Largest selection of English & American radio and technical books in the country

19-21 PRAED STREET
LONDON W2 1NP

Tel: 01-723 4185/2926

MORSE IMPROVEMENT

C90 Cassettes (A) 1-12 w.p.m. with simple exercises. (B) 12-24 w.p.m. computer produced professional level operator material including international symbols.

Price each: complete with instruction and exercise booklets £4.50 including postage.

Morse Key and Buzzer Unit suitable for sending practice and DIY tape preparation.

Price £4.50 including postage.

Overseas Airmail £1 extra.

MHEL ELECTRONICS (Dept. R)

12 Longshore Way, Milton, Portsmouth (UK), PO4 8LS

GAREX

V.H.F. Receivers New SR-9 for 2-metres F.M., fully tunable 144-146MHz, improved 2-speed slow-motion dial, also 11 xtal controlled channels. Compact, sensitive, ideal for fixed or mobile listening. Built-in L.S., 12v D.C. operation. INTRODUCTORY PRICE ONLY £54 inc. VAT. Crystals, if required: £2.50 each. All popular 2m. channels in stock. Marine band version (156-162MHz) £59.40 (xtals £2.79). Credit terms available, s.a.e. details.

Amplified Mobile Extension Speaker boosts audio from small receivers. Single compact unit, 12vDC operation, built-in 6W amplifier, with leads and jack plugs. £11.25 Neons min. wire end. 55p/10; £4/100

Slide Switches min DPDT 18p ea; 5+: 14p Resistor Kits E12 series, 22Ω to 1MΩ

57 values. 5% carbon film, 1/4W or 1/2W

Starter pack, 5 each value (285) £2.95

Mixed pack, 5 each 1/4W + 1/2W (570) £5.40

Standard pack, 10 each (570) £5.40

Giant pack, 25 each (1,425) £13.25

I.C.'s (new) 7410 25p CD4001AE 25p

SN76660 75p NE555 55p 723(TO5) 75p

709 (TO5). 741 (DIL-8) Op.amps 30p;

BNC Cable mtg socket 50Ω 20p;

5+: 15p PL259 UHF Plug & Reducer 68p;

5+: 60p; SO239 UHF Socket panel mtd. 55p;

5+: 45p Nicad rechargeables physically equiv. to zinc-carbon types: AAA

(U16) £1.64; AA(U7) £1.20, C(U11) £3.15;

D(U2) £4.94; PP3 £5.20 Any 5+: less 10%, Any 10+ less 20%.

We stock amateur V.H.F. equipment and mobile aerials, s.a.e. details.

Distributors for J. H. Associates Ltd.

(switches and lamps)

PRICES INCLUDE UK POST, PACKING & VAT

Mail order only Sole Address:

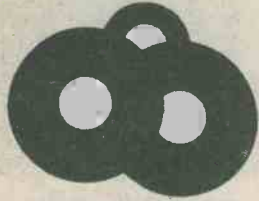
GAREX ELECTRONICS

7 NORVIC ROAD, MARSWORTH.

TRING, HERTS HP23 4LS

Cheddington (STD 0298) 668684

MORSE MADE EASY



BY THE G3HSC RHYTHM METHOD!

These courses, which have been sold for over 23 years, have been proved many times to be the fastest method of learning Morse. You start right away by learning the sounds of the various letters, numbers, etc., as you will in fact use them. Not a series of dots and dashes which later you will have to translate into letters and words.

Using scientifically prepared 3-speed records you automatically learn to recognise the code. RHYTHM without translating. You can't help it. It's as easy as learning a tune. 18 W.P.M. in 4 weeks guaranteed.

The Complete Course consists of three records, as well as instruction books. For Complete Course send £5.00 plus part postage 50p (overseas surface mail £1.10 extra). Now available Shrouded Morse Keys £2.70 inc. UK postage

THE G3HSC MORSE CENTRE

Box 8, 45 Green Lane, Purley, Surrey.
I enclose £5.50 or s.a.e. for explanatory booklet.

Name

Address

RADIO & ELECTRONICS CONSTRUCTOR

ANNUAL SUBSCRIPTIONS

to this magazine may be obtained through your newsagent or direct from the publishers



INLAND..... £7.50
OVERSEAS..... £8.50
per year, post free



Please send remittance with name and address and commencing issue required to:

DATA PUBLICATIONS LTD
57 Maida Vale, London W9 1SN

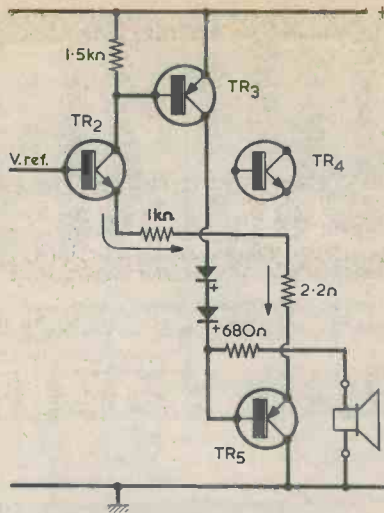


Fig. 5. Closer examination shows that TR4 plays no significant part in setting up the quiescent output emitter voltage. The current flowing in the 1kΩ resistor connecting to TR2 emitter can only be passed by TR5

with the volume from the record.

Irrately, he took the pick-up off the record and switched the record player off. As Smithy rubbed his chin reflectively Dick removed the test prods and pulled the service manual towards him.

"That upper output transistor, TR4, must be faulty after all," he called out. "Otherwise, why does the output emitter voltage go down when the music gets louder?"

"It can't be faulty," retorted Smithy dogmatically. "We were getting the half supply voltage reading with no signal going through."

Dick ran his finger along the lines of the circuit diagram.

"Hang on a minute," he said. "You don't need the upper output transistor to get that half supply voltage reading!"

"What d'you mean?"

"Let's say," said Dick excitedly, "that TR4 is removed from the circuit and see what result that gives." (Fig. 5.).

"Well?"

"You've still got a complete d.c. feedback loop," went on Dick, "just with TR2, TR3 and TR5. It's as you said — follow the arrows. If we talk about current going from positive to negative, it flows from the emitter of TR2 through the 1kΩ resistor into the emitter of TR5. It can't flow into the emitter of TR4 because TR4 emitter arrow is pointing in the wrong direction!"

Smithy studied the circuit diagram.

"Ye gods," he muttered weakly, "You're right, too. Here, let's have that testmeter."

He grabbed the test leads, switched the meter to a low ohms range

and first checked the 2.2Ω resistor in series with TR4 emitter. Obliging, the meter read approximately 2.2Ω. Smithy then applied the test prods first one way round and then the other way round to the base and collector of TR4. In both instances there was a small deflection of the meter needle due to the circuitry around the transistor, but in neither case did the meter indicate the very low resistance which would be given by a forward biased base-collector junction. Patently, there was an internal open-circuit between the base and the collector of the transistor.

With a stunned expression Smithy walked over to the spares cupboard. He returned, stony faced, with a replacement transistor and in utter silence proceeded to remove the faulty transistor and solder in the new one. He then switched on the record player and, watched by his jubilant assistant, started the record up again. This time the left hand channel reproduced the sound from the record with just as much excellence as did the right hand channel. Huffily, Smithy returned the pick-up to its stand and switched the player off again.

"You made a boo-boo, didn't you?"

Smithy stubbornly refused to reply.

"I've been waiting years," chortled Dick, "for something like this to happen. Years!"

There was still no comment from the Serviceman.

"Just for once," exulted Dick, "it's me that's been right on a technical point and you that's been wrong. I never thought I'd live to see the day when I would actually shoot you down in flames!"

PAYING UP

"All right, all right," snorted Smithy crossly. "Don't keep rubbing it in."

"What I particularly like," said Dick happily, "is that it was you who raised the bet from 20 pence to a pound. So how about it, Smithy?"

"Don't keep on about it," retorted Smithy. "I know when I've lost a bet. I'll pay you up in full."

And pay up in full he did, after he had sorted through the contents of his bench drawer. Whereupon a protesting Dick became the richer by one fully stamped Co-op book (recovery value 40 pence), two 5 pence vouchers cut out of an electronics catalogue, three 10 pence fruit-machine tokens and two brand-new shiny 10 pence pieces. Which represent, after all, a fitting alternative for the current diminutive, single serial number, luncheon voucher, English one pound note.

RADIO & ELECTRONICS CONSTRUCTOR

IN OUR NEXT ISSUE — VHF MAINS TABLE RADIO



A sensitive Band 11 receiver incorporating two integrated circuits and featuring negligible running costs. (Part 1 of a 2 part article).

TESTBENCH AMPLIFIER

●
LOW
COST
DESIGN
●



●
IDEAL
FOR
BEGINNERS
●

HIGH INPUT IMPEDANCE, Greater than $1M\Omega$

TUNE-IN TO PROGRAMS - No.3 NEW EXCLUSIVE SERIES

Get to grips with programming the easy way.
This 9 part series will guide you through programming using nothing more complicated than a readily available programmable calculator.

*Illuminated Dice
Suggested Circuit*

*April Fool Circuits
In Your Workshop*

MANY OTHER ARTICLES

ON SALE 10th MARCH

Avoid disappointment. ORDER NOW

Doppler shift add-on unit

By R. A. Penfold

Gives Doppler intruder surveillance in conjunction with last month's ultrasonic control system

The "Ultrasensitive Ultrasonic Remote Control" system described in last month's issue forms a very useful project having a number of remote control applications. It also, with the aid of a small amount of additional circuitry, lends itself to use as a Doppler proximity detector. Equipment of this nature is commonly employed in burglar alarms, and there are probably many other possible uses for it. This article describes an add-on unit which provides the extra circuitry required.

DOPPLER SHIFT

A Doppler alarm uses the well known Doppler Shift effect to detect the movement of a person or object in the vicinity of the transmitting and receiving transducers. Most readers will be familiar with the Doppler Shift effect, particularly with regard to sound waves. If a source of sound is moving towards an observer the latter perceives an apparent increase in the frequency of that sound. This is because a greater number of cycles per second are impinging on the observer due to the movement of the sound source. Similarly, when a source of sound moves away from an observer the

apparent frequency of the sound falls. The effect is commonly encountered in ordinary life, a typical instance being given when an ambulance sounding its two-tone siren passes by.

Doppler Shift of frequency will also be given if the source of sound and the observer are stationary and the sound is reflected by a moving object. This effect is exploited in Doppler Shift proximity detectors.

When a 40kHz transmitting transducer and a 40kHz receiving transducer are placed side by side and aimed into an unoccupied room, some of the transmitter signal will be picked up by the receiver after reflections from walls, ceiling and furniture, etc., and there will probably be a certain amount of direct pick up as well. All these signals will be at the actual transmitter frequency.

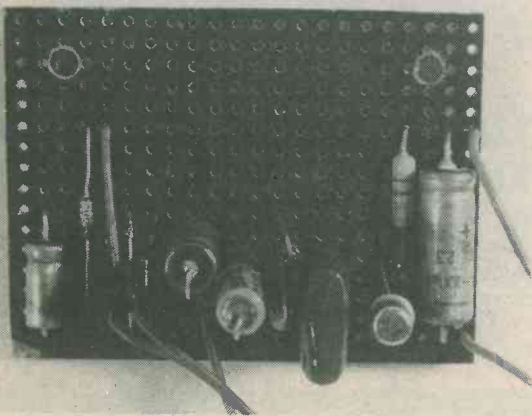
An object moving in front of the transducers will also reflect some of the transmitter signal to the receiver, but the reflected signal, due to Doppler Shift, will be shifted slightly in frequency. If the received signal is fed to an a.m. receiver detector, the shifted and unshifted frequencies will produce a relatively low frequency beat note at the output of the detector. This note, which in practice will be at a frequency between a few Hertz and a few hundred Hertz, depending on the speed and direction of the moving object, can be rectified and smoothed to produce a d.c. bias controlling a relay energising circuit.

MODIFICATIONS

A few simple modifications are required to the transmitter and receiver of the "Ultrasensitive Ultrasonic Remote Control" and readers are asked to consult the diagrams for this which appeared last month.

The only modification required to the transmitter is to replace the push-button on-off switch with an ordinary toggle switch so that the transmitter can operate continually.

D1 in the receiver is now omitted and no load is driven from the output stage of the NE567 phase locked loop. (As is explained later, an l.e.d. and series resistor can, however, be used as a load to indicate when the p.l.l. output transistor has switched on.) The additional Doppler Shift circuitry is shown in Fig. 1 of the present article, and its input



The few components required for the Doppler Shift add-on unit are wired up on a small Veroboard panel

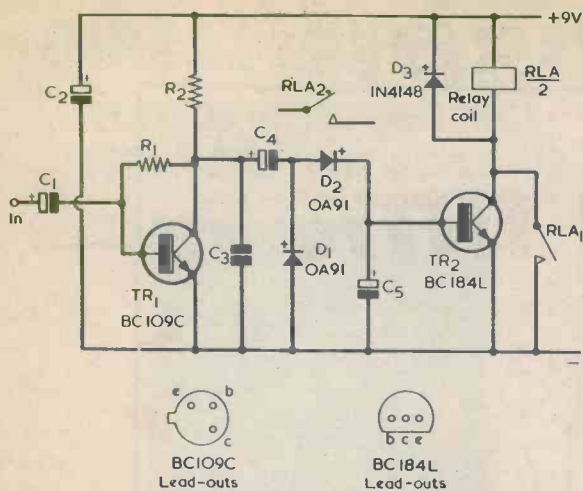


Fig. 1. The circuit of the Doppler Shift add-on unit. The input is taken from the NE567 i.c. which forms part of the ultrasonic remote control system described in last month's issue

is fed from pin 1 of the NE567. This connection may be made at hole L20 of the receiver Veroboard panel. Fortunately, the NE567 incorporates an a.m. detector circuit, the output of which appears at pin 1 of the i.c. This fact makes it extremely simple to adapt the receiver for the present application. Also, the negative supply rails of the receiver and the add-on unit are connected together.

The additional circuit of Fig. 1 is very simple, and TR1 is a conventional high gain common emitter amplifier which is used to boost the output from the detector. R2 is the collector load resistor for TR1, R1 provides base biasing and C1 is a d.c.

COMPONENTS

Resistors

(All $\frac{1}{4}$ watt 5%)

R1 2.2M Ω

R2 6.8k Ω

Capacitors

C1 3.3 μ F electrolytic, 10 V. Wkg.

C2 100 μ F electrolytic, 10 V. Wkg.

C3 0.22 μ F mylar or type C280

C4 10 μ F electrolytic, 10 V. Wkg.

C5 10 μ F electrolytic, 10 V. Wkg.

Semiconductors

TR1 BC109C

TR2 BC184L

D1 OA91

D2 OA91

D3 1N4148

Relay

RLA see text

Miscellaneous

Veroboard, 0.1in. matrix

Normally closed push-button (if required)

Wire, solder, etc.

blocking capacitor. C3 filters out any ultrasonic signal present in the output from the detector, which could otherwise block the operation of the unit.

C4 couples the output from TR1 to a simple voltage doubling rectifier and smoothing network consisting of D1, D2 and C5. TR2 will normally be cut off and the relay in its collector circuit will not be energised but, in the presence of an input signal to the circuit due to a Doppler Shift being detected, the positive bias produced across C5 will be sufficient to turn on TR2 and energise the relay.

D3 is a protective diode and suppresses the high reverse voltage which would otherwise be generated across the relay coil when it de-energises, and which could damage the semiconductor devices in the circuit if it were not eliminated. The relay has two contact sets, RLA1 and RLA2. RLA1 is a normally open contact set; it closes when the relay is energised by TR2, thereby latching the relay in the energised state once the circuit has been activated. Should this latching action not be required, RLA1 can simply be omitted. If, on the other hand, a "reset" control is desired, a normally closed push-button can be added in series with RLA1 as shown in Fig. 2. RLA2 is another normally open relay contact set, and this can be used to operate an audible alarm. Alternatively, either a normally open or a normally closed contact set, as appropriate, can be wired into a comprehensive alarm circuit if one is already installed in the protected property.

The relay used with the prototype was one with a 185 Ω coil and two changeover contact sets, available from Maplin Electronic Supplies. Each of the changeover contact sets can, of course, be wired to act as normally open or normally closed, as desired.

The stand-by current of the circuit is less than 1mA, but this rises to some 45mA when the circuit is activated.

CONSTRUCTION AND USE

Apart from the relay (and, if fitted, the "reset" push-button) all the components are assembled on a 0.1in. matrix Veroboard which has 16 copper strips by 22 holes. The component layout is shown in Fig. 3. The two mounting holes may be either 6BA or M3 clearance. There are no breaks in any of the copper strips.

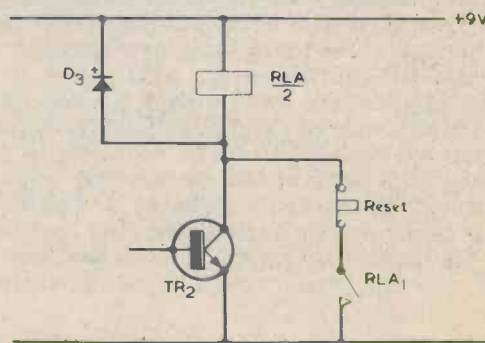


Fig. 2. Wiring a normally closed push-button in series with contact set RLA1 provides a reset facility

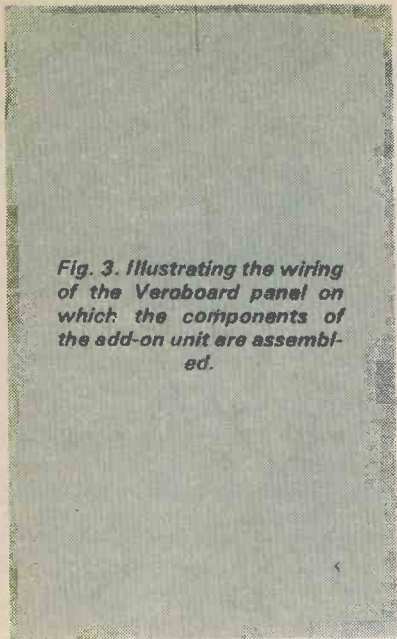
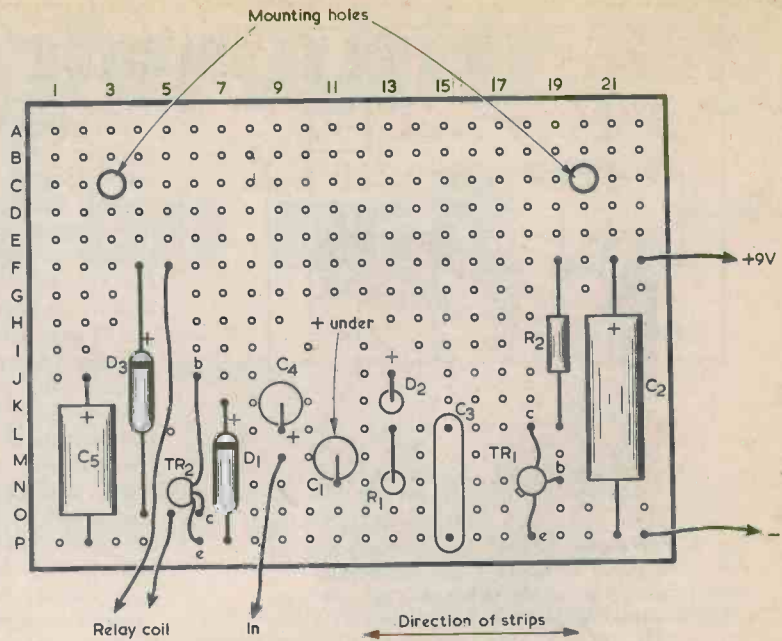


Fig. 3. Illustrating the wiring of the Veroboard panel on which the components of the add-on unit are assembled.



Conventionally, Doppler alarm equipment has the transmitter and receiver circuits both contained within the same housing, with the two transducers mounted side by side or one above the other on the front panel, spaced by several inches. With the present units this will give good sensitivity for 3 or 4 metres directly in front of the transducers, and for a somewhat smaller distance on either side of centre. Even just the movement of a hand within the sensitive area should be sufficient to trigger the circuit.

The transmitter and receiver sections of the system can, instead, be treated as separate items, and it is found possible to increase the area covered by the system by doing this, with careful positioning of the two sections for optimum results. For instance, by positioning the transmitter and receiver units at opposite ends of a room, with the two transducers roughly aimed at one another, the system appears to be effective for movement almost anywhere within the room.

SETTING UP

The setting up of the transmitter and receiver is the same whether they are to be employed as a remote control system or as a Doppler Shift proximity detector, and the details for alignment were given last month. However, when used in the Doppler application, there will be no load for the NE567 in the receiver, and a temporary load must be connected here to act as an indicator in order that R6 in the receiver can be correctly adjusted. Such an indicator can consist of a TIL209, or similar l.e.d., and a current limiting resistor of about 1kΩ wired in series between pin 8 of the NE567 and the positive supply, as illustrated in Fig. 4.

As was mentioned last month, when used in the Doppler system the transmitter is switched on continually, and it is desirable to employ a larger 9 volt battery than the PP3, which is normally adequate for intermittent use. The receiver and the Doppler

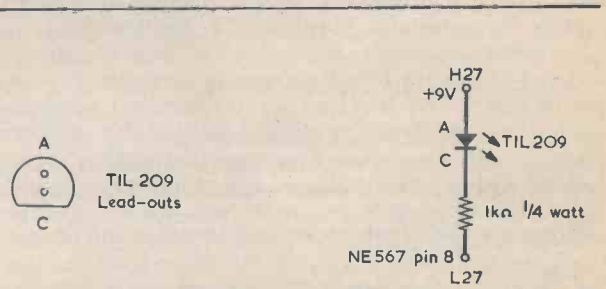


Fig. 4. A temporary load, which can consist of an l.e.d. and a series resistor, is connected to the ultrasonic receiver and functions as an indicator during setting up. The letter and number references apply to Fig. 4 in the article published last month

add-on unit can have separate 9 volt batteries or can share a single 9 volt battery. As both the receiver and the add-on unit have adequate supply decoupling, no difficulties have been experienced with the use of a single supply. Due to the relatively high current which is drawn by the relay coil when it energises, a large battery such as a PP9 should be employed.

Answer to problem Page 421


- [LRN]
- [log]
- [X]
- [20]
- [=]
- [R/S]
- [RST]
- [LRN]

DIRECT SUPPLY SERVICE TO READERS

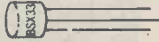
TOWERS INTERNATIONAL TRANSISTOR SELECTOR

(NEW REVISED EDITION)



This is dead! 

Would this replace it?



If it takes you longer than 1 minute to find out all about these transistors then you need a copy of TOWER'S INTERNATIONAL TRANSISTOR SELECTOR. Its one of the most useful working books you will be offered this year. And probably the cheapest!

In it you will find a really international selection of 13,000 transistor types — British, Continental European, American and Japanese. And we think that they will solve 90% of your transistor enquiries.

Current and widely used obsolete types were carefully selected and arranged in Numero-Alphabetical order by an author who was uniquely qualified to do the job. With his compendium, all you need to know is the type number and you can learn all about a transistor's specification; who made it and where to contact them; or what to use to replace it.

Price **£6.00** inc. P&P

(Please allow 21 days for delivery)

TOWERS INTERNATIONAL FET SELECTOR

(JUST PUBLISHED)



If you deal with field effect transistors, or fet's — whether as a student, a hobbyist, a circuit engineer, a buyer, a teacher or a serviceman — you often want data on a specific fet of which you know only the type number.

Specifications apart, you may be even more interested in where you can get the device in question. And perhaps more important still (particularly with obsolete devices), you may want guidance on a readily available possible substitute.

This fet compendium, a comprehensive tabulation of basic specification, offers information on:

1. Ratings
2. Characteristics
3. Case details
4. Terminal identifications
5. Applications use
6. Manufacturers
7. Substitution equivalents (both European and American)

The many fet's covered in this compendium are most of the more common current and widely-used obsolete types.

It is international in scope and covers fet's not only from the USA and Continental Europe, but also from the United Kingdom and the Far East (Japan).

Price **£4.00** inc P&P

(We regret this offer is only available to readers in the U.K.)

**Tower's
International
Transistor
Selector**

by T. D. Towers
MBE, MA, BSc, C Eng, MIERE
£6.00
inc. post and packing

To:—DATA PUBLICATIONS LTD.
57 MAIDA VALE
LONDON W9 1SN

Please send me copy/copies
to the address shown below

NAME

ADDRESS

.....

.....

.....(Block capitals)

**Tower's
International
FET
Selector**

by T. D. TOWERS
MBE, MA, BSc, C Eng, MIERE
£4.00
inc. post and packing

To:—DATA PUBLICATIONS LTD.
57 MAIDA VALE
LONDON W9 1SN

Please send me copy/copies
to the address shown below

NAME

ADDRESS

.....

.....

.....(Block capitals)

A DRILL FOR PRINTED BOARDS

By P. B. Brodribb

Modifying a battery shaver to act as a hand-held electric drill.

Anyone who has made his own printed circuits will know that drilling the component holes with a hand drill can be both tedious and expensive. 1mm. drills break easily.

Some years ago the author bought a battery shaver for holiday use. This was the type which utilised a small motor to rotate a cutting head against a thin metal foil; in time the foil became damaged and the age of the shaver made it difficult to obtain a replacement. It was decided to see whether it could be adapted to take a twist drill and to see also whether the motor could develop sufficient torque to make a useful tool.

PIN VICE

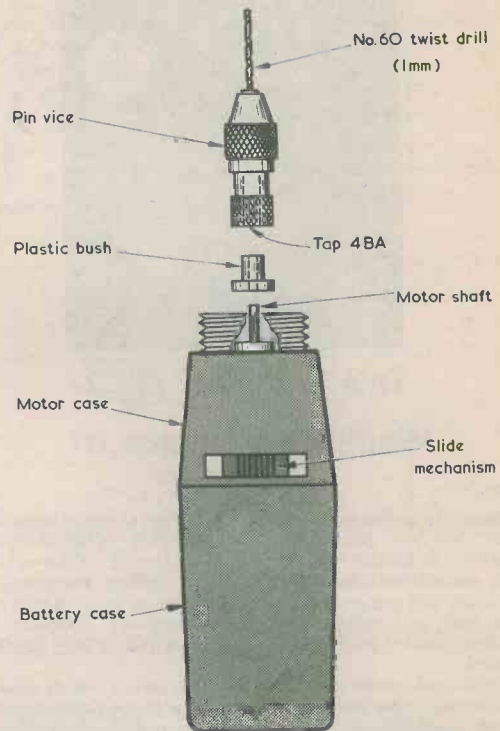
A pin vice was cut down so that only about half an inch of the shank remained. The remaining shank was then tapped 4BA and forcibly screwed on to the plastic bush which had previously fixed the shaver cutters to the motor shaft. The assembly of pin vice and bush was next pushed back on to the motor shaft. An Eclipse No. 121 pin vice was used in this instance, but a smaller size known as a "Pin Tong" would be just as suitable. The diagram shows the main details.

The only other modification needed was to ensure that the direction of rotation was correct. When used as a shaver the motor rotated the shaft clockwise, whereas a twist drill requires counter-clockwise rotation (as viewed from the cutting end). This particular motor was capable of rotation in either direction and the switch on the motor casing was a centre-off type. However, a small protrusion on the plastic case prevented the switch slide mechanism from taking the motor switch into the counter-clockwise position. The protrusion was cut off with a sharp knife, with the result that the cutting slide mechanism could now push the motor switch to either side of centre and the motor could be made to rotate in either direction. Correct rotation could also have been obtained by reversing the supply connections. The drill was now ready for field trials.

SINGLE CELL

A single dry cell gave a surprising amount of torque but not quite sufficient to permit a 1mm. drill to pass easily through a printed circuit board. Two dry cells in series supplied enough power to drill through copper-clad fibreglass board fairly easily. The no-load current of this particular motor is about 250mA, rising to 500mA or more when on load. The starting current probably approaches 1 amp. Thus the dry cells should be the high power variety such as HP2.

The supply that the author finally settled for was made with an old 6.3 volt valve heater transformer and a 1 amp silicon bridge rectifier. The load voltage with the unfiltered rectified supply is about 4 volts. The drill is connected to the supply by a



The steps involved in adapting the shaver to its new function. It is primarily intended for drilling 1mm. holes in printed circuit boards

few feet of twin lighting flex passing through a hole in the bottom of what was the battery compartment of the shaver. The 1.5 volt motor is somewhat over-driven but does not seem to object, and perhaps the intermittent nature of the load helps. At any rate, quite a number of printed boards have now been drilled with no trouble at all. The only proviso is that the drill be kept sharp. Fibreglass board is particularly hard on drills.

A 1mm. drill is about the largest practicable size that the low power motor can handle, but this size is standard for most components that find their way on to printed boards. Larger holes may be located with the 1mm. drill and then opened out with a hand drill.

As a guide to the type of shaver employed, the one modified by the author was bought at Boots and was marked "Swiss Made, 1.5 Volt". A later version, still used on holiday for its original purpose, is described as the "Companion 1.5". It is also Swiss made for Boots and is very similar to the modified shaver except that it has a flat on the shaft and a slightly different case and switch style.

TRANSISTORISED AUTOMATIC AND MANUAL INVERTERS

AUTOMATIC STANDBY UNITS

These inverters are designed for use in applications where it is essential to maintain an AC mains supply during power failures.

Electric equipment that is required to operate during power failures is left permanently connected to the mains 13A socket on the front of the inverter, two DC battery leads combine to provide a 12V DC charger supply, trickle charging your accumulator continuously and in the event of a mains failure an internal relay switches over automatically drawing power from the battery and switching on the inverter, restoring 200/240V AC 50Hz. Smoothed/filtered output waveform.

A separate mains lead from the inverter must be left connected to your normal domestic supply, the power consumption of which is a mere fraction.

Switchover time from power failure to mains inverter restoration is approx 5 seconds.

Assembled in very strong metal vented instrument cases, two AC output 13A type sockets, inverter operating indicator and battery charging indicator, DC input/charge leads fused, domestic mains input fused.

ACE/1 — Features as listed, 6½" x 4½" x 4½" 180/200 Watts output £42.00

ACE/2 — Features as listed, 6½" x 5½" x 5½" 280/300 Watts output £58.00

ACE/3 — Features as listed, 12½" x 7½" x 7½" 400/420 Watts output £76.00

AVOID MAINS POWER FAILURES

ECONOMY INVERTERS

Designed for continuous or intermittent use to convert 12V DC to 200/240V AC 50Hz square wave.

Units have low standing current drain and proportional current consumption with regard to the connected load.

Assembled in simple aluminium instrument cases, main on/off switch, DC input line fused, mains output via a 13A type socket, panel indicator, mains fused.

Special Feature: built in 12V DC battery trickle charger facility.

ECN/1 — 22/25 Watts output 4" x 4" x 3" details as listed..... £10.20

ECN/2 — 38/40 Watts output 4" x 4" x 3" details as listed..... £13.60

ECN/3 — 150 Watts output 5" x 4½" x 4" details as listed..... £24.50

ECN/4 — 250 Watts output 9" x 8" x 3½" details as listed..... £31.30

ECN/5 — 350 Watts output 9" x 8" x 3½" details as listed..... £40.00

ECN/6 — 450 Watts output 12½" x 7½" x 7½" details as listed..... £50.50

ECN/7 — 500 Watts output 12½" x 7½" x 7½" details as listed..... £57.00

ECN/8 — 700 Watts output 14" x 10½" x 8½" details as listed..... £84.40

OPTIONAL EXTRAS

Smoothed and filtered waveform circuitry £2.50. Additional 13 amp output socket £1.20. Panel Fuseholder (20mm) for mains output protection £1.00.

CARRIAGE: We suggest that all units are sent via 'Securicor' to protect against possible carriers damage or at your request and responsibility we will send the unit via post or Roadline. Please add £6.00 per unit for Securicor or £2.80 by post or £4.00 Roadline.

DELIVERY: Most inverters are despatched in 21/28 days, as all are assembled to order. Urgent requirements can be arranged but there is an extra 20% cover charge on listed prices.

ORDER TERMS: Cheques, bank drafts, postal orders with orders please.

No Callers Please: We cannot spare the time to entertain callers but will gladly provide any required advice by telephone.

ELECTROVANCE

P.O. Box 191, London SW6 2LS
Tel: 01-736 0885

SINCLAIR PRODUCTS microvision tv uk model £89.95 PDM 35 £27.25 mains adaptor £32.4, case £3.25 DM350 £67.80, DM450 £96.50 DM235 £49.95 Rechargeable batts £7.50, Mains adaptor £3.70, Enterprise prog calculator £21.95, Cambridge prog calculator £13.13, Prog library £3.45, Mains indicator £3.20

COMPONENTS send see for full list. 1lb FeCl₃ £1.05 Dulu pen 73p, 60 sq ins pcb 55p, Laminate cutter 75p, Small drill 20p, ZN414 £1.04, pcb and extra parts for radio £3.85 Case £1, IN414B 14p, IN4002 2.9p, 723 29p, 741 15p, NE555 23p, BC182B, BC183B, BC184B, BC128, BC213B, BC214C 4.5p, Plastic sockets BC107, 4 8p, 1w 5p, E12 resistor 10R to 10M 1p, 0.8 for 50+ or one value, Electrolytics 16, 5/12/5/10/22mf 5p, 100mf 5p, 1000mf 10p, 1500mf (PC) 34p, 10v 2mf 1.7p, 1000mf 5-1p, 2200mf 6p, Polystyrene 250v 0.15, 0.48, 1mf 1p, Capacitors 50v E6 22pf to 47n 2p, Polystyrenes 63v E12 10pf to 10n 3p, Zeners 400MW E24 2v7 to 33v 7p

TV GAMES send see for data, AY 3-8500, Kit £8.95, Rifle kit £4.95, AY 3-8800, Kit £12.50, Street racer chip, Kit £10.80, Racing cars chip, Kit £17.90

TRANSFORMERS 0-6v 100ma 74p, 1a 1.25, 6.3v 1a £1.89, 9-0.9v 75ma 74p, 1a £2.2a £2.80, 12-0 12v 100ma 80p, 1a £2.49

IC AUDIO AMPS with pcb, JG12 6W £1.80, JG20 10W £2.95, Send see for data

BATTERY ELIMINATORS 3 way type 6.71 9v 300ma £2.95, 100ma radio type with press-studs 9v £3.35, 9-9v £4.50, Stabilised type 3/6/7/9v 400ma £5.30, 12v car converters 3/4/6/7/9v 800ma £2.50

BATTERY ELIMINATOR KITS send see for data. 100ma radio types with press-studs 41v £1.40, 6v £1.40, 9v £1.40, 41v £1.80, 6v £1.80, 9v £1.80, 100ma £2.80, 1amp £6.40, Stabilised power kits 2 18v 100ma £3.60, 2-30v 1A £6.95, 2-30v 2a £10.95, 12v car converter 6/7/9v 1A £1.35

DEC AND CSC BREADBOARDS s dec £3.17, 1 dec £4.02, u dec £4.40, u dec £6.73, 16 dli adaptor £2.14, exp 300 £6.21, exp 350 £3.40, exp 650 £3.89, exp 4B £2.48

BIPAK AUDIO MODULES 5450 £23.51, Alb0 £4.88, PA100 £16.58, SPM80 £4.47, BMT80 £5.95, SPM80 3D £20.12

SWANLEY ELECTRONICS
(Dept REC)

32 Goldsel Rd, Swanley, Kent
Post 30p extra. Prices include VAT

PRINTED CIRCUITS AND HARDWARE

Comprehensive range Constructors' hardware and accessories. Selected range of popular components. Printed circuit boards for individual designs. Drawing materials for printed circuits. Resist coated laminate, epoxy glass for the d.i.y. man. Full processing instructions, no unusual chemicals required.

Send 15p for catalogue

Ramar Constructor Services

Masons Road · Stratford-on-Avon · Warwks CV37 9NF



Wilmslow Audio

THE firm for speakers!

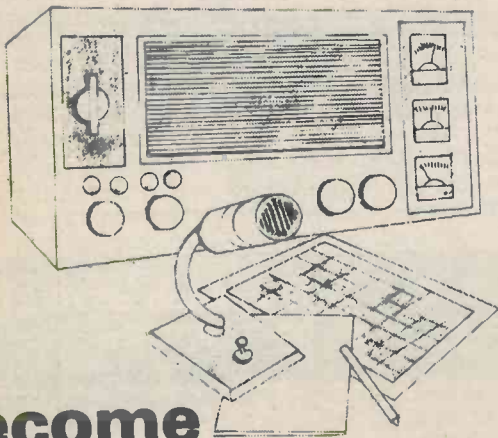
SEND 15p FOR THE WORLDS BEST CATALOGUE OF SPEAKERS, DRIVE UNITS KITS, CROSSOVERS ETC. AND DISCOUNT PRICE LIST

AUDAX • AUDIOMASTER • BAKER • BOWERS & WILKINS • CASTLE • CELESTION • CHARTWELL • COLES • DALESFORD • DECCA • EMI • EAGLE • ELAC • FANE • GAUSS • GOODMANS • I.M.F. • ISOPON • JR • JORDAN WATTS • KEF • LEAK • LOWTHER • MCKENZIE • MONITOR AUDIO • PEERLESS • RADFORD • RAM • RICHARD ALLAN • SEAS • STAG • TANNOY • VIDEOTONE • WARFEDALE • YAMAHA • SHACKMAN • TANGENT

WILMSLOW AUDIO DEPT REC

SWAN WORKS, BANK SQUARE, WILMSLOW CHESHIRE SK9 1HF

Discount HiFi Etc. at 5 Swan Street and 10 Swan Street
Tel: 0625-529599 for Speakers, 0625-526213 for HiFi



Become a radio amateur.

Learn how to become a radio-amateur in contact with the whole world. We give skilled preparation for the G.P.O. licence.

WAA

Free! Brochure, without obligation to: **BRITISH NATIONAL RADIO & ELECTRONICS SCHOOL** REK 3/79

P.O. Box 156, Jersey, Channel Islands

NAME _____

ADDRESS _____ (Block caps please)

Now available . . .

LATEST BOUND VOLUME

No. 31

of

"Radio & Electronics Constructor"

NEW LARGER FORMAT



AUGUST 1977 to JULY 1978

Comprising 768 pages inc. index

PRICE £5.20 P&P 90p

BOUND VOLUME No. 27
(August 1973 to July 1974)

Price £2.80 P&P 90p

BOUND VOLUME No. 28
(August 1974 to July 1975)

Price £3.20 P&P 90p

BOUND VOLUME No. 29
(August 1975 to July 1976)

Price £3.50 P&P 90p

BOUND VOLUME No. 30
(August 1976 to July 1977)

Price £3.70 P&P 90p

Limited number of these volumes still available.

We regret all earlier volumes are now completely sold out.

Available only from

DATA PUBLICATIONS LTD.,
57 MAIDA VALE, LONDON, W9 1SN

RADIO AND ELECTRONICS CONSTRUCTOR

SMALL ADVERTISEMENTS

Rate: 10p per word. Minimum charge £1.50

Box No. 25p extra

Advertisements must be prepaid and all copy must be received by the 4th of the month for insertion in the following month's issue. The Publishers cannot be held liable in any way for printing errors or omissions, nor can they accept responsibility for the *bona fides* of Advertisers. (Replies to Box Numbers should be addressed to: Box No. — **Radio and Electronics Constructor**, 57 Maida Vale, London, W9 1SN.

VINTAGE VALVES, RADIOS, components, literature, service sheets, etc., 1920-1955. S.A.E. please with enquiries and for sample Antique Wireless Newsheet. Tudor Rees, 64 Broad Street, Staple Hill, Bristol. Telephone: 0272-565472.

FOR SALE: Inverter, 12V d.c. to 240V a.c. Suitable running electric shaver, camping, boating, etc. £5.50. Box No. G355.

FOR SALE: Ex-A.M. rotary motor generator, 12V d.c. at 3.8 amps to 480V at 0.04 amps. £2.00 plus carriage. Box No. G356.

TIRRO'S NEW MAIL ORDER price list of electronic components now available on receipt of S.A.E. — **TIRRO Electronics**, Grenfell Place, Maidenhead, Berkshire.

WANTED: Large and small quantities of transistors, I.C.'s displays, etc., etc. Call any Saturday to: 306 St. Paul's Road, London N.1. Telephone: 01-359 4224.

COMPONENTS FOR THE ASKING: 365pF variable airspaced capacitors, £3 each (inc. P&P); 500pF dilecon variable capacitors, £2 each (inc. P&P); and many other components (limited stock). Send S.A.E. for details. D. E. Wood, M.N.C., Greenhithe, Kent.

SOLAR CELLS: Bits, books and bargains. Send 95p for Solar Cell booklet and Data Sheets or stamp for list. — **Edencombe Ltd.**, 34 Nathans Road, North Wembley, Middlesex HA0 3RX.

TV REPAIRS SIMPLIFIED. Full repair instructions individual British sets £4.50; request free circuit diagram. Stamp brings details of unique TV publications. Auserec, 76 Churches, Larkhall, Lanarkshire.

FOR SALE: *Fundamentals of Radio Servicing* by B. W. Hicks, published by Hutchinsons Educational, £2.20 post paid. *Handbook of Satellites and Space Vehicles* by R. P. Haviland, £3.50 post paid. — Box No. G366.

INTERESTED IN OSAR? Then join **AMSAT-UK**. Newsletters, **OSCAR NEWS Journal**, prediction charts, etc. Details of membership from: Ron Broadbent, G3AAJ, 94 Herongate Road, Wanstead Park, London, E12 5EQ.

CAR BATTERY GIVING TROUBLE? Try our all electronic battery monitor. IC & PCB, £2.75 inc. S.A.E. for details. Tritech Electronics, 190 Roding Road, Loughton, Essex.

CLEARING BOOKSHELF. Bound Volumes *Radio Constructor* and recent books on electronics. S.A.E. for list. Box No. G370.

THE RADIO AMATEUR INVALID & BEDFAST CLUB is a well established Society providing facilities for the physically handicapped to enjoy the hobby of Amateur Radio. Please become a supporter of this worthy cause. Details from the Hon. Secretary, Mr. H. R. Boutle, 14 Queens Drive, Bedford.

CRYSTAL SET KITS. No soldering. Experience unnecessary. £2.00 plus 25p p&p. — P. Faherty, 4 Angus Drive, South Ruislip, Middlesex.

(Continued on page 453)

ELECTROVALUE

FOR A GOOD DEAL BETTER THAN MOST

Catalogue 9

THE BEST EVER

- ★ Completely revised
- ★ More items
- ★ More illustrations
- ★ 120 pages

FREE

SEND FOR YOUR COPY TODAY

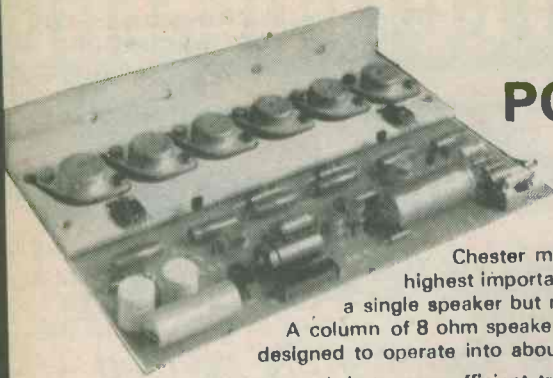
For all round satisfaction — Be Safe
Buy from **ELECTROVALUE**

ELECTROVALUE LTD

Dept. R.C.279, 28 St Judes Rd., Englefield Green, Egham, Surrey TW20 0HB
Phone: Egham 3603. Telex: 264475.
Northern Branch (Personal shoppers only) 680 Burnage Lane, Burnage, Manchester M19 1NA. Phone: 061-432 4945.

TRANSISTORS		P		P		DIODES		P		NEW BARGAIN PAKS	
Pak No.	All full spec.	P	P	P	P	P	P	P	P	P	P
AC 128	18	BF 200	28	7A1 8P	19	A1	5 x 741 8p	90			
AC 176	18	BF 257	26	*BAK 13	5	A2	4 x 555 8p	100			
AC 187	18	BF 268	26	*BB 105A	19	*A2	25 x AA 19	75			
*ACV 20	39	BF 259	26	*BB 105B	21	A4	5 x AC 128	75			
AD 161	35	BF 324	26	*BY 127	10	A5	3 x AD 161 or 162	90			
AD 162	35	*BF 336	32	*OA 47	9	*A5	25 x 5AX	70			
ASV 66	82	*BF 337	26	*OA 79	9	*A7	5 x BB 105A or B	70			
BC 107	6	BF 458	35	*OA 200	7	*A8	5 x BC 117 or 118	60			
BC 108	8	*BFR 80	23	IN 645	9	*A9	10 x BC 132	90			
BC 109	8	8FY 50	18	IN 4001	5	*A10	10 x BC 147, 8 or 9	70			
*BC 117	15	8FY 52	18	IN 4002	5	*A11	10 x BC 172	65			
*BC 118	15	BSX 19	16	IN 4004	6	*A12	10 x BC 182, 3 or 4	70			
*BC 132	14	BSX 20	16	IN 4005	6	*A13	10 x BC 2048	50			
*BC 137	8	*BT 106	110	IN 4006	7	*A14	10 x BC 212, 3 or 4	70			
*BC 148	8	*BU 205	82	IN 4007	7	*A15	5 x BC 301, or 303	110			
*BC 149	8	*BU 208	160	*IS 44	4	*A16	10 x BC 547, 8 or 9	80			
*BC 157	9	*BU 208A	175	*IS 920	6	*A17	10 x BC 70	110			
*BC 158	9	C 1060	44	*IS 941	4	A18	3 x BD 115	110			
*BC 169	9	*ME 1075	43	LINEAR I.C.'s		A19	2 x BD 695A or 6A	110			
*BC 172	9	*MJE 340	43	7A1 8P	19	A20	3 x BF 180, 1 or 5	70			
*BC 182/L	9	*MJE 520	43	585 8P	27	*A21	5 x BF 198	55			
*BC 183/L	9	*MJE 2655	105	*LM 301	30	A22	4 x BF 324	80			
*BC 184/L	9	*MJE 3055	80	*LM 380A	98	*A23	4 x BFR 80	75			
*BC 207B	10	OC 28	88	*LM 1303N	145	A24	5 x BFV 60 or 52	75			
*BC 212/L	9	OC 35	78	LM 3900	55	A25	5 x BSX 19 or 20	65			
*BC 213/L	9	OC 140	82	*MC 1310P	120	*A26	10 x BY 127	80			
*BC 214/L	9	OC 200	72	*76003N	170	A27	3 x C 106D	120			
BC 301	27	OC 201	72	*76013N	130	*A28	25 x 15 44 or 941	70			
BC 303	27	OC 202	72	*76023ND	130	A29	5 x 2N 930	60			
BC 348	10	PN 830	6	*76033N	170	*A30	10 x 2N 3702	65			
BC 351	10	*R 20088	170	*SN 78227N	110	A31	10 x 1 MEG OHM PRESET 0.25W	60			
*BC 354	10	*R 20108	170	*TAA 621AX1	195	*A32	50 x MIXED W/W RESISTORS 2.5W, 5W, 10W, etc.	150			
*BC 548	10	*TIP 29	39	*TBA 120A	60	*A33	50 x 2.5W W/W RESISTORS	150			
*BC 549	10	*TIP 30	39	*TBA 120S	75	*A34	50 x SW W/W RESISTORS	150			
*BC 557	12	TIP 31A	39	*TBA 750	160	A35	50 x 74 SERIES WITH PREFORMED PINS 220	220			
BCY 70	14	TIP 32A	46	*TBA 800	80						
BCY 71	14	TIP 32B	46	*TBA 810S	100						
BCY 72	14	TIP 33B	88	VOLTAGE REGS							
BD 115	43	TIP 34B	94	7812	60						
BD 131	34	TIP 41A	61	7815	80						
BD 132	34	TIP 42A	62								
BD 135	35	TK 34C	30								
BD 136	35	*XK 1152	8								
BD 137	35	*ZTX 212	12								
BD 138	36	*ZTX 301	12								
BD 139	36	*ZTX 302	12								
BD 140	36	*ZTX 502	16								
BD 235	49	ZN 930	16								
BD 695A	65	ZN 1304	40								
BD 696A	65	ZN 1305	30								
BF 115	18	ZN 1308	40								
*BF 167	23	ZN 2647	68								
BF 173	20	ZN 3053	20								
BF 180	28	ZN 3055	48								
BF 181	28	*ZN 3702	8								
BF 184	28	*ZN 3703	8								
BF 185	28	*ZN 3704	8								
*BF 194	9	*ZN 3705	8								
*BF 195	9	*ZN 3706	8								
*BF 197	10	*ZN 4443	80								
*BF 198	16										

450 WATTS POWER AMPLIFICATION BY CHESTER LABORATORIES



Chester modules are designed for P.A. Disco or HiFi amplification. Reliability is of the highest importance in P.A. or Group amps, therefore the amplifier has to function into not only a single speaker but multiple speakers whose impedance varies very considerably with frequency. A column of 8 ohm speakers can go down to 3 ohms or less at some frequencies. Unless the amplifier is designed to operate into about 2 ohms, its reliability will be very much reduced.

Our approach is to use sufficient transistors in the output stage to provide a massive reserve capability for the amplifier to drive into about 2 ohms. Transistor protection is incorporated in the event of the output being shorted.

OUTPUT POWER

The output is 32 volts into 2.5 ohms -450 Watts
34 volts into 4 ohms -290 Watts
36 volts into 8 ohms -170 Watts

These are RMS sine wave figures maintained for 30 mins. Or peaks or music much higher powers are possible.

Supply required 90 to 140 volts
Signal to noise (unweighted) 130dB ref 200 watts
Power bandwidth + or - 1dB 30Hz to 25 KHz
Input 0.7 volts at 40k Input impedance.
T.H.D. typically 0.1% at any frequency.

The module features six 30 amp output transistors and 3 amp driver transistors. The output capacitor is too large to go on a circuit board and is supplied with the amp module.

PA 450 **£29.00**

PA 250 **£21.00**
250 Watts into 8 ohms
(Other specs same as PA 450)

POWER SUPPLY FOR PA 450
£18.00

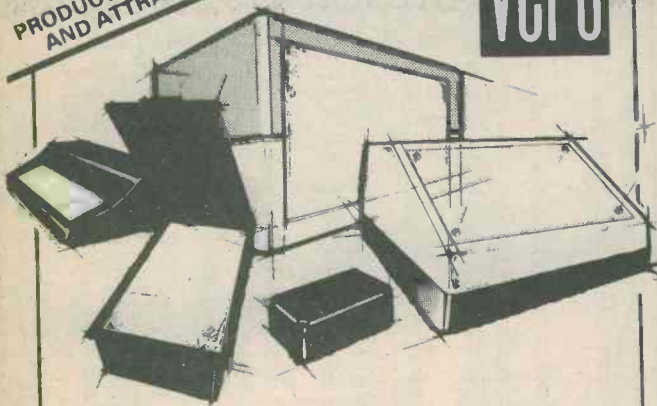
For 1 PA 450 or Two PA 250
Prices include postage, tax etc.

CHESTER LABORATORIES
96 Glengall Road, London NW6

Send cheque or P.O. for 30p for our catalogue of amps, preamps, tone controls etc.

OUR RANGE OF
PRODUCTS ARE NOW INDIVIDUALLY
AND ATTRACTIVELY PACKAGED

vero



Our new 1978 catalogue lists a whole range of plastic boxes to house all your projects. And we've got circuit boards, accessories, module systems, and metal cases — everything you need to give your equipment the quality you demand. Send 25p to cover post and packing, and the catalogue's yours.

VERO ELECTRONICS LTD. RETAIL DEPT.
Industrial Estate, Chandlers Ford, Hants. SO5 3ZR
Telephone Chandlers Ford (04215) 2956

A CAREER IN RADIO

Start training *today* and make sure you are qualified to take advantage of the many opportunities open to the trained person. ICS can further your technical knowledge and provide the specialist training so essential to success.

ICS, the world's most experienced home study college, has helped thousands of ambitious men to move up into higher paid jobs — they can do the same for *you*.

Fill in the coupon below and find out how!

There is a wide-range of courses to choose from, including:

CITY & GUILDS CERTIFICATES

Telecommunications Technicians'
Radio TV Electronics Technicians'
Electrical Installations Technicians'
Electrical Installation Work
Radio Amateurs'

MPT Radio Communications Cert.

**EXAMINATION STUDENTS —
GUARANTEED COACHING
UNTIL SUCCESSFUL**

TECHNICAL TRAINING

ICS offer a wide choice of non-exam courses designed to equip you for a better job in your particular branch of electronics, including:
Electronic Engineering & Maintenance
Computer Engineering/Programming
Radio, TV & Audio Engineering & Servicing
Electrical Engineering, Installations & Contracting

COLOUR TV SERVICING

Technicians trained in TV Servicing are in constant demand. Learn all the techniques you need to service Colour and Mono TV sets through new home study course approved by leading manufacturer.

POST THIS COUPON OR TELEPHONE FOR FREE PROSPECTUS

I am interested in

Name Age

Address

Occupation

ICS Accredited by CACC Member of ARCC To International Correspondence Schools Dept E278, Intertext House, LONDON SW8 4JJ or phone 01-622 9911 (anytime)

RADIO AND ELECTRONICS CONSTRUCTOR

SMALL ADVERTISEMENTS

(Continued from page 451)

FOR SALE: Viscount X125 electronic organ, with separate Leslie speaker, 2-manual foot pedals, percussion, rhythm box. Matching stool, £450 o.n.o. T. F. Weatherley, 16 Beverley Court, Carlton Colville, Lowestoft, Suffolk. Telephone: Lowestoft 63216.

FOR SALE: PARCELS — Caps., diodes, res., trans. items. Over 100 parts, £2.25; 200, £3.50. Mr. Sole, 37 Stanley Street, Ormskirk, Lancs., L39 2DH.

TRANSFORMERS. 5Va to 500Va designed and manufactured to specification for hobbyist or O.E.M. Fast service. Many popular types ex-stock. Competitive prices. Send details of requirements for quotations to Louth Transformer Company, Peppin Lane, Fotherby, Louth, Lincolnshire.

FOR SALE: Red l.e.d.'s 10p. Solar cells 25p. 25 Mixed 2W zeners 50p. R.C. car £15.00. Sheepskin coat £50.00. L.C.D. chronograph watch 1/100 second stopwatch £13.50. 10 digit desk calculator £16.50. Hologram 3D pendant £12.50. — Box No. G373.

FOR SALE: Miniature hearing aid amplifiers £2; Red l.e.d.'s 10p; 1000 diodes £2.50; 100 transistors £1.00. — J. Fulton, Derrynaseer, Dromore, Co. Tyrone, N. Ireland.

TURN YOUR SURPLUS Capacitors, transistors, etc., into Cash. Contact COLES-HARDING & CO. 103 South Brink, Wisbech, Cambs. Telephone: 0945-4188. Immediate settlement. We also welcome the opportunity to quote for complete factory clearance.

JOIN THE INTERNATIONAL S.W. LEAGUE. Free services to members including Q.S.L. Bureau, Amateur and Broadcast Translation, Technical and Identification Dept. — both Broadcast and Fixed Stations, DX Certificates, contests and activities for the SWL and transmitting members. Monthly magazine, *Monitor*, containing articles of general interest to Broadcast and Amateur SWLs, Transmitter Section and League affairs, etc. League supplies such as badges, headed notepaper and envelopes, QSL cards, etc., are available at reasonable cost. Send for League particulars. Membership including monthly magazines, etc., £3.75 per annum. (U.K. and British Commonwealth), overseas \$10.00 or £4.00. Secretary ISWL, 1 Grove Road, Lydney, Glos., GL15 5JE.

BURGLAR ALARMS. Include magnetic switches, wire, siren, control unit, etc. No soldering, £5.95. P. Faherty, 4 Angus Drive, South Ruislip, Middlesex.

RHYTHM GENERATOR. Samba, waltz, jazz, rock, cha cha, etc. Down beat led tempo volume stop-start. Slim case. Battery model £49.50. Mains model £59.50. Inclusion of VAT and post, etc. 2 year guarantee. P.E. Limited, Coed Aben Trading Estate, Wrexham, Clwyd.

POSTAL ADVERTISING? This is the Holborn Service. Mailing lists, addressing, enclosing, wrapping, facsimile letters, automatic typing, copy service, campaign planning, design and artwork, printing and stationery. Please ask for price list. — The Holborn Direct Mail Company Capacity House, 2-6 Rothsay Street, Tower Bridge Road, London, S.E.1. Telephone: 01-407 6444.

FOR SALE: Dichromate hologram pendants, 3 dimensional effect or 2 dimensions £12.00. Voice control ladybird toy with, stop, go, turn or command £15.00. Light sensor shooting game £15.00. — J. Fulton, Derrynaseer, Dromore, Co. Tyrone, N. Ireland.

WANTED: FAX equipment, manuals, service sheets, etc. G2UK, 21 Romany Road, Oulton Broad, Lowestoft, Suffolk. NR32 3PJ.

(Continued on page 454)

TRANSFORMERS

Primary 240V		
6-0-6V	100mA	£0.75
9-0-9V	75mA	£0.75
12-0-12V	50mA	£0.85
12-0-12V	100mA	£1.05
Post on above transformers 30p		
9-0-9V	1A	£1.80
12-0-12V	1A	£2.15
15-0-15V	1A	£2.36
6-3V	1½A	£1.80
6-0-6V	1½A	£2.20
Post on above transformers 45p		
9-0-9V	2A	£2.75
12V	2A	£2.40
Post on above transformers 86p		

PANEL METERS

42 x 42mm — and 500uA	£3.65 post 13p
60 x 45mm — 50uA, 100uA, 500uA, 1mA, 5mA, 10mA, 50mA, 100mA, 500mA, 1A, 2A; 25V DC, 50V DC, 300V AC, 'S' meters, VU meters, 50-0-50uA, 100-0-100uA, 500-0-500uA	£6.16 post 13p
4½ x 3½ — 30uA, 50uA, 100uA, 500uA or 500uA	£6.40 post 19p

All above prices include V.A.T. Special prices for quantity quoted on request.

MICROPHONES FOR TAPE RECORDERS

DM228R 200 ohm with 3.5 and 2.5mm jack plug	£1.66
DM229R 50K with 3.5 and 2.5mm jack plug	£2.20
DM18D 200 ohm with 5 and 3 pin DIN plug	£1.95
Postage on above microphones 13p	

CARDIOID DYNAMIC MICROPHONES

Model UD-130 frequency response 80-14,000Hz. Impedance dual 50K and 600 ohm	£8.02 post 36p
UD147 frequency response 50-15,000Hz. Impedance dual 50K and 200 ohm.	£13.85 post 36p
6V BUZZERS 50mm diameter, 30mm high. Very loud.	52p post 9p

MULTIMETER

Model ITI-2 20,000 ohm/volt	£12.32 post 33p
IT22 20,000 ohm/volt.	£12.48 post 33p

Send 40p for New Autumn 1978 Fully Illustrated Catalogue.

M. DZIUBAS

158 Bradshawgate · Bolton · Lancs. BL2 1BA

LOUTH TRANSFORMER CO

8 Vickers Lane, Louth, Lincs.

Inventors 12v dc to 240v ac 50va cased. complete £26.50
Basic power supply cards ie 12v @ 1A overload & s/c protected £12.50
many others

send specification for quotation on any type of transformer. fast delivery

Please add 8% VAT after p/p

manufacturers enquiries welcome

pri. 0-220-240v 50 HZ

Auto:- 0-115-220-240v

REF	VOLTAGE	AMPS	£	P/P	REF	VA	£	P/P
LT 1	6+6	0.5 each	1.25	40p	LT21	50	2.20	40p
LT 2	6+6	1.5 each	1.50	40p	LT22	65	2.60	50p
LT 3	6+6	2.0 each	2.20	40p	LT23	80	2.75	50p
LT 4	6+6	3.0 each	2.55	40p	LT24	120	3.10	65p
LT 5	12+12	0.5 each	1.50	40p	LT26	150	3.50	65p
LT 6	12+12	1.0 each	2.20	40p	LT26	240	4.40	95p
LT 7	12+12	2.0 each	2.90	50p	LT27	350	5.60	1.30p
LT 8	12+12	3.0 each	3.95	65p	LT28	500	7.10	1.50p
LT 9	15+15	0.5 each	1.80	40p	PRI 0-220-240v 50HZ SEC TAPPED 0-24-30-40-48-60v			
LT10	15+15	1.5 each	2.85	50p	REF	AMPS	£	P/P
LT11	15+15	2.0 each	3.10	65p	LT29	0.5	2.85	40p
LT12	15+15	2.5 each	3.95	65p	LT30	1.0	3.95	65p
LT13	15+15	3.0 each	4.20	70p	LT31	2.0	4.65	95p
LT14	6-0-6	1.0(DC)	1.45	40p	SEC TAPPED 45-36-0-36-45v			
LT15	6-0-6	2.0(DC)	1.60	40p	REF	AMPS	£	P/P
LT16	12-0-12	1.0(DC)	1.65	40p	LT32	0.25	2.50	40p
LT17	12-0-12	2.0(DC)	2.40	40p	LT33	0.50	3.20	50p
LT18	15-0-15	1.0(DC)	1.80	40p	LT34	0.75	4.20	50p
LT19	15-0-15	2.0(DC)	2.60	40p	LT35	1.0	4.95	65p
LT20	20-0-20	1.0(DC)	1.90	40p	LT36	1.5	5.35	95p

We offer a speedy delivery for 1 offs for hobbyist or manufacturer. Send spec for quote

All above transformers open construction. U clamp or end frames depending upon size. Varnished

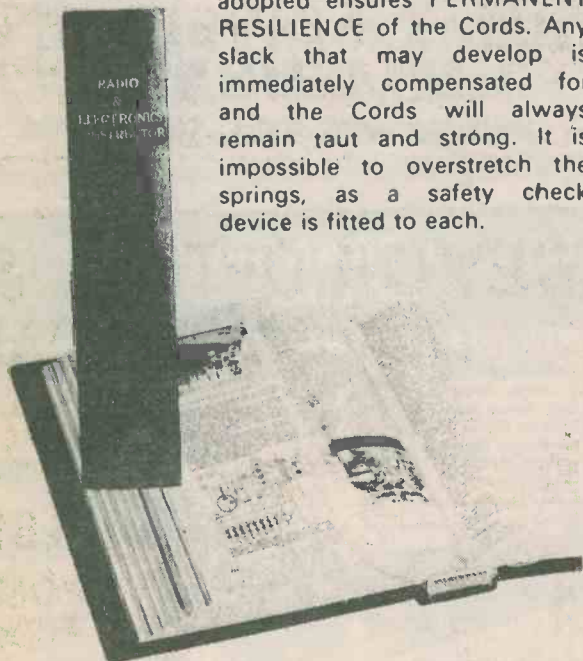
Transformer manufacturers & coil winders

Self-Binder

for "Radio & Electronics Constructor"

The "CORDEX" Patent Self-Binding Case will keep your issues in mint condition. Copies can be inserted or removed with the greatest of ease. Rich maroon finish, gold lettering on spine.

Specially constructed Binding Cords are made from Super Linen of great strength, very hard twisted and twice doubled. They are attached to strong RUSTLESS Springs under tension, and the method adopted ensures PERMANENT RESILIENCE of the Cords. Any slack that may develop is immediately compensated for and the Cords will always remain taut and strong. It is impossible to overstretch the springs, as a safety check device is fitted to each.



PRICE £1.80 P.&P. 40p
including V.A.T.

Available only from:—

Data Publications Ltd.
57 Maida Vale London W9 1SN

SMALL ADVERTISEMENTS

(Continued from page 453)

WANTED: Bound Volumes of *Radio Constructor* 1960 to 1974. £3.00 per volume ono. — Mr. Roar Hove, Haskollvegen 83, 3400 Lier, Norway.

RECITALS OF RECORDED MUSIC. The second Saturday evening of each winter month. Next recital: February 10th, 1979, 8 p.m. at Woodford Green United Free Church, Woodford Green, Essex. Bus routes 20, 20A, 179 and 275 — alight at "The Castle" stop. Works by Bruch, Handel and Vaughan Williams.

ELECTRIC SHOCK MACHINES. Battery operated, harmless. £1.95 inclusive. P. Faherty, 4 Angus Drive, South Ruislip, Middlesex.

TREASURE HUNTERS: Construct, for £5, transistorised Metal Detector giving £50 performance. For simple illustrated plans, send £1.00. (Dept. R. & EC), John Lucas, 2 College Road, Grays, Essex.

FOR SALE: For valve organ 49 note keyboard, contacts and stops, £15. 4 octave tone generators, trem, £10. PSU, 10W amp £5. 12 in. Goodmans 10W 15Ω £5. — Telephone 0702-49164.

GOOD PRICES for recent Electronics/Computing/Radio books and magazines. Projects, theory etc. — Details to M. Hart, 41 Luton Place, Edinburgh, Scotland EH8 9PF.

FOR SALE: Damaged Video Tape Recorder £75.00. Closed circuit television camera £50.00. — J. Fulton, Derrynaseer, Dromore, Co. Tyrone, N. Ireland.

FOR SALE: Integrex "Texan" tuner-amp. £50. Transcription turntable McDonald 810, £20. Goldring G800, £4. 10 watt chassis speakers, 3-way, £25. Mullard 10 watt amp. £3. F.M. Tuners £8 and £12. Metal detector parts £1. Collaro tape deck £5. Mullard 5-10 valve amp. £3. Alphaphone £3. Goodmans Axiom-10, £3. Dolby PCB £5. DNL £1. Active crossover £2. Car cassette, faulty, £3. Postage extra. — 75 Central Avenue, Northfield, Birmingham B31 4JA.

I.C.'s ITT 7273 9099 JK Flip Flops 10p each. Mullard 7306, Mullard 7241, Signetics S7425, LU320k. 10p each. All brand new. Add 15p post. All i.c.'s offered at 11 for £1. Jack Simpson, 35 Cattlemarket Street, Norwich, Norfolk.

FOR SALE: Volumes 10, 11 and 13 *Radio Constructor*, £3.00 per volume. Telephone: 06755-2342.

110 INTEGRATED CIRCUIT PROJECTS for the home constructor. 128 pages. By R. M. Marston. £3.70. From Bacca Electronics, Box No. G372.

FOR SALE: *Radio Constructor* 1954 to 1966. 12 Bound Volumes. V.G.C. £35. Telephone: Beaconsfield 3118 (evenings).

PERSONAL

JANE SCOTT FOR GENUINE FRIENDS. Introductions to opposite sex with sincerity and thoughtfulness. Details free. Stamp to: Jane Scott, 3/Con North St. Quadrant, Brighton, Sussex, BN1 3GJ.

BROADLANDS RESIDENTIAL CLUB for elderly people. Are you recently retired and looking for a home? We have a delightful top floor room overlooking Oulton Broad, facing south. Write to: The Warden, Broadlands Residential Club, Borrow Road, Oulton Broad, Lowestoft, Suffolk.

SPONSORS required for exciting scientific project Norwich Astronomical Society are building a 30" telescope to be housed in a 20' dome of novel design. All labour being given by volunteers. Already supported by Industry and Commerce in Norfolk. Recreational. Educational. You can be involved. Write to: NAS, Secretary, 195 White Woman Lane, Old Catton, Norwich, Norfolk.

(Continued on page 455)

SMALL ADVERTISEMENTS

(Continued from page 454)

CAN YOU DESIGN PRINTED CIRCUITS, arrange layouts, and re-arrange? Engineer (Kent) requires help via post, to promote new designs. — Reply in complete confidence to Box No. G374.

IF YOU HAVE ENJOYED A HOLIDAY on the Norfolk Broads, why not help to preserve these beautiful waterways. Join the Broads Society and play your part in determining Broadlands future. Further details from: — The Hon. Membership Secretary, The Broads Society, "Icknield," Hilly Plantation, Thorpe St. Andrew, Norwich, NOR 85S.

BUILD YOUR OWN

P.A. GROUP & DISCO SPEAKERS by R. F. C. Stephens

Save money with this practical guide. Plans for 17 different designs. Line source, I.B., Horn and Reflex types, for 8"-18" drive units. £3.95 post free (\$8 overseas).

THE DALESFORD SPEAKER BOOK by R. F. C. Stephens

This book is a must for the keen home constructor. Latest technology DIY designs. Plans for I.B., and Reflex designs for 10-100 watts. Also unusual centre-bass system. £2.20 post free (\$5 overseas).

VAN KAREN PUBLISHING

5 Swan Street, Wilmslow, Cheshire

T.T.L. 74 I.C.'s By TEXAS, NATIONAL, I.T.T., FAIRCHILD etc

7400 14p	7426 25p	7473 30p	74121 30p	74151 65p	74179 140p
7401 14p	7427 25p	7474 30p	74122 40p	74153 85p	74180 100p
7402 14p	7428 40p	7475 30p	74123 60p	74154 120p	74181 200p
7403 14p	7430 15p	7476 30p	74125 50p	74155 70p	74182 75p
7404 14p	7432 25p	7483 85p	74126 50p	74156 70p	74184 150p
7405 14p	7437 25p	7485 100p	74130 130p	74157 70p	74185 150p
7406 40p	7438 25p	7486 30p	74131 100p	74160 90p	74188 350p
7407 40p	7440 15p	7489 250p	74132 85p	74161 90p	74189 350p
7408 20p	7441 65p	7490 35p	74135 100p	74162 90p	74190 140p
7409 20p	7442 65p	7491 75p	74136 80p	74163 90p	74191 140p
7410 15p	7445 80p	7492 45p	74137 100p	74164 125p	74192 120p
7411 20p	7446 85p	7493 40p	74138 125p	74165 125p	74193 120p
7412 20p	7447 75p	7495 60p	74139 100p	74166 125p	74194 100p
7413 30p	7448 70p	7496 70p	74141 60p	74167 325p	74195 100p
7414 60p	7449 15p	74100 95p	74142 270p	74170 200p	74196 100p
7416 30p	7451 15p	74104 40p	74143 270p	74173 150p	74197 100p
7417 30p	7453 15p	74105 40p	74144 270p	74174 100p	74198 185p
7420 15p	7454 15p	74107 30p	74145 75p	74175 75p	74199 185p
7422 20p	7460 15p	74109 50p	74147 230p	74176 100p	
7423 25p	7470 30p	74118 90p	74148 160p	74177 100p	
7425 25p	7472 25p	74120 25p	74150 120p	74178 140p	

C. MOS.

4000 14p	4030 55p
4001 14p	4032 95p
4002 14p	4033 120p
4006 90p	4047 100p
4007 16p	4048 55p
4009 55p	4049 40p
4011 14p	4050 40p
4012 14p	4054 120p
4013 50p	4055 140p
4015 90p	4056 135p
4016 40p	4060 120p
4017 90p	4066 55p
4018 90p	4069 20p
4020 100p	4071 16p
4022 90p	4072 16p
4023 16p	4081 16p
4024 65p	4082 16p
4025 16p	4510 120p
4026 160p	4511 150p
4027 50p	4516 110p
4028 90p	4518 130p
4029 110p	4528 100p

IN4148 BY ITT/TEXAS 100 for £1.50.

FND 500
£1.30 each
4 for £5.00

555 Timer. 10 for £2.50.

741 Op. amp. 10 for £2.00.

RCA SCR TO3 case
100V 12.5A £2.50.

MURATA ULTRASONIC
TRANSDUCERS MA40LIR
£2.50 each. £4.00 pair.

2102AN-2L 1024 x 1 BIT
250 NANO SEC. STATIC
RAM. £2.20 each. 4/£8.40.
8/£16.00.

LEDS .125 or .2 RED
ONLY. 10 FOR £1.00, 100
FOR £7.50, 1000 FOR
£60.00.

2102AN-4L 1024 x 1 BIT
450 NANO SEC. STATIC
RAM £1.00 each.

2112-4 256 x 4 BIT 450
NANO SEC. STATIC RAM.
£2.95 each. 4/£11.60.
8/£22.80.

2513 CHARACTER
GENERATOR. UPPER CASE
£7.00.

2513 CHARACTER
GENERATOR. LOWER CASE
£7.00.

MM5204AQ PROM 4096
BIT READ ONLY MEMORY
£8.00.

8212 8 BIT IN/OUT PORT
£3.00. ..

8831 TRI-STATE QUAD
LINE DRIVER £2.00.

8833 TRI-STATE TRANS-
CEIVER (TRUE) £2.00.

8835 TRI-STATE TRANS-
CEIVER (INVERTING)
£2.00.

AY5-1013 UAR/T £6.00.
LM309K/LM340K VOLTAGE
REGULATOR £1.00 each.



T. POWELL

306 ST. PAUL'S ROAD,
HIGHBURY CORNER, LONDON N.1

Telephone: 01-226 1489

ALL PRICES INCLUDE POST AND V.A.T.



RADIO MODELLER

ELECTRONIC BOOKS

MODEL RADIO CONTROL

Detailing both Theory and Practice, this book, by leading authority Paul Newell, has become the standard reference work. A brief historical survey leads up to a detailed description of proportional systems, with over 100 illustrations, including theoretical circuits and p.c. layouts for an advanced digital system. 134 pages

Price £3.35

U.K. Packing
& Postage

32p

theory and
practice of

MODEL RADIO CONTROL

Development of system
proportional explained
digital system design
practical examples and
full circuit details

ON SALE NOW
at all leading shops
or direct from:—

**RADIO MODELLER
BOOKS DIVISION,
High Street,
Sunningdale,
Berkshire SL5 0NF.**

REVOR OPTICAL & TECHNICAL

42 TAVISTOCK STREET
LONDON W.C.2
Tel. 01-836 4536

£14.91

POST
FREE

4" dia. lens

FLEXIBLE MAGNIFIER

WITH CAST IRON BASE,
PRECISION GROUND AND
POLISHED LENS, CHROME PLATED
FRAME AND FLEXIBLE TUBE.
IDEAL FOR HOBBIES, AND
DETAILED WORK WHICH REQUIRES
BOTH HANDS FREE.

CALLERS WELCOME

(Subject to price ruling at the time of issue)



RADIO & ELECTRONICS CONSTRUCTOR

Single Copies

Price 50p each, p&p 13p

Issue(s) required

Annual Subscription

Price **£7.50 inland, £8.50 overseas**

post free, commence with issue

Bound Volumes:

Vol. 27. August 1973 to July 1974	Price £2.80 , post & pkg 90p
Vol. 28. August 1974 to July 1975	Price £3.20 , post & pkg 90p
Vol. 29. August 1975 to July 1976	Price £3.50 , post & pkg 90p
Vol. 30. August 1976 to July 1977	Price £3.70 , post & pkg 90p
Vol. 31. August 1977 to July 1978	Price £5.20 , post & pkg 90p

CORDEX SELF-BINDERS *NEW FORMAT*

With title, 'RADIO & ELECTRONICS CONSTRUCTOR' on spine,
maroon only

Price **£1.80**, post & pkg 40p

With no title on spine, maroon

Price **£1.70**, post & pkg 40p

With no title on spine, green

Price **£1.70**, post & pkg 40p

Prices include V.A.T.

DATA BOOK SERIES

DB5 TV Fault Finding, 132 pages Price **£1.20**, P. & P. 20p

DB6 Radio Amateur Operator's Handbook,
New edition in course of preparation

DB17 Understanding Television, 504 pages Price **£3.95**, P. & P. 70p

DB19 Simple Short Wave Receivers Price **80p**, P. & P. 20p
140 pages

STRIP-FIX PLASTIC PANEL SIGNS

Set 3: Wording — White — 6 sheets Price **£1.00**, P. & P. 8p

Set 4: Wording — Black — 6 sheets Price **£1.00**, P. & P. 8p

Set 5: Dials — 6 sheets Price **£1.00**, P. & P. 8p

Prices include V.A.T. on Panel Signs

I enclose Postal Order/Cheque for in payment for

NAME

ADDRESS

..... (BLOCK LETTERS PLEASE)

Postal Orders should be crossed and made payable to Data Publications Ltd.

*Overseas customers please pay by International Money Order.
All publications are obtainable through your local bookseller*

Data Publications Ltd., 57 Maida Vale, London W9 1SN

PLEASE MENTION THIS MAGAZINE WHEN WRITING TO ADVERTISERS

FOR THE BEGINNER

LOGIC INVERTERS

In the almost universally employed "positive logic" a high positive voltage corresponds to binary 1 and a low positive voltage to binary 0. An inverter, which converts a 1 to a 0 and vice versa, has the symbol shown in (a). This consists of an amplifier triangle with a circle after the apex to indicate inversion. Output Y is equal to not-A (the bar above the letter signifies "not").

The circuit of a t.t.l. (transistor-resistor logic) inverter appears in (b), in which the resistor values shown are nominal. A 1 at the input is any voltage between 2 volts with respect to supply negative and the positive supply, whilst a 0 at the input is any voltage lower than 0.8 volt. Note that the input current requirements are not symmetric. The current required at the input for 1 is normally a matter of microamps only since the input transistor emitter-base junction is then at or near cutoff; whereas the input current required for 0 can rise to 1.6mA as the input has to "pull down" (i.e. draw negative) the now conductive emitter-base junction of the first transistor.

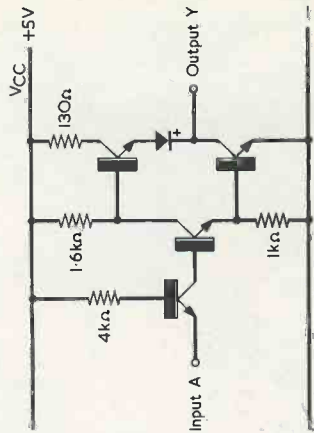
For economic reasons a t.t.l. i.c. chip will have more than one inverter on it. As an example, the SN7404 hex inverter ("hex" means "six") has six individual inverters, as shown in (c). These all share the same power supply voltage.

A simple CMOS inverter appears in (d). The insulated input gates require virtually zero input current and are symmetric in this respect. A 1 input is close to or at positive supply voltage and a 0 input is close to or at negative supply voltage.

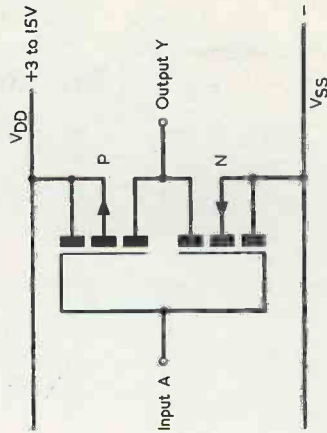


$$Y = \bar{A}$$

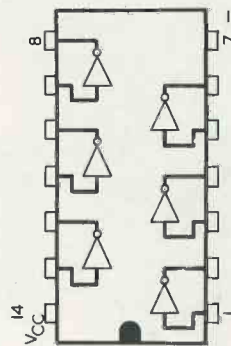
(a)



(b)



(d)

SN7404
Top view

(c)

