

# Technical Training in Radio, Television and Electronics

ICS have helped thousands of ambitious people to move up into higher paid, more secure jobs in the field of electronics—now it can be your turn. Whether you are a newcomer to the field or are already working in the industry, ICS can provide you with the specialised training so essential to success.

## Personal Tuition and Guaranteed Success

The expert and personal guidance by fully qualified tutors, backed by the ICS guarantee of tuition until successful is the key to our outstanding record in the technical training field. You study at the time and pace that suits you best and in your own home. In the words of one of our many successful students: "Since starting my course, my salary has trebled and I am expecting a further increase when my course is completed."

## City and Guilds Certificates

Excellent job prospects await those who hold one of these recognised certificates. ICS can coach you for:

- Telecommunications Technicians
- Radio, TV Electronics Technicians
- Technical Communications
- Radio Servicing Theory
- Radio Amateurs
- Electrical Installation Work
- Also MPT Radio Communications Certificate

## Diploma Courses

- Colour TV Servicing
- Electronic Engineering and Maintenance
- Computer Engineering and Programming
- Radio, TV and Audio, Engineering and Servicing
- Electrical Engineering, Installations and Contracting

## Qualify for a New Career

Home study courses for leading professional examinations and diploma courses for business and technical subjects:—

G.C.E.	Engineering	Purchasing
60 subjects at "O" & "A" levels	Farming	Sales
Accountancy	Heating	Storekeeping
Air	Industrial	Work Study
Conditioning	Management	
Building	Mechanical	

**POST OR PHONE TODAY FOR FREE BOOKLET**

## ICS To: International Correspondence Schools

SINCE 1890  
Dept H2777 Intertext House, London  
SW8 4UJ or telephone 622 9911

Subject of Interest.....

Name .....

Address .....

Telephone Number .....

# J. BIRKETT

Radio Component Suppliers

25 The Strait, Lincoln LN2 1JF. Tel: 20767

BF 679 STRIPLINE 1000 MHz PNP TRANSISTORS @ 25p.  
BF 362 STRIPLINE 800 MHz NPN TRANSISTORS @ 25p.  
MINIATURE VARIABLE CAPACITORS S.M. Drive 250 + 250 + 20 + 20 + 20pf @ 75p, Direct Drive 25 + 25 + 25pf @ 75p.  
X BAND GUNN DIODES CYX 11A @ £3 each.  
X BAND DETECTOR DIODES LIKE SIM 2 @ 15p or 1N 23 @ 25p.  
STRIPLINE FET with data 2N 4417 @ £2.20 each.  
100 C280 CAPACITORS assorted for 57p.  
200 1/2 watt RESISTORS assorted values @ 75p.  
50 2 watt ZENER assorted untested @ 57p.  
TOKO 10.7 MHz FILTER CFS 10.7M @ 27p, MURATA 10.7MHz FILTER SFW 10.7mA @ 27p, 5.5MHz SFC 5.5mA @ 27p.  
VERNITRON FM4 10.7MHz FILTER @ 50p or 3 for £1.  
STC CRYSTAL FILTER B.W. ± 7.5KHz @ £5.  
455KHz CRYSTAL FILTER B.W. 7 KHz @ 50p.  
RADIO TELEPHONE MIKE INSERTS YA 8548 @ 50p.  
UA 742 ZERO CROSSING AC TRIGGER TRIGAC with data @ 25p.  
FX 1115 FERRITE BEADS at 15p doz.  
3/16" COIL FORMERS with core at 6 for 25p.  
BA 156 SILICON DIODES at 50 for 57p.  
20 PHOTO TRANSISTORS AND DARLINGTONS assorted untested @ £1.  
6000 VOLT PIV 1 AMP DIODE ASSEMBLY @ £1 each.  
DAU TRIMMERS 2 to 9pf @ 15p, 7 to 35pf @ 15p, 6 to 45pf @ 15p, 8 to 125pf @ 15p, 8 to 140pf @ 15p.  
MULLARD CAPACITORS C 281 Type .1uf 250v.w. at 20p doz.  
CRYSTAL PACKS 30 10XAJ @ £1.10, 20. FT 241A @ £1.10, 20. FT 243 @ £1.50, 25. 10X Types @ £1.25.  
50. AC 128 TRANSISTORS Branded but untested for 57p.  
50. VARI-CAP DIODES LIKE BA 102 untested @ 57p.  
1. 1 AMP THYRISTORS T05 Case untested for £1.  
25. 5 AMP STUD MOUNTING THYRISTORS untested @ £1.  
20. PHOTO TRANSISTORS AND DARLINGTONS assorted untested @ £1.  
50. BC 107-8-9 TRANSISTORS assorted untested for 57p.  
10. MULTI-TURN PRE-SET POTENTIOMETERS assorted @ 80p.  
UNIUNION TRANSISTORS 2N 4871 @ 22p, 2N 6028 @ 25p, 2N 6029 @ 25p, MEU 21 @ 22p, MU 4894 @ 22p, 4JD5E29 @ 22p, Similar to TIS 43 @ 20p.  
FET'S J310 @ 20p, E304 @ 20p, E111 @ 12p, E113 @ 12p, 2N 3819T @ 20p, BF 256 @ 25p, BF 244 @ 25p, DUAL GATE MOS FET'S 40673T @ 35p, MFE 131 @ 50p.  
STUD MOUNTING DIODES 100 PIV 10 amp @ 15p, 100 PIV 20 amp @ 25p.  
1 amp TRIACS T05 Case 400 PIV @ 35p each.  
R.F.-I.F. I.C. RCA CA 3011 with data @ 50p.  
MULLARD TRANSISTORS BC 548 @ 10p, 6 for 50p, BC 549 @ 10p, 6 for 50p.  
TRANSFORMERS 240 volt AC Input Type 1. 24 volt Tapped at 14 volt 1 amp @ £1.30 (P&P 25p).  
Please add 20p for post and packing on U.K. orders under £2. Overseas postage at cost.

## PHILIP H. BEARMAN

6 POTTERS Rd, NEW BARNET HERTS.

Tel: 01-449-1934/5.

LARGE RANGE OF BVA & QUALITY VALVES. SAE LISTS.

NEW MONO TUBES, USUALLY 2 YEAR GUARANTEE.

A31/120; A31/300; A31/410W.	£18.50 incl VAT
A34/100; CME 1420, M6529 FZP.	£19.50 incl VAT
A38/160; CME1520, Thorn.	£19.50 incl VAT
A44/120; CME1713, Thorn.	£19.50 incl VAT
AW47/91; CME1903, A47.14W	£10.00 incl VAT
A47/11W; A47.26WR, Mullard.	£15.00 incl VAT
A47/13W; CME1906, Thorn.	£15.00 incl VAT
A50/120W; CME2013, Vega.	£18.00 incl VAT
A59/15W (AW59.91), Mullard.	£11.00 incl VAT
A59/23WR (A59.11W), Mullard.	£16.00 incl VAT
A61/120WR (CME2413) Vega	£21.00 incl VAT

VARIOUS OTHERS — NO 90° PORTABLE TYPES.

CARRIAGE MAINLAND £2 EACH, ENQUIRIES SAE. (310, 340 SERIES).

## SPECIAL OFFER SEMICONDUCTORS

TBA800 50p, LM3900 40p, 741 8 pin 6 for £1.00, NE555 22p, ZN414 75p, IN4005 10 for 35p, 723 REGS 35p, OC140 TRANS, 40p, BX504 opto isolators 25p, 2N5062 (100V 800MA SCR) 18p.

MINIATURE TOGGLE SWITCHES. SPST 8x5x7mm 49p, DPDT 8x7x7mm 53p, DPDT centre off 12x11x9mm 78p. HEAVY DUTY TOGGLE DPDT 240V AC 10 amps 35p.

MINIATURE SOLID STATE BUZZERS. 33x17x15mm white plastic rectangular case, output at 3 feet 70dB, Low consumption only 15MA, 4 voltage types available, 6-9-12 or 24V DC 75p each. LOUD BUZZER, 50mm diameter 6 or 12 volts 80p. GPO ADJUSTABLE BUZZER, 6-12V DC 25p.

DE-SOLDERING TOOL. Good suction. Teflon nozzle. £4.75p.

MOTORS. Miniature model motors 1.5-6V DC 20p, 12V DC 5 pole motors 35p, 8 track replacement motors 12V DC 55p, "Big inch" tiny precision motor 115V AC 3 rpm 30p, Smiths Clock Motor Synch., 240V AC 1 rev. per hour £1.75p.

SURPLUS BOARDS. No. 1 has 14 encapsulated reed relays, 12V £1.95p.

No. 2 has 11 50V 2.5 amp scrs., one relay and various transistors including UJT £1.95p.

No. 3 car radio RF/IF boards 2 transistors, LM382 IC trimmers IF's etc. 65p.

No. 4 car radio boards with 6 transistors including power output types IF's choke etc. 75p.

TELEPHONE PICK UP COIL. Suction type with lead and plug 55p.

Terms — Cash with order (or official orders from schools etc.) Postage 30p. (Overseas at cost) VAT inclusive.

SAE for illustrated lists.

## PROGRESSIVE RADIO

93 Dale Street,  
Liverpool L2 2DY.

# Electronics. Make a job of it....

Enrol in the BNR & E School and you'll have an entertaining and fascinating hobby. Stick with it and the opportunities and the big money await you, if qualified, in every field of Electronics today. We offer the finest home study training for all subjects in radio, television, etc., especially for the CITY AND GUILDS EXAMS (Technicians' Certificates); the Grad. Brit. I.E.R. Exam; the RADIO AMATEUR'S LICENCE; P.M.G. Certificates; the R.T.E.B. Servicing Certificates; etc. Also courses in Television; Transistors; Radar; Computers; Servo-mechanisms; Mathematics and Practical Transistor Radio course with equipment. We have OVER 20 YEARS' experience in teaching radio subjects and an unbroken record of exam successes. We are the only privately run British home study College specialising in electronics subjects only. Full details will be gladly sent without any obligation.



## Become a Radio Amateur.

Learn how to become a radio-amateur in contact with the whole world. We give skilled preparation for the G.P.O. licence.

**Free!**

Brochure without obligation to:

### British National Radio & Electronic School

P.O. Box 156, Jersey, Channel Islands.

NAME \_\_\_\_\_

ADDRESS \_\_\_\_\_

Block caps please

WL7/79

**Electronics**

## Exceptional Value in the complete Range of VERO CABINETS

a few examples:

Code No.	Size (mm)	Price
65-2514F	100x50x25	£1.70
65-2516G	100x50x40	£1.91
65-2518H	120x65x40	£2.15
65-2520J	150x80x50	£2.45
65-2522K	188x110x60	£3.25

### METAL FRONTED RANGE

75-1237J	85x40x154	£2.80
75-1238D	85x60x154	£3.06
75-1239K	85x80x154	£3.65
75-1411D	205x140x75	£4.26
75-1412K	205x140x110	£5.53
75-1410J	205x140x40	£3.80

Aluminium top panel	65-3851A (120x65x40)	£3.31
Sloping front panel	75-1798K (171x121x75/37.5)	£4.82
Sloping front panel	65-2523E (220x174x100/52)	£6.90

### 19" CARD FRAME/CASE SYSTEM

Card Frame/Case	71-3841-L	£24.50 <small>+£1.25 p&amp;p</small>
Pair end plates	71-3842-F	£1.01
8" Module	71-3843-A	£5.00
4" Module	71-3844-G	£3.80
Veroboard	09-3979-K	£1.35
2" Front panel	71-3845-B	£2.37
1" Front panel	71-3846-H	£2.08
Veroboards (less connector)	09-1034-F	£1.42
Plain board (less connector)	09-1040-J	94p
DIP board (less connector)	10-1041-J	£2.68
Connector, plug, 31 way	17-0267-H	£1.09
Connector, socket, 31 way	17-0268-C	£1.20
VQ DIP board	01-0044-C	£1.17

All prices INCLUDE VAT, at current rates. Please note our minimum U.K. post & packing charge, except where indicated, is 30p.

**CATRONICS LTD., COMMUNICATIONS HOUSE,**  
(Dept. 987) 20 WALLINGTON SQUARE,  
WALLINGTON, SURREY SM6 8RG.

Tel. 01-669 6700 (9 a.m. to 5.30 p.m. Sat. 1 p.m.)



## Wilmslow Audio

*THE firm for speakers!*

SEND 15P STAMP FOR THE WORLD'S BEST CATALOGUE OF SPEAKERS, DRIVE UNITS, KITS, CROSSOVERS ETC. AND DISCOUNT PRICE LIST.

AUDAX ● AUDIOMASTER ● BAKER ● BOWERS & WILKINS ● CASTLE ● CELESTION ● CHARTWELL ● COLES ● DALESFORD ● DECCA ● EMI ● EAGLE ● ELAC ● FANE ● GAUSS ● GOODMAN'S ● I.M.F. ● ISOPHON ● JR ● JORDAN WATTS ● KEF ● LEAK ● LOWTHER MCKENZIE ● MONITOR AUDIO ● PEERLESS ● RADFORD ● RAM ● RICHARD ALLAN ● SEAS ● SHACKMAN ● STAG ● TANGENT ● TANNOY ● VIDEOTONE ● WHARFEDALE ● YAMAHA

**WILMSLOW AUDIO** (Dept. P.W.)

**SWAN WORKS, BANK SQUARE, WILMSLOW, CHESHIRE SK9 1HF**

Discount Hi-Fi Etc. at 5 Swan Street and 10 Swan Street

Speakers, Mail Order & Export 0625 529599 Hi-Fi 0625 526213

EDITOR  
Geoffrey C. Arnold

ASSISTANT EDITOR  
Dick Ganderton C. Eng., MIERE

ART EDITOR  
Peter Metalli

TECHNICAL EDITOR  
Peter Preston

NEWS & PRODUCTION EDITOR  
Alan Martin

TECHNICAL SUB-EDITOR  
Joe Bishop

TECHNICAL ARTIST  
Rob Mackie

ASSISTANT ART EDITOR  
Keith Woodruff

SECRETARIAL  
Sylvia Barrett  
Debbie Chapman

#### EDITORIAL OFFICES

Westover House,  
West Quay Road,  
POOLE, Dorset BH15 1JG  
Telephone: Poole 71191

#### ADVERTISEMENT MANAGER

Telephone: 01-261 6636  
Dennis Brough

#### CLASSIFIED ADVERTISEMENTS

Telephone: 01-261 5762  
Colin R. Brown

#### MAKE UP & COPY DEPARTMENT

Telephone: 01-261 6570  
Dave Kerindi

#### ADVERTISEMENT OFFICES

King's Reach Tower, Stamford St.,  
London, SE1 9LS  
TELEX: 915748 MAGDIV-G

## Opinion

**A**LTHOUGH we have, over the years, reviewed quite a number of kits, for items ranging from intruder alarms to ignition systems, it has long been editorial policy that reviews of ready-built equipment were confined to pieces of test equipment which were likely to appeal to the electronics or radio enthusiast. This was considered to be the right approach for a magazine which was aimed principally at constructors.

We have recently been receiving a growing stream of letters from readers, asking for advice and comment on currently-available communications receivers and other radio equipment for the short-wave listener and amateur, and it is to meet this demand that we are now embarking on a series of reviews. You may rest assured, however, that this change in policy does not mean that we shall be devoting less attention to designs for home-constructed equipment.

It is not our intention to carry out any *Which*-style comparative tests, nor to suggest a "Best Buy". Neither shall we be carrying out full-scale specification testing, in the way that the hi-fi magazines do on tuners, amplifiers and the like. We shall simply try to convey the feel of the equipment as gained from user tests, to give an idea of how good the instruction manual, etc. is, and to say what accessories or options may be available.

In choosing items for review, we have selected what seem to be the most popular, plus any others available within roughly the same price bracket. This month it is the turn of the Yaesu FRG-7 receiver—future plans include several more receivers, transmitters, transceivers, aerials and various pieces of ancillary equipment. We also hope to comment on some professional receivers now available on the second-hand market. We hope that you will find the reviews interesting and useful, and would be glad to receive suggestions for items to include in the future.

#### Charles Molloy G8BUS—"On the Air" Contributor

Trained as a telecommunications engineer, Charles worked abroad for several years and became an associate member of the IEE. He is now a technical author in electronics.

Interest in the medium waves began when a schoolboy in the mid-1930s, after constructing a receiver for domestic use. He later turned to the short waves after building a one-valve receiver from a design by F. J. Camm in *Practical Wireless*, and became a regular SWL while living in the Middle East.

Although a holder of a class B amateur licence, appearances on 70cm and 2m are infrequent as the main interest in radio these days is in broadcast band DXing.

Charles collects books on the early days of radio, and enjoys messing about in boats. Other interests include classical music, opera and attending ballet with wife Mary, who is a devotee. He is looking forward to retirement and the opportunity to catch up with a number of outstanding radio projects.



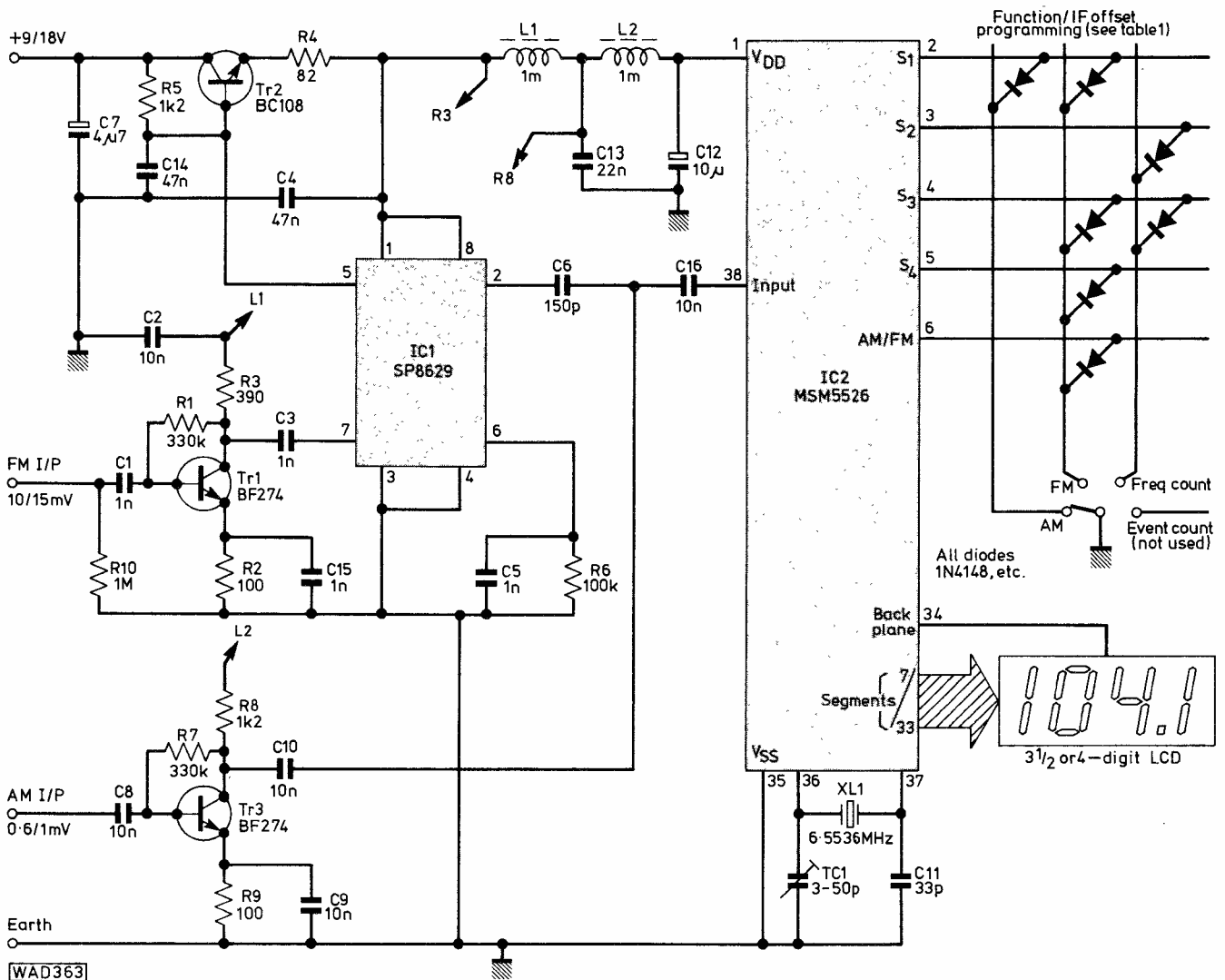


Fig. 1: Complete circuit diagram of the a.m./f.m. frequency readout based on the OKI MSM5526 i.c.

LCD 3 1/2 Digit		LCD 4 Digit	
PIN		PIN	
1	Back Plane	40	Back Plane
2	- Bar	39	nc
3	b <sub>4</sub> , c <sub>4</sub>	38	nc
4	nc	37	g <sub>4</sub>
5	nc	36	f <sub>4</sub>
6	nc	35	a <sub>4</sub>
7	nc	34	b <sub>4</sub>
8	DP3	33	nc
9	e <sub>3</sub>	32	g <sub>3</sub>
10	d <sub>3</sub>	31	f <sub>3</sub>
11	c <sub>3</sub>	30	a <sub>3</sub>
12	DP2	29	b <sub>3</sub>
13	e <sub>2</sub>	28	DP4 (colon)
14	d <sub>2</sub>	27	g <sub>2</sub>
15	c <sub>2</sub>	26	f <sub>2</sub>
16	DP1	25	a <sub>2</sub>
17	e <sub>1</sub>	24	b <sub>2</sub>
18	d <sub>1</sub>	23	g <sub>1</sub>
19	c <sub>1</sub>	22	f <sub>1</sub>
20	b <sub>1</sub>	21	a <sub>1</sub>

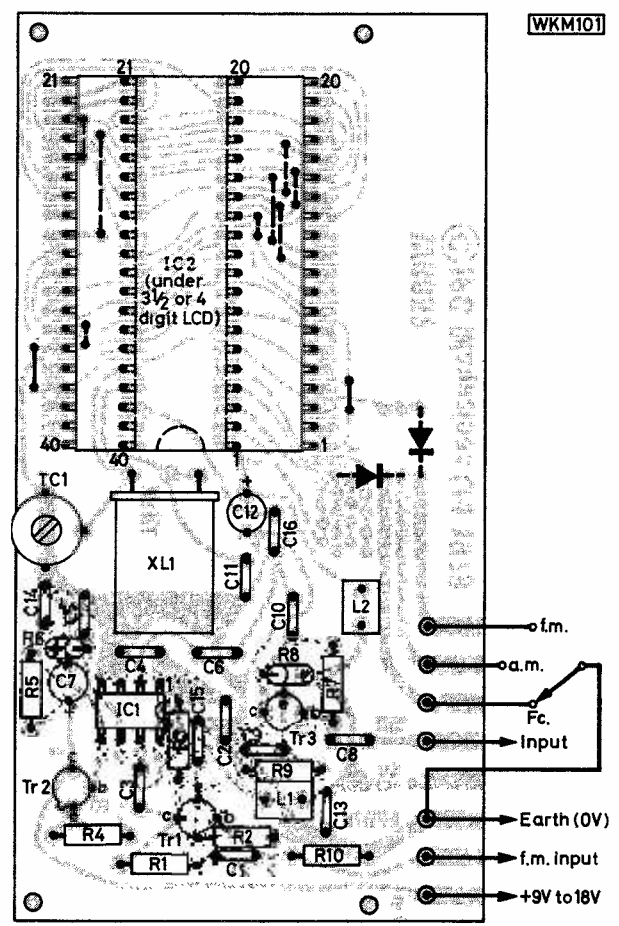
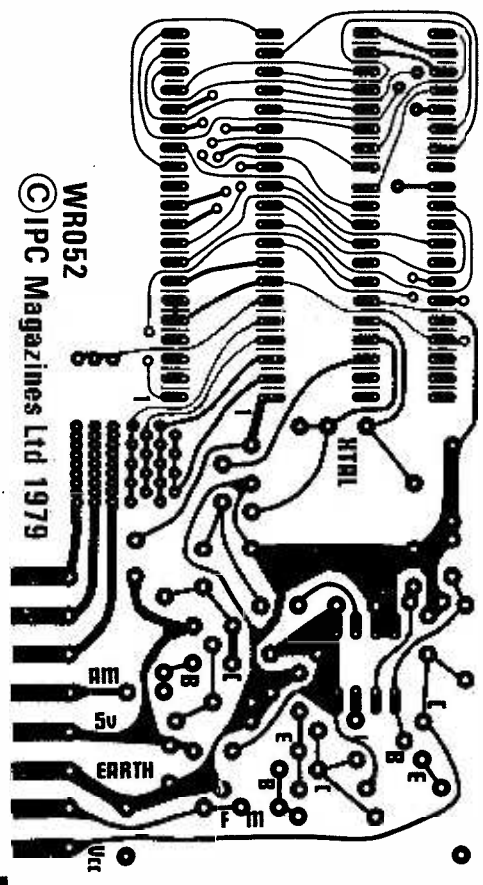
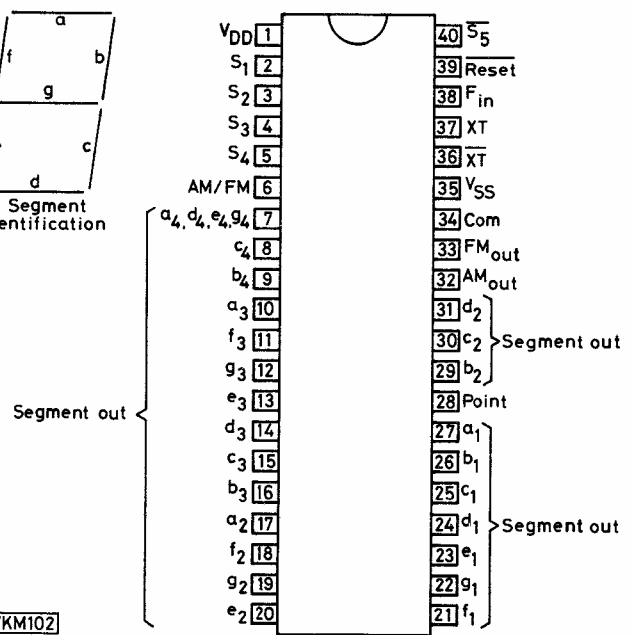
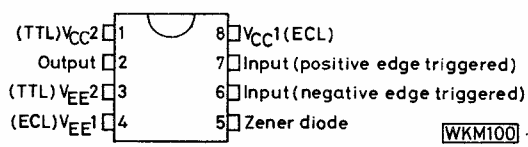
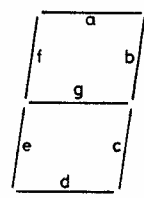


Fig. 2 (above): Full-size track layout of the p.c.b.

Fig. 3 (above right): Component layout and details of external connections to the p.c.b. The switch will normally be part of the wave-change switch of the associated receiver. When using a 3½-digit I.c.d., two "U"-links of insulated wire should be soldered to the track side of the p.c.b., linking pins 2 and 5/6, and pins 3 and 7 of the display

Fig. 4: Pin-outs of the SP8629 (below) and the MSM5526 (right)

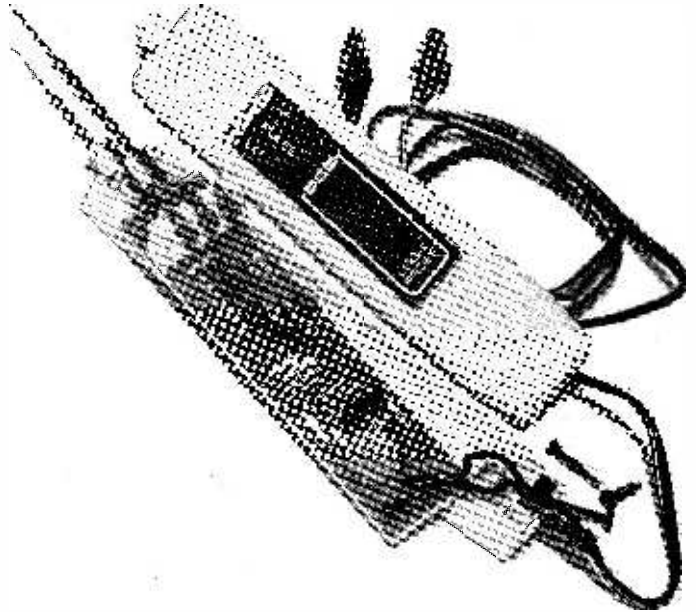


# SPECIAL PRODUCT REPORT

CONTINENTAL SPECIALTIES CORPORATION



# LOGIC PROBE KIT



If you are involved in digital electronics it is essential that you have some means of detecting pulses and logic states. Without this necessary equipment you will be totally in the dark when trying to find out why your latest creation does not work.

There are many logic probes on the market but for the amateur they tend to come a touch on the pricey side. Continental Specialties Corporation, who also make a range of logic probes, have recently introduced a kit for a probe which will detect and display logic levels, pulses and voltage transients.

The kit is complete down to the last piece of wire and even includes a length of solder. All the components appeared to be of good quality and fitted the holes drilled in the glass fibre printed circuit board without any problems.

The instruction manual is very comprehensive and covers not only the building of the probe but also notes on how to use it.

## ★ specifications

**Input impedance:** 300k $\Omega$

**Threshold:** Logic 1 (Hi-l.e.d.) 70% Vcc  
Logic 0 (Lo-l.e.d.) 30% Vcc

**Detectable pulse width:** 300 nanoseconds min.

**Input signal frequency:** 1.5MHz max.

**Pulse detector:** High-speed pulse train or single events (positive or negative transitions), active 0.1 second pulse stretcher

**Input voltage:**  $\pm$  50V continuous, 120V a.c. for less than 15 seconds

**Power requirements:** 5 volt Vcc at 30mA  
15 volt Vcc at 40mA  
25 volts max., with power lead reversal protection

**Physical size:** 147 x 25.4 x 17.8mm

**Weight:** 85 grams

Construction proved to be very simple and straightforward, the step-by-step assembly instructions proving easy to follow. Unlike traditional British component placement drawings however this one did not show the copper track pattern of the p.c.b. and no holes are shown so that it is very important to check twice that the components are correctly placed.

No problems were encountered and the probe worked first time, but if you are unfortunate a page is devoted to trouble-shooting and two pages to testing the probe following construction.

The plastics case, which is available separately and has been used for the *PW* Car Test Probe, is very neat and the two labels supplied with the kit are self-adhesive giving the finished probe a professional look.

The probe is simple to use, requiring the power leads to be clipped to suitable voltage rails on the circuit under test and the probe tip to be held against the test point.

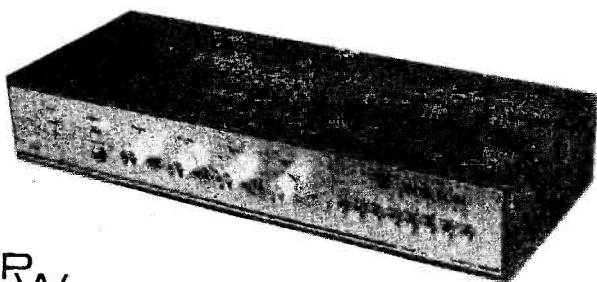
Indication of the status of the point is by a combination of three l.e.d.s which light, or pulse, depending upon the logic state being investigated.

As a simple means of determining logic states this kit is very good value for money.

**Dick Ganderton**

SEE NEXT MONTH'S ISSUE OF  
PRACTICAL WIRELESS FOR DETAILS  
OF A SPECIAL INTRODUCTORY OFFER  
FEATURING THIS KIT

Hey, Good Looking!



RW

# 'WINTON'

Beautiful innit?, but a swish exterior can often be an eye catching cover for some very ordinary "guts", so what's so different about the WINTON?

Well, for a start we have discarded Bi-Polar output devices in favour of the far superior performance of the Hitachi Power MOS-FETS, which until now have only been available in some of the most expensive Hi-Fi Amplifiers around, (and we consider £700 to be expensive with a capital E!). Secondly, our extremely low distortion figures are obtained at FULL RATED OUTPUT with both channels driven, across the entire audio spectrum.

Further, at these power levels 2nd and 3rd order inter-modulation components are typically less than 0.005% (See the March issue of P.W. for the full spec' and a few shots from the Spectrum Analyser.) Whilst we freely admit that ownership of a Winton will not prevent your hair from falling out, nor warts from growing on your nose, you will feel a nice sense of achievement when the job is complete, and you will own an Amplifier that will make your mates positively green with envy, until that is they see the light and obtain one of their own.

The WINTON Kit is available in the following form:-

Pack (A) Capacitors & Fixed Value Resistors	Price Inc. V.A.T. & carriage.
Pack (B) Switches, Potentiometers, Pre-Sets & Knobs	<b>£21.45</b>
Pack (C) Printed Circuit Board, and Terminal Pins	<b>£13.26</b>
Pack (D) Hardware Pack, consisting of Chassis, Heat Sinks, Cabinet, Screws, Wire, Fuseholders etc., and a Brushed Aluminium Fascia Front Panel.	<b>£8.10</b>
Pack (E) Semiconductors (including HITACHI MOS Power Fets)	<b>£32.99</b>
Pack (F) Toroidal Mains Transformer	<b>£30.53</b>
<b>Complete Kit</b> of all parts necessary to build the WINTON	<b>£17.22</b>
	<b>£120.00</b>

ORDER WITH COMPLETE CONFIDENCE (Cash with order please) FROM:-

**T. & T. ELECTRONICS. GREEN HAYES, SURLINGHAM LANE, ROCKLAND ST. MARY, NORWICH, NORFOLK. NR14 7HH. PLEASE ALLOW 28 DAYS FOR DELIVERY.**

## New Heathkit electronic test equipment course.

- Section 1. Analogue and digital meters.
- Section 2. Oscilloscopes.
- Section 3. Frequency generation and measurement.
- Section 4. Special measuring instruments.

## New Heathkit car electrical systems course.

- Section 1. Electrical principles of the car.
- Section 2. Starting system fundamentals.
- Section 3. Car charging systems.
- Section 4. Accessories and body electrical.

Two new self-instruction courses from Heathkit. Based on step-by-step programmed instructions, they let you learn at your own pace in your own home.

Each course is complete and contains audio/visual material, text, and parts for 'hands on' experiments with the optional Heathkit experimenter trainer. So all you need is a cassette player and the will to learn.

Full details of Heathkit courses are available in the Heathkit catalogue, together with hundreds of kits you can build for yourself - computers, oscilloscopes, transceivers etc.... Send for your copy now.

There are Heathkit Electronics Centres at 233 Tottenham Court Road, London (01-636 7349) and at Bristol Road, Gloucester (0452 29451).

Registered in England, No. 606177.

Soldering Iron offer FREE



## New Heathkit CI 1265 Digital Tach/Speedometer.

Push-button digital readout. Displays engine speed/rpm. Accurate to 1 mph or rpm variations of 100.



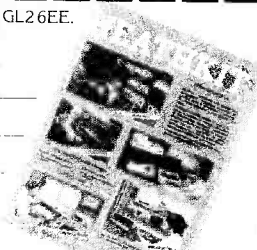
To: Heath (Gloucester) Limited, Dept. PW779 Bristol Road, Gloucester, GL2 6EE.  
Please send a copy of the Heathkit catalogue. I enclose 20p in stamps.   
Please send a copy of the Computer Brochure. I enclose 20p in stamps.

Name \_\_\_\_\_

Address \_\_\_\_\_

N.B. If you are already on the Heathkit mailing list you will automatically receive a copy of the latest Heathkit catalogue without having to use this coupon.

When you receive your catalogue you will get details of this free offer.



# HEATHKIT

HEATH  
Schlumberger

# numbers without tears

Dr G. BROWN

The aim of this design was to produce an educational toy capable of teaching rapid number recognition to children of 2½ years and upwards. The absolute minimum of instruction should be necessary, the idea being that the child learns as he plays, without external influence. The toy should thus be interesting to play with.

To a young child this means: (a) visual stimulation—things should be seen to happen; (b) tactile stimulation—the instrument should respond to touch, to pressure—there should be something to turn, something to switch.

This simple unit has all these facilities and can hold a child's attention for remarkably long periods. It can also double as a single die for use with other games.

## General Features

Fig. 1 shows the basic design blocks. A swept-frequency clock generator feeds the first decade counter, the digit outputs of which are used to drive ten light-emitting diodes (l.e.d.s) arranged in a circle. A second decade counter, fed from the same clock source, drives a single 7-segment l.e.d. numeric display. As the clock frequency rises from zero, the circular l.e.d. display assumes a rotating motion with a visible acceleration. As the clock frequency then falls to zero, the "flywheel" effects slows and stops at a random position.

The l.e.d.s are labelled 0 to 9, as are the positions on the manual number selector, which is a rotary switch. Provided that both decade counters are reset to zero initially, they will always remain synchronised, i.e., if the flywheel stops at position "4", then the 7-segment outputs will correspond to the figure 4 also.

The number selector is wired such that the 7-segment display is only illuminated when this switch is turned to the same number at which the flywheel has stopped. The normal fixed-frequency clock is used when the device is employed as a die.

Some simple logic is included to make the toy more interactive with the child, and will be described in the appropriate sections.

## The Swept-frequency Clock Generator

For this particular application, a manually-initiated frequency sweep was required from zero up to about 100Hz and back again to zero. The circuit is shown in Fig. 2.

The clock is designed around the ubiquitous NE555V integrated circuit connected in the astable mode.

If the circuit to the left of the dashed line is studied, the timing components R1 and C1 are easily recognised. C1 is

charged up through R1, and IC1 will discharge C1 when the voltage at point A reaches 0.67V<sub>dd</sub>. The negative-going edge corresponding to the discharge of C1 re-triggers the cycle and the system becomes astable, the frequency of oscillation being given by:

$$f = \frac{1.44}{R1 \times C1} \text{Hz}$$

In the circuit to the right of the dashed line Tr1 and Tr2 are connected as a Darlington pair controlled by the touch plate connected to the base of Tr2. The quiescent-state voltage at point A is controlled by resistors R1, R2, and R3, the two transistors being effectively open-circuit. A simple Ohm's Law calculation shows that point A is held at 0.65V<sub>dd</sub> and, because IC1 will not discharge C1 until point A reaches 0.67V<sub>dd</sub>, the clock oscillator is biased off, its output being a logic "1" in this condition.

When a finger is applied to the touch plate, charge flows into the electrolytic capacitor, C2. As this charges up, the potential at point B rises. With C2 fully charged (after about one second), both transistors are turned fully on and point B is taken almost to V<sub>dd</sub>. Thus the Darlington pair may be regarded as a variable resistance, R<sub>t</sub>, between point B and V<sub>dd</sub>, this resistance varying from infinity to near zero. As soon as R<sub>t</sub> becomes finite, point A is lifted above the threshold value of 0.67V<sub>dd</sub> and oscillation begins.

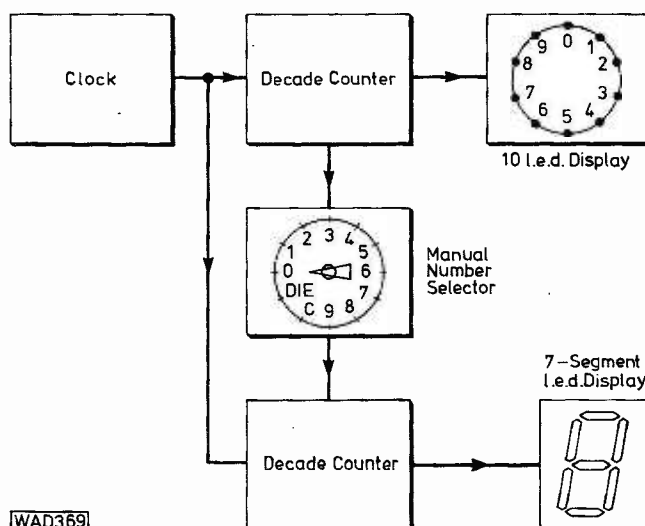


Fig. 1: The basic block diagram of the numbers toy



The frequency of oscillation is still given by the above equation, except that R1 must be replaced by the effective instantaneous value of R1, R2 and Rt. In the limit, with Tr1 and Tr2 turned fully on, R1 and R2 are virtually in parallel between Vdd and point A, and have an effective resistance of 24.8kΩ. This gives a theoretical upper frequency limit of:

$$f = \frac{1.44}{2.48 \times 10^4 \times 3.3 \times 10^{-7}} = 176\text{Hz}$$

This figure is not attained in practice because Rt never falls completely to zero.

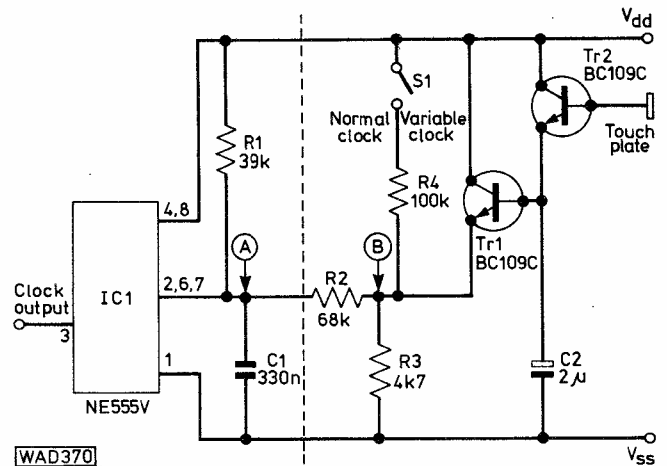
When the finger is removed from the touch plate, C2 discharges slowly through Tr1 and R3, and Rt increases correspondingly. The frequency of oscillation falls and finally reaches zero when point A falls again below its threshold value. This decay time is of the order of 10 to 15 seconds.

Switching R4 into the biasing network by closing S1 holds point A just above threshold and a constant-frequency output of about 15Hz is produced. The use of this clock frequency is described in a later section.

The touch plate is very sensitive in its action, and this encourages the child to experiment as he watches the effects of his finger's pressure illustrated on the flywheel display.

## The Decade Counters

Apart from the NE555V oscillator, this instrument employs c.m.o.s. devices which are relatively cheap and are ideal for this purpose. Fig. 3 shows the circuit diagram of



WAD370

Fig. 2: Circuit diagram of the swept-frequency clock generator

the first decade counter and the transistor drivers for the 10-l.e.d. flywheel display. The 4017 decade counter is fed from the clock generator described above. In order to drive the flywheel l.e.d.s at 20mA, ten transistors operating as emitter followers are used. As only one l.e.d. is illuminated at any instant, only one current limiting resistor, R10, is necessary. It will be noted from Fig. 3 and Fig. 4 that the "reset" and "clock inhibit" functions are made common to both decade counters. This is to ensure complete synchronism of the two counters at all times. The combination of C3 and R5 resets both counters to zero when power is first applied.

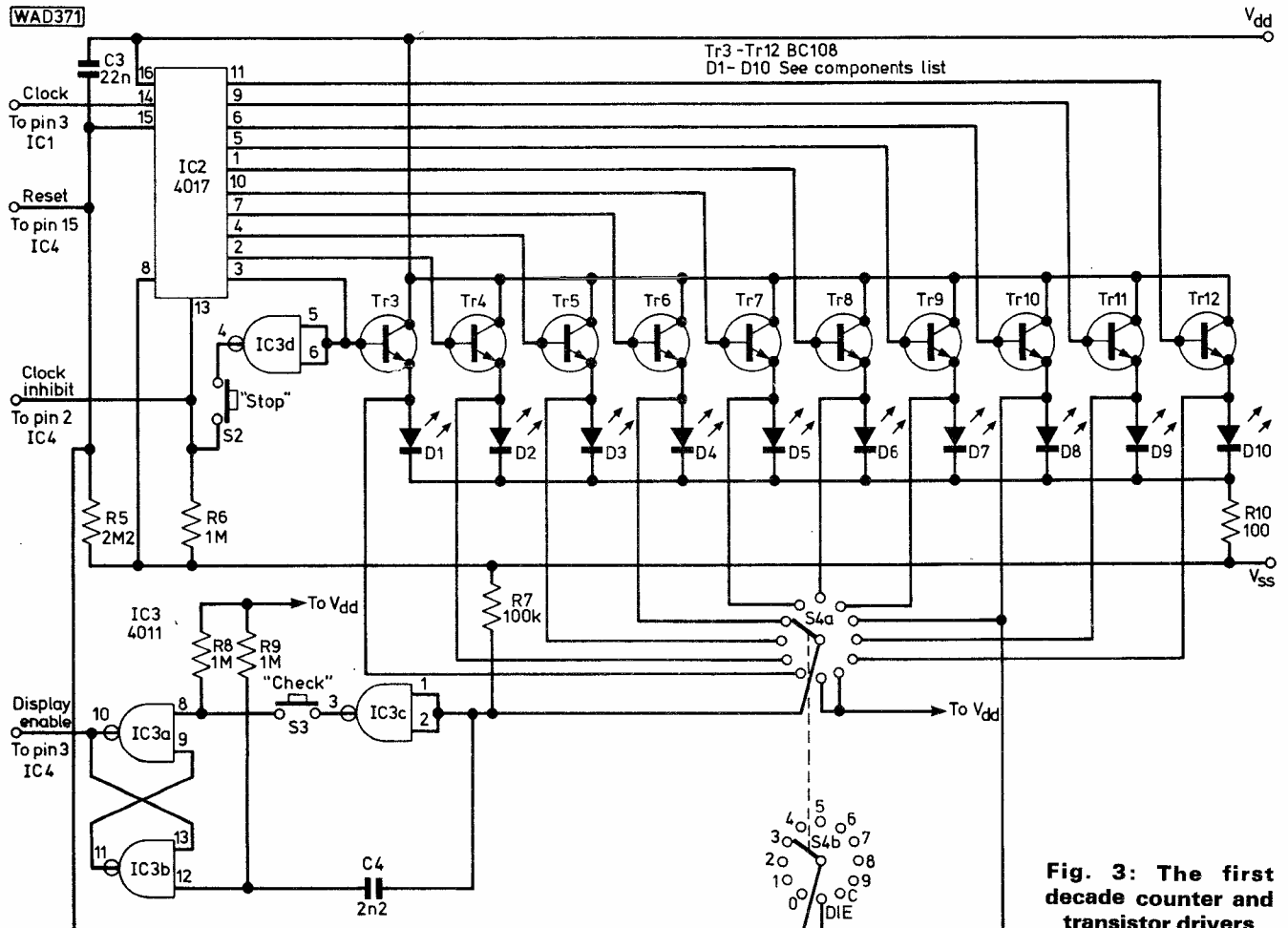
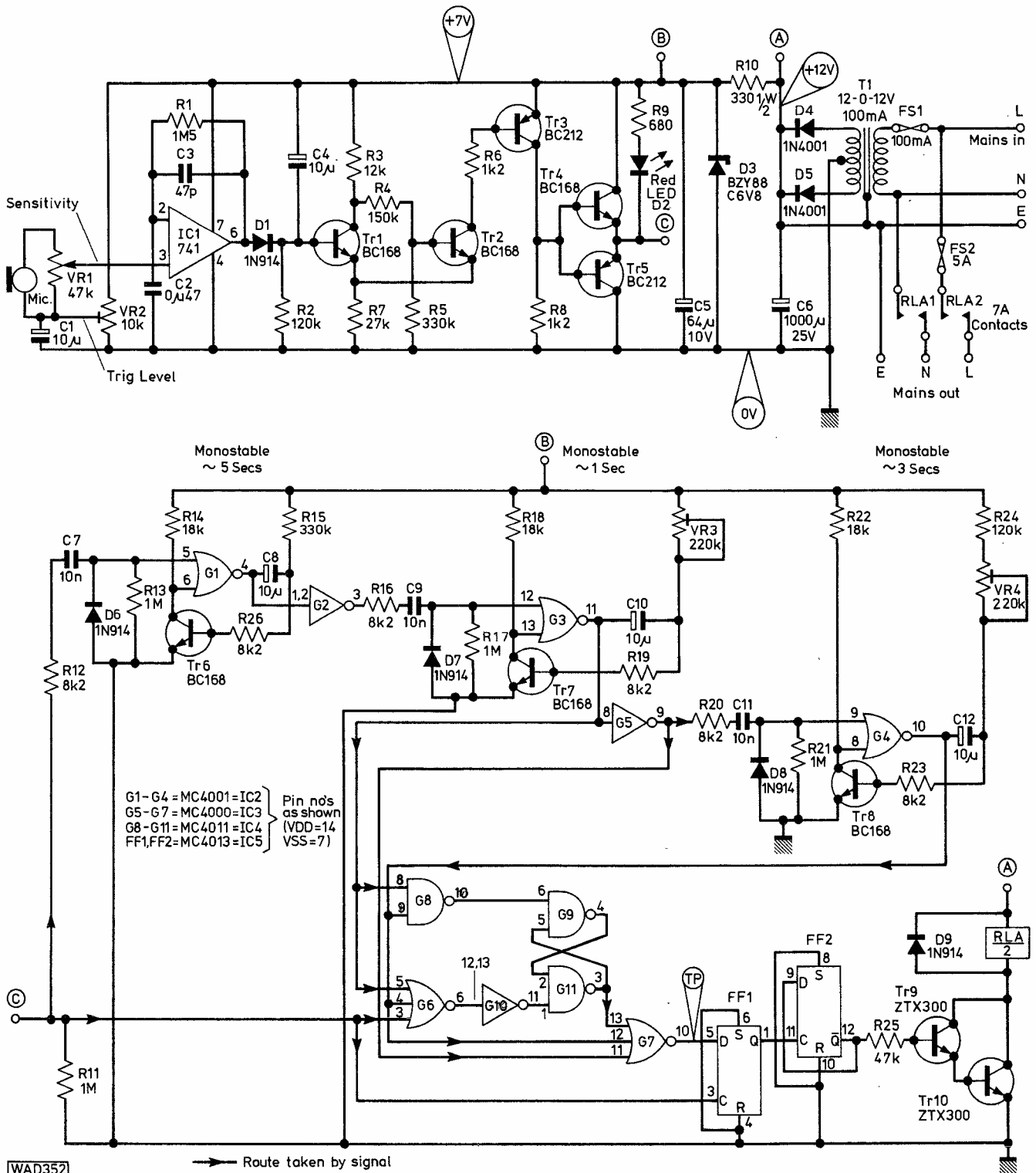


Fig. 3: The first decade counter and transistor drivers



**Fig. 1: Circuit diagram of the selective sound operated switch**

The mains transformer is a 12-0-12V type designed to supply up to 100mA d.c. over a full-wave rectifier. Most of the current is drawn by the relay (60-80mA) with the rest taking less than 20mA. Thus if a relay is used which draws more than 80mA a larger transformer will be needed. A 100mA fuse is shown connected to the primary of the transformer and this is necessary for safety. If it is found that the fuse blows on switch-on an anti-surge fuse can be fitted. The other fuse supplying the appliance being controlled should be rated according to the relay contacts and mains cable used.

A suitable case for the unit can be made from a plastics Bimbox. When fitting components into the case, it is important to keep all the high voltage components (relay, transformer and fuse holders) well away from the other components so that there is no chance of any live connections touching any other part of the circuit. Holes are drilled in the case for the microphone, the l.e.d. and the gain control VR1. The circuit boards should be positioned within the case such that the presets VR2-VR4 can easily be reached to be adjusted. The boards are held in place using self-adhesive pads. When wiring up between the

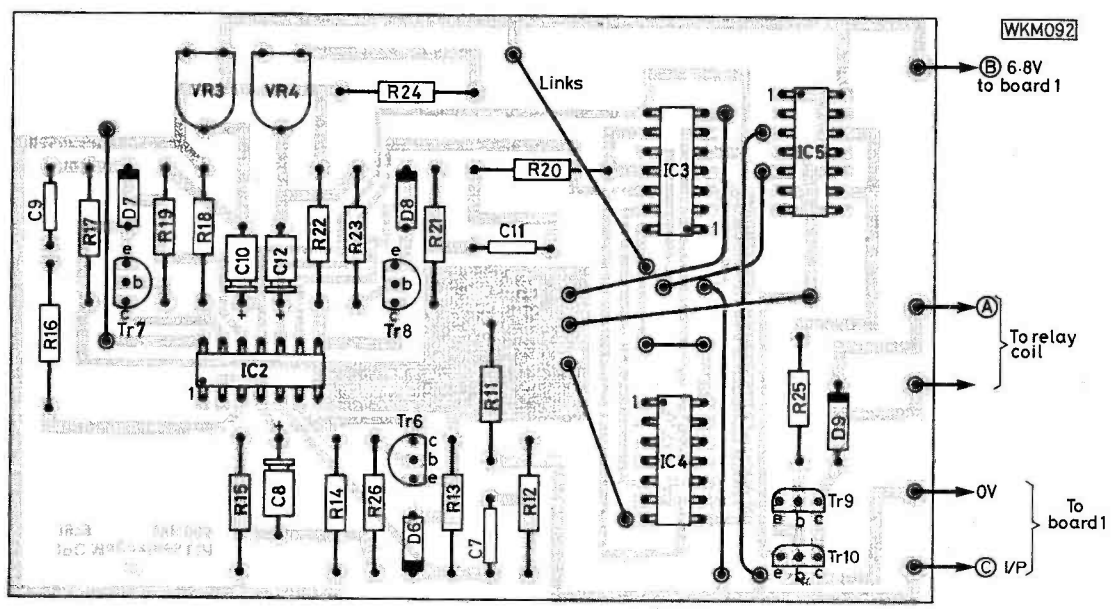
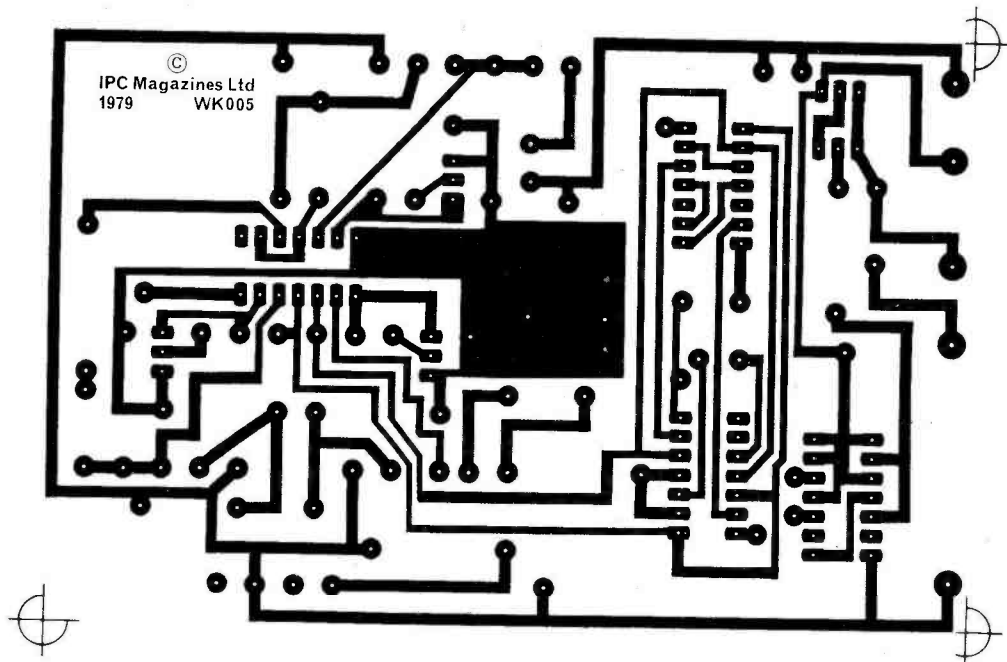


Fig. 2: The copper track pattern and component placement drawing for Board 2 shown full size.

## Using the Switch

Adjust VR1 so that the l.e.d. will not flash from background noise in the room, but will reliably respond to a hand clap. The l.e.d. will be found very useful for indicating whether the unit has "heard" a sound or not, when setting the sensitivity.

Although originally intended purely as a gimmick, the device has been found to be extremely reliable and may well have more practical uses. The prototype was left in an average sitting room for a week without triggering spuriously, but would immediately respond on hearing the correct sound sequence.

There could be practical uses where it is necessary to operate equipment remotely, possibly by a disabled

person, or in other cases where it is not possible to operate a switch directly.

## Fault-finding

Once the design had been finalised, it was found that the units could be relied upon to work correctly immediately they had been assembled and adjusted. Most faults are likely to be caused by wire links in the wrong places and diodes or transistors the wrong way round. Remember that the circuit uses both *npn* and *pnp* transistors. A puzzling intermittent fault in one unit was traced to C6 being open-circuit. This resulted in the supply rails

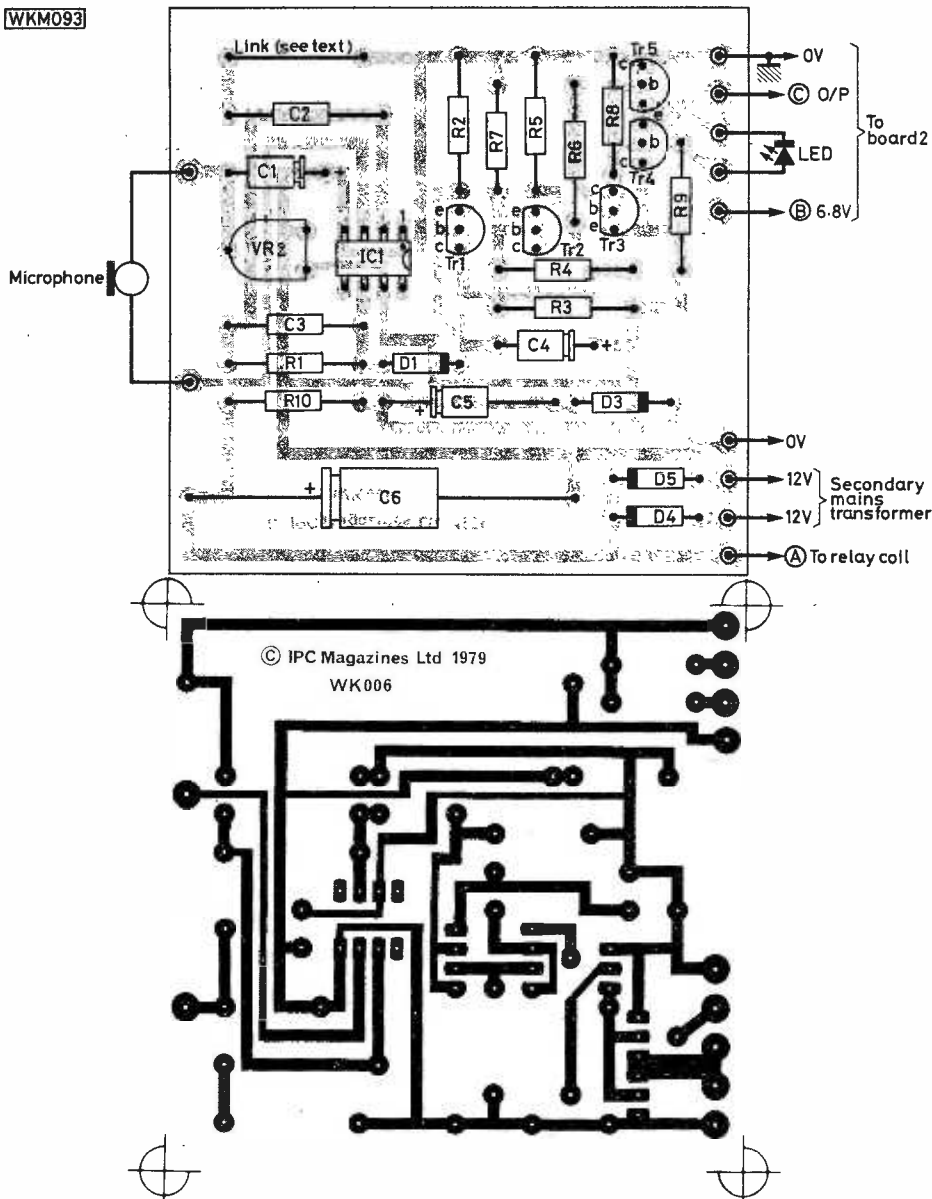
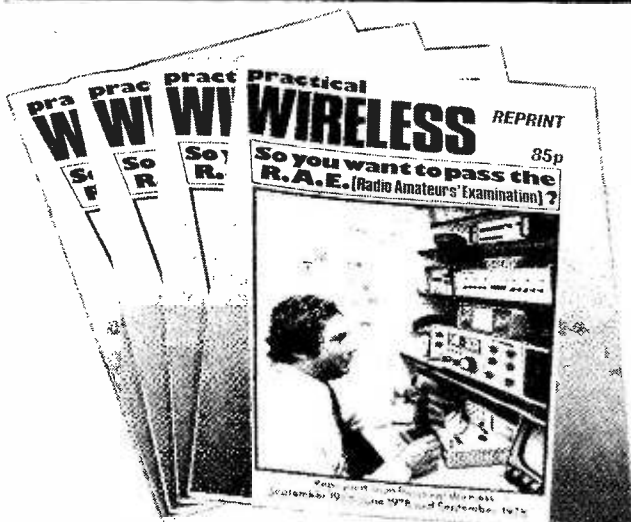


Fig. 3: The copper track pattern and component placement drawing for Board 1 shown full size

**So You Want to Pass the RAE?**



For details and coupon see page 30

carrying unsmoothed a.c. and played havoc with the logic functions.

Provided that the l.e.d. flashes in response to sounds then faults are best traced by first checking the outputs of the monostables (pins 4, 10, 11 of IC2) and then following the voltage levels through the rest of the circuit. Remember that the monostables give an inverse output, i.e. "1" in the quiescent state and "0" when active, and remember also that the circuit takes 5 seconds to complete its cycle and if it receives an input before G1 has reset it will ignore it.

If the l.e.d. does not light up then first check IC1. The voltage on pin 6 (output) should equal that on the wiper of VR2, except at extreme settings of VR2. The Schmitt trigger, Tr1, Tr2 should turn on when the voltage on Tr1 base exceeds about 5V, turning on the l.e.d. via Tr3-Tr5, and should turn off sharply as the voltage is lowered. These functions can easily be checked with a multimeter and should show up the location of any fault. However, provided the unit is constructed carefully, there is no reason why it should not work first time.

For the prototypes, the p.c.b.s were made by the rather laborious drilling-painting-etching-cleaning techniques, which are more arduous than difficult. However, constructors who wish to purchase ready-made boards will find them available from advertisers.

Components used in the output filter should be exactly as specified—i.e., abnormally high voltage capacitors to take high circulating currents and air-cored inductors to

avoid the saturation which would occur with the smaller type of ferrite cores. Remember that the filter is passing 6–7 watts of r.f. energy and retaining 1–2 watts of harmonic energy.

Loss of harmonic power and the bottoming resistance of the power f.e.t.s are the principal causes of efficiency loss in this transmitter. The filter values may be “scaled” for other frequencies.

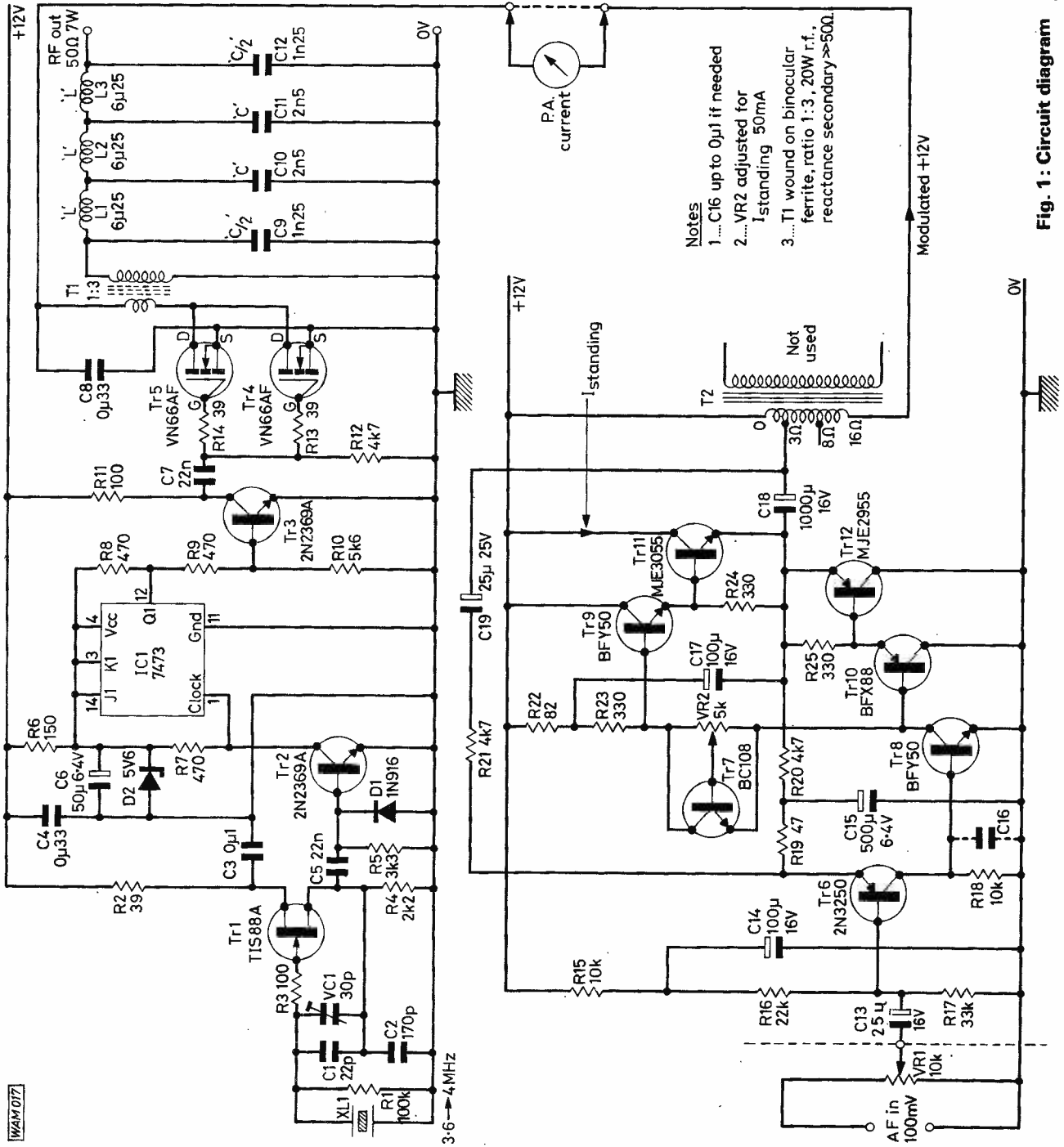
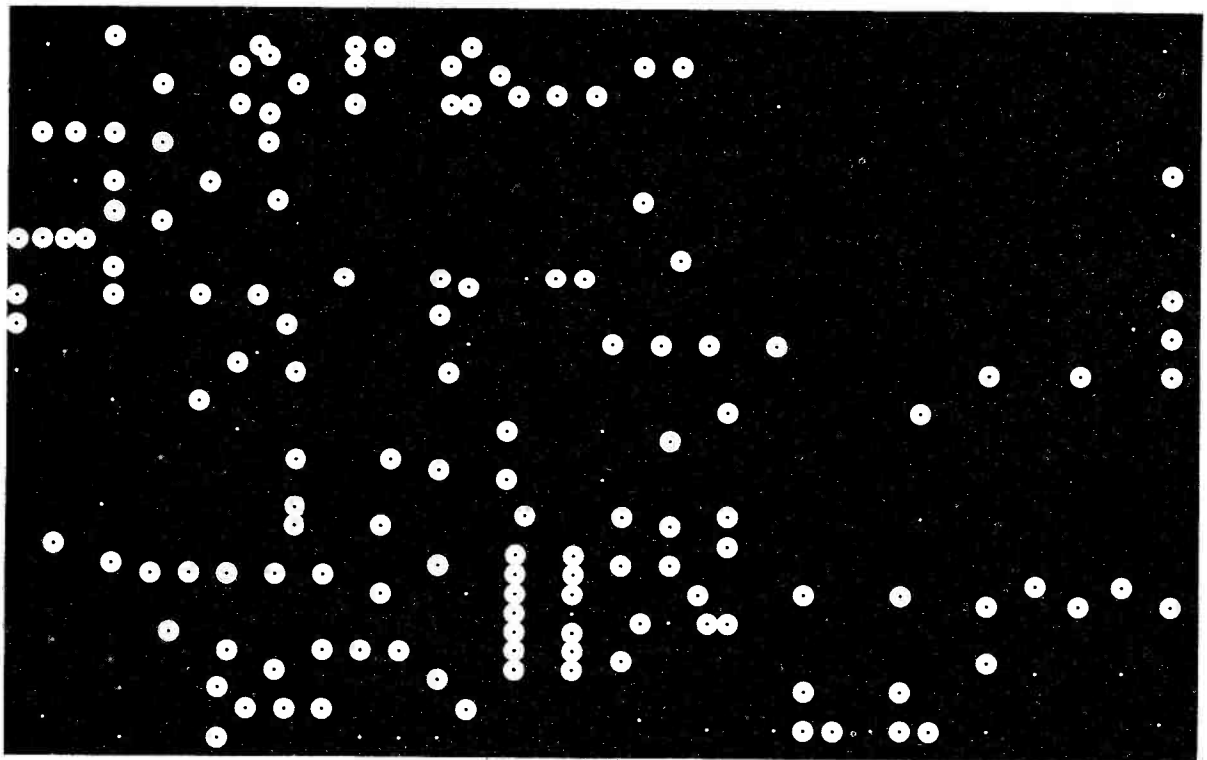
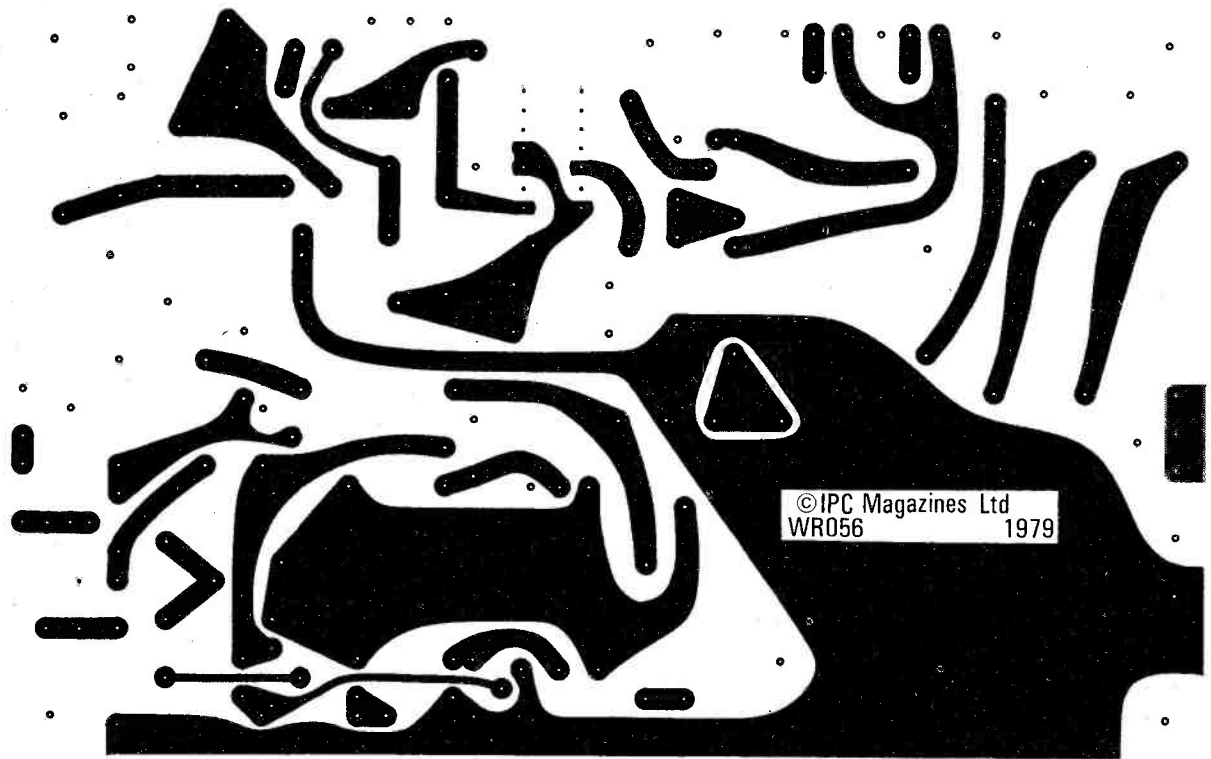


Fig. 1: Circuit diagram



**Fig. 2:** The copper track side of the p.c.b. is shown full size at the top with the copper ground plane on the component side below it.



Opposite South Harrow Tube and Bus Stations

# SERVICES

194A Northolt Road  
South Harrow, Middx  
London. Tel: 01-864 1166



## RF POWER METERS

JD 110 10 & 100w	£11.88
Reace UH74 432/144	£15.28
Hanson 20/200w-150Mhz	£26.50
Leader LPM 885 20/200/1kw	£55.08
SWR 25 Twin 3.5/150Mhz	£11.90
Leader LPM 880 absorption watt-meter 5/20/120w 1.8-500	£85.00
Inc. VAT & Delivery	

## YAESU PRICE LIST (inclusive VAT & Carriage)

<b>HF Equipment</b>		FL 110	£144.00
FT901DM	£995.00	FR 101S	£444.00
FT 901D	£825.00	FR 101D	£585.00
FV 901DM	£240.00	FR 101DD	£685.00
SP 901	£27.00	FRG 7	£210.00
FTV 901	£245.00	FRG 7000	£365.00
FC 901	£129.00	FT 7	£297.00
YQ 901	£260.00	FT 7B	£421.00
FT 101Z	£562.00	<b>VHF Equipment</b>	
FT 101ZD	£646.00	FT 225RD	£600.00
FT 101E	£569.00	FT 225R	£545.00
FV 101B	£95.00	Memory	£104.00
SP 101B	£21.00	FT 227R	£227.00
FL 2100	£345.00	FT 227RA	£225.00
YO 101	£190.00	CPU 2500R	£325.00
FT 301	£575.00	CPU 2500RK	£345.00
FT 301D	£656.00	CPU 2500RS	£295.00
FT 301SD	£590.00	CPU 2500RKS	£330.00
FC 301	£120.00	FT 202	£99.00
FY 301	£105.00		

## ROTATORS

STOLLE 2010	£48.50
AR 30 VHF/UHF	£47.50
AR 22 VHF Light HF	£49.50
AR 40 VHF Light HF	£54.50
AR 33 AR40 De Luxe	£67.00
CD 44 Heavy duty	£108.00
Ham III Heavy duty	£156.00
KR 400 HF	£96.50
DR 7500 HF	£106.00
KR 9502A VHF	£46.00
Bearing CD 562	£7.80
Bearing RZ100 Stolle	£12.00
Incl. VAT & Delivery	

JUST TELEPHONE YOUR CARD NUMBER OR  
SEND YOUR CHEQUE WITH ORDER



01-864 1166 01-422 9585

Full range of Accessories Available  
PRICES SUBJECT TO CHANGE WITHOUT NOTICE

## ICOM

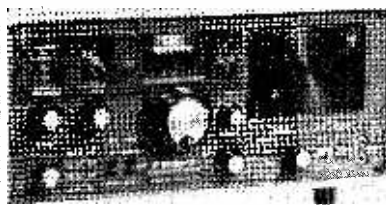
Full range in Stock

IC 701	£810.00
IC 701PS	£136.00
IC 211E	£530.00
IC 245E	£393.00
IC280E	£265.00
IC 240	£185.00
IC 202S	£205.00
IC 215	£169.00
ICV 402 UHF	£270.00
IC RM3	£94.00
IC SM2	£24.50
Inc. VAT & Delivery	

## MICROWAVE MODULES

MMT 144/Any IF	£88.00
MMT 432/Any IF	£109.00
MMT 432/28S	£133.80
MMT 432/144	£149.60
MMT 432/144R	£169.80
MMV 1152/Tripler Var.	£34.80
MMV 1296/23cm Tripler	£33.70
MMD 050/500 DFM to 500Mhz	£69.00
MMC 144/Any	£20.25
MMC 144/28 LO	£20.25
MMC 70/Any	£20.25
MMA 144 Preamp	£14.60
MML 144/100 Linamp	£139.50
MMC 28/144	£20.25
MMA 28 Preamp	£14.63
Inc. VAT & Post	

## General Coverage Communications Receiver FRG-7



### ● 0.5-29.9MHz Coverage with 10kHz Readout

The FRG-7 is a precision-built all-purpose communications receiver featuring all solid state construction for long life and high performance. Utilizing the Wadley Loop drift cancellation system, in conjunction with a triple conversion super-heterodyne circuit, the FRG-7 boasts high sensitivity along with excellent stability. It provides broadcast listeners with such features as a 3-position tone selector, an RF attenuator, and an automatic noise suppression circuit. For many years of satisfying reception, the FRG-7 is the receiver for you.

Supplied with SM module and free Securicor delivery £210.

## JAYBEAM

<b>2M Antennas</b>	
5Y/2M 5 el yagi	£9.66
8Y/2M 8 el yagi	£12.25
10Y/2M 10 el yagi	£26.13
PBM 10/2M parabeam	£30.75
PBM 14/2M parabeam	£37.55
5XY/2M 5 el x'd yagi	£19.50
8XY/2M 8 el x'd yagi	£24.10
10XY/2M 10 el x'd yagi	£31.76
PMH/2C circular harness	£6.15
Q4/2M 4 el quad	£20.17
Q6/2M 6 el quad	£26.70
D5/2M el slot	£17.00
D8/2M el slot	£22.20
UGP/2M ground plane	£8.58
SVMK/2M vertical slot	£5.30
HO/2M halo head	£4.20
HM/2M halo mast	£4.98
PMH2/2M 2-way harness	£8.10
PMH4/2M 4-way harness	£18.94

<b>70cm Antennas</b>	
PBM18/70cm Parabeam	£22.53
MBM48/70cm Multibeam	£26.45
MBM88/70cm Multibeam	£34.62
12XY/70cm 12 el x'd yagi	£35.52
PMH2/70cm harness	£6.93
PMH4/70cm harness	£14.35
C8/70cm 8db colinear	£46.03

## QM 70

Post & tax paid everywhere

70/28RC 4m-10m conv.	£18.46
144/28RC 2m-10m conv.	£18.46
432/28RC 70cm-10m conv.	£26.99
432/144RC 70cm-2m conv.	£26.99
434/28RC 70cm-10m conv.	£26.99
434/144RC 70cm-2m conv.	£26.99
432 + 434/28 two band 70cm-10m conv.	£32.33
432 + 434/144 two band 70cm-2m conv.	£32.33
144PA 10/40P10W in 40W out linear amp with preamp	£59.00
144PA2/45 2W in 45W out FM Amp with preamp	£70.25

## SMC MONITOR - SCOPE £79 inc. VAT DELIVERY FREE

## ANTENNA TUNING UNITS

Amtech 300 1.5/30 Mhz	£37.50
SST 1 Random Wire	
1.5-30Mhz	£24.40
SST 2 Ultra Tuner	
3.5-30Mhz	£33.50
SST 3 Mobile Match	£14.90
SST 4 ATU/SWR/PWR	
1.8-30Mhz 30w	£49.50
Dentron MT3000	
10-160Mhz 3kw	£365.00
Leader LAC 895 500w	
SWR/PWR/ATU	£103.00
Incl. VAT & Delivery	

## XTAL FILTERS

YF 90H12	£13.50
YF 30H350	£13.50
YF 90H2.4	£13.50

SECURICOR - HIRE PURCHASE - ALL EQUIPMENTS SERVICED

THE COMMUNICATIONS RECEIVER THAT HAS IT ALL . . .



**FRG-7**

The finest general-coverage synthesised communications receiver on the market

**£210.00 inc. VAT**

Also available from us with special 2m converter, all for just an extra **£17.00**



Phone for details of current stocks, both new and secondhand



**AMATEUR RADIO EXCHANGE**

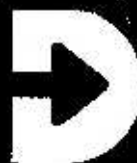
2 Northfield Road, Ealing, London, W.13.

Tel: 01-579 5311

Easy terms up to 2 years

Credit Card Sales by Telephone

Closed all day Wednesday



**DATONG ELECTRONICS LIMITED**

**MODEL D70**



**INSTANT MORSE PRACTICE**

Imagine the convenience of having your own source of accurate Morse for instant receiving practice anywhere at any time!  
The Datong MORSE TUTOR produces digitally a random stream of five character groups at variable speed and with variable extra spacing between letters. You can select letters or numbers or a mixture and unlike records or tapes, the sequence never repeats.  
Advanced CMOS circuitry gives long life from internal 9 volt battery (PP3). Supplied ready to use, only £37.00 plus VAT (£41.62 total)

**MODEL UC/1 UPCONVERTER**



**"GOOD GENERAL COVERAGE RECEIVERS COST A FORTUNE!"**

True . . . but if you already own a good quality ten-metre or two-metre receiver or transceiver you are only £118 away from a really high performance general coverage receiver. Just add the magic ingredient, MODELUC/1 from DATONG!  
You get full coverage in thirty synthesised 1 MHz segments from 60kHz (Rugby MSF) to 30MHz, at high sensitivity and with all the facilities and high performance of your existing rig!  
For good measure UC/1 also adds two-metre coverage to ten-metre receivers.

Power requirements: 12v. 120 M.A.  
Price: £105.00 plus VAT (£118.13 total)

**MODEL AD 170 ACTIVE ANTENNA**



**"A GOOD RECEIVER DESERVES A GOOD AERIAL"**

For sensitive reception right through from MSF at 60kHz to Band 1 TV DX around 50MHz, without the need for an antenna farm, MODEL AD170 has no adjustments and needs no external tuning units.  
Although only three metres long, MODEL AD170 has the same directional properties as a full size dipole,

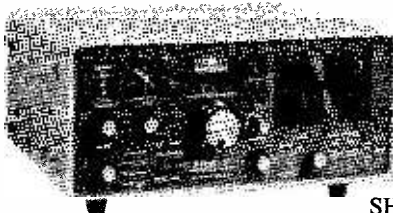
even at 60kHz  
Price: £29.50 plus VAT (£33.19 total) Special price complete with mains power unit: £33.00 plus VAT (£37.13 total)



Full data sheets available on request.

Contact: DEPT: P.W.7, DATONG ELECTRONICS LTD., Spence Mills, Mill Lane, Bramley, Leeds LS 13-3HE, Tel: (0532)-552461

**FRG7 Communications Receivers Ours are Better . . .**



**... Why?**

**£210 inc vat\*** and Securicor delivery

**PLUS FREE: HEADPHONES SHORT WAVE AERIAL**

SAE FOR COLOUR BROCHURE

\*Price correct at 8th May.

We've been selling this receiver now for more than two years and, as value for money, its pretty difficult to beat. It's been our pleasure to introduce many hundreds of customers to the fascinating hobby of short wave listening and as the first step to obtaining their amateur radio transmitting licence. So why are our FRG7's better?

Well, as enthusiasts as well as retailers, we're pretty fussy on the receiver performance and with mass production, limited factory alignment time and a journey of 6,000 or so miles, the untested, boxed item may not be giving its best performance.

That's why every unit we sell is first checked in our well equipped service department for sensitivity, stability and mechanical soundness. In fact, the test equipment we employ for this task alone costs over £5,000! Once we are satisfied that the receiver performs to specification, we despatch to you via Securicor for safety and speed. Maybe we are a little more particular than most retailers, but that way we tend to get more satisfied customers.

For those of you with Barclay or Access cards you need simply telephone us, quoting us your number and address, and your receiver will be despatched by return.

The Complete Ham Radio Centre:-

**WATERS & STANTON ELECTRONICS**

31, SPA ROAD, HOCKLEY, ESSEX. TEL. 03-704 6835

Opening hours Mon-Sat. 9 a.m.-5.30 p.m. Exc. Wed. 1 p.m.

**S.E.M. BOX 6, CASTLETOWN, ISLE OF MAN.**

TEL. MAROWN (0624) 851277



**JOIN THE THOUSANDS OF OTHERS WHO HAVE IMPROVED RECEPTION SENTINEL STANDARD FET 2 METRE PRE-AMPLIFIER**

Ultimate performance pre-amp with a 1dB N.F. selected FET and 18dB gain. 12V nominal (9-15V) at 5mA.

**£10.85.** 70cms, Satellite and Marine Band also in stock.

**SENTINEL AUTO 2 METRE PRE-AMPLIFIER**

Same performance as above with an r.f. switch so that the unit can be left in the tranceiver aerial lead and transmitted through.

**£17.35.**

**SENTINEL H.F. WIDEBAND PRE-AMPLIFIER**

Covers 2-40MHz. 15dB gain. Ideal for receivers where gain falls off above 20 metres. Weak signals e.g. OSCAR. When used with a short aerial acts as an ACTIVE aerial.

**£9.00.**

**SENTINEL AUTO H.F. PRE-AMPLIFIER**

Same as above but with a relay for transmitting through, or to give straight through operation when switched OFF.

**£12.94.**

For further details on our S.E.M. Z Match A.T.U., Power Amplifier/Pre-Amplifier, Converters and Transverters do ring or write.

ACCESS/BARCLAYCARD/VISA or C.W.O. All units in stock. 12 months guarantee. Prices include VAT and delivery.



# C.B. ELECTRONICS

UNIT 3, 771 ORMSKIRK ROAD, PEMBERTON, WIGAN, WN5 8AT  
Telephone: Wigan (0942) 216567

THE BEST IN THE NORTH-WEST

The Communications Receiver that has it all

## FRG-7

£210.00 incl. VAT + £2.00 p&p/ins.

Also available from us with Microwave Modules converter all for just an extra

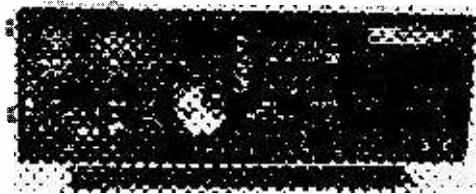
£20.25

All orders dealt with promptly by Mr. Jack Stephens

G3LRB

# Western

THE COMMUNICATIONS SPECIALISTS  
EVERYTHING FOR THE RADIO AMATEUR



## YAESU FRG-7000

£329

The New Performance Standard in Communications receivers!  
A high quality general coverage receiver for the discerning SWL and a worthwhile addition as a second receiver for the transmitting amateur.  
How often have you wanted a true general coverage receiver of this calibre but been put off by the price.

The FRG-7000 is a cost-effective answer to your prayers.  
★ Full and continuous coverage 250kHz to 29.999MHz ★ Operation on SSB/AM/CW ★ Switched selectivity and fine tune control for maximum efficiency on SSB ★ Accurate digital frequency readout to 1kHz, using advanced CPU techniques ★ Built-in digital clock with facilities for setting two time zones (GMT and local), selected at the flick of a switch ★ CPU controlled timing clock switches receiver on or off at preselected times; also enables control of external unit such as tape recorder ★ Wadley loop circuitry for minimum drift and maximum stability ★ Simple and accurate frequency selection; easy-to-use colour coded bandswitch and preselector.

Send large SAE for further details of this and other equipment – or use our Answerphone after hours.

## Western Electronics (UK) Ltd

HEAD OFFICE (All Mail/Enquiries)

FAIRFIELD ESTATE

LOUTH, LINGS, LN11 0JH

Tel: Louth (0507) 4955/6

ACCESS  
VISA  
DINERS CLUB  
H.P.

## SOUTHERN VALVE CO.

Telephone 01-440/8641

SECOND FLOOR, 8 POTTERS ROAD,  
NEW BARNET, HERTS.

CALLERS BY APPOINTMENT MINIMUM ORDER 80p

Some leading makes available. VAT invoices issued on request.  
BVA valves do NOT carry any guarantee, Enquire prices.

Some Mullard Mazda available at extra cost.

NOTE: PLEASE VERIFY CURRENT PRICES. Correc. 82p at time of going to press.

DY86/7 55p	EF86 55p	GY501 1.40	PCF802* 95p	PL36 1.00	PV500A 1.80
DY802 55p	EF89 75p	PC86 80p	PCF805 1.75	PL81A 70p	UBF89 50p
ECC81 60p	EF183 55p	PC88 80p	PCF806 75p	PL83 45p	UCC85 55p
ECC82 63p	EF184 55p	PC97 75p	PCF808 1.75	PL84 50p	UCH81 60p
ECC83 63p	EH90 60p	PC900 65p	PCL82 65p	PL500 1.20	UCL82 75p
ECC85 63p	EL34 2.00	PCC84 35p	PCL83 1.00	PL504 1.00	UCL83 95p
ECH81 85p	EL84 82p	PCC85 53p	PCL84 70p	PL508 1.75	UF89 55p
ECH84 85p	EL509 1.30	PCC89 50p	PCL805 70p	PL509 1.30	UL41 95p
ECL80 52p	EM84 90p	PCC189 55p	PCL85 85p	PL519 1.30	UL84 90p
ECL82 65p	EY86-7 48p	PCF80 80p	PCL86 85p	PL802* 2.20	UY85 60p
ECL86 72p	EY500A 1.60	PCF86 80p	PCL200 1.45	PY88 90p	U25 60p
EF80* 42p	EZ80 43p	PCF200 1.60	PD500 2.30	PY800 70p	U26 60p
EF85 45p	EZ81 45p	PCF801 60p	PFL200 1.35	PY801 70p	

We offer return of post service. CWO ONLY. No C.O.D. MANY OTHERS  
Post free over £25. £6 to £25—80p (max.) AVAILABLE

Items in stock at time of going to press but subject to possible market fluctuations if unavoidable. Min. order 80p.  
STOP PRESS! One valve post 15p, each extra valve 6p. Large valves 2p each extra.  
STOCKISTS UHF WIDE BAND MAX 75p. LISTS AND ENQUIRIES. S.A.E. PLEASE!  
"MICRO" AERIALS ALL PRICES INCLUDE VAT @ 12½%. £240/41, 70p each  
Size 1½" x 3" only £3.70p incl.  
ENQUIRIES WELCOMED FROM TRADE and RETAIL (same prices)

# Can YOUR Antenna do all this?

A SMALL SELECTION FROM OUR HUGE FILE OF TESTIMONIAL LETTERS ON THE JOYSTICK VARIABLE FREQUENCY ANTENNA (5—30MHz).

G4DJY's COPY LOG shows 68 North Americans worked in the ARRL W/VE contest.

W6TYP worked WA6JPR over hundreds of miles on 40m. using the JOYSTICK VFA and MICROWATTS "equivalent to 1,000,000 MILES PER WATT"—A WORLD RECORD—we can supply conclusive evidence!

"I have used Rhombics,  $4 \times \frac{1}{2}$  waves in phase, centre fed dipoles, etc., but the success I have had with the V.F.A. has been AMAZING... only 20ft. high... in front of my mobile home, I NEVER RECEIVE LESS THAN R7 AND MOSTLY R9 ON CWDX WORKING—Bob Green, SUKIG/G3APH, W.B.E., W.A.C. Phone and CW.

W70E, U.S.A. Government Electronics Engr. (ret'd.), claims "VFA 5ft. below ground, same as dipole, elevated 15ft., one "S" point UP on dipole."

IN USE BY AMATEUR TRANSMITTING AND SWL STATIONS WORLD-WIDE AND IN GOVERNMENT COMMUNICATION

## JOYSTICK ANTENNAS

### SYSTEM "A"

£41.00

200 w. p.e.p.  
OR for the SWL

### SYSTEM "J"

£47.95

500 w. p.e.p.  
(Improved "Q" on receive)

## "PACKAGE DEALS"

COMPLETE RADIO STATIONS FOR ANY LOCATION

All packages include the JOYSTICK VFA (System "A") 8ft feeder, all necessary cables, matching communication headphones. Delivery Secured our risk. ASSEMBLED IN SECONDS. You SAVE £14-15 on each PACKAGE DEAL!

PACKAGE No. 1. Features R.300 Rx.

£222.00

PACKAGE No. 2. Features FRG7 Rx.

£237.45

PACKAGE No. 3. Features SRX30 Rx.

£212.45

PACKAGE No. 4. Our "Rolls"—Rx. FRG7000.

£402.00

## RECEIVERS ONLY

R.300	£184.50	FRG7	£199.95
SRX 30	£174.95	FRG 7000	£364.50

All prices are correct at time of going to press and include VAT at 12½% and carriage.



Just telephone  
your card number  
Phone 0843 62535 (ext. 5)  
(or 62839 after  
office hours)



or write for details, send 9p stamp



5, Partridge House, Prospect Road, Broadstairs, CT10-1LD. (Callers by appointment).

# Every month is the right frequency

When you're building a major project from a PW design, you want to be sure of getting every issue in sequence! Use this order form for a year's supply to be posted to you.

ANNUAL SUBSCRIPTION RATES (including postage and packing) U.K. £10.60. Overseas £10.60.



## practical WIRELESS SUBSCRIPTION ORDER FORM

Please send me Practical Wireless each month for one year. I enclose a Sterling cheque/international money order for..... (amount).

PLEASE USE BLOCK LETTERS

NAME Mr/Mrs/Miss \_\_\_\_\_

ADDRESS \_\_\_\_\_

POSTCODE \_\_\_\_\_

Make your crossed cheque/MO payable to IPC Magazines Ltd., and post to: Practical Wireless, Room 2613, King's Reach Tower, Stamford Street, London SE1 9LS.

## NUMBERS WITHOUT TEARS

Continued from page 37

should not be taken to Vss via any wire connecting the c.m.o.s. to Vss. When Tr21 is switching a full 140mA, some very strange arithmetic may be evident from the counters if some of the wiring to Vss is common! Anyone contemplating a p.c.b. design is especially warned of this point.

In order to make the touch plate as mechanically simple as possible, a 6BA cheeseheaded bolt was mounted on (but insulated from) the metal front panel and recessed so that the head was flush with the panel. The entire box was earthed and connected to the mains transformer screen, and connected to Vdd via R26 (see Fig. 6).

In this way, a finger placed on the head of the bolt must also touch some of the surrounding painted panel, and this provides sufficient base current to operate the Darlington pair, Tr1 and Tr2. The instrument is thus electrically safe while providing 100 per cent reliable touch operation of the swept-frequency clock.

## Fault-finding

It may be found that, on closing S1, the clock does not run. Decreasing R4 to 82k $\Omega$  will solve the problem. Similarly, in the swept-frequency mode, it may be found that the clock is still "ticking over" even when C2 is discharged. Increasing R1 to 47k $\Omega$  should stop the clock.

These problems arise because of the 5% tolerance resistors used to derive quite a precise voltage at point A (Fig. 2). The author has not found this to be a problem, but theory shows that it is quite possible.

The mains switch, S5, is a d.p.d.t. slider switch mounted on the side of the box adjacent to the top of the front panel. It is thus normally out of sight, reducing the temptation to tamper with it.

## Summary

This instrument is designed to appeal to children of 2½ years upwards. The visual effects produced by it are pleasant and interesting. There are switches to use, buttons to press, a knob to turn, and a touch-controlled flywheel display. It aids in the teaching of rapid number recognition and matching, without obviously being a "teaching" toy.

It can also be used as a die for other board games when the numbers themselves have become of secondary importance.

With a little judicious help, the child will soon grasp the cyclic nature of counting in the decimal system—the progression from single-digit numbers to dual-digit numbers, the second (tens) digit being the number of complete revolutions of the flywheel, the first (units) digit being the number at which the flywheel stops. ●

# INEXPENSIVE AF electronic voltmeter

M. TOOLEY BA G8CKT

Most multi-range meters offer a rather mediocre performance on the a.c. voltage ranges. The Avo 8 MkIV, which has long been one of the writer's favourite test instruments, exhibits an internal resistance of only 250 ohms on the most sensitive (2.5V) a.c. range. This is clearly very unsatisfactory regarding sensitivity and circuit loading when measurements are to be made on today's electronic circuits. The instrument described was therefore developed as a replacement for the Avo on the a.c. voltage ranges and it offers the advantages of a  $1M\Omega$  constant input impedance on all ranges and a frequency response which is substantially flat from 10Hz to well over 100kHz. Six voltage ranges are provided, with a maximum sensitivity of 100mV r.m.s.

The unit uses low cost readily available components and can be built for an outlay of around £10. Battery consumption is minimal and a small 9V battery will provide for many hours of operation.

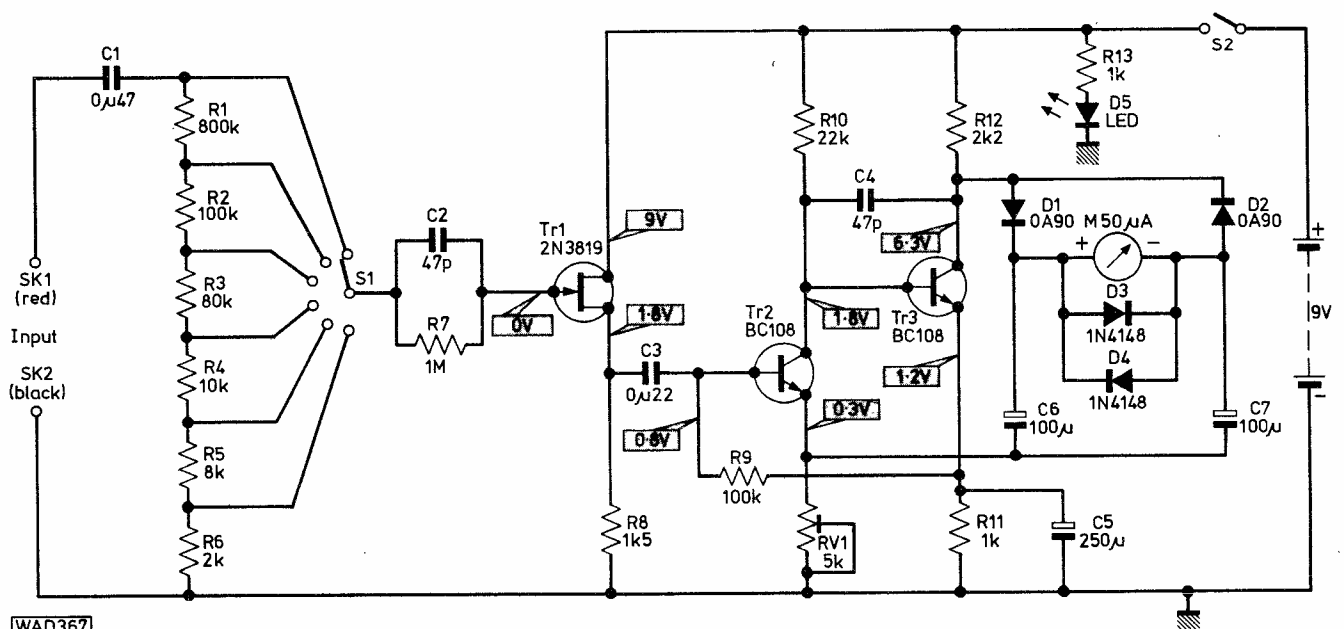
## Circuit Operation

The a.c. voltage to be measured is applied to a switched potential divider, R1 to R6. The range is selected by S1 and capacitor C1 is used to remove any d.c. level present on the input voltage. R7 provides a measure of protection for the field effect transistor, Tr1, and C2 provides a degree of high frequency compensation. Tr1 operates as a

source follower and exhibits an extremely high input impedance (greater than  $100M\Omega$ ) thus minimising the loading effect on the potential divider. Tr1 provides a voltage gain of slightly less than unity, the output voltage being developed across R8.

Silicon transistors, Tr2 and Tr3, form a two-stage high-gain amplifier. Both transistors are operated in the common emitter mode. The amplifier incorporates three feedback loops which help to ensure unconditional stability, a wide operating bandwidth and a high degree of linearity. Stabilisation of the transistor bias is provided by means of direct current feedback from the emitter of Tr3 to the base of Tr2 using R9. C4 provides negative feedback in the second stage of the amplifier. This helps reduce any tendency to oscillation at high frequencies and also ensures that the frequency response "rolls-off" beyond a few hundred kilohertz. VR1, the emitter resistor of Tr2, is used to set the overall voltage gain by controlling the amount of negative feedback present.

Germanium diodes, D1 and D2, from a voltage doubler rectifier arrangement. The arrangement of C6 and C7 provides a means of reducing the surge current through the meter movement during switch-on. Silicon diodes, D3 and D4, provide a "last ditch" protection for the meter movement by offering a shunt path to current when a 600mV voltage drop of either polarity appears at the meter terminals; this corresponds to an eight times overload.



WAD367

Fig. 1: Circuit diagram of the a.f. electronic voltmeter

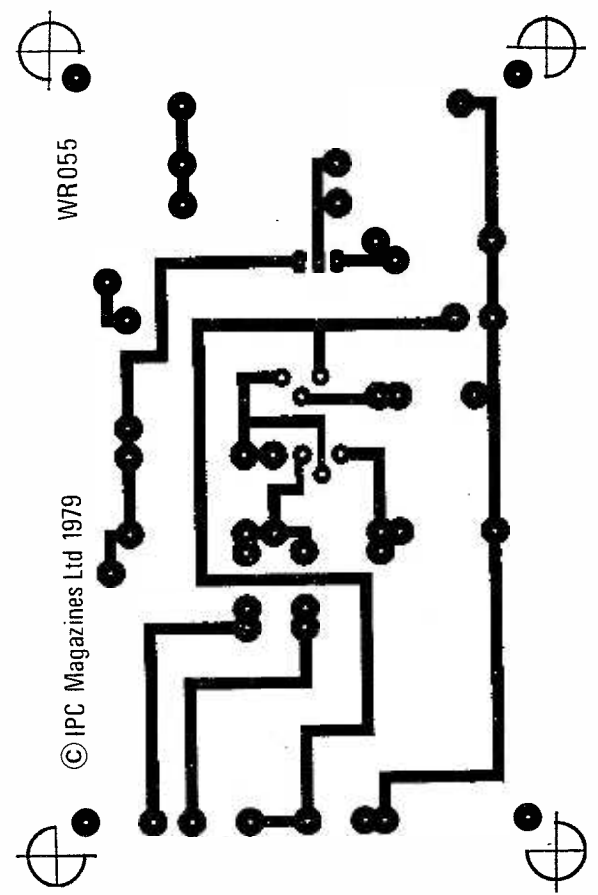
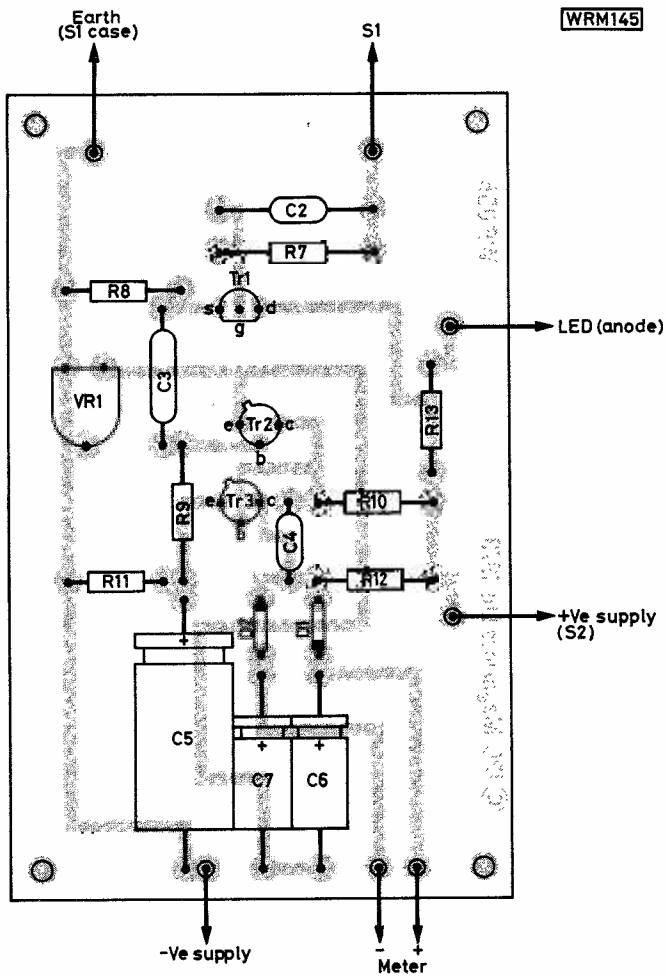
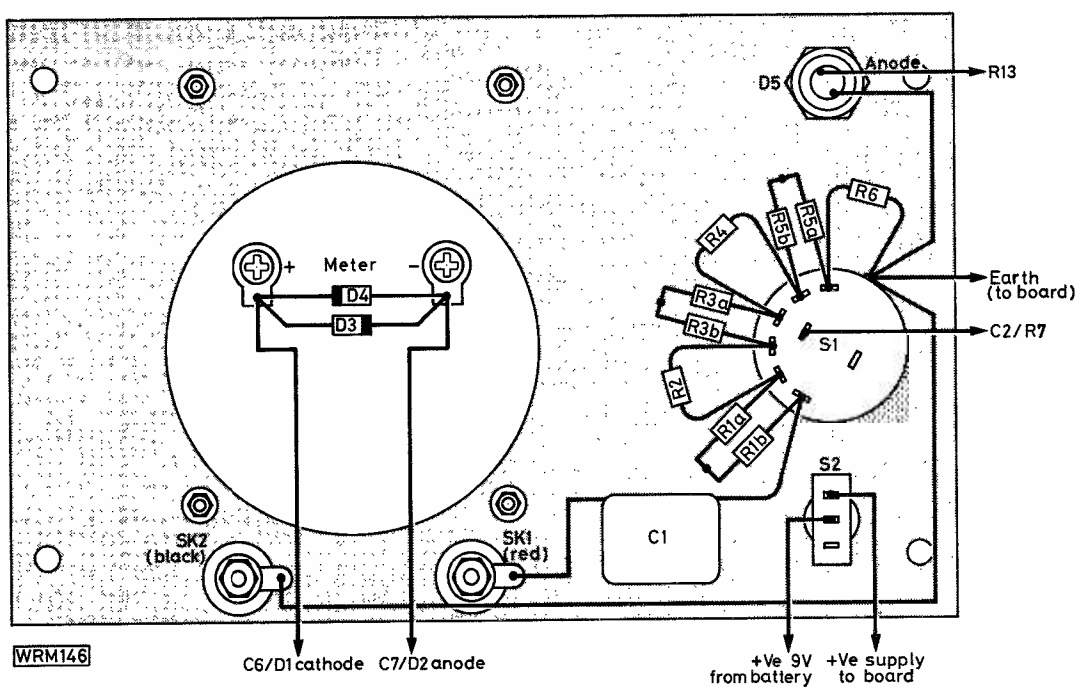


Fig. 2: (above left) The component overlay for the p.c.b. version of the a.f. voltmeter

Fig. 3: (above right) The copper track layout of the p.c.b. shown here full size

Fig. 4: (below) The wiring and layout of the front panel. The resistors on S1 are soldered directly to S1 tags and the end of R6 is soldered directly to the body of the switch





**by Eric Dowdeswell G4AR**

The problem of identifying correctly an amateur callsign can present a problem to anyone unaccustomed to listening on the amateur bands. It often seems to be a jargon incapable of being decoded! The answer is not always obvious even if the station is in the clear, but if it is being clobbered with QRM then there really is a problem.

Although there is an ITU phonetic alphabet, given below, it is seldom adhered to by amateur operators who seem to use part of this alphabet and part of their own invention. In a perfect phonetic code the word used to represent a letter, such as "alfa" for A and "bravo" for B, must be neutral, one without any particular connotation and generally understood world-wide.

The approved code starts off all right but then uses "Charlie" for C, although personal and place names ought to be avoided since these can be misleading, especially in amateur use, where station locations and operator's names are constantly being exchanged.

A	Alfa	J	Julieta	S	Sierra
B	Bravo	K	Kilo	T	Tango
C	Charlie	L	Lima	U	Uniform
D	Delta	M	Mike	V	Victor
E	Echo	N	November	W	Whiskey
F	Foxtrot	O	Oscar	X	X-Ray
G	Golf	P	Papa	Y	Yankee
H	Hotel	Q	Quebec	Z	Zulu
I	India	R	Romeo		

There are several words in the phonetics list which I do not agree with personally, but the problem is to find suitable alternatives.

What causes most confusion however is the amateur's own version of the phonetic code, especially the use of "George" for the G in UK callsigns, particularly where the operator is called "Fred"! Might not matter too much among lads and nets on 2m or u.h.f., but used on the DX bands can only make identification of a callsign all that more difficult.

On numbers, the recommended procedure is to use the word "figure" before any number, to indicate that a figure is to follow, thus "Golf, figure four, alfa romeo". This can only help but it is seldom employed by amateurs unless

they have been trained on a military or commercial network of some kind. The use of phrases like "Red Hot Momma" for RHM in the suffix of a call may be amusing to some but meaningless to the amateur with little or no knowledge of the English language.

I appreciate that this little homily will have no effect whatsoever, but I hope it will serve to demonstrate to the innocent listener to the amateur bands that there is little or no "system" with amateur phonetics. Initially, it is better to write down in full what is heard and then the callsign ought to become apparent, aided by a good list of prefixes, but, as ever, experience will prove the best teacher.

## Here and There

Well known to this column for his SSTV reports in the past, **Paul Barker** of Sunderland is now busy on c.w. and s.s.b. with his new callsign G4HPS, having started off with G8OVD. Paul's first s.s.b. QSO was with FG7AS/FS7 on 10m, which is enough to make anyone's mouth water! He uses a TS520S transceiver to an 18AVT multiband vertical, plus an FT221R on 2m to an indoor 4-element quad. Paul managed to get QSLs from all six continents for SSTV reports before getting his ticket.

In Southport, **Peter Hawks** has got going with a DX160 but, like others, found the manual's calibration chart did not match up to reality. He's talking about a digital readout unit but I think he would be better off initially with a crystal calibrator. **Philip Charlesworth** (Southport) has got going with an outside aerial which he finds "staggering" after his indoor one. As he lives on the only hill in Southport he will find the advantage of much greater importance when he gets his ticket in due course. Philip mentions the PA0AA transmissions on 3750kHz for amateurs, followed by slow Morse transmissions. Details of the latest schedules would be appreciated.

**Peter Lucas** of Newport, Salop, has dumped his R207 and settled for an AR88 but needs to rewire a lot of it. A circuit or manual would be appreciated at 3 Queen's Drive if anyone can help. Pete's been hearing plenty on 10m of late with only a 16ft vertical. In Chiswick, London, **George Gizebieniak** BRS 41733 has bought an old SX24 receiver for £20 and found it worked fine on the 10m band, with converters for 2m and 70cm.

An appeal from **Jim Timoney** ZS1TK for a spare for his KW2000 transceiver, not having had any success with the descendants of KW in this country. He wants the 3-gang tuning capacitor on the pre-selector, part number C40 on the circuit diagram. Any offers of help to me direct please. Another reader in need of help is **M. David** of 46 Pentathlon Way, Cheltenham, Glos, who has got hold of a Star SR550 for just a £1! It works fine but he'd like a manual for copying and return. He's heard an HK on the 10m band and threatens to send in some logs in future.

# Come to the Great British Electronics Bazaar

"ALLY PALLY"  
Thursday-Saturday  
28th-30th June.

# FREE!

(AND WAIT TILL YOU SEE OUR SEMINAR PROGRAMME)

## The Great Big 'Bazaar' for the hobbyist, amateur, and small buyer.

There's never been an event like this before.

First, the very scale of the exhibition is huge. Virtually all the companies you're used to hearing about (and buying from) will be there. Companies like Fluke and Gould showing off their low cost multimeters; smaller but important manufacturers like Lektrokit and Chromasonics; and even the R.S.G.B. who will have a station 'on the air' throughout the 'Bazaar.'

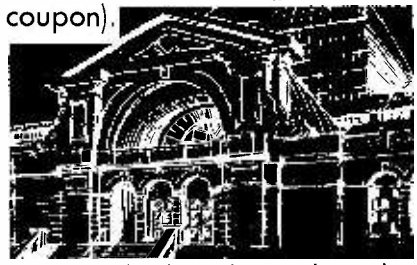
Then there are the suppliers of low-cost components and equipment. Plus almost all the journals in the business. Plus, oh, so many more interesting people catering for your needs (including computer kits!).

And you get in FREE if you send an s.a.e. (see alongside).

## The Seminars.

If you would like to hear just what the experts have to tell you, a *season ticket* for three whole days can be yours for only £1.50.

Send an s.a.e. and we'll give you all the information (just use the coupon).



Our home for three days - Alexandra Palace, where it all began. (Our seminars are sited alongside the organ - for those who know this unique hall.)

## When?

Between Thursday to Saturday 28th-30th June.

You'll be in very good company; some ten thousand enthusiasts - and over a hundred stands displaying all that you want to see.

## You'll come?

Eyes down for the appropriate coupon.

## ADMISSION FREE

(or 50p on the door).

I'd like to see 'The Bazaar' FREE. I enclose a large-ish s.a.e. and will receive by return a ticket and full information.

Name: .....

Address: .....

.....  
.....

Post to: 'The Bazaar,' 34-36 High Street, Saffron Walden, Essex. If you'd rather just pay 50p, go to Wood Green Tube Station and take a bus (every 3 minutes) to Alexandra Palace. We're open 10 am-6 pm daily, Thursday to Saturday, 28th-30th June.

## SEMINAR TICKETS

£1.50.

I'd like to sit in at your seminars. (And like a free ticket to the exhibition.) Send me full details, please, and I enclose a large-ish s.a.e.

Name: .....

Address: .....

.....

.....

Post to: 'The Bazaar,' 34/36 High Street, Saffron Walden, Essex.



Our Symbol. We think it tells you just what the Bazaar is all about.

**TRANSMITTER RECEIVER MK. 123** very compact Army unit for use in range 2.5 to 20 Mc/s receiver section 7 valves inc RF stage & BFO provides O/P for 4 K phones 3 bands with direct cut 2.5 to 5, 5 to 10 & 10 to 20Mc/s. Tx section 2.5 to 20Mc/s in 3 ranges O/P 15/25 watts over range C.W. only as crystal osc & 5B254 P.A. will match into the following loads 25, 100, 500 & 1500 ohm as int tune up meter, reqs crystals type FT2543 in range 2.5 to 10 as int morser key with plug for ext key as int mains P.U. for 110/200/250v overhaul size 30x9x14cm weight 4kg also supplied with ext inverter unit for use on 12v DC. Supplied in clean condition with 80 page handbook inc circs etc. Price £54.

**CABLE FAULT LOCATORS** standard mains operated unit contains CRT type DG7-5 2½" 16 valves plus 2 Rect, slow motion dial, large number of misc parts in transit container £25.

**CONTROL BOX** aircraft radio sel box contains 4 min 1p c/o & 3 2p c/o miniature toggle swts, 2 small amp units etc £2.30 ea or 2 for £4.

**AERIALS** special purpose blade aerials precision made with BNC sk at base, length 6½ or 10" from top of base £1.75 either type.

**AERIAL** dipole overhaul length 50½" with centre moulded fairing 2¾" dia with BNC sk conn these contain int loading transformer were used on 20/50Mc/s or if this is removed can be used on nom 125Mc/s £2 ea or 2 for £3.50.

**BLOWERS** heavy duty single ended for use on 230/250v AC outlet 2½x3½" fix flange 5" sq req ext cond 2uf new boxed £10.80.

**VARIAC UNITS** for use on 180 v 500c/s dual gang rated 15 amps per section these can be used on 50c/s if the I/P voltage is limited to 50, these can be used to provide var O/P from L.V. trans or across 200/250v taps of H.D. trans to provide var O/P good cond with knob £13.

**HELIPOT DIALS** standard 10tr type to fit 3/8th bush approx 1¾" dia £1.50 ea or 10 for £12.50 with 100K kelipot £2.

**SLOW MOTION DRIVES** 9:1 with ¼" shaft with knob & skirt also 2.5 or 25K 360' pot ex new equip £2.30.

**PANEL METER** edgewise type FSD 100-0-100 Ua scale 100-0-100 size front 2½x5/8th 3½" deep new £2.75.

**U.H.F. T.V.** tuners manual tuned type transis with circ new £2.50.

**PHOTO TRANSIS** type FPT120 end viewing high sensitivity with data new 60 p ea 2 for £1.

**PANEL METERS** assorted types mostly ¾" dia types all moving coil new 4 different for £4.

**TEST SET DEVIATION** freq 65 to 75Mc/s with int crystal check at 70Mc/s, as 1 Ma meter, slow motion dial ass, atten etc no details thought to be part of Microwave Link test equip 200/250v I/P good cond £17.

**DYNAMOTORS** small American pattern I/P 24v DC o/p 250v at 60Ma suit command sets good cond £3.50.

**RECTIFIER UNITS** ex Army unit 200/250v I/P as dual DC O/Ps of 12v at 3 amps can be connected for 12v 6a or 24v 3a will do 4 amps okay for battery chargers in steel case good cond with circ £10.80.

**AUDIBLE WARNING DEVISE** 1½" dia will work on 6/12v DC solid state gives tone about 800c/s takes 100Ma at 12v new £1 ea 2 for £1.70 or 10 for £7.50.

**FILM RECORDERS** special aircraft 16mm film recorders for use on 24v DC with cassette good cond in transit container £16.

**FANS** extractor type fans for 230v 50c/s Adm Patt cont rated mounting flange 7x8" with front guard 7" deep. new boxed £7.50.

**TEST SET** contains meter 5-0-5 Ua scale linear 5-0-5 3" dia complete in neat carrying case size 10x8x7½" good cond meter tested £8.50.

**DOME BELLS** 11½" dia 6" deep chrome with red base American made these are spring powered with solenoid control were used for supply failure warning, will adapt to most control voltages will ring when supply removed, new some blemishes due to storage £25.

**METER UNIT** 0 to 40 amps DC with shunt 2" dia m.c. flush mt new £3.

**MANUALS & CIRCUIT DIAGRAMS** we can supply these for ex M.O.D. equipments, test gear etc.

*Above prices include Carriage & VAT.*

Goods ex equipment unless stated new.  
S.A.E. for List 22 or enquiry.

## A. H. SUPPLIES

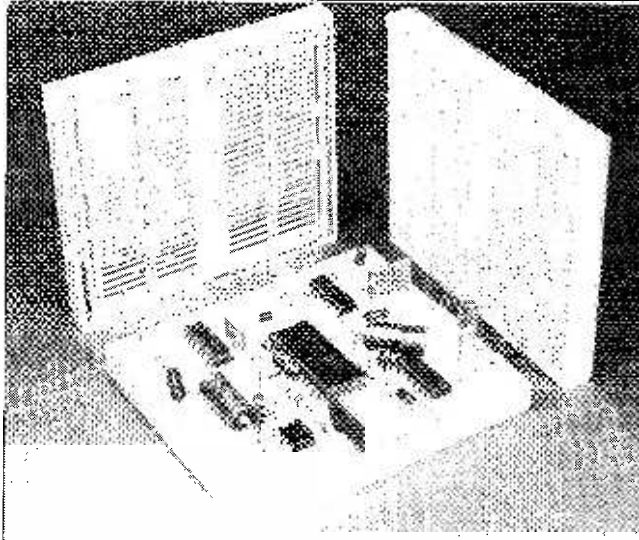
122, HANDSWORTH RD. SHEFFIELD S9 4AE

Phone: 444278 (0742)

## THE NEW EUROSOLDERSUCKER

This 195mm long, all metal, high suction, desoldering tool with replaceable Teflon tip enables removal of molten solder from all sizes of pcb pads. Primed and released by thumb, it incorporates an anti-recoil system and built in safety guard. Only £6.80 inc. VAT & P.P.

## THE UNIQUE EUROBREADBOARD



Logically laid out to accept both 0.3" and 0.6" pitch DIL packages as well as Capacitors, Resistors, LED's, Transistors and components with leads up to .85mm dia.

500 individual connections in the central breadboarding area, spaced to accept all sizes of DIL package without running out of connection points, plus 4 Integral Power Bus Strips around all edges for minimum inter-connection lengths.

**All connection rows and columns are now numbered or lettered enabling exact location indexing.**

Double-sided nickel silver contacts for long life (10K insertions) and low contact resistance (<10m. ohms).

Easily removable, non-slip rubber backing allows damaged contacts to be rapidly replaced.

No other breadboard has as many individual contacts, offers all these features and costs only £5.80 each or £11.00 for 2 — inclusive of VAT and P.P.

Snip out and Post

David George Sales, r/o 74 Crayford High St., Crayford, Kent DA1 4EF

David George Sales  
r/o 74 Crayford High Street,  
Crayford, Kent, DA1 4EF.

PW779

Please send me 1 EuroSolderSucker @ £6.80  Please  
or 1 EuroBreadBoard @ £5.80  Tick  
or 2 EuroBreadBoards @ £11.00

(All prices include VAT and P.P., but add 15% for overseas orders).

Name .....

Company .....

Address .....

.....

Tel. No. ....

Please make cheque/P.O.'s payable to David George Sales

**BELLS AND SIRENS**  
 CARTERS SIREN £5.95  
 INDUSTRIAL SIX INCH BELL £8.95  
 PRICES INCLUSIVE.  
 SEND CHEQUE, P.O. to:  
**CWAS ALARM**  
 11 Denbrook Walk,  
 Bradford BD4 0QS




6 to 12v D.C.      12v D.C.  
 SAE for full price list of Professional Burglar Alarm Equipment.

**RARE DX UNDER QRM?**  
**DIG IT OUT** from tiring whistles and cw interference with a Tunable Audio Notch Filter, 350-5000Hz, 40dB notch, speaker amplifier, £8.90. MORE DX.  
**MISSING RARE DX?** Get SPOT-ON with a Crystal Calibrator, 1MHz, 100.25KHz markers, £13.80.  
**SIG. GEN.**, 10Hz-200KHz, logic and variable sine or square wave outputs, £10.80, linear frequency scale.  
**PROGRAMME YOUR OWN** tunes on a MUSICAL DOORBELL, new tune each day, just needs bell transformer and speaker, £19.50, great fun.  
*Giro 21-923-4000. Each easy-assembly kit includes all parts, printed circuit, case, postage etc. money back assurance so SEND off NOW.*

**CAMBRIDGE KITS**  
 45 (PU) Old School Lane, Milton, Cambridge.

**BULK PURCHASE.** Battery intercoms to clear. 50ft. lead & volume control £6.95 pair. J. HARMSWORTH (PW2) 34 Victoria Street, Eccles, Maidstone, Kent.

**KEEP ONE HANDY IN THE WORKSHOP**



The unique aerosol treatment for minor burns and scalds. From Boots and other Chemists.

**BUILD** you own 771B type Metal Detector, details SAE 117 Horton Road, Brighton, BN1 7EG.

# Mail Order Protection Scheme

The Publishers of *Practical Wireless* are members of the Periodical Publishers Association which has given an undertaking to the Director General of Fair Trading to refund monies sent by readers in response to mail order advertisements placed by mail order traders, who fail to supply goods or refund monies owing to liquidation or bankruptcy. This arrangement does not apply to any failure to supply goods advertised in a catalogue or in a direct mail solicitation.

In the unhappy event of the failure of a mail order trader readers are advised to lodge a claim with *Practical Wireless* within three months of the date of the appearance of the advertisement, providing proof of payment. Claims lodged after this period will be considered at the Publisher's discretion. Since all refunds are made by the magazine voluntarily and at its own expense, this undertaking enables you to respond to our mail order advertisers with the fullest confidence.

For the purpose of this scheme, mail order advertising is defined as:—

'Direct response advertisements, display or postal bargains where cash had to be sent in advance of goods being delivered'. Classified and catalogue mail order advertising are excluded.

**ORDER FORM** PLEASE WRITE IN BLOCK CAPITALS

Please insert the advertisement below in the next available issue of *Practical Wireless* for ..... insertions

I enclose Cheque/P.O. for £ .....

(Cheques and Postal Orders should be crossed Lloyds Bank Ltd. and made payable to Practical Wireless).


NAME.....

ADDRESS .....

Send to: Classified Advertisement Manager

**PRACTICAL WIRELESS,**  
**GMG, Classified Advertisement Dept., Rm. 2337,**  
**King's Reach Tower, Stamford Street,**  
**London SE1 9LS      Telephone 01-261 5846**

Rate  
 22p per word, minimum 12 words. Box No. 60p extra.

Company registered in England. Registered No. 53626. Registered office: King's Reach Tower, Stamford Street, London SE1 9LS



# WATFORD ELECTRONICS

Continued from opposite side)

<b>CODES</b>		<b>*BRIDGE RECTIFIERS</b>	<b>SPEAKERS</b>
A119	15	1A/50V	80.0-3W
A129	25	(plastic case)	2" x 2"
A130	25	1A/50V	2" x 2"
A215	15	1A/100V	80.0 2.5"
A100	10	1A/200V	64 Q 2.5"
A100	10	1A/400V	80.5W
A100	24	1A/600V	7" x 4"
A126	12	2A/50V	80.3W
A127	12	2A/100V	6" x 4"
A1033	148*	2A/200V	<b>TRIACS*</b>
A9	75	2A/400V	3A/100V
A47	12	4A/100V	3A/100V
A70	12	4A/200V	8A/400V
A79	12	4A/400V	8A/500V
A81	15	4A/800V	8A/800V
A85	12	6A/100V	12A/400V
A90	6	6A/200V	12A/800V
A91	6	6A/400V	16A/100V
A95	8	8Y184	16A/400V
A200	9	VM18DIL	25A/800V
A202	8		40669 95
A914	4	<b>ZENERS</b>	
A916	5	Rng. 2V7-39V	
A400/2*	5	400m W	9p
A400/3*	6	Rng. 3V3-33V	
A400/5*	6	1.3W	15p
A4006/7*	7		
A148	4	<b>VARIACs</b>	
A44	20	MVA115140	
A100V/18	18	8A/102	25
A400V/27	27	BB104	40
V600V/30	30	BB105B	40
V1000V/30	30	BB106	40
V600V/35	35		
<b>CR's</b>		<b>Noise Diode</b>	
<b>rystrors</b>		Z5J	160
8A30V	28	<b>ALUM. BOXES</b>	
8A100V	30	with lid*	
8A200V	35	3x2x1"	48
N600V	70	2 1/2 x 3 1/2"	68
N300V	35	4x4x1 1/2"	68
N600V	43	4x2 1/2 x 1 1/2"	64
N300V	48	4x5 1/2 x 1 1/2"	78
N600V	59	4x2 1/2 x 2"	64
A300V	85	5x4x2"	92
A800V	195	7x5x2"	98
06D	36	8x6x3"	168
T04	22	10x7x3"	192
T06	150	10x4 1/2 x 3"	162
T08	32	12x5x3"	190
T14	140	12x8x3"	250
14444	140	<b>DIAC*</b>	
		ST2	25

<b>OPTO ELECTRONICS*</b>		<b>SWITCHES*</b>	
LEDS Plus, Clip		TOGGLE 2A 250V	
TIL209 Red 125*	13	SPST	28
TIL211 Gm 125*	18	DPST	34
TIL212 Yellow	22	DPDT	38
TIL32 Infra Red	58	4 pole on off	54
O.2" Red	15		
O.2" Yellow	15	<b>SUB-MIN</b>	
Gm. Amber	19	TOGGLE	
Square LEDES	48	SP changeover	59
OC71	120	SPST on off	55
ORP12	63	SPST biased	84
2N5777	45	DPDT 6 tags	70
<b>OPTO isolators</b>		DPDT C/OFF	79
TIL11/2	85	DPDT C/OFF	115
IL74	110	3 pole c/o ver	150
TIL117	110	<b>SLIDE 250V</b>	
		1A DPDT	14
		1A DPDT C/OFF	15
		3A DPDT	13
		4 pole 2-way	24
		<b>PUSH BUTTON</b>	
		Spring loaded	
		locking	
		SPST on off	60
		SPST C/over	65
		DPDT 6 Tag	85
		<b>MINIATURE</b>	
		Non Locking	
		Push to make	15
		Push Break	25
		<b>ROCKER:</b>	
		5A, 250V, SPST	23

## "PURBECK OSCILLOSCOPE"

Author Approved Parts including PCBs available. Send SAE for Leaflet.

Cathode Ray Tube 3PB1 £7.75\* (p&p insured add 95p)

<b>VEROBOARD*</b>	Pitch	0-1	0-15
	(copper clad)	(plain)	
2 1/2 x 3 1/2"	46p	39p	31p
2 1/2 x 5"	55p	50p	24p
3 1/2 x 3 1/2"	55p	50p	24p
3 1/2 x 5"	62p	67p	50p
3 1/2 x 17"	218p	180p	141p
4 x 17"	280p		183p
Pkt of 36 pins			30p
Spot face cutter			85p
Pin insertion tool			120p
<b>VERO WIRING PEN*</b> & Spool			325p
Spare Wire (Spool) 80p; Combs 7p ea.			
<b>FERRIC CHLORIDE*</b>			
1lb bag Anhydrous 65p + 35p p. & p.			
<b>DALO ETCH RESIST PEN*</b>			75p
Plus spare tip			
<b>COPPER CLAD BOARDS*</b>			
Fibre Single-sided	SRBP		
Glass-sided	7.5"	7"	
6" x 6"	75p	90p	70p
6" x 12"	130p	175p	
<b>SOLDERCON PINS*</b>			
100 pins 50p;			500 pins 200p
<b>DIL SOCKETS*</b> : Low Profile (TEXAS)			
8 pin 10p; 14 pin 12p; 16 pin 13p; 18 pin 16p; 20 pin 22p; 22 pin 25p; 24 pin 26p; 28 pin 39p; 40 pin 50p; 64 pin 220p			
<b>ROCKER:</b> (white) 5A 250V SP change-over centre off			35
<b>ROCKER:</b> Lights red when on. Chrome bezel. 3A 250V, SPST			52
<b>ROTARY:</b> "Make-A-Switch" Make your own multiway Switch. Adjustable Stop Shafting Assembly. Accommodates up to 6 Wafers			75
Mains Switch DPST to fit			34
Break Before Make Wafers, 1 pole/12 way, 2p/6 way, 3p/4 way, 4p/3 way			47
Spacer and Screen			5
<b>ROTARY:</b> (Adjustable Stop)			
1 pole/2 to 12 way, 2p/2 to 6 way, 3 pole/2 to 4 way, 4 pole/2 to 3 way			41
<b>ROTARY:</b> Mains 250V AC, 4 Amp			45

<b>VOLTAGE REGULATORS*</b>			
1A	TO3	+ve	-ve
5V	7805	145p	7905 220p
12V	7812	145p	7912 220p
15V	7815	145p	—
18V	7818	145p	—
1A	TO220 Plastic Casing		
5V	7805	80p	7905 90p
12V	7812	80p	7912 90p
15V	7815	80p	7915 90p
18V	7818	85p	7918 90p
24V	7824	85p	7924 90p
100mA TO92 Plastic Casing			
5V	78L05	30p	79L05 65p
6V	78L62	30p	—
8V	78L82	30p	—
12V	78L12	30p	79L12 65p
15V	78L15	30p	79L15 65p
CA3085	95	LM323K	625 MVR5 150
LM300H	170	LM325N	240 MVR12 150
LM305H	140	LM326N	240 TAA550 50
LM309K	135	LM327N	270 TBA625B 95
LM317K	350	CM723	39 TDA1412 160

<b>WIRE WRAP SOCKETS*</b>			
8 pin 25p; 14 pin 35p; 16 pin 48p; 18 pin 52p; 20 pin 65p; 22 pin 70p; 24 pin 73p; 28 pin 85p; 36 pin 105p; 40 pin 109p.			
<b>74LS*</b> (Manufactured by Texas)			
74LS00 11	74LS47 63	74LS123 70	74LS173 105
74LS01 11	74LS48 120	74LS124 180	74LS174 106
74LS02 12	74LS49 120	74LS125 60	74LS175 110
74LS03 12	74LS51 24	74LS126 60	74LS181 398
74LS04 14	74LS54 28	74LS132 95	74LS183 298
74LS05 23	74LS55 30	74LS136 55	74LS189
74LS08 22	74LS56 150	74LS138 85	74LS190 140
74LS09 22	74LS73 48	74LS139 85	74LS191 140
74LS10 20	74LS74 41	74LS145 108	74LS192 132
74LS11 22	74LS75 48	74LS147 170	74LS193 130
74LS12 23	74LS76 40	74LS148 173	74LS194 166
74LS13 38	74LS78 40	74LS161 96	74LS195 136
74LS14 78	74LS83 115	74LS163 76	74LS196 100
74LS15 30	74LS85 118	74LS165 96	74LS197 140
74LS16 20	74LS86 43	74LS166 96	74LS199
74LS17 22	74LS90 38	74LS167 76	74LS200 348
74LS22 22	74LS91 104	74LS168 96	74LS202 345
74LS27 28	74LS92 89	74LS169 128	74LS221 96
74LS28 48	74LS93 89	74LS169 128	74LS240 236
74LS30 20	74LS95 116	74LS182 138	74LS241 231
74LS32 22	74LS96 116	74LS183 102	74LS242 232
74LS32 27	74LS107 44	74LS164 114	74LS243 232
74LS33 39	74LS109 55	74LS165 75	74LS244 155
74LS38 39	74LS112 55	74LS168 226	74LS245 270
74LS38 39	74LS113 50	74LS168 155	74LS247 190
74LS40 28	74LS114 50	74LS169 150	74LS248 180
74LS42 98	74LS122 70	74LS170 288	74LS249 190
			74LS348 186
			74LS353 228
			74LS355 65
			74LS366 65
			74LS367 65
			74LS368 66
			74LS373 160
			74LS375 160
			74LS377 212
			74LS378 184
			74LS379 215
			74LS380 250
			74LS384 86
			74LS385 86
			74LS390 230
			74LS393 230
			74LS396 218
			74LS396 215
			74LS398 276
			74LS399 230
			74LS445 150
			74LS447 144
			74LS480 180
			74LS486 182
			74LS489 182
			74LS490 182
			74LS567 248
			74LS567 310
			74LS567 310

## VDU Chip and MODULE

Convert your TV into a VDU by using the new Thompson-CSF TV-CRT controller chip, SF. F96364, 16 line by 64 Characters text refreshment, Cursor management, Cursor Management on screen. Line erasing. Compatible with any Computing system.

SF. F96364E £10.99\*

AY-3-1015 £5.60\*

AF-5-1013 UART £4.50\*

SFC71301 ROM £8.20\*

SFS80102 RAM £2.05\*

74LS163 £1.18\*

UHF Modulator 250p\*

Wide Bandwidth Modulator Special for Computers £4.70

ASCII Coded 56 Key Keyboard	£49.95* (75p p&p)
-----------------------------	-------------------

# INDEX TO ADVERTISERS

Ace Mailtronics	80	Precision Instrument Laboratories Ltd.	14
A.D.E. Security	85	Radio Book Services	82
A.E. Supplies	83	Radio Components Specialists	4
A.H. Supplies	77	Radio Exchange Ltd.	3
Aitek Instruments	14	Radio & T.V. Components Ltd.	17
Amateur Electronics	54	R.S.C. (Hi-Fi)	76
Amateur Radio Exchange	57	R.S.T. Valve Mail Order Co.	79
Ambit International	7		
Amcomm Services	53		
Astra-Pak	80		
Barrie Electronics	16		
Bearman, P.H.	8		
BI-Pak Ltd.	18, 19		
Birkett J.	8		
Bowes C.	80		
British National Radio & Electronics			
School	10, 81		
Brookes, B.	54		
Burneze	84		
Cambridge Kits	84		
Caranna C.	83		
Catronics	10		
C.B. Electronics	59		
Chromasonics	6		
Chromatronics	15		
Colomor	2		
Continental Specialities Corp. (UK) Ltd.	5		
Cox Radio (Sussex) Ltd.	82		
C.R. Supply Co.	82		
Crescent Radio Limited	4		
Crimson Elektrik	78		
C.W.A.S.	84		
Datong Electronics Ltd.	57		
Electronic Design Associates	2		
Electronic Mail Order Ltd.	82		
Klerksgate (Pty) Ltd.	83	Technical & Optical Equipment	11
Kramer & Co.	85	Technomatic Ltd.	76
		Teleradio	4
		Timetron	85
		T.K. Electronics	82
		T.T. Electronics	29
		TUAC	9
Leeds Amateur Radio	54	Van Karen Publishing	82
Low Electronics	78	Vero Electronics	6
		Vintage Wireless Company	82
Magnum Audio Ltd.	88		
Manor Supplies	4		
Maplin Electronic Supplies	Cover IV		
Marshall A. (London) Ltd.	16		