

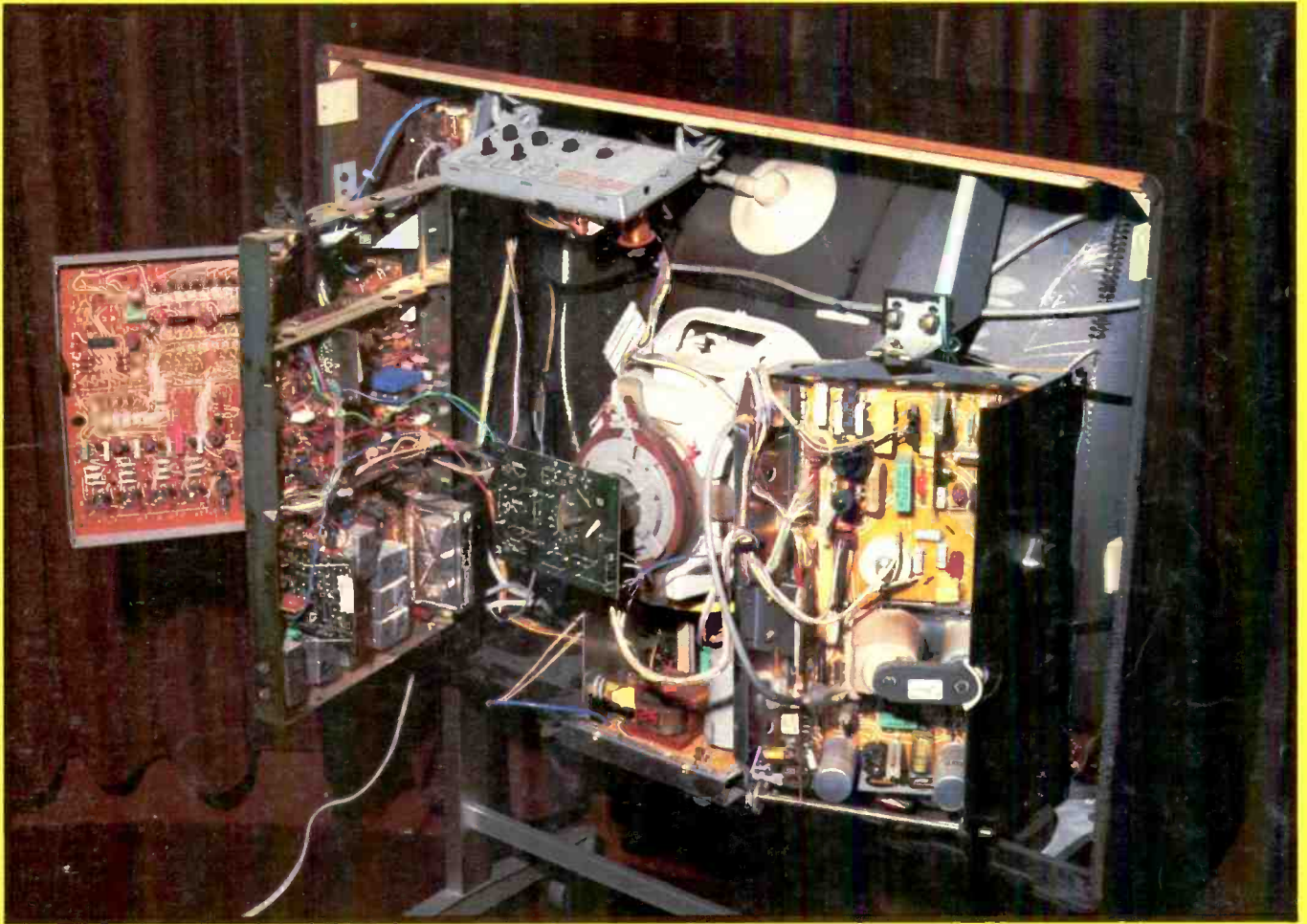
AUGUST 1985

Australia \$1.80, New Zealand \$2.20, Malaysia \$5.50 £1.10

TELEVISION

FEED N' AGENCY
12 \$1.80
BARKLY ST...F'CRAY

SERVICING·PROJECTS·VIDEO·DEVELOPMENTS



**Servicing the B&O 20AX Chassis
Commodore 64 Test Pattern Program
TV Fault Finding • VCR Clinic
The Strangest TV Set Ever
VCR Reconditioning • DX-TV
Tackling the ITT CVC20 Chassis**

SAVE EVEN MORE!

THE TELEVISION FILM SERVICE

So many satisfied customers have been delighted with this award-winning film service that the economies made are now being passed on to you in the form of substantial price reductions. You can now save up to 75p on last year's prices. For 36 successful Superprints you pay only £2.95 inc. VAT. Compare this with last year's £3.70 and with the prices in the shops. Postage and packing is 30p extra as before. Here is the new price range — and remember, Superprints give you 30 per cent more picture area than standard prints at no extra charge.

No. of Superprints	Price (inc. VAT)	} PLUS P/P 30p extra
12-15	£1.65	
24	£2.20	
36	£2.95	

RELIABILITY AND QUALITY

All our colour prints are made on Kodak Luxury Lustre paper. Prints have square corners and are borderless to give you maximum picture area. All prints are checked at every processing stage for accurate colour reproduction in a laboratory which is the winner of five recent successive Kodak Gold Awards for Quality. No other processing laboratory has been able to match this record. After allowing for postal and peak-period delays, you should normally expect your prints after seven to ten days.

ALL YOU HAVE TO DO

Send any make of colour print film together with your cheque or postal order inside the Freepost envelope enclosed with this issue. Or fill in the coupon below and send together with your film and remittance in a strong envelope to: Television Film Service, FREEPOST, Watford WD1 8FP. Half-frame films are welcome, and these are charged at double the full-frame price.

PERSONALISED SERVICE

Readers know we care for their prints. If you have any queries, contact our service's ten-line switchboard: (01) 953 9911.



SPECIAL FILM OFFER

Films from the high-resolution emulsion 'ColorFast' range are available to all readers at highly competitive prices. And when you order three, you get another FREE.

110/24, 126/24, 135/24 £1.40 each OR 4 for price of 3—£4.20. Konica disc £1.60 OR 4 for price of 3—£4.80. 135/36 £1.80 OR 4 for price of 3—£5.40.

SPECIAL ALBUM OFFER

An attractive flip-type album, padded in black with gold embossing and holding 100 Supersize prints (in the shops £5.75) is offered to readers for only £3.99 inc. p&p.

All prices are correct at the time of going to press and are for UK readers only.



Approx. sizes of Superprints:
6" x 4" (35mm) 5 1/4" x 4" (110,
Disc and 135 Half Frame) 4" x 4" (126).

USE THIS LABEL IF YOU HAVE NO ENVELOPE, OR PASS TO A FRIEND.

To: Television Film Service, FREEPOST, Watford WD1 8FP.

From: Television Film Service,
FREEPOST, Watford WD1 8FP

Name _____

Address _____

*Print my enclosed film

*Rush me _____ of 110/24, _____ of 126/24,

_____ of 135/24, _____ of 135/36, _____ of Disc/15 film _____

*Rush me _____ album(s)

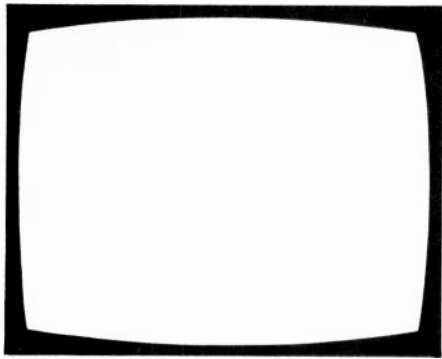
for which I enclose cheque/PO payable to Television _____ £ _____

Film Service

TVS

Post Code _____

UNLESS YOU MAKE PRIOR ARRANGEMENTS WITH US we will only accept your film on the strict understanding that our liability in the case of loss or damage will not exceed the replacement cost of the unexposed film and the processing charges paid. NO CREDITS GIVEN FOR FAILURE PRINTS. This offer is limited to the U.K. Choice of materials at our discretion. The Television Film Service is operated in association with MFS Photographic Ltd. registered England 1835748. Registered Office: Stirling Way, Borehamwood, Herts WD6 2AZ. Offer expires 31/3/86.



TELEVISION

August
1985

Vol. 35, No. 10
Issue 418

COPYRIGHT

© IPC Magazines Limited, 1985, Copyright in all drawings, photographs and articles published in *Television* is fully protected and reproduction or imitation in whole or in part is expressly forbidden. All reasonable precautions are taken by *Television* to ensure that the advice and data given to readers are reliable. We cannot however guarantee it and we cannot accept legal responsibility for it. Prices are those current as we go to press.

CORRESPONDENCE

All correspondence regarding advertisements should be addressed to the Advertisement manager, "Television", King's Reach Tower, Stamford Street, London SE1 9LS. Editorial correspondence should be addressed to "Television", IPC Magazines Ltd., King's Reach Tower, Stamford Street, London SE1 9LS.

SUBSCRIPTIONS

An annual subscription costs £13 in the UK, £15 overseas (by surface mail). Send orders with payment to Quadrant Subscription Services Ltd., Oakfield House, Perrymount Road, Haywards Heath, Sussex, RH16 3DH.

BINDERS AND INDEXES

Binders (£4.50) and Indexes (45p) can be supplied by the Post Sales Department, IPC Magazines Ltd., Lavington House, 25 Lavington Street, London SE1 0PF. Prices include postage and VAT. In the case of overseas orders, add 60p.

BACK NUMBERS

Some back issues are available from the Post Sales Department, IPC Magazines Ltd., Lavington House, 25 Lavington Street, London SE1 0PF at £1.20p inclusive of postage and packing.

QUERIES

We regret that we cannot answer technical queries over the telephone nor supply service sheets. We will endeavour to assist readers who have queries relating to articles published in *Television*, but we cannot offer advice on modifications to our published designs nor comment on alternative ways of using them. All correspondents expecting a reply should enclose a stamped addressed envelope. Requests for advice on dealing with servicing problems should be directed to our Queries Service. For details see our regular feature "Service Bureau". Send to the address given above (see "correspondence").

this month

- 547 Leader**
- 548 VCR Renovations** *Steve Beeching, T.Eng.*
To make some money during a period when trade was slack Steve decided to purchase some ex-rental machines and do them up. A report on the condition of the machines and the work required to make them saleable.
- 550 Commodore 64 Test Pattern Program** *Andrew Green*
A program giving colour bars, a grey scale and a crosshatch, also switchable sound.
- 553 Strangers in the day** *Les Lawry-Johns*
Strange people with strange sets. Also the return of Beardy and Non-beardy.
- 554 Servicing the B&O 20AX Chassis** *Eugene Trundle*
A chassis that's capable of providing above average pictures and sound. Details of the less common sections of circuitry used, a run-down on common faults and guidance on fault finding.
- 560 Teletopics**
News, comment and developments.
- 562 Initial VCR Checks** *William G. Lockitt*
Much time and money can be saved by carrying out a systematic check on a VCR when it's first brought into the workshop.
- 563 Reliability Factors** *Malcolm Burrell*
Environmental and contact factors that contribute to the development of faults in electronic equipment.
- 564 Alternative Approaches to TV Servicing** *S. Simon*
The ITT CVC20 series chassis can cause many headaches. Ways of tackling common faults in these sets.
- 566 VCR Clinic**
Fault reports from Steve Beeching, T.Eng., Mick Dutton, Hugh Allison and Philip Blundell, Eng. Tech.
- 570 Letters**
- 572 TV Fault Finding**
Reports from Philip Blundell, Eng. Tech., Mick Dutton, Keith Harmer, Garry Smith and Hugh Allison.
- 573 Book Review**
Malcolm Burrell on *Here's Looking At You*, an account of the early days of TV.
- 574 The Strangest TV Sets Ever** *Chas E. Miller*
Some odd sets were produced in the late forties. These Murphy models take the prize as about the quirkiest.
- 576 The Lid off Microcomputers, Part 4** *Mike Phelan*
The sound section, keyboard system and cassette record/playback circuitry used in the Amstrad CPC464.
- 577 Sovereign TV**
- 577 Next Month in Television**
- 578 Long-distance Television** *Roger Bunney*
Reports on DX conditions and reception and news from abroad. Also how to apply for a satellite TVRO licence.
- 581 Service Bureau**
- 582 Test Case 272**

OUR NEXT ISSUE DATED SEPTEMBER WILL
BE PUBLISHED ON AUGUST 21

MANOR SUPPLIES

MKV PAL COLOUR TEST GENERATOR FOR TV & VCR.

TEST DEMONSTRATIONS AT 172 WEST END LANE



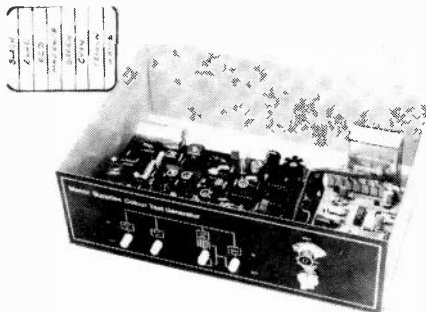
- ★ 40 different patterns and variations.
- ★ Broadcast transmission accuracy (fully interlaced sync pulses with correct picture blanking).
- ★ EBU colour bars, BBC colour bars, whole rasters & split bars (specially useful for VCR service), white, yellow, cyan, green, magenta, red, blue and black.
- ★ Chequerboard.
- ★ Mono outputs with border castellations, cross hatch, grey scale, vertical lines, horizontal lines and dots.
- ★ UHF modulator output plugs straight into receiver aerial socket.
- ★ Additional video output for CCTV & VCR.
- ★ Facilities for sound output.
- ★ Easy to build kit, standard parts. Only 2 adjustments. No special test equipment required.
- ★ Mains operated with stabilised power supply.
- ★ All kits fully guaranteed with back-up service.
- ★ Also available with VHF Modulator.

Price of Kit **£70.00**
 Case (10"×6"×2 1/4") app. **£7.40**
 Optional Sound Module (6MHz or 5.5MHz) **£3.90**
 Built & Tested in Case including Sound Module **£105.00**

SPECIAL TEST REPORT 'TELEVISION' DEC. 1982

Post/Packing £2.50
 Add VAT 15% TO ALL PRICES

PAL COLOUR BAR GENERATOR (Mk4)



- ★ Output at UHF, applied to receiver aerial socket.
 - ★ In addition to colour bars R-Y, B-Y etc.
 - ★ Cross-hatch, grey scale, peak white and black level.
 - ★ Push button controls, battery or mains operated.
 - ★ Simple design, only five i.c.s on colour bar P.C.B.
- PRICE OF MK 4 COLOUR BAR GENERATOR KIT £30.00. CASE £7.40. BATT HOLDERS £2.80. MAINS SUPPLY KIT £4.20 (Combined P&P £2.20).**
 MK 4 (BATTERY) BUILT & TESTED **£58.00 + £2.20 P & P.**
 MK 4 (MAINS) BUILT & TESTED **£68.00 + £2.20 P & P.**
 VHF MODULATOR (CH 1 to 4) FOR OVERSEAS **£5.75.**
 EASILY ADAPTED FOR VIDEO OUTPUT & C.C.T.V.

GEC TELETEXT EXTERNAL ADAPTOR UNIT
 Complete & ready for use. Converts any TV into a Teletext Receiver with Infra-Red Remote Control (incl. 25 Button Handset) **£130.00 p.p. £3.00**

TELETEXT EXTERNAL ADAPTOR KIT (Less case) TEXAS
 with cable remote control **£120.00 p.p. £3.00**

THORN TX10, teletext
 Mullard Decoder panel + Interface **£35.00 p.p. £1.80**
THORN TX10, PHILIPS G11 PRESTEL
 Mullard Units VM 6230, 6330 plus Line Coupler & Interface **£60.00 p.p. £2.50**

Goods available if in stock immediately over shop counter (Mail order between 3 days and 1 week from receipt of order). ADD VAT 15%

TV SERVICE SPARES

BACKED BY TWENTY YEARS EXPERIENCE & STAFF OF TECHNICAL EXPERTS

LOPTs, TRIPLERS, PANELS, TUNERS, SELECTORS ETC.

SPECIAL OFFER GEC-Hitachi NP8CO Chassis Colour TV Chassis, New Boxed **£35.00 p.p. £3.00**
SPECIAL OFFER Philips, Pye KT3 Series infra-red remote control handsets ex rental (untested) Teletext or normal versions available **£2.50 p.p. 80p** (5 for **£10 p.p. £1.50**). CTX, K35 Teletext + Video **£5.00 p.p. 80p**.
THORN 9000 Fault Finding Guide **£1.00 p.p. 30p**.
TX10 Remote & Tuning control panel (1515) **£9.40 p.p. £1.50**.

THORN TX10 Facia Control Panel incl. Infra Red Remote Control receiver **£7.50 p.p. £1.50**.
THORN TX10 Series Facia Control Panel with 8 position Channel Selector **£5.00 p.p. £1.50**.

PHILIPS UHF Modulator (Audio & Video Input) **£15.00 p.p. £1.00**.
SAW FILTER IF AMPLIFIER PLUS TUNER complete and tested for T.V. Sound & Vision. **£28.50 p.p. £1.20**.

THORN TX9, TX10 Saw Filter IF Panel. **£7.50 p.p. 80p**.
PAL DECODER KIT (Video to RGB) for Monitors **£27.00 p.p. £1.00**.
PAL ENCODER KIT (RGB to Video) **£18.50 p.p. £1.30**.

TELETEXT DECODERS New & Tested Mullard VM 6101 **£30.00**, Texas XM11 **£40.00**, KT3 Tested **£30.00**, Untested **£5.00 p.p. £1.60**.
TELETEXT 23 Button De-Luxe Handset with 5 yds Cable. **£2.50 p.p. £1.20**.
5V Stab. Power Supply **£3.80 p.p. £1.20**.

CROSS HATCH UNIT KIT, Aerial Input type, incl. T.V. sync, and UHF Modulator. Battery Operated, also gives Peak White & Black Levels, can be used for any set. **£12.00 p.p. 80p**. (Alum. Case **£2.55**, De Luxe Case **£6.80 p.p. £1.40**). **ADDITIONAL GREY SCALE Kit** **£2.90 p.p. 45p**.

UHF SIGNAL STRENGTH METER KIT **£22.00** (VHF version **£24.00**). Alum. Case **£2.55**, De Luxe Case **£7.40 p.p. £1.80**.

CRT TESTER & REACTIVATOR KIT For Colour & Mono with Panel Meter Indicator - can be adapted for latest CRTs **£28.60 p.p. £2.80**.
BUSH A823 Convergence, Time Base Panels **£5.00** each. p.p. **£1.80**.
BUSH 2718 BC6100 series IF Panel **£5.00 p.p. 90p**.
BUSH A816 IF Panel (Surplus) **£1.00**, 5 for **£4.00 p.p. 90p**.

GEC 2040 Decoder Panels, **£1.50 p.p. £1.80**.
GEC 2110 PANELS Frame **£8.50 p.p. £1.40**. Sound **£2.50** (tested) p.p. **80p**.
GEC 20AX Switch Mode Power Supply **£5.00**, IF-Decoder **£12.50 p.p. £1.80**.
PYE 691-7 CDA Panels. Makers tested stock. **£6.00 p.p. £1.45**.

THORN TX9 Panels ex factory for small spares. Includes I.Cs & Semicconductors etc. **£5.00 p.p. £2.00**.
THORN TX9 Panels salvaged ex factory for spares incl. LOPT & Mains Transformers. **£10.00 p.p. £2.80**.

THORN TX9 Panels ex factory salvaged complete cond. **£20.00 p.p. £2.80**.
THORN TX10 T.B. Panels salvaged ex factory. **£15.00 p.p. £3.00**.
THORN 3000/3500 Power supply P.C.B. **£3.50 p.p. £1.00**.
THORN 8000/8500 IF/Decoder Panels salvaged **£3.20 p.p. £1.80**.
THORN 9000 IF/Decoder Panels Salvaged. **£5.00 p.p. £1.60**.

THORN 9000 Series. Long panel facia unit incl. 6 Position Channel Selector & Loudspeaker **£6.00 p.p. £2.00**.

PHILIPS G8/G9 IF/Decoder Panels for small spares incl ICs **£2.50 p.p. £1.60**.
G11 PANELS, Ex Rental SCAN (incl LOPT) **£28.00 p.p. £2.50** (tested).
G11 PANELS, Power, Frame, IF, Decoder, **£18.00** each. p.p. **£2.00** (tested).
GRUNDIG 8630 Series Varicap Tuners **£5.00 p.p. £1.00**.

VARICAP, ELC1043/5 **£7.80 p.p. 80p**. Makers Controls **PYE CT200** 4PSN **£7.50**, BUSH 4PSN **£4.80**, DECCA 4PSN **£5.80**, 6PSN **£6.80 p.p. 80p**. etc.
BUSH "TOUCH TUNE" Varicap Control Z179, Z718 types **£3.80 p.p. 95p**.
VARICAP UHF-VHF ELC2000S **£9.80**, BUSH **£7.80 p.p. 90p**.
VARICAP VHF PHILIPS, **£6.90**, ELC 1042 **£7.90 p.p. 80p**.

UHF/625 TUNERS, many different types in stock. DECCA Bradford 5 position, MULLARD 4 position **£2.50**, JAP Rotary **£4.80 p.p. £1.80**.
TV SOUND IF Panels **£6.80 p.p. £1.00**.

LOPT TESTER, Service Dept approved **£15.90 p.p. £1.20**.
LOPTs New and guar. P/P Mono **£1.35**, Colour **£1.50**, Bobbins **80p**.

BUSH 161 to 186 (twin panel) **£5.90**
BUSH, MURPHY 774 series **£8.50**
BUSH, MURPHY A816 series **£9.80**
FERG., HMV, MARCONI, ULTRA
 1400, 1500, 1590, 1591 **£5.90**
THORN 1600, 1615, 1690, 1691 **£9.15**
GEC 2000 to 2038 series **£6.80**
GEC series 1 & 2 **£8.00**
INDESIT 2024EGB **£7.65**
ITT/KB VC200, 300 **£7.65**
MURPHY 1910 to 2414 (twin panel) **£5.90**
PHILIPS 170, 210, 300 series **£7.65**
PYE, INVICTA, EKCO, FERR.
 368, 169, 569, 769 series **£7.65**

SPECIAL OFFER
 DECCA 2024, 1700, 2000, 2401 **£3.80**
GEC 2114/Junior Fineline **£2.80**
PHILIPS 320 **£2.80**
RBM A823 **£4.80**
GEC 2028, 2040, 2100 **£4.80**

R.B.M. Z179 **£9.80**
R.B.M. T20, T22 **£9.80**
R.B.M. T20, T22 Bobbin **£5.60**
DECCA Bradford (state Mod No.) **£8.80**
DECCA 80, 100 **£8.80**
GEC 2110 series **£10.60**
ITT CVC 5 to 9, CVC20 **£9.80**
ITT CVC25, CVC30 series **£8.80**
ITT CVC 45 **£9.80**
PYE 691-697 (state model no.) **£10.00**
PYE 713, 715 **£6.80**
PYE 725 (90°) 731 to 741 **£9.20**
PHILIPS G8 **£8.80**
PHILIPS G9 **£10.80**
PHILIPS 570, 571 **£6.80**
PHILIPS KT3 **£9.80**
THORN 3000/3500 SCAN, EHT **£6.90**
THORN 8000, 8500, 8800 **£12.80**
THORN 9000 to 9600 **£12.90**
THORN TX9 **£14.80**

OTHERS AVAILABLE, PRICES ON REQUEST. ALSO LOPTS, TRIPLERS Full range available. Mono & Colour.
Special Offer: Thorn 8000 (2 lead) EHT Tray **£2.80 p.p. 80p**.
6-3V CRT Boost Transformers for Colour & Mono **£5.40 p.p. £1.20**.
THORN TX10 focus control **£8.80 p.p. 80p**.
THORN 8000 mains input choke **£6.80 p.p. £1.40**.

CALLERS WELCOME AT SHOP PREMISES
THOUSANDS OF ADDITIONAL ITEMS, ENQUIRIES INVITED
LARGE SELECTION TESTED COLOUR PANELS POPULAR MODELS
TELEVISION MAGAZINE PROJECT PARTS & REPLACEMENTS
STILL AVAILABLE

Telephone 01-794 8751, 794 7346

MANOR SUPPLIES
172 WEST END LANE, LONDON, NW6 1SD
 NEAR: W. Hampstead Tube Stn. (Jubilee) Buses 28, 159, C11 pass door
 W. Hampstead Brit. Rail Stn. (Richmond, Dalston, Stratford)
 W. Hampstead Brit. Rail Stn. (St. Pancras, Bedford)
 Access from all over Greater London.

Mail Order: 64 GOLDERS MANOR DRIVE, LONDON NW11 9HT
PLEASE ADD VAT 15% TO ALL PRICES

TRADE ANNOUNCEMENT

**LARGE QUANTITIES
AVAILABLE
OF THE FOLLOWING:—**

**FERGUSON
3V16/3V22
VHS VIDEOS**

**THORN
8800/9000/9600
COLOUR TV's**

MAINLY REMOTE CONTROL
HAND UNITS NOW AVAILABLE

**MINIMUM PURCHASE 5 UNITS
LOWEST PRICES IN U.K.**



**TELEPHONE
BOB MUNSON
01-985 6111**

P. V. TUBES

HAVE MOVED

104 ABBEY STREET, ACCRINGTON, LANCS BB5 1EE.

Just phone
your order
through, we
do the rest.

Buy with



Telephone: Accrington (0254) 36521
Accrington (0254) 32611
Telex: 635562 Griffin G (For P.V.)

SUPPLIERS
OF TELEVISION COMPONENTS

TRADE COUNTER OPEN MON-FRI 9 a.m.-5 p.m. SAT 9.30 a.m.-5 p.m. TRADE COUNTER CLOSED WEDNESDAY p.m.

VARICAP TUNERS	SWITCHES & ACCESS	DID YOU KNOW WE'VE GOT LOTS OF NEW THINGS!	PHILIPS KT3 SPECIFICS	SPECIFIC COMPONENTS
ELC1043-05 8.40 ELC1043-06 8.40 ELC2003 16.50 Philips G8/G9 10.50 Philips G11 (U321) 8.50 U322 7.20 U341 9.50 Rank T20 13.00	On/off gen. purpose 4A 75 G8 on/off 1.38 G11 on/off 1.58 G11 on/off remote 1.58 Gen. purpose rotary 66 Thom Tx 9/10 1.06 GEC 2040 98 Thom 1591 push on/off 2.90 Rank tuner buttons 1 1/2" x 1/2", 2" x 1/2", 2" x 3/8" Rank drive cams 35 GEC 2110 tuner neons 15 Thom 3500 A1 beam 20 GEC 2110 A1 cont. R/B/G 70 ITT CVC5 on/off 58 ITT CVC5 1.24 ITT mains switch + solenoid 4.50 Rank mains switch + solenoid 4.50 Rank T20 on-off switch 1.95	Decca speaker 8R 3.75 B+K tube bases Dynascan No. 3 9.50 No. 13 11.11 No. 6 11.08 No. 23 13.86 No. 8 10.08 L5 7" x 3 3/8" speaker 4.25 C15 computer cass. 30 C20 computer cass. 33 5 1/4" floppy disc s/s/s/d 1.61 15R fused res. G9 5.61 G11 line lin coil 2.95 G11 pot G2 R.G.B. 5.30 G11 line scan panel 54.00 G11 power panel 37.50 G11 timebase panel 37.50 G11 bridge trans. 9.00 G11 EW correc. coil 1.95 G11 final anode lead 1.50 G11 focus unit 5.80 G11 39R 3W resistor 60 G11 RGB 10G diodes 50 Televista up converta 37.20 G11 47K pot plus switch 65	KT3 posistor 1.50 Mains electrolytic 225/25 380V 2.50 Selector unit Mod. 933 13.42 On/off switch Mod. 933 3.20 Tripler 10.65 Luminance chroma panel 24.00 2003 IF module 14.95 U321 IF module 13.50 R.G.B. panel 10.30 Sound panel 8.50 Power panel 10.50 Mains input panel 14.30 Thom 9000 focus unit 10.20 Thom 8500 focus unit 4.75 Thom TX10 focus cont. 1.90 Decca bridge trans. 9.00 Decca 30 width cont. 50 Decca 2M2 HT cont. 25 Rank T20 focus cont. 2.20 Pye 731 HF choke 6.50 Delay lines DL20, DL60, DL70, DL50 2.20 CRT tube base 1.40 EHT final anode cap 53 6.3V CRT boost trans. 5.80 Focus rod 1.25 Focus holder 2.80 AFC unit G8 2.02 IF gain module 9.00 C.O.A. panel 20.00 G8 rear conv. panel 23.00 Philips K35 Tuner drawer 10.00	Philips G8 knobs sm/g 50 90° transistor 2.50 Thom 1591 speakers sm 6.20 lg 6.20 Thom 1500 controls 59 390K frame 470K line contrast 1k5 each Focus control Thom/GEC 2.95 Thom 9000 focus unit 5.95 Thom 8500 focus unit 4.75 Thom TX10 focus cont. 1.90 Decca bridge trans. 9.00 Decca 30 width cont. 50 Decca 2M2 HT cont. 25 Rank T20 focus cont. 2.20 Pye 731 HF choke 6.50 Delay lines DL20, DL60, DL70, DL50 2.20 CRT tube base 1.40 EHT final anode cap 53 6.3V CRT boost trans. 5.80 Focus rod 1.25 Focus holder 2.80 AFC unit G8 2.02 IF gain module 9.00 C.O.A. panel 20.00 G8 rear conv. panel 23.00 Philips K35 Tuner drawer 10.00
PUSH BUTTON ASS. Decca 4 way 6.88 6 way 7.50 GEC 2110 6 way 7.98 GEC Slim 6 way 6.50 GEC/ITT/PYE 7 way 14.50 Pye 4 way (713/15) 9.00 Pye 6 way (207/715) 16.00 Pye 697 repair kit 9.00 Pye 725-735 11.00 Pye 725-735 with tuning head 14.60 Philips G8 (early) 15.50 Philips G8 (late) 13.90 Rank A823 10.75 Rank T20A 9.75 Hitachi 4 way 10.75 Philips G11 unit 26.50 Philips KT3 14.50 Philips KT30 10.30 ITT CVC 8/9 (mod) 12.00 ITT 6 way with VCR 8.90 Thom 9000 switchback 5.30 Decca 7 way piano key replacement kit 19.50	EAGLE MULTIMETERS KEW 7N 7.50 KEW 14 9.95 KEW 20 14.50 EM5 11.95 EM20A 15.95 EM10 13.95 MM50 31.25 Bench Meters MM100 44.50 MMT20 21.50 MM150 89.00 T1206 intercom 8.50 MMC100 21.95 Case TS350 25.00	SUNDRY EQUIPMENT Test Lead Set 4.20 Degaussing Coil Stick 17.00 Signal Injector 4.00 Elect. Circuit Tester 1.50 5A Choc Bloc (12) 40 Fuse Wire 5A, 15A, 30A 05 4-way 13A Mains Conn. 5.00 Safe Block (mains) 1.10 13A Plug Top (box 10) 4.80 Probes (x10) 10.90 Probes (x1) 10.90 Bell Wire (100m) 5.00 Mains Cable (circular 100m) (2 core) 10.75 (3 core) 13.25 Factory recon. Avo meters 119.00 Avo Batteries 2.95 Vero Board 2.59 Isolating trans. 500vA 240V 40.00 Solder 500g 7.00 D.I.Y. Solder 45 Solder Sucker 6.50 Nozzles 81 Trim Tools 16 Plastic 16 Metal End 30	K30 SPECIFICS K30 LOPT 17.50 K30 focus unit 2.90 K30 EHT lead 8.30 Selector unit 1002 (early) 11.20 TMS 1000 panel 1234 13.00 Euro decoder panel 1234 46.00 Power supply 1234 23.50 A1 gun switches 70 On/off switch 2.50 Selector unit 1002 (late) 9.90 Hand set 1201 16.00 Hand set 1234 16.00 Diode ZTX 33B 90 DL 20 delay line 2.20	PLUGS AND SOCKETS 5 pin DIN plugs 180° 20 5 pin DIN chassis sockets 180° 28 5 pin DIN line sockets 180° 28 5 pin DIN chassis sockets 360° 28 5 pin DIN line sockets 360° 28 6 pin DIN plugs 28 6 pin DIN chassis sockets 28 6 pin DIN line sockets 36 26 7 pin DIN plugs 35 7 pin DIN chassis sockets 38 7 pin DIN line sockets 30 8 pin DIN plugs 56 8 pin DIN chassis sockets 64 8 pin DIN line sockets 55 Phono plugs sockets 12 Phono line sockets 20 2.5mm Jack plugs 11 2.5mm Chassis sockets 12 2.5mm Line sockets 10 3.5mm Jack plugs 15 3.5mm Chassis sockets 14 3.5mm Line sockets 14 3.5mm Stereo jack plugs 35 3.5mm Stereo chassis sockets 18 3.5mm Stereo line sockets 23 3.5mm Stereo jack plugs 36 6.3mm Stereo jack line sockets 25 Standard mono jack plugs 20 Loud speaker plugs 2 pin 10 I.D.C. plugs 36 conn. 5.90 I.D.C. sockets 36 conn. 6.90 BNC plugs 1.15 Coax plugs Each 18p Pack of ten 1.80 Line connectors 1.80 Coax female plugs 1.20 Double ended female sockets 1.18 Car aerial plugs 1.30 PL259 with reducer 1.30 Reducers for the PL259 16 FM plugs 25
SERVICE AIDS SERVISOL Freeze-It 1.14 SUPER SERVISOL 98 SERVISOL Foam Cleanser 96 SERVISOL Plastics Seal 1.08 SERVISOL Silicone Grease 1.20 SERVISOL Tubes Silicone Grease 1.64 SERVISOL Aero Klene 90 SERVISOL Aero Duster 1.20 SERVISOL Excel Polish 92 SERVISOL Video Head Cleanser Super 40 86 Fire Extinguisher 640G 2.86 Heat Sink Compound 25G 1.08 Silicone Rubber Tube 110G 2.98 Solda Mop standard reel 74	ANTEX SOLDERING EQUIPMENT C15W Iron 240V 6.20 C240 Element 2.75 Bits 102 1.10 106 1.10 820 1.10 821 1.10 CS17W Iron 240V 6.40 CS240 Element 2.75 Bits 1100 1.10 1101 1.10 1106 1.10 XS25W Iron 240V 6.50 XS240 Element 2.75 Bits 50 1.10 51 1.10 Temp. Controlled 30W Iron CSTC 16.95 40W Iron XSTC 16.95 Unit for above TCSU1 68.95 Stand 2.10 40.00 MLXS Auto Repair Kit 8.40	OFFICIAL ORDERS ACCEPTED FROM SCHOOLS, LOCAL AUTHORITIES ETC.	DATA BOOKS (Zero VAT) Pair of A-Z/2N2S TVT80 8.50 LIN IC Books (data only not equiv.) 81 LIN1 5.95 2M Fly Lead 70 4M Fly Lead 1.20 10M Fly Lead 1.90 Figure 8 Mains Lead 62 Computer to TV 97 7 pin din to 5 pin din 98 5 pin din to 5 pin din 98	CASSETTE DRIVE BELTS 35m 35 46mm 37 57m 37 66m 39 110m 59 76m 43 90m 43
ELECTROLUBE PRODUCTS Electrolube Adhesive 62 Electro-Mech Lubricant 1.49 Elect. cleaning solvent 1.62 Freezer 1.49 Foam cleanser 1.12 Heat transfer compound 1.14 Silicone compound 1.94 Special contact fluid (Snorkell) 3.20 Permagard 1.52 Elec. mech. lubricant pen 74	WELLER Heat gun 12.00 Heat gun tips (pair) 57 3/16" Iron tips 25W (MT5) 57	WE HAVE A FULL RANGE OF AERIALS AND ACCESSORIES FROM TRADE COUNTER AERIAL EQUIPMENT Outdoor Splitter 5.50 Plastic Tape 50 F.M. Plugs 25 Set Top Aerial 2.30 Loop Aerial 1.00 Mast Amp/Power Unit WB 18.00 Aerial Isolator Kit 2.08 Attenuator 6dB, 12dB, 18dB 1.80 27Mhz Filter 50dB 2.10 Cable Clips 7mm per 100 1.18 Single Outlets 1.80 Surface Splitter 70 A Splitter 70 100W Coax 15.00 Coax Plugs per 10 1.80 1" U Bolts 30 J Bolts 25	SHEILA'S SURPRISES SHARP VIDEO HEADS £55 VC2300 VC6300 VC7300/7700/7750 VC8300 VC220/381/383/388/9100/9300/9500 VC3300/9700 SANYO VIDEO HEADS £53 VTC 9300/9500 VTC 5300/5000 VTC 5350 VTC 5500 VTC 9350	REMOTE CONTROL HAND UNITS Decca 100/101 Ultra Sonic Non Teletext £23.80 Grundig Telepilot 12 Series Infra Red £13.87 Grundig Telepilot 8 Series Infra Red £25.10 Grundig Telepilot 160 Series Infra Red £25.10 Grundig Telepilot 300 Infra Red £18.87 Philips KT3/K30 Infra Red Non Teletext £18.87 Philips G11 Ultra Sonic Non Teletext £22.00 Philips G11 8 Way Infra Red Teletext £23.80 Philips G11 Ultra Sonic 31 buttons £27.00 Philips G11 Ultra Sonic 2 function £21.00 Thorn TX10/JVC Infra Red Teletext £16.87
VIDEO Video care kits 3.50 VHS E30 video tape 3.06 VHS E60 video tape 4.00 Scotch E120 video tape 5.00 E180 video tape 4.00 Beta L500 video tape 4.90 Beta L750 video tape 5.80 VCC 240 6.20 VCC 360 8.30 VCC 480 10.21 Philips LVC 1700 1200 15.10	LABGEAR CM7261 Power Unit 12V 11.24 CM7262 Reg. Power Unit 12V 12.25 CM7060 MHA 10db 12V W/B 9.86 CM7065 VHF/UHF MHA W/B 12V 14.34 CM7066 13.38 CM7067 UHF 12V MHA (Specify A-B or C/D) 10.72 CM7068 UHF 12V MHA High Gain (Specify A-B or C/D) 15.95 CM7053 Behind Set UHF Amp. (Mains) 13.01 CM7054 Behind Set UHF Amp. (Battery e.g. Caravans) 10.42 CM7043 Second Set Amp. UHF 12.12 CM7093 Behind Set UHF Amp. 3 Sets 15.27 CM7063 Dist. Amp. VHF/UHF 17db/output 12V 22.17 CM7108 VHF/UHF 8+1 Dist. Amp. 43.26 CM9700 27mhz CB Suppress. 4.05 CM6011 Outdoor Splitter (2 way) W/B 7.83 CM9003 Flush Single Outlet 1.47 CM9010 Flush Twin Outlet 1.95 CM9034 UHF Group Filters with DC Through Pass (state A/B/C/D) 7.69 CM6006 6 Way Passive Splitter 10.97 CM7042 TV Games Combin. 2.95 CM9009 Flush TV/FM Outlet 3.05 CM7091 Col. Bar Gen. 121.80 CM9006 VHF/UHF Diplexer 3.60	IC equivalent booklet £3.25 and transistor equivalent booklet £3.25	REMOTE CONTROL TESTER £29.94	
VIDEO HEADS 3HSS VHS 32.50 4HSS VHS 32.80 PS3B Beta/Sony 42.00	STATIONERY Service Call Pad (100) 1.20 Repair Ticket (100) 3.90 Job Card (100) 2.50 Rental Payment Card (50) 3.50 H.P. Agreements (100) 3.50 Maintenance Agreement (100) 3.50			
VIDEO RECORDER HEADS Philips V2000 57.00 Philips 1700 57.00 Video lamps 1.30 Video lamp holders 3.30				
VIDEO DRIVE BELT KITS JVC HR3330/3600 4.50 JVC HR3360/3660 4.50 JVC HR7650 4.50 Panasonic NV/300 4.50 Panasonic NV/700 4.50 Sony SL7/SL7J 4.50 Sony SL8000/8080 4.50 Toshiba V7540 4.50 Ferguson HR3330/3600 4.50 Video head cleaner 86 Sanyo video motor 20.00				
AUDIO HEADS AND MOTORS Mono record/playback 4.32 Stereo playback 4.79 Stereo record/playback 4.99 Stereo record/playback (Dolby) 6.90 Mono/stereo erase 2.25 Electronic/rotation clockwise motors 6V MD6515 4.95 9V MD9516 4.95 12V MD12517 4.95				

INCREASE YOUR PROFITS IMPROVE YOUR SERVICE WITH RELIABLE COST EFFECTIVE TEST EQUIPMENT

LEADER LCT-910A

C.R.T. TESTER-REJUVENATOR

Our top selling instrument is designed to readily test the various characteristics and rejuvenation of both colour and B/W C.R.T.s.

- ★ Tests for shorts and leakage between electrodes.
- ★ Tests cathode emission characteristics.
- ★ Separately checks condition of guns.
- ★ Removal of shorts and leakage between electrodes.
- ★ Checks heater warm-up characteristics.
- ★ Rejuvenation of low emission cathodes with automatic timing.
- ★ Super rejuvenation with manual control.
- ★ Complete with tube base adaptors. Size: H 230mm W 330mm D 120mm.

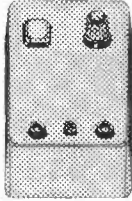


PRICE £199 + £29.85 VAT

LOPT TESTER

BK's REVOLUTIONARY DYNAMIC 'LOPT' TESTER
Revolutionary L.O.P.T. tester. Operates in dynamic mode which actually tests the L.O.P.T. under high voltage conditions without de-soldering or removal. Size 75x100x40 mm. Supply 240V AC

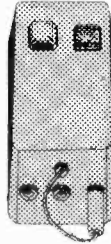
PRICE £25.99 + £3.VAT



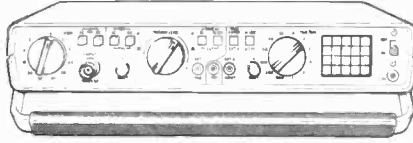
CRT TESTER-REJUVENATOR

BK's C.R.T. TESTER-REJUVENATOR
Tests and rejuvenates blue, green & red guns separately. Fitted with delta and P.I.L. sockets. Compact size 120x65x60 mm. Supply 240V AC

PRICE £32.00 + £4.80 VAT



THE VERY LATEST SC110A LOW POWER, FULLY PORTABLE OSCILLOSCOPE.



The new Thandar SC110A represents a break-through in oscilloscope development. The SC110A is ONLY TWO INCHES thick and weighs under two pounds, yet retains the standard features and controls of a bench oscilloscope. **FITS IN A BRIEFCASE**

Full Sized Performance

- 10 MHz bandwidth
- Full trigger facilities are provided including TV frame, or TV filtering
- Runs on 4 to 10V DC via disposable batteries, re-chargable cells, or AC adaptor
- Size 255mm x 148mm x 50mm.

PRICE £165.00 + £24.75 VAT

- Accessories:** Carry Case £5.95 + £0.89 V.A.T.
 × 1 Probe £7.50 + £1.13 V.A.T.
 × 10 Probe £8.50 + £1.28 V.A.T.
 × 1/x 10 Switched Probe £10.50 + £1.58 V.A.T.
 AC Adaptor £6.95 + £1.04 V.A.T.

HAMEG HM 203-5 20MHz DUAL TRACE OSCILLOSCOPE

SPECIFICATION:

- *BANDWIDTH DC-20MHz
- *SENSITIVITY CH1, CH2 2mV-50V/DIV
- *TIMEBASE 40ns to 0.25 CM
- *TRIGGER DC-40MHz Auto-Normal-TV
- *CALIBRATION OUTPUT
- *CH1 ADD AND INVERT FACILITY
- *ALT/CHOP SWITCH
- *LARGE RECTANGULAR SCREEN 8 x 10 cms.
- *BUILT IN SEMICONDUCTOR COMP. TESTER
- *SIZE 285mm x 145mm x 380mm.
- *SUPPLY 110-125-220-240V AC 50-60Hz



WITH COMPONENT TESTER

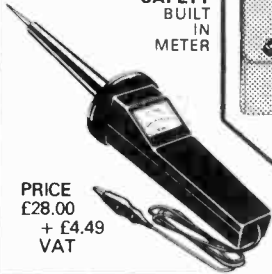
PRICE £270.00 + £40.50 VAT

Optional probes as above

2 YEAR WARRANTY

LEADER HIGH VOLTAGE METER EHT PROBE

Measures up to 40 K.V. D.C. with **SAFETY BUILT IN METER**



PRICE £28.00 + £4.49 VAT

*** FULLY GUARANTEED**

U.K. Post Paid, Export orders welcome, please deduct V.A.T. and enquire for Overseas carriage cost. Barclaycard/Access orders welcome, or Cheque, Bank Draft, etc., with order please. Large S.A.E. for technical leaflets of complete range. Delivery normally within 7 days.



B. K. ELECTRONICS Dept. 'T',

UNIT 5, COMET WAY, SOUTHEND-ON-SEA, ESSEX. SS2 6TR TEL: 0702-527572



SPECIAL OFFER SUMMER SALE

MINIMUM LOTS OF 20

DECCA 20" VARICAP	£10
DECCA 22" MECHANICAL	£8
DECCA 22" VARICAP	£10
DORIC 20" & 22"	£10 each
SALORA 22" HYBRID	£4.50
SALORA 26" TOUCH TUNE	£10
BUSH A823 20" & 22"	£5 each
GEC 2110 22" & 26"	£12 each

TOUCH TUNE VCRs and other CTVs also available. All Plus VAT

SOUTHPARK DISTRIBUTORS

Unit 4 Rubastic Road,
Brent Park Industrial Estate,
Southall, Middlesex UB2 5LL
Tel: 01-574 4631

FREE CAREER BOOKLET

Train for success, for a better job, better pay!

Enjoy all the advantages of an ICS Diploma Course, training you ready for a new, higher paid, more exciting career.

Learn in your own home, in your own time, at your own pace, through ICS home study, used by over 8 million already!

Look at the wide range of opportunities awaiting you. Whatever your interest or skill, there's an ICS Diploma Course there for you to use.

Send for your **FREE CAREER BOOKLET** today — at no cost or obligation at all.

GCE

Choose from over 40 'O' and 'A' level subjects.

COMPUTER PROGRAMMING <input type="checkbox"/>	CAR MECHANICS <input type="checkbox"/>
BOOK-KEEPING & ACCOUNTANCY <input type="checkbox"/>	INTERIOR DESIGN <input type="checkbox"/>
POLICE ENTRANCE <input type="checkbox"/>	HOTEL MANAGEMENT <input type="checkbox"/>
ELECTRONICS <input type="checkbox"/>	COMMERCIAL ART <input type="checkbox"/>

Please send **FREE DETAILS** for the courses ticked above.

Name _____

Address _____

P. Code _____



Dept. EGS85, 312/314 High St., Sutton, Surrey SM1 1PR. Tel: 01-643 9568/9 or 041-221 2926 (all hours).

HUSSAIN CENTRAL TV LTD

THE LARGEST RANGE AT THE LOWEST PRICES
IN THE U.K.

JUST LOOK AT THESE PRICES
WE CANNOT BE BEATEN

UNTESTED		WORKING	
PHILIPS G11	£30	PHILIPS G11	£45
PHILIPS G8 550 22"	£8	PHILIPS G8 550 22"	£15
PHILIPS G8 520 22"	£6	PHILIPS G8 520 22"	£12
PHILIPS G8 560 20"	£18	PHILIPS G8 560 20"	£25
★ ★ ★ ★ ★ ★ ★ ★ ★ ★ ★ ★ ★ ★ ★ ★ ★ ★ ★ ★ ★ ★ ★ ★ ★ ★ ★ ★ ★ ★ ★ ★ ★ ★			
THORN TEXT 9650	£45	THORN 9600 REMOTE	£40
THORN REMOTE 9600	£30	THORN 9800	£35
THORN 9800	£25	THORN 9000	£30
THORN 9000	£20	THORN 8800	£20
THORN 8800	£14	THORN 8500	£15
THORN 8500	£10	THORN 3500	£10
THORN VERYCAP 3500	£5		
★ ★ ★ ★ ★ ★ ★ ★ ★ ★ ★ ★ ★ ★ ★ ★ ★ ★ ★ ★ ★ ★ ★ ★ ★ ★ ★ ★ ★ ★ ★ ★ ★ ★			
DECCA 80	£20	DECCA 80	£30
DECCA 88	£30	DECCA 88	£40
DECCA 100	£25	DECCA 100	£35
DECCA HYBRID	£5	DECCA HYBRID	£10
★ ★ ★ ★ ★ ★ ★ ★ ★ ★ ★ ★ ★ ★ ★ ★ ★ ★ ★ ★ ★ ★ ★ ★ ★ ★ ★ ★ ★ ★ ★ ★ ★ ★			
PYE 200 18"	£14	PYE 200 18"	£20
PYE CHELSEA 18"	£18	PYE CHELSEA 18"	£25
PYE 222	£10	PYE 222	£15
PYE 725 20"	£18	PYE 725 20"	£25
★ ★ ★ ★ ★ ★ ★ ★ ★ ★ ★ ★ ★ ★ ★ ★ ★ ★ ★ ★ ★ ★ ★ ★ ★ ★ ★ ★ ★ ★ ★ ★ ★ ★			
ITT SOLID STATE	£23	ITT SOLID STATE	£30
ITT FULL REMOTE	£50	ITT FULL REMOTE	£60
ITT HYBRID	£5	ITT HYBRID	£10
★ ★ ★ ★ ★ ★ ★ ★ ★ ★ ★ ★ ★ ★ ★ ★ ★ ★ ★ ★ ★ ★ ★ ★ ★ ★ ★ ★ ★ ★ ★ ★ ★ ★			
GEC 18"-20" IN-LINE	£20	GEC 18"-20" IN-LINE	£30
GEC SOLID STATE	£10	GEC SOLID STATE	£15
GEC 2201	£18	GEC 2201	£25
		JAP STOCK	£20

LORRY LOAD DIRECT PICK UP FROM SOURCE £7
NEW CONTRACT ON VHS VIDEO

BEST QUALITY IN UK – EVERY ONE SHOWN WORKING
LORRY LOADS DELIVERED TO YOUR DOOR
RING THE HOT LINE AT

HUSSAIN CENTRAL TV LTD
48-52 PERSHORE ST, BIRMINGHAM B5 4RR
021-622 1023 – 021-622 1517

★★★★ **GOOD NEWS FOR YOU!** ★★★★★

**HUSSAIN CENTRAL T.V. LTD. NOW OFFER
YOU THE WIDEST CHOICES IN THE U.K.
AT THE LOWEST PRICES**

- *****
 * STAR BUY 22" T.V. WORKING..... from **£8.00** *
 * STAR BUY 22" T.V. UNTESTED..... from **£5.00** *
 * PHILIPS G8 550 22" FITTED WITH REGUNNED C.R.T. **£28.00** *

***** **PRICES TO REMEMBER** *****

LATEST T.V.'s NOW IN STOCK

G11 TELETEXT & REMOTE, ITT REMOTE CONTROL
 DECCA 80/88/100 SERIES, THORN REMOTE CONTROL
 THORN 9800/9600/9000/8800/8500/8000

SPECIAL OFFER ON WORKING T.V.'s				SPECIAL OFFER FOR UNTESTED T.V.'s			
G8	550	22"	£20.00	G8	550	26"	£5.00
G8	520	22"	£15.00	G8	550	22"	£11.00
THORN	9000	20"	£35.00	G8	520	22"	£9.00
THORN	8800	22"	£30.00	THORN	8500	19"	£15.00
THORN	8500	19"	£25.00	THORN	8800	—	£20.00
GEC	FROM	—	£25.00	THORN	9000	—	£28.00
				GEC	FROM	—	£20.00

ABOVE PRICES BASED ON QUANTITY

ABOVE PRICES BASED ON QUANTITY

VHS VIDEOS WORKING – 1000's IN STOCK

BRAND NEW 14" REMOTE CONTROL £100

BRAND NEW PYE 20", 22", 26"

WITH STEREO - TEXT - REMOTES

**MANY MORE BARGAINS IN STOCK – PHONE AND HAVE
YOUR ORDER READY FOR COLLECTION. LORRY LOADS
DIRECT FROM SOURCES DELIVERED TO YOUR DOOR.
ALL SETS HAVE FIRST CLASS CABINETS**

★ **NEWS FLASH** ★

G11 TUBES TESTED £20.00

A56-120 REGUNNED TUBES £15.00

HOT LINE LONDON

01-807 4090

01-884 1314

**CEDAR HOUSE, NOBEL ROAD,
ELEY ESTATE,
EDMONTON, LONDON**

HOT LINE SOUTH WALES

0291-271000

UNIT 4,

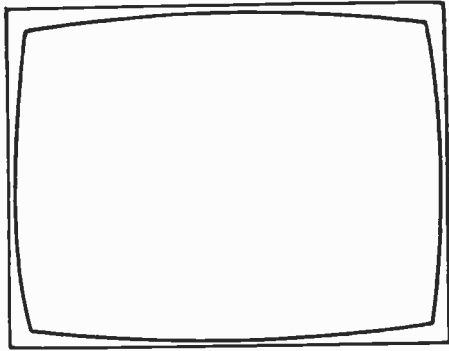
**BULWARK INDUSTRIAL ESTATE,
CHEPSTOW, GWENT**

★★★★

★★★★★

H
U
S
S
A
I
N
C
E
N
T
R
A
L
T
V
L
T
D

C
H
E
A
P
E
S
T
T
V
W
H
O
L
E
S
A
L
E
R



TELEVISION

DBS: What Next?

No one comes particularly well out of the fiasco of the proposed UK DBS TV service's collapse. The government wanted a service since it would give the UK a go-ahead, technologically advanced look. The broadcasting authorities wanted it since they have traditionally played a part in the development of TV technology. Industry wanted it since extra channels being broadcast via a new method of transmission represents good business opportunities. Nevertheless for the time being DBS has been shelved so far as the UK is concerned. The reason for this debacle is of course money – and doubts as to whether the public really wants extra channels. Extra programmes maybe – but the broadcasters seem to have difficulty filling the present four channels.

The government has been blamed for its failure to contribute to the cost of establishing a DBS service. But the demands on government funds are already great. It's a question of priorities. Just how important is a DBS service in the order of things? Spending a lot on starting a service that few might bother to use hardly seems a wise use of public money. Yes it would be nice to be seen as a nation pioneering the way to the technology of the future. But there seem to be global doubts at present about the feasibility of high-power DBS services.

If the money was not to come wholly or in part from the government, who else might provide it? Traditionally the BBC and the IBA have been able to finance the development of new services as technological change has made them possible. But the BBC is short of money, and the government's refusal to raise the broadcasting licence fee to the figure requested by the BBC at the review earlier this year has placed severe constraints upon the Beeb. The IBA gets its money from the ITV companies, which have been going through a difficult patch with reduced advertising revenue. There has been some improvement recently in advertisement bookings, but the whole position has been thrown into confusion by the government's decision to set up the Peacock Committee to enquire into methods of financing the BBC – in particular whether it should derive some of its income from advertising. UK firms already devote a comparatively high proportion of their advertising revenue to TV – only in the USA is a greater proportion spent on TV advertising. So if the BBC was to carry advertising it's likely that the amount of advertising available would simply be spread around more thinly. It's also the case that advertising might tend to be concentrated on the main, mass-appeal channels. Either way there wouldn't be all that much to place with prospective DBS channels.

What contribution might we have expected from industry? It's silly really to ask the question. The domestic TV industry is at present going through a very difficult time. The market is saturated and sales are hard to come by. Just the time to introduce satellite TV services you might say. Well yes, but modern manufacturing tends to be a horrendously expensive business. Vast investment is needed to establish the sort of production facilities that will produce internationally competitive goods. You can't blame hard pressed manufacturers struggling in an already over provided market for coming to the conclusion that this is just not on.

Is there any hope amidst all this gloom? Well for a start questions have been raised as to whether the suggested approach to providing a DBS service was the right one. Are high-power (240W per channel) satellites dedicated to the provision of TV transmissions essential? The original specifications were drawn up at the time of the 1977 World Administrative Radio Conference. Here we are in 1985 and the technology hasn't stood still. Since we won't be getting an official DBS service for a while yet the question of how it should be provided is very much open to debate.

In the June issue of *Satellite World* Steve Birkill argued strongly in favour of using Intelsat V type satellites which appear to be capable of providing perfectly acceptable reception using an 0.9m dish and current state of the art receiver technology. In fact you could say it's all very much a question of dish size: given a large enough one, good signals will be received. The question this raises is whether the now abandoned DBS proposals involved over engineering. Obviously the public has to be offered a service that's reliable, and equally obviously one might as well use the best technological solutions available. But good engineering has been defined as doing for ten pence what others can do for a pound (or something like that!). One can't help but recall how colour TV got started in the USA – as a rather ramshackle system full of compromises. That wasn't exactly a success of course – for the first few years anyway. And perhaps the moral learnt from this has been to get things right from the start. But if the cost of a proposed system is too great you can end up, as we've now done with DBS TV, with nothing at all. It seems that a delicate engineering compromise might be called for, which is something that's not easy to achieve. If you start up with a cheap and cheerful compromise that's obsolete within a few years – think of 405 lines – you end up with public wrath. Perhaps the public could be educated to accept that a compromise start-up system that might be obsolete within a decade might be necessary? The trouble is that this would hardly be the hard-sell approach required to get the public to pay for the service. Nevertheless it's a fact that TV is by its nature evolutionary. If we'd waited for 625 lines in colour we'd never have got started.

Meanwhile low- and medium-power satellites are already in operation carrying TV signals and the government has decided that we can receive them. They open up various possibilities that may be helpful in eventually getting a full-blooded DBS service started.

EDITOR

John A. Reddihough

ADVERTISEMENT MANAGER

Roy Smith
01-261 6671

CLASSIFIED ADVERTISEMENTS

Barbara Blake
01-261 5897

Please note that the telephone numbers above are for contact with the advertisement departments only. Editorial enquiries should be sent to the editor at the address given on page 537.

BBC MICRO PROGRAM

A letter on page 571 draws attention to some printing errors that occurred in the BBC microcomputer test pattern program in last month's issue. A letter next month will provide an amendment to obtain a true circle.

SPARES

Many thanks to several readers who provided information on Sonatel monochrome portables. These have been sold by Woolworths. Spares are available from House of Carmen Ltd., Technical Services Dept., 6 Albany Parade, High Street, Brentford, Middx. TW8 0JW (01 560 5331). The sets appear to be of Hitachi design.

We receive occasional letters about Waltham sets. Some spares are available from ACR Electronics, 37-51 Greenhill Crescent, Watford Business Park, Watford, Herts. WD1 8QU (0923 24543).

FRONT COVER

This month's cover photo shows a set fitted with the B&O 20AX chassis, opened up to aid identification. See article on page 554.

VCR Renovations

Steve Beeching, T.Eng.

It was spring and as Andy's fancy turned to the young lady in the flower shop across the road my concern was to find a way to make some money. Repairs were a bit slack and I get bored when there's nothing to do. So we decided to enter the second-hand VCR market, having sold some of our own ex-rental and part-exchange machines at a greater profit than we get from new ones. We thought about it for a while and looked around for some supplies of ex-rental company flog-offs. It ended up with me driving to Birmingham to buy as many machines as I could get into the Rover. After some bargaining and mumbling I ended up with two Sony C7s and six C5s ex-Visionhire and eight VHS machines ex-Radio Rentals.

The Sonys were quite reasonable to look at, though the cases were scratched and the odd timer cover was absent. The VHS machines looked like scrap, with no clock facias and no tuner flap lids: they looked a mess in fact but the price was right. The approach adopted was to check them all out as far as possible and order the spares required to get them going, then to bring them up to specification.

Initial Checks

Most of the Sonys wouldn't operate at all, inasmuch as they would power up but wouldn't thread up. On the VHS machines odd bits were missing and it seemed that most of the video heads had been removed and duff ones just bolted in. This could turn out to be quite expensive. VHS heads can be obtained from MCES in Manchester however and are cost effective – they are reconditioned assemblies so you have to send them your old drums. They don't handle Beta heads, so new ones would have to be obtained in this case. So far I've been sceptical about what are called "general purposed" heads: this exercise would provide a good practical evaluation.

A number of the VHS machines were given a quick check: those that could be made to run had duff heads, which provided us with some drums to send off to MCES. As we carry a quantity of Sony spares I was able to get a couple of C5s running whilst the orders went off.

The Sonys

First the C5s and C7s. Only one had any working heads and they weren't much good. As C7 heads are cheaper than C5 heads we decided to fit these all round. Only one C7 had to be scrapped: it had a faulty drum motor and liquid-contaminated print. It provided some spare parts however.

The first C5 threaded up. There were no further functions though rewind could be selected. The end sensor i.c. on the syscon panel, IC8, was located and replaced. That restored play. The heads were useless and there was no rewind as the rewind idler tyre was missing. New heads were fitted and the machine was cleaned and tested.

The second C5 gave nothing at all. It powered up but wouldn't even thread. This was traced to a duff capstan motor – the motor's FG output had also been discon-

nected. There were no audio/sync heads either, so a set of these was fitted. We then tried for play. Still nothing. The play LED lit, indicating that the syscon was operating. The forward solenoid was . . . disconnected? Next there was no E-E picture though the sound was present. The machine was tuned with the scope connected to the demodulator's output. Three transistors, Q32/3/4, were found to be missing. Suspicious that!

At least it was now running. The output from the heads was very low, so these were replaced. We now had playback pictures and sound. Time to set it up. The audio/sync heads were aligned using a test tape. The slack sensor, back tension (the f.m. signal wandered a bit) and the video signals were then set up. Fine. Now just rewind before cleaning the case and we have – eject!!

Well, this was a new one. I won't go into the details of what we checked except to say we eventually discovered that rewind could be selected only when the counter memory switch was in the off position. If it was on, the machine selected eject when the rewind button was pressed. Fig. 1 shows the bit of syscon logic circuitry involved. Strobe outputs T0-T3 go to various switches: the return inputs to syscon chip IC7 are A0-A3. Eject is selected when T0 is connected to A1, rewind when T0 is connected to A2. With the counter memory switch closed, T0 was linked to A1 in some way. As you can see, this could be due only to failure of D11, which it was, the fault path being T0, the rewind switch, the cassette in switch, D11, the counter memory switch, A1. Note that a resistance check on D11 showed conduction one way and a high resistance the other. There was no leakage and the diode checked good when out of circuit. It took me about one and a half hours to sort that out. Then clean and test the machine.

The third C5 had no drum servo action. Another puzzler. We traced through the relevant circuitry and finally discovered that the drum assembly was loose on its mountings and was disconnected. After reassembling and guide alignment, new heads were fitted to complete the repair. During final testing the rewind function ceased: this time it was a failed start sensor i.c.

The capstan motor in the fourth C5 was disconnected and very tight. A good one had obviously been removed and a faulty one fitted in its place. So a new replacement was fitted. Some trouble with the deck mechanics was traced to a jammed sliding plate. Apart from fitting new

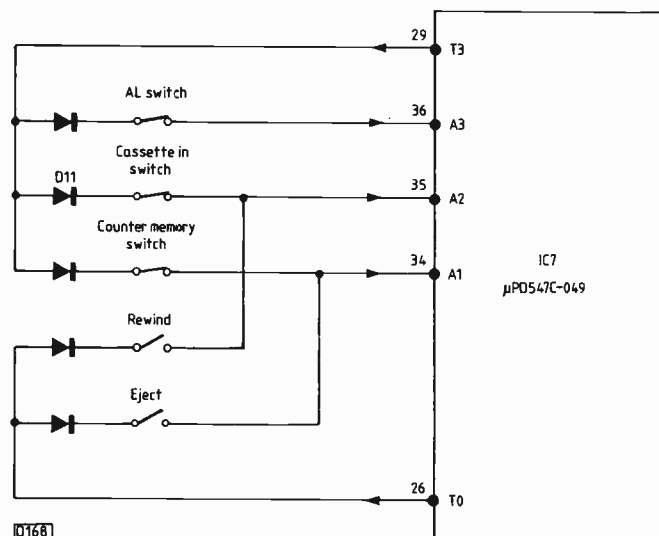


Fig. 1: Rewind/eject switching, Sony Model C5.

heads there was a problem with the video a.g.c. which overloaded and couldn't be adjusted. RV1 didn't do a great deal and only a small amount of adjustment was possible with RV8. The CX187 luminance processing chip IC1 was suspected and changed, with some difficulty due to the surrounding screening plates, but this did no good.

While tracing back to the input to video board Y6 I noticed that the video/sync ratio was wrong. The syncs were too small. They should be in the ratio 3:7 (300mV sync, 700mV video) but were at only 150mV with rounded edges at the bottom. Back on the i.f. board we found that the distortion was occurring at the video emitter-follower Q502. The sync tips at the input to Q502 were going as low as 0V and the transistor was cutting off at 600mV, hence the sync tip clipping. Base-emitter capacitance caused the rounded edges. The signal level at the base of Q502 was a massive 5V p-p instead of 2.8V p-p, as a result of which Q502 was being overdriven.

After much checking around I realised that there should be some sort of gating pulses at pin 7 of the TBA1440G i.f. chip to provide i.f. a.g.c. gating. These pulses should come from Q103 (sync separator) and Q104 (inverter) on the tuner panel. Q104 was o.k. but Q103 had given up.

The other two C5s needed just video heads, alignment and a clean up.

The first C7 operated normally in most respects. The output from the heads was very low, there was a sound warble, and no rewind. New heads and a rewind kit were fitted. The warble had been due to the old heads being off-centre: it looked as if old heads had been binged in before the machine was disposed of.

With the second C7 the threading motor would start to run then slow down and stop, without completing the threading process. This was traced to the motor's FG output being disconnected.

There was also no E-E colour as the ACK (automatic colour killer) line was active (low). If you have a Sony service manual you'll find it best to check the block diagrams first to get an idea of the system before delving into the actual circuits. The video board block diagram shows that the ACK detector in the colour signal processing chip IC2 is driven by the summed outputs from two other detectors, one in IC2 and the other associated with transistor Q48. The input to Q48 comes via transformer T5 which turned out to be mistuned.

Next the drum servo wasn't locking due to absence of reference pulses from the video board. IC12 on this board counts the pulses down from 4.43MHz to 25Hz and was without an input. Tracing the circuit back brought us to Q58 and the crystal oscillator circuit, with X2 and T8. The transformer was corroded. At this point the machine was scrapped as there was too much corrosion in this area.

The VHS Machines

All the VHS machines were of the HR3300/3292 type, the first VHS model ever, made by JVC. There are still pundits today, some of whom write for this magazine, who agree with me that the pictures produced by this model were excellent, surpassed only by later versions of the HR7200 (3V29) and HRD110 (3V38).

All except one of these machines had to have new heads. This required PG switching point and head preamplifier alignment. No difficulties were experienced in this respect with the reconditioned heads. The machines all required cleaning, replacement belts and servo

setting up. Most of them had a blown "operate" lamp.

One major problem was created by the fact that none of the VHS VCRs had tuning compartment lids, as a result of which the a.f.c. switch couldn't be operated after tuning. The lids are not available as separate parts and new tops would have cost £30 or more apiece. A get out was required, so I sprayed the tops gloss black and wired the a.f.c. permanently on. This made tuning a bit critical but not impossible.

The first machine was the only one with good heads and a timer facia. The tape guides were miles out and the servo was out of adjustment. After a good clean up it worked well.

The second machine required new heads. A sound warble was traced to the capstan motor – an old one had been put in. Set up and clean.

After fitting new heads to the third machine we found that the tape wouldn't run for more than a few seconds. The drum flip-flop signal was erratic and didn't have a 50 per cent duty cycle. As the drum pickup head was not close enough to the flywheel the pulses were too low in amplitude, 200mV peak instead of 400mV. One simply bends the head bracket closer to the flywheel.

On the fourth machine the drum motor ran fast but not the drum. There were no drum PG pulses – in fact there was no drum flywheel either. A new flywheel was fitted, along with new heads, and the servo was aligned.

On the fifth machine the E-E output was very distorted. The video signal was present but the sync pulses were very small, almost non-existent. The fault was symptomatic of a failed video signal processing i.c. (IC1) so a new AN302 was fitted. The drum motor was also replaced, along with the take-up clutch.

The next machine had an f.m. replay problem. It was not really noticeable on the screen and was in fact spotted whilst we were aligning the new video heads. A portion of the f.m. carrier at the start of the field scan was pulsating and varying in amplitude. It was some while before I decided that this was due to a beat signal. After checking around and fitting yet another video drum I discovered that the head switching signal was not present on the preamplifier panel though it was present on the luminance/chrominance panel. At some time in the past someone had connected both the signal and the screen of the connecting lead to the preamplifier to chassis. The beat signal was the simultaneous output from both heads at the overlap crossover point. A new drum motor had to be fitted.

The seventh machine required new heads and a spring was missing off the play key. In addition odd tuner pushbuttons were sticking.

The final VHS machine didn't thread. Gear wheels were missing between the capstan flywheel and the threading cam assembly. Fitted new heads and cleaned it up.

Conclusions

One obvious point about these machines was that the rental engineers had had some difficulty in setting up the servos. The drum and capstan servo discriminators both require careful setting up, as follows.

Capstan discriminator preset R76. Disconnect the mains power lead, connect a 33Ω resistor between TP14 and chassis, link TP12 to chassis and connect an analogue meter switched to the 50μA range between TP14 and TP20 – either way round. With a 1.5V battery connected

between TP21 (positive side) and chassis the capstan motor will rotate. The meter may read negative. Stop the motor by hand and adjust R76 for a zero current reading, neither positive nor negative. Release the motor, stop it again and recheck the setting. Repeat until a consistent zero reading is obtained.

Drum discriminator preset R111. Disconnect the mains lead and connect a 105.6Ω resistor (100Ω + 5.6Ω in series) between TP9 and chassis. Connect the meter, again switched to the 50μA range and either way round, between TP9 and TP18. Connect the 1.5V battery between TP19 (positive side) and chassis. The drum will rotate. Stop it by hand a number of times and adjust R111 for a zero current reading each time. Repeat until a consistent reading is obtained.

Adjustments to the capstan servo and the drum servo sampling position can then be carried out as detailed in the manual, the capstan for 7.5V d.c. at TP12 and the

drum for a sampling position (positive transient) half way down the ramp at TP7.

What did we learn from all this? Well, it was a profitable exercise as long as the work was carried out when nothing else required attention. If labour was costed in the exercise was not profitable. Without access to manufacturers' spares the cost would have been prohibitive. In addition, expensive test equipment is required and, with Sony machines, the expertise to install new video heads correctly. A number of obscure faults had beaten the rental technicians. I'm not surprised that they hadn't tackled syscon faults on the Sony machines – the syscon panels were the only ones that hadn't been touched at all. Finally, I'm convinced that while some machines had been robbed others had been deliberately sabotaged prior to disposal.

Oh yes, Andy says I've got to own up about boiling belts. I'm sure I don't know what he's talking about . . .

Commodore 64 Test Pattern Program

Andrew Green

An appeal was made recently in the Letters column for a test pattern program for the Commodore 64 microcomputer. The following program draws a grid and then overlays a band of colour bars on the upper part of the screen and a grey scale at the bottom. It also has the facility to switch sound in and out: not the sometimes irritating high tone but, using the 64's three voices, a harmonious chord! This is generated in the subroutine at line 3000. For those wishing to change the chord, lines 3020-3030 poke the relevant numbers into the registers. A look at pages 152/3 in the user's manual or 384/5 of the programmer's reference guide tells you the numbers to poke in for notes over a six octave range.

If a smaller spaced grid is required, change line 1000 to FOR X = Y + S TO Y + S + 160 STEP 4.

Unfortunately the display obtained with the Commodore 64 has a border in which you can't draw, so you cannot get the grid to reach the extremes of the screen. I've nevertheless found the program to be a useful one.

Program

```

5 REM TV TEST PROGRAM
8 REM BY A GREEN
10 PRINT CHR$(147): POKE 53280,11: POKE 53281,11
12 FOR X = 1 TO 10: PRINT: NEXT X: PRINT
   SPC(15)CHR$(5) "TELEVISION"
13 PRINT SPC(18) "TEST"
14 PRINT SPC(18) "PAGE": FOR T = 1 TO 4500: NEXT T:
   PRINT CHR$(147)
15 S = 1024: REM START OF SCREEN MEMORY
18 REM DRAW GRID
20 Y = 4: GOSUB 1000
30 Y = 160: GOSUB 2000
40 Y = 204: GOSUB 1000
50 Y = 320: GOSUB 2000
60 Y = 364: GOSUB 1000
70 Y = 480: GOSUB 2000
80 Y = 524: GOSUB 1000
90 Y = 640: GOSUB 2000
100 Y = 684: GOSUB 1000
110 Y = 800: GOSUB 2000
120 Y = 844: GOSUB 1000
130 PRINT CHR$(19): FOR X = 1 TO 4: PRINT: NEXT X
135 REM COLOUR BARS

```

```

140 A$ = "    ": REM 4 SPACES
145 FOR X = 1 TO 3
150 PRINT A$: CHR$(18): CHR$(5): A$: CHR$(158): A$:
   CHR$(159): A$: CHR$(30): A$:
155 PRINT CHR$(156): A$: CHR$(28): A$: CHR$(31): A$:
   CHR$(144): A$: CHR$(146)
160 NEXT X
165 FOR X = 1 TO 5: PRINT: NEXT X
168 REM GREY SCALE
170 A$ = "    ": REM 6 SPACES
175 FOR X = 1 TO 3
180 PRINT SPC(5)CHR$(18): CHR$(144): A$: CHR$(151):
   A$: CHR$(152): A$:
185 PRINT CHR$(155): A$: CHR$(5): A$: CHR$(146)
190 NEXT X
200 FOR X = 1 TO 6: PRINT: NEXT X
210 PRINT SPC(11)CHR$(18): CHR$(5): "  CBM TEST
   PATTERN  "; CHR$(146): REM  = SPACE
220 PRINT SPC(8)CHR$(18): "  SOUND ON = F1, OFF =
   F3  "; CHR$(146)
230 GET A$: IF A$ = "" THEN 230
240 IF A$ = CHR$(134) THEN GOTO 300
250 IF A$ = CHR$(133) THEN GOSUB 3000
260 GOTO 230
300 POKE 54296,0: REM SOUND OFF
310 GOTO 230
400 REM
1000 FOR X = Y + S TO Y + S + 160 STEP 8
1010 POKE X,101
1020 NEXT X
1030 RETURN
2000 FOR X = Y + S TO Y + S + 39
2005 IF PEEK (X-40) = 101 THEN GO TO 2015
2010 POKE X,119: GOTO 2020
2015 POKE X,79
2020 NEXT X
2030 RETURN
3000 FOR L = 54272 TO 54296: POKE L,0: NEXT L
3005 POKE 54296,15
3010 POKE 54277,190: POKE 54284,190: POKE 54291,190
3015 POKE 54278,248: POKE 54285,248: POKE 54292,248
3020 POKE 54272,75: POKE 54273,34
3030 POKE 54279,52: POKE 54280,43: POKE 54286,97:
   POKE 54287,51
3040 POKE 54276,33: POKE 54283,33: POKE 54290,33
3050 RETURN

```


WE WILL ONLY SUPPLY TOP QUALITY, BRANDED COMPONENTS. REPUTATION COUNTS WITH US

G.G.L. COMPONENTS
108 SCOTLAND ROAD, CARLISLE, CUMBRIA CA3 9EY
PHONE (0228) 20358/39693

BUY WITH


E.H.T. TRAYS

DECCA 80	7.20
DECCA 100	7.35
ITT CVC 20/30	6.85
PHILIPS G8-550	7.90
PHILIPS KT3	9.75
BBM T20/T22A	7.35
THORN 8500/8800	7.60
THORN 9000	8.70
Universal	5.95

INTEGRATED CIRCUITS	TYPE	PRICE (£)
AN214	SAF1039P	4.55
AN301	SAS560S	1.95
AN303	SAS570S	1.95
AN305	SAS580S	2.40
AN7110	SAS590S	2.40
AN7114E	SL901	5.65
AN7115	SL907	7.35
AN7116	STK0039	6.45
AN7145	STK0040	5.95
BA312	STK0050	7.50
BA511A	STK077	7.25
BA521	STK078	7.45
BA532	STK082	9.75
BA536	STK415	9.66
HA1166	STK430	6.50
HA1322	STK435	6.75
HA1338	STK437	7.25
HA1339	STK439	7.55
HA1342A	STK441	8.50
HA1366 W/WR	STK459	7.35
HA1370	STK461	7.95
HA1374	STK465	9.95
HA1377	TA7193P	4.30
HA1388	TA7202	2.25
HA1397	TA7203P	2.25
LA1201	TA7204P	1.90
LA1230	TA7205AP	1.40
LA1365	TA7208P	1.95
LA3550	TA7222AP	1.85
LA4031	TA7223P	2.85
LA4032	TA7227P	2.95
LA4101	TA7310	1.55
LA4400	TA7313	1.45
LA4430	TAA550	4.3
LA4440	TBA120AS	95
LA4460	TBA120SB	90
LA4612	TBA120T	1.25
MB3712	TBA120U	1.00
MB3713	TBA530Q	1.00
ML231B	TBA540	1.37
ML232B	TBA550	2.45
ML237B	TBA560	1.60
ML238B	TBA720A	2.65
SA1124	TBA750	2.45
SA1125	TBA800	80
SA1250	TBA810	1.35
SA1251	TBA820	1.40
SA1510	TBA890	2.95
SA1512	TBA920	1.50
SAF1032P	TBA950	2.65

TYPE	PRICE (£)
TC2A70	1.55
TC2A80	5.45
TC2A90	1.55
TDA1002	1.50
TDA1003	2.80
TDA1004A	3.95
TDA1006A	2.95
TDA1035T	2.75
TDA1037	1.95
TDA1044	3.10
TDA1170	1.80
TDA1270	2.20
TDA2002	1.85
TDA2003	2.33
TDA2004	3.15
TDA2006	2.25
TDA2020	1.95
TDA2190M	4.95
TDA2522	1.80
TDA2523	2.25
TDA2530	2.10
TDA2532	2.20
TDA2540	1.95
TDA2560	1.80
TDA2581	2.15
TDA2582	2.20
TDA2591	2.30
TDA2593	2.30
TDA2594	2.95
TDA2600	1.55
TDA2611A	5.95
TDA2640	2.40
TDA2650	5.10
TDA3561A	5.35
TDA3562A	5.50
TDA4600	2.85
TDA9503	2.35
UPC555C	.70
UPC566C	2.10
UPC585C	1.40
UPC1031H	2.95
UPC1032H	.95
UPC1156H	2.45
UPC1181H	2.20
UPC1182H	2.20
UPC1185H	3.30
UPC1230H	3.95
UPC1238H	2.35
UPC1350C	4.50
UPC1353C	2.60
UPC1365C	5.05
UPC1377C	4.60
UPC2002H	1.85

TRAN-SISTORS	TYPE	PRICE
BC107	BD235	.32
BC108	BD236	.43
BC109	BD237	.40
BC141	BD238	.39
BC142	BD410	.50
BC143	BD434	.50
BC144	BD437	.70
BC145	BD438	.78
BC146	BD477	1.05
BC148	BF194	.12
BC157	BF195	.13
BC158	BF196	.11
BC159	BF197	.11
BC182L	BF241	.15
BC183L	BF256LC	.25
BC184L	BF258	.25
BC212L	BF259	.26
BC213L	BF337	.28
BC237	BF338	.30
BC327	BF458	.30
BC328	BF459	.36
BC337	BF757	.75
BC338	BFR90	1.60
BC547	BR100	.18
BC548	BR101	.32
BC557	BR103	.55
BC558	BT106	1.15
BD124M	BT116	1.30
BD131	BT151	.33
BD132	800R	1.10
BD201	BU126	1.78
BD202	BU205	1.42
BD203	BU208A	1.45
BD204	BU208D	1.85
BD222	BU326A	1.48
BD225	BU407	1.12
BD232	BU500	1.80
BD233	BU508A	1.95
BD234	BU526	2.00

TYPE	PRICE
BU826A	3.20
R2010B	1.45
R2540	2.35
TIP31C	.46
TIP32C	.47
TIP33	.80
TIP34	.95
TIP41C	.48
TIP42C	.48
TIP47	.75
TIP2955	.70
TIP3055	.70
2N3055	.50
2N3773	3.45
15/80H	2.25
15/85R	2.25
2SA 771	2.35
2SA 835	1.55
2SB 618	2.45
2SC 867A	3.25
2SC 1034	4.85
2SC 1061	1.15
2SC 1114	4.75
2SC 1124	.97
2SC 1316	3.20
2SC 1413A	3.95
2SC 1739	2.45
2SC 1942	2.95
2SC 1962	1.65
2SC 257	2.45
2SD 588A	1.97
2SD 725	3.65

LINE O/P TR.

DECCA 80	7.95
DECCA 100	8.50
ITT CVC 20	7.75
ITT CVC 25/30/32	8.00
ITT CVC 45	8.45
PHILIPS G8	8.75
PHILIPS G11	13.50
PHILIPS KT3	9.95
PHILIPS K30	16.50
RBM T20A	11.50
THORN 1615	9.75
THORN 1690/1	9.65

DIODES

TYPE	PRICE
BY127	.10
BY133	.15
BY164	.40
BY179	.65
BY210/800	.30
BY223	.86
BY227M	.23
BY228/600	.87
BY298/400	.24
BY299/800	.25
BYX10	.20
BYX55/600	.26
BYX71/600	.93
SKE4F2/06	.80
SKE5F3/10	1.45
W005	.05
1N4001-7	.07
1N5401-8	.16

SONY SPARES

C5/C7 Rewind Kit	4.85
C5/7 Belt Kit	3.50
C6 Rewind Kit	4.35
C7/J7/SLT7	W005
pinch roller	4.85

ANTI-SURGE FUSES

A/S20MM 80MA	2.75
100, 160, 200MA	1.70
315, 400, 500, 630, 800MA, 1A, 1.25, 1.6, 2A	1.20
2, 3, 15, 4, 5A	1.35

CASS MOTORS

6V C/W	5.00
9V C/W	5.00
12V C/W	5.00
13.2V C/W	4.85

SUNDRIES

G8 TRANSUCTOR	2.25
G8 ON/OFF SW	1.40
G11 EW Coil	1.65
G11 Lin Coil	1.80
G11 Bridge Coil	1.35
G11 EHT Lead	2.25
PYE IF Gain MOD	7.85
ITT On/Off SW	1.10
THORN On/Off SW	1.00
CUT OUT 2A	1.95
TX10 FOCUS UNIT	8.95
VCR Pilot Bulb	.70

VALVES

PCF802	94
PCL82	95
PCL85	98
PCL86	93
PL504	1.50
PL508	2.90
PL509/519	5.65
PY500A	1.95

TV ELECTROLYTICS

DECCA 30(400/400)350V	2.95
DECCA 80-80/100(400)350V	3.30
(800)250V	2.20
PHILIPS G8(600)300V	1.15
PHILIPS G9(2200)63V	2.15
PHILIPS G11(1470)250V	2.10
PYE 6917(200-300)350V	1.10
RBMA823(2500/2500)30V	2.25
THORN3500(175/100/100/400)350V	.85
THORN3500(1000)70V	2.75
THORN9000(400)400V	2.75

PUSH BUTTONS/ NEW TUNERS

DECCA/ITT 6 way	7.95
PHILIPS G8 S/L	14.90
PHILIPS G8 S/Q	12.00
PYE-G11 P/B	8.50
HITACHI 4 way	8.95
ITT CVC5 7 Button	10.40
ITT CVC8/9	12.80
1043/05	8.95
U321	8.35
U322	7.40

Available also a range of 2SA/B/C/D Transistors. Phone or write for lists.

ORDERING
Please Add 50p For P/P U.K. Add 15% VAT To This Total. Export Orders - Cost. DELIVERY BY RETURN ON ALL STOCK ITEMS.

VIDEO HEADS **MONOLITH** electronic products

HIGH QUALITY UNIVERSAL VIDEO HEAD REPLACEMENTS FOR ALL VHS AND BETAMAX VCR MACHINES

VHS Part No. 3HSS (5mm Centre Hole) £29.95 PRICE
VHS Part No. 4HSS (15mm Centre Hole) £29.95 EACH
BETAMAX Part No. PS3B £38.95 EX.
REPLACEMENT KIT (17 Pieces Boxed) £17.35 V.A.T.
PLEASE ADD 15% V.A.T. PLUS P&P £2.00 PER ORDER
OUR FULL CATALOGUE AVAILABLE ON REQUEST.

Please allow between 14 and 28 days for delivery.

AUDIO + VIDEO HEADS - MOTORS - PARTS
Suppliers to most U.K. Distributors/Service Organizations

THE MONOLITH ELECTRONICS CO. LTD
5-7 Church Street, Crewkerne, Somerset TA18 7HR, England
Telephone Crewkerne (0460) 74321 Telex 46306 MONLTH G

TUNERS + TUNERS

- ★ If you repair sets regularly - phone us today and we will dispatch immediately - no need to send cash 'up front'.
- ★ All tuners dispatched by first class post for receipt by you the next day.
- ★ All popular tuners/tuner repairs supplied 'off the shelf'.
- ★ Unusual types repaired same day as received (subject to spares availability).

TELEPART 32 Temple Street, Wolverhampton WV2 4LJ. Phone: (0902) 773122.

The World of . . .
**P+P 1 PANEL £1.50
2 PANELS OR MORE
£3.00**

"TELEPANELS"

52 Mount Pleasant Road, Chigwell, Essex. Tel: 01-729 0506.

	IF	TUNER	DECODER	G8/G9 DECODER IF COMBINED	LINE OUTPUT	POWER	CONVERG	FRAME	VIDEO	6 WAY TUNER SWITCH BANK
PHILIPS G.8	5.00	4.50	7.00	15.00	14.00	8.00	5.00	5.00		3.50
THORN 3000/3500	2.00	5.75	4.00		8.00	8.00	5.00	6.00	5.00	1.75
GEC 2110	10.00		5.00		12.00	6.00	5.00	5.00	5.00	5.00
PYE 731			10.00		18.00	10.00	7.00	8.00		4.50
BUSH Z/718	7.50	6.50	14.00		24.00	3.00	5.00	14.00		
BUSH T/20	7.50	6.50	14.00		19.00	19.00	5.00	14.00		
DECCA BRADFORD	3.00		7.00			4.00		4.00		
DECCA 80	12.00	POA	14.00		12.00	10.00		14.00		POA

POST OFF YOUR CHEQUE NOW! AND YOUR PANELS SENT BY RETURN OF POST!!!

Strangers in the day

Les Lawry-Johns

I could see that she had a chip on her shoulder the moment she walked in carrying a small Grundig portable (not colour I was glad to note). Despite the fact that I was breaking my heart over a Philips G11 power supply panel she plonked the portable in front of me and let loose.

"I've had this set repaired three times in the past few weeks and now it's gone again. No doubt the same thing."

"No doubt" I growled, "which is why you should take it back to the repairer and beg him or her to have another go instead of lumbering me with the thing."

I could see her change gear, the way they do when they see that a change of tactics is required for them to get their own way.

"I've given Quick Fix every opportunity to do the job properly and they've signally failed. I've been told you're good and not expensive . . ."

"That's right" I couldn't help saying, "I'm good for nothing."

She didn't even smile but went straight on ". . . so I thought I'd bring it along to ask your opinion."

I gave up on the G11. "All right, leave it with me and call back tomorrow. I'll just take the name before you go."

"Miss M. Lott - Mona Lott - from Park Avenue."

I wrote down Miss Moanalot and left it at that.

Off she went and I returned to the G11 power supply. I'd checked every transistor in situ and everything else in sight and was now down to taking out each transistor and rechecking it in isolation. T4086 (BC158) in the excess beam current protection circuit proved to have a reverse leakage of some 3k Ω , and on fitting a replacement the wanted 150V appeared at the h.t. fuse. It's fortunate that these boards can be checked on the bench with only an a.c. supply fed to plug B - one side to pin 1 or 2, the other to pin 4 or 5.

Having disposed of this minor irritation - several hours of sweat due to my stupidity - I turned to the little Grundig (1230GB) where I proceeded to make the same sort of mistake I'd made with the G11. As the fault appeared to be lack of line drive I made a start by checking the supply to the line driver transistor. It was present though a little high. This was to be expected since the line output stage wasn't working, i.e. there was reduced loading on the 11V rail. This was confirmed by the tube's heater, which was glowing a little too healthily.

I switched off and checked the line driver transistor - base to collector, base to emitter - watching the meter's swing out of the corner of my eye. It seemed to be o.k. so I chased around getting nowhere.

I switched on again and checked the voltages in the line driver stage, noting that the transistor's collector was loaded by only the primary winding of the driver transformer (no feed resistance). Raised eyebrows accompanied the check on the transistor's base voltage. Since its emitter went straight to chassis the base shouldn't be far off chassis potential. The reading was 2V. So I looked at the transistor again. It should have been a BD137. A BC142 looked at me, recently fitted. I whipped it out and found that it was open-circuit base to emitter. The reading I'd got with the transistor in circuit had been base to

collector and then to the emitter via the driver transformer and the tube's heater.

I fitted a BD131 and told the set to make do with that for the time being. It did. The picture was good and the supply line voltage was correct. I must watch the meter more carefully in future. Like you do. The set was left on for a full day, just to be sure.

Mona came to collect it later, paid without a murmur but couldn't help saying "see you soon" as she went. Well she hasn't, so far.

Another Stranger

Amongst the usual procession of Decca, Thorn, Philips, ITT etc. sets this 14in. Amstrad colour portable turned up. Not a bad little set, of far eastern origin. A quick check revealed that the full h.t. voltage was present but as there was no activity in the line output stage the picture and sound were both missing. Once again I started by making checks in the line driver stage. The set immediately started up and wouldn't stop. So I left it on till the next day.

Once again it refused to start. This time when I checked for voltage at the collector of the line driver transistor there wasn't any. So I checked back to the primary of the driver transformer and found voltage at both ends. The set made a half-hearted attempt to start when the probe touched the transistor end of the winding. Although the joint looked good resoldering it produced instant action with no further hanky-panky. Lucky me. For once.

Easy Mende

If you remember, quite a time ago I told you of an encounter with Beardy and Non-beardy and how they departed never to return.

Well they did. Carrying of all things a NordMende colour portable of the type that frightens me.

"Get out of here with that thing" I bawled.

"Oh my friend" said Beardy, "let us let bygones be bygones."

"Yes" said Non-beardy, "let the sands show not a ripple."

"Never mind about bygones or the sands, I no mend NordMende."

"It's just a little thing" said Beardy. "It won't take a clever man like you a moment. Very very easy."

"Listen. If I was clever I wouldn't be doing this job."

"Just for old time's sake" said Non-beardy. "It's just a fuse you see."

"All right then" I said very calmly. "We'll just check the fuses."

So I whipped the back off, lowered the panel and checked the fuses. The 630mA fuse in the supply to the field timebase was open-circuit. My mind raced. The chances were that the TDA1170 field timebase chip had shorted or was shorting intermittently. Take a chance. Fit a new fuse and get rid of them.

"You're quite right" I told Non-beardy. "It was just a fuse. It's you who are clever, not I."

"Very good" said Beardy. "How much?"

"Fifty pence" I said, "if I don't see this set again."

"You give guarantee?"

"No I bloody don't. Take the set and sod off."

Do you know, it didn't go off again and each time Beardy walks by he raises his thumb and calls out "very good, very good".

I hate those sets.

Servicing the B & O 20AX Chassis

Eugene Trundle

This was Bang and Olufsen's second solid-state chassis and was in production during the late seventies. It was used in a range of TV sets – the 20in. Models 3000 (not to be confused with the much earlier hybrid Model 3000) and 3300; the 22in. Models 3502, 3602, 3702, 3800, 3802 and 3900; and the 26in. Models 4002, 4402 and 6002. The 6002 has a nice wooden cabinet with tambour doors and uses the on-screen channel status display and ultrasonic remote control system also used in the 3300, 3702, 3802, 3900 and 4402. The sets are characterised by their ridged channel selector buttons and control drawer covers (see December 1977 cover). Dished or domed control buttons characterise the remote control unit. The now familiar hallmarks of Bang and Olufsen products are all there: the slim, stylish lines, excellent sound quality, and superb picture performance. The auto-grey scale correction built into all solid-state Beovision sets ensures long-term picture stability.

Internally the chassis is conventional for its era, with a full-wave thyristor regulated power supply, diode-split line output transformer, modular construction and moderate power consumption of around 115W. Some of the features of its predecessor, the Beovision 3500/4000/5000/6000 series (covered by James Brice in the May 1978 issue) are recognisable but the design is totally different in many areas. The chassis is quite reliable and such stock faults as do occur are not too difficult or expensive to sort out once the set's habits and operating principles are understood. What we propose to do is to provide a run-down on common faults and some guidance on circuit operation and setting up in the sections that don't have counterparts in other makes of receiver – these are mainly confined to the remote control system, the power supply and the auto-colour tracking departments.

Tuner and IF Section

A straightforward and conventional receiver unit is used, with an MC1349P i.f. amplifier chip, TCA270 vision demodulator/a.g.c./a.f.c. chip and a TBA120U intercarrier sound chip – all well-tryed i.c.s. The u.h.f. tuner gives little trouble but if it needs replacement be sure to order a U322 type, not the superficially similar and more common U321. Apart from odd i.c. failures (mainly the TBA120U) we've had little trouble with the i.f. circuits. Peculiar faults ranging from loss of all signals to apparent malfunction of the a.g.c. system can be caused by a faulty 12V stabiliser chip – IIC4, type MC7812/LM340/ μ A7812. Check the 12.6V line with a meter and scope before delving further.

The luminance delay line lives on module 1 and, unusually, consists of separate *L* and *C* elements in a ladder network. This gives a well-defined passband and enables an edge-enhancement preshoot signal to be injected at a tap along the line. The preshoot signal comes from the collector of the delay line driver transistor 1TR6 and is differentiated by 1C64. In certain circumstances some viewers are happier without this refinement, in which case 1C64 can simply be removed. This gives a slightly softer picture. The small coils are glued to the

panel and dry-joints at their terminations can be responsible for intermittent loss of luminance.

Tuning

The channel selector button unit is prone to intermittency due to internal contact tarnishing. It cannot be dismantled for cleaning but a go at the nooks and crannies with a switch cleaner aerosol can work and will in particular be required on the non-remote control versions where no latch-on circuit is used. The mains switch is also incorporated in the button unit: it can go open-circuit. The tuning potentiometers are better behaved than in most sets but tend to go latchy in a hostile environment. They come in two banks of four.

In all cases of tuning drift, check the tuning potentiometer isolating diodes 11D2/4/6/8/10/12/14/16 first. This is most easily done by winding the unused potentiometers up towards channel 68 – any that affect the tuning have suspect diodes connected to their wipers. Though they are not used in UK sets the band switching diodes 11D3/5/7/9/11/13/15/17 are still included and can cause drift if leaky. In view of the low cost of 1N4148 diodes it's often prudent where trouble is suspected to save time by replacing the lot.

Remote Control

The ultrasonic remote control system is a little unusual and merits a few words of description. Fig. 1 shows the operating principle. The handset contains an *LC* oscillator that runs at 44.01, 41.15, 38.29 or 35.43kHz depending on which button is pressed. These carrier frequencies can be 100 per cent amplitude modulated by any one of four audio frequencies derived from an *SCS* oscillator with *RC* switching. Four carriers plus four choices of modulation give sixteen permutations. They are used as follows: brightness up, brightness down, colour up, colour down, volume up, volume down, normalise ("granny button"), standby and selection of eight channels. The four carrier frequencies are given by the vertical columns of buttons on the handset while the four audio tones are given by the horizontal rows of buttons – this is a useful aid to diagnosis where a whole row or column of buttons fails. The modulated carrier waveform is stepped up to 210V peak-peak then rectified by a diode-capacitor combination and applied to the sending transducer whose capacitance resonates at 44kHz.

The pickup transducer in the set feeds the incoming signal to an amplifier which presents it to 17TR2. This pnp transistor's collector load consists of four series-connected resonant circuits, one for each frequency. Each feeds a transistor whose collector voltage goes low in the presence of its "own" carrier frequency, putting a "low" into the decoding matrix. The audio modulation tones are detected by four active bandpass filters, one for each modulation frequency. The outputs from these drive a further set of four transistors whose conduction again puts a "low" into the matrix.

The output from the matrix consists of sixteen control

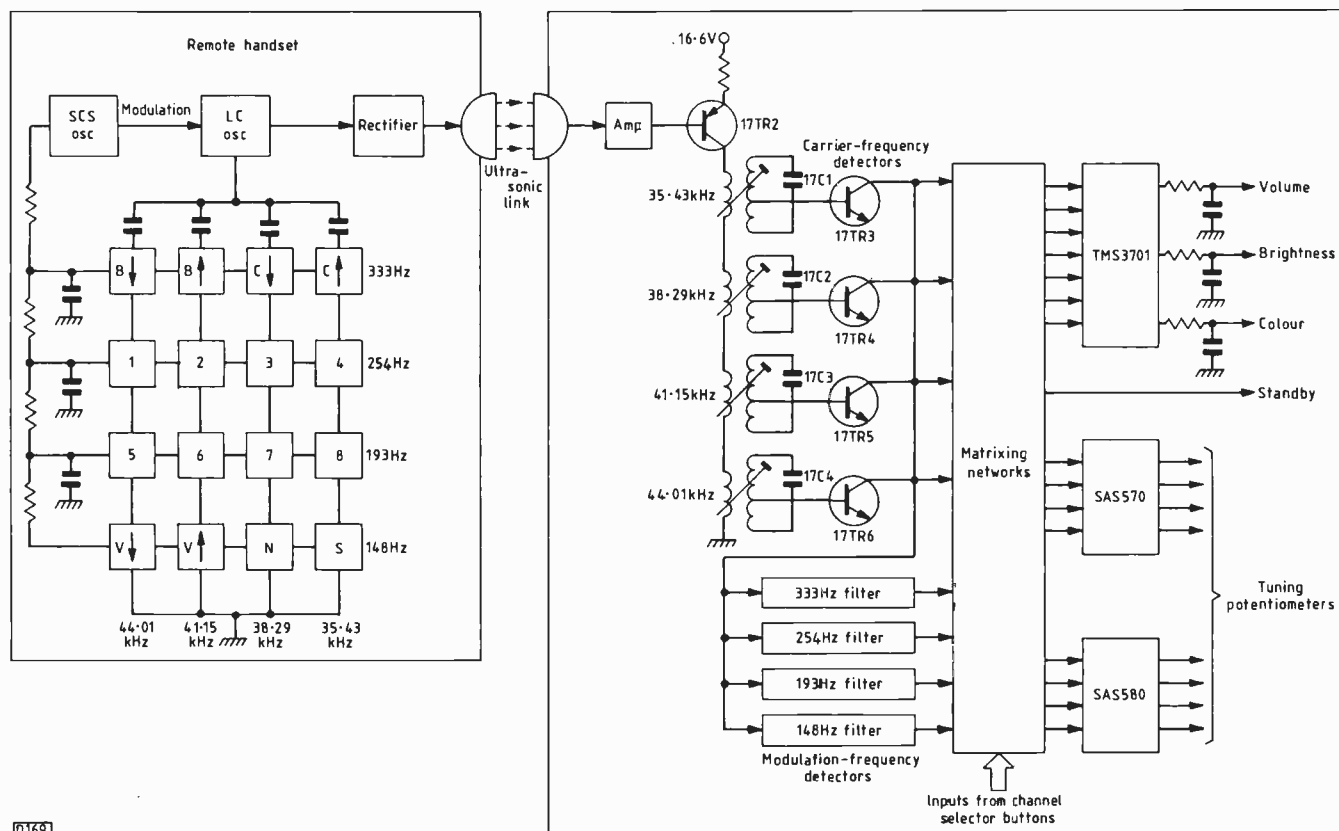


Fig. 1: Illustrating the operation of the ultrasonic remote control system used with some models.

lines, one of which will go to zero for each remote control button operation. These output lines control three memory i.c.s, an SAS570/SAS580 combination for channel selection and a TMS3701BNS whose outputs provide colour, brightness and volume control. The outputs from this latter i.c. consist of squarewave pulse trains with different mark-space ratios: these are integrated by low-pass filters to provide d.c. control voltages for the signal-handling chips.

Most of the problems with the remote control unit are due to environmental factors. Liquids spilt over the unit will corrode the contacts which usually respond well to cleaning – be sure to keep the unit face down when dismantling it to avoid losing 32 little treasures. If the unit has been dropped you'll often find that the oscillator coil 19L1 has parted company with the panel – reglue it and resolder the fine wires. Later versions have a modified coil soldered directly to the board. A common cause of no output is failure of the transducer, which is not the same as the receiving one. The symbols on the cleverly designed button faces (dished for down functions, domed for up functions) wear off rather easily, and the B154 12V battery is not always easy to find.

Realignment of the remote control system (either the transmitter or receiver) should not be undertaken lightly, especially in the absence of a frequency standard or accurate digital counter. Adjustment of the oscillator coil and trimmers in the transmitter unit has to be done with a special cut-down bottom cover plate that contains an iron block to load the oscillator and thus ensure that the frequencies are correct when the unit is reassembled.

Failure of the pickup transducer is the most common remote control receiver problem. We've also had occasional problems with the 0.0047 μ F polystyrene tuning capacitors 17C1-4 and leakage in the matrix diodes 17D15-28. As with the diodes in the channel tuning

circuits, any diode whose reverse current moves the Avo's pointer so much as a hair's breadth on the $\Omega \times 100$ range should be condemned.

Channel Display

The channel display module is a straightforward panel using an AY-5-8320 character generator chip (20IC1) many of whose features are unused in this application. It's fitted as standard in Model 6002 but can be installed if required in other remote-controlled sets. It examines the data in the tuning memory chips, via another diode matrix, producing a green digit (1-8) on a black square in the top right-hand corner of the screen, the display lasting for three seconds after changing channels.

Complete absence of the digit display should lead to a check on the 16V supply to pin 17 of 20IC1 and an investigation of the clock oscillator 20IC2 before 20IC1 itself is condemned. What's more important is that the background and character driver transistors 20TR5-6 have access to the luminance and G video channels respectively. Malfunction in these areas, i.e. no picture or a green screen, can be due to a fault on this board: unplug it to prove the point.

Decoder and Drive Circuits

The PAL decoder uses the well known TBA540 and TBA560C chips in conjunction with the less common TAA630T demodulator/colour-difference matrixing i.c. – RGB matrixing takes place in the output stages. The decoder has proved to be reliable, the occasional fault being easily traced with a scope and meter checks. To override the colour killer link test points 1 and 2. We've had trouble from time to time with the 0.01 μ F ceramic capacitors which couple the line-frequency trigger pulses

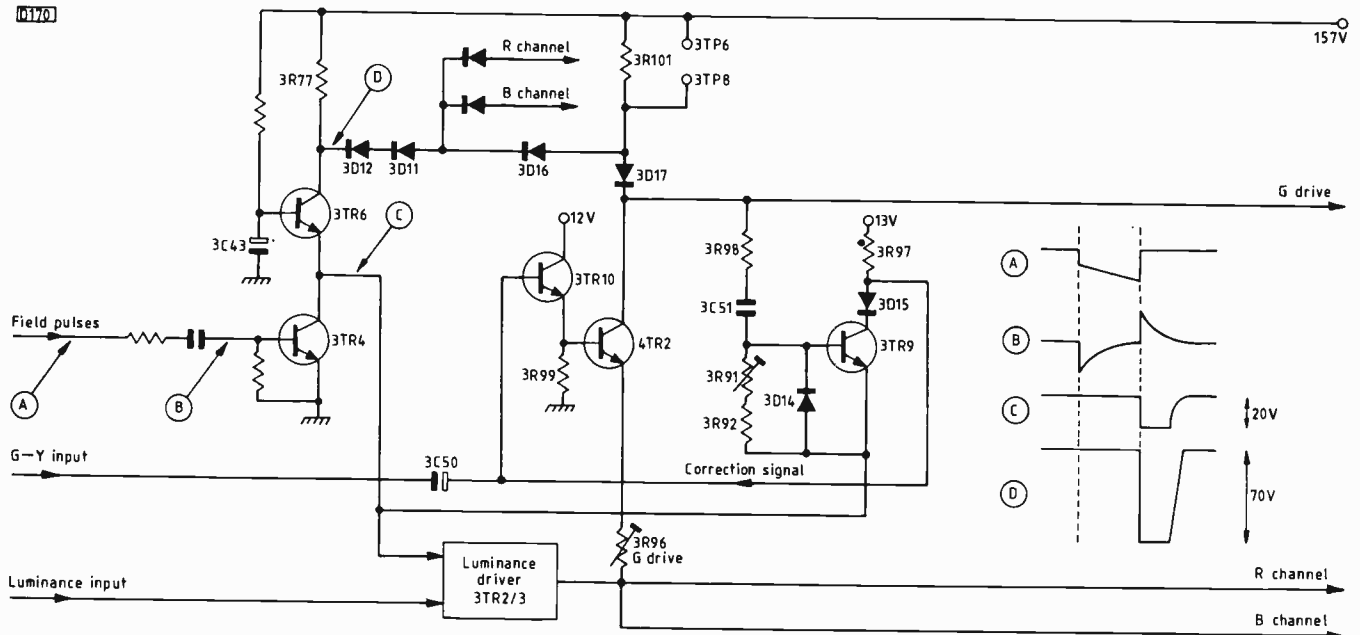


Fig. 2: Basic auto-grey-scale shift circuit. 3TR4/6 drive sampling circuits in all three channels.

and the subcarrier signals to the TAA630T chip – the results are random, from incorrect colour to complete loss of colour, and generally intermittent. The capacitors concerned are 3C26/27/28/29.

The RGB output stages employ tiny BF422 transistors working in the class A mode, mounted on a small subpanel. Class A operation with relatively high-value collector load resistors (12k Ω) is not conducive to the production of pin-sharp pictures – maybe this accounts for the use of the edge-enhancement circuit described earlier? In spite of their small size the failure rate of the output transistors 4TR1/2/3 is not too high. The colour-difference signals arrive at the bases of the output transistors while the luminance signal from a low-impedance driver stage (3TR2/3) arrives at the emitters via separate drive controls.

The auto-grey scale correction system operates on this section of the circuit. We'll briefly describe its working principle with the help of Fig. 2. Pulse A, which lasts for the duration of the field flyback, is differentiated and applied to the base of 3TR4. The result is a short (about 320 μ sec, say five TV lines) negative-going pulse C at the collector of 3TR4. This pulse occurs at the end of the field flyback, which is when the grey-scale correction takes place. The negative pulse switches 3TR6 on, driving the tube's cathodes via 3D12, 3D11, 3D16 (G channel) and the corresponding diodes in the other output stages. At this time the output transistors themselves are cut off by applying pulse C to their emitters via the luminance driver stage which provides inversion. Only a minute current flows in the tube and this is sampled by 3TR9 via 3R98 and 3C51 (in the case of the G channel). The amplified output from 3TR9, the black-level correction signal, charges the G – Y coupling capacitor 3C50, the charge thus set up on this capacitor determining the standing voltage at the tube's cathode. We thus have a control loop which holds the black level at the exact gun cut-off point regardless of tube ageing or tolerances. This correction circuit will also cancel the effect of varying the first anode voltages, so adjustment of the first anode presets has no effect on the grey scale – until the auto-grey scale system runs out of road! In fact the first anode presets are set up to give "central" operation of the

correction system, indicated by the presence of 30V across the relevant RGB output transistor's collector load resistor. Any remaining imbalance between the three guns can be corrected by offsetting the cut-off balance controls – 3R91 in the G channel and 3R105 in the B channel – from their nominal centre positions.

So much for the principle, now for the practicalities. To set up the grey scale, leave the brightness and contrast controls set for a normal picture and link 3TP12 to 3TP13 (right-hand side of the decoder panel). Using a high-impedance voltmeter, adjust the red first anode control 13R1 (c.r.t. base panel) for 30V between 3TP6 and 3TP7, the green control 13R3 for 30V between 3TP6 and 3TP8 and the blue control 13R5 for 30V between 3TP6 and 3TP9. Separate 3TP12 and 3TP13 then adjust the luminance drive controls 3R84 (R channel), 3R96 (G channel) and 3R109 (B channel) for white highlights on a monochrome display. Finally trim the cut-off balance controls 3R91 and 3R105 for truly neutral highlights. The circuit works beautifully and justifies careful setting up. If a wider range of first anode voltage adjustment is required 13R7 on the c.r.t. base panel can be changed to 680k Ω .

Whenever an R, G or B problem arises, start by checking the first anode voltages at the c.r.t. base. They should normally be at around 450V, measured with a high-impedance meter. Correct any errors here before delving into the RGB output stages where faulty potentiometers and resistors and leaky capacitors or spark gaps can upset the cathode drive voltages and result in a first class goose chase as the auto-grey scale correction circuit goes hard one way or the other in an attempt to provide correction. Tube faults can be checked in the time honoured way by interchanging the RGB drive leads, but be sure to twiddle the appropriate first anode control while testing.

If the fault proves to be in the drive circuit, check the appropriate BF422 transistor, preferably by substitution, before suspecting leakage in one of the 1N4148 diodes 3D14/15/16/17 (G channel, Fig. 2) or the corresponding diodes in the other channels. We've also had the occasional leaky coupling capacitor (3C50 etc.) and high-resistance or open-circuit resistors in the beam sampling stages (3R97/98 and the corresponding ones elsewhere):

these items are best checked with an ohmmeter or by substitution because measuring instruments tend to load these high-impedance circuits. If the problem is with green, don't forget the link to the character generator where fitted.

If all three channels are affected, check the 12V and 13V lines derived from the stabiliser chip 3IC4 and the clamp circuit 3C59/3D23 respectively. Absence of the 13V supply will probably mean that there's a fault in the auto-grey scale stage 3TR4 or that the field flyback pulses are not reaching the base of this transistor. If all's well here check 3C43 (1µF) which decouples the base of 3TR6: when this dries up it can upset the high-level pulse in the RGB collector circuits.

Field Timebase

The field timebase gives very little trouble. It consists of a TDA1270 i.c. which drives the yoke via transistors 7TR2/3. Frame jitter and intermittent EW pincushion distortion can sometimes be caused by dirty plug and socket connections on the timebase module. Severe bottom cramping or loss of the bottom half of the picture is usually due to a faulty chip or sometimes an intermittently open-circuit base-emitter junction in 7TR2 - use of freezer will generally show which.

Failure of 7TR4 or the connection of pin 6, P19 will delete the field flyback blanking pulses and drive the tube to cut-off via the auto-grey scale correction circuit. This is a useful if misleading feature when the timebase fails - no horizontal line can be burnt on to the tube's phosphor, though a revealing flash of a horizontal line is visible at the instant of switching off. If a horizontal line is continu-

ously visible the cause will probably be a dry-joint on the convergence panel, opening the field scan circuit.

Line Generator Module

The small line generator module rides piggy-back on the i.f. module. It consists of a TBA950 i.c. and associated components and is again quite reliable. Intermittent loss of line drive can usually be cured by cleaning and lubricating the pins of this module. Line speed variations are usually due to the timing capacitor 2C3 (0.01µF). A couple of modifications can be carried out to give better operation with a VCR: to enable the chip to cope with the non-standard vision/sync ratios produced by some machines change 2R1 to 4.7MΩ; to minimise top jitter in the freeze-frame mode reduce 2C2 to 0.01µF.

Audio Amplifier

The sound quality with these sets is excellent: the audio output circuit drives up to 6.5W into a small but wide-range, high-quality loudspeaker which is mounted in a sealed pressure chamber. The amplifier's response is tailored to the loudspeaker's characteristics and is adjustable by means of separate drawer mounted bass and treble controls. The output stage operates from a 150V line. The only breakdowns we've had have been due to the output transistors: the 47Ω safety resistor 10R10 then goes open-circuit.

The Power Supply

The power supply circuit is shown in Fig. 3. An understanding of its operation is essential for effective

CAPACITORS		INTEGRATED CIRCUITS		LINE OUTPUT TX		SMOOTHING CAPACITORS		SPECIFIC COMPONENTS		TRANSISTOR/DIODES	
91 5 × .0047/1500 AB23	3.00	68 Grundig 3010/1500	3.00	001 Philips G8	7.50	80 220/400 CVC32/T20	1.20	352 Thorn	1600	390 G8 Metal Mains Switch	1.23
Chassis	1.50	69 Thom 3500	7.50	002 Decca 30 Series	7.00	81 200+300 Pye 691	2.00	Dropper	0.50	391 G8 Line Stor/Eq.	2.25
92 10 × 220MFD 16V	0.50	70 Thom 8500	5.40	003 Decca 100 Series	6.50	82 600/300 Phil G8	1.90	353 T × 10 Preset	3.00	392 G8 R/G Symetry Coil	3.33
Elect	0.50	71 Philips G8	6.30	004 ITT CVC 25/30/32	7.00	83 175+100+100	1.50	Drawer	3.00	393 G8 R/G Symetry Coil	3.33
93 10 × .047MFD 400V	0.50	72 Pye 731	4.50	005 Philips G9	7.50	T3500	1.50	354 T × 10 CRT Base Assy	4.00	397 20 × 3.15A A/S 20mm Fuse	1.50
Mul Pol	0.50	89 10 × Anti Track EHT Cap	2.00	006 RRI T20	9.92	84 2000/100 Volt	0.50	355 3" Round BR Speaker	1.00	398 20 × 800MA A/S 20mm Fuse	1.50
97 10 × 0.1/2000V W/E	2.00			007 RRI A823	7.00	85 470 Mfd G11	1.65	358 5 × Tho/3500 200 Conv. Pot.	1.00	399 20 × 2.5A A/S 20mm Fuse	1.40
98 5 × 1/250 Supp ITT etc.	1.50			008 RRI Z718 18"	18.95	86 400+400 Decca 30	2.50	359 5 × Tho/3500 50R Conv. Pot.	1.00	402 20 × 2A A/S 20mm Fuse	1.40
				009 RRI Z718 20/22/26"	18.95	88 400/400V Tho 9000	1.50	360 5 × TCE3500 A1 Rectifier	0.75	401 20 × 1A A/S 20mm Fuse	1.40
				010 RRI A774 Mono	10.87			363 T3500 Mains TX	5.00	402 20 × 1.25A A/S 20mm Fuse	1.40
				011 Thom 1690/91	7.00			365 T8500 (PLastic) Cut Out	1.50	403 5 × RRI T20 Tube Base	4.35
				012 Thom 1615	6.50			370 Pye 731 Thick Film Resis.	1.50	410 Phil. G11 E/W Load/Coil	1.50
				013 ITT CVC 45	6.50			371 Pye 713/731 Vis. Gain Mod.	6.50	411 Phil. G11 Bridge TX	1.50
				014 ITT CVC 5/9	8.50			372 Pye 731 3R3 50W Metal cld.	1.29	412 Phillips G11 Speaker	1.00
				015 RRI Ranger 1/2	5.00			373 100K×3 Drawer P'set Ant Pye 731	2.00	413 10 × TDA2600 IC Holder	1.50
				016 ITT CVC 5/9	8.50			378 Grundig 5010/6010 Vid Mod.	4.00	415 PALKT3 Speaker 1.50	1.50
				017 Philips E2 Chass.	5.00			384 5 × 10R Phil. G8 Conv. Pot.	2.40	435 10 × Decca 30 10R Fusible	0.50
				018 Thom 9000	12.00			385 5 × 15R Phil. G8 Conv. Pot.	2.40	436 5 × Decca 30 3R9 Modulohm	1.75
				019 Thom 9500/9600	8.50			386 5 × Phil. G8 2k×2 Lin. Bright	2.50	437 Decca 30 47k Vol.+Switch	1.25
				021 Thom 3500 Scant	4.50			387 5 × Phil. G8 10k Log. Colour	2.50	453 5 × 5R Universal Conv. Pot.	1.00
				022 Thom 8500	11.00			388 5 × Phil. G8 47k Log. Vol.	2.50	454 5 × 20R Universal Conv. Pot.	1.00
				023 Thom 1590/91	8.50			389 G8 Plastic Mains Switch	0.75	455 5 × 100R Universal Conv. Pot.	1.00
				024 Thom 1500 15KV	4.00					456 5 × 470R Universal Conv. Pot.	1.00
				025 GEC 2040/2100 Hybrid CTV	4.00					457 10 × 100k Tun/Pres TCE etc.	3.00
				027 GEC Single Std Mono	5.00					458 10 × 100k Tuner Preset G8	3.00
				028 Pye 691 (wired)	5.00					459 ELC1043/06 Tuner	6.00
										460 ELC1043/06 Tuner	6.00
										461 U321 New Tuner	7.95
										462 U322 New Tuner	7.95
										463 98003 Posister	0.99
										464 98009 Posister	0.99
										465 Mull.DL50 Delay Line	0.95
										466 5 × VA1104	2.70
										469 Cut Out Metal GEC	2100
										470 5 × GEC2100 3 Leg Thermist.	1.00
										479 5 × Gen. Purp. Rotary Switch.	3.60
										480 5 × Gen. Purp.Push/Switch.	3.75
										481 20 × Neons GEC etc.	2.25
										482 5 × Univ. Aerial Skt. Kit	5.50
										483 10 × Metal Coax Plug	1.70
										484 Focus Unit T20 Type	1.25
										485 Foc/Unit Thom 8500 Type	1.25
										486 4.43Mhz Crystal	0.40
										488 10 × Ring Type Spk/Gap	1.50
										496 TX10 Chass. Focus Unit	7.00
										497 De-Soldering Pump	3.50
										498 1 × 10 Trimming Tool	1.00

All components are A1 quality from prime manufacturers, and are dispatched by post same day as order received together with any refund due. All goods should be delivered within 4 working days.

Please add 15% VAT and 90p P & P

QUICK SAVE T.V. SPARES

MUXTON HOUSE, MUXTON, TELFORD, SALOP.
REG. OFFICE ONLY. CALLERS STRICTLY BY APPOINTMENT. UK ONLY. PLEASE QUOTE STOCK NO.

fault-binding in this chassis. Diodes 5D3/4 along with thyristors 5SCR1/2 form a full-wave bridge rectifier circuit whose output depends on the timing of the triggering pulses applied to the gates of the thyristors. These triggering pulses are also derived from the mains input, via the bridge rectifier circuit formed by 5D1/2/3/4. Waveform A in Fig. 3 shows the 100Hz output pulses produced by this bridge: these are phase-shifted by 5R19/5C6/5R20 and clipped by zener diode 5D6 – see waveform B. 5C7 and 5R21 then provide differentiation, as a result of which a positive-going pulse with an exponential decay – waveform C – is produced for application to the base of 5TR3. This pnp transistor can conduct only when its base voltage falls below the voltage at its emitter, so the point at which 5TR3 conducts during each cycle of operation is determined by its emitter voltage. At some time during the negative-going ramp 5TR3 will conduct, producing a positive-going pulse at its collector – waveform D. The sharp positive-going flank is passed via the coupling/differentiating capacitor 5C9 to the gates of the thyristors, which conduct on alternate positive-going excursions of the mains waveform. The reservoir capacitor 5C3 is thus charged to a voltage dependent on 5TR3's emitter potential. When the voltage across 5C10 rises, so the regulated h.t. voltage will rise, and vice versa: the time-constant provided by 5R24/5C10 gives a soft-start action.

The voltage across 5C10 is set by 5TR4/5, with 5TR5 acting as a comparator – its base voltage is held stable by the 32.5V zener diode 5D9 (actually a ZTK33B i.c.) while its emitter senses the h.t. voltage via the precision potential divider 5R5/6. Compensation for mains voltage variations is provided by 5R26.

The 164V supply produced across 5C3 contains a considerable 100Hz ripple which is eliminated by the active filter 5TR1/2/0TR1. The d.c. feedback from the 148V line via 5R12 is arranged so that the effective source impedance so far as the line output stage is concerned is 30Ω.

The protection circuit also operates at 5TR3's emitter. In the event of a short-circuit across the 148V line 5D13's cathode will be earthed. The diode will thus clamp 5TR3's emitter at chassis potential. As a result there will be no trigger pulses and a virtually dead set. The other protective operations result in a pumping action which is invoked by 5TR6. In the event of excessive h.t., 5TR8 will conduct: its base voltage is held at 32.5V by 5D9 while its emitter senses the 148V line via the precision potential divider 5R37/8/9. When 5TR8 conducts 5TR6 in turn switches on, reducing the voltage at the emitter of 5TR3. If the h.t. line is heavily loaded the voltage at the base of 5TR7 falls, again switching on 5TR6. To prevent this happening at switch-on (zero h.t. voltage) a delay is provided by the charging circuit 5C12/5R31. To override the protection circuit, link 5TP1 to hold 5TR6 off – preferably with a variac as the supply source to avoid possible damage.

If you're faced with a dead set whose fuses are intact, start by making a cold check on the h.t. line, say at the collector of the line output transistor, to see whether a short-circuit is present. The fault will often be found to be in the line output stage (we'll come to that later) and a fruitless session in the power supply will thus be avoided. If there's no short-circuit and overriding the protection circuit by means of 5TP1 has no effect, check whether 5D6 is short-circuit and 5D7/5TR3 for leakage. If any of these prove faulty the cause – would you believe?! – could be insulation breakdown in the e.h.t. lead.

A dead set with the mains fuse(s) violently blown usually means that one or more of bridge rectifiers 5D1-4 has gone short-circuit, with the odds heavily on 5D3/4. Their repeated failure can be due to a "spiky" mains supply, in which case fit an RS suppressor type 238-615 across each of them. The thyristors can also suffer from mains transients but will not necessarily go short-circuit as a result: connecting an 0.001μF, 5kV ceramic capacitor across each of them will help. The only other cause of a shattered mains fuse we've come across is 5C3 short-circuit.

A prolific troublemaker in the primary supply circuit is the dual choke 5L1. It can develop short-circuit turns which place a stress of 5D3/4 and the thyristors but far more common is a persistent buzz which, in theory anyway, can be cured by replacement.

A heavy 100Hz ripple on the raster should lead to a check on 5C3, then on the transistors in the active filter circuit for leakage. If the ripple is at 50Hz (single bulge travelling vertically over the picture) the cause will be one of the thyristors.

Now to faults in the drive and regulator areas of the power supply. Intermittent failure to start, or shutdown whilst running, can be due to dry-joints at 5C9. Low h.t. voltage, perhaps improving with time, has been traced to 5C10 failing to form properly. Poor regulation, sometimes leading to pumping, can be caused by 5D9 or – surprisingly – by 5R18 going high in value. If these items prove to be o.k., check the high-value resistors in 5TR1's base circuit, especially if 0TR1 runs hot or frequently fails. The protection transistors 5TR6/7/8 are often suspected but in our experience are seldom faulty, though leakage in them and in 5D12 and 5D13 is not unknown.

The pumping symptom usually indicates a fault elsewhere in the set, and much time can be saved by carefully studying the symptoms, via the screen and the loud-speaker, on each pump cycle. If for instance a burst of sound and a flash of picture keep popping up it's likely that the over-voltage protection circuit is coming into action – only an oscilloscope is fast enough to indicate the peak voltage on each rise of the h.t. line.

Line Output Stage

Since the line output stage is quite conventional we won't launch into a circuit description. It uses a diode-split line output transformer, a high-level EW diode modulator circuit and provides 16V and 37V lines for use elsewhere in the set.

Let's start by considering the dead set story referred to earlier, i.e. due to a short-circuit across the 148V line. The culprit is usually the BU208 line output transistor 0TR2, and in our experience replacing this should be the end of the matter provided the h.t. and e.h.t. voltages are correct. If necessary check the h.t. decoupler 6C11 (0.39μF). Another common cause of no results is a short-circuit EW modulator diode, 6D4 (BY223). When this diode goes short-circuit its companion 6D5 usually survives but the EW driver transistor 6TR6 (BD235) is almost always ruined. It lives way down at the bottom of the line deflection panel.

We're not finished yet with the pincushion correction circuit. The core of the EW transformer 6T3 consists of two ferrite U-pieces which tend to part company. Under these circumstances the raster takes on the peculiar shape shown in Fig. 4. A drop of Superglue on the end faces of the offending limbs will put this one right but before

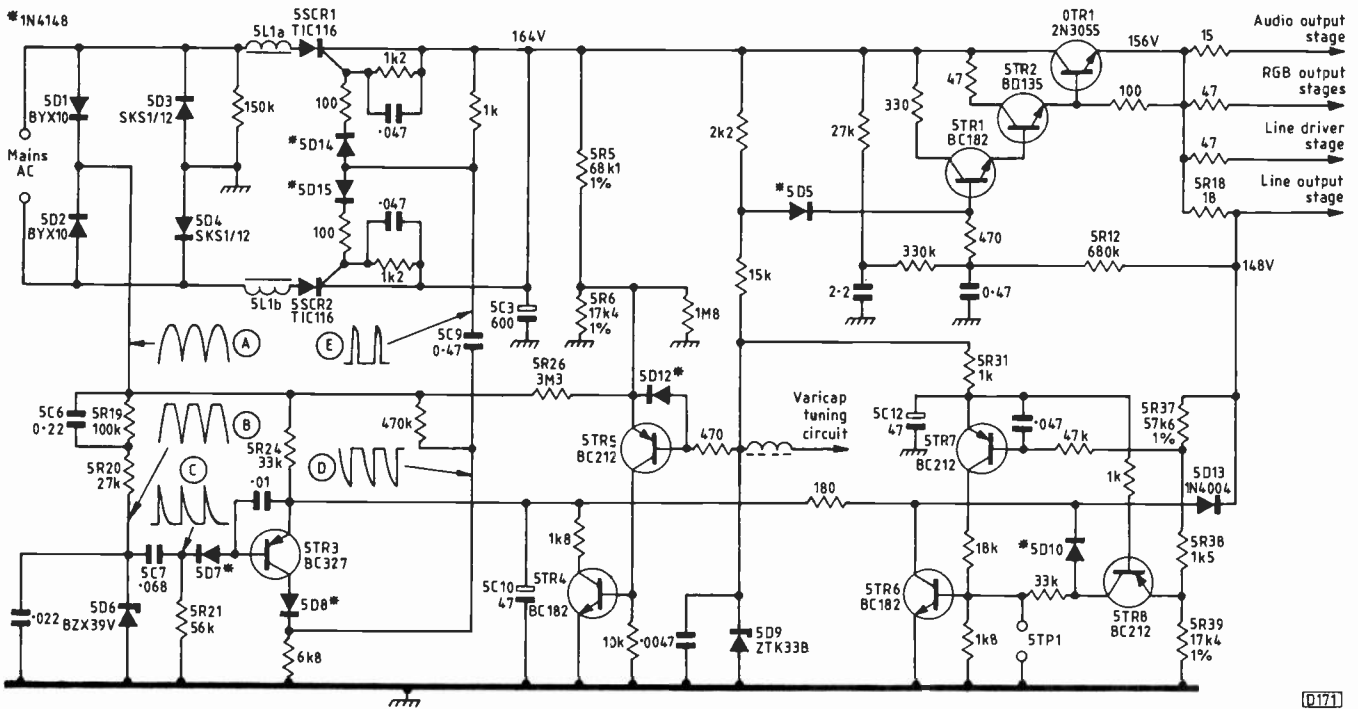


Fig. 3: The full-wave thyristor regulated power supply circuit.

glueing up make sure that the gapping spacers (in practice snippets of 32 s.w.g. wire) are in place. If a set has been running for long with the core of 6T3 apart its windings will have overheated and broken down: if the transformer looks suspect, replace it.

Another wound component that frequently offends is the double-wound line linearity coil 6L5 – incidentally it's not intended to be adjusted, the three-way switch 6S1 setting the linearity. Apart from the occasional dry-joint at its pins 6L5 is fine electrically. The trouble is that it often emits an excruciating whistle (beating 5L1's buzz hands down). The best cure is an application of white wood glue rubbed well in amongst the windings.

Apart from rare failure of the l.t. rectifiers 6D8 and 6D9 there are no other common offenders on this panel. The screened e.h.t. lead can break down intermittently however, with the nasty consequences in the power supply previously described. Trouble with this lead assembly also gives rise to various puzzling symptoms, the chief one of which is a tendency to pump at odd times. The same effect can be caused by a dirty or faulty focus spark gap (13G1): sometimes the spark gap will "grumble", giving sporadic horizontal black lines across the screen. A word

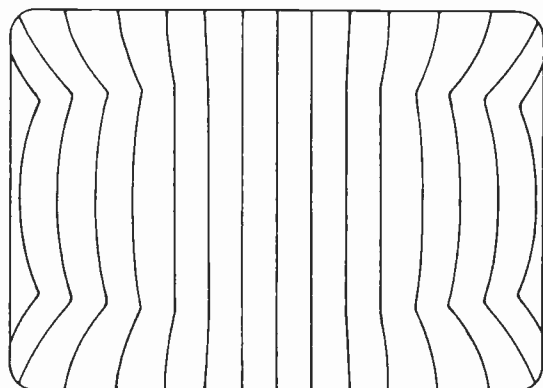


Fig. 4: The strange raster shape that results from loss of inductance in the EW transformer 6T3.

of warning on removing the e.h.t. lead from the diode-split line output transformer: ensure that the other end is off the tube (or that the tube is discharged) to prevent a nasty bite as the cap comes out of the transformer – and beware of leaving the barbed clip in the transformer.

Convergence Module

The convergence module is quite reliable, with only the occasional dry-joint to cause complete or partial loss of one or other scan function. If you get a pyramid shaped raster, one of the line scan yoke feed resistors 8R1 or 8R3 will be open-circuit. Resistors manufactured by VTM are suspect in these positions and should be replaced with components of another make – they are 1-8Ω, 3W types. Some models differ in this area, with the addition of an adjustable horizontal parabola transformer (8L4). Sometimes poor lead dressing results in wires coming into contact with hot wire-wound resistors: the result, once the insulation has burnt through, is intermittent convergence problems or power supply pumping due to a short-circuited pulse feed from the line output transformer.

Miscellaneous Items

In models with remote control the remote power supply panel replaces the mains input module. It contains a simple power supply for the remote control receiver and decoder panels. The mains transformer has a tendency to become dry-jointed to the panel, leading to complete failure of the set with the standby LED out.

A retrofit teletext kit is available for this range of models, but in our opinion it's not worth fitting this. The tuner and the i.f. bandpass filter are not well suited to text operation, and data corruption is common unless the r.f. input signal is impeccable. Further, the class A RGB output stages cannot do full justice to steep-sided data drive pulses. In addition, the teletext panel is expensive and is complicated to fit!

Teletopics

UK DBS PROJECT COLLAPSES

Hopes of a start to a DBS TV service for the UK have been put back indefinitely with the collapse of the consortium of 21 (the BBC, the fifteen ITV companies and five non-broadcasting firms) project. The Home Secretary was formally notified by the consortium on June 21st that it had decided to abandon the project: the decision by the members was unanimous. Some £250,000 had been spent by the consortium on investigating the project's commercial viability. The conclusion reached was that the project was not economically feasible under the terms laid down by the government.

Factors that contributed to the decision included the cost of a satellite service from the government's chosen supplier Unisat and uncertainty amongst broadcasters as a result of the setting up of the Peacock Committee to inquire into ways of financing the BBC – the independent companies feel that their finances could be adversely affected should the committee recommend that the BBC carries advertising. For its part the BBC failed to get the full licence fee it had requested earlier this year and was finally infuriated by the government's decision to licence TV reception from low- and medium-power satellite transponders.

The consortium had spent a year or so seeking a way of getting the proposed DBS service started. It's a sad end to these efforts, though it's not likely to be the end of the UK DBS story.

Further information on licences for satellite TV reception is given in Roger Bunney's column this month. Our initial comments last month were misleading in saying that "planning permission to erect a dish aerial of any size" would be required. What we meant was any fairly large size: it seems that planning permission is in general required only for a dish of one metre or more diameter – additional regulations may apply in conservation areas etc. Guidance on the acceptability of SMATV installations can be obtained from the Cable Authority, Gillingham House, 38-44 Gillingham Street, London SW1V 1HU.

At the recent trade shows Salora demonstrated a full satellite receiving system for the reception of TV transmissions from the Intelsat and Eutelsat satellites. The package comes at some £1,500 and will be supplied initially to dealers for demonstration purposes.

TEN IN LIQUIDATION

TEN – The Movie Channel was put into liquidation earlier this month, on June 5th. It had been in difficulties for some months, with a falling number of subscribers: losses since TEN went live in March 1984 amounted to £6.1m. Two of the UK shareholders had sought to keep the service going but it appears that the US interests decided on liquidation. Since the end of the service Robert Maxwell, who had interests in TEN through Rediffusion and Pergamon Press, has been providing the Mirrorvision film channel instead.

Another of the original eleven cable TV franchisees, Windsor Television, has decided to go ahead. Cable laying is expected to start next month, with a ten-channel service starting in October. The original plans have been considerably modified however: there are now to be two

separate services, an entertainment service for domestic subscribers and a quite different service concentrating on data storage, security, building services control etc. for business subscribers.

The Cable Authority has invited applications for franchises in the following five areas: Cardiff/Penarth; central Lancashire (Preston/Leyland/Chorley); Edinburgh; the London borough of Camden; Southampton/Eastleigh. Applications are due by September 30th. The areas involved together have some 565,000 households. In making the announcement the Cable Authority's director general Jon Davey said there are clear indications that the prospects for cable TV in the UK are improving.

ENHANCED C-MAC

The IBA's Enhanced C-MAC system was demonstrated in public for the first time during the Montreux Television Technical Symposium on June 8-12th. It's the only fully-compatible system capable of providing wide-screen (5:3 aspect ratio instead of 4:3) pictures in a standard DBS channel to take full advantage of the types of display devices and digital signal-processing systems likely to become available at economic prices up to the end of the century. The theory of Enhanced MAC was revealed by the IBA in 1982 though it wasn't until late 1984 that a fully engineered prototype system was produced at the IBA's Winchester Engineering Centre. The system is compatible in that it can be received by 625-line sets capable of C-MAC signal reception. The additional picture information for the wider display uses some of the data space employed in standard C-MAC for up to eight sound and/or data channels, leaving sufficient capacity for stereo sound. The extra resolution provided by the basic MAC system and the additional picture width are intended to provide home pictures that compare well with high-quality 35mm cine film. An interesting feature of Enhanced C-MAC is that a standard receiver could be made to pan across the full width of the transmitted picture to enable the centre of interest to be followed.

Speaking at the Montreux Television Technical Symposium Tom Robson, the IBA's Director of Engineering, commented that it would be wrong to choose an international high-definition television standard that would be more suitable for electronic cinematography. The reference was to large screen displays with 1,000 or more lines. These, he suggested, would be excessively costly for both manufacturers and viewers. His view on high-definition TV is that it "will be in every home at some time in the future, though I can't see it happening in less than twenty years, possibly longer."

WORRYING ABOUT THE FUTURE

One thing that Sony and Matsushita have in common is that they are both more dependent on the consumer electronics field than other Japanese electronics manufacturers. Both have been expressing concern at the fact that the domestic electronics market is becoming a mature one, i.e. one with reduced potential for increased production and sales. The obvious solution is to concentrate more on allied fields. Sony is implementing a programme to increase the proportion of its non-consumer electronics sales from the present 13.6 per cent of total production to 50 per cent by 1990. Matsushita has started to implement a campaign called Action 86, which is expected to give the firm a much stronger presence in the fields of component manufacturing and industrial electronics by November

1986 – the target is that these fields should by then account for 40 per cent of total production.

This is all very well but there are of course already many firms active in these fields and if everyone goes for the same market something rather nasty could occur. One thing is certain: with Japanese electronics manufacturers looking for every possible market competition throughout the electronics industry will become increasingly intense.

NEW UK TV PLANT

Tatung's new 400,000 square foot factory at Telford, Shropshire was officially opened on July 12th. The 40-acre factory site replaces the Bridgnorth premises that Tatung acquired with the take over of the Decca consumer electronics interests four years ago. The plant has an initial production capacity of 200,000 TV sets a year, with plenty of room for expansion, and employs a Japanese Hirata production line system arranged to move materials from one floor to exactly the right point on the assembly line on another floor. In addition to Tatung and Decca sets, receivers are being produced for GEC, Granada, Akai and Tandy and monitors for IBM. The Einstein personal computer is also in production at the new plant, which is some ten miles from the old Bridgnorth factory.

VCR TARIFF TO RISE?

The European Commission has proposed that, following the end of the three-year EEC/Japanese VCR import limitation agreement at the end of this year, the tariff on VCRs imported into the EEC should be raised from the present eight per cent to 14 per cent. This would cost consumers some £390 million a year: the aim is to help European consumer electronics goods manufacturers to meet the severe competition expected from far east manufacturers – the main pressure for an increase has come from Philips and Thomson. Under GATT international trade regulations tariff increases should be matched by compensatory tariff decreases: the Commission has proposed decreases in the tariffs levied on semiconductor devices, electronic calculators, magnetic tapes and films and alarm clocks. The proposals must be agreed by Community ministers before the Commission can enter into negotiations with GATT.

FLINTDOWN PHOTO-VIDEO SERVICES

Following a successful pilot scheme, Flintdown Channel Five (Montauban Chambers, 339 Clifton Drive South, Lytham St. Annes, Lancs FY8 1LP) are now offering their home movie to video cassette transfer service to colour film labs and photographic dealers. An overnight service is available to trade customers: all gauges of film, slides and still photographs can be handled, giving high-quality results on either VHS, Betamax or U-matic cassettes. The company uses broadcast television telecine equipment and also has a digital transcoding service to convert NTSC recordings to the PAL standard. In addition Flintdown has a fast duplication facility for customers who require a number of copies from an original tape.

KODAK ANNOUNCES STEREO 8mm VIDEOS

The Eastman Kodak Company of Rochester, USA has announced an 8mm stereo VCR that will record up to eight programmes over three weeks or twelve hours of digital stereo sound. The system comprises the MVS5000 8mm VCR and MVS380 stereo tuner/timer. The VCR has standard and long-play modes, the latter providing a four

hour record/playback time using the new Kodak P6-120 8mm tape. Kodak officials say that the system will be released in Canada and the USA later this year: there are at present no plans to make it available in other countries.

Kodak have also announced the T120 and L750 hi-fi video tapes, in the VHS and Beta formats respectively. There is also a new head cleaning kit for half-inch VCRs.

VCR SUPPORT BRACKETS

New VCR support brackets introduced by Dalen (Birmingham) Ltd. of 123 Woodcock Lane North, Acocks Green, Birmingham B27 6SE offer a cost-effective method of supporting VCRs. The brackets are made of heavy-duty plastic to a registered design and simply clip on the rectangular cross-rail that is a part of most TV stands. The brackets are available in several sizes and colours, the weight of the VCR clamping them to the cross-rail.

GRUNDIG ENDS V2000 PRODUCTION

Production of V2000 system VCRs at Grundig's Nuremberg factory has come to an end. In future the plant will be producing VHS machines only – it expects to produce over 550,000 of these in the current year. Stocks of V2000 Grundig machines stand at around 130,000 and are expected to move slowly. The only plant still producing V2000 machines is the Philips factory in Vienna – Philips remains committed to the system, which still has strong support in some European markets.

VIDEO NASTIES BILL

The Video Recordings Act, under which all new video recordings must be classified – and old ones after a period of three years – comes into effect on September 1st. Under the act anyone supplying uncertified tapes will face a fine of up to £20,000. In addition a maximum penalty of £2,000 is stipulated for anyone supplying material classified as adult to a minor. The video classifications will be basically the same as those used for cinema films, though there's to be an extra category for cassettes particularly suitable for children. The Home Secretary, in announcing his plans, commented that in classifying existing tapes priority would be given to those that have already caused concern.

NEWS FROM THOMSON

In addition to a range of TV sets Heron Electronics is now distributing Thomson video equipment in the UK. The initial products are two VHS machines, models V320 and V323, and the CVM 01P Videomovie camcorder.

Thomson Semiconductor of Grenoble is developing a TV receiver chip that combines the functions of tuner and i.f., chroma decoder, video processor, bus interface and the timebase generators. It's expected to be available in a couple of years time. A set of seven mixed linear/digital i.c.s for TV receivers is to be brought out shortly.

An economy drive in Thomson's TV plants, which are located in France, W. Germany, Italy and Spain, has been announced. At present the plants have a labour force of some 10,000. The Videocolour tube plant in Italy and the consumer products research and development laboratories at Angers in the Loire Valley are also being reviewed. Much of the R and D work is to be transferred to Thomson's laboratories at Villigen in W. Germany. The state-owned French group hopes to break even this year following the rationalisation measures.

Initial VCR Checks

William G. Lockitt

When a VCR comes into the workshop you can't be certain, until a few quick checks have been made, that it's safe to insert a tape. A few moments spent checking the deck and operating the machine without a tape can save a lot of time and expense. The notes below outline a few checks to make when tackling any type of machine. It's obviously only a general guide: different machines will call for different specific checks, e.g. different sensing arrangements – light or magnetic – etc.

Before inserting a tape, proceed as follows.

If everything appears to be o.k., apply the mains supply. Check the operation in the E-E mode, the clock display, tuning. If it's not a front loader, press eject.

Remove the top cover and carry out a visual inspection around the tape deck. Keep an eye out for hairpins, small toys etc. Check the guides for dirt and signs of liquid spillage.

Next, override the tape sensors. How this is done will vary depending on the machine. It's usually just a matter of one or two switches plus a bulb or LED. Press play, rewind, fast forward, cue, review, etc. If all operate correctly check that the sensors are working normally. Slow down the tape spools, remove the tape sensor overrides, hold back or push forward the tape tension arm, etc. The checks will vary from machine to machine.

Next take a closer look at the loading operation. Still

without a tape inserted, press play. Several things should happen. (1) The head and loading motors should both start together. (2) When loading is complete, check the tension arm: the pressure roller should be engaged and the capstan and take-up reel should start to rotate.

What if any of these things fail to happen? If the head doesn't rotate (or is not sensed to be rotating) the machine should stop immediately. If spool rotation is not being sensed the machine should stop after approximately five seconds. If the pressure roller doesn't engage, most machines will immediately stop.

Insert Tape

If the checks have proved that everything is o.k. up to now it should be safe to insert a tape and check the playback/record operation of the machine.

If the machine hasn't loaded fully or the tape tension arm sticks the reproduction will be very poor. This may look like a tracking error.

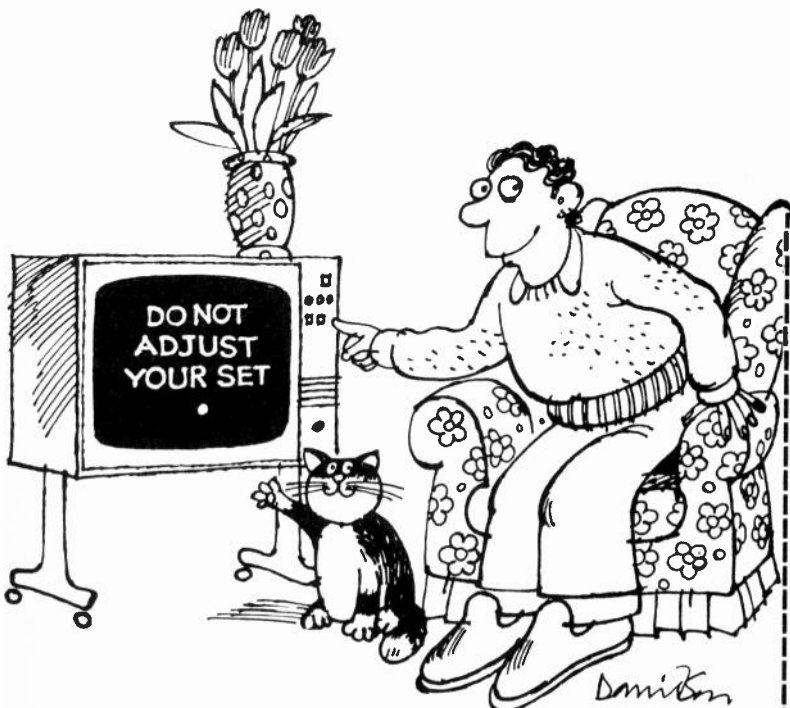
You might find no picture or a noisy picture with the sound o.k. If a noisy picture appears the playback circuit must be working: it's likely that the heads are worn or dirty. Some TV sets give no sound when there's no picture, i.e. sound muting if a video signal is not detected, so check this.

The likely cause of the no or weak sound, picture o.k. symptom is a worn, dirty or badly aligned audio head.

For flashing on the picture check the tape for damage, also the picture via loop through. If the sound is o.k. the problem will probably lie in the drum servo. If the sound is defective check the capstan servo.

Checking the above points in sequence will save you a lot of time and money in the long run.

SWITCH TO A POSTAL SUBSCRIPTION



That's the way to give TELEVISION the kind of reception it deserves. Direct delivery by postal subscription enables you to keep yourself fully in the picture on the very latest technology and servicing techniques. Complete the order form below and post to TELEVISION, Subscription Dept., Oakfield House, 35 Perrymount Road, Haywards Heath, West Sussex, RH16 3DH.
Annual subscription rates:
UK £13 Overseas £15

TELEVISION SUBSCRIPTION ORDER FORM

Annual subscription rates:
UK £13 Overseas £15

To: Television, Subscription Dept., Oakfield House, 35 Perrymount Road, Haywards Heath, West Sussex RH16 3DH.

Name _____

Address _____

I enclose payment of £_____ (cheque/PO payable to Television)

Charge my credit card account the amount of £_____

Card no. _____

Name of card _____ valid from _____ to _____

Signature _____

51

Reliability Factors

Malcolm Burrell

Being engaged not only in servicing but also in trying from time to time to design items of equipment to help in the quest I found myself pondering over an interesting question. You see, it's no use designing say a pattern generator that works beautifully when sprawled across the bench with the hot sun streaming through the window if it needs constant readjustment when the sun goes down and it's fitted into a case. No, it must work consistently whether it sits in a hot, dusty corner of the workshop, over the heating boiler, or when it's dragged into a customer's house after spending the night in a frost-covered car.

Environmental Factors

Apart from being a well-known cause of breakdowns in capacitors, especially when they've been under-rated for reasons of economy, heat has been a major cause of poor reliability ever since the days of the all-valved set. The use of switch-mode power supplies in modern sets reduces the power consumption and makes better use of the power that is consumed. No more dropper resistors to simply dissipate power, producing heat that flows out of the rear cover vents after drying up all the electrolytics in its path and scorching the boards as well. Nevertheless semiconductor devices remain susceptible to even minor temperature changes which can be very difficult to measure. Many intermittent faults caused by power transistors are undoubtedly due to this – such faults may not show up unless the receiver is boxed up and running in a hot place. A high ambient temperature is very different from the localised heat applied when using a hairdryer or soldering iron, and heat variations across a few inches of printed circuit board are not unknown. Thermocouple effects can occur where dissimilar metals are joined, often within components, and temperature gradients occur across resistors.

Humidity and oxidation also cause trouble, not only in the obvious case of switch contacts but also within components. How often have you removed an intermittent field output transistor, such as a TIP31 with plastic encapsulation, only to find that one leg has been left embedded in the board? Was the internal connection faulty when the device was made; was it caused by rough handling when the board was assembled; did moisture penetrate the encapsulation, causing corrosion of the joint; or was excessive heat generated? Would it be correct to assume that such devices are expected to deteriorate with age, sometimes accidentally succumbing at an earlier stage? In the Grundig 5010 series for example the field output transistors live on heatsinks at the top of the chassis which, being vertical, means that they are in the path of the heat rising from beneath. Failure in this case is common. Would these transistors have survived better if mounted lower down?

Here's another example. The heatsinks on the timebase panel in the Philips G8 chassis get pretty warm in free air, but have you ever dived inside a set that's been operating for a few hours in the corner of a hot room? Heatsinks work satisfactorily when they can pass the heat generated

by the transistor or i.c. to the outside environment, but if the airflow is restricted the temperature within the set begins to approach that generated by the components themselves and as time passes the effect of any heatsink used is reduced. In some cases one can say that a heatsink simply delays the overheating of the component attached to it till the set warms up!

Contact Effects

Potentiometers produce heat as a result of the current they pass. Some of the miniature presets used in modern circuits are rated at only 0.1W. A mistake I made many years ago was to replace a 100k Ω linear brightness control in a valve receiver with a log type simply because it was to hand. Some days later a colleague had to replace its charred remains with the correct type. Now the power rating of a standard carbon linear potentiometer is about 0.4W but for a log type the rating is about half this, a point I'd not considered until I was called a few well-chosen names.

Potentiometers are undesirable items first because of their moving contact surfaces (more on this in a moment) and secondly because the actual contact area between the carbon track and the slider is very small. In a.c. applications this is not always a problem, but where d.c. is concerned we have a current path that can produce a small, localised temperature rise. There are two reasons for their use. First to provide an external variable control for the user: controls such as contrast, volume and brightness which are relatively harmless. Secondly to enable component tolerances and ageing to be catered for, e.g. hold and linearity controls. The setmaker cannot individually select the right resistor to balance the operation of a field output stage for example. The preset potentiometer is ideal for this purpose, but as time passes the control can become a source of intermittency and can even end up by destroying the output pair.

We can make our lives easier for ourselves at the design stage, first by ensuring that the potentiometer is adequately rated and secondly by examining the operation of the circuit under different conditions to ascertain the variable resistance needed for the purpose. Say we have a circuit that starts off with a 10k Ω potentiometer in series with a 10k Ω fixed resistor. If the adjustment range required is only 2.5k Ω we could use this instead with appropriate series resistors. Using a 2.5k Ω preset of the same size, e.g. one rated at 0.1W, we have in effect increased its rating since it's now 2.5k Ω at 0.1W instead of 10k Ω at 0.1W. More importantly the area of track covered by the slider contact has only a quarter of the resistance we had with the 10k Ω potentiometer, which means that less heat is generated. In addition the effective adjustment range, or "feel" of the control when rotated, is improved: for example if we're trying to adjust the field linearity the correct picture geometry may lie within 60° instead of just 15° of the total range of rotation.

Oxidation forms a "skin" on the surface of metal. The result of this is poor contact, i.e. resistance and the generation of heat. The localised heat thus produced may aggravate the problem further. Potentiometers are particularly prone to this trouble: oxidation occurs between the movable wiper and the track. Dismantling a volume control and thoroughly cleaning the surfaces will generally cure noisy operation, which is usually attributed to the track, despite the fact that the track may have ridges worn in it.

Press-button tuner assemblies, particularly the types used in some Decca sets and the GEC C2110 series, suffer from intermittency mainly due to the spring contact that touches the multiturn potentiometer's shaft when the button is pressed. Rotation of the button may restore the signal momentarily, leading to condemnation of the presets when a good scrape and smear with silicone grease is in most cases all that's required without having to dismantle the assembly. I've only once found a unit where the carbon tracks were worn away.

Dry-joints are another problem. An improperly tinned component lead that's badly soldered can give trouble years after the set was made. Some joints are worse than others, but it's always worth removing surplus solder from suspect joints, then scraping the leads clean and resoldering them. Connections that carry large pulses are vulnerable, particularly the leadouts from line output

transformers and transducers. Hot components such as large wirewound resistors may need to be mounted farther off the board, on ceramic spacers: extending the leadout wires over as much print as possible will reduce the resistance at any given point and provide heat distribution.

Costs

We are constantly reminded of the need to be cost conscious, but it's not always easy to cost service work from the long-term point of view. If we merely repair the reported fault and turn a blind eye to the latent faults that stare us in the face we can end up wasting a lot of money – in terms of both labour and component costs. If there's an art in running a service department, it's in knowing what's worth doing and what isn't.

Alternative Approaches to TV Servicing: Tackling the ITT CVC20 Series

S. Simon

Servicing the ITT CVC20 chassis and its derivatives the CVC25/30/32 can at times be a positive headache. The first points to appreciate are that a switch-mode power supply is used and that this shuts down in the event of an overload. No resetting is necessary: normal supplies will be restored when the cause of the overload has been removed. In the presence of an overload the power supply will trip a few times and then lapse into silence.

If the complaint is "no results" or "a dead set" the first step to take is to switch the set on and listen very carefully to what it has to tell you. If it says tick, tick, tick you must proceed on the assumption that an overload is present. The chances are that the fault is in the line timebase, usually the output stage.

Set Tripping

Remove the side screws to allow the chassis to be hinged down. Remove the metal screen which covers the right side (top cover) by sliding it out of its catches – only slight movement is required – and lift it off. Note the position of the BU208 line output transistor, at the top. Also note the screws that retain it. Of the two, the farther one completes the circuit to the transistor. Thus if this contact is removed and the h.t. is then restored you know that the fault lies in the line output stage.

If this is so, take advantage of the fact that the BU208 is already disconnected and check it with an ohmmeter switched to a high-resistance range. Apply the red probe to the base or emitter and the black probe to the disconnected collector (body). Any reading proves that the transistor is faulty and a replacement should be fitted.

At this point we should mention that a frequent trouble spot here can be difficult to trace as it may be intermittent. We refer to the small line output transistor panel, where a dry-joint may be present on the reverse side, on the contact to the collector's washer. Check the red lead for good contact to the tab washer. It's best to check the reverse side when the base-emitter contacts have been freed, as they have to be if the transistor is to be replaced. When you've fitted a new transistor, checked the good-

ness of the collector contact and resoldered the base-emitter pegs, make a resistance check on all the diodes in the line output stage to make sure that none of them are short-circuit. Do this before you switch on. Then remove the lead from the line output transformer to the tripler and leave it well clear.

The set can now be switched on. Evidence of sound should be heard if the volume control is advanced and the set is in working order and a neon screwdriver advanced in the vicinity of the line output transformer should light. If this is so, switch off and replace the lead to the tripler. When the set is switched on the presence of e.h.t. should be heard and the neon should again light when brought near the transformer. If there's no sign of life and the tripping starts again switch off immediately and fit a new tripler.

If you get tripping with the tripler disconnected you know that an overload is still present and indeed it could well be that this is what killed the BU208 in the first place. Switch off before you get a repeat performance. Check the diodes again carefully and ensure that there are no shorts across the transformer's secondary windings. If all is clear suspect the line output transformer and fit a replacement, once more leaving the tripler disconnected. This is because it's common for the tripler to fail initially, damaging the transformer and the BU208. The tripler should be reconnected only after the set has shown its willingness to work. You can then switch on with one finger on the on/off switch to switch off immediately if there are any signs of distress.

Alternative Approaches

What alternative approaches can or could be used? The only one I can think of is to use a transformer tester to clear this item of suspicion and thus save a considerable amount of time and frustration, i.e. no change after fitting a new transformer. Apart from the items so far mentioned (including the diodes) one or two of the capacitors in the line output stage are liable to go short-circuit. This possibility should be checked, disconnecting one end

completely for a conclusive test. Trying to test capacitors in circuit is in most cases a pretty useless exercise.

Dead Set – Not Tripping

If the dead set is not tripping the more methodical approach must be used, bearing in mind the fact that the chassis is live at all times, that the mains input goes to a bridge rectifier via two series-connected 2.4 Ω resistors (R77 and R78), that the bridge's positive output is connected to chassis via a 2A fuse and that the negative output stands at -320V which is present at many points on the bottom right power supply panel including the emitter of the BSX21 chopper driver transistor T10 and the base and emitter of the BU126 chopper transistor itself (T11). The moral is, don't expect to find the 125V h.t. (160V in the CVC30 etc.) at the chopper transistor or the preceding circuitry. You find it (hopefully) at the cathode side of D18 (D19 in the CVC30/32), i.e. the positive side of C51 and C52. After the chopper has chopped so to speak.

Once these points have been digested, normal fault-finding procedures can be followed, i.e. check the mains voltage input to the bridge, check the negative to chassis output from the bridge (fuse intact?), and ensure that the -320V is reaching the emitter of the BU126 (its 1 Ω emitter resistor could well be open-circuit).

If these points are in order, switch off and carry out a cold check on the BU126 and the BSX21 transistors. Also check the value of the BSX21's base bias resistor R80 (should be 150k Ω). Ensure that the presets on the chopper control panel have not been tampered with (set midway if in doubt). Check diodes D14 and D20 and ensure that R7 has not sprung (D15, D21 and R89 respectively in the CVC30 etc.). If all seems to be in order it's likely that there's a fault on the control panel. If the diodes are o.k. IC801 (TDA2640) is probably at fault. Check it by substitution. If you can't find anything amiss in the power supply, switch on again and listen more carefully for the tripping.

Signal Troubles

All too often one spends quite a lot of time (and money) overcoming the initial faults (line output stage etc.) only to find that there's a signal fault when the aerial is connected. The picture may be faint, perhaps difficult to discern at all, with the contrast control having no effect.

If this condition is met – and it's a common one – waste no time checking through the i.f. stages etc. Look at the upper left side and locate the two transistors in the beam limiter circuit, T1 and T2. T1 is a BC172 npn transistor, T2 a BC252 pnp transistor. Check them both very carefully, replacing whichever is found to be faulty. A replacement may not clear the trouble. In this case look for D3 (1N4148) which is in series with T1's emitter though it's situated way over on the right-hand side, roughly half way up (or down . . .). It will often be found short-circuit, and this may well have contributed to the demise of T1 or T2. A word of caution. This condition does not affect the sound which remains normal. If the sound is affected and/or the picture is grainy, stay with the tuner, a.g.c. and i.f. sections.

Pincushion Distortion

Here's another problem. When a repair has (you think) been completed and you get a picture for the first time

you may well find that it's severely distorted, with the sides bowing in towards the centre. The cause is lack of EW correction. This is quite common and when faced with this condition we don't check the entire circuit through thoroughly, we tend to suspect immediately the EW modulator driver transistor T17 (BD233) – CVC20 chassis. Experience has shown that this is the weak point and that removing the small panel at the top right and checking the components on it is only occasionally necessary. We normally keep a quantity of BD131 transistors in stock for use in other receivers and find that they make a good substitute for the BD233.

The EW modulator diodes D23 and D24 (MR854 and BYX71-350 respectively) should not escape attention but as they tend to go short-circuit rather than open-circuit a defect here is likely to be more obvious – line output transformer loading and power supply tripping.

Having said all this we must hasten to admit that we have now and again found troubles on the small panel: if the BD233 proclaims its innocence, the small subpanel should be investigated. To do this, remove the main line output stage screening cover and spring off the nylon catch, removing the panel to avoid misleading readings.

On the CVC30 etc. the EW driver transistor is T13 (BD238) while the modulator diodes are D24 (BY223) and D25 (BYX55-600).

Field Collapse

There are considerable differences between the field timebase circuits used in the CVC20 and CVC30 series chassis. The following notes relate to the CVC20.

In the event of field collapse, i.e. a horizontal white line across the screen, look for R68 at the top of the main panel and confirm that there is 24V at both ends. It may have sprung open to denote (perhaps) an overload. Switch off and check T10 (TIP33), T9 (TIP31) and T8 (BC337). Also check diodes D8 (BY126) and D7 (BA316). If you can check these items properly your troubles will in the majority of cases be over – except for replacement of T9 or T10. They are heatsinked against the line output section and are not easy to replace as accessibility is decidedly poor.

When we say check the transistors and diodes we mean a cold check with an ohmmeter set to the low ohms range. The diodes should read low with the red probe to the cathode and the black probe to the anode, higher when the probes are reversed, depending upon circuit values. A more positive check is to disconnect one end to take the diode out of circuit, when the same low reading should be obtained one way and infinity the other. To check the transistors, bearing in mind that they are npn types, apply the black probe to the base and the red probe to the collector. The reading should be approximately 20 Ω . The same reading should be obtained when the red probe is applied to the emitter. Reverse the probes and the reading should be much higher, if in circuit. The same high reading should be obtained with the probes applied to the emitter and collector. A very low reading indicates a short. If there's any doubt, remove the solder from the collector or emitter to free it from the circuit and recheck.

The Voltage Approach

An alternative method of arriving somewhere near the cause of the trouble is to leave the set on and make voltage checks. Along these lines. 24V should be present at the

collector of T10. There should be 8.6V at its base and 8V at its emitter. T9 should have 7.3V at its collector, 0.6V at its base and zero volts at its emitter. If these voltage readings are obtained, check for dry-joints at the scan coil connections S9/10/11/12. Close visual examination will often reveal the source of the trouble without further checks.

In the case of the CVC30/32 this visual examination should also be carried out on the small subpanel over the scan coils. Unclip the top sides and lift the panel out. Reverse it and check the contacts. This should be one of the first checks carried out on these sets whatever the reported fault may be. The panel is not present in the CVC20.

VCR Clinic

*Reports from Steve Beeching, T. Eng.,
Mick Dutton, Hugh Allison and
Philip Blundell, Eng. Tech.*

Panasonic NV7000

I've been having some trouble with a Panasonic NV7000. The customer complained that it kept stopping. Naturally it worked fine on the bench. The belts were changed and nothing was heard for some time. Then it came back with the same complaint. This time the cassette lamp was playing up so it was changed. Normal working again. The machine was given a daily soak test for three days – an E180 cassette was run from start to finish each day. There was no obvious fault but less than two weeks later the machine was back again with the same complaint. This time the customer brought it along and demonstrated the problem: the machine would play for a short period, then stop. Once the machine had warmed up it was o.k. – except that you couldn't hold it in cue or review for more than thirty seconds. It also made a funny noise like a bearing gone and the tape counter didn't rotate smoothly.

Again nothing showed up on the bench, apart from the cue/review problem, so we concentrated on this. After a long time we discovered that the auto-stop line at pin 21 of connector JE went high after about twenty seconds, shutting the machine off. All relevant diodes were checked but no source could be found for the supply that gave the high signal. After checking around the print I found that the circuit wasn't the same as that shown in the manual I was using, and after much digging around I found another version.

I rang Panasonic to ask whether they had any ideas. The chap who answered said he knew what it was – the supply reel rotation sensor. Well this had already been checked, and we'd found that its output remained low when this high appeared from nowhere. We then discussed the two types of system control circuit – the single and double board versions. "What about the alternative double-board version?" I asked. "There isn't one." "Then why have I got two circuits?" Answer, "you can't have." Come on, Panasonic!

In version one, the standard one, diodes D6041 and D6042 are connected to the control microcomputer i.c.'s B0 input (pin 21) via pins 4 and 5 of IC6004. This means that the outputs from the drum and capstan rotation detectors stop the machine via the microcomputer's B0 input. The auto-stop line is connected to the micro's stop input (pin 29). In version two the same two diodes are connected to the auto-stop line at JE21, where the error signals from the tape slack and supply reel rotation detector circuits come on to the syscon panel. Instead of going to the micro's stop input as before the signal is routed to the B0 input by using the end-sensor circuit's IC6012 via transistor Q6028 – pins 4 and 5 of IC6004 are connected to chassis.

The high that was coming on to the auto-stop line in my version-two machine was coming from transistor Q6022. This transistor is held on in playback by the capstan-lock

signal. In cue the level of this signal was insufficient to hold Q6022 on. So its collector went high, taking the auto-stop line high via the diodes.

Much searching was done before the real culprit was discovered. The only voltage found to be wrong was at pin 7 of IC2004 in the capstan servo circuit. This is the capstan motor control output. It should read 2.9V but measured 2.1V and fell to about 1.9V in cue. It's also the capstan-lock signal. The capstan servo was locked and showed no signs of distress, apart from the signal at TP2011 – this wobbled quite a bit around the correct value of 5V. So the question was, why was the voltage at pin 7 of IC2004 low, the capstan-lock signal thus being low and Q6022 failing to stay on? The answer . . . oil. All that was required was a small drop of oil down the capstan motor phosphor-bronze bearing. This loosened the capstan motor – not that it felt tight. The signal at pin 7 of IC2004 then rose to 2.9V and the machine stayed happily in cue for ages.

I suppose that Panasonic will by now have found their copy of the right circuit, but even if they haven't you know that it wasn't the reel sensor! **S.B.**

Grundig VS200

This customer of ours, Wally, came in with a Grundig VS200. It wouldn't work and his electronic lock code had no effect. Full operation was naturally restored after a reset. I discussed the matter with my friend Grundig Pete who said that the customer had probably pressed the store button twice after putting in the 8500 code: this is a "quick lock" function and puts in the code 0000. Andy still reckons there's a killing to be made from customers who forget the four-digit code they've put in! **S.B.**

Hitachi VT11

There was colour break-up in the top portion of the screen with the machine's own recordings. It looked as if one of the oscillators in the colour circuitry was running out of lock during the first part of the field scan. After replacing the Y/C panel we found that the record a.f.c. detector's reservoir capacitor C257 (4.7µF) was hanging on by only one leg. **S.B.**

Sony SLC7

The complaint with this Sony SLC7 was slow running after three-four hours' playing time, usually after stop, fast forward or rewind had been selected. A new capstan motor had been fitted by the dealer who'd sent it in – he'd had the same symptoms some five weeks earlier.

When the fault appeared the tape ran slow, with sound. I also noticed squeaky sound in visual search due to the base of Q408 not being soldered. Oh, oh!, it's been got at . . . The machine worked happily for a few days, then

one Monday morning the capstan wouldn't turn at all. Despite the presence of the power supply and the capstan drive voltage at pin 1 of connector CN3503 there was very little drive energy. That made two of us!

Another new motor was fitted and during this process we noticed that the main connector on the previous one hadn't been pushed fully home. This didn't clear the problem however. The servo was correctly set up whilst on test with the new motor and the original fault then reappeared. A scope check at pin 6 (error correction signal) of the capstan servo i.c. (IC2) revealed large pulses instead of a steady d.c. So this was why the capstan was running slow: the effect of the pulses was being well ironed out by the flywheel. The motor then suddenly gained speed and the servo locked.

A number of repeated stop/play operations would instigate the fault and it seemed that the capstan start system wasn't operating correctly. IC2 was changed and all went well. The machine ran on test for days but eventually came back with the same fault and I was back to square one. This time the start circuit failed only when the scope probe was connected, but how could a probe load the circuit? The answer was that diode D2 was ever so slightly leaky. I must admit that if I'd had the fault from scratch I would also have fitted a new capstan motor and returned the machine to its owner. **S.B.**

JVC HR7200/Ferguson 3V29

For months we've been plagued by this single machine that produced horizontal sets of spots on the picture. They appeared in small bands at irregular intervals down the screen: stationary, thin noise bands. At first dirt on the drum or dirty heads were blamed, but after some months we discovered that the interference didn't appear until the machine had warmed up. Pressure on the chassis removed or instigated the symptoms, which would then go away for weeks on end. Static brushes, earthing tags, joints and screws of all kinds came under scrutiny for possible intermittent earthing. A spring that earths the video preamplifier can was blamed for having become oxidised and was replaced. This cured the problem for three-four months after which it returned. The last time we had the machine there were colour drop-out problems as well and we discovered that the flywheel had been chaffing against a screened cable that's part of the colour circuit – the cable had been cut almost half way through. Could this have been the cause of the problem all along? Only this winter will tell! **S.B.**

Pye 64VR60

A common fault with this Philips made machine is that it won't accept or eject a cassette – nor thread/unthread. The cause is R3117 going open-circuit. This resistor supplies the cassette lift and threading drive i.c.s from the 11.9V line. Check for voltage on R3117 within a couple of seconds of pressing the standby button. **P.B.**

Sharp VC9300

This machine suffered intermittently from wow on sound and slight tracking noise on the picture. As my encounters with Sharp machines to date have shown that the electronics are very reliable I decided to fit a new capstan motor. No good. With the fault present both the capstan and drum servo voltages fluctuated wildly, but which servo was actually causing the fault? The nice man at Sharp suggested lifting R7714 and applying a fixed 3.3V to

IC7753's input (to make the capstan run at a fixed speed) and then look for wrong waveforms.

The next time the fault appeared the sawtooth at TP1 was found to be low in amplitude on both play and record, the common link being R745 which was going high in value intermittently. Other things that can occur in this area are dry-joints around IC7753 and C738 becoming leaky. **P.B.**

Ferguson 3V39

One of these machines was brought in with the complaint "no functions". Sure enough it wouldn't switch on or accept a cassette. On removing the covers it was noticed that there was corrosion on several of the keyboard decoder i.c.'s pins. This corrosion had linked some of the pins, stopping the i.c.'s operation. **P.B.**

Ferguson 3V31

The complaint with this machine was no fast forward. There was also no forward picture search. Rewind was o.k., and as the same motor is used for both fast forward and rewind we concluded that the fault lay in the control or motor drive circuits. Motor direction is controlled by pins 2 and 3 of IC5. In fast forward pin 2 goes high as a result of which Q18 (2SC3070) switches on, earthing one side of the reel motor. Q18 proved to be faulty, though it measured perfectly on a cold test. **M.D.**

Sanyo VTC5000

This machine grew hungry and ate a tape. After we'd removed the remains and cleaned up the tape path – which had seen a lot of use – we slipped in an old tape and pressed play. The tape laced up and the head started to rotate. There was no tape take-up however. Further checks revealed that there was no supply to the reel motor, which is controlled by IC3006 (BA6209). As the supply to this i.c. was correct we decided to replace it. This provided a complete cure to the problem. **M.D.**

ITT VR3905/Ferguson 3V35

This machine had no clock display. It came to us with a history of difficulties because the fault was intermittent. After taking the machine apart and removing the clock/display panel the display came to life and stayed all right for a week. The next time it went off we managed to check some voltages. Those at pins 3 and 4 of IC2 were wrong – and identical. Careful examination showed that a capacitor had been added to the print side of the panel and that one of its legs intermittently shorted two printed tracks. Slight spacing provided a cure. **M.D.**

Hitachi GP4B Colour Camera

The complaint was an intermittent green wash over the picture. When the camera was run up on the bench with the covers removed we found that the fault was present. Tapping the video board with the plastic end of a biro narrowed the fault to roughly the top middle section, but all the joints looked o.k. On removing the board we noticed that R149 and R150 were touching. Separating them cured the problem, though there was a minor heart-stopping moment when the camera was reassembled and didn't work. Who'd left the lens cap on then?! **H.A.**

Letters

THE STRAIN CLUB

I was sorry to read in the June issue about Les Lawry-Johns' bad experience with the Ferguson/NordMende set (Model 3787) that uses a thyristor line output stage. One consolation for Les is that he now seems to have attained the necessary qualifications to join the exclusive S.T.R.A.I.N. Club (Society of Television Repairpersons In Need). If he doesn't receive an invitation to join S.T.R.A.I.N.'s elite but growing membership soon I suggest he approaches one of the members to ask why. It's easy to spot them. They always look harassed and positive identification is simple to establish by quietly remarking "it's still doing the same thing . . ." The giveaway reply to this is a choking sound and "but it ran for two weeks in the workshop . . ." As to the advantages of being a member, I can't spill all the beans but there are arrangements for such things as discount brain transplants and hernia operations, cheap one-way tickets to Bongabonga, draft whisky, punch-bags in the shape of small European CTVs and cut-price variaes.

If Les is still having trouble with the wee portable, he could save Honey Bunch and himself a lot of bother by replacing the line drive emitter-follower transistor TZ06 (BC327) on the horizontal generator panel. By the way, if you get any small Hitachi colour portables (NP6C chassis) that make weird noises in the chopper transformer and keep you running to the kitchen for silver foil to put over the fuses, just change the 220Ω resistor (R937) beside the potential divider reference chip.

*Alastair Downs,
Downs Electronics, Dalkeith.*

COMMODORE COLOUR BARS

The Commodore colour bar program (letters, June 1985) can be modified to produce the bars in the normal left-to-right sequence, i.e. W, Y, C, G, M, R, B, Bk, by changing the figure after the comma in all the "POKE55296+X+40*Y,-" statements as follows: change line 15 to Y,1; change line 20 to Y,7; change line 25 to Y,3; change line 30 to Y,5; change line 35 to Y,4; change line 40 to Y,2; change line 45 to Y,6; change line 50 to Y,0.

*S. Bowdler,
Bournemouth.*

FERGUSON 3787

Les Lawry-Johns asked for some tips on the Ferguson 3787. Here's a list of faults I've had with the NordMende version of the chassis. After servicing hundreds of these sets I can say that the list covers 95 per cent of the faults you're likely to encounter.

In the event of tripping, check:

- (1) For dry-joints on the centre of the main panel, to the left of the tube base, where the metal frame is soldered to the copper print on the panel.
- (2) For a loose core in the line output transformer.
- (3) The flyback and scan thyristors DA12 (17075) and DA14 (17028) – change them as a pair.

(4) Capacitor CA24 (0.068μF) and spark gap VA26 in the first anode supply circuit. These items can go short-circuit or leaky.

For no results, check whether the core has fallen out of the line output transformer. If the set still won't come on or trips when the core is replaced, check the 4.7Ω, 11W surge limiter resistor RA05 which may be open-circuit and is situated at the top of the main panel, also if necessary the soft-start/shutdown thyristor DU04 (S2800) and the associated diode DU05 (1P643) – both these items can go short-circuit.

*Gerry Hoey,
Dundalk, Co. Louth.*

PULSE-STRETCHER CIRCUIT

It's not clear whether the monostable pulse-stretcher circuit shown in Fig. 4 on page 372 of the May issue, for use with the Decca 30 series chassis to prevent tube reflections during teletext reception, should be connected in parallel with the existing connections to pin e of the field output transformer and pin 6 of IC2, and if not what alterations may be necessary to the existing connections. I'm also puzzled as to whether the circuit is correct as shown. It appears that Tr1 is normally off and requires a positive-going flyback pulse at its base to switch it on, but D1 would seem to block such a pulse.

*A.T. Brand,
Colchester, Essex.*

Editorial comment: The blanking circuit shown in Fig. 4 should be connected in parallel with the existing connections to the points mentioned and no other alterations are required. The circuit is correct as shown and our thoughts on the polarity of D1 are that it conducts as a result of the differentiating action of the 0.015μF coupling capacitor.

SHORT COLOUR BAR PROGRAM

Further to D. J. Jackson's Commodore 64 colour bar program (letters, June 1985), here's a much shorter one that may be of interest:

```
10 PRINT CHR$(147):POKE 53280,15:POKE 53281,15
15 PRINT CHR$(18);:FOR A = 1 TO 24
20 PRINT CHR$(5)" " CHR$(158)" "
   CHR$(159)" " CHR$(30)" ";
25 PRINT CHR$(156)" " CHR$(28)" "
   CHR$(31)" " CHR$(144)" ";
30 NEXT A
35 GOTO 35
```

Note that there are five spaces between each pair of quotation marks.

*M.J.H. Jevons, Eng. Tech.,
Dudley, W. Midlands.*

SONY MODEL KV1810

I've just come across an interesting fault in a Sony KV192SA (UK Model KV1810). The symptom was repeated failure of the line driver transistor Q509 after a few days' service. Overheating of R569, the predriver transistor's collector feed resistor, was also evident. A check on the shape of the drive waveform at the collector of Q509 revealed that it was rounded instead of sharp-edged. The fault was eventually traced to the coupling capacitor C538 (0.47μF electrolytic) being leaky. As a result Q509 was not being completely switched off, the excessive dissipation leading to eventual failure.

A tip on setting up the decoder. After one of these sets

has been in service for some years you might find that Hanover blinds which can't be removed by adjusting T306 and VR304 are present. The problem can be overcome by adding a capacitor of 100-330pF across T306's primary winding, i.e. across R397. This permits adequate phase balancing.

M. Pomeroy,
Johannesburg, S. Africa.

BBC MODEL B PROGRAM

In the June letters page a program is given for the BBC Model B. Note that in lines 70 and 80 6% should read a%. The program will then run. Readers may also like to know that the program will run on the Electron.

Bob Smallbone,
Bognor Regis, W. Sussex.

Editorial comment: We misread b% as 6% in the original: a, b or c (see last month) will do.

REPLACEMENT GCSs

The suggestion was made in *Television* a few months back that a type SG264A GCS could be successfully used as a replacement for the SG613 in Model KV1810UB. I must point out that these two devices are not interchangeable in this model and that there is a possibility of failure due to excessive temperature rise or transients. Taking tolerances into account, the safety margin with the SG264A is not considered sufficient to prevent random failures. The correct replacement for the SG613 is the SG6533.

David Meyer, Assistant Engineering Manager,
Sony (UK) Ltd.

BBC TEST PATTERN PROGRAM

Some corrections to the BBC Micro test pattern program as published in the July issue are required, as follows.

First, in lines 100 to 180 the BBC string escape character must be used instead of colons. This character is not present on an ordinary keyboard, which presumably caused the confusion.

Secondly, two hyphens instead of minus signs appear in line 390.

Thirdly, line 510 should be DRAWX,Y+1.

Fourthly, the end of line 1500 should read STEP 0.02 (stop not comma).

A couple of other points. Lines 1000 to 1220 if copied as set would result in TV SERVICING AID appearing as TV SERVICING AID, as a BBC program does not indent beneath the line numbers. More importantly, the procedure used in line 740 does not give a true circle. Servicemen beware!

G. Beard,
Sutton, Surrey.

WHAT NEXT - MICROFACTORIES?

The problems faced by the European electronics industry were mentioned in your June leader. Financial opinion on the future of the electronics industry has been demonstrated on the stock market by falling share prices of the major electronics companies despite rising dividends.

One of the problems is that having supplied a VCR and a home computer to everyone who wants one what is the next item that can be mass marketed? The replacement

BILLINGTON VALVES

23 Irwin Drive, Horsham, West Sussex RH12 1NL

Mail Order only - No Callers

CLOSING DOWN FEBRUARY 1986 - CLEARANCE OF REMNANT STOCK AT BARGAIN PRICES!

These wholesale prices when buying 10 or more of one type. EF80 30p, ECC82/12AU7 35p, GY501 £1, PCF802 50p, PCL 82 60p, PCL84 40p, PCL805 50p, PCL86 50p, PL504 90p, PL508 £1.70, PL509 £4.25, PY500A £1.50, PY88 40p, PY81/800 60p, PY801 60p. Please add post/packing @ 70p and VAT @ 15% to all orders (wholesale or retail).

TRADE/EXPORT ENQUIRIES WELCOME. Please ask for wholesale price on any type not listed.

Retail Prices:	EF80.MUL	£2.10	PC97	£1.00	PL36	£0.95	
DY867.MUL	£1.50	EF183.MAZ	£0.75	PCC84.MUL	£1.35	PL81.MUL	£1.50
DY87	£0.66	EF184	£0.50	PCC85.MUL	£1.35	PL82	£1.35
DY802	£0.85	EH90	£0.70	PCC89	£0.70	PL83	£1.40
ECC81.GEC	£2.70	EL34.MUL	£3.00	PCC189	£0.70	PL84	£0.75
ECC82	£0.40	EL84	£0.75	PCC805	£1.30	PL504†	£0.95
ECC83†	£0.43	EL509	£5.90	PCF80.MUL	£2.00	PL508	£1.80
ECC84	£0.80	EY867	£0.65	PCF86	£1.20	PL509†	£4.45
ECC85	£0.95	EY500A	£1.50	PCF200	£1.35	PL519†	£4.45
ECC88.MUL	£2.00	E280	£0.70	PCF801.MUL	£2.00	PL802†	£4.00
ECF80	£0.74	E281	£0.70	PCF802†	£0.57	PL802 Philips	£5.95
ECH81.MUL	£3.00	GY501	£1.20	PCF806.MUL	£1.75	PY81	£0.65
ECH83.MAZ	£1.80	GZ34†	£2.15	PCF808 used	£0.15	PY88	£0.50
ECH84.MAZ	£1.60	KT66(USA)	£8.50	PCH200.MAZ	£1.45	PY500A†	£1.60
ECL80.MAZ	£1.40	3AT2B	£4.60	PCL82	£0.63	PY800	£0.69
ECL82.MAZ	£1.45	170W4A	£3.75	PCL83.MUL	£2.50	PY801	£0.69
ECL84	£0.90	21LUB	£5.10	PCL84.MAZ	£0.90	UCH81.MAZ	£2.20
ECL85	£1.00	3FL1/2	£1.50	PCL85†	£0.90	UCL82.MUL	£1.70
ECL86	£0.95	3JUS6A	£9.00	PCL86†	£0.55	UCL83.MUL	£2.75
EF80.MUL	£1.20	40K06	£8.50	PCL805†	£0.90	UY85.MUL	£2.00
EF85	£0.60	KT88(USA)	£12.00	PD500	£2.90		
EF86†	£1.40	PC92	£3.00	PL200.MAZ	£1.30		

ALL VALVES (WHOLESALE/RETAIL) ARE NEW, BOXED, PERFECT AND GUARANTEED 90 DAYS.

MUL/MAZ denotes Mullard/Mazda brand;

† denotes foreign made valve

WE CAN SUPPLY CRTs FOR CTV, SCOPES AND VDUs - SAE FOR QUOTATION. ALSO UNUSUAL VALVE TYPES, EG: FOR JAPANESE AUDIO/TV EQUIPMENT, AND RUSSIAN NUMBERED TYPES - SAE FOR QUOTATION

Please allow 7 days for delivery.

WANTED: We require a quantity of valves PX4, PX25 to fulfil an outstanding order. We will pay high prices for these, in any quantity large/small (including equivalents PP3/250, PP5/400, DA30)

market is simply one of rising prices and disgruntled customers if the white goods sector is anything to go by (clothes washers in particular). In the case of electronic apparatus the equipment is longer lasting and the replacement market is thus even thinner.

One possibility is to market microfactories. These are machines that people can use at home to produce useful everyday items for sale locally at a profit. Ideally a microfactory would be totally automatic: all the user would have to do is shovel or pour the raw material in at one end and collect the product at the other.

The ideal technology for these products may not be totally electronic. Ideas about the possibility of molecular or nanoengineering are appearing in the USA. Submillimetre machines have been proposed for a number of tasks ranging from computing through energy production to chemical manipulation. Those interested in this subject can refer to a series of articles by Conrad Schneiker in *Cryonics* magazine: there is also a book to be published by Doubleday entitled *Engines of Creation*, by Erik Drexler. An electronically controlled reactor submillimetre machine could be used to fabricate useful items from a sludge of general domestic rubbish.

The important thing for the electronics industry is that such ideas are at the moment not fixed to any single scientific discipline, so that they could be taken up by any industry amongst the many that could benefit. In his articles in *Cryonics* Conrad Schneiker states that all the technology required for this new engineering is already here and that simple self-replicating submillimetre machines should be possible within fifteen years.

John de Rivaz, B.Sc.(Eng.),
Truro, Cornwall.

TV Fault Finding

Reports from Philip Blundell, Eng. Tech.,
Mick Dutton, Hugh Allison, Keith Hamer
and Garry Smith

Telefunken 615 Chassis

If you come across one of these sets with a dead power supply look to see whether the mains bridge rectifier's reservoir capacitor C99 has been leaking. If it has, the chances are that it will have eaten into R242 (330k Ω) causing this resistor to go open-circuit.

The fault with one of these sets was no picture. The e.h.t. rustled up at switch on but after a split second the line timebase cut out. It seemed that the protection circuit was sensing a fault but a check on the EW modulator diodes and the flyback tuning capacitors failed to reveal anything amiss (note that the 615A1 chassis with the hi-bri 670-type c.r.t. has a higher e.h.t. than the 615 chassis). Attention was then turned to the protection circuit where T482 (BC237B) was found to be leaky. **P.B.**

NordMende Spectra 3601

This colour portable had a very unusual fault description on its ticket. It said "gets a black patch which creeps down the screen in centre when warm". Sure enough when the set warmed up a black mark appeared at the top of the screen and slowly spread downhill until it nearly filled the screen. The slightest tap anywhere near the set would remove the fault. We checked carefully for dry-joints etc. but it was quite a time before we found the cause of problem. It turned out to be the result of a poor joint on the earth tag that connects the print to chassis next to the field timebase module, where DA06 and RA06 are connected to earth. **M.D.**

Editor's note: This appears to tie up with the **Ferguson 3787**.

Philips G8 Chassis

I've recently had two problems I've not met before on these sets. The first was a simple one – severely distorted sound due to the audio output coupling capacitor C2226 (50 μ F) having gone low in value. The second set had a bright raster with flyback lines. We fitted a new i.f./decoder panel but the problem remained. We then found that the positive line pulses were missing due to the safety resistor R5576 (4.7 Ω) on the line scan panel being open-circuit. **M.D.**

ITT CVC800 Chassis

This colour portable wouldn't always come on from cold. Several presses of the on-off switch were sometimes required to get it to start. We checked for h.t. across the mains bridge rectifier's reservoir capacitor to prove this side of the power supply before going on to the chopper circuit where we eventually found that R731 (820k Ω), which provides a reference feed from the 290V line to the base of T730 in the pulse-width modulator circuit, had gone very high in value. **M.D.**

Decca 100 Chassis

Lack of height with bottom foldover was the problem. As usual, R371 (2.2k Ω) was burnt. Replacing this didn't cure the fault however, neither did changing the field output transistors. The problem cleared up when the three diodes

D309/10/11 which bias the second driver transistor Tr309 were replaced.

Another of these sets was fitted with a touch tuner, the problem being that it wouldn't change channels. We found that there was no bias at the base of transistor Tr703, which is associated with touch-button one on the assembly, due to R12 (390k Ω) being open-circuit. This resistor is mounted on the tuner panel. **M.D.**

Philips 3723 (KT3/RC5 Chassis)

This brand new set wouldn't change channels and would sometimes go into the standby mode when switched on. We didn't have the circuit but managed to prove that the fault was on the panel with the TMS microcomputer i.c. by swapping it over with one from another set. The cause of the problem was TS004 open-circuit base-to-emitter. **M.D.**

Thorn 9000 Chassis

The customer complained that the picture narrowed after the set had been on for a while. We left the set on soak test and when the fault appeared we found that there was a line fold in the centre. This was intermittent and could be made to come and go by tapping the set. We had a look around and found that R424 (1.5 Ω), which is in series with the base of the cyclops transistor VT701, had been getting very warm. We changed it and the parallel diode W413 (1N4001) and the problem has not reappeared since. **M.D.**

Philips G11 Chassis

Field collapse was the problem here. The field timebase supply fuse hadn't blown and we could find no sign of dry-joints on the line scan, timebase or convergence panels. We changed the TDA2600 field timebase chip but the problem persisted. Voltage checks then revealed that there was no voltage at pin 14 of the i.c. due to R2066 (1.5k Ω) being open-circuit. **M.D.**

Fidelity CTV14S

There was no tuning on this set. We removed the front panel and checked the 33V tuning supply which was present and correct. There was no voltage on the tuning line however. We assumed that the SL470 tuning control i.c. was faulty but replacing this failed to cure the problem. We then found that whilst the 33V supply was present at the TAA550 stabiliser i.c. it wasn't present at pin 11 of the SL470. The fault was due to a crack in the print. **M.D.**

GEC 20AX Chassis

There was a blank white raster with flyback lines. The chassis has complementary-symmetry RGB output stages and checks here showed that the voltages around the top transistors of each pair were high while those around the bottom transistors were very low. The coupling to the top transistors employs d.c. restoration with the 3.6V zener

diode D204 providing a reference. The zener diode turned out to be o.k. but the voltage across it was incorrect. R258 (82k Ω) which is in series with D204 was open-circuit.

M.D.

Galaxy Portable

This little portable was new to us. Apparently they're sold by Woolworths. The complaint was that the width would come in and the field would fold up from the bottom as the set warmed up. We discovered that the h.t. dropped as the set got warm. A touch on the h.t. preset brought the supply back to full voltage and the fault didn't reappear. To be on the safe side we changed the potentiometer.

M.D.

ITT CVC5 Chassis

This elderly set had a very weak picture with no colour. The problem looked like an a.g.c. or i.f. fault. Voltage checks in the i.f. strip revealed that transistor T16d's collector voltage was incorrect because its load L50d was open-circuit. When this had been repaired the set produced a very reasonable picture.

M.D.

Thorn 9600 Chassis

This set had severe EW trapezium distortion. A nice easy fault: the EW keystone potentiometer R453 had a crack in it.

M.D.

DAFRN Varicap Tuners

This type of varicap tuner unit was used in a number of Thorn chassis over the years, two examples being the popular 9000 and 8800 chassis. It's fair to say that 99 per cent of the faults encountered have consisted of intermittent signal loss, with sometimes a very faint picture remaining. In all cases we've come across the cause has

been a hairline fracture on the printed board within the tuner unit can. The print in question comes from the i.f. output coil, which is towards the top left-hand corner of the board when viewed from the print side – the print runs parallel with the side of the can for approximately 25-30mm. To overcome the problem, simply use a couple of strands of wire twisted together: run them between both end connections, carefully following the print. A low-wattage soldering iron should be used for this operation.

We recently came across a standard ELC1043 tuner in a Thorn 8800 chassis with a "DAFRN" sticker attached. Intermittent loss of signals was the problem, due to a poorly soldered connection between the print and the tinplate screening member that runs the length of the tuner. The joint is approximately a quarter of an inch from the right-hand side, as viewed from the print side, and is in the lower half of the tuner.

K.H.-G.S.

ITT CVC32 Chassis

The fault on this set gave the impression of field bounce. It was eventually traced to R2's metal end-cap which had split. This 15k Ω , 6W resistor feeds the TAA550B tuning voltage stabilizer and is mounted approximately half way down the main panel, immediately to the left of the central cut-out.

K.H.-G.S.

Decca TVS11

This sound-only TV set, which seemed to contain some Bradford chassis bits, was sent in by a blind lady who said it buzzed like a demented bee when switched on. Sound-on-vision? Mains hum? No, it turned out to be loose laminations in the mains transformer. After its removal from the set no amount of strong arm work with a vice would cure the buzz, but a very liberal coating of thin, high-temperature varnish (obtained from a local model engineering shop) plus an overnight period to cure fixed the problem. I get the good jobs . . .

H.A.

Book Review

Here's Looking at You by Bruce Norman, published jointly by the Royal Television Society and the BBC at £12.95.

"BH (Broadcasting House) was always less than enthusiastic about letting this youngster television exist let alone expand . . . We had to send our wonderful vans (OB units) to be regularly washed and greased so that for two days a week we couldn't do any OB work at all." This quote from Lord Orr-Ewing comes from a marvellous book that's a must for all those interested in blowing the cobwebs from the mystique surrounding the history of television from 1908 till 1939. It describes in considerable detail the founding of a medium that's now taken for granted by most people. There are some sixty photographs and a great many quotes from those who worked on the early systems.

The Baird system is covered in excellent detail from the early 30-line experiments up to the final 240-line system. There are fascinating bits of information on every page – you tend to end up engrossed whenever you pick the book up. We learn for example that the early Emitron camera tubes were hired from EMI by the BBC and had a rather unpredictable life. They were delivered in large wooden

crates, slung in a harness, and had to be carried over to the camera in the studio when replacement was needed. It was not unknown for one or two tubes to break down during a transmission, and maintenance during transmissions was common. Faulty tubes were returned to EMI to be reconditioned. Especially when new, they were particularly red sensitive. The Super-Emitron tube came in 1937 and made outside broadcasts and the use of telephoto lenses more practical. Some were so sensitive to red that they made London buses look white on the screen, but they were very good at penetrating a fog! A particularly red-sensitive tube was carefully nursed for use on bad days.

There's plenty that's non-technical in the book, and plenty that's amazing. The first "telerecording" was of a long and expensive play, "The Scarlet Pimpernel". It was decided to try to film this from a monitor screen as it was broadcast in order to keep a record. Next day Alexander Korder phoned to protest that he'd heard the BBC were filming the play, for which he had the exclusive film rights. He insisted that the film be publicly burnt – so no film record exists of any pre-war TV production apart from a "demonstration film" that was made and regularly updated, using film cameras.

If you're interested in the history of television you'll find this book a gem. It's made a welcome and attractive addition to my bookshelf.

M.B.

The Strangest TV Sets Ever

Chas E. Miller

None of the TV sets that were produced by Murphy Radio of Welwyn Garden City could be regarded as wholly conventional. In most cases they resembled neither their contemporaries in the ranges of other setmakers nor immediately preceding and succeeding Murphy designs. Most of them had superhet vision and sound receiver strips. In only one case was this principle abandoned in favour of the t.r.f. approach. And having decided on this technique for the V134C and V136C it seems that the Murphy designers decided to let their imaginations run riot over the rest of the circuitry – and the cabinet as well!

Cabinets

There were some pretty strange looking sets around in the late forties and early fifties. The V134C/V136C, which were released in August 1948, took the medal as the oddest of all by a wide margin. What was either a tall table cabinet or a short console, depending on one's point of view, was mounted on four spindly legs made of strip wood. The front legs were either straight or bent forwards in a sort of curtsying attitude. No mention is made in the contemporary literature as to whether the latter feature was optional or not. Perhaps customers took pot luck. The nine inch aperture for the c.r.t. could be covered when not in use by some curiously cranked short doors which, when closed, matched in shape the loudspeaker baffle at the bottom of the cabinet. The doors, baffle and feet were of much darker wood than the rest of the set. Twixt doors and baffle there were three user control knobs – for volume/on/off, contrast and line hold. Evidently Murphy were not too confident of the stability of their line timebase, as well they might – see later. There may have been more grotesque sets than the V134C/V136C: if so I've yet to come across them.

Receiver Circuits

The basic model was the V134C. It was baldly described as being for use in "swamp areas" only. This didn't mean that it was for export to the Everglades area of the USA but that it was, to put it bluntly, damned insensitive, requiring a lot of signal input. The centre of the coaxial aerial socket was capacitively coupled to the slider of a 200Ω sensitivity potentiometer, a rather curious arrangement when one considers the design's inherent lack of sensitivity. The V134C had a single vision and sound r.f. amplifier stage which was followed by a single vision only r.f. amplifier stage and, on the sound side, two r.f. amplifier stages. All these stages used 6F13 valves. There followed two 6D2 double diodes, one as sound detector and interference limiter and the other as vision detector and sync separator.

The V134C's lack of sensitivity might have been a bit of an embarrassment. The V136C, which was otherwise identical, included a two-stage preamplifier (two more 6F13s) with the second stage untuned. You had to pay an extra £2.5s.0d for this – the basic V134C was priced at £55 plus purchase tax. As an added touch, the vision strip was aligned to accept the upper sideband only, making it

virtually impossible to convert either model for Band III reception – always assuming that any of them lasted that long.

The demodulated sound signal was handled by a single 6P25 beam tetrode – with the focus control in its cathode circuit. This latter arrangement may seem strange but was not all that unusual at the time: the idea was to take the sound output valve's anode supply from the focus coil. The video output stage was simple enough: another 6F13 which controlled the c.r.t.'s grid.

It's in the timebases that the really weird and wonderful (?) bits of circuitry are to be found, starting with the diode sync separator whose cathode was fed from the undecoupled screen grid of the video output pentode.

Line Timebase Circuit

The unique line timebase circuit is shown in Fig. 1. It consists of a pair of parallel-connected beam tetrodes in a self-oscillating arrangement. Nominally both valves were 6P28s, though EL38s might be found instead. Apparently a preferred approach was to use one of each type for maximum stability! You'll notice that the two valves are operated without bias, so they'll start to conduct at switch on, with positive feedback to the screen grids via a winding on the output transformer T1. At saturation point the positive feedback will cease and the collapsing field in the transformer will then cut off the valves and produce the flyback. The line hold control provides an LR time-constant in the feedback circuit: no capacitors anywhere to be seen in the oscillatory circuit. Line sync pulses from the anode of the sync separator diode are differentiated by C18, R21 and applied to the control grid of V8 to ensure that the flyback commences at the right time.

The output produced by this ramshackle hook-up was passed from a tapping on the transformer's primary winding to a complicated system consisting of a tapped width coil (L11) and tapped scan coils. This had to be set up with infinite finesse if the correct balance of scan amplitude and frequency was to be obtained. Correct line lock could in fact be achieved in this manner if all else failed! Should the width prove to be insufficient after all

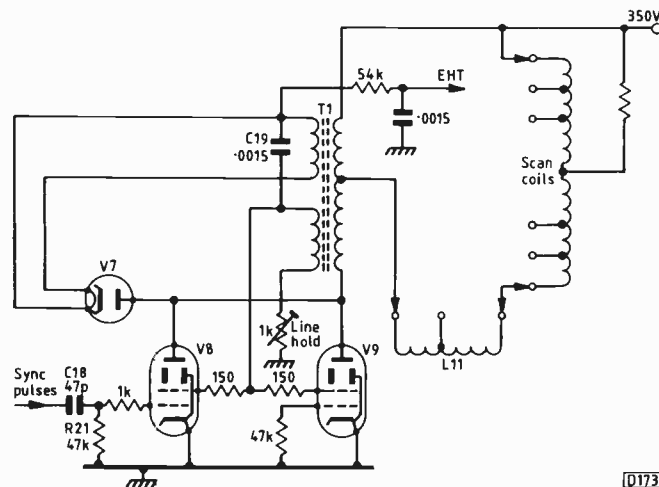


Fig. 1: The line timebase circuit.

0173

this monkey business a rod magnet could be fitted to the scan coil assembly to drag the picture over to one side. Evidently the designers expected a fair degree of non-linearity. . . .

At least there was flyback e.h.t. The anode of the U22FH e.h.t. rectifier was connected directly to the anodes of the beam tetrodes without the benefit of an overwinding. Presumably the flyback pulse voltage was considered to be sufficient to provide the e.h.t. (5.4kV) for the CRM92 triode c.r.t., though to help matters along the e.h.t. reservoir capacitor C19 was connected to the screen grids of the tetrodes instead of to chassis to provide a boost. The e.h.t. rectifier's heater was fed from another winding on the line output transformer, a method employed intermittently by Murphy over several years – as if they couldn't make up their minds whether this or a highly-insulated mains transformer pleased them most (or least).

Field Timebase Circuit

If you're thinking that the line timebase was bizarre beyond words, get a load of the field timebase circuit (see Fig. 2). This used a single 6F14 video type pentode (what else?!) in another self-oscillating arrangement with feedback to the screen grid, the actual scan coils being arranged as the output/feedback transformer. This necessitated fitting the coils with a massive laminated core. Since the anode and screen grid currents were markedly dissimilar (27mA and 6.5mA respectively) one cannot help but wonder at the linearity. This must have exercised the designers' minds as well. Their solution in part was to add an externally shorted winding (L14) to the core. The next problem was that the current flow through the coils shifted the picture off centre, so yet another winding (L13) was added to counter the effect by taking a current flow in the opposite direction. A variable resistor across this winding enabled the picture to be centred.

The field hold control provided an LR time-constant with the feedback winding L15 – R34 could be shorted out to aid hold control setting. Height was controlled by altering the cathode bias while R52 provided a start-up feed – though you were advised that it might be necessary to switch the set off and on again! The field sync pulses were integrated by R51 and C37 and applied to the control grid circuit. Linearity correction was provided by the damping network R56 and C39 in conjunction with

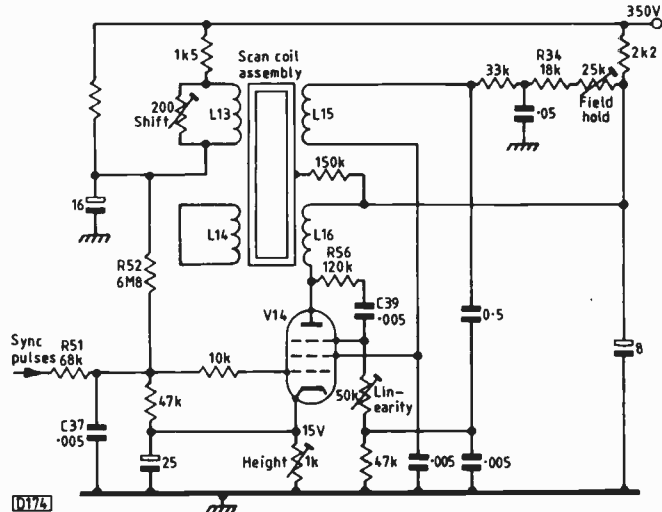


Fig. 2: The field timebase circuit.

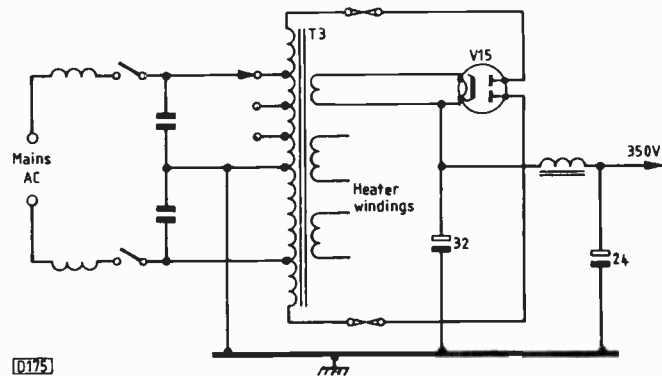


Fig. 3: The h.t. circuit, a full-wave arrangement that left the chassis at some 120V live with respect to earth.

the linearity potentiometer. It was said that any remaining non-linearity – at the beginning of the scan – was taken care of by connecting the valve's suppressor grid to this network. Yes folks, they don't write timebases like that any more!

To supplement all those d.c. currents flowing around the neck of the c.r.t., a large electromagnet was fitted for focusing. It carried the h.t. to the anode of the sound output beam tetrode in whose cathode circuit, as previously mentioned, the focus control was to be found.

The above maze of obfuscatory electronics might in all conscience have been deemed punishment enough for the hapless service engineer of the day, but Murphy added a spice of danger to the proceedings. The whole, massive field scan coil assembly was insulated from chassis and held at h.t. potential, the stated object being to preclude electrolytic action between the coils and core. Since the h.t. was supplied via a fairly large resistor (150kΩ) shocks were more likely to be a nuisance than a threat to personal safety. Nevertheless, a trap for the unwary.

The HT Supply

Far more likely to cause actual flashes, bangs and voluble cursing was the eccentric h.t. supply system (see Fig. 3). In recent years engineers have become used to chassis that are always at some mains derived potential above earth, regardless of the plug polarity. In the vintage days however sets were either a.c. only and totally mains isolated or of the a.c./d.c. or semi-a.c. (with autotransformer) type that could be rendered safe to touch by ensuring that the neutral side of the mains supply was connected to chassis. Not so the V134C/V136C which used a full-wave h.t. rectifier circuit with overwindings at the top and bottom of the mains transformer's primary winding and a chassis-connected centre tap. This ensured that the chassis was at some 120V live to earth whenever the set was in use no matter how careful the engineer had been to connect the mains plug correctly. One wonders how many fuses went west due to the aerial cable being inadvertently dropped on to the chassis, and how many nerve-shattering shocks were suffered by engineers who might well grasp the coaxial plug in one hand and the chassis in the other. . . .

Did You Know Them?

Should any readers have any personal recollections of either installing or servicing these truly odd sets I'd be glad to hear from them – always assuming that they managed to last out!

The Lid off Microcomputers

Part 4

Mike Phelan

This month we'll look first at the CPC464's sound department. Most of the work in this section is done by an AY-3-8912 sound generator i.c. which has one input port (1D0-1D7), one input/output port (D0-D7) and several other connections – see Fig. 1. A, B and C are the sound outputs – there are three as the i.c. is capable of producing three different sounds at once (a chord). There's also a facility to add white noise to one or more channels. All three outputs are summed by R114/5/6 and then go to an audio amplifier which is on the cassette deck electronics board. The three outputs are also matrixed to give two stereo channels for connection to an external amplifier. The PIO (parallel input/output) chip sends data for the sound functions to the 8912's D port.

The three tone outputs produced by the 8912 can be made to cover a range of six octaves. There's also a comprehensive set of variable envelope shapes – this is partly due to the operating system/BASIC interpreter, i.e. it's software controlled. In effect, this means that instead of the 8912 being addressed directly with machine code near-English BASIC commands are used.

The status of the BC1 and BD1R control lines determines whether the D port is in the input or output state. Why should we want data from a sound generator i.c.? Because of the way in which the system is divided between the i.c.s used.

The 8912 is also connected to the keyboard: in fact the 8912 is used to route the signals from the keyboard to the PIO and thence to the CPU. This operates as follows. The PIO generates a four-bit keyscan every 20msec, under the control of the operating system (in the ROM). The CPU tells the PIO to do this of course. Decoder IC101 converts this four-bit code to decimal, which means that one of the eleven outputs from IC101 will go low for a particular input code. These outputs are connected to the keyboard in an 11 × 8 matrix – we could therefore have 88 keys, but there aren't quite that many! The 8-bit matrix return from the keyboard goes into the 8912 at port 1D and emerges at port D after which it goes to the PIO's A port (note that the buses between IC107/1/2 and the keyboard were shown incorrectly in Fig. 1 last month).

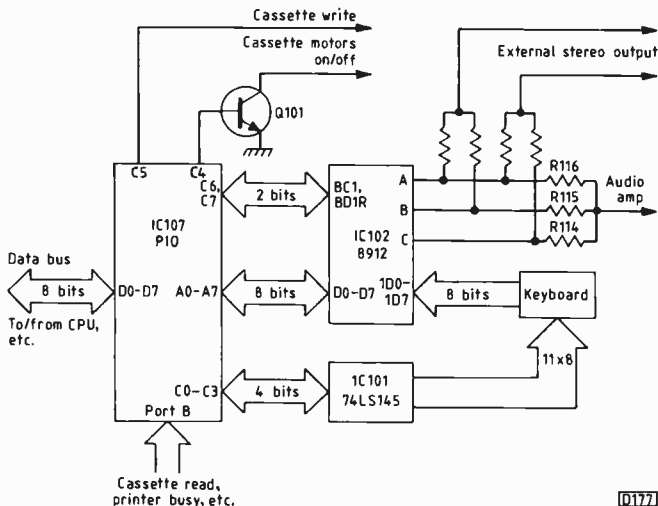


Fig. 1: The sound generator, keyboard system and parallel input/output (PIO) chip arrangement in the CPC464.

To summarise this rather complicated series of operations, fifty times a second the PIO sends a sequence of 11 codes to IC101 which sends eleven pulses to the keyboard. If a key is pressed, one of these pulses is returned to the 8912. At the same time that it generates the keyscan, the PIO switches the 8912's D port so that this sends data back to the PIO's A port. Thus the result of pressing a key is that a low pulse enters the PIO at port A. This pulse can be on one of eight lines and can fit into one of eleven time slots. The PIO sorts this out by referring to the code at C0-C3 at the instant the return pulse arrives. The end result is that a code is fed to the data bus to inform any interested device the state of the keyboard.

Four links on the main panel are associated with the PIO chip. They are used to switch between 50/60Hz operation and to allow the sign-on message to be changed for different nationalities. They go to port B.

The PIO also looks after the cassette read/write operations and receives the "printer busy" signal (to halt processing until the printer has dealt with the contents of the printer latch). Consistent with routing the cassette data to and from the RAM, the PIO drives transistor Q101 to switch the cassette motor on and off.

A few details of how data is loaded and saved on tape. The principle used is that of FSK (frequency shift keying). This system uses two audio frequencies, one for binary 0 and the other for binary 1. To record and play these back accurately we need a good treble response and few dropouts. The cleanliness of the tape transport system is vital, as is the correct azimuth setting of the record/playback head. One missing bit could be a disaster!

The data is saved (recorded) on the tape in a particular sequence. First there's a short burst of 010101 etc. to synchronise the PIO. This is followed by a short block of data that gives information about the file – its name, what addresses it should be loaded into, etc. Then comes the data proper, split into 2K blocks. At the end there's a checking procedure that ascertains whether any 0s have been read as 1s and vice versa. This works as follows.

Each block of data contains what's called a "checksum" – simply the binary sum of all the 2K bytes. If, on loading,

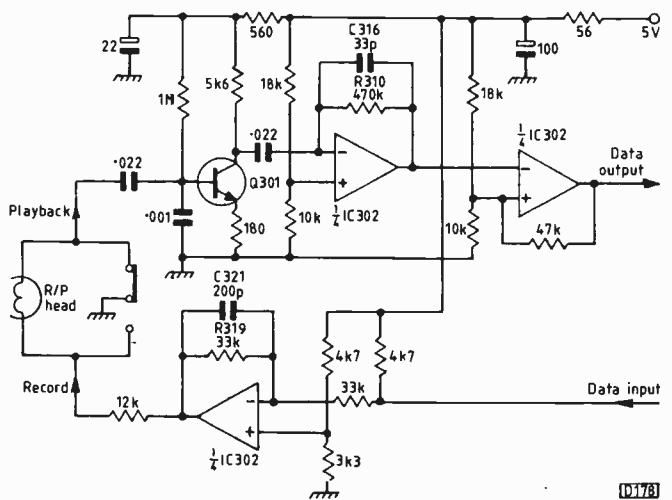


Fig. 2: The CPC464's simple cassette deck record/playback amplifier circuitry.

the loaded checksum disagrees with the computed one something is obviously amiss. The check procedure also highlights dropouts, since these show up as missing bits. Missing bits cannot be read as either 0 or 1 since they are at neither frequency used.

The CPC464 allows for a twenty per cent or so variation in tape speed, so the system is quite reliable.

The cassette deck electronics are very simple. Most of the circuitry is contained in IC302, an LA6324 i.c. which incorporates four operational amplifiers. One of these is used as the audio preamplifier. Two of the operational amplifiers are used as the playback amplifier, with R310 and C316 providing equalisation and Q301 acting as a preamplifier (see Fig. 2). The remaining operational amplifier is the record amplifier, with R319/C321 giving a falling record current/frequency characteristic. The circuit is simple since the equalisation doesn't have to conform to any audio standard – the severe record equalisation provides a better performance for this purpose.

The relay on the cassette deck electronics panel, driven by Q101 on the main panel, starts the motor.

There are several disadvantages to using an audio cassette for storing data. First it takes typically minutes to load a program. Secondly if there's more than one program on a tape it has to be scanned until the required program is found and loaded. It pays therefore to have only one program on each side of a tape. To this end tapes with a playing time of five minutes upwards (C5) are available in computer quality.

Both these disadvantages are overcome by using a floppy disc to store the data – access and loading takes seconds, and typically 300-400K can be stored on a disc. Next time we'll discuss disc drives, in particular the DD1 used with the CPC464.

SOVEREIGN TV

There's no great mystery after all about the brand name Sovereign. It's used by Telefusion who tell us that equipment bearing this brand name has come from a number of sources, both UK and overseas. The address of the service department is: Telefusion Ltd., Service Department, Cornford Road, Blackpool, Lancs (telephone 0253 65078).

The main problem is with the Sovereign Model C140 colour portable which was originally imported by another firm and subsequently handled by Telefusion. It's also known as the Fara Sovereign and the Plustron Palladium Model CTV14. Unfortunately the far east manufacturer of these sets is no longer in business, hence the difficulty in obtaining parts. The main problem is the line output transformer whose e.h.t. overwinding tends to break down. Overwindings can be obtained from Papworth Transformers, 80 Merton High Street, London SW19 1BE (telephone 01-540 3955).

The design of the C140 is credited to Toshiba, and we find that some sections, including the line timebase and the regulated power supply but not the field timebase and the colour decoder, are similar to the Toshiba Model C400B. The line output transformer has the same circuit reference number though the pinning shown on the circuits differs.

Our thanks to Telefusion Ltd, Greenline Electronics Ltd., Michael Harris, G.C. De Fraine and J.D.D. McNaughton for their help in this matter.

next month in

TELEVISION

● AN EXERCISE IN INTERFACING

For teletext reception one generally has to buy a set that includes the necessary facilities – a control system, teletext decoder and interfacing circuitry. A few models will accept a retrofit teletext decoder. What are the chances otherwise? This of course depends on the set and the circuitry it uses. Keith Cummins decided to experiment with a Tifax XM11 module and a Sony KV1820. The results of his investigations give general guidance on what's practicable along with details of the conversion developed for the KV1820 – including remote channel selection and sound muting.

● SERVICING FEATURES

Our usual VCR Clinic and TV Fault Finding features plus S. Simon on more ITT sets and some of the Thorn chassis.

● A VISIT TO MCES

MCES offers a unique VHS VCR head drum reconditioning service: new heads are fitted to drums sent for attention, the cost being less than half that of a new drum. Steve Beeching found that the reconditioned heads gave very good results and decided to go along to see what the work involves.

● VARIABLE STABILISED HT SUPPLY

The use of trips in modern TV receivers can make fault diagnosis difficult – which trip is tripping and why, or is it the trip circuit that's at fault? Gordon Haigh decided that a bench stabilised h.t. supply would help sort such problems out: it transpired that the early single thyristor type of circuit provided an ideal basis for the unit.

● A CASE OF SPILLAGE

Many VCRs are being written off because of the damage done by spillages. Is it worth trying to restore such a machine? Nick Lyons found a case where it was both practical and profitable.

PLUS ALL THE REGULAR FEATURES

ORDER YOUR COPY ON THE FORM BELOW:

TO
(Name of Newsagent)

Please reserve/deliver the September issue of TELEVISION (£1.10), on sale August 21st, and continue every month until further notice.

NAME

ADDRESS

Long-distance Television

Roger Bunney

May and early June saw quite remarkable conditions, with very intense Sporadic E signals – at times Band I was completely jammed with signals and on several occasions the m.u.f. rose above 100MHz. Iran ch. E2 has been received as an exotic signal, as have other Arabic stations. On June 1st at 0945 BST Tony Brittain (Northampton) received frequency gratings carrying the identification UAE (United Arab Emirates) on ch. E3. This station is not as yet officially listed – can anyone help? At 1100 Tony received the NTV (Nigeria) Sokoto identification slide for some five minutes on ch. E2. These double-hop signals were dramatic catches – our congratulations to Tony. Tropospheric openings have also been plentiful, with several sustained periods of enhanced propagation in Band III and at u.h.f. This activity was aided during late May/early June by a dominant high-pressure system that was centred over the UK: it terminated with heavy thunderstorms on June 4/5th. Several instances of lightning scatter have been reported in recent weeks: Tim Anderson (St. Leonards) experienced very strong lightning pings from Belgian Band III transmitters; Cyril Willis (Downham Market, Norfolk), using a near ground level group A u.h.f. array, noted pings on otherwise unoccupied channels corresponding with the lightning flashes of a distant storm.

The first period of tropospheric activity, over May 11-14th and then again on the 18th, produced enhanced Band III/u.h.f. reception from Benelux/France in the central/southern UK and Scandinavian reception in east coast/Scottish locations. There was a similar lift on the 19th/21st, but the major event occurred from the 29th onwards as a result of the previously mentioned high-pressure system. Signals from NRK (Norway) and SR (Sweden) were received along the east/Scottish coasts on the 29/30th, extending across the UK over June 1st/4th along with enhanced reception from Benelux/French stations. Conditions on the 3rd/4th were particularly rewarding, with BFBS ch. D43, many Band III/u.h.f. Swedish stations, NRK on most Band III channels and DR (Denmark) Band III. The storms on the 4th put an end to this activity. The Norwegian Band III signals were intense for many enthusiasts, though we had to put up with a staple diet of Benelux/W. German Band III/u.h.f. stations along the south coast.

Mike Gaskin (Caterham) received Canal Plus on ch. F3 (Band I) with horizontal polarisation on May 19th at 1400. On the following day he logged suspected MS RTE-1 (Eire) Gort ch. B at 1055. Aircraft scatter was initially suspected but the ping was both strong and was not repeated.

Sunspot activity was very low during the period, with a zero count on several days. Unfortunately the Aurora expected on May 18/19th, following a 27 day solar rotation after an excellent event in April, didn't materialise.

The SpE log is long and comprehensive, indicating the really excellent conditions during the period.

7/5/85 RAI (Italy) ch. IA, B; TVE (Spain) E3; ARD (W.

Germany) E2; CST (Czechoslovakia), R1.

8/5/85 TSS (USSR) R1; TVP (Poland) R1.

9/5/85 TVE E3; RAI IA.

10/5/85 NRK (Norway) E3, 4; RAI IB.

11/5/85 TVE E2.

12/5/85 TSS R1; MTV-1 (Hungary) R1; RAI IA.

13/5/85 TSS R1; CST R1; RUV (Iceland) E4.

14/5/85 RAI IA; ARD E2; NRK E2, 3, 4; SR (Sweden) E4.

15/5/85 TSS R1, 2; CST R1; TVP R1; NRK E2; TVE E2.

16/5/85 RTP (Portugal) E3; CST R1.

17/5/85 TVE E2; RTP E3; SR E3; JRT (Yugoslavia) E3.

18/5/85 RAI IA; TVE E2, 3; TVE-2 E2; RTP E2.

19/5/85 RAI IA, B; TVE E2, 4; SR E2; TVR (Rumania) R2.

20/5/85 CST R1; TSS R1; TVP R1.

21/5/85 TVE E2, 4.

22/5/85 SR E2.

23/5/85 RAI IA, B; ORF (Austria) E2a; JRT E3; TVR R2; TVP R1; TSS R1; CST R1 (RETMA card).

24/5/85 TVE E2-4; TVE-2 E2; RTP E3; RAI IA; JRT E3, 4; ORF E2a, 4; +PTT (Switzerland) E3, 4; MTV R1, 2; TVR R2; TVP R1, 2; TSS R1-3; ARD E2; SR E2; NCT Udine (Italian free station) IA (chessboard); JTV (Jordan) ch. E3 at 1840. A new Valencia region TVE test pattern was noted: a grey-scale rectangle at top centre, with horizontal grey scales at each side of the rectangle and the identification Valencia beneath. The m.u.f. reached 150MHz this day: Band II was jammed with Italian f.m. signals.

25/5/85 TVP R1, 2; MTV R1, 2; RAI IA, B; NCT Udine IA; JRT E3; TVE E2-4; TSS R1, 2; RTP E2, 3; ARD E2, 4; CST R1, 2; NRK E3; JTV E3.

26/5/85 TVE E2-4; JRT E2.

27/5/85 TSS R1, 2; TVP R1, 2; TVE E2-4; TVE-2 E2; RTP E2.

28/5/85 SR E2; NRK E2, 3; RAI IA, B; CST R2; TVE E2-4; RTP E2, 3; JTV E3.

29/5/85 TVE E2-4; TVE-2 E2; RTP E2, 4 (Azores); TSS R1, 2; RAI IA. The m.u.f. reached 144MHz. The AFN US Navy broadcasting station in S. Spain was heard at 96MHz. English language E3 sound was monitored but no picture.

30/5/85 TVE E2-4; RTP E2, 3; RAI IA; SR E3.

31/5/85 TVE E2-4; RTP E3; RAI IA; TVP R2; SR E3.

1/6/85 RUV (Iceland) E4; TVE E3; RAI IA; NIRT (Iran) E2 (FUBK pattern). See also above.

2/6/85 RAI IA, B; NCT Udine IA; JRT E3, 4; TVE E2-4; TSS R1, 2. Band I eventually jammed, making reception impossible. The m.u.f. reached 144MHz (Bristol and Yugoslavian amateurs were in contact).

3/6/85 SR E2-4; TSS R1-5; DR (Denmark) E3; CST R1, 2; NRK E2; JRT E3; +PTT E2; EPT (Greece) E3; YLE (Finland) E3; TVE E2-4; RAI IA, B; JRT E3 at 2018 BST – a PM5544 test pattern was noted in the south as a floater, with test tone, can anyone help? The opening lasted for some 14 hours with the m.u.f. rising above 100MHz, giving Arabic N. African f.m. stations on car radios in the rush hour at Southampton!

4/6/85 TSS R1, 2; CST R1, 2; RAI IA, B; TVE E2-4; RTP E3; EPT E3.

In all, an extremely active and rewarding month, and the first time that notch filters have not been required to remove local Band I signals for over two decades! The Iranian signals on the 1st were noted by Cyril Willis, Tony Brittain and Ray Davies. At the time of writing there have been no reports of SpE reception in Band III, though repeated checks have been made here whenever the m.u.f. has risen above 100MHz. Pleasing to note the new TVE Valencia regional test pattern, while farther to the east the vintage Russian 0249 monoscope test pattern was seen on ch. R3 during a torrid opening.

My thanks to Tony Privett (Basingstoke), Reg Roper (Torpoint), Tim Anderson (St. Leonards), Tony Brittain (Northampton), Paul Hardy (Caversham), Cyril Willis

(Downham Market), Dave Shirley (Hastings), Ray Davies (Norwich), Simon Hamer (Powys), Bill Cotterill (Tipton), Iain Menzies (Aberdeen), Steve Smith (Chelmsford), Mel Thurlbourn (Hemel Hempstead), Lyn Berry (Eastleigh) and Keith Chaplin (Barrow-on-Soar) for sending in details of their reception to supplement my own observations.

Multi-Standard Sound

One of the problems with using a system I TV set for DX-TV reception is that the 6MHz intercarrier sound doesn't allow reception of the 5.5MHz system B/G sound. Alan Beech has sent in a simple circuit that provides for 5.5, 6 and 6.5MHz (E. European system D) sound, see Fig. 1. It uses a TBA120AS intercarrier sound chip and is based on the circuit employed in the Philips KT3 chassis. Ceramic resonators are used in the input filter and detector circuits, with a four-pole, three-way switch for system selection. Construction is simple, but ensure that lead lengths are short. In the prototype the ceramic resonators were mounted on the switch contacts and wired back to the board with screened cable. Set the d.c. volume control connected to pin 5 to suit the following audio amplifier. 5.5 and 6MHz filters are available from various sources including PV Tubes. The whole range of filters (4.5-6.5MHz) is available from T. Powell, 16 Paddington Green, London W2 1LG. Note that the input and demodulator filters are not the same type.

Satellite Receiving Licences

As mentioned in Teletopics last month, individuals can now apply for a licence to receive satellite TV signals. You apply to the Department of Trade and Industry, Radio Regulatory Division, on form BR39 "Application for a Licence for Television Receive Only Satellite Receiving Equipment (TVRO)". The licence covers a specific terminal system for a once only payment of £10: additional systems used on the same premises each require a separate licence. It's essential to obtain the licence before any receiving equipment is bought or operated. The application form comes with a page of explanatory notes. Further information can be obtained from the DTI on 01-275 3363 or 3221.

The explanatory notes are interesting. For example, no frequency bands are mentioned, which implies that the 4GHz, 11GHz cable downlink and 12GHz proposed DBS

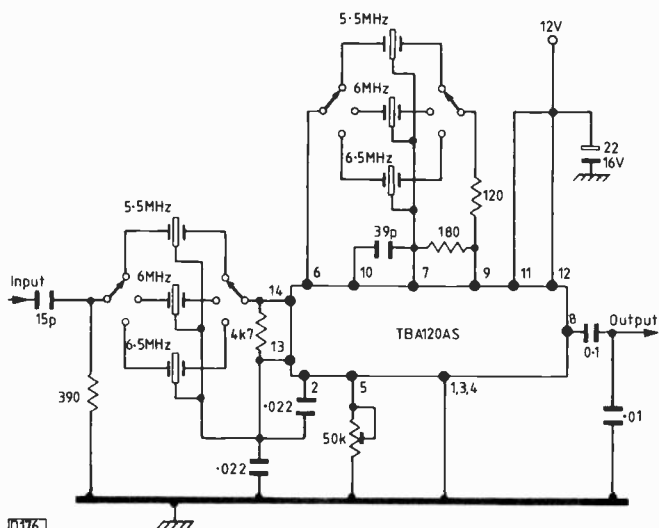


Fig. 1: Multi-channel sound circuit.

**HAVE YOU A COPY OF
OUR CATALOGUE?
IF NOT, WHY NOT
SEND FOR ONE TODAY.
ONLY 60p**



EQUIPMENT & PROFESSIONAL ADVICE

South West Aerials offer a unique blend of the best equipment and impartial professional advice for long distance Television/FM DXing or simply better reception.

NEW Examples from our range:
MAXVIEW MX14 Multi-element 17.5dB High Gain UHF Aerial, Front/back ratio 29dB average; available in Groups A,B,C/D and **WIDEBAND** (channels 21-68)£32.55
LABGEAR CM7271 15dB UHF Wideband Masthead Pre-Amplifier with incredibly low noise figure of only 1.6dB£16.20
LABGEAR CM7263 Matching Power Supply Unit for use with above Amplifier ..£10.95
UNISON DA-004 Wideband VHF/UHF Distribution Amplifier. One input, four outputs @ +6dB gain. Mains Powered£29.38
UNISON DA-006 Wideband VHF/UHF Distribution Amplifier. One input, six outputs @ +6dB gain. One high level output @ +23dB gain. Mains Powered£35.70
UNISON DA-008 Wideband VHF-UHF Distribution Amplifier. One input, eight outputs @ +6dB gain. One high level output @ +23dB gain. Mains Powered£39.50

Still available **PHILIPS G8 VISION SELECTIVITY, SOUND SELECTIVITY & VISION GAIN MODULES**, all at £2.50 each or £4.50 for 2, all in screening cans.

Multi-Standard VHF/UHF Televisions and Video Recorders available (SAE or ring with requirement). We are **THE TV/FM DXing Specialists**, advice given on ALL reception problems (SAE please).

All prices inclusive of VAT and Carriage. Delivery 7-10 days.
ACCESS & VISA Mail and Telephone orders welcome.



SOUTH WEST AERIALS (T)
 11, Kent Road, Parkstone,
 Poole, Dorset, BH12 2EH. Tel: 0202 738232.



bands can all be received. Paragraph (3) states that "the licence is confined to the reception of television programmes forming part of a television programme channel intended ultimately for general reception". This suggests that international links, e.g. via Intelsat or Gorizont, can be received since the signals are "ultimately for general reception". Paragraph (6) points out that "the issue of a TVRO receiving equipment licence does not affect any requirements for licences under the Telecommunications Act 1984 or the Cable and Broadcasting Act 1984" while paragraph (7) comments that "the issue of a TVRO receiving equipment licence does not affect any rights in the television programmes".

Paragraph (4) makes the points that the issue of a licence doesn't mean reception will be feasible and that TV transmissions from low-powered telecommunications satellites are not protected from interference from other authorised radio services, existing or future. The need for planning permission is mentioned in paragraph (8).

Cordless Phones

A problem that's causing heartache amongst many TV-DXers, particularly those who live in heavily populated areas, is interference from illegal cordless phones operating in the 49MHz band. When picked up by a TV set, even one with a reduced bandwidth capability, the interference can seriously impair reception of chs. E2 and R1. Generally an informal approach to the user, telling him that his calls are being monitored and are causing interference, will be more successful than an official approach through the appropriate bodies. If this fails the next step is to advise British Telecom of an illegal attachment of non-approved apparatus to their circuits, with information

relating to the offender: there's a department that deals with this problem, in theory at least. The DTI is the body to approach regarding illegal radiation, but it seems that unless the equipment is causing interference to normal broadcast or other services action is unlikely – mainly because the DTI is currently under great pressure as a result of other abusers of the r.f. spectrum.

As from last October 1st, manufacture of 1.7MHz base transmitters for use in the USA ceased. It's quite likely that the new FCC standard 46/49MHz units will appear in the UK in the near future – in addition to dumped 1.7/49MHz equipment. We'll then experience cordless operation in the 46, 47 and 49MHz bands. For the record the new FCC allocations, base station first, handset second, are as follows: ch. 1 46.61/49.67MHz; ch. 2 46.63/49.845MHz; ch. 3 46.67/49.86MHz; ch. 4 46.71/49.77MHz; ch. 5 46.73/49.875MHz; ch. 6 46.77/49.83MHz; ch. 7 46.83/49.98MHz; ch. 8 46.87/49.93MHz; ch. 9 46.93/49.99MHz; ch. 10 46.97/49.97MHz.

It's sobering to note that sales of cordless phones in the USA passed the six million level last year. The latest 46/49MHz units enable the user to change channels without need for dealer/factory adjustment. Current research is aiming at automatic dialling by merely speaking a name into the device which recognises the requirement and dials via a preprogrammed memory.

Canal Plus

Four Canal Plus stations can now be received at fair/good strengths on a daily basis in the southern UK – Lille ch. F5 (176MHz vision), Paris ch. F6 (184MHz vision), Rouen ch. F7 (192MHz vision) and Caen ch. F9 (208MHz vision). In addition at least four Band I relay stations are in operation – Plessis ch. F3 and Etampes ch. F4 in the Paris/Nord region, Mont Brian ch. F4 and Clermont Ferrand (Ville) ch. F4 in the Rhone/Alpes region. These use horizontal polarisation and although the powers are not known they are probably rather low. As noted earlier, ch. F3 was received recently by Mike Gaskin in Caterham during a recent tropospheric opening. Ch. F3 has the vision at 60.5MHz, ch. F4 has 63.75MHz vision.

News Items

UK: Considerable change is afoot following decisions made at the Regional Conference for VHF/FM Sound Broadcasting last year. Band II broadcasting allocations are to be gradually changed, starting in September 1985, with sub-bands for UK local radio (both BBC and ILR). From July 1987 the band will be subdivided as follows:

88-94.5MHz	Three national BBC programmes as at present.
94-96MHz	Lower local radio sub-band, mainly BBC.
96-97.6MHz	Lower local radio sub-band, mainly ILR.
97.7-99.8MHz	Fourth national service.
99.9-102MHz	Fifth national service.
102-103.5MHz	Upper local radio sub-band, mainly ILR.
103.5-104.9MHz	Upper local radio sub-band, mainly BBC.
105-107.9MHz	Community radio, fill-ins etc.

One of the national service sub-bands is for a commercial radio service. It's expected that the mobile/Home Office services will be cleared from Band II by 1990, six years earlier than previously anticipated. Our thanks to

the IBA for the above information.

Now for a "stop press" item: Kiss-TV, a Craigavon (N. Ireland) based pirate TV operation, is likely to take to the air at weekend evenings from late June, probably on ch. 33 or 34. The coverage is expected to be about twenty miles in radius, centred at Lurgan.

France: Unscrambled Canal Plus transmission times at present are as follows: Saturdays 1655-1935; Sundays 1845-2000; weekdays 0600-0800 and 1655-1935 with an extension to 2005 on Fridays. These times are BST.

The French DX-TV club AFATELD has resumed operations, covering TV and f.m. radio. The address is PO Box 24, 40001 Mont de Marsan Cedex, France and the annual subscription 100 Francs. This includes a monthly bulletin called *Teleplus*. Please include return postage with any enquiries. AFATELD tell us that the first private French TV stations are expected to open in September/October this year and that Canal Plus may go 100 per cent unscrambled at that time.

New BATC Publication

The latest publication from the British Amateur Television Club is *Micro and Television Projects* by Trevor Brown. It includes a number of circuits, e.g. a test pattern source, vision switcher, electronic test card, a PAL and SECAM coder, and an extensive section on the home computer and its TV applications. There are several constructional projects for use with microcomputers and the various boards are available from the BATC. The book is a valuable reference source: highly recommended at £3.50 including postage from BATC Publications, 14 Lilac Avenue, Leicester LE5 1FN. Additional postage is required for overseas sales. For general enquiries please include a stamped SAE.

Satellite News

Turner Broadcasting plans to start a 24-hour news service for the European area this September. Apparently a seven year lease has been negotiated with Comsat/British Telecom International for a 4GHz band Intelsat uplink cross-strapped to a 12GHz band downlink. For product familiarisation the service is to be free until December. Customers would then be expected to negotiate fees with Turner (CNN) and BTI for continued use of the service. It's anticipated that high-quality reception should be possible using a 2m dish.

A dual-band scalar feedhorn for use at 4 and 12GHz has been introduced in the USA. The second, smaller 12GHz section is integrated in the main reflector ring system, the idea being to allow a single dish to be used for both bands, with a slight compromise in feedhorn positioning to optimise 12GHz pickup.

An interesting alignment aid now comes with all Chaparral Communications feedhorns in the USA. It consists of a durable plastic clip-on arrow which simplifies feedhorn alignment relative to the polar axis of the dish, ensuring correct vertical/horizontal positioning when used with a polarity servo motor.

It seems that the 714MHz Ekran satellite at 99°E, for TSS-1 downlinking, has been received by an Australian DX enthusiast: the vision buzz was heard via an AR2001 scanner and an outboard u.h.f. converter. Further news about this reception is awaited. Finally a cry for help from Doru Virlan of Str. Dorobanti, Block 11c, Et. 4, Apart. 14, RO-5100 Buzau, Rumania who is seeking help and information on building a satellite receiver.

Service Bureau

Requests for advice in dealing with servicing problems must be accompanied by a £1.50 cheque or postal order (made out to IPC Magazines Ltd.), the query coupon and a stamped addressed envelope. We can deal with only one query at a time. We regret that we cannot supply service sheets nor answer queries over the telephone.

DECCA 70 SERIES CHASSIS

The problem is incorrect field lock at switch on. Repeated channel changes will produce correct field lock, alternatively retuning a channel will bring the picture to the correct position. When a channel change is made however the picture is split. The field timebase and i.f. i.c.s have been replaced with no improvement and the voltages in these areas are roughly correct. The a.g.c. action seems to be correct.

This sort of problem is generally due to faulty electrolytics. The suspects in this case are C307 (10 μ F) in the field sync pulse integrator stage and the two electrolytics 1C11 (1 μ F) and 1C12 (33 μ F) associated with the a.g.c. circuitry. An oscilloscope to check the quality of the field sync pulses at the base of the video emitter-follower 1Tr1 would be invaluable.

PYE 731 CHASSIS – VCR OPERATION

I'm having difficulty using this set with a VCR (Sony C5). There's a lot of line tearing, more on prerecorded tapes, and the tracking control has no effect.

The 731 was the first Pye solid-state chassis and used an SN76544N07 line/field timebase oscillator i.c. mounted on a subpanel: it's not an ideal chassis for use with a VCR . . . The flywheel line sync filter components are connected to pin 7 of the i.c.: try reducing the value of C516 from 0.022 μ F to 0.01 μ F and C516 from 10 μ F to 4.7 μ F. Some experimentation with the values of these capacitors may be necessary to strike a good compromise between VCR and off-air performance.

ZANUSSI BR1026

The focus control had negligible effect and there was intermittent sparking from an unusual resistor (R218) on the c.r.t. base panel, accompanied by black spots and crackling on sound. Subsequently the picture went very faint and dark.

R218 is a 47M Ω resistor which is in series with the focus control. Replace it along with R347 (28M Ω) on the tripler (feed to the focus control) or alternatively replace the whole lot with a Thorn 8500 chassis or similar focus control.

THORN TX10 CHASSIS

The original fault with this remote-control set was that the picture would suddenly revert to monochrome with the volume going high. At the same time a white line would streak down the screen. The picture could be reset with the normal button on the remote control unit. In addition the

picture would dim slightly when subtitles were present. Now the set cuts out altogether instead, coming on again an instant later. The symptoms occur mainly just after switch on, the set settling down once it has warmed up (except for the odd occasion).

The most likely cause of these troubles is a faulty focus control unit. If replacing this doesn't cure the problem, check for dry-joints at the chopper driver transistor TR721 and the chopper driver transformer T704. A further possibility is that the chopper control/trip i.c. is faulty. To check whether the excess current trip is operating, connect pin 6 of this i.c. to chassis and run on test.

PHILIPS N1700 VCR

On bright colours vertical lines appear on the screen. I've tried adjusting the chroma current control R710 but this has very little effect. At minimum setting the machine still records colour and the lines are still present: at maximum setting the colours are fully saturated and the lines are worse.

Set R710 to its centre position, then adjust R21 in module U515 (chroma a.g.c.) to eliminate the effect. U515 is on panel 51. Adjustment is critical: if reduced too far the result will be intermittent chroma.

BUSH BC6004

When the set is switched on from cold it trips as soon as the picture becomes visible. After about five minutes it switches on again. After four trip cycles it remains off unless switched off for about twenty seconds. Once the set has warmed up the tripping stops. Disconnecting the tripler makes no difference.

Tripping often means excessive h.t. voltage. Set P943 for 122V at R836 (transformer end). If the tripping persists, check the 22V zener diode D956 on the sync/control module.

HITACHI CWP132 (NP6C CHASSIS)

This set will work perfectly for long periods then suddenly you can hear arcing coming from the area of the chopper transformer T902, the h.t. falls to about 80V and the picture decreases in size. The power supply has been checked for dry-joints and the two reference voltage modules CP901/2 have been swapped over (one is for over-voltage protection only). A new chopper transistor has also been tried.

This trouble is usually due to dry-joints on T902 or maybe the line output transformer T703, though we have had these exact symptoms caused by the h.t. reservoir capacitor C925 (220 μ F, 160V). If necessary, try replacing R937 (220 Ω) which is associated with CP901.

QUERY COUPON

Available until 21st August 1985. One coupon, plus a £1.50 (inc. VAT) cheque or postal order, must accompany EACH PROBLEM sent in accordance with the notice printed above.

TELEVISION AUGUST 1985

PYE 715 AND 725 CHASSIS

I've one of these sets with a six push-button tuner head and another with a four push-button tuner head. They've both been plagued by the same fault – breakage of the interlocking metal strips between the push-buttons. Both heads have been replaced twice. Is there an alternative solution?

The easiest course is to fit a four- or six-way rotary switch to the front panel, close to the tuner resistors, and wire one connection to each of the broken push-button unit contacts – the unit will still be needed for tuning purposes. Philips produced a version of the 715 chassis with a rotary switch and this never gave any trouble.

PYE RC4001 REMOTE CONTROL UNIT

Despite fitting a new battery the operation of this remote control unit is erratic – it doesn't operate in the proper sequence. Any ideas?

The common failing with this unit is that the flexible printed circuit flakes off, causing shorts. Keypads and contact strips to replace the faulty ones can be obtained from Philips at considerably less than the cost of a new unit.



272

Each month we provide an interesting case of television servicing to exercise your ingenuity. These are not trick questions but are based on actual practical faults.

With any TV or VCR fault the first and most important step in diagnosis is a careful analysis of the symptoms, especially where they are displayed on the screen! With logical thought and reasoning large areas of circuitry can be eliminated from suspicion, narrowing down the field of investigation to a few key points. Having said that, we must agree that some visual symptoms are more difficult to analyse than others!

How about this one? The set was a Mitsubishi CT2206TX. It's of modern, conventional design and has infra-red remote control and teletext. The reported symptom was diagonal black lines across the screen, and there they were. Close inspection showed that the lines were not black but grey: in fact the lines were colourless, and detuning the set to lose the chroma signal completely eliminated them. The number and angle of the lines suggested that their base frequency was within a few hundred Hz of the line scan rate, and there was little drift. A second symptom was that the user colour control had little effect – we were unable to try the effect of the colour up/down buttons on the remote control unit as our customer had hung on to it.

Plainly the interference was not tied to the mains frequency or to that of either of the timebases, so we reasoned that it must be occurring as a result of the action of some other timing source. But where? And why did it affect only the chroma signal? Having pondered over this for some time we removed the set's back cover, clipped the scope probe's earth lead to the chassis and wavered uncertainly over the colour decoder panel, whose main feature is a single chip (M5194P) that contains virtually all the chroma signal processing circuitry. The 12V supply was clean; the reference oscillator was locked and its output was smooth and continuous; the incoming line pulses at pin 3 were o.k. so far as we could judge, no waveform being given in the manual to guide us; and the only strange scope reading we got was at pin 2 of the i.c. This pin receives the d.c. voltage from the colour control: what we found was a substantial squarewave at some frequency in the kHz range!

Disconnecting pin 2 of the i.c. showed that the spurious waveform was not coming from within the chip, while an externally applied source of 5V d.c. gave a perfectly satisfactory picture. We're now getting dangerously close to giving the game away! The problem lay not in the colour decoder board circuitry of course, and if you consider the previously listed features of this set it shouldn't be too difficult to suss out what was wrong. With hindsight all the screen symptoms made sense and the offending diagonal lines were clearly caused by an independent timing source within the set. There was one other vital clue to be had without removing the set's back. What was it, and where was the source of the trouble? See next month's issue.

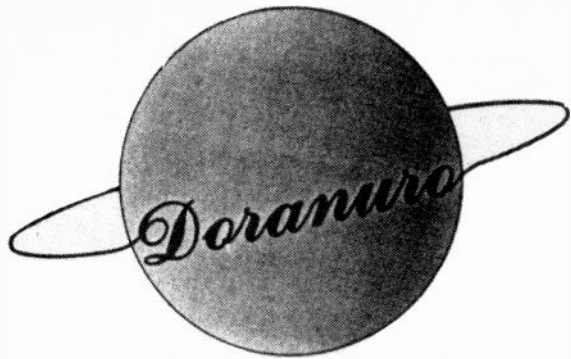
ANSWER TO TEST CASE 271 – page 519 last month –

It wasn't necessary to be familiar with Bang and Olufsen TV sets to solve last month's puzzle. The presence of a full supply line amplitude squarewave at the output of a class B transistor field output stage is a sure indication of an open-circuit in the vicinity of the field scan coils: with no effective load, the output pair of transistors simply switch their mid-point between the chassis and supply line voltages.

Seldom do the scan coils themselves go open-circuit, which is fortunate in view of the cost of a complete scan coil assembly! In the case of our Beovision 6002 the trouble was on the convergence panel – there was a dry-joint at P11-6, which links the series connected coils via transformer 8L3 on the panel.

The other clue we mentioned? In many sets (not this B and O chassis however) the energy in the adjacent line scan coils during the flyback induces some current (perhaps via stray capacitance, an external damping resistor or whatever) in the field scan coils: the result is a telltale undulation of the horizontal white line across the screen. It generally takes the form of a slight sinusoidal wriggle at the left-hand side of the line. If you see such a display, look no further than the field yoke circuit itself.

Published on approximately the 22nd of each month by IPC Magazines Limited, King's Reach Tower, Stamford Street, London SE1 9LS. Filmsetting by Trutape Setting Systems, 220-228 Northdown Road, Margate, Kent. Printed in England by The Riverside Press Ltd., Thanet Way, Whitstable, Kent. Distributed by IPC Magazines Ltd., Lavington House, 25 Lavington Street, London SE1 0PF. Sole Agents for Australia and New Zealand – Gordon and Gotch (A/sia) Ltd.; South Africa – Central News Agency Ltd. Subscriptions: Inland £13, overseas (surface mail) £15 per annum, payable to Quadrant Subscription Services Ltd., Oakfield House, Perrymount Road, Haywards Heath, Sussex RH16 3DH. "Television" is sold subject to the following conditions, namely that it shall not, without the written consent of the Publishers first having been given, be lent, resold, hired out or otherwise disposed by way of Trade at more than the recommended selling price shown on the cover, excluding Eire where the selling price is subject to currency exchange fluctuations and VAT, and that it shall not be lent, resold, hired out or otherwise disposed of in a mutilated condition or in any unauthorised cover by way of Trade or affixed to or as part of any publication or advertising, literary or pictorial matter whatsoever. ISSN 0032-647X.



ENFIELD TRANSFORMERS LIMITED

7 CENTENARY ESTATE, JEFFREYS ROAD, ENFIELD, MIDDLESEX EN3 7UF.
Tel: 01-805 5438 & 01-805 6078
Telex: 261295

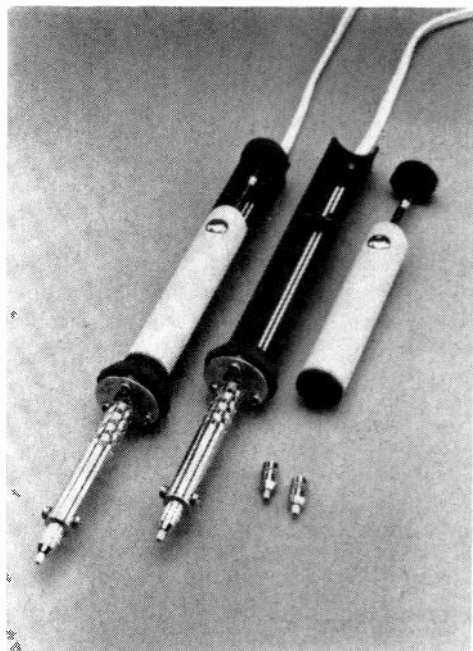
UP DATE

WHEN WE SAID "THE BEST THING SINCE BUTTERED TOAST" YOU THE CUSTOMER AGREED, BUT NOW WE HAVE ADDED THE JAM.

ANNOUNCING THE SA-6-24V

YES – A 24V VERSION BY POPULAR DEMAND, ALSO STATIC SAFE, THANKS TO THE 3 LEAD CONSTRUCTION.

NOW PROVED BY OVER 5000 ENGINEERS WORLDWIDE, SUPPLIED TO BRITISH TELECOM, GOVERNMENT BODIES, PRIVATE ENGINEERS, MANUFACTURERS, AND MANY MAJOR RENTAL COMPANIES WHO STILL SAY THEY HAVE SAVED THE PRICE OF THIS TOOL IN A MATTER OF HOURS DUE TO ITS SPEED OF REMOVAL OF SOLDER.



SA-6

Revolutionary new electric desoldering iron combines the ease and portability of a hand-held, manual, desolder pump, with performance of an industrial desolder station. This unique AC powered compact tool features portable, one-hand desoldering eliminating the need for a separate soldering iron and desolder pump. No air line required. Essential for all tool kits, field service technicians, and repairmen, as well as production applications. Vacuum chamber is easily removed for cleaning or replacement. Replacement tips available. Tool is supplied with SAT-6-059 tip; diameter .059 inch (1,5mm).

Model No.	INPUT VOLTAGE	
SA-6-115	115V AC 50/60Hz	
SA-6-230	230V AC 50/60Hz	
SA-6-24	24V AC 50/60Hz	

NOZZLE	NOZZLE HOLE DIAMETER	
	INCH	MM
SAT-6-059	.059	1,5
SAT-6-070	.70	1,77

FEATURES;

- Self contained suction power and heating element. 30 watt.
- Economical.
- Lightweight 4oz (113gms).
- Compact size 10¼ inches (26cm).
- Replacement nozzles available.
- One hand de-soldering.

AVAILABLE ONLY FROM DORANURO – SEND TODAY

NAME	
ADDRESS 1	
ADDRESS 2	
ADDRESS 3	
POST CODE	
SA-6-24V	QTY @ £17.50
SA-6-230	QTY @ £16.00
SAT-6-059	QTY @ £2.35
SAT-6-070	QTY @ £2.35
SUB TOTAL	
POST & PACKING & INS:	.96
SUB TOTAL	
VAT @ 15%	
TOTAL ENCLOSED	

PLEASE RUSH THIS ORDER TO ME BY RETURN OF POST, ENFIELD TRANSFORMERS LIMITED, FREEPOST, UNIT 7 – CENTENARY ESTATE, JEFFREYS ROAD, ENFIELD, MIDDLESEX EN3 4BR.

ALMOST UN-CLOGGABLE, THIS TOOL WILL BECOME INVALUABLE ONCE USED

MANTEL

No 1 for Quality TVs & Videos
100s of V.H.S. Videos in stock

Large Quantities of Late Model Thorn TVs. All
with first class cabinets.

TELE-TEXT/ULTRASONIC/INFRARED/REMOTES
All at UNBEATABLE PRICES for QUANTITY & QUALITY

Also Philips G11/Pye G11/Basic/Remote/TELE-TEXT

Some examples of QUALITY working TVs

THORN 8800 ***** £25
THORN 8800 (remote) ***** £30
THORN 9000 ***** £30
THORN 9000 (remote) ***** £35
THORN 9600 ***** £40
THORN 9600 (full feature remote) *** £45

THORN 9600 TELETEXT from £75
(VARIOUS MODELS)
THORN 9900 ***** £50
THORN 9900 f/f remote ***** £60
PHILIPS G11 ***** £55

(prices quoted are based on quantity)

NO DEALER TOO LARGE OR SMALL. SINGLES SOLD

**Brand New Remote Control Hand Sets Available for the
majority of British & European TV sets.**

1000s of UNTESTED Colour TVs

I.E. DECCA 30s
GEC 2110
GRUNDIG
TANBERGS

G8s 520s-550s
Thorn 3500/8000/8500
TT
PYE, ETC.

(Many of these untested TVs just switch on)

ALL AT LOW LOW PRICES

VAN LOADS DELIVERED DIRECT FROM SOURCE
RING FOR QUOTE

New TV Trolley Stands **£4.95** Also Video Stands **POA**
Colour TV panels & tubes available

All prices subject to V.A.T.

CALLERS WELCOME

Export Orders Welcome for those Countries using the P.A.L. System

**419 BARLOW MOOR ROAD,
CHORLTON, MANCHESTER M21 2ER.**

TEL: 061-861 8501

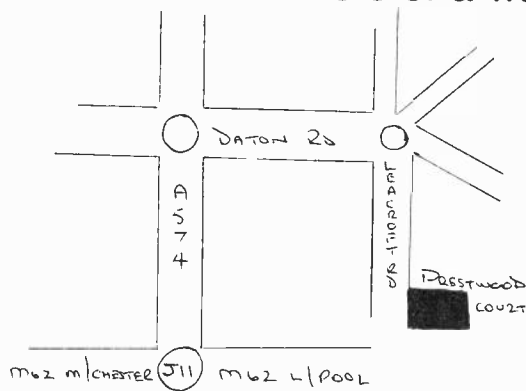
JUNCTION 11

A NEW COMPANY IN THE NORTH WEST
OFFERING A FRIENDLY, FIRST CLASS SERVICE
TO THE TRADE AT COMPETITIVE PRICES

OUR RANGE INCLUDES
THORN PYE/PHILIPS G.E.C.
I.T.T. DECCA ETC.

★ **DISCOUNT FOR QUANTITY** ★

The directors of this new company assure all our prospective customers of a warm welcome, and a fair deal.



**COME TO JUNCTION 11, M62,
YOU'LL FIND US HERE**

**JUNCTION 11
TV TRADE DISPOSALS LTD.,
Unit 11, Prestwood Court,
Leacroft Road,
Birchwood, Warrington.
Phone 0925 826387.**

Open 6 days 9 - 5.30 (later by appointment)

D.I.Y. TV TUBE POLISHING

with our DIY Polishing Kit

The Kit includes everything you need to polish approx. 25* tubes to a high standard. Detailed instructions on how to do the polishing. All you require is an Electric Drill.

Kit Price £49 inc P&P and VAT. Available from Luton only.
**Depends on depth and area to be polished.*

AQUADAG COATING £17.25 per litre inc P&P and VAT. Sufficient for approx 100 tubes.
Available from Luton only.

TV TUBES FREE DELIVERY*

5% DISCOUNT ON TUBES COLLECTED FROM LUTON

Quality, High Temperature Reprocessing

TUBE SIZE	DELTA i.e. A51-110X A56-120X A66-120X	DELTA SPECIALS i.e. 510GLB22 A47-342X A67-150X	IN LINE & PIL i.e. A51-161X A51-570X A56-510X A66-510X	HITACHI IN LINE i.e. 490DVB22 510VLB22 560DZB22	SONY TRINITRON
UP TO 20"	£30	£32	£40	£44	£58
UP TO 22"	£34	£36	£42	£46	£64
UP TO 26"	£36	£38	£44	£48	£70

All tubes sold with 1 or 2 year guarantee, with optional extension by extra 2 years. Prices shown are for 12 months guarantee.

All tubes exchange glass required.

Your good, working tubes with scratches or small chips, can be **POLISHED** with our purpose built polishing equipment. **From £7 per tube.**

Delivery charge on colour tubes: Within 40 miles of Luton.

1 or 2 tubes **£6.3** or more tubes **FREE DELIVERY***

Nationwide delivery available, charges on application.

Please add 15% VAT to all prices. Callers welcome. Please phone first.

WELL VIEW

114-134 Midland Rd,
Luton, Beds.

Open Mon-Fri 8am-6pm, Sat 9am-1pm. Tel. 0582-410787.

Your Local Tube Stockist:

Well View, Southampton. Tel. 0703 331837.

Retach Ltd., Northwood, Middx. Tel. 09274 27019.

West One Distributors Ltd., Gt. Missenden, Buckinghamshire.

Tel. 024 06 3609

Rushden Rentals Ltd., Rushden, Northants. Tel. 0933 314901

Daventry Rentals, Daventry, Northants. Tel. 03272 77436

Rea & Holland, Ipswich, Suffolk. Tel. 0473 827562

WANTED A56/A66-510X/540X Old glass for cash

TELEPART



Telegen-1

PRICE £18.35 (Inc. VAT)
* **EXCEPTIONALLY LIGHT AND DURABLE**
* **POCKET SIZE FOR OUTSIDE SERVICE**
* **PP3 BATTERY POWER SOURCE**
* **FIVE DIFFERENT TEST PATTERNS FOR COLOUR & MONO TV**
* **CROSSHATCH GRID * DOT MATRIX**
* **WHITE RASTER**
* **HORIZONTALS * VERTICLES**
* **3.5mm JACK SOCKET FOR OPTIONAL P.S.U.**

A lightweight, extremely portable and versatile pattern generator for black/white and colour T.V. alignment and service at the customer's home. At the turn of a switch, the generator can provide five essential test patterns for correct installation, fast checks and repairs. Pattern stability is first class and compares favourably with other more costly bulky generators only suitable for bench work. The generator is pocket size measuring 10 x 7.5 x 4 cm and weighs only 190 grams. Switched 3.5 mm jack socket allows use of external power supply with battery in situ.

Telegen-2

PRICE £34.45 (Inc. VAT)
* **EXCEPTIONALLY LIGHT & DURABLE**
* **COMPACT 10 x 12 x 4.5 cms**
* **RED RASTER * GREEN RASTER**
* **BLUE RASTER**
* **COLOUR BARS**
* **3.5 mm JACK SOCKET FOR P.S.U.**
* **PROVIDES UHF SIGNAL APPROX. CHANNEL 35**



Telegen 2 is a colour bar generator at a very modest price and yet is extremely effective, stable and durable. It is the perfect compliment to Telegen 1, giving colour bars arranged in the following sequence: white, yellow, cyan, green, magenta, red, blue and black. The unit provides a signal in the UHF band approx. Channel 35 and requires a supply of 14 to 18 volts D.C.

Power Supply

A switchable power supply ideally suited to both Telegen 1 and Telegen 2.

PRICE £4.55 (Inc. VAT)

ALL ITEMS POST AND PACKING £1.44 (Inc. VAT)

All goods should be delivered within 4 working days.

**32 TEMPLE STREET, WOLVERHAMPTON
WV2 4AN. TEL: (0902) 773122**

TV LINE OUTPUT TRANSFORMERS

FAST RETURN OF POST SERVICE

RANK BUSH MURPHY	
Z146 A640 dual std mono	7.00
Bush A792, A793	
single std mono	7.00
A774 single std mono	7.00
A816 solid state mono	8.00
DECCA	
MS1700 200120202401 mono	7.00
MS2404 2420 2424 mono	7.00
CS1730 1733 colour	8.00
CS1830 1835 colour	8.00
'30' series Bradford colour	9.00
80 series colour	7.00
100 series colour	7.00
FERGUSON HMV MARCONI	
1600	8.00
G.E.C.	
2047 to 2105	7.00
2000 to 2064 dual std mono	7.00
2147 single std	9.00
Indesit 20EGB 24EGB mono 7.00	
KB - ITT	
VC200 VC205 VC207 mono	8.00
CVC5 CVC7 CVC8 CVC9 col.	9.00
CVC20 series colour	7.00
CVC30 CVC32 series colour	6.50
CVC45	6.50
FT100 FT110 state p/no.	10.00
TXV80	10.00

PHILIPS	
170 series dual std mono	8.00
210 300 series mono	8.00
G8 & G9 series colour	8.00
KT2	8.00
PYE 368, 169, 569, 769 mono 8.00	
725-741 colour	8.00

WINDINGS	
Autovox 2282 2693	8.00
Crown 14CX25	15.00
KB VC300 overwind	7.00

RANK BUSH MURPHY	
T20a T22, T26 Pri & Sec	6.00
Z718 primary state 18" or 22"	6.00
Z718 EHT overwind	8.00
SONY 1320UB overwind	15.00

SOVEREIGN FARA	
PLUSTRON PALLADIUM	£15.00
14" colour overwind	

ULTRA THORN	
1690-1691 EHT overwind	5.00
1590 EHT overwind	5.00
Waltham 190 EHT overwind	6.00

PRICES INCLUDE P.P. & 15% VAT

All lopts and windings are new and guaranteed

Open Mon.-Fri. 9 to 5.30 pm
Delivery by return.

PAPWORTH TRANSFORMERS

80 Merton High Street,
London SW19 1BE



REWIND SERVICE
S.A.E. all enquiries
Barclaycard and
Access welcome

For orders placed at the post office
Trans cash 506 4856

01-540 3955

SUMMER BARGAINS

10 BUSH 2 CHIP	£50
10 PHILIPS G8 550	£150
10 DECCA 6-BUTTON 20"	£70
10 REDIFFUSION MARK 1	
REVAMP	£120
10 THORN 8000 17"	£150

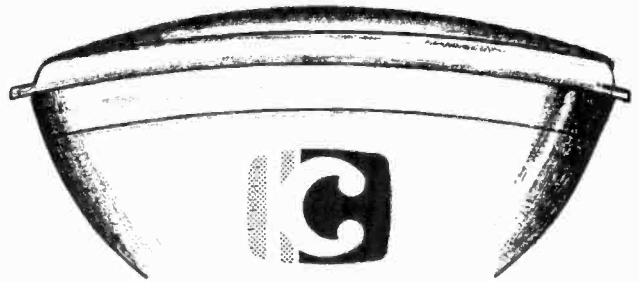
ALSO BUSH T20, G11, 9000, 9600, 9800,
GEC STARLINES

PL509 £1.50, PY500 £1
ELC 1043 Tuners Ex-panel £2.50
RING FOR QUOTE

ALL + VAT

TELETRADERS

Forde Road, Brunel Industrial Estate,
Newton Abbot, Devon
Telephone: (0626) 60154
THE NO. 1 WHOLESALE IN THE SOUTH



CHROMOVAC

QUALITY REBUILDS

SPECIAL OFFERS
ON
INLINE

Get on the hot-line today!

SUPERIOR QUALITY TUBES

DELTA RE-BUILDS

051
428 8777

most types of Inline Re-builds or
new ex-stock

★ 2 YEAR WARRANTY
★ 4 YEAR OPTIONAL

Delta Rebuilds

Up to 19"	£28
Up to 22"	£30
Up to 26"	£34
110° up to 22"	£34
110° up to 26"	£38
Low focus	+£2
A47 342 New	£28
17FHP New	£30
470EHB New	£30
Delta only. Less 5% 5+	

Inline Rebuilds

Up to 22"	£40
Up to 26"	£45
A56 - 540x	£56
A66 - 540x	£58
Bonded Coil	+£5

ALL SIZES OF
NEW MONO TUBES
AT COMPETITIVE PRICES

IN LINE TYPES EX-STOCK SELECTION NOT REBUILDS

Please enquire types not listed

370 HFB-A37-590	£45	560 DMB	£62
370 HUB	£45	AXT 56-001	£62
AXT 37-001	£45	660 AB	£65
420 CSB	£45	A67-701	£65
420 EDB-A42-590	£45	670 CZB	£65
420 EZB	£45	A66-540	£65
420 ERB	£45	420FSB	£55
470 KUB	£50		
510 UFB/A51-590	£55		
510 VSB	£60		
AXT 51-001	£60		
560 DYB-560 DTB	£62		
560 EGB	£62		
560 CGB	£62		

CARRIAGE
£5 Singles. 2-3 £10. 4 £12
10 £15. 10+ Carriage paid
EXCLUSIVE OF VAT
TERMS
Cash with order

QUANTITY DISCOUNT AVAILABLE
Ask for details

★ OUR TECHNICAL DEPT. WILL ADVISE YOU ON PROBLEMS YOU MAY ENCOUNTER ON FITTING INLINE TUBES
DELIVERY: Ex stock items immediate dispatch on receipt of order. Others allow 14 days.

THE COMPANY WHO PUT HIGH STANDARDS FIRST

CHROMOVAC

CHROMOVAC LTD. UNIT 7, BEAR BRAND COMPLEX,
ALLERTON ROAD, WOOLTON, LIVERPOOL 25
Ask for Mr Butterworth or Betty Ford ON: 051-428 8777

UNTESTED EX-RENTAL CTVs OVER 1500 WEEKLY

WITH THIS QUANTITY WE DO NOT
HAVE TIME TO PLAY ABOUT.

NO BUMPED TUBES

BEST SOURCE IN U.K.

COLOUR TVs FROM £3

**VIDEO RECORDERS
FROM £60**

TANDBURG S/S CTVs
DUAL TUNERS IDEAL FOR
EXPORT

VIDEO RECORDERS FROM £50:

SONY C5: C6: C7 & C9

PANASONIC : SHARP

FERGUSON : GRUNDIG ETC.

CALL & SEE OUR SELECTION
DELIVERY ARRANGED FOR
BULK PURCHASES
LOAD DIRECT FROM SOURCE
AT VERY KEEN PRICES

**22"/26" TELETEXT VIEWDATA
COLOUR IN STOCK NOW**

CASH ONLY

FRANK FORD

(TV TRADE DISPOSALS)

SCHOOL LANE

GUIDE

BLACKBURN, LANCs

TEL: 0254 64489

OSCILLOSCOPES

COSSOR CDU150. Dual Trace 35MHz Solid State. Portable 8x10cm display. With Manual £200
S.E. LABS SM111. Dual Trace 18MHz Solid State. Portable AC or External DC operation 8x10cm display. With Manual £150
ADVANCE OS250TV. Dual Trace 10MHz. With Manual £150
TELEQUIPMENT S54A. Single Trace 10MHz. Solid State. With Manual £110
TELEQUIPMENT D43. Dual Trace 25MHz. With Manual £110
TELEQUIPMENT S43. Single Trace 25MHz. With Manual £75

PHILIPS DIGITAL MULTIMETERS

4 digit, auto ranging. Complete with batteries and leads (p&p £5)
TYPE PM2517E (LED) £75
TYPE PM2517X (LCD) £95

MULTIMETERS

UNBELIEVABLE - AVO 8 Mk IV and AVO 9 Mk IV. complete with batteries & leads. FOR ONLY £65
AVO TEST SET No 1 (Similar to Avo8 Mk3). Complete with batteries, leads & carrying case £80
AVO Model 7x. Complete with batteries, leads & carrying case £40
AVO Model 73. Pocket Multimeter (Analogue) 30 ranges. Complete with batteries & leads £25
AVO 72 - Similar to above but no AC current range. With batteries & leads £18

AVO TRANSISTOR ANALYSER CT446. Suitcase style - battery operated (batteries not supplied). With Information ONLY £20 EACH

AVO TRANSISTOR TESTER TT169
Handheld. GO/NO GO for In-situ Testing. Complete with batteries, leads & instructions. (p&p £3) NOW ONLY £12

MARCONI RF MILLIVOLTMETER TF2603 50kHz-1500MHz: 1mV-3V. FSD £175
MARCONI ELECTRONIC VOLTMETER TF2604 20Hz-1500MHz: AC/DC/Ohms AC300mV-300V. FSD £95
MARCONI VALVE VOLTMETER TF2600 10Hz-10MHz: 1mV-300V. FSD £40

NEW EQUIPMENT

HAMEG OSCILLOSCOPE 605. Dual Trace 60MHz. Delay Sweep. Component Tester £515
HAMEG OSCILLOSCOPE 203.5. Dual Trace 20MHz. Component Tester £270

BLACK STAR FREQUENCY COUNTERS P&P £9
Meteor 100 - 100MHz £99
Meteor 600 - 600MHz £126
Meteor 1000 - 1GHz £175
BLACK STAR JUPITOR 500 FUNCTION GENERATOR. Sine/Square/Triangle. 0.1Hz - 500kHz. P&P £4 £110

HUNG CHANG DMM 6010. 3½ digit. Hand held 28 ranges including 10 Amp AC/DC. Complete with batteries & leads. P&P £4 £33.50
MULTIMETER type U4324. 33 ranges. Complete with batteries and leads. P&P £4 £16

OSCILLOSCOPES PROBES. Switched x1; x10. P&P £2 £11

ADVANCE AM/FM Signal Generator type SG63. 7.5 - 230MHz £75
ADVANCE AM Signal Generator type 62. 150kHz - 220MHz £35
METRIX WOBBULATOR type 210. 5 - 220MHz £20

LABGEAR COLOUR BAR GENERATOR. CM6037 £60 P&P £2
LABGEAR CROSSHATCH GENERATOR. CM6004 £15 P&P £2
LABGEAR CROSSHATCH GENERATOR. CM6038. Input 240V AC or 6V DC £25 P&P £2

WAYNE KERR COMPONENT BRIDGE. B521 (CT375) L 100uH - 500kHz; C 1pF - 5F; R 1 milliohm - 1000 Mohm £35
HUNTS CAPACITANCE ANALYSER & RESISTANCE BRIDGE type CR3B £20 P&P £7

LABGEAR UHF FIELD STRENGTH METER CM6016 £50 P&P £5
LABGEAR DEGAUSSER COILS E5186 £10 P&P £3

VIDEO MONITORS

KGM 9" GREEN SCREEN - USED (Slight burns - does not affect display) £40 each

This is a VERY SMALL SAMPLE OF STOCK. SAE or Telephone for Lists. Please check availability before ordering. CA TRIAGE all units £12. VAT to be added to Total of Goods & Carriage.

STEWART OF READING

110 WYKEHAM ROAD, READING, BERKS RG6 1PL

Telephone: 0734 68041



Callers welcome 9 a.m. to 5.30 p.m. Monday to Saturday inclusive



TEL-X BLACKBURN CAN SAVE YOU £, £, £, £'s ON THESE 1985 PRICES

GEC	Plastics	£12
GEC	Wood (modern)	£14
DECCA	22" Varicap	£12
DECCA	17"-20" Varicap	£10
G8's		from £10
BUSH	A chassis	£ 8
HYBRIDS		from £ 4
INLINE		from £25
OTHER MAKES		from £10

These prices are for 10 sets or above

WORKERS TO ORDER

Prices subject to V.A.T.

UNIT P3, ROE LEE IND. ESTATE,
WHALLEY NEW RD., BLACKBURN, LANCs
(0254) 679984

KENT LEDGERWOOD WHOLESALE GROUP

are pleased to announce

**A NEW NATIONWIDE CONTRACT OF
IMMACULATE THORN EX-RENTAL TV'S & VCR'S,
MOSTLY WORKING, WHICH ENABLES US TO OFFER REMARKABLE
QUALITY, VALUE AND DISCOUNTS TO THE DISCERNING BUYER OF
THORN 8800/9000/9600/9800/3V16/3V22 VHS VIDEOS
& 14" NORDMENDE PORTS
FRANCHISES AND DELIVERIES ARRANGED**

NORTH
Tritel
1043 Leeds Road
Thornbury
Roundabout
Bradford
Tel: 0274 665670

SOUTH
Westside TV Centre
17 West Side Centre
Luton
Tel: 0582 24177

SCOTLAND
Acorn TV
Unit 4
Peacock Cross
Industrial Estate
Burnbank Road
Hamilton
Tel: 0698 282141

**AND NOW OPENING
IN LONDON**
KLW LTD, Unit 4
Mill Works
Wembley
(Behind Wembley Stadium)
Tel: 01 903 7587

HIGH QUALITY COLOUR TELEVISIONS

Thorn, Phillips, GEC R/Controls, ITTs,
T/Text etc., etc., etc. . . .

NEW BRAND NAMED STOCKS AVAILABLE!

Various Hi-Fi Systems £55.00
Videos (Phillips 2020) £35.00
Computers ONLY £10.00
TELETEXT COLOUR TELEVISIONS P.O.A.

**LARGE RANGE OF PART EXCHANGE
& EX-RENTAL COLOUR TELEVISIONS IN
EXCELLENT CONDITION . . .
FROM ONLY £5.00 . . .**

**Amplifiers (complete with Speakers)
AVAILABLE NOW!!!**

(P.O.A. - price on application)

**EXCELLENT PRICE OFFER
FOR ORDERS ABOVE 40 UNITS**

COLOURTRADE

221 Bridge St West, Hockley, Birmingham
021-359 0449



Universal Electronic Distributors
119 JARROM STREET, LEICESTER LE2 7DX
Telephone: (0533) 544849

VIDEO SPARES Video Cassette Recorder Heads. AKAI VS9300, VS9500, VS9700, VS9800 £39.95 FERGUSON 3V00, 3V16, 3V22, 3V23, 3V24, 3V29, 3V30, 3V31 £39.95 HITACHI VT4000, VT4200, VT5000, VT5500 £42.50 VT6500, VT7000, VT8000, VT8500, VT9000 £43.95 VT9500, VT9700 £43.95	JVC HR3300, HR3320, HR3330, HR3660, HR4100, HR7200, HR7600, HR7650, HR7700 £39.95 SHARP VC2300, VC3000, VC5000, VC6300, VC7300, VC7700, VC8300, VC9300, VC9500, VC9700 £53.95 SANYO VTC5000, VTC5300, VTC5350, VTC5400, VTC5500, VTC9300, VTC9350, VTC9500 £51.95 Toshiba V9000 £3.99 per kit	SONY SL8000, SL8080, SL8500, SL8600, SLCS, SLCS, SLCT £42.95 VIDEO DRIVE BELT KITS Akaai VS3300, VS5500, VS9800 JVC HR3300, HR3320, HR3330, HR3660 Ferguson 3V00, 3V16, 3V22, NV2000B, NV3000B, NV6000B, NV8100B, Sharp VC5300, VC9600, VC9800, VC9900, VC7300, VC8300 Sanyo SLCS, SLCT, SL8000, SL8080 Sanyo VTC5000, VTC5300, VTC5350, VTC5400, VTC9300, VTC9350, VTC9500 Toshiba V9000 £3.99 per kit
--------------------------------------------------------------------------------------------------------------------------------------------------------------------------------------------------------------------------------------------------------------------------------------------------------------------------------	--------------------------------------------------------------------------------------------------------------------------------------------------------------------------------------------------------------------------------------------------------------------------------------------------------------------------------------	-----------------------------------------------------------------------------------------------------------------------------------------------------------------------------------------------------------------------------------------------------------------------------------------------------------------------------------------------------------------------------------------------------------------------------------------

SPECIAL OFFER. UNIVERSAL TRIPLER ONLY £4.25

SEMICONDUCTORS	BD238 £0.29	TIP32A £0.25	ICs	
AD161 £0.35	BD243AX £0.35	TIP41C £0.32	TBA120B £0.55	
AD162 £0.35	BD433 £0.25	TIP42C £0.32	TBA520 £0.99	
BC107 £0.09	BD439 £0.29	2N2904 £0.17	TBA520Q £1.00	
BC108C £0.09	BD675 £0.45	2N3055 £0.45	TBA530 £1.00	
BC109C £0.10	BD676 £0.45	25B178M £0.29	TBA530Q £1.00	
BC147 £0.08	BD677 £0.45	25C710 £0.35	TBA540 £1.20	
BC148 £0.08	BD678 £0.45	25C940 £0.90	TBA540Q £1.25	
BC149 £0.08	BD679 £0.45	25C1417 £0.50	TBA560C £1.10	
BC157 £0.09	BD680 £0.45	1N4001 £0.04	TBA560CQ £1.30	
BC159 £0.09	BF2448 £0.20	1N4002 £0.04	TBA570 £1.45	
BC168C £0.06	BF246 £0.25	1N4003 £0.04	TBA800 £0.60	
BC183B £0.07	BF595 £0.07	1N4004 £0.05	TBA810S £0.85	
BC207B £0.09	BF595 £0.07	1N4006 £0.05	TBA810AS £0.90	
BC213A £0.07	BF595 £0.07	1N4007 £0.05	TBA820 £0.65	
BC237B £0.07	BSW75 £0.10	1N4148 £0.02	TBA820M £0.65	
BC238C £0.07	BSY78 £0.12	1N5401 £0.08	TBA920 £1.63	
BC258A £0.07	BT106 £0.12	1N5402 £0.09	TDA1170S £1.56	
BC318 £0.09	BT116 £0.95	1N5403 £0.10	TDA2002 £0.75	
BC337 £0.09	BT151/300R £0.75	1N5404 £0.11	TDA2020 £1.69	
BC351 £0.07	BU126 £0.75	1N5405 £0.11	TDA230 £1.40	
BC546A £0.07	BU205 £0.75	1N5406 £0.12	TDA2522 £1.45	
BC547 £0.05	BU208 £0.80	1N5407 £0.12	TDA2532 £1.00	
BC549C £0.08	BU208A £0.85	1N5408 £0.13	TDA2540 £1.00	
BD131 £0.29	BU326 £0.90	ZENER DIODES	TDA2541 £1.69	
BD132 £0.29	BU406 £0.75	6Z98 Series 400mW 2v7 to 3v £1.10	TDA440 £1.50	
BD135 £0.20	BU407 £0.70	6Z98 Series 1.3 watt. 4v to 15v £0.12	TA7205AP £0.85	
BD136 £0.20	BU500 £0.70		LA1201 £0.90	
BD137 £0.21	BU598 £0.90	FUSES	MB3712 £1.65	
BD138 £0.21	BY127 £0.08	20mm QUICK BLOW PKs of 10 800mA to 5Amp £0.45 pk	MC1310P £0.90	
BD139 £0.25	BY133 £0.25	20mm ANTISURGE PKs of 10 315mA to 6.3Amp £0.85 pk	UPC575C2 £0.90	
BD140 £0.25	BY164 £0.07	KIT OF 20mm ANTISURGE FUSES, Total 260 pcs £21.50	UPC1156H £1.75	
BD166 £0.29	ES316 £0.08		UPC1181H £0.99	
BD175 £0.29	ES482 £0.09		UPC1182H £0.99	
BD201 £0.45	E9003 £0.08		UPC1185H £2.60	
BD202 £0.45	E9004 £0.08			
BD203 £0.45	E9005 £0.08			
BD204 £0.45	R2010 £0.85			
BD237 £0.32	TIP21A £0.25			

PLEASE ADD 90p P&P and 15% VAT. ALL COMPONENTS BRAND NEW.
Please allow up to 7 days for delivery

HITACHI VHS COLOUR CAMERAS

Mains/Mains Battery
Portable

TESTED WORKING

VHS VIDEOS FERGUSON

3V00, 3V22, 3V23, 3V16, 3V29,
3V30, 3V31, 3V32, 3V35

NATIONAL PANASONIC
NV8600, 8610, 2000, 7000,
370, 333, 2010

SHARP
620, 630, 640, 2300 H T/P

BETAMAX

SANYO VTC 9300, 5000, 5300

SONY C5, C6, C7, C9
and SL F1UB T/P

Also Bush, Toshiba, Hitachi and Blau Punkt

PLUS

17" 18" 20" 22" 26" Hybrid/
Solid State CTVs
Remote Control & Teletext

Discount for Quantities

**JOHN CARTER
(Electrical) LTD
FURNACE ROAD,
GALLOW'S INN,
ILKESTON**

Phone: 0602 303124

CUSTOMER CAN'T PAY? DONT LOSE HIM FIT A TV METER



COINAGE
AVAILABLE
10p
50p
£1

COMPLETELY VARIABLE TIMINGS

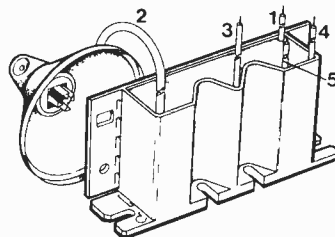
Alberice METERS
LIMITED

MANUFACTURERS OF TV COIN OPERATED

METERS CONTACT (0202) 674272

87-89 Sterte Avenue,
Poole, Dorset. BH15 2AW.
Telex: 418253 LUMIC G

UK 'Universal' TRIPLER from £5.00 inc post & VAT



BWARE IMITATIONS

1x10 (£5.00 each) **£50.00**
1x 5 (£5.50 each) **£27.50**
1x 3 (£5.75 each) **£17.25**
1x 2 (£5.95 each) **£11.90**

NB: Includes Post & VAT

1. Input 200mm. 2. Output 780mm. 3. Focus 390mm. 4. Pulse 390mm. 5. Earth 390mm.
Instruction sheet available on request

Strictly cash with order.
Goods despatched by return.
Access Barclaycard accepted

TELEPART 32 TEMPLE STREET
WOLVERHAMPTON WV2 4LJ
PHONE (0902) 773122

DEN FER

ELECTRONIC PRODUCTS LTD, LONDON N22 4NG

01-881 8302

ADC 0816	£19.00
TDA 8180	£2.40
TDA 3562A	£4.90
TDA 2600	£4.00
SAA 5040B	£14.00
TDA 2610	£2.00
TDA 3544	£1.80

Many more TV ICs & Transistors in stock.
UHF Modulators £1.50 100m UHF Cables £10.50

Full range of Fuses
VIDEO RECORDERS

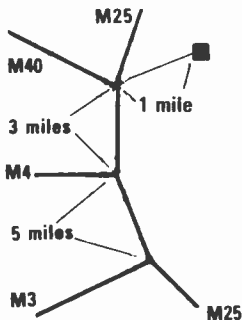
Ferguson 3V39	inc. VAT
3V32 R/c, St, 8hr	£375.99
3V42 R/c, St, Dolby	£585.99
3V43 R/c, St, 8hr	£485.99
	£639.99

Add 15% VAT, £1.00 p&p. Callers welcome: Open 9.30am to 20.30pm.

WRITE OR PHONE
FOR YOUR
FREE
CATALOGUE

REBUILT TUBES?

Come to one of the most experienced firms in the business. We have been rebuilding cathode ray tubes for industry, broadcasting authorities, major airlines, M.O.D. universities, and, of course, the TV trade in general since the '60's.



WE ARE LOCATED IN ◀ UXBRIDGE

At probably the most accessible part of S.E. England. Constructional work on the Poyle/Uxbridge section of the M25 is now in progress. When completed we shall be less than 10 minutes from M3/M25 junction 2/12. M4/M25 junction 4/14. M40/M25 junction 1/15.

LOCAL AREA MAP AND PRICE LIST
AVAILABLE ON REQUEST

DISPLAY ELECTRONICS LTD.

UNIT 4, SWAN WHARF,
WATERLOO ROAD,
UXBRIDGE, MIDDLESEX.
UXBRIDGE (0895) 55800.

CentreVision

TEL: 0222-44754
SLOPER ROAD
LECKWITH

CARDIFF CF1 8AB

OPPOSITE CITY FOOTBALL GROUND

5 MINS FROM M4

TELEVISION/VIDEO

(VHS + BETA)

FROM £85

- | | |
|---------------------------------|-----|
| ★ ITT CD752 REMOTE WORKING | £90 |
| ★ PHILIPS G11 FROM | £40 |
| ★ GEC STARLINE 22-20 (Remote) | £35 |
| ★ PYE CHELSEA | £25 |
| ★ THORN 9000 20" | £35 |
| ★ DECCA 22" BLACK FRONT VERICAP | £15 |
| ★ RANK T20 REMOTE | £48 |
| ★ PHILIPS 550 IN 10's | £18 |

PRICES SUBJECT TO VAT

OPENING HOURS:
MONDAY - FRIDAY 9.00 - 5.30
SATURDAY 9.00 - 1.00

TRAINING COURSES

TELEVISION & VIDEO SERVICING

THESE FULL-TIME COURSES INCLUDE A HIGH PERCENTAGE OF COLLEGE BASED PRACTICAL WORK TO ENHANCE FUTURE EMPLOYMENT PROSPECTS

VIDEO CASSETTE RECORDER SERVICING 6 WEEKS FULL-TIME

(September 16th to October 25th)

Intensive course intended for qualified television service engineers or applicants with similar background.

The course combines the advantages of industrial and academic training and includes a high percentage of practical work.

Selected applicants will be eligible for a full grant from MSC under TOPS to cover tuition fees and maintenance.

6 MONTHS

LEC DIPLOMA

TELEVISION & VIDEO SERVICING

(Suitable for applicants with previous electronics training - e.g. BSC, HND, CGLI, B/TEC, etc.)

(Course commences on Sept. 16th)

ADDITIONAL FULL-TIME COURSES APPROVED BY THE BUSINESS & TECHNICIAN EDUCATION COUNCIL

(These courses commence on Sept. 16th)

2 YEAR

BTEC National Diploma (OND)

ELECTRONIC &

COMMUNICATIONS ENGINEERING

(Electronics, Computing, Television, Video, Testing & Fault Diagnosis)

15 MONTHS

BTEC National Certificate (ONC)

ELECTRONIC EQUIPMENT SERVICING

(Electronics, Television, Video Cassette Recorders, CCTV, Testing & Fault Diagnosis)

15 MONTHS

BTEC National Certificate (ONC)

COMPUTING TECHNOLOGY

(Electronics, Computing Software/Hardware, Microelectronic Testing Methods)

9 MONTHS

BTEC Higher National Certificate (HNC)

COMPUTING TECHNOLOGY & ROBOTICS

(Microprocessors, Microcomputer Fault Diagnosis, Robotics & Control Systems, CAD/CAM & CAE Principles)

OVERSEAS STUDENTS ARE CHARGED THE SAME TUITION FEES AS UK STUDENTS

Full Prospectus from:

LONDON ELECTRONICS COLLEGE (Dept TF)

20 PENYVERN ROAD, EARLS COURT,
LONDON SW5 9SU. Tel: 01-373 8721

HOCKLEY DISCOUNT TELEVISIONS

North-East Branch:

NORTHERN T.V. DISTRIBUTORS,
 Unit 2, Perth Court,
 Eleventh Avenue,
 Team Valley Trading Estate,
 Gateshead, Tyne & Wear
 Tel. 091-487-5389
ASK FOR JOE

Midlands Branch:

HOCKLEY DISCOUNT TELEVISIONS,
 94 Soho Hill,
 Hockley, Birmingham B19 1AE.
 Tel. 021-551-2233
ASK FOR JAZZ

**NOW THE MOST RAPIDLY EXPANDING WHOLESALERS WITH
 HUGE STOCKS**

TO ENSURE YOU OF BETTER BARGAINS!

LORRY LOADS DELIVERED DIRECT FROM SOURCE!

PRICES START FROM £6

WORKING SETS FROM £12

100's OF G11's IN STOCK 22" & 20". VHS VIDEO'S NOW IN STOCK

UNLIMITED SELECTION OF:

PHILIPS G8's (G11 Now in Stock)
PYE SOLID STATE
PYE CHELSEA
GEC SOLID STATE, STARLINES

SONY
LATEST HITACHI
I.T.T CVC30, CVC45
BUSH T20,T22

SPECIAL OFFER ON VARICAP 6 BUTTON DECCA

* Delivery can be arranged.

TV LINE OUTPUT TRANSFORMERS

PRICES INCLUDE VAT & CARRIAGE

Delivery by return of post.

RANK BUSH MURPHY A774 with stick rectifier A816, T16, T18, Z712, Z715 T20, T22, T26, Z179, A823 Z718 Basic unit T24e, T24h split diode	9.78 10.35 11.50 13.50 P.O.A.	ITT: VC200 to VC402 CVC1, CVC2 (FORGESTONE) CVC5, CVC7, CVC8, CVC9 series CVC20 CVC25, CVC30, CVC32, CVC45 CVC40, CVC1200, 1210, 1215 FT110, FT111. P/no AT2063/02	9.20 11.50 9.20 10.35 9.20 P.O.A. 11.50
DECCA: 1210, 1211, 1511 1700, 2001, 2020, 2401, 2404 CS1730, 1733, 1830, 1835 30, 70, 80, 90, 100, 130 Series	11.50 9.20 9.20 9.20	PYE: 169, 173, 569, 368 series CT200, CT200/1, CT213 series 725-731, 735, 737, 741 Series	9.20 10.35 9.78
FERGUSON, THORN: 1590, 1591 1690, 1691. built in rect. 1600, 1615, 1700 series 1790 mono portable 3000, 3500, 8000, 8500, 8800 9000, 9200, 9300 series 9500, 9600, 9650 series 9800, TX9, TX10 series MOVIESTAR 3781, 3787	9.20 9.78 P.O.A. P.O.A. P.O.A. 12.00 10.99 P.O.A. 12.00	PHILIPS: 170, 210, 300 series 320 series TX, T8 mono G8 and G9 Series KT2, KT3. series colour G11, K30. split diode	9.20 9.78 P.O.A. 9.20 9.20 P.O.A.
FIDELITY: FTV12 mono CTV14R, CTV14S colour	10.35 15.83	BINATONE: 9909, 9798, 9860 DORIC Mk3 FINLUX 9560, 9670	P.O.A. 11.50 P.O.A.
G.E.C. 2047 to 3135 mono 1201H, 1501H, 2114, 3133, 3135 DUAL & SINGLE hybrid col. SINGLE STD solid state SINGLE STD split diode	9.20 9.20 10.00 12.00 P.O.A.	GRUNDIG: most models in stock NORDMENDE: FC125, Z206, Z306 SANYO: 5101, 5103, 7118, 7130 SHARP: C1851H, C2051H TOSHIBA: C800, C800B TANDBURG: 190, CTV2-2, CTV3-3 TELEFUNKEN: most models in stock LINE OUTPUT TESTER	11.50 P.O.A. P.O.A. 19.45 P.O.A. 16.79
INDESIT: 24EGB hybrid 12LGB, 12SGB mono portables	9.50 10.35	Tidman Mail Order Ltd., 236 Sandycombe Road, Richmond, Surrey. Approx. 1 mile from Kew Bridge. Phone: 01-948 3702 Mon-Fri 9 am to 12.30 pm & 1.30-4.30 pm Sat 10 am to 12 noon.	
WINDINGS TYNE: main winding RBM: T20, T22, T26, Z179 WALTHAM: W125 eht winding WALTHAM: W190, W191 eht coil KORTING: hybrid winding	6.80 6.33 2.37 £6.00 6.90		

SATELLITE RECEIVING SYSTEMS

1m and 2m Parabolic Dishes, other sizes available.

A range of other components available, eg, LNAs, Downconverters, receivers, for both 4 and 11 GHz. Complete Terminals for ECS and Intelsat, both single channel and tunable versions.

Terminals for other frequencies available.

Demonstration by appointment.

L & S Bear Electronics Ltd
 Yeo Lane, Colley Lane,
 Bridgwater, Somerset.
 Telephone: Bridgwater (0278) 421719

TOP TWENTY VIDEO SPARES

Cassette lamp (Ferg/JVC)	£1.80	Video head (Ferg) (state model)	£37.50
Cassette lamp (Panasonic)	£1.80	Video head (Panasonic) (state model)	£39.50
Take-up clutch (Ferg)	£6.95	Head cleaning fluid	£1.50
Belt kit (Sony) (state model)	£6.50	Head cleaning sticks (each)	50p
Belt kit (Ferg) (state model)	£6.50	Reel Drive Pulley (Sanyo VTC5000)	£8.88
Belt kit (Panasonic) (state model)	£6.50	Reel Motor (Sanyo VTC5000)	£14.20
Belt kit (Sanyo 9300)	£6.50	Reel Motor (Sharp)	£12.96
Rewind kit (Sony C7)	£6.95	Overhaul kit (Ferg) (state model)	£19.95
Reel idler (Sharp VC)	£3.45	Overhaul kit (Sony) (state model)	£19.95
Video head (Sony C7/C5)	£39.50	Overhaul kit (Sharp) (state model)	£19.95

Most spares available for Hitachi, Panasonic, Sony, Sanyo, Sharp etc.
 Prices on request.

TELEVIDEO SERVICES NOTTINGHAM (0602) 226070

76 Wollaton Rd., Beeston, Nottingham
 Please add 50p post & packing and then add 15% VAT to total
 ALL ORDERS DESPATCHED BY RETURN OF POST
 Send 22p stamp for full catalogue.

EMCO - EUROSonic - GRUNDIG - TELETON + ALL BRITISH MAKES
ETC. ETC. ● ALL SPARES READILY AVAILABLE ●

IMMEDIATE CREDIT AVAILABLE — TRADE ONLY

If you are a trader simply phone for the part you require and we will send it - no quibble - no hold up for status check. Satisfy us over the phone that you are a trader and we will supply almost any TV component by return "off the shelf", e.g. LOPTZ - EHT trays - droppers - OSC coils - switches - cans - smoothers - I.C.'s, etc. etc.

**YOU CAN BE 95% SURE WE CAN SUPPLY ANY
TV COMPONENT BY RETURN
IF YOU NEED SPARES FAST — RING NOW!**

ACCESS AND BARCLAYCARD ACCEPTED.

Applies to U.K. only.

TELEPART (W'TON)

32 TEMPLE STREET,
WOLVERHAMPTON (0902) 773122

IRISH T.V. DEALERS

(PLEASE NOTICE)

LARGE SELECTION OF RECONDITIONED PRECISION-IN-LINE UHF-VHF COLOUR TVs, SOME WITH RE-GUN TUBES FITTED, "CABINETS RESTORED TO A1 CONDITION". PRICES START @ £60.00. ALSO 20" & 22" RE-GUN TUBES IN STOCK, QUANTITY DISCOUNT, DELIVERY ARRANGED.

(EXPORT SPECIALISTS)

T.V. TRADE SALES
E.D.I. HOUSE
KYLEMORE PK. WEST
DUBLIN 10.
Tel: 01-264139

ALSO **T.V.T.S.**
CLOVER PLACE
COLLEGE ST.
KILLARNEY.
Tel: 064-33655

IRISH T.V. DEALERS & ENGINEERS

Make extra money selling
Ex-Rental Colour TV's.

NEW LOW summer
prices. Off the pile from
£30, good working order
from £50, all prices **VAT
INCLUSIVE**. Most leading
makes in stock, fresh
stocks weekly. Delivery to
any part of Ireland.

Export orders welcome
for countries using PAL
System. We also stock
VHS Videos and
regunned Colour tubes.

TELE SPARES LTD.

Unit 113, Elm Road,
Western Industrial Estate,
Dublin 12, Ireland.
Telephone: Dublin 521211/521756.

COMPONENT SPECIALISTS

Anything - Anywhere
Bulk Orders, Export Orders
Purchase of Excess Stock

Thousands of Components Ex-Stock

Simply phone us
0934-419147

Freeway Components, The Airport
Weston Super Mare, Avon BS24 8RA

WORKING PANELS TO CLEAR

Sets of 4 panels £15 inc. VAT & P&P

RBM Chassis A802 - Single chip

RBM Chassis A823 - Dual chip

Decca 30 series - Mechanical tuner

Decca 30 series - Varicap tuner

Quantities of second hand valves available

Southpark Distributors,
Unit 4, Rubastic Road,
Southall, Middlesex.
01-574 4631, Extn. 28

Callers Welcome

LONDON'S LARGEST
TELEVISION WHOLESALE...
with over 4½ thousand sq. feet

"TELEMANN"

8-10 RHODA STREET (off Bethnal Green Road)
LONDON E2. FREE CAR PARK

SPECIAL OFFER!!

Parcel of 25 Monos £1.00
Parcel of 10 Philips 22" G8 550 £15.00
Parcel of 10 Decca Bradfords £8.00
Parcel of 10 Japs Colour £20.00

LORRY LOADS DELIVERED DIRECT FROM
SUPPLIERS — NO CHARGE FOR DELIVERY!

01-739 2707 → 2 LINES ← **01-739 3123**

FREE CAR PARK + NO YELLOW LINES OUTSIDE!

N.G.T. COLOUR TUBES

First Independent Rebuilder with
B.S.I. CERTIFICATION

DELTA - IN-LINE - PIL - BONDED YOKE
including

AXT Series, DZB series 20AX - 30AX
A56 610/67 610 series, A51 570/580/590X
A51 161X, Sony types etc.

- ★ Rebanded with new adhesives
- ★ Excellent high voltage clean-up
- ★ Accurate alignment of Gun and Yoke for optimum convergence

N.G.T. ELECTRONICS LTD.,
120 SELHURST ROAD, LONDON SE25
Phone: 01-771 3535.

25 years experience in television tube rebuilding.

SETS & COMPONENTS

QUALITY SETS FROM CORNWALL. Workers/non workers. Spares, panels, etc. Details ring 0726-81-5389.

OSCILLOSCOPE TELEQUIPMENT S54A. Good working order. £85. No probes. Northallerton (0609) 3406.

TURN YOUR SURPLUS capacitors, transistors, etc., into cash. Contact COLES-HARDING & CO, 103 South Brink, Wisbech, Cambs. 0945 584188. Immediate settlement.

R.B.M. A823 PANELS. S.A.E. for details: SCHOFIELD, 28 St Albans Road, St Annes, Lancs. FY8 1TH.

PHILIPS G11 AND BUSH T20 regular supplies. For prices phone 01-845-2036.

HITACHI, Mitsubishi, Panasonic, Sony, Toshiba, JVC, Sharp, Sharp fully refurbished. PEARSON TELEVISION. 0484 863489. Delivery arranged.

GRUNDIG TELEVISIONS, telequipment oscilloscopes. Also spares. Manuals. Panel exchange. Ochremill. 0785 814643.

WOODSDALE COMPONENTS RANK BUSH MURPHY TRANSFORMERS

Line Output Z718 (T703A, T706A)	
New (Complete)	£19.50
Less Focus Module and Rectifier	£10.50
T20, T22 (T705A)	£11.00
T26 (T705B)	£11.00
TDA2190 Plug-in Replacement module suitable for Bush T22/26 and any set using same device	£7.50
Switch Mode T114A/B	£8.00

Genuine RBM Units.

Prompt Postal Service P&P Paid.
Add 15% VAT to all prices.
DISCOUNT for QUANTITIES.

34 Field End Road, Eastcote,
Pinner, Middlesex. HA5-2QT.
Tel: 01-868 5580.

N. Skehan

Agents Office. Callers by appointment only.

COLOUR BAR GENERATOR

Pal Colour Generator with 11 patterns plus sound. Grey scale, Colour Bars, Red, Green & Blue Raster, Cross-hatch, Dots, Chequer Board, Black Raster, White Raster, Half Black & White, Mains Powered. £75.90

OUTPUTS PROVIDED
UHF OUTPUT
VIDEO OUTPUT
SOUND OUTPUT
LINE PULSE
FIELD PULSE



Same as above plus RGB output	£81.50
Line Output Transformer Tester	£11.50
B/W Generator, Crosshatch, Peak White, Dots, Half Black & White and Grey Scale UHF output	£18.50
Same as above but with Video Output	£20.50
Capacitance Meter measures 10pF to 1µF complete with moving coil meter	£14.75
Car Alarm with built in Siren	£20.50

S.A.E. for details. - Prices include P&P & VAT.

C.M.J. ELECTRONICS

Unit 8, 16 Union Mill Street, Horseley Fields,
Wolverhampton WV1 3DW.
Tel: (0902) 871563

TELEVISION

No other consumer magazine in the country can reach so effectively those readers who are wholly engaged in the television and affiliated electronic industries. They have a need to know of your products and services.

The prepaid rate for semi display setting £6.30 per single column centimetre (minimum 2.5 cms). Classified advertisements 37p per word

NORTHERN IRELAND DEALERS

COME AND SEE OUR LARGE RANGE OF
S/H COLOUR TVs AT LOWEST PRICES EVER

CONTACT:

S. M. ELECTRONICS

11 SANDHOLES ROAD, COOKSTOWN, CO. TYRONE
Telephone: Cookstown 06487/64277

Open: Mon.-Sat. 9.00 am-6.00 pm (Closed Wednesday)

WORKING CTVs THE BEST & CHEAPEST IN LANCASHIRE SPECIAL OFFER

Working Decca Bradford Including
Black Fronts
18" 20" 22" 26" ONLY £20.00 each in 6
units

Working GEC Plastic & Wooden. All models
20" 22" 26" ONLY £22.00 each in 6 units

Working Bush 20" 22" 26"
ONLY £15.00 each

Philips G8 (520) 22" & 26"
ONLY £20.00 each

Plus many more makes & sizes in stock,
inc. Tanburg, Nordmende, Thorn.

1st COME 1st SERVED

ALL SETS TESTED & WORKING

CALL

JOHN POWNEY

TRADE TV SALES & SERVICE

Unit 31 Progress Industrial Estate,
Kirkham, nr Preston
(0772) 683392

UNTESTED PANELS FOR ALL MAKES OF TV
£1.25 per panel plus post & packing

BRISTOL TELEVISION TRADE DISTRIBUTORS (BTDD)

4 Victoria Street
(Bristol Bridge) BS1 6BN

Ex-rental/trade in TV sets,
supplier to trade only, wide
range, large quantity, right price,
regular supply.

Tel: (0272) 25266

INDEPENDENT TELEVISION AND VIDEO COMPANY

LARGE STOCKS TO CLEAR
EVERY WEEK

COMPETITIVE PRICES

EXAMPLES:	
B&W 20"-24"	From £1.00
COLOUR:	
Bush 1-2 I.C.	£4.00
Philips 520-550, 26"	£6.00
Thorn 3500	£6.00
GEC-Decca-ITT	£6.00

Philips 550 22"	£10.00
Pye 18"-20"-22"	£10.00
GEC 20"-22" 26"	£12.00
Thorn 8800-9000-9800	£15.00

Many Other Modern Sets
and VHS Videos

PHILIPS G11 - ITT - Bush T20-T22-
T26, Hitachi, Nat. Pan. - Sony
Off Pile from £40

Phone Frank: Nottingham
(0602) 864627

Unit 3
Meadow Trading Estate,
Meadow Lane,
Nottingham NG2 3HQ.

SERVICE PAGES

(minimum 12 words), box number 70p extra. All cheques, postal orders etc., to be made payable to Television, and crossed "Lloyds Bank Ltd". Treasury notes should always be sent registered post. Advertisements, together with remittance, should be sent to the Classified Advertisement Dept., Television Room 2612, IPC Magazines Limited, Kings Reach Tower, Stamford Street, London SE1 9LS. (Telephone 01-261 5846).

COLOUR TV PANELS Fully Tested & Working

	IF	CDA/Video	Decoder	LTB	Line Board	Power
GEC 2040	3.50	3.50	4.00	5.00	-	-
DECCA 13/30	3.00	-	7.00	5.00	-	4.00
BUSH A823	4.00*	-	10.00*	5.00*	2.50	4.00
THORN 8/84	-	-	10.00	5.00	-	5.00
PYE 205	3.00	3.50	5.00	16.00	-	-
THORN 3/34	5.00	5.00	5.00	8.00	-	10.00
G8	6.00	-	8.00	7.00	15.00	5.00

*Please specify prefix A or Z.

Please add 15% VAT to above prices, then add post + packing.
Post + Packing: 1 panel £1.50; 2 panels £2.25; 3 panels £3.00 etc.

Hybrid panels do not include valves.

Terms cash with order.

Also a vast selection of modern working and non-working TVs at low prices. Please ring for current stock.

GOLCAR T.V. SERVICES (formerly LAVITE LTD.),

Old C of E School, Church Street, Golcar, Huddersfield. Tel.: 0484 643273

Callers by appointment only.

SCREENPLAY Your Friend in the TV Business

COLOUR SETS FROM £5.00

MONOS FROM £3.00

PANELS BY POST - PRE-CALIBRATED

WORKING SETS TO ORDER

Phone Baldock 894905

SECTION 3, UNIT 4,

SERL COMPLEX,

LONDON ROAD,

BALDOCK, HERTS.

OPEN 6 DAYS 10-6.30pm/10-5pm SAT.

Trent Tubes

31 RADCLIFFE ROAD, WEST BRIDGFORD, NOTTINGHAM
PHONE: (0602) 813329

ALL tubes guaranteed for 2 YEARS
EXTENDABLE TO 4 YEARS
THE QUALITY REBUILDER

All STANDARD DELTAS (A56, A66/120 etc.)
ONE PRICE £30.00

A51-161 - A51-163 £43.00

A51-A56-A66/500/510 (20AX)
One price £43.00

A56-A66/540 (30AX) £49.00

560DZB22, 560EGB22, 510VLB22 £46.00

SONY TYPES FROM £55.00

1000's more types available. VDUs, MONOs, Industrials etc.

Suppliers to Broadcasting Authorities
& National Companies

QUANTITY DISCOUNTS. All Prices + VAT + Exchange

WE SPECIALISE IN JAPANESE TYPES

STOCKISTS

Peterborough
H Donnor
0733 71809

N & S Ireland
Conway Bros
Cookstown
064 8763771

Thorn 3000/3500
Thorn 9000
UNIVERSAL
1 year guarantee

TRIPLERS
£4.95 inc. p&ap

The UNIVERSAL TRIPLER can be used in most
G.E.C., I.T.T., Pye, Rank, Decca & Continental
sets.

WING ELECTRONICS

15 Waylands, off Tudor Rd, Hayes End, Middlesex



* Britain's most reliable

source of quality TVs.

* Hundreds of working
polished TVs.

* GEC Starline

* Decca 80

* Decca 88

* Decca 100

* Pye G11

* Thorn 8800

* Pye 222 Series

All working and polished.

These are not from major
companies. A lot are from
hotels and have had very
little use.

Excellent reliable sets for
rental.

Crystal Marketing Ltd,
Breedon Cross
Storage,
Oale Road, Selly Oak,
Birmingham B29 6AQ.

Phone 021-471 3023

Telex 335540-G

Ask for Les

NORMAN ENTERPRISES LTD

Weston-Super-Mare, Avon.

Tel: 418545/413991

Colour TVs fully engineered
with a special care on tubes

Hitachi 217 Remote Control ... £95

Thorne 9000 Remote Control . £45

Pye G11 £49

Rank T20 £40

Pye Chelsea 6 Button £35

Pye 725 £40

Pye 721 £35

Thorne 9600 £55

Thorne 9200 £55

Bush T20 Remote Control . £55

All above prices include hand
sets plus VAT. None of the above
are ex rental rubbish.

Phone now, limited number each month. All
the above off the pile, less a 3rd

VIDEO & HI-FI ELECTRONICS

379 Edgware Road, London W2.

Tel: 01-258 0328

ALL VHS PARTS AVAILABLE

EXAMPLES:

VIDEO HEADS

JVC, Ferguson, Akai, Saba, Telefunken £32.00

Sony (Betamax) £45.00

National Panasonic £45.00

INTEGRATED CIRCUITS

UPC 1365C £7.30

UPD 553C £14.75

UPD 552C £10.56

HA 1171I £14.20

UPD 548C £14.65

BA 841 £22.95

Sony C7 Rewind Kits £12.45

All prices inclusive of VAT. Add £2.00 for postage & packing.

QUALITY WORKING TVs

Ready to sell

REGULAR SUPPLY

Philips G11s £50
Bush T20s £40
ITT CVC 20-25 & 30 £40
TCE 8800 £30
GEC StarLine £50

AND MANY MORE

OVER 1200 SETS IN STOCK

ALL PRICES + VAT

FOR FURTHER INFORMATION PLEASE RING

021-784 2561

CHROMA VISION

811 Washwood Heath Road,

Ward End, Birmingham 8

* DELIVERY CAN BE ARRANGED

EAST ANGLIA SUPPLIES

For your fully serviced colour televisions
ready for sale or rent at realistic prices
with free delivery (just petrol charged)
anywhere for sensible sized orders.

G11s £70 + VAT MANY OTHER
T20s £65 + VAT MAKES
S/state from REGULARLY
ITTs £55 + VAT STOCKED AND
Decca from CHEAPIES FROM
£55 + VAT ONLY £25 + VAT
FULLY SERVICED.

Contact John, Dave or Steve for personal
friendly attention on

0223 69215 or 0353 61462

N.W. ELECTRONICS

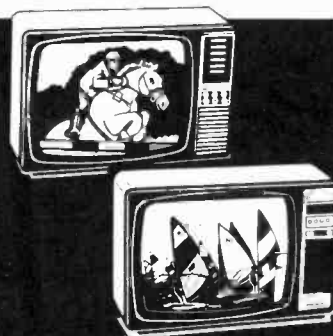
25 YEARS SUPPLYING THE TRADE

New Low Prices Thats a Fact!

100's of good class HP Repos and
Ex Rental Colour TV's reduced to
ROCK BOTTOM PRICES!

No Ex D.E.R., Radio Rentals, etc. in stock.
WE DO NOT STOCK JUNK!

Bush T20 (Excellent Cabs) was £60 NOW £40 lots of 50 - £30	
Bush 718 P.I.L. Tube	was £30 NOW £25
Bush 2 Chip Decoders	was £15 NOW £8
Philips G8	was £28 NOW £23
Philips G11	was £70 NOW £50
GEC 2010	was £25 NOW £20
Thorn 3500	was £12 NOW £8



Hybrids £5 all makes!  Many more inc Pye KT30, Ferguson TX etc.

Fully Refurbished TV's Ready for Rent/Sale

Models include **Bush T20 £50, Pye G11 £60**
Pye KT3 £80

Many Other Makes in Stock.
Ring for Quotation.

**SHARPS VIDEO
NOW IN STOCK**

MODEL NOs 7300, 8300, 9300

**CASH ONLY - NO CHEQUES
DELIVERY CAN BE
ARRANGED - TRADE ONLY**

**Unit 12, Wharfedale Road
M606 Euroway Estate
Bradford**

(0274) 688458 All prices plus VAT
OPEN 6 DAYS A WEEK

OPEN MON-SAT 9-5.30
**Don't forget! We are open
all day Saturday!**

ONE MONTH ONLY OFFER

INTERTEL TRADE TVs

ALL SOLID STATES

— ONE PRICE ONLY

£16.00 + VAT
(Off Pile Price)

DIRECT FROM SOURCE DELIVERIES ARRANGED DISCOUNTS ON QUANTITY MOST MAKES AVAILABLE

INTERTEL UNIT 27 WHESOE ROAD DARLINGTON CO DURHAM

HOT LINE DARLINGTON 0325 486896

STARLITE ELECTRONICS

NOW MOVED TO: WILLOWS FARM, A13 RAINHAM, ESSEX. Rainham 23225 also Hornchurch 50238.

— TV TUBES —
2 year guarantee
Most types available
Japanese including Sony

Ex-Rental TVs from£15.00
Untested Panels.....£4.00

TELEVISION

GOOD QUALITY TRADE TVs COLOUR OR MONO SUITABLE FOR SALE OR RE-RENT, WIDE CHOICE OF MAKES AND MODELS

GENERAL FACTORS UNION STREET DONCASTER DN1 3AE

TEL (0302) 68416

GOOD MOTORWAY ACCESS

T.V. SPARES, PANELS AND MANUALS PHILIPS · GRUNDIG

TELEVIEW 01-994 5537
194, Acton Lane, London W.4.

C.T.V. PANEL SERVICE
Exch/repair & sales - chemically cleaned - no burned or damaged print. 3 months g'tee, large range incl. Decca 80 & 100, G11, G8, ITT, GEC, Rank, TCE, Jap & euro models, despatched same day.

Send S.A.E. for lists or ring with your requirements:

Argo Services (Birmingham),
Elliott Road, Birmingham 29.
Tel. 021-471 4697

Telephone orders accepted using Access/Mastercard
CALLERS RING FIRST

TRADE REPAIR WORKSHOP
VIDEO, T.V., HI-FI. ANY MAKE.
COLOURTRONIC SERVICES,
96 Ilford Lane, Ilford, Essex.
01-478 0782

Grundig SO11 6011 (£17.25 + £2.50 p&p)

T.V PANELS
REPAIR EXCHANGE SALES SERVICE
PRICES FOR REP. EXC. AS FOLLOWS

Chassis	IF	Decoder	Line Scan	Power Supply	Frame
Philips G11	18	16	20	18	16
Bush T20	X	12	16	15	12
Bush T26	X	16	18	15	X
Bush 718	X	12	18	X	12

All panels are repaired and aligned according to rank std.
Ring for prices to buy panels. Prices shown inclusive of postage, etc.
All panels guaranteed for 3 months.

T. K. PANELS SERVICE
31 Bronte Paths, Stevenage (0438) 61567

BUSINESS OPPORTUNITIES

RETAIL BUSINESS FOR SALE

Bournemouth: established sixteen years: excellent retail outlet producing substantial profits. Situated busy main road and comprising large showroom and workshops with spacious luxury 3 bedroom flat over. Immaculate property. Retirement sale.

FREEHOLD AT £95,000
0202 - 35653

T.V. VIDEO & HI-FI REPAIR & RECON SALES BUSINESS
Ilford area.
Established 9 years. Long lease. Large fully equipped workshop. Shop showroom. Great potential. Capital investment needed.
Would consider partnership or for sale £20,000.
BOX No. TV 196

TELEVISION AND RADIO REPAIR BUSINESS
Shop, workshop and store in affluent area outskirts W. Sussex seaside resort.
£18,000 for lease (16 years remaining).
All current clients.
S.A.V. if required — 0243 22671.

AERIALS

EVERYTHING NECESSARY for multi-outlet and high gain installations. Cables, outlets, splitters, channelpass filters, diplexers, masthead amplifiers, distribution amplifiers, brackets, masts, aerials, etc. Use trade gear and save pounds. Catalogue 50p (refundable). Professional advice. WRIGHTS AERIALS, 43 Greaves Sike Lane, Micklebring, Rotherham.

SATELLITE T.V. RECEPTION EQUIPMENT
Throughout Ireland
2m G.R.P. dish with feed support and polar mount. 11GHz block downconverters and indoor receivers. PAL/SECAM colour T.V.'s with in-built receiver.

KESH ELECTRICS LTD.
Phone Kesh (03656) 31449.

CLEARVIEW AERIALS
Clearview have pleasure in announcing a full and comprehensive range of signal amplification equipment. For example: low noise electronically remote controlled masthead pre-amp 1.6db noise. CH. 17-69. Set side amplifiers, distribution amplifiers, notch filters 4 in 1 or 2 in 1 etc. Combiners for 2 UHF aerials 3db gain or 4 6db gain. Trade and retail.
Send large SAE for our comprehensive catalogue

CLEARVIEW AERIALS,
173 Kings Road,
Kingston Upon Thames, Surrey.

ORDER FORM PLEASE WRITE IN BLOCK CAPITALS

Please insert the advertisement below in the next available issue of Television for

insertions. I enclose Cheque/P.O. for £
(Cheques and Postal Orders should be crossed Lloyds Bank Ltd and made payable to Television)

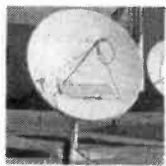
NAME

ADDRESS

Send to: Classified Advertisement Dept.
TELEVISION
Classified Advertisement Dept., Room 2612,
King's Reach Tower, Stamford Street,
London SE1 9LS. Telephone 01-261 5846.

Rate
30p per word, minimum 12 words. Box No. 70p extra.

Company registered in England. Registered No. 53626. Registered Office: King's Reach Tower, Stamford Street, London SE1 9LS. 8/85



Euro-Sat
Parabolic Dish Antennas
(Parent company est. in
TV communications since 1969)
SATELLITE TVRO ANTENNAS
TOP QUALITY SOLID
GLASSFIBRE DISH ANTENNAS

1M DIA 11-12.4 GHZ BANDS	£77.00
1.2M DIA 11-12.4 GHZ BANDS	£93.00
2M DIA 11-12.4 GHZ BANDS	£215.10
3M DIA 11-12.4 GHZ BANDS	£437.00

All dishes come complete with feed support
Trade & Export Enquiries Welcome
Prices do not include delivery

Euro-Sat
107 Cross Street, Sale, Cheshire, England.
Tel. 061-437 2631 061-881 4249

AERIAL BOOSTERS

B45H/G-UHF TV next to the set fitting, gain about 20dbs, PP3 battery or 8V to 14V/working. Price £8.70. P&P 30p.

UHF TV BOOSTER MODULE. PCB ready made up to cover the complete UHF TV band. Gain 10dbs, noise 1.9dbs. 8V to 14V/W. Price £2.50. P&P 30p.

SET/TOP AERIAL and matching aerial booster (trebles and gain). Price £8.70. P&P 50p.

Video Transmitters transmit with Aerial Boosters £8.70. S.A.E. Leaflets.

ELECTRONIC MAILORDER,
62 Bridge Street, Ramsbottom,
Lancashire, BL0 9AG.
Tel: Ramsbottom (070 682) 3036.

S.A.E. for leaflets. Access/Visa Welcome.

VIDEO

EX RENTAL VHS VIDEOS

★ ★ ★

100's IN STOCK

★ ★ ★

**CONTACT MICK ON
021-772 1591**

BOOKS AND PUBLICATIONS

RADIO AND TELEVISION SERVICING BOOKS.
New 74/75 £15. 75/76, 77/78, 78/79, 79/80, 80/81, 81/82, 82/83, 83/84, 84/85 (out August) £22.50 each. Free delivery. U-VIEW. 29, Warmworth Road, Doncaster. 0302 855017. Callers ring first.

"RADIO AND TELEVISION SERVICING" books, new editions for the last 6 years always in stock. Prices on request. BELLS TELEVISION SERVICES, 190 Kings Road, Harrogate, N. Yorkshire. Tel. 0423 55885.

REPAIR SERVICE

PRINTED PANEL REPAIR SERVICE

Printed panels and remote control handsets repaired. Most makes and models serviced.

**RING 0934 418545
for Price List or Quotation.**

TELEVISION

FOR SALE



For a
great deal!

VAN LOAD DIRECT FROM SOURCES

ALL SETS OFF THE PILE

Most makes/sizes available, any quantities.

e.g. Black faced Decca £10, solid state GEC £10, PYE 22"/18" (solid state) £12, Thorn 8800/9000 etc. £20, Thorn 3500 £8, Philips G8 (550/520) £9, ITT (CVC5, 8, 9) £5, Grundig 5010/6010 £10, 26" (3500/G8 etc.) £5, Jap £10, Pye GEC Hybrid £4, B/W £1.

All above offers minimum quantity of 15 sets or more.

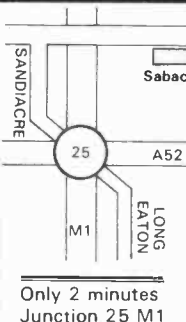
ALL PRICES SUBJECT TO VAT & AVAILABILITY.

Sabaco
Saba House,
46A Derby Road, Sandiacre,
Nottingham.

Open 6 days a week
9.30 a.m. - 5.45 p.m.

Telephone: (0602) 397555

VHS VIDEOS
FERGUSON
3V22
£79 + VAT
IN
QUANTITIES



Only 2 minutes
Junction 25 M1

DEVONICS

Quality Rebuilt Tubes

2 YEAR WARRANTY

In line from £41

Deltas from £30

UNUSED TUBES ex stock
complete with scan coils

370 KRB 22

A51 JAR00X02

560 DYB 22

£40 ea + £5 carr + VAT

2A BARTON HILL ROAD,
TORQUAY TQ2 8JH

0803 - 33035

SONY C7 for sale. Needs new head, £69. Tel. 0908 612854.

WORKING COLOUR/B&W Televisions, also panels, good prices. FOUR ACES ELECTRONICS, 74 Old Oak Common Lane, London W3. 01-749 9338.

**WE ARE SO
SHAW SURE!**
OF OUR QUALITY PRODUCTS
THAT WE GUARANTEE THEM
**ALL FOR ONE
FULL YEAR!**

THIS MONTH'S SPECIALS:

RANK - PUSH BUTTONS

Rank Z7186 way	£7.50
Rank A823V 6 way	£7.50
Rank A823V 4 way	£5.75
Rank T20A 6 way	£8.50

+ VAT +£1.00 P&P

**SHAW ELECTRONIC
SERVICES**
38 Rudland Close,
Thatcham, Berks RG13 4XW.

S.A.E. for lists of other BARGAINS

SERVICE SHEETS

TELEVISION SERVICE SHEET SPECIALISTS

Thousands of British, European and Japanese models in stock.

Colour £2.00 Mono £1.50

Manual prices on request.

All our prices include post and packing costs.

Send stamped envelope for free catalogue and enquiries.

SANDHURST TV SERVICES (MAIL ORDER)
49C Yorktown Road, Sandhurst, Camberley, Surrey GU17 7AG

SERVICE PAGES

TECHNICAL INFO SERVICE - 76 Church St - Larkhall - Lanarkshire ML9 1HE
World's sole publisher of Comprehensive T.V. Repair Manuals. Largest known stocks of Service Manuals & Sheets from 1935 to latest for all kinds of equipment, espec. T.V. & Video.

Save time & expense - our big catalogues of Service Manuals & Sheets with Chassis Guide & £4 Vouchers - only £3 - updated free.
Any published Service Sheet £2.50 & I.s.a.e. except CTV/Music Centres - £3.50 & I.s.a.e.
Service Manuals from £4.50 to £39 - e.g. Thorn 8000/8004/8500/8600 only £9.50.

T.V. Repair Manuals £8.50 each. Special offers The 5 McCourt £40. The 11 Tunbridge £88.
Video Repair Manuals £4.50 per Chassis or all 10 for £25.

Comprehensive Practical T.V. Repair Manual £9.50. The Practical Radio Servicing & Repair Manual £9.50.

UNIQUE COLLECTIONS OF CIRCUITS & LAYOUTS

British CTV from hybrid to modern in 3 giant binders for only £55. Also 2 giant binders packed full for £35 pair.
Foreign CTV Portable/Standard Mono TV. Domestic Equipment.
NEW RELEASE:- Offered to 'TELEVISION' readers for £20 (full price £25).
Giant collection of modern portable British CTV circuits and layouts.

The Integrated British CTV Repair System - 4 giant binders full of circuits & layouts with 6 big Repair Manuals. Covers 1968 to the '80s. Plus! £140.

The Integrated TV Repair System - 16 big Repair Manuals/8 giant binders plus service data and other manuals Covers 1968-1985. Priced separately over £300. Our Offer for £250 cwo or supplied in 12 monthly sections at £25 month. Offer includes any new TV publications we publish during 1 year from placing order. Service manuals to cover our range would cost over £1,000.

The Integrated Video Repair System - 10 booklets and 4 giant binders cover the early videos, all formats to V2000, 3V30, Sanyo 9300. Only £55.

S.A.E. brings any quotes required plus free magazine, service sheet & other offers.

Phone 0698 884585 before 5 pm; 0698 883334 after 4 pm.

BELL'S TELEVISION SERVICES for service sheets on Radio, TV, etc. £1.50 plus S.A.E. Service manuals on colour TV and Video Recorders, prices on request. S.A.E. with enquiries to B.T.S., 190 Kings Road, Harrogate, N. Yorkshire. Tel. (0423) 55885.

SERVICE PAGES SERVICE PAGES
PLEASE MENTION TELEVISION WHEN
REPLYING TO ADVERTISEMENTS
SERVICE PAGES SERVICE PAGES

Alba, Cossor, Baird, GEC, Defiant, Echo, Ferguson, Philips etc. etc.
TV Sheets, Black and White, also Radiograms, Record Players, Music Centres. Japanese models in stock. Circuit diagrams only. Also Tape Recorders etc. Car radios also in stock. Radio Mobile, Sharps etc., Philips, Ferguson, Pye, Sanyo. Mono

30,000 SERVICE SHEETS IN STOCK ALL AT £3.00 + SAE ALSO COLOUR MANUALS AVAILABLE AT £6.00 EACH

Car Radios Service sheets £3 + SAE. Manuals £6 + SAE. **Old radios AM/FM and Valves.**
Please forward s.a.e. Send cheque or P.O. **Old transistors, TV.**

C. CARANNA, 71 BEAUFORT PARK, LONDON NW11 6BX.

MISCELLANEOUS

GET
SHARP PARTS FAST

TELEPHONE
0734 - 876444
TELEX 848953

WVE

SHARP
Main U.K. Spare Parts Distributor

Audio-TV-Video ★ Microwave ★ Photo-copier ★ Typewriter

All U.K. model spares available. Same day despatch of orders received before 1pm.

Microwave, photocopier and typewriter spares to authorised service dealers/centres only.

WILLOW VALE ELECTRONICS LTD.,
11 Arkwright Road, Reading, Berks.

SATELLITE TV

The difficult part made easy!

LNB

(Block Down Converter)

i/p 3.7-4.2 GHz

o/p (IF) 400-900 MHz

Send SAE for details to:

OXMANN LTD.

West End Industrial Estate,
West End, Witney,
Oxon OX8 6UA.

"ALARM NEWS" latest discount catalogue out now.
Phone D.K.S. 021-772 2764.

SOLE SUPPLIERS TV/VIDEO repair manuals/circuits. 1000's s/manuals supplied by return. S/sheets £2.50 except CTV/m.centres/stereos £3.50. LSAE with every order/query please brings free price list/magazine inc s/sheet - or phone 0698 884585 (883334 outwith business hours). TIST, 76, Church Street, Larkhall, Lanarkshire.

BURGLAR ALARM EQUIPMENT. Latest discount catalogue out now. Phone C.W.A.S. ALARM 0274 731532.

The Theory and Practice of PAL Colour Television in three important Video Cassette Programmes

Part 1.

The Colour Signal

Part 2.

The Receiver Decoder

Part 3.

Receive, Installation



VHS★★★V2000★★★
BETAMAX★★★UMATIC

For full details telephone

0253 725499 (Day)

0253 712769 (Night)

Or send for precise details

FLINTDOWN CHANNEL 5
339 CLIFTON DRIVE SOUTH,
LYTHAM ST ANNES FY8 1LP
(enclosing this advert)

NAME
ADDRESS
..... TEL:.....

WANTED

VIDEO DEFLECTION SYNC VERTICAL LOPT. Panels required for Hitachi CFP 470 CSP 680. 01-898 1451.

WANTED: Ex Rental Colour T.V.s. Any quantity. Prompt collection. Cash paid. Sheffield 754865.

L.E.C. OR SIMILAR servicing notes and 'Televison' back numbers 01-451 3093.

LATE MODEL COLOUR TELEVISIONS, videos, etc. Any quantity. Monitec. Tel. 0299 400233/400933.

VARIOUS WANTED. Surplus up-converters (Tele-Verta etc), also UHF to VHF translators, Relay system & SMA TV equipment. Prompt cash settlement. A. Thomson Beith Ltd, Scotland. tel 05055 3441: Day or evening.

WANTED: 3 small colour monitors/TVs working chassis, reasonably priced. Tel. 09277 63773.

METERS

METERS. Reconditioned 10p/50p available from stock. Contact THE METER CO. (Poole) LTD. (0202) 683498.

**FOR INFORMATION
ON CLASSIFIED
ADVERTISING
PLEASE RING
PAT BUNCE
01-261 5942**

<p>TD2008 £2 Philips small stereo headphones £4 Stereo Philips headphones Electret 8635 £13 SN76545N (Tynr IC) £3.50 TCEP100-4000 Thom I.C. £1.75 Rank UHF 4 push button tuner £4 GRC power supply PC743B £10 Rank front panel Z950 £5 Power panel 8.500 Thom £5 Fidelity mains switch & lead and filter panel £1 Fidelity mono lopt with diode FBS1245AE £3 6 TAG print mains switch PRE11 1983 IIT 75p T134A Lopt panel £10 Rank T603A tuner on panel £6 Scan control panel Z544 £3 Rank Z582 IF £3 Rank convergence Z910 £3 GEC IF tuner panel PC786B £12.50 ML 232 L.C. on panel touch unit Fidelity £3 Hitachi power panel PC036A £1 Rank IF 742 £3 Rank decoder Board MTS 2001 Tuner & IF £12. Z733 Rank mains in put-panel £1 G11 Chroma Can 3113 108 25300 £3 20AX Line lin coil 50p GEC switch mode trans 20AX IIT CVC20 etc mains switch 60p IFT 2,800 mains remote switch 50p 2110 GEC Power Panel £8.00 Line o/p frame panels GEC 20AX £10.00 GEC 20 AX Transductor £1.00 ITT CVC40 Push Button Unit & Mains Switch £8 Rank Panels Z904 18" Line Panel £10 Z905B Decoder £10 Z736 Tuner I.F. £10 A805 Conv. 78 £2 T136A Scan Drive £10 Z780 Line O/P £10 Z968 £10 Z582 I.F. Panel £5 Rank Power Panel 300+300m with diodes degaussing £3 BA 301 £1 TA 4127 £1 HD 3884 2A23 £3 TA 4184 £1 TA 2125 £1 TA 4190 £1 TA 4138 £1 TA 4196 £1 TA 4174 £1 TA 4139 £1 TA 4198 £1 TA 4167 £1 TA 4199 £1 BA 54 £1 BA 328 £1 TA 4176 £1 TA 4145 £1 TA 4191 £1 HA 11710 £1 TA 4188 £1 TA 4197 £1 TA 4183 £1 TA 4197 £1 TA 4183 £1 TA 4195 £1 TA 4175 £1 TA 4177 £1 TA 4192 £1 TA 4146 £1 The Service Engineers Guide to Teletex £1.50 Teletex Colour Training Manual £3 Mains Trans C. Core 240v 4v+4v 4v04v 2AMP 12v lamp £2 Mullard split diode AT2076/80 £6 4 Types Fidelity front panels with i.c. & pats £2 each Amstrad TV chassis Complete damaged print £5 + £5 post BB 103 10p BB 105A×12 £1 BB 105B×12 £1 BB 105G×12 £1 BB 121a 10p 47 10p each A 823A chassis Scan drive £5 IF £3 Scan control panel £3 NEW A31/510 tubes with s/coil £6 + £2 post</p>	<p>1A/1600V 10p 2 amp bridge rec. wire end CV 8617 10p Y 716 10p Y 729 30p Y 730 10p IC: R 827: 6A/1KV 20p Y 860 30p Y 933 5p Y 969 50p Y 997 30p Min 12 volt Relays R 1038 40p R 1039 40p R 2009 80p R 2010b £1 R 2029 50p R 2210 60p R 2257 60p R 2265 50p R 2305 50p R 2306 50p R 2322/2323 pair 80p R 2323 15p R 236 50p R 2461 50p R 2030 50p R 2443=BD124 40p R2737 40p R2738=ITP41 30p R2775=ITP41c 40p R3129=ITP47 40p S 2008b 80p 2SD898B £1 Hitachi sets etc. STR454 £2 25C940 £1 BU 105/04 80p BU 108 £1 BU 124 50p BU 126 80p BU 180a 65p BU 204 70p BU 205 £1 BU 206 £1 BU 207 £1 BU 208 80p BU 208A £1.10 BU 208D 90p BU 222 10p BU 326 £1 BU 407 60p BU 426V 60p BU 500 £1.10 BU 508A £1.20 BU 526 75p BU 807 £1 BU 824 50p BUW 84 30p BYW 2048-9 £1 TTC 106a 30p TTC 116m 40p TTC 116n/Y 1003 35p TTC 126m 40p TTC 2258 30p TTC 2262 40p TTC 226m 30p TTC 236m 30p TTCV 106D (T092 case 2A/400V) 10p TIP 29 20p TIP 30 35p TIP 30A 35p TIP 30B 40p TIP 30C 45p TIP 31 30p TIP 32 25p TIP 33B 50p TIP 33C 70p TIP 34A 50p TIP 34B 60p TIP 34C 70p TIP 35B 50p TIP 35C 70p TIP 35D 80p TIP 36 70p TIP 36C 40p TIP 41B 40p TIP 41D 70p TIP 42/BRC 6109 30p TIP 48 30p TIP 49 30p TIP 57 30p TIP 100 30p TIP 102 30p TIP 115 50p TIP 117 30p TIP 120 35p TIP 125 35p TIP 130 30p TIP 131 25p TIP 136 30p TIP 140 50p TIP 640 50p TIP 2955 35p T 6032 40p T 6036 40p T 6040 40p T 6049 40p T 6051 40p T 6052 40p T 9004 40p T 9005 40p ZTX 107 10p ZTX 108c 10p ZTX 109k 5p ZTX 213 5p ZTX 341 10p ZTX 342 10p ZTX 384 10p ZTX 451 10p ZTX 550 10p MJ 2253 60p MJF 3040 60p MJE 2209 10p SP 8385 50p SAB 3205 £1.00 SAB 4209 £1.00</p>	<p>G11 condenser £1.75 300M + 700 320V £1.80 200 + 100 + 100 + 50 300V 50p 150 + 200 + 250M 300V 50p Chassis complete £35 Computer Transformer 20v/2.25A; 20v/1.5A; 17/5A; 19/5A; 28/0.5A £3 Mains ViewData Torroidals £3.75 240V/240V/4 amp/6v 500m/a in / out ----- £3.50 Mains trans 240/12v-4-12v 2 amp £3.50 Voltage Regulators +5V/UA78P05SC 30p +5V/LM79M05SCP 25p +6V/78M06C 30p +10V/78L10 20p LM 337 30p LM 342/18 30p LM 340T 5.0 50p +12V/LM 340T12 50p +15V/78M15 15p +18V/MC78M18 20p +24V/78M24 30p MC 7724cp 40p MC 7824 40p TIS 90 10p TIS 91 20p TIS 92 20p TIS 93 20p U 19885 40p U 3832 15p U 3845 15p MR 508 10p MR 501 10p MR 502 10p BCW 71R 30p BYF 1202 10p BYF 1204 10p BYF 3126 40p BYF 3214 40p BYX 10 6p BYX 36/600 35p BYX 38/300 25p BYX49/600R 75p BYX 55/350 10p BYX 55/600 (Bead) 10p BYX 71/350 20p BYX 71/600 50p BYX 72/300 20p BYX 36/600 50p BYV 95B 10p BYV 95C 12p BYV 106 10p BPW 41 15p BYW 56 2A/1000v G11 8p BZU 1524 50p DZY 93-75 50p BZV 15/18 30p BZV 15/30 30p BZW 70k6v2 10p BZX 79.3v 10p Bush thyristor RCA 76122 £1 Transformer 240v/20v-500Ma 75p Chassis type Transformer 240v/12 Volts 500m/a 75p CVC 20 tube base £2 Tube Base Rank & G11 £1.20 6v-9v-13v tape motor 75p Swiss made 250rpm/240V motor very small 75p Infra red led LD57CA 15p Mono scan coil £3 G 8 transductor £1.25 AT 4041/41 transductor £1 VHF 3 Transistor rotary tuner DX-TV £1 15K-20 turn pots 20p Thorn panel 6x100 pot + changeover switch (Irish) 50p Battery converter TA 75 for colour TV. 1224v Thorn 3787 £6 Thorn 3500 2A cut out 50p Stereo GEC amp 20 watt + pre-amp with 4 pots + mains power unit with circuit £6 SPECIAL OFFER Decca-TTT etc. FE041/250AC4 Mains filters (grey type) x 4 80p BRIDGES SKB 208 L5A 30p KBL 005 30p KBL 02 30p KBP 04 30p W02 15p W004 15p W005 20p AT 2076/35 £7 AT 2076/55 GEC split diode transformer £10 AT 2048/11 LOPTI Mullard £2.50</p>	<p>HITACHI CPT2225 CHASSIS WITH TELETEX £30 10 Mixed TV & radio speakers £4 Philips car radio speaker door pair £7 2x Hi-Fi Philips car tune up tweeter EN8320 £10 ITT CVC45 8 way resistor unit for v/cap £3 4700/10v x 10 50p 68/16 x 10 50p 150/16 x 10 50p 47/25 x 10 50p 220/25 x 10 50p 1250 x 10 50p G8 Speaker £1 8000/30v 50p 470/40v x 10 £1 22/100v x 10 £1 100/350v 70p 400/350v 70p .47/500v 25p 1/600v 25p .022/1kv 10p VIEW DATA PANELS NEW £3 Various Tools and Accessories T/V V/Aerial 300Ω or 75Ω £1.50 L.C.D. clock display with alarm 75p D/P push mains switch 20p each Mains lead & two pin socket for radio cassette 35p 3 Video Leads £1.00 Xceltr cutter £3.90 TV loop aerial 75p Radio Telescopic Aerial £1.00 Philips Neon Lamps for TV sets 5p Freeze £1.20 Foam Cleaner £1.20 Contact Cleaner £1.20 Cans of Anti Static, Degrease Cleaner and Anti Corona All at £1.20 Push Button Mains 75p Lorlin Full Remote Relay Switch fit most TV sets, mains 4 tag, 2 tag 12 volt £1.00 Mains timer. 13 amp — up to 2 hours; easy to use, plugs into socket £3.00 Sello tape PVC Electric Insulation 50mm x 20M 70p Screen locking agent, large can £1.50 20 GEC Service Manuals £5.00 Red E.H.T. LAED and Anode Cap £1.00 10 x G11 Cap 470250 £15.00 Weller solder iron 15 watt/25 watt £5.00 2 way baby alarm/intercom with long leads £5 Philips universal battery tester/charger, fuse/bulb tester To Clear £4 12V Nicad pack. "AA" £2.50 Hitachi 7.2v/1.8A Nicad pack £6.00 Hitachi TP 007 Battery pack 7.2v/1.6A £7 Hitachi Silver Oxide Battery G13 UCC357 IEC SR44 1.5V 60p 70ML Silicone Sealer (clear) £1 100 Coax Plugs £12.00 De-solder pump + 2 nozzels £5.20 Plastic box for i.c.s. 6"x3"x1/2" 50p Can of handy oil "mobil" 40p Flat Red LED 12p 500gm 60/40 solder reel £7 Clearweld glue pack 30p Dual v/u meter -20 - +10db £1 K30 thermistor 232266/298009 75p GEC Mains Power Supply R.E.G. £3.00 1Kg reel of solder £8.00 75R/25 Watt 25p 18R/11 Watt 25p Front End Music Center. VHF/ MW/LW 13"x3 1/2" £3 Output Stage for music center £5 SONY 1400KV Chroma Panel £6 SONY 1400KV Tuner unit £3.50 SONY 1400KV Touch button unit £3.50 12 Volt Mains Trans 500M/A £1.00 18V or 12 Volt Mains Trans 500M/A 75p Texas Viewdata Decoder VDP 12/80 Issue 3 with all IC's £10.00 Quantity Reductions BY20/4 25 for £1.00 BY206 25 for £1.00 W005 bridge 20 for £2 KT3 touch button black 6 for £1 G11 touch button red 6 for £1 K30 full remote Dearer Ass with 3 I.C. £7.00 K30 VHF. UHF Dearer Ass £6.00 BY298 3 amp/fast/R 20 for £1.50 BU126 10 for £6.00 BU205 10 for £8.00 BU105 10 for £6.00 25C2122A 10 for £8.00 BF458 10 for £1.00 BD136 10 for £1.25 BF224 20 for £1.40 O.A.9 40 for £1.00 BYX10 100 for £4.00 KT3 multicaps 10 for £7.50 50 Ceramic Condensers £1.50 Mixed Mounting Kit for Power Transistors 50p 300 Condensers £1.50 300 Resistors £1.50 150 Electrolytics £2.00 15 Bulbs 40p Antistatic Discloth 5 for £1 100 Diodes £1.50 Plastic Boxes 4 1/4 x 4 x 1 x 3/4 50p 100 Fuses £2.00 100 W/W Res. £1.50 BF 199 20 for £1 10 x 20 Turn 100k pots. Rank £2 Thorn 9 volt power supply regulated £3.00 BF 470 20 for £2 20 Slider Knobs 70p 6 Mixed UHF Aerial Isolating Sockets, some with long leads. Fit IIT, GEC, Philips, Pye £1.00 Mixed Packs TO66 12 Power Trans RCA 16182 NPN Replacement for BD124 and Mounting Kits £1.00 50 Mixed AC series Transistor £4.50 15 Panel mount rocker switch 250V/10A £1.50 25 Panel Mount Bulbs & Neons £1.50 10A £1.50 25 LED red/yellow/green £1.50 20/LC Holders £1.20 20 Large LED Red £1.00 20 Small LED Red £1.00 10x20 Turn 100K Pots £1.00 100 Transistor £2.50 20 Convergence Pots 80p 10 Thermistors 50p 20 Slider Pots £1.00 30 Presets £1.00 15 VDR + thermistors, degaussing, HT, etc. £1.00 40 glass reed switch £1 10 press to make switch 70p 40 Pots £1.50 5 Tube Bases £1.00 1,000 Diodes, Condensers, Resistors on Bandolier £2.00 Lucky Dip 600 gram £1.00 Jungle Bag 5Kg £5.00 20 Knobs £1.00 20mm Fuse Holders £1.00 Chassis Mount 20 for £1 IN4001/6 100 mixed £2.50 EHT Diodes, small 20 for £1 20 Mixed Switches £1</p>
--------------------------------------------------------------------------------------------------------------------------------------------------------------------------------------------------------------------------------------------------------------------------------------------------------------------------------------------------------------------------------------------------------------------------------------------------------------------------------------------------------------------------------------------------------------------------------------------------------------------------------------------------------------------------------------------------------------------------------------------------------------------------------------------------------------------------------------------------------------------------------------------------------------------------------------------------------------------------------------------------------------------------------------------------------------------------------------------------------------------------------------------------------------------------------------------------------------------------------------------------------------------------------------------------------------------------------------------------------------------------------------------------------------------------------------------------------------------------------------------------------------------------------------------------------------------------------------------------------------------------------------------------------------------------------------------------------------------------------------------------------------------------------------------------------------------------------------------------------------------------------------------------------------------------------------------------------------------------------------------------------------------------------------------------------------------------------------------------------------------------------------------------------------------------------------------------------------------------------------------------------------------------------------------------------------------------------------------------------------------------------------------------------------------------------	-------------------------------------------------------------------------------------------------------------------------------------------------------------------------------------------------------------------------------------------------------------------------------------------------------------------------------------------------------------------------------------------------------------------------------------------------------------------------------------------------------------------------------------------------------------------------------------------------------------------------------------------------------------------------------------------------------------------------------------------------------------------------------------------------------------------------------------------------------------------------------------------------------------------------------------------------------------------------------------------------------------------------------------------------------------------------------------------------------------------------------------------------------------------------------------------------------------------------------------------------------------------------------------------------------------------------------------------------------------------------------------------------------------------------------------------------------------------------------------------------------------------------------------------------------------------------------------------------------------------------------------------------------------------------------------------------------------------------------------------------------------------------------------------------------------------------------------------------------------------------------------------------------------------------------------------------------------------------------------------------------------------------------------------------------------------------------------------------------------------------------------------------------------------	--------------------------------------------------------------------------------------------------------------------------------------------------------------------------------------------------------------------------------------------------------------------------------------------------------------------------------------------------------------------------------------------------------------------------------------------------------------------------------------------------------------------------------------------------------------------------------------------------------------------------------------------------------------------------------------------------------------------------------------------------------------------------------------------------------------------------------------------------------------------------------------------------------------------------------------------------------------------------------------------------------------------------------------------------------------------------------------------------------------------------------------------------------------------------------------------------------------------------------------------------------------------------------------------------------------------------------------------------------------------------------------------------------------------------------------------------------------------------------------------------------------------------------------------------------------------------------------------------------------------------------------------------------------------------------------------------------------------------------------------------------------------------------------------------------------------------------------------------------------------------------------------------------------------------------------------------------------------------------------------------------------------------------------------------------------------------------------------------------------------------------------------------------------------------------------------------------------------------------------------------------------------------------------	------------------------------------------------------------------------------------------------------------------------------------------------------------------------------------------------------------------------------------------------------------------------------------------------------------------------------------------------------------------------------------------------------------------------------------------------------------------------------------------------------------------------------------------------------------------------------------------------------------------------------------------------------------------------------------------------------------------------------------------------------------------------------------------------------------------------------------------------------------------------------------------------------------------------------------------------------------------------------------------------------------------------------------------------------------------------------------------------------------------------------------------------------------------------------------------------------------------------------------------------------------------------------------------------------------------------------------------------------------------------------------------------------------------------------------------------------------------------------------------------------------------------------------------------------------------------------------------------------------------------------------------------------------------------------------------------------------------------------------------------------------------------------------------------------------------------------------------------------------------------------------------------------------------------------------------------------------------------------------------------------------------------------------------------------------------------------------------------------------------------------------------------------------------------------------------------------------------------------------------------------------------------------------------------------------------------------------------------------------------------------------------------------------------------------------------------------------------------------------------------------------------------------------------------------------------------------------------------------------------------------------------------------------------------------------------------------------------------------------------------------------------------------------------------------------------------------------------------------------------------------------------------------------------------------------------------------------------------------------------------------------------------------------------------------------------------------------------------------------------------------------------------------------------------------------------------------------------------------------------------------------------------------------------------------------------------------------------------------------------------------------------------------------------------------------------------------------------------------------------------------------------------------------------------------------------------------------------------------------------------------------------------------------------------------------------------------------------------------------------------------------------------------------------------------------------------------------------------------------------------------------------------------------------------------------------------------------------------------------------------------------------------------------------------------------------------------------------------------------------------------------------------------------------------------------------------------------------------------------------------------------------------------------------------------------------------------------------------------------------------------------------------------------------------------------------------------------------------------------------------------------------------------------------------------------------------------------------------------------------------------------------------------------------------------------------------------------------------------------------

SENDZ COMPONENTS
TO ORDER SEE BACK PAGE

SENDZ COMPONENTS

TO ORDER SEE BACK PAGE

Thorn Spares New 9000 Decoder £8.50 9000 Frame panel £8 9000 Cyclops panel £1.50 8000/8500 timebase panel £8 8800 convergence panel £6 8500 convergence panel £6 4000 Power supply £3 1600 Mains lead, switch 3500 6 push button + cable form £1.50 7605 1vNPN T066 80V/6A 9000 Sound output panel 3500 Focus unit £1.50 3500 Mains Trans £4 3500 cut outs 10 for £4 3500 IF panel £3 3500 Frame panel £3 3500 Line panel £3 3500 A1 Diode £3 Export 3500 IF panel £2 IC board with set of SN74LS 4000 Tube base £4 3500 A1 pots £5 Beam limiter panel £1.50 3500 Power panel with Y969 3 Way regulated adaptor 240V 6V 7.59V/300mA £3.50 Rank/Toshiba preh unit 0354 £9.50 2 banks of 3 PB unit, Pyc 731 £2 4 Push button unit preh £1.00 6 Push button VHF/UHF for v/cap. GEC-Decca type £7.00 7 Push button for CVC5 IIT £8.00 KT13 12 Push button unit £2.00 KT13 (Export) 12 P.B.U. £2 6 Push button Unit Thorn £1.00 6 Push button Unit fits GEC & Decca etc. £6.00 Hearing aid unit £7.00 6 Push button unit Pyc 713 £7.00 7 Button Unit GEC with Lamps £7.00		XX 3123 THORN 50p Hitachi 2A/1500V metal case wire end FARST/REC 20p 20 AX GFC Degaussing Panel 809 with PT37 £1.00 Line Transformers Hitachi Split Diode and GEC 1981 to 1984 £13 2 J/Pots 3.50 1 off each type £3.00 G8 Symmetry Coil £2.00 G8 Trans. Philips £7.00 G11 Split Diode £12.00 CVC820 Split Diode IIT £10.00 Thorn B/W ADS308F + Stik + Lead £1.50 1690 Thorn E1IT over-wind with diode lead & anode cap £2.50 GEC 2040 £3.00 GEC 2110 £7.00 Mullard AT 2036 £1.50 Pyc 169 Line Trans £3.00 Pyc mono £3.00 Rank mono T704A £3.50 Split Diode Trans £7.00 GEC 20 AX Rank Z522 £3 Rank L O.P.T. Z970 £3 CVC 5-8-9 £3.00 CVC20 IIT £3.50 A1208/15 £5.00 CVC30 IIT £5.00 CVC32 Line Tran £4.75 CVC800 Line Trans £6.00 CVC40 Slip/Diode £12.00 CVC 45 £5.00 GEC Portable G10T2041 £3.00 GEC Portable G10T2046 £3.00 E1FI Split Diode Leads IIT £1.00 Ex panel "14" Fidelity portable 3500 I. O.P.T. & IIT Trans each £2 LOPT Rank Z763 £5		5 Volt Mains Transformer 2 Amp 30V Power Supply 500MA 4x2/4 Pyc 731 Power Panel 6 Diode Universal Triplers NEW Pyc 725 line O/P panel with L.O.P.T. & Tripler Thorn Mains Isolator unit for 70-90W. Ex-speaker NEW GEC 20AX Power Supply Switch Mode Complete new GEC portable chassis M120H/M150H11 with P.B.U./ v.cap/LOPTI Field + Jungle panel for GEC 3133/3135 GEC 2110 line panel with transformer GEC 2110 tuner unit + IF Panel Pyc/Chelsea Line on panel Pyc 713 IF panel and tuner Pyc 713 Chroma Pyc/Chelsea Timebase panel with LOPTI Pyc 731 Frame Panel Pyc 731 Convergence Panel Pyc 731 Chroma Pyc 731 IF panel + tuner Pyc 607/205 Line panel with transformer Pyc CDA/205 panel GEC portable chassis + LOPTI 2114 New Thorn 1613/1713 chassis G9 Line Panel G9 Power Panel		50p £2.50 £13 £3.25 £10.95 £2 £12.00 £10 £1.50 £7.00 £12.00 £12.00 £7.00 £16.00 £5.00 £3.00 £1.00 £18.00 £6.00 £4.00 £9.75 £12.00 £7.00		Mains Droppers G8 2R2+68K £1.25 G8 47R 15 watt 75p Pyc 731 3+5+27R 50p Pyc 3R5/15R/45R 50p Thorn 50/17/1K5 £1.00 120/20/20/48/117 £1.00 270/106 for Thorn 4000 18/32/07/39 £1.10 Thorn 50-40R-1K5 50p Ae Socket & Lead GEC, IIT, Philips, Pyc 7x3/3/4 Thorn £5 Rank Toshiba Tube Bases 30p		Triplers IIT CVC 5-8-9 £3.50 Rank T25LE Tripler £2.00 Rank IIT/CP A823 £3.50 T17 25 80K Rank £3.00 8500 Triplers £6.50 IIT TIEZ Rank £3.00 G9 Philips £4.00 GEC 2110 £4.00 3500 Thorn £3.00 9000 Thorn £5 9500 Thorn £4.50 2040 GEC £3.50 GEC TVM25 Tripler £2.00 Universal Tripler £5.00 IVK 769 £4.00 G8 CVC 825 IIT CVC 20/25/30/32 £3.50 Decca 80 100 £4.50 Grundig TVK 52 £2.50 IITBO Pyc 731 £3.00 IITHY £4.00 D22 for Pyc 18" colour portable £4.00 LP 1193/63 £4.00 BG 100/41 £3.25 KT3 BG200/43 £3.50 T/Text ultrasonic rec'r panel £14.00 Video cassette lamps on lead 12-14V 20 for £5.00 50p or 3 for £1.00 GEC 8 touch unit assy complete with all I.C.'s + pots £4.00 G11 E.W. Transformer 50p G11 F.W. coils £1.00 G11 Transient Suppressors 245V 10 for £1.00 G11 Scan Coils £5.00 G11 100K tuner pots 12 for £1 KT3 IF panel 16.00 KT3 line OSC transformer £1 KT3/K30 infra-red receiver head £1 K30 drawer unit with IC's (home) £10 K30 drawer unit with IC's (export) £10 KT3 AE Sockets 50p KT3 receiver panel £8 KT3 line driver transformer Pyc, K30, GEC, etc. Pre-mains stand- by switch £1 Decca 80/100 IF panel £5 NPN/PNP 80V 6 Amp TO66 O.P. Trans pair 25p 5 button touch tuner BBC12 IITV1/2 video with ic SAS 560T/570T £7.00 Control panel 5 sliders + mains lead £1.50 G11 8 touch button unit replaces old 6 P.B.U. £24 Tube base + base unit for 820 Euro chassis £4.00 GEC Line O/P Trans. & Rec Suck for Portable £3.00 CVC 20/25/30/35/40 decoder panel £10 CVC 20/25/30/35/40 decoder panel lead £5 CVC 40/45 IF panel £5 40K Transducer 50p PHILIPS NES11N £1.20 LM337M Reg. 30p 20 GEC Black Spark Gaps £1.00 G11 Line Driver Transformer 35p KT3 Front Panel Control Assy. £2.50 BTW 30/50 50p		NEW MULLARD TELETEX Decoder Panel (VM6230) £15.00 Panel 6101 £15.00 Panel 6330 £15.00 G8 Tuner Unit + Panel £6.00 G8 Convergence Panel (date type) £12.00 G8 Power Supply £6.00 G8 6 Sloping PBU £8.00 G8 IF & Chroma £10.00 G8 Chroma £6.00 G11 IF Detector £3.00 G11 Selector gain module £3 Complete CVC 825 Chassis (both panels) £40.00 AEC V/CP Resistor Unit UHF with IC SAS660SAS670 £3.00 Z714 RANK IF Panels 6MHz 1 I.C. SL437F £3.00 Z909B RANK IF Panels Export 5.5MHz 2 I.C.'s TBA1205B TCA2705Q £2.50 Z743 RANK IF Panel Export 5.5MHz 3 I.C.'s TBA750+SC9504P+ SC9503P £1.50 Pyc G11 Front panel with transducer, pots, tuner pots, 6 pb switch+lead £5.00 Pyc 6 button switch portable £1.00 GEC V/cap VHF/UHF tuner and IF + sound O/P PC 706B3 (Export) £12.00 GEC Line O/P PC 659B3 £6.00 2110 GEC Power Panel £8.00 GEC Power Supply (Export) £10.00 G11 dynamic correction panel CVC 20 Front panel with sliders + mains input panel £4 CVC 40 PUSH BUTTON ASSY with sliders: complete with lamp assy + pots £14 CVC9 slider pots panel 50p CVC 5 Mains on/off + 5 pots £2 Universal Focus. Fits Pyc, Thorn and Decca Units. Large Type 75p Decca Small 75p KT3 Focus Unit 75p K30 Focus Pot 75p TX10 Focus Units £6 CVC 32 Focus Unit 75p Fidelity Focus Unit 14R-14S 1500 Thorn Focus Unit £1.00 IIT Small for use with Split Diode 50p TV11 50p Remo TV12SP 50p TV13 50p TV14 50p TV18 60p TV20 11.00 TV45 50p Thorn 14/1500 rec stick 5p (7000 Philips Video Games Packs 11 types £8.00 each G11 drawer ASS 3 pots Mains switch and lead £2.00 Line O/P panel GEC 2217/2218/2213/ 2214/2226/2227/2228 £10 CLOCK DISPLAY 4 SEG AC/DM45 £1.00 4000 thick film £2.00 DISPLAYS 4040 Clock £1.00 7seg Red LED 50p 2 digit LED 8.8 50p 2 digit LED ±1.8 with panel + MC14511 £1.00 4700/63 £1.50		Mains Isolation Transformer (R.S. 500V/VA Type) in case £25.00 Rank Secam Decoder Panel UHF & VHF T115A £13.00 NEW GRUNDIG SPARE PANELS Set No. SC4127, SC4337, SC6217, SC6237 GRUNDIG MODULE TYPES Tuner IF AF TRX1 OP. TP preamp/tcr Tuning board, Colour RGB, LED Board Deflection Board From £3 to £8 Multi-Caps 350V 300M + 300M £1.00 400V 400M 60p 350V 400M 60p Thorn 3500 £2.00 175/100/100/350V £1.00 KT3/200/25/25/385v £1.00 300 + 300 + 150 + 100 + 50MFD 350V £2 47/20/350V 60p 150/150/100/100/320M £2.00 2500/2500/63v 50p 150/200/200/300V 70p 400/400/200V £1.70 300/100/100/16/275V £1.50 100/200/325V 40p 150/150/100/375V £1.50 300/300/100/32/32/300V 2.00 150/200/300V 50p Jelly pot Thorn 00D4013 £3 150/150/100/100/325V £2.00 100/350 + 300/200/100/16/275V £2.00 225+25/380 GEC 70p 200/100/100/350V £1.50 500/500/25V 50p 150/150/100/300V 75p 200/150/150/300V 1.00		IIT L30 CVC 40/2 Chassis, new £30, complete with infra panel £3.00 GEC 820 Line O/P Panel CVC20 Mains Panel £1.00 IIT 8 & 6 Push Button Unit CVC40/2 New Chroma Panel £10.00 CMA 10 £2.00 CMA 11 £2.00 CMA 20 £2.00 CMA 40 £1.50 CMA 10/2 £5.00 CMC 16 £4.00 CMC 38 £8.00 CMC 45 £1.50 CMC 47 £1.00 CMC 52 £15 CMC 57 £6.00 CMC 58 £8.00 CMC 59 £8.00 CMC 67 £3.75 CMC 67/2 £4.00 CMC 68 £4.00 CMC 12 £10 CMC 32 £5.00 CMC 33 £5.00 CMC 40 £5.00 CMC 41 £2.00 CMC 800 £10.00 CMC 25 £2.00 CMC 26 £2.00 CMC 40 £2.00 CMC 41 £1.00 CMC 41 £1.00 CMC 41 £1.00 CMC 12 (untested) £4.00 CMC 30 (untested) £4.00 CMC 20 £1.50 CMC 21 £1.50 CMC 40 £1.00 CMC 45 25p CMC 10 £2.00 CMC 11 £4.00 CMC 40 £2.00 CMC 12 £10.00 CMC 14 £8.00 CMC 30 £7.00 CMC 45 £7.00 CMC 30 £5.00 GMA 90 £5.00 GMC 120 £2.50 GMR 64 £5.00 TMN 2 £2.00 VCA 20 £10 VCA 21 £10.00 VMC 26 £3.00 VMC 34 £4.00 VMC 44 + 45 £5.00 VMC 51 £5.00		Hand Sets G11 Ultrasonic Teletex Handset £24.00 R.C.H. Ultrasonic GEC Full Remote C20141/ C21291 £15.00 New Replacement for G11 Ultrasonic Full Remote £12.00 Thorn 4000 insert with 7 buttons. £5.00 Decca RC 11 £14.00 Decca RC 12 £14.00 G11 Infra-red full teletext £24.00 Rank, Infra-red £10.00 Dynatron-Full remote CTV 62, 63, 64 £19.00 Hitachi infra red handset £18 Philips full remote K.T3, 166/28/30/34/ 7228/324, K12 26C 799/1ST 66K 1826 £12.00 G11, Full remote tap button assy. £12.00 G11, Full remote repair service (exchange unit) £12.00 Philips infra red full remote 9 channel for 60 CP2605 £6.00 Philips infra red full remote 12 channel for 60 CP2605 £25p Philips Key Pad set KT3/K30 £3.00 KT3/K30 T/Text £15.00 KT3/K30 Full remote £15.00 KT3 Power supply £4.00 Hitachi 8 button unit with resistor unit, Last year mod. £7.00 GEC infra-red 2236-2026 £4.00 GEC push pad hand set button blobs 10p each Pyc & Philips handset KT3-K30 chassis, No RC401-RC150-RC1516-RC1517-RC1577 Special Price £13.00 IIT Hand Set with TV-Telex-VCR £12.00	
--------------------------------------------------------------------------------------------------------------------------------------------------------------------------------------------------------------------------------------------------------------------------------------------------------------------------------------------------------------------------------------------------------------------------------------------------------------------------------------------------------------------------------------------------------------------------------------------------------------------------------------------------------------------------------------------------------------------------------------------------------------------------------------------------------------------------------------------------------------------------------------------------------------------------------------------------------------------------------------------------------------------------------------------------------------------------------------------------------------------------------------------------------------------------------------------------	--	--------------------------------------------------------------------------------------------------------------------------------------------------------------------------------------------------------------------------------------------------------------------------------------------------------------------------------------------------------------------------------------------------------------------------------------------------------------------------------------------------------------------------------------------------------------------------------------------------------------------------------------------------------------------------------------------------------------------------------------------------------------------------------------------------------------------------------------------------------------------------------------------------------------------------------------------------------------------------------------------------------------------------------------------------------------------------------------------------	--	--------------------------------------------------------------------------------------------------------------------------------------------------------------------------------------------------------------------------------------------------------------------------------------------------------------------------------------------------------------------------------------------------------------------------------------------------------------------------------------------------------------------------------------------------------------------------------------------------------------------------------------------------------------------------------------------------------------------------------------------------------------------------------------------------------------------------------------------------------------------------	--	-----------------------------------------------------------------------------------------------------------------------------------------------------------------------------------------------------------	--	------------------------------------------------------------------------------------------------------------------------------------------------------------------------------------------------------------------------------------------------------------------------------------------------------------------------------------------	--	---------------------------------------------------------------------------------------------------------------------------------------------------------------------------------------------------------------------------------------------------------------------------------------------------------------------------------------------------------------------------------------------------------------------------------------------------------------------------------------------------------------------------------------------------------------------------------------------------------------------------------------------------------------------------------------------------------------------------------------------------------------------------------------------------------------------------------------------------------------------------------------------------------------------------------------------------------------------------------------------------------------------------------------------------------------------------------------------------------------------------------------------------------------------------------------------------------------------------------------------------------------------------------------------------------------------------------------------------------------------------------------------------------------------------------------------------------------------------------------------------------------------------------------------------------------------------------------------------------------------------------------------------------------------------------------------------------------------------------------------------------------------------------------------------------------------------------------------------------------------------------------------------------------------------------------------------------------------------------	--	------------------------------------------------------------------------------------------------------------------------------------------------------------------------------------------------------------------------------------------------------------------------------------------------------------------------------------------------------------------------------------------------------------------------------------------------------------------------------------------------------------------------------------------------------------------------------------------------------------------------------------------------------------------------------------------------------------------------------------------------------------------------------------------------------------------------------------------------------------------------------------------------------------------------------------------------------------------------------------------------------------------------------------------------------------------------------------------------------------------------------------------------------------------------------------------------------------------------------------------------------------------------------------------------------------------------------------------------------------------------------------------------------------------------------------------------------------------------------------------------------------------------------------------------------------------------------------------------------------------------------------------------------------------------------------------------------------------------------------------------------------------------------------------------------------------------------------------------------------------------------------------------------------------------------------------------------------------------------------------------------------------------------------------------------------------------------------	--	------------------------------------------------------------------------------------------------------------------------------------------------------------------------------------------------------------------------------------------------------------------------------------------------------------------------------------------------------------------------------------------------------------------------------------------------------------------------------------------------------------------------------------------------------------------------------------------------------------------------------------------------------------------------------------------------------------------------------------------------------------------------------------------------------------------------------------------------------------------------------------------------------------------------------------------------------------------------------------------------------------------------------------------------------------------------------------------------------	--	--------------------------------------------------------------------------------------------------------------------------------------------------------------------------------------------------------------------------------------------------------------------------------------------------------------------------------------------------------------------------------------------------------------------------------------------------------------------------------------------------------------------------------------------------------------------------------------------------------------------------------------------------------------------------------------------------------------------------------------------------------------------------------------------------------------------------------------------------------------------------------------------------------------------------------------------------------------------------------------------------------------------------------------------------------------------------------------------------	--	---------------------------------------------------------------------------------------------------------------------------------------------------------------------------------------------------------------------------------------------------------------------------------------------------------------------------------------------------------------------------------------------------------------------------------------------------------------------------------------------------------------------------------------------------------------------------------------------------------------------------------------------------------------------------------------------------------------------------------------------------------------------------------------------------------------------------------------------------------------------------------------------------------------------------------------------------------------------------------------------------------------------------------------------------------------------------------------------------------------------------------------------------------------------------------------------	--

