

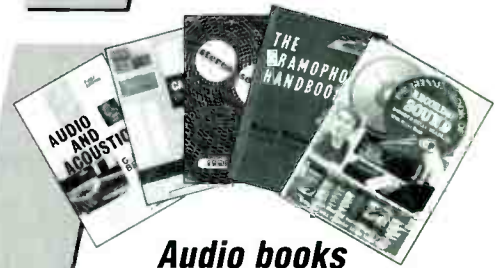
www.hi-fiworld.co.uk

hi-fi

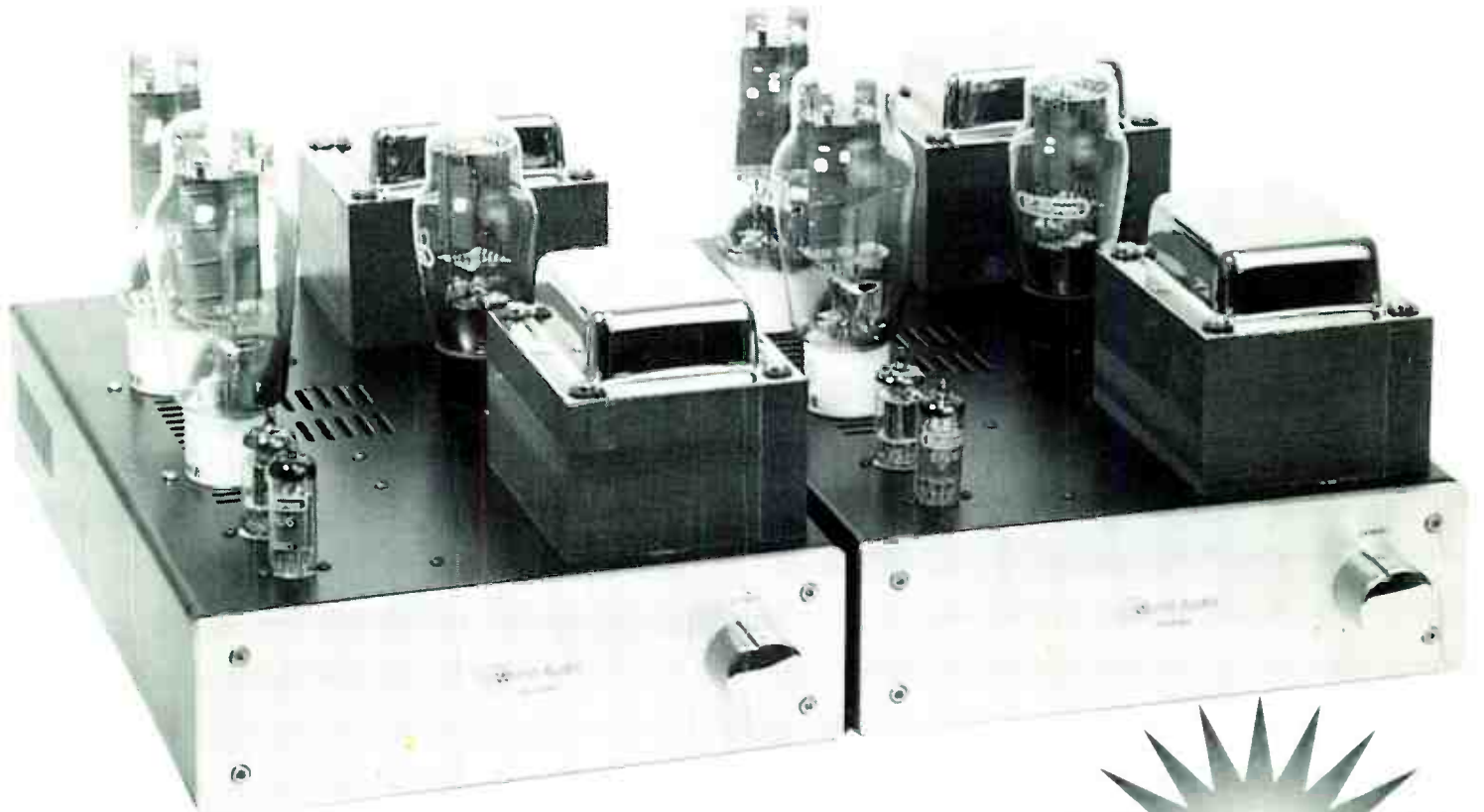
OCTOBER 2000

No53

World



Audio books from the Past - what to look out for!



SWINGING SINGLES!



Plus:
● news, letters and more...

Fabulous 20W Single-Ended Power Amps



HI-FI WORLD
IMEX HOUSE,
THE PARK BUSINESS
CENTRE,
KILBURN PARK ROAD,
LONDON, NW6 5LF

Web Site
 www.hi-fiworld.co.uk
 www.worldaudiodesign.co.uk

Subscriptions & Back Issues
 9.30am - 2.30pm
 +44 (0)1923 270833

Private & Trade Classified Ads
 +44 (0)20 7625 3134
 Fax: +44 (0)20 7328 1844

Contact Numbers
 9am - 5pm Mon - Fri

Editor
 Nick Lucas
 +44 (0)1908 218 836
 nick@worldaudiodesign.co.uk

Sub Editor
 Noel Keywood

Design & Production
 Tyrone Taylor
 +44 (0)20 7625 3129
 Fax: +44 (0)20 7328 1844

Contributors
 Richard White
 Gary Devon

Photography
 David Noble
 +44 (0)20 7625 3134

Sales and Marketing Manager
 Amanda Sweeney
 +44 (0)20 8864 4760
 Fax: +44 (0)20 8864 4780

Accounts
 Michael Ogazi
 +44 (0)20 7625 8032
 Fax: +44 (0)20 7328 1844

Credit Control
 Louise Palfrey
 +44 (0)1923 270 833
 Fax: +44 (0)1923 260 588

Publisher
 Noel Keywood

WORLD AUDIO
DESIGN

Technical Manager
 Nick Lucas
 Tel/Fax: +44 01908 218 836
 e-mail: nick@worldaudiodesign.co.uk
 website: worldaudiodesign.co.uk

Distributed by
 Comag Magazine Marketing,
 Tavisstock Road, West Drayton,
 Middlesex UB7 7QE
 Tel: +44 (0)1895 444 055

Printed by
 Southernprint, Dorset.
 Tel: +44 (0)1202 622 226

All unsolicited submissions are made at the owner's risk. We accept no responsibility for such submissions, nor do we undertake to return them.

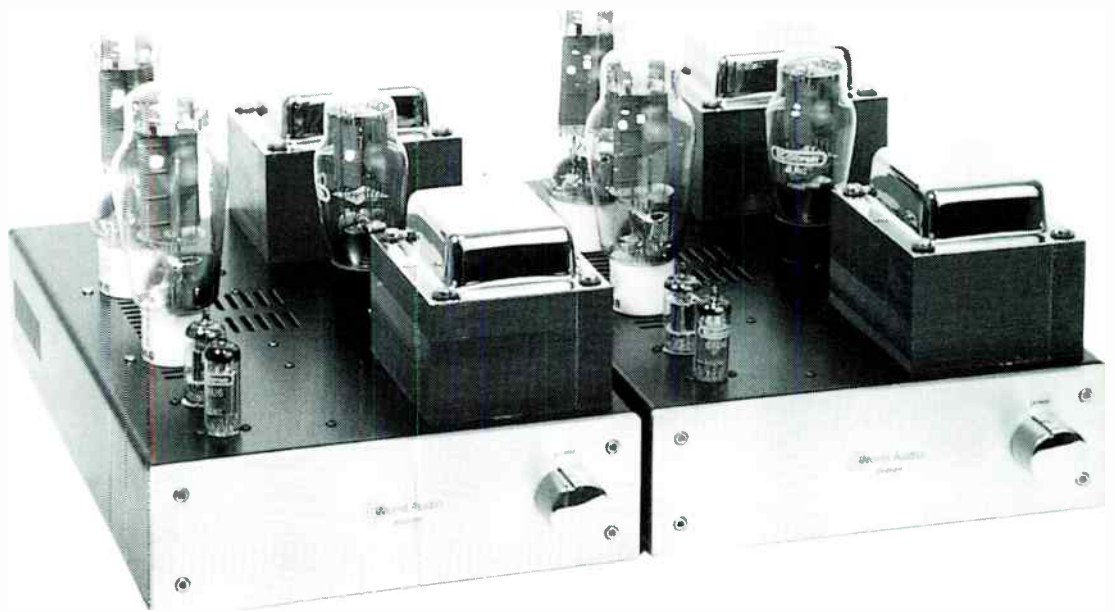
No material may be reproduced from this magazine without the publisher's written permission.
 © Audio Publishing Ltd

ALL RIGHTS to the designs are reserved by World Audio Publishing Ltd. They are published for single use by private individuals. They are not to be used for commercial gain without prior permission from World Audio Publishing Ltd.

World Audio Publishing Ltd accept no responsibility for accident or injury arising from the construction or use of any of the designs published. All of the projects in this supplement have gone through rigorous listening and test procedures. The performance and specification of these projects can only be guaranteed on kits bought directly from World Audio Publishing Ltd.

diy supplement/contents

No53



KIT NEWS

New software from Syntrillium and Valves on the web

5

SWINGING SINGLES!

We get seriously esoteric with a great new Single-Ended amplifier

7

PHASE SPLITTERS

Designer Gary Devon looks at the circuit Single-Endeds don't have

15

KOLLECTORS CORNER

Richard White talks about the books worth seeking out at jumbles

19

LETTERS

KLS-8 antics and KT88 questions

21

ADVERTISERS' INDEX

22

Watford Valves

7 DAYS A WEEK 9AM - 9PM THE AUDIOPHILES CHOICE
All output valves multi-tested and digitally matched
Full no quibble guarantee. Expert advice on all valve amps

ECC81	Philips	5.00	GZ32	Harma	9.00
ECC82	Philips.	5.00	GZ32	Philips	25.00
ECC83	Philips	6.00	GZ34	Harma	8.00
ECC83	R.F.T	8.00	KT66	Harma	25.00
ECC83	Tungsram	15.00	KT66	GEC	80.00
ECC83	Mazda G	15.00	KT88	Sovtek	20.00
ECC83	Mazda S	18.00	KT88	Svetlana	32.00
ECC803S	Tesla.	20.00	2A3	Sovtek	18.00
E83CC	Siemens	25.00	5687WB	Philips	5.00
ECC85	R.F.T.	5.00	5881WXT	Sovtek	5.00
E88CC/6922	Harma	12.00	6550C	Svetlana	18.00
ECL86	Harma	6.50	6550WE	Sovtek	16.00
EF80	Mazda	6.00	6AU6WC	Philips	3.50
EF86	Tesla	12.00	6B4G	Sovtek	28.00
EL34WXT	Sovtek.	6.00	6C33C-B	Russian	28.00
EL34EH	Sovtek	10.00	6CG7	EI	8.00
EL34	Svetlana	8.50	6CG7	GE	14.00
EL34L	JJ/Tesla	8.50	6GK5	GE	7.00
EL84	Sovtek	4.50	6L6GC	Svetlana	12.00
EL84	Telefunken	35.00	6SL7GT	Sylvania	8.00
E84M	Russian	6.00	6SN7GT	Tungsol	18.00
EL84	Philips	15.00	7119	Amperex	12.00
PL519	Mullard	12.00	7199	G.E.	15.00
EL519	EI	12.00	12AX7LPS	Sovtek	8.00

300B JJ/TESLA RAVE REVIEW

In Stereophile's November 1999 issue Peter Van Willenswaard evaluated over fifteen 300Bs using the Audionote Kit 1 and the cost no option de Jong System Amplifiers. He said of the JJ Tesla 300B - 'Worked well in both amps, very good bass - real pressure there and very involving, even euphonic - almost as if trying to make things nicer than real. It has good dynamics, reasonably fine detail, and threw a remarkably wide stage with the Audionote'. He summed up by saying in short 'The JJ electronics looks a real bargain!'



We offer this great 300B at only £68 each making it an outstandingly good value upgrade.

WATFORD VALVES 3 RYALL CLOSE,
BRICKET WOOD, ST ALBANS, HERTS AL2 3TS

Fast mail order/next day delivery/World Wide shipping
1000's more valves stocked. Prices exclude VAT and carriage.



01923 893270

Fax: 01923 679207

www.watfordvalves.com



Lockwood Audio

**SPEAKER MANUFACTURERS'
SURPLUS DRIVERS**

Examples:

25mm	Tweeters	Soft or Anodised
110mm	ICT;MF; Bass	
120mm	Bass/Mid	Shielded
135mm	Bass/Mid	
165mm	Mid;Bass/Mid	
172mm	Bass Long throw	
200mm	Bass;Mid/Bass*	
386mm	Bass	
Various	Ellipticals	
4/6/8/16 ohm		pressed/cast/moulded frames

Crossovers: Termination Panels:Spikes & sockets etc.

*as used in HI FI WORLD Horn Enclosure !

AT A FRACTION OF ORIGINAL COST

Phone Fax email for details

Lockwood Audio

email: sales@lockwood-audio.co.uk

Unit 8, 724 Field End Road, Ruislip, Middlesex, HA4 0QP
Phone +44 (0)20 8864 8008 Fax: +44 (0)20 8864 3064

credit & debit cards welcome



BRITISH SUB BASS

OMP

100 WATT SUB BASS

Loudspeaker Amplifier

Panel. WWW.BKELEC.COM/SUB.HTM



Ideal for building Audiophile and Home Theatre subwoofer loudspeaker Projects

FEATURES:- *100W R.M.S. into 8 ohm *High and Low Level Input *Toroidal Transformer *Short Circuit Protection *D.C. Speaker Protection *Frequency Roll Off, Lower 10Hz, Upper 60Hz to 240Hz(Fully Adjustable) *AC3 Compatible Filter can be by passed for 5-1 Formats. *Airtight Construction *Tens of Thousands of our panels already in use. *Complete with Leads
SPECIFICATION:-*Power 100W RMS @ 8 ohms*F.Resp 10Hz-15KHz -3dB *Damping Factor >200 *Distortion 0.05% *S/N A Weighted >100dB *Supply 230V. A.C. *Weight 2.7Kg *Size H254 W254 D95mm

The above item may be ordered by post, fax, e-mail or phone and payment is welcome by cheque or credit card. **PRICE: £117.44 + £5.00 P&P Incl VAT**

B.K.ELECTRONICS
UNIT 1 COMET WAY

Web:-<http://www.bkelec.com>
E-mail:- Sales@bkelec.com



SOUTHEND-ON-SEA
ESSEX SS2 6TR

TEL: 01702-527572
FAX: 01702-420243



KIT AND COMPONENT NEWS

SYNTRILLIUM RELEASES PRO EQ PLUG-IN FOR COOL EDIT 2000

Cool Edit Pro

Syntrillium Software has released the newest member of the Cool Edit 2000 family of products: the Pro EQ Plug-In.

The manufacturer's press release says: "Cool Edit 2000 (\$69) is a professional yet affordable audio recording and editing application for Windows 9x, Windows NT and Windows 2000. The Pro EQ Plug-In adds advanced equalization and filtering tools to Cool Edit 2000. With it, Cool Edit users can apply a subtle or powerful frequency bias with the 10-, 20-, or 30-band Graphic Equalizer. Boost or cut up to five bands with adjustable widths and centre frequencies with the Parametric Equalizer.

Take out hum or a tone with the Notch Filter. Apply low-pass, high-pass, and other sophisticated IIR filters with the Scientific Filters. Shape that audio, sweeten it, bring it forward, send it back, and even achieve special effects-- all for only \$49, and right now, by downloading the functional demonstration version from Syntrillium's web site, or by purchasing it at Syntrillium's online store for immediate use."

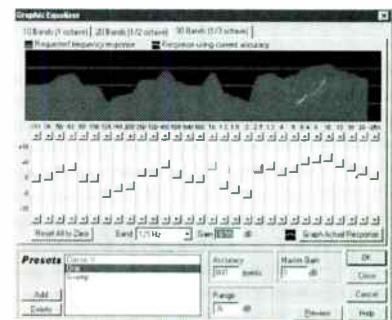
Cool Edit 2000: <http://www.syntrillium.com/cooledit>, or
download the Pro EQ Plug-In directly from
<http://www.syntrillium.com/download.html?021>.

CHELMER VALVES ON WEB

Chelmer Valve have just upgraded their web site to incorporate a discussion forum (www.chelmervalve.com) to allow site visitors to exchange news and information on audio tube and amplifier performance.

Chelmer Valve Company was founded in 1961 initially with the objective of supplying electronic valves as spares to government, the military and broadcasters. As well as continuing to supply these customers, the business has expanded over the years both in terms of its worldwide markets and its product portfolio. Semiconductor supply has now become one of the company's core activities.

The company supplies audio tubes under its own CVC brand name



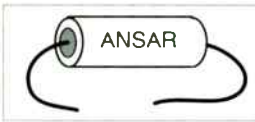
and also as requested under third party brand names to customers and distributors around the world.

Regardless of whether the company is providing its own brand tubes or labelling tubes for a third party, the company applies the same high standards for testing tubes. These standards have been developed over many years and are being continuously refined by both in house test engineers and suppliers. Such close co-operation has enabled Chelmer to react swiftly to not only technical issues, but also to requests from customers in terms of technical modifications to valves.

To ensure complete responsiveness to customer needs Chelmer are about to introduce yet another element to the test procedure. Custom built listening rooms will allow evaluation of the audio performance of both existing premium audio tube range and the forthcoming Millennium range of tubes, using a number of different amplifiers. Which just goes to show there's still a lot of interest and business in valve still.

Chelmer Valve Company Ltd
 The Stables
 Baddow Park
 Great Baddow
 Chelmsford, Essex
 CM2 7SY
 Tel: 01245 241300
 E-mail: sales@chelmervalve.com

Ansar Supersound Polypropylene Axial Capacitor



Audio specific. For transparent & detailed sound with EXTREMELY low distortion. High purity imported met-ised polypropylene. Tol 5%

Part No.	Description	L x D mm	Price
CPW100N	Ansar 100nF 630V	32 x 6.5	1.60
CPW150N	Ansar 150nF 630V	32 x 7.5	1.60
CPW220N	Ansar 220nF 630V	32 x 9.0	1.60
CPW330N	Ansar 330nF 400V	32 x 8.0	1.60
CPW470N	Ansar 470nF 400V	32 x 9.0	1.80
CPW680N	Ansar 680nF 400V	32 x 10.5	1.80
CPW100	Ansar 1uF 400V	32 x 12.5	1.80
CPW150	Ansar 1.5uF 400V	32 x 14.7	1.80
CPW202	Ansar 2.2uF 400V	43 x 14.8	1.80
CPW303	Ansar 3.3uF 400V	43 x 17.6	2.20
CPW407	Ansar 4.7uF 400V	43 x 20.7	2.50
CPW608	Ansar 6.8uF 400V	43 x 22.8	3.00
CPW800	Ansar 8uF 400V	43 x 26.5	4.00
CPW100	Ansar 10uF 400V	43 x 29.5	4.00
CPW150	Ansar 15uF 400V	55 x 34.1	5.50
CPW202	Ansar 22uF 400V	55 x 39.3	7.00
CPW250	Ansar 25uF 400V	55 x 42.0	7.50
CPW300	Ansar 30uF 400V	55 x 44.7	8.50
CPW500	Ansar 50uF 400V	83 x 46.0	11.50
CPW600	Ansar 60uF 400V	83 x 51.7	13.50
CPW750	Ansar 75uF 400V	83 x 55.1	19.00
CPW800	Ansar 80uF 400V	83 x 56.8	19.50
CPW1000	Ansar 100uF 400V	115 x 55	120.00
CPW1250	Ansar 125uF 400V	115 x 60.926	00

Dual Polypropylene Smoothing Capacitors

To replace old electrolytics or for new designs. Wire tails.

Part No.	Description	L x D mm	Price
CPW1616	Propyl 16-16 400V	100 x 50	25.00
CPW3232	Propyl 32x32 400V	115 x 61	30.00

Philips Polypropylene Axial 1% Blue coated Film & Foil. Epoxy coated, low inductance metal foil & film. Supremely stable. Tolerance 1%

Part No.	Description	Price
CPA47P	Propax 47pF 630V	0.40
CPA100P	Propax 100pF 630V	0.40
CPA150P	Propax 150pF 630V	0.35
CPA220P	Propax 220pF 630V	0.35
CPA330P	Propax 330pF 630V	0.35
CPA470P	Propax 470pF 630V	0.35
CPA680P	Propax 680pF 630V	0.35
CPA1N0	Propax 1nF 400V	0.45

Part No.	Description	Price
CPH1N5	Propax 1.5nF 250V	0.45
CPH2N2	Propax 2.2nF 250V	0.45
CPH3N3	Propax 3.3nF 250V	0.45
CPH4N7	Propax 4.7nF 160V	0.50
CPH6N8	Propax 6.8nF 160V	0.50
CPH10N	Propax 10nF 63V	0.65
CPH22N	Propax 22nF 63V	0.75
CPH33N	Propax 33nF 63V	1.10
CPH47N	Propax 47nF 63V	1.30

Audio Electrolytics Radial 105 deg C +PLUS+ low impedance.

These superior electrolytics offer a low impedance path to the signal, resulting in a very open & detailed sound. The use of high temperature materials ensure that these capacitors enjoy a long & stable life.

Part No.	Description	Price
1Y50	Lo Imp Hi Temp 1uF 50V	0.25
2U2Y50	Lo Imp Hi Temp 2.2uF 50V	0.25
4U7Y100	Lo Imp Hi Temp 4.7uF 100V	0.25
10Y63	Lo Imp Hi Temp 10uF 63V	0.25
22Y63	Lo Imp Hi Temp 22uF 63V	0.30
47Y63	Lo Imp Hi Temp 47uF 63V	0.35
100Y63	Lo Imp Hi Temp 100uF 63V	0.50
220Y50	Lo Imp Hi Temp 220uF 63V	0.75
470Y63	Lo Imp Hi Temp 470uF 63V	1.25
1000Y35	Lo Imp Hi Temp 1000uF 35V	1.50
2200Y50	Lo Imp Hi Temp 2200uF 50V	2.25
4700Y25	Lo Imp Hi Temp 4700uF 25V	2.50

Trobo High Ripple Reservoirs

Excellent for Audio. Long life. High reliability 100VDC caps with screw terminals

10000uF: 50x87mm 8.97A ripple current
22000uF: 65 x 103mm 15.19A ripple current

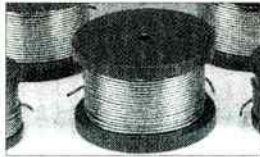
Part No.	uF/Voltage	Price
10000C100	10000uF 100V	20.00
22000C100	22000uF 100V	30.00

Alcap Bipolar Electrolytics

Avial leads 50V Tol: 10%
Primarily for use in speaker crossovers.

Part No.	Description	Price
CAB11	Alcap 1uF	0.25
CAB2U2	Alcap 2.2 uF	0.40
CAB3U3	Alcap 3.3uF	0.40
CAB4	Alcap 4uF	0.40
CAB5	Alcap 5uF	0.40
CAB6U8	Alcap 6.8uF	0.50
CAB8	Alcap 8uF	0.50
CAB10	Alcap 10uF	0.50
CAB16	Alcap 16uF	0.65
CAB20	Alcap 20uF	0.65
CAB25	Alcap 25uF	0.65
CAB35	Alcap 35uF	0.75
CAB50	Alcap 50uF	0.75
CAB60	Alcap 60uF	0.85
CAB80	Alcap 80uF	1.00
CAB100	Alcap 100uF	1.10

Monacor Air Cored Inductors.



A range of professional air cored inductors for 80 or 40 crossovers/filters for use up to 300W. 1.2mm enamelled copper wire wound on air spaced plastic bobbins.

Part No.	Specification	Price
P15	150uH 0.15Q 8x19mm	£2.00
P22	220uH 0.15Q 48x19mm	£2.50
P33	330uH 0.2Q 8x19mm	£3.00
P47	470uH 0.25Q 50x19mm	£3.50
P68	680uH 0.35Q 59x19mm	£4.50
P100	1mH 0.4Q 59x19mm	£5.50
P150	1.5mH 0.5Q 70x30mm	£6.50
P220	2.2mH 0.6Q 70x30mm	£8.00
P330	3.3mH 0.75Q 70x30	£10.00

Monacor Ferrite Inductors



A range of professional high efficiency ferrite cored inductors with very low ohmic losses for 80 or 40 crossovers or filters for use up to 400W. 1.4mm enamelled copper wire (1.3mm on F1000) wound on plastic bobbin.

Part No.	Specification	Price
F220	2.2mH 0.15Q 400W 55x31mm	£6.50
F330	3.3mH 0.2Q 330W 65x39mm	£9.50
F470	4.7mH 0.25Q 140W 65x30mm	£11.00
F680	6.8mH 0.35Q 120W 65x39mm	£12.00
F1000	10mH 0.45Q 100W 65x39mm	£13.50

High Quality Valves

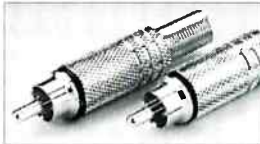
Part No.	Description	Price
6550C	OUTPUT VALVE	£26.00
6L6GT	OUTPUT VALVE	£4.50

Part No.	Description	Price
6SN7GT	OUTPUT VALVE	£4.50
6V6GT	OUTPUT VALVE	£3.95
ECC81	TRIODE	£4.50
ECC82	TRIODE	£4.50
ECC83	TRIODE	£4.50
EF86	LOW NOISE PENTODE	£9.90
EL34	OUTPUT VALVE	£8.50
EL84	OUTPUT VALVE	£1.50
GZ34	RECTIFIER	£6.50
KT88	OUTPUT VALVE	£20.00

Valve Holders - High Quality Valve Bases. Chassis Mounting With Screw Fittings.

Part No.	Description	Price
B9AC	B9A VALVE HOLDER CERAMIC	£1.50
B9AG	B9 VALVE HOLDER PORCELAIN PLUS GOLD PLATED PINS	£3.00
OCTC	OCTAL VALVE HOLDER CERAMIC	£2.00
OCTG	OCTAL VALVE HOLDER PORCELAIN PLUS GOLD PLATED PINS	£4.00

Fully Gold Plated Phono (RCA) Plugs with spring coil cable grip.



Part No.	Description	Price
PPG5A2	PAIR GOLD PLUGS for up to 5mm CABLE	£1.50 pair
PPG8A2	PAIR GOLD PLUGS for up to 8mm CABLE	£1.50 pair

Very High Quality Phono (RCA) Plugs



Very high quality satin grey metal with heavy gold plated connections. Top collet cable grip & PTFE insulators. Very low noise.

Part No.	Description	Price
PPG6H2	GOLD PTFE PLUGS for up to 6mm CABLE	£3.50 pair
PPG8H2	GOLD PTFE PLUGS for up to 8mm CABLE	£3.50 pair

Extra High Quality Gold Plated Phono Oxygen Free (RCA) Leads (pairs)



Highly flexible oxygen free cable with extra moulded in control / grounding wire.

Part No.	Length/Colour	Price
LPP10G	0.8 Metres/Green	£5.50
LPP20G	1.5 Metres/Green	£6.50
LPP50G	5 Metres/Green	£11.00

Bass Reflex Tuning Ports



A range of adjustable plastic ports for use in various sizes of loudspeaker cabinets. d=diameter l=adjustable length (mm)

Part No.	Dimensions	Price
R35	d=35l=110-210	£2.50
R50	d=50l=150-280	£3.00
R70	d=70l=128-245	£3.50
R100	d=110l=160-122	£5.50
R85	d=85 angled 45° for narrow cabinets=210-310	£6.50

High Quality Components at the right price. Please add £3.00 carriage + VAT to all orders. Credit Card phone orders accepted.

Cricklewood Electronics Ltd, 40 & 42 Cricklewood Broadway, London NW2 3ET. Tel: 0208 452 0161 Fax: 0208 208 1441



Vacuum Tubes for Audio Are Back!

Glass Audio brings together yesterday's tube with today's improved components, voltage control, and the exciting new Soviet tubes, to make smooth sound in your livingroom possible again!

YES!

Please send my first issue of **Glass Audio**. I'll pay just \$45.00 for six issues (1 year); \$80.00 for 12 issues (2 years) of the best information on tubes to be found anywhere. I understand that my satisfaction is guaranteed!

Name _____

Street & Number _____

City _____ Postal Code _____

Country _____

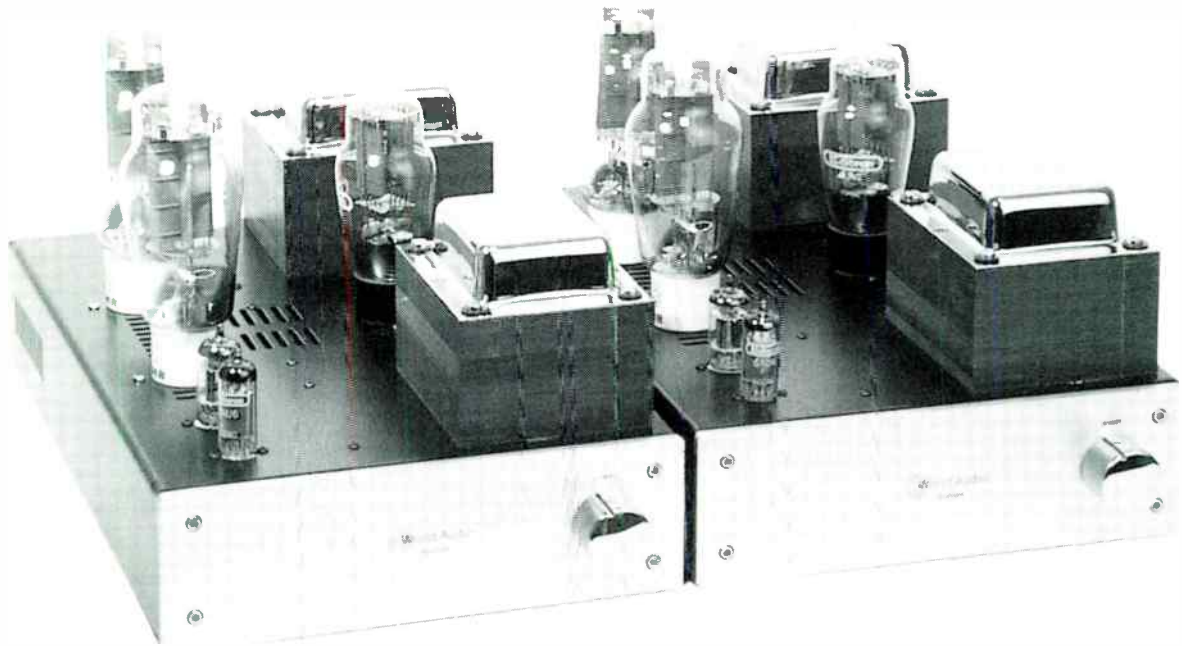
REMIT IN US \$ DRAWN ON A US BANK ONLY. PRICE GOOD THROUGH DECEMBER 31, 1995.

We Accept MC/VISA.

Glass Audio

PO Box 176, Dept. HFWS, Peterborough, NH 03458-0176 USA
Phone: (603) 924-9464 or FAX 24 hours a day (603) 924-9467

SWINGING SINGLES!



Single-ended amplifiers offer ultimate sound quality. Here's a new, innovative 20W monoblock from expert Gary Devon that advances the state-of-the-art.

INTRODUCTION by Noel Keywood

Just about every amplifier in the world today has a push-pull output stage and negative feedback. The world's first amplifiers, in their extreme simplicity, had neither. Push-pull hadn't been invented, nor had negative feedback, until the late 1930s. Our new amplifier has neither. But, in our case, the adoption of single-ended working isn't an attempt to travel backward in time so much as a desire to produce an amplifier that is fundamentally simple, pure in concept and free from the hidden problems that arise from complexity. It's a drive back to a pure sound untainted by today's overly complex circuits. We've controlled or eliminated the problems that compromised early amplifiers, whilst retaining or even improving upon their simplicity.

Single-ended amplifiers use just one amplifying device in the output stage that drives the loudspeaker. They run in pure Class A to

give around 10W per channel from an amplifying device that's dissipating 30W-40W - and getting hot doing so. That's why most single-ended amplifiers produce 3W-10W, hardly enough for even reasonable volume from a loudspeaker. Push-pull gives more power, but it also introduces the need to cross over from one valve or transistor to another, which generates distortion.

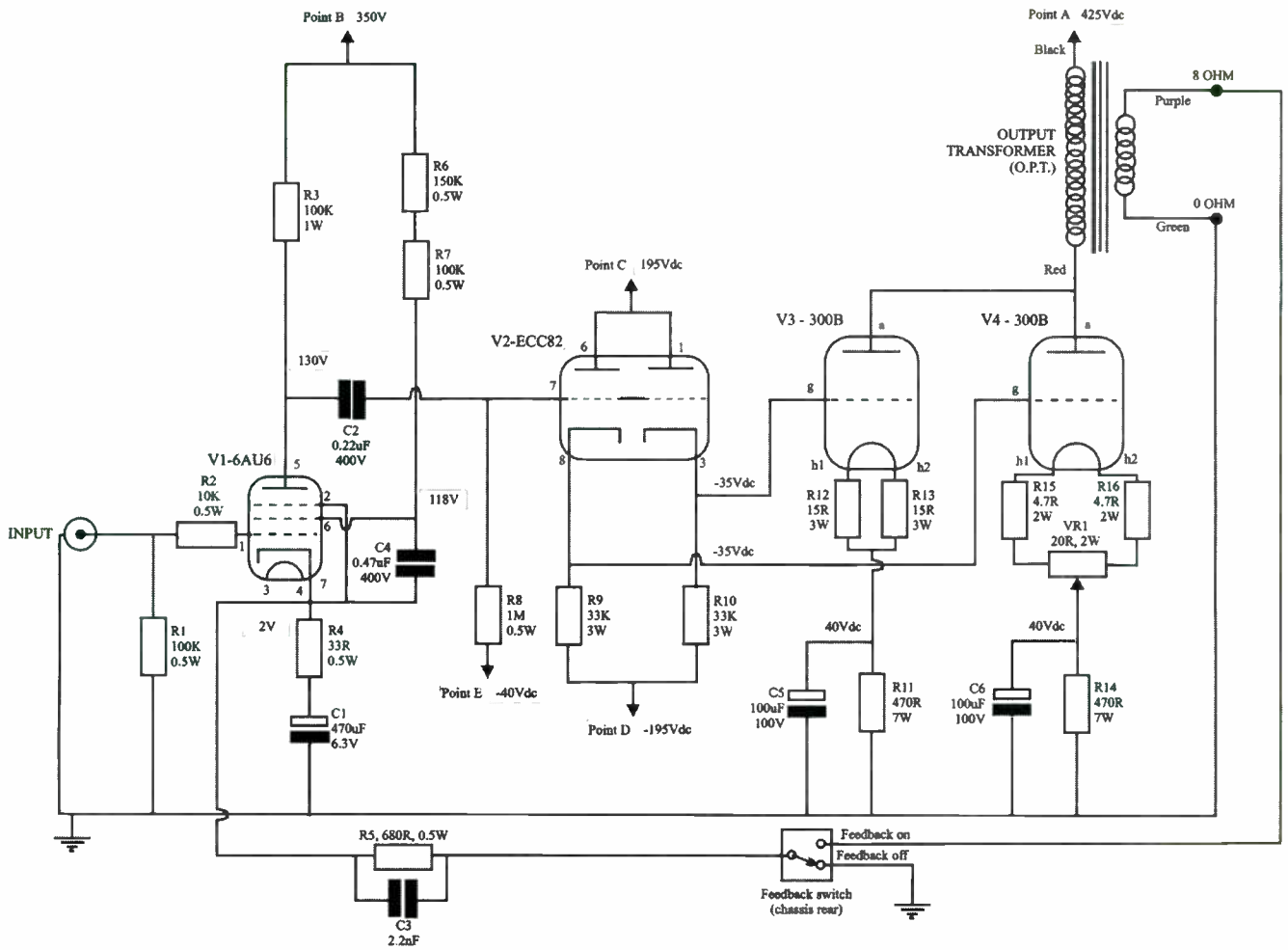
It is because push-pull is so much more efficient that every commercial audio amplifier uses it. But is it hi-fi? Not everyone thinks so. It adds complexity, high-order distortion and, some claim, hides low level musical detail in the crossover region. There's no doubt that single-ended amplifiers have an easy going, sweet sound that eludes push-pull designs. That's why we've used it for ultimate audio quality. To get enough power two 300Bs work in parallel share the load, giving 20W per channel.

Early single-ended amplifiers produced a lot of second harmonic distortion and could not swing full output at high frequencies. The latter problem in particular was due to poor output transformers. We've tackled this by using large, specially designed output transformers with complex sectionalising to minimise winding capacitance and distributed inductance.

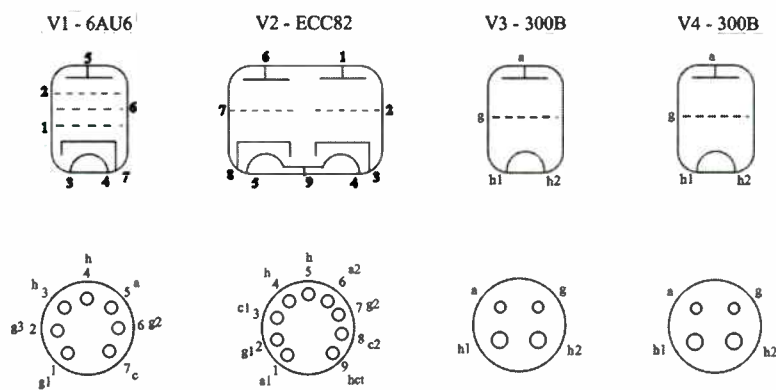
The 300B is a low distortion audio triode. Combined with good transformers distortion has been kept down to acceptable levels even without feedback. Bearing in mind there are no high-order crossover components, second harmonic predominating, levels around 1-2% are acceptable. All the same, a feedback switch has been included, so users can choose between the two.

This is more to demonstrate a point than indecision on our part. Applying feedback improves measured performance but, on a

300B PSE MONOBLOC CIRCUIT DIAGRAM SIGNAL CIRCUIT



VALVE PIN LAYOUT



Views are from underneath valve or valve holder
h, h1, h2 = heater hct = heater centre tap c = cathode a = anode g = grid nc = no connection

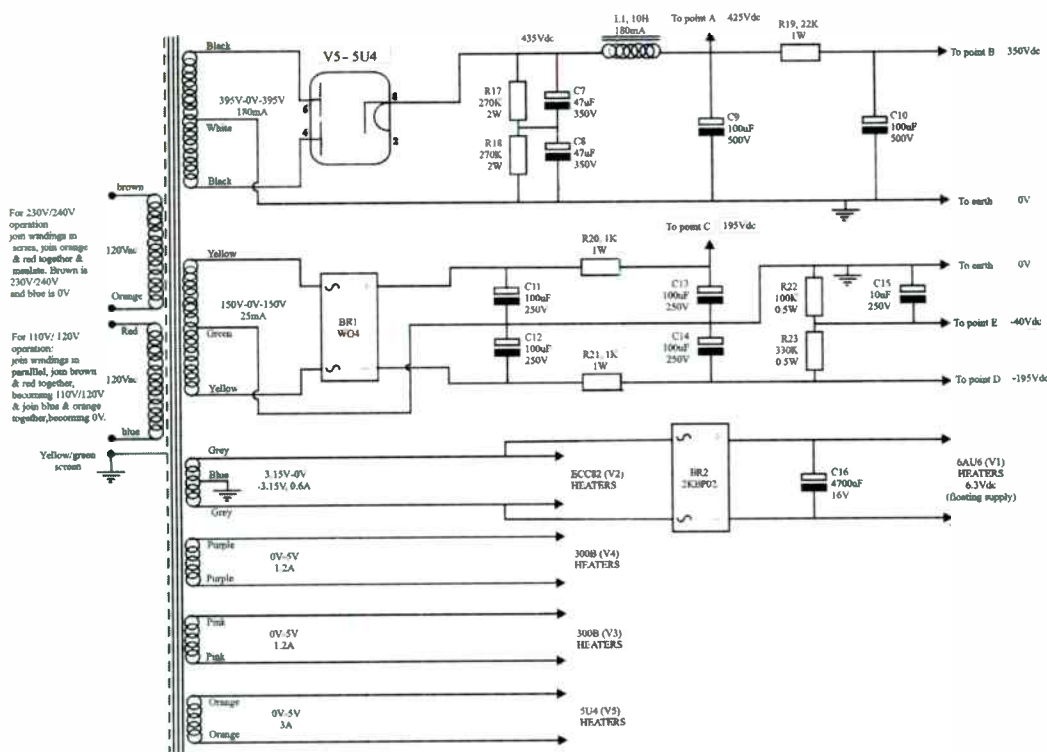
valve amplifier at least, does not necessarily improve sound quality. In truth, sound quality changes, most people preferring not to use feedback, we found back in 1996, when we produced a 300B push-pull amplifier with optional feedback. Switched off, the sound was easier going and more spacious - very spacious in fact. Feedback tightens and tides the sound, but it also dries out fluidity, reduc-

ing subtlety of expression and greatly compressing the sound stage.

It isn't possible to remove feedback from most amplifiers, and certainly not solid-state amplifiers. The design must be fundamentally linear in the first place. If feedback is needed to improve an amplifier, then by definition the amplifier wasn't good enough to fulfil its role in the first place. If the basic circuit is not

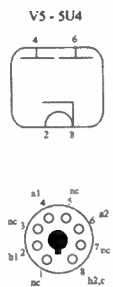
good enough to amplify music then can it be made so merely by applying feedback? Solid-state amplifiers must have feedback applied and give acceptable results. Valve amplifiers like this one move beyond the necessity of constraining feedback though. Very few amplifiers in the world truly have no loop or local feedback, because their fundamental quality is sufficiently high not to need it.

CIRCUIT DIAGRAM
POWER SUPPLY CIRCUIT



For 230V/240V operation: join windings in series, join orange & red together & to earth. Brown is 230V/240V and blue is 0V

For 110V/120V operation: join windings in parallel, join brown & red together, becoming 110V/120V & join blue & orange together, becoming 0V.



Views are from underneath valve or valve holder
b1, b2 = heater a = anode c = cathode nc = no connection

THE CIRCUIT by Gary Devon

When designing a single-ended triode amplifier there are alternative valves to the 300B, like the 10Y and 2A3. Unfortunately they produce such low power they are pretty useless unless you have very high sensitivity loudspeakers. Any amplifier needs to produce a reasonable amount of power in order to drive an ordinary loudspeaker. Apart from either very rare types like the DA60, or high voltage transmitter triodes, there isn't much around to use in a realistically powered amplifier except the 300B. This valve has achieved cult status due to its heritage, ease of use and luxurious sound quality. A single 300B will deliver around 8W to 10W, possibly more if pushed. To get more power two must be paralleled.

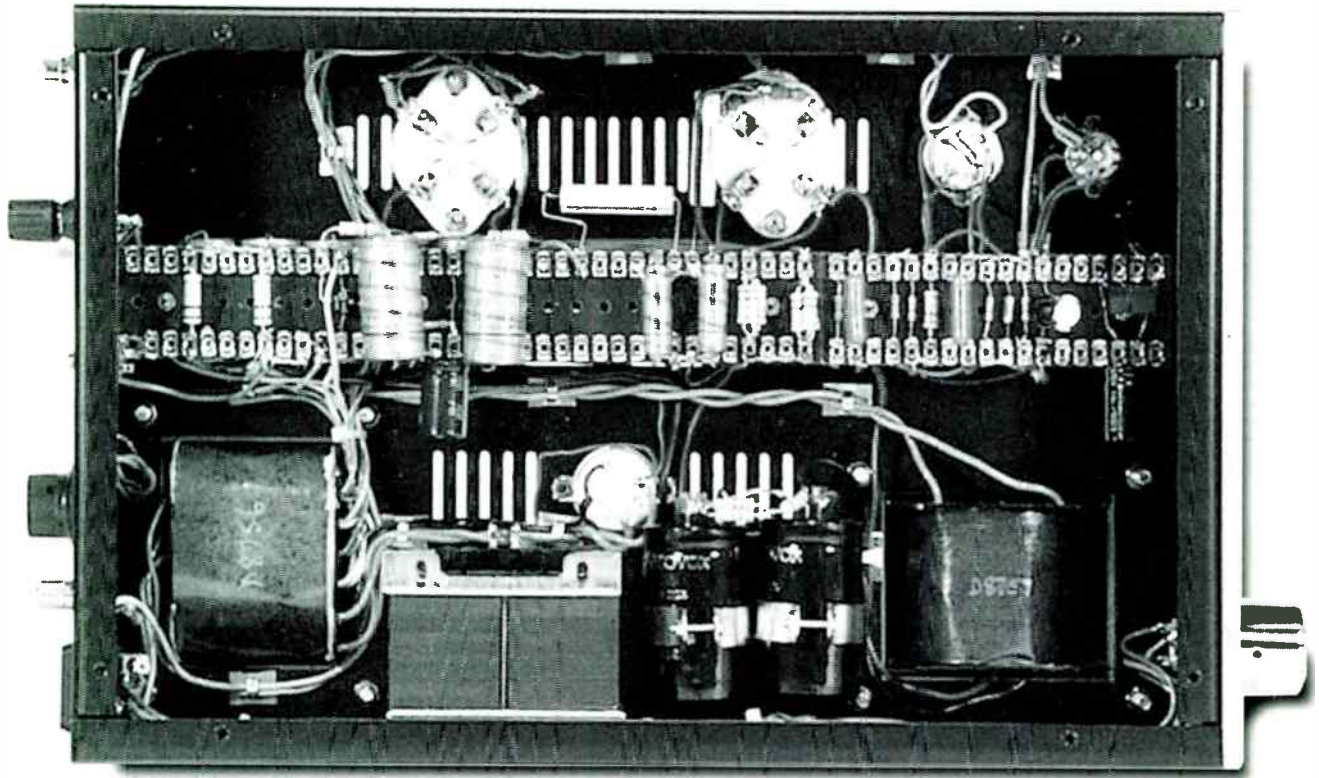
The 300 (A and B) valve was designed by Western Electric, and used in their Westrex

cinema reproduction amplifiers, most notably the WE91. This amplifier used a 310 pentode to drive the 300, with a 274 valve rectifier for the H.T. in a circuit that is regarded as a classic. It is unfortunate that nowadays the small-signal pentode has fallen from grace in popular estimation; something along the lines of output pentodes are bad, therefore ALL pentodes are bad.

Notwithstanding this, there are good reasons for using a pentode to drive a 300B. First - and possibly most important - only one stage is required to achieve the necessary gain; two triode sections are required in the place of the pentode, with attendant phase shift and colouration build-up. Secondly, there is a philosophy which dictates that in this type of amplifier each stage should be of a different type, again to avoid the build-up of any particular character.

The general problem with small signal pentodes is their high output impedance, which is more or less equal to the anode load resistor. This creates two problems: the loading effect of the triode will cause a reduction in bandwidth and increase distortion at the overload point, where the output valve grid reaches 0V, there is a very harsh clipping point and grid rectification causes a change in output stage quiescent current. This effect is present when any RC coupled power stage reaches its 0V grid voltage point, whether driven by a triode or a pentode.

In order to overcome these problems our 300B design has a dual cathode follower placed between the pentode and the 300Bs. Each 300B's grid is direct coupled to its own cathode follower driver. This eliminates the problem of grid current at overload and provides the pentode (a 6AU6 in this case) with



Internal view of the 300B PSE Monobloc

a high interface impedance. With this topology there is only one capacitor in the signal path, one gain block and the driver and output valves.

The amplifier has a feedback loop, giving around 6dB of feedback, which is a low value but it serves a useful purpose. Without feedback the output impedance would be about 2Ω . Because the input impedance of most loudspeakers varies considerably, the high output impedance will cause a change in the frequency response of the speaker. The small amount of feedback helps to bring all of this under control, by increasing the so-called damping factor. It is possible to modify the amplifier slightly to take away the feedback if so desired (see circuit description).

This amplifier also uses a valve rectifier for the H.T., a 5U4. Nowadays most valve amplifiers use solid-state rectification, but the valve rectifier gives a far smoother, more relaxed sound than a silicon diode bridge. Even here a compromise has had to be made and the cathode follower's separate supply uses silicon diodes, but the cathode follower is far less sensitive to its supplies than the input and power stages.

The power transformer is of the laminated EI type, which eliminates any possible sat-

uration problems when the power line has a small amount of DC on it - a surprisingly common problem. Toroidal mains transformers have a very small core area and a large number of primary turns which makes them very susceptible to mains DC offset.

To complete the picture: the input valve is the old favourite 6AU6 pentode. This time it is actually connected as a pentode with its screen grid supplied by R6/R7 and bypassed by C4.

C4 is connected directly between the screen grid and the cathode to keep the recirculating screen current within a small loop.

R3 is the valve's anode resistor, R2 the precautionary grid stopper and R1 the grid leak. R4 and C1 form part of the feedback network with R5/C3. The bias voltage is built up across R5, the feedback resistor. The amplified input signal is coupled to the two cathode followers via C2. R8 is connected to a negative potential of -46V to supply a portion of the 300Bs' bias.

The cathode followers have their own power supply of 200V, R9 and R10 being the cathode resistors for the followers. The outputs of the cathode follower drivers are taken directly to the 300B grids, providing

direct drive and a portion of fixed bias. The two ends of the 300Bs' filaments are taken via a hum-bucking network to the cathode resistors R11 and R14, which are bypassed by C5 and C6. The anodes of the 300Bs are taken to the output transformer which has a primary impedance of $1.5k\Omega$. The output transformer is a hefty chunk of iron, far larger than that which would be used for a push-pull amplifier of similar power output. In fact the transformer's core area is 3.37 square inches. This huge lump is used because there is a considerable standing current in the primary winding which magnetizes the core, decreasing the available swing over the iron's BH curve. An air gap is incorporated to set the iron's optimum operating point.

The power supply is straightforward: the main H.T. is rectified by V5, a 5U4 directly heated rectifier valve, and is smoothed and filtered by C7, C8, C9 and L1. R19 is a dropper resistor for the input stage and C10 is that stage's power supply decoupling capacitor. The driver stage's power supply is conventional with a bridge rectifier with smoothing and decoupling components. R22, R23, and C15 provide the negative bias voltage.

MEASURED PERFORMANCE by Noel Keywood

A modern, sensitive eight-ohm loudspeaker, like the World Audio Design KLS-9, which produces 90dB or so from one watt, needs a minimum of twenty watts to produce reasonably high volume in the average sized room. The World Audio Design monoblocks produce 20watts, or a little more with feedback off and working into soft clip. The large output transformer core allows full output to be delivered at 40Hz, so there's no limitation in bass power.

Single-ended amplifiers produce distortion but it is largely second harmonic, which has no impact upon sound quality below levels of around 3-5%. Above this it lightens timbre; it does not add coarseness or any other nastiness. These monoblocks produce pure second harmonic distortion at one watt output, level measuring 0.2% with feedback on, or 0.55% with it off, irrespective of frequency. There's no rise in distortion with frequency in a single-ended too.

Close to full output, levels rose to 0.8%

with feedback on and 2% with feedback off. Our 300B push-pull amplifier with switchable feedback, now discontinued, showed that most listeners preferred feedback off, in spite of similar figures. Subjectively, it gave a more open, relaxed and natural sound.

Frequency response was wide, extending from 20Hz to 34kHz with feedback off. The output transformer rolls off smoothly, possessing no resonant peaks. It does not slew at high outputs and high frequencies too, as the 0.8%/2% distortion figure at 10kHz, full output shows.

The 300B is a linear audio triode with a great set of properties suited to feedbackless amplification. However, it has direct heaters, lacking a cathode. Hum bucking must be used, but there's always a little remaining hum. At 2mV with feedback on it's small and inaudible at the listening position, if not at the loudspeaker. With feedback off this figure rises to 4mV which may just be audible at the listening position, in a quiet room. It is inaudible with

music playing, even at the lowest level. There's no hiss.

If used with feedback, 1V of input is needed for full output. With feedback off the figure drops to 380mV. A CD player, with its 2V maximum output, will provide full drive through a passive preamp., but otherwise an active preamp. will be needed.

An inherently linear 300B based single-ended amplifier without feedback is notionally the simplest and therefore the most ideal form of amplifier it is possible to design. This one has a measured performance that meets hi-fi criteria, with sufficient power bandwidth to handle modern music properly, plus low enough distortion to avoid any influence upon sound quality.

Power	20watts
Frequency response	20Hz-34kHz
Noise (CCIR wtd)	-102dB
Hum (f.b./no f.b.)	2mV/4mV
Distortion (f.b./no f.b.)	0.2% / 0.8%
Sensitivity (f.b./no f.b.)	1V / 380mV

THE KIT by Nick Lucas

Our 300B PSE Monobloc kit bears an affordable price tag of £795 per monobloc pair (excluding valves) - far less than the £2500 plus of some of its ready-built competitors. Despite this, we offer professional-look kits with a 2mm mild steel chassis with black powder coat finish. Both visible transformers are topped with chrome transformer caps and the front sports our familiar 6mm anodised fascia with chrome power control knob. Chassis dimensions of each monobloc are 250mm(w) x 380mm(d) x 220mm(h) with valves inserted.

Tag boards and hard-wiring provide a cleaner sound than printed circuit boards, and you get to know what is actually going on inside your amplifier better. On the down side, this technique makes building slightly trickier.

With our original 300B push-pull amp we used solid-state rectification on the H.T. line but incorporated a valve to achieve a soft start. This time we have gone straight for

valve rectification with the help of the 5U4 of Russian manufacturer (still made). These are extremely robust, reliable and look good too.

This amplifier uses an E/I transformer for the mains, a heavy beast of the same proportions as the output transformer, plus a 10H smoothing choke to provide a pure H.T. line, essential with directly heated triodes to suppress hum.

The kit is of the high standard associated with all our kits. Input is via chunky gold-plated insulated phono sockets, with mains through an IEC lead into the chassis mounted socket. We fit the same gold plated 4mm speaker connectors now common on commercial amplifiers. The white ceramic valve sockets are chassis mounted, fixed through the chassis without exposing the ring fittings. Three lengths of tag board are provided, each carrying 18 pairs of terminals.

The components in this kit are good quality of course: Nover type TE and BC Component axial electrolytics; Panasonic M

series radial electrolytic; a couple of Aerovox electrolytic radial cans; Philips orange 386 series signal capacitors; carbon film resistors and silver plated copper wire for all low current links.

We have arranged with our valve supplier to get the best prices to keep the price of a valve set to the minimum. We have selected Eastern European 6AU6 and ECC82 and the Tesla 300B for quality.

The 300B PSE Monobloc kit offers a challenge due to its hard-wire construction, but there are plenty of diagrams for guidance. As long as you follow the instructions carefully it should be plain sailing. There are no tricky setup procedures; the only thing that needs adjusting is the hum-bucker potentiometer which adjusts the 300B valves for minimum hum. We have a help-line manned 9am to 5pm weekdays, and a full back up service including arranging the collection of your amplifier should difficulties arise.

Falcon Acoustics Ltd

Falcon Electronics, Basically Sound

<http://www.falcon-acoustics.co.uk>

DRIVE UNITS: by FOCAL & SEAS, and a pick of the best from other manufacturers.
 100+ CROSSOVER NETWORKS: - Active & Passive, Components, Accessories, COMPONENTS
 SOLEN Polypropylene capacitors, 0.1mFd. to 100mFd.
 Polyester and Polycarbonate Film Capacitors, 0.1mFd. to 10mFd.
 ALCAP Reversible Electrolytic Capacitors (Non-Polar), 50v, 100v & Low Loss, 2mfd. to 600mfd
 FALCON Custom-wound Inductors.
 FERRITE:- Standard, High Power, Super Power, Super-Super Power + AIRCORED 0.56-1.25mm wire
 NEW IRON DUST, 1mm wire
 TAPPED INDUCTORS:- 0-10mH in 1mH steps & 0-1mH in 0.1mH steps
 AUDIO AMATEUR PUBLICATIONS
 NEW- Valves for Audio Frequency Amplifiers from Philips Technical Library plus lots in P/L.
 Back year sets of Speaker Builder, Audio Amateur & Glass Audio, plus the Audio Anthology Set.
 Altogether 50+ books and 50+ Audio Amateur's magazine year sets. 1999 sets available

FOCAL® 'State of the Art' Units & Kit Designs

C800 Mk II

82 litres

3 way floor standing

92 dB/watt system

-3dB point of 32Hz.

PolyKevlar 10" bass & 5" midrange

Titanium dioxide dome tweeter



From a wide range of High-Tech Loudspeaker units.

Unit Spec Booklet available 30p.

Please send A4 SAE with 40p stamp (66p with PL) +30p extra stamps.

SUPPLIERS TO THE TRADE SINCE 1972

Send for our FREE price list PL29: Just send a large S.A.E. (44p stamp) or USS2 bill overseas.
 Europe USS1 bill or 3 International Reply Coupons (IRC) to:- (Dept HFW) Tabor House,
 Norwich Road, MULBARTON, Norwich, Norfolk, NR14 8JT Tel (0)1508 578272

A MESSAGE.....

from the U.K.s Premier Valve-equipment Repair & Restoration Centre:

"IT DOESN'T MATTER whether your equipment is Old, New, in Kit form, Valve, Solid-state, Audio or R.F."

We...

Repair, Restore, Re-calibrate, Re-align:-
Tape recorders by *Revox, Tascam (up to 1"), Teac, Akai* ;
Valve amps., pre-amps., tuners, cinema amps.,
 theatre-organ amps., industrial p.a. amps. from *Radford, Quad, Leak,*
Kalee, Clarke & Smith, Compton, Parmeko, RCA, Altbass etc;
Valve Communications Receivers and Transmitters
 (to 30 MHz/2kW/6'6 tall) by *KW, Marconi, Labgear, Eddystone,*
Redifon, Ajax, RCA, Tiger and so on.

We will...

Build that Kit for you or
Re-build it if you've had a go but it's gone pear-shaped.

We will...

Custom-build for you a published Classic design or
Design something special and build the prototype
 (A 250-watt AB2 high level modulator, Sir? No problems!!)

All this,

as well as being an Authorised Service Centre for such respected names of the Digital Era as *Denon, Pioneer, Kenwood, Yamaha.*

Overall, some pretty comprehensive facilities.... and it will take only a few minutes of your life plus a few pence from your pocket to call/fax and discuss your requirements: **0113 244 0378**

We are:

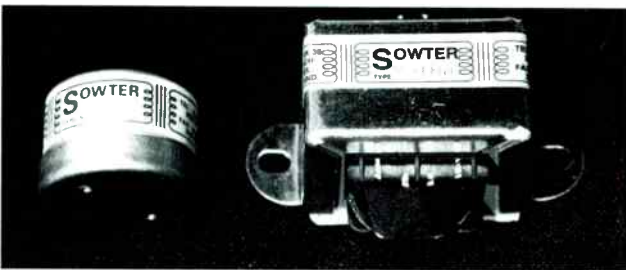
AUDIO LABORATORIES (LEEDS)

3 Kildare Terrace Industrial Estate,
 Leeds LS12 1DB, England

Website: www.audiolabs.co.uk

NEW PRODUCTS FOR VALVE PRE AMPS

Full range of Mumetal input and output transformers for balanced and unbalanced pre-amps, microphone amps, equalizers etc.



SOWTER EST. 1941
TRANSFORMERS

For the true "valve sound" and elimination of hum and interference in your own or vintage designs. A new range and custom service for low power transformers to complement our power amplifier products. Transformers built to order 2-4 weeks delivery. Full technical support. Free catalogue. Visa, MasterCard, JCB etc.

E A Sowter Ltd
 PO Box 36 IPSWICH
 IP1 2EL England
 Tel: (+44) (0) 1473 252794
 Fax: (+44) (0) 1473 236188

E-Mail: sales@sowter.co.uk
techsupport@sowter.co.uk
 Call or visit our Website for catalogue and information
<http://www.sowter.co.uk>

TECHNICAL & GENERAL

SOME NECESSITIES - FROM THE ORIGINAL CLASSIC TURNTABLE SPECIALISTS

CONNOISSEUR			P&P
	BD1/2 Drive Belt		£11.60
	BD1/2 Motor Suspension kit		£14.50
	SAU.2 Headshell		£17.50
	SAU.2 Connecting Lead		£16.50
	SAU.2 Connecting Lead		£3.20
GARRARD Standard Models			
	Wired arm tubes	from	£14.50
	Cartridge carriers (sliders)		£12.50
	Cartridge carriers (sliders)		£1.90
301/401 Transcription models			
Original	Thrust pad assembly		£12.50
Original	Idler tension spring		£3.25
Original	Brake pad		£2.40
Xeroxcopy	Owners Manual 301 incl. full size mounting template		£9.30
	" " 401 " " " "		£7.20
Replacement	301 control knobs On-Off/Speed select	pair	£21.50
Replacement	301 suppressor unit		£6.20
Replacement	301 motor pulley (-2%), (-1%), (Std), (+1%)	each	£16.20
Replacement	301 Chrome plated mounting bolts	set	£7.20
Recommended	Lubrication set early 301 or 301/401	(specify)	£6.20
GOLDRING/LENCO			
	Idler wheel (lock-nut or clip fixing)		£21.20
	Tension spring		£3.25
	Arm pivot bearings - with fitting instructions		£9.25
	Spindle/Main bearing assembly complete	GL.69/72	£21.00
	" " " " " "	GL.75/78	£25.00
	Chassis suspension springs (set of 4)	set	£19.50
	Headshells	from	£22.25
	Instruction books	from	£4.50
	Instruction books		£1.90
THORENS			
	TD.124 series		
	Idler wheel original		£28.50
	Idler wheel our redesigned replacement		£2.90
	Drive belt		£17.50
	Suspension rubbers ('mushrooms')		£16.50
	TD.150/160		
	Drive Belt		£14.70
	Suspension springs (-1%), (Std), (+1%) (set of 3) set		£13.50
	Suspension - main bushes (set of 3) set		£13.50
	Armboards TD 150 blank		£12.50
	" " TD 160 "		£10.20
	Dustbugs & spares - incl. Preeener wicks		£2.90

Cartridges and styli for 78s and Mono LPs in addition to current Stereo LPs

TECHNICAL & GENERAL

PO BOX 53, CROWBOROUGH, EAST SUSSEX, TN6 2BY
 TELEPHONE: 01892 654 534

300B PSE SOUND QUALITY

Simon Pope

Not to put too fine a point on it, the sound that these monoblocs create is among the finest that can be encountered in hi-fi. The feeling of sheer space and breadth that we heard during listening tests was simply breathtaking.

We started the ball rolling with Massive Attack's 'Blue Lines' album on vinyl. Using a Michell Gyrodec SE, modified Rega RB300 arm and an Ortofon MC30 Supreme through World Audio Design's Series II preamp and the matching Phono II in MC mode. We fed the 300B PSEs a healthy dose of 'Unfinished Sympathy'. KEF's Reference One - Two 'speakers were driven easily with great control, with the volume pot barely turned! After the spacious sound of the opening reverbed scratching, the bass kicked in with power and a stamp of authority. The feedback switch was tried first in 'feedback-less' mode, making vocal lines and strings open and airy, with a sweet treble exclusive

to the tube sound (ideal for acoustic music), whilst in 'feedback' mode the sound was tightened and more sheer clout was present.

'Musical' is a word used often (and all too wrongly) in hi-fi reviews, but here it seems the only word to describe the 300B PSE sound. Line phrases and intricate details are exposed as a part of a large tapestry of sound that brings listening to a different level. Backing vocals and electronic effects in the Massive Attack track become part of the music rather than mere effects in a sound scape.

To try out the speed and power of the 300B PSE amps, we next treated them to the excellent sound of Stravinsky's The Rite Of Spring on the Reference Recordings CD with the Minnesota Orchestra. This is one of the finest audiophile recordings on the market and a brilliant demo disc. The last five minutes of this piece are enough to test the mettle of both the finest equipment and performers

alike and the 300Bs made swift work of the multi-tiered orchestration. Deep percussion was lightning fast and tight, whilst screeching woodwind and raspy trumpets were exciting but remained smooth and well-rounded. Sound staging was simply jaw-dropping, the bass drum being perfectly placed to the back left and the timpanist sitting smack bang in the bay window behind the hi-fi rack!

Another fine trait these amps have that was highlighted by the Stravinsky recording was dynamics; one moment the orchestration cuts down to the bare bones; the next all is let loose, including the kitchen sink. With these effects the 300B PSEs showed that they could handle these contrasts perfectly, with headroom to spare.

The 300B PSEs are very fine amps indeed that show up everything that's enjoyable about a good valve amp. Tonal colour, balance and dynamics all add up to a very affordable taste of real high-end!

300B PSE PARTS LIST - (FOR ONE MONOBLOC)

RESISTORS: SIGNAL CIRCUIT

R1	100K, 0.5W	1
R2	10K, 0.5W	1
R3	100K, 1W	1
R4	33R, 0.5W	1
R5	680R, 0.5W	1
R6	150K, 0.5W	1
R7	100K, 0.5W	1
R8	1M, 0.5W	1
R9	33K, 3W	1
R10	33K, 3W	1
R11	470R, 7W	1
R12	15R, 3W	1
R13	15R, 3W	1
R14	470R, 7W	1
R15	4.7R, 2W	1
R16	4.7R, 2W	1
VR1	20R, 2W	1

RESISTORS: POWER SUPPLY CIRCUIT

R17	220K, 2W	1
R18	220K, 2W	1
R19	15K, 1W	1
R20	1K, 1W	1
R21	1K, 1W	1
R22	100K, 0.5W	1
R23	330K, 0.5W	1

CAPACITORS: SIGNAL CIRCUIT

C1	470uF, 10V	1
C2	0.22uF, 400V	1
C3	22nF, 160V	1

C4	0.47uF, 400V	1
C5	100uF, 100V	1
C6	100uF, 100V	1

CAPACITORS: POWER SUPPLY CIRCUIT

C7	47uF, 350V	1
C8	47uF, 350V	1
C9	100uF, 500V	1
C10	100uF, 500V	1
C11	100uF, 250V	1
C12	100uF, 250V	1
C13	100uF, 250V	1
C14	100uF, 250V	1
C15	10uF, 250V	1
C16	4700uF, 16V	1
BR1	WO4 bridge rectifier	1
BR2	2KBP02	1

TRANSFORMERS

OUTPUT	E/I 120 lam	1
MAINS	E/I 120 lam	1
CHOKE	10H	1

wire

tag strip	various	3
chrome knobs		1
chassis		1
front plate		1
safety gloves		1
instruction book		1

VALVES

300B Testa	2
5U4	1
6AU6	1
ECC82	1

HARDWARE

mains switch rotary	1
feedback toggle switch	1
Fuse 1A slow blow	1
Black phono socket	1
red phono socket	1
4mm speaker sockets	1
IEC lead	1
self adhesive feet	4
IEC + fuse inlet socket	1
Chrome 120 caps	2
stand-offs 25mm	4
earth post	1
knob for VR1	1
M3 x 10 but screws	16
M3 x 10 screws	12
M3 nut	12
grub screw	1
cable ties	5
cable clips	5
capacitor clips	2
UX4 valve bases	2
Octal valve base	1
B9A valve base	1
B7G valve base	1

300B PSE MONOBLOC AMPLIFIER IS AVAILABLE AS A KIT FROM WORLD AUDIO PUBLISHING LTD FROM SEPTEMBER 30TH

300B PSE Monobloc-K240/120 (with valves) a pair

UK (inc. vat & p&p)

£1070.00

Overseas (exc. vat & p&p)

£910.00

300B PSE Monobloc-K240/120 (without valves) a pair

£795.00

£680.00

Call or fax Nick Lucas on: +44 (0) 1908 218 836 (9am-5pm, Monday-Friday) orders@worldaudiodesign.co.uk

For overseas freight charges, please call, fax or e-mail.

For kits go to www.worldaudiodesign.co.uk

Audiophile Sound • Professional Finish • Affordable

Our aim at Riverside Audio is to enable the home constructor to build valve amplifiers which combine true audiophile sound quality with the professional finish of high-end products at an affordable price.



The Riverside 4040 is an integrated amplifier featuring dual mono construction, five line level inputs and both 4 and 8 Ω outputs. The chassis is hand polished stainless steel and includes a matt black valve cover. The amplifier delivers 40 Wrms per channel at less than 0.1% distortion. Kit £625, fully built £725.

The Riverside P2 moving magnet phono amplifier is designed to partner the Riverside 4040 for those who enjoy the vinyl sound. High accuracy equalization is provided for a moving magnet input to a generous line-level output. Kit £225, fully built £275.

Contact Riverside Audio for further information and pricing. Most parts are available separately - even down to individual components. Riverside Audio can also design special audio mains and output transformers.

Riverside Audio, 18 Riverside, Cambridge CB5 8HL
Telephone (01223) 512253 Facsimile (01223) 572629
Internet—<http://www.riverside-audio.demon.co.uk/>

Speaker Kits From IPL Acoustics



IPL Acoustics are pleased to announce their latest range of speaker kits which include no less than seven transmission lines, three conventional speakers, two AV centre speakers, and an active subwoofer kit.

IPL kits are designed to the very highest specification using sophisticated Audiosuite testing system to ensure smooth response, correct phase, and low distortion. Only the best drivers and crossover components are utilised.

Our two new flagship transmission line kits include the:

S3TLM RIBBON which incorporates a superb custom built aluminium coned 6.5" bass mid unit and the unique new IPL Ribbon tweeter.

S5TL GOLD which incorporates the Audax 10" HDA bass unit, the 5" HDA mid unit, and the highly acclaimed Audax piezo GOLD dome tweeter in a transmission line enclosure. The sound quality of all IPL speakers compare well with commercial speakers costing 3-4 times the cost of the kit and are tunable to suit your room and system.

If you would like further details of our range, which includes drivers, Quality components, and Silver PTFE cables, please send a 40p A4 S.A.E. to **IPL Acoustics, Chelsea Villa Torrs Park, Ilfracombe, Devon, EX34 8AY. Tel: 01271 867 439**
Website: www.marketsquare.co.uk/ilfracombe/iplacoustics.htm



WIRE & INSULATION

introduce **DESKADEL** Products

731/733 Ormskirk Road • Pemberton
Wigan • Lancashire • England • WN5 8AT
TEL/FAX: 44 - 1 - 942 887171

The DESKADEL range of HI-Fi interconnect, speaker cables, hook-up wires and tone arm wires are precision manufactured featuring PURE SILVER conductors insulated with PTFE in a variety of designs to suit all applications. Using only the finest materials and the latest manufacturing techniques we aim to provide a selection of quality products for superb natural sound reproduction on a scale previously unheard.

DISTRIBUTORS

Switzerland
ARBELOS

Tel/Fax: 41-613616466

UK

AUDIO SYNTHESIS

Tel: 44-1-159224138

Fax: 44-1-159229701

Holland

**ANALOGUE AUDIO
PRODUCTS**

Tel/Fax: 31-30-6044342

Belgium

DESKADEL INT BVBA

Tel: 32-3-8892231

Fax: 32-38609181

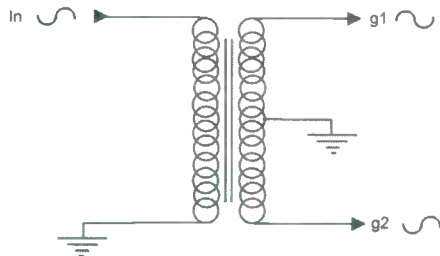
INTERNATIONAL TRADE ENQUIRIES WELCOME

Phase Splitters

A push-pull amplifier needs a phase-splitter. This is the circuit single-ended amplifiers lack.

Designer Gary Devon explains how they work - and the problems.

Diagram 1



In any push-pull amplifier some sort of phase splitter or phase inverter is required as the two output valves are driven antiphase to each other. The current in one valve is increasing while in the other it is decreasing over the signal cycle. This mode of operation brings performance benefits such as increased maximum power output, lower distortion by cancellation of even harmonics and better use is made of the output transformer iron's B/H curve which results in more bass power per cc of iron. There are many and varied ways of achieving the two antiphase signals from the original (usually) single-ended input. Accurate balance of the two drive signals is important to realise the full benefits of push-pull, and this balance must be maintained across the full bandwidth of the system.

The conceptually simplest phase splitting method is passively via the use of a transformer with a centre-tapped secondary, often 1:1+1 ratio, (Diagram 1). The signal at the two transformer outputs marked g1 and g2 are 180 degrees out of phase with each other, and the centre-tap is grounded. Transformers like this have advantages and disadvantages. The grids of the output valves have a low impedance DC ground path which makes recovery from overload clean, and prevents any nasties due to excessive grid current. The problem with it is that one half of the secondary is in phase with the input signal and the other half is out of phase with it. Capacitive coupling from primary to the secondaries necessitates the use of primary to secondary electrostatic

screens to achieve a balanced output but at the expense of bandwidth. Good performance is possible but the costs mount up.

It's possible to rig up a triode with 100% feedback from its anode to its grid giving an output gain of approximately -1 (a gain of 1 but 180 degree phase shifted), (Diagram 2). If we used the original input signal plus the signal which has passed the anode follower we have a pair of antiphase signals. By careful adjustment of the resistor values an accurate -1 signal can be gained from the output of this phase inverter with good stability over time and with good bandwidth because of the high feedback ratio. An improved version would buffer the input signal with a cathode follower to increase the circuit's input impedance and to achieve similar source impedances for the two antiphase signals (Diagram 3).

A conceptual development of this anode follower type is to drive the input of the inverting follower from another valve, this time with gain. This can be done as (Diagram 4) which is similar to the phase splitter used in the QUAD II, where a potential divider reduces the amplitude of the signal from V1 by a ratio which is the same as that of V2's gain (Diagram 4). Then the two signals should be antiphase with each other and equal in amplitude. This type is known as the Paraphase circuit. The problem with the paraphase is that unless measures are taken to prevent it, the output balance will vary with time as the valves age and their gain drops. Also the frequency response of the two output signals is different, resulting in distortion at high frequen-

Phase splitting can be achieved by transformer (left). This shows the basic principle.

Diagram 2

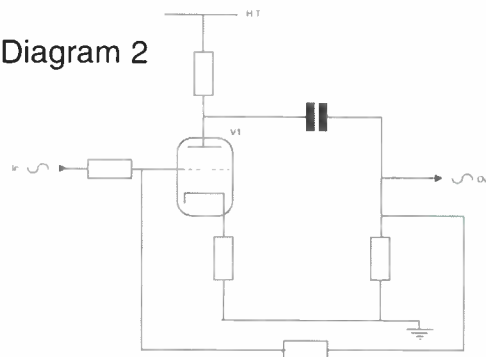


Diagram 3

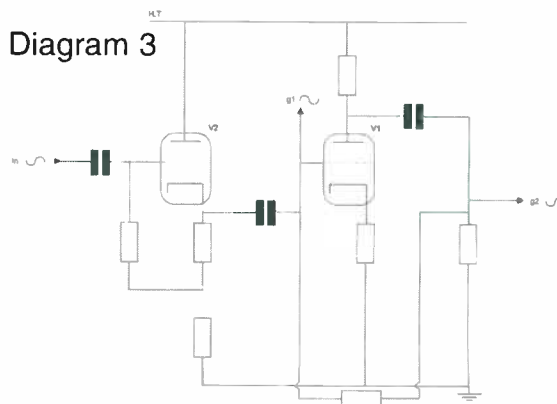
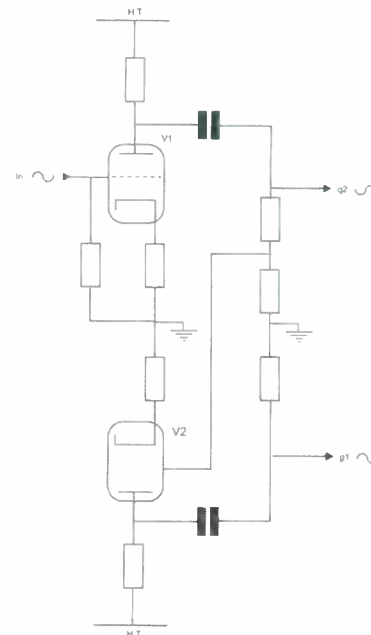


Diagram 4



KIT & COMPONENT SUPPLIERS

LOUDSPEAKER KIT SUPPLIERS

Wilmslow Audio, 50 Main Street, Broughton Astley, Leicester LE9 6RO
Tel: 01455 286603
Fax: 01455 286605

UK distributors of Drive Units from ATC, COLES, DYNAUDIO, KEF, MOREL, PEERLESS, RCL, SEAS, SCANSPEAK AND VOLT. Comprehensive range of high quality crossover components, acoustic damping products, connectors and veneers. Over 20 different D.I.Y. loudspeaker kits on demonstration, including ATC 50 & 100.

Audio Note (UK Ltd)
Unit C, Peacock Ind. Est.
125-127 Davigdor Road
Hove, East Sussex BN13 1SG
Tel: 01273 220511
Fax: 01273 731298

Suppliers of a large amount of components for the Audiophile Kit builder. Valve amplification data and vintage circuits also available. See the double page spread in the back section of the main issue for extra & more detailed information.

European Precision Mouldings Ltd
Highwyh, Sawbridgeworth,
Herts, CM21 0JS
Tel: 01279 600428
Fax: 01279 723846

Manufacturers of the Red Scorpion range of loudspeaker terminals and binding posts.

Falcon DIY Speakers
Falcon Acoustics Ltd., Tabor House,
Norwich Road, Mulbarton,
Norfolk NR14 8JT.
Tel: 01508 578272

UK distributors of FOCAL drive units & Kits, plus SOLEN (SCR - Chateauroux) polypropylene capacitors and the largest specialist Audio inductor manufacturer in the UK. Stocking Audio Amateur Publications and Audio Computer Software. Comprehensive range of D.I.Y. Speaker kits, Parts, Accessories and Books. Please send large SAE (38p) for free price list. "Everything but the wood".

IPL Acoustics, Chelsea Villa, Torrs Park, Ilfracombe, North Devon, EX34 8AY
Tel/Fax: 01271 867 439

Website: www.iplacoustics.co.uk
IPL Acoustics supply a range of 7 transmission line, 3 conventional, speaker kits, and kits for centre speakers and active sub-woofers. We also supply a full range of drive units from Audax, SEAS, Morel and Legend Acoustics (Ribbon Tweeters) as well as custom built metal coned drivers. Also included is a range of capacitors, inductors and quality cabinet accessories as well as Silver Plated PTFE insulated cables.

South Coast Speakers Ltd
326 Portwood Road,
Southampton, Hampshire.
Tel: 01703 559312

UK suppliers for High-Quality Driver Units from: SEAS VOLT VISATION SCAN-SPEAK also MOREL RCL & many more. Accessories/Components all of the Highest Quality inc. ProAudio MKT Capacitors, Inductors wound to order for any values. Many DIY Kits always on demonstration in our comfortable listening area. Custom design services & friendly advice!

VALVE AND OUPUT TRANSFORMER SUPPLIERS

Chelmer Valve Company
130 New London Road,
Chelmsford, Essex CM2 0RG.
Tel: 01245 265865 - Fax: 01245 490064.
Supplier of premium range of audio valves, other valves and components also available. (Please see our main advertisement in this supplement).

Wilson Valves, 28 Banks Avenue, Golcar, Huddersfield, West Yorks HD7 4LZ.
Tel: 01484 654650
Fax: 01484 655699
E-mail: wilsonvalves@surflink.co.uk
We stock over 2,500 different types of valves, N.O.S. and New. Please send a S.A.E. for full list. No charge for matching. Most major credit cards accepted.

Billington Export Ltd.
IE Gillmans Trading Estate,
Billingshurst,
West Sussex RH14 9EZ
Tel: 01403 784961
Fax: 01403 783519
Billington Export Ltd. holds large stocks of audio valves including many obsolete brands such as Mullard, GEC, Brimar etc. as well as Sovtek, Thermionic Gold Brand and the recently introduced Billington Gold range. Also Cathode Ray Tubes (eg. used in Marantz tuner 10B). 50 page catalogue available, tel or fax for a quotation. Minimum order £50.00 UK, £100 export

Langrex Supplies Ltd
1 Mayo Road, Cropton,
Surrey CRO 2QP
Tel: 0181 6841166
Fax: 0181 6843056

One of the largest distributors of electronic valves, tubes and semi-conductors in the UK by original UK and USA manufacturers. Obsolete types are a speciality. Telephone or fax for an immediate quotation.

Watford Valves
3 Ryall Close, Bricket Wood,
St. Albans, Herts AL2 3TS
Tel: 01923 893270
Fax: 01923 679207

Specialist in new old stock and current production valves. Sole UK distributor of the Harma Diamond range selected for their superior performance. Huge range held, stockists of Mullard, GE, Philips, National, Brimar, Sylvania, Telefunken, RCA, MOV and many more. All valves are new boxed and guaranteed. For free price list and specialist advice call or fax Derek Rocco, Watford Valves.

PM Components
Springhead Enterprise Park,
Springhead Road, Gravesend,
Kent DA11 3HD
Tel: 0474 560521

PM Components Ltd are the specialist component company for High End Audio enthusiasts. We have a design and manufacturing base for audio valves and associated products and have a capability to produce custom tubes for major manufacturers. Our 70 page catalogue is available at £2.50 including U.K. postage. PM Components are major stockists for Golden Dragon, Mullard, GEC and Teonex valves and have a vast archive of vintage tubes gathered from every manufacturer in the world.

Woodside Sound Engineering,
Arfryn, Llanboidy, Whitland. SA34 0EY
Tel: 01994 448271
Fax: 01994 448665

E-Mail: woodside@arfryn.demon.co.uk
As well as producing transformers for our own products, we can now offer an expanding range of audio transformers for new ventures and Renovations. We can wind transformers for most RADFORD amplifiers to original specification. Contact us with your requirements or a list of standard items is available on request.

CLASSIC TURNTABLES

Technical & General
P.O. Box 53, Crowborough,
East Sussex TN6 2BY.
Tel: 01892 65 45 34.

The original specialist source of spares, replacements and expertise for the classic turntables. Years of actual experience and comprehensive range of parts (originals and re-manufactures), manuals, ancillaries, No dubious 'improvements' - no harmful 'modifications'. Our specialities: Connoisseur; Garrard; Goldring; Lenco; S.M.E.; Thorens; Watts; Ortofon; Shure; Cartridges and styli for 78s, Mono LPs, Stereo LPs.

COMPONENT SUPPLIERS

Avondale Audio,
The Hollis, Avondale Road
Chesterfield S40 4TF
Tel: 01246 200096
Fax: 01246 207240

Audio Engineers; upgrades, Improvements & servicing to both static and moving parts of the hi-fi chain. (amps as well as turntables). Also bespoke range of own equipment and an extensive range of parts & components available.

White Noise
11, Station Road, Bearsden
Glasgow G61 4AW
Tel: 0141 942 2460

Specialist supplier of the highest quality, solder masked, silkscreened, PCBs and kits for audiophile grade, solid state power amplifiers, MM/MC phono stages and active crossovers, with many more to come. We also supply a wide range of top quality audiophile passive and active components, specialising in the latest high performance Japanese transistors and UK lateral power mosfets. Write for a free catalogue. Mail order only.

Audio-Links
7 Fairmont Crescent, Snuthorpe,
North Lincolnshire DN16 1EL
Tel/Fax: 01724 870432

Large range of specialist audiophile components for solid state and valve enthusiasts. Mail order and a friendly service. Monday to Saturday, 9am - 6pm.
30 Page Catalogue - £2.00.

AudioCom (UK),
Unit 4& 6, Tindle Centre
Warren Street, Tenby
Pembrokeshire, SA70 7JY
Tel: 01834 842803
Fax: 01834 842804

E-Mail: audiocom@scotnet.co.uk
Audiocom are international suppliers of premium grade components. We stock a range of specialist parts including: Elna CERAFINE & SILMIC electrolytics, Sanyo OS-CON SA, SC & SG electrolytics, MIT MultiCap self-bypassed film capacitors, 99.99% Long-grain pure silver wire, Danish Audio Connect CT1 attenuators, OFC inductors & RCA connectors. For a copy of our 1998 audiophile parts catalogue, mail, phone or fax the above. (overseas £3.50).

Hart Electronic Kits Ltd
Penylan Mill, Oswestry,
Shropshire SY10 9AF
24 Hr sales/enquiries Tel: 01691 652894
A range of Audiophile kits for 80 watt Power Amplifiers, Tuners, Pre-Amps and Moving Coil/Moving Magnet RIAA Pickup Preamps. All kits are fully engineered, with our thirty years design experience, for easy constructions from circuits by John Lindsey Hood, the most respected designer in the field. Send for lists.

AP Electronics
20 Derwent Centre, Clarke Street,
Derby, DE1 2BUT

Check out the AP ELECTRONICS catalogue. It's free with every order of over £40.00 or can be purchased for a £4.95 cheque payable to 'AUDIOKITS'. Over 80 pages include pre and power amplifier kits, high grade audiophile resistors, capacitors and semiconductors, audio and mains cables, gold and rhodium plated connectors and COMPONENT NOTES on using high grade parts. A quarterly newsletter 'AP PERFORMANCE AUDIO' has been recently launched and your first issue is free.

Cambridge Scientific Supplies
12 Willow Walk,
Cambridge CB1 1LA.
Tel: 01223 811 716

Fax: 01223 501 833
Specialist wire products for the knowledgeable audiophile including: Silver wire (>99.99% purity, stress free) unique quadruple PTFE insulated Silver wire, Silver loaded solder, PTFE sleeving and Nylon braid sleeving, premium Gold plated connectors and plugs. Custom assembly available. Call Peter Bullock for a catalogue and application note.

RESTORATION

Audio Laboratories (Leeds)
3, Kildare Terrace, Whitehall Road,
Leeds, LS12 1DB
Tel: 0113 244 0378

Have your pet hi-fi project professionally done. With over 20 years experience in factory-grade kitbuilds and overhauls, to both valve and solidstate equipment, our good reputation stems from meticulous engineering coupled with superb measurement facilities.

VINTAGE DIY

Loricraft Audio
4 Big Lane, Goose Green,
Lambourn, Berks RG16 7SQ.
Tel: 01488 72267

Specialist restoration of 301's and 401's using genuine spares and re-manufactured parts to original pristine standards in our newly built workshops designed primarily for these purposes.

WELDING

N.Clark Welding & Fabrications
14 Redhills Road
Easton Industrial Estate
Southwoodham Ferrers
Essex CM3 5UP
Tel: 01245 323336

Precision welding and sheet metal work TIG/MIG welding, CNE Punch and Press Milling and Turning Fine Limit and General Engineering Prototype work and batch work undertaken.

SPECIALIST UPGRADE SERVICES

AudioCom (UK),
Unit 4& 6, Tindle Centre
Warren Street, Tenby
Pembrokeshire, SA70 7JY
Tel: 01834 842803
Fax: 01834 842804

E-Mail: audiocom@scotnet.co.uk
Professional modifications using leading edge components. Modifications are carried out by engineer with 30 years experience in the field of analogue and digital electronics. Upgrades available to all types of audio equipment including CD players, Transports, D-A converters, Pre & Power Amplifiers. Call us today for more information.

cies as balance is lost. An improved version of this concept is diagram 5 called the See-Saw or Floating Paraphase. Here the point at which the signal for the inverter valve is taken is not referenced to ground but floats. By making R2 slightly larger than R1 to make up for the finite gain of V2 a balanced output can be achieved. Here V2 has a large amount of local feedback so that there is much less drift over time, and the frequency response is better than that of the standard paraphase. The floating paraphase is not perfect though and suffers from differing output impedances for the two output signals.

Now we go to a far simpler phase inverter, the Concertina (Diagram 6). Here a single valve is used with equal anode and cathode resistors. It is easy to see how this one works. Consider a positive input signal at V1's grid. This will cause a similar voltage rise at the valve's cathode across R2, drawing a current which causes a drop in voltage at V1's anode. As R1 and R2 are the same value the voltages will be the same but antiphase. There are some disadvantages with the concertina. Firstly the stage has no gain, but as triodes are usually available in dual packages another gain stage can be put in front so maybe that isn't a problem after all. There is also the problem of differing and somewhat high output impedances at the two output nodes. This results in imbalance at high frequencies. I have seen suggestions of placing a resistor in series with the cathode-sided output, but in practice it doesn't actually work that well, and may as well be left out. The concertina will remain well balanced at low frequencies for the life of the valve due

to the high feedback ratio.

Now we progress to the cathode-coupled, or Long Tailed Pair phase splitter so often seen (Diagram 7). Here it is presented with a current source as a tail load, which is the ideal case. A signal at V1's grid causes the current through the valve to increase, as the tail load is a constant current source then the current through V2 must decrease by exactly the same amount. Therefore the amplified signals at the anodes of V1 and V2 are equal but antiphase. It is also possible to apply a signal to the grid of V2. Circuits similar to this are used at the inputs of operational amplifiers and most other types of solid-state amplifiers using FETs or bipolar transistors instead of valves. The circuit will try to reject signals which are the same at both grids (common mode) but will amplify those which are different (differential mode). If the signal from another phase splitter is fed to the grids of the long tailed pair it will improve the balance of those signals. This is what D.T.N. Williamson did in his famous amplifier. See Diagram 8. If a resistor is used as the tail load then the efficiency of the circuit is reduced, and the load resistor of V2 must be made slightly large to compensate. This is how the cathode-coupled circuit is usually seen in valve amplifiers.

Williamson tried to achieve excellent AC balance to the output valves in his amplifier in order to reduce distortion as much as possible. His circuit performs well, but the distortion of a valve amplifier can be reduced further with the use of more sophisticated circuitry. I have found, without greatly increasing feedback.

Diagram 5

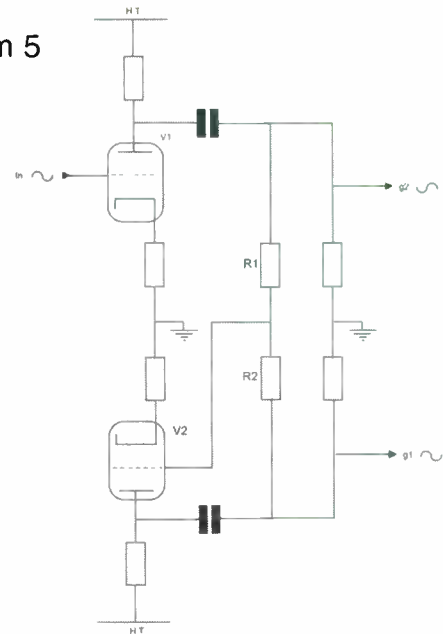


Diagram 6

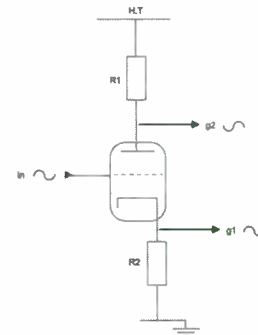


Diagram 7

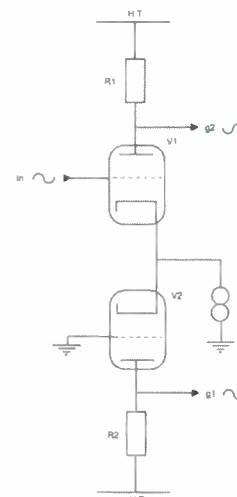
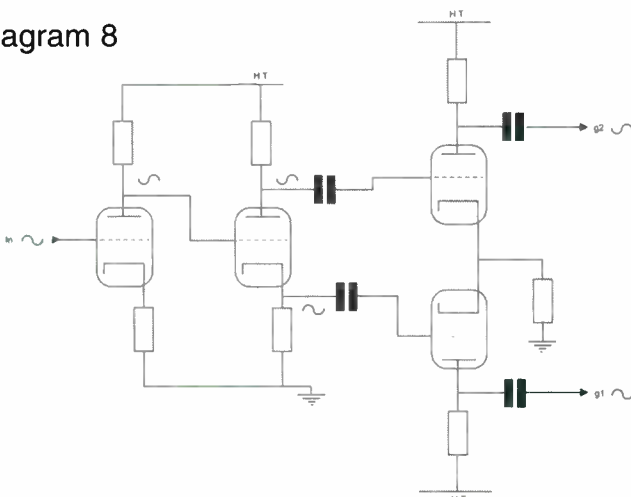


Diagram 8



KOLLECTORS KORNER

Richard White takes a jumbler's look at some audio books of the past.

When scanning the enormous assortment of gear which surfaces at an Audio Jumble, the more impressive items obviously catch the eye first. For instance, there might be a particularly bright specimen of a venerable amplifier or tuner; you pass a few words with the vendor, praise the condition of the thing and move on, noting the premium which an all-but flooded market puts on un-chipped paint and tarnish-free brightwork. You may wish you had more space for those coal-bunker loudspeakers, or wonder whether your record collection really warrants a fourth turntable.

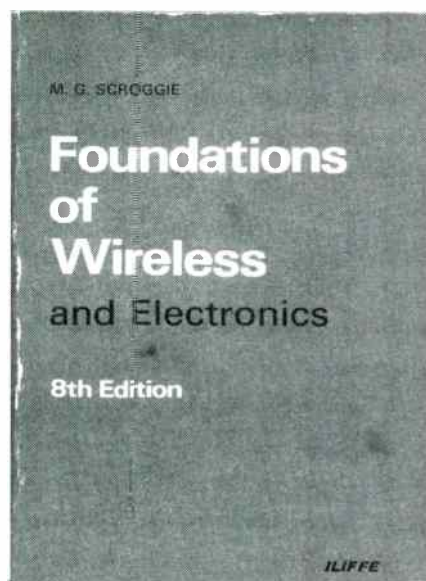
Once the concrete has been dealt with in this way, you may have the leisure for something a little more abstract and it's here that the usually generous supply of books comes into its own. At the very worst, you will be able to put certain hi-fi developments into proper historical perspective. What's more, books change hands for considerably smaller sums than equipment, so you can gain knowledge at the same time as saving cash.

Because the borders between radio, audio and hi-fi tend to blur a bit, it is easy to be caught out; radio and audio technology has tended to date very easily. In the days of the 'radio hobbyist' it was assumed that practically everything but the valves would be made either from scratch or from parts (capacitor vanes etc) supplied by the trade. Although of considerable historic interest, sheer difficulty in finding components rules these out, although it's interesting to see very early designs for amplifiers - straight triodes, transformer coupled - looking quite up-to-date!

Many 'radio' books claim to cover audio as

well, with sections on loudspeakers, gramophones and the like. With certain exceptions, these also are best avoided since although they are good primers for Ohm's Law and other basics, much that is fundamental to radio is only peripheral to audio and, before FM broadcasting, high fidelity amplification was rather wasted on heterodyne whistles and hiss.

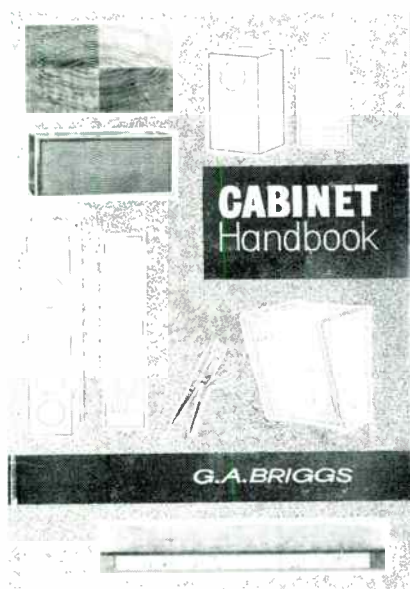
Exceptions to this would be something like Foundations of Wireless, under which title first A L M Sowerby and later M G Scroggie produced a splendid bedside companion for beginner and expert alike. It is principally Scroggie's plain way with English which makes this series of books so valuable. As the title suggests, the books are essentially about radio



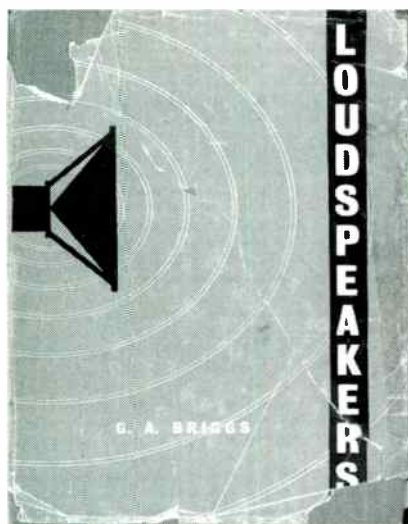
but there are plenty of tit-bits for the enquirer for other matters, not least full expositions of desiderata for power supplies and amplification stages, which have still much to offer.

Don't miss any opportunity to snap up a Hi-Fi Yearbook. These annual publications were 'the industry on parade'. Every manufacturer of any substance contributed current model lists, with prices and quite often photos too, so practically any of these books is a goldmine of anorak information. Prices tend to be high regardless of condition and year. They are of considerable value if buying older gear; the fact that you can distinguish top-of-the-range from budget can prevent your fingers getting burnt, not so much at honest audio jumbles but at junk and second hand shops where the vendor's level of expertise may put optimistic prices on 'lovely old valve stuff'.

An original copy of GEC's epoch-making Approach to Audio Frequency Amplifier Design has, on the face of it, much in its favour too. Purely a valve book, it sticks to its subject and develops its precepts logically. It is only when you examine the circuit data that doubts creep in; phrases like '5% distortion at



3W' are too frequent to be ignored. In short, this book is a first-class primer for the sort of amplifier which H J Leak & Co built to perfection (with 0.1%), but the circuits themselves are below par for modern high fidelity. The Mullard book on the same lines is better in this respect, if you ignore the pre-amplifiers but since both these books are still available in reprints, originals are of less interest.



One of the pioneers of pure audio books was GA Briggs, founder of Wharfedale. Having acquired quite a collection of his books over the years, I am forced to say that there is Briggs and Briggs. No-one should not at least have looked at the fifth edition of Loudspeakers (1958), with its vast range of articles on every aspect of its subject. Modern readers may find Briggs' chatty style irritating but this should not prevent anyone getting to the meat of the thing. Earlier editions of the work, including the reprinted fourth edition,

are of more historic than practical interest.

Much the same can be said of his Sound Reproduction which boasts (naturally) an extensive loudspeaker section in addition to many other chapters on acoustics, pick-ups and audio generally. Time has not been especially kind to this book; it predates the general acceptance of microgroove, not to mention stereo.

When the time came to revise both Loudspeakers (5th ed) and Sound Reproduction, Briggs opted to split his subjects up into separate topics, hence The Cabinet Handbook and Acoustics

among too many others. By this time, the author was retired from active service and there is a touch of 'old man's toys' about these slim volumes. Chattiness has given way to rambling. That's not to say they're without value but readers coming to them without being aware of his earlier opus may easily be put off.

James Moir was not only a technical consultant for some of the Briggs titles also an acoustic technician in his own right. In 1958 he published his own High Quality Sound Reproduction, a work much more technical than the Wharfedale books. In his clarity of style, Moir resembles Scroggie: technically complex matters are rendered in plain English with plenty of diagrams and examples plus lists for further reading. The second edition has a small chapter on Stereo but as this immense step forward was then in its infancy, commercial standards had yet to settle down. As a result, Moir's conclusions in this area are more general than specific.

Norman Crowhurst was one of the transistor generation who should have carried on the popular path where Briggs and Moir left off. His High Fidelity Sound Engineering is certainly packed with useful information. Chapters like Transducer Matching and Simple Active Circuits remain very pertinent today, particularly since we now value simplicity so much in audio circuitry. Unfortunately, Crowhurst has every virtue except readability. This is certainly a book to look out for but it's just a bit of a drag to keep the pages turning!

Moving into the 1970s, we are faced by a dilemma: suddenly hi-fi was big business and new books roared off the presses to meet the demand. At the same time, as we know, hi-fi

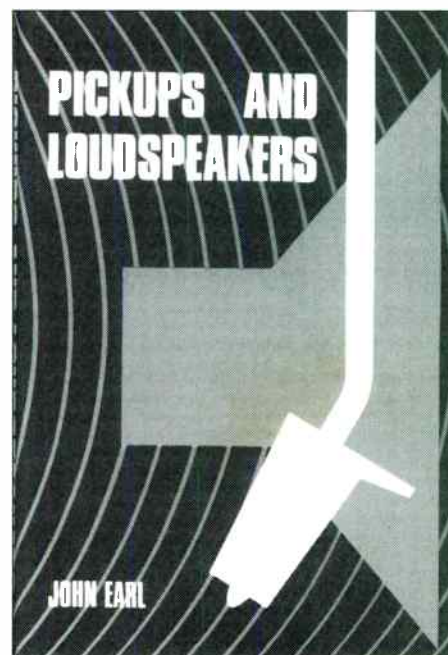
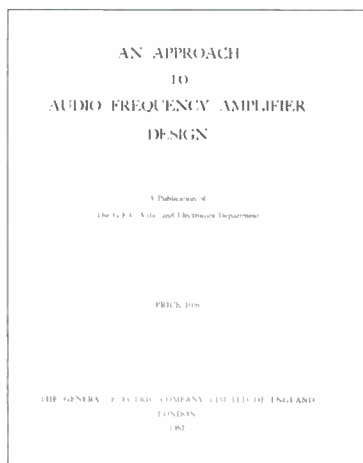
'sound' was at its most variable so it is difficult to strike a balance between the generally sensible technical information and the equipment recommendations.

Prominent among the new authors was

John Earl (aka Gordon King) who published a series of books 'How to Choose and Use ...'. Very much of their time, this series provides a useful snapshot of the new 'hi-fi' hobby, as opposed to 'audio'. No doubts were expressed that transistors were 'better' than valves and that modern equipment was not only 'better' than its valve predecessors but also that the likelihood of

its being significantly bettered (at least at the top of the range) was remote. Although possession of a Quad 33/303 then placed your system above criticism, many Far East imports, now huge industry names, were making a name for themselves. These books are a good read and if the products shown had only lived up to their expectations, the story of hi-fi would have been all but over!

In this short article, I have barely scratched the surface, even of my own collection. Audio and hi-fi books are an inexpensive way of getting more out of the hobby than 'what should I buy next'. Equipment comes and goes but the basics of good sound reproduction have remained surprisingly constant. Good Hunting!



D.I.Y. LETTERS

HEAVY EIGHTS

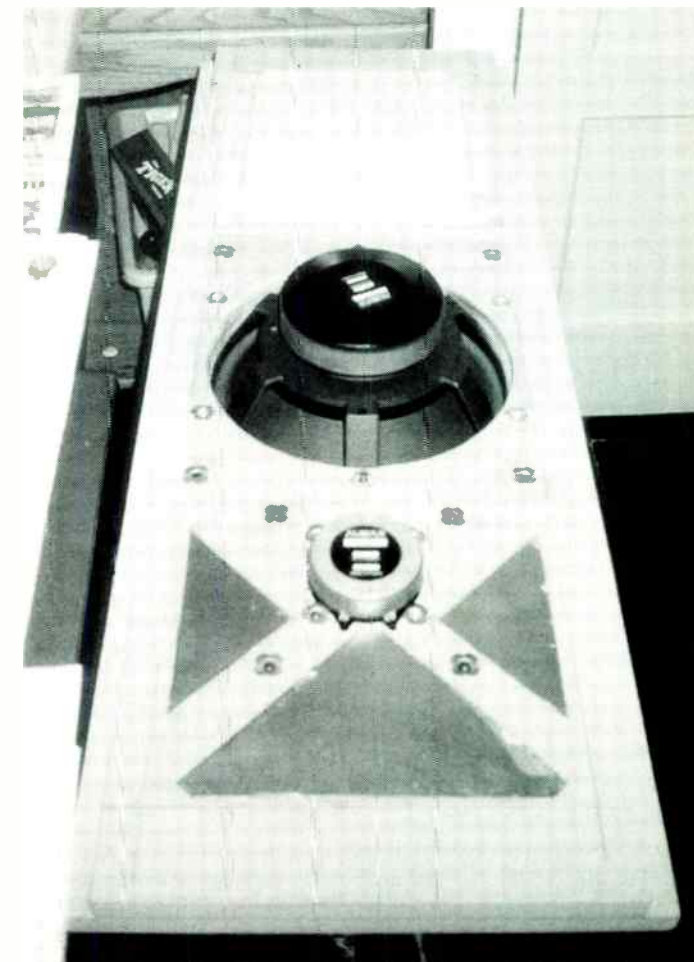
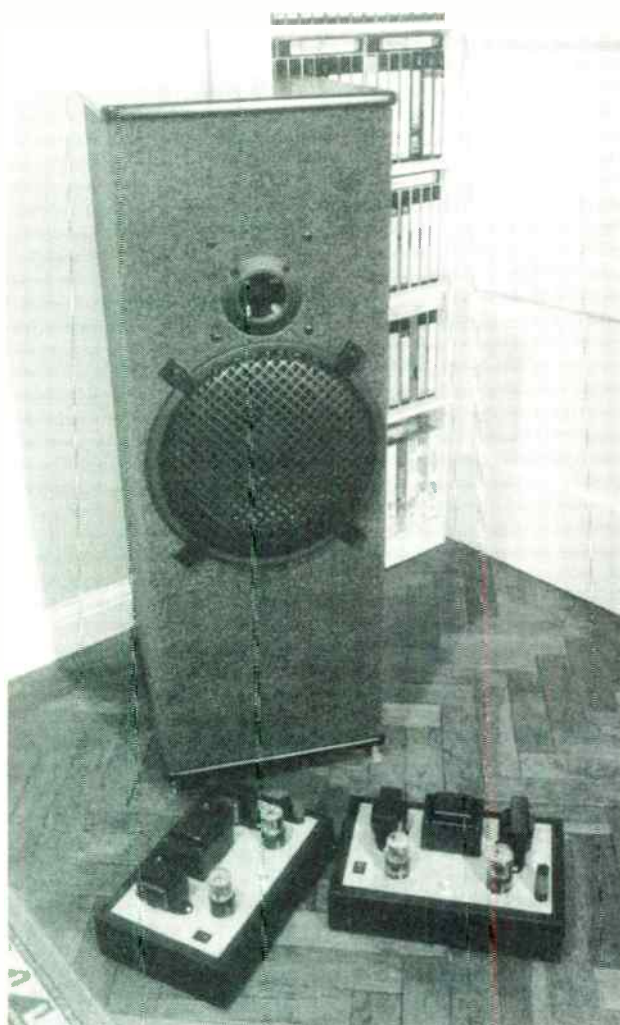
Having succumbed to the lure of single-ended triodes, the decision was taken to replace my old PRO9-TL speakers (84db/w transmission lines from Wilmslow Audio 20 years ago) with KLS8. I'd agreed with my wife that replacements would be something of the same size, so the conversion from stand-mounters to floor-standers was born.

The engineering target was a

platform for the woofers, which was rigid, acoustically inert and with a minimal amount of reflection from the box back through the cone. Key features are:

Enclosure with a near triangular cross-section. Panels damped with ceramic tiles, aluminium sheet and columns of sand.

Crossovers on two separate boards. Everything else is pretty conventional: carpet felt lining, long-haired wool damping, shelf braces and spikes. Drive units,



grilles and end plates are secured with high-tensile steel bolts into tee-nuts. All MDF panels which are bolted in place (without glue) have a bead of silicone sealant applied to give a good acoustic joint. Most of the structure is MDF bonded with PVA.

These speakers weigh in at 100kg. To protect the floor I made "pucks" from coins. Put a good-sized centre-punch strike in the middle, then epoxy-resin some inner tube to the lower side. Don't use coins which are legal tender where you use the speakers: US 25c, German 2DM and UK 10p coins are all the right size.

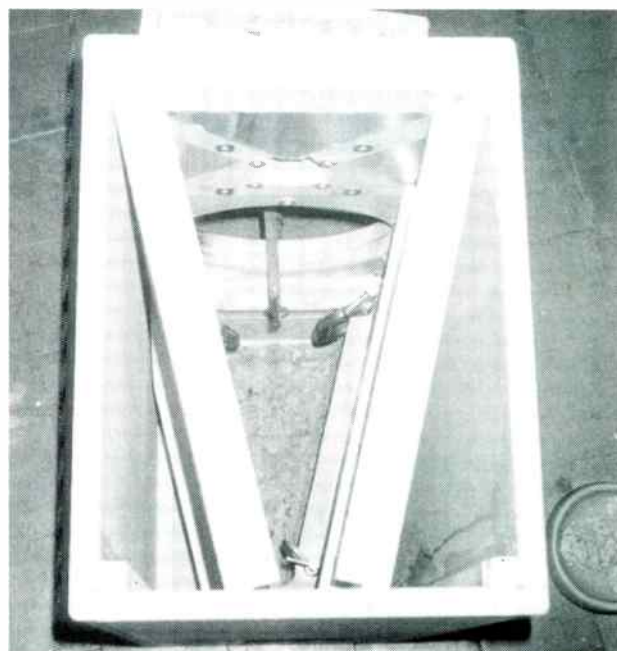
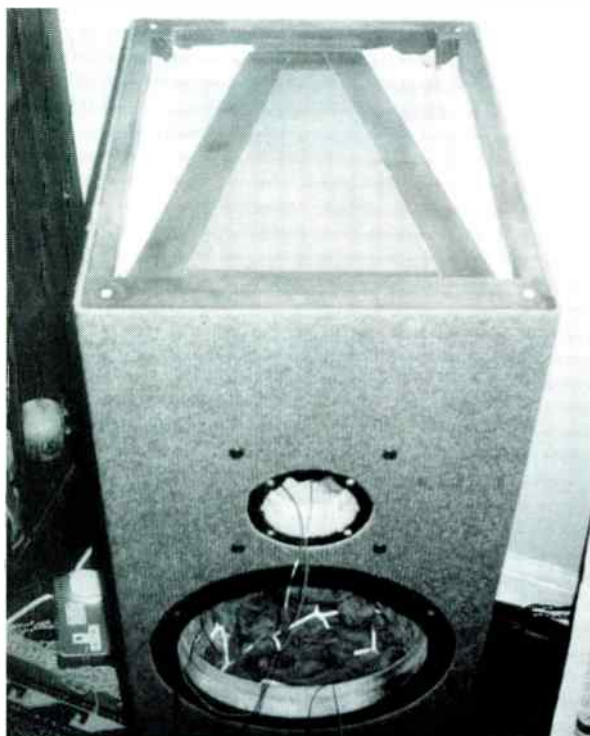
How do they sound?

Everything I'd hoped for: no-one could argue with the sound (especially at the price). Final words from my non-hi-fi, tone deaf, tolerant wife: "It sounds more real." Thanks, Ruth!

This project took around 300 hours but a lot of that was design work. For anyone wishing to build a copy, there is a cutting list in html format on my web site: for anyone with AutoCAD Light there are design sketches, too. See <http://www.wollaton25.junglelink.co.uk/john/kls8>

John Spriggs

(more pictures on p22)



Non-parallel cabinet walls help tune out internal modes, keeping characteristic box 'honks' down. As long as the basic box volume is maintained bass performance will not be affected.

KEL80 AND KT88s

Is there any special reason I can't tweak the KEL80s to use KT88s...?

Cheers

Richard Barton

To answer your question fully, let me first describe the World Audio Design KEL80 monobloc kit to those who do not know. The amplifier has a pentode 6AU6 input valve, a 5687 double triode phase-splitter and four EL34 output pentodes in parallel push-pull mode to provide 80 watts from Class AB working into a 8 ohm load.

There are a few fundamental differences between the EL34 valve and the KT88 valve which would not allow a straight swap between them. Firstly, the maximum anode dissipation of an

EL34 measures around 25Watts whereas the KT88 will dissipate up to 35Watts. The circuit is designed so that the EL34s are operating at 23 Watts anode dissipation in combination with the cathode biasing arrangement, keeping the valve in a linear portion of its characteristic curve to allow a good response over a wide frequency range.

Placing the KT88 into this set of operating conditions would not be the ideal setting for good performance - it would work but not effectively. You really need to change the operating conditions, increasing the anode dissipation nearer to 35 watts. Trouble is, this would increase the current required, putting the mains transformer under certain distress.

It's for these reasons we use a

beefier mains transformer for the Kit88/KaT88 kit compared to the KEL34. So a KT88 amplifier is more expensive than an EL34 amplifier. Also, bear in mind that the heater current for an EL34 is 6.3V at 1.5A, whilst for the KT88 it is 6.3V at 1.8A. With four tubes in place you are looking at a 1.2A increase on the 6.3V heater winding, not an ideal situation.

The pin layout is slightly different. For the EL34, pin 1 is for grid No. 3, but for KT88 it is NC - no connection, as grid No. 3 is on pin 8 with its cathode. But as grid No.3 and the cathode are in effect joined together in the circuit anyway you can actually do it too.

But a word of warning NC stands for "no connection" which I follow to the letter as you can get some dramatic effects with some valves as NC locations are

sometimes connected to valve elements.

Physically, the diameter of the EL34 is 100mm whereas the KT88 is much larger measuring 170mm. A rule I use is that output tubes need to be at least 2 fingers apart, insitu, so as not to cause too much mutual heating. Putting a KT88 in, will definitely cause this on the KEL80.

On the plus side, the 6AU6 and 5687 valves up-front would be man enough to drive four KT88s in parallel push-pull, so if these various objections are met the circuit would work.

Your suggestion has been noted. Give it a year or so we at World Audio Design may well be able to produce such a kit. It will take transformer and chassis re-design, as well as circuit re-biasing. Keep your eyes open. **NL**

Audio Link	IFC	Falcon Acoustics	12	Riverside Audio	14
Audiolab Leeds	12	Glass Audio	6	Sowter Transformers	12
Billington Export	IBC	IPL Acoustics	14	Sugden	IBC
BK Electronics	4	Langrex Supplies	IFC	Technical & General	12
Chelmer Valve	IFC	Lockwood Audio	4	Watford Valves	4
Cricklewood Electronics	6	PM Components	BC	Wire & Insulation	14

**COMPETITIVE WHOLESALE PRICES
BILLINGTON EXPORT LTD**

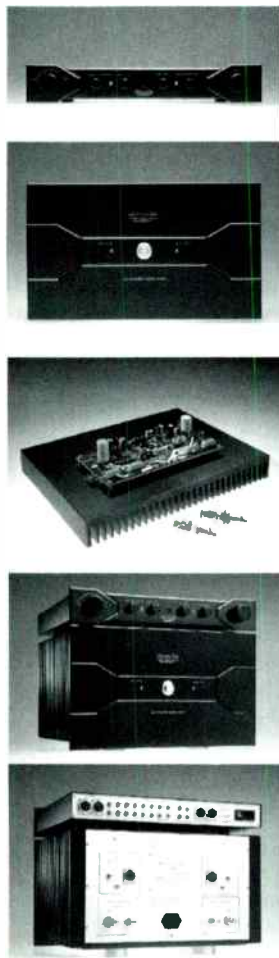
New old stock - Government or Original boxes unless marked * which are White box

On these types **ONLY** you can obtain these **WHOLESALE** prices for a **MINIMUM ORDER ONLY £50**

	1-19	20-49	50-99	100-199	200+
3D21 STC Data available	£12.00	£9.50	£9.50	£7.50	£7.00
6AK5 Mullard	£1.95	£1.95	£1.95	£1.95	£1.30
6AM5 Mullard UK	£3.00	£2.00	£1.60	£1.35	£1.25
6AK6 Brimar UK	£1.00	£0.65	£0.45	£0.38	£0.38
6AU6WC * USA	£1.43	£1.43	£0.95	£0.85	£0.66
6AU8A GE/RCA USA	£0.75	£0.75	£0.75	£0.75	£0.75
85A2* East European 90 day guarantee	£1.80	£1.20	£1.20	£1.20	£1.10
807 Russian	£6.60	£4.40	£3.00	£2.90	£2.70
5644 Raytheon	£3.90	£2.60	£2.50	£2.40	£2.30
5755 Raytheon	£2.63	£2.63	£2.63	£2.63	£1.75
7327 Sylwania, may be similar to ECC82	£1.35	£1.35	£0.90	£0.90	0.90
ECL86/6GW8. Try PCL86 which is a similar valve at an amazing low price! Data available					
EF86. Use EF95 which is a similar valve. EF95 is P7G base. EF95 is recommended in Glass Audio. Data available.					
EF95 Mullard UK	£1.95	£1.95	£1.95	£1.95	£1.30
EL34 see 3D21 possible alternative					
EL84 near equivalent try 6CH6	£1.95	£1.95	£1.40	£1.30	£0.80
6CH6 Brimar UK, similar to EL84 Mullard but different pin out.					
No discounts possible. Data available.	£1.95	£1.95	£1.40	£1.30	£0.80
PC86 Zaerix East Europe	£3.68	£3.68	£2.45	£2.45	£2.45
PC900/4HA5 East European	£1.72	£1.72	£1.15	£1.15	£0.90
PCC84/7AN7 Mullard UK	£1.50	£1.00	£1.00	£0.90	£0.80
PCC89 Russian	£1.50	£1.00	£0.90	£0.75	£0.65
PCL86/14GW8 Polish or Russian made using					
Philips technical expertise	£0.53	£0.53	£0.53	£0.53	£0.37
SV811-3 Svetlana	£19.50	£16.00	-	-	-
TT21 Billington Gold Chines	£27.00	£18.00	£18.00	£16.00	-
UCL82 * Russian	£1.80	£1.20	£1.20	£1.10	£1.00

1,000,000 valves in stock, including **E88CC, ECC81, ECC82, ECC83, EF86, EL34, EL84, KT66, KT88, 6SL7, 6SN7, 300B, 807, 845, 6080** and sockets. Please enquire for RETAIL or WHOLESALE prices. We also stock the excellent **BILLINGTON GOLD** brand and limited quantities of Mullard, GEC, etc. MASTERCARD, VISA and most credit/debit cards accepted.

1E GILLMANS ESTATE • BILLINGSHURST • SUSSEX RH14 9EZ UK
Visitors by Appointment only
Tel: (0) 1403 784961 • Fax: (0) 1403 783519 • Email: sales@bel-tubes.co.uk



SUGDEN audio products



Masterclass from the original CLASS A company

New products from Sugden

Wide-bandwidth d.c coupled high current class A power amplifier and matching pre-amplifier. Available as a stereo power amplifier you can upgrade or balanced monoblocks.

Handcrafted from the finest materials and components, Sugden guarantee to add an extra dimension to your listening pleasure. Our superior wide-bandwidth designs will increase the dynamic range and sonic accuracy of your audio system - without fatigue.

With over thirty years experience in design and manufacturing Sugden has become a reference for reviewers, musicians and audiophiles around the world. Prices start at £549.00 for the Audition series so why settle for anything less?

J. E. Sugden & Co Limited
Valley Works, Station Lane, Heckmondwike,
W. Yorks. WF16 0NF
Tel. 01924 404088 Fax 01924 410069
Email jesugden@compuserve.com



Golden Dragon

Precision Audio Tubes

Please enquire for any tube not listed. We have an inventory of over 2,500 different types in stock.

Golden Dragon High Quality Pre-amplifier Tubes

12AT7A/E81CC/ECC81	£ 6.95
12AU7A/E82CC/ECC82	£ 6.95
12AX7A/E83CC/ECC83	£ 6.95
12BH7A	£ 9.95
6DJ8/E88CC/ECC88	£10.95
6SN7GT/ECC33	£ 8.95

KT66R	£69.95 pr
KT88R	£69.95 pr
6550WA	£67.95 pr

Golden Dragon Special Quality Pre-amplifier Tubes

E81CC-01	Gold Pins Low Microphony Low Noise	£10.50
E82CC-01	Gold Pins Low Microphony Low Noise	£10.50
E83CC-01	Gold Pins Low Microphony Low Noise	NEW £ 9.50
E88CC-01	Gold Pins Low Microphony Low Noise	£14.50

Golden Dragon Power Tubes

Golden Dragon Triodes

	Singles	Per matched pair	Per matched quad
2A3 4 pin	£22.50	£50.00	£100.00
2A3 Octal	£22.50	£50.00	£100.00
211	£28.50	£60.00	£120.00
811A	£11.50	£25.00	£50.00
845	£36.50	£75.00	£150.00
805	£36.50	£75.00	£150.00

	Matched Pair	Matched Quad	Matched Octet
EL34 Super	£25.00	£50.00	£100.00
EL34M	£25.00	£50.00	£100.00
E84L (special quality EL84)	£12.50	£25.00	£50.00
EL156 Octal	£75.00	£150.00	£300.00
6L6WGB	£25.00	£50.00	£100.00
KT66	£25.95	£52.00	£104.00
KT66 Super	£65.00	£130.00	£300.00
KT88	£57.95	£116.00	£232.00
KT88 Special (Gold plated)	£67.95	£136.00	£272.00
KT90	£65.00	£130.00	£260.00
KT90LX	£75.00	£150.00	£300.00
350B	£29.95	£60.00	£120.00
6L6GC	£19.95	£40.00	£80.00
6550A	£42.95	£86.00	£172.00
6550A Special (Gold plated)	£64.95	£130.00	£260.00
50CA10	£84.95	£170.00	£340.00
807	£25.00	£50.00	£100.00

Golden Dragon T300B Range

300B Super	£79.00	£160.00	£320.00
4.300B	£84.00	£170.00	£340.00
4.300B LX Super	£124.00	£250.00	£500.00

We have a vast range of tubes available from manufactures all over the world including rare and vintage types. an 80 page booklet of valves available is updated monthly and can be provided at a cost of £2.50 per copy U.K. £4.00/\$7.00 rest of world or you may telephone our Sales Desk for a prompt quotation.

Prices exclude VAT and Carriage. Please add carriage charge of £2.50 for UK orders and VAT at 17.5%

P.M. COMPONENTS LTD, Selectron House, Jenkins Dale Industrial Estate, Chatham, Kent. ME4 5RD
Tel 01634 848500, Fax 01634 848676, e-mail: 101650,2424@Compuserve.com

The Valve. Golden Dragon



Simply, The Best.

For more information contact:

PM Components Ltd, Selectron House, Jenkins Dale Industrial Estate,
Chatham, Kent. ME4 5RD

Tel 01634 848500, Fax 01634 848676, e-mail: 101650,2424@Compuserve.com

H.T.P. // PM GROUP HOME
www.p.m.components.com