

EVERYDAY

DECEMBER 1995

PRACTICAL

ELECTRONICS

£2.25

EPE MET

OFFICE

Weather Watch on your PC

STEREO CORDLESS HEADPHONES

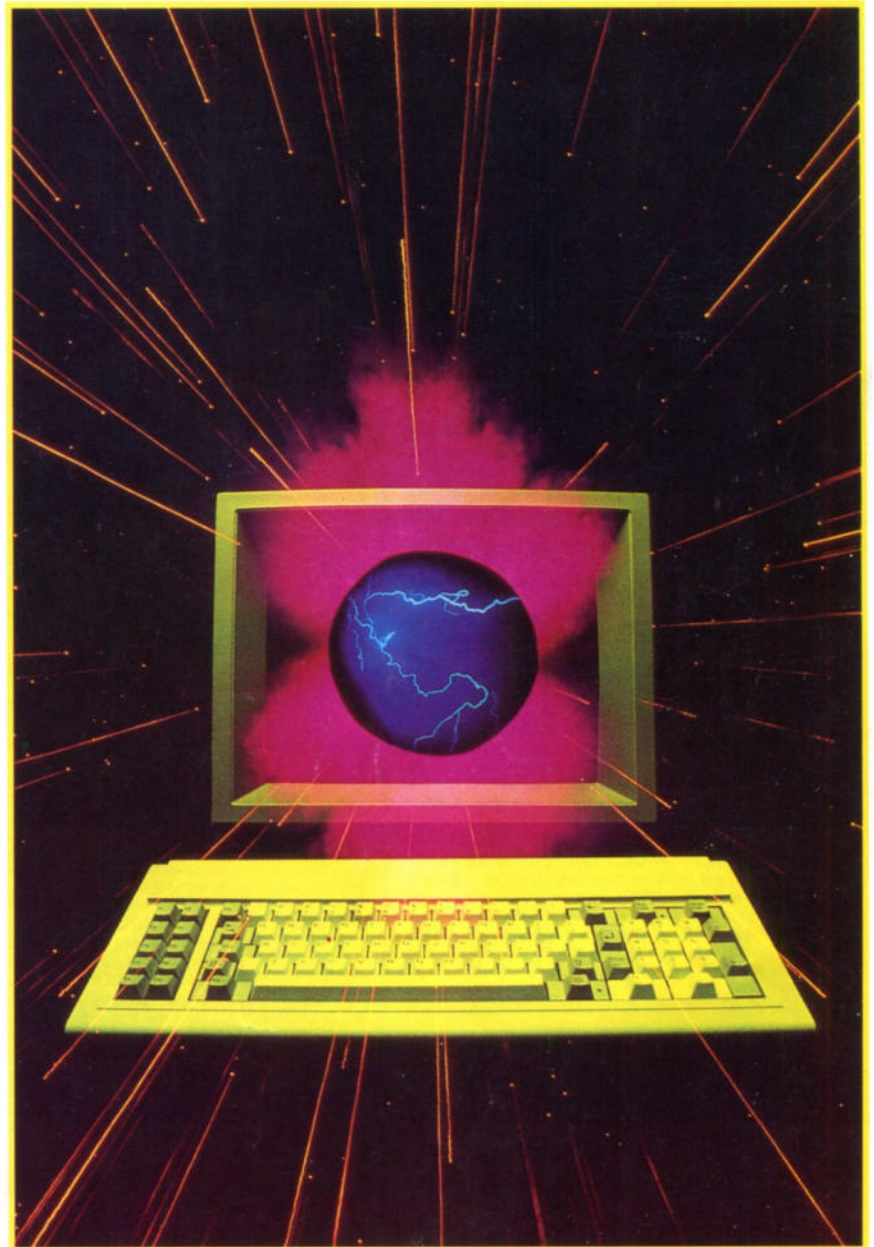
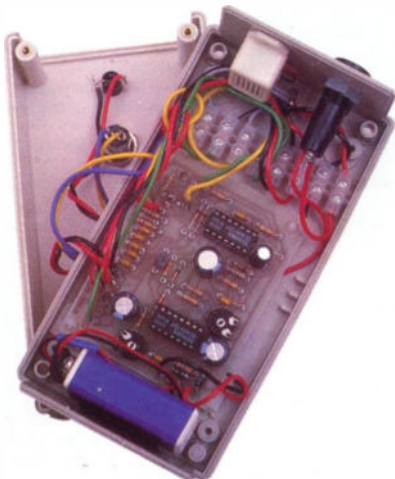
TEACH-IN '96

2-

Guide to modular circuit design

MODULAR ALARM SYSTEM

Customise your home security



THE No. 1 INDEPENDENT
MAGAZINE FOR
ELECTRONICS TECHNOLOGY
& COMPUTER PROJECTS



PLUS CIRCUIT SURGERY
TECHNIQUES **INTERFACE**
NEW TECHNOLOGY UPDATE

BULL CLEAROUT SALE

WIRELESS VIDEO BUG KIT Transmits video and audio signals from a miniature CCTV camera (included) to any standard television! All the components including a PP3 battery will fit into a cigarette packet with the lens requiring a hole about 3mm diameter. Supplied with telescopic aerial but a piece of wire about 4' long will still give a range of up to 100 metres. A single PP3 will probably give less than 1 hour operating time. £99 REF EP79. (probably not licensable)

GOT AN EXPENSIVE BIKE? You need one of our bottle alarms, they look like a standard water bottle, but open the top, insert a key to activate a motion sensor alarm built inside. Fits all standard bottle cameras, supplied with two keys. SALE PRICE £7.99 REF SA32.

GOT AN EXPENSIVE ANYTHING? You need one of our cased vibration alarms, keyswitch operated, fully cased just fit it to anything from videos to caravans, provides a years protection from 1 PP3 battery, UK made. SALE PRICE £4.99 REF SA33.

DAMAGED ANSWER PHONES These are probably beyond repair so they are just £4.99 each. Mainly response 200 machines. REF SA30.

COMMODORE GAMES CONSOLES Just a few of these left to clear at £5 ref SA31. Condition unknown.

COMPUTER DISC CLEAROUT We are left with a lot of software packs that need cleaning so we are selling at disc value only! 50 discs for £4, that's just 8p each!! (our choice of discs) SALE PRICE £4 ref EP66.

IBM PS2 MODEL 160Z CASE AND POWER SUPPLY Complete with fan etc and 200 watt power supply. SALE PRICE £9.95 ref EP67.

DELL PC POWER SUPPLIES 145 watt, +5, -5, +12, -12, 150x150x85mm complete with switch, flyleads and IEC socket. SALE PRICE £9.99 ref EP55.

1.44 DISC DRIVES Standard PC 3.5" drives but returns so they will need attention. SALE PRICE £4.99 ref EP68.

1.2 DISC DRIVES Standard 5.25" drives but returns so they will need attention. SALE PRICE £4.99 ref EP69.

PP3 NICADS New and unused but some storage marks. SALE PRICE £4.99 ref EP52.

SOLAR PANELS 3v output with two flyleads, 100x60 mm pack of 10. SALE PRICE £6.99 ref EP56.

DELL PC POWER SUPPLIES (Customer returns) Standard PC psu's complete with fly leads, case and fan, pack of two psu's. SALE PRICE £5 FOR TWO!! ref EP61.

GASHOBS AND OVENS Brand new gas appliances, perfect for small flats etc. Basic 3 burner hob. SALE PRICE £24.99 ref EP72. Small built in oven. SALE PRICE £79 ref EP73.

BITS AND BOBS We have a quantity of cased modems, multiplexers etc different specs but ideal strippers, SALE PRICE £4 each ref EP63.

RED EYE SECURITY PROTECTOR 1,000 watt outdoor PIR switch. SALE PRICE £9.99 ref EP57.

ENERGY BANK KIT 100 6'x6' 6v 100mA panels, 100 diodes, connection details etc. £69.99 ref EP112.

CCTV CAMERA MODULES 46X70X29mm, 30 grams, 12v 100mA, auto electronic shutter, 3.6mm F2 lens, CCIR, 512x492 pixels, video output is 1v p-p (75 ohm). Works directly into a scart or video input on a tv or video. IR sensitive. £79.95 ref EF137.

IR LAMP KIT Suitable for the above camera. enables the camera to be used in total darkness! £5.99 ref EF138.

PASTEL ACCOUNTS SOFTWARE does everything for all sizes of businesses. Includes wordprocessor, report writer, windowing, networkable up to 10 stations, multiple cash books etc. 200 page comprehensive manual. 90 days free technical support (0345-326009 try before you buy!) Current retail price is £129, SALE PRICE £9.95 ref SA12. SAVE £120!!!

MINI MICRO FANS 12V 1.5" sq SALE PRICE £2, Ref SA13.

REUSABLE HEAT PACKS Ideal for fishermen, outdoor enthusiasts elderly or infirm, warming food, drinks etc, defrosting pipes etc. reusable up to 10 times, lasts for up to 8 hours per go, 2,000wh energy, gets up to 90 deg C. SALE PRICE £9.95 REF SA29.

12V ZAMP LAPTOP psu's 110x55x40mm (includes standard IEC socket) and 2m lead with plug. 100-240V IP. SALE PRICE £6.99 REF SA15.

PC CONTROLLED 4 CHANNEL TIMER Control (on/off times etc) up to 4 items (BA 240v each) with this kit. Complete with Software, relays, PCB etc. £25.99 REF 95/26.

COMPLETE PC 300 WATT UPS SYSTEM Top of the range UPS system providing protection for your computer system and valuable software against mains power fluctuations and cuts. New and boxed, UK made. Provides up to 5 mins running time in the event of complete power failure to allow you to run your system down correctly. SALE PRICE just £89.00.

SOLAR PATH LIGHTS Low energy walklights powered by the sun! built in PIR so they work when you walk past. Includes solar panel & rechargeable bat. SALE PRICE £19.99 REF EP62.

BIG BROTHER PSU Cased PSU, 6v 2A output, 2m o/p lead, 1.5m input lead, UK made, 220v. SALE PRICE £4.99 REF EP7.

WANT TO MAKE SOME MONEY? STUCK FOR AN IDEA? We have collated 140 business manuals that give you information on setting up different businesses, you peruse these at your leisure using the text editor on your PC. Also included is a certificate enabling you to reproduce the manuals as much as you like! SALE PRICE £14 REF EP74.

RACAL MODEM BONANZA! 1 Racal MPS1223 1200/75 modem, telephone lead, mains lead, manual and comms software, the cheapest way onto the net! all this for just £13 ref DEC13.

6mw LASER POINTER. Supplied in kit form, complete with power adjuster, 1-5mw, and beam divergence adjuster. Runs on 2 AAA batteries. Produces thin red beam ideal for levels, gun sights, experiments etc. Cheapest in the UK! just £39.95 ref DEC40 TRADE PRICE £29 MIN 10 PIECES

RADIO PAGERS Brand new, UK made pocket pagers clearance price is just £4.99 each 100x40x15mm packed with bits! REF SEP5.

BULL TENS UNIT Fully built and tested TENS (Transcutaneous Electrical Nerve Stimulation) unit, complete with electrodes and full instructions. TENS is used for the relief of pain etc in up to 70% of sufferers. Drug free pain relief, safe and easy to use, can be used in conjunction with analgesics etc. £49 REF TEN/1.

COMPUTER RS232 TERMINALS. (LIBERTY) Excellent quality modern units, (like wyse 50, s) 2xRS232, 20 function keys, 50 thro to 38,400 baud, menu driven port, screen, cursor, and keyboard setup menus (18 menu's). £29 REF NOV4.

PC PAL VGA TO TV CONVERTER Converts a colour TV into a basic VGA screen. Complete with built in psu, lead and s/ware. Ideal for laptops or a cheap upgrade. Supplied in kit form for home assembly. SALE PRICE £25 REF SA34.

EMERGENCY LIGHTING UNIT Complete unit with 2 double bulb floodlights, built in charger and auto switch. Fully cased, 6v 8AH lead acid req'd. (secondhand) £4 ref MAG4P11.

SWINGING GUIDED MISSILE WIRE, 4,200 metre reel of ultra thin 4 core insulated cable, 28lbs breaking strain, less than 1mm thick! Ideal alarms, intercoms, fishing, dolls house's etc. SALE PRICE £13.99 ref EP51.

ELECTRIC CAR WINDOW DE-ICERS Complete with cable, plug etc. SALE PRICE JUST £4.99 REF SA28.

ASTEC SWITCHED MODE PSU BM41012 Gives +5 @ 3.75A, +12 @ 1.5A, -12 @ 4A, 230/110, cased, BM41012. £5.99 ref AUG6P3.

AUTO UNCHARGER 155x300mm solar panel with diode and 3 metre lead fitted with a cigar plug. 12v 2watt. SALE PRICE £8.99 REF SA25.

TOP QUALITY CENTRIFUGAL MAINS MOTORS SALE PRICE 2 FOR JUST £2.50 REF SA38

ECLATRON FLASH TUBE As used in police car flashing lights etc, full spec supplied, 60-100 flashes a min. SALE PRICE £6.99 REF SA15.

24v AC 96WATT Cased power supply, New. SALE PRICE JUST £9.99 REF SA40.

MILITARY SPEC GEIGER COUNTERS Unused and straight from Her Majesty's forces, SALE PRICE £44 REF SA16.

MICRODRIVE STRIPPERS Small cased tape drives ideal for stripping, lots of useful goodies including a smart case, and lots of components. SALE PRICE JUST £4.99 FOR FIVE REF SA26.

SOLAR POWER LAB SPECIAL You get TWO 6"x6" 6v 130mA solar cells, 4 LEDs, wire, buzzer, switch plus 1 relay or motor, Superb value kit. SALE PRICE JUST £4.99 REF SA27.

RGB/CGA/EGA/TTL COLOUR MONITORS 12" in good condition. Back anodised metal case. SALE PRICE £49 REF SA16.

SWITCHED MODE PSU ex equip, 60w +5v @5A, -5v @ 5A, +12v @ 2A, -12v @ 5A 120/220v cased 245x88x55mm IEC input socket £6.99 REF MAG7P1.

PLUG IN ACORN PSU 19v AC 14w. £2.99 REF MAG3P10.

POWER SUPPLY fully cased with mains and o/p leads 17v DC 900mA output. Bargain price £5.99 ref MAG6P9.

ACORN ARCHMEDES PSU +5 @ 4.4A on/off sw uncased, selectable mains input, 145x100x45mm. SALE PRICE £4.99 REF SA1.

13.8v 1.9A psu cased with leads. Just £9.99 REF MAG10P3.

PPC MODEM CARDS These are high spec plug in cards made for the Amstrad laptop computers, 2400 baud dial up unit complete with leads. Clearance price is £5 REF: MAG5P1.

200 WATT INVERTER CONVENTS 10-15v DC into either 110v or 240v AC. Fully cased 115x36x156mm, complete with heavy duty power lead, cigar plug, AC outlet socket. Auto overload shutdown, auto short circuit shut down, auto input over voltage shutdown, auto input under voltage shut down (with audible alarm), auto temp control, unit shuts down if overheated and sounds audible alarm. Fused reversed polarity protected, output frequency within 2%, voltage within 10%. A well built unit at a keen price. Just £64.99 ref AUG65.

UNIVERSAL SPEED CONTROLLER KIT Designed by us for the C5 motor but ok for any 12v motor up to 30A. Complete with PCB etc. A heat sink may be required. £17.00 REF: MAG17.

COMPUTER COMMUNICATIONS PACK kit contains 100m of 6 core cable, 100 cable clips, 2 line drivers with RS232 interfaces and all connectors etc. Ideal low cost method of communicating between PC's over a long distance. Complete kit £8.99.

ELECTRIC MOTOR KIT Comprehensive educational kit includes all you need to build an electric motor. £9.99 ref MAR10P4.

VIEWDATA SYSTEMS made by Philips, complete with internal 1200/75 modem, keyboard, psu etc RGB and composite outputs, menu driven, autodialler etc. SALE PRICE £12.99 REF SA18.

AIR RIFLES. 22as used by the Chinese army for training purposes, so there is a lot about it! £39.95 Ref EF78, 500 pellets £4.50 ref EF80.

PLUG IN POWER SUPPLY SALE FROM £1.50 Plugs in to 13A socket with output lead, three types available, 9vdc 150mA £1.50 ref SA19, 9vdc 200mA £2.00 ref SA20, 6.5vdc 500mA £2 ref SA21.

VIDEO SENDER UNIT, Transmits both audio and video signals from either a video camera, video recorder, TV or Computer etc to any standard TV set in a 100' range! (tune TV to a spare channel) 12v DC op. Pnce is £15 REF: MAG15. 12v psu is £5 extra REF: MAG5P2.

'SOME OF OUR PRODUCTS MAY BE UNLICIENSABLE IN THE UK'

BULL ELECTRICAL
250 PORTLAND ROAD, HOVE, SUSSEX.
BN3 5QT. (ESTABLISHED 50 YEARS).

MAIL ORDER TERMS: CASH, PO OR CHEQUE
WITH ORDER PLUS £3 POST PLUS VAT.
PLEASE ALLOW 7-10 DAYS FOR DELIVERY PHONE ORDERS
WELCOME (ACCESS, VISA, SWITCH, AMERICAN EXPRESS)

TEL: 01273 203500
FAX 01273 323077

***FM CORDLESS MICROPHONE** Small hand held unit with a 500' range! 2 transmit power levels. Reqs PP3 9v battery. Tuneable to any FM receiver. Pnce is £15 REF: MAG15P1.

***MINIATURE RADIO TRANSCEIVERS** A pair of walkie talkies with a range up to 2 km in open country. Units measure 22x52x155mm. Including cases and ear pieces. 2xPP3 req'd. £30.00 pr. REF: MAG30.

FUTURE PC POWER SUPPLIES These are 295x135x60mm, 4 drive connectors 1 mother board connector, 150watt, 12v fan, IEC inlet and on/off switch. SALE PRICE £7.99 REF SA 22.

***FM TRANSMITTER KIT** housed in a standard working 13A adapter! the bug runs directly off the mains so lasts forever why pay £700? or pnce is £15 REF: EF62. Transmits to any FM radio. (this is in kit form with full instructions.)

***FM BUG BUILT AND TESTED** superior design kit. Supplied to detective agencies. 9v battery req'd. £14 REF: MAG14.

TALKING COINBOX STRIPPER COMPLETE WITH COIN SLOT MECHANISMS originally made to retail at £79 each, these units are designed to convert an ordinary phone into a payphone. The units have the locks missing and sometimes broken hinges. However they can be adapted for their original use or used for something else?? SALE PRICE JUST £2.50 REF SA23.

GAT AIR PISTOL PACK Complete with pistol, darts and pellets. £700? or pnce is £15 REF: EF62. Transmits to any FM radio. (this is in kit form with full instructions.)

6"X12" AMORPHOUS SOLAR PANEL 12v 155x310mm 130mA. SALE PRICE £4.99 REF SA24.

FIBRE OPTIC CABLE BUMPER PACK 10 metres for £4.99 ref MAG5P13 (ideal for experimenters!) 30m for £12.99 ref MAG13P1.

MIXED GOODIES PACK, BOX OF MIXED COMPONENTS
WEIGHING 2 KILOS YOURS FOR JUST £3.99

SIDE LEVER .177 AIR RIFLE Superb, low priced general purpose rifle, 18" tapered rifled barrel, fully adjustable open sights, wooden stock, very accurate with low recoil, 41". £39.95 ref R/3.

4X28 TELESCOPIC SIGHTS Suitable for all air rifles, ground lenses, good light gathering properties. £19.95 ref R/7.

RATTLE BACKS Interesting things these, small piece of solid perspex like material that if you try to spin it on the desk it only spins one way! In fact if you spin it the 'wrong' way it stops of its own accord and goes back the other way! £1.99 ref GI/J01.

GYROSCOPES Remember these? well we have found a company that still manufactures these popular scientific toys, perfect gift or for educational use etc. £6 ref EP70.

EDIBLE LONG LIFE CANDLES Made from Oleo Beef Stearns so you can eat them in an emergency alternatively, you could just light them! Each candle burns for approx 10 hours, 2 for £2.99 ref O/N326.

HYPOTHERMIA SPACE BLANKET 215x150cm aluminised foil blanket, reflects more than 90% of body heat. Also suitable for the construction of two way mirrors! £3.99 each ref O/L041.

LENSTATIC RANGER COMPASS Oil filled capsule, strong metal case, large luminous points. Sight line with magnifying viewer. 50mm dia, 86gm. £10.99 ref O/K604.

RECHARGE ORDINARY BATTERIES UP TO 10 TIMES! With the Battery Wizard! Uses the latest pulse wave charge system to charge all popular brands of ordinary batteries AAA, AA, C, D. four at a time! Led system shows when batteries are charged, automatically rejects unsuitable cells, complete with mains adaptor. BS approved. Pnce is £21.95 ref EP31.

TALKING WATCH Yes, it actually tells you the time at the press of a button. Also features a voice alarm that wakes you up and tells you what the time is! Lithium cell included. £7.99 ref EP26.

PHOTOGRAPHIC RADAR TRAPS CAN COST YOU YOUR LICENCE! The new multiband 2000 radar detector can prevent even the most responsible of drivers from losing their licence! Adjustable audible alarm with 8 flashing LEDs gives instant warning of radar zones. Detects X, K, and Ka bands, 3 mile range, 'over the hill' 'around bends' and 'rear trap' facilities. micro size just 4.25"x2.5"x.75". Can pay for itself in just one day! £79.95 ref EP3.

SNOREBUSTER! A small wristwatch style device that detects the noise of snoring and instantly produces a stimulation to the wrist of the snorer without waking them. The bio feedback effectively prevents future bouts of snoring, thus reducing Snorebuster to only occasional use. 10 of 1,000's sold. £24.99 ref LA15999.

WORLDS SMALLEST TAPELESS MEMO PEN! Not only is the smart pen but will record 20 seconds of memos etc. No more scabbing about for scraps of paper! £39.99 ref AA21381.

ELECTRIC TYRE INFLATOR High power micro air compressor inflates tyres, airbeds footballs etc. Includes pressure gauge. £14.99 ref J8231.

MAMOD STEAM ENGINE SP2 Powerful compact model steam engine complete with fuel etc. £39.95 ref SP2.

SANYO NICAD PACKS 120mm x 14mm 4.8v 270 mA H suitable for cordless phones etc. Pack of 2 just £5 ref EP78.

WE BUY SURPLUS STOCK FOR CASH FREE CATALOGUE

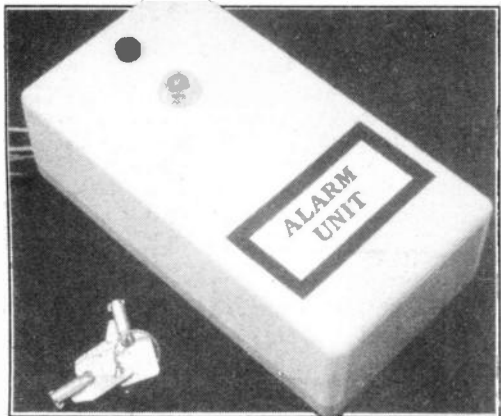
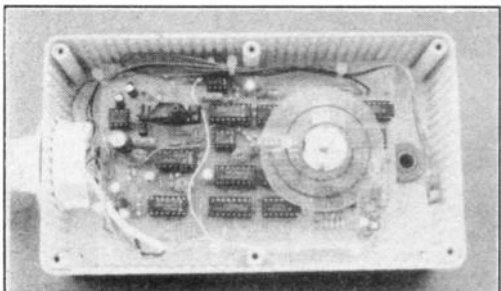
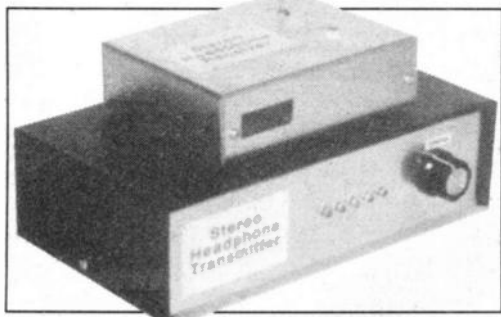
1995 100 PAGE CATALOGUE NOW AVAILABLE, 45P STAMP OR FREE WITH ORDER.

PORTABLE RADIATION DETECTOR WITH NEW COMPUTER INTERFACE \$59

A Hand held personal Gamma and X Ray detector. This unit contains two Geiger Tubes, has a 4 digit LCD display with a Piezo speaker, giving an audio visual indication. The unit detects high energy electromagnetic quanta with an energy from 30K eV to over 1.2M eV and a measuring range of 5-9999 UR/h or 10-99990 Nr/h. ref NOV18

EVERYDAY PRACTICAL ELECTRONICS

**The No. 1 Independent Magazine for Electronics,
 Technology and Computer Projects**



Projects

- LIGHT-OPERATED SWITCH** by Paul Stenning **928**
 Let dusk and dawn control your nocturnal enlightenment
- STEREO "CORDLESS" HEADPHONES** by Robert Penfold **934**
 Happiness is the freedom to enjoy your music in quiet detachment
- EPE MET OFFICE - 1** by John Becker **958**
 Set up your own neighbourhood weather-watch with seven PC-controlled sensors to monitor the elements
- MODULAR ALARM SYSTEM** by Max Horsey **974**
 Intruders beware, modular monitoring can detect every move.
 A Teach-In '96 project
- AUDIO METER AND AMPLIFIER** by Andy Flind **984**
 Enhance your workshop facilities with this easy-to-build dual-purpose test unit

Series

- TEACH-IN '96 - A Guide to Modular Circuit Design - 2** **950**
 by Max Horsey
 Showing how simple modules can be used as the building blocks for larger designs. Switches, timers and fail-safe outputs
- CIRCUIT SURGERY** by Alan Winstanley **968**
 Data Sources; Bargraph Tune-Up; Flashing Alarm; TENS Unit; Newstreads; Theremin Lives!
- INTERFACE** by Robert Penfold **982**
 Monitorless PC monitoring, and keying in without a keyboard
- AMATEUR RADIO** by Tony Smith G4FAI **996**
 RSGB protests at RA Morse decision; Young Amateur of the Year; RSGB seeks info about RAE; Amateur numbers down; Winter SWL guide

Features

- EDITORIAL** **927**
- FOX REPORT** by Barry Fox **933**
 New games war; Daftly re-writing history
- NEW TECHNOLOGY UPDATE** by Ian Poole **946**
 Reducing logic-change "ringing" increases chip speeds, while CD techniques improve hard disk capacity
- INNOVATIONS** **948**
 Everyday news from the world of electronics
- SHOPTALK** with David Barrington **954**
 Component buying for EPE projects
- PLEASE TAKE NOTE** **954**
 Digital Delay Line; Simple Theremin
- ELECTRONICS VIDEOS** **956**
 Our range of educational videos
- OHM SWEET OHM** by Max Fidling **970**
 Nostalgic *technology* loudly sets the scene for swinging cats!
- BACK ISSUES** Did you miss these? **972**
- DIRECT BOOK SERVICE** **991**
 A wide range of technical books available by mail order
- PRINTED CIRCUIT BOARD SERVICE** **995**
 PCBs for EPE projects
- INDEX FOR VOLUME 24** **1001**
- ADVERTISERS INDEX** **1004**

© Wimborne Publishing Ltd 1995. Copyright in all drawings, photographs and articles published in **EVERYDAY PRACTICAL ELECTRONICS** is fully protected, and reproduction or imitations in whole or in part are expressly forbidden.

Our January '96 Issue will be published on Friday, 1 December 1995. See page 919 for details.

Surplus always wanted for cash!

THE ORIGINAL SURPLUS WONDERLAND!

THIS MONTH'S SELECTION FROM OUR VAST EVER CHANGING STOCKS

Surplus always wanted for cash!

LOW COST PC's - ALL EXPANDABLE - ALL PC COMPATIBLE

SPECIAL BUY AT 286

40Mb HD + 3Mb Ram

LIMITED QUANTITY only of these 12MHz HI GRADE 286 systems MADE IN THE USA to an industrial specification, the system was designed for reliability. The compact case houses the motherboard, PSU and EGA video card with single 5 1/4" 1.2 Mb floppy disk drive & Integral 40Mb hard disk drive to the front. Real time clock with battery backup is provided as standard. Supplied in good used condition complete with enhanced keyboard, 640k + 2Mb RAM, DOS 4.01 and 90 DAY Full Guarantee. Ready to Run!
Order as HIGRADE 286

ONLY £149.00 (E)
CALL FOR QTY DISCOUNTS

Optional Fitted extras: VGA graphics card £29.00
1.4Mb 3 1/2" floppy disk drive (instead of 1.2 Mb) £24.95
NE2000 Ethernet (thick, thin or twisted) network card £49.00

FLOPPY DISK DRIVES 3 1/2" - 8"

5 1/4" from £22.95 - 3 1/2" from £24.95

Massive purchases of standard 5 1/4" and 3 1/2" drives enables us to present prime product at industry beating low prices! All units (unless stated) are BRAND NEW or removed from often brand new equipment and are fully tested, aligned and shipped to you with a 90 day guarantee and operate from standard voltages and are of standard size. All are IBM-PC compatible (if 3 1/2" supported on your PC).
3 1/2" Panasonic JU363/4 720K or equivalent £24.95 (E)
3 1/2" Mitsubishi MF355C-L 1.4 Meg. Laptops only * £36.95 (E)
3 1/2" Mitsubishi MF355C-D 1.4 Meg. Non laptop £29.95 (E)
5 1/4" Teac FD-55GFR 1.2 Meg £22.95 (E)
5 1/4" BRAND NEW Mitsubishi MF501B 360K £22.95 (E)
* Data cable included in price.
Shugart 800/801 8" SS refurbished & tested £195.00 (E)
Shugart 851 8" double sided refurbished & tested £250.00 (E)
Mitsubishi M2894-63 8" double sided NEW £275.00 (E)
Mitsubishi M2896-63-02U 8" DS slimline NEW £295.00 (E)
Dual 8" drives with 2 mbYTE capacity housed in a smart case with built in power supply. Ideal as exterior drives! £499.00 (F)

HARD DISK DRIVES

End of line purchase scoop! Brand new NEC D2246 8" 85 Mbyte of hard disk storage! Full industry standard SMD interfaces. Ultra hi speed data transfer and access time, replaces Fujitsu equivalent model. Complete with manual. Only £299.00 (E)
3 1/2" FUJII FK-309-28 20mb MFM I/F RFE £59.95 (C)
3 1/2" CONNER CP3024 20 mb IDE I/F (or equiv) RFE £69.95 (C)
3 1/2" CONNER CP3044 40mb IDE I/F (or equiv) RFE £89.00 (C)
3 1/2" RODIME RQ3057S 45mb SCSI I/F (Mac & Acorn) £99.00 (C)
5 1/4" MINISCRIBE 3425 20mb MFM I/F (or equiv.) RFE £49.95 (C)
5 1/4" SEAGATE ST-238R 30 mb RLL I/F Refurb £89.95 (C)
5 1/4" CDC 94205-51 40mb HH MFM I/F RFE tested £89.95 (C)
8" FUJITSU M2322K 160Mb SMD I/F RFE tested £195.00 (E)
Hard disc controllers for MFM, IDE, SCSI, RLL etc. from £18.95

THE AMAZING TELEBOX

Converts your colour monitor into a QUALITY COLOUR TV!!



TV SOUND & VIDEO TUNER!

The TELEBOX consists of an attractive fully cased mains powered unit, containing all electronics ready to plug into a host of video monitors made by makers such as MICROVITEC, ATARI, SANYO, SONY, COMMODORE, PHILIPS, TATUNG, AMSTRAD etc. The composite video output will also plug directly into most video recorders, allowing reception of TV channels not normally receivable on most television receivers* (TELEBOX MB). Push button controls on the front panel allow reception of 8 fully tunable 'off air' UHF colour television channels. TELEBOX MB covers virtually all television frequencies VHF and UHF including the HYPERBAND as used by most cable TV operators. A composite video output is located on the rear panel for direct connection to most makes of monitor or desktop video systems. For complete compatibility - even for monitors without sound - an integral 4 watt audio amplifier and low level Hi Fi audio output are provided as standard.

TELEBOX ST for composite video input type monitors £34.95
TELEBOX ST as ST but with integral speaker £37.50
TELEBOX MB Multiband VHF-UHF-Cable- Hyperband tuner £69.95
For overseas PAL versions state 5.5 or 6mhz sound specification.
*For cable/hyperband reception Telebox MB should be connected to cable type service. Shipping code on all Teleboxes is (B)

FANS & BLOWERS

MITSUBISHI MMF-D6D12DL 60 x 25 mm 12v DC £4.95 10 / £42
MITSUBISHI MMF-09B12DH 92 x 25 mm 12v DC £5.95 10 / £53
PANCAKE 12-3.5 92 x 18 mm 12v DC £7.95 10 / £89
EX-EQUIP 120 x 38mm AC fans - tested specify 110 or 240 v £6.95
EX-EQUIP 80 x 38mm AC fans - tested specify 110 or 240 v £5.95
VERO rack mount 1U x 19" fan tray specify 110 or 240v £45.95 (E)
IMHOF B26 1900 rack mnt 3U x 19" Blower 110/240V New £79.95
Shipping on all fans (A). Blowers (B). 50,000 Fans Ex Stock CALL

IC's - TRANSISTORS - DIODES

OBsolete - SHORT SUPPLY - BULK

5,000,000 items EX STOCK

For MAJOR SAVINGS - SAE or CALL FOR LATEST LIST

Issue 13 of Display News now available - send large SAE - PACKED with bargains!



MasterCard VISA ESTABLISHED 25 YEARS

LONDON SHOP
Open Mon - Sat 9:00 - 5:30
215 Whitehorse Lane
South Norwood
On 68A Bus Route
N. Thornton Heath &
Selhurst Park SR Rail Stations

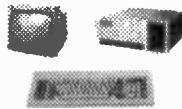
ALL MAIL & OFFICES
Open Mon-Fri 9.00-5.30
Dept EE. 32 Biggin Way
Upper Norwood
LONDON SE19 3XF

DISTEL The Original
FREE On line Database
Info on 1000's of items
V21, V22, V22 BIS
0181 679 1888

ALL ENQUIRIES
0181 679 4414
FAX 0181 679 1927

All prices for UK Mainland. UK customers add 17.5% VAT to TOTAL order amount. Minimum order £10. Bona Fide account orders accepted from Government, Schools, Universities and Local Authorities - minimum order approx £50. Cheques over £100 are subject to 10 working day clearance. Carriage charges (A)-£3.00, (B)-£4.00, (C)-£5.50, (D)-£12.00, (E)-£15.00, (F)-£18.00, (G)-CALL. Allow approx 6 days for shipping - faster CALL. Scottish surcharge CALL. All goods supplied to our Standard Conditions of Sale. Discounts guaranteed for 90 days. All guarantees on a return to base basis. All rights reserved to change prices / specifications without prior notice. Orders subject to stock. Discounts for volume. Top CASH prices paid for surplus goods. All trademarks etc acknowledged. © Display Electronics 1995. E & O E. 45

PC SCOOP COMPLETE COLOUR SYSTEM ONLY £99.00



A massive bulk purchase enables us to bring you a COMPLETE ready to run colour PC system at an unheard of price! The Display Electronics PC99 system comprises of fully compatible and expandable XT PC with 256K of RAM, 5 1/4" 360k floppy disk drive, 12" CGA colour monitor, standard 84 key keyboard, MS DOS and all connecting cables - just plug in and go!! Ideal students, schools or anybody wishing to learn the world of PC's on an ultra low budget. Don't miss this opportunity. Fully guaranteed for 90 Days. **£99.00 (E)**
Order as PC99COL

Optional Fitted extras: 640K RAM £29.00
2nd floppy drive, specify 5 1/4" 360k or 3 1/2" 720k £29.95
Above prices for PC99 offer ONLY.

VIDEO MONITOR SPECIALS

One of the highest specification monitors you will ever see - At this price - Don't miss it!

Mitsubishi FA3415ETK 14" SVGA Multitrac monitor with fine 0.28 dot pitch tube and guaranteed resolution of 1024 x 768. A variety of inputs allows connection to a host of computers including IBM PC's in CGA, EGA, VGA & SVGA modes, BBC, COMMODORE (including Amiga 1200), ARCHIMEDES and APPLE. Many features: Etched faceplate, text switching and LOW RADIATION MPPR specification. Full 90 day warranty. Supplied in EXCELLENT little used condition. **Only £139 (E)**
Order as MITS-SVGA

Tilt & Swivel Base £8.00 Leads for IBM PC £8.95 (A)
External Cables for other computers £ CALL

PHILIPS HCS35 (same style as CM8833) attractively styled 14" colour monitor with both RGB and standard composite 15.625 KHz video inputs via SCART socket and separate phono jacks. Integral audio power amp and speaker for all audio visual uses. Will connect direct to Amiga and Atari EBC computers. Ideal for all monitoring / security applications with direct connection to closed circuit cameras. High quality with many features such as front concealed flap controls, VCR correction button etc. Good used condition - fully tested with a 90 day guarantee. **Only £99 (E)**
Dimensions: W14" x H12 1/2" x 1 1/2" D.

Special Offer save £16.95 - Order TELEBOX ST & HCS35 together - giving you a quality colour TV & AV system for Only £122.50 (E)

KME 10" high definition colour monitors. Nice tight 0.28" dot pitch for superb clarity and modern styling. Operates from any 15.625 kHz sync RGB video source, with RGB analog and composite sync such as Atari, Commodore Amiga, Acorn Archimedes & BBC. Measures only 13 1/2" x 12" x 1 1/2". Only £125 (E)
Good used condition. 90 day guarantee.
KME 10" as above for PC EGA standard £145.00 (E)

PHILIPS HCS31 Ultra compact 9" colour video monitor with standard composite 15.625 KHz video input via SCART socket. Ideal for all monitoring / security applications. High quality, equipment fully tested with a 90 day guarantee (possible minor screen bums). In attractive square black plastic case measuring W10" x H10" x 1 1/2" D. Mains powered. Limited Quantity - Only £79.00 (D)

Superbly made UK manufacture. PIL all solid state colour monitors, complete with composite video & optional sound inputs. Attractive teak style case. Perfect for Schools, Shops, Disco, Clubs, etc. In EXCELLENT little used condition with full 90 day guarantee.

20" 22" and 26" AV SPECIALS

20".....£135 22".....£155 26".....£185 (F)

DC POWER SUPPLIES

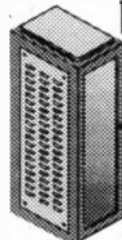
Virtually every type of power supply you can imagine. Over 10,000 Power Supplies Ex Stock Call for info / list.

SPECIAL INTEREST

Zeta 3220-05 A0 4 pin HPGL RS232 fast drum plottter £1950
3M VDA - Video Distribution Amps. 1 in 32 out £375
Trio D-18 vdc bench PSU, 30 amps. New £2470
Fujitsu M3041 800 LPM band printer £1950
VG Electronics 1035 RELETEXT Decoding Margin Meter £3750
Andrews LARGE 3.1 m Satellite Dish + mount (For Voyager!) £950
RED TOP IR Heat seeking missile (not armed !!) POA
KNS EMC / Line interference tester NEW £1200
Thurly 1A 160B logic analyser £375
INTEL SBC 486/133SE Multibus 486 system. 8Mb Ram £1200
GEC 1.5kw 115v 60hz power source £950
Brush 2Kw 400 Hz 3 phase frequency converter £850
Anton Pillar 75 kw 400 Hz 3 phase frequency converter POA
Newton Derby 70 Kw 400 Hz 3 phase frequency converter POA
COMPODEX T1000 Portable TELEX tester NEW £250
Sekonic SD 150H 18 channel digital Hybrid card recorder £1995
HP 7580A A1 8 pin HPGL high speed drum plottter £1850
Computer MC A183A PC 16mm auto iris lenses 'C' mount £125
Seaward PAT 2000 dual voltage computerised PAT tester £585
Densel MUD 0185AH 1KVa UPS system with bats NEW £575

19" RACK CABINETS

Superb quality 6 foot 40U Virtually New, Ultra Smart Less than Half Price!

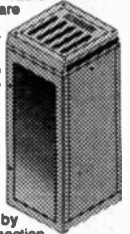


Top quality 19" rack cabinets made in UK by Optima Enclosures Ltd. Units feature designer, smoked acrylic lockable front door, full height lockable half louvered back door and removable side panels. Fully adjustable internal fixing struts, ready punched for any configuration of equipment mounting plus ready mounted integral 12 way 13 amp socket switched mains distribution strip make these racks some of the most versatile we have ever sold. Racks may be stacked side by side and therefore require only two side panels to stand singly or in bays. Overall dimensions are: 77 1/2" H x 32 1/2" D x 22" W. Order as:

OFT Rack 1 Complete with removable side panels. £335.00 (G)
OPT Rack 2 Rack, Less side panels £225.00 (G)

32U - High Quality - All steel cabinet

Made by Eurocraft Enclosures Ltd to the highest possible spec, rack features all steel construction with removable side, front and back doors. Front and back doors are hinged for easy access and all are lockable with five secure 5 lever barrel locks. The front door is constructed of double walled steel with a 'designer style' smoked acrylic front panel to enable status indicators to be seen through the panel, yet remain unobtrusive. Internally the rack features full slotted reinforced vertical fixing members to take the heaviest of 19" rack equipment. The two movable vertical fixing struts (extras available) are pre punched for standard 'cage nuts'. A mains distribution panel internally mounted to the bottom rear, provides 8 IEC 3 pin Euro sockets and 1 x 13 amp 3 pin switched utility socket. Overall ventilation is provided by fully louvered back door and double skinned top section with top and side louvres. The top panel may be removed for fitting of integral fans to the sub plate etc. Other features include: fitted castors and floor levelers, prepunched utility panel at lower rear for cable / connector access etc. Supplied in excellent, slightly used condition with keys. Colour Royal blue. External dimensions 64" H x 25" D x 23 1/2" W.



Sold at LESS than a third of makers price !!

A superb buy at only £195.00 (G)

Over 1000 racks in all sizes 19" 22" & 24" 3 to 44 U. Available from stock !! Call with your requirements.

TOUCH SCREEN SYSTEM

The ultimate in 'Touch Screen Technology' made by the experts - MicroTouch - but sold at a price below cost !! System consists of a flat translucent glass laminated panel measuring 29.5 x 23.5 cm connected to a PCB with on board sophisticated electronics. From the board comes a standard serial RS232 or TTL output. The output continuously gives simple serial data containing positional X & Y co-ordinates as to where a finger is touching the panel - as the finger moves, the data instantly changes. The X & Y information is given at an incredible matrix resolution of 1024 x 1024 positions over the screen size !!! So, no position, however small fails detection. A host of available translation software enables direct connection to a PC for a myriad of applications including: control panels, pointing devices, POS systems, controllers for the disabled or computer un-trained etc etc imagine using your finger in 'Windows' instead of a mouse !! (a driver is indeed available !!) The applications for this amazing product are only limited by your imagination!! Supplied as a complete system including Controller, Power Supply and Data at an incredible price of only: **£145.00 (F)**
RFE. Full Software Support Available - Fully Guaranteed

LOW COST RAM & CPU'S

INTEL 'ABOVE' Memory Expansion Board. Full length PC-XT and PC-AT compatible card with 2 Mbytes of memory on board. Card is fully selectable for Expanded or Extended (266 processor and above) memory. Full data and driver disk supplied. In good used condition fully tested and guaranteed.
Windows compatible. Order as: ABOVE CARD £59.95 (A1)
Half length 8 bit memory upgrade cards for PC AT XT expands memory either 256k or 512k in 84k steps. May also be used to fit in RAM above 640k DOS limit. Complete with data.
Order as: XT RAM UQ. 256k. £32.95 or 512k £38.95 (A1)

SIMM OFFERS

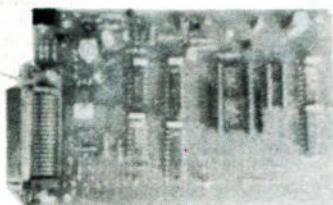
1 MB x 9 SIMM 9 chip 120ns only £19.50 (A1)
1 MB x 9 SIMM 3 chip 80 ns £23.50 70ns £26.00 (A1)
1 MB x 9 SIMM 9 chip 80 ns £22.50 70ns £28.00 (A1)
4 MB 70ns 72 pin SIMM module only £125.00 (A1)
SPECIAL INTEREST 486-DX33 CPU £79.99 (A1)

NO BREAK UNINTERRUPTIBLE PSU'S

EMERSON ACCUCARD UPS, brand new 8 Bit half length PC compatible card for all IBM XT/AT compatibles. Card provides DC power to all internal system components in the event of power supply failure. The Accusaver software provided uses only 6k of base RAM and automatically copies all system, expanded and video memory to the hard disk in the event of loss of power. When power is returned the machine is returned to the exact status when the power failed !! The unit features full self diagnostics on boot and is supplied brand new, with full, easy fitting instructions and manual.
Normally £189.00 NOW! £69.00 or 2 for £120 (E)

PIC PROGRAMMER

Explore the incredible world of Microchip PIC RISC microcontrollers with this versatile programming system



- Supports 16C54/55/56/57/58 devices (16C71/84 with optional adapter)
- Uses parallel port of IBM PC (or compatible). No ISA slot required.
- Yes! It works under Win95!
- Multi-featured programming software includes verify, bit check, E² memory edit and program memory edit.
- Supplied with cross assembler and simulator software.
- Includes software and hardware examples. Free leaflet gives circuit diagrams for several PIC based projects including digital tachometer, security lock, serial keyboard, 8-channel digital remote controller.

Price: £45 (+ £1 p&p)
Optional 71/84 adapter £4

EPROM EMULATOR

Easy to use emulator makes coding for those microprocessor based projects a lot less time consuming!



- Simple to use. Pflugs straight into IBM PC (or compatible) parallel port.
- Fast download time. Reads ANY standard Intel hex file.
- Emulates 27C256, 27C128, 27C64
- Works with LS/HC technologies.
- Yes! It works under Win95!
- Supplied with booklet explaining the basics of microprocessor project design based around the popular Motorola 68HC11 and Intel 8051.

Price: £40 (+ £1 p&p)

Optional extras:	Centronics parallel cable:	£4
All prices include VAT	9V d.c. adapter	£6 (+ £1 p&p)
	Micro or PIC projects leaflet	£2 each (free with orders)

Cheques/POs to: Custom Electronic Services
150 Dewsnap Lane, Dukinfield, Cheshire SK16 5AJ.
Tel: 0161 338 6900 EMAIL CES@REVERSE.DEMON.CO.UK

COMPUTER CONTROL AND MEASUREMENT

LOW COST COMPUTER INTERFACES
PC • BBC • ZX • C64 • Apple 2 • CPC

- RELAY OUTPUTS
- ANALOGUE TO DIGITAL
- DIGITAL TO ANALOGUE
- STEPPING MOTOR OUTPUTS
- SWITCH INPUTS
- TTL PORTS

*** SPECIAL CLEARANCE OFFER ***
INTERBEEB FOR BBC/MASTER
with A-D, Relays, switches, TTL ports
Plugs into 1Mhz bus - includes PSU
ONLY £29.95 inc VAT (was £49.95)

We are an established company who have been supplying computer interface and data logging equipment for more than 15 years. Please write, call or FAX for further information on our wide range of products and special offers.

DCP Microdevelopments Ltd
2 Station Close
Lingwood
Norwich, NR13 4AX
Telephone: (01480) 830997
FAX: (01480) 830534

DCP
microdevelopments

MAINS SIGNALLING UNIT

A simple and relatively inexpensive unit that will provide through-the-mains control of a remote unit or appliance. Use it to extend the doorbell or turn on the electric blanket etc., without the need to run wires around the house, or to move from in front of the TV!

PRINTER SHARER

Designed to overcome many of the shortcomings of commercial printer sharers this project will allow two PCs to share one parallel (Centronics) printer without user intervention. Users simply print from their software applications as usual, and the Printer Sharer lets the data through on a first-come first-served basis.

AUTOMATIC CAMERA PANNING SYSTEM

Motivate a defensive outlook and keep a roving eye on your property. Using selected modules from Teach-In '96 Part 3, construction of an automatic panning mount for a security camera is clearly explained.



EVERYDAY

PRACTICAL

ELECTRONICS

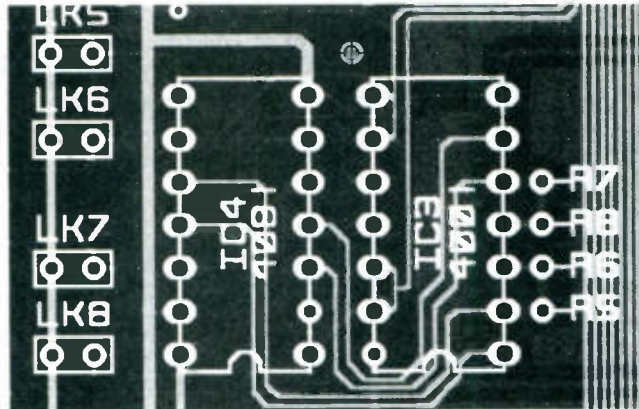
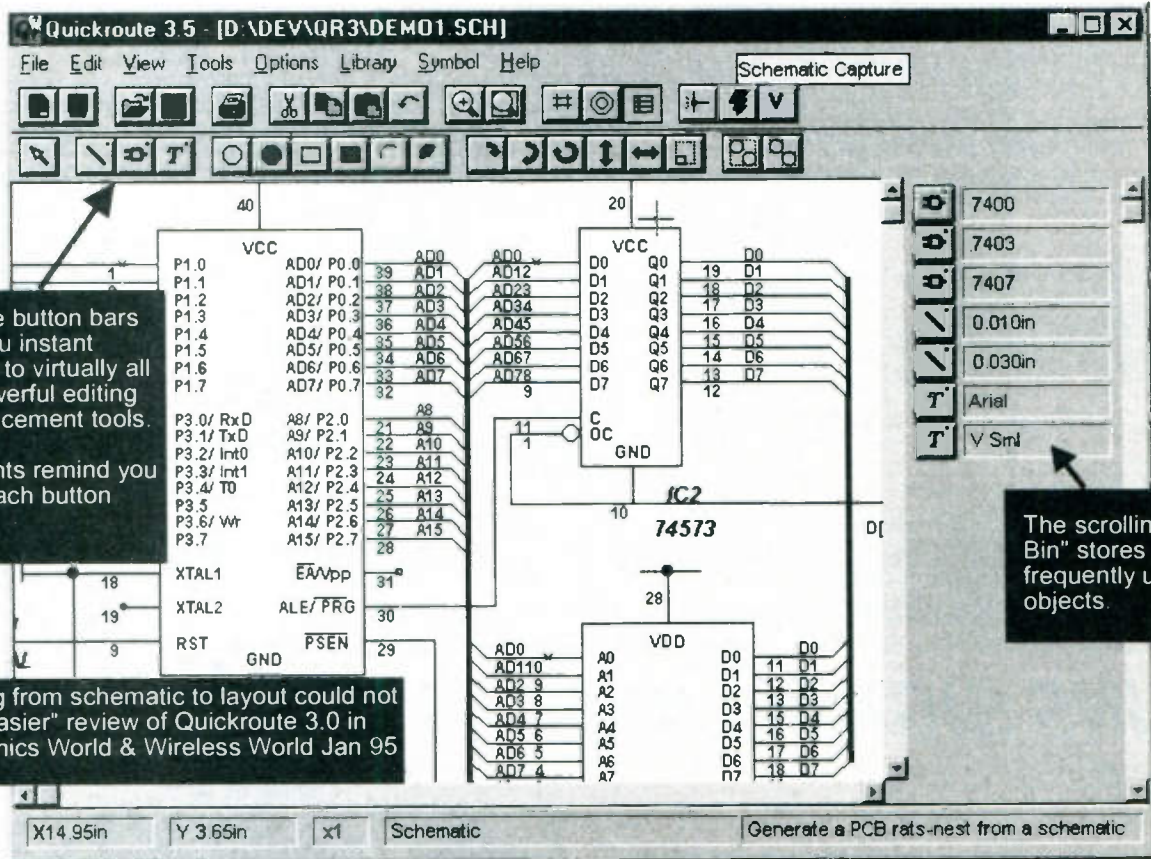
JANUARY '96 ISSUE ON SALE FRIDAY, DECEMBER 1

NEXT MONTH

NEW

quickroute 3.5

Integrated Schematic & PCB Design for
Windows 95 & 3.1



Contact Quickroute Systems for a free demonstration pack & brochure. Prices quoted exclude post & packing, and V.A.T.

quickroute SYSTEMS Limited
14 Ley Lane, Marple Bridge, Stockport, SK6 5DD. UK.
Tel/Fax 0161 449 7101
email info@quicksys.demon.co.uk



Personal

£68

The Personal Edition gets you started with schematic & PCB drafting for just £68.00. The full set of editing & placement tools are included, with support for 2 copper layers & 1 silk screen layer. You can also create your own custom symbols. Note that the manual is provided on disk.

Designer

£149

The Designer Edition of QR 3.5 includes schematic capture & automatic generation of a PCB 'rats-nest'. Routes can then be manually routed, and checked against the schematic. The full manual is also included.

PRO

£249

The PRO Edition is our base professional product with support for 8 copper layers. It includes schematic capture, automatic PCB rats-nest generation, an auto-router and support for a range of CAD-CAM outputs. Also included is our extended library pack (CMOS, Surface mount PCB symbols, etc).

PRO+

£399

PRO+ is our full professional product. It supports advanced schematic capture (global nets), copper fill, enhanced auto-routing, and a range of export and import capabilities including GERBER import, and SPICE & SpiceAge support.

ELECTRONICS SOFTWARE

If you are looking for a means of improving your knowledge of the basics of electronics then this software is for you.

ELECTRONICS PRINCIPLES 2.1

- ★ Insulators, Conductors, Resistance ★ D.C. Circuits
- ★ Capacitance and Inductance ★ A.C. Series Circuits
- ★ A.C. Parallel Circuits ★ Reactance and Impedance
- ★ A.C. and D.C. Power ★ Frequency and Tuned Circuits
- ★ Using Numbers ★ Complex Numbers, Phase Angles
- ★ P.N. Junction Diode ★ Bi-polar and MOSFET Transistors
- ★ Operational Amplifiers ★ Logic Gates ★ Digital Number Systems
- ★ Combinational Logic ★ Flip Flops ★ Counters and Shift Registers
- ★ Memory ★ Microcomputer operation

Now an extended range of electronics topics with an improved graphics presentation, available to electronics hobbyists, students, schools, colleges, and used for training within industry throughout the UK and overseas. A fully interactive electronics program where the user selects from over 250 analogue and digital topics. Circuit diagrams, wave forms, phase angles, voltages and currents or logic states are shown, drawn to scale, in full colour. Formulae are given demonstrating all the calculation steps, exactly as in a textbook, using your input values.

An 'on screen' electronics package including circuit theory to enable a learning through doing approach to encourage experimentation. For the young student, mature hobbyist or the engineer that just needs to keep up-to-date in an easy and enjoyable way.

Having reviewed a dozen, or more, educational software packages designed to "teach" electronics, I was more than a little sceptical when I first heard about Electronics Principles: there seemed to be little that could be done that has not been done elsewhere. When I started to use the package my views changed. Indeed, I was so impressed with it that I quickly came to the conclusion that readers should have an opportunity to try the package out for themselves! - MIKE TOOLEY B.A. Dean of Faculty of Technology, Brooklands Technical College.

Complete package **Still only £49.95**

ELECTRONICS PC TOOLBOX VERSION 2.0

An extended and improved version of the popular Toolbox software. Presents commonly used formulae in a way that makes calculations easier thus encouraging experimentation in circuit design.

Covers D.C. Calculations from Ohm's Law to Loading a Potential Divider; Further D.C. Calculations from Power Ratio Decibels to Kirchhoff's Laws; A.C. Calculations from Average Peak Current to Filters and Admittance; Capacitance Calculations from Values to RC Time Constants; Inductance Calculations from Values to Selectivity; Binary Calculations from Addition to 2's Complement; Numbers and Phase Angles from Addition to Polar to Rectangular; Operational Amplifiers from Inverting Op.Amp to Op.Amp Differentiator. **Only £19.95**

These programs require an IBM compatible PC running DOS or Windows. We also recommend the use of a mouse. For school and college site licence details - please enquire.

Available from

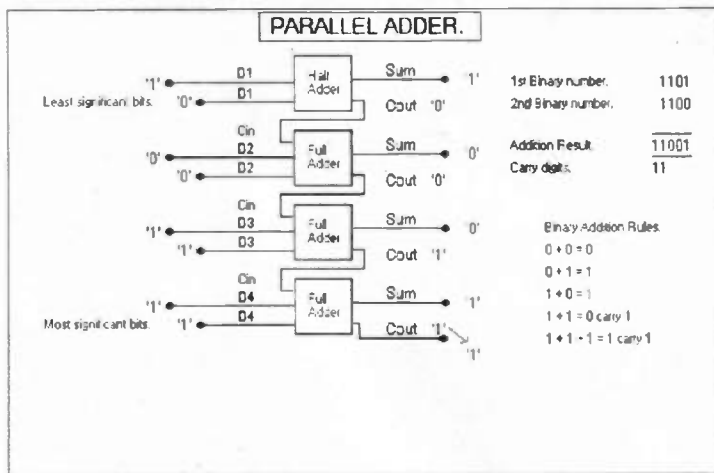
EPT Educational Software, Pump House, Lockram Lane, Witham, Essex. UK. CM8 2BJ. Tel/Fax: 01376 514008.

E-Mail Address. sales@eptsoft.demon.co.uk WWW Pages. <http://www.octacon.co.uk/ext/ept/software.htm>

Add £2 per order for UK post and packing. Make cheques payable to EPT Educational Software.

Visa and Mastercard orders accepted - please give card number, expiry date and cardholders address if different from the delivery address.

OVERSEAS ORDERS: Add £2.50 postage for countries in the E.E.C. Overseas readers, outside the E.E.C. countries add £3.50 for airmail postage.



GCSE ELECTRONICS VERSION 2.0

Designed to complement the *EPE Teach-In No. 7* publication, which contains a complete electronics course aimed at GCSE and A Level students, this software can also be used as a stand alone learning package for everyone interested in electronics. From simple d.c. current flow and Ohm's Law it covers the whole GCSE syllabus including a.c., semiconductors, op.amps, digital electronics, radio and fibre optic communications, digital numbering systems and goes on to look at microprocessor c.p.u.s, 6502 addressing modes and instruction sets. It even produces a program listing, which can be saved or retrieved from hard disk, when any of the instructions from the listed instruction set are input, thus allowing the user to monitor the registers for each of the addressing modes.

The original version is now widely used in schools and colleges throughout the UK.

An interactive, user friendly medium which assists learning in an enjoyable and interesting way.

Only £39.95

For more information or software upgrades call us on 01376 514008

GCSE MATHS now version 2.0

A series of programs covering all the major topics required by the school syllabus. Designed to be user friendly enabling you to study or revise in what we believe is an interesting and enjoyable way. There are nearly one hundred and fifty menu driven screens with interactive graphics, enabling a "learning through doing" approach to encourage experimentation. Now being used in many schools throughout the UK.

Only £49.95

JUST FOR FUN!

EPT Lottery Selector. Windows version.

£5.00 + £1 p&P

SURVEILLANCE PROFESSIONAL QUALITY KITS

No. 1 for Kits

Whether your requirement for surveillance equipment is amateur, professional or you are just fascinated by this unique area of electronics SUMA DESIGNS has a kit to fit the bill. We have been designing electronic surveillance equipment for over 12 years and you can be sure that all our kits are very well tried, tested and proven and come complete with full instructions, circuit diagrams, assembly details and all high quality components including fibreglass PCB. Unless otherwise stated all transmitters are tuneable and can be received on an ordinary VHF FM radio.

Genuine SUMA kits available only direct from Suma Designs. Beware inferior imitations!

UTX Ultra-miniature Room Transmitter

Smallest room transmitter kit in the world! Incredible 10mm x 20mm including mic. 3-12V operation. 500m range.....£16.45

MTX Micro-miniature Room Transmitter

Best-selling micro-miniature Room Transmitter
Just 17mm x 17mm including mic. 3-12V operation. 1000m range.....£13.45

STX High-performance Room Transmitter

Hi performance transmitter with a buffered output stage for greater stability and range. Measures 22mm x 22mm including mic. 6-12V operation, 1500m range.....£15.45

VT500 High-power Room Transmitter

Powerful 250mW output providing excellent range and performance. Size 20mm x 40mm. 9-12V operation. 3000m range.....£16.45

VXT Voice Activated Transmitter

Triggers only when sounds are detected. Very low standby current. Variable sensitivity and delay with LED indicator. Size 20mm x 67mm. 9V operation. 1000m range...£19.45

HVX400 Mains Powered Room Transmitter

Connects directly to 240V AC supply for long-term monitoring. Size 30mm x 35mm. 500m range.....£19.45

SCRX Subcarrier Scrambled Room Transmitter

Scrambled output from this transmitter cannot be monitored without the SCDM decoder connected to the receiver. Size 20mm x 67mm. 9V operation. 1000m range.....£22.95

SCLX Subcarrier Telephone Transmitter

Connects to telephone line anywhere, requires no batteries. Output scrambled so requires SCDM connected to receiver. Size 32mm x 37mm. 1000m range.....£23.95

SCDM Subcarrier Decoder Unit for SCRX

Connects to receiver earphone socket and provides decoded audio output to headphones. Size 32mm x 70mm. 9-12V operation.....£22.95

ATR2 Micro Size Telephone Recording Interface

Connects between telephone line (anywhere) and cassette recorder. Switches tape automatically as phone is used. All conversations recorded. Size 16mm x 32mm. Powered from line.....£13.45

UTLX Ultra-miniature Telephone Transmitter

Smallest telephone transmitter kit available. Incredible size of 10mm x 20mm! Connects to line (anywhere) and switches on and off with phone use. All conversation transmitted. Powered from line. 500m range.....£15.95

TLX700 Micro-miniature Telephone Transmitter

Best-selling telephone transmitter. Being 20mm x 20mm it is easier to assemble than UTLX. Connects to line (anywhere) and switches on and off with phone use. All conversations transmitted. Powered from line. 1000m range.....£13.45

STLX High-performance Telephone Transmitter

High performance transmitter with buffered output stage providing excellent stability and performance. Connects to line (anywhere) and switches on and off with phone use. All conversations transmitted. Powered from line. Size 22mm x 22mm. 1500m range.....£16.45

TKX900 Signalling/Tracking Transmitter

Transmits a continuous stream of audio pulses with variable tone and rate. Ideal for signalling or tracking purposes. High power output giving range up to 3000m. Size 25mm x 63mm. 9V operation.....£22.95

CD400 Pocket Bug Detector/Locator

LED and piezo beeper pulse slowly, rate of pulse and pitch of tone increase as you approach signal. Gain control allows pinpointing of source. Size 45mm x 54mm. 9V operation.....£30.95

CD600 Professional Bug Detector/Locator

Multicolour readout of signal strength with variable rate beeper and variable sensitivity used to detect and locate hidden transmitters. Switch to AUDIO CONFORM mode to distinguish between localised bug transmission and normal legitimate signals such as pagers, cellular, taxis etc. Size 70mm x 100mm. 9V operation.....£50.95

QTX180 Crystal Controlled Room Transmitter

Narrow band FM transmitter for the ultimate in privacy. Operates on 180 MHz and requires the use of a scanner receiver or our QRX180 kit (see catalogue). Size 20mm x 67mm. 9V operation. 1000m range.....£40.95

QLX180 Crystal Controlled Telephone Transmitter

As per QTX180 but connects to telephone line to monitor both sides of conversations. 20mm x 67mm. 9V operation. 1000m range.....£40.95

QSX180 Line Powered Crystal Controlled Phone Transmitter

As per QLX180 but draws power requirements from line. No batteries required. Size 32mm x 37mm. Range 500m.....£35.95

QRX180 Crystal Controlled FM Receiver

For monitoring any of the 'Q' range transmitters. High sensitivity unit. All RF section supplied as a pre-built and aligned module ready to connect on board so no difficulty setting up. Output to headphones. 60mm x 75mm. 9V operation.....£60.95

A build-up service is available on all our kits if required.

UK customers please send cheques, POs or registered cash. Please add £1.50 per order for P&P. Goods despatched ASAP allowing for cheque clearance. Overseas customers send sterling bank draft and add £5.00 per order for shipment. Credit card orders welcomed on 0827 714476.

OUR LATEST CATALOGUE CONTAINING MANY MORE NEW SURVEILLANCE KITS NOW AVAILABLE. SEND TWO FIRST CLASS STAMPS OR OVERSEAS SEND TWO IRCS.

★★★ Specials ★★★

DLTX/DLAX Radio Control Switch

Remote control anything around your home or garden, outside lights, alarms, paging system etc. System consists of a small VHF transmitter with digital encoder and receiver unit with decoder and relay output, momentary or alternate, 8-way di/d switches on both boards set your own unique security code. TX size 45mm x 45mm. RX size 35mm x 90mm. Both 9V operation. Range up to 200m.

Complete System (2 kits).....£50.95

Individual Transmitter DLTX.....£19.95

Individual Receiver DLRX.....£37.95

MBX-1 Hi-Fi Micro Broadcaster

Not technically a surveillance device but a great idea! Connects to the headphone output of your Hi-Fi, tape or CD and transmits Hi-Fi quality to a nearby radio. Listen to your favourite music anywhere around the house, garden, in the bath or in the garage and you don't have to put up with the DJ's choice and boring waffle. Size 27mm x 60mm. 9V operation. 250m range.....£20.95

DEPT. EE

THE WORKSHOPS, 95 MAIN ROAD,
BAXTERLEY, NEAR ATHERSTONE,
WARWICKSHIRE CV9 2LE

VISITORS STRICTLY BY APPOINTMENT ONLY

**SUMA
DESIGNS**

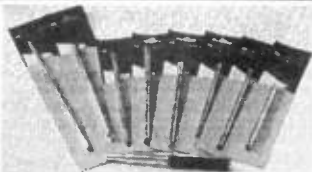


Tel/Fax:
01827 714476

Only £2.00 UK/BFPO £4.00 Overseas (Free with order when requested)
196 pages of bargains - from craft accessories to power supplies, electronic components to toolkits ... and much more in between!

This catalogue sees the welcome return of our Bargain List section. 48 pages packed with surplus and end of line items, providing top quality products at unbelievably low prices. Here are just a few examples:

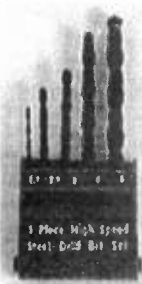
AERIALS



K924 Telescopic aerials, types Z7378-85 ranging in size from 120-240mm when extended, most with M4 tapped hole. Pack of 6 assorted, originally cost £25+

Only £5.00

DRILL SETS



K3372 Set of HSS twist drills - 1.5, 2.5, 3, 4 and 5mm. In flip open case:

Only £2.00

K922 An assortment of HSS twist drill bits - 3.1, 3.2, 3.3, 3.4, 3.5 and 3.7mm. Pack of 10:

Only £3.95

MINI TOOLS



ETFN **ETNN** **STS**

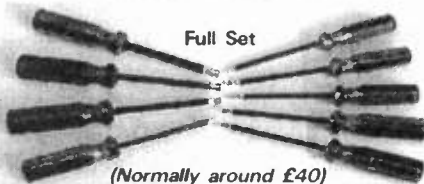
ETFN Precision flat nose pliers, 150mm long with orange cushioned handles and spring loaded opening. **£2.95**

ETNN Precision needle nose pliers, 150mm long, with orange cushioned handles, spring loaded opening. **£2.95**

STS 4 piece tweezer set; needle point, duck bill needle point, duck bill flat point and reverse action. **£2.50**

TORX DRIVER SET

These screwdrivers are becoming an essential tool as more and more manufacturers resort to tamper proof screws.



Full Set

(Normally around £40)

Sizes:

T10, T15, T20, T25, T27, T30, T40, T45, T50

X6309 Full set of nine drivers **£9.95**

X6310 Small set - T10, T15, T20, T25, T27 **£6.95**

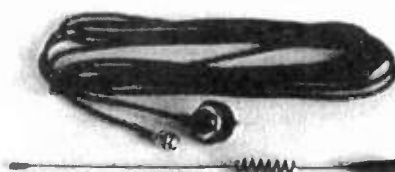
X6311 Large set - T30, T40, T45, T50 **£4.95**

X6312 + Size - Available individually at **£2.00** each

CAR AERIAL KITS



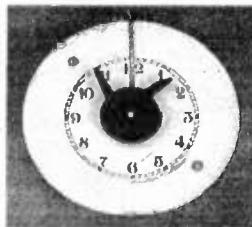
X6286 Car aerial kit - 730mm long aerial, 4.5m of cable with connector for car body one end. Self adhesive cable clips etc
Only £6.00



X6287 Car aerial kit - contains 300mm long aerial, 5m of RG58U cable with connector for car body one end and aerial plug the other:
Only £6.00

WATCH MOVEMENT

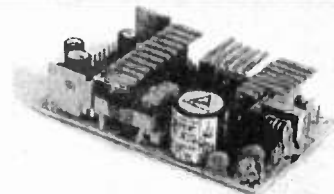
Clockwork watch movement, likely intended for use in some timing mechanism as notches have been cut in hands. 17 jewels.



Swiss movement. Case is 37mm dia x 5mm thick. **Order code: X3364**

Only £3.50

POWER SUPPLY UNIT



X6197 SMPSU 127x76x35mm by Astec, model SA40-1313. Mains input, outputs +12V 3A, +5V 5A, -12V 0.35A. 40W max. Excellent value at

Only £6.00

POLICE STOP! VIDEOS



Three videos from the well publicised Police Stop series. A white knuckle ride through the dangerous, often bizarre and always unpredictable world of the country's traffic police. Features both road and helicopter pursuits.

TVC001 Police Stop 1 £4.99 each.

TVC002 Police Stop 2 £4.99 each.

TVC003 Police Stop 3 £4.99 each.

Buy all 3 videos for just £12.95

(Videos are approximately 50mins long)

Remember, due to their very nature, many of these great value Bargain List deals are of limited availability and are often unrepeatable. So to avoid disappointment call our friendly and efficient sales team for a copy of our 1996 catalogue NOW!

SALES 01703 236363

Fax 236307

Accounts 231003

GREENWELD

ELECTRONIC COMPONENTS



Official orders welcome from Education - min invoice charge £15, payment accepted by cheque, PO, cash, book tokens, Switch, Access, Visa, Connect. Our stores (over 10,000 sq ft) have enormous stocks. We are open 8 - 5.30 Mon - Sat. Come and see us!

27D Park Road Southampton SO15 3UQ



SHOP OPEN 9-5 MON-FRI. CLOSED SAT --- OFFICIAL ORDERS WELCOME

EPE MICROCONTROLLER P.I. TREASURE HUNTER

The latest MAGENTA DESIGN - highly stable & sensitive - with μ C control of all timing functions and advanced pulse separation techniques.

● New circuit design 1994

● High stability drift cancelling

● Easy to build & use

● No ground effect, works in seawater



● Detects gold, silver, ferrous & non-ferrous metals

● Efficient quartz controlled microcontroller pulse generation.

● Full kit with headphones & all hardware

KIT 847.....£63.95

DIGITAL LCD THERMOSTAT

A versatile thermostat using a thermistor probe and having an I.C.D. display. MIN/MAX memories, -10 to 110 degrees celsius, or can be set to read in Fahrenheit. Individually settable upper and lower switching temperatures allow close control, or alternatively allow a wide 'dead band' to be set which can result in substantial energy savings when used with domestic hot water systems. Ideal for greenhouse ventilation or heating control, aquaria, home brewing, etc. Mains powered, 10A SPCO relay output. Punched and printed case.

KIT 841.....£29.95

PORTABLE ULTRASONIC PESt SCARER

A powerful 23kHz ultrasound generator in a compact hand-held case. MOSFET output drives a special sealed transducer with intense pulses via a special tuned transformer. Sweeping frequency output is designed to give maximum output without any special setting up.

KIT 842.....£22.56

DIGITAL CAPACITANCE METER

A really professional looking project. Kit is supplied with a punched and printed front panel, case, p.c.b. and all components. Quartz controlled accuracy of 1%. Large clear 5 digit display and high speed operation. Ideal for beginners - as the μ F, nF and pF ranges give clear unambiguous read out of marked and unmarked capacitors from a few pF up to thousands of μ F.

KIT 493.....£39.95

ACOUSTIC PROBE

A very popular project which picks up vibrations by means of a contact probe and passes them on to a pair of headphones or an amplifier. Sounds from engines, watches, and speech travelling through walls can be amplified and heard clearly. Useful for mechanics, instrument engineers, and nosy parkers!

KIT 740.....£19.98

WINDICATOR

A novel wind speed indicator with LED read-out. Kit comes complete with sensor cups, and weatherproof sensing head. Mainspower unit £5.99 extra.

KIT 856.....£28.00

BAT DETECTOR

An excellent circuit which reduces ultrasound frequencies between 20 and 100 kHz to the normal (human) audible range. Operating rather like a radio receiver the circuit allows the listener to tune-in to the ultrasonic frequencies of interest. Listening to Bats is fascinating, and it is possible to identify various different types using this project. Other uses have been found in industry for vibration monitoring etc.

KIT 814.....£21.44

1000V & 500V INSULATION TESTER



Superb new design. Regulated output, efficient circuit. Dual-scale meter, compact case. Reads up to 200 Megohms. Kit includes wound coil, cut-out case, meter scale, PCB & ALL components.

KIT 848.....£32.95

MOSFET MKII VARIABLE BENCH POWER SUPPLY 0-25V 2.5A.

Based on our Mk1 design and preserving all the features, but now with switching pre-regulator for much higher efficiency. Panel meters indicate Volts and Amps. Fully variable down to zero. Toroidal mains transformer. Kit includes punched and printed case and all parts. As featured in April 1994 EPE. An essential piece of equipment.

KIT 845.....£64.95



ULTRASONIC PESt SCARER

Keep pets/pests away from newly sown areas, fruit, vegetable and flower beds, children's play areas, patios etc. This project produces intense pulses of ultrasound which deter visiting animals.

● KIT INCLUDES ALL COMPONENTS, PCB & CASE
● EFFICIENT 100V TRANSDUCER OUTPUT
● COMPLETELY INAUDIBLE TO HUMANS

● UP TO 4 METRES RANGE
● LOW CURRENT DRAIN

KIT Ref. 812.....£14.81



'COMSTEP' P.C. COMPUTER STEPPING MOTOR INTERFACE

An exciting project supplied with two 200 step motors, interface board, and easy to use P.C. software. Allows independent control of both motors - speed, direction, number of steps, and half/full step mode. Connects to computer parallel port. Requires 12V 1A D.C. supply and printer lead.

KIT 846 (with 2 motors)£67.00 (Printer lead £5.00)

SPACEWRITER

An innovative and exciting project. Wave the wand through the air and your message appears. Programmable to hold any message up to 16 digits long. Comes pre-loaded with "MERRY XMAS". Kit includes PCB, all components & tube + instructions for message loading.

KIT 849.....£16.99

12V EPROM ERASER

A safe low cost eraser for up to 4 EPROMS at a time in less than 20 minutes. Operates from a 12V supply (400mA). Used extensively for mobile work - updating equipment in the field etc. Also in educational situations where mains supplies are not allowed. Safety interlock prevents contact with UV.

KIT 790.....£28.51

MOSFET 25V 2.5A POWER SUPPLY

High performance design has made this one of our classic kits. Two panel meters indicate Volts and Amps. Variable from 0-25 Volts and current limit control from 0-2.5A. Rugged power MOSFET output stage. Toroidal mains transformer.

KIT 769.....£56.82

INSULATION TESTER

A reliable and neat electronic tester which checks insulation resistance of wiring and appliances etc., at 500 Volts. The unit is battery powered, simple and safe to operate. Leakage resistance of up to 100 Megohms can be read easily. A very popular college project.

KIT 444.....£22.37

DIGITAL COMBINATION LOCK

Digital lock with 12 key keypad. Entering a four digit code operates a 250V 16A relay. A special anti-tamper circuit permits the relay board to be mounted remotely. Ideal car immobiliser, operates from 12V. Drilled case, brushed aluminium keypad.

KIT 840.....£19.86

E.E. TREASURE HUNTER P.I. METAL DETECTOR MKI

Magenta's highly developed & acclaimed design. Quartz crystal controlled circuit MOSFET coil drive. D.C. coupled amplification. Full kit includes PCB, handle, case & search coil.

● KIT INC. HEADPHONES
● EFFICIENT CMOS DESIGN
● POWERFUL COIL DRIVE



● DETECTS FERROUS AND NON-FERROUS METAL - GOLD, SILVER, COPPER ETC.

● 190mm SEARCH COIL
● NO 'GROUND EFFECT'

KIT 815.....£45.95

HAMEG HM303 30 MHz DUAL TRACE OSCILLOSCOPE & COMPONENT CHECKER

Western Europe's best selling oscilloscope - now improved. It now features 30MHz bandwidth, triggering to 100MHz and 2mV/div sensitivity.

Sharp bright display on 8 x 10cm screen with internal graticule. Special component tester built in - allows capacitors, resistors, transistors, diode, and many other components to be checked at a glance.

As with its predecessor, the QUALITY OF THIS INSTRUMENT IS OUTSTANDING. It is supported with a two year warranty covering parts and labour. If you are buying an oscilloscope, this is the one. It costs a fraction more than some others, but it is far far superior. Supplied with test probes, mains lead, and manual.

£392.00 + £68.60 VAT Includes FREE Next-day delivery (Cheques must be cleared)

EDUCATIONAL BOOKS & PACKS

ADVENTURES WITH ELECTRONICS

The classic book by Tom Duncan used throughout schools. Very well illustrated, ideal first book for age 10 on. No soldering. Uses an S.DEC breadboard.
Book & Components £28.95, Book only £7.25

FUN WITH ELECTRONICS

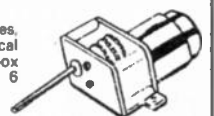
An Usborne book, wonderfully illustrated in colour. Component pack allows 6 projects to be built and kept. Soldering is necessary. Age 12 on, or younger with adult help. Book & Components £20.88, Book only £2.95

30 SOLDERLESS BREADBOARD PROJECTS

A more advanced book to follow the others. No soldering. Circuits cover a wide range of interests.
Book & Components £30.69, Book only £2.95

DC MOTOR/GEARBOXES

Ideal for robots, buggies, and many other mechanical projects. Min. plastic gearbox with 1.5-4.5V DC motor. 6 ratios can be set up.



Small type MGS....£4.77

STEPPING MOTORS

For computer control via standard 4 pole unipolar drivers.

MD38 - miniature 48 steps per rev.....£9.15
MD35 1/4 - standard 48 steps per rev.....£12.99

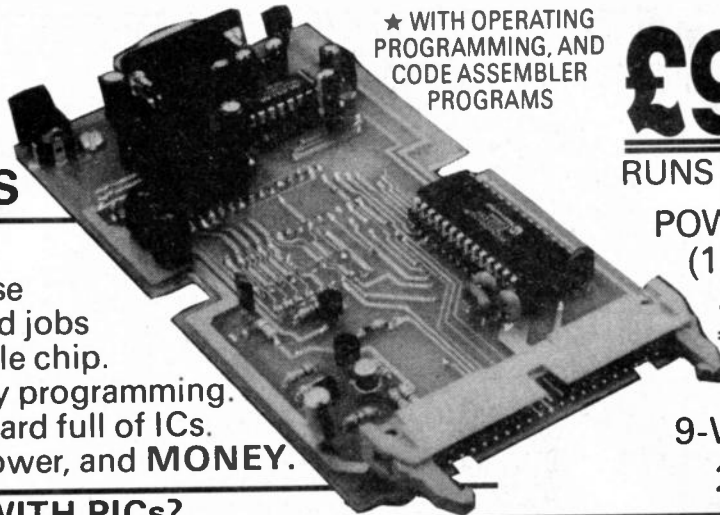
PIC

DEVELOPMENT & TRAINING SYSTEM

PIC

YOUR KEY TO ANOTHER NEW AGE OF ELECTRONICS

PICs are being used more and more because they allow complicated jobs to be done with a single chip. All the work is done by programming. One PIC replaces a board full of ICs. Saving time, space, power, and **MONEY**.



★ WITH OPERATING PROGRAMMING, AND CODE ASSEMBLER PROGRAMS

£99 INCLUDING VAT + £3.00 p&p

RUNS WITH ANY PC

POWER SUPPLY (12V at 200mA)

£8.99

PC LEADS

9-WAY **£6.00**

25-WAY **£7.00**

HOW DO I START WITH PICs?

- STEP 1** – Buy the PIC-DATS Development & Training System
- STEP 2** – Follow May & June '95 EPE Series – showing how to program for practical applications
- STEP 3** – Start writing and testing your own programs

PIC PROJECT – LIGHT CONTROLLER DEVELOPMENT SYSTEM

A real-world application for a PIC microchip. This project can be made to do just what you chose by writing your own software. It can be programmed to work as a 4-Channel Light Chaser or a simple controller for domestic lighting. Zero volt crossing signal is provided and there is a 4x3 matrix keypad. (Less case).

Kit 855.....£35.95

Motors and Controllers

A range of kits and components for motion control and computer interfacing. Ideal for Design and Technical projects, and a whole range of up to the minute 'Home Automation' applications.

Comstep PC Computer Interface and Driver board

Drives two motors from PC parallel port. Supplied with comprehensive software. Needs 12Volt 1A supply.

With 2-200 Step Motors

Kit 846.....£67.00

PC Joystick Interface for Comstep

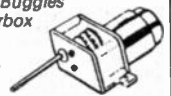
Software for operating Comstep from a standard PC Joystick. Allows two Axis control, with acceleration, speed, and X-Y position control. Stores co-ordinates.

Kit 852.....£28.95

DC Motor/Gearboxes

Our Popular and Versatile DC motor/Gearbox sets. Ideal for Models, Robots, Buggies etc. 1.5 to 4.5V Multi ratio gearbox gives wide range of speeds.

LARGE TYPE – MGL £6.95
SMALL – MGS – £4.77



Power Booster for Comstep

Adds to Comstep and allows motors up to 4 Amps to be driven. Two boosters drive two motors from a single Comstep. Uses standard Comstep software.

With MD24 Motors

Kit 850.....£39.95

Stand-Alone Stepping motor Driver/Interface

A Stand alone interface giving full control in all modes. Pushbutton operation with adjustable acceleration and speed. Ideal for demo and setting up. Then connect to computer port for full control.

Kit 843.....£39.95

Stepping Motors

MD38...Mini 48 step...£8.65
MD35...Std 48 step...£12.98
MD200...200 step...£16.80
MD24...Large 200 step...£22.95



PC Communications Protocol for Comstep

An interface board adding four switched inputs to the Comstep +* All the code to develop your applications. Files in C, BASIC, FORTRAN & ASSEMBLER + demo.

Kit 851.....£26.98

Versatile Stepping motor Interface

A Magenta design, gives Half and Full-Wave drive. Up to 1Amp and 24Volts. CMOS inputs – Drive from logic or computer port. Needs power supply.

Kit 816.....£9.82

More Information:

All listed items come with data and instructions. For more information, including reprints of the appropriate magazine articles, send an SAE + £1.00 per kit – or phone and use Mastercard/Visa etc.

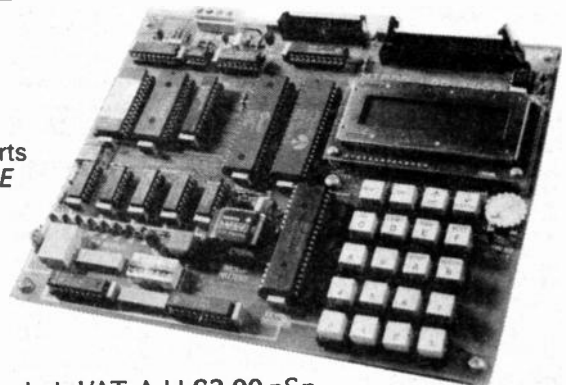
Mini-Lab & Micro Lab Electronics Teach-In 7

As featured in EPE and now published as Teach-In 7. All parts are supplied by Magenta. Teach-In 7 is £3.95 from us or EPE Full Mini Lab Kit – £119.95 – Power supply extra – £22.55 Full Micro Lab Kit – £155.95 Built Micro Lab – £189.95

MAGENTA

Tel: 01283 565435 Fax: 01283 546932

All prices include VAT. Add £3.00 p&p.



TELETYPE
 Tel (0191) 251 4363
 Fax (0191) 252 2296
ELECTRONIC COMPONENTS
 Station Road, Cullercoats,
 Tyne & Wear
 NE30 4PQ
 U.K.

4000 Series		74HC Series		74LS Series		74ALS Series	
4000	00.17	74HC00	0.16	74LS42	0.25	74ALS2	0.25
4001	00.20	74HC02	0.21	74LS47	0.72	74ALS7	0.72
4002	00.17	74HC03	0.21	74LS53	0.24	74ALS3	0.24
4006	00.40	74HC04	0.21	74LS74	0.25	74ALS7	0.25
4007	00.18	74HC08	0.21	74LS75	0.19	74ALS7	0.19
4008	00.31	74HC10	0.16	74LS76	0.25	74ALS7	0.25
4009	00.19	74HC11	0.20	74LS83	0.31	74ALS8	0.31
4010	00.23	74HC14	0.22	74LS85	0.35	74ALS8	0.35
4011	00.21	74HC20	0.28	74LS90	0.44	74ALS9	0.44
4012	00.16	74HC27	0.15	74LS96	0.20	74ALS9	0.20
4013	00.24	74HC30	0.25	74LS92	0.35	74ALS9	0.35
4014	00.30	74HC32	0.21	74LS93	0.42	74ALS9	0.42
4015	00.24	74HC42	0.25	74LS107	0.23	74ALS1	0.23
4016	00.30	74HC73	0.22	74LS109	0.21	74ALS1	0.21
4017	00.31	74HC74	0.23	74LS112	0.24	74ALS1	0.24
4018	00.27	74HC75	0.22	74LS113	0.21	74ALS1	0.21
4019	00.48	74HC76	0.20	74LS114	0.21	74ALS1	0.21
4020	00.31	74HC85	0.24	74LS115	0.31	74ALS1	0.31
4021	00.16	74HC86	0.22	74LS122	0.31	74ALS1	0.31
4022	00.32	74HC107	0.22	74LS125	0.27	74ALS1	0.27
4023	00.16	74HC123	0.33	74LS126	0.25	74ALS1	0.25
4024	00.21	74HC125	0.24	74LS132	0.21	74ALS1	0.21
4025	00.15	74HC126	0.24	74LS133	0.36	74ALS1	0.36
4026	00.78	74HC132	0.37	74LS136	0.16	74ALS1	0.16
4027	00.26	74HC133	0.29	74LS138	0.40	74ALS1	0.40
4028	00.22	74HC138	0.25	74LS139	0.25	74ALS1	0.25
4029	00.40	74HC139	0.31	74LS140	0.56	74ALS1	0.56
4030	00.17	74HC151	0.32	74LS147	0.26	74ALS1	0.26
4031	00.10	74HC153	0.27	74LS148	0.70	74ALS1	0.70
4033	00.56	74HC154	0.85	74LS151	0.25	74ALS1	0.25
4034	00.14	74HC157	0.40	74LS153	0.25	74ALS1	0.25
4035	00.31	74HC158	0.25	74LS154	0.70	74ALS1	0.70
4040	00.40	74HC160	0.32	74LS155	0.25	74ALS1	0.25
4041	00.31	74HC161	0.28	74LS156	0.36	74ALS1	0.36
4042	00.22	74HC162	0.45	74LS157	0.22	74ALS1	0.22
4043	00.28	74HC163	0.27	74LS158	0.21	74ALS1	0.21
4044	00.35	74HC164	0.35	74LS160	0.48	74ALS1	0.48
4046	00.48	74HC173	0.32	74LS161	0.32	74ALS1	0.32
4047	00.48	74HC174	0.32	74LS162	0.44	74ALS1	0.44
4048	00.28	74HC174	0.27	74LS163	0.32	74ALS1	0.32
4049	00.22	74HC175	0.27	74LS164	0.24	74ALS1	0.24
4050	00.26	74HC192	0.45	74LS165	0.48	74ALS1	0.48
4051	00.43	74HC195	0.32	74LS170	0.30	74ALS1	0.30
4052	00.32	74HC240	0.37	74LS173	0.24	74ALS1	0.24
4053	00.40	74HC241	0.37	74LS174	0.24	74ALS1	0.24
4054	00.56	74HC243	0.48	74LS190	0.60	74ALS1	0.60
4055	00.34	74HC245	0.45	74LS191	0.24	74ALS1	0.24
4060	00.48	74HC245	0.46	74LS190	0.24	74ALS1	0.24
4063	00.29	74HC251	0.25	74LS192	0.60	74ALS1	0.60
4066	00.22	74HC253	0.25	74LS193	0.24	74ALS1	0.24
4067	00.16	74HC257	0.25	74LS195	0.24	74ALS1	0.24
4068	00.16	74HC259	0.50	74LS196	0.24	74ALS1	0.24
4069	00.20	74HC273	0.35	74LS197	0.24	74ALS1	0.24
4070	00.17	74HC299	0.64	74LS221	0.40	74ALS1	0.40
4071	00.22	74HC356	0.45	74LS222	0.32	74ALS1	0.32
4072	00.17	74HC367	0.25	74LS241	0.32	74ALS1	0.32
4073	00.17	74HC367	0.25	74LS242	0.32	74ALS1	0.32
4075	00.17	74HC368	0.25	74LS243	0.32	74ALS1	0.32
4076	00.30	74HC373	0.39	74LS244	0.32	74ALS1	0.32
4077	00.17	74HC374	0.40	74LS245	0.60	74ALS1	0.60
4078	00.20	74HC390	0.52	74LS247	0.32	74ALS1	0.32
4081	00.22	74HC393	0.38	74LS251	0.24	74ALS1	0.24
4082	00.21	74HC423	0.37	74LS257	0.24	74ALS1	0.24
4085	00.22	74HC553	0.42	74LS258	0.32	74ALS1	0.32
4086	00.26	74HC563	0.48	74LS258	0.14	74ALS1	0.14
4089	00.45	74HC565	0.48	74LS273	0.32	74ALS1	0.32
4093	00.22	74HC573	0.45	74LS279	0.25	74ALS1	0.25
4094	00.31	74HC574	0.45	74LS365	0.21	74ALS1	0.21
4095	00.56	74HC640	0.73	74LS367	0.21	74ALS1	0.21
4097	00.12	74HC688	0.64	74LS368	0.21	74ALS1	0.21
4098	00.48	74HC4002	0.16	74LS373	0.33	74ALS1	0.33
4099	00.38	74HC4017	0.64	74LS374	0.34	74ALS1	0.34
4502	00.38	74HC4020	0.35	74LS375	0.34	74ALS1	0.34
4503	00.40	74HC4040	0.45	74LS375	0.34	74ALS1	0.34
4508	00.40	74HC4049	0.45	74LS378	0.62	74ALS1	0.62
4510	00.36	74HC4050	0.25	74LS390	0.25	74ALS1	0.25
4511	00.56	74HC4060	0.44	74LS393	0.24	74ALS1	0.24
4512	00.32	74HC4075	0.27	74LS395	0.26	74ALS1	0.26
4514	00.77	74HC4078	0.32	74LS399	0.62	74ALS1	0.62
4515	00.98	74HC4511	0.64	74LS670	0.69	74ALS1	0.69
4516	00.31	74HC4514	0.84	74ALS670	0.69	74ALS1	0.69
4518	00.44	74HC4538	0.41	AD524AD	£23.04	74ALS1	0.69
4520	00.43	74HC4543	0.90	AD548JN	£1.62	74ALS1	0.69
4521	00.62	74LS Series		AD590JH	£5.40	74ALS1	0.69
4526	00.40	74LS00	0.25	AD592AN	£4.52	74ALS1	0.69
4527	00.40	74LS01	0.14	AD595AQ	£14.64	74ALS1	0.69
4528	00.40	74LS02	0.29	AD620AN	£9.88	74ALS1	0.69
4529	00.44	74LS03	0.29	AD625JN	£16.20	74ALS1	0.69
4532	00.32	74LS04	0.17	AD633JN	£8.25	74ALS1	0.69
4534	00.48	74LS05	0.14	AD648JN	£2.57	74ALS1	0.69
4536	00.10	74LS07	0.32	AD652AQ	£14.88	74ALS1	0.69
4538	00.37	74LS08	0.23	AD659AQ	£7.25	74ALS1	0.69
4541	00.33	74LS09	0.14	AD698AP	£23.28	74ALS1	0.69
4543	00.46	74LS10	0.14	AD707JN	£2.36	74ALS1	0.69
4545	00.34	74LS11	0.17	AD708JN	£5.69	74ALS1	0.69
4556	00.40	74LS12	0.14	AD711JN	£1.51	74ALS1	0.69
4560	00.18	74LS13	0.14	AD712JN	£2.38	74ALS1	0.69
4562	00.19	74LS14	0.21	AD736JN	£8.75	74ALS1	0.69
4566	00.25	74LS15	0.14	AD795JN	£5.94	74ALS1	0.69
4584	00.24	74LS20	0.16	AD797AN	£8.69	74ALS1	0.69
4585	00.47	74LS21	0.14	AD811N	£6.73	74ALS1	0.69
4734	00.70	74LS22	0.14	AD812AN	£7.32	74ALS1	0.69
4737	00.37	74LS23	0.14	AD813AN	£8.81	74ALS1	0.69
40109	00.58	74LS27	0.14	AD817AN	£3.85	74ALS1	0.69
40163	00.46	74LS30	0.21	AD820AN	£3.24	74ALS1	0.69
40174	00.34	74LS32	0.21	AD822AN	£5.20	74ALS1	0.69
40175	00.36	74LS37	0.14	AD826AN	£5.33	74ALS1	0.69
40193	00.60	74LS38	0.19	AD829JN	£6.41	74ALS1	0.69
		74LS40	0.14	AD830AN	£6.14	74ALS1	0.69

ORDERING INFORMATION - All Prices Exclude Vat (17½%), Add £1.25 carriage & Vat to all orders. Send Payment with Order. PO / Cheques payable to ESR Electronic Components. Credit Card orders Accepted. NO Credit Card Surcharges. Trade Discount for Schools & Colleges.

EVERYDAY PRACTICAL ELECTRONICS

VOL. 24 No. 12 DECEMBER '95

RECOMMENDED

As I have often said on this page, your letters, queries, praise and criticisms are always welcome. However, there are one or two types of query that give us problems and that, as a general rule, we are unable to reply to. The first of these is the letter that asks us to recommend, say, a specific oscilloscope, multimeter, computer or soldering iron.

As regular readers will know we do not indulge in test reports on a wide range of tools and equipment so we have to decline such recommendation. Very often the specific requirements of individual readers will have a strong bearing on the choice of suitable equipment and it is simply impossible for us to research the range, specifications and various other factors to even come up with a short list of suitable items.

MODIFIED

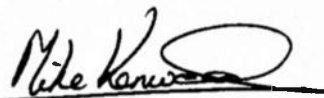
The second type of problem comes when readers request information on how to modify a project to meet their specific needs or to interface it with other equipment. This is simply too time consuming and problematic for us to be able to offer advice.

Sometimes readers or electronics companies are trying to use parts of published designs in circuitry of their own to achieve designs that are far removed from the published project. It is simply not possible to be able to instantly decide how a section of a circuit from one project will work when used in something entirely different. However, our new *Teach-In '96* series does go some way to helping in this area. The various modules described can, generally, be used in a very wide range of different circuits so that, by following simple rules, readers can use any collection of modules to come up with a project design to meet their individual needs.

REPAIRED

The third type of query that we are unable to assist with is that which asks how to repair a particular piece of equipment, i.e., a TV, video, hi-fi or computer. Fault finding and repair of electronic equipment is a skill in its own right. We can, however, recommend readers to our *Electronics Service Manual* which provides extensive information on how to set about servicing and repairing a vast range of electronic equipment.

At the present time there is a special offer on this Manual; *EPE* readers can get £10 off the price by using the voucher in this issue (see page 983). Our advertisement for the *Electronics Service Manual* appears on Page 980. The Manual is edited by Mike Tooley (who also wrote the entire base work) and we have no hesitation in recommending it to everyone interested in this fascinating area of electronics.



SUBSCRIPTIONS

Annual Subscriptions for delivery direct to any address in the UK: £24. Overseas: £30 (£47.50 airmail). Cheques or bank drafts (in £ sterling only) payable to *Everyday Practical Electronics* and sent to *EPE* Subscriptions Dept., Allen House, East Borough, Wimborne,

Dorset BH21 1PF. Tel: 01202 881749. Subscriptions start with the next available issue. We accept Access (MasterCard) or Visa. (For past issues see the *Back Issues* page).

BINDERS

Binders to hold one volume (12 issues) are available from the above address. These are finished in blue p.v.c., printed with the magazine logo in gold on the spine. Price £5.95 plus £3.50 post and packing (for overseas readers the postage is £6.00 to everywhere except Australia and Papua New Guinea which cost £10.50). *Normally sent within seven days but please allow 28 days for delivery - more for overseas orders.*

Payment in £ sterling only please. Visa and Access (MasterCard) accepted, minimum credit card order £5. Send or phone your card number and card expiry date with your name, address etc.



Editorial Offices:

EVERYDAY PRACTICAL ELECTRONICS EDITORIAL
ALLEN HOUSE, EAST BOROUGH, WIMBORNE
DORSET BH21 1PF

Phone: Wimborne (01202) 881749

Fax: (01202) 841692. DX: Wimborne 45314

Due to the cost we cannot reply to orders or queries by Fax.

See notes on Readers' Enquiries below - we regret lengthy technical enquiries cannot be answered over the telephone.

Advertisement Offices:

EVERYDAY PRACTICAL ELECTRONICS
ADVERTISEMENTS

HOLLAND WOOD HOUSE, CHURCH LANE

GREAT HOLLAND, ESSEX CO13 0JS

Phone/Fax: (01255) 850596

Editor: MIKE KENWARD

Secretary: PAM BROWN

Deputy Editor: DAVID BARRINGTON

Technical Editor: JOHN BECKER

Business Manager: DAVID J. LEAVER

Subscriptions: MARILYN GOLDBERG

Editorial: Wimborne (01202) 881749

Advertisement Manager:

PETER J. MEW, Frinton (01255) 850596

Advertisement Copy Controller:

DEREK NEW, Wimborne (01202) 882299

READERS' ENQUIRIES

We are unable to offer any advice on the use, purchase, repair or modification of commercial equipment or the incorporation or modification of designs published in the magazine. We regret that we cannot provide data or answer queries on articles or projects that are more than five years old. Letters requiring a personal reply *must* be accompanied by a stamped self-addressed envelope or a self-addressed envelope and international reply coupons. Due to the cost we cannot reply to queries by Fax.

All reasonable precautions are taken to ensure that the advice and data given to readers is reliable. We cannot, however, guarantee it and we cannot accept legal responsibility for it.

COMPONENT SUPPLIES

We do not supply electronic components or kits for building the projects featured, these can be supplied by advertisers.

We advise readers to check that all parts are still available before commencing any project in a back-dated issue.

We regret that we cannot provide data, or answer queries, on projects that are more than five years old.

ADVERTISEMENTS

Although the proprietors and staff of EVERYDAY PRACTICAL ELECTRONICS take reasonable precautions to protect the interests of readers by ensuring as far as practicable that advertisements are *bona fide*, the magazine and its Publishers cannot give any undertakings in respect of statements or claims made by advertisers, whether these advertisements are printed as part of the magazine, or in inserts.

The Publishers regret that under no circumstances will the magazine accept liability for non-receipt of goods ordered, or for late delivery, or for faults in manufacture. Legal remedies are available in respect of some of these circumstances, and readers who have complaints should first address them to the advertiser.

TRANSMITTERS/BUGS/TELEPHONE EQUIPMENT

We advise readers that certain items of radio transmitting and telephone equipment which may be advertised in our pages cannot be legally used in the UK. Readers should check the law before buying any transmitting or telephone equipment as a fine, confiscation of equipment and/or imprisonment can result from illegal use or ownership. The laws vary from country to country; overseas readers should check local laws.

LIGHT-OPERATED SWITCH

PAUL STENNING

Let dusk and dawn control your spruced-up Santa lights, or anything else that needs nocturnal enlightenment.

LIGHT operated switches are not new ideas, but neither are they the easiest items to purchase ready-made. Originally, this unit was built to switch on the author's outside Christmas lights when it became dark. No doubt readers will have other uses in mind. One such might be as a security porch light controller.

Up to 500W of lighting can be controlled by this Light-Operated Switch. However, the load must be resistive, i.e. normal lamps. Lights containing transformers are not suitable. The load is switched at the mains zero-crossing point, to minimize radio interference.

The light level required for the unit to switch on or off is fixed, but since the trigger point is set by a single resistor value it can easily be altered. A degree of hysteresis is included to reduce the chance of the unit being affected by the light it is controlling. Reasonably careful siting, though, will still be necessary to prevent the controlled light from directly illuminating the sensor.

The printed circuit board (p.c.b.) is designed to fit behind a single electrical blanking plate, with a hole to allow light to reach the photocell. This plate can be fitted to a single 25mm surface box, giving a cheap and tidy wall mounting case.

For the original purpose, the unit was placed on a window sill with the photocell facing outwards. If the unit is to be used outdoors or exposed to moisture, a sealed waterproof case will be needed.

WARNING

This circuit operates at potentially lethal mains voltages. If you are in any doubt about your ability to construct it safely, obtain advice from a suitably qualified or experienced person. Although the construction is straightforward, THIS PROJECT IS NOT SUITABLE FOR BEGINNERS.

CIRCUIT OPERATION

The complete circuit diagram for the Light-Operated Switch is shown in Fig. 1. Low voltage power is derived from the mains supply without isolation. The a.c. input is clamped to $-15V$ and $+0.6V$ relative to Neutral by Zener diode D1. The remaining voltage is dropped by capacitor

C1. A capacitor is used because it dissipates virtually no power (unlike a resistor) due to the 90 degree phase shift between voltage and current. The negative-going cycles are rectified by diode D2 and smoothed by capacitor C2 to give a steady $-15V$ supply rail.

Capacitor C1 must be a Class X component rated for continuous connection directly across the mains. These devices are normally sold as suppression components. A normal high voltage capacitor is NOT suitable and MUST NOT BE USED.

Resistor R1 is a surge limiting component which reduces the in-rush current if the unit is powered up when the mains cycle is near a peak. A wirewound resistor should be used as it has better surge handling than carbon or metal film.

Schmitt NAND-gates IC1a, IC1b and their associated components produce the zero-crossing pulses, waveforms for which are shown in Fig. 2. The inputs of IC1a, pins 1 and 2, are normally held low by resistor R3, causing a high output at pin 3. When the mains cycle (waveform A) rises above about $+40V$, the voltage fed to the two inputs via resistor R2 becomes

sufficient for the gate to be triggered and its output go low. When the mains voltage falls below $+40V$ near the end of the positive half cycle, the output of IC1a goes high again (waveform B). Diodes D3 and D4 clamp the waveform to the d.c. supply rail, protecting IC1 from excessive input voltages. The Schmitt trigger inputs of IC1 ensure reliable switching.

Input pin 6 of IC1b is connected similarly, but is normally held high by resistor R5. The gate therefore operates on the negative half cycles. The differing values of R3 and R5 are due to the fact that one gate is biased to Neutral and the other is biased to $15V$ below Neutral. The other input of IC1b, pin 5, is connected to the output of IC1a, so that this second gate sums the two half cycles, outputting from its pin 4 the zero crossing waveform shown in Fig. 2c. This is inverted by transistor TR1, giving a signal which pulses high around the zero crossing points.

A two input AND gate is formed by IC1c and IC1d. One input (pin 9) is driven by the previously mentioned zero-crossing pulses. The output (pin 11) will follow this only if the level on the other input (pin 8) is above 50 per cent of the supply voltage. The voltage here is determined by the light level reaching the light sensor R13.

LIGHT LEVEL

Light is sensed by the light dependent resistor (l.d.r.) R13. The resistance of this device decreases as the light level increases.



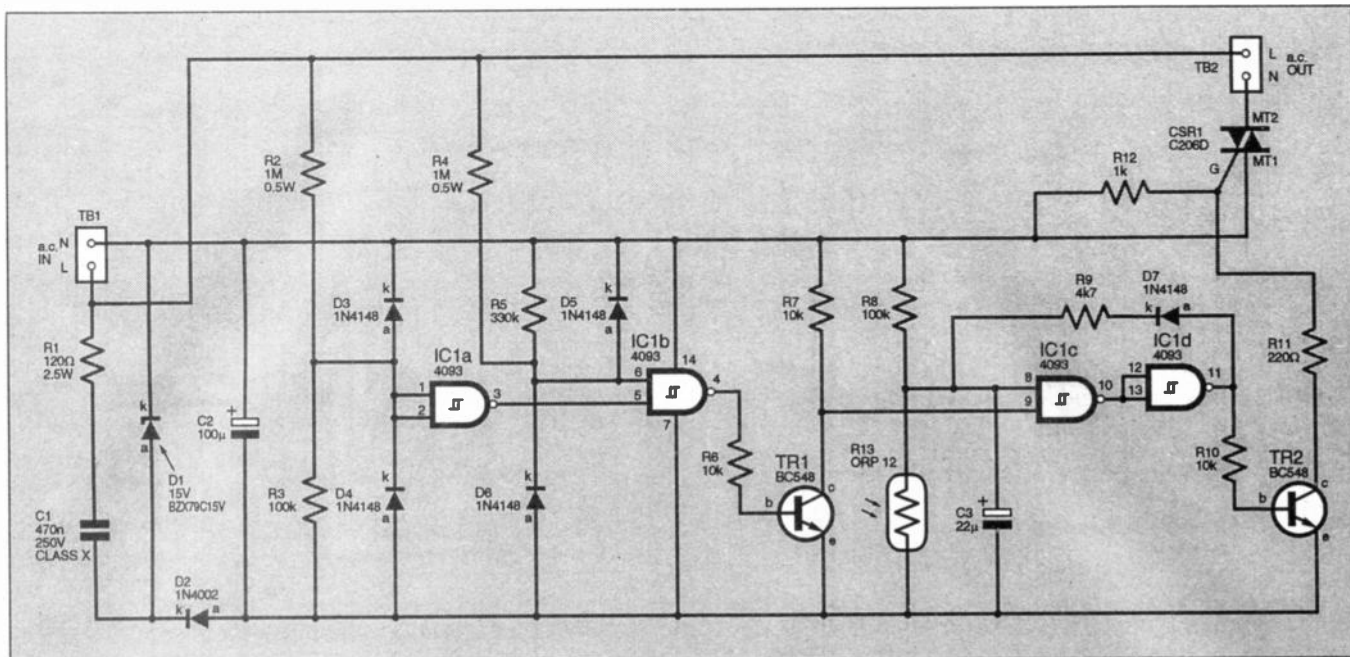


Fig. 1. Complete circuit diagram for the Light Operated Switch.

In bright light the resistance can be as low as 100 ohms, while in darkness it may exceed 10 megohms. In this circuit R13 is half of a potential divider, the other half being resistor R8. The switching point occurs when the resistance of l.d.r. R13 is about equal to R8.

The value of R8 can be varied to change the threshold level if preferred. A preset could be fitted, but this must NEVER be adjusted with the power on.

The voltage from the potential divider is damped by C3, to reduce the chances of the unit being triggered by rapid fluctuations in the light level, such as shadows caused by people or animals passing.

When the light level is low enough to cause the unit to switch on, positive-going pulses at the output of IC1d are coupled back to the potential divider by diode D7 and resistor R9. These are smoothed by capacitor C3, causing a voltage increase

on IC1c pin 8. This gives the circuit hysteresis: the light level required for the unit to switch off again is now set higher than the level that caused it to switch on.

Thus, if some light from the lamp being controlled reaches the l.d.r., the unit will hopefully not switch off again. There is a limit to this effect, however, for if the controlled light shines directly onto the l.d.r., the lamp will probably start flashing.

The positive pulses on the output of IC1d switch on transistor TR2, which in turn triggers the triac CSR1. The triac is therefore driven only briefly at around the zero crossing points of the mains supply voltage.

Once the triac is triggered it will remain on until the current passing through it drops below a minimum value. This will occur as the mains cycle reaches the next zero crossing point. If the lamp still needs to be lit, as sensed by the l.d.r. (R13), the triac will be triggered again at this point.

The synchronised pulsing arrangement used ensures that the lamp is not switched on near the peak of a mains cycle. If this were to happen the surge could cause momentary radio interference, although this would not be a major problem with a unit that switches so infrequently.

Another advantage of applying only brief drive pulses to the triac is that the average current consumption from the low voltage supply is much lower. This enables the simple power supply arrangement described earlier to be used.

However, this zero-crossing arrangement will not work correctly with inductive loads as the current passing will be out of phase with the voltage.

CONSTRUCTION

Construction is very straight-forward if the recommended printed circuit board (p.c.b.) is used. The component overlay and track layout for this board are shown in Fig. 3. The board is available from the EPE PCB Service code 966.

Assemble the components in any order with which you feel comfortable. It is preferable to use a socket for IC1, fitting the i.c. only after everything has been checked. Discharge static electricity from yourself as usual before handling CMOS devices.

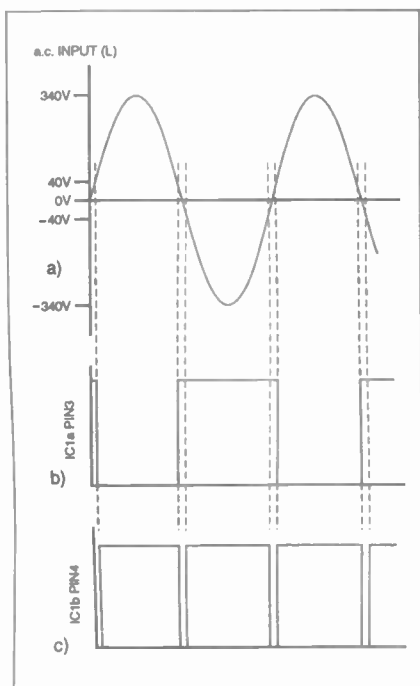


Fig. 2. Waveforms associated with IC1a and IC1b.

COMPONENTS

Resistors

R1	120Ω 2.5W wirewound
R2, R4	1M 0.5W (2 off)
R3, R8	100k (2 off)
R5	330k
R6, R7,	
R10	10k (3 off)
R9	4k7
R11	220Ω
R12	1k
R13	ORP12 light dependent resistor

All 0.25W 5% or better unless stated.

Capacitors

C1	470n 250V a.c. Class X
C2	100μ axial elect., 25V
C3	22μ axial elect., 25V

Semiconductors

D1	BZX79C15 15V Zener diode
D2	1N4002 rectifier diode
D3 to D7	1N4148 signal diode (5 off)
TR1,	
TR2	BC548 npn transistor (2 off)
CSR1	C206D triac
IC1	4093 CMOS quad 2-input Schmitt NAND Gate

Miscellaneous

TB1, TB2 2-way p.c.b. mounting mains rated terminal block (2 off); printed circuit board, available from the EPE PCB Service, code 966; 14-pin d.i.l. socket; single electrical blanking plate; single 25mm electrical surface box; self-adhesive p.c.b. stand-offs (4 off); 13A plug with 3A fuse; cable etc. as required for installation; solder.

Approx cost guidance only

£15

Do not forget to insert the single link wire near TR1. A number of holes are provided for capacitors C1 and C2 to enable various sizes to be accommodated. The triac, CSR1, should be bolted to the p.c.b. with an M3 nut and bolt. TB1 and TB2 are p.c.b. mounting terminal blocks and should be fitted with the cable entries facing outwards.

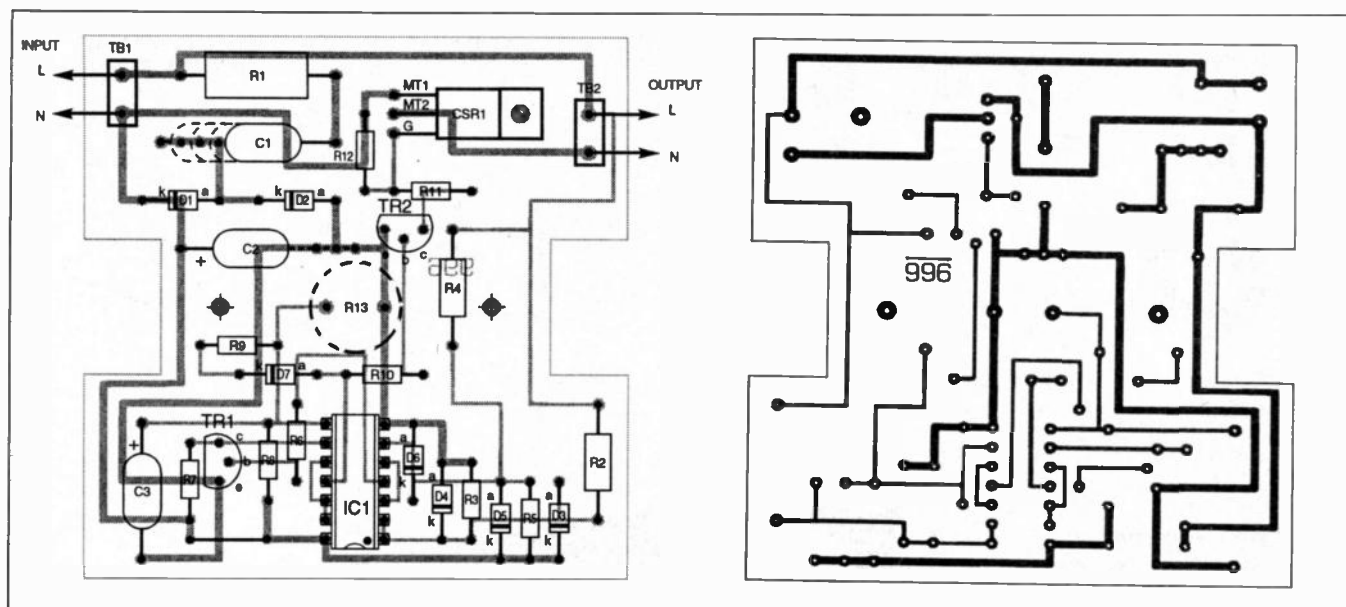


Fig. 3. Printed circuit board component layout and full size copper foil track details. Note the l.d.r. (R13) should be mounted on the track side.

The l.d.r. (R13) should be fitted to the track side of the p.c.b., but do not solder this until you know precisely where in the case the board will be mounted.

Double check the p.c.b. assembly when you have finished, particularly around C1, R1, D1, D2 and TR3. Mistakes on a mains powered circuit like this can cause a horrible mess when the power is applied!

PANEL AND CASE

The front of the case is a single electrical blanking panel. The panel may be carefully drilled using a hand drill or a SLOW electric drill. A normal DIY power drill will be too fast.

Note, though, that the plastic used for the blanking panels is very brittle. Take it VERY gently when you near the point of breaking through. A WorkMate is useful to hold the panel while drilling, as is having a piece of wood firmly in contact with the underside of the panel.

Try to get a panel that is plain on the inside, some have extra moldings and bits which may get in the way.

For safety reasons it is recommended that the p.c.b. is not secured with screws and spacers, unless nylon spacers with a threaded insert at each end are used. A much better method is to use two or more self-adhesive p.c.b. stand-offs to provide steady support.

The rear of the case is a 25mm (socket depth) single electrical surface box. Before buying this, make sure it has only two threaded holes for the front panel screws. Some boxes have four of these, one on each edge – the top and bottom ones will foul on the p.c.b. It will be necessary to remove one or two knock-outs on the side or back for the cables to enter.

TESTING

Since there is nothing to adjust, testing simply involves seeing if the unit works. Remember that the whole p.c.b. is at mains voltage and is therefore potentially lethal.

Fit the p.c.b. into the case before switching on. Connect one end of a length of two-core mains cable to the TB1 terminals (Live nearest to edge of p.c.b.) and connect the other end to a 13A plug fitted with a 3A fuse.

Connect another length (at least one metre) of two-core cable between the TB2

terminals (Live to edge of p.c.b. again) and a lampholder. Fit a 60W lamp into the holder. Position the lamp holder about a metre away from the l.d.r.

Connect the unit to the mains, preferably via an Earth leakage or residual current circuit breaker (the type intended for power tools). Switch on. Hopefully nothing dramatic happened!

Place your hand over the l.d.r. After a couple of seconds the lamp should come on. Move your hand away and it should go off again. That's all there is to it. Hopefully your unit worked fine – there isn't much to go wrong!

INSTALLATION

Installation will depend upon what the unit is to be used for. The prototype was mounted on a piece of wood next to a single 13A socket. Three-core mains cable was used, the Live and Neutral passing through the unit, and the Earth connecting directly to the socket. The other cable end terminates in a 13A plug with a 3A fuse.

It is important to use three-core cable if the unit is being used to control a load via a 13A socket, even if the load does not need an Earth. At some future point someone may plug a load that *does* need an Earth into the unit.

The prototype was sited indoors on a window sill, with the lead to the outside Christmas lights passing through a hole in the window frame. It can be more permanently installed if required. However, it is not suitable for permanent connection to household wiring. This is due to wiring regulations, not a fault with this unit.

Do not assume that a load is safe if it is switched off

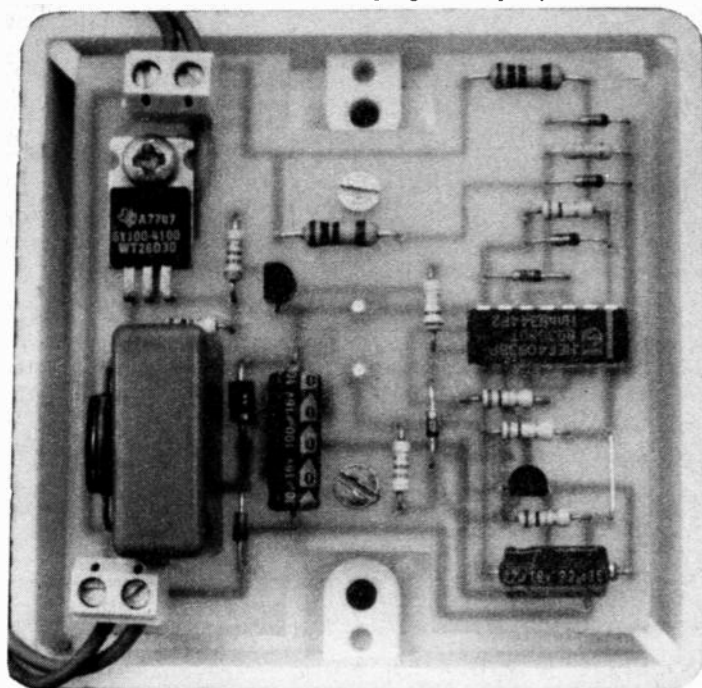
by this unit. It is the Neutral line being switched by the unit, not the Live. This reduces the potential difference between the circuit and Earth. Also, there is sufficient leakage through an untriggered triac to give a fatal electric shock.

When working on the unit, or a load connected to it, the power **MUST** be properly isolated (Live and Neutral disconnected).

Take care to position the unit so that light from the lamp it is controlling does not fall directly on the l.d.r. It may be possible to mount it on a different side of the building to the lamp, for example. Street lamps have the light sensor mounted on the top, above the lamp which shines downwards.

If mounting the unit outdoors it will need a suitably waterproof case. The suggested case is suitable for indoor use only. It is imperative that the circuit cannot get wet. The area where the light gets to the l.d.r. may be difficult to seal effectively. A sealed plastic case (to IP65) with a clear lid would be a satisfactory solution.

Use sealed cable glands for the cable entries. Drill a small (2mm) breather hole at the lowest point in the case, to prevent condensation and let out any moisture which might get in despite your efforts. □



CIRKIT ELECTRONIC CONSTRUCTORS CATALOGUE

NEW WINTER '95/96 EDITION

The new winter '95/96 edition has 280 pages packed with over 4000 products.

- ▶ New editions to our computer section further extending our range of PC components and accessories at unbeatable prices
- ▶ Free competition with a chance of winning a Hameg 30MHz oscilloscope
- ▶ 100's of new products including; Books, Component Packs, Connectors, Switches, Test Equipment and Tools.
- ▶ New range of oscilloscopes from Hameg and extended range of mobile phone batteries and accessories
- ▶ Latest PIC Microcontroller IC's and programmer
- ▶ New 70cms mobile transceiver for the novice radio amateur enthusiast
- ▶ Available at most newsagents or direct from Cirkit
- ▶ Out 26th October 1995
- ▶ Send for your copy today!

electronic constructors catalogue

Cirkit
components ▶ test equipment ▶ kits

£1.95

EXTRA Discount Vouchers!
£60 Worth
Open cover here!

COMPETITION:
Win a
Hameg
30MHz
Oscillo-
scope

NEW IN THIS ISSUE:

COMPUTER EQUIPMENT
AND ACCESSORIES AT
UNBEATABLE

70cm NOV
TRANSCIEV

LOW COST P
PROGRAMMERS AND ICs

£1.95

+30p p+p



Cirkit

Cirkit Distribution Ltd

Park Lane • Broxbourne • Hertfordshire • EN10 7NQ • Tel: Sales (01992) 448899 • Fax (01992) 471314



Get the Best Universal Diagnostics Toolkit on the market!

Works on any PC!

Featuring these two top-rated, award-winning diagnostic tools from MICRO 2000, Inc:



Winners of these awards:



"You name it, this tests it. If you maintain PC's, you'll love it."

—Jerry Pournelle, BYTE Magazine, May 94



Micro-Scope™

UNIVERSAL DIAGNOSTICS SOFTWARE THE 3.0

Fully O/S Independent diagnostic software...

MICRO-SCOPE Universal Computer Diagnostics was developed to satisfy the expanding need for accurate system diagnosis in the rapidly growing desktop computer market. Patterned after super-mini and mainframe diagnostic routines, **MICRO-SCOPE** runs independently of any standard operating system, and is therefore at home on any machine in the Intel world. Speed, ease-of-use, and razor sharp accuracy are a few of the advantages that arise from this system independence, together with an impressive list of functions including the ability to perform low level formatting on every drive currently manufactured, including all IDE drives.

- **LOW-LEVEL FORMAT** — Performs Low-level format on all drive types including IDE drives. This function cannot hurt IDE drives.
- **USE CONTROLLER BIOS** — Program will access BIOS format built into any hard disk controller—even Controllers yet to be invented.
- **O/S INDEPENDENT** — Does not rely on O/S for diagnostics. Talks to PC on hardware level. All tests are full function regardless of O/S (i.e. Novell, UNIX, OS/2).
- **TRUE HARDWARE DIAGNOSTICS** — Accurate testing of CPU, IRQ's, DMA's, memory, hard drives, floppy

drives, video cards, etc. ● **BATCH CONTROL** — All tests, even destructive, may be selected for testing. ● **ERROR LOGGING** — Automatically inputs errors during testing to an error log. ● **AUTOMAPPING** — Automatically bad sector maps errors found on hard disks. ● **IRQ DISPLAY** — Show bits enabled in IRQ chip for finding cards that are software driven. (Network, Tape Backup, etc.) ● **IRQ CHECK** — Talks directly to hardware and shows I/O address and IRQ of devices that respond. ● **MEMORY EXAMINE** — Displays any physical bit of memory under 1 Meg. Very useful for determining memory conflicts. Very useful for determining available memory space. ● **SECTOR EDITOR** — Allows the editing of any sector of floppy or hard disk media (even track 0). ● **AND MUCH MORE...** We don't have enough space here for everything this software can do!

POST-PROBE™

THE ONLY EVER UNIVERSAL POST CARD FOR ALL PCs!

The only Power-On Self-Test card you need to debug any "dead" PC...

"This is the only card that will function in every system on the market. The documentation is extensive, and not only covers the expected POST Codes for different BIOS versions, but also includes a detailed reference to the bus signals monitored

by the card." —Scott Mueller from his globally recognized book, 'Upgrading & Repairing PCs, Second Edition'

- Includes pads for voltmeter to attach for actual voltage testing under load.
- 4 LEDs monitor +5vdc -5vdc +12vdc -12vdc.
- Monitors Hi & Lo clock and OSC cycles to distinguish between clock chip or crystal failure.
- Monitors I/O Write and I/O Read to distinguish between write and read errors.
- Monitors memory write/ read to distinguish between address line failures and memory chip failures.
- Monitors ALE for proper CPU/DMA operation.
- Monitors Reset to determine if reset is occurring during POST, indicating short.
- Monitors progress of POST without POST codes.
- Reads POST codes from any IBM or compatible that emits POST codes. ISA/EISA/MCA.
- Compatible with Micro Channel computers.
- Dip switch allows easy selection of I/O ports to read.
- Includes tri-state LOGIC PROBE to determine actual chip failures.
- Manual includes chip layouts and detailed POST procedures for all major BIOS's.
- AND MUCH MORE...

Also ask about our other Universal Products—**Micro-Scope CLIENT**: The practical answer to remote diagnostics (no modem required).

THE COMPUTER CONSULTANT: 100% accurate realtime benchmarking tool.

Micro-Scope CENSUS: Inventory software to see and record what's inside all of your PCs.

MICRO 2000

Call Now for Special Pricing: **Tel. +44 462 483483** or **Fax +44 462 481484**

MICRO 2000 EUROPE: P.O. Box 2000, Letchworth, Herts, SG6 1UT, England, United Kingdom

FOX REPORT

by Barry Fox



New Games War

Sony predicts that its PlayStation games system, launched throughout Europe on 29 September, will be the most important product since Walkman. Perhaps; then again, at £300 for the hardware, without even one complete game thrown in, perhaps not.

At that price a lot of people may prefer to put the money towards a Pentium Multimedia PC which can play games as well as a lot of other things, including surfing the Internet. This is especially true now that Sega is competing with Saturn (£400 including one complete game), and Nintendo is promising Ultra 64. There will be winners and losers in this new games format war and no-one wants to be a proud owner of the losing system.

Inventing VCR History

At a press briefing to demonstrate the superior picture and sound quality of the CD PlayStation (sourced from poor quality tape with the worst speaker system Sony could find) an AV (audio video) show from the company's Computer Entertainment division told how "Sony invented the VCR". Later, Head of Product Development Phil Harrison went one better. "Sony invented video tape" he proudly pronounced.

Few people outside Sony will need reminding that it was Ampex who made the first practical video recorders in 1956, with rolls of 2" tape made by 3M. Four heads spun across the tape. In Japan, in 1959, Toshiba showed the first recorder which used helical scan heads.

During the 1960s several companies, including Sony, sold semi-pro open reel recorders which used ½" tape. A new wave of college film-makers used them on student marches and demonstrations. Panasonic adapted the format so that the reel was housed in a cartridge.

Philips showed a prototype of the first consumer Video Cassette Recorder in October 1971. The N1500 went on sale on the Continent in 1972 and reached the UK in mid 1974.

The N1500 VCR used ½" tape and was the first video cassette recorder with built-in tuner to record programmes without a TV set, timer to switch itself on and off, and modulator to feed signals into the aerial socket of a domestic TV set – all of which we take for granted today. It was thus Philips who made VCR time-shifting possible, albeit initially with only one hour per cassette. The N1500 cost £388.62.

Beta Battle

Sony's first consumer VCR, Betamax, was launched (NTSC version) in Japan and the USA in 1975. It too gave only one hour, from the small Beta cassette. In 1977 Sanyo and Toshiba joined forces with Sony and offered a two hour Beta machine. JVC and Panasonic offered two hour VHS. By late 1977 they had doubled the VHS playing time to four hours. Sony did likewise with the Beta system.

European VHS was unveiled in February 1978; Sony first showed Betamax in April 1978. VHS won the standards battle and Beta died.

But Sony did not invent video tape, and the closest they came to inventing the VCR was to launch the professional U-Matic cassette system in 1972. This followed some false starts in 1969 with monster machines which used 1" and ¾" tape and were never seriously marketed.

U-Matic uses ¾" tape and was never intended as a consumer product. It is a one hour system with no built-in timer, tuner and modulator for time shifting. The format quickly became – and still remains – an industrial workhorse.

Literally Daft

Re-writing history with daft claims merely devalues what the company now promises for the future; and Sony does seem to have developed some odd literary habits lately.

The company sent out invitations two weeks ahead of a press conference to announce its sale of an electronic editing system to TV news provider, ITN. Sony's UK office was immediately flooded with requests from magazines for advance information. Companies routinely release

information early under embargo so that weekly and monthly magazines can publish a story at around the same time as the daily newspapers. If journalists do not respect embargos they never get another early release.

But Sony and ITN got a Public Relations company to draft a legally binding document. We had to sign it before we got a few uninteresting pages of text.

Buried in the packed page of small print was the requirement that I would "not disclose, publish or otherwise reveal any of the information to any other party except with specific prior written authority of an officer of Sony UK".

Did anyone at Sony or ITN actually read this text and think what it means?

It means that if I wrote about the electronic news editing system I must ask "an officer of Sony" for fresh written permission every time the words of the story were passed between all the members of office and printing house staff who handle the magazine before publication.

Footnote

Next through the post came another press release from Sony which tells how one of its professional digital video cameras has been used to record another ascent of Mount Everest. So many people now climb the mountain that it no longer makes news. But in this case one of the climbers, Tom Whittaker, was handicapped. He had suffered an accident twelve years ago. According to Sony he got to the top "despite the luxury of only having one foot".

You may have to read that last sentence twice to get the point.

Patently CD Rubbish

John Preston, Director of Technology Development at MIT (the Massachusetts Institute of Technology) flew to Wales recently to tell a technology conference that British businesses "must adapt or die". The Prince of Wales and Welsh Development Agency had encouraged MIT to hold its conference in Wales and tell delegates that "the UK does not have enough entrepreneurial role models and that UK startup companies lack the depth of talent of their US counterparts".

MIT's Director of Technology Development is entitled to his rather patronising views of British industry. But I lost confidence in John Preston when I was on a radio programme with him the night before his much-publicised speech.

Preston piped up with the bald statement that "CD was invented in the USA and exported by Japan". This is rubbish.

Philips (Holland) and Sony (Japan) invented,

engineered, patented and launched the CD digital audio system. In defence, Preston then threw up the name of US company DiscoVision Associates. DVA (now controlled by Pioneer of Japan) does indeed have valuable patents on optical storage. These were filed on analogue video disc but were sufficiently broadly worded to cover other disc formats.

DVA makes no bones about the fact that it manufactures nothing, and exists solely to earn royalties from paper documents. So most companies which make CDs and Laser Discs now have to pay royalties to DVA, as well as Philips and Sony. But other companies, such as ORC of Canada and Thomson of France, also claim royalties on optical patents which overlap the CD process.

All credit to DVA for its original work on video disc, and clever patent drafting. But I have never before heard anyone, even DVA, claim that DVA invented audio CD.

STEREO "CORDLESS" HEADPHONES

ROBERT PENFOLD



An infra-red "cordless" link that will cut out those family stand-up fights and near destructive accidents, from trailing leads, when you try to use your headphones in the living room. Relax, peace at last!

UNTIL the advent of the personal stereo, headphones were not very popular amongst the general public. Although headphone listening has definite advantages, such as relatively little annoyance to others, there are also some practical drawbacks.

At one time headphones were quite large and cumbersome, and putting them on often felt rather like clamping your head in a vice! Fortunately, most modern headphones are very small and light, and often lack any form of headband.

Probably the main objection to headphones as a general means of listening to televisions, stereo units, etc., is the need for a long connecting cord from the user to the signal source. Someone tripping over a headphone lead can be a painful experience for both parties.

Standing up while standing on the headphone lead is easily done, and can also be a very painful experience if you are wearing headphones that have a headband. The headphones are pulled down hard onto your head.

USER FRIENDLY

Headphones are much more "user friendly" if they are connected to the signal source via some form of "cordless" link. The usual approach to this is to have an infra-red transmitter at the signal source, and a matching receiver connected to the headphones by way of a short cable.

Some infra-red headphone systems are literally cordless at the receiving end, with the receiver built into the headband of the headphones. This approach is not very practical for a home-constructed system,

and is not really applicable to most modern headphones anyway. It is better to opt for a personal stereo style receiver, together with lightweight headphones having a short lead.

This "cordless" headphone system provides a stereo link over a range of up to at least four metres. While the audio quality is not in the super-fi category, it is good enough for most purposes, and the signal-to-noise ratio is very good at a range of up to about three metres or so.

There is a slight drop-off in performance at a range of around four metres, but the noise level is still far from excessive at this range. The completed system can be aligned without the need for any test equipment, and it is basically just a matter of adjusting a coupled of presets for optimum results.

MONO LINK

If only a mono link is required it would be perfectly feasible to omit the components that are unique to the left hand channel, and use the right hand channel to handle the mono signal (or vice versa). However, this would still result in a system that was slightly "over the top" for mono use.

A much simpler and cheaper mono system will be featured at a later date, and anyone who only needs a mono system would be well advised to await publication of this follow-up article.

TWO INTO ONE

The linearity through infra-red l.e.d.s and photodiodes is not particularly good, and the audio quality provided by an

a.m. (amplitude modulation) link is unlikely to be good enough for use with a music signal. An f.m. (frequency modulation) link is a better choice as the linearity of the system is then determined by the quality of the modulator and demodulator. Amplitude distortion through the photocells does not alter the frequency of the signal, and does not contribute to the distortion on the output signal.

A stereo infra-red system is a bit problematic as it is not possible to simply use two separate but identical links. The receiver circuits would pick up both signals, and would not be able to sort out one signal from the other.

The most practical approach seems to be to use a simple form of multiplexing. The two f.m. carrier waves, operating over different frequency bands, are combined to produce a single signal that is fed to a bank of infra-red l.e.d.s. Filtering at the receiver is used to separate the two carriers, so that each demodulator is fed only with the carrier signal for its own particular stereo channel.

First attempts were tried using squarewave signals at the transmitter. This did not seem to work very well in practice, with the two signals mixing together to produce a vast number of output frequencies. No matter how sophisticated the filtering at the receiver, it proved impossible to obtain really "clean" signals for the demodulators.

Much better results seem to be obtained using reasonably pure sinewave signals. These produce a minimum of interaction, and enable the two carrier signals to be separated at the receiver using relatively simple filtering. The two carrier signals must be reasonably well spaced, and it is important to choose frequencies that avoid audio heterodynes between harmonics of the lower frequency carrier and the fundamental frequency of the higher frequency carrier.

TRANSMITTER

The block diagram for the Transmitter is shown in Fig. 1. The right hand input signal is first fed to a pre-emphasis stage. Pre-emphasis is merely a certain amount of treble boost added to a signal prior to transmission or recording.

It is used in practically all analogue radio communications and recording systems. Some complementary treble cut (de-emphasis) is used at the receiving end of the system, so that overall frequency response of the system is unaffected.

The point of all this is that the treble cut at the receiver gives a large subjective increase in the signal-to-noise ratio of the equipment. The perceived improvement can be as much as 20dB, and it was found that this method of noise reduction was essential if a stereo infra-red system was to give good results at anything other than a very short operating range.

Of course, a strong signal at a high audio frequency could be boosted to the point where it overloads the transmitter. This system is reliant on the fact that "real world" input signals do not contain very strong signals at the highest audio frequencies.

After the pre-emphasis has been applied the signal is fed through a lowpass filter. This stage attenuates signals at frequencies above the audio range. In theory there should be no input signals at these frequencies, but in practice there can be slight breakthrough of ultrasonic frequencies at the output of tape recorders, f.m. tuners, etc. These are boosted by the pre-emphasis, and could react with one or other of the carrier signals to produce heterodyne tones at the output of the receiver. The lowpass filtering should reduce any breakthrough of this type to an insignificant level.

The next stage is a v.c.o. (voltage controlled oscillator), and this is the modulator. The normal output frequency of the v.c.o. is about 175kHz, but its frequency is raised when the audio signal is positive going, and reduced when it is negative going.

The higher the audio signal voltage, the greater the increase/decrease in the carrier frequency. A squarewave signal is generated by the v.c.o., but it is fed through a lowpass filter which severely attenuates the harmonic content to leave a reasonably pure sinewave signal.

A virtually identical series of stages are used in the right hand channel. The only difference is that the v.c.o. in the right hand channel has a much lower centre frequency of about 70kHz. Also, the cutoff frequency of the lowpass filter that follows the v.c.o. has a proportionately lower cutoff frequency, so that it also provides a reasonably pure sinewave output signal.

A mixer stage combines the two carrier signals. The composite output of the mixer is then fed to a high current buffer stage which drives a bank of up to five infra-red l.e.d.s.

ONE INTO TWO

The block diagram for the Receiver is given in Fig. 2. The infra-red signal from the Transmitter is picked up by a bank of up to four infra-red photodiodes.

Using four diodes gives a much stronger output than a single diode, and a much improved signal-to-noise ratio and longer operating ranges. Photodiodes offer lower sensitivity than phototransistors, but diodes are more able to handle the relatively high input frequencies involved here.

The output signal from the diodes is fed to a low gain preamplifier stage, and this feeds two virtually identical signal chains, one to handle each stereo channel. The only difference between the two is that the

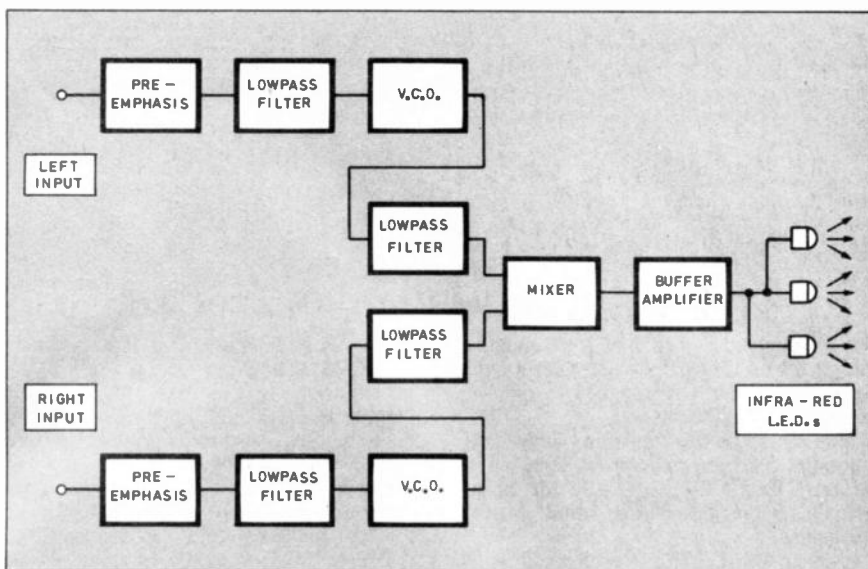


Fig. 1. Block diagram of the Transmitter section of the system.



The two completed Receiver and Transmitter units that make up the Stereo "Cordless" Headphones system.

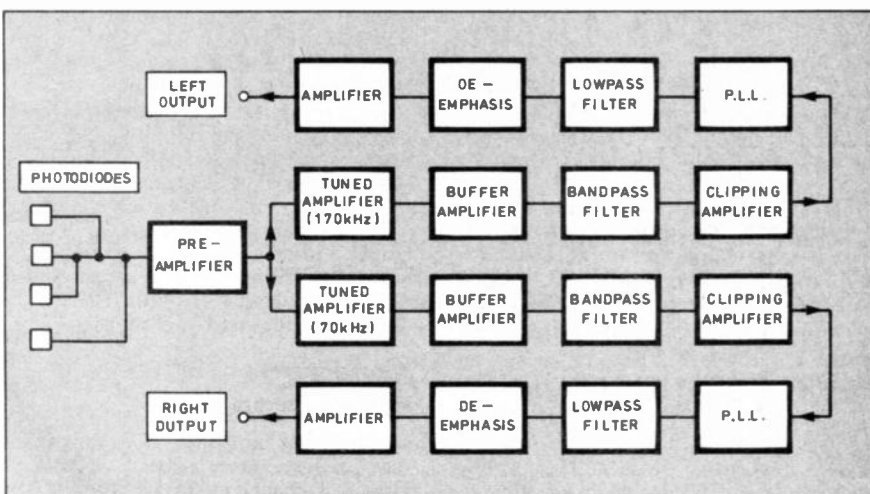
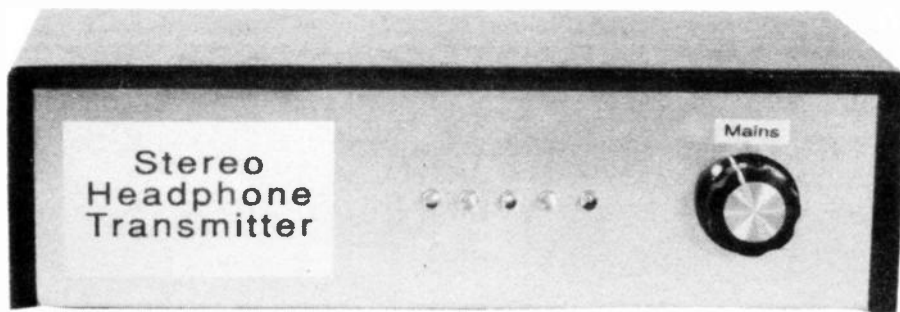


Fig. 2. Block diagram for the Receiver section of the headphone system.



one for the left hand channel is designed to handle a 170kHz carrier, while that for the right hand channel is designed to operate with a 70kHz carrier signal.

The first stage is a tuned amplifier. This amplifies the relevant carrier signal, but produces relatively little gain at other frequencies, including the other carrier frequency.

A single tuned circuit in each signal path gives inadequate separation of the two carrier waves. Therefore, the output from each tuned amplifier is fed to a bandpass filter via a buffer amplifier. This gives sufficient channel separation, and the two filtered carrier waves are fed to clipping amplifiers.

These provide suitable output signals for the f.m. demodulators, which are phase-locked loops (p.l.l.s). The basic action of a phase-locked loop is to maintain a v.c.o. on the same frequency as, and in-phase with, the input signal.

In an application such as this it is not the oscillator signal that is of interest, but the control voltage to the v.c.o. As the v.c.o. tracks the changing carrier frequency its control voltage varies. This voltage constitutes the demodulated audio output signal.

The demodulated audio signals are fed through lowpass filters which attenuate any residual carrier breakthrough. After de-emphasis the audio signals are then fed to output amplifiers which enable any normal headphones to be driven at good volume.

TRANSMITTER CIRCUIT

The full circuit diagram for the Transmitter appears in Fig. 3. As the left and right hand channels are virtually identical we will only consider the operation of the left hand channel here.

A high performance, low noise, j.f.e.t. input op.amp IC1 acts as an input buffer, and it also provides the pre-emphasis. It is basically just an ordinary non-inverting mode circuit having a voltage gain of eleven times, but the value of capacitor C3 is much lower than would normally be the case. Consequently, it only provides a low impedance path to "earth" (0V) at high frequencies, and the full voltage gain of the amplifier is only provided at the highest audio frequencies.

At lower frequencies C3 places a relatively high impedance in series with resistor R4, which gives a lower voltage gain. In fact, the amplifier has virtually 100 per cent negative feedback at low and middle audio frequencies. The circuit therefore provides the required high frequency boost.

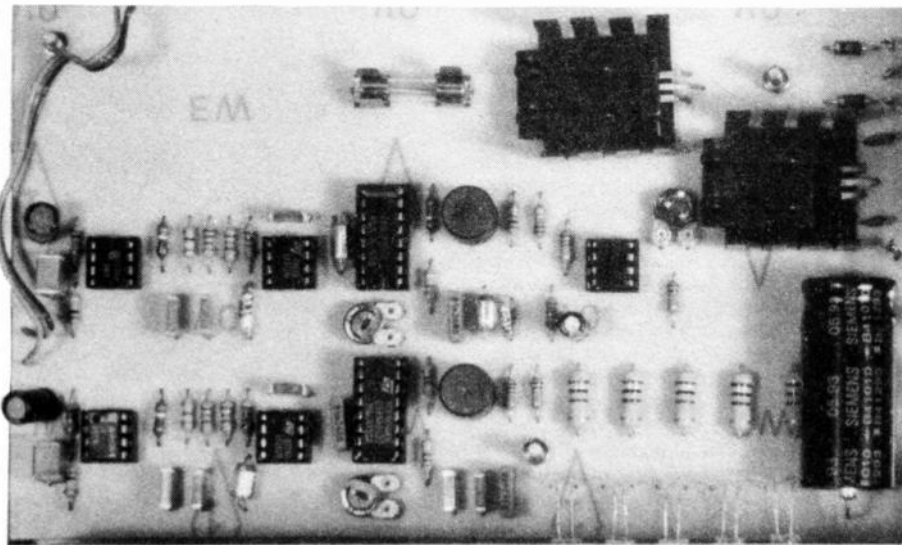
PHASED OUT

The output from IC1 feeds into a conventional third order (18dB per octave) lowpass filter based on IC2. The cut-off frequency of this filter is at about 16kHz, and it therefore has a minimal effect on the audio response of the system.

The v.c.o. is based on IC3, which is a CMOS 4046BE "micropower" phase-locked loop. In this case only the v.c.o. section is used, and no connections are made to the phase comparators or other sections of the device.

Capacitor C7 is the timing capacitor, and the timing resistance is provided by resistor R8 and preset VR1. The latter enables the centre frequency of the v.c.o. to be adjusted, and in practice this is set for optimum results from the Receiver (which has fixed tuning).

The lowpass filter at the output of IC3 is a passive type which has two C/R networks and an L/C type. This gives an attenuation rate of 24dB per octave, which is sufficient to give a reasonably good sinewave output signal.



Completed Transmitter circuit board.

There is no point in trying to generate a really high quality sinewave signal, since the distortion through the photocells makes it impossible to obtain highly pure signals at the receiver. The Receiver must be able to cope with a certain amount of distortion on the carrier waves.

The filtering results in some variation in the amplitude of the output signal as the carrier signals rise and fall in frequency. The variation is not very great though, due to the fairly low modulation level used.

The clipping amplifiers at the receiver remove these variations provided a reasonably strong signal is received. The p.l.l. demodulators are little effected by variations in the input level anyway.

MIXED RESPONSE

Operational amplifier IC7 forms the basis of the mixer stage, which is a standard summing mode circuit of the type often used in audio mixers. In this case the input frequencies are much higher, but the

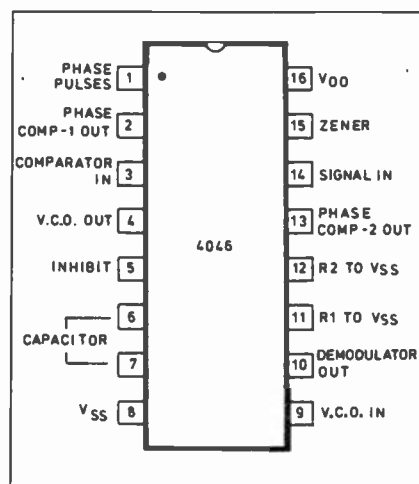


Fig. 5. Pinout details for the 4046 i.c.

circuit works well provided the op.amp used for IC7 is a type which has good high frequency performance.

The 10MHz gain-bandwidth product and high slew rate of the NE5534P (or an NE5534AN) ensure satisfactory results from the mixer. Lower cost operational amplifiers that were tried in the circuit did not function very well.

Preset potentiometer VR3, wired as a variable resistor, controls the voltage gain of the mixer. This is adjusted for the highest output level that gives a "clean" output signal that is free from clipping.

Transistor TR1 is an emitter follower buffer stage that drives the bank of infrared i.e.d.s (D1 to D5). The TIP122 used for TR1 is actually a Darlington device. Its extremely high current gain ensures that the circuit can easily provide the high drive current required by the i.e.d.s.

The average i.e.d. current is about 50mA per i.e.d., or about 250mA in total. The typical current consumption of the entire Transmitter circuit is about 270mA.

Battery operation is not really a practical proposition with a current consumption as high as this. The unit is therefore powered from a mains power unit, which must provide a stable, low noise, 12V supply.

The circuit diagram for the simple stabilised power supply is shown in Fig. 4. This has full-wave (push-pull) rectification plus a 12V voltage regulator (IC8) to stabilise the output and provide electronic smoothing.

MIXED-MODE SIMULATION. THE POWER OF VERSION 4.

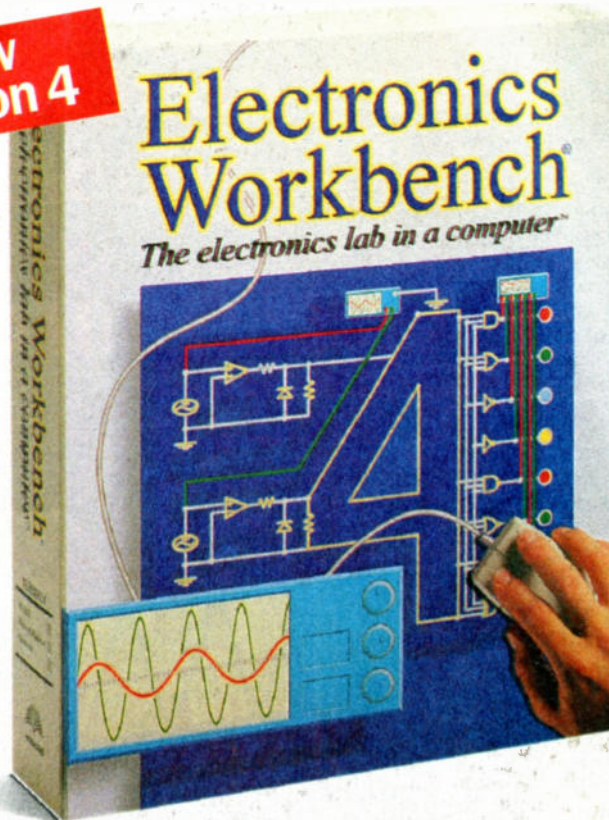
New
Version 4

Analog, Digital & Mixed Circuits

Electronics Workbench[®] Version 4 is a fully integrated schematic capture, simulator and graphical waveform generator. It is simple to mix analog and digital parts in any combination.

Design and Verify Circuits... Fast!

Electronics Workbench's simple, direct interface helps you build circuits in a fraction of the time. Try 'what if' scenarios and fine tune your designs painlessly.



More Power

Simulate bigger and more complex circuits. Faster. On average, Electronics Workbench Version 4 is more than 5 times faster than Version 3.

More Parts

Multiple parts bins contain over twice the components of Version 3.

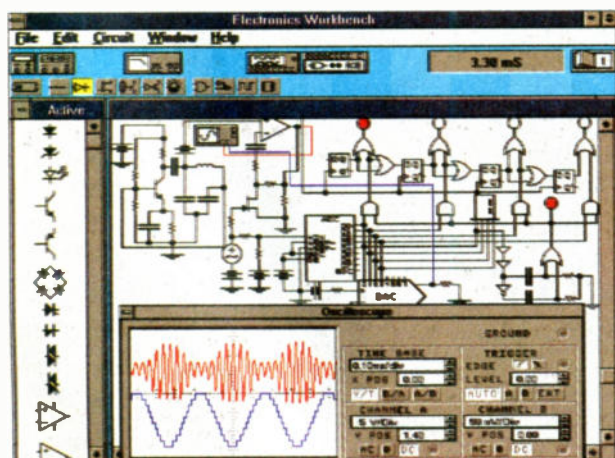
More Models

Over 350 real world analog and digital models are included free with Electronics Workbench. And, if you need more, an additional 2,000 models are available.

Incredibly Powerful. Incredibly Affordable.

If you need mixed-mode power at a price you can afford, take a look at this simulator and graphical waveform generator that mixes analog and digital with ease.

With over 20,000 users world-wide, Electronics Workbench has already been tried, tested and accepted as an invaluable tool to design and verify analog and digital circuits. With Version 4 true mixed-mode simulation is now a reality with incredible simplicity.



True mixed-mode simulation: Simultaneous AM transmission, digitization and pulse-code modulation of a signal.

Electronics WorkbenchTM

The electronics lab in a computerTM

Order Now! Just £199*

44-(0)1203-233-216

Robinson Marshall (Europe) Plc

Nadella Building, Progress Close,
Leofric Business Park,
Coventry, Warwickshire CV3 2TF
Fax: 44 (0)1203 233-210
E-mail: rme@cityscape.co.uk

Shipping charges UK £5.99. All prices are plus VAT.
All trade marks are the property of their respective owners.
Electronics Workbench is a trademark of Interactive Image Technologies Ltd., Toronto, Canada.
* 30 Day money-back guarantee.



Australia: 2-519-3933 • Brazil: 11-453-5588 • Cyprus: 2-62-1068 • Denmark: 33-25-0109 • Finland: 0-297-5033 • France: 14-908 9000 • Germany: 711-62-7740 • Greece: 1-524-9981
Hungary: 1-215-0082 • India: 11-544-1343 • Israel: 3-647-5613 • Italy: 11-437-5549 • Japan: 3-3382-3136 • Malaysia: 603-7778945 • Mexico: 5-396-3075 • Netherlands: 18-031-7666
New Zealand: 9-267-1756 • Norway: 22-16-70-45 • Portugal: 1-814-6609 • Singapore: 462-0006 • Slovenia: 61-317-830 • South Africa: 331-6-8309 • South Korea: 2-2-222-3431
Spain: 1-553 3234 • Sri Lanka: 1-86-5970 • Sweden: 8-740-5500 • Thailand: 66-2-398-6952 • United Kingdom: 203-23-3216

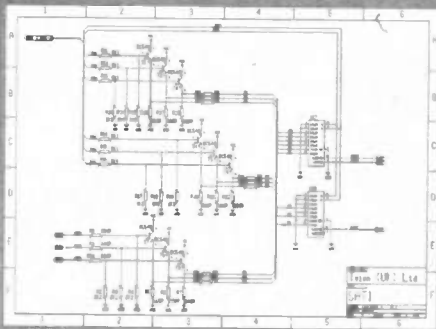
Is your PCB design package not quite as "professional" as you thought? Substantial trade-in discounts still available.

Board Capture

Schematic Capture Design Tool

- Direct netlist link to BoardMaker2
- Forward annotation with part values
- Full undo/redo facility (50 operations)
- Single-sheet, multi-paged and hierarchical designs
- Smooth scrolling
- Intelligent wires (automatic junctions)
- Dynamic connectivity information
- Automatic on-line annotation
- Integrated on-the-fly library editor
- Context sensitive editing
- Extensive component-based power control
- Back annotation from BoardMaker2

£395



BoardMaker

BoardMaker1 - Entry level

- PCB and schematic drafting
- Easy and intuitive to use
- Surface mount and metric support
- 90, 45 and curved track corners
- Ground plane fill
- Copper highlight and clearance checking

£95

BoardMaker2 - Advanced level

- All the features of BoardMaker1
- Full netlist support- BoardCapture, OrCad, Schema, Tango, CadStar
- Full Design Rule Checking both mechanical and electrical
- Top down modification from the schematic
- Component renumber with back annotation
- Report generator- Database ASCII, BOM
- Thermal power plane support with full DRC

£395

Board Router

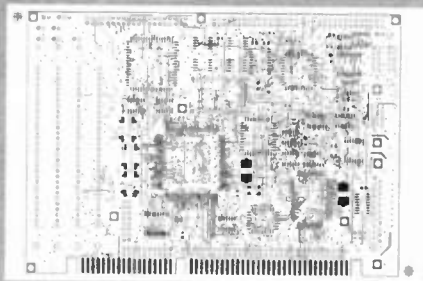
Gridless re-entrant autorouter

- Simultaneous multi-layer routing
- SMD and analogue support
- Full interrupt, resume, pan and zoom while routing

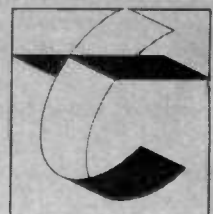
£200

Output drivers - Included as standard

- Printers - 9 & 24 pin Dot matrix, HPLaserjet and PostScript
- Penplotters - HP, Graphtec & Houston
- Photoplotters - All Gerber 3X00 and 4X00
- Excellon NC Drill and Annotated drill drawings (BM2)



For further information contact
 Tsien (UK) Limited
 Aylesby House
 Wenny Road, Chatteris
 Cambridge, PE16 6UT
 Tel 01354 695959
 Fax 01354 695957
 E-mail Sales@tsien.demon.co.uk



tsien

All trademarks acknowledged

COMPONENTS

TRANSMITTER

Resistors

R1, R2, R9,	
R10	100k (4 off)
R3, R11,	
R17	3k9 (3 off)
R4, R12	390Ω (2 off)
R5, R6, R7,	
R13, R14,	
R15	6k8 (6 off)
R8	3k3
R16	8k2
R18	4k7
R19, R20	1k (2 off)
R21, R22,	
R23, R25	10k (4 off)
R24	11k
R26 to R30	100Ω 1W (5 off)
All 0.25W 5% carbon film, except R26 to R30.	

See
**SHOP
TALK**
Page

Potentiometers

VR1, VR2	10k min. preset, hor. (2 off)
VR3	22k min. preset, hor.

Capacitors

C1, C8	100μ radial elect. 16V (2 off)
C2, C9	470n polyester (2 off)
C3, C10	33n polyester (2 off)
C4, C11	3n3 polyester (2 off)
C5, C12	4n7 polyester (2 off)
C6, C13	330p polystyrene (2 off)
C7	470p polystyrene
C14, C15,	
C19	1n polyester (3 off)
C16, C18	2n2 polyester (2 off)
C17	680p polystyrene
C20	100p polystyrene
C21	10μ radial elect. 25V
C22	2200μ axial elect. 25V
C23	220n ceramic
C24	100n ceramic

Semiconductors

D1 to D5	5mm infra-red l.e.d. (5 off)
D6, D7	1N4002 100V 1A rectifier (2 off)
TR1	TIP121 or TIP122 npn power Darlington
IC1, IC2,	
IC4, IC5	LF351N bi-f.e.t. op.amp (4 off)
IC3, IC6	4046BE CMOS phase-locked loop (2 off)
IC7	NE5534P or NE5534AN low noise op.amp
IC8	μA7812 12V 1A positive regulator

Miscellaneous

S1	min. mains d.p.s.t. On/Off rotary switch
T1	mains transformer, with twin 12V 500mA sec
FS1	500mA anti-surge fuse, 20mm
JK1	3.5mm stereo, chassis mounting, jack socket
L1	3.3mH inductor/choke type 10RB
L2	6.8mH inductor/choke type 10RB

Printed circuit board available (as a pair) from *EPE PCB Service*, code 961 (Trans.) and 962 (Rec); metal case, size about 230mm x 133mm x 63.5mm (WB4); clip-on TO220 heatsink (2 off); 8-pin d.i.l. i.c. holder (5 off); 16-pin d.i.l. i.c. holder (2 off); mains lead and plug; 20mm fuse-clips; connecting wire; solder, etc.

Approx cost
guidance only

£40

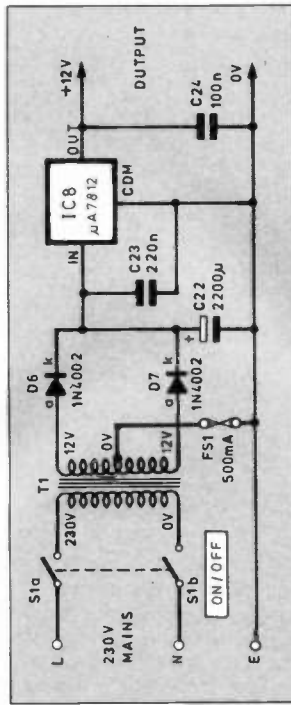


Fig. 4. (right).
Circuit diagram
for a simple
power supply for
the Transmitter
circuit.

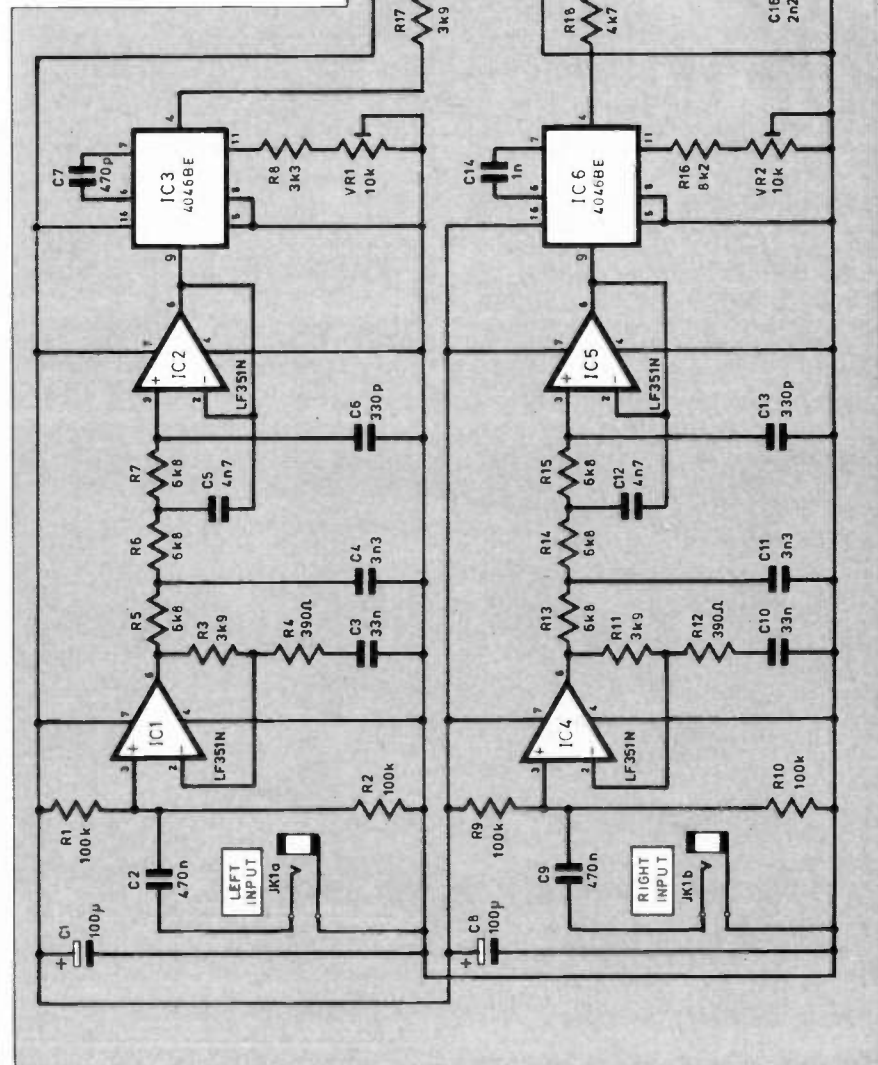
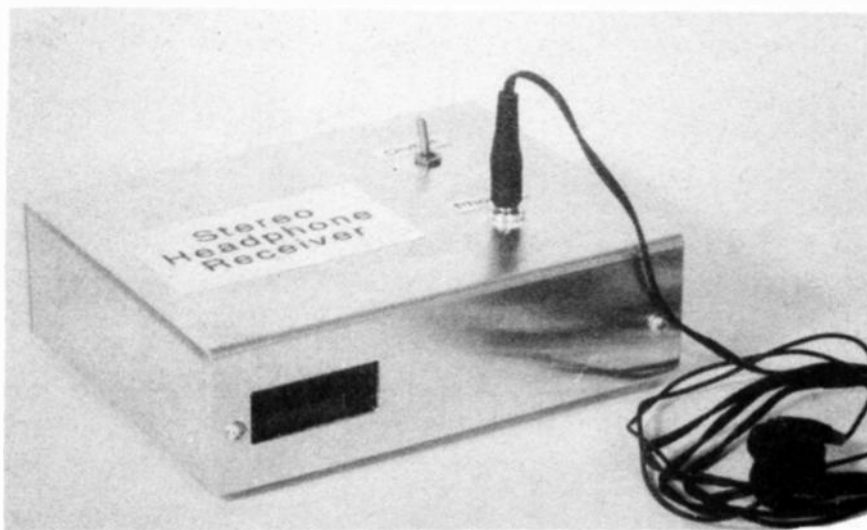


Fig. 3. Complete circuit diagram, less power supply, for the Transmitter section of the Stereo "Cordless" Headphones.



phase comparator and the control input of the v.c.o. The demodulated audio signal across C12 is extracted via an internal source follower buffer stage of IC1. This has R11 as its discrete load resistor.

Op.amp IC2 is used in the lowpass filter, which is a third order circuit. This is basically the same as the ones used in the Transmitter. Capacitor C16 couples IC2's output signal to resistor R16 and capacitor C17. These form a simple lowpass filter which provides the de-emphasis.

The de-emphasised audio signal is fed to the output amplifier (IC3), which is a small audio power amplifier device. The output from IC3 is actually excessive for most headphones, and resistor R17 is therefore used to attenuate the output signal.

If you require high volume levels, or are using the system with insensitive headphones, the value of R17 can be reduced in order to increase the output power of the circuit. With very low sensitivity headphones it may be necessary to replace R17 with a shorting link.

LEFT-HANDED

The additional circuitry for the left hand channel is also shown in Fig. 6, and this is much the same as the right hand channel. Some values have been changed to suit the higher operating frequency of this channel.

Also, the tuned amplifier is based on a transformer (T1) rather than a simple inductor. However, as the secondary winding of T1 is left unused, it really operates here as a tapped inductor rather than as a transformer.

This gives slightly better results than using a non-tapped inductor. T1 is actually an i.f. (intermediate frequency) transformer intended for use at about 455kHz. Capacitor C22 is connected in parallel with its internal tuning capacitor, and this reduces the resonant frequency to around 175kHz.

The current consumption of the Receiver is about 25mA to 30mA. This can be supplied by a "high power" PP3 size battery, but this is likely to be an expensive way of powering the unit if it will receive a lot of use. Six HP7 size cells in a holder represent a much cheaper way of powering the Receiver.

RECEIVER CIRCUIT

The Receiver circuit diagram appears in Fig. 6. The four infra-red diodes (D1 to D4) are connected in parallel and used in the reverse biased mode. Capacitor C4 couples their output signal to a common emitter stage based on transistor TR1.

This has a low voltage gain of only about two times due to the local negative feedback provided by its non-bypassed emitter resistor (R4). The main purpose of this stage is to provide buffering, rather than a large amount of voltage gain.

Transistor TR2 is used as the tuned amplifier in the right hand channel. It is a common emitter stage which has inductor L1 and capacitor C6 as a tuned circuit which act as its collector (c) load. TR3 is an emitter follower stage which provides buffering at the output of TR2, and drives the bandpass filter. This has L2 and C9 as another parallel tuned circuit.

The selectivity provided by the two tuned circuits is not very high, but the response of the filter must be broad enough to accommodate a reasonable amount of carrier deviation. The attenuation of the higher carrier signal is more than sufficient to give good results.

Operating as a high gain common emitter stage, TR4 will be driven into clipping provided a reasonably strong signal is received from the Transmitter. Capacitor C10 rolls-off the high frequency response of TR4. This gives improved attenuation of the higher frequency carrier wave, and also improves the signal-to-noise ratio of the right hand channel.

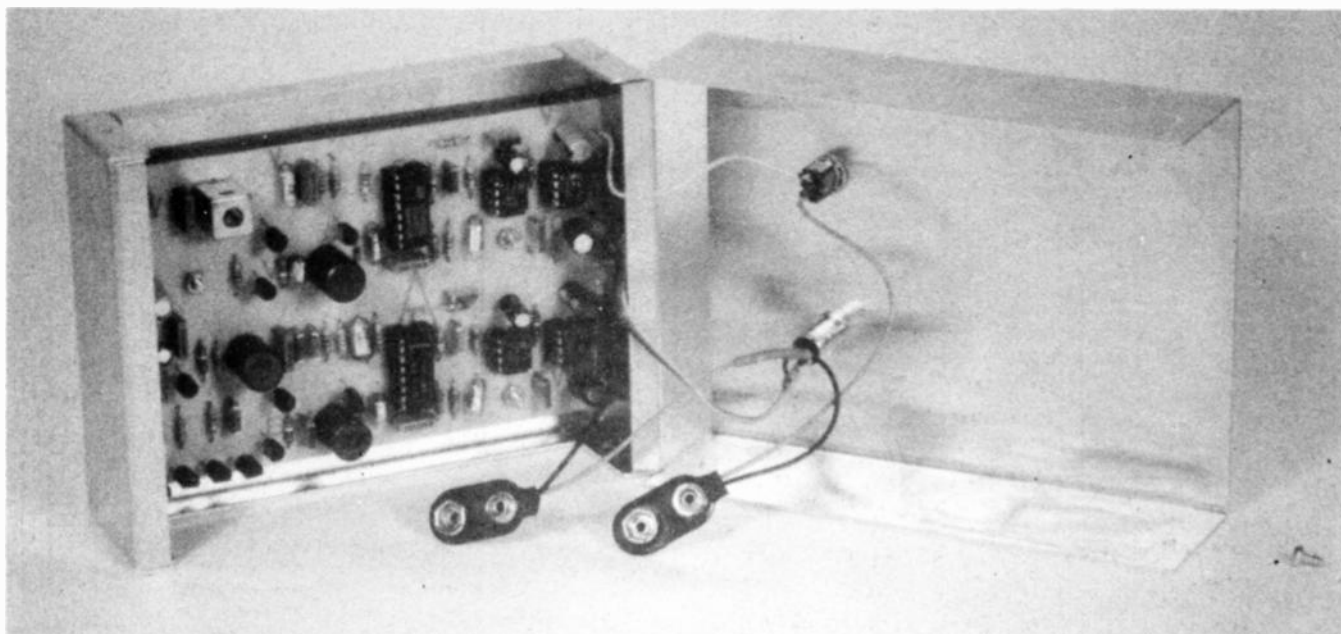
DEMODULATION

A CMOS 4046BE phase-locked loop is used for IC1, and is actually the same device that is used in each v.c.o. at the Transmitter. In this case it is used as a phase-locked loop rather than just a v.c.o.

Resistor R10 and capacitor C11 are the timing components for the v.c.o. section. The link across pins 3 and 4 connects the output of the v.c.o. to the inputs of IC1's two phase comparators.

The output signals of the phase comparators are available at IC1 pins 13 and 2, and in this case it is the latter that is used. The required f.m. demodulation is produced using either of these outputs, but using pin 2 seems to give much better results, with greater freedom from spurious output signals.

Resistor R12 and capacitor C12 are the lowpass filter between the output of the



The completed Receiver is housed in a metal box with a small "window" cut in one side adjacent to the photodiodes.

CONSTRUCTION - TRANSMITTER

Details of the Transmitter printed circuit board are provided in Fig. 7. This shows the topside component layout and actual size underside view of the board. This board, together with the Receiver board (962), is available (as a pair) from the *EPE PCB Service*, code 961. Construction of this board is reasonably straightforward, but there are several points worthy of note.

Fuse FS1 is mounted on the board via a pair of printed circuit mounting fuse-clips. FS1 should be an "anti-surge" type, or "time delay" fuse as they are also known these days. A normal "quick-blow" fuse is likely to "blow" at switch-on due to the high initial current as capacitor C22 charges up.

Power Darlington TR1 and regulator IC8 do not have to dissipate a great deal of power, but they still require a certain amount of heat-sinking in order to ensure safe operation. Clip-on TO220 type heatsinks having a rating of 13.6 degrees Centigrade per watt are quite adequate.

The polyester capacitors should be printed circuit mounting types having a lead spacing of 7.5 millimetres (0.3 inches) if they are to fit easily into this component layout. The polystyrene capacitors must be reasonably small, modern components, if they are to fit into the available space. The non-electrolytic capacitors should have a tolerance of 10 per cent or better.

INDUCTORS

It is important that the two inductors L1 and L2 are types which will work efficiently at the frequencies involved in this application. Incidentally, the same is true of the three inductors in the receiver circuit. Ordinary r.f. chokes are unlikely to give good results.

It was found that the type 10RB inductors sold by Cirkit give good results. Any similar pot-core based inductors would probably work just as well, but the circuit has only been tested using the type 10RB components.

Note that the ferrite encapsulation of the inductors is extremely hard but quite brittle. Treat them with due care, as they are likely to smash if they are dropped onto a hard surface.

Socket JK1 is specified as being a 3.5mm stereo jack socket, hence JK1a and JK1b, but it is obviously in order to use any audio connector or connectors that fit in well with the equipment with which the transmitter will be used.

The 4046BE used for IC3 and IC6 is a CMOS device, and the normal anti-static handling precautions are therefore required when dealing with these components. In particular, they should be fitted in holders, but not until the board is otherwise complete.

Diodes D1 to D5 are ordinary 5mm infra-red l.e.d.s of the type used in remote control systems. These mostly seem to be sold simply as infra-red l.e.d.s, rather than under a particular type number.

Some components of this type have a relatively high output level, but only a relatively narrow angle of coverage. Others have a lower output level but cover a wider angle. Either type will work in this circuit.

The narrow angle type offer greater range, and are preferable if the system will be used over a range of three to four metres. Otherwise the wider angle l.e.d.s are a better choice, as they make the aim of the Transmitter less critical. Leave the leadout wires full length, and bend them through right angles so that the l.e.d.s are aimed forwards rather than upwards.

CASE

For safety reasons the Transmitter MUST be housed in an earthed all-metal case having a screw-fitting lid, and not a clip-on lid or cover. A low cost aluminium and steel instrument case is probably the best choice.

The circuit board is mounted as far to the left as possible, and well towards the front of the case. Use spacers about 12mm long over the 6BA or metric M3 mounting bolts, so that the connections on the underside of the board are kept well clear of the metal base panel. It is also essential to ensure that the board is mounted high enough to keep

it clear of the screws which fix the outer casing in place.

A row of five 5mm diameter holes are drilled in the front panel to take the infra-red l.e.d.s. Try to get all the l.e.d.s pointing in pretty much the same direction. A slight lack of alignment will simply spread the signal over a slightly wider angle, and will not be of any major significance.

Getting them all pointing in significantly different directions is unlikely to give satisfactory results. It would produce areas of strong signal with "blind" areas in between.

Socket JK1 is mounted on the rear panel of the case, well towards the left hand end of the unit. The opposite end of the rear panel is drilled to take the mains lead, and this hole must be fitted with a grommet to protect the lead (see photo below).

Mains transformer T1 is mounted on the base panel just in front of the mains input lead hole, and a solder tag is mounted under one of the fixing nuts. This provides a chassis or "earth" (0V) connection point.

Make sure that T1 is positioned where it will not foul one of the mounting screws for the outer casing. The on/off switch is mounted well towards the right hand end of the front panel.

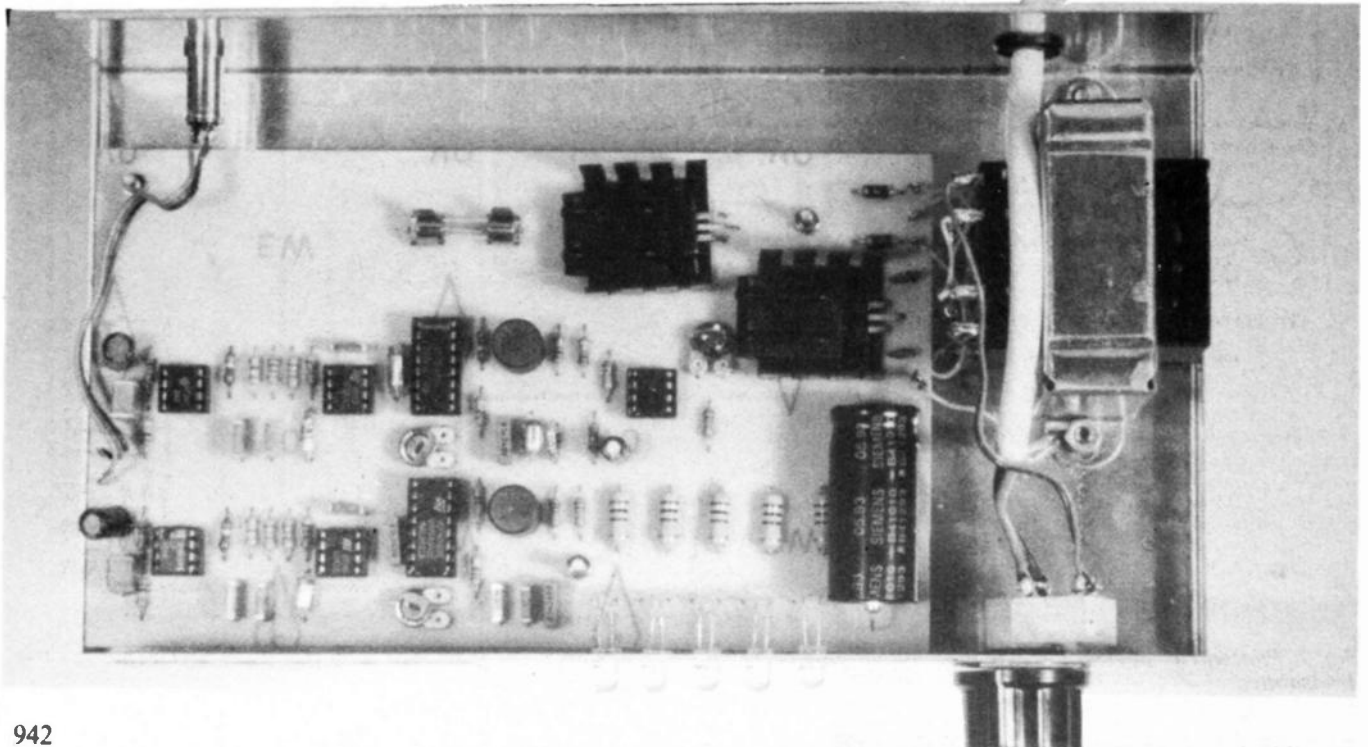
POWER SUPPLY

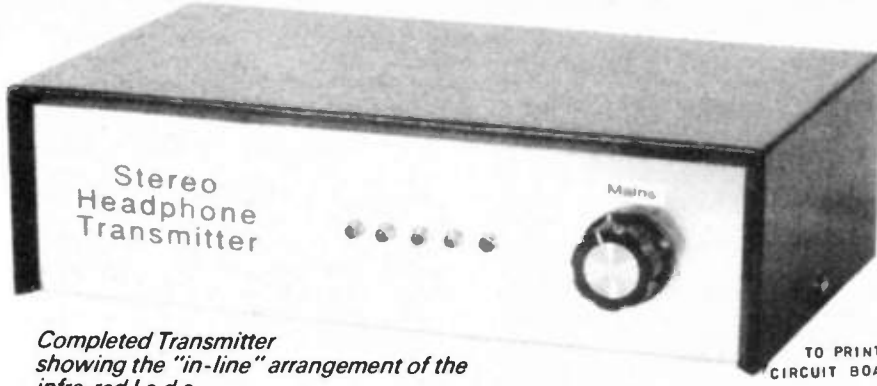
The power supply wiring and wiring to the rear-mounted signal input socket JK1 is also shown in Fig. 7. It is virtually certain that the mains transformer used for T1 will have twin 12V secondary windings rather than a 12V-0V-12V winding. The link across the centre 0V and 12V tags effectively converts the transformer to a 12V-0V-12V type.

Many modern mains transformers have twin 120 volt primary windings. These must be wired in series for operation on the 230V UK mains supply.

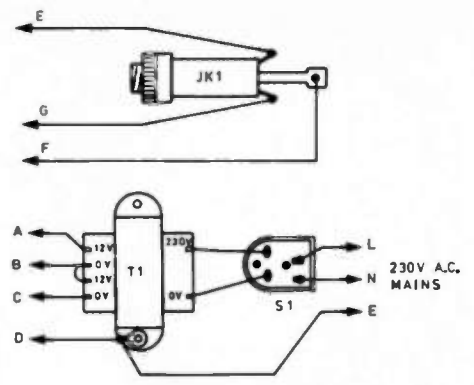
The power supply wiring is very simple and straightforward, but as the dangerous mains supply is involved a great deal of care *must* be taken when wiring-up the supply, and the finished wiring should be thoroughly double-checked. Cover any exposed connection tags on the transformer and on/off mains switch with insulating sleeving.

Layout and positioning of components inside the Transmitter metal case.





Completed Transmitter showing the "in-line" arrangement of the infra-red l.e.d.s.



TO PRINTED CIRCUIT BOARD

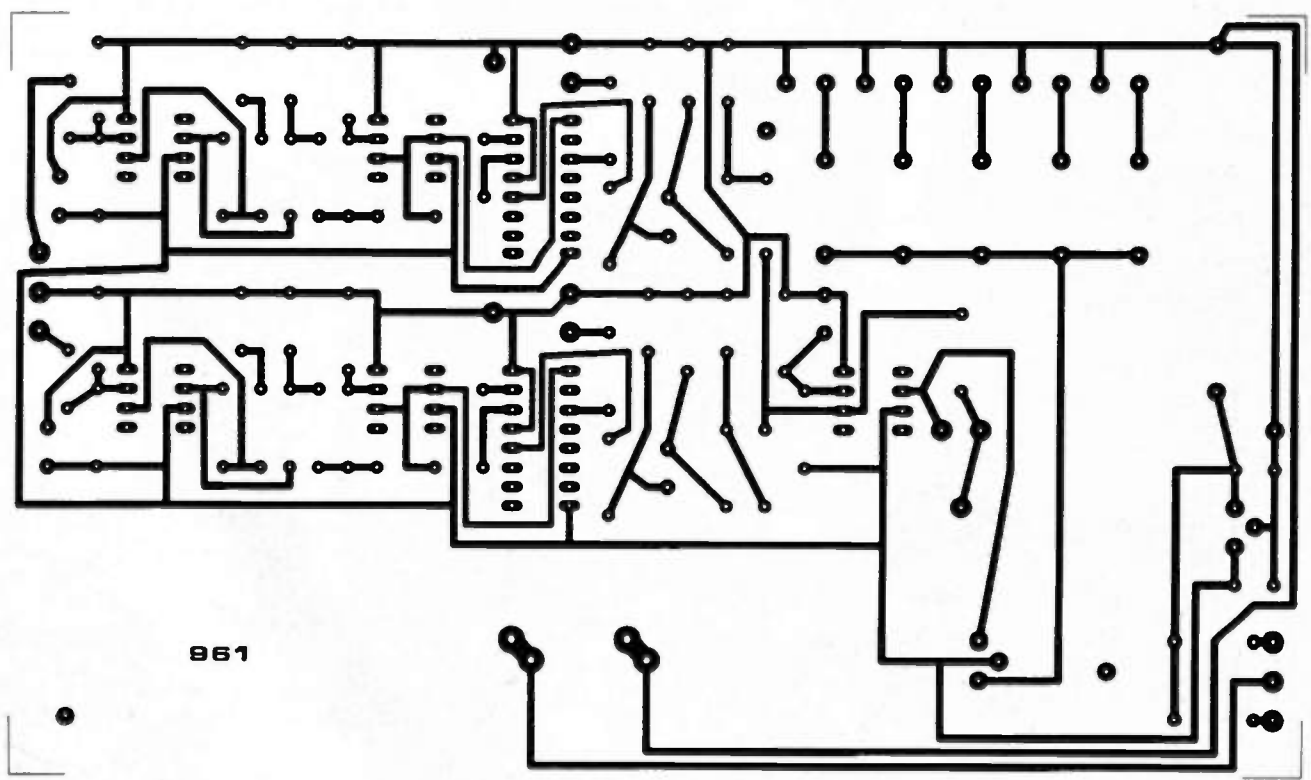
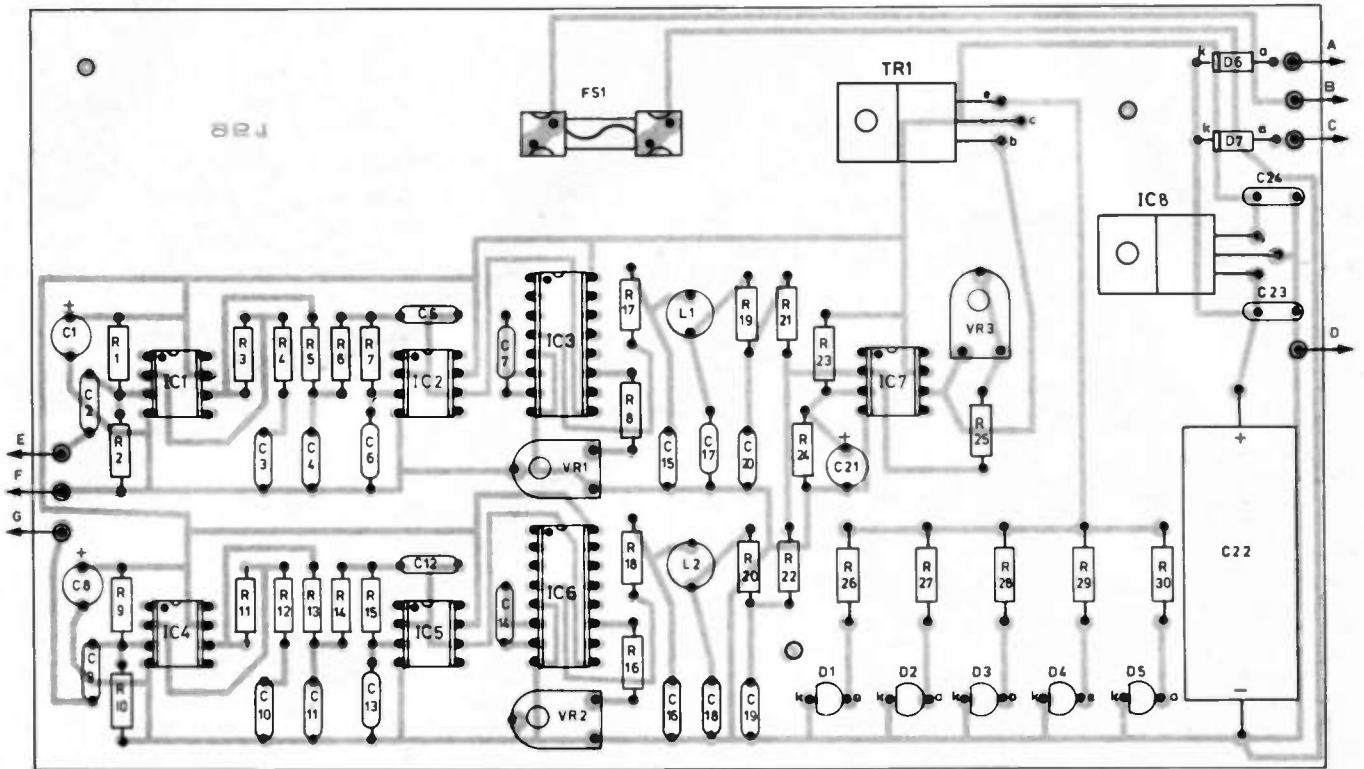


Fig. 7. Printed circuit board component layout, power supply and jack socket wiring, and full size copper foil master for the Transmitter.

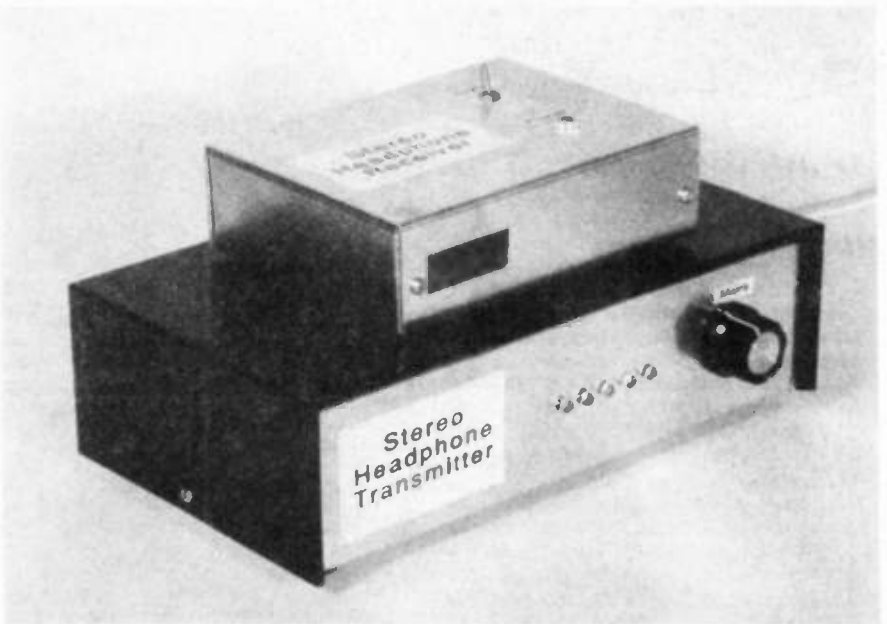
CONSTRUCTION - RECEIVER

The printed circuit board topside component layout, wiring and full size copper foil master for the Receiver is shown in Fig. 8. This board is available from the *EPE PCB Service*, code 962.

Many of the points made previously about the Transmitter board apply equally to this board, and will not be repeated here, apart from a reminder that IC1, IC2, IC4, and IC5 are static-sensitive components. Do not overlook the single link-wire just above capacitor C1.

Photodiodes D1 to D4 are TIL100 type. These are often sold simply as infra-red photodiodes for use in remote control systems, rather than under a type number. Any similar diodes having built-in "daylight" filtering should also give good results.

It is not essential to include all four photodiodes, and the Receiver will work using just a single photodiode. Results are much better using two diodes though, and it is probably best to regard two diodes as the practical minimum. It is advisable to include all four diodes if the system is likely to be used over a range of three to four metres.



The completed Receiver and Transmitter units ready for action. Note the Receiver photodiode window cutout and the protruding i.e.d.s of the Transmitter.

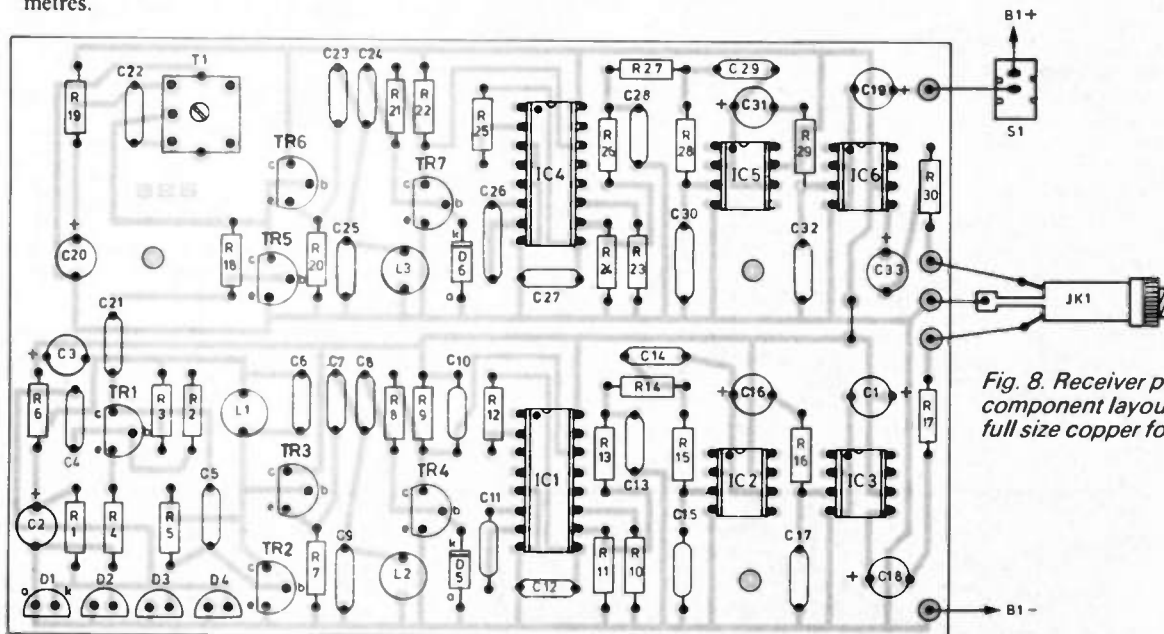
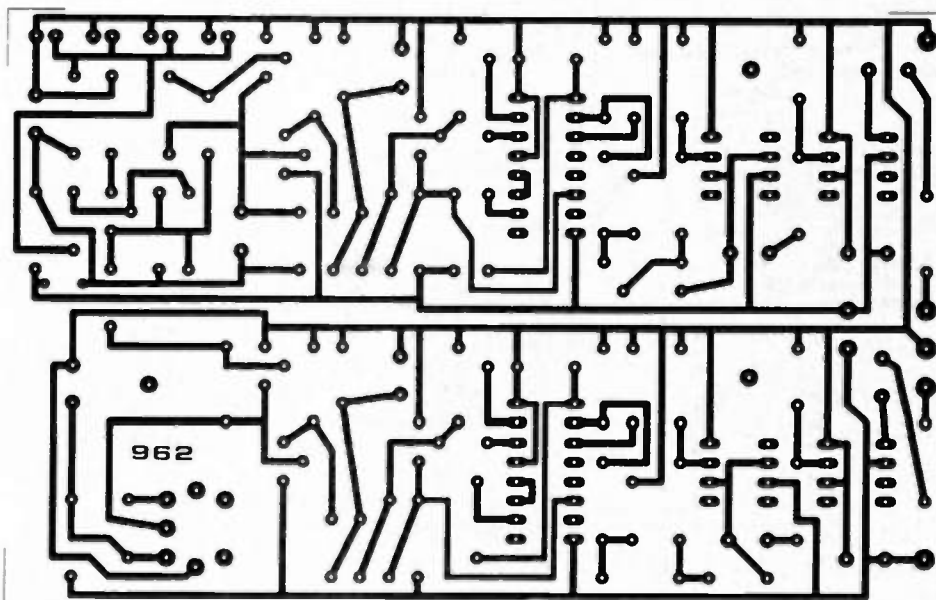


Fig. 8. Receiver printed circuit board component layout, interwiring and full size copper foil master pattern.



CASE

The Receiver will fit into an aluminium box which has dimensions of about 133mm × 102mm × 38mm. This represents about the smallest case that can accommodate the circuit board, on/off switch, headphone jack, and batteries.

It is not essential to use a metal case, although this does help to screen the sensitive receiver circuitry from electrical interference. Also, most of the plastic cases currently on offer do not seem to have the right proportions to take this circuit board, and would result in a finished unit that would resemble a "shoe box" more than a personal stereo unit!

A "window" for the photodiodes to look through must be made at the appropriate place on the lid section of the case. A rectangular cutout about 10mm × 30mm is sufficient, see photographs, and this can be made using a miniature file.

Ideally, a piece of thin transparent plastic should be glued in place behind

the cutout, so that dust cannot enter through the cutout. Any window material used here must have a high degree of transparency so that it produces an insignificant signal loss.

MAKING SPACE

The Receiver board is mounted on the base panel of the case, as far as possible to one side so that one of the mounting flanges of the case does not obstruct the first photodiode D1. The offending flange can be filed away slightly in order to give D1 a wider angle of view.

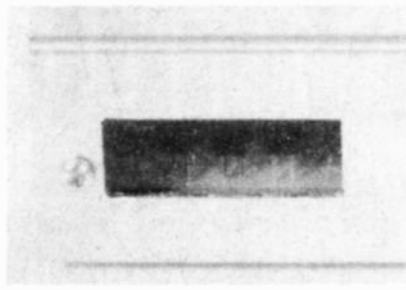
Short spacers up to six millimetres long are used to keep the underside of the board clear of the base panel, but it is not practical to use longer spacers. This would leave insufficient space above the printed circuit board for the battery, S1, and JK1. Switch S1 and jack socket JK1 are mounted on the top panel of the case, well towards one end so that they are close to their connection points on the circuit board.

There is more than ample space in the case for a PP3 size battery. Six HP7 size cells are a bit more difficult to accommodate, as all the holders for six cells of this type seem to be the wrong shape to fit into the available space.

Using two holders for three HP7 size cells wired in series seems to be the best solution. The holders can be glued to the underside of the lid. The connections to the battery holders are made via a pair of ordinary PP3 battery clips.

ADJUSTMENT

The Transmitter is connected to the Headphone socket of the signal source via a twin-screened lead fitted with the appropriate plugs. This enables the volume



Receiver photodiode window (full size).

to be controlled using the volume control of the television, cassette player, or whatever. Using some form of "Aux" or "Line" output might give usable results, but it would probably be necessary to add a volume control at the input of the Transmitter.

Start with preset potentiometer VR3 set almost fully counter-clockwise so that the Transmitter puts out a relatively weak but "clean" signal. With presets VR1 and VR2 at roughly central settings the unit will probably work to some degree, but will almost certainly provide far from optimum results.

Position the Receiver close to the Transmitter but slightly out of line with the main signal from the transmitter so that it receives only a weak signal. Then experiment with various settings for VR1 and VR2 in an attempt to find a combination of settings that provide good results.

The first requirement is to find settings that give good sensitivity and low distortion on the audio output signal. There will probably be no difficulty in finding settings that fulfil these criteria.

The other requirement is that the audio output signal should be free from heterodyne tones. This is more difficult to achieve, but with a little experimentation it should be possible to find settings that provide a reasonably "clean" output signal.

It is not absolutely essential to produce a totally "clean" signal. Even if there is a faint high pitched "whistle" on the audio output signal, this will almost certainly disappear in normal use when the receiver picks-up a signal at normal strength.

The tuning of the i.f. transformer T1 on the Receiver board is quite broad, and its setting is not critical. It is simply adjusted for minimum noise from the left hand channel.

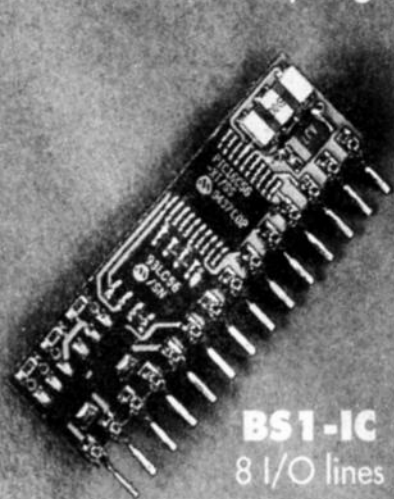
Advancing preset VR3 in a clockwise direction will increase the strength of the signal from the Transmitter, and should give a significantly improved range. Advancing it too far will probably result in the signal being clipped, and background noises becoming apparent on the output from the Receiver. It is just a matter of finding the setting which gives the strongest possible output signal without spurious output signals becoming a problem.

IN OPERATION

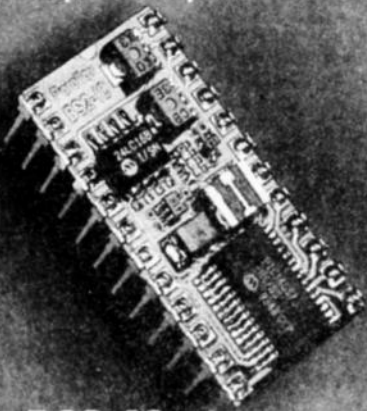
In use, bear in mind that the output signal may not cover a particularly wide angle. This obviously depends on the particular l.e.d.s used, and their relative aims. In most cases the Transmitter must be aimed at the Receiver with reasonable accuracy if really good results are to be obtained.

The aim of the Receiver is less important, but it is worthwhile experimenting a little with its aim and orientation in an attempt to obtain optimum signal strength. The stronger the received signal, the lower the background noise level. □

When Performance is more important than size:- two new re-programmable BASIC Stamp Computers.



BS1-IC
8 I/O lines
up to 100 program lines
2,000 lines/sec
Comms to 2400 baud
£29 single price



BS2-IC
16 I/O lines
up to 600 program lines
10,000 lines/sec
Comms to 9600 baud
£49 single price

Programming package £66

Milford Instruments Tel 01977 683665 Fax 01977 681465

New Technology Update

Ian Poole looks at the drive to eliminate output ringing with the new super hi-speed processors. Also, "having a PERM" may not just mean improving your appearance, but indicate you are using very high density disks.

IN RECENT years there has been a rapid increase in the speed of digital circuits. Only fifteen years ago when microprocessors like the 6502, 6800 and 8080 were widely used, clock speeds of only a few megahertz were normal.

Logic i.c.s were also not nearly as fast as they are today. Even though emitter coupled logic capable of running at speeds of hundreds of megahertz was available, it was very current hungry and used only in specialised applications.

Now speeds of many i.c.s are rising fast. This is probably most noticeable in the microprocessor market. It seems like only a couple of years ago 386SX machines running at 25MHz were fast. Now 486DX machines running at 66MHz are commonplace, and Pentiums running at much higher speeds are widely available.

Anyone who has worked with high speed logic knows that these speeds bring many problems. Board layouts are critical, and lines have to be kept as short as possible. This is hardly surprising as the clock rates extend well into the v.h.f. portion of the radio spectrum.

Ringing the Changes

One of the problems which can be experienced even with a good layout is that of "ringing" or "bounce" on a line. Signals travelling along a line can be reflected in exactly the same way as radio frequency signals travelling along a feeder.

When an output changes from one level to another there can be a significant amount of ringing on the line for some while after the signal has switched, as

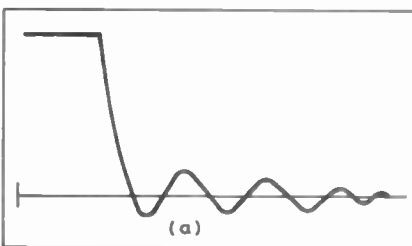


Fig. 1a. Ordinary driver output ringing.

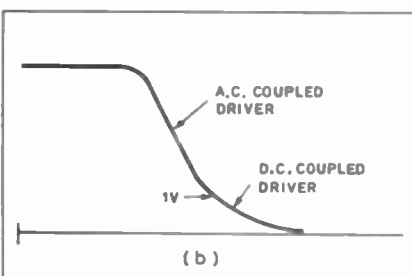


Fig. 1b. Output from logic stages.

shown in Fig. 1. In some cases this might be so bad that it could result in spurious triggering of the driven circuit.

To overcome this problem, Applied Micro Circuits Corporation (AMCC) in San Diego, California have developed a circuit called a "dual-sloped output driver". This has two separate circuits for controlling the falling edge of a waveform. These enable the output to reach its final settling point in the fastest possible time without any ringing.

It has a fast a.c. driver for the major transition phase. But once the voltage has fallen to 1V, a second d.c. circuit with a lower drive capability comes into play (see Fig. 2). This circuit slows the edge of the waveform down to ensure that there is no ringing.

Extensive investigations of the problems associated with ringing have been conducted by AMCC. It is found that problems are encountered when circuits are switching from a high to low.

To ensure that the voltage falls a large amount of current is required. This rate of change of current flow with time rises to very high values to an extent that a ringing voltage appears on the ground connection around the i.c. In some instances this can cause spurious triggering of an i.c.

This is particularly important if the i.c. is edge triggered because it will cause the output to add an extra pulse into the system. Whilst edge triggered circuits like counters are an obvious problem, latches could also be affected because the ringing could cause erroneous data to latched.

The dual-slope circuit is more complicated than traditional types, but with the ease of integration of additional circuitry does not add significant cost.

Voltage sensing is used to ensure that the correct driver is used over the correct portion of the curve. The drivers take their supply from the load instead of the normal voltage rails. This can be accomplished because the load has a current source capability as well as a certain amount of stored energy which needs to be removed.

In a normal circuit the power for the driver is derived from the supply, and during switching it can introduce large spikes onto the rail adding to the ringing problem. By using the new approach the

switching spikes can be greatly reduced, and as an added bonus the power consumption of the device can be cut down to as little as one third of the normal requirement during switching.

It is likely that the new form of driver could be used in a wide variety of chips. Currently AMCC have included it in a number of their clock generators, for both the traditional 5V logic series as well as the new 3.3V logic families.

A PERManent Way to Cut Prices

The price of disk drives has fallen rapidly. It is now possible to buy a 540MB drive for a PC for just over £100 and the price of larger drives is falling as well.

All this is coming about because of the enormous demand for computer components. The PC market is one of the fastest growing areas of electronics, and as a result there is a vast amount of development being invested in new products.

Companies are striving to increase the amount of disk storage whilst reducing sizes and keeping prices to an absolute minimum. In one development called Pre-Embossed Rigid Magnetic (PERM) technology it may be possible to manufacture 2.5 inch disks with a density of 15,000 tracks per inch giving a storage capacity of around 1.5Gbytes. Current drives have a density of around 3000 tracks per inch.

The new drives have adopted a number of new ideas, including some techniques used in CD manufacture. The key to the increase in capacity is largely in the disk itself. Conventional hard disks use either a glass or aluminium base covered with a magnetic material. The new drives use a plastic base.

This is pre-embossed with servo marks which can be either indentations or raised areas with dimensions around 0.6µm.

The next stage in the process is to cover the base with a magnetic coating. By using pre-embossing the tracks can be located far more accurately and the distance between them can be reduced.

As the tracks are so narrow, the output from the read heads is much smaller. As a result new high sensitivity heads have been incorporated to ensure that data is read reliably.

The development of the new drive is being undertaken as a joint venture between Sony and Seagate. Prototypes having a storage capacity of 200Mbytes have been manufactured, but it is expected that production of 1.5Gbyte drives will start shortly.

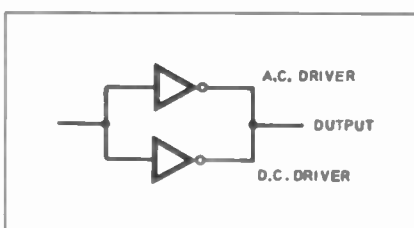
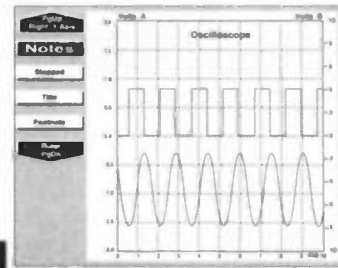


Fig. 2. AMCC driver principle.

Pico Releases PC Potential

Pico's Virtual Instrumentation enable you to use your computer as a variety of useful test and measurement instruments or as an advanced data logger.

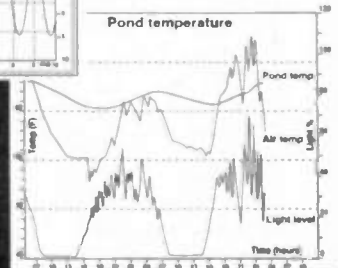


PicoScope
'Virtual instrument' software.

Hardware and software are supplied together as a package - no more worries about incompatibility or complex set-up procedures. Unlike traditional 'plug in' data acquisition cards, they simply plug into the PC's parallel or serial port, making them ideal for use with portable PC's.

Call for your Guide on 'Virtual Instrumentation'.

PicoLog
Advanced data logging software.



NEW from Pico TC-08 Thermocouple to PC Converter 8 channel Thermocouple Interface

- Connects to your serial port - no power supply required.
- Supplied with PicoLog datalogging software for advanced temperature processing, min/max detection and alarm.
- 8 Thermocouple Inputs (B,E,J,K,N,R,S and T types)
- Resolution and accuracy dependant on thermocouple type. For type K the resolution is better than 0.1°C.

TC-08 £ 199

TC-08 + Calibration Certificate £ 224

complete with PicoLog, software drivers and connecting cable. A range of thermocouple probes is available.



SLA-16 & SLA-32 Logic Analysers Pocket sized 16/32 channel Logic Analysers

- Connects to PC serial port.
- Up to 50MHz sampling.
- Internal and external clock modes.
- 8K Trace Buffer.

SLA-16 £ 219

SLA-32 £ 349

with software, power supply and cables

ADC-100 Virtual Instrument Dual Channel 12 bit resolution

- Digital Storage Scope
- Spectrum Analyser
- Frequency Meter
- Chart Recorder
- Data Logger
- Voltmeter

The ADC-100 offers both a high sampling rate (100kHz) and a high resolution. It is ideal as a general purpose test instrument either in the lab or in the field. Flexible input ranges ($\pm 200\text{mV}$ to $\pm 20\text{V}$) allows the unit to connect directly to a wide variety of signals.

ADC-100 with PicoScope £199

with PicoScope & PicoLog £219



ADC-10 1 Channel 8 bit

- Lowest cost in the Pico range
- Up to 22kHz sampling
- 0 -5V input range



The ADC-10 gives your computer a single channel of analog input. Simply plug into the parallel port.

ADC-10 with PicoScope £49

PicoScope & PicoLog £59

Carriage UK free, Overseas £9 Oscilloscope Probes (x1, x10) £10

PICO TECHNOLOGY



Pico Technology Ltd. Broadway House, 149-151 St Neots Rd, Hardwick, Cambridge. CB3 7QJ
Tel: (0)1954 - 211716 Fax: (0)1954 - 211880 E-mail: 100073.2365 @compuserve.com



Phone or FAX for sales, ordering information, data sheets, technical support. All prices exclusive of VAT

PUTTING THE TRAIN ON THE BUS

STE-bus hardware and Windows-based software integrate comms on the Tube.

— by Hazel Cavendish

LONDON Underground is running an integrated communications control system which is claimed to be the most sophisticated railway communications system in the world. The Central Line has been selected to use the system's innovative mix of electronics and software — put together by two British firms — to enable a single operator in a West London control centre to monitor the entire Underground line, talking to drivers and station staff, and making announcements as well as viewing activity at every key point.

Bosch Telecom's new system integrates control of four major functions: the dedicated telephone system for the stations and the emergency system in the tunnels: all the radios in the drivers' cabs coupled with the associated emergency signals such as the "deadman's handle", plus the radio portables used on the station and lines; the public address systems on both stations and trains, and some 800 video cameras on trains, and along the lines.

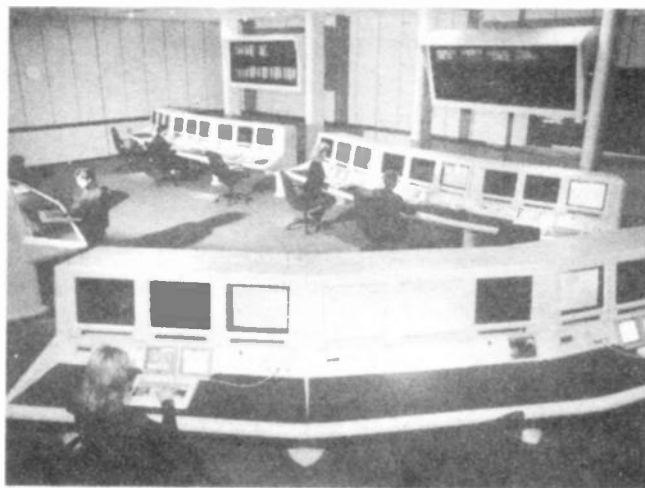
Arcom Control Systems of Cambridge — a member of the Fairey Group — provide the rugged STEbus-based PC-compatible computers, together with dual-redundancy

techniques for fault tolerance which ensure high levels of reliability.

INTELLIGENT CONCEPT

The common thread linking the audio, radio and video systems was the conception by Bosch Telecom of a centralised control scheme based on intelligent serial controllers and interrupt-based communications. By allowing each system to send messages via the interrupts, the intelligent serial controller approach avoids the potential delays associated with polled architectures.

Serial sub-stations concentrate control of the various communications functions into a single point which links onto a twisted-pair LAN (local area network), serving twelve PC-compatible workstations running customised



Inside the integrated communications control centre.

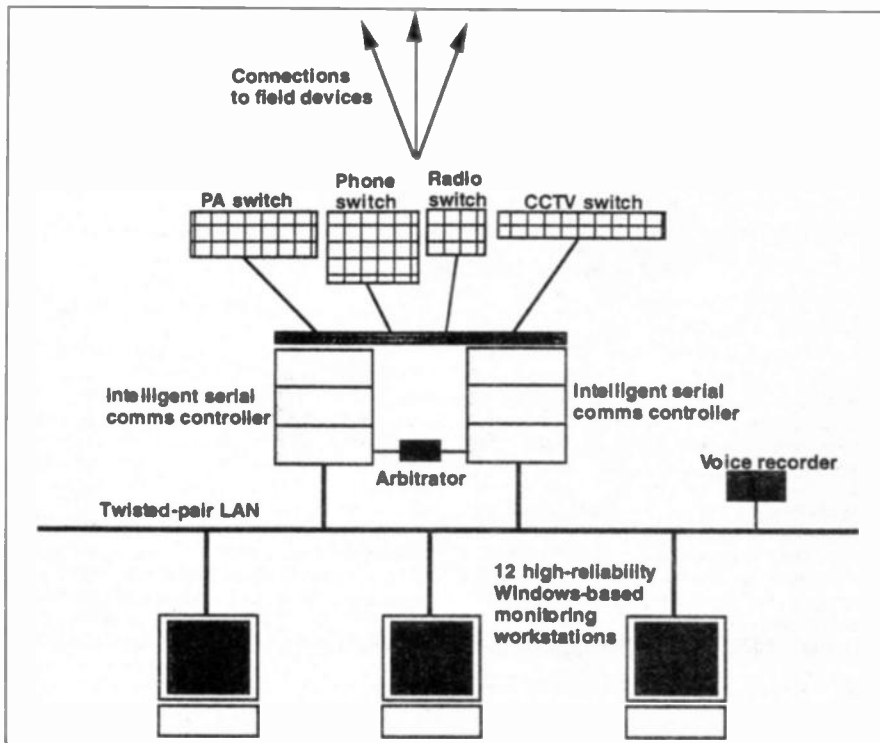
Windows-based software to monitor and control the underground line.

To ensure reliability, the entire serial communications control subsystem is duplicated. During operation, the systems are monitored by both hardware and software watchdogs. Several layers of protection are designed into the monitoring system. A key requirement was very high EMC (electromagnetic compatibility) protection to withstand the harsh electrical noise generated by arcing between the train and the 640V d.c. track power supply.

TRACKING DOWN GREMLINS

Pioneering the system on London's Central Line is said to have been a valuable exercise, proving that even the most high-tech equipment can be prone to gremlins when introduced to a long-established system. Brian Lerigo, London Underground's Liaison Manager for the Central Line Project said, "On testing before commissioning you can simulate some things, but until you actually hook the system up to the real world, you don't fully appreciate all the interaction of a new project.

"One of the great advantages is that this system brings all the communications together in one piece of equipment, resulting in vastly improved communications which enable us to take action immediately if there is a problem with the running of the trains."



Simplified block diagram of the integrated communications control system.

HANDYPRINT

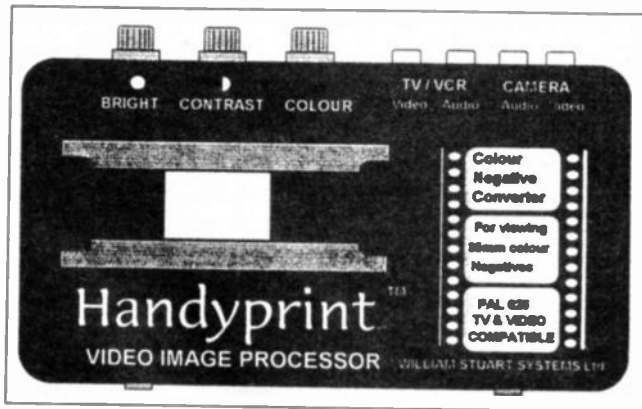
A REALLY useful accessory for video cameras has been introduced by William Stuart Systems Ltd. Called Handyprint, this device allows you to display all your 35mm negatives as full-colour positive prints on any domestic TV screen.

It seems an ideal system for looking through those old negatives which everyone keeps "just in case", but which are otherwise impossible to identify. Often the best prints have been given away or lost, but this gadget will help to find the buried treasures! You could even use it with a VCR to make a living family album, adding a sound track as well.

Handyprint consists of a negative strip guide with a colour-corrected light source, plus the electronics to transform negative images into colour positives. Brightness, contrast and colour controls are provided to compensate for variations in negative quality. The video camera is focussed onto the negative and its signal fed into Handyprint, where it is processed and output to the TV or VCR.

The whole outfit comes complete with a mains adaptor and leads to connect to your camera. Its price is £99.95, inclusive of VAT and delivery.

For more information, contact William Stuart Systems Ltd., Dept. EPE, Hunscombe House, Wellesbourne, Warks, CV35 9EX. Tel/Fax: 01789 840228.



MAGBASE

How many readers have wished that there was an index which covered all the projects ever published by every electronics magazine? Probably at lot! Well, an index which approaches fulfilment of that mammoth requirement is Magbase, created by Barry Sandeman.

Barry, having over 300 hobbyist electronics magazines going back to about 1980, has created a PC-based master index of the projects and articles published in them. To date, his Magbase index details over 3000 items, any of which can be accessed via several category routes. Moreover, he is offering it to readers, either free by E-mail, or on a 1.44Mb disk for only £10 including p&p to anywhere in the world.

If you are interested in obtaining a copy of Magbase, Barry's E-mail address is: sandeman@plessey.co.za. His postal address is: Barry Sandeman, 6 Marloth Road, Tygerhoff, 7441, Cape Town, South Africa.

ADVERTISERS!

WHY NOT send us details of your interesting new products for possible inclusion on these pages?

Drop us a line, with a picture if you've got one.

EASY PICKINGS

In response to the growing number of hobbyists using PIC microcontrollers, Lennard Research has produced a low-cost but powerful modular programming system. The system starts with an entry-level programmer that supports the 16Cxx range of chips. It expands in stages to a powerful development platform that will support the entire PIC16C5x/xx range. It also offers the added capability of In-Circuit Emulation and reading/writing serial EEPROMs.

Of particular interest is the fact that system has been designed to be software upgradable to handle the release of new PIC chips, a service which is FREE to Lennard Research's customers.

For more information, contact Lennard Research, Dept. EPE, 29 Lavender Gardens, Jesmond, Newcastle upon Tyne, NE2 3DD. Tel: 0191 281 8050.

Readers might like to be reminded that various PIC products are also available from I. Bailey (see Classified Ads), Custom Electronic Services, Magenta Electronics Ltd (see Advertisers Index), and Robin Abbott (see November issue ads).

WHERE IT'S AT

Vintage Electric Musical Instrument Auction: 5 November at 1 p.m. Thorverton Mill, Thorverton, near Exeter - 20 mins from M5. (NOT at the auction rooms stated in Nov. issue).

YOUNG DESIGNERS '96

Entries for the *Young Electronic Designer Awards (YEDA) 1996* are being invited by the YEDA Trust. Under the enthusiastic patronage of HRH The Duke of York and co-sponsored annually by Texas Instruments and Mercury Communications, YEDA recognises the responsibility of Industry to encourage talent at an early age.

Once again the IEE (Institution of Electrical Engineers) is also supporting the Awards, which total £10,000, as well as including many other attractive prizes.

By now entry forms should have arrived at schools and universities across the country, but anyone wishing to find out more should contact: The YEDA Trust, 24 London Road, Horsham, West Sussex, RH12 1AY. Tel: 01403 211048.

The results of the *Young Engineers for Britain for 1995* awards have recently been announced. Electronic inventions received place-recognition in several categories. They include a battery operated spirometer, a device to warn of UVA and UVB radiation, a digital peak expiratory flow meter and a child radio alarm device for location in an emergency. Top award went to a mechanical device: an aerodynamic anti-cross wind bicycle front wheel.

The Young Engineers for Britain awards are organised by The Engineering Council, 10 Maitravers Street, London WC2R 3ER. Tel: 0171 240 7891.

PIC DATA BOOKS

NEW editions of Arizona Microchip's Microcontroller and Memory Data Books are now available.

The 616-page *Non-Volatile Memory Data Book 1995/1996* is a detailed reference tool relating to the company's EEPROM and EPROM devices and development tools.

The *PIC16/17 Microcontroller Data Book 1995/1996* is a 1276-page overview of the PIC16xx and PIC17xx families of 8-bit RISC-based microcontrollers. It contains full product and programming specifications, development system and software support information for designers working on embedded control applications.

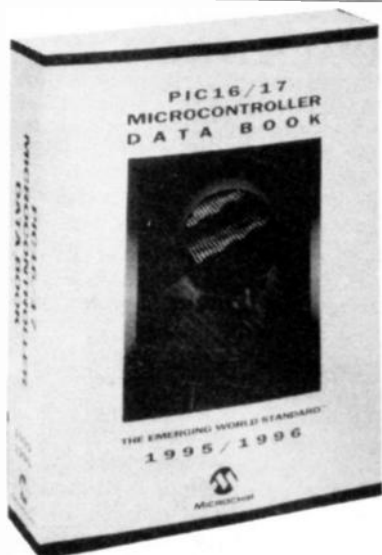
This latter book is an **ABSOLUTE MUST** for anyone who has any intentions of programming PIC chips. (We also strongly recommend acquisition of Microchip's *Embedded Control Handbook*, which has over 1000 pages full of programming examples

for all PIC chips. The latest edition is that for 1994/5.)

Also of interest is the introduction of yet another PIC device by Arizona Microchip. The latest one is the PIC17C44, which is believed to be the fastest 8-bit microcontroller in the world. It has an instruction execution speed of 160ns at 25MHz and allows unique execution of its two 8 x 8 hardware multiply instructions in a single cycle.

With 8K x 16 one-time programmable (OTP) on-chip Eprom program memory, comparable to at least 24Kb with traditional microcontrollers, and 454 bytes of user RAM, it is claimed to be a cost-effective alternative to more expensive 16-bit microcontrollers.

For more information contact: Arizona Microchip Technology Ltd., Dept. EPE, Unit 6, The Courtyard, Meadowbank, Furlong Road, Bourne End, Bucks. SL8 5AJ. Tel: 01628 851077.

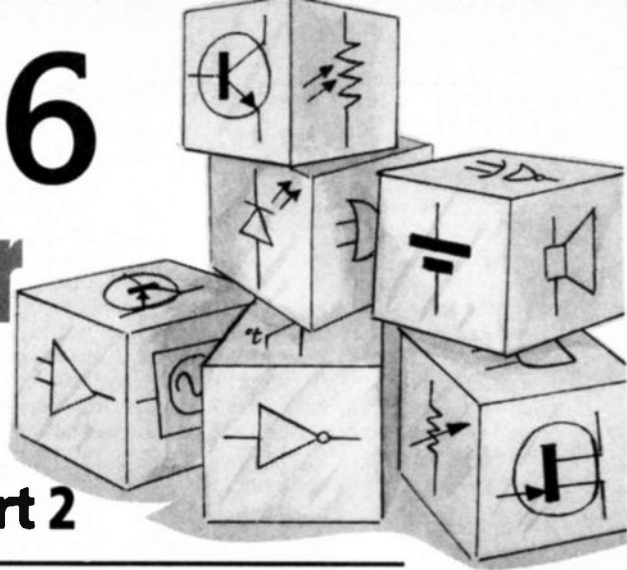


TEACH-IN '96

A Guide to Modular Circuit Design

Max Horsey

Part 2



DURING this series of articles, a range of circuit modules is examined, divided into Input, Processor and Output sections. Where possible a choice of module is offered within each section.

Each of the ten Parts of the Series is accompanied by a constructional article explaining how a complete project may be devised by employing the modules described, together with a p.c.b. design. Each project will be one of many possible ideas that could be implemented and it is

hoped that readers will design for themselves a variety of circuits by combining modules provided in the whole series.

The proposed range of modules covered by the Series is detailed in Part 1, Table 1.1. Each module is chosen to link easily with adjacent modules in the same Part, but modules may also be linked with modules in other Parts of the Series.

Max Horsey is Head of Electronics at Radley College.

IN THIS second Part of *Teach-In '96*, the following Input, Processor and Output modules are examined:

INPUT MODULES: Alarm switches

PROCESSOR MODULES: Simple capacitor delay, a.c. coupling, CMOS logic monostable, 555 monostable

OUTPUT MODULES: Fail-safe siren circuits, power supply failure warning

The accompanying project, described separately as the Modular Alarm System, has entry/exit and siren timers.

INPUT SENSORS

Alarm sensors are essentially switches. A look back at *Teach-In '96* Part 1 shows how semiconductor switching circuits may be arranged to produce, when activated, either a logic 1 (i.e. a voltage roughly equal to the supply voltage), or a logic 0 (roughly 0V).

Momentary switches (the type used in alarm systems) divide into normally-open and normally-closed types:

Normally-open alarm switches (e.g. push-to-make) include under carpet pressure mats, and some vibration sensors. Several

normally-open switches may be connected in *parallel* as shown in Fig. 2.1.

Normally-closed types include reed switches (assuming that they are near to a suitable magnetic field), window foil (which breaks if the glass is broken), some vibration sensors and more elaborate sensors such as Passive Infra-Red (P.I.R.) detectors. The latter may include a reed switch relay, the contacts of which are closed during standby (i.e. when nothing is detected).

Several normally-closed switches may be connected in *series* as shown in Fig. 2.2.

Some switches (e.g. microswitches) have three contacts to enable the user to choose the normally-open or normally-closed pair. Tilt switches have two contacts, but the angle of the switch determines whether it is open or closed during standby.

A normally-closed switch has the advantage that if the connecting cable is cut the circuit is broken and the alarm will sound. For this reason, normally-closed switches are generally preferred as alarm sensing devices.

SENSORS SUMMARY

The choice of sensors is between those listed in Table 2.1. These switches and sensors are described fully in any good electronics catalogue.

A typical system will include a main door switch. This often consists of a reed switch fixed to the door frame and a magnet fastened to the door. When the door is closed the magnet activates the reed switch causing its contacts to close.

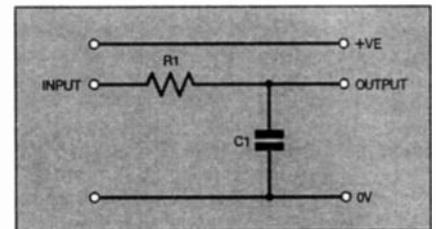


Fig. 2.3. Simple capacitive delay circuit.

Other doors or windows could have reed switches, vibration switches etc., but P.I.R. sensors have become so reliable that in spite of their greater cost they are often used to protect an entire room, so avoiding the extensive wiring needed to connect numerous window/door switches.

PROCESSOR MODULES

The Processor modules examined here are timers, including simple delay circuits, a CMOS logic monostable and a 555 monostable, together with showing how a change of voltage can be changed to a single pulse by means of a.c. coupling.

CAPACITIVE DELAY

A simple capacitive delay circuit is shown in Fig. 2.3. Assuming that both the input and output are initially at 0V, if the input is made positive the output voltage will rise according to the graph shown in Fig. 2.4.

The time taken for the output voltage to reach any particular value will

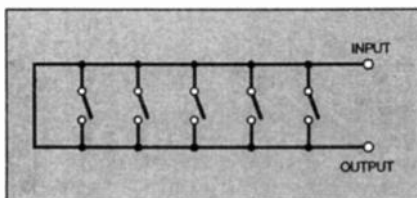


Fig. 2.1 Normally-open switches connected in parallel.

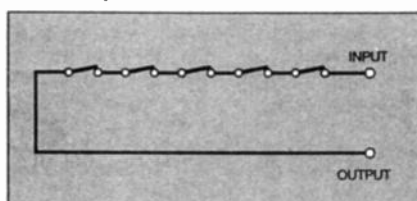


Fig. 2.2 Normally-closed switches connected in series.

TABLE 2.1. Summary of Sensor Types.

Type of switch	Place where used	Type of contacts
Reed switch and magnet	Doors and windows	normally-closed
P.I.R.	Rooms and open spaces	normally-closed
Microswitch	Door and windows	either
Window foil	Windows	normally-closed
Vibration sensor	Windows	normally-open
Glass break sensor	Windows	normally-closed
Tilt switch	Equipment	either
Pressure mat	Under carpets	normally-open

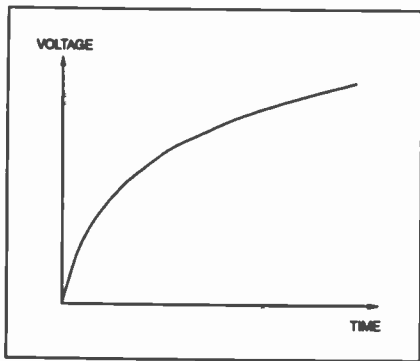


Fig. 2.4. Rate at which capacitor C1 in Fig. 2.3 charges via resistor R1.

depend upon the values of the resistor and capacitor. Higher values will cause a longer time delay. It is possible to calculate the time taken to reach a particular voltage, but such calculations are fairly complex, and the following simple formula will provide a useful guide:

$$t = R \times C \times 0.7$$

where:

t = time taken to reach half the supply voltage

R = value of the resistor in ohms

C = value of the capacitor in Farads

Converting most common capacitor values into Farads can prove difficult because of the number of decimal places involved. A useful alternative is to express the capacitance in microfarads (μF - i.e. millionths of a Farad), and the resistance in megohms ($\text{M}\Omega$ - i.e. millions of ohms).

For example, a resistor value of $680\text{k}\Omega$ (kilohms) and a capacitor value of $2.2\mu\text{F}$ (microfarads) will produce the following result:

Begin by expressing $680\text{k}\Omega$ in megohms, i.e. $0.68\text{M}\Omega$, thus:

$$\text{Time} = 0.68 \times 2.2 \times 0.7 = 1.0472 \text{ seconds.}$$

In other words, the output voltage will reach half the supply voltage in about one second.

There is no need to work in exact values since the components themselves will be far from accurate. The actual value of an electrolytic capacitor, for example, can differ by as much as 50 per cent from its stated value.

To sum up the simple capacitive delay circuit in Fig. 2.3:

ADVANTAGES:

- Very simple circuit
- Useful if a delay is required, rather than a timed 0V/positive/0V transition

DISADVANTAGE:

The output moves slowly from 0V to positive. Many circuits (counters for example) prefer a sudden rise of voltage. (A Schmitt trigger, as described in Part 1, could be used to convert this slow rise into an almost instantaneous change once a predetermined threshold level is reached.)

A.C. COUPLING

Latching circuits, such as the bistables to be described in Part 3, often require a "pulse" rather than a continuous voltage. In fact the CMOS monostable described later is based around this idea.

As shown in Fig. 2.5, a series capacitor (C1) can be used to provide a.c. coupling since a continuous d.c. voltage will be blocked (the capacitor's plate pairs are

insulated from each other). Any change of voltage at one side of the capacitor will induce a corresponding change on the other side.

This can be likened to a cylinder with an elastic membrane, as shown in Fig. 2.6. The pulse of fluid into the left hand side will cause a similar pulse from the other end, but the cylinder will not allow a steady stream of fluid to flow.

The fluid analogy illustrates that the cylinder will only "conduct" a single pulse since further pulses of similar strength cannot push the membrane any further. Hence the fluid pressure must be allowed to equalise after each pulse. This can be achieved by controlled leakage (see the use of resistors below) and sometimes one way valves (see the use of the diode below).

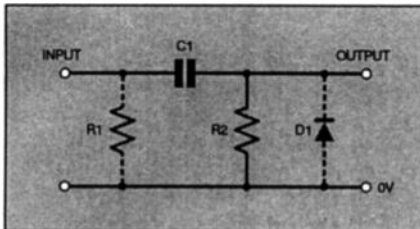


Fig. 2.5. A series capacitor provides a.c. coupling for pulse generation transitions.

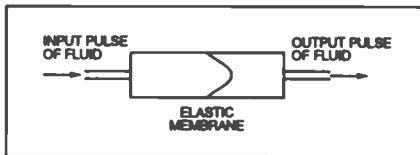


Fig. 2.6. Analogy of a cylinder with elastic membrane illustrates capacitive pulse transfer.

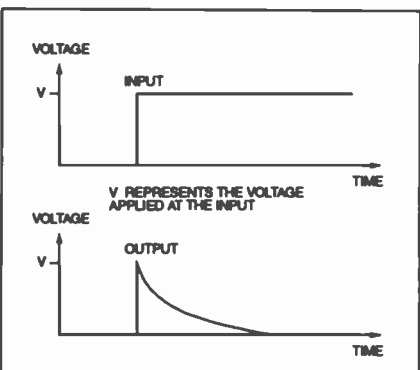


Fig. 2.7. Graphs illustrating the action of the circuit in Fig. 2.5.

In Fig. 2.5, the series capacitor (C1) blocks the flow of d.c., but if the input voltage changes, a similar change appears at the output. The effect is illustrated by the graph in Fig. 2.7. It may be observed by means of an oscilloscope.

The resistors R1 and R2 allow the charge on the capacitor to leak away and they also modify the pulse length. In many instances, only resistor R2 will be needed. Typical component values cannot realistically be quoted since these depend on the application to which the circuit is put.

Note that when the logic level at the input to the capacitor returns to 0V there is likely to be a negative pulse at its output. This could cause problems in some circuits, although CMOS gates are internally fitted with diodes to prevent any damage which may be caused. If in doubt, the

addition of a silicon diode as shown in Fig. 2.5 will ensure that the output voltage cannot fall below -0.7V . The diode may be type 1N4148, 1N4001 or similar.

To summarise, this circuit module produces a short logic 1 pulse when the input switches from logic 0 to logic 1. The length of the pulse will be determined by the values of the capacitor and the total output resistance. The latter will comprise the value of resistor shown, in parallel with that of the stage into which the circuit is fed.

NOR GATE MONOSTABLE

A monostable is a form of timing circuit which, as the name implies, has only one stable output state. The output will remain in the stable state until triggered by a suitable pulse, whereupon it will change to the opposite state, remain so for a preset period, and then return to its original state.

The changing states produce a pulse which, depending on the stable condition, may be either positive or negative going. The length of the delay is known as the pulse width.

How two NOR gates may be connected to form a monostable is shown in Fig. 2.8. The pin numbers are shown purely for reference convenience and in practice any of the four gates in the i.c. package may be used, in any order. See Fig. 1.14 in Part 1 for details of the pin numbers available.

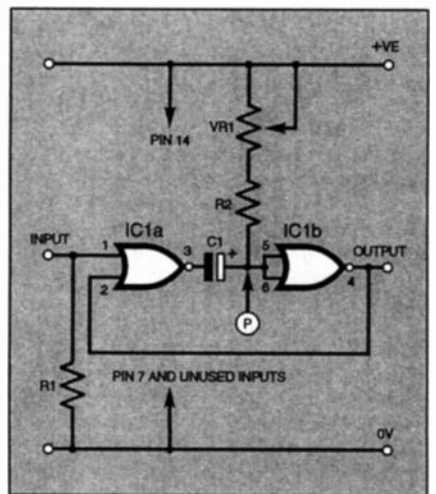


Fig. 2.8. Two NOR gates connected as a monostable circuit.

The formula from which the monostable's pulse width can be calculated is:

$$t = 0.7 \times R \times C$$

Where:

t = time in seconds

R = the resistance in ohms between point P and the power rail

C = value of the capacitor (C1) in Farads

As before, it is more convenient to express R in $\text{M}\Omega$ (millions of ohms) and C in μF (microfarads). The time, t, can still be expressed in seconds, since millions will cancel with micro (millionths).

For example:

$$\text{If } R = 1\text{M}\Omega \text{ and } C = 470\mu\text{F}, \text{ then } t = 0.7 \times 1 \times 470 = 329 \text{ seconds}$$

Two resistances are shown between point P and the positive rail in Fig. 2.8. One is variable (VR1 - either a preset or a potentiometer) and the other is fixed (R2). Fixed resistor R2 ensures that the total

resistance can never be zero even if VR1 is set to zero ohms.

If it is not necessary to adjust the time, VR1 may be omitted and a single fixed resistor, of between 1k and 2.2M ohms, connected between point P and the positive rail.

The value of capacitor C1 can be as small as required, but should not be larger than about 2200µF otherwise the timing factor may become unpredictable due to current leakage through the capacitor.

Resistor R1 holds input pin 1 of NOR gate IC1a at 0V; a typical value would be 100k. If a positive pulse is received (for example by pressing a pushswitch connected between the input and positive) then pin 1 is made positive (logic 1). Assuming that the other input (pin 2) is at 0V, output pin 3 will switch from logic 1 to logic 0, i.e. 0V.

The NOR gate truth table in Table 2.2 clarifies this, where pin 1 is input A, pin 2 is input B and pin 3 is the output:

TABLE 2.2.
NOR Gate Truth Table.

INPUT A	INPUT B	OUTPUT
0	0	1
0	1	0
1	0	0
1	1	0

When the output from IC1a switches from logic 1 to logic 0, the change of voltage is transferred through capacitor C1 making input pins 5 and 6 of IC1b change to logic 0, causing output pin 4 to change to logic 1. This logic level is transferred back to pin 2 of IC1a, thus maintaining the circuit in its new state even if pin 1 is allowed to switch to logic 0 again.

Output pin 4 of the module is now at logic 1. However, a voltage difference exists across the resistance ($R = VR1 + R2$) connected between point P and positive. Current now flows from positive via the resistance and charges capacitor C1.

After a time (t) given by the formula described earlier, pins 5 and 6 become sufficiently positive to cause output pin 4 to switch back to 0V. The feedback connection causes pin 2 to become 0V, and this makes pin 3 switch back to logic 1. The change of voltage is transferred through the capacitor, reinforcing the logic 1 level at input pins 5 and 6. All this happens very quickly, the net result being a very sudden change of logic level at output pin 4.

To summarise the monostable's action, the Output (pin 4 in this instance) is

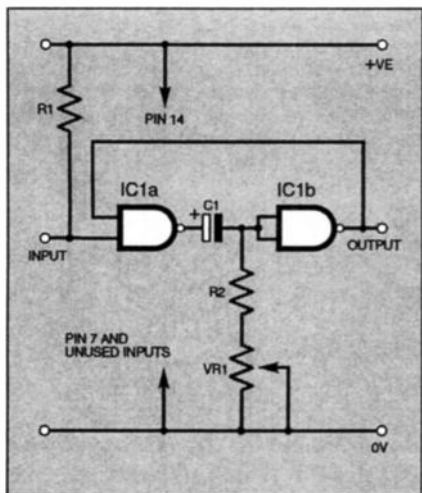


Fig. 2.9. Two NAND gates connected as a monostable circuit.

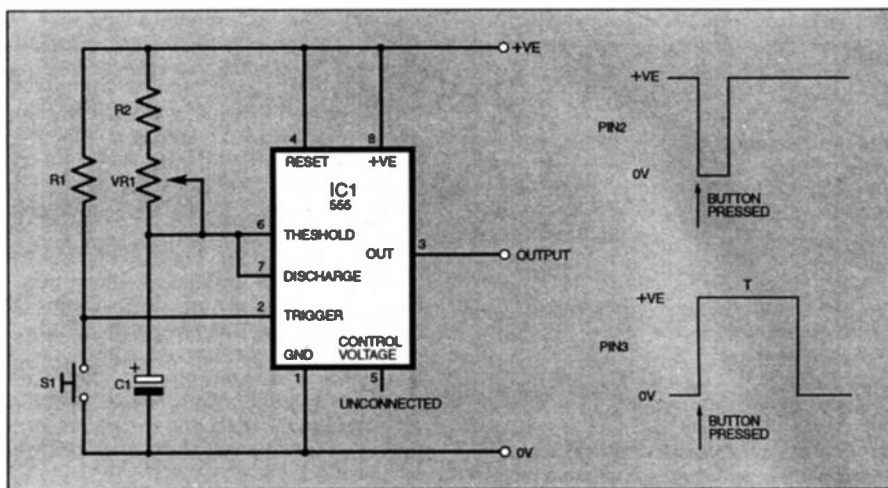


Fig. 2.10. Variable timer circuit and response waveforms.

normally at 0V. When a positive pulse is received at the Input (pin 1 in this instance), the Output changes to positive, and then returns to 0V after a time determined by the values of resistance ($R = VR1 + R1$) and capacitance (C1).

OUTPUT CURRENT

Assuming that the i.c. used is a CMOS quad two-input NOR gate type 4001B, it is unwise to draw more than about 4mA from the output. Although an l.e.d. will glow dimly if connected directly to the output (via a suitable limiting resistor), the current required may cause the output voltage to fall resulting in the circuit failing to latch correctly.

However, an HC series 74HC02 quad two-input NOR gate can supply up to 20mA output current before its output voltage falls detrimentally, but note that it has a different pin configuration (as shown in Part 1, Fig. 1.14).

INPUT CURRENT

As with all CMOS gates, almost no input current is required, making the circuit very flexible. However, it is possible to damage the input with negative voltages, particularly if the leakage resistor R1 is omitted when the input is fed from a capacitor.

This resistor should be omitted, though, if the input is connected directly (without an intervening capacitor) to a clearly defined logic level (e.g. the output from another gate).

INVERTED OUTPUT

The output (pin 4) shown in Fig. 2.8 is normally at 0V, becoming positive during the timing cycle. Sometimes the opposite of this is required. An inverted output is available from pin 3, but use it with care, since it will not be latched in quite the same way as the normal output. A more satisfactory inverted output can be achieved by means of an additional NOR gate.

To summarise the NOR gate monostable circuit of Fig. 2.8:

ADVANTAGES:

- Almost no standby current required (ideal for battery operation)
- Only two gates required (leaving two spare)
- Almost no input current required
- Easily interfaced to other logic circuits

DISADVANTAGES:

- Inputs are static sensitive and must be treated with care
- Rather low output current available
- Timing period not as consistent when compared with a 555 timer i.c.

NAND GATE MONOSTABLE

The NAND gate monostable shown in Fig. 2.9 is very similar to the NOR gate version in Fig. 2.8, except that it responds in the opposite manner. Quad two-input NAND gates are commonly available as types 4011B and 74HC00.

In this circuit, it is necessary for resistor R1 to be connected to the positive rail so as to hold the trigger input at logic 1. The output of this monostable is normally positive, but when the input is triggered by being pulled briefly to logic 0, the output switches to 0V during the timing period, then back to positive at the end of the period.

The timed period is calculated exactly the same as for the NOR gate version, where R equals the total resistance of VR1 plus R2, and C equals the value of capacitor C1.

555 MONOSTABLE

The 555 i.c. is designed specifically for timer (monostable) and astable (oscillator) circuits. There are numerous ways in which it can be used. Its use as a simple timer circuit is shown in Fig. 2.10.

In this circuit, the time is determined by the value of capacitor C1, and the total resistance of R2 plus VR1 (referred to in the next two equations as R). Resistor R2 prevents the flow of excessive current if VR2 is set to zero resistance. If a variable resistor is not required then a single fixed resistor may be employed.

The time t in seconds is given by:

$$t = 1.1 \times R \times C$$

where R is expressed in ohms, and C is in Farads.

Again it may be helpful sometimes to express R in MΩ and C in µF. For example, a capacitor of 220µF and a total resistance of 680kΩ (which for convenience is converted to 0.68MΩ) will provide a time of:

$$t = 1.1 \times 0.68 \times 220 = 165 \text{ seconds}$$

The waveforms in Fig. 2.10 show how the i.c. is triggered. Initially, pin 2 (the trigger) must be held positive, hence the need for resistor R1. To start the timing cycle, pin 2 must be pulled briefly to 0V. This is achieved by pressing the push-to-make switch, S1. Resistor R1 can have any value from 1k to 1M.

When switch S1 is pressed, output pin 3 changes from 0V to positive. Assuming that pin 2 has returned to its normal positive state, pin 3 will return to 0V at the

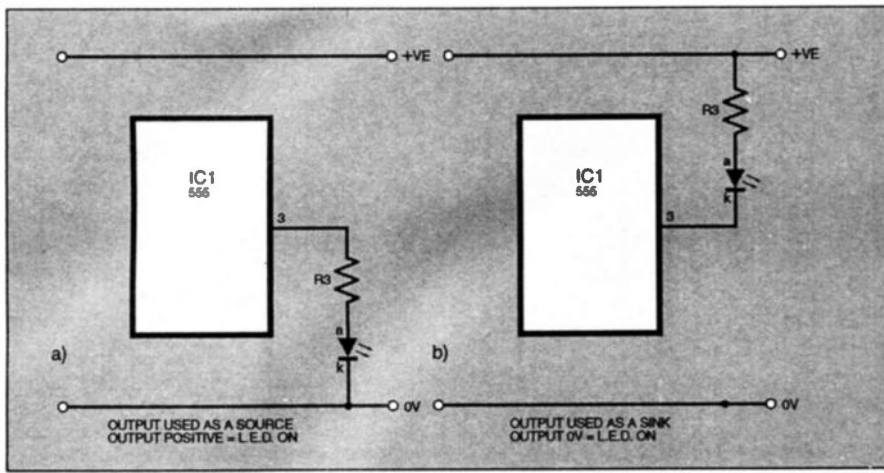


Fig. 2.11. Two methods of connecting an l.e.d. to the timer output.

end of the timing cycle according to the formula above. (The input pulse width to a 555 i.c. must always be shorter than the required output pulse duration.)

OUTPUT CURRENT

Output pin 3 of a 555 i.c. is able to source or sink over 100mA. This means that an output module may not be required. Examples of how an l.e.d. may be driven directly from pin 3 are shown in Fig. 2.11. The value of the l.e.d. series resistor (R3) should be as described in Part 1 (e.g. 680Ω on a 12V supply).

The output can be used to drive buzzers but a capacitor (100n, for example) should be connected between the output and 0V to remove voltage spikes produced by the buzzer which may cause instability. Note that in Fig. 2.11a the l.e.d. is on during the timing period. In Fig. 2.11b the l.e.d. is on before and after the timing period.

PIN FUNCTIONS

Besides trigger pin 2 and output pin 3, briefly, the functions of the other pins, are as follows:

Pin 1. Negative (GND) supply. Should be connected to 0V.

Pin 4. Reset input. When connected to 0V the i.c. is active. When connected to +VE the timing cycle ceases immediately. If a pushbutton reset is required, pin 4 can be connected in the same manner as pin 2 in Fig. 2.10.

Pin 5. Control voltage input. Normally left open circuit, but connecting pin 5 to 0V via a variable resistor will enable small changes to be made to the timing period. Useful for "fine tuning". If instability (e.g. false triggering) is a problem, connecting a capacitor (say 100n) from pin 5 to 0V may help.

Pin 6. Threshold. Monitors the voltage on the capacitor. At two-thirds of the supply voltage it ends the timing cycle.

Pin 7. Discharge. During the timing cycle, this pin is open circuit (internally disconnected). At the end of the cycle, pin 7 switches to 0V to discharge the capacitor ready for the next cycle.

Pin 8. Positive supply connection.

AUTOMATIC TRIGGER

The range of circuits possible with the 555 timer i.c. is so immense that entire books have been written about it. The automatic trigger circuit shown in Fig. 2.12 is just one idea.

The current required by the standard 555 will impose a significant drain on a small battery, making an on/off toggle switch (S2) essential. If a simple timer is

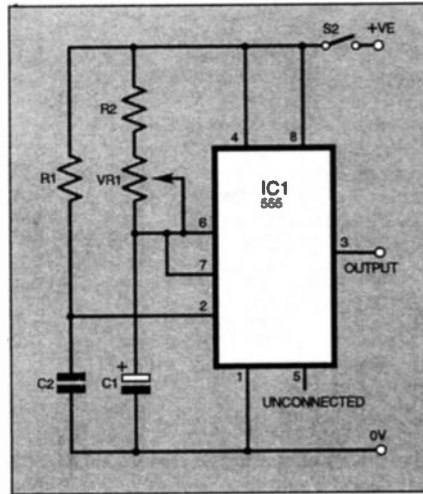


Fig. 2.12. Automatically triggered timer.

required, a trigger pushbutton switch will also be needed, as shown in Fig. 2.10 (S1).

If, as shown in Fig. 2.12, the pushswitch is replaced by capacitor C2 (say 100n) and resistor R1 has a value of about 100k, the circuit will start timing automatically when S2 is switched on. This is because the voltage at pin 2 will be zero at the moment of switch-on, causing the trigger to be activated. Resistor R1 will allow the capacitor to charge, and hence pin 2 to rise to positive before the end of the timing cycle – as required for correct operation of the i.c. The value of C1 must be greater than for C2.

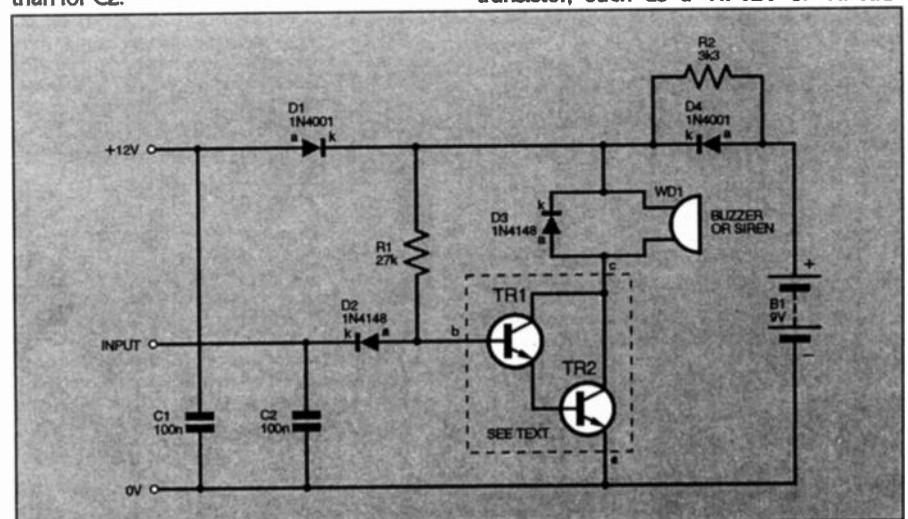


Fig. 2.13. Circuit diagram for an npn fail-safe siren driver.

The circuit may be employed as a complete timer. Toggle switch S2 will be normally off, when it is turned on timing automatically starts and the output will switch to positive. At the end of the timed period the output will switch back to 0V.

To sum up the automatic trigger circuit of Fig. 2.12:

ADVANTAGES:

- Inexpensive
- Very consistent time period
- Very sharp output voltage swing
- High output current
- Input pins require very little current

DISADVANTAGES:

- Can be prone to false triggering
- Does not interface well with CMOS logic i.c.s

Significant current used (although a CMOS version is available which requires far less current)

OUTPUT MODULES

There are two "fail-safe" Darlington drivers offered here in Part 2. The circuits are ideally suited to alarm systems where the siren will sound if the connecting cable is cut. The output circuit would normally be housed in a box containing the siren and a 9V rechargeable battery, which maintains the supply in the event of a power loss. The battery is trickle charged during normal operation.

NPN FAIL-SAFE DRIVER

A fail-safe driver based on an npn Darlington transistor is shown in Fig. 2.13. When the input voltage at the transistor's base is at 0V the buzzer (or siren) will not sound. When the input voltage rises above about 1.4V the buzzer will sound.

If the wire between the input and the previous (Processor) circuit is cut the buzzer will also sound. If the 12V power supply is cut the 9V back-up battery will allow the circuit to operate. During normal operation the back-up battery will be trickle charged.

At the heart of the circuit is an npn Darlington transistor pair, TR1 and TR2. When sufficient current flows via resistor R1 into the base of TR1, the Darlington pair is turned on and the buzzer or siren will sound.

Transistor TR1 could be a high gain transistor such as BC108 or BC184 and TR2 could be a power transistor such as TIP41A. However, a single npn Darlington transistor, such as a TIP121 or TIP122

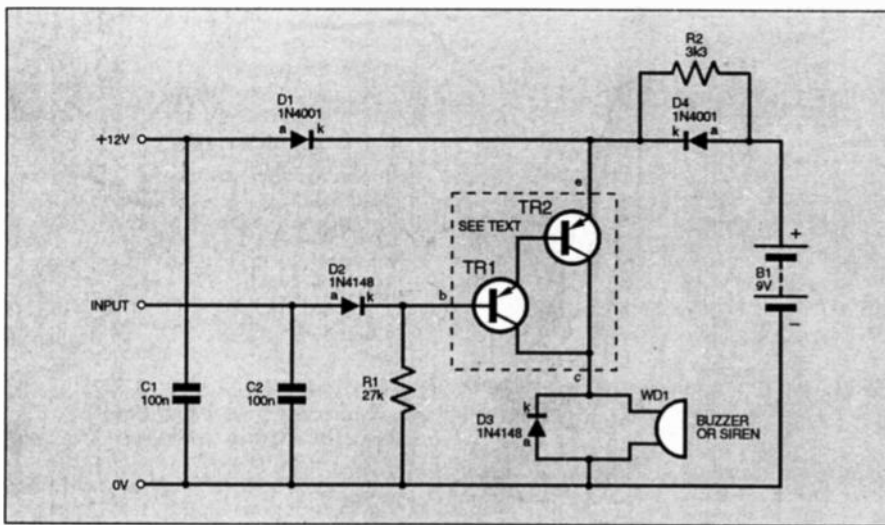


Fig. 2.14. Circuit diagram for a pnp fail-safe siren driver.

(represented by the dotted box) could be used instead, reducing the cost and simplifying the layout.

The "normal" state of the circuit is when the transistors are turned on. Hence, if the input is disconnected (or made positive) the siren will sound. The transistors can only be turned off by taking the input to below about 0.7V. When this occurs, the current through resistor R1 flows via diode D2, and the base of TR1 falls below its turn on threshold voltage.

During normal use, current will flow from the 12V supply via resistor R2 to trickle charge the back-up battery, B1. The value of R2 will depend upon the type of battery used. If a PP3 Nicad is used, a value of 3k3 is suggested.

If the 12V supply is removed, diode D1 prevents current from the battery flowing back to the previous module.

Diode D4 prevents excess current flowing to the back-up battery during normal operation, but if the 12V supply is removed, current from the back-up battery can flow via D4, so keeping the siren active.

Diode D3 ensures that any back-e.m.f. (high voltage spikes) produced by the

buzzer or siren cannot damage the transistors.

This type of module may well be placed at some distance from the Processor module controlling it. For example, it may be mounted inside a bell box on the wall of a house. The long connecting leads may be subject to electrical noise, so capacitors C1 and C2 are included to help suppress it.

To sum up the input/output states of the pnp fail-safe driver in Fig. 2.13:

- Input at 0V = buzzer off
- Input above 1.4V = buzzer on
- Input open circuit = buzzer on

PNP FAIL-SAFE DRIVER

A fail-safe driver based on a pnp Darlington transistor is shown in Fig. 2.14.

The circuit is similar to Fig. 2.13, except that the input must be at the positive rail potential (high) to hold the siren off. If the input becomes open circuit, or is held at 0V then the siren will sound. Many commercial alarm systems require this arrangement.

The operational principle is exactly as before, except that the pnp transistors work

in an opposite way to their npn equivalents. If the base of the Darlington pair is held at positive rail potential, the transistors are turned off. If the base voltage is lowered to about 1.4V below the positive supply (i.e. about 10.6V on a 12V supply), the transistors will turn on.

Note that, unlike the circuit of Fig. 2.13, if the power supply of the Processor module is removed, the voltage at the input will fall, and the siren will operate (assuming the back-up battery is in place).

If used as part of an alarm system this may be an advantage since the siren will sound if the intruder attempts to switch off the system. However, a back-up battery must also be installed in the alarm processor in case of power cuts which would otherwise trigger the siren.

To sum up the input/output states of the pnp fail-safe driver in Fig. 2.14:

- Input high = buzzer off
- Input at 0V = buzzer on
- Input open circuit = buzzer on

POWER FAILURE ALARM

The circuit of Fig. 2.14 may be used to monitor the power supply in any system and sound a warning if the supply fails. Simply join the input to the +12V supply.

When the supply is present, the transistors will be switched off. If the supply fails, the voltage at the base of TR1 will fall and the transistors will turn on, power being supplied by the back-up battery.

PART THREE

Touch and moisture sensors, latching circuits and d.c. motor control modules are examined in Part 3.

CONSTRUCTIONAL PROJECT

A practical example of how the modules in this Part can be used is described in the *Modular Alarm System* elsewhere in this publication.

SHOP TALK

with David Barrington

Stereo "Cordless" Headphones

It is important that the inductors used in the Stereo "Cordless" Headphones are types which will operate efficiently at the frequencies specified for this application. It is probably wise to keep to the ones specified.

The inductors used in the model came from the excellent range of TOKO coils stocked by Cirkit and should be ordered as follows: Transmitter - 3.3mH type 10RB, code 34-33202; 6.8mH type 10RB, code 34-68202. Receiver - 2.2mH type 10RB, code 34-22202; 1mH type 10RB, code 34-10202 and i.f. transformer type 10EZ, code 35-10980.

Ordinary 5mm infra-red diodes, of the type used in remote control systems, are used in the transmitter and appear to be sold simply as infra-red i.e.d.s. Note the comments in the article about choice of viewing angle and output level. The same observation applies to the TIL100 photodiodes, simply being sold as infra-red photodiodes.

EPE Met Office

Most of the sensors used in the EPE Met Office design could almost be classified as "state-of-the-art" devices and had to be

specially sourced. This inevitably means that readers' usual component suppliers are unlikely to stock them.

The CGS-H14 humidity sensor came from Farnell Electronic Services (☎ 01279 626777), code 414719X; the TSL214 64x1 linear opto-sensor from Electromail (☎ 01536 204555), code 194-284 and the MPX100AP pressure transducer from Maplin, code UH375.

The Lohet I and Lohet II Hall effect sensors should be stocked by the above companies. The 4517 dual 64-bit shift register i.c. is stocked by Farnell Components (☎ 0113 263 6311) and Electromail.

The 40kHz ultrasonic transducers are usually sold as pairs and cost varies from around the £5 mark to £10 per pair. However, checkout the prices from Greenweld and Cricklewood! The LM35 precision temperature sensor i.c.s and 4MHz crystal should be widely available. The spiral transparency is available free with the main sensor board from the EPE PCB Service.

Light-Operated Switch

Particular attention must be paid regarding the type and ratings of resistor R1 and

capacitor C1 for use in the *Light-Operated Switch*.

Capacitor C1 must be a Class X component rated for continuous connection directly across the a.c. mains. These devices are normally sold as suppression components and should be available from any good component supplier. A normal high voltage capacitor is NOT suitable and MUST NOT BE USED.

We do not anticipate any component buying problems to be encountered by anyone tackling the *Modular Alarm System* (Teach-In '96 project) or the *Audio Meter and Amplifier* projects.

Prices and ordering details for all this month's printed circuit boards are given on the PCB Service page, see page 995.

PLEASE TAKE NOTE

Digital Delay Line Nov '95

Page 844/5. IC4 pins 6, 8 and 9 should be connected to the 0V line on the circuit diagram (Fig. 4) and on the p.c.b. (Fig. 5), this can be accomplished by "bridging" the pins.

Simple Theremin Sept '95

Page 676, Comp List. VR1 (missing) should be 10k lin. Bourns 50 type (see page 724). C18 should be 220µ and C19 100n. Capacitor C10 should be 15p and C11 100p. The circuit is correct. JK1 switch contact lead should be transposed with the speaker +ve lead.

BTEC
Certificated



TUTOR
Supported

NATIONAL COLLEGE OF TECHNOLOGY

DISTANCE LEARNING COURSES

The National College of Technology offer a range of packaged learning short courses for study at home or in an industrial training environment which carry modular BTEC awards leading to a higher BTEC certificate. Study can commence at any time and at any level enabling you to create a study routine to fit around existing commitments. Courses on offer include:

- Analogue Electronics
- Digital Electronics
- Fibre/Optoelectronics
- Mechanics & Mechanisms
- Programmable Logic Controllers
- Electronic Testing & Fault Diagnosis

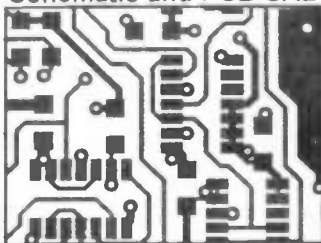
Tutor support and BTEC certification are available as options with no travelling or college attendance required. These very popular courses which are ideal for vocational training contain workbooks, audio cassette lectures, PCB's, instruments, tools, components and leads as necessary to support the theoretical and practical training. Whether you are a newcomer to electronics or have some experience and simply need an update or certification, there is probably a distance learning course ready for you. Write or telephone for details to:

National College of Technology
NCT Ltd., PO Box 11
Wendover, Bucks
Tel: (01296) 624270



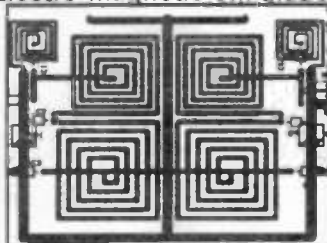
RAPID, ACCURATE ELECTRONICS CAD

Schematic and PCB CAD



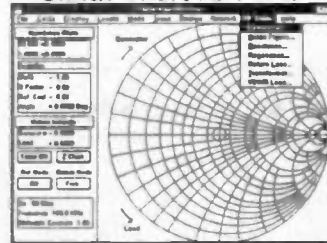
EASY-PC Professional

Electro-magnetic Simulation



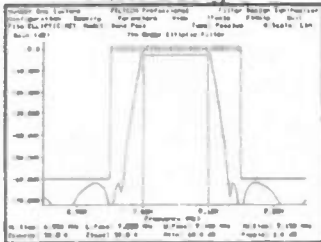
LAYAN

Smith Chart R.F. CAD



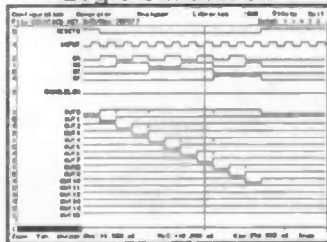
Z-MATCH

Filter Design



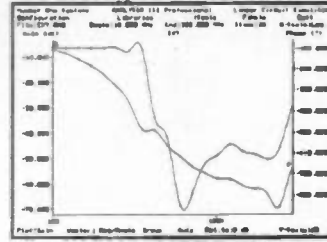
FILTECH

Logic Simulation



PULSAR

Analogue Simulation



ANALYSER III

Number One Systems

Europe: Ref: EVD, Harding Way, St.Ives,
Cambs, PE17 4WR, UK

USA: Ref: EVD, 126 Smith Creek Drive,
Los Gatos, CA 95030 USA

Email: sales@numberone.com

Tel: +44 (0) 1480 461778

Fax: +44 (0) 1480 494042

Tel/Fax: (408) 395-0249

From £98.00

VIDEOS ON ELECTRONICS

A range of videos designed to provide instruction on electronics theory. Each video gives a sound introduction and grounding in a specialised area of the subject. The tapes make learning both easier and more enjoyable than pure textbook or magazine study. They have proved particularly useful in schools, colleges, training departments and electronics clubs as well as to general hobbyists and those following distance learning courses etc.

VT201 to VT206 is a basic electronics course and is designed to be used as a complete series, if required.

VT201 54 minutes. Part One; D.C. Circuits. This video is an absolute must for the beginner. Series circuits, parallel circuits, Ohms law, how to use the digital multimeter and much more. **Order Code VT201**

VT202 62 minutes. Part Two; A.C. Circuits. This is your next step in understanding the basics of electronics. You will learn about how coils, transformers, capacitors, etc are used in common circuits. **Order Code VT202**

VT203 57 minutes. Part Three; Semiconductors. Gives you an exciting look into the world of semiconductors. With basic semiconductor theory. Plus 15 different semiconductor devices explained. **Order Code VT203**

VT204 56 minutes. Part Four; Power Supplies. Guides you step-by-step through different sections of a power supply. **Order Code VT204**

VT205 57 minutes. Part Five; Amplifiers. Shows you how amplifiers work as you have never seen them before. Class A, class B, class C, op.amps. etc. **Order Code VT205**

VT206 54 minutes. Part Six; Oscillators. Oscillators are found in both linear and digital circuits. Gives a good basic background in oscillator circuits. **Order Code VT206**

By the time you have completed VT206 you have completed the basic electronics course and should have a good understanding of the operation of basic circuit elements.

VCR MAINTENANCE

VT102 84 minutes: Introduction to VCR Repair. Warning, not for the beginner. Through the use of block diagrams this video will take you through the various circuits found in the NTSC VHS system. You will follow the signal from the input to the audio/video heads then from the heads back to the output. **Order Code VT102**

VT103 35 minutes: A step-by-step easy to follow procedure for professionally cleaning the tape path and replacing many of the belts in most VHS VCR's. The viewer will also become familiar with the various parts found in the tape path. **Order Code VT103**

Each video uses a mixture of animated current flow in circuits plus text, plus cartoon instruction etc., and a very full commentary to get the points across. The tapes are imported by us and originate from VCR Educational Products Co, an American supplier.

(All videos are to the UK PAL standard on VHS tapes)

Now for the digital series of six videos. This series is designed to provide a good grounding in digital and computer technology.

VT301 54 minutes. Digital One; Gates begins with the basics as you learn about seven of the most common gates which are used in almost every digital circuit, plus Binary notation. **Order Code VT301**

VT302 55 minutes. Digital Two; Flip Flops will further enhance your knowledge of digital basics. You will learn about Octal and Hexadecimal notation groups, flip-flops, counters, etc. **Order Code VT302**

VT303 54 minutes. Digital Three; Registers and Displays is your next step in obtaining a solid understanding of the basic circuits found in today's digital designs. Gets into multiplexers, registers, display devices, etc. **Order Code VT303**

VT304 59 minutes. Digital Four; DAC and ADC shows you how the computer is able to communicate with the real world. You will learn about digital-to-analogue and analogue-to-digital converter circuits. **Order Code VT304**

VT305 56 minutes. Digital Five; Memory Devices introduces you to the technology used in many of today's memory devices. You will learn all about ROM devices and then proceed into PROM, EPROM, EEPROM, SRAM, DRAM, and MBM devices. **Order Code VT305**

VT306 56 minutes. Digital Six; The CPU gives you a thorough understanding in the basics of the central processing unit and the input/output circuits used to make the system work. **Order Code VT306**

By now you should have a good understanding of computer technology and what makes computers work. This series is also invaluable to the computer technician to understand the basics and thus aid troubleshooting.

VT401 61 minutes. A.M. Radio Theory. The most complete video ever produced on a.m. radio. Begins with the basics of a.m. transmission and proceeds to the five major stages of a.m. reception. Learn how the signal is detected, converted and reproduced. Also covers the Motorola C-QUAM a.m. stereo system. **Order Code VT401**

VT402 58 minutes. F.M. Radio Part 1. F.M. basics including the functional blocks of a receiver. Plus r.f. amplifier, mixer oscillator, i.f. amplifier, limiter and f.m. decoder stages of a typical f.m. receiver. **Order Code VT402**

VT403 58 minutes. F.M. Radio Part 2. A continuation of f.m. technology from Part 1. Begins with the detector stage output, proceeds to the 19kHz amplifier, frequency doubler, stereo demultiplexer and audio amplifier stages. Also covers RDS digital data encoding and decoding. **Order Code VT403**

VT501 58 minutes. Fibre Optics. From the fundamentals of fibre optic technology through cable manufacture to connectors, transmitters and receivers. **Order Code VT501**

ORDERING: Add £1.50 p&p per order for UK orders. **OVERSEAS ORDERS:** Add £3 postage for countries in the EEC. Overseas orders outside the EEC countries add £3 per tape airmail postage (or £6 per order surface mail postage).

All payments in £ sterling only (send cheque or money order drawn on a UK bank).

Visa and Mastercard orders accepted - please give card number, card expiry date and cardholder's address if different from the delivery address.

Orders are normally sent within seven days but please allow a maximum of 28 days - longer for overseas orders.

Send your order to: Direct Book Service, 33 Gravel Hill, Merley, Wimborne, Dorset BH21 1RW (Mail Order Only)

Direct Book Service is a division of

Wimborne Publishing Ltd.,

Tel: 01202 881749. Fax: 01202 841692

£29.95
each inc. VAT

ORDER EIGHT OR MORE TOGETHER - GET ONE FREE (or order 16 together and get TWO FREE)



PEAK

Transistor Analyser

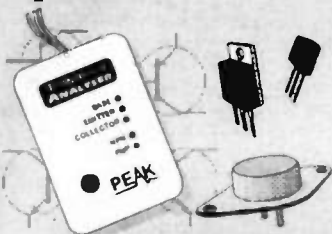
Model: DTA30

Could Not Be Simpler!

The DTA30 is an advanced microcontrolled instrument that will quickly and easily analyse any type of bipolar transistor.

The unit is connected to the component under test any way round.

You DO NOT need to know the pinout first!



Press the button and the Analyser instantly identifies the Base, Emitter and Collector of the transistor by means of multicolour LEDs. The device type is also displayed, NPN or PNP.

If the transistor under test is not working in any way, such as an open or a short junction, no gain or high leakage, the Analyser will display a "FAIL" diagnosis with three flashing red LEDs. The unit also features automatic power-up and power-down and provides years of service from one tiny battery.

Small enough for the shirt pocket, yet powerful enough to tell you what you really want to know.

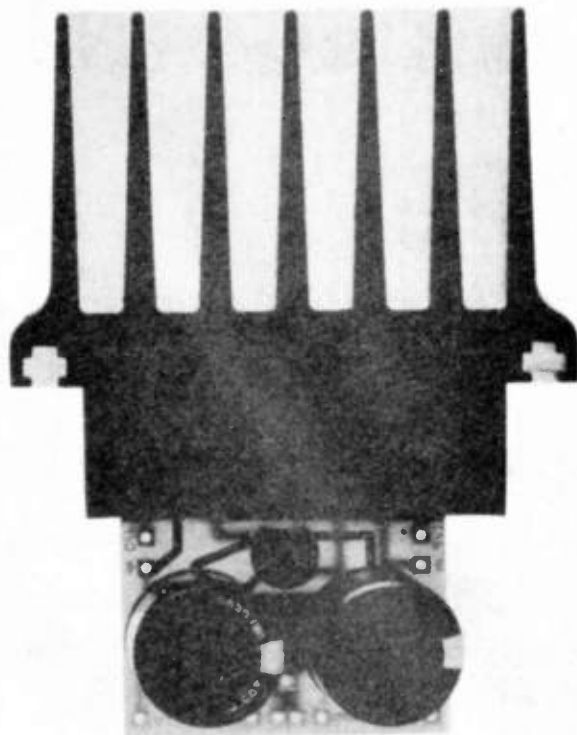
? Does this transistor work? ?
What's the pinout for this transistor?
I only need an NPN transistor, is this one? ?

For your free comprehensive data sheet write to the address below. Alternatively, order a DTA30 now and if you are not entirely satisfied with your DTA30 we will refund your money with no questions asked.

The DTA30 costs only £29.95 inc. VAT per unit. Please add £3.50 (£7 overseas) towards shipping costs for each order.

PEAK ELECTRONIC DESIGN LTD

70 Nunsfield Road, Buxton, Derbyshire, SK17 7BW. Tel (01298) 79920.



LIF DIRECT

READ BARCODES FOR £29.50

HEWLETT PACKARD HP71B

As easy to use as a calculator but as powerful as a computer



BARCODE READER

Smart wand

— Automatically recognises and decodes all major bar-code standards.

SPECIAL OFFER

Buy 2 kits for £59.00

- A powerful set of basic functions, statements, and operators – over 230 in all – many larger computers don't have a set of basic instructions this complete.
- Advanced statistics functions enabling computations on up to 15 independent variables.
- Recursive subprograms and user defined functions.
- An advanced internal file system for storing programs and data – The HP71 has continuous memory – when you turn the computer off it retains programs and data.
- A keyboard that can be easily customised for your specific application.
- HP-1L Interface pre-installed to create a system that can print, plot, store, retrieve and display information. Control or read instruments or speak to other computers. 5000 bytes/sec. Built in ROM includes 46 separate commands. Interface to HP-1L, HP-1B, RS232C, GPIO or series 80. Includes connection cables.

These are second users systems, ex NHS, are fully tested and working but have no programming (THAT IS UP TO YOU).

HP71B.....	£29.95
Bar-code Reader.....	£12.95
A.C. Power Supply.....	£4.95
(Works from batteries normally)	
Keyboard Overlay.....	£1.00
(Limited quantities)	
(Unknown Program) Memory Module.....	£3.00
Complete kit of HP71B, Bar-code Reader and power supply.....	£39.50

(Prices include VAT/Delivery within 7 days. £3.00 for UK)

(Currently selling in US for over US\$500!)

INTERCONNECTIONS LTD
Unit 51, InShops, Wellington Centre
Aldershot, Hants, GU11 3DB
Tel: (01252) 341900 Fax: (01293) 822786

The ADAMIN 12 is probably the world's smallest mains-voltage iron and it handles like a pen.

It has ample performance for all fine to medium electronic and electrical soldering work.

Interchangeable bits, copper or long-life, slip over the stainless steel heater shaft and won't seize on. Tip sizes are 1.2, 1.6, 2.4, 3.2 and 4.7mm.

Special mail order prices, including mains plug, postage and VAT (valid until 31/12/95):

ADAMIN 12 Iron with Copper Bit (state tip size)	£14.88
ADAMIN 12 Iron with Long Life Bit (state tip size)	£16.11
Spare/Alternative Copper Bits (state tip size)	£1.61 each
Spare/Alternative Long Life Bits (state tip size)	£2.84 each
No.4 Safety Spring Stand with wiping sponge	£9.40
(if iron and Stand ordered together, deduct 10% from combined price)	

Send cheque payable to LITESOLD or phone/Fax for credit card orders (minimum £15 value) and details of our other irons up to 75 watts.

THE WRITE IRON FOR YOU?



LIGHT SOLDERING DEVELOPMENTS LTD.

97-99 Gloucester Road, Croydon, CR0 2DN.
Tel: 0181 689 0574 Fax: 0181 689 0090



EPE MET OFFICE

JOHN BECKER

Part One

Whatever weather changes "mother nature" cares to throw at us, this seven-sensed centre can compute them all.

THIS weather centre has been specially designed to allow you to set up your very own home "Met Office". Linked to any PC-compatible computer it will monitor seven aspects of the weather: wind speed; wind direction; barometric pressure; humidity; rainfall; temperature and daylight intensity.

The block diagram for the complete *EPE Met Office*, including the PC-compatible computer interface, is shown in Fig. 1.

DESIGN PHILOSOPHY

A slightly different design philosophy to that generally used in constructional projects has been implemented with the *EPE Met Office*. Usually, a variety of preset potentiometers would be used in a design of this nature, each of them pre-setting the sensor output gains, biases, tolerance corrections, and so forth. Probably some sensor circuits would also be linked to the outputs from other sensors.

Here, however, since the design is for use with a computer, the majority of the correction factors needed have been left to software control. This concept makes it easier for a particular sensor's data to be modified to take into account the readings from other sensors without recourse to increased circuit complexity.

How this type of software correction can be implemented will be seen in the software control program listing example given in Part Two next month. The example program has been written in GW-Basic, although there is also a short optional machine code routine which speeds up the data access time. The correction factors listed in the example can be readily changed to suit individual circumstances, and other factors can also be written in.

The program example repeatedly samples the outputs from all the sensors, corrects the data, relates it to other data where appropriate, and translates it from voltage readings into specific values such

as: millibars; degrees Centigrade; compass bearings; miles per hour, etc. The results are formatted and displayed on the computer screen.

With the exception of the short optional machine code routine, the Basic listing can readily be translated to run with other Basic dialects instead of GW-Basic. Quick-Basic, for example, should be able to run the listing with hardly any change necessary.

Although a printer routine has been included, disk-based record and recall routines have not. In Part Two next month, readers will be referred to a source of information which gives examples of the latter routines. It is regretted that neither *EPE* nor the author can offer advice on using the design with computers which are *NOT* PC-compatible.

GOING SOLID-STATE

It had originally been hoped to design the *EPE Met Office* as a completely solid state monitor without recourse to any mechanical moving parts. It had seemed, during early considerations, that the Wind Speed and Wind Direction detectors could be designed around pressure sensors or ultrasonic transducers.

The first line of research undertaken was to investigate the possibility of using the barometric technique of sensing wind

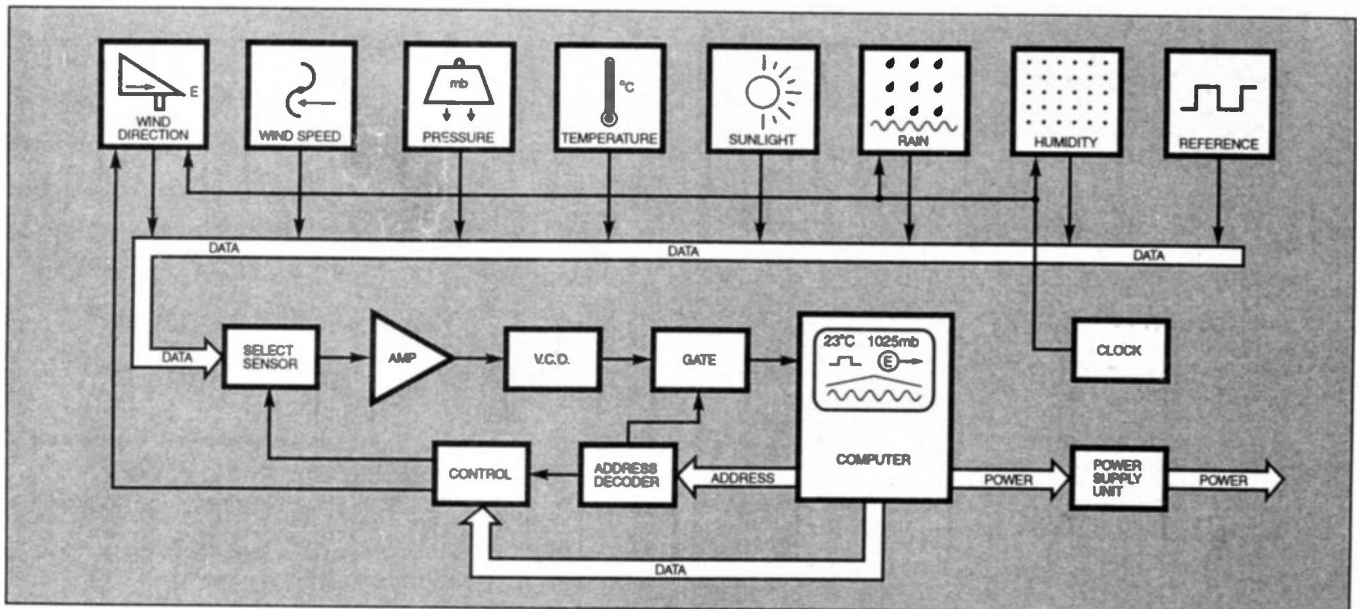


Fig. 1. Block schematic representation of the *EPE Met Office*.

speed. This is based on the simple principle that wind pressure increases as its speed increases.

It seemed that if two pressure sensors were used, one facing into the wind, and one in an enclosure out of the wind to monitor normal atmospheric pressure, readings from both sensors could be compared and used to provide wind speed data. Tests were initiated to check out the theory.

Regular readers will recall the *EPE Altimeter* design, published in the November 1992 issue. In its basic form, all that this unit does is to monitor air pressure, and so was ideal for the tests.

Also ideal as a travelling wind speed test bed was the author's car. The prototype Altimeter was mounted on the car's passenger side dashboard. A second assembly of the Altimeter was modified and mounted outside the car.

Enlisting help from the wife, wind speed trials on local roads and the M25 were carried out. Repeatedly traversing the same stretches of road, car speed, altitude and wind pressure readings were jotted down on paper. The direction in which the sensor's input port faced the wind was also varied, testing whether wind pressure or wind suction would produce better results.

The accumulated figures were then entered into a computer, a simple software routine written, and the data analysed and plotted out onto paper. At first sight, the principle was proved to work, a simple circuit could derive wind speed from barometric pressure changes.

The response was very slightly higher with the external sensor port facing sideways, with the wind blowing across it. However, the changes in the readings were really only significant at speeds above about 20mph.

It appears that wind pressure increases "proportionately to the square of the wind's speed", consequently, the pressure changes at slow speeds would require much sensor output amplification, whilst higher speeds would probably require signal attenuation. The latter did not seem to be a great problem, but it was obvious that a d.c. amplifier of extreme precision would be required to make slow wind speeds readily monitorable.

Such complexity was felt to be undesirable in what was intended to be a simple unit. Perhaps an aircraft engineer or other aerodynamics expert might care to explain how aircraft wind speed sensors work.

SOUND APPROACH

Disappointed, but not deterred, it was decided to try the ultrasonic technique of sensing wind speed. This is based on the fact that changes in wind speed cause minute changes in the speed of sound.

In theory, in order to measure the wind speed, all that is necessary is to send a pulse of sound from a loudspeaker and to monitor the time that it takes to reach a nearby microphone, and then to compare the result to the "normal" speed of sound. For this, an ultrasonic transmitter and receiver pair seemed to be ideal.

WIND TUNNEL

Building a modified version of the *EPE Ultrasonic Tape Measure* (September 1992) as a suitable 40kHz transmitter and receiver, a rudimentary wind tunnel was assembled in the workroom, using the

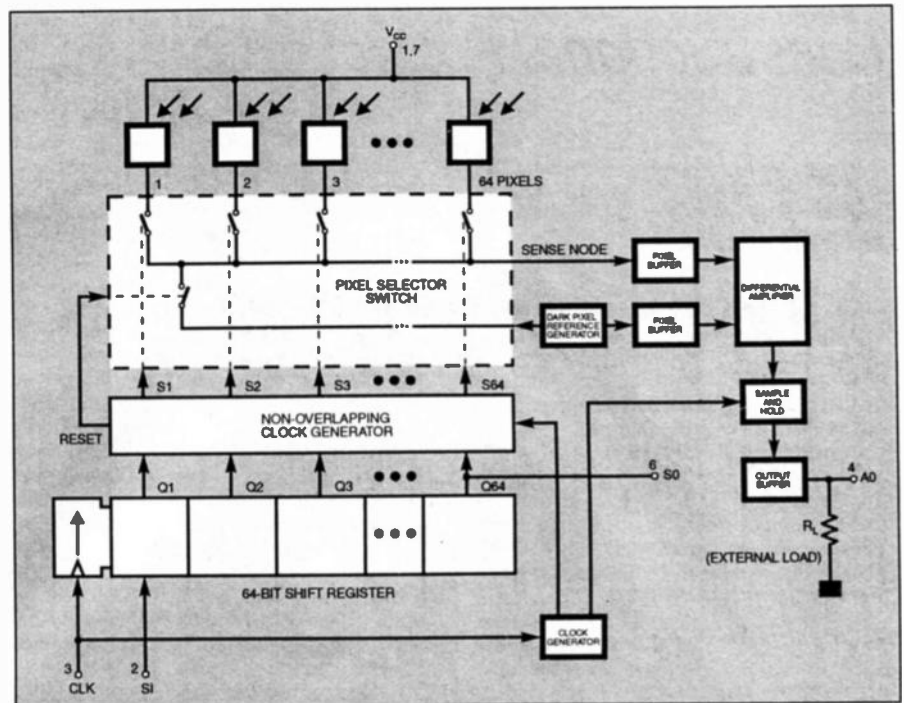


Fig. 2. Internal functional block diagram for the Texas TSL214 opto-sensor.

household hairdryer (unheated setting) as the wind source.

Monitoring the transmitted and received ultrasonic signal waveforms on an oscilloscope, shifts in signal phase were looked for as the hair-dryer had its blowing power repeatedly raised and lowered. To much surprise, however, no definitive phase shifts could be seen. Such a disappointment!

A third solid state wind speed sensing possibility might have been to monitor the temperature of a heated element. In this method, the element would lose heat by an amount depending on the cooling effect of the air flow rate across it.

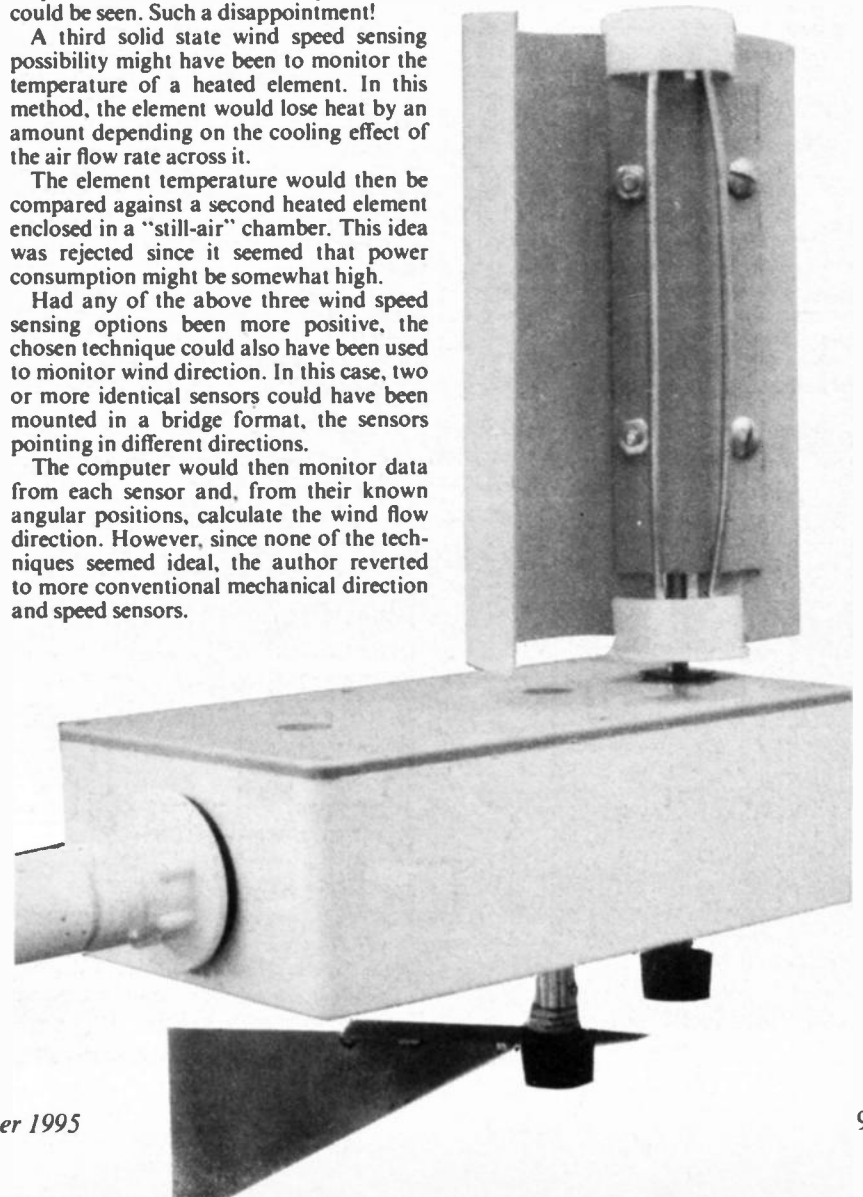
The element temperature would then be compared against a second heated element enclosed in a "still-air" chamber. This idea was rejected since it seemed that power consumption might be somewhat high.

Had any of the above three wind speed sensing options been more positive, the chosen technique could also have been used to monitor wind direction. In this case, two or more identical sensors could have been mounted in a bridge format, the sensors pointing in different directions.

The computer would then monitor data from each sensor and, from their known angular positions, calculate the wind flow direction. However, since none of the techniques seemed ideal, the author reverted to more conventional mechanical direction and speed sensors.

WIND DIRECTION SENSOR

For Wind Direction sensing, an arrowed assembly points into the wind like a normal weather vane. In the past, in similar circumstances, a punched rotating disc and one or more light emitting diode (i.e.d.)



and light detecting pairs might have been used to sense the vane's orientation. Here, however, a recently introduced type of opto-sensor has been used instead, a Texas Instruments TSL214 device.

The TSL214 chip is an integrated opto-sensor consisting of 64 charge-mode pixels arranged in a 64×1 linear array. A block diagram for the opto-sensor is shown in Fig. 2.

Light energy striking the pixel elements, each measuring only $120\mu\text{m} \times 70\mu\text{m}$, causes an electrical charge to build up in the region of the pixels. The amount of charge accumulated is directly proportional to the amount of incident light and to the length of time that the pixels are exposed to it, usually referred to as the "integration time".

In principle, the TSL214 is a much simpler form of the CCD (charge coupled device) image sensor used in the *EPE TV Camera* of April and May 1994. That device had several hundred-thousand pixels.

Operation of the TSL214 sensor comprises two time periods, the integration time during which the charge

is accumulated in the pixels, and a "transfer period" during which the charges are serially shifted to an output. Transfer of the pixel charges is under control of a clock signal (CLK) and a serial input (SI) signal.

The signal voltage generated at the output node (AO) is directly proportional to the amount of charge and inversely proportional to the capacitance of the sense node. An internal reset signal is generated by a non-overlapping clock generator and occurs on every clock cycle.

The outputting period is initiated by the presence of the SI input pulse coincident with a rising edge of the clock. The period ends on the rising edge of the 65th clock cycle, at which time the output assumes a high impedance state. The 65th clock cycle also terminates the output of the last pixel and clears the chip's internal shift register in preparation for the next SI pulse.

To the wind direction vane is attached a transparent disc which has an opaque spiral pattern secured to it. The TSL214 opto-sensor is positioned immediately under the spiral, and an l.e.d. is positioned above it.

As the wind moves the vane, so the shadow of the spiral pattern shifts across the line of sensor pixels. When the sensor's data is read by the computer, the rotational angle of the weather vane is calculated from assessment of which pixels are covered by the spiral track pattern.

VANE ROTATION

The circuit diagram which controls the weather vane position sensor is shown in Fig. 3. In the diagram, IC1 is the TSL214 opto-sensor and D1 is its illuminating l.e.d. Since the sensor's exposure time in relation to the brilliance of the l.e.d. must be fairly rigidly controlled, whereas the controlling computer's data acquisition time may vary between types, a temporary data storage stage is included, the heart of which is IC4, a 64-bit shift register.

A 400kHz clock signal, whose source will be described shortly, provides the required clocking rate to opto-sensor IC1. The same clock signal also triggers a 12-stage binary counter, IC5. The Q8 output, pin 12, of IC5 is connected to the A1 clock input, pin 4, of one half of the dual monostable IC6, and outputs a clocking signal at about 1560Hz.

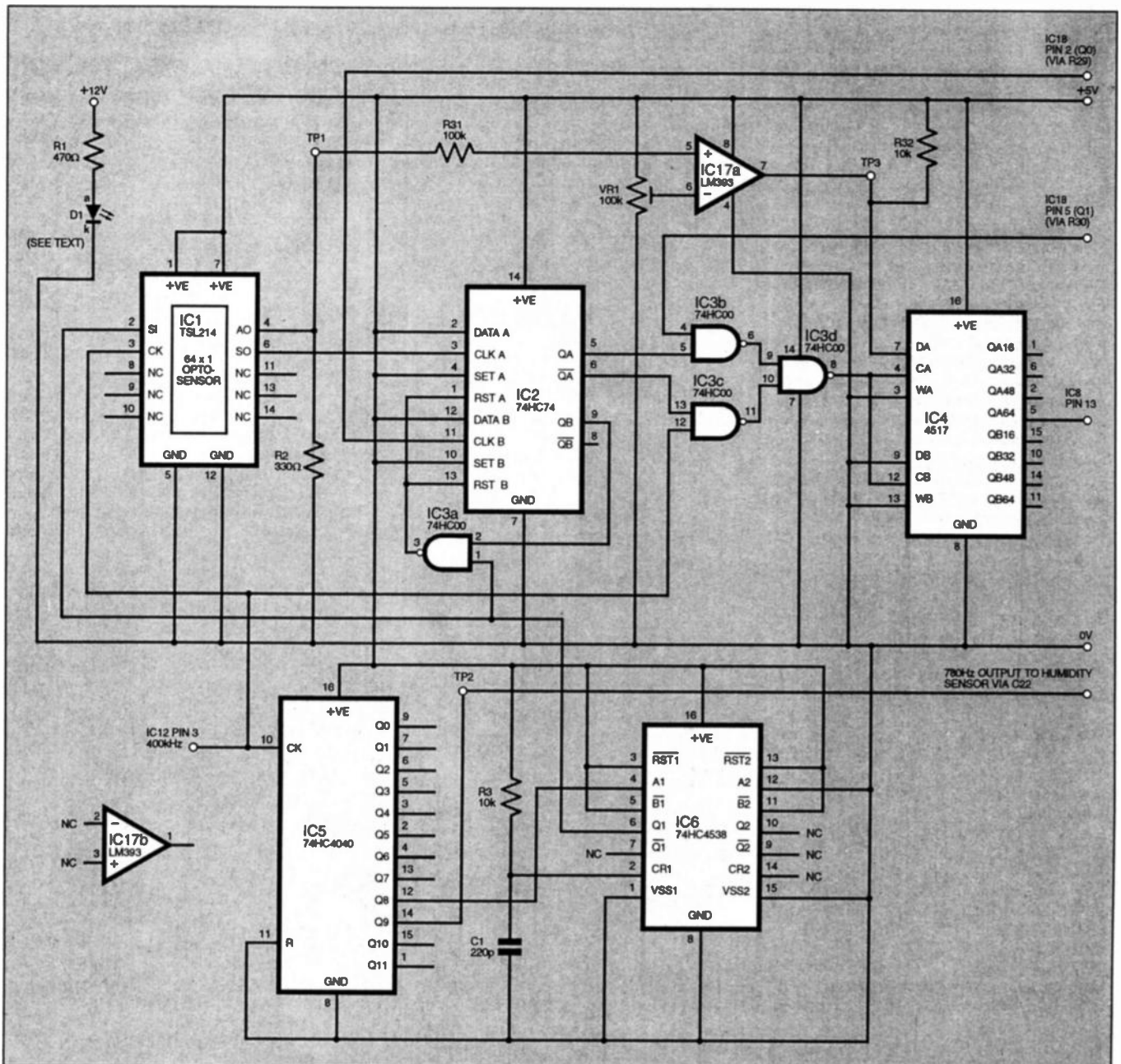


Fig. 3. Circuit diagram for the wind direction vane rotation sensor and interface memory.

On receipt of each positive going-edge of the 1560Hz clock pulses, IC6 is triggered to produce a very short duration pulse at its Q1 output, pin 6. The pulse length is set by resistor R3 and capacitor C1.

Connected to the SI input, pin 2, of IC1, the pulse initiates the start of the sensor's 64-bit output cycle. The sensor's stored pixel data is then shifted out from its A0 output pin 4 at the full 400kHz rate, and taken via resistor R31 to the comparator stage around op.amp IC17a.

Comparator IC17a is required because the analogue output from sensor IC1 may not necessarily have a voltage swing which produces adequate logic levels for storing in the shift register IC4. The sensor's output voltage could, in fact, be at any of four discrete levels, depending on the exposure time and light value.

The purpose of the comparator IC17 is to detect the correct levels at which it will be triggered to produce the required *high* or *low* logic level at its output pin 7. The trigger threshold level for IC17a is set by preset potentiometer VR1.

IN STORE

From IC17a, the logic level data, which indicates whether or not the sensor's individual pixels have the spiral shadow above them, is output to the DA data input pin 7 of shift register IC4. When the shift register is in the high speed record mode, each pixel data bit from IC17a is clocked into it at the 400kHz rate, the gating of the clock signal being controlled by flip-flop IC2 in conjunction with NAND gates IC3b, IC3c and IC3d. The gating is also dependent upon additional clocking signals which are derived from the computer.

Assuming that the required "record" signal has been received from the computer, IC2 QA output, pin 6, will be high, thus allowing NAND gate IC3c to pass the 400kHz signals through to NAND gate IC3d pin 10. Simultaneously, IC2 QA output, pin 5, will be low and as a result NAND gate IC3b pin 6 will be high, which in turn allows NAND gate IC3d to pass the clock signals from IC3c through to the clock input CA of IC4.

Since the same 400kHz signal triggers both sensor IC1 and shift register IC4, the latter has the data from comparator IC17a synchronously clocked into it. On the 65th clock pulse after IC1 has had its data output sequence triggered, IC1 pin 6, the SO output, goes high. This event triggers flip-flop IC2 so that its QA and QA outputs reverse their logic states.

As a result, gate IC3c closes to the 400kHz signals and its output pin 11 goes high. Simultaneously, IC3b is enabled, allowing it to receive clock pulses originating from the computer, as and when they are sent under software control. When received, each pulse from the computer causes the data bit contents of IC4 to be shifted out from its QA64 output (pin 5).

Once the computer has read the contents of IC4, it sends a reset signal to flip-flop IC2 pin 11 (CLK B). This triggers high IC2's QB output, which enables NAND gate IC3a making it ready to pass the next pulse from monostable IC6 through to both reset pins of IC2, inputs RST A and RST B. On receipt of the latter pulse, the data record sequence recommences.

There are two minor circuit design points to note. Resistor R2 pulls down IC17a's input pin 5 to the 0V level when IC1 output A0 is in a high impedance state. Secondly, although it will be seen that IC3d pin 8 is

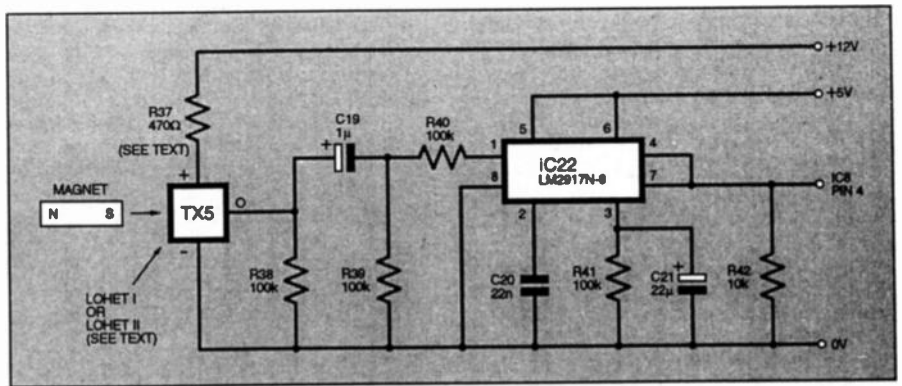


Fig. 4. Wind Speed Detector circuit diagram, using a magnet and Hall effect sensor.

additionally connected to clock input CB (pin 12) of the second half of dual shift register IC4, this half of the chip is not actively used.

WIND SPEED DETECTOR

The circuit diagram for the wind speed detector is shown in Fig. 4. Mechanically, a rotating wind "paddle" assembly has an attached magnet which passes over a Hall effect sensor, TX5, secured to the lid of the unit's box.

As the magnet passes over the sensor, a change of output voltage is generated across resistor R38. The resulting a.c. signal is coupled via capacitor C19 and resistor R40 to IC22, a tachometer/frequency-to-voltage converter i.e. This outputs a voltage at pins 4 and 7 which is proportional to the frequency of the pulses input to pin 1.

The chosen values of resistor R41 and capacitors C20 and C21 set the frequency-to-voltage conversion range. Resistors R39 and R42 provide basic input and output loads for IC22.

Hall effect sensor TX5 may be one of two types, either a Lohet I, or a Lohet II. The latter requires the inclusion of resistor R37 in its power line to limit its supply voltage to between 7V and 8V.

The less expensive Lohet I device, however, will accept supply voltages up to 16V and so resistor R37 should be replaced by a link wire. Note, though, that Lohet I is less sensitive than Lohet II and requires a stronger magnetic field in order to produce an output signal amplitude great enough to trigger IC22 satisfactorily.

The bar magnet used with the prototype was taken from a burglar alarm contact breaker assembly. Other types of bar

or disc magnet may be used, connecting several in line to increase the magnetic field strength if necessary. The height of the magnet above the sensor also affects the detected field strength.

PRESSURE SENSOR

Circuit diagram details for the Barometric Pressure Sensor are shown in Fig. 5. Regular readers will recognise that this circuit is similar to the front end of the *EPE Altimeter* design referred to earlier.

Transducer TX3 is the pressure sensing element, full descriptive details of which were given in the original Altimeter article. The sensor's two differential outputs (pins 2 and 4) are fed to op.amps IC13a and IC13b which between them provide a d.c. signal gain of about 50, as set by resistors R19 and R20.

The combined output from IC13b pin 1 is buffered and inverted by op.amp IC13c. Here, an offset bias level is superimposed on the d.c. signal by preset potentiometer VR4. This is used to adjust the voltage output from IC13c pin 14 in order to "tune" the barometer to the required basic value. Typically, the output from IC13c pin 14 varies by about 3mV per millibar.

In order to minimise the sensor's voltage output drift with changes in ambient temperature, the resistance in series with its positive terminal, pin 3, needs to be approximately matched to the sensor's resistance. Preset potentiometer VR3 is used for this purpose and its setting will be described when the printed circuit board assembly is discussed.

There are two forms of the type MPX100A pressure sensor TX3 commonly available, one with a plastic enclosure, one

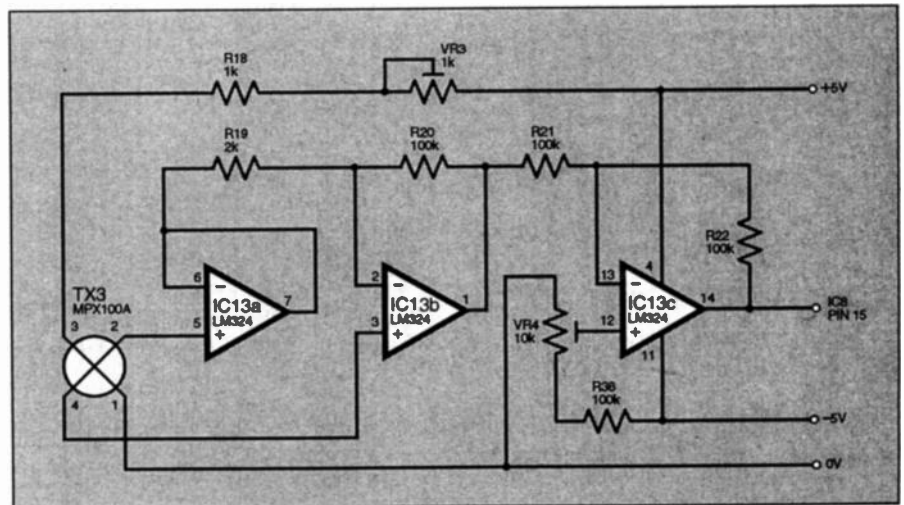


Fig. 5. Circuit diagram for the Barometric pressure sensor.

without. They are identical in operation and either version may be used. It is believed, but not tried, that the SPX100A may be used instead of the MPX100A.

HUMIDITY SENSOR

The circuit diagram for the Humidity Sensor is shown in Fig. 6. Transducer TX4 is the sensing element whose impedance to an a.c. signal decreases with increased humidity. The sensor has a rated working voltage of 1V a.c. between 50Hz and 1kHz. Nominally, its impedance is about 60k Ω when humidity is 50 per cent and ambient temperature is 25°C.

The graphs in Fig. 7 show how the sensor's characteristics change in response to different temperatures and humidity factors. Correction factors for these changes may be incorporated into the controlling software program.

The a.c. signal frequency chosen is 780Hz and is a sub-division of the 400kHz master clock frequency referred to earlier and taken from IC5 output Q9 in Fig. 3. Referring back to Fig. 6, the 780Hz signal is brought in to pin 10 of buffer op.amp IC13d via capacitor C22.

Capacitor C9 and resistors R23 and R24 smooth off the corners of the incoming square wave signal which is then fed from IC13d pin 8, via capacitor C10, to sensor TX4. Attenuated by the humidity-related impedance of TX4, the signal is rectified and smoothed by diode D2, capacitor C11 and resistor R28. Preset potentiometer VR5 is used to provide a minimum d.c. bias voltage through resistor R27.

TEMPERATURE AND LIGHT SENSORS

The circuit diagrams for the Temperature and light sensor circuits are shown in Fig. 8. Designated as IC14, the temperature transducer used may be either an LM35CZ device, or an LM35DZ. The former has a specified operating range of -40°C to +110°C, whereas the latter's range is 0°C to 100°C. The inclusion of resistor R34 provides a negative output bias voltage which enables the sensor to respond to negative temperatures. The typical output from IC14 is about 10mV per 1°C.

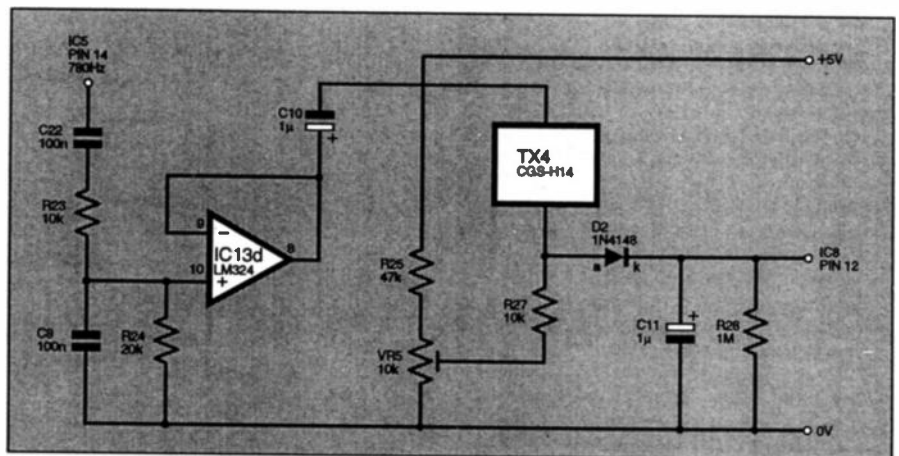


Fig. 6. Humidity Sensor circuit diagram.

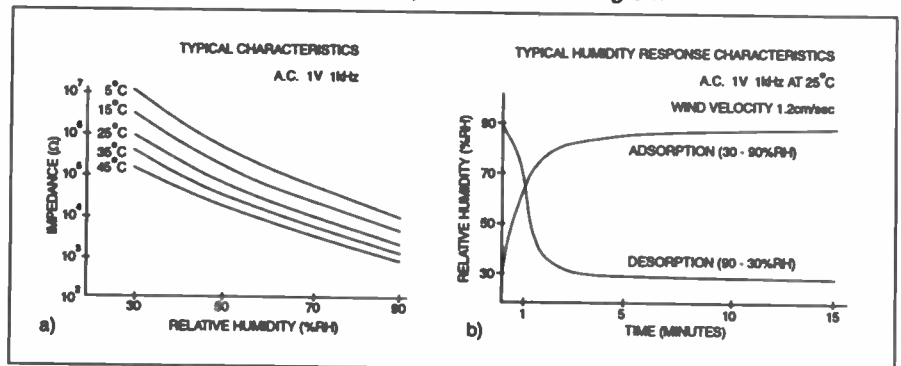


Fig. 7. Sensor response for typical temperature/humidity readings.

For the light sensor R43, the familiar ORP12 light dependent resistor (LDR) is used as the sensor. In total darkness, it has a resistance of about 10 Megohms.

This resistance decreases as the light level increases, falling to about 150 ohms when illuminated at 1000 lux. Typically, bright sunlight illuminates at about 30k lux, and moonlight at about 0.1 lux.

The sensor is used in series with resistor R35 in a potential divider configuration across the power supply. The output voltage is tapped at the junction of the two components. Basically, the intention of the light sensor is to enable the computer to monitor sunlight conditions and resistor R35 has had its value chosen accordingly.

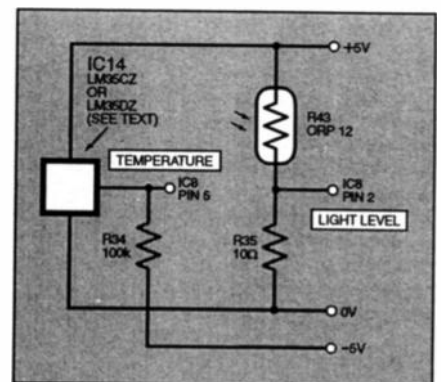


Fig. 8. Temperature and Light sensor circuit diagrams.

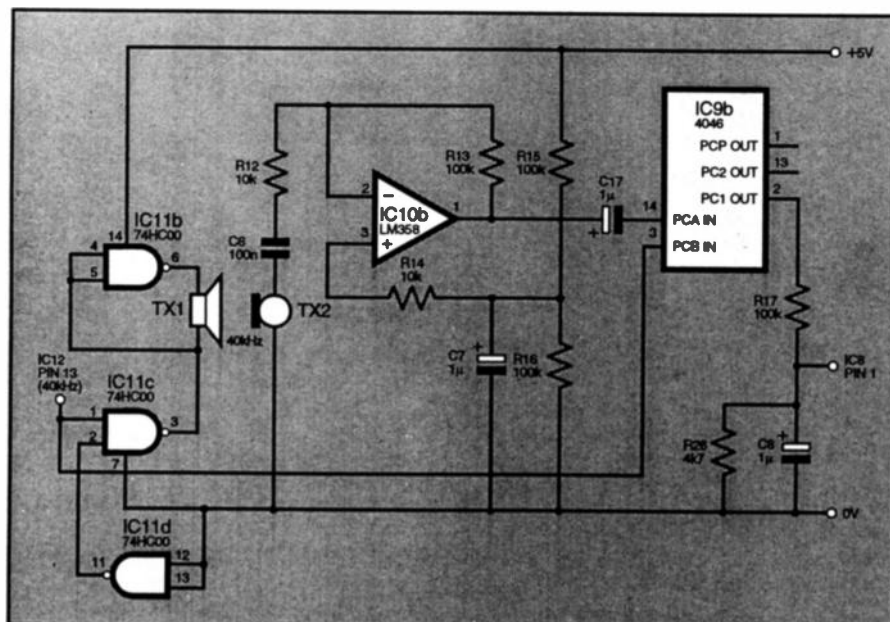


Fig. 9. Circuit diagram for the Ultrasonic Rainfall/Water Level Detector.

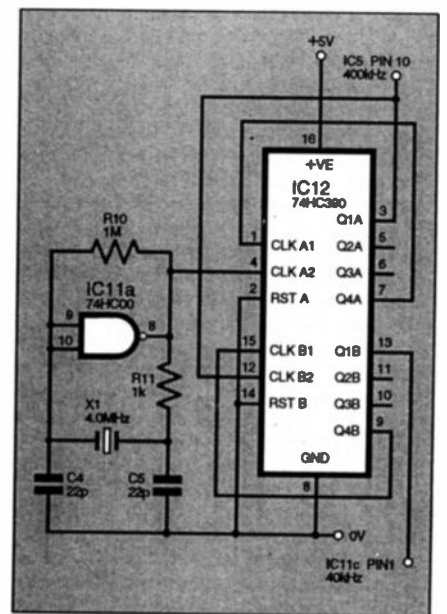


Fig. 10. Master Clock 400kHz and 40kHz Generator circuit.

RAINFALL DETECTOR

Since an ultrasonic transducer phase shift circuit had already been built, but aborted, for the wind speed experiments described earlier, it was decided to modify that circuit in order to monitor rain fall. The constructed ultrasonic circuit is placed above a large rain-collecting container (a rain barrel, for example, or a bucket!) with the transmitter and receiver transducers side by side and pointing down to the water surface.

The transmitter transmits a continuous 40kHz signal which is reflected back from the water surface to the receiver. Both the transmitted and the received signals are monitored and their phase compared. The detected phase shift is directly related to the speed of sound and the distance which the sound has to travel to the water and back to the receiver.

In dry air, the speed of sound is 331.4 metres per second at s.t.p. (standard temperature and pressure = 0°C and 1013.25 millibars). Thus, the wavelength of one cycle of a 40kHz signal is approximately 8.285 millimetres. Since the signal has to travel down to the water and back, the change in the water level for a 360° phase shift (one cycle) is $8.285\text{mm}/2 = 4.1425\text{mm}$. Software can take care of the corrections required for changes in temperature, pressure and humidity.

The circuit diagram for the Ultrasonic Water Level Detector is shown in Fig. 9. The required 40kHz clock signal is derived from the master clock generator described below.

Transmitter

Transmitter TX1 is driven in push-pull mode at 40kHz via the buffer and inverter NAND gates IC11b and IC11c. Gate IC11c is also connected to NAND gate IC11d.

It had been thought that there might be additional uses for the ultrasonic circuit which might require the 40kHz clock signal to be gated on and off by an extra control signal applied via IC11d. However, since the need did not arise, the inputs to IC11d have simply been grounded, so causing gate IC11c to be held constantly open.

Receiver

Ultrasonic receiver transducer TX2 detects the signal reflected from the water surface. Op.amp IC10b then amplifies the signal by about ten times, as set by resistors R12 and R13. The network comprising resistors R14 to R16 and capacitor C7 set the midway bias level for IC10b.

The output signal from IC10b pin 1 is coupled, via capacitor C17, to the PCA input (pin 14) of the phase-locked loop (PLL) chip IC9b. The PCB input (pin 3) of IC9b is connected to the 40kHz output at IC12 pin Q1B.

Comparing the phases of the two signals on its inputs, IC9b generates a related output voltage across resistors R17, R26 and capacitor C8, the latter smoothing the output waveform to a d.c. level. The voltage output from C8 varies according to the phase difference between the input signals.

MASTER CLOCK

Details of the Master Clock Generator circuit are shown in Fig. 10. A 4MHz crystal oscillator is formed around NAND gate IC11a in a conventional configuration. Dual 4-bit binary counter IC12 is configured to sub-divide the 4MHz signal, 400kHz being output from its Q1A output (pin 3), and 40kHz from its Q1B output (pin 13).

COMPONENTS

SENSORS AND INTERFACE

Resistors

R1	470Ω	R9, R10, R28	1M (3 off)
R2	330Ω	R11, R18	1k (2 off)
R3, R6 to R8, R12, R14, R23, R27, R29, R32, R39, R42	10k (12 off)	R19	2k
R4, R25	47k (2 off)	R24	20k
R5, R13, R15 to R17, R20 to R22, R31, R33, R34, R36, R38 to R41	100k (16 off)	R26	4k7
All 0.25W 5% carbon film or better, except R43		R35	10Ω
		R37	470Ω (see text)
		R43	ORP12 light dependent resistor

Potentiometers

VR1	100k min. enclosed round preset
VR2, VR4 to VR6	10k min. enclosed round preset, lin. (4 off)
VR3	1k min. enclosed round preset

Capacitors

C1	220p polystyrene
C2, C15, C21	22μ radial elect. 25V (3 off)
C3, C6, C9, C22, C23	100n polyester (5 off)
C4, C5	22p polystyrene (2 off)
C7, C8, C10, C11, C13, C14, C17, C19	1μ radial elect. 63V (8 off)
C12	470μ radial elect. 25V
C16, C18	47μ radial elect. 25V (2 off)
C20	22n polyester

Semiconductors

D1	red l.e.d. (high brightness)
D2, D3	1N4148 signal diode (2 off)
IC1	TSL214 64 x 1 linear opto-sensor
IC2	74HC74 dual D-type flip-flop
IC3, IC11	74HC00 quad 2-input NAND gate (2 off)
IC4	4517 dual 64-bit shift register
IC5	74HC4040 12-bit binary counter
IC6	74HC4538 dual retriggerable monostable
IC7	74HC393 dual 4-bit binary counter
IC8	74HC4051 bidirectional 8-way switch (multiplexer)
IC9	4046 phase-locked loop
IC10	LM358 dual op.amp
IC12	74HC390 dual decade counter
IC13	LM324 quad op.amp
IC14	LM35CZ or LM35DZ precision temperature sensor (see text)
IC15	78L05 100mA 5V regulator
IC16	ICM7660 voltage inverter
IC17	LM393 dual comparator
IC18	74HC174 Hex D-type flip-flop
IC19	74HC4075 triple 3-input OR gate
IC20	74HC138 3-line to 8-line decoder
IC21	74HC573 octal D-type latch
IC22	LM2917-8 tachometer

See
SHOP
TALK
Page

Transducers

TX1	40kHz ultrasonic transmitter
TX2	40kHz ultrasonic receiver
TX3	MPX100A pressure sensor
TX4	CGS-H14 humidity sensor (STC-Farnell 414719x)
TX5	Lohet I or Lohet II Hall effect sensor (see text)

Miscellaneous

X1	4MHz crystal
Printed circuit boards available from <i>EPE PCB Service</i> , codes 963 (Sensor/Rain), 964 (Comp Interface) and 965 (vane); plastic case 190mm x 110mm x 60mm (l x w x h); 8-pin d.i.l. socket (4 off); 14-pin d.i.l. socket (6 off); 16-pin d.i.l. socket (9 off); 20-pin d.i.l. socket; stacking p.c.b. supports (4 off); nuts and bolts (4 off - to suit p.c.b. pillars); plastic or copper plumbing pipes and connector fittings 21mm diameter - quantities to suit garden mounting requirements (see text and photograph); connecting wire; connecting cable; solder, etc.	

WIND SPEED AND DIRECTION MECHANICS

(See Part 2 for construction details)

Spiral transparency (see text), available from <i>EPE PCB Service</i>	
Knobs with grub-screw fitting	(3 off)
Potentiometer - any value	(2 off)
Potentiometer washer	(3 off)
Potentiometer nut	(2 off)
Cable gland, 7mm diameter cable hole	
Cable gland, 10mm diameter cable hole	
Spindle coupler to suit pot shaft diameter	
Perspex disc approx. 2.1 inches (52mm) diameter	(see text)
Light weight plastic gutter	3.0 inches diameter
7 inch paint roller frame with handle shaft	

Approx cost
guidance only

£98

excluding mechanical parts

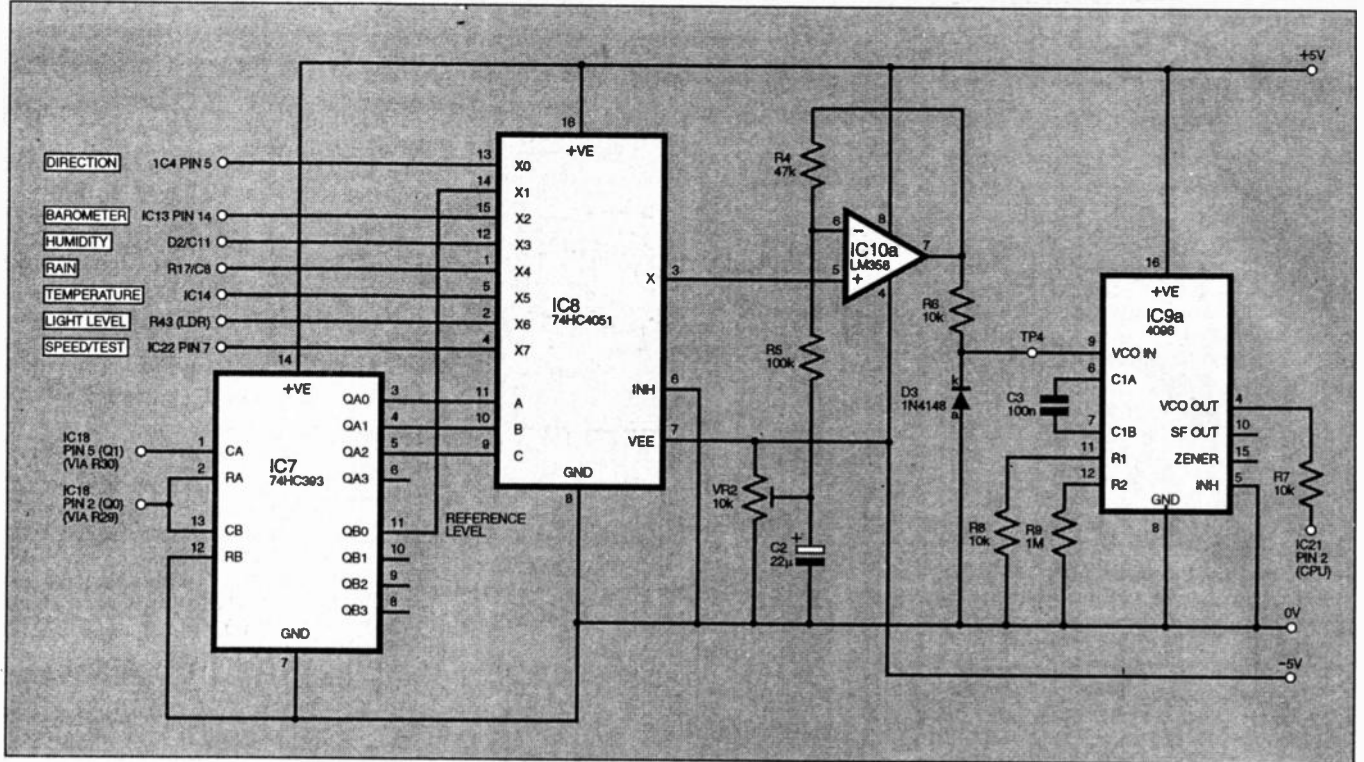


Fig. 11. Circuit diagram for the output sensors multiplexer and v.c.o. (voltage controlled oscillator).

The 400kHz signal is sent to the rotation sensor circuit in Fig. 3. The 40kHz signal is the transmission frequency required by the ultrasonic transducer pair TX1 and TX2 in Fig. 9.

SENSOR MULTIPLEXER

The outputs from all the sensors are brought to a Multiplexer and V.C.O. (voltage controlled oscillator) circuit whose functional diagram is shown in Fig. 11. Any of the signals fed to the X0 to X7 inputs (pins 1, 2, 4, 5 and 12 to 15) of multiplexer chip IC8 can be routed to its X output at pin 3, according to the binary code present on its control inputs A, B and C (pins 9, 10, 11).

Dual 4-bit binary counter IC7 is used to set the control code for IC8. It is additionally used to provide a reference voltage from pin 11, its QB0 output, to IC8 input X1 (pin 14). As will be seen shortly, signals generated by the computer control the clocking and resetting of counter IC7 via its function pins CA, CB and RA (pins 1, 13, 2).

The chosen signal source is routed through IC8 to the op.amp stage around IC10a. Here the signal is amplified by about 1.5 times, as set by resistors R4 and R5.

An adjustable bias level is set by preset potentiometer VR2. Unavoidably, the setting of VR2 also plays a small part in the actual gain provided by IC10a. Capacitor C2 simply smooths the bias level from VR2.

From IC10a, the selected sensor voltage is passed to the linear v.c.o. circuit around IC9a. The latter device is part of the same chip used for the PLL of the ultrasonic circuit (IC9b) in Fig. 9.

The v.c.o. generates an output frequency from IC9a pin 4 according to the voltage on its input, and in relation to the values of resistors R8, R9, and capacitor C3. The v.c.o. output frequency from pin 4 is fed through resistor R7 to the computer via an interface circuit, which will be covered next month.

The inclusion of resistor R6 and diode D3 prevents negative voltage outputs from IC10a from "distressing" the v.c.o. input of IC9a.

POWER SUPPLY

All the circuits described so far are powered from a common power supply, the circuit diagram for which is shown in Fig. 12. The prototype *EPE Met Office* is powered from the 12V line of the computer. It may instead be powered from any 12V d.c. source, such as a bench power supply unit (PSU), or 12V car battery.

The 12V d.c. input voltage is smoothed by capacitor C12. From here, the supply provides power to l.e.d. D1 via resistor R1 in Fig. 3, and to sensor TX5 via R37 in Fig. 4. The 12V supply is also reduced down to +5V by voltage regulator IC15, capacitors C13 and C14 providing power line smoothing.

Most of the sensor circuitry is powered by +5V, some of it, though, requires a -5V supply as well. This is generated by voltage inverter chip IC16, which is configured in the conventional fashion, capacitor C15 setting the inversion clock frequency, and C16 smoothing the -5V output.

The potential divider formed by resistor R33 and preset potentiometer VR6 provide a test voltage point which will be of use when setting up the circuit and the computer software.

CONSTRUCTION-SENSOR BOARD

The printed circuit board (p.c.b.) component layout and full size copper foil master pattern for the *EPE Met Office* Sensor board together with the small Ultrasonic Rainfall Sensor is shown in Fig. 13. This board is available from the *EPE PCB Service*, code 963.

Before inserting components into the p.c.b. cut off the ultrasonic transducer mounting section. Next drill out the hole into which the mounting bush of the wind direction rotor shaft will be secured. Then file out the two large side holes which allow the board to fit alongside the two side pillars within the specified box.

Start the assembly of the p.c.b. by soldering in the on-board wire links, which are best made from 24s.w.g. tinned copper wire. Next solder in the d.i.l. i.c. sockets, followed by resistors, diodes, preset potentiometers, capacitors and then the regulator i.c.s. Ensure that polarised components are correctly orientated.

Insert two rigid wires formed from heavy duty tinned copper wire, of 18s.w.g. for example, each about 50mm long. Temporarily solder l.e.d. D1 to these wires,

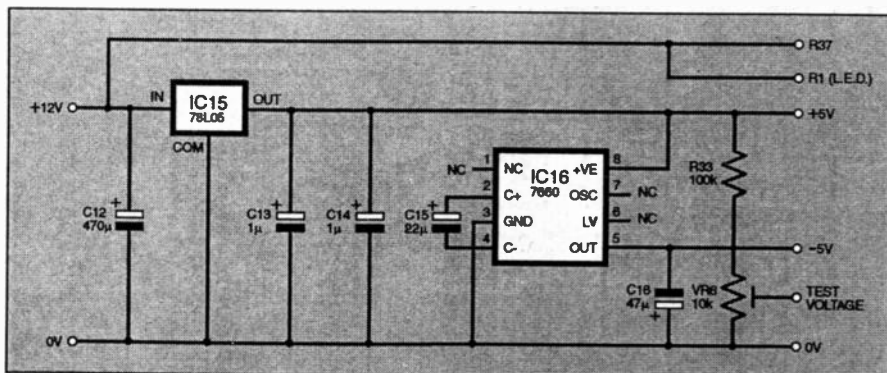


Fig. 12. Circuit diagram for the system dual-voltage power supply.

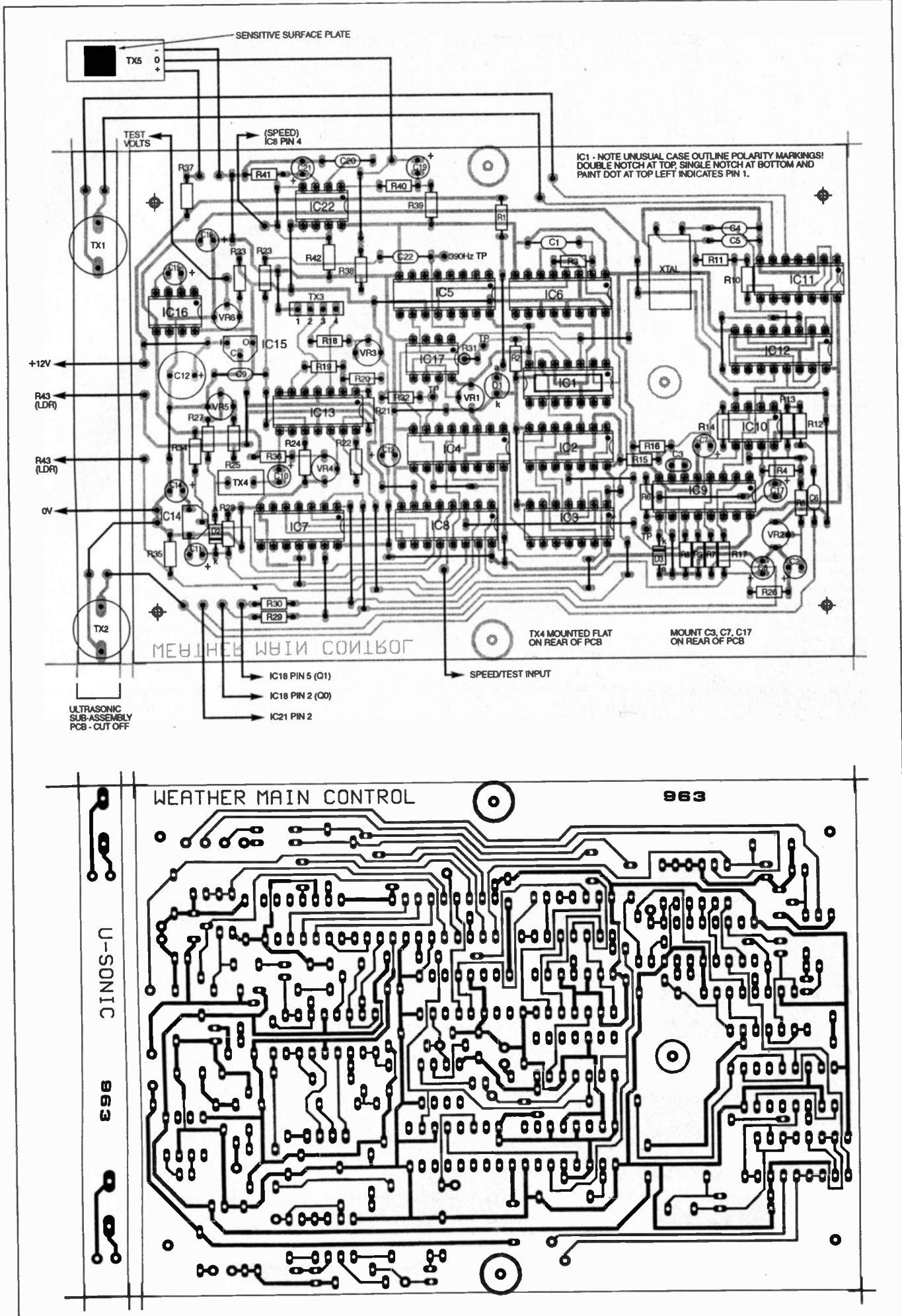


Fig. 13. Component layouts and full size p.c.b. foil masters for the Sensor and Ultrasonic Rainfall Detector boards.

observing its correct polarity. Its final positioning can be made after the Wind Speed Sensor mechanics have been constructed.

Solder the ultrasonic transducers onto their small sub-assembly board and temporarily connect them back to the main board by a couple of metres of cable. Also connect the light sensor LDR (R43) to its designated p.c.b. points.

In the prototype, R43 was mounted under the p.c.b. via two shaped lengths of 18s.w.g. tinned copper wire and then positioned over a hole cut in the base of the case. This allowed the sensor to respond to light reflected from the surface to which the completed unit was mounted on its stand. For an increase in the amount of reflected light, a largish white flat surface could be fixed to the stand a metre or so below the hole in the case.

PRESSURE SENSOR COMPENSATION

Before inserting pressure sensor TX3, measure the resistance between its pins 1 and 3 (see Fig. 14) using a multimeter set to Ohms range. Now place the ohmmeter across the +5V power line and the unconnected end of resistor R18.

Adjust preset potentiometer VR3 so that the total resistance measured approximately equals 3.577 times the resistance of TX3. The multiplying factor is specified by the transducer manufacturer and is intended to minimise the transducer's temperature drift.

Ideally the temperature at which the resistance readings are made should be

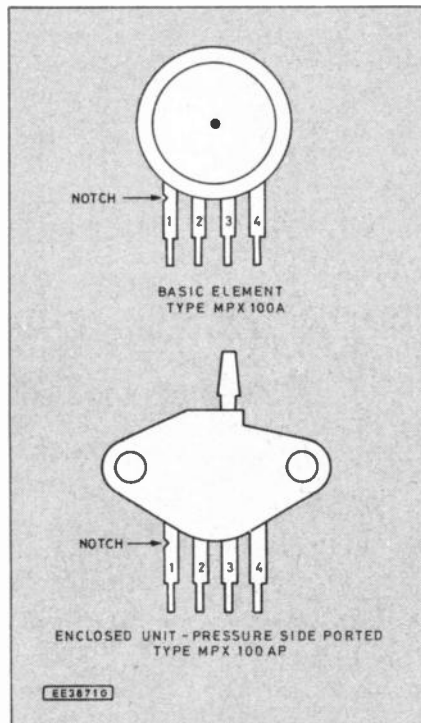


Fig. 14. Pressure transducer pinout details.

taken into account. Since, however, the computer software can have correction factors written into it, such precision is probably unnecessary.

Once VR3 has been set, it should not be further adjusted. Sensor TX3 can now be inserted.

PRELIMINARY CHECKING

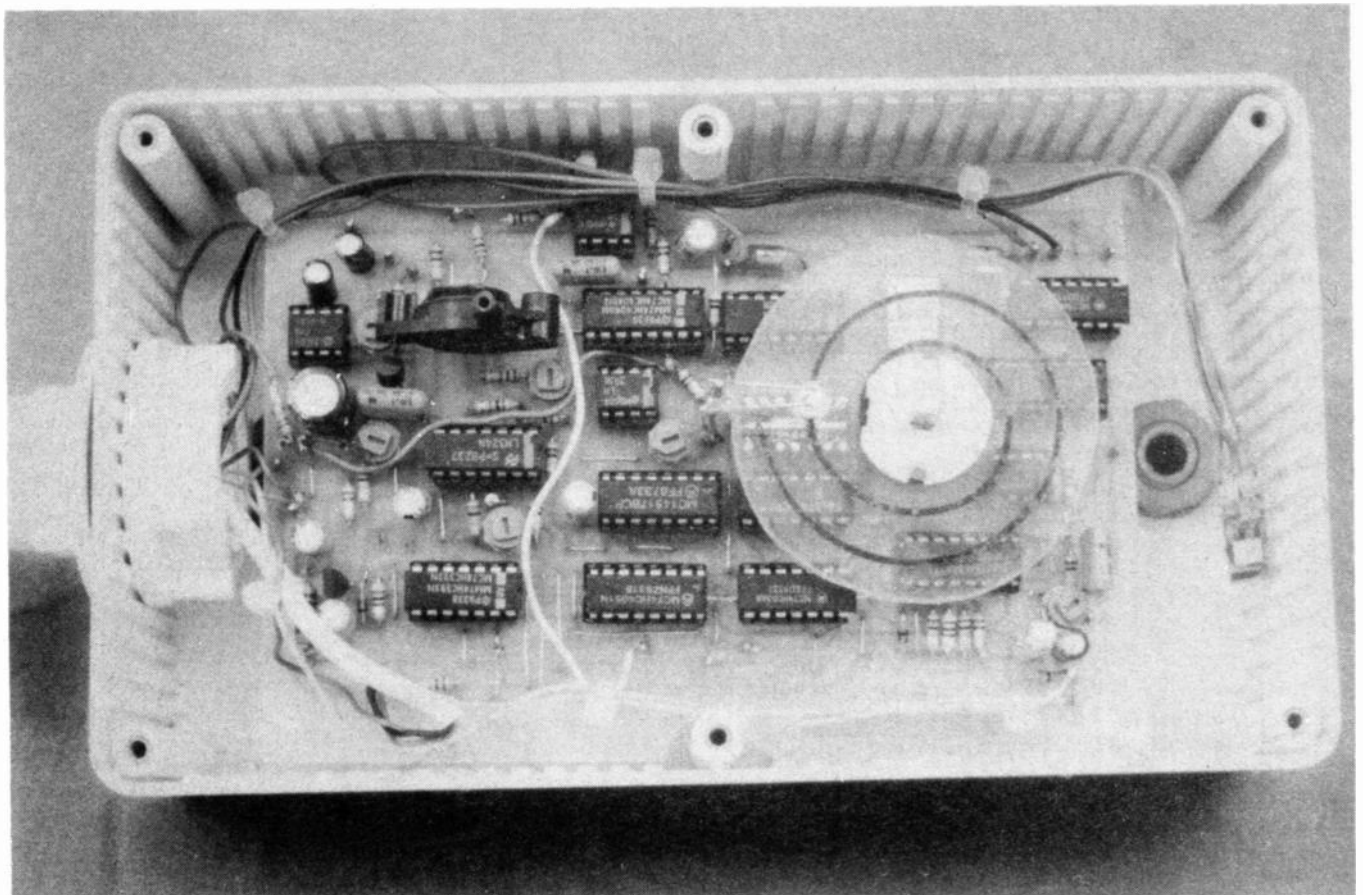
If, when checking any of the circuits, incorrect behaviour is suspected, immediately disconnect the power and recheck the board assembly for the correct insertion of components and the perfection of soldering. Also ensure that the power is off before inserting or extracting components.

Note that the majority of the i.c.s are CMOS devices, so treat them all as such, observing the usual handling precautions. These include touching a grounded (earthed) point to discharge static electricity from yourself before handling the chips.

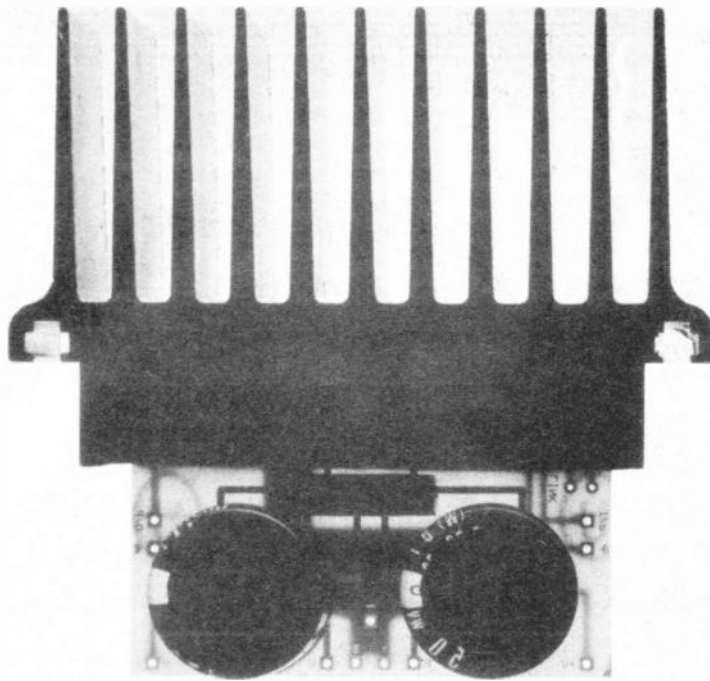
Do not insert the d.i.l. i.c.s into their sockets just yet. After thoroughly checking the p.c.b. for inadequate soldering, and for solder shorts across the tracks, connect the board to a 12V d.c. power supply or battery. Check that the l.e.d. is glowing and with a meter check that +5V is present at the output of regulator IC15.

Now, insert the remaining i.c.s and check that +5V is still present at the output of IC15. Then check that -5V is present at IC16 pin 5. Although other tests could be carried out now, it is best to wait until after the Computer Interface has been connected and the software is running.

NEXT MONTH: We conclude with the Computer Interface circuit and construction of the wind speed and direction mechanics (they are quite simple). Also, the example software listing, final testing and setting up will be covered.



Layout of components inside the Sensor control unit. The p.c.b. has cutout "curves" in its sides to allow for the case pillars. The pressure transducer is located towards the top left of the board, the wind direction spiral and l.e.d. above the opto-sensor. Finally, the wind speed Hall-effect transducer, which will normally be secured to the underside of the case lid below the "speed paddle", can also be seen to the right of the p.c.b.



NEW
SUPERB QUALITY
RANGE

AUDIO
LEADING EDGE
MODULES



ILP ELECTRONICS LTD WINCHEAP
CANTERBURY KENT CT1 3RB U.K.

TELEPHONE +44 (0)1227 454778
FACSIMILE +44 (0)1227 450507

PCB Designer

For Windows 3.1

Runs on any PC running Windows 3.1 in standard or enhanced mode with 2MB RAM
Will work with any Windows supported printer and monitor

*Looking for the price?
It's just £49.00 all inclusive!
...no VAT...no postage...
...no additional charges for
overseas orders.
Dealers and distributors
wanted.*

- ✓ Produce Single or Double-sided PCBs.
- ✓ Print out to *any* Windows supported printer.
- ✓ *Toolbar* for rapid access to commonly used components.
- ✓ Helpful prompts on screen as you work.
- ✓ Pad, track & IC sizes fully customisable.
- ✓ No charges for technical support.
- ✓ Snap-to grid sizes 0.1", 0.05" 0.025" and unrestricted.
- ✓ SMT pads and other pad shapes.
- ✓ Prints at the resolution of your printer - much higher than the screen shot shown here.

Internet
A working demo is available via anonymous FTP from
[ftp.demon.co.uk](ftp://ftp.demon.co.uk/pub/ibmpc/windows/pcbdemo/pcbdemo.zip) as /pub/ibmpc/windows/pcbdemo/pcbdemo.zip
e-mail enquiries can be addressed to orders@niche.demon.co.uk

Niche Software (UK)

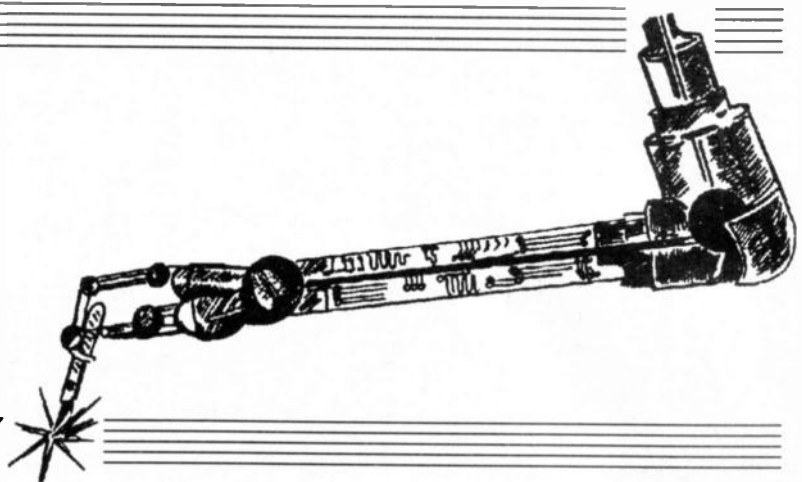
2 Tavistock Drive, Belmont, Hereford, HR2 7XN

Phone (01432) 355 414



CIRCUIT SURGERY

ALAN WINSTANLEY



Our regular round-up of readers' comments and questions this month includes sources of chip data for constructors, extra refinements for the LM3914 bargraph circuit, together with news for Theremin enthusiasts, too!

Data Sources

FIRST this month, a question related to the "hows and whys" of pinouts and applications data for integrated circuits. Mr. J. McCallion, Bellaghy, Co. Derry, Northern Ireland asks:

Where is it possible to find information on i.c. pin connections and the uses of integrated circuits themselves? For example, the range of LA, LM, MC, TDA prefixes that are commonly found on chips these days?

I often wonder how manufacturers can build electronic equipment without having this information at hand! So how do they know which chip to use where, and how it functions?

It's a good question – where do circuit designers start, and what sources of information do they refer to? All chip manufacturers produce a series of Data Books and Data Sheets for their products. Remember that the chip makers want to sell chips, and so it's in their interests to make life as easy as possible for their customers – OEMs (original equipment manufacturers), distributors and engineers.

Data Books are printed by the manufacturers and sometimes freely given away to their industrial users, and they contain all the pinouts for all their chips, together with "application notes" and circuit examples to encourage the use of their products. Many designers use these examples as starting points for developing their own circuits. After all, why re-invent the wheel?

At hobbyist level, it's often harder to get the detailed information and sometimes you need to be a bit more resourceful. Our own magazine projects do contain all the connection information needed to enable the project to be assembled successfully, though the designer will probably have used the relevant Data Sheet or Book for guidance. You will find a variety of Data Books listed in the new Maplin catalogue, for example, though it is noted with much sadness that logic chip pinout diagrams have been removed from their latest edition.

Additionally, suppliers such as Electromall, the cash-with-order arm of

RS Components Ltd., (☎ 01536 204555) produce their own comprehensive Data Sheets written in-house, and Farnell in Leeds (catalogue available to bona fide account holders only – ☎ 01132 636311) have a wide range of manufacturers' books for sale too. I retain a growing list of bulky data books (the record held by International Rectifier's 1,674 page tome on Hexfets!). I confess that I will probably only use a fraction of the material they contain but they're indispensable when researching the background behind certain technologies or applications.

A variety of complete "I.C. Reference Works" is available if you want to stock up your shelves (e.g. Maplin have a range of semiconductor data books) but they can cost hundreds of pounds. I noted too that Maplin stock the National Semiconductor Data Books, a range of data and applications which I wholeheartedly recommend as a starting point to anyone wanting to build up a library. The prices quoted seem to be extremely good value. If you can afford it, they also list a CD-ROM covering 240,000 semiconductor components, yours for just £2,345!

The book *Newnes Electronics Toolkit* by Geoff Phillips (ISBN 0-7506-0929-X) includes about a dozen pages of semiconductor i.c. and transistor prefix listings, so if you only know the device name (e.g. LM324), the listing will enable you to cross-refer the prefix to the manufacturer which is in this case, National Semiconductor. Also, the *Newnes Electronic Engineer's Pocket Book* by Keith Brindley (ISBN 0-7506-0937-0) shows 74 TTL and 4000 CMOS logic chip pinouts, and has a whole host of other useful data as well.

Bargraph Tune-Up

A regular *Circuit Surgery* reader and an amazing *Ingenuity Unlimited* contributor, my thanks once again to the Rev. Thomas Scarborough, Cape Town, South Africa who added a few comments about my simple Windicator Wind Speed Indicator design (*EPE* July 1995), a design which shows the prevailing wind speed on a 10 i.e.d. bargraph display. Thomas says:

"Cape Town having been named the 'Cape of Storms' by a Spanish mariner, the light-emitting diodes at the top end of your Windicator scale would have a short

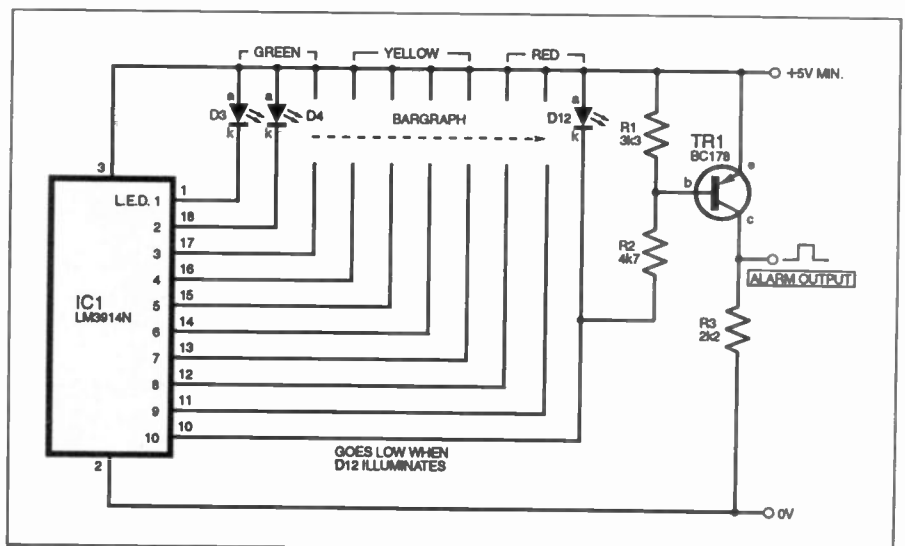


Fig. 1. Using the LM3914N bargraph driver and a single transistor to produce an alarm output.

World Wide Web! All URL's shown were believed correct at the time of writing. If you know of any further interesting Internet sites, please Email me and I'll share them with the readership.

Newsthreads

My final Internet news is for those who have just joined the Internet and have an interest in electronics. A major news group always with lots going on, is *sci.electronics* which has a wide variety of newsthreads at any one time. Although mainly American, there are a number of European contributors (after all, we can't let the US have it all its own way, can we <grin>?) too, and

you can learn the "rules" of the group (netiquette) by looking at the Web site <http://www.paranoia.com/~flipg>.

Have a good look at the pages of *Sci.Electronics.FAQ* (Frequently Asked Questions) beforehand and this will help ensure that your foray into *sci.electronics* will be a happy one! It's generally a friendly and "professional" news group, by UseNet standards anyway. You will be amazed at how help can pop up from anywhere in the world, sometimes a lot faster than you think possible!

This column depends on *your* input. If you have any topical comments or questions on electronics which you think would be of interest to readers – or maybe something to say about *EPE*

constructional projects – please write to: Alan Winstanley, *Circuit Surgery*, Wimborne Publishing Ltd., Allen House, East Borough, Wimborne, Dorset, BH21 1PF, United Kingdom or Email to alan@epemag.demon.co.uk.

We cannot answer questions concerning the repair or modification of commercial equipment; an individual answer cannot be guaranteed but we will try our best to offer help.

Next Month – *Ingenuity Unlimited*, a round-up of readers' bright ideas. In the next *Circuit Surgery* – a look at random pulse generation using digital methods, controlling mains loads using low voltages, and hopefully more!

Ohm Sweet Ohm

Max Fidling

As the end of the year approaches, the Boss (my wife and social secretary) reminds me that several family birthday celebrations are looming round the corner. This always causes me a certain degree of alarm, since I know that instead of being allowed to potter in my workshop I'm going to be spending the next few Sunday afternoons acting as a reluctant host, sometimes surrounded by a dozen little terrors, slurping orange juice and scoffing jelly, and then being somewhat ill! (Not me, the terrors, I mean.)

In fact after spending most of the year in peace (notwithstanding the odd electronic mishap) several such birthday parties suddenly arrive at once, a bit like London buses. So this year I decided that I would mix my favourite hobby with the obligations of my social calendar.

Just for once, I intended to enliven the party atmosphere in a memorable way, I thought to myself ... I retired to the workshop and started to sift through my yellowing magazines, ever in search of something electronic to do.

Enlightening Technology

"Make Your Party Swing with our Sound-to-Light Display" – this fanfare screamed at me from the front cover of one ancient issue! Just the ticket! Glancing through the design, I couldn't see anything particularly tricky lurking amongst the circuitry and I quickly decided that this was the way ahead. My problem was that I still had an old radiogram, which formed the centre of entertainment for our modest musical evenings. Not for me the dazzling discs of a CD player, I preferred the mellow tones of good old vinyl whirring around on my record player any day!

So occasionally we dusted down the radiogram and enjoyed some long-playing records, although some of its controls were getting a bit temperamental with age. I sometimes had to give the volume control a squirt of Electrolube to coax it into operation, but for twenty five years old, it soldiered on magnificently. Quite how it would cope with a kilowatt of lighting tacked on to it was anybody's guess, though.



The next morning, the Boss informed that invitations had gone out to several neighbours to attend a weekend party here at *Chez Fidling* – and I *would* be there! I knew that whenever the Boss spoke in bold type, she meant business! So clearly my *son-et-lumière* would have to be up and running by then.

Undeterred, I wandered over to the workshop to carry on with the construction of the sound-to-light show, confidently predicting it would be ready in time. Both myself and Piddles, my canny cattie, exited workshop-wards.

Mettle Testing

The design was pretty straightforward – it has to be, in my case, since mains projects always test my mettle especially at "switch on" and so I follow the magazine articles to the letter. I always look at the wiring diagrams closely and tick off the wires one at a time as I merrily solder them into place. Production of this mesmerising modulator was temporarily delayed until some triacs dropped onto the door mat the following day, but meantime I assembled the light show in accordance with the instructions. The unit was a three-channel affair, with low, medium and high-pass filters, each driving a set of mains bulbs which would hopefully strut their stuff when the time came.

Dazzling Dozen

The triacs were finally fitted with a generous squirt of heatsink compound. The light bulbs had been constructed in a simple wooden box in which I sloshed some

white emulsion to brighten it up for effect. Piddles managed to tread on the upturned lid of the paint tin, and left a few white paw prints on the workshop bench.

The light bulbs – all twelve of them – were duly fitted and I hooked everything up in the workshop to check that it was OK. I gingerly tested the circuitry against my modest home-made signal generator, and selecting various frequencies confirmed that the sound-to-light unit worked in principle at least. Piddles followed me back as I lumbered the freshly-made gadget into the house. I shuffled past the kitchen where the Boss was baking, and made a beeline for the drawing room.

Fawked Lightning

Hooking the sound to light unit up to the oversize radiogram, the big moment ultimately arrived. Dusting down one of my long-playing records, the turntable was spinning perilously as I lowered the stylus gingerly onto my beloved vinyl.

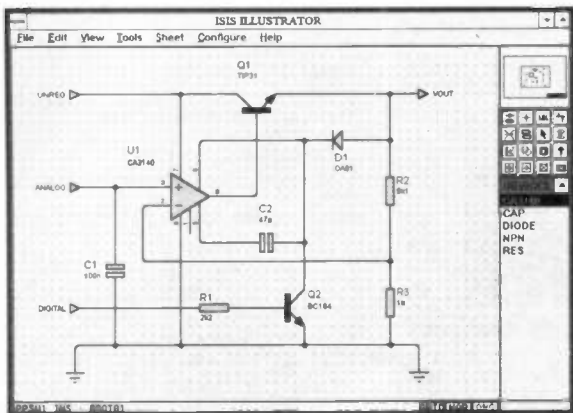
Nothing was heard whatsoever... I wiggled the volume control knob a few times and suddenly an ear-shattering rendition of Max Bygrave's *I'm a Pink Toothbrush* blasted out of the radiogram at somewhat in excess of the threshold of pain!

This accompanied with a blinding display of 1,200 watts of lighting lit up the room like a re-enactment of the Gunpowder Plot!

Piddles scooted out of the room, leaving me to "face the music" with the Boss, who had been baking a birthday cake in the kitchen next door and entered the drawing room armed with the rolling pin.

CADPAK for Windows

CADPAK is especially suited to educational, hobby and small scale schematic and PCB design. CADPAK includes both schematic drawing and 32-bit PCB drafting tools but as an entry level product, there is no netlist link between them.



The schematic drawing module of CADPAK, ISIS ILLUSTRATOR, enables you to create circuit diagrams like the ones in the magazines.

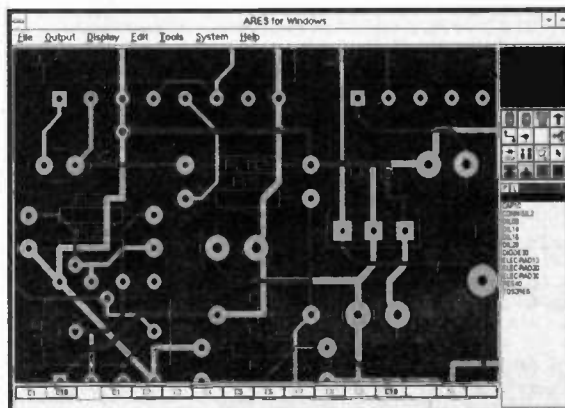
- Runs under Windows 3.1 making full use of Windows features such as on-line help.
- Full control of appearance including line widths, fill styles, fonts, colours.
- Automatic wire routing & dot placement.
- Fully automatic annotator.
- Complete with device and comprehensive package libraries for both through hole and SMT parts.
- Advanced route editing allows deletion or modification of any section of track.
- Gerber, Excellon and DXF outputs as well as output via Windows drivers. Also includes Gerber viewer.
- Exports diagrams to other applications via the clipboard.
- CADPAK is also available for DOS.

CADPAK FOR WINDOWS £ 149

CADPAK FOR DOS £ 79

PROPAK for Windows

PROPAK has all of the features in CADPAK plus netlist based integration, automatic power plane generation and a powerful auto-router. PROPAK includes enough schematic capture and PCB design functionality for all but the most demanding applications.



PROPAK's schematic drawing editor ISIS ILLUSTRATOR+ includes even more features than ISIS ILLUSTRATOR. PROPAK's 32-bit PCB design tool, ARES for Windows, is our most powerful and easy to use yet.

- Multi-sheet and hierarchical designs.
- Netlist link between modules guarantees consistency between schematic and PCB.
- Netlists are also compatible with SPICE-AGE and most other electronics CAD packages.
- Generates a full bill of materials.
- ASCII data import facility.
- Electrical rules and connectivity checkers.
- Ratsnest display with automatic update during placement and routing.
- Multi-strategy autorouter gives high completion rates.
- Power plane generator creates ground planes with ease.
- PROPAK is also available for DOS.

PROPAK FOR WINDOWS £ 495

PROPAK FOR DOS £ 395

Call or fax us today for a demo pack. Please state whether you would like a DOS or Windows pack.

Prices exclude postage (£5 for UK) and VAT. ISIS ILLUSTRATOR and ARES for Windows are also available separately. All manufacturers trademarks acknowledged.

abcenter

E l e c t r o n i c s

53-55 Main St. Grassington, N. Yorks. BD23 5AA

Tel: 01756 753440 Fax: 01756 752857

We can supply back issues of *EPE* by post, most issues from the past five years are available. An index for each year is also available – see order form. Alternatively, indexes are published in the December issue for that year. Where we are unable to provide a back issue a photostat of any *one article* (or *one part of a series*) can be purchased for the same price.

DID YOU MISS THESE?

JUNE '94 Photostats Only (see below)

PROJECTS ● Microcontroller P.I. Treasure Hunter ● Digital Water Meter ● Microprocessor Smart Switch ● Advanced TENS Unit (transcutaneous pain relief) ● L.E.D. Matrix Message Display, Part 2.
FEATURES ● Best of British, Part 3 ● Calculation Corner, Part 6.

JULY '94

PROJECTS ● Voxbox Voice Recording Board ● Simple NiCad Charger ● Watering Wizard (automatic garden watering) ● Pocket Print Timer ● Stereo HiFi Controller, Part 1.
FEATURES ● Best of British, Part 4 ● Calculation Corner, Part 7.

AUG. '94

PROJECTS ● Experimental Noise Cancelling Unit ● Dancing Fountains, Part 1 ● Charged-Up (PC battery tip) ● 6802 Development Board ● TV Camera Update ● Stereo HiFi Controller, Part 2.
FEATURES ● Calculation Corner, Part 8 ● Best of British, Part 5 ● I'll Be Seeing You (multimedia communications)

SEPT. '94

PROJECTS ● Protector Plus Car Alarm ● Greenhouse Watering System ● Experimental Seismograph, Part 1 ● Three-Channel Lamp Controller ● Dancing Fountains, Part 2.
FEATURES ● Calculation Corner, Part 9 ● The Invisible Force (magnetic force).



OCT. '94

PROJECTS ● Digilogue Clock ● Visual/Audio Guitar Tuner ● Hobby Power Supply ● Audio Auxilplexer ● Experimental Seismograph, Part 2.
FEATURES ● Electronics from the Ground Up, Part 1 with FREE PC Software ● Calculation Corner, Part 10.

NOV. '94 Photostats Only (see below)

PROJECTS ● 1000V/500V Insulation Tester ● Video Modules, Part 1 (Simple Fader, Improved Fader, Video Enhancer) ● Active Guitar Tone Control ● Power Controller ● TV Off-er.
FEATURES ● Electronics from the Ground Up, Part 2 ● Consumer Electronics Show.

DEC. '94

PROJECTS ● Spacewriter Wand ● *EPE* Fruit Machine ● Universal Digital Code Lock ● Video Modules, Part 2 (Horizontal Wiper, Vertical Wiper, Audio Mixer) ● Rodent Repeller.
FEATURES ● Electronics from the Ground Up, Part 3 ● Embedded Controllers ● Index for Volume 23.

JAN. '95 Photostats Only (see below)

PROJECTS ● Magnetic Field Detector ● Moving Display Metronome ● Model Railway Track Cleaner ● Beating the Christmas Lights ● *EPE* Fruit Machine, Part 2 ● Video Modules, Part 3 (Dynamic Noise Limiter, System Mains Power Supply).
FEATURES ● Electronics from the Ground Up, Part 4 ● Electromagnetic Compatibility ● Checking Transistors.

FEB. '95

PROJECTS ● 12V 35W PA Amplifier ● Foot-Operated Drill Controller ● The Ultimate Screen Saver ● MIDI Pedal Board ● Model Railway Signals.
FEATURES ● Electronics from the Ground Up, Part 5 ● Transformerless Power Supplies ● Quickroute 3.0 Review.



MARCH '95

PROJECTS ● Multi-Purpose Thermostat ● Name of the Game-1 Counterspell ● Sound Activated Switch ● Audio Amplifier ● Light Beam Communicator.
FEATURES ● Electronics from the Ground Up, Part 6 ● Understanding PIC Microcontrollers ● Visio Graphics Software Review. **FREE** Multi-Project PCB with this issue.

APRIL '95

PROJECTS ● National Lottery Predictor ● Auto-Battery Charger ● Light-Activated Switch ● Switch On/Off Timer ● Continuity Tester ● Name of the Game-2 Counterspin.
FEATURES ● Electronics from the Ground Up, Part 7 ● Circuit Surgery ● The Hard Cell (Mobile Telephones).

MAY '95

PROJECTS ● PIC-DATS-1 (PIC Development and Training System) ● R.F. Signal Generator – 1 ● MIDI Pedal ● Club Vote Totaliser ● Name of the Game-3, On Your Marks and Games Timer.
FEATURES ● Electronics from the Ground Up, Part 8 ● Las Vegas Show Report.

JUNE '95

PROJECTS ● PIC-DATS-2 (PIC controlled 4-Channel Light Chaser) ● *EPE* HiFi Valve Amplifier – 1 ● R.F. Signal Generator – 2 ● AA to PP3 Converter ● Name of the Game – 4, Star-Struck!, Six-Shot Light Zapper, Wander Wands.
FEATURES ● Electronics from the Ground Up, Part 9 ● Smart Cards.

JULY '95

PROJECTS ● Windicator ● Curtain Winder ● Ramp Generator – 1 ● High Voltage Capacitor Reformer ● *EPE* HiFi Valve Amplifier – 2
FEATURES ● Bridge Rectification Enhanced ● Ingenuity Unlimited.

AUG '95

PROJECTS ● Solar Seeker ● Personal Practice Amplifier ● Infra-Red Remote Control Unit ● Versatile Microcontrolled 3-Digit Timer ● Ramp Generator – 2.
FEATURES ● Static ● Circuit Surgery.



SEPT '95

PROJECTS ● Simple Theremin ● Low Range Ohmmeter Adaptor ● Comprehensive Security System ● Vandata ● Hum-Free Battery Eliminator.
FEATURES ● Cave Radio ● Ingenuity Unlimited.

OCT '95

PROJECTS ● Ginormous VU Meter ● Sound Switch ● Audio Sinewave Generator ● Treble Booster ● Infra-Red Controller/Alarm ● Capacitor Check ● Experimenter's Bargraph Test Board.
FEATURES ● Circuit Surgery ● Security Tagging ● Using Bargraph Displays. **FREE** ● Multi-Project PCB with this issue.

NOV '95

PROJECTS ● Digital Delay Line ● Video Enhancer ● 50Hz Field Meter ● Temperature Warning Alarm ● Current Tracer ● Distortion Effects Unit.
FEATURES ● Teach-In '96 Part 1 ● Developments in Radio Broadcasting Technology ● Turnpike for Windows Review ● Ingenuity Unlimited.

BACK ISSUES ONLY £2.50 each inc. UK p&p.

Overseas prices £3.10 each surface mail, £4.10 each airmail.

We can also supply the following issues from earlier years: 1989 (except March, June and Nov), 1990 (except March), 1991 (except May, June, Aug., Sept. and Nov.), 1992 (except April and Dec.), 1993 (except Jan., Feb. and March), 1994 (except April, June and Nov.), 1995 (except Jan.). Please note we are not able to supply copies (or 'stats of articles) of *Practical Electronics* prior to the merger of the two magazines in November 1992.

Where we do not have an issue a photostat of any *one article* or *one part of a series* can be provided at the same price.

ORDER FORM – BACK ISSUES – PHOTOSTATS – INDEXES

- Send back issues dated
- Send photostats of (article title and issue date)
- Send copies of last five years indexes (£2.50 for five inc. p&p – Overseas £3.10 surface, £4.10 airmail)

Name

Address

I enclose cheque/P.O./bank draft to the value of £.....

Please charge my Visa/Mastercard £.....

Card No. Card Expiry Date

Note: Minimum order for credit cards £5. Please supply name and address of cardholder if different from that shown above.

SEND TO: Everyday Practical Electronics, Allen House, East Borough, Wimborne, Dorset BH21 1PF.

Tel: 01202 881749. Fax: 01202 841692. (Due to the high cost we cannot reply to queries or orders by Fax.)

Payments must be in £ sterling – cheque or bank draft drawn on a UK bank.

Normally supplied within seven days of receipt of order.

Send a copy of this form, or order by letter if you do not wish to cut your issue.

M12/95

J & M Components Ltd

Est 1971

CONNECTORS – from 60P PLUGS + SOCKETS

BNC Straight Plugs 50, 75, solder/crimp
 BNC Elbow Plugs 50, 75, solder/crimp
 BNC Parallel Plugs 50, 75, solder/crimp
 BNC Bulkhead Plugs 50, 75, solder/crimp
 BNC Straight Jacks 50, 75, solder/crimp
 BNC Parallel Jacks 50, 75, solder/crimp
 BNC Elbow Jacks 50, 75, solder/crimp
 BNC Moulded PCB sockets and elbow, 50Ω
 BNC Straight Adaptor, Jack to Jack
 BNC Elbow Adaptor, Plug to Jack
 BNC Tee-Adaptors, one plug two adaptors
 BNC Jack to N-Plug
 BNC to UHF
 BNC to SMB
 BNC to TNC
 Circuit Boxes
 Y-Plug, crimp 50Ω
 Y-Elbow, crimp, 50Ω
 Standard Cable Assemblers, plug to plug
 Strain Relief Sleeves
 Crimping tools

N-TYPE

Straight Plugs, Sockets
 Elbow Plugs
 Straight Jacks
 Bulkhead Sockets
 Bulkhead Jacks
 Panel Sockets
 Tee-Adaptor one plug, two
 jacks
 Tee-Adaptors, 3 jacks

Large range of optic
 connectors
 A few termination kits

A Range of 7/6 connectors
 on request.

DIL Switches, 1 to
 10-way, 50p each
 I.C. Sockets, SMD
 + G.P.A. from
 £1.00 each
 7-Seg. Displays
 from 40p each
 Fans (4") 12V, 24V,
 48V, 110V, 240V,
 £2.00

D.C. to D.C.
 Power Source,
 12V-12V, 15V-5V,
 12V-12V-5V,
 from £20 to £50

A large range of SMA SMB SMC

Plugs
 Elbows
 Parallel Plugs
 Bulkhead Plugs
 Jacks + Elbow + Parallel

Sockets
 Parallel Launcher
 PCB Mount Sockets
 Jack to Jack
 Jack to Plug

RELAYS

Potter Bromfield T70450
 10A 28V D.C. TVS
 10A 120V £1.10

Takamisawa 5V D.C.
 ½HP 120-240V A.C.
 10A 24V DC 240V A.C.
 £1.00

Hellerman
 HDS5 SF3K21
 £10.00

Elec-Trol
 RA31232121 90p
 Omron 95V-2-H £1.10

MATHS

CO-PROCESSOR
 INTEL 287 VLT £20.00
 387 DX16 £20.00

HD6473238F6 SMD
 £8.00

Small Range Fibre Optic
 Connectors
 Fibre Optic Cable
 Assemblers
 A few termination kits,
 Kits . . . £350 each

LCD + FIP

Phillips LPH 5367-1.....£8.00
 NEC FIP 20X1LB.....£9.00
 Phillips LPH 1548-1.....£8.50
 NEC FIP 12AB.....£9.00
 NEC FIP 16B13R.....£9.00
 Hitachi LMO 41L.....£10.00
 Hitachi LM 300XM.....£20.00
 Hitachi LM 215XB.....£30.00
 Hitachi LM 087LN.....£8.00
 Hitachi LM 032LN.....£8.00
 Hitachi HZ 535.....£8.00
 Hitachi FM 40X6AA-A.....£40.00
 Hitachi FC 20X1RA AB.....£10.00
 Hitachi LMC 571-31A.....£9.00
 Hitachi H2218.....£1.00

D-TYPE CONNECTORS (2.5p per pin)

Straight-PCB Mounted; Right Angle; Solder Bucket;
 9-way to 50-way; D-Connector Shell's

Hands Free Miniature Mics., 11ft lead, £1.50

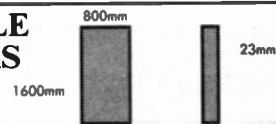
Miniature Rotary Switches, £5.00each.

LITHIUM BATTERIES 3V

CL2354 23mm x 6mm, 50p;
 CL2032 20mm x 3mm, 50p



LEATHER MOBILE PHONE HOLDERS



£1.00

BATTERIES RC NiCad – X Equipment but unused 80p each



Post Office Type 43 Leads
 Post Office Type 43 Connectors
 Car Phone Connectors
 RJ 45 Socket Plugs
 Multi-pole Connectors
 Centronics IEEE 489 Style
 DIN Connectors
 Large Range IC Sockets, 1p per way



42mm x
 22mm
 1.2mAH
 1.25V
 £1.20

Power Supplys A.C. to D.C. Convertors

Farnell F12/5 200-240V 12V 5A £80.00
 Thurlby PL310K 0-30V 1A 0-30 ½A; 5V 3-5A £200.00
 Advance Bench PSU Switching 3-5 9-15, 17-23,
 110-220 £200.00

Twin Axial Connectors, Plugs, Sockets, Tee

From £4.00

SMA Test Leads, SMB Test Leads

From £4.50

BNC Leads

From £3.00

Mains Filters

with on/off switch, Bellinglee

£7.00 each

Mains Input Filter's

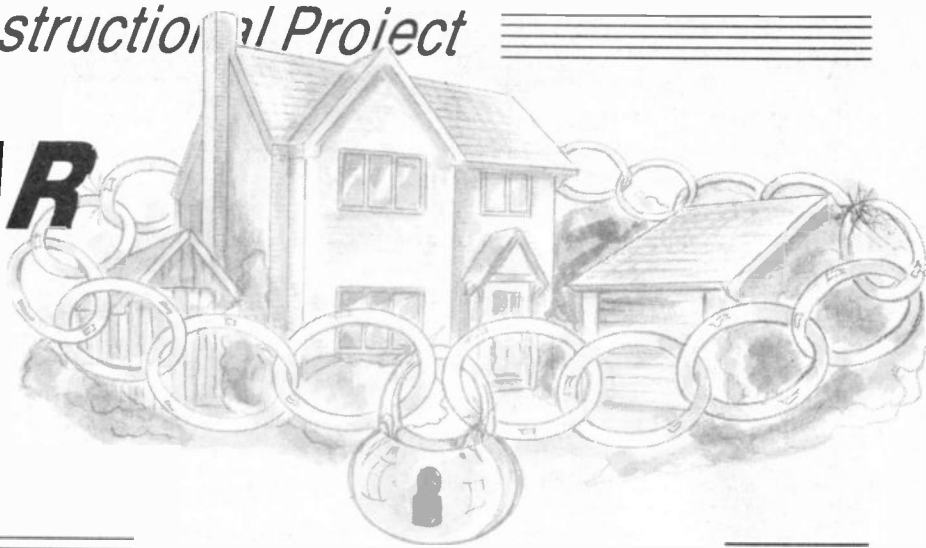
£5.00

Minimum Orders £10.00 – P&P £3.00 all prices exclude VAT

Mail orders to: Unit 5b Benbridge Industrial Estate, Heybridge, Maldon, Essex CM9 7XP

Tel: (01621) 892701 Fax: (01621) 891414

MODULAR ALARM SYSTEM



MAX HORSEY PCB DESIGN BY **HUGO URE**

Intruders beware, modular monitoring can detect every move! Illustrates how Teach-In Part Two might be applied.

THIS project is based on the information provided in *Teach-In Part 2* and shows how modules may be selected and combined to produce a working alarm system which may be installed in a house, garage, shed, etc.

Throughout this article, figure numbers of this style Fig. 2.1, Fig. 2.2, Fig. 2.3, etc, refer to drawings having the same number in *Teach-In Part 2*. Other figure numbers, e.g. Fig. 1, Fig. 2, etc., refer to drawings in this article.

DESIGNER SPECS

Before beginning the design of a modular project such as this alarm, it is necessary to define the specification. In this application there are 12 primary objectives:

1. The alarm will be controlled by means of a keyswitch
2. There will be an exit delay
3. There will be an entry delay (set by the user) with entry warning beeper
4. A siren will be activated if the alarm is triggered
5. The siren will stop after a preset time (set by the user)
6. Battery backup and trickle charging will be included
7. Sensor quantity will be unlimited, with separate inputs for different sensor functions
8. Sensors may be normally-open or normally-closed, or a mixture of both
9. Sensor inputs will be timed or instantaneous, or a mixture of both
10. The siren box will contain a circuit which activates the siren if the wires are cut or if the alarm system main power supply is disabled
11. The circuit will not indicate which sensor caused the alarm to trigger
12. The system will be designed for a 12V main power supply

Note that the number of sensors is unlimited: normally-closed types are connected in series, and normally-open in parallel, as shown in Fig. 2.1 and Fig. 2.2.

SYSTEM REQUIREMENTS

It is important with any circuit, but especially so in this case, to list the requirements of the system in detail. The list above indicates three main input switching requirements, Set switch, Timed switches, and Instant switches. Their separate functions are:

The Set switch will be a keyswitch with contacts which are open when the alarm is off, and closed when the alarm is set. The Set switch will also silence the alarm once triggered.

Timed switches include sensors which are likely to be activated as the user leaves or enters the house. The alarm circuit must allow sufficient time for the user to exit

or enter after having set the alarm. The timed switches may be normally-open (e.g. under-carpet pressure mats) or normally-closed (e.g. a reed switch and magnet for the front door).

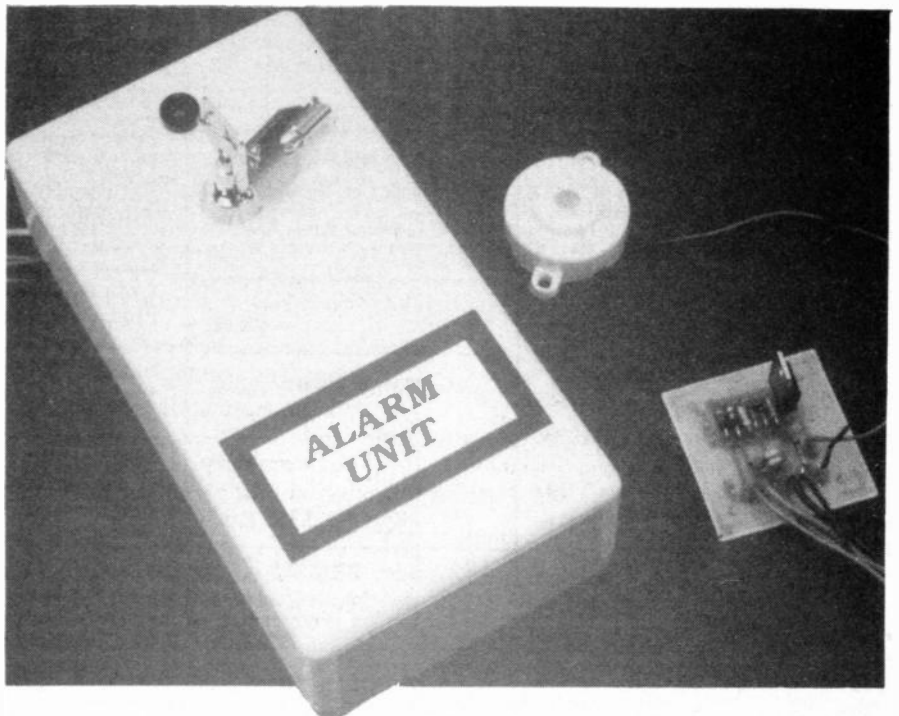
Most of the alarm sensors should be wired to the instant inputs of the alarm circuit. Once triggered, the alarm will immediately sound. For example, a P.I.R. (Passive Infra-Red) sensor in the lounge will trigger the siren immediately an intruder enters through a window.

These switches may also be normally-open (e.g. another pressure mat) or normally-closed (e.g. P.I.R.). The range of sensors and switches available is discussed in *Teach-In Part 2*.

ALARM SEQUENCE

An alarm system must follow a sequence of events rather like a computer program. This alarm system's sequence will be as follows:

1. SET SWITCH OFF: siren off, batteries in alarm circuit and siren module trickle charged



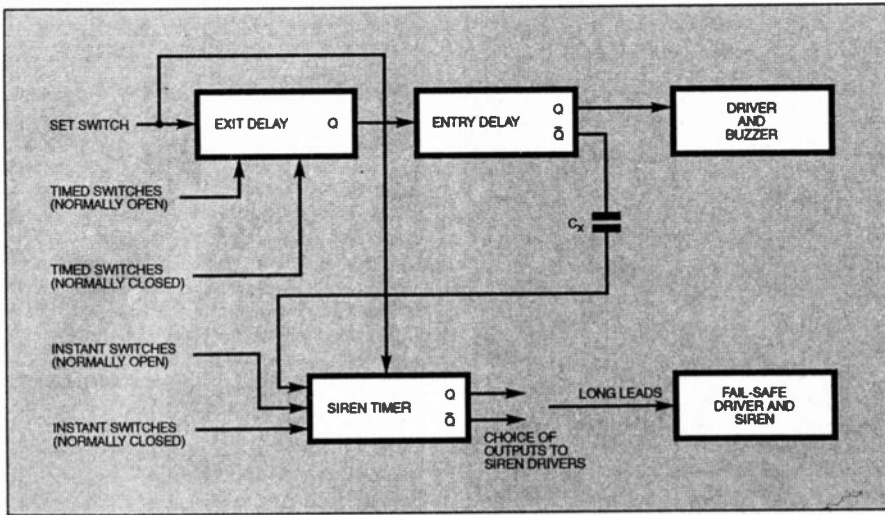


Fig. 1. Block diagram for the Modular Alarm System.

2. SET SWITCH ON: timed inputs inactive, instant inputs active
3. DELAY PERIOD ENDS: all inputs active
- 4a. TIMED INPUT TRIGGERED: small buzzer sounds for a period set by user before siren is triggered, or
- 4b. INSTANT INPUT TRIGGERED: siren is triggered
- 5a. SIREN ON: sounds for a period set by user, or
- 5b. SET SWITCH OFF: all timers reset, all inputs are made inactive
6. SIREN CABLE CUT: siren sounds until its backup battery is discharged

BLOCK DIAGRAM

The block diagram shown in Fig. 1 provides a visual interpretation of the above requirements and begins to indicate the types of module required. Note that the letter "Q" indicates an output which is active-high i.e. at logic 1 (positive) when triggered, and "NOT Q" (a Q with a line above it, sometimes typed Q') is the opposite of "Q" (i.e. at logic 0 when Q is at logic 1).

INPUT SENSORS

All sensors used in alarm systems can be treated as switches. The choices were discussed earlier and the circuit must be designed to cope with all possibilities. Note how the timed inputs are via the exit and entry delay modules, but the instant inputs are connected directly to the siren timer.

TIMER CIRCUITS

There are three timer modules: Exit Delay, Entry Delay and Siren Timer. *Teach-In* Part 2 described three choices of delay for each module: a simple capacitive delay, a 555 monostable and a CMOS gate monostable.

The 555 can be rejected for this application on the grounds that exact timed periods are not required. However, another designer may take the 555 option and design an excellent system – it is often a matter of personal preference. There are other options, of course, but only those outlined in *Teach-In* Part 2 are being considered here.

Starting with the Siren Timer, a direct copy of the monostable shown in Fig. 2.8 can be used, the Output (IC1b pin 4) becoming "Q" in Fig. 1. The "NOT Q" can be taken from IC1a pin 3, or if a spare gate is available it could be used to invert the output from IC1b pin 4.

The Entry Delay can also be a copy of Fig. 2.8. Its normal output can drive a buzzer via a suitable current amplifying stage, and the inverted output used to trigger the Siren Timer.

However, there is a problem, since "NOT Q" is always high unless the Entry Delay has been triggered. This would "jam" the Siren Timer (which has only a single input) and prevent the "instant switches" from working.

A positive pulse from the Entry Delay module is needed at the end of its timed period rather than a continuous logic 1. The solution is provided in the form of the a.c. coupling circuit of Fig. 2.5, just using capacitor C1 and resistor R2. Capacitor Cx in the block diagram, Fig. 1, represents the use of this principle.

EXIT DELAY

The Exit Delay has to prevent the timed switches from triggering the Entry Delay Module during the exit period. This could be based on the monostable of Fig. 2.8 but there are several complications which would require more gates to solve. A more simple approach is to use the capacitive delay circuit shown in Fig. 2.3.

Output current available from this module is very small since it is important not to discharge the capacitor prematurely. An enhanced version of this module is shown in Fig. 2.

Note that the original resistor R1 has been split into two, R5 in series with R7, with a diode, D1, bypassing the latter. If the input goes high, current will flow via R5 and D1 to rapidly charge capacitor C6. If the input goes low, current will flow from C6 through both resistors in series.

The relative values of the resistors, 4k7 and 1M respectively, have been chosen so that C6 will be discharged much more slowly than it was charged. The NOR gate, IC1a, is used to buffer and invert the

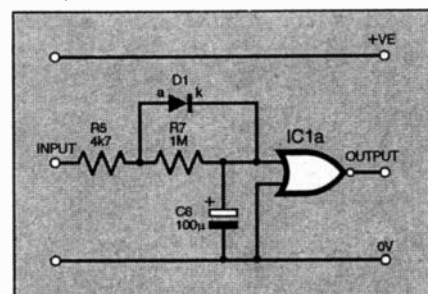


Fig. 2. Buffered capacitive delay circuit.

output pulse level from C6. The net result is as follows:

- Input low: Output high
- Input goes high: Output goes low
- Input goes low: Output goes high after a delay

Notice that the second input of IC1a is shown held at logic 0. In the final circuit this input will be connected to the Timed Switches module.

The value of 1M for resistor R7 is the highest which will give reliable results in the final circuit. The 4k7 value of R5 is chosen so that the input may be driven from the output of another CMOS logic gate, without affecting the logic level at that output. A lower value resistor might allow sufficient current to flow to disrupt this level.

BUZZER MODULE

The current available from a CMOS 4000 series gate is too small to operate a buzzer without affecting the logic level at that output. Hence a single transistor output module is employed, a slight variant (diode omitted) of the circuit shown in Fig. 1.13a.

GATE COUNT

At this stage it is worth making a rough sketch of the circuit, or at least listing the gates required. The Siren Timer module and Entry module will require a total of four NOR gates. At least one more gate is required, for the Exit Delay necessitating another i.c. Hence a total of eight NOR gates become available and the final circuit is based around this total.

FINAL CIRCUIT DIAGRAM

As with all circuit diagrams, the final circuit diagram design, as shown in Fig. 3, appears to be more complicated than its block diagram and basic module stages, particularly with the addition of numerous capacitors!

In fact, capacitors C1 to C5 all do a similar job, suppressing any voltage spikes which may cause a false alarm. Since all the input switches and sensors may be connected via long leads, electrical noise could otherwise be a problem.

The basic breakdown of the circuit timing modules is shown in Table 1. The purpose of other components will be described individually.

INPUT SWITCHES

The "inputs" are all shown as switches within a dotted box. Within each box as many switches as required may be used, the details in Table 2 indicating whether they should be wired in parallel or in series (Fig. 2.1 and Fig. 2.2, respectively).

If the use of a particular input is not required then either of the Normally-Open inputs (from S1 or S3) may be left open circuit (i.e. not connected). However, a Normally-Closed input (from S2 or S4) which is not required must be shorted to 0V by a wire link.

FUNCTIONAL DESCRIPTION

The main alarm setting keyswitch is S5. When S5 is open, the alarm circuit is turned off (although it remains powered). This is so because resistor R4 pulls pins 1 and 2 of IC2a down to logic 0, hence output pin 3 is set to logic 1. This logic level resets both monostables (IC1d/c and IC2d/b) via

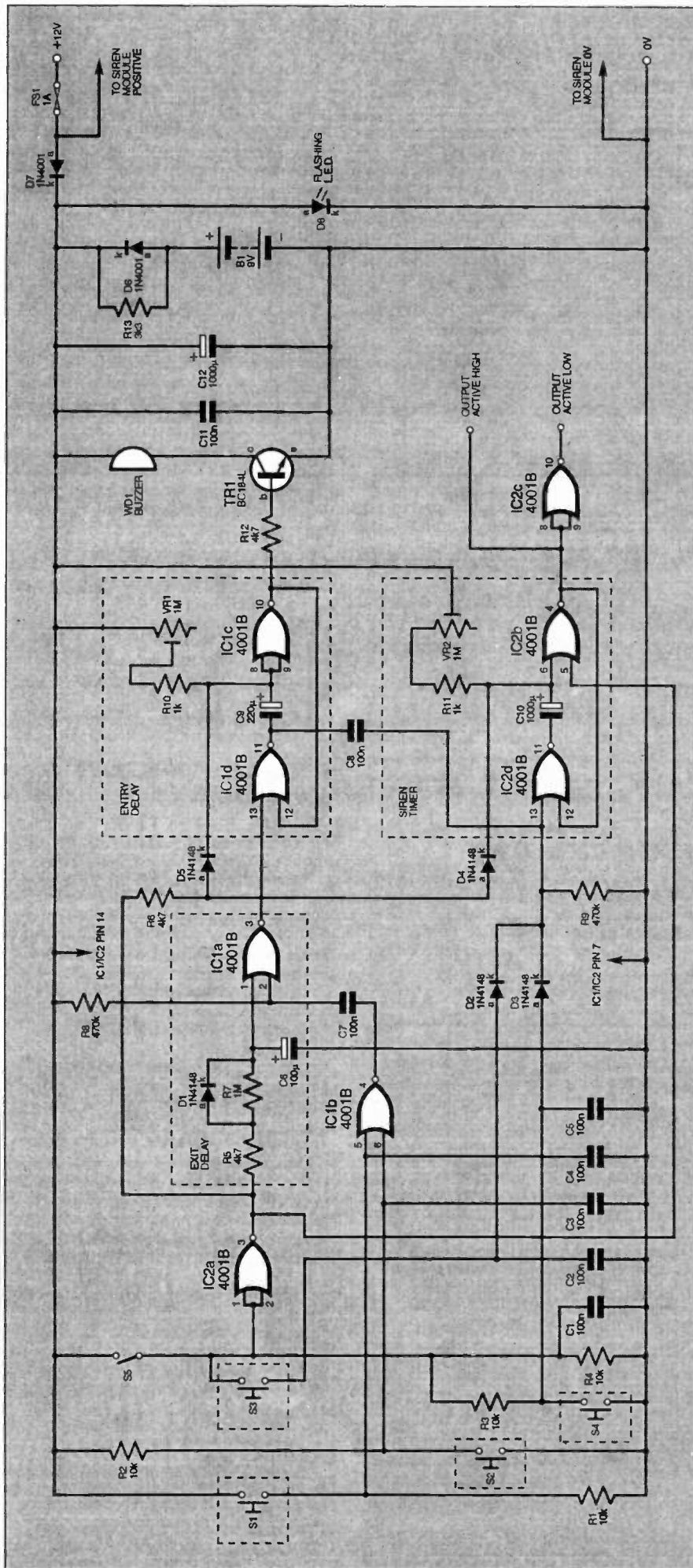


Fig. 3. Circuit diagram for the Alarm Controller.

resistor R6 and diodes D4 and D5, so the alarm will be reset even if caught in the middle of an operation!

Resistor R6 is necessary to prevent an excessive drain of current from IC2a pin 3, which would upset its logic level. Diodes D4 and D5 prevent the two monostables affecting each other.

To ensure that the siren cannot sound even for an instant when switch S5 is opened, IC2a pin 3 is also connected to IC2b pin 5. A logic 1 at pin 5 will ensure that the IC2b output pin 4 will be low.

Switches S1 and S2 are subject to the exit and entry delays. When S5 is open (alarm off) IC2a pin 3 is positive and hence both monostables are disabled via diodes D4 and D5.

Switches S3 and S4 are the instantaneous switches and are not subject to entry or exit delays. However, with keyswitch S5 open, both S3 and S4 are ineffectual, being without a positive power supply from which to trigger the Siren Timer monostable around IC2d and IC2b.

SETTING THE ALARM

When keyswitch S5 is closed, switches S3 and S4 are enabled. Closing S3 or opening S4 will send a logic 1 via diodes D2 or D3 into IC2d input pin 13 of the Siren Timer.

These diodes are used to form an OR gate so that either S3 (and other switches in parallel with it), or S4 (and other switches in series with it) will instantly trigger the Siren Timer, setting IC2b pin 4 high. This output can be used directly to trigger a siren module which requires an active-high output.

NOR gate IC2c is used as an inverter so that whenever IC2b pin 4 is high, IC2c pin 10 is low. The latter output is suitable for driving siren modules requiring an active-low output.

Switches S1 and S2 (subject to exit and entry delay) are treated differently by the circuit. With keyswitch S5 turned off, IC2a pin 3 is high and so capacitor C6 remains fully charged. This holds IC1a pin 1 high making the logic level at IC1a pin 2 irrelevant. Hence the actions of S1 and S2 have no effect.

AFTER THE EXIT DELAY

Once the exit delay period has ended, the charge on capacitor C6 will leak away via resistors R7 and R5 into IC2a output pin 3, which is now low because its inputs, pins 1 and 2, are high. Eventually, the charge will drop below the threshold voltage for IC1a pin 1 and will be registered as a logic 0.

The NOR gate truth table, Table 2.1, shows that if both inputs are low the output is high. However, at present IC1b pins 5 and 6 are both low, making output pin 4 high. Resistor R8 will in turn hold IC1a pin 2 high, holding IC1a output pin 3 low.

If switch S1 is closed or S2 is opened, then IC1b pin 5 or pin 6 will go high causing IC1b pin 4 to switch to low. This change of voltage will be transferred via capacitor C7 to IC1a pin 2.

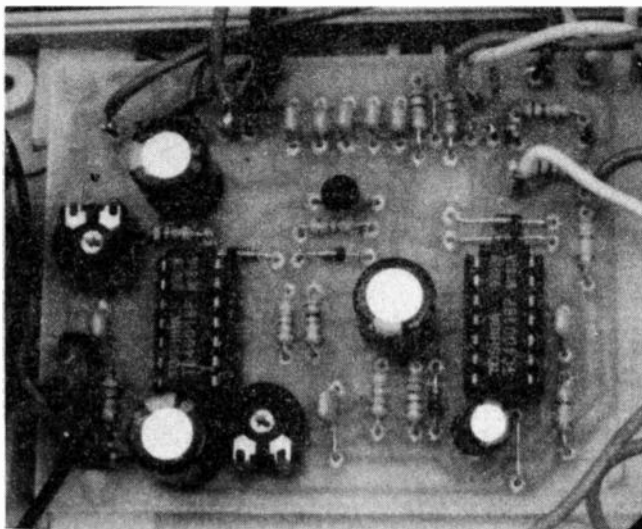
The reason for modifying the signal from IC1b pin 4 to a pulse, rather than keeping a direct connection, is in case switches S1 or S2 remain active during an unauthorised intrusion and hence prevent IC1a pin 3 from returning to 0V. This in turn would prevent IC1d pin 11 from returning to positive at the end of the entry delay, consequently the alarm would not be triggered.

Table 1. Basic breakdown of the Timing Modules.

Module	Components	Module based on
Exit Delay	IC1a plus R5, R7, D1, C6	Fig. 2.3/Fig. 2
Entry Delay	IC1d/c plus C9, R10, VR1	Fig. 2.8
Siren Timer	IC2d/b plus C10, R11, VR2	Fig. 2.8

Table 2. Input Switch Functions.

Function	Condition	Switch	Wiring
Timed	Normally Open	S1	Parallel
Timed	Normally Closed	S2	Series
Instant	Normally Open	S3	Parallel
Instant	Normally Closed	S4	Series



COMPONENTS

MAIN ALARM CIRCUIT

Resistors

R1 to R4 10k (4 off)
 R5, R6, R12 4k7 (3 off)
 R7 1M
 R8, R9 470k (2 off)
 R10, R11 1k (2 off)
 R13 3k3
 All 0.25W 5% carbon film or better

See
**SHOP
 TALK**
 Page

Potentiometers

VR1, VR2 1M min. preset horiz. (2 off)

Capacitors

C1 to C5, C7, C8, C11 100n min. ceramic (8 off)
 C6 100µ elect. radial, 16V
 C9 220µ elect. radial, 16V
 C10, C12 1000µ elect. radial, 16V (2 off)

Semiconductors

D1 to D5 1N4148 signal diode (5 off)
 D6, D7 1N4001 rectifier diode (2 off)
 D8 I.e.d., flashing (see text)
 TR1 BC184L npn transistor
 IC1, IC2 4001B quad 2-input NOR gate (2 off)

Miscellaneous

S1 to S4 alarm switches – see text
 S5 s.p.s.t. keyswitch
 WD1 solid state buzzer
 Printed circuit board, available from the EPE PCB Service, code 967a; PP3 9V Nicad battery and clip; dual-tone plastic case 150mm x 79mm x 49mm; terminal pins; 1A fuse and fuseholder (see text); terminal block (see text); connecting wire and cables; solder, etc.

Approx cost
 guidance only

£19

ENTRY DELAY

The output pulse from IC1a pin 3 is fed to IC1d pin 13, which is the input of the Entry Delay monostable. When the monostable is triggered, IC1c pin 10 will go high activating the buzzer via transistor TR1. Simultaneously, IC1d pin 11 will go low. After a time set by potentiometer VR1, the monostable will return to its normal state and IC1d pin 11 go high. This causes a positive pulse to travel via

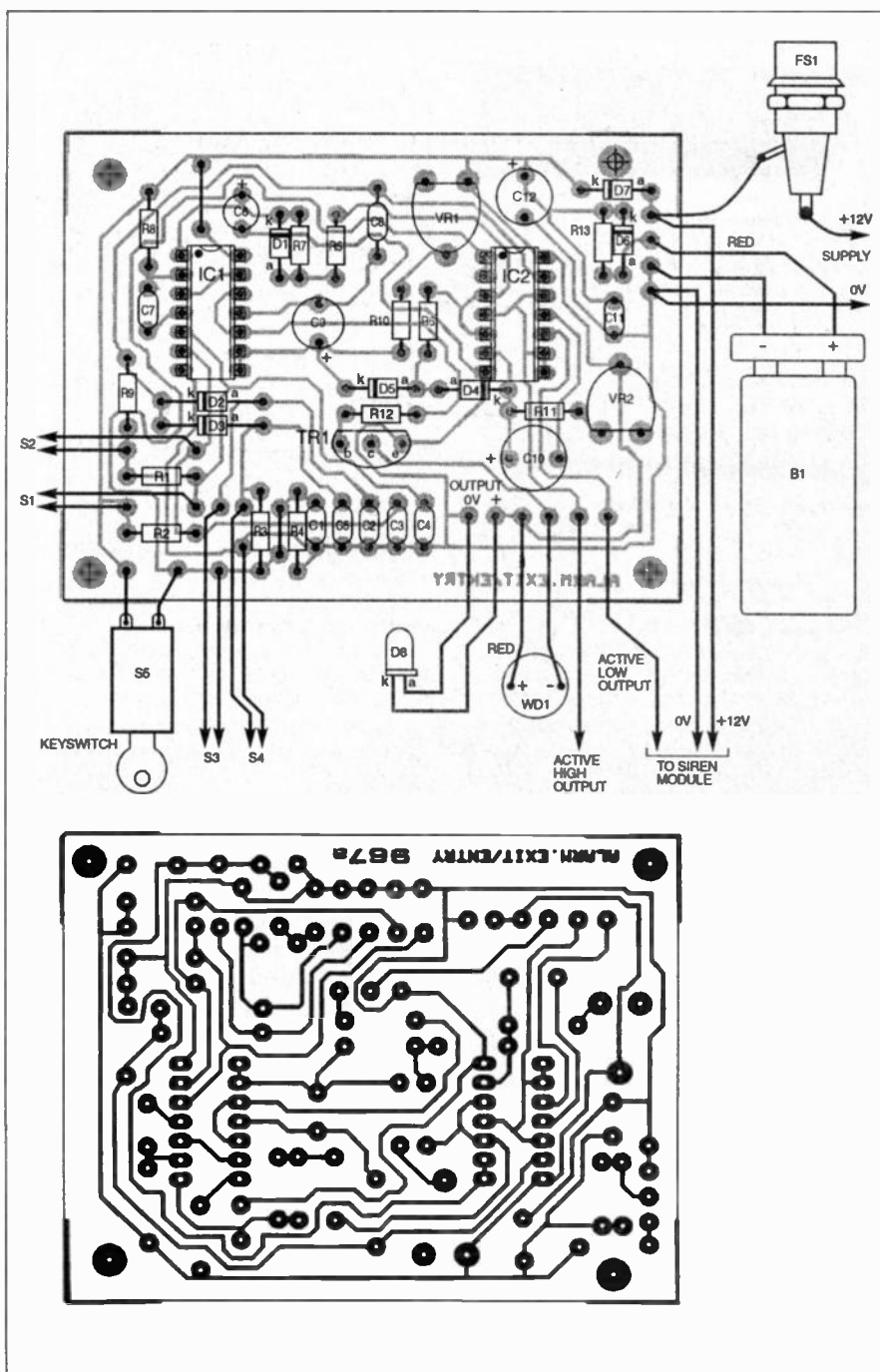


Fig. 4. Printed circuit board component layout and full size underside copper foil track master pattern for the main alarm circuit.

COMPONENTS

SIREN MODULE

Resistors

R1 27k
R2 3k3
All 0.25W 5% carbon film or better.

See
**SHOP
TALK**
Page

Capacitors

C1, C2 100n min. ceramic (2 off)

Semiconductors

D1, D4 1N4001 rectifier diode (2 off)
D2, D3 1N4148 signal diode (3 off)
TR1 TIP127 pnp Darlington driver (see text)

Miscellaneous

Printed circuit board, available from the *EPE PCB Service*, code 967b; siren (see text); bell box (see text); connectors (see text); 9V NiCad battery; connecting wire; solder etc.

Approx cost
guidance only

£6

excluding Bell Box

capacitor C8 to trigger the Siren Timer around IC2d and IC2b.

If keyswitch S5 is turned off before the Entry monostable completes its cycle, the siren is disabled and both monostables are reset.

SIREN TIMER

When the Siren Timer monostable is triggered by a positive-going pulse on IC2d pin 13, IC2b pin 4 goes high for a period set by potentiometer VR2. The output from pin 4 can be delivered directly to the Siren module if an active-high level is required, or from IC2c pin 10 for an active-low level.

BATTERY BACKUP

The rechargeable battery, B1, is trickle charged via resistor R13, whose value has been chosen to suit a PP3 Nicad battery. During a power failure, current will flow from the battery into the circuit via diode D6. Diode D7 prevents the battery discharging into the power supply.

DECOUPLING

As always, decoupling capacitors on the power supply lines are essential. Capacitor C12 removes larger voltage fluctuations leaving C11 to mop up smaller voltage spikes.

SIREN MODULE

Two fail-safe siren-activating modules are described in *Teach-In Part 2*, Fig. 2.13 and Fig. 2.14. Both are triggered if the wire linking the output of the alarm system with the input of the siren module is cut.

However, if the alarm power supply fails only the second siren module, Fig. 2.14, will be activated. Consequently, this is the module chosen for this practical application. It requires an active-low output from the alarm system and its input is thus fed from IC2c pin 10.

In place of the two individual transistors, designated in Fig. 2.14 as TR1 and TR2, a Darlington transistor is used, designated in the Siren Module Components list as TR1.

The backup battery should be a NiCad PP3 type. The siren will not be as loud

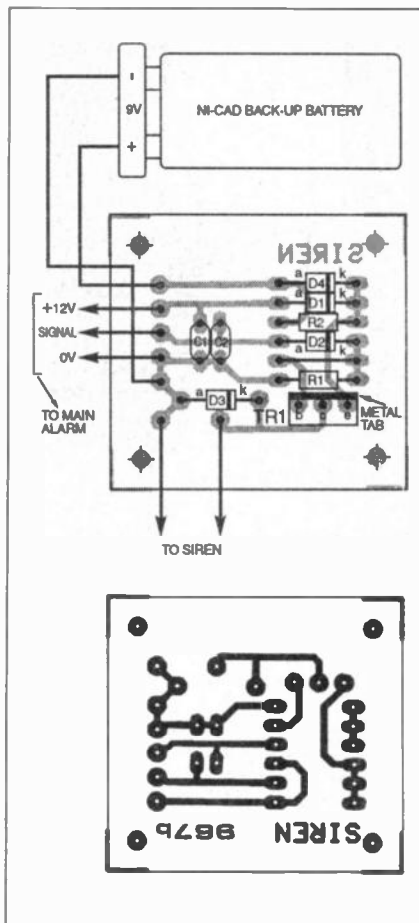
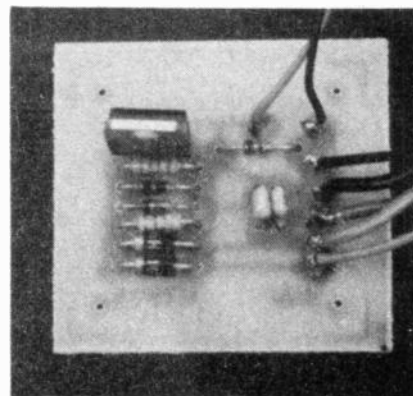


Fig. 5. Component layout and full size track details for the Siren Module.

when powered by this battery but its small capacity will prevent undue annoyance to neighbours if the connecting wires are cut!

CONSTRUCTION

The main alarm unit and siren circuit are constructed on separate printed circuit boards (p.c.b.s). Complete details of these boards are shown in Fig. 4 and Fig. 5. They are available from the *EPE PCB Service*, codes 967a and 967b, respectively.



Build and test the main p.c.b. first. Begin by inserting the i.c. sockets, followed by the smallest components, checking that the diodes are fitted with their polarity bands facing the correct way.

The resistors and small capacitors can be fitted either way round, but the electrolytic capacitors and transistor must be the way shown. The negative end of the electrolytic capacitor is normally indicated by arrows.

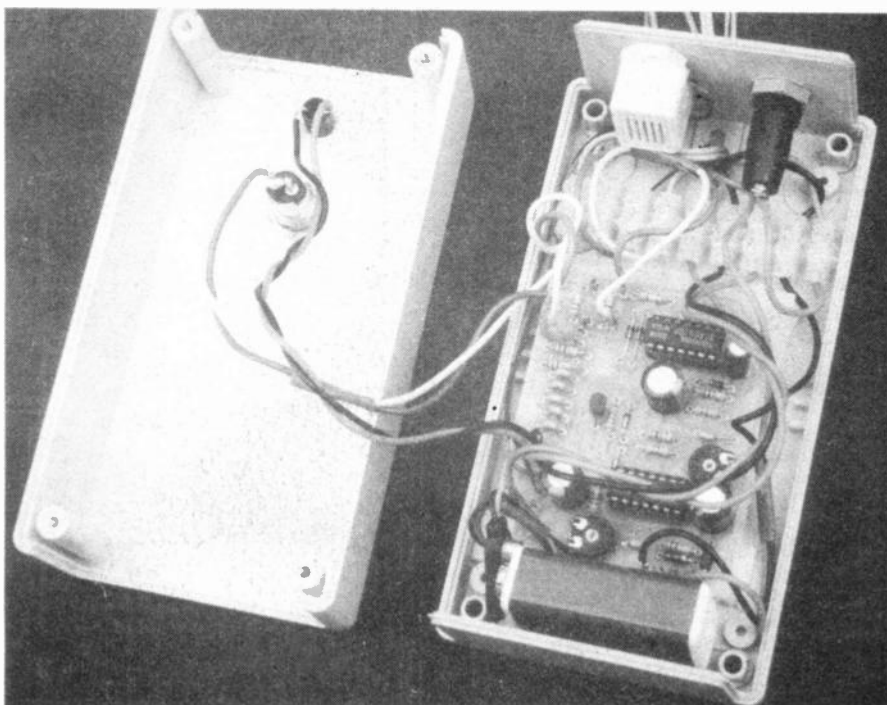
Presets can only be fitted in the correct manner because of their pins layout. The various inputs and siren module connections are via terminal pins.

Insert the i.c.s into their sockets, taking special care (since they are static sensitive) to earth your fingers by touching an earthed metal object before removing each i.c. from its protective package or foam. Ensure that the i.c.s are fitted with their notches as indicated.

TESTING

When testing, it is essential to connect a wire link across each pair of normally-closed input terminals (S2 and S4). Connect wires to the normally-open inputs (S1 and S3) so that they can be touched together to simulate a sensor.

The circuit is best tested by connecting it to a regulated and current limited 12V 100mA supply. If such a supply is not available, take extra care, and switch off if any component becomes hot. Note that the positive rail of the circuits will be about 0.7V below that of the power supply output, due



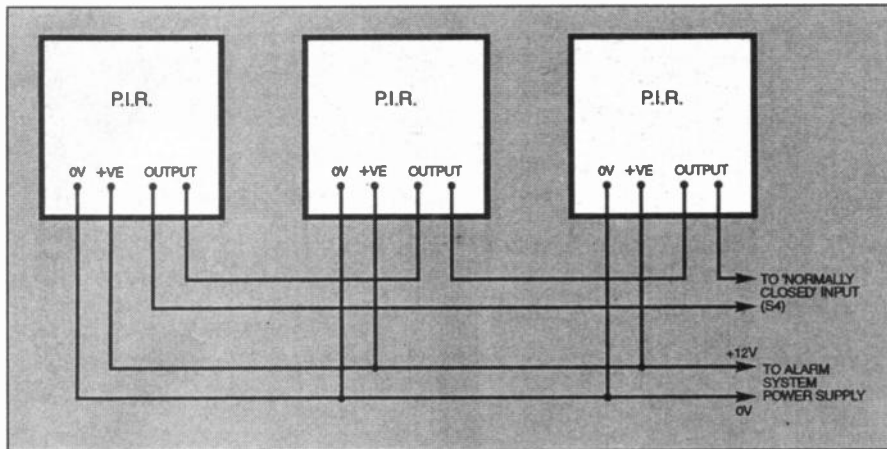


Fig. 6. Connecting P.I.R. sensors to the alarm controller.

to the action of the diodes in series with it (D7 in main circuit, and D1 in siren circuit).

Set the two presets VR1 and VR2 to their mid positions. Connect a voltmeter between the Active-High output and 0V to simulate the siren module, and switch on. The meter should read 0V. If it does not, check that keyswitch S5 is turned off (i.e. open).

Turn on keyswitch S5 and touch together the instant normally-open wires (S3). The voltmeter should indicate a positive reading, about 11.3V for a 12V power supply. Turn off the keyswitch and check that the voltmeter reading returns to 0V.

Turn on the keyswitch again and touch the delayed normally-open wires (S1) together. Nothing should happen. After about 100 seconds or so (i.e. the exit delay time) try touching the same wires together again. The buzzer should sound indicating that the circuit is in Entry mode.

After a further 100 seconds or so (less if VR1 is turned anti-clockwise to a lower value) the buzzer should stop and the voltmeter should indicate a positive reading again.

This time, wait and check that the voltmeter stays positive for about eight minutes (less if VR2 is turned anti-clockwise to a lower value). Finally check that the Active-Low output gives the opposite results to the Active-High output.

If an ammeter is available, it would be worth checking that the backup battery is charging, by connecting the ammeter in series with the battery. Expect a small current of about 1mA if the battery is already charged, or around 2mA for a discharged battery. When the battery is charged, check that it maintains a supply of about 8V when the main 12V supply is removed.

SIREN MODULE

The siren module is constructed in the same manner as the main p.c.b., again checking carefully the direction in which the diodes and transistor are fitted.

When testing, a small buzzer may be connected in place of the siren, unless ear plugs are used!

Connect the module to the 12V power supply, but do not connect the siren's backup battery for now.

Connect the active-low input of the siren module to the positive supply rail. The siren should not sound.

Now disconnect the input. The siren should sound. If the input is connected to 0V the siren should continue to sound. Now connect the backup battery - if possible via an ammeter (connected in series) to monitor the charge current as

described before. If all is well, remove the ammeter and connect the siren module to the main alarm circuit.

FAULT FINDING

Check that all the components are fitted the correct way round and follow the fault finding guide in *Teach-In* Part 1. Remember that the circuit is divided into primary modules: check the output of each module with a voltmeter to identify the incorrect area. Note that voltmeter readings taken at the positive side of the timing capacitors (C6, C9 and C10) may prevent the capacitors charging properly due to the current flowing through the voltmeter.

THE CASE

Begin by drilling holes for mounting the case and for the external wires and power supply connector. The main body of the case may be mounted on the wall, and later the lid screwed into position.

The power supply should be concealed unless a backup battery system is employed and some thought should be given with regard to the route taken by the sensor and siren wires before drilling the holes. For example, it may be possible to route all the wires through the rear of the case.

Keyswitch S5 should be mounted on the lid, together with the flashing l.e.d. D8,

which indicates that the power supply is functioning. If a non-flashing l.e.d. is used do not forget to include a series resistor of about 680Ω.

A fuse rated at 1A is also a worthwhile safety measure and should be connected in series with the power supply as shown in Fig. 4. A panel mounting fuseholder is shown in the diagram, but if this is considered a security risk an internally mounted fuseholder could be used. However, although it would not take an intruder long to remove the front cover of the system, attempts to disrupt the alarm would be protected against by the backup battery in the siren.

INSTALLATION

All external connections may be made via a terminal block. Eleven ways are required if all switch inputs S1 to S4 are used. The siren module occupies three of the eleven ways, and its power supply lines may be used to power other devices such as P.I.R. sensors.

The siren housing acts as a visible deterrent and a standard bell box should be employed which will house the siren, siren p.c.b. and backup battery.

When connecting the various sensors and switches, note that S2 and S4 both have one side connected to 0V. One side of S1 is connected to positive. It may be possible to save wires if some switches share the positive and 0V wires connecting the siren module.

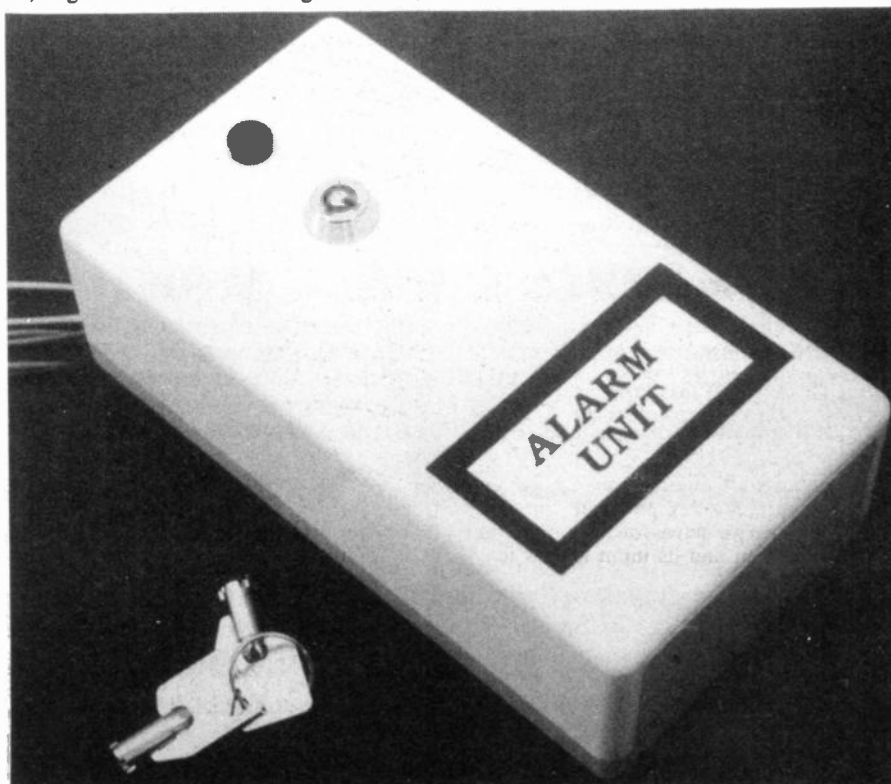
Sensors such as P.I.R.s require a 12V supply. They should be connected to the 12V and 0V outputs from the alarm system. Again, save wires by using the same 0V connection for S4.

MULTIPLE SENSORS

If several P.I.R.s are employed, ensure that their power supplies are connected in parallel so that each receives a full 12V supply. However, each P.I.R. output must be connected in series with each other P.I.R. output, assuming that each output is normally-closed, as shown in Fig. 6. □

PART THREE

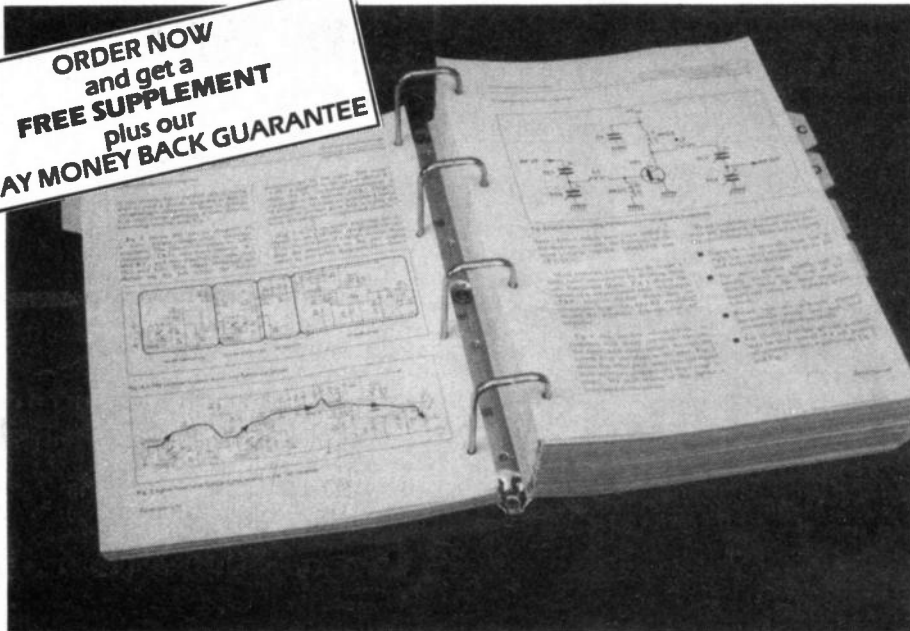
An Automatic Camera Panning system is the constructional project for *Teach-In* Part Three.



**WHETHER ELECTRONICS IS YOUR HOBBY
OR YOUR LIVELIHOOD . . .
YOU NEED THE ELECTRONICS SERVICE MANUAL
and THE MODERN ELECTRONICS MANUAL**

ELECTRONICS SERVICE MANUAL

**ORDER NOW
and get a
FREE SUPPLEMENT
plus our
30 DAY MONEY BACK GUARANTEE**



**The essential work for
servicing and repairing**

- Easy-to-use format
- Clear and simple layout
- Regular Supplements
- Sturdy ring binder
- Vital safety precautions
- Troubleshooting techniques
- Fundamental principles
- Active and passive components
- Choosing and using test equipment
- Professionally written
- Servicing techniques
- Reference data

EVERYTHING YOU NEED TO KNOW TO GET STARTED IN REPAIRING AND SERVICING ELECTRONIC EQUIPMENT:

SAFETY: Be knowledgeable about Safety Regulations, Electrical Safety and First Aid.

UNDERPINNING KNOWLEDGE: Specific sections enable you to Understand Electrical and Electronic Principles, Active and Passive Components, Circuit Diagrams, Circuit Measurements, Radio, Computers, Valves and Manufacturers' Data, etc.

PRACTICAL SKILLS: Learn how to Identify Electronic Components, Avoid Static Hazards, Assemble a Toolkit, Set Up a Workshop, Carry Out Soldering and Wiring, Remove and Replace Components.

TEST EQUIPMENT: How to Choose and Use Test Equipment, and Get the Most out of your Multimeter and Oscilloscope, etc.

SERVICING TECHNIQUES: The regular Supplements will include vital guidelines on how to Service Audio Amplifiers, Radio Receivers, TV Receivers, Cassette Recorders, Video Recorders, Personal Computers, etc.

TECHNICAL NOTES: Commencing with the IBM PC, PC-XT, PC-AT, this section and the regular Supplements will deal with a very wide range of specific types of equipment.

REFERENCE DATA: Detailing vital parameters for Diodes, Small-Signal Transistors, Power Transistors, Thyristors, Triacs and Field Effect Transistors. Supplements will include Operational Amplifiers, Logic Circuits, Optoelectronic Devices, etc

ELECTRONICS SERVICE MANUAL

TOTALLY NEW Basic Work: Contains over 850 pages of information. Edited by Mike Tooley BA.

Regular Supplements: Approximately 160-page Supplements of additional information which are forwarded to you immediately on publication. These are billed separately and can be discontinued at any time.

Presentation: Durable looseleaf system in large A4 format (297mm x 210mm).

Price of the Basic Work: £39.95 + £5.50 p&p. (to include a recent Supplement free).

GUARANTEE

Our 30 day money back guarantee gives you complete peace of mind. If you are not entirely happy with either Manual, for whatever reason, simply return it to us in good condition within 30 days and we will make a full refund of your payment – no small print and no questions asked.
(Overseas buyers do have to pay the overseas postage charge).

Wimborne Publishing Ltd., Allen House, Dept E12, East Borough, Wimborne, Dorset BH21 1PF. Tel: 01202 881749. Fax: 01202 841692

THE MODERN ELECTRONICS MANUAL

EVERYTHING YOU NEED TO KNOW ABOUT ELECTRONICS!

The revised edition of the Modern Electronics Base Manual contains practical, easy-to-follow information on the following subjects:

BASIC PRINCIPLES: Symbols, components and their characteristics, active and passive component circuits, power supplies, acoustics and electroacoustics, the workshop, principles of metrology, measuring instruments, digital electronics, analogue electronics, physics for electronics.

CIRCUITS TO BUILD: There's nothing to beat the satisfaction of creating your own project. From basic principles to circuit-building, the Modern Electronics Manual and its Supplements describe clearly, with appropriate diagrams, how to assemble radios, loudspeakers, amplifiers, car projects, computer interfaces, measuring instruments, workshop equipment, security systems, etc.

ESSENTIAL DATA: Extensive tables on diodes, transistors, thyristors and triacs, digital and linear i.c.s, microprocessors.

EXTENSIVE GLOSSARY: Should you come across a technical word, phrase or abbreviation you're not familiar with, simply turn to the glossary included in the Manual and you'll find a comprehensive definition in plain English.

The Manual also covers **Safety, Specialist Vocabulary with Abbreviations and Suppliers.**

The most comprehensive reference work ever produced at a price you can afford, the revised edition of **THE MODERN ELECTRONICS MANUAL** provides you with all the essential information you need.

The essential reference work

- Easy-to-use format
- Clear and simple layout
- Comprehensive subject range
- Regular Supplements
- News of developments
- Sturdy ring-binder
- Projects to build
- Detailed assembly instructions
- Ready-to-transfer PCBs
- Full components checklists
- Extensive data tables
- Detailed supply information
- Professionally written

THE MODERN ELECTRONICS MANUAL

Revised Edition of Basic Work: Contains over 1,000 pages of information.

Regular Supplements: Approximately 160-page Supplements of additional information which are forwarded to you immediately on publication. These are billed separately and can be discontinued at any time.

Presentation: Durable looseleaf system in large A4 format (297mm x 210mm)

Price of the Basic Work: £39.95 + £5.50 p&p (to include a recent Supplement free).

ORDER BOTH MANUALS TOGETHER AND SAVE OVER £15!

A mass of well-organised and clearly explained information is brought to you by expert editorial teams whose combined experience ensure the widest coverage

Regular Supplements to these unique publications, each around 160 pages, keep you abreast of the latest technology

REGULAR SUPPLEMENTS

Unlike a book or encyclopedia, these Manuals are living works – continuously extended with new material. Supplements are sent to you approximately every three months. Each Supplement contains around 160 pages – all for only £23.50 +

£2.50 p&p. You can of course return any Supplement (within ten days) which you feel is superfluous to your needs.

RESPONDING TO YOUR NEEDS

We are able to provide you with the most important and popular, up to date, features

in our Supplements. Our unique system is based on readers requests for new information. Through this service you are able to let us know exactly what information you require in your Manuals. You can also contact the editors directly in writing if you have a specific technical request or query relating to the Manuals.

PLEASE send me

- ELECTRONICS SERVICE MANUAL plus a FREE SUPPLEMENT
- THE MODERN ELECTRONICS MANUAL plus a FREE SUPPLEMENT

I enclose payment of £45.45 (for one manual) or £75.45 for both manuals (saving over £15 by ordering both together). I shall also receive the appropriate Supplements several times a year. These are billed separately and can be discontinued at any time. Should I decide not to keep the Manual/s I will return it/them to you within 30 days for a full refund.

FULL NAME
(PLEASE PRINT)

ADDRESS.....
.....
.....

..... POSTCODE

SIGNATURE.....

- I enclose cheque/PO payable to Wimborne Publishing Ltd.
- Please charge my Visa/Mastercard (Access)

Card No. Card Exp. Date

ORDER FORM

Simply complete and return the order form with your payment to the following address:

Wimborne Publishing Ltd, Allen House, Dept. E12,
East Borough, Wimborne, Dorset BH21 1PF

We offer a 30 day MONEY BACK GUARANTEE

– If you are not happy with the Manual simply return it to us in good condition within 30 days for a full refund – no questions asked.

Overseas buyers do have to pay the overseas postage – see below.

OVERSEAS ORDERS: All overseas orders must be prepaid and are supplied under a money-back guarantee of satisfaction. If you are not entirely happy with the Manual return it within a month for a refund of the purchase price (you do have to pay the overseas postage). SEND £39.95 (or £64.45 for both manuals) PLUS THE POSTAGE SHOWN BELOW FOR EACH Manual:

EIRE	AIR MAIL ONLY £11
EUROPE (E.E.C. Countries)	AIR MAIL ONLY £20
EUROPE (non E.E.C.)	SURFACE MAIL £20, AIR MAIL £26
U.S.A. & CANADA	SURFACE MAIL £25, AIR MAIL £32
FAR EAST & AUSTRALIA	SURFACE MAIL £31, AIR MAIL £33
REST OF WORLD	SURFACE MAIL £25, AIR MAIL £44

Note surface mail can take over 10 weeks to some parts of the world. Each manual weighs around 4kg when packed.

All payments must be made in £'s Sterling payable to Wimborne Publishing Ltd. We accept Mastercard (Access) and Visa credit cards.

INTERFACE

Robert Penfold



OCCASIONALLY a reader's letter is received querying if there is any simple way of getting a computer to display information without using the monitor. This may seem an odd request, but there are problems in using a conventional monitor in situations where the system will be kept running for long periods of time.

One of these is simply that the cost of running a monitor continuously can soon start to mount up. The main problem though, is that a monitor is generally considered to be a slight but significant fire risk, and it should *not* be left unattended while in use.

The whole point of using a computer in many control applications is that it frees the user to go away and do other tasks while the computer gets on with things. Having someone continuously monitor the monitor rather defeats the object of the exercise.

Another regular query runs along the lines "is there is a simple way of connecting pushbutton switches to my PC so that they can be read by a GW BASIC program?" This is usually where the computer is to be used as something like a television style quiz monitor, and control via a number of individual pushbutton switches is clearly more practical than having everyone try to use the keyboard!

L.E.D. Monitor

Neither of these problems require any particularly complex or expensive hardware. We will consider simple solutions to both problems, starting with methods of monitoring a PC without using a conventional monitor.

There are two simple ways of avoiding the need to have the monitor running continuously. If you simply require something to show that the system is up and running and has not crashed, some form of simple l.e.d. display driven from an output port should suffice.

If the display must provide the user with data or relatively complex status information, then a liquid crystal display having a built-in microcontroller can be used. A display of this type can provide a few lines of ASCII characters, and can be driven from an output port that provides eight data lines plus two or three handshake outputs.

Displays of this type are now surprisingly inexpensive. Using one of these displays goes beyond the scope of the present article, but it is a subject we will return to at a later date.

In its most basic form, an l.e.d. status indicator can simply be an ordinary l.e.d. driven from a spare digital output of the computer. The software is then designed

to flash the l.e.d. on and off at a rate of (say) one hertz. If the program is running properly the l.e.d. will flash at the appropriate rate, but if the system crashes or hangs-up for some reason, the l.e.d. will stop flashing or will do so erratically.

This method can be taken a step further, with several l.e.d.s driven from individual digital outputs. Each l.e.d. can be used to represent a different phase of the program, with the appropriate l.e.d. being activated as its phase of the program is reached.

This type of thing is not relevant to every type of program, and it is not really applicable to programs that undertake simple monitoring tasks. Many programs of this type just idle for the majority of the time, with the occasional burst of activity when a reading is actually taken.

With programs such as this the l.e.d.s could simply be activated in sequence, for about 200ms each. With the l.e.d.s providing the correct "moving light" display the computer is certain to be functioning normally.

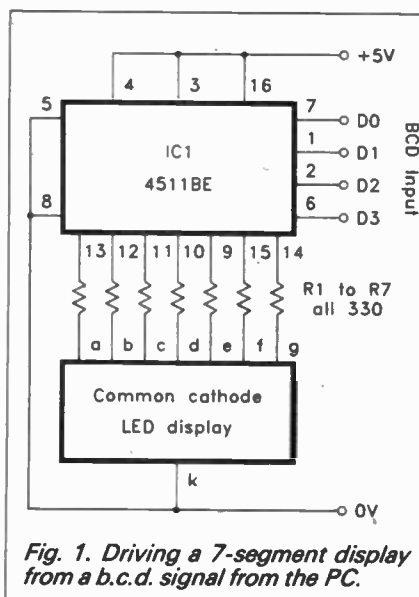


Fig. 1. Driving a 7-segment display from a b.c.d. signal from the PC.

More usefully perhaps, the display could show (in binary form) the number of readings taken since the system was started. The person supervising the system could then keep a check on the running count, and should soon notice if something goes wrong. Either the count would "freeze", or the l.e.d. display would operate erratically.

On Display

My preferred method of handling this sort of thing is to use a seven-segment display plus a suitable b.c.d. (binary coded decimal) decoder/driver. The circuit dia-

gram of Fig.1 shows a simple arrangement of this type.

This circuit is based on a CMOS 4511BE BCD to 7-segment decoder/driver i.c., which can drive any reasonably efficient common cathode seven-segment l.e.d. display. Resistors R1 to R7 simply provide current limiting on IC1's seven outputs.

The 4511BE has a built-in four bit latch, but it is assumed here that the circuit will be fed from latching outputs. Consequently, pin 5 is connected to ground so that the latch becomes "transparent". The "lamp test" and "blanking" inputs serve no useful purpose either, and are taken permanently high, which is their inactive state.

The data inputs (pins 7, 1, 2, 6) can be driven from any latching output port that has at least four spare lines. This could be something like an add-on 8255 PIA card, or even just the four least significant data lines of a printer port. For printer ports one and two (respectively) the values for the decoder are written to input/output addresses &H378 and &H278.

Two Digits

For decimal values from 0 to 9 there is no difference between b.c.d. and ordinary binary. Values from 10 to 15 (decimal) are valid in normal four-bit binary, but will just produce "garbage" from a b.c.d. decoder/driver. Decimal values above 9 require a second digit.

From the hardware point of view, there is no difficulty in using a second decoder driver circuit if an eight-bit output port is available. Drive the least significant digit from the four lowest outputs (D0 to D3), and the most significant digit from the four most significant output lines (D4 to D7).

Matters are slightly more awkward as far as the software is concerned, as there is no really easy method of converting from decimal/plain binary to b.c.d. The two digits of the binary value have to be separated using the MOD function to divide by 10, and effectively strip off the most significant digit. Then integer division by 10 is used to shift the decimal point to the left and strip off the least significant digit.

Multiplying the most significant digit by sixteen gives the correct value for this digit. Finally, adding this value to the least significant digit gives the full value to write to the eight-bit output port.

The following simple GW BASIC program provides the conversion for an integer value from 0 to 99 which is input by the user. Note that in line 30 the "\ " symbol must be used, and not the "/" symbol. Otherwise, floating point rather

than integer division will be obtained, and the program will not function correctly:

```

5 REM BCD CONVERSION
PROGRAM
10 INPUT A
20 B = A MOD 10
30 C = A \ 10
40 C = C * 16
50 D = B + C
60 PRINT D

```

Trigger Finger

When trying to interface a few pushbutton switches to a PC the obvious starting point is the Games Port. Most PCs seem to be supplied with a games port as part of the standard specification, but it only requires the addition of a very inexpensive expansion card if your PC lacks this facility.

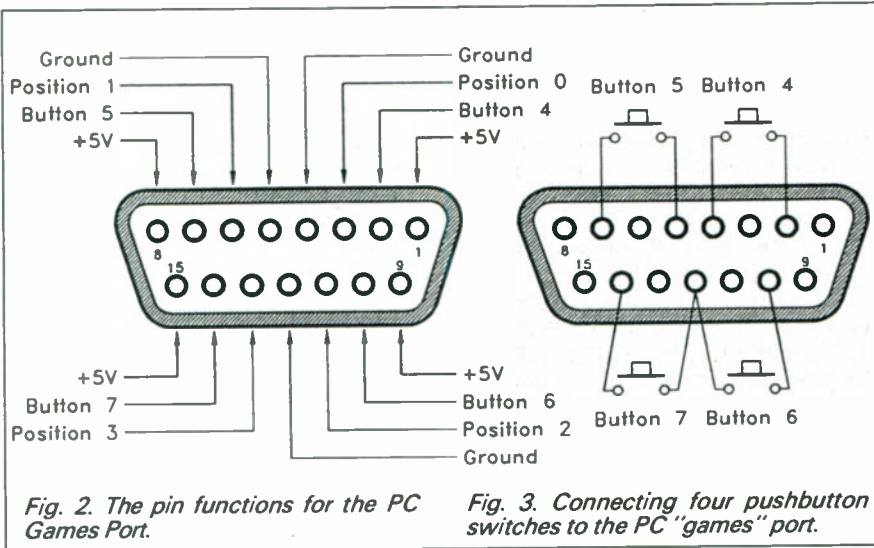


Fig. 2. The pin functions for the PC Games Port.

The PC games port has provision for two potentiometer style joystick ports, with two "firebuttons" per joystick. Fig.2 shows the pin functions for the games port, and Fig.3 shows the correct method of connection for the four pushbutton switches. A 15-way male D-type connector

is needed to make the connections to the games port.

The switches can be read using the GW BASIC "STRIG" function, but in many applications it is better to directly read the appropriate input port. This is at address &H201, or 513 in decimal.

Each input is normally high, and is pulled low when its pushbutton switch is activated. Buttons four to seven are at bits four to seven (respectively) of the port. To read each of these bits it is a matter of bitwise ANDING the value read with the appropriate value.

The masking numbers for bits four to seven are 16, 32, 64, and 128 respectively. The value returned is equal to the masking number if the pushbutton has not been pressed, or zero if it has.

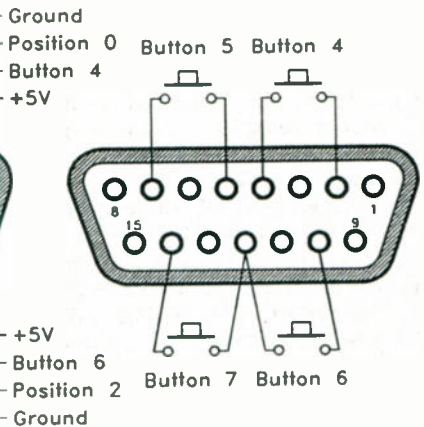


Fig. 3. Connecting four pushbutton switches to the PC "games" port.

Quiz Monitor

The GW BASIC program (Listing 1) provided here, together with four pushbuttons connected to the games port, acts as a Four-Station Quiz monitor. This program probably represents something less than the most efficient solution, but it

Listing 1: 4-Station Quiz Monitor

```

10 REM QUIZ MONITOR PROGRAM
20 CLS
30 X = INP(513)
40 IF X AND 16 THEN GOTO 70
50 PRINT "PLAYER 1 PRESSED FIRST"
60 GOTO 180
70 IF X AND 32 THEN GOTO 100
80 PRINT "PLAYER 2 PRESSED FIRST"
90 GOTO 180
100 IF X AND 64 THEN GOTO 130
110 PRINT "PLAYER 3 PRESSED FIRST"
120 GOTO 180
130 IF X AND 128 THEN GOTO 160
140 PRINT "PLAYER 4 PRESSED FIRST"
150 GOTO 180
160 A$ = INKEY$
170 IF LEN(A$) = 0 THEN GOTO 30
180 A$ = INKEY$
190 IF LEN(A$) = 0 THEN GOTO 180
200 CLS
210 IF ASC(A$) = 115 THEN END
220 GOTO 30

```

works quite well and demonstrates the direct reading of the joystick port.

The port is read at line 30, with the returned value being placed in variable "X". This variable is then bitwise ANDed with the appropriate values to determine whether or not one of the pushbutton switches has been operated.

Normally the program loops around lines 30 to 170, but when a pushbutton is operated, an on-screen message shows which player has operated his or her button. Pushbuttons four to seven are allocated to players one to four respectively.

Once the message has been printed, the program branches to a second loop at lines 180 and 190. The program loops here until the quizmaster presses any character key apart from the "S" key. The screen is then cleared and the process is repeated. If the "S" (for "stop") key is pressed, line 210 brings the program to an end.

IE PC Application Projects

Master your computer - Release its power

Projects use PRINTER or SERIAL ports - No need to open your PC

Expand printer ports to 24 I/O lines CENTRONIC 24 LINE I/O CARD K04 Kit: £27 Assembled: £38	Connect your pc to the real world smarter, "POCKET" CENTRONIC DATA LOGGER K16 Kit: £47 Assembled: £55
Expand serial ports to 24 I/O lines RS232 24 LINE I/O CARD K04 Kit: £31 Assembled: £43	Create a robot of your own <i>I can walk, turn, 'speak' and</i> THE CENTRONIC MOBILE ROBOT K01 Kit: £33 Assembled: £48
16 ch, 12 bit AD with variable gains (10,100 and 1000) plus 8 output lines PRECISION DATA LOGGER K15 Kit: £65 Assembled: £90	CENTRONIC EXPLORER KIT £17 RS232 EXPLORER KIT £18 PC RADIO LINK (pair) £75 HEART BEAT RATE MONITOR £33 SMART MAINS CONTROLLER £75
Drive up to 3 stepper motors with 8 digital I/O lines plus 11 analogue inputs (8 bit AD) VERSATILE STEPPER MOTOR BOARD K09 Kit: £35 Assembled £50 (1 driver)	Please ask for latest catalogue

Prices in pound sterling and VAT included. Add £3 P&P in UK (£6 abroad) and make cheque payable to 'Innovative Interfacing Ent.' Send your order to: IIE, 58 Lampport Court, Manchester M1 7EG, U.K. Tel/Fax: +44-(0)161-272-8279

£10 DISCOUNT VOUCHER

£10 off the purchase price of
The **ELECTRONICS SERVICE MANUAL**

Cut out and send in this voucher, or photocopy,
with your order. (See the advertisement
elsewhere in this magazine.)

Voucher cannot be used with any other discount offer.
Voucher only valid for use before March 30, 1996.

AUDIO METER AND AMPLIFIER

ANDY FLIND

A dual-purpose workshop test instrument which displays audio signal strengths on a meter and incorporates its own monitoring speaker.

THIS compact instrument should prove extremely useful to anyone involved in the repair, maintenance or setting up of audio equipment of any kind. It aids with the investigation of signals by displaying on a meter their strength over a wide range and simultaneously allowing them to be heard through a loudspeaker. The frequency coverage extends over the entire audio spectrum from 20Hz to 20kHz.

The meter is calibrated in decibels, the standard unit used by most audio engineers, though it could be calibrated in other units if required. At the high end of the amplitude range, signals of +3dBm (decibel-milliwatt) can be measured, whilst low level signals of -40dBm and below can be read with reasonable accuracy.

Sound output quality is good. It is heard clearly down to -40dBm and is still audible at -60dBm.

Only a minimum of equipment is needed to build and test the instrument, although a digital voltmeter (DVM) with an a.c. voltage range of 2V r.m.s. is required for calibration.

BLOCK DIAGRAM

It can be seen from the block diagram in Fig. 1 that the audio and meter sections

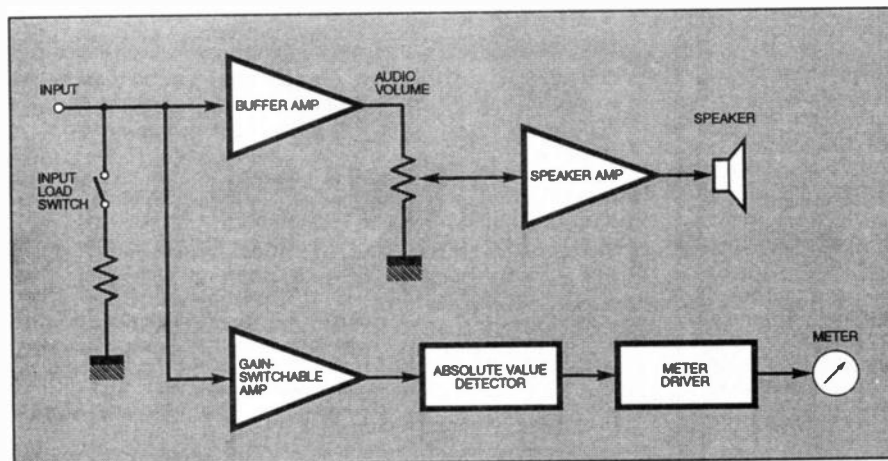


Fig. 1. Block diagram of the Audio Meter and Amplifier.



of the unit are treated separately. The audio side consists of an input buffer stage followed by the volume control, power amplifier and loudspeaker.

The meter section also has a buffer amplifier but with switchable gain arranged in steps of 10dBm. This drives an "absolute value" detector, effectively a "perfect" full-wave signal rectifier. From here, the rectified voltage goes to a driver providing output for a 1mA meter movement.

A switchable 600 ohm load is provided at the input. Such loads are common in telephony work, where signals are generally assumed to be sourced from, and terminated into, 600 ohms resistance. Instruments used for testing these circuits can either "terminate" a circuit by loading it with a 600 ohm resistor, or listen to it with the usual load still connected.

The latter is known as "bridge" measurement, and requires a high impedance at the test instrument to avoid additional circuit loading. This feature can be omitted but it is often useful to be able to place a load across a signal source to obtain some idea of its impedance, even if accurate 600 ohm loading is not required.

CIRCUIT DIAGRAM

The full circuit diagram is shown in Fig. 2. Starting with the audio section, the signal is first buffered by the TL071 f.e.t. op.amp IC1. This provides the high impedance input required for "bridge" operation, in this instrument almost 200k, which should be adequate for most high-impedance audio sources.

From IC1 the signal passes through Volume control VR1 to output amplifier IC2. This is a TDA7052 device designed specifically for battery-powered applications. It has a "bridge" output to increase available power from low supply voltages. As can be seen, it is very simple to use, requiring no additional components, except the loudspeaker and volume control. Capacitors C3 and C4, prior to the amplifier, define the frequency response.

The input signal also goes to the level indication part of the circuit, the first stage of which is another f.e.t. op.amp, IC3. As with the audio section, the op.amp buffers the signal, but here it has a gain switch, S3, with resistor combinations (R9 to R14) calculated to provide voltage gains corresponding to 0dB ($\times 1$), 10dB ($\times 3.162$), 20dB ($\times 10$) and 30dB ($\times 31.62$).

Since the impedance at the input of IC3 is one megohm (1M), the overall input impedance of the unit remains high.

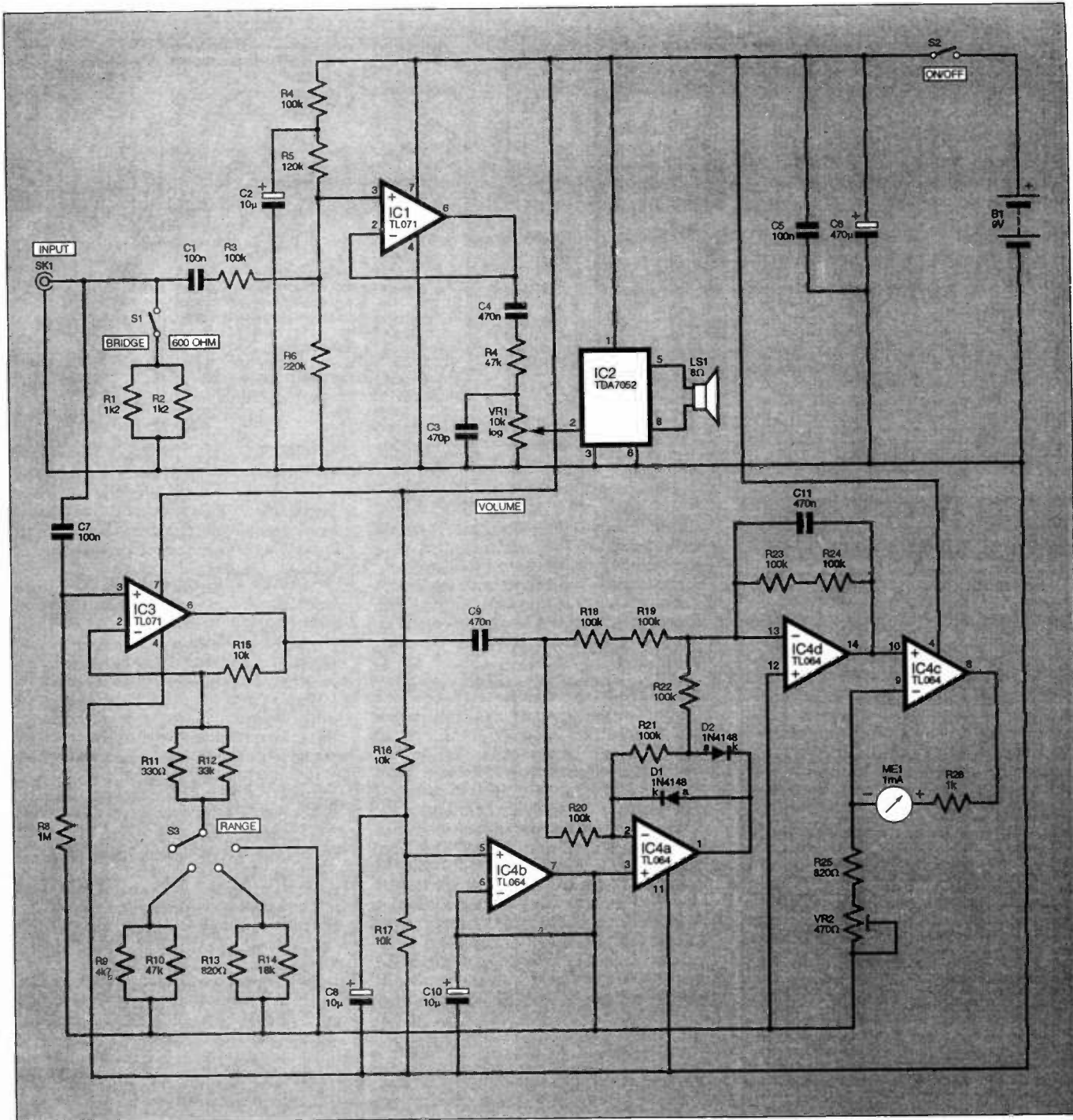


Fig. 2. The complete circuit diagram for the Audio Meter and Amplifier.

RECTIFIER

The output from IC3 goes to the "absolute value" signal rectifier circuit around op.amps IC4a and IC4d.

How this part of the circuit behaves may be understood by examining its response to positive and negative inputs independently. In effect, "ground" here is a voltage midway between the supply rails, supplied by amplifier IC4b, which buffers the voltage at the junction of resistors R16 and R17.

This voltage is applied to the non-inverting inputs (pins 3 and 12) of op.amps IC4a and IC4d which, under normal operating conditions, will always match it at their inverting inputs (pins 2 and 13) through negative feedback.

If the signal voltage from capacitor C9 is one volt below "ground" voltage, the output at IC4a pin 1 will rise until sufficient current flows through diode D1 to maintain "ground" voltage at IC4a pin 2.

Under these conditions, diode D2 is reverse biased and so the voltage at its junction with resistors R21 and R22 is also at "ground", thus no current can flow through R22 from IC4d pin 13. However, a current of $5\mu\text{A}$ will flow through resistors R18 and R19, from the inverting input of IC4d, which will balance it with a current from R23 and R24 by a one volt rise in output voltage at IC4d pin 14. An input of minus one volt thus results in an output of plus one volt at IC4d pin 14.

If the input is now made one volt positive, the output of IC4a will adjust by falling until the voltage at the junction of R21, R22 and D2 is one volt negative, at which point the current flowing through R21 into the inverting input, IC4a pin 2, is balanced by the current flowing out through R20.

Op.amp IC4d's inverting input pin 13 now has $5\mu\text{A}$ flowing into it through R18

and R19, but also has $10\mu\text{A}$ flowing out through R22, making a net input of minus $5\mu\text{A}$. This is the same as before, so once again the output is positive with a value of one volt. In this way, "perfect" full-wave rectification of the signal is obtained.

Because IC4a is not driven into saturation at any point, the circuit has a reasonably good frequency response, extending to well beyond the 20kHz required for this application.

Capacitor C11 smooths the output of the rectifier, so that it is a d.c. voltage rather than a lot of peaks corresponding to the input signal. This smoothed voltage is then passed to IC4c, which converts it to a current output for the meter, ME1. A small presettable adjustment range for calibration is provided by potentiometer VR2, wired as a variable resistor.

The value indicated by the meter is actually the "average" a.c. voltage of the

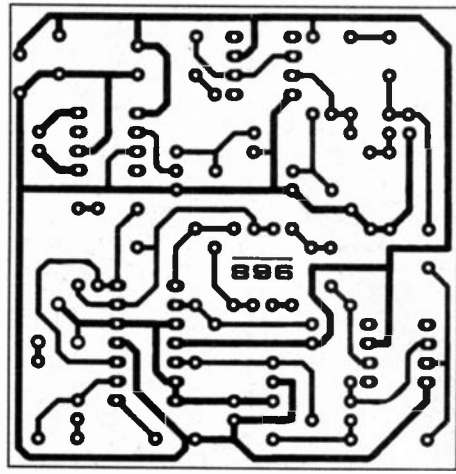
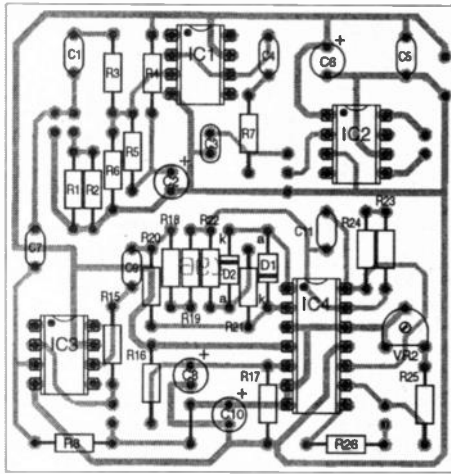


Fig. 3. Component layout and full size copper foil tracking layout for the printed circuit board.

COMPONENTS

Resistors

R1, R2	1k2
R3, R4,	
R18 to	
R24	100k (9 off)
R5	120k
R6	220k
R7, R10	47k (2 off)
R8	1M
R9	4k7
R11	330Ω
R12	33k
R13, R25	820Ω (2 off)
R14	18k
R15 to	
R17	10k (3 off)
R26	1k
All 0.6W 1% metal film.	

See
**SHOP
TALK**
Page

Potentiometers

VR1	10k rotary carbon, log.
VR2	470Ω cermet preset

Capacitors

C1, C5,	
C7	100n resin-dipped ceramic (3 off)
C2, C8,	
C10	10μ radial elect. 50V (3 off)
C3	470p resin-dipped ceramic
C4, C9,	
C11	470n resin-dipped ceramic (3 off)
C6	470μ radial elect. 16V

Semiconductors

D1, D2	1N4148 signal diode (2 off)
IC1, IC3	TL071 f.e.t. op.amp (2 off)
IC2	TDA7052 audio power amplifier
IC4	TL064 quad f.e.t. op.amp

Miscellaneous

S1, S2	s.p.s.t. slide switch (2 off)
S3	2-pole 6-way rotary switch
LS1	loudspeaker, 8Ω, 66mm diameter
ME1	1mA panel meter
Printed circuit board, available from the EPE PCB Service, code 968; 8-pin d.i.l. socket (3 off); 14-pin d.i.l. socket; BNC chassis socket, 50Ω; ABS plastic case, 90mm x 149.5mm x 52.5mm; knob (2 off); PP3 battery clip.	

Approx cost
guidance only

£25

input signal. This is only truly related to the r.m.s. value, and hence to the dBm level, so long as the input is a reasonably pure sine wave. Consequently, for tests where strict accuracy is required, a sine wave source should be used. However, for more general non-sinusoidal measurements this instrument is still an extremely useful indicator.

CONSTRUCTION

Most of the components for this project are mounted on a small printed circuit board (p.c.b.), as shown in Fig. 3. This board is available from the *EPE PCB Service*, code 968.

To simplify construction and testing, the following step-by-step sequence is recommended. First, fit the single wire link, then all resistors, except for R9 to R14 which are mounted on switch S3. Diodes should be fitted next, ensuring their correct polarity. Now fit the d.i.l. sockets for the i.c.s.

Next, fit the capacitors, starting with the tiny C3, followed by the others in order of size. Note that all the electrolytics have their positive ends towards the top of the board. Now fit preset VR2.

Wiring of the various components, including the resistors fitted to switch S3, is shown in Fig. 4. In the prototype a rotary six-way two-pole type was used for S3. With these switches, an adjuster located behind the securing nut determines the number of ways available, in this case four are needed. Pin 12 of the switch is not required by the circuit and so can be used as an anchor for a lead from the board and two of the resistors.

Now attach leads between the p.c.b. and all off-board components. Ribbon cable, although not essential, will result in a neater

appearance. Leave the leads a bit long at this stage, only cutting them to length when everything is mounted in the case.

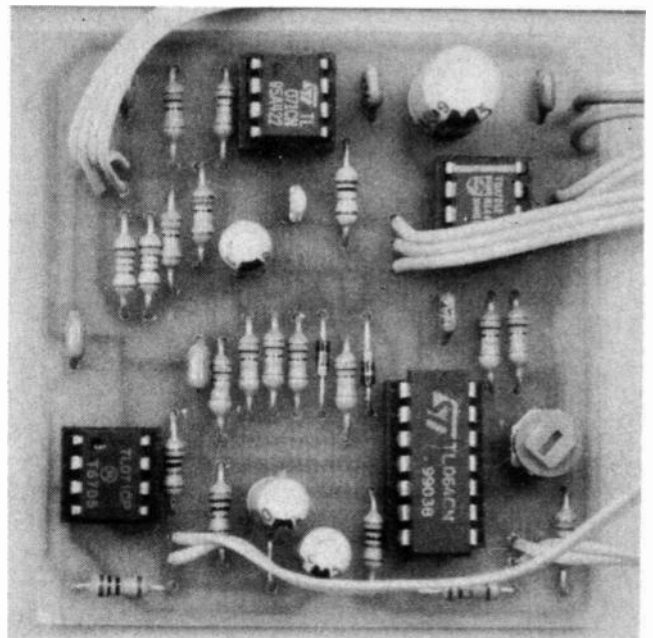
FIRST CHECKS

Thoroughly examine the board for good soldering and correct component positioning. As an initial check, power can be applied to the board before the i.c.s are inserted (but only insert them when the power is off!). This should result in an initial surge as the electrolytics charge, after which the current drawn from the supply should be about half a milliamp.

If this test is successful, insert IC1 into its socket. Powering up again, the current drain should have risen to about two milliamps. The output of IC1, from pin 6, should have a d.c. potential of half the supply, about 4.5V.

Now fit IC4 and check the voltage at pin 7. This is the output of IC4b, "ground" for the rectifier circuit and bias for IC3. It too should be at half the supply voltage, about 4.5V.

Fit IC3, which will raise the current drain to about 4-1mA. The output voltage at IC3 pin 6 should be about 4.5V. This assumes that the leads for S3 are open-circuit.



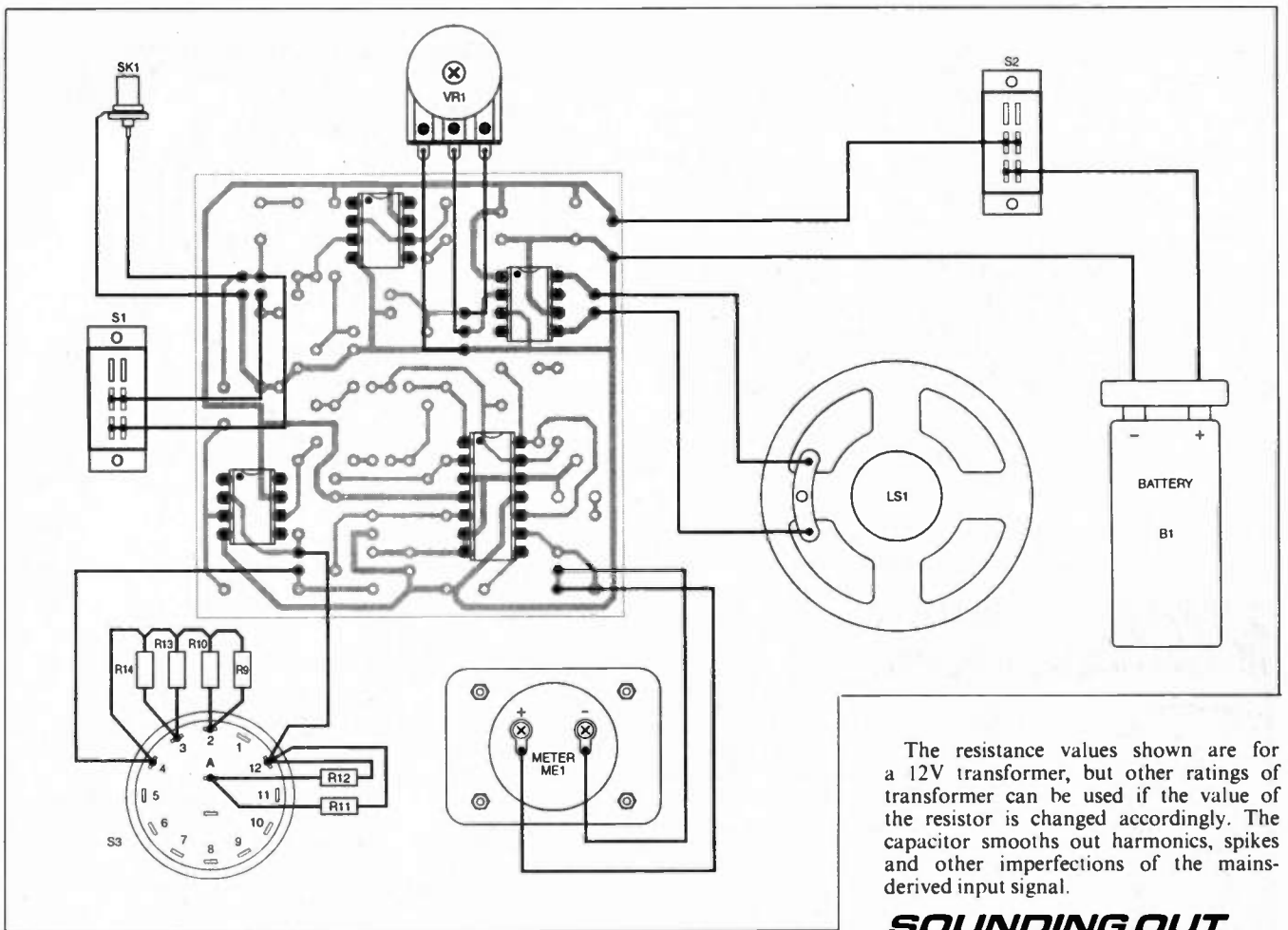


Fig. 4. Wiring details for the off-board components.

METER TESTING

As there is no input signal at this stage of testing, IC4b pin 14 should also be at about 4.5V. It might rise a little if the input is touched, but the effect will probably be tiny. If a sinewave signal source is available, a 1V r.m.s. signal should produce a rise of approximately 1V d.c. at pin 14.

With meter ME1 connected to its leads, an input of around 1.1V r.m.s. should cause a full scale needle deflection, although the position of VR2's wiper will have an effect on the exact reading.

The total current drawn by the circuit will now be about 4mA with no signal, rising to 5mA for full scale.

If a signal generator is not available, the output from a small transformer can be used as a source, connected as shown in Fig. 5. TAKE CARE WHEN MAINS POWER IS CONNECTED.

The resistance values shown are for a 12V transformer, but other ratings of transformer can be used if the value of the resistor is changed accordingly. The capacitor smooths out harmonics, spikes and other imperfections of the mains-derived input signal.

SOUNDING OUT

Next, the speaker and volume control VR1 should be connected to their leads and IC2 inserted. Before turning on the power, VR1 should be turned right down. The supply current will be increased to about 8mA by the quiescent current of IC2. The input level should be adjusted for about half scale on the meter, following which increasing the setting of VR1 should result in sound from the speaker.

A word of caution applies here. Whilst the speaker is placed on the bench and driven by a low-frequency sinewave, the apparent sound level will be low. This is due to the signals from both sides of the speaker trying to cancel each other out. With a 50Hz signal produced by the transformer shown in Fig. 5, the sound output will be especially low!

Power consumption depends on the sound level and on the ability of the speaker cone to move freely. With the speaker on the bench, if VR1 is turned up too far, power consumption could rise to over 300mA and cause overheating of IC2.

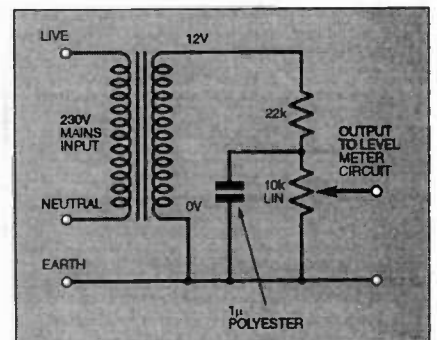
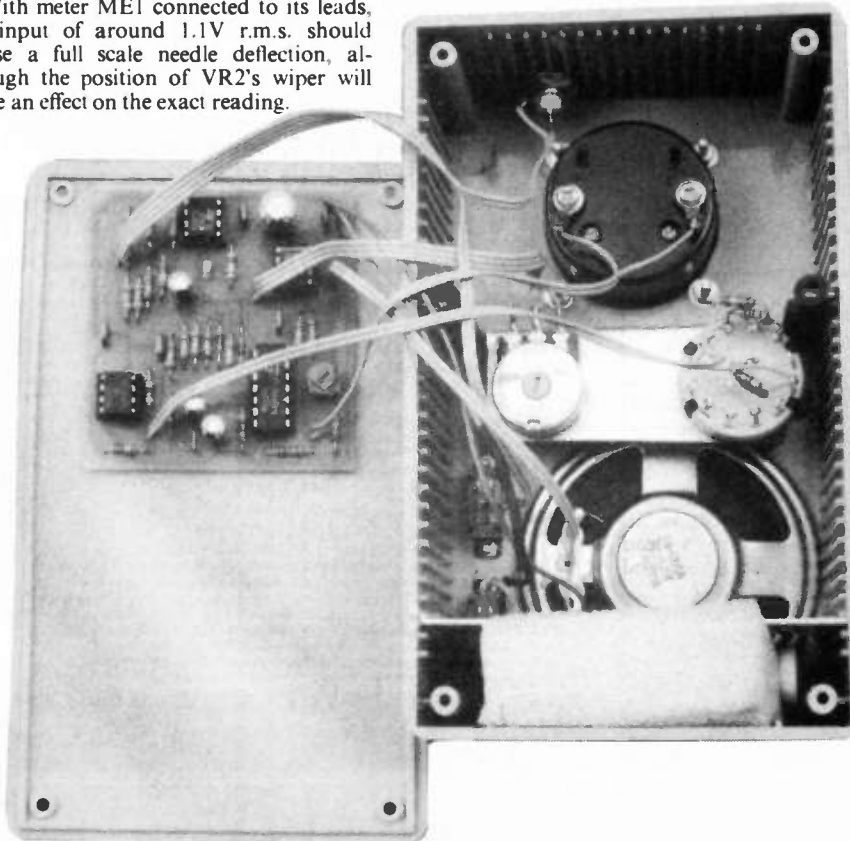


Fig. 5. Mains power sinewave test source.

Once fitted in the case, sound from the rear of the speaker will not be able to cancel that from the front so it will sound much louder and the overheating problem is unlikely to arise.

HOUSING IT ALL

As can be seen from the photograph, fitting the project into the specified case required some ingenuity. The speaker is a 66mm diameter type, chosen as the largest practical size for the case. The larger the speaker, the better the sound quality, and good sound is a useful bonus in an instrument of this type.

Slide switches for power and input loading were fitted to the right of the speaker, as viewed from the front. The switch and pot were fitted using a bracket which slides into slots in the sides of the case, so that their bodies are situated behind the speaker with their shafts passing through the front of the case close to the speaker edge. This complication could be avoided by using a smaller speaker, but with the test model the additional effort was worthwhile.

CALIBRATION

Calibration can be carried out with a signal generator or the transformer arrangement described above. With the instrument switched on but with no input signal, the needle position of meter ME1 should be set to zero. This is done with the power on since offsets in the circuit may alter the zero point slightly.

A sinewave input can now be applied. Monitoring the input with a digital voltmeter (DVM), set the input signal level for 1.0941 volts r.m.s. (or as near as the DVM will allow). Now adjust VR2 so that meter ME1 shows a needle reading of exactly a full scale, or +3dBm. Remaining points can be marked on the meter scale by adjusting the input signal level to the r.m.s. values given in Table 1, and marking the meter scale accordingly.

Alternatively, the test model's meter scale shown in Fig. 6 might be suitable. If so, this can be photocopied and glued over the existing scale on the meter. The use of a Pritt Stick is suggested for this as it is easy to use and will not stain the paper. It is also water-soluble, so if the meter's original scale is ever required it can easily be restored by soaking off the new one.

METER USING

In use, the meter is simply connected to the signal to be monitored and the volume control adjusted as required. The level can be read from the meter, though it should be remembered that it will only be accurate if the signal is a fairly pure sinewave, and will only represent a true dBm value if working into a 600 ohm load.

If the reading is towards the lower end of the scale, the range switch can be used to increase the sensitivity. Because decibel values are added, not multiplied, the difference indicated by the switch should be simply added to that on the scale. For instance, a reading of "-5" on the meter coupled with a switch position of "-20" indicates a value of -25dBm.

The 600 ohm input resistance (R1, R2) can be used to load a monitored circuit with this precise value and determine, by the level drop it produces, what sort of impedance the

Table 1.
dBm and Corresponding Values.

dBm	Relative power	Volts r.m.s.	% meter scale
3	1.995	1.094	100.000
2.5	1.778	1.033	94.406
2	1.585	0.975	89.125
1.5	1.413	0.921	84.140
1	1.259	0.869	79.433
0.5	1.122	0.820	74.989
0	1.000	0.775	70.795
-0.5	0.891	0.731	66.834
-1	0.794	0.690	63.096
-1.5	0.708	0.652	59.566
-2	0.631	0.615	56.234
-2.5	0.562	0.581	53.088
-3	0.501	0.548	50.119
-4	0.398	0.489	44.668
-5	0.316	0.436	39.811
-6	0.251	0.388	35.481
-7	0.200	0.346	31.623
-8	0.158	0.308	28.184
-9	0.126	0.275	25.119
-10	0.100	0.245	22.387
-11	0.079	0.218	19.953
-12	0.063	0.195	17.783
-13	0.050	0.173	15.849
-14	0.040	0.155	14.125
-15	0.032	0.138	12.589
-20	0.010	0.077	7.079
-30	0.001	0.024	2.239

source has. For example, it will make no difference to an output intended to drive a loudspeaker, but it will knock around 25dBm off a signal from a 10k source. This can be a quick way to obtain useful information about a signal under test.

It is possible to change the calibration of this instrument. It could be calibrated in millivolts, r.m.s., average or peak-to-peak, and the resistors on the range switch could be changed to give decade or "1-2-5" steps.

For extended use, the PP3 battery could be replaced by a pack of six AA cells, or a socket fitted for external power. A mains adapter could be used, although one with good regulation may be needed to avoid hum. (See Andy Flind's Hum-Free Battery Eliminator constructional article in EPE Sept. '95. Also, have a read of Andy's other interesting feature next month - Decibels and the dBm Scale. Ed.) □

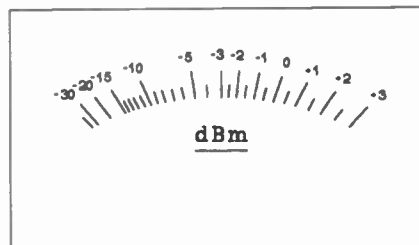


Fig. 6. Meter scale used on the test model.

Pocket sized laser pointers - project red laser beams upto 100m. Ideal for presentations, entertainment or Xmas gifts!! Just point and press

Mini Beamer:

Adjustable spot size - keyring chain
ONLY £48.00 Inc. P + P & VAT.

De Luxe:

Pen style, pocket clip - presentation case
ONLY £55.00 Inc. P + P & VAT.

Send cheque or postal order to:
Photonic Products Limited, 4 Brook Cottages,
Stoney Common Road, Stansted, Essex, CM24 8NH.

Or call 01279 814187 for colour leaflets.
(Please allow 28 days for delivery)

We also supply laser diodes, modules, optics, drive electronics, motors & mirrors.

PIC EEZE

LOW COST POWERFUL PIC DEVELOPMENT SYSTEM

This is the easiest way to start using PIC microcontrollers. The system allows a cheap entry into the world of PIC based applications and can be upgraded whenever you like.

PIC EEZE-1

Programs/reads and verifies PIC 16C61/64/71/74/84 (even while in circuit). Includes ZLF socket for both 18 and 28-pin devices, lead to connect to standard PC parallel port for fast data exchange. Microchip's own assembler and simulator software and powerful programming/editing software. Upgradable to PIC EEZE-2/-3 by plug-in firmware. Built and tested £44.95 A suitable PSU is required.

PIC EEZE-2

Specification as PIC EEZE-1 but also supports PIC 16C54/55/56/57/58 and can read/write 93Cxx and 24Cxx Serial EEPROMs. Built and tested £52.95 or upgrade from PIC EEZE-1 £29.95.

PIC EEZE-3

Specification as PIC EEZE-1 with PIC EEZE-2 with the added capability of In-Circuit Emulation of 18 and 28-pin devices (even A-to-D on 16C71). Built and tested £74.95 or upgrade from PIC EEZE-1 £29.95, upgrade from PIC EEZE-2 £24.95.

We have developed the firmware of the PIC EEZE system so that it can be software upgraded when Microchip bring out new versions in the PIC range. The programming software upgrades will be FREE to PIC EEZE users. Also, we supply PICs and Serial EEPROMs at affordable prices with discounts to users of our system. We intend to develop the system even further with expansions to give other features e.g. a Smart Card reader/programmer. We will also give continuing support.

Immediate next day response. Prices are exclusive of postage and package.

Please add £2.00 (UK) and make cheques payable to Lennard Research, and send to
29 Lavender Gardens, Jesmond, Newcastle upon Tyne NE2 3DD.
or Telephone 0191 281 8050 for further information.

HART AUDIO KITS – YOUR VALUE FOR MONEY ROUTE TO ULTIMATE HI-FI

HART KITS give you the opportunity to build the very best engineered hi-fi equipment there is, designed by the leaders in their field, using the best components that are available.

Every HART KIT is not just a new equipment acquisition but a valuable investment in knowledge, giving you guided hands-on experience of modern electronic techniques.

In short HART is your 'friend in the trade' giving you, as a knowledgeable constructor, access to better equipment at lower prices than the man in the street.

You can buy the reprints and construction manual for any kit to see how easy it is to build your own equipment the HART way. The FULL cost can be credited against your subsequent kit purchase.

Our list will give you full details of all our Audio Kits, components and special offers.

INTRODUCING The Hart "Chiara"

Single-Ended Class "A" Headphone Amplifier.

Most modern high fidelity amplifiers either do not have a headphone output facility, or this may not be up to the highest standard.

The new Hart "Chiara" has been introduced as an add-on unit to remedy this situation, and will provide two ultra high quality headphone outlets. This is the first unit in our 2000 Range of modules to be introduced through the year. Housed in the neat, black finished, Hart Minibox it features the wide frequency response, low-distortion and "musicality" that one associates with designs from the renowned John Linsley Hood.

Both outputs will drive any standard high quality headphones with an impedance greater than 30 ohms and the unit is ideal for use with the Sennheiser range. A signal link-through makes it easy to incorporate into your system and two extra outputs, one at output level and one adjusted by the Volume control are available on the back panel. The high level output also makes a very useful long-line driver where remote mounted power amplifiers are used. Power requirements are very simple and can be provided by either of our new "Andante" power supplies. Use the K3565 to drive the "Chiara" on its own, K3550 if driving other modules as well.

Volume and Balance controls are provided and as befits any unit with serious aspirations to quality these are the ultra high quality Alps "Blue Velvet" components.

Very easily built, even by beginners, since all components fit directly on the single printed circuit board and there is no conventional wiring whatsoever. The kit has very detailed instructions, and even comes with a roll of Hart audiograde silver solder. It can also be supplied factory assembled and tested.

Selling for less than the total cost of all the components, if they were bought separately, this unit represents incredible value for money and makes an attractive and harmonious addition to any hi-fi system.

K2100 The total cost of a complete set of all components to build this unit is £126.37. Our special discount price for all parts bought together as a kit is.....**£109.50**

K2100SA Series Audiophile, with extra selected components.....**£112.46**

HART TC1D Triple Purpose TEST CASSETTE

Now available again and even better than before! Our famous triple purpose test cassette will help you set up your recorder for peak performance after fitting a new record/play head. This quality precision Test Cassette is digitally mastered in real time to give you an accurate standard to set the head azimuth, Dolby/β level and tape speed, all easily done without test equipment.

TC1D Triple Purpose Test Cassette.....**£9.99**

Send or phone for your copy of our FREE List of these and many other Kits & Components. Enquiries from Overseas customers are equally welcome, but PLEASE send 2 IRCs if you want a list sent surface post, or 5 for Airmail.

Ordering is easy. Just write or telephone your requirements to sample the friendly and efficient HART service. Payment by cheque, cash or credit card. A telephoned order with your credit card number will get your order on its way to you THAT DAY.

Please add part cost of carriage and insurance as follows:—INLAND Orders up to £20 - £1.50,

Orders over £20 - £3.50. Express Courier, next working day £10.

OVERSEAS - Please see the ordering information with our lists.

NEW BOOK

"Audio Electronics"

And now, hot off the press, yet another classic from the pen of John Linsley Hood. Following the ongoing enormous success of his "Art of Linear Electronics" the latest offering is the all-new edition of "Audio Electronics", now entirely re-written by the master himself.

Underlying audio techniques and equipment is a world of electronics that determines the quality of sound. For anyone involved in designing, adapting or using digital or analogue audio equipment understanding electronics leads to far greater control over the reproduced sound.

The subjects covered include tape recording, tuners, power output stages, digital audio, test instruments and loudspeaker crossover systems. John's lifetime of experience and personal innovation in this field allow him to apply his gift of being so familiar with his subject that he can write clearly about it and make it both interesting and comprehensible to the reader.

Containing 240 pages and over 250 line illustrations this new book represents great value for money at only £18.99 plus £2.50 postage. Send or telephone for your personal copy now.

ALPS "Blue Velvet" Precision Audio Controls



To fulfil the need for ultra high quality controls we import a special range of precision audio pots in values to cover most quality amplifier applications. All in 2-gang stereo format, with 20mm long 6mm diam. steel shafts, except for the 50K Log which is 25mm x 6mm. Overall size of the manual pot is 27W x 24H x 27D deep, motorised versions are 72.4mm Deep from the mounting face. Mounting bush for both types is 8mm diameter.

Now you can throw out those noisy ill-matched carbon pots and replace with the real hi-fi components only used selectively in the very top light of World class amplifiers. The improvement in track accuracy and matching really is incredible giving better tonal balance between channels and rock solid image stability.

The motorised versions use a 5V DC motor coupled to the normal control shaft with a friction clutch so that the control can be operated manually or electrically. The idea of having electrically operated pots may seem odd, archaic even, but it is in fact the only way that remote control can be applied to any serious Hi-Fi system without loss of quality. The values chosen are the most suitable available for a low loss passive volume and balance control system, allowing armchair control of these two functions.

Our prices represent such super value for pots of this quality due to large purchases for our own kits.

MANUAL POTENTIOMETERS

2-Gang 100K Lin.....**£15.67**
2-Gang 10K, 50K or 100K Log.....**£16.40**
2-Gang 10K Special Balance, zero crosstalk and zero centre loss.....**£17.48**

MOTORISED POTENTIOMETERS

2-Gang 20K Log Volume Control.....**£26.20**
2-Gang 10K RD Special Balance, zero crosstalk and less than 10% loss in centre position.....**£26.98**

REEL TO REEL HEADS

999R 2/4 R/P 100mH.....**£16.84**
We have a few erase heads to suit which can only be supplied when 2 R/P heads are purchased **£36.80**

TAPE RECORDER CARE PRODUCTS

DEM1 Mains Powered Tape Head Demagnetizer, prevents noise on playback due to residual head magnetisation.....**£4.08**
DEM15 Electronic, Cassette Type, demagnetizer.....**£8.61**

LINSLEY HOOD 'SHUNT FEEDBACK' RIAA MOVING COIL & MOVING MAGNET PICKUP PREAMPLIFIERS



The HART K1450 Magnetic pickup preamplifier kit features a totally discrete component implementation with a specially designed low input impedance front end and the superior sound of the Shunt Feedback circuitry. High quality components fitting to an advanced double-sided printed circuit board make this a product at the leading edge of technology that you will be proud to own. Nevertheless with our step by step instructions it is very easy and satisfying to assemble. The higher current consumption of this unit means that it is best powered by our new **Andante** Audio Power Supply, itself an advanced piece of technology in a matching case. This supplies the superbly smoothed and stabilised supply lines needed by any sensitive preamplifier and features a fully potted Hi-grade toroidal transformer along with a special limited shift earth system for hum free operation. The K1450 is suitable for all moving coil and moving magnet transducers this unit is especially recommended for, and will extract the very best from the modern generation of low output high quality moving coil transducers.

K1450 Kit, complete with all parts ready to assemble inside the fully finished 228mm x 134mm x 63mm case. Kit includes full, easy to follow, assembly instructions as well as the Hart Guide to PCB Construction, we even throw in enough Hart Audiograde Silver Solder to construct your kit!

.....**£111.58**
K1450SA Series Audiophile version with selected components.....**£133.94**

HIGH QUALITY REPLACEMENT CASSETTE HEADS



Do your tapes lack treble? A worn head could be the problem. For top performance cassette recorder heads should be replaced every 1,500 hours. Fitting one of our high quality replacement heads could restore performance to better than new! Standard inductances and mountings make fitting easy on nearly all machines (Sony are special dimensions, we do not stock) and our TC1 Test Cassette helps you set the azimuth spot on. As we are the actual importers you get prime parts at lower prices, compare our prices with other suppliers and see! All our heads are suitable for use with any Dolby system and are normally available ex-stock. We also stock a wide range of special heads for home construction and industrial users.

HC80 NEW RANGE High Beta Permalloy Stereo head. Modern space saver design for easy fitting and lower cost. Suitable for chrome, metal and ferric tapes, truly a universal replacement head for everything from hi-fi decks to car players and at an incredible price too!.....**£11.70**
HRP373 Downstream monitor combi head.....**£62.59**
HQ551A 4-Track R/P.....**£8.75**
HQ551S Sony Mount 4-Tr. R/P.....**£14.90**
HQR560 Rotary Base 12.5mm R/P/E.....**£21.90**
HQR570 Rotary Base 15mm R/P/E.....**£22.59**
HQR580 Rotary Base 12.5mm R/P.....**£14.29**

HART Classical CD's.

Top quality, Full Digital (DDD), over 100 titles from only **£1.99!** Ring or send for your list!

TECHNICAL BOOKSHELF

We stock a good range of books of interest to the electronics and audio enthusiast, including many reprinted classics from the valve era. Some were in last months advertisement, but see our list for the full range.

New this month is the GEC Valve designs book at **£18.95**, and the VTL Book, a modern look at valve designs, **£17.95**.

QUALITY
AUDIO KITS

24 hr. SALES LINE
(01691) 652894

ALL PRICES
INCLUDE
UK/EC VAT

£1 PACKS - LIST 3

One item only per pack unless otherwise stated.

SOLAR CELL, will give 100mA of free electricity, Order Ref: 631.
 PLASTIC FAN BLADES, 3" diameter, push on spindle, pack of two, Order Ref: 638.
 PC GAMES in cases for remaking, pack of six, Order Ref: 645.
 PIEZO NOISE MAKERS, standard size, pack of two, Order Ref: 647.
 DITTO but mini, only 23mm across, pack of two, Order Ref: 648.
 COVERS, suit Piezo sounders, etc, need 22mm hole, pack of six, Order Ref: 651.
 10A MICROSWITCHES with screw terminals, mains voltage, pack of two, Order Ref: 662.
 PCB MOUNTED RELAY, 5/6V coil, two changeover 5A contacts, Order Ref: 665.
 CONTROLLED 4-ROCKER SWITCH, three switches cannot be on unless the first master is on, suit 3kW blow heater, etc, Order Ref: 666.
 0.33µF 1000V CAPS, ideal to put in series with 115V 2-4W motors, pack of four, Order Ref: 672.
 COPPER CLAD PANEL, size 12" x 9" approximately, make your own PCB or its strong enough to act as a chassis, Order Ref: 683.
 100M COIL OF CONNECTING WIRE, Order Ref: 685.
 12V MOTOR, extra efficient, will work with solar cells, Order Ref: 687.
 SUB MIN PUSH SWITCHES, pack of two, Order Ref: 688.
 CERAMIC BEADS, ideal insulation where heat or flame, pack of 100, Order Ref: 690.
 6" LENGTHS OF 1/4" DIAMETER PAX TUBING, make useful test prods, etc, pack of three, Order Ref: 691.
 PCB PANEL, part of micro TV, has EHT generator circuit, Order Ref: 692.
 1920 VINTAGE RESISTORS, you've probably never seen any quite like these, pack of two, Order Ref: 695.
 440V A.C. CAP, 4µF, aluminium cased, Order Ref: 702.
 POWER SUPPLY UNIT, output 9V 100mA D.C., Order Ref: 733.
 FOLD-OVER TYPE TELESCOPIC AERIAL, Order Ref: 747.
 AM/FM TUNING CAPACITOR, air spaced with 1/4" spindle, Order Ref: 743.
 MULTI-VOLTAGE TRANSFORMER, gives 10V, 9V, 8V, 7V, 1 1/2V or 1V, Order Ref: 744.
 D.P. D.T. ROCKER SWITCHES for motor reversing, etc, pack of two, Order Ref: 745.
 BLACK NOISE TRANSPARENT SPEAKER MESH 12" x 9", pack of four, Order Ref: 746.
 LIGHTEST TOUCH CHANGEOVER MICROSWITCHES, mains voltage, pack of two, Order Ref: 748.
 PAIR PORCELAIN INSULATORS, pack of four, suitable cabin aerials, etc, Order Ref: 749.
 CASED PSU, A.C. output, 15V 150mA and 9-8V 60mA, Order Ref: 751.
 3-CHANGEOVER CONTACT RELAY with coil, suitable for 12V A.C. or 6V D.C., Order Ref: 753.
 LEVER-OPERATED MICROSWITCHES, ex-equipment, batch tested, any faulty would be replaced, pack of ten, Order Ref: 755.
 PROJECT BOX, size approximately 100mm x 75mm x 24mm, its lid is a metal heatsink, Order Ref: 759.
 EX-BT INSTRUMENT in plastic case with carrying handle, has many useful parts, Order Ref: 760.
 PICK-UP ARM with diamond stylus, new and unused, Order Ref: 764.
 RUBBER FEET, fit corners of square chassis, pack of 20, Order Ref: 769.
 24V BAKELITE ENCASED A.C. OR D.C. BUZZER, Order Ref: 774.
 COMPONENT MOUNTING TAG STRIP, 14 tags each side, Order Ref: 779.
 1/2 MEG POTS each fitted double-pole switch, pack of two, Order Ref: 780.
 THERMOSTAT for a refrigerator, Order Ref: 783.
 C/O MICROSWITCHES operated by a wire control to spindle through slide, pack of two, Order Ref: 786.
 MULTI-TAG MAINS PANEL, has 12 tags to take 1/4" push-on connectors, Order Ref: 792.
 REEDSWITCH, flat instead of round so many more can be stacked in a small area, Order Ref: 796.
 VERY THIN DRILLS (0.3mm) pack of 12, Order Ref: 797.
 ROCKER SWITCHES, spring loaded with changeover 10A 230V contacts, pack of two, Order Ref: 800.
 MAINS CIRCUIT BREAKER, 7A, pushbutton operated, Order Ref: 802.
 IN-LINE SWITCH intended for electric blanket to give variable heat but obviously has other uses, Order Ref: 805.
 PLUG FOR CAR LIGHTER SOCKETS, each having internal fuse, pack of two, Order Ref: 809.
 MAINS TRANSFORMER 12V-0V-12V, 6W, Order Ref: 811.
 10M OF MAINS VOLTAGE FLEX with screen and outer PVC insulation, Order Ref: 815.
 COMPUTER GRADE CAPACITOR, 10,000µF 15v, Order Ref: 816.
 13A ADAPTOR to take three plugs, fused, Order Ref: 819.
 13A ADAPTORS to each take 2 plugs, pack of two, Order Ref: 820.
 MAINS ISOLATION TRANSFORMER 10W, Order Ref: 821.
 0-01µF 250V MAINS WORKING SUPPRESSOR, pack of five, Order Ref: 836.
 RING MAIN JUNCTION BOXES, 13A, 230V, pack of three, Order Ref: BD1.
 FLUSH PLATE LIGHT SWITCHES, 5A white, pack of two, Order Ref: BD5.
 OCTAL VALVE BASES, Paxolin, pack of four, Order Ref: 12.
 GERMANIUM TRANSISTORS, OC45 etc, pack of 50 assorted, Order Ref: 15.
 LIGHT SENSITIVE TRANSISTORS, ref. OCCP70, pack of two, Order Ref: 14.
 LOUDSPEAKER CROSSOVER, for tweeter, mid-range and woofer, Order Ref: 23.
 KEY SWITCH, panel mounting with key, Order Ref: 31.

£5 BARGAIN PACKS

6" UNDERDOME BELL, 12V A.C. or D.C. operation, ex-GPO but tested, Order Ref: 5P6.
 FLUORESCENT TUBES, 1 metre 40W, pack of ten but MUST be collected, Order Ref: 5P9.
 FLUORESCENT TUBES, 20W 18", assorted colours, pack of ten, Order Ref: 5P10.
 FAN/BLOWER, mini snail type, Order Ref: 5P12.
 UNISELECTOR, 4-pole 25-way, Order Ref: 5P15.
 MINI BLOW HEATER, 1.2kW mains operated, Order Ref: 5P23.
 MOOD LIGHTING SWITCH, six combinations of lighting motorised to change hourly, Order Ref: 5P25.
 5" MAINS FAN made by Woods, ex-computers, Order Ref: 5P41.
 TIMER, industrial type, Omron ref. STPN1, Order Ref: 5P55.
 LIGHT CHASER, 4 x 10A microswitches, mains motorised, Order Ref: 5P56.
 AERIAL SWITCH, glass encased for KV transmitter, Order Ref: 5P70.
 WATER VALVE, solenoid operated, 1/4" or 3/8" screw entry, Order Ref: 5P73A or 5P73B.
 STEPPER MOTOR, 10V-14V, double 3 1/2" 7.5 degree angle, storage soiled but OK, Order Ref: 5P81.
 TIMER, 0-20 second, mains motorised, Order Ref: 5P84.
 HEATER ASSEMBLY, 4 x 1kW elements mounted on square plate, Order Ref: 5P89.
 TANGENTIAL BLOWER, 18" ideal for under central heating radiator, Order Ref: 5P90.
 PHOTOCELL, original type as used in early cinemas, Order Ref: 5P95.
 BLOWER, mains centrifugal type, outlet size 5" x 1 1/2", Order Ref: 5P99.
 HEATING WIRE, waterproof, 15m, will stop pipes freezing, etc, Order Ref: 5P109.
 EQUIPMENT CASE, 13 1/2" x 3 1/2" x 3, Order Ref: 5P116.
 SODA STREAM BOTTLE, Order Ref: 5P121.
 HANG-UP TELEPHONE, ex-BT as used by their service engineers, good working order but average condition, Order Ref: 5P253.
 EHT TRANSFORMER, 4 kV 2mA, ex-equipment, Order Ref: 5P139.
 TRAVEL MECHANISM, 6", backwards and forwards 12V motorised, Order Ref: 5P140.
 TELEPHONE, rotary dial type, ex-GPO, good condition, Order Ref: 5P134.

CURRENT TRACER KIT as November issue. All parts including meter and case for this very useful low current meter which, amongst other jobs, will help you to track down those frustrating "hard to locate" faults. Price of the complete kit to use the free PCB is £15.00, Order Ref: 15P69.

SOLAR EDUCATION KIT, make a fan, etc, Order Ref: 5P160.
 AIR OR GAS VALVE, time clock operated, Order Ref: 5P161.
 AIR OR GAS VALVE, thermostatically operated, Order Ref: 5P162.
 5V 2 1/4" POWER SUPPLY, unit stabilised and volt regulated, Order Ref: 5P186.
 SWITCH-MODE POWER SUPPLY, 5V 3A, 12V 1/2A, Order Ref: 5P188.
 DUAL MICRO DRIVE made for OPD computer with mod details for other computers, Order Ref: 5P194.
 VIDEO CAMERA LEAD with plug and socket ends, Order Ref: 5P195.
 SWITCH-MODE POWER SUPPLY, Astec ref. 1004, Order Ref: 5P199.
 KEYBOARD for Amstrad KV5, Order Ref: 5P202.
 STEEL CASE, plated, 15 1/2" x 5 1/2" x 2 1/2", Order Ref: 5P203.
 MD DOS 3.2, Order Ref: 5P207.
 MS DOS 3.3, Order Ref: 5P208.
 25-CORE CABLE, 8A screened with PVC outer, 5m, Order Ref: 5P214.
 TV TURNER, six push rod type for old TV sets, Order Ref: 5P219.
 MAINS ALARM, adjustable loudness, cased, free standing, Swiss made, Order Ref: 5P226.
 UNDERDOME BELL, Friedland, Order Ref: 5P232.
 BIG MAINS TRANSFORMER, 43V 2-4A, Order Ref: 5P236.
 PUMP for portable drill operation, Order Ref: 5P240.
 SPEAKER MATCHING TRANSFORMER, 45 Ohm to 3 Ohm, Order Ref: 5P242.
 FIRE ALARM SWITCH, very solid factory type, needs new glass, Order Ref: 5P247.
 EXTENSION SPEAKERS, pair 8 Ohm 5W in wooden cases, Order Ref: 5P248.
 ALTERNATOR, 50V, spindle-operated, could be wind operated, Order Ref: 5P249.

£6 BARGAIN PACKS

SOLAR BATTERY CHARGER for 4 AAA cells, Order Ref: 6P3.
 ROTARY DIAL DESK TELEPHONE, GPO but with BT plug, Order Ref: 6P10.
 TAPE RECORDER for use with computer. Customer return but believed OK, Order Ref: 6P18.
 15A TIME SWITCH with switching for each of the seven days, but less proper base, Order Ref: 6P20.
 AMSTRAD POWER SUPPLY UNIT ref. PPC 640. This is 13 1/2V at 1-7A or will give 12V at 2A, Order Ref: 6P23.
 25W LOUDSPEAKER with twin 4 Ohm coils to give stereo effect, Order Ref: 6P32.
 18" BLOWER UNIT with mains 230V motor. Ideal for putting under a hot water radiator to increase heat output, Order Ref: 6P33.
 MODEM, Amstrad ref. MC2400. Customer return so may need attention, Order Ref: 6P34.
 MINI MOTOR, mains operated with gearbox giving 6rpm, Order Ref: 6P41.
 CABLE to work with 250W 40V heating transformer, Order Ref: 6P43.
 CHARGE/DISCHARGE AMMETER, 20-0-50A 4" square, needs shunt, Order Ref: 6P44.
 SPEED CONTROLLED MAINS MOTOR by German PAPat company, Order Ref: 6P46.
 12V D.C. MOTOR, 1/4HP by Smiths, Order Ref: 6P47.
 POCKET SIZE MULTI-TESTER, A.C. and D.C. volts, D.C. current and Ohms, Order Ref: 6P51.

£7 BARGAIN PACKS

TANGENTIAL HEATER, 3kW, needs simple case, Order Ref: 7P4.
 MAINS TRANSFORMER gives 3kV at 3mA, not cased, Order Ref: 7P7.
 RECORD PLAYER, BSR linear model. New with pick-up but less control panel, with panel details, Order Ref: 7P11.
 WOODS CIRCULAR FAN, 6 1/2" ex-computer but tested and guaranteed, Order Ref: 7P16.
 SOLAR KITS, make helicopter, Order Ref: 7P17; make monoplane, Order Ref: 7P18; make old world gramophone, Order Ref: 7P20.
 POWER SUPPLY CASE, nickel-plated steel, size approximately 15 1/2" x 5" x 2 1/2", Order Ref: 7P21.
 36-CORE CABLE, each core takes 8A at mains voltage, 5m length, Order Ref: 7P22.
 CAR BATTERY CHARGER KIT, complete with metal case, Order Ref: 7P23.

£8 BARGAIN PACKS

POWER STATION PANEL AMMETER in 6" heavy duty metal case but needs shunt, Order Ref: 8P32.
 83MM SQUARE AXIAL KIT FAN, mains operated, by German PAPST, Order Ref: 8P35.
 SOLAR EDUCATIONAL KIT, makes fan, etc, Order Ref: 8P42.
 SOLAR CHARGER for AA batteries, Order Ref: 8P43.
 MULLARD AMPLIFIER, 4 Unilux modules, Order Ref: 8P44.
 LCD DISPLAY, 2 lines, Epsom ref. X16027AR, Order Ref: 8P48.
 80A TIME SWITCH, ex-electricity board, Order Ref: 8P62.
 0V-15V D.C. PANEL METER, Order Ref: 8P53.
 1/4HP 12V O.C. MOTOR, Order Ref: 8P54.
 5 r.p.m. 60W MAINS MOTOR, Order Ref: 8P55.
 150 r.p.m. 60W MAINS MOTOR, Order Ref: 8P57.

£8.50 BARGAIN PACKS

ASTEC SWITCH-MODE PSU, gives 38V and 5V, total 110W, Order Ref: 8.5P2.
 20,000 OPV MULTI TESTER, ex-BT, complete with prods, reconditioned and guaranteed, Order Ref: 8.5P3.

£9 BARGAIN PACKS

FIVE E180 VIDEO TAPES, Order Ref: 9P6.
 VIBRATING REED FREQUENCY METER, Order Ref: 55-65Hz, Order Ref: 9P8.
 BUMP 'N GO SPACESHIP KIT, Order Ref: 9P9.
 DRY BATTERY RECHARGER KIT, Order Ref: 9P10.
 10 TDK AUDIO TAPES, Order Ref: 9P12.
 2-TONE HORN KIT, Order Ref: 9P15.
 4 OCTAVE KEYBOARD, piano size keys, Order Ref: 9P16.

£10 BARGAIN PACKS

100A TIME SWITCH, ex-electricity board, reconditioned, Order Ref: 10P14.
 MAXIMUM DEMAND INDICATOR, 230V A.C., Order Ref: 10P15.
 TANGENTIAL BLOWER FAN, 28" long fan with motor in middle, Order Ref: 10P16.
 POWER STATION TYPE VOLTMETER, in 6" diameter metal case, Order Ref: 10P25.
 ALUMINIUM CASE, 19 1/2" x 12 1/2" x 8", very good condition, Order Ref: 10P40.
 BULKHEAD SPEAKER, metal case with fixing bracket, 8 Ohm, Order Ref: 10P43.
 EHT TRANSFORMER, cased, gives 8kV at 2mA, Order Ref: 10P56.
 POWERFUL WATER PUMP, operated by heavy duty mains motor, Order Ref: 10P76.
 ITT STEREO AMPLIFIER, 10W + 10W with radio panel, Order Ref: 10P78.
 DOUBLE BLOWER, mains operated, suit greenhouse or workshop, Order Ref: 10P84.
 FLUORESCENT CONVERTER by Philips for 3" x 9" tubes, Order Ref: 10P89.
 COMPUTER DRIVER, MS-DOS 4.01, Order Ref: 10P99.
 MOTORISED DISPLAY, 12 x 10A microswitches, driven by mains motor, Order Ref: 10P101.
 CRT ref. SESJ31, 6", Order Ref: 10P104.
 HOT WIRE PANEL METER, 6", Order Ref: 10P106.
 DATA RECORDER, Sharp ref. 17400, Order Ref: 10P110.
 AMSTRAD MODEM SM2400, may need attention, Order Ref: 10P111.
 SOLENOID WATER VALVE, Danfoss, 12V D.C. or 24V A.C., Order Ref: 10P118.
 POWERFUL STEPPER MOTOR, 7.5 degree angle, American Philips, 12V-14V, Order Ref: 10P128.
 MONITOR, black and white, 4871, ex-equipment but guaranteed, Order Ref: 10P131.
 16MM CAMERA LENSES, ex-RAF, Order Ref: 10P132.
 POWER RELAY, 4 x 10A changeover contacts, Order Ref: 10P136.

The above prices include VAT but please add £3 towards our packing and carriage if your order is under £25. Send postal order, cheque or quote credit card number.

J & N FACTORS

Pilgrim Works (Dept. E.E.)
 Stairbridge Lane, Bolney,
 Sussex RH17 5PA
 Telephone: 01444 881965
 (Also Fax but phone first)

Direct Book Service

The books listed have been selected by *Everyday Practical Electronics* editorial staff as being of special interest to everyone involved in electronics and computing. They are supplied by mail order direct to your door. Full ordering details are given on the last book page. For another selection of books see next month's issue.

Everyday Practical Electronics Books

ELECTRONIC PROJECTS - BOOK 1
Published by *Everyday Practical Electronics* in association with *Magenta Electronics*. Contains twenty of the best projects from previous issues of EE each backed with a kit of components. The projects are: Seashell Sea Synthesiser, EE Treasure Hunter, Mini Strobe, Digital Capacitance Meter, Three Channel Sound to Light, BBC 16K Sideways Ram, Simple Short Wave Radio, Insulation Tester, Stepper Motor Interface, Eprom Eraser, 200MHz Digital Frequency Meter, Infra Red Alarm, EE Equaliser Ioniser, Bat Detector, Acoustic Probe, Mains Tester and Fuse Finder, Light Rider - (Lapel Badge, Disco Lights, Chaser Light), Musical Doorbell, Function Generator, Tilt Alarm, 10W Audio Amplifier, EE Buccaneer Induction Balance Metal Detector, BBC Midi Interface, Variable Bench Power Supply, Pet Scarer, Audio Signal Generator.
128 pages (A4 size) **Order code EPT1** £2.45

ELECTRONICS TEACH-IN 88/89 - INTRODUCING MICROPROCESSORS
Mike Tooley BA (published by *Everyday Practical Electronics*)
A complete course that can lead successful readers to the award of a City and Guilds Certificate in Introductory Microprocessors (726/303). The book contains everything you need to know including full details on registering for assessment, etc. Starting with basic terminology, integrated circuits, logic families and numbering systems the text builds in stages, with revision and assessments built in, up to programming, languages, flow charts, etc. The course is ideal for the newcomer to the subject.
80 pages (A4 size) **Order code T1-88/89** £2.45

ELECTRONICS TEACH-IN No. 6 DESIGN YOUR OWN CIRCUITS
(Published by *Everyday Practical Electronics*)
Mike Tooley BA
This book is designed for the beginner and experienced reader alike, and aims to dispel some of the mystique associated with the design of electronic circuits. It shows how even the relative newcomer to electronics can, with the right approach, design and realise quite complex circuits.
Fourteen individual p.c.b. modules are described which, with various detailed modifications, should allow anyone to design and construct a very wide range of different projects. Nine "hands-on" complete DIY projects have also been included so readers can follow the thinking behind design, assembly, construction, testing and evaluation, together with suggested "mods" to meet individual needs. The practical projects have each been designed to stand on their own as complete items of equipment. P.C.B.s for all the modules and projects are available by mail order.

The subjects covered in each chapter of the book are: Introduction and Power Supplies; Small Signal Amplifiers; Power Amplifiers; Oscillators; Logic Circuits; Timers; Radio; Power Control; Optoelectronics.
The nine complete constructional projects are: Versatile Bench Power Supply; Simple Intercom; Bench Amplifier/Signal Tracer; Waveform Generator; Electronic Die; Pulse Generator; Radio Receiver; Disco Lights Controller; Optical Communications Link.
136 pages (A4 size) **Order code T16** £3.45

TEACH-IN No. 7 plus FREE Software ANALOGUE AND DIGITAL ELECTRONIC COURSE
(Published by *Everyday Practical Electronics*)
Alan Winstenley and Keith Dye
B.Eng(Tech)AMIEE
The highly acclaimed *Teach-In* series, which included the construction and use of the *Mini Lab* and *Micro Lab* test and development units, has been put together in book form. Additionally EPT Educational Software have developed a GCSE Electronics software program to compliment the course and a FREE DISC covering the first two parts of the course is included with the book.
An interesting and thorough tutorial series aimed specifically at the novice or complete beginner in electronics. The series is designed to support those undertaking either GCSE Electronics or GCE Advanced Levels, and starts with fundamental principles.
If you are taking electronics or technology at school or college, this book is for you. If you just want to learn the basics of electronics then this is for you. If you are teaching electronics or technology you must make sure you see it. *Teach-In No. 7* will be invaluable if you are considering a career in electronics or even if you are already training in one. The *Mini Lab* and software enable the construction and testing of both demonstration and development circuits. These learning aids bring electronics to life in an enjoyable and interesting way; you will both see and hear the electron in action! The *Micro Lab* microprocessor add-on system will appeal to higher level students and those developing microprocessor projects.
152 pages (A4 size) **Order code T17** £3.95



Computers and Computing

HOW TO CHOOSE A SMALL BUSINESS COMPUTER SYSTEM
D. Weale
This book is for anyone intending to buy an IBM compatible computer system, whether it is their first system or a replacement. There are sections on hardware, application and systems programs and how to actually make your choice as well as sections on the law, ergonomics and a glossary of common terms.
The text contains many useful tips and some warnings (which could save much effort and expense).
114 pages **Order code BP323** £4.95

MAKING MS-DOS WORK FOR YOU (covers version 6.2)
N. Kantanis & P. R. M. Oliver
This book was written with the busy person in mind and, as such, it has an underlying structure based on "what you need to know first, appears first". Nonetheless, the book has also been designed to be circular, which means that you don't have to start at the beginning and go to the end.
The book explains: How to write customised batch files which allow you to display what you want on your screen, and in the form and order you want it, instead of being forced to use the DOS prompt on a blank screen. How to design and set up a fast interactive and professional looking menu system, so that you or anyone else can run utility applications or commercial software packages easily. How the ANSI.SYS display and keyboard commands can be used to position the cursor on any part of the screen, change the intensity of the displayed characters or change their colour. How the Edit screen editor or the Edlin line editor can be used to enter ESCAPE (ANSI.SYS) commands into simple ASCII files to allow control of both your screen display and your printer. How to control the operation of the two main types of printers in use today, Epson compatible dot matrix and HP compatible laser printers. How to use several routines, such as moving and finding files, protecting files from accidental erasure,

a simplified backup process, a screen saver, and a disc cataloguing system.
The Debug program and how it can be used to create, see and change the contents of any file, including those of programs written in assembler code. This includes how to find your way around the names and tasks of the CPU registers and the meaning of some simple assembler mnemonics.
182 pages **Order code BP319** £4.95

MULTIMEDIA ON THE PC
Ian R. Sinclair
In this book, you'll find out what a CD ROM is, how it works, and why it is such a perfect add-on for a PC, allowing you to buy programmes, text, graphics and sound on a CD. It also describes the installation of a CD ROM drive and a sound card, pointing out the common problems that arise, and then shows how to use them to create a complete multimedia presentation that contains text, photos, a soundtrack with your own voice recorded as a commentary, even animation and edited video footage.
184 pages **Order code PC112** £11.95

A CONCISE INTRODUCTION TO MS-DOS
N. Kanteris
(Revised Edition Covers Version 6.2)
This guide is written with the non-expert, busy person in mind and, as such, it has an underlying structure based on "what you need to know first, appears first". Nevertheless, the guide is also designed to be circular, which means that you don't have to start at the beginning and go to the end. The more experienced user can start from any section.
176 pages **Order code BP232** £3.95

UNDERSTANDING PC SPECIFICATIONS
R. A. Penfold (Revised Edition)
If you require a microcomputer for business applications, or a high quality home computer, an IBM PC or compatible is often the obvious choice. They are competitively priced, and are backed up by an enormous range of applications programs, hardware add-ons, etc. The main difficulty for the uninitiated is deciding on the specification that will best suit his or her needs. PCs range from simple systems of limited capabilities up to complex systems that can happily run applications that would have been considered beyond the abilities of a microcomputer not so long ago. It would be very easy to choose a PC system that is inadequate to run your applications efficiently, or one which goes beyond your needs and consequently represents poor value for money.
This book explains PC specifications in detail, and the subjects covered include the following: Differences between types of PC (XT, AT, 80386, etc); Maths co-processors; Input devices (keyboards, mice, and digitisers); Memory, including both expanded (EMS) and extended RAM; RAM disks and disk caches; Floppy disk drive formats and compatibility; Hard disk drives (including interleave factors and access times); Display adaptors, including all standard PC types (CGA, Hercules, Super VGA, etc); Contains everything you need to know if you can't tell your EMS from your EGA!
128 pages **Order code BP282** £4.95

AN INTRODUCTION TO 6800 ASSEMBLY LANGUAGE
R. A. & J. W. Penfold
Obtain a vast increase in running speed by writing programs for 6800 based micros such as the Commodore, Amiga, Atari ST range or Apple Macintosh range etc., in assembly language. It is not as difficult as one might think and this book covers the fundamentals.
112 pages **Order code BP184** £2.95

Testing and Test Gear

HOW TO USE OSCILLOSCOPES AND OTHER TEST EQUIPMENT

R. A. Penfold
This book explains the basic function of an oscilloscope, gives a detailed explanation of all the standard controls, and provides advice on buying. A separate chapter deals with using an oscilloscope for fault finding on linear and logic circuits, plenty of example waveforms help to illustrate the control functions and the effects of various fault conditions. The function and use of various other pieces of test equipment are also covered, including signal generators, logic probes, logic pulsers, and crystal calibrators.
104 pages **Order code BP267** £3.50

Order code BP267 £3.50

Theory and Reference

UNDERSTANDING DIGITAL TECHNOLOGY

F. A. Wilson C.G.I.A., C.Eng., F.I.E.E., F.I. Mgt.
This book examines what digital technology has to offer and then considers its arithmetic and how it can be arranged for making decisions in so many processes. It then looks at the part digital has to play in the ever expanding Information Technology, especially in modern transmission systems and television. It avoids getting deeply involved in mathematics.
Various chapters cover: Digital Arithmetic, Electronic Logic, Conversions between Analogue and Digital Structures, Transmission Systems. Several Appendices explain some of the concepts more fully and a glossary of terms is included. Altogether a useful foray into the digital world both for newcomers and also for those who need some revision or updating.
183 pages **Order code BP376** £4.95

Order code BP376 £4.95

A REFERENCE GUIDE TO PRACTICAL ELECTRONICS TERMS

F. A. Wilson C.G.I.A., C.Eng., F.I.E.E., F.I. Mgt.
Electronic devices surround us on all sides and their numbers are increasing without mercy. Ours is the problem therefore in keeping up with this relentless expansion. Unfortunately we cannot know it all and most of us do not wish to afford the cost of large reference books which explain many concepts in fair detail. Here is an answer, an inexpensive reference guide which explains briefly (but we hope, well!) many of the underlying electronics features of practical devices, most of which, to a certain extent, control our lives.
This book is in effect more than just a dictionary of practical electronics terms, it goes a stage further in also getting down to fundamentals. Accordingly the number of terms may be limited but the explanations of the many which are included are designed to leave the reader more competent and satisfied - and this is without the use of complicated mathematics which often on first reading can be confusing.
For those who also wish to get right down to the root of the matter, there is a second volume entitled *A Reference*

PRACTICAL MIDI HANDBOOK

R. A. Penfold
The Musical Instrument Digital Interface (MIDI) is surrounded by a great deal of misunderstanding, and many of the user manuals that accompany MIDI equipment are quite incomprehensible to the reader.
The Practical MIDI Handbook is aimed primarily at musicians, enthusiasts and technicians who want to exploit the vast capabilities of MIDI, but who have no previous knowledge of electronics or computing. The majority of the book is devoted to an explanation of what MIDI can do and how to exploit it to the full, with practical advice on connecting up a MIDI system and getting it to work, as well as deciphering the technical information in those manuals.
128 pages **Order code PC101** £6.95

Order code PC101 £6.95

AN INTRODUCTION TO LOUSPEAKERS AND ENCLOSURE DESIGN

V. Capel
This book explores the various features, good points and snags of speaker designs. It examines the whys and wherefores so that the reader can understand the principles involved and so make an informed choice of design, or even design loudspeaker enclosures for him or herself. Crossover units are also explained, the various types, how they work, the distortions they produce and how to avoid them. Finally there is a step-by-step description of the construction of the *Kapellmeister* loudspeaker enclosure.
148 pages **Order code BP256** £2.95

Order code BP256 £2.95

ACOUSTIC FEEDBACK - HOW TO AVOID IT

V. Capel
Feedback is the bane of all public address systems. While feedback cannot be completely eliminated, many things can be done to reduce it to a level at which it is no longer a problem.
Much of the trouble is often the hall itself, not the equipment, but there is a simple and practical way of greatly improving acoustics. Some microphones are prone to feedback while others are not. Certain loudspeaker systems are much better than others, and the way the units are positioned can produce or reduce feedback. All these matters are fully explored as well as electronic aids such as equalizers, frequency-shifters and notch filters.
The special requirements of live group concerts are considered, and also the related problem of instability that is sometimes encountered with large set-ups. We even take a look at some unsuccessful attempts to cure feedback so as to save readers wasted time and effort duplicating them.
Also included is the circuit and layout of an inexpensive but highly successful twin-notch filter, and how to operate it.
92 pages **Order code BP310** £3.95

Order code BP310 £3.95

PREAMPLIFIER AND FILTER CIRCUITS

R. A. Penfold
This book provides circuits and background information for a range of preamplifiers, plus tone controls, filters, mixers, etc. The use of modern low noise operational amplifiers and a specialist high performance audio preamplifier i.c. results in circuits that have excellent performance, but which are still quite simple. All the circuits featured can be built at quite low cost (just a few pounds in most cases).
The preamplifier circuits featured include: Microphone preamplifiers (low impedance, high impedance, and crystal). Magnetic cartridge pick-up preamplifiers with R.I.A.A. equalisation. Crystal/ceramic pick-up preamplifier. Guitar pick-up preamplifier. Tape head preamplifier (for use with compact cassette systems).
Other circuits include: Audio limiter to prevent overloading of power amplifiers. Passive tone controls. Active tone controls. PA filters (highpass and lowpass). Scratch and rumble filters. Loudness filter. Audio mixers. Volume and balance controls.
92 pages **Order code BP309** £3.95

Order code BP309 £3.95



Guide to Basic Electronics Terms (BP286), each of the books referring to its companion as necessary.

A reference guide for practically everything concerned with electronics.
432 pages **Order code BP287** £5.95

Order code BP287 £5.95

ELECTRONIC MODULES AND SYSTEMS FOR BEGINNERS

Owen Bishop
This book describes over 60 modular electronic circuits, how they work, how to build them, and how to use them. The modules may be wired together to make hundreds of different electronic systems, both analogue and digital. To show the reader how to begin building systems from modules, a selection of over 25 electronic systems are described in detail, covering such widely differing applications as timing, home security, measurement, audio (including a simple radio receiver), games and remote control.
200 pages **Order code BP266** £3.95

Order code BP266 £3.95

Project Building

ELECTRONIC PROJECTS FOR EXPERIMENTERS

R. A. Penfold
Many electronic hobbyists who have been pursuing their hobby for a number of years seem to suffer from the dreaded "seen it all before" syndrome. This book is fairly and squarely aimed at sufferers of this complaint, plus any other electronics enthusiasts who yearn to try something a bit different. No doubt many of the projects featured here have practical applications, but they are all worth a try for their interest value alone.
The subjects covered include: Magnetic field detector, Basic Hall effect compass, Hall effect audio isolator, Voice scrambler/descrambler, Bat detector, Bat style echo location, Noise cancelling, LED stroboscope, Infra-red "torch", Electronic breeze detector, Class D power amplifier, Strain gauge amplifier, Super hearing aid.
138 pages **Order code BP371** £4.95

Order code BP371 £4.95

PRACTICAL FIBRE-OPTIC PROJECTS

R. A. Penfold
While fibre-optic cables may have potential advantages over ordinary electric cables, for the electronics enthusiast it is probably their novelty value that makes them worthy of exploration. Fibre-optic cables provide an innovative interesting alternative to electric cables, but in most cases they also represent a practical approach to the problem. This book provides a number of tried and tested circuits for projects that utilize fibre-optic cables.
The projects include: Simple audio links, F.M. audio link, P.W.M. audio links, Simple d.c. links, P.W.M. d.c. link, P.W.M. motor speed control, RS232C data links, MIDI link, Loop alarms, R.P.M. meter.
All the components used in these designs are readily available, none of them require the constructor to take out a second mortgage.
132 pages **Order code BP374** £4.95

Order code BP374 £4.95

45 SIMPLE ELECTRONIC TERMINAL BLOCK PROJECTS

R. Bebbington
Contains 45 easy-to-build electronic projects that can be constructed, by an absolute beginner, on terminal blocks using only a screwdriver and other simple hand tools. No soldering is needed.
Most of the projects can be simply screwed together, by following the layout diagrams, in a matter of minutes and

readily unscrewed if desired to make new circuits. A theoretical circuit diagram is also included with each project to help broaden the constructor's experience and knowledge.

The projects included in this book cover a wide range of interests under the chapter headings: Connections and Components, Sound and Music, Entertainment, Security Devices, Communication, Test and Measurement.
163 pages **Order code BP378** £4.95

Order code BP378 £4.95

HOW TO DESIGN AND MAKE YOUR OWN P.C.B.S.

R. A. Penfold
Deals with the simple methods of copying printed circuit board designs from magazines and books and covers all aspects of simple p.c.b. construction including photographic methods and designing your own p.c.b.s.
80 pages **Order code BP121** £2.50

Order code BP121 £2.50

A BEGINNER'S GUIDE TO MODERN ELECTRONIC COMPONENTS

R. A. Penfold
The purpose of this book is to provide practical information to help the reader sort out the bewildering array of components currently on offer. An advanced knowledge of the theory of electronics is not needed, and this book is not intended to be a course in electronic theory. The main aim is to explain the differences between components of the same basic type (e.g. carbon, carbon film, metal film, and wire-wound resistors) so that the right component for a given application can be selected. A wide range of components are included, with the emphasis firmly on those components that are used a great deal in projects for the home constructor.
166 pages **Order code BP285** £3.95

Order code BP285 £3.95

ELECTRONICS SIMPLIFIED - CRYSTAL SET CONSTRUCTION

F. A. Wilson, C.G.I.A., C.Eng., F.I.E.E., F.I.E.R.E., F.B.I.M.
Especially written for those who wish to participate in the intricacies of electronics more through practical construction than by theoretical study. It is designed for all ages upwards from the day one can read intelligently and handle simple tools.
80 pages **Order code BP92** £1.75

Order code BP92 £1.75

COMPUTERS AND MUSIC - AN INTRODUCTION

R. A. Penfold
Computers are playing an increasingly important part in the world of music, and the days when computerised music was strictly for the fanatical few are long gone.
If you are more used to the black and white keys of a synth keyboard than the QWERTY keyboard of a computer, you may be understandably confused by the jargon and terminology bandied about by computer buffs. But fear not, setting up and using a computer-based music making system is not as difficult as you might think.
This book will help you learn the basics of computing, running applications programs, wiring up a MIDI system and using the system to good effect, in fact just about everything you need to know about hardware and the programs, with no previous knowledge of computing needed or assumed. This book will help you to choose the right components for a system to suit your personal needs, and equip you to exploit that system fully.
174 pages **Order code PC107** £8.95

Order code PC107 £8.95

ELECTRONIC PROJECTS FOR GUITAR

R. A. Penfold
This book contains a collection of guitar effects and some general purpose effects units, many of which are suitable for beginners to project building. An introductory chapter gives guidance on construction.
Each project has an introduction, an explanation of how it works, a circuit diagram, complete instructions on strip-board layout and assembly, as well as notes on setting up and using the units. Contents include: Guitar tuner; Guitar preamplifier; Guitar headphone amplifier; Soft distortion unit; Compressor; Envelope waa waa; Phaser; Dual tracking effects unit; Noise gate/expander; Treble booster; Dynamic treble booster; Envelope modifier; Tremolo unit; DI box.
110 pages **Temporarily out of print**

Temporarily out of print

HIGH POWER AUDIO AMPLIFIER CONSTRUCTION

R. A. Penfold
Practical constructional details of how to build a number of audio power amplifiers ranging from about 50 to 300/400 watts r.m.s. Includes MOSFET and bipolar transistor designs.
96 pages **Order code BP277** £3.95

Order code BP277 £3.95

Circuits and Design

PRACTICAL ELECTRONIC FILTERS

Owen Bishop

This book deals with the subject in a non-mathematical way. It reviews the main types of filter, explaining in simple terms how each type works and how it is used.

The book also presents a dozen filter-based projects with applications in and around the home or in the constructor's workshop. These include a number of audio projects such as a rhythm sequencer and a multi-voiced electronic organ.

Concluding the book is a practical step-by-step guide to designing simple filters for a wide range of purposes, with circuit diagrams and worked examples.

88 pages **Order code BP299** £4.95

ELECTRONIC ALARM CIRCUITS MANUAL

R. M. Marston

One hundred and forty useful alarm circuits, of a variety of types, are shown in this volume. The operating principle of each one is explained in concise but comprehensive terms, and brief construction notes are given where necessary.

Aimed at the practical design engineer, technician and experimenter, as well as the electronics student and amateur.

124 pages **Order code NE11** £13.95

DIGITAL GATES AND FLIP-FLOPS

Ian R. Sinclair

This book, intended for enthusiasts, students and technicians, seeks to establish a firm foundation in digital electronics by treating the topics of gates and flip-flops thoroughly and from the beginning.

Topics such as Boolean algebra and Karnaugh mapping are explained, demonstrated and used extensively, and more attention is paid to the subject of synchronous counters than to the simple but less important ripple counters.

No background other than a basic knowledge of electronics is assumed, and the more theoretical topics are explained from the beginning, as also are many working practices. The book concludes with an explanation of microprocessor techniques as applied to digital logic.

200 pages **Order code PC106** £8.95

ELECTRONIC CIRCUITS FOR THE COMPUTER CONTROL OF ROBOTS

Robert Penfold

Robots and robotics offer one of the most interesting areas for the electronics hobbyist to experiment in. Today the mechanical side of robots is not too difficult, as there are

robotics kit and a wide range of mechanical components available. The microcontroller is not too much of a problem either, since the software need not be terribly complex and many inexpensive home computers are well suited to the task.

The main stumbling block for most would-be robot builders is the electronics to interface the computer to the motors, and the sensors which provide feedback from the robot to the computer. The purpose of this book is to explain and provide some relatively simple electronic circuits which bridge this gap.

92 pages **Order code BP179** £2.95

ELECTRONIC POWER SUPPLY HANDBOOK

Ian R. Sinclair

This book covers the often neglected topic of electronic power supplies. All types of supplies that are used for electronics purposes are covered in detail, starting with cells and batteries and extending by way of rectified supplies and linear stabilisers to modern switch-mode systems, i.e. switch-mode regulators, DC-DC converters and inverters.

The devices, their operating principles and typical circuits are all dealt with in detail. The action of rectifiers and the reservoir capacitor is emphasised, and the subject of stabilisation is covered. The book includes some useful formulae for assessing the likely hum level of a conventional rectifier reservoir supply.

136 pages **Order code PC108** £7.95

50 SIMPLE LED CIRCUITS

R. N. Soar

Contains 50 interesting and useful circuits and applications, covering many different branches of electronics, using one of the most inexpensive and freely available components - the light-emitting diode (LED). Also includes circuits for the 707 common anode display.

64 pages **Order code BP42** £1.95

BOOK 2 50 more i.e.d. circuits.

50 pages **Order code BP87** £1.95

CIRCUIT SOURCE BOOK 1

A. Penfold

Written to help you create and experiment with your own electronic designs by combining and using the various standard "building block" circuits provided. Where applicable, advice on how to alter the circuit parameters is given.

The circuits covered in this book are mainly concerned with analogue signal processing and include: Audio

amplifiers (op.amp and bipolar transistors); audio power amplifiers; d.c. amplifiers; highpass, lowpass, bandpass and notch filters; tone controls; voltage controlled amplifiers and filters; triggers and voltage comparators; gates and electronic switching; bargraphs; mixers; phase shifters, current mirrors, hold circuits, etc.

Over 150 circuits are provided, which it is hoped will be useful to all those involved in circuit design and application, be they professionals, students or hobbyists.

182 pages **Order code BP321** £4.95

CIRCUIT SOURCE BOOK 2

R. A. Penfold

This book will help you to create and experiment with your own electronic designs by combining and using the various standard "building blocks" circuits provided. Where applicable, advice on how to alter the circuit parameters is provided.

The circuits covered are mainly concerned with signal generation, power supplies, and digital electronics.

The topics covered in this book include: 555 oscillators; sine-wave oscillators; function generators; CMOS oscillators; voltage controlled oscillators; radio frequency oscillators; 555 monostables; CMOS monostables; TTL monostables; precision long timers; power supply and regulator circuits; negative supply generators and voltage boosters; digital dividers; decoders, etc; counters and display drivers; D/A and A/D converters; opto-isolators, flip/flops, noise generators, tone decoders, etc.

Over 170 circuits are provided, which it is hoped will be useful to all those involved in circuit design and application, be they professionals, students or hobbyists.

192 pages **Order code BP322** £4.95

HOW TO USE OP. AMPS

E. A. Parr

This book has been written as a designer's guide covering many operational amplifiers, serving both as a source book of circuits and a reference book for design calculations. The approach has been made as non-mathematical as possible.

160 pages **Order code BP88** £2.95

A BEGINNER'S GUIDE TO TTL DIGITAL ICs

R. A. Penfold

This book first covers the basics of simple logic circuits in general, and then progresses to specific TTL logic integrated circuits. The devices covered include gates, oscillators, timers, flip/flops, dividers, and decoder circuits. Some practical circuits are used to illustrate the use of TTL devices in the "real world"

142 pages **Order code BP332** £4.95

Radio, TV, Satellite

PROJECTS FOR RADIO AMATEURS AND S.W.L.S.

R. A. Penfold

This book describes a number of electronic circuits, most of which are quite simple, which can be used to enhance the performance of most short wave radio systems.

The circuits covered include:- An aerial tuning unit; A simple active aerial; An add-on b.f.o. for portable sets; A wavetrapp to combat signals on spurious responses; An audio notch filter; A parametric equaliser; C.W. and S.S.B. audio filters; Simple noise limiters; A speech processor; A volume expander.

Other useful circuits include a crystal oscillator, and RTTY/C.W. tone decoder, and a RTTY serial to parallel converter. A full range of interesting and useful circuits for short wave enthusiasts.

92 pages **Order code BP304** £3.95

AN INTRODUCTION TO AMATEUR RADIO

I. D. Poole

Amateur radio is a unique and fascinating hobby which has attracted thousands of people since it began at the turn of the century.

This book gives the newcomer a comprehensive and easy to understand guide through the subject so that the reader can gain the most from the hobby. It then remains an essential reference volume to be used time and again. Topics covered include the basic aspects of the hobby, such as operating procedures, jargon and setting up a station. Technical topics covered include propagation, receivers, transmitters and aerials etc.

150 pages **Order code BP257** £3.50

AERIAL PROJECTS

R. A. Penfold

The subject of aerials is vast but in this book the author has considered practical aerial designs, including active, loop and ferrite aerials which give good performances and are relatively simple and inexpensive to build. The complex theory and mathematics of aerial design have been avoided.

Also included are constructional details of a number of aerial accessories including a pre-selector, attenuator, filters and a tuning unit.

96 pages **Order code BP105** £2.50

SIMPLE SHORT WAVE RECEIVER CONSTRUCTION

R. A. Penfold

Short wave radio is a fascinating hobby, but one that seems to be regarded by many as an expensive pastime these days. In fact it is possible to pursue this hobby for a minimal monetary outlay if you are prepared to undertake a bit of d.i.y., and the receivers described in this book can all be built at low cost. All the sets are easy to construct, full wiring diagrams etc. are provided, and they are suitable for complete beginners. The receivers only require simple aerials, and do not need any complex alignment or other difficult setting up procedures.

The topics covered in this book include: The broadcast bands and their characteristics; The amateur bands and their

characteristics; The propagation of radio signals; Simple aerials; Making an earth connection; Short wave crystal set; Simple i.r.f. receivers; Single sideband reception; Direct conversion receiver.

Contains everything you need to know in order to get started in this absorbing hobby.

88 pages **Order code BP275** £3.95

AN INTRODUCTION TO AMATEUR COMMUNICATIONS SATELLITES

A. Pickford

Communications and broadcast satellites are normally inaccessible to individuals unless they are actively involved in their technicalities by working for organisations such as British Telecom, the various space agencies or military bodies. Even those who possess a satellite television receiver system do not participate in the technical aspects of these highly technological systems.

There are a large number of amateur communications satellites in orbit around the world, traversing the globe continuously and they can be tracked and their signals received with relatively inexpensive equipment. This equipment can be connected to a home computer such as the BBC Micro or IBM compatible PCs, for the decoding of received signals.

This book describes several currently available systems, their connection to an appropriate computer and how they can be operated with suitable software.

102 pages **Order code BP290** £3.95

A GUIDE TO THE WORLD'S RADIO STATIONS (1995/96)

P. Shore

Provides the casual listener, amateur radio DXer and the professional radio monitor with an essential reference work designed to guide him or her around the ever more complex radio bands. This new edition has been completely revised and rewritten and incorporates much more information which is divided into the following sections:

Listening to Short Wave Radio; Choosing a Short Wave Radio Receiver; How to Use the IRSG; Abbreviations; Country Codes; Worldwide Short Wave Radio Stations; European, Middle Eastern and African Long Wave Radio Stations; European, Near and Middle Eastern and African Medium Wave Radio Stations; Canadian Medium Wave Radio Stations; USA Medium Wave Radio Stations; Broadcasts in English; Programmes for DXers and Short Wave Listeners; UK FM Radio Stations; Time Differences From GMT; Wavelength/Frequency Conversion.

256 pages **Order code BP355** £5.95

DIRECT BOOK SERVICE ORDERING DETAILS

Please state the title and order code clearly, print your name and address and add the required postage to the total order.

Add £1.50 to your total order for postage and packing (overseas readers add £3 for countries in the EEC, or add £6 for all countries outside the EEC, surface mail postage) and send a PO, cheque, international money order (£ sterling only) made payable to **Direct Book Service** or credit card details (including card expiry date), Visa or Mastercard (Access) - minimum credit card order is £5 - quoting your name and address, the order code and quantities required to **DIRECT BOOK SERVICE, 33 GRAVEL HILL, MERLEY, WIMBORNE, DORSET BH21 1RW (mail order only).**

Although books are normally sent within seven days of receipt of your order, please allow a maximum of 28 days for delivery. Overseas readers allow extra time for surface mail post.

Please check price and availability (see latest issue of Everyday Practical Electronics) before ordering from old lists.

For a further selection of books see next month's issue.

DIRECT BOOK SERVICE IS A DIVISION OF WIMBORNE PUBLISHING LTD.

the new

CRICKLEWOOD Electronics

Very Interesting CATALOGUE

ASTRONOMICAL RANGE AT DOWN TO EARTH PRICES

- TRANSISTORS+ICs+SEMICONDUCTORS
- RESISTORS+CAPACITORS+INDUCTORS
- SURVEILLANCE+SECURITY+SECURITY
- PLUGS+SOCKETS+LEADS+CONNECTS
- TV & VIDEO SPARES (inc Video Heads)
- HIFI+DISCO+HIFI GADGETS+SPEAKERS
- AUDIOPHILE COMPONENTS (inc Capacitors)
- IN CAR AUDIO+SPEAKERS (inc Bass tubes)
- COMPUTER ACCESSORIES+BOARDS
- TOOLS+TEST EQUIPMENT+BENCHWARE

& much much much more (over 10,000 lines).

SEND TODAY FOR *THE VERY INTERESTING CATALOGUE*

Pay by PO, Cheque, Credit Card or tape Coins to Paper

Please send mecopies of the 1995 Cricklewood Catalogue.

I enclose £2.50 per copy (UK & Europe). £5.00 overseas

Name.....

Address.....

.....

.....

.....

.....

Please Charge my Credit Card.no.....

Expiry Date.....Tel no.....FEE

Cricklewood Electronics Ltd, 40-42 Cricklewood Broadway

London NW2 3ET Tel 0181 450 0995 Fax 0181 208 1441



MadLab PIC KITS

Everybody's talking about the PIC these days - the hottest microcontroller on the hobbyist market. It's cheap, robust, easy to interface to the outside world, and a breeze to program. Now's your chance to build a kit featuring one of these chips. MadLab® at the Edinburgh International Science Festival has developed an exciting range of PIC kits which allow you to explore the capabilities of this powerful device.

All MadLab kits include a professional pcb and full instructions.

MAD MUSIC MACHINE £12.00 - our simplest kit and an excellent introduction to the PIC. Pre-programmed with 4 tunes (state Scottish, Soaps or Kids mixes). You can also play your own tunes over 4 octaves.

LOTTOMANIA £13.00 - could win you a fortune in the National Lottery. And much more. Also simulates the rolling of dice, a 1 or 2-player reaction game, and a tracker game which tests how quick thinking you are.

RAZZLE DAZZLER £13.50 - a stylish piece of electronic jewellery. A ring of superbright LEDs around a circular pcb displays an ever-changing pattern of light. Wear it as a badge or pendant and get noticed.

SPYCATCHER £14.00 - a sophisticated security alarm with multiple sensors, silent mode and security code. The infra-red sensor triggers the piezo alarm when a light beam is interrupted. Also includes a magnetic switch which can be attached to a door or window. In fact most of the features of a professional burglar alarm for a fraction of the cost!

SPACEFLAG £15.00 - our most advanced kit. When the SpaceFlag is waved in front of your eyes a scrolling message magically appears in space. Any message (up to 24 characters) can easily be programmed using the on-board pushbuttons. As featured in *New Scientist*.

All kits require a PP3 battery (£1) except the Razzle Dazzler which needs a miniature 12V battery (75p). All prices are inclusive. P&P is £1.50 (UK). Please make cheques and PO's payable to MadLab Ltd. Send your order to:

MadLab (Dept. EPE), 149 Rose Street, Edinburgh EH2 4LS

No callers please. Allow 28 days for delivery. Please send a SAE for further details on MadLab kits, including our range of educational electronic kits.

E&OE

SEETRAX CAE RANGER PCB DESIGN

WITH COOPER & CHYAN AUTOROUTER

RANGER3 - DOS	£2500
- Windows\NT	£2900

RANGER2	£150
---------	------

Hierarchical or flat schematic linked to artwork.

Unlimited design size, 1 micron resolution

Any shaped pad, definable outline library

Pin, gate & outline swapping - auto back annotation

Split power planes, switchable on - line DRC

COOPER & CHYAN SPECCTRA

autorouter (SP2)

Inputs: OrCAD, Cadstar,

PCAD, AutoCAD DXF

Outputs: Postscript, Windows bit map

R2 & R3 Outputs: 8/9 & 24 pin printers, HP

Desk & Laser Jet, Cannon Bubble Jet,

HP-GL, Gerber,

NC Drill, AutoCAD DXF

Upto 8 pages of schematic linked to artwork
 Gate & pin swapping - automatic back annotation
 Copper flood fill, Power planes, Track necking,
 Curved tracks, Clearance checking,
 Simultaneous multi-layer auto-router

RANGER2 UTILITIES	£250
-------------------	------

COOPER & CHYAN SPECCTRA auto-router (SPI)

Gerber-in viewer, AutoCAD DXF in & out

UPGRADE YOUR PCB PACKAGE TO RANGER2	£60
--	-----

TRADE IN YOUR EXISTING PACKAGE TODAY

Seetrax CAE, Hinton Daubnay House, Broadway Lane, Lovedean, Hants, PO8 0SG

Call 01705 591037 or Fax 01705 599036

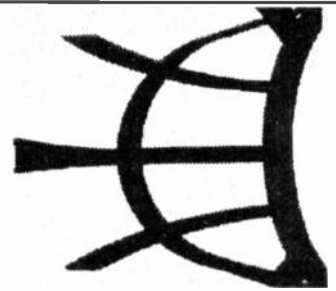
+ VAT & P.P

All Trademarks Acknowledged

REPORTING

AMATEUR RADIO

Tony Smith G4FAI



RSGB PROTESTS AT RA MORSE DECISION

The Radio Society of Great Britain has protested to the Radiocommunications Agency (RA) about its decision (reported in this column last month) to support any proposal at a World Radio Conference to abolish the amateur Morse test.

The Agency based its decision on a survey carried out in 1993 which, it said, showed the majority of class A licensees wished to retain the test while the majority of class B licensees saw no need for this requirement.

The RSGB has now published copies of its correspondence with the RA. It points out that the Agency has based its decision on letters received from individual amateurs, and has ignored the results of a national survey carried out by the Society at the request of the Agency – which showed a 67.5 per cent majority in favour of retaining the test.

Furthermore, the Agency has ignored the recommendations made in the recent report of the International Amateur Radio Union, which are supported by all three IARU Regions, that no changes be made at the present time.

Previously, the RSGB had pointed out to the Agency the chaos that would result from leaving countries to set their own requirements. If any change was to be made to the regulations, it felt strongly that proposals should come from within the Amateur Service itself. These should be discussed and agreed by the IARU so that the purpose and benefits of a new approach could be agreed and a smooth and coordinated changeover could be made.

CUSTOMER POLICY IGNORED

The RSGB points out that the RA has continually publicised its policy of "Quality of Service to our Customers", but in this matter it has chosen to completely ignore the customer.

The Society has requested the RA to reconsider its position which, it says, "if pursued will not only affect the UK, but will undermine one of the established cornerstones of the Amateur Service worldwide."

For the RSGB an even more important question than the Morse test arises. As the national organisation representing Britain's radio amateurs it has enjoyed a close working relationship with the successive radio licensing authorities over many years.

In that capacity, it has negotiated many improvements to the regulations covering all aspects of amateur radio. The arbitrary decision of the RA on such a sensitive issue, taken without any discussion with the RSGB, now raises questions about the validity of that relationship in the future.

By the time this appears in print, *WRC-95* will have been held and the news of what decision has been made, if any, will have been flashed round the world. More on this later.

YOUNG AMATEUR OF THE YEAR

The *Young Amateur of the Year Award* has been won by 16-year old Leroy Kirby, GW0ULC, from Cardigan, Dyfed. He was presented with the first prize of £300 at the RSGB's HF Convention at Windsor on 10 September.

He also received a Sony general coverage receiver from the RSGB, and other prizes, and will be invited to visit the RA's Radio Monitoring Centre at Baldock, Herts, for a conducted tour.

Leroy has done much to promote amateur radio, through both the Scouts and the Air Training Corps. He has run a number of special event stations, including two for "Jamboree on the Air".

He is an active member of his local amateur radio emergency service and has successfully revived a local YMCA amateur radio club, of which he is now vice-chairman. He has also won a number of contest awards.

His main interest is packet radio, and he has helped set up a new local Bulletin Board System (BBS), acting as the remote systems operator for a time.

The close runner-up is 15-year old Charles Banner, G7UBA/2E1CHY, from Birmingham. Charles is an RSGB News Service reader. He has set up a number of special event stations, and is currently helping run a Novice licence training course.

He is assistant secretary of his school's amateur radio society, and his main interest is low power operation. He won an Icom handheld transceiver, courtesy of Icom UK, a £75 cheque from Lowe Electronics, a cheque for £50 from the RA and other prizes. He will also be invited to visit Baldock.

RSGB SEEKS INFO ABOUT RAE

The Radio Society of Great Britain seeks input from anyone applying for Radio Amateur's Examination courses or RAE examination places. They are seeking details of the college applied to and its reply; also the fees charged for courses and examinations.

The society is gathering evidence to discover whether potential candidates are being discouraged from taking courses or the examination by some colleges. There have been reports of fees not returned when a course has been terminated, of courses given by lecturers who know little about amateur radio, and of colleges refusing facilities for external candidates to take the examination.

Members and non-members of the RSGB are invited to help in this survey to

establish how widely the practices described exist in colleges. Please write, describing your experiences, to the *Membership Liaison Committee, RSGB, Dept EPE, Lambda House, Cranborne Road, Potters Bar, EN6 3JE*, mentioning that you read about the survey in *EPE*.

AMATEUR NUMBERS DOWN

The annual report of the Radiocommunications Agency for 1994/95 records a total of 61,457 amateur radio licences on issue as at 31 March 1995. This is a drop of 1,576 compared with the previous year, and reverses the earlier encouraging upward trend which seemed to reflect the introduction of the Novice licence.

In March 1992, when the Novice licences were first included in the figures, the number of amateurs was 61,442. Over three years, therefore, the overall increase is only 15.

During the year, two persons were prosecuted and convicted, and two warning letters were sent, relating to amateur radio offences. Thirty-two others were convicted, and 356 warning letters were sent, for CB offences.

The Agency remains concerned at the continuing abuse of these services. Within available resources, it says, it will do what it can to continue to police the airwaves in co-operation with representatives of the amateur radio and CB communities. It will also, in suitable cases, give publicity to cases of abuse which come to its attention.

Financial deficits are reported against all services, including an amateur radio deficit of £463,000. The objective is to recover in each case the full cost from customers (i.e., the licence holders), and a three-year plan is being developed to achieve this. Presumably this will mean an increase in licence fees in due course.

WINTER SWL GUIDE PUBLISHED

The International Short Wave League publishes its useful *Guide to English Language Short Wave Broadcasts to Europe* twice a year. These enable listeners to keep up to date with seasonal programming changes.

The A4 size guide to winter schedules, 1995/96 is now available. It lists all broadcasts in 24-hour UTC order, and the information provided includes time periods, frequencies, country and station names, together with brief programme details.

This A4 booklet is packed solid with information for the keen short wave listener. It costs just £2.00 (IRCs or postage stamps to that value also acceptable), from *ISWL, 10 Clyde Crescent, Wharton, Winsford, Cheshire CW7 3LA*. Please mention that you read about the guide in *EPE*.

SHERWOOD ELECTRONICS

Special packs £1 each -
choose 1 x £1 pack FREE with every 10 purchased

SP1 15 x 5mm Red Leds	SP125 10 x 1000/16V radial elect caps
SP2 15 x 5mm Green Leds	SP130 100 x Mixed 0.5W C.F. resistors
SP3 12 x 5mm Yellow Leds	SP133 20 x 1N4004 diodes
SP4 10 x 5mm Amber Leds	SP134 15 x 1N4007 diodes
SP6 15 x 3mm Red Leds	SP135 6 x Min. slide switches
SP7 12 x 3mm Green Leds	SP136 3 x BFY50 transistors
SP8 10 x 3mm Yellow Leds	SP137 4 x W005 1.5A bridge rectifiers
SP10 100 x 1N4148 diodes	SP138 20 x 2.2/50V radial elect caps
SP11 30 x 1N4001 diodes	SP142 2 x Cmos 4017
SP12 30 x 1N4002 diodes	SP145 6 x ZTX300 transistors
SP18 20 x BC182 transistors	SP147 5 x Stripboard 9 strips/25 holes
SP19 20 x BC183 transistors	SP148 6 x 2mm lighthouse Leds - Red
SP20 20 x BC184 transistors	SP151 4 x 8mm Red Leds
SP21 20 x BC212 transistors	SP152 4 x 8mm Green Leds
SP22 20 x BC214 transistors	SP153 4 x 8mm Yellow Leds
SP23 20 x BC549 transistors	SP156 3 x Stripboard, 14 strips/27 holes
SP24 5 x Cmos 4001	SP157 5 x BCY70 transistors
SP25 4 x 555 timers	SP160 10 x 2N3904 transistors
SP26 4 x 741 Op.amps	SP161 10 x 2N3906 transistors
SP27 5 x Cmos 4002	SP165 2 x LF351 Op.amps
SP28 5 x Cmos 4011	SP167 6 x BC107 transistors
SP29 4 x Cmos 4013	SP168 6 x BC108 transistors
SP33 5 x Cmos 4081	SP170 2 x LM339 quad volt comp.
SP36 25 x 10/25V radial elect caps	SP173 10 x 220/25V radial elect caps
SP37 15 x 100/35V radial elect caps	SP174 20 x 22/25V radial elect caps
SP39 10 x 470/16V radial elect caps	SP175 20 x 1/63V radial elect caps
SP41 20 x Mixed transistors	SP182 20 x 4.7/50V radial elect caps
SP42 200 x Mixed 0.25W C.F. resistors	SP183 20 x BC547 transistors
SP47 5 x Min. pushbutton switches	SP185 2 x TIL78 phototransistors
SP102 20 x 8-pin DIL sockets	SP187 15 x BC239 transistors
SP103 15 x 14-pin DIL sockets	SP191 3 x Cmos 4023
SP104 15 x 16-pin DIL sockets	
SP105 5 x 74LS00	
SP106 5 x 74LS02	
SP109 15 x BC557 transistors	
SP112 5 x Cmos 4093	
SP115 3 x 10mm Red Leds	
SP116 3 x 10mm Green Leds	
SP117 15 x BC556 transistors	

Catalogue £1 inc. P&P or FREE with first order.
P&P £1.25 per order. NO VAT.

RESISTOR PACKS - 0.25W C.F.ilm

RP3 5 each value - total 365	£2.60
RP7 10 each value - total 730	£3.95
RP10 1000 popular values	£5.30

Orders to:
Sherwood Electronics,
7 Williamson St., Mansfield,
Notts. NG 19 6TD.

MICRO TRANSMITTERS GUIDE

★ Only £3.95

★ Easy to follow guide to building short range F.M. transmitters and surveillance devices. Packed with useful information and circuits. (Some of the circuits included cannot be used legally in the UK)



KITS

- RADIO KITS/TRANSMITTERS/ REMOTE CONTROLS**
- MICRO FM (a). 1km range transmitter, 80-100MHz preset. Received on any FM Radio. 2 x 3cm. £6.95
 - MICRO FM (b). Variable mic. sensitivity. Tuneable 80-110MHz. 1km range. 2 x 3.5cm. £7.95
 - ULTRA MINI FM. 200mtrs range. 80-100MHz, runs off watch battery (inc.), only 1 x 2cm. £6.95
 - FM TRACKER. Transmits a constant tone for direction finding, tracking etc. 80-110MHz. £8.50
 - FM RECEIVER (a). Small high quality FM receiver. Covers standard FM broadcast bands. Will drive headphones (not inc.). £10.90
 - FM RECEIVER (b). As (a) but with 3 watt audio power amplifier and tuning LED. £13.50
 - CRYSTAL RADIO. Great introduction to radio electronics. Includes tuner, ferrite aerial and earphone. £8.50
 - AM RADIO. Single chip radio for use with headphones, (not inc.) or an external amplifier. £9.90
 - I.R. REMOTE CONTROL. Single channel for lights, garage doors etc. Transmitter - £6.95 Receiver (with mains relay) - £11.60
 - Z7MHZ RADIO CONTROL. Single channel, XTAL controlled Transmitter - £9.50 Receiver (with mains relay) - £15.45
- PREAMPS/AUDIO**
- AU10 GENERAL PURPOSE PREAMP for audio applications where low noise isn't a priority - guitar amps etc. 9V-15V, variable gain and high output. £4.20
 - AU11 LOW NOISE PREAMP for more critical input stages. Ideal for mixers etc. 9V-15V, variable gain. £4.50
 - AU12 ULTRA LOW NOISE PREAMP. Professional standard. Uses an NE5534 i.c. 9V-15V, variable gain. £5.99
- POWER AMPS**
- AU13 SMALL SIGNAL. Single FET preamp for boosting low output piezo pickups or acoustic transducers. £3.90
 - AU14 SMALL SIG + EQ. An AU13 with a simple three-band passive EQ circuit. Designed for piezo pu's. £6.90
 - AU15 SINGLE TRANSISTOR. Low noise preamp for electric guitars etc. Preset gain. BC184L. £3.90
 - AU16 ACTIVE TONE CONTROL. 12dB cut and boost, bass and treble with preamp. Includes pots. £9.95
 - AU17 7-BAND EQ board for graphic tone control applications. Pots included. £14.95
 - AU18 NOISE REDUCTION SYSTEM. High quality dynamic noise gate with variable effect and level. £15.95
 - AU19 ANALOGUE DELAY. "Bucket brigade" delay line. Variable clock frequency for producing double track and echo effects etc. Delay times from 2.5 to 51ms. £16.80
 - AU20 CONTROL OSC. Low frequency oscillator to modulate the analogue delay line for Flanging, Chorus and other effects. £6.80
 - AU21/21 DIGITAL DELAYS. 200ms and 800ms digital delay lines with 10-bit A/D/D/A conversion. Variable sample rate from 25kHz-50kHz variable delay time. 200ms - £20.40, 800ms - £24.95
 - P2 15 WATT. General purpose upgrade. Uses TDA2030 24V single rail with heatsink. £9.95
 - P3 40 WATT. High quality power amp for compact disc and other demanding applications. Switch on mute, thermal/shutdown protection. Distortion less than 0.003% 27V ± with heatsink. £16.50
 - P4 150 WATT. Rugged and powerful MOSFET design, excellent responses and reliability. 50V ± with heatsink. Ideal for guitar amps, PA or sound system. £24.95

JCG Electronic projects

PO BOX HP 79 WOODHOUSE STREET HEADINGLEY LEEDS LS6 3XN
SEND S.A.E. FOR A LIST OF OUR FULL RANGE OF RADIO AND AUDIO KITS. ALL KITS COME COMPLETE WITH PRE-DRILLED P.C.B.'s, HIGH SPEC COMPONENTS AND FULL INSTRUCTIONS - MAIL ORDER ONLY - MAKE CHEQUES/PO'S PAYABLE TO J.C.G. PLEASE ADD 50p POSTAGE AND PACKING.

QUALITY KITS - QUAZY PRICES!!

SURVEILLANCE

High quality electronic surveillance kits that give excellent performance. Room transmitters are supplied with sensitive electret microphones & battery holders/clips. All transmitters can be received on an ordinary VHF FM radio.

MTX - Miniature 3V Transmitter
Easy to build & guaranteed to transmit 500 metres - over 1000m possible with higher voltage & better aerial 3-9V operation. Only 45x18mm. 3007-KT. £4.95

MRTX - Miniature 9V Room Transmitter
Our best selling 'bug'. Super sensitive, high power - 1000m range (2 miles possible with 18V supply & better aerial). 9-18V operation. Just 45x19mm. 3018-KT. £5.95

HPTX - High Power Room Transmitter
High performance, 2 stage transmitter gives greater stability & high quality reception. 1000m range with 9V battery, 6-12V operation. On/Off switch. Size 70x15mm. 3032-KT. £8.95

VTX - Voice Activated Transmitter
Activates only when sounds are detected. Low standby current conserves battery power. Adjustable sensitivity & turn-off delay. 6V operation. Size 63x38mm. Powerful 2 stage transmitter. 1000m range. 3028-KT. £8.95

TRI - Telephone Recording Interface
Connects between phone line and cassette recorder. Automatically switches on tape when phone is used. Records all conversations. Powered from line. Size 48x32mm. 3033-KT. £6.25

TRVS - Tape Recorder Vox Switch
Very sensitive, voice activated switch - automatically turns on cassette recorder when sounds are detected. Adjustable sensitivity and turn-off delay. Size 115x19mm including sensitive electret mic. 3013-KT. £7.90

MTTX - Miniature Telephone Transmitter
Attaches anywhere to phone line. Transmits only when phone is used. Uses phone line as aerial & power source. 500m range. 45x15mm. 3016-KT. £4.95

MISCELLANEOUS

Ultrasonic Movement Detector

Xtal controlled oscillator, detector circuits & pair of edge mounted ultrasonic transducers on single board just 75x40mm. Detection range from 4-7m with adjustable sensitivity. Red LED indicator. Outputs to drive external relay or circuits. 9V DC operation. 3049-KT. £14.95

5 LED Sequence Flasher

5 LEDs flash in sequence. On/off push switch controls flashing sequence. Ideal for model railways. Very small COB PCB 15x8mm with spare supplied. Intro to electronics in today's toys & games. 3V operation. 3052-KT. £3.95

Roulette LED

10 LEDs simulate ball rotating around the "wheel". Press "Roll" button & "ball" runs at max. rate; "release" & "ball" slows down & drops into slot. Adjustable ball speed. Illustrates principles of a Voltage Controlled Oscillator built using CMOS decade counter & Op-Amp. 9V powered. 3006-KT. £11.50

Combination Lock

Versatile 9 key combination lock. Complete with separate keypad for remote installation from main circuit. Lock automatically resets. 120VAC/10A relay supplied. 9-12V operation. 3029-KT. £10.95

Intro To Audio Power Amps

Build your own fully working Class AB amplifier. Get hands-on learning about Bootstrapping, Cross-over Distortion, Complementary Pairs, & Push-Pull outputs. Detailed explanation given. Delivers several watts of power to the 8 Ohm speaker supplied. 3048-KT. £10.95

One Chip AM Radio

Complete AM radio on a PCB. Tuned radio frequency front-end, AM Radio IC amplifier & detector and two stages of amplification of the audio signal into the speaker provided. All components supplied. Coil pre-wound. Excellent intro to modern mini-sized AM radio electronics. 3063-KT. £10.95

Train Sounds Kits

4 selectable train sounds - Whistle Blowing, Level Crossing Bell, Chugging & "Clickety-Click". 2.5-6V operation. COB PCB 29x16mm. Speaker supplied. 2 boards can be joined to produce a sequence of sounds. SG1. £4.95

AUDIO ♦ LASER ♦ TEST GEAR ♦ FIBRE-OPTIC ♦ SECURITY ♦ TIMERS ♦ GAMES

Our range of HIGH QUALITY project kits are supplied with all components, top quality fibre glass PCB's & comprehensive instructions. Send 2 x 1st class stamps for our latest catalogue containing over 100 kits & publications. ✉ Mail order only. Please ADD £1.50 P. & P. per order & make cheques/PO's payable to:

QUASAR ELECTRONICS

(Dept. EPE) Unit 14 Sunningdale BISHOP'S STORTFORD Hertfordshire CM23 2PA

OMNI ELECTRONICS

174 Dalkeith Road, Edinburgh EH16 5DX ★ 0131 667 2611

The supplier to use if you're looking for:-

- ★ A WIDE RANGE OF COMPONENTS AIMED AT THE HOBBYIST
- ★ COMPETITIVE VAT INCLUSIVE PRICES ★
- ★ MAIL ORDER - generally by RETURN OF POST ★
- ★ FRIENDLY SERVICE ★

1995/6 CATALOGUE NOW IN STOCK!
COST: £2.00. Includes vouchers to offset against future purchases.

OPEN: Monday-Thursday 9.15 - 6.00.

Friday 9.15-5.00
Saturday 9.30-5.00



EVERYDAY PRACTICAL ELECTRONICS CLASSIFIED

Everyday Practical Electronics reaches nearly twice as many UK readers as any other independent monthly hobby electronics magazine, our audited sales figures prove it. We have been the leading independent monthly magazine in this market for the last ten years

If you want your advertisements to be seen by the largest readership at the most economical price our classified and semi-display pages offer the best value. The prepaid rate for semi-display space is £8 (+VAT) per single column centimetre (minimum 2.5cm). The prepaid rate for classified adverts is 30p (+VAT) per word (minimum 12 words).

All cheques, postal orders, etc., to be made payable to Everyday Practical Electronics. VAT must be added. Advertisements, together with remittance, should be sent to Everyday Practical Electronics Advertisements, Holland Wood House, Church Lane, Great Holland, Essex CO13 0JS. Phone/Fax (01255) 850596.

For rates and information on display and classified advertising please contact our Advertisement Manager, Peter Mew as above.

RCS VARIABLE VOLTAGE D.C. BENCH POWER SUPPLY
Up to 38 volts d.c. at 6 amps continuous, 10 amps peak, fully variable from 1 to 38 volts. Twin Voltage and Current meters for easy read-out. 240 volt a.c. input. Fully smoothed, size 14 1/2 x 11 x 4 1/2 inches.



£96 inc. VAT
carriage £8

RADIO COMPONENT SPECIALISTS
337 WHITEHORSE ROAD, CROYDON
SURREY, CR0 2HS. Tel: 0181-684 1665

Lots of transformers, high volt caps, valves, speakers, in stock.
Phone or send your wants list for quote.

BRIGHT IDEAS IN BLACK BOXES

The signal box, sound switch, connects from scanner radio to standard cassette recorder, all signals recorded automatically, round the clock monitoring, built in speaker, £19.50.

The call box, plugs between telephone line and standard cassette recorder, all calls recorded automatically, £14.50.

Mini transmitter, relays slightest sound to F.M. radio, built on mini p.c.b., £4.50.

Send S.A.E. for detailed information.

LIVEWIRELESS
25 Halsall Road, Birkdale, Southport, Lancs PR8 3DB.
MAIL ORDER ONLY PLEASE.

THE PARALLEL INTERFACE POWER CARD
by HANDDI Ltd for complete COMPUTER CONTROL.

This could be your most useful and cheapest computer/PC "add-on" at only £19.95... Post FREE!

Drives robotics, motor speeds, stepper motors, lamps, relays etc. using its 8 x 20V/2A outputs.
Many sold already for successful Model Railway Layout control... FULL INSTRUCTIONS supplied!

Send cheque for £19.95 OR S.A.E. for details to:
HANDDI Ltd, P.O. Box 503, Milton Keynes, MK5 6JD.

THE BRITISH AMATEUR ELECTRONICS CLUB

exists to help electronics enthusiasts by personal contact and through a quarterly Newsletter.

For membership details, write to the Secretary:
Mr. J. F. Davies, 70 Ash Road, Cuddington, Northwich, Cheshire CW8 2PB.
Space donated by Everyday Practical Electronics

887

CAMBRIDGE Z88 A4 NOTEBOOK COMPUTER AVAILABLE AGAIN £99.

ONLY 1" THICK, 4xAAA BATTs. 20 HOURS WORK. LCD SCREEN, 72 Crs, 6 LINES, 82K RAM, EXTRA RAMS & EPROMs, 9 pin D SERIAL PORT. ROM HAS BBC BASIC, W/PROCESSOR, SPREADSHEET, DATA BASE, IMP/EXPORT TO PC etc, V52 TERMINAL.

W.N. RICHARDSON & CO.
PHONE/FAX 01494 871319
6 RAVENSMEAD, CHALFONT ST PETER, BUCKS, SL9 0NB.
POST £5. ACCESS, VISA, ETC.

BTEC ELECTRONICS TECHNICIAN FULL-TIME TRAINING

THOSE ELIGIBLE CAN APPLY FOR E.T. GRANT SUPPORT AN EQUAL OPPORTUNITIES PROGRAMME

O.N.C., O.N.D. and H.N.C.

Next course commences
Monday 8th January 1996
FULL PROSPECTUS FROM

LONDON ELECTRONICS COLLEGE
(Dept EPE) 20 PENYVERN ROAD
EARLS COURT, LONDON SW5 9SU
TEL: 0171-373 8721

Miscellaneous

PROTOTYPE PRINTED CIRCUIT BOARDS one offs and quantities, for details send s.a.e. to B. M. Ansbro, 38 Poynings Drive, Hove, Sussex BN3 8GR, or phone Brighton 883871.

G.C.S.E. ELECTRONICS KITS, at pocket money prices. S.A.E. for FREE catalogue. SIR-KIT Electronics, 70 Oxford Road, Clacton, CO15 3TE.

PLDs AND EPROMS copied or programmed. We supply logic devices/convert discrete logic to PLDs. Also PCBs designed. Send for details to PO Box 1561 Bath (01225 444467).

VALVE ENTHUSIASTS: Capacitors and other parts in stock. For free advice/lists please ring, Geoff Davies (Radio), Tel: 01788 574774.

PIC CHIP PROGRAMMER. Low cost solution, uses PC printer port, full constructional details, plus all software and examples, £20. I. Bailey, 15 Mount Road, Fleetwood FY7 6EZ. Tel: 01253 875148.

PRINTED CIRCUIT BOARDS - QUICK SERVICE. Prototype and Production. Artwork raised from magazines or draft designs at low cost. PCB's also designed from schematics. Production assembly also undertaken. For details send to P. Agar, 36 Woodcot Avenue, Belfast, BT5 5JA or phone 01232 473533 (7 days).

FREE ... 30 assorted capacitors + LISTS!! S.A.E. K.I.A., 1 Regent Road, Ilkley, W. Yorkshire. 60 watt amplifiers, £5.00 (ex-equipment).

DIY PLANS!! Wind generators, petrol generators, inverters, portable welding generators, engine crane, electric bike, solar projects, boats and the famous Homebuilt Dynamo. Plus books on Sterling engines, mechanical wonders, the writings of Thomas Tesla, electromagnets etc. Hundreds of exciting projects. 2 x 1st stamps for descriptive catalogue. Jemmett Engineering, 8 Hallam Gardens, Pinner, Middlesex, HA5 4PR.

WANTED URGENTLY constant supplies of domestic C.C.T.V. systems and competitive security equipment. 01524 414146.

FOR SALE Complete Set "EE" and "EPE". Issues, October 1985 to November 1995, £60 delivered. Phone (01524) 791885.

WANTED - Audio Cassette Holder Front Flap for GEC Stardeck 9002H. Carrick, Saint Aubyn Crescent, Newquay, Cornwall TR7 2RQ.

HUNDREDS OF UNUSAL ITEMS CHEAP! Send £1 coin for interesting samples and list. Grimsby Electronics, Lambert Road, Grimsby.

6501 SINGLE CHIP MICROPROCESSOR with EPROM and RAM sockets. TDA 7000, MC3357 & SO42 Radio Circuits. Clock Display and Driver IC's, ULN2003 driver. Power Supply, Rod Aerial etc. Brand new on PCB off production line. Only £5.80 including p&p. I. Gardner, P.O. Box 170, Bolton BL2 4FA.

465 TEKTRONIX OSCILLOSCOPE. 100MHz bandwidth, delay sweep, instruction manual, £330 ono. Portsmouth area. Telephone (01705) 599200 after 18.30 weekdays. Any reasonable time weekends.

OSCILLOSCOPE - Trio model CS-1021, 20MHz, double beam. Complete with probes, £85. Telephone 0115 9894416.

DIY MODIFICATON to Maplin/Fox wireless burglar alarm to give external LED indication of Armed or Safe. For instructions and components send £5 cheque to: Simon Faulkner, 10 Tedder Close, Ruislip, Middlesex HA4 6NR. 100430.643@compuserve.com

NEW - LEARN TO REPAIR PC COMPUTERS. Complete Home Study Course. Includes 20 comprehensive lessons, separate reference manual, fault finding charts, diagnostic software and more. Only £24.95. Tel: 01633 280216.

OSCILLOSCOPE, Goldstar 9020A, unused, cost £333, function generator, Topward 8105, also unused, cost £150. Any reasonable offer. Liverpool (0151) 5261480.

OSCILLOSCOPE, HAMEG 205-3, dual trace, 20MHz, digital storage, condition as new, boxed, virtually unused, £500.00 no offers. Telephone Paul 01473 271485, Ipswich.

20MHz FUNCTION GENERATOR. Fully tested PCB, range 0-2MHz to 20MHz. Sine, square, triangle and pulse waveforms. Price £85 inclusive. Send for details to ANATEC, 3 Knotty Lane, Lepton, Huddersfield, HD8 0ND.

WANTED - MUNRO ANEMOMETER, pole mounting type as used on airfields, with or without associated dials. James Dennis, 01934 833265, Yatton, Bristol.

EVERYDAY PRACTICAL ELECTRONICS

SUBSCRIPTION ORDER FORM

Annual subscription rates (1995/6):
UK £24.00.
Overseas £30.00 surface mail,
£47.50 airmail.

To:
Everyday Practical Electronics,
Allen House, East Borough, Wimborne,
Dorset BH21 1PF

Tel: 01202 881749 Fax: 01202 841692

Name

Address

I enclose payment of £.....

(cheque/PO in £ sterling only, payable to Everyday Practical Electronics). Alternatively send Access or Visa number and card expiry date.

Signature

Please supply name and address of cardholder if different from the subscription address shown above. Subscriptions can only start with the next available issue. For back numbers see the Back Issues page.

M12/95

MAKE YOUR INTERESTS PAY!

Over the past 100 years more than 10 million students throughout the world have found it worth their while! An ICS home-study course can help you get a better job, make more money and have more fun out of life! ICS has over 100 years experience in home-study courses, and is the largest correspondence school in the world. You learn at your own pace, when and where you want under the guidance of expert 'personal' tutors. Find out how we can help YOU. Post or phone today for **FREE INFORMATION** on the course of your choice. (Tick one box only!)

GCSE/A' LEVEL over 20 examination subjects to choose from. Ask for details.

Electronics <input type="checkbox"/>	TV, Video & Hi-Fi Servicing <input type="checkbox"/>
C & G Basic Electronic Engineering <input type="checkbox"/>	Refrigeration & Air Conditioning <input type="checkbox"/>
Electrical Engineering <input type="checkbox"/>	PC Repair <input type="checkbox"/>
Electrical Contracting/Installation <input type="checkbox"/>	Computer Programming <input type="checkbox"/>

Mr/Mrs/Miss/Ms _____

Address _____

P.Code _____

ICS International Correspondence Schools, Dept. ECS C5, 312/314 High Street, Sutton, Surrey SM1 1PR. Tel: 0141-221 7373 (24 hours). Fax: 0141-221 8151

Cooke International

SUPPLIER OF QUALITY USED TEST INSTRUMENTS

ANALYSERS, BRIDGES, CALIBRATORS, VOLTMETERS, GENERATORS, OSCILLOSCOPES, POWER METERS, ETC. ALWAYS AVAILABLE

ORIGINAL SERVICE MANUALS FOR SALE
COPY SERVICE ALSO AVAILABLE

EXPORT, TRADE AND U.K. ENQUIRIES WELCOME

SEND FOR LISTS OF EQUIPMENT & MANUALS

ALL PRICES EXCLUDE VAT AND CARRIAGE

DISCOUNT FOR BULK ORDERS SHIPPING ARRANGED

OPEN MONDAY TO FRIDAY 9AM-5PM

Unit Four, Fordingbridge Site, Main Road, Barnham, Bognor Regis,
West Sussex, PO22 0EB

Tel (+ 44) 01243 545111/2 Fax (+ 44) 01243 542457

EQUIPMENT & ACCESSORIES PURCHASED

WILLIAM
STUART
SYSTEMS Ltd.

Hunscombe House,
Wellesbourne,
Warks. CV35 9EX.
01 789 840228

Visa/Access



The essential add-on for any Video Camera! Handyprint™ allows you to display all your 35mm colour negatives on TV as full screen colour prints! Sort through your old negatives, and discover those "lost" photos. Use your VCR to make a living album with sound, and save £££s in the cost of reprints. "The most useful gadget you will ever give to your family". Available now at the special introductory price of only £99.95 inclusive of VAT & delivery.

INFOTECH & STREE

76 Church St, Larkhall, Lanarks, ML9 1HE

Phone (01698) 883334/888343 or Fax (01698) 884825

Remember: Not only do we have every sheet ever produced, but we also have

The World's Largest Collection of SERVICE MANUALS & CIRCUITS

We are now successfully running a *Library Service* which allows you to borrow any manual you want for as long as you want, and when you need another manual, just return the one you have, plus a £4.95 exchange fee and tell us what you want next.

*Borrow any Service Manual for £4.95
regardless of its size or normal cost*

The cost of this service is a yearly subscription fee of only £59.95. Join now & get a free 'Data Ref Guide'.

SERVICE MANUALS & Technical Books

Available for most equipment, any make, age or model.

Return the coupon for your **FREE** catalogue

MAURITRON TECHNICAL SERVICES (EPE)

8 Cherry Tree Road, Chinnor, Oxon, OX9 4QY.

Tel:- 01844-351694. Fax:- 01844 352554.

Please forward your latest catalogue for which I enclose 2 x 1st Class Stamps or £3.50 for the complete Service Manuals Index on PC Disc plus catalogue.

NAME _____

ADDRESS _____

POSTCODE _____

Photocopy this coupon if you do not wish to cut the magazine

TEST EQUIPMENT SPECIAL OFFER

10MHz Function Generator (offer valid while stocks lasts)



- Δ Sine, square, triangle, pulse & sawtooth
- Δ 20mV to 20Vpp output
- Δ 50Ω and TTL outputs
- Δ Frequency modulation & sweep
- Δ Pulse width modulation
- Δ Supplied with carrying case
- H6000 0.1Hz - 10MHz £192.64 £129.00

All equipment is supplied new, complete with mains lead, operating manual and 1 year guarantee. Prices include VAT and free delivery, phone for complete list.

H1001	Continuity tester inc probes & carry case	£ 29.00	£ 9.99
MX210T	3½ multimeter V,I,R, inc probes & case	£ 23.00	£ 12.00
MX501	3½ multimeter V,I,R,diode, probes & holster	£ 40.54	£ 29.00
MX250	3½ multimeter V,I,R,Cap, °C,Hfe, inc probes	£ 66.68	£ 55.00
H2001	2MHz bench pulse generator inc carry case	£133.89	£ 69.00
H3001	Digital storage adapter, use on any scope	£251.40	£119.00
MX2020	2MHz sweep function gen, 4 dig counter	£233.83	£139.00

VANN DRAPER ELECTRONICS LTD Tel (0116) 2813091 Fax (0116) 2570893
Alexander House, Bampton Close, Wigston, Leicester. LE18 2RZ

MARTIN SPENCER-THOMAS

AUCTIONEERS TO THE DEPT. OF THE ENVIRONMENT

Preliminary Notice of

AUCTION SALE

on behalf of the M.O.D.

being held in mid-December 1995

MARCUS ROAD, DUNKESWELL IND. EST., HONITON, DEVON EX14 0RA

Bench Testing Equipment: Oscilloscopes, Signal & Wave Generators, Power Supplies., etc. **Electronic & Electrical Stores:** Switches, plugs/skts, resistors, capacitors, fuses, heat-shrink, ABA plastic & aluminum boxes, transformers, etc. **Laboratory Test Equipment:** Marine and Surveying Equipment: Theodolites etc. **Computers & Peripherals:** 286 & 386 CPU's, Laser & D.M.P printers and HP Plotters. **Stationery:** A large quantity and wide range of unused stationery supplies, plus a few hundred boxes of listing & other continuous paper. **Video Production Equipment:** more than 50 items including monitors, video cameras, Amiga 1000 Computer, Autocue, Mickey editor, amp, mixer, patchbay, etc.

CALL FOR DETAILS AND CATALOGUE REQUESTS:

01404 891833 or 01 395 267403

or Fax: 01404 891655

PORTABLE X RAY MACHINE PLANS Easy to construct plans on a simple and cheap way to build a home X-ray machine! Effective device, X-ray sealed assemblies, can be used for experimental purposes. Not a toy or for minors! £65/et. Ref F/XP1.

TELEKINETIC ENHANCER PLANS Mystify and amaze your friends by creating motion with no known apparent means or cause. Uses no electrical or mechanical connections, no special gimmicks yet produces positive motion and effect. Excellent for science projects, magic shows, party demonstrations or serious research & development of this strange and amazing psychic phenomenon. £45/et Ref F/TK1.

ELECTRONIC HYPNOSIS PLANS & DATA This data shows several ways to put subjects under your control. Included is a full volume reference text and several construction plans that when assembled can produce highly effective stimuli. This material must be used cautiously. It is for use as entertainment at parties etc only, by those experienced in its use. £15/et Ref F/EH2.

GRAVITY GENERATOR PLANS This unique plan demonstrates a simple electrical phenomena that produces an anti-gravity effect. You can actually build a small mock spaceship out of simple materials and without any visible means - cause it to levitate. £10/et Ref F/GRA1.

WORLDS SMALLEST TESLA COIL/LIGHTENING DISPLAY GLOBE PLANS Produces up to 750,000 volts of discharge, experiment with extraordinary HV effects, "Plasma in a jar", St Elmo's fire, Corona, excellent science project or conversation piece. £5/et Ref F/BTC1/LG5.

COPPER VAPOUR LASER PLANS Produces 100mw of visible green light. High coherency and spectral quality similar to Argon laser but easier and less costly to build yet far more efficient. This particular design was developed at the Atomic Energy Commission of NEGEV in Israel. £10/et Ref F/CVL1.

VOICE SCRAMBLER PLANS Miniature solid state system turns speech sound into indecipherable noise that cannot be understood without a second matching unit. Use on telephone to prevent third party listening and bugging. £6/et Ref F/VSS9.

PULSED TV JOKER PLANS Little hand held device utilises pulse techniques that will completely disrupt TV picture and sound works on FM too! DISCRETION ADVISED. £8/et Ref F/TJ5.

BODYHEAT TELESCOPE PLANS Highly directional long range device uses recent technology to detect the presence of living bodies, warm and hot spots, heat leaks etc. Intended for security, law enforcement, research and development, etc. Excellent security device or very interesting science project. £8/et Ref F/BHT1.

BURNING, CUTTING CO2 LASER PLANS Projects an invisible beam of heat capable of burning and melting materials over a considerable distance. This laser is one of the most efficient, converting 10% input power into useful output. Not only is this device a workhorse in welding, cutting and heat processing materials but it is also a likely candidate as an effective directed energy beam weapon against missiles, aircraft, ground-to-ground, etc. Particle beams may very well utilize a laser of this type to blast a channel in the atmosphere for a high energy stream of neutrons or other particles. The device is easily applicable to burning and etching wood, cutting, plastics, textiles etc. £12/et Ref F/LC7.

MYSTERY ANTI GRAVITY DEVICE PLANS Uses simple concept. Objects float in air and move to the touch. Defies gravity, amazing gift, conversation piece, magic trick or science project. £6/et Ref F/ANT1K.

ULTRASONIC BLASTER PLANS Laboratory source of sonic shock waves. Blow holes in metal, produce 'cold' steam, atomize liquids. Many cleaning uses for PC boards, jewellery, coins, small parts etc. £6/et Ref F/ULB1.

ULTRAHIGH GAIN AMP/STETHOSCOPIC MIKE/SOUND AND VIBRATION DETECTOR PLANS Ultrasensitive device enables one to hear a whole new world of sounds. Listen through walls, windows, floors etc. Many applications shown, from law enforcement, nature listening, medical heartbeat, to mechanical devices. £6/et Ref F/HGA7.

ANTI DOG FORCE FIELD PLANS Highly effective circuit produces time variable pulses of acoustical energy that dogs cannot tolerate. £6/et Ref F/DOG2.

LASER BOUNCE LISTENER SYSTEM PLANS Allows you to hear sounds from a premises without gaining access. £12/et Ref F/LLS11.

CRAWLING INSECT ROASTER PLANS Harmless high frequency energy pulses destroy pests as they crawl into the energy field! £4/et Ref F/RCR1.

LASER LIGHT SHOW PLANS Do it yourself plans show three methods. £6 Ref F/LLS1.

PHASOR BLAST WAVE PISTOL SERIES PLANS Handheld, has large transducer and battery capacity with external controls. £6/et Ref F/PSP4.

INFINITY TRANSMITTER PLANS Telephone line grabber/room monitor. The ultimate in home/office security and safety! simple to use! Call your home or office phone, push a secret tone on your telephone to access either: A) On premises sound and voices or B) Existing conversation with break-in capability for emergency messages. £7 Ref F/TELEGRAB.

BUG DETECTOR PLANS Is that someone getting the goods on you? Easy to construct device locates any hidden source of radio energy. Sniffs out and finds bugs and other sources of bothersome interference. Detects low, high and UHF frequencies. £5/et Ref F/BD1.

ELECTROMAGNETIC COIL GUN PLANS Projects a metal object a considerable distance - requires adult.

ELECTRIC MAN PLANS, SHOCK PEOPLE WITH THE TOUCH OF YOUR HAND! £5/et Ref F/EMA1.

PARABOLIC DISH MICROPHONE PLANS Listen to distant sounds and voices, open windows, sound sources in 'hard to get' or hostile premises. Uses satellite technology to gather distant sounds and focus them to our ultra sensitive electronics. Plans also show an optional wireless link system. £8/et Ref F/PM5.

2 FOR 1 MULTIFUNCTIONAL HIGH FREQUENCY AND HIGH DC VOLTAGE, SOLID STATE TESLA COIL AND VARIABLE 100,000VDC OUTPUT GENERATOR PLANS Operates on 9-12vdc, many possible experiments. £10 Ref F/HVM7/TCL4.

WOLVERHAMPTON BRANCH NOW OPEN AT WORCESTER ST W'HAMPTON TEL 01902 22039

MINI FM TRANSMITTER KIT Very high gain preamp, supplied complete with FET electret microphone. Designed to cover 88-108 Mhz but easily changed to cover 63-130 Mhz. Works with a common 9v (PP3) battery. 0.2W RF. £7 Ref 1001.

ELECTRONIC SIREN KIT Impressive 5 watt power output. Ideal for car/bike alarm etc. 6-12v dc max current 1A, 1.2kHz £6 Ref 1003.

3-30V POWER SUPPLY KIT Variable, stabilized power supply for lab use. Short circuit protected, suitable for professional or amateur use 24v 3A transformer is needed to complete the kit. £14 Ref 1007.

1 WATT FM TRANSMITTER KIT Supplied with piezo electric microphone 8-30vdc. At 25-30v you will get nearly 2 watts! £12 Ref 1009.

FM/AM SCANNER KIT Well not quite, you have to turn the knob your self but you will hear things on this radio that you would not hear on an ordinary radio (even TV). Covers 50-160mhz on both AM and FM. Built in 5 watt amplifier, inc speaker. £15 Ref 1013.

MOSQUITO REPELLER KIT Modern way to keep midges at bay! Runs for about a month on one 1.5v battery. £7 Ref 1015.

3 CHANNEL SOUND TO LIGHT KIT Wireless system, mains operated, separate sensitivity adjustment for each channel, 1,200w power handling, microphone included. £14 Ref 1014.

MOTORBIKE/CYCLE TREMBLER ALARM KIT Adjustable sensitivity, preset alarm time, auto reset. Could be connected to horn etc. £12 Ref 1011.

0-5 MINUTE TIMER KIT adjustable, will switch up to 2A mains. Perfect for alarms, photography, etc. £7 Ref 1020.

4 WATT FM TRANSMITTER KIT Small but powerful FM transmitter, 3 RF stages, microphone and audio preamp included. £20 Ref 1028.

STROBE LIGHT KIT Adjustable from 1-60 Hz (a lot faster than conventional strobes). Mains operated. £16 Ref 1037.

ULTRASONIC RADAR KIT Ideal as a movement detector with a range of about 10 metres, automate your car flap 12v dc. £15 Ref 1049.

LIQUID LEVEL DETECTOR KIT Useful for tanks, ponds, baths, rain alarm, leak detector etc. Will switch 2A mains. £5 Ref 1081.

COMBINATION LOCK KIT 9key, programmable, complete with keypad, will switch 2A mains, 9v dc operation. £10 Ref 1114.

PHONE BUG DETECTOR KIT This device will warn you if somebody is eavesdropping on your line. £6 Ref 1130.

ROBOT VOICE KIT Interesting circuit that distorts your voice! adjustable, answer the phone with a different voice! 12vdc £9 Ref 1131.

TELEPHONE BUG KIT Small bug powered by the 'phone line, starts transmitting as soon as the phone is picked up! £8 Ref 1135.

FUNCTION GENERATOR KIT Produces sinusoidal, saw tooth and square waves from 20-20kHz, separate level controls for each shape. Will produce all 3 together. 24vac. £16 Ref 1008.

3 CHANNEL LIGHT CHASER KIT 800 watts per channel, speed and direction controls supplied with 12 LEDs (you can fit incands instead to make kit mains, not supplied) 9-12vdc £17 Ref 1026.

12V FLOURESCENT LAMP DRIVER KIT Light up 4 foot tubes from your car battery! 9v 2A transformer also required. £8 Ref 1069.

VOX SWITCH KIT Sound activated switch ideal for making bugging tape recorders etc, adjustable sensitivity. £8 Ref 1073.

INCAR SOUND TO LIGHT KIT Put some atmosphere in your car with this mini 3 channel sound to light. Each channel has 6 LEDs. £10 Ref 1086.

7W HI FI AMPLIFIER KIT Useful, powerful, ideal for audio systems, intercoms etc. 12-18vdc £7 Ref 1025.

PHONE CALL RELAY KIT Useful device that operates a relay whenever the 'phone rings. Switches mains at 2A. £10 Ref 1122.

LEAD ACID CHARGER KIT Two automatic charging rates, visual indication of battery state, ideal for alarm systems etc. 100mA 12vdc £12 Ref 1095.

CAR ALARM KIT Works on voltage drop and vibration, entry/exit delays, adjustable alarm duration. Ideal caravans etc. £12 Ref 1019.

PORTABLE ALARM KIT Based on mercury switch, alarm continues to sound until reset by owner. Buzzer inc. £11 Ref 1150.

PREAMP MIXER KIT 3 input mono mixer, sep bass and treble controls plus individual level controls, 18vdc, input sens 100mA. £16 Ref 1052.

METAL DETECTOR KIT Range 15-20cm, complete with case, 9vdc. £8 Ref 1022.

SINGLE CHANNEL SOUND TO LIGHT KIT Mains operated, add rhythm to your party for only £8 Ref 1006.

SOUND EFFECTS GENERATOR KIT Produces sounds ranging from bird chips to sirens. Complete with speaker, add sound effects to your projects for just £9 Ref 1045.

GUITAR PREAMP KIT Complete with tone controls, small enough to fit in any guitar, based on TL082 IC, 9-12vdc. £8 Ref 1091.

16 WATT FM TRANSMITTER (BUILT) 4 stage high power, preamp required 12-18vdc, can use ground plane, yagi or open dipole. £69 Ref 1021.

TELEPHONE AMPLIFIER KIT Very sensitive amplifier which uses a pickup coil (supplied) will let you follow a conversation with out holding the 'phone. £11 Ref 1059.

*SOME OF OUR PRODUCTS MAY BE UNLICENSEABLE IN THE UK

BULL ELECTRICAL

250 PORTLAND ROAD, HOVE, SUSSEX.
BN3 5QT. (ESTABLISHED 50 YEARS).

MAIL ORDER TERMS: CASH, PO OR CHEQUE
WITH ORDER PLUS £3 POST PLUS VAT.
PLEASE ALLOW 7-10 DAYS FOR DELIVERY PHONE ORDERS.
WELCOME (ACCESS, VISA, SWITCH, AMERICAN EXPRESS)

TEL: 01273 203500

FAX 01273 323077

HUMIDITY METER KIT Builds into a precision LCD humidity meter. 9ic design, pcb, lcd display and all components included. £49

PC TIMER KIT Four channel output controlled by your PC, will switch high current mains with relays (supplied). Software supplied so you can program the channels to do what you want whenever you want. Minimum system configuration is 286 VGA, 4.1.640k, serial port, hard drive with min 100k free. £24 99

DIVING RODS Expensive technology cannot challenge the fool proof art of water diving, passed down from generation to generation. Seeing is believing. Use in the home, garden, countryside or desert, it's divinely simple! £4 99 a pair Ref E3.

HUGE BUBBLE MAKING KIT You'll be amazed at the size of the bubbles you can achieve with this bubble making kit. Once you have got the knack it's possible to make bubbles of up to 40 feet long. £11.99 Ref E9.

FM CORDLESS MICROPHONE This units an FM broadcasting station in miniature. 3 transistor transmitter with electret condenser mic + fet amp design result in maximum sensitivity and broad frequency response. 90-105mhz, 50-1500hz, 500 foot range in open country! PP3 battery required. £15.00 Ref 15P42A.

MAGNETIC MARBLES They have been around for a number of years but still give rise to curiosity and amazement. A pack of 12 is just £3.99 Ref GJR20.

STETHOSCOPES A fully functioning stethoscope for all those intricate projects. Enables you to listen to motors, pipes, heartbeats, walls, insects etc. £6 Ref MARGP6.

NICKEL PLATING KIT Professional electroplating kit that will transform rusting parts into showpieces in 3 hours! Will plate onto steel, iron, bronze, gunmetal, copper, welded, silver soldered or brazed joints. Kit includes enough to plate 1,000 sq inches. You will also need a 12v supply, a container and 2 12v light bulbs. £39.99 Ref NIK39.

SHOP WOBBLEERS! Small assemblies designed to take D size batteries and 'wobble' signs about in shops! £3.99 Ref SEP4P2.

OMRON ELECTRONIC INTERVAL TIMERS.

*****NEW LOW PRICES TO CLEAR!*****

Miniature adjustable timers, 4 pole c/o output 3A 240v, HY1230S, 12VDC adjustable from 0-30 secs. £4.99

HY1210M, 12VDC adjustable from 0-10 mins. £4.99

HY1260M, 12VDC adjustable from 0-60 mins. £4.99

HY2460M, 24VAC adjustable from 0-60 mins. £2.99

HY243H, 24VAC adjustable from 0-3 hours. £2.99

HY2401S, 240v adjustable from 0-1 secs. £4.99

HY2405S, 240v adjustable from 0-5 secs. £4.99

HY24060m, 240v adjustable from 0-60 mins. £6.99

DRINKING BIRD Remember these? hook onto wine glass (supplied) and they drink, stand up, drink, stand up! ETC! £4 each Ref EF1.

SOLAR POWER LAB SPECIAL You get TWO 6"x6" 6v 130mA solar cells, 4LED's, wire, buzzer, switch plus 1 relay or motor. Superb value kit just £5.99 REF. MAGP6B.

BUGGING TAPE RECORDER Small voice activated recorder, uses micro cassette complete with headphones. £28.99 Ref MAG29P1.

PLUG IN ACORN PSU 19v AC 14w. £2.99 Ref MARG3P.

POWER SUPPLY fully cased with mains and o/p leads 17v DC 900mA output. Bargain price. £5.99 Ref MAG6P9.

9v DC POWER SUPPLY Standard plug in type 150mA 9v DC with lead and DC power plug. price for two is £2.99 Ref AUG3P4.

13.8V 1.9A PSU cased with leads. Just £9.99 Ref MAG10P3.

INFRA RED REMOTE CONTROLLERS Originally made for hi spec satellite equipment but perfect for all sorts of remote control projects. Our clearance price is just £2 REF: MAG2.

MAINSCABLE Precut black 2 core 2 metre lengths ideal for repairs, projects etc. 50 metres for £1.99 Ref AUG2P7.

COMPOSITE VIDEO KIT. Converts composite video into separate H sync, V sync, and video. 12v DC. £8.00 REF: MAG8P2.

UNIVERSAL PC POWER SUPPLY complete with flyleads, switch, fan etc 200w at £20 REF. MAG20P3 (265x155x125mm).

GYROSCOPE About 3" high and an excellent educational toy for all ages! Price with instruction booklet £6 Ref EF15.

FUTURE PC POWER SUPPLIES These are 295x135x60mm, 4 drive connectors 1 mother board connector. 150watt, 12v fan, iec inlet and on/off switch. £12 Ref EF6.

VENUS FLYTRAP KIT Grow your own carnivorous plant with this simple kit. £3 Ref EF34.

TWEETERS 2" diameter good quality tweeter 140R (ok with the above speaker) 2 for £20 REF: MAG2P5 or 4 for £3 REF: MAG3P4.

6"X12" AMORPHOUS SOLAR PANEL 12v 155x310mm 130mA. Bargain price just £5.99 ea REF MAG6P12.

FIBRE OPTIC CABLE BUMPER PACK 10 metres for £4.99 Ref MAG5P13 (ideal for experimenter's) 30 m for £12.99 Ref MAG13P1.

ROCK LIGHTS Unusual things these, two pieces of rock that glow when rubbed together believed to cause rain! £3 a pair Ref EF29.

3" by 1" AMORPHOUS SOLAR PANELS 14.7v, 70mA 10 watts, aluminium frame, screw terminals, £44.95 Ref MAG45.

ELECTRONIC ACCUPUNCTURE KIT Builds into an electronic version instead of needles! good to experiment with. £7 Ref 7P30.

SHOCKING COIL KIT Build this little battery operated device into all sorts of things, also gets worms out of the ground! £7 Ref 7P36.

FLYING PARROTS Easily assembled kit that builds a parrot that actually flaps its wings and flies! 50 m range. £6 Ref EF2.

HIGH POWER CATAPULTS Hinged arm brace for stability, tempered steel yoke, super strength latex power bands. Departure speed of ammunition is in excess of 200 miles per hour! Range of over 200 metres! £7.99 Ref R9.

BALLON MANUFACTURING KIT British made, small blob blows into a large, longlasting balloon, hours of fun! £3.99 Ref GJ/E99R.

WE BUY SURPLUS STOCK FOR CASH

FREE CATALOGUE

1995 100 PAGE CATALOGUE NOW AVAILABLE, 45P STAMP OR FREE ON REQUEST WITH ORDER.

Pages	Issue	Pages	Issue
1-84	January	505-580	July
85-168	February	581-660	August
169-252	March	661-740	September
253-336	April	741-828	October
337-420	May	829-916	November
421-504	June	917-1004	December

CONSTRUCTIONAL PROJECTS

AA TO PP3 CONVERTER <i>by Robert Penfold</i>	476	MODEL RAILWAY TRACK CLEANER <i>by Robert Penfold</i>	28
ALARM SYSTEM, MODULAR (Teach-In '96)	974	MODULAR ALARM SYSTEM (Teach-In '96) <i>by Max Horsey</i>	974
ALARM, INFRA-RED CONTROLLER	786	MOVING DISPLAY METRONOME <i>by Carol Jackson</i>	18, 326
ALARM, TEMPERATURE WARNING (Teach-In '96)	874	MULTI-PURPOSE THERMOSTAT <i>by Alan Winstanley</i>	182
AMPLIFIER, 12V 35W PA	98	NAME OF THE GAME <i>by Roy Bebbington</i>	194, 318, 402, 446
AMPLIFIER, AUDIO METER AND	984	1 - Counterspell	194
AMPLIFIER, AUDIO	216	2 - Counterspin	318
AMPLIFIER, EPE HIFI VALVE	434, 560	3 - On Your Marks and Games Timer	402
AMPLIFIER, PERSONAL PRACTICE	606	4 - Star Struck!, Six-Shot Zapper, Wander Wands	446
ANEMOMETER	518	NATIONAL LOTTERY PREDICTOR <i>by Julyan Ilett</i>	266
AUDIO AMPLIFIER <i>by Robert Penfold</i>	216	OHMMETER ADAPTOR, LOW RANGE	684
AUDIO METER AND AMPLIFIER <i>by Andy Flind</i>	984	ON YOUR MARKS, NAME OF THE GAME	402
AUDIO SINEWAVE GENERATOR <i>by Robert Penfold</i>	778	PEDAL, MIDI	132
AUTO BATTERY CHARGER <i>by Terry de Vaux-Balbirnie</i>	280	PERSONAL PRACTICE AMPLIFIER <i>by Andy Flind</i>	606
BATTERY CHARGER, AUTO	280	PIC-DATS <i>by Mark Stuart</i>	350, 465
BATTERY ELIMINATOR, HUM-FREE	726	1 - Development System	350
BEATING THE CHRISTMAS LIGHTS <i>by T.S. Christian</i>	32	2 - 4-Channel Light Chaser	465
BOOSTER, TREBLE	782	POWER SUPPLY, 12V VIDEO MODULES, MAINS	69
CAPACITOR CHECK <i>by Terry de Vaux-Balbirnie</i>	797	R.F. SIGNAL GENERATOR <i>by Steve Knight</i>	366, 487
CAPACITOR REFORMER, HIGH VOLTAGE	554	RAILWAY SIGNALS, MODEL	148
CARAVAN LIGHTS CHECKER, VANDATA	706	RAILWAY TRACK CLEANER, MODEL	28
CHRISTMAS LIGHTS, PROLONGING THE LIFE OF	32	RAMP GENERATOR <i>by Neil Johnson BEng(Hons) AMIEE</i>	546, 644
CLUB VOTE TOTALISER <i>by John Linsley Hood</i>	388	REMOTE CONTROL UNIT, INFRA-RED	616
COMMUNICATOR, LIGHT BEAM	220	SCREEN SAVER, THE ULTIMATE	118
COMPREHENSIVE SECURITY SYSTEM <i>by Duncan Boyd</i>	688	SECURITY SYSTEM, COMPREHENSIVE	688
CONTINUITY TESTER <i>by Robert Penfold</i>	304	SIGNAL GENERATOR, R.F.	366, 487
CONVERTER, AA TO PP3	476	SIGNALS, MODEL RAILWAY	148
COUNTERSPELL, NAME OF THE GAME	194	SIMPLE THEREMIN <i>by Jake Rothman</i>	674, 954
COUNTERSPIN, NAME OF THE GAME	318	SINEWAVE GENERATOR, AUDIO	778
CURRENT TRACER <i>by Robert Penfold</i>	888	SIX-SHOT ZAPPER, NAME OF THE GAME	446
CURTAIN WINDER <i>by Max Horsey</i>	528	SOLAR SEEKER <i>by Jim and Chris Wiles</i>	594
DELAY LINE, DIGITAL	842, 954	SOUND ACTIVATED SWITCH <i>by Robert Penfold</i>	214
DEVELOPMENT SYSTEM, PIC-DATS <i>by Mark Stuart</i>	350	SOUND SWITCH <i>by Terry de Vaux-Balbirnie</i>	766
DIGITAL DELAY LINE <i>by John Chatwin</i>	842, 954	STAR STRUCK!, NAME OF THE GAME	446
DISTORTION EFFECTS UNIT <i>by Robert Penfold</i>	898	STEREO "CORDLESS" HEADPHONES <i>by Robert Penfold</i>	934
DRILL CONTROLLER, FOOT-OPERATED	110	SWITCH ON/OFF TIMER <i>by Robert Penfold</i>	302
DYNAMIC NOISE LIMITER	66	SWITCH, LIGHT-ACTIVATED	298
EFFECTS UNIT, DISTORTION	898	SWITCH, LIGHT-OPERATED	928
EPE FRUIT MACHINE - 2 <i>by Brett Gossage and Julyan Ilett</i>	45	SWITCH, SOUND-ACTIVATED	214
EPE HIFI VALVE AMPLIFIER <i>by Jake Rothman</i>	434, 560	SWITCH, SOUND	766
EPE MET OFFICE - 1 <i>by John Becker</i>	958	TELEPHONE, LIGHT BEAM	220
FIELD DETECTOR, MAGNETIC	14	TEMPERATURE WARNING ALARM (Teach-In '96)	
FIELD METER, 50Hz	858	<i>by Max Horsey</i>	874
FOOT-OPERATED DRILL CONTROLLER <i>by Edward Barrow</i>	110	TESTER, CONTINUITY	304
FRUIT MACHINE, EPE - 2	45	THE ULTIMATE SCREEN SAVER <i>by Paul Stenning</i>	118
GINORMOUS VU METER <i>by Paul Stenning</i>	754	THEREMIN, SIMPLE	674, 954
HEADPHONES, STEREO CORDLESS	934	THERMOSTAT, MULTI-PURPOSE	182
HIFI VALVE AMPLIFIER, EPE	434, 560	TIMER, SWITCH ON/OFF	302
HIGH VOLTAGE CAPACITOR REFORMER <i>by Paul Stenning</i>	554	TIMER, VERSATILE MICROCONTROLLED 3-DIGIT	629
HUM-FREE BATTERY ELIMINATOR <i>by Andy Flind</i>	726	TOTALISER, CLUB VOTE	388
INFRA-RED CONTROLLER ALARM <i>by Robert Penfold</i>	786	TRACER, CURRENT TRACER	888
INFRA-RED REMOTE CONTROL UNIT <i>by Max Horsey</i>	616	TRACK CLEANER, MODEL RAILWAY	28
LIGHT-ACTIVATED SWITCH <i>by Robert Penfold</i>	298	TREBLE BOOSTER <i>by Robert Penfold</i>	782
LIGHT BEAM COMMUNICATOR <i>by Robert Penfold</i>	220	ULTIMATE SCREEN SAVER, THE	118
LIGHT CHASER, PIC-DATS, 4-CHANNEL	465	VALVE AMPLIFIER, EPE HIFI	434, 560
LIGHT-OPERATED SWITCH <i>by Paul Stenning</i>	928	VANDATA - CARAVAN LIGHTS CHECKER <i>by Peter Unwin</i>	706
LIGHTS, BEATING THE CHRISTMAS	32	VERSATILE MICROCONTROLLED 3-DIGIT TIMER	
LOTTERY PREDICTOR, NATIONAL	266	<i>by Bart Trepak</i>	629
LOW RANGE OHMMETER ADAPTOR <i>by Steve Knight</i>	684	VIDEO ENHANCER <i>by Robert Penfold</i>	851
MAGNETIC FIELD DETECTOR <i>by Andy Flind</i>	14	VIDEO MODULES - 3 <i>by Robert Penfold</i>	66
MET OFFICE, EPE - 1	958	VU METER, GINORMOUS	754
METER AND AMPLIFIER, AUDIO	984	WANDER WANDS, NAME OF THE GAME	446
METRONOME, MOVING DISPLAY	18, 326	WEATHER STATION	958
MICROCONTROLLED 3-DIGIT TIMER, VERSATILE	629	WINDICATOR <i>by Alan Winstanley</i>	518
MIDI PEDAL <i>by Robert Penfold</i>	381	4-CHANNEL LIGHT CHASER, PIC-DATS	465
MIDI PEDAL BOARD <i>by Tony Geering BSc</i>	132	12V 35W PA AMPLIFIER <i>by John Ellis</i>	98
MODEL RAILWAY SIGNALS <i>by Graham Long</i>	148	50Hz FIELD METER <i>by John Becker</i>	858

REGULAR FEATURES

AMATEUR RADIO <i>by Tony Smith G4FA1</i>	80, 164, 248, 332, 416, 500, 576, 650, 736, 824, 912, 996	NEW TECHNOLOGY UPDATE <i>by Ian Poole</i>	24, 108, 190, 274, 358, 444, 526, 604, 682, 763, 847, 946
EDITORIAL	13, 97, 181, 265, 349, 433, 517, 593, 673, 753, 841, 927	OHM SWEET OHM <i>by Max Fidling</i>	116, 228, 278, 407, 453, 523, 614, 715, 770, 848, 970
FOX REPORT <i>by Barry Fox</i>	36, 138, 208, 292, 392, 540, 610, 700, 802, 902, 933	SHOPTALK <i>with David Barrington</i>	27, 136, 198, 326, 391, 478, 538, 609, 724, 790, 890, 954
INNOVATIONS - NEWS	22, 106, 191, 272, 356, 442, 524, 602, 680, 764, 854, 948		

SPECIAL SERIES

<p>BOOK REVIEWS</p> <p>Bebop to the Boolean Boogie 72, 538</p> <p>The Cyberspace Lexicon 538</p> <p>The Modern Reference 72</p> <p>Troubleshooting Analogue Circuits 538</p>	<p>ELECTRONICS FROM THE GROUND UP by <i>Mike Tooley B.A.</i></p> <p>54, 140, 230, 284, 394, 480</p> <p>4 - Transistors 54</p> <p>5 - Op.amps 140</p> <p>6 - Feedback 230</p> <p>7 - Digital Logic 284</p> <p>8 - Bistables 394</p> <p>9 - Further Reading 480</p>	<p>Continuity and L.E.D. Tester 698</p> <p>Dalek Voice Simulator 879</p> <p>Doorchime Disabler 697</p> <p>Electric Guitar Treble Booster 193</p> <p>Enlarger Timer 879</p> <p>Infra-Red Repeater 537</p> <p>Melody Sound-to-Light 878</p> <p>Morse Tone Decoder Driver 536</p> <p>Rapid Crystal Checker 698</p> <p>Shakeable Dice 360</p> <p>Simple D.C. Servomotor Controller 26</p> <p>Simple Heat Sensor 361</p> <p>Siren Generator 880</p> <p>Solar-Driven Battery Recharger 697</p> <p>Spot Frequency Oscillator 361</p> <p>Tone Burst Generator 696</p> <p>Truly Simple TENS Unit 192</p> <p>£2 Metal Detector 537</p> <p>900Hz Audio Line-Up Oscillator 27</p>
<p>CIRCUIT SURGERY by <i>Alan Winstanley</i></p> <p>Alan@Internet 122, 276, 472, 640, 792, 968</p> <p>Bargraph Tune-up 474</p> <p>BCD Switches 968</p> <p>Casing Codes 641</p> <p>Chips on Internet 792</p> <p>Cycle L.E.D. Flasher 794</p> <p>Data Sources 793</p> <p>Diode markings 968</p> <p>Doorbell Activated Lamp 473</p> <p>Etchant Disposal 276</p> <p>Flashing Alarm 793</p> <p>Heatsinks 969</p> <p>Micro Lab News 123, 277</p> <p>Ni-Cad Discharger 641</p> <p>Power Supplies 124, 641</p> <p>Precision Rectifier 122, 278</p> <p>Protected MOSFETs 640</p> <p>TENS Unit 124</p> <p>Theremin Lives! 969</p> <p>UJT Oscillator 640</p> <p>Voxbox Upgrade 472</p>	<p>INTERFACE by <i>Robert Penfold</i></p> <p>34, 129, 238, 316, 374, 484, 552, 626, 717, 804, 864, 982</p> <p>Biofeedback 374</p> <p>Fibre-optic Link 34</p> <p>Model Train Control 484</p> <p>Monitorless PC Monitoring, and keying in without a keyboard 982</p> <p>Morse Decoding Hardware 717</p> <p>Morse Decoding Software 626</p> <p>Morse Tone-Decoding 804</p> <p>Printer Port Interfacing 129, 238, 316</p> <p>Serial ADC for PC Printer Port 864</p> <p>Temperature Measuring PC Interface 552</p>	<p>TEACH-IN '96 - A Guide to Modular Circuit Design</p> <p>by <i>Max Horsey</i> 866, 950</p> <p>1 - Light/Temperature Sensors, Semiconductor Switches, Output Drivers 866</p> <p>2 - Alarm Switches, Timers, Fail-Safe Outputs 950</p>
<p>INGENUITY UNLIMITED compiled by <i>Alan Winstanley</i></p> <p>26, 192, 360, 536, 696, 878</p> <p>Alarm Time-Out 360</p> <p>Audio Cable Tester 26</p> <p>Auto Level Control for Car Radios 192</p> <p>Battery Charger Current Control 698</p> <p>Capacitor Leakage Tester 880</p>	<p>TECHNIQUES - ACTUALLY DOING IT, by <i>Robert Penfold</i></p> <p>324, 400, 636, 702, 815, 904</p> <p>Front Panel Making 400, 636</p> <p>Jargon 702</p> <p>Making Connections 324</p> <p>Symbols and Abbreviations 815</p> <p>Translating circuit diagram to stripboard layout 904</p>	

GENERAL FEATURES

<p>BARGRAPH DISPLAYS, USING 810</p> <p>BRIDGE RECTIFICATION ENHANCED by <i>Plamen Petkov</i> 566</p> <p>CAPTOR-VATED - FUME EXTRACTOR REVIEW</p> <p>by <i>Terry de Vaux-Balbirnie</i> 64</p> <p>CAVE RADIO by <i>Mike Bedford</i> 721</p> <p>CHECKING TRANSISTORS by <i>Andy Flind</i> 52</p> <p>CROSSWORD, ELECTRONICS 31</p> <p>DEVELOPMENTS IN RADIO BROADCASTING TECHNOLOGY</p> <p>by <i>Ian Poole</i> 882</p> <p>DISPLAYS, USING BARGRAPH 810</p> <p>ELECTROMAGNETIC COMPATIBILITY by <i>Andrew Chadwick</i> 38</p> <p>ELECTRONICS CROSSWORD 31</p> <p>FUME EXTRACTOR REVIEW, CAPTOR-VATED 64</p> <p>LAS VEGAS SHOW REPORT by <i>Barry Fox</i> 362</p> <p>LETTERS, READOUT 880</p> <p>MICROCONTROLLERS, UNDERSTANDING PIC 200</p> <p>MOBILE PHONES, THE HARD CELL 310</p> <p>PIC MICROCONTROLLERS, UNDERSTANDING 200</p> <p>PLEASE TAKE NOTE 22, 326, 954</p> <p>Digital Delay Line 954</p> <p>Moving Display Metronome 326</p>	<p>Simple Theremin 954</p> <p>Stereo HiFi Controller (July/Aug '94) 22</p> <p>POWER SUPPLIES, TRANSFORMERLESS 114</p> <p>QUICKROUTE 3.0 REVIEW by <i>Robert Penfold</i> 154</p> <p>RADIO BROADCASTING TECHNOLOGY, DEVELOPMENTS IN 882</p> <p>RADIO, CAVE 721</p> <p>READOUT - LETTERS 880</p> <p>RECTIFICATION ENHANCED, BRIDGE 566</p> <p>REVIEW, FUME EXTRACTOR, CAPTOR-VATED 64</p> <p>REVIEW, QUICKROUTE 3.0 154</p> <p>REVIEW, TURNPIKE FOR WINDOWS 892</p> <p>REVIEW, VISIO 3.0 GRAPHICS SOFTWARE 226</p> <p>SECURITY TAGGING by <i>Peter Nutt</i> 772</p> <p>SHOW REPORT, LAS VEGAS 362</p> <p>SMART CARDS by <i>Barry Fox</i> 454</p> <p>STATIC by <i>Ian Poole</i> 612</p> <p>TAGGING, SECURITY 772</p> <p>THE HARD CELL - MOBILE PHONES by <i>Terry de Vaux-Balbirnie</i> 310</p> <p>TRANSFORMERLESS POWER SUPPLIES by <i>Andy Flind</i> 114</p> <p>TRANSISTORS, CHECKING 52</p> <p>TURNPIKE FOR WINDOWS - REVIEW by <i>Alan Winstanley</i> 892</p> <p>UNDERSTANDING PIC MICROCONTROLLERS by <i>Brett Gossage</i> 200</p> <p>USING BARGRAPH DISPLAYS by <i>Andy Flind</i> 810</p> <p>VISIO 3.0 GRAPHICS SOFTWARE REVIEW by <i>Alan Winstanley</i> 226</p>
---	---

SPECIAL OFFERS AND SERVICES

<p>ADVERTISERS' INDEX</p> <p>84, 168, 252, 336, 420, 504, 580, 660, 740, 828, 916, 1004</p> <p>BACK ISSUES</p> <p>73, 158, 224, 297, 376, 460, 545, 624, 704, 806, 894, 972</p> <p>CATALOGUE (Budget CD & Tape Co.) banded with JUN '95</p> <p>CATALOGUE (Display Electronics) between 42, 43</p> <p>CATALOGUE (Greenweld Summer Sale) between 700, 701</p> <p>DIRECT BOOK SERVICE</p> <p>75, 159, 243, 327, 411, 495, 571, 652, 731, 819, 907, 991</p>	<p>ELECTRONICS VIDEOS</p> <p>65, 139, 241, 309, 386, 492, 558, 638, 701, 809, 897, 956</p> <p>FREE COVER MOUNTED PCB - WHAT IT'S FOR 213, 777</p> <p>FREE COVER MOUNTED PCB banded with MAR '95</p> <p>FREE COVER MOUNTED PCB banded with OCT '95</p> <p>PRINTED CIRCUIT BOARD SERVICE</p> <p>78, 163, 246, 330, 414, 499, 575, 655, 734, 822, 910, 995</p>
---	--

WE HAVE THE WIDEST CHOICE OF USED OSCILLOSCOPES IN THE COUNTRY

TEKTRONIX TA5475 4 Channel 100MHz Delay/Outputs.....	£1300
TEKTRONIX TA5453 Oscilloscope.....	£900
TEKTRONIX 2246A 4 Channel 100MHz Cursors/Wolfram etc.	£1250
TEKTRONIX 2335 Dual Trace 50MHz Delay.....	£750
TEKTRONIX 485 Dual Trace 350MHz Delay Sweep.....	£600
TEKTRONIX 475 Dual Trace 200MHz Delay Sweep.....	£500
TEKTRONIX 465 Dual Trace 100MHz Delay Sweep.....	£400
TEKTRONIX SC504A Dual Trace 50MHz in TM503.....	£400
H.P. 1740A Dual Trace 100MHz Delay Sweep.....	£350
PHILIPS 3055 2 x 1 Channel 50MHz Delay TB Delay.....	£350
TEKTRONIX 2225 Dual Trace 50MHz Att. TB Magnification.....	£450
TEKTRONIX 2215 Dual Trace 50MHz Delay Sweep.....	£400
TEKTRONIX 2213 Dual Trace 50MHz.....	£350
PHILIPS PM3217 Dual Trace 50MHz Delay Sweep.....	£400
HITACHI VA23 Dual Trace 40MHz Delay Sweep.....	£350
GOLDS 051100 Dual Trace 30MHz Delay Sweep.....	£240
GOLDS 051100S Dual Trace 30MHz.....	£200
HAMEG HM204 Dual Trace 20MHz Delay Sweep Comp. Tester.....	£200
BECKMAN 3020 Dual Trace 20MHz Delay Sweep.....	£240
HAMEG 412 Dual Trace 20MHz Delay Sweep.....	£225
KIOWIS 5530A Dual Trace 35MHz.....	£220
WANTSU 55702 Dual Trace 20MHz.....	£200
GOLDS 05300 Dual Trace 20MHz (no handle).....	£180
TEKTRONIX 2230 Dual Trace 100MHz Delay Storage Cursors etc.....	£200
GOLDS 05400 Dual Trace 100MHz Digital Storage.....	£250
GOLDS 05402 Dual Trace 100MHz Digital Storage.....	£250
H.P. 1741A Dual Trace 100MHz Analogue Storage.....	£400

THIS IS JUST A SAMPLE - MANY OTHERS AVAILABLE

EATON/ALTECH 380K11 Synthesized Sig Gen 1MHz-2000kHz with PM3602 AM/FM Phase Mod.....	P.O.A.
MARCONI 2022C AM/FM Sig Gen 10kHz-1GHz.....	£1950
MARCONI 2019 Synthesized AM/FM Sig Gen 80kHz-104MHz.....	£1900
MARCONI 2016 Synthesized AM/FM Sig Gen 80kHz-520MHz.....	£2000
H.P. 862C Sweep Oscillator Main Frame only.....	£200
RACAL 9081 Syn. AM/FM Sig Gen 5MHz-520MHz.....	£450
MARCONI TF 2317 Automatic Distortion Meter.....	£200
MARCONI TF 2314 Dist. Fct. Meter 20Hz-20kHz 0.05% un-used.....	£225
MARCONI TF939 Audio Power Meter - Small.....	£250
MARCONI TF 163 Attenuator DC-10GHz.....	£100
H.P. 8495E Attenuator DC-10GHz 0.70dB in 100dB Steps.....	£350
HATFIELD 2105 Attenuator 50 Ohm.....	£75
TEKTRONIX TDH1502.....	£1250
R & S Video Noise Meter UFSF 2E2 40kHz-10MHz.....	£1500
R & S Video Analyser type UVF.....	P.O.A.

BRUEL & KJØER EQUIPMENT AVAILABLE - PLEASE ENQUIRE

TEKTRONIX 2710 10MHz-180Hz.....	P.O.A.
IFR AT 750 Synthesized 10Hz.....	£4000
H.P. 8555A 0.0155Hz-220Hz.....	£4000
HP 4340D 64K 1-10MHz.....	£2500
H.P. 182 with 8558 100kHz-1500kHz.....	from £1500
H.P. 141T with 8555A & 8552B 10MHz-180Hz.....	£1700
H.P. 141T with 8554B & 8552B 500kHz-1250MHz.....	£1200
H.P. 141T with 8555B & 8552A 1kHz-110MHz.....	£300
H.P. 3580A 5Hz-20MHz.....	£300
H.P. 3585A 20Hz-40MHz.....	£300
MARCONI TF2370 30Hz-110MHz.....	£1000

Used Equipment - Guaranteed. Manuals supplied if possible. This is a VERY SMALL SAMPLE OF STOCK. SAE or telephone for lists. Please check availability before ordering. CARRIAGE all units £18. VAT to be added to Total of Goods and Carriage.

STEWART OF READING
110 WYKEHAM ROAD, READING, BERKS RG6 1PL
Tel: 01734 248041 Fax: 01734 351696 Callers welcome 9am to 5.30pm MON-FRI (UNTIL 8pm THURS)

HP 5341A Frequency Counter 50MHz-1.5GHz LED.....	£300
RACAL 1986 Freq Counter 1.5GHz options GPB & High Stab.....	£300
RACAL/DANA 1991 Universal Counter/Timer 160MHz 8 digit.....	£300
MARCONI 2437 Universal Counter/Timer DC-100MHz 8 digit.....	£175
RACAL 9916 Frequency Counter 10Hz-520MHz.....	£175
RACAL 5906A Universal Counter/Timer 10Hz-200MHz.....	£250
SOLARTRON 7055 6 1/2 digit Microprocessor voltmeter.....	£400
AC/DC Ohms/Auto.....	£400
SOLARTRON 7150 6 1/2 - 3 1/2 digit DMM with IEEE.....	£400
SOLARTRON 7045 4 1/2 digit Multimeter Volts/Amms/Ohms.....	£30
FLUKE 77 Handheld DMM 3 1/2 digit with cable.....	£100
FLUKE 855CA Benchtop DMM 4 1/2 digit True RMS.....	£225
FLUKE 8010A Bench/Portable DMM 3 1/2 digit True RMS.....	£150
GOLDS 318 Sine Square Oscillator 10Hz-100kHz.....	£150
FEEDBACK FG600 Sine/Sq/Tri 0.01Hz-100kHz.....	£90
THANDER TC501 Func. Gen. 0.005Hz-5MHz.....	£175
Sine/Sq/Tri 0.01Hz-100kHz.....	£175
THANDER TC502 as TC501 with Sweep Facilities.....	£275
UNIPHOM EP501 Audio Analyser.....	£350
PHILIPS PM5565 Waveform Monitor.....	£300
PHILIPS PM8917 Video Line Selector.....	£250
FERROGRAPH RT5 Recorder Test Set.....	£400
AWA FZ42A Distortion Noise Meter.....	£400
LEADER LSC216 Standard Signal Generator.....	£450
KEMO Dual Variable Filter VBF 7 0.1Hz-10kHz.....	£200
RACAL Instrumentation Recorder type Store 40S.....	£100
NAGRA N-SJ Tape Recorder.....	£350
MARCONI TF 7700 Universal Bridge. Battery operated.....	from £150
WAYNE KERR B424 Digital Component Meter LCR.....	£200
H.P. 16300 43 Channels.....	£750
SOFTENOR DC3600A 50 0-600V 0-45A.....	£500
H.P. 6290 0-40V 0-30A.....	£200
THURBY H50100 0-50V 0-100A Metered.....	£200
THURBY PL3200MD 0-50V 0-2A Twice Digital.....	£225
THURBY PL320 0-50V 0-2A Digital.....	£100
FARNELL L32 0-50V 0-5A Two Meters.....	£200
FARNELL L32-2 0-50V 0-2A Twice.....	£100
FARNELL L30-1 0-50V 0-2A Metered.....	£80
FARNELL L30-2 0-50V 0-1A Twice.....	£130
FARNELL L30-1 0-50V 0-1A Metered.....	£90
FARNELL L350 0-350V 0-200mA Metered.....	£100
BRANDENBURG 0172 0-12V 20V Metered.....	£25

MANY OTHER POWER SUPPLIES AVAILABLE

NEW EQUIPMENT

HAMEG OSCILLOSCOPE HM1005 Triple Trace 100MHz Delay Timebase.....	£847
HAMEG OSCILLOSCOPE HM604 Dual Trace 60MHz Delay Sweep.....	£383
HAMEG OSCILLOSCOPE HM303 Dual Trace 30MHz Comp. Tester.....	£463
HAMEG OSCILLOSCOPE HM205 3 Dual Trace 20MHz Digital Storage.....	£823
All other models available - all oscilloscopes supplied with 2 probes	

BLACK STAR EQUIPMENT (P&P all units £5)

APOLLO 10 100MHz Counter Timer Ratio/Period/Time Int. etc.....	£234
APOLLO 100 100MHz Gas timer with more functions.....	£350
METOR 100 FREQUENCY COUNTER 100MHz.....	£110
METOR 600 FREQUENCY COUNTER 600MHz.....	£145
METOR 1000 FREQUENCY COUNTER 1GHz.....	£180
JUPITOR 500 FUNCTION GEN. 0.1Hz-500kHz Sine/Sq/Tri.....	£245
ORION COLOUR BAR GENERATOR PAL/TV/Video.....	£125
All other Black Star equipment available.....	
OSCILLOSCOPE PROBES Switched X1 X10 0P&P £31.....	£13

HIGH QUALITY LOW COST C.C.T.V. CAMERA
VERY LOW LIGHT LEVEL.
AUTO ELECTRONIC SHUTTER.
COMPOSITE VIDEO OUT VIA BNC PLUG.
SMALL DISCRETE SIZE.
CAN BE USED WITH PC DIGITISER.



This super quality CCD camera can be connected into your existing TV or video using the AV channel and can be used for discrete surveillance or observing your property externally using a suitable weatherproof housing. Can accommodate lighting levels ranging from daylight to street lighting using its built in electronic shutter. Excellent when using with an infra red source. Built in wide angle fixed focus lens the camera has a resolution of 380 TVL. Can be housed inside an empty floodlight case, (extra).

Special offer price of only: **£79.95 Plus VAT (P&P £3.50)**
For full range of CCTV products send SAE to:
Direct CCTV Ltd., Dept. PE27., Unit 6, Carrick Court, Forrest Grove Business Park, Middlesbrough, TS2 1QE.

Special offer price of only: **£79.95 Plus VAT (P&P £3.50)**
For full range of CCTV products send SAE to:
Direct CCTV Ltd., Dept. PE27., Unit 6, Carrick Court, Forrest Grove Business Park, Middlesbrough, TS2 1QE.

COMPAC ELECTRONICS
(TV, VIDEO & SATELLITE ELECTRONIC COMPONENTS)
31 WEYLAND ROAD, DAGENHAM,
ESSEX RM8 3AB Tel/Fax: 0181 984 0831

TELEVISION & VIDEO	SATELLITE TV
REMOTE CONTROL from £5. Most Makes supplied.	ASTRA 10 ADX, plus converter, £23
LINE OUTPUT TRANSFORMERS, TV & Monitors. Phone for quote.	DISHES: 60cm Black Mesh, £25 + £5 carr. 53cm Black Mesh, £28 + £5 carr. 80cm Black Mesh, £48 + £5 carr.
TV Mains ON/OFF switches from £2.50	SATELLITE FINDER ALIGNMENT KIT, meter etc. £29.99 + £2 post
Fig. 8 mains lead 75p	LNBS 1dB VOLTAGE SWITCHING, £26
SCART LEADS: SCART to SCART, Standard I.E.T. 75, all pins connected £2.	LATEST TYPE 2GHz, £26
SCART to D-Type I.E.T. £1.50	NOKIA FSS 1 dB MAX, for separate polariser systems, £14
Rechargeable Batteries, all types supplied.	MARCONI Blue Cap LNB, ex-rental. £5 white stocks last. + £2 p/p.
AC/DC adaptors £5	SATELLITE ACCESSORIES F-Connectors 30p. SAT. CABLE - 30p/mtr. 1.100m rolls £23 inc. p/p.
PERISWITCH: SCART Switching Box, automatically switches between VCR Satellite and TV. Expensive unit.	RECEIVER REPAIR KITS PACE 800/900, £7. 9000/920, £5 AMSTRAD 510/520, £7
£9.99. These units require 12V D.C. adaptor and three SCART Leads. Details on request.	

Most types of Components Supplied.
Please telephone with your requirements.
Please add £1.00 P & P except where
otherwise stated. No VAT charged.

COMPUTER ACCESSORIES SUPPLIED **YOUR FRIENDLY COMPONENT SUPPLIER**

VARIABLE VOLTAGE TRANSFORMERS

INPUT 220V/240V AC 50/60 OUTPUT 0V-260V	
Price P&P	
0-5KVA 2.5 amp max	£31.90 £5.00
	(£44.53 inc VAT)
1KVA 5 amp max	£41.15 £7.00
	(£56.58 inc VAT)
2KVA 10 amp max	£59.40 £8.50
	(£79.78 inc VAT)
3KVA 15 amp max	£78.65 £8.50
	(£102.40 inc VAT)
5KVA 25 amp max	£139.15
	(Plus Carriage)

Buy direct from the Importers. Keenest prices in the country. Comprehensive Range of TRANSFORMERS - LT-ISOLATION & AUTO 110V-240V Auto transfer either casid with American socket and mains lead or open frame type. Available for immediate delivery.

WIDE RANGE OF XENON FLASH TUBES

Write/Phone your enquiries

ULTRA VIOLET BLACK LIGHT FLUORESCENT TUBES	
4hr 40 watt £14.00 (callers only).....	(£16.45 inc VAT)
2hr 20 watt £9.00 (callers only).....	(£10.58 inc VAT)
12hr 8 watt £4.80 + 75p p&p.....	(£5.52 inc VAT)
9hr 6 watt £3.96 + 50p p&p.....	(£5.24 inc VAT)
6hr 4 watt £3.96 + 50p p&p.....	(£5.24 inc VAT)

230V AC BALLAST KIT

For either 6hr, 9hr or 12hr tubes £6.06 + £1.40 p&p (£8.75 inc VAT)

The above Tubes are suitable for Forged Bank Note detection, security marking etc.

400 WATT UV LAMP
Only £38.00 + £4.00 p&p (£49.35 inc VAT)

160 WATT SELF-BALLASTED BLACK LIGHT MERCURY BULB
Available with E.S. fitting
Price inc VAT & p&p £25.65

12V D.C. BILGE PUMPS

500 GPH 15ft head 3 amp £19.98
1750 GPH 15ft head 9 amp £34.56
Also now available:
1200 GPH 12ft head 3 amp £19.98
6 amp £35.65

SUPER HY-LIGHT STROBE KIT

Designed for Disco, Theatrical use etc.
Approx 160 joules Adjustable speed £50.00 + £3.00 p&p (£52.28 inc VAT)
Case and reflector £24.00 + £3.00 p&p (£31.73 inc VAT)
SAE for further details including Hy-Light and Industrial Strobe Kits.

5 KVA ISOLATION TRANSFORMER

As New Ex-Equipment, fully shrouded, Line Noise Suppression, Ultra Isolation Transformer with terminal covers and knock-out cable entries. Primary 120V/240V, Secondary 120V/240V, 50/60Hz, 0.000F Capacitance. Size, L 37cm x W 19cm x H 16cm. Weight 42 kilos. Price £120 + VAT. Ex-warehouse. Carriage on request.

24V DC SIEMENS CONTACTOR

Type 3TH8022.0B 2 x NO and 2 x NC 230V AC 10A. Contacts: Screw or Din Rail fixing. Size H 120 x W 45 x D 75mm. Brand New Price £7.63 incl. P&P and VAT.

240V AC WESTOOL SOLENOIDS

TT2 Mod. 1 Rat. 1 Max. stroke 4.91 in. Base mounting 1/2 in. stroke 5.16 in. approx. TT6 Mod. 1 Rat. 1 Max. stroke 1.1 in. 1/2 in. mounting 1/2 in. stroke 1.51 in. approx. SERIES 400 Mod. 1 Rat. 2 Max. stroke 1/2 in. Front mounting 1/2 in. stroke 1.51 in. approx. Price incl. p&p & VAT. TTS £5.88, TT6 £8.81. SERIES 400 £7.84.

AXIAL COOLING FAN

230V AC 120mm square x 38mm 3 blade 10 watt Low Noise Fan. Price £7.29 incl. P&P and VAT.
Other voltages and sizes available from stock. Please telephone your enquiries.

240V AC CENTRIFUGAL BLOWER

New Manual Surplus Skeleton Blower suitable for mounting inside an enclosure to cool equipment. Overall size 130 x 110 x 85mm. Outlet 80 x 35mm. Impeller 60mm dia. x 60mm long. Price £14.10 inc p&p & VAT.

SEWING MACHINE MOTOR

Brand new 220V/240V AC/DC SEW-TRIC 2 lead Brush Motor. Size L 100mm x H 70mm x W 55mm. Spindle 1/8 in. dia. x 1 in. long. Price £14.10 inc p&p & VAT.

GEARED MOTORS

71 RPM 20lb/inch torque reversible 116V AC input including capacitor and transformer for 240V AC operation. Price inc VAT and p&p £27.73.

SOLID STATE EHT UNIT

Input 230V/240V AC. Output approx 15kV. Producing 10mm spark. Built-in 10 sec timer. Easily modified for 20 sec, 30 sec to continuous. Designed for boiler ignition. Diagnostics in the field of physics and electronics, e.g. supplying neon or argon tubes etc. Price less case £8.50 + £2.40 p&p (£12.81 inc VAT) NMS.

EPROM ERASER KIT

Build your own EPROM ERASER for a fraction of the price of a made-up unit. Kit of parts case includes 12in 8 watt 2537 Angst Tube Ballast unit, pair of bi-pin leads, neon indicator, on/off switch, safety microswitch and circuit £15.00 + £2.00 p&p (£19.98 inc VAT)

WASHING MACHINE WATER PUMP

Brand new 240V AC fan cooled. Can be used for a variety of purposes. Inlet 1 1/2 in. outlet 1 in. dia. Price includes p&p & VAT. £11.20 each or 2 for £20.50 inclusive.

High quality stepping motor kits (all including stepping motors) Comstep independent control of 2 stepping motors by PC (Via the Parallel Port) with 2 motors and software

Kit £87.00, ready built £99.00
Software support and 4-digit input system kit..... £27.00
Power interface 4A kit £36.00, power interface 8A kit £46.00

Stepper kit 4 (manual control) includes 200 step stepping motor and control circuit..... £23.00
We are now stocking a range of stepping motors and kits to drive them - please ask for the stepping motor data sheet for full information.

Inverter to two-lead transformers 225VA 10 5-0-10 5V 50mA 0-260-285V secondary..... £29.96
LEDs 3mm or 5mm red or green 7p each; yellow 11p each.

Cable Ties 1p each, £5.95 per 1000, £49.50 per 10,000.
High quality photo resist copper clad epoxy glass boards

Dimensions	single-sided	double-sided
3x4 inches	£1.23	£1.23
4x8 inches	£2.75	£2.99
6x12 inches	£8.20	-
12x12 inches	£12.25	-

RECHARGEABLE BATTERIES

AA (HP7) 500mAh.....	£0.99
AA 700mAh.....	£1.75
AA with solder tags.....	£3.60
D 4AH with solder tags.....	£4.95
1/2AA with solder tags.....	£1.55
AAA (HP18) 180mAh.....	£1.75
AA 500mAh with solder tags.....	£1.55
C (HP11) 1.8AH.....	£2.20
D (HP2) 1.2AH.....	£4.95
PP3 8 4V 110mAh.....	£4.95
Sub C with solder tags.....	£2.50
1/3 AA with tags (Philips CTV).....	£1.95

Standard Charger, charges 4 AA cells in 5 hours or C or Ds in 12 to 14 hours plus 1xPP3 (1, 2, 3 or 4 cells may be charged at a time)..... £5.95
High power charger, as above but charges the C and Ds in 5 hours; AAs, Cs and Ds must be charged in two or four hours..... £10.95

Nickel Metal Hydride AA cells, high capacity with no memory. If charged at 100mA and discharged at 250mA or less 1200mAh capacity (lower capacity for high discharge rates)..... £3.75

SPECIAL OFFERS - PLEASE CHECK FOR AVAILABILITY

Stick of 4, 42mm x 16mm NiCad batteries, 171mm x 16mm dia., with red and black leads, 4 8V.....	£5.95
115V AC, 80V DC Motor, 4mm x 22mm shaft, 50mm dia., x 60mm long body (excluding shaft), it has a replaceable thermal fuse and brushes.....	£3.95
7-segment common anode i.l.d. display, 12mm, 45p LM337K TO3 case variable regulator.....	£1.95
100 + £1.44 each each, £9.95 10 + £7.95 100 +	

Sinclair light gun terminated with a jack plug and PP3 clip gives a signal when pointed at 50Hz flickering light, with output waveform chart. £3.96

DC-DC converter, Reliability model, V1275, 12V input by 200mA output, 300V input to output isolation, with data sheet..... £4.95 each or pack of 10 - £38.50
Hour counter used 7-digit 240V a.c. 50Hz, £1.45
QWERTY keyboard, 58-key good quality switches new..... £6.00

Alrpaq AB232 8-10 step potentiometer, 100k, 20mm dia. 7.5 step, 27 ohm, 68mm dia. body, 6.3mm shaft..... £8.95 or £200.00 for a box of 30
Polyester capacitors, box type, 22.5mm lead pitch 0.9uF 250V dc 18p each, 14p 100 +, 9p 1000 + 1uF 250V dc, 20p each 15p 100 +, 10p 1000 + 1uF 50 bipolar electrolytic axial leads, 15p each, 7.5p 1000 +

0.22uF 250V polyester axial leads, 15p each, 100 + 7.5p each
Polypropylene 1uF 400V d.c. (Wima MKP10) 27.5mm pitch, 32 x 29 x 17mm case, 75p each, 80p 100 +

Philips 123 series solid aluminium axial leads, 33p/10V and 27V 40V 40p each, 25p 100 + Philips 10B series long life 22uF 63V axial..... £1.95

Multilayer VIX ceramic capacitors, all 5mm pitch, 100V 100pF, 150pF 220V, 10,000pF (10n) 10p each, 6p 100 +, 3.5p 1000 + 500pF compression trimmer..... 60p

40V 370V a.c. motor start capacitor (dialectro type containing no p.c.b.)..... £5.95 or £48.50 for 10
Solid carbon resistors, very low inductance, ideal for f.c. circuits, 27ohm 2W, 68ohm 2W 25p each, 15p each 100 +

we have a range of 0.25W, 0.5W, 1W and 2W solid carbon resistors - please send SAE for list
P.C. 400W P5U (Intel part 201035 001) with standard motherboard and 5 disk drive connectors, fan and mains inlet/outlet connectors on back and switch on the side (top for lower case) dims 212 x 149 x 149mm excluding switch, £28.00 each, £138.00 for 6
MX180 Digital Multimeter 17 ranges, 1000

3lb mixed component pack	£4.95
Jumbo component pack	£10
250 off mixed capacitors	£4.95
250 off i.c. sockets	£3.95
1000 off mixed ceramic caps	£7.50
20 off mixed crystals/filters	£4.95
25 off mixed relays	£3.50
100 off phono plugs	£2.95
10 off mixed displays	£3.75
50 off d.i.l. switches	£3.75
30 off mixed heatsinks	£3.75
30 off mixed switches	£3.75
Brand new 360k 5 1/4" floppy drive	£4.50
5 1/4" to 3 1/2" floppy drive converter leads	£1.50
50Ω BNC to BNC lead	£1.75
2 phono plug to 2 phono plug lead	£1.50
21-Pin SCART plug to SCART plug (all connected)	£3.50
As above but plug to socket	£3.50
SCART plug to 4 phone plug lead	£2.95
10 off crocodile clip leads	£3.50

Universal Test Lead Kit.....£3.75

VALVES
 QQV0310, £10; QQV0320A, £10;
 QQV0640A, £20; ECC82, £3;
 ECH81, £2; PCL805, £3;
 ORP 11, £3; ORP 40, £3; CV 4004,
 4005, 4006, 4007, 4014, 4020,
 4024, 4043, 4055, 4064, 5042,
 5080, ALL £5 each

QUANTITY DISCOUNTS
 AVAILABLE PLEASE RING.
 We also buy all forms of electronic components, p.s.u.s, disk drives etc.
 Lists to below address.

**ALL PRICES INCLUDE V.A.T.
 PLEASE ADD £2.00 p&p EXCEPT
 ITEMS MARKED * WHICH ARE 50P.
 SAE FOR BULK BUYING LIST
 PAYMENT WITH ORDER TO:**
**Dept EE, COMPELEC,
 14 Constable Road,
 St. Ives, Huntingdon,
 Cambs PE17 6EQ
 Tel/Fax: 01480 300819**

Millions of quality components at lowest ever prices!

Plus Tools, Watches, Fancy Goods, Toys.
 Mail order UK only.

All inclusive prices -
NO VAT to add on.

Send 43p stamped self addressed label or envelope for catalogue/clearance list.

At least 2,100 offers to amaze you.

Brian J Reed
6 Queensmead Avenue, East Ewell
Epsom, Surrey KT17 3EQ
Tel: 0181-393 9055

N. R. BARDWELL LTD (EPE)

200 Signal diodes 1N4148	£1.00
75 Rectifier Diodes 1N4001	£1.00
50 Rectifier Diodes 1N4007	£1.00
8 NE555 Timer I.C.s	£1.00
50 Asstd. Zener Diodes	£1.00
30 BC212L Transistors	£1.00
30 BC213L Transistors	£1.00
30 BC214C Transistors	£1.00
30 BC237 Transistors	£1.00
20 BC327 Transistors	£1.00
30 BC328 Transistors	£1.00
30 BC337 Transistors	£1.00
30 BC478 Transistors	£1.00
30 BC546 Transistors	£1.00
30 BC547 Transistors	£1.00
30 BC548 Transistors	£1.00
30 BC549 Transistors	£1.00
25 BC557 Transistors	£1.00
30 BC558 Transistors	£1.00
30 BC559 Transistors	£1.00
25 BC640 Transistors	£1.00
30 MPS42 Transistors	£1.00
30 MPSA2 Transistors	£1.00
20 2N3702 Transistors	£1.00
20 2N3904 Transistors	£1.00
5 78L12 12V 100mA Pos Regulators	£1.00
10 79M08 8V 500mA Neg Regulators	£1.00
25 5mm red l.e.d.s	£1.00

25 3mm red l.e.d.s	£1.00
25 Asstd. high brightness l.e.d.s	£1.00
50 Axial l.e.d.s (Diode package)	£1.00
12 Asstd. 7-segment displays	£1.00
2 ORP12 light dependant resistors	£1.00
30 Asstd. IF transformers	£1.00
48 Asstd. coil formers	£1.00
100 Asstd. RF chokes (Inductors)	£1.00
30 Asstd. connectors edge, d.i.l., slt etc	£1.00
30 Asstd. d.i.l. sockets up to 40-pin	£1.00
200 Asstd. disc ceramic capacitors	£1.00
80 Asstd. capacitors 1NF to 1µF	£1.00
80 Asstd electrolytic capacitors	£1.00
10 4P3W MBB min. rotary switches	£1.00
20 Min. SP/CO slide switches	£1.00
20 1" glass reed switches	£1.00
200 4N7 mini axial capacitors	£1.00
24 24-pin d.i.l. wire wrap l.c. skts	£1.00
1 12V motorised volume control 50k	£1.00
50 Grommets 6-3mm Id, 9-5mm od	£1.00
100 off 1/4W 5% resistors any one value, E24, range 1R to 10M	£0.45

Prices include VAT, postage £1.25. Stamp for Lists
 288 Abbeydale Road, Sheffield S7 1FL
 Phone (0114) 2552886 Fax (0114) 2500689

Mixed metal/carbon film resistors 1/4W E12 series 10 ohms to 1 Megohm	2p
Carbon Film resistors 1/4W 5% E24 series 0.51 R to 10MΩ	1p
100 off per value - 75p. even hundreds per value totalling 1000	£6.00p
Metal Film resistors 1/4W 10R to 1 MΩ 5% E12 series - 1 1/2p. 1% E24 series	2p
Mixed metal/carbon film resistors 1/4W E24 series 1R to 10MΩ	1 1/2p
1 watt mixed metal/Carbon Film 5% E12 series 4R7 to 10 Megohms	5p
Linear Carbon pre-sets 100mW and 1/4W 100R to 2M2 E6 series	7p
Miniature polyester capacitors 250V working for vertical mounting	
0.15, 0.22, 0.33, 0.47, 0.68 4p. 0.1 - 5p. 0.12, 0.15, 0.22 - 6p. 0.47 - 8p. 1.0 - 12p	
Mylar (polyester) capacitors 100V working E12 series vertical mounting	
1000p to 8200p - 3p. 0.1 to .068 - 4p. 0.1 - 5p. 0.12, 0.15, 0.22 - 6p. 0.47/50V - 8p	
25mm ceramic plate capacitors 100V wkg vertical mountings. E12 series	
1.1p to 47pf - 3p. 2% 56pf to 330pf - 4p. 10% 390p-470p	4p
Disc/plate ceramics 50V E12 series 1P0 to 1000P. E6 Series 1500P to 47000P	2p
Polyethylene capacitors 63V working E12 series long axial wires	
10pf to 820pf - 5p. 1000pf to 10,000pf - 6p. 12,000pf	7p
741 Op Amp - 20p. 555 Timer - 20p. LM3900	80p
CMOS 4001 - 20p. 4011 - 22p. 4017 - 40p. 4069UB unbuffered	20p
DIL holders, 8-pin 9p; 14-, 16-, 18-pin 12p; 24-pin 18p; 28-pin 20p; 40-pin 25p.	
ALUMINIUM ELECTROLYTICS (Mfds/Volts)	
1/50, 2.2/50, 4.7/50, 10/25, 10/50	5p
22/16, 22/25, 22/50, 33/16, 47/16, 47/25, 47/50	6p
100/16, 100/25 7p; 100/50	12p
220/16 8p; 220/25, 220/50 10p; 470/16, 470/25	11p
1000/25 25p; 1000/35, 2200/25 35p; 4700/25	70p
Subminiature, tantalum bead electrolytics (Mfds/Volts)	
0.1, 0.22, 0.47, 1.0, 2.2, 3.3 @ 35V - 4.7/16, 6.8/10, 10/6, 10p; 6.8/35, 12p.	
4.7/25, 6.8/16, 10/6, 11p; 15/16, 22/6, 33/10, 15p; 10/25, 16p; 10/35, 22/16, 20p.	
47/10, 20p; 47/16, 25p; 47/20, 30p; 47/35, 32p; 100/3, 18p; 100/6, 220/6, 20p.	
VOLTAGE REGULATORS	
1A + or - 5V, 8V, 12V, 15V, 18V & 24V - 55p. 100mA 5.8, 12, 15, V +	30p
DIODES (piv/amps)	
75/25mA 1N4148 2p. 800/1A 1N4006 4 1/2p. 400/3A 1N5404 14p. 115/15mA OA91	8p
100/1A 1N4002 3 1/2p. 1000/1A 1N4007 5p. 60/1.5A S1M1 5p. 100/1A bridge	25p
400/1A 1N4004 4p. 1250/1A BY 127 10p. 30/150mA OA47 gold bonded	18p
Zener diodes E24 series 3V3 to 33V 400mW - 6p. 1 watt	10p
Battery snaps for PP3 - 7p for PP9	12p
L.E.D.'s 3mm. & 5mm. Red, Green, Yellow - 10p. Grommets 3mm - 2p. 5mm	2p
Red flashing L.E.D.'s require 9-12V supply only, 5mm	50p
Mains indicator neons with 220k resistor	10p
20mm fuses 100mA to 5A. 0. blow 6p. A/surge 10p. Holders, chassis, mounting	6p
High speed pc drill 0.8, 1.0, 1.3, 1.5, 2.0mm - 40p. Machines 12V dc	£15.00
HELPING HANDS 6 ball joints and 2 croc clips to hold awkward jobs	£4.50
AA/HP7 Nicad rechargeable cells 90p each. Universal charger unit	£6.50
AA/HP7 zinc/carbon batteries in packs of 4	£1.10 per pack
Glass reed switches with single pole make contacts - 8p. Magnets	20p
0.1" Stripboard 2 1/2" x 1" 9 rows 25 holes - 25p. 3 1/4" x 2 1/2" 24 rows 37 holes	70p
Jack plugs 2.5 & 3.5mm - 14p. Sockets Panel Mtg. 2.5 & 3.5mm	10p
Ear pieces 2.5 & 3.5mm, dynamic - 20p. 3.5mm crystal	£1.50
Multi cored solder, 22G - 8p yard, 18G - 14p yard	
TRANSISTORS	
BC107/8/9 - 12p. BC547/8/9 - 8p. BC557/8/9 - 8p. BC182, 182L, BC183, 183L,	
BC184, 184L, BC212, 212L - 10p.	
BC327, 337, 337L - 12p. BC727, 737 - 12p. BD135/6/7/8/9 - 25p. BCY70 - 18p.	
BFY50/51/52 - 20p.	
8FX88 - 15p. 2N3055 - 55p. TIP31, 32 - 30p. TIP41, 42 - 40p. BU208A - £1.50, 8F195, 197 - 12p.	
Ionisers with seven year guarantee, 240V AC, list price £16.95 or more	£12.50

Do not add VAT. Postage 30p (free over £5). Stamp for list.

THE CR SUPPLY CO

127 Chesterfield Rd., Sheffield S8 0RN Tel: 0114 2557771 Return posting

ADVERTISERS INDEX

N. R. BARDWELL	1004
B.K. ELECTRONICS	Cover (iii)
BRIAN J. REED	1004
BULL ELECTRICAL	Cover (ii)/1000
CHATWIN GUITARS (JCG)	997
CIRKIT DISTRIBUTION	931
COMPAC ELECTRONICS	1003
COMPELEC	1004
COOKE INTERNATIONAL	999
CRICKLEWOOD ELECTRONICS	994
CR SUPPLY COMPANY	1004
CUSTOM ELECTRONIC SERVICES	919
DCP MICRODEVELOPMENTS	919
DIRECT CCTV	1003
DISPLAY ELECTRONICS	918
EPT EDUCATIONAL SOFTWARE	921
ELECTRONICS SERVICE MANUAL	980
ESR ELECTRONIC COMPONENTS	926
GREENWELD ELECTRONICS	923
HART ELECTRONIC KITS	989
ICS	999
IIE	983
ILP DIRECT	955/957/967
INFOTECH & STREE	999
INTERCONNECTIONS	957
J&N FACTORS	990
J&M COMPONENTS	973
JPG ELECTRONICS	1003
LABCENTER	971
LENNARD RESEARCH	988
LIGHT SOLDERING DEVELOPMENTS	957
MADLAB	994
MAGENTA ELECTRONICS	924/925
MAPLIN ELECTRONICS	Cover (iv)
MARTIN SPENCER-THOMAS	999
MAURITRON	999
MICRO 2000	932
MILFORD INSTRUMENTS	945
MODERN ELECTRONICS MANUAL	981
NATIONAL COLLEGE OF TECHNOLOGY	955
NICHE SOFTWARE	967
NUMBER ONE SYSTEMS	955
OMNI ELECTRONICS	997
PEAK ELECTRONIC DESIGN	957
PHOTONIC PRODUCTS	988
PICO TECHNOLOGY	947
QUASAR ELECTRONICS	997
QUICKROUTE SYSTEMS	920
ROBINSON MARSHALL	937
SEETRAX CAE	994
SERVICE TRADING	1003
SHERWOOD ELECTRONICS	997
STEWART OF READING	1003
SUMA DESIGNS	922
TSIEN	938
VANN DRAPER	999
WILLIAM STUART SYSTEMS	999

ADVERTISER MANAGER: PETER J. MEW

ADVERTISER OFFICES:
 EVERYDAY PRACTICAL ELECTRONICS,
 ADVERTISEMENTS,
 HOLLAND WOOD HOUSE, CHURCH LANE,
 GREAT HOLLAND, ESSEX CO13 0JS.
 Phone/Fax: (01255) 850596
 For Editorial address and phone numbers see page 927.

OMP MOS-FET POWER AMPLIFIERS HIGH POWER, TWO CHANNEL 19 INCH RACK

THOUSANDS PURCHASED BY PROFESSIONAL USERS



THE RENOWNED MXF SERIES OF POWER AMPLIFIERS
FOUR MODELS:- MXF200 (100W + 100W) MXF400 (200W + 200W)
MXF600 (300W + 300W) MXF900 (450W + 450W)
 ALL POWER RATINGS R.M.S. INTO 4 OHMS, BOTH CHANNELS DRIVEN

FEATURES: * Independent power supplies with two toroidal transformers * Twin L.E.D. Vu meters * Level controls * Illuminated on/off switch * XLR connectors * Standard 775mV inputs * Open and short circuit proof * Latest Mos-Fets for stress free power delivery into virtually any load * High slew rate * Very low distortion * Aluminium cases * MXF600 & MXF900 fan cooled with D.C. loudspeaker and thermal protection.

USED THE WORLD OVER IN CLUBS, PUBS, CINEMAS, DISCOS ETC.

SIZES:- MXF200 W19"xH3 1/2" (2U)xD11"
 MXF400 W19"xH5 1/4" (3U)xD12"
 MXF600 W19"xH5 1/4" (3U)xD13"
 MXF900 W19"xH5 1/4" (3U)xD14 1/2"

PRICES:- MXF200 £175.00 MXF400 £233.85
 MXF600 £329.00 MXF900 £449.15
 SPECIALIST CARRIER DEL. £12.50 EACH



OMP X03 STEREO 3-WAY ACTIVE CROSS-OVER



Advanced 3-Way Stereo Active Cross-Over, housed in a 19" x 1U case. Each channel has three level controls: bass, mid & top. The removable front fascia allows access to the programmable D.I. switches to adjust the cross-over frequency: Bass-Mid 250/500/800Hz, Mid-Top 1.8/3/5KHz, all at 24dB per octave. Bass invert switches on each bass channel. Nominal 775mV input/output. Fully compatible with OMP rack amplifier and modules.

Price £117.44 + £5.00 P&P

STEREO DISCO MIXER SDJ3400SE

*** ECHO & SOUND EFFECTS ***

STEREO DISCO MIXER with 2 x 7 band L & R graphic equalisers with bar graph LED Vu meters. **MANY OUTSTANDING FEATURES:-** including Echo with repeat & speed control, DJ Mic with talk-over switch, 6 Channels with individual faders plus cross fade, Cue Headphone Monitor, B Sound Effects. Useful combination of the following inputs:- 3 turntables (mag), 3 mics, 5 Line for CD, Tape, Video etc.



SIZE: 482 x 240 x 120mm

Price £144.99 + £5.00 P&P

PIEZO ELECTRIC TWEETERS - MOTOROLA

Join the Piezo revolution! The low dynamic mass (no voice coil) of a Piezo tweeter produces an improved transient response with a lower distortion level than ordinary dynamic tweeters. As a crossover is not required these can be added to existing speaker systems of up to 100 watts (more if two are put in series). **FREE EXPLANATORY LEAFLETS ARE SUPPLIED WITH EACH TWEETER.**

TYPE 'A' (KSN1036A) 3" round with protective wire mesh. Ideal for bookshelf and medium sized Hi-Fi speakers. Price £4.90 + 50p P&P.
TYPE 'B' (KSN1005A) 3 1/2" super horn for general purpose speakers, disco and P.A. systems etc. Price £5.99 + 50p P&P.
TYPE 'C' (KSN1016A) 2' x 5" wide dispersion horn for quality Hi-Fi systems and quality discos etc. Price £6.99 + 50p P&P.
TYPE 'D' (KSN1025A) 2' x 6" wide dispersion horn. Upper frequency response retained extending down to mid-range (2KHz). Suitable for high quality Hi-Fi systems and quality discos. Price £9.99 + 50p P&P.
TYPE 'E' (KSN1038A) 3 1/4" horn tweeter with attractive silver finish trim. Suitable for Hi-Fi monitor systems etc. Price £5.99 + 50p P&P.
LEVEL CONTROL Combines, on a recessed mounting plate, level control and cabinet input jack socket. 85x85mm. Price £4.10 + 50p P&P.

TYPE A

TYPE B

TYPE C

TYPE D

TYPE E

IBI FLIGHT CASED LOUDSPEAKERS

A new range of quality loudspeakers, designed to take advantage of the latest speaker technology and enclosure designs. Both models utilize studio quality 12" cast aluminium loudspeakers with factory fitted grilles, wide dispersion constant directivity horns, extruded aluminium corner protection and steel ball corners, complimented with heavy duty black covering. The enclosures are fitted as standard with top hats for optional loudspeaker stands.



POWER RATINGS QUOTED IN WATTS RMS FOR EACH CABINET
FREQUENCY RESPONSE FULL RANGE 45Hz - 20KHz

ibi FC 12-100WATTS (100dB) PRICE £159.00 PER PAIR
ibi FC 12-200WATTS (100dB) PRICE £175.00 PER PAIR

SPECIALIST CARRIER DEL. £12.50 PER PAIR

OPTIONAL STANDS PRICE PER PAIR £49.00
 Delivery £6.00 per pair

IN-CAR STEREO BOOSTER AMPS

THREE SUPERB HIGH POWER CAR STEREO BOOSTER AMPLIFIERS

150 WATTS (75 + 75) Stereo, 150W Bridged Mono
 250 WATTS (125 + 125) Stereo, 250W Bridged Mono
 400 WATTS (200 + 200) Stereo, 400W Bridged Mono
ALL POWERS INTO 4 OHMS

Features: * Stereo, bridged mono * Choice of high & low level inputs * L & R level controls * Remote on-off * Speaker & thermal protection.



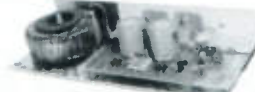
PRICES: 150W £49.99 250W £99.99
 400W £109.95 P&P £2.00 EACH

OMP MOS-FET POWER AMPLIFIER MODULES

SUPPLIED READY BUILT AND TESTED.

These modules now enjoy a world-wide reputation for quality, reliability and performance at a realistic price. Four models are available to suit the needs of the professional and hobby market i.e. Industry, Leisure, Instrumental and Hi-Fi etc. When comparing prices, NOTE that all models include toroidal power supply, integral heat sink, glass fibre P.C.B. and drive circuits to power a compatible Vu meter. All models are open and short circuit proof.

THOUSANDS OF MODULES PURCHASED BY PROFESSIONAL USERS



OMP/MF 100 Mos-Fet Output power 110 watts R.M.S. into 4 ohms, frequency response 1Hz - 100KHz -3dB, Damping Factor >300, Slew Rate 45V/uS, T.H.D. typical 0.002%, Input Sensitivity 500mV, S.N.R. -110 dB. Size 300 x 123 x 60mm.
PRICE £40.85 + £3.50 P&P



OMP/MF 200 Mos-Fet Output power 200 watts R.M.S. into 4 ohms, frequency response 1Hz - 100KHz -3dB, Damping Factor >300, Slew Rate 50V/uS, T.H.D. typical 0.001%, Input Sensitivity 500mV, S.N.R. -110 dB. Size 300 x 155 x 100mm.
PRICE £64.35 + £4.00 P&P



OMP/MF 300 Mos-Fet Output power 300 watts R.M.S. into 4 ohms, frequency response 1Hz - 100KHz -3dB, Damping Factor >300, Slew Rate 60V/uS, T.H.D. typical 0.001%, Input Sensitivity 500mV, S.N.R. -110 dB, Fan Cooled, D.C. Loudspeaker Protection, 2 Second Anti-Thump Delay. Size 385 x 210 x 105mm.
PRICE £81.75 + £5.00 P&P



OMP/MF 450 Mos-Fet Output power 450 watts R.M.S. into 4 ohms, frequency response 1Hz - 100KHz -3dB, Damping Factor >300, Slew Rate 75V/uS, T.H.D. typical 0.001%, Input Sensitivity 500mV, S.N.R. -110 dB, Fan Cooled, D.C. Loudspeaker Protection, 2 Second Anti-Thump Delay. Size 385 x 210 x 105mm.
PRICE £132.85 + £5.00 P&P



OMP/MF 1000 Mos-Fet Output power 1000 watts R.M.S. into 2 ohms, 725 watts R.M.S. into 4 ohms, frequency response 1Hz - 100KHz -3dB, Damping Factor >300, Slew Rate 75V/uS, T.H.D. typical 0.002%, Input Sensitivity 500mV, S.N.R. -110 dB, Fan Cooled, D.C. Loudspeaker Protection, 2 Second Anti-Thump Delay. Size 422 x 300 x 125mm.
PRICE £259.00 + £12.00 P&P

NOTE: MOS-FET MODULES ARE AVAILABLE IN TWO VERSIONS: STANDARD - INPUT SENS 500mV, BAND WIDTH 100KHz. PEC (PROFESSIONAL EQUIPMENT COMPATIBLE) - INPUT SENS 775mV, BAND WIDTH 50KHz. ORDER STANDARD OR PEC.

LOUDSPEAKERS

LARGE SELECTION OF SPECIALIST LOUDSPEAKERS AVAILABLE, INCLUDING CABINET FITTINGS, SPEAKER GRILLES, CROSS-OVERS AND HIGH POWER, HIGH FREQUENCY BULLETS AND HORNS, LARGE (A4) S.A.E. (60p STAMPED) FOR COMPLETE LIST.

McKenzie and Fane Loudspeakers are also available.

EMINENCE:- INSTRUMENTS B, OHMS, DISCO, ETC

ALL EMINENCE UNITS B OHMS IMPEDANCE
B 100 WATT R.M.S. MEB-100 GEN. PURPOSE, LEAD GUITAR, EXCELLENT MID, DISCO. PRICE £32.71 - £2.00 P&P
RES. FREQ. 72Hz, FREQ. RESP. TO 4KHz, SENS 97dB. EXCELLENT MID.
10" 100 WATT R.M.S. ME10-100 GUITAR, VOCAL, KEYBOARD, DISCO, EXCELLENT MID. PRICE £33.74 - £2.50 P&P
RES. FREQ. 71Hz, FREQ. RESP. TO 7KHz, SENS 97dB. EXCELLENT HIGH POWER MID.
10" 200 WATT R.M.S. ME10-200 GUITAR, KEYB'D. DISCO, VOCAL, EXCELLENT HIGH POWER MID. PRICE £43.47 - £2.50 P&P
RES. FREQ. 65Hz, FREQ. RESP. TO 3.5KHz, SENS 99dB. EXCELLENT MID.
12" 100 WATT R.M.S. ME12-100LE GEN. PURPOSE, LEAD GUITAR, DISCO, STAGE MONITOR. PRICE £35.64 - £3.50 P&P
RES. FREQ. 49Hz, FREQ. RESP. TO 6KHz, SENS 100dB. EXCELLENT MID.
12" 100 WATT R.M.S. ME12-100LT (TWIN CONE) WIDE RESPONSE, P.A., VOCAL, STAGE MONITOR. PRICE £36.47 - £3.50 P&P
RES. FREQ. 42Hz, FREQ. RESP. TO 10KHz, SENS 98dB. EXCELLENT MID.
12" 200 WATT R.M.S. ME12-200 GEN. PURPOSE, GUITAR, DISCO, VOCAL, EXCELLENT MID. PRICE £46.71 - £3.50 P&P
RES. FREQ. 58Hz, FREQ. RESP. TO 6KHz, SENS 99dB. EXCELLENT MID.
12" 300 WATT R.M.S. ME12-300GP HIGH POWER BASS, LEAD GUITAR, KEYBOARD, DISCO ETC. PRICE £70.19 - £3.50 P&P
RES. FREQ. 47Hz, FREQ. RESP. TO 5KHz, SENS 103dB. EXCELLENT MID.
15" 200 WATT R.M.S. ME15-200 GEN. PURPOSE BASS, INCLUDING BASS GUITAR. PRICE £50.72 + £4.00 P&P
RES. FREQ. 46Hz, FREQ. RESP. TO 5KHz, SENS 99dB. EXCELLENT MID.
15" 300 WATT R.M.S. ME15-300 HIGH POWER BASS, INCLUDING BASS GUITAR. PRICE £73.34 + £4.00 P&P
RES. FREQ. 39Hz, FREQ. RESP. TO 3KHz, SENS 103dB.

EARBENDERS:- HI-FI, STUDIO, IN-CAR, ETC

ALL EARBENDER UNITS B OHMS (EXCEPT EB8-50 & EB10-50 WHICH ARE DUAL IMPEDANCE TAPPED @ 4 & 8 OHMS)
BASS, SINGLE CONE, HIGH COMPLIANCE, ROLLED SURROUND
B 50watt EB8-50 DUAL IMPEDANCE, TAPPED 4/8 OHM BASS, HI-FI, IN-CAR. PRICE £8.90 + £2.00 P&P
RES. FREQ. 40Hz, FREQ. RESP. TO 7KHz SENS 97dB. EXCELLENT MID.
10" 50WATT EB10-50 DUAL IMPEDANCE, TAPPED 4/8 OHM BASS, HI-FI, IN-CAR. PRICE £13.65 + £2.50 P&P
RES. FREQ. 40Hz, FREQ. RESP. TO 5KHz, SENS. 99dB. EXCELLENT MID.
10" 100WATT EB10-100 BASS, HI-FI, STUDIO. PRICE £30.39 + £3.50 P&P
RES. FREQ. 35Hz, FREQ. RESP. TO 3KHz, SENS 96dB. EXCELLENT MID.
12" 100WATT EB12-100 BASS, STUDIO, HI-FI, EXCELLENT DISCO. PRICE £42.12 + £3.50 P&P
RES. FREQ. 26Hz, FREQ. RESP. TO 3 KHz, SENS 93dB. EXCELLENT MID.
FULL RANGE TWIN CONE, HIGH COMPLIANCE, ROLLED SURROUND
5" 60WATT EB5-60TC (TWIN CONE) HI-FI, MULTI-ARRAY DISCO ETC. PRICE £9.99 + £1.50 P&P
RES. FREQ. 63Hz, FREQ. RESP. TO 20KHz, SENS 92dB. EXCELLENT MID.
6" 60WATT EB6-60TC (TWIN CONE) HI-FI, MULTI-ARRAY DISCO ETC. PRICE £10.99 + £1.50 P&P
RES. FREQ. 38Hz, FREQ. RESP. TO 20KHz, SENS 94dB. EXCELLENT MID.
B 80WATT EB8-60TC (TWIN CONE) HI-FI, MULTI-ARRAY DISCO ETC. PRICE £12.99 + £1.50 P&P
RES. FREQ. 40Hz, FREQ. RESP. TO 18KHz, SENS 95dB. EXCELLENT MID.
10" 60WATT EB10-60TC (TWIN CONE) HI-FI, MULTI-ARRAY DISCO ETC. PRICE £16.49 + £2.00 P&P
RES. FREQ. 35Hz, FREQ. RESP. TO 12KHz, SENS 98dB.

TRANSMITTER HOBBY KITS

PROVEN TRANSMITTER DESIGNS INCLUDING GLASS FIBRE PRINTED CIRCUIT BOARD AND HIGH QUALITY COMPONENTS COMPLETE WITH CIRCUIT AND INSTRUCTIONS

3W TRANSMITTER 80-108MHz. VARICAP CONTROLLED PROFESSIONAL PERFORMANCE. RANGE UP TO 3 MILES. SIZE 38 x 123mm. SUPPLY 12V @ 0.5AMP. PRICE £14.85 - £1.00 P&P

FM MICRO TRANSMITTER 100-108MHz. VARICAP TUNED, COMPLETE WITH VERY SENS FET MIC. RANGE 100-300m. SIZE 56 x 46mm, SUPPLY 9V BATTERY. PRICE £8.80 - £1.00 P&P



PHOTO: 3W FM TRANSMITTER

B.K. ELECTRONIC

UNITS 1 & 5 COMET WAY, SOUTHERN-ON-SEA ESSEX. SS2 6TR.
Tel.: 01702-527572 Fax.: 01702-420243

POSTAL CHARGES PER ORDER £1.00 MINIMUM. OFFICIAL ORDERS FROM SCHOOLS, COLLEGES, GOVT. BODIES, PLCs ETC. PRICES INCLUSIVE OF V.A.T. SALES COUNTER, VISA AND ACCESS ACCEPTED BY POST, PHONE OR FAX.

With over 14,000 products the new Maplin Catalogue is now bigger than ever



THE EIFFEL TOWER

Built in 1889 by Alexandre Gustave Eiffel, the Eiffel Tower is 984 feet high and gives an unrivalled view of the whole of Paris.



THE NEW MAPLIN CATALOGUE

Built for 1996 by Maplin, the new catalogue is almost 1,200 pages long and gives an unrivalled view of the whole world of electronics.

Now Only £2.95

Home TV Security System
£149.99

WIDE RANGE OF SECURITY PRODUCTS FROM £5 TO £400

LATEST NAVIGATION SYSTEMS FROM £5 TO £560

Traffic Information System
£149.99

Universal Charger with Discharger
£22.99

FULL RANGE OF CHARGERS FROM £6 TO £23

RANGE OF CLOCKS AND WATCHES FROM £4 TO £40

Radio Controlled Clock
£27.99

JUST LOOK AT THESE SUPERB EXAMPLES!

Digital Multimeter with TTL Logic Tester
£49.99

EXCEPTIONAL RANGE OF TEST EQUIPMENT FROM £3 TO £1300

OVER 300 KITS FOR YOU TO BUILD FROM £5 TO £599

Millennium 4-20 Valve Amplifier Kit
£199.99

EXTENSIVE RANGES OF COMPONENTS FROM MICROSWITCHES TO MICROPROCESSORS

OVER 100 PAGES OF COMPUTER COMPONENTS FROM £1 TO £3700

Cordless Mouse
£60.99



Get your copy now from WHSMITH, John Menzies and Maplin stores nationwide
Or order direct NOW on 01702 554161

Catalogue Mail order Price £3.45 (inc p&p). Prices refer to the 1996 Maplin Catalogue and are inclusive of VAT. All items are subject to availability. E&OE. Maplin Electronics, P. O. Box 3, Rayleigh, Essex, England SS6 8LR.