

SAMS PHOTOFACT

AUTO RADIO SERIES



AR-76

76

MAY 1970



CONTENTS

REMOVAL INFORMATION PAGE 4

CADILLAC

Cadillac (70)
05CFP1

CHEVROLET

Acadian, Camaro, Chevelle,
Chevy II Monte Carlo (70)
01APB1, 01APB2

Acadian, Camaro, Chevelle,
Chevrolet, Chevy II;
Monte Carlo (70) 01BT411

Camaro (70½) 01FPB1

Chevrolet Truck (70)
01TPB1, 01TPB2

FORD

Thunderbird (70)
9FBS (C9SA-19A241)

GMC

GM Truck (70)
01TPB1, 01TPB2

INTERNATIONAL HARVESTER

Tractor (70)
0BTIH

PONTIAC

Firebird (70)
02FFM1

Tempest (70)
02AFM1, 02BFM1

UNIVERSAL

Automatic
RTR-7284/A

Truetone
MIC4055A-07
MID4055A-07
(DC4055)

HOWARD W. SAMS & CO., INC. Indianapolis, Indiana

\$3.25
\$4.10 IN CANADA
Cat. No. AR-76



SAMS PHOTOFAC[®] AUTO RADIO SERIES



VOLUME

76



by the



ENGINEERING STAFF



HOWARD W. SAMS & CO., INC.
INDIANAPOLIS, INDIANA

FIRST EDITION
FIRST PRINTING—MAY 1970
SECOND PRINTING—NOVEMBER, 1972

PHOTOFACT®
AUTO RADIO SERIES
VOLUME 76

Copyright © 1970 by Howard W. Sams & Co., Inc.
Indianapolis, Indiana 46206. Printed in the United States of America

All rights reserved. Reproduction or use, without express permission, of editorial or pictorial content, in any manner, is prohibited. No patent liability is assumed with respect to the use of the information contained herein.

The listing of any available replacement part herein does not constitute in any case a recommendation, warranty or guaranty by Howard W. Sams & Co., Inc., as to the quality and suitability of such replacement part. The numbers of these parts have been compiled from information furnished to Howard W. Sams & Co., Inc., by the manufacturers of the particular type of replacement part listed.

Library of Congress Catalog Card Number: 49-11493



TABLE OF CONTENTS

TRADE NAME AND MODEL	PAGE
Automatic Model RTR-7284/A	5
Cadillac Model 05CFP1	13
Chevrolet Models 01APB 1/2, 01FPB1, 01TPB1/2.	27
Chevrolet Model 01BT411	35
Ford Model 9FBS (C9SA-19A241)	47
GMC Models 01TPB1/2	27
International Harvester Model 0BTIH.	69
Pontiac Models 02AFM1, 02BFM1, 02FFM1.	77
Truetone Models MIC4055A-07, MID4055A-07, (DC4055)	101

Cumulative Index to Prior Volumes	120
--	------------

REMOVAL INSTRUCTIONS

GENERAL REMOVAL INFORMATION

Most radios and speakers can be removed for service by following the steps shown in this block of information. Check the Make, Model, and Year of car listed below. If more specific instructions are required, they are shown.

- Step 1. Disconnect power, speaker and antenna leads.
- Step 2. Remove knobs.
- Step 3. Remove nuts from control bushings and cabinet braces.
- Step 4. Remove radio from under dash.
- Step 5. Remove nuts holding speaker and remove speaker from under dash.

CADILLAC - 1970

- Step 1. Remove screws from steering column cover. Remove panel.
- Step 2. Remove knobs and nuts from control bushings.
- Step 3. Disconnect antenna lead and speaker connector.
- Step 4. Remove screws from bottom brace.
- Step 5. Lower radio and remove.

SPEAKER REMOVAL

- Step 1. Remove screws from garnish moldings and remove.
- Step 2. Remove screws from lower instrument panel cover and screws from upper glove box.
- Step 3. Lift instrument panel cover.
- Step 4. Remove screws from speaker mounting and remove speaker.

CHEVROLET - 1970 ACADIAN, CAMARO, CHEVELLE, CHEVY II, MONTE CARLO - 1970 1/2 CAMARO

- Step 1. Remove ashtray and ashtray housing.
- Step 2. Remove screw from heater duct, and remove duct.
- Step 2. See General Removal Information.

SPEAKER REMOVAL - CENTER SPEAKER

- Step 1. Remove radio.
- Step 2. Remove left A/C duct.
- Step 3. Remove screw from speaker mounting and remove speaker.

SPEAKER REMOVAL - RIGHT-HAND STEREO SPEAKER

- Step 1. Remove glove box.
 - Step 2. Disconnect speaker.
 - Step 3. Remove nuts from speaker mounting and remove speaker thru glove box opening.
- Chevrolet Dealer should remove left-hand stereo speaker because of critical torques involved in steering column replacement.

CHEVROLET - TRUCK

See General Removal Information.

FORD - 1970 THUNDERBIRD

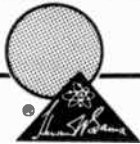
- Step 1. Remove screws from instrument panel escutcheon moulding.
- Step 2. Remove moulding.
- Step 3. Remove radio and instrument panel knobs. Remove screws from instrument panel escutcheon. Remove escutcheon.
- Step 4. Disconnect antenna lead, "A" lead and speaker leads.
- Step 5. Remove nuts from control bushings and screw from rear brace.
- Step 6. Remove radio thru opening in dash.

GMC - 1970 TRUCK

See General Removal Information

PONTIAC - 1970 FIREBIRD, TEMPEST

- Step 1. Remove ashtray and ashtray housing.
- Step 2. See General Removal Information.



PHOTOFACT[®] with

CIRCUITRACE[®]

For Supplier Address See PHOTOFACT Index



MODEL RTR-7284

AUTOMATIC MODELS RTR-7284
RTR-7284A

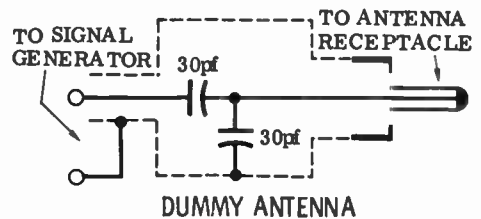
ALIGNMENT INSTRUCTIONS

Check for specified source voltage.
Use only enough generator output
to provide a usable indication.
Suggested Alignment Tools:

GENERAL CEMENT # WALSCO #
A1 thru A78290, 8868, 9087...2525, 2528, 2587

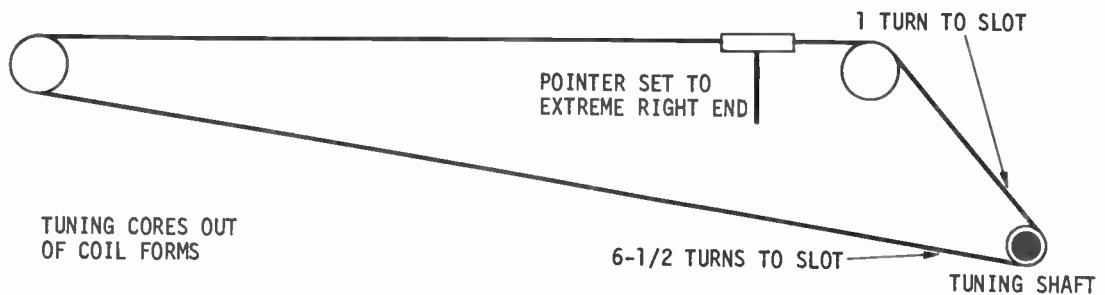
	GENERATOR COUPLING	GENERATOR FREQUENCY	RADIO DIAL SETTING	INDICATOR	ADJUST	REMARKS
1.	High side thru .1mfd to point \diamond A, low side to ground.	262KC 400 cycle modulation	High freq. end stop.	Output meter across voice coil.	A1,A2, A3,A4	Adjust for maximum.
2.	Thru dummy antenna to antenna input.	1615KC	"	"	A5,A6, A7	"

With radio installed in car and antenna extended to desired height, tune in a weak station near 1400KC and adjust A7 for maximum output.

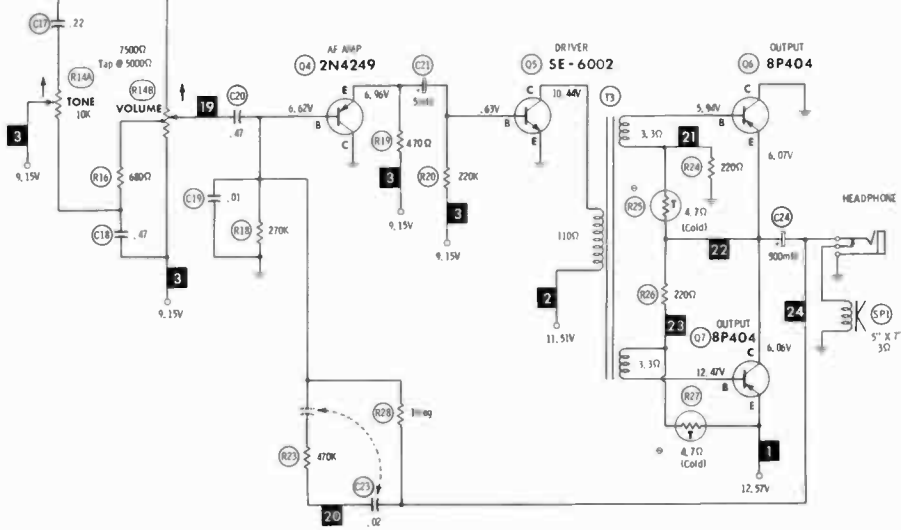
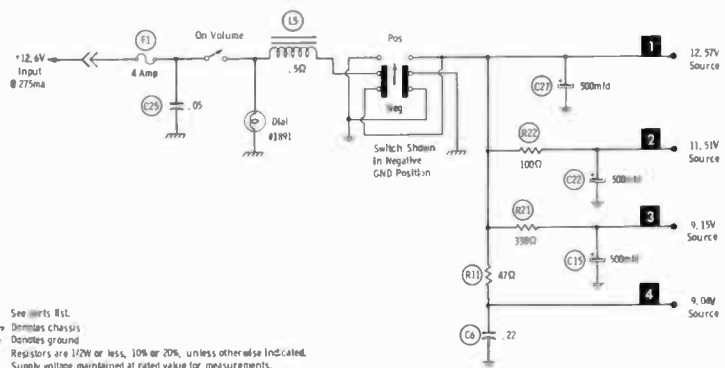
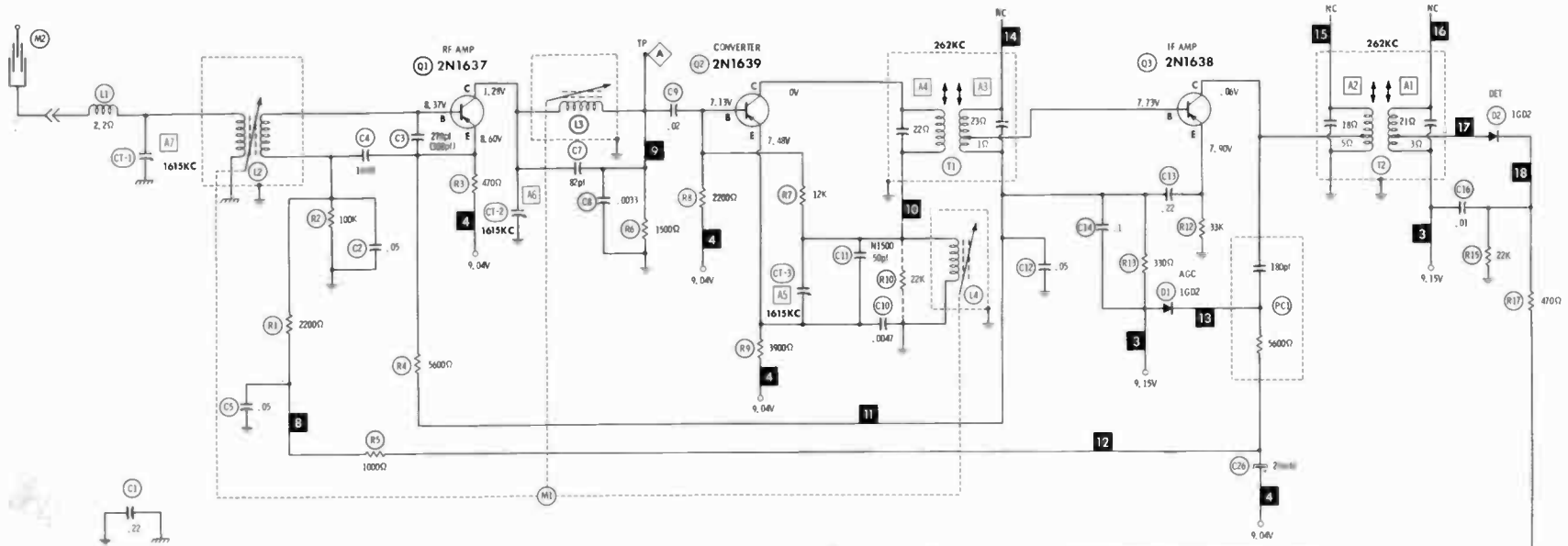


AUTOMATIC MODELS RTR-7284/A

DIAL CORD STRINGING FRONT VIEW



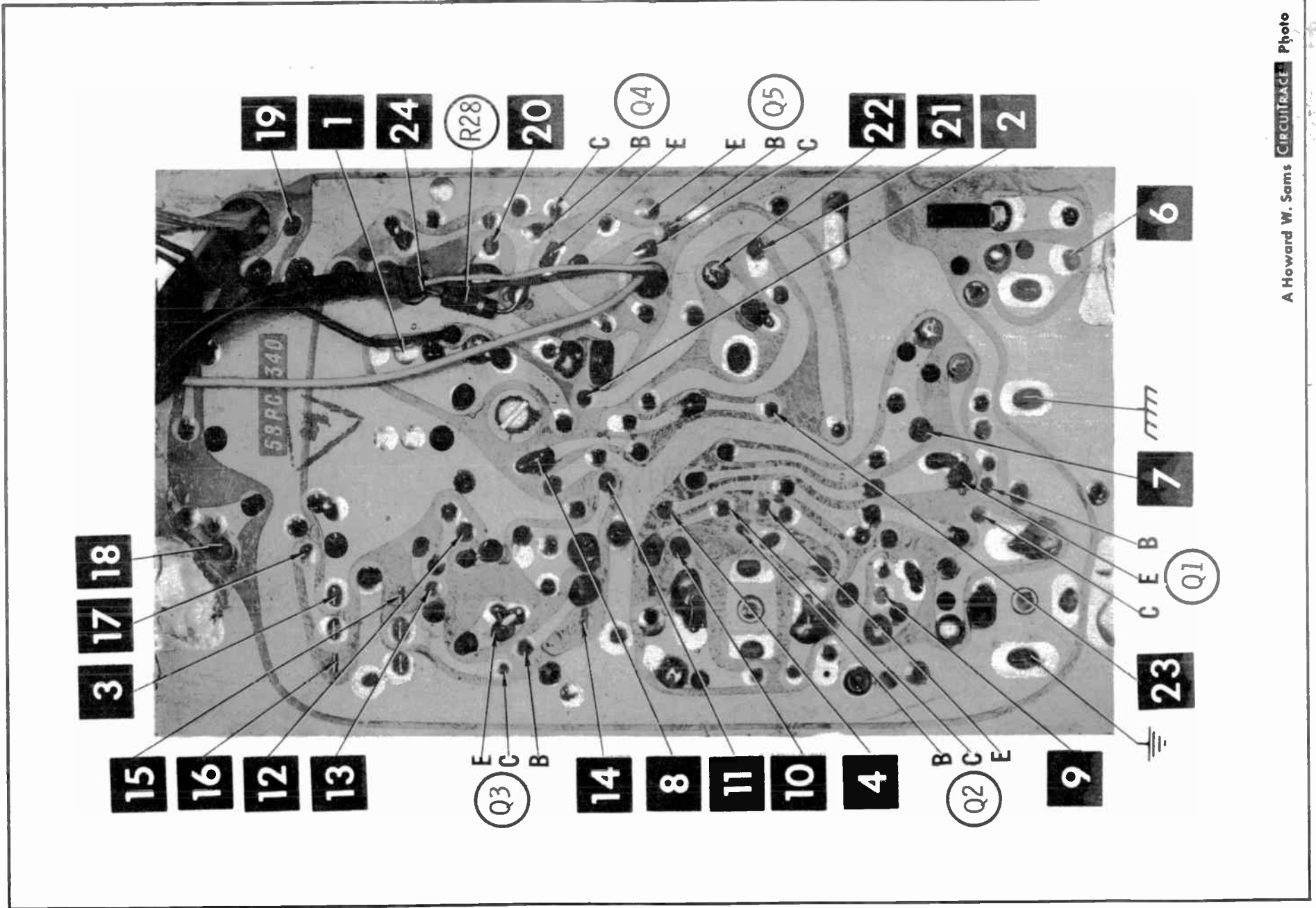
HOWARD W. SAMS & CO., INC. Indianapolis, Indiana 46206
© 1970 Howard W. Sams & Co., Inc. Printed in U. S. of America TD763



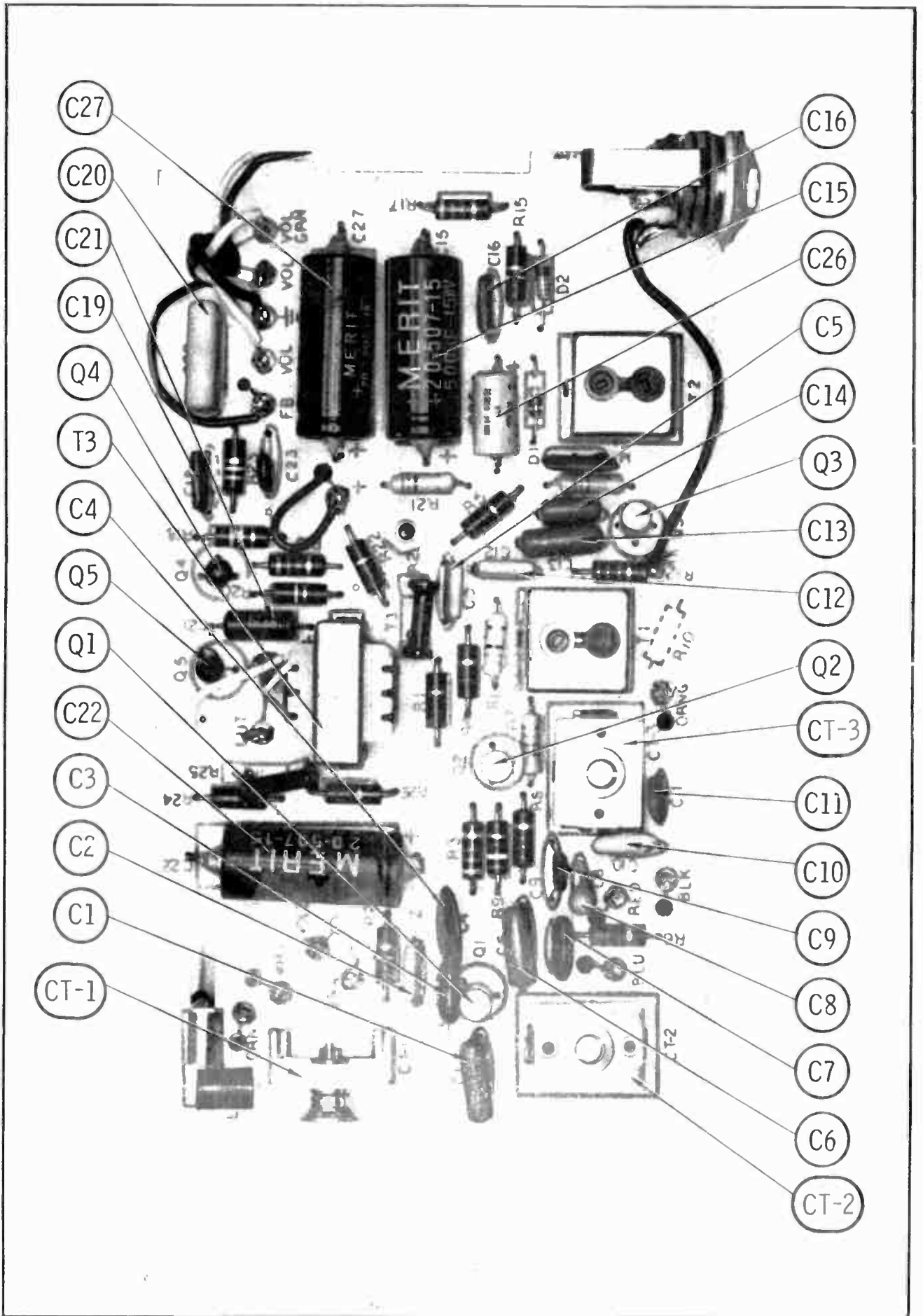
o See parts list.
 □ Denotes chassis.
 ⬇ Denotes ground.
 Resistors are 1/2W or less, 10% or 20%, unless otherwise indicated.
 Supply voltage maintained at rated value for measurements.
 Voltage and resistance measured with VTVM or equivalent meter,
 no signal applied and controls adjusted for normal operation.
 Controls viewed from actuator end. Arrow indicates clockwise rotation.
 Numbers assigned to terminals may not be found on the unit.
 Transistor resistances vary widely. No resistance measurements taken.

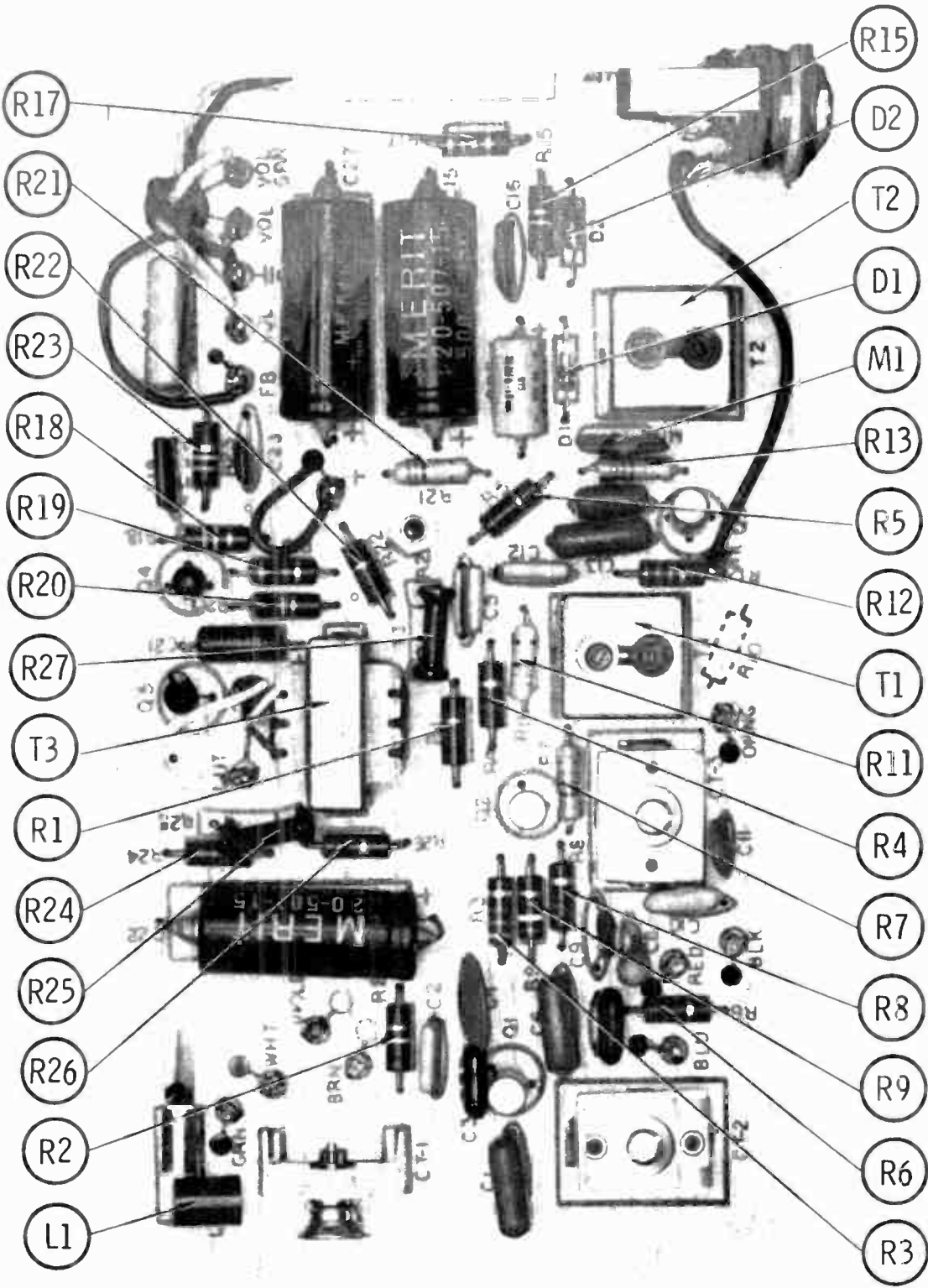
A PHOTOFACIT STANDARD NOTATION SCHEMATIC
 with **CIRCUITACT**
 © Howard W. Sams & Co., Inc. 1970

AUTOMATIC MODELS RTR-7284/A



A Howard W. Sams CIRCUITRACE Photo





PARTS LIST AND DESCRIPTION

(When ordering parts, state Model, Part Number, and Description.)

Replacement parts shown may be superseded by the availability of newly introduced replacements.

Have your local distributor check Sams COUNTER FACTS for the most up-to-date replacement.

WIRING DATA

General-use Unshielded Hook-up Wire	Use BELOEN No. 8530 (Solid) Available in 12 Colors
Shielded Hook-up Wire	8524 (Stranded) Available in 12 Colors
Rear Seat Speaker Extension Cable	Use BELOEN No. 8885
Bonding Strap	Use BELDEN No. 8782 (Stranded) Coded Parallel Leads
	Use BELDEN No. 8661 (3/8 In.) or 8670 (3/4 In.)

TRANSISTORS

ITEM No.	TYPE No.	FUNCTION	REPLACEMENT DATA					
			MFGR. PART No.	GENERAL ELECTRIC PART No.	INTERNATIONAL RECTIFIER PART No.	MOTOROLA PART No.	RCA PART No.	SYLVANIA PART No.
Q1	2N1637	RF Amp	6-60	GE-9	TR-11	HEP635	SK3008	ECG 126
Q2	2N1639	Converter	6-61	GE-1	TR-11	HEP636	SK3008	ECG 126
Q3	2N1638	IF Amp	6-62	GE-1	TR-11	HEP636	SK3008	ECG 126
Q4	2N4249	AF Amp		GE-21	TR-19	HEP708	SK3025	ECG 129
Q5	5E6002	Driver	5-05	GE-20	TR-21	HEP721	SK3020	ECG 123
Q6	8P404	Output (1)		GE-13MP *	TR-01	HEP232	SK3013 *	ECG 104MP**
Q7	(2N2869) 8P404 (2N2869)	Output (1)			TR-01	HEP232		

(1) When replacing, apply silicone grease to both sides of insulator. Tighten mounting screws securely.

* Matched Pair

POWER RECTIFIERS & SIGNAL DIODES

ITEM No.	MFGR. PART OR TYPE No.	REPLACEMENT RECTIFIERS & DIODES			REPLACEMENT RECTIFIERS	NOTES
		GENERAL ELECTRIC PART No.	INTERNATIONAL RECTIFIER PART No.	SYLVANIA PART No.	RCA PART No.	
X1	1G02	1N295	1N295	ECG 109		
X2	1G02	1N295	1N295	ECG 109		

ELECTROLYTIC CAPACITORS

ITEM No.	RATING	REPLACEMENT DATA						
		PART No.	AEROVOX PART No.	CENTRALAB PART No.	CORNELL-DUBILIER PART No.	GENERAL ELECTRIC PART No.	MALLORY PART No.	SPRAGUE PART No.
C15	500 15V	20-507-15	PRS1220	EA15-500	WBR500-35	QT1-30A	TC1505A	TL-1166
C21	5 15V	20-505-15	PTT112	EA15-5	WBR5-150	MT1-3	MTA5050	TE-1152
C22	500 15V	20-507-15	PRS1220	EA15-500	WBR500-35	QT1-30A	TC1505A	TL-1166
C23	500 15V	20-507-15	PRS1220	EA15-500	WBR500-35	QT1-30A	TC1505A	TL-1166
C26	25 15V	20-256-15	PTT117	EA15-25	AL25-16	MT1-10	MTA25020	TL-1157.1
C27	500 15V	20-507-15	PRS1220	EA15-500	WBR500-35	QT1-30A	TC1505A	TL-1166

CAPACITORS

ITEM No.	RATING	REMARKS	REPLACEMENT DATA					
			AEROVOX PART No.	CENTRALAB PART No.	CORNELL-DUBILIER PART No.	ELMENC0 PART No.	MALLORY PART No.	SPRAGUE PART No.
CT1		#28A6317						
CT2		#28A6284						
CT3		#28A5232						
C1	.22 75V		DBE6P22		OPMS4P22	40P-5-224	PVC4022	4PS-P22
C2	.05 75V		DBE6S5		OPMS6S5	60P-3-503	PVC615	6PS-S50
C3	270		ADM-15-271	CPR-270J	C015F271J03	DM-10-271	SX327	MS-327
C4	1mfd			UK-105	HXC3R0XR105P		MAG31	HY-135
C5	.05 75V		DBE6S5		OPMS6S5	60P-3-503	PVC615	6PS-S50
C6	.22 75V		DBE6P22		OPMS4P22	40P-5-224	PVC4022	4PS-P22
C7	82		ADM-10-820	CPR-82J	C015E0820J03	DM-10-820	SX482	MS-482
C8	.0033		GPO X5R332K		GP3300	CCO-332	JF233	25S-033
C9	.02		TTP-02	CK-203	MGPO2	CCO-203	TA120	TG-S20
C10	.0047 75V		DBE605	CPR-5000J	OPMS605	10P-1-502	PVC625	6PS-050
C11	50 N1500			TCL-47		*	CN15450	10TCW-050
C12	.05 75V		DBE6S5		OPMS6S5	60P-3-503	PVC615	6PS-S50
C13	.22 75V		DBE6P22		OPMS4P22	40P-5-224	PVC4022	4PS-P22
C14	.1 75V		DBE2P1		OPMS2P1	10P-2-104	PVC101	225P10491W03
C16	.01 75V		V1612S1		OPMS6S1	10P-1-103	PVC211	225P10391W03
C17	.22			CPR-10000J	HCZ3R0XR224P		MAG12022	HY-325
C18	.47			UK20-204	HCS3R0XR474P		MAG3047	HY-330
C19	.01 75V		V1612S1	UK10-474		10P-1-103	PVC211	225P10391W03
C20	.47 75V		DBE2P47	CPR-10000J	OPMS6S1	10P-4-474	PVC1047	2PS-P47
C23	.02		TTP-02	CK-203	MGPO2	CCO-203	TA120	TG-S20
C25	.02		TTP-02	CK-203	MGPO2	CCO-203	TA120	TG-S20

Automatic Part Number.

* Not normally in distributor's stock. Available thru distributor on order to manufacturer.

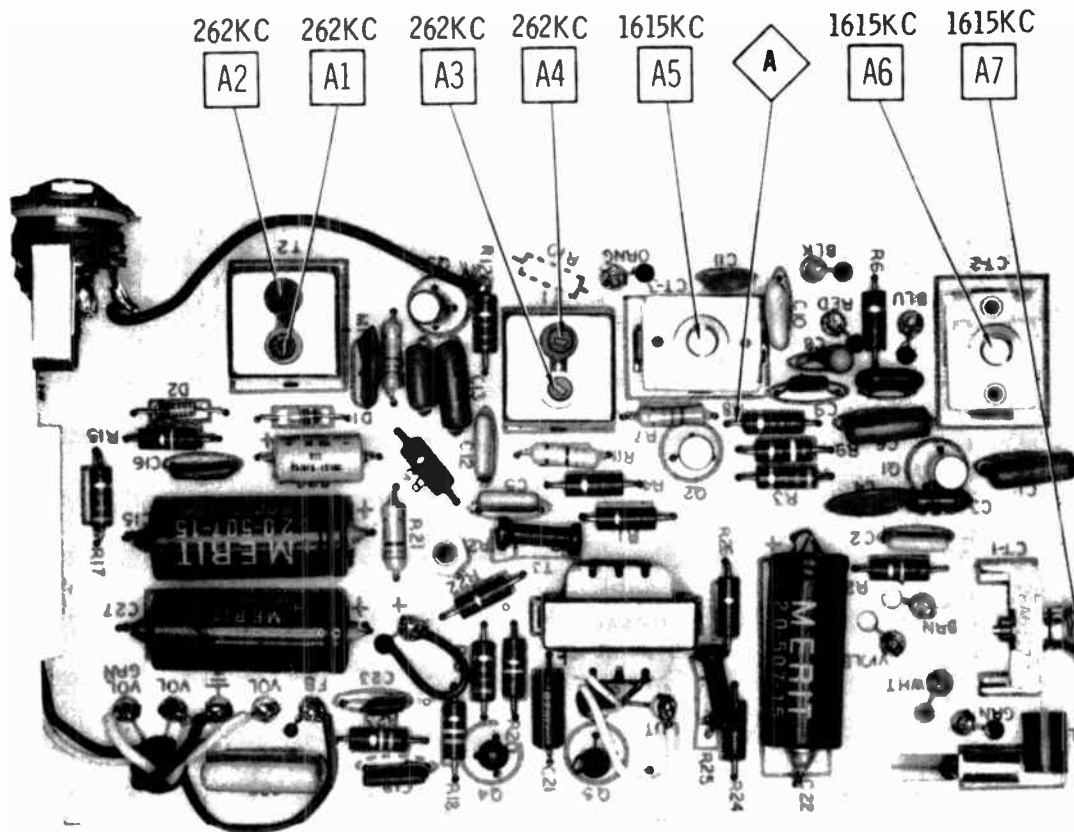
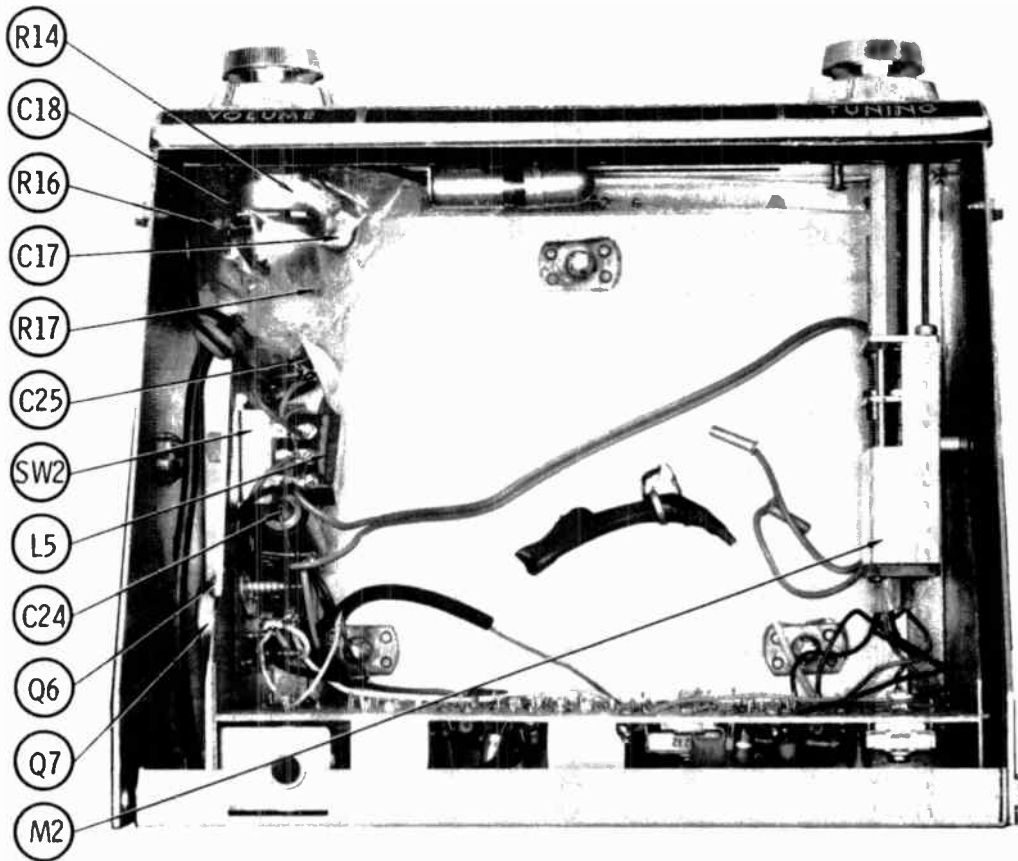
CONTROLS (All wattages 1/2 watt, or less, unless listed)

ITEM No.	FUNCTION	RESISTANCE	REPLACEMENT DATA				
			MFGR. PART No.	CENTRALAB PART No.	CLAROSTAT PART No.	CTS-IRC PART No.	MALLORY PART No.
R1A	Tone	10K	80A6401				
8	Volume/Switch	7500 Tap @ 5000 ohm		F1-10K, R14-7500, FF5009, RFS101, KR-4		*QJ-2658A	P14L,3014; RU752T53, OX500, IS1062,US41

* "Concentrikit" Equivalent K-15 Kit with base elements & shafts: 811-116, P22-015 (Panel)
821-115X, R1-100 (Rear)
76-1 (Switch)

"Snaprol" Equivalent 8U4, CF9, CR4BT, SF1, SR39, GC.

(CONTINUED ON PAGE 12)



PARTS LIST AND DESCRIPTION (CONTINUED)

(When ordering parts, state Model, Part Number, and Description.)

Replacement parts shown may be superseded by the availability of newly introduced replacements.

Have your local distributor check Sams COUNTER FACTS for the most up-to-date replacement.

RESISTORS (Power and Special)

ITEM No.	RATING	REPLACEMENT DATA	
		WORKMAN PART No.	MFGR. PART No.
R24	4.7 ohm (Cold)		

ITEM No.	RATING	REPLACEMENT DATA	
		WORKMAN PART No.	MFGR. PART No.
R27	4.7 ohm (Cold)		

COILS (RF-IF)

ITEM No.	USE	REPLACEMENT DATA			
		PART No.	MEISSNER PART No.	MILLER PART No.	WORKMAN PART No.
L1	RF Choke (6.2uh)	14-6.2	19-1004	4610	T859
L2	Antenna	(1)			
L3	RF	(1)			
L4	Oscillator	(1)			
T1	Input IF	14A3233B			
T2	Output IF	14A3234B			

(1) Part of M1.

FILTER CHOKE

ITEM No.	RATINGS			REPLACEMENT DATA					NOTES
	CURRENT (Measured)	DC RES.	INDUCTANCE (0 CURRENT 1000~)	PART No.	MERIT PART No.	STANCOR PART No.	THORDARSON PART No.	TRIAD PART No.	
L5	275ma	.5 ohm	10MH	75A3082	C-4095	TC-2	TR-155	TY17XT	

TRANSFORMER (Driver)

ITEM No.	TURNS RATIO			REPLACEMENT DATA					NOTES
	PRI.	SEC. 1	SEC. 2	PART No.	MERIT PART No.	STANCOR PART No.	THORDARSON PART No.	TRIAD Part No.	
T3	3	1	1	75A4911					

SPEAKER

ITEM No.	TYPE	REPLACEMENT DATA		NOTES
		PART No.	QUAM PART No.	
SP1	5" X 7" PH 3 ohms	73B6306	57A21	

FUSE DEVICES

ITEM No.	DESCRIPTION	REPLACEMENT DATA							
		PART No.		BUSS PART No.		LITTELFUSE PART No.		WORKMAN PART No.	
		DEVICE	HOLDER	DEVICE	HOLDER	DEVICE	HOLDER	DEVICE	
F1	4 Amp	108-400	12A6496	AGW-4	HDH	303004	150145		

MISCELLANEOUS

ITEM No.	PART NAME	PART No.	NOTES
M1	Tuner	78B6309	Model - RTR-7284 Model - RTR-7284A
M2	Tuner	78B6533	
PC1	Antenna Assembly	10A5727	
SW1	AGC Network Switch, Polarity	89A2701PC	

CABINETS & CABINET PARTS (When ordering specify model, chassis & color)

ITEM	PART No.	ITEM	PART No.
Knob - Tuning or Volume	48A5282	Escutcheon	54D6351
Knob - Tone	48A4429	Dial Glass	55A6355
Knob - Dummy	48A44291	Dial Pointer	84A6401

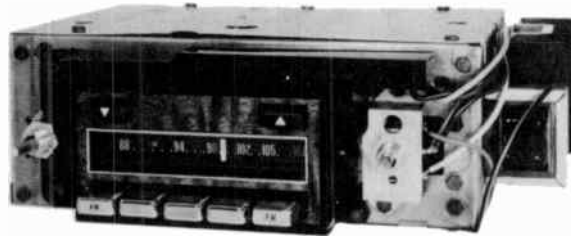


PHOTOFACT[®] with

CIRCUITRACE[®]

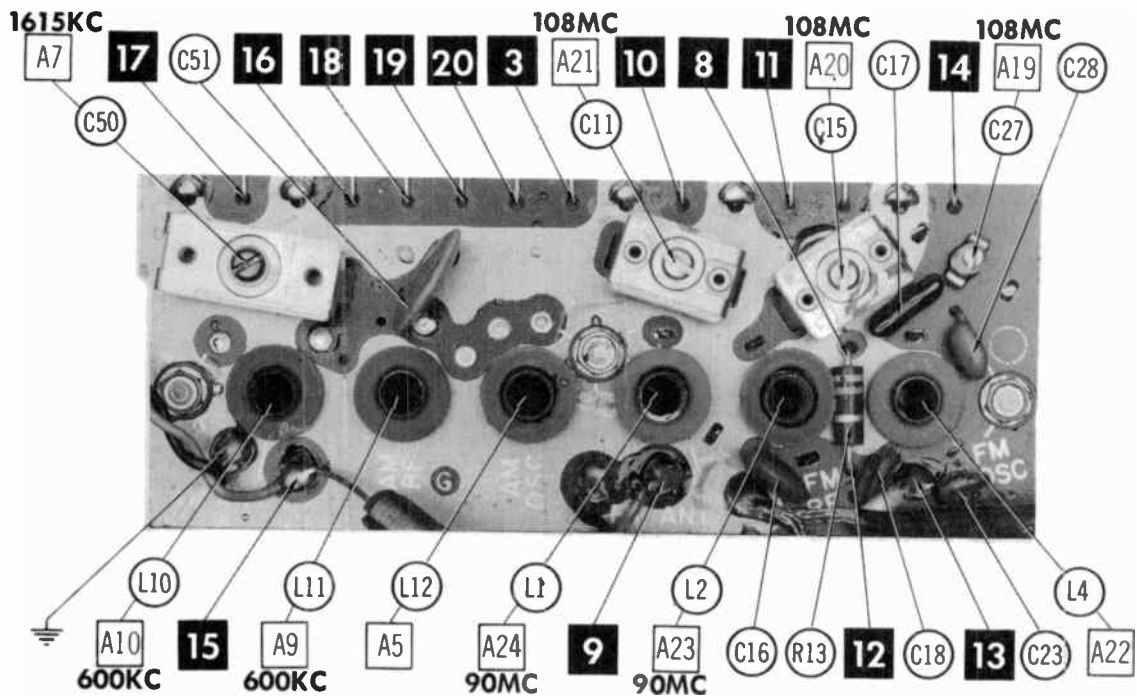
For Supplier Address See PHOTOFACT Index

NOTE: Manufacturer Part Numbers Shown Are UNITED DELCO



CADILLAC MODEL 05CFPI
(70 Cadillac)

CADILLAC MODEL 05CFPI



A Howard W. Sams CIRCUITRACE Photo

HOWARD W. SAMS & CO., INC. Indianapolis, Indiana 46208

© 1970 Howard W. Sams & Co., Inc. Printed in U. S. of America

TD736R

A11
10.7MC

A12
10.7MC

A14
10.7MC

A16
10.7MC

B

A3
262KC

C73

A1
262KC

L16

D

C46

A8
1615KC

L9

C

A

S1

C56

A6
1615KC

C70

A2
262KC

L14

A4
262KC

L13

C71

C74

Q13

A13
10.7MC

L7

A18
10.7MC

L8

BIAS
ADJUST

R1

L5

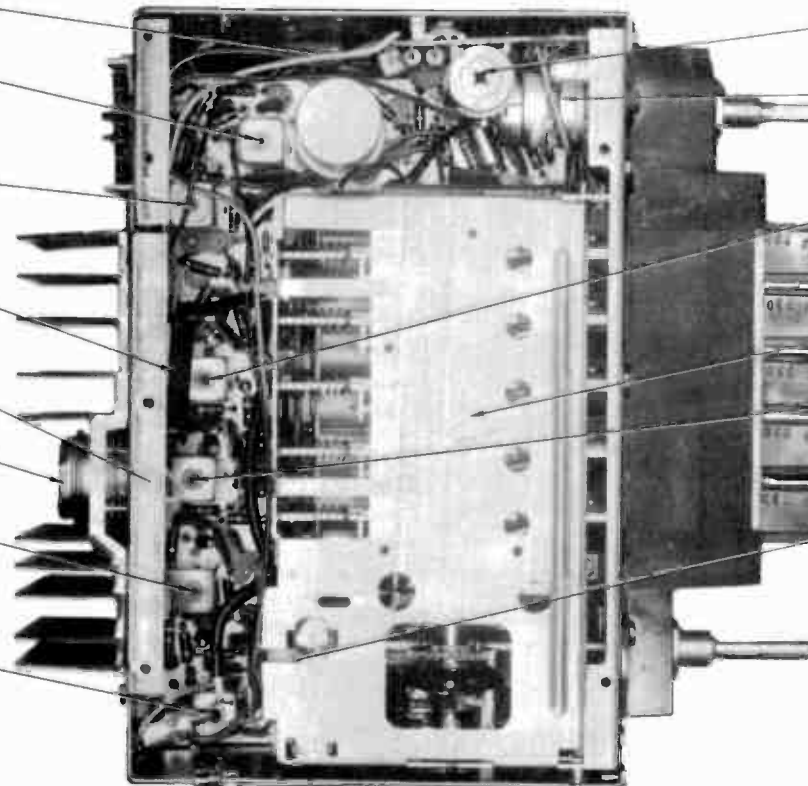
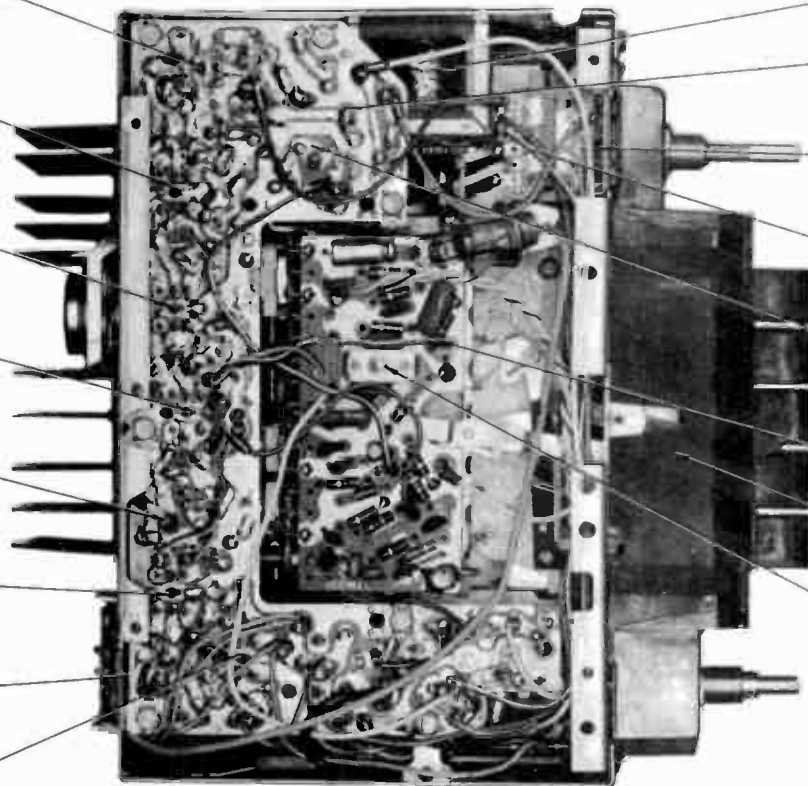
A17
10.7MC

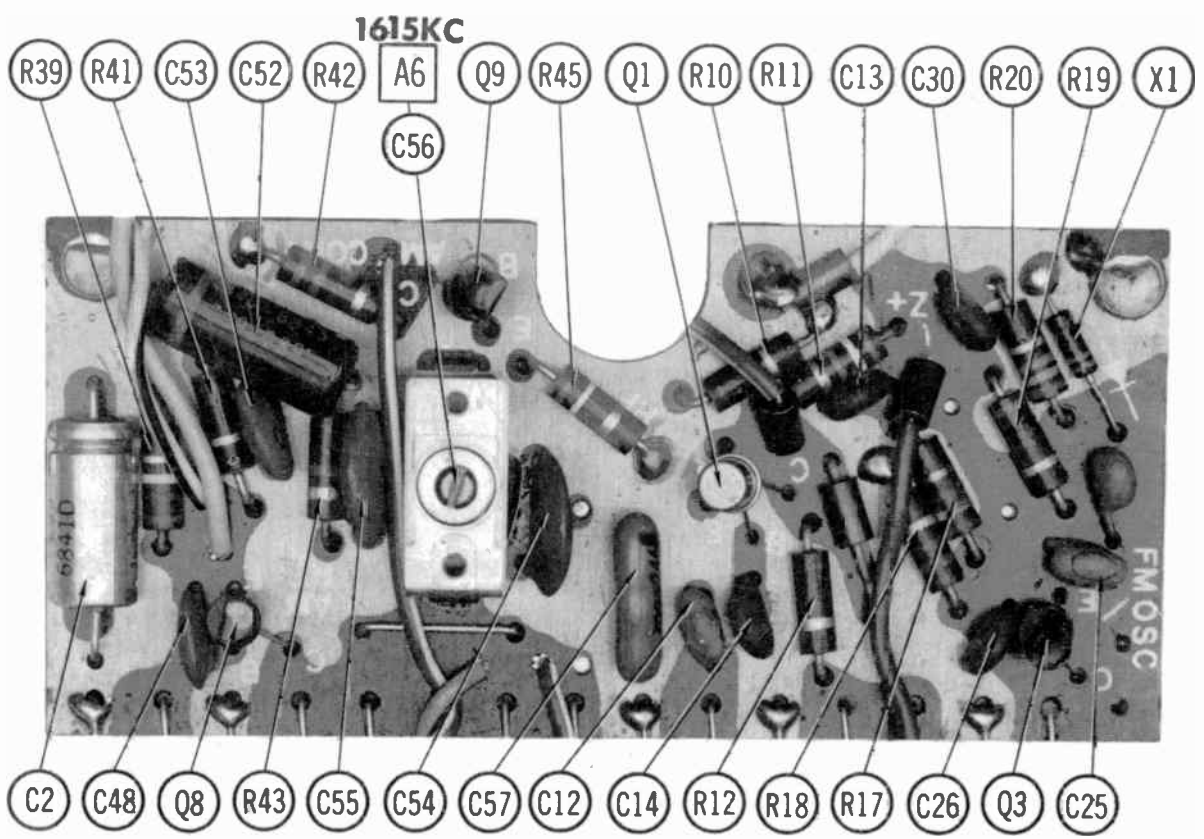
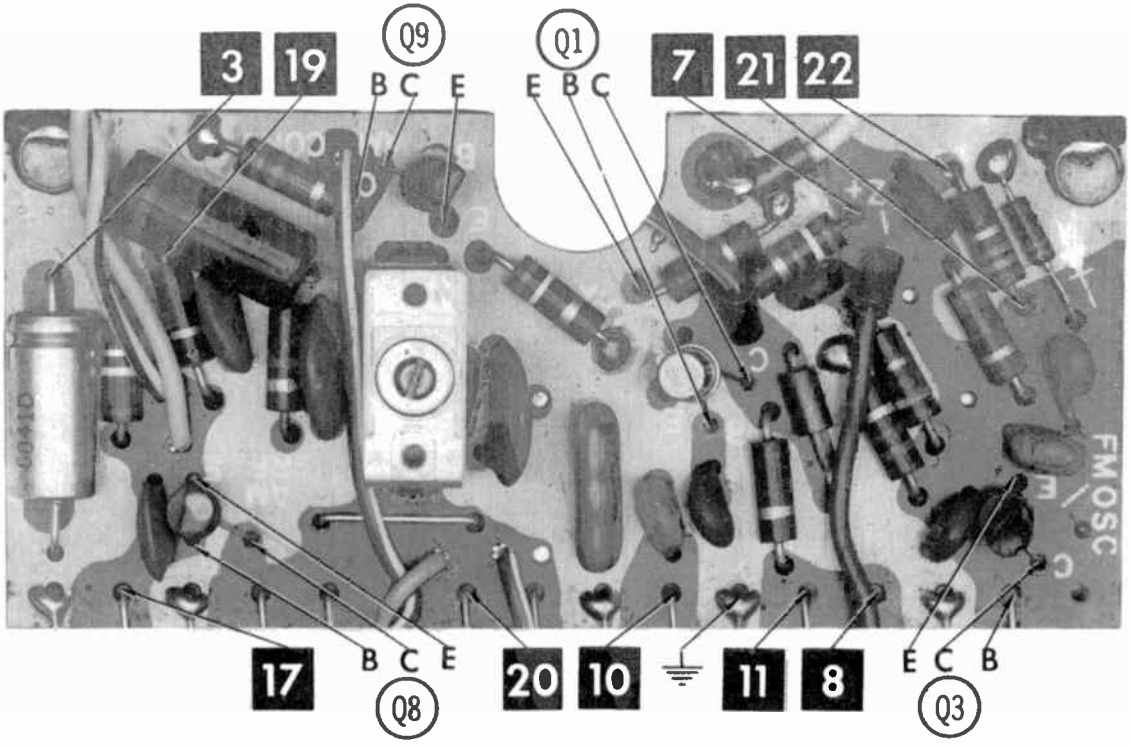
M1

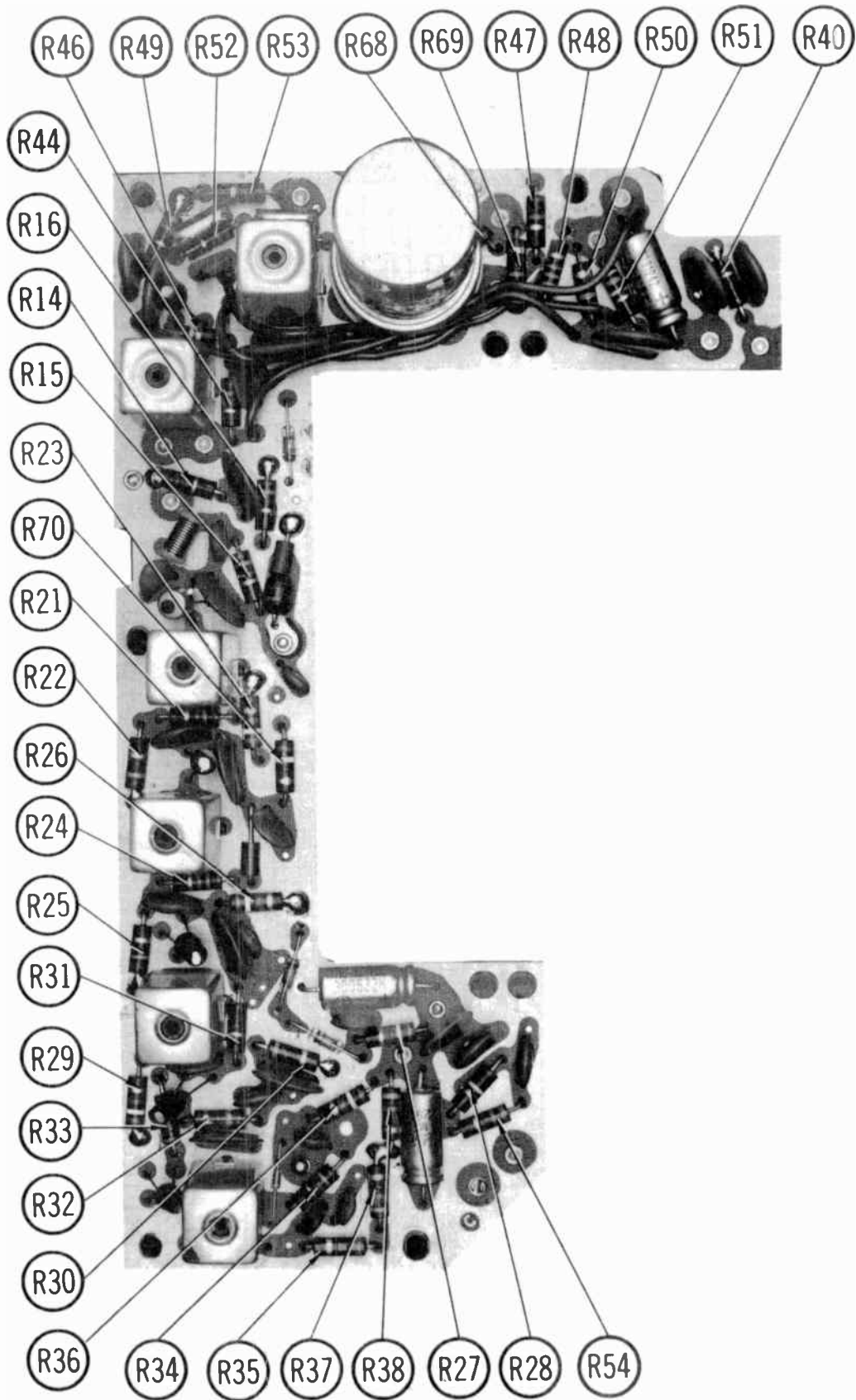
L6'

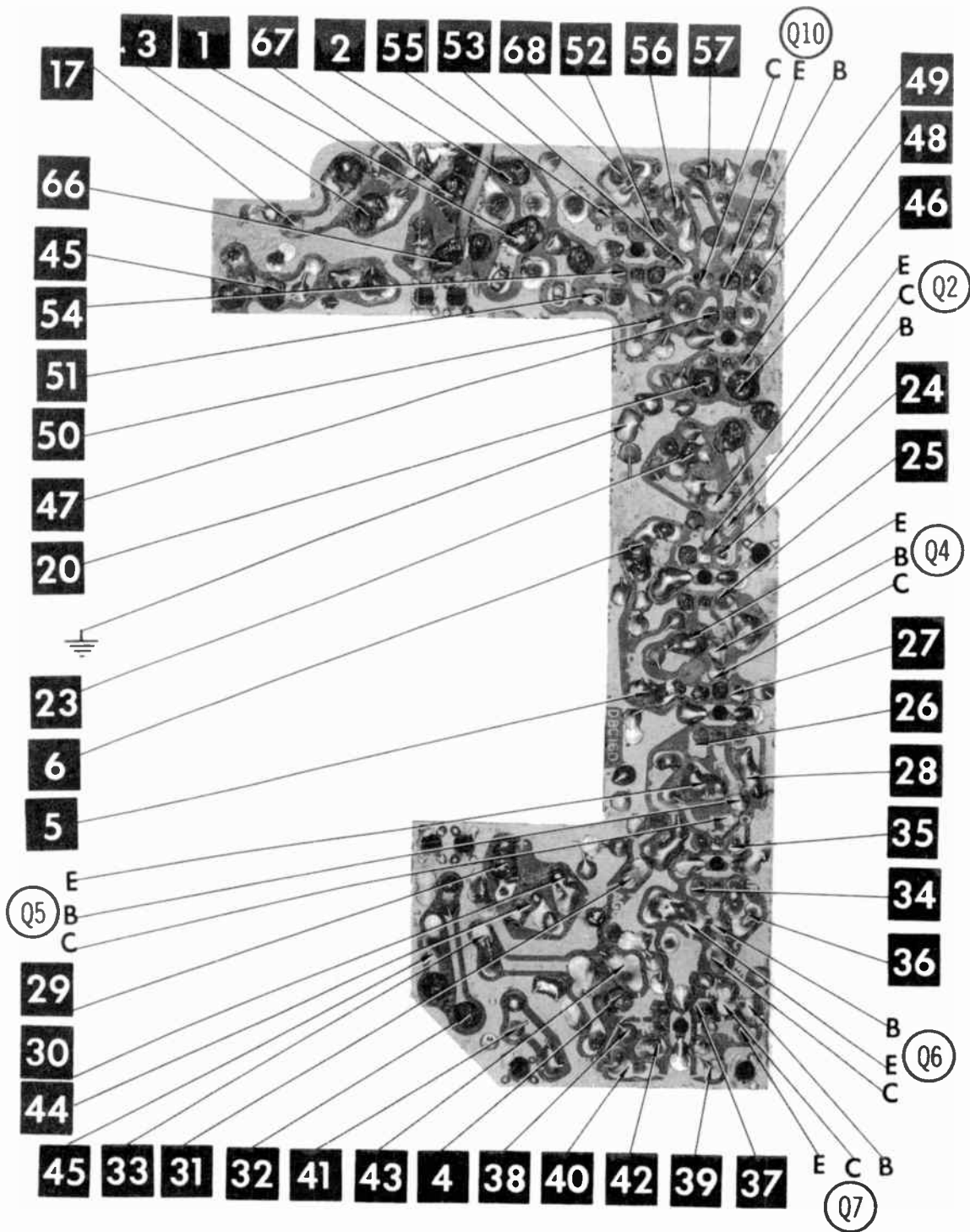
A15
10.7MC

L15

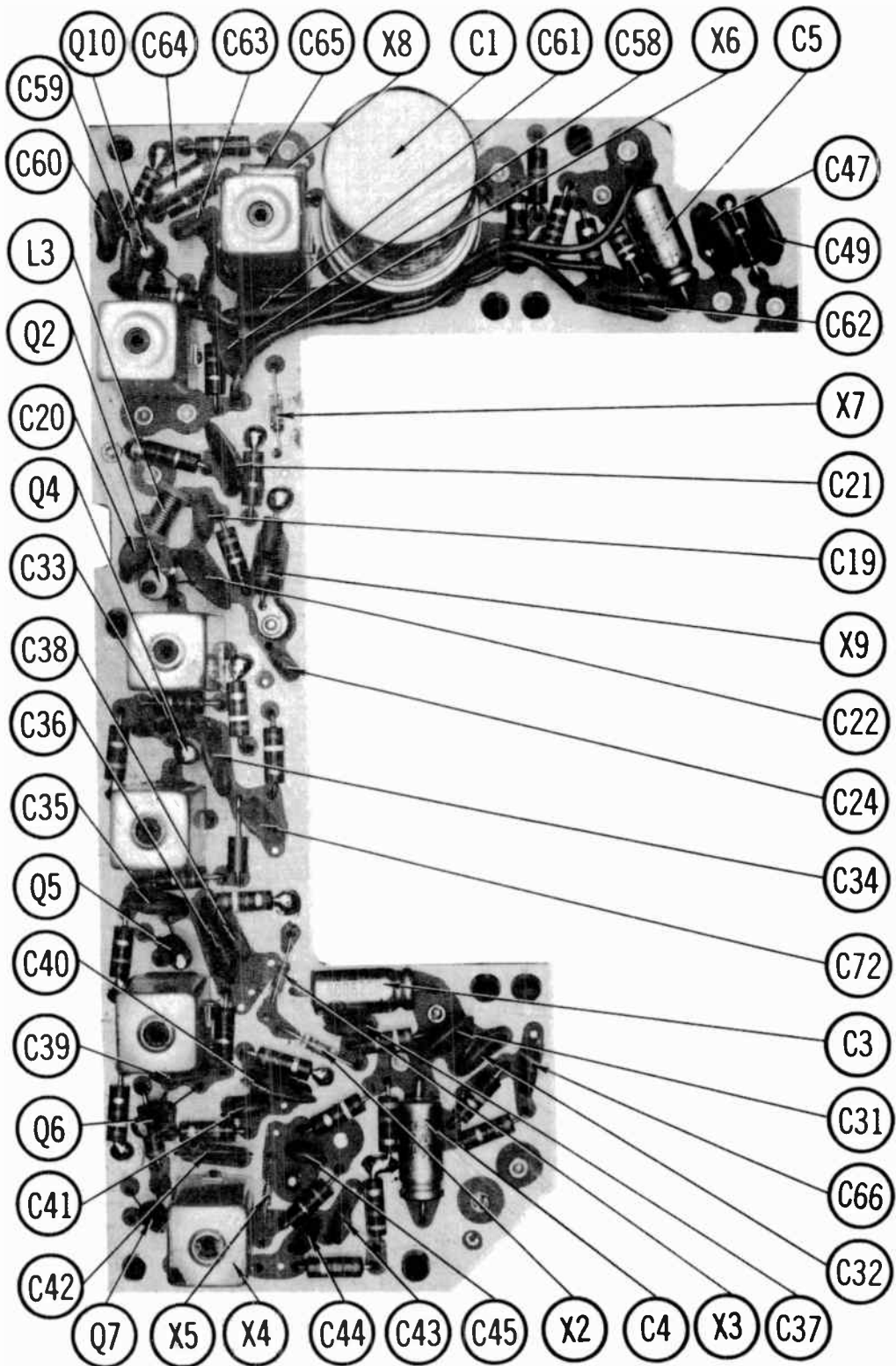


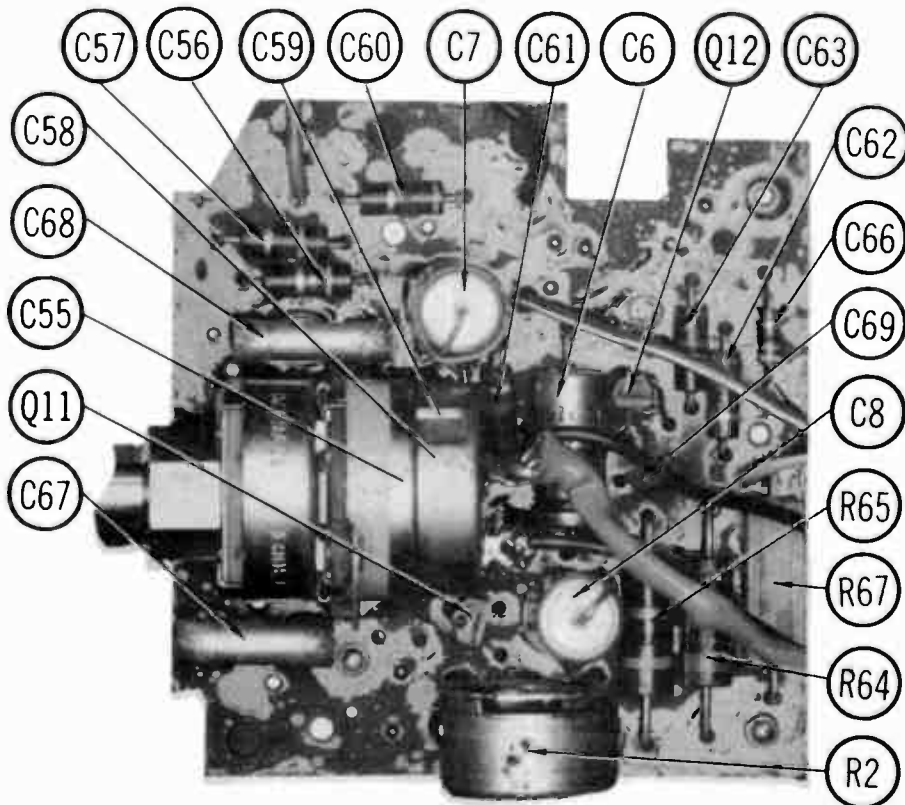
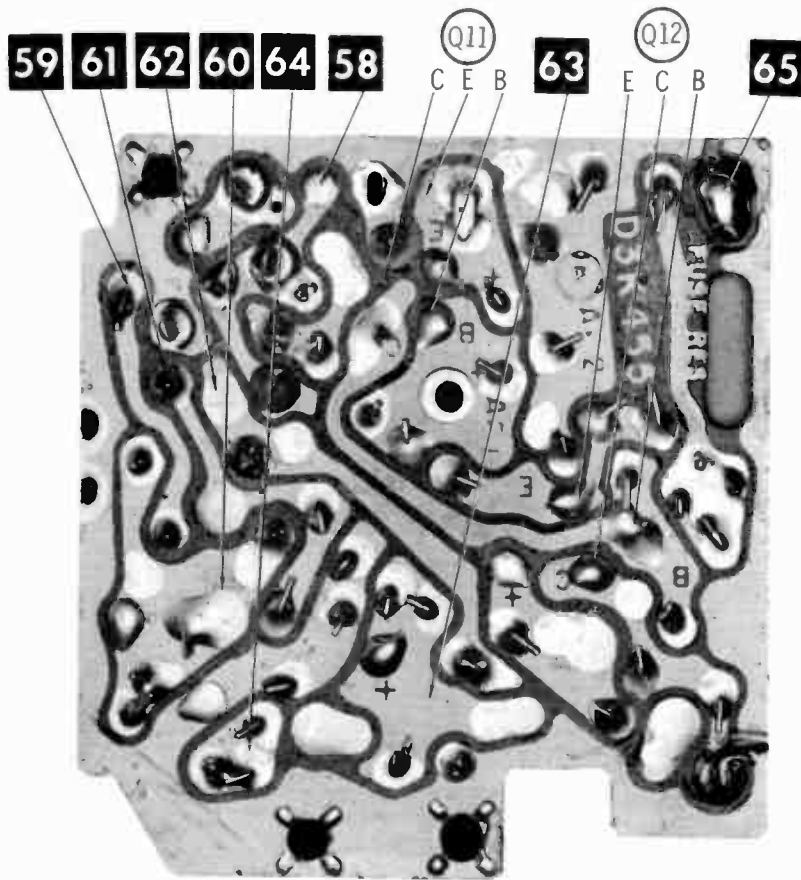






A Howard W. Sams **CIRCUITRACE** Photo





PARTS LIST AND DESCRIPTION

(When ordering parts, state Model, Part Number, and Description.)

Replacement parts shown may be superseded by the availability of newly introduced replacements.
Have your local distributor check Sams COUNTER FACTS[®] for the most up-to-date replacement.

WIRING DATA

General-use Unshielded Hook-up Wire	Use-BELDEN No. 8530 (Solid) Available in 12 Colors 8524 (Stranded) Available in 12 Colors
Shielded Hook-up Wire	Use BELDEN No. 8885
Rear Seat Speaker Extension Cable	Use BELDEN No. 8782 (Stranded) Coded Parallel Leads
Bonding Strap	Use BELDEN No. 8661 (3/8 In.) or 8670 (3/4 In.)

TRANSISTORS

ITEM No.	TYPE No.	FUNCTION	REPLACEMENT DATA					
			MFGR. PART No.	GENERAL ELECTRIC PART No.	INTERNATIONAL RECTIFIER PART No.	MOTOROLA PART No.	RCA PART No.	SYLVANIA PART No.
Q1	DS-78	FM RF Amp	DS-81	GE-17	TR-22	HEP50	SK3018	ECG 108
Q2	DS-78	FM Mixer	DS-81	GE-17	TR-22	HEP50	SK3018	ECG 108
Q3	DS-74	FM Oscillator	DS-74	GE-11	TR-21	HEP56	SK3018	ECG 108
Q4	DS-85	1st FM IF Amp	DS-74	GE-17	TR-21	HEP53	SK3018	ECG 108
Q5	DS-85	2nd FM IF Amp	DS-74	GE-17	TR-21	HEP53	SK3018	ECG 108
Q6	DS-73	3rd FM IF Amp	DS-74	GE-17	TR-21	HEP53	SK3018	ECG 108
Q7	DS-85	Limiter	DS-74	GE-17	TR-21	HEP53	SK3018	ECG 108
Q8	DS-71	AM RF Amp	DS-71	GE-20	TR-21	HEP53	SK3018	ECG 108
Q9	DS-72	AM Converter	DS-72	GE-20	TR-21	HEP53	SK3018	ECG 108
Q10	DS-72	AM IF Amp	DS-72	GE-20	TR-21	HEP53	SK3018	ECG 108
Q11	DS-67	AF Amp	DS-66	GE-10	TR-21	HEP54	SK3020	ECG 123
Q12	DS-66	AF Amp	DS-66	GE-10	TR-21	HEP54	SK3020	ECG 123
Q13	DS-501	Output *	DS-501	GE-4	TR-03	HEP233	SK3012	ECG 105

* When replacing, apply silicone grease to both sides of insulator. Tighten mounting screws securely.

CADILLAC MODEL 05CFPI

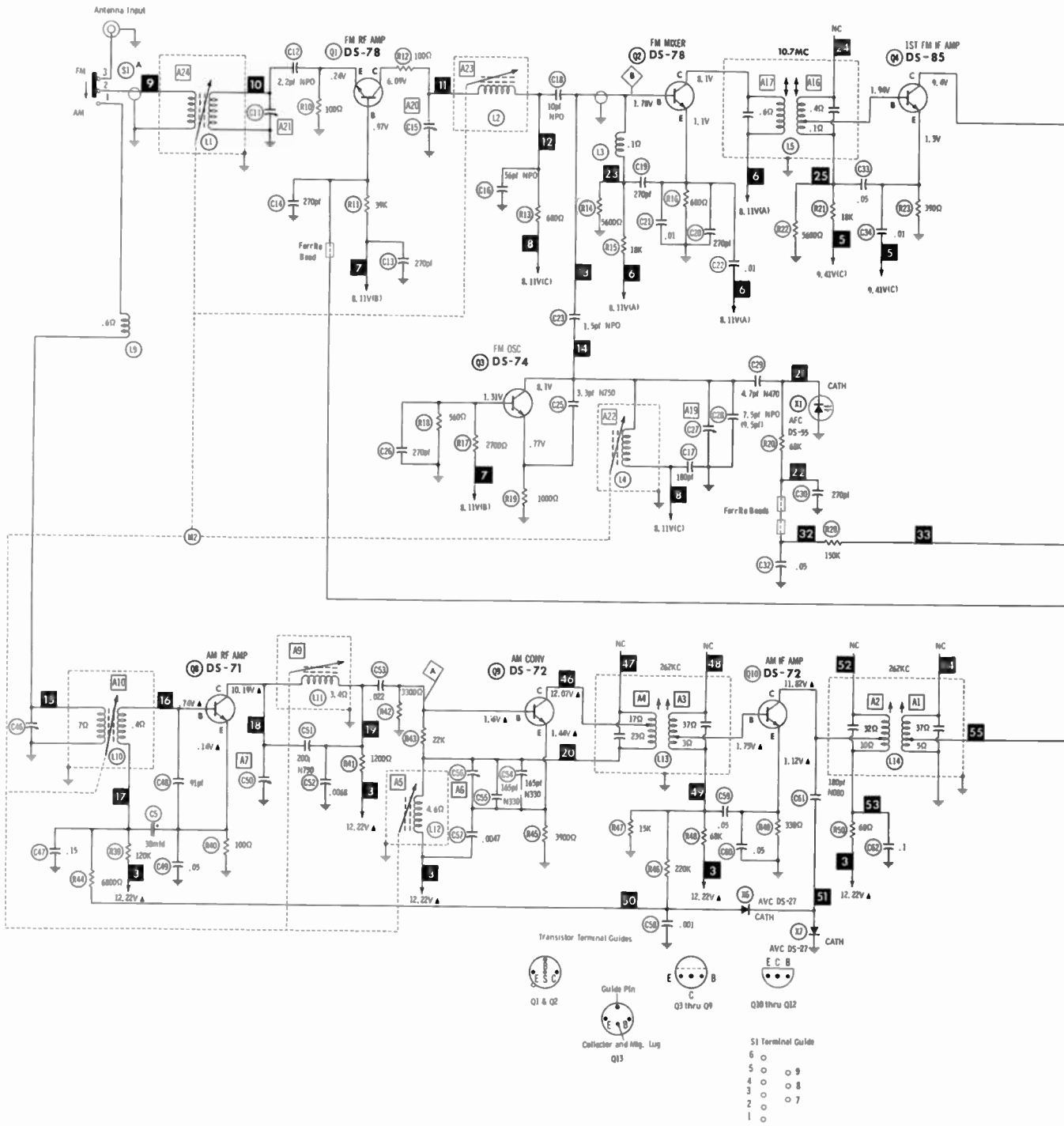
POWER RECTIFIERS & SIGNAL DIODES

ITEM No.	MFGR. PART OR TYPE No.	REPLACEMENT RECTIFIERS & DIODES			REPLACEMENT RECTIFIERS	NOTES
		GENERAL ELECTRIC PART No.	INTERNATIONAL RECTIFIER PART No.	SYLVANIA PART No.	RCA PART No.	
X1	DS-55					
X2	DS-27					
X3	DS-27	1N34AS	1N34A		ECG 109	
X4	DS-39 (1)	1N34AS	1N34A		ECG 109	
X5	DS-39	1N60	1N542 (1)		ECG 110 (1)	(1) Matched Pair
X6	DS-27	1N60				
X7	DS-27	1N34AS	1N34A		ECG 109	
X8	DS-27	1N34AS	1N34A		ECG 109	
X9	DS-49	1N34AS	1N34A		ECG 109	
		GE-X11	1ZMB.2			Zener 8.2V

ELECTROLYTIC CAPACITORS

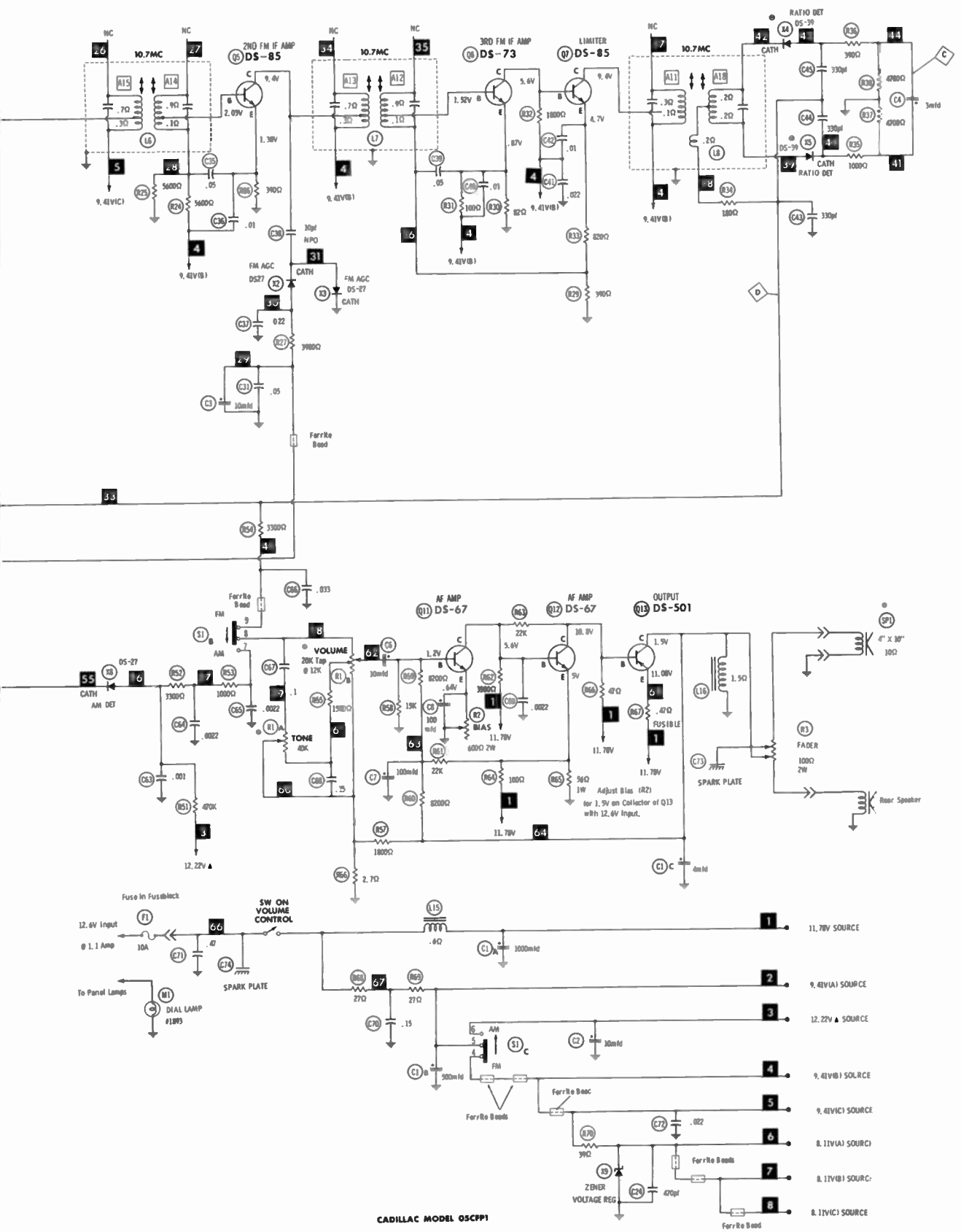
ITEM No.	RATING	REPLACEMENT DATA						
		PART No.	AEROVOX PART No.	CENTRALAB PART No.	CORNELL-DUBILIER PART No.	GENERAL ELECTRIC PART No.	MALLORY PART No.	SPRAGUE PART No.
C1A	1000 16V	7283675	AFH3-54-41		CC0006		FPS300.91	PCL-3021 .8
B	500 16V							
C	4 11.5Vrms							
C2	10 12V	7292738	PTT53	EA15-10	NLW10-15	MT1-5	MTA10035	TL-1128
C3	10 12V	7292738	PTT53	EA15-10	NLW10-15	MT1-5	MTA10035	TE-1128
C4	3 12V	7291860	PTT50	EA15-5	NLW3-15	MT1-3	MTA3050	TE-1122
C5	30 6V	7296313	PTT27	EA6-25	NLW30-6	MT1-13	MTA30015	TE-1132.1
C6	10 12V	7292738	PTT53	EA15-10	NLW10-15	MT1-5	MTA10035	TL-1128
C7	100 4V	7291810	PTT30	EA6-100	NLW125-6	MT1-21	MTA125E6	TE-1102
C8	100 4V	7291810	PTT30	EA6-100	NLW125-6	MT1-21	MTA125E6	TE-1102

(CONTINUED ON PAGE 24)



• See parts list.
 • Measured with switches in "AM" position.
 Resistors are 1/2W or less, 10% or 20%, unless otherwise indicated.
 Supply voltage maintained at rated value for measurements.
 Voltage and resistance measured with VTM or equivalent meter.
 No signal applied and controls adjusted for normal operation.
 Numbers assigned to terminals may not be found on the unit.
 Transistor resistances vary widely. No resistance measurements taken.

A PHOTOFAC STANDARD NOTATION SCHEMATIC
 with **CIRCUITRACE**
 © Howard W. Sams & Co., Inc 1970



CADILLAC MODEL 05CP1

PARTS LIST AND DESCRIPTION (CONTINUED)

(When ordering parts, state Model, Part Number, and Description.)

Replacement parts shown may be superseded by the availability of newly introduced replacements.
Have your local distributor check Sams COUNTER FACTS' for the most up-to-date replacement.

CAPACITORS

ITEM No.	RATING	REMARKS	REPLACEMENT DATA						
			AEROVOX PART No.	CENTRALAB PART No.	CORNELL-DUBILIER PART No.	ELMENCO PART No.	MALLORY PART No.	SPRAGUE PART No.	
C11		#7293221							
C12	2.2 NPO		NPO-DI 2.2	DTZ-2R2	CZ601CJ2R2D		CNO522	10TCC-V22	
C13	270		GPD X5F271K	DD-271	GP270	CCD-271	GP327	5GA-T27	
C14	270		GPD X5F271K	DD-271	GP270	CCD-271	GP327	5GA-T27	
C15		#7291003							
C16	56 NPO			TCZ-56		CCTO-560	CNO456	10TCC-Q56	
C17	180		GPD X5F181K	DD-181	JBZ601YP181K	CCD-181	GP318	10TS-T18	
C18	10 NPO		NPO-DI 10	DTZ-10	CZ601CG100J	CCTO-100	CNO410	10TCC-Q10	
C19	270		GPD X5F271K	DD-271	GP270	CCD-271	GP327	5GA-T27	
C20	270		GPD X5F271K	DD-271	GP270	CCD-271	GP327	5GA-T27	
C21	.01		TTP-01	CK-103	HOY101ZV103P	CCD-103	TA110	TG-S10	
C22	.01		TTP-01	CK-103	HOY101ZV103P	CCD-103	TA110	TG-S10	
C23	1.5 NPO		NPO-DI 1.5	DTZ-1R5			CNO515	10TCC-V15	
C24	470		GPD X5F471K	DD-471	JBZ601YP471K	CCD-471	GP347	10TS-T47	
C25	3.3		NPO-DI 3.3	DTZ-3R3			CNO533	10TCC-V33	
C26	270		GPD X5F271K	DD-271	GP270	CCD-271	GP327	5GA-T27	
C27		#7292611							
C28	7.5 NPO	#7300236							
C29	4.7 N470								
C30	270		GPD X5F271K	DD-271	GP270	CCD-271	GP327	10TCT-V47	
C31	.05		TTP-05	CK-503	HOV101ZV503Z	CCD-503	TA150	5GA-T27	
C32	.05		TTP-05	CK-503	HOV101ZV503Z	CCD-503	TA150	TGL-S50	
C33	.05		TTP-05	CK-503	HOV101ZV503Z	CCD-503	TA150	TGL-S50	
C34	.01		TTP-01	CK-103	HOY101ZV103P	CCD-103	TA110	TGL-S50	
C35	.05		TTP-05	CK-503	HOV101ZV503Z	CCD-503	TA150	TG-S10	
C36	.01		TTP-01	CK-103	HOY101ZV103P	CCD-103	TA110	TGL-S50	
C37	.0022		GPD X5F222K	DD-222	JBX601YP222K	CCD-222	GP222	TG-S10	
C38	10 NPO		NPO-DI 10	DTZ-10	CZ601CG100J	CCTO-100	CNO410	10TS-D22	
C39	.05		TTP-05	CK-503	HOV101ZV503Z	CCD-503	TA150	10TCC-Q10	
C40	.01		TTP-01	CK-103	HOY101ZV103P	CCD-103	TA110	TGL-S50	
C41	.022		TTP-02	CK-203	HOR101ZV203P	CCD-203	TA120	TG-S10	
C42	.01		TTP-01	CK-103	HOY101ZV103P	CCD-103	TA110	TG-S20	
C43	330		GPD X5F331K	DD-331	JBZ601YP331K	CCD-331	GP333	TG-S10	
C44	330		GPD X5F331K	DD-331	JBZ601YP331K	CCD-331	GP333	10TS-T33	
C45	330		GPD X5F331K	DD-331	JBZ601YP331K	CCD-331	GP333	10TS-T33	
C46		#7313974							
C47	.15		TTP-1	CK-104	HOV101ZV104Z		TA010	TG-P10	
C48	91			TCN-91					
C49	.05		TTP-05	CK-503	HOV101ZV503Z	CCD-503	TA150	TGL-S50	
C50		#7295193							
C51	200 N750		N750-DI 200	DTN-200		CCTN-201	CN7320	10TCU-T20	
C52	.0068 75V		DBE6D68	CPR-6800J	WMF1D68	1DP-1-682	PVC4268	6PS-D68	
C53	.022		TTP-02	CK-203	HOR101ZV203P	CCD-203	TA120	TG-S20	
C54	165 N330					*	*		
C55	165 N330					*	*		
C56		#7295192							
C57	.0047 75V		DBE6D5	CPR-5000J	WMF1D5	1DP-1-502	PVC625	6PS-050	
C58	.001		GPD X5F102K	DM-102	JBS601YP102K	CCD-102	SM210	25S-D10	
C59	.05		TTP-05	CK-503	HOV101ZV503Z	CCD-503	TA150	TGL-S50	
C60	.05		TTP-05	CK-503	HOV101ZV503Z	CCD-503	TA150	TGL-S50	
C61	180 N080					*	*	10TCN-T18	
C62	.1		TTP-1	CK-104	HOV101ZV104Z		TA010	TG-P10	
C63	.001		GPD X5F102K	DM-102	JBS601YP102K	CCD-102	SM210	25S-D10	
C64	.0022		GPD X5F222K	DD-222	GP2200	CCD-222	GP222	10TS-D22	
C65	.0022		GPD X5F222K	DD-222	GP2200	CCD-222	GP222	10TS-D22	
C66	.033		TTP-03	CK-303		CCD-303	GP130	TG-S30	
C67	.1 100V		DBE2P1		DPMS2P1	1DP-2-104	PVC101	225P10491WD3	
C68	.15 75V		DBE6P15		DMF4P15	4DP-4-154	PVC6015	4PS-P15	
C69	.0022		GPD X5F222K	DD-222	GP2200	CCD-222	GP222	10TS-D22	
C70	.15 75V		DBE6P15		DMF4P15	4DP-4-154	PVC6015	4PS-P15	
C71	.47 75V		DBE2P47		DPMS2P47	1DP-4-504	PVC105	2PS-P50	
C72	.022		TTP-02	CK-203	HOR101ZV203P	CCO-203	TA120	TG-S20	
C73		#7271564							
C74		#7271564							

* Not normally in distributor's stock. Available thru distributor on order to manufacturer.
Delco Part Number.

PARTS LIST AND DESCRIPTION (CONTINUED)

(When ordering parts, state Model, Part Number, and Description.)

Replacement parts shown may be superseded by the availability of newly introduced replacements.
Have your local distributor check Sams COUNTER FACTS® for the most up-to-date replacement.

CONTROLS (All wattages 1/2 watt, or less, unless listed)

ITEM No.	FUNCTION	RESISTANCE	REPLACEMENT DATA				
			MFGR. PART No.	CENTRALAB PART No.	CLAROSTAT PART No.	CTS-IRC PART No.	MALLORY PART No.
R1A	Tone	100K	7309257	F1-100K, R14-25K, FFS114,RFS206, S8006,88104,KR-4		* QJ-2653A	P15L,4112, SH4375, RU253T53,OX1750, IS225C,US41
8	Volume/Switch	20K Tap @ 5500 ohms					
R2	Bias Adjust	600 ohm 2 Watt	7294878	WT-850 or (V-600)	U39-600	110-600	MR850T
R3	Fader	100 ohms 2 Watt	7313975				

* "Concentrikkit" Equivalent K-8 Kit with base elements and shafts: 811-128,P17-123 (Panel)
819-119X,R26-206 (Rear)
SB (1) (Bushing)
N4 (Nut)
76-1 (Switch)

"Snaprol" Equivalent 8U8 (1),CF13,CR50T,SF14,SR15,N4,GC.

(1) Alter Bushing and adjust spacer nut (N4) to meet requirements.

RESISTORS (Power and Special)

ITEM No.	RATING	REPLACEMENT DATA		
		IRC PART No.	WORKMAN PART No.	MFGR. PART No.
R67	.47 (Fusible)			7281890

ITEM No.	RATING	REPLACEMENT DATA		
		IRC PART No.	WORKMAN PART No.	MFGR. PART No.

COILS (RF-IF)

ITEM No.	USE	REPLACEMENT DATA			
		PART No.	MEISSNER PART No.	MILLER PART No.	WORKMAN PART No.
L1	FM Antenna	(1)			
L2	FM RF	(1)			
L3	FM IF Trap (1uh)	7296856	19-1000	4602	T855
L4	FM Oscillator	(1)			
L5	FM Input IF	7296100			
L6	FM Interstage IF	7296101			
L7	FM Interstage IF	7296102			
L8	Ratio Detector	7299984			
L9	RF Choke (8uh)	7255738	19-1009	4611	T822
L10	AM Antenna	(1)			
L11	AM RF	(1)			
L12	AM Oscillator	(1)			
L13	AM IF Input	7295169			
L14	AM IF Output	7295170		8006	

(1) Part of M2.

FILTER CHOKE

ITEM No.	RATINGS			REPLACEMENT DATA					NOTES
	CURRENT (Measured)	DC RES.	INDUCTANCE (0 CURRENT 1000~)	PART No.	MERIT PART No.	STANCOR PART No.	THORDARSON PART No.	TRIAD PART No.	
L15	1.1 Amp	.6	8mh	1221623	C-4095	TC-2	TR-154	TY17XT	

CADILLAC MODEL OSCFP1

PARTS LIST AND DESCRIPTION (CONTINUED)

(When ordering parts, state Model, Part Number, and Description.)

Replacement parts shown may be superseded by the availability of newly introduced replacements.
Have your local distributor check Sams COUNTER FACTS* for the most up-to-date replacement.

CHOKE (Audio Output)

ITEM No.	INDUCTANCE	REPLACEMENT DATA					NOTES
		PART No.	MERIT PART No.	STANCOR PART No.	THORDARSON PART No.	TRIAD PART No.	
L16	30mh	1222297					

SPEAKER

ITEM No.	TYPE	REPLACEMENT DATA		NOTES
		PART No.	QUAM PART No.	
SP1	4" X 10" PM 10 ohms	7311275	410A2Z10	

FUSE DEVICES

ITEM No.	DESCRIPTION	REPLACEMENT DATA						
		PART No.		BUSS PART No.		LITTELFUSE PART No.		WORKMAN PART No.
		DEVICE	HOLDER	DEVICE	HOLDER	DEVICE	HOLDER	DEVICE
F1	3AG 10 Amp		In Fuse Block	AGC 10		311010		

MISCELLANEOUS

ITEM No.	PART NAME	PART No.	NOTES
M1	Dial Lamp		#216
M2	Tuner Coil Assy.	1222504	
S1	Switch, Selector	7309152	
S2	Antenna Switch	7309443	

CABINETS & CABINET PARTS (When ordering specify model, chassis & color)

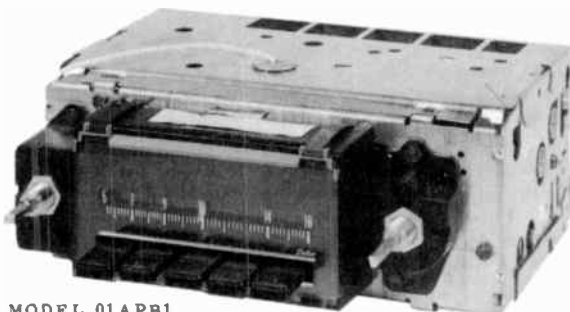
ITEM	PART No.	ITEM	PART No.
Dial Drum	7309997	Pushbutton "FM"	7314069
Escutcheon	7312105	Pushbutton	7313261
Dial Glass	7307796	Knob - Tuning or Volume	1495175
Dial Pointer	7309435	Knob - Tone or Fader	1495171
Pushbutton "AM"	7314068		



PHOTOFACT[®] with CIRCUITRACE[®]

For Supplier Address See PHOTOFACT Index

NOTE: Manufacturer Part Numbers Shown Are UNITED DELCO



MODEL 01APB1

CHEVROLET MODELS 01APB1
01APB2
(70 Acadian, Camaro,
Chevelle, Chevrolet,
Chevy II, Monte Carlo)
01FPB1
(70 1/2 Camaro)
01TPB1
01TPB2
(70 Chevrolet,
GMC Truck)

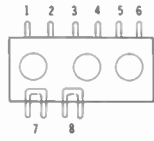
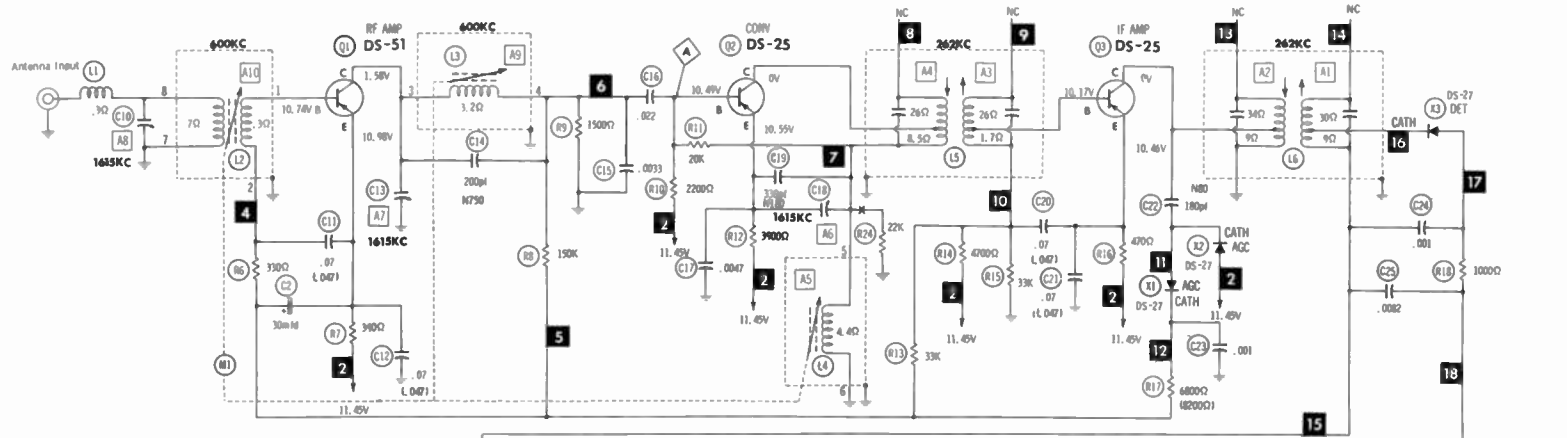
CHEVROLET MODELS 01APB1/2, 01FPB1, 01TPB1/2

ALIGNMENT INSTRUCTIONS

<p>Check for specified source voltage. Use only enough generator output to provide a usable indication. Suggested Alignment Tools: A1 thru A4...GENERAL CEMENT #5009,8728A,8987 WALSCO #2531X, 2536 A5 thru A8...GENERAL CEMENT #8290,8868,9087 WALSCO #2525,2528,2587</p>				<p>PUSH-BUTTON ADJUSTMENT</p> <ol style="list-style-type: none"> 1. Pull button out. 2. Tune manually to desired station. 3. Press button in firmly. 4. Repeat for remaining buttons. 	
GENERATOR COUPLING	GENERATOR FREQUENCY	RADIO DIAL SETTING	INDICATOR	ADJUST	REMARKS
1. High side thru .1mfd to point \diamond , low side to ground.	262KC 400 cycle modulation	High freq. end stop.	Output meter across voice coil.	A1,A2, A3,A4	Adjust for maximum.
<p>Check setting of oscillator coil core (A5). Rear of core should be 1 3/8" from mounting end of coil form.</p>					
2. High side thru 82pf to antenna input, low side to ground.	1615KC	High freq. end stop.	Output meter across voice coil.	A6,A7, A8	Adjust for maximum.
3. "	600KC	600KC signal	"	A9,A10	Adjust for maximum. Repeat Step 2.
<p>With radio installed in car and antenna extended to desired height, tune in a weak station near 1400KC and adjust A8 for maximum output. Antenna adjustment (A8) is located behind tuning and dummy knobs.</p>					

HOWARD W. SAMS & CO., INC. Indianapolis, Indiana 46206

© 1970 Howard W. Sams & Co., Inc. Printed in U. S. of America TD790



M1 Terminal Guide

Resistors are 1/2 watt or less and rated 10% or 20% unless otherwise indicated.

Transistor Terminal Guide



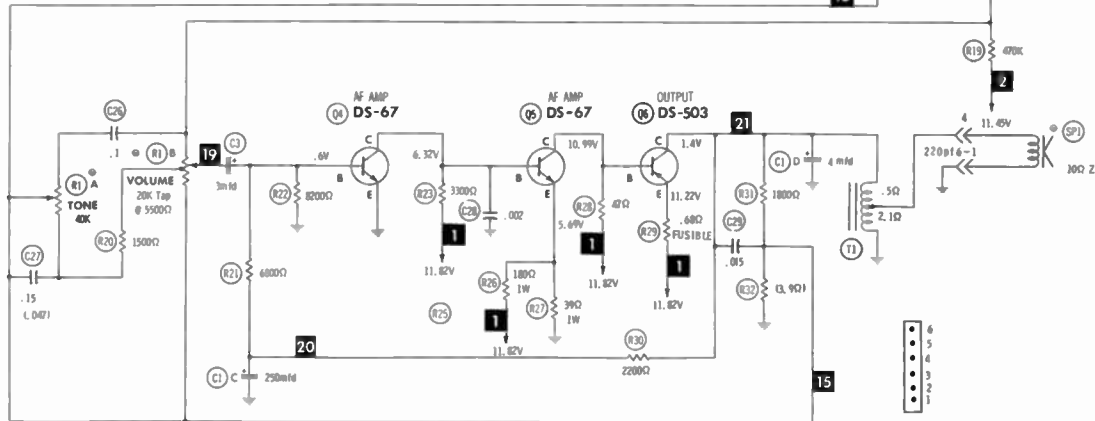
Q1, Q2 & Q3



Q4 & Q5

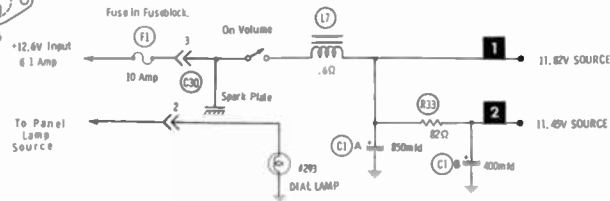


Speaker



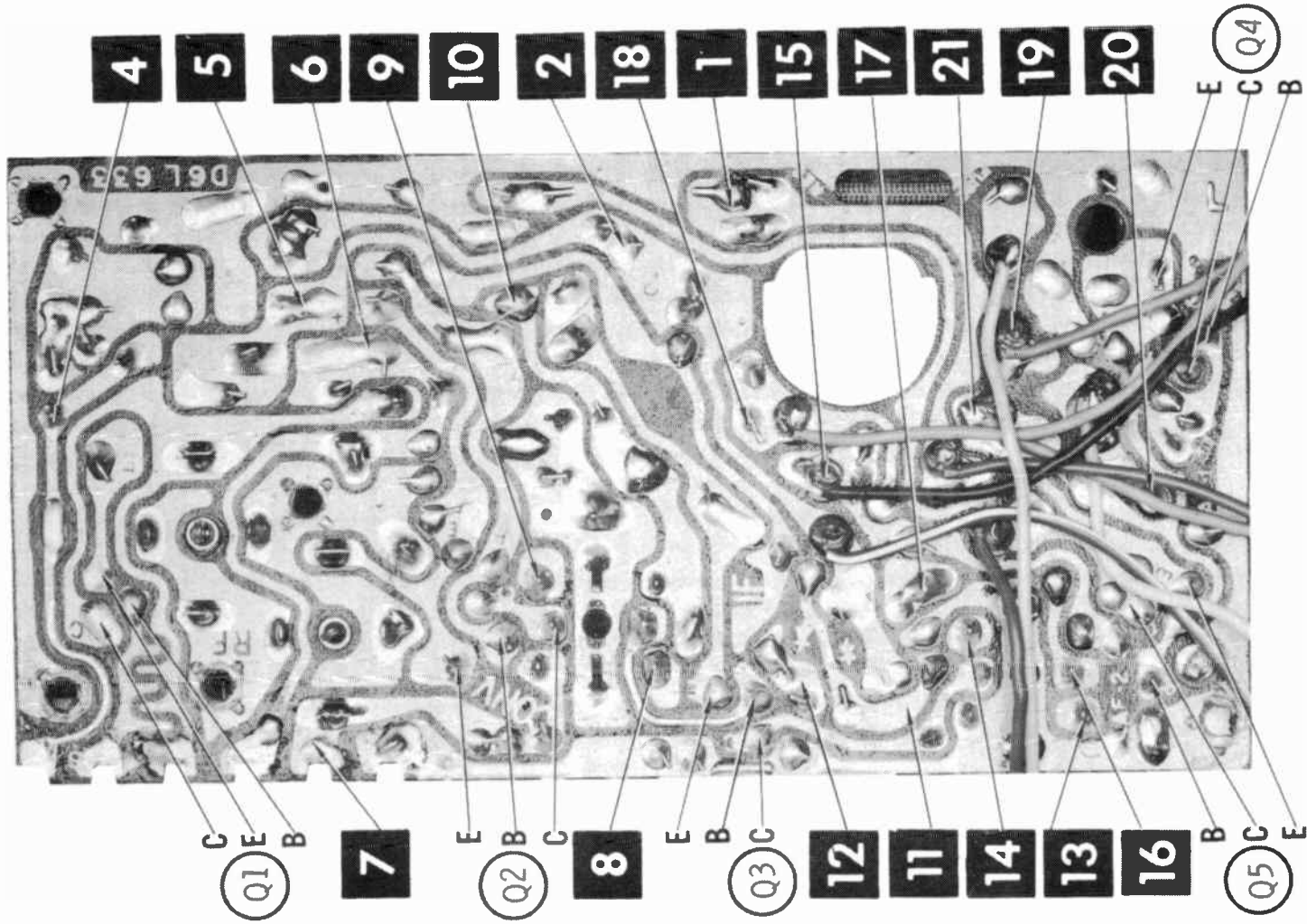
Speaker - Power Plug Terminal Guide

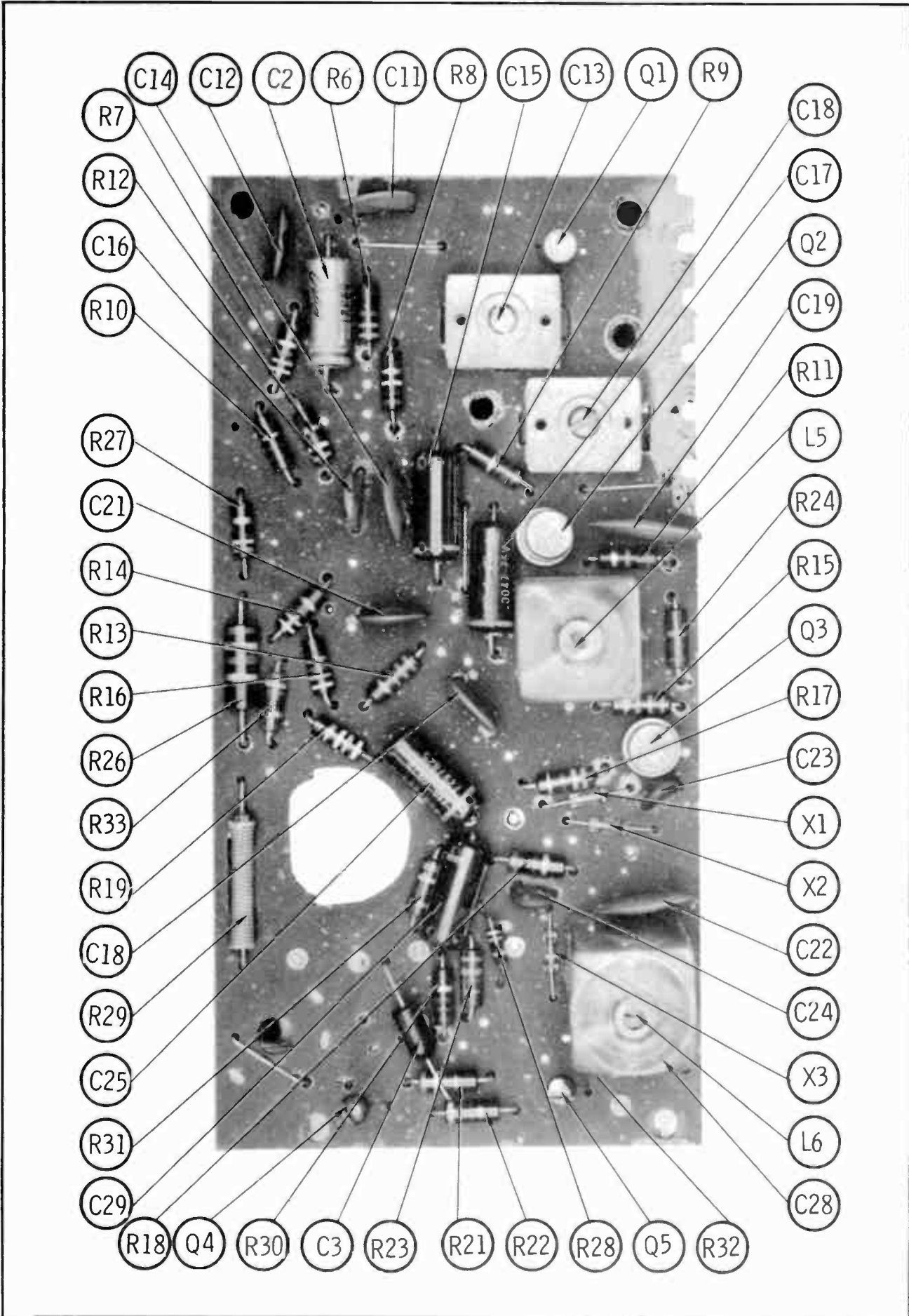
- See parts list for alternate value or application.
- 1. Voltage measurements taken with vacuum tube voltmeter.
- 2. All controls set for normal operation, no signal applied.
- 3. Measured values are from socket pin or terminal to common ground.
- 4. All terminals viewed from bottom unless otherwise designated.
- 5. Numbers assigned to terminals may not be found on the unit.
- 6. Supply voltage maintained at rated value for voltage readings.
- 7. Resistance measurements not given because of the wide variation in internal resistance of transistor.
- 7. Waveforms taken with controls set to produce 50% peak-to-peak signal at picture tube.

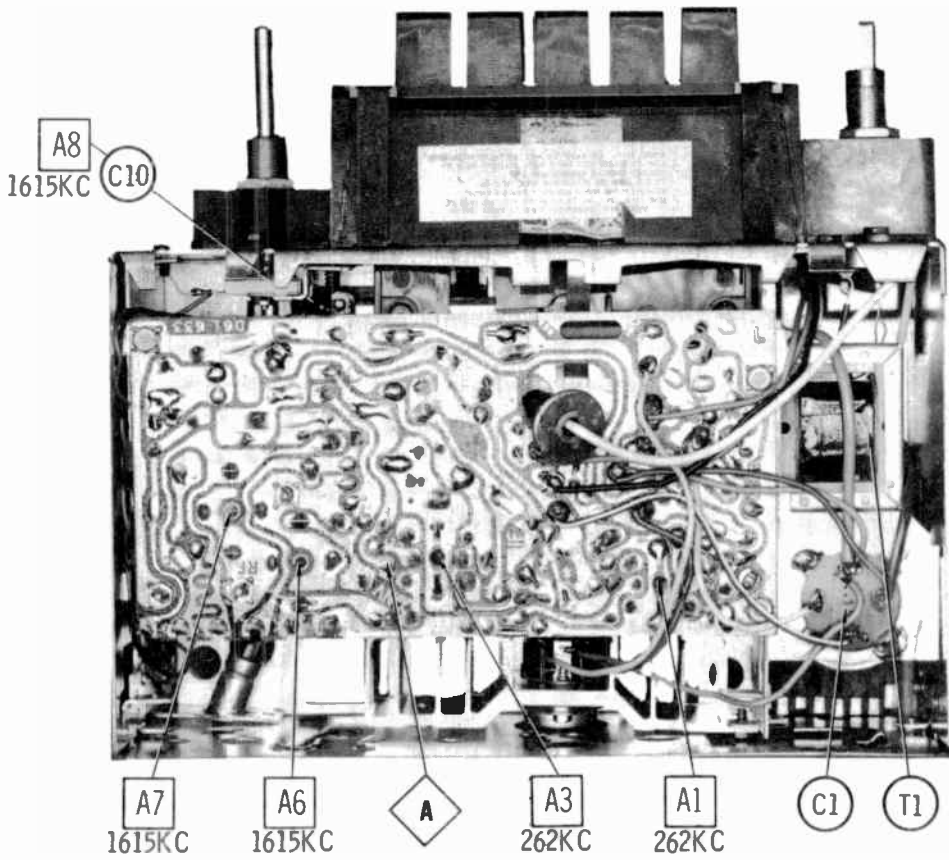
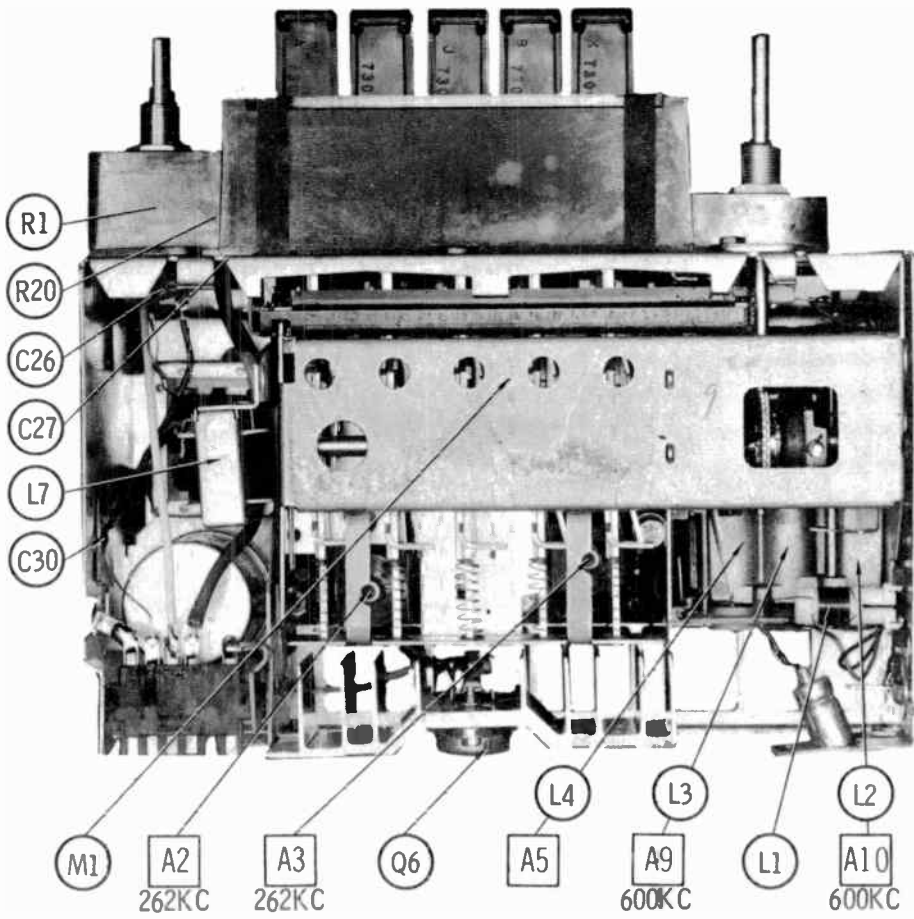


A PHOTOFAC STANDARD NOTATION SCHEMATIC
with **CIRCUITRACE**
© Howard W. Sams & Co., Inc. 1970

CHEVROLET MODELS 01APB1/2, 01FPD1, 01TPB1/2







PARTS LIST AND DESCRIPTION

(When ordering parts, state Model, Port Number, and Description.)

Replacement parts shown may be superseded by the availability of newly introduced replacements. Have your local distributor check Sams COUNTER FACTS* for the most up-to-date replacement.

TRANSISTORS

ITEM No.	TYPE No.	FUNCTION	REPLACEMENT DATA					
			MFR. PART No.	GENERAL ELECTRIC PART No.	INTERNATIONAL RECTIFIER PART No.	MOTOROLA PART No.	RCA PART No.	SYLVANIA PART No.
Q1	DS-51	RF Amp	DS-25	GE-9	TR-06	HEP639	SK3008	ECG 126
Q2	DS-25	Converter	DS-25	GE-9	TR-06	HEP639	SK3008	ECG 126
Q3	DS-25	IF Amp	DS-25	GE-9	TR-06	HEP639	SK3008	ECG 126
Q4	DS-67	AF Amp	DS-66	GE-10	TR-21	HEP54	SK3020	ECG 123
Q5	DS-67	AF Amp	DS-66	GE-10	TR-21	HEP54	SK3020	ECG 123
Q6	DS-503	Output (1)	DS-503	GE-3	TR-01	HEP232	SK3009	ECG 104

(1) When replacing, apply silicone grease to both sides of insulator. Tighten mounting screws securely.

POWER RECTIFIERS & SIGNAL DIODES

ITEM No.	MFR. PART OR TYPE No.	REPLACEMENT RECTIFIERS & DIODES			REPLACEMENT RECTIFIERS	NOTES
		GENERAL ELECTRIC PART No.	INTERNATIONAL RECTIFIER PART No.	SYLVANIA PART No.	RCA PART No.	
X1	DS-27	1N34AS	1N34A	ECG 109		
X2	DS-27	1N34AS	1N34A	ECG 109		
X3	DS-27	1N34AS	1N34A	ECG 109		

ELECTROLYTIC CAPACITORS

ITEM No.	RATING	REPLACEMENT DATA						
		PART No.	AEROVOX PART No.	CENTRALAB PART No.	CORNELL-DUBILIER PART No.	GENERAL ELECTRIC PART No.	MALLORY PART No.	SPRAGUE PART No.
C1A	850 16V	7310185			D00009A			
B	400 16V							
C	250 2V							
D	4 11.5V rms							
C2	30 6V	7296313	CRE413A	EA6-25	AL30-6	MT1-13	MTA30D15	TL-1093
C3	3 12V	7296348	PTT127	EA15-2	AL3-150	MT1-3	MTA30D50	TE-1122

CAPACITORS

ITEM No.	RATING	REMARKS	REPLACEMENT DATA					
			AEROVOX PART No.	CENTRALAB PART No.	CORNELL-DUBILIER PART No.	ELMENCO PART No.	MALLORY PART No.	SPRAGUE PART No.
C10		#7294355	TTP-05	CK-503	MGP05	CCD-503	TA150	TGL-S50
C11	.07		TTP-05	CK-503	MGP05	CCD-503	TA150	TGL-S50
C12	.07							
C13		#7287935	N750-D1	DTN-200	CV601UJ2D1K	CCTN-201	CN7301	10TCU-T20
C14	200 N750		DBE6D33	CPR-3300J	WMF1D33	6DP-1-332	PVC6233	6PS-D33
C15	.0033 75V		TTP-02	CK-203	MGP02	CCD-203	TA120	TG-S20
C16	.022 75V		DBE6D5	CPR-5000J	DPMS6D5	TDP-1-502	PVC625	6PS-D50
C17	.0047 75V							
C18		#7282165						
C19	330 N180					*	*	
C20	.07		TTP-05	CK-503	MGP05	CCD-503	TA150	TGL-S50
C21	.07		TTP-05	CK-503	MGP05	CCD-503	TA150	TGL-S50
C22	180 N80					*	*	10TCN-T18
C23	.001		GPD X5F102K	DM-102	GP1000	CCD-102	SM210	2SS-D10
C24	.001		GPD X5F102K	DM-102	GP1000	CCD-102	SM210	2SS-D10
C25	.0082 75V		DBE6D82	CPR-8200J	WMF1S82	6DP-2-822	PVC6282	6PS-D82
C26	.1		TTP-1	CK-104			TA010	TG-P10
C27	.15 75V		DBE6P15		DPMS4P15	4DP-4-154	PVC6015	4PS-P15
C28	.002		GPD X5F202K	DM-202	GP2000	CCD-202	GP220	2SS-D20
C29	.015 75V		V1612S15	DD-153	DPMS6S15	TDP-1-153	PVC2115	225P15391WD3
C30		#7271564						

* Not normally in distributor's stock. Available thru distributor on order to manufacturer.

Delco Part Number.

PARTS LIST AND DESCRIPTION (CONTINUED)

(When ordering parts, state Model, Part Number, and Description.)

Replacement parts shown may be superseded by the availability of newly introduced replacements.
Have your local distributor check Sams COUNTER FACTS* for the most up-to-date replacement.

CONTROLS (All wattages 1/2 watt, or less, unless listed)

ITEM No.	FUNCTION	RESISTANCE	REPLACEMENT DATA				
			MFGR. PART No.	CENTRALAB PART No.	CLAROSTAT PART No.	CTS-IRC PART No.	MALLORY PART No.
R1A B	Tone Volume/Switch	40K 20K Tap @ 5500	7307760 (2)	F1-50K,R14-25K, FFS101,RFS109, BB014,SB004, KR-4		QJ-2580A *	P54L, 4100,SH41, RU24T14,OX1000A, IS1500,US41
A B	Tone Volume/Switch	100K 20K Tap @ 5500	7298498 (3)	F2-100K,R14-25K, FFS100,RFS107, BB014,SB004, KR-4		QJ-2342A **	P15A, 4034,SH41, RU24T14,OX937A, IS1437,US41

* "CONCENTRIKIT" Equivalent: K-8 Kit with base elements & shafts: B11-123,P22-100 (Panel),B19-119X,R9-115 (Rear), S6 (1) (Bushing), N4 (Nut), 76-1 (Switch)

"SNAPTROL" Equivalent: BUB (1),CF12,CR50T,SF6,SR7,N4,GC

** "CONCENTRIKIT" Equivalent: K-8 Kit with base elements & shafts: B13-128, P21-029 (Panel),B19-119X,R1-108 (Rear), S6 (1) (Bushing), N4 (Nut), 76-1 (Switch)

"SNAPTROL" Equivalent: BUB (1), CF52, CR50T, SF5, SR5, N4, GC

(1) Alter Bushing and adjust spacer nut (N4) to meet requirements.
(2) Used in Models 01APB1, 01APB2 & 01FPB1. (3) Used in Models 01TPB1 & 01TPB2.

RESISTORS (Power and Special)

ITEM No.	RATING	REPLACEMENT DATA	
		WORKMAN PART No.	MFGR. PART No.
R29	.68 (Fusible)		7287480

ITEM No.	RATING	REPLACEMENT DATA	
		WORKMAN PART No.	MFGR. PART No.

COILS (RF-IF)

ITEM No.	USE	REPLACEMENT DATA			
		PART No.	MEISSNER PART No.	MILLER PART No.	WORKMAN PART No.
L1	RF Choke (6.2uh)	7281946	19-1004	4610	T859
L2	Antenna	(1)			
L3	RF	(1)			
L4	Osc	(1)			
L5	Input IF	1221856	16-6704	6542	TA653
L6	Output IF	1221857	16-6705	6543	TA653

(1) Part of M1.

FILTER CHOKE

ITEM No.	RATINGS			REPLACEMENT DATA					NOTES
	CURRENT (Measured)	DC RES.	INDUCTANCE (0 CURRENT 1000~)	PART No.	MERIT PART No.	STANCOR PART No.	THORDARSON PART No.	TRIAD PART No.	
L7	1 Amp	.6	8mh	1221623	C-4095	TC-2			

TRANSFORMER (Audio Output)

ITEM No.	IMPEDANCE		REPLACEMENT DATA					NOTES
	PRI.	SEC.	MFGR.	MERIT	STANCOR	THORDARSON	TRIAD	
			PART No.	PART No.	PART No.	PART No.	PART No.	
T1	12 Tap	@ 10	7304511					

CHEVROLET MODELS 01APB1/2, 01FPD1, 01TPB1/2

PARTS LIST AND DESCRIPTION (CONTINUED)

(When ordering parts, state Model, Part Number, and Description.)

Replacement parts shown may be superseded by the availability of newly introduced replacements.
Have your local distributor check Sams COUNTER FACTS[®] for the most up-to-date replacement.

SPEAKER

ITEM No.	TYPE	REPLACEMENT DATA		NOTES
		MFR. PART No.	QUAM PART No.	
SP1	4" x 10" PM	10 ohms	7313791	Used in: Chevy II, Acadian Used in: Camaro Used in: Chevelle, Monte Carlo Used in: Chev. Van, Handi Van Used in: GMC, Chevy Truck
	4" x 10" PM	10 ohms	7313541	
	6" x 9" PM	10 ohms	7312681	
	6" x 9" PM	10 ohms	1222814	
	4" x 10" PM	10 ohms	7311451	
			69A1Z10	

FUSE DEVICES

ITEM No.	DESCRIPTION	REPLACEMENT DATA						
		PART No.		BUSS PART No.		LITTELFUSE PART No.		WORKMAN PART No.
		DEVICE	HOLDER	DEVICE	HOLDER	DEVICE	HOLDER	DEVICE
F1	3AG 10 Amp		In Fuse Block	AGC10		311010		

MISCELLANEOUS

ITEM No.	PART NAME	PART No.	NOTES
M1	Tuner Coil Assembly	7287957	

CABINETS & CABINET PARTS (When ordering specify model, chassis & color)

ITEM	MODEL	PART No.	ITEM	MODEL	PART No.
Escutcheon	01APB1	7307757	Knob, Tuning or Volume	01TPB1	1991073
Escutcheon	01TPB1	7309086	Knob, Tone	01APB1	3954239
Dial Glass	01APB1	7313480	Knob, Tone	01TPB1	3898687
Dial Glass	01TPB1	7299045	Knob, Tone	01FPB1	3976332
Dial Pointer	01APB1	7307763	Knob, Dummy	01APB1	3954240
Dial Pointer	01TPB1	1221816	Knob, Dummy	01TPB1	3898688
Push Button	01APB1	7306391	Knob, Dummy	01FPB1	3973674
Push Button	01TPB1	7300984	Escutcheon	01FPB1	7933566
Knob, Tuning or Volume	01APB1, 01FPB1	3954238	Dial Glass	01FPB1	7933314

WIRING DATA

General-use Unshielded Hook-up Wire	Use BELDEN No. 8530 (Solid) Available in 12 Colors 8524 (Stranded) Available in 12 Colors
Shielded Hook-up Wire	Use BELDEN No. 8885
Rear Seat Speaker Extension Cable	Use BELDEN No. B782 (Stranded) Coded Parallel Leads
Bonding Strap	Use BELDEN No. B661 (3/8 In.) or 8670 (3/4 In.)

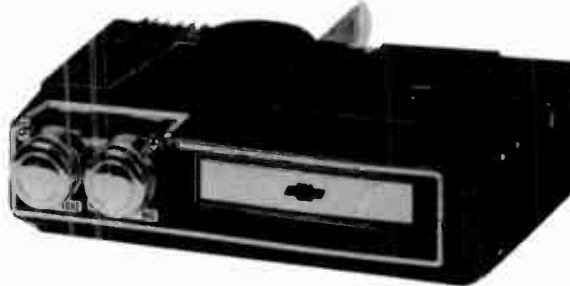


PHOTOFACT[®] with

CIRCUITRACE[™]

For Supplier Address See PHOTOFACT Index

NOTE: Manufacturer Part Numbers Shown Are UNITED DELCO



CHEVROLET MODEL 01BT411
(70 Acadian,
Camaro, Chevelle,
Chevrolet, Chevy II,
Monte Carlo)
(8-Track Stereo Player)

CHEVROLET MODEL 01BT411

OPERATING INSTRUCTIONS

Insert cartridge until it locks and turns unit on.

Set operating controls as desired.

Press program selector to play desired tracks, or allow unit to select tracks automatically.

Remove cartridge to turn unit off.

CLEANING

Clean all tape contact surfaces with a soft, lint-free material and head cleaner or alcohol. Use alcohol to remove oil and grease from all driving surfaces.

LUBRICATING

Lubricate bearings and bushings lightly with #20 machine oil. Use a light film of non-hardening grease on cam surfaces.

HEAD DEMAGNETIZING

Demagnetize head when unit is serviced. Avoid using magnetic materials near head.

HOWARD W. SAMS & CO., INC. Indianapolis, Indiana 46206

© 1970 Howard W. Sams & Co., Inc. Printed in U. S. of America

TD791

TROUBLE CHART

SYMPTOM	REMARKS
Capstan does not rotate.	Belt (1) dirty, worn, or broken. Assembly (10) binding. Motor defective or not supplied with power.
Track-shift mechanism inoperative.	Switch (S2) dirty Cam (3) binding or worn. Pawl (4) worn. Arm (6) binding. Solenoid (M3) defective or not supplied with power. Cartridge defective. Lower cam bearing installed too deeply in casting. Assembly (14) binding or worn.
Wow or Flutter.	Belt (1) dirty or worn. Capstan dirty or binding. Cartridge defective. Motor defective. Speed regulator circuit defective.
Sound weak or distorted.	Head dirty, misaligned, or defective. Cartridge defective. Amplifiers defective.
Tape is pulled from cartridge.	Cartridge defective. Capstan dirty or scored.

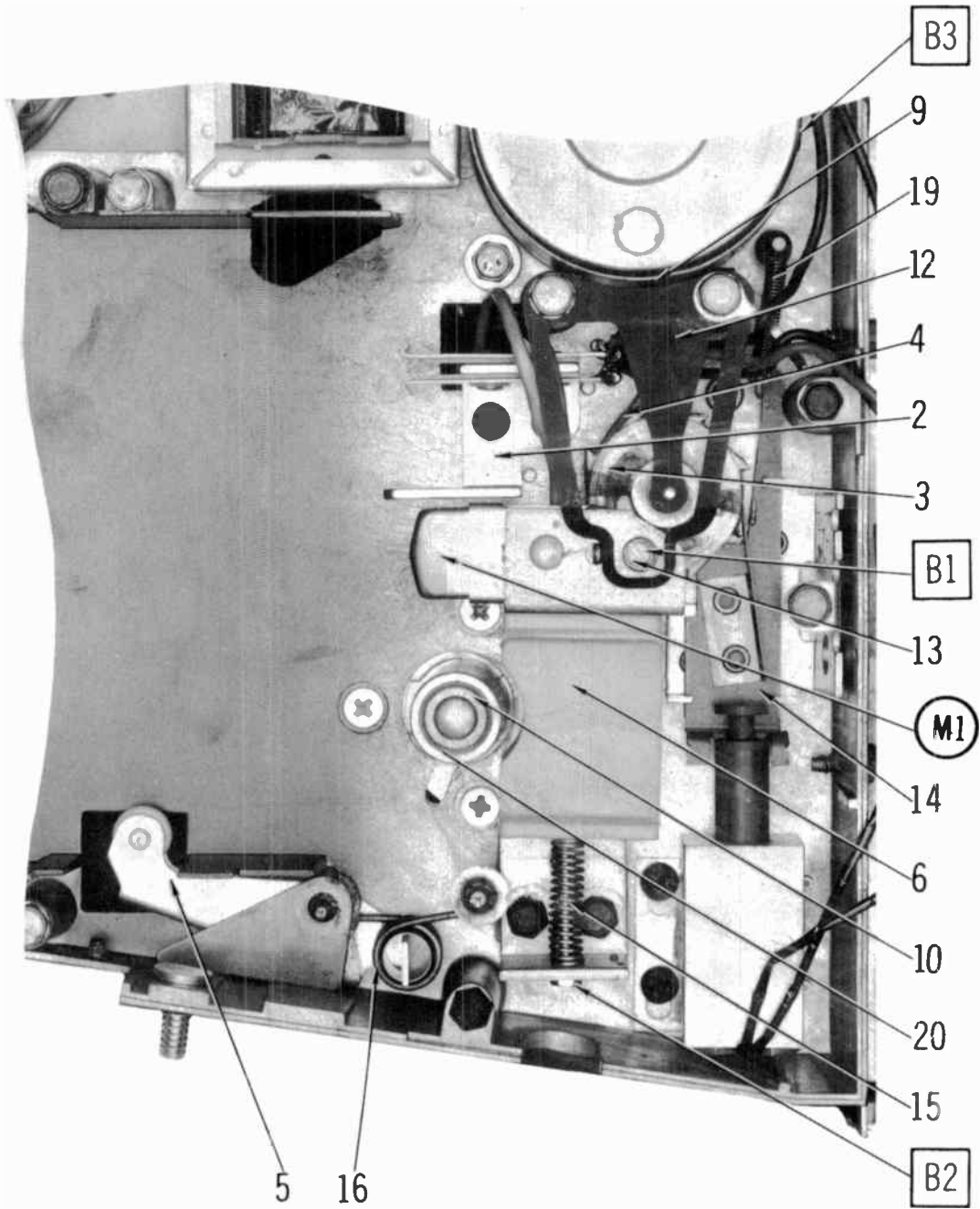
ADJUSTMENTS

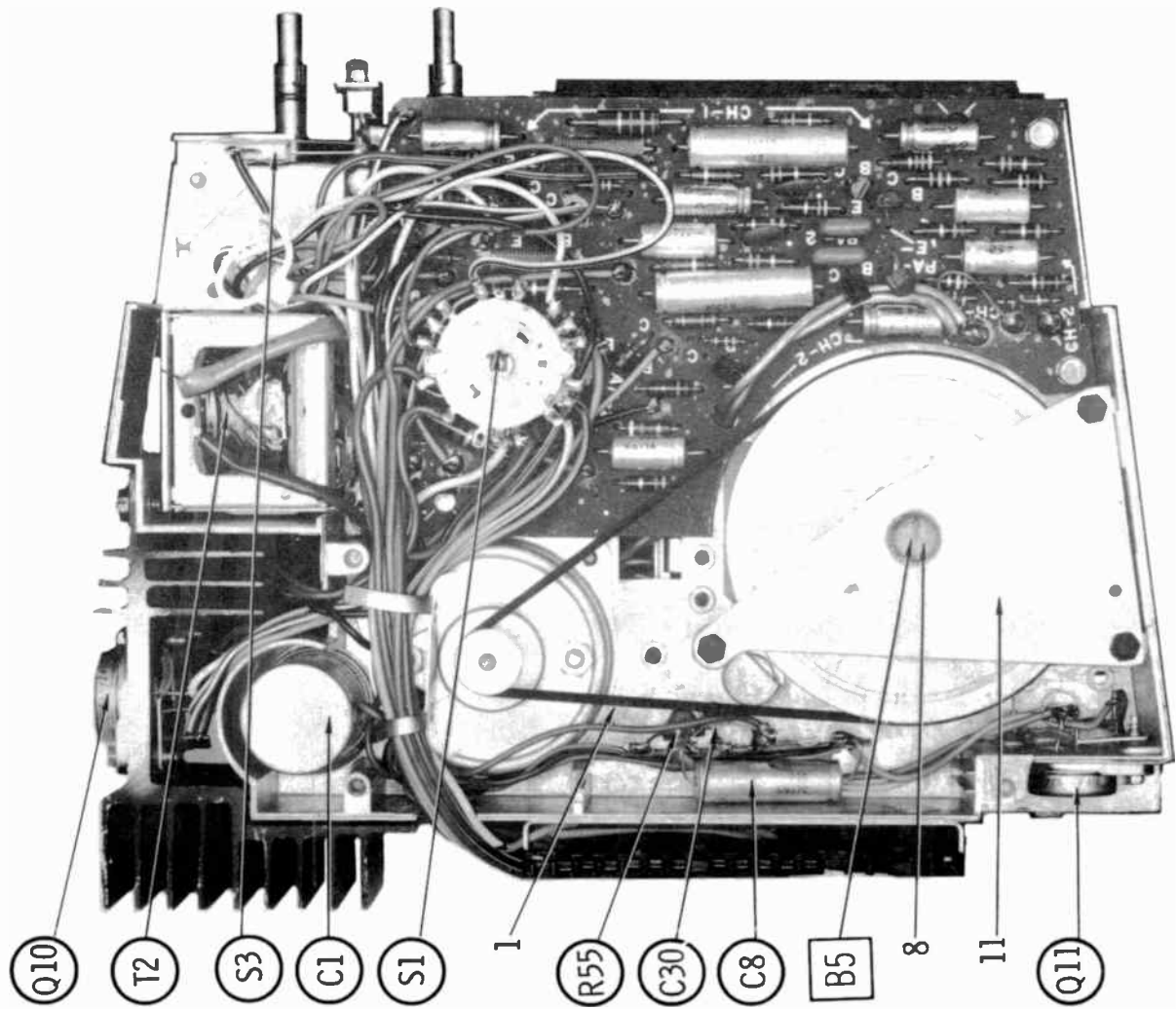
ADJUST	REMARKS
Head Height	Play a test cartridge, follow instructions with cartridge, and adjust B1 for proper response.
Head Azimuth	Connect an AC VTVM across right output. Play a test cartridge and adjust B2 for maximum.
Motor Speed	Play a test cartridge with a timed-interval track, follow instructions with cartridge, and adjust B3 for correct interval between tones. (Make only a slight adjustment before rechecking speed.)
Flywheel Play	Adjust B5 for a slight vertical play of flywheel.
Hum Reduction	Rotate motor for MINIMUM hum and position Shield (9) for MINIMUM hum.
Solenoid Position	Loosen the solenoid mounting screws and position the solenoid until the finger on Slide (14) clears the tooth on Cam (3) by 1/32 inch when the solenoid plunger is fully retracted.

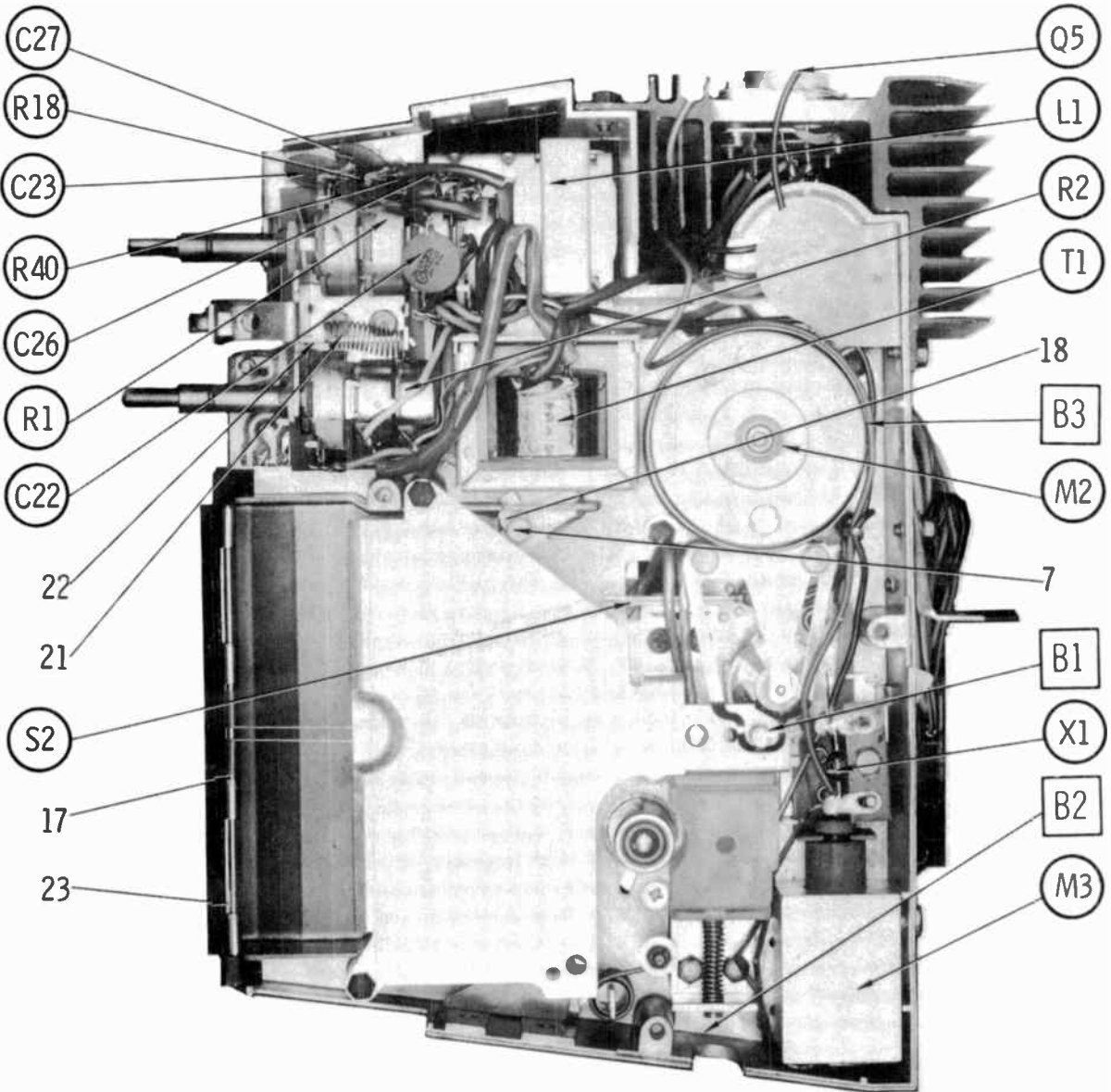
MECHANICAL PARTS LIST

REF. NO.	PART NO.	DESCRIPTION	REF. NO.	PART NO.	DESCRIPTION
1*	7304589*	Belt* (2 used)	11	7304224	Thrust Bearing Plate
2	7313343	Tape Guide Assembly	12	7304249	Retainer Assembly
3	7310096	Cam Assembly	13	1222949	Head Height Adjustment Screw
4	7304226	Pawl	14	7313405	Slide Assembly
5	7305877	Cartridge Lock Arm Assembly	15	7304444	Azimuth Adjust Tension Spring
6	7305875	Head and Parallelogram Arm Assembly	16	7304222	Cartridge Arm Lock Spring
7	1222969	Switch Arm Assembly	17	7307337	Cartridge Door Spring
8	7304225	Nylon Capstan Thrust Bearing	18	7304234	Switch Return Spring
9	7306985	Motor Shield	19	7307309	Slide Return Spring
10	7304935	Capstan, Flywheel, and Bearing Assembly	20	7304796	Tape Stripper
			21	7305424	Program Selector Return Spring
			22	7306509	Program Pushbar Assembly
			23	7306016	Door Hinge Pin

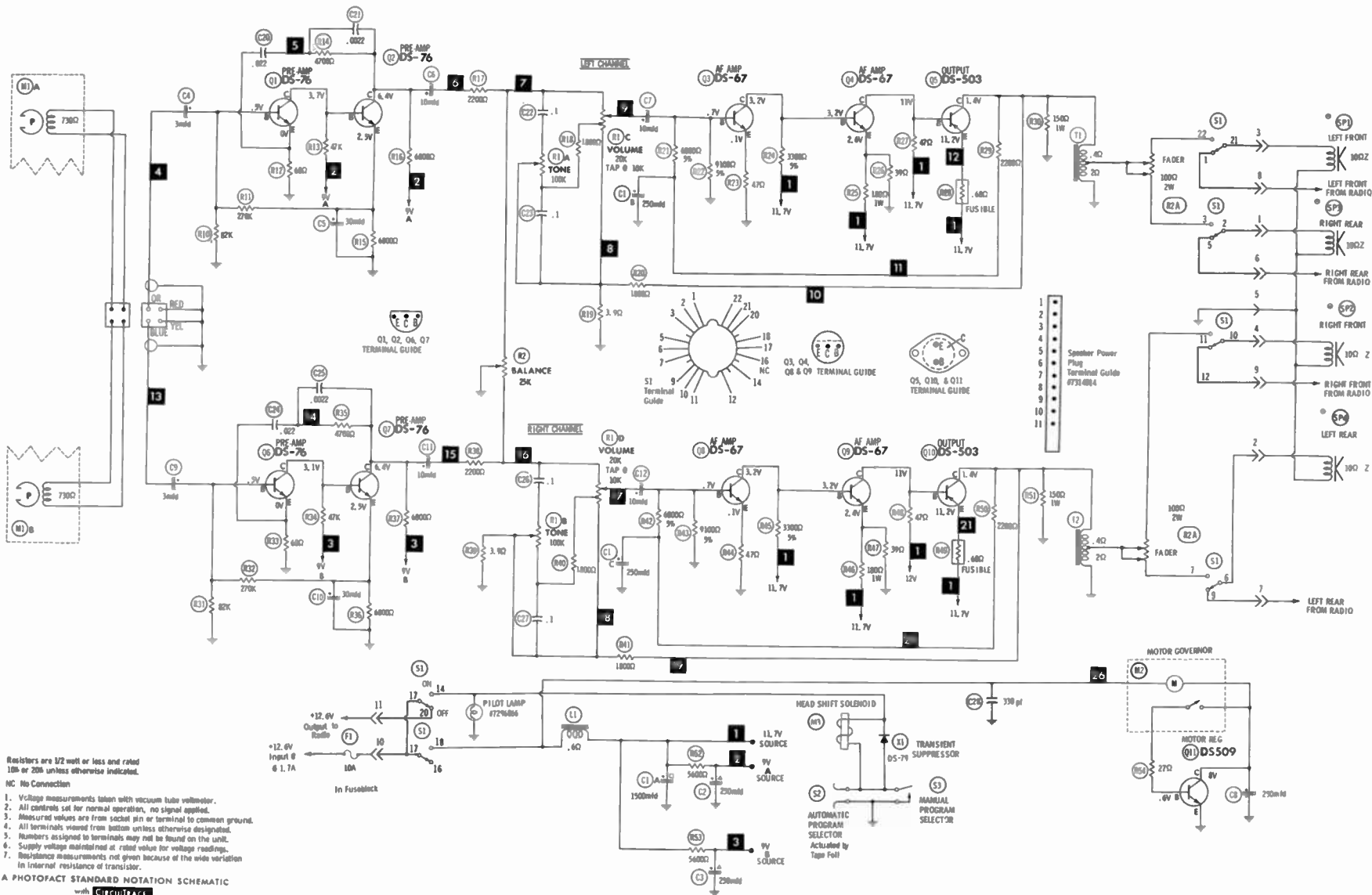
* Belt - WALSCO Part No. 1499-33 (Replace both belts).







NOTE: DEMAGNETIZE HEADS AFTER SERVICING

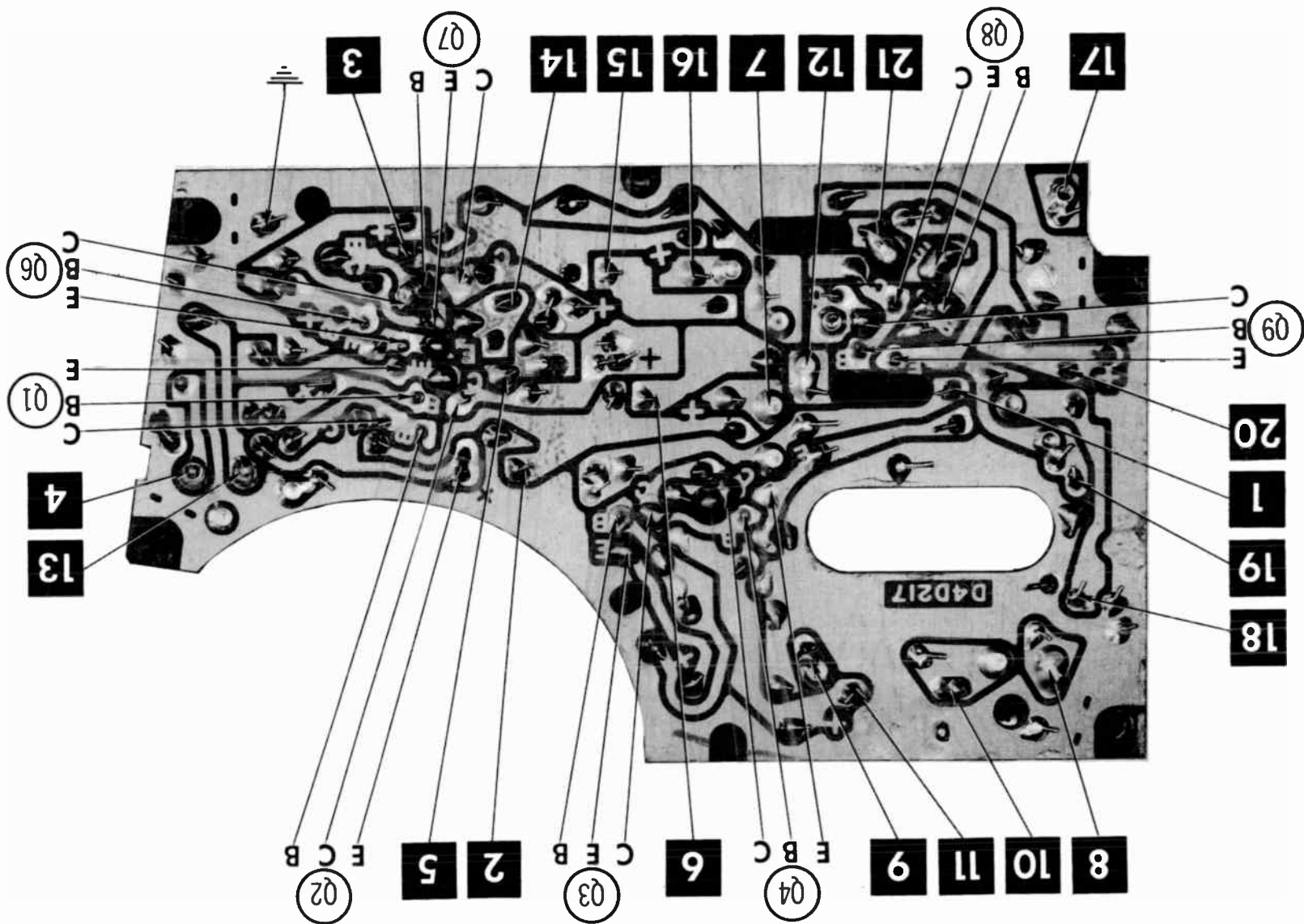


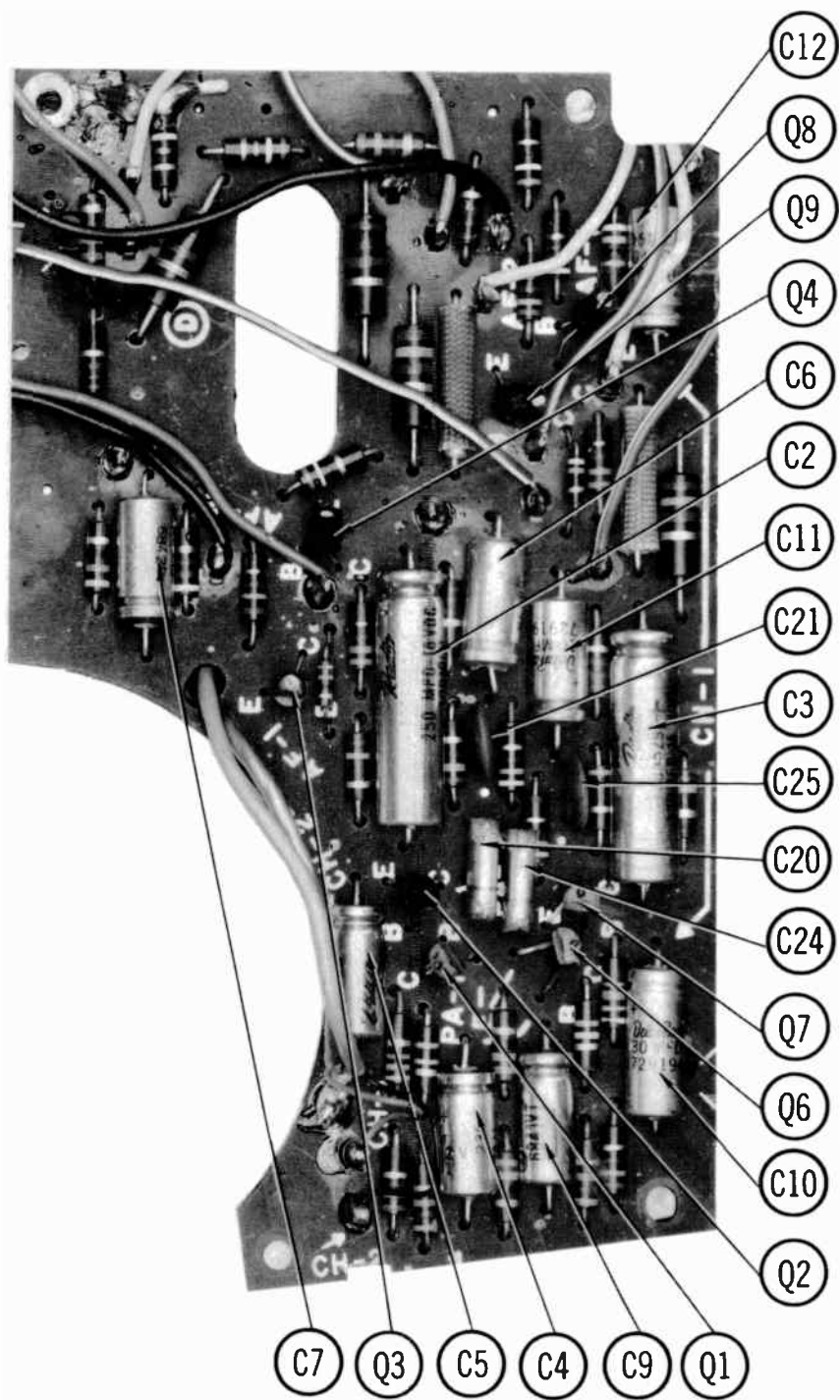
- Resistors are 1/2 watt or less and rated 10% or 20% unless otherwise indicated.
 NC: No Connection
1. Voltage measurements taken with vacuum tube voltmeter.
 2. All controls set for normal operation, no signal applied.
 3. Measured values are from socket pin or terminal to common ground.
 4. All terminals viewed from bottom unless otherwise designated.
 5. Numbers assigned to terminals may not be found on the unit.
 6. Supply voltage maintained at rated value for voltage readings.
 7. Resistance measurements not given because of the wide variation in internal resistance of transistor.

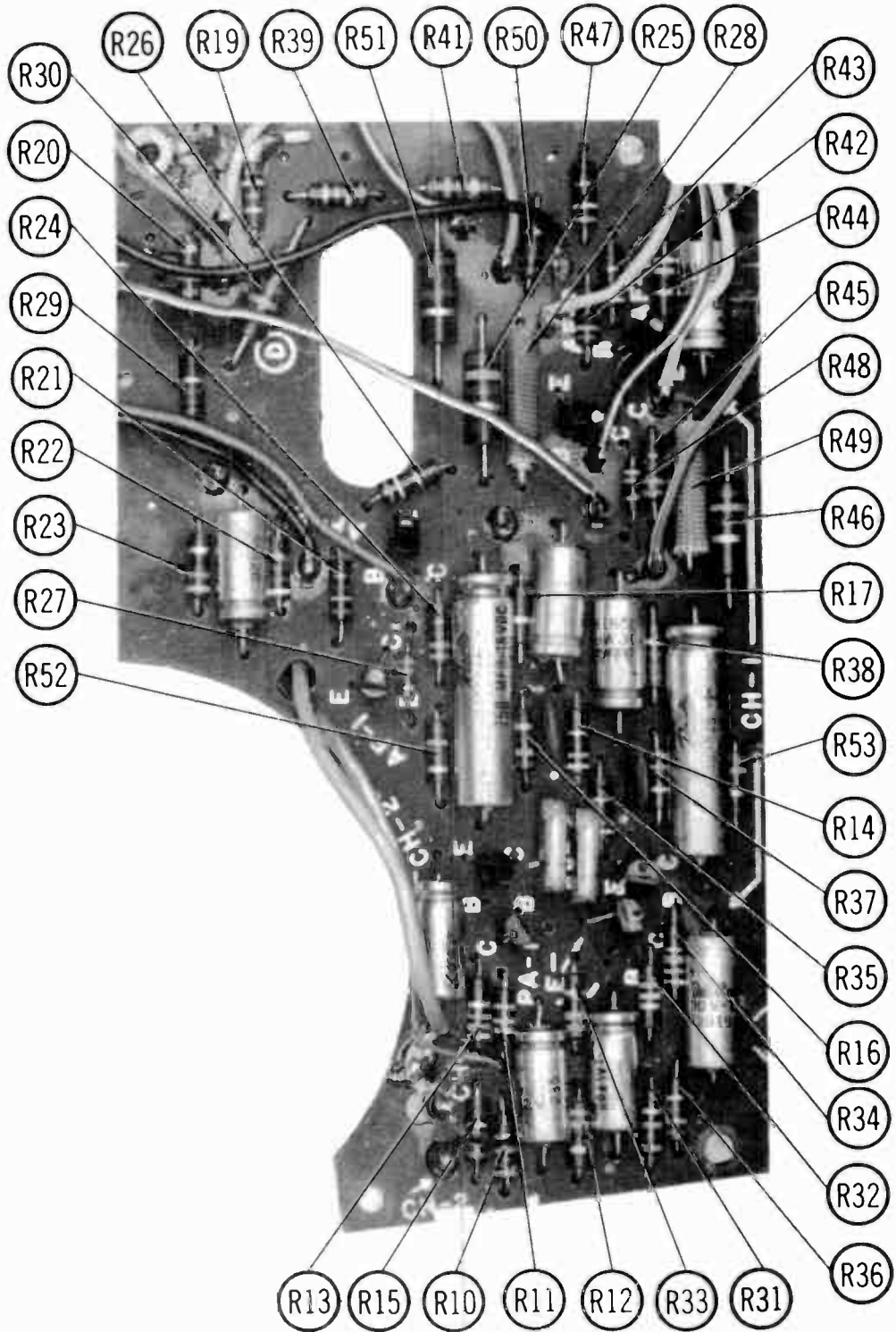
A PHOTOFACIT STANDARD NOTATION SCHEMATIC with CIRCUITRACE

© Howard W. Sams & Co., Inc. 1970

CHEVROLET MODEL 01B7411







PARTS LIST AND DESCRIPTION

(When ordering parts, state Model, Part Number, and Description.)

Replacement parts shown may be superseded by the availability of newly introduced replacements.
Have your local distributor check Sams COUNTER FACTS' for the most up-to-date replacement.

WIRING DATA

General-use Unshielded Hook-up Wire	Use BELDEN No. 8530 (Solid) Available in 12 Colors 8524 (Stranded) Available in 12 Colors
Shielded Hook-up Wire	Use BELDEN No. 8885
Rear Seat Speaker Extension Cable	Use BELDEN No. 8782 (Stranded) Coded Parallel Leads
Bonding Strap	Use BELDEN No. 8661 (3/8 In.) or 8670 (3/4 In.)

TRANSISTORS

ITEM No.	TYPE No.	FUNCTION	REPLACEMENT DATA					
			MFGR. PART No.	GENERAL ELECTRIC PART No.	INTERNATIONAL RECTIFIER PART No.	MOTOROLA PART No.	RCA PART No.	SYLVANIA PART No.
Q1	DS-76	Preamp	DS-76	GE-10	TR-21	HEP53	SK3020	ECG 123
Q2	DS-76	Preamp	DS-76	GE-10	TR-21	HEP53	SK3020	ECG 123
Q3	DS-67	AF Amp	DS-66	GE-10	TR-21	HEP54	SK3020	ECG 123
Q4	DS-67	AF Amp	DS-66	GE-10	TR-21	HEP54	SK3020	ECG 123
Q5	DS-503	Output (1)	DS-503	GE-3	TR-01	HEP232	SK3009	ECG 104
Q6	DS-76	Preamp	DS-76	GE-10	TR-21	HEP53	SK3020	ECG 123
Q7	DS-76	Preamp	DS-76	GE-10	TR-21	HEP53	SK3020	ECG 123
Q8	DS-67	AF Amp	DS-66	GE-10	TR-21	HEP54	SK3020	ECG 123
Q9	DS-67	AF Amp	DS-66	GE-10	TR-21	HEP54	SK3020	ECG 123
Q10	DS-503	Output (1)	DS-503	GE-3	TR-01	HEP232	SK3009	ECG 104
Q11	DS-509	Motor Regulator (1)	DS-509	GE-14	TR-26	HEP704	SK3036	ECG 130

(1) When replacing, apply silicone grease to both sides of insulator. Tighten mounting screws securely.

POWER RECTIFIERS & SIGNAL DIODES

ITEM No.	MFGR. PART OR TYPE No.	REPLACEMENT RECTIFIERS & DIODES			REPLACEMENT RECTIFIERS	NOTES
		GENERAL ELECTRIC PART No.	INTERNATIONAL RECTIFIER PART No.	SYLVANIA PART No.	RCA PART No.	
X1	DS-79					

ELECTROLYTIC CAPACITORS

ITEM No.	RATING	REPLACEMENT DATA						
		PART No.	AEROVOX PART No.	CENTRALAB PART No.	CORNELL-DUBILIER PART No.	GENERAL ELECTRIC PART No.	MALLORY PART No.	SPRAGUE PART No.
C1A	1500 16V	7310473						
B	250 16V							
C	250 16V							
C2	250 16V	7307357	PRS1210	EA15-250	WBR250-50	QT1-28	MTA250F15	TE-1165
C3	250 16V	7307357	PRS1210	EA15-250	WBR250-50	QT1-28	MTA250F15	TE-1165
C4	3 12V	7291860	PTT127	EA15-5	AL3-150	MT1-3	MTA3D50	TE-1122
C5	30 6V	7296313	CRE413A	EA6-25	AL30-6	MT1-13	MTA30D15	TL-1093
C6	10 12V	7292738	PTT114	EA15-10	AL10-15	MT1-5	MTA10D35	TL-1128
C7	10 12V	7292738	PTT114	EA15-10	AL10-15	MT1-5	MTA10D35	TL-1128
C8	250 16V	7307357	PRS1210	EA15-250	WBR250-50	QT1-28	MTA250F15	TE-1165
C9	3 12V	7291860	PTT-127	EA15-5	AL3-150	MT1-3	MTA3D50	TE-1122
C10	30 6V	7296313	CRE413A	EA6-25	AL30-6	MT1-13	MTA30D15	TL-1093
C11	10 12V	7292738	PTT114	EA15-10	AL10-15	MT1-5	MTA10D35	TL-1128
C12	10 12V	7292738	PTT114	EA15-10	AL10-15	MT1-5	MTA10D35	TL-1128

PARTS LIST AND DESCRIPTION (CONTINUED)

(When ordering parts, state Model, Part Number, and Description.)

Replacement parts shown may be superseded by the availability of newly introduced replacements.
Have your local distributor check Sams COUNTER FACTS* for the most up-to-date replacement.

CAPACITORS

ITEM No.	RATING	REMARKS	REPLACEMENT DATA					
			AEROVOX PART No.	CENTRALAB PART No.	CORNELL-DUBILIER PART No.	ELMENCO PART No.	MALLORY PART No.	SPRAGUE PART No.
C20	.022 75V		V1612S22		DPMS6S22	1DP-1-223	PVC1122	225P22391WD3
C21	.0022		GPD X5F222K	DD-222	GP2200	CCD-222	GP222	10TS-D22
C22	.1		TTP-1	CK-104			TA010	TG-P10
C23	.1		TTP-1	CK-104			TA010	TG-P10
C24	.022 75V		V1612S22		DPMS6S22	1DP-1-223	PVC1122	225P22391WD3
C25	.0022		GPD X5F222K	DD-222	GP2200	CCD-222	GP222	10TS-D22
C26	.1		TTP-1	CK-104			TA010	TG-P10
C27	.1		TTP-1	CK-104			TA010	TG-P10
C28	.330		GPD X5F331K	DD-331	GP330	CCD-331	GP333	10TS-T33

CONTROLS (All wattages 1/2 watt, or less, unless listed)

ITEM No.	FUNCTION	RESISTANCE	REPLACEMENT DATA				
			MFGR. PART No.	CENTRALAB PART No.	CLAROSTAT PART No.	CTS-IRC PART No.	MALLORY PART No.
R1A	Tone	100K	7305970				
B	Tone	100K					
C	Volume	20K Tap @ 10K					
D	Volume	20K Tap @ 10K					
R2A	Balance	25K	7305971				
B	Fader	100 ohms					
C	Fader	2 Watt 100 ohms					

RESISTORS (Power and Special)

ITEM No.	RATING	REPLACEMENT DATA	
		WORKMAN PART No.	MFGR. PART No.
R28	.68 Ohms (Fusible)		7287480

ITEM No.	RATING	REPLACEMENT DATA	
		WORKMAN PART No.	MFGR. PART No.
R49	.68 ohms (Fusible)		7287480

FILTER CHOKE

ITEM No.	RATINGS			REPLACEMENT DATA					NOTES
	CURRENT (Measured)	DC RES.	INDUCTANCE (0 CURRENT 1000~)	PART No.	MERIT PART No.	STANCOR PART No.	THORDARSON PART No.	TRIAD PART No.	
L1	1.7 Amp	.6 ohms	8mh	1221623	C4095	TC-2	TR-154	TY17XT	

TRANSFORMER (Audio Output)

ITEM No.	IMPEDANCE		REPLACEMENT DATA					NOTES
	PRI.	SEC.	MFGR. PART No.	MERIT PART No.	STANCOR PART No.	THORDARSON PART No.	TRIAD PART No.	
T1	12 ohms	@ 10 ohms	7304511					
T2	12 ohms	@ 10 ohms	7304511					

CHEVROLET MODEL 01B1411

PARTS LIST AND DESCRIPTION (CONTINUED)

(When ordering parts, state Model, Part Number, and Description.)

Replacement parts shown may be superseded by the availability of newly introduced replacements.
Have your local distributor check Sams COUNTER FACTS for the most up-to-date replacement.

SPEAKER

ITEM No.	TYPE	REPLACEMENT DATA		NOTES
		MFR. PART No.	QUAM PART No.	
SP1	4" X 6" PM 10 ohms	7313131	46A1Z10	Left Front: Used in Monte Carlo Left Front: Used in Chevelle Left Front: Used in Chevelle Left Front: Used in ChevyII, Acadian, Camaro, & Chevrolet
	4" X 6" PM 10 ohms	7313141	46A1Z10	
	4" X 6" PM 10 ohms	7314071	46A1Z10	
	4" X 6" PM 10 ohms	1222940	46A1Z10	
SP2	4" X 6" PM 10 ohms	7313151	46A1Z10	Right Front: Used in Chevelle, Monte Carlo Right Front: Used in Chevrolet Right Front: Used in Chevy II, Acadian, Camaro, & Chevrolet
	3" X 6" PM 10 ohms	7314071	46A1Z10	
	4" X 6" PM 10 ohms	1222940	46A1Z10	
SP3	6" X 9" PM 10 ohms	7313011	69A2MT	Left Rear: Used in Sedans, Chevrolet, Camaro, Monte Carlo, Chevelle, Chevy II, & Acadian
	4" X 10" PM 10 ohms	7313121	410A2Z10	
SP4	4" X 10" PM 10 ohms	7313161	410A2Z10	Left Rear: Used in Chevrolet Station Wagon Left Rear: Used in Chevelle Station Wagon Left Rear: Used in Caprice Right Rear: Used in Sedans, Chevrolet, Camaro, Monte Carlo, Chevelle, Chevy II, & Acadian Right Rear: Used in Chevrolet Station Wagon Right Rear: Used in Chevelle Station Wagon Right Rear: Used in Caprice
	6" X 9" PM 10 ohms	7313101	69A2MT	
	6" X 9" PM 10 ohms	7313011	69A2MT	
	4" X 10" PM 10 ohms	7313121	410A2Z10	
	4" X 10" PM 10 ohms	7313161	410A2Z10	
	6" X 9" PM 10 ohms	7313101	69A2MT	

FUSE DEVICES

ITEM No.	DESCRIPTION	REPLACEMENT DATA						
		PART No.		BUSS PART No.		LITTELFUSE PART No.		WORKMAN PART No.
		DEVICE	HOLDER	DEVICE	HOLDER	DEVICE	HOLDER	DEVICE
F1	3AG 10 Amp		In Fuse Block	AGC10		311010		

TAPE HEADS

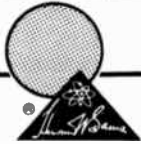
ITEM No.	MEASURED			PART No.	NORTRONICS PART No.	DESCRIPTION
	INDUCTANCE	BIAS/ERASE VOLTS (RMS)	BIAS FREQ.			
M1	380mh			7305875	5800 (1)	8-Track Stereo Play

MISCELLANEOUS

ITEM No.	PART NAME	PART No.	NOTES
M2	Motor	7306712	
M3	Solenoid	1222985	
S1	Switch, Power	7309849	
S2	Switch, Automatic		
S3	Program Selector	7313343	
	Switch, Manual		
	Program Selector	7313402	

CABINETS & CABINET PARTS (When ordering specify model, chassis & color)

ITEM	PART No.	ITEM	PART No.
Tape Door	1222823	Escutcheon	7305556
Knob - Volume or Fader	7306516	Indicator Trim Plate Assembly	7306512
Knob - Tone or Balance	7306090	Program Selector Button	7306509

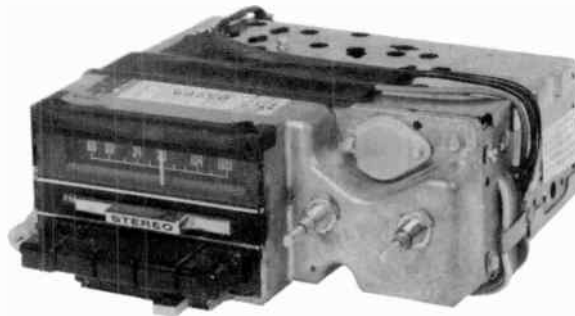


PHOTOFACT[®] with

CIRCUITRACE[®]

For Supplier Address See PHOTOFACT Index

NOTE: Manufacturer Part Numbers Shown Are BENDIX



FORD MODEL 9FBS
(C9SA-19A241)
(Thunderbird)

ALIGNMENT INSTRUCTIONS

Check for specified source voltage.

Use only enough generator output to provide a usable indication.

Suggested Alignment Tools: GENERAL CEMENT # WALSCO #

A1 thru A4, A11 thru A22 .. 9300,9296,9297.. 2510,2546,2547

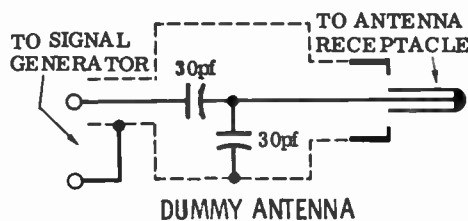
A5, A6, A7, A23,A24, A25 .. 8290,8868,9087.. 2525,2528,2587

PUSH-BUTTON ADJUSTMENT

1. Pull button out.
2. Tune manually to desired station.
3. Press button in firmly.
4. Repeat for remaining buttons.

	GENERATOR COUPLING	GENERATOR FREQUENCY	RADIO DIAL SETTING	INDICATOR	ADJUST	REMARKS
1.	High side thru .1mfd to point \diamond A , low side to ground.	262.5KC 400 cycle modulation	High freq. end stop.	Output meter across voice coil.	A1,A2, A3,A4	Adjust for maximum.
2.	Thru dummy antenna to antenna input.	1605KC	"	"	A5,A6, A7	"
Step 3 is not necessary unless tuner or associated components have been disturbed. If necessary, back tuning cores (A8,A9,A10) out of coils but not out of forms. Repeat Step 2.						
3.	Thru dummy antenna to antenna input.	1000KC	Tune to signal	Output meter across voice coil	A8,A9, A10	Adjust for maximum. Repeat Steps 2 and 3 until no further improvement is noted

With radio installed in car and antenna extended 33", tune in a weak station near 1400KC and adjust A7 for maximum output. Antenna adjustment (A7) is located lower Front Right Corner.



FORD MODEL 9FBS

HOWARD W. SAMS & CO., INC. Indianapolis, Indiana 46206

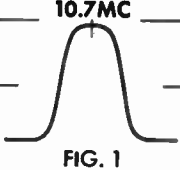
© 1970 Howard W. Sams & Co., Inc. Printed in U. S. of America

TD766

ALIGNMENT INSTRUCTIONS (Continued)

FM IF ALIGNMENT USING AM SIGNAL GENERATOR—SELECTOR IN FM POSITION

High side of generator thru .001mfd to point $\diamond B$, low side to ground.					
GENERATOR FREQUENCY	RADIO DIAL SETTING	INDICATOR	ADJUST	REMARKS	
4.	10.7MC Unmodulated	Point of non-interference	DC probe of VTVM to point $\diamond C$, common to ground.	A11 Thru A20	Adjust for maximum.
5.	"	"	DC probe of VTVM to point $\diamond D$, common to ground.	A21	Adjust for zero reading. A positive or negative reading will be obtained on either side of the correct setting.

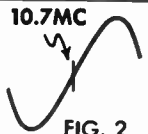


FM IF ALIGNMENT USING FM SIGNAL GENERATOR—SELECTOR IN FM POSITION

High side of generator thru .001mfd to point $\diamond B$, low side to ground. Use only enough marker signal for indication. Use 60 cycle frequency modulated signal with 450KC sweep. Use 60 cycle sawtooth voltage in scope for horizontal deflection.					
GENERATOR FREQUENCY	RADIO DIAL SETTING	INDICATOR	ADJUST	REMARKS	
4.	10.7MC 450KC Sweep	Point of non-interference	Vert. amp of scope to point $\diamond C$, low side to ground.	A11 Thru A20	Adjust for maximum gain and symmetry of response similar to Fig. 1 with marker as shown.
5.	"	"	Vert. amp of scope to point $\diamond D$, low side to ground.	A21	Adjust A21 (secondary) to place marker at center of "S" curve similar to Fig. 2. Readjust A11 (primary) for maximum amplitude and straightness of line.

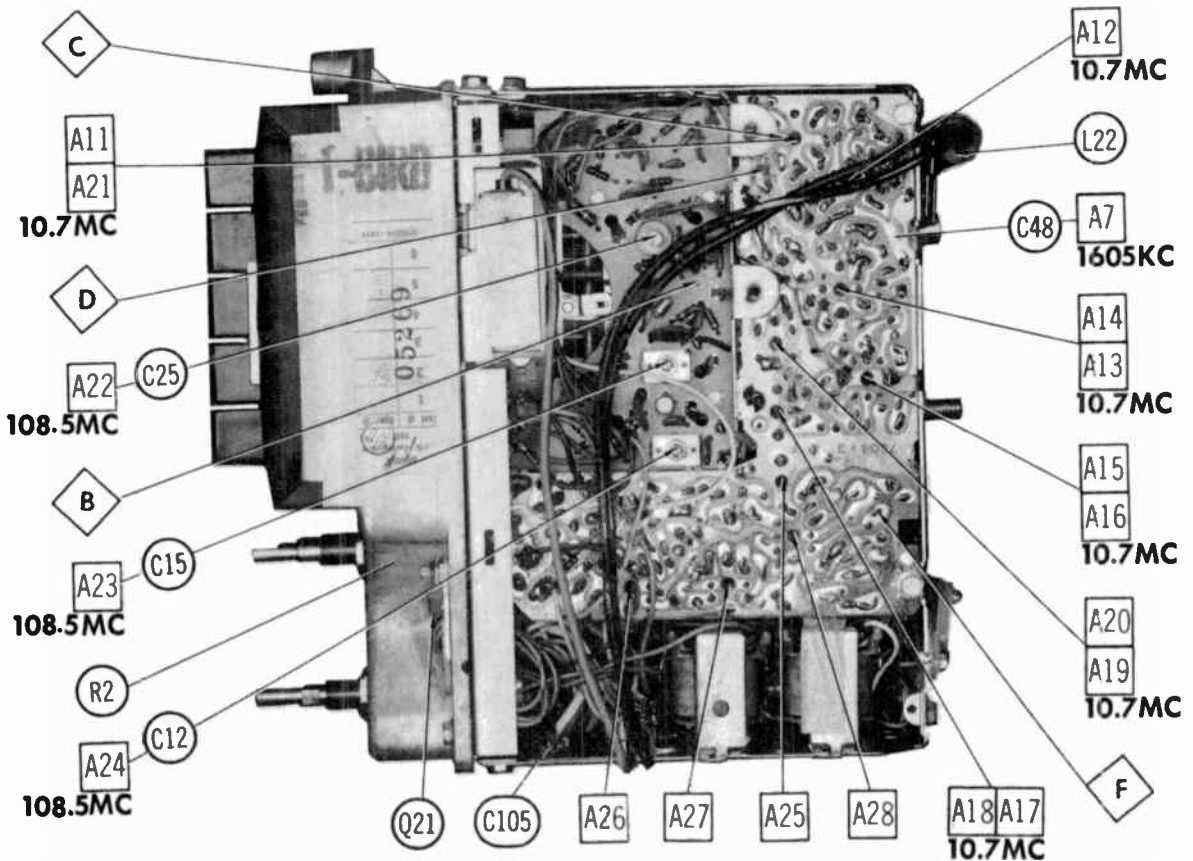
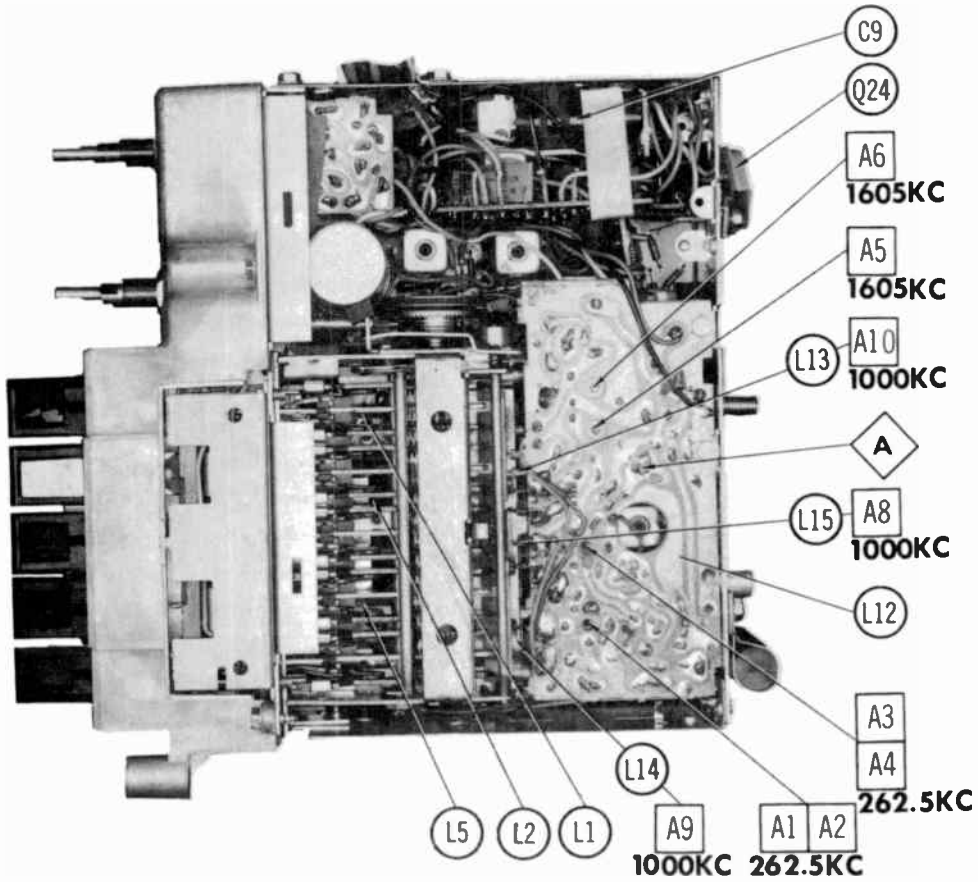
FM RF ALIGNMENT—SELECTOR IN FM POSITION

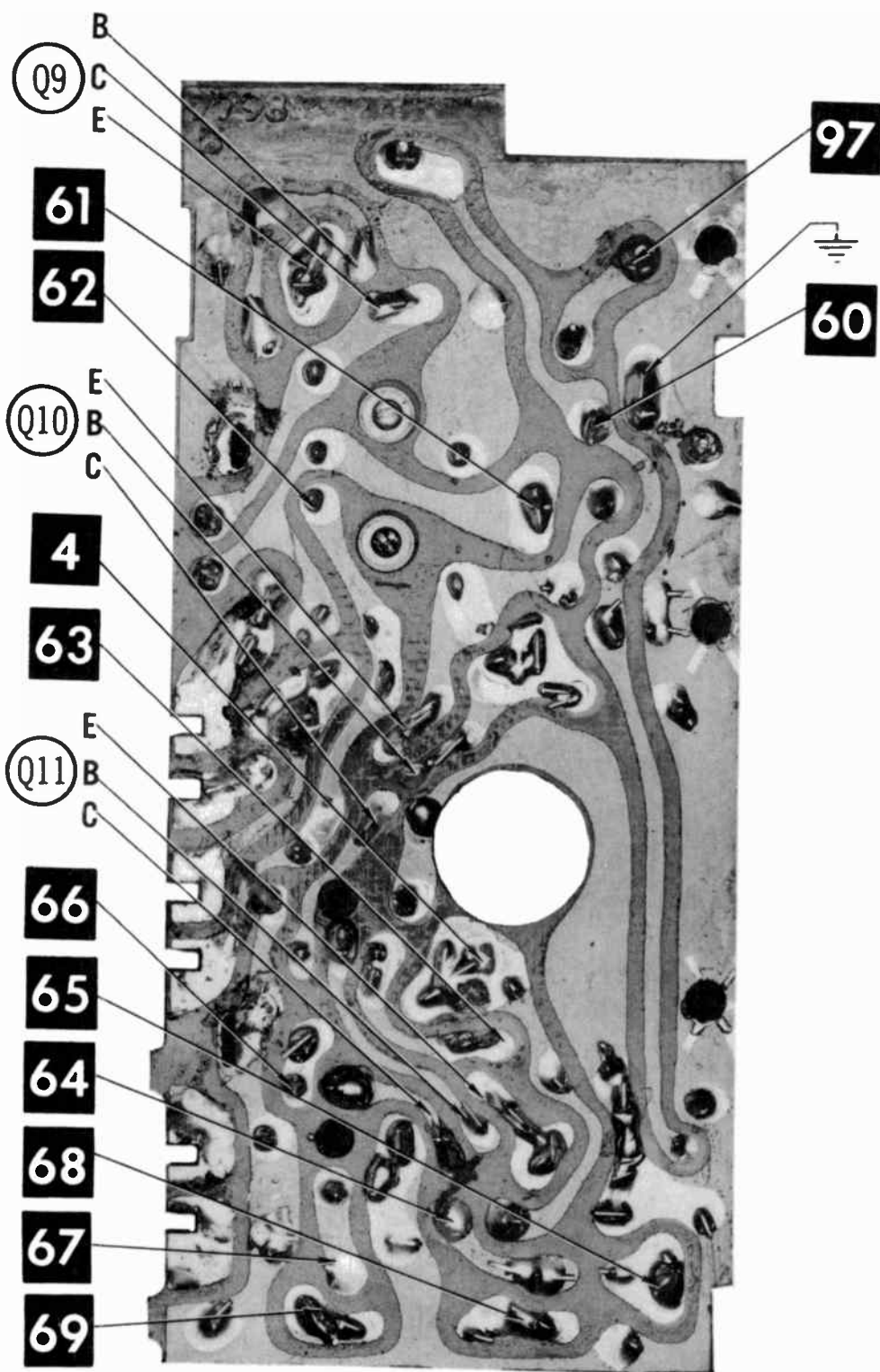
Connect generator across antenna terminals with 120-ohm carbon resistor in series with each lead.					
GENERATOR FREQUENCY	RADIO DIAL SETTING	INDICATOR	ADJUST	REMARKS	
6.	108.5MC	High freq. end	DC probe of VTVM to point $\diamond C$, common to ground.	A22 A23 A24	Adjust for maximum.



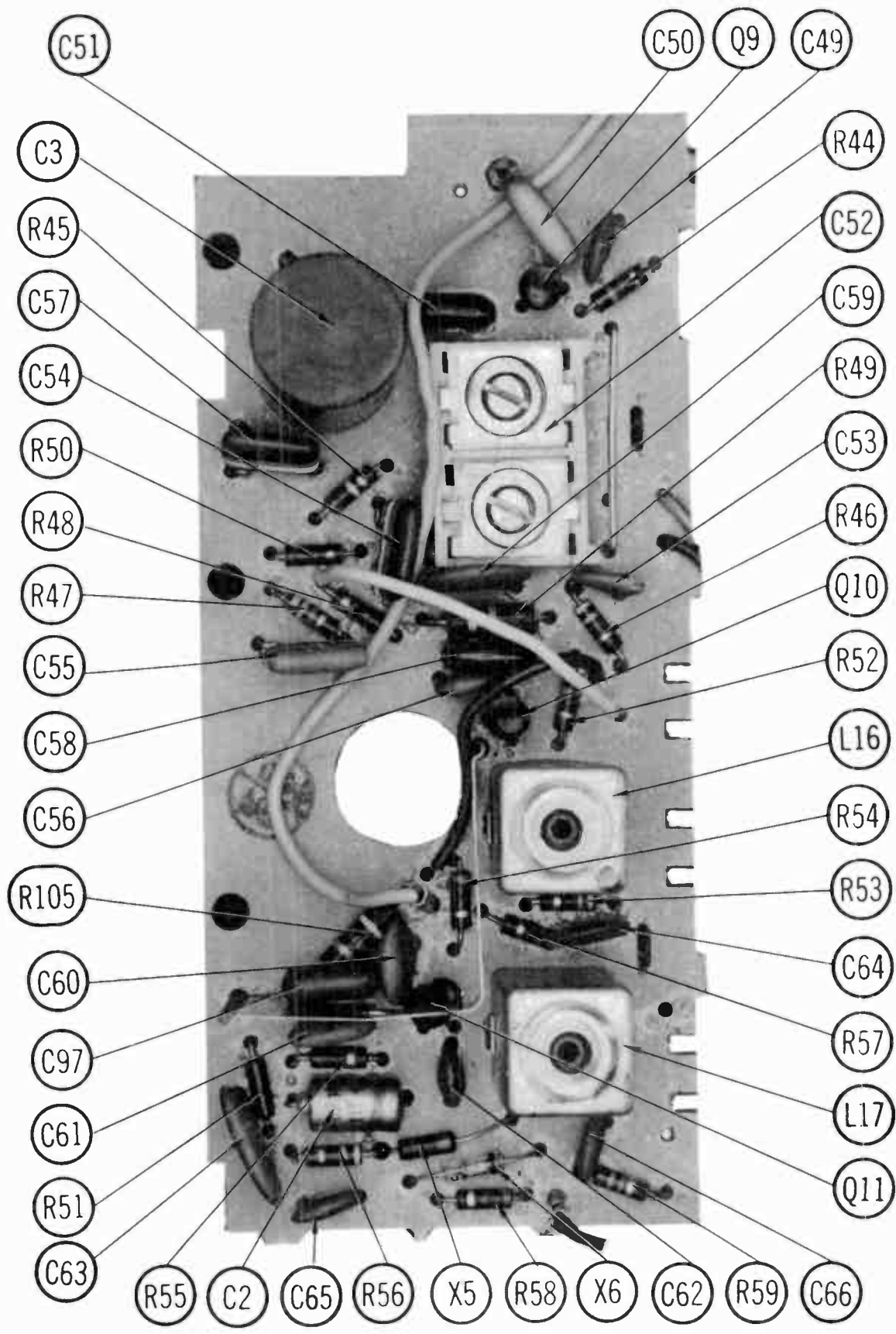
FM STEREO MULTIPLEX ALIGNMENT USING FM STEREO SIGNAL GENERATOR ($\pm .0001\%$ ACCURACY)

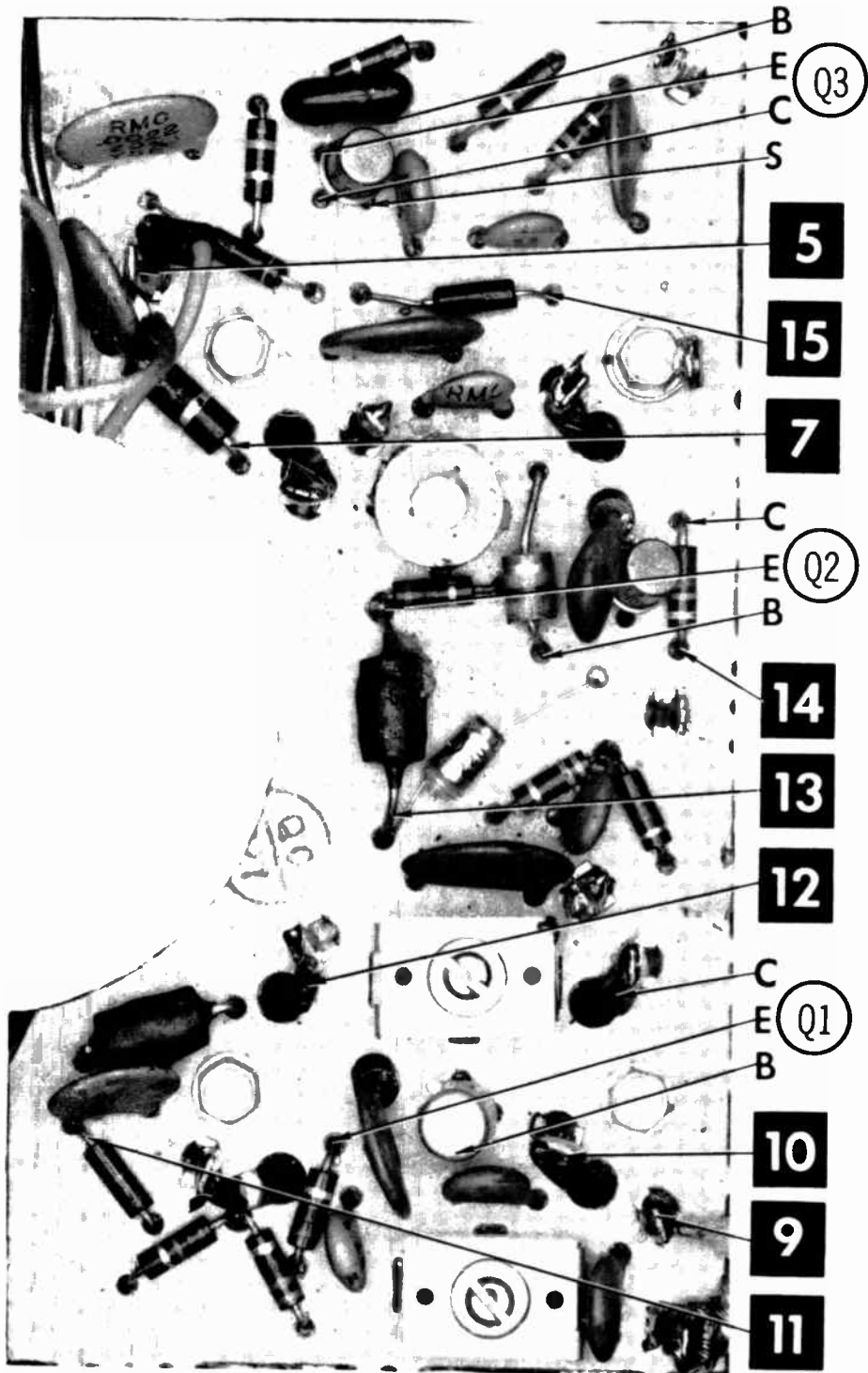
High side of generator thru 47K to point $\diamond E$, low side to ground.				
GENERATOR FREQUENCY	INDICATOR	ADJUST	REMARKS	
7.	72KC	Vert. amp of scope thru 47K to point $\diamond F$, low side to ground.	A25	Adjust for MINIMUM
8.	19KC	Vert. amp of scope thru 47K to point $\diamond G$, low side to ground.	A26, A27,A28	Adjust for maximum.
9.	Modulated Left Channel	Vert. amp of scope to point $\diamond H$, low side to ground.	A26,A27 A28,R3	Adjust for MINIMUM. This step should require only slight adjustment.
10.	Modulated Right Channel	Vert. amp of scope to point $\diamond J$, low side to ground		Check for MINIMUM. If necessary make compromise adjustment of A26,A27,A28,R3.



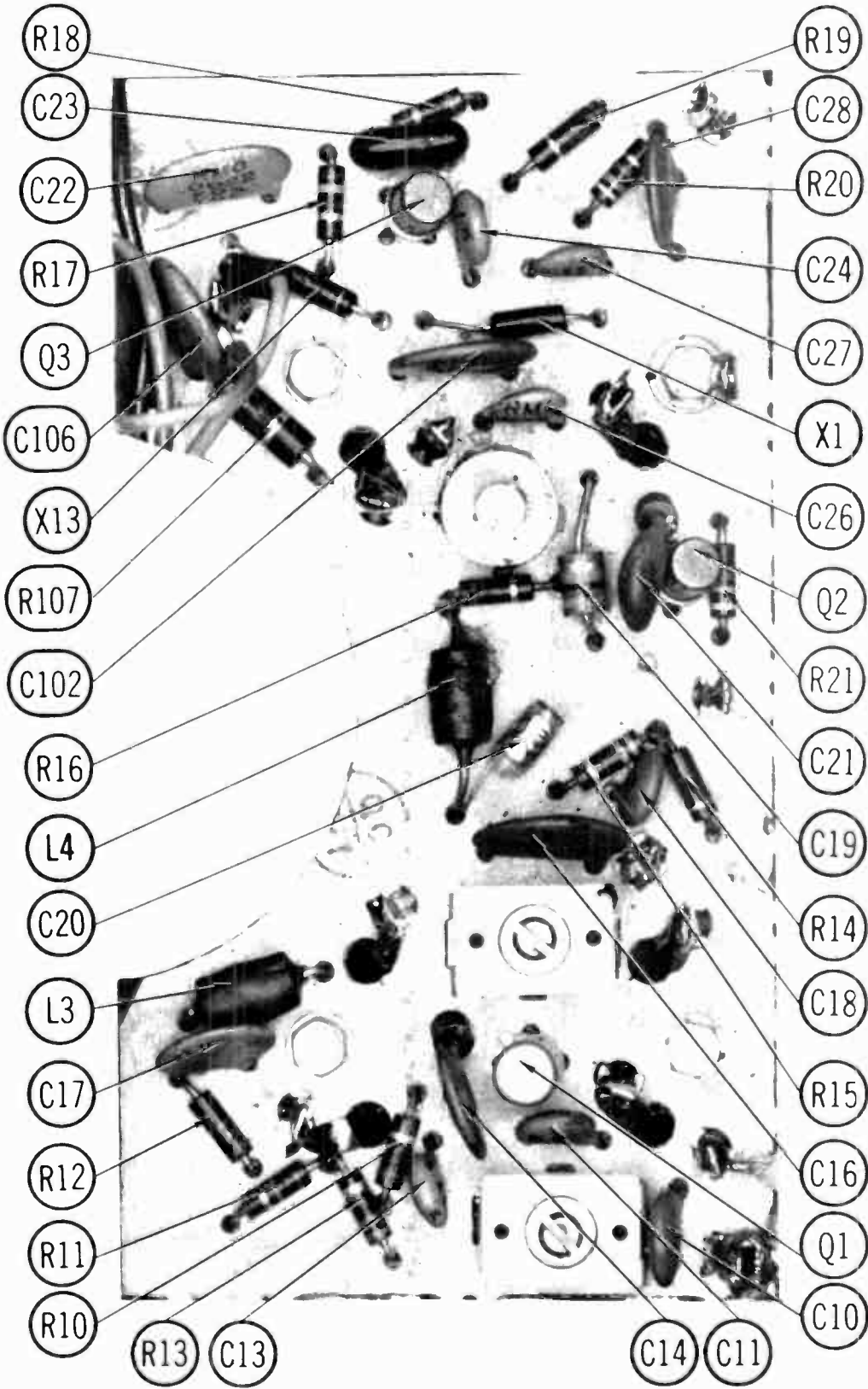


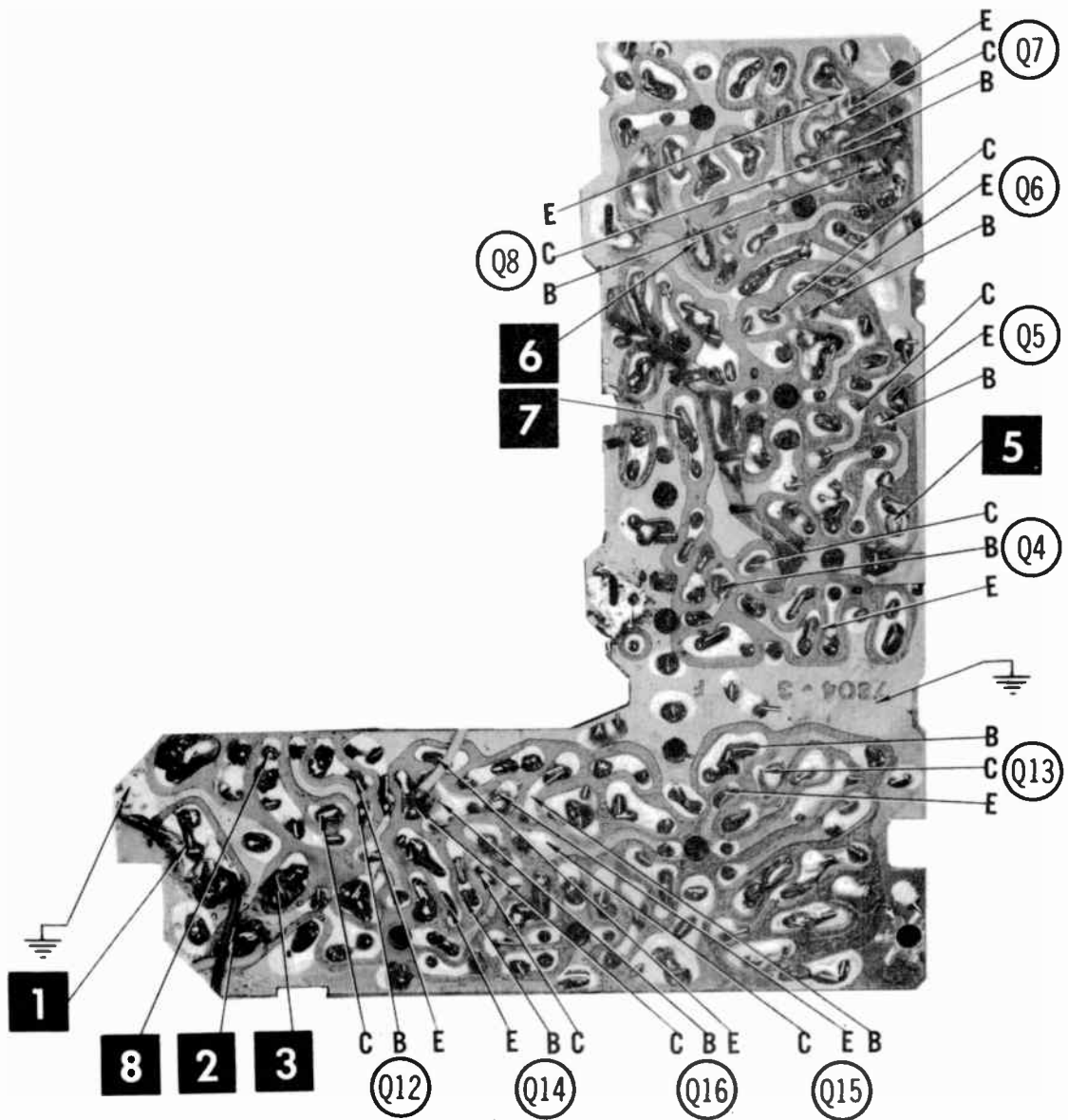
A Howard W. Sams **CIRCUITRACE** Photo



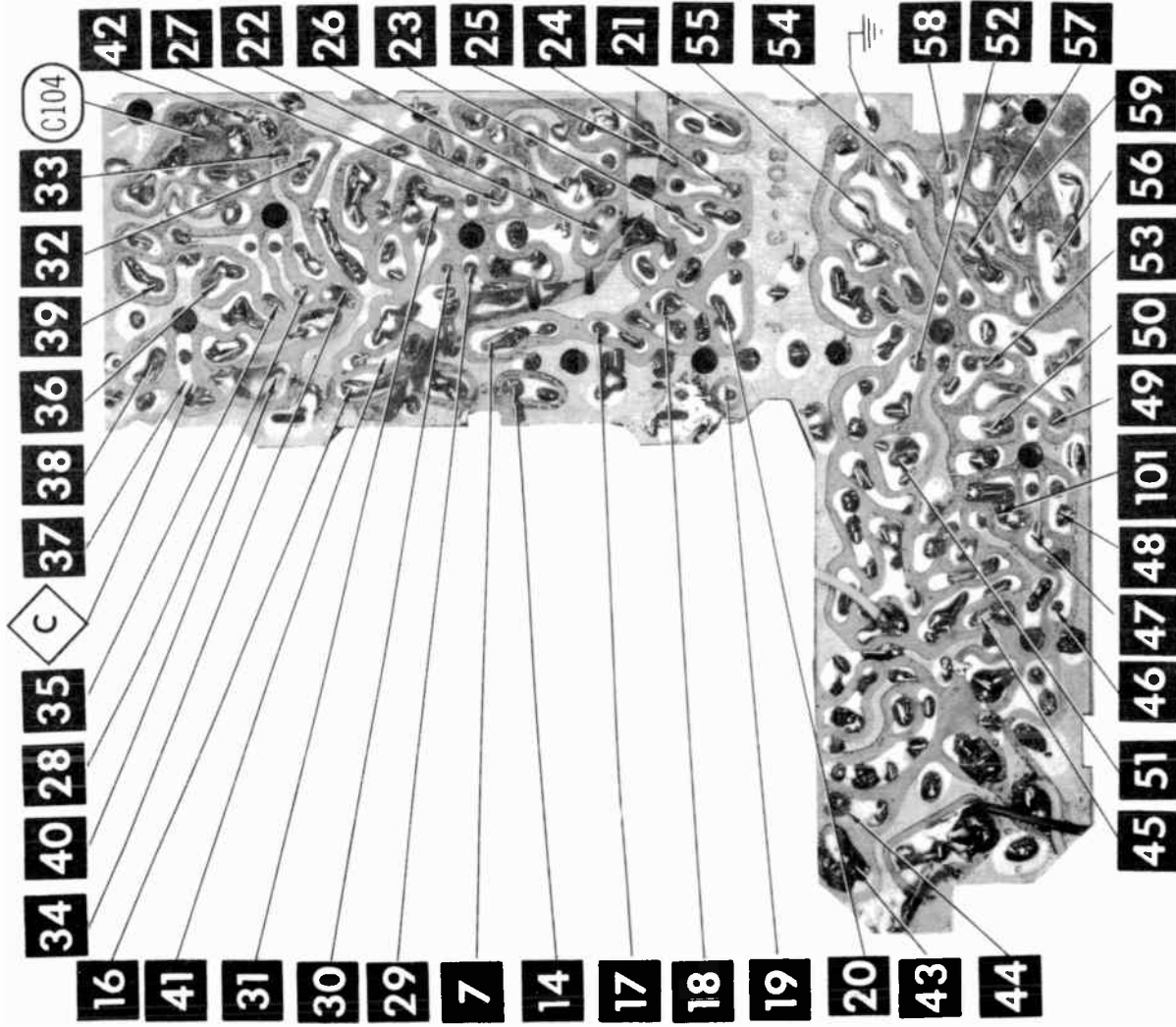


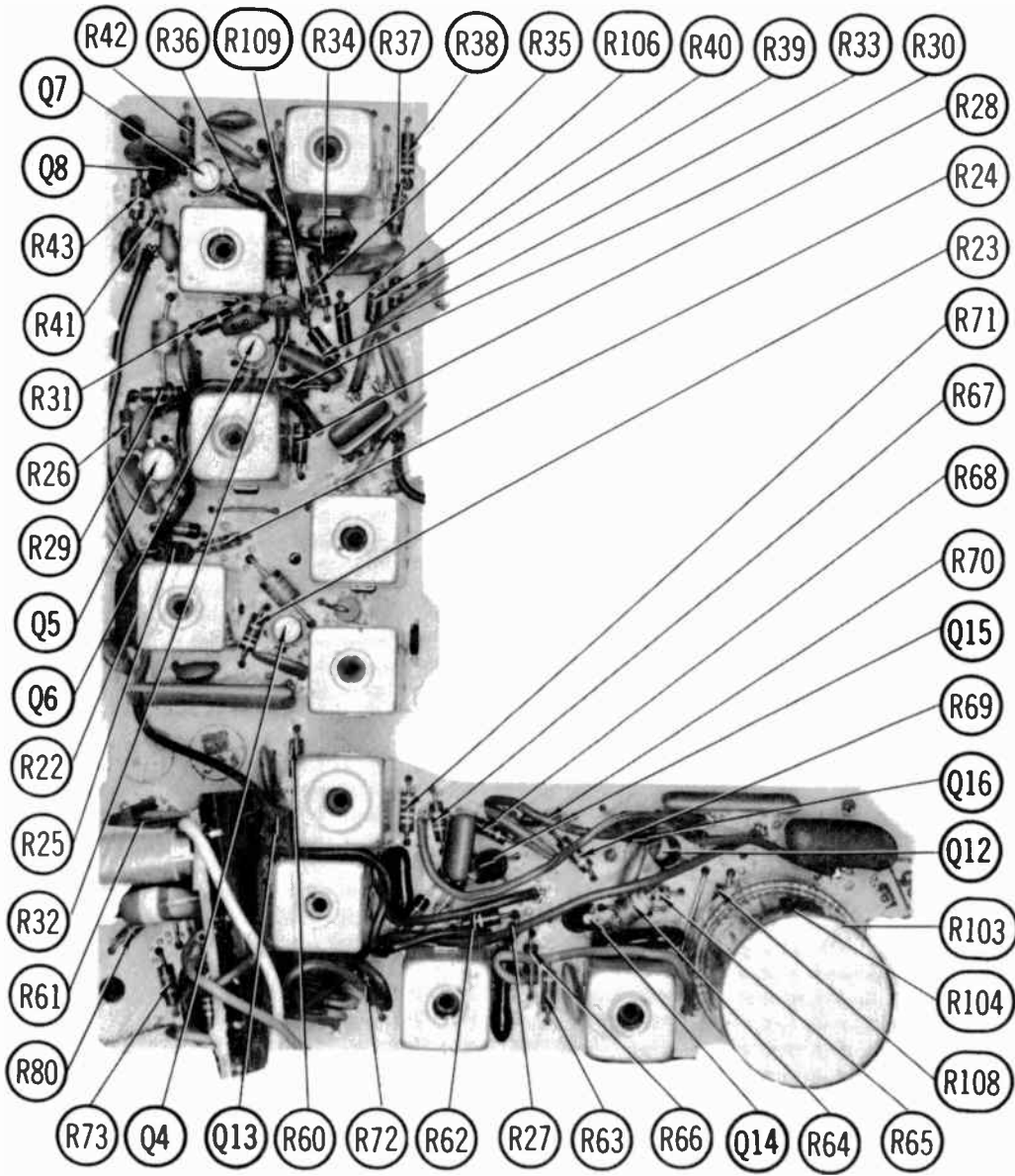
A Howard W. Sams **CIRCUITRACE** Photo

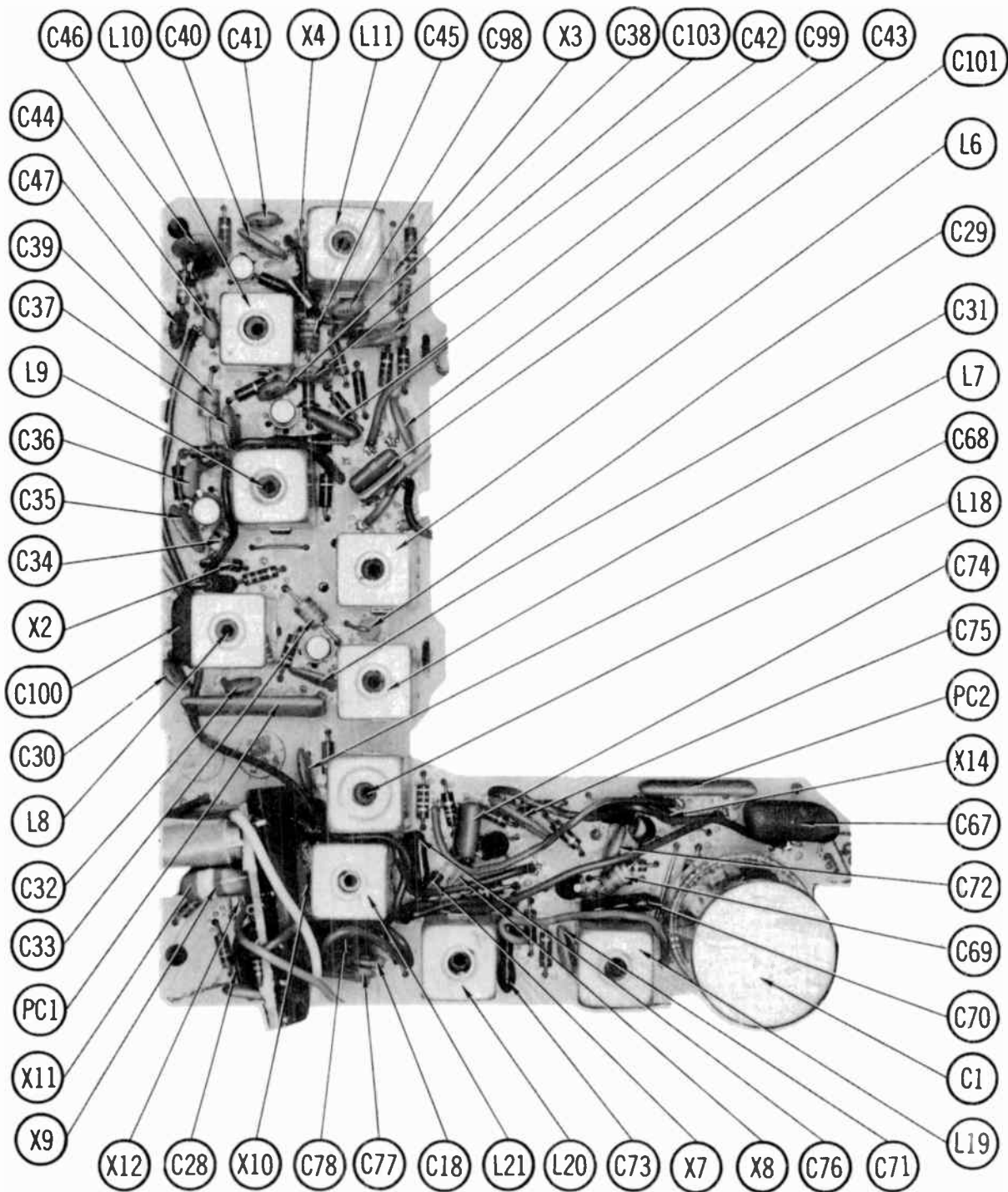


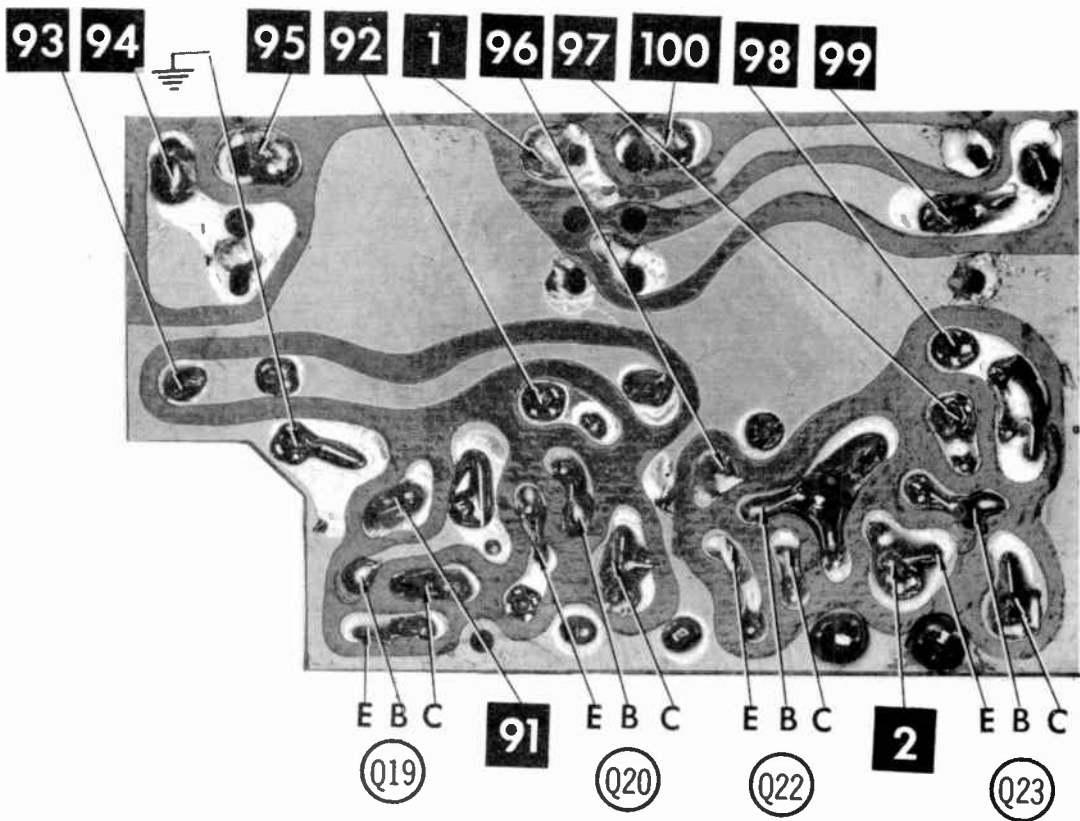
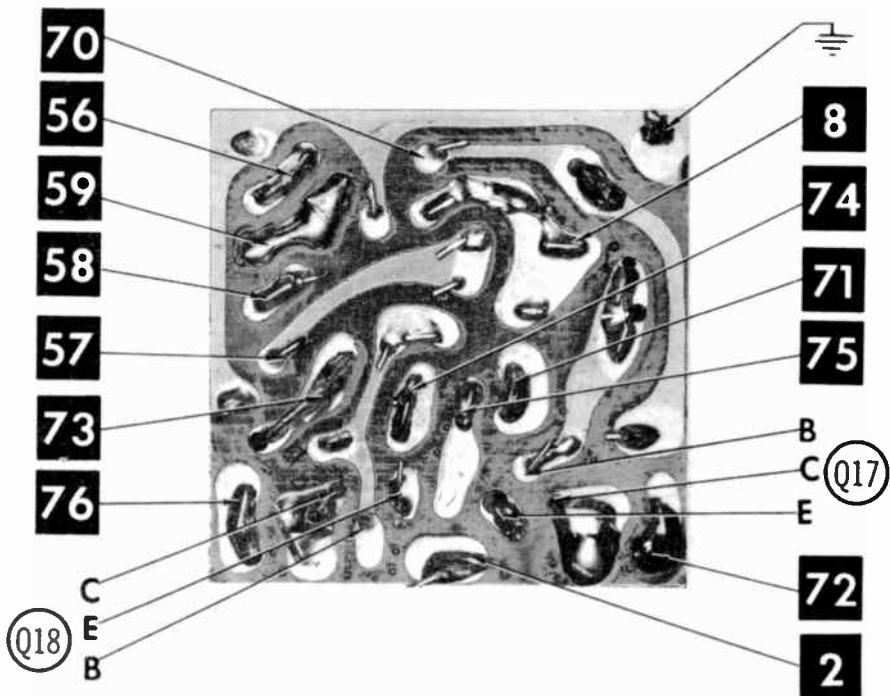


A Howard W. Sams **CIRCUITRACE** Photo

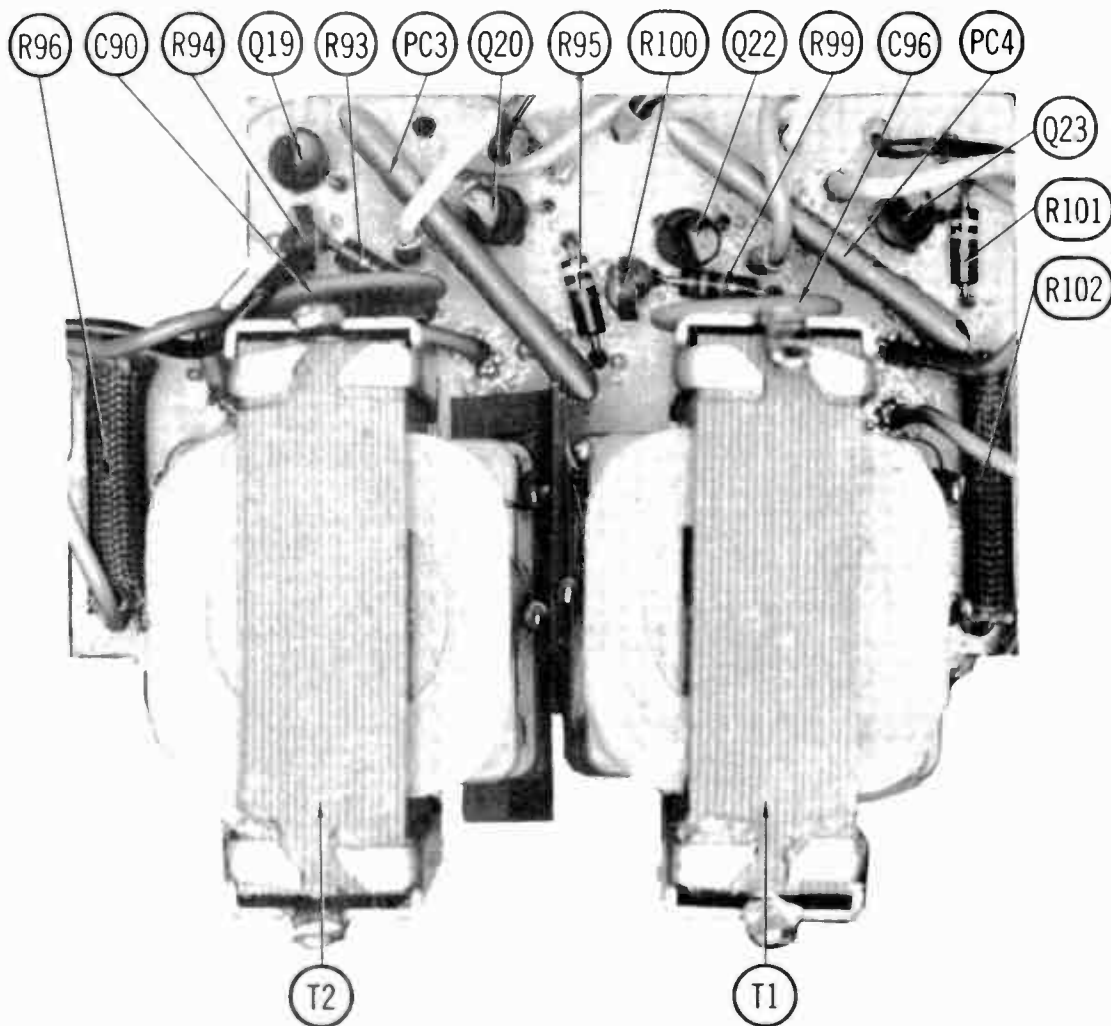
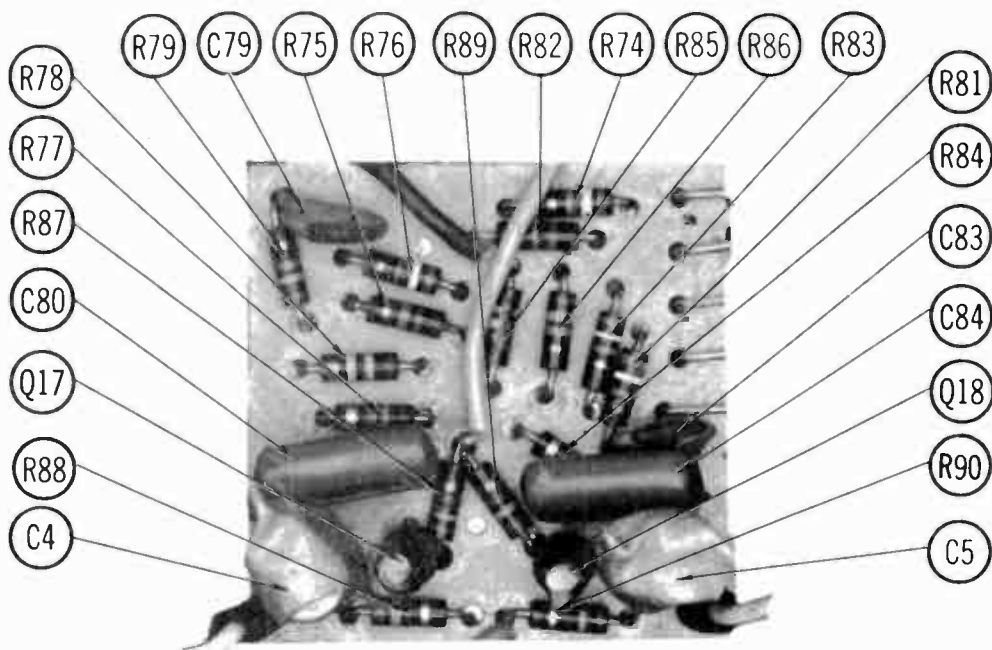


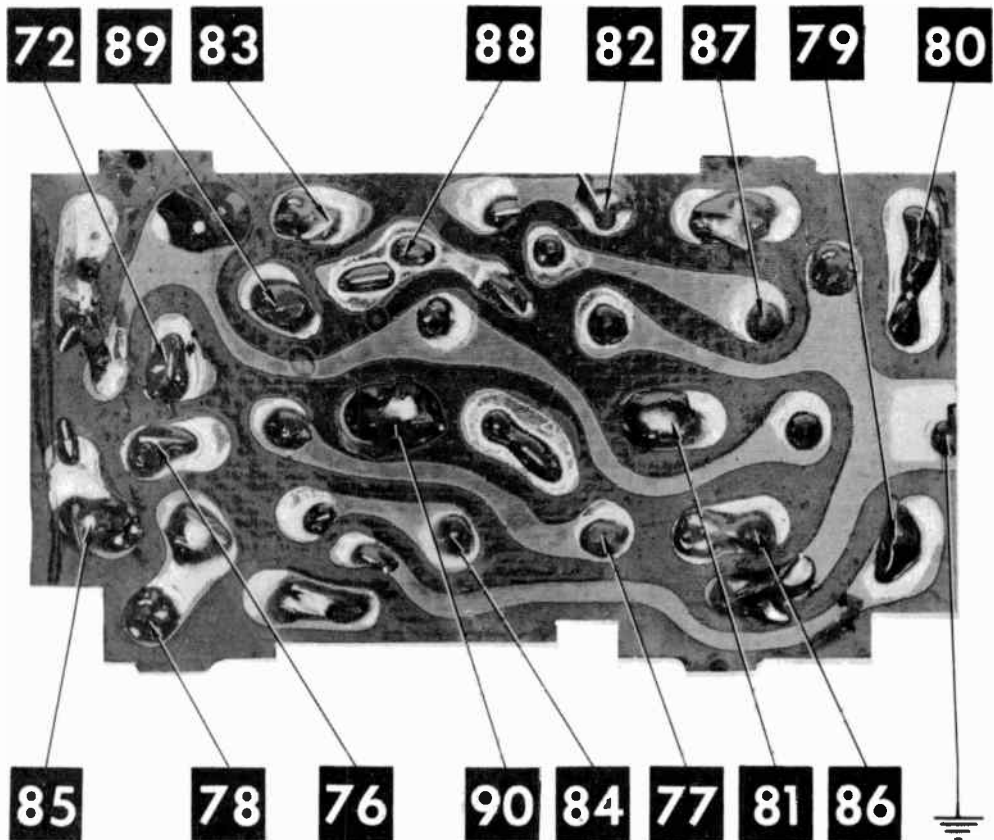
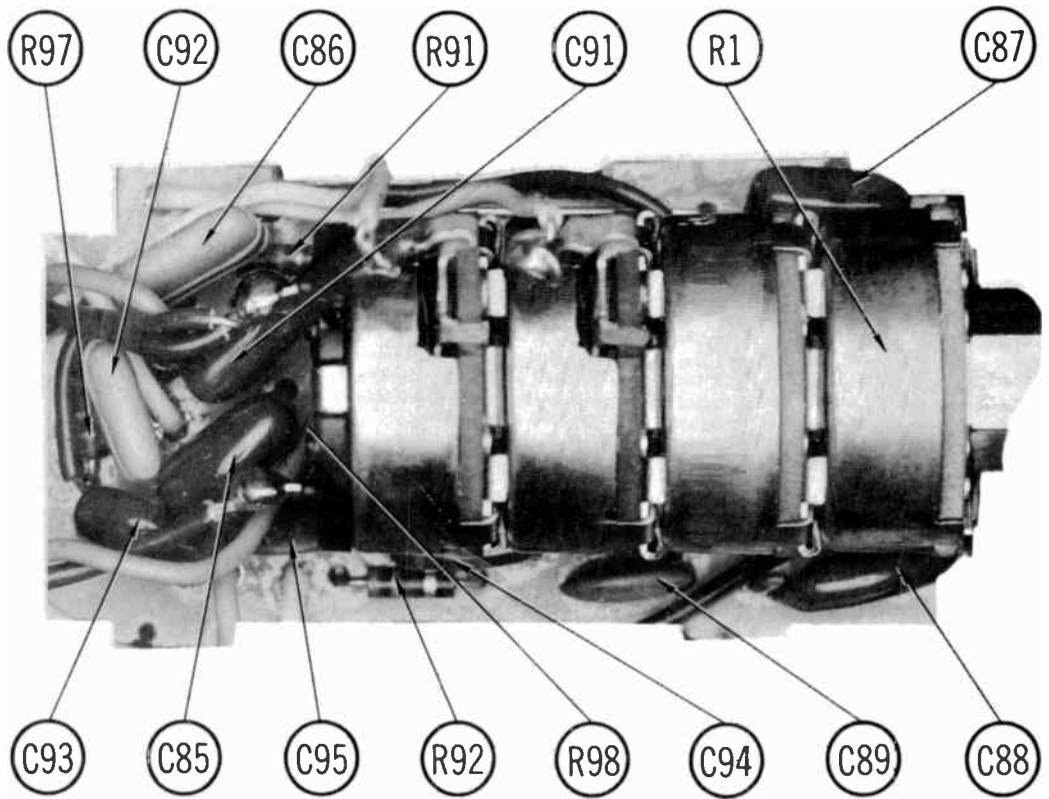






A Howard W. Sams **CIRCUITRACE** Photo





A Howard W. Sams **CIRCUITRACE** Photo

PARTS LIST AND DESCRIPTION

(When ordering parts, state Model, Part Number, and Description.)

Replacement parts shown may be superseded by the availability of newly introduced replacements.

Have your local distributor check Sams COUNTER FACTS® for the most up-to-date replacement.

WIRING DATA

General-use Unshielded Hook-up Wire	Use BELDEN No. 8530 (Solid) Available in 12 Colors 8524 (Stranded) Available in 12 Colors
Shielded Hook-up Wire	Use BELDEN No. 8885
Rear Seat Speaker Extension Cable	Use BELDEN No. 8782 (Stranded) Coded Parallel Leads
Bonding Strap	Use BELDEN No. 8661 (3/8 In.) or 8670 (3/4 In.)

TRANSISTORS

ITEM No.	TYPE No.	FUNCTION	REPLACEMENT DATA					
			MFGR. PART No.	GENERAL ELECTRIC PART No.	INTERNATIONAL RECTIFIER PART No.	MOTOROLA PART No.	RCA PART No.	SYLVANIA PART No.
Q1		FM RF Amp	2092417-0711	GE-17	TR-22	HEP55	SK3018	ECG 108
Q2		FM Mixer	2092417-0712	GE-17	TR-22	HEP55	SK3018	ECG 108
Q3		FM Oscillator	2092417-0713	GE-17	TR-22	HEP55	SK3018	ECG 108
Q4		1st FM IF Amp	2092418-0717	GC-17	TR-22	HEP55	SK3018	ECG 108
Q5		2nd FM IF Amp	2092418-0716	GE-17	TR-22	HEP55	SK3018	ECG 108
Q6		3rd FM IF Amp	2092418-0717	GE-17	TR-22	HEP55	SK3018	ECG 108
Q7		Limiter	2092418-0716	GE-17	TR-22	HEP55	SK3018	ECG 108
Q8		MPX Switch	2092418-0718	GE-20	TR-22	HEP55	SK3018	ECG 108
Q9		AM RF Amp	2093308-0704	GE-20	TR-22	HEP54	SK3018	ECG 107
Q10		AM Converter	2093308-0725	GE-20	TR-22	HEP54	SK3018	ECG 107
Q11		AM IF Amp	2093308-0706	GE-20	TR-22	HEP54	SK3018	ECG 107
Q12		MPX Input Amp	2092609-0705	GE-10	TR-21	HEP54	SK3020	ECG 123
Q13		Bandpass Amp	2092609-0707	GE-10	TR-21	HEP54	SK3020	ECG 123
Q14		19KC Amp	2092609-0707	GE-10	TR-21	HEP54	SK3020	ECG 123
Q15		38KC Amp	2057013-0004	GE-21	TR-19	HEP51	SK3025	ECG 106
Q16		Stereo Indicator Switch	2057013-0701	GE-21	TR-19	HEP51	SK3025	ECG 106
Q17		Preamp	2092609-0707	GE-10	TR-21	HEP54	SK3020	ECG 123
Q18		Preamp	2092609-0707	GE-10	TR-21	HEP54	SK3020	ECG 123
Q19		AF Amp	2092609-0705	GE-10	TR-21	HEP54	SK3020	ECG 123
Q20		AF Amp	2057013-0004	GE-21	TR-19	HEP51	SK3025	ECG 106
Q21		Output	4080879-0001	GE-28			SK3041	ECG 152
Q22		AF Amp	2092609-0705	GE-10	TR-21	HEP54	SK3020	ECG 123
Q23		AF Amp	2057013-0004	GE-21	TR-19	HEP51	SK3025	ECG 106
Q24		Output	4080879-0001	GE-28			SK3041	ECG 152

FORD MODEL 9FB5

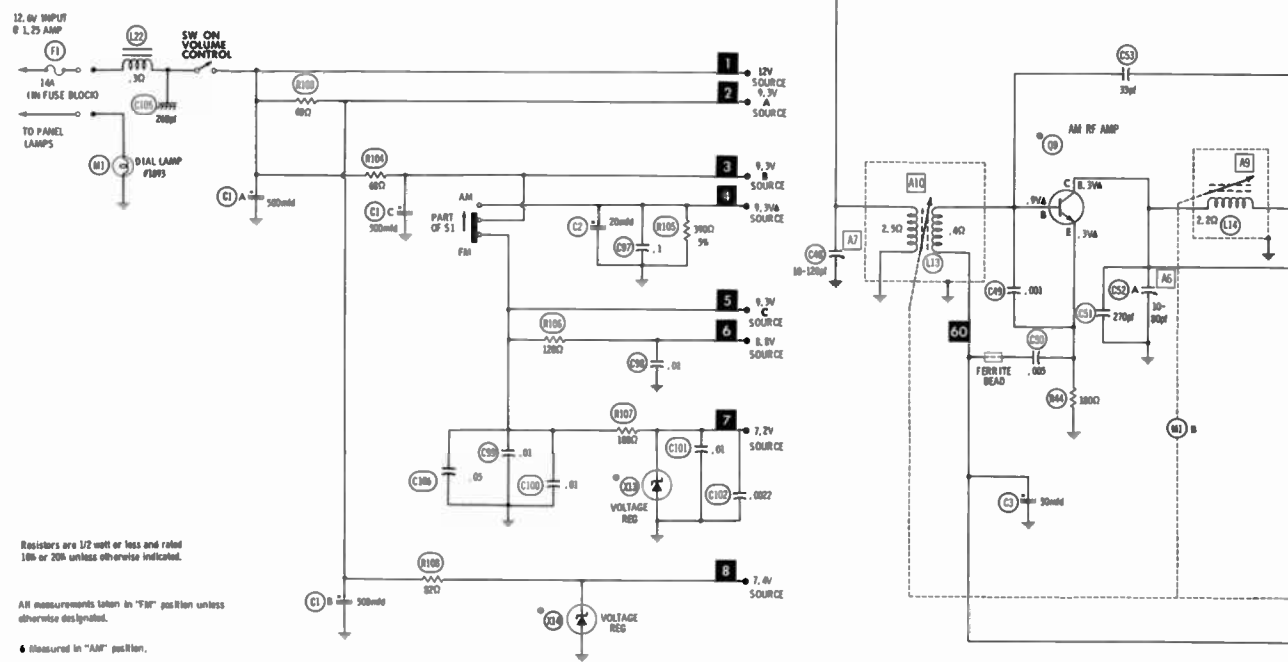
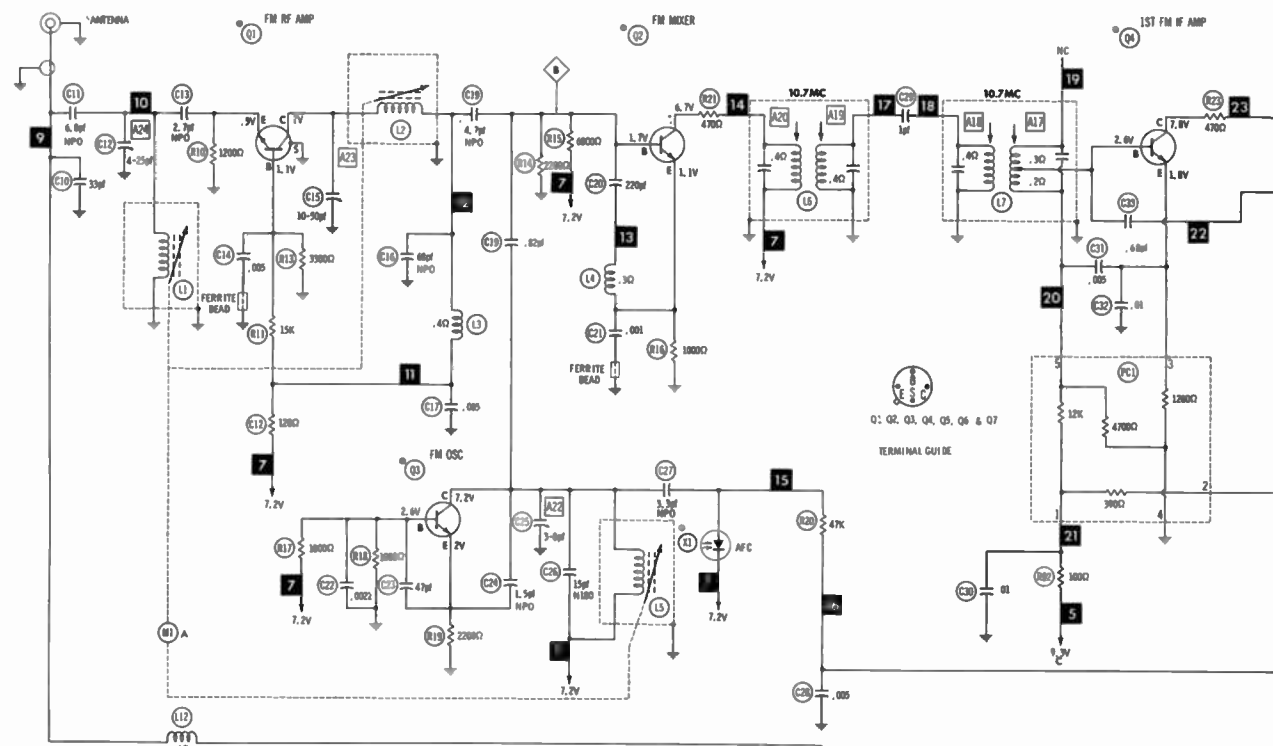
POWER RECTIFIERS & SIGNAL DIODES

ITEM No.	MFGR. PART OR TYPE No.	REPLACEMENT RECTIFIERS & DIODES			REPLACEMENT RECTIFIERS	NOTES
		GENERAL ELECTRIC PART No.	INTERNATIONAL RECTIFIER PART No.	SYLVANIA PART No.	RCA PART No.	
X1	2092055-0003					Varactor
X2	2092055-0001	1N34AS	1N34A	ECG 109		
X3	2092055-0007	1N34AS	1N34A	ECG 109		
X4	2092055-0007	1N34AS	1N34A	ECG 109		
X5	2092055-0708	1N82A	1N82A	ECG 112		
X6	2092055-0001	1N34AS	1N34A	ECG 109		
X7	2092055-0001	1N34AS	1N34A	ECG 109		
X8	2092055-0001	1N34AS	1N34A	ECG 109		
X9	2092055-0001	1N34AS	1N34A	ECG 109		
X10	2092055-0001	1N34AS	1N34A	ECG 109		
X11	2092055-0001	1N34AS	1N34A	ECG 109		
X12	2092055-0001	1N34AS	1N34A	ECG 109		
X13	2092055-0710		1ZM7.5	ECG 138	Zener Zener	
X14	2092055-0710		1ZM7.5	ECG 138		

ELECTROLYTIC CAPACITORS

ITEM No.	RATING	REPLACEMENT DATA						
		PART No.	AEROVOX PART No.	CENTRALAB PART No.	CORNELL-DUBILIER PART No.	GENERAL ELECTRIC PART No.	MALLORY PART No.	SPRAGUE PART No.
C1A	500 16V	2092983-0709	PWH300-95.1		CC0018A			
B	500 16V							
C	500 16V							
C2	20 16V	2090480-0718	CRE461A	EA15-25	AL25-16	MT1-10	MTA25D20	TE-1157
C3A	50 8V	2092246-0710						
B	1000 6V							
C4	2 16V	2093667-0713	CRE751A	EA15-2	AL2-50	MT1-1	MTA2050	TE-1149
C5	2 16V	2093667-0713	CRE551A	EA15-2	AL2-50	MT1-1	MTA2050Q	TE-1149
C6	1000 6V	2090480-0719	PRS1230		WBR1000-16		TC601A	TT-1111

(CONTINUED ON PAGE 66)



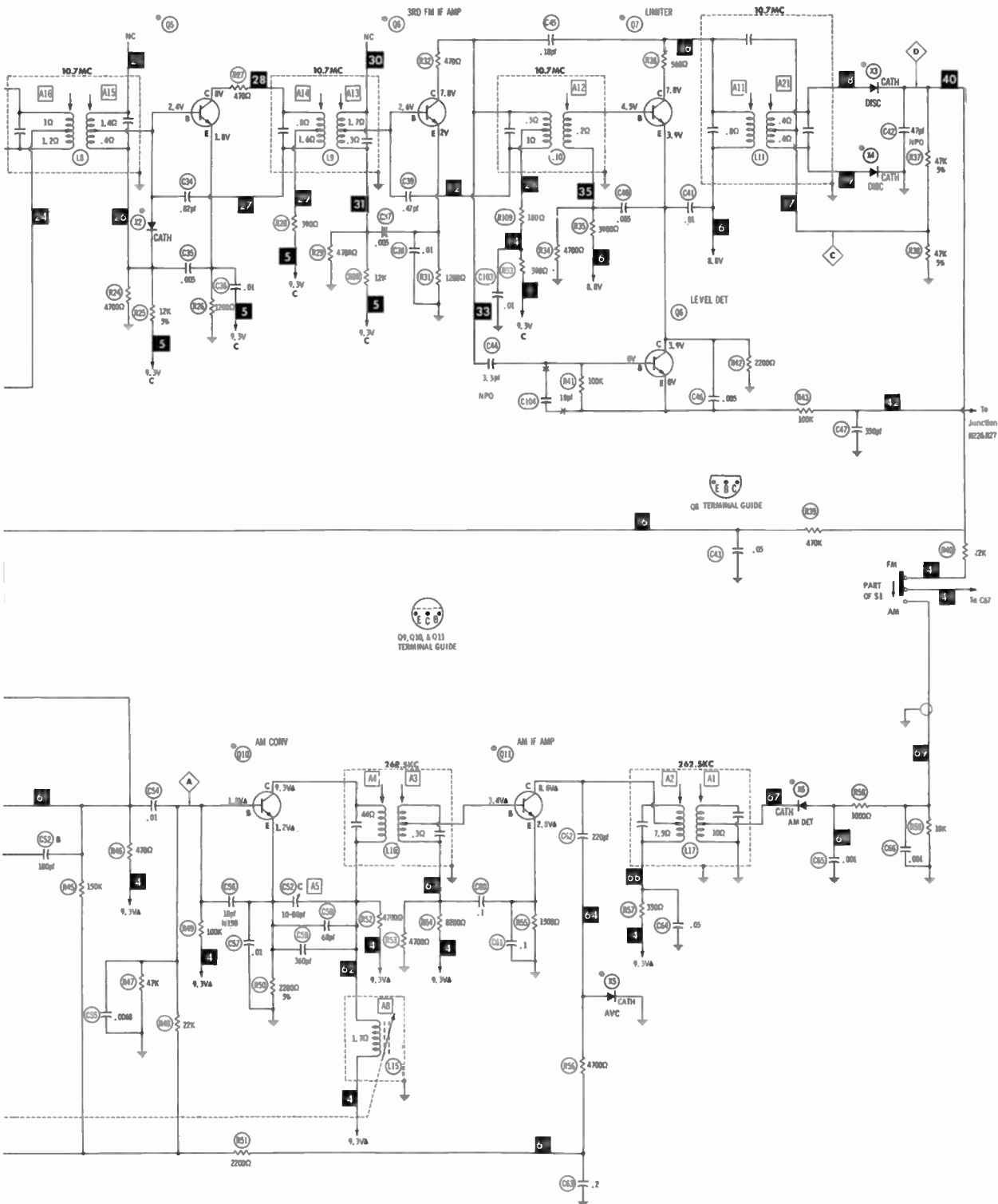
Resistors are 1/2 watt or less and rated 10% or 20% unless otherwise indicated.

All measurements taken in "FM" position unless otherwise designated.

• Measured in "AM" position.
 NC No Connection

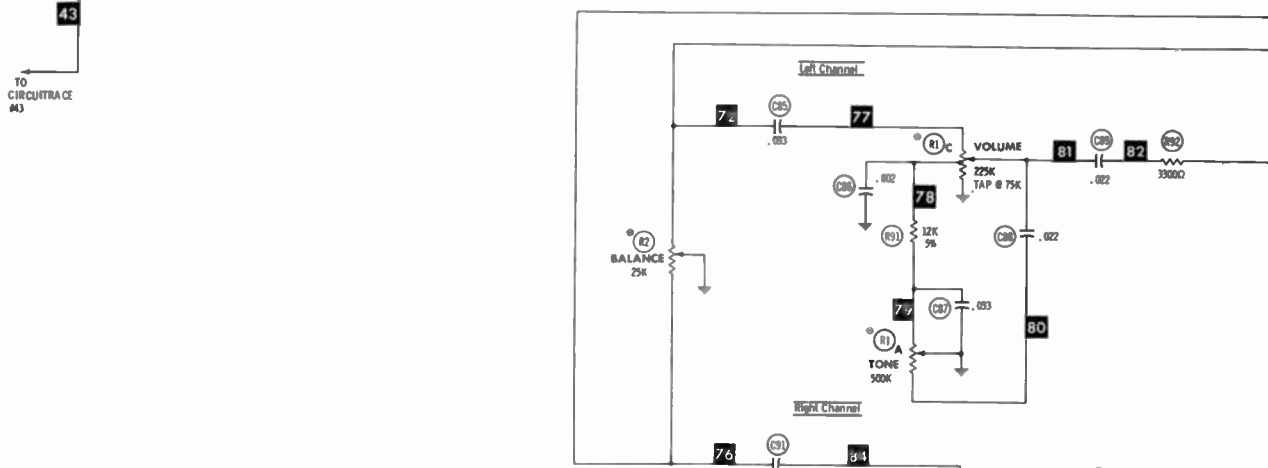
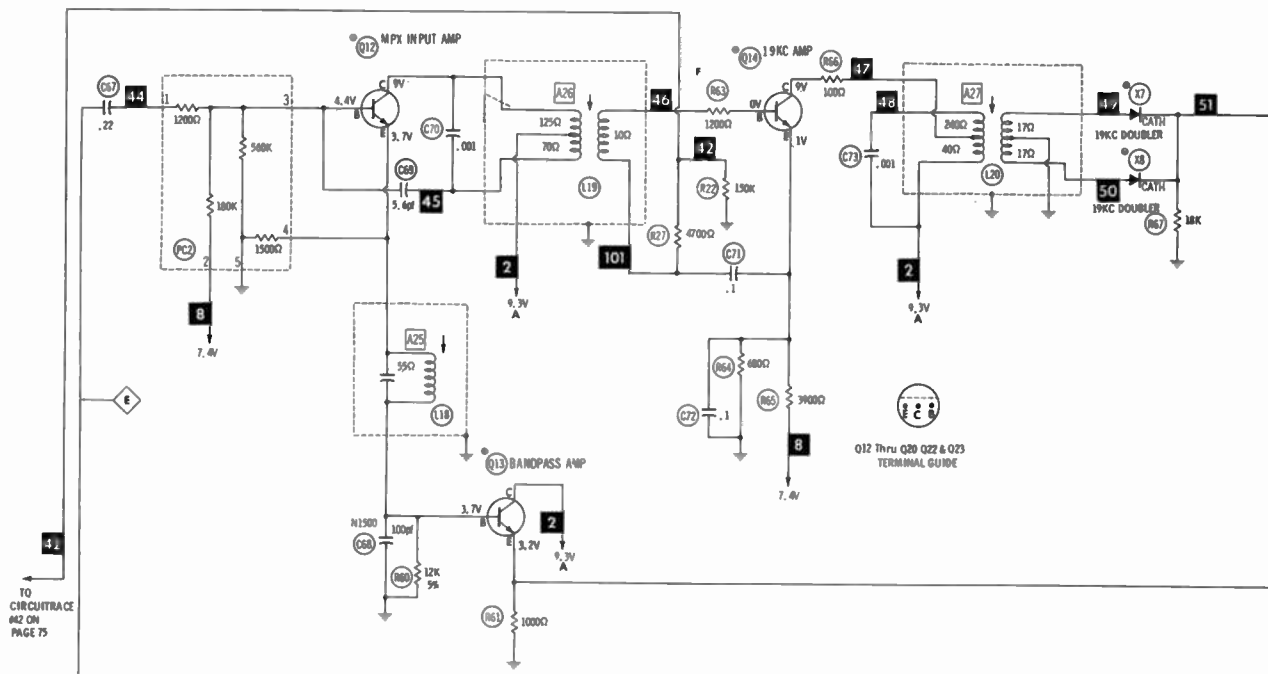
- ⊙ See parts list.
- 1. Voltage measurements taken with vacuum tube voltmeter.
- 2. All controls set for normal operation, no signal applied.
- 3. Measured values are from socket pin or terminal to common ground.
- 4. All terminals viewed from bottom unless otherwise designated.
- 5. Numbers assigned to terminals may not be found on the unit.
- 6. Supply voltage maintained at rated value for voltage readings.
- 7. Resistance measurements not given because of the wide variation in internal resistance of transistor.

A PHOTOFAC SIMILAR NOTATION SCHEMATIC
 with **Circuitrace**
 © Howard W. Sams & Co., Inc. 1970



FORD MODEL 9FB5

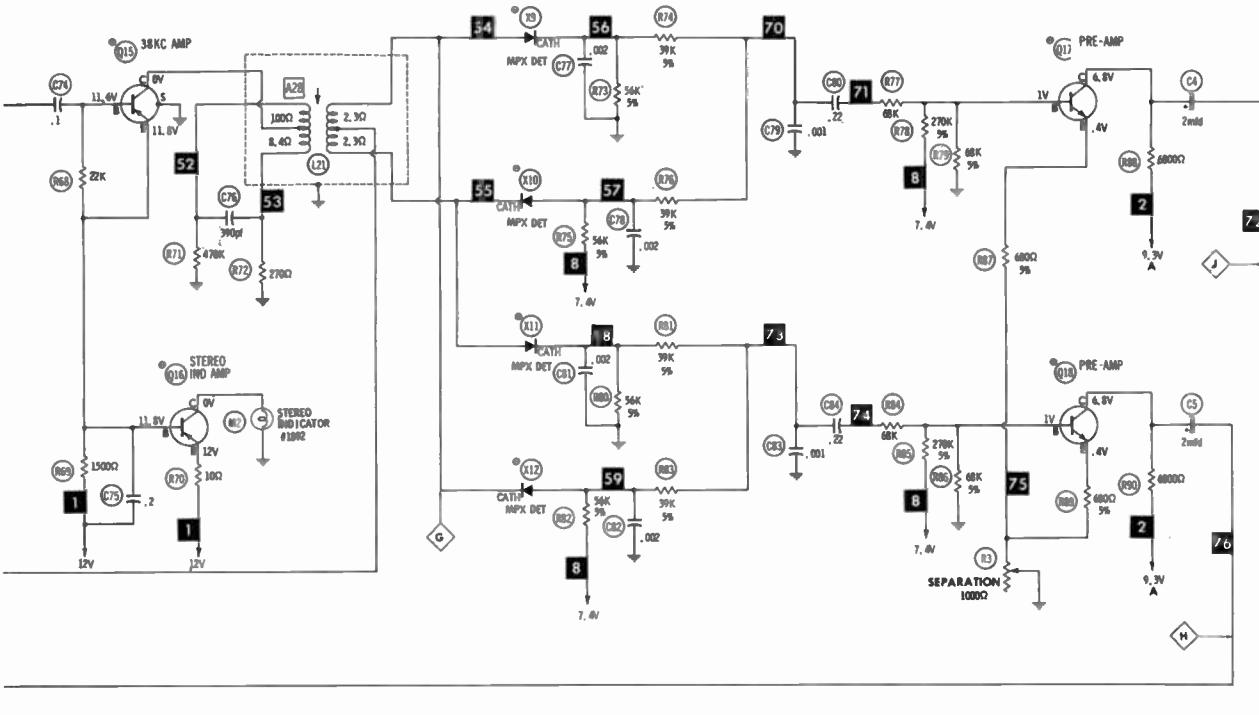
REFER TO PAGES 64 & 65 FOR MPX



- Resistors are 1/2 watt or less and rated 10% or 20% unless otherwise indicated.
- See parts list
 - 1. Voltage measurements taken with vacuum tube voltmeter.
 - 2. AH controls set for normal operation, no signal applied.
 - 3. Measured values are from socket pin or terminal to common ground.
 - 4. All terminals viewed from bottom unless otherwise designated.
 - 5. Numbers assigned to terminals may not be found on the unit.
 - 6. Supply voltage maintained at rated value for voltage readings.
 - 7. Resistance measurements not given because of the wide variation in internal resistance of transistor.

A PHOTOFAC STANDARD NOTATION SCHEMATIC
with **CIRCUITRACE**
© Howard W. Sams & Co., Inc. 1970

REFER TO PAGES 62 & 63 FOR AM-FM



PARTS LIST AND DESCRIPTION (CONTINUED)

(When ordering parts, state Model, Part Number, and Description.)

Replacement parts shown may be superseded by the availability of newly introduced replacements.
Have your local distributor check Sams COUNTER FACTS for the most up-to-date replacement.

CAPACITORS

ITEM No.	RATING	REMARKS	REPLACEMENT DATA					
			AEROVOX PART No.	CENTRALAB PART No.	CORNELL-DUBILIER PART No.	ELMENCO PART No.	MALLORY PART No.	SPRAGUE PART No.
C10	33		NPO-DI 33	DTZ-33	NPO33	CCTO-330	CN0433	10TCC-Q33
C11	6.8	NPO	NPO-DI 6.8	DTZ-6R8	NPO6P8		CN0568	10TCC-V6B
C12	4-25		#2093115-0707					
C13	2.7	NPO	NPO-DI 3.0					10TCC-V30
C14	.005		TTP-005	CK-502	MGP005	CCD-502	TA250	TG-D50
C15	10-50		#2093115-0706					
C16	68	NPO	NPO-DI 68	DTZ-68	NPO68	CCTO-680	CN0468	10TCC-Q68
C17	.005		TTP-005	CK-502	MGP005	CCD-502	TA250	TG-D50
C18	4.7	NPO	NPO-DI 4.7	DTZ-4R7	NPO4P7		CN0547	10TCC-V47
C19	.82pf			TCZ-1			CN0510	10TCC-V10
C20	220			CPR-220J	CD15F221J500	DM-15-221	SX322	MS-322
C21	.001		GPD X5F102K	DM-102	GP1000	CCD-102	SM210	2SS-D10
C22	.0022		GPD X5F222K	DD-222	GP2200	CCD-222	GP222	10TS-D22
C23	47		ADM-15-470	CPR-47J	CD15E470J500	DM-15-470	SX447	MS-447
C24	1.5	NPO	NPO-DI 1.5	DTZ-1R5	NPO1P5		CN0515	10TCC-V15
C25	3-8		#2094703-0701					
C26	15	N750	N750-DI 15	DTN-15	N15	CCTN-150	CN7415	10TCU-Q15
C27	3.3	NPO	NPO-DI 3.3	DTZ-3R3	NPO3P3		CN0533	10TCC-V33
C28	.005		TTP-005	CK-502	MGP005	CCD-502	TA250	TG-D50
C29	1		NPO-DI 1.0	TCZ-1			CN0510	10TCC-V10
C30	.01		TTP-01	CK-103	MGP01	CCD-103	TA110	TG-S10
C31	.005		TTP-005	CK-502	MGP005	CCD-502	TA250	TG-D50
C32	.01		TTP-01	CK-103	MGP01	CCD-103	TA110	TG-S10
C33	.68pf		#6093231-1688					
C34	.82pf			TCZ-1			CN0510	10TCC-V10
C35	.005		TTP-005	CK-502	MGP005	CCD-502	TA250	TG-D50
C36	.01		TTP-01	CK-103	MGP01	CCD-103	TA110	TG-S10
C37	.005		TTP-005	CK-502	MGP005	CCD-502	TA250	TG-D50
C38	.01		TTP-01	CK-103	MGP01	CCD-103	TA110	TG-S10
C39	.47pf		#2093231-2478					
C40	.005		TTP-005	CK-502	MGP005	CCD-502	TA250	TG-050
C41	.01		TTP-01	CK-103	MGP01	CCD-103	TA110	TG-S10
C42	47	NPO	NPO-DI 47	DTZ-47	NPO47	CCTO-470	CN0447	10TCC-Q47
C43	.05		TTP-05	CK-503	MGP05	CCD-503	TA150	TGL-S50
C44	3.3	NPO	NPO-DI 3.3	DTZ-3R3	NPO3P3		CN0533	10TCC-V33
C45	.18pf		#2093231-2188					
C46	.005		TTP-005	CK-502	MGP005	CCD-502	TA250	TG-D50
C47	330		GPD X5F331K	DD-331	GP330	CCD-331	GP333	10TS-T33
C48	10-120		#2093466-0709					
C49	.001		GPD X5F102K	DM-102	GP1000	CCD-102	SM210	2SS-D10
C50	.005		TTP-005	CK-502	MGP005	CCD-502	TA250	TG-D50
C51	270			CPR-270J	CD15F271J500	DM-15-271	SX327	MS-327
C52A	10-80		#2092422-0717					
B	180							
C	10-80							
C53	33		NPO-DI 33	DTZ-33	NPO33	CCTO-330	CN0433	10TCC-Q33
C54	.01		TTP-01	CK-103	MGP01	CCD-103	TA110	TG-S10
C55	.0068	75V	V1612D68	CPR-6800J	OPMS6D68	1DP-1-682	PVC6268	6PS-D68
C56	18	N150				*	*	10TCP-Q18
C57	.01	100V	V1612S1	CPR-10000J	DPMS6S1	1DP-1-103	PVC211	225P10391WD3
C58	68	N470				*	*	10TCT-Q68
C59	330			CPR-330J	CD15F331J500	DM-15-331	SX333	MS-333
C60	.1		TTP-1	CK-104			TA010	TG-P10
C61	.1		TTP-1	CK-104			TA010	TG-P10
C62	220		GPD X5F221K	DD-221	GP220	CCD-221	GP322	10TS-T22
C63	.2			UK10-204			MAG12022	HV-370
C64	.05		TTP-05	CK-503	MGP05	CCD-503	TA150	TGL-S50
C65	.001		GPD X5F102K	DM-102	GP1000	CCD-102	SM210	2SS-D10
C66	.001		GPD X5F102K	DM-102	GP1000	CCD-102	SM210	2SS-D10
C67	.22	75V	DBE6P22		DPMS4P22	4DP-5-224	PVC4022	4PS-P22
C68	100	N1500		TCL-100	HV3-100	*	CN15310	10TCN-T10
C69	5.6							10TCC-V56
C70	.001		ADM-30-102	CPR-1000J	CD19F102J500	DM-19-102	SX210	MS-21
C71	.1		TTP-1	CK-104			TA010	TG-P10
C72	.1		TTP-1	CK-104			TA010	TG-P10
C73	.001		ADM-20-120	CPR-1000J	CD19F102J500	DM-19-102	SX210	MS-21
C74	.1	75V	DBE2P1		DPMS2P1	1DP-2-104	PVC101	225P10491WD3
C75	.2			UK10-204			MAG12022	HY-370
C76	390		ADM-15-391	CPR-390J	CD15J391J500	DM-15-391	SX339	MS-339
C77	.002		GPD X5F202K	DM-202	GP2000	CCD-202	GP220	2SS-D20
C78	.002		GPD X5F202K	DM-202	GP2000	CCD-202	GP220	2SS-D20
C79	.001		GPD X5F102K	DM-102	GP1000	CCD-102	SM210	2SS-D10
C80	.22	75V	DBE6P22		DPMS4P22	4DP-5-224	PVC4022	4PS-P22
C81	.002		GPD X5F202K	DM-202	GP2000	CCD-202	GP220	2SS-D20
C82	.002		GPD X5F202K	DM-202	GP2000	CCD-202	GP220	2SS-D20
C83	.001		GPD X5F102K	DM-102	GP1000	CCD-102	SM210	2SS-D10
C84	.22	75V	DBE6P22		DPMS4P22	4DP-5-224	PVC4022	4PS-P22
C85	.033	75V	08E6S33		DPMS6S33	4DP-2-333	PVC6133	4PS-S33
C86	.002		GPD X5F202K	DM-202	GP2000	CCD-202	GP220	2SS-D20
C87	.033	75V	DBE6S33		DPMS6S33	4DP-2-333	PVC6133	4PS-S33
C88	.022	75V	V1612S22		DPMS6S22	1DP-1-223	PVC1122	225P22391WD3
C89	.1		TTP-1	CK-104			TA010	TG-P10
C90	.0068		GPD X5R682K	DD-682		CCO-682	JF268	10TS-D68
C91	.033	75V	DBE6S33		DPMS6S33	4DP-2-333	PVC6133	4PS-S33
C92	.002		GPD X5F202K	DM-202	GP2000	CCD-202	GP220	2SS-D20
C93	.033	75V	DBE6S33		DPMS6S33	4DP-2-333	PVC6133	4PS-S33

PARTS LIST AND DESCRIPTION (CONTINUED)

(When ordering parts, state Model, Part Number, and Description.)

Replacement parts shown may be superseded by the availability of newly introduced replacements.
Have your local distributor check Sams COUNTER FACTS* for the most up-to-date replacement.

CAPACITORS

ITEM No.	RATING	REMARKS	REPLACEMENT DATA					
			AEROVOX PART No.	CENTRALAB PART No.	CORNELL-DUBILIER PART No.	ELMENCO PART No.	MALLORY PART No.	SPRAGUE PART No.
C94	.022 75V		V1612S22		OPMS6S22	1DP-1-223	PVC1122	225P22391WD3
C95	.1		TTP-1	CK-104			TA010	TG-P10
C96	.0068		GPD X5R682K	DD-682		CCD-682	JF268	10TS-D68
C97	.1 75V		D8E2P1		OPMS2P1	1DP-2-104	PVC101	225P10491WD3
C98	.01		TTP-01	CK-103	MGP01	CCD-103	TA110	TG-S10
C99	.01 75V		V1612S1	CPR-10000J	DPMS6S1	1DP-1-103	PVC211	225P10391WD3
C100	.01 100V		V1612S1	CPR-10000J	DPMS6S1	10P-1-103	PVC211	225P10391WD3
C101	.01 75V		V1612S1	CPR-10000J	DPMS6S1	1DP-1-103	PVC211	225P10391WD3
C102	.0022		GPD X5F222K	DD-222	GP2200	CCD-222	GP222	10TS-D22
C103	.01		TTP-01	CK-103	MGP01	CCD-103	TA110	TG-S10
C104	18 N150					*	*	10TCP-Q18
C105	260	#2093050-0710						
C106	.05	51	TTP-05	CK-503	MGP05	CCD-503	TA150	TGL-550

* Not normally in distributor's stock. Available thru distributor on order to manufacturer.

Bendix Part Number

CONTROLS (All wattages 1/2 watt, or less, unless listed)

ITEM No.	FUNCTION	RESIST-ANCE	REPLACEMENT DATA				
			MFGR. PART No.	CENTRALAB PART No.	CLAROSTAT PART No.	CTS-IRC PART No.	MALLORY PART No.
R1A	Tone, Left	500K	2057638-0701				
8	Tone, Right	500K					
C	Volume, Left	225K Tap @ 75K					
D	Volume, Right/Switch	225K Tap @ 75K					
R2	Balance	25K	2057495-0701				
R3	Separation	1000	219555-0015	WF-1K or V-1000	U39-1000	112-1000 or 117R102A	MR1000F
R4A	Fader, Left	2 Watt 50	(0C219555-15) 2057448-0701				
8	Fader, Right	2 Watt 50					

RESISTORS (Power and Special)

ITEM No.	RATING	REPLACEMENT DATA	
		WORKMAN PART No.	MFGR. PART No.
R94	857 (Cold)		220629-0021
R96	.22 (PTC)		2090948-0020

ITEM No.	RATING	REPLACEMENT DATA	
		WORKMAN PART No.	MFGR. PART No.
R100	857 (Cold)		220629-0021
R101	.22 (PTC)		2090948-0C20

COILS (RF-IF)

ITEM No.	USE	REPLACEMENT DATA			
		PART No.	MEISSNER PART No.	MILLER PART No.	WORKMAN PART No.
L1	FM Antenna	(1)			
L2	FM RF	(1)			
L3	RF Choke (2uh)	2092210-0007	19-1002	74F226AP	TA812
L4	10.7MC Trap (1uh)	2092210-0005	19-1000	4602	T855
L5	FM Oscillator	(1)			
L6	FM Input IF	2057713-0701			
L7	FM Interstage IF	2057713-0702			
L8	FM Interstage IF	2057713-0703			
L9	FM Interstage IF	2057713-0704			
L10	FM Interstage IF	2057713-0705			
L11	Oiscriminator	2057714-0701			
L12	RF Choke (2uh)	2092210-0007	19-1002	74F226AP	TA812
L13	AM Antenna	(1)			
L14	AM RF	(1)			
L15	AM Oscillator	(1)			
L16	AM Input IF	2057715-0701			
L17	AM Output IF	2057715-0702			
L18	75KC Trap	2057742-0701			
L19	19KC	2057742-0702			
L20	19KC	2057742-0703			
L21	38KC	2057742-0704			

(1) Part of M1.

FORD MODEL 9FBS

PARTS LIST AND DESCRIPTION (CONTINUED)

(When ordering parts, state Model, Part Number, and Description.)

Replacement parts shown may be superseded by the availability of newly introduced replacements.

Have your local distributor check Sams COUNTER FACTS[®] for the most up-to-date replacement.

FILTER CHOKE

ITEM No.	RATINGS			REPLACEMENT DATA					NOTES
	CURRENT (Measured)	DC RES.	INDUCTANCE (0 CURRENT 1000~)	PART No.	MERIT PART No.	STANCOR PART No.	THORDARSON PART No.	TRIAD PART No.	
L22	1.25 Amp	.3	1.5MH	4080072-0505					

SPEAKER

ITEM No.	TYPE	REPLACEMENT DATA		NOTES
		PART No.	QUAM PART No.	
				Obtain from Ford Dealer

TRANSFORMER (Audio Output)

ITEM No.	IMPEDANCE		REPLACEMENT DATA					NOTES
	PRI.	SEC.	MFR. PART No.	MERIT PART No.	STANCOR PART No.	THORDARSON PART No.	TRIAD PART No.	
T1	17	8	2092823-0704					
T2	17	8	2092823-0704					

FUSE DEVICES

ITEM No.	DESCRIPTION	REPLACEMENT DATA							
		PART No.		BUSS PART No.		LITTELFUSE PART No.		WORKMAN PART No.	
		DEVICE	HOLDER	DEVICE	HOLDER	DEVICE	HOLDER	DEVICE	
F1	SFE 14		In Fuse Block	SFE14		307014			

MISCELLANEOUS

ITEM No.	PART NAME	PART No.	NOTES
M1	Tuner	2094851-0522	GIC
	Coil Assembly	2090131-0106	GIC
	Tuner	2094851-0527	TRW
	Coil Assembly	2090131-0109	
PC1	FM IF Network	2057721-0702	
PC2	MPX Input Network	2057719-0701	
PC3	Audio Network	2057720-0701	
PC4	Audio Network	2057720-0701	
SW1	Switch, Selector	2092719-0710	GIC Tuner
	Switch, Selector	2092719-0711	TRW Tuner

CABINETS & CABINET PARTS (When ordering specify model, chassis & color)

ITEM	PART No.	ITEM	PART No.
Escutcheon	4080200-0508	Push Button #2, 3 & 4	2057447-0004
Dial Drum	4080203-0502	Push Button #5	2057447-0005
Stereo Indicator Lens	2093760-0004	Dial Pointer (GIC Tuner)	2090129-0111
Balance Knob	4080317-0501	Dial Pointer (TRW Tuner)	2090129-0115
Push Button #1	4057447-0006		

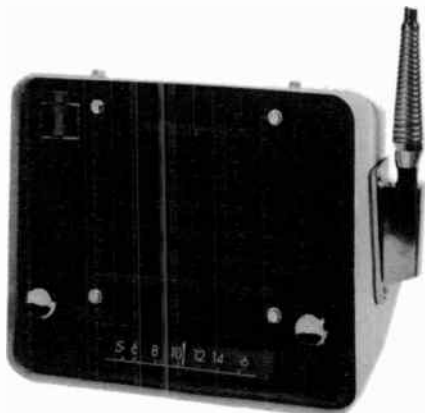


PHOTOFACT[®] with

CIRCUITRACE[®]

For Supplier Address See PHOTOFACT Index

NOTE: Manufacturer Part Numbers Shown Are BENDIX



INTERNATIONAL HARVESTER MODEL 08T1H
(70 I-H TRACTOR)

ALIGNMENT INSTRUCTIONS

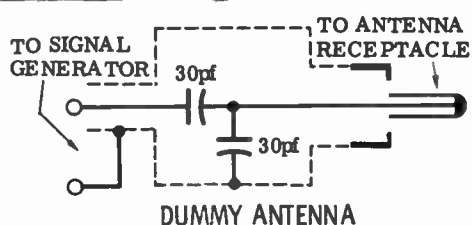
Check for specified source voltage.

Use only enough generator output to provide a usable indication.

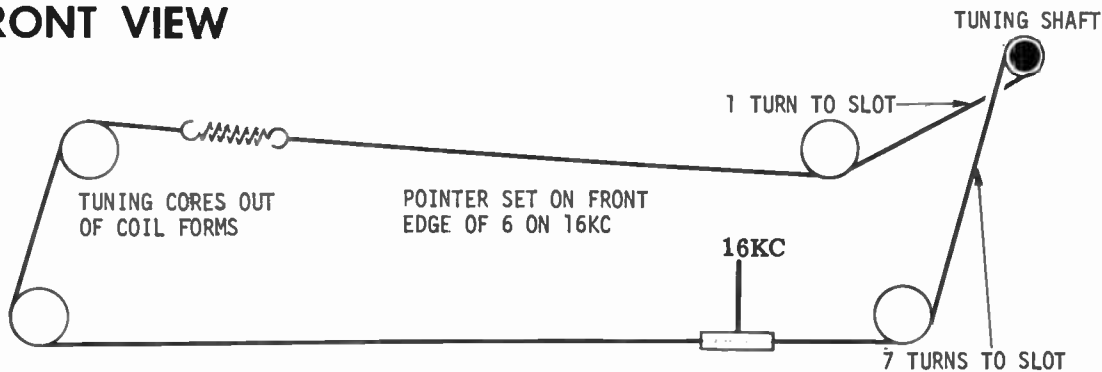
Suggested Alignment Tools: GENERAL CEMENT # WALSCO #
 A1 thru A49296, 9297, 9300.....2510, 2546, 2547
 A5, A6, A78290, 8868, 9007.....2525, 2528, 2587

	GENERATOR COUPLING	GENERATOR FREQUENCY	RADIO DIAL SETTING	INDICATOR	ADJUST	REMARKS
1.	High side thru .1mfd to point Δ , low side to ground.	262KC 400 cycle modulation	High freq. end stop.	Output meter across voice coil.	A1, A2, A3, A4	Adjust for maximum.
2.	Thru dummy antenna to antenna input.	1615KC	"	"	A5, A6, A7	"

With radio installed in car and antenna extended to desired height, tune in a weak station near 1400KC and adjust A7 for maximum output.



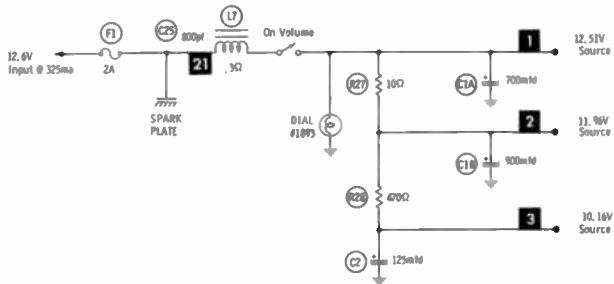
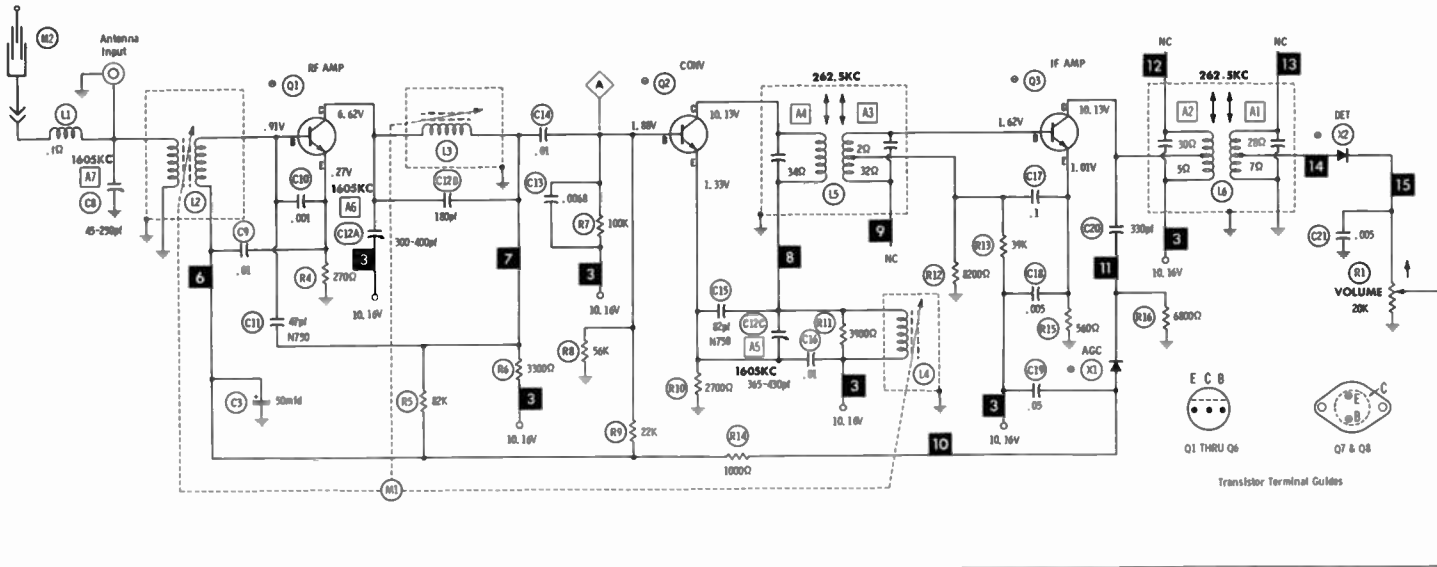
DIAL CORD STRINGING FRONT VIEW



INTERNATIONAL HARVESTER MODEL 08T1H

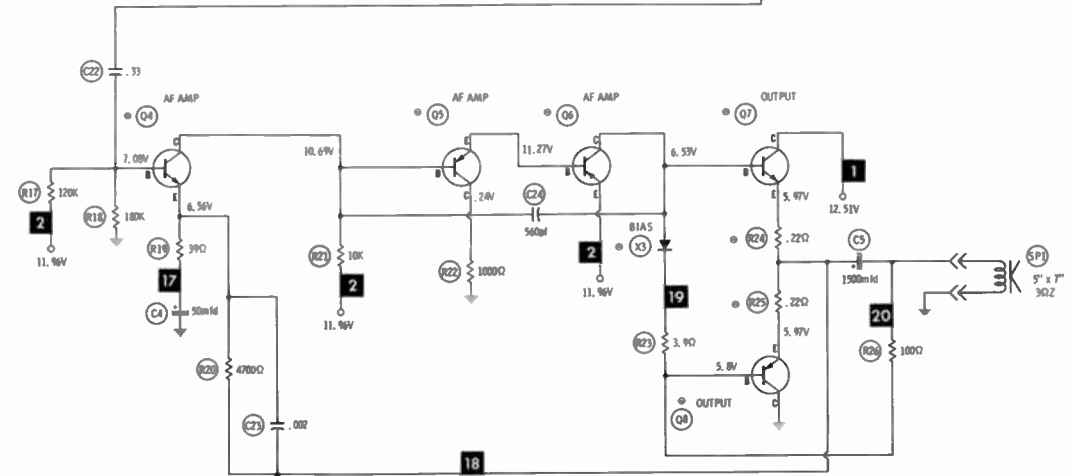
HOWARD W. SAMS & CO., INC. Indianapolis, Indiana 46206

© 1970 Howard W. Sams & Co., Inc. Printed in U. S. of America TD767

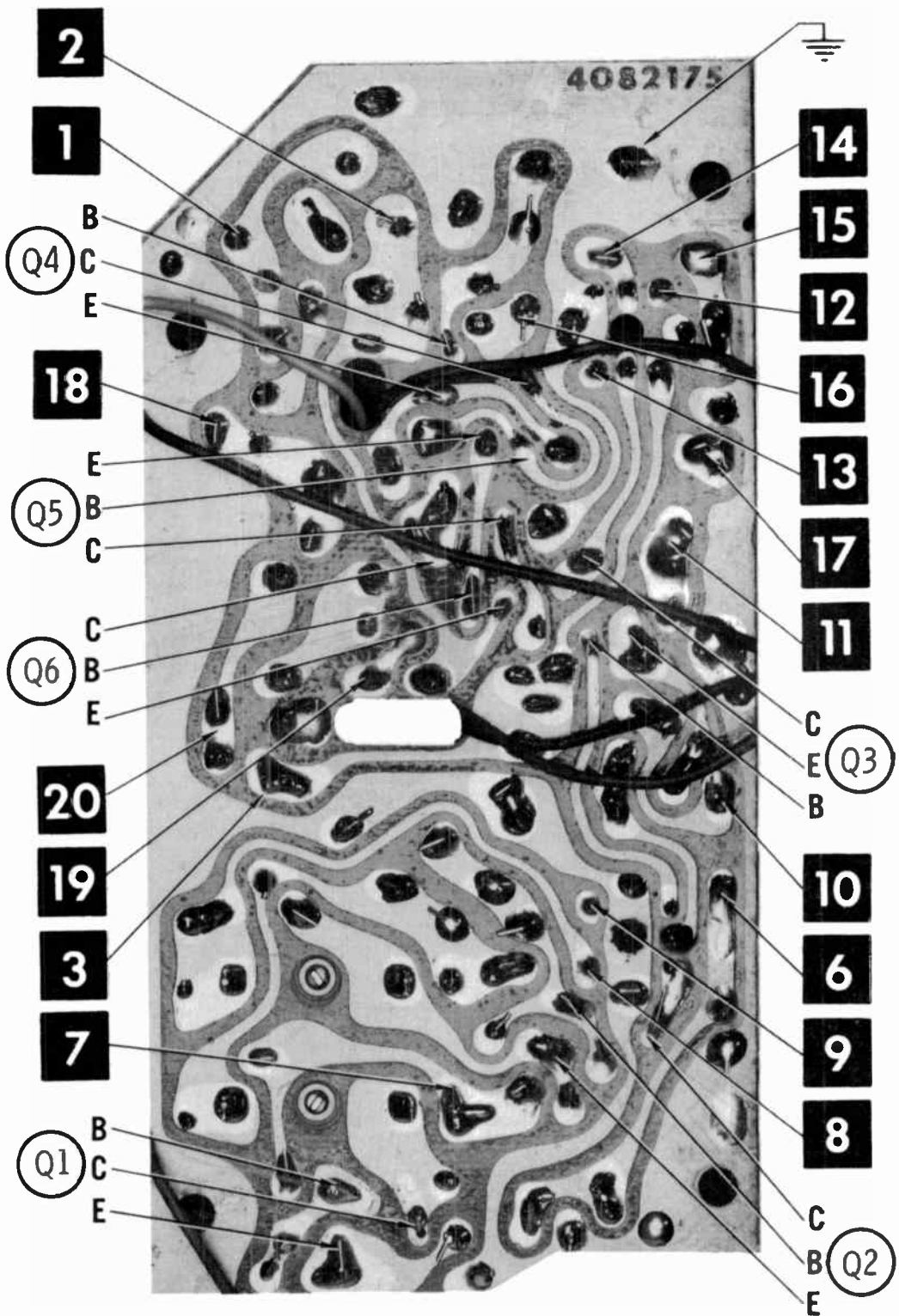


• See parts list.
Resistors are 1/2W or less, 10% or 20%, unless otherwise indicated.
Supply voltage maintained at rated value for measurements.
Voltage and resistance measured with VTVM or equivalent meter,
no signal applied and controls adjusted for normal operation.
Controls viewed from actuator end. Arrow indicates clockwise rotation.
Numbers assigned to test points may not be found on the unit.
Transistor resistances vary widely. No resistance measurements taken.

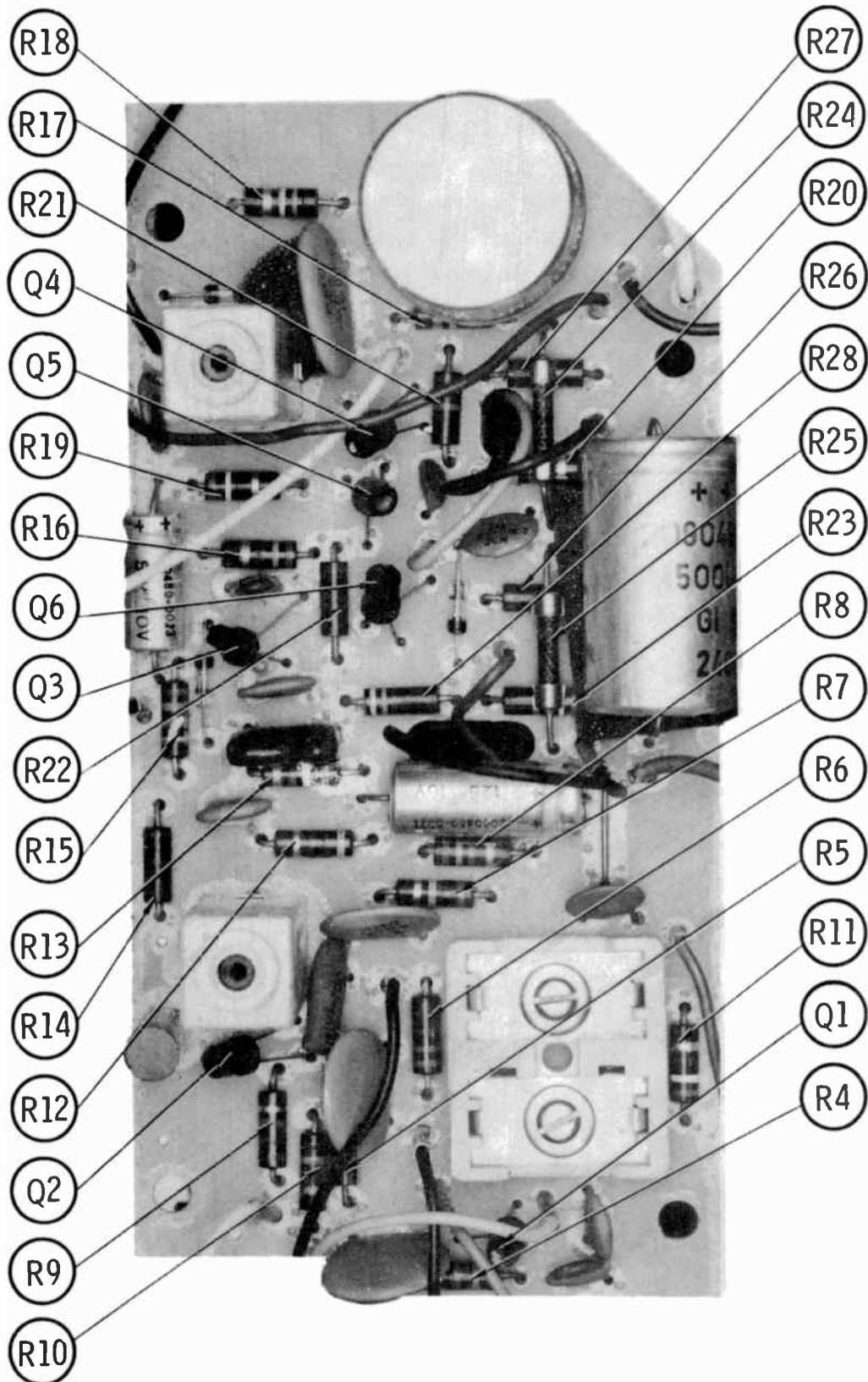
A PHOTOFACIT STANDARD NOTATION SCHEMATIC
with **CIRCUITRACE**
© Howard W. Sams & Co., Inc. 1970

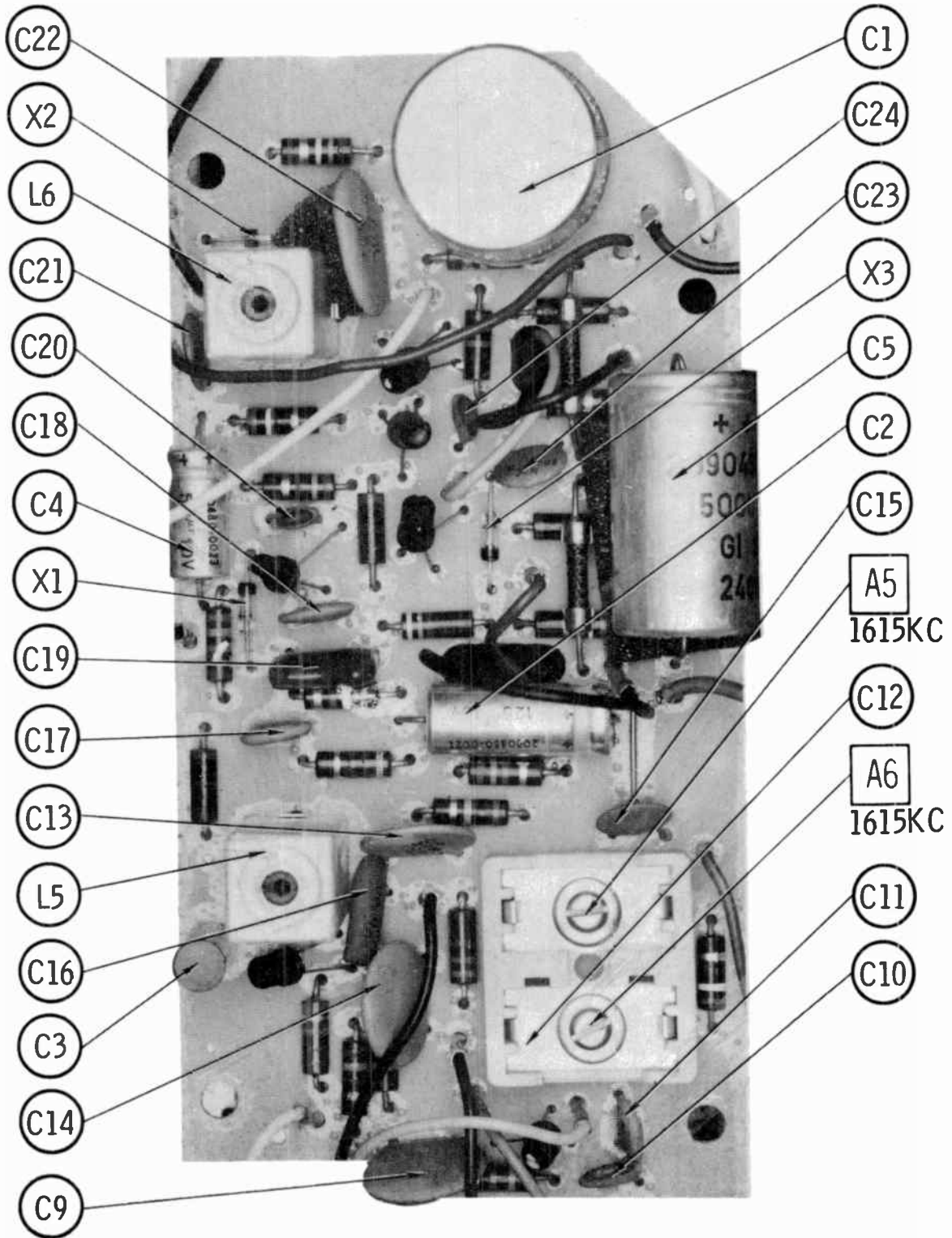


INTERNATIONAL HARVESTER MODEL 08TH



A Howard W. Sams **CIRCU TRACE** Photo





PARTS LIST AND DESCRIPTION

(When ordering parts, state Model, Part Number, and Description.)

Replacement parts shown may be superseded by the availability of newly introduced replacements.

Have your local distributor check Sams COUNTER FACTS[®] for the most up-to-date replacement.

TRANSISTORS

ITEM No.	TYPE No.	FUNCTION	REPLACEMENT DATA					
			MFGR. PART No.	GENERAL ELECTRIC PART No.	INTERNATIONAL RECTIFIER PART No.	MOTOROLA PART No.	RCA PART No.	SYLVANIA PART No.
Q1		RF Amp Converter	2093308-0704	GE-20	TR-21	HEP54	SK3018	ECG 107
Q2			2093308-0705	GE-20	TR-21	HEP54	SK3018	ECG 107
Q3		IF Amp	2093308-0706	GE-20	TR-21	HEP54	SK3018	ECG 107
Q4		AF Amp	2092609-0718	GE-10	TR-21	HEP54	SK3020	ECG 123
Q5		AF Amp	2057013-0702	GE-21	TR-19	HEP51	SK3025	ECG 129
Q6		AF Amp	2057013-0702	GE-21	TR-19	HEP51	SK3025	ECG 129
Q7		Output (1)	4080838-0002	GE-21	TR-23	HEP703	SK3026	ECG 124
Q8		Output (1)	2091859-0025	GE-3	TR-01	HEP232	SK3009	ECG 104

(1) When replacing, apply silicone grease to both sides of insulator. Tighten mounting screws securely.

POWER RECTIFIERS & SIGNAL DIODES

ITEM No.	MFGR. PART OR TYPE No.	REPLACEMENT RECTIFIERS & DIODES			REPLACEMENT RECTIFIERS	NOTES
		GENERAL ELECTRIC PART No.	INTERNATIONAL RECTIFIER PART No.	SYLVANIA PART No.	RCA PART No.	
X1	2092055-0001	1N34AS	1N34A			
X2	2092055-0001	1N34AS	1N34A	ECG 109		
X3	2092055-0001	1N34AS	1N34A	ECG 109		

ELECTROLYTIC CAPACITORS

ITEM No.	RATING	REPLACEMENT DATA						
		PART No.	AEROVOX PART No.	CENTRALAB PART No.	CORNELL-DUBILIER PART No.	GENERAL ELECTRIC PART No.	MALLORY PART No.	SPRAGUE PART No.
C1A	700 16V	2092983-0014	PMW2-02-65		BB0040A			PCL-2185.1
B	900 16V							
C2	125 16V	2090480-0021	CRE478A	EA15-150	WBR150-35	MT1-21.5	MTA125E6	TL-1163
C3	50 3V	2090480-0022	BCD6050	EP6-50	PC50-16	MT1-15	MTV50CB15	TE-1058
C4	50 10V	2090480-0023	CRE467A	EA15-50	AL50-16	MT1-19	MTA50E15	TL-1133
C5	1500 10V	2090480-0024	PRS1147	EA15-2000	WBR2000-16	QT1-33	TC1215	TL-1167

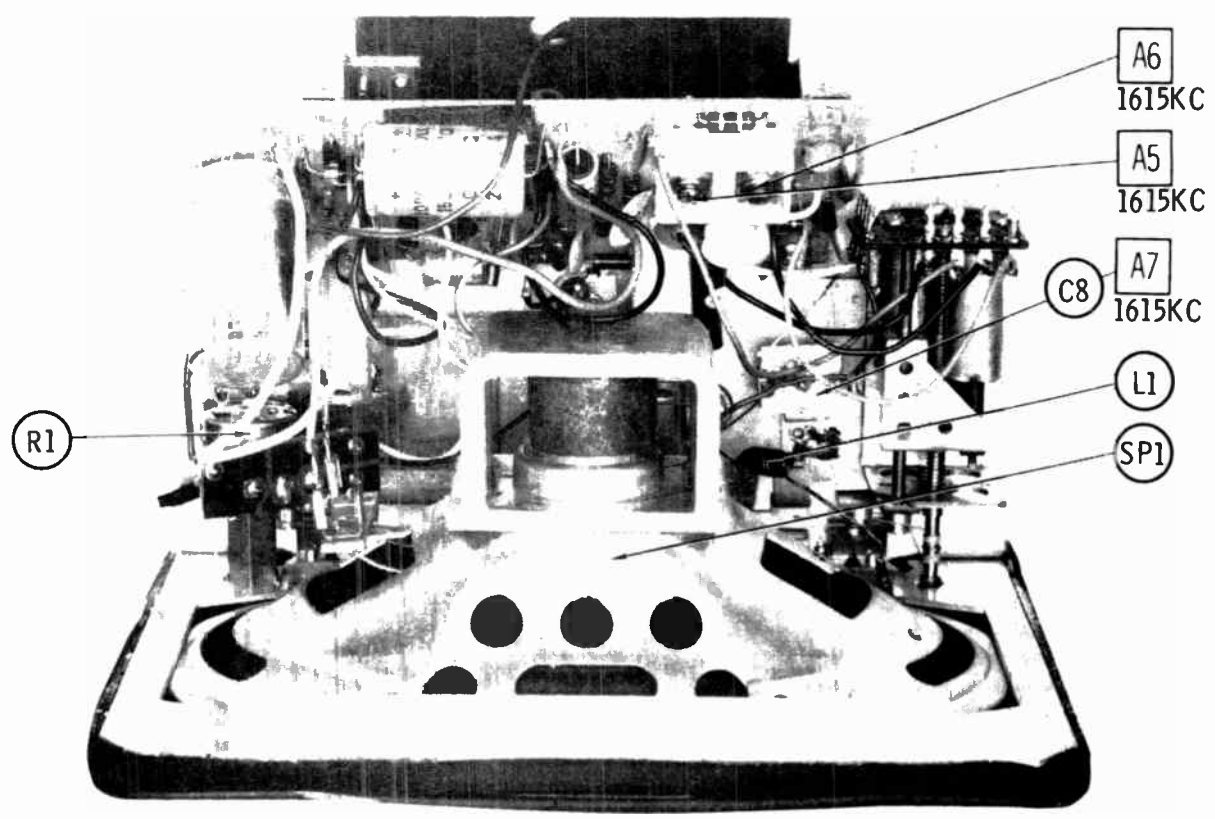
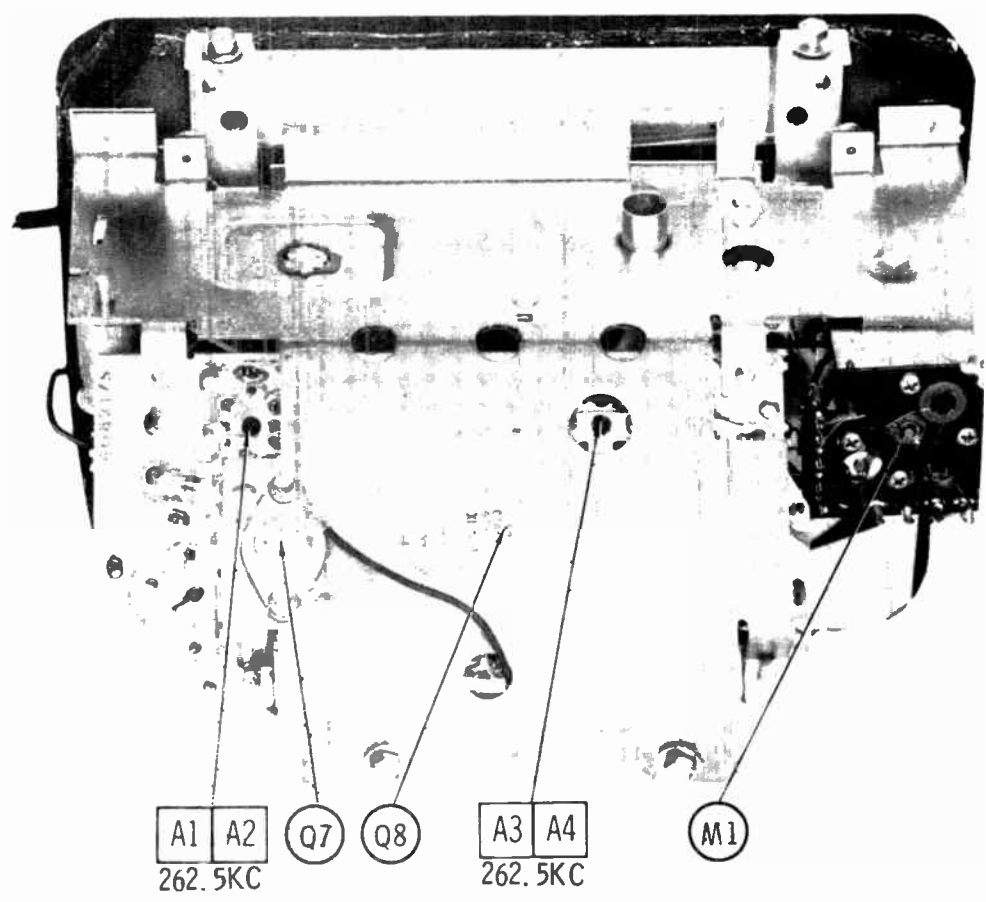
CAPACITORS

ITEM No.	RATING	REMARKS	REPLACEMENT DATA					
			AEROVOX PART No.	CENTRALAB PART No.	CORNELL-DUBILIER PART No.	ELMENCO PART No.	MALLORY PART No.	SPRAGUE PART No.
C8	45-250	#2091504-0707	TTP-01	CK-103	MGP01	CCD-103	TA110	TG-S10
C9	.01		GPD X5F102K	DM-102	GP1000	CCD-102	SM210	2SS-D10
C10	.001		N750-DI 47	DTZ-47	N47	CCTN-470	CN7447	10TCU-Q47
C11	47 N750	#219092-0031						
C12A	300-400							
B	180							
C	365-430							
C13	.0068		GPD X5R682K	00-682	GP6800	CCD-682	GP268	5GA-D68
C14	.01		TTP-01	CK-103	MGP01	CCD-103	TA110	TG-S10
C15	82 N750			DTZ-82	N82	CCTN-820	CN7482	10TCU-Q82
C16	.01 25V		VI612S1	CPR-10000J	DPMS6S1	1DP-1-103	PVC211	225P10391WD3
C17	.1		TTP-1	CK-104			TA010	TG-P10
C18	.005		TTP-005	CK-502	MGP005	CCD-502	TA250	TG-D50
C19	.05 50V		DBE6S5		DPMS6S5	6DP-3-503	PVC615	6PS-S50
C20	330		GPD X5F331K	DD-331	GP330	CCD-331	GP333	10TS-T33
C21	.005		TTP-005	CK-502	MGP005	CCD-502	TA250	TG-D50
C22	.33			UK16-304				HY-327
C23	.002		GPD X5F202K	DM-202	GP2000	CCD-202	GP220	2SS-D20
C24	560		GPD X5F561K	DD-561	GP560	CCD-561	GP356	10TS-T56
C25	800	#2093050-0707						

CONTROLS (All wattages 1/2 watt, or less, unless listed)

ITEM No.	FUNCTION	RESISTANCE	REPLACEMENT DATA					
			MFGR. PART No.	CENTRALAB PART No.	CLAROSTAT PART No.	CTS-IRC PART No.	MALLORY PART No.	
R1	Volume/Switch	20K	4082187-0001				QCB4 (1), B13-120, TM8, QCN, 76-1 or [BU14, CF90, SS4, QCN, GC] *	

(1) Use QCB4 Bushing instead of "TM" in TM8 Kit. * "SNAPTROL".
(CONTINUED ON PAGE 78)



PARTS LIST AND DESCRIPTION (CONTINUED)

(When ordering parts, state Model, Part Number, and Description.)

Replacement parts shown may be superseded by the availability of newly introduced replacements.

Have your local distributor check Sams COUNTER FACTS for the most up-to-date replacement.

RESISTORS (Power and Special)

ITEM No.	RATING	REPLACEMENT DATA	
		WORKMAN PART No.	MFR. PART No.
R24	.22 ohm PTC		2090948-0007

ITEM No.	RATING	REPLACEMENT DATA	
		WORKMAN PART No.	MFR. PART No.
R25	.22 ohm PTC		2090948-0007

COILS (RF-IF)

ITEM No.	USE	REPLACEMENT DATA			
		PART No.	MEISSNER PART No.	MILLER PART No.	WORKMAN PART No.
L1	RF Choke (1uh)	4082503-0501	19-1000	4602	T855
L2	Antenna	(1)			
L3	RF	(1)			
L4	Oscillator	(1)			
L5	Input IF	2094080-0711		8006 (2)	
L6	Output IF	2094080-0712		8006	

(1) Part of M1.

(2) Cut off Pin #5.

FILTER CHOKE

ITEM No.	RATINGS			REPLACEMENT DATA					NOTES
	CURRENT (Measured)	DC RES.	INDUCTANCE (0 CURRENT 1000~)	PART No.	MERIT PART No.	STANCOR PART No.	THORDARSON PART No.	TRIAD PART No.	
L7	325ma	.2	1.5MH	4082190-0501					

SPEAKER

ITEM No.	TYPE	REPLACEMENT DATA		NOTES
		PART No.	QUAM PART No.	
SP1	5" X 7" PM 3 ohms	4082188-0001	57A21	

FUSE DEVICES

ITEM No.	DESCRIPTION	REPLACEMENT DATA							
		PART No.		BUSS PART No.		LITTELFUSE PART No.		WORKMAN PART No.	
		DEVICE	HOLDER	DEVICE	HOLDER	DEVICE	HOLDER	DEVICE	
F1	2 Amo	2091811-007	2094348-0520	AGA5	HAF	301002	150145		

MISCELLANEOUS

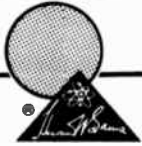
ITEM No.	PART NAME	PART No.	NOTES
M1	Tuner	4082186-0001	
M2	Antenna Base	4082189-0001	
	Antenna Mast Telescopic	2057882-0002	

CABINETS & CABINET PARTS (When ordering specify model, chassis & color)

ITEM	PART No.	ITEM	PART No.
Case (White)	4082180-0002	Dial Scale	4082184-0001
Dial Pointer	4082185-0001	Knob, Tuning or Volume	2091420-0502

WIRING DATA

General-use Unshielded Hook-up Wire	Use BELDEN No. 8530 (Solid) Available in 12 Colors 8524 (Stranded) Available in 12 Colors
Shielded Hook-up Wire	Use BELDEN No. 8885
Rear Seat Speaker Extension Cable	Use BELDEN No. 8782 (Stranded) Coded Parallel Leads
Bonding Strap	Use BELDEN No. 8661 (3/8 In.) or 8670 (3/4 In.)

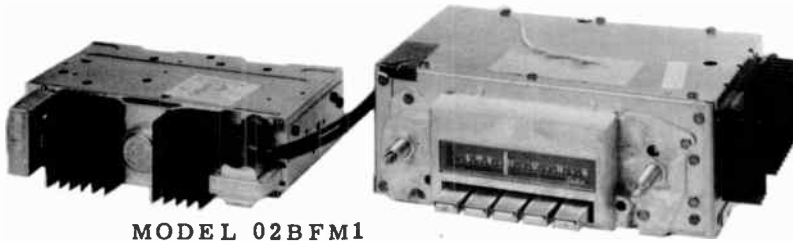


PHOTOFACT[®] with

CIRCUITRACE[®]

For Supplier Address See PHOTOFACT Index

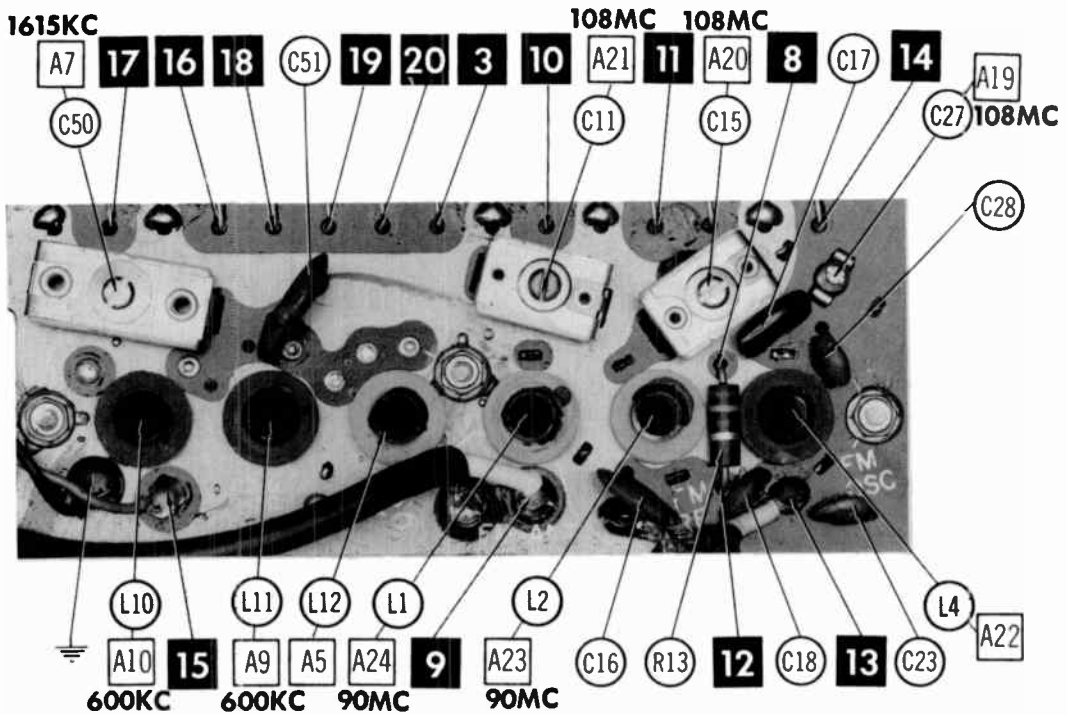
NOTE: Manufacturer Part Numbers Shown Are UNITED DELCO



MODEL 02BFM1

PONTIAC MODELS 02AFM1
(70 Tempest)
02BFM1
(70 Pontiac)
02FFM1
(70 Firebird)

PONTIAC MODELS 02AFM1 / BFM1 / FFM1

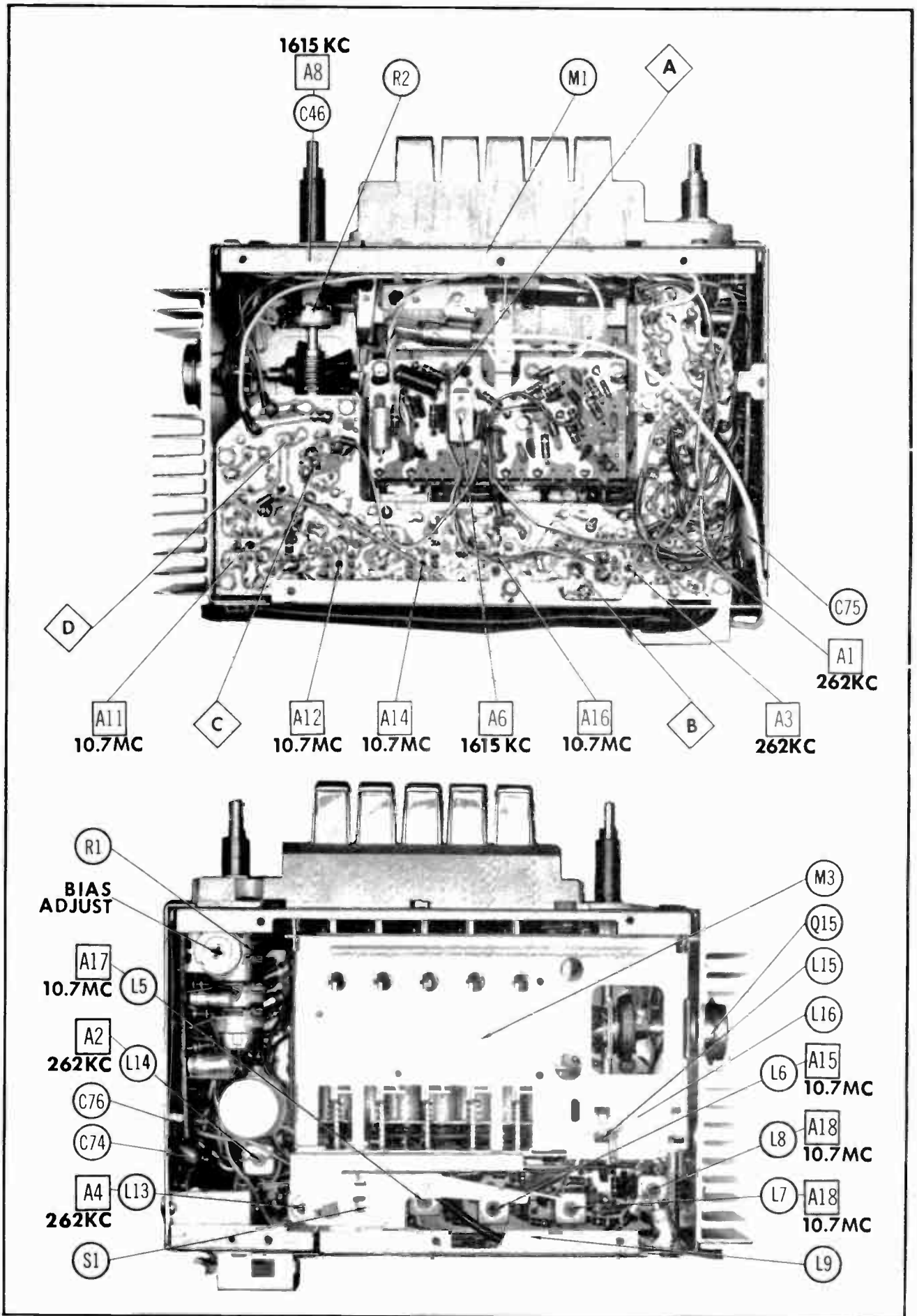


A Howard W. Sams CIRCUITRACE Photo

HOWARD W. SAMS & CO., INC. Indianapolis, Indiana 46206

© 1970 Howard W. Sams & Co., Inc. Printed in U. S. of America

TD771



ALIGNMENT INSTRUCTIONS

Check for specified source voltage.
Use only enough generator output to provide a usable indication.
Suggested Alignment Tools:

GENERAL CEMENT WALSCO

A1 thru A4, A11 thru A18...#9296,9297,9300...#2510,2546,2547
A6,A7,A8,A20,A21,A22#8290,8868,9087...#2525,2528,2587

PUSH-BUTTON ADJUSTMENT

1. Pull button out.
2. Tune manually to desired station.
3. Press button in firmly.
4. Repeat for remaining buttons.

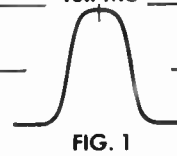
GENERATOR COUPLING	GENERATOR FREQUENCY	RADIO DIAL SETTING	INDICATOR	ADJUST	REMARKS
1. High side thru .1mfd to point $\diamond A$, low side to ground.	262KC 400 cycle modulation	High freq. end stop.	Output meter across voice coil.	A1,A2, A3,A4	Adjust for maximum.
Check setting of oscillator coil core (A5). Rear of core should be 1 3/8" from mounting end of coil form.					
2. High side thru 82pf to antenna input, low side to ground.	1615KC	High freq. end stop.	Output meter across voice coil.	A6,A7, A8	Adjust for maximum.
3. " "	600KC	600KC signal	" "	A9,A10	Adjust for maximum. Repeat Step 2.
With radio installed in car and antenna extended to 31", tune in a weak station near 1400KC and adjust A8 for maximum output. Antenna adjustment (A8) is located behind Tuning & Dummy Knob.					

FM IF ALIGNMENT USING AM SIGNAL GENERATOR—SELECTOR IN FM POSITION

High side of generator thru .001mfd to point $\diamond B$, low side to ground.

10.7MC

GENERATOR FREQUENCY	RADIO DIAL SETTING	INDICATOR	ADJUST	REMARKS
4. 10.7MC Unmodulated	Point of non-interference	DC probe of VTVM to point $\diamond C$, common to ground.	All thru A17	Adjust for maximum.
5. " "	" "	DC probe of VTVM to point $\diamond D$, common to ground.	A18	Adjust for zero reading. A positive or negative reading will be obtained on either side of the correct setting.



FM IF ALIGNMENT USING FM SIGNAL GENERATOR—SELECTOR IN FM POSITION

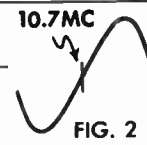
High side of generator thru .001mfd to point $\diamond B$, low side to ground. Use only enough marker signal for indication. Use 60 cycle frequency modulated signal with 450KC sweep. Use 60 cycle sawtooth voltage in scope for horizontal deflection.

GENERATOR FREQUENCY	RADIO DIAL SETTING	INDICATOR	ADJUST	REMARKS
4. 10.7MC 450KC Sweep	Point of non-interference	Vert. amp of scope to point $\diamond C$, low side to ground.	All thru A17	Disconnect stabilizing capacitor C4. Adjust for maximum gain and symmetry of response similar to Fig. 1 with marker as shown. Reconnect C4.
5. " "	" "	Vert. amp of scope to point $\diamond D$, low side to ground.	A18	Adjust A18 (secondary) to place marker at center of "S" curve similar to Fig. 2. Readjust A (primary) for maximum amplitude and straightness of line.

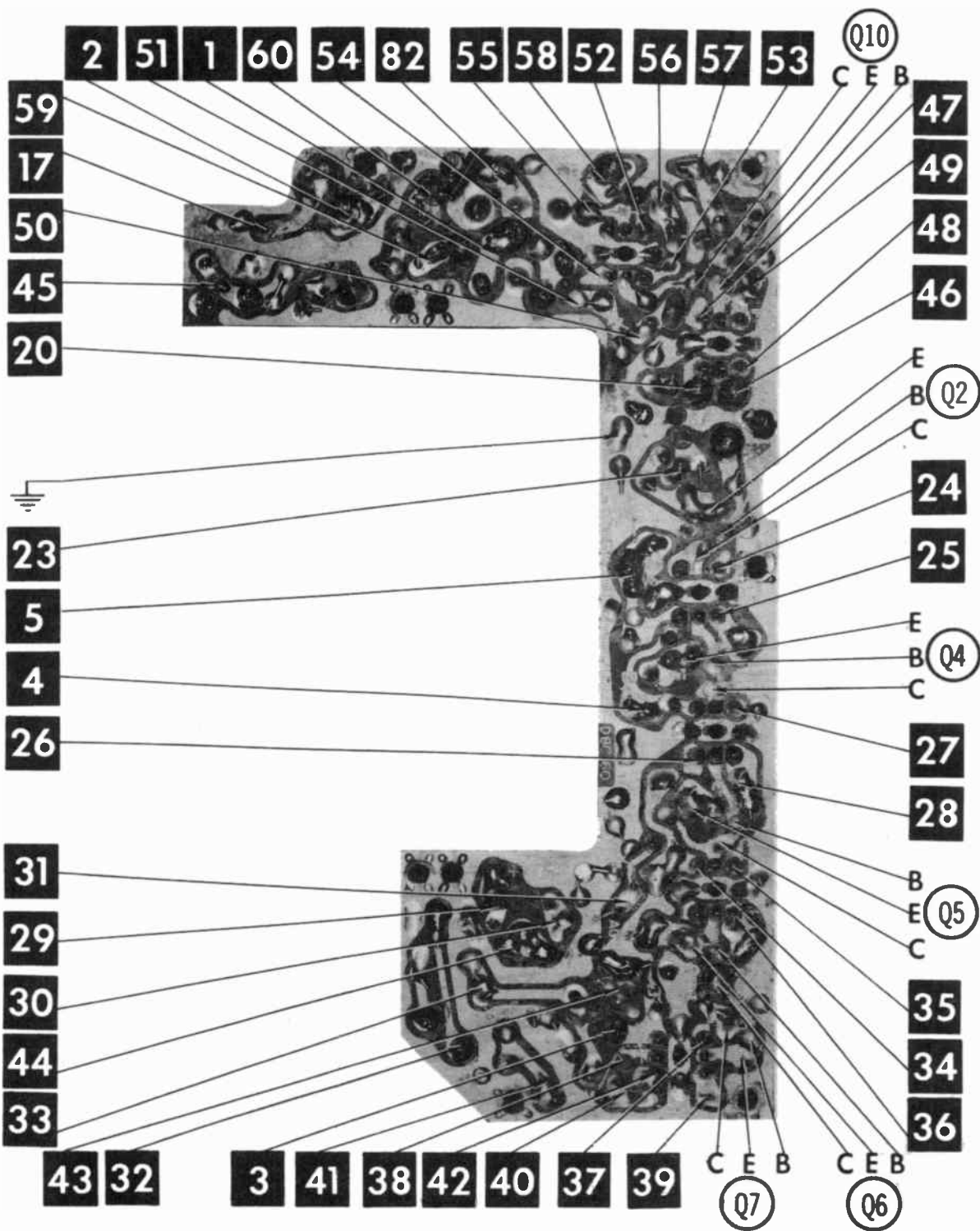
FM RF ALIGNMENT—SELECTOR IN FM POSITION

Connect generator across antenna terminals with 120-ohm carbon resistor in series with each lead. NOTE: Rear of Osc. Core (A22) should be 1 3/8" from mounting end of Coil form.

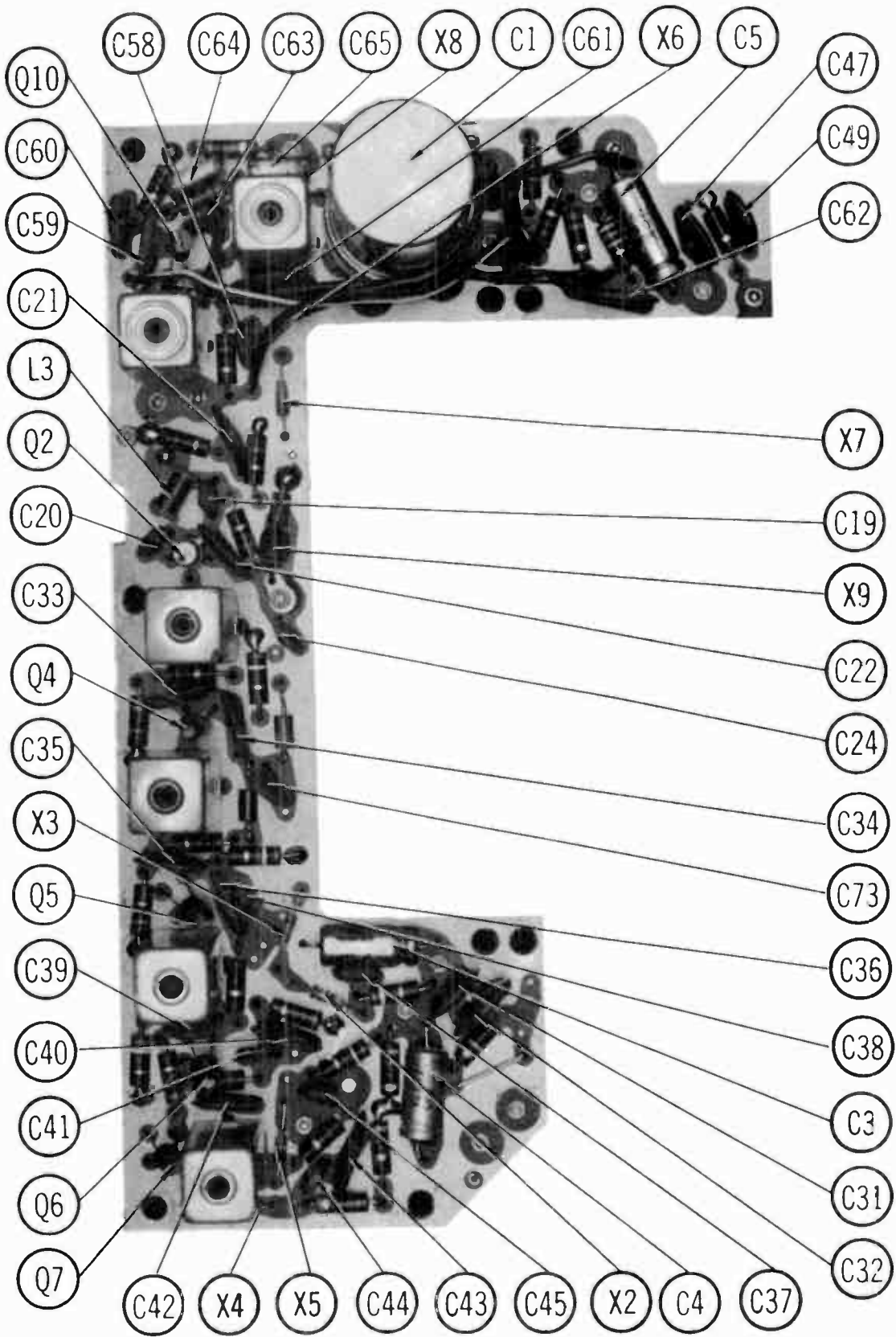
GENERATOR FREQUENCY	RADIO DIAL SETTING	INDICATOR	ADJUST	REMARKS
6. 108MC	High freq. end	DC probe of VTVM to point $\diamond C$, common to ground.	A19,A20, A21	Adjust for maximum.
7. 90MC Unmodulated	Tune to signal.	" "	A23,A24	Rock tuning and adjust for maximum. Repeat steps 6 and 7 until no further improvement can be made.

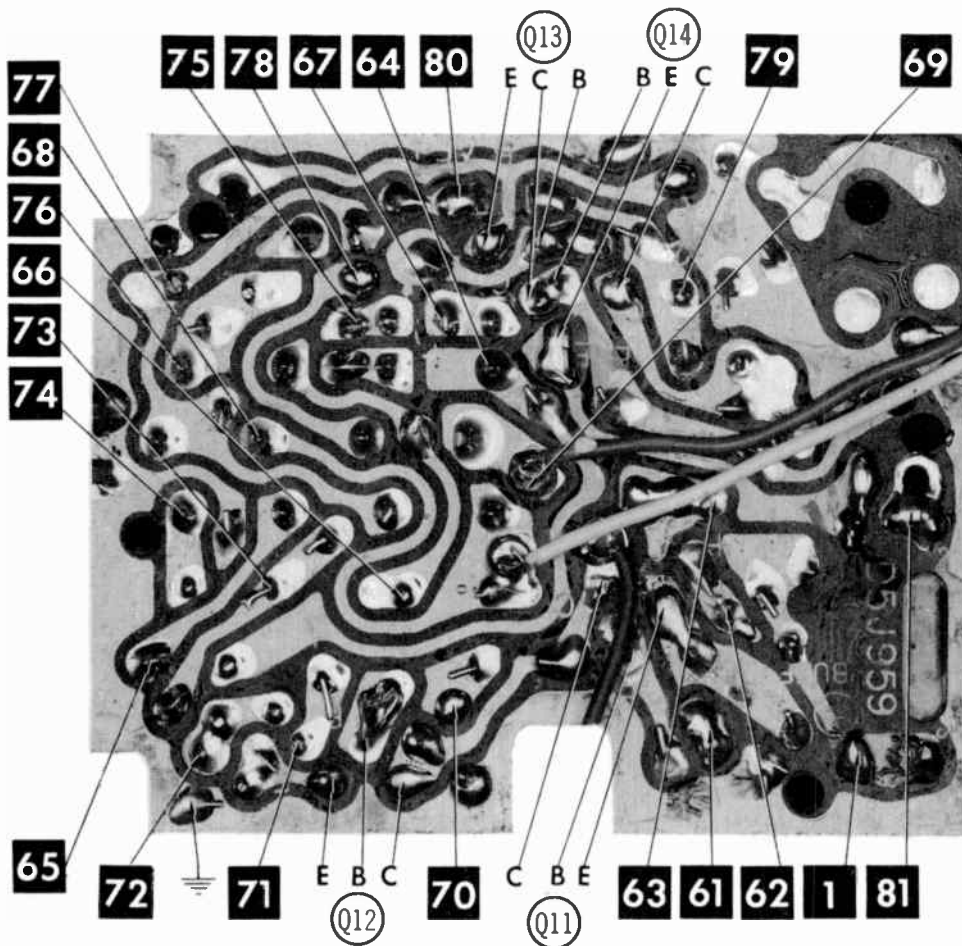
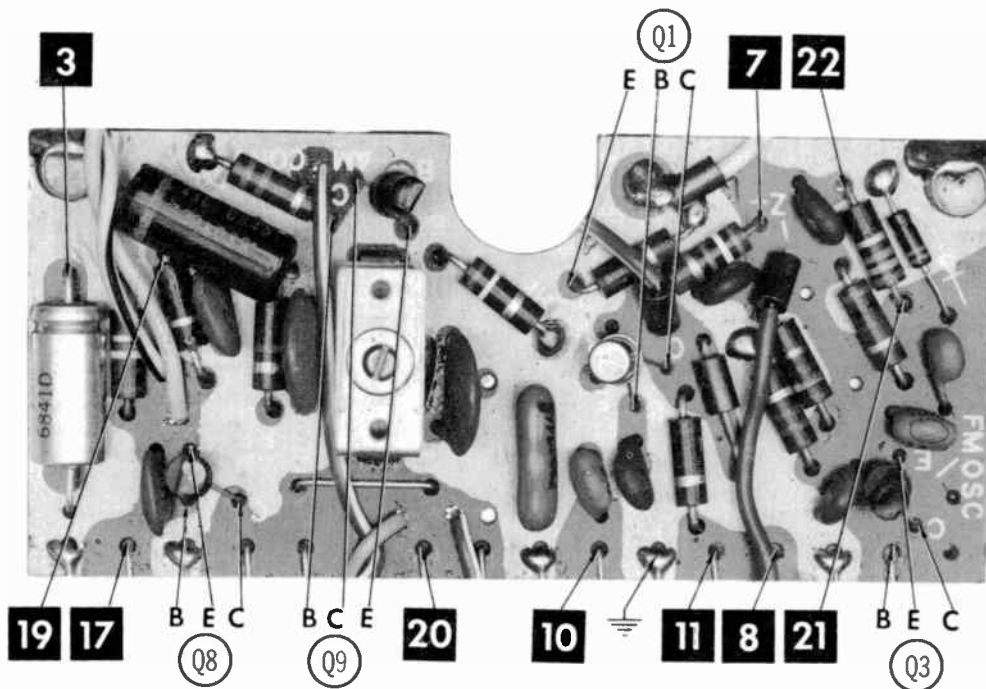


PONTIAC MODELS 02AFM1/BFM1/FFM1

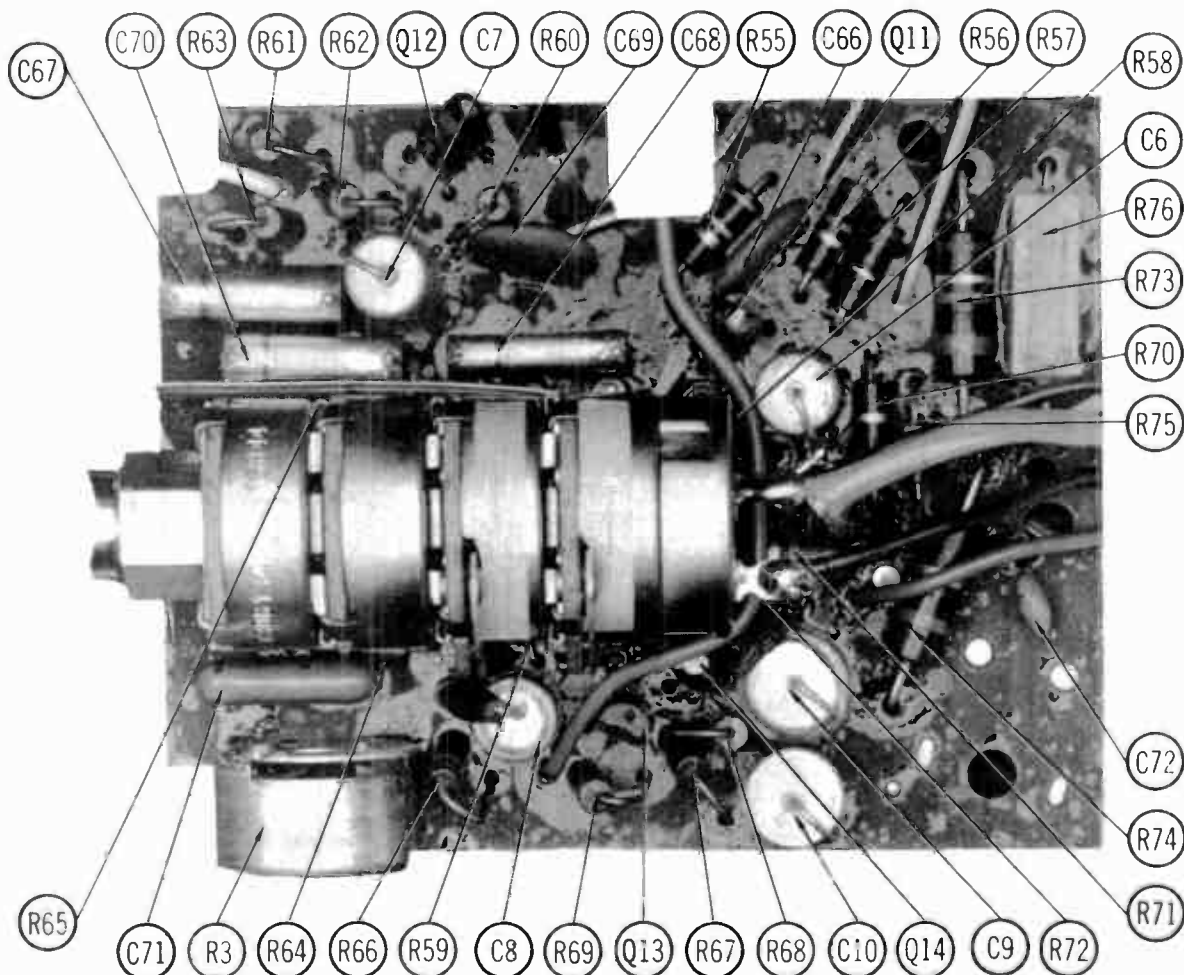
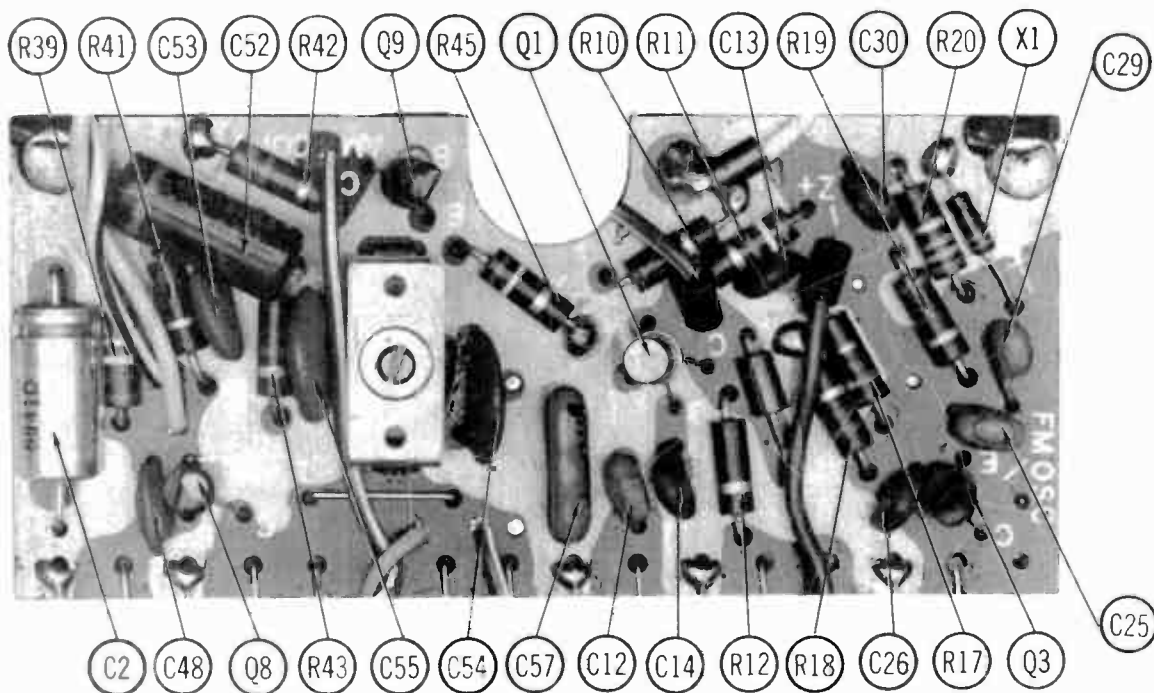


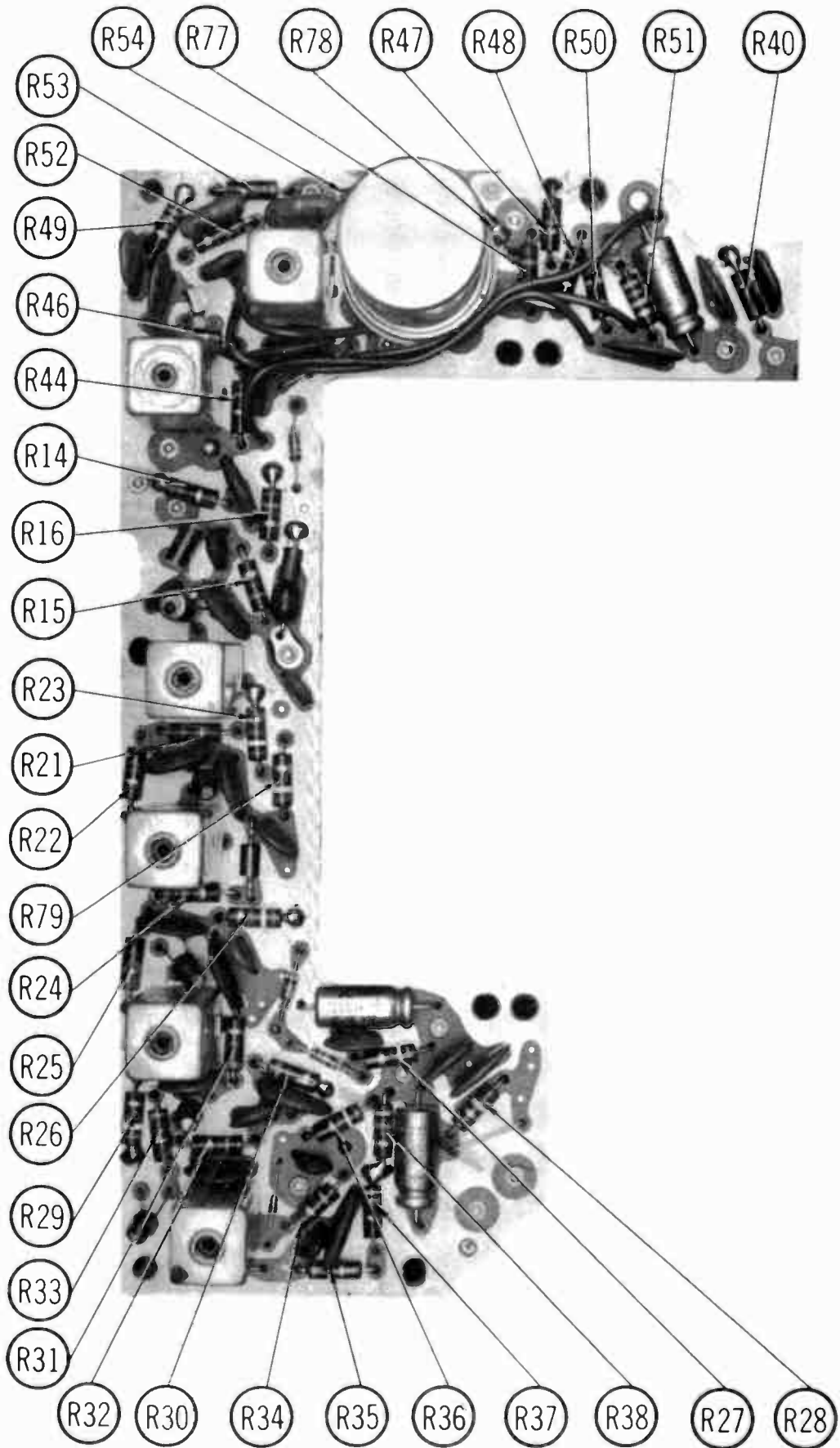
A Howard W. Sams CIRCUITRACE Photo





A Howard W. Sams **CIRCUITRACE** Photo





PARTS LIST AND DESCRIPTION

(When ordering parts, state Model, Part Number, and Description.)

Replacement parts shown may be superseded by the availability of newly introduced replacements.
Have your local distributor check Sams COUNTER FACTS⁴ for the most up-to-date replacement.

RADIO

WIRING DATA

General-use Unshielded Hook-up Wire	Use BELDEN No. 8530 (Solid) Available in 12 Colors 8524 (Stranded) Available in 12 Colors
Shielded Hook-up Wire	Use BELDEN No. 8885
Rear Seat Speaker Extension Cable	Use BELDEN No. 8782 (Stranded) Coded Parallel Leads
Bonding Strap	Use BELDEN No. 8661 (3/8 In.) or 8670 (3/4 In.)

TRANSISTORS

ITEM No.	TYPE No.	FUNCTION	REPLACEMENT DATA					
			MFGR. PART No.	GENERAL ELECTRIC PART No.	INTERNATIONAL RECTIFIER PART No.	MOTOROLA PART No.	RCA PART No.	SYLVANIA PART No.
Q1	DS-78	FM RF Amp	DS-81	GE-17	TR-22	HEP50	SK3018	ECG 108
Q2	DS-78	FM Mixer	DS-81	GE-17	TR-22	HEP50	SK3018	ECG 108
Q3	DS-74	FM Oscillator	DS-74	GE-11	TR-21	HEP56	SK3018	ECG 108
Q4	DS-85	1st FM IF Amp	DS-74	GE-17	TR-21	HEP53	SK3018	ECG 108
Q5	DS-85	2nd FM IF Amp	DS-74	GE-17	TR-21	HEP53	SK3018	ECG 108
Q6	DS-73	3rd FM IF Amp	DS-74	GE-17	TR-21	HEP53	SK3018	ECG 108
Q7	DS-85	Limiter	DS-74	GE-17	TR-21	HEP53	SK3018	ECG 108
Q8	DS-71	AM RF Amp	DS-72	GE-20	TR-21	HEP53	SK3018	ECG 108
Q9	DS-72	AM Converter	DS-72	GE-20	TR-21	HEP53	SK3018	ECG 108
Q10	DS-72	AM IF Amp	DS-72	GE-20	TR-21	HEP53	SK3018	ECG 108
Q11	DS-76	Preamp	DS-66	GE-10	TR-21	HEP53	SK3020	ECG 123
Q12	DS-76	Preamp	DS-66	GE-10	TR-21	HEP53	SK3020	ECG 123
Q13	DS-67	AF Amp	DS-66	GE-10	TR-21	HEP54	SK3020	ECG 123
Q14	DS-67	AF Amp	DS-66	GE-10	TR-21	HEP54	SK3020	ECG 123
Q15	DS-501	Output (1)	DS-501	GE-4	TR-03	HEP233	SK3012	ECG 105

(1) When replacing, apply silicone grease to both sides of insulator. Tighten mounting screws securely.

PONTIAC MODELS 02AFM1/BFM1/FFM1

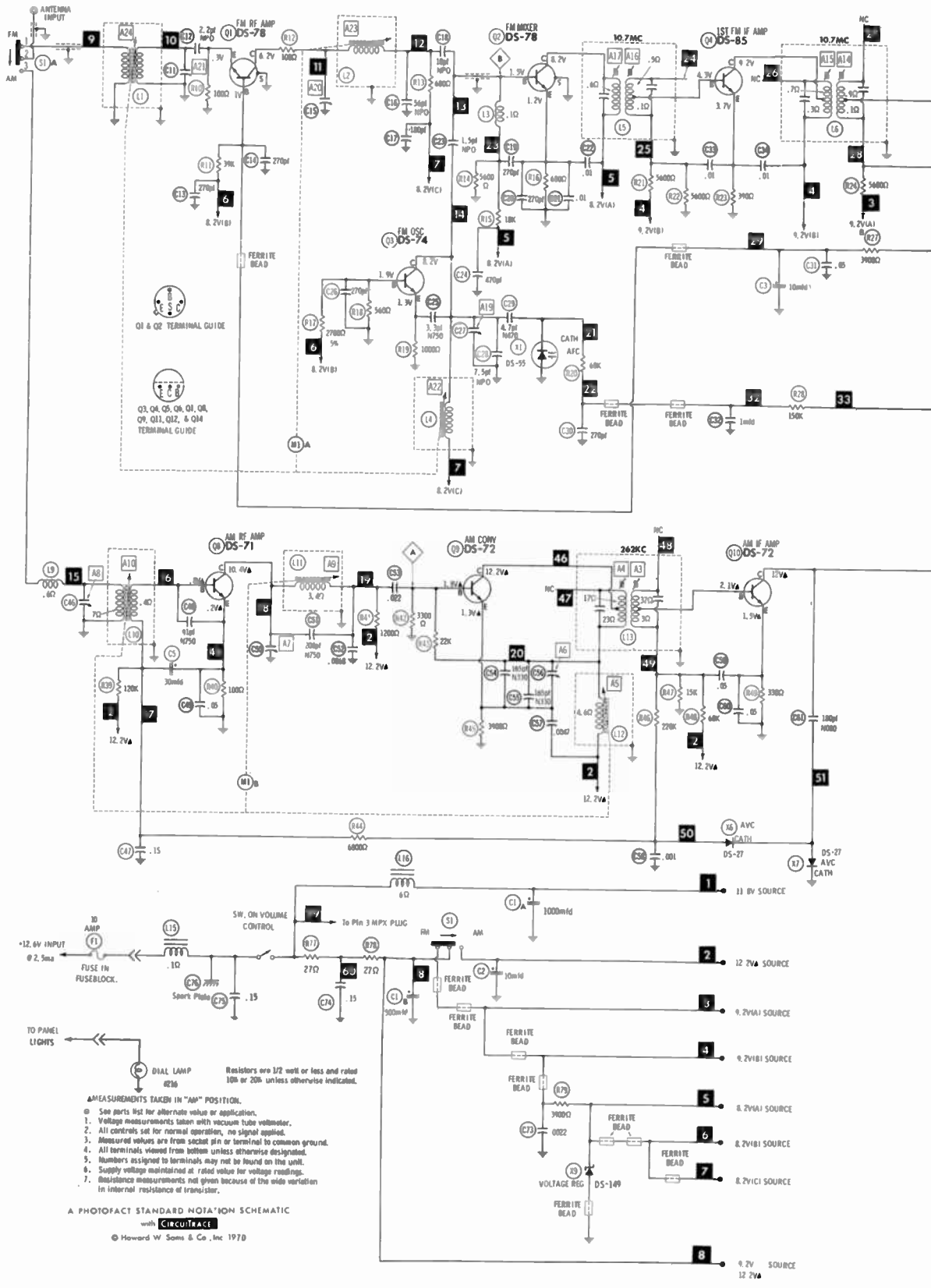
POWER RECTIFIERS & SIGNAL DIODES

ITEM No.	MFGR. PART OR TYPE No.	REPLACEMENT RECTIFIERS & DIODES			REPLACEMENT RECTIFIERS	NOTES
		GENERAL ELECTRIC PART No.	INTERNATIONAL RECTIFIER PART No.	SYLVANIA PART No.	RCA PART No.	
X1	DS-55					Varactor
X2	DS-27	1N34AS	1N34A	ECG 109		
X3	DS-27	1N34AS	1N34A	ECG 109		
X4	DS-39	1N60		ECG 110*		* Matched Pair.
X5	DS-39	1N60	1N542*			
X6	DS-27	1N34AS	1N34A	ECG 109		
X7	DS-27	1N34AS	1N34A	ECG 109		
X8	DS-27	1N34AS	1N34A	ECG 109		
X9	DS-149	GE-X11	1ZM 8.2			Zener

ELECTROLYTIC CAPACITORS

ITEM No.	RATING	REPLACEMENT DATA						
		PART No.	AEROVOX PART No.	CENTRALAB PART No.	CORNELL-DUBILIER PART No.	GENERAL ELECTRIC PART No.	MALLORY PART No.	SPRAGUE PART No.
C1a	1000 16V	7283675	AFH3-54-41		CC0006			PCL-3021.8
b	500 16V							
c	4 11.5Vrms							
C2	10 12V	7292738	PTT114	EA15-10	AL10-25	MT1-5	MTA10035	TL-1128
C3	10 12V	7292738	PTT114	EA15-10	AL10-25	MT1-5	MTA10025	TL-1128
C4	3 10V	7296348	PTT127	EA15-2	AL3-150	MT1-3	MTA3050	TE-1122
C5	30 6V	7296313	CRE413A	EA6-25	AL30-6	MT1-13	MTA30D15	TL-1093
C6	3 10V	7296348	PTT127	EA15-2	AL3-150	MT1-3	MTA3050	TE-1122
C7	3 10V	7296348	PTT127	EA15-2	AL3-150	MT1-3	MTA3050	TE-1122
C8	10 12	7292738	PTT114	EA15-10	AL10-25	MT1-5	MTA10035	TL-1128
C9	100 4V	7291810	PTT30	EA6-100	AL100-16	MT1-21	MTA100E10	TE-1102
C10	100 4V	7291810	PTT30	EA6-100	AL100-16	MT1-21	MTA100E10	TE-1102

(CONTINUED ON PAGE 88)



A PHOTOFAC STANDARD NOTATION SCHEMATIC
with **CIRCUITRACE**

© Howard W. Sams & Co., Inc. 1970

- MEASUREMENTS TAKEN IN "AM" POSITION.
- See parts list for alternate value or application.
 - Voltage measurements taken with vacuum tube voltmeter.
 - All controls set for normal operation, no signal applied.
 - Measured values are from socket pin or terminal to common ground.
 - All terminals viewed from bottom unless otherwise designated.
 - Numbers assigned to terminals may not be found on the unit.
 - Supply voltage maintained at rated value for voltage readings.
 - Resistance measurements not given because of the wide variation in internal resistance of transistor.

Resistors are 1/2 watt or less and rated 10% or 20% unless otherwise indicated.

TO PANEL LIGHTS

DIAL LAMP
6216

SW. ON VOLUME CONTROL

12.6V INPUT
0.25mA

FUSE IN
FUSEBLOCK

Spark Plug
C75

SW. ON VOLUME CONTROL

To Pin 3 MPX PLUG

FM

AM

1000mfd

11 V SOURCE

12.7V SOURCE

9.2V1A SOURCE

9.2V1B SOURCE

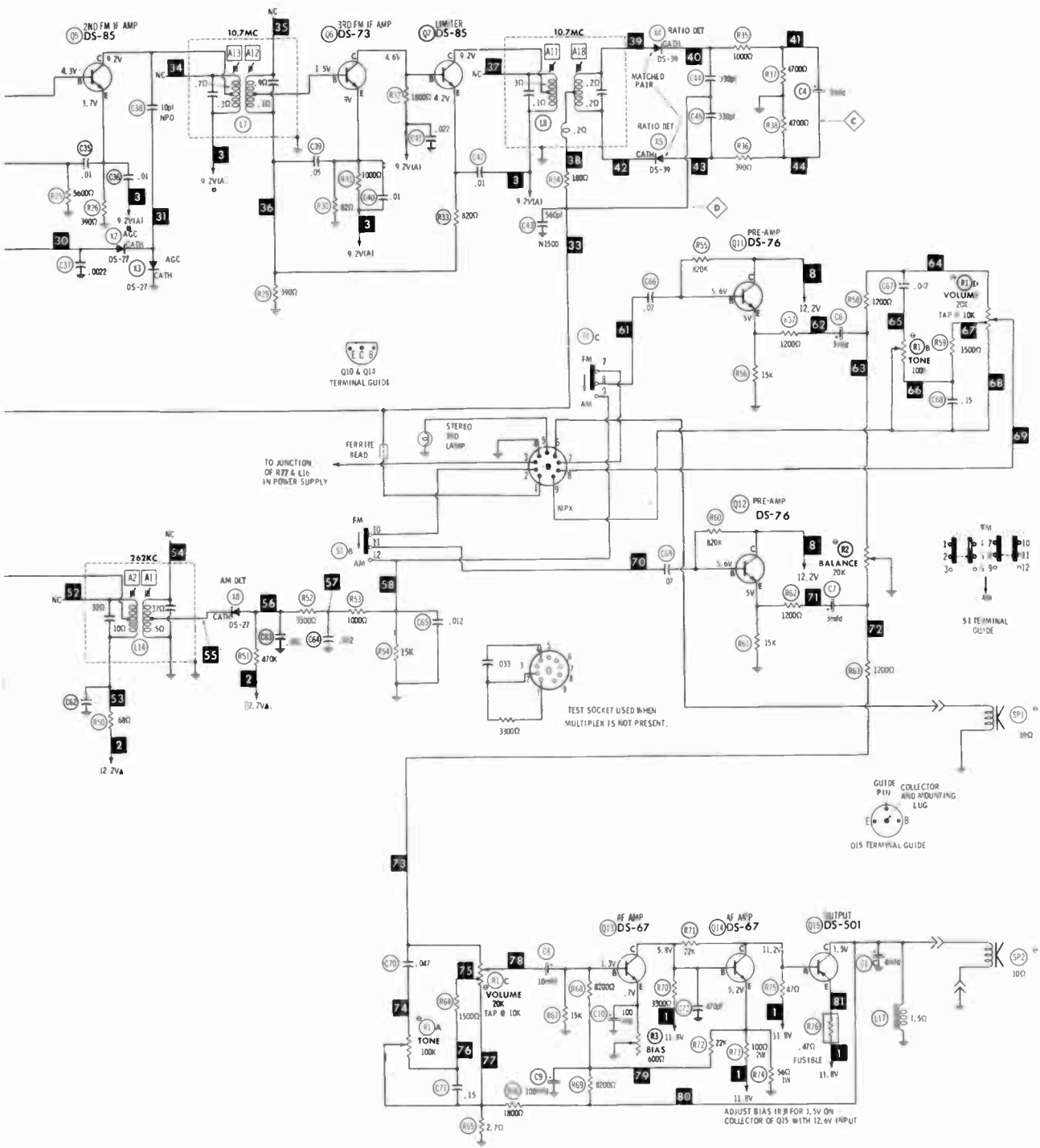
8.2V1A SOURCE

8.2V1B SOURCE

8.2V1C SOURCE

VOLTAGE REG
DS-149

9.2V SOURCE
12.2V



PONTIAC MODELS 02AFM1/BFM1/FFM1

REFER TO PAGES 96 & 97 FOR MPX

PARTS LIST AND DESCRIPTION (CONTINUED)

(When ordering parts, state Model, Port Number, and Description.)

Replacement parts shown may be superseded by the availability of newly introduced replacements.

Have your local distributor check Sams COUNTER FACTS for the most up-to-date replacement.

CAPACITORS (cont)

ITEM No.	RATING	REMARKS	REPLACEMENT DATA						
			AEROVOX PART No.	CENTRALAB PART No.	CORNELL-DUBILIER PART No.	ELMENCO PART No.	MALLORY PART No.	SPRAGUE PART No.	
C11		#7293221							
C12	2.2	NPO	NPO-DI 2.2	DTZ-2R2	NP02P2			CN0522	10TCC-V22
C13	270		GPD X5F271K	DD-271	RR05CW271K		CCD-271	GP327	5GA-T27
C14	270		GPO X5F271K	DD-271	RR05CW271C		CCD-271	GP327	5GA-T27
C15		#7291003							
C16	56	NPO		TCZ-56			CCT0-560	CN0456	10TCC-Q56
C17	180		ADM-10-181	CPR-180J	CD15FD181J03		DM-10-181	SX318	MS-318
C18	10	NPO	NPO-DI 10	OTZ-10	NP010		CCT0-100	CN0410	10TCC-Q10
C19	270		GPD X5F271K	DD-271	RR05CW271K		CCD-271	GP327	5GA-T27
C20	270		GPD X5F271K	DD-271	RR05CW271K		CCD-271	GP327	5GA-T27
C21	.01		TTP-01	CK-103	MGP01		CCD-103	TA110	TG-S10
C22	.01		TTP-01	CK-103	MGP01		CCD-103	TA110	TG-S10
C23	1.5	NPO	NPO-DI 1.5	OTZ-1R5	NP01P5		CCD-103	CN0515	10TCC-V15
C24	470		GPD X5F471K	DD-471	GP470		CCD-471	GP347	10TS-T47
C25	3.3	N750		TCN-3R3			CCD-471	CN7533	10TCU-V33
C26	270		GPD X5F271K	DD-271	RR05CW271K		CCD-271	GP327	5GA-T27
C27		#7292611							
C28	7.5	NPO							
C29	4.7	N470					*	*	10TCT-V47
b30	270		GPD X5F271K	DD-271	RR05CW271K		CCD-271	GP327	5GA-T27
C31	.05		TTP-05	CK-503	MGP05		CCD-503	TA150	TGL-S50
C32	1mfd			UK-105	HX3R0XR105P			MAG31	HY-135
C33	.01		TTP-01	CK-103	MGP01		CCD-103	TA110	TG-S10
C34	.01		TTP-01	CK-103	MGP01		CCD-103	TA110	TG-S10
C35	.01		TTP-01	CK-103	MGP01		CCD-103	TA110	TG-S10
C36	.01		TTP-01	CK-103	MGP01		CCD-103	TA110	TG-S10
C37	.0022		GPD X5F222K	DD-222	GP2200		CCD-222	GP222	10TS-D22
C38	10	NPO	NPO-DI 10	DTZ-10	NP010		CCT0-100	CN0410	10TCC-Q10
C39	.05		TTP-05	CK-503	MGP05		CCD-503	TA150	TGL-S50
C40	.01		TTP-01	CK-103	MGP01		CCD-103	TA110	TG-S10
C41	.022		TTP-02	CK-203	MGP02		CCD-203	TA120	TG-S20
C42	.01		TTP-01	CK-103	MGP01		CCD-103	TA110	TG-S10
C43	560	N1500					*	*	10TCW-T56
C44	330		GPD X5F331K	DD-331	GP330		CCD-331	GP333	10TS-T33
C45	330		GPD X5F331K	DD-331	GP330		CCD-331	GP333	10TS-T33
C46		#7283618							
C47	.15		TTP-1	CK-104				TA010	TG-P10
C48	91	N750		TCN-91					
C49	.05		TTP-05	CK-503	MGP05		CCD-503	TA150	TGL-S50
C50		#7312933							
C51	200	N750	N750-D1 200	DTN-200			CCTN-201	CN7320	10TCU-T20
C52	.0068	75V	DBE6D8	CPR-6800J	WMF1D68		1DP-1-682	PVC4268	6PS-D68
C53	.022		TTP-02	CK-203	MGP02		CCD-203	TA120	TG-S20
C54	165	N330					*	*	
C55	165	N330					*	*	
C56		#7295192							
C57	.0047	75V	DBE6D5	CPR-5000J	DPMS6D5		1DP-1-502	PVC625	6PS-D50
C58	.001		GPD X5F102K	DM-102	GP1000		CCD-102	SM210	2SS-D10
C59	.05		TTP-05	CK-503	MGP05		CCD-503	TA150	TGL-S50
C60	.05		TTP-05	CK-503	MGP05		CCD-503	TA150	TGL-S50
C61	180	N80					*	*	10TCN-T18
C62	.1		TTP-1	CK-104				TA010	TG-P10
C63	.001		GPD X5F102K	DM-102	GP1000		CCD-102	SM210	2SS-D10
C64	.012	75V	V1612S1	CPR-10000J	DPMS6S1		1DP-1-103	PVC211	225P10391WD3
C65	.012	75V	V1612S1	CPR-10000J	DPMS6S1		1DP-1-103	PVC211	225P10391WD3
C66	.07		TTP-05	CK-503	MGP05		CCD-503	TA150	TGL-S50
C67	.047	75V	V1612S47		DPMS6S47		1DP-2-473	PVC1147	225P47391WD3
C68	.15	75V	DBE6P15		DPMS4P15		4DP-4-154	PVC6015	4PS-P15
C69	.07		TTP-05	CK-503	MGP05		CCD-503	TA150	TGL-S50
C70	.047	75V	V1612S47		DPMS6S47		1DP-2-473	PVC1147	225P47391WD3
C71	.15	75V	DBE6P15		DPMS4P15		4DP-4-154	PVC6015	4PS-P15
C72	470		GPD X5F471K	DD-471	GP470		CCD-471	GP347	10TS-T47
C73	.022		TTP-02	CK-203	MGP02		CCD-203	TA120	TG-S20
C74	.15	75V	DBE6P15		DPMS4P15		4DP-4-154	PVC6015	4PS-P15
C75	.15	75V	DBE6P15		DPMS4P15		4DP-4-154	PVC6015	4PS-P15
C76		#7271564							

DELCO Part Number.

* Not normally in distributor's stock. Available thru distributor on order to manufacturer.

(1) .3mfd used in Models 02AFM1, 02FFM1.

(2) .47mfd used in Models 02AFM1, 02FFM1.

CONTROLS (All wattages 1/2 watt, or less, unless listed)

ITEM No.	FUNCTION	RESIST-ANCE	REPLACEMENT DATA				
			MFGR. PART No.	CENTRALAB PART No.	CLAROSTAT PART No.	CTS-IRC PART No.	MALLORY PART No.
R1A B C	Tone Tone Volume	100K 100K 20K Tap @ 10K	7308497 (3)				
O	Volume/Switch	20K Tap @ 10K					

PARTS LIST AND DESCRIPTION (CONTINUED)

(When ordering parts, state Model, Part Number, and Description.)

Replacement parts shown may be superseded by the availability of newly introduced replacements.

Have your local distributor check Sams COUNTER FACTS for the most up-to-date replacement.

CONTROLS(cont)

ITEM No.	FUNCTION	RESIST-ANCE	REPLACEMENT DATA				
			MFGR. PART No.	CENTRALAB PART No.	CLAROSTAT PART No.	CTS-IRC PART No.	MA'LORY PART No.
A	Tone	100K	7309092 (4)				
B	Tone	100K					
C	Volume	20K					
O	Volume/Switch	Tap @	7308951 (5)				
		10K					
		20K					
A	Tone	100K	7309029 (6)	F1-25K(2), FFS204,BB202, SB008,SB006		* QJ-2612A	P253L(Z),4218, SH4375,SH4375, OX2312
		100K					
		20K					
C	Volume	Tap @	7309050 (4)	F1-25K(2), FFS206,BB202, SB008,SB006		** QJ-2613A	P253L(Z),4218, SH4375,SH4375, OX2375
		10K					
		20K					
D	Volume/Switch	Tap @	7294878	WT-850 or V-600	U39-600	110-600	MR850T
		10K					
		25K					
R2	Balance	25K					
	Balance	25K					
R3	Bias Adjust	600 2 Watt					

* "SNAPTROL" Equivalent BU9(1), CF11(2), SF20, N4.

** "SNAPTROL" Equivalent BU9(1), CF11(2), SF21, N4.

(1) Alter Bushing and adjust Spacer Nut (N4) to meet requirements.

(2) Ground center terminal.

(3) Used in Model O2BFM1.

(4) Used in Model O2AFM1.

(5) Used in Model O2FFM1.

(6) Used in Models O2BFM1 & O2FFM1.

RESISTORS (Power and Special)

ITEM No.	RATING	REPLACEMENT DATA	
		WORKMAN PART No.	MFGR. PART No.
R76	.47 (Fusible)		7281890

ITEM No.	RATING	REPLACEMENT DATA	
		WORKMAN PART No.	MFGR. PART No.

COILS (RF-IF)

ITEM No.	USE	REPLACEMENT DATA			
		PART No.	MEISSNER PART No.	MILLER PART No.	WORKMAN PART No.
L1	FM Antenna	(1)			
L2	FM RF	(1)			
L3	10.7MC Trap (1uh)	7296856	19-1000	4602	T855
L4	FM Oscillator				
L5	FM Input IF	7296100			
L6	FM Interstage IF	7296101			
L7	FM Interstage IF	7296102			
L8	Ratio Detector	7299984			
L9	RF Choke (Buh)	7255738	19-1009	4611	T822
L10	AM Antenna	(1)			
L11	AM RF	(1)			
L12	AM Oscillator	(1)			
L13	AM Input IF	7295169			
L14	AM Output IF	7295170		8006	

(1) Part of M1.

FILTER CHOKE

ITEM No.	RATINGS			REPLACEMENT DATA					NOTES
	CURRENT (Measured)	DC RES.	INDUCTANCE (0 CURRENT 1000~)	PART No.	MERIT PART No.	STANCOR PART No.	THORDARSON PART No.	TRIAD PART No.	
L15	2.5 Amp	.1	300uh	7302543					
L16	2 Amp	.6	8mh	1221623	C-4095	TC-2	TR-154	TY17XT	

PONTIAC MODELS O2AFM1/BFM1/FFM1

PARTS LIST AND DESCRIPTION (CONTINUED)

(When ordering parts, state Model, Part Number, and Description.)

Replacement parts shown may be superseded by the availability of newly introduced replacements.
Have your local distributor check Sams COUNTER FACTS® for the most up-to-date replacement.

CHOKE (Audio Output)

ITEM No.	INDUCTANCE	REPLACEMENT DATA					NOTES
		PART No.	MERIT PART No.	STANCOR PART No.	THORDARSON PART No.	TRIAD PART No.	
L17	30mh	1222297					

SPEAKER

ITEM No.	TYPE	REPLACEMENT DATA		NOTES	
		MFR. PART No.	QUAM PART No.		
SP1	4" x 10" PM	10 ohms	7313002	Front (Pontiac) Front (Tempest) Front (Firebird) Rear (Pontiac & Tempest Sedan) Rear (Pontiac Station Wagon) Rear (Pontiac Convertible) Rear (Tempest Station Wagon) Rear (Firebird)	
	4" x 10" PM	10 ohms	7312982		
SP2	4" x 10" PM	10 ohms	7311432		
	6" x 9" PM	10 ohms	7294892		69A2Z10
	4" x 10" PM	10 ohms	7290391		410A2Z10
	4" x 10" PM	10 ohms	7309252		410A2Z10
	4" x 10" PM	10 ohms	7303361	410A2Z10	
	6" x 9" PM	10 ohms	7301803	69A1Z10	

FUSE DEVICES

ITEM No.	DESCRIPTION	REPLACEMENT DATA						
		PART No.		BUSS PART No.		LITTELFUSE PART No.		WORKMAN PART No.
		DEVICE	HOLDER	DEVICE	HOLDER	DEVICE	HOLDER	DEVICE
F1	3AG 10 Amp		In Fuse Block	AGC10		311010		

MISCELLANEOUS

ITEM No.	PART NAME	PART No.	NOTES
M1	Tuner Coil Assembly	1222504	#216
S1	Switch, Selector	7300444	
	Lamp, Dial Indicator, Stereo	7296866	

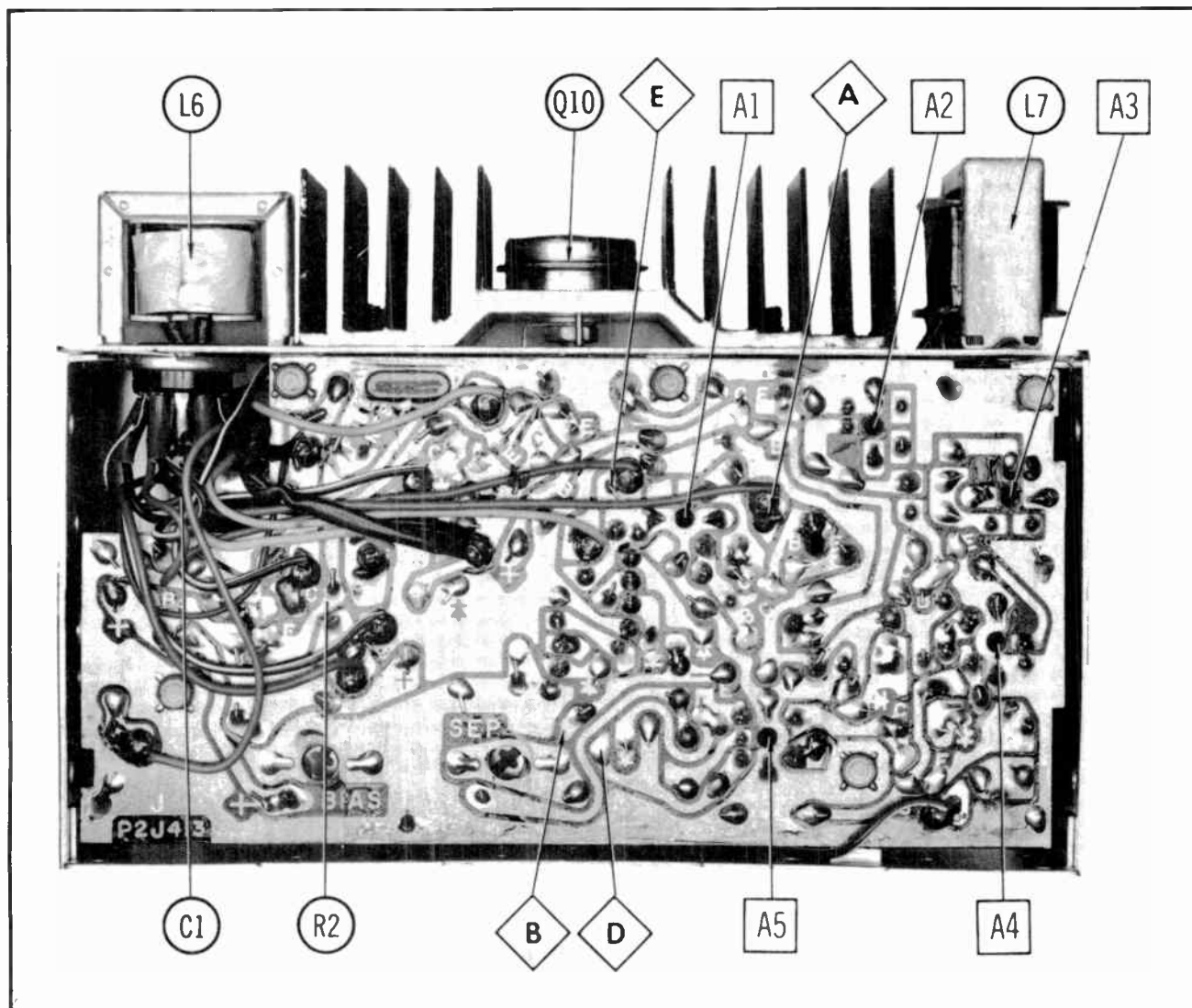
CABINETS & CABINET PARTS (When ordering specify model, chassis & color)

ITEM	MODEL	PART No.	ITEM	MODEL	PART No.
Dial Drum		7309414	Push Button	(02AFM1, 02BFM1)	7307451
Escutcheon		7311549	Push Button	(02FFM1)	7307904
Dial Glass		7307457	Knob, Tuning or Volume		9794856
Dial Pointer		7307461	Knob, Tone	(02AFM1, 02BFM1)	9791115
Push Button "AM"	(02AFM1, 02BFM1)	7307452	Knob, Tone	(02FFM1)	3886995
Push Button "AM"	(02FFM1)	7307905	Knob, Balance	(02AFM1, 02BFM1)	9784349
Push Button "FM"	(02AFM1, 02BFM1)	7307453	Knob, Balance	(02FFM1)	3886994
Push Button "FM"	(02FFM1)	7307906			

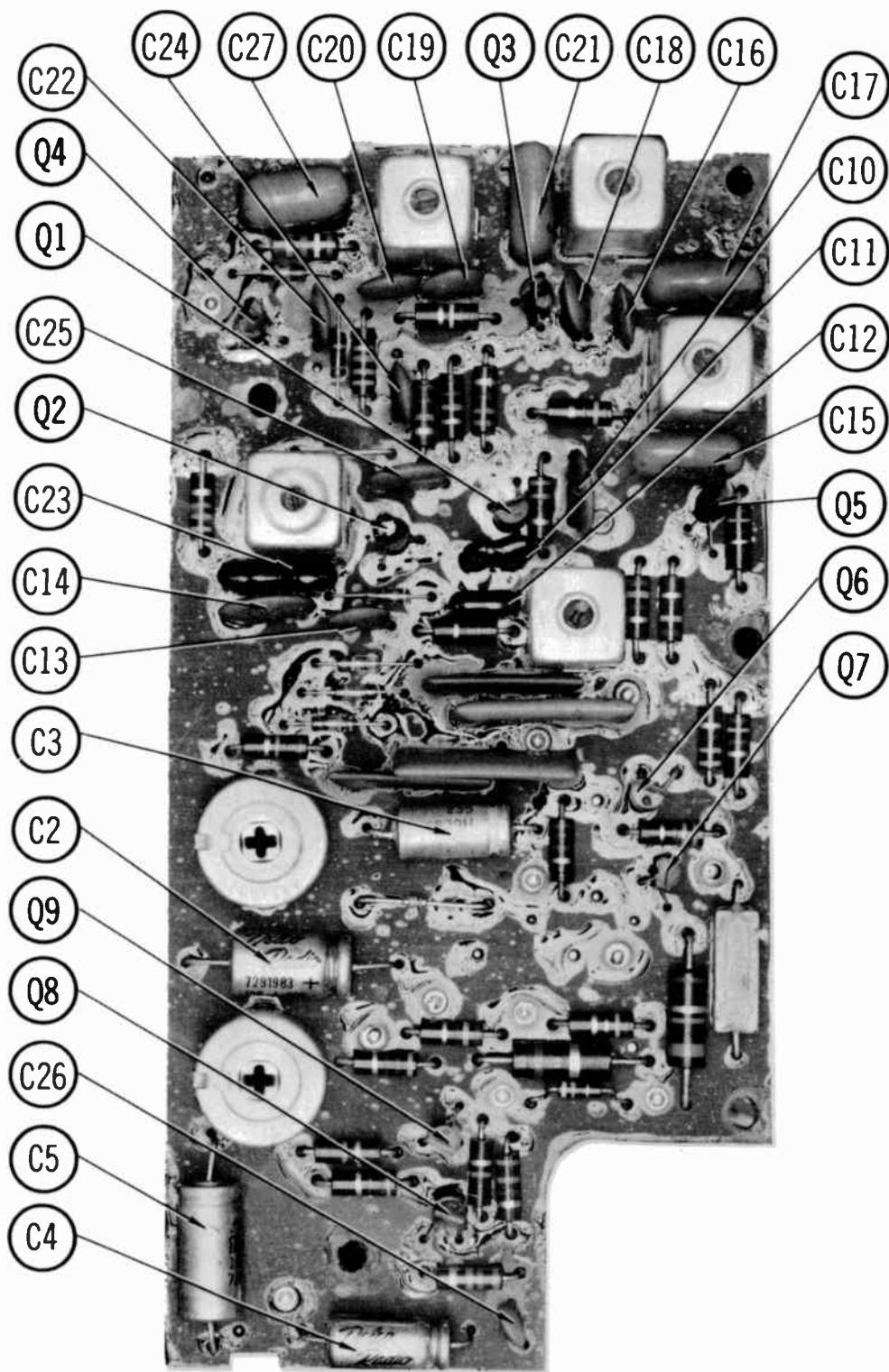
ALIGNMENT INSTRUCTIONS

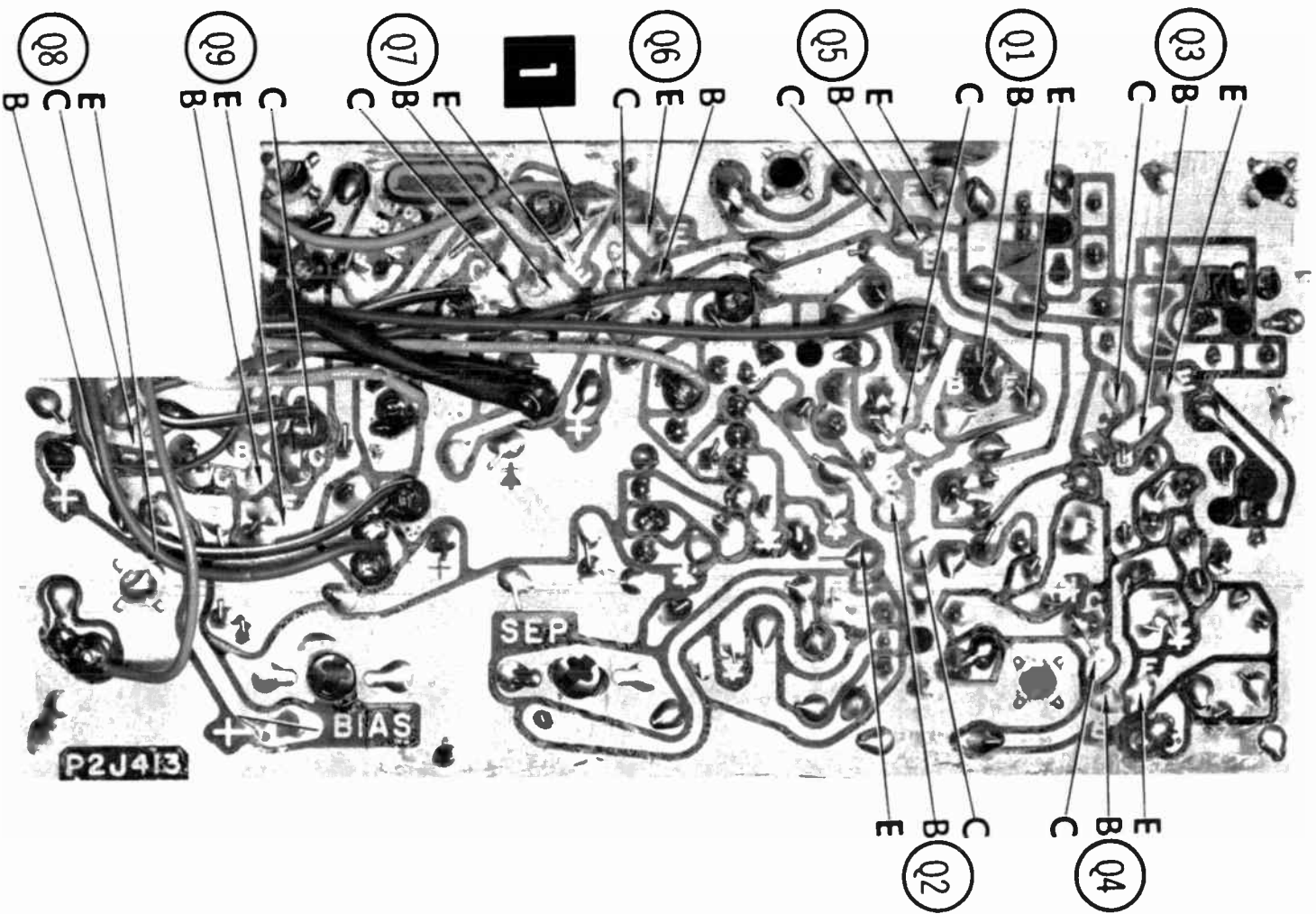
FM STEREO MULTIPLEX ALIGNMENT USING FM STEREO SIGNAL GENERATOR ($\pm .0001\%$ ACCURACY)

High side of generator thru 47K to point $\diamond A$, low side to ground.			
GENERATOR FREQUENCY	INDICATOR	ADJUST	REMARKS
1. 67KC	Vert. amp of scope thru 47K to point $\diamond B$, low side to ground.	A1	Adjust for MINIMUM
2. 19KC	Vert. amp of scope thru 47K to point $\diamond C$, low side to ground.	A2, A3 A4	Adjust for maximum.
3. "	Vert. amp of scope thru 47K to point $\diamond D$, low side to ground.	A5	Adjust for maximum 38KC response.
4. Modulated Left Channel	Vert. amp of scope to point $\diamond E$, low side to ground.	A2, A3, A4, A5, & R3	Adjust for MINIMUM. This step should require only slight adjustment.
5. Modulated Right Channel	Vert. amp of scope to point $\diamond F$, low side to ground		Check for MINIMUM. If necessary make compromise adjustment of A2, A3, A4, A5 & R3.

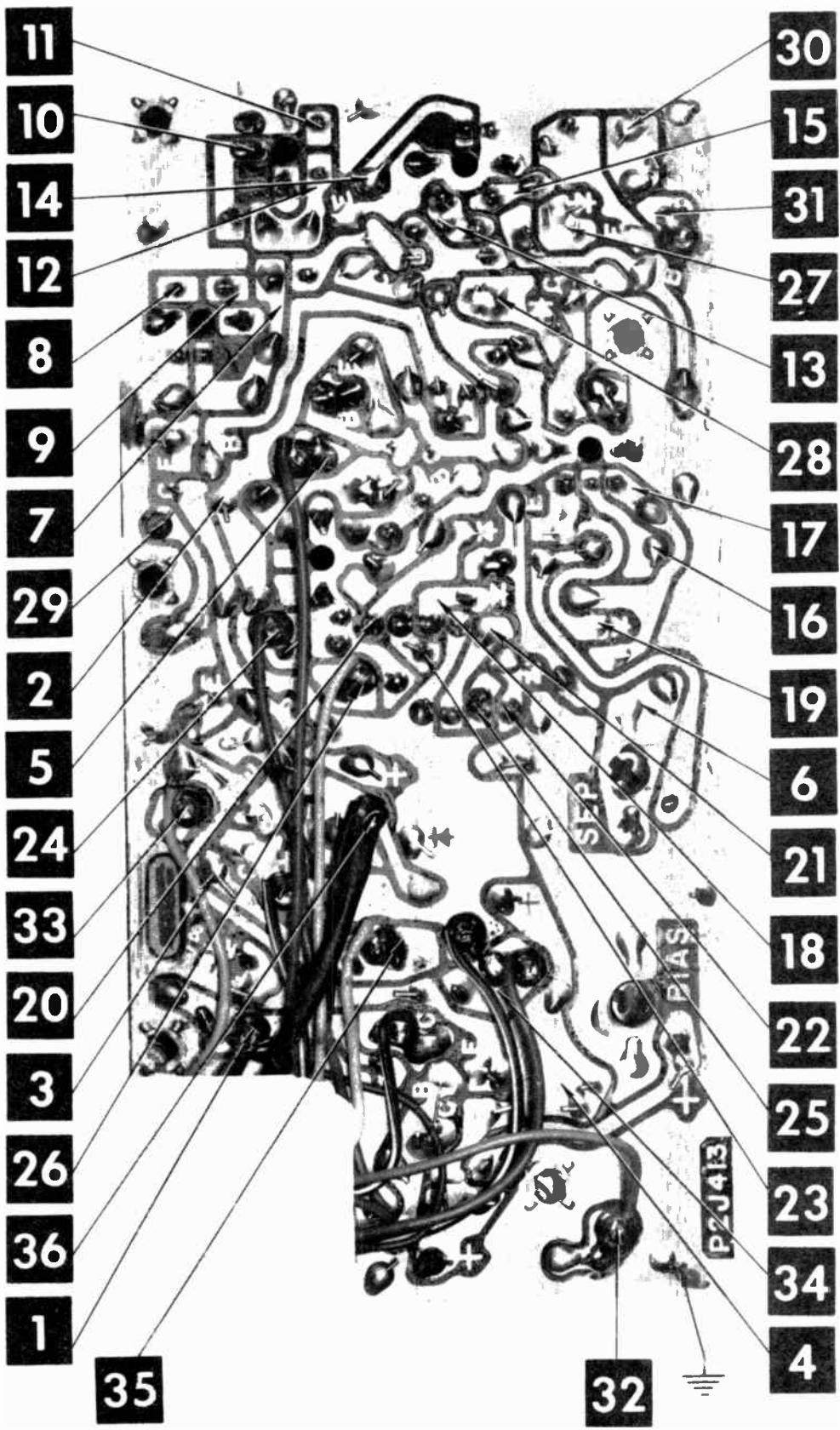


PONTIAC MODELS 02AFM1/BFM1/FFM1

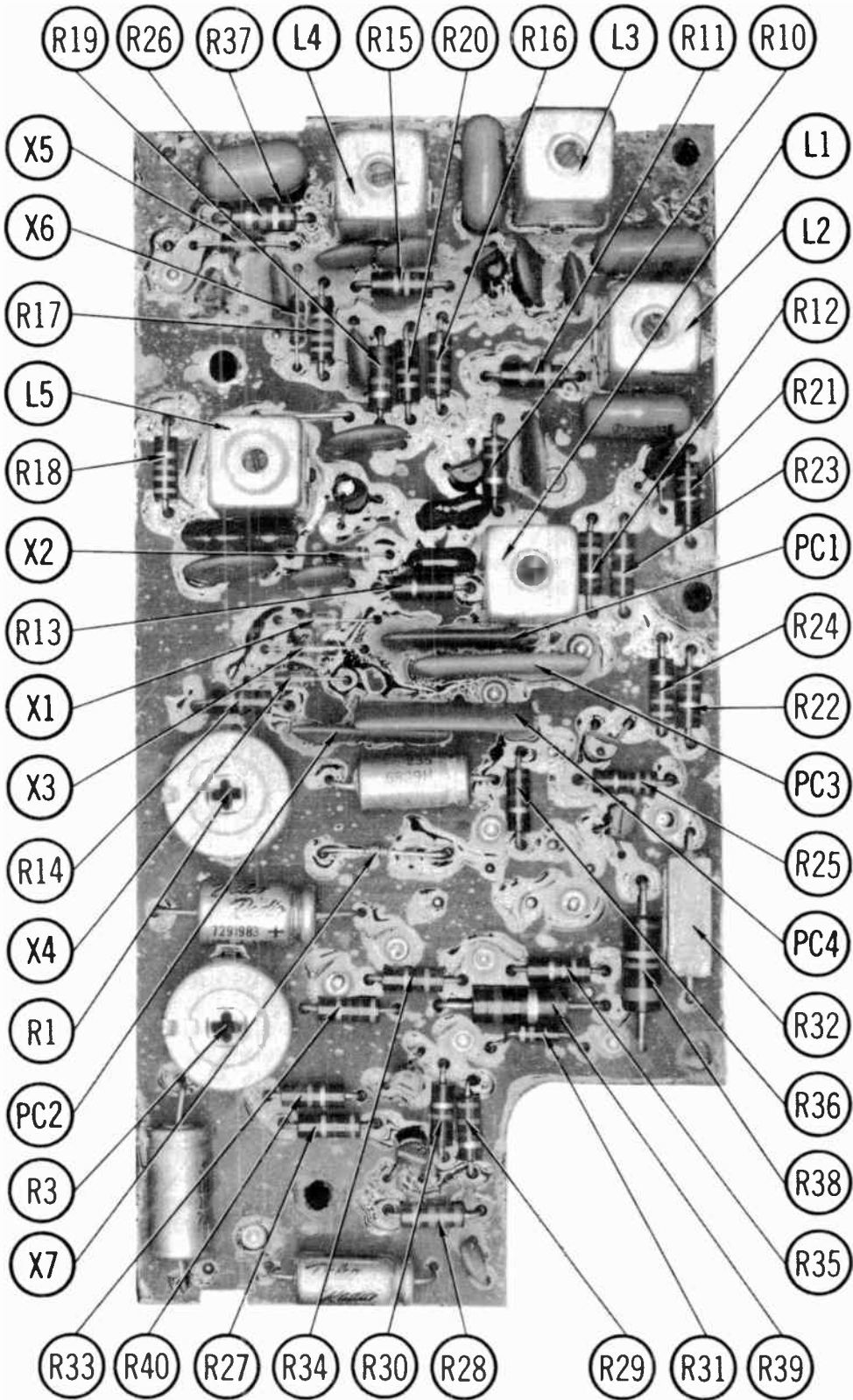


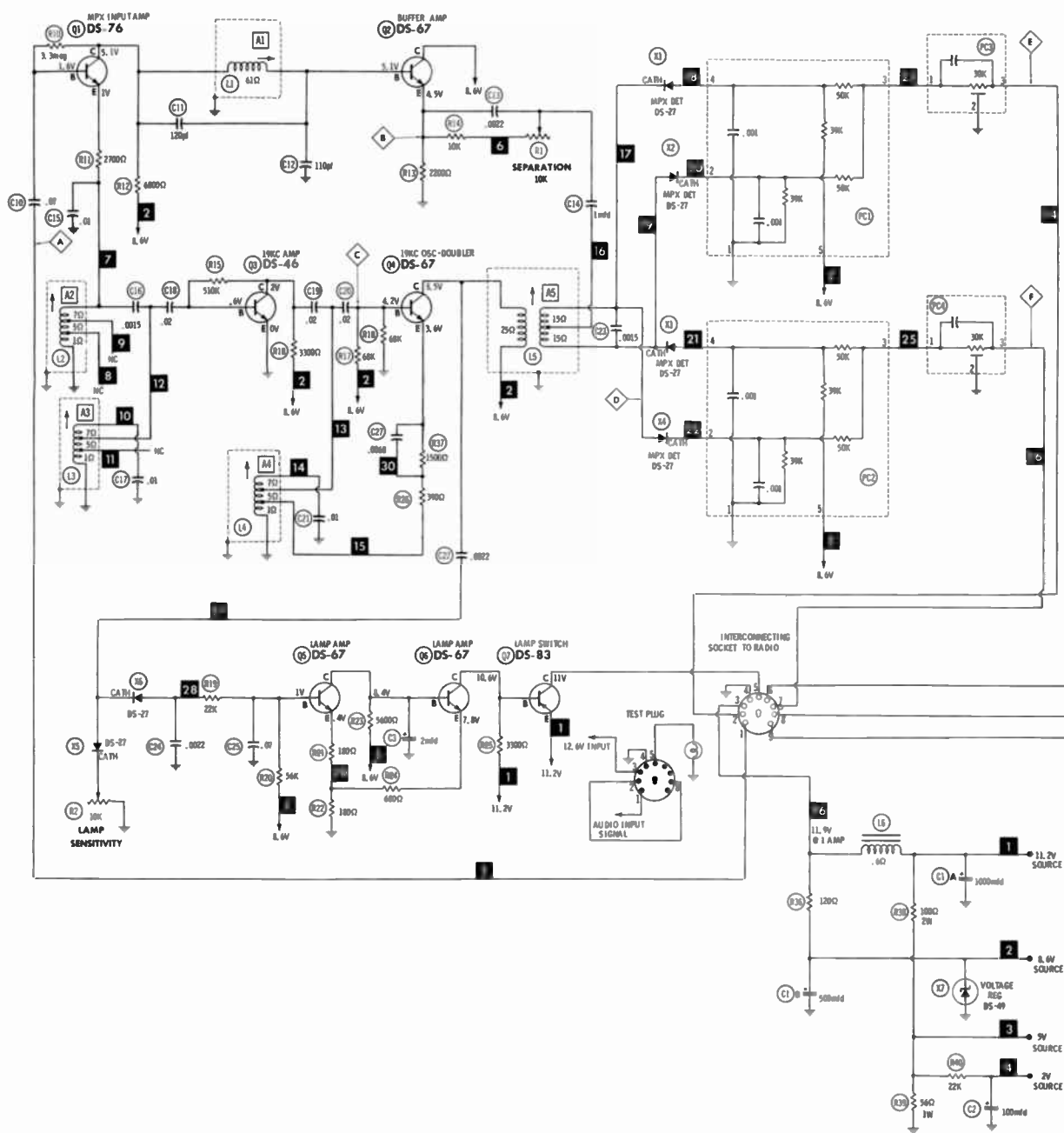


A Howard W. Sams **CIRCUITFACE** Photo



A Howard W. Sams CIRCUITRACE Photo

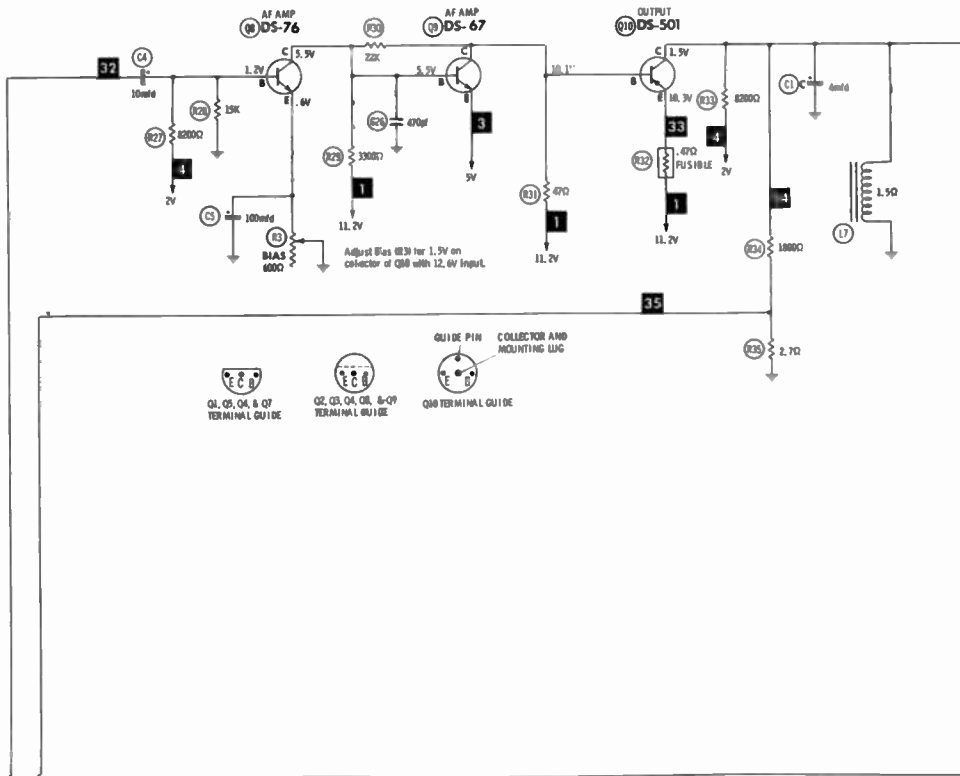




NC: No Connection
 ↓ Denotes ground. Measurement reference unless otherwise indicated
 Resistors are 1/2W or less, 10% or 20%, unless otherwise indicated.
 Supply voltage maintained at rated value for measurements.
 Voltage and resistance measured with VTVM or equivalent meter,
 no signal applied and controls adjusted for normal operation.
 Numbers assigned to terminals may not be found on the unit.
 Transistor resistances vary widely. No resistance measurements taken.

A PHOTOFAC STANDARD NOTATION SCHEMATIC
 with CIRCUITRACE
 © Howard W. Sams & Co., Inc 1970

REFER TO PAGES 86 & 87 FOR AM-FM



PONTIAC MODELS 02AFM1/BFM1/FFM1

PARTS LIST AND DESCRIPTION

(When ordering parts, state Model, Part Number, and Description.)

Replacement parts shown may be superseded by the availability of newly introduced replacements.
Have your local distributor check Sams COUNTER FACTS for the most up-to-date replacement.

MULTIPLEX

WIRING DATA

General-use Unshielded Hook-up Wire	Use BELDEN No. B530 (Solid) Available in 12 Colors B524 (Stranded) Available in 12 Colors
Shielded Hook-up Wire	Use BELDEN No. B885
Rear Seat Speaker Extension Cable	Use BELDEN No. B782 (Stranded) Coded Parallel Leads
Bonding Strap	Use BELDEN No. B661 (3/8 In.) or 8670 (3/4 In.)

TRANSISTORS

ITEM No.	TYPE No.	FUNCTION	REPLACEMENT DATA					
			MFGR. PART No.	GENERAL ELECTRIC PART No.	INTERNATIONAL RECTIFIER PART No.	MOTOROLA PART No.	RCA PART No.	SYLVANIA PART No.
Q1	DS-76	MPX Input Amp	DS-76	GE-10	TR-21	HEP53	SK3020	ECG 123
Q2	DS-67	Buffer	DS-66	GE-10	TR-21	HEP54	SK3020	ECG 123
Q3	DS-46	19KC Amp	DS-66	GE-10	TR-21	HEP54	SK3020	ECG 123
Q4	DS-67	19KC Oscillator Doubler	DS-66	GE-10	TR-21	HEP54	SK3020	ECG 123
Q5	DS-67	Lamp Amp	DS-66	GE-10	TR-21	HEP54	SK3020	ECG 123
Q6	DS-67	Lamp Amp	DS-66	GE-10	TR-21	HEP54	SK3020	ECG 123
Q7	DS-83	Lamp Switch	DS-83	GE-22	TR-19	HEP51	SK3025	ECG 129
Q8	DS-76	AF Amp	DS-66	GE-10	TR-21	HEP53	SK3020	ECG 123
Q9	DS-67	AF Amp	DS-66	GE-10	TR-21	HEP54	SK3020	ECG 123
Q10	DS-501	Output (1)	DS-501	GE-4	TR-03	HEP233	SK3012	ECG 105

(1) When replacing, apply silicone grease to both sides of insulator. Tighten mounting screws securely.

POWER RECTIFIERS & SIGNAL DIODES

ITEM No.	MFGR. PART OR TYPE No.	REPLACEMENT RECTIFIERS & DIODES			REPLACEMENT RECTIFIERS	NOTES
		GENERAL ELECTRIC PART No.	INTERNATIONAL RECTIFIER PART No.	SYLVANIA PART No.	RCA PART No.	
X1	DS-27	1N34AS	1N34A	ECG 109		Zener
X2	DS-27	1N34AS	1N34A	ECG 109		
X3	DS-27	1N34AS	1N34A	ECG 109		
X4	DS-27	1N34AS	1N34A	ECG 109		
X5	DS-27	1N34AS	1N34A	ECG 109		
X6	DS-27	1N34AS	1N34A	ECG 109		
X7	DS-149	GE-X11	1ZMB.2			

ELECTROLYTIC CAPACITORS

ITEM No.	RATING	REPLACEMENT DATA						
		PART No.	AEROVOX PART No.	CENTRALAB PART No.	CORNELL-DUBILIER PART No.	GENERAL ELECTRIC PART No.	MALLORY PART No.	SPRAGUE PART No.
C1 A	1000 16V	7292083	AFH3-54-41		CC0006			PCL-3021.B
B	500 16V							
C	4 11.5Vrms							
C2	100 4V	7309746	PTT30	EA6-100	AL100-16	MT1-21	MTA100E10	TE-1102
C3	2 10V	7313127	BCD50002	EP15-2	PC2-100	MT1-1	MTV2CB50	TE-1121
C4	10 12V	7292738	PTT114	EA15-10	AL10-25	MT1-5	MTA10D35	TL-1128
C5	100 4V	7309746	PTT30	EA6-100	AL100-16	MT1-21	MTA100E10	TE-1102

PARTS LIST AND DESCRIPTION (CONTINUED)

(When ordering parts, state Model, Part Number, and Description.)

Replacement parts shown may be superseded by the availability of newly introduced replacements.
Have your local distributor check Sams COUNTER FACTS® for the most up-to-date replacement.

CAPACITORS

ITEM No.	RATING	REMARKS	REPLACEMENT DATA					
			AEROVOX PART No.	CENTRALAB PART No.	CORNELL-DUBILIER PART No.	ELMENCO PART No.	MALLORY PART No.	SPRAGUE PART No.
C10	.07		TTP-05	CK-503	MGPO5	CCD-503	TA150	TGL-S50
C11	120		ADM-15-121	CPR-120J	CD10E121J500	DMS-121J	SX312	MS-312
C12	110		ADM-15-111	CPR-110J	CD10E111J500	DMS-111J	SX311	MS-311
C13	.0022		GPD X5F222K	DD-222	GP2200	CCD-222	GP222	10TS-D22
C14	1mfd			UK-105	HXC3R0XR105P		MAG31	HY-135
C15	.01		TTP-01	CK-103	MGPO1	CCD-103	TA110	TG-S10
C16	.0015		GPD X5F152K	DD-152		CCD-152	GP215	10TS-D15
C17	.01	75V	V1612S1	CPR-10000J	DPMS6S1	1DP-1-103	PVC211	225P10391WD3
C18	.02		TTP-02	CK-203	MGPO2	CCD-203	TA120	TG-S20
C19	.02		TTP-02	CK-203	MGPO2	CCD-203	TA120	TG-S20
C20	.02		TTP-02	CK-203	MGPO2	CCD-203	TA120	TG-S20
C21	.01	75V	V1612S1	CPR-10000J	DPMS6S1	1DP-1-103	PVC211	225P10391WD3
C22	.0022		GPD X5F222K	DD-222	GP2200	CCD-222	GP222	10TS-D22
C23	.0015		ADM-19-152	CPR-1500J	CD19FD152J03	DM-19-152	SX215	MS-215
C24	.0022		GPD X5F152K	DD-152		CCD-152	GP215	10TS-D15
C25	.07		TTP-05	CK-503	MGPO5	CCD-503	TA150	TGL-S50
C26	470		GPD X5F471K	DD-471	GP470	CCD-471	GP347	10TS-T47
C27	.0068	75V						

PONTIAC MODELS 02AFM1/BFM1/FFM1

CONTROLS (All wattages 1/2 watt, or less, unless listed)

ITEM No.	FUNCTION	RESIST-ANCE	REPLACEMENT DATA				
			MFR. PART No.	CENTRALAB PART No.	CLAROSTAT PART No.	CTS-IRC PART No.	MALLORY PART No.
R1	Separation	10K 2 Watt	7297389	WT-10K		P115R103A or [BU11,WF9,SS6]*	MR10KT
R2	Lamp Sensitivity	10K 2 Watt	7297389	WT-10K		P115R103A or [BU11,WF9,SS6]*	MR10KT
R3	Bias Adjust	600 2 Watt	7286601	WP-600 or V-600	U39-600	110-600	MR600P

* "SNAPTROL"

RESISTORS (Power and Special)

ITEM No.	RATING	REPLACEMENT DATA	
		WORKMAN PART No.	MFR. PART No.
R32	.47 (Fusible)		7281890

ITEM No.	RATING	REPLACEMENT DATA	
		WORKMAN PART No.	MFR. PART No.

PARTS LIST AND DESCRIPTION (CONTINUED)

(When ordering parts, state Model, Part Number, and Description.)

Replacement parts shown may be superseded by the availability of newly introduced replacements.
Have your local distributor check Sams COUNTER FACTS[®] for the most up-to-date replacement.

COILS (RF-IF)

ITEM No.	USE	REPLACEMENT DATA			
		PART No.	MEISSNER PART No.	MILLER PART No.	WORKMAN PART No.
L1	67KC Trap	7291023			
L2	19KC	7291019			
L3	19KC	7291019			
L4	19KC Oscillator	7291019			
L5	38KC	7291020			

FILTER CHOKE

ITEM No.	RATINGS			REPLACEMENT DATA					NOTES
	CURRENT (Measured)	DC RES.	INDUCTANCE (0 CURRENT 1000~)	PART No.	MERIT PART No.	STANCOR PART No.	THORDARSON PART No.	TRIAD PART No.	
L1	1 Amp	.6	8mh	1221623	C4095	TC-2	TR-154	TY17XT	

CHOKE (Audio Output)

ITEM No.	INDUCTANCE	REPLACEMENT DATA					NOTES
		PART No.	MERIT PART No.	STANCOR PART No.	THORDARSON PART No.	TRIAD PART No.	
L2	30mh	1222297					

MISCELLANEOUS

ITEM No.	PART NAME	PART No.	NOTES
PC1	Stereo Detector	7291090	
PC2	Stereo Detector	7291090	
PC3	38KC Notch Filter	7291089	AEROVOX Replacement PA-772, CENTRALAB Replacement PC-410
PC4	38KC Notch Filter	7291089	AEROVOX Replacement PA-772, CENTRALAB Replacement PC-410



PHOTOFACT[®] with

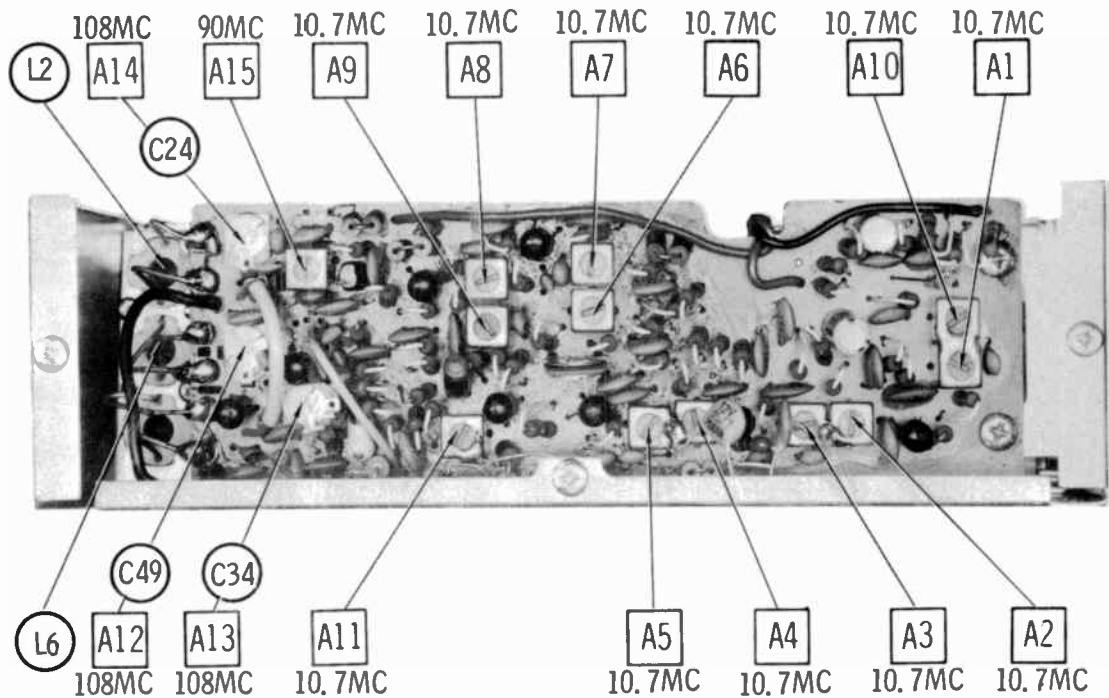
CIRCUITRACE[®]

For Supplier Address See PHOTOFACT Index



TRUETONE MODEL MIC4055A-07
MID4055A-07
(DC4055)

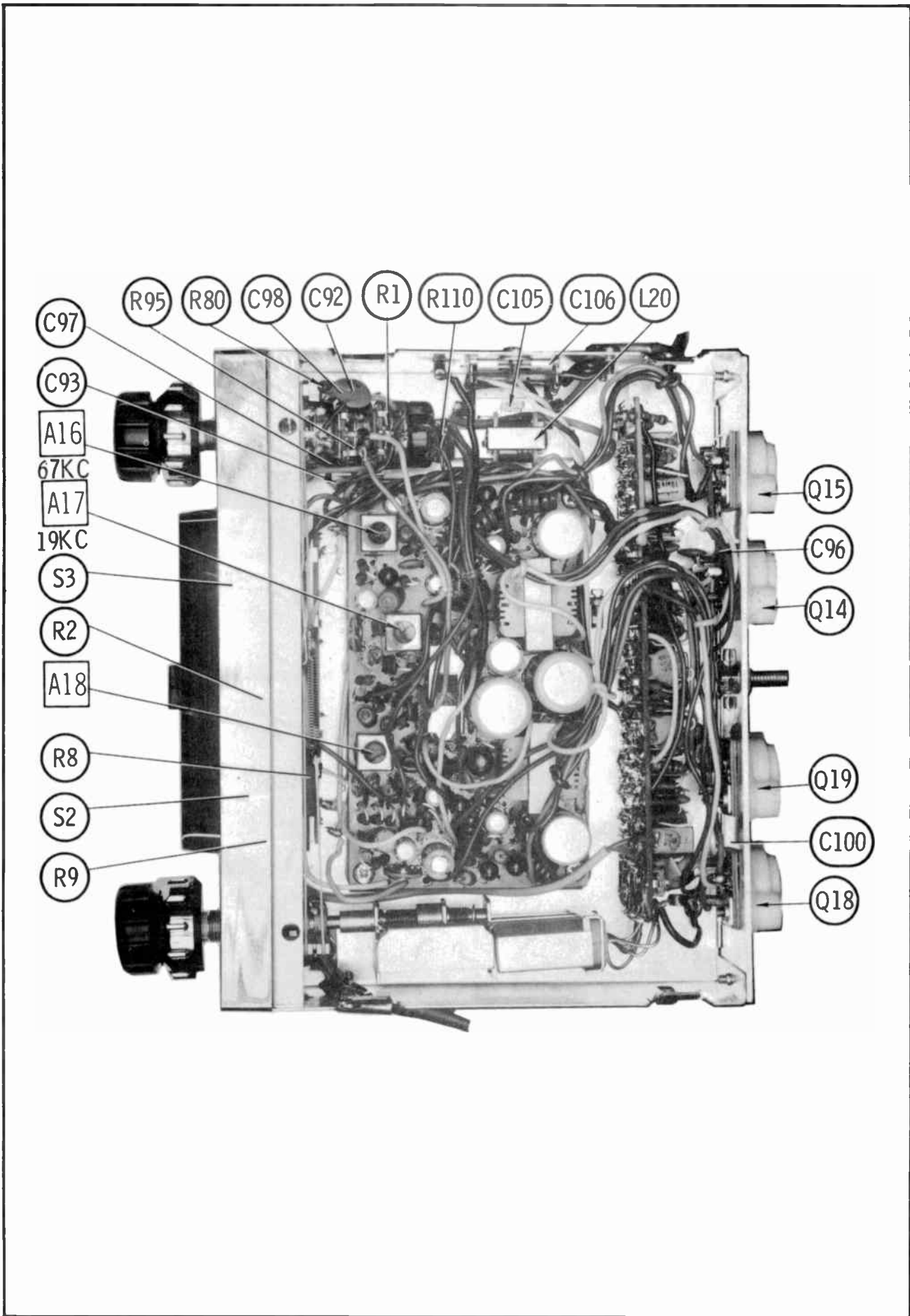
TRUETONE MODEL MIC (MID) 4055A-07



HOWARD W. SAMS & CO., INC. Indianapolis, Indiana 46206

© 1970 Howard W. Sams & Co., Inc. Printed in U. S. of America

TD773



ALIGNMENT INSTRUCTIONS

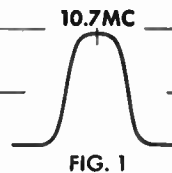
Check for specified source voltage.
Use only enough generator output
to provide a usable indication.
Suggested Alignment Tools:

A1 Thru A18 GENERAL CEMENT #9440
WALSCO.....#2501

FM IF ALIGNMENT USING AM SIGNAL GENERATOR—SELECTOR IN FM POSITION

High side of generator thru .001mfd to point $\diamond B$, low side to ground.

GENERATOR FREQUENCY	RADIO DIAL SETTING	INDICATOR	ADJUST	REMARKS
1. 10.7MC Unmodulated	Point of non-interference	DC probe of VTVM to point $\diamond C$, common to ground.	A1 Thru A9	Adjust for maximum.
2. "	"	DC probe of VTVM to point $\diamond D$, common to ground.	A10	Adjust for zero reading. A positive or negative reading will be obtained on either side of the correct setting.
3. "	"	DC probe of VTVM to point $\diamond C$, common to ground.	A11	Adjust for MINIMUM.



FM IF ALIGNMENT USING FM SIGNAL GENERATOR—SELECTOR IN FM POSITION

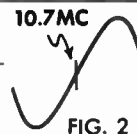
High side of generator thru .001mfd to point $\diamond B$, low side to ground. Use only enough marker signal for indication. Use 60 cycle frequency modulated signal with 450KC sweep. Use 60 cycle sawtooth voltage in scope for horizontal deflection.

GENERATOR FREQUENCY	RADIO DIAL SETTING	INDICATOR	ADJUST	REMARKS
1. 10.7MC 450KC Sweep	Point of non-interference	Vert. amp of scope to point $\diamond C$, low side to ground.	A1 Thru A9	Disconnect stabilizing capacitor C5. Adjust for maximum gain and symmetry of response similar to Fig. 1 with marker as shown. Reconnect C 5.
2. "	"	Vert. amp of scope to point $\diamond D$, low side to ground.	A10	Adjust A10 (secondary) to place marker at center of "S" curve similar to Fig. 2. Readjust A1 (primary) for maximum amplitude and straightness of line.

FM RF ALIGNMENT—SELECTOR IN FM POSITION

Connect generator across antenna terminals with 120-ohm carbon resistor in series with each lead.

GENERATOR FREQUENCY	RADIO DIAL SETTING	INDICATOR	ADJUST	REMARKS
4. 108MC	High freq. end	DC probe of VTVM to point $\diamond C$, common to ground.	A12 A13 A14	Adjust for maximum.
5. 90MC Unmodulated	Tune to signal.	"	A15	Rock tuning and adjust for maximum. Repeat steps 6 and 7 until no further improvement can be made.

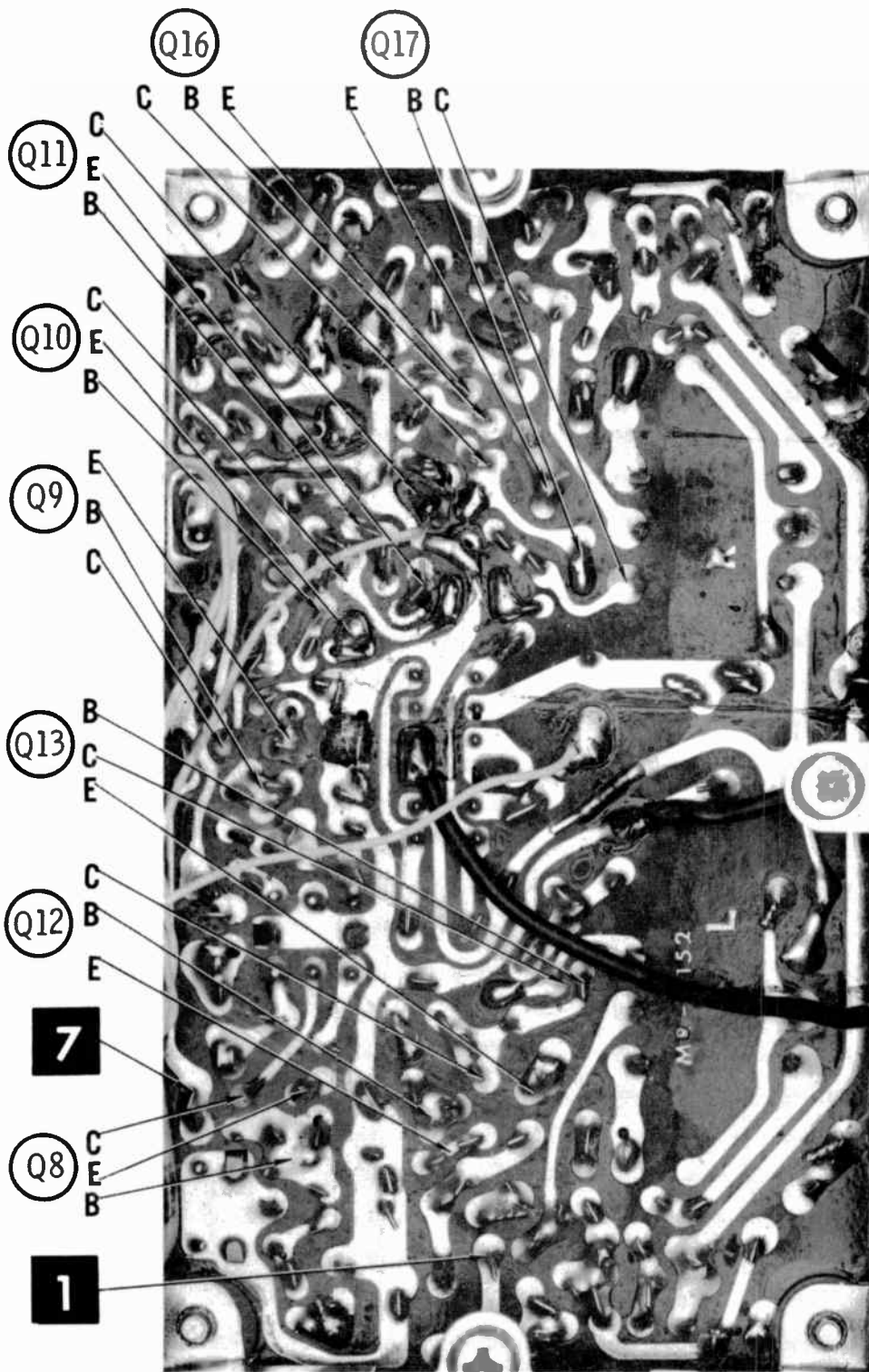


FM STEREO MULTIPLEX ALIGNMENT USING FM STEREO SIGNAL GENERATOR ($\pm .0001\%$ ACCURACY)

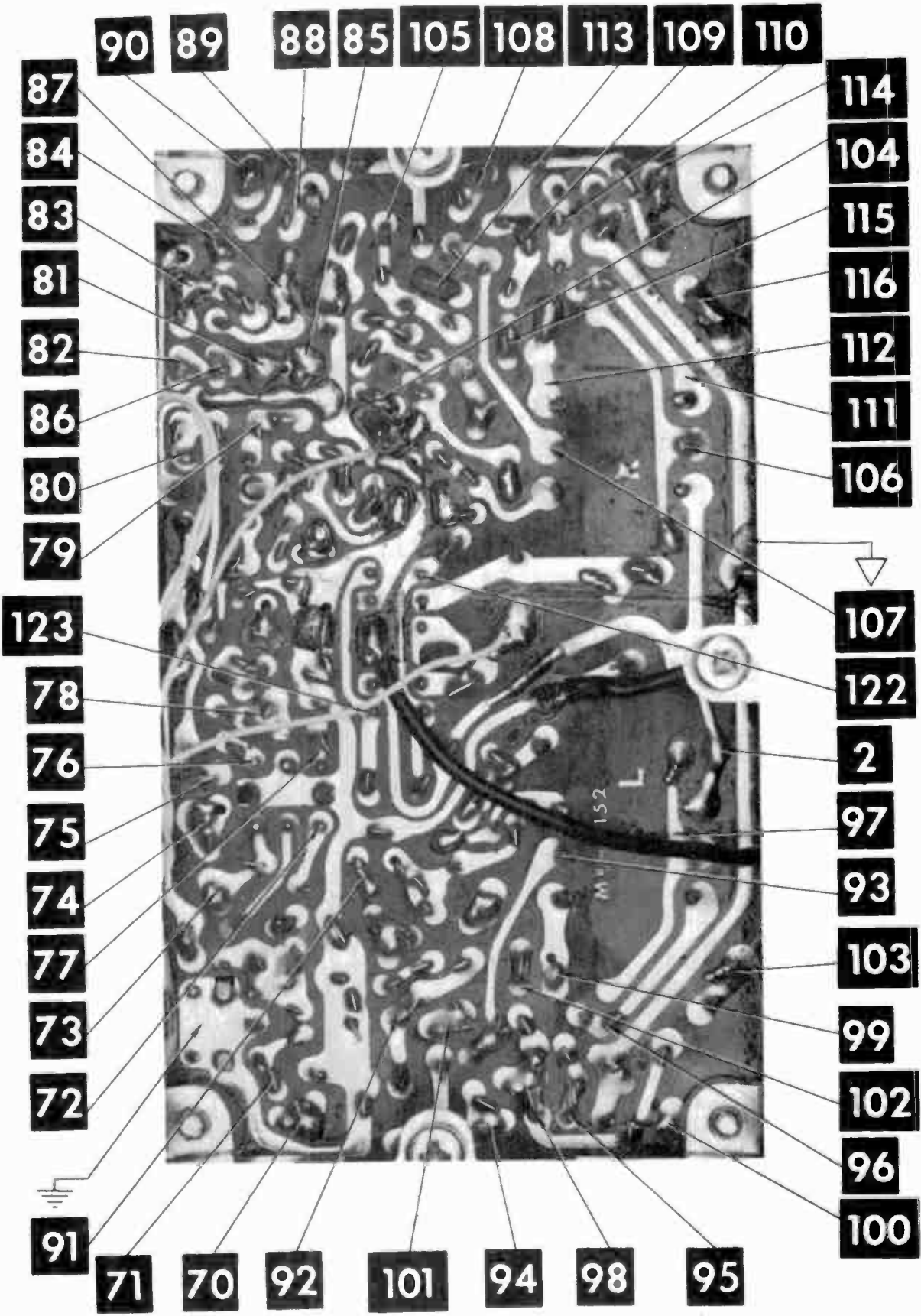
High side of generator thru 47K to point $\diamond E$, low side to ground.

GENERATOR FREQUENCY	INDICATOR	ADJUST	REMARKS
6. 67KC	Vert. amp of scope thru 47K to point $\diamond F$, low side to ground.	A16	Adjust for MINIMUM
7. 19KC	Vert. amp of scope thru 47K to point $\diamond G$, low side to ground.	A17 A18	Adjust for maximum.
8. Modulated Left Channel	Vert. amp of scope to point $\diamond H$, low side to ground.	A17 A18 R4	Adjust for MINIMUM. This step should require only slight adjustment.
9. Modulated Right Channel	Vert. amp of scope to point $\diamond J$, low side to ground		Check for MINIMUM. If necessary make compromise adjustment of A17, A18, R4

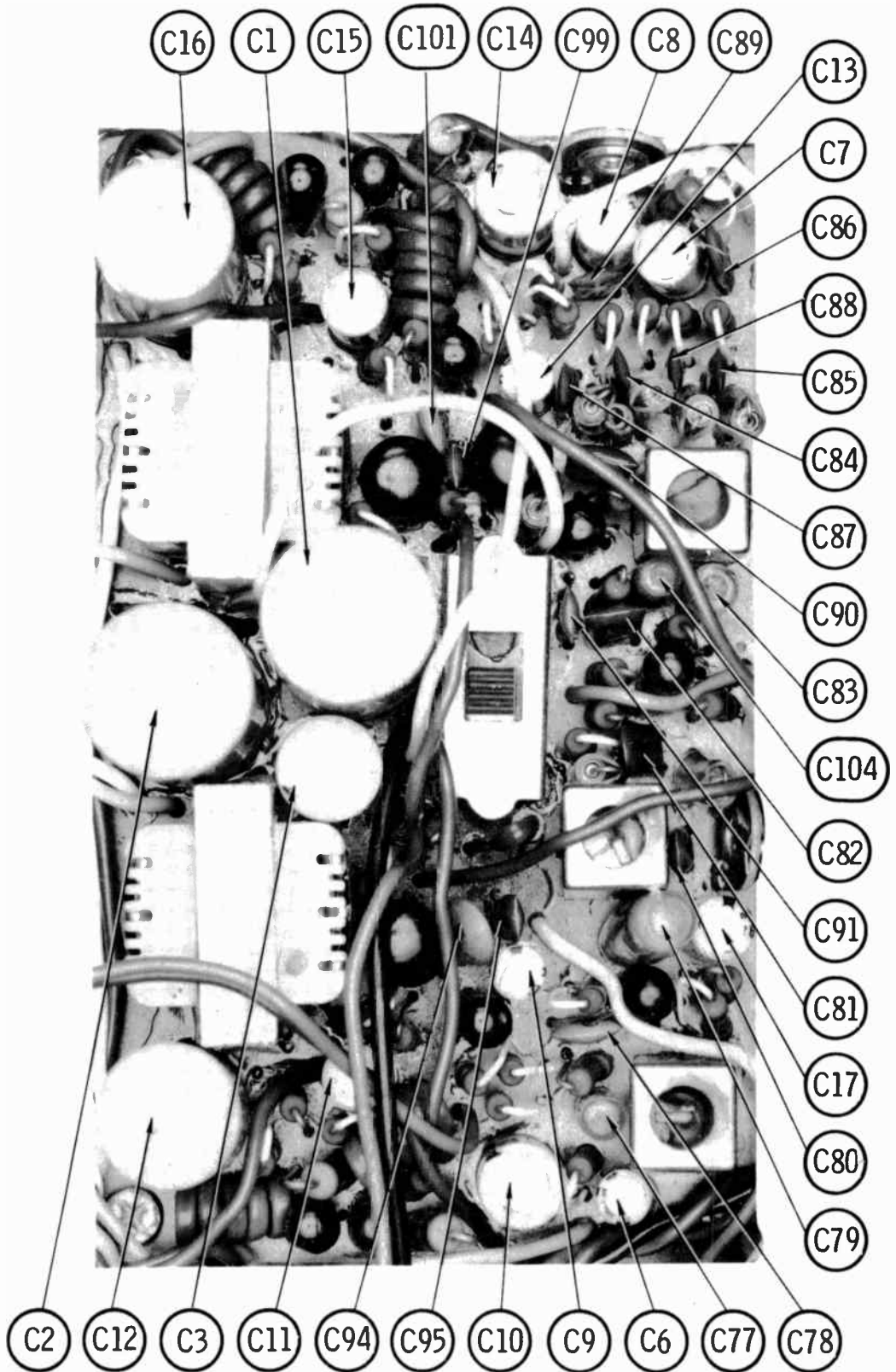
TRUETONE MODEL MIC (MID) 4055A-07

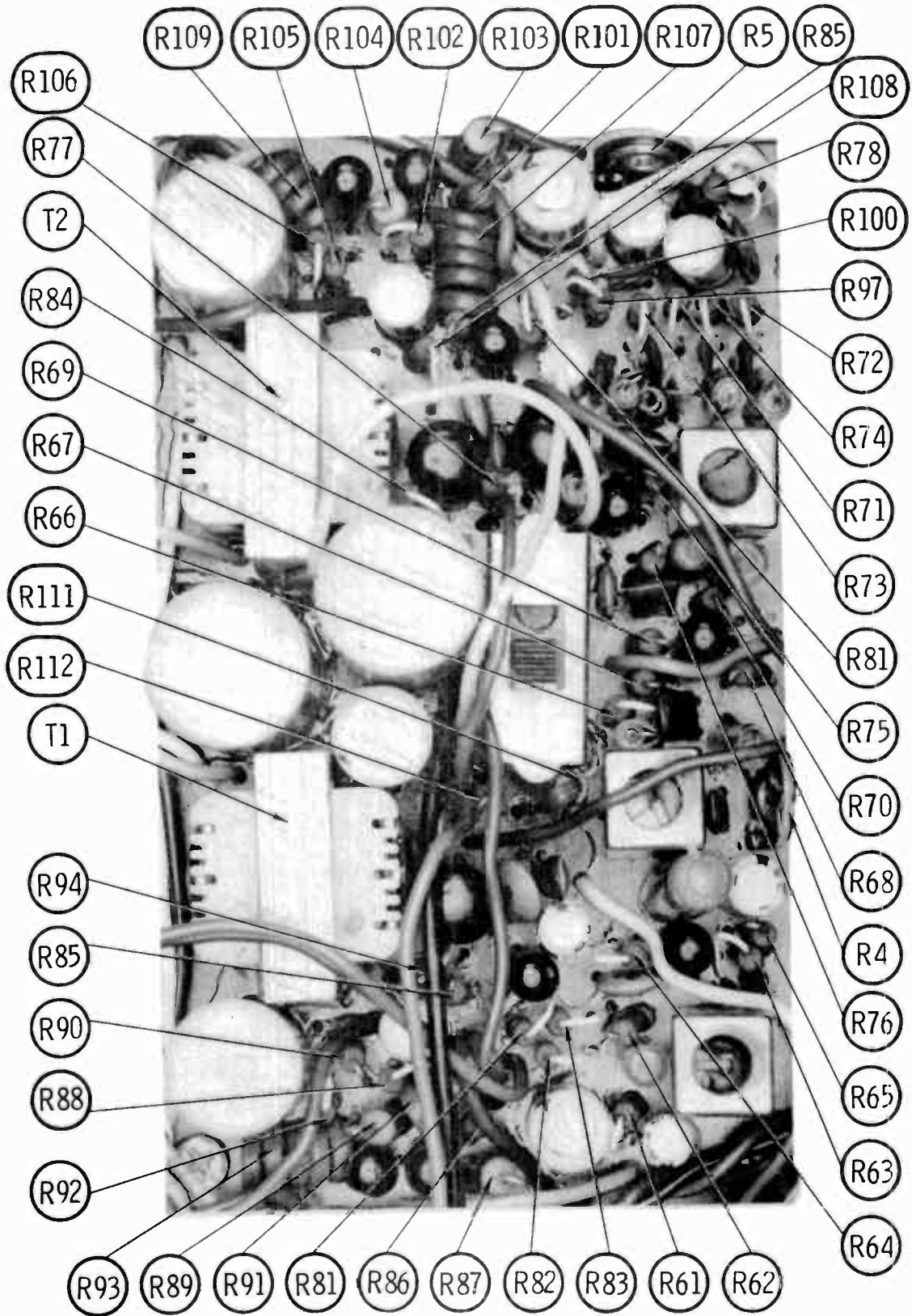


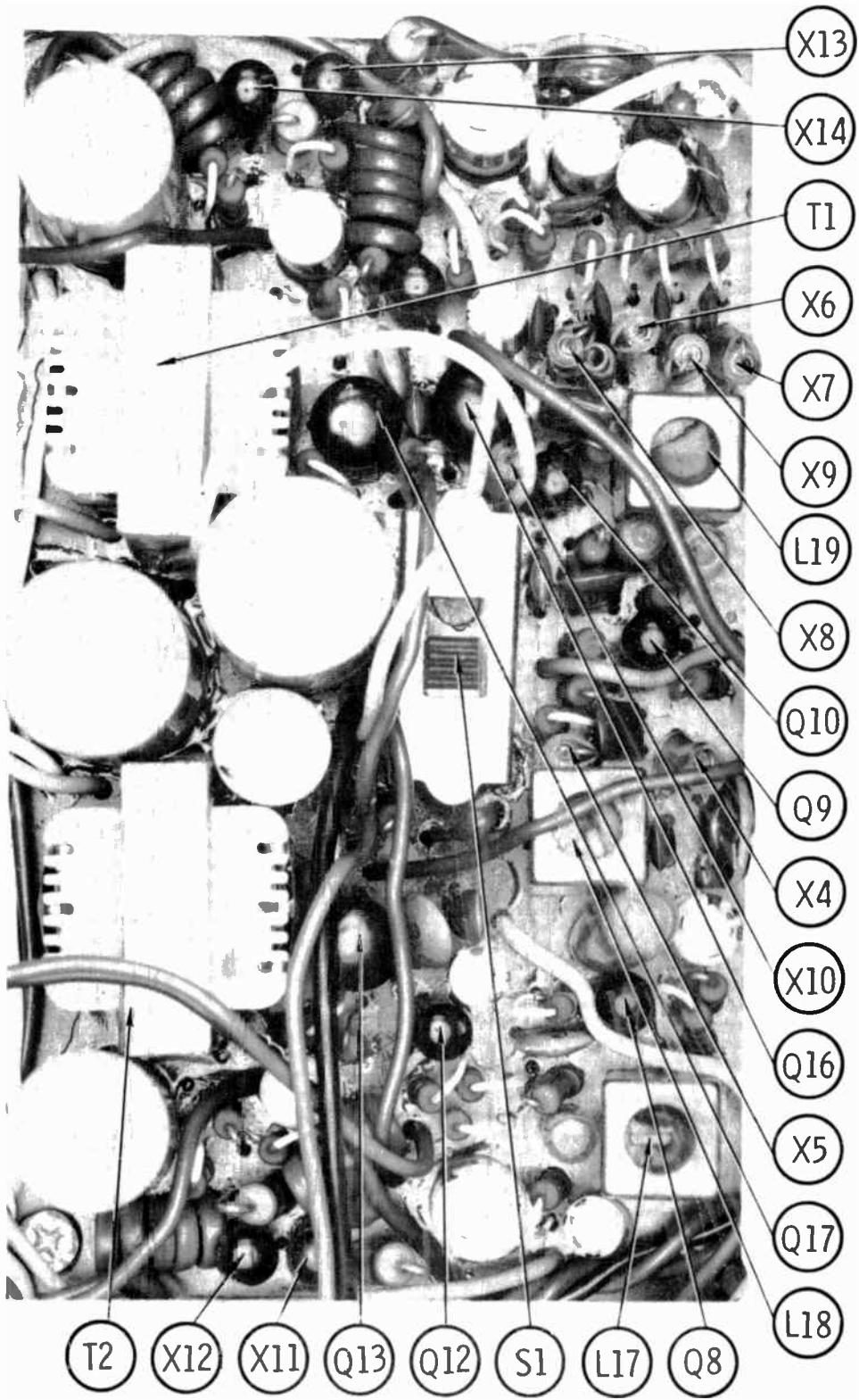
A Howard W. Sams **CIRCUITRACE** Photo

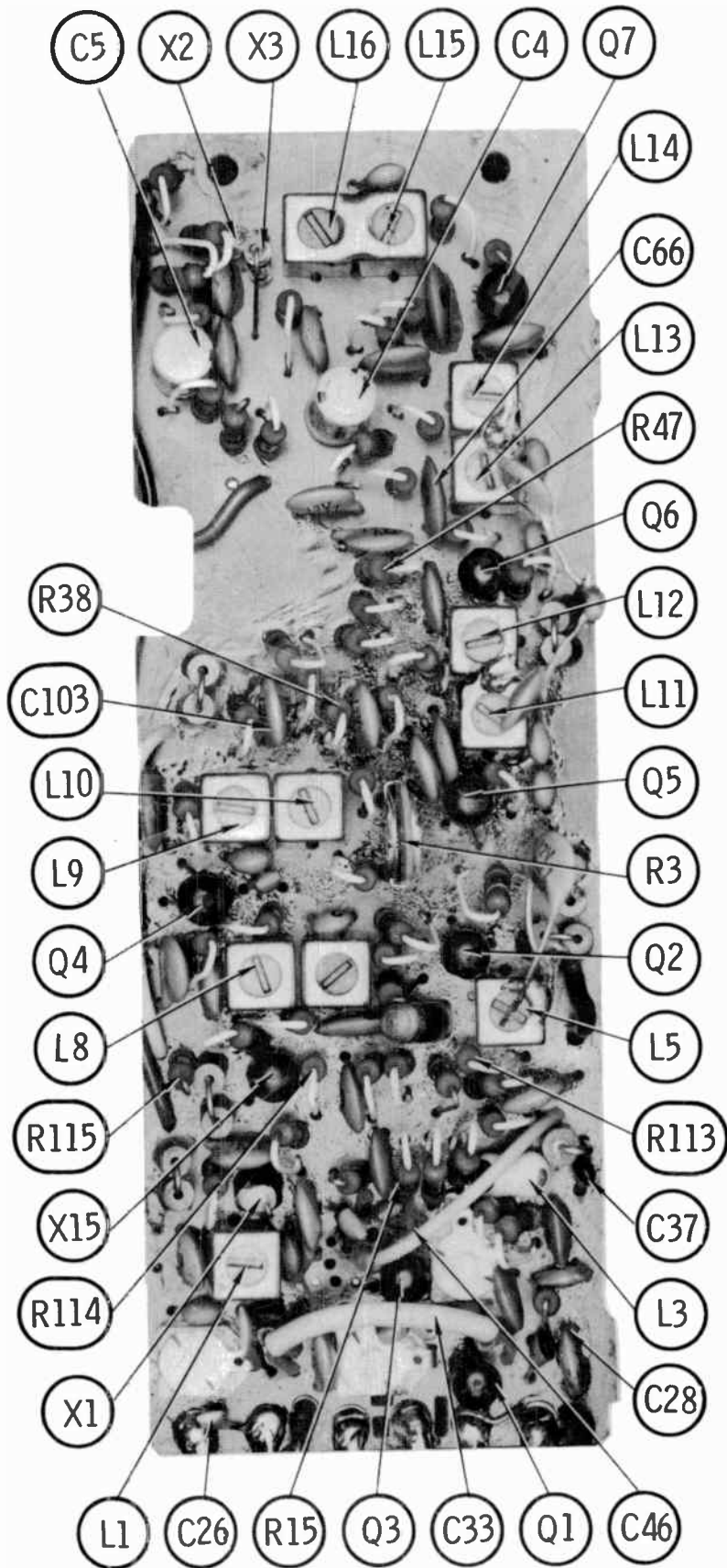


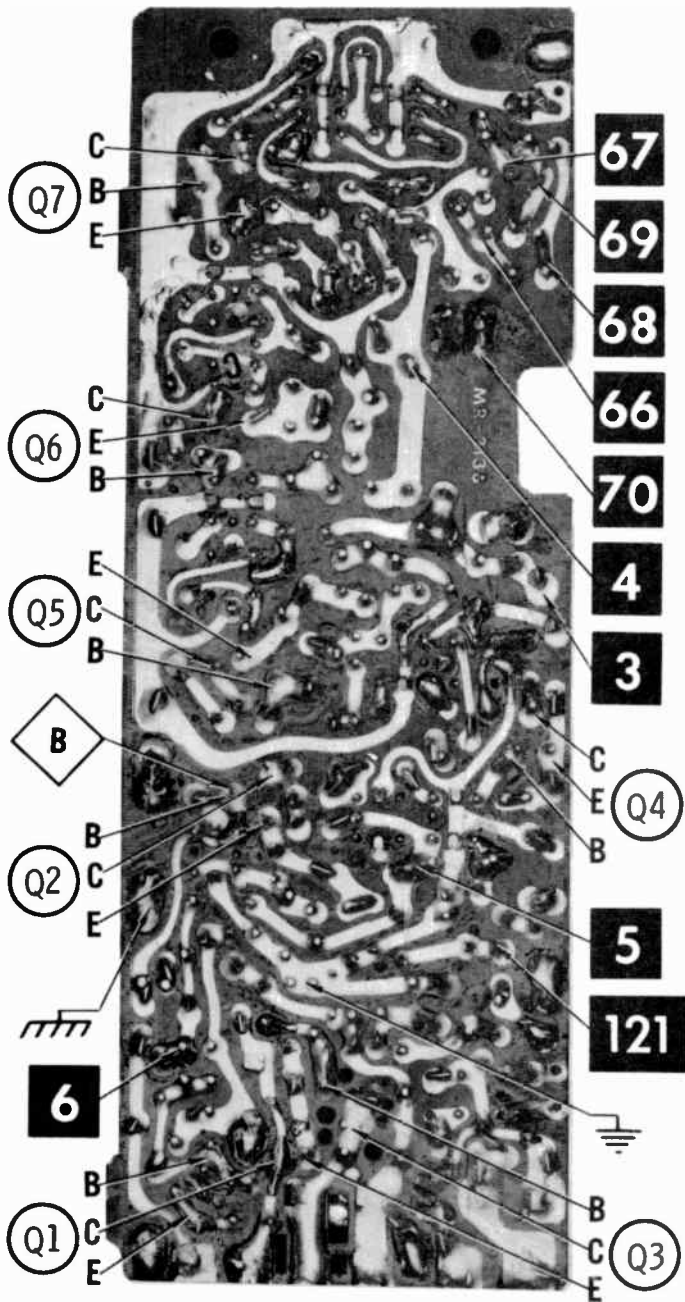
A Howard W. Sams CIRCUITRACE Photo



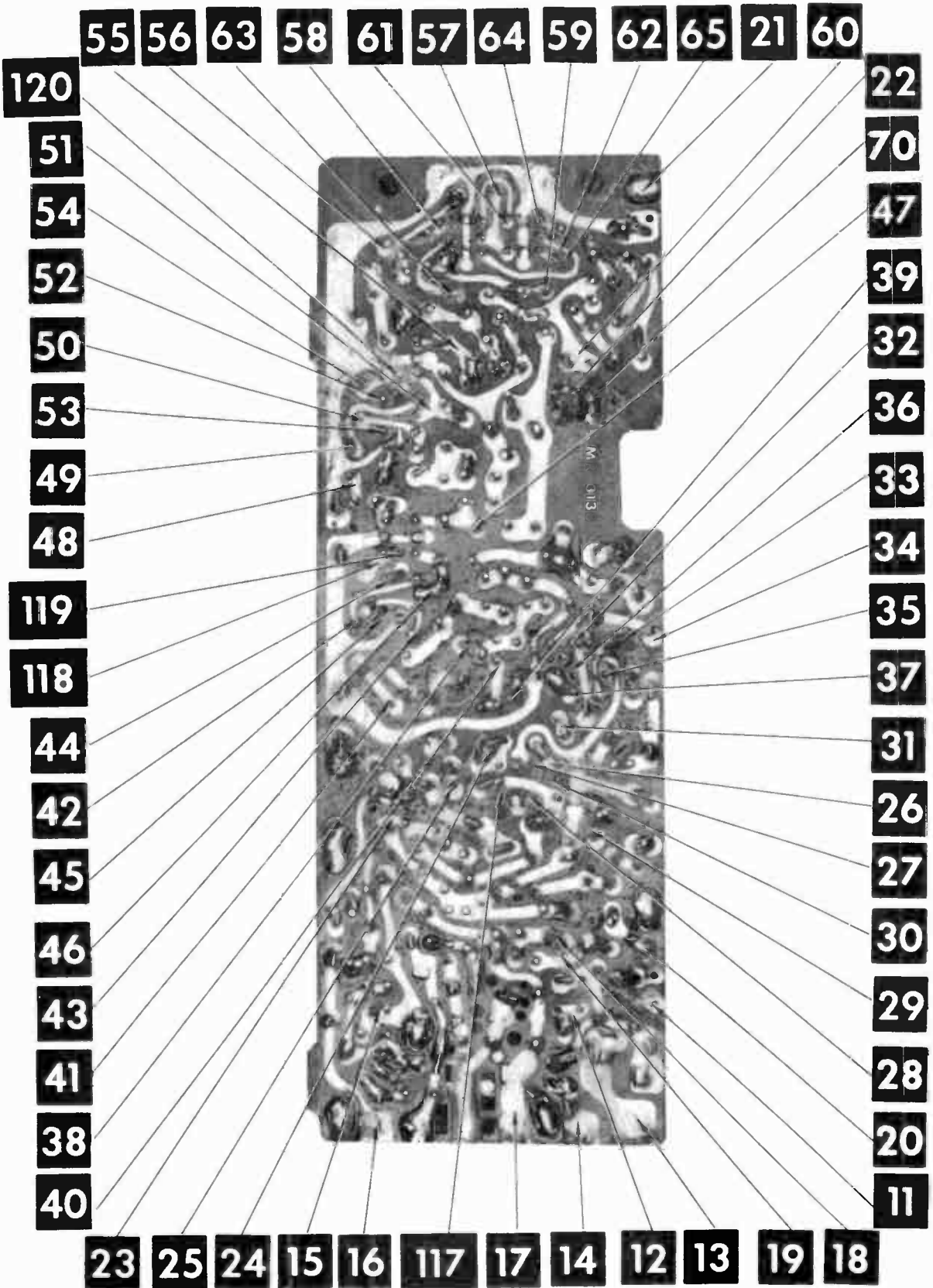




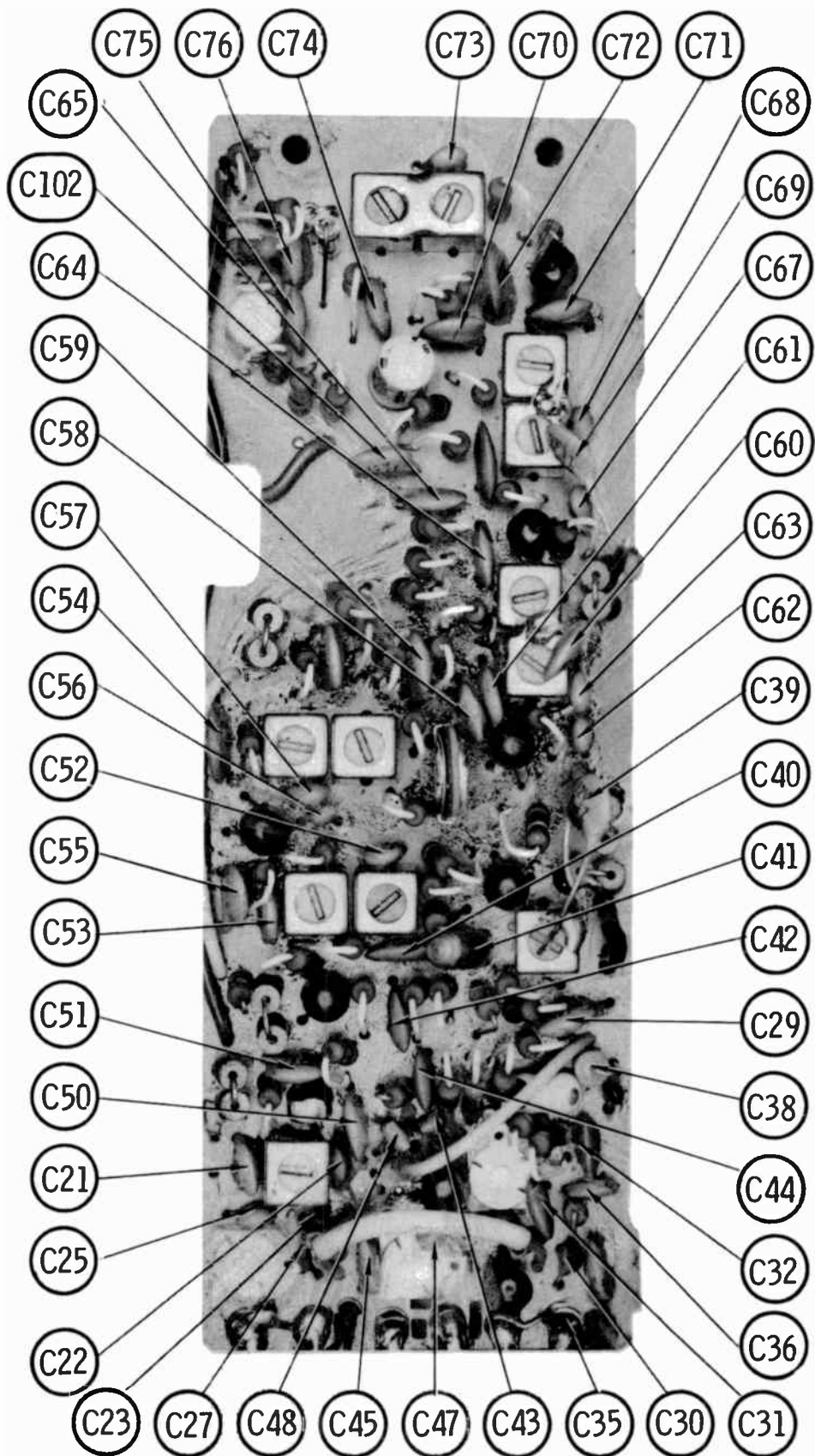


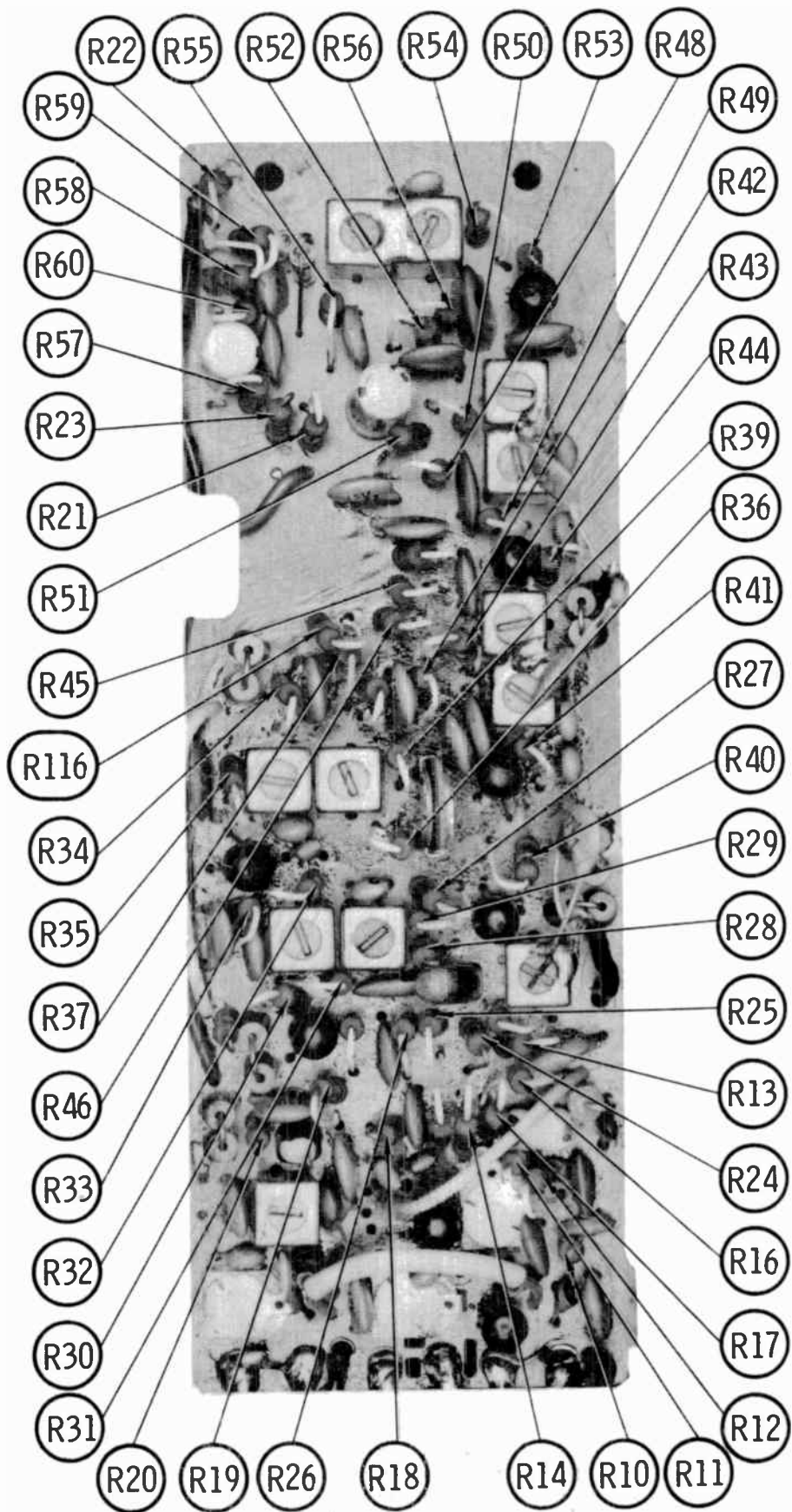


A Howard W. Sams **CIRCUITRACE** Photo

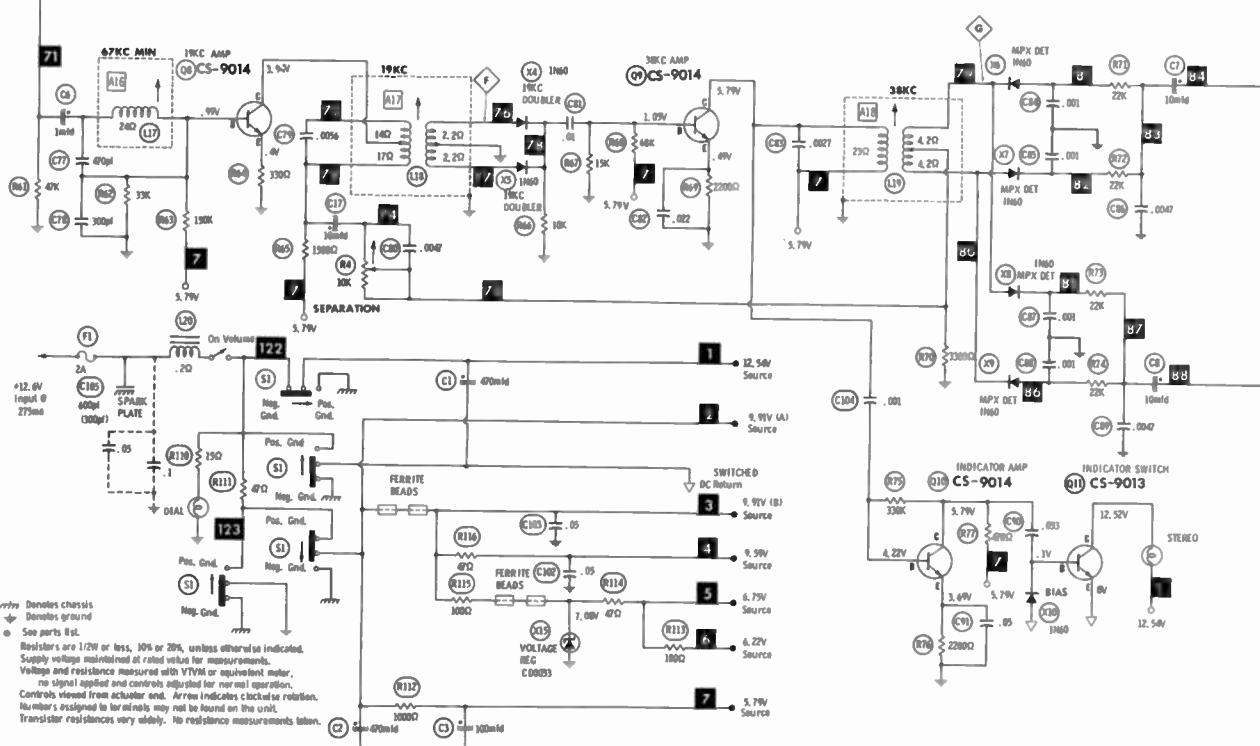
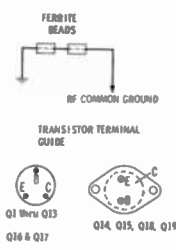
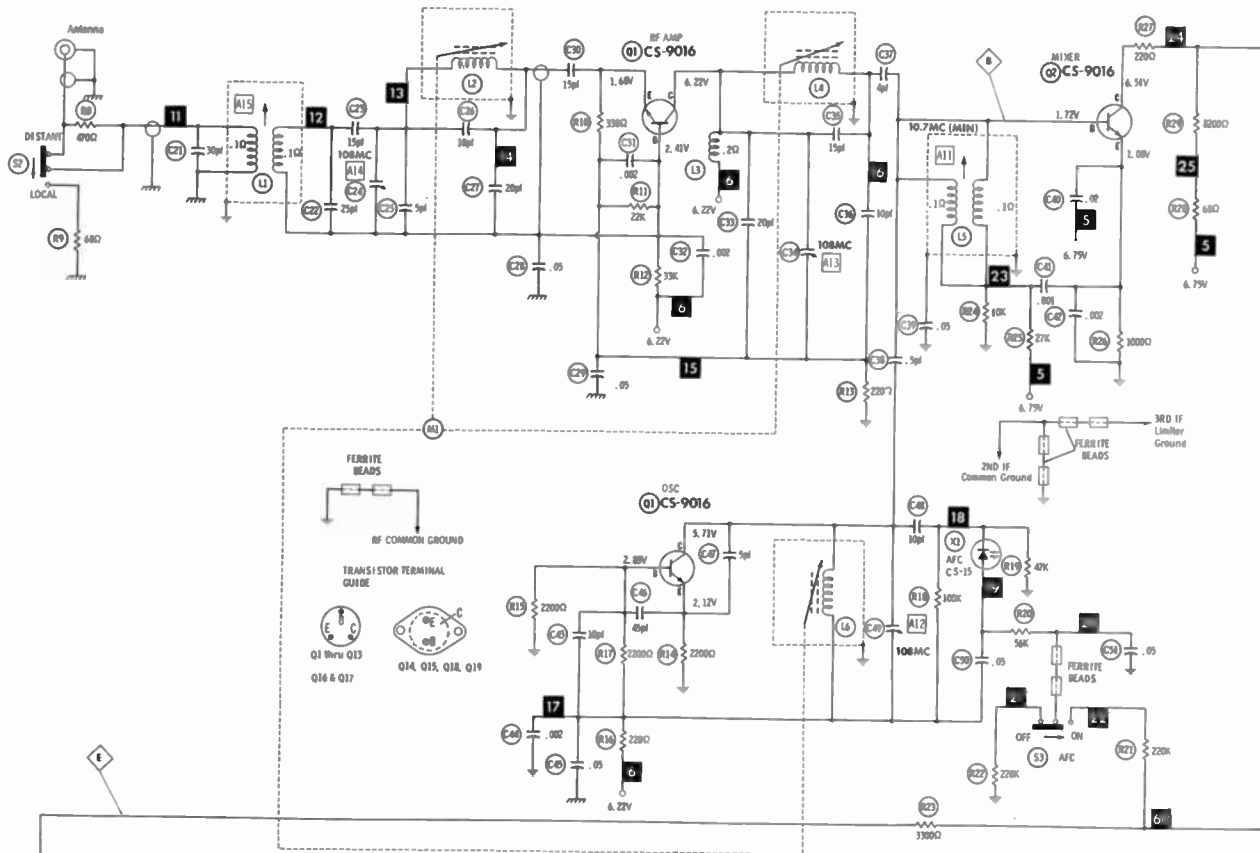


A Howard W. Sams **CIRCUITRACE** Photo



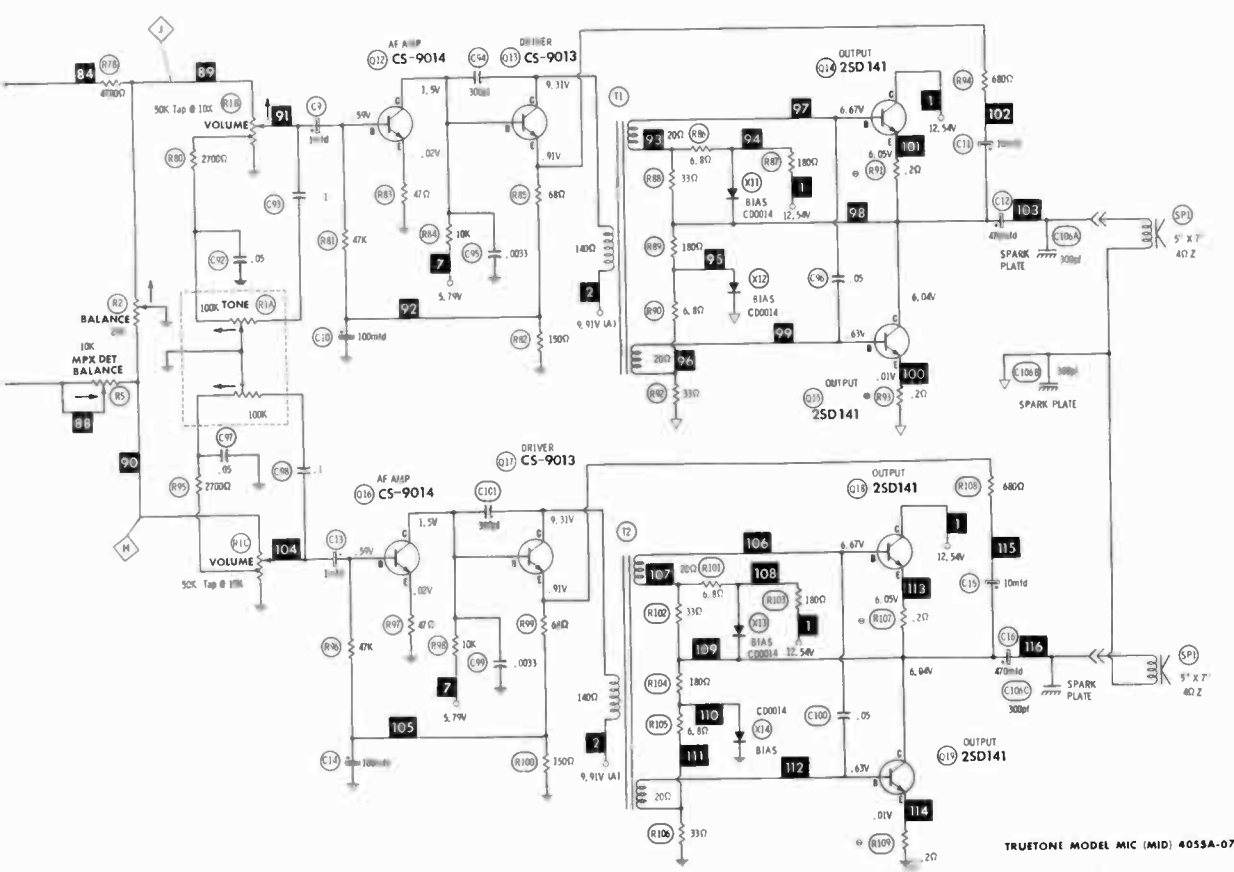
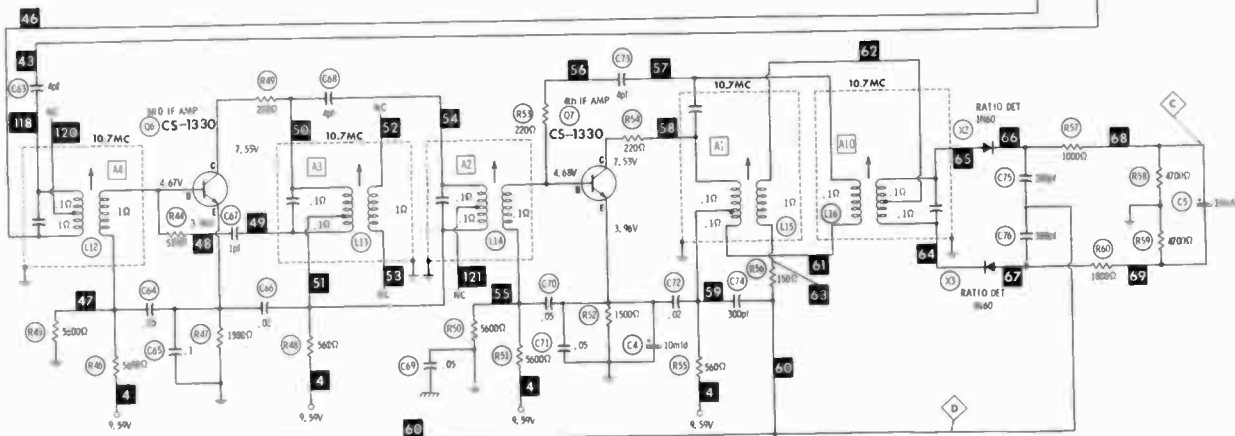
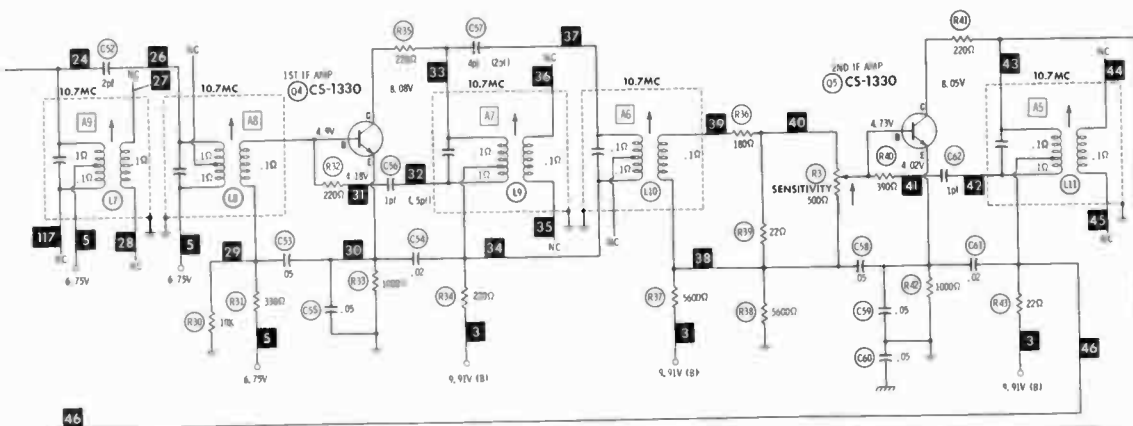


TRU-TONE MODEL MIC (MID) 4055A-07



//r Denotes chassis
 ⚡ Denotes ground
 ● See parts list.
 Resistors are 1/2W or less, 10% or 20%, unless otherwise indicated.
 Supply voltage maintained at rated value for measurements.
 Voltage and resistance measured with VTVM or equivalent meter,
 no signal applied and controls adjusted for normal operation.
 Controls viewed from actuator end. Arrow indicates clockwise rotation.
 Numbers assigned to terminals may not be found on the unit.
 Transistor resistances vary widely. No resistance measurements taken.

A PHOTOFAC STANDARD NOTATION SCHEMATIC
 with CIRCUITRACE
 © Howard W. Sams & Co., Inc. 1970



TRUETONE MODEL MIC (MID) 4055A-07

PARTS LIST AND DESCRIPTION

(When ordering parts, state Model, Part Number, and Description.)

Replacement parts shown may be superseded by the availability of newly introduced replacements.
Have your local distributor check Sams COUNTER FACTS for the most up-to-date replacement.

TRANSISTORS

ITEM No.	TYPE No.	FUNCTION	REPLACEMENT DATA					
			MFRG. PART No.	GENERAL ELECTRIC PART No.	INTERNATIONAL RECTIFIER PART No.	MOTOROLA PART No.	RCA PART No.	SYLVANIA PART No.
Q1	CS-9016	RF Amp.		GE-17	TR-22	HEP54	SK3018	ECG 108
Q2	CS-9016	Mixer		GE-17	TR-22	HEP54	SK3018	ECG 108
Q3	CS-9016	Oscillator		GE-17	TR-22	HEP54	SK3018	ECG 108
Q4	CS-1330	1st IF Amp.		GE-17	TR-21	HEP53	SK3018	ECG 107
Q5	CS-1330	2nd IF Amp.		GE-17	TR-21	HEP53	SK3018	ECG 107
Q6	CS-1330	3rd IF Amp.		GE-17	TR-21	HEP53	SK3018	ECG 107
Q7	CS-1330	4th IF Amp.		GE-17	TR-21	HEP53	SK3018	ECG 107
Q8	CS-9014	19KC Amp.		GE-20	TR-21	HEP721	SK3020	ECG 123
Q9	CS-9014	38KC Amp.		GE-20	TR-21	HEP721	SK3020	ECG 123
Q10	CS-9014	Indicator Amp.		GE-20	TR-21	HEP721	SK3020	ECG 123
Q11	CS-9013	Indicator Switch		GE-20	TR-21	HEP721	SK3020	ECG 123
Q12	CS-9014	AF Amp.		GE-20	TR-21	HEP721	SK3020	ECG 123
Q13	CS-9013	Driver		GE-20	TR-21	HEP721	SK3020	ECG 123
Q14	2SD141	Output (1)		GE-24MP*	TR-23	HEP243	SK3028*	ECG 152
Q15	2SD141	Output (1)		GE-24MP*	TR-23	HEP243	SK3028*	ECG 152
Q16	CS-9D14	AF Amp.		GE-20	TR-21	HEP721	SK3020	ECG 123
Q17	CS-9013	Driver		GE-20	TR-21	HEP721	SK3020	ECG 123
Q18	2SD141	Output (1)		GE-24MP*	TR-23	HEP243	SK3028*	ECG 152
Q19	2SD141	Output (1)		GE-24MP*	TR-23	HEP243	SK3028*	ECG 152

(1) When replacing, apply silicone grease to both sides of insulator. Tighten mounting screws securely.
* Matched Pair

POWER RECTIFIERS & SIGNAL DIODES

ITEM No.	MFRG. PART OR TYPE No.	REPLACEMENT RECTIFIERS & DIODES			REPLACEMENT RECTIFIERS	NOTES
		GENERAL ELECTRIC PART No.	INTERNATIONAL RECTIFIER PART No.	SYLVANIA PART No.	RCA PART No.	
X1	CS-15					Varactor (1) Matched Pair
X2	1N60	1N60	1N542 (1)	ECG110 (1)		
X3	1N60 (1)	1N60	1N542 (1)	ECG110 (1)		
X4	1N60	1N60	1N542 (1)	ECG110 (1)		
X5	1N60 (1)	1N60	1N542 (1)	ECG110 (1)		
X6	1N60	1N60	1N542 (1)	ECG110 (1)		
X7	1N60 (1)	1N60	1N542 (1)	ECG110 (1)		
X8	1N60	1N60	1N542 (1)	ECG110 (1)		
X9	1N60 (1)	1N60	1N542 (1)	ECG110 (1)		
X10	1N60	1N60	1N60	ECG109		
X11	CD0014					
X12	CD0014					
X13	CD0014					
X14	CO0014					
X15	CO0033	GE ZD-6.2	Z-1008	ECG137	Zener	

ELECTROLYTIC CAPACITORS

ITEM No.	RATING	REPLACEMENT DATA						
		PART No.	AEROVOX PART No.	CENTRALAB PART No.	CORNELL-DUBILIER PART No.	GENERAL ELECTRIC PART No.	MALLORY PART No.	SPRAGUE PART No.
C1	470 16	77-337477			PC500-16			
C2	470 16	77-337477			PC500-16			
C3	100 10	77-336107	BCD10100	EP15-100	PC100-16	MT1-19	MTV100CD10	TE-1135
C4	10 6.3	77-333106	BCD25010	EP6-10	PC10-50	MT1-5	MTV10CB50	TE-1087
C5	10 6.3	77-333106	BCD25010	EP6-10	PC10-50	MT1-5	MTV10CB50	TE-1087
C6	1 16	77-337105	BCD50001		PC1-100	MT1-1	MTV1CB50	TE-1148
C7	10 6.3	77-333106	BCD25010	EP6-10	PC10-50	MT1-5	MTV10CB50	TE-1087
C8	10 6.3	77-333106	BCD25010	EP6-10	PC10-50	MT1-5	MTV10CB50	TE-1087
C9	1 16	77-337105	BCD50001		PC1-100	MT1-1	MTV1CB50	TE-1148
C10	100 6	77-335107	BCD10100	EP6-100	PC100-16	MT1-21	MTV100CB6	TE-1102
C11	10 16	77-337106	BCD25010	EP15-10	PC10-50	MT1-5	MTV10CB50	TE-1155
C12	470 10	77-336477			PC500-16		TC1205	
C13	1 16	77-337105	BCD50001		PC1-100	MT1-1	MTV1CB50	TE-1148
C14	100 6	77-335107	BCD10100	EP6-100	PC100-16	MT1-21	MTV100CB6	TE-1102
C15	10 16	77-337106	BCD25010	EP15-10	PC10-50	MT1-5	MTV10CB50	TE-1155
C16	47D 10	77-336477			PC500-16		TC1205	
C17	10 6.3	77-333106	BCD25D10	EP6-10	PC10-50	MT1-5	MTV10CB50	TE-1087

PARTS LIST AND DESCRIPTION (CONTINUED)

(When ordering parts, state Model, Part Number, and Description.)

Replacement parts shown may be superseded by the availability of newly introduced replacements.

Have your local distributor check Sams COUNTER FACTS* for the most up-to-date replacement.

CAPACITORS

ITEM No.	RATING	REMARKS	REPLACEMENT DATA					
			AEROVOX PART No.	CENTRALAB PART No.	CORNELL-DUBILIER PART No.	ELMENCO PART No.	MALLORY PART No.	SPRAGUE PART No.
C21	30	#65-123002		TCZ-30		CCT0-300		10TCC-Q30
C22	25		NPO-DI 25	DTZ-25			CN0425	10TCC-Q25
C23	15		NPO-DI 15	DTZ-15	NPO15		CN0415	10TCC-Q15
C24								
C25	5		NPO-DI 5.0		NPO5			10TCC-V50
C26	10		NPO-DI 10	DTZ-10	NPO10	CCT0-100	CN0410	10TCC-Q10
C27	20		NPO-DI 20	DTZ-20	NPO20	CCT0-200	CN0420	10TCC-Q20
C28	.05		TTP-05	CK-503	MGP05	CCD-503	TA150	TGL-S50
C29	.05		TTP-05	CK-503	MGP05	CCD-503	TA150	TGL-S50
C30	15		NPO-DI 15	DTZ-15	NPO15	CCT0-150	CN0415	10TCC-Q15
C31	.002	GPD X5F202K	DM-202	GP2000	CCD-202	GP220	2SS-D20	
C32	.002	GPD X5F202K	DM-202	GP2000	CCD-202	GP220	2SS-D20	
C33	20	NPO-DI 20	DTZ-20	NPO20	CCT0-200	CN0420	10TCC-Q20	
C34		#65-123002						
C35	15		NPO-DI 15	DTZ-15	NPO15	CCT0-150	CN0415	10TCC-Q15
C36	10		NPO-DI 10	DTZ-10	NPO10	CCT0-100	CN0410	10TCC-Q10
C37	4				NPO3P9			10TCC-V39
C38	.5pf							
C39	.05		TTP-05	CK-503	MGP05	CCD-503	TA150	TGL-S50
C40	.02		TTP-02	CK-203	MGP02	CCD-203	TA120	TG-S20
C41	.001			CPR-1000J	CD19F102J500	DM-19-102J	SX210	424ME1001J501
C42	.002		GPD X5F202K	DM-202	GP2000	CCD-202	GP220	2SS-D20
C43	10		NPO-DI 10	DTZ-10	NPO10	CCT0-100	CN0410	10TCC-Q10
C44	.002	GPD X5F202K	DM-202	GP2000	CCD-202	GP220	2SS-D20	
C45	.05	TTP-05	CK-503	MGP05	CCD-503	TA150	TGL-S50	
C46	45	NPO-DI47	DTZ-47	NPO47	CCT0-470	CN0447	10TCC-Q47	
C47	5	NPO-DI 5.0		NPO5			10TCC-V50	
C48	10	NPO-DI 10	DTZ-10	NPO10	CCT0-100	CN0410	10TCC-Q10	
C49		#65-123002						
C50	.05		TTP-05	CK-503	MGP05	CCD-503	TA150	TGL-S50
C51	.05		TTP-05	CK-503	MGP05	CCD-503	TA150	TGL-S50
C52	2		NPO-DI 2.2	DTZ-2R2	NPO2P2		CN0522	10TCC-V22
C53	.05		TTP-05	CK-503	MGP05	CCD-503	TA150	TGL-S50
C54	.02		TTP-02	CK-203	MGP02	CCD-203	TA120	TG-S20
C55	.05		TTP-05	CK-503	MGP05	CCD-503	TA150	TGL-S50
C56	1		NPO-DI 1.0	TCZ-1			CN0510	10TCC-V10
C57	4				NPO3P9			10TCC-V39
C58	.05		TTP-05	CK-503	MGP05	CCD-503	TA150	TGL-S50
C59	.05	TTP-05	CK-503	MGP05	CCD-503	TA150	TGL-S50	
C60	.05	TTP-05	CK-503	MGP05	CCD-503	TA150	TGL-S50	
C61	.02	TTP-02	CK-203	MGP02	CCD-203	TA120	TG-S20	
C62	1	NPO-DI 1.0	TCZ-1			CN0510	10TCC-V10	
C63	4			NPO3P9			10TCC-V39	
C64	.05	TTP-05	CK-503	MGP05	CCD-503	TA150	TGL-S50	
C65	.1	TTP-1	CK-104			TA010	TG-P10	
C66	.02	TTP-02	CK-203	MGP02	CCD-203	TA120	TG-S20	
C67	1	NPO-DI 1.0	TCZ-1			CN0510	10TCC-V10	
C68	4			NPO3P9			10TCC-V39	
C69	.05	TTP-05	CK-503	MGP05	CCD-503	TA150	TGL-S50	
C70	.05	TTP-05	CK-503	MGP05	CCD-503	TA150	TGL-S50	
C71	.05	TTP-05	CK-503	MGP05	CCD-503	TA150	TGL-S50	
C72	.02	TTP-02	CK-203	MGP02	CCD-203	TA120	TG-S20	
C73	4			NPO3P9			10TCC-V39	
C74	300	GPD X5F301K	DM-301	GP300	CCD-301	GP330	10TS-T30	
C75	300	GPD X5F301K	DM-301	GP300	CCD-301	GP330	10TS-T30	
C76	300	GPD X5F301K	DM-301	GP300	CCD-301	GP330	10TS-T30	
C77	470	GPD X5F471K	DD-471	GP470	CCD-471	GP347	10TS-T47	
C78	300	GPD X5F301K	DM-301	GP300	CCD-301	GP330	10TS-T30	
C79	.0056		CPR-5600J		DM-20-562	SX256	MS-256	
C80	.0047	TTP-005	CK-502	MGP005	CCD-502	TA250	TG-D50	
C81	.01	TTP-01	CK-103	MGP01	CCD-103	TA110	TG-S10	
C82	.022	GPD X5S103K	DD-103	GP10000	CCD-103	JF110	10TS-S10	
C83	.0027		CPR-2700J	CD19F272J500	DM-19-272	SX227	MS-227	
C84	.001	GPD X5F102K	DM-102	GP1000	CCD-102	SM210	2SS-D10	
C85	.001	GPD X5F102K	DM-102	GP1000	CCD-102	SM210	2SS-D10	
C86	.0047	TTP-005	CK-502	MGP005	CCD-502	TA250	TG-D50	
C87	.001	GPD X5F102K	DM-102	GP1000	CCD-102	SM210	2SS-D10	
C88	.001	GPD X5F102K	DM-102	GP1000	CCD-102	SM210	2SS-D10	
C89	.0047	TTP-005	CK-502	MGP005	CCD-502	TA250	TG-D50	
C90	.033	TTP-03	CK-303		CCD-303	GP130	TG-S30	
C91	.05	TTP-05	CK-503	MGP05	CCD-503	TA150	TGL-S50	
C92	.05	TTP-05	CK-503	MGP05	CCD-503	TA150	TGL-S50	
C93	.1	TTP-1	CK-104			TA010	TG-P10	
C94	300	GPD X5F301K	DM-301	GP300	CCD-301	GP330	10TS-T30	
C95	.0033	GPD X5R332K	DD-332	GP3300	CCD-332	JF233	2SS-D33	
C96	.05	TTP-05	CK-503	MGP05	CCD-503	TA150	TGL-S50	
C97	.05	TTP-05	CK-503	MGP05	CCD-503	TA150	TGL-S50	
C98	.1	TTP-1	CK-104			TA010	TG-P10	
C99	.0033	GPD X5R332K	DD-332	GP3300	CCD-332	JF233	2SS-D33	
C100	.05	TTP-05	CK-503	MGP05	CCD-503	TA150	TGL-S50	
C101	300	GPD X5F301K	DM-301	GP300	CCD-301	GP330	10TS-T30	
C102	.05	TTP-05	CK-503	MGP05	CCD-503	TA150	TGL-S50	
C103	.05	TTP-05	CK-503	MGP05	CCD-503	TA150	TGL-S50	
C104	.001		CPR-1000J	CD19F102J500	DM-19-102J	SX210	424ME1001J501	
C105	60D	#65-177002						
C106A	300	#65-177001						
G	300							
C	300							

TRUETONE MODEL MIC (MID) 4055A-07

PARTS LIST AND DESCRIPTION (CONTINUED)

(When ordering parts, state Model, Part Number, and Description.)

Replacement parts shown may be superseded by the availability of newly introduced replacements.
Have your local distributor check Sams COUNTER FACTS[®] for the most up-to-date replacement.

CONTROLS (All wattages 1/2 watt, or less, unless listed)

ITEM No.	FUNCTION	RESISTANCE	REPLACEMENT DATA				
			MFGR. PART No.	CENTRALAB PART No.	CLAROSTAT PART No.	CTS-IRC PART No.	MALLORY PART No.
R1A	Tone	100K	65-160001				
B	Volume, Left	50K Tap @ 10K					
C	Volume, Right/Switch	50K Tap @ 10K					
R2	Balance	20K	65-160002				
R3	Sensitivity	500	65-164003	TSV-500 or [T-500]		X201R501B	MTC52L1
R4	Separation	10K	65-164004	TSV-10K (1) or [T-10K (1)]		X201R103B (1)	MTC14L1 (1)
R5	MPX Detector Balance	10K	65-164004	TSV-10K (1) or [T-10K (1)]		X201R103B (1)	MTC14L1 (1)

(1) Cut off one of the end terminals & bend to fit "PC" board.

RESISTORS (Power and Special)

ITEM No.	RATING	REPLACEMENT DATA	
		WORKMAN PART No.	MFGR. PART No.
R91	.2 WW		77-302290
R93	.2 WW		77-302290

ITEM No.	RATING	REPLACEMENT DATA	
		WORKMAN PART No.	MFGR. PART No.
R107	.2 WW		77-302290
R109	.2 WW		77-302290

COILS (RF-IF)

ITEM No.	USE	REPLACEMENT DATA			
		PART No.	MEISSNER PART No.	MILLER PART No.	WORKMAN PART No.
L1	Antenna	65-176004			
L2	Antenna Tuning	(1)			
L3	RF Choke (.18uh)	65-178002			
L4	RF	(1)			
L5	10.7MC Trap	65-176003			
L6	Oscillator	(1)			
L7	Input IF	65-090006			
L8	Interstage IF	65-090006			
L9	Interstage IF	65-090006			
L10	Interstage IF	65-090006			
L11	Interstage IF	65-090006			
L12	Interstage IF	65-090006			
L13	Interstage IF	65-090006			
L14	Interstage IF	65-090006			
L15	Ratio Detector (Pri)	65-090007			
L16	Ratio Detector (Sec)	65-090008			
L17	67KC Trap	65-094005			
L18	19KC	65-094003			
L19	38KC				

(1) Part of M1

FILTER CHOKE

ITEM No.	RATINGS			REPLACEMENT DATA				NOTES
	CURRENT (Measured)	DC RES.	INDUCTANCE (0 CURRENT 1000~)	PART No.	MERIT PART No.	STANCOR PART No.	THORDARSON PART No.	
L20	275ma	.2	1.5mh	65-178003				

PARTS LIST AND DESCRIPTION (CONTINUED)

(When ordering parts, state Model, Part Number, and Description.)

Replacement parts shown may be superseded by the availability of newly introduced replacements.
Have your local distributor check Sams COUNTER FACTS[®] for the most up-to-date replacement.

TRANSFORMER (Driver)

ITEM No.	TURNS RATIO			REPLACEMENT DATA					NOTES
	PRI.	SEC. 1	SEC. 2	PART No.	MERIT PART No.	STANCOR PART No.	THORDARSON PART No.	TRIAD Part No.	
T1	3:	1	1						
T2	3:	1	1						

SPEAKER

ITEM No.	TYPE	REPLACEMENT DATA		NOTES
		PART No.	QUAM PART No.	
SP1	5" X 7" PM 4 ohms	65-068001	57A1	
SP2	5" X 7" PM 4 ohms	65-068001	57A1	

FUSE DEVICES

ITEM No.	DESCRIPTION	REPLACEMENT DATA						
		PART No.		BUSS PART No.		LITTELFUSE PART No.		WORKMAN PART No.
		DEVICE	HOLDER	DEVICE	HOLDER	DEVICE	HOLDER	DEVICE
F1	2 Amp.	65-204002	65-159006	AGC2	HDJ	312002	150145	

MISCELLANEOUS

ITEM No.	PART NAME	PART No.	NOTES
M1	Tuner		MT-047
	Coil Assembly	65-078001	
S1	Switch, Polarity	65-183003	
S2	Switch, L-D	65-183002	
S3	Switch, AFC	65-183002	
	Dial Lamp	65-201003	
	Stereo Indicator	65-201004	

CABINETS & CABINET PARTS (When ordering specify model, chassis & color)

ITEM	PART No.	ITEM	PART No.
Escutcheon	65-010003	Stereo Lens	65-020012
Knob, Volume or Tuning	65-110002	Dial Glass	65-020009
Knob, Tone or Dummy	65-110003	Dial Pointer	65-150010
Knob, Balance	65-115002		

WIRING DATA

General-use Unshielded Hook-up Wire	Use BELDEN No. 8530 (Solid) Available in 12 Colors 8524 (Stranded) Available in 12 Colors
Shielded Hook-up Wire	Use BELDEN No. 8885
Rear Seat Speaker Extension Cable	Use BELDEN No. 8782 (Stranded) Coded Parallel Leads
Bonding Strap	Use BELDEN No. 8661 (3/8 In.) or 8670 (3/4 In.)

DIAL CORD STRINGING—FRONT VIEW



TRUETONE MODEL MIC (MID) 4055A-07

INDEX

This index lists all radios appearing in
"Auto Radio Manuals" and "PHOTOFACT Auto Radio Series"

KEY	(EP) Early Productions	(LP) Late Productions	(REV) Revised
<p>AIRCATTLE</p> <p>610-A67 4 610-FE-153 52-53 Ford 4 610-W-100 5</p> <p>AIR CHIEF (See Firestone)</p> <p>AIRLINE (Also See Riverside)</p> <p>FJB-6590A 55 Ford 6 35BR-6796A 5 61-6787 52 Ford 5 61-6788 52-53 Ford 5 61-6789 51-52 Chev. 5 61-6792 53 Dodge 4 61-6793 53 Chev. 5 61-6794 53 Plym. 5 61-6795 53 Merc. 5 61-12601 Tractor 5</p> <p>AIWA</p> <p>TP-718 48</p> <p>ALL AMERICAN</p> <p>CEP-764T 64 Chevelle 31 CHP-164T 64 Chev. 31 CHP-165T 65 Chev. 33 CHP-564T 64 Chevy II 31 CTP-264T 64 Comet 31 CYP-465T 64 Chrysler. . 33 DAP-864T 64 Dart 31 DAP-865T 64 Dart 33 DOP-864T 64 Dodge 31 DOP-865T 65 Dodge 33 FAP-264T 64 Falcon 31 FLP-264T 64 Fairlane. . 31 FOP-264T 64 Ford 31 FOP-265T 65 Ford 33 MEP-264T 63-64 Merc 31 MEP-265T 65 Merc. 33 PLP-464T 64 Plym. 31 PLP-465T 65 Plym. 33 PLPF-465T 65 Fury 33 RAAP-1065T 65 Rambler American 33 RAP-364T 64 Rambler 26 RAP-365T 65 Rambler 33 SM-130RPE 26 UP-220RPT 26 VAP-464T 64 Valiant 31 VAP-465T 65 Valiant 33 VWP-19T 58-64 VW 26 VWP-19T 65 Prod VW 34</p> <p>ALLCASTLE</p> <p>610-A67 4 610-FE-153 52-53 Ford 4 610-W-100 5</p> <p>ALLIED</p> <p>19B4191 60 19B4192 62</p> <p>ALLIS CHALMERS</p> <p>7BT 249523 44 7BTX 50</p> <p>ALLSTATE</p> <p>5018 22 5028 Ch.528.50280/ 50281 7 5033 Ch.528.50330/ 50331 7 5050 30 5066 26 5098 Ch.833.50980 9 5099 Ch.833.50990 9 6225 Ch.528.55040/ 55041 11 6231 Ch.528.62310 9 6232 Ch.528.62320 9 6240 Ch.528.62400 5 6256 Ch.528.55040/ 55041 11 6263 Ch.528.6263 5 6263-2 Ch.528.6263-2. . 5 6264 Ch.528.6264 5 6264-1 Ch.528.6264-1. . 5 6266 Ch.528.6266 5 6268 Ch.62680/81 7 6269 Ch.62690/91 7 6284 Ch.528.6284 4 6286-4 Ch.528.6286-4. . 4 6287-4 Ch.528.6287-4. . 4 6295-6 Ch.528.6295-6. . 4 6330 Ch.528.63300 5 750.62380/81/90/91, 750.62890 25 833.5049 30 833.50180B 31 833.50181 27 833.50202 27 833.50490 30 833.50930 28 833.50931 64 VW 28 833.62741 28 833.62743 32 833.62800 30 833.63070 28 833.500510 65 Chev. . 32 833.501220 30 833.501230 65 Dart 30 833.501920 65 Comet 30 833.503050 65 Fury 30 833.503060 65 Belvedere 30 833.623690 30 833.624211 64 VW 28 833.624630 30 833.625510 65 Chev. . 30 833.627420 28 833.628000 30 834.50480 32 835.62460 29 856.62450 27 856.62470 52</p> <p>AMERICAN MOTORS (See Hudson,Nash & Rambler)</p> <p>A8MG (8992290) 68 Javelin 65 AF6TMR page 120 66 Ambassador,Classic, Marlin 28 AF7SMR 67 Ambassador, Marlin,Rebel 44 F8SMG (8992252) 68 Javelin 68 F8SMR 68 Ambassador, Rebel 63 P7MA 67 Ambassador, Marlin,Rebel 47</p>	<p>AMERICAN MOTORS</p> <p>(CONT.)</p> <p>P8MA 68 Ambassador, Rebel 62 RV4R 64 Rambler 24 6SMR 66 Ambassador, Classic,Marlin 35 7SMR 67 Ambassador, Marlin,Rebel 50 8SMG (8992251) 68 Javelin 68 8SMR 68 Ambassador, Marlin,Rebel 50 22BA R22BA 62 Rambler American 18 22BAM R22BAM 62 Rambler American 18 22BAX R22BAX 62 Rambler American 18 8990377 6MR 56 Rambler 6 8990378 6MA 56 Hudson & Nash 6 8990378 76MA 57 Hudson & Nash 6 8990455 7MR 57 Rambler 6 8990494 84MA 58 Hudson,Nash & Rambler 8 8990543 83MR 58 Rambler 8 8990576 94MA 59 Rambler 9 8990582 93MA 59 Rambler 10 8990706 04MA 60 Rambler 11 8990811 03AR 60 Rambler 12 8990831 13MAM 60 Rambler 14 8990832 13MA 60 Rambler 14 8990833 14MR 61 Rambler 15 8990981 2TMR 62 Rambler 29</p> <p>ANGLIA</p> <p>6BEF 66 39</p> <p>A.R.C.</p> <p>2500 33</p> <p>ARVIN</p> <p>60Y53-19 Ch.1.45701 .. 67</p> <p>ATR KARADIO</p> <p>BKS410 61-62 Buick Special 27 CT412 61-62 Chev. 27 CR414 60-62 Corvair 27 COT416 60-62 Comet 27 DED418 62 Dart 27 FAL420 60-62 Falcon 27 FD422 60-62 Ford 27 LR424 62 Lancer 27 MY426 62 Merc. 27 OEF428 61-62 F-85 27 PH430 62 Plym. 27 PCT432 61-62 Tempest. . 27 TR720N 29 TR1279-6V 11 TR1279-12V 11 TT-727 Tractor Radio. . 29 VT434 62 Valiant 27 401 27 606 19 612 19 707 22 1279-6V 11 1279-12V 11</p>	<p>AUDIO/STEREO</p> <p>A-12 53 A-30 52 A-40 57 A-45 64 A-50 60 A-90 50 A-100 50</p> <p>AUSTIN HEALEY</p> <p>HAC700 4TMB 30</p> <p>AUTOMATIC</p> <p>AC-4558 64 Comet 27 ACP-3044 63 Comet 23 ACP-4559 64 Comet 27 ACG-6000 73 ATC-60 59-60 Chev. 15 BAP-9 59 Buick 13 BAP-20 60 Buick 14 BAP-4530 64 Buick 28 BAR-8209 68 Barracuda, Plymouth 60 BP-340 60 Buick 14 BP-668 57-58 Buick 12 BP-679 59 Buick 13 BP-3081 63 Buick 23 BP-4030 64 Buick 28 BP-7160 66-67 Buick 62 C-12 11 C-300 2 C-300 Rev. 40-50 Chev. 6 C-349 59 Chev. 11 C-382AT 19 C-382AT 62 Chev L.P. . 24 C-338-C 58 Chev. 12 C-3001 63 Chev. 23 C-4049 64 Chev. 28 C-4049N 64 Chev. 37 C-5003 65 Chev. 29 C-5003N 65 Chev. 37 C-6051 66 Chev. 39 CA-109 59 Chev. 11 CA-3041 63 Chev. 23 CA-4549 64 Chev. 28 CA-4549N 64 Chev. 37 CA-5503N 65 Chev. 37 CAE-3064 63 Olds. 23 CAP-49 59 Chev. 14 CAP-60 59-60 Chev. 14 CAP-3042 63 Chev. 23 CAP-4550 64 Chev. 28 CAP-4550N 64 Chev. 37 CAP-5504N 65 Chev. 37 CAP-6552 66 Chev. 39 CAV-4548 64 Chevelle. . 28 CEF-119 English Ford Consuls 15 CET-6750 58 CFE-6745 59 CFM-3090 22 CFM-6255 66 Chev. 66 CM-333 53 Chev. 4 CMP-7217 67 Cougar 60 CMR-7151 67 Camaro 60 CMR-8252 67-68 Camaro 60 CP-478-C 58 Chev. 12 CP-489-F 59 Chev. 14 CP-500 59-60 Chev. 14 CP-511AT 61 Chev. 16 CP-522AT 19 CP-522AT 62 Chev L.P. . 24 CP-3002 63 Chev. 23 CP-4050 64 Chev. 28 CP-4050N 64 Chev. 37 CP-5004 65 Chev. 29 CP-5004N 65 Chev. 37 CP-6052 66 Chev. 39 CP-8254T 68 Chev. 60 CPA-3047 63 Corvair 23 CPA-4533 64 Corvair 28 CPV-4048 64 Chevelle. . 28 CPV-5007 65 Chevelle. . 29 CPV-7154 67-68 Chevelle 71</p>	<p>AUTOMATIC (CONT.)</p> <p>CPV-8256 68 Chevelle . 60 CR-3006 63 Corvair 23 CR-4034 64 Corvair 28 CRA-3046 63 Corvair 23 CRA-4534 64 Corvair 28 CRP-442A/AT 63 Corvair 23 CRP-3007 63 Corvair 23 CRP-4033 64 Corvair 28 CRP-5009 65 Corvair 29 CRP-6056 65-66 Corvair 62 CRP-7156 65-66 Corvair 62 CT-356 55-56 Chev. 13 CT-387 57 Chev. 12 CT-4058 64 Comet 27 CTP-792AT 62 Comet 23 CTP-3004 63 Comet 23 CTP4059 64 Comet 27 CTP-5071 65 Comet 29 CTP-7211A 67 Mercury Comet 62 CTR-6A 55-56 Chev. 12 CTR-6B 55-56 Chev. 13 CTR-77A 57 Chev. 9 CU-39 12 CY-3010 63 Chevy II 23 CY-4025 64 Chevy II 28 CY-5006 65 Chevy II 29 CYP-3009 63 Chevy II. . 23 CYP-4032 64 Chevy II. . 28 CYP-5005 65 Chevy II. . 29 CYP-7158 66-67 Chevy II 60 D-2 59 Renault Dauphine 12 D-8 59 Renault Dauphine 12 DAD-6508 66 Dart 39 DAP-39 59 Dodge 13 DD-5125 65 Dart 30 DD-5125N 65 Dart 270. . 35 DD-6008 66 Dart 39 DDF-7378 67 Dodge 61 DE-300 60 DeSoto 14 DE-3077 63 Dart 22 DE-3078 63 Dart 22 DEP-4154 27 DEP-4654 27 DEP-6204 57 DET-28 57-58 DeSoto .. 9 DFM-3095 26 DHP-7133 67 Dodge Dart 62 DM-132 53 Dodge 5 DMF-7372 67 Dodge 61 DP-6 57-59 Renault Dauphine 12 DP-11 57-59 Renault Dauphine 12 DP-3082 64 Dodge 880. . 26 DP-4107 64 Dodge 880. . 26 DP-5127N 65 Dodge 880. . 35 Polara,Monaco 35 DP-8214 67-68 Polara, Monaco 60 DRX-7117 66-67 Dodge Charger 62 DTX-67A 57-58 Dodge 12 DTX-68 57-58 Dodge 12 DUP-42 20 DUP-4151 27 DUP-4651 27 DUP-6202 57 DX-410 60 Dart,DeSoto, Dodge 14 DX-619 59 Dodge 13 DX-3013 63 Dodge 22 DX-5121 65 Coronet 30 DX-5121N 65 Coronet 35 DX-7111 66-67 Dodge Coronet 62 DX-8212 68 Coronet 60 DXA-50 60 Dart,DeSoto, Dodge 14 DXA-3053 63 Dodge 22 EH-29 21 EP-108 58 Edsel 12</p>

AUTOMATIC (CONT.)	VOL.	AUTOMATIC (CONT.)	VOL.	AUTOMATIC (CONT.)	VOL.	AUTOMATIC (CONT.)	VOL.	BENDIX	VOL.
F-100 Rev. 49-50		MAP-3063 63 Merc.	23	PP-3026 63 Plym.	22	TPC-31 61 Buick Spl.,		R2BG See Karmann Ghia	
Ford	6	MAP-4561 64 Merc.	27	PP-5105 65 Belvedere..	30	Olds., F-85, Pontiac		2 BG	18
F-128/C 58 Ford	12	MB-72	30	PP-5105N 65	30	Tempest	16	R2BT See VW 2BT	18
F-139 59 Ford	11	MEL-6740	69	Belvedere	35	TPC-31AT 63 F-85,		R2BV See VW 2BV	18
F-151 Rev. 51 Ford	6	MM-430 53 Merc.	4	PP-7103 66-67		Tempest	23	R12BP 61 Chev.	16
F-152 52 Ford	6	MNE-6725	68	Belvedere, Satellite	60	TPC-42AT 63 F-85,		R12BPC 61 Corvair	16
F-241 54 Ford	6	MP-69	6	PP-8202 68 Belvedere,		Tempest	23	R22BA See American	
F-322A	19	MP-126	6	Satellite	60	TPC-3036 63 F-85,		Motors 22BA	18
F-3016 63 Ford	23	MT-47C 57 Merc.	12	PPM-7366 67 Plymouth	21	Tempest	23	R22BAM See American	
F-4055 64 Ford	27	MT-419 E.P. 59 Merc.	11	PS-4153	67	TPC-4026 64 Tempest	28	Motors 22BAM	18
F-5058N 65 Galaxie	36	MT-419 L.P. 59-60	14	PS-4653	27	TPC-7170 66-67 Pontiac		R22BAX See American	
F-6105P 65/66		Merc.	14	PT-3025 63 Plym.	26	Tempest	62	Motors 22BAX	18
Galaxie	40	MT-530 59-60 Merc.	14	PUT-3108	23	TPP-87A 57 Plym.	13	X2BB Shipmate III	19
FA-219 59 Ford	11	MT-3023 63 Merc.	23	R-3108A	28	TPP-88 57-58 Plym.	13	R2BC 2BCC 62 Chev.	19
FA-3056 63 Ford	23	MT-4061 64 Merc.	27	R-54, B	11	TR-12 Tractor	4	2BCT R2BCT 62	
FA-4555 64 Ford	27	MT-5073 65 Merc.	29	R-61	20	TR-13B	25	Corvair	19
FA-6605P 65/66		MT-602AT 62 Meteor	24	RAP-89 59 Rambler	13	TR-48AT	25	3BCH 63 Chev.	21
Galaxie	40	MU-34	6	RAP-100 60 Rambler	13	TR-0048	25	3BCH2 63 Chevy II	21
FAL-4554	27	MUS-4067 64 Mustang	27	RAP-3070 63 Rambler	26	TR-7281 Tractor	59	3BCT 63 Corvair	21
FAN-3058 63 Fairlane.	23	MUS-5059 65 Mustang	29	RAV-5403A/AB	57	TR-7390 Tractor	59	4TBC 64 Chevy II	32
FAN-4551 64 Falcon	27	MUS-5059N 65 Mustang	36	RG-59	14	TUN-5	15	4TBC 64 Corvair	32
FAP-70 60 Ford	14	MUS-7209 67 Mustang	60	RG-59C	14	TU-6217	58	4TBC 64 Chev.	32
FAP-4556 64 Ford	27	N-638 58-59 Rambler	13	RMR-7280	63	UAF-6224	64	4TBC 64 Chev. Truck	32
FAP-6606P 65/66		American	13	RP-470 60 Rambler	13	UE-4155A	28	5BCC 65 Corvair	31
Galaxie	40	N-639 58-59 Rambler	13	RP-481AT 60-61		UE-4171A	28	5BCH 65 Chev.	31
FAR-762AT 62		American	13	Rambler	16	UE-4655A	28	5BCL 65 Chevelle	31
Fairlane	24	N-3028 63 Rambler	13	RP-519 59 Rambler	13	UE-4671A	28	5TBC 65 Chev. Truck	32
FAR-3018 63 Fairlane.	23	American	23	RP-3030 63 Rambler	26	UFM-3089	22	6BCC 66 Corvair	38
FAR-4054 64 Fairlane.	27	NA-749 58-59 Rambler	13	RP-3097 63 Rambler	23	UFM-6305	59	6BCH 66 Chev.	38
FAR-7205 67 Fairlane	60	American	13	RP-5151 65 Rambler	29	UFP-3098	22	6BCL 66 Chevelle	38
FFM-3091A 63 Ford	22	NA-3068 63 Rambler	23	RP-8332M 67 Ambassador,		UN-40	12	6BCT 66 Chev. Truck	38
FFM-6251 65-66		American	23	Marlin, Rebel	55	UP-6222	60	6BC2 66 Chevy II	38
Galaxie	66	NAP-3069 63 Rambler	23	RT-7B	11	VP-12	12	7BCC 67 Corvair	45
FM-61	14	American	23	RT-7D	11	VP-6228 58 thru 67		7BCL 67 Chevelle	45
FM-731	6	NAY-3052 63 Chrysler.	23	RTR-7284/A	76	Volkswagen 1300	74	7BCT 67 Chev. Truck	45
FM-3083	22	ND-8224 68 Chrysler	23	RUV-5406	58	VPA-280 60 Valiant	15	7BC2 67 Chev. II	45
FM-3083A	27	300	60	RVB-6782(Echomate II)	71	VPA-3076 63 Valiant	22	7BCH 67 Chev.	45
FM-5099	32	NP-3029 63 Rambler	23	S-91 58-59 Simca		VSC-6767 67 VW	70	7BCX 67 Camaro	45
FM-5099B	65	American	23	Aronde	11	VT-5108 65 Valiant	30	7FBCHX 67 Chev.	47
FN-4051 64 Falcon	27	NP-5153 65 Rambler	29	S-500 50-51		VTP-440 60 Valiant	15	7FBCCX 67 Camaro	47
FNP-430 60 Falcon	14	American	29	Studebaker	6	VTP-3038 63 Valiant	22	8BDT 68 Dodge Truck	60
FNP-452AT 62 Falcon	23	NT-8222 68 Chrysler	60	S-551 Rev. 50-51		VTP-5107 65 Valiant	30	22B See MoPar 805	17
FNP-3015 63 Falcon	23	Newport	60	Studebaker	6	VTP-8208 68 Valiant	60	23BC See MoPar 327	17
FNP-3015A 63 Falcon	23	NU-63-AT	23	SA-529 58-59 Simca		W-76 Thru 57 VW	12	23BD, 23BP, 23BPX	
FNP-4052 64 Falcon	27	NU-3107	23	Aronde	11	W-84 58-63 VW	23	24B See MoPar 322	17
FNP-5051N 65 Falcon	36	NU-3107A	28	SAB-3071 63 Special	23	W-89 58-59 VW	12	24BI See MoPar 410	18
FNP-7203 67 Falcon	60	NVW-6238 65-67 VW 1600	54	SB-3032 63 Special	23	W-3040 58-63 VW	23		
FOP-4528 64 F-85	28	NY-400 60 Chrysler	14	SBP-3033 63 Special	23	W-3040A 64 VW	28		
FP-238 58 Ford	12	NY-598A 58 Chrysler	10	SBP-4027 64 Buick		Spl.	28		
FP-238C 58 Ford	12	NY-3012 63 Chrysler	23	SBP-7168A 66-67 Buick		65 VW	28		
FP-260 60 Ford	14	NY-3100 63 Chrysler	26	SEA-6801	72	WFM-5387 58-67 VW	54		
FP-271AT 60-61 Ford	16	New Yorker	26	SEA-6801	72	WP-4 58-59 VW	12	Bremen Above Serial	
FP-276TR 59 Ford	11	NY-5101N 65 Chrysler	35	SEL-9606	74	WP-7 Thru 57 VW	12	#G14001	9
FP-3017 63 Ford	23	NY-8220 68 Chrysler	60	SP-1 58-59 Simca		WP-7G Karmann-Ghia	12	Derby 94770 Serial	
FP-4056 64 Ford	27	New Yorker	60	Aronde	11	WP-19 58-59 VW	12	#V710001, Etc.	32
FP-5057N 65 Galaxie	36	OAE-10 60 Olds.	14	SPA-209 58-59 Simca		WP-21 58-63 VW	23	Exportsuper 33070	
FP-6106P 65/66		OAE-4531 64 Olds.	28	Aronde	11	WP-167	15	From Serial #U170001..	33
Galaxie	40	OE-160 60 Olds.	14	SPA-3072 63 Special	23	WP-3039 58-63 VW	23	Exportsuper 33080 From	
FP-7207 67 Galaxie	60	OE-171AT 61 Olds.	16	SPA-4527 64 Buick		WP-3093A 64 VW	28	Serial #U50001	33
FPA-220 60 Falcon	14	OE-3024 63 Olds.	23	Spl	28	WP-5203 See Page 41		Exportsuper 34150	
FPA-3055 63 Falcon	23	OE-4031 64 Olds.	28	TA-3073 63 F-85,		65 VW	28	Serial #V450001	26
FPA-3057 63 Ford	23	OE-5031 65 Olds.	29	Tempest	23	WPC-8 Thru 57 VW	12	Exportsuper 34750 From	
FPA-4552 64 Falcon	27	OE-7162 67 Oldsmobile	60	TAC-3051 63 Chev.		YAM-3050 63 Chevy II.	23	Serial #V765001	34
FPF-4557 64 Falcon	27	P-69	20	Truck	22	YAM-4525 64 Chevy II.	28	Exportsuper 36350	
FPO-4028 64 F-85	28	P-651 Rev. 51 Plym.	6	TAC-4541 64 Chev.		YP-3049 63 Chevy II.	23	Vienna Series X From	
FPO-5033 65 F-85	29	P-4152	27	Truck	28	YP-4532 64 Chevy II	28	Serial #X870001	42
FT-227 57 Ford	12	P-4652	27	TAC-5514N 65 Chev.				Exportsuper 91220	
FTM-7218 64-67		P-5040 65 Pontiac	29	Truck	37			Above Serial	
Econoline, Bronco	64	PA-74R	30	TAP-3074 63 F-85,				#E160001	18
FTP-37A 57 Ford	9	PA-85	23	Tempest	23			Frankfurt	8
FUP-3080 63 Falcon	26	PA-3065 63 Plym.	26	TAX-4526 64 Tempest	28			Frankfurt US From	
Futura	23	PA-3285	23	TAX-4542 64 Chev.				Serial #V510001	27
FUP-4057 64 Falcon	27	PAC-90 60 Pontiac	14	Truck	28	KS-830	59	Frankfurt 3798 Above	
GES-6394-PAK-T.	71	PAC-3067 63 Pontiac	23	TAX-5513N 65 Chev.		ST-300	55	Serial #Q553083	14
GES-8111-1-PAK	71	PAC-4529 64 Pontiac	28	Truck	37	ST-308	53	Frankfurt 9798 Above	
H-4 58 Hillman	12	PAF-4340	29	TC-3035 63 F-85,		ST-400	60	Serial #890001	15
H-9 58 Hillman	12	PAP-69 59 Plym.	15	Tempest	23	ST-808	63	Frankfurt US 36650	
H-400 49-50-51		PAP-80 60 Plym.	15	TCM-3011 63 Chev.		603M/48	53	Series X	43
Hudson	6	PAC-3066 63 Plym.	22	Truck	22			Hamburg	8
HP-10 58 Hillman	12	PC-350 60 Olds.	14	TCM-4041 64 Chev.				Koln	8
HP-15 58 Hillman	12	PC-361AT 61 Pontiac	16	Truck	28	OC-401	27	Koln 3898 Above Serial	
K-700 51 Henry J	6	PC-3027 63 Pontiac	23	TCM-5014 65 Chev.		RA-107	17	#Q310001	16
L-390 59-60		PC-4029 64 Pontiac	28	Truck	29	RA-115	17	KV810	17
Studebaker Lark	14	PC-5041 65 Pontiac	29	TCM-5014N 65 Chev.		RA-164	27	Manhattan 35150	
L-559 E.P. 59		PC-7165 67 Pontiac	62	Truck	37	RA-441	27	Series W	43
Studebaker Lark	11	PFM-3092A 63 Pontiac.	22	Truck	37	RA-443	27	Manhattan 34150	
L-559 L.P. 59-60		PFM-3094 63 Plym.	22	TCX-4042 64 Chev.		TR-222 Auto/Portable	16	Serial #V450001	26
Studebaker Lark	14	PFM-6257 66 Pontiac	66	Truck	28	TR-231 Transmobile 3.	19	Manhattan 90220	17
LA-449 59 Studebaker		PFX-5109 65 Fury	30	TCX-5013 65 Chev.		Europa MU	8	New Yorker 34750 From	
Lark	11	PFX-5109N 65 Fury	35	Truck	29	Europa MUK	8	Serial #V765001	34
LAP-29 59 Studebaker		PFX-7105 67 Plymouth	62	Truck	37	Mexico TG	17	New Yorker-Series X	
Lark	11	Fury	62	TCX-8274 67-68 Chev.	60	Monte Carlo	17	From Serial	
LAP-40 59-60 Studebaker		PM-236 53 Plym.	5	TDM-1257 64-69		Monte Carlo M	18	#X1485001	46
Lark	14	PP-330 60 Plym.	15	Dodge Truck	64			Vienna	26
LP-929 59 Studebaker		PP-341AT 61 Plym.	16	TLU-1590	74			Wolfsburg 9160 Above	
Lark	11	PP-819 59 Plym.	15	TMA-1550	69			Serial #G450001	9
MAP-99 E.P. 59 Merc.	11							3598	13
MAP-99 L.P. 60 Merc.	14							9280	13

BORG-WARNER	VOL.	BUICK (CONT.)	VOL.	CHEVROLET (CONT.)	VOL.	CHEVROLET (CONT.)	VOL.	CHEVROLET (CONT.)	VOL.
P6MW	53	7293684 66 Riviera	38	01FBT1 70 1/2		986330 65 Chev.Truck	29	7305211 68 Camaro	49
3800 (P7MND)	61	7293914 66 Special	37	Camaro (Similar to		986338 65 Chev.Truck	29	7305221 68 Camaro	49
4000 - Mark II (P7MM)	62	7297944 66 Buick	36	page 57)	74	986339 65 Chev.Truck	29	7305301/A 68 Chevelle,	
4000 - Mark II (P7MM2)		7298904 67 Special	44	01FFMT1 70 1/2		986374 65 Chev.	29	Chevy II	49
(LP)	63	7298914 67 Special	43	Camaro (Similar to		986376 65 Chevelle,		7305311 68 Chevelle	55
BRITISH MOTORS CORP.		7298924 67 Buick	44	page 19)	75	Chevy II,Corvaire	29	7305311A 68 Chevelle	55
6SMB 66 Austin Healey		7298934 67 Buick	43	01FPB1 70 1/2		986521 66 Chevy II	38	7305441 67 Chev.	48
3000,Mark III, Sprite,		7298944 67 Buick	45	Camaro	76	986522 66 Chevy II	36	7305451 68 Chev.	49
MGB, MG Midget and		7298954 67 Riviera	44	01TPB1, 01TPB2		986527 66 Chevelle	38	7306121 68 Chev.	58
MG-1100	53	7298964 67 Riviera	43	70 Chev. Truck	76	986528 66 Chevelle	36	7306361 68 Chevelle	55
75MB 67 Austin Healey		7298974 67 Riviera	45	01VFP1/2 70 Corvette	74	986529 66 Chevelle	38	7307121 68 Chev.Truck	51
3000, Mark III, Sprite,		7302504 68 Special	54	81AT412 68 Chevelle,		986544 66 Chev.	38	7307801 (Similar to	
MGB, MG Midget and		7302514 68 Special	50	Chevy II	49	986545 66 Chev.	35	page 51)	44
MG-1100	53	7302524 981314 68		81AT422 68 Chevelle	55	986546 66 Chev.	37	7307811 (Similar to	
BUICK		Buick,Riviera	51	91AMP11 69 Chevelle	61	986668 53	4	page 41)	48
04APP1 70 Special	75	7302524-B 68 Buick	58	91APB1 69 Chevelle,		986669 53	4	7307821 (Similar to	
04BFP1 70 Buick	75	7302534 68 Buick &		Camaro, Chevy II,		986769 66 Chev.Truck	36	page 41)	48
04BPB2 70 Buick	73	Riviera	50	Acadian	59	986771 54 Truck	5	7307831 (Similar to	
04EFP1 70 Riviera	75	7302544 68 Buick,		91BFM2 69 Camaro,		986771 66 Chev.Truck	36	page 22)	49
04EPB2 70 Riviera	73	Riviera	51	Chevelle,Chev.Chevy II,		986823 67 Camaro	41	7307841 (Similar to	
94APP1 (7306914)		7303994	48	Acadian	61	986824 67 Camaro	42	page 22)	49
69 Special	70	7304884,A 68 Buick,		91BFP1 69 Camaro,		986835 67 Camaro	41	7307851 (Similar to	
94APB1 67 Special	61	Riviera,Special	51	Chevelle,Chev.Chevy		986845 67 Chev.	41	page 41)	48
94BPM1/EPM1 69 Buick,		CADILLAC		II, Acadian	60	986846 67 Chev.	42	7307861 (Similar to	
Riviera	67	05CFP1 70	76	91BMP11 69 Chev.	61	986847/A 67 Chev.	42	page 22)	49
94BFM2/EFM269 Buick,		95CFM2 69	63	91BMP21 69 Camaro,		986852 67 Chevelle	41	CHRYSLER (Also See Mopar)	
Riviera	67	95CFM3 69	63	Chevelle,Chev.,Chevy		986853 67 Chevelle	41	382 68 Chrysler	55
94BFP1 (7306934)		95CFM3 69	63	II, Acadian	60	986854 67 Chevelle	43	723 68 Chrysler	55
69 Buick	70	95CFP1 (7307615)	74	91BPB1 (7308211)		986863 67 Corvaire	41	724 68 Chrysler,	
94BPB1 69 Buick	62	95CFP2 (7307615)	74	69 Chev.	68	986864 67 Corvaire	41	8 68 Chrysler,	
94BPB2 69 Buick	62	69 1/2	74	91BT411/12/21/22		986865 67 Corvaire	43	68 Imperial	55
94BT411 69 Riviera,		95CMP11 69	63	69 Acadian, Camaro,		986868 67 Chevy II	41	746 68 Imperial	55
Special	68	95CT411 (7311205)	71	Chevelle,Chev.,		986869 67 Chevy II	41	786 68 Imperial	
94BT412 69 1/2		95CT412 (7311205)	71	Chevy II	67	987086 55	5	Similar to page 75	47
Riviera, Special	68	69 1/2	71	91FMP11 69 Camaro,		987088 55	5	2580786 68 Imperial	
94EFP1 (7306964)		95CMB1/2	70	Chevelle,Chev.,		987187 55 Truck	6	(Similar to page 75)	47
69 Riviera	70	(7307205) 69	70	II, Acadian	61	987366 56 See Model		2820275 (419)	
94EPB1 69 Riviera	62	7264165,7264185 54	5	91TPB1 69 GM & GMC	59	987088	5	67 Imperial	43
94EPB2 69 Riviera	62	7265825,7265845 55	6	91VFM2 (7303211)		987368 56	6	2820635 (376)	
980051 60	12	7266505,7266535 56	6	69 Corvette	70	987573 57	7	68 Chrysler	51
980052 60	13	7268005 57	7	91VFP1 (7307271)		987575 57	7	2864724 68	
980132 61 Special	15	7268035 57 Ambulance	7	91VMP11 (7303201)		987577 57	7	Imperial	55
980134 61	16	7268085 58 Brougham	8	69 Corvette	70	987693 57	7	2864746 (382)	
980135 61	14	7270405 58	8	91ZPB1 69 Corvaire	59	987724 58	8	68 Imperial	55
980296 62	17	7270555 58 Ambulance	8	985036 61 Truck	16	987727 58	8	2864924 (393)	
980297 62	18	7272505 59	10	985158 62 Corvaire	17	987730 58	9	68 Chrysler	53
980316 62 Special	19	7274905 60	12	985159 62 Corvaire	18	987888 59	10	2864966 (391)	
980462 63	19	7274925 60,75 Series	12	985203 62 Corvaire		987891 59	10	68 Imperial	50
980463 63	21	7276605 61	16	Trucks	17	987893 59	10	2884286 (328)	
980464 L.P. 63	20	7279615 62	18	985227 62 Truck	18	988062 60 Corvaire	12	69 Chrysler	64
980464A L.P. 63	20	7281225 62	18	985264 62	17	988080 60 Truck	13	2884287 (402)	
980626 63	21	7282315 63	19	985312 62	18	988275 60	12	69 Chrysler	73
980635 63	21	7282395 63	20	985332 62	18	988276 60	12	2884288 (403)	
980649 64 Buick Spl	25	7286315 L.P. 63-64	25	985383 62 Corvette	17	988336 61 Truck Series		69 Imperial	69
980655 63 Special	20	7290255 65	31	985396 63 Corvette	20	95	15	2884289 (404)	
980657 64	25	7290545 65	31	985431 63	19	988413 61	15	69 Imperial	73
980659 64	25	7293015 66 Cadillac	38	985432 63	19	988414 61	14	2884633 (B9MC)	
980869 65 Buick	29	7293025 66 Cadillac	38	985443 63 Corvaire		988460 61 Corvaire	15	69 Coronet,Charger,	
981320 53, Series 40	4	7293905 990553 66	36	Truck	19	988468 61 Corvaire	14	Belvedere,Satellite	65
981321 53, Series 50 &		7293915 990552 66	37	985447 63 Corvaire	19	3711897 55 Corvette	6	68 Imperial	73
70	4	7298465 67 Cadillac	45	985449 63 Corvaire	19	3725156 56-57		3420560 (1CH2901)	
981323 53, Series 50 &		7298475 67 Cadillac	45	985453 63 Chevy II	19	Corvette	7	68 Chrysler	68
70	4	7298485 68 Cadillac	56	985455 63 Chevy II	19	7296341 986731 66		CLETRON	
981550 54, Series 40,		7303215 68 Cadillac	51	985471 63 Truck	20	Caprice	37	RU-101	27
50 & 70	4	7303225 68 Cadillac	56	985672 64 Chev.		7296351 986644 FM		RU-104	27
981551 54, Series 40,		7307615 69 & 69 1/2	74	985686 63	21	Stereo	37	COMET (See Mercury)	
50 & 70	5	CHANNEL MASTER		985694 63	20	7297901 68 Camaro	49	CONTINENTAL	
981651 55 See Model		6540	21	985773 64 Chevelle	24	7298501 67 Chev.		(See Lincoln)	
981550	4	6541	35	985776 64 Chevelle	23	Truck	44	CORONADO	
981652 55	5	6542	35	985815 64 Corvaire		7299111 68 Corvaire	49	35RA2-43-5101A	5
981707 56	6	6543	42	Truck	24	7299561 66 Caprice	37	CORTINA	
981708 56	6	6543	42	985831 64 Corvaire	24	7300471 67 Chev.	43	68EF 66	39
981813 57	7	CHEVELLE (See Chevrolet)		985832 64 Corvaire	23	7300481 67 Chev.,		78EFX 67 Cortina	50
981814 57	7	CHEVROLET		985875 64 Chev.	24	Chevelle,Corvaire	44	CORVAIRE (See Chevrolet)	
981902 58	8	01APB1, 01APB2		985876 64 Chev.	23	7300491 67 Chev.	43	CORVETTE (See Chevrolet)	
981903 58	8	70 Acadian, Camaro,		985877 64 Chev.	24	7300941 67 Chev.,		CRAIG	
981968 59	10	70 Acadian, Camaro,		985916 64 Chev. Van	24	Camaro,Chevelle,		3104	54
981969 59	11	70 Acadian, Camaro,		985921 64 Corvette	24	Corvaire	42	3110/A	55
981970 59	10	Chevelle,ChevyII,		985957 64 Chevy II	24	7301001 67 Camaro	44	DART (See Mopar or Dodge)	
7285424 65 Buick	30	Monte Carlo	76	985958 64 Chevy II	23	7301001 68 Camaro	48	DELRAY	
7285444 65 Riviera	31	01BFMT1, 01BFMT2 70		986096 65 Chev.	29	7302451 68 Chevy II	49	SM-711	22
7288794 65 Riviera	31	Acadian, Camaro,		986099 65 Chev.	29	7302721 68 Corvette			
7289714 65 Special	30	Chevelle,Chevrolet,		986101 65 Chev.	29	(68 Models)	52		
7289734 65 Riviera	30	Chevy II,Monte Carlo	75	986113 65 Corvaire	29	7302721 69 Corvette			
7289754 65 Buick	31	01BFP1/2 70 Acadian,		986116 65 Corvaire	31	(69 Models)	73		
7289774 65 Buick	31	Chevelle,Chevrolet,		986116 66 Corvaire	36	7303121 68 Chevelle	48		
7293604 981059 66		Chevy II,Monte Carlo	74	986118 65 Corvaire	29	7303131 68 Chevelle	49		
Buick Spl	35	Chevy II,Monte Carlo	74	986118 66 Corvaire	38	7303201 68 Corvette	53		
7293614 66 Buick	36	01BPB1/2 (7313091) 70.	70	986201 65 Chevelle	29	7303211 68 Chev.	48		
7293634 66 Buick	37	01BPB1/2 70 Acadian,		986202 65 Chevelle	31	7303241 68 Camaro	48		
7293644 66 Buick	38	Chevelle,Chevrolet,		986203 65 Chevelle	29	7303311 68 Chev.	48		
7293654 66 Riviera	36	Chevy II,Monte Carlo	74	986248 65 Chevy II	29	7304161 68 Camaro	48		
7293674 66 Riviera	37	01BT411 70 Acadian,		986250 65 Chevy II	31	7304611 68 Chev.	49		
		Camaro,Chevelle,		986252 65 Chevy II	29	7304621 68 Chevelle	58		
		Chevrolet,Chevy II,		986281 65 Corvette	31	7305201 68 Camaro	49		
		Monte Carlo	76						

DELRAY (CONT.)	VOL.	FORD (CONT.)	VOL.	FORD (CONT.)	VOL.	GMC (CONT.)	VOL.	JEEP	VOL.
SM-751	22	F6TBZ 66 Mustang	39	6TBW 66 L.P., '67 "M" Series	41	7291556 65 Truck	29	U7MK (978238) 68	65
TRM-701	22	F7TBF 67 Galaxie	46	6TBW 67 1/2 & 69 W Series	59	7291576 65 Truck	29	3TBW 63 Jeep	22
UA-702	22	F7TBZ 67 T-Bird	46	6TMF 66 Galaxie	36	7293806 66 GMC Truck	36	6BKJ 66 Jeep	39
UM-701	22	F8TBF 68 Galaxie	54	6TPD 66 Falcon	36	7293806 67 Truck	44	5BW 65	44
VWA-702	22	F8TBO 68 Fairlane, Falcon	54	6TPF 66 Galaxie	36	7293816 66 Truck	36	7BKJ Similar to P.32..	45
VWV-701	22	F8TBS 68 T-Bird	58	6TPO 66 Fairlane	36	7297526 66 Truck	36	7BKJX 67 Wagoneer,	
DESOTO (See MoPar)		F8TBZ 68 Mustang	54	6TPZ 66 Mustang	36	7297526 67 GM Truck	44	Jeepster	56
DODGE (Also See Mopar)		F9BZ 69 Mustang	64	7TBT 67 Truck	42	7298501 67 GM Truck	44	8BKJ 68	69
248 (8BDA) (9BDA)		M7TB 67 Galaxie, Mustang	46	7TBM 67 Galaxie	43	7305516 69 Truck	69	12BW	16
68/69 Dart	57	M7TBS 67 T-Bird	46	7TPD 67 Falcon	41	7305841 68 GM Truck	51	815395	9
252 (8BCO) (9BBCC)		RV2F	19	7TPF 67 Ford	41	7306686 68 GMC Truck	51	JOHN DEERE	
68/69 Coronet	57	RV4D 65 Ford	30	7TPO 67 Fairlane	41	7306696 68 GMC Truck	51	55MJD	53
256 (8BDC) (9BBCC)		RV4D-NS 65 Ford	30	7TPS 67 T-Bird	41	7308166 68,69,69 1/2 GM Truck	73	7BT Tractor	43
68/69 Charger	57	RV4F 64 Ford	24	7TPZ 67 Mustang	41	GONSET		7BTX Tractor	49
388 (8FBCO) 68 Coronet,		RV6F 75 65/66 Ford	30	8TBT 68 Truck	56	3239	9	KARADIO	
Charger	58	TOB5TBS 65 T-Bird	32	8TBLM 68 Truck	56	GRANCO		M80B	4
397 (8FBDA) 68 Dart	58	TOB6TBS 66 T-Bird	39	8TBTU 68 Econoline	56	ARC-60	15	KARMANN GHIA (See Volkswagen)	
706A 68 Dodge Truck	60	T6SMF 66 Galaxie	35	8TMF 68 Galaxie	52	HEATH		KENWORTH	
8FBDD 68 Dodge	58	T6SMS 66 T-Bird	35	9FBF 69 Galaxie	73	GR-41	22	55MKW Truck	39
2864766 (394) 68		T6SMZ 66 Mustang	35	9FBO 69 Fairlane, Falcon	64	GRW-41	22	65MKW Trucks	48
Monaco, Polara	54	T7SMF 67 Galaxie	45	9FBS (C9SA-19A241) Thunderbird	76	HITACHI		KINEMATIX	
2864796 (392) 68		T7SMH/A 67 Fairlane, Falcon	45	9FBZ 69 Mustang	64	TM-816U	37	Verba-Matix	27
Charger, Coronet	54	T7SMH/F 67 Mustang	45	12BD 61 Falcon	14	KM1001	38	Verba-Mite VX-700	42
2884064 (389) 68		T7SMH/N 67 Fairlane, Falcon	45	12BF 61	14	HOFFMAN		LAFAYETTE	
Charger	51	T7SMS 67 T-Bird	45	12BT 61 Truck	14	769	28	SP-172 FM-100	14
2884067 (253) 68		T7SMZ 67 Mustang	45	12BU 61 Econoline	14	769 Revised	31	99-8519	68
Monaco, Polara	52	T8MF 68 Galaxie	51	14BF 61 Ford	30	HUDSON (Also See American Motors)		LANCER (See Mopar)	
2884068 (395) 68		T8MS 68	53	14BM 61 Merc.	30	236476 SH759 53	4	LARK (See Studebaker)	
Monaco, Polara	51	T8MZ 68 Mustang	51	22BD 62 Falcon	18	236486,238060 SH758	4	LEAR JET	
2884128 (255)		T9MS (69 Thunderbird) (C9SA-19A242-B)	62	22BO 62 Fairlane	18	4389027 HNSAC-8 55	6	A-219 (Similar to page 77)	58
69 Monaco, Polara	68	T9MZ 69 Mustang (C9ZA-19A242-B)	66	24MF 62	17	IMPERIAL (SEE CHRYSLER OR MOPAR)		A-229 (Similar to page 73)	55
2884285 (327) 69		OFBD (DODA-19A241) 70 Maverick	75	66MF 56	6	INLAND		A-239 (Similar to page 58)	56
Monaco, Polara	63	04BF 60 E.V.	12	69MF 56	6	AFM-602	41	A-250	72
3420559 (1DP2902)		04BF L.P. 60 Ford	30	69MS 56	6	AFM-603	52	A-269B	65
69 Polara	67	04BT 60 Truck	12	74BF 57	8	PA-700	49	AS-830-H	54
DUO-VOX		04MD 60 Falcon	12	74BT 57 Truck	9	V102	41	AS-831	58
AM-8	37	04MF 60	12	74MF 57	8	V302	41	ASFM-830-H	54
AM10	33	04MFM 60	12	75BF 57	7	VWX101	41	ASFM-871	56
AMF-16B	28	1TMC 61 Continental	15	75MF 57	7	WV502	42	ASR-830-H	44
EDSEL		1TMS 61 T-Bird	15	76MF SR 57	8	WVX101	41	ASR-851	55
04BE COKF-18805, COKF-18806	12	2TBO 62 Fairlane	19	78MF 57	7	X100	27	LINCOLN	
85SE 58	8	2TBF 62	18	79MS 57 T-Bird	7	X101	41	D8ML 68 Lincoln	56
87SE 58	8	2TBM 62	18	84BF 58	8	X102	41	F3TBC 63	21
94BE B9KF-18805-D/18806-C 59	10	3MF 53	4	84BT 58 Truck	9	X-103	48	F4TBC 64	25
ERIC		3MF 53 Truck	4	84MS 58 T-Bird	9	X302	41	F6TDC 66 Lincoln	40
FM-100	18	3SF755 53	4	86MF 58	8	XFM-400	41	F8TBC (CBVY-18805B5) 68	71
F-85 (See Oldsmobile)		3TBD 63 Falcon	19	94BF 59	10	INTERNATIONAL		F8TDX 68 Mark X	61
FALCON (See Ford)		3TBO 63 Fairlane	19	94BT 59 Truck	11	08TII 70 Tractor	76	F14TBC 64	25
FIRESTONE		3TBM 63 Galaxie	23	94MFM 59	10	IL5TCA/-12 55 "R" Line Truck	6	TOB5TBC 65	33
3-D-5 Code 120-MJ-60B	19	4BF 54 See Model M4B. 4MF 54	4	94MS 59 T-Bird	11	IL7TC/-12 57 "R" Line Truck	7	T6SMC 66 Continental	36
3-D-6 Code 120-1-R61	21	4SF765 54	5	95MF 59	10	P6MH 1000A,1500A,CO-4000,Fleetstar,Load-Star,Metro,R&V Line Scout	47	T7SMC 67 Lincoln	45
3-D-6 Code 120-3-P69	21	4TBD 64 Falcon	23	GIBBS		04MI 61 Scout & "C" Line Truck	16	T7SMK/C 67 Lincoln	45
3-D-6A	27	4TBO 64 Fairlane	23	CR-332A/B/C	71	04MI-RV 61 "R" & "V" Line Truck	16	T8ML 68 Lincoln	52
3-D-6A	27	4TBT 64 Truck	26	CR-335B/337B	71	Line Truck	16	T8MX 68	54
3-D-7 Code 120-3-DUP-42	21	4TBU 64 Econoline	26	CR-627	70	Line Truck	16	T9ML 69 Lincoln	64
3-D-8	23	4TBU 64 Econoline	26	CR-630	70	Line Truck	16	T9MX 69 Mark III (C9LA-19A242-B) (C9LY-18805-B)	66
3-D-15	27	4TBT 64 Truck	26	440	27	Line Truck	16	0FBL (DOVA-19A241) 70 Lincoln	75
4-B-69 Tractor	5	4TBM 64 Galaxie	23	441	27	Line Truck	16	05BH 60	12
4-B-71 53 Plym.	4	4TMS	23	442	27	Line Truck	16	3SH756 53	4
4-B-72 53 Chev.	4	4TMS F 64 T-Bird	23	445	28	Line Truck	16	4SH764 54	4
4-B-74 54 Ford	5	5BF 55	5	446	28	Line Truck	16	4SH766 54	4
4-B-76 55 Ford	6	5MF 55	5	450	37	Line Truck	16	4TMC F 64 Continental	23
4-B-77 55 Chev.	5	5MF5 55	4	451	37	Line Truck	16	5BH 55	5
4-B-78 55 Plym.	6	5SMF5 55	5	455	37	Line Truck	16	5TMC F 65 Continental	28
FO-MO-CO (See Ford, Lincoln, Mercury)		5TBF 65 Galaxie	28	455	37	Line Truck	16	6BC 56	6
FORD (Also See Philco-Ford)		5TBO 65 Fairlane	28	455	37	Line Truck	16	6BH 56	6
D8MF 68 Falcon, Fairlane	53	5TBT 65 Truck	33	GM (See GMC or Chevrolet)		Line Truck	16	6TDC 66 Lincoln	37
D9MF (C9AA-19A237-B) 69 Galaxie, LTD	65	5TBU 65 Econoline	33	GMC		Line Truck	16	8TBC 68	60
F3TBF 63 Galaxie	20	5TMF 65 Galaxie	28	01TPB1, 01TPB2 70 GM Truck	76	Line Truck	16	8TPX 68 Mark III	59
F3TBS 63 T-Bird	20	5TMZ 65 Mustang	28	06TTCP1 70 Tilt Cab	74	Line Truck	16	9BL 69	60
F4TBF 64 Galaxie	24	5TMS,5TMSF 65 T-Bird	28	86TT431 (7308166) 68 Truck	73	Line Truck	16	9FBL (C9VA-19A241) 69, 71	71
F4TBS 64 T-Bird	24	5TMD 65 Falcon	28	91TPB1 69 Truck	59	Line Truck	16	9MABL (C9VA-19A099) 68-69	71
F5TBF 65 Galaxie	32	5TMO 65 Fairlane	28	96TT411 (7308166) 69 Truck	73	Line Truck	16		
F6TBD 66 Fairlane	39	5TPZ 65 Mustang	28	96TT412 (7308166) 69 1/2 GM Truck	73	Line Truck	16		
F6TBF 66 Galaxie	39	6BF 56	5	96TTCP1 (7305516) 69 Truck	69	Line Truck	16		
		6BFT 56 Truck	5	223398 12V Truck	9	Line Truck	16		
		6TBB 66 Bronco	36	2233850 60 GMC	13	Line Truck	16		
		6TBB 66 L.P., '67 Bronco	41	2233944 61 GMC	16	Line Truck	16		
		6TBB 67 1/2 & 69 Bronco	59	2233984 62 GMC	18	Line Truck	16		
		6TBF 66 Galaxie	34	2234003 63 Truck	20	Line Truck	16		
		6TBT 66 Truck	36	2234040 64 Truck	24	Line Truck	16		
		6TBT 66 L.P., '67 Truck	41	2234086 64 Truck	24	Line Truck	16		
		6TBT 67 1/2 & 69 Truck L & H Series	59						
		6TBU 66 Econoline	36						
		6TBU 66 L.P., '67 Econoline	41						

LINCOLN (CONT.)	VOL.	METRAVOX (CONT.)	VOL.	MOPAR (CONT.)	VOL.	MOPAR (CONT.)	VOL.	MOTOROLA (CONT.)	VOL.
78BL 57	7	Sutton RA155	21	314L Export Version of Model 114	16	612 54 Dodge D-40/-51/52/-53 See Model 609	4	BKA6T 56 Buick	7
85BH 58	9	MG		314V Export Version of Model 113	16	613 55 Plym. P-26/-2	5	BKA6X 56 Buick	7
85BHP Above Serial #5000	9	HAC700 4TMB	30	317 13BC 61 Chrysler	15	614 55 Dodge D-55/-56	5	BKA9X 59 Buick	10
88BH 58	8	MIDLAND		322 SP1/2 62 Plym.	17	620 56 Plym. P-28/-29	7	BKA60X 60 Buick	15
95BH 59	9	65-200	40	323 SD1/2 62 Dart	17	621 56 Dodge D-62/-63	7	BKA61 61 Buick	15
MACK		65-210 12 Transistor Version	40	324 Export SP1/2 62 Plym.	17	624 57 Dodge D-66/-67/-70/-71/-72	8	BKA62 62 Buick	20
U3MMT Truck	32	65-400	34	327 SC1/2/3 62 Chrysler	17	700 58 Dodge Truck	8	BKA63 63 Buick	22
U5MMT 204SX28	47	65-404	59	330 63 Plym.	21	700 Rev. 60 Dodge Truck	14	BKA64 64 Buick	24
MASTERWORK		65-408	63	331 63 Dodge	21	701 59 Simca	12	CA61X 61 Buick Spl., Olds, F-85, Pontiac Tempest	16
M8200	72	MOBILPAGE		332 63 Dodge 880	21	703 R12BDT 61 Dodge Truck	16	CA62 62 Buick Spl., F-85, Tempest	20
MERCURY (Also See Philco-Ford)		6SMTR/MM	48	333 63 Chrysler	21	706 64 Dodge Truck	26	CA63 61-63 Buick Spl., F-85, Tempest	22
D8MF 68 Comet	53	MONITORADIO		334 4TBQ 64 Dodge 880	24	706 5TBDT Similar to page 64 65 Dodge Truck	26	CE65A 65 Chevelle	32
5TBM 65 Merc.	28	M-40	12	335 64 Plym.	25	706 7BDT 67 Dodge Truck	44	CE65M 65 Chevelle	32
E6TMM 64 Merc.	35	M-160	12	336 64 Dodge	25	819 53 Plymouth	4	CE66A 66 Chevelle	38
EF5TBM 65 Merc.	34	MC-40	12	337 63 Valiant	22	820 53 Dodge	4	CE66M 66 Chevelle	39
EF6TBM 66 Merc.	38	MC-160	12	339 63 Dodge Dart	22	821 Desoto S-16/-18	4	CE67A 67 Chevelle	44
F3TBM 63	21	MONTGOMERY WARD (See Riverside)		343 R3BC 63 Chrysler TC1/2/3	19	824 53 Chrysler	4	CE68A 68 Chevelle	56
F4TBE 64 Comet	24	MOPAR		344 63 Dodge	22	824 53 Dodge D-50/-51/-52/-53	4	CE69A 69 Chevelle	69
F4TBM 64 Merc.	24	RV4C	24	345 63 Plym.	22	829 Desoto S-19/-20	4	CEA64 64 Chevelle	24
F5TBE 65 Comet	34	RV4CL	24	347 R23BDQ 62 Dodge 880, SD3	19	830 54 Chrysler C-62/-63/-64	4	CEM64 64 Chevelle	25
F5TBM 65 Merc.	34	RV5C 65	30	348 4TBC 64 Chrysler	24	832 55 Plymouth	5	CEM65 65 Chev. Truck	32
F6TBM 66 Merc.	38	RV5CC 65	30	350 R3BD 63 Dodge 880	19	833 55 Dodge D-55/-56	5	CE66M 65/66 Chev. Truck	39
F6TBM 66 Merc.	38	RV5CL 65	30	351 64 Chrysler	25	834 55 Desoto S-21/-22	5	CK67A 67 Chev. GMC Truck	52
F7TBM 67 Merc.	47	101 PP1/2 60 Plym.	13	352 64 Imperial	25	835 55 Plymouth	5	CO67A 67 Camaro	44
F8TBM 68 Merc.	56	102 PD1/2/3/4 60 Dodge	13	353 64 Dodge 880	25	835 55 Chrysler	5	CO68A 68 Camaro	56
F8TBM 68 Merc.	56	104 60 Valiant	13	354 64 Dodge	24	836 55 Plym. P-25/-27	5	CO69A 69 Camaro	69
F8TBM 68 Merc.	56	106 60 Dodge	14	360 5FBP 65 Plym.	30	840 56 Plymouth	6	CR65A 65 Corvair	32
F8TBM 68 Merc.	56	107 12B 61 Dodge Dart	15	361 6FBPD 66 Plymouth Deluxe	36	841 56 Plym. P-28/-29	6	CR65M 65 Corvair	32
F9BZ 69 Cougar	64	109 RP1/2 61 Plym.	15	362 5FBD 65 Dodge	30	845 57 Dodge D-66/-67/-70/-71/-72	8	CR66A 66 Corvair	38
M7TB 67 Comet, Cougar, Merc.	47	110 Export Version of Model 101	13	363 65 Dodge 880	28	845 57 Dodge D-66/-67/-70/-71/-72	8	CR66M 66 Corvair	39
M-5841 58	9	111 RP1/2 61 Plym.	15	365 65 Chrysler	28	846 57 Desoto S-25/-26/-27	8	CR67A 67 Corvair	44
T6SHM 68 Merc.	35	112 60 Desoto	14	365S 66 Chrysler BC1/2/3	35	847 57 Chrysler	8	CRA60X 60 Corvair	15
T7SMH/A 67 Comet	45	113 RV1 61 Valiant	15	366 5FBC 65 Chrysler	30	848 57 Plymouth	8	CRA62 60-62 Corvair	20
T7SMH/B 67 Comet	45	114 RW1 61 Lancer	15	366 6FBC 66 Chrysler	36	849 57 Plym. P-30/-31	8	CRA63 61-63 Corvair	22
T7SMH/C 67 Merc.	45	202 62 Lancer SL1	18	367 5FBI 65 Imperial	30	851 84BC 58 Chrysler	8	CRA64 60-64 Corvair	25
T7SMH/D 67 Merc.	45	203 62 Valiant SV1	18	369 6FBP, 6FBVE 66 Plymouth Standard	36	852 58 Dodge LD-1/-2/-3	8	CRM60X 60 Corvair	14
T8MZ 68 Cougar	54	204 62 Plym. SP1/2	18	369 7FBP 67 Plym.	48	854 58 Plym. LP-1/-2	9	CRM62 60-62 Corvair	19
T8MZ 68 Cougar	54	205 62 Dart SD1/2	17	370 7FBD 67 Dodge	48	855 P-5901 59 Plym	11	CRM63 61-63 Corvair	22
04BM-1 60	13	206 4TBL 64 Dart	24	372 5FBVE See Page 86	36	856 59 Dodge MD1/2/3	10	CRM64 60-64 Corvair	25
04BM-2 60	13	205 62 Dart SD1/2	17	65 Plymouth	30	857 59 Desoto MS1/2/3	10	CRM65 61-63 Corvair	22
2TBM R2TBM 62	20	214 3BVD 63 Valiant	19	373 5FBL See Page 86	36	858 94BC 59 Chrysler	10	CRM66 60-64 Corvair	25
2TMY 62 Meteor	18	TV1	19	65 Dart	30	860 59 Plym. MP1/2	12	CRM67 61-63 Corvair	22
3SMY757 53 See Lincoln Model 3SH756	4	215 3BLE 63 Dart TLI	19	374 7FBPD 67 Plym.	48	861 59 Chrysler Export	12	CRM68 61-63 Corvair	22
3TBM 63	21	216 63 Plym.	22	375 7FBC 67 Chrysler	48	900 55 Dodge D-55/-56	5	CT2A6 51-52 Chev.	5
3TME 63 Comet	23	217 63 Dodge	22	376 7FC 67 Chrysler	42	901 55 Desoto S-21/-22	5	CT4FM 64 Chev.	26
3TMY 63 Meteor	23	218 4TBE 64 Valiant	24	377 7BDD 67 Dodge	42	902 55 Chrysler	5	CT4FMC 64 Chev.	34
4SM767 54 See Lincoln Model 4SH764	4	219 64 Dodge VDI/2	23	DeLuxe	42	903 55 Chrysler	5	CT5M6A 51-52 Chev.	5
4TBM 64 Merc.	23	220 64 Plym. VP1/2	23	378 7FBDD 67 Dodge	48	910/HR 56 Dodge D-62/-63	6	CT65A 65 Chevrolet	32
4TME 64 Comet	23	221 4TBLH 64 Dart	24	379 6FBL 66 Dart	36	911 65 Desoto S-23/-24	6	CT66A 66 Chevrolet	38
5BM 55 See Lincoln Model 5BH	5	222 5BVE 65 Valiant	28	381 67 Charger	43	912/HR 56 Chrysler	7	CT66M 66 Chevrolet	39
5TBM 65 Merc.	28	223 65 Dodge Dart	28	385 7FBAV 67 Barracuda, Dart, Valiant	48	902 55 Chrysler	5	CT67A 67 Chevrolet	44
5TPE 65 Comet	28	224 5BP 65 Plym. Std	28	402 04BC 60 Chrysler	13	903 55 Chrysler	5	CT68A 68 Chevrolet	56
6BM 56	6	225 5BPD 65 Plym. Deluxe	28	403 04BI 60 Imperial	13	910/HR 56 Dodge D-62/-63	6	CT69A 69 Chevrolet	69
6BMS 56	6	226 65 Dodge Coronet	28	404 14BI 61 Imperial	15	860 59 Plym. MP1/2	12	CTA3 53 Chevrolet	4
6TMM 66 Merc.	35	228 6BVE 66 Valiant	37	407 14BC 61 Chrysler	15	861 59 Chrysler Export	12	CTA4 54 Chevrolet	6
6TPG 66 Merc.	37	229 6BL 66 Dart	37	409 24BI 62 Imperial	18	900 55 Dodge D-55/-56	5	CTA5 55 Chevrolet	6
7TBM	42	230 6BP 66 Plym.	37	SY1	18	901 55 Desoto S-21/-22	5	CTA6T 55-56 Chevrolet	6
7TPG 67 Comet/Cougar	41	230 7BP 67 Plym.	42	410 24BC 62 Chrysler	18	902 55 Chrysler	5	CTA6G 55-56 Chevrolet	7
8TBM 68	55	231 6BPD 66 Fury	37	SC1/2/3	18	903 55 Chrysler	5	CTA7X 57 Chevrolet	7
9BM 69	68	232 66 Coronet BW1/2	35	411 34BCS 63 Chrysler	20	910/HR 56 Dodge D-62/-63	6	CTA8X 58 Chevrolet	9
9FBZ 69 Montego	64	233 66 Charger BW29	35	TY1	20	911 65 Desoto S-23/-24	6	CTA9X 59 Chevrolet	10
9FBZ 69 Cougar	64	234 6BVS 66 Valiant	37	414 44BI 64 Imperial	24	912/HR 56 Chrysler	7	CTA61 61 Chevrolet	15
22BM 62	18	235 66 Polara, Custom	35	415 44BCS 64 Chrysler	24	916/HR 56 Plym. P-28/-29	7	CTA62 62 Chevrolet	18
MERCURY RECORDS		236 7BVE 67 Valiant	42	416 65 Chrysler	31	917/HR 56 Plym. P-28/-29	7	CTA63 63 Chevrolet	22
AP-8300	57	237 67 Dart	43	416B 66 Chrysler	39	918 57 Dodge D-66/-67/-70/-71/-72	7	CTA64 64 Chevrolet	24
METEOR (Also See Mercury)		240 67 Fury	43	417 65 Imperial	31	919/HR 57 Desoto S-25/-26/-27	7	CTA65 65 Chevrolet	24
24ME 62 Comet See Ford 24ME	17	241 7BD 67 Dodge	42	417B 66 Imperial	39	920HR 57 Chrysler	8	CTA66 66 Chevrolet	22
24MY 62 Meteor See Ford 24ME	17	301 PP1/2 60 Plym.	14	418 67 Imperial	47	921HR 57 Imperial	8	CTA67 67 Chevrolet	24
77BM 57	7	302 PD1/2/3/4 60 Dodge	13	419 67 Imperial	43	922 85BC 58 Chrysler	9	CTA68 68 Chevrolet	56
78BM 57	7	303 03BC 60 Chrysler	13	420 66 Imperial	40	923 58 Desoto L-51/-52/-53	9	CTA69 69 Chevrolet	69
84BM 58	8	304 03BS 60 Desoto	13	421 67 Chrysler	43	924HR 58 Plym. LP-1/-2	9	CYA62 62 Chevrolet	20
85BM 58	9	305 03BD 60 Dodge	13	608 53 Plym. P24	4	925 58 Plym. LP-1/-2	9	CYA63 61-63 Chevy II	22
94PM 59	12	306 13BD 61 Dodge	16	609 53 Dodge Model D-44/-46/-47/-48	4	927 59 Desoto MS-1/-2/-3	11	CYA64 62-64 Chevy II	25
95PM 59	11	309 RP1/2 61 Plym.	16	610T 53 Dodge Truck, Series B-3/-4	4	928 R95BC-S 59 Chrysler	10	CYMG2 62 Chevy II	19
METRAVOX		310 Export Version of Model 301	14	611T 54 Dodge Truck, Series C See Model	4	929 C-5909 59 Imperial MY-1	11	CYMG3 62-65 Chevy II	33
Sutton 144	20	311 Export Versions of Model 309	16	612 54 Dodge D-40/-51/52/-53 See Model 609	4			CYMG4 66 Chevy II	38
		312 13BS 1961 Desoto	16	613 55 Plym. P-26/-2	5			CYMG5 62-65 Chevy II	33
		313 60 Valiant	14	614 55 Dodge D-55/-56	5			CYMG6 62 Chevy II	19
				615 56 Plym. P-28/-29	7			CYMG7 67 Chevy II	44
				616 56 Dodge D-62/-63	7			CYMG8 68 Chevy II	56
				617 57 Dodge D-66/-67/-70/-71/-72	8			CYMG9 69 Chevy II	69
				700 58 Dodge Truck	8			CYA62 62 Chevy II	20
				700 Rev. 60 Dodge Truck	14			CYA63 61-63 Chevy II	22
				701 59 Simca	12			CYA64 62-64 Chevy II	25
				703 R12BDT 61 Dodge Truck	16			CYMG2 62 Chevy II	19
				706 64 Dodge Truck	26			CYMG3 62-65 Chevy II	33
				706 5TBDT Similar to page 64 65 Dodge Truck	26			CYMG4 62-64 Chevy II	25
				706 7BDT 67 Dodge Truck	44			FM65M	35
				819 53 Plymouth	4			FM67M	45
				820 53 Dodge	4			FM68M	59
				821 Desoto S-16/-18	4			FM106M	40
				824 53 Chrysler	4			FM108M	55
				824 53 Dodge D-50/-51/-52/-53	4			FM200A	34
				829 Desoto S-19/-20	4			FM210A	72
				830 54 Chrysler C-62/-63/-64	4				
				831 See Model 830	4				
				832 55 Plymouth	5				
				833 55 Dodge D-55/-56	5				
				834 55 Desoto S-21/-22	5				
				835 55 Chrysler	5				
				836 55 Plym. P-25/-27	5				
				840 56 Plymouth	6				
				841 56 Plym. P-28/-29	6				
				842, 842HR 56 Dodge D-62/-63	6				
				843 56 Desoto S-23/-24	6				
				844/HR 56 Chrysler	6				
				845 57 Dodge D-66/-67/-70/-71/-72	8				
				846 57 Desoto S-25/-26/-27	8				
				847 57 Chrysler	8				
				848 57 Plymouth	8				
				849 57 Plym. P-30/-31	8			</	

MOTOROLA (CONT.)	VOL.	MOTOROLA (CONT.)	VOL.	MOTOROLA (CONT.)	VOL.	OLDSMOBILE (CONT.)	VOL.	PACKARD (CONT.)	VOL.
FM-900	14	TM626A	41	424	25	93ET412 69 1/2		AC-2907 58	8
FM990X	47	TM706S	47	500X	13	Toronado	69	439338/339 53 Series	
FM991X	60	TM707S/-1,708S/-1,		503	4	982029 62	17	26	4
FMA-100	26	TM709S	65	504	5	982030 62	18	439663 54 See Model	
FMC62	19	TM711S	68	506, 506-12	7	982136 63	19	439338	4
GMT3A6 48-53 Chev/GMC		TM713S	72	520T	21	982137 63	20	439666 54 See Model	
Truck	5	U3MN Autocar, Diamond		524	26	982149 63 F-85	20	439338	4
GMT53A6 48-53 Chev/GMC		T, Reo, White Trucks		553	6	982212 63	21	472046 55	5
Truck	5	891600	24	555, 555-12	6	982249 64	25	472047/48 55	5
GV-701	11	VNA7 53-57 VW	7	556	6	982250 64	25	480487 56 Packard	
GV-800	9	VNA8 58 VW	12	595, 595-12	6	982251 64	25	Clipper	6
HF3A6 51-53 Henry J	5	VNA60 VW	13	596, 596-12	6	982252 64 F-85	25	484649 57	7
HN2A6 51-52 Hudson	5	VNA63 63 VW	22	597X	7	982990 53	4	484652 57 See Model	
HN3A6 51-53 Hudson		VNA64 58-64 VW	25	601X	13	983004 53	4	7267427	6
except Hudson Jet	5	VNM60 60 VW	22	611T See MoPar 610T	4	983090 54	5	7267427 480487 56	
HN4A6 54 Hudson	5	VNM63 58-63 VW	22	612 See MoPar 609	4	983091 54	5	Packard Clipper	6
HN4M6 54 Hudson	5	VNM64 58-64 VW	25	624 See MoPar 624	8	983204 55	5		
HN53M6 51-53 Hudson	5	O3AR See American		701 See MoPar 701	12	983205 55	5	PANASONIC	
HT3A6 53 Hudson Jet	5	Motors Model 8990811	12	829 See MoPar 829	4	983334 56	6	CX-807SU	66
ILSTCA, -12 55 Intl.	6	04MA 60 Rambler See		845 See MoPar 845	8	983336 56	6	PENNEYS	
KM201R	41	page 19	11	846 See MoPar 846	8	989001 57	7		
KM202R	41	04MD/MF/MFM See page		849 See MoPar 849	8	989002 57	7		
KM203R	66	77	12	852 See MoPar 852	8	989127 58	8		
KM204R	64	2AT-1	21	853 See MoPar 853	8	989129 58	8	3104 984-8227	29
KR3A6 51-53 Kaiser	5	2MT	20	854 See MoPar 854	9	989131 58	8	3108 58-63 VW	29
NH3C 53 Nash Rambler	4	2TMF See page 71	18	856 See MoPar 856	10	989170 59	10	3114 63 Ford	29
NH4C 54 Nash See Nash		2TMX See page 71	18	857 See MoPar 857	10	989171 59	11	3118 982-0093	30
Model AC-154	5	2TMXD See page 131	17	860 See MoPar 860	12	989172 59	11	3120 58-63 VW	29
NH5AC 55 Nash See Nash		2TMY See page 71	18	861 See MoPar 861	12	989276 60	13	3121 981-4021	30
Model AC-154	5	3AT	22	923 See MoPar 923	9	989277 60	12	3122 981-4031	30
OEA7X 57 Oldsmobile	7	3MT	22	927 See MoPar 927	11	989387 61 F-85	15	3129 985-6816	30
OEA9X 59 Oldsmobile	12	4AT	25	980886 64 Opel Kadette	26	989392 61	15	3138 984-8245	29
OEA60X 60 Oldsmobile	14	4MT	25			989393 61	14	3143 985-8358	29
OEA61X 61 Oldsmobile	17	5M, 5M-12	5	Chassis		7284893	22	3144 985-8374	30
OEA63 63 Oldsmobile	22	6M	6	R15A6	5	7289313 65 Oldsmobile	30	3146 985-8390	30
OEA64 64 Oldsmobile	24	6M-12	6	R16M6	5	7289333 65	31	3151 985-8341	30
OEA66 66 Oldsmobile	24	6MA 59 Hudson & Nash		R17A6	5	7289353 65	31	3160 64 Chevelle	29
OEA2A6 51-52 Oldsmobile		See page 9	6			7289373 982687 66 F-85	35	3161 63-64 Chevrolet	29
"Super 88" & "98"	5	6MR 56 Rambler See		MUNTZ/STEREO		7291063 65 F-85	30	3162 63-64 Chevy II	29
OEA4FM 64 Oldsmobile	26	page 5	6	C-90	50	7292643 66 Toronado	37	3163 64 Comet	30
OEA4FMC 64 Oldsmobile	34	6TAS8	6	C-100	50	7292663 66 Oldsmobile	39	3168 64 Ford	30
OEA5A 65 Oldsmobile	32	7M See Model 6M	6	M-12	53	7293653 982690 66 Olds	38	3169 64 Falcon	30
OEA6A 65/66 Oldsmobile	40	7MR 57 Rambler See		M-30	52	7294743 982688 66 Olds	37	3170 64 Falcon	30
OEA67A 67 Oldsmobile	45	page 5	6	M-40	57	7294753 982689 66 Olds	36	3171 985-8515 64 F-85	29
PCA7X 57 Pontiac	7	7MX	7	M-45	64	7297564 66 Olds		3172 64 Fairlane	30
PCA9X 59 Pontiac	10	8M	8	M-50	60	Reverb. Unit	36	3173 64 Mercury	30
PCA60X 60 Pontiac	15	8MX	9	NASH		7298413 67 Oldsmobile	45	3174 64 Oldsmobile	29
PCA61X 61 Pontiac	17	9AX	10	(Also See American		7299563 67 F-85	43	3176 63-64 Pontiac	29
PCA62 62 Pontiac	20	10AX	15	Motors)		7299573 67 Toronado	45	3179 64 Tempest	29
PCA63 63 Pontiac	22	10M	13	AC-154 54-55	5	7299583 67 Toronado	42	3180 64 Chevrolet	29
PCA64 64 Pontiac	24	10MX	12	NH3C 53 Nash Rambler	4	7300083 67 Toronado	44	3181 60-64 Corvair	29
PCA2A6 49-52 Pontiac	5	11MX	16	NH5AC 55 See Model AC-		7300093 67 Oldsmobile	44	3182 63-64 Chevy II	29
PCA4FM 64 Pontiac	26	12AT-1/-2/-3	21	154	5	7300103 67 Oldsmobile	42		
PCA4FMC 64 Pontiac	34	13MA/MAM 60 Rambler		NIVICO		7300113 67 F-85	46	PHILCO	
PC65A 65 Pontiac	32	American see page 13	14	1310	75	7300153 67 Toronado	44	(Also See Philco-Ford)	
PC66A 66 Pontiac	40	14AT	25	NORDIC		7300173 67 Oldsmobile	46	C-5209 See MoPar 824	4
PC67A 67 Pontiac	45	14MR 61 Rambler See		(501F55 55 Ford	5	7302013 68 F-85	52	C-5409 See MoPar 830	4
PC69A 69 Bonneville,		page 13	15	NORDMCNDE		7302023 68 Olds, F-85	50	C-5509 See MoPar 835	5
Catalina, Executive	69	24ME, 24MF, 24MY See		Transita-Royal K-C		7302503 67 Toronado	46	C-5595 See MoPar 902	5
PD3A6 51-53 Packard	5	Ford Model 24ME	17	4/608 K-C	34	7303143 68 Oldsmobile	51	C-5596 See MoPar 903	5
PD69A 69 Firebird	69	76MA 57 Hudson & Nash		OLDSMOBILE		7303153 68 Oldsmobile	49	C-5609 See MoPar 844	6
PT67A 67 Tempest	44	See page 9	6	03BPB1 70 Olds	73	7303203 68 Toronado	49	C-5609HR See MoPar	
PT68A 68 Pontiac	56	93MR 59 Rambler See		03EPB1 70 Toronado	73	7303223 68 Toronado	49	844HR	6
PT69A 69 Tempest	69	page 9	10	93AFM1/M2 69 F-85	68	7303253 68 Toronado	51	C-5705 See MoPar 847	8
R200	19	94MF See page 71	10	93AFM1/M2 69 Olds	68	7305203 68 Oldsmobile,		C-5707 See MoPar 920HR	8
SR2A6 50-52 Studebaker	5	94MI 59 "R" & "V" Intl.	11	93BFW1 (7307313)		7305933 68 Olds, F-85	50	C-5709 See MoPar 921HR	8
SR3A6 52 Studebaker	5	Truck See page 61	11	93BFW1 (7307313)		7307313 69, 69 1/2		C-5809 See MoPar 924HR	8
SR52A6 50-52		94MIM 59 International	10	69 Olds	74	Oldsmobile	74	D-5207 See MoPar 819	4
Studebaker	5	See page 91	10	93BFW2 (7307313)		7307813 69 69 1/2		D-5407 See MoPar 820	4
Studebaker	5	94MS 59 T-Bird See		69 1/2 Olds	74	Toronado	74	P-5206 See MoPar 819	4
TM5A	33	page 55	11	93BFW2 (7307313)		OLSON		P-5606 See MoPar 840	6
TM5M	32	95MF See page 77	10	69 F-85	70	RA-771	48	P-5701 See MoPar 848	8
TM6M	39	101 See MoPar 101	13	93APB1 69 F-85	63			P-5703 See MoPar	
TM6A	38	102 See MoPar 102	13	93BFW1/M2 69 Olds	68			917HR	8
TM7A	44	104 See MoPar 104	13	93BFW1 (7307313)				P-5801 See MoPar 848	8
TM8A	71	110 See MoPar 110	13	69 F-85	70			P-5803 See MoPar 925	9
TM15A	32	250X	20	93BFW1/M2 69 Olds	68			P-5901 See MoPar 855	11
TM16A	41	290T	22	93BFW1 (7307313)				P-6234	20
TM17A	45	294	25	69 Olds	74			S-5323 See Studebaker	
TM18A	73	300X	11	93BFW2 (7307313)		94LPB1 69	67	Model AC-2301	4
TM105M	75	301X	11	69 1/2 Olds	74	94PPB1 (7312234)		S-5327 See Studebaker	
TM295M	33	302 See MoPar 302	13	93BFB1/2(7307303) 69	71	69 G/T	70	Model AC-2300	4
TM296M	40	310X Negative Ground	13	93BT411 69 F-85, Olds	69	980886 64 Kadette	26	S-5524 See Studebaker	
TM297M	48	311X Positive Ground	13	93BT412 69 1/2 F-85,		981946 58	14	Model AC-2301	4
TM299M	71	320T	21	Olds	69	981981 59-60	19	S-5528 See Studebaker	
TM315M	33	323T	22	93EFMA1/MA2 69		7294694 66	39	Model AC-2300	4
TM316M	40	324	25	Toronado W/AC	68	7307404 68 Opel	55	S-5529 See Studebaker	
TM318M	54	395, 395-12	5	93EFMH1/MH2 69				Model AC-2300	4
TM326M	40	396, 396-12	6	Toronado W/Htr	68			TAR-58 See MoPar 700	8
TM327M	46	397	7	93EFW1 (7307813)				94PM See Merc. 94PM	12
TM336M	40	397X	7	69 Toronado	74			929 See MoPar 929	11
TM415M	32	398X	9	93EFW2 (7307813)				PHILCO-FORD	
TM416M	41	403	4	69 1/2 Toronadd	74			C9AA-19A243	
TM525A	33	404	5	93EPB1(7308203)				69 Galaxie, LTD	65
TM526A	41	406	11	69 Toronado	71			C9AA-18806-F	
TM527A	46	412	4	93ET411 69 Toronado	69			69 Galaxie, LTD	66
TM529A	75	414	25						

PHILCO-FORD (CONT.)	VOL.	PONTIAC (CONT.)	VOL.	RAMBLER (CONT.)	VOL.	RIVERSIDE (CONT.)	VOL.	RIVERSIDE (CONT.)	VOL.
C90A-18806-B 69		984065 64 Tempest	24	6SMAM 66 Rambler	35	FJB-6576A	32	FLH-16536A 63-64	
Fairlane, Falcon,		984076 64	23	7SMA 67 Rambler	45	FJB-6577A	32	Galaxie	34
Montego	65	984077 64 Pontiac	24	7SMA/RHD 67 Export	45	FJB-6579A 61-62 F-85,		FLH-16537A 65Galaxie	35
C9SA-18806-C		984078 64 Pontiac	24	7SMAM 67 Rambler	45	Special, Tempest	19	FLH-16538A 64	
69 Thunderbird	67	986823 67 1/2		8SMA 68 American	61	FJB-6580A 61-62 F-85,		Fairlane	34
C9ZA-18806-E		Firebird	46			Special, Tempest	19	FLH-16539A 65	
69 Cougar, Mustang	65	986824 67 1/2		RANGER		FJB-6581 60-62		Fairlane 500	35
8TPF 68 Ford	48	Firebird	47	R62-MPX0 (TP-803)	74	Corvair	19	FLH-16541A 64/65	
8TPO 68 Falcon,		984817 53-54	4	R62-MPX2	74	FJB-6583A 60-62Ford	19	Falcon, 64 Comet	35
Fairlane, Comet	48	984961 55	5	R62-MPX4	74	FJB-6584A 60-61		FLH-16543A 65 Comet	35
8TPS 68 T-Bird	50	988568 56 See 984961	5	R-100-C	75	Valiant	18	FLH-16544A 63/64Merc.	34
8TPZ L.P. 68 Cougar,		988569 56 Pontiac	6	R-100-C2	75	FJB-6587	20	FLH-16545A 65 Merc.	35
Mustang	48	988671 57	7	R-100-C4	75	FJB-6591	16	FLH-16546A 63/64	
8TPZ E.P. 68 Cougar,		988672 57	7	R-500	31	FJB-6592	16	Ambassador, Classic	34
Mustang	48	988822 58	8	RR-3M	35	FJB-6593	16	FLH-16547A 65	
		988823 58	8	RR-4PB 5-045	36	FJB-6604B 60-62		Ambassador, Classic	34
PHILCO-LINCOLN		988837 58	8	RR-10R 5-004	40	Corvair	19	FLH-16549A 64 Plym.	34
		988976 59	10	RR-11R 5-014	40	FJB-6608A 61 Lancer	18	FLH-16550A 65	
C9LA-18806-C		988977 59	11	RR-12R 5-016	40	FJB-6609	19	Belvedere	39
69 Mark III	66	988978 59	11	RR-13R 5-008	39	FJB-6609A	19	FLH-16551A 65 Fury	39
		989614 60	12	RR-14R 5-010	39	FJB-6611 60-61		FLH-16552A 64Valiant	34
PHILLIPS		989615 60	13	RR-15R 5-012	39	Rambler	22	FLH-16553A 65Valiant	39
		989692 61	14	RR-18-M	43	FJB-6612 61-6612 62		FLH-16554A 64 Polara	34
PTC-400-MR	32	989693 61	15	RR-19-FM	42	Chevrolet	18	FLH-16555A 65Coronet	39
		989792 61 Tempest	15	RR-21-FC	44	FJB-6612A 61-62 Chev.	19	FLH-16556A 64 Dart	34
PLYMOUTH (Also See MoPar)		989831 61 Tempest	15	RR-23-MX-2	62	FJB-6613/A 60-61		FLH-16557A 65 Dart	39
		7284742	22	RR-30-MC	43	Falcon or Comet	18	FLH-16558A 64 Dart	34
244 (8BBA, 9BBA)		7284742A 66 Pontiac	36	RR-35-MPX/-2/-4	72	FJB-6615A	27	FLH-16598A	31
68-69 Barracuda	61	7289772 65 Pontiac	29	RR-41-T	46	FJB-6618A 61 Rambler	17	FLH-16650A 65 Dodge	
245 (8BVA, 9BVA)		7289772 65 Pontiac	29	RR-43-FMT	46	FJB-6619/A	21	Deluxe, Polara, Monaco,	
68-69 Valiant	61	7291562 65 Tempest	30	RR-44-T/-2	57	FJB-6643A 60-62 Comet,		880	35
250 68 Fury	51	7291582 65 Tempest	29	RR-45-T-0 Mini-8	51	Falcon	19	FLH-16651A 63/65	
251 (8BBE, 9BBCC)		7292112 65 Tempest	29	RR-45-T-2 Mini-8	51	FJB-6649A Tractor	20	Econoline	35
68-69 Belvedere	61	7293472 66 Tempest	38	RR-59-FT-0	66	FJB-6658	21	FLH-16652A 64 Buick	
384 (8FBPD) 68 Ply	58	7293492 66 Pontiac	36	RR-60-FM	69	FJB-6679A	10	Special	34
388 (8FBCO) 68		7293502 66 Tempest	38	RU-101-T	24	FJB-6681A 58 Plym.	10	FLH-16653A 65 Olds.	35
Belvedere	58	7293512 66 Pontiac	35	TC-100M	23	FJB-6682A, B	10	FLH-16654A 64 F-85	34
390 68 Fury	55	7293632A 66 Pontiac	36	TC-100-M	32	FJB-6684 59 Ford	11	FLH-16658A 64/65	
398 (8FBBA) 68		7294322 65 Pontiac	35	TC-100-MD	32	FJB-6686A 59 Plym.	12	Tempest	35
Barracuda	58	7294342 66 Pontiac	37	TC-200PB	23	FJB-6687 59 Ford	11	FLH-16662A 65	34
399 (8FBVA) 68 Valiant	58	7298802 67 Tempest	41	TC-300-PB	32	FJB-6688 59 Chev.	11	FLH-16663A 60/63 Chev	
2864963 (390) 68		7298812 67 Tempest	42	TC-300M 64 VW	23	FJB-6689A 59 Plym.	12	& GMC Trucks	34
Belvedere, Fury	55	7298822 67 Pontiac	43	TC-300M 65 Prod.	23	FJB-6690A 59 Buick	13	FLH-16665A 64/65 Dodge	
2884044 (400) 68		7298822 68 Pontiac	49	TC-300M, MD 65 Prod.	23	FJB-6691B Renault		Truck	35
Belvedere, Fury	55	7298832 67 Pontiac	42	Similar to page 144	23	Dauphine	12	61-16509C	33
2884065 (250) 68 Fury	51	7298832-A 67 1/2		TC-400PB 64 VW	23	FJB-6693B Renault		61-16584A 63 Rambler	26
2884103 (254) 69 Fury	67	Pontiac	73	TC-400PB 65 Prod.	23	Dauphine	12	SAAB	
3420558 (1PF2903)		7298842 68 Prod. 68		TP-803	24	FJB-16512A 64 VW	28	4BH 64	30
69 Pontiac		7298842 67 Pontiac	45	TRM-64M	23	FJB-16513A 64 VW	28	5BH 65 Saab	34
PONTIAC		7300682 67 Pontiac	45	TRT	52	FJB-16520A 63		6BSA 66	38
		7302322 67 1/2		VW-64PB 64 VW	23	Chrysler	23	7BSAX	60
02AFM1, 02BFM1		Firebird	47	REALISTIC		FJB-16521A 63 Chev.	23	FJB-16521A 63 Chev.	23
70 Tempest	76	7302332 67 1/2		SM-711 12-1320E	41	FJB-16522A 63 Dodge	23	FJB-16522A 63 Dodge	23
02BPB1, 02BPK1		Firebird	47	UM-701 12-1321E	41	FJB-16523A 63 Ford	23	FJB-16523A 63 Ford	23
70 Pontiac	75	7302762 68 Tempest	49	12-1319 (Similar to page 113)	60	FJB-16524A 63 Merc.	23	FJB-16524A 63 Merc.	23
02FFM1 70 Firebird	76	7303302 68 Pontiac	49	90LX697	16	FJB-16525A 63 Olds.	23	FJB-16525A 63 Olds.	23
02GPB1, 02GPK1		7303302-A 68 Pontiac	73	REGAL		FJB-16526A 63 Plym.	23	FJB-16526A 63 Plym.	23
70 Grand Prix	75	7302752 68 Tempest	50	CR-871	4	FJB-16527A 63		Pontiac	23
92AFM1, 92AFM2		7303262 68 Tempest	50	RENAULT		FJB-16563A	32	FJB-16563A	32
69 Beaumont, Tempest	66	7303362 68 Pontiac	50	ZTMXD 55555	17	FJB-16566A	20	FJB-16566A	20
92AFP1 (7307402) 69		7304342 (984888)		JTMXD 55566 63	21	FJB-16567A	21	FJB-16567A	21
Beaumont, Tempest	69	68 Pontiac	57	5SMXD 55566 66	40	FJB-16569A	28	FJB-16569A	28
92AFP2 69 Tempest	64	7305572 68 Firebird	50	6SMXD 66 Caravelle,		FJB-16574A 63 Buick	23	FJB-16574A 63 Buick	23
92APB1 69 Beaumont,		7305592 68 Firebird	59	Dauphine	50	FJB-16576A 63		Corvair	23
Firebird, Tempest	66	7305602 68 Firebird	49	7SMXD 67 Caravelle,		FJB-16577A 63 Dart	22	FJB-16577A 63 Dart	22
92BFP1 (7307412)		7307312 69 Pontiac	72	Dauphine	50	FJB-16578A 63 Ford	23	FJB-16578A 63 Ford	23
69 Pontiac	73	7307332 69 Grand Prix	72	ZTMXD 55555	17	FJB-16579A 63 Falcon.	23	FJB-16579A 63 Falcon.	23
92BFM1, 92BFM2		7307402 69 Beaumont,		JTMXD 55566 63	21	FJB-16580A 63 F-85	23	FJB-16580A 63 F-85	23
69 Pontiac	66	Tempest	69	5SMXD 55566 66	40	FLH-16581A 63 Merc.	23	FLH-16581A 63 Merc.	23
92BPB1 (7307312)		7307412 69 Pontiac	73	6SMXD 66 Caravelle,		FJB-16582A 62-63		Plymouth	23
69 Pontiac	72	7307422 69 Firebird	69	Dauphine	50	FJB-16583A 63Tempest.	23	FJB-16583A 63Tempest.	23
92BT411/12 69 Beau-		7307432 69 Grand Prix	69	RENAULT		FJB-16584A 63Rambler.	26	FJB-16584A 63Rambler.	26
mont, Firebird, Pontiac,		RAMBLER		ZTMXD 55555	17	FJB-16585A 63 Chev.	23	FJB-16585A 63 Chev.	23
Tempest	67	(Also See American Motors)		JTMXD 55566 63	21	FJB-16586A 63Corvair.	23	FJB-16586A 63Corvair.	23
92FFM1, 92FFM2		AF4TMR 64 Rambler	26	6SMXD 66 Caravelle,		FJB-16587A 63 Falcon.	23	FJB-16587A 63 Falcon.	23
69 Firebird	66	AF5TMR 65 Rambler	28	Dauphine	50	FJB-16588A 63 Ford	23	FJB-16588A 63 Ford	23
92FFP1 (7307422) 69		D4TMR 64 Rambler	24	7SMXD 67 Caravelle,		FJB-16589A	23	FJB-16589A	23
Firebird	69	RA-66PB 66 Rambler	37	Dauphine	50	FLH-16607A	32	FLH-16607A	32
92FPB1 69 Beaumont,		RV5R 75	31	RIVERSIDE (Also See Airline)		FLH-16518A 64-65 Chev.		FLH-16518A 64-65 Chev.	
Firebird, Tempest	66	RV5RY 65	31	FGJ16511A	27	& GMC Truck	35	& GMC Truck	35
92GFM1, 92GFM2		TJBA 63 Rambler	19	FJB-6471A 62 Chevy II	19	FLH-16519A 60-64 Dodge		FLH-16519A 60-64 Dodge	
69 Grand Prix	66	TJBA 63 Rambler	19	FJB-6472A 62 Chevy II	19	880	34	880	34
92GFP1 (7307432) 69		TJBA 63 Rambler	19	FJB-6537A 58-59 VW	14	FLH-16528A 63-64Chev.	34	FLH-16528A 63-64Chev.	34
Grand Prix	69	TJBA 63 Rambler	19	FJB-6538A 58-59 VW	14	FLH-16529A 65 Chev.	35	FLH-16529A 65 Chev.	35
92GPB1 (7307332)		TJBA 63 Rambler	19	FJB-6540A	19	FLH-16530A 60-64		FLH-16530A 60-64	
69 Grand Prix	72	TJBA 63 Rambler	19	FJB-6540C	27	Corvair	34	Corvair	34
983578 62	17	TJBA 63 Rambler	19	FJB-6550A	24	FLH-16531A 65Corvair.	35	FLH-16531A 65Corvair.	35
983579 62	18	TJBA 63 Rambler	19	FJB-6551A	22	FLH-16533A 62-65		FLH-16533A 62-65	
983687 62	20	TJBA 63 Rambler	19	FJB-6551B	27	Chevy II	35	Chevy II	35
983873 63	20	TJMR 8991142 63	25	FJB-6551C	34	FLH-16534A 64		FLH-16534A 64	
983873A Similar to		4TBA 8991321 64	25	FJB-6560A 62 Merc.	19	Chevella	34	Chevella	34
page 105 63 Pontiac	24	4TBA 8991320 64	25	FJB-6561A 62 Fairlane	19	FLH-16535A 65		FLH-16535A 65	
983874 63 Tempest	19	4TMR 64 Rambler	24	FJB-6562A 61-62 Chev.	19	Chevella	34	Chevella	34
983875 63	21	SBA 8991562 65 Rambler	29	FJB-6567A 59 Plym.	13	FLH-16535A 65		FLH-16535A 65	
983945 63	21	SBAM 65 Rambler	29	FJB-6571 60-61 Dart	19	COP-60 60 Corvair	16	COP-60 60 Corvair	16
		STMR 65 Rambler	29	FJB-6572A 61-62 F-85,		COP-60 60 Corvair	16	COP-60 60 Corvair	16
		6SMA 66 Rambler	35	Special, Tempest	19				

SOUNDEX (CONT.)	VOL.	STUDEBAKER	VOL.	TENNA (CONT.)	VOL.	TENNA (CONT.)	VOL.	TITAN	VOL.
COP-006T 66 Corvair	40	AC-2300 S-5327 53	4	CII-65PB 65 ChevyII	35	FT-67M 67 Ford Truck	46	ETB-1600	40
CTP-264T 64 Comet	26	AC-2301 S-5323 53	4	CII-66PB 66 ChevyII	37	IM-65M	32	FMC-4	27
CTP-266T 66 Comet	39	AC-2686 S-5528 55 See		CII-67PB 66/67		IM-65PB	32	RV-66	40
CTR-166T 66		Model AC-2300	4	Chevy II	46	ME-63PB 63 Mercury	26	RV-66A	41
Chevrolet Truck	40	AC-2687 S-5524 55 See		CA-67PB 67 Camaro	46	ME-64PB 63/64 Merc	23	RV-67A	41
CYP-465T 65 Chrysler	32	Model AC-2301	4	CG-67PB 67 Cougar	46	ME-65PB 65 Mercury	35	RV-68A	41
CYP-466T 66 Chrysler	39	AC-2721 S-5529 55 See		CH-63M/PB 63 Chev	26	ME-66PB 66 Mercury	36	SP-22	28
CYP-565T 65 Chrysler	39	Model AC-2300	4	CH-64M See page 136		MR-63PB 62/63 Meteor	26	TMA-39	28
DAP-864T 64 Dart	26	AC-2745 56	6	63/64 Chevrolet	23	MU-66PB 65/66Mustang	36	TMA-40	28
DAP-865T 65 Dart	32	AC-2746 56	6	CH-64PB/RS 63/64Chev	23	MU-67PB 67 Mustang	46	TMA-1500	40
DAP-866T 66 Dart	39	AC-2747 56	6	CH-65M 65 Chev	34	OF-63PB 61/63 F-85	26	TPB-60	28
DOP-864T 64 Dodge	26	AC-2748 56	6	CH-65PB 65 Chev	34	OF-64PB 64 F-85	23		
DOP-865T 65 Dodge	32	AC-2905 58	9	CH-66M/PB 66 Chev	37	OF-65PB 65 Olds	35		
DOPP-465T 65 Polara	39	AC-2906 58	8	CH-67PB 67 Chev	46	OF-66PB 66 F-85	37		
DOPP-466T 65 Polara	39	AC-2907 58	8	CHT-63M 63 ChevTruck	26	OF-67PB 67 F-85	46		
DPO-866T 66 Dodge	39	AC-2977 60	12	CHT-64M See page 136		OL-63PB 63 Olds	26		
FAP-264T 64 Falcon	26	AC-2978 60	13	64 Chev. Truck	23	OL-64PB 63/64 Olds	23		
FAP-266T 66 Falcon	39	AC-3084 61	17	CHT-65M 65 ChevTruck	35	OL-65PB 65 Olds	34		
FLP-264T 64 Fairlane	26	AC-3085 61	15	CHT-65PB 65 Chevrolet		OL-66PB 66 Olds	37		
FOP-264T 64 Ford	26	AC-3086 61	17	Truck	35	OL-67PB 67 Olds	46		
FOP-265T 65 Ford	32	AC-3087 61	15	CHT-66M/PB 66 Chevrolet		OP-67PB 67 Opel	44		
FOP-266T 66 Ford	39	AC-3216 62	17	Truck	37	PD-65PB 65 Fury	34		
MEP-264T 63/64 Merc.	26	AC-3217 62	18	CHT-67M, PB 67 Chev.		PD-66PB 66 Fury	36		
MEP-265T 65 Merc.	32	AC-3246 62	18	Truck	46	PD-67PB 67 Fury	46		
MEP-266T 66 Merc.	39	AC-3247 62	17	CL-64PB 64 Chevelle	23	PL-63PB 62/63 Plym.	26		
MUP-266T 66 Mustang	39	AC-3255 62	18	CL-65PB 65 Chevelle	35	PL-64PB 64 Plymouth	23		
PLP-464T 64 Plym.	26	AC-3256 62	17	CL-66PB 66 Chevelle	37	PL-65PB 65 Plymouth	34		
PLP-465T 65 Plym.	32	AC-3351 63	19	CL-67PB 66/67		PL-66PB 66 Plymouth	36		
PLP-466T 66 Plym.	39	AC-3352 63	21	Chevelle	46	PL-67PB 66/67 Plym.	46		
PLPF-465T 65 Fury	32	AC-3353 63	19	CM-63PB 63 Comet	26	PO-63PB 63 Pontiac	26		
PLPF-466T 66 Fury	39	AC-3354 63	21	CM-64PB 64 Comet	23	PO-64PB 63/64Pontiac	23		
POP-666T 66 Pontiac	40	AC-3377 63	21	CM-65PB 65 Comet	31	PO-65PB 65 Pontiac	35		
RAAP-1065T 65		AC-3423 SRZT	22	CM-66PB 66 Comet	36	PO-65PB/A 65 Pontiac			
Rambler American	32	AC-3473 64Studebaker	24	CM-67PB 67 Comet, 202,		W/Air Conditioning	35		
RAP-364T	27	AC-3474 64 Hawk	24	Capri	46	PO-67PB 67 Pontiac	46		
RAP-365T 65 Rambler	32	AC-3498 64Studebaker	24	CO-63M/PB 60/63		RA-63PB 63 Rambler	26		
RAP-366T	39	AC-3499 64 Hawk	24	Corvair	26	RA-64PB 64 Rambler	23		
SM-130RPE	27	AC-3500 64 Avanti	24	CO-64PB 60/64Corvair	23	RA-65PB 65 Rambler	32		
STM-059 59 Lark	16	AC-3506 64 Avanti	24	CO-65PB 65 Corvair	34	RA-66PB 66 Rambler			
STP-059 59 Lark	16	AC-3556 66Studebaker	36	CO-66PB 66 Corvair	37	RA-66PB 66 Rambler			
UN-120RPT	39			CO-67PB 66/67Corvair	46	Ambassador	37		
UP-220RPT	27			CR-63PB 63 Chrysler	26	RA-67PB 67 Rambler	46		
VAP-464T 64 Valiant	26			CR-64PB 63/64		RU-101T	24		
VAP-465T 65 Valiant	32			Chrysler	23	RU-111TC 5-004	40		
VAP-466T 66 Valiant	39			CR-65PB 65 Chrysler	34	RU-112TC 5-014	40		
VWP-19T	27			CR-66PB 66 Chrysler	36	RU-113TC 5-016	40		
VWP-19T 65 Prod.	33			CR-67PB 67 Chrysler	46	RU-114TC 5-008	39		
VWP-19T 66 Prod.	41			DA-63PB 63 Dart	26	RU-115TC 5-010	39		
4TBTR V-350 64				DA-64PB 64 Dart	23	RU-116TC 5-012	39		
Triumph	26			DA-65PB 65 Dart	34	SA-65M 65 Simca	39		
				DA-66PB 66 Dart	36	SA-65PB 65 Simca	39		
				DA-67PB 67 Dart	46	SP-63PB 63 Buick Spl.	26		
				DAX-67PB 67 Dart 270	46	SP-66PB 66 Buick Spl.	37		
				DD-65PB 65 Dodge	34	SP-67PB 66/67 Buick			
				DD-66PB 66 Polara,		Special	46		
				Monaco	36	TC-FMC-8	69		
				DD-67PB 67 Monaco,		TC-MPX-1	63		
				Polara	46	TC-MXC-8-0	69		
				DE-66PB 66 Dodge	36	TC-48-T	50		
				DO-63PB 63 Dodge	26	TC-48-T-FM	63		
				DO-64PB 64 Dodge	23	TC-100M	23		
				DO-65PB 65 Dodge	34	TC-110M	32		
				DO-66PB 66 Dodge	36	TC-110MD	32		
				DO-67PB 66/67 Dodge	46	TC-200PB	23		
				DS-67M 67 Sportsman,		TC-210PB	32		
				A-100	46	TC-300M 64 VW	23		
				DT-65M 65 DodgeTruck	34	TC-300M 5-041 65Prod.	36		
				DT-67M 67 DodgeTruck	46	TC-300MD 5-072	36		
				EC-65M 65 Econoline		TC-310M/MD	35		
				Truck	35	TC-400PB 64 VW	23		
				EC-66M 66 Econoline		TC-400PB 5-045 65			
				Truck	36	Prod.	36		
				EC-67M 67 Econoline		TC-410PB Similar to			
				Truck	46	page 144	23		
				FA-63M/PB 60/63		TC-410PB 5-045	36		
				Falcon	26	TE-63PB 63 Tempest	26		
				FA-64M/PB 64 Falcon	23	TE-64PB 64 Tempest	23		
				FA-65PB 65 Falcon	35	TE-65PB 65 Tempest	31		
				FA-66PB 66 Falcon	36	TE-66PB 66 Pontiac	37		
				FA-67PB 67 Falcon	46	TE-67PB 66/67 Pontiac			
				FL-63M/PB 62/63		Tempest	46		
				Fairlane	26	TRM-64M	23		
				FL-64PB 64 Fairlane	23	VA-63PB 61/63Valiant	26		
				FL-65PB 65 Fairlane	26	VA-64PB 64 Valiant	23		
				500	35	VA-65PB 65 Valiant	34		
				FL-66PB 66 Fairlane	36	VA-66PB 66 Valiant	36		
				FL-67PB 67 Fairlane	46	VA-67PB 67 Valiant	46		
				FO-63M/PB 63 Ford	26	VN-64PB 64 VW	23		
				FO-64M See page 136		VN-65PB/PB15 65 VW	35		
				63/64 Ford	23	VN-66PB 58-66 VW	36		
				FO-64PB 64 Ford	23	VN-67PB 67 VW	44		
				FO-65PB 65 Ford	35	170-64PB See page 136			
				FO-65PB/RS 65 Ford	35	64 Dart	23		
				FO-66PB 66 Ford	36	880-63PB 62/63 Dodge			
				FO-66PB/RS 66 Ford	36	880	26		
				FO-67PB 67 Ford	46	880-64PB 63/64 Dodge			
				FT-65M 65 Ford	36	880	23		
				FT-66M 66 Ford	36				

HOWARD W. SAMS

PHOTOFACT[®] SPECIALIZED SERIES

TAPE RECORDER SERIES



Complete PHOTOFACT[®] coverage of all important late-model Tape Recorders now in easy-to-use volumes. Regular price, \$4.95 per volume—only \$4.65 when purchased on a Standing Order Subscription! Sign up and save 30¢ per volume!

HOME TAPE PLAYER SERIES



Complete PHOTOFACT[®] coverage of all important, late-model Home Tape Players now in easy-to-use volumes. Regular price, \$3.95 per volume—only \$3.65 when purchased on a Standing Order Subscription! Sign up and save 30¢ per volume!

CB RADIO SERIES



Five to six volumes issued yearly for complete PHOTOFACT[®] coverage of all popular CB Radio models. Regular price, \$3.25 per volume—only \$2.95 when purchased on a Standing Order Subscription! Sign up and save 30¢ per volume!

TRANSISTOR RADIO SERIES



Twelve to fifteen volumes issued each year provide complete PHOTOFACT[®] coverage of Transistor Radios. Each volume covers 30 to 40 popular late models. Regular price per volume, \$3.25—only \$2.95 when purchased on a Standing Order Subscription! Sign up and save 30¢ per volume!

MODULAR HI-FI SERIES



Ten to twelve volumes per year brings you complete and up-to-date PHOTOFACT[®] coverage of Modular Hi-Fi and compact stereo equipment. Each volume covers 10 to 15 popular late models. Regular price, \$3.95 per volume—only \$3.65 when purchased on a Standing Order Subscription! Sign up and save 30¢ per volume!

HOWARD W. SAMS & CO., INC.

PHOTOFACT[®] SPECIALIZED SERIES

Available from your local parts distributor

\$3.25
\$4.10 IN CANADA
AS-75
06373

