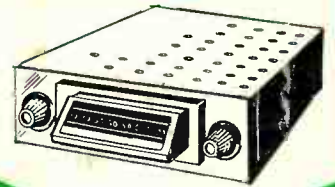
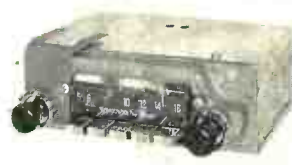


SAMS PHOTOFACT[®]

AUTO RADIO SERIES



AR-54
54
SEPTEMBER 1968



CONTENTS REMOVAL INFORMATION PAGE 4

BUICK

Special (1968) 7302504

DODGE

Charger (1968) 392

Coronet (1968) 392

Monaco (1968) 394

Polara (1968) 394

FORD

Fairlane (1968) F8TBO

Falcon (1968) F8TBO

FORD Cont.

Galaxie (1968) F8TBF

Mustang (1968) F8TBZ

LINCOLN

Lincoln (1968) T8MX

MERCURY

Cougar (1968) T8MZW

Mercury (1968) T8MM

UNIVERSAL

Craig 3104

Lear Jet AS-830-H,
ASFM-830-H

Motorola TM318M

VOLKSWAGEN

Volkswagen 1600
(1965-67)

Automatic NVW-6238

Volkswagen (1958-67)

Automatic WFM-5387

VOLVO

Volvo (1967) 7BVOX

HOWARD W. SAMS & CO., INC.

Indianapolis, Indiana

World Radio History

\$3.50

\$4.40 IN CANADA

Cat. No. AR-54



SAMS PHOTOFACT[®] AUTO RADIO SERIES



VOLUME

54



by the



ENGINEERING STAFF



HOWARD W. SAMS & CO., INC.

INDIANAPOLIS INDIANA

FIRST EDITION
FIRST PRINTING—September, 1968
SECOND PRINTING—MARCH, 1971
THIRD PRINTING—JUNE, 1972
FOURTH PRINTING—JUNE, 1974

PHOTOFACT®
AUTO RADIO SERIES
VOLUME 54

Copyright © 1968 by Howard W. Sams & Co., Inc.
Indianapolis, Indiana 46206. Printed in the United States of America

All rights reserved. Reproduction or use, without express permission, of editorial or pictorial content, in any manner, is prohibited. No patent liability is assumed with respect to the use of the information contained herein.

The listing of any available replacement part herein does not constitute in any case a recommendation, warranty or guaranty by Howard W. Sams & Co., Inc., as to the quality and suitability of such replacement part. The numbers of these parts have been compiled from information furnished to Howard W. Sams & Co., Inc., by the manufacturers of the particular type of replacement part listed.

Library of Congress Catalog Card Number: 49-11493



TABLE OF CONTENTS

Model Number	Page
Automatic Model NVW-6238	5
Automatic Model WFM-5387	11
Buick Model 7302504	21
Craig Model 3104	27
Dodge Models 392, 394	40
Ford Models F8TBF, F8TBO, F8TBZ	52
Lear Jet Models AS-830-H, ASFM-830-H	72
Lincoln Model T8MX	85
Mercury Models T8MM, T8MZW	98
Motorola Model TM318M	110
Volvo Model 7BVOX	116

Cumulative Index to Prior Volumes	122
--	------------

REMOVAL INSTRUCTIONS

GENERAL REMOVAL INFORMATION

Most radios and speakers can be removed for service by following the steps shown in this block of information. Check the Make, Model and Year of car listed below. If more specific instructions are required, they are shown.

Step 1 Disconnect power, speaker and antenna leads.
Step 2 Remove knobs.
Step 3 Remove nuts from control bushings and cabinet braces.

Step 4 Remove radio from under dash.
Step 5 Remove nuts holding speaker and remove speaker from under dash.

BUICK SPECIAL - 1968

Step 1. Remove ash tray and ash tray housing.
Step 2. Remove screws from center air conditioning duct and remove duct.
Step 3. Remove knobs, nuts from control bushing, and screw from bottom brace.
Step 4. Remove screws from radio trim plate and remove trim plate.
Step 5. Remove nuts from lower from radio mounting.
Step 6. Disconnect speaker connector and antenna lead.
Step 7. Remove radio from under instrument panel.

SPEAKER REMOVAL

Step 1. Remove glove box.
Step 2. Remove screws from under instrument panel cover.
Step 3. Remove nuts from rear of instrument panel.
Step 4. Remove center air conditioning duct.
Step 5. Lift up instrument panel cover.
Step 6. Remove nuts from speaker mounting and remove speaker.

DODGE - 1968

Step 1. Remove Phillips screw from Face Plate and remove.
Step 2. Remove nut from rear brace.
Step 3. Disconnect "A" lead, speaker leads, and antenna.
Step 4. Remove screws from front mounting.
Step 5. Remove radio from under dash.

SPEAKER REMOVAL

Step 1. Remove radio.
Step 2. Remove screws from speaker mounting.
Step 3. Remove speaker.

FORD, FAIRLANE, MUSTANG - 1968

See General Removal Information.

FORD GALAXIE - 1968

Step 1. Remove knobs.
Step 2. Disconnect antenna speaker and "A" lead.
Step 3. Remove 2 bolts for rear Face Plate Mounting and nut from rear brace.
Step 4. Remove radio from under dash.

LINCOLN - 1968

Step 1. Remove 8 screws from lower instrument panel cover and drop cover down.
Step 2. Follow steps 1 thru 4 of General Removal Information.

SPEAKER REMOVAL

Step 1. Remove 6 screws from air conditioner grille.
Step 2. Remove 2 screws holding word Lincoln on left side of cluster.
Step 3. Remove 3 screws between cluster hood and crash pad.
Step 4. Remove 4 screws from windshield molding and remove molding.
Step 5. Remove 2 screws and 2 nuts from forward edge of crash pad.
Step 6. Disconnect speaker leads and remove crash pad.
Step 7. Remove 4 wing nuts holding speaker to crash pad and remove speaker.

MERCURY - 1968

See General Removal Information

COUGAR - 1968

See General Removal Information

VOLVO - 1967

See General Removal Information

VOLKSWAGEN-1958 THRU 1968

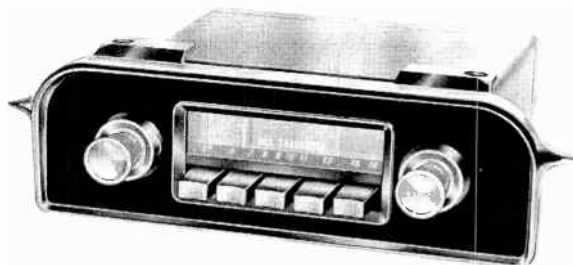
Step 1. Disconnect power, speaker and antenna leads.
Step 2. Remove knobs.
Step 3. Remove nuts from control bushings. From inside of luggage compartment, remove nut from rear brace.
Step 4. Remove radio thru luggage compartment opening.
Step 5. Remove nuts holding speaker and remove speaker thru luggage compartment opening.



PHOTOFACT[®] with

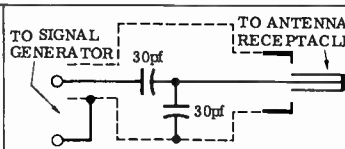

CIRCUITRACE[®]

TRADE NAME : Automatic Model NVW-6238 (1965-67 Volkswagen 1600)
SUPPLIER : For Current Address, See Annual Index
TYPE SET : 6-Transistor AM Receiver
POWER SUPPLY : 6 or 12 Volts Storage Battery
RATING : .8 Amp @ 6.3 or 12.6 Volts DC



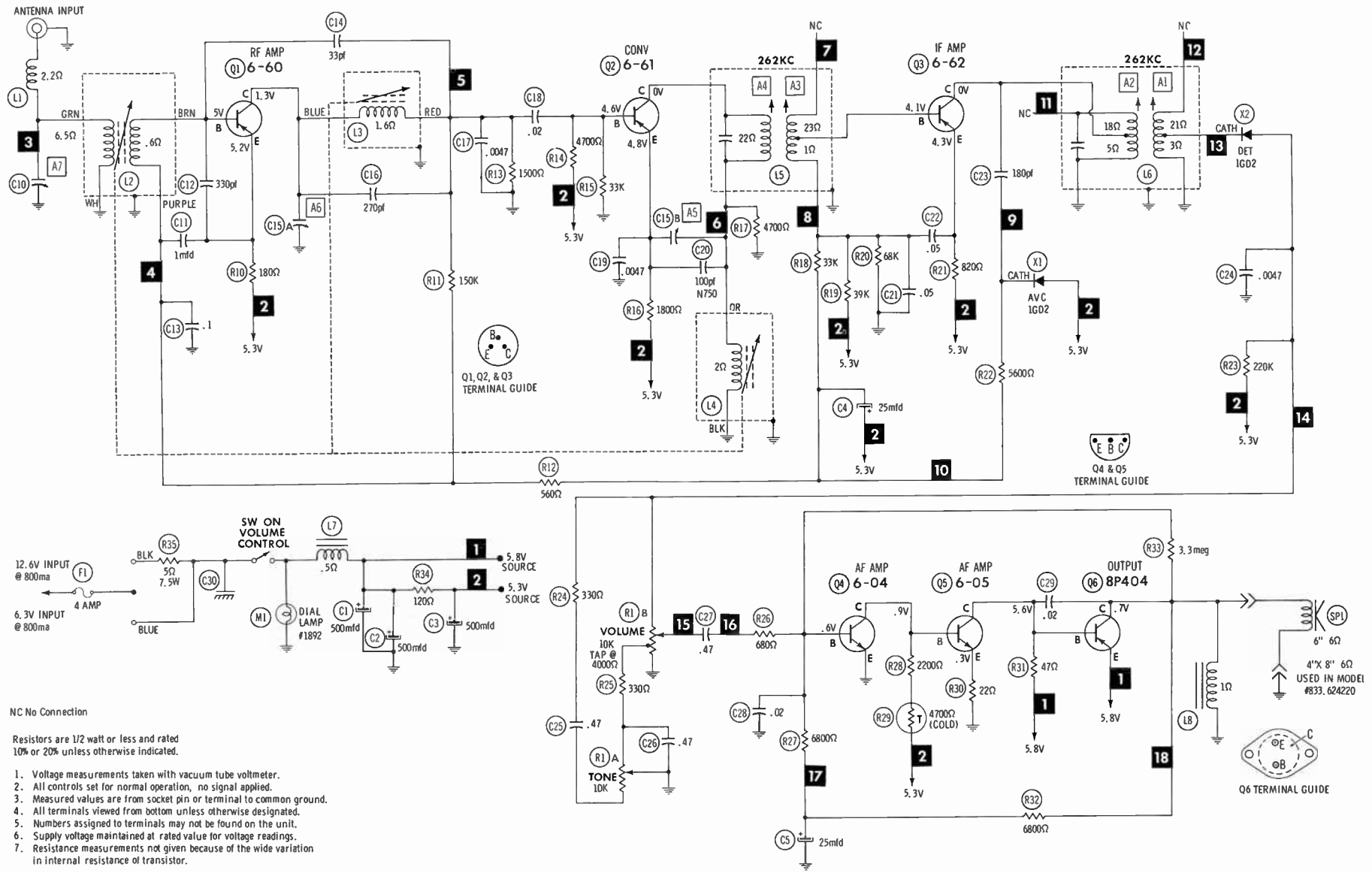
AUTOMATIC MODEL NVW-6238

ALIGNMENT INSTRUCTIONS

Check for specified source voltage. Use only enough generator output to provide a usable indication. Suggested Alignment Tools: A1 thru A7. GENERAL CEMENT: 9440 WALSCO: 2501			 <p>DUMMY ANTENNA</p>		PUSH-BUTTON ADJUSTMENT 1. Pull button out. 2. Tune manually to desired station. 3. Press button in firmly. 4. Repeat for remaining buttons.
SIGNAL GENERATOR COUPLING	SIGNAL GENERATOR FREQUENCY	RADIO DIAL SETTING	INDICATOR	ADJUST	REMARKS
1. High side thru .1mfd to point  , low side to ground.	262KC (400% Mod.)	High freq. end stop.	Output meter across voice coil.	A1, A2, A3, A4	Adjust for maximum.
2. Thru dummy antenna to antenna receptacle.	1615KC	"	"	A5, A6, A7	"
With radio installed in car and antenna extended to desired height, tune in a weak station near 1400KC and adjust A7 for maximum output. Antenna adjustment (A7) is located right side above antenna receptacle.					

HOWARD W. SAMS & CO., INC. Indianapolis, Indiana 46206

© 1968 Howard W. Sams & Co., Inc. Printed in U. S. of America TD275R



NC No Connection

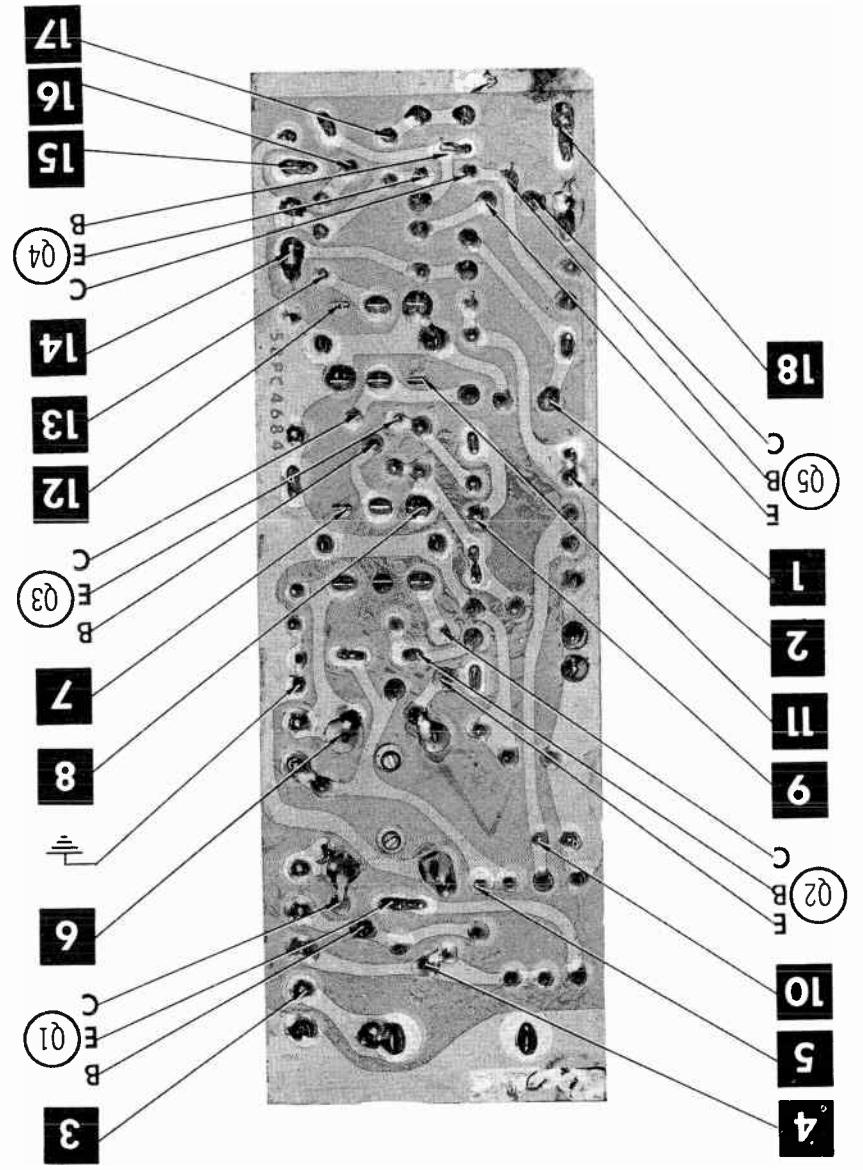
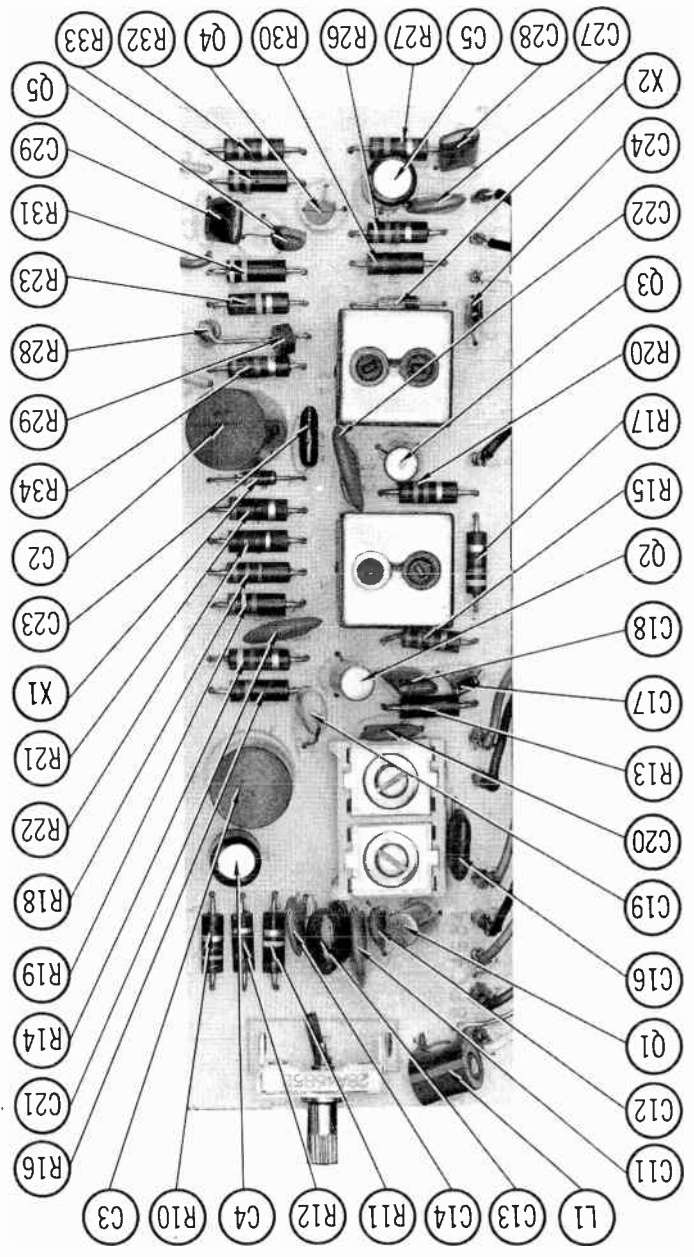
Resistors are 1/2 watt or less and rated 10% or 20% unless otherwise indicated.

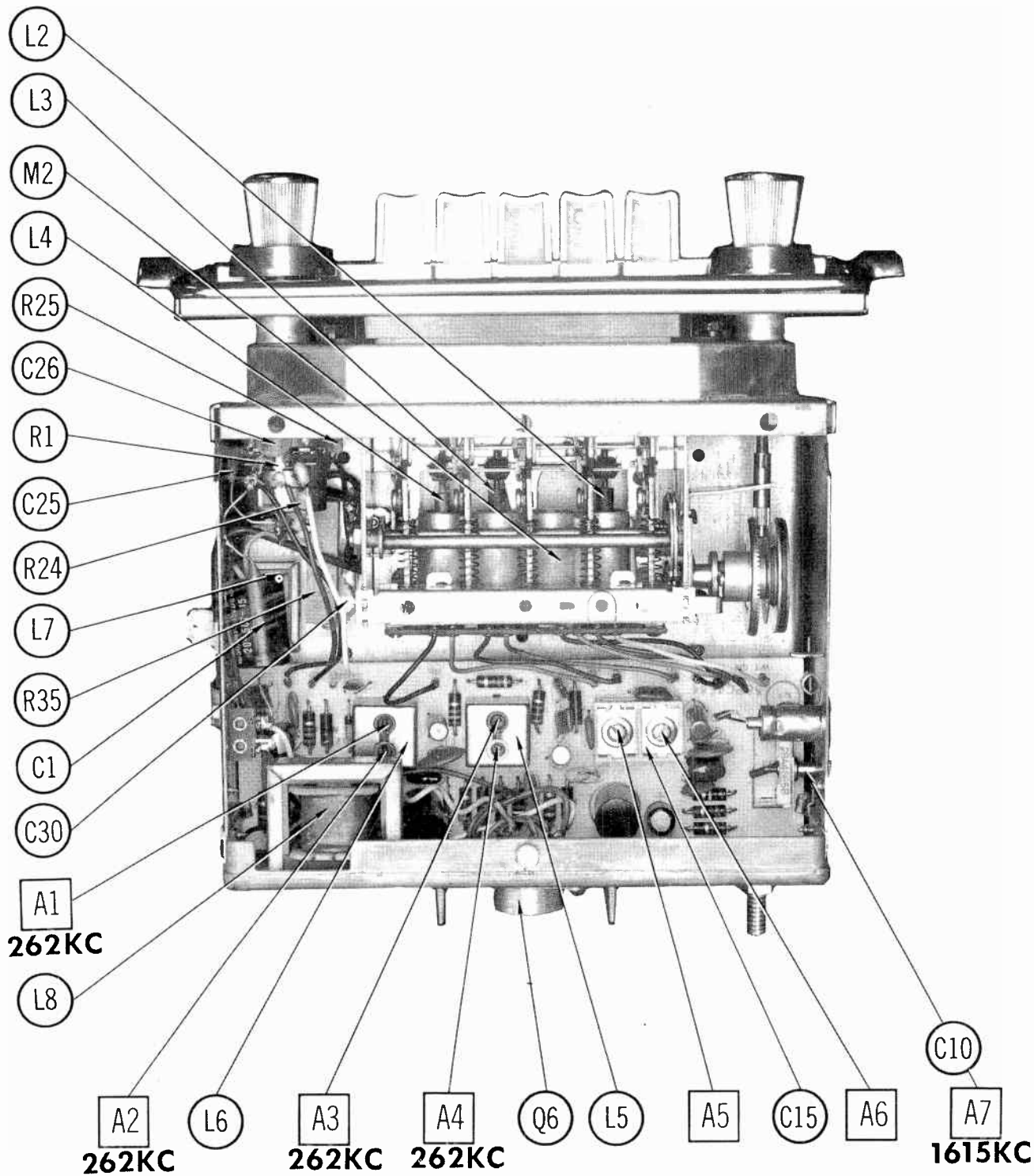
1. Voltage measurements taken with vacuum tube voltmeter.
2. All controls set for normal operation, no signal applied.
3. Measured values are from socket pin or terminal to common ground.
4. All terminals viewed from bottom unless otherwise designated.
5. Numbers assigned to terminals may not be found on the unit.
6. Supply voltage maintained at rated value for voltage readings.
7. Resistance measurements not given because of the wide variation in internal resistance of transistor.

A PHOTOFACIT STANDARD NOTATION SCHEMATIC with **CIRCUITRACE**

© Howard W. Soms & Co., Inc. 1968

AUTOMATIC MODEL NVW-6238





PARTS LIST AND DESCRIPTION

(When ordering parts, state Model, Part Number, and Description.)

Replacement parts shown may be superseded by the availability of newly introduced replacements.
Have your local distributor check Sams COUNTER FACTS for the most up-to-date replacement.

TRANSISTORS

ITEM No.	TYPE No.	FUNCTION	REPLACEMENT DATA					
			MFGR. PART No.	DELCO PART No.	GENERAL ELECTRIC PART No.	INTERNATIONAL RECTIFIER PART No.	RCA PART No.	SYLVANIA PART No.
Q1	2N1637	RF Amp.	6-60	DS-25	GE-9A	TR-11	SK-3008	ECG 126
Q2	2N1639	Converter	6-61	DS-25	GE-9A	TR-11	SK-3008	ECG 126
Q3	2N1638	IF Amp.	6-62	DS-25	GE-9A	TR-11	SK-3008	ECG 126
Q4		AF Amp.	6-05	DS-66	GE-20	TR-21	SK-3020	ECG 123
Q5		AF Amp.	6-04	DS-66	GE-20	TR-21	SK-3020	ECG 123
Q6	8P404 (2N176)	Output *		DS-520	GE-21	TR-01	SK-3009	ECG 104

* When replacing, apply silicone grease to both sides of insulator. Tighten mounting screws securely.

POWER RECTIFIERS & SIGNAL DIODES

ITEM No.	MFGR. PART OR TYPE No.	REPLACEMENT RECTIFIERS & DIODES			REPLACEMENT RECTIFIERS		NOTES
		GENERAL ELECTRIC PART No.	INTERNATIONAL RECTIFIER PART No.	SYLVANIA PART No.	RCA PART No.	SARKES TARZIAN PART No.	
X1	1GD2 (1N295)	1N295	1N295	ECG 109			
X2	1GD2 (1N295)	1N295	1N295	ECG 109			

ELECTROLYTIC CAPACITORS

ITEM No.	RATING	REPLACEMENT DATA						
		AUTOMATIC PART No.	AEROVOX PART No.	CENTRALAB PART No.	CORNELL-DUBILIER PART No.	GENERAL ELECTRIC PART No.	MALLORY PART No.	SPRAGUE PART No.
C1	500 15V	20-507-15PC	BCD15500	EA15-500	BR500-15	QT1-30	MTV500DN15	TL-1166
C2	500 15V	20-507-15PC	BCD15500	EA15-500	BR500-15	QT1-30	MTV500DN15	TL-1166
C3	500 15V	20-507-15PC	BCD15500	EA15-500	BR500-15	QT1-30	MTV500DN15	TL-1166
C4	25 15V	20-256-15PC	BCD15025	EP15-25	NLW25-15	MT1-10	MTV25CB35	TL-1157.1
C5	25 15V	20-256-15PC	BCD15025	EP15-25	NLW25-15	MT1-10	MTV25CB35	TL-1157.1

CAPACITORS

ITEM No.	RATING	REMARKS	REPLACEMENT DATA					
			AEROVOX PART No.	CENTRALAB PART No.	CORNELL-DUBILIER PART No.	ELMENCO PART No.	MALLORY PART No.	SPRAGUE PART No.
C10								
C11	1mfd			UK-105	HXC3ROXR105P			HY-135
C12	330		GPD X5F331K	DD-331	JBZ601YP331K	CCD-331	GP330	5GA-T30
C13	.1		TTP-1	CK-104	HOV1012V104Z		TA010	TG-P10
C14	33 NPO		NPO-DI 33	DTZ-33	CS601CG330K	CCD-330	CN0433	10TCC-Q33
C15A								
C15B								
C16	270			DD-271	CD15F271J500	CCD-271	GP327	5GA-T27
C17	.0047		GPD X5R502K	DD-502	JBT601YP502K	CCD-502	JF250	10TS-D50
C18	.02		TTP-02	CK-203	HOR1012V203P	CCD-203	TA120	TG-S20
C19	.0047 400V		GPD X5R502K	DD-502	JBT601YP502K	CCD-502	JF250	10TS-D50
C20	100 N750		N750-DI 100	DTN-100	CX601UJ100K	CCTN-101	CN7310	10TCU-T10
C21	.05		GPD 25V503P	DD-503	HOV1012V503Z	CCD-503	TA150	5GA-S50
C22	.05		GPD 25V503P	DD-503	HOV1012V503Z	CCD-503	TA150	5GA-S50
C23	180		ADM-10-181	CPR-180J	CD10E181J500	DM-15-181	SK318	MS-318
C24	.0047		GPD X5R502K	DD-502	JBT601YP502K	CCD-502	JF250	10TS-D50
C25	.47			UK10-474	HCS3ROXR474P		MAG12047	HY-330
C26	.47			UK10-474	HCS3ROXR474P		MAG12047	HY-330
C27	.47			UK10-474	HCS3ROXR474P		MAG12047	HY-330
C28	.02		TTP-02	CK-203	HOR1012V203P	CCD-203	TA120	TG-S20
C29	.02		TTP-02	CK-203	HOR1012V203P	CCD-203	TA120	TG-S20
C30								

CONTROLS (All wattages 1/2 watt, or less, unless listed)

ITEM No.	FUNCTION	RESISTANCE	REPLACEMENT DATA					
			MFGR. PART No.	CENTRALAB PART No.	CLAROSTAT PART No.	CTS-IRC PART No.	MALLORY PART No.	
R1A	Tone	10K	80A4545	F1-10K, R16-10K,			* QJ-1689A	P14L, 4112, SH41,
B	Volume/Switch	10K Tap @ 4000 ohms		FFS114, RFS206, BB108, SB004, KR-1				RU752T53, OX1750, IS2250, US41

* "CONCENTRIKIT" Equivalent: B11-116, P17-123 (Panel) B21-115X, R9-202 (Rear) S8 (1) (Bushing) N4 (Space nut) 76-1 (Switch)
"SNAPTROL" Equivalent: BU8 (1), CF9, CR48T, SF14, SR50, N4, GC
(1) Alter Bushing to meet requirement.

AUTOMATIC MODEL NVW-6238

PARTS LIST AND DESCRIPTION (CONTINUED)

(When ordering parts, state Model, Part Number, and Description.)

Replacement parts shown may be superseded by the availability of newly introduced replacements.
Have your local distributor check Sams COUNTER FACTS for the most up-to-date replacement.

COILS (RF-IF)

ITEM No.	USE	REPLACEMENT DATA			
		PART No.	MEISSNER PART No.	MILLER PART No.	WORKMAN PART No.
L1	RF Choke (6.2uh)	14-6.2	19-1004	4610	T859
L2	Antenna	(1)			
L3	RF	(1)			
L4	Oscillator	(1)			
L5	Input IF	14A3233B			
L6	Output IF	14A3234B			

(1) Part of M2.

RESISTORS (Power and Special)

ITEM No.	RATING	REPLACEMENT DATA			ITEM No.	RATING	REPLACEMENT DATA		
		IRC PART No.	WORKMAN PART No.	MFGR. PART No.			IRC PART No.	WORKMAN PART No.	MFGR. PART No.
R29	4700 ohms (Cold)			51RS2					

FILTER CHOKE

ITEM No.	RATINGS			REPLACEMENT DATA					NOTES
	CURRENT (Measured)	DC RES.	INDUCTANCE (0 CURRENT 1000~)	PART No.	MERIT PART No.	STANCOR PART No.	THORDARSON PART No.	TRIAD PART No.	
L7	800ma	.5 ohm	10mh	75A3082	C-4095	TC-2	TR-155	TY17XT	

CHOKE (Audio Output)

ITEM No.	INDUCTANCE	REPLACEMENT DATA					NOTES
		PART No.	MERIT PART No.	STANCOR PART No.	THORDARSON PART No.	TRIAD PART No.	
L8	8mh	75A2057	C-4095	TC-2	TR-155	TY17XT	

SPEAKER

ITEM No.	TYPE	REPLACEMENT DATA			NOTES
		PART No.	JENSEN PART No.	QUAM PART No.	
SP1	6" PM 4" x 8" PM	6 ohms 6 ohms	73B5024 73B3485	C6T8	6A15Z6

FUSE DEVICES

ITEM No.	DESCRIPTION	REPLACEMENT DATA						
		PART No.		BUSS PART No.		LITTELFUSE PART No.		WORKMAN PART No.
		DEVICE	HOLDER	DEVICE	HOLDER	DEVICE	HOLDER	DEVICE
F1	AGW 4 Amps.	108-400	12A5300	AGW 4	HDH	303004	155009	

MISCELLANEOUS

ITEM No.	PART NAME	PART No.	NOTES
M1 M2	Dial Lamp Tuner	TS-44 78B4848	CHICAGO MINIATURE Replacement CM 1892

CABINETS & CABINET PARTS (When ordering specify model, chassis & color)

ITEM	PART No.	ITEM	PART No.
Knob, Tuning or Volume	48A3417	Escutcheon	54D4808
Knob, Tone	48A1063-1	Pushbutton	55A3896
Knob, Dummy	48A1063-1A		

WIRING DATA

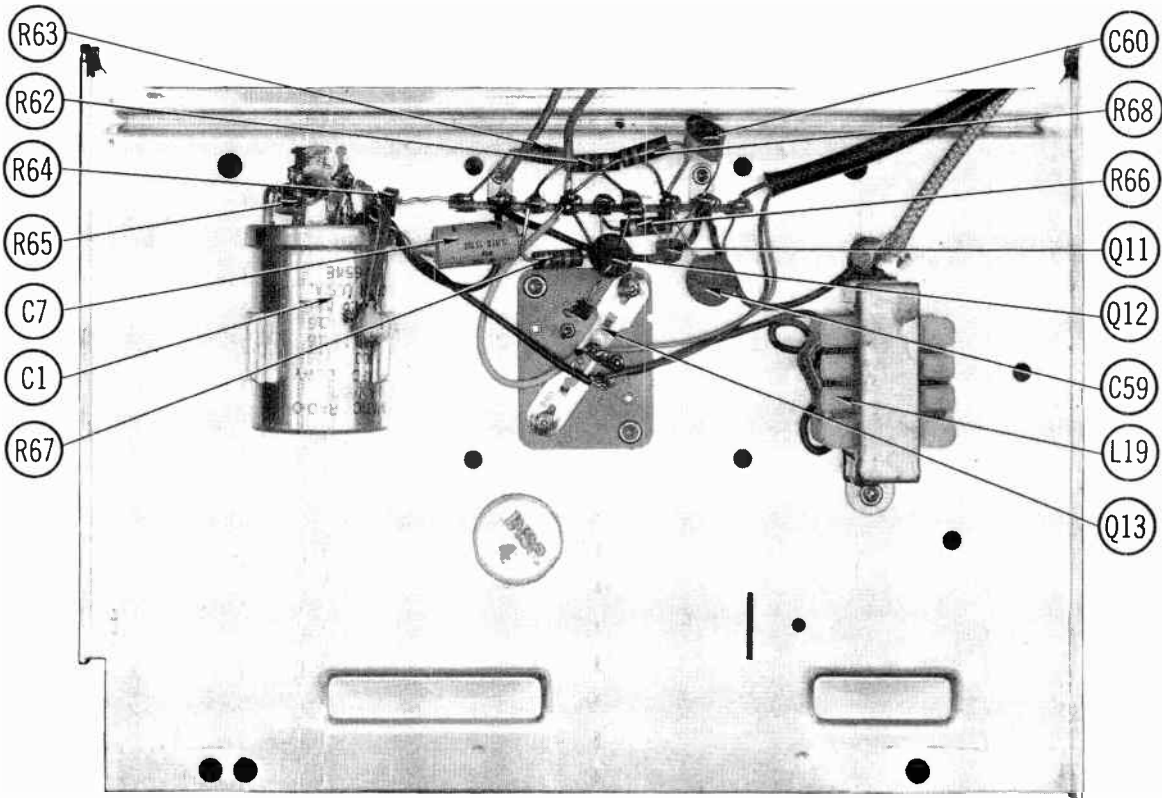
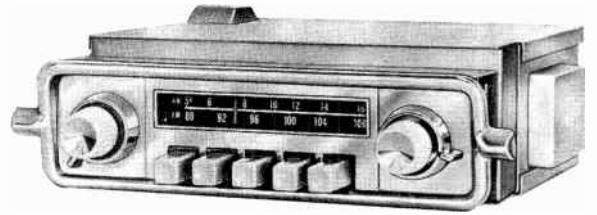
General-use Unshielded Hook-up Wire	Use BELDEN No. 8530 (Solid) Available in 12 Colors 8524 (Stranded) Available in 12 Colors
Shielded Hook-up Wire	Use BELDEN No. 8885
Rear Seat Speaker Extension Cable	Use BELDEN No. 8782 (Stranded) Coded Parallel Leads
Bonding Strap	Use BELDEN No. 8661 (3/8 In.) or 8670 (3/4 In.)



PHOTOFACT[®] with

CIRCUITRACE[®]

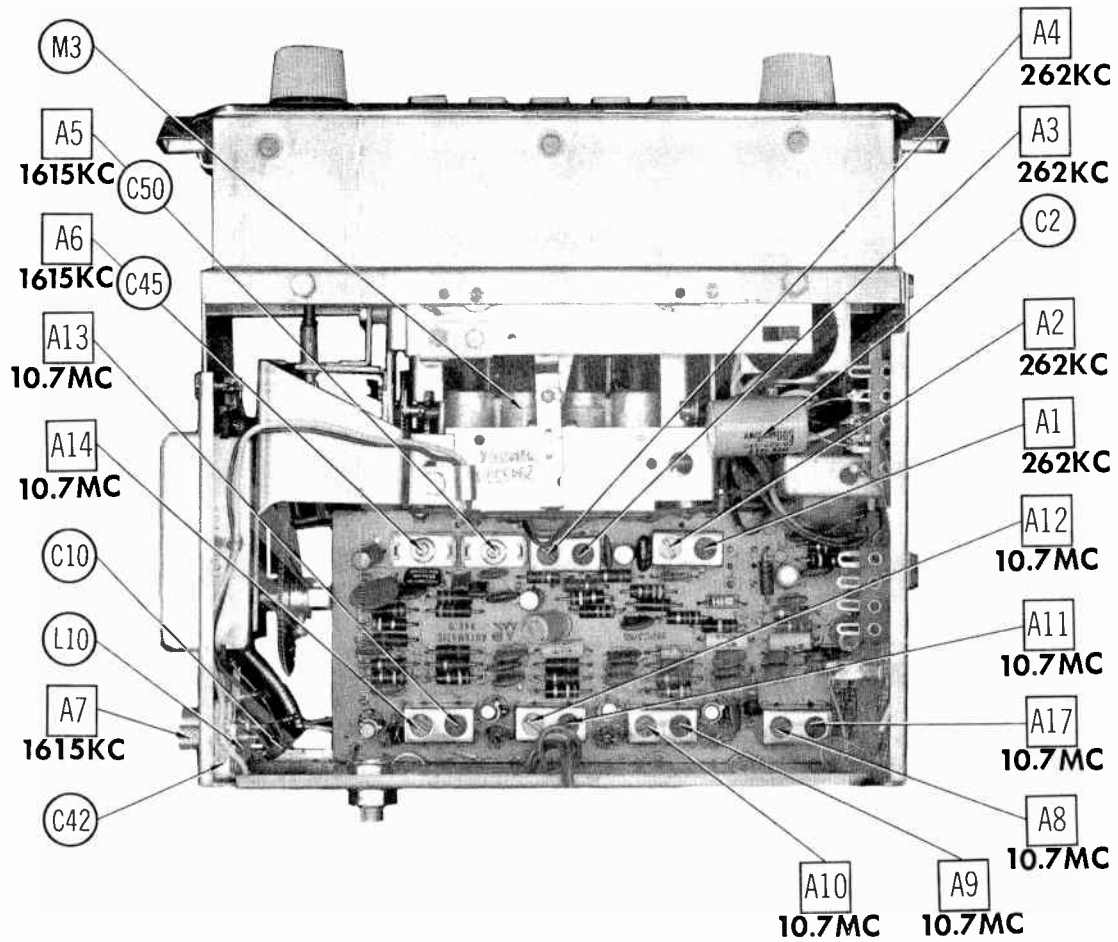
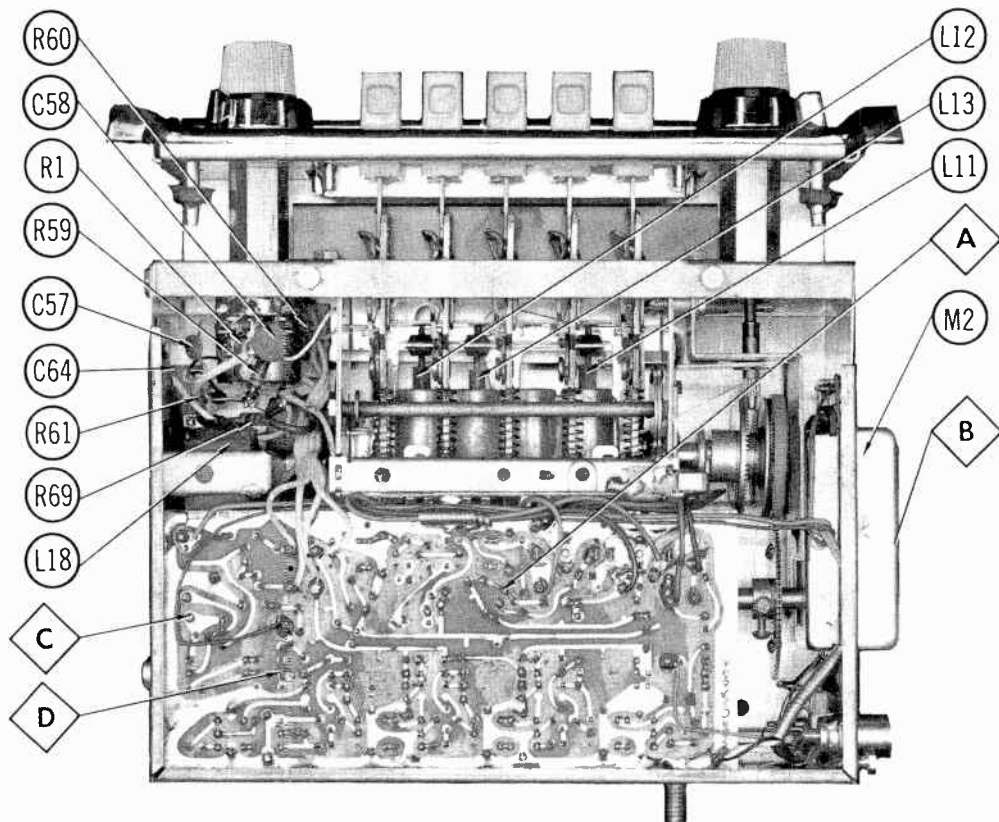
TRADE NAME : Automatic Model WFM-5387 (1958 thru 1967 Volkswagen)
 SUPPLIER : For current address, see Annual Index.
 TYPE SET : 13-Transistor AM-FM Receiver
 POWER SUPPLY : 6-Volt Storage Battery
 RATING : .35 Amp. @ 6.3 Volts DC



AUTOMATIC MODEL WFM-5387

HOWARD W. SAMS & CO., INC. Indianapolis, Indiana 46206

© 1968 Howard W. Sams & Co., Inc. Printed in U. S. of America TD204R



ALIGNMENT INSTRUCTIONS

Check for specified source voltage. Use only enough generator output to provide a usable indication. Suggested Alignment Tools: A1 thru A22 ... GENERAL CEMENT 9440 WALSCO 2501				PUSH-BUTTON ADJUSTMENT 1. Pull button out. 2. Tune manually to desired station. 3. Press button in firmly. 4. Repeat for remaining buttons.	
SIGNAL GENERATOR COUPLING	SIGNAL GENERATOR FREQUENCY	RADIO DIAL SETTING	INDICATOR	ADJUST	REMARKS
1. High side thru .1mfd to point \diamond , low side to ground.	262KC (400% Mod.)	High freq. end stop.	Output meter across voice coil.	A1, A2, A3, A4	Adjust for maximum.
2. Thru dummy antenna to antenna receptacle.	1615KC	"	"	A5, A6, A7	"
With radio installed in car and antenna extended 33", tune in a weak station near 1400KC and adjust A7 for maximum output. Antenna adjustment (A7) is located on right side.					

FM IF ALIGNMENT USING AM SIGNAL GENERATOR - SELECTOR IN FM POSITION

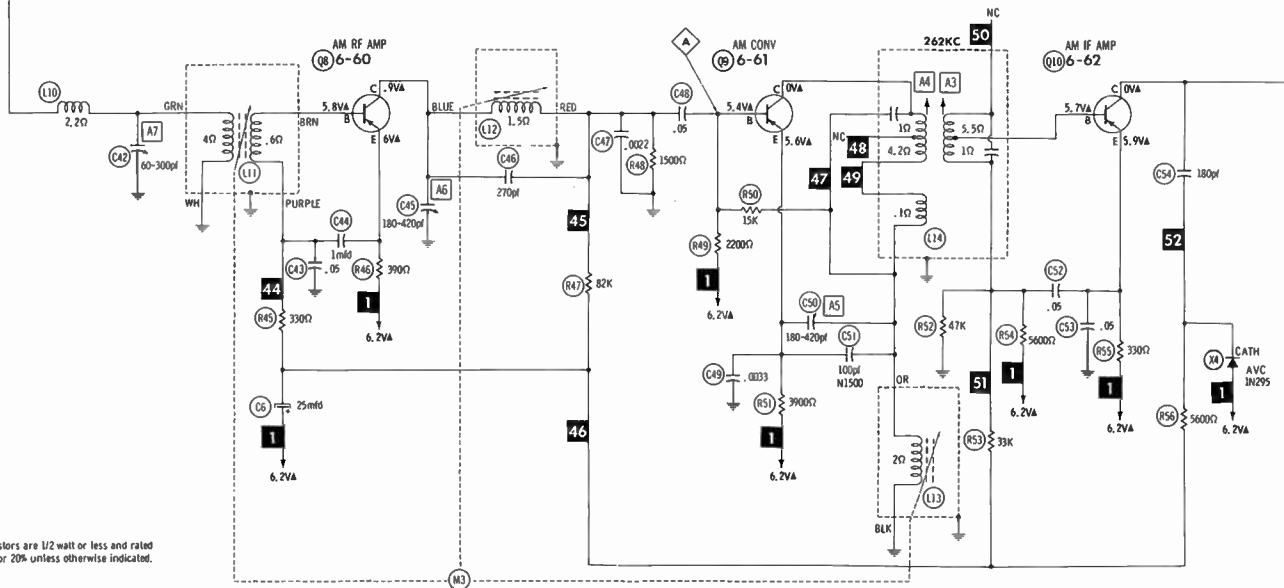
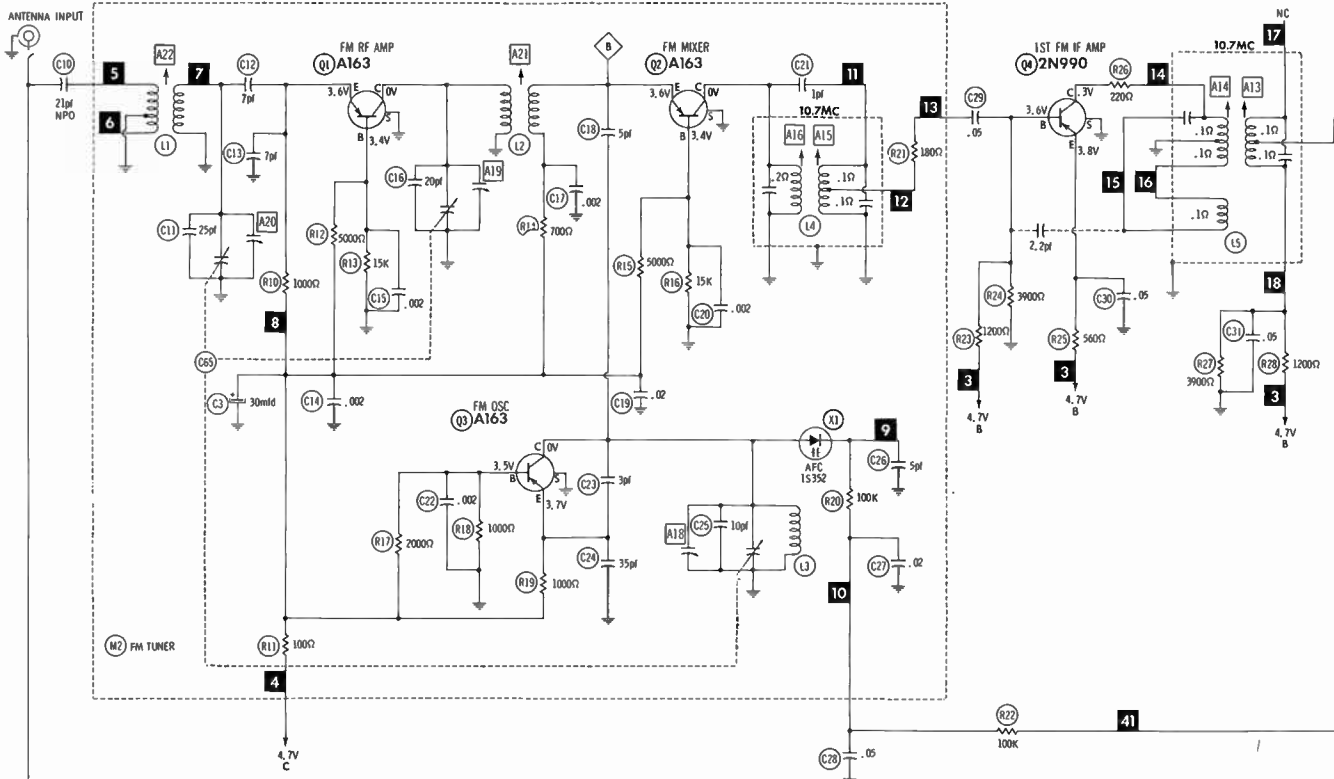
High side of generator thru .001mfd to point \diamond , low side to ground.					
GENERATOR FREQUENCY	DIAL SETTING	INDICATOR	ADJUST	REMARKS	
3. 10.7MC (Unmod.)	Point of non-interference.	DC probe of VTVM to point \diamond , common to ground.	A8 thru A16	Adjust for maximum.	
4. "	"	DC probe to point \diamond , common to ground.	A17	Adjust for zero reading. A positive or negative reading will be obtained on either side of the correct setting.	

FM IF ALIGNMENT USING FM SIGNAL GENERATOR - SELECTOR IN FM POSITION

High side of generator thru .001mfd to point \diamond , low side to ground. Use only enough marker signal for indication. Use 60% frequency modulated signal with 450KC sweep. Use 60% sawtooth voltage in scope for horizontal deflection.					
GENERATOR FREQUENCY	DIAL SETTING	INDICATOR	ADJUST	REMARKS	
3. 10.7MC (450KC Swp.)	Point of non-interference	Vert. amp. of scope to point \diamond , low side to ground.	A8 thru A16	Disconnect stabilizing capacitor C4. Adjust for maximum gain and symmetry of response similar to Fig. 1 with marker as shown. Reconnect C4.	
4. "	"	Vert. amp. to point \diamond , low side to ground.	A17	Adjust A17 (secondary) to place marker at center of "S" curve similar to Fig. 2. Adjust A8 (primary) for maximum amplitude and straightness of line.	

FM RF ALIGNMENT - SELECTOR IN FM POSITION

Connect generator across antenna receptacle with 120Ω carbon resistors in series with each lead.					
GENERATOR FREQUENCY	DIAL SETTING	INDICATOR	ADJUST	REMARKS	
5. 108MC	Set at high end.	DC probe of VTVM to point \diamond , common to ground.	A18, A19, A20	Adjust for maximum.	
6. 92MC	Tune to signal.	"	A21, A22	Rock tuning and adjust for maximum. Repeat steps 5 and 6 until no further improvement can be made.	



Resistors are 1/2 watt or less and rated 10% or 20% unless otherwise indicated.

All measurements taken in "FM" position unless otherwise designated.

▲ Measured in "AM" position.

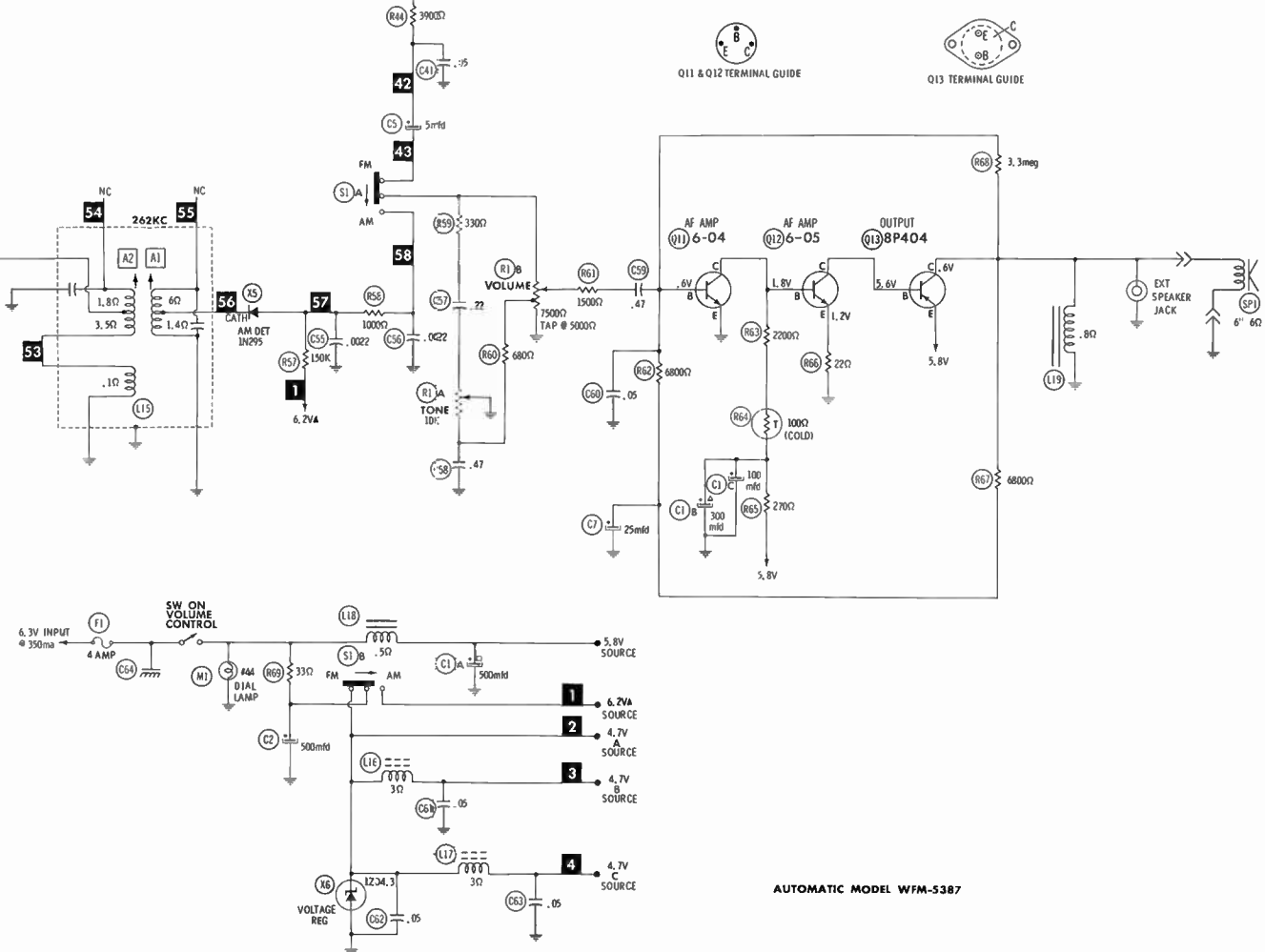
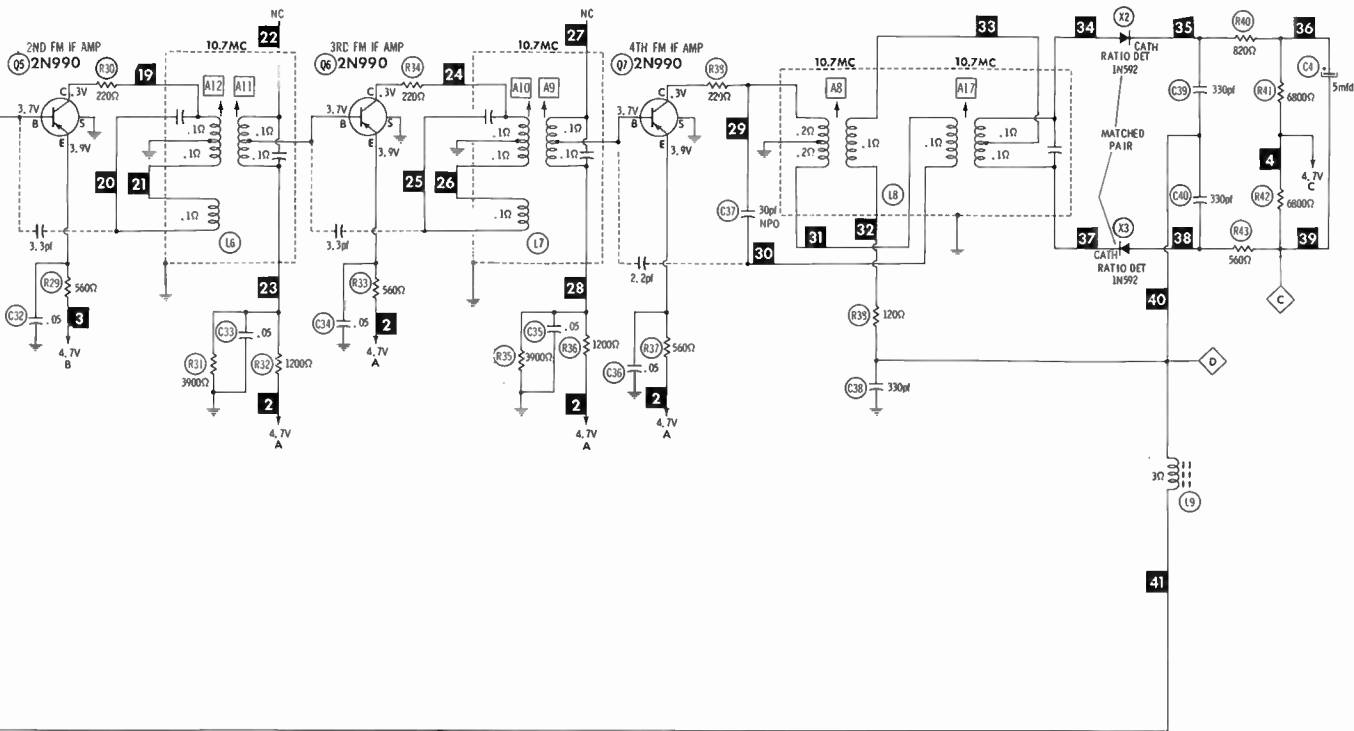
NC No Connection

1. Voltage measurements taken with vacuum tube voltmeter.
2. All controls set for normal operation, no signal applied.
3. Measured values are from socket pin or terminal to common ground.
4. All terminals viewed from bottom unless otherwise designated.
5. Numbers assigned to terminals may not be found on the unit.
6. Supply voltage maintained at rated value for voltage readings.
7. Resistance measurements not given because of the wide variation in internal resistance of transistor.

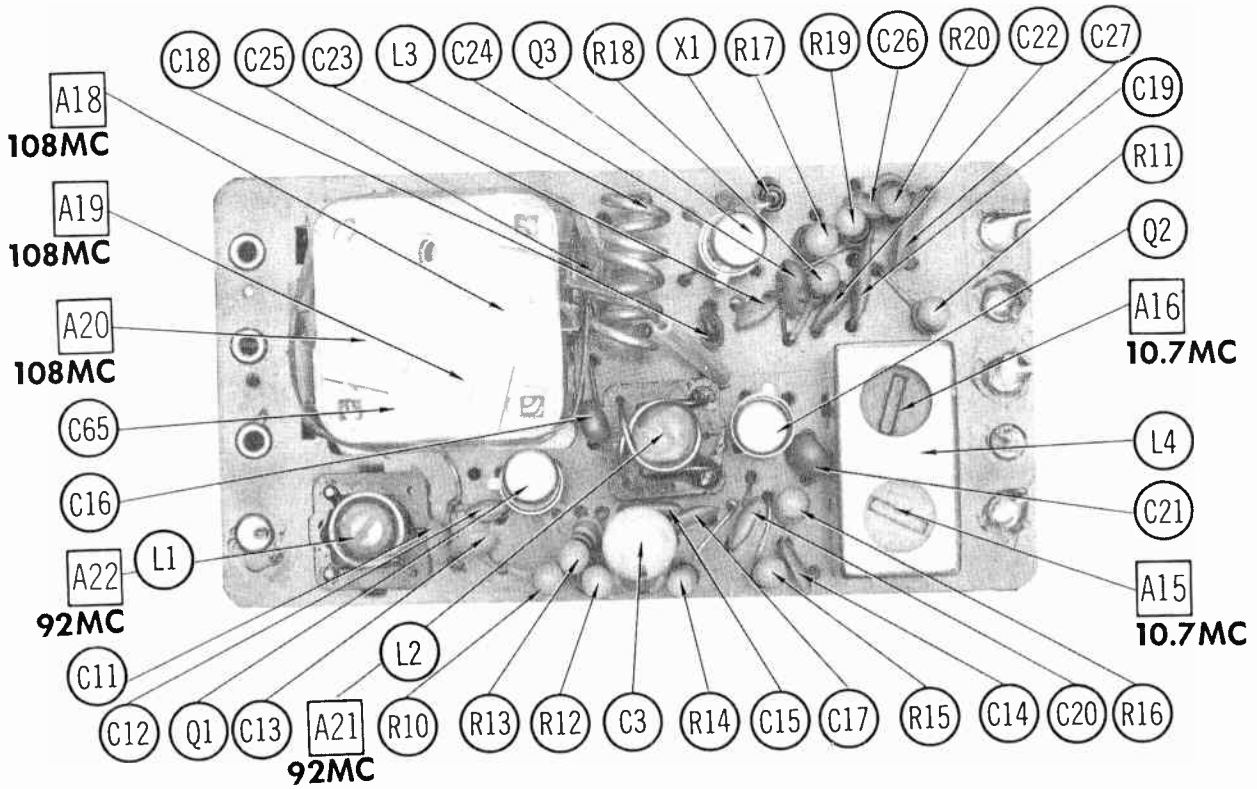
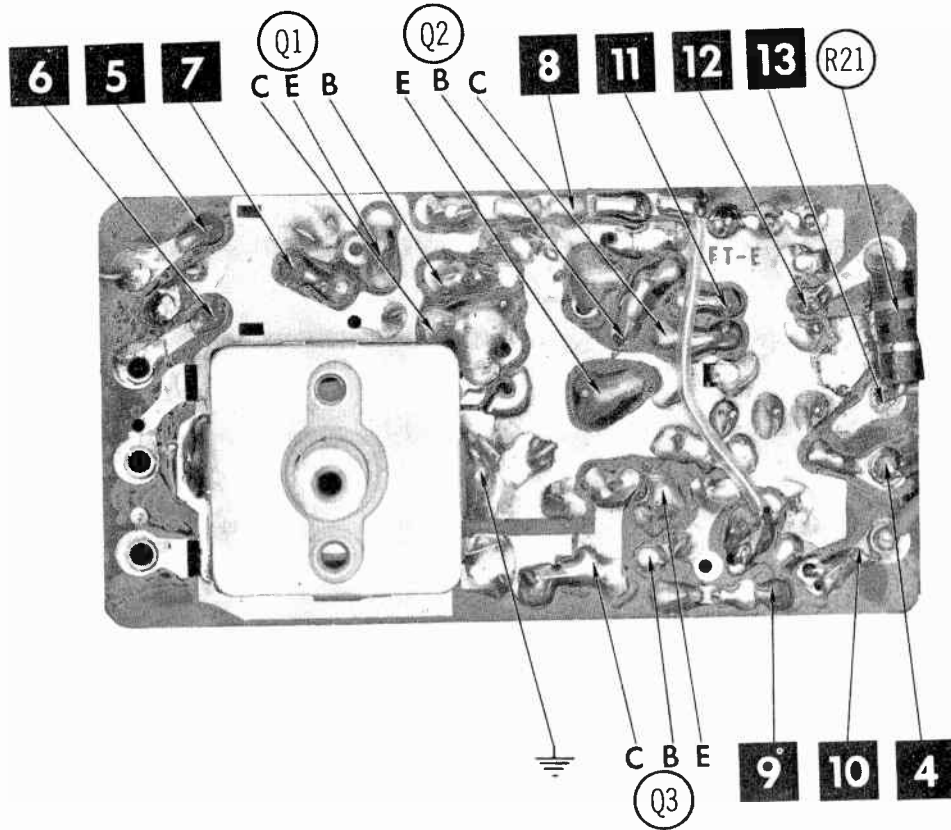
A PHOTOFACI STANDARD NOTATION SCHEMATIC

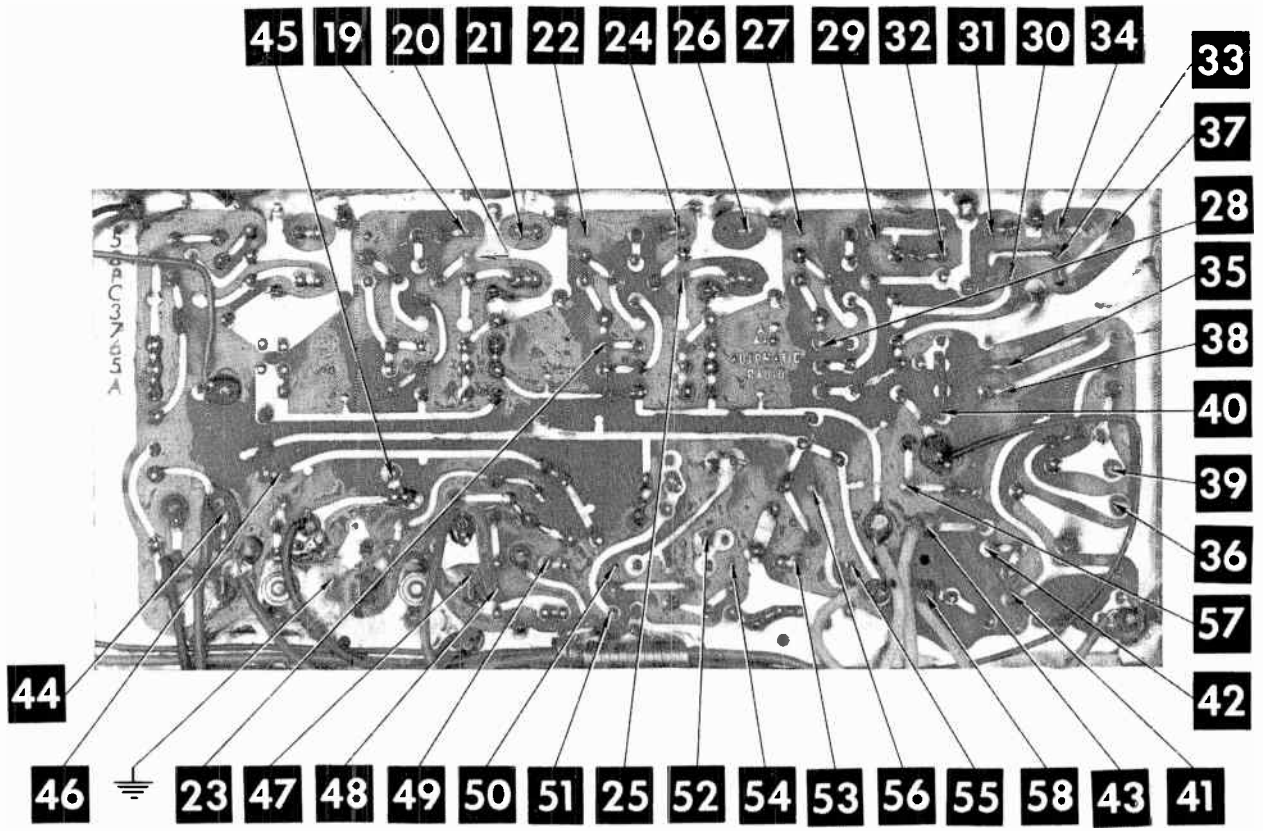
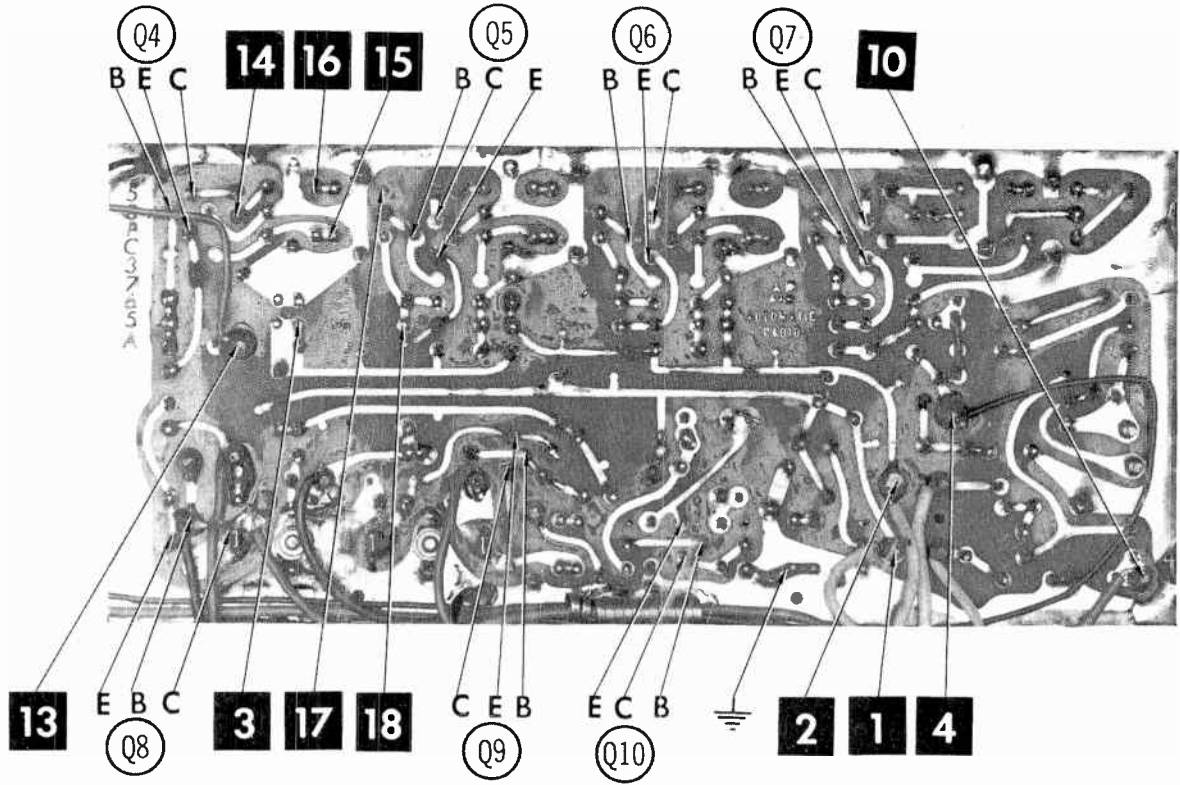
with **CIRCUITRAE**

© Howard W Sams & Co., Inc 1968

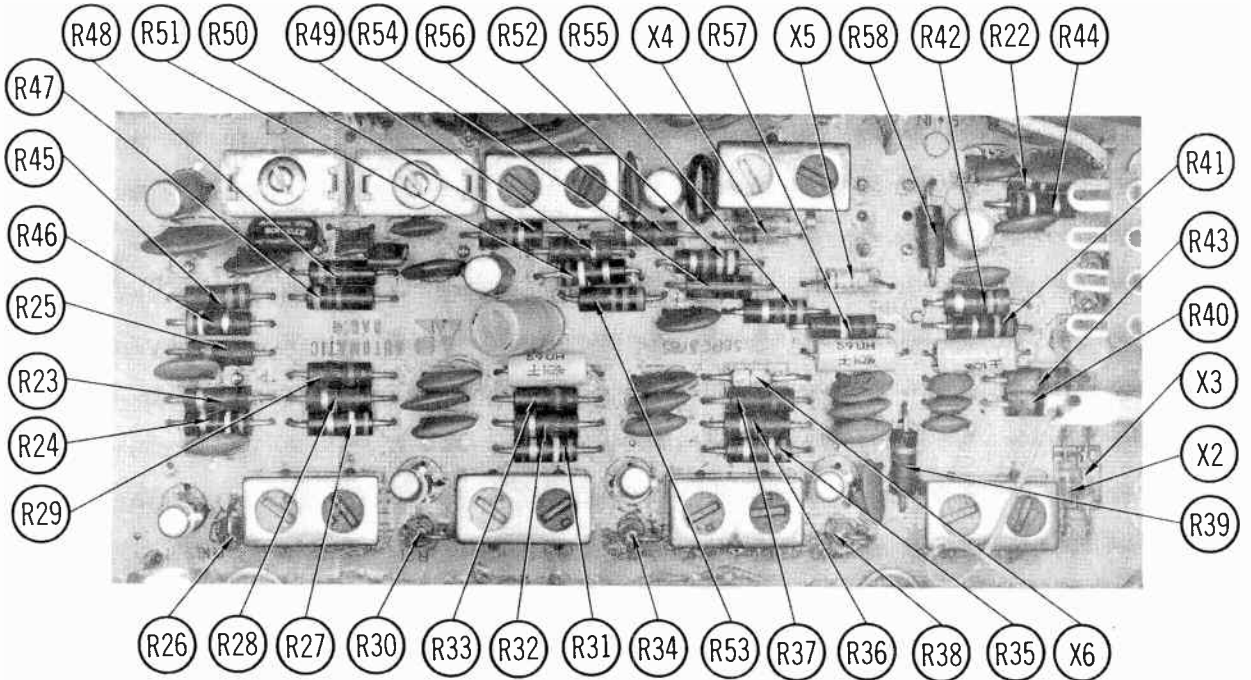
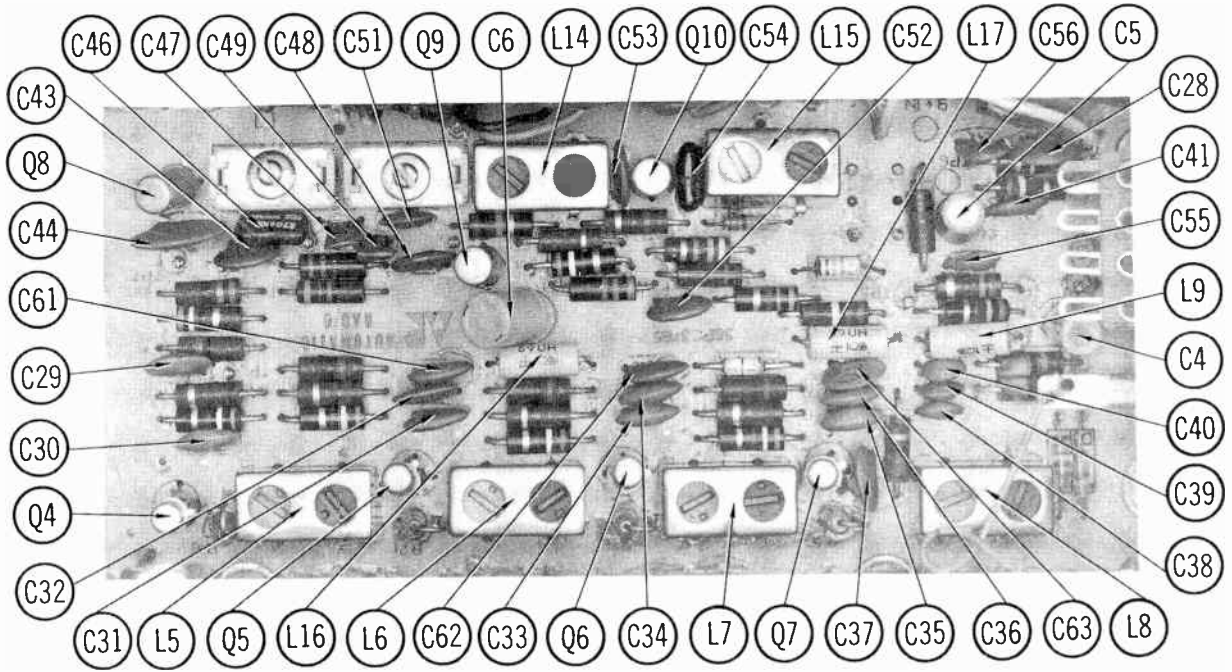


AUTOMATIC MODEL WFM-5387





AUTOMATIC MODEL WFM-5387



PARTS LIST AND DESCRIPTION

(When ordering parts, state Model, Part Number, and Description.)

Replacement parts shown may be superseded by the availability of newly introduced replacements. Have your local distributor check Sams COUNTER FACTS for the most up-to-date replacement.

TRANSISTORS

ITEM No.	TYPE No.	FUNCTION	REPLACEMENT DATA					
			MFR. PART No.	DELCO PART No.	GENERAL ELECTRIC PART No.	INTERNATIONAL RECTIFIER PART No.	RCA PART No.	SYLVANIA PART No.
Q1	A163	FM RF Amp.		DS-41	GE-9A	TR-17	SK-3006	ECG 126
Q2	A163	FM Mixer		DS-41	GE-9A	TR-17	SK-3006	ECG 126
Q3	A163	FM Oscillator		DS-41	GE-9A	TR-17	SK-3006	ECG 126
Q4	2N990	1st FM IF		DS-56	GE-9A	TR-17	SK-3007	ECG 126
Q5	2N990	2nd FM IF		DS-56	GE-9A	TR-17	SK-3007	ECG 126
Q6	2N990	3rd FM IF		DS-56	GE-9A	TR-17	SK-3007	ECG 126
Q7	2N990	4th FM IF		DS-56	GE-9A	TR-17	SK-3007	ECG 126
Q8	6-60	AM RF Amp.		DS-25	GE-9A	TR-06	SK-3008	ECG 126
Q9	6-61	AM Converter		DS-25	GE-9A	TR-06	SK-3008	ECG 126
Q10	6-62	AM IF Amp.		DS-25	GE-9A	TR-06	SK-3008	ECG 126
Q11	6-04	AF Amp.		DS-66	GE-10	TR-21	SK-3020	ECG 123
Q12	6-05	AF Amp.		DS-66	GE-10	TR-21	SK-3020	ECG 123
Q13	8P404	Output		DS-520	GE-3	TR-01	SK-3009	ECG 104

♦ When replacing, apply silicone grease to both sides of insulator. Tighten mounting screws securely.

POWER RECTIFIERS & SIGNAL DIODES

ITEM No.	MFR. PART OR TYPE No.	REPLACEMENT RECTIFIERS & DIODES			REPLACEMENT RECTIFIERS		NOTES
		GENERAL ELECTRIC PART No.	INTERNATIONAL RECTIFIER PART No.	SYLVANIA PART No.	RCA PART No.	SARKES TARZIAN PART No.	
X1	1S352						
X2	1N592	1N60	1N542①	ECG 110①			
X3	1N592	1N60					
X4	1N295	1N295	1N295	ECG 109			
X5	1N295	1N295	1N295	ECG 109			
X6	1ZD4.3						

① Matched Pair.

ELECTROLYTIC CAPACITORS

ITEM No.	RATING	REPLACEMENT DATA						
		AUTOMATIC PART No.	AEROVOX PART No.	CENTRALAB PART No.	CORNELL-DUBILIER PART No.	GENERAL ELECTRIC PART No.	MALLORY PART No.	SPRAGUE PART No.
C1A	500 μ 16V	20A3778	AFH3-00-94.5		CC0010	XC3-48.1	FP300.83	TVL-3026.14
B	300 μ 16V							
C	100 μ 16V							
C2	500 15V	20-507	PRS1220	EA15-500	BR500-15	QTI-30	TC1505	TL-1166
C3	30 6V		BCD6025	E P6-50	NLW30-6	MT1-13	MTV30CB25	TL-1093
C4	5 15V	20-505 P	BCD15005	E P60-5	NLW5-15	MT1-3	MTV5CB50	TE-1152
C5	5 15V	20-505 P	BCD15005	E P60-5	NLW5-15	MT1-3	MTV5CB50	TE-1152
C6	25 15V	20-256 P	BCD10025	E P15-25	NLW25-10	MT1-16	MTV25CB35	TL-1131
C7	25 15V	20-256 P	BCD10025	E P15-25	NLW25-10	MT1-16	MTV125CB35	TL-1131

CAPACITORS

ITEM No.	RATING	REMARKS	REPLACEMENT DATA					
			AEROVOX PART No.	CENTRALAB PART No.	CORNELL-DUBILIER PART No.	ELMENCO PART No.	MALLORY PART No.	SPRAGUE PART No.
C10	21 NPO			TCZ-18	CY601CG180J	CCTO-180	CNO418	10TCC-Q18
C11	25			TCZ-18	CY601CG180J	CCTO-180	CNO418	10TCC-Q18
C12	7		NPO-DI 6.8	DTZ-6R8	CZ601CH6R8D	CCTO-6R8	CNO668	10TCC-V68
C13	7		NPO-DI 6.8	DTZ-6R8	CZ601CH6R8D	CCTO-6R8	CNO668	10TCC-V68
C14	.002		GPD X5 F202K	DD-202	JBX601YP202K	CCD-202	GP220	10TS-D20
C15	.002		GPD X5 F202K	DD-202	JBX601YP202K	CCD-202	GP220	10TS-D20
C16	20			TCZ-18	CY601CG180J	CCTO-180	CNO418	10TCC-Q18
C17	.002		GPD X5 F202K	DD-202	JBX601YP202K	CCD-202	GP220	10TS-D20
C18	5		NPO-DI 4.7	DTZ-4R7	CZ601CH5R0D	CCTO-4R7	CNO647	10TCC-V47
C19	.02		TTP-02	CK-203	HOR101ZV203P	CCD-203	TA120	TG-S20
C20	.002		GPD X5 F202K	DD-202	JBX601YP202K	CCD-202	GP220	10TS-D20
C21	1		NPO-DI 1.0	TCZ-1			CNO510	10TCC-V10
C22	.002		GPD X5 F202K	DD-202	JBX601YP202K	CCD-202	GP220	10TS-D20
C23	3		NPO-DI 3.0	DTZ-3R3			CNO633	10TCC-V30
C24	35		NPO-DI 33	DTZ-33	CS601CG330K	CCTO-330	CNO433	10TCC-Q33
C25	10		NPO-DI 8.2					10TCC-V82
C26	5		NPO-DI 4.7	DTZ-4R7	CZ601CH5R0D	CCTO-4R7	CNO647	10TCC-V47
C27	.02		TTP-02	CK-203	HOR101ZV203P	CCD-203	TA120	TG-S20
C28	.05		GPD Z5V503P	DD-503	HOV101ZV503Z	CCD-503	GP150	5GA-S50
C29	.05		GPD Z5V503P	DD-503	HOV101ZV503Z	CCD-503	GP150	5GA-S50
C30	.05		GPD Z5V503P	DD-503	HOV101ZV503Z	CCD-503	GP150	5GA-S50
C31	.05		GPD Z5V503P	DD-503	HOV101ZV503Z	CCD-503	GP150	5GA-S50
C32	.05		GPD Z5V503P	DD-503	HOV101ZV503Z	CCD-503	GP150	5GA-S50
C33	.05		GPD Z5V503P	DD-503	HOV101ZV503Z	CCD-503	GP150	5GA-S50
C34	.05		GPD Z5V503P	DD-503	HOV101ZV503Z	CCD-503	GP150	5GA-S50
C35	.05		GPD Z5V503P	DD-503	HOV101ZV503Z	CCD-503	GP150	5GA-S50
C36	.05		GPD Z5V503P	DD-503	HOV101ZV503Z	CCD-503	GP150	5GA-S50
C37	30 NPO		NPO-DI 33	DTZ-33	CS601CG330K	CCTO-330	CNO433	10TCC-Q33
C38	330		GPD X5 F331K	DD-331	JBZ601YP331K	CCD-331	GP333	5GA-T33
C39	330		GPD X5 F331K	DD-331	JBZ601YP331K	CCD-331	GP333	5GA-T33
C40	330		GPD X5 F331K	DD-331	JBZ601YP331K	CCD-331	GP333	5GA-T33
C41	.05		GPD Z5V503P	DD-503	HOV101ZV503P	CCD-503	GP150	5GA-S50
C42	60-300	#28A3044						
C43	.05		GPD Z5V503P	DD-503	HOV101ZV503P	CCD-503	GP150	5GA-S50
C44	1mfd 3V			UK-105	HXC3R105P		MAG121	HY-135
C45	180-420	#28A2547						
C46	270		AMD-15-271	C PR-270J	CD15 F271J500	DM-15-271	SK327	MS-327
C47	.0022		GPD X5 F222K	DD-222	JBX601YP222K	CCD-222	GP222	10TS-D22
C48	.05		GPD Z5V503P	DD-503	HOV101ZV503P	CCD-503	GP150	5GA-S50
C49	.0033		GPD X5R332K	DD-332	JBV601YP332K	CCD-332	JF233	10TS-D33
C50	180-420	#28A2547						
C51	100 N1500			TCL-100		*	*	10TCW-T10
C52	.05		GPD Z5V503P	DD-503	HOV101ZV503P	CCD-503	GP150	5GA-S50
C53	.05		GPD Z5V503P	DD-503	HOV101ZV503P	CCD-503	GP150	5GA-S50
C54	180		ADM-15-181	C PR-180J	CD10E181J500	DM-15-181	SK318	MS-318
C55	.0022		GPD X5 F222K	DD-222	JBX601YP222K	CCD-222	GP222	10TS-D22
C56	.0022		GPD X5 F222K	DD-222	JBX601YP222K	CCD-222	GP222	10TS-D22
C57	.22 3V			UK-224	HCZ3R0XR224P		MAG3022	HY-125

AUTOMATIC MODEL WFM-5387

PARTS LIST AND DESCRIPTION (CONTINUED)

(When ordering parts, state Model, Part Number, and Description.)

Replacement parts shown may be superseded by the availability of newly introduced replacements.
Have your local distributor check Sams COUNTER FACTS for the most up-to-date replacement.

CAPACITORS

ITEM No.	RATING	REMARKS	REPLACEMENT DATA					
			AEROVOX PART No.	CENTRALAB PART No.	CORNELL-DUBILIER PART No.	ELMENCO PART No.	MALLORY PART No.	SPRAGUE PART No.
C58	.47 3V	#43-215 ①	GPD Z5V503P GPD Z5V503P GPD Z5V103P GPD Z5V503P	UK10-474	HCS3R0XR474 P	CCD-503 CCD-503 CCD-503 CCD-503	MAG3047 MAG3047 GP150 GP150 GP150	HY-130 HY-130 5GA-S50 5GA-S50 5GA-S50
C59	.47 3V			UK10-474	HCS3R0XR474 P			
C60	.05			DD-503	HOV101ZV503 P			
C61	.05			DD-503	HOV101ZV503 P			
C62	.05			DD-503	HOV101ZV503 P			
C63	.05			DD-503	HOV101ZV503 P			
C64	.05			DD-503	HOV101ZV503 P			
C65								

* Not normally in distributor's stock. Available thru distributor on order to manufacturer.
Sears Part Number ① Part of M2.

CONTROLS

All wattages 1/2 watt, or less, unless otherwise listed.

ITEM No.	USE	RESIST-ANCE	REPLACEMENT DATA				
			AUTOMATIC PART No.	CENTRALAB PART No.	CLAROSTAT PART No.	CTS-IRC PART No.	MALLORY PART No.
RIA B	Tone Volume/Switch	10K 7500Ω, 5000Ω Tap	80A3610	F1-10K, R16-10K, FFS110, RFS203, BB106, KR4		† QJ-1792A	FF14L (P14L, 4138) ②, RU752T53, OX1625, IS2187, US41

† "CONCENTRIKIT" Equivalent: K-8 Kit with Base Elements and Shafts: B11-116, P17-118 (Panel), B21-115X, R202 (Rear), S8 ① (Bushing), 76-1 (Switch).

"SNAPTROL" Equivalent: BU8 ①, CF9, CR48T, SF13, SR14, GC.

① Alter bushing to meet requirements. ② Panel and Bushing components listed in parentheses may be substituted for the Panel unit.

COILS (RF-IF)

ITEM No.	USE	REPLACEMENT DATA			
		PART No.	MEISSNER PART No.	MILLER PART No.	WORKMAN PART No.
L1	FM Antenna	①			
L2	FM RF	①			
L3	FM Oscillator	①			
L4	FM Input IF	①			
L5	FM Interstage IF	14A3432			
L6	FM Interstage IF	14A3433			
L7	FM Interstage IF	14A3434			
L8	Ratio Detector	14A3435			
L9	RF Choke (59uh)	14-590	19-3060	6110	T302
L10	RF Choke (6.2uh)	14-6.2	19-1004	4610	T859
L11	AM Antenna	②			
L12	AM RF	②			
L13	AM Oscillator	②			
L14	AM Input IF	14-3436			
L15	AM Output IF	14-3437			
L16	RF Choke (59uh)	14-590	19-3060	6110	T302
L17	RF Choke (59uh)	14-590	19-3060	6110	T302

① Part of M2. ② Part of M3.

FILTER CHOKE

ITEM No.	RATINGS			REPLACEMENT DATA					NOTES
	CURRENT (Measured)	DC RES.	INDUCTANCE (0 CURRENT 1000~)	AUTOMATIC PART No.	MERIT PART No.	STANCOR PART No.	THORDARSON PART No.	TRIAD PART No.	
L18	.35A	.5Ω	10 mh	75A1269	C-4095	TC-2	TR-155	TY17XT	

CHOKE (AUDIO OUTPUT)

ITEM No.	INDUCTANCE	REPLACEMENT DATA					NOTES
		AUTOMATIC PART No.	MERIT PART No.	STANCOR PART No.	THORDARSON PART No.	TRIAD PART No.	
L19	6 mh	75A2043	C-4095	TC-2	TR-155	TY17XT	

SPEAKER

ITEM No.	TYPE	REPLACEMENT DATA			NOTES
		AUTOMATIC PART No.	JENSEN PART No.	QUAM PART No.	
SPI	6" PM 6Ω	73B3646	C6T8	6A15Z6	

FUSE DEVICES

ITEM No.	DESCRIPTION	REPLACEMENT DATA						
		PART No.		BUSS PART No.		LITTELFUSE PART No.		WORKMAN PART No.
		DEVICE	HOLDER	DEVICE	HOLDER	DEVICE	HOLDER	
F1	AGW 4		12A2079	AGW 4	HDH	303004	155009	

MISCELLANEOUS

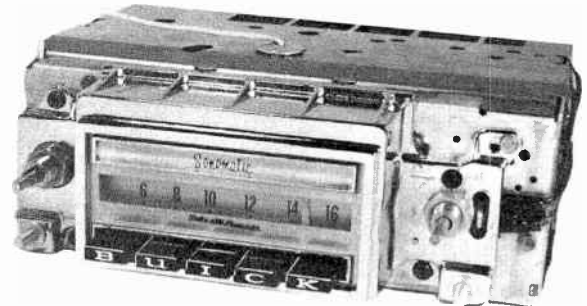
ITEM No.	PART NAME	AUTOMATIC PART No.	NOTES
M1	Dial Lamp	TS-44	CHICAGO MINIATURE Replacement CM-44
M2	FM Tuner	78B3678A	
M3	AM Tuner	78B4260	
S3	AM-FM Selector Sw.	94A3784	



PHOTOFACT[®] with

CIRCUITRACE[®]

TRADE NAME: Buick Model 7302504 (1968 Special)
 SUPPLIER: For Current Address, See Annual Index
 TYPE SET: 6-Transistor AM Receiver
 POWER SUPPLY: 12 Volt Storage Battery
 RATING: .6 Amp @ 12.6 Volts DC (Less Lamp)



BUICK MODEL 7302504

ALIGNMENT INSTRUCTIONS

Check for specified source voltage.

Use only enough generator output to provide a usable indication.

Suggested Alignment Tools:

A1 thru A4.

GENERAL CEMENT: 5009, 8728A, 8987

WALSCO: 2531-X, 2536

A6, A7, A8.

GENERAL CEMENT: 8290, 8868, 9087

WALSCO: 2525, 2528, 2587

	SIGNAL GENERATOR COUPLING	SIGNAL GENERATOR FREQUENCY	RADIO DIAL SETTING	INDICATOR	ADJUST	REMARKS
1.	High side thru .1mfd to point A , low side to ground.	262KC (400% Mod.)	High Freq. End Stop.	Output Meter across voice coil.	A1, A2, A3, A4	Adjust for maximum.
Check setting of oscillator coil core (A5). Rear of core should be 1 3/8" from mounting end of coil form.						
2.	High side thru 82pf to antenna receptacle, low side to ground.	1615KC	High Freq. End Stop.	Output Meter across voice coil.	A6, A7, A8	Adjust for maximum.
3.	"	600KC	600KC Signal	"	A9, A10	Adjust for maximum. Repeat step 2.

With radio installed in car and antenna fully extended, tune in a weak station near 1400KC and adjust A8 for maximum output.

Remove tuning and dummy knobs for access to Antenna Trimmer (A8).

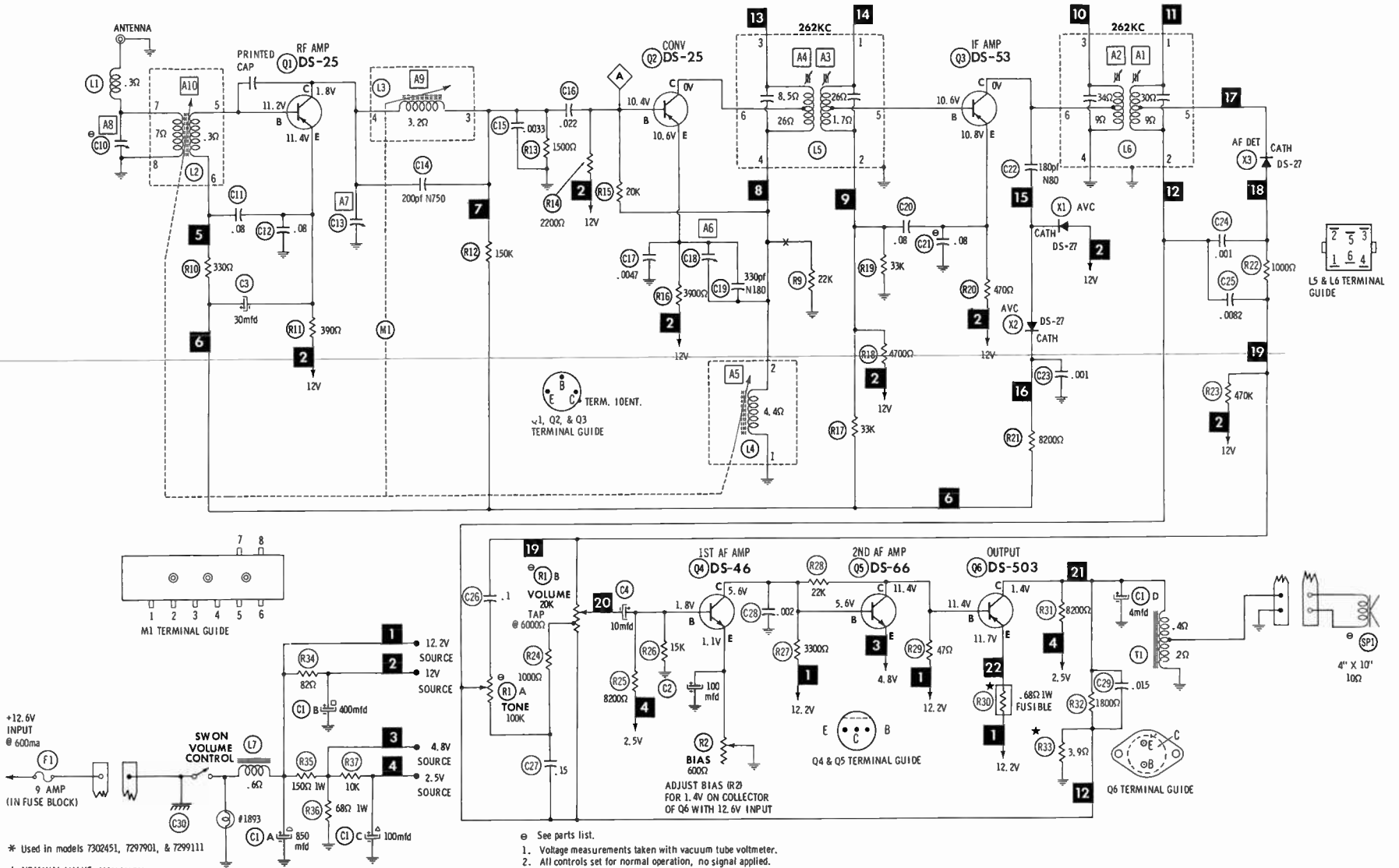
PUSH-BUTTON ADJUSTMENT

1. Pull button out.
2. Tune manually to desired station.
3. Press button in firmly.
4. Repeat for remaining buttons.

HOWARD W. SAMS & CO., INC. Indianapolis, Indiana 46206

© 1968 Howard W. Sams & Co., Inc. Printed in U. S. of America TD177R

World Radio History

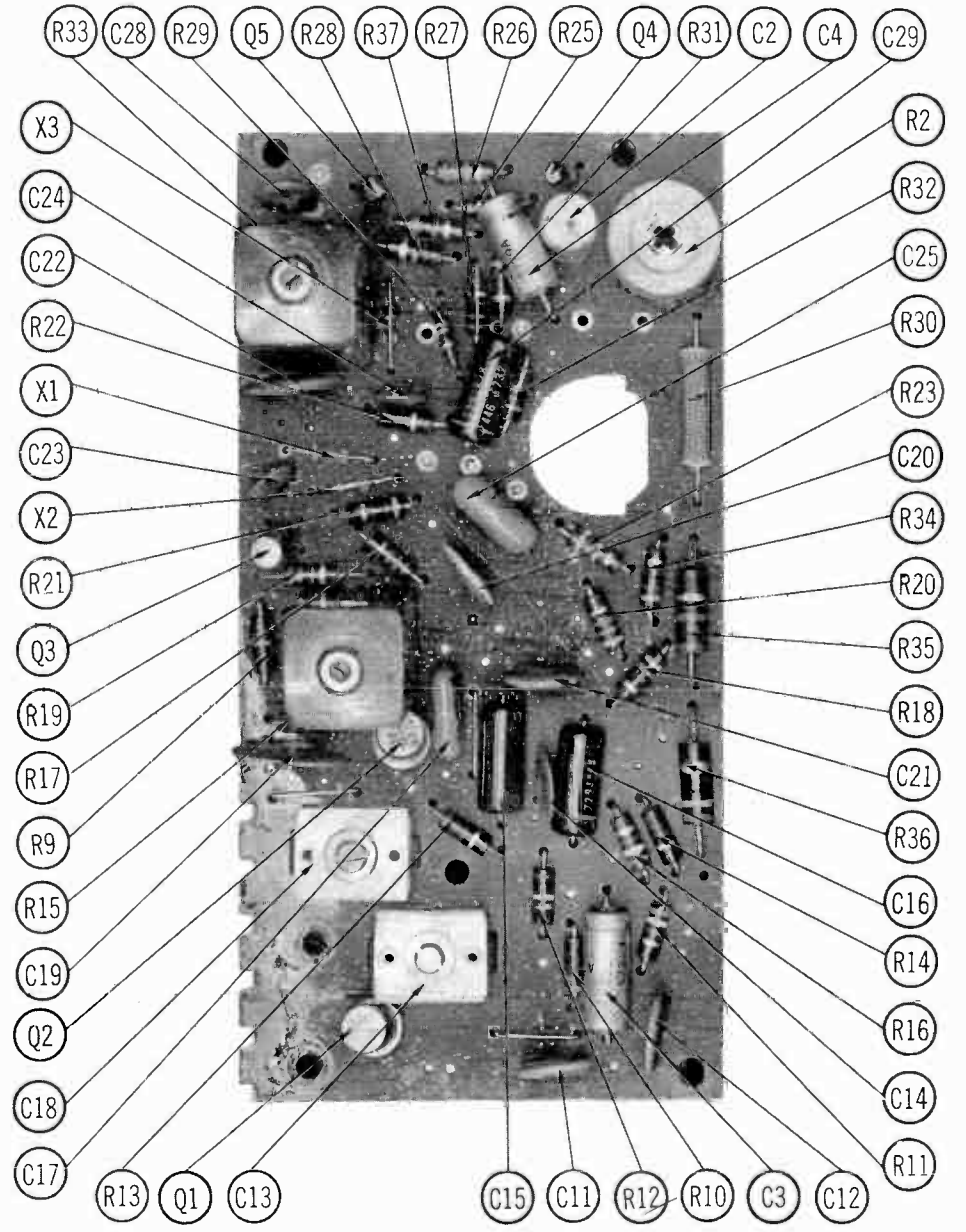
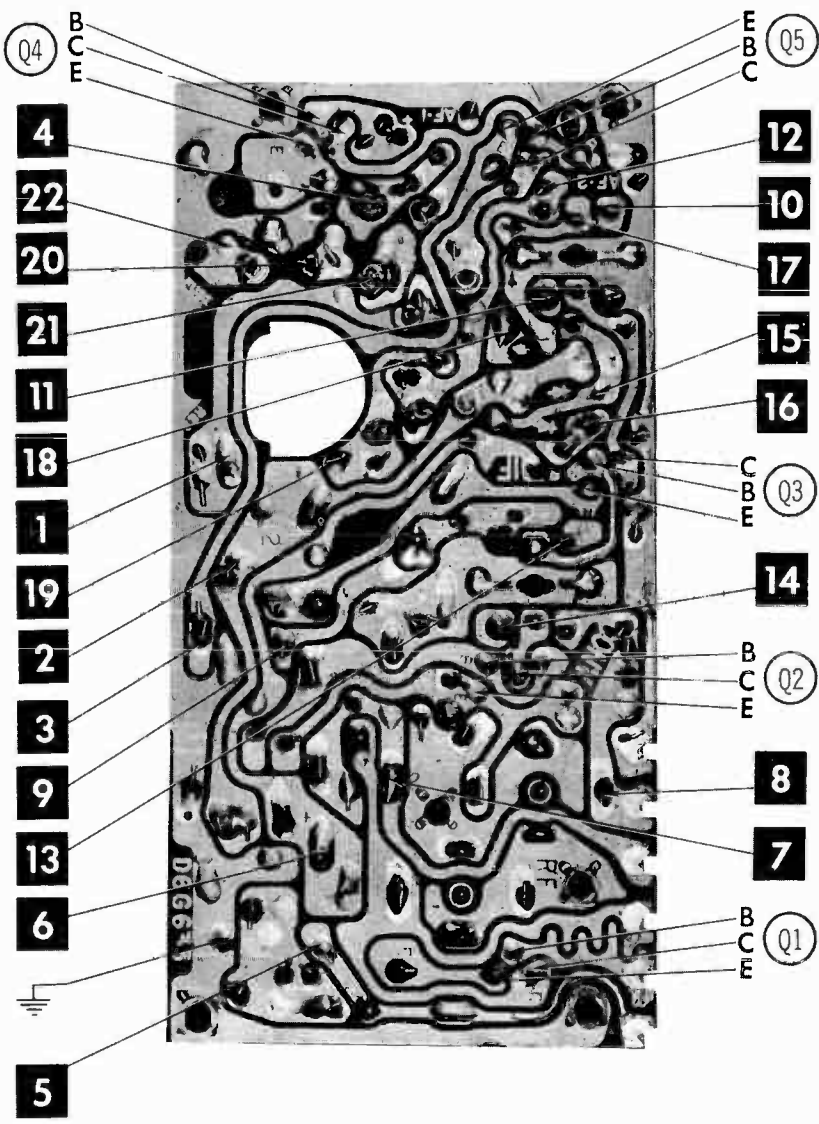


* Used in models 7302451, 7297901, & 7299111
 * NOMINAL VALUE, MAY VARY.
 Resistors are 1/2 watt or less and rated 10% or 20% unless otherwise indicated.

- See parts list.
1. Voltage measurements taken with vacuum tube voltmeter.
 2. All controls set for normal operation, no signal applied.
 3. Measured values are from socket pin or terminal to common ground.
 4. All terminals viewed from bottom unless otherwise designated.
 5. Numbers assigned to terminals may not be found on the unit.
 6. Supply voltage maintained at rated value for voltage readings.
 7. Resistance measurements not given because of the wide variation in internal resistance of transistor.

A PHOTOFAC STANDARD NOTATION SCHEMATIC
 with **CIRCUITRACE**
 © Howard W. Sams & Co., Inc. 1968

BUICK MODEL 7302504



A Howard W. Sams **CIRCUITRACE®** Photo

BUICK MODEL 7302504

A8
1615KC

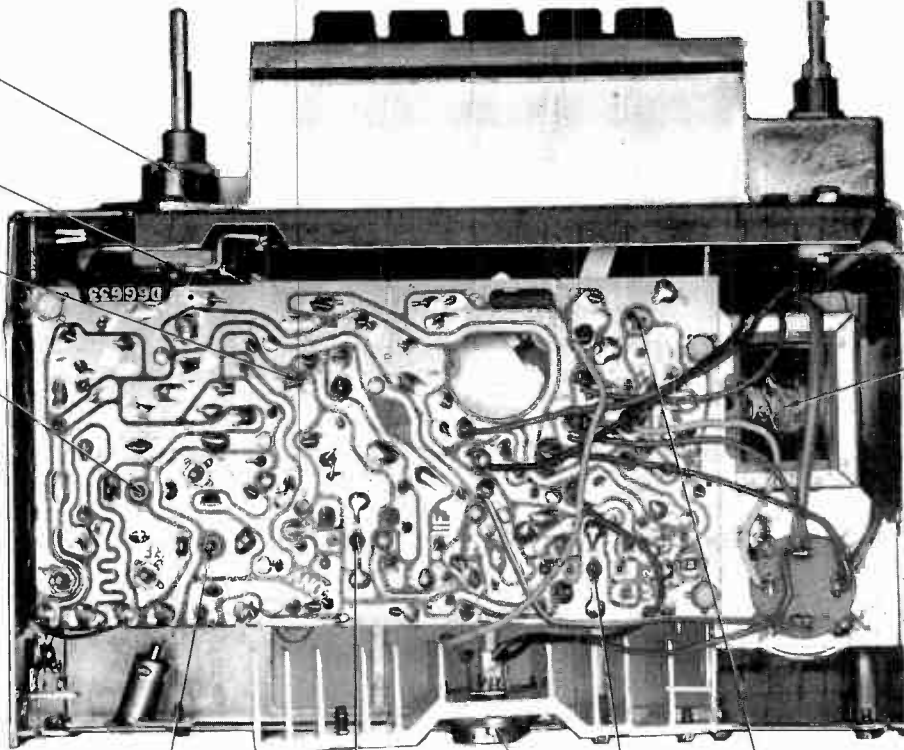
C10

A

A7
1615KC

R1

T1



A6
1615KC

A4
262KC

Q6

A2
262KC

BIAS
ADJ

C26

R24

C27

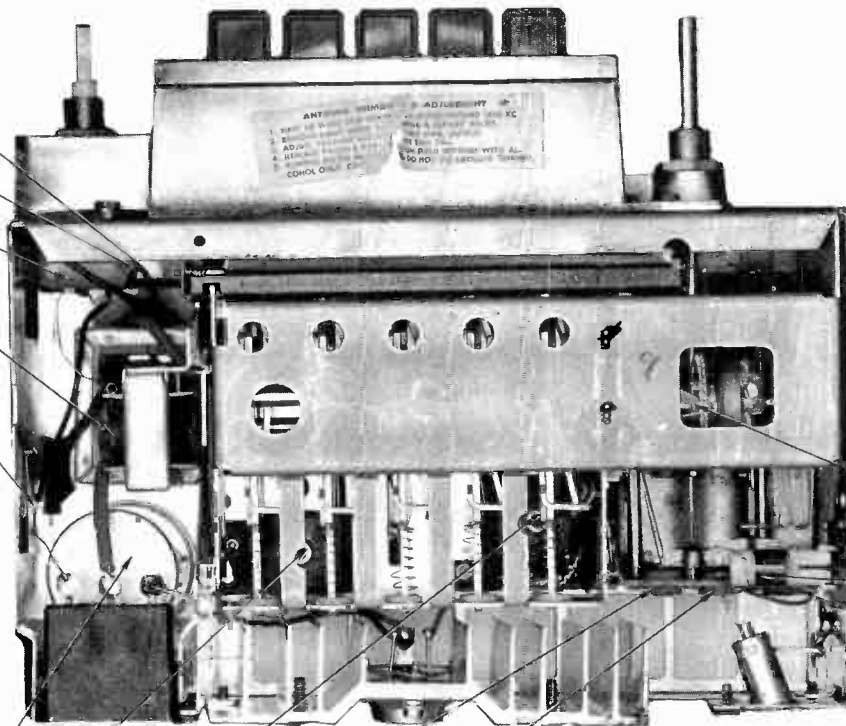
L7

C30

M1

L1

L2
A10
600KC



C1
A1
262KC

L5
A3
262KC

L4
A5
600KC

L3
A9
600KC

PARTS LIST AND DESCRIPTION

(When ordering parts, state Model, Part Number, and Description.)

Replacement parts shown may be superseded by the availability of newly introduced replacements.
Have your local distributor check Sams COUNTER FACTS for the most up-to-date replacement.

WIRING DATA

General-use Unshielded Hook-up Wire	Use BELDEN No. 8530 (Solid) Available in 12 Colors
Shielded Hook-up Wire	8524 (Stranded) Available in 12 Colors
Bonding Strap	Use BELDEN No. 8885
	Use BELDEN No. 8881 (3/8 In.) or 8870 (3/4 In.)

TRANSISTORS

ITEM No.	ORIG. TYPE	USE	REPLACEMENT DATA				NOTES
			DELCO PART No.	GENERAL ELECTRIC PART No.	INTERNATIONAL RECTIFIER PART No.	RCA PART No.	
Q1	DS-25	RF Amp.	DS-25	GE-9	TR-06	SK-3008	PNP
Q2	DS-25	Converter	DS-25	GE-9	TR-06	SK-3008	PNP
Q3	DS-53	IF Amp.	DS-25	GE-9	TR-06	SK-3006	PNP
Q4	DS-67	AF Amp.	DS-66	GE-10	TR-21	SK-3020	PNP
Q5	DS-67	AF Amp.	DS-66	GE-10	TR-21	SK-3020	PNP
Q6	DS-503	Output	DS-503	GE-3	TR-01	SK-3009	PNP

* When replacing, apply silicone grease to both sides of insulator. Tighten mounting screws securely. Check bias adjustment.

POWER RECTIFIERS & SIGNAL DIODES

ITEM No.	MEASURED CURRENT	ORIGINAL Part or Type No.	RECTIFIERS & DIODES		RECTIFIERS		
			GENERAL ELECTRIC PART No.	INTERNATIONAL RECTIFIER PART No.	MALLORY PART No.	RCA PART No.	SARKES TARZIAN PART No.
X1		DS-27	1N34AS	1N34A			
X2		DS-27	1N34AS	1N34A			
X3		DS-27	1N34AS	1N34A			

ELECTROLYTIC CAPACITORS

ITEM No.	RATING	PART No.	REPLACEMENT DATA					
			AEROVOX PART No.	CENTRALAB PART No.	CORNELL-DUBILIER PART No.	GENERAL ELECTRIC PART No.	MALLORY PART No.	SPRAGUE PART No.
C1A	850 16V	7292515	AFH4-96-10		DD0005		FP401.85	TVL-4206.1
B	400 16V							
C	100 16V							
D	4 11.5rms							
C2	100 4V	7291810	PTT30	EA6-100	NLW125-6	MT1-21	TT6X100	TE-1102
C3	30 6V	7291942	PTT27	EA6-25	NLW30-6	MT1-13	TT6X30	TE-1092
C4	10 12V	7292738	PTT53	EA15-10	NLW10-15	MT1-5	TT12X10	TL-1128

CAPACITORS

ITEM No.	RATING	REMARKS	REPLACEMENT DATA					
			AEROVOX PART No.	CENTRALAB PART No.	CORNELL-DUBILIER PART No.	ELMENCO PART No.	MALLORY PART No.	SPRAGUE PART No.
C10		#7281971						
C11	.08	(.047)†						
C12	.08	(.047)†						
C13		#7287935						
C14	200 N750 10%		N750-DI 200	DTN-200	CV601UJ201K	CCTN-201	CN7302	10TCU-T20
C15	.0033 75V		DBE6D33	CPR-3300J	WMF1D33	6DP-1-332	PVC6233	6PS-D33
C16	.022 75V		DBE4S22		DMF4S22	4DP-2-223	PVC6122	4PS-S22
C17	.0047 75V		DBE6D47	CPR-4700J	WMF1S47	6DP-1-472	PVC6247	6PS-D47
C18		#7282165						
C19	330 N180 5%					*		
C20	.08	(.047)†						
C21	.08	(.047)†						
C22	180 N80 5%					*		10TCN-T18
C23	.001 10%		DI-1000	DM-102	JBS601YP102K	CCD-102	SM210	5GAB-D10
C24	.001 10%		DI-1000	DM-102	JBS601YP102K	CCD-102	SM210	5GAB-D10
C25	.0082 75V		DBE6D82	CPR-8200J	WMF1S82	6DP-2-822	PVC628	6PS-D82
C26	.1 16V		TTD-1	CK-104	HOV101ZV104Z		TA010	TG-P10
C27	.15 75V		DBE4P15		DMF4P15	4DP-4-154	PVC6015	4PS-P15
C28	.002		DI-2000	DM-202	JBX601YP202K	CCD-202	GP220	5GAB-D22
C29	.015 75V		DBE4S15		DMF4S15	4DP-1-153	PVC6115	4PS-S15
C30								

* Not normally in distributor's stock. Available thru distributor on order to manufacturer. † Delco Part Number. † Alternate Value.

BUICK MODEL 7302504

PARTS LIST AND DESCRIPTION (CONTINUED)

(When ordering parts, state Model, Part Number, and Description.)

Replacement parts shown may be superseded by the availability of newly introduced replacements.
Have your local distributor check Sams COUNTER FACTS for the most up-to-date replacement.

CONTROLS (All wattages 1/2 watt, or less, unless listed)

ITEM No.	FUNCTION	RESIST-ANCE	REPLACEMENT DATA				
			MFGR. PART No.	CENTRALAB PART No.	CLAROSTAT PART No.	CTS-IRC PART No.	MALLORY PART No.
R1A B	Tone Volume, Switch	100K 20K 6K Tap	7303217	F2-100K, R14-25K, FFS109, RFS201, BB102, SB004, BC		†QJ-2542A	P15A, 4114, SH4250, RU24T14, OX1625, IS2062, US41 MR600P
R2	Bias	600Ω ZW	7286601	V-600	U39-600	110-600	

"CONCENTRIKIT" Equivalent: K8 Kit with Base Elements and Shafts: B13-128, P22-115 (Panel),
B19-119X, R1-130 (Rear), S7 (Bushing), N4 (Spacer Nut), 76-1 (Switch)
"SNAP-TROL" Equivalent: BU8①, CF52, CR50T, SF11, SR12, N4, GC.

① Alter Bushing and adjust spacer nut to meet requirements.

RESISTORS (Power and Special)

ITEM No.	RATING	REPLACEMENT DATA			ITEM No.	RATING	REPLACEMENT DATA		
		IRC PART No.	WORKMAN PART No.	DELCO PART No.			IRC PART No.	WORKMAN PART No.	PART No.
R30	.68Ω (Fusible)			7287480					

COILS (RF-IF)

ITEM No.	USE	REPLACEMENT DATA				
		DELCO PART No.	MEISSNER Part No.	MERIT PART No.	MILLER PART No.	WORKMAN PART No.
L1	RF Choke (6.2uh)	7281946	19-1004	BC-565	4610	T859
L2	Antenna	①				
L3	RF	①				
L4	Oscillator	①				
L5	Input IF	1221856	16-6704		6542	TA653
L6	Output IF	1221857	16-6705		6543	TA653

① Part of M1.

FILTER CHOKE

ITEM No.	RATINGS			REPLACEMENT DATA					NOTES
	CURRENT (Measured)	DC RES.	INDUCTANCE (0 CURRENT 1000~)	DELCO PART No.	MERIT PART No.	STANCOR PART No.	THORDARSON PART No.	TRIAD PART No.	
L7	600ma	.6Ω	8MH	1221623	C-4095	TC-2	TR-154	TY17XT	

TRANSFORMER (AUDIO OUTPUT)

ITEM No.	IMPEDANCE		REPLACEMENT DATA					NOTES
	PRI.	SEC.	DELCO PART No.	MERIT PART No.	STANCOR PART No.	THORDARSON PART No.	TRIAD PART No.	
	T1	12Ω Tap @ 10Ω		7282057				

SPEAKER

ITEM No.	TYPE			REPLACEMENT DATA			NOTES
	DELCO PART No.	JENSEN PART No.	QUAM PART No.				
SP1	4" X 10"	PM	10Ω	1222661			

FUSE DEVICES

ITEM No.	DESCRIPTION	REPLACEMENT DATA							
		PART No.		BUSS PART No.		LITTELFUSE PART No.		WORKMAN PART No.	
		DEVICE	HOLDER	DEVICE	HOLDER	DEVICE	HOLDER	DEVICE	
F1	SFE 9 Amp		In Fuse Block	SFE9		307009			

MISCELLANEOUS

ITEM No.	PART NAME	DELCO PART No.	NOTES
M1	Tuner Coil Assembly	7287957	

CABINETS & CABINET PARTS (When ordering specify model, chassis & color)

ITEM	PART No.	ITEM	PART No.
Escutcheon	7304079	Knob, Tuning or Volume	1383640
Dial Glass	7303197	Knob, Tone	1383647
Dial Pointer	7304077	Knob, Dummy	1383646
Push Button "B"	7303363		
Push Button "U"	7303364		
Push Button "T"	7303365		
Push Button "C"	7303366		
Push Button "K"	7303367		



PHOTOFACT[®] with

CIRCUITRACE[®]

TRADE NAME : Craig Model 3104
 SUPPLIER : For Current Address, See Annual Index
 TYPE SET : 13-Transistor Tape Player
 POWER SUPPLY : 12 Volt Storage Battery
 RATING : .250 Amp @ 12.6 Volts DC



CRAIG MODEL 3104

OPERATING INSTRUCTIONS

Insert cartridge until it locks and turns unit on. Set operating controls as desired.

Press Eject button to remove cartridge and turn unit off.

CLEANING

Clean all tape contact surfaces with a soft lint-free material and head cleaner or alcohol. Use alcohol to remove oil and grease from all driving surfaces.

LUBRICATING

Lubricate bearings and bushings lightly with #20 machine oil. Use a light film of nonhardening grease on cam surfaces.

HEAD DEMAGNETIZING

Demagnetize head when unit is serviced. Avoid using magnetic materials near head.

SEQUENCE OF OPERATION

Four-Track Cartridge Insertion

Inserting a four-track cartridge pivots Plate (16) and compresses Spring (67) to hold the cartridge. The cartridge slides the lever on Bracket (38) to pull Spring (39), pulling Bracket (38). Bracket (38) pivots Assembly (11), locked by Assembly (7), to swing Roller (46) through the cartridge, pressing the tape against the capstan, and to actuate Switch (S4).

The cartridge also swings Lever (43) toward Assembly (38) and actuates Switch (S5).

Four-Track Cartridge Release

Pressing the Eject button slides Rod (63) to slide Rod (56), causing Rod (55) to move Assembly (11), pivoted by Spring (48), to release Roller (46).

Rod (63) also pivots a catch on Assembly (5) to release Holder (15), releasing Spring (67) to release Plate (16).

Springs (44), (40), (39), (36), and (23) return Assembly (9) to its original position and eject the cartridge.

Eight-Track Cartridge Insertion

Inserting an eight-track cartridge pivots Plate (16) and compresses Spring (67). Plate (16), pushed by Spring (67), falls into the detent on the cartridge to hold the cartridge against the capstan.

The cartridge actuates Switch (S5) and pivots Lever (43) to swing Bracket (38) from the cartridge.

Eight-Track Cartridge Release

Pressing the Eject button slides Rod (63) to pivot a catch on Assembly (5), releasing Holder (15) to release Spring (67), releasing Plate (16).

Springs (44) and (36) return Assembly (9) to its original position, and Spring (23) ejects the cartridge.

HOWARD W. SAMS & CO., INC. Indianapolis, Indiana 46206

© 1968 Howard W. Sams & Co., Inc. Printed in U. S. of America TQ260

MECHANICAL PARTS LIST

Ref. No.	Part No.	Description	Ref. No.	Part No.	Description
1	N28-604-0 (1)	Drive Belt	36	B31-676-B (7)	Sensing Return Spring
2	W71-691-A (10)	Left Cartridge Guide Assembly	37	N61-779-0 (7)	Sensing Adjusting Bracket
3	N93-637-0 (3)	Cam (With Contact Plate)	38	N61-778-A (7)	Sensing Lever Bracket (With Lever)
4	N64-634-0 (4)	Cam Pushing Lever	39	B31-675-B (7)	Sensing Spring
5	4VL-15028A (12)	Right Cartridge Guide Assembly	40	B31-677-0 (7)	Return Spring (A)
6	W72-670-A (6)	Head Arm	41	N61-780-A (7)	Sensing Spring Bracket (A)
7	W72-656-0	Magnet Latch Assembly	42	N61-787-C (7)	Actuating Hook Lever
8	N61-764-A	Holder (B) for Magnet Latch	43	N64-651-D (7)	Sensing Actuator Lever
9	W72-680-A (8)	Sensing Lever Assembly	44	B31-678-0 (7)	Return Spring (B)
10	W73-602-B (1)	Flywheel Shaft Bearing Assembly	45	N61-781-0 (7)	Sensing Spring Bracket (B)
11	3VD-1203 (6)	Pinch Roller Assembly	46	N27-602-C (6)	Pinch Roller
12	N61-789-0 (16)	Reset Mechanism Assembly	47	N61-757-A (6)	Pinch Roller Supporter
13	E32-640-0 (9)	Cartridge Guide Roller	48	B31-654-C (6)	Pinch Roller Return Spring
14	W71-691-A (9)	Left Cartridge Guide with Cartridge Pressure Spring	49	N54-654-A (6)	Pinch Roller Shaft
15	N61-792-B (1)	Pressure Plate Holder	50	N54-659-B (1)	Capstan Adjuster
16	N61-793-0 (11)	Pressure Plate	51	B32-612-A (1)	Capstan Adjuster Spring
17	W72-672-0 (11)	Right Cartridge Guide	52	3VD-1540A (2)	Flywheel Assembly
18	B31-628-A (11)	Pressure Plate Return Spring	53	W71-620-C (1)	Flywheel
19	E31-669-A (13)	Motor Cushion Rubber	54	N23-609-0 (1)	Hard Nylon Ball
20	N61-731-0 (13)	Motor Shield Roll	55	N61-761-A (15)	Reset Rod (B)
21	N24-606-A (13)	Motor Pulley	56	N61-789-0 (15)	Reset Rod
22	N64-635-A (3)	Plunger Stopper	57	B32-619-0 (15)	Rod Leaf Spring
23	B31-692-0 (3)	Cartridge Return Spring	58	N61-783-0 (15)	Push Rod (B)
24	N64-636-B (3)	Left Tape Guide	59	B31-606-0 (15)	Push Rod Spring (B)
25	E32-644-0 (3)	Tape Protector (B)	60	N61-784-0, AS (15)	Push Rod Bracket (A) Assembly
26	N61-796-A (3)	Azimuth Bracket	61	B31-629-A (15)	Lock Lever Spring
27	B32-625-0 (3)	Lock Spring	62	B31-627-A (15)	Push Rod Spring
28	B21-619-A (3)	Head Adjusting Screw	63	N61-782-0 (15)	Push Rod (A)
29	N61-798-0 (3)	Hinge Supporting Plate	64	2VL-12004 (4)	Subchassis Assembly
30	B31-682-A (3)	Cam Pressure Spring	65	N12-601-B AS (14)	Motor Assembly
31	B32-624-0 (3)	Ratchet Brake Spring	66	N61-730-0 (13)	Motor Shield Case
32	B31-681-0 (3)	Adjusting Spring	67	B31-679-0 (11)	Pressure Spring
33	N64-634-0 (3)	Lever Guide	68	B31-680-0 (3)	Actuator Return Spring
34	M15-616-A (3)	Core			
35	B31-683-0 (3)	Cam Pushing Lever Spring			

MECHANICAL PARTS LIST NOTES

- | | |
|--|---|
| <p>(1) Part of Ref. No. 52.
 (2) Includes Ref. Nos. 1, 10, 50, 51, 53, 54.
 (3) Part of Ref. No. 64.
 (4) Includes Head, Solenoid, and Ref. Nos. 22, 23, 24, 25, 26, 27, 28, 6, 29, 3, 30, 31, 32, 4, 33, 34, and 35.
 (5) Part of Ref. No. 11.
 (6) Includes Ref. Nos. 46, 47, 48, and 49.
 (7) Part of Ref. No. 9.
 (8) Includes Ref. Nos. 36, 37, 38, 39, 40, 41, 42, 43, 44, and 45.</p> | <p>(9) Part of Ref. No. 2.
 (10) Includes Ref. Nos. 13 and 14.
 (11) Part of Ref. No. 5.
 (12) Includes Ref. Nos. 15, 16, 17, and 18.
 (13) Part of Ref. No. 65.
 (14) Includes Motor and Ref. Nos. 66, 19, 20, 21.
 (15) Part of Ref. No. 12.
 (16) Includes Ref. Nos. 55, 56, 57, 58, 59, 60, 61, 62, 63.</p> |
|--|---|

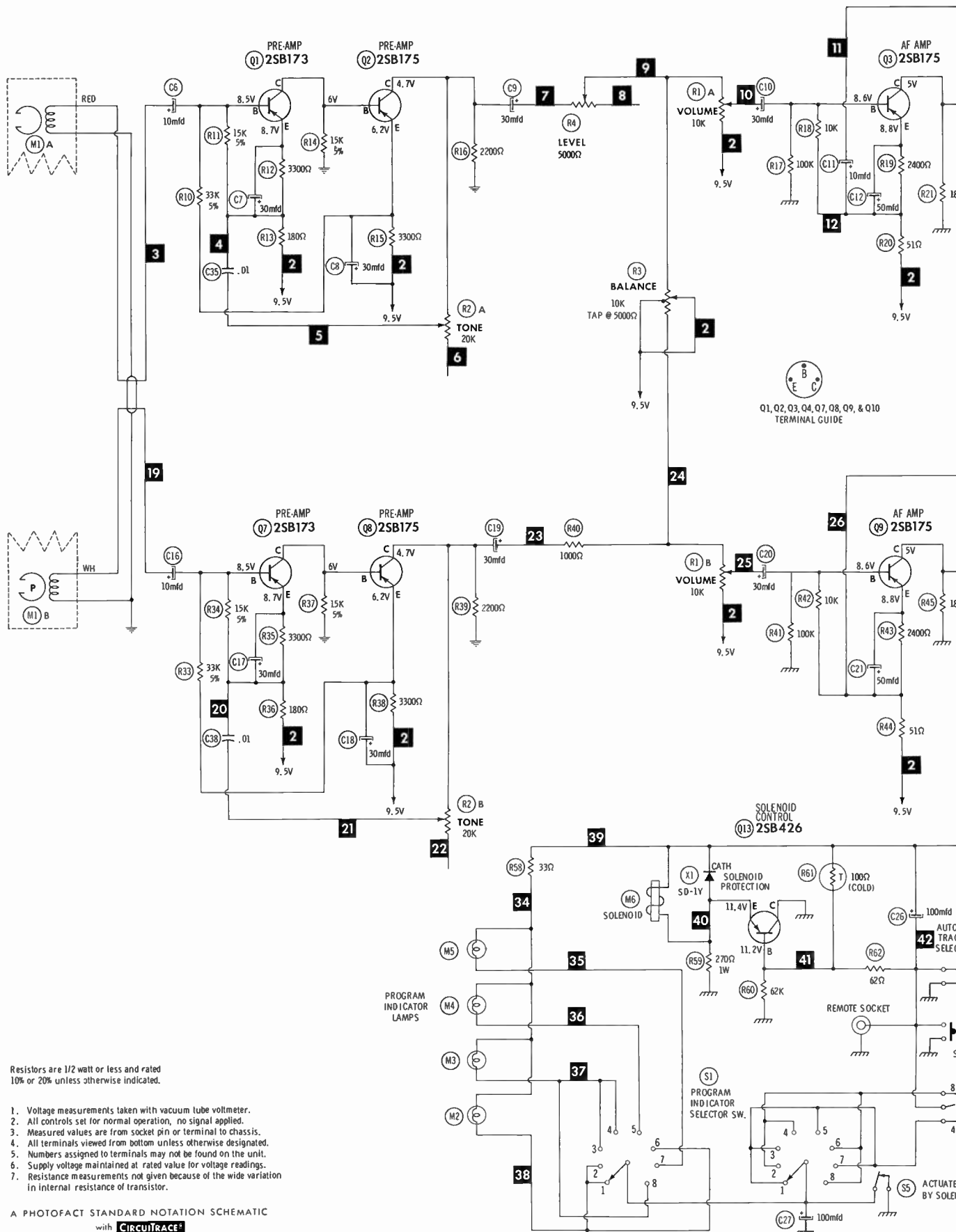
ADJUSTMENTS

ADJUST	REMARKS
Head Height	Play a test cartridge, follow instructions with cartridge, and adjust B1 for proper response.
Head Azimuth	Connect an AC VTVM across right output. Loosen B2, play a test cartridge, and adjust B3 for maximum output.
Pinch Roller Position	Loosen B4 and B5, push Bracket (38) to raise pinch roller, and turn B6 to move capstan from Roller (46). Position Assembly (7) until Roller (46) is parallel to the capstan. Adjust B6 until the capstan indents Roller (46) 1/64 inch. Tighten B4 and B5.
Cartridge Guide and Lock Position	Insert an eight-track cartridge, position Assembly (5) until the guide and Plate (16) are parallel to the cartridge, and adjust (B7) for three pounds of pressure on the lock roller.
Eject Mechanism Clearance	Position Rod (55) for 1/32-inch clearance from Supporter (47). Position Rod (58) for 5/32-inch clearance from catch on Assembly (5).
Indexing Mechanism Adjustment	Position the solenoid for 1/64-inch clearance between Lever (4) and Cam (3) at B8. Position Spring (31) 1/64 inch from steep face of cam tooth.

CRAIG MODEL 3104

TROUBLE CHART

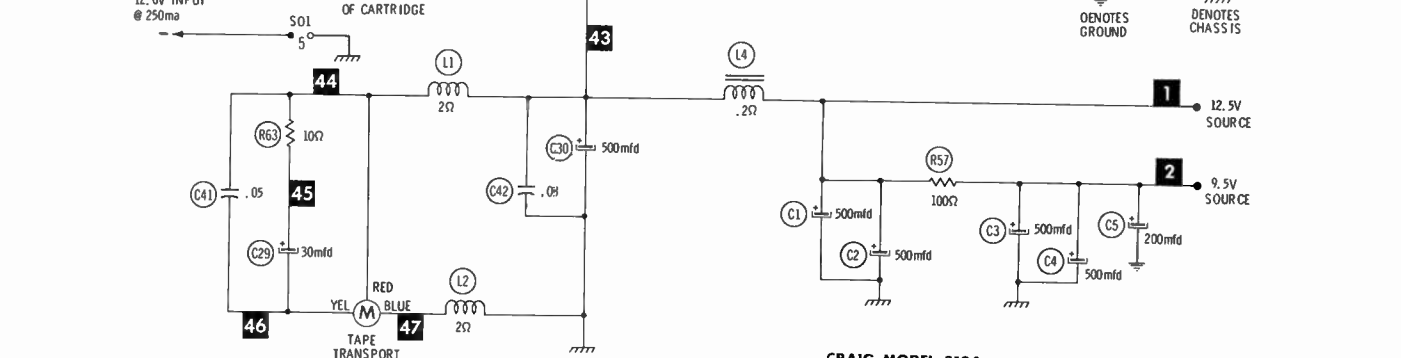
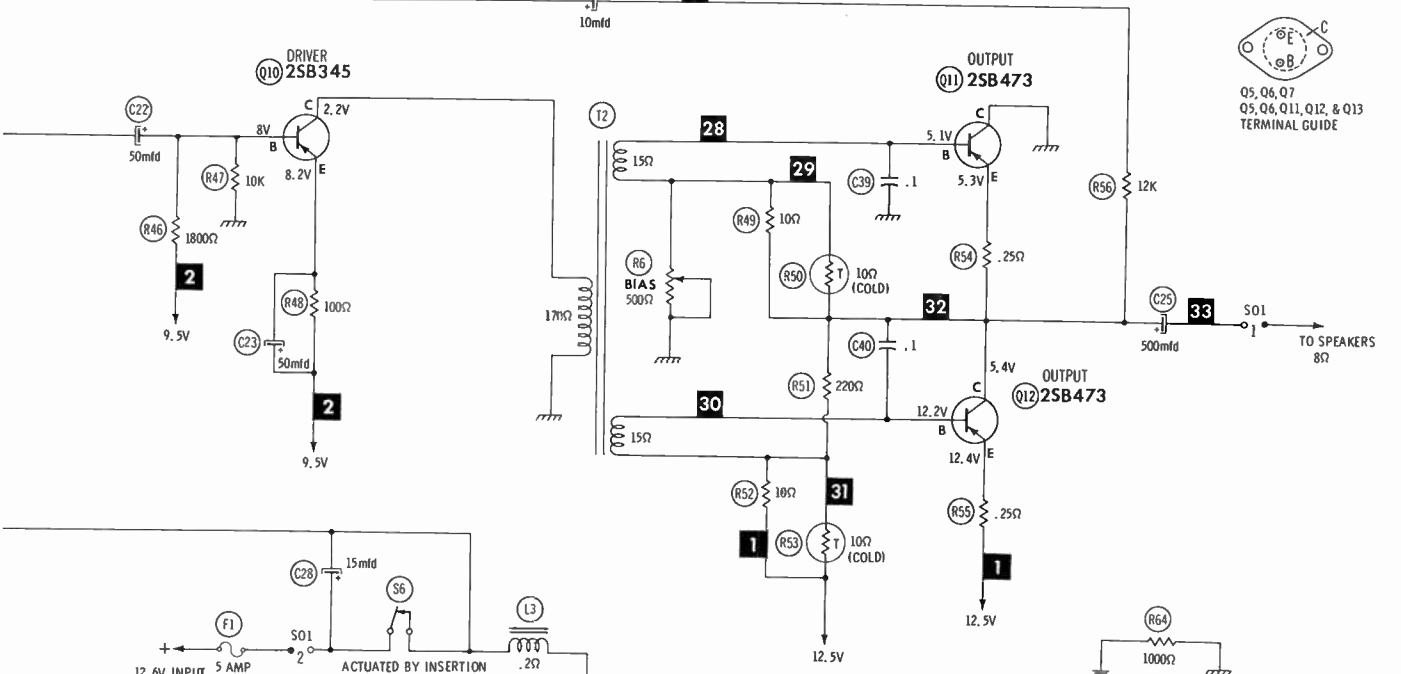
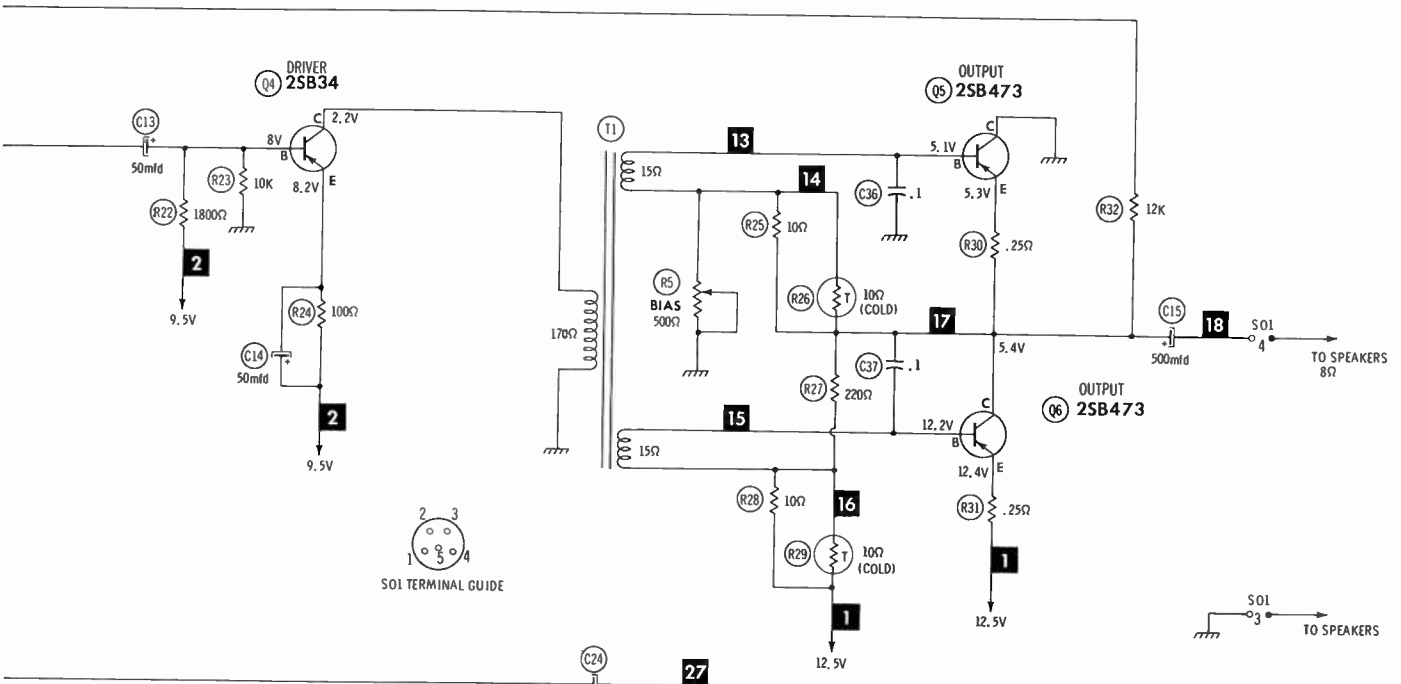
SYMPTOM	REMARKS
Capstan does not rotate	Belt (1) dirty, worn, or broken Assembly (10) binding. Motor defective or not supplied with power.
Track-shift mechanism inoperative	Switch (S2) dirty. Cam (3) binding or worn. Pawl (4) worn. Arm (6) binding. Solenoid (M6) defective or not supplied with power. Cartridge defective.
Wow or Flutter	Belt (1) dirty or worn. Capstan dirty or binding. Cartridge defective. Motor defective. Roller (46) dirty, worn, or binding.
Sound weak or distorted	Head dirty, misaligned, or defective. Cartridge defective. Amplifiers defective.
Tape is pulled from cartridge	Cartridge defective. Capstan dirty or scored.



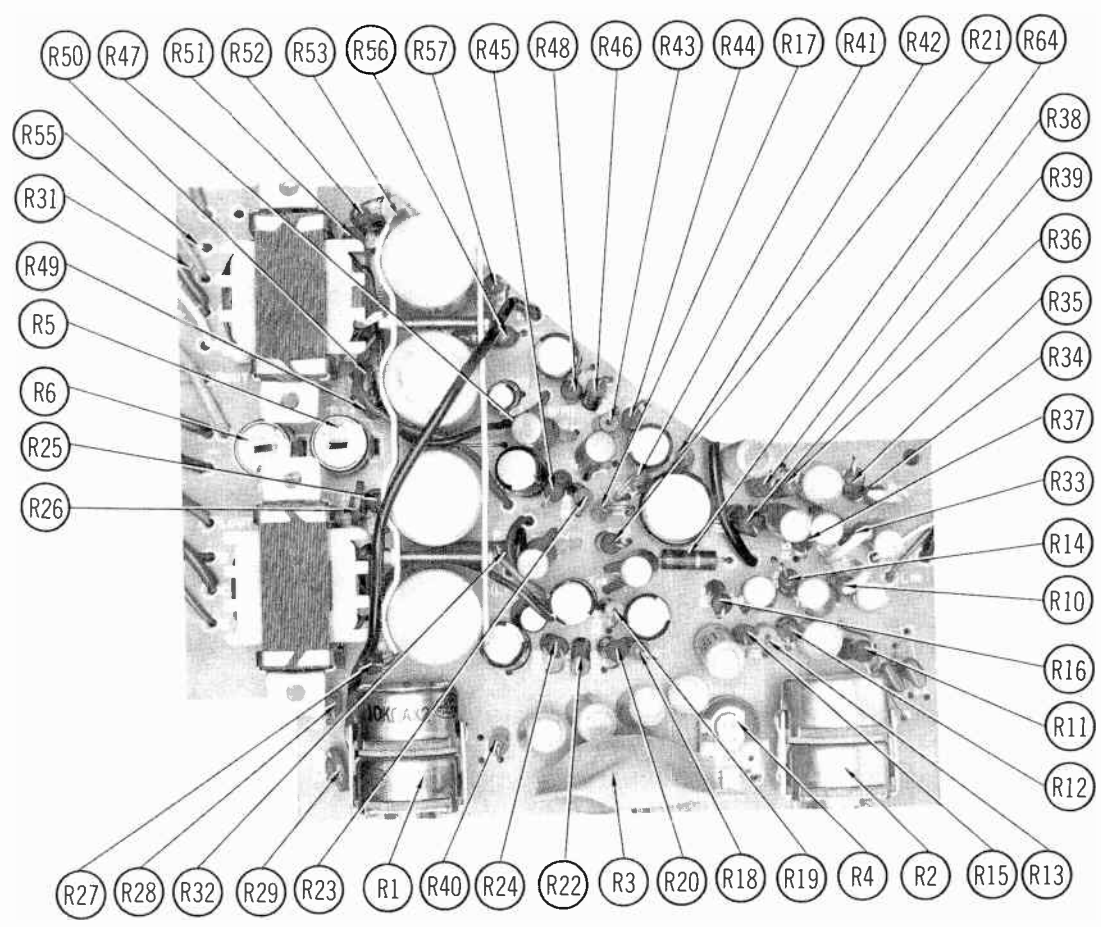
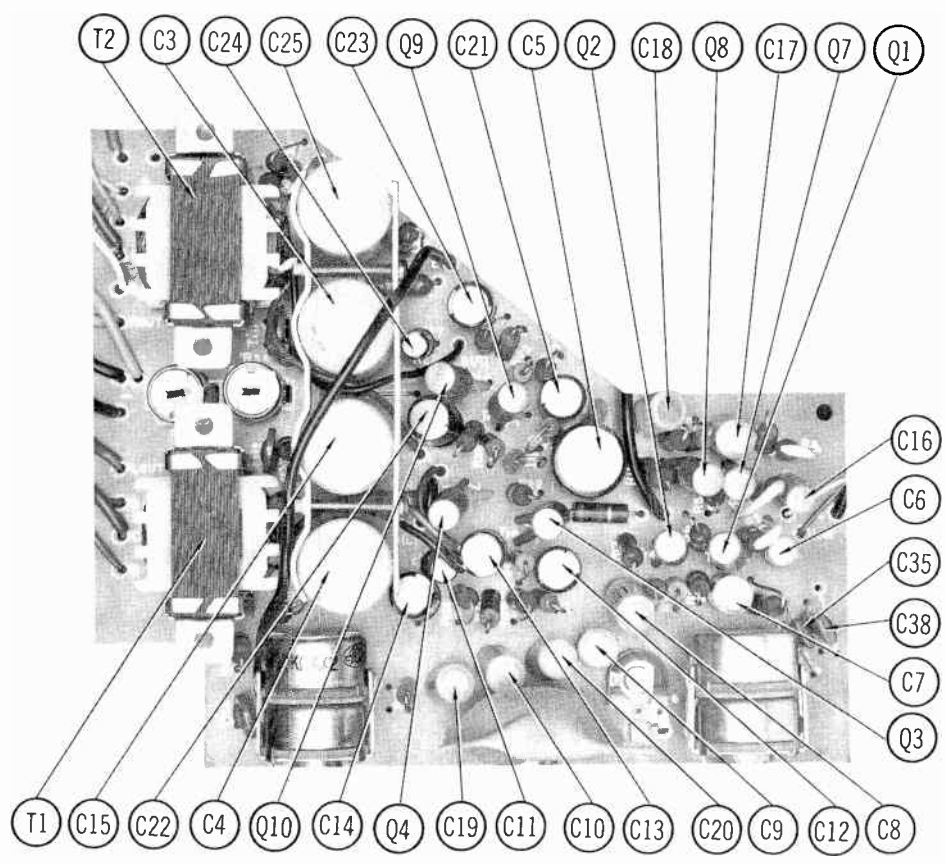
Q1, Q2, Q3, Q4, Q7, Q8, Q9, & Q10
TERMINAL GUIDE

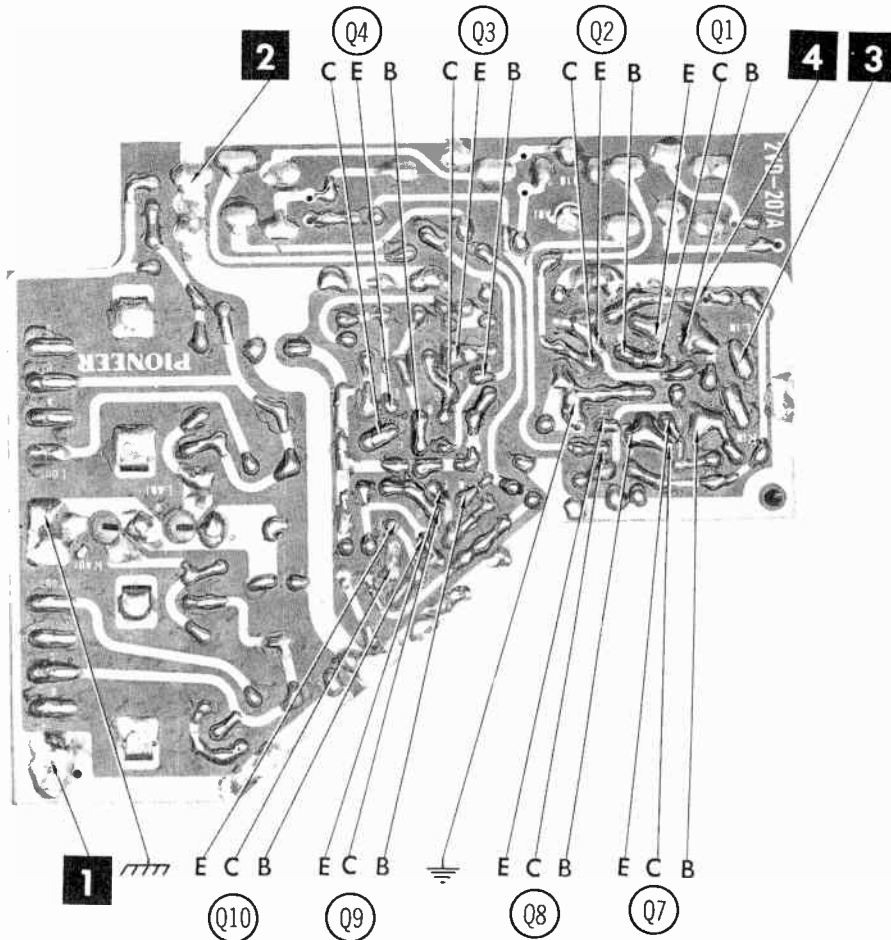
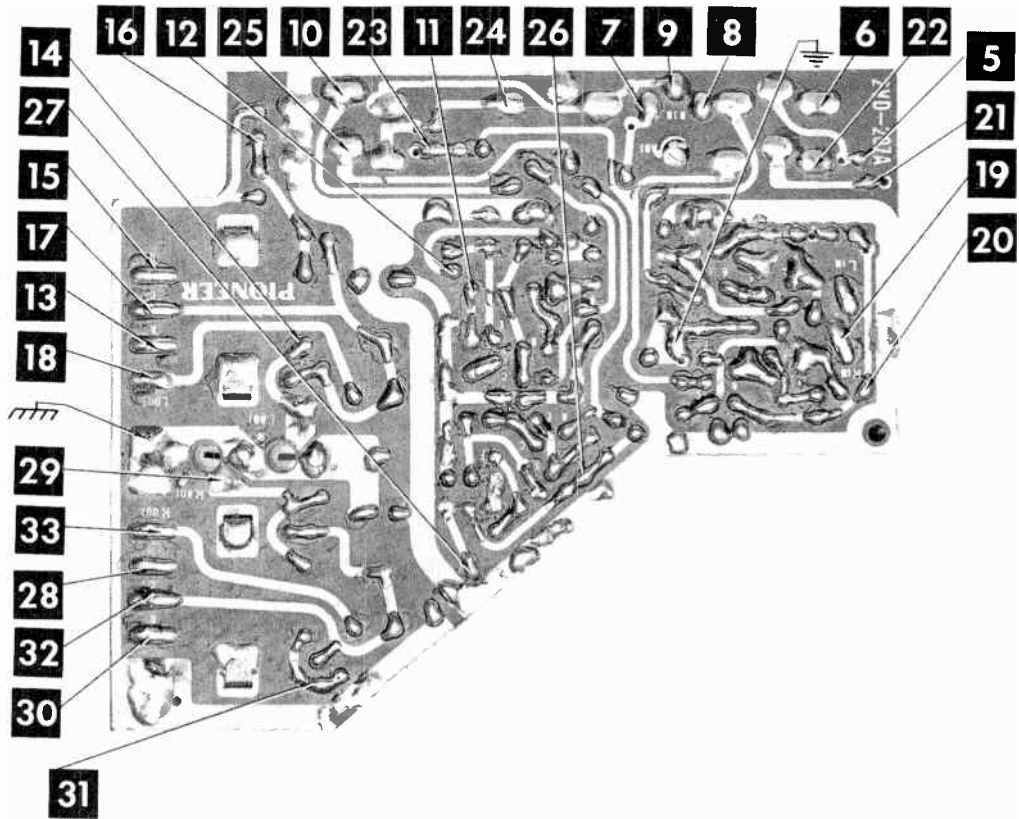
- Resistors are 1/2 watt or less and rated 10% or 20% unless otherwise indicated.
1. Voltage measurements taken with vacuum tube voltmeter.
 2. All controls set for normal operation, no signal applied.
 3. Measured values are from socket pin or terminal to chassis.
 4. All terminals viewed from bottom unless otherwise designated.
 5. Numbers assigned to terminals may not be found on the unit.
 6. Supply voltage maintained at rated value for voltage readings.
 7. Resistance measurements not given because of the wide variation in internal resistance of transistor.

A PHOTOFAC STANDARD NOTATION SCHEMATIC
with **CIRCUTRACE**[®]
© Howard W. Sams & Co., Inc 1968

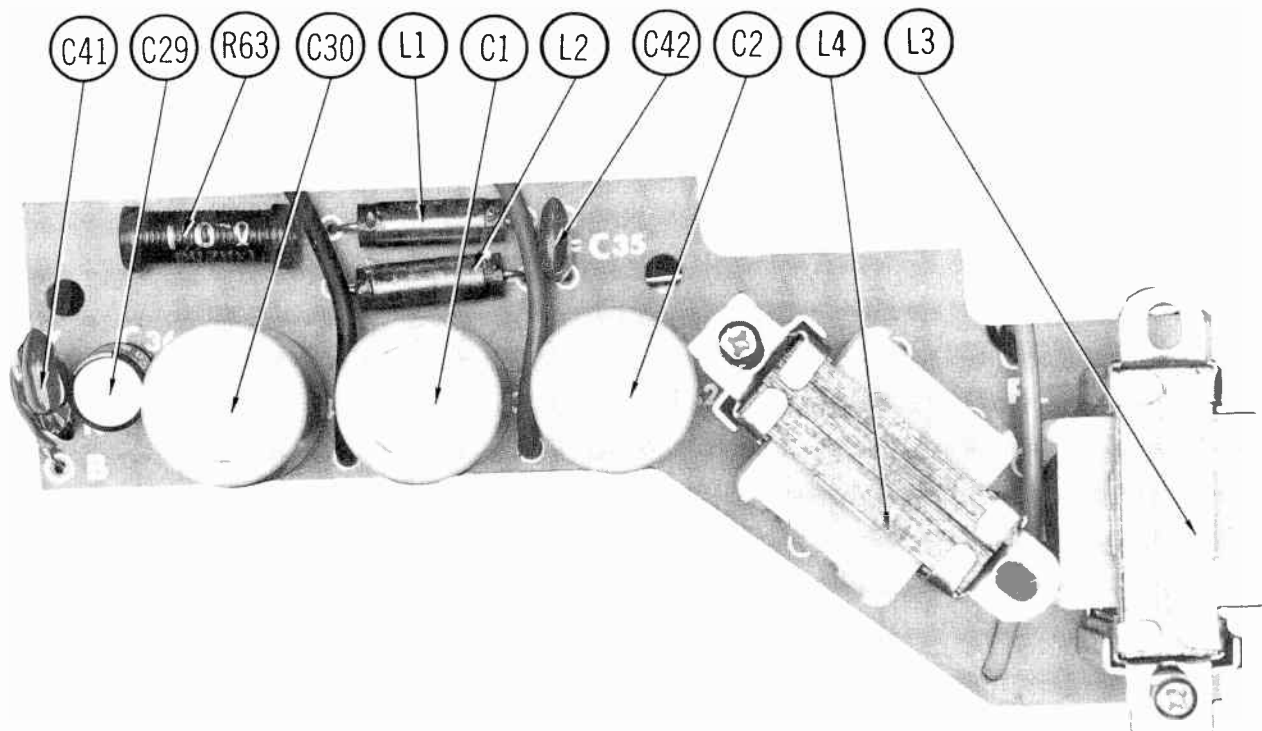
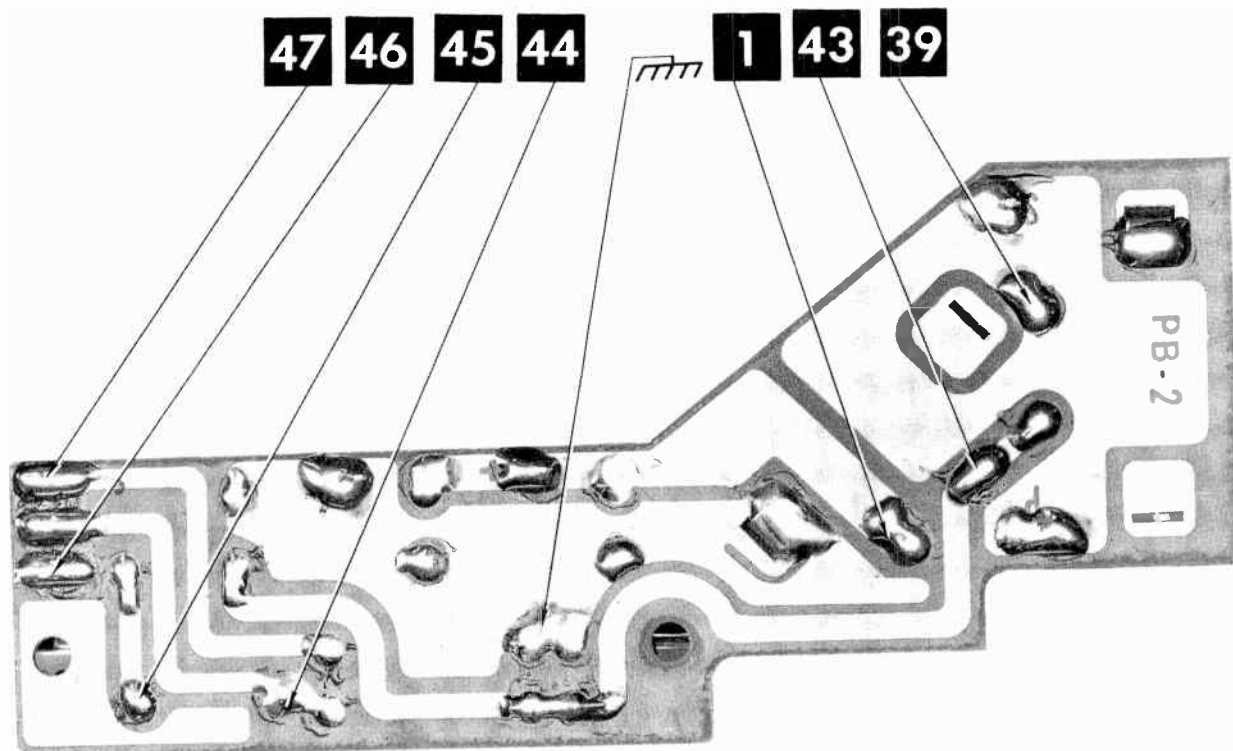


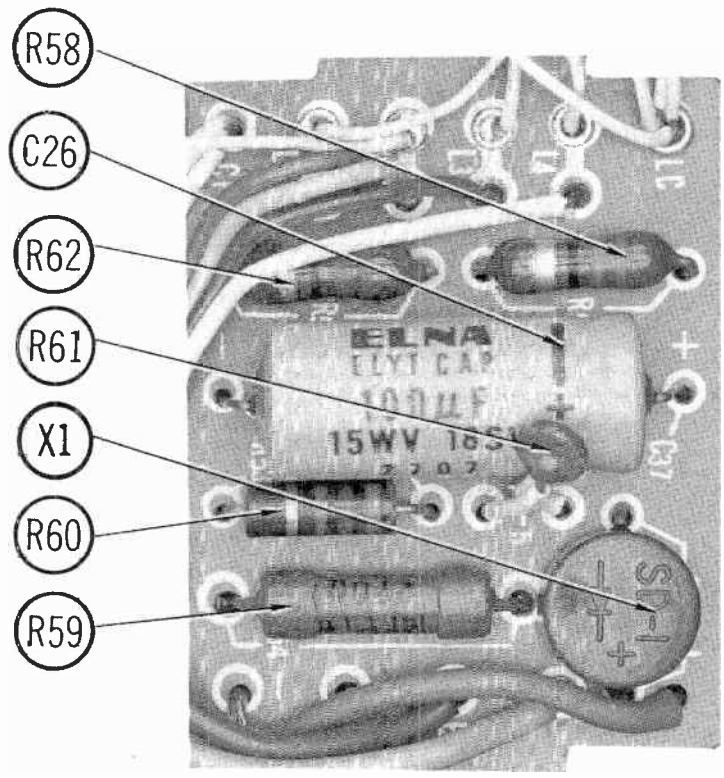
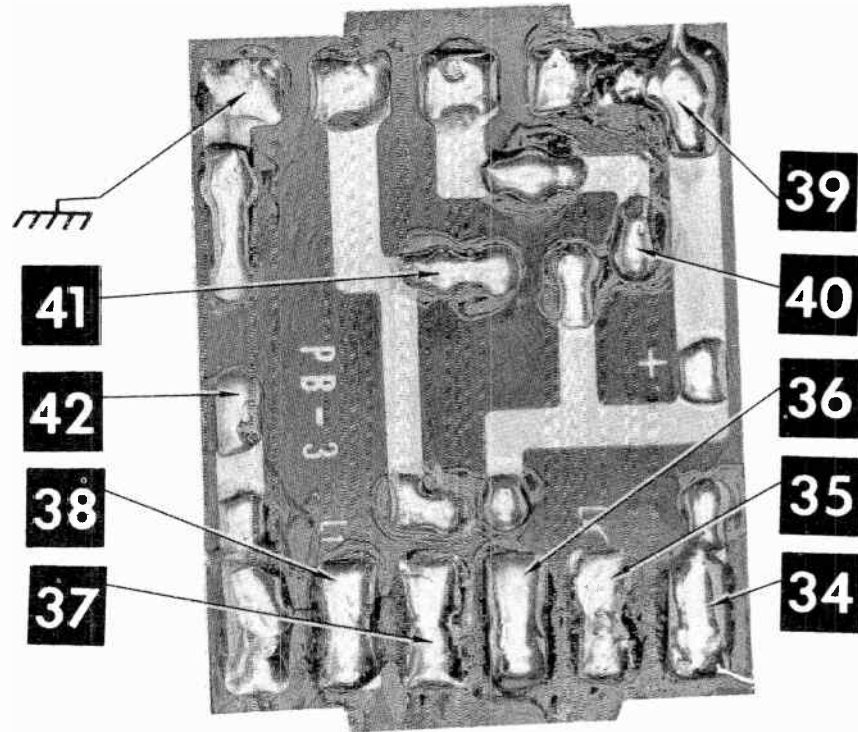
CRAIG MODEL 3104



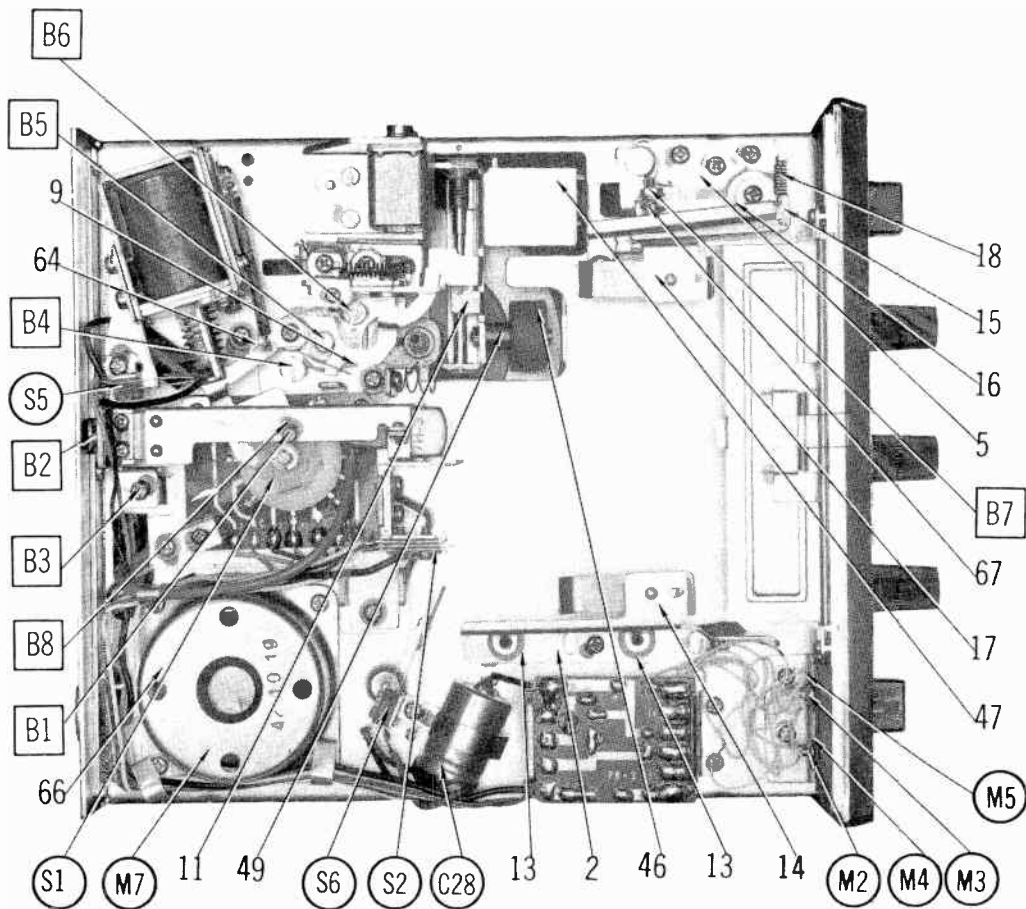
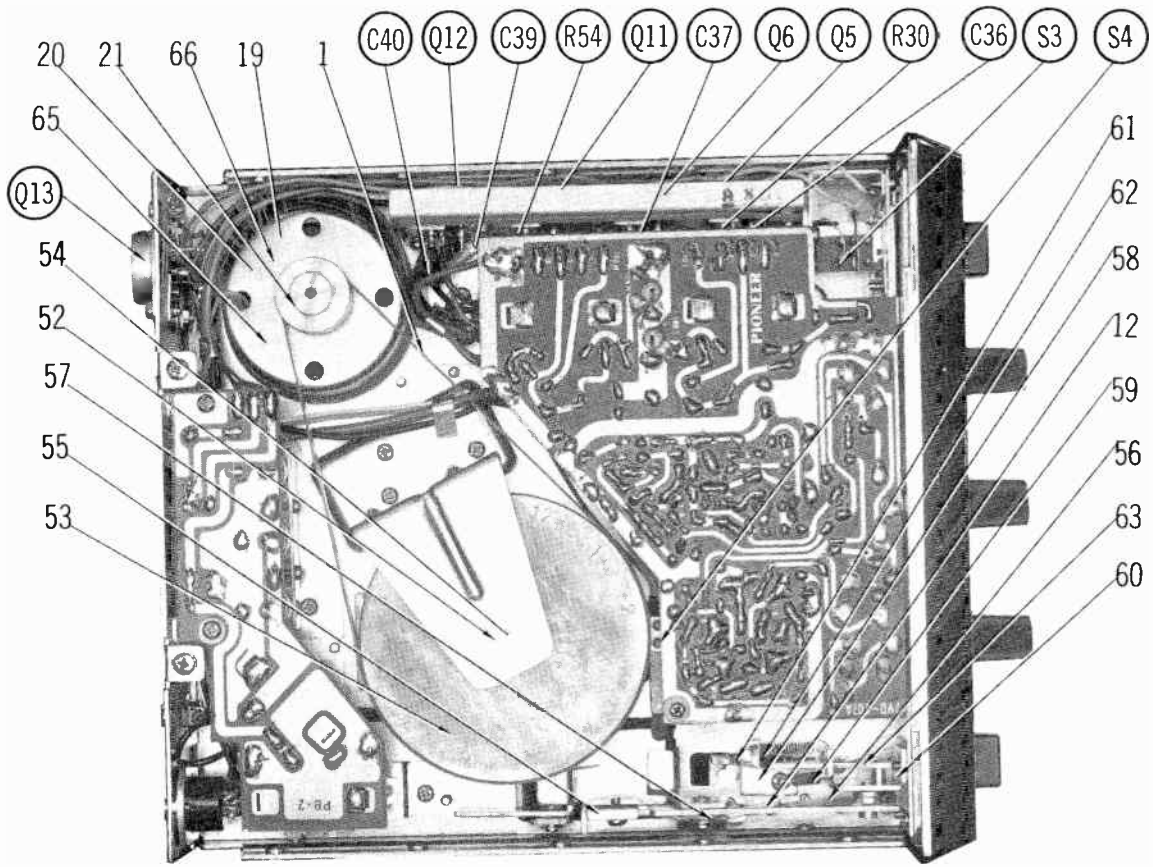


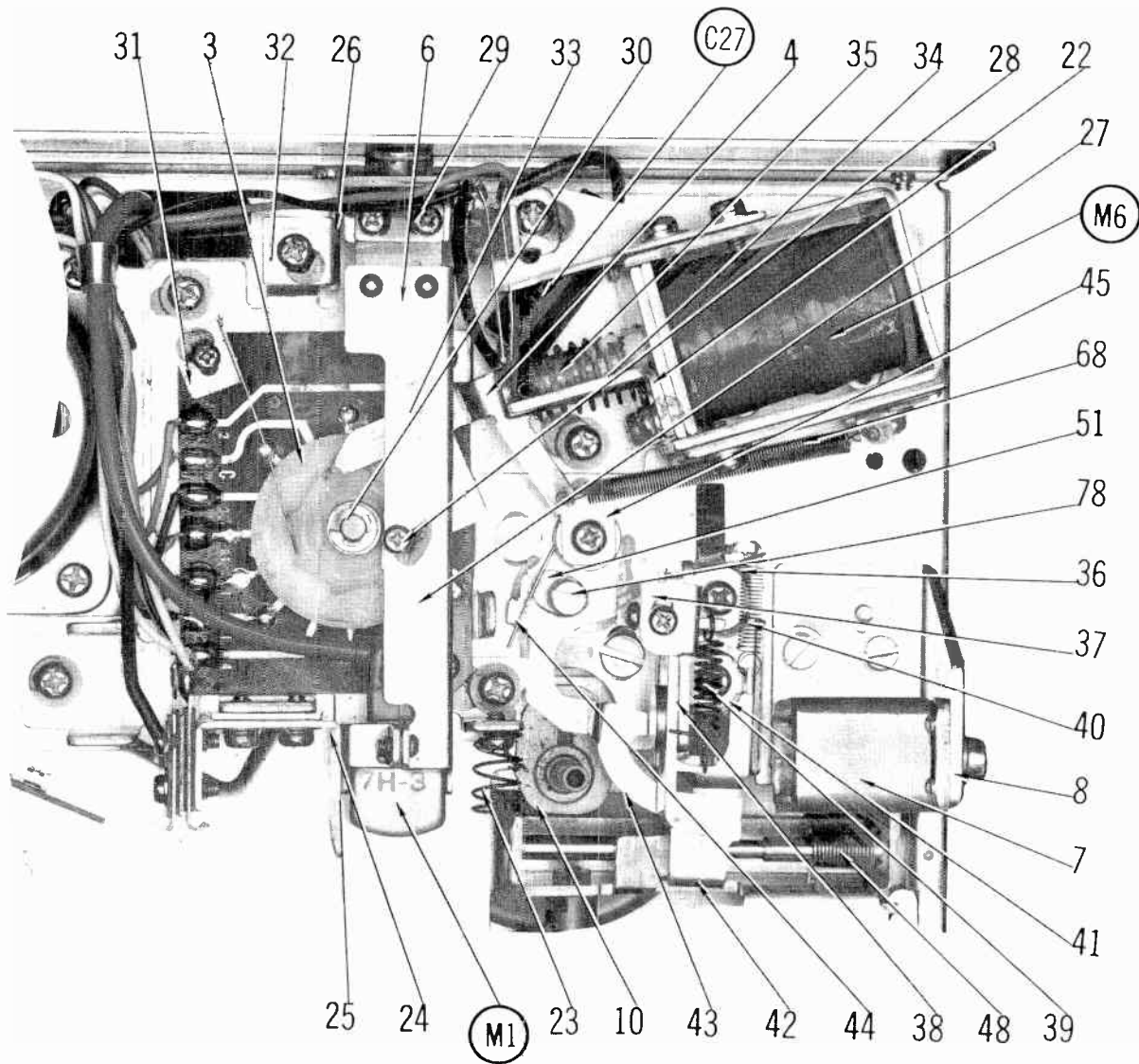
A Howard W. Sams **CIRCUITRACE** Photo





CRAIG MODEL 3104





PARTS LIST AND DESCRIPTION

(When ordering parts, state Model, Part Number, and Description.)

Replacement parts shown may be superseded by the availability of newly introduced replacements. Have your local distributor check Sams COUNTER FACTS for the most up-to-date replacement.

TRANSISTORS

ITEM No.	TYPE No.	FUNCTION	REPLACEMENT DATA					
			MFGR. PART No.	DELCO PART No.	GENERAL ELECTRIC PART No.	INTERNATIONAL RECTIFIER PART No.	RCA PART No.	SYLVANIA PART No.
Q1	2SB173	Preamp		DS-26	GE-2	TR-05	SK-3004	ECG 102
Q2	2SB175	Preamp		DS-26	GE-2	TR-05	SK-3005	ECG 102
Q3	2SB175	AF Amp		DS-26	GE-2	TR-05	SK-3005	ECG 102
Q4	2SB345	Driver		DS-26	GE-2	TR-05	SK-3005	ECG 102
Q5	2SB473	Output *						ECG 131
Q6	2SB473	Output *						ECG 131
Q7	2SB173	Preamp		DS-26	GE-2	TR-05	SK-3004	ECG 102
Q8	2SB175	Preamp		DS-26	GE-2	TR-05	SK-3004	ECG 102
Q9	2SB175	AF Amp		DS-26	GE-2	TR-05	SK-3004	ECG 102
Q10	2SB345	Driver		DS-26	GE-2	TR-05	SK-3004	ECG 102
Q11	2SB473	Output *						ECG 131
Q12	2SB473	Output *						ECG 131
Q13	2SB426	Solenoid Control *		DS-520	GE-3	TR-01	SK-3009	ECG 104

* When replacing, apply silicone grease to both sides of insulator. Tighten mounting screws securely.

POWER RECTIFIERS & SIGNAL DIODES

ITEM No.	MFGR. PART OR TYPE No.	REPLACEMENT RECTIFIERS & DIODES			REPLACEMENT RECTIFIERS		NOTES
		GENERAL ELECTRIC PART No.	INTERNATIONAL RECTIFIER PART No.	SYLVANIA PART No.	RCA PART No.	SARKES TARZIAN PART No.	
X1	SD-1Y	GE-505	8D10	ECG 116			

PARTS LIST AND DESCRIPTION (CONTINUED)

(When ordering parts, state Model, Part Number, and Description.)

Replacement parts shown may be superseded by the availability of newly introduced replacements.
Have your local distributor check Sams COUNTER FACTS for the most up-to-date replacement.

ELECTROLYTIC CAPACITORS

ITEM No.	RATING	REPLACEMENT DATA						
		CRAIG PART No.	AEROVOX PART No.	CENTRALAB PART No.	CORNELL-DUBILIER PART No.	GENERAL ELECTRIC PART No.	MALLORY PART No.	SPRAGUE PART No.
C1	500 15V	PC-2007	BCD15500	EA15-500	BR500-15	QT1-30	MTV500DN15	TL-1166
C2	500 15V	PC-2007	BCD15500	EA15-500	BR500-15	QT1-30	MTV500DN15	TL-1166
C3	500 15V	PC-2007	BCD15500	EA15-500	BR500-15	QT1-30	MTV500DN15	TL-1166
C4	500 15V	PC-2007	BCD15500	EA15-500	BR500-15	QT1-30	MTV500DN15	TL-1166
C5	200 10V	PC-2009	BCD20200	EA15-200	NLW200-15	MT1-23	MTV200CP15	TL-1164
C6	10 6V	PC-2013	BCD6010	EP6-10	NLW10-6	MT1-6	MTV10CB50	TL-1087
C7	30 6V	PC-2001	BCD6035	EP6-50	NLW30-6	MT1-13	MTV30CB25	TL-1093
C8	30 6V	PC-2001	BCD6035	EP6-50	NLW30-6	MT1-13	MTV30CB25	TL-1093
C9	30 6V	PC-2001	BCD6035	EP6-50	NLW30-6	MT1-13	MTV30CB25	TL-1093
C10	30 6V	PC-2001	BCD6035	EP6-50	NLW30-6	MT1-13	MTV30CB25	TL-1093
C11	10 10V	PC-2016	BCD10010	EP15-10	NLW10-15	MT1-5	MTV10CB50	TE-1128
C12	50 6V	PC-2014	BCD6050	EP6-50	NLW50-6	MT1-15	MTV50CB15	TL-1100
C13	50 6V	PC-2014	BCD6050	EP6-50	NLW50-6	MT1-15	MTV50CB15	TL-1100
C14	50 6V	PC-2014	BCD6050	EP6-50	NLW50-6	MT1-15	MTV50CB15	TL-1100
C15	500 15V	PC-2007	BCD15500	EA15-500	BR500-15	QT1-30	MTV500DN15	TL-1166
C16	10 6V	PC-2013	BCD6010	EP6-10	NLW10-6	MT1-6	MTV10CB50	TL-1087
C17	30 6V	PC-2001	BCD6035	EP6-50	NLW30-6	MT1-13	MTV30CB25	TL-1093
C18	30 6V	PC-2001	BCD6035	EP6-50	NLW30-6	MT1-13	MTV30CB25	TL-1093
C19	30 6V	PC-2001	BCD6035	EP6-50	NLW30-6	MT1-13	MTV30CB25	TL-1093
C20	30 6V	PC-2001	BCD6035	EP6-50	NLW30-6	MT1-13	MTV30CB25	TL-1093
C21	50 6V	PC-2014	BCD6050	EP6-50	NLW50-6	MT1-15	MTV50CB15	TL-1100
C22	50 6V	PC-2014	BCD6050	EP6-50	NLW50-6	MT1-15	MTV50CB15	TL-1100
C23	50 6V	PC-2014	BCD6050	EP6-50	NLW50-6	MT1-15	MTV50CB15	TL-1100
C24	10 10V	PC-2016	BCD10010	EP15-10	NLW10-15	MT1-5	MTV10CB50	TE-1128
C25	500 15V	PC-2007	BCD15500	EA15-500	BR500-15	QT1-30	MTV500DN15	TL-1166
C26	100 15V	PC-2018	CRE473A	EA15-100	NLW100-15	MT1-19	MTA100E15	TE-1162
C27	100 15V	PC-2018	CRE473A	EA15-100	NLW100-15	MT1-19	MTA100E15	TE-1162
C28	15 15V	PC-2020	CRE459A	EA15-25	NLW15-15	MT1-10	MTA15D35	TE-1156
C29	30 15V	PC-2004	BCD15035	EP15-50	NLW30-15	MT1-16	MTV30CB25	TL-1159
C30	500 15V	PC-2007	BCD15500	EA15-500	BR500-15	QT1-30	MTV500DN15	TL-1166

CAPACITORS

ITEM No.	RATING	REMARKS	REPLACEMENT DATA					
			AEROVOX PART No.	CENTRALAB PART No.	CORNELL-DUBILIER PART No.	ELMENCO PART No.	MALLORY PART No.	SPRAGUE PART No.
C35	.01		TTP-01	CK-103	HOV101ZV103P	CCD-103	TA110	TG-S10
C36	.1		TTP-1	CK-104	HOV101ZV104Z		TA010	TG-P10
C37	.1		TTP-1	CK-104	HOV101ZV104Z		TA010	TG-P10
C38	.01		TTP-01	CK-103	HOV101ZV103P	CCD-103	TA110	TG-S10
C39	.1		TTP-1	CK-104	HOV101ZV104Z		TA010	TG-P10
C40	.1		TTP-1	CK-104	HOV101ZV104Z		TA010	TG-P10
C41	.05		GPD Z5V503P	DD-503	HOV101ZV503P	CCD-503	GP150	SGA-SS0
C42	.03		TTP-03	CK-303		CCD-303	GP130	TG-S30

CONTROLS (All wattages 1/2 watt, or less, unless listed)

ITEM No.	FUNCTION	RESISTANCE	REPLACEMENT DATA				
			MFR. PART No.	CENTRALAB PART No.	CLAROSTAT PART No.	CTS-IRC PART No.	MALLORY PART No.
R1A	Volume	10K	C82-607-0				
B	Volume	10K					
R2A	Tone	20K	CB2-610-0				
B	Tone	20K					
R3	Balance	10K Tap #5000	C81-603-0				
R4	Level	5000	C92-605-0				
R5	Bias	500	C92-604-A				
R6	Bias	500	C92-604-A				

RESISTORS (Power and Special)

ITEM No.	RATING	REPLACEMENT DATA			ITEM No.	RATING	REPLACEMENT DATA		
		IRC PART No.	WORKMAN PART No.	MFR. PART No.			IRC PART No.	WORKMAN PART No.	MFR. PART No.
R26	10 (Cold)			PC-4002	R50	10 (Cold)			PC-4002
R29	10 (Cold)			PC-4002	R53	10 (Cold)			PC-4002
					R61	100 (Cold)			PC-4003

PARTS LIST AND DESCRIPTION (CONTINUED)

(When ordering parts, state Model, Part Number, and Description.)

Replacement parts shown may be superseded by the availability of newly introduced replacements.
Have your local distributor check Sams COUNTER FACTS' for the most up-to-date replacement.

COILS (RF-IF)

ITEM No.	USE	REPLACEMENT DATA			
		PART No.	MEISSNER PART No.	MILLER PART No.	WORKMAN PART No.
L1	RF Choke (10uh)	T63-612-0	19-1005	4612	T860
L2	RF Choke (10uh)	T63-612-0	19-1005	4612	T860

FILTER CHOKE

ITEM No.	RATINGS			REPLACEMENT DATA					NOTES
	CURRENT (Measured)	DC RES.	INDUCTANCE (0 CURRENT 1000~)	CRAIG PART No.	MERIT PART No.	STANCOR PART No.	THORDARSON PART No.	TRIAD PART No.	
L3		.2	1.3mh	T63-610A					
L4		.2	1.3mh	T63-610A					

TRANSFORMER (Driver)

ITEM No.	TURNS RATIO			REPLACEMENT DATA					NOTES
	PRI.	SEC. 1	SEC. 2	CRAIG PART No.	MERIT PART No.	STANCOR PART No.	THORDARSON PART No.	TRIAD PART No.	
T1	12	1	1	T62-603-0					
T2	12	1	1	T62-603-0					

FUSE DEVICES

ITEM No.	DESCRIPTION	REPLACEMENT DATA						
		PART No.		BUSS PART No.		LITTELFUSE PART No.		WORKMAN PART No.
		DEVICE	HOLDER	DEVICE	HOLDER	DEVICE	HOLDER	DEVICE
F1	5 Amp			AGX 5	HDI	362005	155014	

TAPE HEADS

ITEM NO.	MEASURED			CRAIG PART NO.	NORTRONICS PART NO.	DESCRIPTION
	INDUCTANCE	BIAS/ERASE VOLTS (RMS)	BIAS FREQ.			
M1	400mh			PS2-606-0		8-Track Stereo Play

MISCELLANEOUS

ITEM No.	PART NAME	PART No.	NOTES
M2	Program Indicator	E22-604-0	
M3	Program Indicator	E22-604-0	
M4	Program Indicator	E22-604-0	
M5	Program Indicator	E22-604-0	
M6	Solenoid	M15-616-A	
M7	Motor	N12-601-B	
S1	Program Selector Indicator Switch	M92-611-A	
S2	Automatic Track Selector Switch	W72-671-B	
S3	Manual Track Selector Switch	S31-603-0	
S4	4-8 Track Selector Switch	W72-655-0	
S5	Solenoid Power Switch	S48-606-A	
S6	On-Off Switch	S48-605-B	

CABINETS & CABINET PARTS (When ordering specify model, chassis & color)

ITEM	PART No.	ITEM	PART No.
Knob, Control	A12-602-B	Indicator Plate	A45-617-A
Knob, Program or Reject	E32-641-0	Door	W72-645-A
Indicator Lens	N93-638-A		

WIRING DATA

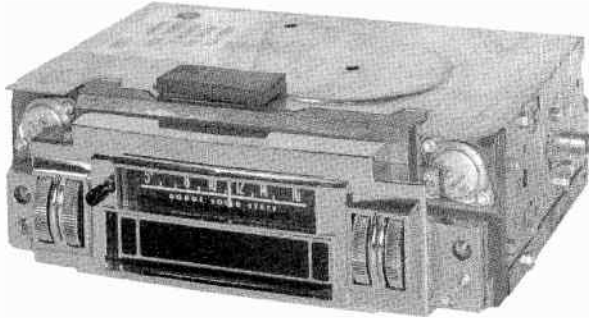
General-use Unshielded Hook-up Wire	Use BELDEN No. 8530 (Solid) Available in 12 Colors 8524 (Stranded) Available in 12 Colors
Shielded Hook-up Wire	Use BELDEN No. 8885
Rear Seat Speaker Extension Cable	Use BELDEN No. 8782 (Stranded) Coded Parallel Leads
Bonding Strap	Use BELDEN No. 8661 (3/8 In.) or 8670 (3/4 In.)

CRAIG MODEL 3104



PHOTOFACT[®] with

CIRCUITRACE[®]



TRADE NAME : Dodge Models 392 (1968 Coronet, Charger)
394 (1968 Polara, Monaco)

SUPPLIER : For Current Address, See Annual Index

TYPE SET : 14-Transistor AM Receiver W/Tape
Player

POWER SUPPLY : 12 Volt Storage Battery

RATING : 1. 25 Amp @ 12.6 Volts DC (Receiver)
1. 4 Amp @ 12.6 Volts DC (Tape Player)

DODGE MODELS 392, 394

OPERATING INSTRUCTIONS

Insert cartridge until it locks and turns unit on.

Set operating controls as desired.

Press program selector to play desired tracks, or allow unit to select tracks automatically.

Remove cartridge to turn unit off.

HEAD DEMAGNETIZING

Demagnetize head when unit is serviced. Avoid using magnetic materials near head.

CLEANING

Clean all tape contact surfaces with a soft lint-free material and head cleaner or alcohol. Use alcohol to remove oil and grease from all driving surfaces.

LUBRICATING

Lubricate bearings and bushings lightly with #20 machine oil. Use a light film of nonhardening grease on cam surfaces.

ADJUSTMENTS

ADJUST	REMARKS
Head Height	Play a test cartridge, follow instructions with cartridge, and adjust B1 for proper response.
Head Azimuth	Connect an AC VTVM across right output. Play a test cartridge and adjust B2 for maximum.
Indexing Solenoid	Press program selector to continuously cycle indexing mechanism, turn Screw B3 clockwise until cycling stops, and then turn screw counterclockwise 1/4 turn past restart of cycling.

ALIGNMENT INSTRUCTIONS

Check for specified source voltage. Use only enough generator output to provide a usable indication. Suggested Alignment Tools:

A1 thru A4.	GENERAL CEMENT: 9296, 9297, 9300
	WALSCO: 2510, 2546, 2547
A5, A6, A7.	GENERAL CEMENT: 9290, 8868, 9087
	WALSCO: 2525, 2528, 2587

TO SIGNAL GENERATOR TO ANTENNA RECEPTACLE

DUMMY ANTENNA

PUSH-BUTTON ADJUSTMENT

1. Pull button out.
2. Tune manually to desired station.
3. Press button in firmly.
4. Repeat for remaining buttons.

	SIGNAL GENERATOR COUPLING	SIGNAL GENERATOR FREQUENCY	RADIO DIAL SETTING	INDICATOR	ADJUST	REMARKS
1.	High side thru .1mfd to point Δ , low side to ground.	262KC (400% Mod.)	High freq. end stop.	Output meter across voice coil.	A1, A2, A3, A4	Adjust for maximum.
2.	Thru dummy antenna to antenna receptacle.	1615KC	"	"	A5, A6, A7	"
Step 3 is not necessary unless tuner has been tampered with or associated components have been replaced. If necessary, back tuning cores (A8, A9, A10) out of coils but not out of forms. Repeat Step 2.						
3.	Thru dummy antenna to antenna receptacle.	1000KC	Tune to signal.	Output meter across voice coil.	A8, A9, A10	Adjust for maximum. Repeat Steps 2 and 3 until no further improvement is noted.

With radio installed in car and antenna extended to desired height, tune in a weak station near 1400KC and adjust A7 for maximum output. Antenna adjustment (A7) is located bottom right rear corner.

HOWARD W. SAMS & CO., INC. Indianapolis, Indiana 46206

MECHANICAL PARTS LIST

Ref. No.	Part No.	Description	Ref. No.	Part No.	Description
1	42-40426 B01	Flywheel Belt	21	46-40059 A46	Head Retainer
2	7-43576A01	Motor Support (2 used)	22	41-40540 B01	Head Tension Spring
3	45-40428 B07	Ratchet Cam	23	43-43867 A03	Capstan Pivot Bearing
	47-40414 B01 ②	Ratchet Cam	24	47-40059 A56 ④	Capstan Shaft
4	55-40605 B01	Push Ratchet Pawl (Stamped "A")	25	4-40409 B01	Thrust Washer (2 used)
5	55-40606 B01	Pull Ratchet Pawl (Stamped "B")	26	43-40411 B02	Thrust Bearing
6	46-40299 B01	Solenoid Stop	27	49-41928 B01	Semi Roller
7	45-41230 B01	Right Radius Arms (2 used)	28	47-42174 B01	Cam Shaft .186" Dia.
8	45-41231 B01	Left Radius Arms (2 used)		47-40414 B01	Cam Shaft .124" Dia.
9	26-40399 B01	Motor Mounting Shield	29	41-41251 B02 ①	Cam Tension Spring
10	15-40059 A61 ③	Capstan Housing Assembly		41-41251 B01 ②	Cam Tension Spring
11	41-40445 B02	Plunger Return Spring	30	4-40409 B05 ①	Thrust Washer .190" X .50"
12	47-40298 B01	Solenoid Plunger		4-40409 B03 ②	Thrust Washer .126" X .50"
13	41-40681 B01	Pawl Tension Spring	31	43-40411 B03 ①	Thrust Bearing .190" I.D.
14	45-40495 B01	Actuating Cam		43-40411 B01 ②	Thrust Bearing .126" I.D.
15	41-40444 B01	Azimuth Tension Spring	32	4-40409 B04 ①	Thrust Washer .190" X .446"
16	45-40480 B01	Micro Switch Actuating Arm		4-40409 B02 ②	Thrust Washer .126" X .312"
17	49-40416 B02	Flywheel	33	1-42000B15	Cartridge Spring Assembly
18	1-42000B16	Tape Guide Assembly	34	49-41580 B01	Cartridge Ret. Roller
19	46-42104 B01	Tape Stop	35	41-42587 B01	Pointer Tension Spring
20	42-41229 B01	Retaining Clip (4 used)			

① Use with .186 Dia. Shaft, Ref. No. 28

② Use with .124 Dia. Shaft, Ref. No. 28

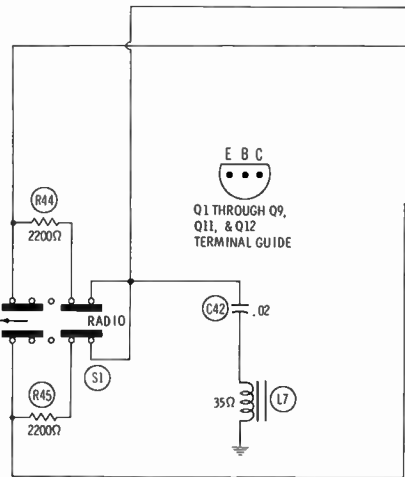
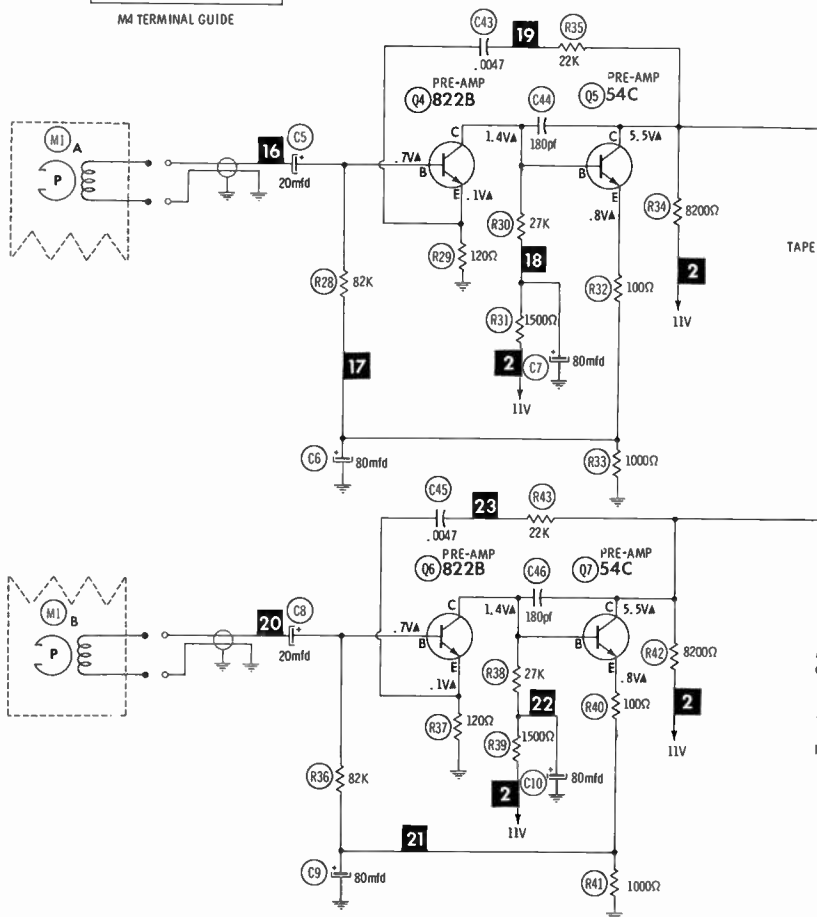
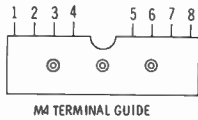
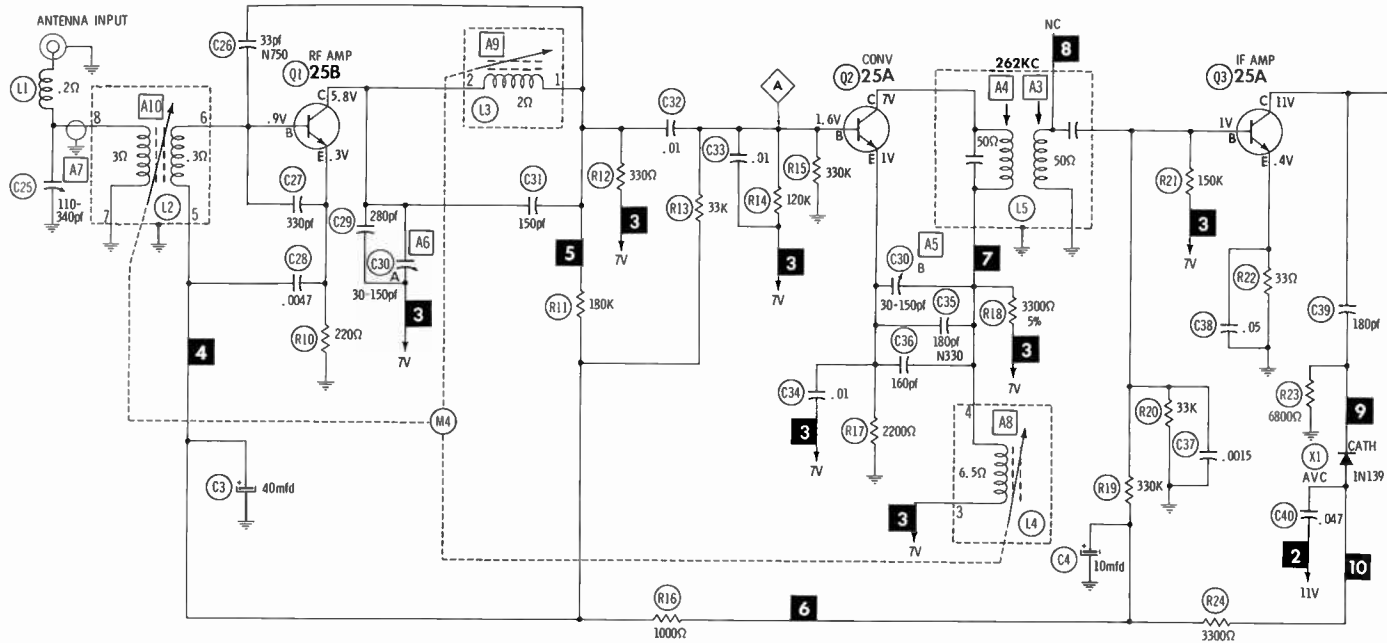
③ Includes Ref. Nos. 7, 8, 15, 16, 20, 21, 22, 23, 24, 25 and 26

④ Includes Ref. No. 23

TROUBLE CHART

SYMPTOM	REMARKS
Capstan does not rotate	Belt (1) dirty, worn, or broken. Assembly (10) binding. Motor defective or not supplied with power.
Track-shift mechanism inoperative	Switch (S2) dirty. Cam (3) binding or worn. Pawls (4) and (5) worn. Arms (7) and (8) binding Solenoid (M3) defective or not supplied with power. Cartridge defective.
Wow or Flutter	Belt (1) dirty or worn. Capstan dirty or binding. Cartridge defective. Motor defective. Speed regulator circuit defective.
Sound weak or distorted	Head dirty, misaligned, or defective. Cartridge defective. Amplifiers defective.
Tape is pulled from cartridge	Cartridge defective. Capstan dirty or scored.

DODGE MODELS 392, 394



All measurements taken in "RADIO" position unless otherwise designated.

A Measured in "TAPE" position

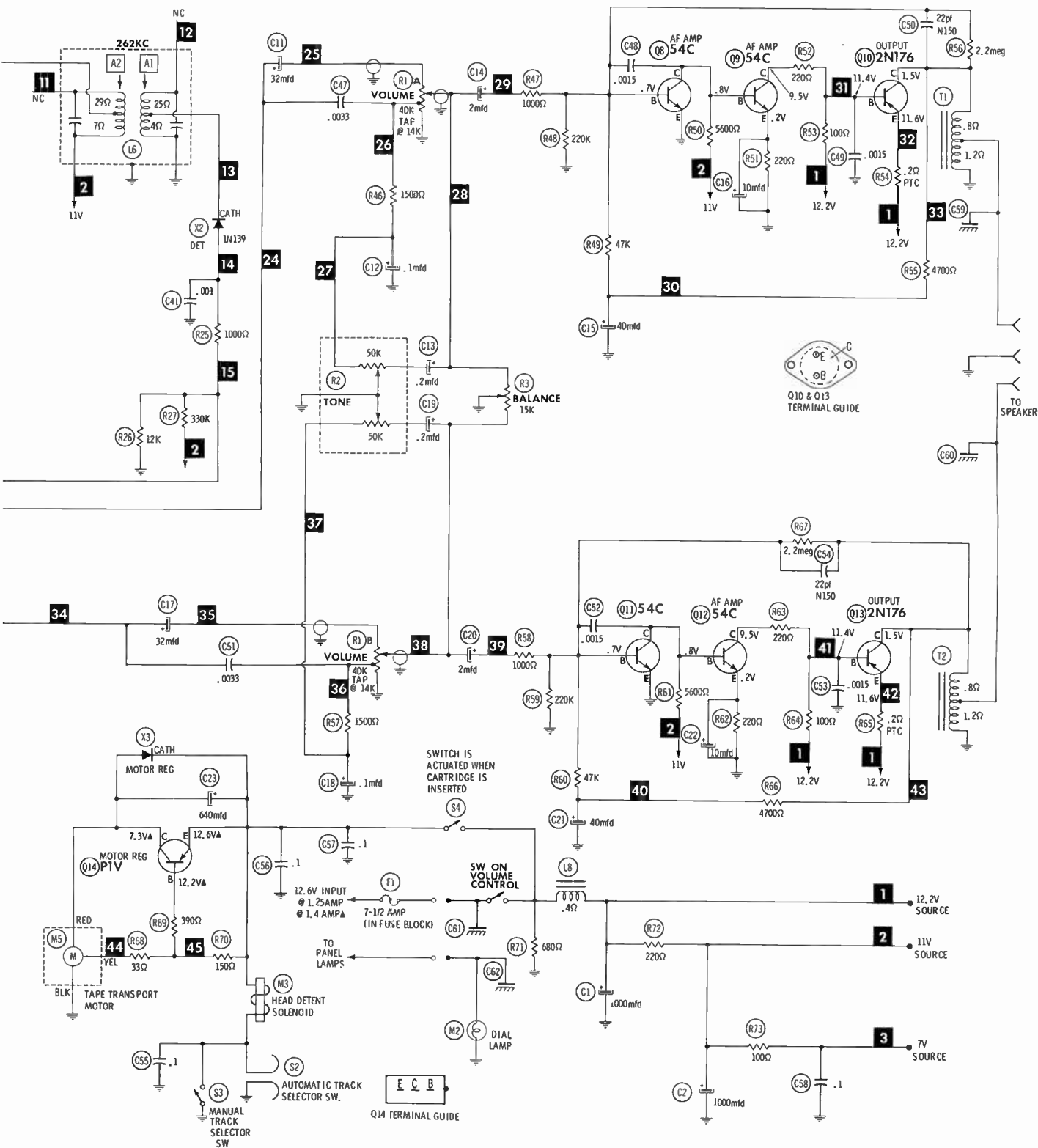
NC No Connection

1. Voltage measurements taken with vacuum tube voltmeter.
2. All controls set for normal operation, no signal applied.
3. Measured values are from socket pin or terminal to common ground.
4. All terminals viewed from bottom unless otherwise designated.
5. Numbers assigned to terminals may not be found on the unit.
6. Supply voltage maintained at rated value for voltage readings.
7. Resistance measurements not given because of the wide variation in internal resistance of transistor.

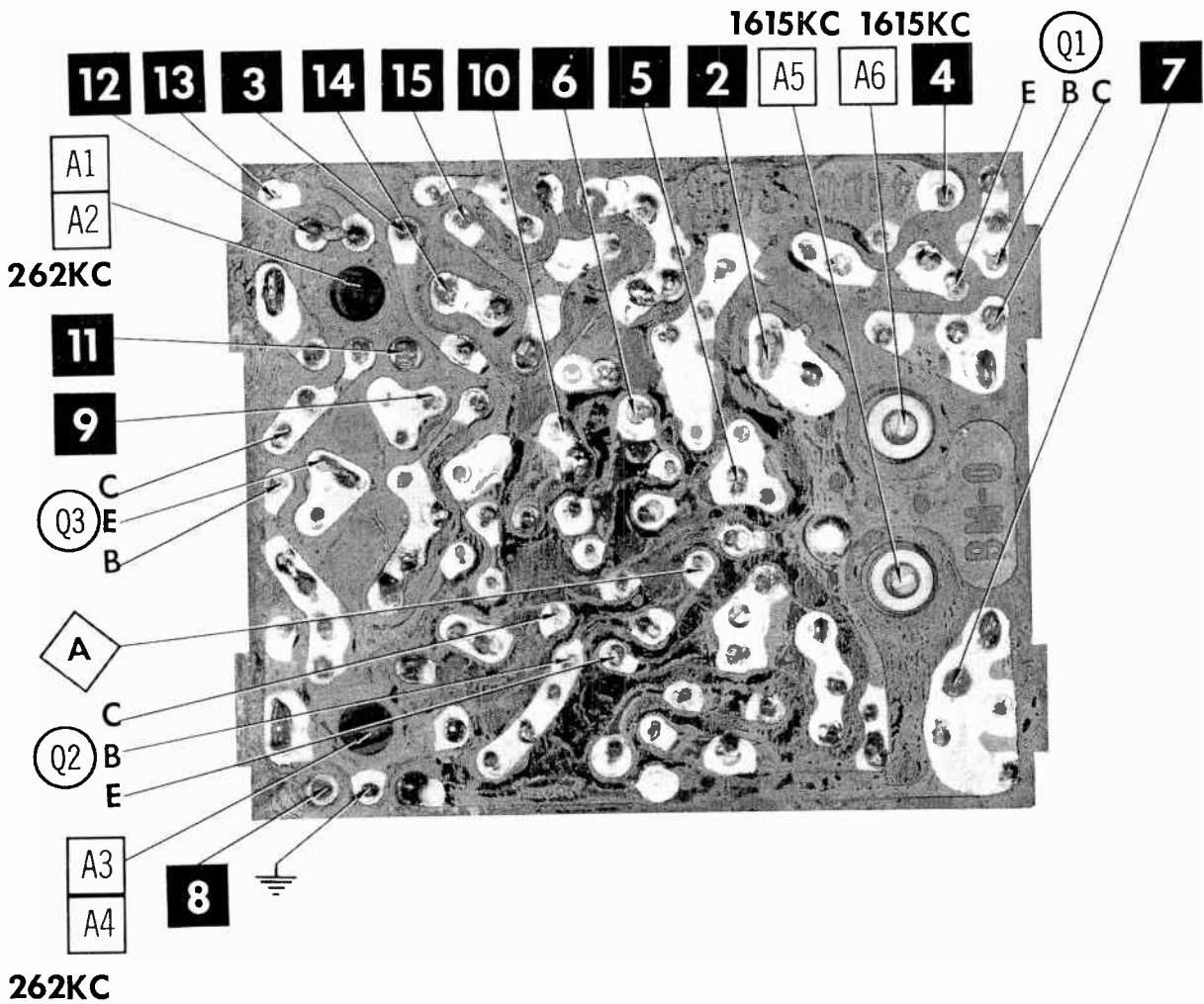
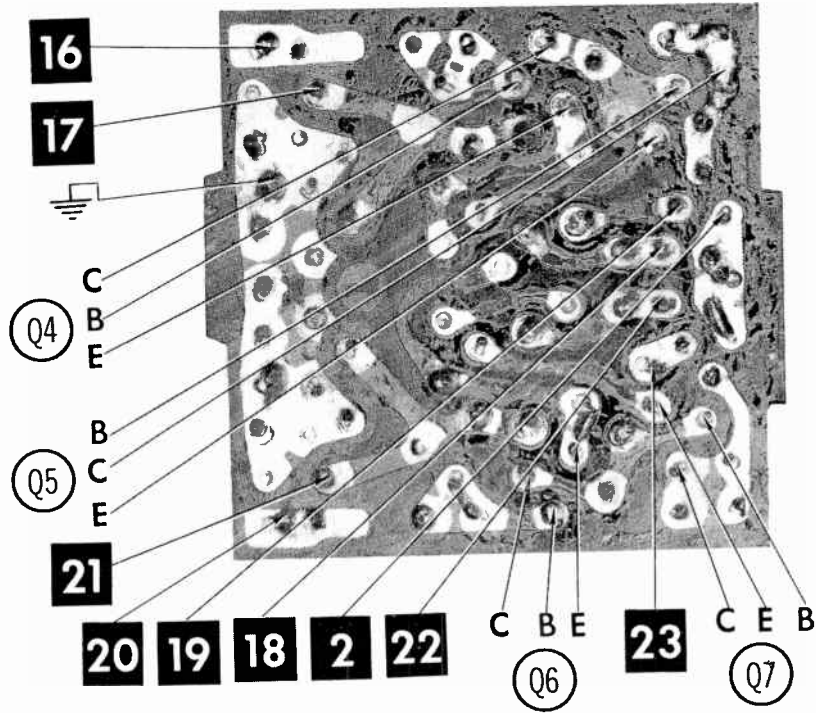
Resistors are 1/2 watt or less and rated 10% or 20% unless otherwise indicated.

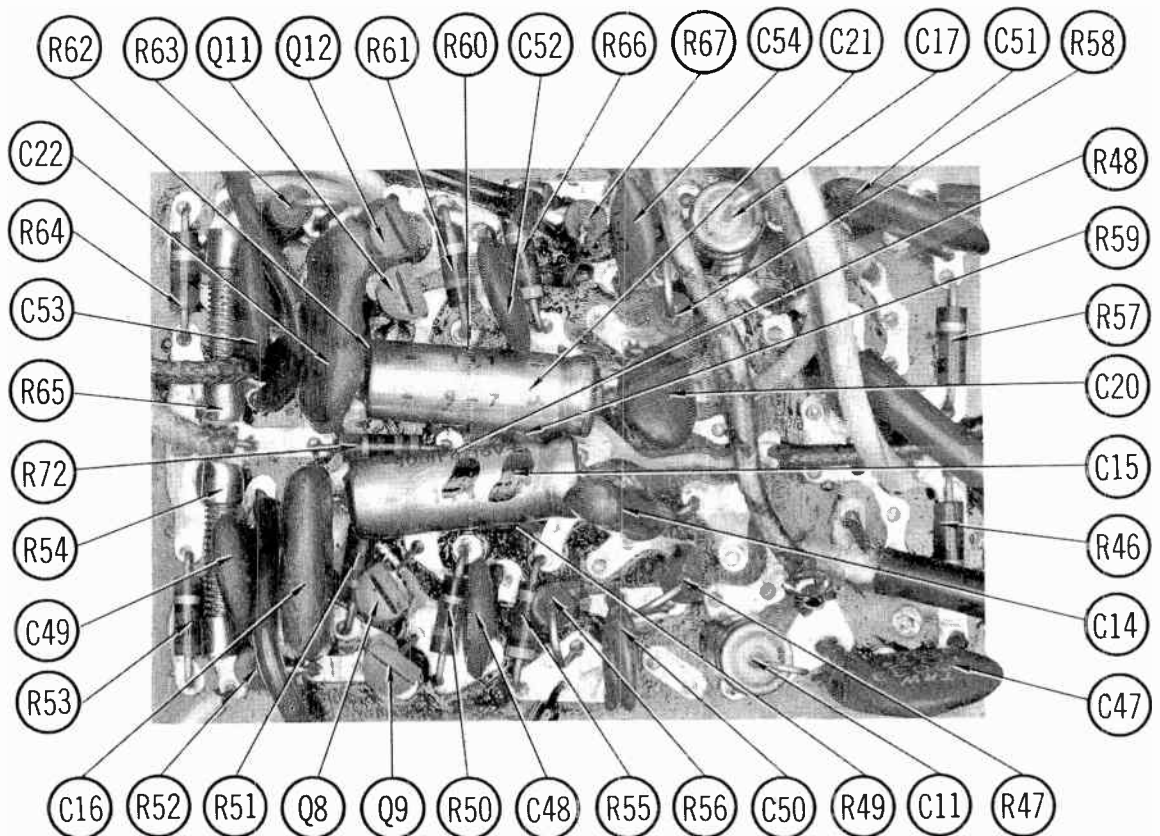
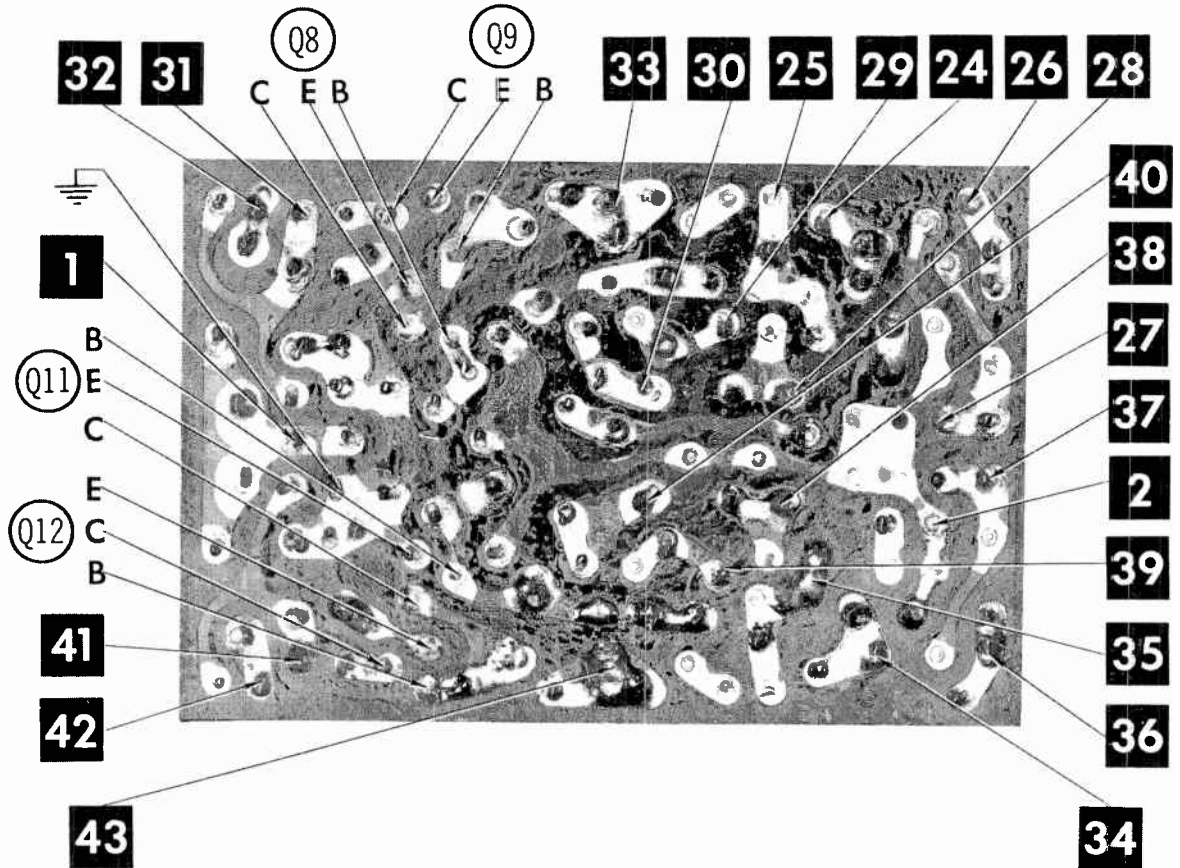
A PHOTOFAC STANDARD NOTATION SCHEMATIC
with **CIRCUITRACE**

© Howard W Sams & Co., Inc. 1968



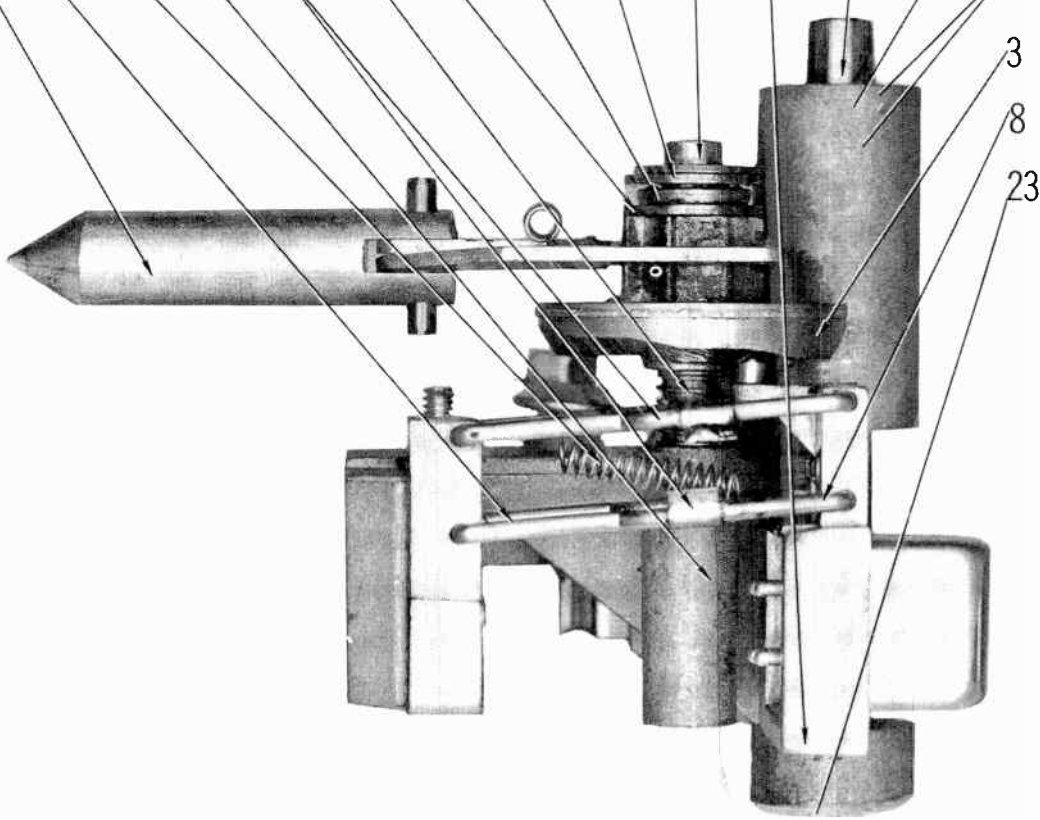
DODGE MODELS 392, 394



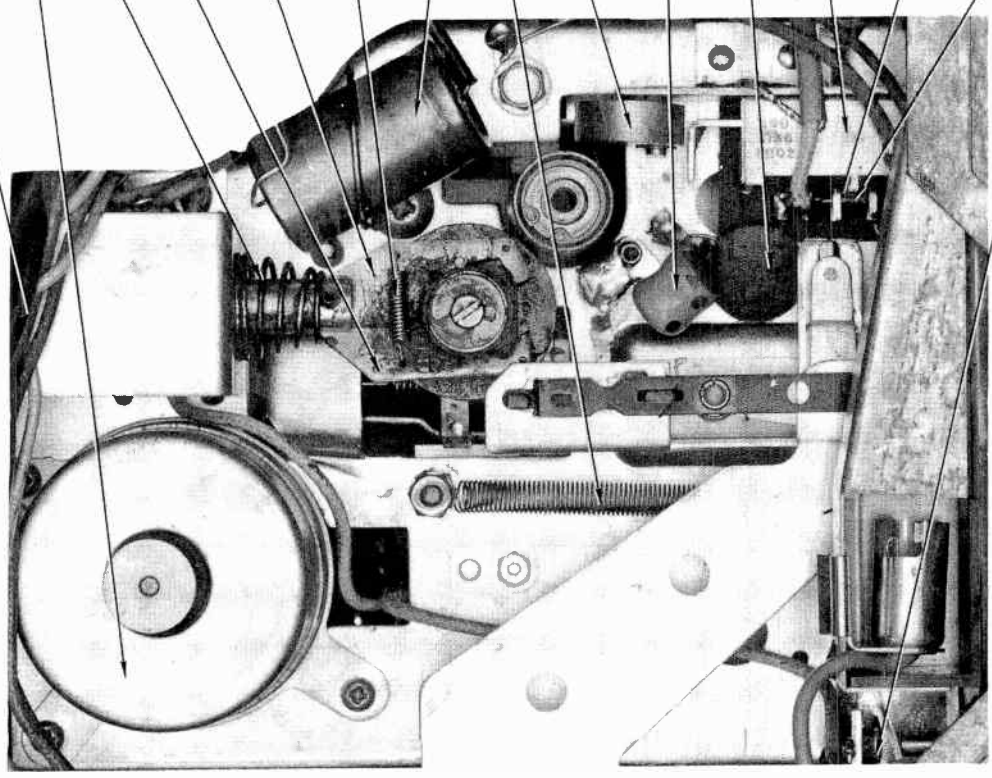


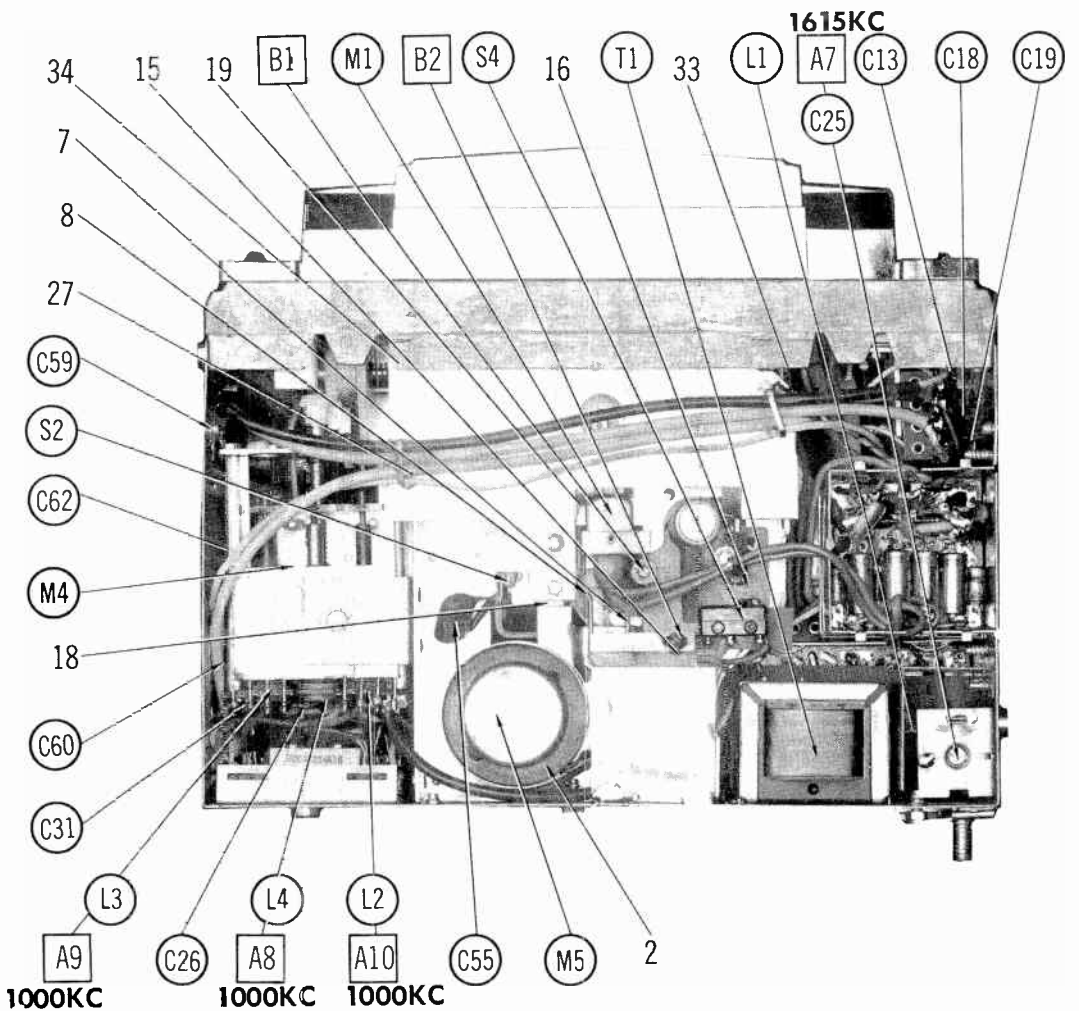
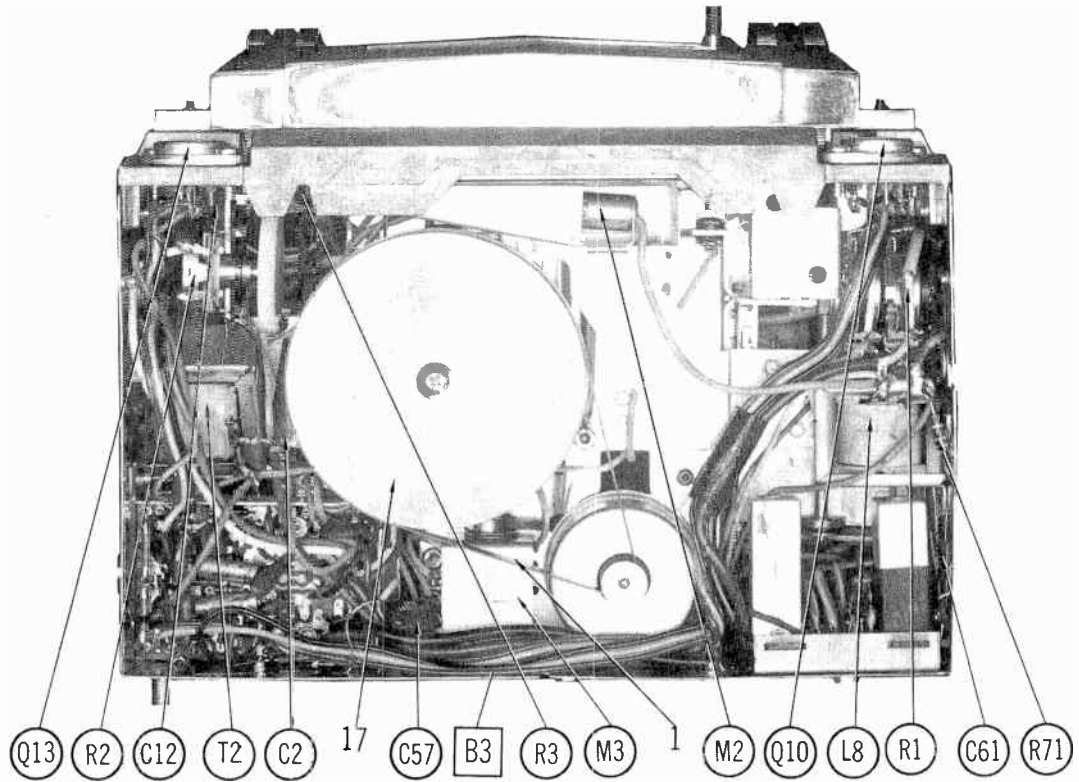
DODGE MODELS 392, 394

12 7 22 10 20 29 30 31 32 28 21 24 26 25

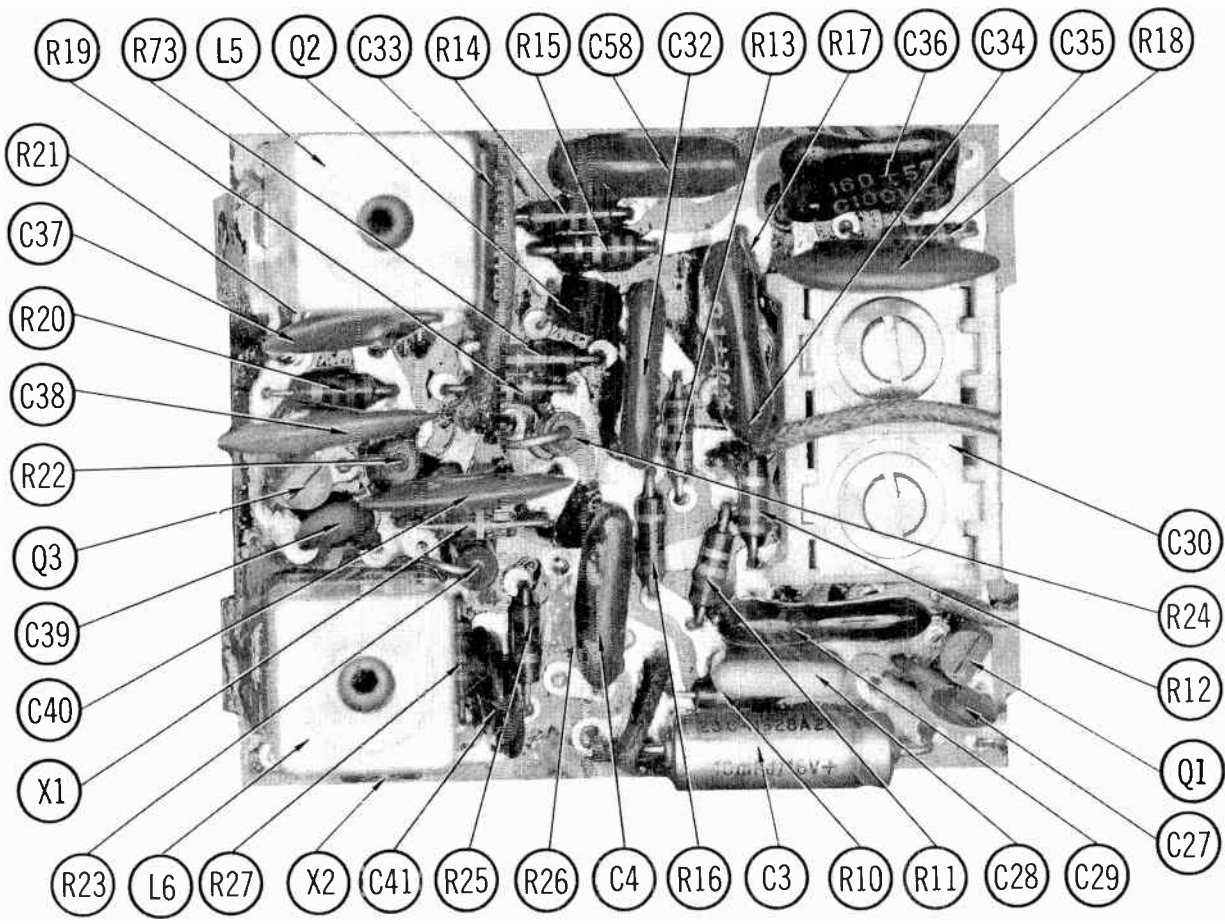
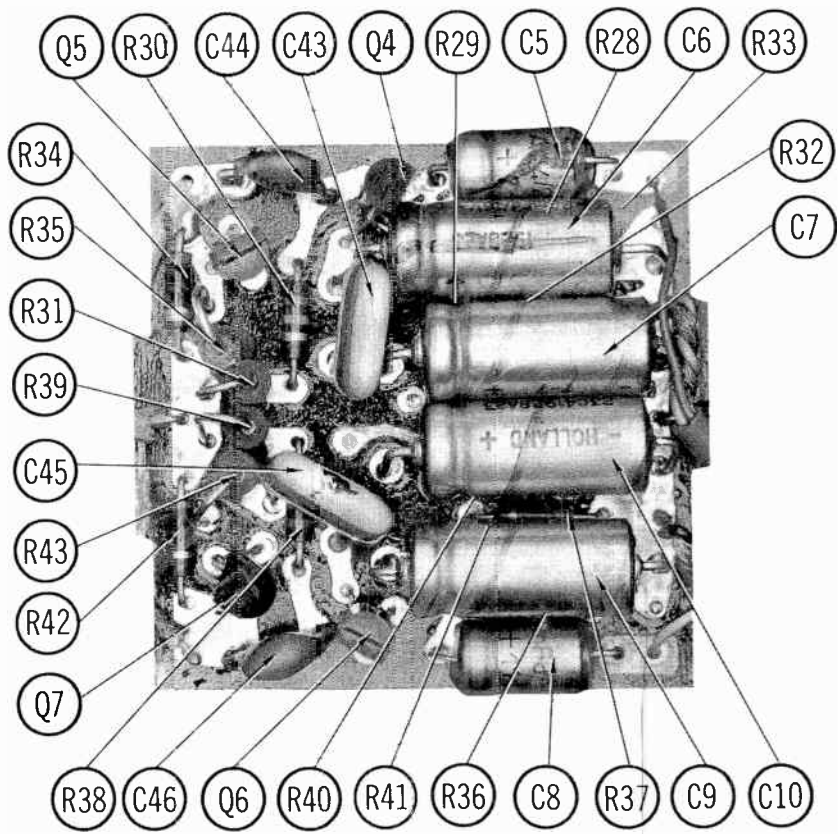


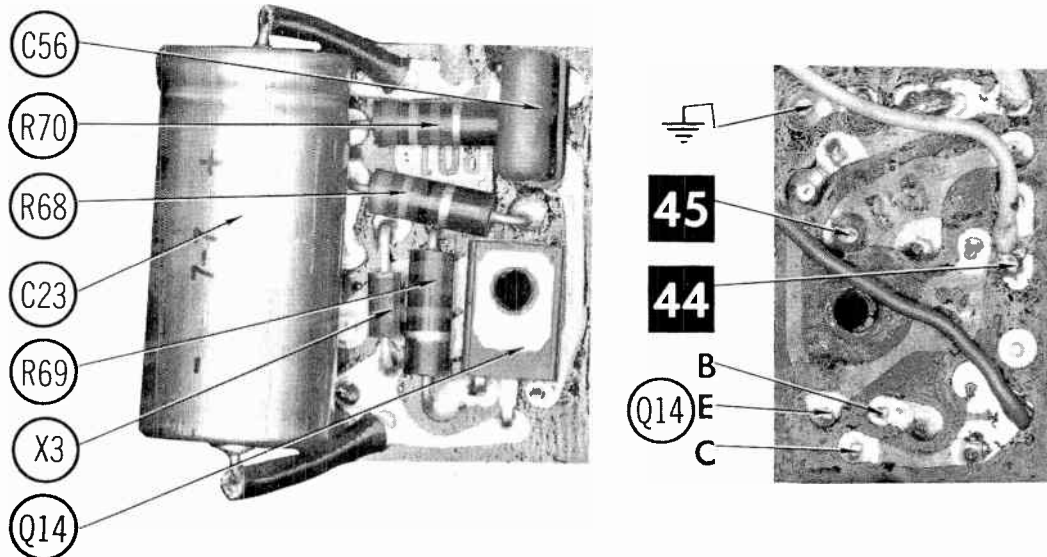
6 9 11 5 4 13 C1 35 14 L7 C42 S1 R44 R45 S3





DODGE MODELS 392, 394





PARTS LIST AND DESCRIPTION

(When ordering parts, state Model, Part Number, and Description.)

Replacement parts shown may be superseded by the availability of newly introduced replacements.
Have your local distributor check Sams COUNTER FACTS for the most up-to-date replacement.

TRANSISTORS

ITEM No.	TYPE No.	FUNCTION	REPLACEMENT DATA					
			MFG. PART No.	DELCO PART No.	GENERAL ELECTRIC PART No.	INTERNATIONAL RECTIFIER PART No.	RCA PART No.	SYLVANIA PART No.
Q1	25B	RF Amp	48-134805	DS-71	GE-11	TR-21	SK-3018	ECG 107
Q3	25A	Converter	48-134804	DS-72	GE-11	TR-21	SK-3018	ECG 107
Q3	25A	IF Amp	48-134804	DS-72	GE-11	TR-21	SK-3018	ECG 107
Q4	822B	Preamp	48-134823	DS-76	GE-10	TR-21	SK-3020	ECG 123
Q5	54C	Preamp	48-134810	DS-76	GE-10	TR-21	SK-3020	ECG 123
Q6	822B	Preamp	48-134823	DS-76	GE-10	TR-21	SK-3020	ECG 123
Q7	54C	Preamp	48-134810	DS-76	GE-10	TR-21	SK-3020	ECG 123
Q8	54C	AF Amp	48-134810	DS-66	GE-10	TR-21	SK-3020	ECG 123
Q9	54C	AF Amp	48-134810	DS-66	GE-10	TR-21	SK-3020	ECG 123
Q10	2N176	Output *	48-134747	DS-520	GE-3	TR-01	SK-3009	ECG 104
Q11	54C	AF Amp	48-134810	OS-66	GE-10	TR-21	SK-3020	ECG 123
Q12	54C	AF Amp	48-134810	DS-66	GE-10	TR-21	SK-3020	ECG 123
Q13	2N176	Output *	48-134747	DS-520	GE-3	TR-01	SK-3009	ECG 104
Q14	PLV	Motor Regulator	48-134987					

POWER RECTIFIERS & SIGNAL DIODES

ITEM No.	MFG. PART OR TYPE No.	REPLACEMENT RECTIFIERS & DIODES			REPLACEMENT RECTIFIERS		NOTES
		GENERAL ELECTRIC PART No.	INTERNATIONAL RECTIFIER PART No.	SYLVANIA PART No.	RCA PART No.	SARKES TARZIAN PART No.	
X1	1N139	1N295	1N295	ECG 109			
X2	1N139	1N295	1N295	ECG 109			
X3	48A41508A01						

ELECTROLYTIC CAPACITORS

ITEM No.	RATING	REPLACEMENT DATA						
		MOTOROLA PART No.	AEROVOX PART No.	CENTRALLAB PART No.	CORNELL-DUBILIER PART No.	GENERAL ELECTRIC PART No.	MALLORY PART No.	SPRAGUE PART No.
C1	1000 16V	23C41928A:9	PRS1230	EA30-1000	BR1000-15	QT1-32	TC1501A	TL-1166.5
C2	1000 16V	23C41928A:9	PRS1230	EA30-1000	BR1000-15	QT1-32	TC1501A	TL-1166.5
C3	40 16V	23C49128A:0	CRE615A	EA30-50	NLW40-25	MT1-17	MTA40E30	TE-1209
C4	10 6V	23C43280A:3	CRE307A	EA6-10	NLW10-6	MT1-5	TT6X10	TE-1087
C5	20 16V	23C41928A:24	CRE611A	EA15-25	NLW20-25	MT1-10	TT25X20	TL-1157
C6	80 16V	23C41928A:23	CRE620A	EA30-100	NLW75-15	MT1-19	MTA80E15	TE-1161
C7	80 16V	23C41928A:23	CRE620A	EA30-100	NLW75-15	MT1-19	MTA80E15	TE-1161
C8	20 16V	23C41928A:24	CRE611A	EA15-25	NLW20-25	MT1-10	TT25X20	TL-1157
C9	80 16V	23C41928A:23	CRE620A	EA30-100	NLW75-15	MT1-19	MTA80E15	TE-1161
C10	80 16V	23C41928A:23	CRE620A	EA30-100	NLW75-15	MT1-19	MTA80E15	TE-1161
C11	32 16V	23C41928A:33	CRE614A	EA15-25	NLW35-25	MT1-16	MTA35D15	TL-1159
C12	.1 15V	23C43280A:34	CRE450A	UK20-104	NLW1-50	MT1-1	TAS104K015POA	TE-1148
C13	.2 15V	23C43280A:19	CRE450A	UK20-204	TYR13BDR22K	MT1-1	TAS224M015POA	TE-1148
C14	2 10V	23C43280A:02	BCD12002	EA15-2	NLW2-50	MT1-1	MTV2CB50	TL-1121
C15	40 16V	23C41928A:20	CRE615A	EA30-50	NLW40-25	MT1-17	MTA40E30	TE-1209
C16	10 6V	23C43280A:03	CRE307A	EA6-10	NLW10-6	MT1-5	TT6X10	TE-1087
C17	32 16V	23C41928A:33	CRE614A	EA15-25	NLW35-25	MT1-16	MTA35D15	TL-1159
C18	.1 15V	23C43280A:14	CRE450A	UK20-104	NLW1-50	MT1-1	TAS104K015POA	TE-1148
C19	.2 15V	23C43280A:19	CRE450A	UK20-204	TYR13BDR22K	MT1-1	TAS224M015POA	TE-1148
C20	2 10V	23C43280A:02	BCD12002	EA15-2	NLW2-50	MT1-1	MTV2CB50	TL-1121
C21	40 16V	23C41928A:20	CRE615A	EA30-50	NLW40-25	MT1-17	MTA40E30	TE-1209
C22	10 6V	23C43280A:03	CRE307A	EA6-10	NLW10-6	MT1-5	TT6X10	TE-1087
C23	640 16V	23C41928A:27	PRS1220	EA15-500	BR500-15	QT1-30	TC1505A	TL-1166

DODGE MODELS 392, 394

PARTS LIST AND DESCRIPTION (CONTINUED)

(When ordering parts, state Model, Part Number, and Description.)

Replacement parts shown may be superseded by the availability of newly introduced replacements.
Have your local distributor check Sams COUNTER FACTS for the most up-to-date replacement.

CAPACITORS

ITEM No.	RATING	REMARKS	REPLACEMENT DATA					
			AEROVOX PART No.	CENTRALAB PART No.	CORNELL-DUBILIER PART No.	ELMENCO PART No.	MALLORY PART No.	SPRAGUE PART No.
C25	110-340	#20-40746A13				465		
C26	33 N750		N750-D1 33	DTN-33	CZ601UJ330K	CCTN-330	CN7433	10TCU-Q33
C27	330		GPD X5F331K	DD-331	JBZ601YP331K	CCD-331	GP333	5GA-T33
C28	.0047 100V		DBE6D47	CPR-4700J	DMF6D47	6DP-1-472	PVC6247	6PS-D47
C29	280		ADM-15-301	CPR-270J	CD15F271J500	DM-15-271	SX327	MS-327
C30A	30-150	#20-40254A14				503		
C31	150							
C32	.01 100V		DBE6S1	CPR-10000J	DMF2S1	4DP-1-103	PVC211	27M-S10
C33	.01 100V		DBE6S1	CPR-10000J	DMF2S1	4DP-1-103	PVC211	27M-S10
C34	.01 100V		DBE6S1	CPR-10000J	DMF2S1	4DP-1-103	PVC211	27M-S10
C35	180 N330					*	*	10TCS-T18
C36	160		ADM-15-161	CPR-160J	CD10E161J500	DM-15-161	SX316	MS-316
C37	.0015		GPD X5F152K	DD-152		CCD-152	GP215	10TS-D15
C38	.05		GPD Z5V503P	CK-503	HOV101ZV503Z	CCD-503	TA150	TG-S50
C39	180		GPD X5F181K	DD-181	JBZ601YP181K	CCD-181	GP318	5GA-T18
C40	.047 100V		DBE6S47	DD-503	DMF4547	4DP-3-473	PVC4147	4PS-S47
C41	.001		GPD X5F102K	DD-102	JBS601YP102K	CCD-102	GP210	10TS-D10
C42	.02		TTP-02	CK-203	HOR101ZV203P	CCD-203	TA120	TG-S20
C43	.0047 100V		DBE6D47	CPR-4700J	DMF6D47	6DP-1-472	PVC6247	6PS-D47
C44	180		GPD X5F181K	DD-181	JBZ601YP181K	CCD-181	GP318	5GA-T18
C45	.0047 100V		DBE6D47	CPR-4700J	DMF6D47	6DP-1-472	PVC6247	6PS-D47
C46	180		GPD X5F181K	DD-181	JBZ601YP181K	CCD-181	GP318	5GA-T18
C47	.0033 100V		DBE6D33	CPR-3300J	DMF6D33	6DP-1-332	PVC6233	6PS-D33
C48	.0015		GPD X5F152K	DD-152		CCD-152	GP215	10TS-D15
C49	.0015		GPD X5F152K	DD-152		CCD-152	GP215	10TS-D15
C50	22 N150					*	*	10TCP-Q22
C51	.0033 100V		DBE6D33	CPR-3300J	DMF6D33	6DP-1-332	PVC6233	6PS-D33
C52	.0015		GPD X5F152K	DD-152		CCD-152	GP215	10TS-D15
C53	.0015		GPD X5F152K	DD-152		CCD-152	GP215	10TS-D15
C54	22 N150					*	*	10TCP-Q22
C55	.1 100V		DBE2P1		DMF2P1	2DP-3-104	PVC201	2PS-P10
C56	.1 100V		DBE2P1		DMF2P1	2DP-3-104	PVC201	2PS-P10
C57	.1 100V		DBE2P1		DMF2P1	2DP-3-104	PVC201	2PS-P10
C58	.1 100V		DBE2P1		DMF2P1	2DP-3-104	PVC201	2PS-P10
C59		#64-41668A07						
C60		#64-41668A07						
C61		#64-41668A07						
C62		#64-41668A07						

Motorola Part Number.

CONTROLS (All wattages 1/2 watt, or less, unless listed)

ITEM No.	FUNCTION	RESISTANCE	REPLACEMENT DATA				
			MFR. PART No.	CENTRALAB PART No.	CLAROSTAT PART No.	CTS-IRC PART No.	MALLORY PART No.
R1A	Volume	40K Tap @ 14K	18C41452B01				
B	Volume/Switch	40K Tap @ 14K	(1)				
R2A	Tone	50K	18C41188B01				
B	Tone	50K					
R3	Balance	15K	18C41198B01				

(1) Part Number 18-42044B01 includes Pully.

RESISTORS (Power and Special)

ITEM No.	RATING	REPLACEMENT DATA			ITEM No.	RATING	REPLACEMENT DATA		
		IRC PART No.	WORKMAN PART No.	MFR. PART No.			IRC PART No.	WORKMAN PART No.	MFR. PART No.
R54	.2 (PTC)			17-40756A06	R65	.2 (PTC)			17-40756A06

COILS (RF-IF)

ITEM No.	USE	REPLACEMENT DATA			
		PART No.	MEISSNER PART No.	MILLER PART No.	WORKMAN PART No.
L1	RF Choke (1.5uh)	24C40788A04	19-1001	4604	T856
L2	Antenna	(1)			
L3	RF	(1)			
L4	Oscillator	(1)			
L5	Input IF	24D42517A09			
L6	Output IF	24D42517A10		8010	
L7	Tone Choke (5mh)	24C41605B01	19-1051	6304	T881

(1) Part of M4.

PARTS LIST AND DESCRIPTION (CONTINUED)

(When ordering parts, state Model, Part Number, and Description.)

Replacement parts shown may be superseded by the availability of newly introduced replacements.
Have your local distributor check Sams COUNTER FACTS for the most up-to-date replacement.

FILTER CHOKE

ITEM No.	RATINGS			REPLACEMENT DATA					NOTES
	CURRENT (Measured)	DC RES.	INDUCTANCE (0 CURRENT 1000~)	MFR. PART No.	MERIT PART No.	STANCOR PART No.	THORDARSON PART No.	TRIAD PART No.	
L8	1.4Amp	.4	11mh	25D41894801	C-4095	TC-2	TR-154	TY17XT	

TRANSFORMER (Audio Output)

ITEM No.	IMPEDANCE		REPLACEMENT DATA					NOTES
	PRI.	SEC.	MFR. PART No.	MERIT PART No.	STANCOR PART No.	THORDARSON PART No.	TRIAD PART No.	
T2	18 Tap @ 8	25D41307B09						

FUSE DEVICES

ITEM No.	DESCRIPTION	REPLACEMENT DATA						
		PART No.		BUSS PART No.		LITTELFUSE PART No.		WORKMAN PART No.
		DEVICE	HOLDER	DEVICE	HOLDER	DEVICE	HOLDER	DEVICE
F1	SFE 7 1/2		In Fuse Block	SFE 7 1/2		30707.5		

TAPE HEADS

ITEM NO.	MEASURED			PART NO.	NORTRONICS PART NO.	DESCRIPTION
	INDUCTANCE	BIAS/ERASE VOLTS (RMS)	BIAS FREQ.			
M1	400mh			59-43641A02	S800*	8-Track Stereo Play * Use original mounting

MISCELLANEOUS

ITEM No.	PART NAME	PART No.	NOTES
M2	Dial Lamp	65-135449	CHICAGO MINIATURE Replacement: CM-1893 MFT-636
M3	Solenoid	24-42064801	
M4	Tuner	1-43500A40	
	Tuner Coil Assembly	1-42000887	
M5	Motor	59-43543A02	
S1	Tape-Radio Sel. Sw.	40-41363802	
S2	Auto-Track Sel. Sw.	40-40296801	
S3	Manual Track Sel. Sw.	40-41808801	
S4	Micro Switch	40-40406801	

CABINETS & CABINET PARTS (When ordering specify model, chassis & color)

ITEM	PART No.	ITEM	PART No.
Knob, Volume	36-40562801	Knob, Track Select	38-41505801
Knob, Tuning	36-41985801	Dial Glass	34-41757801
Knob, Tone	1-42000830	Dial Pointer	52-40244823
Knob, Balance	36-40562805		

WIRING DATA

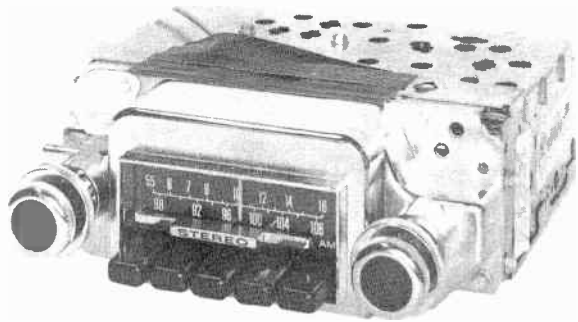
General-use Unshielded Hook-up Wire	Use BELDEN No. 8530 (Solid) Available in 12 Colors 8524 (Stranded) Available in 12 Colors
Shielded Hook-up Wire	Use BELDEN No. 8885
Rear Seat Speaker Extension Cable	Use BELDEN No. 8782 (Stranded) Coded Parallel Leads
Bonding Strap	Use BELDEN No. 8681 (3/8 In.) or 8670 (3/4 In.)

DODGE MODELS 392, 394



PHOTOFACT[®] with

CIRCUITRACE[®]



TRADE NAME : Ford Models F8TBF (1968 Galaxie)
 F8TBO (1968 Fairlane, Falcon)
 F8TBZ (1968 Mustang)

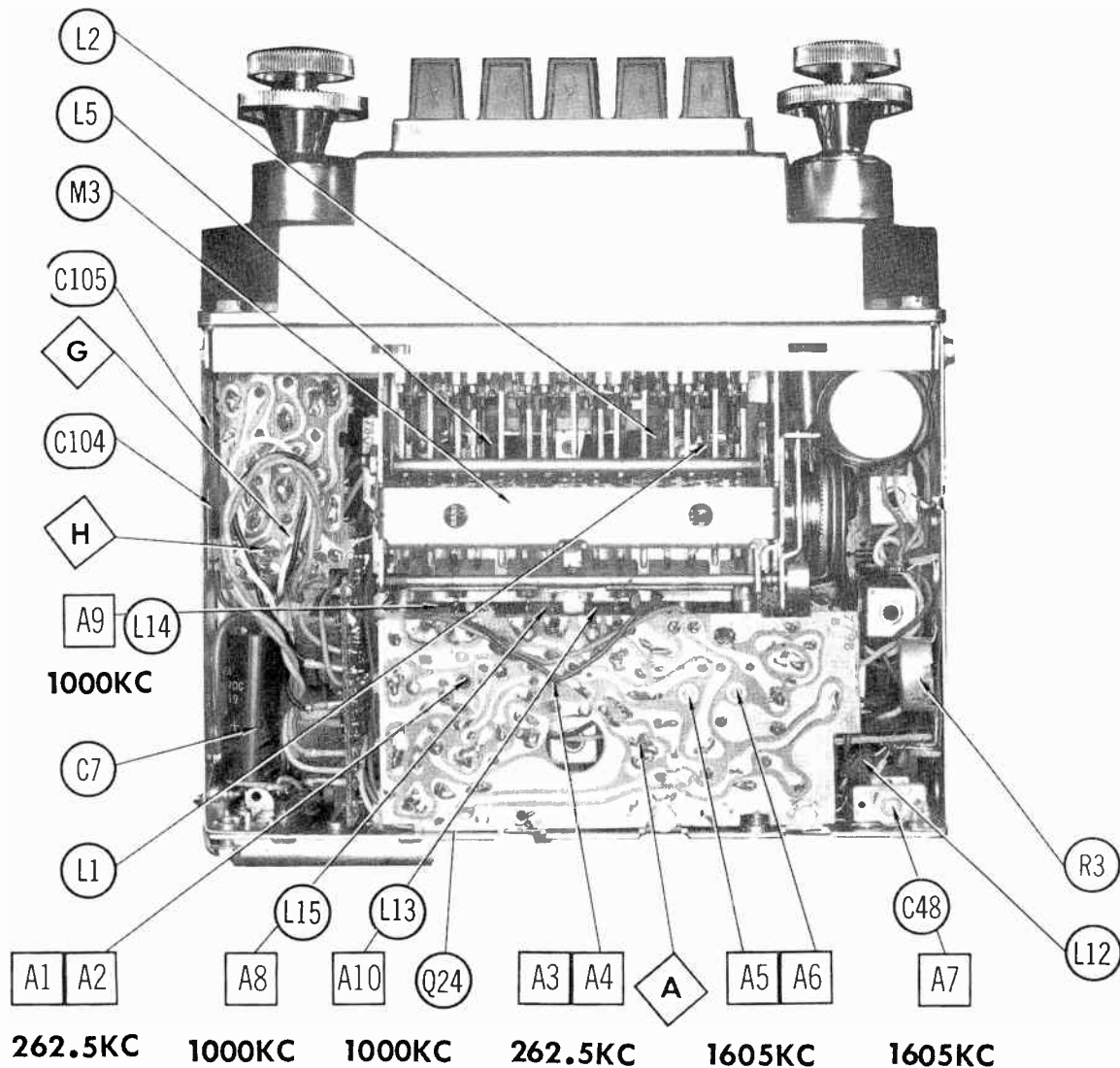
SUPPLIER : For Current Address, See Annual Index

TYPE SET : 24-Transistor AM-FM-FM Stereo Receiver

POWER SUPPLY : 12 Volt Storage Battery

RATING : 1.25 Amp @ 12.6 Volts DC

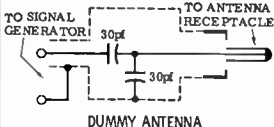
FORD MODELS F8TBF, F8TBO, F8TBZ



HOWARD W. SAMS & CO., INC. Indianapolis, Indiana 46206

ALIGNMENT INSTRUCTIONS

PUSH-BUTTON ADJUSTMENT

Check for specified source voltage. Use only enough generator output to provide a usable indication. Suggested Alignment Tolerances: A1 thru A4, GENERAL CEMENT: 9300, 9296, 9297 A11 thru A22, WALSCO: 2510, 2546, 2547 A5, A6, A7, A23, GENERAL CEMENT: 8290, 8868, 9087 A24, A25, WALSCO: 2525, 2528, 2587		 <p style="text-align: center; margin-top: 5px;">DUMMY ANTENNA</p>	<ol style="list-style-type: none"> 1. Selector in FM position. 2. Pull button out. 3. Tune manually to desired station. 4. Press button in firmly. 5. Repeat for remaining buttons. 6. Repeat for AM 		
SIGNAL GENERATOR COUPLING	SIGNAL GENERATOR FREQUENCY	RADIO DIAL SETTING	INDICATOR	ADJUST	REMARKS
1. High side thru .1mfd to point \diamond , low side to ground.	262.5KC (400% Mod.)	High freq. end stop.	Output meter across voice coil.	A1, A2, A3, A4	Adjust for maximum.
2. Thru dummy antenna to antenna receptacle.	1605KC	"	"	A5, A6, A7	"
Step 3 is not necessary unless tuner has been tampered with or associated components have been replaced. If necessary, back tune cores (A8, A9, A10) out of coils but not out of forms. Repeat Step 2.					
3. Thru dummy antenna to antenna receptacle.	1000KC	Tune to signal.	Output meter across voice coil.	A8, A9, A10	Adjust for maximum. Repeat Steps 2 and 3 until no further improvement is noted.
With radio installed in car and antenna extended 33", tune in a weak station near 1400KC and adjust A7 for maximum output. Antenna adjustment (A7) is located on right bottom corner.					

FM IF ALIGNMENT USING AM SIGNAL GENERATOR - SELECTOR IN FM POSITION

High side of generator thru .001mfd to point \diamond , low side to ground.				
GENERATOR FREQUENCY	DIAL SETTING	INDICATOR	ADJUST	REMARKS
4. 10.7MC (Unmod.)	Point of non-interference.	DC probe of VTVM to point \diamond , common to ground.	A11 thru A21	Adjust for maximum.
5. "	"	DC probe to point \diamond , common to ground.	A22	Adjust for zero reading. A positive or negative reading will be obtained on either side of the correct setting.

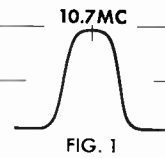


FIG. 1

FM IF ALIGNMENT USING FM SIGNAL GENERATOR - SELECTOR IN FM POSITION

High side of generator thru .001mfd to point \diamond , low side to ground. Use only enough marker signal for indication. Use 60% frequency modulated signal with 450KC sweep. Use 60% sawtooth voltage in scope for horizontal deflection.				
GENERATOR FREQUENCY	DIAL SETTING	INDICATOR	ADJUST	REMARKS
4. 10.7MC (450KC Swp.)	Point of non-interference	Vert. amp. of scope to point \diamond , low side to ground.	A11 thru	Adjust for maximum gain and symmetry of response similar to Fig. 1 with marker as shown.
5. "	"	Vert. amp. to point \diamond , low side to ground.	A22	Adjust A22 (secondary) to place marker at center of "S" curve similar to Fig. 2. Adjust A11 (primary) for maximum amplitude and straightness of line.

FM RF ALIGNMENT - SELECTOR IN FM POSITION

Connect generator across antenna terminals with 120 Ω carbon resistors in series with each lead.				
GENERATOR FREQUENCY	DIAL SETTING	INDICATOR	ADJUST	REMARKS
6. 108MC	Set at high end.	DC probe of VTVM to point \diamond , common to ground.	A23, A24, A25	Adjust for maximum.

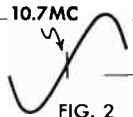
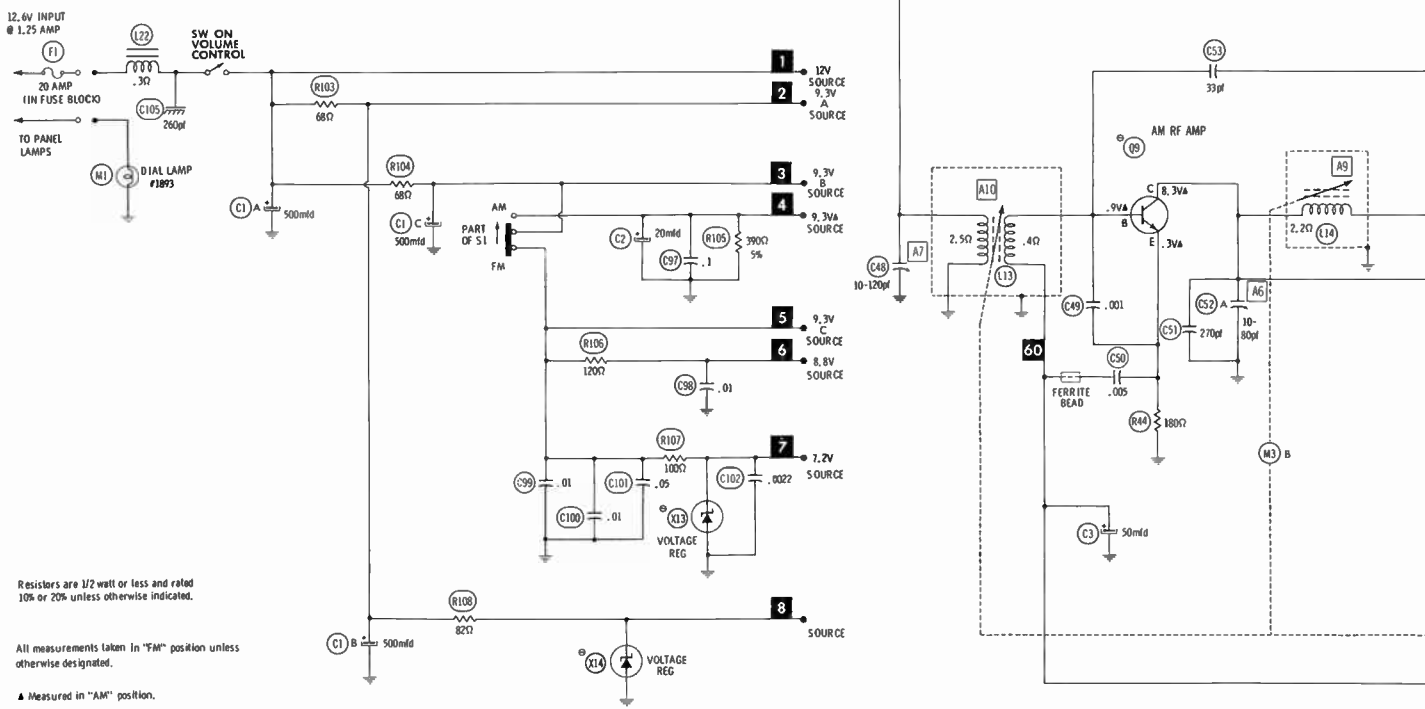
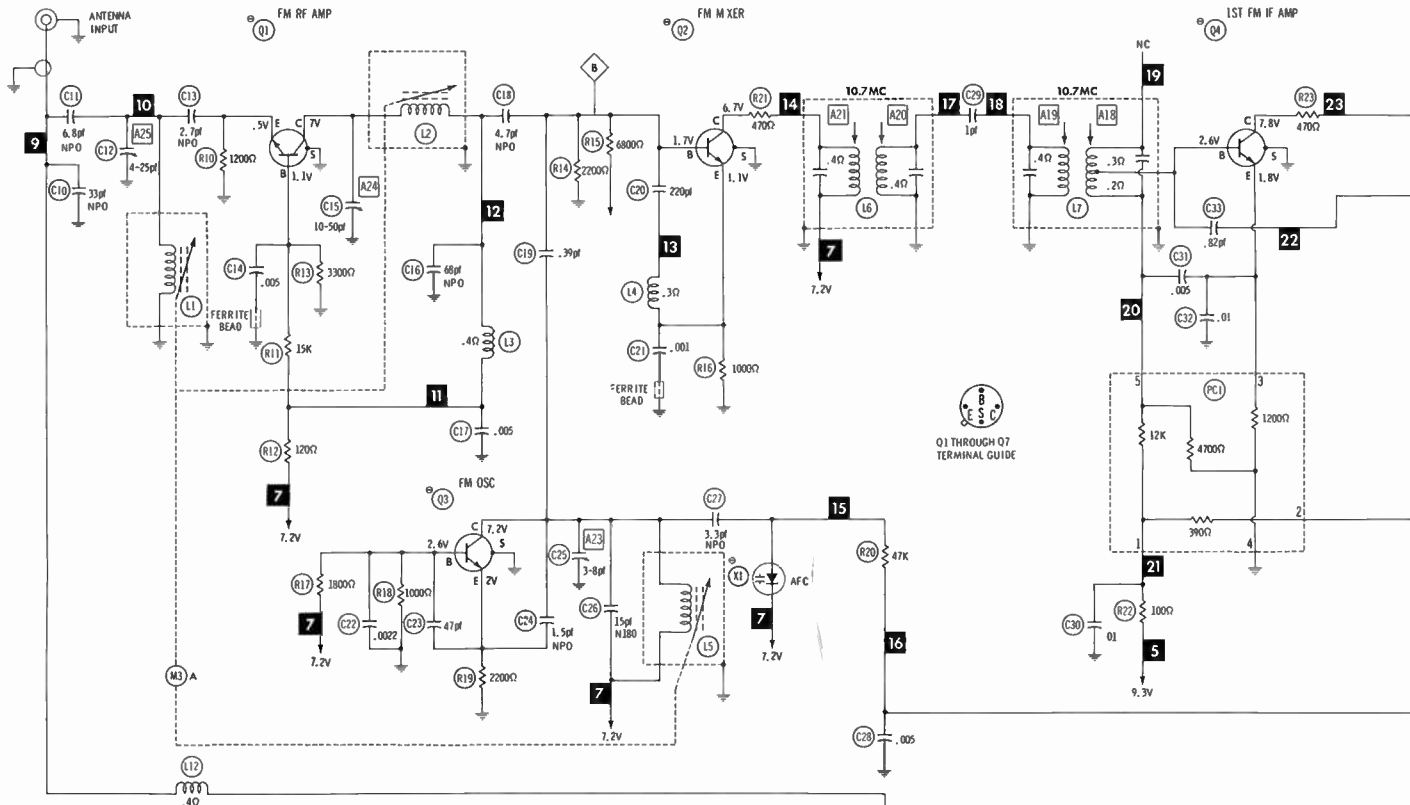


FIG. 2

FM STEREO MULTIPLEX ALIGNMENT USING FM STEREO SIGNAL GENERATOR (± .0001% ACCURACY)

High side of generator thru 47K to point \diamond , low side to ground.			
GENERATOR FREQUENCY	INDICATOR	ADJUST	REMARKS
7. 75KC	Vert. amp. of scope thru a 47K to point \diamond , low side to ground.	A26	Adjust for MINIMUM.
8. 19KC	Vert. amp. thru 47K to point \diamond , low side to ground.	A27, A28, A29	Adjust for maximum. 38KC Response.
9. Modulated Left Channel	Vert. amp. to point \diamond low side to ground.	A27, A28, A29, R3	Adjust for MINIMUM. This step should require only slight adjustment.
10. Modulated Right Channel	Vert. amp. to point \diamond , low side to ground.		Check for MINIMUM. If necessary make compromise adjustments of A27, A28, A29, R3.

FORD MODELS F81BF, F81BO, F81BZ



Resistors are 1/2 watt or less and rated 10% or 20% unless otherwise indicated.

All measurements taken in "FM" position unless otherwise designated.

▲ Measured in "AM" position.

NC No Connection

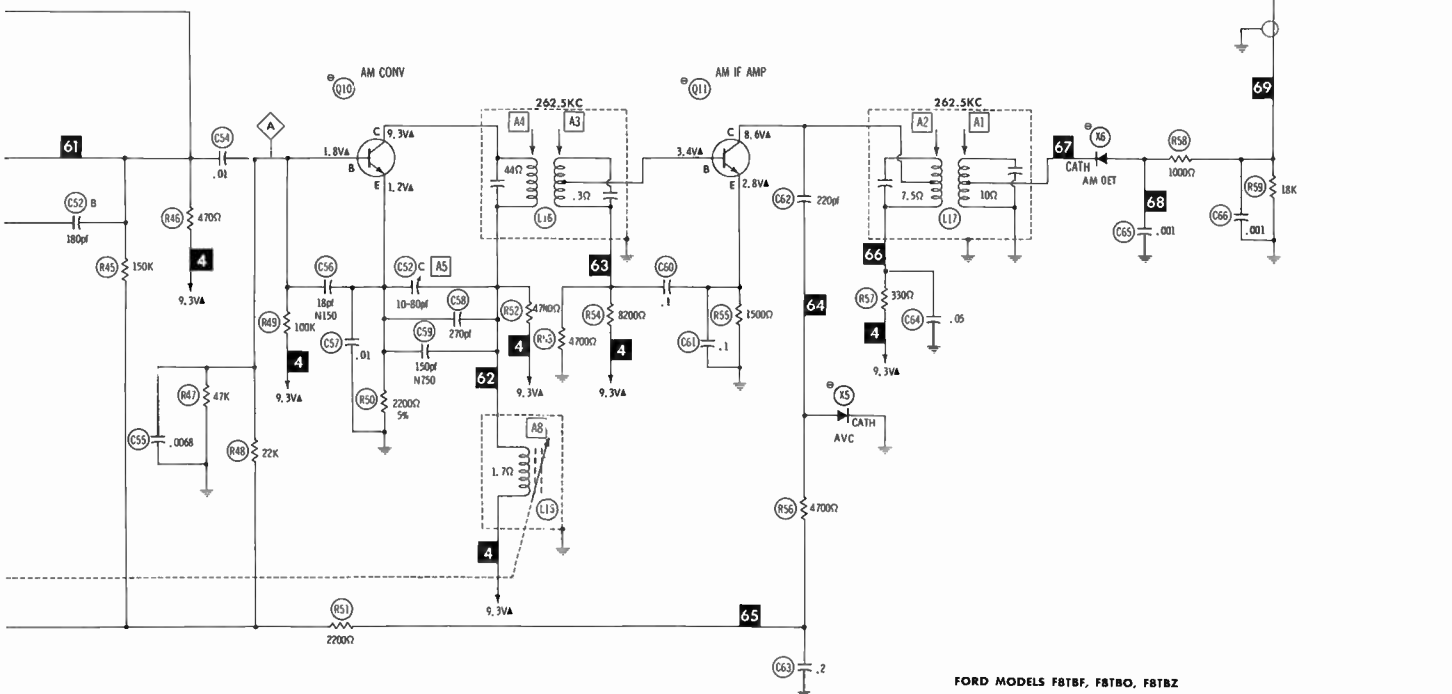
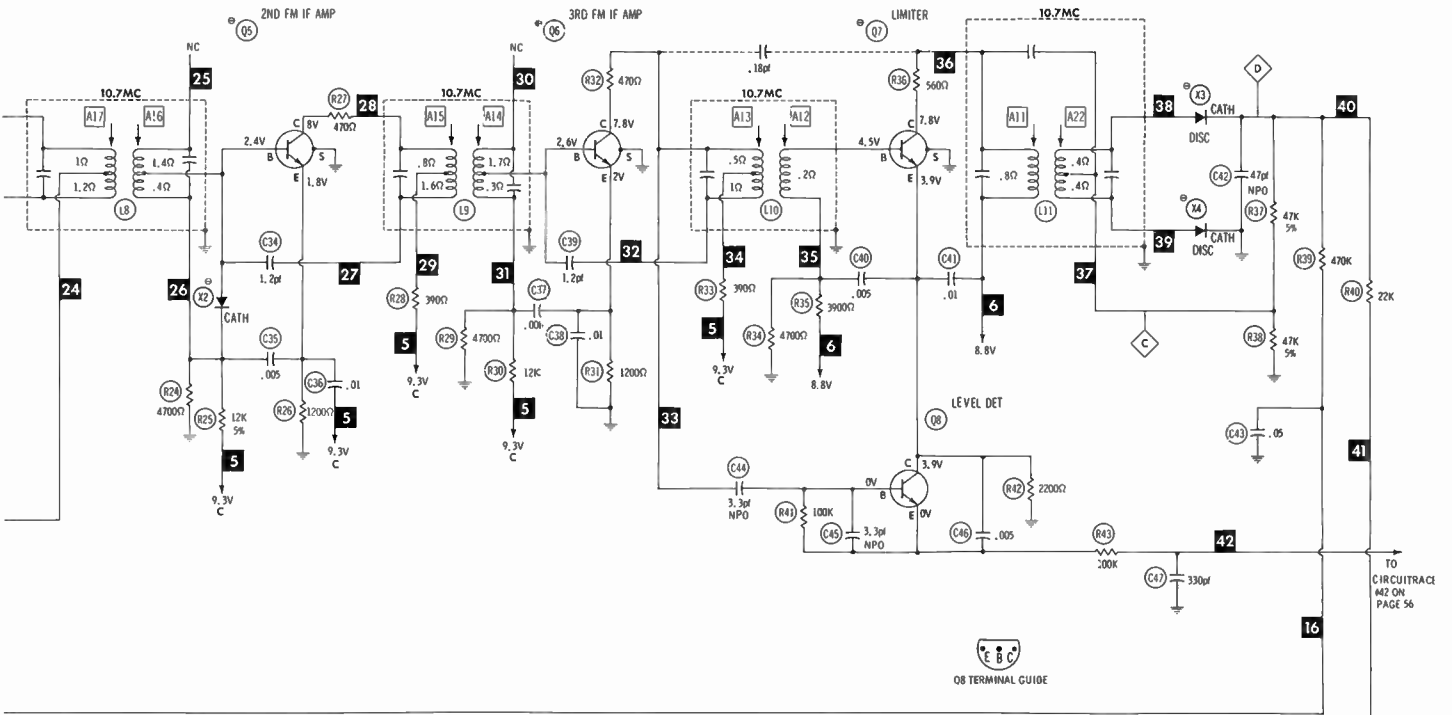
○ See parts list

1. Voltage measurements taken with vacuum tube voltmeter.
2. All controls set for normal operation, no signal applied.
3. Measured values are from socket pin or terminal to common ground.
4. All terminals viewed from bottom unless otherwise designated.
5. Numbers assigned to terminals may not be found on the unit.
6. Supply voltage maintained at rated value for voltage readings.
7. Resistance measurements not given because of the wide variation in internal resistance of transistor.

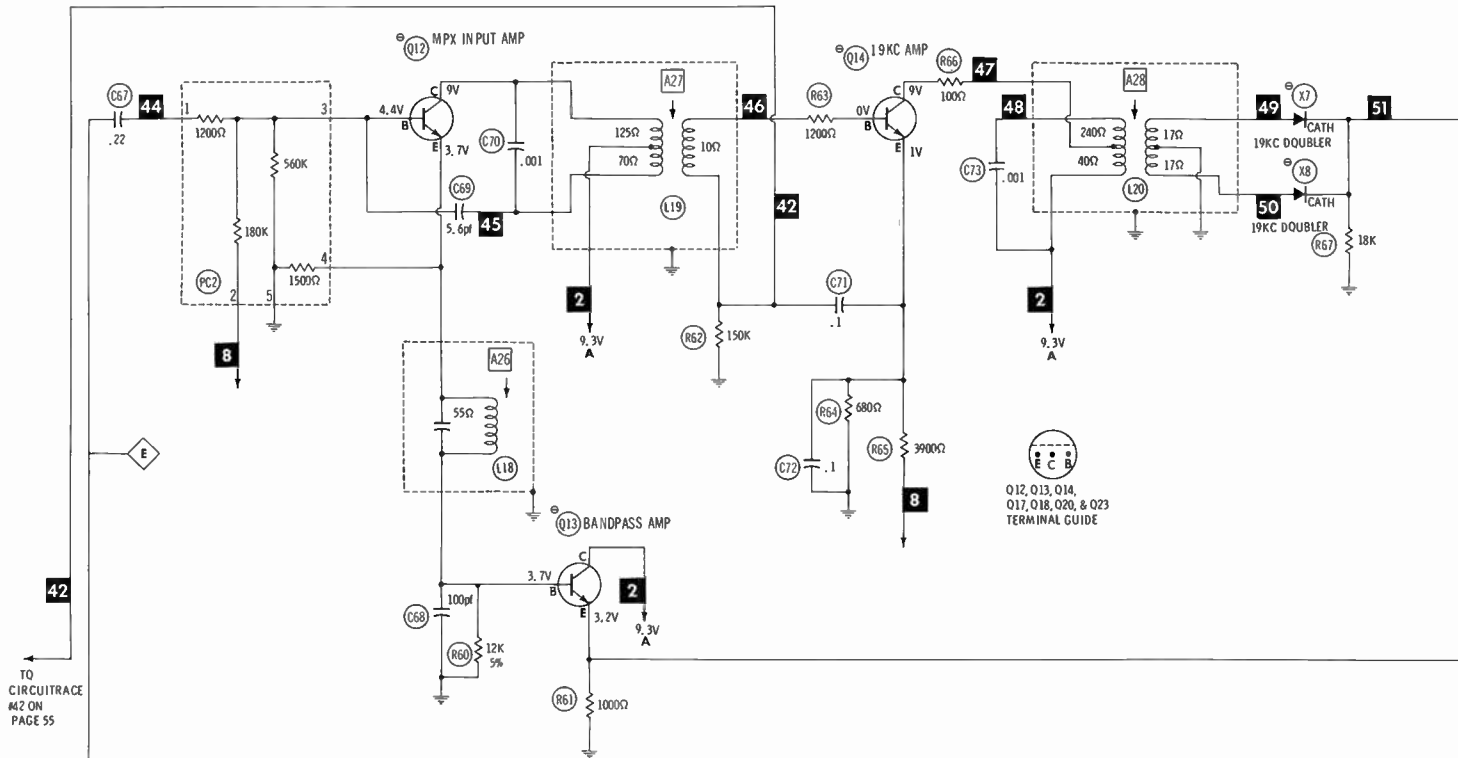
A PHOTOFACT STANDARD NOTATION SCHEMATIC

with CIRCUITRACE

© Howard W. Sams & Co., Inc. 1968

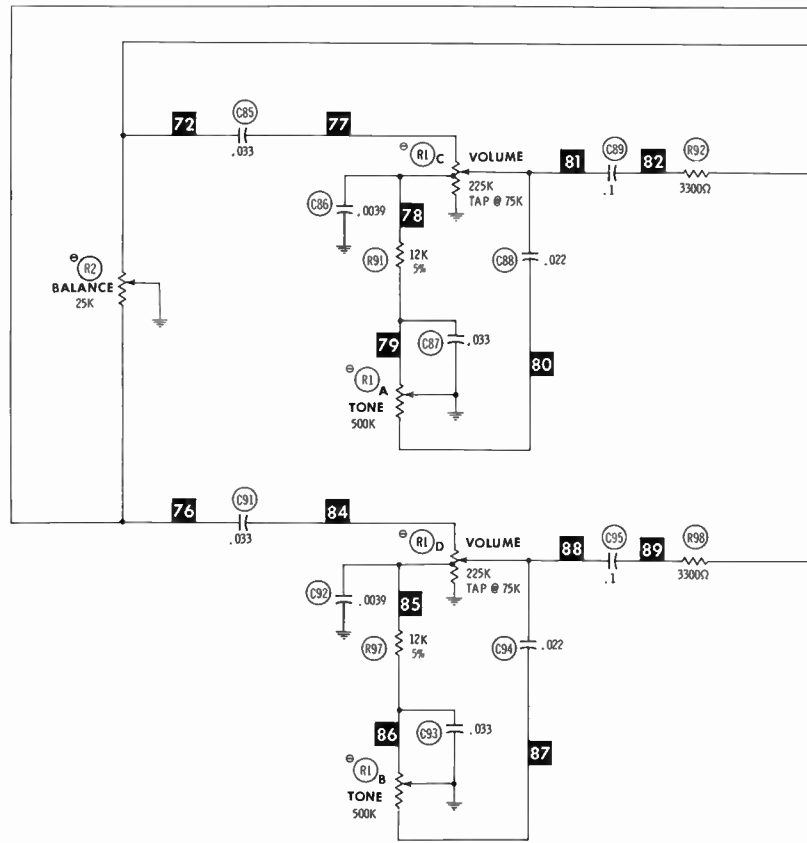


FORD MODELS F8TBF, F8TBO, F8TBZ



TO CIRCUITRACE #42 ON PAGE 55

TO CIRCUITRACE #43 ON PAGE 55



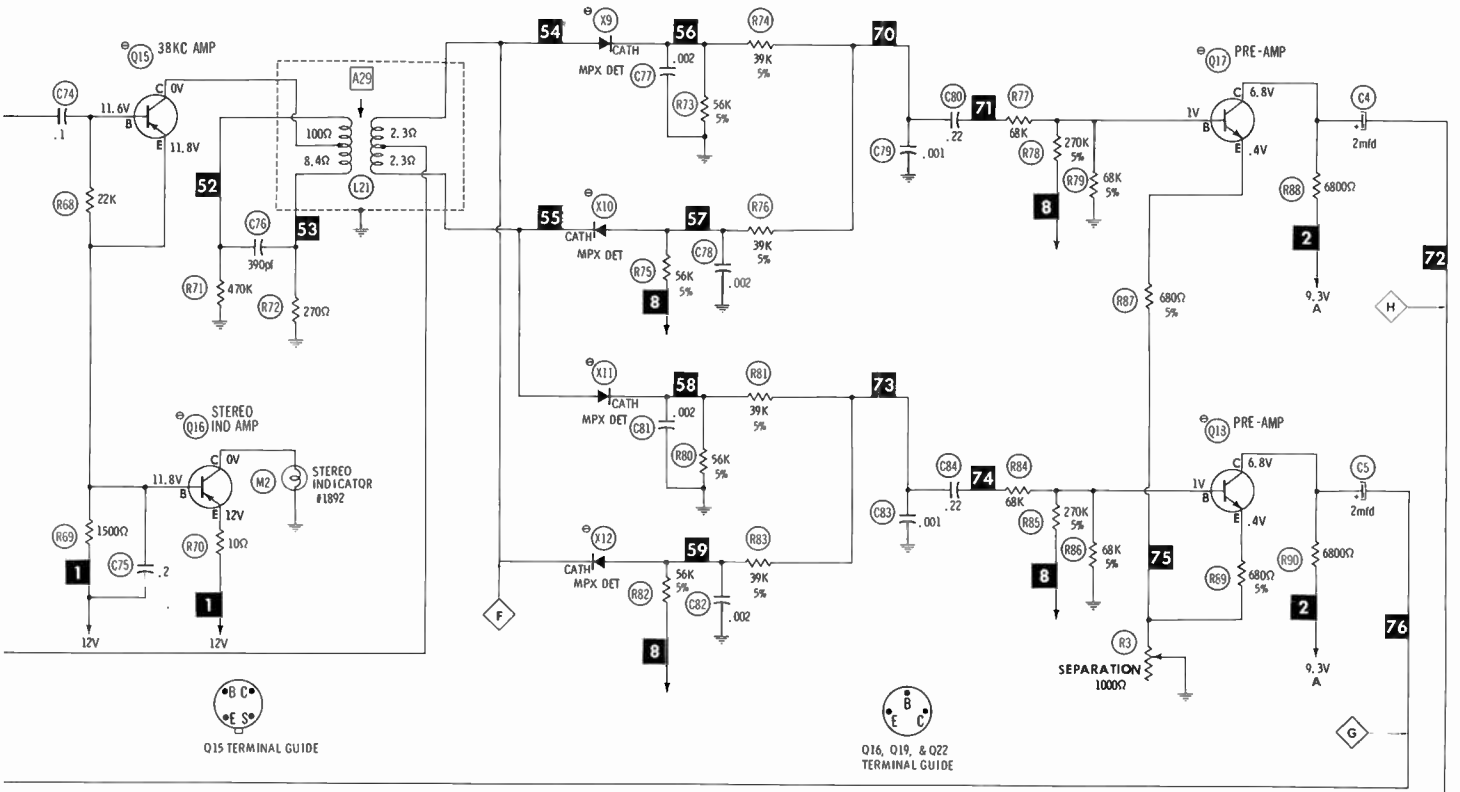
Resistors are 1/2 watt or less and rated 10% or 20% unless otherwise indicated.

⊙ See parts list

1. Voltage measurements taken with vacuum tube voltmeter.
2. All controls set for normal operation, no signal applied.
3. Measured values are from socket pin or terminal to common ground.
4. All terminals viewed from bottom unless otherwise designated.
5. Numbers assigned to terminals may not be found on the unit.
6. Supply voltage maintained at rated value for voltage readings.
7. Resistance measurements not given because of the wide variation in internal resistance of transistor.

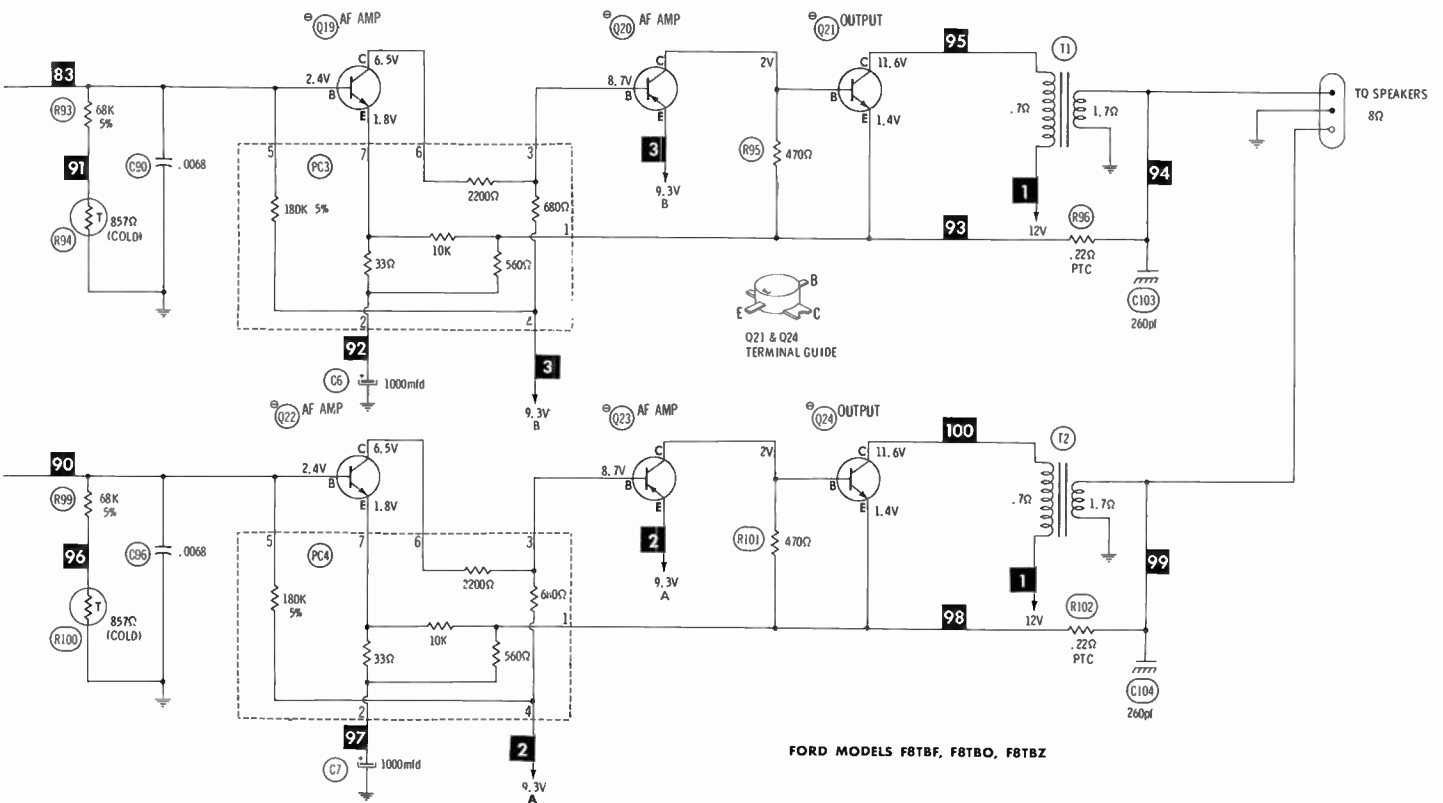
A PHOTOFAC STANDARD NOTATION SCHEMATIC with CIRCUITRACE

© Howard W. Sams & Co., Inc. 1968



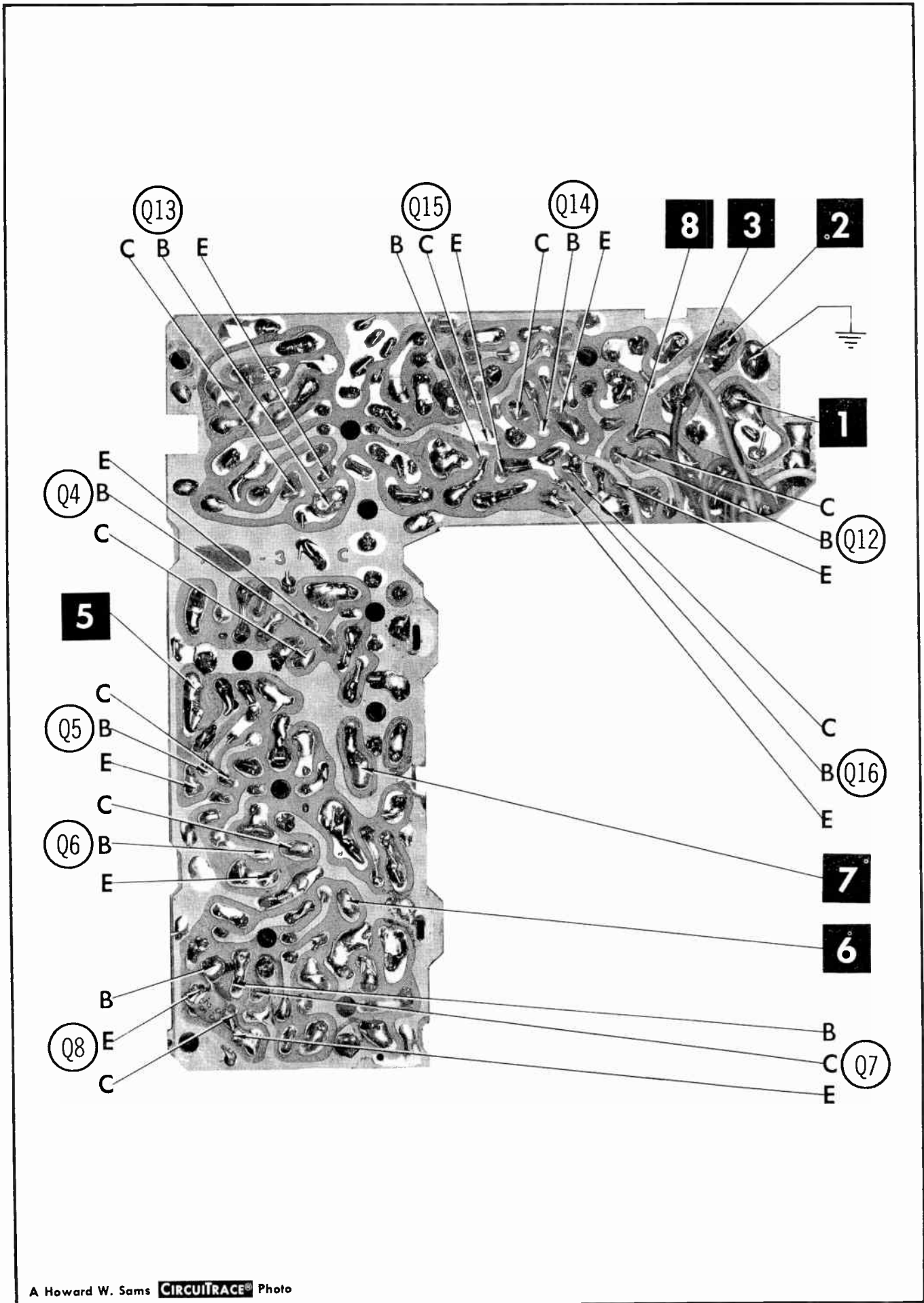
Q15, Q16
B C
E S

Q17, Q18, Q19
B C
E S

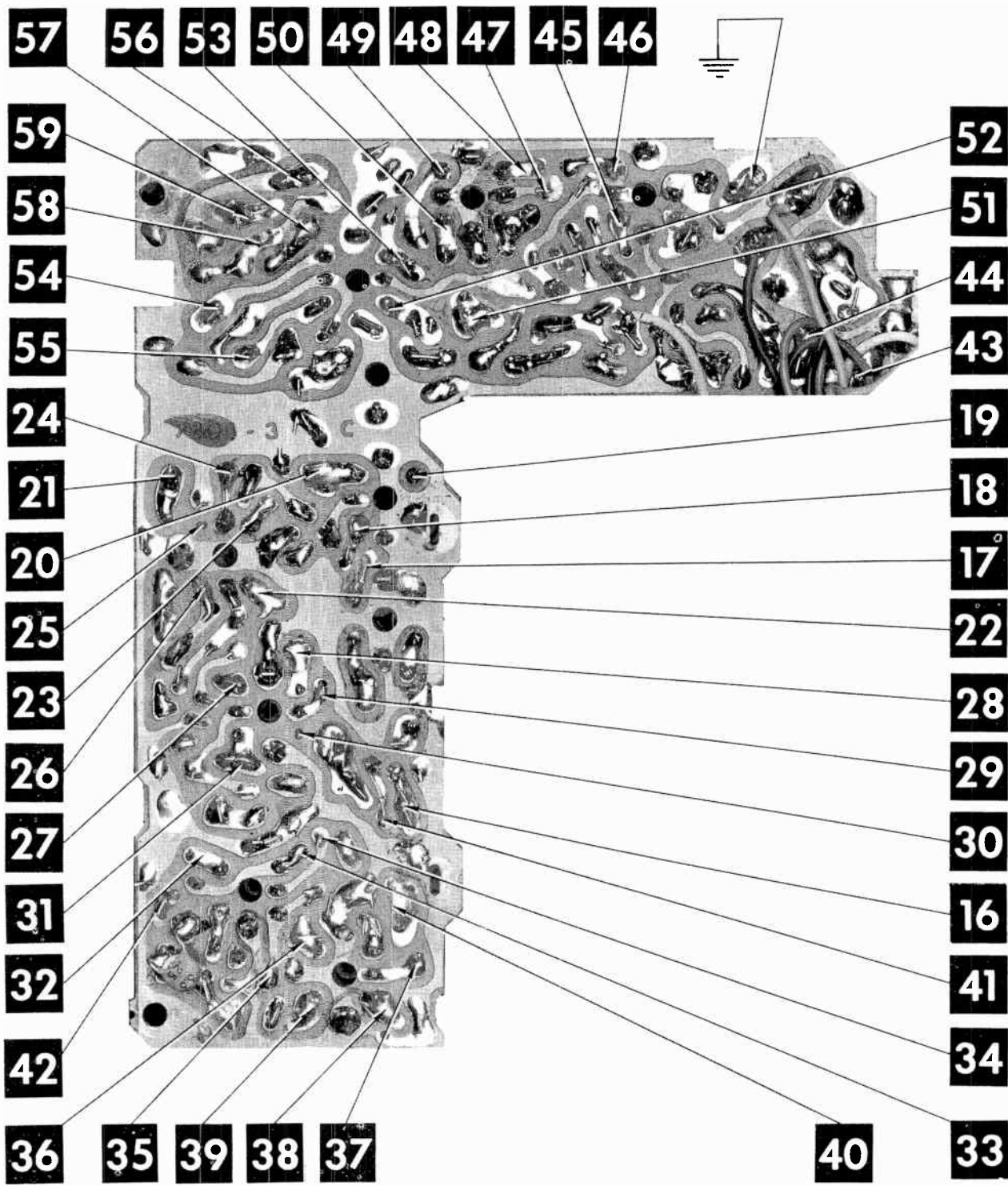


Q21 & Q24
B C
E S

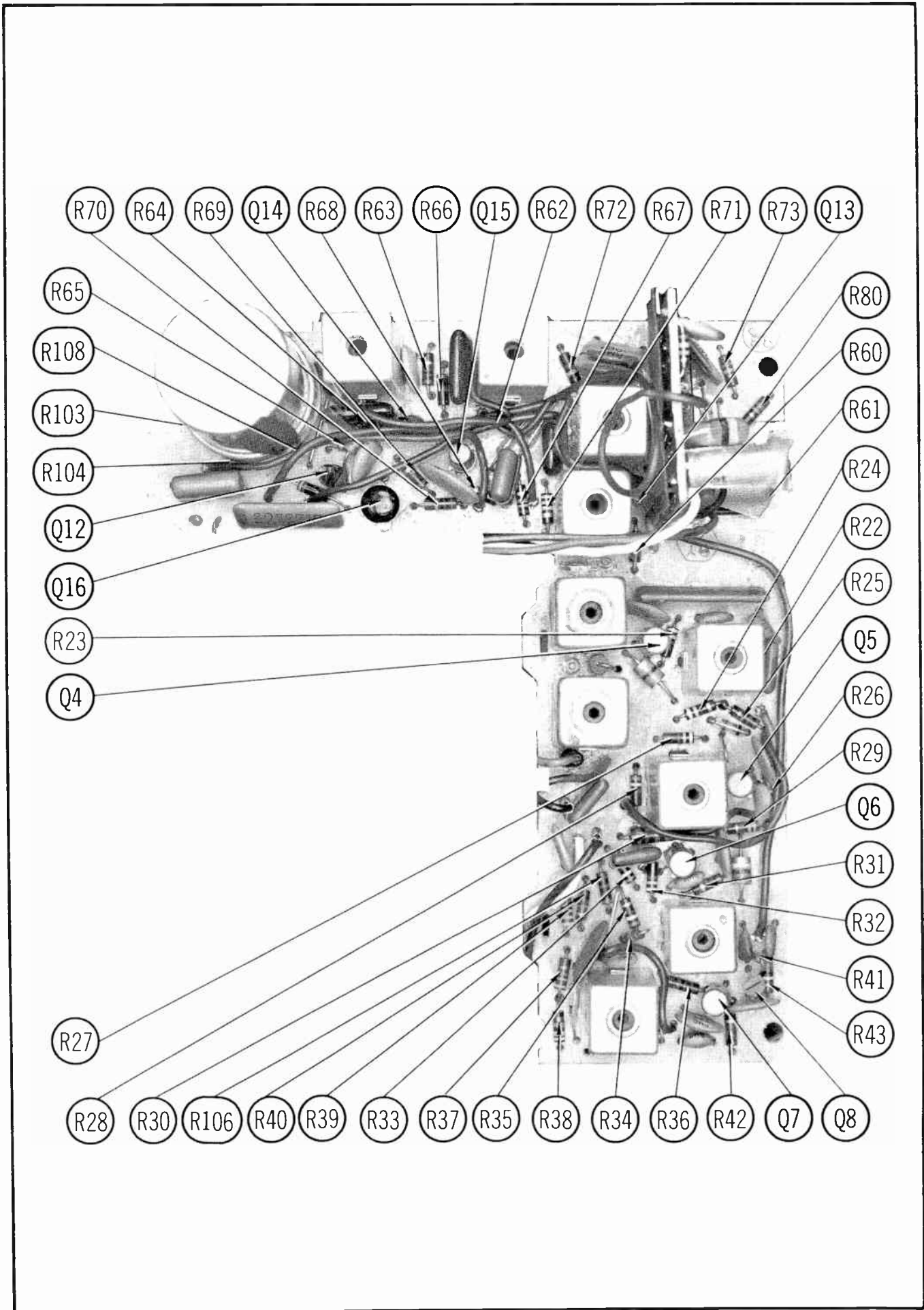
FORD MODELS F8TBF, F8TBO, F8TBZ

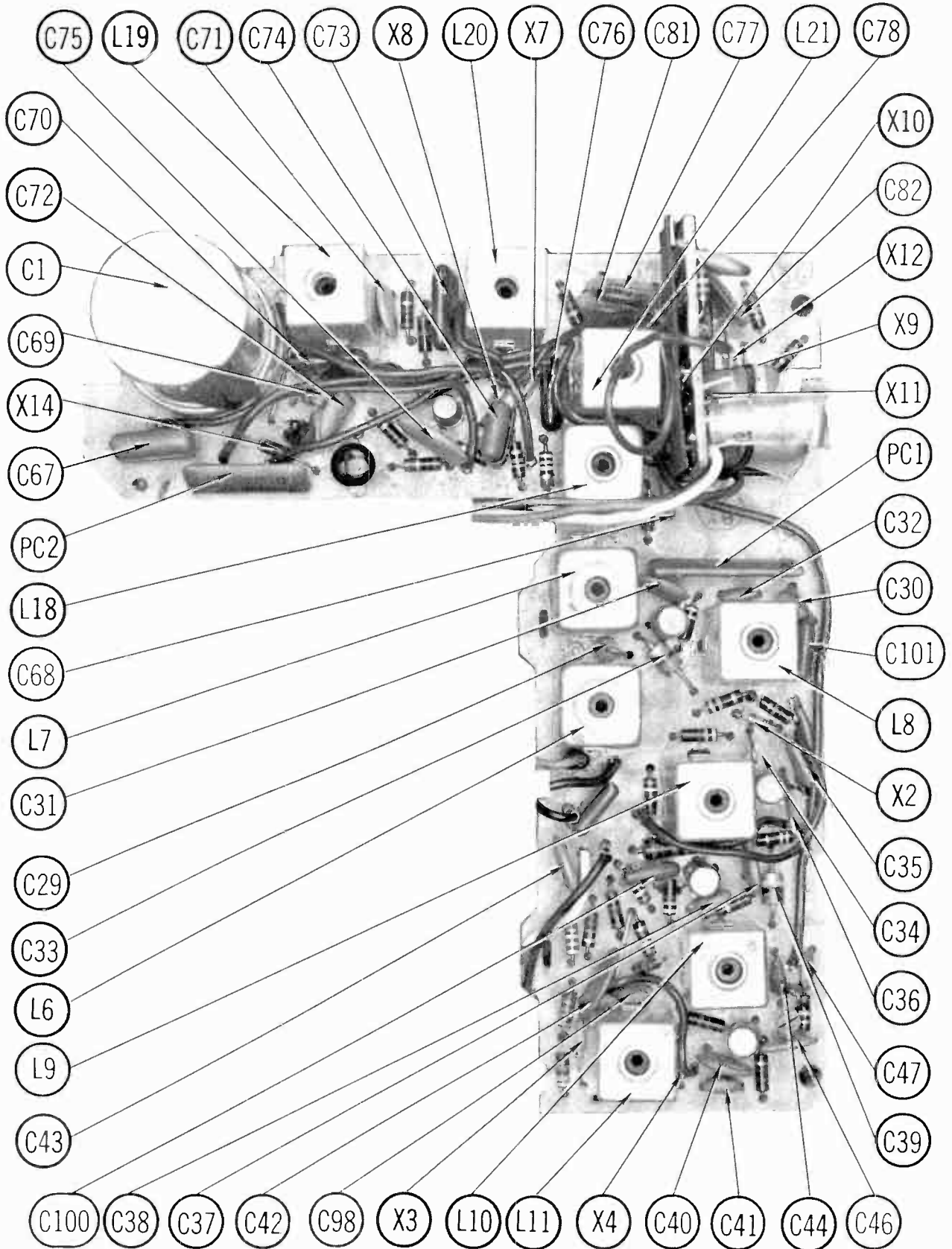


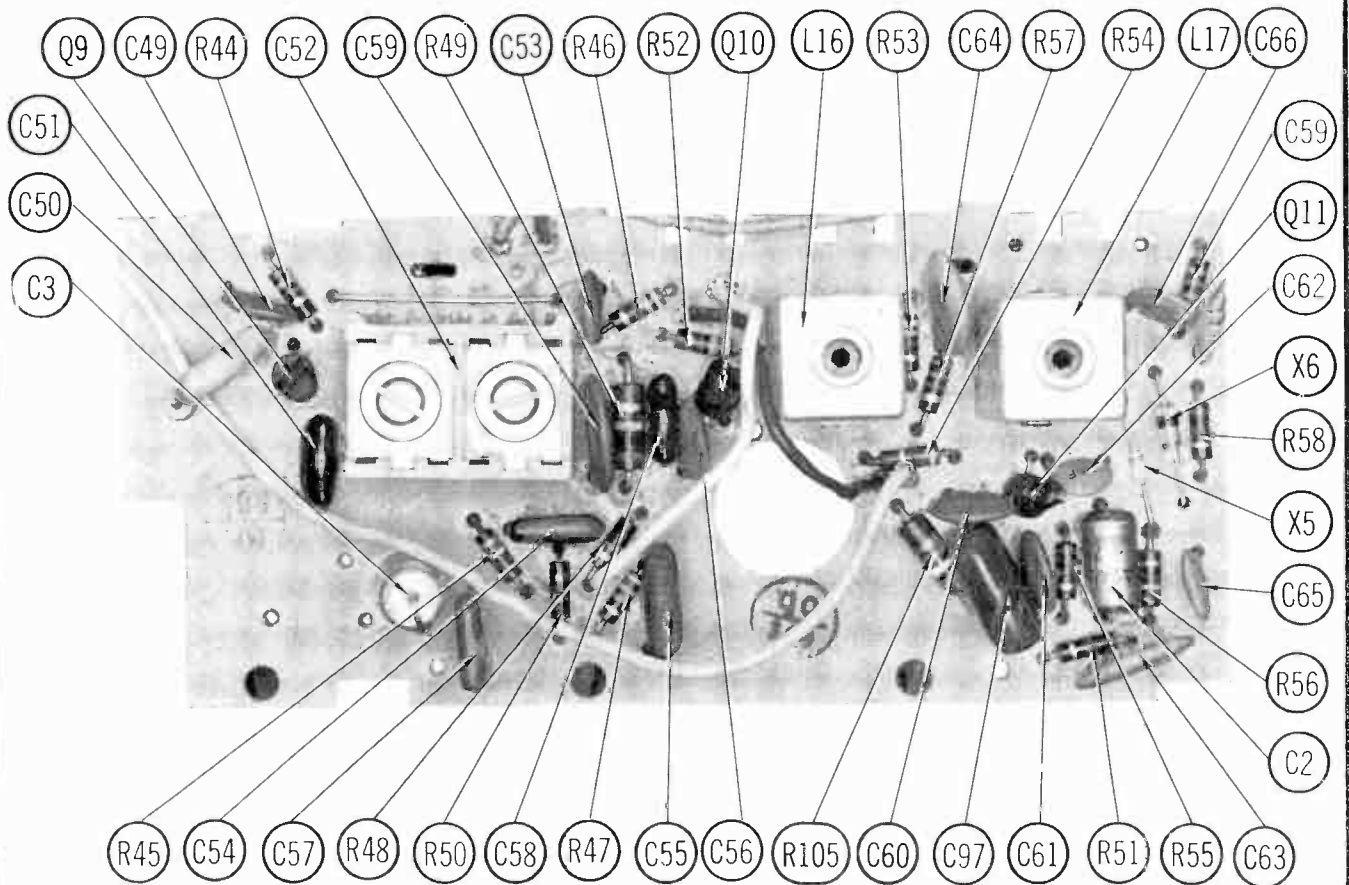
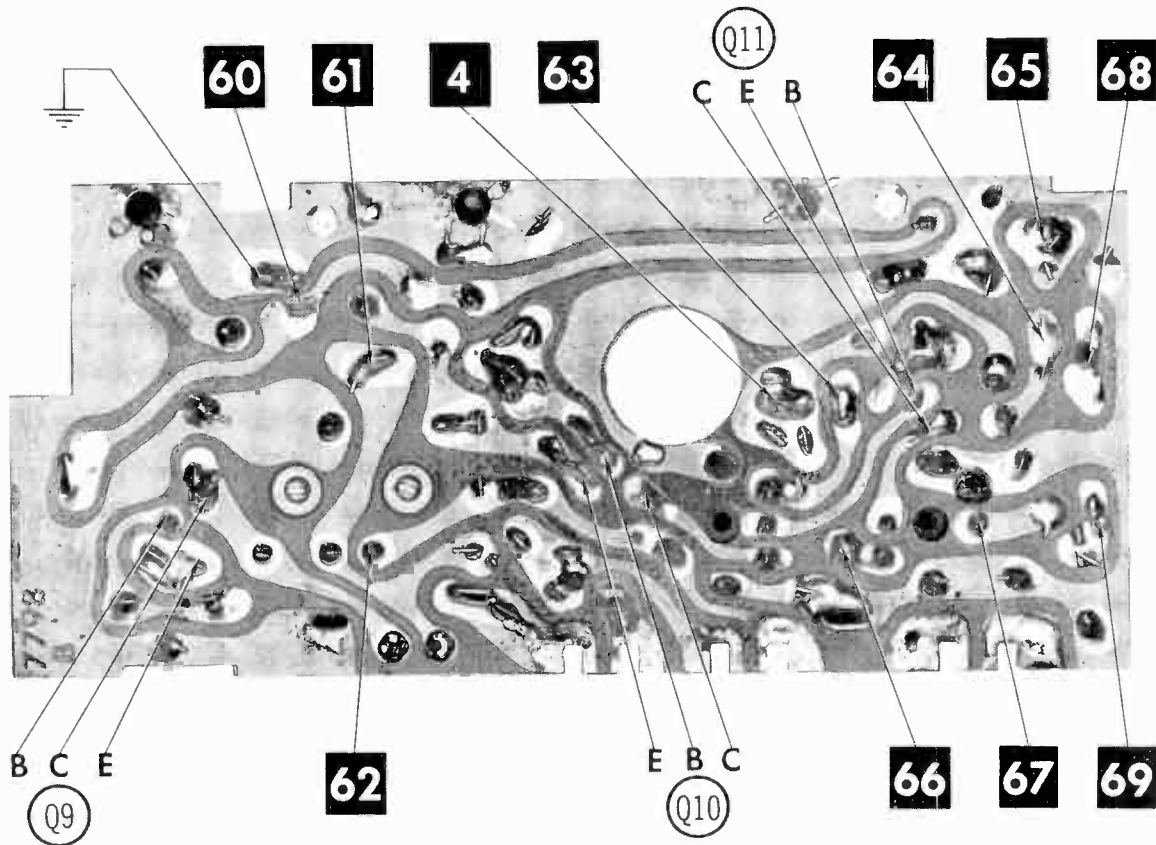
A Howard W. Sams **CIRCUITRACE**® Photo

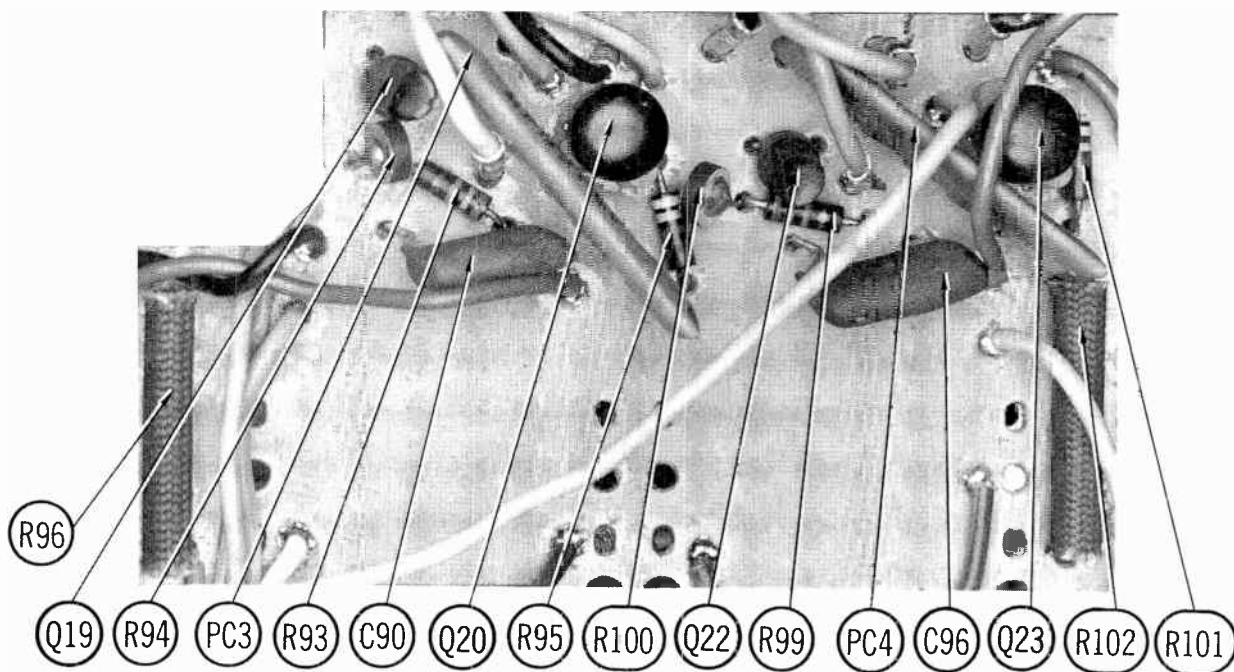
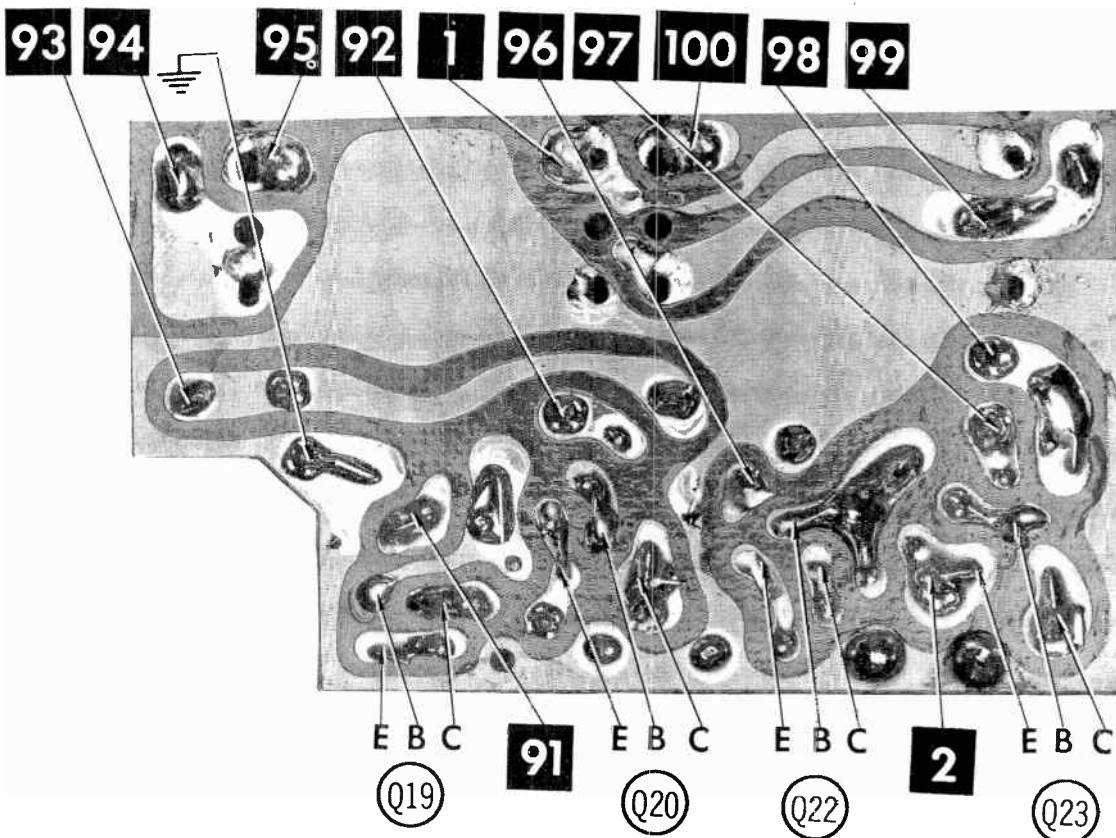


A Howard W. Sams **CIRCUITRACE**® Photo

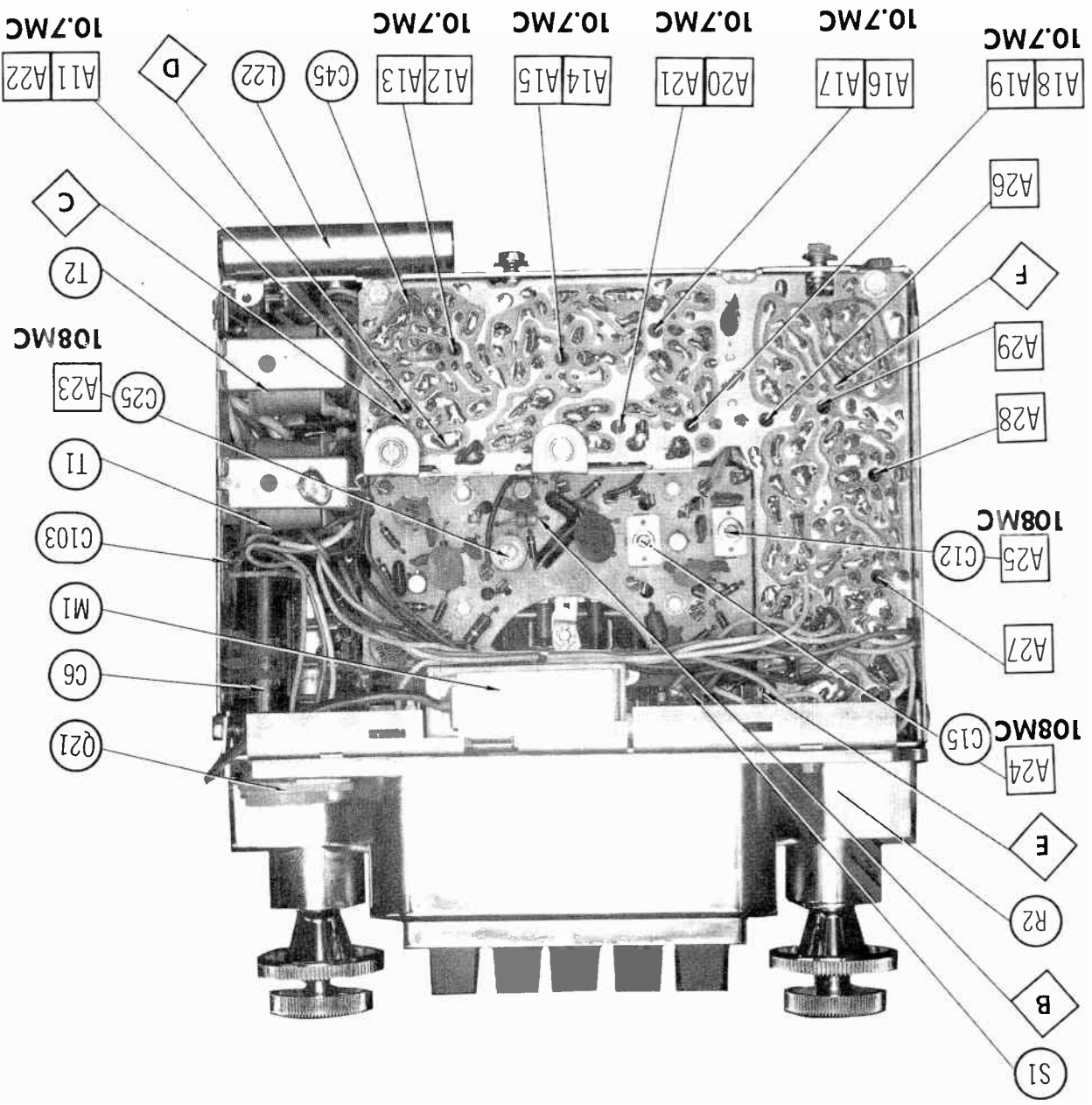


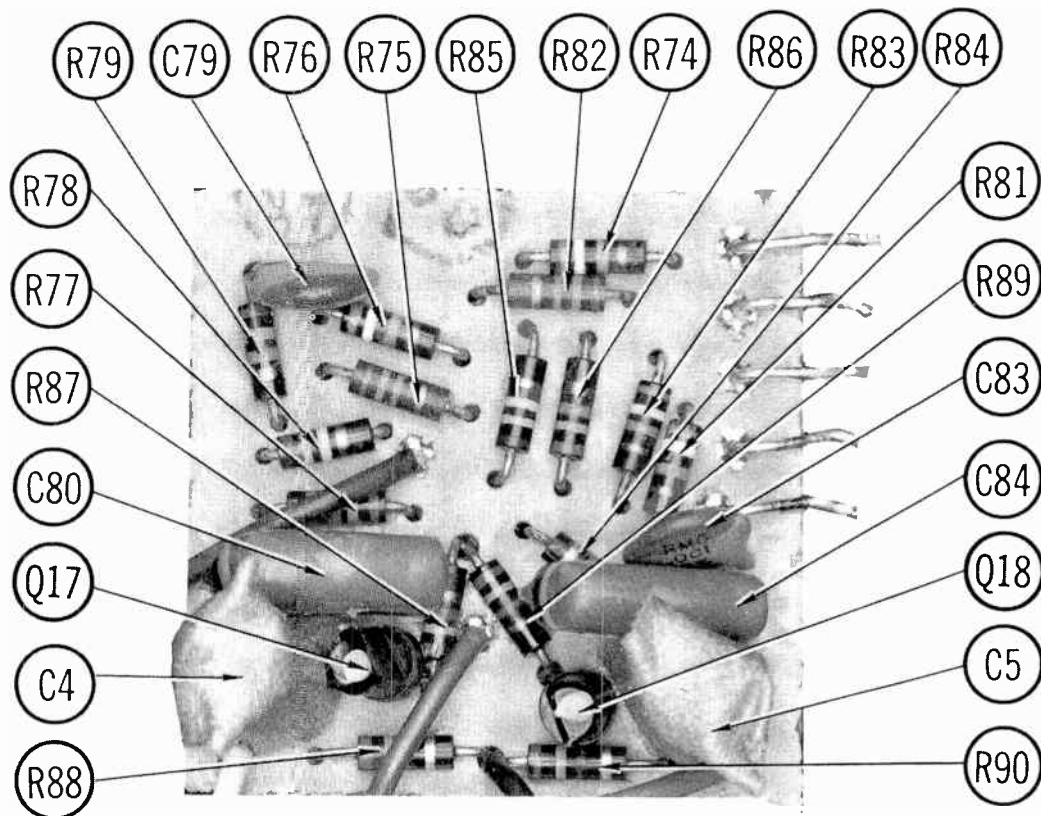
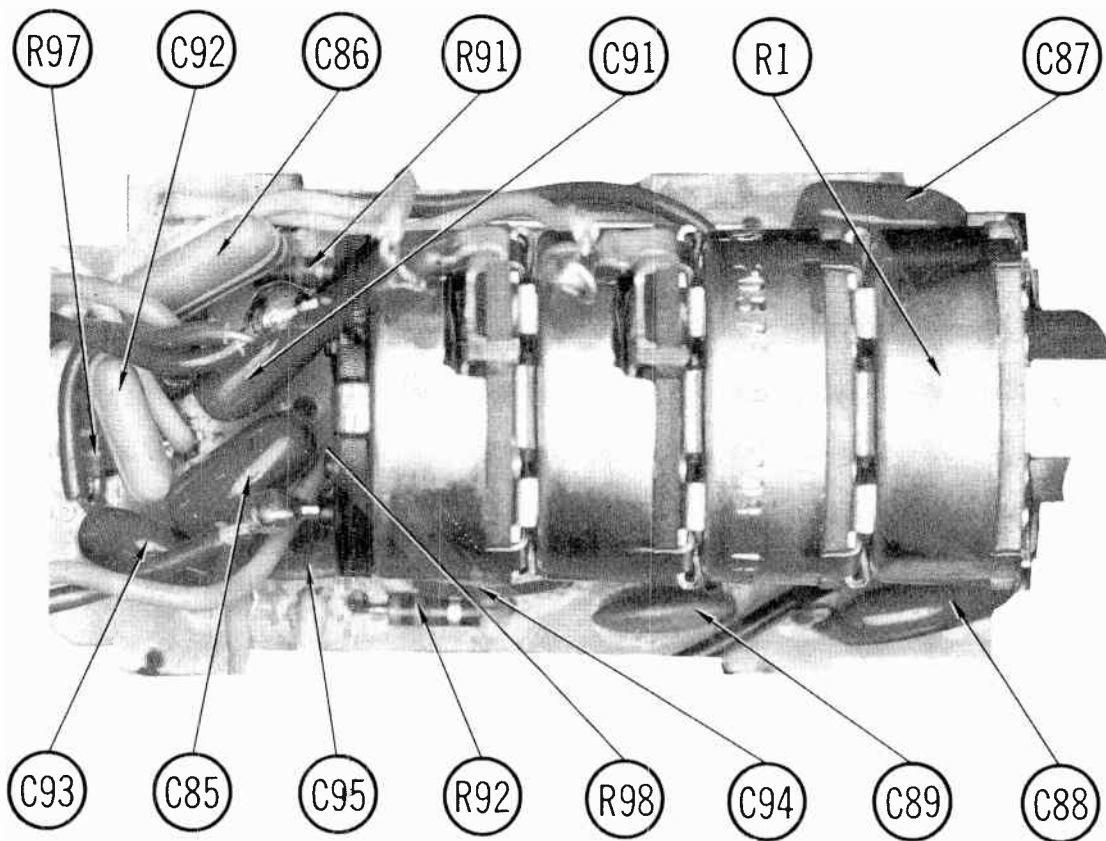


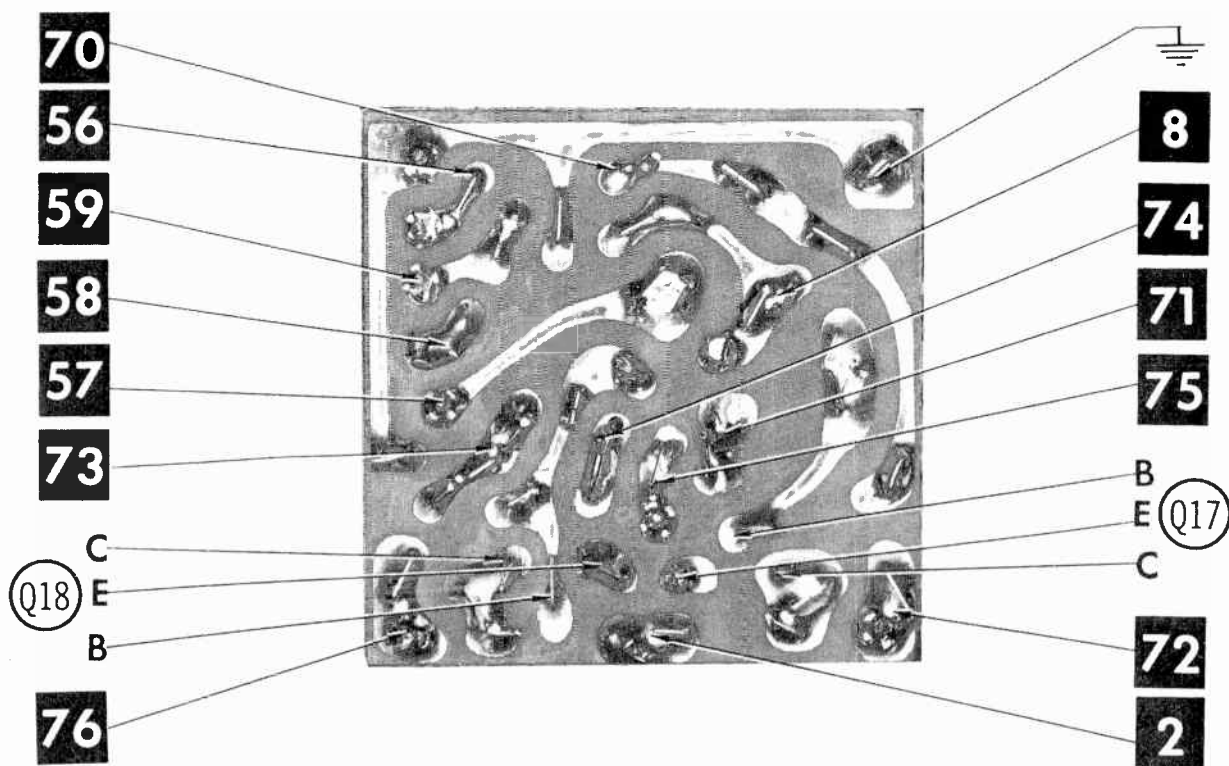
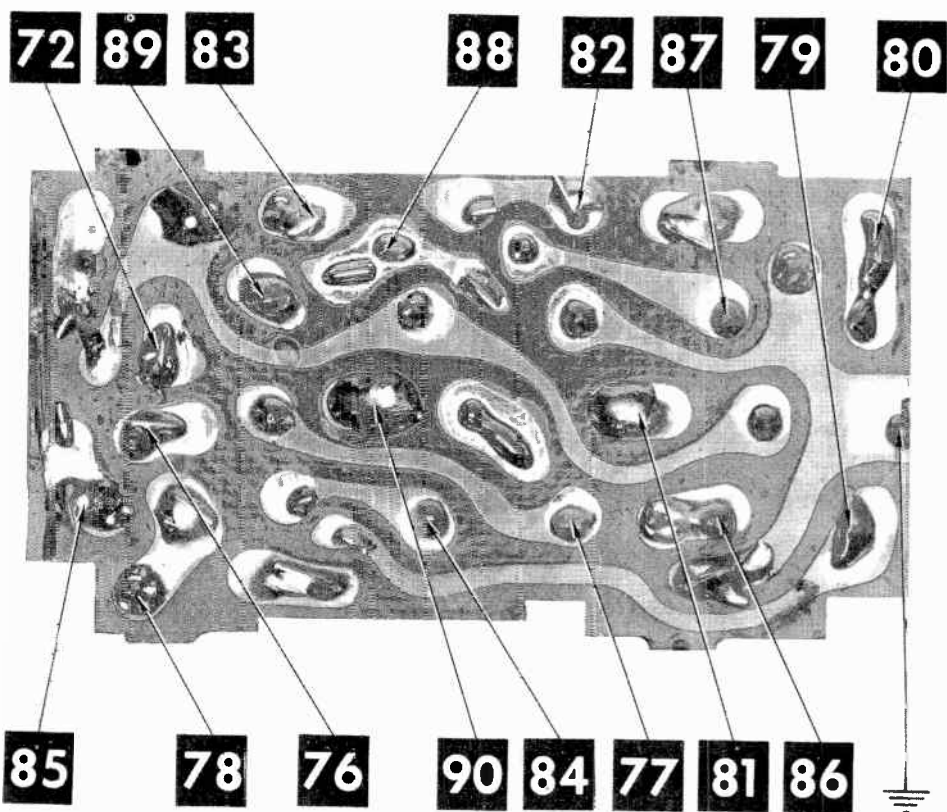




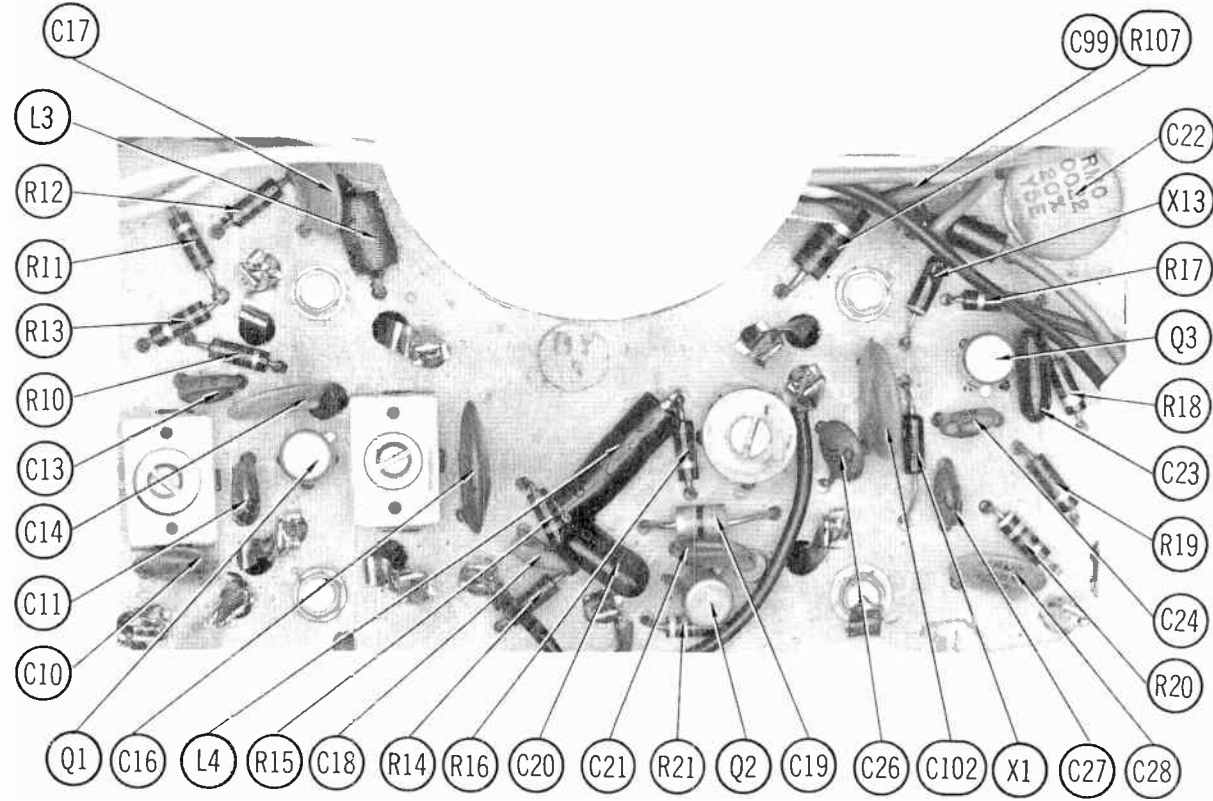
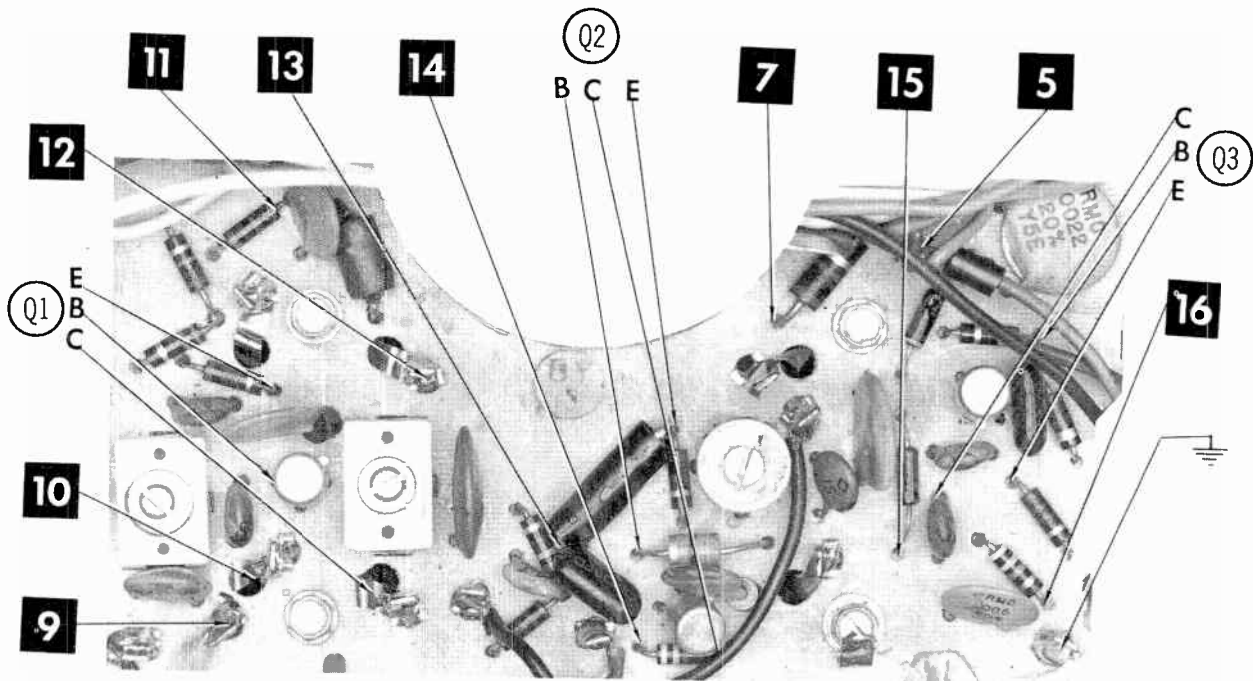
FORD MODELS F81BF, F81BO, F81BZ







A Howard W. Sams **CIRCUITRACE**® Photo



FORD MODELS F81BF, F81BO, F81BZ

PARTS LIST AND DESCRIPTION

(When ordering parts, state Model, Part Number, and Description.)

Replacement parts shown may be superseded by the availability of newly introduced replacements.
Have your local distributor check Sams COUNTER FACTS for the most up-to-date replacement.

WIRING DATA

General-use Unshielded Hook-up Wire	Use BELDEN No. 8530 (Solid) Available in 12 Colors 8524 (Stranded) Available in 12 Colors
Shielded Hook-up Wire	Use BELDEN No. 8885
Rear Seat Speaker Extension Cable	Use BELDEN No. 8782 (Stranded) Coded Parallel Leads
Bonding Strap	Use BELDEN No. 8661 (3/8 In.) or 8670 (3/4 In.)

TRANSISTORS

ITEM No.	TYPE No.	FUNCTION	REPLACEMENT DATA					
			MFRG. PART No.	DELCO PART No.	GENERAL ELECTRIC PART No.	INTERNATIONAL RECTIFIER PART No.	RCA PART No.	SYLVANIA PART No.
Q1		FM RF Amp	2092417-0711	DS-81	GE-17	TR-22	SK-3018	ECG 108
Q2		FM Mixer	2092417-0715	DS-81	GE-17	TR-22	SK-3018	ECG 108
Q3		FM Oscillator	2092417-0716	DS-74	GE-17	TR-22	SK-3018	ECG 108
Q4		1st FM IF	2092418-0720	DS-74	GE-20	TR-21	SK-3018	ECG 108
Q5		2nd FM IF	2092418-0719	DS-74	GE-20	TR-21	SK-3018	ECG 108
Q6		3rd FM IF	2092418-0720	DS-74	GE-20	TR-21	SK-3018	ECG 108
Q7		Limiter	2092418-0721	DS-74	GE-20	TR-21	SK-3018	ECG 108
Q8		Level Detector	2092418-0720	DS-74	GE-20	TR-21	SK-3018	ECG 108
Q9		AM RF Amp	2093308-0704	DS-71	GE-11	TR-22	SK-3018	ECG 107
Q10		AM Converter	2093308-0705	DS-72	GE-11	TR-22	SK-3018	ECG 107
Q11		AM IF	2093308-0706	DS-72	GE-11	TR-22	SK-3018	ECG 107
Q12		MPX Input Amp	2092609-0705	DS-66	GE-10	TR-21	SK-3020	ECG 123
Q13		Bandpass	2092609-0707	DS-66	GE-10	TR-21	SK-3020	ECG 123
Q14		19KC Amp	2092609-0707	DS-66	GE-10	TR-21	SK-3020	ECG 123
Q15		38KC Amp	2057013-0703	DS-83	GE-21	TR-19	SK-3025	ECG 106
Q16		Lamp Switch	2057013-0701	DS-83	GE-21	TR-19	SK-3025	ECG 106
Q17		Preamp	2092609-0707	DS-76	GE-10	TR-21	SK-3020	ECG 123
Q18		Preamp	2092609-0707	DS-76	GE-10	TR-21	SK-3020	ECG 123
Q19		AF Amp	2092609-0705	DS-66	GE-10	TR-21	SK-3020	ECG 123
Q20		AF Amp	2057013-0702	DS-83	GE-21	TR-19	SK-3025	ECG 106
Q21		Output *	4080187-0506					
Q22		AF Amp	2092609-0705	DS-66	GE-10	TR-21	SK-3020	ECG 123
Q23		AF Amp	2057013-0702	DS-83	GE-21	TR-19	SK-3025	ECG 106
Q24		Output *	4080187-0506					

* When replacing, apply silicone grease to both sides of insulator. Tighten mounting screws securely.

POWER RECTIFIERS & SIGNAL DIODES

ITEM No.	MFRG. PART OR TYPE No.	REPLACEMENT RECTIFIERS & DIODES			REPLACEMENT RECTIFIERS		NOTES
		GENERAL ELECTRIC PART No.	INTERNATIONAL RECTIFIER PART No.	SYLVANIA PART No.	RCA PART No.	SARKES TARZIAN PART No.	
X1	2092055-0003 (Var-Cap)						(1) Zener Diode
X2	2092055-0001	1N34AS	1N34A	ECG 109			
X3	2092055-0007	1N34AS	1N34A	ECG 109			
X4	2092055-0007	1N34AS	1N34A	ECG 109			
X5	2092055-0708	1N82A	1N82A	ECG 112			
X6	2092055-0001	1N34AS	1N34A	ECG 109			
X7	2092055-0007	1N34AS	1N34A	ECG 109			
X8	2092055-0007	1N34AS	1N34A	ECG 109			
X9	2092055-0007	1N34AS	1N34A	ECG 109			
X10	2092055-0007	1N34AS	1N34A	ECG 109			
X11	2092055-0007	1N34AS	1N34A	ECG 109			
X12	2092055-0007	1N34AS	1N34A	ECG 109			
X13	2092055-0710(1)						
X14	2092055-0710(1)						

ELECTROLYTIC CAPACITORS

ITEM No.	RATING	REPLACEMENT DATA						
		FORD PART No.	AEROVOX PART No.	CENTRALAB PART No.	CORNELL-DUBILIER PART No.	GENERAL ELECTRIC PART No.	MALLORY PART No.	SPRAGUE PART No.
C1A	500 16V	2092983-0709	PWH3-00-98					
B	500 16V							
C	500 16V							
C2	20 16V	2090480-0718	CRE461A	EA15-25	NLW20-15	MT1-10	MTA25D20	TL-1157
C3	50 8V	2093667-0711	CRE417A	EA15-50	NLW50-10	MT1-16	MTA50H15	TE-1119
C4	2 16V	2093667-0713	CRE451A	NLW2-50	NLW2-50	MT1-1	MTA2D50	EA30-2
C5	2 16V	2093667-0713	CRE451A	NLW2-50	NLW2-50	MT1-1	MTA2D50	EA30-2
C6	1000 6V	2090480-0719	PRS1230		BR1000-6		TC610A	TL-1111
C7	1000 6V	2090480-0719	PRS1230		BR1000-6		TC610A	TL-1111

CAPACITORS

ITEM No.	RATING	REMARKS	REPLACEMENT DATA					
			AEROVOX PART No.	CENTRALAB PART No.	CORNELL-DUBILIER PART No.	ELMENCO PART No.	MALLORY PART No.	SPRAGUE PART No.
C10	33 NPO		NPO-D1 33	DTZ-33	CS601CG330K	CCTO-330	CN0453	10TCC-Q33
C11	6.8 NPO		NPO-D1 6.8	DTZ-6R8	C2601CH6R8D	CCTO-6R8	CN0568	10TCC-V68
C12	4-25 NPO	#2093115-0707						
C13	2.7 NPO		NPO-D1 3	DTZ-3R3	C2601CJ2R2D	CCTO-2R2	CN0522	10TCC-V27
C14	.005		GPD X5R502K	DD-502	JBT601YP502K	CCD-502	JF250	10TS-050

PARTS LIST AND DESCRIPTION (CONTINUED)

(When ordering parts, state Model, Part Number, and Description.)

Replacement parts shown may be superseded by the availability of newly introduced replacements.
Have your local distributor check Sams COUNTER FACTS for the most up-to-date replacement.

CAPACITORS (cont)

ITEM No.	RATING	REMARKS	REPLACEMENT DATA						
			AEROVOX PART No.	CENTRALAB PART No.	CORNELL-DUBILIER PART No.	ELMENCO PART No.	MALLORY PART No.	SPRAGUE PART No.	
C15	10-50	NPO	#2093115-0706	NPO-D1 68	DTZ-68	CX601CG680K	CCTO-680	CN0468	10TCC-Q68
C16	68		GPO X5RS02K	0D-502	JBT601YP502K	CCD-502	JF250	10TS-D50	
C17	.005	NPO	#2093231-2538	NPO-D1 4.7	DTZ-4R7	CZ601CH5R0D	CCTO-4R7	CN0547	10TCC-V47
C18	4.7		ADM-10-221	CPR-220J	CD10E221K500	DM-10-221J	SX322	MS-322	
C19	.39pf	NPO	#2093231-2538	GPD X5F102K	DD-102	JBS601YP102K	CCD-102	GP210	10TS-010
C20	220		GPD X5F222K	DD-222	JBX601YP222K	CCD-222	GP222	10TS-D22	
C21	.001	NPO	#2094703-0701	ADM-10-470	CPR-47J	CD10E470K500	DM-10-470J	SX447	MS-447
C22	.0022		NPO-D1 1.5	DTZ-1R5			CN0515	10TCC-V12	
C23	47	N180	#2094703-0701				*	*	10TCC-V180
C24	1.5		NPO-D1 3.0	DTZ-3R3		CCTO-3R3	CN0533	10TCC-V30	
C25	3-8	NPO	#2094703-0701	GPO X5RS02K	DD-502	JBT601YP502K	CCD-502	JF250	10TS-D50
C26	15		NPO-D1 1.0	TCZ-1			CN0510	10TCC-V10	
C27	3.3	NPO	#2094703-0701	TTP-01	CK-103	HOY101ZV103P	CCD-103	TA110	10TCC-V10
C28	.005		GPD X5RS02K	DD-502	JBT601YP502K	CCD-502	JF250	10TS-D50	
C29	1pf	NPO	#2094703-0701	TTP-01	CK-103	HOY101ZV103P	CCD-103	TA110	10TCC-V10
C30	.01		NPO-D1 1.0	TCZ-1			CN0510	10TCC-V10	
C31	.005	NPO	#2094703-0701	GPD X5RS02K	DD-502	JBT601YP502K	CCD-502	JF250	10TS-D50
C32	.01		NPO-D1 1.0	TCZ-1			CN0510	10TCC-V10	
C33	.82pf	NPO	#2094703-0701	GPD X5RS02K	DD-502	JBT601YP502K	CCD-502	JF250	10TS-D50
C34	1.2		NPO-D1 1.0	TCZ-1			CN0510	10TCC-V10	
C35	.005	NPO	#2094703-0701	TTP-01	CK-103	HOY101ZV103P	CCD-103	TA110	10TCC-V10
C36	.01		GPD X5RS02K	DD-502	JBT601YP502K	CCD-502	JF250	10TS-D50	
C37	.005	NPO	#2094703-0701	TTP-01	CK-103	HOY101ZV103P	CCD-103	TA110	10TCC-V10
C38	.01		NPO-D1 1.0	TCZ-1			CN0510	10TCC-V10	
C39	1.2	NPO	#2094703-0701	GPD X5RS02K	DD-502	JBT601YP502K	CCD-502	JF250	10TS-D50
C40	.005		NPO-D1 1.0	TCZ-1			CN0510	10TCC-V10	
C41	.01	NPO	#2094703-0701	TTP-01	CK-103	HOY101ZV103P	CCD-103	TA110	10TCC-V10
C42	47		NPO-D1 47	DTZ-47	CX601CG470K	CCTO-470	CN0447	10TCC-Q47	
C43	.05	NPO	#2094703-0701	TTP-01	CK-103	HOY101ZV103P	CCD-103	TA110	10TCC-V10
C44	3.3		NPO-D1 3.0	DTZ-3R3		CCTO-3R3	CN0533	10TCC-V30	
C45	3.3	NPO	(1)	NPO-D1 3.0	DTZ-3R3		CCTO-3R3	CN0533	10TCC-V30
C46	.005		GPD X5RS02K	DD-502	JBT601YP502K	CCO-502	JF250	10TS-D50	
C47	330	NPO	#2093466-0704	GPD X5F331K	DD-331	JBZ601YP331K	CCD-331	GP333	5GA-T33
C48	10-120		GPD X5F102K	DD-102	JBS601YP102K	CCO-102	GP210	10TS-D10	
C49	.001	NPO	#2093466-0704	GPD X5RS02K	DD-502	JBT601YP502K	CCO-502	JF250	10TS-D50
C50	.005		ADM-15-271	CPR-270J	CD15F271K500	DM-10-271J	SX327	MS-327	
C51	270	NPO	#2092422-0717						
C52A	10-80		NPO-D1 33	DTZ-33	CS601CG330K	CCTO-33D	CN0433	10TCC-Q33	
C52B	180	N150	#2092422-0717	DBE6S1	CPR-10000J	DMF2S1	4DP-1-103	PVC211	2TM-S10
C52C	10-80		DBE6D68	CPR-6800J	DMF6D68	LDP-1-682	PVC6268	225P68291	
C53	33	N150	#2092422-0717	DBE6S1	CPR-10000J	DMF2S1	4DP-1-103	PVC211	2TM-S10
C54	.01		ADM-15-271	CPR-270	CD15F271K500	DM-10-271J	SX327	MS-327	
C55	.0068	N750	#2092422-0717	N750-D1 150	DTN-150		CCTN-151	CN7315	10TCU-T15
C56	18		TTP-1	CK-104	HOV101ZV104Z	CCD-221	GP322	5GA-T22	
C57	.01	N750	#2092422-0717	TTP-1	CK-104	HOV101ZV104Z	CCD-221	GP322	5GA-T22
C58	270		GPD X5F221K	DD-271	JBZ601YP221K	CCD-221	GP322	5GA-T22	
C59	150	N750	#2092422-0717	TTP-1	CK-104	HOV101ZV104Z	CCD-221	GP322	5GA-T22
C60	.1		GPD X5F221K	DD-271	JBZ601YP221K	CCD-221	GP322	5GA-T22	
C61	.1	NPO	#2092422-0717	GPD X5F221K	DD-271	JBZ601YP221K	CCD-221	GP322	5GA-T22
C62	220		UK20-204	DD-503	HOV101Z503Z	CCD-503	GP150	5GA-S50	
C63	.2	NPO	#2092422-0717	GPD X5F221K	DD-271	JBZ601YP221K	CCD-221	GP322	5GA-T22
C64	.05		DD-503	DD-102	JBS601YP102K	CCD-102	GP210	10TS-D10	
C65	.001	NPO	#2092422-0717	GPD X5F102K	DD-102	JBS601YP102K	CCD-102	GP210	10TS-D10
C66	.001		GPD X5F102K	DD-102	JBS601YP102K	CCD-102	GP210	10TS-D10	
C67	.22	NPO	#2092422-0717	D8E6P22	DMF4P22	DMF4P22	4DP-5-224	PVC4022	4PS-P22
C68	100		GPD X5F1D1K	DD-101	JBZ601YP101K	CCO-101	GP310	10TS-T10	
C69	5.6	NPO	#2092422-0717	NPO-D1 5	DTN-5	CZ601CH5R0D	CCTO-050	CN7550	10TCC-V56
C70	.001		ADM-19-102	CPR-1000J	CD19F102K500	DM-15-102J	SX210	MS-210	
C71	.1	NPO	#2092422-0717	DBE2P1	DMF2P1	DMF2P1	2DP-3-104	PVC201	2PS-P10
C72	.1		ADM-19-102	CPR-1000J	CD19F102K500	DM-15-102J	SX210	MS-210	
C73	.001	NPO	#2092422-0717	DBE2P1	DMF2P1	DMF2P1	2DP-3-104	PVC201	2PS-P10
C74	.1		ADM-19-102	CPR-1000J	CD19F102K500	DM-15-102J	SX210	MS-210	
C75	.2	NPO	#2092422-0717	DBE2P1	DMF2P1	DMF2P1	2DP-3-104	PVC201	2PS-P10
C76	390		UK20-204	DD-503	HOV101Z503Z	CCD-503	GP150	5GA-S50	
C77	.002	NPO	#2092422-0717	ADM-15-391	CPR-390J	CD15F391K500	DM-10-391J	SX339	MS-339
C78	.002		GPD X5F202K	DD-202	JBX601YP202K	CCD-202	GP220	10TS-D20	
C79	.001	NPO	#2092422-0717	GPD X5F2D2K	DD-202	JBX601YP202K	CCD-202	GP220	10TS-D20
C80	.22		GPD X5F102K	DD-102	JBS601YP102K	CCD-102	GP210	10TS-D10	
C81	.002	NPO	#2092422-0717	D8E6P22	DMF4P22	DMF4P22	4DP-5-224	PVC4022	4PS-P22
C82	.002		GPD X5F202K	DD-202	JBX601YP202K	CCD-202	GP220	10TS-D20	
C83	.001	NPO	#2092422-0717	GPD X5F202K	DD-202	JBX601YP202K	CCD-202	GP220	10TS-D20
C84	.22		GPD X5F102K	DD-102	JBS601YP102K	CCD-102	GP210	10TS-D10	
C85	.033	NPO	#2092422-0717	D8E6P22	DMF4P22	DMF4P22	4DP-5-224	PVC4022	4PS-P22
C86	.0039		DBE6S33	DD-303	DMF4S33	4DP-2-333	PVC6133	4PS-S33	
C87	.033	NPO	#2092422-0717	DBE6D39	CPR-3900J	WMF1D39	6DP-1-392	PVC6239	225P39291
C88	.022		DBE6S22	DD-203	DMF4S22	4DP-2-223	PVC6122	4PS-S22	
C89	.1	NPO	#2092422-0717	TTP-1	CK-104	HOV101ZV104Z	CCD-103	TA010	10TCC-V10
C90	.0068		DBE6D68	CPR-6800J	DMF6D68	LDP-1-682	PVC6268	225P68291	
C91	.033	NPO	#2092422-0717	DBE6S33	DD-303	DMF4S33	4DP-2-333	PVC6133	4PS-S33
C92	.0039		DBE6D39	CPR-3900J	WMF1D39	6DP-1-392	PVC6239	225P39291	
C93	.033	NPO	#2092422-0717	DBE6S33	DD-303	DMF4S33	4DP-2-333	PVC6133	4PS-S33
C94	.022		DBE6S22	DD-203	DMF4S22	4DP-2-223	PVC6122	4PS-S22	
C95	.1	NPO	#2092422-0717	TTP-1	CK-104	HOV101ZV104Z	CCD-103	TA010	10TCC-V10
C96	.0068		DBE6D68	CPR-6800J	DMF6D68	LDP-1-682	PVC6268	225P68291	
C97	.1	100V	#2093050-0710	DBE2P1	DMF2P1	DMF2P1	2DP-3-104	PVC201	2PS-P10
C98	.01		TTP-01	CK-103	HOY101ZV103P	CCD-103	TA110	10TCC-V10	
C99	.01	NPO	#2093050-0710	TTP-01	CK-103	HOY101ZV103P	CCD-103	TA110	10TCC-V10
C100	.01		DBE6S1	CPR-10000J	DMF2S1	4DP-1-103	PVC211	2TM-S10	
C101	.05	NPO	#2093050-0710	DBE6S5	DD-503	DMF6S5	6DP-3-503	PVC615	6PS-S50
C102	.0022		GPD X5F222K	DD-222	JBX601YP222K	CCD-222	GP222	10TS-D22	
C103	260	NPO	#2093050-0710						
C104	260								
C105	260								

Bendix Part Number (1) Not used in some versions.
* Not normally in distributor's stock. Available thru distributor on order to manufacturer.

FORD MODELS F8TBF, F8TBO, F8TBZ

PARTS LIST AND DESCRIPTION (CONTINUED)

(When ordering parts, state Model, Part Number, and Description.)

Replacement parts shown may be superseded by the availability of newly introduced replacements.
Have your local distributor check Sams COUNTER FACTS for the most up-to-date replacement.

CONTROLS (All wattages 1/2 watt, or less, unless listed)

ITEM No.	FUNCTION	RESIST-ANCE	REPLACEMENT DATA				
			MFGR. PART No.	CENTRALAB PART No.	CLAROSTAT PART No.	CTS-IRC PART No.	MALLORY PART No.
R1A	Tone	500K	2057638-0707 (1)				
B	Tone	500K					
C	Volume	225K Tap @ 75K					
D	Volume/Switch	225K Tap @ 75K					
	Tone	500K	2057638-0703 (2)				
	Tone	500K					
	Volume	225K Tap @ 75K					
	Volume/Switch	225K Tap @ 75K					
	Tone	500K	2057638-0705 (3)				
	Tone	500K					
	Volume	225K Tap @ 75K					
	Volume/Switch	225K Tap @ 75K					
R2	Balance	25K	2057639-0703 (1)				
	Balance	25K	2057639-0702 (2)				
	Balance	25K	2057639-0701 (3)				
R3	Separation	1000	219555-15	V-1000	U39-1000	112-1000 OR 117R102A	MR1000F

(1) Used in Model F8TBF (2) Used in Model F8TBO
(3) Used in Model F8TBZ

RESISTORS (Power and Special)

ITEM No.	RATING	REPLACEMENT DATA			ITEM No.	RATING	REPLACEMENT DATA		
		IRC PART No.	WORKMAN PART No.	MFGR. PART No.			IRC PART No.	WORKMAN PART No.	MFGR. PART No.
R94	857 (Cold)			220629-0021	R100	857 (Cold)			220629-0021
R96	.22 (PTC)			2090948-0020	R102	.22 (PTC)			2090948-0020

COILS (RF-IF)

ITEM No.	USE	REPLACEMENT DATA			
		PART No.	MEISSNER PART No.	MILLER PART No.	WORKMAN PART No.
L1	FM Antenna	(1)			
L2	FM RF	(1)			
L3	RF Choke (2uh)	2092210-0007	19-1002	74F226AP	TA872
L4	10MC Trap (1uh)	2092210-0005	19-1000	4602	T855
L5	FM Oscillator	(1)			
L6	1st FM IF	2057713-0701			
L7	2nd FM IF	2057713-0702			
L8	3rd FM IF	2057713-0703			
L9	4th FM IF	2057713-0704			
L10	5th FM IF	2057713-0705			
L11	Discriminator	2057714-0701			
L12	RF Choke (2uh)	2092210-0007	19-1002	74F226AP	TA812
L13	AM Antenna	(1)			
L14	AM RF	(1)			
L15	AM Oscillator	(1)			
L16	1st AM IF	2057715-0701			
L17	2nd AM IF	2057715-0702			
L18	75KC Trap	2057742-0701			
L19	19KC	2057742-0702			
L20	19KC Oscillator Doubler	2057742-0703			
L21	38KC	2057742-0704			

(1) Part of M3.

FILTER CHOKE

ITEM No.	RATINGS			REPLACEMENT DATA					NOTES
	CURRENT (Measured)	DC RES.	INDUCTANCE (0 CURRENT 1000~)	PART No.	MERIT PART No.	STANCOR PART No.	THORDARSON PART No.	TRIAD PART No.	
L22	1.25Amp	.3	1.5mh	4080072-0501	C-4125(1)	TC-1 (1)	TR-159 (1)	TY16XT(1)	(1) Fabricate mounting.

PARTS LIST AND DESCRIPTION (CONTINUED)

(When ordering parts, state Model, Part Number, and Description.)

Replacement parts shown may be superseded by the availability of newly introduced replacements.
Have your local distributor check Sams COUNTER FACTS for the most up-to-date replacement.

TRANSFORMER (Audio Output)

ITEM No.	IMPEDANCE		REPLACEMENT DATA					NOTES
			MFGR. PART No.	MERIT PART No.	STANCOR PART No.	THORDARSON PART No.	TRIAD PART No.	
	PRI.	SEC.						
T1	17	8	20928:3-0704					
T2	17	8	20928:3-0704					

SPEAKER

ITEM No.	TYPE	REPLACEMENT DATA			NOTES
		PART No.	JENSEN PART No.	QUAM PART No.	
	PM 8 ohms PM 8 ohms				Available thru FoMoCo

FUSE DEVICES

ITEM No.	DESCRIPTION	REPLACEMENT DATA						
		PART No.		BUSS PART No.		LITTELFUSE PART No.		WORKMAN PART No.
		DEVICE	HOLDER	DEVICE	HOLDER	DEVICE	HOLDER	DEVICE
F1	SFE 20		In Fuse Block	SFE20		307020		

MISCELLANEOUS

ITEM No.	PART NAME	PART No.	NOTES
M1	Dial Lamp		CHICAGO MINIATURE Replacement CM1893
M2	Stereo Indicator		CHICAGO MINIATURE Replacement CM1892
M3	Tuner	2094851-0507	Model F8TBF
	Tuner	2094851-0506	Model F8TBO
	Tuner	2094851-0508	Model F8T8Z
	Coil Assembly	2090131-0101	
PC1	FM IF Bias Network	2057721-0702	
PC2	Bias Network	2057719-0701	
PC3	Biasing Network	2057720-0701	
PC4	Biasing Network	2057720-0701	
S1	AM-FM Selector Switch	2092719-0707	

CABINETS & CABINET PARTS (When ordering specify model, chassis & color)

ITEM	PART No.	ITEM	PART No.
MODEL F8TBF		MODEL F8T8Z	
Escutcheon	2057821-0502	Escutcheon	4080200-0503
Push Button	2057456-0002	Push Button	2057402-0003
Dial Pointer	2090129-0103	Dial Pointer	2090129-0101
Knob, Tuning or Volume	4080114-0701	Knob, Tuning or Volume	4080155-0701
Knob, Tone or Balance	4080115-0701	Knob, Tone or Balance	4080130-0701
Dial Glass	4080200-0505		
MODEL F8TBO			
Escutcheon	4080200-0501		
Push Button, #1 and #5	2057383-0003		
Push Button, #2, #3 and #4	2057383-0004		
Dial Pointer	2090129-0101		
Knob, Tuning or Volume (Falcon)	4080132-0701		
Knob, Tuning or Volume (Fairlane)	4080131-0701		
Knob, Tuning or Volume (Comet)	4080068-0701		
Knob, Tone or Balance (Fairlane)	4080130-0701		
Knob, Tone or Balance (Comet)	4080067-0701		

FORD MODELS F8TBF, F8TBO, F8T8Z



PHOTOFACT[®] with

CIRCUITRACE[®]



TRADE NAME : Lear Jet Models AS-830-H, ASFM-830-H
 SUPPLIER : For Current Address, See Annual Index
 TYPE SET : 19-Transistor FM Receiver with Tape Player
 POWER SUPPLY : 12 Volt Storage Battery
 RATING : .8 Amp @ 12.6 Volts DC (Radio)
 1 Amp @ 12.6 Volts DC (Tape Player)

OPERATING INSTRUCTIONS

Insert cartridge until it locks and turns unit on.

Press program selector to play desired tracks, or allow unit to select tracks automatically.

Set operating controls as desired.

Remove cartridge to turn unit off.

CLEANING

Clean all tape contact surfaces with a soft lint-free material and head cleaner or alcohol. Use alcohol to remove oil and grease from all driving surfaces.

LUBRICATING

Lubricate bearings and bushings lightly with #20 machine oil. Use a light film of nonhardening grease on cam surfaces.

HEAD DEMAGNETIZING

Demagnetize head when unit is serviced. Avoid using magnetic materials near head.

ADJUSTMENTS

ADJUST	REMARKS
Head Height	Play a test cartridge, follow instructions with cartridge, and adjust B1 for proper response.
Head Azimuth	Connect an AC VTVM across right output. Play a test cartridge, insert a screwdriver in slot at B2, and rotate head bracket for maximum output.
Motor Speed	Place unit under a 60-cycle strobe light; lines on flywheel should appear stationary with proper adjustment of R4. It may be necessary to adjust R5 to prevent hunting.

TROUBLE CHART

SYMPTOM	REMARKS
Capstan does not rotate	Brushes (12) dirty or defective. Commutator dirty or defective. Motor defective or not supplied with power.
Track-shift mechanism inoperative	Switch (S2) dirty. Cam (3) binding or worn. Pawl (4) worn. Arm (6) binding. Solenoid defective or not supplied with power. Cartridge defective.
Wow or Flutter	Capstan dirty or binding. Cartridge defective. Motor defective. Speed regulator circuit defective.
Sound weak or distorted	Head dirty, misaligned, or defective. Cartridge defective. Amplifiers defective.
Tape is pulled from cartridge	Cartridge defective. Capstan dirty or scored.

HOWARD W. SAMS & CO., INC. Indianapolis, Indiana 46206

© 1968 Howard W. Sams & Co., Inc. Printed in U. S. of America TD230
 World Radio History

LEAR JET MODELS AS-830-H, ASFM-830-H

MECHANICAL PARTS LIST

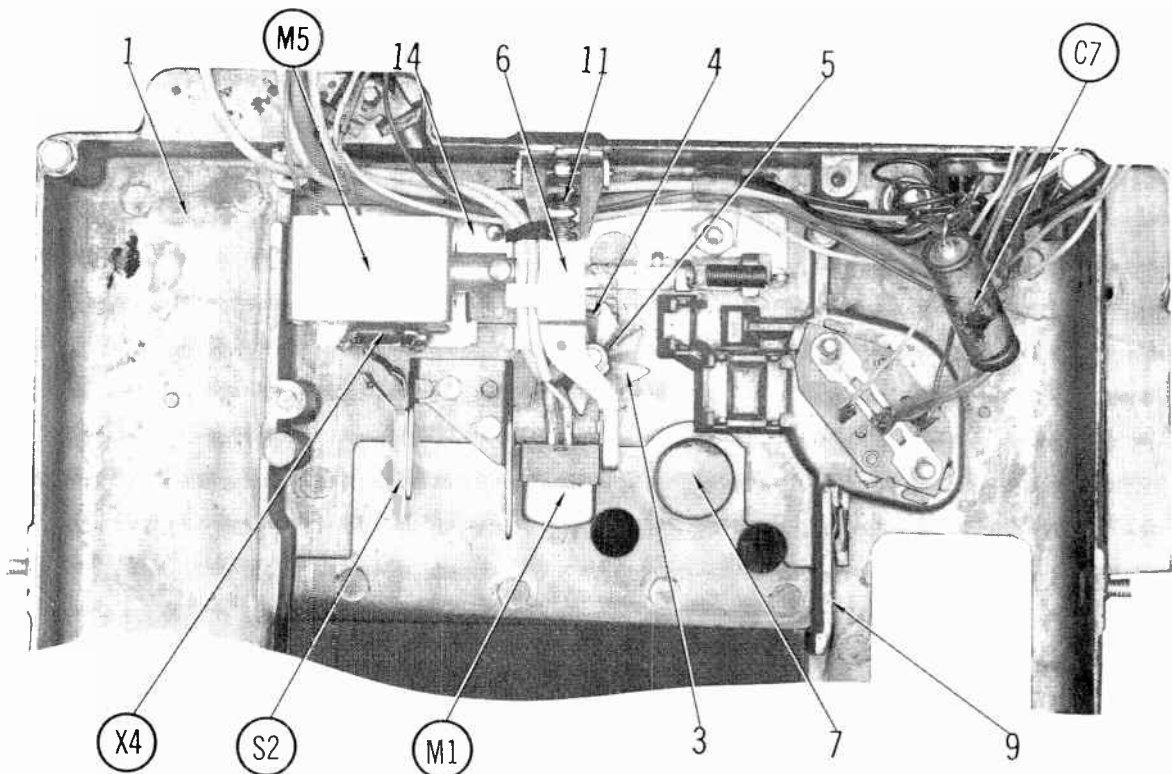
Ref. No.	Part No.	Description	Ref. No.	Part No.	Description
1	317-1016-001 ^②	Chassis	8	373-1305-001	Cartridge Guide Roller
	317-1001-001 ^③	Chassis	9	302-1096-001	Cartridge Retention Spring
2	367-1203-001	Ratchet Adjust Screw	10	302-1089-001	Housing Center Assembly
3	327-1005-001	Reverse Action Head Adjust Ratchet (Cam)	11	368-1919-001	Head Support Spring
4	^①	Pawl	12	357-1508-001	Brush and Spring Assembly
5	368-1001-001	Teflon Washer	13	371-1207-001 ^②	Tape Barrier
6	309-1022-001	Head Support Subassembly (Arm)	14	373-1131-001	Solenoid Bracket
7	368-1502-001	Nylotron Disc	15	^④	Capstan

^① Part of Bracket (14).

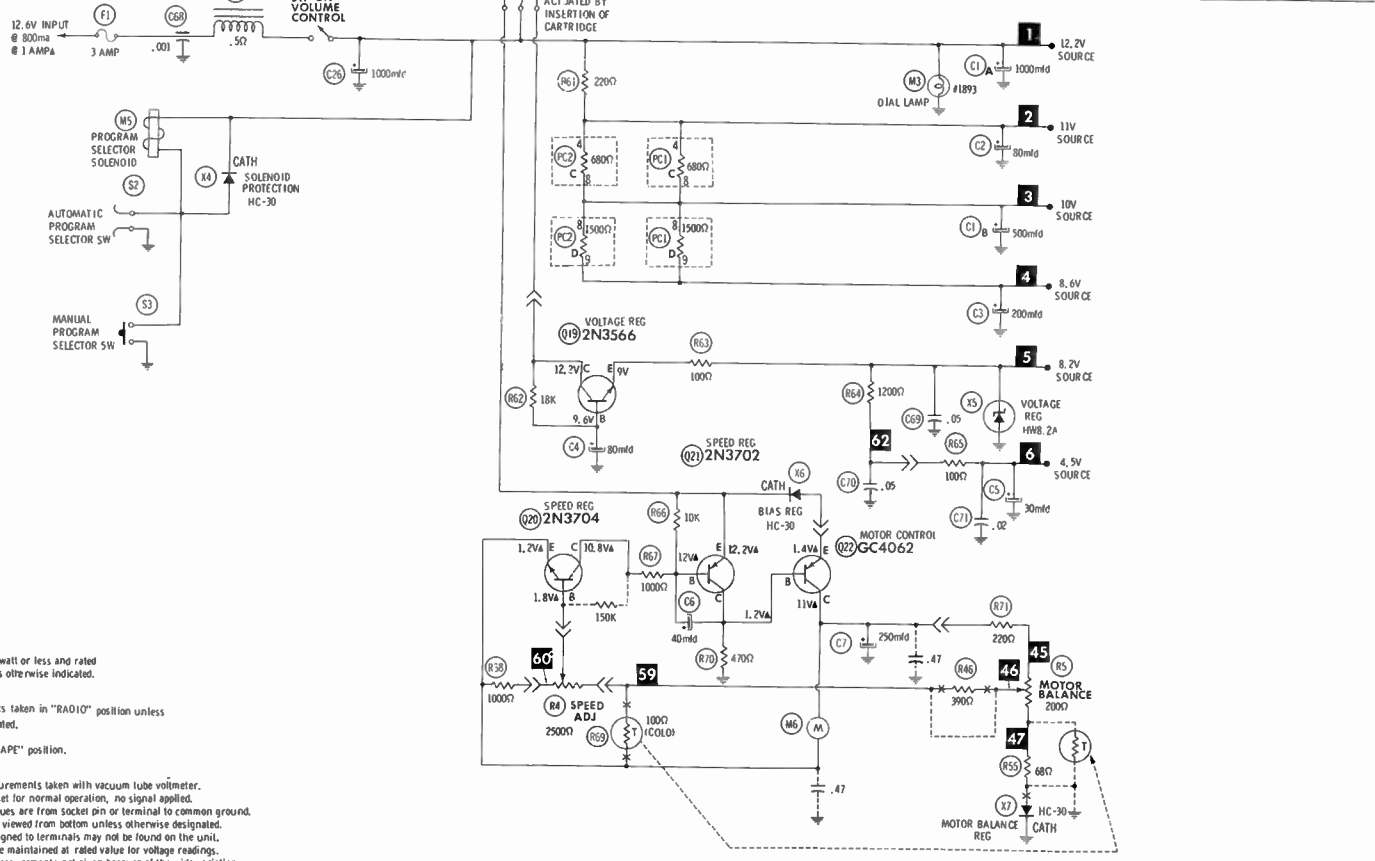
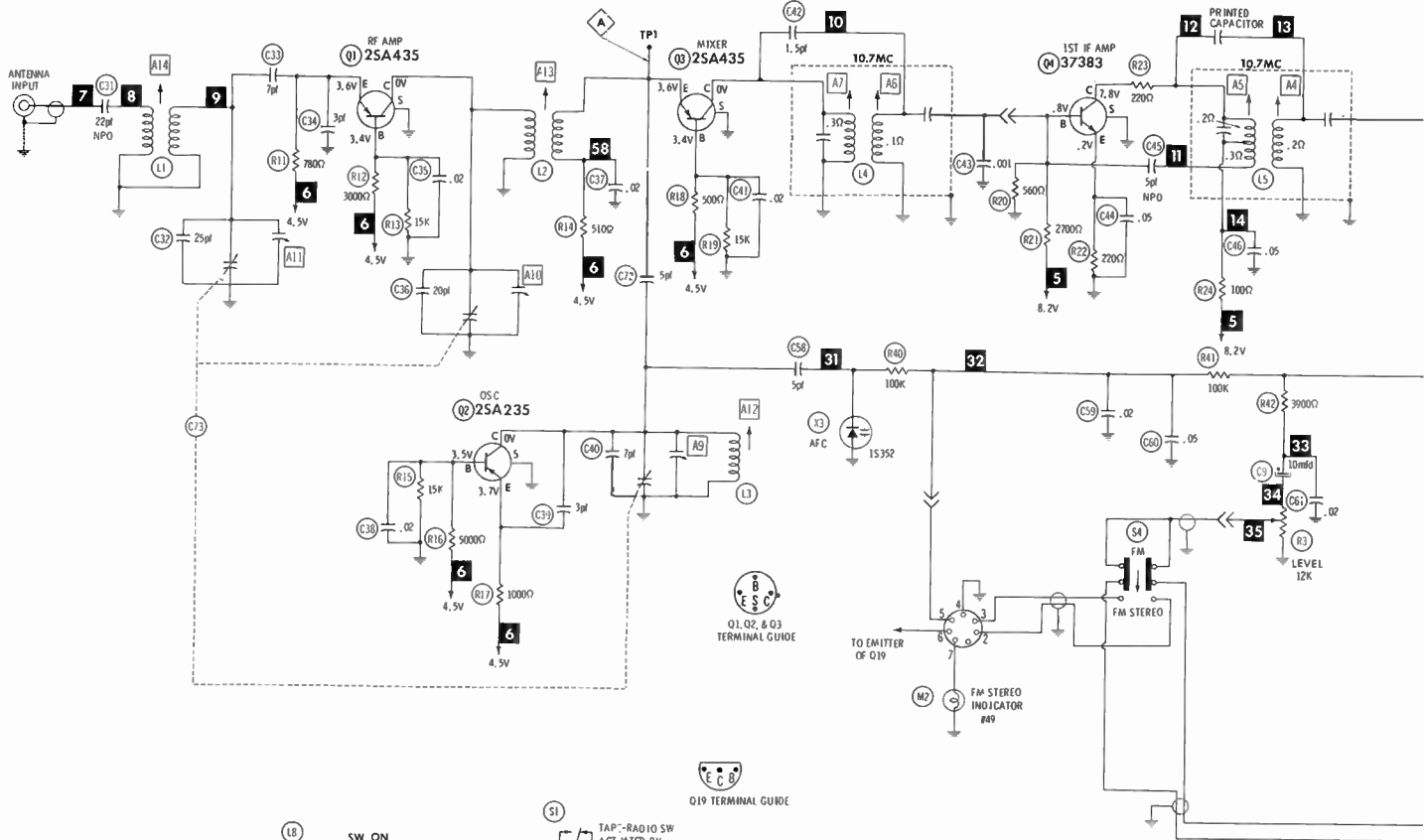
^② Used in Model ASFM-830-H only.

^③ Used in Model AS-830-H only.

^④ Part of Motor.



LEAR JET MODELS AS-830-H, ASFM-830-H



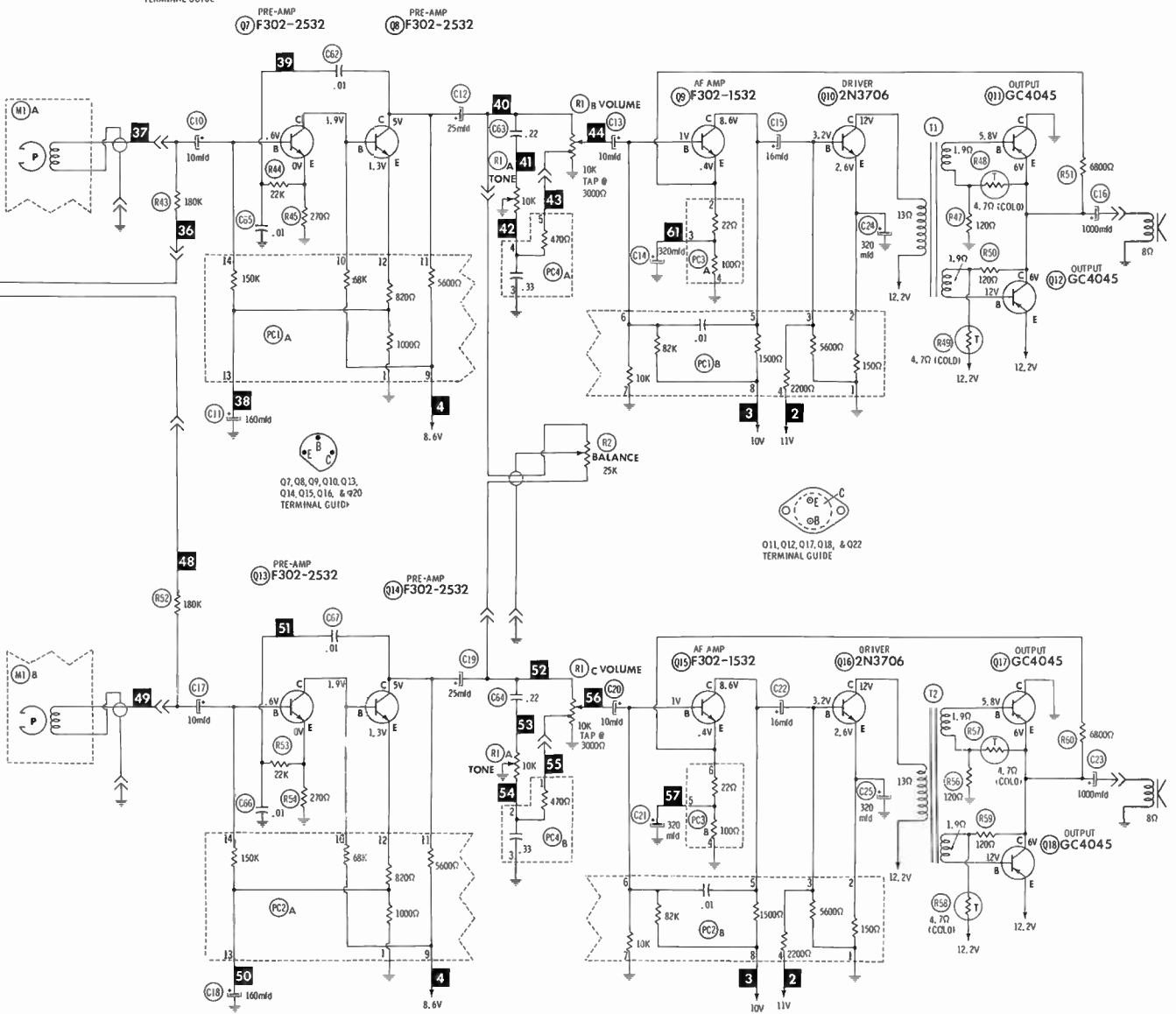
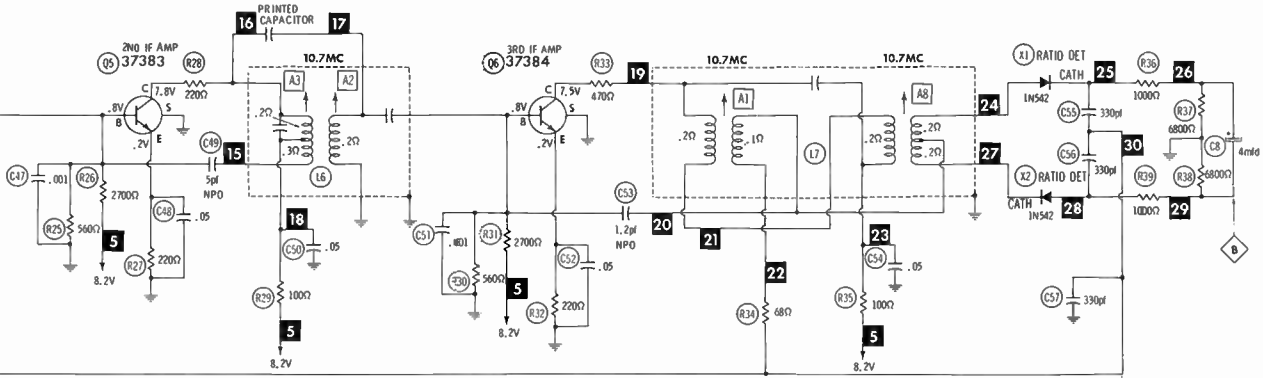
Resistors are 1/2 watt or less and rated 10% or 20% unless otherwise indicated.

All measurements taken in "RAO10" position unless otherwise designated.

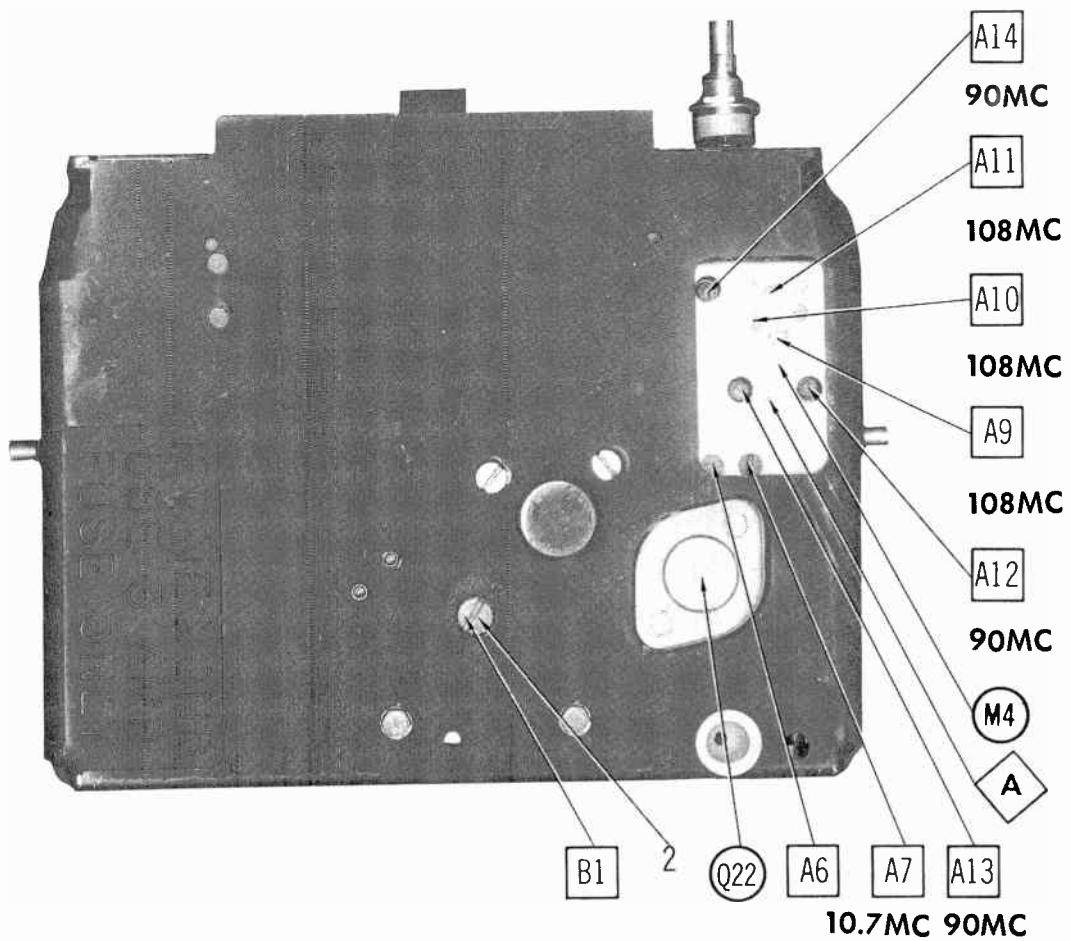
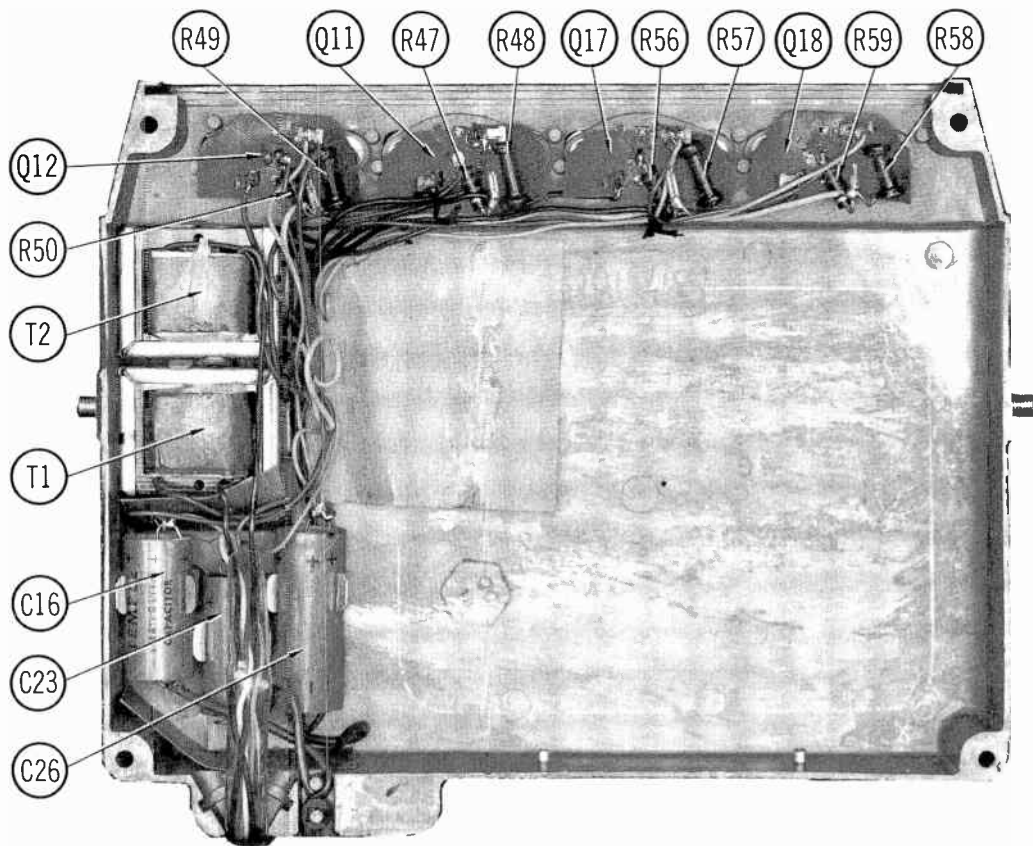
▲ Measured in "TAPE" position.

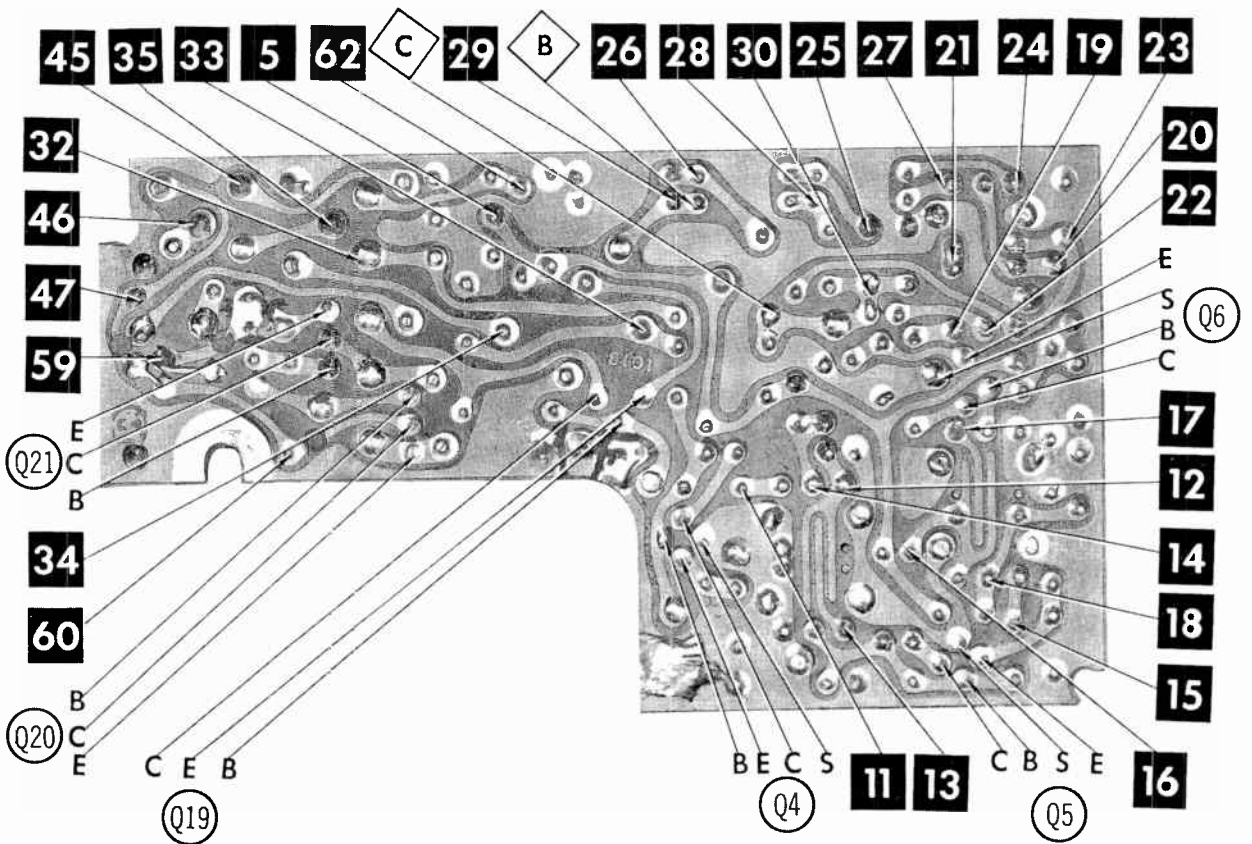
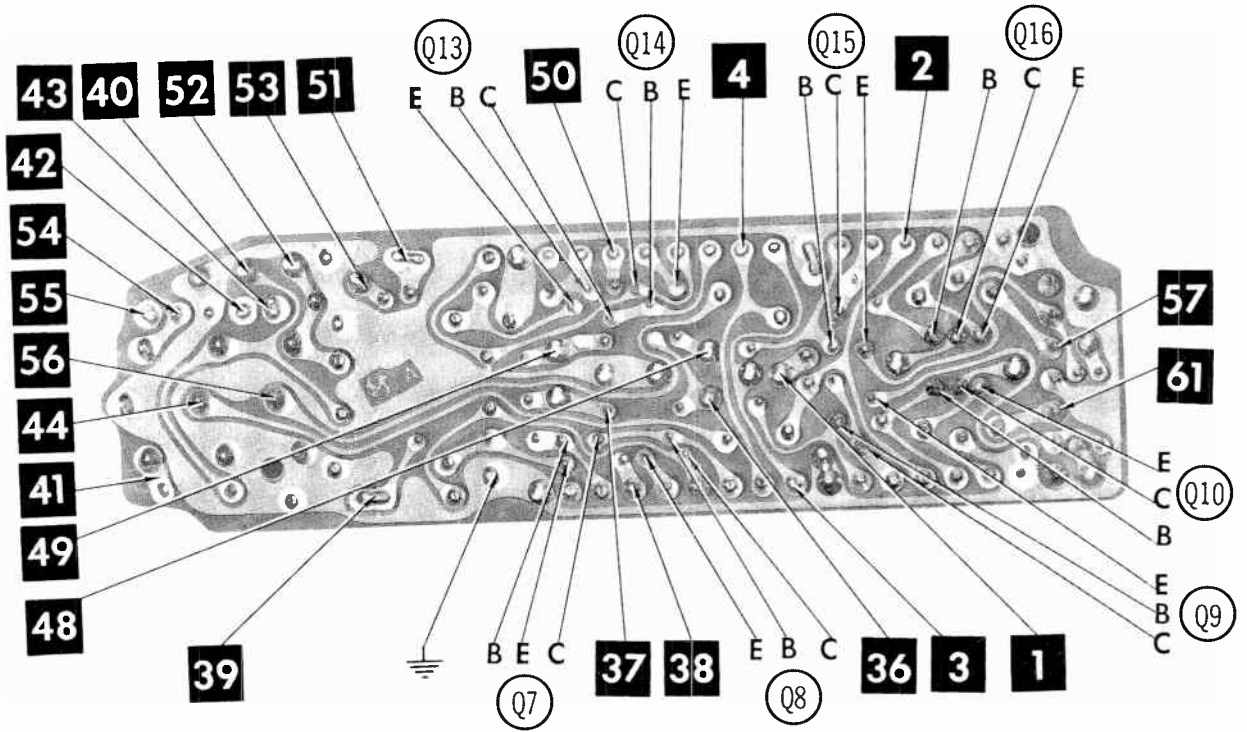
1. Voltage measurements taken with vacuum tube voltmeter.
2. All controls set for normal operation, no signal applied.
3. Measured values are from socket pin or terminal to common ground.
4. All terminals viewed from bottom unless otherwise designated.
5. Numbers assigned to terminals may not be found on the unit.
6. Supply voltage maintained at rated value for voltage readings.
7. Resistance measurements not given because of the wide variation in internal resistance of transistor.

A PHOTOFAC STANDARD NOTATION SCHEMATIC with **CIRCUITRACE**
© Howard W. Sams & Co., Inc 1968

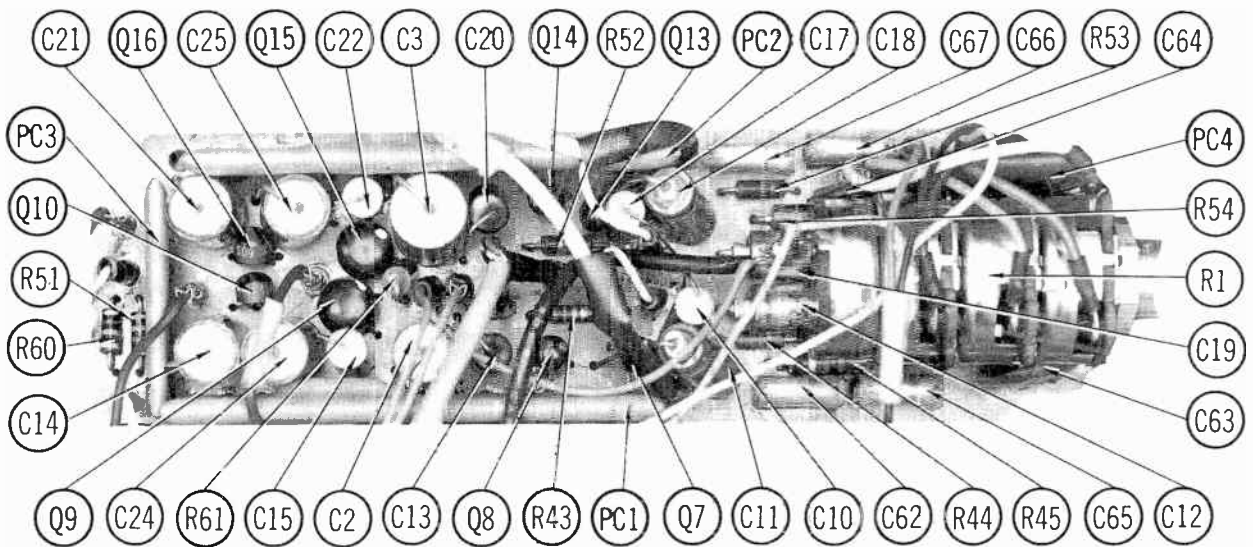
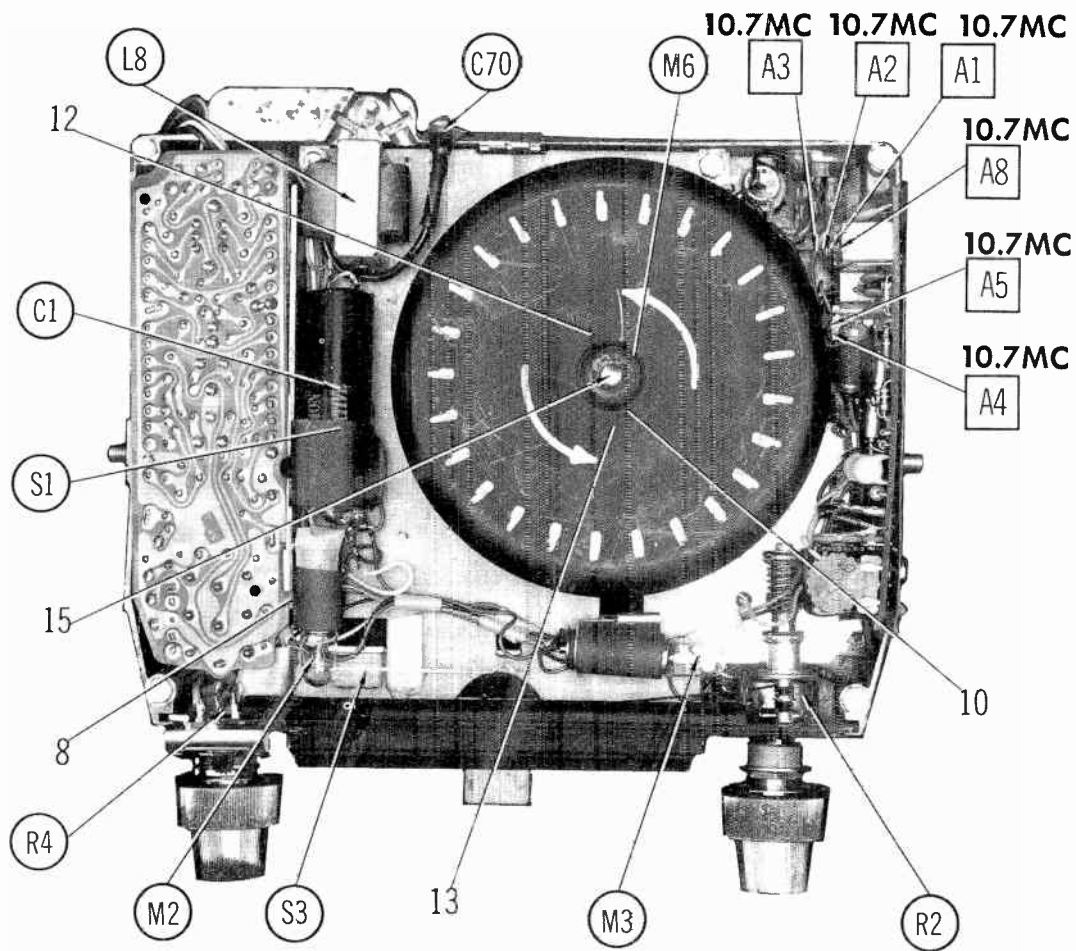


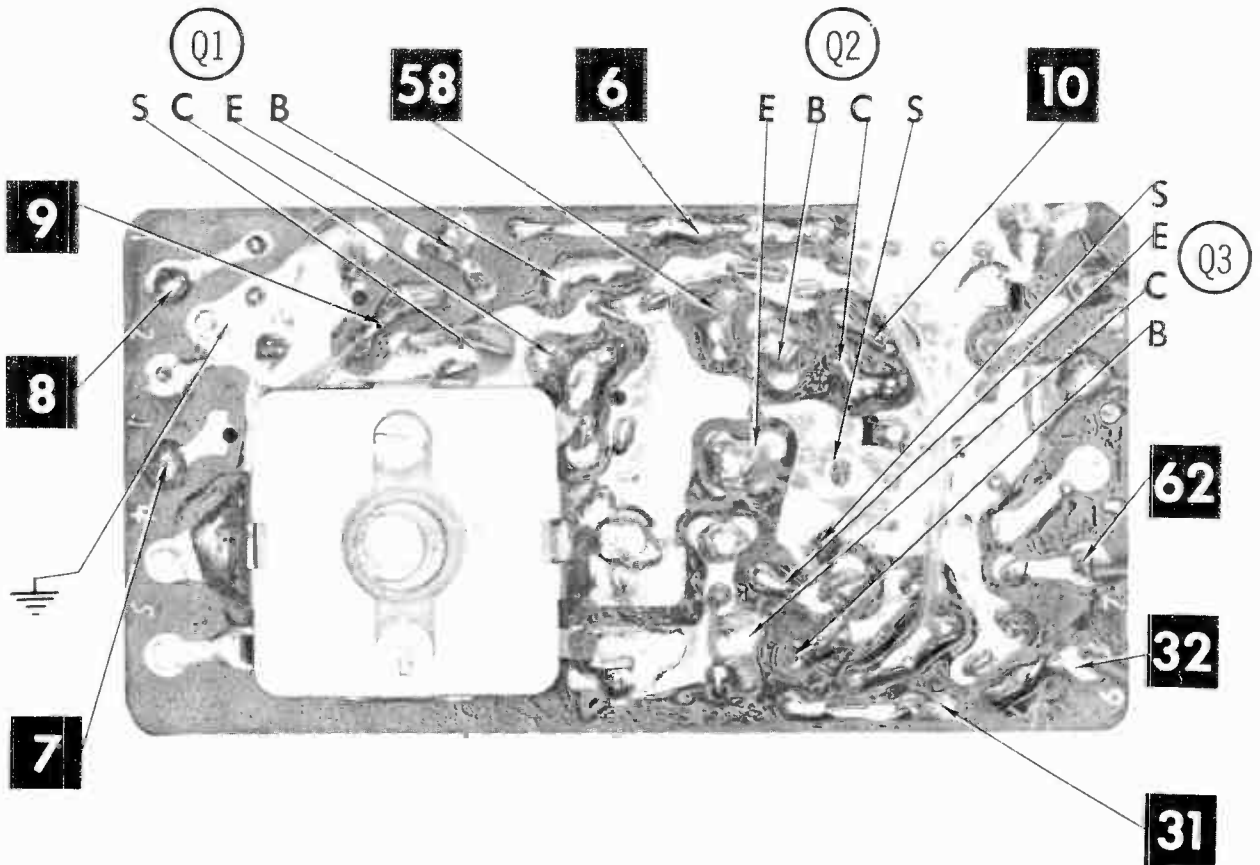
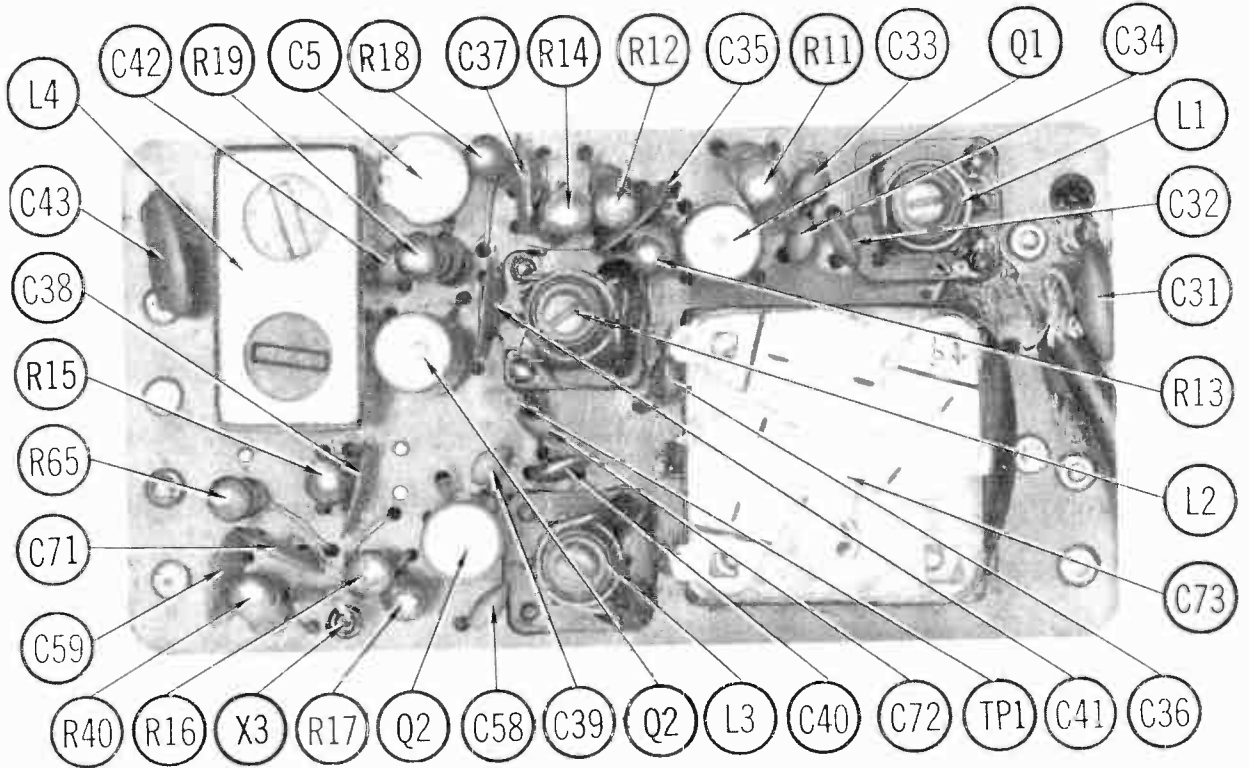
LEAR JET MODELS AS-830-H, ASFM-830-H

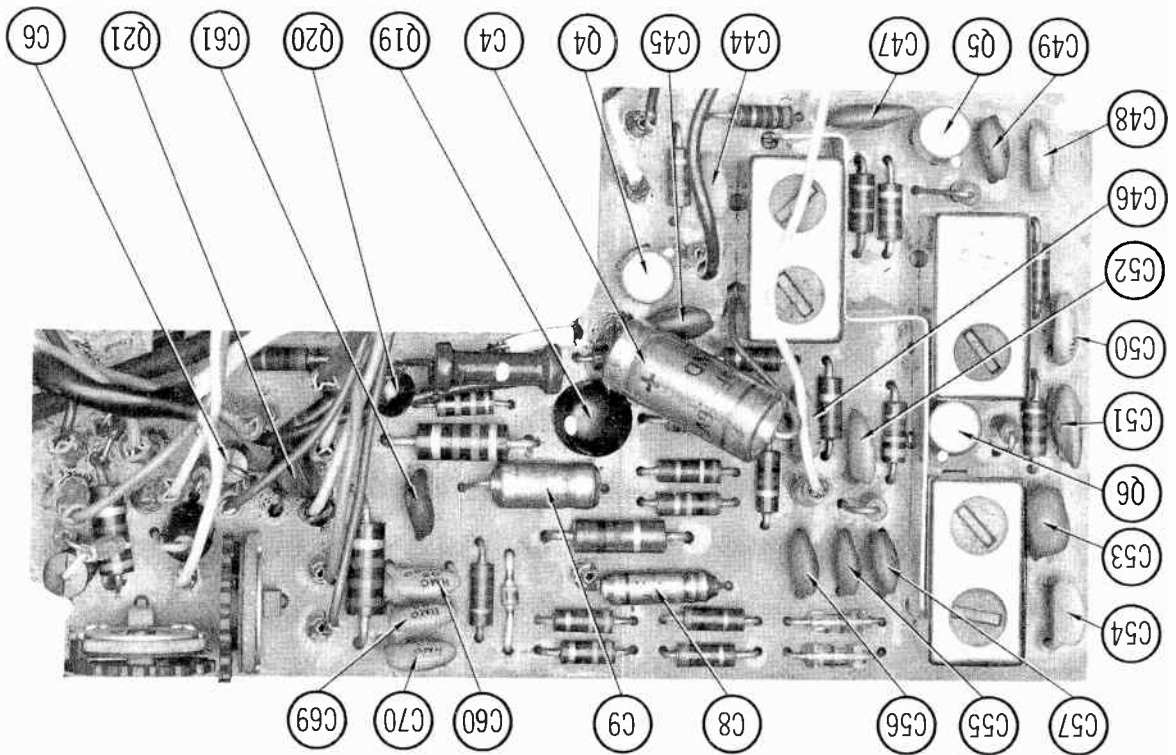
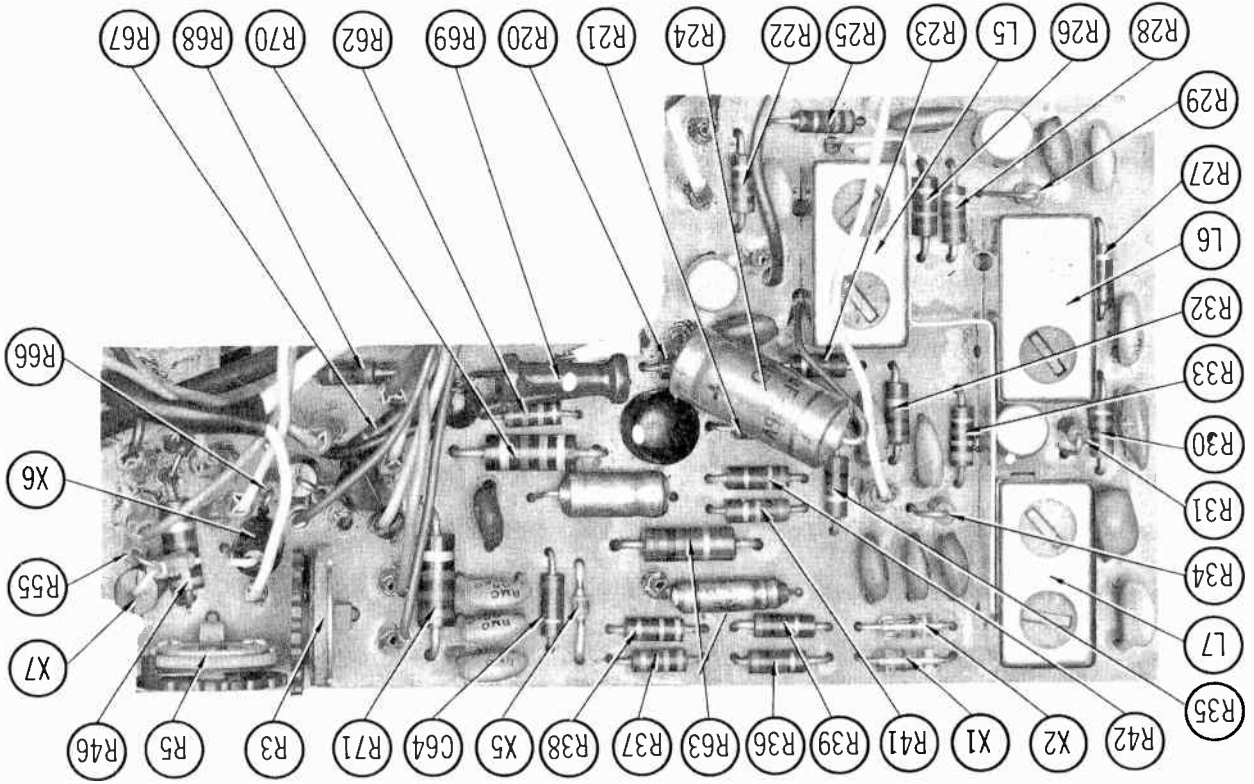




LEAR JET MODELS AS-830-H, ASFM-830-H







ALIGNMENT INSTRUCTIONS

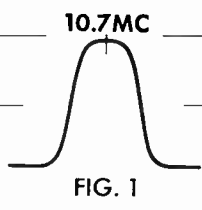
Maintain line voltage at 117 volts. Use only enough generator output to obtain a suitable indication. Allow a 15 minute warmup for receiver and equipment.
CAUTION: Use isolation transformer, if available. If not, observe polarity when connecting test equipment.
 Suggested Alignment Tools:

A1 thru A11. GENERAL CEMENT: 8290, 8868, 9087 WALSCO: 2525, 2528, 2587

FM IF ALIGNMENT USING AM SIGNAL GENERATOR - SELECTOR IN FM POSITION

High side of generator thru .001mfd to point $\diamond A$, low side to ground.

GENERATOR FREQUENCY	DIAL SETTING	INDICATOR	ADJUST	REMARKS
5. 10.7MC (Unmod.)	Point of non-interference.	DC probe of VTVM to point $\diamond B$, common to ground.	A1 thru A7	Adjust for maximum.
6. "	"	DC probe to point $\diamond C$, common to ground.	A8	Adjust for zero reading. A positive or negative reading will be obtained on either side of the correct setting.



FM IF ALIGNMENT USING FM SIGNAL GENERATOR - SELECTOR IN FM POSITION

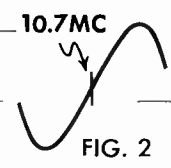
High side of generator thru .001mfd to point $\diamond B$, low side to ground. Use only enough marker signal for indication. Use 60% frequency modulated signal with 450KC sweep. Use 60% sawtooth voltage in scope for horizontal deflection.

GENERATOR FREQUENCY	DIAL SETTING	INDICATOR	ADJUST	REMARKS
5. 10.7MC (450KC Swp.)	Point of non-interference	Vert. amp. of scope to point $\diamond B$, low side to ground.	A1 thru A7	Disconnect stabilizing capacitor C 8. Adjust for maximum gain and symmetry of response similar to Fig. 1 with marker as shown. Reconnect C 8.
6. "	"	Vert. amp. to point $\diamond C$, low side to ground.	A8	Adjust A 8 (secondary) to place marker at center of "S" curve similar to Fig. 2. Adjust A 1 (primary) for maximum amplitude and straightness of line.

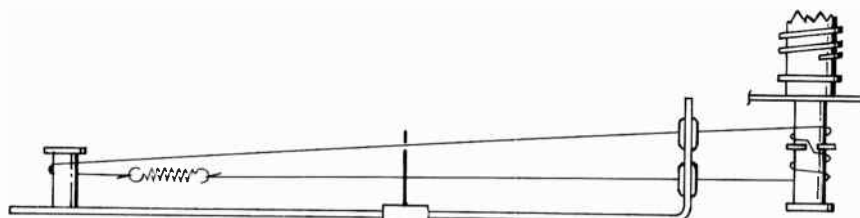
FM RF ALIGNMENT - SELECTOR IN FM POSITION

Connect generator across antenna terminals with 120 Ω carbon resistors in series with each lead.

GENERATOR FREQUENCY	DIAL SETTING	INDICATOR	ADJUST	REMARKS
7. 108MC	Set at high end.	DC probe of VTVM to point $\diamond B$, common to ground.	A9, A10, A11	Adjust for maximum.
8. 90MC	Tune to signal.	"	A12, A13, A14	Rock tuning and adjust for maximum. Repeat steps and until no further improvement can be made.



DIAL CORD STRINGING



PARTS LIST AND DESCRIPTION

(When ordering parts, state Model, Part Number, and Description.)

Replacement parts shown may be superseded by the availability of newly introduced replacements.
Have your local distributor check Sams COUNTER FACTS for the most up-to-date replacement.

WIRING DATA

General-use Unshielded Hook-up Wire	Use BELDEN No. 8530 (Solid) Available in 12 Colors 8524 (Stranded) Available in 12 Colors
Shielded Hook-up Wire	Use BELDEN No. 8885
Rear Seat Speaker Extension Cable	Use BELDEN No. 8782 (Stranded) Coded Parallel Leads
Bonding Strap	Use BELDEN No. 8661 (3/8 In.) or 8670 (3/4 In.)

TRANSISTORS

ITEM No.	TYPE No.	FUNCTION	REPLACEMENT DATA					
			MFG. PART No.	DELCO PART No.	GENERAL ELECTRIC PART No.	INTERNATIONAL RECTIFIER PART No.	RCA PART No.	SYLVANIA PART No.
Q1	2SA435	RF Amp		DS-41	GE-9A	TR-17	SK-3006	ECG 126
Q2	2SA235	Oscillator		DS-41	GE-9A	TR-17	SK-3006	ECG 126
Q3	2SA435	Mixer		DS-41	GE-9A	TR-17	SK-3006	ECG 126
Q4	37383	1st IF Amp		DS-74	GE-17	TR-21	SK-3018	ECG 107
Q5	37383	2nd IF Amp		DS-74	GE-17	TR-21	SK-3018	ECG 107
Q6	37384	3rd IF Amp		DS-74	GE-17	TR-21	SK-3018	ECG 107
Q7	F302-2532	Preamp		DS-76	GE-18	TR-21	SK-3020	ECG 123
Q8	F302-2532	Preamp		DS-76	GE-18	TR-21	SK-3020	ECG 123
Q9	F302-1532	AF Amp		DS-66	GE-18	TR-21	SK-3020	ECG 123
Q10	2N3706	Driver		DS-66	GE-18	TR-21	SK-3020	ECG 123
Q11	GC4045	Output *		DS-520	GE-3	TR-01	SK-3009	ECG 104
Q12	GC4045	Output *		DS-520	GE-3	TR-01	SK-3009	ECG 104
Q13	F302-2532	Preamp		DS-76	GE-18	TR-21	SK-3020	ECG 123
Q14	F302-2532	Preamp		DS-76	GE-18	TR-21	SK-3020	ECG 123
Q15	F302-1532	AF Amp		DS-66	GE-18	TR-21	SK-3020	ECG 123
Q16	2N3706	Driver		DS-66	GE-18	TR-21	SK-3020	ECG 123
Q17	GC4045	Output *		DS-520	GE-3	TR-01	SK-3009	ECG 104
Q18	GC4045	Output *		DS-520	GE-3	TR-01	SK-3009	ECG 104
Q19	2N3566	Voltage Regulator		DS-66	GE-18	TR-21	SK-3020	ECG 123
Q20	2N3704	Speed Regulator		DS-66	GE-18	TR-21	SK-3020	ECG 123
Q21	2N3702	Speed Regulator		DS-83	GE-21	TR-19	SK-3025	ECG 129
Q22	GC4062	Motor Control		DS-520	GE-3	TR-01	SK-3009	ECG 104

POWER RECTIFIERS & SIGNAL DIODES

ITEM No.	MFG. PART OR TYPE No.	REPLACEMENT RECTIFIERS & DIODES			REPLACEMENT RECTIFIERS		NOTES
		GENERAL ELECTRIC PART No.	INTERNATIONAL RECTIFIER PART No.	SYLVANIA PART No.	RCA PART No.	SARKES TARZIAN PART No.	
X1	1N542	1N60	1N542	ECG 110			
X2	1N542	1N60	1N542	ECG 110			
X3	1S352						
X4	1IC-30						
X5	HW8.2A						
X6	1IC-30						
X7	1IC-30						

ELECTROLYTIC CAPACITORS

ITEM No.	RATING	REPLACEMENT DATA						
		LEAR JET PART No.	AEROVOX PART No.	CENTRALAB PART No.	CORNELL-DUBILIER PART No.	GENERAL ELECTRIC PART No.	MALLORY PART No.	SPRAGUE PART No.
C1A	1000 16V	358-9503-001	PRS1230	EA30-1000	BR1000-15	QT1-32	TC1501	TVA-2330
B	500 12V		PRS1170	EA15-500	BR500-12	QT1-30	TC1505	TL-1123
C2	80 16V	350-9504-004	CRE470A	EA15-100	NLW75-15	MT1-19	MTA80E15	TE-1161
C3	200 10V	350-9504-005	CRE431A	EA15-250	NLW225-10	MT1-25	MTA200F10	TE-1119.6
C4	80 16V	350-9504-004	CRE470A	EA15-100	NLW75-15	MT1-19	MTA80E15	TE-1161
C5	30 6V		CRE313A	EA6-50	NLW30-6	MT1-13	MTA30015	TE-1132.1
C6	40 16V	350-9504-010	CRE615A	EA15-50	NLW40-25	MT1-17	MTA40E30	TE-1209
C7	250 16V	350-9508-001	PRS1280	EA15-250	NLW200-15	MT1-23	MTA250F20	TL-1164.5
C8	4 10V	350-9504-013	CRE403A	EA15-5	NLW4-15	MT1-3	MTA4D50	TL-1123
C9	10 16V	350-9504-012	CRE457A	EA15-10	NLW10-15	MT1-5	MTA10D35	TL-1155
C10	10 2.5V	350-9504-001	CRE207A	EA6-10	NLW10-3	MT1-5	MTA10D35	TE-1053
C11	160 2.5V	350-9504-003	CRE230A	EA6-250	NLW175-3	MT1-22	MTA175E3	TE-1064
C12	25 6.4V	350-9504-002	CRE412A	EA15-25	NLW25-10	MT1-16	MTA25D20	TE-1118
C13	10 2.5V	350-9504-001	CRE207A	EA6-10	NLW10-3	MT1-5	MTA10D35	TE-1053
C14	320 2.5V	350-9504-006	CRE237A	EA6-500	NLW350-3	MT1-26	MTA350F15	TE-1066
C15	16 10V	350-9504-007	CRE411A	EA15-25	NLW20-15	MT1-10	MTA15D35	TL-1090
C16	1000 10V	350-9502-002	PRS1180	EA30-1000	BR1000-12	QT1-32	TC1501	TVA-1133
C17	10 2.5V	350-9504-001	CRE207A	EA6-10	NLW10-3	MT1-5	MTA10D35	TE-1053
C18	160 2.5V	350-9504-003	CRE230A	EA6-250	NLW175-3	MT1-22	MTA175E3	TE-1064
C19	25 6.4V	350-9504-002	CRE412A	EA15-25	NLW25-10	MT1-16	MTA25D20	TE-1118
C20	10 2.5V	350-9504-001	CRE207A	EA6-10	NLW10-3	MT1-5	MTA10D35	TE-1053
C21	320 2.5V	350-9504-006	CRE237A	EA6-500	NLW350-3	MT1-26	MTA350F15	TE-1066
C22	16 10V	350-9504-007	CRE411A	EA15-25	NLW20-15	MT1-10	MTA15D35	TL-1090
C23	1000 10V	350-9502-002	PRS1180	EA30-1000	BR1000-12	QT1-32	TC1501	TVA-1133
C24	320 2.5V	350-9504-006	CRE237A	EA6-500	NLW350-3	MT1-26	MTA350F15	TE-1066
C25	320 2.5V	350-9504-006	CRE237A	EA6-500	NLW350-3	MT1-26	MTA350F15	TE-1066
C26	1000 15V	350-9502-001	PRS1230	EA30-1000	BR1000-15	QT1-32	TC1501	TVA-1163

PARTS LIST AND DESCRIPTION (CONTINUED)

(When ordering parts, state Model, Part Number, and Description.)

Replacement parts shown may be superseded by the availability of newly introduced replacements.
Have your local distributor check Sams COUNTER FACTS for the most up-to-date replacement.

CAPACITORS

ITEM No.	RATING	REMARKS	REPLACEMENT DATA					
			AEROVOX PART No.	CENTRALAB PART No.	CORNELL-DUBILIER PART No.	ELMENCO PART No.	MALLORY PART No.	SPRAGUE PART No.
C31	22 NPO		NPO-DI 22	DTZ-22	CY601CG220K	CCTO-220	CN0422	10TCC-Q22
C32	25		NPO-DI 25	DTZ-25	CY601CG220K	CCTO-240	CN0425	10TCC-Q25
C33	7		NPO-DI 6.8	DTZ-6R8	CZ601CH6R8D	CCTO-6R8	CN0568	10TCC-V68
C34	3		NPO-DI 3.0	DTZ-3R3		CCTO-3R3	CN0533	10TCC-V30
C35	.02		TTP-02	CK-203	HOR101ZV203P	CCD-203	TA120	TG-S20
C36	20		NPO-DI 20	DTZ-20	CY601CG220K	CCTO-200	CN0420	10TCC-Q20
C37	.02		TTP-02	CK-203	HOR101ZV203P	CCD-203	TA120	TG-S20
C38	.02		TTP-02	CK-203	HOR101ZV203P	CCD-203	TA120	TG-S20
C39	3		NPO-DI 3.0	DTZ-3R3		CCTO-3R3	CN0533	10TCC-V30
C40	7		NPO-DI 6.8	DTZ-6R8	CZ601CH6R8D	CCTO-6R8	CN0568	10TCC-V68
C41	.02		TTP-02	CK-203	HOR101ZV203P	CCD-203	TA120	TG-S20
C42	1.5		NPO-DI 1.0	TCZ-1			CN0510	10TCC-V10
C43	.001		GPD X5F102K	DD-102	JBS601YP102K	CCD-102	GP210	10TS-D10
C44	.05		GPD Z5V503P	DD-503	HOV101ZV503Z	CCD-503	GP150	5GA-S50
C45	5 NPO		NPO-DI 4.7	DTZ-4R7	CZ601CH5R0D	CCTO-4R7	CN0547	10TCC-V47
C46	.05		GPD Z5V503P	DD-503	HOV101ZV503Z	CCD-503	GP150	5GA-S50
C47	.001		GPD X5F102K	DD-102	JBS601YP102K	CCD-102	GP210	10TS-D10
C48	.05		GPD Z5V503P	DD-503	HOV101ZV503Z	CCD-503	GP150	5GA-S50
C49	5 NPO		NPO-DI 4.7	DTZ-4R7	CZ601CH5R0D	CCTO-4R7	CN0547	10TCC-V47
C50	.05		GPD Z5V503P	DD-503	HOV101ZV503Z	CCD-503	GP150	5GA-S50
C51	.001		GPD X5F102K	DD-102	JBS601YP102K	CCD-102	GP210	10TS-D10
C52	.05		GPD Z5V503P	DD-503	HOV101ZV503Z	CCD-503	GP150	5GA-S50
C53	1.2 NPO		NPO-DI 1.0	TCZ-1			CN0510	10TCC-V10
C54	.05		GPD Z5V503P	DD-503	HOV101ZV503Z	CCD-503	GP150	5GA-S50
C55	330		GPD X5F331K	DD-331	JBZ601YP331K	CCD-331	GP333	5GA-T33
C56	330		GPD X5F331K	DD-331	JBZ601YP331K	CCD-331	GP333	5GA-T33
C57	330		GPD X5F331K	DD-331	JBZ601YP331K	CCD-331	GP333	5GA-T33
C58	5		NPO-DI 4.7	DTZ-4R7	CZ601CH5R0D	CCTO-4R7	CN0547	10TCC-V47
C59	.02		TTP-02	CK-203	HOR101ZV203P	CCD-203	TA120	TG-S20
C60	.05		GPD Z5V503P	DD-503	HOV101ZV503Z	CCD-503	GP150	5GA-S50
C61	.02		TTP-02	CK-203	HOR101ZV203P	CCD-203	TA120	TG-S20
C62	.01 100V		DBE6S1	CPR-10000J	DMF2S1	4DP-1-103	PVC211	2TM-S10
C63	.22			UK10-204	HCZ3R0XR224P		MAG25022	HY-325
C64	.22			UK10-204	HCZ3R0XR224P		MAG25022	HY-325
C65	.01 100V		DBE6S1	CPR-10000J	DMF2S1	4DP-1-103	PVC211	2TM-S10
C66	.01 100V		DBE6S1	CPR-10000J	DMF2S1	4DP-1-103	PVC211	2TM-S10
C67	.01 100V		DBE6S1	CPR-10000J	DMF2S1	4DP-1-103	PVC211	2TM-S10
C68	.001		EF-6-1000	MFT-1000		CCF-102		
C69	.05		GPD Z5V503P	DD-503	HOV101ZV503Z	CCD-503	GP150	5GA-S50
C70	.05		GPD Z5V503P	DD-503	HOV101ZV503Z	CCD-503	GP150	5GA-S50
C71	.02		TTP-02	CK-203	HOR101ZV203P	CCD-203	TA120	TG-S20
C72	5		NPO-DI 4.7	DTZ-4R7	CZ601CH5R0D	CCTO-4R7	CN0547	10TCC-V47
C73		(1)						

(1) Part of M4.

LEAR JET MODELS AS-830-H, ASFM-830-H

RESISTORS (Power and Special)

ITEM No.	RATING	REPLACEMENT DATA			ITEM No.	RATING	REPLACEMENT DATA		
		IRC PART No.	WORKMAN PART No.	MFR. PART No.			IRC PART No.	WORKMAN PART No.	MFR. PART No.
R48	4.7 (Cold)			351-9301-001	R57	4.7 (Cold)			351-9301-001
R50	4.7 (Cold)			351-9301-001	R59	4.7 (Cold)			351-9301-001
					R69	100 (Cold)			351-9302-001

CONTROLS (All wattages 1/2 watt, or less, unless listed)

ITEM No.	FUNCTION	RESISTANCE	REPLACEMENT DATA					
			MFR. PART No.	CENTRALAB PART No.	CLAROSTAT PART No.	CTS-IRC PART No.	MALLORY PART No.	
R1A	Tone	10K	351-9012-001					
B	Tone	10K						
	Volume	10K Tap @ 3000						
C	Volume/Switch	10K Tap @ 3000						
R2	Balance	25K	351-9007-001	F1-25K, FFS102, BB014		* QJ-2221A		P253L, 4100, OX1125
R3	Level	12K	351-9003-003	T-10K		X201R103B		MTC153L1
R4	Speed	250Ω	351-9006-001	JMP-252				
R5	Motor Balance	200	351-9003-001			X201R251B		MTC22L1

* "CONCENTRIKIT" Equivalent: K8 Kit with Base Elements and Shafts: B11-120, P17-105 (Panel), None, None, (Rear) S6 (Bushing)

"SNAP-TROL" Equivalent: BU8 (1), CF11, None, SF8, None.
(1) Alter Bushing to meet requirements.

PARTS LIST AND DESCRIPTION (CONTINUED)

(When ordering parts, state Model, Part Number, and Description.)

Replacement parts shown may be superseded by the availability of newly introduced replacements.
Have your local distributor check Sams COUNTER FACTS for the most up-to-date replacement.

COILS (RF-IF)

ITEM No.	USE	REPLACEMENT DATA			
		PART No.	MEISSNER PART No.	MILLER PART No.	WORKMAN PART No.
L1	Antenna	(1)			
L2	RF	(1)			
L3	Oscillator	(1)			
L4	1st IF	(1)			
L5	2nd IF	356-9003-001			
L6	3rd IF	356-9004-001			
L7	Ratio Detector	356-9005-001			

(1) Part of M4.

FILTER CHOKE

ITEM No.	RATINGS			REPLACEMENT DATA					NOTES
	CURRENT (Measured)	DC RES.	INDUCTANCE (0 CURRENT 1000~)	LEAR JET PART No.	MERIT PART No.	STANCOR PART No.	THORDARSON PART No.	TRIAD PART No.	
L8			10mh	356-1902-001	C-4095	TC-2	TR-154	TY17XT	

TRANSFORMER (Driver)

ITEM No.	TURNS RATIO			REPLACEMENT DATA					NOTES
	PRI.	SEC. 1	SEC. 2	LEAR JET PART No.	MERIT PART No.	STANCOR PART No.	THORDARSON PART No.	TRIAD PART No.	
T1	3	1	1	356-1101-001					
T2	3	1	1	356-1102-001					

FUSE DEVICES

ITEM No.	DESCRIPTION		REPLACEMENT DATA						WORKMAN PART No.
			PART No.		BUSS PART No.		LITTELFUSE PART No.		
			DEVICE	HOLDER	DEVICE	HOLDER	DEVICE	HOLDER	
F1	AGC	3 Amp	360-9001-001	360-9302-001	AGC 3	HDJ	312003	155020A	

TAPE HEADS

ITEM NO.	MEASURED			LEAR JET PART NO.	NORTRONICS PART NO.	DESCRIPTION
	INDUCTANCE	BIAS/ERASE VOLTS (RMS)	BIAS FREQ.			
M1	405mh			342-9001-001	580C (1)	8-Track Stereo Play (1) Use original mounting.

MISCELLANEOUS

ITEM No.	PART NAME	PART No.	NOTES
M2	Stereo Indicator	360-9401-003	CHICAGO MINIATURE Replacement: CM49 CHICAGO MINIATURE Replacement: CM1893
M3	Dial Lamp	360-9401-004	
M4	Tuner Assembly	356-9802-001	
M5	Program Solenoid	342-1001-001	
M6	Motor	302-1041-002	
PC1	Biasing Network	342-1004-002	
PC2	Biasing Network	342-1004-002	
PC3	Biasing Network	342-1003-002	
PC4	Tone Comp	342-1002-002	
S1	Tape-Radio Switch	361-9002-001	
S2	Automatic Track Selector Switch	309-1028-001	
S3	Manual Track Selector Switch	361-1001-001	
S4	Multiplex Switch	361-9007-001	

CABINETS & CABINET PARTS (When ordering specify model, chassis & color)

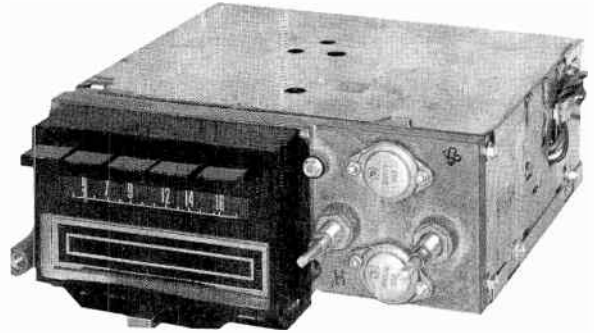
ITEM	PART No.	ITEM	PART No.
Dial Glass	334-1007-001	Knob, Manual Track Selector	361-1501-001
Bezel	330-1003-001	Dial Pointer	365-1504-001
Knob, Tuning or Volume	365-9415-001	Escutcheon	332-1002-001
Knob, Tone or Balance	365-9414-001		



PHOTOFACT[®] with

CIRCUITRACE[®]

TRADE NAME : Lincoln Model T8MX (C8LA-18806-M,
C8LY-18805-C) (1968 Lincoln)
SUPPLIER : For Current Address, See Annual Index
TYPE SET : 16-Transistor AM Receiver and Tape
Player
POWER SUPPLY : 12 Volt Storage Battery
RATING : .25 Amp @ 12.6 Volts DC (Radio)
.475 Amp @ 12.6 Volts DC (Tape)



OPERATING INSTRUCTIONS

1. Firmly insert cartridge until it locks and unit is turned on.
2. Set operating controls to desired levels.
3. Push the program selector to play desired tracks or allow unit to select tracks automatically.
4. Remove cartridge to turn off unit.
5. Removing power from unit will automatically cause ejection of cartridge.

CLEANING

Clean all tape contact surfaces with a soft lint-free material and head cleaner or alcohol. Use alcohol to remove oil and grease from all driving surfaces.

LUBRICATING

Lubricate bearings and bushings lightly with #20 machine oil. Use a light film of nonhardening grease on camming surfaces.

HEAD DEMAGNETIZING

Demagnetize head at regular intervals and at any time unit is serviced. Avoid using ferrous materials near head while servicing unit.

ALIGNMENT INSTRUCTIONS

<p>Check for specified source voltage. Use only enough generator output to provide a usable indication. Suggested Alignment Tools:</p> <p>A1 thru A4. GENERAL CEMENT: 9296, 9297, 9300 WALSCO: 2510, 2546, 2546 A5 thru A10. GENERAL CEMENT: 8290, 8868, 9087 WALSCO: 2525, 2528, 2587</p>		<p>TO SIGNAL GENERATOR 30pf TO ANTENNA RECEPTACLE 30pf DUMMY ANTENNA</p>		<p>PUSH-BUTTON ADJUSTMENT</p> <ol style="list-style-type: none"> 1. Pull button out. 2. Tune manually to desired station. 3. Press button in firmly. 4. Repeat for remaining buttons. 	
SIGNAL GENERATOR COUPLING	SIGNAL GENERATOR FREQUENCY	RADIO DIAL SETTING	INDICATOR	ADJUST	REMARKS
1. High side thru .1mfd to point A , low side to ground.	262KC (400% Mod.)	High freq. end stop.	Output meter across voice coil.	A1, A2, A3, A4	Adjust for maximum.
2. Thru dummy antenna to antenna receptacle.	1615KC	"	"	A5, A6, A7	"
<p>Step 3 is not necessary unless tuner has been tampered with or associated components have been replaced. If necessary, back tuning cores (A8, A9, A10) out of coils but not out of forms. Repeat Step 2.</p>					
3. Thru dummy antenna to antenna receptacle.	1000KC	Tune to signal.	Output meter across voice coil.	A8, A9, A10	Adjust for maximum. Repeat Steps 2 and 3 until no further improvement is noted.
<p>With radio installed in car and antenna extended to desired height, tune in a weak station near 1400KC and adjust A7 for maximum output. Antenna adjustment (A7) is located right side upper rear corner.</p>					

HOWARD W. SAMS & CO., INC. Indianapolis, Indiana 46206

© 1968 Howard W. Sams & Co., Inc. Printed in U. S. of America TD273R
World Radio History

LINCOLN MODEL T8MX

ADJUSTMENTS

ADJUST	REMARKS
Head Azimuth	Play a test cartridge, follow instructions with cartridge, and adjust B1 for maximum.
Head Height	Play a test cartridge, follow instructions with cartridge, and adjust B2 for proper response.
Solenoid Adjustment	Cycle head-shift mechanism, turn B3 in until cycling stops, and then turn B3 out 1/2 turn past point of restart of cycling.

TROUBLE CHART

SYMPTOM	REMARKS
Capstan does not rotate.	<ol style="list-style-type: none"> 1. Belt (1) dirty, worn, or broken. 2. Assembly (14) binding. 3. Motor defective or not supplied with power.
Track shift mechanism inoperative.	<ol style="list-style-type: none"> 1. Switch (S3) dirty. 2. Cam (29) binding. 3. Arms (18) and (20) binding. 4. Solenoid (K1) defective, misadjusted, or not supplied with power. 5. Cartridge defective.
Wow or Flutter	<ol style="list-style-type: none"> 1. Belt (1) worn or dirty. 2. Capstan or Assembly (14) dirty. 3. Motor or motor control circuit defective. 4. Bearing (25) defective. 5. Cartridge defective. 6. Assembly (16) binding or defective.
Sound weak or distorted.	<ol style="list-style-type: none"> 1. Head (M1) dirty, misadjusted, or defective. 2. Amplifier defective. 3. Cartridge defective.
Cartridge Ejector Malfunctioning	<ol style="list-style-type: none"> 1. Ejector Assembly (16) binding. 2. Solenoid (M6) defective. 3. Ejection circuit defective.
Tape breaks or is pulled from cartridge.	<ol style="list-style-type: none"> 1. Cartridge defective. 2. Capstan dirty or scored. 3. Arm (12) bent or burred.

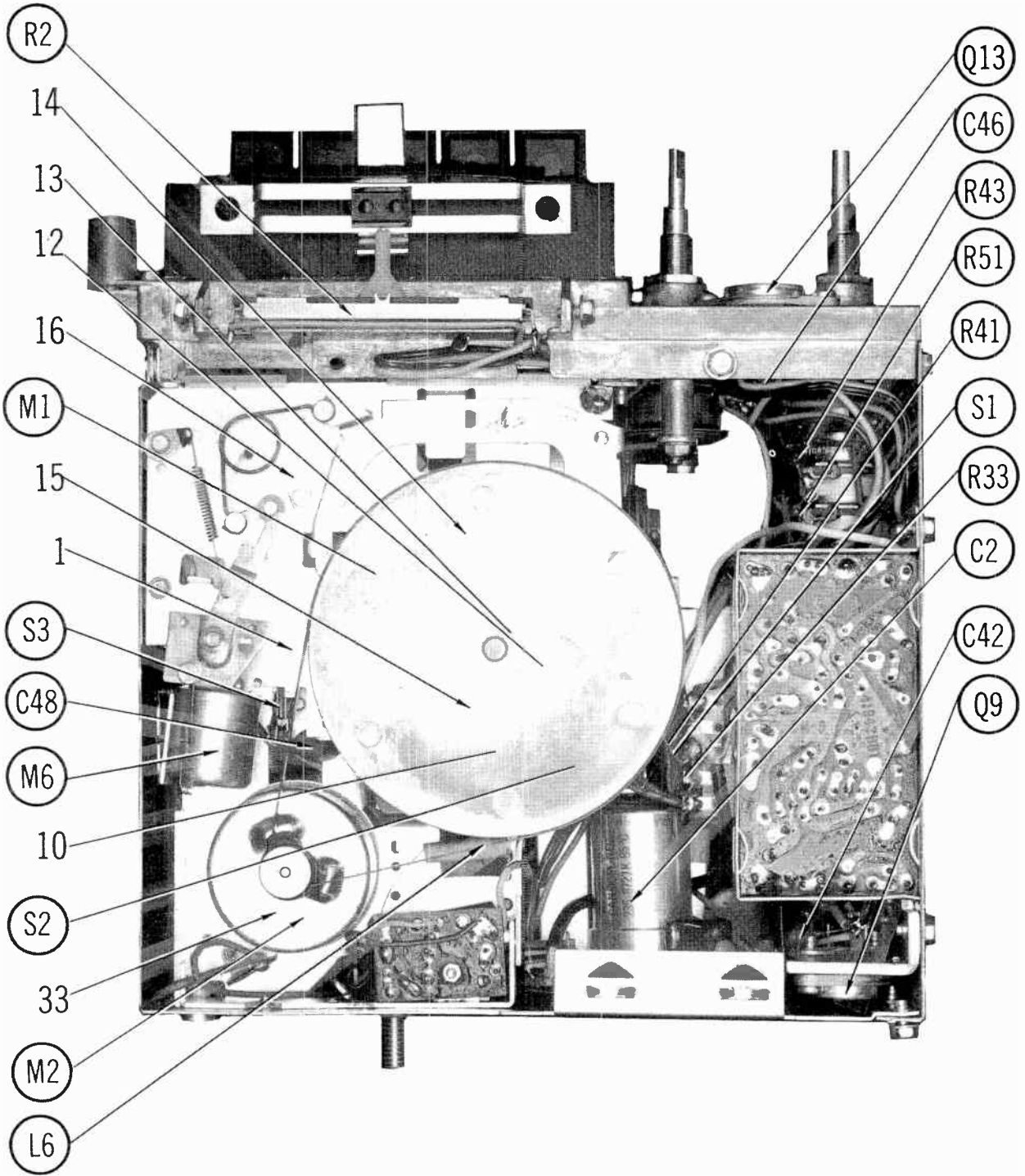
MECHANICAL PARTS LIST

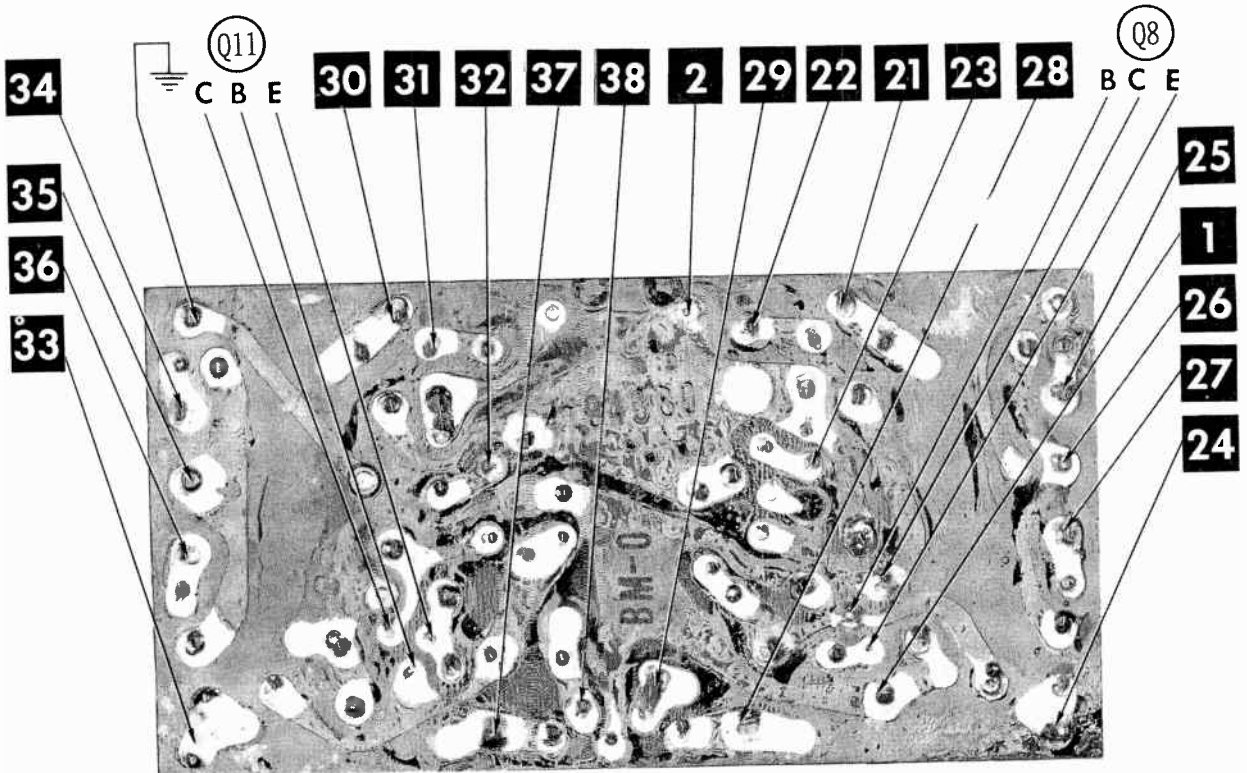
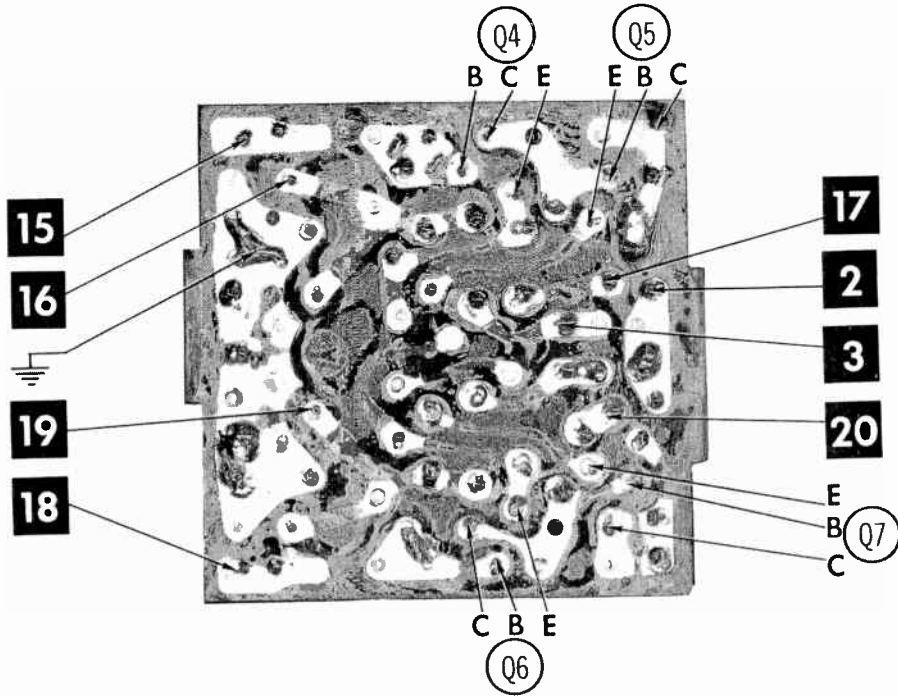
Ref. No.	Part No.	Description	Ref. No.	Part No.	Description
1	42-41225B01	Flywheel Belt	20	45-41230B01	Radius Arm (2 used)
2	7-43576A01	Motor Support (3 used)	21	46-40059A46	Head Retainer
3	46-40299B01	Solenoid Stop	22	41-40540B01	Head Tension Spring
4	41-40445B01	Plunger Return Spring	23	15-40059A60	Capstan Housing Assembly ①
5	47-40298B01	Solenoid Plunger	24	4-40409B01	Thrust Washer
6	41-40681B01	Pawl Tension Spring	25	43-40411B02	Thrust Bearing
7	55-40606B01	Pull Ratchet Pawl (Stamped "B")	26	49-41580B01	Cartridge Retaining Roller (2 used)
8	55-40605B01	Push Ratchet Pawl (Stamped "A")	27	47-42174B01	Cam Height Adj. Shaft (.186 dia.)
9	45-41364B01	Actuator Arm		47-40414B01	Cam Height Adj. Shaft (.124 dia.)
10	41-40444B01	Azimuth Tension Spring	28	41-41251B02	Cam Tension Spring ②
11	3-41697B01	Special Azimuth Adjust Screw		41-41251B01	Cam Tension Spring ③
12	45-40480B01	Microswitch Actuating Arm	29	45-40428B07	Ratchet Cam ②
13	4-10058A55	Non-Metallic Washer		45-40428B01	Ratchet Cam ③
14	49-41794B01	Flywheel and Shaft Assembly	30	4-40409B05	Thrust Washer ②
15	41-40805B01	Ejector Spring		4-40409B03	Thrust Washer ③
16	1-42101B87	Automatic Ejector and Bracket	31	43-40411B03	Thrust Bearing ②
17	46-42104B01	Tape Stop		43-40411B01	Thrust Bearing ③
18	45-41231B01	Radius Arm (2 used)	32	4-40409B04	Thrust Washer ②
19	42-41229B01	Radius Arm Retaining Clip (4 used)		4-40409B02	Thrust Washer ③
			33	26-41380B01	Motor Mounting Shield

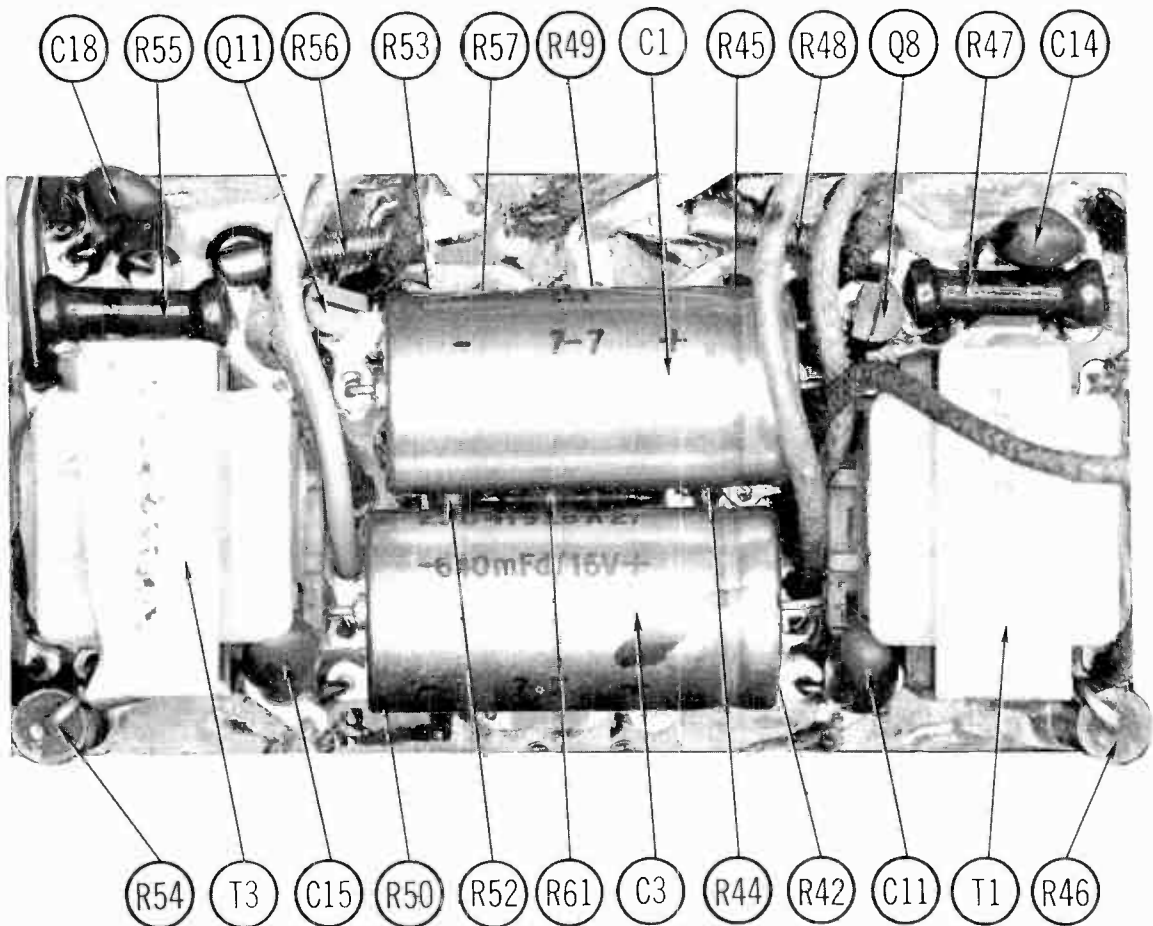
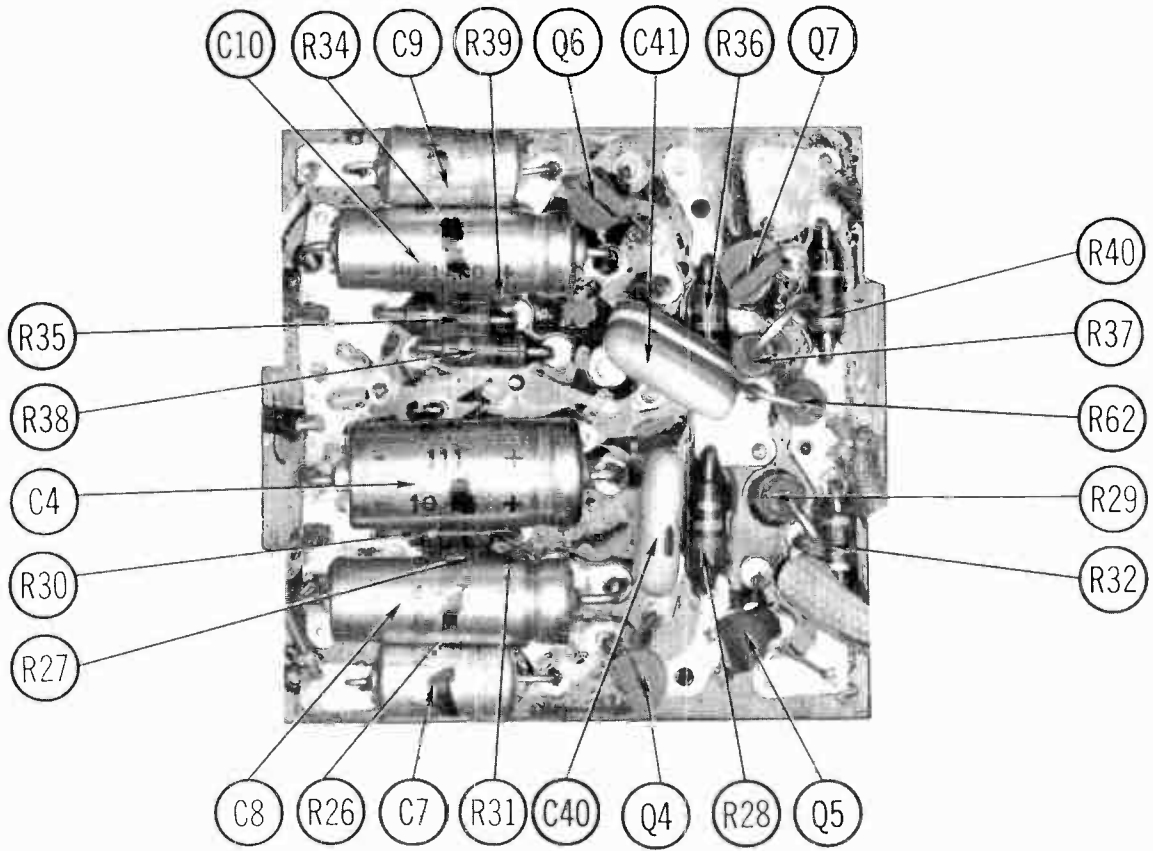
① Includes Ref. Nos. 18, 19, 20, 21 and 22.

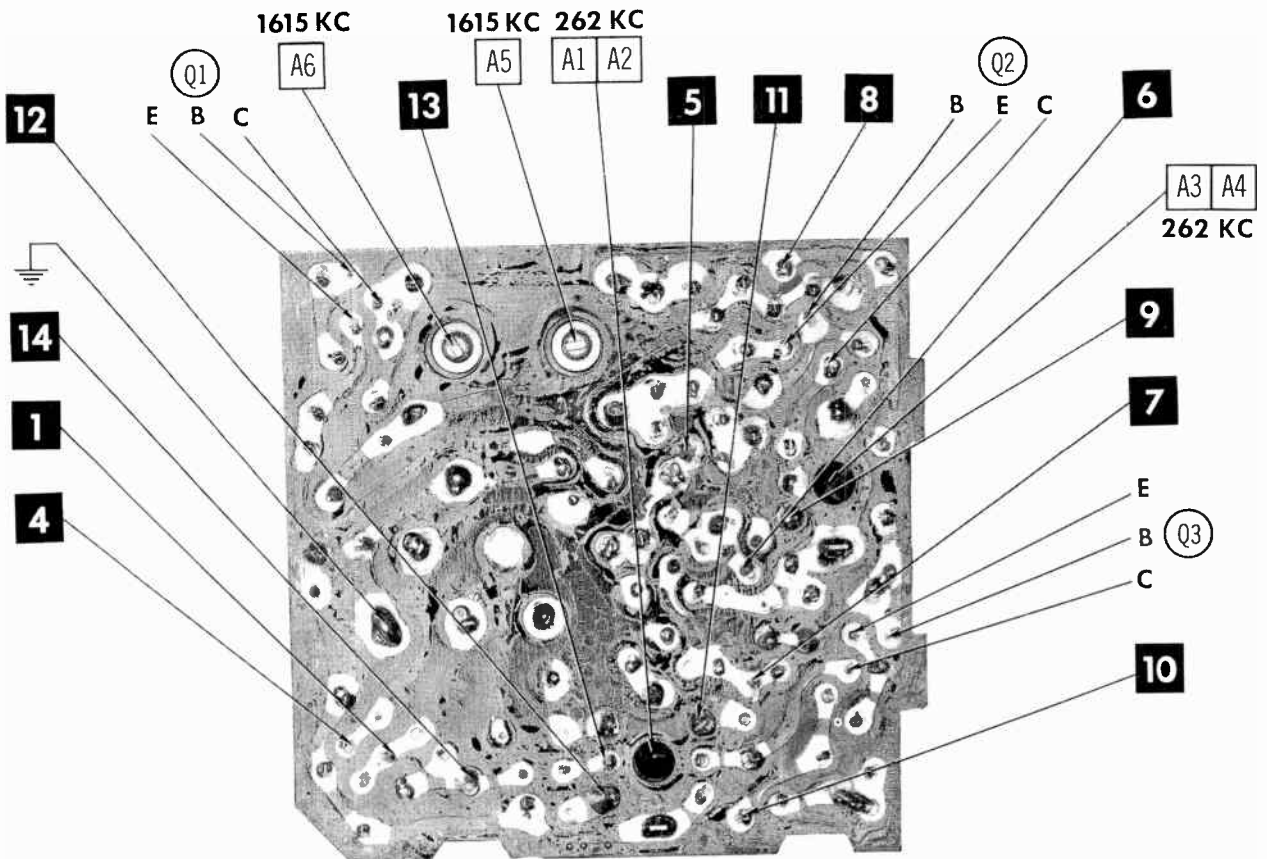
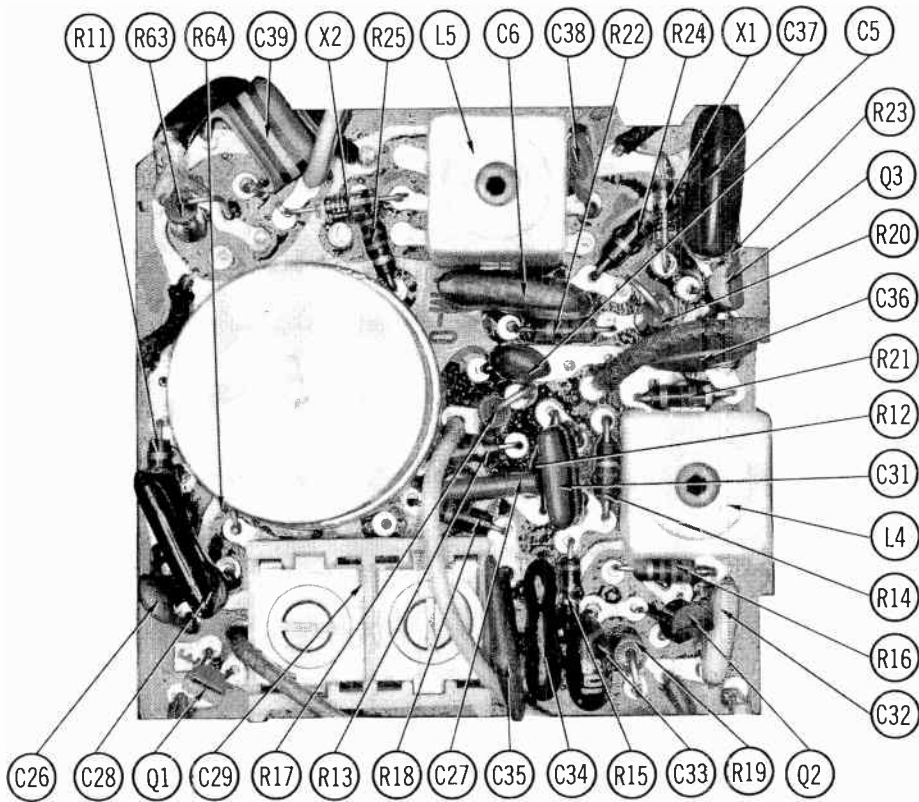
② Use with Shaft (.186 Dia.) Ref. No. 27.

③ Use with Shaft (.124 Dia.) Ref. No. 27.

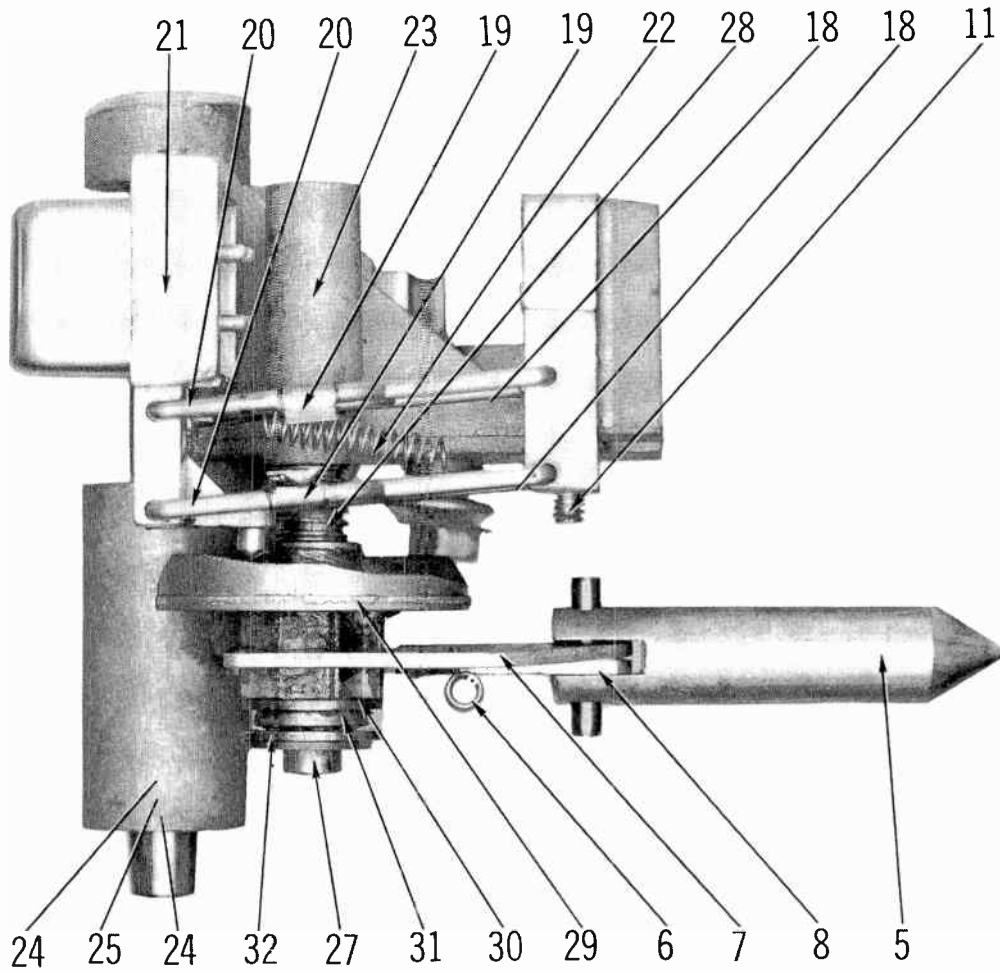
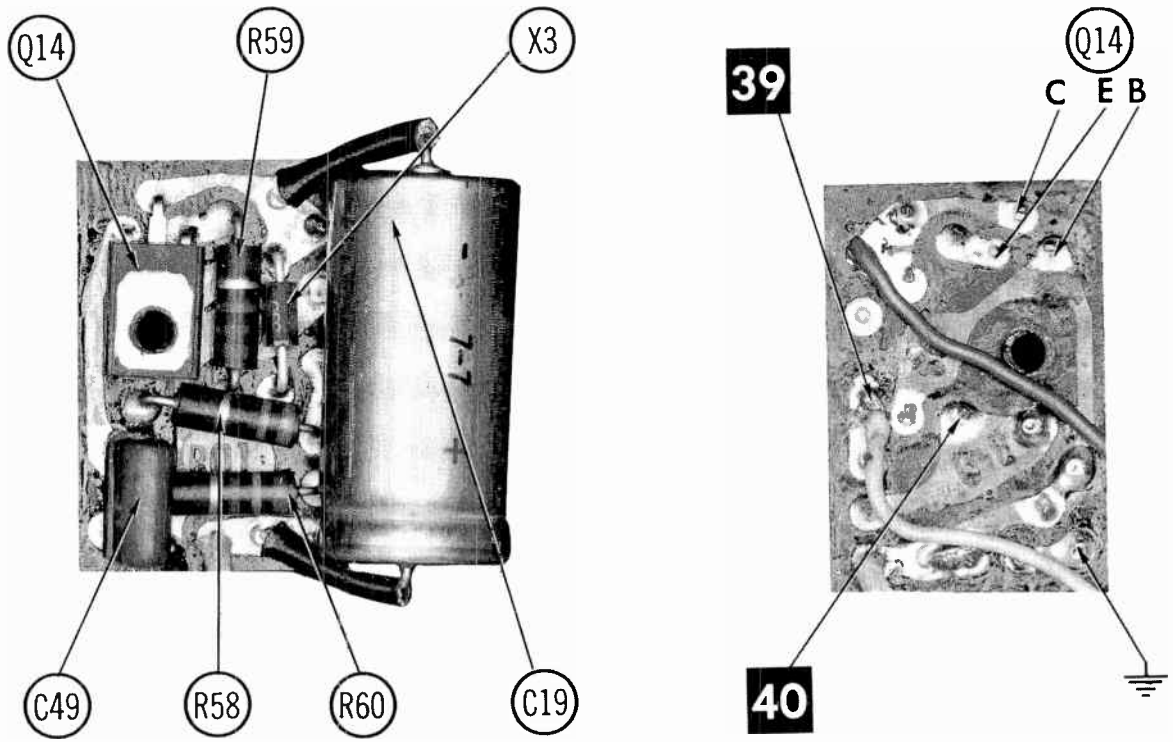




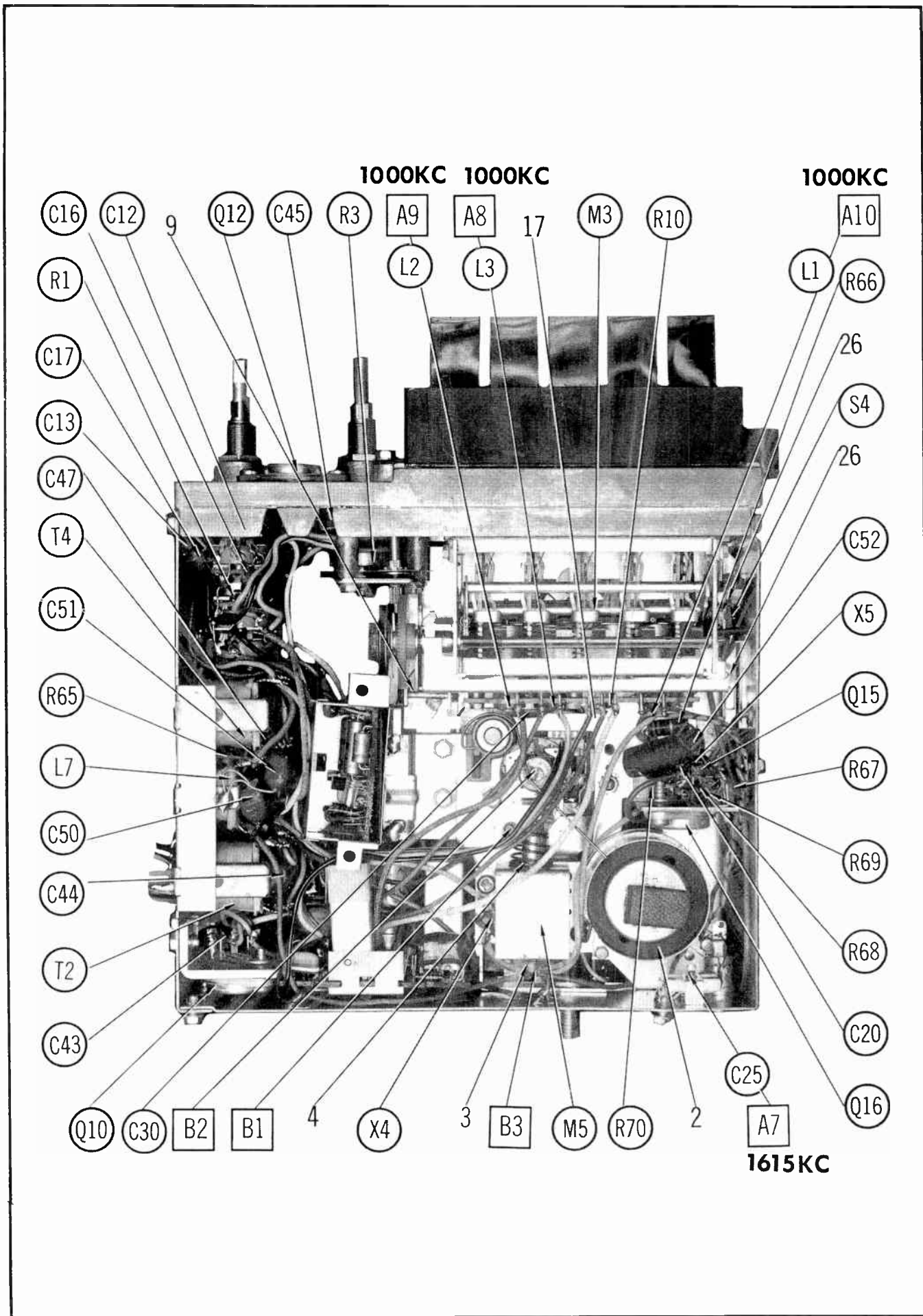




A Howard W. Soms **CIRCUITRACE**® Photo



LINCOLN MODEL 18MX



PARTS LIST AND DESCRIPTION

(When ordering parts, state Model, Part Number, and Description.)

Replacement parts shown may be superseded by the availability of newly introduced replacements.
Have your local distributor check Sams COUNTER FACTS for the most up-to-date replacement.

WIRING DATA

General-use Unshielded Hook-up Wire	Use BELDEN No. 8530 (Solid) Available in 12 Colors 8524 (Stranded) Available in 12 Colors
Shielded Hook-up Wire	Use BELDEN No. 8885
Rear Seat Speaker Extension Cable	Use BELDEN No. 8782 (Stranded) Coded Parallel Leads
Bonding Strap	Use BELDEN No. 8661 (3/8 In.) or 8670 (3/4 In.)

TRANSISTORS

ITEM No.	TYPE No.	FUNCTION	REPLACEMENT DATA					
			MFGR. PART No.	DELCO PART No.	GENERAL ELECTRIC PART No.	INTERNATIONAL RECTIFIER PART No.	RCA PART No.	SYLVANIA PART No.
Q1	25B	RF Amp		DS-71	GE-11	TR-21	SK-3018	ECG 107
Q2	25A	Converter		DS-72	GE-11	TR-21	SK-3018	ECG 107
Q3	24B	IF Amp		DS-72	GE-11	TR-21	SK-3018	ECG 107
Q4	822A	Preamp		DS-76	GE-10	TR-21	SK-3020	ECG 123
Q5	54C	Preamp		DS-76	GE-10	TR-21	SK-3020	ECG 123
Q6	822A	Preamp		DS-76	GE-10	TR-21	SK-3020	ECG 123
Q7	54C	Preamp		DS-76	GE-10	TR-21	SK-3020	ECG 123
Q8	54C	Driver		DS-66	GE-10	TR-21	SK-3020	ECG 123
Q9	2N176	Output		DS-520	GE-3	TR-01	SK-3009	ECG 104
Q10	2N176	Output		DS-520	GE-3	TR-01	SK-3009	ECG 104
Q11	54C	Driver		DS-66	GE-10	TR-21	SK-3020	ECG 123
Q12	2N176	Output		DS-520	GE-3	TR-01	SK-3009	ECG 104
Q13	2N176	Output		DS-520	GE-3	TR-01	SK-3009	ECG 104
Q14	PIV	Motor Regulator						
Q15	2N4354	Trigger			GE-22	TR-19	SK-3025	ECG 106
Q16	2N176	Solenoid Pointer		DS-520	GE-3	TR-01	SK-3009	ECG 104

LINCOLN MODEL 78MX

POWER RECTIFIERS & SIGNAL DIODES

ITEM No.	MFGR. PART OR TYPE No.	REPLACEMENT RECTIFIERS & DIODES			REPLACEMENT RECTIFIERS		NOTES
		GENERAL ELECTRIC PART No.	INTERNATIONAL RECTIFIER PART No.	SYLVANIA PART No.	RCA PART No.	SARKES TARZIAN PART No.	
X1	1N461 (48-134816)	1N82A	1N82A	ECG 112			
X2	1N461 (48-134816)	1N82A	1N82A	ECG 112			
X3	SR-390-2 (48-41508A01)						
X4	SR-1668 (48-41508A02)						
X5	SR-390-2						

ELECTROLYTIC CAPACITORS

ITEM No.	RATING	REPLACEMENT DATA						
		MOT OROLA PART No.	AEROVOX PART No.	CENTRALAB PART No.	CORNELL-DUBILIER PART No.	GENERAL ELECTRIC PART No.	MALLORY PART No.	SPRAGUE PART No.
C1	640 16V	23C41928A27	PRS1220	EA15-500	BR500-15	QT1-30	TC1505A	TL-1166
C2A	500 16V	23C40302A07	PWH2-02-40				FPF200.65	PCL-2177
B	500 16V							
C3	640 16V	23C41928A27	PRS1220	EA15-500	BR500-15	QT1-30	TC1505A	TL-1166
C4	80 16V	23C41928A23	CRE620A	EA30-100	NLW75-15	MT1-19	MTA80E15	TE-1161
C5	2 10V	23C43280A02	3CD12002	EA15-2	NLW2-50	MT1-1	PET1930	TL-1121
C6	10 6V	23C43280A03	CRE307A	EA6-10	NLW10-6	MT1-5	TT6X10	TE-1087
C7	20 16V	23C41928A24	CRE611A	EA15-25	NLW20-25	MT1-10	TT25X20	TL-1157
C8	40 16V	23C41928A20	CRE615A	EA30-50	NLW40-25	MT1-17	MTA40E30	TE-1209
C9	20 16V	23C41928A24	CRE611A	EA15-25	NLW20-25	MT1-10	TT25X20	TL-1157
C10	40 16V	23C41928A20	CRE615A	EA30-50	NLW40-25	MT1-17	MTA40E30	TE-1209
C11	.5 15V	23C43280A21	CRE450A	UK10-474	NLW1-50	MT1-1	TT15X1	TE-1148
C12	.2 15V	23C43280A19		UK20-204	TYR13BD224K		TAS22M015POA	
C13	.2 15V	23C43280A19		UK20-204	TYR13BD224K		TAS22M015POA	
C14	5 6V	23C43280A27	BCD6005	EP30-5	NLW5-15	MT1-3	TT15X1	TL-1084
C15	.5 15V	23C43280A21	CRE450A	UK10-474	NLW1-50	MT1-1	PET1210	TE-1148
C16	.2 15V	23C43280A19		UK20-204	TYR13BDR22K		TAS22M015POA	
C17	.2 15V	23C43280A19		UK20-204	TYR13BUR22K		TAS22M015POA	
C18	5 6V	23C43280A27	BCD6005	EP30-5	NLW5-15	MT1-3	PET1210	TL-1084
C19	640 16V	23C41928A27	PRS1220	EA15-500	BR500-15	QT1-30	TC1505A	TL-1166
C20	125 16V	23C41928A38	CRE626A		NLW125-15	MT1-23	MTA125F35	TE-1212

PARTS LIST AND DESCRIPTION (CONTINUED)

(When ordering parts, state Model, Part Number, and Description.)

Replacement parts shown may be superseded by the availability of newly introduced replacements.
Have your local distributor check Sams COUNTER FACTS for the most up-to-date replacement.

CAPACITORS

ITEM No.	RATING	REMARKS	REPLACEMENT DATA					
			AEROVOX PART No.	CENTRALAB PART No.	CORNELL-DUBILIER PART No.	ELMENCO PART No.	MALLORY PART No.	SPRAGUE PART No.
C25	150-290	#20-40746A06				467		
C26	330		GPD XSF331K	DD-331	JBZ601YP331K	CCD-331	GP333	5GA-T33
C27	.01 100V	(2)	DBE6S1	CPR-10000J	DMF2S1	4DP-1-103	PVC211	2TM-S10
C28	250	(2)	GPD XSF251K	DD-251		CCD-251	GP325	5GA-T25
C29A	30-150	#20-40254A21						
B	50-190							
C30	180 N750	(2)		TCN-180			CN7318	10TCU-T18
C31	.01 100V		DBE6S1	CPR-10000J	DMF2S1	4DP-1-103	PVC211	2TM-S10
C32	.0047 100V	(2)	DBE6D47	CPR-4700J	DMF6D47	6DP-1-472	PVC6247	6PS-D47
C33	.0082 50V	(2)	DBE6D82	CPR-8200J	DPMS6D82	6DP-2-822		6PS-D82
C34	160		ADM-10-161	CPR-160J	CD1SF161J500	DM-15-161	SX316	MS-316
C35	180 N330					*	*	10TCS-T18
C36	.0015		GPD XSF152K	DD-152		CCD-152	GP215	10TS-D15
C37	.1 100V		DBE2P1		DMF2P1	2DP-3-104	PVC201	2PS-P10
C38	150	(2)	GPD XSF151K	DD-151	RR05CN151K	CCD-151	GP315	5GA-T15
C39	.01 100V		DBE6S1	CPR-10000J	DMF2S1	4DP-1-103	PVC211	2TM-S10
C40	.0047 100V	(2)	DBE6D47	CPR-4700J	DMF6D47	6DP-1-472	PVC6247	6PS-D47
C41	.0047 100V	(2)	DBE6D47	CPR-4700J	DMF6D47	6DP-1-472	PVC6247	6PS-D47
C42	.022 100V		DBE6S22	DD-203	DMF4S22	4DP-2-223	PVC6122	4PS-S22
C43	.022 100V		DBE6S22	DD-203	DMF4S22	4DP-2-223	PVC6122	4PS-S22
C44	.01		GPD XSS103K	DD-103	BYX601ZU103M	CCD-103	JF110	10TS-S10
C45	.022 100V		DBE6S22	DD-203	DMF4S22	4DP-2-223	PVC6122	4PS-S22
C46	.022 100V		DBE6S22	DD-203	DMF4S22	4DP-2-223	PVC6122	4PS-S22
C47	.01		GPD XSS103K	DD-103	BYX601ZU103M	CCD-103	JF110	10TS-S10
C48	.1 100V		DBE2P1		DMF2P1	2DP-3-104	PVC201	2PS-P10
C49	.1 100V		DBE2P1		DMF2P1	2DP-3-104	PVC201	2PS-P10
C50	1 200V		V16121	DD-103	WMF2W1	1DP-5-105	PVC21	2TM-M1
C51	1 200V		V16121	DD-103	WMF2W1	1DP-5-105	PVC21	2TM-M1
C52	1 200V		V16121	DD-103	WMF2W1	1DP-5-105	PVC21	2TM-M1

Motorola Part Number.

(2) Nominal Value.

* Not normally in distributors stock. Available thru distributor on order to manufacturer.

CONTROLS (All wattages 1/2 watt, or less, unless listed)

ITEM No.	FUNCTION	RESISTANCE	REPLACEMENT DATA				
			MFGR. PART No.	CENTRALAB PART No.	CLAROSTAT PART No.	CTS-IRC PART No.	MALLORY PART No.
R1A	Tone	50K	18C41849B01				
B	Tone	50K					
C	Manual Track Selector Switch						
D	Volume	30K Tap @ 18K					
	Volume/Switch	30K Tap @ 18K					
R2	Balance	32K	18C41061B01				
R3A	Fader	50 2W	18B41339B01				
B	Fader	50 2W					

RESISTORS (Power and Special)

ITEM No.	RATING	REPLACEMENT DATA			ITEM No.	RATING	REPLACEMENT DATA		
		IRC PART No.	WORKMAN PART No.	MOTOROLA PART No.			IRC PART No.	WORKMAN PART No.	MOTOROLA PART No.
R47	5.5 (cold)			6-565324	R55	5.5 (cold)			6-565324
R48	.2 (PTC)			17-40756A06	R56	.2 (PTC)			17-40756A06

COILS (RF-IF)

ITEM No.	USE	REPLACEMENT DATA			
		MOTOROLA PART No.	MEISSNER PART No.	MILLER PART No.	WORKMAN PART No.
L1	Antenna				
L2	RF				
L3	Oscillator				
L4	Input IF	24D42517A27		8002	
L5	Output IF	24D42517A28		8010	
L6	RF Choke (1.5uh)	2440788A04	19-1001	4604	T856

PARTS LIST AND DESCRIPTION (CONTINUED)

(When ordering parts, state Model, Part Number, and Description.)

Replacement parts shown may be superseded by the availability of newly introduced replacements.
Have your local distributor check Sams COUNTER FACTS for the most up-to-date replacement.

FILTER CHOKE

ITEM No.	RATINGS			REPLACEMENT DATA					NOTES
	CURRENT (Measured)	DC RES.	INDUCTANCE (0 CURRENT 1000~)	MOTOROLA PART No.	MERIT PART No.	STANCOR PART No.	THORDARSON PART No.	TRIAD PART No.	
I.7	250ma (475ma in Tape Player position)	.2	5mh	25D40907B13	C-4095	TC-2	TR-154	TY17XT	

TRANSFORMER (DRIVER)

ITEM No.	TURNS RATIO			REPLACEMENT DATA					NOTES
	PRI.	SEC. 1	SEC. 2	MOTOROLA PART No.	MERIT PART No.	STANCOR PART No.	THORDARSON PART No.	TRIAD PART No.	
T1	8	1	1	25D42917A14					
T3	8	1	1	25D42917A14					

TRANSFORMER (AUDIO OUTPUT)

ITEM No.	IMPEDANCE		REPLACEMENT DATA					NOTES
	PRI.	SEC.	MOTOROLA PART No.	MERIT PART No.	STANCOR PART No.	THORDARSON PART No.	TRIAD PART No.	
T2	16 CT	8	25D41586B03					
T4	16 CT	8	25D41586B03					

SPEAKER

ITEM No.	TYPE	REPLACEMENT DATA			NOTES
		MOTOROLA PART No.	JENSEN PART No.	QUAM PART No.	
	4" X 10" PM 5 1/4" PM	8 ohms 8 ohms	50-43880A01 50-43907A01		

FUSE DEVICES

ITEM No.	DESCRIPTION	REPLACEMENT DATA						
		PART No.		BUSS PART No.		LITTELFUSE PART No.		WORKMAN PART No.
		DEVICE	HOLDER	DEVICE	HOLDER	DEVICE	HOLDER	DEVICE
F1	SFE 7 1/2		In Fuse Block	SFE 7 1/2		30707.S		

TAPE HEADS

ITEM NO.	MEASURED			PART NO.	NORTRONICS PART NO.	DESCRIPTION
	INDUCTANCE	BIAS/ERASE VOLTS (RMS)	BIAS FREQ.			
M1	400mh			59.43641A02	5800*	8-Track Stereo Play * Use original mounting.

MISCELLANEOUS

ITEM No.	PART NAME	PART No.	NOTES
M2	Motor	59-41739B01	AT-635
M3	Tuner	1-43500A27	
M4	Coil Assembly	1-41700B61	
M5	Dial Lamp #1893	65-40304A01	
M6	Solenoid	24-42064B01	
M6	Cartridge Release Solenoid	80-42058B01	
S1	Radio-Tape Switch	40B41363B01	
S2	Micro Switch	40-40406B01	
S3	Auto-Track Selector Switch	40-40296B01	
S4	Cartridge Release Switch	40-41853B01	

CABINETS & CABINET PARTS (When ordering specify model, chassis & color)

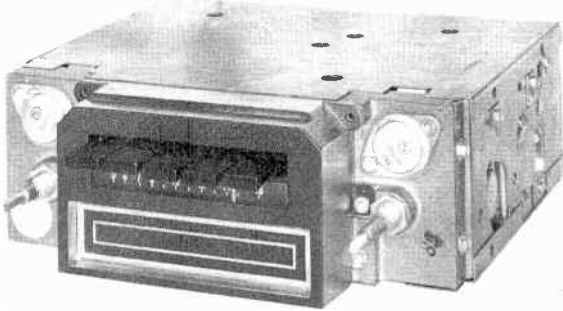
ITEM	PART No.	ITEM	PART No.
Bezel	1-41500B84	Knob, Tone or Fader	49-42288B01
Door	15-41349B01	Knob, Balance	38-41646B01
Knob, Tuning or Volume	36-42287B01	Push Button	38-41351B01

LINCOLN MODEL 18MX



PHOTOFACT[®] with

CIRCUITRACE[®]



TRADE NAME : Mercury Models
 T8MM (C8MA-18806-V, C8MZ-18805-CZ6)
 (1968 Mercury)
 T8MZW (C8ZA-18806-K, C8WY-18805-AA2)
 (1968 Cougar)

SUPPLIER : For Current Address, See Annual Index

TYPE SET : 14-Transistor AM Receiver and Tape Player

POWER SUPPLY : 12 Volt Storage Battery

RATING : .25 Amp @ 12.6 Volts DC (Radio)
 .475 Amp @ 12.6Volts DC (Tape)

MERCURY MODELS T8MM, T8MZW

OPERATING INSTRUCTIONS

1. Firmly insert cartridge until it locks and unit is turned on.
2. Set operating controls to desired levels.
3. Push the program selector to play desired tracks or allow unit to select tracks automatically.
4. Remove cartridge to turn off unit.

CLEANING

Clean all tape contact surfaces with a soft lint-free material and head cleaner or alcohol. Use alcohol to remove oil and grease from all driving surfaces.

LUBRICATING

Lubricate bearings and bushings lightly with #20 machine oil. Use a light film of nonhardening grease on camming surfaces.

HEAD DEMAGNETIZING

Demagnetize head at regular intervals and at any time unit is serviced. Avoid using ferrous materials near head while servicing unit.

ALIGNMENT INSTRUCTIONS

Check for specified source voltage. Use only enough generator output to provide a usable indication. Suggested Alignment Tools: A1 thru A4. GENERAL CEMENT: 9296, 9297, 9300 WALSCO: 2510, 2546, 2546 A5 thru A10. GENERAL CEMENT: 8290, 8868, 9087 WALSCO: 2525, 2528, 2587		<p>TO SIGNAL GENERATOR! 30pf TO ANTENNA RECEPTACLE</p> <p>DUMMY ANTENNA</p>		PUSH-BUTTON ADJUSTMENT 1. Pull button out. 2. Tune manually to desired station. 3. Press button in firmly. 4. Repeat for remaining buttons.	
SIGNAL GENERATOR COUPLING	SIGNAL GENERATOR FREQUENCY	RADIO DIAL SETTING	INDICATOR	ADJUST	REMARKS
1. High side thru .1mfd to point , low side to ground.	262KC (400% Mod.)	High freq. end stop.	Output meter across voice coil.	A1, A2, A3, A4	Adjust for maximum.
2. Thru dummy antenna to antenna receptacle.	1615KC	"	"	A5, A6, A7	"
Step 3 is not necessary unless tuner has been tampered with or associated components have been replaced. If necessary, back tuning cores (A8, A9, A10) out of coils but not out of forms. Repeat Step 2.					
3. Thru dummy antenna to antenna receptacle.	1000KC	Tune to signal.	Output meter across voice coil.	A8, A9, A10	Adjust for maximum. Repeat Steps 2 and 3 until no further improvement is noted.
With radio installed in car and antenna extended to desired height, tune in a weak station near 1400KC and adjust A7 for maximum output. Antenna adjustment (A7) is located right side upper rear corner.					

HOWARD W. SAMs & CO., INC. Indianapolis, Indiana 46206

ADJUSTMENTS

ADJUST	REMARKS
Head Azimuth	Play a test cartridge, follow instructions with cartridge, and adjust B1 for maximum.
Head Height	Play a test cartridge, follow instructions with cartridge, and adjust B2 for proper response.
Solenoid Adjustment	Cycle head-shift mechanism, turn B3 in until cycling stops, and then turn B3 out 1/2 turn past point of restart of cycling.

TROUBLE CHART

SYMPTOM	REMARKS
Capstan does not rotate.	<ol style="list-style-type: none"> 1. Belt (1) dirty, worn, or broken. 2. Assembly (14) binding. 3. Motor defective or not supplied with power.
Track shift mechanism inoperative.	<ol style="list-style-type: none"> 1. Switch (S3) dirty. 2. Cam (29) binding. 3. Arms (18) and (20) binding. 4. Solenoid (K1) defective, misadjusted, or not supplied with power. 5. Cartridge defective.
Wow or Flutter	<ol style="list-style-type: none"> 1. Belt (1) worn or dirty. 2. Capstan or Assembly (14) dirty. 3. Motor or motor control circuit defective. 4. Bearing (25) defective. 5. Cartridge defective. 6. Assembly (16) binding or defective.
Sound weak or distorted.	<ol style="list-style-type: none"> 1. Head (M1) dirty, misadjusted, or defective. 2. Amplifier defective. 3. Cartridge defective.
Tape breaks or is pulled from cartridge.	<ol style="list-style-type: none"> 1. Cartridge defective. 2. Capstan dirty or scored. 3. Arm (12) bent or burred.

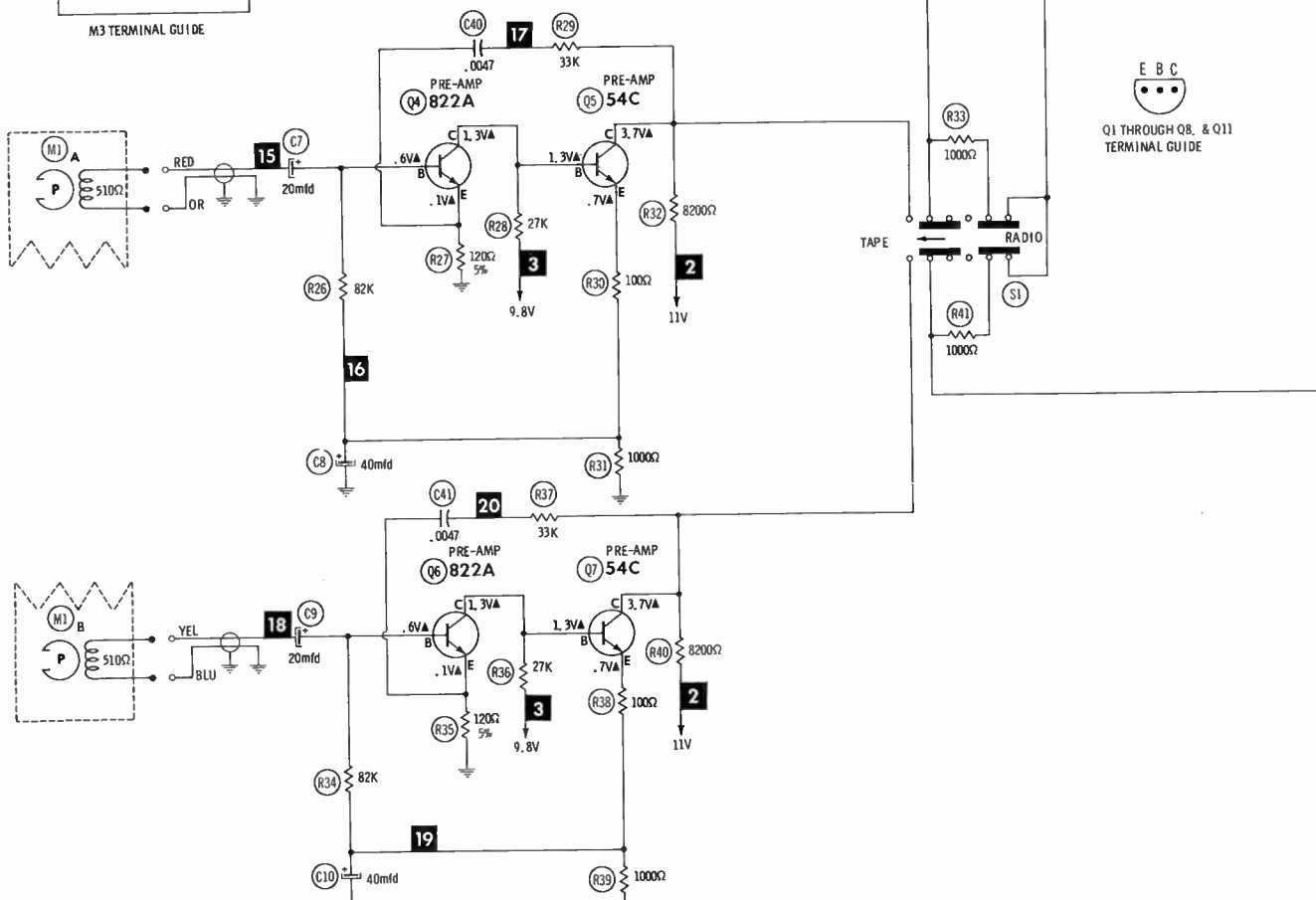
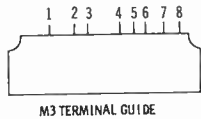
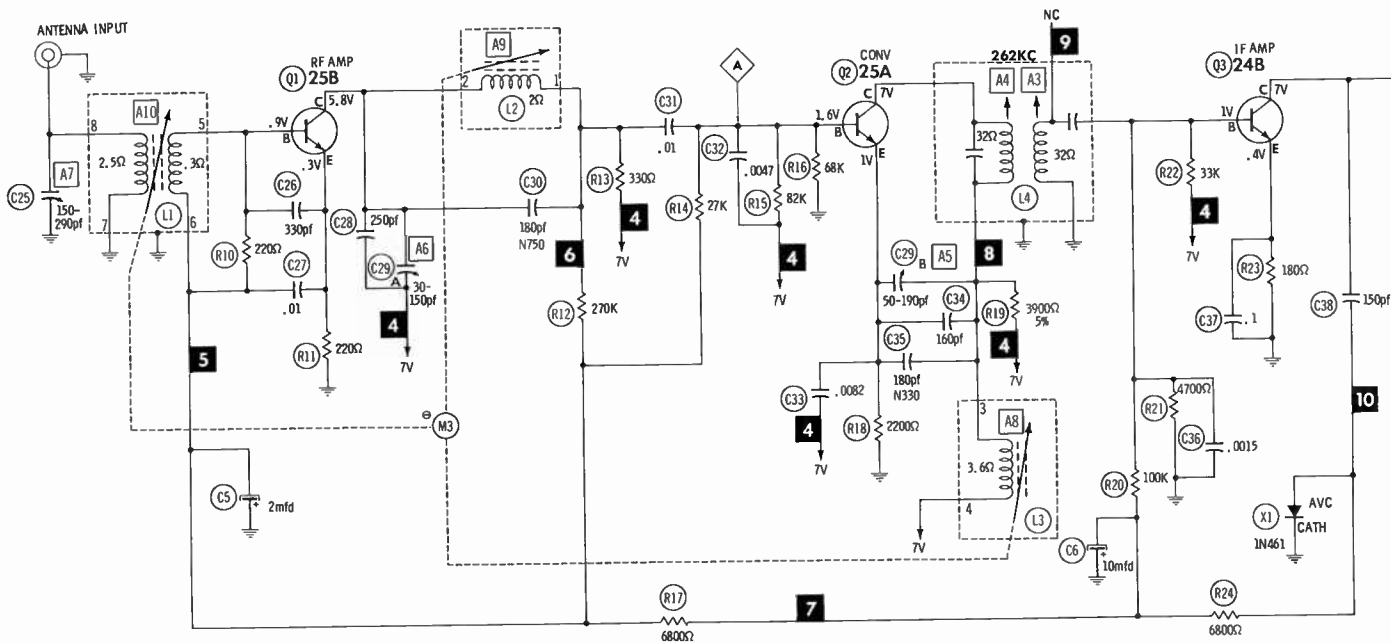
MECHANICAL PARTS LIST

Ref. No.	Part No.	Description	Ref. No.	Part No.	Description
1	42-41225B01	Flywheel Belt	20	45-41230B01	Radius Arm (2 used)
2	7-43576A01	Motor Support (3 used)	21	46-40059A46	Head Retainer
3	46-40299B01	Solenoid Stop	22	41-40540B01	Head Tension Spring
4	41-40445B01	Plunger Return Spring	23	15-40059A60	Capstan Housing Assembly ①
5	47-40298B01	Solenoid Plunger	24	4-40409B01	Thrust Washer
6	41-40681B01	Pawl Tension Spring	25	43-40411B02	Thrust Bearing
7	55-40606B01	Pull Ratchet Pawl (Stamped "B")	26	49-41580B01	Cartridge Retaining Roller (2 used)
8	55-40605B01	Push Ratchet Pawl (Stamped "A")	27	47-42174B01	Cam Height Adj. Shaft (.186 dia.)
9	45-41364B01	Actuator Arm		47-40414B01	Cam Height Adj. Shaft (.124 dia.)
10	41-40444B01	Azimuth Tension Spring	28	41-41251B02	Cam Tension Spring ②
11	3-41697B01	Special Azimuth Adjust Screw		41-41251B01	Cam Tension Spring ③
12	45-40480B01	Microswitch Actuating Arm	29	45-40428B07	Ratchet Cam ②
13	4-10058A55	Non-Metallic Washer		45-40428B01	Ratchet Cam ③
14	49-41794B01	Flywheel and Shaft Assembly	30	4-40409B05	Thrust Washer ②
15	41-40805B01	Ejector Spring		4-40409B03	Thrust Washer ③
16	1-42101B88	Manual Ejector and Bracket Assy.	31	43-40411B03	Thrust Bearing ②
17	46-42104B01	Tape Stop		43-40411B01	Thrust Bearing ③
18	45-41231B01	Radius Arm (2 used)	32	4-40409B04	Thrust Washer ②
19	42-41229B01	Radius Arm Retaining Clip (4 used)		4-40409B02	Thrust Washer ③
			33	26-41380B01	Motor Mounting Shield

① Includes Ref. Nos. 18, 19, 20, 21 and 22.

② Use with Shaft (.186 Dia.) Ref. No. 27.

③ Use with Shaft (.124 Dia.) Ref. No. 27.

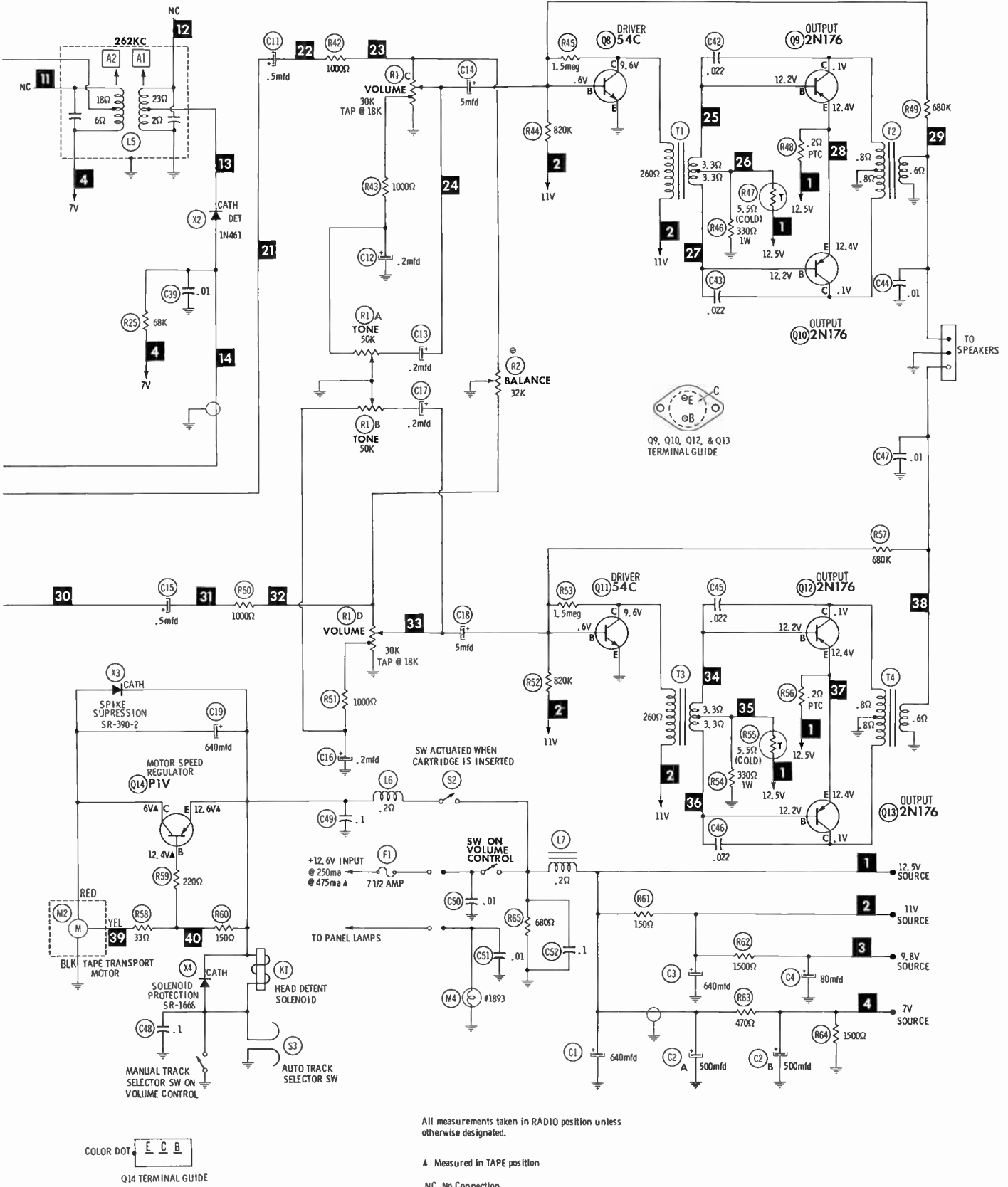


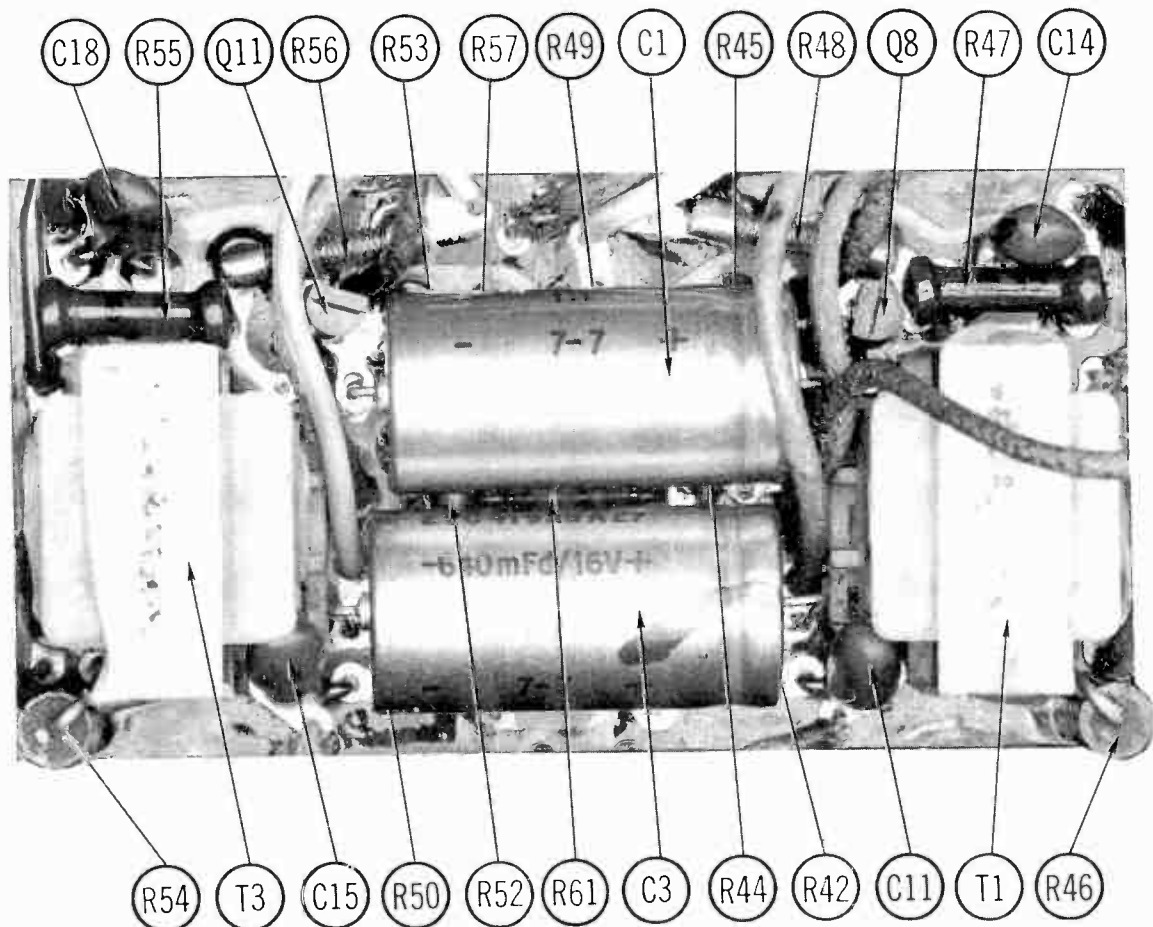
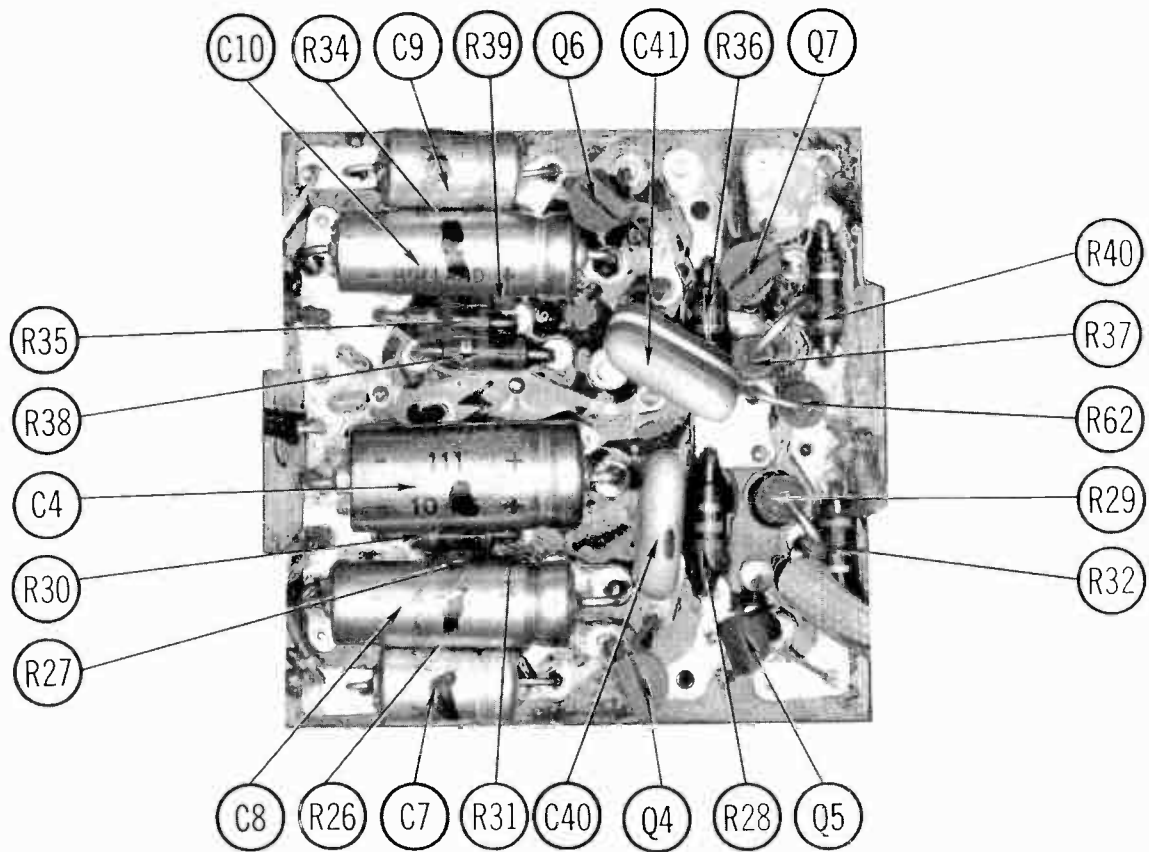
Resistors are 1/2 watt or less and rated 10% or 20% unless otherwise indicated.

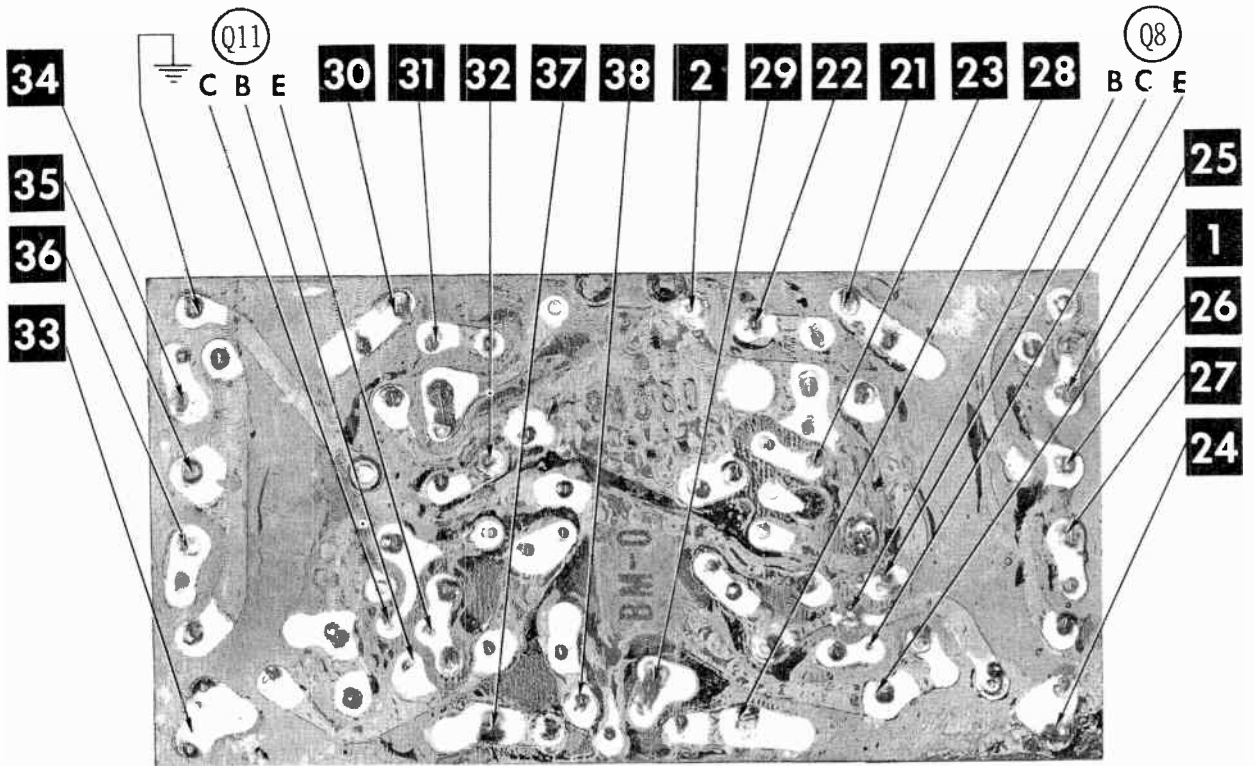
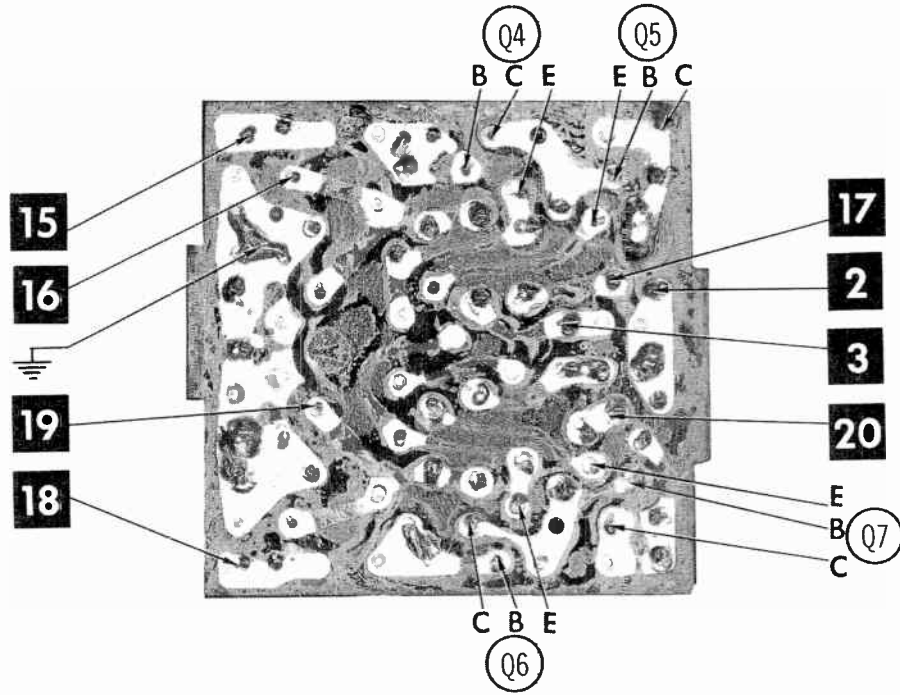
- ⊙ See parts list
- 1. Voltage measurements taken with vacuum tube voltmeter.
- 2. All controls set for normal operation, no signal applied.
- 3. Measured values are from socket pin or terminal to common ground.
- 4. All terminals viewed from bottom unless otherwise designated.
- 5. Numbers assigned to terminals may not be found on the unit.
- 6. Supply voltage maintained at rated value for voltage readings.
- 7. Resistance measurements not given because of the wide variation in internal resistance of transistor.

A PHOTOFAC STANDARD NOTATION SCHEMATIC
with CIRCUITRACE™

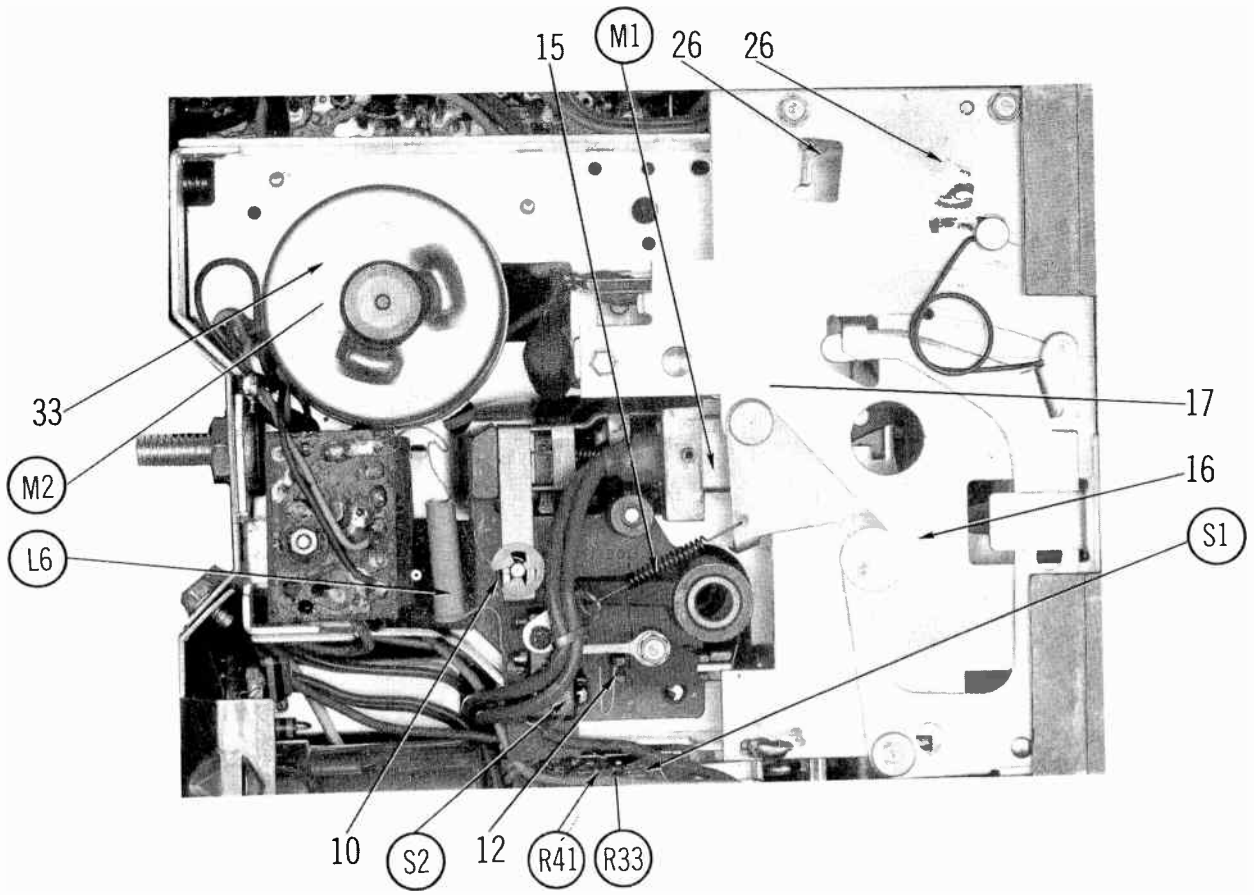
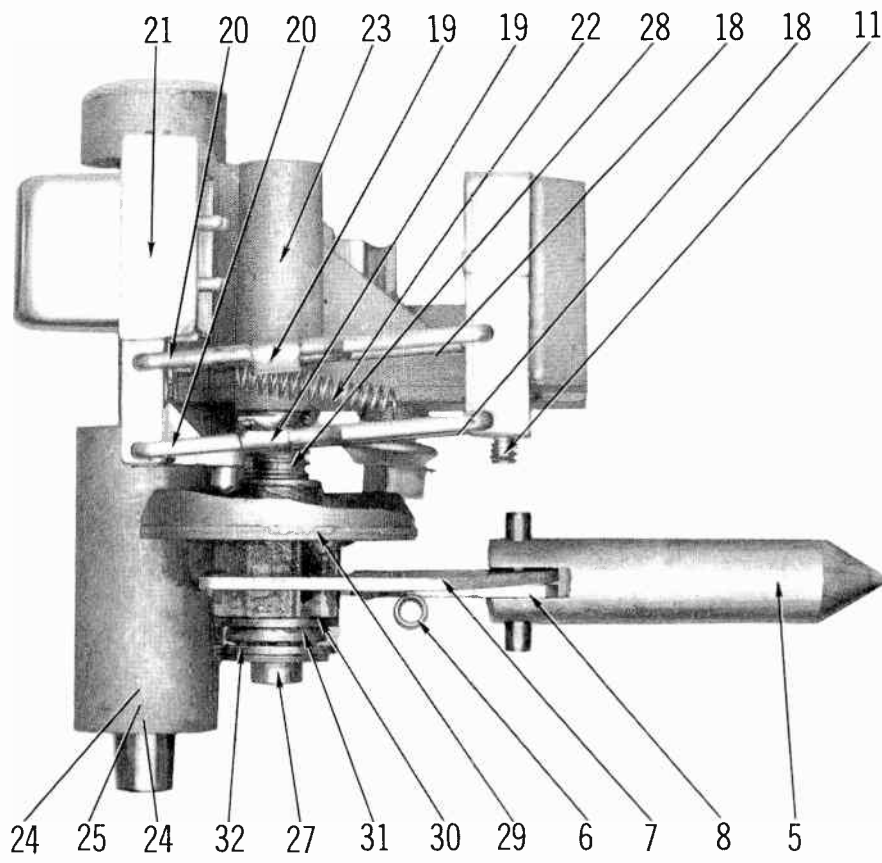
© Howard W. Sams & Co., Inc. 1968

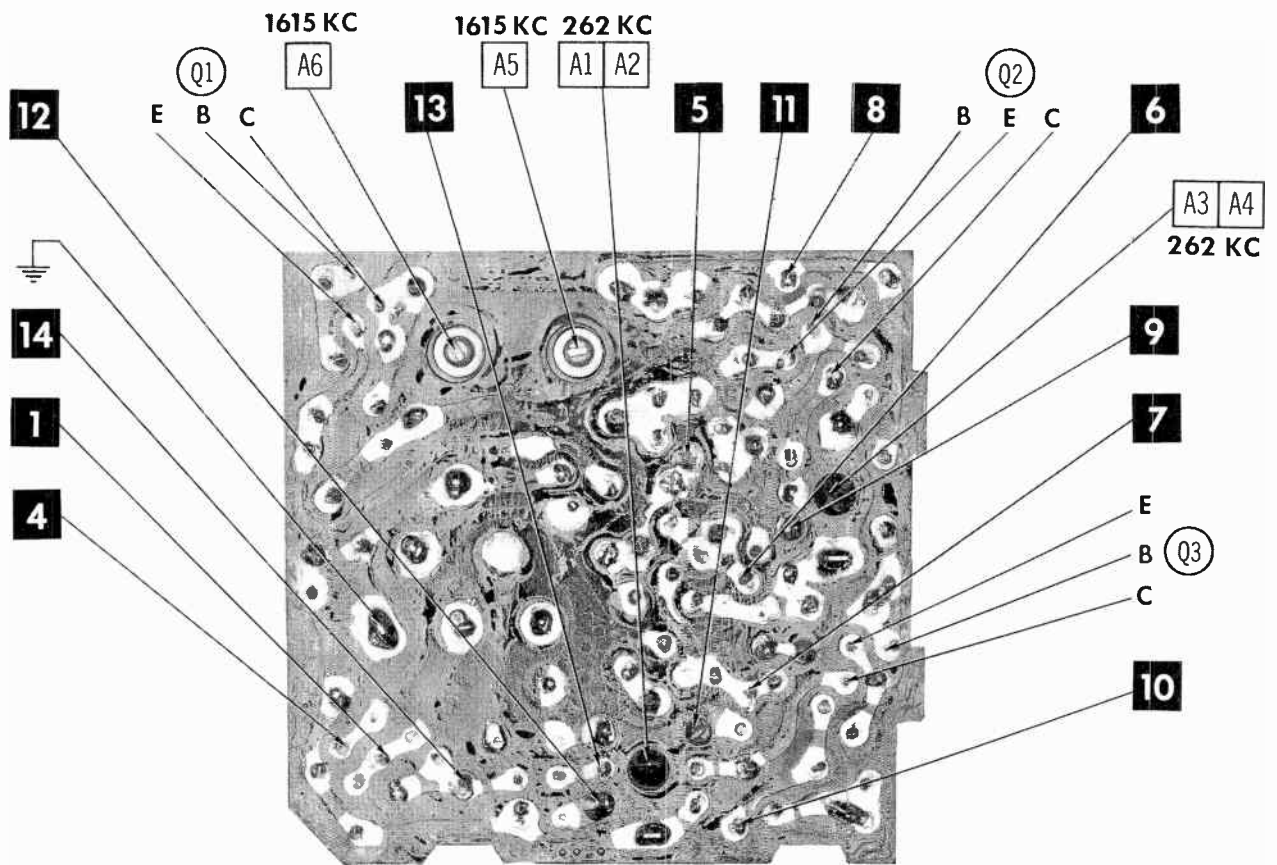
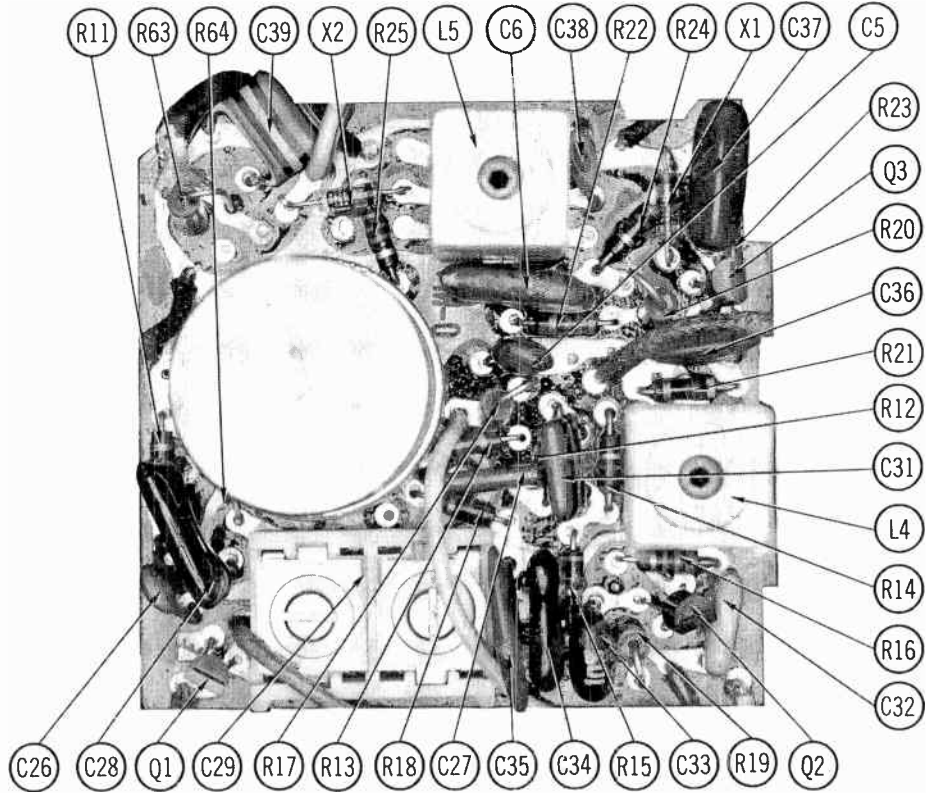




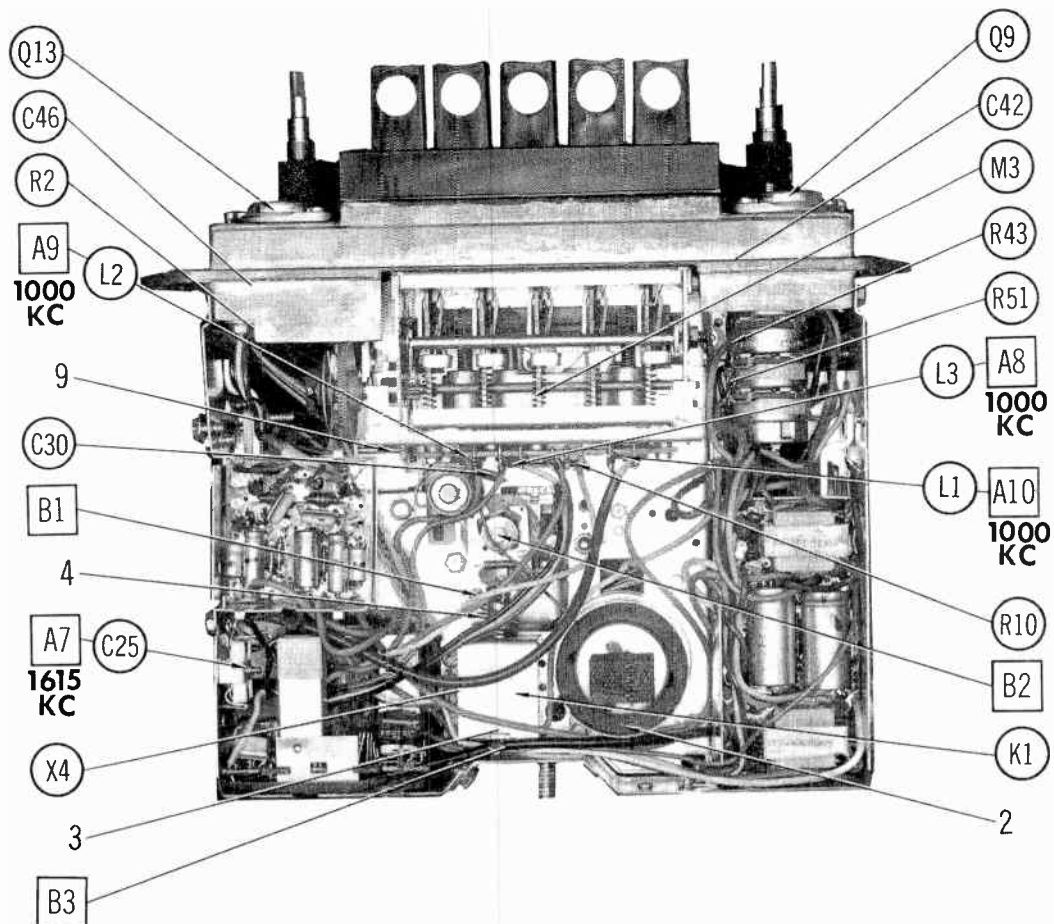
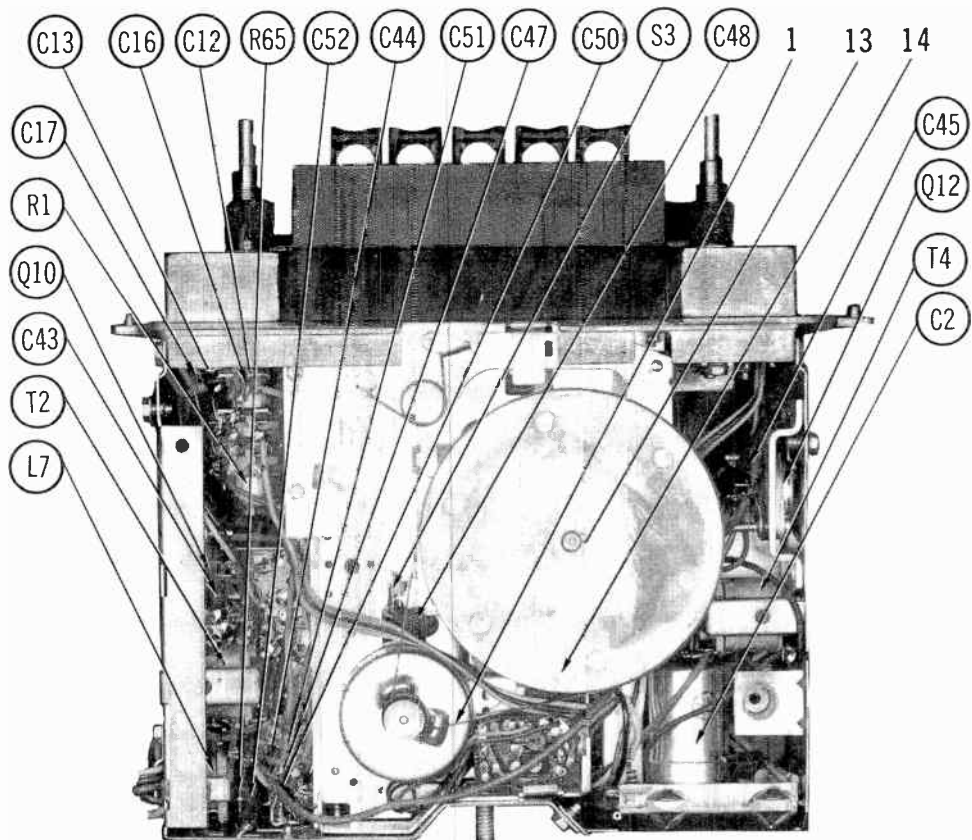


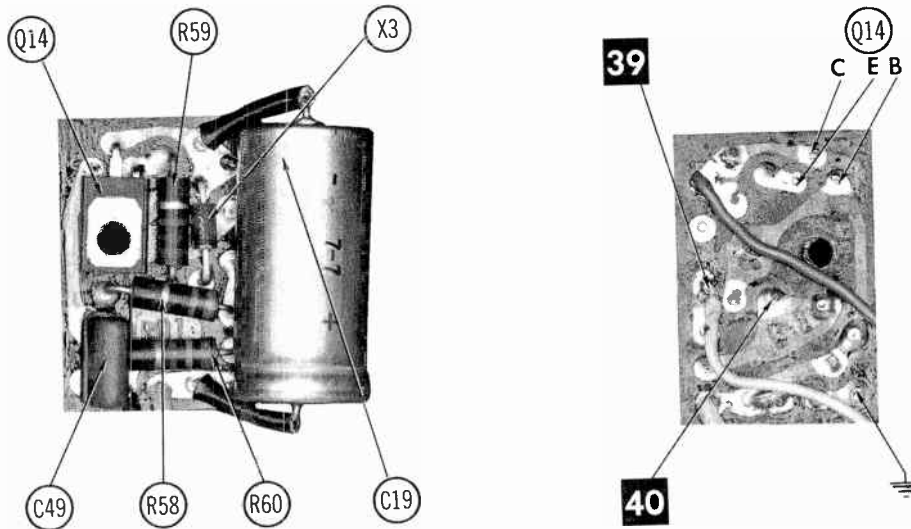
A Howard W. Sams **CIRCUITRACE** Photo





A Howard W. Soms **CIRCUITRACE** Photo





PARTS LIST AND DESCRIPTION

(When ordering parts, state Model, Part Number, and Description.)

Replacement parts shown may be superseded by the availability of newly introduced replacements. Have your local distributor check Sams COUNTER FACTS for the most up-to-date replacement.

TRANSISTORS

ITEM No.	TYPE No.	FUNCTION	REPLACEMENT DATA					
			MFGR. PART No.	DELCO PART No.	GENERAL ELECTRIC PART No.	INTERNATIONAL RECTIFIER PART No.	RCA PART No.	SYLVANIA PART No.
Q1	25B	RF Amp		DS-71	GE-11	TR-21	SK-3018	ECC 107
Q2	25A	Converter		DS-72	GE-11	TR-21	SK-3018	ECC 107
Q3	24B	IF Amp		DS-72	GE-11	TR-21	SK-3018	ECC 107
Q4	822A	Preamp		DS-76	GE-10	TR-21	SK-3020	ECC 123
Q5	54C	Preamp		DS-76	GE-10	TR-21	SK-3020	ECC 123
Q6	822A	Preamp		DS-76	GE-10	TR-21	SK-3020	ECC 123
Q7	54C	Preamp		DS-76	GE-10	TR-21	SK-3020	ECC 123
Q8	54C	Driver		DS-66	GE-10	TR-21	SK-3020	ECC 123
Q9	2N176	Output		DS-520	GE-3	TR-01	SK-3009	ECC 104
Q10	2N176	Output		DS-520	GE-3	TR-01	SK-3009	ECC 104
Q11	54C	Driver		DS-66	GE-10	TR-21	SK-3020	ECC 123
Q12	2N176	Output		DS-520	GE-3	TR-01	SK-3009	ECC 104
Q13	2N176	Output		DS-520	GE-3	TR-01	SK-3009	ECC 104
Q14	PIV	Motor Regulator						

POWER RECTIFIERS & SIGNAL DIODES

ITEM No.	MFGR. PART OR TYPE No.	REPLACEMENT RECTIFIERS & DIODES			REPLACEMENT RECTIFIERS		NOTES
		GENERAL ELECTRIC PART No.	INTERNATIONAL RECTIFIER PART No.	SYLVANIA PART No.	RCA PART No.	SARKES TARZIAN PART No.	
X1	1N461 (48-134816)	1N82A	1N82A	ECG 112			
X2	1N461 (48-134816)	1N82A	1N82A	ECG 112			
X3	SR-390-2 (48-41508A01)						
X4	SR-1668 (48-41508A02)						

ELECTROLYTIC CAPACITORS

ITEM No.	RATING	REPLACEMENT DATA						
		MOTOROLA PART No.	AEROVOX PART No.	CENTRAL LAB PART No.	CORNELL-DUBILIER PART No.	GENERAL ELECTRIC PART No.	MALLORY PART No.	SPRAGUE PART No.
C1	640 16V	23C41928A27	PRS1220	EA15-500	BR500-15	QT1-3D	TC1505A	TL-1166
C2A	500 16V	23C40302A07	PWH2-02-40				PPF200.65	PCL-2177
B	500 16V							
C3	640 16V	23C41928A27	PRS1220	EA15-500	BR500-15	QT1-30	TC1505A	TL-1166
C4	80 16V	23C41928A23	CRE620A	EA30-100	NLW75-15	MT1-19	MTA80E15	TE-1161
C5	2 10V	23C43280A02	BCD12002	EA15-2	NLW2-50	MT1-1	PET1930	TL-1121
C6	10 6V	23C43280A03	CRE307A	EA6-10	NLW10-6	MT1-5	TT6X10	TE-1087
C7	20 16V	23C41928A24	CRE611A	EA15-25	NLW20-50	MT1-10	TT25X20	TL-1157
C8	40 16V	23C41928A24	CRE615A	EA30-50	NLW40-25	MT1-17	MTA40E30	TE-1209
C9	20 16V	23C41928A24	CRE611A	EA15-25	NLW20-50	MT1-10	TT25X20	TL-1157
C10	40 16V	23C41928A24	CRE615A	EA30-50	NLW40-25	MT1-17	MTA40E30	TE-1209
C11	.5 15V	23C43280A21	CRE450A	UK10-474	NLW1-50	MT1-1	TT15X1	TE-1148
C12	.2 15V	23C43280A19		UK20-204	TYR13BDR22K		TAS22M015POA	
C13	.2 15V	23C43280A19		UK20-204	TYR13BDR22K		TAS22M015POA	
C14	.5 6V	23C43280A27	BCD6005	EP30-5	NLW5-15	MT1-3	PET1210	TL-1084
C15	.5 15V	23C43280A21	CRE450A	UK10-474	NLW1-50	MT1-1	TT15X1	TE-1148
C16	.2 15V	23C43280A19		UK20-204	TYR13BD222K		TAS22M015POA	
C17	.2 15V	23C43280A19		UK20-204	TYR13BD222K		TAS22M015POA	
C18	.5 6V	23C43280A27	BCD6005	EP30-5	NLW5-15	MT1-3	PET1210	TL-1084
C19	640 16V	23C41928A27	PRS1220	EA15-500	BR500-15	QT1-30	TC1505A	TL-1166

MERCURY MODELS 18MM, 18MZW

PARTS LIST AND DESCRIPTION (CONTINUED)

(When ordering parts, state Model, Part Number, and Description.)

Replacement parts shown may be superseded by the availability of newly introduced replacements. Have your local distributor check Sams COUNTER FACTS for the most up-to-date replacement.

CAPACITORS

ITEM No.	RATING	REMARKS	REPLACEMENT DATA					
			AEROVOX PART No.	CENTRALAB PART No.	CORNELL-DUBILIER PART No.	ELMENCO PART No.	MALLORY PART No.	SPRAGUE PART No.
C25	150-290	#20-40746A06				467		
C26	330		GPD X5F331K	DD-331	JBZ601YP331K	CCD-331	GP333	5GA-T33
C27	.01 100V	(2)	DBE6S1	CPR-10000J	DMF2S1	4DP-1-103	PVC211	2TM-S10
C28	250	(2)	GPD X5F251K	DD-251		CCD-251	GP325	5GA-T25
C29A	30-150	#20-40254A21						
B	50-190							
C30	180 N750	(2)		TCN-180			CN7318	10TCU-T18
C31	.01 100V		DBE6S1	CPR-10000J	DMF2S1	4DP-1-103	PVC211	2TM-S10
C32	.0047 100V	(2)	DBE6D47	CPR-4700J	DMF6D47	6DP-1-472	PVC6247	6PS-D47
C33	.0082 50V	(2)	DBE6D82	CPR-8200J	DPMS6D82	6DP-2-822		6PS-D82
C34	160		ADM-10-161	CPR-160J	CD15F161J500	DM-15-161	SX316	MS-316
C35	180 N330					*	*	10TCS-T18
C36	.0015		GPD X5F152K	DD-152		CCD-152	GP215	10TS-D15
C37	.1 100V		DBE2P1		DMF2P1	2DP-3-104	PVC201	2PS-P10
C38	150	(2)	GPD X5F151K	DD-151	RR05CW151K	CCD-151	GP315	5GA-T15
C39	.01 100V		DBE6S1	CPR-10000J	DMF2S1	4DP-1-103	PVC211	2TM-S10
C40	.0047 100V	(2)	DBE6D47	CPR-4700J	DMF6D47	6DP-1-472	PVC6247	6PS-D47
C41	.0047 100V	(2)	DBE6D47	CPR-4700J	DMF6D47	6DP-1-472	PVC6247	6PS-D47
C42	.022 100V		DBE6S22	DD-203	DMF4S22	4DP-2-223	PVC6122	4PS-S22
C43	.022 100V		DBE6S22	DD-203	DMF4S22	4DP-2-223	PVC6122	4PS-S22
C44	.01		GPD X5S103K	DD-103	BYX601ZU103M	CCD-103	JF110	10TS-S10
C45	.022 100V		DBE6S22	DD-203	DMF4S22	4DP-2-223	PVC6122	4PS-S22
C46	.022 100V		DBE6S22	DD-203	DMF4S22	4DP-2-223	PVC6122	4PS-S22
C47	.01		GPD X5S103K	DD-103	BYX601ZU103M	CCD-103	JF110	10TS-S10
C48	.1 100V		DBE2P1		DMF2P1	2DP-3-104	PVC201	2PS-P10
C49	.1 100V		DBE2P1		DMF2P1	2DP-3-104	PVC201	2PS-P10
C50	.01		GPD X5S103K	DD-103	BYX601ZU103M	CCD-103	JF110	10TS-S10
C51	.01		GPD X5S103K	DD-103	BYX601ZU103M	CCD-103	JF110	10TS-S10
C52	.1 100V	(1)	DBE2P1		DMF2P1	2DP-3-104	PVC201	2PS-P10

Motorola Part Number. (2) Nominal Value. (1) Not used in some versions.
* Not normally in distributor's stock. Available thru distributor on order to manufacturer.

CONTROLS

All wattages 1/2 watt, or less, unless otherwise listed.

ITEM No.	USE	RESIST-ANCE	REPLACEMENT DATA				
			MOTOROLA PART No.	CENTRALAB PART No.	CLAROSTAT PART No.	CTS-IRC PART No.	MALLORY PART No.
R1A	Tone	50K					
B	Tone	50K					
	Manual Track Selector						
C	Volume	30K Tap @ 18K					
D	Volume/Switch	30K Tap @ 18K					
	Tone	50K	18C41513B02				
	Tone	50K					
	Manual Track Selector						
	Switch						
	Volume	30K Tap @ 18K					
	Volume/Switch	30K Tap @ 18K					
R2	Balance	32K	18B41512B01				
	Balance	32K	18B41705B01				

RESISTORS (Power and Special)

ITEM No.	RATING	REPLACEMENT DATA			ITEM No.	RATING	REPLACEMENT DATA		
		IRC PART No.	WORKMAN PART No.	MOTOROLA PART No.			IRC PART No.	WORKMAN PART No.	MOTOROLA PART No.
R47	5.5 (cold)			6-565324	R55	5.5 (cold)			6-565324
R48	.2 (PTC)			17-40756A06	R56	.2 (PTC)			17-40756A06

COILS (RF-IF)

ITEM No.	USE	REPLACEMENT DATA			
		MOTOROLA PART No.	MEISSNER PART No.	MILLER PART No.	WORKMAN PART No.
L1	Antenna	(1)			
L2	RF	(1)			
L3	Oscillator	(1)			
L4	Input IF	24D42517A27		8002	
L5	Output IF	24D42517A28		8010	
L6	RF Choke (1.5uh)	2440788A04	19-1001	4604	T856

(1) Part of M1

PARTS LIST AND DESCRIPTION (CONTINUED)

(When ordering parts, state Model, Part Number, and Description.)

Replacement parts shown may be superseded by the availability of newly introduced replacements. Have your local distributor check Sams COUNTER FACTS' for the most up-to-date replacement.

FILTER CHOKE

ITEM No.	RATINGS			REPLACEMENT DATA					NOTES
	CURRENT (Measured)	DC RES.	INDUCTANCE (0 CURRENT 1000~)	MOTOROLA PART No.	MERIT PART No.	STANCOR PART No.	THORDARSON PART No.	TRIAD PART No.	
L7	250ma (475ma in Tape Player position)	.2	5mh	25D40907B13	C-4095	TC-2	TR-154	TY17XT	

TRANSFORMER (DRIVER)

ITEM No.	TURNS RATIO			REPLACEMENT DATA					NOTES
	PRI.	SEC. 1	SEC. 2	MOTOROLA PART No.	MERIT PART No.	STANCOR PART No.	THORDARSON PART No.	TRIAD PART No.	
T1 T3	8 8	1 1	1 1	25D42917A14 25D42917A14					

TRANSFORMER (AUDIO OUTPUT)

ITEM No.	IMPEDANCE		REPLACEMENT DATA					NOTES
	PRI.	SEC.	MOTOROLA PART No.	MERIT PART No.	STANCOR PART No.	THORDARSON PART No.	TRIAD PART No.	
T2 T4	16 CT 16 CT	8 8	25D41586B03 25D41586B03					

TAPE HEADS

ITEM NO.	MEASURED			MOTOROLA PART NO.	NORTRONICS PART NO.	DESCRIPTION
	INDUCTANCE	BIAS/ERASE VOLTS (RMS)	BIAS FREQ.			
M1	400mh			59.43641A02	5800 *	8-Track Stereo Play * Use original mounting

SPEAKER

ITEM No.	TYPE	REPLACEMENT DATA			NOTES
		MOTOROLA PART No.	JENSEN PART No.	QUAM PART No.	
	PM 8 ohms				

FUSE DEVICES

ITEM No.	DESCRIPTION	REPLACEMENT DATA							
		PART No.		BUSS PART No.		LITTELFUSE PART No.		WORKMAN PART No.	
		DEVICE	HOLDER	DEVICE	HOLDER	DEVICE	HOLDER	DEVICE	
F1	SFE 7 1/2	In Fuse Block		SFE 7 1/2		30707.5			

MISCELLANEOUS

ITEM No.	PART NAME	PART No.	NOTES
K1	Solenoid	24-42064B01	
M2	Motor	59-41739B01	
M3	Tuner	1-43500A28	ATS-637
	Tuner	1-43500A39	ATS-648
M4	Coil Assembly	1-41700B61	
S1	Dial Lamp #1893	65-40304A01	CHICAGO MINIATURE Replacement CM-1893
S2	Radio-Tape Switch	40B41363B01	
S2	Micro Switch	40-40406B01	
S3	Auto Track Selector Switch	40-40296B01	

CABINETS & CABINET PARTS

(When Ordering Specify Model, Chassis & Color)

ITEM	MODEL	PART No.	ITEM	MODEL	PART No.
Dial Glass	T8MF	34-41336B01	Push Button	T8MF	38-42189B01
Dial Glass	T8MZ	34-41294B01	Push Button	T8MZ	38-41329B01
Knob,Tuning or Volume	T8MF	36-42258B01	Dial Pointer	T8MF	52-40244B13
Knob,Tuning or Volume	T8MZ	36-41997B01	Dial Pointer	T8MZ	52-40244B14
Knob,Tone or Balance	T8MF	49-42259B01	Door		15-41349B01
Knob,Tone or Balance	T8MZ	36-42021B01			

WIRING DATA

General-use Unshielded Hook-up Wire	Use BELDEN No. 8530 (Solid) Available in 12 Colors 8524 (Stranded) Available in 12 Colors
Shielded Hook-up Wire	Use BELDEN No. 8885
Rear Seat Speaker Extension Cable	Use BELDEN No. 8782 (Stranded) Coded Parallel Leads
Bonding Strap	Use BELDEN No. 8661 (3/8 In.) or 8670 (3/4 In.)

MERCURY MODELS T8MM, T8MZ



PHOTOFACT[®] with

CIRCUITRACE[®]



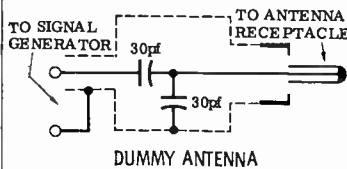
TRADE NAME: Motorola Model TM318M
 SUPPLIER: For Current Address, See Annual Index
 TYPE SET: 7-Transistor AM Receiver
 POWER SUPPLY: 12 Volt Storage Battery
 RATING: .7 Amp @ 12.6 Volts DC

MOTOROLA MODEL TM318M

ALIGNMENT INSTRUCTIONS

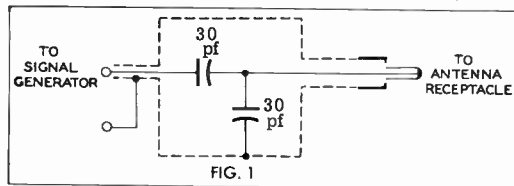
Check for specified source voltage.
 Use only enough generator output to provide a usable indication.
 Suggested Alignment Tools:

A1 thru A7. GENERAL CEMENT: 5009, 8987, 8728A
 WALSCO: 2531-X, 2536

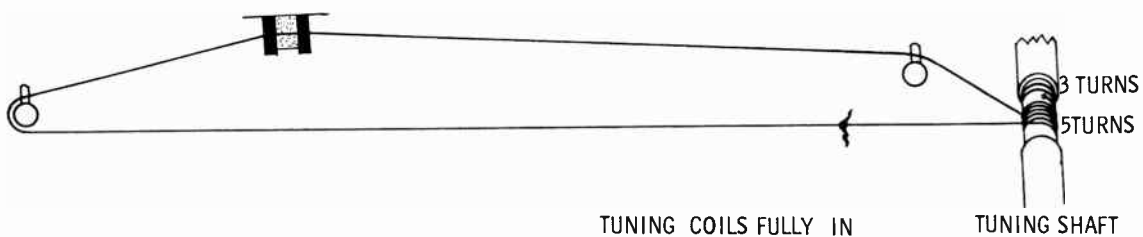


SIGNAL GENERATOR COUPLING	SIGNAL GENERATOR FREQUENCY	RADIO DIAL SETTING	INDICATOR	ADJUST	REMARKS
1. High side thru .1mfd to point Δ , low side to ground.	262KC (400v Mod.)	High freq. end stop.	Output meter across voice coil.	A1, A2, A3, A4	Adjust for maximum.
2. Thru dummy antenna to antenna receptacle.	1615KC	"	"	A5, A6, A7	"
Step 3 is not necessary unless tuner has been tampered with or associated components have been replaced. If necessary, back tuning cores (A8, A9, A10) out of coils but not out of forms. Repeat Step 2.					
3. Thru dummy antenna to antenna receptacle.	1000KC	Tune to signal.	Output meter across voice coil.	A8, A9, A10	Adjust for maximum. Repeat Steps 2 and 3 until no further improvement is noted.

With radio installed in car and antenna extended to desired height, tune in a weak station near 1400KC and adjust A7 for maximum output. Antenna adjustment (A7) is located right rear corner under antenna receptacle.

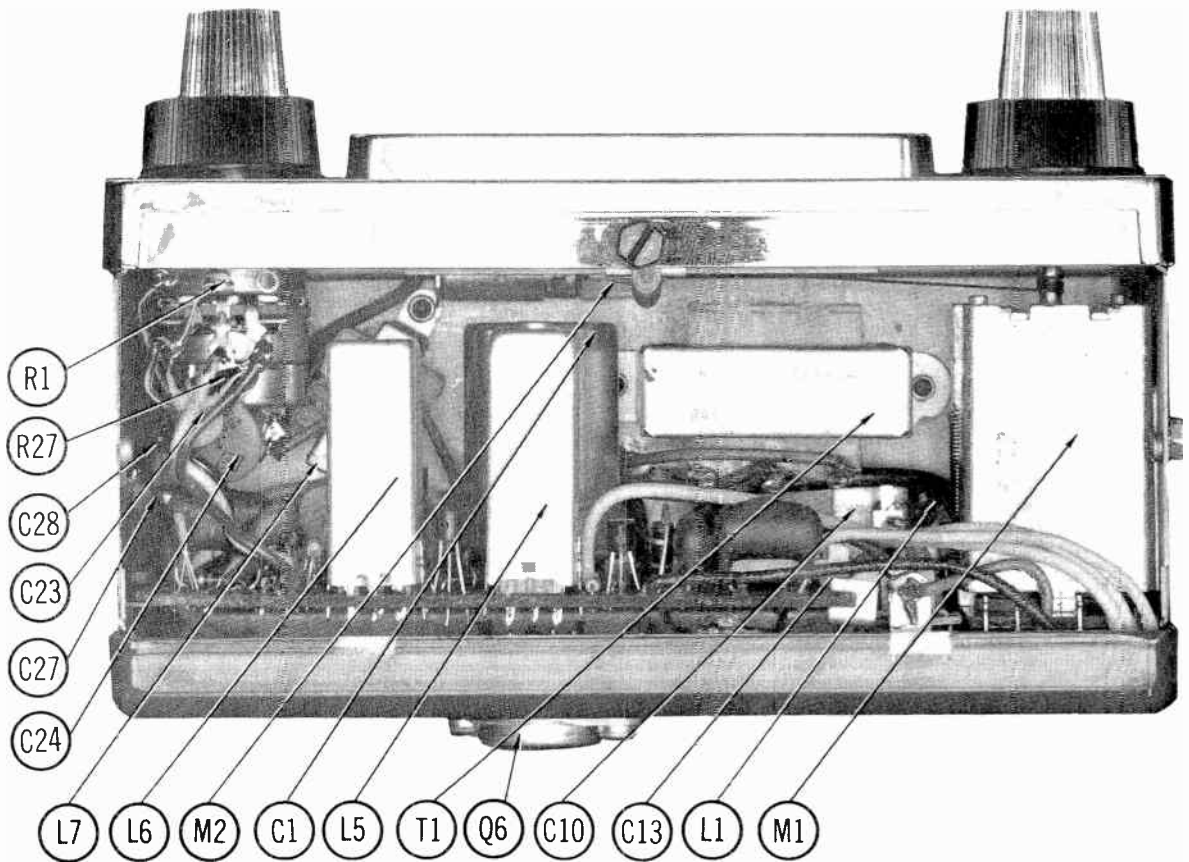
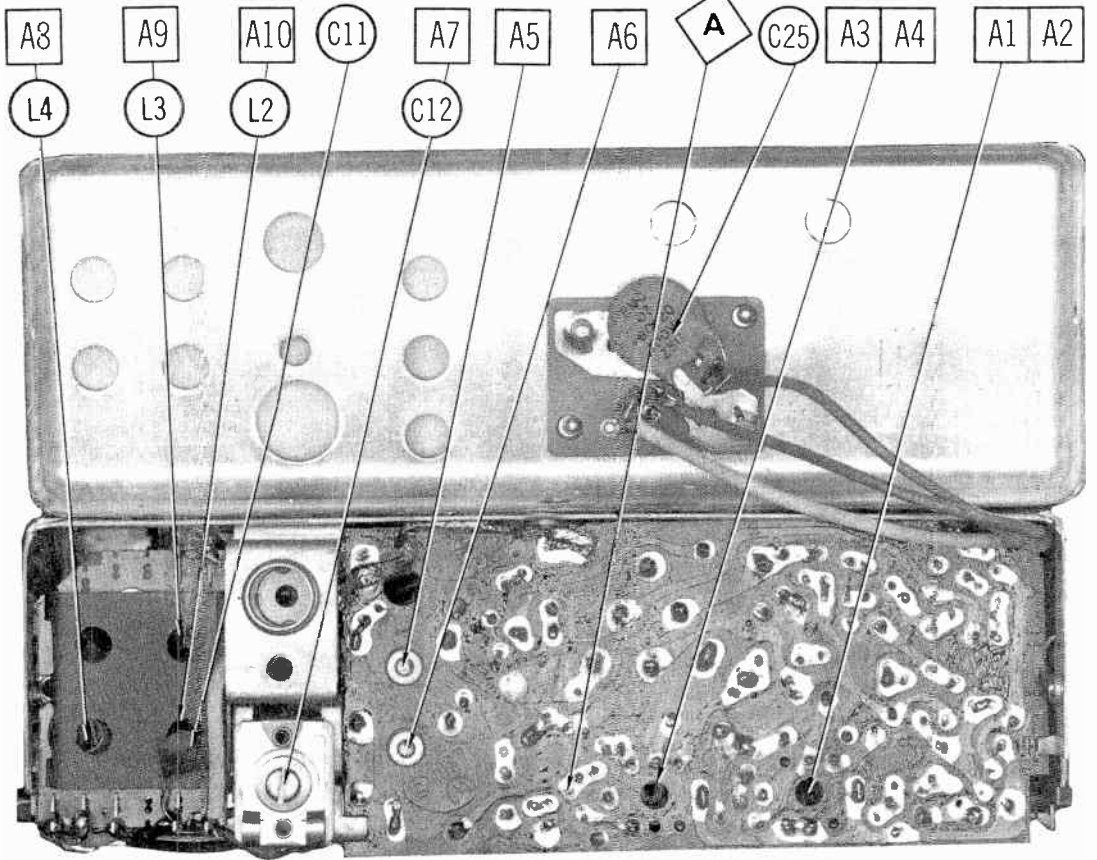


DIAL CORD STRINGING

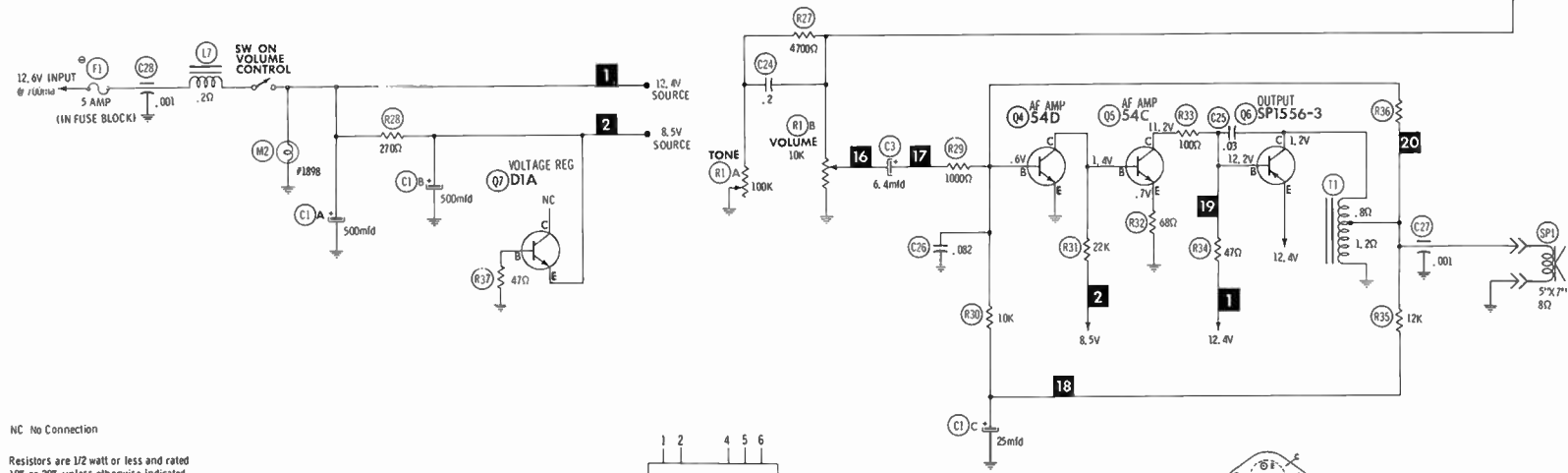
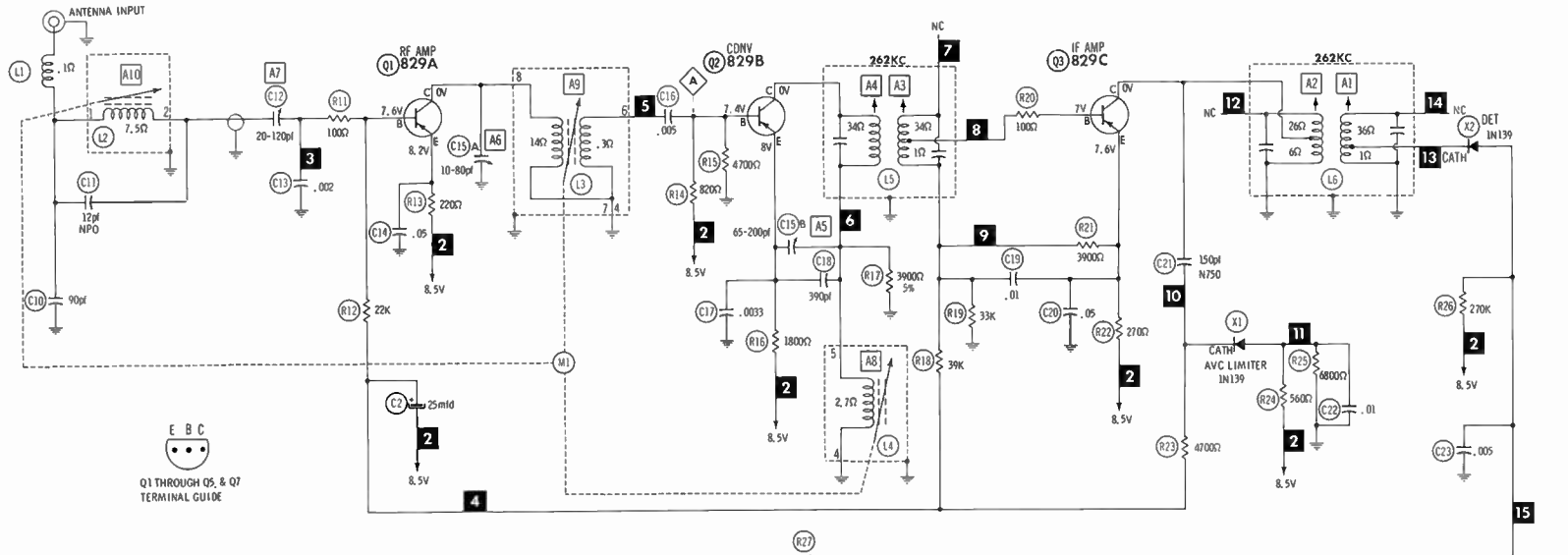


HOWARD W. SAMS & CO., INC. Indianapolis, Indiana 46206

1000KC 1000KC 1000KC 1615KC 1615KC 1615KC 262KC 262KC



MOTOROLA MODEL TM318M



NC No Connection

Resistors are 1/2 watt or less and rated 10% or 20% unless otherwise indicated.

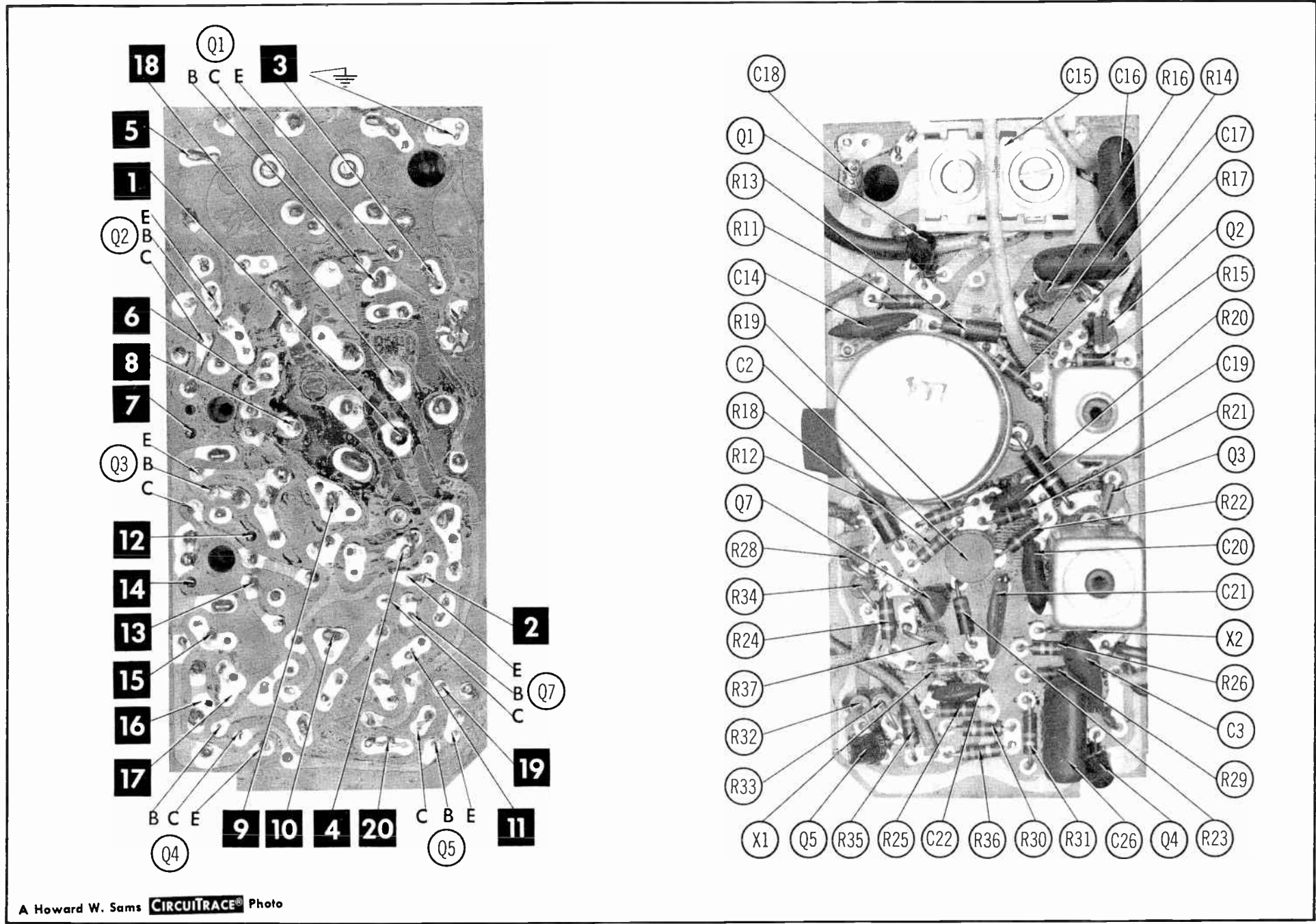
- ① See parts list
- 1. Voltage measurements taken with vacuum tube voltmeter.
- 2. All controls set for normal operation, no signal applied.
- 3. Measured values are from socket pin or terminal to common ground.
- 4. All terminals viewed from bottom unless otherwise designated.
- 5. Numbers assigned to terminals may not be found on the unit.
- 6. Supply voltage maintained at rated value for voltage readings.
- 7. Resistance measurements not given because of the wide variation in internal resistance of transistor.



A PHOTOFAC STANDARD NOTATION SCHEMATIC with CIRCUITRACE

© Howard W. Sams & Co., Inc. 1968

MOTOROLA MODEL TM318M



A Howard W. Sams **CIRCUITRACE**® Photo

MOTOROLA MODEL TM318M

PARTS LIST AND DESCRIPTION

(When ordering parts, state Model, Part Number, and Description.)

Replacement parts shown may be superseded by the availability of newly introduced replacements.
Have your local distributor check Sams COUNTER FACTS for the most up-to-date replacement.

WIRING DATA

General-use Unshielded Hook-up Wire	Use BELDEN No. 8530 (Solid) Available in 12 Colors 8524 (Stranded) Available in 12 Colors
Shielded Hook-up Wire	Use BELDEN No. 8885
Rear Seat Speaker Extension Cable	Use BELDEN No. 8782 (Stranded) Coded Parallel Leads
Bonding Strap	Use BELDEN No. 8661 (3/8 In.) or 8670 (3/4 In.)

TRANSISTORS

ITEM No.	TYPE No.	FUNCTION	REPLACEMENT DATA					
			MFG. PART No.	DELCO PART No.	GENERAL ELECTRIC PART No.	INTERNATIONAL RECTIFIER PART No.	RCA PART No.	SYLVANIA PART No.
Q1	829A	RF Amp	48S134830 (48S134831)		GE-21	TR-19		ECG 106
Q2	829B	Converter	48S134831		GE-21	TR-19		ECG 106
Q3	829C	1F Amp	48S134832 (48S134831)		GE-21	TR-19		ECG 106
Q4	54D	AF Amp	48S134811	DS-66	GE-10	TR-21	SK-3020	ECG 123
Q5	54C	AF Amp	48S134810	DS-66	GE-10	TR-21	SK-3020	ECG 123
Q6	SP-1556-2	Output *	48S134759	DS-520	GE-3	TR-01	SK-3009	ECG 104
Q7	D1A	Voltage Regulator	48S134912					

* When replacing, apply silicone grease to both sides of insulator. Tighten mounting screws securely.

POWER RECTIFIERS & SIGNAL DIODES

ITEM No.	MFG. PART OR TYPE No.	REPLACEMENT RECTIFIERS & DIODES			REPLACEMENT RECTIFIERS		NOTES
		GENERAL ELECTRIC PART No.	INTERNATIONAL RECTIFIER PART No.	SYLVANIA PART No.	RCA PART No.	SARKES TARZIAN PART No.	
X1	1N139	1N295	1N295	ECG 109			
X2	1N139	1N295	1N295	ECG 109			

ELECTROLYTIC CAPACITORS

ITEM No.	RATING	REPLACEMENT DATA						
		MOTOROLA PART No.	AEROVOX PART No.	CENTRALAB PART No.	CORNELL-DUBILIER PART No.	GENERAL ELECTRIC PART No.	MALLORY PART No.	SPRAGUE PART No.
C1A	500 16V	23S184A01	PW13-00-94.7		CC0013		PP300.18	PCL-3026.17
B	500 16V							
C	25 16V							
C2	25 3V	23C64612A02	BCD3025	EP6-25	NLW25-3	MT1-13	MTV25CB35	TE-1055
C3	2 10V	23S10229A03	BCD12002	EA15-2	NLW2-50	MT1-1	MTV2CB50	TL-1121

CAPACITORS

ITEM No.	RATING	REMARKS	REPLACEMENT DATA					
			AEROVOX PART No.	CENTRALAB PART No.	CORNELL-DUBILIER PART No.	ELMenco PART No.	MALLORY PART No.	SPRAGUE PART No.
C10	90	#21A591682						
C11	12	NPO	NPO-D: 10	TC2-12	CZ601CG120J	CCT0-120	CN0412	10TCC-Q12
C12	20-120	#20K541014				406		
C13	.002			CPR-2200J	CD19F222J500	DM-19-222J	SX222	MS-222
C14	.05		GPD Z5V503P	DD-503	HOV101ZV503Z	CCD-503	GP150	5GA-S50
C15A	10-80	#20C64618A04						
B	65-200							
C16	.005	100V	DBE6D5	CPR-5000J	DMF6D47	1MDF-1-502	PVC625	6PS-D50
C17	.0033	100V	DBE6D33	CPR-3300J	DMF6D33	1MDF-1-332	PVC6233	6PS-D33
C18	390		ADM-15-391	CPR-390J	CD15F391K500	DM-10-391J	SX339	MS-339
C19	.01		TTP-01	CK-103	HOY101ZV103P	CCD-103	TA110	TG-S10
C20	.05		GPD Z5V503P	DD-503	HOV101ZV503Z	CCD-503	GP150	5GA-S50
C21	150	N750	N750-DI 150	DTN-150		CCTN-151	CN7315	10TCU-T15
C22	.01		TTP-01	CK-103	HOY101ZV103P	CCD-103	TA110	TG-S10
C23	.005		GPD XSR502K	DD-502	JBT601YP502K	CCD-502	JF250	10TS-D50
C24	.2			UK20-204	HCZ3ROXR224P		MAG12022	HY-325
C25	.03		TTP-03	CK-303		CCD-303	GP130	TG-S30
C26	.08	100V	DBE6S82		WMF1S82	1MDF-3-823	PVC1168	6PS-S82
C27	.001		EF-6-1000	MFT-1000		CCF-102		
C28	.001		EF-6-1000	MFT-1000		CCF-102		

Motorola Part Number.

PARTS LIST AND DESCRIPTION (CONTINUED)

(When ordering parts, state Model, Part Number, and Description.)

Replacement parts shown may be superseded by the availability of newly introduced replacements.
Have your local distributor check Sams COUNTER FACTS for the most up-to-date replacement.

CONTROLS (All wattages 1/2 watt, or less, unless listed)

ITEM No.	FUNCTION	RESIST-ANCE	REPLACEMENT DATA				
			MFGR. PART No.	CENTRALAB PART No.	CLAROSTAT PART No.	CTS-IRC PART No.	MALLORY PART No.
RIA B	Tone Volume/Switch	100K 10K	18C64734A06	F2-100K,R1-10K, FFS103,RFS110, BA012,CA005,KR-4		(2) QJ-1979A	FF15A (P15A, 3034) (1) RU14L, OX875,IS1375, US41

- (1) Panel and Bushing components listed in parentheses may be substituted for the panel unit.
 (2) "CONCENTRIKIT" Equivalent: K-8 Kit with Base Elements and Shafts: B13-128,P22-027 (Panel),B11-116,R16-106 (Rear),
 "SNAPTROL" Equivalent: BU15A(3),CF52,CR5,SP4,SR40,GC. S45 (Bushing), 76-1 (Switch).
 (3) Alter Bushing to meet requirements.

COILS (RF-IF)

ITEM No.	USE	REPLACEMENT DATA			
		PART No.	MEISSNER PART No.	MILLER PART No.	WORKMAN PART No.
L1	RF Choke (9uh)	24C64003B01	19-1005	4622	T860
L2	Antenna	(1)			
L3	RF	(1)			
L4	Oscillator	(1)			
L5	Input IF	24C64327A03		8009	
L6	Output IF	24C64327A02		8010	

- (1) Part of M1 or (Coil and Mounting Plate Assembly Part Number 1V41001B81).

FILTER CHOKE

ITEM No.	RATINGS			REPLACEMENT DATA					NOTES
	CURRENT (Measured)	DC RES.	INDUCTANCE (0 CURRENT 1000~)	MOTOROLA PART No.	MERIT PART No.	STANCOR PART No.	THORDARSON PART No.	TRIAD PART No.	
L7	700ma	.2	2.5mh	25C64172A12 (25C64172A01)	C-4124	TC-1	TR-153	TY16XT	

TRANSFORMER (Audio Output)

ITEM No.	IMPEDANCE		REPLACEMENT DATA					NOTES
	PRI.	SEC.	MFGR. PART No.	MERIT PART No.	STANCOR PART No.	THORDARSON PART No.	TRIAD PART No.	
T1	25 Tap	@ 8	25D641:9A05					

FUSE DEVICES

ITEM No.	DESCRIPTION		REPLACEMENT DATA						
			PART No.		BUSS PART No.		LITTELFUSE PART No.		WORKMAN PART No.
			DEVICE	HOLDER	DEVICE	HOLDER	DEVICE	HOLDER	DEVICE
F1	AGA	5 Amp	45S122345	1V64964A32	AGA 5	HAF	301005	15S004A	

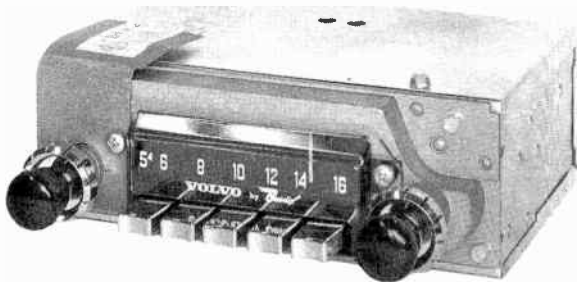
MISCELLANEOUS

ITEM No.	PART NAME	PART No.	NOTES
M1	Tuner	77D40632A12	MT-652
	Coil Assembly	1V41001B81	
M2	Dial Lamp	65S131742	CHICAGO MINIATURE Replacement CM-1898

CABINETS & CABINET PARTS (When ordering specify model, chassis & color)

ITEM	PART No.	ITEM	PART No.
Escutcheon	1V64950A75	Knob,Tuning or Volume	36K544598
Dial Scale	34B64215B01	Knob,Tone	36K544812
Dial Pointer	1V64954A07	Knob,Dummy	36K544813

MOTOROLA MODEL TM318M



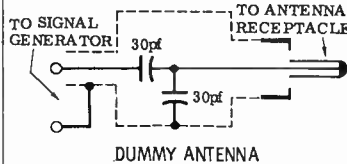
TRADE NAME : Volvo Model 7BVOX (1967 Volvo)
 SUPPLIER : For Current Address, See Annual Index
 TYPE SET : 6-Transistor Receiver
 POWER SUPPLY : 12 Volt Storage Battery
 RATING : .7 Amp @ 12.6 Volts DC

VOLVO MODEL 7BVOX

ALIGNMENT INSTRUCTIONS

Check for specified source voltage.
 Use only enough generator output to provide a usable indication.
 Suggested Alignment Tools:

A1 thru A7. GENERAL CEMENT: 9440
 WALSCO: 2501

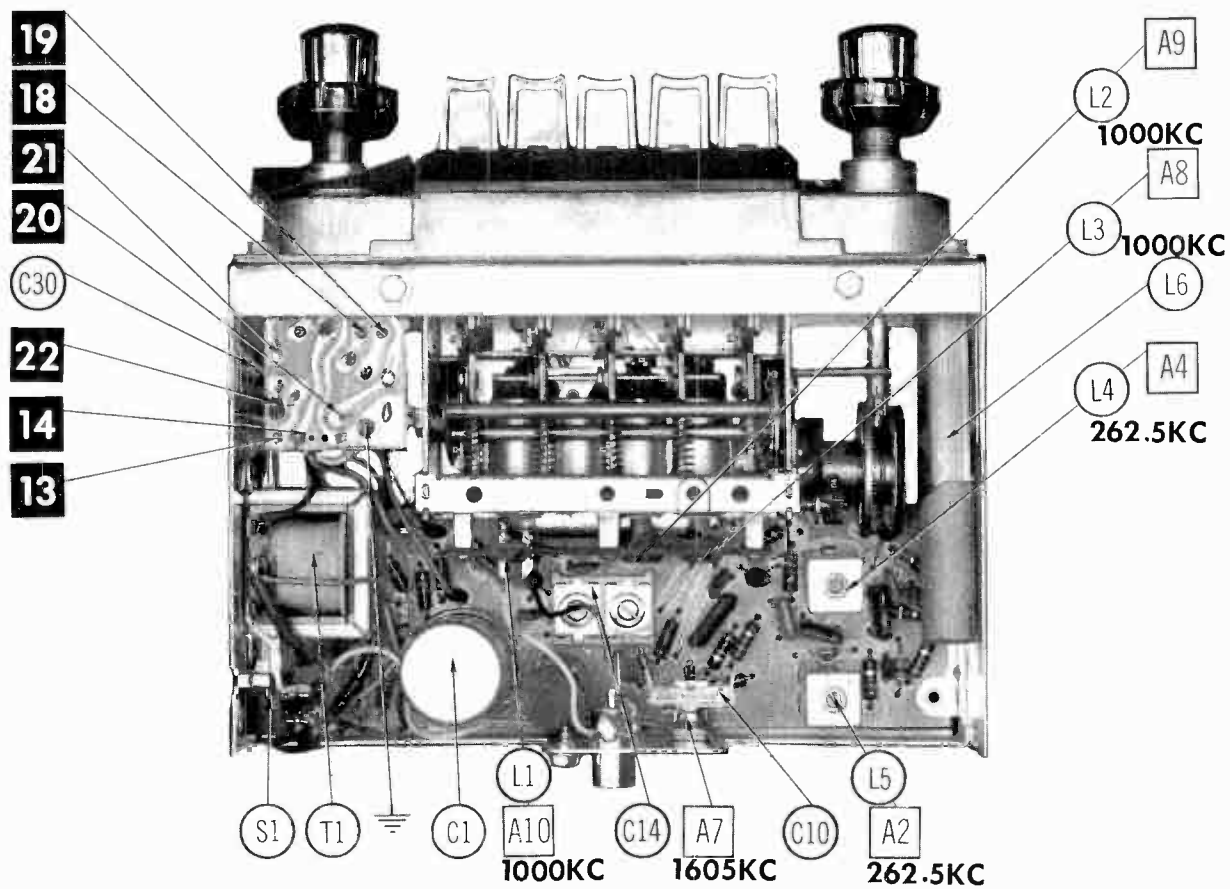
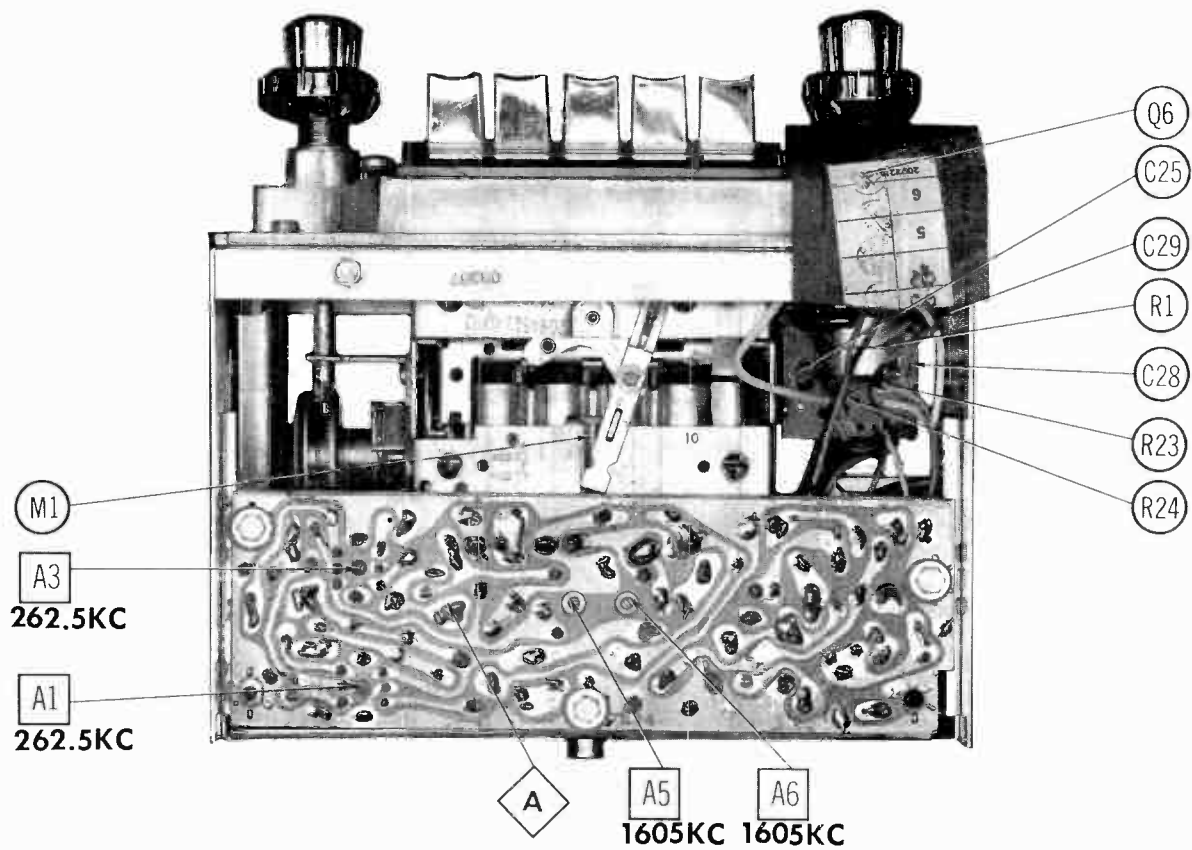


PUSH-BUTTON ADJUSTMENT

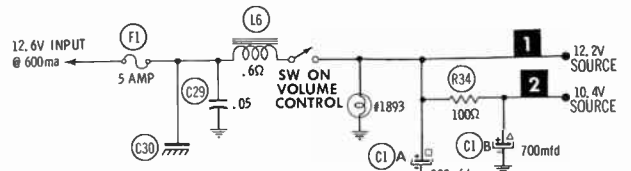
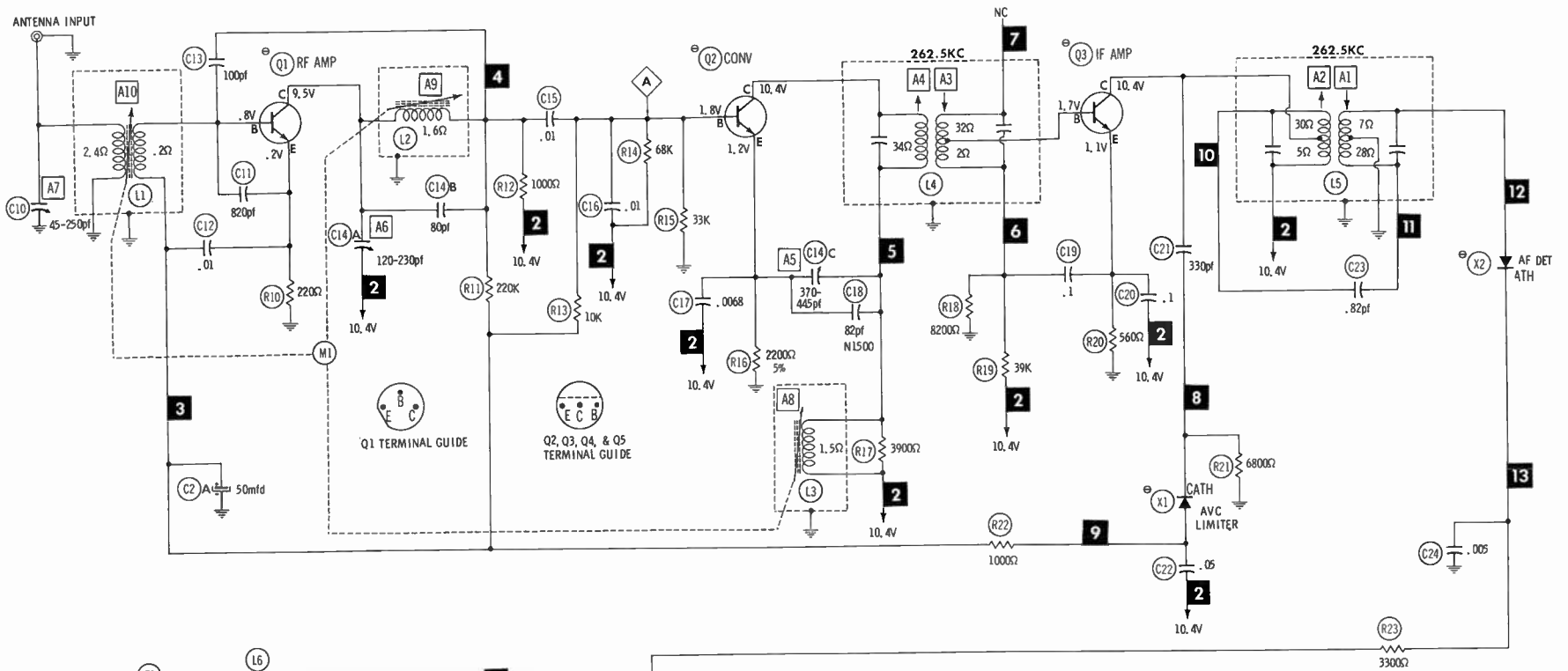
1. Pull button out.
2. Tune manually to desired station.
3. Press button in firmly.
4. Repeat for remaining buttons.

	SIGNAL GENERATOR COUPLING	SIGNAL GENERATOR FREQUENCY	RADIO DIAL SETTING	INDICATOR	ADJUST	REMARKS
1.	High side thru .1mfd to point Δ , low side to ground.	262.5KC (400% Mod.)	High freq. end stop.	Output meter across voice coil.	A1, A2, A3, A4	Adjust for maximum.
2.	Thru dummy antenna to antenna receptacle.	1605KC	"	"	A5, A6, A7	"
Step 3 is not necessary unless tuner has been tampered with or associated components have been replaced. If necessary, back tuning cores (A8, A9, A10) out of coils but not out of forms. Repeat Step 2.						
3.	Thru dummy antenna to antenna receptacle.	1000KC	Tune to signal.	Output meter across voice coil.	A8, A9, A10	Adjust for maximum. Repeat Steps 2 and 3 until no further improvement is noted.

With radio installed in car and antenna extended to desired height, tune in a weak station near 1400KC and adjust A7 for maximum output. Antenna adjustment (A7) is located on rear to the right of the antenna receptacle.



A Howard W. Sams **CIRCUITRACE** Photo



NC No Connection

★ Nominal value, may vary.

Resistors are 1/2 watt or less and rated 10% or 20% unless otherwise indicated.

⊖ See parts list

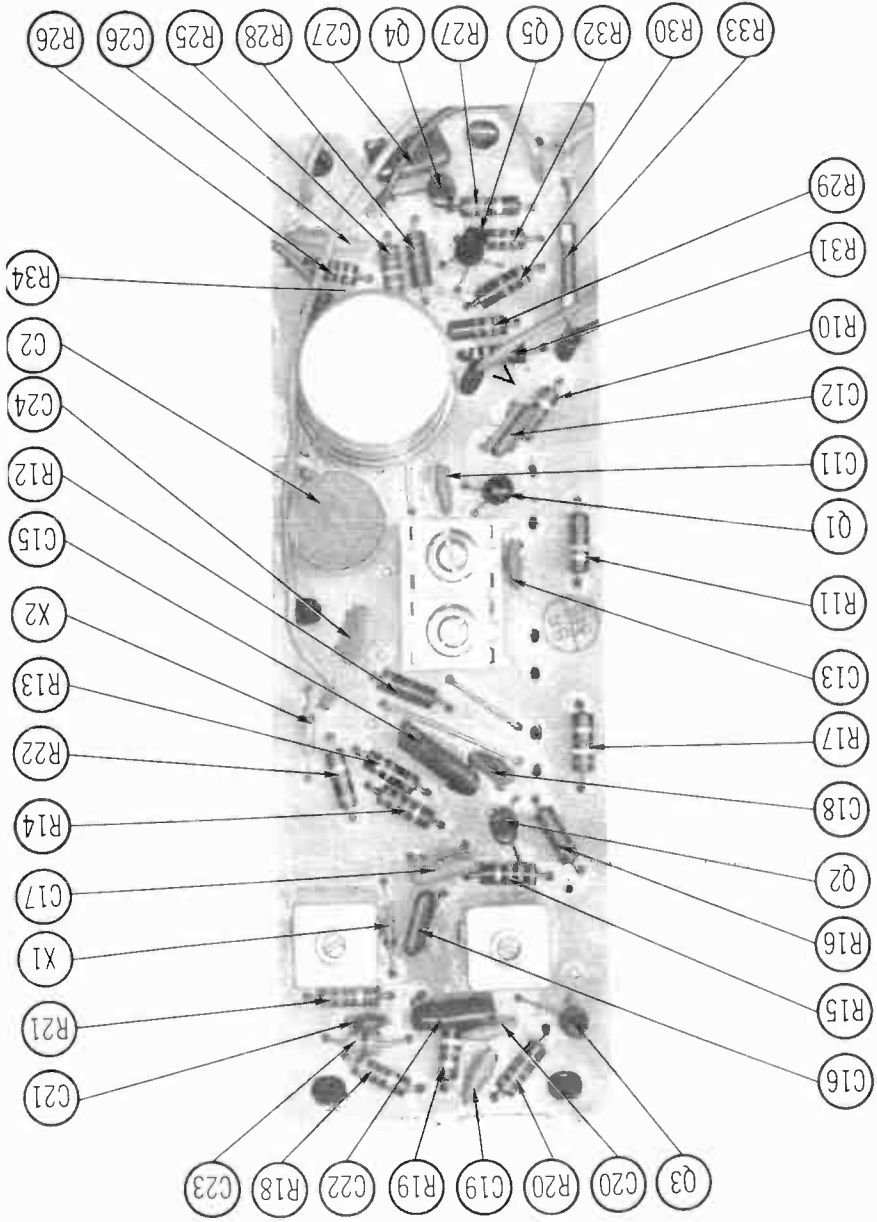
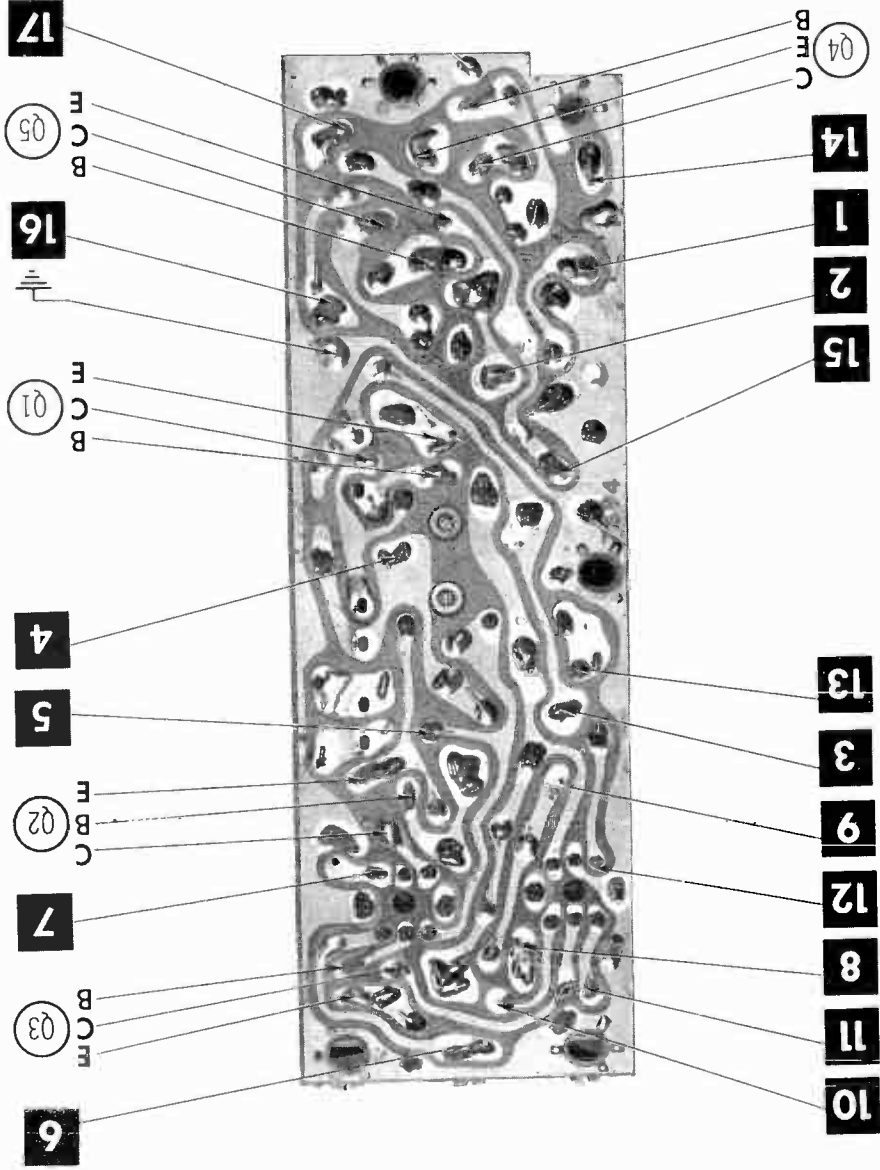
1. Voltage measurements taken with vacuum tube voltmeter.
2. All controls set for normal operation, no signal applied.
3. Measured values are from socket pin or terminal to common ground.
4. All terminals viewed from bottom unless otherwise designated.
5. Numbers assigned to terminals may not be found on the unit.
6. Supply voltage maintained at rated value for voltage readings.
7. Resistance measurements not given because of the wide variation in internal resistance of transistor.

A PHOTOFAC STANDARD NOTATION SCHEMATIC
with **CIRCUITRACE**

© Howard W. Sams & Co., Inc. 1968

VOLVO MODEL 7BVOX

VOLVO MODEL 7BVOX



PARTS LIST AND DESCRIPTION

(When ordering parts, state Model, Part Number, and Description.)

Replacement parts shown may be superseded by the availability of newly introduced replacements.
Have your local distributor check Sams COUNTER FACTS for the most up-to-date replacement.

WIRING DATA

General-use Unshielded Hook-up Wire	Use BELDEN No. 8530 (Solid) Available in 12 Colors 8524 (Stranded) Available in 12 Colors
Shielded Hook-up Wire	Use BELDEN No. 8885
Rear Seat Speaker Extension Cable	Use BELDEN No. 8782 (Stranded) Coded Parallel Leads
Bonding Strap	Use BELDEN No. 8661 (3/8 In.) or 8670 (3/4 In.)

TRANSISTORS

ITEM No.	TYPE No.	FUNCTION	REPLACEMENT DATA					
			MFGR. PART No.	DELCO PART No.	GENERAL ELECTRIC PART No.	INTERNATIONAL RECTIFIER PART No.	RCA PART No.	SYLVANIA PART No.
Q1		RF Amp	2093308-0704	05-71	GE-20	TR-21	SK-3018	ECG 107
Q2		Converter	2093308-0705	DS-72	GE-20	TR-21	SK-3018	ECG 107
Q3		1F Amp	2093308-0706	05-72	GE-20	TR-21	SK-3018	ECG 107
Q4		AF Amp	2092609-0718	05-66	GE-10	TR-21	SK-3020	ECG 123
Q5		AF Amp	2057013-0702		GE-21	TR-25	SK-3025	ECG 106
Q6		Output	2057323-0501					

POWER RECTIFIERS & SIGNAL DIODES

ITEM No.	MFGR. PART OR TYPE No.	REPLACEMENT RECTIFIERS & DIODES			REPLACEMENT RECTIFIERS		NOTES
		GENERAL ELECTRIC PART No.	INTERNATIONAL RECTIFIER PART No.	SYLVANIA PART No.	RCA PART No.	SARKIS TARZIAN PART No.	
X1	2092055-0001	1N34AS	1N34A	1N34A	ECG 109		
X2	2092055-0001	1N34AS	1N34A	1N34A	ECG 109		

ELECTROLYTIC CAPACITORS

ITEM No.	RATING	REPLACEMENT DATA						
		VOLVO PART No.	AEROVOX PART No.	CENTRALAB PART No.	CORNELL-DUBILIER PART No.	GENERAL ELECTRIC PART No.	MALLORY PART No.	SPRAGUE PART No.
C1A	900 16V	2092983-0708						PCL-2182
B	700 16V							
C2A	50 4V	2092246-0705	BCD1.5-3X1000	50				
B	1000 4V					PET295		

CAPACITORS

ITEM No.	RATING	REMARKS	REPLACEMENT DATA					
			AEROVOX PART No.	CENTRALAB PART No.	CORNELL-DUBILIER PART No.	ELMENCO PART No.	MALLORY PART No.	SPRAGUE PART No.
C10	45-250	#2091504-0007				464		
C11	820		GPD X5F821K	DD-821	JBY601YP821K	CCD-821	GP382	10TS-T82
C12	.01 100V		DBE6S1	CPR-10000J	DMF2S1	4DP-1-103	PVC211	2TM-S10
C13	100		GPD X5F101K	DD-101	JBZ601YP101K	CCD-101	GP310	10TS-T10
C14A	120-330	#2092422-0712						
B	80							
C	370-445							
C15	.01 100V		DBE6S1	CPR-10000J	DMF2S1	4DP-1-103	PVC211	2TM-S10
C16	.01 100V		DBE6S1	CPR-10000J	DMF2S1	4DP-1-103	PVC211	2TM-S10
C17	.0068 100V		DBE6D68	CPR-6800J	DMF4D68	1DP-1-682	PVC6268	22SP68291
C18	82 N1500					*		10TCW-Q82
C19	.1		TTP-1	CK-104	HOV1012V104Z		TA010	TG-P10
C20	.1		TTP-1	CK-104	HOV1012V104Z		TA010	TG-P10
C21	330		GPD X5F331K	DD-331	JBZ601YP331K	CCD-331	GP333	5GA-T33
C22	.05 25V		DBE6S5	DD-503	DPMS6S5	6DP-3-503	PVC615	6PS-S50
C23	.82		NPO-DI 1.0	TCZ-1			CN0510	1DTCC-V10
C24	.005		GPD X5R502K	DB-502	JBT601YP502K	CCD-502	JF250	10TS-D50
C25	.2			UK20-204	HCZ3R0XR224P		MAG12022	HY-470
C26	.2			UK20-204	HCZ3R0XR224P		MAG12022	HY-470
C27	.05 25V		DBE6S5	DD-503	DPMS6S5	60P-3-503	PVC615	6PS-S50
C28	.05 100V		OBE6S5	DE-503	DPMS6S5	6DP-3-503	PVC615	6PS-S50
C29	.05		GPD Z5V503P	DL-503	HOV1012V503Z	CCD-503	GP150	5GA-S50
C30	270	#2093050-0705						

Bendix Part Number.

* Not normally in distributor's stock. Available thru distributor on order to manufacturer.

CONTROLS (All wattages 1/2 watt, or less, unless listed)

ITEM No.	FUNCTION	RESISTANCE	REPLACEMENT DATA					
			MFGR. PART No.	CENTRALAB PART No.	CLAROSTAT PART No.	CTS-IRC PART No.	MALLORY PART No.	
R1A	Tone	25K	2094545-0701	R2-25K, R14-25K,			* QJ-2199A	TF253A (P253A,
B	Volume/Switch	25K Tap @ 3000		FFS200, RFS208, AK38, KR-7				S1F37) (1), RU253T53, 0X1750, 1S2250, US42
R2	Fader	80 2W	2094135-0703					

* "CONCENTRIKIT" Equivalent: K8 Kit with Base Elements and Shafts: B13-120, P17-123 (Panel), B19-119X, R26-206 (Rear),

"SNAPTROL" Equivalent: BU7, CF11, CR50T, SF14, SR50, WF

R5 (Tab Mount), 76-2 (Switch)

(1) Panel and Bushing components listed in parentheses may be substituted for the panel unit.

PARTS LIST AND DESCRIPTION (CONTINUED)

(When ordering parts, state Model, Part Number, and Description.)

Replacement parts shown may be superseded by the availability of newly introduced replacements.
Have your local distributor check Sams COUNTER FACTS for the most up-to-date replacement.

RESISTORS (Power and Special)

ITEM No.	RATING	REPLACEMENT DATA			ITEM No.	RATING	REPLACEMENT DATA		
		IRC PART No.	WORKMAN PART No.	MFGR. PART No.			IRC PART No.	WORKMAN PART No.	MFGR. PART No.
R33	.8 (PTC)			2090948-0026					

COILS (RF-IF)

ITEM No.	USE	REPLACEMENT DATA			
		PART No.	MEISSNER PART No.	MILLER PART No.	WORKMAN PART No.
L1	Antenna	(1)			
L2	RF	(1)			
L3	Oscillator	(1)			
L4	Input IF	2094080-0711		8006 (2)	
L5	Output IF			8006	

(1) Part of M2

(2) Cut off Pin #5

FILTER CHOKE

ITEM No.	RATINGS			REPLACEMENT DATA					NOTES
	CURRENT (Measured)	DC RES.	INDUCTANCE (0 CURRENT 1000~)	VOLVO PART No.	MERIT PART No.	STANCOR PART No.	THORDARSON PART No.	TRIAD PART No.	
L6	600ma	.6	1.5mh	2092050-0733					

TRANSFORMER (Audio Output)

ITEM No.	IMPEDANCE		REPLACEMENT DATA					NOTES
	PRI.	SEC.	MFGR. PART No.	MERIT PART No.	STANCOR PART No.	THORDARSON PART No.	TRIAD PART No.	
T1	17	8	2057317-G704					

SPEAKER

ITEM No.	TYPE			REPLACEMENT DATA			NOTES
	VOLVO PART No.	JENSEN PART No.	QUAM PART No.				
SP1	5" PM	8 ohms	2094858-001		5A1Z8		
SP2	5" X 7" PM	8 ohms	2094859-0001	PSX7V8	57A15Z8		
	5" X 7" PN	8 ohms	2057765-0701	PSX7V8	57A15Z8	P-1800 Rear	

FUSE DEVICES

ITEM No.	DESCRIPTION	REPLACEMENT DATA						
		PART No.		BUSS PART No.		LITTELFUSE PART No.		WORKMAN PART No.
		DEVICE	HOLDER	DEVICE	HOLDER	DEVICE	HOLDER	DEVICE
F1	AGA 2 Amp	2091811-0007	2094348-0526	AGA 2	HAF	301002	155004	

MISCELLANEOUS

ITEM No.	PART NAME	PART No.	NOTES
M1	Tuner Coil Assembly	2094066-0508 2090131-0094	
M2	Dial Lamp (#1892)	223198-0002	CHICAGO MINIATURE Replacement CM-1892

CABINETS & CABINET PARTS (When ordering specify model, chassis & color)

ITEM	PART No.	ITEM	PART No.
Escutcheon	2094551-0505	Knob, Tuning or Volume	2091244-0002
Dial Glass	2094767-0001	Knob, Tone or Dummy	2094480-0001
Dial Pointer	2090129-0078	Knob, Fader	2091244-0002
Push Button	2056519-0001		

VOLVO MODEL 7BVOX

INDEX

This index lists all radios appearing in "Auto Radio Manuals" and "PHOTOFACT Auto Radio Series"

KEY →

(EP) Early Productions

(LP) Late Productions

(REV) Revised

AIRCATTLE	VOL.	ALLSTATE	VOL.	AMERICAN MOTORS (CONT.)	VOL.	AUTOMATIC (CONT.)	VOL.	AUTOMATIC (CONT.)	VOL.
610.A67	4	5018	22	Hudson,Nash &		C-5003 65 Chev.	29	DUP-4151	27
610.FE-153 52-53		5028 Ch.528.50280/		Rambler	8	C-5003N 65 Chev.	37	DUP-4651	27
Ford	4	50281	7	8990543 83MR 58		C-6051 66 Chev.	39	DX-410 60 Dart,DeSoto,	
610.W-100	5	5033 Ch.528.50330/		Rambler	8	CA-109 59 Chev.	11	Dodge	14
		50331	7	8990576 94MA 59		CA-3041 63 Chev.	23	DX-619 59 Dodge	13
AIR CHIEF (See Firestone)		5050	30	Rambler	9	CA-4549 64 Chev.	28	DX-3013 63 Dodge	22
		5066	26	8990582 93MA 59		CA-4549N 64 Chev.	37	DX-5121 65 Coronet	30
AIRLINE		5098 Ch.833.50980	9	Rambler	10	CA-5503N 65 Chev.	37	DX-5121N 65 Coronet	35*
(Also See Riverside)		5099 Ch.833.50990	9	8990706 04MA 60		CAE-3064 63 Olds.	23	DXA-50 60 Dart,DeSoto,	
FJB-6590A 55 Ford	6	6225 Ch.528.55040/		Rambler	11	CAP-49 59 Chev.	14	Dodge	14
35BR-6796A	5	55041	11	8990811 03AR 60		CAP-60 59-60 Chev.	14	DXA-3053 63 Dodge	22
61-6787 52 Ford	5	6231 Ch.528.62310	9	Rambler	12	CAP-3042 63 Chev.	23	EM-29	21
61-6788 52-53 Ford	5	6232 Ch.528.62320	9	8990831 13MAM 60		CAP-4550 64 Chev.	28	EP-108 58 Edsel	12
61-6789 51-52 Chev.	5	6240 Ch.528.62400	5	Rambler	14	CAP-4550N 64 Chev.	37	F-100 Rev. 49-50	
61-6792 53 Dodge	4	6256 Ch.528.55040/		8990832 13MA 60		CAP-5504N 65 Chev.	37	Ford	6
61-6793 53 Chev.	5	55041	11	Rambler	14	CAP-6552 66 Chev.	39	F-128 58 Ford	12
61-6794 53 Plym.	5	6263 Ch.528.6263	5	8990833 14MR 61		CAV-4548 64 Chevelle.	28	F-128C 58 Ford	12
61-6795 53 Merc.	5	6263-2 Ch.528.6263-2.	5	Rambler	15	CEF-119 English Ford		F-139 59 Ford	6
61-12601 Tractor	5	6264 Ch.528.6264	5	8990981 2TMR 62		Consuls	15	F-151 Rev. 51 Ford	6
		6264-1 Ch.528.6264-1.	5	Rambler	29	CFM-3090	22	F-152 52 Ford	6
		6266 Ch.528.6266	5			CM-333 53 Chev.	4	F-241 54 Ford	6
AIWA		6268 Ch.62680/81	7	ANGLIA		CP-478-C 58 Chev.	12	F-322A	19
TP-718	48	6269 Ch.62690/91	7			CP-489-F 59 Chev.	14	F-3016 63 Ford	23
		6284 Ch.528.6284	4	6BEF 66	39	CP-500 59-60 Chev.	14	F-4055 64 Ford	27
		6286-4 Ch.528.6286-4.	4			CP-511AT 61 Chev.	16	F-5058N 65 Galaxie	36
		6287-4 Ch.528.6287-4.	4	A. R. C.		CP-522AT	19	F-6105P 65/66	
		6295-6 Ch.528.6295-6.	4	2500	33	CP-522AT 62 Chev L.P.	24	Galaxie	40
		6330 Ch.528.63300	5			CP-3002 63 Chev.	23	FA-219 59 Ford	11
		750.62380/81/90/91,		ATR KARADIO		CP-4050 64 Chev.	28	FA-3056 63 Ford	23
		750.62890	25			CP-4050N 64 Chev.	37	FA-4555 64 Ford	27
		833.5049	30	BKS410 61-62 Buick		CP-5004 65 Chev.	29	FA-6605P 65/66	
		833.50180B	31	Special	27	CP-5004N 65 Chev.	37	Galaxie	40
		833.50181	27	CT412 61-62 Chev.	27	CP-6052 66 Chev.	39	FAL-4554	27
		833.50202	27	CR414 60-62 Corvair	27	CPA-3047 63 Corvair	23	FAN-3058 63 Fairlane.	23
		833.50490	30	COT416 60-62 Comet	27	CPA-4533 64 Corvair	28	FAN-4551 64 Falcon	27
		833.50930	28	DED418 62 Dart	27	CPV-4048 64 Chevelle.	28	FAP-70 60 Ford	14
		833.50931 64 VW	28	FAL420 60-62 Falcon	27	CPV-5007 65 Chevelle.	29	FAP-4556 64 Ford	27
		833.62741	28	FD422 60-62 Ford	27	CR-3006 63 Corvair	23	FAP-6606P 65/66	
		833.62743	32	LR424 62 Lancer	27	CR-4034 64 Corvair	28	Galaxie	40
		833.62800	30	MY426 62 Merc.	27	CRA-3046 63 Corvair	23	FAR-762AT 62	
		833.63070	28	OE428 61-62 F-85	27	CRA-4534 64 Corvair	28	Fairlane	24
		833.500510 65 Chev.	32	PH430 62 Plym.	27	CRP-442A/AT 63		FAR-3018 63 Fairlane.	23
		833.501220	30	PCT432 61-62 Tempest	27	Corvair	23	FAR-4054 64 Fairlane.	27
		833.501230 65 Dart	30	TR720N	29	CRP-3007 63 Corvair	23	FFM-3091A 63 Ford	22
		833.501920 65 Comet	30	TR1279-6V	11	CRP-4033 64 Corvair	28	FM-61	14
		833.503050 65 Fury	30	TR1279-12V	11	CRP-5009 65 Corvair	29	FM-731	6
		833.503060 65		TT-727 Tractor Radio.	29	CT-356 55-56 Chev.	13	FM-3083	22
		Belvedere	30	VT434 62 Valiant	27	CT-387 57 Chev.	12	FM-3083A	27
		833.623690	30	401	27	CT-4058 64 Comet	27	FM-5099	32
		833.624211 64 VW	28	606	19	CTP-792AT 62 Comet	23	FN-4051 64 Falcon	27
		833.624630	30	707	19	CTP-3004 63 Comet	23	FNP-430 60 Falcon	14
		833.625510 65 Chev.	30	1279-6V	11	CTP4059 64 Comet	27	FNP-452AT 62 Falcon	23
		833.627420	28	1279-12V	11	CTP-5071 65 Comet	29	FNP-3015 63 Falcon	23
		833.628000	30			CTR-6A 55-56 Chev.	12	FNP-3015A 63 Falcon	23
		834.50480	32			CTR-6B 55-56 Chev.	13	FNP-4052 64 Falcon	27
		835.62460	29			CTR-77A 57 Chev.	9	FNP-5051N 65 Falcon	36
		856.62450	27			CU-39	12	FOP-4528 64 F-85	28
		856.62470	52			CY-3010 63 Chevy II	23	FP-238 58 Ford	12
						CY-4025 64 Chevy II	28	FP-238C 58 Ford	12
						CY-5005 65 Chevy II	29	FP-260 60 Ford	14
						CYP-3009 63 Chevy II.	23	FP-271AT 60-61 Ford	16
						CYP-4032 64 Chevy II.	28	FP-276TR 59 Ford	11
						CYP-5006 65 Chevy II.	29	FP-3017 63 Ford	23
						D-2 59 Renault		FP-4056 64 Ford	27
						Dauphine	12	FP-5057N 65 Galaxie	36
						D-8 59 Renault		FP-6106P 65/66	
						Dauphine	12	Galaxie	40
						DAD-6508 66 Dart	39	FPA-220 60 Falcon	14
						DAP-39 59 Dodge	13	FPA-3055 63 Falcon	23
						DD-5125 65 Dart	30	FPA-3057 63 Ford	23
						DD-5125N 65 Dart 270.	35	FPA-4552 64 Falcon	27
						DD-6008 66 Dart	39	FPF-4557 64 Falcon	27
						DE-300 60 DeSoto	14	FPO-4028 64 F-85	28
						DE-3077 63 Dart	22	FPO-5033 65 F-85	29
						DE-3078 63 Dart	22	FT-227 57 Ford	12
						DEP-4154	27	FTP-37A 57 Ford	9
						DEP-4654	27	FUP-3080 63 Falcon	
						DET-28 57-58 DeSoto	9	Futura	23
						DFM-3095	26	FUP-4057 64 Falcon	27
						DM-132 53 Dodge	5	H-4 58 Hillman	12
						DP-6 57-59 Renault		H-9 58 Hillman	12
						Dauphine	12	H-400 49-50-51	
						DUP-11 57-59 Renault		Hudson	6
						Dauphine	12	HP-10 58 Hillman	12
						DP-3082 64 Dodge 880.	26	HP-15 58 Hillman	12
						DP-4107 64 Dodge 880.	26	K-700 51 Henry J	6
						DP-5127N 65 Dodge 880,		L-390 59-60	
						Polara,Monaco	35	Studebaker Lark	14
						DTX-67A 57-58 Dodge	12	L-559 E.P. 59	
						DTX-68 57-58 Dodge	12	Studebaker Lark	11
						DUP-42	20	L-559 L.P. 59-60	
								Studebaker Lark	14

AUTOMATIC (CONT.)	VOL.	AUTOMATIC (CONT.)	VOL.	AUTOMATIC (CONT.)	VOL.	BLAUPUNKT (CONT.)	VOL.	BUICK (CONT.)	VOL.
LA-449 59 Studebaker		RAP-89 59 Rambler	13	W-5204 See Page 41		Vienna Series X From		7293634 66 Buick	37
Lark	11	RAP-100 60 Rambler	13	65 VW	28	Serial #X870001	42	7293644 66 Buick	38
LAP-29 59 Studebaker		RAP-3070 63 Rambler	26	WFM-5387 58-67 VW	54	Exportsuper 91220		7293654 66 Riviera	36
Lark	11	RG-59	14	WP-4 58-59 VW	12	Above Serial		7293674 66 Riviera	37
LAP-40 59-60 Studebaker		RG-59C	14	WP-7 Thru 57 VW	12	#E160001	18	7293684 66 Riviera	38
Lark	14	RP-470 60 Rambler	13	WP-7G Karmann-Ghia	12	Frankfurt	8	7293914 66 Special	37
LP-929 59 Studebaker		RP-481AT 60-61		WP-19 58-59 VW	12	Frankfurt US From		7297944 66 Buick	36
Lark	11	Rambler	16	WP-21 58-63 VW	23	Serial #V510001	27	7298904 67 Special	44
MAP-99 E.P. 59 Merc.	11	RP-519 59 Rambler	13	WP-167	15	Frankfurt 3798 Above		7298914 67 Special	43
MAP-99 L.P. 60 Merc.	14	RP-3030 63 Rambler	26	WP-3039 58-63 VW	23	Serial #Q553083	14	7298924 67 Buick	44
MAP-3063 63 Merc.	23	RP-3097 63 Rambler	23	WP-3093A 64 VW	28	Frankfurt 9798 Above		7298934 67 Buick	43
MAP-4561 64 Merc.	27	RP-5151 65 Rambler	29	WP-5203 See Page 41		Serial #890001	15	7298954 67 Riviera	44
MB-72	30	RT-7D	13	65 VW	28	Frankfurt US 36650		7298964 67 Riviera	43
MM-430 53 Merc.	4	RT-7B	11	WPC-8 Thru 57 VW	12	Series X	43	7298974 67 Riviera	45
MP-69	6	S-91 58-59 Simca		YAM-3050 63 Chevy II	23	Hamburg	8	7298984 67 Special	54
MP-126	6	Aronde	11	YAM-4525 64 Chevy II	28	Koln	8	7302514 68 Special	50
MT-47C 57 Merc.	12	S-500 50-51		YP-3049 63 Chevy II	23	Koln 3898 Above Serial		7302524 981314 68	
MT-419 E.P. 59 Merc.	11	Studebaker	6	YP-4532 64 Chevy II	28	KV810	16	Buick,Riviera	51
MT-419 L.P. 59-60		S-551 Rev. 50-51		AUTO-SONIC		Manhattan 35150		7302534 68 Buick &	
Merc	14	Studebaker	6	ST-308	53	Series W	43	Riviera	50
MT-530 59-60 Merc.	14	SA-529 58-59 Simca		603M/48	53	Manhattan 34150		7302544 68 Buick,	
MT-3023 63 Merc.	23	Aronde	11	AUTOVOX		Serial #V450001	26	Riviera	51
MT-4061 64 Merc.	27	SAB-3071 63 Special	23	OC-401	27	Manhattan 90220	17	7303994	48
MT-5073 65 Merc.	29	SB-3032 63 Special	23	RA-107	17	New Yorker 34750 From		7304884, A 68 Buick,	
MTR-602AT 62 Meteor	24	SBP-3033 63 Special	23	RA-115	17	Serial #V765001	34	Riviera, Special	51
MU-34	6	SBP-4027 64 Buick		RA-164	27	From Serial		CADILLAC	
MUS-4067 64 Mustang	27	Spl	28	RA-441	27	#X1485001	46	7264165, 7264185 54	5
MUS-5059 65 Mustang	29	SP-1 58-59 Simca		RA-443	27	Vienna	26	7265825, 7265845 55	6
MUS-5059N 65 Mustang	36	Aronde	11	TR-222 Auto/Portable	16	Wolfsburg 9160 Above		7266505, 7266535 56	6
N-638 58-59 Rambler		SPA-209 58-59 Simca		TR-231 Transmobile 3	19	Serial #G450001	9	7268005 57	7
American	13	SPA-3072 63 Special	23	Europa MU	8	3598	13	7268035 57 Ambulance	7
N-3028 63 Rambler		SPA-4527 64 Buick		Europa TJK	8	9280	13	7268085 58 Brougham	8
American	23	Spl	28	Europa TG/MU	20	BORG-WARNER		7270405 58	8
NA-749 58-59 Rambler		TA-3073 63 F-85,		Mexico TG	17	P6MW	47	7270555 58 Ambulance	8
American	13	Tempest	23	Monte Carlo	17			7272505 59	10
NA-306B 63 Rambler		TAC-3051 63 Chev.		Monte Carlo M	18			7274905 60	12
American	23	Truck	22	BENDIX				7274925 60, 75 Series	12
NAP-3069 63 Rambler		TAC-4541 64 Chev.		R2BG See Karmann Ghia				7276605 61	16
American	23	Truck	28	2 BG	18			7279615 62	18
NAY-3052 63 Chrysler	23	TAC-5514N 65 Chev.		R2BT See VW 2BT	18	BRITISH MOTORS CORP.		7281225 62	18
NP-3029 63 Rambler		Truck	37	R2BV See VW 2BT	18	6SMB 66 Austin Healey		7282315 63	19
American	23	TAP-3074 63 F-85,		R12BP 61 Chev.	16	3000, Mark III, Sprite,		7283295 63	20
NP-5153 65 Rambler		Tempest	23	R12BPC 61 Corvaire	16	MGB, MG Midget and		7286315 L.P. 63-64	25
American	29	TAP-4526 64 Tempest	28	R22BA See American		MG-1100	53	7290255 65	31
NU-63-AT	23	TAX-4542 64 Chev.		Motors 22BA	18	7SMB 67 Austin Healey		7290545 65	31
NU-3107	23	Truck	28	R22BAM See American		3000, Mark III, Sprite,		7293015 66 Cadillac	38
NU-3107A	28	TAX-5513N 65 Chev.		Motors 22BAM	18	MGB, MG Midget and		7293025 66 Cadillac	38
NVW-623B 65-67 VW 1600	54	Truck	37	R22BAX See American		MG-1100	53	7293905 990552 66	36
NY-400 60 Chrysler	14	TCM-3035 63 F-85,		Motors 22BAX	18	BUICK		7293915 990552 66	37
NY-59BA 58 Chrysler	10	Tempest	23	X2BB Shipmate 111	19	980051 60	12	7298465 67 Cadillac	44
NY-3012 63 Chrysler	23	TCM-3011 63 Chev.		2BC R2BC 62 Chev.	19	980052 60	13	7298475 67 Cadillac	45
NY-3100 63 Chrysler		Truck	22	2BCT R2BCT 62		980132 61 Special	15	7298485 67 Cadillac	45
New Yorker	26	TCM-4041 64 Chev.		Corvaire	19	980134 61	16	7303215 68 Cadillac	51
NY-5101N 65 Chrysler	35	Truck	28	3BCH 63 Chev.	21	980135 61	14	CHANNEL MASTER	
OAE-10 60 Olds.	14	TCM-5014 65 Chev.		3BCH2 63 Chevy II	21	980296 62	17	6540	21
OAE-4531 64 Olds.	28	TCM-5014N 65 Chev.		3BCT 63 Corvaire	21	980297 62	18	6541	35
OE-160 60 Olds.	14	Truck	37	4B2C 64 Chevy II	32	980316 62 Special	19	6542	35
OE-171AT 61 Olds.	16	TCX-4042 64 Chev.		4B2C 64 Corvaire	32	980462 63	19	6543	42
OE-3024 63 Olds.	23	Truck	28	4TBCH 64 Chev.	32	980463 63	21		
OE-4031 64 Olds.	28	TCX-5013 65 Chev.		4TBCL 64 Chevelle	32	980464 L.P. 63	20	CHEVELLE (See Chevrolet)	
OE-5031 65 Olds.	29	Truck	29	4TBCT 64 Chev. Truck	32	980464A L.P. 63	20	CHEVROLET	
P-69	20	TCX-5013N 65 Chev.		5BCC 65 Corvaire	31	980626 63	21	B1AT412 68 Chevelle,	
P-651 Rev. 51 Plym.	6	Truck	37	5BCH 65 Chev.	31	980626 63	21	Chevy II	49
P-4152	27	TPC-31 61 Buick Spl.		5BCL 65 Chevelle	31	980635 63	21	980657 64	25
P-4652	27	Olds., F-85, Pontiac		5TBCT 65 Chev. Truck	32	980649 64 Buick Spl	25	980659 64	25
P-5040 65 Pontiac	29	Tempest	16	6BCC 66 Corvaire	38	980655 63 Special	20	980669 65 Buick	29
PA-74R	30	TPC-31AT 63 F-85,		6BCH 66 Chev.	38	980669 65 Buick	29	981320 53, Series 40	4
PA-85	23	Tempest	23	6BCT 66 Chevelle	38	981321 53, Series 50 &		70	4
PA-3065 63 Plym.	26	TPC-42AT 63 F-85,		6BCT 66 Chev. Truck	38	981323 53, Series 50 &		70	4
PA-3285	23	Tempest	23	6BCT 66 Chev. Truck	38	981550 54, Series 40,		50 & 70	4
PAC-90 60 Pontiac	14	TPC-3036 63 F-85,		6BCT 66 Chev. Truck	38	981551 54, Series 40,		50 & 70	5
PAC-3067 63 Pontiac	23	Tempest	23	7BCC 67 Corvaire	45	981651 55 See Model		981550 54, Series 40,	
PAC-3067 63 Pontiac	14	TPC-4026 64 Tempest	28	7BCT 67 Chevelle	45	981550	4	981652 55	5
PAC-4529 64 Pontiac	28	TPP-87A 57 Plym.	13	7BCT 67 Chev. Truck	45	981707 56	6	981707 56	6
PAF-4340	29	TPP-88C 57-58 Plym.	13	7BCT 67 Chev. Truck	45	981708 56	6	981813 57	7
PAP-69 59 Plym.	15	TR-12 Tractor	4	7BCC 67 Camaro	45	981814 57	7	981902 58	8
PAP-80 60 Plym.	15	TR-13B	25	7FBCX 67 Chev.	47	981903 58	8	981968 59	10
PAP-3066 63 Plym.	22	TR-48AT	25	7FBCXX 67 Camaro	47	981969 59	11	981970 59	10
PC-350 60 Olds.	14	TR-0048	25	22B See MoPar 805	17	7285424 65	30	7285444 65 Riviera	31
PC-361AT 61 Pontiac	16	TUN-5	15	23BC See MoPar 327	17	Exportsuper 33070		7288794 65 Riviera	31
PC-3027 63 Pontiac	23	UE-4155A	28	23BDM23BP, 23BPX		From Serial #U170001	33	7289714 65 Special	30
PAC-3067 63 Pontiac	14	UE-4171A	28	24BC See MoPar 410	18	Exportsuper 33080 From		7289734 65 Riviera	30
PAC-4529 64 Pontiac	28	UE-4655A	28	24B1 See MoPar 409	18	Serial #U50001	33	7289754 65 Buick	31
PAF-4340	29	UE-4671A	28	BLAUPUNKT		Exportsuper 34150		7289774 65 Buick	31
PAP-69 59 Plym.	15	UFM-3089	22	Bremen Above Serial		Serial #V450001	26	7293604 981059 66	
PAP-80 60 Plym.	15	UFP-3098	22	#G14001	9	Exportsuper 34750 From		7293614 66 Buick	36
PAP-3066 63 Plym.	22	UN-40	12	Derby 94770 Serial		Serial #V765001	34		
PC-350 60 Olds.	14	VP-12	12	#V710001, Etc.	32				
PC-361AT 61 Pontiac	16	VPA-280 60 Valiant	15	Exportsuper 33070					
PC-3027 63 Pontiac	23	VPA-3076 63 Valiant	22	From Serial #U170001	33				
PC-4029 64 Pontiac	28	VPA-5108 65 Valiant	30	Exportsuper 33080 From					
PC-5041 65 Pontiac	29	VTP-440 60 Valiant	15	Serial #U50001	33				
PFM-3092A 63 Pontiac	22	VTP-3038 63 Valiant	22	Exportsuper 34150					
PFM-3094 63 Plym.	22	VTP-5107 65 Valiant	30	Serial #V450001	26				
PFX-5109 65 Fury	30	W-76 Thru 57 VW	12	Exportsuper 34750 From					
PFX-5109N 65 Fury	35	W-84 58-63 VW	23	Serial #V765001	34				
PM-236 53 Plym.	5	W-89 58-59 VW	12	Exportsuper 36350					
PP-330 60 Plym.	15	W-3040 58-63 VW	23						
PP-341AT 61 Plym.	16	W-3040A 64 VW	28						
PP-819 59 Plym.	15								
PP-3026 63 Plym.	22								
PP-5105 65 Belvedere	30								
PP-5105N 65									
Belvedere	35								
PS-4153	27								
PS-4653	27								
PT-3025 63 Plym.	26								
PUT-3108	23								
PUT-3108A	28								
R-54, B	11								
R-61	20								

CHEVROLET (CONT.)	VOL.	CHEVROLET (CONT.)	VOL.	FIRESTONE (CONT.)	VOL.	FORD (CONT.)	VOL.	HOFFMAN	VOL.
985916 64 Chev. Van	24	7303121 68 Chevelle	48	3-D-8	23	6TBT 66 Truck	36	769	28
985921 64 Corvette	24	7303131 68 Chevelle	49	3-D-15	27	6TBT 66 L.P.,67		769 Revised	31
985957 64 Chevy II	24	7303201 68 Corvette	53	4-B-69 Tractor	5	Truck	41	HUDSON (Also See American Motors)	
985958 64 Chevy II	23	7303211 68 Corvette	53	4-B-71 53 Plym.	4	6TBU 66 Econoline	36	236476 SH759 53	4
986096 65 Chev.	29	7303231 68 Chev.	48	4-B-72 53 Chev.	4	6TBU 66 L.P.,67		236486,238060 SH758	4
986099 65 Chev.	29	7303241 68 Camaro	48	4-B-74 54 Ford	5	Econoline	41	4389027 HNSAC-8 55	6
986101 65 Chev.	29	7303311 68 Chev.	48	4-B-76 55 Ford	5	6TBW 66 L.P.,67 "W"			
986113 65 Corvair	29	7304161 68 Camaro	48	4-B-77 55 Chev.	5	Series	41		
986113 65 Corvair	38	7304611 68 Chev.	49	4-B-78 55 Plym.	6	6TMF 66 Galaxie	36		
986116 65 Corvair	31	7305201 68 Camaro	49			6TPD 66 Falcon	36		
986116 66 Corvair	36	7305211 68 Camaro	49			6TPE 66 Galaxie	36		
986118 65 Corvair	29	7305221 68 Camaro	49			6TPO 66 Fairlane	36		
986118 66 Corvair	38	7305301/A 68 Chevelle,				6TPZ 66 Mustang	36		
986201 65 Chevelle	29	Chevy II	49			7TBTL 67 Truck	42		
986202 65 Chevelle	31	7305441 67 Chev.	48			7TMF 67 Galaxie	43		
986203 65 Chevelle	29	7305451 68 Chev.	49			7TPD 67 Falcon	41		
986248 65 Chevy II	29	7307121 68 Chev Truck.51				7TFP 67 Ford	41		
986250 65 Chevy II	31					7TPO 67 Fairlane	41		
986252 65 Chevy II	29					7TPS 67 T-Bird	41		
986281 65 Corvette	31					7TPZ 67 Mustang	41		
986330 65 Chev.Truck.	29					8TMF 68 Galaxie	52		
986338 65 Chev.Truck.	29					12BD 61 Falcon	14		
986339 65 Chev.Truck.	29					12BF 61	14		
986374 65 Chev.	29					12BT 61 Truck	14		
986376 65 Chevelle,						12BU 61 Econoline	14		
Chevy II,Corvair	29					14BF 61 Ford	30		
986521 66 Chevy II	38					14BM 61 Merc.	30		
986522 66 Chevy II	36					22BD 62 Falcon	18		
986527 66 Chevelle	38					22BO 62 Fairlane	18		
986528 66 Chevelle	36					24MF 62	17		
986529 66 Chevelle	38					66MF 56	6		
986544 66 Chev.	38					66MFP 56	6		
986545 66 Chev.	35					69MF 56	6		
986546 66 Chev.	37					69MS 56	6		
986668 53	4					74BF 57	8		
986669 53	4					74BT 57 Truck	9		
986769 66 Chev.Truck.	36					74MF 57	8		
986771 54 Truck	5					75BF 57	7		
986771 66 Chev.Truck.	36					75MF 57	7		
986823 67 Camaro	41					76MF SR 57	8		
986824 67 Camaro	42					78MF 57	7		
986835 67 Camaro	41					79MS 57 T-Bird	7		
986845 67 Chev.	41					84BF 58	8		
986846 67 Chev.	42					84BT 58 Truck	9		
986847/A 67 Chev.	42					84MF 58	8		
986852 67 Chevelle	41					84MS 58 T-Bird	9		
986853 67 Chevelle	41					86MF 58	8		
986854 67 Chevelle	43					94BF 59	10		
986863 67 Corvair	41					94BT 59 Truck	11		
986864 67 Corvair	41					94MF 59	10		
986865 67 Corvair	43					94MFM 59	10		
986868 67 Chevy II	41					94MS 59 T-Bird	11		
986869 67 Chevy II	41					95MF 59	10		
987086 55	5								
987087 55	5								
987088 55	5								
987187 55 Truck	6								
987366 56 See Model									
987088	5								
987368 56	6								
987573 57	7								
987575 57	7								
987577 57	7								
987693 57	7								
987724 58	8								
987727 58	8								
987730 58	9								
987888 59	10								
987891 59	10								
987893 59	10								
988062 60 Corvair	12								
988080 60 Truck	13								
988275 60	12								
988276 60	12								
988336 61 Truck Series									
95	15								
988413 61	15								
988414 61	14								
988460 61 Corvair	15								
988468 61 Corvair	14								
3711897 55 Corvette	6								
3725156 56-57									
Corvette	7								
3748611 58 Corvette	9								
37296341 986731 66									
Caprice	37								
7296351 986644 FM									
Stereo	37								
7298501 67 Chev.									
Truck	44								
7299561 66 Caprice	37								
7297901 68 Camaro	49								
7299111 68 Corvair	49								
7300471 67 Chev.	43								
7300481 67 Chev.,									
Chevelle,Corvair	44								
7300491 67 Chev.	43								
7300941 67 Chev.,									
Camaro,Chevelle,									
Corvair	42								
7301001 67 Camaro	44								
7301001 68 Camaro	48								
7302451 68 Chevy II	49								
7302721 68 Corvette	52								

LEAR JET	VOL.	MG	VOL.	MOPAR	VOL.	MOPAR	VOL.	MOTOROLA	VOL.
AS-830-H	54			332 63 Dodge 880	21	820 53 Dodge	4	CR66A 66 Corvair	38
ASFM-830-H	54			333 63 Chrysler	21	821 Desoto S-16/-18	4	CR66M 66 Corvair	39
ASR-830-H	44			334 4TBQ 64 Dodge880	24	824 53 Chrysler	4	CR67A 67 Corvair	44
LINCOLN				335 64 Plym.	25	828 54 Dodge D-50/-51/-52/-53	4	CR6A0X 60 Corvair	15
F3TBC 63	21	65-200	40	336 64 Dodge	25	829 Desoto S-19/-20	4	CR6A2 60-62 Corvair	20
F4TBC 64	25	65-210 12 Transistor		337 63 Valiant	22	830 54 Chrysler C-62/-63/-64	4	CR6A3 61-63 Corvair	22
F6TDC 66 Lincoln	40	Version	40	339 63 Dodge Dart	22	831 See Model 830	4	CR6A4 60-64 Corvair	25
F14TBC 64	25	65-210	34	343 R3BC 63 Chrysler		832 55 Plymouth	5	CR6A6 60 Corvair	14
TOB5TBC 65	33			TC1/2/3	19	833 55 Dodge D-55/-56	5	CR6M2 60-62 Corvair	19
T6SMC 66 Continental	36			344 63 Dodge	22	835 55 Plymouth	5	CR6M3 61-63 Corvair	22
T7SMC 67 Lincoln	45			345 63 Plym.	22	836 55 Desoto S-21/-22	5	CR6M4 60-64 Corvair	25
T7SMK/C 67 Lincoln	45			347 R23BDQ 62 Dodge		835 55 Chrysler	5	CT2A6 51-52 Chev.	5
T8ML 68 Lincoln	52			880,SD3	19	836 55 Plymouth	5	CT4FM 64 Chev.	26
T8MX 68	54			348 4TBC 64 Chrysler	24	840 56 Plymouth	6	CT4FMC 64 Chev.	34
05BH 60	12			350 R3BD 63 Dodge880	19	841 56 Plym. P-28/-29	6	CT52M6 51-52 Chev.	5
3SH756 53	4	M-40	12	351 64 Chrysler	25	842,842HR 56 Dodge D-62/-63	6	CT65A 65 Chevrolet	32
4SH764 54	4	M-160	12	352 64 Imperial	25	-63	6	CT65M 65 Chevrolet	32
4SH766 54	4	MC-40	12	353 64 Dodge 880	25	843 56 Desoto S-23/-24	6	CT66A 66 Chevrolet	38
4TMC F 64Continental	23	MC-160	12	354 64 Dodge	24	844/HR 56 Chrysler	6	CT66M 66 Chevrolet	39
5BH 55	5			360 5FBP 65 Plym.	30	845 57 Dodge D-66/-67/-70/-71/-72	8	CT67A 67 Chevrolet	44
5TMC F 65Continental	28			361 5FBPD 65 Plym.	30	846 57 Desoto S-25/-26/-27	8	CTA3 53 Chevrolet	4
6BC 65	6			361 6FBPD 66 Plymouth		847 57 Chrysler	8	CTA4 54 Chevrolet	6
6BH 56	6			Deluxe	36	848 57 Plymouth	8	CTA5 55 Chevrolet	6
6TDC 66 Lincoln	37			362 5FBD 65 Dodge	30	849 57 Plym. P-30/-31	8	CTA6T 55-56 Chevrolet	6
78BL 57	7			363 65 Dodge 880	28	851 84BC 58 Chrysler	8	CTA6X 55-56 Chevrolet	7
85BH 58	9			363S 66 Polara, Custom		852 58 Dodge LD-1/-2/-3	8	CTA7X 57 Chevrolet	7
85BHP Above Serial				880, Monaco BD2	35	854 58 Plym. LP-1/-2	9	CTA8X 58 Chevrolet	9
#5000 58	9			364 5FBDD 65 Dodge	30	855 P-5901 59 Plym.	11	CTA9X 59 Chevrolet	10
88BH 58	8			364 6FBDD 66 Dodge		856 59 Dodge MD1/2/3	10	CTA61 61 Chevrolet	15
95BH 59	9			Deluxe	36	857 59 Desoto MS1/2/3	10	CTA62 62 Chevrolet	18
MACK				365 65 Chrysler	28	858 94BC 59 Chrysler	10	CTA63 63 Chevrolet	22
U3MMT Truck	32			365S 66 Chrysler BC1/2/3	35	859 59 Plymouth	10	CTA64 64 Chevrolet	24
U5MMT 204SX28	47			366 5FBC 65 Chrysler	30	860 59 Plym. MP1/2	12	CTM3 53 Chevrolet	5
MERCURY (See Also Philco-Ford)				366 6FBC 66 Chrysler	36	861 59 Chrysler Export	12	CTM4/A 54 Chevrolet	6
D8MF 68 Comet	53			367 5FBI 65 Imperial	30	900 55 Dodge D-55/-56	5	CTM6 55-56 Chevrolet	6
E5TBM 65 Merc.	28			369 6FBP,6FBVE 66 Plymouth Standard	36	901 55 Desoto S-21/-22	5	CTM7X 57 Chevrolet	7
E6TMM 66 Merc.	35			369 7FBP 67 Plym.	48	902 55 Chrysler	5	CTM8X 58 Chevrolet	9
E5TBM 65 Merc.	34			370 7FBD 67 Dodge	48	902 55 Desoto S-21/-22	5	CTM9X 59 Chevrolet	10
E6TBM 66 Merc.	38			372 5FBVE See Page 86		903 55 Chrysler	5	CTM57X 57 Chevrolet	9
F3TBM 63	21			65 Plymouth	30	910/HR 56 Dodge D-62/-63	6	CTM61X/A 61 Chevrolet	16
F4TBE 64 Comet	24			373 5FBL See Page 86		911 65 Desoto S-23/-24	6	CTM62 61-62 Chevrolet	19
F5TBE 65 Comet	34			65 Dart	30	912/HR 56 Chrysler	7	CTM63 63 Chevrolet	22
F6TGB 66 Comet	38			374 7FBPD 67 Plym.	48	916/HR 56 Plym. P-28/-29	7	CTM64 64 Chevrolet	25
F4TBM 64 Merc.	24			375 7FBC 67 Chrysler	48	917HR 57 Plymouth	8	CY65A 62-65 Chevy II	32
F5TBM 65 Merc.	34			376 7BC 67 Chrysler	42	918 57 Dodge D-66/-67/-70/-71/-72	7	CY65M 62-65 Chevy II	33
F6TBM 66 Merc.	38			377 7BDD 67 Dodge		919/HR 57 Desoto S-25/-26/-27	7	CY66A 66 Chevy II	38
F7TGB 67 Comet	47			Deluxe	42	920HR 57 Chrysler	8	CY67A 67 Chevy II	44
F7TBM 67 Merc.	47			378 7BDD 67 Dodge	48	921HR 57 Imperial	8	CY67A 67 Chevy II	44
M7TB 67 Comet,Cougar, Merc.	47			379 6FBL 66 Dart	36	922 85BC 58 Chrysler	9	CY68 62 Chevy II	20
M-5841 58	9			381 67 Charger	43	923 58 Desoto L-51/-52/-53	9	CY63 61-63 Chevy II	22
T6SMM 66 Merc.	35			385 7FBVA 67 Barracuda, Dart,Valiant	48	924HR	9	CY64 62-64 Chevy II	25
T7SMH/A 67 Comet	45			402 04BC 60 Chrysler	13	925 58 Plym. LP-1/-2	9	CY66 66 Chevy II	33
T7SMH/F 67 Cougar, Merc.	45			403 04BI 60 Imperial	13	927 59 Desoto MS-1/-2/-3	10	CY67A 67 Chevy II	44
T7SMH/N 67 Comet	45			404 14BI 61 Imperial	15	928 R95BC-S 59 Chrysler	11	CY68 62 Chevy II	19
T7SMM 67 Merc.	45			407 14BC 61 Chrysler	15	929 C-5909 59 Imperial	11	CY69 62 Chevy II	19
T7SMM 67 Cougar	45			409 24BI 62 Imperial	18	MY-1	11	CY66M 62-65 Chevy II	33
T8MM 68 Merc.	54			410 24BC 62 Chrysler	18			CY66A 66 Chevy II	38
T8MZ 68 Cougar	54			SC1/2/3	18			CY67A 67 Chevy II	44
04BM-1 60	13			411 34BCS 63 Chrysler	20			CY68 62 Chevy II	19
04BM-2 60	13			413 34BI 63 Imperial				CY69 62 Chevy II	19
2TBM R2TBM 62	20			TY1	20			CY66M 62-65 Chevy II	33
2TMY 62 Meteor	18			414 44BI 64 Imperial	24			CY67A 67 Chevy II	44
3SMY757 53 See Lincoln	4			415 44BCS 64 Chrysler	24			CY68 62 Chevy II	19
Model 3SH756	4			416 65 Chrysler	31			CY69 62 Chevy II	19
3TBM 63	21			416B 66 Chrysler	39			CY66 66 Chevy II	33
3TME 63 Comet	23			417 65 Imperial	31			CY67A 67 Chevy II	44
3TMY 63 Meteor	23			417B 66 Imperial	39			CY68 62 Chevy II	19
4SM767 54 See Lincoln	4			418 67 Imperial	47			CY69 62 Chevy II	19
Model 4SH764	4			419 67 Imperial	43			CY66M 62-65 Chevy II	33
4TBM 64 Merc.	23			420 66 Imperial	40			CY67A 67 Chevy II	44
4TME 64 Comet	23			421 67 Chrysler	43			CY68 62 Chevy II	19
5BM 55 See Lincoln	5			608 53 Plym. P24	4			CY69 62 Chevy II	19
Model 5BH	5			609 53 Dodge Model D-44/-46/-47/-48	4			CY66 66 Chevy II	33
5TBM 65 Merc.	28			610T 53 Dodge Truck, Series B-3/-4	4			CY67A 67 Chevy II	44
5TPE 65 Comet	28			611T 54 Dodge Truck, Series C See Model 610T	4			CY68 62 Chevy II	19
6BM 56	6			612 54 Dodge D-40/-51/52/-53 See Model 609	4			CY69 62 Chevy II	19
6BMS 56	6			613 55 Plym. P-26/-27	5			CY66 66 Chevy II	33
6TMM 66 Merc.	35			614 55 Dodge D-55/-56	5			CY67A 67 Chevy II	44
6TPG 66 Merc.	37			620 56 Plym. P-28/-29	7			CY68 62 Chevy II	19
7TBM	42			621 56 Dodge D-62/-63	7			CY69 62 Chevy II	19
7TPG 67 Comet,Cougar	41			624 57 Dodge D-66/-67/-70/-71/-72	8			CY66 66 Chevy II	33
22BM 62	18			700 58 Dodge Truck	8			CY67A 67 Chevy II	44
METEOR (Also See Mercury)				700 Rev. 60 Dodge Truck	14			CY68 62 Chevy II	19
24ME 62 Comet See Ford 24ME	17			701 59 Simca	12			CY69 62 Chevy II	19
Ford 24ME	17			703 R12BDT 61 Dodge Truck	16			CY66 66 Chevy II	33
Ford 24ME	17			706 64 Dodge Truck	26			CY67A 67 Chevy II	44
77BM 57	7			706 STBDT Similar to page 64 65 Dodge Truck	26			CY68 62 Chevy II	19
78BM 57	7			706 7BDT 67 Dodge Truck	44			CY69 62 Chevy II	19
84BM 58	8			819 53 Plymouth	4			CY66 66 Chevy II	33
85BM 58	9							CY67A 67 Chevy II	44
94PM 59	12							CY68 62 Chevy II	19
95PM 59	11							CY69 62 Chevy II	19
METRAVOX								CY66 66 Chevy II	33
Sutton RA144	20							CY67A 67 Chevy II	44
Sutton RA155	21							CY68 62 Chevy II	19

REGAL	VOL.	RIVERSIDE (CONT.)	VOL.	SOUNDEX	VOL.	STUDEBAKER	VOL.	TENNA (CONT.)	VOL.
CR-871	4	FJB-16581A 63 Merc.	23	CEP-764T 64 Chevelle	26	AC-2300 S-5327 53	4	CH-65M 65 Chev.	34
RENAULT		FJB-16582A 62-63 Plymouth	23	CHP-164T 64 Chev.	26	AC-2301 S-5323 53	4	CH-65PB 65 Chev.	34
2TMXD 55555	17	FJB-16583A 63Temp-st.	23	CHP-165T 65 Chev.	32	AC-2686 S-5528 55 See		CH-66M/PB 66 Chev.	37
3TMXD 55556 63	21	FJB-16584A 63Rambler	26	CHP-166T 66 Chev.	40	Model AC-2300	4	CH-67PB 67 Chev.	46
5SMXD 55566 66	40	FJB-16585A 63 Chev.	23	CHP-654T 64 ChevyII	26	AC-2687 S-5524 55 See		CHT-63M 63 ChevTruck	46
6SMXD 66 Caravelle,	40	FJB-16586A 63Corvaire	23	COM-60 60 Corvaire	16	Model AC-2301	4	CHT-64M See page 136	23
Dauphine	50	FJB-16587A 63 Falcon	23	COP-60 60 Corvaire	16	AC-2721 S-5529 55 See		64 Chev. Truck	26
7SMXD 67 Caravelle,	50	FJB-16588A 63 Ford	23	COP-006T 66 Corvaire	40	Model AC-2300	4	CHT-65M 65 ChevTruck	35
Dauphine	50	FJB-16589A 63 Ford	23	CTP-264T 64 Comet	26	AC-2745 56	6	CHT-65PB 65 Chevrolet	
RIVERSIDE		FJB-16607A	32	CTP-266T 66 Comet	39	AC-2746 56	6	Truck	35
(Also See Airline)		FLH-16518A 64-65 Chev. & GMC Truck	35	CTR-166T 66 Chevrolet Truck	40	AC-2747 56	6	CHT-66M/PB 66 Chevrolet	
FCJ16511A	27	FLH-16519A 60-64 Dodge	34	CYP-465T 65 Chrysler	32	AC-2748 56	6	Truck	37
FJB-6471A 62 Chevy II	19	880	34	CYP-466T 66 Chrysler	39	AC-2905 58	9	CHT-67M, PB 67 Chev.	
FJB-6472A 62 Chevy II	19	FLH-16528A 65-64Chev.	34	CYP-565T 65 Chrysler	39	AC-2906 58	8	Truck	46
FJB-6537A 58-59 VW	14	FLH-16529A 63 Chev.	35	DAP-864T 64 Dart	26	AC-2907 58	8	CL-64PB 64 Chevelle	23
FJB-6538A 58-59 VW	14	FLH-16530A 60-64 Corvaire	34	DAP-865T 65 Dart	32	AC-2977 60	12	CL-65PB 65 Chevelle	35
FJB-6540A	19	FLH-16531A 65Corvaire	35	DAP-866T 66 Dart	39	AC-2978 60	13	CL-66PB 66 Chevelle	37
FJB-6540C	27	FLH-16533A 62-65 Chevy II	35	DOP-866T 66 Dodge	26	AC-3084 61	17	CL-67PB 66/67 Chevelle	
FJB-6550A	24	FLH-16534A 64 Chevelle	34	DOP-865T 65 Dodge	32	AC-3085 61	15	CM-63PB 63 Comet	26
FJB-6551A	22	FLH-16535A 65 Chevelle	34	DOPP-465T 65 Polara	39	AC-3086 61	17	CM-64PB 64 Comet	23
FJB-6551C	34	FLH-16536A 63-64 Galaxie	34	DOPP-466T 65 Polara	39	AC-3087 61	15	CM-65PB 65 Comet	31
FJB-6560A 62 Merc.	19	FLH-16537A 65Galaxie	35	DPO-866T 66 Dodge	39	AC-3216 62	17	CM-66PB 66 Comet	36
FJB-6561A 62 Fairlane	19	FLH-16538A 64 Fairlane	34	FAP-264T 64 Falcon	26	AC-3217 62	18	CM-67PB 67 Comet, 202, Capri	46
FJB-6562A 61-62 Chev.	19	FLH-16539A 65 Fairlane	34	FAP-266T 66 Falcon	39	AC-3246 62	18	CO-63M/PB 60/63 Corvaire	26
FJB-6567M 59 Plym.	13	FLH-16540A 60-64 Ford	34	FLP-264T 64 Fairlane	26	AC-3255 62	18	CO-64PB 60/64Corvaire	23
FJB-6571 60-61 Dart	19	FLH-16541A 64/65 Falcon, 64 Comet	35	FOP-264T 64 Ford	26	AC-3351 63	19	CO-65PB 65 Corvaire	34
FJB-6572A 61-62 F-85, Special, Tempest	19	FLH-16543A 65 Comet	35	FOP-265T 65 Ford	32	AC-3352 63	21	CO-66PB 66 Corvaire	37
FJB-6576A	32	FLH-16544A 63/64Merc.	34	FOP-266T 66 Ford	39	AC-3353 63	19	CO-67PB 66/67Corvaire	46
FJB-6577A	32	FLH-16545A 65 Merc.	35	MEP-264T 63/64 Merc.	26	AC-3423 SR2T	22	CR-63PB 63 Chrysler	26
FJB-6579A 61-62 F-85, Special, Tempest	19	FLH-16546A 63/64 Ambassador, Classic	34	MEP-265T 65 Merc.	32	AC-3473 64Studebaker	24	CR-64PB 63/64 Chrysler	23
FJB-6580A 61-62 F-85, Special, Tempest	19	FLH-16547A 65 Ambassador, Classic	34	MEP-266T 66 Merc.	39	AC-3474 64 Hawk	24	CR-65PB 65 Chrysler	34
FJB-6581 60-62 Corvaire	19	FLH-16549A 64 Plym.	34	MUP-266T 66 Mustang	39	AC-3498 64Studebaker	24	CR-66PB 66 Chrysler	36
FJB-6583A 60-62Ford	19	FLH-16550A 65 Belvedere	39	PLP-464T 64 Plym.	26	AC-3499 64 Hawk	24	CR-67PB 67 Chrysler	46
FJB-6584A 60-61 Valiant	18	FLH-16551A 65 Fury	39	PLP-465T 65 Plym.	32	AC-3500 64 Avanti	24	DA-63PB 63 Dart	26
FJB-6587	20	FLH-16552A 64Valiant	34	PLP-466T 66 Plym.	39	AC-3506 64 Avanti	24	DA-64PB 64 Dart	23
FJB-6591	16	FLH-16553A 65Valiant	39	PLPF-465T 65 Fury	32	AC-3556 66Studebaker	36	DA-65PB 65 Dart	34
FJB-6592	16	FLH-16554A 64 Poiara	34	PLPF-466T 66 Fury	39	SUNBEAM		DA-66PB 66 Dart	36
FJB-6593	16	FLH-16555A 65Coronet	39	POP-666T 66 Pontiac	40	7BSU 67 Sunbeam	46	DA-67PB 67 Dart	46
FJB-6604B 60-62 Corvaire	19	FLH-16556A 64 Dart	34	RAAP-1065T 65 Rambler American	32	TEMPEST (See Pontiac)		DAX-67PB 67 Dart 270	46
FJB-6608A 61 Lancer	18	FLH-16557A 65 Dart	39	RAP-364T 65 Rambler	32	TEN		DD-65PB 65 Dodge	34
FJB-6609	19	FLH-16558A 64 Dart	34	RAP-366T 66 Rambler	39	AT-96-1 AR-96EX	49	DD-66PB 66 Polara, Monaco	36
FJB-6609A	19	FLH-16559A 65 Dart	39	SM-130RPE	27	AT-96-2 AR-96EX-S	49	DD-67PB 67 Monaco, Polara	46
FJB-6611 60-61 Rambler	22	FLH-16560A 65 Dodge	34	STM-059 59 Lark	16	AT-96-3 AR-96VW	49	DE-66PB 66 Dodge	36
FJB-6612 61-6612 62 Chevrolet	18	FLH-16561A 63/65 Econoline	35	STP-059 59 Lark	16	AT-96-4 AR-96VW-S	49	DO-63PB 63 Dodge	26
FJB-6612A 61-62 Chev.	19	FLH-16652A 64 Buick Special	34	UN-120RPT	39	AT-2010 AT-2110	52	DO-64PB 64 Dodge	23
FJB-6613/A 60-61 Falcon or Comet	18	FLH-16653A 65 Olds	35	UP-220RPT	27	618VW/6 Volt	49	DO-65PB 65 Dodge	34
FJB-6615A	27	FLH-16654A 64 F-85	34	VAP-464T 64 Valiant	26	618/12 Volt	49	DO-66PB 66 Dodge	36
FJB-6618A 61 Rambler	17	FLH-16655A 64 F-85	34	VAP-465T 65 Valiant	32	TENATRONICS		DS-67M 67 Sportsman, A-100	46
FJB-6619A	21	FLH-16656A 64/65 Tempest	35	VAP-466T 66 Valiant	39	SA-712	40	DT-65M 65 DodgeTruck	34
FJB-6643A 60-62 Comet, Falcon	19	FLH-16657A 65 Dart	39	VMP-19T 65 Prod.	27	SA-822	36	DT-67M 67 DodgeTruck	46
FJB-6649A Tractor	20	FLH-16658A 64/65 Truck	35	VMP-19T 66 Prod.	41	SM-711	22	EC-65M 65 Econoline	35
FJB-6658	21	FLH-16659A 63 Rambler	26	4TBT R V-350 64 Triumph	26	SM-711 Revised	40	EC-66M 66 Econoline	36
FJB-6679A	10	SAAB		STROMBERG-CARLSON		SM-751	22	EC-67M 67 Econoline	46
FJB-6681A 58 Plym.	10	48H 64	30	C.A.R.7	11	SM-751 Revised	40	FA-63M/PB 60/63 Falcon	26
FJB-6682A, B	10	5BH 65 Saab	34	C.A.R.9 59Ford&Edsel	11	SM-821	36	FA-64M/PB 64 Falcon	23
FJB-6684 59 Ford	11	6BSA 66	38	CH-60-M 60 Chev.	14	TRM-702	22	FA-65PB 65 Falcon	35
FJB-6686A 59 Plym.	12	7FBSAX	52	CH-60-PB 60 Chev.	14	UA-701	22	FA-66PB 66 Falcon	36
FJB-6687 59 Ford	11	SAMPSON		CH-61-M 61 Chev.	17	UM-701	22	FA-67PB 67 Falcon	46
FJB-6688 59 Chev.	11	55A	18	CH-61-PB 61 Chev.	17	UM-702 L.P.	37	FL-63M/PB 62/63 Fairlane	26
FJB-6689A 59 Plym.	12	SEARS		DA-60-PB 60 Dart	14	UM-701 L.P.	37	FL-64PB 64 Fairlane	23
FJB-6690A 59 Buick	13	833.62421	53	DE-60-PB 60 Desoto	14	VWM-751	40	FL-65PB 65 Fairlane	35
FJB-6691B Renault	12	833.62820	36	DO-60-PB 60 Dodge	14	VWA-702	22	FL-66PB 66 Fairlane	36
Dauphine	12	833.62830	37	DO-61-PB 61 Dodge & Dodge Dart	17	VWM-701	22	FL-67PB 67 Fairlane	46
FJB-6693B Renault	13	833.622810 66Galaxie	38	DO-61-PB 61 Dodge & Mercury	17	TENNA		FO-63M/PB 63 Ford	26
Dauphine	12	837.62220	38	FO-60-M 60 Ford	14	AM-63M/PB 60-63 American	26	FO-64M See page 136	23
FJB-16509C	33	836.621261	49	FO-60-PB 60 Ford	14	AM-64PB 63/64 American	23	63/64 Ford	23
FJB-16512A 64 VW	28	833.624220	53	FO-61-M 61 Ford & Mercury	17	AM-66PB 66 American	36	FO-64PB 64 Ford	23
FJB-16513A 64 VW	28	836.63060 58-65	52	IM-60-M	15	AM-67PB 67 Rambler American	44	FO-65PB 65 Ford	35
FJB-16520A 63 Chrysler	23	SIMCA		IM-60-MX	17	BU-63PB 63 Buick	26	FO-66PB/RS 66 Ford	36
FJB-16521A 63 Chev.	23	4TBJ 1000 64	27	IM-61-PB	17	BU-64PB 63/64 Buick	23	FO-67PB 67 Ford	46
FJB-16522A 63 Dodge	23	5BJ 1000 65	35	LA-61-PB 61 Lark	17	BU-66PB 66 Buick	37	FT-65M 65 Ford	36
FJB-16523A 63 Ford	23	6BSI 66 Simca 1000	39	LR-61-PB 61 Lancer	18	BU-67PB 66/67 Buick	46	FT-66M 66 Ford	36
FJB-16524A 63 Merc.	23	7BSI Similar to page 89	45	OL-61-PB 61 Olds	17	CII-64PB 62/64 Chevy II	23	FT-67M 67 Ford Truck	46
FJB-16525A 63 Olds	23	SPECIAL (See Buick)		PL-60-M 60 Plym.	14	CII-65M 65 Chevy II	35	IM-65M	32
FJB-16526A 63 Plym.	23	STERLING		PL-61-M 61 Plym.	18	CII-66PB 66 ChevyII	37	IM-65PB	32
FJB-16527A 63 Pontiac	23	SM-704	50	PO-61-PB 61 Pontiac	17	CII-66PB 66 ChevyII	37	ME-63PB 63 Mercury	26
FJB-16563A	32	SM-751	42	RA-61-PB 61 Rambler	17	CII-63M/PB 62/63 Chevy II	26	ME-64PB 63/64 Merc.	23
FJB-16566A	20	UA-702	41	VA-60-M 60 Valiant	14	CII-67PB 66/67 Chevy II	46	ME-65PB 65 Mercury	35
FJB-16567A	21	UDR-100	46	VA-61-PB 61 Valiant	18	CII-67PB 66/67 Chevy II	46	ME-66PB 66 Mercury	36
FJB-16569A	28	UDR-102	46	SUNBEAM		CA-67PB 67 Camaro	46	MR-63PB 62/63 Meteor	26
FJB-16574A 63 Buick	23	VWM751	48	7BSU 67 Sunbeam	46	CG-67PB 67 Cougar	46	MU-66PB 65/66Mustang	36
FJB-16576A 63 Corvaire	23	TEMPEST (See Pontiac)		TEN		CH-63M/PB 63 Chev.	26	OF-63PB 61/63 F-85	26
FJB-16577A 63 Dart	22	TENATRONICS		AT-96-1 AR-96EX	49	CH-64M See page 136	26	OF-64PB 64 F-85	23
FJB-16578A 63 Ford	23	SA-712	40	AT-96-2 AR-96EX-S	49	63/64 Chevrolet	23	OF-65PB 65 Olds	35
FJB-16579A 63 Falcon	23	SA-822	36	AT-96-3 AR-96VW	49	CH-64PB/RS 63/64Chev.	23	OF-66PB 66 F-85	37
FJB-16580A 63 F-85	23	SM-711	22	AT-96-4 AR-96VW-S	49			OF-67PB 67 F-85	46

HOWARD W. SAMS

PHOTOFACT® SPECIALIZED SERIES

AUTO RADIO SERIES

Complete and up-to-date PHOTOFACT® coverage of Auto Radios and Tape Players. Regular price \$3.50 per volume—only \$3.20 when purchased on a Standing Order Subscription! Sign up and save 30¢ per volume.



CB RADIO SERIES

Five to six volumes issued yearly provides complete PHOTOFACT® coverage of all popular CB Radio models. Regular price \$3.50 per volume—only \$3.20 when purchased on a Standing Order Subscription! Sign up and save 30¢ per volume.



TAPE RECORDER SERIES

Complete PHOTOFACT® coverage of all important late-model Tape Recorders in easy-to-use volumes. Regular price \$5.25 per volume—only \$4.95 when purchased on a Standing Order Subscription! Sign up and save 30¢ per volume.



HOWARD W. SAMS & CO., INC.

PHOTOFACT® SPECIALIZED SERIES

are available from your local parts distributor

\$3.50
\$4.40 IN CANADA
AR-54
06036