

The background of the cover is a warm, golden-yellow color. It features several overlapping, semi-transparent technical diagrams, likely circuit boards or wiring schematics, in a light tan or cream color. These diagrams are scattered across the cover, with some appearing more prominent than others. The overall aesthetic is that of a classic technical manual.

TELEVISION

EXPLAINED

BY W. E. MILLER

M.A. (Cantab). M.Brit.I.R.E.

EDITOR OF "THE WIRELESS & ELECTRICAL TRADER"



FULLY REVISED THIRD EDITION

TELEVISION EXPLAINED

Here is a book—now in its third revised edition—that meets the needs of those who want technical information of a straightforward nature on TV. It is addressed to knowledgeable members of the public who, having some acquaintance with radio circuits, are equally interested in their television counterparts; to radio service engineers as a grounding in the circuitry they will encounter in maintaining television sets; and to students in radio and television at technical colleges.

The book is non-mathematical, and is written in simple language. In addition to television reception circuits, aerials and aerial systems are fully explained, and receiver installation and operation are described and illustrated.

This new edition appears in improved format and contains much additional information on aerial systems, and, with the opening of the second television transmitter, at Birmingham, some notes on frequency allocations and suppressed sideband working. Other sections of the book have been brought up-to-date, while actual photographs of picture faults, taken by the author specially for this edition, are included.

Contents include: Aerials, The Signal, The Receiver Outlined, The Receiver in Detail, Sync Separation, The Cathode-ray Tube, Scanning Circuits, Deflection Amplifiers, Power Supplies, Receiver Installation and Operation.

Britain's foremost journal for the radio, television and domestic electrical trades

ON the solid foundation of over 25 years' service, "The Wireless & Electrical Trader" is accepted as the foremost trade journal of Britain's radio, television and light electrical industries. Since 1923 it has supplied every section of the trade with the most accurate and up-to-date information on new products, trade activities and technical trends. It supplements this current commercial information—the best available to the industry—with practical advice to dealers on the latest methods of sales promotion and advertising and display technique. The service side is equally well catered for by the Trader Service Sheets, included in every issue and providing full and practical data on the servicing of current models.

PUBLISHED FORTNIGHTLY 1s. 3d.

(Alternate Fridays)

Annual Subscription (Home and Overseas) 30s.

The WIRELESS & ELECTRICAL
TRADER

DORSET HOUSE, STAMFORD ST., LONDON, S.E.1



TELEVISION EXPLAINED

By

W. E. MILLER

M.A.(CANTAB.), M.BRIT.I.R.E.,
EDITOR OF "THE WIRELESS AND
ELECTRICAL TRADER"

*Illustrated with 59 diagrams
and 17 photographs*

Third Edition



Published by

THE TRADER PUBLISHING CO. LTD.

Distributed by

ILIFFE & SONS, LTD.

LONDON, BIRMINGHAM, COVENTRY, MANCHESTER AND GLASGOW

First Edition 1947
Second Edition 1948
Third Edition 1949

*Published for "The Wireless & Electrical Trader" by The Trader
Publishing Co., Ltd., and distributed by Iliffe & Sons, Ltd., Dorset
House, Stamford Street, London, S.E.1*

*Printed in Great Britain by The Marshall Press Ltd.,
Milford Lane, Strand, London, W.C.2*

Bound by Nevett Limited, Colindale, London, N.W.9

(Bks 555/49)

TELEVISION EXPLAINED

OTHER BOOKS OF RADIO INTEREST

TELEVISION RECEIVING EQUIPMENT

W. T. Cocking, M.I.E.E.

TELEVISION RECEIVER CONSTRUCTION:

LONDON AREA ONLY

SUPERHETERODYNE TELEVISION UNIT: FOR

"W.W." TELEVISION RECEIVER

FOUNDATIONS OF WIRELESS

M. G. Scroggie, D.Sc., A.M.I.E.E.

BASIC MATHEMATICS FOR RADIO STUDENTS

F. M. Colebrook, B.Sc., D.I.C., A.C.G.I.

RADIO CIRCUITS: STEP-BY-STEP SURVEY OF

SUPERHET RECEIVERS

W. E. Miller, M.A. (Cantab.),

M.Brit.I.R.E.

WIRELESS SERVICING MANUAL

W. T. Cocking, M.I.E.E.

RADIO LABORATORY MANUAL

M. G. Scroggie, B.Sc., M.I.E.E.

RADIO DATA CHARTS

R. I. Beatty, M.A., B.E., D.Sc., and

J. McG. Sowerby, B.A., A.M.I.E.E.

RADIO VALVE DATA

Compiled by "Wireless World"

CONTENTS

<i>Chapter</i>		<i>Page</i>
	PREFACE	7
	PHOTOGRAPHS SHOWING POSSIBLE FAULTS IN PICTURE RECEPTION	9
1	AERIALS	17
	DIPOLES — FEEDERS — REFLECTORS — INDOOR TYPES — MULTI-ELEMENT ARRAYS	
2	THE SIGNAL	28
	SEQUENTIAL AND INTERLACED SCANNING—TRANS- MITTED WAVEFORM—BAND WIDTH OCCUPIED— DOUBLE AND VESTIGIAL SIDEBAND SYSTEMS	
3	THE RECEIVER OUTLINED	36
	MAIN UNITS REQUIRED—SUPERHET AND TUNED RADIO-FREQUENCY CIRCUITS	
4	THE RECEIVER IN DETAIL	
	STAGE-BY-STAGE ANALYSIS	41
5	SYNC SEPARATION	60
6	THE CATHODE-RAY TUBE	66
	PRINCIPLES OF MAGNETIC TYPE—FOCUSING AND DEFLECTION—PROJECTION TUBES	
7	SCANNING CIRCUITS	74
	PRODUCTION OF SAW-TOOTH WAVEFORMS WITH GAS RELAY AND “HARD”-VALVE CIRCUITS	
8	DEFLECTION AMPLIFIERS	83
	LINE AND FRAME TYPES	
9	POWER SUPPLIES	86
	METHODS OF OBTAINING E.H.T.	
10	RECEIVER INSTALLATION AND OPERATION	92
	LOCATION OF THE SET—INITIAL ADJUSTMENT OF THE CONTROLS—ATTENUATORS	
	APPENDIX I	97
	TELEVISION TEST CARD “C”	
	APPENDIX II	101
	FIXED ATTENUATORS	
	INDEX	102

PREFACE

WITH the rapid growth in interest in television receivers and circuits in the past year, it has become necessary to issue a third edition of this book. The opportunity has been taken to revise the text thoroughly, to expand certain parts in the light of experience, and to add information on developments which have occurred since the book was first published in 1947. At the same time, the presentation of the third edition has been completely altered to render the book more readable and durable.

It has been necessary, in writing of television circuits, to assume a knowledge of ordinary radio receiving circuits, but no previous television knowledge is expected of the reader. It is hoped that, by splitting the television circuit up into a number of more or less self-contained units, the reader will be able to understand the complete circuit more easily than would otherwise be the case.

Since the success or otherwise of a television receiving installation depends to a large extent on the correct choice and siting of the aerial, special attention has been devoted to this in Chapter I.

For the novice, the setting up and operation of a television receiver for the first time will be of some difficulty unless a clear idea of the necessary routine is obtained. For this reason Chapter 10 read in conjunction with the illustrations on pages 9 to 14, is of particular importance. The photographs illustrating faults in receiver adjustment were specially taken for this book, and though they have

PREFACE

naturally lost a certain amount of clarity in the blockmaking and printing processes, they will, it is hoped, be of value to the reader.

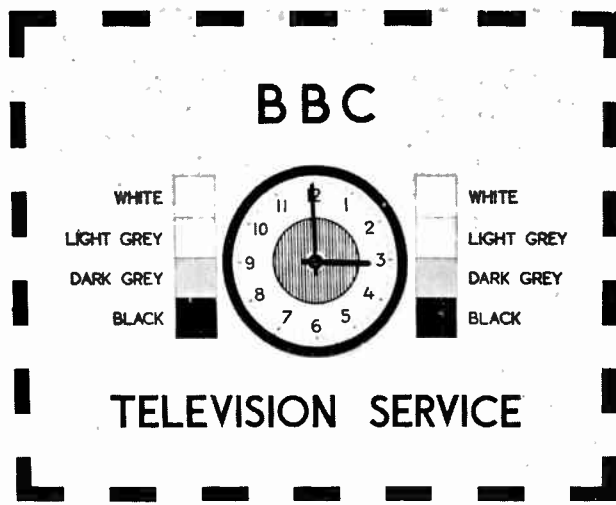
The book is intended to be of assistance to students of television, radio service engineers who are about to embark on television service work, and, of course, to the more knowledgeable owners of television receivers who want to find out how their sets work.

W. E. M.

*Dorset House,
London, S.E.1.*

October, 1949

AS TRANSMITTED AND AS RECEIVED

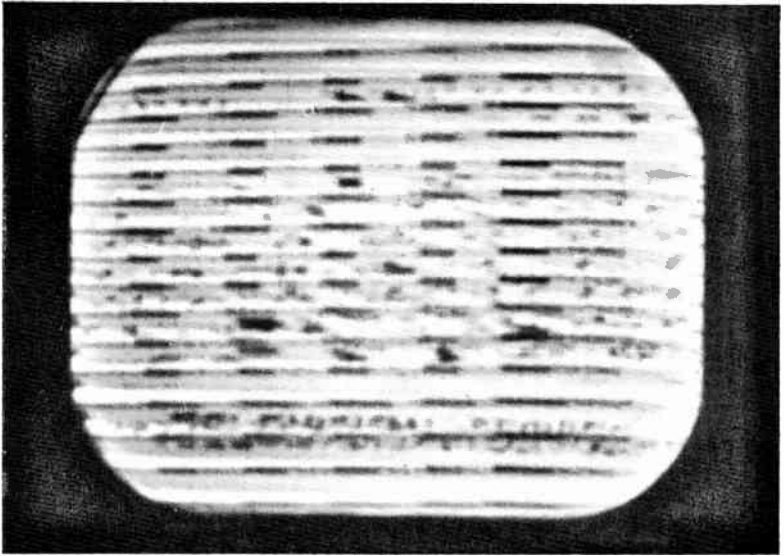


The tuning signal card, as transmitted



The tuning signal, as received with the controls correctly set

TELEVISION EXPLAINED



Picture slipping horizontally. Adjust line hold control. The focus control also needs adjustment

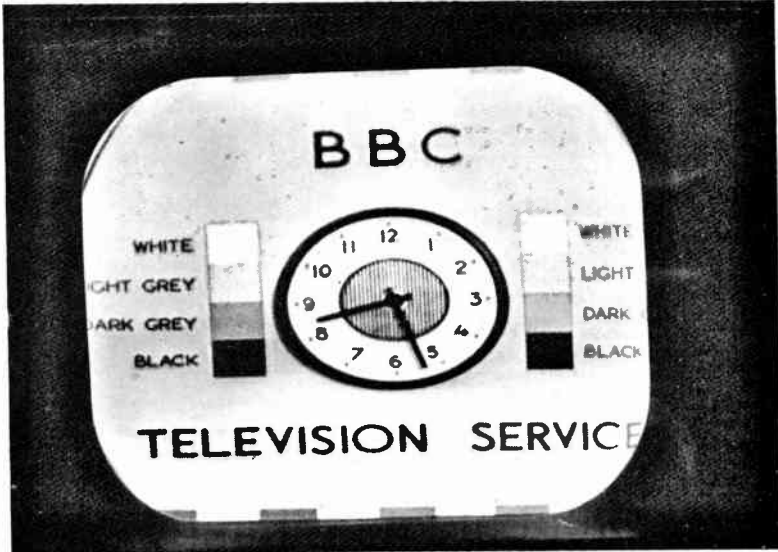


Picture slipping vertically. Adjust frame hold control. The focus control also needs adjustment

POSSIBLE FAULTS IN RECEPTION

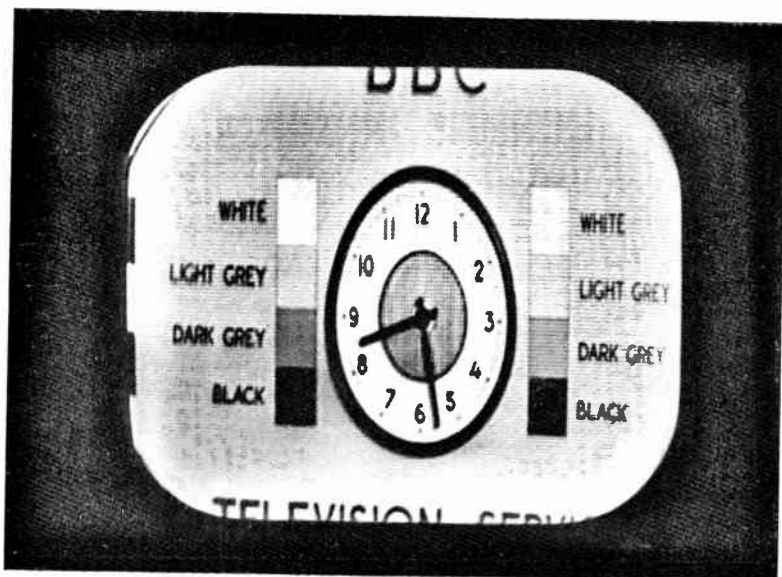


Picture too narrow. Adjust picture width control until the clock is circular. Slight adjustment of the line linearity control is also necessary as there is evidence of slight cramping on the left

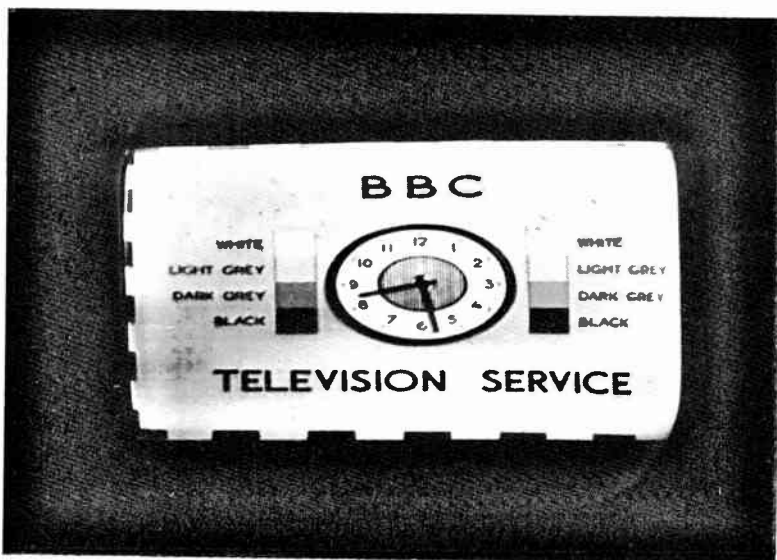


Picture too wide. Adjust picture width control until the clock face is circular in shape

TELEVISION EXPLAINED

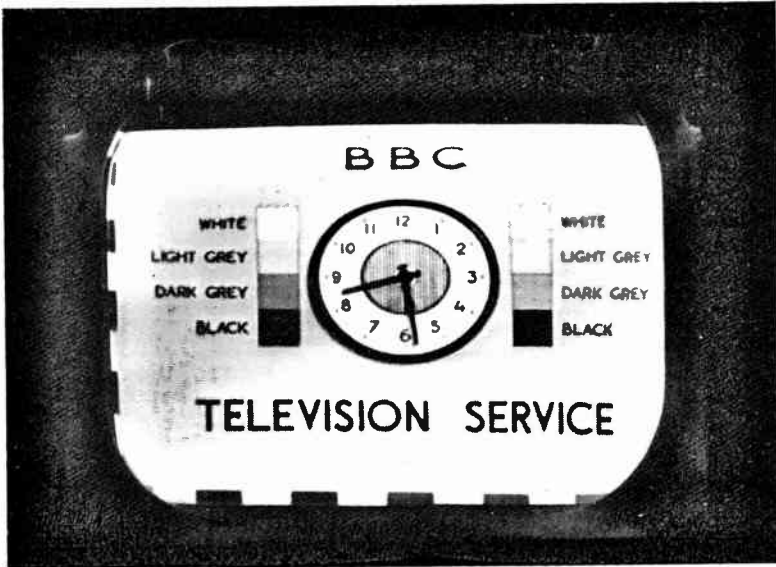


Picture too deep. Adjust picture height control until the clock face is circular in shape

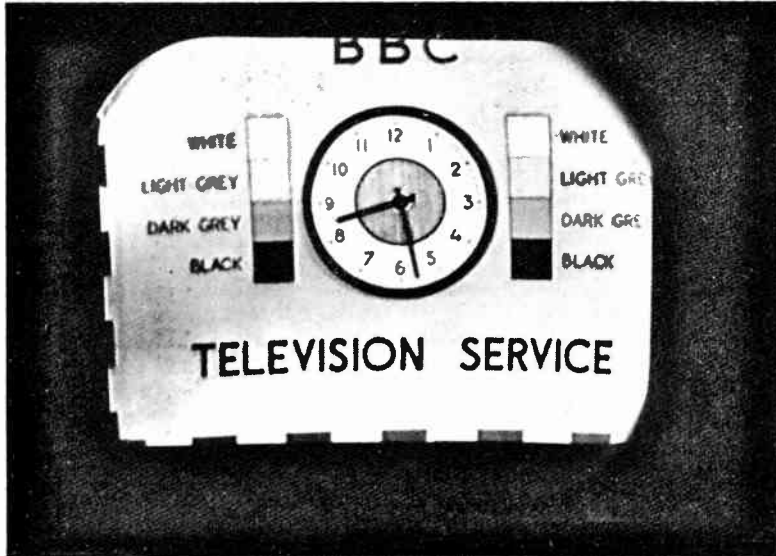


Picture too shallow. Adjust picture height control until the clock face is circular in shape

POSSIBLE FAULTS IN RECEPTION



Picture compressed at the top. Adjust frame linearity control (and possibly readjust picture height control slightly)



Picture displaced upwards and to the right. Adjust mechanical controls inside the receiver to centre the picture

TELEVISION EXPLAINED

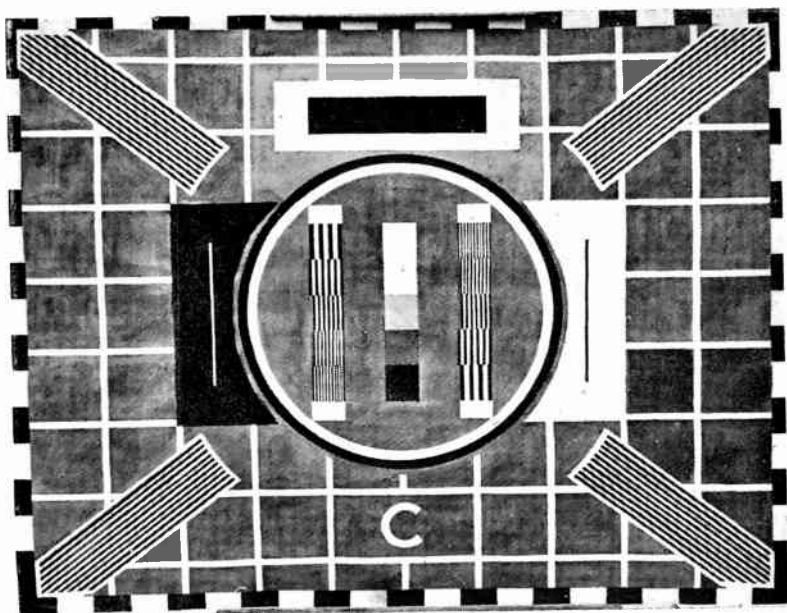


Picture not horizontal. Adjust mechanical control inside the receiver which rotates the scanning coil unit



Picture out of focus and too contrasty. Adjust focus control, reduce contrast control and increase brightness control settings

THE "C" TEST CARD

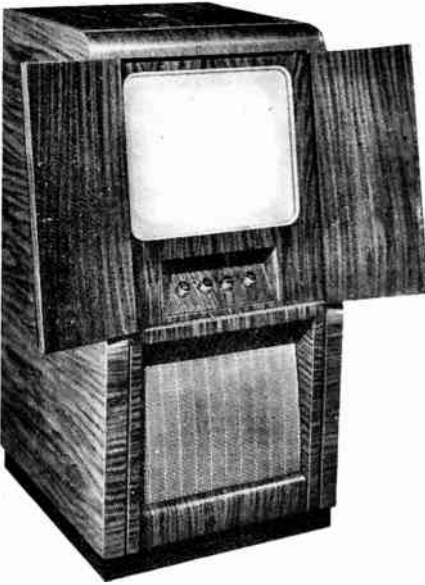


The special "C" test card, which is transmitted out of normal transmission hours for the benefit of the radio industry in testing receivers. It is fully described on pages 97 to 100

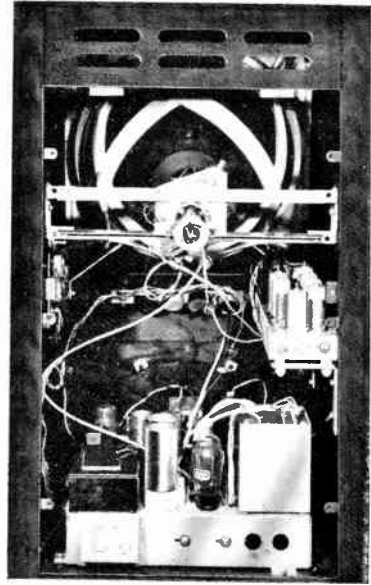


*A 10-inch aluminized television tube.
(Photo: Electric and Musical Industries, Ltd.)*

TELEVISION EXPLAINED



*A modern console television receiver
(Photo : "His Master's Voice")*



*Rear view of the same receiver with
the back removed*



*A low-priced modern table receiver. The loudspeaker fret is at
the side. (Photo : Pye, Ltd.)*

Aerials

Dipoles—Feeders—Reflectors—Indoor Types— Multi-element Arrays

NO APOLOGY IS OFFERED for commencing a book on television receiving circuits with a chapter on television aerials, since the aerial forms an important part of a television receiver, and its design, construction and siting are all more critical than in the case of the average aerial used with an ordinary broadcast receiver.

First of all, it may be said that the television aerial differs from the ordinary broadcast receiving aerial in that it is self-tuned to the frequency of the incoming signals. While it is quite possible in districts of high signal strength to receive television on an ordinary aerial, or even a short length of wire, this is not an efficient arrangement, and would be quite unsatisfactory in regions of low or even moderate signal strength.

Furthermore, the ordinary type of aerial may in any case result in poor picture quality (due to multiple images caused by reflections), and it does not permit one to reduce interference in the manner which can be employed in the conventional television aerial. This does not imply that it is always necessary to use an outdoor aerial of elaborate construction. In areas of high signal strength simplified forms of indoor aerials may be entirely satisfactory.

The simplest resonant or tuned television aerial consists of a wire or rod whose length bears a certain relation to the wavelength to be received. Since the B.B.C. television signals from Alexandra Palace are transmitted on a band around 6.7 metres (45 Mc/s), it is usual to employ a "half-wave" aerial, which is not only efficient, but is of a convenient length. Such an aerial consists of a straight wire or rod about half a wavelength long, which for 6.7 metres is 3.35 metres or about 11 ft. In the case of the Birmingham transmitter, the vision wavelength is about 4.86 metres (61.75 Mc/s) and the half-wave aerial has a length of about 8 ft.

Since the B.B.C. signals are vertically polarized by being transmitted from a vertical radiator, it is necessary for our receiving aerial to be mounted vertically for best results. In the U.S.A., with a horizontally polarized transmission, the receiving aerials have to be horizontal.

If the half-wave aerial rod is mounted vertically, a standing wave is produced in it by the signal in such a way that there is zero current, but maximum voltage, at each end, and maximum current (zero

TELEVISION EXPLAINED

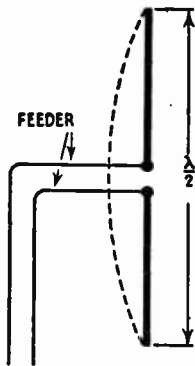


Fig. 1.—Diagram of the half-wave dipole aerial largely used for television reception. The two halves are connected to the two leads of the feeder. The dotted line shows the current distribution in the aerial, with a maximum at the centre

voltage) at the centre. This is indicated in Fig. 1. In order to transfer the energy picked up by the aerial to the receiver, a "feeder" must be connected between the two, and this must be of a special type. It is usual to connect the feeder to the point of maximum current in the aerial, that is, in the case of a half-wave type, to the centre.

The connection is made by breaking the half-wave aerial at its centre, and connecting each portion to one of the twin feeder wires. It is most important that the impedance of the feeder is fairly accurately matched to the impedance of the aerial, otherwise the maximum transfer of energy does not take place, and reflections giving multiple images may be set up.

The impedance at the centre of a half-wave aerial is 70-80 ohms, and this, therefore, must be the characteristic impedance of the feeder, unless the added complication of a matching transformer is introduced. While a high impedance feeder could be made from two air-spaced wires accurately separated over the whole of their length, the construction of such a feeder for the comparatively low impedance of, say, 80 ohms is not practicable. Instead, two parallel spaced wires embedded in rubber or plastic material are used; alternatively, the co-axial type of feeder is employed, this having a central wire surrounded by a tubular metallic braiding forming the other conductor, the two being separated by solid, or partly air and partly solid, dielectric. Two typical sections of feeders are shown in Fig. 2.

While it is possible to connect a feeder at one end of the half-wave aerial (which is then in one length), the impedance here is high, and special matching arrangements are necessary.

The total length of the television aerial is actually not exceedingly critical, since in any case, owing to the fact that vision and sound are transmitted on different frequencies, some compromise has to be made. Some manufacturers make their aerials to resonate at the vision frequency, while others choose a frequency at some value between the vision and the sound frequencies. This accounts for slight differences which may be found between the lengths of various makes of aerial.

The "electrical length" of an aerial of the rod type is greater than its physical length by about 5 per cent, so the aerial rods are made about 95 per cent of the theoretical calculated length. For a 45 Mc/s half-wave aerial the length will be about 10 ft 5 in, and for a

AERIALS

61.75 Mc/s half-wave aerial, about 7 ft 7 in. The distance between the two halves of the dipole at the centre where the feeder is attached should be small, not much greater than 1 in.

With an unscreened twin feeder, one wire is connected to each half of the dipole; in the case of a co-axial feeder it is usual to connect the centre wire to the upper half of the aerial and the outer metallic casing to the lower half. In some cases the co-axial feeder is connected via a transformer at the centre of the aerial, this permitting the two halves of the aerial to be accurately balanced to earth. However, except in special circumstances this is not essential.

Equally, at the receiver end, the feeder has to be matched to the input circuits, and though some manufacturers specify twin feeder and others the co-axial type, in practice it will usually be found that either type can be employed with any set with little or no noticeable difference.

So far only the simple half-wave dipole has been mentioned; where space is restricted use is sometimes made of "folded" dipoles, the object of which is to make an aerial resonating at the correct frequency, but occupying less physical space than the normal type. Various shapes are employed for this purpose, but the principle is the same, and so is the method of connection to the receiver. For indoor use, the "compressed" dipole, consisting of short rods loaded with inductances to give the correct electrical "length," is sometimes employed.

In localities where signal strength is not great, and interference levels are high, better results than those given by the simple dipole can be obtained by the addition of a reflector. This consists of a rod or wire, also about half a wavelength long, mounted vertically behind the dipole, and usually a quarter or an eighth of a wavelength behind it. Such an arrangement forms the well-known "H" aerial, a prominent feature of the landscape in television areas, illustrated in Fig. 3.

The effect of the reflector is to reinforce the pick-up of the aerial in the forward direction and reduce it in the backward direction, that is, to increase the "front-to-back" ratio, from which it follows that the combination is to a certain extent directional, whereas, of course, the simple dipole picks up equally in all directions. Fig. 4 illustrates the type of polar diagram obtained by adding a reflector spaced by a quarter wavelength from the half wave dipole aerial.

The forward directivity of the dipole with reflector is not critical, but the property can be used to give an appreciable increase in signal

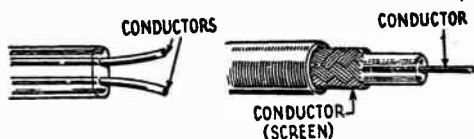


Fig. 2—Sections of typical feeders. Left, the ordinary twin-wire type; right, the coaxial type

TELEVISION EXPLAINED

strength in the forward direction. Behind the aerial the directivity is more critical, and it can be used to decrease the pick-up of unwanted noise, such as that produced by car ignition systems, particularly if they emanate from a well-defined source.

For maximum signal strength the aerial proper must face the transmitting station with the reflector behind it so arranged that a line drawn through reflector and aerial, if continued, would pass through the transmitter. However, since the alignment is not critical it sometimes pays to align for minimum interference, rather than maximum signal.

The length of the reflector rod (which is not split, and is not in electrical connection with the aerial or anything else) is usually about 3 per cent less than the calculated length for half a wavelength; it is thus slightly longer than the aerial, which is 5 per cent less.

The distance between aerial and reflector may be a quarter of a wavelength, that is about 5 ft 6 in for the London station, and 4 ft for the Birmingham station; it is not critical, and different spacings are sometimes used. However, since the presence of the reflector affects the impedance at the centre of the dipole aerial, mis-matching may occur with an 80 ohm feeder if the reflector is brought too close to the aerial.

It is possible, by making certain alterations to the lengths of the rods, and to the spacing between aerial and reflector, to affect the response curve of the aerial system. If the best definition of the television picture is to be secured, the aerial system, no less than the receiving circuits, must be capable of accepting the full band-width of the transmitted signal. By making the aerial rod shorter than the calculated value, and the reflector rod longer, and reducing the spacing, it has been found possible to secure a "double-humped" response whose effect is to increase considerably the band-width accepted by the aerial system. The diameter of the aerial rod also affects the response curve, the larger the diameter, the broader being the response.

Wherever external interference is bad, the dipole with reflector should be used, in preference to a simple dipole, not necessarily to increase signal strength, but to increase the signal to noise ratio. As this may result, in areas of good signal strength, in the received signal being too great for the receiver to accept, it may

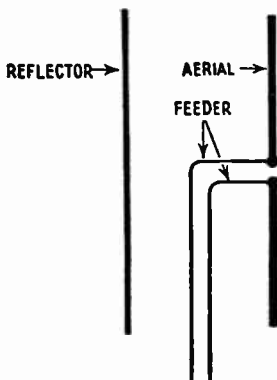
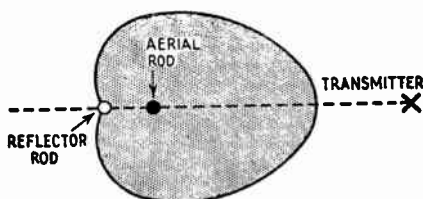


Fig. 3—A half-wave dipole with reflector. The supporting cross-bar (not shown) makes the arrangement into the shape of a letter "H"

AERIALS

Fig. 4—Polar diagram of a dipole with reflector, showing increased pick-up in front of the aerial and reduced pick-up at the rear



then be necessary to fit a simple attenuator at the receiver end of the feeder. This will, of course, reduce the signal and any remaining interference, in the same proportion. (See page 101.)

As far as the siting of the aerial is concerned, there is often not a great deal of choice, but it is usually the case that the higher the aerial the better the signal and the less the electrical interference.

It is not essential, in the case of a television aerial, to site it so that the length of the feeder is the minimum possible. Within reason, the length of the feeder is not important, since the losses in feeder cable of good quality are very low. It is much better, therefore, to place the aerial in the most advantageous position, even if the length of the feeder is thereby increased.

It has already been explained that matching of the feeder cable to the centre of a half-wave dipole aerial is achieved by the use of special twin wire or co-axial cable having a characteristic impedance of 70-80 ohms, and other types of feeder should not be employed unless a suitable matching transformer is used. In any case, ordinary twisted flex is unsatisfactory.

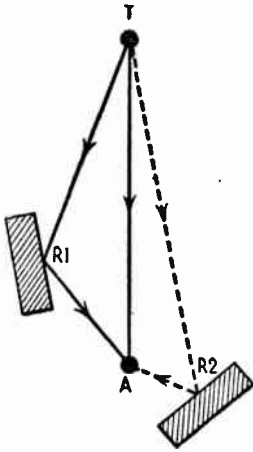
At the receiver end, matching of the television feeder is provided for by the manufacturer of the receiver, and no special precautions need be taken here, except to see that the maker's instructions are followed, and that proper connecting plugs are used. On no account should the two wires of a twin feeder be splayed out for considerable lengths; only the minimum length necessary should be opened out for fitting of the plugs.

The reason for the importance of correct matching is that it ensures the maximum transfer of energy to the receiver. Incorrect matching may mean that part of the signal is reflected back from the point where the mis-match occurs. If this is at the receiver input sockets, for instance, the reflected part of the signal may return to the aerial, where it is reflected back again, and a portion of it may enter the receiver circuits in addition to the signal proper. There is obviously a time lag between the original signal and the reflected one, and the lag will depend on the distance the reflected signal has travelled, that is, on the length of the feeder.

The effect on the receiver is that the reflected signal produces an image which is displaced to the right of the normal image (because the cathode-ray spot travels from left to right when building up the picture line by line). The amount of displacement depends on the time lag between the normal and reflected signal, and it is possible to calculate

TELEVISION EXPLAINED

Fig. 5—Diagram (not to scale), showing how external reflections occur. T is the transmitter, A the receiving aerial, and R1, R2 reflecting bodies



the displacement for a given time lag, and hence for a given length of feeder. It can be said that with a feeder less than 100 ft long the effect of the reflection, if present, will be negligible. With longer feeders, if mis-matched, one gets blurring of the image, or, as the length increases, a recognizable displaced image separated more and more from the true image.

With severe mis-matching, multiple reflections may occur, giving a whole series of displaced images, equidistant from each other, and gradually tailing off in intensity.

If internal reflections in the feeder system do occur, the reflected image is fainter than the true one, but nevertheless it may be very troublesome, and must generally be eliminated by proper feeder matching.

There is another form of reflection, external to the aerial system, which can produce similar displaced images. These external reflections often result in considerable displacement due to the greater distances involved.

The diagram in Fig. 5 (not to scale) illustrates how simple external reflections occur. T represents the television transmitter, A the receiving aerial, and R1 and R2 are bodies, such as buildings or hills, which act as reflectors to the signal. The direct wave, TA, is picked up by the aerial normally, while an indirect wave, say TR1, is reflected by R1 and travels in the line R1A, being also picked up by the aerial, though it arrives later than the direct wave.

The time lag obviously depends on the difference in length between the total indirect path TR1, R1A, and the direct path TA, and may be quite large in its effect on the television screen. The diagram shows another indirect path, TR2, R2A, which may also produce an image due to the reflection at R2.

To give some idea of the effect, it can be said that, with a picture 10 in wide (12 in tube) a displacement of the secondary image of 1/10 in occurs when the difference between the two paths is of the order of 250 yd.

Another effect is that produced when the reflected signal arrives out of phase with the direct one. In this case the "ghost" image may be a negative, with black portions of the picture white, and vice versa.

AERIALS

The only method of dealing with the reflection problem at the receiving end is to use a type of aerial which is as directional as possible. The dipole with reflector may help, particularly if the reflected signal is arriving at the rear of the aerial. It is also possible to use a dipole with a number of reflector or "director" rods to produce a narrow angle of reception.

So far we have mainly been concerned with the type of aerial which is mounted out-of-doors, on a chimney, wall or pole. In the early days of television in the London area, few sets were installed without using an outside aerial of some sort, for manufacturers and dealers were not inclined to experiment with indoor types which might, or might not, be satisfactory in a given locality. The customer, too, tended to regard the outside aerial as a visible sign that he was one of the pioneer television viewers.

Since those days, the situation has changed. Television is becoming more commonplace, and much practical experience has been gathered on the performance of aerials in various areas. It has been found in the case of the London transmitter (and will probably be even more the case with the higher-powered Birmingham station) that in many of the so-called "swamp" areas where signal strength is considerable, an outside aerial of the H type, or even the plain dipole, is unnecessary. The only exception to this is where bad interference also happens to be present, and, as explained earlier, a dipole with reflector is advantageous in improving the signal to noise ratio.

Indoor aerials may be sited in the loft of a house, or in one of the rooms (not necessarily that in which the receiver is situated). Two suitable types for use in lofts (in which the full-sized dipole might be too large) are shown in Fig. 6 at A and B.

At A is the "inverted T" type, formed of three rods each a quarter of a wavelength long. The vertical one is the aerial, and the two horizontal ones, which are joined together, form a counterpoise. Actually, a single horizontal half-wave rod would answer the same

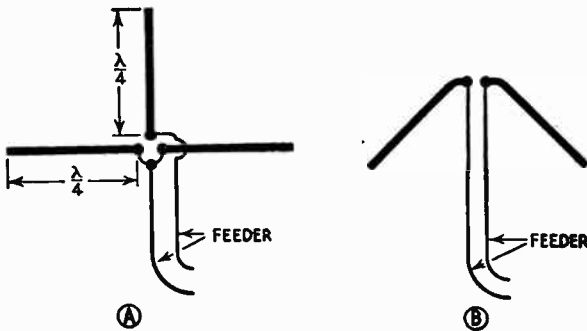
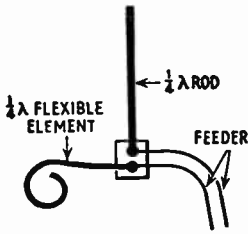


Fig. 6—Two popular forms of loft aerial. At A is the "inverted T" and at B the "inverted V". Supports are not shown

TELEVISION EXPLAINED

Fig. 7—Indoor aerial, with one element flexible, permitting a number of different arrangements



purpose. Since such an aerial is only half the height of a half-wave dipole, it is particularly suited to erection in a loft. It must be mounted so that the horizontal portion is at right angles to the direction of the station.

The aerial as shown at A corresponds to a plain dipole. If a reflector is necessary, another similar assembly is mounted a quarter or an eighth of a wavelength behind the aerial proper. In this case the rods of the reflector are all connected together electrically, and no external connection is made to them.

At B is the "inverted V" type of loft aerial, comprising two quarter-wave elements arranged roughly at 45 degrees to the vertical, each being connected to the feeder as shown. The shape of this aerial is particularly suitable for its erection high up in a loft, under the peak of the roof. This aerial has a horizontal figure-of-eight polar diagram with a sharp minimum along the plane of the elements, that is, sideways. For maximum signal, the direction of the station must be perpendicular to the plane of the elements, that is, as drawn, perpendicular to the page.

One form of indoor aerial for use in a room (not necessarily that in which the set is situated) is shown in Fig. 7. This consists of a quarter-wave rod, forming one element, which is normally mounted vertical, with an insulated flexible quarter-wave wire forming the other element. The feeder is connected as usual.

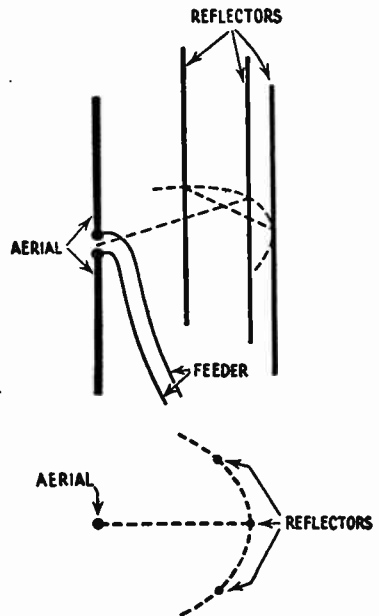
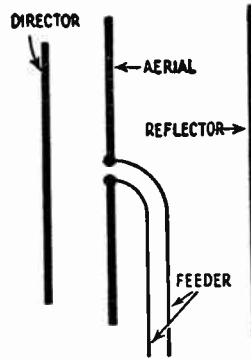


Fig. 8—One form of multi-element array, comprising a dipole aerial and three reflectors located on a parabola, the aerial being at the focus

AERIALS

Fig. 9—A three-element array, comprising a dipole aerial with a director in front and a reflector behind



With the rod mounted vertically on a door post, the flexible element may be fixed at right angles along the skirting board, or under the carpet. Various other arrangements are possible.

Using an indoor aerial, particularly in the room in which the receiver is situated, often results in difficulties due to the effect on the signal strength of persons moving near the aerial. Big variations may thus be caused, and it is often necessary to have the aerial in a room which is unoccupied during programme hours. The siting of such aerials is also more critical due to the effects of metalwork (for example, bedsteads, metal pipes or silvered mirrors). Nevertheless, in many cases where the signal strength is high, an indoor aerial will be found quite effective.

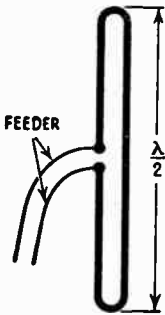
In areas of poor signal strength, normally referred to as "fringe" areas, even a standard dipole with reflector, well elevated, may not be adequate. The problem again is not so much to increase the signal, but to reduce interference. In this case it is possible to employ multi-element arrays with some success. One form is shown in Fig. 8, and consists of a half-wave dipole aerial and three reflectors. The reflectors are located on a parabolic curve, and the aerial is at the "focus" of the parabola, this having the effect of narrowing the angle of signal pick-up, and therefore giving a greater angle of effective rejection of interference.

Another means of narrowing the angle of reception is to use a "director" as part of the array. The director is a single rod, which like the reflector is not connected externally, but is placed in front of the aerial, not behind. Its length is *less* than that of the aerial, by about 4 per cent, whereas, as already mentioned, the reflector length is slightly greater. The spacing of the director from the aerial is not critical, and may be about 0.1 of the wavelength, or slightly more. A three-element array using aerial, director and reflector is shown in Fig. 9.

Little quantitative information has been published on the relative merits of these forms of aerial, but they are both more directive than the two-element dipole and reflector, and can be made to give more signal strength. However, the design of multi-element arrays is complicated by the fact that different arrangements and spacings result in variation in directivity, selectivity, and front-to-back pick-up ratio.

TELEVISION EXPLAINED

Fig. 10—Practical form of a dipole with parallel half-wave element, sometimes used in multi-element arrays



The impedance at the centre of the dipole is also affected by close-spaced elements, and matching problems are therefore encountered. A common solution to this problem is to connect a second half-wave element in parallel with the dipole aerial. This gives the aerial a higher impedance at its centre; as the effect of the other elements is to *reduce* the impedance, it is possible by this means to adjust matters so that the impedance of the complete assembly approximates to that of the normal 70-80 ohm feeder. Fig. 10 shows the practical form of the dipole with a parallel half-wave element.

In view of the importance of the aerial in a television receiving installation, particularly in localities of poor signal strength, and where interference is serious, it is likely that these and other special types will be worth investigating where the ordinary dipole with reflector is not entirely satisfactory.

In conclusion, it may be noted as a matter of interest that the so-called aerial-less receiver has made its appearance. No normal aerial is required by this receiver in situations of reasonably high-signal strength, the pick-up being obtained on a portion of the mains lead of the receiver about half a wavelength long. As the receiver is an A.C./D.C. type, one of the two wires in the mains lead is already connected to chassis; the other wire is suitably coupled to the high R.F. potential end of the tuned input circuit of the receiver.

To sum up, the aerial system of a television receiving installation is of considerably more importance than is the case in an ordinary sound radio installation. For use in locations of moderate signal strength the standard dipole with reflector mounted on a mast or a chimney is probably the safest choice. Close to a transmitter, an outside aerial will not be essential, and a loft or even a room type will be effective where local interference is not high. In the fringe areas, conditions vary considerably, and one of the special arrays, mounted as high as possible, and accurately aligned to the transmitter, is desirable.

The deciding factor in fringe areas is not so much the low signal strength as the level of local interference. The local topography, too, has a large effect on long-distance reception. In

AERIALS

a location shielded from the transmitter by a hill, reception may be impossible, whereas even at a greater distance in open country the signal may be quite adequate.

The Signal

Sequential and Interlaced Scanning—Transmitted Waveform—Band-width Occupied—Double and Vestigial Sideband Systems

BEFORE COMMENCING TO DESCRIBE the circuits of a television receiver, it is important to consider how the picture is built up on the screen of the cathode-ray tube. This will make clear the necessity for the fairly complicated type of signal which has to be provided for the transmission of television intelligence, compared with the far more simple sound transmission. A knowledge of the form of the television signal also enables us to understand the need for certain special circuits in the receiver, and the tasks they have to carry out.

It is hardly necessary to say that the picture on the screen in a modern television receiver is built up by a succession of almost horizontal lines which are "drawn" by the cathode-ray spot. In one form of transmission the spot is caused to move across the screen, tracing out a line, and is then made to return at a much faster pace to a point just below the start of the first line. It then proceeds to trace out a second line, just below and parallel to the first. This continues until a complete picture area has been built up, when the spot moves back to its starting point and repeats the performance again.

The effect on the viewer, due to persistence of vision and a certain degree of afterglow on the tube screen, is that a complete set of lines is seen, though actually at any given instant there is only the single spot of light drawing out the picture.

The complete set of lines on the tube screen is called a "raster," and as described, of course, it merely produces an illuminated area, with no picture. The picture intelligence is conveyed by causing the television signal to vary the intensity of the spot of light, from zero (black) to maximum (white). Thus each line on the screen in practice consists of a large number of picture elements varying in shade between black and white, and in this way the complete picture is built up.

Each picture area is called a "frame," on the analogy of a cinema film, and, as in the cinema, it is necessary to transmit a certain number of frames per second before flicker is eliminated. To a certain extent the amount of flicker noticeable depends on the picture brilliancy, and the B.B.C. television system, by transmitting 50 frames per second, completely eliminates flicker even with brilliant pictures.

The method of building up the picture already described is known as "sequential scanning," and is illustrated diagrammatically in Fig. 11.

THE SIGNAL

Only seven lines are shown in the raster for the sake of clarity, and the slopes of the lines are exaggerated thereby. Let us imagine that the cathode-ray spot commences its journey at A. It moves across the screen to the right, and traces out the line AB. At the end of the line, it quickly returns to a point C, which is just below A, ready to trace out the second line. The dotted line BC (which is actually not visible on the tube screen) is known as the "flyback," and occupies much less time than that taken to trace a line.

From C the spot traces the second line CD, following which there is another flyback, then the third line, and so on. This continues until the complete raster has been drawn, the last line in our illustration being EF. At F the spot, having finished one frame, flies back to A, where it commences the second frame, and this continues at a frequency depending on the number of frames being transmitted per second. It will be realized that when an actual picture is being received the spot is continually varying in intensity during the periods when it is tracing out the lines.

So much for sequential scanning, a modification of which is at present used by the B.B.C. It has already been stated that the amount of flicker depends on the frequency at which the frames are transmitted, and it is also the fact that as we increase the number of complete scans of the picture per second we also increase in the same proportion the maximum frequency necessary in the transmission, and therefore the band-width occupied in the frequency spectrum.

For instance, it is found that a picture frequency of 25 per second is insufficient for complete elimination of flicker with a bright picture. If the picture frequency is increased to 50 per second flicker is no longer apparent, but the vision signal will require twice the frequency band.

To avoid this, the B.B.C. employ "interlaced scanning," which has the following characteristics. The travelling spot on the cathode-ray tube screen traces out parallel lines on the screen as before, but there is a gap between adjacent lines greater than with sequential scanning. The spot, in fact, traces out alternate lines, and when it has covered the picture area it returns to trace out another series of lines in the gaps between those in the preceding frame.

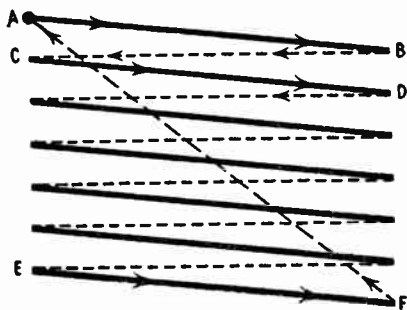


Fig. 11—Diagram illustrating sequential scanning, which is explained in the text. It is not to scale, and only seven lines are shown. The "flyback" from F to A in practice is not a straight line as depicted

TELEVISION EXPLAINED

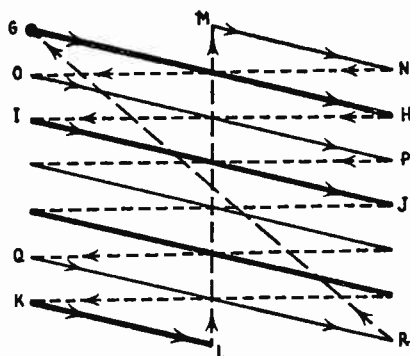


Fig. 12—Diagram showing interlaced scanning, not to scale. The “fly-backs” LM and RG are not in practice straight lines, neither does the interlace necessarily start half way across the frame. The diagram has been drawn as shown for convenient explanation in the text

This will be understood by reference to Fig. 12, which shows just a few lines (for clarity) of an interlaced raster. Assuming the spot starts at G, it first traces the line GH, and the fly-back HI takes it to I, which is twice as far below G as C was below A in Fig. 11. The spot now traces out the line IJ, and so on until it gets to the bottom line of the raster, starting at K. Instead of completing a full line, however, the spot is arrested half-way along, at L, and is caused to fly back to a point M, which is half-way (approximately) along a line above GH.

The spot then starts a new frame, completing the line MN, flying back along NO, and tracing the line OP, which, it will be noted, is mid-way between GH and IJ in the previous frame.

It is fairly easy to see that had the spot not been arrested at L, but had been allowed to complete the last line of the first frame, it would have traced the second frame exactly over the first one. As it is, it interlaces as shown in the diagram.

It continues to trace out the second frame as indicated by the lighter lines in Fig. 12, and reaches Q, the beginning of the last line of the second frame. It is allowed to complete the full line QR, and therefore the flyback brings it to point G again, ready to trace out two more interlaced frames.

In the diagram of Fig 12, the total number of lines composing the picture is 7, but these consist of $3\frac{1}{2}$ lines of one frame interlaced with $3\frac{1}{2}$ of the next. Thus we have two frames to each complete picture scan. We have not altered the total number of picture elements scanned in a second compared with Fig. 11, so the maximum frequency required for the transmission is the same as if the 7-line sequentially scanned picture of Fig. 11 were transmitted; we have, however, doubled the number of frames per second, thus reducing the flicker.

It might be thought that to reduce flicker we could increase our picture frequency slightly, thus avoiding the complication of interlacing, and only slightly increasing the frequency band required. However, it is found that the picture frequency must be at the mains

THE SIGNAL

frequency or at some multiple or sub-multiple of it, otherwise any residual "hum" in the receiver circuits is likely to cause travelling bands of light and shade across the picture. Hence if it is necessary to go above 25 frames per second, the next frequency permissible is 50. In America, where the standard mains frequency is 60 c/s, the frame frequency is 30 or 60. The present B.B.C. transmission uses 405 lines ($202\frac{1}{2}$ interlaced with $202\frac{1}{2}$) with a frame frequency of 50 (or 25 complete scans per second).

Having seen how the picture is traced out line by line and frame by frame by the spot, which is actuated as to movement by local scanning circuits in the receiver, it is fairly obvious that the television signal must convey not only the means of modulating the light intensity of the spot (the "picture" signals) but also the intelligence necessary to make the spot move in exact synchronism with the spot which is scanning the scene at the transmitter end.

Not only must the receiver spot move at exactly the same speed as that at the transmitter, but it must always be at the same relative position on the screen. For example, both spots must start at the beginning of the first line of each frame at exactly the same instant, and thereafter they must keep in step.

This result is achieved by suitable synchronizing signals, included in the complete television signal, which at the receiver are separated from the picture signal, and used to control the "time-base" circuits which deflect the spot across the tube screen.

At this juncture, therefore, it is desirable to examine the form of the complete signal which is transmitted, and to see how the picture and synchronizing signals are combined. This will enable a clearer picture of what happens in the receiver to be obtained.

The diagram (Fig. 13) showing the form taken by the television signal has been deliberately simplified as far as possible. Distances measured vertically represent the signal voltage, while horizontal distances represent time. The carrier wave varies from substantially zero to 100 per cent, the latter representing full white in the picture.

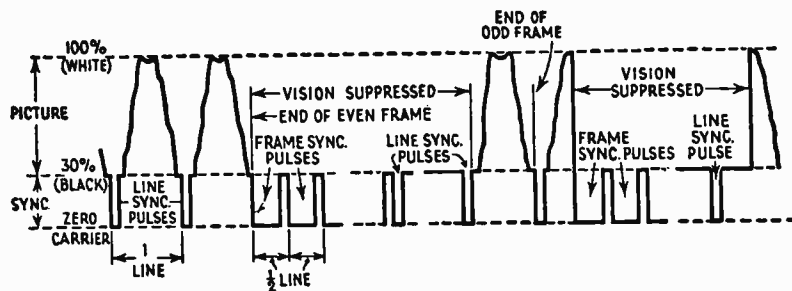


Fig. 13—Simplified diagram of the B.B.C. television waveform, showing the main features, which are fully described in the text

TELEVISION EXPLAINED

Black is represented not by zero, but by 30 per cent carrier, so that the complete tone values of the picture lie between 30 per cent and 100 per cent carrier.

Below 30 per cent (often referred to as "blacker than black") we have the synchronizing signals, and it is clear that by the use of an amplitude filter in the receiver it is possible to separate these from the picture signal.

The first section of the diagram, starting from the left, shows two complete lines of the picture. At the beginning of each line there is a rectangular line synchronizing pulse, extending from 30 per cent down to zero carrier, which occupies in time about one-tenth of the line. Following this, the carrier goes up to "black" level for about one-twentieth of a line before the actual picture signal commences.

The picture signal occupies the carrier between 30 per cent and 100 per cent, the whiter the tone the greater being the carrier voltage. Towards the end of the line the carrier again drops to "black" and remains there for a short period (0.5 per cent of the line period) before the commencement of the next line synchronizing pulse.

Frame synchronizing signals come between each frame, but to secure interlacing, the signal differs at the end of even and odd frames. The next section of the diagram indicates the form of the signal at the end of even frames. Following the last line of the frame there is a series of frame synchronizing pulses, eight in number (though only two are shown). These each occupy $\frac{4}{10}$ of a line, with a return to 30 per cent carrier (black) for $\frac{1}{10}$ of a line between each. Thus the frame pulses are at half-line intervals. Following the eight pulses (four lines), for the rest of the interval between frames (another 10 lines) the vision signal remains suppressed, but the usual line synchronizing pulses are continued.

The next section of the diagram shows the state of affairs at the end of odd frames. Instead of the frame synchronizing pulses commencing immediately, the first pulse starts half a line after the last line of the preceding frame, the carrier dropping to zero, and sending a train of eight pulses at half-line intervals. Following these pulses, the vision again remains suppressed for another 10 lines, during which time only the line synchronizing pulses are transmitted, then the vision signals of the next frame commence, starting with a half-line signal. The whole train of operations then repeats.

To sum up briefly, suppose we have reached the end of the line 405 (the end of an even frame). The first four lines of the next frame carry the frame synchronizing pulses; then come 10 black lines, and the 15th line starts the picture which continues up to line 202, with line synchronizing pulses at the beginning of each line.

After line 202, there is half a line of picture, and then the synchronizing pulses for the next (interlaced) frame, occupying four lines, followed by 10 blank lines. At the middle of line 217 the picture signal recommences, and continues until line 405, when the cycle is repeated.

THE SIGNAL

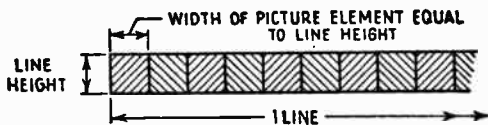


Fig. 14 (above)—Diagram of part of a single line (enlarged) to show the conception of picture elements

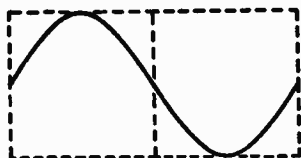


Fig. 15 (left)—Showing how the positive and negative half-cycles of a complete sine wave cover two picture elements (dotted)

It will be seen that there are actually 188.5 lines per frame carrying the picture signal, or 377 per picture (two interlaced frames), the other 28 lines being used for frame synchronization.

One important difference between the television signal and an ordinary sound broadcasting signal is that the former must occupy a considerable band-width, and therefore it is necessary for the transmission to take place in the ultra-short wave-band. The necessity for high modulation frequencies in television transmission will be realized in the light of the following consideration.

The picture intelligence, as we have seen earlier, is conveyed by scanning the scene to be televised in a large number of horizontal lines 25 times per second. It should be clear that the vertical size of the picture element to be scanned cannot be larger than the "thickness," or the height, of one of the lines, and on the assumption of a symmetrical cathode-ray spot, and equal definition horizontally and vertically, the horizontal size of each element must be the same. Fig. 14 shows part of a single line, much enlarged, with successive square picture elements indicated.

It is possible to calculate the total number of such picture elements that must be transmitted per second knowing the form of the television "raster." Assuming there are 377 lines per picture actually in use (the remaining 28, as we have seen, are used for frame synchronization), the number of elements in a square picture would be 377×377 . However, in the B.B.C. transmission the picture is wider than it is high in the ratio of 5 to 4, so that the actual number of elements becomes $\frac{377 \times 377 \times 5}{4}$, or about 178,000.

As there are 25 complete pictures per second the total number of elements to be transmitted per second is $178,000 \times 25$, or 4,450,000. Naturally, this figure determines the highest modulation frequency to be transmitted, but since each complete cycle of a sine wave can deal with two picture elements, the actual signal frequency is one-half the total number of picture elements, or 2.225 Mc/s (see Fig. 15).

In order to transmit the square picture elements, the fundamental frequency must normally be accompanied by a series of harmonics,

TELEVISION EXPLAINED

and the higher the harmonics, the more accurately will the resultant waveform correspond to a square shape. On this basis, the maximum modulation frequency might very well rise to 25 Mc/s or so, and would involve considerable difficulty in transmission and reception.

Actually, owing to the fact that the cathode-ray spot on the end of the tube is of appreciable size, and other considerations, it is found that in practice such higher harmonics would be wasted, as the spot would not be able to deal with them. As a result, the highest modulation frequency actually transmitted is only slightly greater than the fundamental frequency as found above. The B.B.C. signal contains modulation frequencies up to about 2.75 Mc/s, and the total band-width occupied for the normal double sideband transmission as used for the London station is about 5.5 Mc/s.

It is clear, in view of the fact that the whole of the M.W. band from 200 to 500 metres only occupies a band-width of 0.9 Mc/s, that, were it possible to transmit on this band, only one-sixth of the B.B.C. television transmission would occupy the whole of the band, and in fact the whole transmission would extend from, say, 500 metres down to about 50 metres. This, of course, is quite impossible, and it is only by going down to the ultra short-wave band that television becomes practicable, as far as band-width requirements are concerned.

In any case, the carrier frequency must be several times as great as the maximum modulation frequency, and that is partly why a value such as 45 Mc/s (6.7 metres) is chosen for the vision transmitter of the London station. The vision band thus extends from about 42.25 Mc/s to 47.75 Mc/s, and therefore by transmitting the sound at 41.5 Mc/s (7.2 metres), the sound is just clear of the low frequency edge of the vision band.

The full band-width of 5.5 Mc/s was permissible when the London station was planned, since there were no other stations in the vicinity to be considered. When the question of securing a widespread coverage for television in the British Isles was tackled, it was realized that even down in the 4 to 7 metre band there would not be enough room for all the stations necessary if they all occupied 5.5 Mc/s each.

In order to obtain enough space for five stations (a minimum number to give a reasonable coverage) in the total band available, it was necessary to adopt the system known as "vestigial sideband" trans-

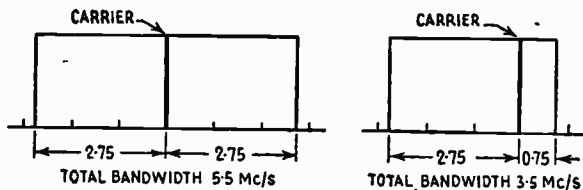


Fig. 16—Comparison between idealized double and vestigial sideband transmissions, showing a saving of band-width of about 2 Mc/s when the latter is employed

THE SIGNAL

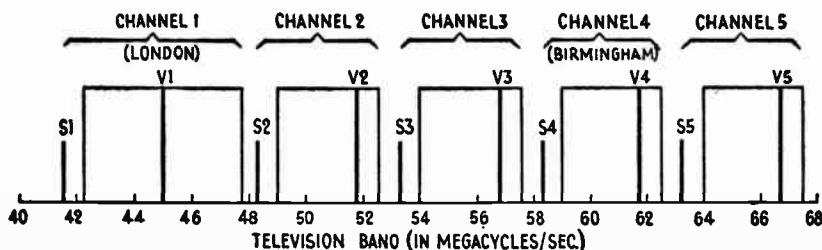


Fig. 17—Proposed British television band, containing five stations, those in channels 2-5 operating with vestigial upper sidebands. S1, S2, etc., are the sound carriers, and V1, V2, etc., the vision carriers

mission for the four extra stations planned. The London station had to remain as it was, with double sideband transmission, otherwise the many receivers already in use would no longer be suitable without modification.

Vestigial sideband transmission means that one of the sidebands (the lower one, in the case of the British stations) is fully transmitted, but most of the other is suppressed, leaving only a vestige in the resultant waveform. Fig. 16 gives a comparison between double and vestigial sideband transmissions, and shows the saving in total bandwidth. It is assumed that in the case of the vestigial sideband transmission about 0.75 Mc/s of the upper band will remain, giving a total pass band of about 3.5 Mc/s.

The provisional frequency allocations for the five British television channels are given in the table below. Channels 2, 3, 4 and 5 employ the vestigial sideband system:

<i>Channel</i>	<i>Sound Mc/s</i>	<i>Vision Mc/s</i>
1 (London) ...	41.5	45
2 ...	48.25	51.75
3 ...	53.25	56.75
4 (Birmingham) ...	58.25	61.75
5 ...	63.25	66.75

The diagram in Fig 17 shows the space occupied by the various channels in the television band. S1, V1, S2, V2, etc., represent the sound and vision carriers of each channel. It will be seen that, without the partial suppression of upper sidebands of channels 2, 3 and 4, the stations would overlap. As already mentioned, the adoption of vestigial sideband transmission involves some modification to the receiver, compared with the double sideband system, and this will be more fully described later.

The Receiver Outlined

Main Units Required—Superhet and Tuned Radio-frequency Circuits

HAVING DEALT WITH THE FORM of the signal and the considerations which affect its frequency, we can now begin to examine the receiver with a clear picture of what is required of it. Leaving out the sound, for a moment, it will be remembered that the vision signal actually contains two sets of information—the intelligence necessary to form the picture, and the synchronizing pulses for “assembling” the picture correctly.

In the early stages of the receiver both sets of information are dealt with in the same way, but later in the set they have to be separated from each other so that each can perform its particular function.

As in the case of a receiver for ordinary sound broadcasting, the television receiver must first amplify the incoming signal, and then remove the carrier wave, leaving the modulation, which is the part required. It is at this stage that the synchronizing pulses must be separated from the vision modulation, and then the line and frame synchronizing pulses must be separated from each other.

While it is possible to use either the “straight” tuned radio frequency type of receiver circuit or the superheterodyne type for television reception (and each has its own particular advantages) we will at this stage briefly examine the latter type. Fortunately, it is fairly simple to split the complete circuit up into a number of well-defined sections, and this has been done in Fig. 18, which shows one type of television superheterodyne in block diagram form.

Starting from the dipole aerial on the left, we have first of all a radio frequency (R.F.) amplifier, broad enough in its band-width to accept both the sound and vision transmissions. Following this is a frequency changer stage, containing a local oscillator running at a suitable frequency to produce the correct vision I.F. (intermediate frequency) signal. As, however, the sound signal is also present in this stage, a sound I.F. signal is also produced, though naturally at a different frequency from that of the vision I.F. signal. It is thus possible, at this stage, to separate vision and sound.

The sound signal therefore splits off at this point, and passes successively through the sound I.F. amplifier, the sound demodulator, and the audio frequency amplifier and output stage, to the loudspeaker. This part of the receiver therefore differs very little from the conventional superheterodyne sound broadcasting receiver.

THE RECEIVER OUTLINED

Returning to the vision signal, after leaving the frequency changer stage this passes to a vision I.F. amplifier, which must, of course, be of the wide band type capable of dealing faithfully with an input of the full band-width occupied by the vision signal. This amplifier will probably contain a number of stages to provide the requisite overall gain.

Following the vision I.F. stages there is a vision demodulator, from the output of which we obtain the vision frequency signal, and the synchronizing signals. This output may or may not need amplification; if it does, then it is passed to a vision frequency (V.F.) amplifier of one or more stages. This amplifier must also be capable of amplifying the wide-band signal without serious loss. The output from the amplifier (if used) is split; one part is fed to the modulating grid of the cathode-ray tube via a D.C. restoration circuit. This circuit is used to put back the D.C. component of the signal which, as will be seen later, is necessarily removed in earlier stages of the receiver. The other portion of the signal leaving the V.F. amplifier goes to a synchronizing separator, or filter, which first removes the vision portion of the signal, leaving the synchronizing pulses, and then separates the line and half-line pulses from the frame pulses.

The pulses are fed separately to the scanning generators, or time-bases, of which there are, of course, two. These generators, which are usually followed by amplifiers, are solely concerned with providing the sawtooth currents (in the case of electromagnetic deflection tubes) necessary to deflect the cathode-ray tube beam and produce the "raster" on the screen. The synchronizing signals injected into them are used to control the scanning generators so that every line and every frame of the picture commences at exactly the correct instant.

This completes the receiver proper, but there is naturally a power supply circuit which provides all the operating voltages for the various sections of the receiver, including, of course, the E.H.T. supply for

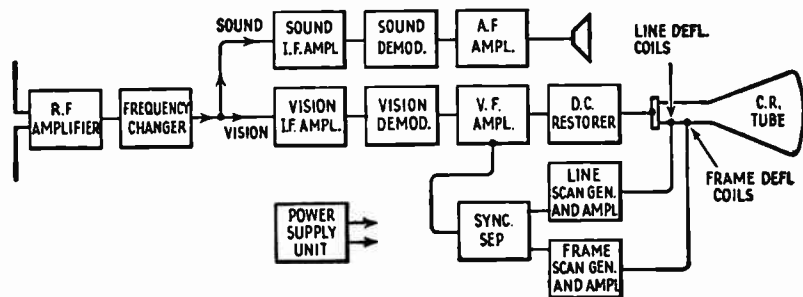


Fig. 18—Block schematic diagram of a complete television receiver of the super-heterodyne type

TELEVISION EXPLAINED

the tube. The latter supply, in modern receivers, is often obtained as a by-product of the line scanning generator, as will be seen later.

The superheterodyne type of circuit has a number of advantages, notably those of high sensitivity with freedom from instability, and comparative ease of separation of the sound and vision signals. However, there are disadvantages, too, such as the possibility of production of superheterodyne "whistles" which in a vision receiver result in dark bands or patterns interfering with the picture; greater complexity; and the problem of frequency stability of the oscillator.

With regard to the latter, however, it is on the sound channel that difficulty due to frequency "drift" is most pronounced, owing to the relatively narrow pass band of the sound I.F. amplifier, compared with that of the vision I.F. amplifier.

In modern receivers this is largely remedied by increasing the sound I.F. band-width beyond that necessary for normal high fidelity sound reproduction, so that a slight change of intermediate frequency can be accommodated without sideband cutting. Users of certain pre-war television receivers may have noticed that, until the receiver had been in use for half an hour or so, and everything had settled down to a steady working temperature, it was necessary to readjust the tuning slightly from time to time.

The "straight" R.F. circuit is used by a number of manufacturers, and where extreme sensitivity is not required (that is, within the normal service area of the television transmitter), it has proved entirely satisfactory. It is usually found that three or four R.F. stages are required to give adequate sensitivity coupled with a pass band sufficiently flat to accept the complete vision signal. The necessity for this wide pass band (up to just over 6 Mc/s in the case of a receiver for the double sideband London transmitter, and just over 4 Mc/s for vestigial sideband receivers), which has been explained, carries with it the problem of discriminating between the sound and the vision signals.

With the vision at 45 Mc/s and the sound at 41.5 Mc/s, the vision extends approximately from 47.75 Mc/s to 42.25 Mc/s, and the sound from just above to just below 41.5 Mc/s, so that the lower frequency side of the vision band is slightly under 0.75 Mc/s from the sound channel. With circuits having a pass band of 6 Mc/s, and a necessarily far from abrupt cut-off, the gap between the two channels is small. In practice few, if any, domestic receivers will accept the full 6 Mc/s pass band without a certain amount of attenuation at each edge of the band.

One way of increasing the discrimination between sound and vision is to place a rejection filter tuned to the sound channel in the input to the vision R.F. amplifier, and a vision frequency rejector in the input to the sound R.F. amplifier.

Alternatively, it is possible to use single sideband vision reception of a double sideband transmitter, if the R.F. circuits can be accurately tuned, and made so that they are free from drift. In this case, only the vision sideband from 47.75 to 45 Mc/s is received, and there

THE RECEIVER OUTLINED

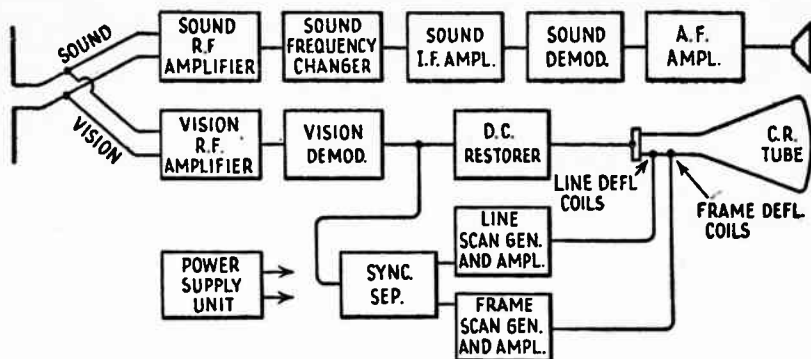


Fig. 19—Block schematic diagram of a television receiver using a "straight" tuned R.F. circuit for vision, and a superhet for sound. In some cases a vision frequency amplifier follows the vision demodulator stage, while the D.C. restorer is not always needed in practice

is thus a gap of slightly less than 3.5 Mc/s between the sound and vision, which is nearly seven times as great as with double sideband reception. However, single sideband working is more usually employed in superheterodyne receivers. This "dodge" cannot be applied to the reception of vestigial sideband transmitters, since virtually only one sideband is present, and must be received.

The effect of sound getting into the vision circuits is that dark irregular bands, usually horizontal, and occasionally patterned, appear on the picture, and vary with the sound modulation being received. Synchronization may also be disturbed.

Fig. 19 shows a block diagram for a "straight" R.F. vision receiver, which should be compared with Fig. 18. It will be noticed that the sound receiver in Fig. 19 is again of the superheterodyne type, and this is quite common, though some manufacturers employ a "straight" circuit for sound as well as vision.

It will also be observed that the diagram in Fig. 19 shows the feeder from the aerial branched, so that one pair of connections goes to the vision receiver and one to the sound receiver. It is possible, however, to couple the aerial to both sets with one feeder connected to two separate coupling coils in series. In this type of circuit there are usually no stages common to both sound and vision, though occasionally it may be found that the first R.F. stage is used for both. In this case, suitable rejectors for sound and vision, respectively, are used preceding the remainder of the vision and sound receivers.

Before considering the various stages of the television receiver in greater detail, a few words on the general design may be of interest. In the superheterodyne type up to the I.F. stages, and in the "straight" type up to the output from the demodulator, we are dealing with extremely high frequencies. This means, of course, that extreme care has to be taken by the designer in the matter of screening, in the use of short leads, particularly in grid and high R.F. potential circuits, and in decoupling.

TELEVISION EXPLAINED

The mounting of components on strip assemblies, with the attendant increase in length of connecting wires, is avoided, and "earth" returns to the chassis in each stage are usually all taken to the same point on the chassis to avoid the appreciable impedance which might exist between separate points on the chassis at such high frequencies.

Decoupling capacitors in these circuits are usually of the mica or some other special type. Wherever a change of capacity is liable to affect the stability of tuning to any appreciable extent, temperature-compensated capacitors are desirable.

Variable tuning in the normal sense is not necessary in the present type of television receiver. As a result, ganged tuning capacitors are not needed, and, in fact, practically all the tuned circuits can be of the pre-set type. Sometimes, however, provision is made by making slight adjustments to the oscillator circuit tuning.

The Receiver in Detail

Stage-by-Stage Analysis

IN CONSIDERING THE VARIOUS STAGES of a television receiver in more detail, we will assume that a superheterodyne circuit is used for both vision and sound, as this type of circuit is more complicated than that of the tuned R.F. receiver, and will therefore reveal more points in design.

In almost all cases it will be found that an R.F. amplifier stage precedes the frequency changer of the superheterodyne, partly, of course, to amplify the signal picked up by the aerial and improve the signal to noise ratio, but also to minimise the possibility of interfering signals reaching the frequency changer, by increasing the discrimination between wanted and unwanted signals. The latter, which may be harmonics of signals in quite a different waveband, may beat with the oscillator signals or harmonics of them to produce undesirable I.F. responses which would result in interference patterns on the television screen.

Although the stage gain of a single R.F. amplifier at television frequencies is not likely to be very great, this amount of pre-frequency changer amplification is useful in that it reduces the amount of gain necessary in the I.F. stages, in which the majority of the amplification of the signal is attained, and this helps in ensuring a good degree of stability in the I.F. amplifier.

A more important advantage of the R.F. stage of the receiver, particularly in districts of low signal strength, is the improvement in signal to noise ratio which results, compared with a receiver in which the aerial is fed direct to the frequency changer. "Noise" is used here to mean the "grainy" background to the picture on the television screen which is the vision counterpart to background hiss in a sound receiver.

The noise introduced into a receiver due to the valves themselves, and not to external interference, is mainly attributable to the initial stage of the receiver, where the level of the signal is low. If this stage produces a good degree of signal gain, noise in succeeding stages, where the signal level is relatively high, is unimportant. Since the frequency changer valve produces very little gain compared with a good R.F. stage, the importance of feeding the incoming signal into a preliminary R.F. stage is obvious. The explanation given is actually only a very simple statement of the case, but it indicates that, unless a really good signal strength is available, an R.F. stage is very desirable.

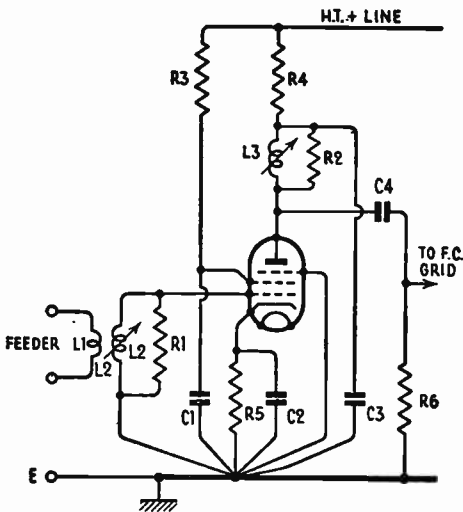


Fig. 20—A simple television R.F. stage illustrating points mentioned in the text. Note that all circuits of the R.F. valve return to a single point on the chassis

The design of a television R.F. stage is complicated by the fact that whereas we obviously require the maximum possible gain, we must also retain a very wide acceptance band for the signal. These two features do not go together, and in practice a compromise must be made whereby we obtain the maximum gain possible with an adequate bandwidth.

In view of the fact that in the majority of receivers the R.F. stage must accept both the vision and the sound channel, that is, when tuned it should amplify without serious loss all frequencies from 47.75 to

just under 41.5 Mc/s, the band-width should be about 6.25 Mc/s. In practice it is usually somewhat less than this, since a certain amount of attenuation of the sound channel is unimportant, and the stage can be tuned with the mid-point of its acceptance band slightly closer to the centre of the vision band than to the sound channel. The problem is not so difficult in the case of single sideband reception, of course.

Another factor in the design of the R.F. stage is that the input impedance of the R.F. pentode becomes low at television frequencies, and has a big effect on the characteristics of the input circuit. Further, the input impedance will vary considerably with the bias of the valve, and the use of variable cathode bias to control the gain will almost certainly affect the response characteristics of the stage.

In practice, the damping due to the valve, which is applied to the input tuned circuit, is used to good advantage to assist in securing the requisite large band-width; the load caused by coupling the feeder to this circuit also helps in this respect.

The total of the two is often sufficient to obviate any further damping being necessary, though in some cases a parallel fixed resistance is necessary.

Fig. 20 shows a simple R.F. stage with tuned-anode coupling to the following (frequency changer) valve. The aerial feeder wires are connected to terminals of the coupling coil L1. Sometimes they go direct to the tuned grid coil L2, one being connected to its earthy end,

THE RECEIVER IN DETAIL

and the other to a suitable impedance matching tapping on it. Other and more complicated coupling arrangements may also be found, and an electrostatic screen is often introduced between L1 and L2.

The tuned coil L2 is shown with a parallel damping resistance R1, which may or may not be necessary. No tuning capacitor is shown; in practice the grid/cathode capacitance of the valve, plus stray circuit capacitances, are used for this purpose, the adjustment of tuning being carried out by varying the inductance of L2. This is achieved by sliding in or out of the coil, axially, a brass rod, or slug, or by using an adjustable dust-iron core. This adjustment is usually pre-set.

The tuned anode coil, L3, is also shown shunted by a damping resistance R2, and the amplified signal is coupled, via C4, to the grid of the frequency changer valve, R6 being the grid circuit resistance.

The screen of the R.F. valve is fed from the H.T. line via R3, with the decoupling capacitor C1, and the anode circuit contains the decoupling components R4, C3. The suppressor grid of the valve (which is brought out to a separate pin) is connected to chassis. R5 is the cathode resistor providing fixed bias; it is by-passed by C2.

All by-pass and decoupling capacitors are of the mica type, and it will be noted that all earth returns associated with the valve go to a common point on the chassis to avoid introducing impedance between the various earth returns, which might exist at television signal frequencies. The earth return of R6 need not go to the same point on the chassis as the returns associated with the R.F. valve, since R6 really belongs to the frequency changer circuit.

It will be noted that in Fig. 20 no provision is made for variable gain control, but in Fig. 21 this is included. The feeder in this circuit goes directly to one end and a tapping on the tuned input coil L1, across which is the damping resistor R1. The output from the R.F. valve is coupled by means of R4 and C4 to a tuned circuit L2, R2 in the grid circuit

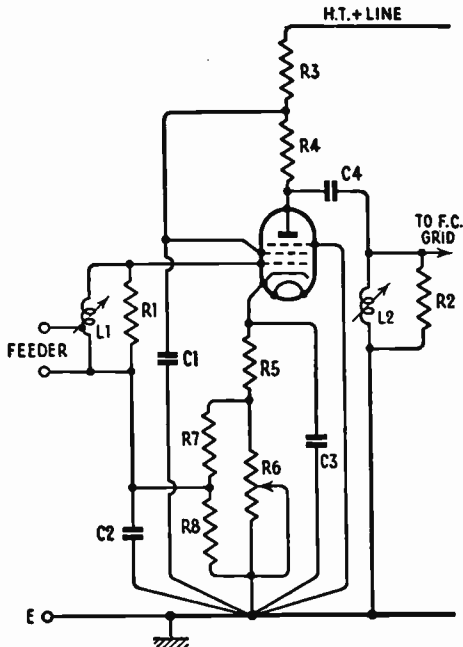


Fig. 21—Another type of R.F. stage, in which gain control by R6 is incorporated, and resistance-capacity coupling to a tuned grid circuit is employed

TELEVISION EXPLAINED

of the frequency changer valve. R3 and C1 are the decoupling components for the anode and screen of the R.F. valve; the suppressor is connected to chassis.

The resistor R5 provides fixed minimum grid bias, and the variable gain control is obtained by means of the fixed resistors R7, R8, and the variable resistor R6, connected as shown in the cathode circuit. Since the suppressor of the valve is connected to chassis, and not to cathode, the suppressor is biased by the drop in voltage across the resistance network between cathode and chassis, this being varied by means of R6. However, the grid circuit return does not go to chassis, but to the junction of R7, R8, so that the grid bias variation is only that due to the change in voltage across R7. Normally R7 is made much smaller than R8, so that the variation in grid bias is only a fraction of the variation in suppressor bias.

The result of using this method of gain control is that the variation of the grid input characteristics of the valve with change of amplification is considerably reduced. Other methods of gain control may be employed, but in any case since the special television R.F. pentodes are usually of the short-grid base, non-variable μ type, the range of control must be limited. In practice, the R.F. gain control is often employed as a pre-set sensitivity control only, the "contrast" control of the receiver (equivalent to the volume control of a sound receiver) operating on the I.F. amplifier.

Although both diagrams show a single tuned circuit in the output of the R.F. amplifier (tuned anode in Fig. 20 and resistance-capacitance fed tuned grid in Fig. 21), it is quite common to find a transformer coupled tuned grid in the R.F. valve anode to the frequency-changer grid circuit. In this case the transformer will have band-pass characteristics necessary to deal with the wide-band signal. Both primary and secondary circuits of the transformer may be damped by shunt resistors, though a resistor across the secondary may not be necessary in view of the damping which is imposed by the grid-to-cathode impedance of the frequency-changer valve.

Following the R.F. stage in the superheterodyne television receiver, we come to the frequency changer. This usually employs a triode-hexode or triode-heptode valve, either of which is quite satisfactory, but occasionally two separate valves, an oscillator and a mixer, are used.

It has already been stated that in the majority of cases the R.F. amplifier stage handles both the vision and sound input, the tuned circuits being broad enough to accept the frequency band involved without appreciable attenuation.

Unless separate frequency-changer stages are to be used for vision and sound, the single stage will have the output from the R.F. stage fed to its mixer grid circuit, and the effect of the local oscillator will be to cause both vision and sound I.F. signals to appear in the mixer anode circuit, but at different intermediate frequencies. It is clear

THE RECEIVER IN DETAIL

that at this point separation between the vision and sound can be achieved.

Let us see how the two I.F. signals are produced. The input to the mixer contains signals on carrier frequencies of 45 and 41.5 Mc/s. Suppose the local oscillator frequency is 60 Mc/s, then a vision intermediate frequency of $60 - 45$ (or 15 Mc/s) is produced, while the 41.5 Mc/s sound signal will produce a sound I.F. of $60 - 41.5$ (or 18.5 Mc/s). Taking the case where the oscillator frequency is lower than that of the incoming signals, an oscillator frequency of 30 Mc/s would again produce a vision I.F. of 15 Mc/s ($45 - 30$), but the sound I.F. would then be $41.5 - 30$ (or 11.5 Mc/s). In each case there is 3.5 Mc/s difference between the vision and sound I.F. values thus calculated, which is the same as the spacing between the vision and sound carrier frequencies.

It must not be forgotten, however, that with a wide band input signal the I.F. signal produced will also have a wide band. Thus a 15 Mc/s vision I.F. signal will actually occupy the band from about 12 to 18 Mc/s.

The choice of the value of the intermediate frequency in a television receiver is governed by a number of considerations, which in some cases oppose one another, and as usual the individual designers generally arrive at what they consider to be the best compromise. Having decided on the I.F. values, they must also consider whether the oscillator frequency is to be above or below that of the signals.

Interference problems, due to the feeding back of I.F. harmonics to the input circuits; direct pick-up of extraneous signals at intermediate frequency, which may be due to short-wave stations or their harmonics; and similar causes, all have to be considered when deciding on the I.F. to be employed. The problem is made worse by the wide-band nature of the vision signal.

Various British receivers have been produced with I.F. values ranging from about 4 to 13 Mc/s. There is, however, some prospect of standardization on one definite value for all receivers in the future. With a low I.F. value, greater amplification per stage may be obtained, but it becomes more difficult to prevent a residual I.F. signal passing through the demodulator with the wanted video frequency signal.

As an example of a frequency changer stage, let us consider Fig. 22, which shows a circuit in which a triode-hexode valve is used, and separation of the vision and sound I.F. signals takes place in the hexode anode circuit. The input from the preceding R.F. stage is, of course, fed to the mixer (hexode) grid. The usual decoupling is provided for the mixer screen grids (R1, C1) and anode (R2, C2). A small bias for the mixer grid is applied by means of the cathode resistor R3, by-passed by C3.

The triode oscillator section utilizes a Colpitts type of circuit, with the coil L5 and the two capacitors C7, C8, with their junction connected to chassis. C9 and R8 are the usual grid capacitor and resistor, but their values, in conjunction with those of L5, C7 and

TELEVISION EXPLAINED

C8, and the oscillator anode voltage, have to be carefully determined in order to provide a suitable degree of oscillation.

L5, in the case shown, is tuned by means of a brass slug or, in some cases, by a movable iron-dust core. This tuning control, which usually only covers a small range either side of the correct point, is the only variable tuning control of the television receiver. All other tuning is pre-set. The oscillator anode voltage is applied via the decoupling and load resistors R6, R7, and the decoupling capacitor C6. Note that all the returns to chassis for this stage usually go to the same point on the chassis.

As explained earlier, both the vision and the sound I.F. signals occur in the anode circuit of the hexode mixer, and if in series in the anode circuit we place two tuned circuits, one tuned to the vision I.F. and the other to the sound I.F., the I.F. signal voltages will appear across their respective tuned circuits, and can be fed to separate I.F. amplifiers.

In Fig. 22, L3, L4 form the vision I.F. transformer unit, with primary and secondary coils damped by R4 and R5 to provide the

necessary broad band tuning. L1, L2, tuned by C4, C5, form the sound I.F. unit. The primaries of these units are in series in the hexode anode circuit; the secondaries are, of course, quite separate.

Certain advantages are claimed for the use of separate mixer and oscillator valves, forming a two-valve frequency changer stage, notably an increased amplification, and in America, in particular, such an arrangement is common. Fig. 23 shows one such stage, in simplified form. The mixer valve is a pentode, with the usual decoupling arrangements to its feed circuits. It has the I.F. coupling units in its anode circuit, though

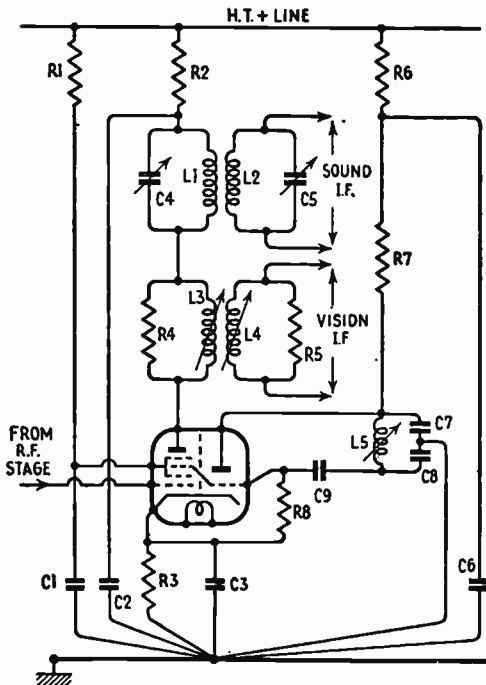


Fig. 22—A typical triode-hexode frequency-changer stage, described in the text

THE RECEIVER IN DETAIL

only one is shown, for simplicity.

The oscillator valve is a triode, and in Fig. 23 it is shown operating in a Hartley type of circuit, with a tapped tuned oscillator coil L3. Coupling between the two valves is by the small capacitor C5, from the oscillator circuit to the mixer grid circuit, though in place of this, inductive coupling by means of link coils is sometimes employed.

Whatever the type of frequency changer, the oscillator circuit must have a reasonable degree of stability with changing temperature, otherwise tuning drift may become noticeable.

Provided the I.F. stages of the sound section of the receiver are made somewhat broader than is theoretically necessary, the degree of oscillator stability obtainable by the use of modern components designed to compensate for temperature variation is quite adequate.

Complete separation of the vision I.F. signal from the sound I.F. signal in the anode circuit of the frequency-changer is not, in practice, always possible without additional filter circuits incorporated in the I.F. amplifiers, as we shall see later. For the present, however, we assume that the two signals are separated and fed to their respective amplifiers, and we will consider the vision I.F. amplifier only.

In general, the design of a television I.F. stage follows the same principles as that of the corresponding stage in a sound receiver, but there are two big differences which naturally influence the problem. In the first place, instead of an I.F. value of, say, 465 kc/s, commonly used in a sound receiver, the vision receiver may have an I.F. up to 13 Mc/s, as explained earlier. This at once makes a difference, though with modern valves, coil design and screening technique, the problem is not unduly difficult.

The main difficulty in the design of a vision I.F. amplifier is due to the fact that we need a fairly high overall gain, coupled with a

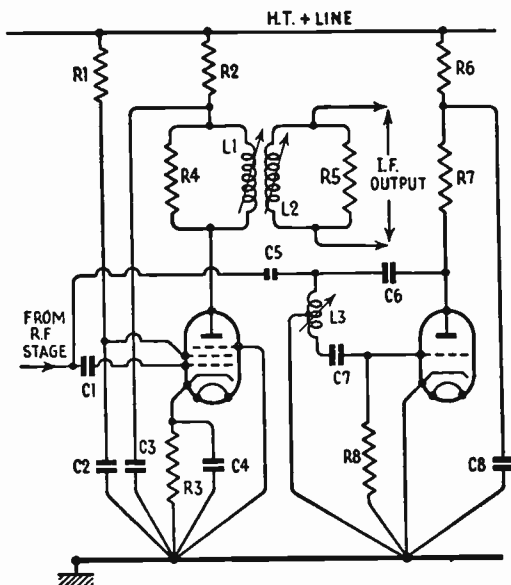


Fig. 23—A two-valve frequency-changer

TELEVISION EXPLAINED

band-width acceptance of some 3-6 Mc/s (depending on whether single or double sideband working is employed).

It should be fairly obvious that with normal I.F. couplings employing peaked tuned circuits it would be impossible to secure anything approaching a 6 Mc/s band-width acceptance. Since picture detail depends on the retention of the sidebands in the amplifier, some other form of coupling must be used.

Unfortunately, though there are various methods of increasing the band-width of the amplifier, they all result in a reduction in the stage gain, and to compensate for this, more stages must be used. It is quite common for a television receiver to use three I.F. valves, while five valves were employed in early receivers.

The couplings employed between the valves may be of the tuned anode, tuned grid, or tuned transformer type, and the wide-band properties can be secured in several ways. In practice, a combination of methods is often used in a single receiver.

It will readily be appreciated that one method of broadening the response of a tuned circuit is to introduce resistance in series with the inductance and capacitance of the circuit. More commonly, a resistor is connected across the parallel tuned circuit, of such a value as to have the same effect as the requisite series resistance. Such an arrangement damps the tuned circuit, and broadens its response, but at the same time it reduces the efficiency of the circuit, and therefore results in a lower gain for the complete stage.

Another method of securing the necessary pass band is to adopt the principle of "staggered" tuning, in which instead of having all the couplings tuned to the same frequency (the mid frequency of the pass band), some circuits are tuned progressively lower than the mid frequency while others are tuned higher by the same amounts.

By careful adjustment of the various tuning points it is possible to secure a fairly flat-topped response curve of the requisite width, though again with a reduction in overall amplification. It is found, however, that for a given band-width the overall amplification obtainable from "staggered" circuits can be made several times as great as if ordinary tuned circuits with resistance damping are employed.

Naturally the correct tuning of slightly staggered circuits is a difficult matter, and any inaccuracy here will result in an asymmetrical or uneven resonance curve which will introduce bad picture quality. Consequently, "staggered" circuits, once adjusted, should only be readjusted if the necessary equipment and information is available.

In practice, many receivers employ a combination of damped and staggered circuits in the various stages, while it is often found that the final coupling, preceding the vision demodulator, employs damping only, to avoid the possibility of introducing phase distortion at this point.

Fig. 24 shows in skeleton form three types of coupling circuit which may be used. Resistance damping is indicated in each case, but staggered tuning may be employed, either additionally or alone, and in the latter case the parallel resistors will not be present.

THE RECEIVER IN DETAIL

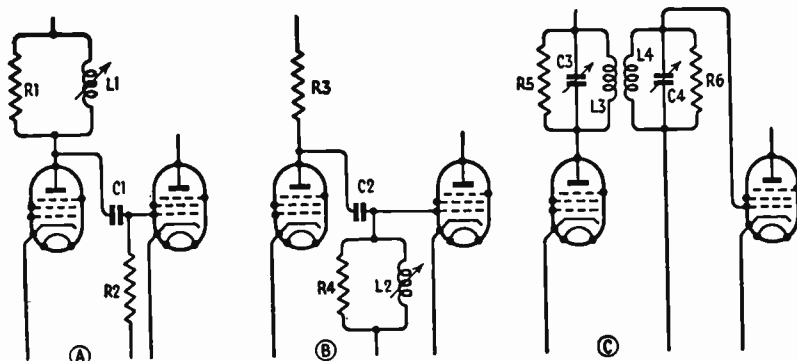


Fig. 24—Three forms of I.F. couplings, described in the text. **A**, tuned anode ; **B**, tuned grid ; **C**, transformer

Fig. 24 at A shows the conventional tuned anode coupling, L1 being the coil, tuned by its own and stray circuit capacitances, and adjusted by a variable dust-iron core. R1 is the damping resistor, C1 the coupling capacitor and R2 the grid resistor of the succeeding valve.

At B in Fig. 24 we have the tuned grid form of coupling, with the anode load resistor R3, coupling capacitor C2, tuned coil L2 and damping resistor R4.

At C in Fig. 24 two coupled tuned circuits forming a transformer are employed. The coils L3, L4 are, in this diagram, tuned by C3 and C4 which are in addition to the circuit capacities, and are adjustable. However, in many cases tuning is achieved by varying the inductance as in A and B. R5 and R6 are damping resistors, one or both of which may be omitted if staggered tuning is employed.

In the case of the London station some designers have halved the band-width acceptance necessary in their receivers by working on one only of the two sidebands transmitted. The I.F. stages are adjusted so that a response curve showing acceptance of a band just under 3 Mc/s wide is obtained, with its centre just under 1.5 Mc/s above or below the carrier of the station. Such an arrangement permits a greater amplification per stage to be obtained, without sacrifice of band-width, but the adjustment of the various tuned circuits is difficult.

For television channels 2-5, in which vestigial sideband transmission will be employed, single sideband reception is essential. The ideal frequency response characteristic for receiving these new B.B.C. stations is shown by the heavy lines in Fig. 25. A reasonable deviation from the ideal is shown by the lighter lines.

It will be noted that the tuning is adjusted so that the carrier frequency lies to the right of the curve, half-way down the sloping edge. At a frequency 0.75 Mc/s above the carrier, the response is zero; at the carrier frequency it is 50 per cent of maximum, and at 0.75 Mc/s lower than the carrier it is at the maximum, and continues

TELEVISION EXPLAINED

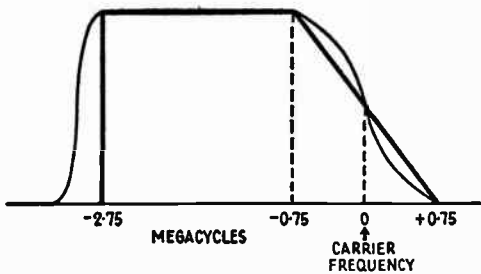


Fig. 25—Ideal response curve for the I.F. stages of a vestigial sideband receiver, shown in heavy lines. The light lines represent a reasonable compromise

level up to a frequency 2.75 Mc/s less than that of the carrier, that is, to the edge of the negative sideband.

The reason for attenuating the response on the right hand side of the curve is as follows. The lower picture frequencies are contained in both the lower sideband and the part of the upper (vestigial) sideband which remains in the transmitted wave. On the other hand, the higher picture frequencies are only present in the lower sideband, having been eliminated by the attenuation of the upper sideband at the transmitter.

If the receiver gave uniform response on each side of the carrier, the low frequencies would be emphasized at the expense of the high frequencies. To avoid this, the response of the receiver should ideally follow the shape of Fig. 25, when, in the region between the carrier frequency plus 0.75 Mc/s and the carrier frequency minus 0.75 Mc/s, the effect of the two sideband voltages is additive, and reaches the voltage produced by the single sideband occupying the band from -0.75 Mc/s to -2.75 Mc/s.

It is interesting to note that, whereas a receiver designed for the double-sideband reception of the London station will be unsuitable for the reception of, say, Birmingham (even if tuned to the correct frequency band), a set designed for Birmingham with vestigial sideband tuning, will receive London satisfactorily, provided its R.F. and F.C. stages are correctly tuned to the London band.

The I.F. response curve shown in Fig. 25 is obtained by adjusting the various tuned circuits accurately to slightly different frequencies, so chosen that the overall response curve of all the circuits approximates to the required shape.

It may be pointed out that the same type of response may be similarly secured from a non-superheterodyne type of receiver, using R.F. stages, so that vestigial sideband receivers need not be of the superhet type.

We have already seen that a gain control is often employed in the R.F. stage of the receiver, and is usually pre-set, and used for adjusting the overall sensitivity of the receiver for any particular location and aerial. An independent gain control is also fitted in the I.F. stages of a superheterodyne receiver, and this usually becomes the "contrast" control, which is made readily accessible for adjustment by the viewer.

THE RECEIVER IN DETAIL

This control often operates only on the first I.F. valve, which is sometimes of the variable-mu type. Occasionally the control also operates on the second I.F. valve. In its simplest form (Fig. 26A), "contrast" control is by a variable resistor R2 in series with a fixed minimum bias resistor R1 in the cathode circuit of the first I.F. valve. More complicated systems bias the suppressor and control grid of this valve by different amounts, as was described in the article on R.F. stages. Again, the bias may be obtained from a potential divider across the H.T. circuit, of which the chassis end is made variable.

It has already been stated that the separation between sound and vision I.F. signals in the mixer anode circuit may not be sufficient to prevent a small sound I.F. signal reaching the vision I.F. input, where, owing to the broad tuning circuits, it may pass through the amplifier and cause interference with the vision signal. To prevent this, one or more rejector circuits may be employed.

Fig. 26B shows one preferred form of sound I.F. filter, connected in the cathode circuit of one of the I.F. valves. R3 is a fixed bias resistor shunted by C2, while the parallel tuned circuit L1, C3 is adjusted accurately to the sound intermediate frequency, at which it will have a high impedance, giving strong negative feedback and therefore reduced amplification of any signal of this frequency reaching the grid of the valve. Obviously, the circuit L1, C3 must be fairly sharply tuned, otherwise feedback might occur over part of the vision I.F. band.

Another form of sound I.F. filter is shown at Fig. 26C, where C4, L3 is a series tuned acceptor circuit in parallel with the tuned anode coil L2, damped by R4. Any signals reaching the anode circuit at sound I.F. are by-passed by C4, L3 and are not passed on to the next stage. This type of filter is not very common in commercial receivers.

The sound I.F. amplifier of a television receiver follows in principle the lines of that in an ordinary radio set, except for the higher frequency and somewhat greater band-width which is necessary due

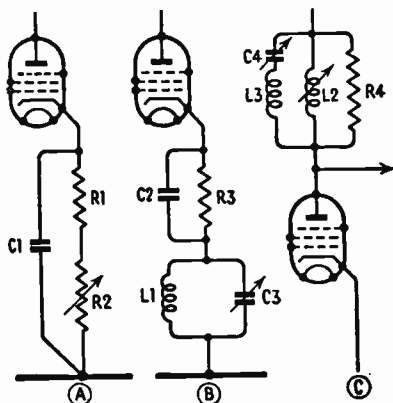


Fig. 26—A, a simple form of contrast control ; B, a negative feedback sound I.F. filter ; C, another form of filter in parallel with the vision I.F. anode coil

TELEVISION EXPLAINED

to the transmission of sidebands higher than can be permitted with ordinary close-spaced sound transmitters on the medium and long wavebands.

In the sections of the receiver already described we have been concerned primarily with the amplification of the received signal. It is true that, in the superheterodyne circuit considered, we have changed the carrier frequency, but this was only done for convenience, so that adequate amplification could be secured at the lower (I.F.) frequency.

The diagram at A in Fig. 27 shows the form of the signal at this stage; two complete lines and line synchronizing pulses are included, and it will be noticed that the carrier is still modulated by the picture signals at video frequency. The picture signals occupy the carrier from 30 per cent (black) to 100 per cent (white) of its amplitude; the sync pulses are in the "blacker than black" (0-30 per cent) region. The positive and negative phases of the carrier wave are, of course, symmetrical about the zero line.

Just as at this stage in the sound receiver it is necessary to "detect" the signal, and remove the carrier, leaving the A.F. signal which formerly modulated the carrier, so in the television receiver we now have to "detect" the video signal.

Consequently, the amplified I.F. signal, after leaving the I.F. amplifier, must be fed to a detector or demodulator stage, at the output of which we shall expect to be left with the video signal as at B in Fig. 27. Note that this still contains both the picture signals and the synchronizing signals. The removal of the latter for use in regulating the time base generators in the receiver is usually a post-detector operation.

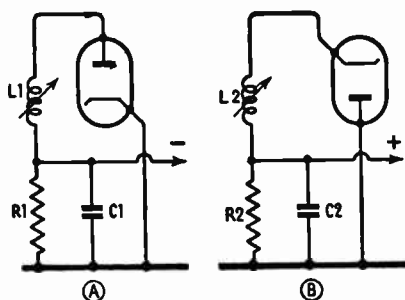
The output from the demodulator shown in Fig. 27B is shown as a positive signal, the voltage increasing in a positive direction with increase in signal. In order to secure a positive picture on the tube, this is the correct phase in which to apply the signal to the grid of the tube, as we shall see later. However, it may be necessary to amplify the video frequency signal before applying it to the tube, and if only one stage of video frequency amplification is used, the



Fig. 27—The form of the signal as it leaves the I.F. amplifier is shown at A; at B is the same signal after passing through the demodulator stage

THE RECEIVER IN DETAIL

Fig. 28—Two half-wave demodulator circuits, arranged to give an output in the negative sense (A) and the positive sense (B)



output from the demodulator will have to be in a negative sense, since 180 degrees phase reversal occurs in the single stage of amplification. It is quite easy to secure a positive or negative output from the demodulator stage, as required.

So far as the actual circuit is concerned, it is possible to employ any of the demodulator circuits used in sound receivers, with suitable modifications made necessary by the 2.75 Mc/s band-width of the video signal. In practice, either a single or double diode detector is employed, though at least one manufacturer has used an R.F. pentode operating under anode load conditions.

Unlike the majority of sound receivers, the tuned radio frequency type of television set also usually employs diode detection, so that from this point onwards both superheterodyne and tuned radio frequency types operate in a similar manner.

Two single diode television demodulator circuits are shown in Fig. 28. At A is an arrangement giving an output in negative phase, while at B the diode connections are reversed, and the output is in positive phase.

L1 and L2 represent the final tuned circuits of the I.F. amplifier (in the case of a superheterodyne), while R1 and R2 are the respective load resistors and C1 and C2 their by-pass capacitors.

The diode valves used are of a special type with a low internal resistance, and the values of R1, C1 or R2, C2 are much lower than in the same stage in sound receivers. R1 and R2 are often as low as 2,500 ohms, and C1 and C2 are rarely more than a few $\mu\mu\text{F}$; in fact, the stray capacitance of the circuit alone may be adequate, and by-pass capacitors are then omitted.

The correct choice of values for the load resistors and by-pass capacitors is extremely important if a reasonable detector efficiency, coupled with an adequate frequency response, is to be secured.

In addition, however, the demodulator circuit must be properly filtered to prevent any R.F. or I.F. voltage superimposed on the V.F. signal from passing on to the following stage, or getting back to preceding stages. The design of a suitable filter at this point is therefore of considerable importance. The type and complexity of the filter used varies a good deal, but a simple form of low-pass circuit, in

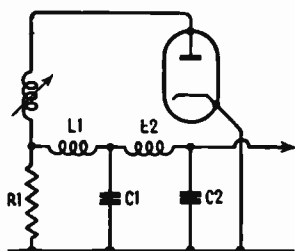


Fig. 29—A simple filter as used in conjunction with a half-wave demodulator valve

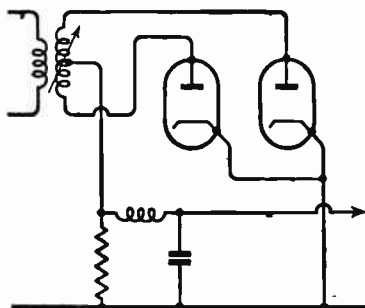


Fig. 30—The basic full-wave demodulator circuit

conjunction with the detector diode, is shown in Fig. 29. Here R_1 is the load resistor, and L_1 , L_2 and C_1 , C_2 the inductive and capacitive components of the filter.

Sometimes a push-pull demodulator circuit is employed, and a typical circuit is shown in Fig. 30, where two diode valves are used. Filtering problems are less difficult with this type of demodulator, though a simple filter circuit is included in Fig. 30. The input must be fed to the detector valves by means of a transformer with a centre-tapped secondary, of which the correct design is no easy matter.

It is also possible to use two diodes in a voltage-doubler type of detector circuit.

The V.F. signal which emerges from the detector stage is actually of the correct form to be applied to the control (modulator) grid of the cathode-ray tube, provided it is in the positive phase. However, in view of the fact that a medium sensitivity cathode-ray tube may require a peak signal voltage of 20 to 25 V before full white is registered on the screen, it is unlikely that the detector output will be adequate for this purpose without at least one stage of amplification.

It must be remembered that apart from the vision content of the signal, which modulates the tube, the synchronizing pulses are also present, so that the actual voltage output required from the detector to ensure a vision output of, say, 25 V, is about 36 V. However, it is possible in the case of a more sensitive tube to eliminate amplification between the detector and the tube, and to feed the output from the diode direct to the control grid of the tube. Apart from other considerations, this is advantageous in that it eliminates the difficulties of retaining in the video amplifier full amplification of all frequencies of the wide-band video signal.

More generally, however, tubes of medium sensitivity are used, and in order to obtain the necessary voltage to secure full modulation at least one stage of video amplification is necessary.

The video amplifier in a television receiver is comparable with the audio amplifier in a sound receiver, but with three important differences. The first is that instead of an audio band of, say, 50 to

THE RECEIVER IN DETAIL

10,000 c/s, the video amplifier must handle a band of 0 to 2.75 Mc/s. The second is that a voltage output instead of a power output is required from the video amplifier, and the third (which really follows from the first), is that the video signal contains a D.C. component (0 c/s) which must be retained, or, if removed, must be replaced before the signal is fed to the cathode-ray tube.

The wide frequency band requirement causes the greatest difficulty in the design of the V.F. amplifier. Theoretically, the amplifier should deal equally with all frequencies, not only of the usual audio range, but through the normal long-wave and medium-wave ranges right up to a frequency equivalent to about 100 metres. It is obvious that this is not an easy problem, particularly since high frequency response will be reduced by stray capacitances due to the valve, the wiring, and the input circuit of the tube.

The valve chosen for the task is usually a television R.F. pentode, though power pentodes or tetrodes may be used owing to their relatively low grid/anode capacitance. They are operated with a resistive anode load, which, to secure adequate high frequency response, must be kept low. This, of course, limits the gain of the stage.

In order to improve the gain without affecting the frequency response, small correction chokes are usually employed. Fig 31 shows a skeleton V.F. amplifier stage, using a pentode valve, in which R1 is the anode load resistor and L1 a compensating choke in series with it. This choke neutralizes to a large extent the stray circuit capacitance, and incidentally permits a higher value for R1, thereby increasing the gain of the stage.

It is also possible to compensate by means of a choke in series with the output lead from the anode circuit, as shown at L2 in Fig. 31. This choke, with the valve, tube and circuit stray capacitances C2 and C3, resembles a low-pass filter, and besides improving the performance, has other advantages.

Occasionally chokes are employed in both positions, as in Fig. 31, and this arrangement is best of all, though somewhat critical from the designer's point of view.

R2 in Fig. 31 is a bias resistance which is normally fitted. The

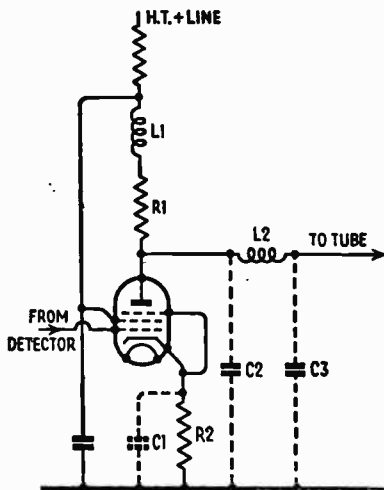


Fig. 31—Basic V.F. amplifier circuit, with two compensating chokes, L1 and L2

TELEVISION EXPLAINED

parallel capacitor, however, is often omitted, and the resulting negative feedback helps to improve the overall response of the amplifier, though with reduction of gain.

Turning now to the problem of the retention of the zero frequency (D.C.) component of the signal, it is as well to explain the significance of this feature of the television signal. In the first place, it will be appreciated that every scene televised has a certain range of contrast, from the darkest to the brightest tone. In addition, and this is not so obvious, each scene has an average brightness value.

As an example, take a scene in a living-room with normal artificial lighting, which has a certain contrast range. Now suppose the artificial lighting is dimmed. Theoretically the contrast range remains the same, but as the illumination has been reduced, the *mean* brightness is now less.

In the television signal the mean brightness is governed by a bias on the signal, which takes the form of a D.C. component superimposed on the vision modulation, and which fixes the mean brightness datum line of the picture relative to the "black" level. If this bias is removed we still get a similar range of contrast, but the signal contains no information enabling the tube to adjust itself to changes in mean brightness. Consequently, in the example mentioned above, the dimming of the light would not be appreciated, at any rate after the momentary period during which the signal settles down after the change.

It can be appreciated, therefore, that the D.C. component must be retained, and an obvious way of ensuring this is to employ direct coupling everywhere between the detector and the grid of the tube. This is simple in cases where the detector can feed the tube without a V.F. amplifier stage, and in this case no D.C. restoration is necessary.

Where a V.F. amplifier is essential, one can only retain the D.C. by using a direct-coupled amplifier circuit. Such an amplifier is feasible, but usually not practicable owing to the fact that it involves the use of a special H.T. supply circuit which is completely voltage-stabilized. However, in any case there is always a danger of damaging the tube on switching on or off, or by failure of the V.F. valve, which may place a high positive bias on the tube grid, and so direct coupling for the V.F. amplifier is not normally used in domestic receivers.

The principle of direct coupling is indicated at A in Fig. 32, which shows the grid of the tube fed direct from the V.F. amplifier. The cathode of the tube is connected to the slider of a potentiometer which provides mean bias for the tube, and therefore acts as the "brightness" control.

At B in Fig. 32 is shown the more normal arrangement, in which an ordinary V.F. amplifier is used, with a capacitor C1 coupling the V.F. anode to the tube grid. Obviously, since D.C. cannot pass through C1, the D.C. component of the signal is lost.

It is, however, easily replaced by means of the inverted diode valve V1, with its load resistance R1. This valve, usually a small television diode, is known as the D.C. restoring diode.

THE RECEIVER IN DETAIL

With the D.C. component of the signal removed, the A.C. component tends to arrange itself on the grid bias line of the cathode ray tube so that equal "areas" of signal occur above and below the bias line. The main part of the picture signal will, of course, be on the "less negative" side of the line, and the remainder of the picture signal and the synchronizing pulses on the "more negative" side. In order to give the same effect as the D.C. component which has been removed, we must find a means of providing a variable bias voltage which will shift the complete vision and sync signals in a "less negative" direction to a greater or lesser extent, depending on the instantaneous value of the D.C. component.

The D.C. restoring diode, connected as shown in Fig. 32B, achieves this task by acting as a peak voltage rectifier of the signal on the "more negative" side of the bias line. V1 does not conduct during the excursions of the signal on the "less negative" side of the bias line, since its cathode is maintained positive, but the opposite excursion of the signal (that is, the largely sync pulse portions on the "more negative" side of the bias line) drive the diode cathode negative. This causes it to conduct, charge the coupling condenser C1, and produce a positive bias across R1, which, providing the time constant of C1 and R1 is correctly chosen, follows the original D.C. component of the signal with reasonable accuracy.

It can be seen, therefore, that in view of the simplicity of D.C. restoration, it is hardly worth while to employ a direct-coupled V.F. amplifier in any ordinary television receiver.

Before completing this section, it is of interest to note that in certain receivers an anode bend detector, used instead of the diode detector, is direct coupled to the cathode-ray tube with complete safety. The output from the anode circuit of the valve is in the negative sense, and cannot therefore be applied to the tube grid, which needs a signal in the positive sense.

To solve this difficulty, the signal is fed to the *cathode* of the tube (which must be separate from the heater, of course), and the "brightness" control slider is connected to the grid of the tube. Should the valve fail, its anode, and therefore the cathode of the tube, becomes

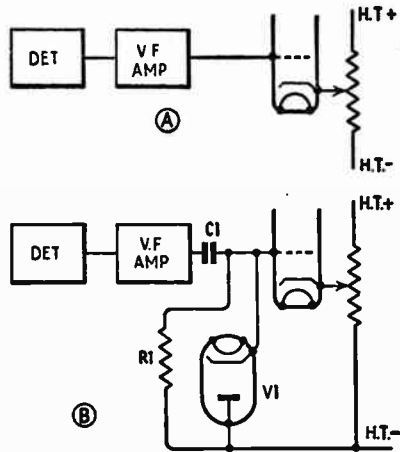


Fig. 32—Direct coupling to the tube grid is shown at A, while capacitive coupling, with D.C. restoration, is indicated at B

TELEVISION EXPLAINED

more positive, which is the same as driving the grid more negative, and reducing the cathode emission. The arrangement is shown diagrammatically in Fig. 33.

Before leaving the subject of the circuits proper to the receiver itself (that is, those that deal with the incoming signal), and passing on to the auxiliary circuits, it is necessary to deal briefly with interference suppression.

It has already been seen that by a suitable choice of aerial, and its siting and alignment, some alleviation of interference can be secured. One of the main sources of this trouble is the ignition circuits of the ordinary petrol engine, the high-voltage spark discharge of which causes white spots or flakes on the screen, often referred to as "snow."

When this is bad, the impulses picked up by the aerial not only cause a white spot, but by driving the tube grid well beyond the normal 100 per cent modulation point cause defocusing of the spot, and produce large white patches.

The proper remedy is suppression at the source, by fitting a resistance suppressor in series with the lead from the ignition coil to the distributor of the offending vehicle. Special screw-in or plug-in types are now available for this purpose, and can be fitted without cutting leads in a matter of moments. However, it will be a long time before all interference of this kind becomes suppressed at the source.

In the receiver some improvement can be made by the use of limiter circuits. If the interference impulse can be limited to the "full white" level, it shows on the screen as a sharp white dot which is much more bearable than a defocused splash.

A simple limiter circuit is shown in Fig. 34. It consists of a biased diode valve, V2, connected across the load resistor R1 of the demodulator diode V1. (Compare Fig. 28B.) The bias for V2 is obtained from the H.T. potentiometer R2, R3, and is adjusted by R3 so that it is the same as the voltage produced at the anode of

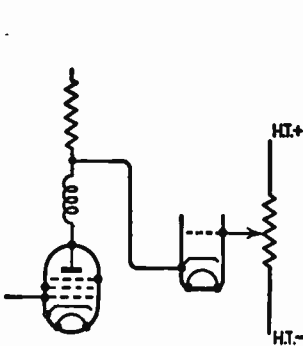


Fig. 33—An anode bend detector directly coupled to the tube cathode

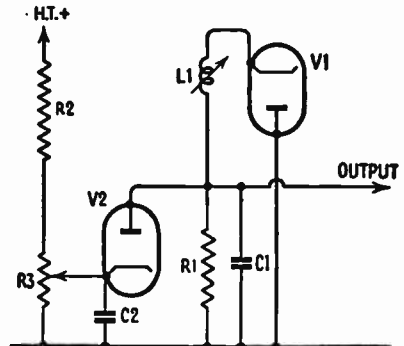


Fig. 34—Simple vision interference limiter, consisting of a biased diode connected across the demodulator load resistor

THE RECEIVER IN DETAIL

V2 by a "full white" signal across the resistor R1. Any pulse causing a voltage greater than full white to appear across R1, and hence on the anode of V2, will cause V2 to conduct and place a load across R1, tending to keep the resultant voltage down to the full white level. Interference then merely causes white dots, and not splashes, to appear on the screen.

Another form of suppressor uses a triode which, when a pulse arrives, over-biases the tube grid, and so produces a black spot in place of a white one. Both types of suppressor mentioned need careful adjustment for best results.

Since ignition and similar interference produces noise in the sound receiver, which to many is more annoying than the white spots on the vision, some receivers employ noise suppressors on the sound side. These also consist in most cases of diodes, usually in parallel with one of the sound amplifier valves, and biased so that they only conduct on interference peaks.

Sync Separation

WE HAVE NOW EXAMINED the complete vision receiver, from the aerial to the modulating grid of the cathode ray tube, and we must now turn to what may be termed the auxiliary sections of the receiver. These are not concerned specifically with the vision signal as such, but are nevertheless essential to the reception of complete pictures.

It has already been indicated that the tube is "scanned" by suitable scanning generators, and these produce a raster on the tube whether a signal is present or not. In order that these generators may run exactly in step with those at the transmitting end, use is made of synchronizing signals which, as was seen earlier, form part of the complete television signal.

In order to make use of the synchronizing signals and apply them to the scanning generators (or time bases, as they are less accurately known) it is necessary to separate the synchronizing pulses from the picture signal; in addition, the line pulses and the frame pulses must also be separated from each other.

First of all, to separate both sets of pulses from the picture signal, use is made of the fact that the sync pulses occupy only that portion of the complete signal lying between zero and 30 per cent of the full amplitude (that is, the "blacker-than-black" portion). This suggests the use of an amplitude filter of some kind, set so as to pass signals below 30 per cent of the maximum, and block those of 30 per cent and over.

There are numerous methods of accomplishing this, using a diode, triode or R.F. pentode, and one of the most common is that in which use is made of the constant-current properties of a screen grid or pentode valve running with low anode and screen voltages. A typical characteristic curve is shown in Fig. 35. Matters are arranged so that the input to the valve corresponding to "black level" (30 per cent of maximum) brings us to the operating point X on the curve.

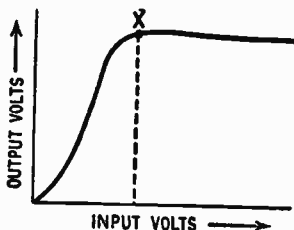


Fig. 35—Characteristic of the filter valve

SYNC SEPARATION

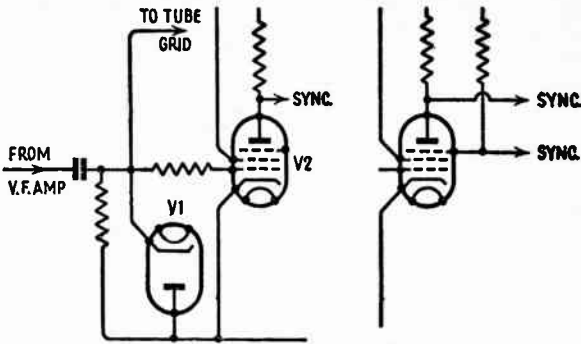


Fig. 36—Basic circuit for sync separation using an amplitude filter valve. Right: the filter valve connected to give two sync outputs

Assuming a resistive load in the anode circuit of the valve, any increase in input (that is, picture signal) will bring the operating point somewhere to the right of X, and practically no change in anode current will take place, and there will be no appreciable variation in the voltage across the load resistor.

On the other hand, a decrease in input, which occurs on each synchronizing pulse, will bring the operating point to the left of X, and there will be a considerable change in anode current and hence in the voltage across the load. These voltage changes represent the sync pulses, which are thus separated from the video signal, and can be passed eventually to the scanning generators. It is also possible to separate the pulses from the vision by working on the lower bend of the valve characteristic, which produces the pulses in opposite phase.

In order to ensure complete separation of the video and sync signals it is important that the D.C. component of the complete signal should be present to maintain the "black" level at a constant value. Consequently the separation must take place either before the D.C. component is removed or after it has been restored.

In Fig. 36 is shown the basic circuit for sync separation using an amplitude filter of the type already described. It will be noted that this circuit is similar to Fig. 32B, except that in addition to the connection to the tube grid from the cathode of the D.C. restorer valve V1, there is another connection from the cathode to the amplitude filter valve V2, via a series grid resistor. The latter reduces the load of V2 on the signal circuit, and also assists the filtering action. The line and frame sync pulses (mixed) are fed from the anode circuit of V2. Alternatively, by using the suppressor grid of V2 as an extra anode, separate sync feeds can be taken to the line and frame generators (though the pulses so obtained must still be separated from each other). The twin feed is shown to the right of Fig. 36.

TELEVISION EXPLAINED

Diodes may also be used for sync separation, and it is possible to employ a diode following the detector stage of the receiver for this purpose, the separator diode being so connected and biased that it only passes current on the sync pulses. However, where the demodulator is followed by a V.F. stage, it is unlikely that the V.F. signal available from the demodulator will provide a sufficiently large synchronizing signal without amplification.

Consequently, the sync separation will often follow the V.F. amplifier stage. As was seen earlier, a D.C. restoration diode is usually necessary between the V.F. stage and the tube; this diode can itself act as a sync separator. In Fig. 37, the diode shown is the D.C. restorer following the V.F. amplifier, but instead of the anode being returned direct to chassis, there is a load resistor R in the anode circuit, which is taken to a tapping on an H.T. potentiometer in such a way as to give a small positive bias on the diode anode. The bias is adjusted to be roughly equal to the amplitude of the sync pulses, and the diode thus conducts during the sync pulses, and develops a voltage across the anode load resistor. It does not, however, conduct when the picture signals arrive and drive its cathode positive beyond the 30 per cent signal amplitude level. The sync pulses are, of course, taken from the diode anode.

It should be noted that the usual type of scanning generator needs a synchronizing pulse which is in the positive sense, and thus the separator circuits must be arranged so that their output is positive. In some circuits it will be found that whereas the feed to the tube grid is taken from the anode, the feed to the sync separator is taken from the cathode circuit.

Having obtained the sync pulses free from the video signal, it is obviously necessary to separate the line pulses from the frame pulses. As we saw, separation of the sync pulses from the video signal was largely a question of using an amplitude filter; for separation of the two types of pulses from each other, some other method of discrimination is necessary.

Since the line pulses occur at relatively high frequency and the frame pulses at a much lower frequency, it might be thought that some form of frequency filter would be satisfactory. However, ordinary frequency filters do not give adequate discrimination without seriously altering the pulse shape, and allowing the high harmonic components of the pulses, and therefore the sharpness of the slope of the leading edges of the pulses, to be lost.

It is desirable that these leading edges should be retained without distortion, since they not only control the precise moment at which the generators are triggered, but, if they are tilted or otherwise distorted, interference may be superimposed on them. This may cause displacement of certain lines in a horizontal direction, or, in the case of frame pulses, loss of interlace.

In practice, circuits are used which make use of the duration of the pulses, rather than their frequency, in order to separate them. The

SYNC SEPARATION

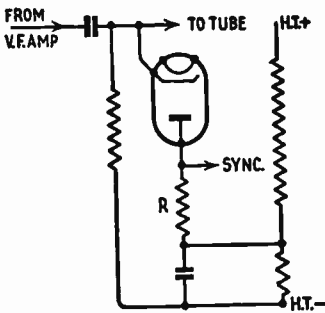


Fig. 37—The D.C. restorer diode used as a sync separator

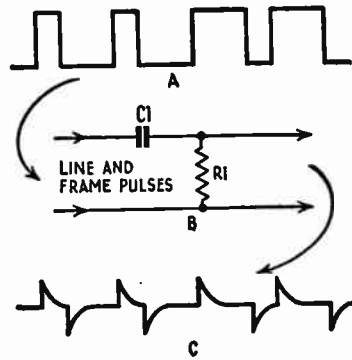


Fig. 38—Separating the line pulses by a differentiator circuit. A, the mixed pulses; B, the circuit; C, the output

duration of a line pulse is about 10 microseconds, and of a frame pulse about 40 microseconds.

For separating the line pulses, use is made of a “differentiating” circuit, which is merely a series capacitor and a parallel resistor, of carefully chosen values. Fig. 38A shows, merely for explanatory purposes, two line pulses followed by two frame pulses, which have been inverted so as to be in the positive sense needed for most scanning generators.

At B is the simple differentiator circuit, into the left-hand side of which the mixed pulse train is fed. If the values of C_1 and R_1 are so chosen that their time constant has a certain low value (for example, $C_1 = 50 \mu\mu\text{F}$ and $R_1 = 45,000$ ohms) then the circuit responds suddenly to the leading edge of each pulse, but during the period of the horizontal top portion the voltage across R_1 drops exponentially to zero. The trailing edge of the pulse causes a sudden negative voltage change across R_1 , followed by an exponential return to zero. The waveform obtained is shown at C in Fig. 38. Actually we are not interested in anything following the initial voltage rise, which triggers the scanning generator.

It will be seen that the frame pulses when passed through the circuit lose their identity and are converted to a set of short duration peaked pulses which help to keep the line scanning generator in synchronism during each frame synchronizing period.

A differentiator circuit may alternatively take the form of an inductance in the anode circuit of a tetrode valve, into the grid circuit of which is fed the mixed pulses in a *negative* sense. The voltage produced across the inductance is the differential of the anode current wave which flows through it, and is of similar form to Fig. 38c, though not identical. The separated line sync signals can be obtained from a coil coupled to the anode inductance, constituting a transformer.

TELEVISION EXPLAINED

Turning to the frame pulse separation, here use is made of an "integrating" circuit, which consists in its simplest form of a series resistor and parallel capacitor as indicated in Fig. 39E. The time constant of this circuit is also critically adjusted, but to a higher value than in the case of the line separator. Thus R2 may have a value of about 20,000 ohms, and C2 1,000 $\mu\mu\text{F}$.

The effect of feeding the mixed pulse train (Fig. 39D) into the integrating circuit (E) is shown diagrammatically at F. The short duration line pulses have little effect on charging C2 and so raising its voltage, but the first frame pulse, due to its longer duration, builds up the voltage across C2 to an appreciable value. In the short interval before the next frame pulse, C2 only discharges slightly, and the next frame pulse builds up its voltage to a higher value, and so on. The result is that, whereas the line pulses after passing through the integrator are too small to affect the frame scanning generator, the frame pulses build up a voltage which at some critical value triggers the generator.

The combined circuit is shown in Fig. 40, C1, R1 and C2, R2 forming the differentiator and integrator respectively. C3 and R3 in the integrator are to remove the effect of any D.C. voltage arriving from the sync separator which would, of course, upset the working of this circuit.

An examination of Fig. 39F shows that the frame pulses have lost their vertical leading edges, and in view of the fact that the first pulse following an "even" frame is only displaced half a line from the first pulse following an "odd" frame, it might be expected that correct interlacing would be difficult. This is indeed the case, and with the normal integrator circuit, extremely accurate adjustment is necessary.

To get over this difficulty, many sets employ more elaborate frame pulse separating circuits, not necessarily of the integrator type. One interesting circuit makes use of the intervals between successive frame

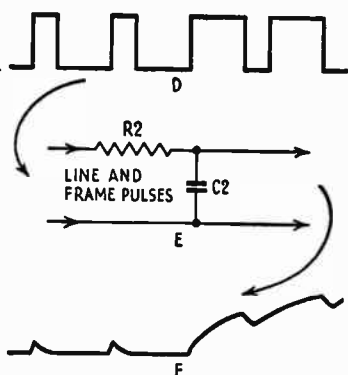


Fig. 39—Separating the frame pulses by an integrator circuit. D, the mixed pulses; E, the circuit; F, the output

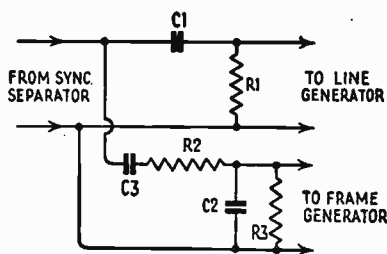


Fig. 40—Combined line and frame pulse separating circuit, in its simplest form

SYNC SEPARATION

pulses and converts them to positive pulses of the same duration as line pulses, and with almost vertical leading edges, the first of which is used to trigger the frame generator.

It seems likely that such circuits will be the rule, rather than the exception, in future, because the securing of an accurate and stable interlace between the two frames of a complete picture is of considerable importance. The effect of loss of interlace is to make the line structure of the picture more noticeable, while at the same time considerable detail in the vertical direction is lost.

Some of the first receivers to be produced in this country suffered from complete or partial lack of interlace, but modern receivers are rarely deficient in this respect. However, it is found in some receivers that if the line or frame hold controls (or both) are badly adjusted so that the picture is only just stable, the interlace sometimes fails or becomes intermittent. It pays, therefore, to set the hold controls about midway between the ends of the range over which the picture is stable, if only to ensure a satisfactory interlace.

The Cathode-ray Tube

Principles of Magnetic Type—Focusing and Deflection— Projection Tubes

WE HAVE NOW DEALT with the receiving equipment and have seen how the complete signal reaching the aerial is converted into the correct form for our requirements, and split up into its constituent parts. One of these provides the actual picture information and is used for modulating the grid of the cathode-ray tube; the others are synchronizing signals employed to trigger the scanning generators which provide the "raster" on the tube screen.

The remainder of the complete receiver comprises the tube itself, its voltage and power supplies, and the scanning generators. The latter, of course, operate whether a signal is being received or not; they are merely controlled as to their exact frequency by the sync signals obtained from the receiver, as described in the last chapter.

We must now consider, therefore, those parts of the receiver, mentioned above, which are virtually independent of the received signal, and a good starting point is the tube itself. We are concerned here chiefly with the types of tube in which the picture is directly viewed on the end of the tube, but at the end of the chapter will be found a brief reference to projection tube systems. The principles of operation in the two varieties are, however, very similar.

The television cathode-ray tube is a development of the original C.R.T. which has been used for many years for oscillographic work. The original oscillograph tubes contained a certain amount of gas, and were much smaller than the average television tube, besides having screens which produced green or blue traces, compared with the near-white colour of the modern television type. Later oscillograph tubes were of the "hard" type, since they could respond to much higher frequency inputs than the original "soft" tubes.

Oscillograph tubes are also almost exclusively of the electrostatic deflection type, in which the movement of the spot on the screen of the tube is controlled by voltages applied to sets of parallel deflector plates inside the tube.

Early television receivers also employed electrostatic deflection, and in practice this method is quite satisfactory, but the need for shorter tubes (for a given screen diameter) in order to reduce the depth of the television receiver cabinet has caused tube manufacturers to concentrate almost exclusively on types employing electromagnetic deflection.

THE CATHODE-RAY TUBE

This form of deflection greatly simplifies the internal construction of the tube, owing to the elimination of complicated deflector plate systems inside the envelope. The latter systems need very careful construction and alignment when the tube is made, and in short do not lend themselves very well to quantity production at a low cost. It is only fair to indicate, however, that electromagnetic tubes necessitate the use of carefully designed deflector coils outside. The electromagnetic tube also allows easier focusing of the comparatively heavy beam currents needed to secure a bright picture.

A typical "magnetic" (that is, electromagnetic) tube is shown diagrammatically, and not to scale, in Fig. 41. The electrode system comprises, first of all, a heater and cathode assembly which provides the electron stream. Next comes a cylindrical electrode, closed by a disc at the far end in which there is a circular orifice. The electron stream passes through this orifice, and is controlled in intensity by the voltage applied to the electrode. In this way, therefore, the electrode resembles the control grid of an ordinary receiving valve, though its physical construction is quite different. It is commonly referred to as the "grid" of the tube, by analogy, and is normally furnished with a negative standing bias.

Increasing the negative bias reduces the density of the electron stream emerging from the "grid," and eventually cuts it off altogether; reducing the bias increases the stream, and therefore the intensity of the spot on the tube screen. A variable bias control is usually provided, and is termed the "brightness" control.

The video signal from the television receiver, in the form of a varying voltage, is also applied to the "grid" and modulates the intensity of the spot on the screen, thereby providing the light and shade of the picture.

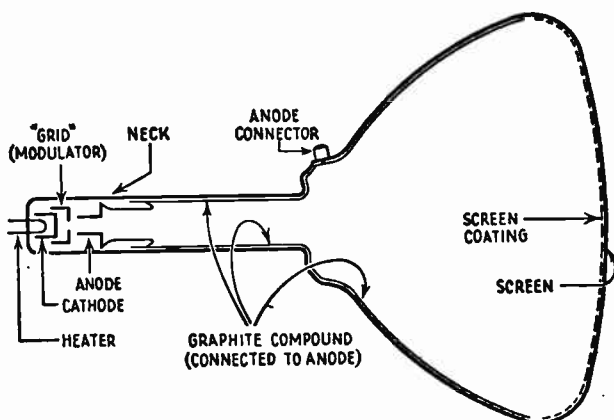


Fig. 41—Diagram (not to scale) of the internal arrangement of a typical single anode electromagnetic cathode-ray tube. Dimensions of the electrodes have been exaggerated for clarity

TELEVISION EXPLAINED

The next electrode is the anode, or accelerator, which is used to speed up the electron stream leaving the "grid," so that it strikes the screen with adequate velocity to cause fluorescence of the screen material. The anode is usually a pierced disc, often with a tubular extension towards the "grid," through which the electron stream passes. The whole assembly, comprising heater, cathode, "grid" and anode is known as the "gun," for fairly obvious reasons.

In addition to the anode as described, modern tubes have the inside of their glass envelope coated with a graphitic deposit which is internally connected to the actual anode. This deposit extends from the inside of the neck of the tube, close to the anode, almost up to the screen material, and amongst other things provides a return path for slow-moving electrons which are the secondary products of the impact of the cathode beam striking the screen material.

The anode is provided with a high positive potential, usually ranging from 3,500 to 7,000 V in modern receivers. The higher the voltage, the more dense will be the electron beam, and therefore the brighter the picture for a given setting of the "grid" voltage control. In order to avoid having to connect the extremely high anode potential via the base of the tube, a connector is usually fitted to the conical portion of the envelope of the tube, which is in contact internally with the graphite coating, and hence with the anode of the tube.

Some tubes of the magnetic type employ more than one anode. In this case the first anode will have an operating voltage considerably lower than that of the second anode, and its connection will be brought out at the base of the tube. This voltage is usually of the order of 250V maximum, and is obtained from the receiver H.T. voltage line.

Tubes with a single anode are often referred to as "triodes" and those with two anodes as "tetrodes."

The end of the tube, which ideally would be flat, in practice is usually slightly curved for reasons of strength. However, some modern tubes are made with flat ends by means of a special method of bulb construction.

The inside of the end of the tube is coated with a film of material which becomes fluorescent when the electron stream strikes it, and this forms the screen on which the picture is seen. The colour produced depends on the screen material, and a very close approach to a black and white image has been secured by the use of suitable mixtures of chemical compounds.

In the case of early types of tube it was necessary to view the picture in at least semi-darkness, owing to limitations of screen brightness. The introduction of better screen materials, giving brighter fluorescence, has partially removed this limitation, and recently there has been another screen development which makes it possible to view, with a reasonable degree of picture contrast, in ordinary room light.

This development is the aluminized screen, in which a very thin film of aluminium is deposited on the back of the fluorescent screen, as indicated in the enlarged section shown (not to scale) in Fig. 42.

THE CATHODE-RAY TUBE

The beam of electrons is able to penetrate the aluminium film, and energize the fluorescent material, but the film prevents the light produced being dissipated back into the tube. In fact, the aluminium film acts as a reflector, and enhances the brightness of the screen, as seen from the front. At low anode voltages, some loss occurs due to the energy lost by the electrons in penetrating the aluminium film, but above about 4,000V this effect disappears, and the brightness increases, compared with an ordinary tube.

The beam of electrons leaving the anode of the tube tends to spread out from the axis of the tube, with the result that at the screen of the tube we get a diffused fluorescence, covering a large area of the screen. This, of course, is useless for our purpose, and it is necessary to adopt some means of concentrating the electrons into a narrow, dense beam, which will produce a bright spot of very small area on the screen. Unless a small spot is obtained, the detail of the picture will be lost.

In view of the analogy with the light passing through a lens, this concentration of the electron beam is termed "focusing," and it is necessary to be able to adjust matters so that exact focus is obtained at the fluorescent surface of the screen.

In the electromagnetic type of tube which we are considering, focusing is usually carried out by causing a uniform magnetic field to be produced with its lines of force running parallel with the axis of the tube. The effect of this, if the direction of the lines of force is correct, is to cause the path of the electrons in the beam which diverge from the axis of the tube to be bent back, or refracted; by suitably adjusting the strength of the magnetic field, the electron beam can be accurately focused on the screen.

In order to produce the requisite field, a circular "ring" magnet, capable of being slipped over the neck of the tube, and of being accurately adjusted in position so that its field is parallel with the tube axis, is employed. The magnet may be of the permanent or of the electromagnetic type. The former is convenient, and needs no current supply from the receiver, but its field is not readily adjustable; the latter permits adjustment of the field to be made very accurately by varying the direct energizing current which flows through it.

In practice, a combination of the two is often used. Either there is a permanent magnet with a subsidiary electromagnet so arranged that it will affect the field of the permanent magnet sufficiently to provide the correct range of focusing, or the permanent magnet is made with a self-contained winding to provide the variation in focus required. Alternatively, a magnetic "shunt" may be used, which, by a

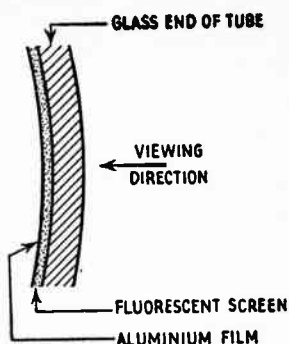


Fig. 42—Enlarged section of a portion of an aluminized tube screen

TELEVISION EXPLAINED

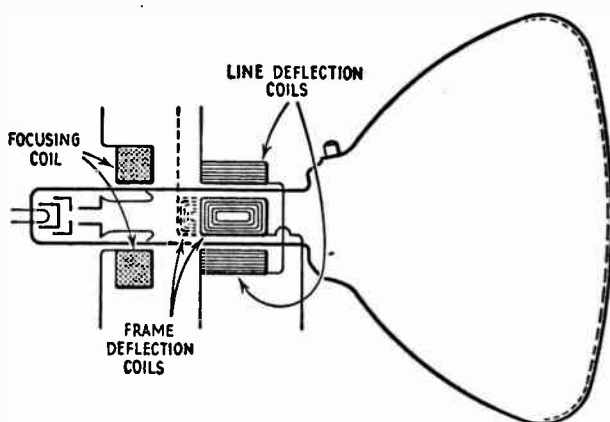


Fig. 43—Diagram of an electromagnetic cathode-ray tube showing the disposition of the focusing and deflection coils. The rear frame deflecting coil is displaced slightly to the left so that part of it can be seen. In practice the coils are shaped so that they fit snugly round the neck of the tube, and are provided with iron yokes

mechanical adjustment, makes slight variations in the field of the permanent magnet.

In Fig. 43, which shows an electromagnetic tube in diagrammatic form, the "ring" focusing coil is drawn in section. It will be noted that it is positioned a little way past the tube anode, towards the screen, and the effect of the coil can be mechanically adjusted to some extent by sliding it along the neck of the tube.

Since the speed of the electrons in the beam of the tube depends on the anode voltage, the strength of the focusing coil or magnet required also depends on the anode voltage, since it needs a stronger magnetic field to "refract" fast moving electrons than slow ones.

With a fixed magnetic field employed to concentrate the electron beam, fine adjustments may also be made by varying the anode voltage of the tube through a small range. This method is employed in at least one modern receiver.

Having focused the beam into a spot of small dimensions, it is obviously necessary to find a method of deflecting it in such a way that the "raster" of the picture can be produced. At this stage we shall not consider the form of the current or voltage required to do this, but we will see how a suitable deflecting current or voltage can be applied.

In an electromagnetic tube, deflection is produced by electromagnetic means, that is, by a current of correct "form" flowing through coils suitably disposed. Referring to Fig. 44, this indicates diagrammatically how deflection of the spot in one direction (in this case vertically up or down) can be achieved. It is a section through the neck of the tube, at right angles to the axis (shown by the concentric circles), and through two coils placed one each side of the tube neck, and with their planes parallel to each other.

THE CATHODE-RAY TUBE

If a current is passed through the two coils connected in series as shown, a magnetic field, indicated by the fine broken lines, will be produced. As will be seen, these lines, where they pass through the tube, are roughly parallel, and fairly uniform. In practice, means are provided to improve the uniformity of the field.

By applying the well-known laws of a current (that is, the electron stream in the tube) in a magnetic field, it will be obvious that, depending on the direction of the field, the electron stream will be deflected up or down, and a field which alternates in direction will produce the effect of a vertical line, of length depending on the field strength, on the screen of the tube.

This, then, is the elementary principle of electromagnetic deflection. By employing two more coils at right angles to those shown, and producing *vertical* lines of force, it is possible to deflect the electron stream *horizontally*.

The disposition of the vertically deflecting ("frame") coils, and the horizontally deflecting ("line") coils, is shown in Fig. 43, where it will be seen that the coils are towards the end of the neck of the tube. In practice, it is not convenient to mount coils as shown, and the coils used in commercial receivers are of rectangular formation, shaped so that they fit snugly round the neck of the tube, and of such a size that the sides of each pair which are parallel to the axis of the tube practically touch each other; the frame coils are generally fitted over, and outside, the line coils, and the gaps between pairs of line and pairs of frame coils are, of course, displaced from each other by 90 degrees, to make the two directions of deflection exactly at right angles to each other.

The arrangement described helps to secure a more uniform field in each direction, but this object is further achieved and the field strength increased by placing suitable iron yokes round the sets of coils.

Before leaving the subject of the tube itself, it should be pointed out that failure of the scanning units will result in a single spot of fluorescence, of high intensity, being produced. This, if allowed to continue, will "burn" the screen at the point where the beam impinges on it, with the result that the fluorescent material will no longer be active at this point, and a permanent black spot will be produced.

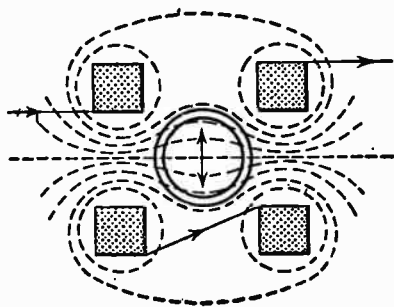


Fig. 44—Diagram of a section through two vertical coils, one on each side of the neck of the tube, showing how the electron beam is deflected vertically by a horizontal magnetic field

TELEVISION EXPLAINED

Apart from general deterioration of the fluorescence of the screen, which occurs when a tube has been in use for a long time, there is another form of deterioration which takes place after lengthy use. It shows itself as a circular patch of sub-normal brilliance in the centre of the screen, and is due to ions which are present in the tube, despite careful de-gassing of the envelope. These ions, which, compared with an electron, are heavy, are not appreciably deflected by the magnetic fields of the scanning coils, and therefore they impinge on the tube screen and eventually cause a deterioration in fluorescence in a roughly circular patch on the screen.

In the case of aluminized tubes, the effect does not usually occur, since the penetration of the ions is less than that of the electrons in the beam. Non-aluminized tubes, however, are sometimes provided with a special arrangement of the electrodes to obviate the trouble.

In one example, the electron "gun" is bent so that the electron and ion stream is deflected to one side. An external "bending coil," energized by D.C., is then employed to re-centre the electron stream along the axis of the tube, while the ions, not being responsive to the magnetic field, continue in the original direction, strike the side of the "gun" and are trapped. Other types of "ion trap" may also be used.

Although there is no intention in this book to deal extensively with projection television systems, it is believed that, since a number of domestic receivers of the projection type have made their appearance, a brief description will not be out of place.

The projection system in use would be more correctly described as a magnified reflection system, since mirrors, and not lenses (except for a correction lens) are employed. The principle is similar to that of the astronomical reflection telescope.

The picture is first formed on the screen of a special projection C.R. tube, which has a diameter of about $2\frac{1}{2}$ inches, and operates with

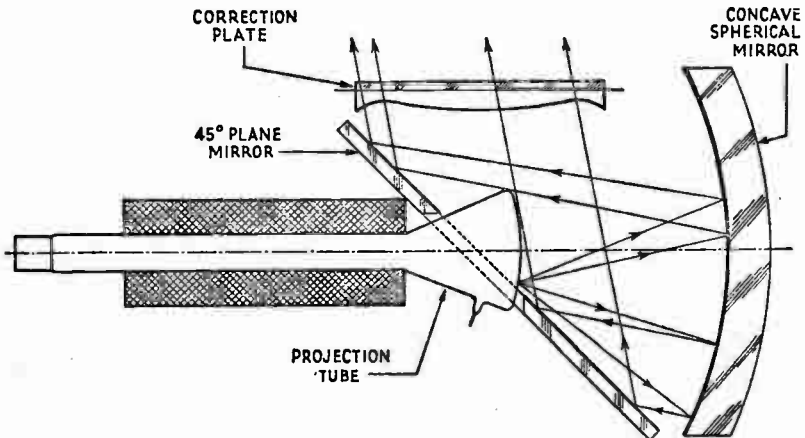


Fig. 45—Diagram of the projection television unit now used in some domestic receivers. The paths of the rays from the tube screen are indicated

THE CATHODE-RAY TUBE

an E.H.T. voltage of about 25 kV. The receiver, scanning and synchronizing arrangements are similar to those used with an ordinary direct-viewed tube.

The arrangement of the special projection unit used by a number of manufacturers is shown in Fig. 45. The picture on the end of the tube is reflected by a concave-spherical mirror, on to a 45-degree plane mirror through which the tube projects. From this mirror the rays pass through a special correction plate or lens, which corrects the spherical aberration caused by the concave mirror.

By placing a screen of the ground-glass type in the path of the reflected rays, and at the correct distance, the magnified picture is formed on the screen. The size of the picture is about 15 inches by 12 inches, and therefore corresponds to that obtainable from a direct-viewed tube of about 20 inches diameter.

For convenience in layout, the rays, after passing through the correction plate, may again be reflected by a plane mirror before reaching the screen, the actual arrangement depending on the size and shape of the cabinet.

This is obviously a "back" projection method, as compared with the front projection arrangement of, say, a home ciné equipment. However, the same system can be used for front projection if desired.

Scanning Circuits

Production of Saw-tooth Waveforms with Gas Relay and "Hard"-valve Circuits

ON PAGES 28 TO 31 we saw how the television picture is built up from a series of equidistant lines, of which there are 405 in a complete picture. In order to produce this "raster," the fluorescent spot on the screen of the cathode-ray tube has to be swept across the screen from left to right by the line scanning generator at a high speed, and at the end of each line it has to return, at an even higher speed, to the left-hand edge, ready to commence the next line. At the same time the frame scanning generator is moving the spot vertically downwards, but at a slower speed, so that each successive line is slightly below the previous one. Although the lines so produced appear to be horizontal, they actually slope downwards to the right very slightly.

We have already seen that with interlaced scanning as used by the B.B.C. there are 25 complete pictures per second, consisting of 50 frames of $202\frac{1}{2}$ lines each, alternate frames being interlaced. The total number of lines "drawn" per second is thus 10,125, which is therefore the frequency of the line scanning unit. The frame scanning unit has a frequency of 50 per second.

Fig. 46 shows diagrammatically the type of voltage or current waveform needed to move the spot on the tube in order to produce a raster as described. Both line and frame scanning units must provide this waveform, though at different frequencies. From its appearance, it is usually referred to as a "saw-tooth" waveform.

Assuming we are dealing with the line scanning unit, point O represents the beginning of the first line. As the voltage (or current, in the case of a magnetic tube) rises, the spot moves across the screen until point A is reached. This completes the first line. Ideally, the voltage would now fall instantaneously to zero, ready for the commencement of the second line; in practice, however, this is not feasible, so that instead of the ideal AX, the voltage drops back along the line AB. Thus the "flyback" occupies a finite time interval, represented by XB, and this interval has to be kept short compared with that represented by OX. On arrival at B, the voltage is then caused to rise again, along the line BC, tracing out the second line, and so on.

Owing to the fact that the cathode-ray spot moves much faster during the flyback than during the tracing of the actual line, the

SCANNING CIRCUITS

flyback trace on the screen would in any case be faint compared with the line trace. However, as the flyback takes place at a period when the line signals are at black, or "blacker than black" level, its trace is effectively prevented from appearing on the screen.

It is important that the increase in voltage (or current) produced by the scanning unit should be regular over the whole of the sweep, that is, OA in Fig. 46 must be a straight line. If this is not so, the picture will suffer distortion due to non-linearity.

We must now consider the types of circuits which can be used in scanning units. There are a great number of these, many of which were originated in connection with the production of "time-bases" for cathode-ray oscillographs. Basically, the majority of scanning units depend on the charging and discharging of a fixed capacitor. The main differences lie in the methods of ensuring a regular charging current, and a speedy discharge.

Suppose we connect a resistor in series with a capacitor, and apply a voltage across the combination. Initially, the voltage across the capacitor will be zero, but as the charging current flows through the resistor, the voltage on the capacitor will rise, at a speed determined by the value of the capacitor (the larger the capacitance, the slower the rise in voltage) and by the value of the resistor (the larger the resistance, the slower the rise in voltage).

When the voltage has risen to the value required, we can short-circuit the capacitor, when the voltage across it will fall almost instantaneously to zero. It would therefore appear that by adopting some form of automatic switch across the capacitor, operating at the correct speed, we have a means of producing the type of voltage wave form shown in Fig. 46.

There is, however, one difficulty to overcome. When a capacitor is charged in the manner described above, the voltage rise is *not* linear. Actually, the charging rate, and, therefore, the rate of voltage rise, falls off at first gradually, but later with increasing rapidity as the voltage across the capacitor more nearly approaches the applied voltage. The curve actually produced is exponential in shape, and if applied to the tube without correction would produce a picture which was compressed on the right-hand side, and at the bottom.

Fortunately, however, the first part of the capacitor charging curve is in practice almost straight, and if we work on this part of the curve only, the resulting waveform of the scanning unit will not differ appreciably from that of Fig. 46. In order to secure this result, the

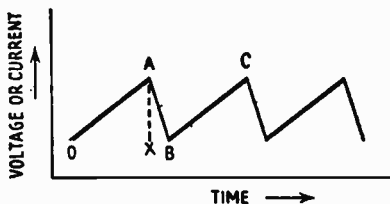


Fig. 46—The ideal saw-tooth waveform

voltage to which the capacitor is charged each time should not exceed about 5 per cent of the applied voltage.

This means, of course, that unless a very high applied voltage is used, some form of amplification of the voltage across the capacitor will be needed. This is not a serious disadvantage, and in any case, where magnetic tubes are used, the voltage waveform must be changed to a current waveform with which the deflecting coils are fed.

As an amplifier is necessary, there is no reason why another form of correction should not be used, since it is not necessary that each part of the circuit should be linear, provided that in the final result the spot scans the tube at uniform speed.

In Fig. 47, the upper curve represents the output from the scanning unit oscillator, in which the voltage has been allowed to rise and produce part of an exponential curve. If this is followed by an amplifier having a response to a true saw-tooth curve as shown in the middle, then the resulting effect of the two together is that the distortions tend to cancel out, producing the corrected curve shown at the bottom of Fig 47.

In this way the charging of the capacitor can be carried on up to a voltage representing about 15 per cent of the applied voltage, which reduces the amplification required.

Another method of obviating the exponential charging curve of the capacitor in a scanning unit is to charge the capacitor not through a normal resistor, but through a constant current device such as a diode valve operating under saturated conditions, or a pentode or tetrode.

The switching device sometimes used for charging and discharging the capacitor is a gas-filled triode valve, known as a gas relay. It is also often called a "thyatron," but this name actually belongs to the gas triodes made by one particular firm. The valve is filled with an inert gas, such as neon, helium or argon, the latter two being most suitable for television use.

The action of the gas relay is quite different from that of the conventional vacuum triode valve, though the electrode structure is similar. In use, if the grid of the valve is given a certain negative potential, and the anode voltage is gradually increased from zero, no anode current flows until a certain critical "striking" voltage is reached. At this point ionization of the gas inside the valve occurs and a heavy anode current flows. It continues to flow until conditions change, but is not controllable by the grid.

If now the anode voltage is gradually reduced a point is reached at which ionization ceases, and the valve again becomes non-conducting. This "extinction" voltage is much lower than the "striking" voltage, and it is due to the existence of a difference between the two voltages that the gas triode can act as an automatic switch. Incidentally, adopting the switch idea, the switch is "open" when the valve is non-conducting, and "closed" when the ionization is present.

SCANNING CIRCUITS

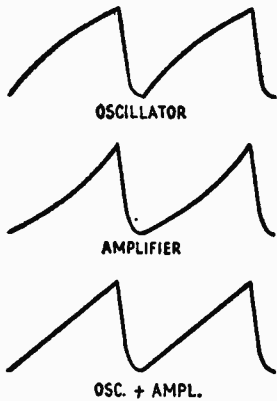


Fig. 47—Showing how two forms of distortion can be made to neutralize each other

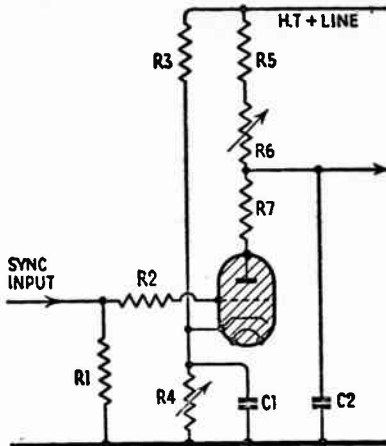


Fig. 48—A typical sawtooth oscillator circuit employing a gas-filled triode relay valve, and forming part of a complete television scanning unit

Although the grid has no control on the valve when the latter is in the conducting condition, it can influence the operation of the valve, in the following way. As the negative grid bias is raised a progressively higher anode voltage is needed before the valve will "fire"; in other words, the striking voltage increases with increase in negative grid voltage.

We can now look at a typical gas relay circuit as used to control the charging and discharging of a capacitor in a scanning unit. Fig. 48 shows such a circuit. The shading inside the valve envelope indicates that it is gas-filled. C2 is the capacitor which is charged and discharged. It will be seen that C2 is virtually connected from anode to cathode of the gas relay, though R7, a comparatively low value resistor of a few hundred ohms, is interposed to act as a limiting resistance.

This is necessary because when the valve "strikes" it virtually short-circuits C2, and if there were no limitation of discharge current the valve cathode would be damaged. R7 must not be too large, however, otherwise the discharge will be too slow, and the flyback of the trace will occupy too much time.

C2 is charged from the H.T. positive line of the scanning unit through R5 and R6, which are in series with the anode circuit of the valve. The total charging resistance can be varied over a certain range by making R6 variable.

In order to provide variable bias for the grid of the gas relay, the cathode is connected to the tap on the potentiometer R3, R4, across the H.T. supply. R4 is made variable, and is shunted by C1. The bias is applied to the grid in the usual manner via R1 and R2. R1 is a grid resistor which really forms part of the synchronizing input

circuit; R2 is provided to limit the grid current of the valve, which might otherwise reach a high value and heat up the grid.

Now let us see how the circuit operates. On switching on the H.T. supply, C2 charges through R5, R6 until the anode voltage of the valve reaches the critical value for the particular grid bias in use. The valve then suddenly ionizes, and C2 becomes practically short-circuited and therefore discharges rapidly. When the anode voltage (that is, the voltage across C2) has fallen to the extinction value, the ionization suddenly ceases, the valve becomes non-conducting, and the voltage across C2 starts building up again.

The whole sequence is repeated indefinitely at a frequency depending on the values of C2; R5, R6; and R3, R4. Normally, in a television scanning unit, C2 is fixed in value, and the adjustment of the unit is carried out by varying R4 and R6.

If we consider a free running (that is, non-synchronized) circuit, an increase in R4 increases the negative bias of the grid, and therefore the striking voltage of the valve increases, which means that the voltage of capacitor C2 can build up to a higher value before discharge occurs. This means that the deflection voltage available is increased, and the spot moves farther across the tube screen. In other words, the amplitude of the raster (picture width or height) is increased.

R4, therefore, can be regarded in a free-running circuit as an amplitude control, though it also affects the frequency of the circuit, since as the voltage across C2 can now rise to a higher value, the time required for this is increased, and the frequency of charge and discharge is reduced, unless R6 is altered to compensate. R6 obviously controls the rate at which C2 charges, and therefore it is primarily the frequency control, though, as mentioned above, it is affected somewhat by R4.

In a television scanning unit we rely on the synchronizing pulses to fire the gas relay at the exact moment and at the exact frequency, and under these circumstances R4 and R6 have less effect on the circuit.

It must be realized that however accurately we adjust R4 and R6, the scanning generator will not run sufficiently accurately to obtain a picture without synchronizing. The sync pulses, separated as described in Chapter 5, are fed to the grid of the gas relay in such a way that each pulse applies a small positive bias (that is, it reduces the standing negative bias provided by R4).

With the controls set to give a free-running frequency slightly lower than the correct one, each sync pulse arrives at the grid just before the anode voltage of the valve reaches the striking value. The pulse suddenly lowers the negative bias, which lowers the striking potential and therefore causes immediate ionization of the valve.

It is clear that the sync pulses not only regulate the frequency of the scanning unit, but they also time the commencement of each line, or frame, very accurately.

The frequency at which the circuit operates, when synchronized,

SCANNING CIRCUITS

is higher than when it is free running, and the amplitude is less. This follows, of course, from the fact that the sync pulses cause the valve to strike earlier than it otherwise would. This can be demonstrated by listening to the note from the line scanning unit which can be heard when a signal is being received, and then unplugging the aerial. The note will fall in pitch.

R4 has little effect on a synchronized generator, while R6 mainly affects the amplitude. However, a large change in value of R4 which alters the natural frequency of the generator seriously will cause synchronization to be lost. R4 therefore becomes the line or frame "hold" control.

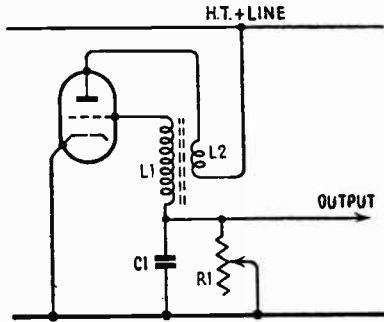


Fig. 49—Simple blocking oscillator circuit employing a hard valve

The gas triode type of circuit at one time was commonly employed in television scanning generators, but in modern receivers one or more "hard" valves are commonly employed in place of the gas triode, and there are a number of different circuits which may be used to obtain results similar to those of the gas-filled valve.

The simplest form of hard valve time-base employs a single triode valve in the circuit shown in Fig. 49. This is a "blocking" oscillator, in which inductances in the anode and grid circuits of the valve are tightly coupled so that the circuit oscillates strongly. At each positive peak on the grid, grid current flows round the grid circuit and charges up C1, this having the effect of making the mean grid potential more and more negative. After a time this cuts off the anode current to such an extent that oscillation ceases, and the charge on C1 begins to leak away through R1. As this goes on, the negative potential on the grid falls, and a point is reached at which the circuit bursts into oscillation again, and the whole process continues indefinitely.

The saw-tooth voltage in this circuit is found between the top of C1 and chassis. The scan occurs when C1 is discharging through R1, and the flyback when the circuit oscillates and C1 charges. The value of R1 obviously controls the speed of discharge, and hence the frequency of the oscillation, and becomes the "hold" control.

In Fig. 50 is a practical arrangement of this circuit, a double triode being used for the line and frame oscillators. Only one of the sections is shown. The component indications correspond with those in Fig. 49. It will be seen that the synchronizing pulses from the sync separator are fed to the anode of the triode.

In place of triodes, tetrodes or pentodes may be used, and the sync pulses can then be fed to the screens for synchronizing purposes.

TELEVISION EXPLAINED

Another, and more complicated, class of hard valve scanning circuit operates on the multivibrator principle, with variations. This is a form of relaxation oscillator employing two valves in a resistance-capacity circuit, heavily back-coupled. Only one example of this circuit will be described, and it is illustrated in a simple form in Fig. 51. The circuit is due to Puckle, and employs a triode (V1) as the discharge valve for the capacitor C1. The anode potential of V1 remains almost constant (R2 being a small resistance), but the cathode of V1 changes in voltage during the charge and discharge of C1. V2 is a pentode, used to effect changes in phase of the grid of V1. V1 is resistance-capacity coupled to V2 by R2, C2, R4, while the anode of V2 is back-coupled direct to the grid of V1. R3 is the anode load resistance of V2, and has a high value.

When C1 is in an uncharged state, since there is no potential across it, the anode and cathode of V1 must be at the same potential. V2 is passing current and its anode has a positive potential which may be less by about 50V than the H.T. line voltage, due to the voltage drop along R3. This means that the grid of V1 is also 50V below H.T. line voltage, and, therefore, 50V below V1 anode and cathode voltage. In other words, the grid of V1 is 50V negative to its cathode, and the valve does not conduct.

Now C1 will begin to charge up via the H.T. circuit and R1, and its voltage will rise, causing the *cathode* of V1 to become more negative, so that the grid of V1 gradually becomes *less* negative relative to cathode and eventually V1 begins to conduct, causing a small voltage drop across R2. This means that the anode voltage of V1 falls slightly, and this fall in voltage is communicated to the grid of V2 (via C2), making it more negative.

The placing of this negative bias on V2 grid naturally reduces the anode current of this valve, which means that the voltage drop across R3 is reduced, and, therefore, the anode voltage of V2 is increased. This voltage rise is passed back to the grid of V1, and increases

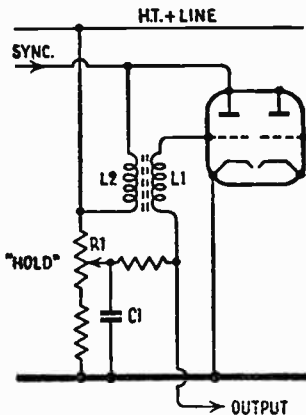


Fig. 50—Simplified practical circuit corresponding to Fig. 49, forming a line oscillator. The other section of the double triode is used similarly to form the frame oscillator

SCANNING CIRCUITS

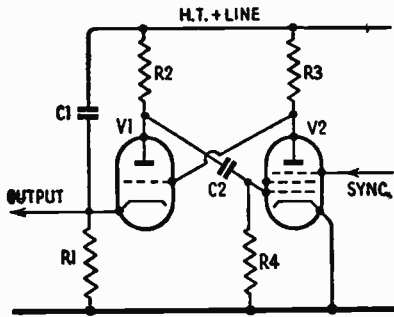


Fig. 51—Simplified Puckle hard valve circuit which is a variation of the multi-vibrator principle

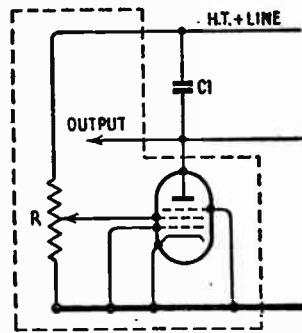


Fig. 52—A pentode used as a constant current charging device, in conjunction with C1. The circuit in the dotted enclosure replaces R1 in Fig. 51

the anode current of V1. This effect builds up quickly, and C1 becomes rapidly discharged.

When it is discharged sufficiently for the voltage drop across R2 to be small, the series of changes takes place in the reverse direction and V1 ceases to conduct, at which C1 commences to charge again, and the whole sequence is repeated indefinitely.

The output of this circuit is taken from the cathode of V1, and from the above description it will be realized that as far as D.C. is concerned, the cathode will be at a high positive potential relative to earth during part of the cycle. Special precautions have to be taken on account of this.

It has been mentioned that in place of a charging resistance (such as R1 in Fig. 51), a constant current device, such as a pentode valve, is sometimes employed to improve the linearity of the scan. The valve is operated above the "knee" of the anode volts/anode current characteristic, and with a given screen voltage, the anode current will be practically constant at all anode voltages from about 50 upwards.

Fig. 52 shows a charging valve used in conjunction with the capacitor C1 of Fig. 51. It will be appreciated that the valve and circuit within the dotted enclosure takes the place of R1 in Fig. 51. The anode current of the charging valve can be varied by altering the screen voltage by means of the potentiometer R, and this, therefore, acts as a scanning frequency control. Change in amplitude of the scan in the circuit of Fig. 51 is achieved by making R3 variable for this purpose. The synchronization of a scanning generator such as that in Fig. 51 is possible by feeding the sync pulses into the suppressor grid of V2.

It was stressed earlier that the flyback time should ideally be zero, that is, the scanning spot at the end of a line should return to the beginning of the next line instantaneously. In practice this is not possible, but it is the aim of the designer to keep the flyback time as short as possible. It is interesting to realize that the incoming signal

TELEVISION EXPLAINED

cannot force the cathode-ray spot to be back at the commencement of a line just as the line signal starts, and if it is not there when the picture signal commences the left-hand edge of the picture will be lost, or folded over.

It will be noticed, when operating a television receiver, that if the brightness control is advanced beyond its usual setting the flyback lines will be seen on the screen. This is because the cut-off bias of the tube has been reduced sufficiently to bring the cut-off point into the "blacker than black" region of the signal, in which the flyback occurs.

It will also be noticed that the frame flyback is not, as might be expected, a single continuous line, but a series of sloping slines. The reason is that during the frame flyback the line scanning still continues, and "scans" the frame flyback on its journey from the bottom to the top of the screen. There is also the effect of the frame sync pulses transmitted at the end of each frame, which is to break the flyback into a number of short lines at the bottom of the screen.

The distance between the flyback lines is not the same all the way up the screen, but it varies in a regular manner, usually decreasing from bottom to top. If the interlace is correct, the flyback of the even frames, superimposed on that of the odd frames, should still result in a regularly changing spacing between successive lines. On the other hand, with an interlace which is not accurate, any tendency towards "pairing" of the lines of each frame will be shown up clearly by the flyback lines, which will also tend to pair. This forms a good, if rather severe, test for accurate interlace.

Deflection Amplifiers

Line and Frame Types

HAVING GENERATED A SAWTOOTH WAVEFORM suitable for deflection purposes in a scanning generator operating on the principles described in the previous chapter, it is necessary to amplify the output of the generator before it is suitable for application to the cathode-ray tube. The form of amplifier necessary depends, of course, on the type of tube to be used.

It has already been pointed out that the electrostatic type of tube requires a sawtooth *voltage* for deflection purposes, this voltage being applied to the parallel deflection plates built into the tube. On the other hand, the magnetic type of tube, now in almost universal use, requires a sawtooth *current*, which is passed through the deflection coils arranged externally to the tube, as described earlier.

In the magnetic system we need a low voltage but fairly heavy current of sawtooth waveform with which to energize the deflector coils. In other words, we need an amplifier giving a *power* output.

It is usual to employ a heavy-duty tetrode or pentode for the amplifier, step-down transformer-coupled to the deflection coils, of which there are two in series for line deflection, and a further two (at right angles to the first pair) for frame deflection. The amplifier valve must have an anode dissipation of the order of 20 W, since a mean anode current around 60 mA is required, with an anode voltage of about 300.

Owing to the inductive nature of the coupling of the valve to the deflection coils, and the coils themselves, together with the sudden current reversals at the end of each scan when the flyback occurs, the design of this part of the circuit is not easy, particularly in the case of the line deflection amplifier. For one thing the back e.m.f. developed at each flyback may approach 2,000 V in a line amplifier and consequently both the valve and the transformer primary must be adequately insulated. Special valves are available having top cap connections for the anode and otherwise capable of withstanding the high back e.m.f.

It is partly for this reason that a step-down transformer coupling to the coils is used, since otherwise these coils and their wiring would have to withstand the high voltage. The transformer also prevents the D.C. anode current flowing through the deflection coils and providing a permanent spot deflection.

Fig. 53 shows in simplified form a line deflection amplifier for a

TELEVISION EXPLAINED

magnetic tube. The valve is a power tetrode, and negative feedback is provided by not by-passing the cathode resistor R2. L1, L2 form the output transformer feeding the deflector coils. The step-down ratio is usually about 5 to 1 or slightly more, and the transformer must have a low winding capacitance and leakage inductance, otherwise distortion of the scan will ensue.

As a matter of fact, some distortion, which normally takes the form of compression of one end or the other of the scan, is usually unavoidable, and correction for this may be made by connecting a variable damping circuit R3, C2 across the transformer secondary. C2 is sometimes omitted. By varying R3 the linearity of the trace can be improved, and the control in the receiver is usually labelled "line linearity." The damping circuit also helps to limit the inverse voltage induced at the end of each scan, and prevents the sudden surge on flyback setting the circuit into oscillation. In some cases the circuit is shunted by a diode valve, which conducts every time a flyback occurs, and so places a heavy damping load on the circuit.

In the case of the frame amplifier, conditions are rather different. The inverse induced voltage is less and it is possible to use high-inductance deflecting coils, without a step-down transformer. In this case the output from the valve is resistance-capacity fed direct to the coils. A high-value coupling capacitor is then necessary if distortion is to be avoided.

In commercial practice, however, a transformer is sometimes used, and this must normally have an extremely high value of primary inductance. The frame-scanning coils will be wound to a higher inductance than those for line scanning. The damping circuit C2, R3 in Fig. 53 is not always used in a frame-scan amplifier, though a frame linearity control is sometimes provided in the form of a pre-set resistor in the cathode circuit of the frame-scan amplifier valve.

A simple frame amplifier circuit, employing resistance-capacity coupling to the deflection coils, is shown in Fig. 54. The input from the frame oscillator is fed to the grid of the power tetrode amplifier via C1; R1 is the grid resistor. There are two variable resistors between the cathode of the valve and chassis. R2 is a pre-set frame-

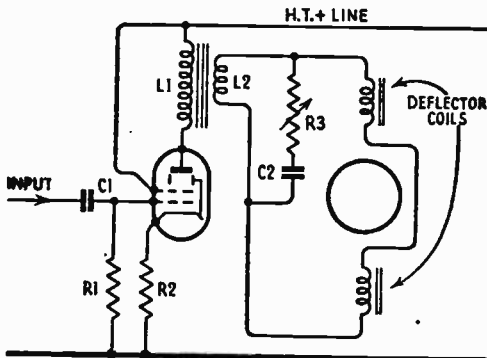
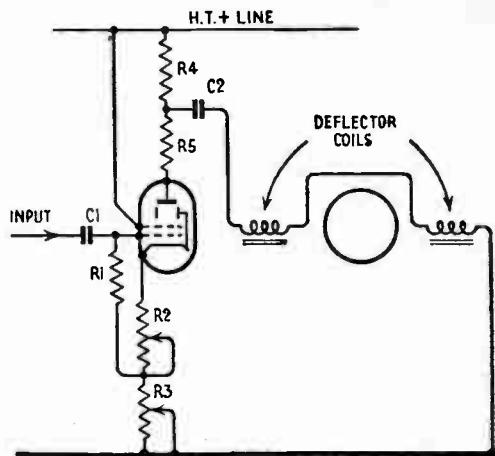


Fig. 53—A power amplifier, transformer coupled to the line deflection coils of a magnetic tube. The circuit has been simplified for clarity

DEFLECTION AMPLIFIERS

Fig. 54—A frame scan amplifier



linearity control, while R3 is the amplitude ("height") control. The "hold" control (not shown) is associated with the frame oscillator, and corresponds to R1 in Fig. 50.

The amplified output is coupled by R4, C2 to the frame-deflector coils, with a return to chassis, as shown.

Sometimes a triode is used for the frame-scan amplifier, and as already stated, transformer coupling may be used. In this case valve distortion in one sense is deliberately used to compensate for coupling distortion in the opposite sense, enabling good linearity to be secured, and obviating the need for a frame-linearity control.

Power Supplies

Methods of Obtaining E.H.T.

PRECEDING CHAPTERS HAVE DEALT with the television receiver stage by stage, and the only section not yet considered is the power supply unit, from which the L.T., H.T. and E.H.T. (extra high tension) voltages and currents are obtained to operate the receiver.

In view of the fact that the complete television equipment comprises the receiver proper, the scanning units and amplifiers and the cathode-ray tube, it is understandable that the power supply unit is more complicated than in an ordinary receiver, though the main complication lies in the C.R.T. supply unit.

Until recently, it was not possible to operate a television receiver from D.C. mains (unless a rotary converter was employed), largely because the production of the necessary high E.H.T. voltage for the tube involved the use of a step-up A.C. transformer. However, new methods of E.H.T. supply, and the introduction of cathode-ray tubes with heaters suitable for series operation, as in A.C./D.C. mains receivers, have rendered the production of A.C./D.C. television receivers possible. Such receivers, by obviating the use of mains transformers, have resulted in a reduction in weight and cost.

In an A.C. television receiver the H.T. supplies for the receiver unit and for the scanning units and amplifiers are usually obtained from a single rectifier valve and smoothing circuit which is quite conventional. The voltage output needed is of the order of 350-400 V, but as the current drawn from this unit may be as much as 200 mA, it is obvious that a rectifier valve of adequate output must be chosen, while the smoothing choke or chokes must be of generous proportions. Incidentally, the smoothing in this unit must be as thorough as possible, since hum voltages in the vision receiver or the scanning units cannot be tolerated. In A.C./D.C. receivers the H.T. supply is obtained in the normal way, from a half-wave rectifier valve or a metal rectifier.

The cathode-ray tube E.H.T. supply, when obtained from the A.C. mains, is taken from a separate circuit using a rectifier valve designed specially for the purpose. The valve is usually of the half-wave type, and a typical circuit is shown in Fig. 55. This is for use with a magnetic tube with only one anode. The anode voltage required is of the order of 4,000 to 7,000 V, but since the current required by the tube is extremely low, smoothing problems are simplified.

It is usually found that the capacitor C1, having a value of 0.1 μ F, and capable of working at the peak A.C. input to the rectifier valve,

POWER SUPPLIES

is adequate. R1, R2 form a potentiometer across the E.H.T. supply, and, as shown in Fig. 55, the cathode of the tube is connected to the junction of R1, R2. R3 is a resistor in series with the positive lead to the anode which acts as a current limiter in case of a short-circuit in the tube or its connections.

The total value of R1 plus R2 is of the order of 10 MΩ, but R2 forms only a small part of this, sufficient for a voltage drop of about 100 V across it. By connecting the modulator grid of the tube, via R4, to the negative end of the power supply unit, the grid is made negative relative to cathode by the amount of the voltage drop across R2. By making R2 variable we can thus vary the tube bias, and hence the brightness of the picture. R2 is therefore the "Brightness" control. C2 is a by-pass capacitor across R2.

As has already been mentioned, focusing in a magnetic tube is usually carried out by means of an annular permanent magnet, or electromagnet, fitted round the neck of the tube just beyond the anode. For convenience in adjustment, a winding through which a variable direct current can be passed is sometimes used in conjunction with the permanent magnet; if this is employed.

Fig. 55 shows the focusing coil in section, and a variable resistor, R5, is shown in series with it to indicate the adjustment for focusing. In practice the focus coil is often connected in series with the H.T. supply to the scanning units and amplifiers; a variable resistance in shunt with the coil, or connected across the output of the supply unit, serves to vary the current through the coil by an amount sufficient to provide the range of focusing required.

As an alternative to a focusing coil, some means may be adopted for partially shunting the magnetic field for fine focusing, in which case the adjustment is mechanical.

The method of centring the picture on a magnetic tube is usually the simple one of making the plane of the focus coil or magnet adjustable in its relation to the axis of the tube. A mechanically adjustable

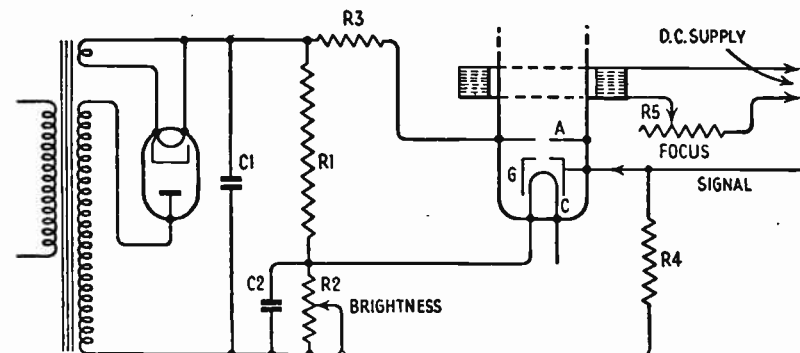
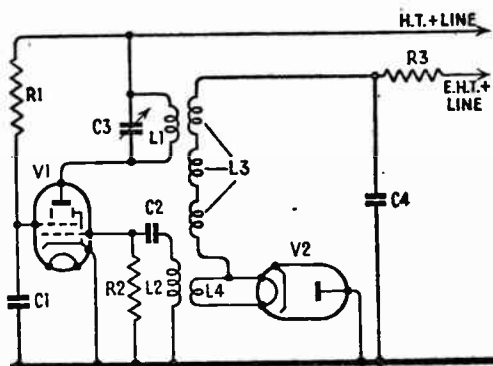


Fig. 55—High voltage supply unit for a magnetic tube, which also provides bias for the modulator grid

POWER SUPPLIES

Fig. 57—An R.F. oscillator, followed by a rectifier, used to provide E.H.T. supply



C2 and a limiting resistance R1 connected in the usual circuit complete the arrangement.

In one make of set C2 is formed by the capacity between the graphite coating inside the tube (to which E.H.T. positive is connected), and a conducting coating on the outside of the tube. It will be realized that since the unsmoothed E.H.T. is, in this circuit, of fairly high frequency, a low-capacity smoothing capacitor is adequate.

Earlier it was mentioned that a diode damping valve is sometimes connected across the line-scan output circuit. By connecting a capacitor and parallel resistor in series with the cathode circuit of this valve, a voltage is built up across them when the valve conducts (that is, on flyback), and this voltage may be added to that produced in the circuit of Fig. 56, thus increasing the value of the total E.H.T. voltage.

Another method of obtaining the E.H.T. supply without employing a large and costly mains transformer is that in which an R.F. oscillator is used. This involves the use of an extra valve as oscillator, but avoids the mains transformer. It also allows the use of a low-value, high-voltage reservoir capacitor.

One form of circuit is shown in Fig. 57. Here V1 is a power tetrode valve, operating as an oscillator, though a triode can be used for this purpose. The valve must be capable of giving a power output of the order of 5W, or more. Its anode and grid coils (L1 and L2) are coupled in the usual way, so that the circuit oscillates continuously.

The frequency may be anything from 500 c/s (in which case iron-cored coils are used) up to 1 Mc/s (which is employed in some American circuits). An intermediate value of 100 kc/s has been found suitable by at least one British manufacturer. For the higher frequencies air-cored coils are, of course, used.

L1, the anode coil, is sometimes tuned by a pre-set capacitor C3. R1 and C1 are the tetrode screen feed components; R2 and C2 are the grid resistor and capacitor.

The oscillator output is coupled in the special transformer to the

TELEVISION EXPLAINED

secondaries L3 and L4. L4 supplies the heater of a suitable rectifier valve, while L3 is provided with enough turns to give the necessary step-up of voltage to the value required and acts as the E.H.T. secondary. The output from this is rectified by V2, as shown. C4 is the reservoir capacitor and R3 the safety series resistor in the E.H.T. positive lead.

The winding L3, which must be very well insulated from the remaining windings of the transformer, and capable of withstanding twice the peak output voltage, is usually wound in a number of spaced "pi" sections connected in series. The distributed capacity and the inductance of this coil affect the frequency of the oscillator, which, however, is adjustable by C3 to give the required output voltage. If a tetrode is used adjustment of the screen voltage can also be used to vary the E.H.T. output.

This method of obtaining E.H.T. is already being used in certain commercial receivers. It will be appreciated from Fig. 57 that it can be made up into a neat self-contained unit with few connections to the television receiver circuit.

Another new source of E.H.T. supply, which also avoids the necessity for the conventional high-voltage transformer, is the Westing-

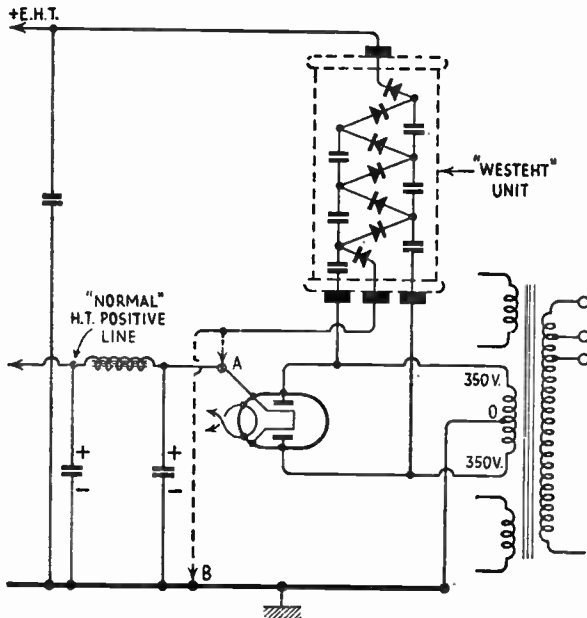


Fig. 58—Diagram showing the internal circuit of the "Westeht" E.H.T. unit (enclosed in dotted outline) and the method of connecting it to the normal H.T. circuit in a television receiver. If the yellow terminal is connected to point A, the E.H.T. output is higher by the value of the H.T. circuit voltage than if it is connected to point B

POWER SUPPLIES

house "Westeht" unit. This utilises a chain of dry contact rectifiers in a voltage multiplying circuit (patents applied for), and takes its input voltage from the whole of the H.T. secondary of the mains transformer which supplies the remainder of the receiver power circuits.

The circuit of this device and the method of connecting it to the normal power circuit of the television receiver, is shown in Fig. 58. With an input of 700 V r.m.s. an output of the order of 5,000 V is obtained, while the extra load placed by the unit on the mains transformer is only about 1 mA, and therefore is negligible. No series smoothing resistor is necessary with this circuit.

Receiver Installation and Operation

Location of the Set—Initial Adjustment of the Controls— Attenuators

THE PREVIOUS CHAPTERS have dealt with sections of the television receiver circuit in some detail, though it must be emphasized that, owing to the comparative novelty of the television receiver, very little circuit standardization has yet emerged. Consequently, in a book of this size and purpose it has not been possible to deal with all, or even many, of the modifications and variations found in practice.

Many receivers incorporate subsidiary circuits which, though not essential to the working of the receiver, nevertheless improve its performance. One example of this is the tube de-focusing or over-biasing circuit which comes into action when switching the set off, and prevents a bright cathode-ray spot appearing in the centre of the screen (due to the scanning generators ceasing operation before the tube cathode has cooled down).

Many other examples of refinements of this nature could be quoted, but as they are not essential to the understanding of the principles of the receiver they are not dealt with here.

For the benefit of those who are not familiar with the installation and operation of television receivers it is now proposed to touch upon a few points which may be helpful to the non-technical user.

Dealing first with installation, the first point that arises is the location of the receiver. There will probably be little, if any, choice as to the room in which it is to be used, but it is worth giving a certain amount of thought to its position in that room. With a television receiver more than with an ordinary sound receiver, there are obviously good and bad positions.

Unsuitable positions are, for instance, those with the screen directly facing the main window; or close to the door so that every time anyone enters or leaves he or she has to walk in front of the screen, and possibly allows a stream of light to fall on the screen when the door is opened; or in a corner of the room such that a complete rearrangement of seating has to be made when the set is in use.

There is a good deal to be said for placing the set close to the window, but with its back to it, particularly if there is a suitable bay. In this way the picture can often be clearly seen in daylight without having to draw all the curtains. This is certainly possible with receivers incorporating the latest aluminized tubes.

Due respect must, of course, be paid to the position of the electric

RECEIVER INSTALLATION AND OPERATION

point from which the set is to operate, but it is better to place the set correctly, even if a long mains lead has to be used, than to let the electric point dictate the receiver position.

The distance from the point where the aerial feeder enters the room is immaterial, since any reasonable increase in feeder-length will have no ill effects; on the other hand, as the feeder will usually enter via the window, the positioning of the set near, and with its back to the window, helps in making an unobtrusive feeder run.

Sufficient was said in the first chapter of this book regarding aerial systems to make it unnecessary to deal with that subject again here, and it will be assumed that an efficient aerial system has been installed, and that the receiver end of the feeder has been fitted with a plug which is suitable for the special aerial socket of the receiver in use.

In general, the non-technical member of the public is not expected to know more about the operation of a receiver than to be able to adjust the few variable controls provided, with a moderate degree of intelligence. The more technical user, and the dealer who supplies the set (or his engineer) will want to know how to handle not only the fully variable controls, but also the pre-set ones, which do not normally need adjustment once the set has been installed at a particular site.

As with circuits, so with controls; there is very little standardization, and the actual adjustments provided vary from make to make. Consequently, it is not possible to give instructions for adjustment and operation which will definitely apply to every make of receiver; only the more usual adjustments can be stated, and it is strongly advised that the instruction manual provided with the receiver should be consulted in cases where it is available.

The first thing to do with a new receiver, which one assumes is supplied with its tube and valves *in situ*, is to make certain that none of the valves is loose in its holder, and that all top cap connectors (where fitted) are firmly in position. The tube mountings should also be examined to verify that the tube has not shifted in transit, and that it is firmly fitted in its holder.

It is important that the voltage adjustment on the mains transformer should be correctly set for the voltage of the supply. It is sometimes advisable to check the mains voltage by means of a meter, as the voltage in some localities may be well off the rated value, and certain receivers are somewhat critical with regard to voltage input.

Needless to say, any adjustments inside the receiver, apart from actual controls, should be made with the set disconnected from the mains. It is important to remember that some points in the set are at a potential of 5,000 to 7,000 volts to earth, and at such potentials actual contact with a live point may not be necessary before a severe shock is received. Also, even when the set is switched off, do not immediately handle any previously live parts, for they do not necessarily lose their high potential immediately. When in doubt, the point to be handled may first be shorted to earth with a long-handled and well-insulated screwdriver.

TELEVISION EXPLAINED

It is obviously not possible to give detailed instructions for the preliminary adjustment of every receiver, but the following general hints will be applicable to most types. There may, however, be cases where a different procedure will give the best results more quickly. Wherever detailed instructions are supplied by the receiver manufacturer, they should be rigidly followed.

First, remove the aerial plug temporarily if a transmission is coming in; this is not necessary if the station is not transmitting at the time. Now switch on the set, and wait for a minute or two until all circuits are operating correctly. Turn the "brightness" control (tube bias) clockwise until the raster is visible on the screen, then turn the same control anti-clockwise until the raster just, but only just, disappears. This gives a setting for the brightness control which should need little alteration in practice. During actual reception, when the picture is too bright or too dark, it is sometimes difficult for the novice to decide whether the "brightness" or the "contrast" control (signal gain) should be adjusted. Removing the aerial (or cutting the signal input to zero) and adjusting "brightness" as explained above will always give a fairly accurate setting for this control.

Having made this preliminary adjustment of the "brightness" control, the aerial may be plugged in again, if it was previously removed, and an attempt made to adjust the other controls on an actual transmission. For this purpose it is best to wait until one of the B.B.C. test patterns is being transmitted, since these are far more suitable for the preliminary adjustments than any normal moving scene, or even a still picture.

The first thing to do is to turn the "contrast" control (signal gain) clockwise until there is a visible picture of some sort on the screen. It may be broken up, and slipping either horizontally or vertically, but so long as something appears, the receiver is obviously picking up the signal. If nothing (except perhaps, bright interference splashes) is visible, it may be that the receiver is not tuned to the station. Most receivers have no variable tuning control, but there may be a pre-set control which forms one of a group of subsidiary adjustments. If so, this should be adjusted, keeping the "contrast" control (and the R.F. gain, if any) well advanced, until some sort of picture appears. Manufacturers' instructions regarding tuning (if provided) should be followed. The usual recommendation is to tune to maximum sound, which will give the optimum (though not necessarily maximum) vision setting.

We will assume that a picture of some sort is now obtained, and the next thing is to synchronize it by means of the "line" hold and/or "frame hold" controls. If the picture appears to be stable in a vertical direction (that is, if it is not slipping up or down) it may only be necessary to adjust the line hold control; vertical movement of the whole picture, however, indicates lack of frame synchronization.

When adjusting the two "hold" controls, it will be found that there is a small range of movement of each control over which synchronization holds; the control should be adjusted to the centre of this

RECEIVER INSTALLATION AND OPERATION

range in each case. These controls are usually classed as subsidiary ones, and will be found grouped with others at the back of the receiver, or otherwise concealed from view.

Having stabilized the picture on the screen, the next thing to do is to focus it accurately. The focus control is usually one of the group at the front of the cabinet, and its adjustment is fairly obvious. The individual lines of the picture should be sharp and distinct. If it is found that the picture is not equally sharp over its whole area, it is usually advisable to arrange for maximum sharpness to be at the centre of the raster.

Naturally, the lines of the raster must be horizontal, and this will normally be found to be the case unless movement of the deflector coil assembly has occurred since the set left the works. If, however, the lines are not horizontal, resulting in a tilted picture, it will be necessary in the case of a magnetic tube receiver to rotate the deflector coil assembly one way or another until the picture is level. In most cases some sort of clamp will have to be loosened, and subsequently tightened up again after performing this operation. Another possibility, but one that does not normally occur unless the receiver has been badly handled in transit, or otherwise disturbed, is that the picture may not be centred on the tube face. In the case of magnetic tube receivers, centring is usually possible by adjusting the plane of the focusing coil or magnet relative to the axis of the tube. The focusing unit is arranged on an adjustable mounting for this purpose, and three milled screws, or other mechanical means of adjustment, are provided. Having levelled and centralized the picture, there is now the possibility that it is too large or too small for the aperture in the tube mask, or that its proportions are not correct. Adjustment for these faults is made by two further controls, usually labelled "picture width" and "picture height" respectively. By adjusting one or both of these, it is possible to get the size and proportions of the picture correct. The size should be such that the "dotted" border of the test pattern is just visible at the edges of the mask; the proportion is correct when the ring at the centre of the test pattern is truly circular. Incorrect proportion will change this circle into an ellipse. One other fault may appear in the picture, and that is lack of linearity, resulting in either a spreading out or a closing up of the picture in a horizontal direction (in the case of line linearity) or in a vertical direction (in the case of frame linearity). This form of distortion, if present, is usually found in the horizontal direction, and a subsidiary control, usually marked "line linearity," is provided for adjustment. This is best carried out using the test pattern border as a guide. The black "dots" should be of equal size and spacing from one side of the picture to the other. On some receivers a "frame linearity" control is provided, and this is adjusted in a similar manner.

It will be found with some receivers, on carrying out the various adjustments described above, that to some extent they are interdependent. For instance, adjustment of the picture height and

TELEVISION EXPLAINED

width may disturb the synchronization; adjustment of the line linearity control will probably necessitate a further adjustment in picture width, and so on.

Since the subsidiary controls are often at the rear of the cabinet, and it is necessary to see the picture when making adjustments, a hand mirror is very useful to have available.

If it seems impossible to reduce the picture strength sufficiently, even with the "contrast" control at its minimum position, the signal strength is obviously too great, and the R.F. gain control, if provided, should be reduced. If this is not adequate, or is not provided, the signal input will have to be cut down by means of an attenuator (see Appendix II).

With the signal input correctly adjusted it should be possible, by the aid of the "contrast" and "brightness" controls, to secure a picture of acceptable quality. Some changes in the settings of these two controls will be necessary if the level of general lighting in the room changes. Light should never be allowed to fall directly on the face of the tube, otherwise the picture quality will be poor.

On pages 9-14 are reproductions of actual photographs showing the effects of mal-adjustments of the television receiver controls. These should be studied in conjunction with the instructions given in previous pages of this chapter.

Appendix I

Television Test Card "C"

THE TELEVISION TEST CARD "C," which is radiated by the B.B.C. television service daily for one hour from 10 a.m. to 11 a.m., can be of great value in the setting up of a television receiver, and also in obtaining useful information on its visual performance. (See page 15.)

The card was introduced as a result of close liaison between the British Broadcasting Corporation and the British Radio Equipment Manufacturers' Association.

It was designed jointly by the two organizations to overcome the limitations of the original test card "A" from the point of view of those concerned with the design, development and maintenance of television receivers. The following explanatory notes will permit the maximum benefit to be obtained from the card:

1—GENERAL

The pattern approximates in mean signal to that of the average picture. The general background of the whole pattern is made mean grey to enable both positive and negative high frequency overswing, and similar effects, to be observed at the correct setting of the brightness level and in the form in which they are usually most noticeable on picture transmissions.

Areas of mean grey background are left between all sections of the test pattern to enable "following" effects to be observed and in order to avoid, as far as possible, interference between different tests.

The main frequency and contrast range tests are confined to the area of the pattern within the centre circle where the focus quality should be a maximum. Subsidiary focus tests are provided in the corners of the pattern.

An outer border of black and white sections similar to that used in Test Card "A" has been retained.

The individual test sections and their uses are dealt with in more detail below.

2—HIGH-FREQUENCY RESPONSE

The two frequency test patterns within the centre circle consist of five frequency gratings corresponding to fundamental frequencies of 1.0, 1.5, 2.0, 2.5 and 3.0 Mc/s. They are arranged vertically for ease of intercomparison and are provided with white reference areas at the top and bottom to aid in assessing the reproduced level of modulation in the grating. The two patterns are reversed vertically relative to each other to reduce effects of non-conformity of cathode-ray tube focus and effects arising from other parts of the whole test pattern.

TELEVISION EXPLAINED

In use in receiver checking, referring to the left-hand pattern, the top three frequencies, 1.0, 1.5, 2.0 Mc/s, should certainly be resolved, and, in the later designs of receiver, the 2.5 Mc/s pattern also, although with reduced intensity of modulation. It is unlikely that significant resolution of the last pattern will normally be obtained.

3—FOCUS UNIFORMITY

Additional diagonal frequency gratings are provided in the corners of the pattern and extend over that part of the picture area where focus variation is most significant. The equivalent horizontal definition of these gratings corresponds to a fundamental frequency of about 1 Mc/s and should be well within the response of the amplifier circuits. The variation of cathode-ray tube focus over the picture area can, however, still be judged by observation of the sharpness of the lines of the gratings.

4—LINEARITY OF SCAN

The majority of the pattern is covered by a white square grid on the grey background. This provides a means of judging scan linearity over the major part of the picture area for both directions of scan. In addition, a more critical test of linearity over the central area is provided by a centre circle of slightly larger diameter than that on test card "A"; the grid is therefore omitted from the area inside the circle.

For perfect linearity of scan the circle would be accurately circular and all the grid meshes square and equal in size. A close approximation to this can usually be obtained with present receivers (see also section 5 below).

5—PICTURE ASPECT RATIO

The pattern is surrounded by a border of alternate black and white sections, the length of each section being half that of the mesh of the linearity grid.

The outer edges of this border represent the boundaries of the transmitted picture, and therefore have an aspect ratio of 5 to 4. Under correct scan amplitude adjustment these outer edges should just fill the receiver mask. In practice it may be found that it is not possible to fulfil this condition exactly with optimum linearity in the centre of the picture, as judged by the circle. In this case it is probably preferable slightly to overscan in either the horizontal or the vertical direction in order to maintain central linearity.

6—SYNCHRONIZING SIGNAL SEPARATION

The black and white border sections on the right-hand side of the picture, immediately preceding the line synchronizing impulses, also afford a critical test of separation of synchronizing impulses from picture signal.

Incorrect adjustment of the synchronizing separator or limitation

APPENDIX I

of frequency response in the vision channel will tend to cause horizontal displacement of parts of the picture information, for example, the contour of the circle, corresponding to the positions of the black and white sections down the height of the pattern.

7—CONTRAST RANGE

The central contrast wedge provides five tone values varying between full white at the top and black at the bottom. It is not possible to specify the brightness of the intermediate tones exactly, but with satisfactory receiver operation they should all be reproduced as definite steps in brightness.

For satisfactory receiver operation the brightness and contrast controls should be adjusted so that the scan is just not visible on the black square, while the white square represents the maximum brightness available from the tube at satisfactory focus quality.

If one of the intermediate tones is missing, or the grading appears unequal, it will, in general, be necessary to reduce the contrast, and reset the brightness to give the correct black level.

8—PULSE RESPONSE AND SPURIOUS ECHOES

Two vertical bars, one white and the other black, of about 0.25 microsecond width, are provided on either side of the centre circle. These provide in effect a pulse test of the whole system and enable the response to isolated detail approaching the maximum resolution of the system to be judged.

In addition, these bars provide a means of checking the presence of spurious reflection signals such as those arriving at the aerial by multipath transmission.

9—LOW-FREQUENCY RESPONSE

Amplitude and phase distortion at the low-frequency end of the video spectrum give rise to background shading over the picture area in the form of horizontal streaking effects. Such effects, however, are infrequent as a form of receiver distortion and could only occur where one or more stages of video amplification with unsuitable L.F. time constants are employed; such effects may also be caused by faulty D.C. restoration. The fault is, however, more likely to occur at the transmitter, due to the difficulty of maintaining accurately a perfect L.F. response of the transmission system.

An adequate test for practical purposes is provided by the black bar on a white ground positioned above the centre circle, and in addition, the black and white areas on either side of the centre circle.

10—MISCELLANEOUS POINTS

The grid pattern has been made to correspond to a full white signal in order to provide an additional check on the variation of focus quality over the picture area at maximum cathode-ray tube modula-

TELEVISION EXPLAINED

tion. For this purpose, the lines of the grid have been made as narrow as permissible without appreciable introduction of the interference effects on horizontal lines, inherent in the line scanning process.

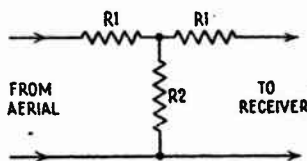
It will be realized from the above description of the features of the "C" test card that its use enables a very good idea of the performance of a receiver to be obtained merely by inspection of the reproduction of the card on the screen. Since the card is transmitted for an hour each morning, ample time is available to make adjustments to a receiver and to note their results. The ordinary tuning signal, transmitted for five minutes before each programme, is obviously not so useful in this respect, and is only intended to give time for setting up a receiver by means of its normal controls.

Appendix II

Fixed Attenuators

A FIXED ATTENUATOR can be made very simply from three resistors, as indicated in Fig. 59, which shows the well-known T-type attenuator arrangement. The two series resistors, R_1 , are of equal value, but R_2 , the shunt resistor, is different, its value being lower than that of R_1 .

Fig. 59—A simple T-type attenuator for reducing signal input



If we assume that the impedance of the feeder and of the aerial input circuit to the receiver is 80 ohms, and if N represents the attenuation factor required, then—

$$R_1 = 80 \left(\frac{N - 1}{N + 1} \right)$$

$$R_2 = 80 \left(\frac{2N}{(N + 1)(N - 1)} \right)$$

Suppose we wish to cut the signal input down 20 times, then $N = 20$, so that—

$$R_1 = 80 \left(\frac{19}{21} \right) \doteq 72 \text{ ohms approx.}$$

$$R_2 = 80 \left(\frac{40}{21 \times 19} \right) = 80 \left(\frac{40}{399} \right) = 8 \text{ ohms approx.}$$

There is, of course, no need to employ resistors of extreme accuracy, but they should be non-inductive types.

Index

- Accelerator (*see* Anode, of C.R. tube)
A.C./D.C. receivers, 86
Aerial(s), 17-27
 compressed dipole, 19
 dipole with reflector, 19, 23
 folded dipole, 19
 half-wave dipole, 17, 18
 indoor, 23-25
 inverted "T," 23, 24
 inverted "V," 24
 length of, 17, 18-19
 siting of, 21, 23-26
Aluminized tube, 15, 68, 69, 72
Amplifier(s)
 deflection, 83-85
 I.F., 47-52
 R.F., 41-44
Amplitude control, 78, 79, 81, 85, 95
Anode, of C.R. tube, 68
Anode voltage, of C.R. tube (*see* E.H.T. supply)
Arrays, aerial, 25, 26
Attenuator, 96, 101

Band-width, 33, 34, 42, 45, 48, 49, 55
Blocking oscillator, 79
Brightness control, 67, 82, 87, 94

Cathode-ray tube
 aluminized, 15, 68, 69, 72
 magnetic, 67-72
 principles of, 66-72
 projection, 72, 73
 sensitivity of, 54
Centring, picture, 87, 88, 95
Channels, for British television, 35
Chokes, correction, 55
Co-axial feeder, 18, 19
Coils, deflection, 70, 71, 83, 95
Colpitts circuit, 45
Compressed dipole, 19
Contrast control, 50, 51, 94, 96
Control(s)
 amplitude, 78, 79, 81, 85, 95
 brightness, 67, 82, 87, 94
 contrast, 50, 51, 94, 96
 focus, 95
 "hold", 79, 94
 linearity, 84, 85, 95
 sensitivity, 44, 50
 tuning, 46
Coupling(s)
 direct, 56
 transformer, 44, 49
 tuned anode, 42, 43, 49
 tuned grid, 49
C.R. tube (*see* Cathode-ray tube)
"C" test card, 15, 97-100

D.C. component, 55, 56, 61
Decoupling, 43, 45
Deflection
 amplifiers, 83-85
 electrostatic, 66
 magnetic, 66, 70, 71
Demodulator(s)
 anode bend, 57
 diode, 53, 54
 push-pull, 54
 stage, 52-54
Detector (*see* Demodulator)
Differentiator circuit, 63
Diode
 D.C. restoration, 56, 57, 61, 62
 demodulators, 53, 54
 interference limiter, 58
 sync separator, 62
Dipole aerial, 19-21
 with reflector, 19
Directivity, of aerial, 19
Directors, 25
Displaced picture, 13

E.H.T. supply, 68, 86-91
 from dry rectifiers, 90, 91
 from line flyback, 88, 89
 from R.F. oscillator, 89, 90
Electrostatic deflection, 66

Feeder, 18, 19, 21
Filter
 amplitude, 60, 61
 I.F., 51, 53, 54
Flicker, picture, 28, 29, 30
Fluorescent screen (*see* Screen, of C.R. tube)
Fly-back, 29, 74, 75, 81, 82, 83
 E.H.T. from, 88, 89
Focus incorrect, 14
Focusing, 69, 87, 95
Folded dipole aerial, 19
Frame
 synchronizing, 32
 sync pulses, 62, 63
Frequency changer
 stage, 44-47
 two-valve, 46, 47

INDEX

- "Fringe" areas, aerials for, 25, 26
 "Front to back" ratio, 19
- Gain, variable, of R.F. stage, 43, 44
 Gas relay, 76, 77
 Grid, modulator, 67
 "Gun," of C.R. tube, 68
- "H" aerial (*see* Aerial, dipole with reflector)
 Half-wave dipole aerial, 17-21
 Hard valve oscillators, 79-81
 Hartley circuit, 47
 "Hold" control, 79, 94
- I.F.
 amplifier, 47-52
 damping, 48
 filter, 51, 53, 54
 signals, production of, 45
 transformer, 46
 Impedance
 aerial, 26
 input, of R.F. valve, 42
 of feeder, 18
 Incorrect focus, 14
 Installation of receiver, 92, 93
 Integrator circuit, 64
 Interference suppression, 58, 59
 Interlaced scanning (*see* Scanning, interlaced)
 Intermediate frequency, 45
 Ion trap, 72
- Linearity control, 84, 95
 Line synchronizing, 32
 Line sync. pulses, 62, 63
- Magnet, focusing, 69, 70
 Magnetic deflection, 66, 70, 71
 Modulation frequency, 33, 34
 Modulator grid, of C.R. tube, 67
 Multi-element arrays, 25, 26
- Narrow picture, 11
- Operation of receiver, 93-96
 Oscillator
 blocking, 79
 circuit, stability of, 47
 relaxation, 80
 R.F., for E.H.T. supply, 89, 90
- Picture
 adjustments, 9-14
 compressed, 13
 displaced, 13
 elements, 28, 33
 rotated, 14
 slipping, horizontally, 10
 slipping, vertically, 10
 too deep, 12
 too narrow, 11
 too shallow, 12
 too wide, 11
 width and height control (*see* Amplitude control)
 Polar diagram, 19-21, 24
 Power supplies, 86-91
 Projection system, 72, 73
 Pulses
 frame sync., 62
 line sync., 62
 sync., 32, 60, 61, 62, 78, 79
- Raster, 28, 60, 70, 74, 95
 Receiver, installation and operation of, 92-96
 Rectifier(s)
 dry contact, for E.H.T., 90, 91
 E.H.T., 86
 Reflections
 internal, 21, 22
 external, 22
 Reflector, 19, 20
 length of, 20
 spacing of, 20
 Rejector circuits, 51
 R.F. amplification, 41-44
 R.F. pentode, 55
 Rotated picture, 14
- "Sawtooth" waveform, 74-76, 83
 Scanning
 generators, 60, 74-82
 interlaced, 29, 30, 74
 sequential, 28, 29
 Screen, of C.R. tube, 68
 Sensitivity, control of, 44
 Sequential scanning (*see* Scanning, sequential)
 Signal
 description of, 28-35
 to noise ratio, 41
 V.F., phase of, 52, 53
 Single-sideband working, 38, 39, 49
 "Staggered" tuning, 48
 "Straight" R.F. circuit, 39
 Superheterodyne circuit, advantages of, 38
 Supplies, power (*see* Power supplies)
 Suppressor, interference, 58, 59
 Swamp areas, 23
 Synchronizing, 31
 Sync separation, 60-65
- Television Aerials (*see* Aerials)
 Test card "C", 15, 97-100

TELEVISION EXPLAINED

- Thyratron, 76, 77
- Time bases (*see* Scanning generators)
- Transformer
 - I.F., 46
 - R.F. coupling, 44
- Triode-hexode valve, 44, 45, 46
- Tube (*see* Cathode-ray tube)
- Tuning
 - control, 46
 - signal card, 9
 - signal, correctly received, 9
- "staggered," 48
- Twin-wire feeder, 18, 19
- Vestigial sideband system, 34, 35, 49, 50
- V.F. amplifier, 54-56, 62
- Video frequency amplifier (*see* V.F. amplifier)
- Video signal, 52
- Waveband, television, 34, 35
- Wide picture, 11



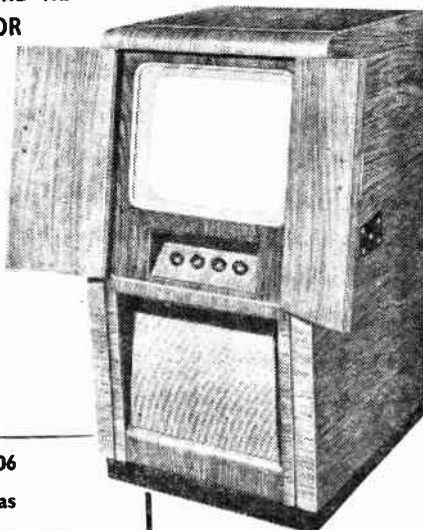
BY APPOINTMENT
THE GRAMOPHONE COMPANY LIMITED
SUPPLIERS OF GRAMOPHONES, RECORDS
RADIO AND TELEVISION APPARATUS
TO HIS MAJESTY THE KING

★ "HIS MASTER'S VOICE" ★

*The Finest Television in the World made by
the people who gave the world Electronic Television*

INTRODUCING A SUPERB NEW MODEL WITH 15" EMISCOPE ALUMINISED TUBE FOR DAYLIGHT VIEWING

This amazing new instrument, incorporating the new 15" Emiscope aluminised tube, gives a picture of extreme brightness which can be seen in comfort in broad daylight or in normal room lighting.



MODEL 1806

115 Guineas

Plus £27 9s. 5d. Purchase Tax



The Mark of Quality

THE GRAMOPHONE COMPANY LIMITED, HAYES, MIDDLESEX

NITROGOL *Capacitors*



The world acknowledges British leadership in the television field. An important factor contributing to this supremacy is the consistent high standard, of quality and performance, of the components used in television apparatus. Dubilier Nitrogol Capacitors are produced with scrupulous regard to the fact that in all television circuits there are positions where only capacitors of the highest technical merit and proven reliability will suffice.

In such radio and electronic applications as undersea cable repeaters, radar apparatus,

high quality amplifiers, and industrial electronic devices, the use of outstanding capacitors is a prime necessity; here, too, experienced engineers specify Nitrogol Capacitors.

We shall be pleased to forward full technical details of these Capacitors upon request.

DUBILIER

CONDENSER CO. (1925) LTD.

MAKERS OF THE WORLD'S FINEST CAPACITORS

DUBILIER CONDENSER CO. (1925) LTD., DUCON WORKS, VICTORIA ROAD, NORTH ACTON, W.3

'Phone: Acorn 2241 (5 lines) 'Grams: Hivoltcon, Wesphone London. Cables: Hivoltcon, London, Marconi International Code

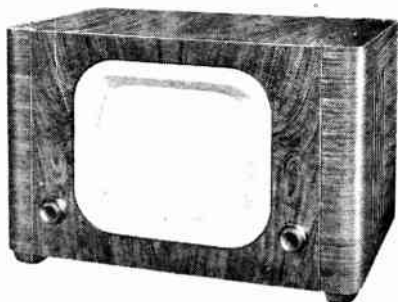
D21C



LEAD IN T/V



More people prefer Pye T/V than any other make, for they know Pye is the leader in this field. What could be more natural than that the finest in television should come from Cambridge, the Centre of Scientific Research.



PYE LIMITED · RADIO WORKS · CAMBRIDGE



*As in Radio
so in Television*

SPEAKERS & COMPONENTS

—the designer's first choice

For this reason Whiteley components are consistently specified with absolute confidence by those who place perfection first in the design and manufacture of modern television receivers.

Our technical advisory services are freely at your disposal on all matters dealing with sight and sound reproduction.

Whiteley's reputation for quality and craftsmanship, built upon a quarter of a century of research and development in radio sound reproduction, is well known to television designers.

In the Whiteley organisation every part of each product—down to the smallest screw—is manufactured and controlled through every stage of assembly to ensure a long life with outstanding performance.

STENTORIAN CHASSIS UNITS

Special Television Models without
external field available

STENTORIAN EXTENSION SPEAKERS

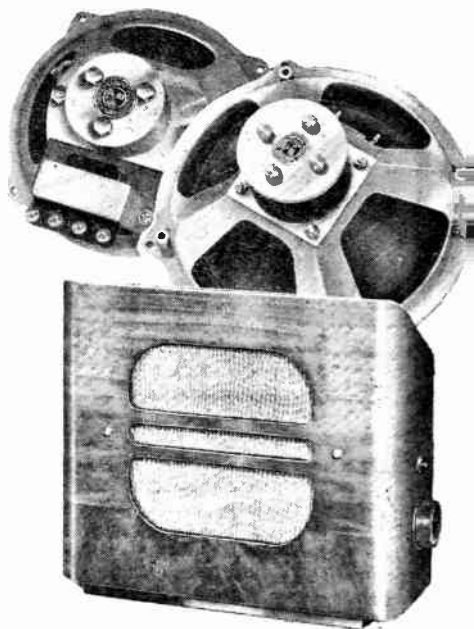
FACTORY SPEAKERS

VALVE HOLDERS

SWITCHES

CHOKES, ETC.

TRANSFORMERS



WHITELEY ELECTRICAL RADIO CO. LTD. • MANSFIELD • NOTTS.



A good thing in a small package

OSRAM MINIATURE VALVE

TYPE Z77 HIGH-GAIN PENTODE

It is a high-gain pentode, mounted on the B7G base and is suitable for use in television, wide-band radio, amplifier and electronic instrument circuits.

INTERESTING FEATURES

Small size and rugged construction make it an eminently suitable valve for use in mobile and portable equipment. Suitable for operation up to 100 megacycles per second. Owing to smallness of size and low thermal capacity the valve rapidly reaches a stable operating condition.

List Price 17/6. Purchase Tax 3/10 extra.



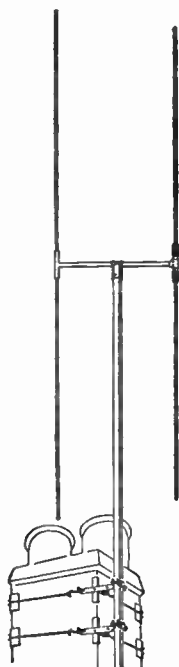
 PHOTO CELLS	 CATHODE RAY TUBES	 VALVES
---	--	---

THE GENERAL ELECTRIC CO., LTD., MAGNET HOUSE, KINGSWAY, W.C.2.

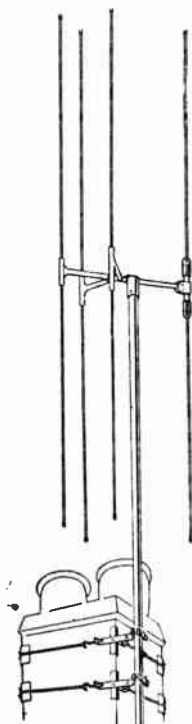
V
G*

It's plain to see - Wolsey is best

Wolsey T.V. Aerials are the outcome of many years specialisation and there are eight outdoor types and an indoor type, including new types for the Birmingham transmission. They are made from high-grade steel tubing, cadmium plated, and combine technical efficiency, minimum weight with rigidity, and simple secure fitting. Specify a WOLSEY.



WOLSEY-type H/M. A highly efficient and most popular aerial for normal requirements. Standard spacing: $\frac{1}{2}$ wavelength; $\frac{1}{4}$ wavelength supplied to order.



WOLSEY-type TR/MI. Triple Reflector Array for increased gain in fringe areas or reduction of severe interference in town areas. $\frac{1}{2}$ or $\frac{1}{4}$ wavelength for London; $\frac{1}{4}$ wavelength for Birmingham.

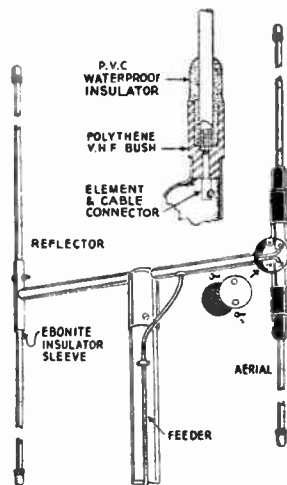
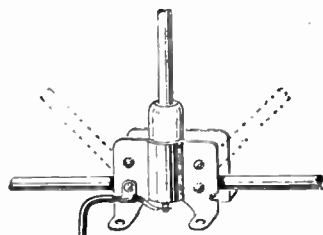


Diagram shows the special polythene V.H.F. Insulators and P.V.C. non-deteriorating waterproof bushes fitted to the aerial elements to ensure damp resisting and completely waterproof connections. The reflector elements are completely insulated from the metal crossbar by ebonite tubes. Aerial and reflector elements are of Duralumin.



WOLSEY INDOOR AERIAL
For use where an outdoor aerial is difficult, provided signal strength is adequate. A special polythene V.H.F. Insulator ensures maximum signals possible with an indoor aerial. Easily adjusted to various positions.

INSTALLATION
SERVICE
for both London and
Birmingham areas.

WOLSEY

TELEVISION LTD.

SPECIALISTS in T.V.
Aerials since 1934.
Send for Brochures
and Polar diagrams.

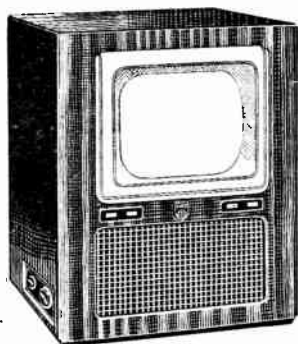
LONDON
75, GRESHAM ROAD, BRIXTON, S.W.9
Brixton 6651 and 6652

BIRMINGHAM
59, SOHO HILL, BIRMINGHAM, 19
Northern 2762 and 3493



EKOVISION

Explained



There is a very simple explanation of EKOVISION'S superior quality, and that is—superior manufacture! *Every* component and *every* raw material, down to the smallest washer, used in EKOVISION receivers is first tested and re-tested in the Ekco research laboratories. No electrical or mechanical risk, however slight, is ever taken. From start to finish an EKOVISION receiver is planned and built to give the highest possible performance and reliability. It's a case of "What's bred in the bone . . ."—and the name we give to it is *Quality Engineering*.

EKOVISION model TS105 combined television and pre-set radio, 45 gns. plus £10. 15. 0 tax. Also available without radio—model TS88 table television, 39 gns. plus £9. 6. 4 tax; and console television, model TSC93, 44 gns. plus £10. 10. 3 tax. Most Ekco dealers can offer attractive hire purchase terms.

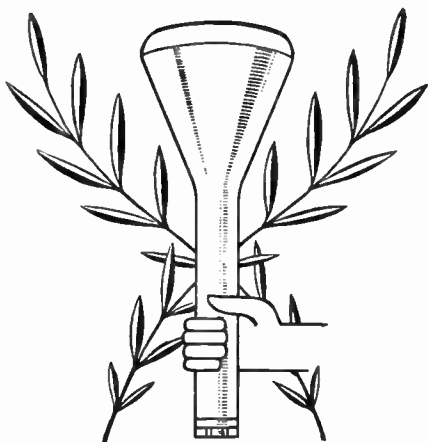
YOUR TELEVISION AERIAL. *Where signal strength is adequate the Ekco Indoor Aerial will not only produce the best results but will also save pounds on installation cost. Easy to erect in left or other confined space. Price 30/-.*

Write for details of the complete range of new EKOVISION Models

EKOVISION

The name for Quality Television

E. K. COLE LTD. SOUTHEND-ON-SEA



C O S S O R

T E L E V I S I O N

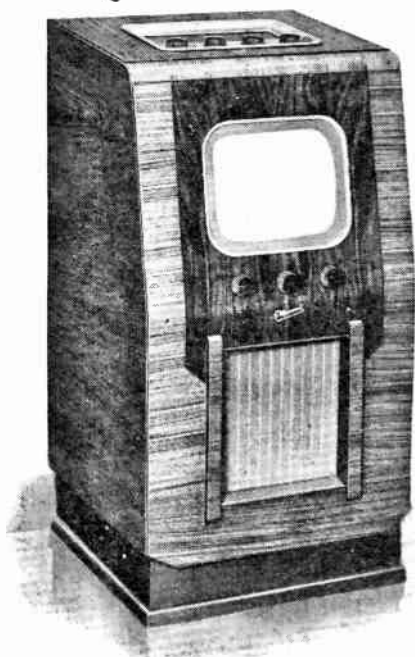
Built on a foundation of over fifty years of pioneer research and application in *ELECTRONICS*, Cossor Television is acknowledged by many independent experts as setting the highest standard in the prime essential — clarity and brilliance of pictures. Advanced circuit design is coupled with the use of Cossor Cathode Ray Tubes embodying a patented electronic filter or "Ion Trap." This effectively protects the fluorescent viewing screen from detrimental heavy ion bombardment which causes "burn" marks. This valuable safeguard is but one example of Cossor electronic engineering skill which was also responsible for the first radar receivers in the world. More vessels are now equipped with Cossor Marine Radar than any other British type. This recognition of Cossor supremacy is paralleled in the allied field of Television where, in appraising the quality of pictures, the criterion is

"as clear as Cossor"

A. C. Cossor Ltd., Cossor House, Highbury Grove, London, N.5.

TV.1

Best by a long sight!



MODEL VRC52A £89 · 12 · 3 plus £20 · 7 · 9 Purchase Tax.

Model VRC52A combines television of exceptional brilliance with world-wide radio reception and brings entertainment right into the family circle. Study these special features.

- Television pictures of unsurpassed brilliance, due to the new aluminised 10-in. Emiscope tube.
- Interlocked "Brightness" and "Contrast" controls for greater simplicity of operation.
- 5-valve 3-waveband superhet radio receiver, wide-ranged and of great selectivity.
- "Spot-on" tuning of two pre-selected medium-wave stations, in addition to manual tuning.
- Rich tonal quality and impressive volume from the 10½-in. elliptical loud-speaker.
- Beautiful walnut-finish cabinet with bronzed loudspeaker grille.

MARCONIPHONE

THE GREATEST *Giulio Marconi* NAME IN RADIO

Tops in Television!

Aerialite

TELEVISION AERIALS

These aerials are the result of long and painstaking research since the earliest days of television. They can be relied upon to produce good clear "looking-in."

Model 55 (D.P.M.)

A grand aerial for good, clear reception. Suitable for both the London area and the Midlands.

THE NEW D.P.O. Model 50

The best aerial on the market. Two types "London" and "Midlands." Three types of mounting. Low loss inductor; Waterproof Plug Assembly; Broad Bandwidth; strong and easy to erect.

Model 53 (Indoor)

Finished black and chrome. Easily erected in loft or upper room. Suitable for range of 15 to 20 miles. Can be set in various positions.

Model 60 (Compressed)

Ideal for flats, pre-fabs., etc., being specially designed to make best use of available space. Range up to 8 miles.

Model 59 (Pedestal type Compressed Indoor)

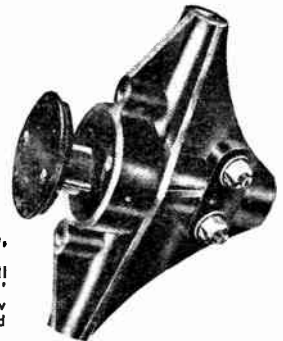
Enables the user to move the aerial about the home as required. Chrome-plated finish. Range 5 to 8 miles.

The New "1950 Insulator"

Ultra modern design. Fitted to all AERIALITE "London" and "Midlands" Outdoor Television Aerials (except new D.P.O.). Exceptionally strong and waterproof.



Send for your copy of "Bring the world to your door"—a complete list of all Aerialite products.



AERIALITE LTD., STALYBRIDGE, ENGLAND



The New **SELECTEST**

The New "Selectest" Multi-range All-purpose measuring instrument makes available a wide selection of A.C. and D.C. voltage and current ranges and incorporates 3 resistance ranges up to 1 Megohm. Consumption for full scale deflection on D.C. voltage ranges (without multiplier) is 1 ma. Full technical details are available in leaflet No. X334—on request.

by
G.E.C.

HUNTS CAPACITORS

for
UTMOST RELIABILITY

IN TELEVISION
APPLICATIONS

*A Revolutionary
Development—*

HUNTS NEW MINIATURE METALLISED PAPER—TYPE W99

With its small size, special features and high performance, the W99 opens up many advances in circuit design.

STANDARD DIMENSIONS: Length $\frac{1}{8}$ " (11.11 mm.); Dia. $\frac{1}{16}$ " (4.75 mm.). **CAPACITANCE RANGE:** 50pF to 3000pF, 350v D.C. w.kg. 0.004uF to 0.01uF, 150v D.C. w.kg. **CAPACITANCE TOLERANCE:** Standard $\pm 20\%$. Closer tolerances are available. **CAPACITANCE STABILITY:** Better than $\pm 2\%$. **TEMPERATURE RANGE:** -15°C to $+71^{\circ}\text{C}$. **INSULATION RESISTANCE:** Better than 20,000 megohms. **SELF-HEALING.**



ACTUAL SIZE

SPECIAL NOTE—Also available in the W99 range and in the same standard dimensions—1000pF capacity, rated 250v A.C. or 350v D.C. at 71°C . As a decoupling capacitor, this is suitable for a frequency range of 50 c.p.s. to 100 mc's.

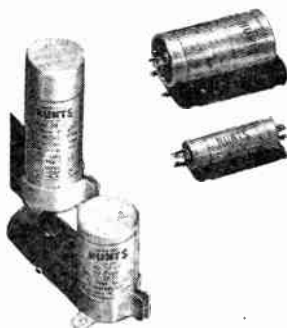
HUNTS DRY ELECTROLYTICS

Special Television Types for High Ripple Circuits.

Developed with special characteristics, specifically for television applications. Single and dual units. Standard capacitance tolerance: -20% $+50\%$. Maximum ripple current ratings up to 800 m.a. For long-life operation in temperatures up to 60°C . Available in a wide range of suitable dimensions and capacitances. Also in types for operation in temperatures up to 85°C .

HUNTS TUBULAR PAPER CAPACITORS TYPE L6S

For A.C. operation. Particularly recommended for use as decoupling units in mains filters, for tone correction positions between anode and grid of output valve and for similar applications where rapidly changing voltages and unusual conditions occur. Standard capacitance tolerance: $\pm 25\%$ up to 0.01 uF and $\pm 20\%$ over this value. Temperature range: -30°C $+71^{\circ}\text{C}$. In a large number of capacitance values for 300, 600, or 800 v.A.C. working.



The Capacitor Types featured in this advertisement are but a very small selection from the great variety available from Hunts, covering Electrolytic, Foil and Paper, Metallised Paper, Stacked Mica, Silvered Mica, Trimmers and Padders, etc. For every capacitor need choose Hunts—for maximum efficiency and long-life reliability. Catalogues and technical assistance available on request.

HUNTS CAPACITORS

The TRADE MARK
of Reliability

A. H. HUNT LTD · WANDSWORTH, LONDON S.W. 18 · TEL. BATtersea 3131 · EST. 1901



ESSENTIAL FOR TELEVISION

Ersin Multicore Solder is used by the majority of Television manufacturers in Britain and the U.S.A. because it alone provides a consistently high standard of sound, precision soldered joints.

Illustrated is a single unit of the famous Pye Portable Television Transmitting equipment, used by the B.B.C., having more than 3,000 Ersin Multicore soldered joints. This three core solder wire, containing non-corrosive, extra-active Ersin flux has been used exclusively in the Pye factories and laboratories at Cambridge for more than 10 years.

For manufacturers, service engineers and home constructors of radio and television receivers it pays to use the "Finest Cored Solder in the World". Available in special 6d. cartons for use in the home and in size 1 cartons for service engineers and workshops from most retailers.

PRICES FOR SIZE 1 CARTONS

Catalogue Ref. No.	Alloy Tin/Lead	S.W.G.	Approx. length per carton	List price per carton (subject)	
				s.	d.
CI6014	60 40	14	26 feet	5	0
CI6018	60 40	18	60 feet	5	0
CI4013	40 60	13	22 feet	5	0
CI4016	40 60	16	42 feet	5	0

*Illustrated are the Handyman's and Size 1 cartons
Manufacturers and service engineers are invited to
write for technical information, samples and bulk prices.*



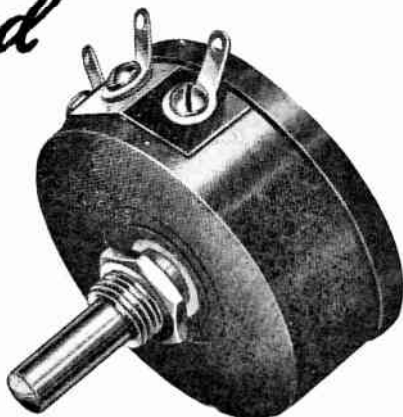
MULTICORE SOLDERS LTD., Mellier House, Albemarle St., London, W.1

Tel.: REGent 1411

'COLVERN'

Wire Wound

POTENTIOMETER AND VARIABLE RESISTORS



- WINDING SKILL SECOND TO NONE
 - SMOOTH ACTION
 - LOW NOISE LEVEL
 - HIGH ACCURACY WITH DEPENDABILITY
- Fitted as standard by all Britain's foremost Television, Radio and Television communications equipment manufacturers. Rotary pre-set and slider type.*

Let us
quote for
your needs

There is a COLVERN Potentiometer to suit every circuit an Electronic Engineer is likely to devise.

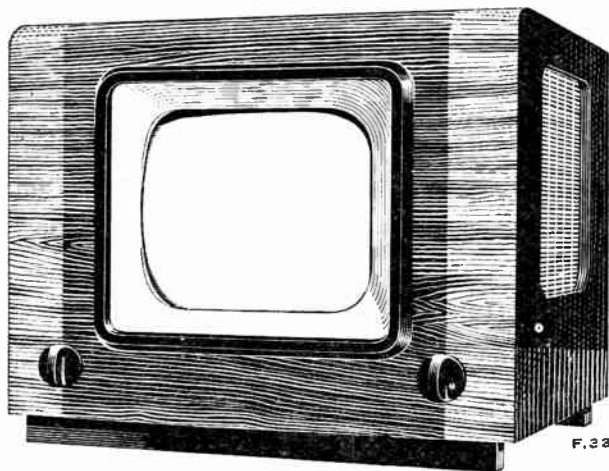
Write for
illustrated
brochure

High Accuracy Precision Potentiometers
COLVERN LIMITED

MAWNEYS ROAD, ROMFORD, ESSEX
Telephone: ROMFORD 2020, 4880, 4881

BRITAIN'S LARGEST MANUFACTURERS OF *Wire Wound* POTENTIOMETERS

**SEE
how
wise
you
were**



to wait for FERGUSON

If you have been waiting for television 'till they've got it right'... now is the time to invest in Ferguson. Ferguson gives you television of proved performance and reliability. What is more, in this new Table Model Ferguson gives you, for the first time, full-scale 18-valve television at 14-valve price. Compare Ferguson picture-quality with any picture at any price and you will say 'it's time I had television... FERGUSON television!'

37

GUINEAS

Plus
£8.14.6
Tax

★

See this and other Fine Ferguson Television Receivers at your local dealer's.

Fine sets these FERGUSON's

Advertisement of Thorn Electrical Industries Ltd
105-109, Judd Street, London, WC1



BAIRD

*First name in
Television*



JOHN LOGIE BAIRD
*Father of Television and inspirer
of the sets that bear his name today.*

John Logie Baird's patient research and brilliant discoveries gave Television to the world. Baird technicians still lead in technical achievement—with the remarkable Portable, for instance, needing no aerial, and with the new long-range Countryman. Before you decide on Television, you *must* see the full range of Baird sets.

BAIRD Television

LANCELOT ROAD · WEMBLEY · MIDDLESEX



AN OUTSTANDING OPPORTUNITY

Get this valuable free book

Keeping abreast of every trend and modern development is a matter of supreme importance to the ambitious Radio Engineers Retailer, and Wireless enthusiast. To-day, far-seeing men realise that there is an outstanding opportunity for those who can see just a little way ahead of their competitors. How? Where? Surely the answer is . . .

TELEVISION

Make no mistake ! Ultimately, Television will be in every home, and Radio Engineers who waited upon events and were content with a sketchy, out-of-date knowledge, will find themselves unable to catch up with the men who had the foresight to commence a thorough and systematic study of Television while there was yet time. The B.I.E.T., for many years predominant in the Wireless Training Field, has prepared, with the aid of some of the leading experts in the country, a thoroughly comprehensive Home Study Course in **PRACTICAL TELEVISION**.

Full details of our unique methods are given in "**ENGINEERING OPPORTUNITIES**"—the valuable 176-page Handbook, which among other intensely interesting matter, gives details of **A.M.I.E.E.**, **A.M.BRIT.I.R.E.**, **CITY & GUILDS**, and other important examinations, outlines special courses in **General Wireless Engineering**, **Sound Film Projection Engineering**, **Radio Servicing**, **Television**, etc., and explains the way to get some letters after your name.

We definitely guarantee

"NO PASS—NO FEE"

Whether you are interested in preparing **NOW** to skim the cream of the new Television market—whether you are interested on your own behalf or wish to encourage and advise your employees, "**ENGINEERING OPPORTUNITIES**" is bound to indicate many opportunities that you might otherwise miss. Write to-day for your copy. It will be sent to you **FREE**—and without obligation.

BRITISH INSTITUTE of ENGINEERING TECHNOLOGY

870 Shakespeare House,
17-19 Stratford Place, London, W.1

BIET

FOR NEWS OF LATEST DEVELOPMENTS IN RADIO, TELEVISION & ELECTRONICS

The WIRELESS & ELECTRICAL TRADER

**The Trade Journal of the Radio
& Domestic Electrical Industries**

The Wireless and Electrical Trader provides up-to-date, reliable news of new products, trade activities and technical trends for manufacturers, wholesalers and dealers in the radio television and light electrical industries. Especially valuable to dealers is the practical advice on the equipment of premises and workshops, window displays and sales schemes, while each issue contains servicing data on one or more of the current British radio receivers.

Published Fortnightly 1s. 3d. Annual Subscription £1 10s.

Wireless World **The Journal for Manufacturers Designers and Technicians**

Wireless World is Britain's leading technical magazine in the general field of radio, television and electronics. It provides a complete and accurate survey of the newest technique in design and manufacture, and covers every phase of the radio and allied industries, with reviews of equipment, broadcast receivers and components.

Published Monthly 2s. Annual Subscription £1 6s.

WIRELESS ENGINEER

**The Journal of Radio
Research and Progress**

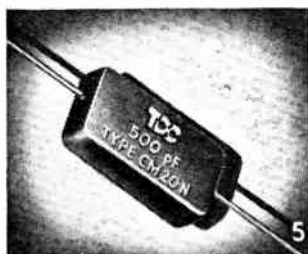
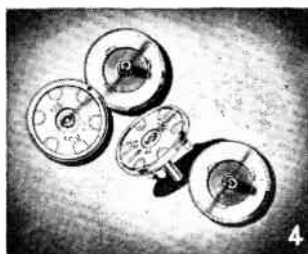
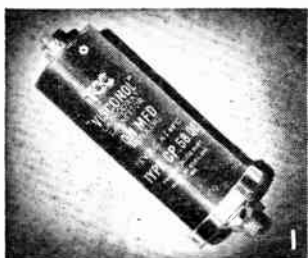
Wireless Engineer is read by research engineers, designers and students, and is accepted internationally as a source of information for advanced workers; only original work is published. Regular features include patent specifications and abstracts and references compiled by the Radio Research Board.

Published Monthly 2s. 6d. Annual Subscription £1 12s.

Enquiries regarding subscriptions should be sent to:
The Subscription Dept., Iliffe & Sons Ltd.,



DORSET HOUSE, STAMFORD STREET, LONDON, S.E.1



for

Clarity

in

Vision & Sound

... television receiver components must be above reproach. For condensers, therefore, always insist on T.C.C. products. In addition to the general range of T.C.C. condensers for general radio and television use, the following types are particularly recommended for Television Receivers.

1. "VISCONOL" "CATHODRAY" CONDENSERS

Capacities from .0005 μ F to 1 μ F.
Voltage rating from 750 to 25,000 at 60°C.

2. "LECTROPACK", "MICROPACK" & "PICOPACK" ELECTROLYTIC CONDENSERS

Single, Dual, and Triple Sections.
Capacities from 1 μ F to 1,000 μ F. Peak Working Volts from 6 to 500.

3. "METALPACK" & "METALMITE" TUBULAR PAPER CONDENSERS

Capacities from .0002 μ F to 1 μ F.
350 to 1,000 Volts D.C. Working at 71°C.
200 " 750 " " " " 100°C.

4. "MICADISC" CONDENSERS

Capacities .0002, .0003 and .0005 μ F.
Max D.C. Voltage 350 at 71°C.

5. MINIATURE MOULDED MICA CONDENSERS TYPE CM 20 N

Capacities from .0001 μ F. to .001 μ F.
350 Volts D.C. Working.

Valuable information and data on a comprehensive range of T.C.C. condensers is contained in List No. 140, a copy of which will be sent to interested constructors of television receivers on application.

THE TELEGRAPH CONDENSER CO. LTD.

Radio Division :

NORTH ACTON, LONDON, W.3

Telephone: ACORN 0061 (9 Lines)

★ ★ ★



★ ★ ★

TELEVISION RECEIVING EQUIPMENT

THIRD EDITION

by *W. T. COCKING*, M.I.E.E.

Deals in a comprehensive manner with cathode-ray receiving equipment and gives many practical details and design data. The circuits of the television receiver are split into a number of sections and a separate chapter is devoted to each. Other chapters deal with general principles, the signal, superheterodyne interference problems, special circuits, the aerial, the complete receiver, faults and servicing. The book has been completely revised and detail improvements in technique since 1947 are outlined in the additional pages of this edition.

8½ × 5½.

Over 200 illustrations. In preparation.

TELEVISION RECEIVER CONSTRUCTION

SECOND EDITION

Reprint of articles from "Wireless World" which give full constructional details of a modern television receiver. The construction of special components such as R.F. coils, deflector and focus coils and scanning transformers is also dealt with. The r.f. unit of this receiver is suitable for the London area only: an alternative r.f. unit for the Birmingham area is described in the separate book "Superheterodyne Television Unit."

11¼" × 8½" 48 pp.

2s. 6d. net. By post 2s. 9d.

SUPERHETERODYNE TELEVISION UNIT

The receiver described in this reprint of articles from "Wireless World" is an alternative unit for the set described in "Television Receiver Construction." It is designed for long-range reception of Alexandra Palace transmissions, but is also basically suitable for Birmingham. Maps of the service areas of both television stations are also shown. That for London illustrates the field strength normally obtainable in various districts, while the Birmingham map shows the expected service area of the new station.

9½" × 7¼". 16 pp.

2s. 6d. net. By post 2s. 9d.

Obtainable at booksellers everywhere or from

THE PUBLISHING DEPT., ILIFFE & SONS, LTD.
DORSET HOUSE, STAMFORD STREET, LONDON, S.E.1.

THE NEW B.R.S. PORTABLE DEMONSTRATION AERIAL

COMPLETE WITH
MAST AND DOWN-LEAD
provisionally patented.

WEIGHS ONLY
12½ lbs.

ERECTED IN
5 MINUTES

STRAPS FOR
FIXING OR
STOWING

NO ELECTRICAL
CONNECTIONS TO
MAKE

List price 9 gns.



Write or phone for full details
BELCHER (RADIO SERVICES) LTD.

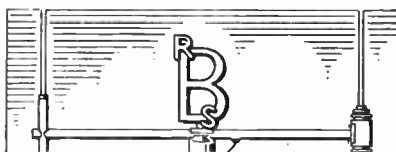
Head Offices:

**57, WINDSOR ROAD,
SLOUGH - BUCKS**

Telephone - SLOUGH 22528

TELEVISION INSTALLATIONS FOR THE TRADE

*This is more than
Service—it's a System*



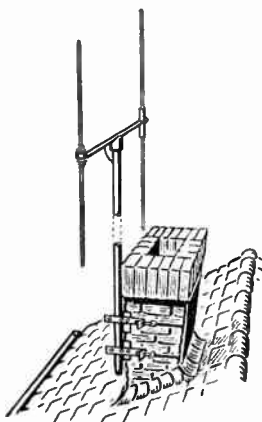
Look for the sign of

**RELIABLE
TELEVISION INSTALLATIONS**

We supply and erect our patented
television aerials (6 types)
**WHEREVER RECEPTION IS
POSSIBLE**

Receivers installed if required

Repairs to any make or type of
television or sound receiver



Don't let
Television
worry you—
We can
handle your
problems

**BRANCHES
THROUGHOUT
ENGLAND**



The books listed below are usually obtainable at all booksellers. In case of difficulty, please write to: **The Publishing Dept., Dorset House, Stamford Street, London, S.E.1.** Complete list of radio and television books sent on application.

FOUNDATIONS OF WIRELESS. 4th Edition. By M. G. Scroggie, B.Sc., M.I.E.E. Explains the principles on which the design and operation of modern receivers are based, and also covers the elementary principles of transmitters. 358 pp. 7s. 6d. net. By post, 7s. 10d.

WIRELESS SERVICING MANUAL. 7th Edition. By W. T. Cocking, M.I.E.E. A reliable guide to which amateur and professional can turn for reference. Describes essential testing apparatus, logical testing methods, and the process of deducing and remedying defects. 328 pp. 10s. 6d. net. By post, 10s. 10d.

RADIO LABORATORY HANDBOOK. 4th Edition. By M. G. Scroggie, B.Sc., M.I.E.E. A practical handbook describing laboratory equipment and methods of working. 430 pp. 12s. 6d. net. By post, 12s. 10d.

RADIO VALVE DATA: Characteristics of over 1,600 Receiving Valves. Compiled by the staff of "Wireless World." Gives the main electrical characteristics for normal operating conditions, arranged in tabular form, with diagrams showing base connections. 80 pp. 3s. 6d. net. By post, 3s. 9d.

RADIO DATA CHARTS. 5th Edition. By R. T. Beatty, M.A., B.E., D.Sc., revised by J. Mc G. Sowerby, B.A., A.M.I.E.E. A collection of 43 abacs, or nomograms, providing most of the data required for the design of radio receivers. 91 pp. 7s. 6d. net. By post, 7s. 11d.

RADIO CIRCUITS: Step-by-Step Survey of Superhet Receivers. 2nd Edition. By W. E. Miller, M.A., M.BRIT.I.R.E. Although this work deals primarily with the superheterodyne receiver, it is equally applicable to the straight set. A superhet circuit is dealt with section by section up to the complete receiver. 62 pp. 3s. 6d. net. By post, 3s. 8d.

HIGH-QUALITY AUDIO AMPLIFIERS. A reprint of articles from "Wireless World" describing some popular circuits. 20 pp. 2s. 6d. net. By post, 2s. 8d.

BASIC MATHEMATICS FOR RADIO-STUDENTS. 2nd Edition. By F. M. Colebrook, B.Sc., D.I.C., A.C.G.I. Presents the whole subject in an easily understandable and interesting form. The author deals first in a general manner with the fundamental mathematical processes that are the foundation of all applied science, and then discusses the application of mathematical ideas to radio problems. 298 pp. 10s. 6d. net. By post, 10s. 11d.

New Trails...

... are being blazed in the field
of Electronics and "LAB"

Tested Resistors, Potentiometers, Suppressors and Volume Controls, renowned for their Quality, Reliability and Scientific Accuracy are proud to be in the forefront of the march of progress.

Car owners who are also Viewers know that LAB Interference Suppressors are essential. *Verb sop.*

LAB Miniature Volume Control, a small, tough, precision-built instrument with double prong spring contact maintaining positive pressure.

Send for descriptive leaflet.

THE RADIO RESISTOR CO., LTD.

Cumberland Rd., Stanmore, Middx. Tel.: WORdsworth 1138

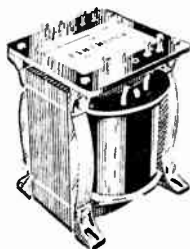


WHERE SPECIALISATION PROMPTS SPECIFICATION

When a concern has specialised in the design and production of Transformers and Chokes alone for nearly two decades, it is but logical that those products find place in the specifications of major TV and Radio gear. For that reason Partridge products are used extensively in commercial equipment, and no less by knowledgeable designers of home-built sets. For example, Partridge are specified for

"Electronic Engineering" LONDON-HOME BUILT TELEVISOR
"Electronic Engineering" MIDLAND-HOME BUILT TELEVISOR
"Electronic Engineering" HOME-BUILT "F.M." RECEIVER
"Wireless World" TELEVISION RECEIVER

Be guided by the experts—use Partridge in your equipment. Data Sheets are available for all Partridge Stock Components. "To Specification" orders receive prompt expert attention.



PARTRIDGE
TRANSFORMERS LTD

ROEBUOK ROAD - TOLWORTH - SURREY

Telephone: Elmbridge 6737/8



The books listed below are usually obtainable at all book-sellers. In case of difficulty, please write to : **The Publishing Dept., Dorset House, Stamford Street, London, S.E.1.**

Complete list of books sent on application.

MOTORING

" THE AUTOCAR " HANDBOOK : A Complete Guide to the Modern Car (20th Edition). By " The Autocar " Technical Staff.
7½" × 5". 242 pp. 5s. net. *By post 5s. 3d.*

LOOK AFTER YOUR CAR : Everyday Maintenance Simply Explained (2nd Edition). By " The Autocar " Technical Staff.
7½" × 4¾". 107 pp. 3s. 6d. net. *By post 3s. 9d.*

KNOW YOUR CAR : A Simple Explanation of Its Mechanism (3rd Edition). By " The Autocar " Technical Staff.
7½" × 5". 102 pp. 2s. 6d. net. *By post 2s. 8d.*

MOTOR DRIVING MADE EASY. By " The Autocar " Technical Staff (10th Edition).
7½" × 5". 152 pp. 3s. 6d. net. *By post 3s. 10d.*

A RACING MOTORIST : His Adventures at the Wheel in Peace and War. By S. C. H. Davis, Sports Editor of " The Autocar."
8¾" × 5½". 216 pp. 10s. 6d. net. *By post 10s. 11d.*

MOTOR CYCLING

YOUR AUTOCYCLE : And How to Get the Best From It. By " The Motor Cycle " Staff.
7" × 4¼". 2s. 6d. net. *By post 2s. 8d.*

TWO-STROKE MOTOR CYCLES. By " The Motor Cycle " Staff (10th Edition).
7" × 4¼". 135 pp. 3s. net. *By post 3s. 3d.*

MOTOR CYCLES AND HOW TO MANAGE THEM (31st Edition). By " The Motor Cycle " Staff.
7" × 4¼". 290 pp. 4s. 6d. net. *By post 4s. 10d.*

MOTOR CYCLISTS' WORKSHOP (5th Edition). By " Torrens " of " The Motor Cycle."
7" × 4¼". 147 pp. 3s. net. *By post 3s. 3d.*

SPEED FROM YOUR MOTOR CYCLE (6th Edition).
7" × 4¼". 154 pp. 3s. 6d. net. *By post 3s. 9d.*

YACHTING

YACHT RACING : A Text-Book of the Sport (4th Edition). By Brooke Heckstall-Smith, revised and enlarged by G. Sambrooke Sturgess.
8¾" × 5½". 352 pp. 21s. net. *By post 21s. 8d.*



