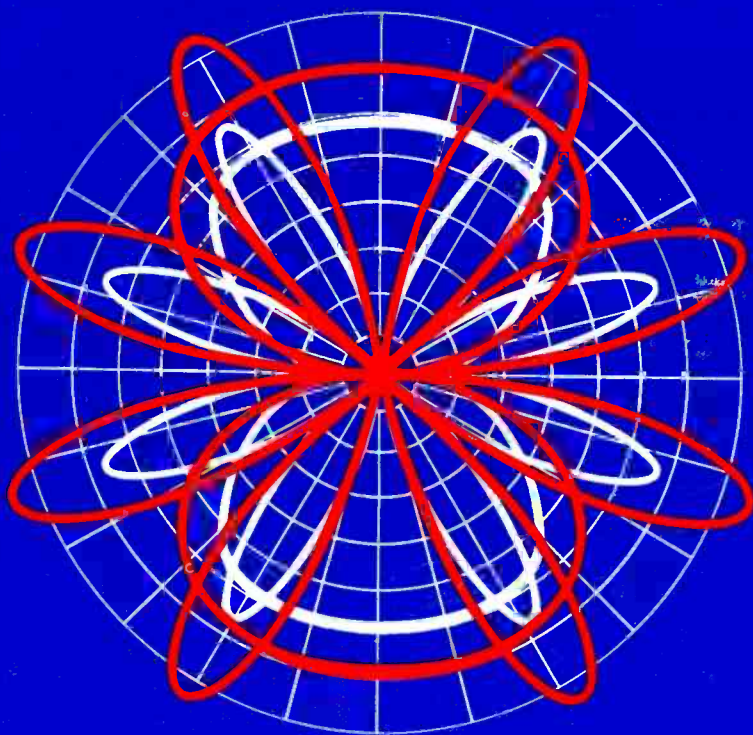


# radio handbook

twenty-first edition.

**William I. Orr, W6SAI**



# radio handbook

twenty-first edition

**William I. Orr, W6SAI**



**EDITORS and ENGINEERS**

Division HOWARD W. SAMS & CO., INC.  
INDIANAPOLIS, INDIANA 46268



TWENTY-FIRST EDITION

FIRST PRINTING—1978

## RADIO HANDBOOK

Copyright© 1967, 1970, 1972, 1975 and 1978 by Howard W. Sams & Co., Inc., Indianapolis, Indiana 46268. Printed in the United States of America.

All rights reserved. Reproduction or use, without express permission, of editorial or pictorial content, in any manner, is prohibited. No patent liability is assumed with respect to the use of the information contained herein.

**Library of Congress Catalog Card Number: 78-64872**

**International Standard Book Number: 0-672-24034-3**

**"Radio Handbook" is also available on special order in Spanish.**

# Preface to the 21st Edition

Electronic circuitry and radio communication are in the midst of a profound technological revolution as significant as the massive shift from the vacuum tube to the transistor only one short decade ago. The device responsible for today's impressive new technology is the integrated circuit which has reduced the complexity of multistage design and fabrication to a single chip smaller than a postage stamp. The tiny IC, in turn, has led to the phase-locked loop, digital readout, inexpensive home computers—and simpler, more reliable construction.

While the vacuum tube still reigns supreme in high power amplifier service, the transistor even now is entering the twilight era of its utility since its circuits demand the discrete components of old. But with his intricate integrated circuit, the designer simply applies input and power to the chip and extracts the output signal—in a handheld f-m transceiver, a complex guided missile, or a “hockey game” played on the home television set. Circuit sophistication which was a laboratory curiosity only a few years ago is commonplace today in communication equipment and home entertainment devices. A far cry from only 50 years ago when the radio amateur was forced to build many of his components before he could assemble his equipment!

Those experimenters who faithfully saved their old editions of *Radio Handbook* have enjoyed a front-row seat at this remarkable transition. Since its inception in 1934, *Radio Handbook* has remained the acknowledged leader in the field of communications technology, and this new edition is no exception. Recent technological breakthroughs of interest to the radio amateur are discussed at length and practical circuits making use of the latest techniques are included in this volume.

Because of the recent decision of the Federal Communications Commission restricting the design of linear r-f amplifiers in the amateur service, and the limitations placed on commercially manufactured amplifiers, additional amplifier theory and construction material for the home builder is included in this edition. Coverage of the 10-meter band in full is provided in these designs and effective harmonic suppression circuits are included to preclude interference to home entertainment devices.

In the increasingly important world of vhf, effective new amplifier designs are included in this edition for the advanced experimenter, along with circuit theory and useful construction information. Detailed analysis of various vhf circuits of interest to the amateur are also included.

William I. Orr, W6SAI

## ACKNOWLEDGMENTS

The editor wishes to thank the following individuals for their assistance and contributions in compiling this 21st edition of *Radio Handbook*:

Stuart Cowan, W2LX  
Coleman Ellsworth, W6OXP  
Al Helfrick, K2BLA  
David Ingram, K4TWJ  
George Jacobs, W3ASK  
Perry Klein, W3PK  
Peter Morley, K6SRG  
Henry Olson, W6GXN  
B. A. Ontiveros, W6FFF

Joseph Reisert, Jr., W1JR  
Rodney Reynolds, VK3AAR  
Ulrich Rohde, DJ2LR  
Henry Scharfe, W6SKC  
Carl Scheideler, W2AZL  
Tony Souza, W3HMU  
Bob Sutherland, W6PO  
T. H. Tenney, Jr., W1NLB  
Bob Welborn, W9PBW

# CONTENTS

Glossary of Terms .....	11
<b>Chapter One. INTRODUCTION TO AMATEUR RADIO COMMUNICATIONS .....</b>	<b>1.1</b>
1-1 Amateur Radio .....	1.1
1-2 Amateur Station and Operator Licenses .....	1.2
1-3 The Amateur Bands .....	1.4
1-4 Starting Your Study .....	1.7
<b>Chapter Two. DIRECT CURRENT CIRCUITS .....</b>	<b>2.1</b>
2-1 The Atom .....	2.1
2-2 Fundamental Electrical Units and Relationships .....	2.2
2-3 Electrostatics and Capacitors .....	2.13
2-4 Magnetism and Electromagnetism .....	2.18
2-5 RC and RL Transients .....	2.22
<b>Chapter Three. ALTERNATING CURRENT, IMPEDANCE, and                   RESONANT CIRCUITS .....</b>	<b>3.1</b>
3-1 Alternating Current .....	3.1
3-2 Reactive Circuits .....	3.6
3-3 Resonant Circuits .....	3.15
3-4 Coupled Circuits .....	3.19
3-5 Transformers .....	3.25
3-6 Wave Filters .....	3.28
3-7 Modern Filter Design .....	3.29
<b>Chapter Four. SEMICONDUCTOR DEVICES .....</b>	<b>4.1</b>
4-1 Atomic Structure of Germanium and Silicon .....	4.1
4-2 Mechanism of Conduction .....	4.2
4-3 The PN Junction .....	4.3
4-4 Diode Power Devices .....	4.8
4-5 The Bipolar Transistor .....	4.12
4-6 Transistor Characteristics .....	4.16
4-7 Transistor Audio Circuitry .....	4.22
4-8 R-F Circuits .....	4.26
4-9 Field Effect Devices .....	4.29
4-10 Circuitry .....	4.32
4-11 Integrated Circuits .....	4.37
4-12 Digital-Logic ICs .....	4.39
4-13 MOS Logic .....	4.43
4-14 Linear ICs .....	4.46
4-15 Solid-State Light Sources and Numeric Displays .....	4.51
4-16 The Microprocessor .....	4.53
<b>Chapter Five. VACUUM-TUBE PRINCIPLES .....</b>	<b>5.1</b>
5-1 Thermionic Emission .....	5.1
5-2 Tube Types .....	5.3
5-3 Special Microwave Electron Tubes .....	5.9
5-4 The Cathode-Ray Tube .....	5.13
5-5 Miscellaneous Tube Types .....	5.16
<b>Chapter Six. VACUUM-TUBE AMPLIFIERS .....</b>	<b>6.1</b>
6-1 Classes and Types of Vacuum-Tube Amplifiers .....	6.1
6-2 Interstage Coupling Circuits .....	6.3
6-3 The Triode Amplifier .....	6.4
6-4 The Class-B Audio-Frequency Power Amplifier .....	6.7
6-5 The Cathode-Follower Amplifier .....	6.8
6-6 The Feedback Amplifier .....	6.9
6-7 DC Amplifiers .....	6.10
6-8 The Single-Ended Triode Amplifier .....	6.11
6-9 Single-Ended Pentode Amplifiers .....	6.12
6-10 Push-Pull Audio Amplifiers .....	6.13
6-11 Class-B Audio-Frequency Power Amplifiers .....	6.15
6-12 Cathode-Follower Power Amplifiers .....	6.19
6-13 Feedback Amplifiers .....	6.20
<b>Chapter Seven. RADIO-FREQUENCY POWER AMPLIFIERS .....</b>	<b>7.1</b>
7-1 Class-C R-F Power Amplifier .....	7.1
7-2 Constant-Current Curves .....	7.5
7-3 Class-C Amplifier Calculations .....	7.7

7-4	Class-B Radio-Frequency Power Amplifier	7.13
7-5	Grounded-Grid and Cathode-Follower R-F Power Amplifier Circuits	7.16
7-6	Class AB <sub>1</sub> Radio Frequency Power Amplifier	7.20
7-7	Grounded-Grid Linear Amplifiers	7.22
7-8	Intermodulation Distortion	7.26
<b>Chapter Eight. SPECIAL CIRCUITRY FOR SEMICONDUCTORS AND VACUUM TUBES</b>		<b>8.1</b>
8-1	Limiting Circuits	8.1
8-2	Clamping Circuits	8.2
8-3	Positive Feedback Amplifier	8.3
8-4	The Blocking Oscillator	8.4
8-5	Counting Circuits	8.5
8-6	Resistance-Capacitance Oscillators	8.6
8-7	Closed-Loop Feedback	8.7
<b>Chapter Nine. SINGLE-SIDEBAND TRANSMISSION AND RECEPTION</b>		<b>9.1</b>
9-1	The SSB System	9.1
9-2	A Basic Single-Sideband Transmitter	9.9
9-3	The Balance Modulator	9.10
9-4	The Sideband Filter	9.12
9-5	The Phasing Type SSB Exciter	9.14
9-6	Single-Sideband Frequency Conversion	9.17
9-7	Selective Tuned Circuits	9.19
9-8	Distortion Products Due to Nonlinearity of R-F amplifiers	9.22
9-9	SSB Reception	9.24
9-10	The SSB Transceiver	9.28
<b>Chapter Ten. COMMUNICATION RECEIVER FUNDAMENTALS</b>		<b>10.1</b>
Part I—The HF Receiver		
10-1	Types of Receivers	10.1
10-2	Receiver Performance Requirements	10.2
10-3	The Superheterodyn Receiver	10.9
10-4	The R-F Amplifier Stage	10.12
10-5	The Mixer Stage	10.17
10-6	The Mixing Oscillator	10.19
10-7	The I-F Amplifier	10.21
10-8	A Solid-State I-F Strip	10.26
10-9	The Beat-Frequency Oscillator	10.28
10-10	The Detector or Demodulator	10.29
10-11	Automatic Gain Control	10.31
10-12	The Signal-Strength Indicator	10.35
10-13	Impulse Noise Limiting	10.36
10-14	Direct Frequency Readout	10.37
10-15	The Audio System	10.40
Part II—VHF and UHF Receivers		
10-16	VHF/UHF Noise Sources	10.41
10-17	Receiver Noise Performance	10.43
10-18	VHF Receiver Circuitry	10.44
10-19	I-F Strips and Conversion Oscillators	10.47
10-20	Band-Scanning Receivers	10.48
<b>Chapter Eleven. GENERATION AND AMPLIFICATION OF RADIO-FREQUENCY ENERGY</b>		<b>11.1</b>
Part I—HF Circuits		
11-1	Self-Controlled Oscillator	11.1
11-2	Quartz-Crystal Oscillators	11.6
11-3	Crystal-Oscillator Circuits	11.10
11-4	Spurious Frequencies	11.13
11-5	R-F Vacuum-Tube Amplifiers	11.14
11-6	Neutralization of R-F Amplifiers	11.15
11-7	Neutralizing Procedures	11.19
11-8	Grounded-Grid Amplifiers	11.21
11-9	Frequency Multipliers	11.22
11-10	Tank-Circuit Design	11.23
11-11	L, Pi, and Pi-L Matching Networks	11.28
11-12	Toroidal-Wound Tank Coils	11.32
11-13	Grid Bias	11.32

11-14	Protective Circuits for Transmitting Tubes	11.36
11-15	Interstage Coupling	11.38
11-16	Solid-State HF Power Circuits	11.39
11-17	Solid-State Power Amplifiers	11.44
<b>Part II—VHF Circuits</b>		
11-18	Vacuum-Tube Limitations	11.50
11-19	Input and Output Circuitry	11.53
11-20	Solid-State VHF Circuitry	11.55
11-21	Frequency Multipliers	11.59
<b>Part III—R-F Feedback</b>		
11-22	R-F Feedback Circuits	11.60
<b>Chapter Twelve. FREQUENCY SYNTHESIS</b>		<b>12.1</b>
12-1	Synthesis Techniques	12.1
12-2	The Voltage-Controlled Oscillator	12.5
<b>Chapter Thirteen. FREQUENCY MODULATION AND REPEATERS</b>		<b>13.1</b>
13-1	Frequency Modulation	13.1
13-2	Direct F-M Circuits	13.6
13-3	Phase Modulation	13.8
13-4	Reception of F-M Signals	13.12
13-5	The F-M Repeater	13.20
<b>Chapter Fourteen. SPECIALIZED AMATEUR COMMUNICATIONS SYSTEMS AND TECHNIQUES</b>		<b>14.1</b>
14-1	Amateur Space Communication	14.1
14-2	EME (Moonbounce) Communication	14.13
14-3	Radioteletype Systems	14.15
14-4	RTTY Transmission	14.18
14-5	RTTY Reception	14.21
14-6	Slow-Scan Television	14.25
14-7	Amateur Facsimile	14.36
14-8	Amateur Television	14.37
14-9	Narrow-Band Voice Modulation (NBVM)	14.38
<b>Chapter Fifteen. AMPLITUDE MODULATION AND AUDIO PROCESSING</b>		<b>15.1</b>
15-1	Sidebands	15.1
15-2	Mechanics of Modulation	15.2
15-3	Audio Processing	15.4
15-4	Systems of Amplitude Modulation	15.8
15-5	Input Modulation System	15.12
15-6	The Doherty and the Terman-Woodyard Modulated Amplifiers	15.14
15-7	Spread-Spectrum Modulation	15.16
15-8	A-M Stereo Transmission	15.17
15-9	Practical High Level Modulation	15.18
15-10	Solid-State Modulation Circuitry	15.20
<b>Chapter Sixteen. RADIO INTERFERENCE (RFI)</b>		<b>16.1</b>
16-1	Television Interference	16.1
16-2	Harmonic Radiation	16.4
16-3	Low Pass Filters	16.6
16-4	Stereo F-M Interference	16.11
16-5	Broadcast Interference	16.12
16-6	Other Forms of Interference	16.15
16-7	Help in Solving TVI	16.16
<b>Chapter Seventeen. EQUIPMENT DESIGN</b>		<b>17.1</b>
17-1	The Resistor	17.1
17-2	The Capacitor	17.5
17-3	Wire and Inductors	17.9
17-4	Insulators	17.14
17-5	Relays	17.14
17-6	Grounds	17.15
17-7	Holes, Leads, and Shafts	17.16
17-8	Parasitic Resonances	17.19
17-9	Parasitic Oscillation in R-F Amplifiers	17.20
17-10	Elimination of VHF Parasitic Oscillations	17.21
17-11	Checking for Parasitic Oscillations	17.23

17-12	Forced Air Cooling .....	17.25
17-13	Conduction Cooling .....	17.26
17-14	Transient Protection .....	17.27
<b>Chapter Eighteen. TRANSMITTER KEYING AND CONTROL .....</b>		<b>18.1</b>
18-1	Keying Requirements .....	18.1
18-2	Transmitter Keying .....	18.3
18-3	Break-in Keying .....	18.4
18-4	The Electronic Key .....	18.7
18-5	The COSMOS Keyer—MARK II .....	18.10
18-6	The Keyboard Keyer .....	18.13
18-7	VOX Circuitry .....	18.15
18-8	An R-F Operated Keying Monitor .....	18.16
18-9	The Phone Patch .....	18.17
<b>Chapter Nineteen. MOBILE AND PORTABLE EQUIPMENT .....</b>		<b>19.1</b>
19-1	Mobile and Portable Power Sources .....	19.1
19-2	Transistor Supplies .....	19.5
19-3	Antennas for Mobile Operation .....	19.10
19-4	Construction of Mobile Equipment .....	19.17
19-5	Vehicular Noise Suppression .....	19.18
19-6	A Portable Amateur Band Receiver .....	19.21
19-7	A Solid-State 10-Watt Linear Amplifier for 420 MHz .....	19.32
19-8	Two Solid-State Linear Amplifiers for Mobile SSB .....	19.36
<b>Chapter Twenty. RECEIVERS AND EXCITERS .....</b>		<b>20.1</b>
20-1	A Deluxe, Solid-State Amateur Band Receiver—Mark II .....	20.2
20-2	An Advanced, Solid-State HF Communications Receiver .....	20.25
20-3	An Advanced Six-Band Solid-State SSB Exciter .....	20.40
20-4	A High Performance Conversion Module for the 23-cm Band .....	20.57
20-5	A Variable Active Audio Filter .....	20.64
20-6	A Very Low Noise Preamplifier for 144 MHz .....	20.66
20-7	A Tunable 2-Meter Receiver With Digital Readout .....	20.69
<b>Chapter Twenty-One. HF AND VHF POWER-AMPLIFIER DESIGN .....</b>		<b>21.1</b>
21-1	Triode Amplifier Design .....	21.2
21-2	Tetrode Amplifier Design .....	21.7
21-3	Cathode-Driven Amplifier Design .....	21.14
21-4	Neutralization of the Cathode-Driven Stage .....	21.18
<b>Chapter Twenty-Two. HF AND VHF POWER-AMPLIFIER CONSTRUCTION .....</b>		<b>22.1</b>
Part I—HF Amplifiers		
22-1	Amplifier Safety Summary .....	22.1
22-2	Amplifier Schematics .....	22.2
22-3	The KW-1 Mark III Linear Amplifier Using the 8875 .....	22.12
22-4	The 500Z 2-kW PEP Linear Amplifier for 10-80 Meters .....	22.19
22-5	A Two-Stage High-Gain Amplifier Using The 3-1000Z .....	22.27
22-6	A Kilowatt Linear Amplifier for Six Meters .....	22.34
22-7	A Compact 2-kW PEP Linear Amplifier With the 8877 .....	22.39
22-8	A Modern 3-1000Z Linear Amplifier for 80-10 Meters .....	22.44
22-9	A 4CX1500B 2-kW PEP Linear Amplifier .....	22.52
22-10	A High Power Linear Amplifier With the 8877 .....	22.62
22-11	A 2-kW Linear Amplifier for 6 Meters .....	22.71
Part II—VHF Amplifiers		
22-12	An 80-Watt Base Station Amplifier for 2-Meter F-M Service .....	22.77
22-13	A High Performance 2-Meter Power Amplifier .....	22.79
22-14	A High Power Amplifier for 220 MHz .....	22.85
22-15	A Tripler/Amplifier for 432 MHz .....	22.89
22-16	A 500-Watt Amplifier for 420-450 MHz .....	22.93
22-17	A Practical 2-kW PEP Amplifier for 432 MHz .....	22.100
<b>Chapter Twenty-Three. POWER SUPPLY .....</b>		<b>23.1</b>
23-1	The Primary Circuit .....	23.1
23-2	Transmitter Control Methods .....	23.6
23-3	Power-Supply Requirements .....	23.9
23-4	Power-Supply Components .....	23.12
23-5	Rectification Circuits .....	23.14
23-6	Series Diode Operation .....	23.19

23-7	Solid-State Supplies for SSB	23.20
23-8	A 1-Kilowatt IVS Power Supply	23.25
23-9	A 2-Kilowatt PEP Supply for SSB	23.26
23-10	IVS Bridge-Rectifier Supplies	23.27
23-11	A Heavy-Duty Primary Supply	23.29
23-12	Regulated Power Supplies	23.29
23-13	Transceiver Power Supply	23.40
<b>Chapter Twenty-Four. RADIATION AND PROPAGATION</b>		<b>24.1</b>
Part I—Wave Propagation and the Antenna		
24-1	The Antenna System	24.1
24-2	The Electromagnetic Wave	24.3
24-3	The Standing Wave	24.6
24-4	General Antenna Properties	24.8
24-5	The Antenna Above A Ground Plane	24.14
Part II—HF and VHF Propagation		
24-6	Propagation—2 to 30 MHz	24.16
24-7	Cycles in Ionospheric Activity	24.19
24-8	Ionospheric Disturbance	24.21
24-9	Propagation in the VHF Region	24.23
24-10	Forecast of High-Frequency Propagation	24.28
<b>Chapter Twenty-Five. THE TRANSMISSION LINE</b>		<b>25.1</b>
25-1	Characteristic Impedance	25.1
25-2	Transit Time and Wave Reflection	25.2
25-3	Waves and Fields Along a Transmission Line	25.5
25-4	The Standing-Wave Ratio	25.8
25-5	Impedance Matching with Resonant Lines	25.9
25-6	Transmission Lines	25.14
<b>Chapter Twenty-Six. ANTENNA MATCHING SYSTEMS</b>		<b>26.1</b>
26-1	SWR and Impedance Compensation	26.1
26-2	The Smith Chart	26.2
26-3	Practical Wideband Balun Transformers	26.5
26-4	Antenna Matching Devices	26.9
26-5	Coupling to the Antenna System	26.15
26-6	A Single-Wire Antenna Tuner	26.19
26-7	Antenna Support	26.22
<b>Chapter Twenty-Seven. HF GENERAL PURPOSE ANTENNAS</b>		<b>27.1</b>
27-1	The Angle of Radiation	27.1
27-2	The Center-Fed Antenna	27.5
27-3	The Vertical Antenna	27.8
27-4	The Marconi Antenna	27.13
27-5	The Loop Antenna	27.15
27-6	Space-Conserving Antennas	27.16
27-7	Multiband Antennas	27.18
<b>Chapter Twenty-Eight. HIGH-FREQUENCY FIXED DIRECTIVE ANTENNAS</b>		<b>28.1</b>
28-1	Directive Antennas	28.1
28-2	The Long-Wire Antenna	28.2
28-3	The Rhombic Antenna	28.7
28-4	The Multielement Fixed Array	28.8
28-5	Combination End-Fire and Broadside Arrays	28.15
<b>Chapter Twenty-Nine. HF ROTARY BEAM ANTENNAS</b>		<b>29.1</b>
29-1	The Parasitic Beam	29.1
29-2	The Multielement Parasitic Array	29.4
29-3	Building The Yagi Beam	29.6
29-4	Feed Systems for Parasitic Arrays	29.9
29-5	The Miniature Beam	29.9
29-6	Three-Band Beams	29.9
29-7	The Cubical Quad Beam	29.12
29-8	The Driven Array	29.15
29-9	Tuning the Parasitic Array	29.18
29-10	Indication of Direction	29.20
29-11	Antenna Rotators	29.21



<b>Chapter Thirty. VHF AND UHF ANTENNAS</b> .....	<b>30.1</b>
30-1 Antenna Requirements .....	30.1
30-2 Base Station Antennas .....	30.7
30-3 The Log-Periodic Antenna .....	30.14
30-4 The Helical Beam Antenna .....	30.17
30-5 The Corner-Reflector and Horn-Type Antennas .....	30.21
30-6 VHF Yagi Beam Antennas .....	30.22
30-7 Stacking VHF Antennas .....	30.27
30-8 Extended, Expanded VHF Arrays .....	30.31
30-9 A VHF SWR Meter .....	30.34
<b>Chapter Thirty-One. ELECTRONIC TEST EQUIPMENT</b> .....	<b>31.1</b>
31-1 Voltage, Current, and Resistance Measurements .....	31.1
31-2 The Digital Voltmeter (DVM) .....	31.4
31-3 Electronic Voltmeter .....	31.7
31-4 Power Measurements .....	31.8
31-5 Measurement of Circuit Constants .....	31.10
31-6 Measurement with a Bridge .....	31.11
31-7 The R-F Bridge .....	31.13
31-8 Antenna and Transmission-Line Instrumentation .....	31.14
31-9 Practical SWR Instruments .....	31.18
31-10 Frequency and Time Measurements .....	31.22
31-11 A Precision Crystal Calibrator .....	31.24
31-12 A Silicon Diode Noise Generator .....	31.26
31-13 The R-F Noise Bridge .....	31.28
31-14 A Universal Crystal Test Unit .....	31.30
31-15 An Inexpensive Transistor Tester .....	31.31
31-16 A Transistorized Capacitance Meter .....	31.32
31-17 A 2-Tone Generator for SSB Testing .....	31.34
31-18 A Variable-Frequency Audio Generator .....	31.36
31-19 A Function Generator .....	31.36
31-20 An Electronic Multimeter .....	31.40
<b>Chapter Thirty-Two. THE OSCILLOSCOPE</b> .....	<b>32.1</b>
32-1 A Modern Oscilloscope .....	32.2
32-2 The Sampling Oscilloscope .....	32.7
32-3 Display of Waveforms .....	32.9
32-4 Lissajous Figures .....	32.10
32-5 Receiver I-F Alignment with an Oscilloscope .....	32.13
32-6 Single-Sideband Application .....	32.13
32-7 A-M Application .....	32.15
32-8 The Spectrum Analyzer .....	32.17
<b>Chapter Thirty-Three. CONSTRUCTION PRACTICES</b> .....	<b>33.1</b>
33-1 Tools .....	33.1
33-2 The Material .....	33.2
33-3 TVI-Proof Inclosures .....	33.4
33-4 Inclosure Openings .....	33.5
33-5 Sheet Metal Construction Practices .....	33.5
33-6 Printed Circuits .....	33.8
33-7 Coaxial Cable Terminations .....	33.11
33-8 Workshop Layout .....	33.13
33-9 Components and Hardware .....	33.13
<b>Chapter Thirty-Four. ELECTRONIC MATHEMATICS AND CALCULATIONS</b> .....	<b>34.1</b>
34-1 Arithmetic .....	34.1
34-2 Algebra .....	34.9
34-3 Trigonometry .....	34.17
34-4 Boolean Algebra .....	34.26
34-5 The Smith Chart .....	34.27
34-6 Graphical Representation .....	34.32
34-7 Calculus .....	34.42
34-8 Electronic Computers .....	34.45
<b>Chapter Thirty-Five. NOMENCLATURE OF COMPONENTS AND MISCELLANEOUS DATA</b> .....	<b>35.1</b>
35-1 Component Standardization .....	35.1
35-2 Useful Reference Data .....	35.9
<b>Index</b> .....	<b>1125</b>

## GLOSSARY OF TERMS

Symbol	Notation	Symbol	Notation
A	Amperes (ac, rms, or dc)	F	Farad, magnetomotive force
$A_0$	Amplifier voltage gain	f	Frequency (in Hertz)
$\text{\AA}$	Angstrom unit	fil	Filament
a	Amperes (peak)	G	Giga ( $10^9$ )
ac	Alternating current	$g, g_1, g_2, \text{ etc.}$	Grid (number to identify, starting from cathode)
a-m	Amplitude modulation	$g_{2,4}$	Grids having common pin connection
C	Capacitance	GHz	Gigahertz ( $10^9$ cycles per second)
c.f.m.	Cubic feet per minute	$G_m$ or $S_m$	Transconductance (grid-plate)
$C_{gg}$	Capacitance grid to ground	H	Henry
$C_{gk}, C_{gp}, \text{ etc.}$	Tube capacitance between indicated electrodes	Hz	Hertz
$C_{in}$	Input capacitance	$i$	Peak current
$C_k$	Capacitance between cathode and ground	$I$	Current (ac, rms or dc)
cm	Centimeter	$I_b$	Average dc plate current
$C_N$	Neutralizing capacitance	$I_{b \text{ max}}$	Peak signal dc plate current
$C_{out}$	Output capacitance	$i_b$	Instantaneous plate current
$C_{pg2}$	Capacitance, plate to screen	$i_{b \text{ max}}$	Peak plate current
c-w	Continuous wave	$I_{bo}$	Idling plate current
dB	Decibel	$I_c$	Average dc grid current
dc	Direct current	$i_p$	Instantaneous ac plate current referred to $I_b$
E	Voltage (ac, rms, or dc)	$i_{p \text{ max}}$	Peak ac plate current referred to $I_b$
e	Peak voltage	$i_1 \text{ etc.}$	Fundamental component of r-f plate current
$E_b$	Average plate voltage	$i_{1 \text{ max}}$	Peak fundamental component of r-f plate current
$e_b$	Instantaneous plate voltage	$I_1$	Single tone dc plate current
$e_{b \text{ max}}$	Peak plate voltage	$I_2 \text{ etc.}$	Two-tone, etc., dc plate current
$e_{b \text{ min}}$	Minimum instantaneous plate voltage referenced to ground	$I_{c1}, I_{c2}, \text{ etc.}$	Average grid #1, #2, etc. current
$e_{cmp}$	Maximum positive grid voltage	$I_f$	Filament current
$E_{co}$	Cutoff-bias voltage	$i_{g1}, i_{g2} \text{ etc.}$	Instantaneous grid current
$E_{c1}$	Average grid #1 voltage	$i_{g1 \text{ max}}, \text{ etc.}$	Peak grid current
$E_{c2}$	Average grid #2 voltage	$I_k$	Average cathode current
$E_{c3}$	Average grid #3 voltage	$i_k$	Instantaneous cathode current
$e_{c1}$	Instantaneous grid #1 voltage	$i_{k \text{ max}}$	Peak cathode current
$e_{c2}$	Instantaneous grid #2 voltage	K	Cathode, dielectric constant
$e_{c3}$	Instantaneous grid #3 voltage	k	Kilo( $10^3$ ), coefficient of coupling
$E_f$	Filament voltage	kHz	Kilohertz
$e_g$	Rms value of exciting voltage	kV	Peak kilovolts
$e_p$	Instantaneous plate voltage (ac) referenced to $E_b$	kVac	Ac kilovolts
$e_{p \text{ max}}$	Peak ac plate voltage referenced to $E_b$	kVdc	Dc kilovolts
$E_{sig}$	Applied signal voltage (dc)	kW	Kilowatts
$e_{sig}$	Applied signal voltage (ac)	$\lambda$	Wavelength
$e_k$	Instantaneous cathode voltage		
$e_{k \text{ max}}$	Peak cathode voltage		
emf	Electromotive force		

Symbol	Notation	Symbol	Notation
L	Inductance	$R_k$	Resistance in series with the cathode
M	Mutual inductance	$R_L$	Load resistance
M	Mega ( $10^6$ )	rms	Root mean square
m	Meter	$R_p$	Resistance in series with plate
m	One thousandth	$r_p$	Dynamic internal plate resistance
mm	Millimeter	$S_c$ or $G_c$	Conversion transconductance
mA	Milliamperes	$S_m$ or $G_m$	Transconductance
Meg or meg	Megohm	SSB	Single sideband
mH	Millihenry	SWR	Standing-wave ratio
MHz	Megahertz	T	Temperature ( $^{\circ}$ C)
m.m.f.	Magnetomotive force	t	Time (seconds)
Mu or $\mu$	Amplification factor, micro	$\theta$	Conduction angle
mV	Millivolts	$\mu$	Micro ( $10^{-6}$ ) or amplification factor
MW	Megawatts	$\mu$	Amplification Factor
mW	Milliwatts	$\mu A$	Microampere
NF	Noise figure	$\mu mho$	Micromho
$N_p$	Efficiency	$\mu F$	Microfarad
$\Omega$	Ohms	$\mu H$	Microhenry
p	Pico ( $10^{-12}$ )	$\mu s$	Microsecond
$P_d$	Average drive power	$\mu V$	Microvolt
$p_d$	Peak drive power	$\mu_2$	Grid-screen amplification factor
$P_{ft}$	Average feedthrough power	V	Volt(s), (ac, rms, or dc)
$P_{ft}$	Peak feedthrough power	v	Peak volts
pF	Picofarad	Vac	Ac volts
PEP	Peak envelope power	Vdc	Dc volts
$P_{g1}, P_{g2}, \text{etc.}$	Power dissipation of respective grids.	VSWR	Voltage standing-wave ratio
$P_i$	Power input (average)	W	Watts
$p_i$	Peak power input	Z	Impedance
$P_o$	Power output (average)	$Z_g$	Grid impedance
$p_o$	Peak power output	$Z_i$	Input impedance
$P_p$	Plate dissipation	$Z_k$	Cathode impedance
Q	Figure of merit	$Z_L$	Load impedance
$Q_L$	Loaded Q	$Z_o$	Output impedance
R	Resistance	$Z_p$	Impedance in plate circuit
r	Reflector	$Z_s$	Screen bypass impedance
r-f	Radio frequency		
$R_g$	Resistance in series with the grid		
$r_g$	Dynamic internal grid resistance		

# Introduction to Amateur Radio Communication

The field of *radio* is a division of the much larger field of electronics. Radio itself is such a broad study that it is still further broken down into a number of smaller fields of which only short-wave or high-frequency radio is covered in this book. Specifically the field of communication on frequencies from 1.8 to 1296 MHz is taken as the subject matter for this work.

The largest group of persons interested in the subject of high-frequency communication is the more than 750,000 radio amateurs located in nearly all countries of the world. Strictly speaking, a *radio amateur* is anyone noncommercially interested in radio, but the term is ordinarily applied only to those hobbyists possessing transmitting equipment and a license to operate from the Government.

It was for the radio amateur, and particularly for the serious and more advanced amateur, that most of the equipment described in this book was developed. The design principles behind the equipment for high-frequency and vhf radio communication are of course the same whether the equipment is to be used for commercial, military, or amateur purposes. The principal differences lie in construction practices, and in the tolerances and safety factors placed on components.

With the increasing complexity of high-frequency and vhf communication, resulting primarily from increased utilization of the available spectrum, it becomes necessary to delve more deeply into the basic principles

underlying radio communication, both from the standpoint of equipment design and operation and from the standpoint of signal propagation. Thus, it will be found that this edition of the **RADIO HANDBOOK** has been devoted in greater proportion to the teaching of the principles of equipment design and signal propagation. Also included are expanded and revised sections covering solid state devices and the principles of operation of modern equipment. The mathematics chapter, in addition, has been revised in the light of the modern pocket electronic calculator. All of these factors, of course, are reflected in the changing picture of amateur radio today.

## 1-1 Amateur Radio

Amateur radio is a fascinating scientific hobby with many facets. At the same time it is a public service as well as a recognized Radio Service and, as such, is assigned specific bands of frequencies by the *International Telecommunications Union*, to which body the United States of America is a signatory power.

From a few thousand amateurs at the end of World War I, amateur radio has grown into a world-wide institution of communicators and experimenters joined in the common interest of communication by means of radio. So strong is the fascination offered by this hobby that many executives, engineers and military and commercial electronic

experts, as well as students and citizens not otherwise engaged in the field of electronics are united by the common bond of amateur radio.

Radio amateurs have rendered much public service, especially in the United States, through furnishing emergency communications to and from the outside world in cases where a natural disaster has isolated an area by severing all normal means of communication. Amateurs have innumerable records of service and heroism on such occasions. The amateur's fine record of performance with the "wireless" equipment of World War I was surpassed by his outstanding service in World War II.

The induction of thousands of radio amateurs in the Armed Forces during 1940-1945 and the explosion of electronic technology during that period created an expansion of amateur radio, the direct result of which is that many of those amateurs are now the leaders of our modern electronics industry. It is through the continuing expansion of amateur radio in the future that many of tomorrow's engineers, technicians and electronic executives will come.

The Amateur Radio Service has been proven to be a national and international resource of great benefit to all nations and to mankind. In addition, of equal importance is the effect of the service as a stimulus to economic growth and scientific knowledge. Radio amateurs continue to play a significant role in the development of the state of the radio art and are continuing to make major contributions both to basic radio theory and to practical applications thereof.

In recent years radio amateurs have contributed to the state of the art in numerous ways including the discovery in 1934 of reflection and refraction of vhf signals in the lower atmosphere, the development and adaptation of SSB techniques for widespread usage, the achievement of random "moon-bounce" communication between amateurs and the development of the OSCAR series of satellites and the relatively inexpensive equipment and technique for communicating through the satellites.

Continuing into the closing quarter of the Twentieth Century, the status of amateur radio in the communities of the world emphasize to the beginning radio amateur

that his hobby is the gateway to a career in the expanding field of electronics, if he wishes it, and that amateur radio is indeed an impressive introduction to one of the most exciting fields of endeavor in this century.

## 1-2 Amateur Station and Operator Licenses

Every radio transmitting station in the United States (with the exception of certain low-power communication devices) must have a license from the Federal Government before being operated; some classes of stations must have a permit from the government even before being constructed. And every operator of a licensed transmitting station must have an operator's license before operating a transmitter. There are no exceptions. Similar laws apply in practically every major country.

**Classes of Amateur Operator Licenses** The Amateur Radio Service in the United States is in the process

of going through a major change in the license structure. At the time of publication of this Handbook, there exist six classes of amateur operator licenses authorized by the Federal Communications Commission. These classes differ in many important respects, so each will be discussed briefly.

*Novice Class*—The Novice Class license is available to any U.S. citizen or national who has not previously held an amateur license of any class issued by any agency of the U.S. Government, military or civilian. The license is valid for a period of five years and is renewable.

The examination may be taken only by mail, under the direct supervision of an amateur holding a General Class license or higher, or a commercial radiotelegraph licensee. The examination consists of a code test at a speed of 5 words per minute, plus a written examination on the rules and regulations essential to beginners operation, including sufficient elementary radio theory for the understanding of these rules. Restricted c-w privileges in segments of the 80-, 40-, 15- and 10-meter amateur bands are currently available to the Novice li-

censee, whose transmitter is limited to an input power not exceeding 250 watts.

*Technician Class*—The Technician Class exists for the purpose of encouraging a greater interest in experimentation and development of the higher frequencies among experimenters and would-be radio amateurs. This Class of license is available to any U.S. Citizen or national. The examination is similar to that given for the General Class license, except that the code test in sending and receiving is at a speed of 5 words per minute.

The holder of a Technician Class license is accorded all authorized amateur privileges in all amateur bands above 50 MHz. This class of license may be taken only by mail, under the direct supervision of an amateur (18 years of age, or older) holding a General Class License, or higher, or a commercial radiotelegraph license. The license is valid for a period of five years, and may be renewed on proper application.

*General Class*—The General Class license is the standard radio amateur license and is available to any U.S. Citizen or national. The license is valid for a period of five years and is renewable on proper application. Applicants for the General Class license must take the examination before an FCC representative (with certain exceptions discussed under the Conditional Class license). The examination consists of a code test at a speed of 13 words per minute, plus a written examination in basic theory and regulations. It conveys all amateur privileges, *with the exceptions noted for the Advanced and Extra Class licenses.*

*Conditional Class*—The Conditional Class license is equivalent to the General Class license in the privileges accorded by its use. This license is issued to an applicant who: (1) lives more than 175 miles airline distance from the nearest point at which the FCC conducts examinations twice yearly, or oftener; (2) is unable to appear for examination because of physical disability to travel; (3) is unable to appear for examination because of military service; (4) is temporarily resident outside the United States, its territories, or possessions for a year or more. The Conditional Class license may be taken only by mail and is renewable.

*Advanced Class*—The Advanced Class license is equivalent to the old Class-A

license and is available to any U.S. Citizen or national. The license is valid for a period of five years and is renewable on proper application. Applicants for the Advanced Class license must take the examination before an FCC representative. The examination consists of a general code test at 13 words per minute, questions covering general amateur practice and regulations involving radio operation, and technical questions covering intermediate-level radio theory and operation as applicable to modern amateur techniques, including, but not limited to, radiotelephony and radiotelegraphy. An applicant for the Advanced Class license will be given credit for that portion of the examination and the code test covered by the General Class license, if a valid license of that grade is held at the time of examination.

The Advanced Class license accords certain radiotelephone privileges in the amateur bands between 80 and 6 meters, which are unavailable to holders of lower-grade amateur licenses.

*Amateur Extra Class*—The Amateur Extra Class license is the highest-grade amateur license issued by the FCC and the recipient, on request, may receive a special diploma-type certificate from the District FCC Engineer-in-Charge. The license is valid for a period of five years and is renewable. Applicants for the Amateur Extra Class license must take the examination before an FCC representative. The examination consists of a code test at a speed of 20 words per minute, a standard written examination in theory and regulations (credit will be given to holders of General and Advanced Class licenses for this requirement), and a written examination based on advanced radio theory and operation as applicable to modern amateur techniques, including, but not limited to, radiotelephony, radiotelegraphy, and transmission of energy for measurements and observations applied to propagation, for the radio control of remote objects, and for similar experimental purposes. An applicant for the Amateur Extra Class license will be given credit for that portion of the examination covered by the General and Advanced Class licenses, if a valid license of either grade is held at the time of examination.

The Amateur Extra Class license accords certain radiotelephone and radiotelegraph privileges in the amateur bands between 80

and 6 meters, unavailable to holders of lower-grade licenses.

**The Amateur Station License** The station license authorizes the radio apparatus of the radio amateur for a particular address and designates the official call sign to be used. The license is a portion of the combined station-operator license normally issued to the radio amateur. Authorization is included for portable or mobile operation within the continental limits of the United States, its territories or possessions, on any amateur frequency authorized to the class of license granted the operator. The station license must be modified on a permanent change in address. The station license is customarily renewed with the operator license.

**International Regulations** The domestic regulatory pattern of the United States agrees with the international agreements established by the International Telecommunications Union and to which the United States is a signatory power. The frequency bands reserved for the Amateur Radio Service are included in the ITU frequency allocations table, as one of the services to which frequencies are made available. In the lower-frequency amateur bands, the international allocations provide for joint use of the bands by several services in addition to the amateur service in various areas of the world.

Article I of the ITU Radio Regulations defines the amateur service as: "*A service of self-training, intercommunication, and technical investigations carried on by amateurs, that is, by duly authorized persons interested in radio technique solely with a personal aim and without a pecuniary interest.*" Within this concept, the U. S. radio regulations governing radio amateur licensing and regulation are formulated.

By reciprocal treaty, the United States now has a number of agreements with other countries permitting amateurs of one country to operate in the other. On the other hand, by international agreement, notification to the ITU may forbid international communications with radio amateurs of certain countries.

A comprehensive coverage of United States licensing procedure for radio amateurs and applicable rules and regulations may be found in "*The Radio Amateur's License Manual*," published by the American Radio Relay League, Newington, Conn. 06111.

**The World Administrative Radio Conference** In the fall of 1979, or shortly thereafter, a World Administrative Radio Conference is scheduled to be held in Geneva, Switzerland by the International Telecommunications Union. One of the duties of this Conference will be to examine—and change if deemed necessary—the frequency allocations of all services in the radio spectrum. The possibility exists that the amateur bands will come under close scrutiny. The present bands, as summarized in the following section, may therefore be left unchanged or may be altered as a result of the Conference. Since the United States is a signatory power to the ITU, the results of that Conference will be binding and all radio services must be braced to expect some changes in their frequency allocations, the Amateur Radio Service included. It is quite possible that an expansion of some amateur bands could come about, but the reverse might be equally true. Only time will resolve this interesting speculation.

### 1-3 The Amateur Bands

Certain small segments of the radio-frequency spectrum between 1800 kHz and 22,000 MHz are reserved for operation of amateur radio stations. These segments are in general agreement throughout the world, although certain parts of different amateur bands may be used for other purposes in various geographic regions. In particular, the 40-meter amateur band is used legally (and illegally) for short-wave broadcasting by many countries in Europe, Africa and Asia. Parts of the 80-meter band are used for short distance marine work in Europe, and for broadcasting in Europe and Asia. The amateur bands available to United States radio amateurs are:

**160 Meters (1800 kHz—2000 kHz)** The 160-meter band is divided into 25-kHz segments on a regional basis, with day and night power limitations, and is available for amateur use provided no interference is caused to the Loran (Long Range Navigation) stations operating in this band. This band is least affected by the 11-year solar sunspot cycle. The *maximum usable frequency* (MUF) even during the years of decreased sunspot activity does not usually drop below 4 MHz, therefore this band is not subject to the violent fluctuations found on the higher-frequency bands. DX contacts on this band are limited by the ionospheric absorption of radio signals, which is quite high. During winter nighttime hours the absorption is often of a low enough value to permit transoceanic contacts on this band. On rare occasions, contacts up to 10,000 miles have been made. As a usual rule, however, 160-meter amateur operation is confined to ground-wave contacts or single-skip contacts of 1000 miles or less. Popular before World War II, the 160-meter band is now only sparsely occupied since many areas of the world are blanketed by the megawatt pulses of the Loran chains.

**80 Meters (3500 kHz—4000 kHz)** The 80-meter band is the most popular amateur band in the continental United States for local "rag chewing" and traffic nets. During the years of minimum sunspot activity the ionospheric absorption on this band may be quite low, and long distance DX contacts are possible during the winter night hours. Daytime operation, in general, is limited to contacts of 500 miles or less. During the summer months, local static and high ionospheric absorption limit long distance contacts on this band. As the sunspot cycle advances and the MUF rises, increased ionospheric absorption will tend to degrade the long distance possibilities of this band. At the peak of the sunspot cycle, the 80-meter band becomes useful only for short-haul communication.

**40 Meters (7000 kHz—7300 kHz)** The 40-meter band is high enough in frequency to be severely affected by the 11-year sunspot cycle. During years of minimum solar activity, the MUF may drop below 7 MHz, and the band will become very erratic, with signals dropping completely out during the night hours. Ionospheric absorption of signals is not as large a problem on this band as it is on 80 and 160 meters. As the MUF gradually rises, the skip distance will increase on 40 meters, especially during the winter months. At the peak of the solar cycle, the daylight skip distance on 40 meters will be quite long, and stations within a distance of 500 miles or so of each other will not be able to hold communication. DX operation on the 40-meter band is considerably hampered by broadcasting stations, propaganda stations, and jamming transmitters. In Europe and Asia the band is in a chaotic state, and amateur operation in those regions is severely hampered.

**20 Meters (14,000 kHz—14,350 kHz)** At the present time, the 20-meter band is by far the most popular band for long-distance contacts. High enough in frequency to be severely affected at the bottom of the solar cycle, the band nevertheless provides good DX contacts during years of minimal sunspot activity. At the present time, the band is open to almost all parts of the world at some time during the year. During the summer months, the band is active until the late evening hours, but during the winter months the band is only good for a few hours during daylight. Extreme DX contacts are usually erratic, but the 20-meter band is the best band available for DX operation the year around during the bottom of the sunspot cycle. As the sunspot count increases and the MUF rises, the 20-meter band will become open for longer hours during the winter. The maximum skip distance increases, and DX contacts are possible over paths other than the Great Circle route. Signals can be heard via the "long path," 180 degrees opposite the Great Circle path. Dur-



ing daylight hours, absorption may become apparent on the 20-meter band, and all signals except very short skip may disappear. On the other hand, the band will be open for worldwide DX contacts all night long. The 20-meter band is very susceptible to "fadeouts" caused by solar disturbances, and all except local signals may completely disappear for periods of a few hours to a day or so.

#### 15 Meters

(21,000 kHz—21,450 kHz)

This is a relatively new band for radio ama-

teurs since it has only been available for amateur operation since 1952. It has characteristics similar to both the 20- and 10-meter amateur bands. During a period of low sunspot activity, the MUF may still rise high enough to support communication on the 21 MHz band, particularly during the late fall and early spring months. North-south communication paths will remain open on this band during low sunspot activity, even though east-west paths may be closed.

As the sunspot count rises, the 15 meter band quickly comes to life and during periods of near-maximum sunspot activity, the band may remain open 24 hours a day in equatorial areas of the world.

As with 20 meters, "long path" openings to remote areas of the world are observed on the 21 MHz band during the years having high sunspot numbers.

#### 10 Meters

(28,000 kHz—29,700 kHz)

During the peak of the sunspot cycle, the 10-

meter band is without doubt the most popular amateur band. The combination of long skip and low ionospheric absorption make reliable DX contacts with low-powered equipment possible. The great width of the band (1700 kHz) provides room for a large number of amateurs. The long skip (1500 miles or so) prevents nearby amateurs from hearing each other, thus dropping the interference level. During the winter months, sporadic-E (short-skip) signals up to 1200 miles or so will be heard. The 10-meter band is poorest in the summer months, even during a sunspot maximum. Extremely long daylight skip is common on this band, and in years of high MUF the 10-

meter band will support intercontinental DX contacts during daylight hours.

The second harmonic of stations operating in the 10-meter band falls directly into television channel 2, and the higher harmonics of 10-meter transmitters fall into the higher TV channels. This harmonic problem seriously curtailed amateur 10-meter operation during the late 40's. However, with new circuit techniques and the TVI precautionary measures stressed in this Handbook, 10-meter operation should cause little or no interference to nearby television receivers of modern design.

#### Six Meters

(50 MHz—54 MHz)

At the peak of the sunspot cycle, the MUF occasionally rises high

enough to permit DX contacts up to 10,000 miles or so on 6 meters. Activity on this band during such a period is often quite high. Interest in this band wanes during a period of lesser solar activity, since contacts, as a rule, are restricted to ground wave or "short skip" (sporadic-E) work. The proximity of the 6-meter band to television channel 2 often causes interference problems to amateurs located in areas where channel 2 is active. As the sunspot cycle increases, activity on the 6-meter band will increase.

Most of the activity on 6 meters centers around 50.1 MHz and is principally SSB. F-m repeaters are located above 52 MHz and some radio control operation of model airplanes exists above 53 MHz.

#### Two Meters

(144-148 MHz)

The vhf bands are the least affected by the vagaries of the sunspot cycle and the

ionosphere. Their *predominant* use is for reliable communication over distances up to 150 miles. The two-meter band is the most heavily occupied vhf band because of the wide use of f-m repeaters, the upper portion of the band being devoted to that mode of operation in the United States.

Operation is restricted to c-w in the lowest portion of the band and it is in this frequency range that much long distance, weak signal work takes place. Experimental "moonbounce" (earth-moon-earth) transmissions, meteor scatter, sporadic-E, aurora reflection, and other exotic modes of com-

munication take place in the first 100 kHz of the 2-meter band. Above 144.1 MHz, SSB operation is commonplace.

Satellite communication also takes place in the 2-meter band through the use of OSCAR satellites which have either the input or output frequency in a segment of this band.

As more and more operators become active on f-m repeaters they find out the infinite possibilities of the 2-meter band and many of them become ardent vhf enthusiasts whose operation spreads to the other vhf bands which are rapidly coming into popular usage.

**1 1/4 Meters (220-225 MHz)** An "orphan" band for many years, the 220 MHz band is exploding with activity in the metropolitan areas of the United States. A large number of f-m repeaters are now in operation on this band and SSB activity is starting to take hold. The lack of ready-made commercial equipment has handicapped the use of 220 MHz in the past, as well as radar interference in some areas of the country. However the congestion of the 2-meter band has brought about a renaissance at the 220 MHz and this frequency range holds great promise for serious radio amateurs, as propagation characteristics seem to be slightly different than those on 144MHz, especially for weak signal, long distance work.

**70 cm (420-450 MHz)** This wide amateur band is broader than the whole radio spectrum from dc up to the 10-meter band. Wideband TV transmission is permitted on this band and many f-m repeaters are active near the upper half of the spectrum. Weak signal, long distance experiments as well as "moonbounce" transmissions are carried out near 432 MHz. To date, this is the "cutoff" band above which it is difficult for amateurs to generate appreciable amounts of continuous r-f power as most vhf power grid tubes experience a sharp drop in efficiency and power gain in the 900-MHz region.

**23 cm (1215-1300 MHz)** Until recently this shared amateur band has been sparsely occupied by experimenters and was not of interest to

radio amateurs at large. The first amateur "moonbounce" contact was accomplished on 1296 MHz using surplus klystron tubes (1960) which are not generally available. To date, the most popular power tube for use in this frequency range remains a World War II planar triode (3CX100A5) which provides up to 100 watts of continuous power. Varactor tripler stages which provide up to 25 watts power are also popular, especially in f-m service.

A few f-m repeaters are active on this band and the number grows as more commercial equipment becomes available. The low-frequency end of the band is used for weak signal, long distance work.

**The UHF Bands (2300 cm and "Up")** Five additional bands centered at about 2400 MHz, 5400 MHz, 10,000 MHz, and 24,000 MHz are reserved for amateur operation on a shared basis with other services. Solid-state components for low-noise reception and low power transmission are available for the lower frequency bands and simple klystron tubes and Gunn diodes are available for the higher bands. Amateur interest in these bands has lagged in the past because of the unavailability of equipment but more and more experimenters are exploring these frequencies as radio amateurs forge into the microwave regions.

## 1-4 Starting Your Study

When you start to prepare yourself for the amateur examination you will find that the circuit diagrams, tube and transistor characteristic curves, and formulas appear confusing and difficult to understand. But after a few study sessions one becomes sufficiently familiar with the notation of the diagrams and the basic concepts of theory and operation so that the acquisition of further knowledge becomes easier and even fascinating.

Since it takes a considerable time to become proficient in sending and receiving code, it is a good idea to intersperse technical study sessions with periods of code practice. Many short code-practice sessions benefit one more than a small number of longer sessions. Alternating between one study and

the other keeps the student from getting "stale" since each type of study serves as a sort of respite from the other.

When you have practiced the code long enough you will be able to follow the gist of the slower-sending stations. Many stations send very slowly when working other stations at great distances. Stations repeat their calls many times when calling other stations before contact is established, and one need not have achieved much code proficiency to make out their calls and thus determine their location.

**The Code** The applicant for any class of amateur operator license must be able to receive the Continental Code (sometimes called the International Morse Code). The speed required for the receiving test may be either 5, 13, or 20 words per minute, depending on the class of license, assuming an average of five characters to the word in each case. The receiving test runs for five minutes, and one minute of errorless reception must be accomplished within the five-minute interval.

Approximately 30% of amateur applicants fail to pass the test. It should be expected that nervousness and excitement will, at least to some degree, temporarily lower the applicant's code ability. The best insurance against this is to master the code at a little greater than the required speed under ordinary conditions. Then if you slow down a little due to nervousness during a test, the result will not prove fatal.

**Memorizing the Code** There is no shortcut to code proficiency. To memorize the alphabet entails but a few evenings of diligent application, but considerable time is required to build up speed. The exact time required depends on the individual's ability and the regularity of practice.

While the speed of learning will naturally vary greatly with different individuals, about 70 hours of practice (no practice period to be over 30 minutes) will usually suffice to bring a speed of about 13 w.p.m.; 16 w.p.m. requires about 120 hours; 20 w.p.m., 175 hours.

Since code reading requires that individual letters be recognized instantly, any memorizing scheme which depends on orderly se-

quence, such as learning all "dab" letters and all "dit" letters in separate groups, is to be discouraged. Before beginning with a code practice set it is necessary to memorize the whole alphabet perfectly. A good plan is to study only two or three letters a day and to drill with those letters until they become part of your consciousness. Mentally translate each day's letters into their sound equivalent wherever they are seen, on signs, in papers, indoors and outdoors. Tackle two additional letters in the code chart each day, at the same time reviewing the characters already learned.

Avoid memorizing by routine. Be able to sound out any letter immediately without so much as hesitating to think about the letters preceding or following the one in question. Know C, for example, apart from the sequence ABC. Skip about among all the characters learned, and before very long sufficient letters will have been acquired to enable you to spell out simple words to yourself in "dit dabs." This is interesting exercise, and for that reason it is good to memorize all the vowels first and the most common consonants next.

Actual code practice should start only when the entire alphabet, the numerals, period, comma, and question mark have been memorized so thoroughly that any one can be sounded without the slightest hesitation. Do not bother with other punctuation or miscellaneous signals until later.

**Sound — Not Sight** Each letter and figure *must* be memorized by its *sound* rather than its appearance. Code is a system of sound communication, the same as is the spoken word. The letter A, for example, is one short and one long sound in combination sounding like *dit dab*, and it must be remembered as such, and not as "dot dash."

**Practice** Time, patience, and regularity are required to learn the code properly. Do not expect to accomplish it within a few days.

Don't practice too long at one stretch; it does more harm than good. Thirty minutes at a time should be the limit.

Lack of regularity in practice is the most common cause of lack of progress. Irregular practice is very little better than no practice at all. Write down what you have heard; then forget it; *do not look back*. If your mind dwells even for an instant on a signal about which you have doubt, you will miss the next few characters while your attention is diverted.

While various automatic code machines, cassette tapes, etc., will give you practice, by far the best practice is to obtain a study companion who is also interested in learning the code. When you have both memorized the alphabet you can start sending to each other. Practice with a key and oscillator or key and buzzer generally proves superior to all automatic equipment. Two such sets operated between two rooms are fine—or between your house and his will be just that much better. Avoid talking to your partner while practicing. If you must ask him a question, do it in code. It makes more interesting practice than confining yourself to random practice material.

When two co-learners have memorized the code and are ready to start sending to each other for practice, it is a good idea to

enlist the aid of an experienced operator for the first practice session or two so that they will get an idea of how properly formed characters sound.

During the first practice period the speed should be such that substantially solid copy can be made without strain. Never mind if this is only two or three words per minute. In the next period the speed should be increased slightly to a point where nearly all of the characters can be caught only through conscious effort. When the student becomes proficient at this new speed, another slight increase may be made, progressing in this manner until a speed of about 16 words per minute is attained if the object is to pass the amateur 13-word per minute code test. The margin of 3 w.p.m. is recommended to overcome a possible excitement factor at examination time. Then when you take the test you don't have to worry about the "jitters" or an "off day."

Speed should not be increased to a new level until the student finally makes solid copy with ease for at least a five-minute period at the old level. How frequently increases of speed can be made depends on individual ability and the amount of practice.

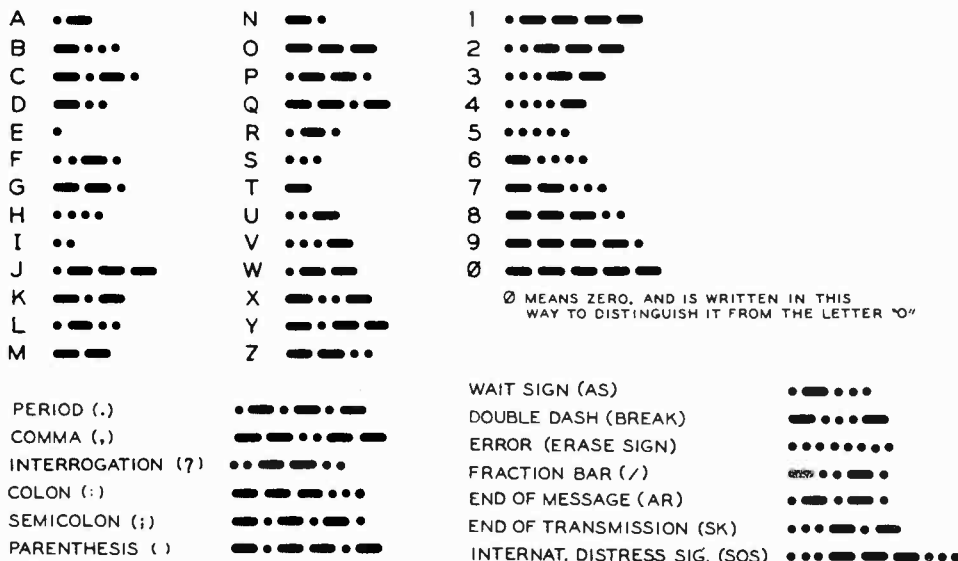


Figure 1

The Continental (or International Morse) Code is used for substantially all nonautomatic radio communication. DO NOT memorize from the printed page; code is a language of SOUND, and must not be learned visually; learn by listening as explained in the text.

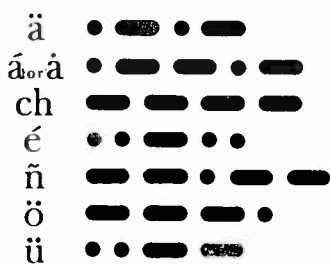


Figure 2

These code characters are used in languages other than English. They may occasionally be encountered so it is well to know them.

Each increase is apt to prove disconcerting, but remember "you are never learning when you are comfortable."

A number of amateurs are sending code practice on the air on schedule once or twice each week; excellent practice can be obtained after you have bought or constructed your receiver by taking advantage of these sessions.

If you live in a medium-size or large city, the chances are that there is an amateur-radio club in your vicinity which offers free code-practice lessons periodically.

**Skill** When you listen to someone speaking you do not consciously think how his words are spelled. This is also true when you read. In code you must train your ears to read code just as your eyes were trained in school to read printed matter. With enough practice you acquire skill, and from skill, speed. In other words, it becomes a *habit*, something which can be done without conscious effort. Conscious effort is fatal to speed; we can't think rapidly enough; a speed of 25 words a minute, which is a common one in commercial operations, means 125 characters per minute or more than two per second, which leaves no time for conscious thinking.

**Perfect Formation of Characters** When transmitting on the code practice set to your partner, concentrate on the *quality* of your sending, *not* on your speed. Your partner will appreciate it and he could not copy you if you speeded up anyhow.

If you want to get a reputation as having an excellent "fist" on the air, just remember that speed alone won't do the trick. Proper execution of your letters and spacing will make much more of an impression. Fortunately, as you get so that you can send evenly and accurately, your sending speed will automatically increase. Remember to try to see how *evenly* you can *send*, and how *fast* you can *receive*. Concentrate on making signals properly with your key. Perfect formation of characters is paramount to everything else. Make every signal right no matter if you have to practice it hundreds or thousands of times. Never allow yourself to vary the slightest from perfect formation once you have learned it.

If possible, get a good operator to listen to your sending for a short time, asking him to criticize even the slightest imperfections.

**Timing** It is of the utmost importance to maintain uniform spacing in characters and combinations of characters. Lack of uniformity at this point probably causes beginners more trouble than any other single factor. Every dot, every dash, and every space must be correctly timed. In other words, accurate timing is absolutely essential to intelligibility, and timing of the spaces between the dots and dashes is just as important as the lengths of the dots and dashes themselves.

The characters are timed with the dot as a "yardstick." A standard dash is three times as long as a dot. The spacing between parts of the same letter is equal to one dot, the space between letters is equal to three dots, and that between words equal to five dots.

The rule for spacing between letters and words is not strictly observed when sending slower than about 10 words per minute for the benefit of someone learning the code and desiring receiving practice. When sending at, say, 5 w.p.m., the individual letters should be made the same as if the sending rate were about 10 w.p.m., except that the spacing between letters and words is greatly exaggerated. The reason for this is obvious. The letter *L*, for instance, will then sound exactly the same at 10 w.p.m. as at 5 w.p.m., and when the speed is increased

above 5 w.p.m. the student will not have to become familiar with what may seem to him like a new sound, although it is in reality only a faster combination of dots and dashes. At the greater speed he will merely have to learn the identification of the *same* sound without taking as long to do so.

Be particularly careful of letters like *B*. Many beginners seem to have a tendency to leave a longer space after the dash than that which they place between succeeding dots, thus making it sound like *TS*. Similarly, make sure that you do not leave a longer space after the first dot in the letter *C* than you do between other parts of the same letter: otherwise it will sound like *NN*.

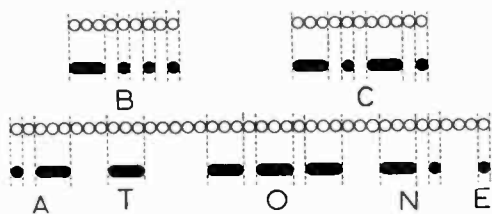


Figure 3

Diagram illustrating relative lengths of dashes and spaces referred to the duration of a dot. A dash is exactly equal in duration to three dots; spaces between parts of a letter equal one dot; those between letters, three dots; space between words, five dots. Note that a slight increase between two parts of a letter will make it sound like two letters.

**Sending vs. Receiving** Once you have memorized the code thoroughly you should concentrate on increasing your *receiving* speed. True, if you have to practice with another newcomer who is learning the code with you, you will both have to do some sending. But don't attempt to practice *sending* just for the sake of increasing your sending speed.

When transmitting code to your partner so that he can practice, concentrate on the *quality* of your sending, not on your speed.

Because it is comparatively easy to learn to send rapidly, especially when no particular care is given to the quality of sending, many operators who have just received their licenses get on the air and send mediocre (or worse) code at 20 w.p.m. when they can

barely receive good code at 13. Most old-timers remember their own period of initiation and are only too glad to be patient and considerate if you tell them that you are a newcomer. But the surest way to incur their scorn is to try to impress them with your "lightning speed," and then to request them to send more slowly when they come back at you at the same speed.

Stress your copying ability; never stress your sending ability. It should be obvious that if you try to send faster than you can receive, your ear will not recognize any mistakes which your hand may make.

**Using the Key** Figure 4 shows the proper position of the hand, fingers and wrist when manipulating a telegraph or radio key. The forearm should rest naturally on the desk. It is preferable that the key be placed far enough back from the edge of the table (about 18 inches) that the elbow can rest on the table. Otherwise, pressure of the table edge on the arm will tend to hinder the circulation of the blood and weaken the ulnar nerve at a point where it is close to the surface, which in turn will tend to increase fatigue considerably.

The knob of the key is grasped lightly with the thumb along the edge; the index and third fingers rest on the top towards the front or far edge. The hand moves with a free up and down motion, the wrist acting as a fulcrum. The power must come entirely from the arm muscles. The third and index fingers will bend slightly during the sending but not because of deliberate effort to manipulate the finger muscles. Keep your finger muscles just tight enough to act as a cushion for the arm motion and let the slight movement of the fingers take care of itself. The key's spring is adjusted to the individual wrist and should be neither too stiff nor too loose. Use a moderately stiff tension at first and gradually lighten it as you become more proficient. The separation between the contacts must be the proper amount for the desired speed, being somewhat under 1/16 inch for slow speeds and slightly closer together (about 1/32 inch) for faster speeds. Avoid extremes in either direction.

Do not allow the muscles of arm, wrist or fingers to become tense. Send with a full,

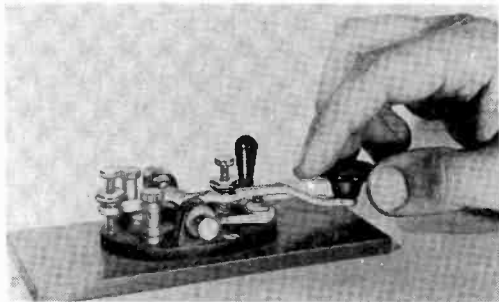


Figure 4

### PROPER POSITION OF THE FINGERS FOR OPERATING A TELEGRAPH KEY

The fingers hold the knob and act as a cushion. The hand rests lightly on the key. The muscles of the forearm provide the power, the wrist acting as the fulcrum. The power should not come from the fingers, but rather from the forearm muscles.

free arm movement. Avoid like the plague any finger motion other than the slight cushioning effect mentioned above.

Stick to the regular handkey for learning code. No other key is satisfactory for this purpose. Not until you have thoroughly mastered both sending and receiving at the maximum speed in which you are interested should you tackle any form of automatic or semiautomatic key such as the *Vibroplex* ("bug") or an electronic key.

**Difficulties** Should you experience difficulty in increasing your code speed after you have once memorized the characters, there is no reason to become discouraged. It is more difficult for some people to learn code than for others, but there is no justification for the contention sometimes made that "some people just can't learn the code." It is not a matter of intelligence; so don't feel ashamed if you seem to experience a little more than the usual difficulty in learning code. Your reaction time may be a little slower or your coordination not so good. If this is the case, remember *you can still learn the code*. You may never learn to send and receive at 40 w.p.m., but you can learn sufficient speed for all noncommercial purposes (and even for most commercial purposes) if you have patience, and

refuse to be discouraged by the fact that others seem to pick it up more rapidly.

When the sending operator is sending just a bit too fast for you (the best speed for practice), you will occasionally miss a signal or a small group of them. When you do, leave a blank space; do not spend time futilely trying to recall it; dismiss it, and center attention on the next letter; otherwise you'll miss more. Do not ask the sender any questions until the transmission is finished.

To prevent guessing and get equal practice on the less common letters, depart occasionally from plain language material and use a jumble of letters in which the usually less commonly used letters predominate.

As mentioned before, many students put a greater space after the dash in the letter *B*, than between other parts of the same letter so it sounds like *TS. C, F, Q, V, X, Y,* and *Z* often give similar trouble. Make a list of words or arbitrary combinations in which these letters predominate and practice them, both sending and receiving until they no longer give you trouble. Stop everything else and stick to them. So long as these characters give you trouble you are not ready for anything else.

Follow the same procedure with letters which you may tend to confuse such as *F* and *L*, which are often confused by beginners. Keep at it until you *always* get them right without having to stop *even an instant* to think about it.

If you do not instantly recognize the sound of any character, you have not learned it; go back and practice your alphabet further. You should never have to omit writing down every signal you hear except when the transmission is too fast for you.

Write down what you hear, not what you think it should be. It is surprising how often the word which you guess will be wrong.

**Copying Behind** All good operators copy several words behind, that is, while one word is being received, they are writing down or typing, say the fourth or fifth previous word. At first this is very difficult, but after sufficient practice it will be found actually to be easier than copying close up. It also results in more accurate copy and enables the receiving operator to

capitalize and punctuate copy as he goes along. It is not recommended that the beginner attempt to do this until he can send and receive accurately and with ease at a speed of at least 12 words a minute.

It requires a considerable amount of training to disassociate the action of the subconscious mind from the direction of the conscious mind. It may help some in obtaining this training to write down two columns of short words. Spell the first word in the first column out loud while writing down the first word in the second column. At first this will be a bit awkward, but you will rapidly gain facility with practice. Do the same with all the words, and then reverse columns.

Next try speaking aloud the words in the one column while writing those in the other column; then reverse columns.

After the foregoing can be done easily, try sending with your key the words in one column while spelling those in the other. It won't be easy at first, but it is well worth keeping after if you intend to develop any real code proficiency. Do *not* attempt to catch up. There is a natural tendency to close up the gap, and you must train yourself to overcome this.

Next have your code companion send you a word either from a list or from straight text; do not write it down yet. Now have

him send the next word; *after* receiving this second word, write down the first word. After receiving the third word, write the second word; and so on. Never mind how slowly you must go, even if it is only two or three words per minute. *Stay behind.*

It will probably take quite a number of practice sessions before you can do this with any facility. After it is relatively easy, then try staying two words behind; keep this up until it is easy. Then try three words, four words, and five words. The more you practice keeping received material in mind, the easier it will be to stay behind. It will be found easier at first to copy material with which one is fairly familiar, then gradually switch to less familiar material.

**Learning Aids** A variety of learning aids are available to help the would-be amateur learn the code. Tape cassettes are available from several sources that contain both code practice and theory for the Novice examination. Other cassettes are available that contain code practice at speeds up to 21 words per minute. Long-playing code records (33 $\frac{1}{3}$  r.p.m.) are also sold by several concerns that specialize in training aids.

Once you can copy about 10 w.p.m. you can also get receiving practice by listening to slow-sending stations on your receiver. Many amateur stations send slowly particularly when working far distant stations. When receiving conditions are particularly poor many commercial stations also send slowly, sometimes repeating every word. Until you can copy around 10 w.p.m. your receiver isn't much use, and either another operator or a cassette or records is necessary for getting receiving practice after you have once memorized the code.

As a good key may be considered an investment it is wise to make a well-made key your first purchase. Regardless of what type code-practice set you use, you will need a key, and later on you will need one to key your transmitter. If you get a good key to begin with, you won't have to buy another one later.

The key should be rugged and have fairly heavy contacts. Not only will the key stand up better, but such a key will contribute to the "heavy" type of sending so desirable for radio work. Morse (tele-

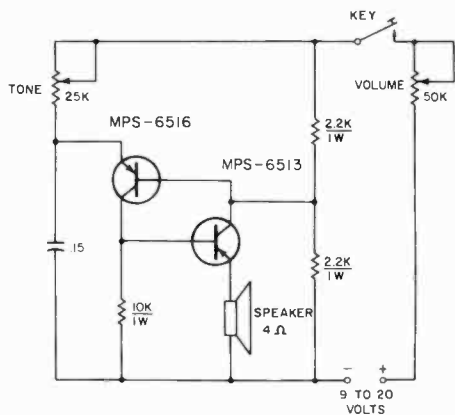


Figure 5

Two inexpensive "hobby"-type transistors and a 9-volt battery, plus a handful of parts make up a code-practice oscillator. Volume and tone are controlled by the potentiometers. Low-impedance earphones may be substituted for the speaker, if desired.





Figure 6

### INSTRUCTOKEYER TEACHES CODE

This solid-state keyer is ideal for teaching large code classes. It provides random groups of Morse letters, numbers, punctuation and word spaces at random, in a sequence which never exactly repeats itself. Code speed is adjustable from 4 to 50 w.p.m. (Photo courtesy Curtis Electro Devices, Inc., Box 4090, Mountain View, CA 94040).

graph) operators use a "light" style of sending and can send somewhat faster when using this light touch. But, in radio work static and interference are often present; and a slightly heavier dot is desirable. If you use a husky key, you will find yourself automatically sending in this manner.

An example of the audio-oscillator type of code-practice set is illustrated in figure 5. Two inexpensive "hobby"-type transistors are used and the unit is powered by a 9-volt transistor radio battery. Low-impedance (4-8 ohms) earphones may be substituted for the speaker, if desired. The oscillator may be built up on a phenolic circuit board.

A new training aid for large code classes is the *Instructokeyer* (figure 6), a solid-state device which sends random groups of Morse letters, numbers, punctuation and word spaces in an ever-changing sequence which never exactly repeats. Code speed is adjustable from 4 to 50 w.p.m. Code groups are of varying lengths but average five characters per group. A rear panel switch selects alphabet only or full alphanumeric code groups. The *Instructokeyer* provides an infinite variety of code groups allowing unlimited practice for higher proficiency.

**The Personal Radio Service** In 1977, the Federal Communications Commission expanded the Citizens

Radio Service in the United States to include 40 channels extending between 26.965 MHz and 27.410 MHz (Table 1).

In addition, the FCC established a band between 49.82 MHz and 49.90 MHz for low power communication devices, such as the popular 100 mW "walkie-talkies." Specific channels of 49.830, 49.845, 49.860, 49.875 and 49.890 MHz are assigned for this service. Either amplitude or frequency modulation can be used as long as the emissions are confined within a 20 kHz channel centered at the carrier frequency.

**Table 1. Class D CB Frequencies**

MHz	Channel	MHz	Channel
26.965	1	27.215	21
26.975	2	27.225	22
26.985	3	27.255	23
27.005	4	27.235	24
27.015	5	27.245	25
27.025	6	27.265	26
27.035	7	27.275	27
27.055	8	27.285	28
27.065	9	27.295	29
27.075	10	27.305	30
27.085	11	27.315	31
27.105	12	27.325	32
27.115	13	27.335	33
27.125	14	27.345	34
27.135	15	27.355	35
27.155	16	27.365	36
27.165	17	27.375	37
27.175	18	27.385	38
27.185	19	27.395	39
27.205	20	27.405	40

### Addresses of FCC District Offices

Listed below are the addresses and telephone numbers of the FCC district offices. This list is alphabetical by state, and also includes offices in Puerto Rico and the District of Columbia (Washington, D.C.).

**ALASKA**, Anchorage  
 U.S. Post Office Building Room G63  
 4th & G Street, P.O. Box 644  
 Anchorage, Alaska 99510  
 Phone: Area Code 907 265-5201

**CALIFORNIA**, Los Angeles  
3711 Long Beach Blvd.  
Suite 501  
Long Beach, California 90807  
Phone: Area Code 213 426-4451

**CALIFORNIA**, San Diego  
Fox Theatre Building  
1245 Seventh Avenue  
San Diego, California 92101  
Phone: Area Code 714 293-5460

**CALIFORNIA**, San Francisco  
323A Customhouse  
555 Battery Street  
San Francisco, California 94111  
Phone: Area Code 415 556-7700

**COLORADO**, Denver  
Suite 2925 Executive Tower  
1405 Curtis Street  
Denver, Colorado 80202  
Phone: Area Code 303 837-4054

**DISTRICT OF COLUMBIA**  
**(WASHINGTON, D.C.)**  
1919 M Street N.W. Room 411  
Washington, D.C. 20554  
Phone: Area Code 202 632-8834

**FLORIDA**, Miami  
919 Federal Building  
51 S.W. First Avenue  
Miami, Florida 33130  
Phone: Area Code 305 350-5541

**FLORIDA**, Tampa  
Barnett Office Bldg., Rm. 809  
1000 Ashley Drive  
Tampa, Florida 33602  
Phone: Area Code 813 228-2872

**GEORGIA**, Atlanta  
Room 440, Massell Bldg.  
1365 Peachtree St. N.E.  
Atlanta, Georgia 30309  
Phone: Area Code 404 881-3084

**GEORGIA**, Savannah  
238 Federal Office Bldg. and Courthouse  
125 Bull Street, P.O. Box 8004  
Savannah, Georgia 31402  
Phone: Area Code 912 232-4321 ext. 320

**HAWAII**, Honolulu  
502 Federal Building  
P.O. Box 1021  
335 Merchant Street  
Honolulu, Hawaii 96808  
Phone: Area Code 808 546-5640

**ILLINOIS**, Chicago  
3935 Federal Building  
230 South Dearborn Street  
Chicago, Illinois 60604  
Phone: Area Code 312 353-0195

**LOUISIANA**, New Orleans  
829 F. Edward Hebert Federal Bldg.  
600 South Street  
New Orleans, Louisiana 70130  
Phone: Area Code 504 589-2094

**MARYLAND**, Baltimore  
George M. Fallon Federal Building  
Room 823 31 Hopkins Plaza  
Baltimore, Maryland 21201  
Phone: Area Code 301 962-2728

**MASSACHUSETTS**, Boston  
1600 Customhouse  
165 State Street  
Boston, Massachusetts 02109  
Phone: Area Code 617 223-6609

**MICHIGAN**, Detroit  
1054 Federal Building  
231 W. Lafayette Street  
Detroit Michigan 48226  
Phone: Area Code 313 226-6078

**MINNESOTA**, St. Paul  
691 Federal Building  
316 N. Robert Street  
St. Paul, Minnesota 55101  
Phone: Area Code 612 725-7810

**MISSOURI**, Kansas City  
1703 Federal Building  
601 East 12th Street  
Kansas City, Missouri 64106  
Phone: Area Code 816 374-6155

**NEW YORK**, Buffalo  
1307 Federal Building  
111 W. Huron Street at Delaware Ave.  
Buffalo, New York 14202  
Phone: Area Code 716 842-3216

**NEW YORK**, New York  
201 Varick St.  
New York, New York 10014  
Phone: Area Code 212 620-3437

**OREGON**, Portland  
1782 Federal Office Bldg.  
1220 S.W. 3rd Avenue  
Portland, Oregon 97204  
Phone: Area Code 503 221-3098

**PENNSYLVANIA**, Philadelphia  
11425 James A. Byrne Federal Courthouse  
601 Market Street  
Philadelphia, Pennsylvania 19106  
Phone: Area Code 215 597-4411

**PUERTO RICO**, San Juan  
U.S. Post Office and Courthouse  
Room 323 P.O. Box 2987  
San Juan, Puerto Rico 00903  
Phone: Area Code 809 753-4567

**TEXAS**, Beaumont  
Room 323, Federal Building  
300 Willow Street  
Beaumont, Texas 77701  
Phone: Area Code 713 838-0271

**TEXAS**, Dallas  
Earle Cabell Federal Bldg.  
Room 13E7, 1100 Commerce Street  
Dallas, Texas 75242  
Phone: Area Code 214 749-1719

**TEXAS**, Houston  
5636 Federal Building  
515 Rusk Avenue  
Houston, Texas 77002  
Phone: Area Code 713 226-5624

**VIRGINIA**, Norfolk  
Military Circle  
870 North Military Highway  
Norfolk, Virginia 23502  
Phone: Area Code 804 461-6472

**WASHINGTON**, Seattle  
3256 Federal Bldg.  
915 Second Avenue  
Seattle, Washington 98174  
Phone: Area Code 206 442-7653

# Direct-Current Circuits

All naturally occurring matter (excluding artificially produced radioactive substances) is made up of 92 fundamental constituents called *elements*. These elements can exist either in the free state such as iron, oxygen, carbon, copper, tungsten, and aluminum, or in chemical unions commonly called *compounds*. The smallest unit which still retains all the original characteristics of an element is the *atom*.

Combinations of atoms, or subdivisions of compounds, result in another fundamental unit, the *molecule*. The molecule is the smallest unit of any compound. All reactive elements when in the gaseous state also exist in the molecular form, made up of two or more atoms. The nonreactive gaseous elements helium, neon, argon, krypton, xenon, and radon are the only gaseous elements that ever exist in a stable monatomic state at ordinary temperatures.

## 2-1 The Atom

An atom is an extremely small unit of matter—there are literally billions of them making up so small a piece of material as a speck of dust. To understand the basic theory of electricity and hence of radio, we must go further and divide the atom into its main components, a positively charged *nucleus* and a cloud of negatively charged particles that surround the nucleus. These particles, swirling around the nucleus in elliptical orbits at an incredible rate of speed, are called *orbital electrons*.

**The Nucleus** The *nucleus* of the atom has been split open by applying high energy, primarily with accelerators. The nucleus is composed of *protons* and *neutrons* existing in an "atmosphere" of *mesons*, of which there are many types. This basic knowledge led to the release of nuclear energy through fission and fusion processes.

Despite the knowledge that the nucleus is complex, the picture of the planetary atom is still valid, as more than one concept is required to explain matter in its various states.

The various particles and states of matter are developments of nuclear force which, taken with gravitational, electromagnetic, and interaction forces are responsible for the order, shape, and change in the visible world we see and the invisible world beyond our senses.

**Orbital Electrons** It is on the behavior of the electrons when freed from the atom, that depends the study of electricity and radio, as well as allied sciences.

The atoms of different elements differ in respect to the charge on the positive nucleus and in the number of electrons revolving around this charge. They range all the way from hydrogen, having a net charge of one on the nucleus and one orbital electron, to uranium with a net charge of 92 on the nucleus and 92 orbital electrons. The number of orbital electrons is called the *atomic number* of the element.

The electron may be considered as a minute negatively charged particle, having a

mass of  $9 \times 10^{-28}$  gram, and a charge of  $-1.59 \times 10^{-19}$  coulomb. Electrons are always identical, regardless of the source from which they are obtained.

**Action of the Electrons** From the foregoing it must not be thought that the electrons revolve in a haphazard manner around the nucleus. Rather, the electrons in an element having a large atomic number are grouped into rings having a definite number of electrons. The only atoms in which these rings are completely filled are those of the inert gases mentioned before; all other elements have one or more uncompleted rings of electrons. If the uncompleted ring is nearly empty, the element is *metallic* in character, being most metallic when there is only one electron in the outer ring. If the incomplete ring lacks only one or two electrons, the element is usually *non-metallic*. Elements with a ring about half completed will exhibit both nonmetallic and metallic characteristics; carbon, silicon, germanium, and arsenic are examples. Such elements are called *semiconductors*.

In metallic elements these outer ring electrons are rather loosely held. Consequently, there is a continuous helter-skelter movement of these electrons and a continual shifting from one atom to another. The electrons which move about in a substance are called *free electrons*, and it is the ability of these electrons to drift from atom to

atom which makes possible the *electric current*.

**Conductors, Semiconductors, and Insulators** If the free electrons are numerous and loosely held, the element is a good *conductor*. On the other hand, if there are few free electrons (as is the case when the electrons in an outer ring are tightly held), the element is a poor conductor. If there are virtually no free electrons, the element is a good *insulator*.

Materials having few free electrons are classed as semiconductors and exhibit conductivity approximately midway between that of good conductors and good insulators.

## 2-2 Fundamental Electrical Units and Relationships

**Basic Electrical Dimensions, Units, and Symbols** Electrical dimensions, units, and qualities are expressed as letters, combinations of letters, and other characters that may be used in place of the proper names for these characteristics. In addition, various prefixes are added to the symbols to indicate multiples or submultiples of units (Table 1).

The international system of fundamental units which covers mechanics, electricity, and magnetism is designated the *Rational MKS (meter-kilogram-second) System*.

In this system, length is measured in *meters*, mass in *kilograms*, and time in *seconds*. A summary of important dimensions is given in Table 2.

The MKS System is a subsystem of the International System of Units (1960). To unite the mechanical system with electricity and magnetism, the *coulomb* is taken as a fourth fundamental unit.

**Fundamental and Secondary Units** Electrical measurements expressed in the MKS System are traceable to

the *National Bureau of Standards* in the United States. Aside from the meter, kilogram, and second, the major electrical unit is the coulomb (C), a unit of charge ( $6.28 \times 10^{18}$  electron charges). The coulomb is defined as an *ampere-second*, or that steady

TABLE 1.

PREFIXES TO ELECTRICAL DIMENSIONS

MULTIPLE	PREFIX	SYMBOL
$10^{12}$	tera	T
$10^9$	giga	G
$10^6$	mega	M
$10^3$	kilo	k
$10^2$	hecto	h
10	deka	da
$10^{-1}$	deci	d
$10^{-2}$	centi	c
$10^{-3}$	milli	m
$10^{-6}$	micro	$\mu$
$10^{-9}$	nano	n
$10^{-12}$	pico	p
$10^{-15}$	femto	f
$10^{-18}$	atto	a

**TABLE 2**  
**FUNDAMENTAL DIMENSIONS**

DIMENSION	EQUIVALENT
Meter	3.281 feet—one foot = 0.3048 meter
Kilometer	1000 meters = 0.6214 statute miles
Centimeter	$10^{-2}$ meter = 0.3937 inch
Meter	$10^{10}$ angstrom units (Å)
Kilogram	1000 grams = 2.205 pounds
Gram	$3.527 \times 10^{-2}$ ounces
Coulomb	1 ampere flowing for 1 second

current flowing through a solution of silver nitrate, which will deposit silver at the rate of  $1.118 \times 10^{-6}$  kilograms per second.

Secondary, or *derived units*, are based on the above listed fundamental units. The rate of current flow is the *ampere* ( $I$ ), whose dimensions are in coulombs per second. The unit of energy or work is the *joule* ( $J$ ) whose dimensions are volts  $\times$  coulombs. The unit of power is the *watt* ( $W$ ), whose dimensions are joules per second. The electrical pressure that moves a coulomb of charge past a measuring point is the *volt* ( $E$  or  $V$ ), whose dimensions are joules per coulomb.

The unit of opposition to current flow is the *ohm* ( $R$ ), whose dimensions are volts per ampere. Two units express charge storage in a circuit. The first is the *farad* ( $F$ ), a unit of capacitance whose dimensions are coulombs per volt. The second is the *henry*

( $H$ ), a unit of inductance whose dimensions are volts per ampere-second. These and other electrical units are summarized in Table 3. Other complex quantities may be built up from these units.

**The Electrostatic Force** An electrified particle is specified by its mass at rest and by the magnitude and sign of the electric charge. In addition to the electron charge mentioned earlier, the charge of a proton is equal, but of opposite sign.

Associated with each electric charge is a *force field* which tends to impart motion to other charges in the field. The field surrounding a particle is represented by lines of force that originate at the center of the charge and radiate outward in all directions. The force of attraction or repulsion between two electric charges is proportional to the product of the charge magnitudes and inversely proportional to the distance between them and to the characteristic of the medium, described as the *permittivity*:

$$F = \frac{Q_1 \times Q_2}{4 \pi \epsilon l^2}$$

where,

$F$  equals the force in Newtons,

$Q$  equals the numerical value of charge in Coulombs,

$\pi$  equals 3.14,

**TABLE 3. ELECTRICAL UNITS**

CHARACTERISTIC	SYMBOL	UNIT	DESCRIPTION
Charge	Q or q	coulomb	$6.28 \times 10^{18}$ electric charges
Voltage	E or e V or v	Volt	potential difference (joules per coulomb)
Current	I or i	Ampere	electrons in motion (coulombs per second)
Resistance	R or r	Ohm	electrical resistance (volts per ampere)
Conductance	G or g	mho	reciprocal of resistance
Energy	J	Joule	quantity of work (volts $\times$ coulombs)
Power	W	Watt	unit of power (joules per second)
Storage	F	Farad	unit of charge storage (coulombs per volt)
Storage	H	Henry	unit of inductance (volts per ampere-second)

$\epsilon$  equals permittivity in Farads per meter,  
 $l$  equals the distance between charges in  
 meters.

In the case of charges in a vacuum, the permittivity is  $8.85 \times 10^{-32}$ . Permittivity is also termed *dielectric constant*.

A representation of a two-dimensional electric field about isolated electric charges is shown in figure 1.

The electric potential difference between two points in an electrostatic field is equal to the work done in transferring a unit of positive charge from one point to the other. The *potential* or voltage of a point may be expressed as the ratio of the energy of transfer to the charge. Maximum work is done on a charge that moves along the lines of electric force, whereas no work is done on a charge that moves perpendicular to lines of electric force. The potential difference between two points in the MKS system has the dimension of joules per coulomb, and is termed the volt.

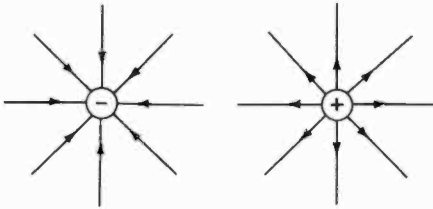


Figure 1

### THE ELECTRIC FIELD

Line of force about electric charges. A negative sign indicates an excess of negative charges and a positive sign indicates a deficiency of negative charges.

**Electromotive Force:** The free electrons in a **Potential Difference** conductor move constantly about and change their position in a haphazard manner. To produce a drift of electrons, or *electric current*, along a wire it is necessary that there be a difference in "pressure" or *potential* between the two ends of the wire. This *potential difference* can be produced by connecting a source of *electrical potential* to the ends of the wire.

As will be explained later, there is an excess of electrons at the negative terminal of a battery and a deficiency of electrons at the positive terminal, due to chemical action.

When the battery is connected to the wire, the deficient atoms at the positive terminal attract free electrons from the wire in order for the positive terminal to become neutral. The attracting of electrons continues through the wire, and finally the excess electrons at the negative terminal of the battery are attracted by the positively charged atoms at the end of the wire. Other sources of electrical potential (in addition to a battery) are: an electrical generator (dynamo), a thermocouple, an electrostatic generator, a photoelectric cell, and a crystal or piezoelectric generator.

Thus it is seen that a potential difference is the result of a difference in the number of electrons between the two (or more) points in question. The force or pressure due to a potential difference is termed the *electromotive force*, usually abbreviated *e.m.f.* It is expressed in volts.

It should be noted that for there to be a potential difference between two bodies or points it is not necessary that one have a positive charge and the other a negative charge. If two bodies each have a negative charge, but one more negative than the other, the one with the lesser negative charge will act as though it were positively charged *with respect to the other body*. It is the *algebraic* potential difference that determines the force with which electrons are attracted or repulsed, the potential of the earth being taken as the zero reference point.

**The Electric Current** The *electric current* through a conductor is the time rate at which negative charges (electrons) flow through it. The flow may be induced by the application of an electromotive force. This flow, or drift, is in addition to the irregular movements of the electrons. However, it must not be thought that each free electron travels from one end of the circuit to the other. On the contrary, each free electron travels only a short distance before colliding with an atom; this collision generally knocks off one or more electrons from the atom, which in turn move a short distance and collide with other atoms, knocking off other electrons. Thus, in the general drift of electrons along a wire carrying an electric current, each electron travels only a short distance and the excess of electrons at one

end and the deficiency at the other are balanced by the source of the e.m.f. When this source is removed the state of normalcy returns; there is still the rapid interchange of free electrons between atoms, but there is no general trend or "net movement" in either one direction or the other—in other words, no current flows.

In electronics, the terms "electron flow" and "current" are synonymous and the current flow in a conductor is the electron drift from the negative terminal of the source voltage, through the conductor to the positive terminal of the source.

The number of free electrons in a conductor is a function of temperature so that the electrical properties of conductors are a function of temperature. In general, the resistivity to the flow of current in a conductor increases with temperature.

Conductors include those materials that have a large number of free electrons. Most metals (those elements which have only one or two electrons in their outer ring) are good conductors. Silver, copper, and aluminum, in that order, are the best of the common metals used as conductors at normal temperatures, having the greatest conductivity, or

lowest resistance, to the flow of a electric current (Table 4).

TABLE 4. TABLE OF RESISTIVITY		
Material	Resistivity in Ohms per Circular Mil-Foot	Temp. Coeff. of resistance per °C. at 20° C.
Aluminum	17	0.0049
Brass	45	0.003 to 0.007
Cadmium	46	0.0038
Chromium	16	0.00
Copper	10.4	0.0039
Iron	59	0.006
Silver	9.8	0.004
Zinc	36	0.0035
Nichrome	650	0.0002
Constantan	295	0.00001
Manganin	290	0.00001
Monel	255	0.0019

**Resistance** Resistance is that property of an electrical circuit which determines for a given current the rate at which electric energy is converted into heat or radiant energy. Generally speaking, resistance is an opposition to current flow in a material, and is one of its physical properties.

The unit of resistance is the *ohm* ( $\Omega$ ). Every substance has a *specific resistance*; usu-

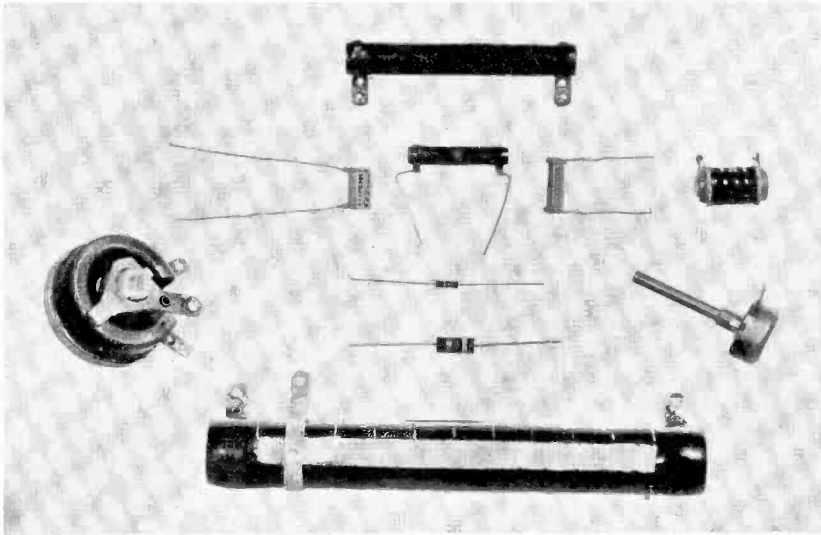


Figure 2  
TYPICAL RESISTORS

Shown above are various types of resistors used in electronic circuits. The larger units are power resistors. On the left is a variable power resistor. Three precision-type resistors are shown in the center with two small composition resistors beneath them. At the right is a composition-type potentiometer, used for audio circuitry.



ally expressed as *ohms per mil-foot*, which is determined by the material's molecular structure and temperature. A mil-foot is a piece of material one circular mil in area and one foot long. Another measure of resistivity frequently used is expressed in the units *microhms per centimeter cube*. The resistance of a uniform length of a given substance is directly proportional to its length and specific resistance, and inversely proportional to its cross-sectional area. A wire with a certain resistance for a given length will have twice as much resistance if the length of the wire is doubled. For a given length, doubling the cross-sectional area of the wire will *halve* the resistance, while doubling the *diameter* will reduce the resistance to *one fourth*. This is true since the cross-sectional area of a wire varies as the square of the diameter. The relationship between the resistance and the linear dimensions of a conductor may be expressed by the following equation:

$$R = \frac{rl}{A}$$

where,

$R$  equals resistance in ohms,

$r$  equals resistivity in *ohms per mil-foot*,

$l$  equals length of conductor in feet,

$A$  equals cross-sectional area in circular mils.

For convenience, two larger units the *kilohm* ( $10^3$  ohms) and the *megohm* ( $10^6$  ohms) are often used.

The resistance also depends on temperature, rising with an increase in temperature for most substances (including most metals), due to increased electron acceleration resulting in a greater number of impacts between electrons and atoms. However, in the case of some substances such as carbon and glass the temperature coefficient is negative and the resistance decreases as the temperature increases.

**Insulators** In the molecular structure of many materials such as glass, ceramic, and mica all electrons are tightly held within their orbits and there are comparatively few free electrons. This type of material will conduct an electric current only with great difficulty and is termed an *insulator*. An insulator is said to have high electrical resistance.

An insulator is classified as a material having a resistivity of greater than  $10^9$  ohms per centimeter. A semiconductor is classified as having a resistivity from  $10^{-4}$  ohms to  $10^9$  ohms per centimeter. A conductor is classified as having a resistivity of less than  $10^{-4}$  ohms per centimeter.

An important property of an insulator is its power loss, or the ratio of the energy dissipated in the insulator to the energy stored. This ratio is termed the *dissipation factor*. The better insulators have a very low dissipation factor over a very wide frequency range. R-f measurement of the dissipation factor provides a guide as to the excellence of an insulator; some materials that are a satisfactory insulator for low frequencies may have a high dissipation factor at higher frequencies and are relatively worthless as an insulator.

**Secondary Electrical Units** These units are the *volt*, the *ampere*, and the *ohm*. They were mentioned in the preceding paragraphs, but were not completely defined in terms of fixed, known quantities.

The fundamental unit of *current*, or *rate of flow* of electricity is the ampere. A current of one ampere will deposit silver from a specified solution of silver nitrate at a rate of 1.118 milligrams per second.

The international standard for the ohm is the resistance offered by a uniform column of mercury at  $0^\circ$  C., 14.4521 grams in mass, of constant cross-sectional area and 106.300 centimeters in length.

A volt is *the e.m.f. that will produce a current of one ampere through a resistance of one ohm*. The standard of electromotive force is the Weston cell which at  $20^\circ$  C. has a potential of 1.0183 volts across its terminals. This cell is used only for reference purposes in a bridge circuit, since only an infinitesimal amount of current may be drawn from it without disturbing its characteristics.

**Ohm's Law** The relationship between the electromotive force (voltage), the flow of current (amperes), and the resistance which impedes the flow of current (ohms), is very clearly expressed in a simple but highly valuable law known as *Ohm's*

*Law.* This law states that *the current in amperes is equal to the voltage in volts divided by the resistance in ohms.* Expressed as an equation:

$$I = \frac{E}{R}$$

If the voltage ( $E$ ) and resistance ( $R$ ) are known, the current ( $I$ ) can be readily found. If the voltage and current are known, and the resistance is unknown, the

resistance ( $R$ ) is equal to  $\frac{E}{I}$ . When the voltage is the unknown quantity, it can be found by multiplying  $I \times R$ . These three equations are all secured from the original by simple transposition. The expressions are here repeated for quick reference:

$$I = \frac{E}{R} \quad R = \frac{E}{I} \quad E = IR$$

where,

$I$  is the current in amperes,  
 $R$  is the resistance in ohms,  
 $E$  is the electromotive force in volts.

Taken in a broader sense, Ohm's Law expresses a *ratio* of voltage to current when the circuit resistance is known. This concept is important in transmission-line studies and antenna work.

**Conductance** Instead of speaking of the resistance of a circuit, the *conductance* may be referred to as a measure of the ease of current flow. Conductance is the reciprocal of resistance  $\frac{1}{R}$  and is measured in *mhos* (ohms spelled backwards) and is designated by the letter  $G$ .

The relation between resistance and conductance is:

$$G = \frac{1}{R}, R = \frac{1}{G} \text{ or } I = EG$$

In electronics work, a small unit of conductance, which is equal to one-millionth of a mho, frequently is used. It is called a *micromho*.

**Application of Ohm's Law** All electrical circuits fall into one of three classes: *series circuits, parallel circuits, and series-parallel circuits.* A series circuit is one in which the current flows in a single continuous path and is of the same value at every point in the circuit (figure 3). In a

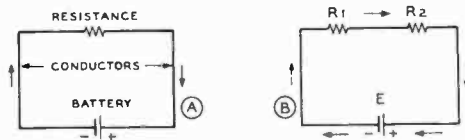


Figure 3

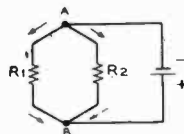
**SIMPLE SERIES CIRCUITS**

At (A) the battery is in series with a single resistor. At (B) the battery is in series with two resistors, the resistors themselves being in series. The arrows indicate the direction of electron flow.

parallel circuit there are two or more current paths between two points in the circuit, as shown in figure 4. Here the current divides at A, part going through  $R_1$ , and part through  $R_2$ , and combines at B to return

Figure 4

**SIMPLE PARALLEL CIRCUIT**

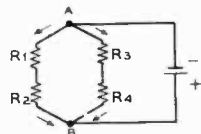


The two resistors  $R_1$  and  $R_2$  are said to be in parallel since the flow of current is offered two parallel paths. An electron leaving point A will pass either through  $R_1$ , or  $R_2$ , but not through both, to reach the positive terminal of the battery. If a large number of electrons are considered, the greater number will pass through whichever of the two resistors has the lower resistance.

to the battery. Figure 5 shows a series-parallel circuit. There are two paths between

Figure 5

**SERIES-PARALLEL CIRCUIT**



In this type of circuit the resistors are arranged in series groups, and these groups are then placed in parallel.

points A and B as in the parallel circuit, and in addition there are two resistances in series in each branch of the parallel combination. Two other examples of series-parallel arrangements appear in figure 6. The way in which the current splits to flow through

the parallel branches is shown by the arrows.

In every circuit, each of the parts has some resistance: the batteries or generator, the connecting conductors, and the apparatus itself. Thus, if each part has some resistance, no matter how little, and a current is flowing through it, there will be a voltage drop across it. In other words, there will be a potential difference between the two ends of the circuit element in question. This drop in voltage is equal to the product of the current and the resistance hence it is called the *IR drop*.

**Internal Resistance** The source of voltage has an *internal* resistance, and when connected into a circuit so that current flows, there will be an *IR* drop in the source just as in every other part of the circuit. Thus, if the terminal voltage of the source could be measured in a way that would cause no current to flow, it would be found to be more than the voltage measured when a current flows by the amount of the *IR* drop in the source. The voltage measured with no current flowing is termed the *no load* voltage; that measured with current flowing is the *load* voltage. It is apparent that a voltage source having a low internal resistance is most desirable.

**Resistances in Series** The current flowing in a series circuit is equal to the voltage impressed divided by the *total* resistance across which the voltage is impressed. Since the same current flows through every part of the circuit, it is only necessary to add all the individual resistances to obtain the total resistance. Expressed as a formula:

$$R_{\text{Total}} = R_1 + R_2 + R_3 + \dots + R_N$$

Of course, if the resistances happened to be all the same value, the total resistance would be the resistance of one multiplied by the number of resistors in the circuit.

**Resistances in Parallel** Consider two resistors, one of 100 ohms and one of 10 ohms, connected in parallel as in figure 4, with a potential of 10 volts applied across each resistor, so the current through each can be easily calculated.

$$I = \frac{E}{R}$$

$$E = 10 \text{ volts} \quad I_1 = \frac{10}{100} = 0.1 \text{ ampere}$$

$$R_1 = 100 \text{ ohms}$$

$$E = 10 \text{ volts} \quad I_2 = \frac{10}{10} = 1.0 \text{ ampere}$$

$$R_2 = 10 \text{ ohms}$$

$$\text{Total current} = I_1 + I_2 = 1.1 \text{ ampere}$$

Until it divides at A, the entire current of 1.1 amperes is flowing through the conductor from the battery to A, and again from B through the conductor to the battery. Since this is more current than flows through the smaller resistor it is evident that the resistance of the parallel combination must be less than 10 ohms, the resistance of the smaller resistor. This value can be found by applying Ohm's law:

$$R_T = \frac{E}{I}$$

$$E = 10 \text{ volts} \quad R_T = \frac{10}{1.1} = 9.09 \text{ ohms}$$

$$I = 1.1 \text{ amperes}$$

The resistance of the parallel combination is 9.09 ohms.

The following is a simple formula for finding the effective resistance of two resistors connected in parallel.

$$R_T = \frac{R_1 \times R_2}{R_1 + R_2}$$

where,

$R_T$  equals unknown resistance,

$R_1$  equals resistance of the first resistor.

$R_2$  equals resistance of the second resistor.

If the effective value required is known, and it is desired to connect one unknown resistor in parallel with one of known value, a transposition of the above formula will simplify the problem of obtaining the unknown value:

$$R_2 = \frac{R_1 \times R_T}{R_1 - R_T}$$

where,

$R_T$  equals effective value required,

$R_1$  equals the known resistor,

$R_2$  equals value of the unknown resistance necessary to give  $R_T$  when in parallel with  $R_1$ .

The resultant value of placing a number of unlike resistors in parallel is equal to the reciprocal of the sum of the reciprocals of the various resistors. This can be expressed as:

$$R_T = \frac{1}{\frac{1}{R_1} + \frac{1}{R_2} + \frac{1}{R_3} + \dots + \frac{1}{R_n}}$$

The effective value of placing any number of unlike resistors in parallel can be determined from the above formula. However, it is commonly used only when there are three or more resistors under consideration, since the simplified formula given before is more convenient when only two resistors are being used.

From the above, it also follows that when two or more resistors of the same value are placed in parallel, the effective resistance of the paralleled resistors is equal to the value of one of the resistors divided by the number of resistors in parallel.

The effective value of resistance of two or more resistors connected in parallel is always less than the value of the lowest resistance in the combination. It is well to bear this simple rule in mind, as it will assist greatly in approximating the value of paralleled resistors.

**Resistors in Series-Parallel** To find the total resistance of several resistors connected in series-parallel, it is usually easiest to apply either the formula for series resistors or the parallel resistor formula first, in order to reduce the original arrangement to a simpler one. For instance, in figure 5 the series resistors should be added in each branch, then there will be but two resistors in parallel to be calculated. In figure 6A the paralleled resistors should be reduced to the equivalent series value, and then the series resistance value can be added.

Resistance in series-parallel can be solved by combining the series and parallel formulas into one similar to the following (refer to figure 6B):

$$R_T = \frac{1}{\frac{1}{R_1 + R_2} + \frac{1}{R_3 + R_4}}$$

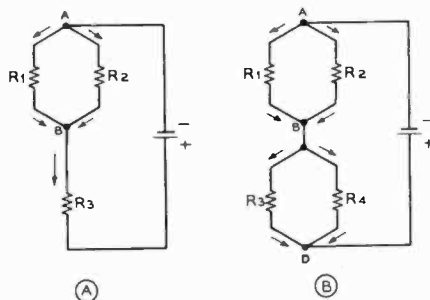


Figure 6

**OTHER COMMON SERIES-PARALLEL CIRCUITS**

**Voltage Dividers** A *voltage divider* is a series of resistors across a source of voltage from which various lesser values of voltage may be obtained by connections to various points along the resistors.

A voltage divider serves a most useful purpose in electronic equipment because it offers a simple means of obtaining voltages of different values from a common power supply source. It may also be used to obtain very low voltages of the order of .01 to .001 volt with a high degree of accuracy, even though a means of measuring such voltages is lacking, since with a given current the voltage across a resistor in a voltage divider is proportional to the resistance value. If the source voltage is accurately known, and the resistance can be measured, the voltage at any point along a resistor string is known, provided no current is drawn from the tap-on point unless this current is taken into consideration.

**Voltage Divider Calculations** Proper design of a voltage divider for any type of electronic equipment is a relatively simple matter. The first consideration is the amount of "bleeder" current to be drawn. In addition, it is also necessary that the desired voltage and the exact current at each tap on the voltage divider be known.

Figure 7 illustrates the flow of current in a simple voltage-divider and load circuit. The light arrows indicate the flow of bleeder current, while the heavy arrows indicate the flow of the load current. The design of a combined bleeder resistor and voltage di-

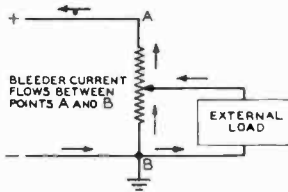


Figure 7

**SIMPLE VOLTAGE-DIVIDER CIRCUIT**

The arrows indicate the manner in which the current flow divides between the voltage divider itself and the external load circuit.

vider, such as is commonly used in radio equipment, is illustrated in the following example:

A power supply delivers 300 volts and is conservatively rated to supply all needed current and still allow a bleeder current of 10 milliamperes. The following voltages are wanted: 75 volts at 2 milliamperes, 100 volts at 5 milliamperes, and 250 volts at 20 milliamperes. The required voltage drop across  $R_1$  is 75 volts, across  $R_2$  25 volts, across  $R_3$  150 volts, and across  $R_4$  it is 50 volts. These values are shown in the diagram of figure 8. The respective current values are also indicated. Apply Ohm's law:

$$R_1 = \frac{E}{I} = \frac{75}{.01} = 7500 \text{ ohms}$$

$$R_2 = \frac{E}{I} = \frac{25}{.012} = 2083 \text{ ohms}$$

$$R_3 = \frac{E}{I} = \frac{150}{.017} = 8823 \text{ ohms}$$

$$R_4 = \frac{E}{I} = \frac{50}{.037} = 1351 \text{ ohms}$$

$$R_{\text{Total}} = 7500 + 2083 + 8823 + 1351 = 19,757 \text{ ohms}$$

A 20,000 ohm resistor with three adjustable taps may be used, the wattage being equal to that maximum value required by any single resistor in the string. If four separate resistors are chosen, their "rounded" values would be:  $R_1$ , 7500 ohms;  $R_2$ , 2000 ohms;  $R_3$ , 8800 ohms and  $R_4$ , 1400 ohms. The power dissipated in each resistor is approximately 0.15 watt, 0.3 watt, 2.6 watts, and 1.9 watts, respectively, as discussed in a following section.

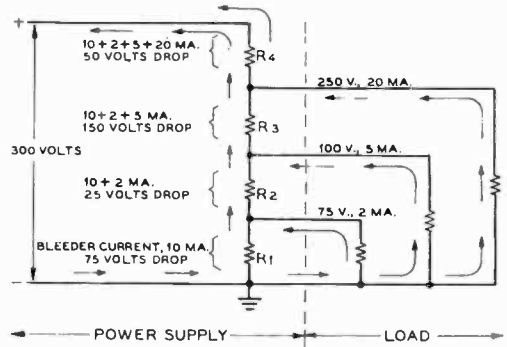


Figure 8

**MORE COMPLEX VOLTAGE DIVIDER ILLUSTRATING KIRCHHOFF'S LAW**

The method for computing the values of the resistors is discussed in the text.

**Kirchhoff's Laws** Ohm's law is all that is necessary to calculate the values in simple circuits, such as the preceding examples; but in more complex problems, involving several loops, or more than one voltage in the same closed circuit, the use of *Kirchhoff's laws* will greatly simplify the calculations. These laws are merely rules for applying Ohm's law.

Kirchhoff's first law is concerned with net current to a point in a circuit and states that:

*At any point in a circuit the current flowing toward the point is equal to the current flowing away from the point.*

Stated in another way: if currents flowing to the point are considered positive, and those flowing from the point are considered negative, the sum of all currents flowing toward and away from the point — taking signs into account — is equal to zero. Such a sum is known as an *algebraic sum*; such that the law can be stated thus: *The algebraic sum of all currents entering and leaving a point is zero.*

Figure 9 illustrates this first law. If the effective resistance of the network of resistors is 5 ohms, then 4 amperes flow toward point A, and 2 amperes flow away through the two 5-ohm resistors in series. The remaining 2 amperes flow away through

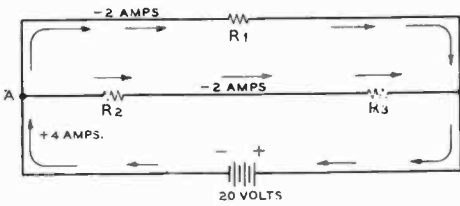


Figure 9

**ILLUSTRATING KIRCHHOFF'S FIRST LAW**

The current flowing toward point "A" is equal to the current flowing away from point "A."

the 10-ohm resistor. Thus, there are 4 amperes flowing to point A and 4 amperes flowing away from the point. If  $R_T$  is the effective resistance of the network (5 ohms),  $R_1 = 10$  ohms,  $R_2 = 5$  ohms,  $R_3 = 5$  ohms, and  $E = 20$  volts, the following equation can be set up:

$$\frac{E}{R_T} - \frac{E}{R_1} - \frac{E}{R_2 + R_3} = 0$$

$$\frac{20}{5} - \frac{20}{10} - \frac{20}{5 + 5} = 0$$

$$4 - 2 - 2 = 0$$

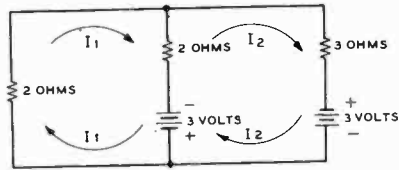
Kirchhoff's second law is concerned with net voltage drop around a closed loop in a circuit and states that:

*In any closed path or loop in a circuit the sum of the IR drops must equal the sum of the applied e.m.f.'s.*

The second law also may be conveniently stated in terms of an algebraic sum as: *The algebraic sum of all voltage drops around a closed path or loop in a circuit is zero.* The applied e.m.f.'s (voltages) are considered positive, while IR drops taken in the direction of current flow (including the internal drop of the sources of voltage) are considered negative.

Figure 10 shows an example of the application of Kirchhoff's laws to a comparatively simple circuit consisting of three resistors and two batteries. First, an arbitrary direction of current flow in each closed loop of the circuit is assumed, drawing an arrow to indicate the assumed direction of current flow. Then the sum of all IR drops plus battery drops around each loop are equated to

zero. One equation for each unknown to be determined is required. Then the equations are solved for the unknown currents in the general manner indicated in figure 10. If the answer comes out positive, the direction of current flow originally assumed was correct. If the answer comes out negative, the current flow is in the opposite direction to the arrow which was drawn originally. This is illustrated in the example of figure 10, where the direction of flow of  $I_1$  is opposite to the direction assumed in the sketch.



1. SET VOLTAGE DROPS AROUND EACH LOOP EQUAL TO ZERO.  
 $I_1 2_{(OHMS)} + 2(I_1 - I_2) + 3 = 0$  (FIRST LOOP)  
 $-6 + 2(I_2 - I_1) + 3 I_2 = 0$  (SECOND LOOP)
2. SIMPLIFY  
 $2 I_1 + 2 I_1 - 2 I_2 + 3 = 0$        $2 I_2 - 2 I_1 + 3 I_2 - 6 = 0$   
 $\frac{4 I_1 + 3}{2} = I_2$        $\frac{5 I_2 - 2 I_1 - 6}{5} = I_2$
3. EQUATE  
 $\frac{4 I_1 + 3}{2} = \frac{2 I_1 + 6}{5}$
4. SIMPLIFY  
 $20 I_1 + 15 = 4 I_1 + 12$   
 $I_1 = -\frac{3}{16}$  AMPERE
5. RE-SUBSTITUTE  
 $I_2 = \frac{-\frac{3}{8} + 3}{2} = \frac{2\frac{1}{8}}{2} = 1\frac{1}{8}$  AMPERE

**Figure 10**  
**ILLUSTRATING KIRCHHOFF'S SECOND LAW**

The voltage drop around any closed loop in a network is equal to zero.

**Power in Resistive Circuits** In order to cause electrons to flow through a conductor, constituting a current flow, it is necessary to apply an electromotive force (voltage) across the circuit. Less power is expended in creating a small current flow through a given resistance than in creating a large one; so it is necessary to have a unit of power as a reference.

The unit of electrical power is the *watt*, which is the rate of energy consumption when an e.m.f. of 1 volt forces a current of 1 ampere through a circuit. The power in a resistive circuit is equal to the product

of the voltage applied across, and the current flowing in, a given circuit. Hence:  $P$  (watts) =  $E$  (volts)  $\times I$  (amperes).

Since it is often convenient to express power in terms of the resistance of the circuit and the current flowing through it, a substitution of  $IR$  for  $E$  ( $E = IR$ ) in the above formula gives:  $P = IR \times I$  or  $P = I^2R$ . In terms of voltage and resistance,  $P = E^2/R$ . Here,  $I = E/R$  and when this is substituted for  $I$  the original formula becomes  $P = E \times E/R$ , or  $P = E^2/R$ . To repeat these three expressions:

$$P = EI, P = I^2R, \text{ and } P = E^2/R$$

where,

$P$  equals power in watts,

$E$  equals electromotive force in volts,

$I$  equals current in amperes.

To apply the above equations to a typical problem: The voltage drop across a resistor in a power amplifier stage is 50 volts; the current flowing through the resistor is 150 milliamperes. The number of watts the resistor will be required to dissipate is found from the formula:  $P = EI$ , or  $50 \times .150 = 7.5$  watts (.150 ampere is equal to 150 milliamperes). From the foregoing it is seen that a 7.5-watt resistor will safely carry the required current, yet a 10- or 20-watt resistor would ordinarily be used to provide a safety factor.

**Efficiency and Energy** The *efficiency* of any device is the ratio of the usable power output to the power input. For electrical devices, the equation is:

$$E = \frac{P_o}{P_{in}}$$

where,

$E$  equals efficiency expressed as a decimal,

$P_o$  equals power output in watts,

$P_{in}$  equals power input in watts.

*Electrical energy* is work and may be expressed in *watt-hours* (Wh):

$$J = PT$$

where,

$J$  equals energy in watt-hours,

$P$  equals power in watts,

$T$  equals time in hours.

In industry, energy is usually measured in *kilowatt-hours* (kWh).

**Power, Energy and Work** It is important to remember that power (expressed in watts, horsepower, etc.), represents the *rate* of energy consumption or the *rate* of doing work. But when we pay

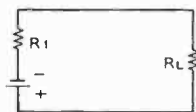


Figure 11  
MATCHING OF  
RESISTANCES

To deliver the greatest amount of power to the load, the load resistance  $R_L$  should be equal to the internal resistance of the battery  $R_1$ .

our electric bill to the power company we have purchased a specific *amount* of energy or *work* expressed in the common units of *kilowatt-hours*. Thus *rate* of energy consumption (watts or kilowatts) multiplied by *time* (seconds, minutes, or hours) gives us *total energy* or *work*. Other units of energy are the watt-second, Btu, calorie, erg, and joule.

**Heating Effect** Heat is generated when a source of voltage causes a current to flow through a resistor (or, for that matter, through any conductor). As explained earlier, this is due to the fact that heat is given off when free electrons collide with the atoms of the material. More heat is generated in high-resistance materials than in those of low resistance, since the free electrons must strike the atoms harder to knock off other electrons. As the heating effect is a function of the current flowing and the resistance of the circuit, the power expended in heat is given by the formula:

$$P = I^2R.$$

**Lethal Electric Currents** While the examples given in the preceding pages have been concerned with relatively low voltages, certain electronic equipments contain extremely high voltages which are a deadly hazard. The human body is very sensitive to electric currents and appreciation of the dangerous effects of electric shock is necessary to maintain eternal vigilance in matters pertaining to electrical safety.

Alternating current, in particular, is especially dangerous, since a current of only

a few milliamperes flowing through the body will cause muscular contraction, resulting in the inability of the victim to release his grasp on a live conductor. The maximum current at which a person is still capable of releasing a conductor by using muscles affected by the current is termed the *let-go current*. Currents only slightly in excess of this value may "freeze" the victim to the circuit with lethal effects. The average let-go current, found by experiment at the University of California in carefully controlled tests, was approximately 16 milliamperes for men and 10.5 milliamperes for women. Safe let-go currents for men and women are considered to be 9 and 6 milliamperes, respectively.

A severe electrical shock can produce ventricular fibrillation, or heart spasm, in a human which can bring death within minutes. Resuscitation techniques must be applied immediately if the victim is to be saved.

The accepted treatment consists of prompt rescue and immediate and continuous application of artificial respiration, preferably the mouth-to-mouth method.

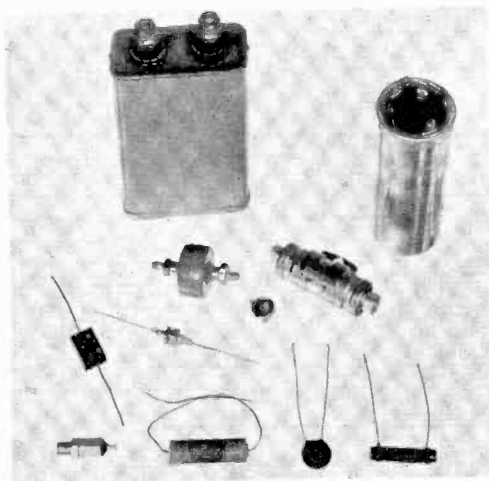


Figure 12

### TYPICAL FIXED CAPACITORS

The two large units are high-value filter capacitors. Shown beneath these are various types of bypass capacitors for r-f and audio applications.

If the rescuer has been trained, artificial respiration should be combined with closed-chest cardiac massage, and resuscitation con-

tinued all the time the victim is being transported to the hospital. In addition to cardiac arrest, high currents may produce fatal damage to the central nervous system and deep burns.

Experimenters working with solid-state circuits often develop sloppy work habits, adjusting and modifying the equipment while the primary power is left running. This is a dangerous habit, because if the individual turns to work with vacuum-tube circuits or high-voltage power supplies, he may inadvertently expose himself to lethal high-voltage circuits. For safety's sake, electronic equipment of any size or power should never be worked on, or tested, unless the power is removed. If tests are to be run under operating conditions, the experimenter should be well clear of the equipment before the power is turned on.

## 2-3 Electrostatics and Capacitors

Electrical energy can be stored in an *electrostatic field*. A device capable of storing energy in such a field is called a *capacitor* (in earlier usage the term *condenser* was frequently used but the IEEE standards call for the use of capacitor instead of condenser) and is said to have a certain *capacitance*. The *energy* stored in an electrostatic field is expressed in *joules* (watt-seconds) and is equal to  $CE^2/2$ , where  $C$  is the capacitance in *farads* (a unit of capacitance to be discussed) and  $E$  is the potential in volts. The *charge* ( $Q$ ) is equal to  $CE$ , the charge being expressed in *coulombs*.

**Capacitance and Capacitors** Two conducting areas, or plates, separated from each other by a thin layer of insulating material (called a *dielectric*, in this case) form a *capacitor*. When a source of dc potential is momentarily applied across these plates, they may be said to become charged. If the same two plates are then joined together momentarily by means of a switch, the capacitor will *discharge*.

When the potential was first applied, electrons immediately flowed from one plate to the other through the battery or such



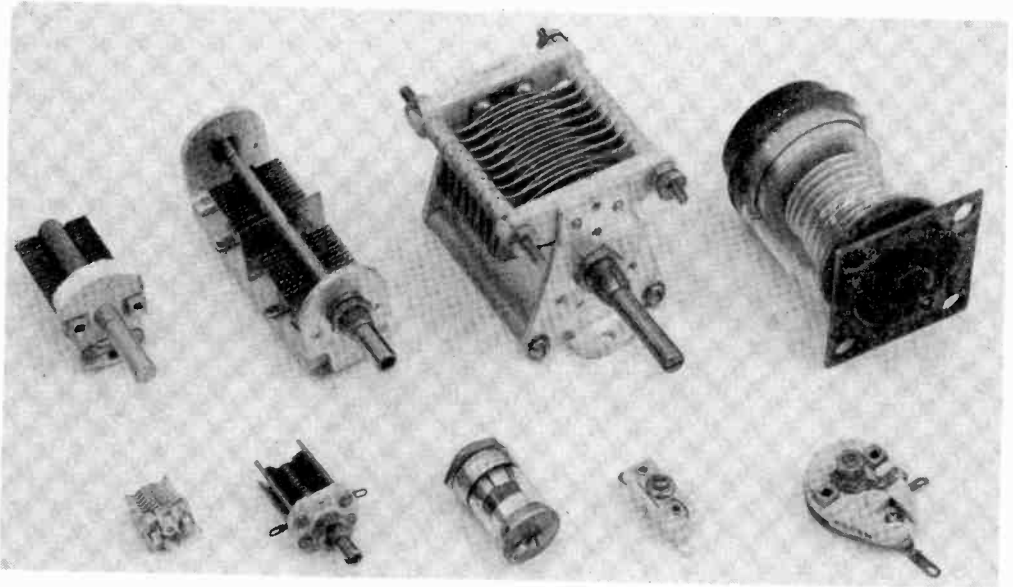


Figure 13

At top left are three variable air capacitors intended for hf/vhf use. At the right is a small variable vacuum capacitor intended for high-voltage service. Across the bottom are (left to right): two sub-miniature variable split-stator capacitors, a precision "plunger" capacitor, a compression mica capacitor, and a variable ceramic trimming capacitor.

source of dc potential as was applied to the capacitor plates. However, the circuit from plate to plate in the capacitor was *incomplete* (the two plates being separated by an insulator) and thus the electron flow ceased, meanwhile establishing a shortage of electrons on one plate and a surplus of electrons on the other.

When a deficiency of electrons exists at one end of a conductor, there is always a tendency for the electrons to move about in such a manner as to re-establish a state of balance. In the case of the capacitor herein discussed, the surplus quantity of electrons on one of the capacitor plates cannot move to the other plate because the circuit has been broken; that is, the battery or dc potential was removed. This leaves the capacitor in a *charged* condition; the capacitor plate with the electron *deficiency* is *positively* charged, the other plate being *negative*.

In this condition, a considerable stress exists in the insulating material (dielectric) which separates the two capacitor plates, due to the mutual attraction of two unlike potentials on the plates. This stress is known

TABLE 5. DIELECTRIC MATERIALS

Material	Dielectric Constant 10 MHz	Power Factor 10 MHz	Softening Point Fahrenheit
Aniline-Formaldehyde Resin	3.4	0.004	260°
Barium Titanate	1200	1.0	—
Castor Oil	4.67		
Cellulose Acetate	3.7	0.04	180°
Glass, Window	6-8	Poor	2000°
Glass, Pyrex	4.5	0.02	
Kel-F Fluorothene	2.5	0.6	—
Methyl-Methacrylate-Lucite	2.6	0.007	160°
Mica	5.4	0.0003	
Mycalex Mykroy	7.0	0.002	650°
Phenol-Formaldehyde, Low-Loss Yellow	5.0	0.015	270°
Phenol-Formaldehyde Black Bakelite	5.5	0.03	350°
Porcelain	7.0	0.005	2800°
Polyethylene	2.25	0.0003	220°
Polystyrene	2.55	0.0002	175°
Quartz, Fused	4.2	0.0002	2600°
Rubber Hard-Ebonite	2.8	0.007	150°
Steatite	6.1	0.003	2700°
Sulfur	3.8	0.003	236°
Teflon	2.1	.0006	—
Titanium Dioxide	100-175	0.0006	2700°
Transformer Oil	2.2	0.003	
Urea-Formaldehyde	5.0	0.05	260°
Vinyl Resins	4.0	0.02	200°
Wood, Maple	4.4	Poor	

known as *electrostatic energy*, as contrasted with *electromagnetic energy* in the case of an inductor. This charge can also be called *potential energy* because it is capable of performing work when the charge is released through an external circuit. The charge is proportional to the voltage but the energy is proportional to the voltage squared, as shown in the following example.

The charge represents a definite amount of electricity, or a given number of electrons. The potential energy possessed by these electrons depends not only on their number, but also on their potential, or voltage. Thus, a 1- $\mu\text{F}$  capacitor charged to 1000 volts possesses twice as much *potential energy* as does a 2- $\mu\text{F}$  capacitor charged to 500 volts, though the charge (expressed in coulombs:  $Q = CE$ ) is the same in either case.

**The Unit of Capacitance: The Farad** If the external circuit of the two capacitor plates is completed by joining the terminals together with a piece of wire, the electrons will rush immediately from one plate to the other through the external circuit and establish a state of equilibrium. This latter phenomenon explains the *discharge* of a capacitor. The amount of stored energy in a charged capacitor is dependent on the charging potential, as well as a factor which takes into account the *size* of the plates, *dielectric thickness*, *nature* of the dielectric, and the *number* of plates. This factor, which is determined by the foregoing, is called the *capacitance* of a capacitor and is expressed in *farads*.

The farad has the dimensions of one coulomb of electricity added to a capacitor by an applied voltage of one volt. Since this unit is too large for practical use in electronics, a smaller unit, the *microfarad* ( $10^{-6}$  farad) abbreviated  $\mu\text{F}$ , is used. A smaller unit, the *picofarad* ( $10^{-12}$  farad) abbreviated  $\text{pF}$ , is also used in the communication industry.

**Dielectric Materials** Although any substance which has the characteristics of a good insulator may be used as a dielectric material, commercially manufactured capacitors make use of dielectric materials which have been selected because their char-

acteristics are particularly suited to the job at hand. Air is a very good dielectric material, but an air-spaced capacitor contains a large volume per unit of capacitance, as the dielectric constant of air is only slightly greater than one.

Certain materials such as lucite and other plastics dissipate considerable energy when used as capacitor dielectrics. This energy loss is expressed in terms of the *power factor*, or *dissipation factor*, of the capacitor which represents the portion of the input volt-amperes lost in the dielectric.

Better materials such as mylar, polystyrene, mica, ceramic, and titanium dioxide are especially well suited for dielectric material, and capacitors made of these materials are discussed at length in chapter 17.

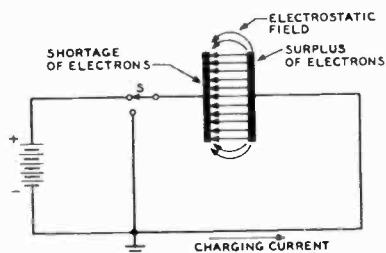


Figure 14  
SIMPLE CAPACITOR

Illustrating the imaginary lines of force representing the paths along which the repelling force of the electrons would act on a free electron located between the two capacitor plates.

**Dielectric Constant** The capacitance of a capacitor is determined by the thickness and nature of the dielectric material between plates. Certain materials offer a greater capacitance than others, depending on their physical makeup and chemical constitution. This property is expressed by a constant  $K$ , called the *dielectric constant*. ( $K = 1$  for air.)

**Dielectric Breakdown** If the charge becomes too great for a given thickness of a certain dielectric, the capacitor will break down, i.e., the dielectric will puncture. It is for this reason that capacitors are rated in the manner of the amount of voltage they will safely withstand as well

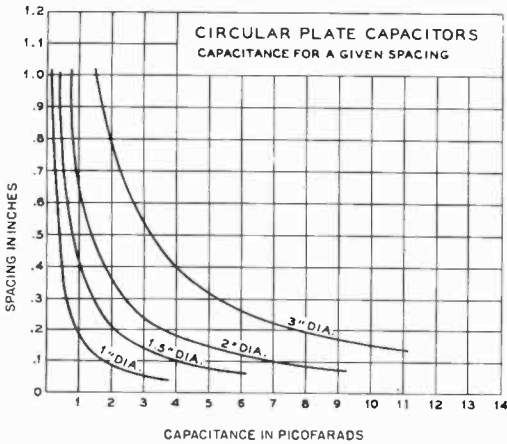


CHART 1

Through the use of this chart it is possible to determine the required plate diameter (with the necessary spacing established by peak voltage considerations) for a circular-plate capacitor. The capacitance given is between adjacent faces of the two plates.

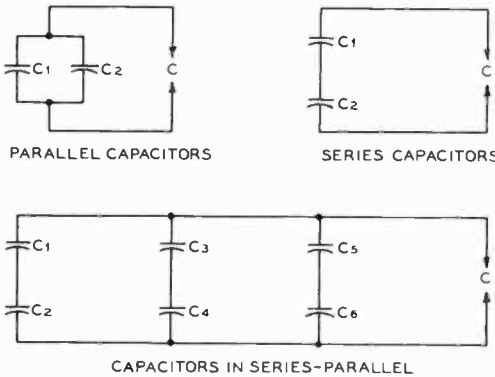


Figure 15

**CAPACITORS IN SERIES, PARALLEL, AND SERIES-PARALLEL**

as the capacitance in microfarads. This rating is commonly expressed as the *dc working voltage (dcwv)*.

**Calculation of Capacitance** The capacitance of two parallel plates may be determined with good accuracy by the following formula:

$$C = 0.2248 \times K \times \frac{A}{t}$$

where,

- C equals capacitance in picofarads,
- K equals dielectric constant of spacing material,
- A equals area of dielectric in square inches,
- t equals thickness of dielectric in inches.

This formula indicates that the capacitance is *directly* proportional to the area of the plates and *inversely* proportional to the thickness of the dielectric (spacing between the plates). This simply means that when the area of the plate is doubled, the spacing between plates remaining constant, the capacitance will be doubled. Also, if the area of the plates remains constant, and the plate spacing is doubled the capacitance will be reduced to half.

The above equation also shows that capacitance is directly proportional to the dielectric constant of the spacing material. An air-spaced capacitor that has a capacitance of 100 pF in air would have a capacitance of 467 pF when immersed in castor oil, because the dielectric constant of castor oil is 4.67 times as great as the dielectric constant of air.

Where the area of the plate is definitely set, when it is desired to know the spacing needed to secure a required capacitance,

$$t = \frac{A \times 0.2248 \times K}{C}$$

where all units are expressed just as in the preceding formula. This formula is not confined to capacitors having only square or rectangular plates, but also applies when the plates are circular in shape. The only change will be the calculation of the *area* of such circular plates; this area can be computed by squaring the *radius* of the plate, then multiplying by  $\pi$  (3.14).

The capacitance of a multiplate capacitor can be calculated by taking the capacitance of one section and multiplying this by the number of dielectric spaces. In such cases, however, the formula gives no consideration to the effects of edge capacitance; so the capacitance as calculated will not be entirely accurate. These additional capacitances will be but a small part of the effective total capacitance, particularly when the plates are reasonably large and thin, and the final

result will, therefore, be within practical limits of accuracy.

**Capacitors in Parallel and in Series** Equations for calculating capacitances of capacitors in *parallel* connections are the same as those for resistors in *series*.

$$C_T = C_1 + C_2 + \dots + C_n$$

Capacitors in *series* connection are calculated in the same manner as are resistors in *parallel* connection.

The formulas are repeated: (1) For two or more capacitors of *unequal* capacitance in series:

$$C_T = \frac{1}{\frac{1}{C_1} + \frac{1}{C_2} + \frac{1}{C_3}}$$

or, 
$$\frac{1}{C_T} = \frac{1}{C_1} + \frac{1}{C_2} + \frac{1}{C_3}$$

(2) Two capacitors of *unequal* capacitance in series:

$$C_T = \frac{C_1 \times C_2}{C_1 + C_2}$$

(3) Three capacitors of *equal* capacitance in series:

$$C_T = \frac{C_1}{3}$$

where,

$C_1$  is the common capacitance.

(4) Three or more capacitors of *equal* capacitance in series.

$$C_T = \frac{\text{Value of common capacitance}}{\text{Number of capacitors in series}}$$

(5) Six capacitors in series-parallel:

$$C_T = \frac{1}{\frac{1}{C_1} + \frac{1}{C_2}} + \frac{1}{\frac{1}{C_3} + \frac{1}{C_4}} + \frac{1}{\frac{1}{C_5} + \frac{1}{C_6}}$$

**Capacitors in AC and DC Circuits** When a capacitor is connected into a direct-current circuit, it will block the dc, or stop the flow of current. Beyond the initial movement of electrons during the

period when the capacitor is being charged, there will be no flow of current because the circuit is effectively broken by the dielectric of the capacitor.

Strictly speaking, a very small current may actually flow because the dielectric of the capacitor may not be a perfect insulator. This minute current flow is the leakage current previously referred to and is dependent on the internal dc resistance of the capacitor. This leakage current is usually quite noticeable in most types of electrolytic capacitors.

When an alternating current is applied to a capacitor, the capacitor will charge and discharge a certain number of times per second in accordance with the frequency of the alternating voltage. The electron flow in the charge and discharge of a capacitor when an ac potential is applied constitutes an alternating current, in effect. It is for this reason that a capacitor will pass an alternating current yet offer practically infinite opposition to a direct current. These two properties are repeatedly in evidence in electronic circuits.

**Voltage Rating of Capacitors in Series** Any good, modern-dielectric capacitor has such a high internal resistance that the exact resistance will vary considerably from capacitor to capacitor even though they are made by the same manufacturer and are of the same rating. Thus, when 1000 volts dc are connected across two 1- $\mu$ F 500-volt capacitors in series, the chances are that the voltage will divide unevenly; one capacitor will receive more than 500 volts and the other less than 500 volts.

**Voltage Equalizing Resistors** By connecting a half-megohm 1-watt carbon resistor across each capacitor, the voltage will be equalized because the resistors act as a voltage divider, and the internal resistances of the capacitors are so much higher (many megohms) that they have but little effect in disturbing the voltage divider balance (figure 16).

Carbon resistors of the inexpensive type are not particularly accurate (not being designed for precision service); therefore it is advisable to check several on an accurate

ohmmeter to find some that are as close as possible in resistance. The exact resistance is unimportant, just so it is the same for the resistors used.

**Capacitors in Series on AC** When two capacitors are connected in series, *alternating* voltage pays no heed to the relatively high internal resistance of each capacitor, but divides across the capacitors in inverse proportion to the *capacitance*. Because, in addition to the dc voltage across a capacitor in a filter or audio amplifier circuit there is usually an ac or audio-frequency voltage component, it is inadvisable to series-connect capacitors of unequal capacitance even if dividers are provided to keep the dc voltages within the ratings of the individual capacitors.

For instance, if a 500-volt  $1\text{-}\mu\text{F}$  capacitor is used in series with a  $4\text{-}\mu\text{F}$  500-volt capacitor across a 250-volt ac supply, the  $1\text{-}\mu\text{F}$  capacitor will have 200 ac volts across it and the  $4\text{-}\mu\text{F}$  capacitor only 50 volts. An equalizing divider, to do any good in this case, would have to be of very low resistance because of the comparatively low impedance of the capacitors to alternating current. Such a divider would draw excessive current and be impracticable.

The safest rule to follow is to use only capacitors of the same capacitance and voltage rating and to install matched high-resistance proportioning resistors across the various capacitors to equalize the dc voltage drop across each capacitor. This holds regardless of how many capacitors are series-connected.

**Electrolytic Copacitors** *Electrolytic capacitors* use a very thin film of oxide as the dielectric, and are polarized; that is, they have a positive and a negative terminal which must be properly connected in a circuit; otherwise, the oxide will break down and the capacitor will overheat. The unit then will no longer be of service. When electrolytic capacitors are connected in series, the positive terminal is always connected to the positive lead of the power supply; the negative terminal of the capacitor con-

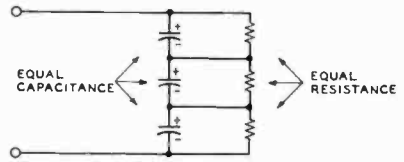


Figure 16  
SHOWING THE USE OF VOLTAGE  
EQUALIZING RESISTORS ACROSS  
CAPACITORS CONNECTED IN SERIES

nects to the *positive* terminal of the *next* capacitor in the series combination.

## 2-4 Magnetism and Electromagnetism

The common bar or horseshoe magnet is familiar to most people. The magnetic field which surrounds it causes the magnet to attract other magnetic materials, such as iron nails or tacks. Exactly the same kind of magnetic field is set up around any conductor carrying a current, but the field exists only while the current is flowing.

**Magnetic Fields** Before a potential, or voltage, is applied to a conductor there is no external field, because there is no general movement of the electrons in one direction. However, the electrons do progressively move along the conductor when an e.m.f. is applied, the direction of motion depending on the polarity of the e.m.f. Since each electron has an electric field about it, the flow of electrons causes these fields to build up into a resultant external field which acts in a plane at right angles to the direction in which the current is flowing. This field is known as the *magnetic field*. The magnetic field is composed of *magnetic lines of force*, as illustrated in figure 17.

The direction of this magnetic field depends entirely on the direction of electron drift, or current flow, in the conductor. When the flow is toward the observer, the field about the conductor is clockwise; when the flow is away from the observer, the field is counterclockwise. This is easily remembered

if the left hand is clenched, with the thumb outstretched and pointing in the direction of electron flow. The fingers then indicate the direction of the magnetic field around the conductor.

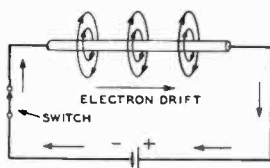


Figure 17

### LEFT-HAND RULE

Showing the direction of the magnetic lines of force produced around a conductor carrying an electric current.

Each electron adds its field to the total external magnetic field, so that the greater the number of electrons moving along the conductor, the stronger will be the resulting field. The strength of the field, thus, is directly proportional to the current flowing in the conductor.

One of the fundamental laws of magnetism is that *like poles repel one another and unlike poles attract one another*. This is true of current-carrying conductors as well as of permanent magnets. Thus, if two conductors are placed side by side and the current in each is flowing in the same direction, the magnetic fields will also be in the same direction and will combine to form a larger and stronger field. If the current flow in adjacent conductors is in opposite directions, the magnetic fields oppose each other and tend to cancel.

The magnetic field around a conductor may be considerably increased in strength by winding the wire into a coil. The field around each wire then combines with those of the adjacent turns to form a total field through the coil which is concentrated along the axis of the coil and behaves externally in a way similar to the field of a bar magnet.

If the left hand is held so that the thumb is outstretched and parallel to the axis of a coil, with the fingers curled to indicate the direction of electron flow around the turns of the coil, the thumb then points in the

direction of the north pole of the magnetic field.

**The Magnetic Circuit** In the magnetic circuit, the units which correspond to current, voltage, and resistance in the electrical circuit are *flux*, *magnetomotive force*, and *reluctance*.

**Flux; Flux Density** As a current is made up of a drift of electrons, so is a magnetic field made up of lines of force, and the total number of lines of force in a given magnetic circuit is termed the *flux*. The flux depends on the material, cross section, and length of the magnetic circuit, and it varies directly as the current flowing in the circuit. The unit of flux is the *weber*, or *maxwell* and the symbol is  $\phi$  (phi).

*Flux density* is the number of lines of force per unit area. It is expressed in *gauss* if the unit of area is the square centimeter (1 gauss = 1 line of force per square centimeter), or in *lines per square inch*. The symbol for flux density is  $B$  if it is expressed in gauss, or  $B$  if expressed in lines per sq. in.

**Magnetomotive Force** The force which produces a flux in a magnetic circuit is called *magnetomotive force*. It is abbreviated m.m.f. and is designated by the letter  $F$ . The unit of magnetomotive force is the *gilbert*, which is equivalent to  $1.26 \times NI$ , where  $N$  is the number of turns and  $I$  is the current flowing in the circuit in amperes.

The m.m.f. necessary to produce a given flux density is stated in gilberts per centimeter (oersteds) ( $H$ ), or in ampere-turns per inch ( $H$ ).

**Reluctance** Magnetic reluctance corresponds to electrical resistance, and is the property of a material that opposes the creation of a magnetic flux in the material. It is expressed in *rels*, and the symbol is the letter  $R$ . A material has a reluctance of 1 rel when an m.m.f. of 1 ampere-turn ( $NI$ ) generates a flux of 1 line of force in it. Combinations of reluctances are treated the same as resistances in finding the total ef-

fective reluctance. The *specific reluctance* of any substance is its reluctance per unit volume.

Except for iron and its alloys, most common materials have a specific reluctance very nearly the same as that of a vacuum, which, for all practical purposes, may be considered the same as the specific reluctance of air.

The relations between flux, magnetomotive force, and reluctance are exactly the same as the relations between current, voltage, and resistance in the electrical circuit. These can be stated as follows:

$$\phi = \frac{F}{R} \quad R = \frac{F}{\phi} \quad F = \phi R$$

where,

$\phi$  equals flux,

$F$  equals m.m.f.,

$R$  equals reluctance.

**Permeability** *Permeability* expresses the ease with which a magnetic field may be set up in a material as compared with the effort required in the case of air. Iron, for example, has a permeability of around 2000 times that of air, which means that a given amount of magnetizing effort produced in an iron core by a current flowing through a coil of wire will produce 2000 times the flux density that the same magnetizing effect would produce in air. It may be expressed by the ratio  $B/H$  or  $B/H$ . In other words,

$$\mu = \frac{B}{H} \quad \text{or} \quad \mu = \frac{B}{H}$$

where  $\mu$  is the permeability,  $B$  is the flux density in gauss,  $B$  is the flux density in lines per square inch,  $H$  is the m.m.f. in gilberts per centimeter (*oersteds*), and  $H$  is the m.m.f. in *ampere-turns* per inch.

It can be seen from the foregoing that permeability is inversely proportional to the specific reluctance of a material.

**Saturation** Permeability is similar to *electric conductivity*. This is, however, one important difference: the permeability of magnetic materials is not independent of the magnetic current (flux) flowing through

it, although electrical conductivity is substantially independent of the electric current in a wire. When the flux density of a magnetic conductor has been increased to the *saturation point*, a further increase in the magnetizing force will not produce a corresponding increase in flux density.

**B-H Curve** To simplify magnetic circuit calculations, a magnetization curve may be drawn for a given unit of material. Such a curve is termed a B-H curve, and may be determined by experiment. When the current in an iron-core coil is first applied, the relation between the winding current and the core flux is shown at A-B in figure 18. If the current is then reduced to zero, reversed, brought back again to zero and reversed to the original direction, the flux passes through a typical hysteresis loop as shown.

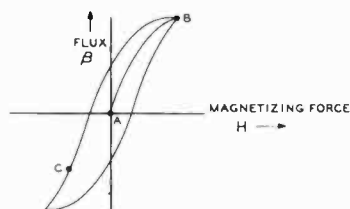


Figure 18

### TYPICAL HYSTERESIS LOOP (B-H CURVE = A-B)

Showing relationship between the current in the winding of an iron-core inductor and the core flux. A direct current flowing through the inductance brings the magnetic state of the core to some point on the hysteresis loop, such as C.

The magnetism remaining in a material after the magnetizing force is removed is called *residual magnetism*. *Retentivity* is the property which causes a magnetic material to have residual magnetism after having been magnetized.

*Hysteresis* is the characteristic of a magnetic system which causes a loss of power due to the fact that a reverse magnetizing force must be applied to reduce the residual magnetism to zero. This reverse force is termed *coercive force*. Hysteresis loss is apparent in transformers and chokes by the heating of the core.

**Inductance** *Inductance* ( $L$ ) is the property of an electrical circuit whereby changes in current flowing in the circuit produce changes in the magnetic field such that a counter-e.m.f. is set up in that circuit or in neighboring ones. If the counter-e.m.f. is set up in the original circuit, it is called *self-inductance* and if it is set up in neighboring circuit it is called *mutual inductance*.

The unit of inductance is the *henry* ( $H$ ) and is defined as that value of inductance in which an induced e.m.f. of one volt is produced when the inducing current is varied at the rate of one ampere per second. The henry is commonly subdivided into several smaller units, the *millihenry* ( $10^{-3}$  henry) abbreviated *mH*, the *microhenry* ( $10^{-6}$  henry) abbreviated  $\mu H$  and the *nanohenry* ( $10^{-9}$  henry), abbreviated *nH*.

The storage of energy in a magnetic field is expressed in *joules* and is equal to  $LI^2/2$  and the dimensions are in watt-seconds.

**Mutual Inductance** When one coil is near another, a varying current in one will produce a varying magnetic field which cuts the turns of the other coil, inducing a current in it. This induced current is also varying, and will therefore induce another current in the first coil. This reaction between two coupled circuits is called *mutual inductance*, and can be calculated and expressed in henrys. The symbol for mutual inductance is  $M$ . Two circuits thus joined are said to be *inductively coupled*.

The magnitude of the mutual inductance depends on the shape and size of the two circuits, their positions and distances apart, and the permeability of the medium. The extent to which two inductors are coupled is expressed by a relation known as *coefficient of coupling* ( $k$ ). This is the ratio of the mutual inductance actually present to the maximum possible value.

Thus, when  $k$  is 1, the coils have the maximum degree of mutual induction.

The mutual inductance of two coils can be formulated in terms of the individual inductances and the coefficient of coupling:

$$M = k \sqrt{L_1 \times L_2}$$

For example, the mutual inductance of two coils, each with an inductance of 10 henrys and a coupling coefficient of 0.8 is:

$$M = 0.8 \sqrt{10 \times 10} = 0.8 \times 10 = 8$$

The formula for mutual inductance is  $L = L_1 + L_2 + 2M$  when the coils are poled so that their fields add. When they are poled so that their fields buck, then  $L = L_1 + L_2 - 2M$  (figure 19).

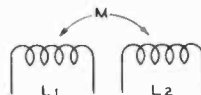


Figure 19

**MUTUAL INDUCTANCE**

The quantity  $M$  represents the mutual inductance between the two coils  $L_1$  and  $L_2$ .

**Inductors in Parallel** Inductors in parallel are combined exactly as are resistors in parallel, provided that they are far enough apart so that the mutual inductance is entirely negligible.

**Inductors in Series** Inductors in series are additive, just as are resistors in series, again provided that no mutual inductance exists. In this case, the total inductance  $L$  is:

$$L = L_1 + L_2 + \dots, \text{ etc.}$$

Where mutual inductance does exist:

$$L = L_1 + L_2 + 2M$$

where,

$M$  is the mutual inductance.

This latter expression assumes that the coils are connected in such a way that all flux linkages are in the same direction, i.e., additive. If this is not the case and the mutual linkages *subtract* from the self-linkages, the following formula holds:

$$L = L_1 + L_2 - 2M$$

where,

$M$  is the mutual inductance.

**Core Material** Ordinary magnetic cores cannot be used for radio frequencies because the *eddy current and hysteresis losses* in the core material become enormous



as the frequency is increased. The principal use for conventional magnetic cores is in the audio-frequency range below approximately 15,000 Hertz, whereas at very low frequencies (50 to 60 Hertz) their use is mandatory if an appreciable value of inductance is desired.

An air-core inductor of only 1 henry inductance would be quite large in size, yet values as high as 500 henrys are commonly available in small iron-core chokes. The inductance of a coil with a magnetic core will vary with the amount of current (both ac and dc) which passes through the coil. For this reason, iron-core chokes that are used in power supplies have a certain inductance rating at a *predetermined value of direct current*.

The permeability of air does not change with flux density; so the inductance of iron-core coils often is made less dependent on flux density by making part of the magnetic path air, instead of utilizing a closed loop of iron. This incorporation of an *air gap* is necessary in many applications of iron-core coils, particularly where the coil carries a considerable dc component. Because the permeability of air is so much lower than that of iron, the air gap need *comprise* only a small fraction of the magnetic circuit in order to provide a substantial proportion of the total reluctance.

**Inductors at Radio Frequencies** Inductors of all forms are used at frequencies up into the microwave region. Air, iron, ferrite and brass are common core materials and the coils may either be the solenoid type, or toroidal. The design

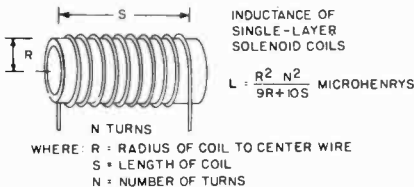


Figure 20

**FORMULA FOR CALCULATING INDUCTANCE**

Through the use of the equation and the sketch shown above the inductance of single-layer solenoid coils can be calculated with an accuracy of about one percent for the types of coils normally used in the hf and vhf range.

and use of these coils is covered in chapter 17 of this handbook.

**2-5 RC and RL Transients**

A voltage divider may be constructed as shown in figure 21. Kirchhoff's and Ohm's Laws hold for such a divider. This circuit is known as an *RC circuit*.

**Time Constant- RC and RL Circuits** When switch S in figure 21 is placed in position 1, a voltmeter across capacitor C will indicate the manner in which the capacitor will become charged through the resistor R from battery B. If relatively large values are used for R and C, and if a high-impedance voltmeter which draws negligible current is used to measure the voltage (e), the rate of charge of the capacitor may actually be plotted with the aid of a timer.

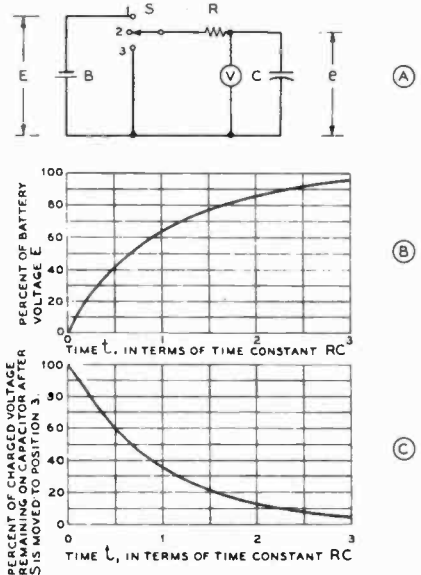
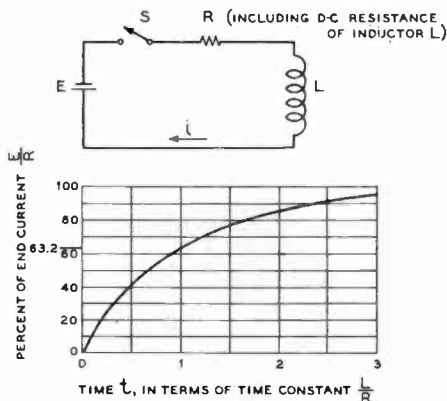


Figure 21  
**TIME CONSTANT OF AN RC CIRCUIT**

Shown at (A) is the circuit upon which is based the curves of (B) and (C). (B) shows the rate at which capacitor C will charge from the instant at which switch S is placed in position 1. (C) shows the discharge curve of capacitor C from the instant at which switch S is placed in position 3.



**Figure 22**  
**TIME CONSTANT OF AN RL CIRCUIT**

Note that the time constant for the increase in current through an R L circuit is identical to the rate of increase in voltage across the capacitor in an R C circuit.

**Voltage Gradient** It will be found that the voltage ( $e$ ) will begin to rise rapidly from zero the instant the switch is closed. Then, as the capacitor begins to charge, the rate of change of voltage across the capacitor will be found to decrease, the charging taking place more and more slowly as capacitor voltage  $e$  approaches battery voltage  $E$ . Actually, it will be found that in any given interval a constant percentage

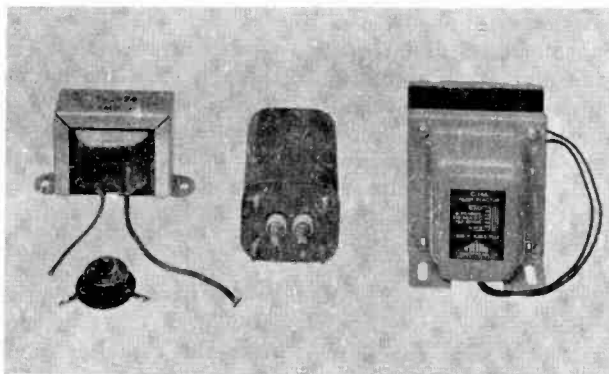
of the remaining difference between  $e$  and  $E$  will be delivered to the capacitor as an increase in voltage. A voltage which changes in this manner is said to increase *logarithmically*, or follows an *exponential* curve.

**Time Constant** A mathematical analysis of the charging of a capacitor in this manner would show that the relationship between battery voltage  $E$  and the voltage across the capacitor ( $e$ ) could be expressed in the following manner:

$$e = E (1 - e^{-t/RC})$$

where  $e, E, R,$  and  $C$  have the values discussed above,  $e = 2.718$  (the base of Napierian or natural logarithms), and  $t$  represents the time which has elapsed since the closing of the switch. With  $t$  expressed in seconds,  $R$  and  $C$  may be expressed in farads and ohms, or  $R$  and  $C$  may be expressed in microfarads and megohms. The product  $RC$  is called the *time constant* of the circuit, and is expressed in seconds. As an example, if  $R$  is one megohm and  $C$  is one microfarad, the time constant  $RC$  will be equal to the product of the two, or one second.

When the elapsed time ( $t$ ) is equal to the time constant of the  $RC$  network under consideration, the exponent of  $e$  becomes  $-1$ . Now  $e^{-1}$  is equal to  $1/e$ , or  $1/2.718$ ,



**Figure 23**  
**TYPICAL IRON-CORE INDUCTANCES**

At the right is an upright mounting filter choke intended for use in low-powered transmitters and audio equipment. At the center is a hermetically sealed inductance for use under poor environmental conditions. To the left is an inexpensive receiving-type choke, with a small iron-core r-f choke directly in front of it.

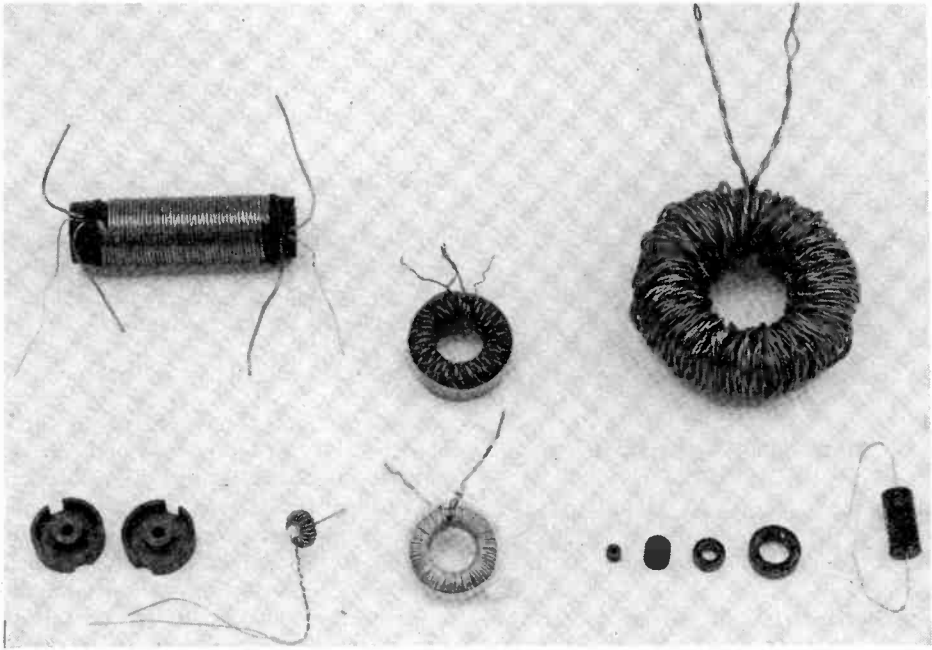


Figure 24  
TRIFILAR, TOROIDAL, AND CUP-CORE INDUCTORS

At top left is a trifilar (three-winding) filament choke wound on a ferrite rod. To the right are two toroid inductors with bifilar windings on ferrite cores. At the lower left is a ferrite cup-core assembly, with two miniature ferrite toroid inductors at the center. To the lower right are typical miniature ferrite toroid cores and an encapsulated ferrite-core r-f choke.

which is 0.368. The quantity  $(1 - 0.368)$  then is equal to 0.632. Expressed as percentage, the above means that the voltage across the capacitor will have increased to 63.2 per cent of the battery voltage in an interval equal to the time constant or  $RC$  product of the circuit. Then, during the next period equal to the time constant of the  $RC$  combination, the voltage across the capacitor will have risen to 63.2 per cent of the remaining difference in voltage, or 86.5 per cent of the applied voltage ( $E$ ).

**RL Circuit** In the case of a series combination of a resistor and an inductor, as shown in figure 22, the current through the combination follows a very similar law to that given above for the voltage appearing across the capacitor in an  $RC$  series circuit. The equation for the current through the combination is:

$$i = \frac{E}{R} (1 - e^{-t/RL})$$

where  $i$  represents the current at any instant through the series circuit,  $E$  represents the applied voltage, and  $R$  represents the total resistance of the resistor and the dc resistance of the inductor in series. Thus the time constant of the  $RL$  circuit is  $L/R$ , with  $R$  expressed in ohms and  $L$  expressed in henrys.

**Voltage Decay** When the switch in figure 21 is moved to position 3 after the capacitor has been charged, the capacitor voltage will drop in the manner shown in figure 21-C. In this case the voltage across the capacitor will decrease to 36.8 per cent of the initial voltage (will make 63.2 per cent of the total drop) in a period of time equal to the time constant of the  $RC$  circuit.

# Alternating Current, Impedance, and Resonant Circuits

The study of electromagnetic waves and radio transmission begins with the observation of electrons in motion, which constitutes an electric current. Of paramount importance is a type of current whose direction of flow reverses periodically. The reversal may take place at a low rate, or it may take place millions of times a second, in the case of communication frequencies. This type of current is termed *alternating current (ac)*.

## 3-1 Alternating Current

An alternating current is one whose amplitude of current flow periodically rises from zero to a maximum in one direction, decreases to zero, changes its direction, rises to maximum in the opposite direction, and decreases to zero again. This complete process, starting from zero, passing through two maximums in opposite directions, and returning to zero again, is called a *cycle*. The number of times per second that a current passes through the complete cycle is called the *frequency (f)* of the current. One and one-quarter cycles of an alternating current wave are illustrated diagrammatically in figure 1.

**Frequency Spectrum** At present the usable frequency range for alternating electrical currents extends over the *electromagnetic spectrum* from about 15 cycles per second to perhaps 30,000,000,000 cycles per second. It is cumbersome to use a frequency designation in c.p.s. for

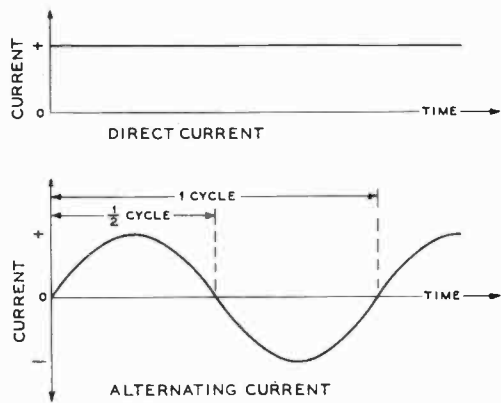


Figure 1

### ALTERNATING CURRENT AND DIRECT CURRENT

Graphical comparison between unidirectional (direct) current and alternating current as plotted against time.

enormously high frequencies, so three common units which are multiples of one cycle per second are established and are universally used by engineers.

The unit of frequency measurement is the *Hertz (Hz)* and is one cycle per second. The standard metric prefixes of *kilo* ( $10^3$ ), *mega* ( $10^6$ ) and *giga* ( $10^9$ ) are used with the basic unit.

The frequencies between 15 and 30,000 Hz are termed *audio frequencies (a-f)* since a portion of this range is audible to the human ear. Frequencies in the vicinity of 60 Hz are also called *power frequencies* since they are commonly used to distribute electric power to the consumer.

The frequencies falling between 3 kHz and 30 GHz are termed *radio frequencies* (r-f) since they are commonly used in radio communication and the allied arts. The radio spectrum is divided into eight frequency bands, each one of which is ten times as high in frequency as the one just below it in the spectrum. The present spectrum, with classifications, is given in Table 1.

**TABLE 1.**  
**FREQUENCY CLASSIFICATION**

FREQUENCY	CLASSIFICATION	DESIGNATION
3 to 30 kHz	Very-low frequency	VLF
30 to 300 kHz	Low frequency	LF
300 to 3000 kHz	Medium frequency	MF
3 to 30 MHz	High frequency	HF
30 to 300 MHz	Very-high frequency	VHF
300 to 3000 MHz	Ultrahigh frequency	UHF
3 to 30 GHz	Superhigh frequency	SHF
30 to 300 GHz	Extremely high frequency	EHF

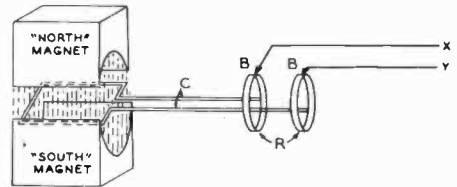
For industrial and military purposes the vhf and uhf portions of the spectrum are divided into sub-bands which have no international standing at present, but which are commonly used in the United States. These bands in round numbers are listed in Table 2.

**TABLE 2.**  
**RADAR FREQUENCY BANDS**

DESIGNATION	FREQUENCY (GHz)
L-band	1.0 - 2.0
S-band	2.0 - 4.0
C-band	4.0 - 8.0
X-band	8.0 - 12.0
K <sub>u</sub> -band	12.0 - 18.0
K-band	18.0 - 27.0
K <sub>a</sub> -band	27.0 - 40.0
Millimeter	40.0 - 300.0

**Generation of Alternating Current** Faraday discovered that if a conductor which forms part of a closed circuit is moved through a magnetic field

so as to cut across the lines of force, a current will flow in the conductor. He also discovered that, when a conductor in a second closed circuit is brought near the first conductor and the current in the first one is varied, a current will flow in the second conductor. This effect is known as *induction*, and the currents so generated are *induced currents*. In the latter case it is the lines of force which are moving and cutting the second conductor, due to the varying current strength in the first conductor.



**Figure 2**  
**THE ALTERNATOR**

Semi-schematic representation of the simplest form of the alternator.

A current is induced in a conductor if there is a relative motion between the conductor and a magnetic field, its direction of flow depending on the direction of the relative motion between the conductor and the field, and its strength depends on the intensity of the field, the rate of cutting lines of force, and the number of turns in the conductor.

**The Alternator** A machine that generates an alternating current is called an *alternator* or *ac generator* (figure 2). It consists of two magnets, the opposite poles of which face each other and which have a common radius. Between the two poles a magnetic field exists and a rotating conductor is suspended in the field in such a way that induced voltage may be taken off by means of collector rings (R) and brushes (B) to an external circuit (X-Y).

When driven from an external source, the direction of current flow in the rotating conductor is continuously changing from positive to negative and back again at a rate determined by the speed of rotation and the construction of the alternator.

The current does not increase directly as the angle of rotation, but rather as the *sine*

of the angle and the current is said to vary *sinusoidally* (figure 3).

The rate at which the complete cycle of current reversal takes place is called the *frequency*, expressed in cycles per second, or *Hertz* (abbreviated *Hz*). The magnitude of the cycle is called the *amplitude*, which is measured at the peak of the cycle.

Another term used with reference to an alternating current is the *period* of the wave, which is defined as the reciprocal of the frequency:

$$\text{Period} = \frac{1}{\text{Frequency}}$$

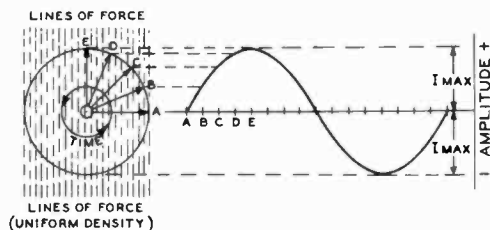


Figure 3

OUTPUT OF THE ALTERNATOR

Graph showing sine-wave output current of the alternator of figure 2.

The arrow rotating to the left in figure 3 represents a conductor rotating in a constant magnetic field of uniform density. The arrow also can be taken as a *vector* representing the strength of the magnetic field. This means that the length of the arrow is determined by the strength of the field (number of lines of force), which is constant. If the arrow is rotating at a constant rate (that is, with constant *angular velocity*), then the voltage developed across the conductor will be proportional to the rate at which it is cutting lines of force, which rate is proportional to the vertical distance between the tip of the arrow and the horizontal base line.

If EO is taken as unity, or a voltage of 1, then the voltage (vertical distance from tip of arrow to the horizontal base line) at point C for instance may be determined simply by referring to a table of sines and looking up the sine of the angle which the arrow makes with the horizontal.

When the arrow has traveled from point A to point E, it has traveled 90 degrees or one quarter cycle. The other three quadrants are not shown because their complementary or mirror relationship to the first quadrant is obvious.

It is important to note that time units are represented by *degrees* or quadrants. The fact that AB, BC, CD, and DE are equal chords (forming equal quadrants) simply means that the arrow (conductor or vector) is traveling at a constant speed, because these points on the radius represent the passage of equal units of time. A sine wave plotted against time is shown in figure 4.

The frequency of the generated voltage is proportional to the speed of rotation of the alternator, and to the number of magnetic poles in the field. Alternators may be built to produce radio frequencies up to 100 kHz, and some such machines are still used for stand-by low-frequency communication. By means of multiple windings, three-phase output may be obtained from large industrial alternators.

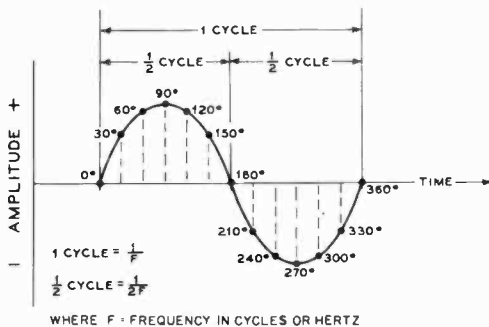


Figure 4

THE SINE WAVE

Illustrating one cycle of a sine wave. One complete cycle of alternation is broken up into 360 degrees. Then one-half cycle is 180 degrees, one-quarter cycle is 90 degrees, and so on down to the smallest division of the wave. A cosine wave has a shape identical to a sine wave but is shifted 90 degrees in phase—in other words the wave begins at zero amplitude, the 90-degree point comes at full amplitude, the 180-degree point comes at zero amplitude in the opposite direction of current flow, etc.

**Radian Notation** The value of an ac wave varies continuously, as shown in figure 1. It is important to know the amplitude of the wave in terms of the

peak amplitude at any instant in the cycle. It is convenient mathematically to divide the cycle either into *electrical degrees* ( $360^\circ$  represents one cycle) or into *radians*. A radian is an arc of a circle equal to the radius of the circle, there being  $2\pi$  radians per cycle (figure 5).

Both radian notation and electrical-degree notation are used in discussions of alternating-current circuits. However, trigonometric tables are much more readily available in terms of degrees than radians, so the following simple conversions are useful.

$$2\pi \text{ radians} = 1 \text{ cycle} = 360^\circ$$

$$\pi \text{ radians} = 1/2 \text{ cycle} = 180^\circ$$

$$1 \text{ radian} = \frac{1}{2\pi} \text{ cycle} = 57.3^\circ$$

When the conductor in the simple alternator of figure 2 has made one complete revolution it has generated one cycle and has rotated through  $2\pi$  radians. The expression  $2\pi f$  then represents the number of radians in one cycle multiplied by the number of cycles per second (the frequency) of the alternating voltage or current.

In technical literature the expression  $2\pi f$  is often replaced by  $\omega$ , (*omega*). Velocity multiplied by time gives the distance travelled, so  $2\pi ft$  (or  $\omega t$ ) represents the angular distance through which the rotating conductor or the rotating vector has travelled since the reference time  $t = 0$ . In the case of a sine wave the reference time  $t = 0$  represents the instant when the voltage or the current, whichever is under discussion, also is equal to zero.

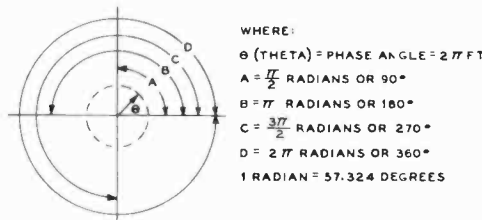


Figure 5

ILLUSTRATING RADIAN NOTATION

The radian is a unit of phase angle, equal to 57.324 degrees. It is commonly used in mathematical relationships involving phase angles since such relationships are simplified when radian notation is used.

**Instantaneous Value of Voltage or Current** The instantaneous voltage or current is proportional to the sine of the angle through which the rotating vector has travelled since reference time  $t = 0$ . Thus, when the peak value of the ac wave amplitude (either voltage or current amplitude) is known, and the angle through which the rotating vector has travelled is established, the amplitude of the wave at this instant can be determined through use of the following expression:

$$e = E_{\max} \sin 2\pi ft$$

where,

- $e$  equals the instantaneous voltage,
- $E_{\max}$  equals maximum peak value of voltage,
- $f$  equals frequency in hertz,
- $t$  equals period of time which has elapsed since  $t = 0$  (expressed as a fraction of one second).

It is often easier to visualize the process of determining the instantaneous amplitude by ignoring the frequency and considering only one cycle of the ac wave. In this case, for a sine wave, the expression becomes:

$$e = E_{\max} \sin \theta$$

where  $\theta$  represents the angle through which the vector has rotated since time (and amplitude) were zero. As examples:

when  $\theta = 60^\circ$

$$\sin \theta = 0.866$$

and  $e = 0.866 E_{\max}$

when  $\theta = 1$  radian

$$\sin \theta = 0.8415$$

and  $e = 0.8415 E_{\max}$

**Effective Value of an Alternating Current** The instantaneous value of an alternating current or voltage varies continuously throughout the cycle, so some value of an ac wave must be chosen to establish a relationship

between the effectiveness of an ac and a dc voltage or current. The heating value of an alternating current has been chosen to establish the reference between the effective values of ac and dc. Thus an alternating current will have an effective value of 1 ampere when it produces the same heat in a resistor as does 1 ampere of direct current.

The effective value is derived by taking the instantaneous values of current over a cycle of alternating current, squaring these values, taking an average of the squares, and then taking the square root of the average. By this procedure, the effective value becomes known as the *root mean square*, or rms, value. This is the value that is read on ac voltmeters and ac ammeters. The rms value is 70.7 percent of the peak or maximum instantaneous value (for sine waves only) and is expressed as follows:

$$E_{\text{eff}} \text{ or } E_{\text{rms}} = 0.707 \times E_{\text{max}}, \text{ or}$$

$$I_{\text{eff}} \text{ or } I_{\text{rms}} = 0.707 \times I_{\text{max}}$$

The following relations are extremely useful in radio and power work:

$$E_{\text{rms}} = 0.707 \times E_{\text{max}}, \text{ and}$$

$$E_{\text{max}} = 1.414 \times E_{\text{rms}}$$

**Rectified Alternating Current or Pulsating Direct Current** If an alternating current is passed through a rectifier, it emerges in the form of a current of varying amplitude which flows in one direction only. Such a current is known as *rectified ac* or *pulsating dc*. A typical wave form of a pulsating direct current as would be obtained from the output of a full-wave rectifier is shown in figure 6.



Figure 6  
FULL-WAVE RECTIFIED SINE WAVE

Waveform obtained at the output of a full-wave rectifier being fed with a sine wave and having 100 percent rectification efficiency. Each pulse has the same shape as one-half cycle of a sine wave. This type of current is known as pulsating direct current.

Measuring instruments designed for dc operation will not read the peak or instantaneous maximum value of the pulsating dc output from the rectifier; they will read only the *average value*. This can be explained by assuming that it could be possible to cut off some of the peaks of the waves, using the cutoff portions to fill in the spaces that are open, thereby obtaining an *average* dc value. A milliammeter and voltmeter connected to the adjoining circuit, or across the output of the rectifier, will read this average value. It is related to *peak* value by the following expression:

$$E_{\text{avg}} = 0.636 \times E_{\text{max}}$$

It is thus seen that the average value is 63.6 percent of the peak value.

**Relationship Between Peak, RMS, or Effective, and Average Values** To summarize the three most significant values of an ac sine wave: the peak value is equal to 1.41 times the rms or effective, and the rms value is equal to 0.707 times the peak value; the average value of a full-wave rectified ac wave is 0.636 times the peak value, and the average value of a rectified wave is equal to 0.9 times the rms value.

- rms = 0.707 × peak
- average = 0.636 × peak
- .....
- average = 0.9 × rms
- rms = 1.11 × average
- .....
- peak = 1.414 × rms
- .....
- peak = 1.57 × average

**Applying Ohm's Law to Alternating Current** Ohm's law applies equally to direct or alternating current, provided the circuits under consideration are purely resistive, that is, circuits which have neither inductance nor capacitance. When capacitive or inductive reactance is introduced in the circuit, Ohm's law still applies, but additional considerations are involved; these will be discussed in a later paragraph.



### 3-2 Reactive Circuits

As was stated in Chapter Two, when a changing current flows through an inductor a back- or counterelectromotive force is developed, opposing any change in the initial current. This property of an inductor causes it to offer opposition or *impedance* to a change in current. The measure of impedance offered by an inductor to an alternating current of a given frequency is known as its *inductive reactance*. This is expressed as  $X_L$  and is shown in figure 7.

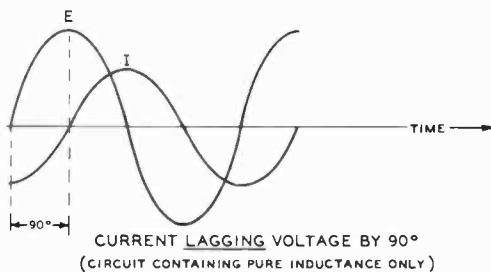


Figure 7

#### LAGGING PHASE ANGLE

Showing the manner in which the current lags the voltage in an ac circuit containing pure inductance only. The lag is equal to one quarter cycle or 90 degrees.

$$X_L = 2\pi fL$$

where,

$X_L$  equals inductive reactance expressed in ohms,  
 $\pi$  equals 3.14,  
 $f$  equals frequency in Hertz,  
 $L$  equals inductance in henrys.

**Inductive Reactance at Radio Frequencies** It is often necessary to compute inductive reactance at radio frequencies. The same formula may be used, but to make it less cumbersome the inductance is expressed in *millihenrys* and the frequency in *kilohertz*. For higher frequencies and smaller values of inductance, frequency is expressed in *megahertz* and inductance in *microhenrys*. The basic equation need not be changed, since the multiplying factors for inductance and frequency appear in numerator and denominator, and are cancelled out. However, it is not possible in the

same equation to express  $L$  in millihenrys and  $f$  in Hertz without conversion factors.

**Capacitive Reactance** Inductive reactance is the measure of the ability of an inductor to offer impedance to the flow of an alternating current. Capacitors have a similar property although in this case the opposition is to any change in the voltage across the capacitor. This property is called *capacitive reactance* and is expressed as follows:

$$X_C = \frac{1}{2\pi fC}$$

where,

$X_C$  equals capacitive reactance in ohms,  
 $\pi$  equals 3.14,  
 $f$  equals frequency in Hertz,  
 $C$  equals capacitance in farads.

**Capacitive Reactance at Radio Frequencies** Here again, as in the case of inductive reactance, the units of capacitance and frequency can be converted into smaller units for practical problems encountered in radio work. The equation may be written:

$$X_C = \frac{10^6}{2\pi fC}$$

where,

$f$  equals frequency in megahertz,  
 $C$  equals capacitance in picofarads.

**Phase** When an alternating current flows through a purely resistive circuit, it will be found that the current will go through maximum and minimum in perfect step with the voltage. In this case the current is said to be in step, or *in phase* with the voltage. For this reason, Ohm's law will apply equally well for *ac* or *dc* where pure resistances are concerned, provided that the same values of the wave (either peak or rms) for both voltage and current are used in the calculations.

However, in calculations involving alternating currents the voltage and current are not necessarily in phase. The current through the circuit may lag behind the

voltage, in which case the current is said to have *lagging* phase. Lagging phase is caused by inductive reactance. If the current reaches its maximum value ahead of the voltage (figure 8) the current is said to have a *leading* phase. A leading phase angle is caused by capacitive reactance.

In an electrical circuit containing reactance only, the current will either lead or lag the voltage by  $90^\circ$ . If the circuit contains inductive reactance only, the current will lag the voltage by  $90^\circ$ . If only capaci-

tive reactance is in the circuit, the current will lead the voltage by  $90^\circ$ .

**Reactances in Combination** Inductive and capacitive reactance have exactly opposite effects on the phase relation between current and voltage in a circuit and when they are used in combination their effects tend to neutralize each other. The combined effect of a capacitive and an inductive reactance is often called the *net reactance* of a circuit. The net reactance ( $X$ ) is found by subtracting the capacitive reactance from the inductive reactance ( $X = X_L - X_C$ ).

The result of such a combination of pure reactances may be either positive, in which case the positive reactance is greater so that the net reactance is inductive, or it may be negative in which case the capacitive reactance is greater so that the net reactance is capacitive. The net reactance may also be zero in which case the circuit is said to be *resonant*. The condition of resonance will be discussed in a later section. Note that inductive reactance is always taken as being positive while capacitive reactance is always taken as being negative.

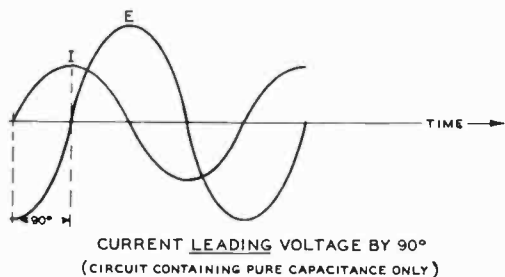


Figure 8

LEADING PHASE ANGLE

Showing the manner in which the current leads the voltage in an ac circuit containing pure capacitance only. The lead is equal to one-quarter cycle or 90 degrees.

TABLE 2. Quantities, Units, and Symbols

Symbol	Quantity	Unit	Abbreviation
$f$	Frequency	hertz	Hz
$\lambda$	Wavelength	meter	M
$X_L$	Inductive Reactance	ohm	$\Omega$
$X_C$	Capacitive Reactance	ohm	$\Omega$
$Q$	Figure of merit	$\frac{\text{reactance}}{\text{resistance}}$	—
$Z$	Impedance	ohm	$\Omega$

<ul style="list-style-type: none"> <li>• = instantaneous value of voltage</li> <li><math>E_{\max}</math> = peak value of voltage</li> <li><math>i</math> = instantaneous value of current</li> <li><math>I_{\max}</math> = peak value of current</li> <li><math>\theta</math> = phase angle, expressed in degrees</li> <li><math>E_{\text{eff}}</math> or <math>E_{\text{rms}}</math> = effective or rms value of voltage</li> <li><math>I_{\text{eff}}</math> or <math>I_{\text{rms}}</math> = effective or rms value of current</li> <li><math>j</math> = vector operator (<math>90^\circ</math> rotation)</li> </ul>
---

**Impedance; Circuits Containing Reactance and Resistance** Pure reactances introduce a phase angle of  $90^\circ$  between voltage and current; pure resistance introduces no phase shift between voltage and current. Therefore it is not correct to add a reactance and a resistance directly. When a reactance and a resistance are used in combination, the resulting phase angle of current flow with respect to the impressed voltage lies somewhere between plus or minus  $90^\circ$  and  $0^\circ$  depending on the relative magnitudes of the reactance and the resistance.

The term *impedance* is a general term which can be applied to any electrical entity which impedes the flow of current. The term may be used to designate a resistance, a pure reactance, or a complex combination of both reactance and resistance. The designation for impedance is  $Z$ . An impedance must be defined in such a manner that both its magnitude and its phase angle are established. The designation may be accomplished in either of two ways—one of which is convertible into the other by simple mathematical operations.

**The  $j$  Operator** The first method of designating an impedance is actually to specify both the resistive and the reactive component in the form  $R + jX$ . In this form  $R$  represents the resistive component in ohms and  $X$  represents the reactive component. The  $j$  merely means that the  $X$  component is reactive and thus cannot be added directly to the  $R$  component. Plus  $jX$  means that the reactance is positive or inductive, while if minus  $jX$  were given it would mean that the reactive component was negative or capacitive.

Figure 9 illustrates a vector  $(+A)$  lying along the positive  $X$ -axis of the usual  $X$ - $Y$  coordinate system. If this vector is multiplied by the quantity  $(-1)$ , it becomes  $(-A)$  and its position now lies along the  $X$ -axis in the negative direction. The operator  $(-1)$  has caused the vector to rotate through an angle of  $180$  degrees. Since  $(-1)$  is equal to  $(\sqrt{-1} \times \sqrt{-1})$ , the same result may be obtained by operating on the vector with the operator  $(\sqrt{-1} \times \sqrt{-1})$ . However if the vector is op-

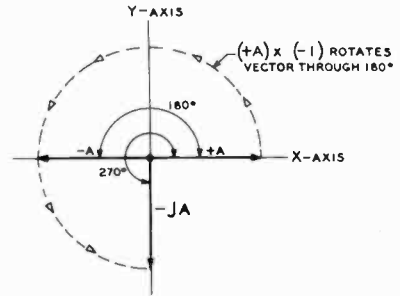


Figure 9

Operation on the vector  $(+A)$  by the quantity  $(-1)$  causes vector to rotate through  $180$  degrees.

erated on but once by the operator  $(\sqrt{-1})$ , it is caused to rotate only  $90$  degrees (figure 10). Thus the operator  $(\sqrt{-1})$  rotates a vector by  $90$  degrees. For convenience, this operator is called the *j operator*. In like fashion, the operator  $(-j)$  rotates the vector of figure 9 through an angle of  $270$  degrees, so that the resulting vector  $(-jA)$  falls on the  $(-Y)$  axis of the coordinate system.

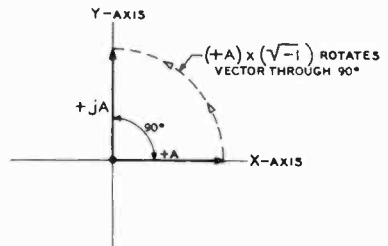


Figure 10

Operation on the vector  $(+A)$  by the quantity  $\sqrt{-1}$ , or  $j$ , causes vector to rotate through  $90$  degrees.

**Polar Notation** The second method of representing an impedance is to specify its absolute magnitude and the phase angle of current with respect to voltage, in the form  $Z \angle \theta$ . Figure 11 shows graphically the relationship between the two common ways of representing an impedance.

The construction of figure 11 is called an *impedance diagram*. Through the use of such a diagram we can add graphically a resistance and a reactance to obtain a value for the resulting impedance in the scalar form. With zero at the origin, resistances

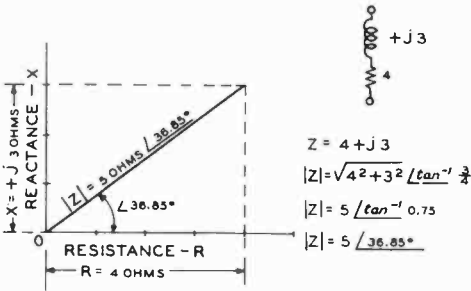


Figure 11

THE IMPEDANCE TRIANGLE

Showing the graphical construction of a triangle for obtaining the net (scalar) impedance resulting from the connection of a resistance and a reactance in series. Shown also alongside is the alternative mathematical procedure for obtaining the values associated with the triangle.

are plotted to the right, positive values of reactance (inductive) in the upward direction, and negative values of reactance (capacitive) in the downward direction.

Note that the resistance and reactance are drawn as the two sides of a right triangle, with the hypotenuse representing the resultant impedance. It is possible to determine mathematically the value of a resultant impedance through the familiar right-triangle relationship—the square of the hypotenuse is equal to the sum of the squares of the other two sides:

$$Z^2 = R^2 + X^2$$

or,

$$|Z| = \sqrt{R^2 + X^2}$$

Note also that the angle  $\theta$  included between  $R$  and  $Z$  can be determined from any of the following trigonometric relationships:

$$\sin \theta = \frac{X}{|Z|}$$

$$\cos \theta = \frac{R}{|Z|}$$

$$\tan \theta = \frac{X}{R}$$

One common problem is that of determining the scalar magnitude of the impedance,  $|Z|$ , and the phase angle  $\theta$ , when resistance and reactance are known; hence, of converting from the  $Z = R + jX$  to the  $|Z| \angle \theta$  form.

In this case two of the expressions just given can be used:

$$|Z| = \sqrt{R^2 + X^2}$$

$$\tan \theta = \frac{X}{R}, \text{ (or } \theta = \tan^{-1} \frac{X}{R} \text{)}$$

The inverse problem, that of converting from the  $|Z| \angle \theta$  to the  $R + jX$  form is done with the following relationships, both of which are obtainable by simple division from the trigonometric expressions just given for determining the angle  $\theta$ :

$$R = |Z| \cos \theta$$

$$jX = |Z| j \sin \theta$$

By simple addition these two expressions may be combined to give the relationship between the two most common methods of indicating an impedance:

$$R + jX = |Z| (\cos \theta + j \sin \theta)$$

In the case of impedance, resistance, or reactance, the unit of measurement is the ohm; thus, the ohm may be thought of as a unit of opposition to current flow, without reference to the relative phase angle between the applied voltage and the current which flows.

Further, since both capacitive and inductive reactance are functions of frequency, impedance will vary with frequency. Figure 12 shows the manner in which  $|Z|$  will vary with frequency in an  $RL$  series circuit and in an  $RC$  series circuit.

**Series RLC Circuits** In a series circuit containing  $R$ ,  $L$ , and  $C$ , the impedance is determined as discussed before except that the reactive component in the expressions defines the net reactance—that is, the difference between  $X_L$  and  $X_C$ . ( $X_L - X_C$ ) may be substituted for  $X$  in the equations:

$$|Z| = \sqrt{R^2 + (X_L - X_C)^2}$$

$$\theta = \tan^{-1} \frac{(X_L - X_C)}{R}$$

A series  $RLC$  circuit thus may present an impedance which is capacitively reactive if the net reactance is capacitive, inductively

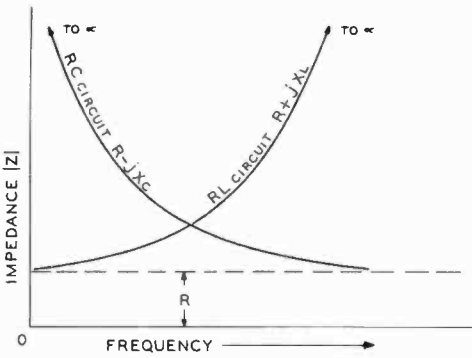


Figure 12

**IMPEDANCE—FREQUENCY GRAPH FOR RL AND RC CIRCUITS**

The impedance of an RC circuit approaches infinity as the frequency approaches zero (dc), while the impedance of a series RL circuit approaches infinity as the frequency approaches infinity. The impedance of an RC circuit approaches the impedance of the series resistor as the frequency approaches infinity, while the impedance of a series RL circuit approaches the resistance as the frequency approaches zero.

reactive if the net reactance is inductive, or resistive if the capacitive and inductive reactances are equal.

**Addition of Complex Quantities** The addition of complex quantities (for example, impedances in series) is quite simple if the quantities are in the rectangular form. If they are in the polar form they only can be added graphically, unless they are converted to the rectangular form by the relationships previously given. As an example of the addition of complex quantities in the rectangular form, the equation for the addition impedance is:

$$(R_1 + jX_1) + (R_2 + jX_2) = (R_1 + R_2) + j(X_1 + X_2)$$

For example if we wish to add the impedances  $(10 + j50)$  and  $(20 - j30)$  we obtain:

$$\begin{aligned} (10 + j50) + (20 - j30) \\ = (10 + 20) + j[50 + (-30)] \\ = 30 + j(50 - 30) \\ = 30 + j20 \end{aligned}$$

**Multiplication and Division of Complex Quantities** It is often necessary in solving certain types of circuits to multiply or divide two complex quantities. It is a much simpler mathematical operation to multiply or divide complex quantities if they are expressed in the polar form. If the quantities are given in the rectangular form they should be converted to the polar form before multiplication or division is begun. Then the multiplication is accomplished by *multiplying* the  $|Z|$  terms together and *adding* algebraically the  $\angle \theta$  terms, as:

$$(|Z_1| \angle \theta_1) (|Z_2| \angle \theta_2) = |Z_1| |Z_2| (\angle \theta_1 + \angle \theta_2)$$

For example, suppose that the two impedances  $|20| \angle 43^\circ$  and  $|32| \angle -23^\circ$  are to be multiplied. Then:

$$\begin{aligned} (|20| \angle 43^\circ) (|32| \angle -23^\circ) &= |20 \cdot 32| \\ & \quad (\angle 43^\circ + \angle -23^\circ) \\ &= 640 \angle 20^\circ \end{aligned}$$

Division is accomplished by *dividing* the denominator into the numerator, and *subtracting* the angle of the denominator from that of the numerator, as:

$$\frac{|Z_1| \angle \theta_1}{|Z_2| \angle \theta_2} = \frac{|Z_1|}{|Z_2|} (\angle \theta_1 - \angle \theta_2)$$

For example, suppose that an impedance of  $|50| \angle 67^\circ$  is to be divided by an impedance of  $|10| \angle 45^\circ$ . Then:

$$\frac{|50| \angle 67^\circ}{|10| \angle 45^\circ} = \frac{|50|}{|10|} (\angle 67^\circ - \angle 45^\circ) = |5| (\angle 22^\circ)$$

**Ohm's Law for Complex Quantities** The simple form of Ohm's law used for dc circuits may be stated in a more general form for application to ac circuits involving either complex quantities or simple resistive elements. The form is:

$$I = \frac{E}{Z}$$

in which, in the general case,  $I$ ,  $E$ , and  $Z$  are complex (vector) quantities. In the simple case where the impedance is a pure resistance with an ac voltage applied, the equation simplifies to the familiar  $I = E/R$ . In any case the applied voltage may be ex-

pressed either as peak, rms, or average; the resulting current always will be in the same type used to define the voltage.

In the more general case vector algebra must be used to solve the equation. And, since either division or multiplication is involved, the complex quantities should be expressed in the polar form. As an example, take the case of the series circuit shown in figure 13 with 100 volts applied. The im-

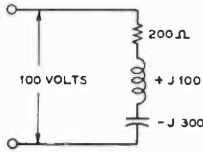


Figure 13

**SERIES RLC CIRCUIT**

pedance of the series circuit can best be obtained first in the rectangular form, as:

$$200 + j(100 - 300) = 200 - j200$$

Now, to obtain the current we must convert this impedance to the polar form.

$$\begin{aligned} Z &= \sqrt{200^2 + (-200)^2} \\ &= \sqrt{40,000 + 40,000} \\ &= \sqrt{80,000} \\ &= 282 \Omega \end{aligned}$$

$$\begin{aligned} \theta &= \tan^{-1} \frac{X}{R} = \tan^{-1} \frac{-200}{200} = \tan^{-1}(-1) \\ &= -45^\circ \end{aligned}$$

Therefore,  $Z = 282 \angle -45^\circ$

Note that in a series circuit the resulting impedance takes the sign of the largest reactance in the series combination.

Where a slide rule is being used to make the computations, the impedance may be found without any addition or subtraction operations by finding the angle  $\theta$  first, and then using the trigonometric equation below for obtaining the impedance:

$$\begin{aligned} \theta &= \tan^{-1} \frac{X}{R} = \tan^{-1} \frac{-200}{200} = \tan^{-1}(-1) \\ &= -45^\circ. \end{aligned}$$

Then,  $Z$  equals  $\frac{R}{\cos \theta}$

and  $\cos -45^\circ = 0.707$

$$Z = \frac{200}{0.707} = 282 \text{ ohms}$$

Since the applied voltage will be the reference for the currents and voltages within the circuit, it may be defined as having a zero phase angle:  $E = 100 \angle 0^\circ$ . Then:

$$\begin{aligned} I &= \frac{100 \angle 0^\circ}{282 \angle -45^\circ} = 0.354 \angle 0^\circ - (-45^\circ) \\ &= 0.354 \angle 45^\circ \text{ amperes} \end{aligned}$$

This same current must flow through all three elements of the circuit, since they are in series and the current through one must already have passed through the other two. The voltage drop across the resistor (whose phase angle of course is  $0^\circ$ ) is:

$$E = IR$$

$$\begin{aligned} E &= (0.354 \angle 45^\circ) (200 \angle 0^\circ) \\ &= 70.8 \angle 45^\circ \text{ volts} \end{aligned}$$

The voltage drop across the inductive reactance is:

$$E = IX_L$$

$$\begin{aligned} E &= (0.354 \angle 45^\circ) (100 \angle 90^\circ) \\ &= 35.4 \angle 135^\circ \text{ volts} \end{aligned}$$

Similarly, the voltage drop across the capacitive reactance is:

$$E = IX_C$$

$$\begin{aligned} E &= (0.354 \angle 45^\circ) (300 \angle -90^\circ) \\ &= 106.2 \angle -45^\circ \end{aligned}$$

Note that the voltage drop across the capacitive reactance is greater than the supply voltage. This condition often occurs in a series RLC circuit, and is explained by the fact that the drop across the capacitive reactance is cancelled to a lesser or greater extent by the drop across the inductive reactance.

It is often desirable in a problem such as the above to check the validity of the answer by adding vectorially the voltage drops across the components of the series circuit

to make sure that they add up to the supply voltage or (to use the terminology of Kirchhoff's Second Law) to make sure that the voltage drops across all elements of the circuit, including the source taken as negative, is equal to zero.

In the general case of the addition of a number of voltage vectors in series it is best to resolve the voltages into their in-phase and out-of-phase components with respect to the supply voltage. Then these components may be added directly:

$$\begin{aligned}
 E_R &= 70.8 \angle 45^\circ \\
 &= 70.8 (\cos 45^\circ + j \sin 45^\circ) \\
 &= 70.8 (0.707 + j0.707) \\
 &= 50 + j50 \\
 \dots \dots \dots \\
 E_L &= 35.4 \angle 135^\circ \\
 &= 35.4 (\cos 135^\circ + j \sin 135^\circ) \\
 &= 35.4 (-0.707 + j0.707) \\
 &= -25 + j25 \\
 \dots \dots \dots \\
 E_C &= 106.2 \angle 45^\circ \\
 &= 106.2 (\cos -45^\circ + j \sin -45^\circ) \\
 &= 106.2 (0.707 - j0.707) \\
 &= 75 - j75 \\
 \dots \dots \dots \\
 E_R + E_L + E_C &= (50 + j50) \\
 &\quad + (-25 + j25) + (75 - j75) \\
 &= (50 - 25 + 75) + \\
 &\quad j(50 + 25 - 75) \\
 E_R + E_L + E_C &= 100 + j0 \\
 &= 100 \angle 0^\circ,
 \end{aligned}$$

which is equal to the supply voltage.

**Checking by Construction on the Complex Plane** It is frequently desirable to check computations involving complex quantities by constructing vectors representing the quantities on the complex plane. Figure 14 shows such a construction for the quantities of the problem just completed. Note that the answer to the problem may be checked by constructing a parallelogram with the voltage drop

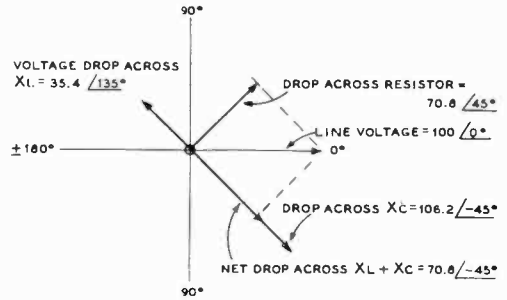


Figure 14

Graphical construction of the voltage drops associated with the series RLC circuit of figure 13.

across the resistor as one side and the net voltage drop across the capacitor plus the inductor (these may be added algebraically as they are 180° out of phase) as the adjacent side. The vector sum of these two voltages, which is represented by the diagonal of the parallelogram, is equal to the supply voltage of 100 volts at zero phase angle.

**Resistance and Reactance in Parallel** In a series circuit, such as just discussed, the current through all the elements which go to make up the series circuit is the same. But the voltage drops across each of the components are, in general, different from one another. Conversely, in a parallel RLC or RX circuit the voltage is, obviously, the same across each of the elements. But the currents through each of the elements are usually different.

There are many ways of solving a problem involving paralleled resistance and reactance; several of these ways will be described. In general, it may be said that the impedance of a number of elements in parallel is solved using the same relations as are used for solving resistors in parallel, except that complex quantities are employed. The basic relation is:

$$\frac{1}{Z_{\text{Total}}} = \frac{1}{Z_1} + \frac{1}{Z_2} + \frac{1}{Z_3} + \dots$$

or when only two impedances are involved:

$$Z_{\text{Total}} = \frac{Z_1 Z_2}{Z_1 + Z_2}$$

As an example, using the two-impedance relation, take the simple case, illustrated in figure 15, of a resistance of 6 ohms in parallel with a capacitive reactance of 4 ohms. To simplify the first step in the computation it is best to put the impedances in the polar form for the numerator, since multiplication is involved, and in the rectangular form for the addition in the denominator.

$$Z_{\text{Total}} = \frac{(6 \angle 0^\circ) (4 \angle -90^\circ)}{6 - j4}$$

$$= \frac{24 \angle -90^\circ}{6 - j4}$$

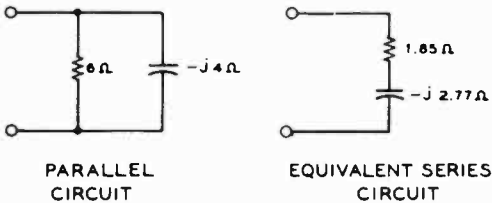


Figure 15

THE EQUIVALENT SERIES CIRCUIT

Showing a parallel RC circuit and the equivalent series RC circuit which represents the same net impedance as the parallel circuit.

Then the denominator is changed to the polar form for the division operation:

$$\theta = \tan^{-1} \frac{-4}{6} = \tan^{-1} -0.667 = -33.7^\circ$$

$$|Z| = \frac{6}{\cos -33.7^\circ} = \frac{6}{0.832} = 7.21 \text{ ohms}$$

$$6 - j4 = 7.21 \angle -33.7^\circ$$

Then:

$$Z_{\text{Total}} = \frac{24 \angle -90^\circ}{7.21 \angle -33.7^\circ} = 3.33 \angle -56.3^\circ$$

$$= 3.33 (\cos -56.3^\circ + j \sin -56.3^\circ)$$

$$= 3.33 [0.5548 + j (-0.832)]$$

$$= 1.85 - j2.77$$

**Equivalent Series Circuit** Through the series of operations in the previous paragraph a circuit composed of two impedances in parallel has been converted into an *equivalent series circuit*

composed of impedances in series. An equivalent series circuit is one which, as far as the terminals are concerned, acts identically to the original parallel circuit; the current through the circuit and the power dissipation of the resistive elements are the same for a given voltage at the specified frequency.

The mathematical conversion from series to parallel equivalent and vice-versa is important in antenna and circuit studies, as certain test equipment makes one form of measurement and others make the opposite form. This conversion exercise may be required to compare the two types of data.

It is possible to check the equivalent series circuit of figure 15 with respect to the original circuit by assuming that one volt ac (at the frequency where the capacitive reactance in the parallel circuit is 4 ohms) is applied to the terminals of both the series and parallel circuits.

In the parallel circuit the current through the resistor will be  $\frac{1}{6}$  ampere (0.166 amp) while the current through the capacitor will be  $j \frac{1}{4}$  ampere ( $+ j 0.25$  amp). The total current will be the sum of these two currents, or  $0.166 + j 0.25$  amp. Adding these vectorially, as follows:

$$|I| = \sqrt{0.166^2 + 0.25^2} = \sqrt{0.09}$$

$$= 0.3 \text{ amp.}$$

The dissipation in the resistor will be  $I^2R = 0.166^2 \times 6 = 0.166$  watts.

In the case of the equivalent series circuit the current will be:

$$|I| = \frac{E}{|Z|} = \frac{1}{3.33} = 0.3 \text{ amp}$$

And the dissipation in the resistor will be:

$$W = I^2R = 0.3^2 \times 1.85$$

$$= 0.09 \times 1.85$$

$$= 0.166 \text{ watts}$$

Thus the equivalent series circuit checks exactly with the original parallel circuit.

**Parallel RLC Circuits** In solving a more complicated circuit made up of more than two impedances in parallel it is possible to use either of two methods of solution. These methods are called the *ad-*



mittance method and the assumed-voltage method. However, the two methods are equivalent since both use the sum-of-reciprocals equation:

$$\frac{1}{Z_{\text{Total}}} = \frac{1}{Z_1} + \frac{1}{Z_2} + \frac{1}{Z_3} \dots$$

In the admittance method we use the relation  $Y = 1/Z$ , where  $Y = G + jB$ ;  $Y$  is called the *admittance*, defined above,  $G$  is the *conductance* or  $R/Z^2$  and  $B$  is the *susceptance* or  $-X/Z^2$ . Then  $Y_{\text{total}} = 1/Z_{\text{total}} = Y_1 + Y_2 + Y_3 \dots$ . In the assumed-voltage method we multiply both sides of the equation above by  $E$ , the assumed voltage, and add the currents, as:

$$\frac{E}{Z_{\text{Total}}} = \frac{E}{Z_1} + \frac{E}{Z_2} + \frac{E}{Z_3} \dots = I_{z1} + I_{z2} + I_{z3} \dots$$

Then the impedance of the parallel combination may be determined from the relation:

$$Z_{\text{Total}} = E/I_{Z_{\text{Total}}}$$

**AC Voltage Dividers** Voltage dividers for use with alternating current are quite similar to dc voltage dividers.

However, since capacitors and inductors as well as resistors oppose the flow of ac current, voltage dividers for alternating voltages may take any of the configurations shown in figure 16.

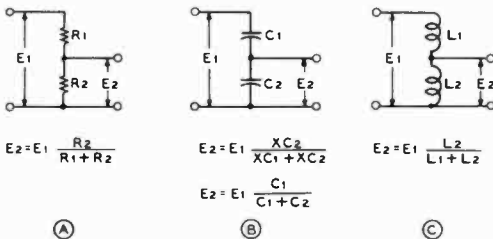


Figure 16

**SIMPLE AC VOLTAGE DIVIDERS**

Since the impedances within each divider are of the same type, the output voltage is in phase with the input voltage. By using combinations of different types of impedances, the phase angle of the output may be shifted in relation to the input phase angle

at the same time the amplitude is reduced. Several dividers of this type are shown in figure 17. Note that the ratio of output voltage is equal to the ratio of the output impedance to the total divider impedance. This relationship is true only if negligible current is drawn by a load on the output terminals.

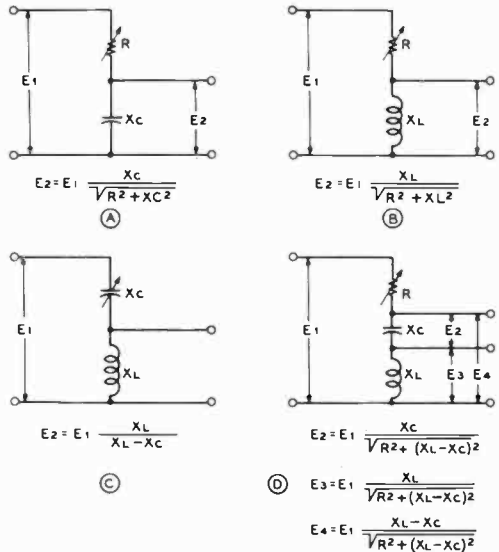


Figure 17

**COMPLEX AC VOLTAGE DIVIDERS**

**Reactive Power** In a reactive circuit composed of  $R$ ,  $L$ , and  $C$  energy is stored in the electric field of the capacitor and in the magnetic field of the inductor. This stored energy is responsible for the fact that voltages across reactances in series can often be larger than the voltage applied to them, as illustrated in figure 14.

The power stored in a reactance is equal to  $I^2X$ , where  $X$  is the reactance value in ohms. This stored power is not lost, as is the power dissipated in resistance, but is power that is transferred back and forth between the circuit and the field of the reactance. The general formula for reactive power is:

$$P = EI \cos \theta$$

Where  $\theta$  is as defined in polar notation (phase angle) and  $\cos \theta$  is called the *power factor*.

### 3-3 Resonant Circuits

A series circuit such as shown in figure 18 is said to be in *resonance* when the applied frequency is such that the capacitive reactance is exactly balanced by the inductive reactance. At this frequency the two reactances will cancel, and the impedance of the circuit will be at a minimum so that maximum current will flow. The net impedance of a series circuit at resonance is equal to the resistance which remains in the circuit after the reactances have been cancelled.

**Resonant Frequency** Some resistance is always present in a circuit because it is possessed in some degree by both the inductor and the capacitor. If the fre-

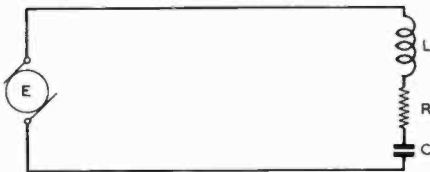


Figure 18

#### SERIES-RESONANT CIRCUIT

quency of the alternator E is varied from nearly zero to some high frequency, there will be one particular frequency at which the inductive reactance and capacitive reactance will be equal. This is known as the *resonant frequency*, and in a series circuit it is the frequency at which the circuit current will be a maximum. Such series-resonant circuits are chiefly used when it is desirable to allow a certain frequency to pass through the circuit (low impedance to this frequency), while at the same time the circuit is made to offer considerable opposition to currents of other frequencies.

If the values of inductance and capacitance both are fixed, there will be only one resonant frequency.

If either the inductance or the capacitance are made variable, the circuit may then be changed or *tuned*, so that a number of combinations of inductance and capacitance can resonate at the same frequency. This can be

more easily understood when one considers that inductive reactance and capacitive reactance change in opposite directions as the frequency is varied. For example, if the frequency were to remain constant and the values of inductance and capacitance were then changed, the following combinations would have equal *reactance*:

<i>L</i>	<i>X<sub>L</sub></i>	<i>C</i>	<i>X<sub>C</sub></i>
.265	100	26.5	100
2.65	1000	2.65	1000
26.5	10,000	.265	10,000
265.00	100,000	.0265	100,000
2,650.00	1,000,000	.00265	1,000,000

*Frequency is constant at 60 Hz.*

*L is expressed in henrys.*

*C is expressed in microfarads (10<sup>-6</sup> farad).*

**Frequency of Resonance** From the formula for resonance ( $2\pi fL = 1/2\pi fC$ ) the resonant frequency is determined by use of the following equation:

$$f = \frac{1}{2\pi \sqrt{LC}}$$

where,

- f* equals frequency in hertz,
- L* equals inductance in henrys,
- C* equals capacitance in farads.

It is more convenient to express *L* and *C* in smaller units for radio communication work, as shown in the following equation:

$$f = \frac{10^6}{2\pi \sqrt{LC}}$$

where,

- f* equals frequency in kilohertz (kHz),
- L* equals inductance in microhenrys ( $\mu\text{H}$ ),
- C* equals capacitance in picofarads (pF).

**Impedance of Series Resonant Circuits** The impedance across the terminals of a series-resonant circuit (figure

18) is:

$$Z = \sqrt{r^2 + (X_L - X_C)^2}$$

where,

Z equals impedance in ohms,  
 r equals resistance in ohms,  
 $X_C$  equals capacitive reactance in ohms,  
 $X_L$  equals inductive reactance in ohms.

From this equation, it can be seen that the impedance is equal to the vector sum of the circuit resistance and the difference be-

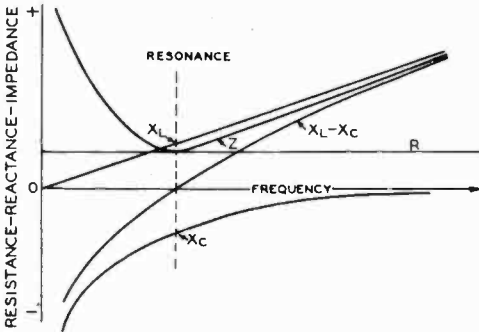


Figure 19

**IMPEDANCE OF A SERIES-RESONANT CIRCUIT**

Showing the variation in reactance of the separate elements and in the net impedance of a series resonant circuit (such as figure 18) with changing frequency. The vertical line is drawn at the point of resonance ( $X_L - X_C = 0$ ) in the series circuit.

tween the two reactances. Since at the resonant frequency  $X_L$  equals  $X_C$ , the difference between them (figure 19) is zero, so that at resonance the impedance is simply equal to the resistance of the circuit; therefore, because the resistance of most normal radio-frequency circuits is of a very low order, the impedance is also low.

At frequencies higher and lower than the resonant frequency, the difference between the reactances will be a definite quantity and will add with the resistance to make the impedance higher and higher as the circuit is tuned off the resonant frequency.

If  $X_C$  should be greater than  $X_L$ , then the term  $(X_L - X_C)$  will give a negative number. However, when the difference is squared the product is always positive. This means that the smaller reactance is subtracted from the larger, regardless of whether it be capacitive or inductive, and the difference is squared.

**Current and Voltage in Series-Resonant Circuits** Formulas for calculating currents and voltages in a series-resonant circuit are similar to those of Ohm's Law.

$$I = \frac{E}{Z} \quad E = IZ$$

The complete equations are:

$$I = \frac{E}{\sqrt{r^2 + (X_L - X_C)^2}}$$

$$E = I \sqrt{r^2 + (X_L - X_C)^2}$$

Inspection of the above formulas will show the following to apply to series-resonant circuits: When the impedance is low, the current will be high; conversely, when the impedance is high, the current will be low.

Since the impedance is very low at the resonant frequency, it follows that the current will be a maximum at this point. If a graph is plotted of the current versus the frequency either side of resonance, the resultant curve is known as a resonance curve. Such a curve is shown in figure 20, the

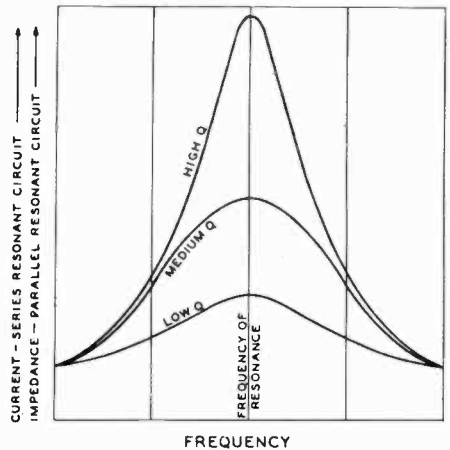


Figure 20

**RESONANCE CURVE**

Showing the increase in impedance at resonance for a parallel-resonant circuit, and similarly, the increase in current at resonance for a series-resonant circuit. The sharpness of resonance is determined by a comparison between the three curves.

frequency being plotted against *current* in the series-resonant circuit.

Several factors will have an effect on the shape of this resonance curve, of which resistance and *L*-to-*C* ratio are the important considerations. The lower curves in figure 20 show the effect of adding increasing values of resistance to the circuit. It will be seen that the peaks become less and less prominent as the resistance is increased; thus, it can be said that the *selectivity* of the circuit is thereby *decreased*. Selectivity in this case can be defined as the ability of a circuit to discriminate against frequencies adjacent to (both above and below) the resonant frequency.

**Voltage Across Coil and Capacitor in Series Circuit** Because the ac or r-f voltage across a coil and capacitor is proportional to the reactance (for a given current), the actual voltages across the coil and across the capacitor may be

many times greater than the *terminal* voltage of the circuit. At resonance, the voltage across the coil (or the capacitor) is *Q* times the applied voltage. Since the *Q* (or *merit factor*) of a series circuit can be in the neighborhood of 100 or more, the voltage across the capacitor, for example, may be high enough to cause flashover, even though the applied voltage is of a value considerably below that at which the capacitor is rated.

**Circuit Q — Sharpness of Resonance** An extremely important property of a capacitor or an inductor is its *factor-of-merit*, more generally called its *Q*. It is this factor, *Q*, which primarily determines the sharpness of resonance of a tuned circuit. This factor can be expressed as the ratio of the reactance to the resistance, as follows:

$$Q = \frac{2\pi fL}{R}$$

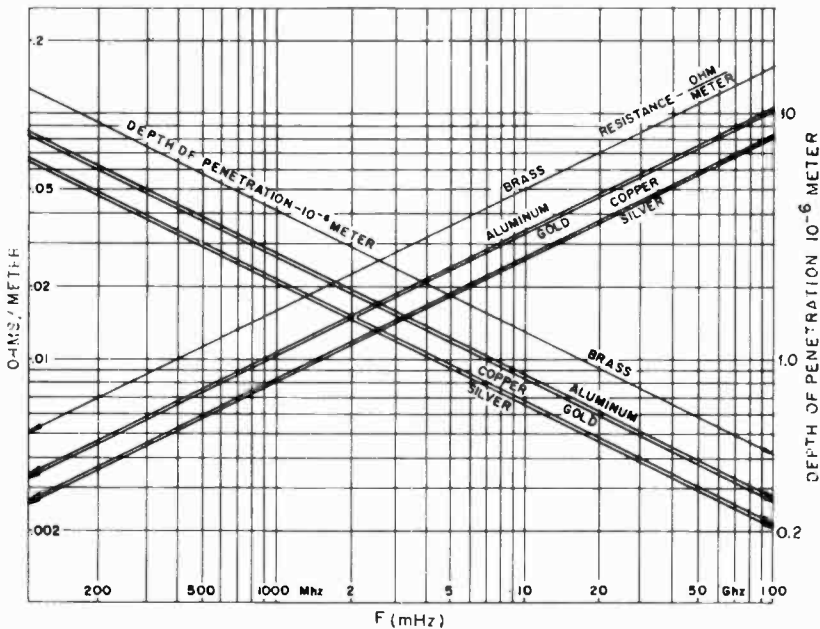


Figure 21

**SKIN EFFECT, OR DEPTH OF PENETRATION IN METAL**

The resistance and r-f loss in a conductor increase with the square root of frequency because the layer in which current flows decreases in thickness as the frequency increases.

where,

$R$  equals total resistance.

**Skin Effect** The actual resistance in a wire or an inductor can be far greater than the dc value when the coil is used in a radio-frequency circuit; this is because the current does not travel through the entire cross section of the conductor, but has a tendency to travel closer and closer to the surface of the wire as the frequency is increased. This is known as the *skin effect*.

In the hf region, skin effect limits the depth of electron flow in a conductor to a few thousandths of an inch. The resistance and r-f losses in a conductor increase with the square root of the frequency and become of increasing importance above 100 MHz (figure 21).

**Variation of  $Q$  with Frequency** Examination of the equation for determining  $Q$  might seem to imply that even

though the resistance of an inductor increases with frequency, the inductive reactance does likewise, so that the  $Q$  might be a constant. Actually, however, it works out in practice that the  $Q$  of an inductor will reach a relatively broad maximum at some particular frequency. Thus, coils normally are designed in such a manner that the peak in their curve of  $Q$ -versus-frequency will occur at the normal operating frequency of the coil in the circuit for which it is designed.

The  $Q$  of a capacitor ordinarily is much higher than that of the best coil. Therefore, it usually is the merit of the coil that limits the overall  $Q$  of the circuit.

At audio frequencies the core losses in an iron-core inductor greatly reduce the  $Q$  from the value that would be obtained simply by dividing the reactance by the resistance. Obviously the core losses also represent circuit resistance, just as though the loss occurred in the wire itself.

**Parallel Resonance** In radio circuits, parallel resonance (more correctly termed *antiresonance*) is more frequently encountered than series resonance; in fact, it is the basic foundation of receiver and

transmitter circuit operation. A circuit is shown in figure 22.

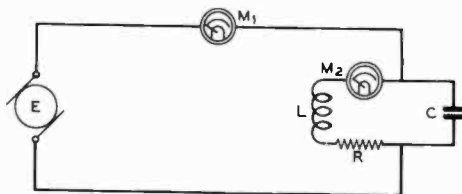


Figure 22

### PARALLEL-RESONANT CIRCUIT

The inductance  $L$  and capacitance  $C$  comprise the reactive elements of the parallel-resonant (antiresonant) tank circuit, and the resistance  $R$  indicates the sum of the r-f resistance of the coil and capacitor, plus the resistance coupled into the circuit from the external load. In most cases the tuning capacitor has much lower r-f resistance than the coil and can therefore be ignored in comparison with the coil resistance and the coupled-in resistance. The instrument  $M_1$  indicates the "line current" which keeps the circuit in a state of oscillation—this current is the same as the fundamental component of the plate current of a class-C amplifier which might be feeding the tank circuit. The instrument  $M_2$  indicates the "tank current" which is equal to the line current multiplied by the operating  $Q$  of the tank circuit.

**The "Tank" Circuit** In this circuit, as contrasted with a circuit for series resonance,  $L$  (inductance) and  $C$  (capacitance) are connected in *parallel*, yet the *combination* can be considered to be in series with the remainder of the circuit. This combination of  $L$  and  $C$ , in conjunction with  $R$ , the resistance which is principally included in  $L$ , is sometimes called a *tank circuit* because it effectively functions as a storage tank when incorporated in electronic circuits.

Contrasted with series resonance, there are two kinds of current which must be considered in a parallel-resonant circuit: (1) the *line current*, as read on the indicating meter  $M_1$ , (2) the *circulating current* which flows within the parallel  $LCR$  portion of the circuit.

At the resonant frequency, the line current (as read on the meter  $M_1$ ) will drop to a very low value although the circulating current in the  $LC$  circuit may be quite large. The parallel-resonant circuit acts in a distinctly opposite manner to that of a series-resonant circuit, in which the current is at

a maximum and the impedance is minimum at resonance. It is for this reason that in a parallel-resonant circuit the principal consideration is one of impedance rather than current. It is also significant that the *impedance* curve for *parallel* circuits is very nearly identical to that of the *current* curve for *series* resonance. The impedance at resonance is expressed as:

$$Z = \frac{(2\pi fL)^2}{R}$$

where,

$Z$  equals impedance in ohms,  
 $L$  equals inductance in henrys,  
 $f$  equals frequency in hertz,  
 $R$  equals resistance in ohms.

Or, impedance can be expressed as a function of  $Q$  as:

$$Z = 2\pi fLQ$$

showing that the impedance of a circuit is directly proportional to its effective  $Q$  at resonance.

The curves illustrated in figure 20 can be applied to parallel resonance. Reference to the curve will show that the effect of adding resistance to the circuit will result in both a broadening out and lowering of the peak of the curve. Since the voltage of the circuit is directly proportional to the impedance, and since it is this voltage that is applied to a detector or amplifier circuit, the impedance curve must have a sharp peak in order for the circuit to be *selective*. If the curve is broadtopped in shape, both the desired signal and the interfering signals at close proximity to resonance will give nearly equal voltages, and the circuit will then be *non-selective*; that is, it will tune broadly.

**Effect of L/C Ratio** In order that the highest possible voltage can be developed across a parallel-resonant circuit, the impedance of this circuit must be very high. The impedance will be greater with conventional coils of limited  $Q$  when the ratio of inductance to capacitance is great, that is, when  $L$  is large as compared with  $C$ . When the resistance of the circuit is very low,  $X_L$  will equal  $X_C$  at

maximum impedance. There are innumerable ratios of  $L$  and  $C$  that will have *equal* reactance, at a given resonant frequency, exactly as in the case in a series-resonant circuit.

In practice, where a certain value of inductance is tuned by a variable capacitance over a fairly wide range in frequency, the  $L/C$  ratio will be small at the lowest-frequency end and large at the high-frequency end. The circuit, therefore, will have unequal gain and selectivity at the two ends of the band of frequencies which is being tuned. Increasing the  $Q$  of the circuit (lowering the resistance) will obviously increase *both* the selectivity and gain.

**Circulating Tank Current at Resonance** The  $Q$  of a circuit has a definite bearing on the circulating tank

current at resonance. This tank current is very nearly the value of the line current multiplied by the effective circuit  $Q$ . For example: an r-f line current of 0.050 ampere, with a circuit  $Q$  of 100, will give a circulating tank current of approximately 5 amperes. From this it can be seen that both the inductor and the connecting wires in a circuit with a high  $Q$  must be of very low resistance, particularly in the case of high-power transmitters, if heat losses are to be held to a minimum.

Because the voltage across the tank at resonance is determined by the  $Q$ , it is possible to develop very high peak voltages across a high- $Q$  tank with but little line current.

### 3-4 Coupled Circuits

Two circuits are said to be *coupled* if they have a common impedance through which the current flowing in one circuit affects the current in the second circuit. The common impedance may be resistive, capacitive, or inductive or a combination of these. The coefficient of coupling ( $k$ ) was briefly discussed in Chapter Two. Coupled circuits are useful as unwanted frequencies may easily be rejected and power efficiently transferred from a primary circuit to a secondary circuit by

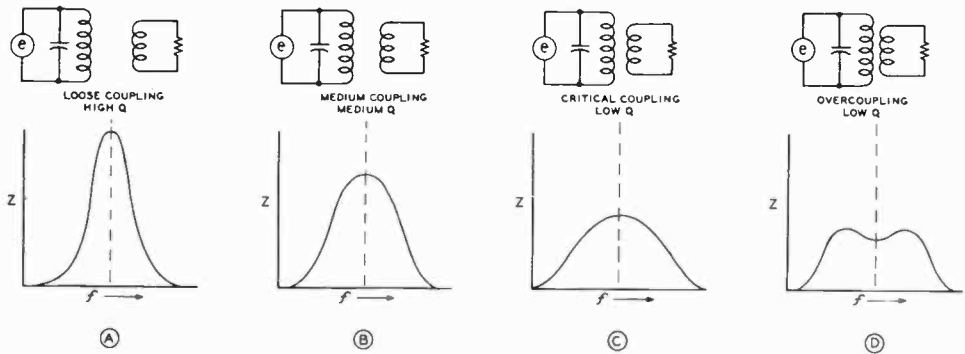


Figure 23

## EFFECT OF COUPLING ON CIRCUIT IMPEDANCE AND Q

means of the proper degree and type of coupling.

In the case of simple inductive coupling of a parallel-resonant circuit (figure 23), such as an antenna coupler, the impedance and effective  $Q$  of the parallel-tuned circuit is decreased as the coupling becomes tighter. This effect is the same as if an actual resistance were added in series with the parallel-tuned circuit. The resistance thus coupled into the parallel circuit can be considered as being *reflected* from the output circuit to the input, or driver, circuit.

The behavior of *coupled circuits* depends largely on the amount of coupling, as shown in figure 23. The coupled current in the secondary circuit is small, varying with frequency, being maximum at the resonant frequency of the circuit. As the coupling is increased between the two circuits, the secondary resonance curve becomes broader and the resonant amplitude increases, until the reflected resistance is equal to the primary resistance. This point is called the *critical coupling point*. With greater coupling, the secondary resonance curve becomes broader and develops double resonance humps, which become more pronounced and farther apart in frequency as the coupling between the two circuits is increased.

In the case where both primary and secondary circuits are tuned, the configuration can be given wideband characteristics by shunting the primary and secondary resonant circuits by resistances as shown in figure 24 in order to achieve low values of circuit  $Q$  and by adjusting the coefficient of coupling.

If the primary and secondary circuits are identical, with equal shunt resistances, so that  $Q$  values are equal and the coupling is critical, the half-power bandwidth is:

$$\text{Half-power bandwidth} = \sqrt{2} \text{ half-power bandwidth of a single-tuned stage}$$

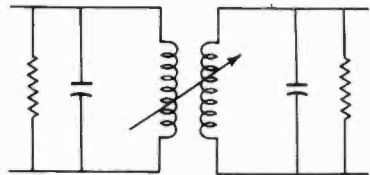


Figure 24

## WIDEBAND COUPLED CIRCUIT

Bandwidths determined by shunting resistances and coefficient of coupling.

Compared with a single-tuned stage having the same half-power bandwidth the double-tuned circuit has a response that is flatter near the resonant frequency and has steeper sides, as shown in figure 25.

The bandwidth is defined as that frequency band over which the power response does not drop to less than one-half, or  $-3$  dB, of the power response at resonance. This corresponds to the voltage response dropping to 70.7 percent of its maximum value. This is commonly referred to as the "3-dB bandwidth" figure.

Wideband tuned amplifiers of this type are useful for passing signals modulated by short pulses or by television video signals and are characterized by the ability to repro-

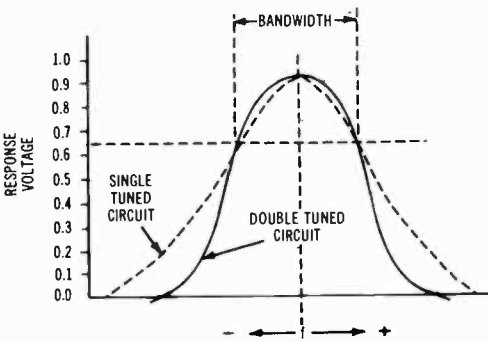


Figure 25

**IMPROVED RESPONSE OF DOUBLE-TUNED CIRCUIT**

Bandwidth is measured between 0.707 voltage response points.

duce abrupt changes in amplitude of the passing signal.

The coupled circuit can act as an impedance matching device, depending on the coupling between the circuits and the degree of secondary loading of the circuit.

Instead of magnetic coupling, two resonant circuits may be coupled through a common circuit element as shown in figure 26. The degree of coupling is a function of the common element, which may be adjusted to provide a *bandpass* circuit, suitable for wideband applications.

A form of inductive coupling is *link coupling* where two circuits are coupled by means of small linking coils (figure 27). The degree of coupling is adjusted by alter-

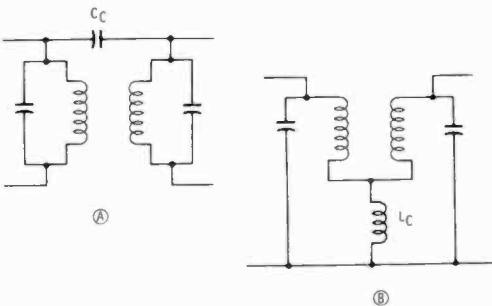


Figure 26

**COUPLING THROUGH COMMON CIRCUIT ELEMENT**

A—Capacitive coupling through  $C_c$   
 B—Inductive coupling through  $L_c$

ing the position of the coils with respect to the resonant circuits. Additional data on link-coupled circuits is given in chapter 11.

**Impedance and Resonance in Antenna Systems**

The preceding discussion has been limited to the study of lumped circuits; that is, circuits contain-

ing discrete elements of resistance, inductance, and capacitance arranged in series or parallel configuration. An antenna, on the other hand, has distributed quantities of resistance, inductance, and capacitance throughout the length of the radiator. For the sake of study and computation, the distributed values are commonly considered to be lumped into discrete components and electrically equivalent circuits for a given antenna can be expressed and manipulated in terms of the equivalent lumped constants.

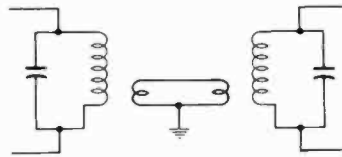


Figure 27

**LINK COUPLING**

Coupling is adjusted by altering position of link coils

For example, a dipole operating near the first resonant frequency bears an electrical resemblance to a series lumped circuit. Below resonance, the antenna may be defined in terms of a series RC circuit, at resonance in terms of a series-resonant circuit, and above resonance in terms of a series RL circuit. The plot of figure 19, in fact, may be compared to the characteristics of a dipole at near resonance. Transmission lines, in addition, may be expressed in terms of lumped constants for convenience, and some of the more important electrical characteristics of antennas and transmission lines are discussed in later chapters of this handbook.

**3-4 Nonsinusoidal Waves and Transients**

Pure sine waves, discussed previously, are basic wave shapes. Waves of many different



and complex shapes are used in electronics, particularly square waves, sawtooth waves, and peaked waves.

**Wave Composition** Any periodic wave (one that repeats itself in definite time intervals) is composed of sine waves of different frequencies and amplitudes, added together. The sine wave which has the same frequency as the complex, periodic wave is called the *fundamental*. The frequencies higher than the fundamental are called *harmonics*, and are always a whole number of times higher than the fundamental. For example, the frequency twice as high as the fundamental is called the *second harmonic*.

**The Square Wave** Figure 28 compares a square wave with a sine wave (A) of the same frequency. If another sine wave (B) of smaller amplitude, but three times the frequency of A, called the third harmonic, is added to A, the resultant

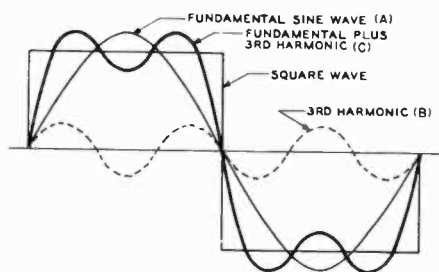


Figure 28

**COMPOSITE WAVE—  
FUNDAMENTAL  
PLUS THIRD HARMONIC**

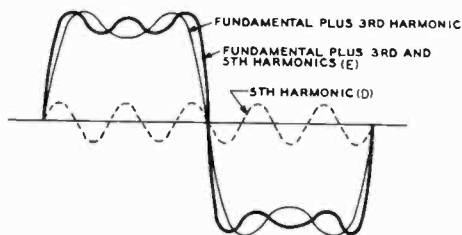


Figure 29

**THIRD-HARMONIC WAVE PLUS  
FIFTH HARMONIC**

wave (C) more nearly approaches the desired square wave.

This resultant curve (figure 29) is added to a fifth-harmonic curve (D), and the sides of the resulting curve (E) are steeper than before. This new curve is shown in figure 30 after a 7th-harmonic component has been added to it, making the sides of the composite wave even steeper. Addition of more higher odd harmonics will bring the resultant wave nearer and nearer to the desired square-wave shape. The square wave will be achieved if an infinite number of odd harmonics are added to the original sine wave.

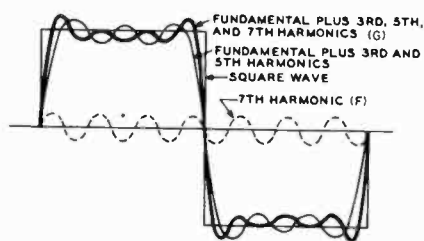


Figure 30

**RESULTANT WAVE, COMPOSED OF  
FUNDAMENTAL, THIRD, FIFTH,  
AND SEVENTH HARMONICS**

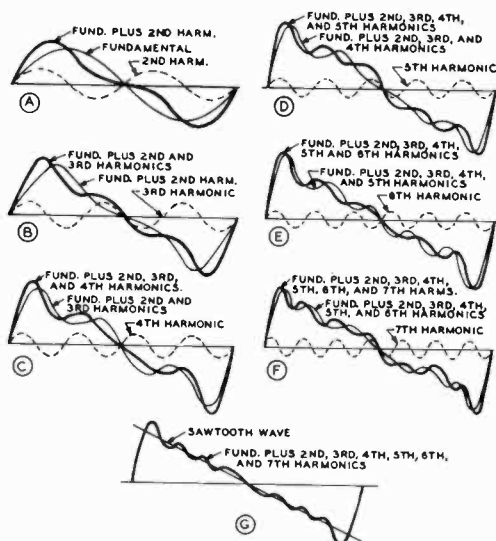


Figure 31

**COMPOSITION OF A SAWTOOTH  
WAVE**

**Irregular Waveforms** In the same fashion, a *sawtooth wave* is made up of different sine waves (figure 31). The addition of all harmonics, odd and even, produces the sawtooth waveform.

Figure 32 shows the composition of a *peaked wave*. Note how the addition of each successive harmonic makes the peak of the resultant higher, and the sides steeper.

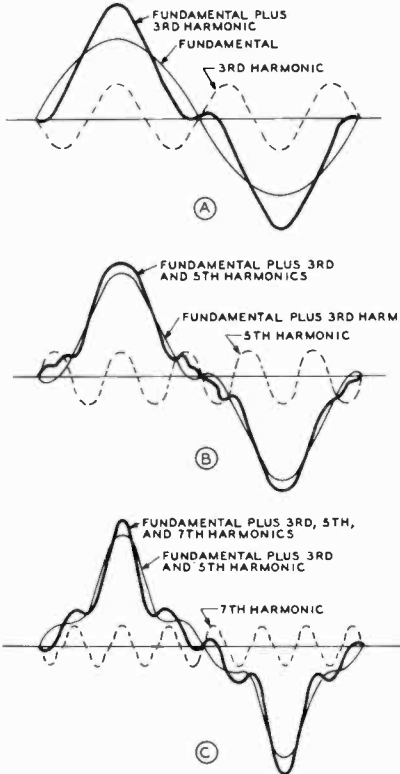


Figure 32

COMPOSITION OF A PEAKED WAVE

The three preceding examples show how a complex periodic wave is composed of a fundamental wave and different harmonics. The shape of the resultant wave depends on the harmonics that are added, their relative amplitudes, and relative phase relationships. In general, the steeper the sides of the waveform, the more harmonics it contains.

**AC Transient Circuits** If an ac voltage is substituted for the dc input voltage in the RC transient circuits

discussed in Chapter 2, the same principles may be applied in the analysis of the transient behavior. An RC coupling circuit is designed to have a long time constant with respect to the lowest frequency it must pass. Such a circuit is shown in figure 33. If a nonsinusoidal voltage is to be passed unchanged through the coupling circuit, the time constant must be long with respect to the period of the lowest frequency contained in the voltage wave.

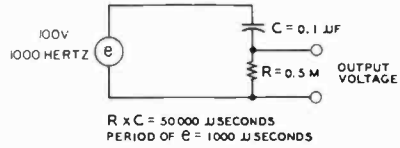


Figure 33

RC COUPLING CIRCUIT WITH LONG TIME CONSTANT

**RC Differentiator and Integrator** An RC voltage divider that is designed to distort the input waveform is known as a *differentiator* or *integrator*, depending on the locations of the output taps. The output from a differentiator is taken across the resistance, while the output from an integrator is taken across the capacitor. Such circuits will change the shape of any

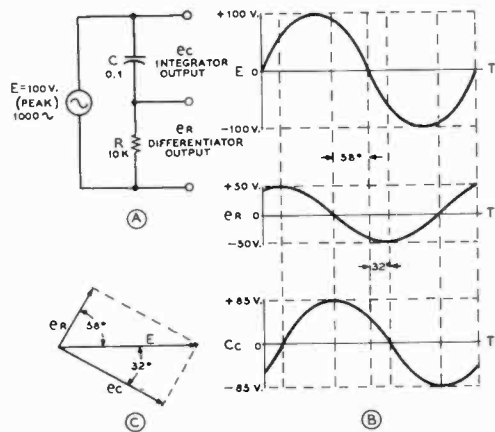


Figure 34

RC DIFFERENTIATOR AND INTEGRATOR ACTION ON A SINE WAVE

complex ac waveform that is impressed on them. This distortion is a function of the value of the time constant of the circuit as compared to the period of the waveform. Neither a differentiator nor an integrator can change the shape of a pure sine wave, they will merely shift the phase of the wave (figure 34). The differentiator output is a sine wave leading the input wave, and the integrator output is a sine wave which lags the input wave. The sum of the two outputs at any instant equals the instantaneous input voltage.

**Square-Wave Input** If a square-wave voltage is impressed on the circuit of figure 35, a square-wave voltage output may be obtained across the integrating capacitor if the time constant of the circuit allows the capacitor to become fully charged. In this particular case, the capacitor never fully charges, and as a result the output of the integrator has a smaller amplitude than the input. The differentiator output has a maximum value greater than the input amplitude, since the voltage left on the capacitor from the previous half wave will add to the input voltage. Such a circuit, when used as a differentiator, is often called a *peaker*. Peaks of twice the input amplitude may be produced.

**Sawtooth-Wave Input** If a back-to-back sawtooth voltage is applied to an RC circuit having a time constant one-sixth the period of the input voltage,

the result is shown in figure 36. The capacitor voltage will closely follow the input voltage, if the time constant is short, and the integrator output closely resembles the input. The amplitude is slightly reduced and there is a slight phase lag. Since the voltage across the capacitor is increasing at a constant rate, the charging and discharging current is constant. The output voltage of the differentiator, therefore, is constant during each half of the sawtooth input.

**Miscellaneous Inputs** Various voltage waveforms other than those represented here may be applied to short-time-constant RC circuits for the purpose of producing across the resistor an output voltage with an amplitude *proportional to the rate of change* of the input signal. The shorter the RC time constant is made with respect to the period of the input wave, the more nearly the voltage across the capacitor conforms to the input voltage. Thus, the differentiator output becomes of particular importance in very short-time-constant RC circuits. Differentiator outputs for various types of input waves are shown in figure 37.

**Square-Wave Test for Audio Equipment** The application of a square-wave input signal to audio equipment, and the observation of the reproduced output signal on an oscilloscope will provide a quick and accurate check of the overall operation of audio equipment.

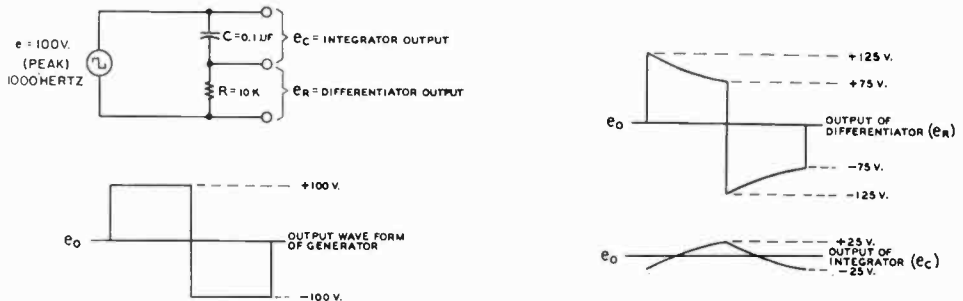


Figure 35

RC DIFFERENTIATOR AND INTEGRATOR ACTION ON A SQUARE WAVE

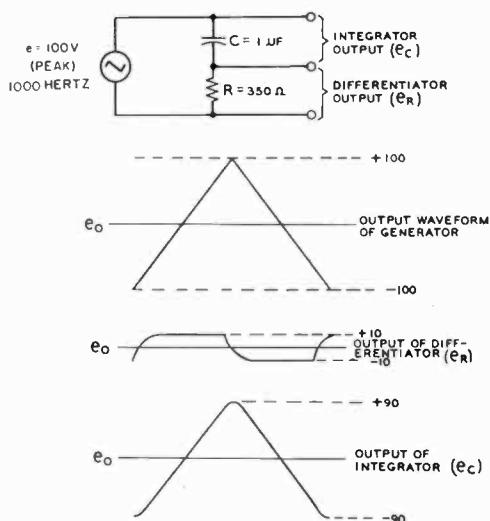


Figure 36

**RC DIFFERENTIATOR AND INTEGRATOR ACTION ON A SAWTOOTH WAVE**

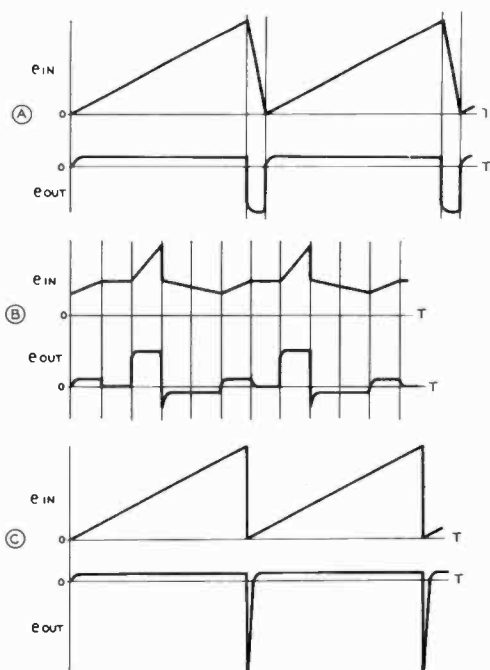


Figure 37

Differentiator outputs of short-time-constant RC circuits for various input voltage wave-shapes. The output voltage is proportional to the rate of change of the input voltage.

Low-frequency and high-frequency response, as well as transient response can be examined easily.

If the amplifier is deficient in low-frequency response, the flat top of the square wave will be canted, as in figure 38. If the high-frequency response is inferior, the rise time of the output wave will be retarded (figure 39).

An amplifier with a limited high- and low-frequency response will turn the square wave into the approximation of a sawtooth wave (figure 40).

**3-5 Transformers**

When two coils are placed in such inductive relation to each other that the lines of force from one cut across the turns of the other inducing a current, the combination can be called a *transformer*. The name is derived from the fact that energy is transformed from one winding to another. The inductance in which the original flux is produced is called the *primary*; the inductance which *receives* the induced current is called the *secondary*. In a radio-receiver power transformer, for example, the coil through which the 120-volt ac passes is the *primary*, and the coil from which a higher or lower voltage than the ac line potential is obtained is the *secondary*.

Transformers can have either air or magnetic cores, depending on the frequencies at which they are to be operated. The reader should thoroughly impress on his mind the fact that current can be transferred from one circuit to another *only* if the primary current is changing or alternating. From this it can be seen that a power transformer cannot possibly function as such when the primary is supplied with nonpulsating dc.

A power transformer usually has a magnetic core which consists of laminations of iron, built up into a square or rectangular form, with a center opening or window. The secondary windings may be several in number, each perhaps delivering a different voltage. The secondary voltages will be proportional to the turns ratio and the primary voltage.

Transformers are used in alternating-current circuits to transfer power at one volt-

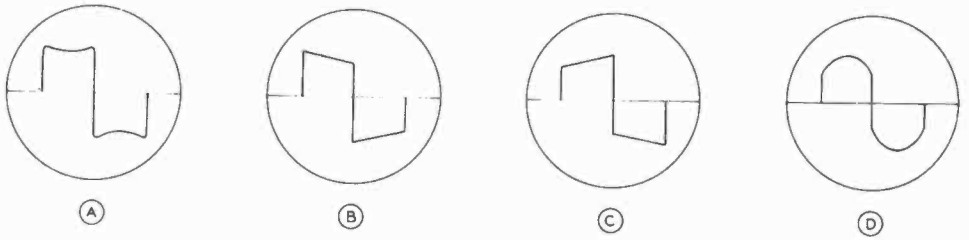


Figure 38

Amplifier deficient in low-frequency response will distort square wave applied to the input circuit, as shown. A 60-Hz square wave may be used.

- A: Drop in gain at low frequencies
- B: Leading phase shift at low frequencies
- C: Lagging phase shift at low frequencies
- D: Accentuated low-frequency gain

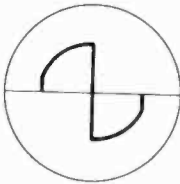


Figure 39

Output waveshape of amplifier having deficiency in high-frequency response. Tested with 10-kHz square wave.

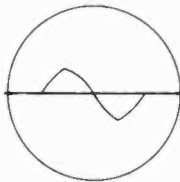


Figure 40

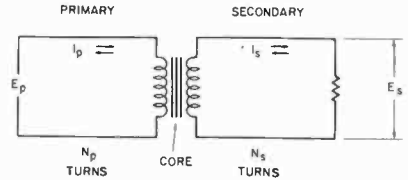
Output waveshape of amplifier having limited low-frequency and high-frequency response. Tested with 1 kHz square wave.

age and impedance to another circuit at another voltage and impedance. There are three main classifications of transformers: those made for use in power-frequency circuits, those made for audio-frequency applications, and those made for radio frequencies.

**The Transformation Ratio**

In a perfect transformer all the magnetic flux lines produced by the primary winding link crosses every turn of the secondary winding (figure 41). For such a transformer, the ratio of the primary and

secondary voltages is the same as the ratio of the number of turns in the two windings:



$$\frac{N_p}{N_s} = \frac{E_p}{E_s}$$

$$N_p \times I_p = N_s \times I_s$$

$$\frac{Z_p}{Z_s} = \left(\frac{N_p}{N_s}\right)^2$$

Figure 41

**THE LOW-FREQUENCY TRANSFORMER**

Power is transformed from the primary to the secondary winding by means of the varying magnetic field. The voltage induced in the secondary for a given primary voltage is proportional to the ratio of secondary to primary turns. The impedance transformation is proportional to the square of the primary to secondary turns ratio.

$$\frac{N_p}{N_s} = \frac{E_p}{E_s}$$

where,

$N_p$  equals number of turns in the primary,  
 $N_s$  equals number of turns in the secondary,

$E_p$  equals voltage across the primary,

$E_s$  equals voltage across the secondary.

In practice, the transformation ratio of a transformer is somewhat less than the turns ratio, since unity coupling does not exist between the primary and secondary windings.

**Ampere Turns (NI)** The current that flows in the secondary winding as a result of the induced voltage must produce a flux which exactly equals the primary flux. The magnetizing force of a coil is expressed as the product of the number of turns in the coil times the current flowing in it:

$$N_P \times I_P = N_S \times I_S, \text{ or } \frac{N_P}{N_S} = \frac{I_S}{I_P}$$

where,

$I_P$  equals primary current,  
 $I_S$  equals secondary current.

It can be seen from this expression that when the voltage is stepped up, the current is stepped down, and vice versa.

**Leakage Reactance** Since unity coupling does not exist in a practical transformer, part of the flux passing from the primary circuit to the secondary circuit follows a magnetic circuit acted on by the primary only. The same is true of the secondary flux. These leakage fluxes cause *leakage reactance* in the transformer, and tend to cause the transformer to have poor voltage regulation. To reduce such leakage reactance, the primary and secondary windings should be in close proximity to each other. The more expensive transformers have interleaved windings to reduce inherent leakage reactance.

**Impedance Transformation** In the ideal transformer, the impedance of the secondary load is reflected back into the primary winding in the following relationship:

$$Z_P = N^2 Z_S, \text{ or } N = \sqrt{Z_P/Z_S}$$

where,

$Z_P$  equals reflected primary impedance,  
 $N$  equals turns ratio of transformer,  
 $Z_S$  equals impedance of secondary load.

Thus any specific load connected to the secondary terminals of the transformer will

be transformed to a different specific value appearing across the primary terminals of the transformer. By the proper choice of turns ratio, any reasonable value of secondary load impedance may be "reflected" into the primary winding of the transformer to produce the desired transformer primary impedance. The phase angle of the primary "reflected" impedance will be the same as the phase angle of the load impedance. A capacitive secondary load will be presented to the transformer source as a capacitance, a resistive load will present a resistive "reflection" to the primary source. Thus the primary source "sees" a transformer load entirely dependent on the secondary load impedance and the turns ratio of the transformer (figure 41).

**The Auto-transformer** The type of transformer in figure 42, when wound with heavy wire over an iron core, is a common device in primary power circuits for the purpose of increasing or decreasing the line voltage. In effect, it is merely a continuous winding with taps taken at various points along the winding, the input voltage being applied to the bottom and also to one tap on the winding. If the output is taken from this same tap, the voltage ratio will be 1 to 1; i.e., the input voltage will be the same as the output voltage. On the other hand, if the output tap is moved down toward the common terminal, there will be a stepdown in the turns ratio with a consequent stepdown in voltage. The initial setting of the middle input tap is chosen so that the number of turns will have sufficient

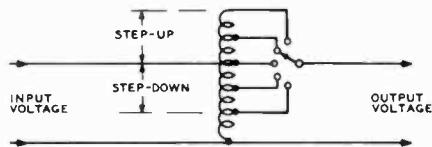


Figure 42

### THE AUTOTRANSFORMER

Schematic diagram of an autotransformer showing the method of connecting it to the line and to the load. When only a small amount of step up or step down is required, the autotransformer may be much smaller physically than would be a transformer with a separate secondary winding. Continuously variable autotransformers (Variac and Powerstat) are widely used commercially.

reactance to hold the no-load primary current to a reasonable value.

**Leakage Reactance** In a practical transformer, *leakage reactance* is caused by the small amount of magnetic flux which is not common to both windings. The more closely the transformer windings are interleaved, the less leakage reactance there is, up to the limits imposed by the layout and design of an individual transformer.

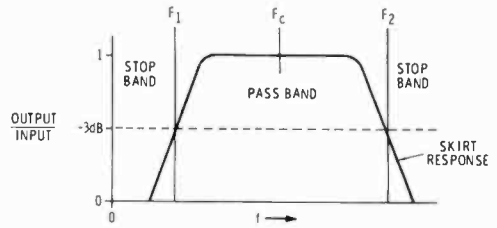
Current flowing through the leakage reactance causes a voltage drop in the transformer which degrades the voltage regulation of the unit and results in a lower secondary voltage under load than would be indicated by the turns ratio of the transformer. In some transformer designs, the leakage reactance may be controlled by a small amount of dc power flowing in a special winding permitting adjustment of the secondary voltage.

### 3-6 Wave Filters

There are many applications where it is desirable to discriminate between frequency bands, passing one band and rejecting the other, or to pass all frequencies. Circuits which accomplish this are termed *wave filters*, or simply *filters*. Filters differ from simple resonant circuits in that they provide attenuation over the *stopband*. Attenuation may be made as large as necessary if a sufficient number of filter sections of proper design are employed.

**Filter Operation** A filter acts by virtue of its property of offering very high impedance to the undesired frequencies, while offering but little impedance to the desired frequencies. This will also apply to dc with a superimposed ac component, as dc can be considered as an alternating current of zero frequency so far as filter discussion goes.

Figure 43 illustrates the important characteristics of an electric filter. The filter *passband* is defined as the frequency region to the points at which the response is at-



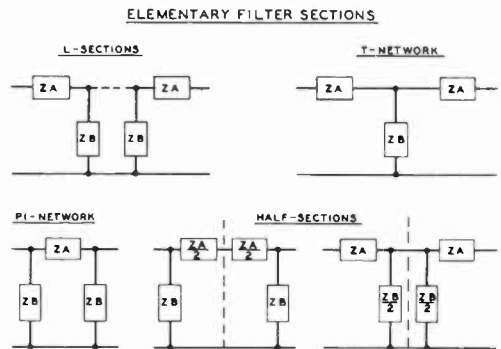
**Figure 43**  
**FREQUENCY RESPONSE OF REPRESENTATIVE FILTER**

The cutoff frequencies ( $F_1$  and  $F_2$ ) of the filter are at the  $-3$  dB points on the curve, which are 0.707 of the maximum voltage or 0.5 of the maximum power. Filters are designated as low-pass, high-pass or bandpass. The filter illustrated is a bandpass filter.

tenuated 3 dB. The points are termed the *cutoff frequencies* of the filter.

**Basic Filters** Early work done for the telephone companies standardized filter designs around the *constant-k* and *m-derived* filter families. The *constant-k* filter is one in which the input and output impedances are so related that their arithmetical product is a constant ( $k^2$ ). The *m-derived* filter is one in which the series or shunt element is resonated with a reactance of the opposite sign. If the complementary reactance is added to the series arm of the filter, the device is said to be *shunt-derived*; if added to the shunt arm, it is said to be *series-derived*.

The basic filters are made up of elementary filter sections (*L-sections*) which con-



**Figure 44**

Complex filters may be made up from these basic filter sections.

sist of a series element ( $Z_A$ ) and a parallel element ( $Z_B$ ) as shown in figure 44. A number of  $L$ -sections can be combined into a basic filter section, called a  $T$  network, or a  $\pi$  network. Both the  $T$  and  $\pi$  networks may be divided in half to form half sections.

Each impedance of the  $m$ -derived section is related to a corresponding impedance in the constant- $k$  section by some factor which is a function of the constant  $m$ . In turn,  $m$  is a function of the ratio between the cutoff frequency and the frequency of infinite attenuation, and will have some value between zero and one. As the value of  $m$  approaches zero, the sharpness of cutoff increases, but the less will be the attenuation at several times cutoff frequency. A value of 0.6 may be used for  $m$  in most applications. The "notch" frequency is determined by the resonant frequency of the tuned filter element. The amount of attenuation obtained at the "notch" when a derived section is used is determined by the effective  $Q$  of the resonant arm (figure 45).

**Filter Assembly** Constant- $k$  sections and  $m$ -derived sections may be cascaded to obtain the combined characteristics of sharp cutoff and good remote frequency attenuation. Such a filter is known as a *composite* filter. The amount of attenuation will depend on the number of filter sections used, and the shape of the transmission curve depends on the type of filter sections used. All filters have some *insertion loss*. This attenuation is usually uniform to all frequencies within the passband. The insertion loss varies with the type of filter, the  $Q$  of the components, and the type of termination employed.

The basic data for classic pi-section filters is shown in figure 46.

### 3-7 Modern Filter Design

The constant- $k$  and  $m$ -derived filters of traditional image-parameter design have

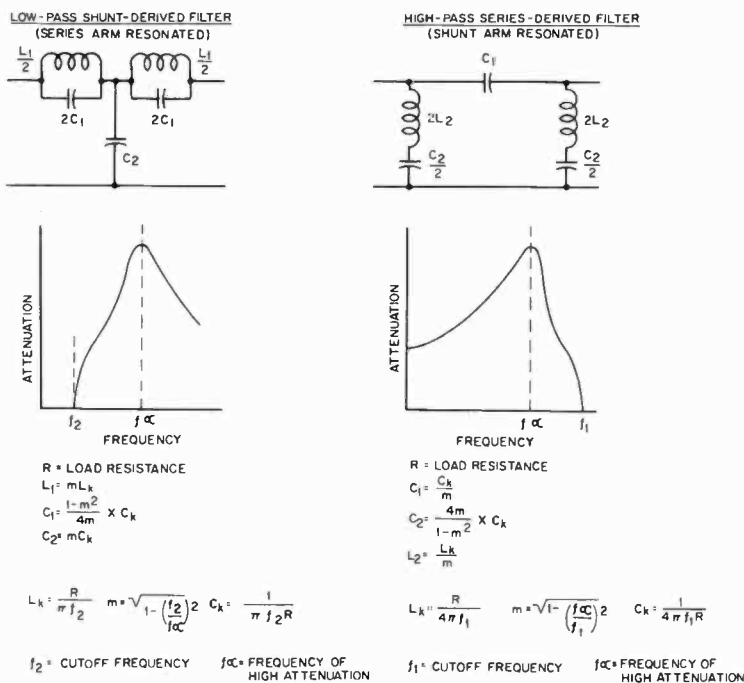


Figure 45

TYPICAL LOW-PASS AND HIGH-PASS FILTERS ILLUSTRATING SHUNT AND SERIES DERIVATIONS



been surpassed by newer techniques and designs based upon Butterworth and Tchebycheff polynomials. Optimized filter configurations for sharp-cutoff filters (often using less components than the more traditional design filter) can be derived from filter tables based upon the new designs. This technique is well suited to computer programming which stores a file of precalculated and catalogued designs normalized to a cutoff frequency of one Hz, or one radian per second (6.28 Hz) and terminations of one ohm. The catalog may be readily adapted to a specific use by scaling the normalized parameters to the cutoff frequency and terminating resistance desired. To scale frequency, all  $L$  and  $C$  values are divided by the new frequency and to scale impedance, all  $R$  and  $L$  values are multiplied, and all  $C$  values divided, by the new impedance level.

The filter response remains the same after scaling as before.

The *Butterworth* filter has a smooth response and does not exhibit any *passband ripple*. Its stopband, or cutoff, contains no point of infinite rejection except at infinite frequency. The steepness of the cutoff response depends on the number of poles in the filter.

The *Tchebycheff* filter exhibits a steeper cutoff slope than a Butterworth filter of the same number of poles, but has a known amount of passband ripple. The *elliptic-function* filter has a steeper cutoff slope than the Butterworth and exhibits infinite rejection frequencies in the stopband (figure 47).

A catalog of synthesis systems may be found in *Simplified Modern Filter Design*, by Geffe, published by Rider, and *Network*

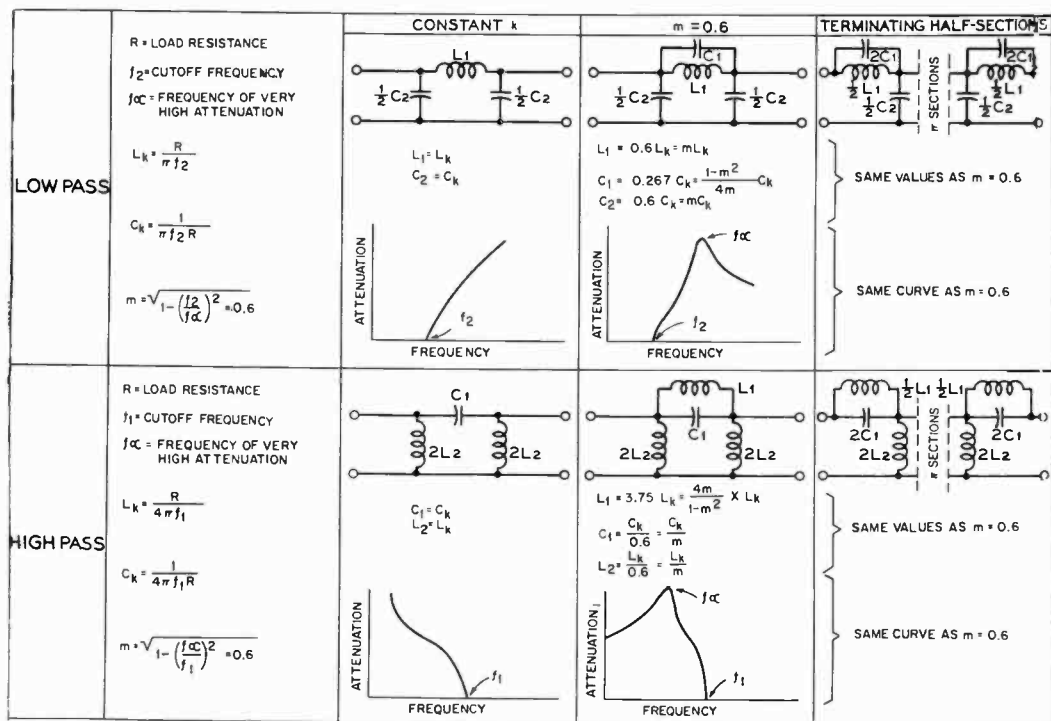


Figure 46

PI-SECTION FILTER DESIGN

Through the use of the curves and equations which accompany the diagrams in the illustration above it is possible to determine the correct values of inductance and capacitance for the usual types of pi-section filters.

*Analysis and Synthesis*, by Weinberg, published by McGraw-Hill. Either or both of these books may be available at the engineering library of any large university.

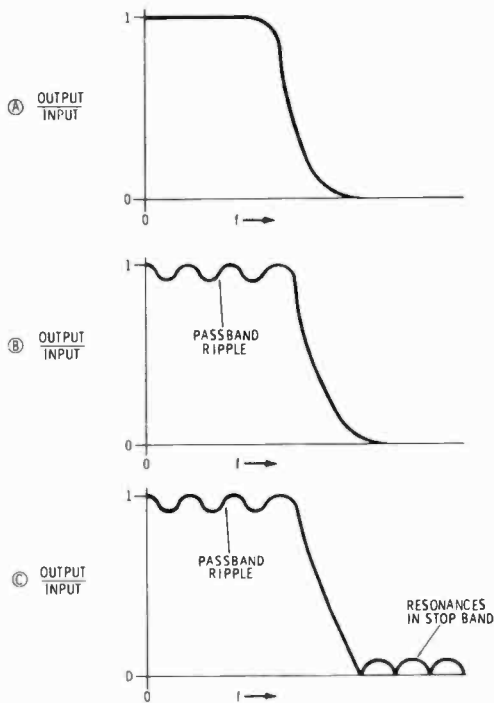


Figure 47

### PASSBAND OF MODERN FILTERS

- A—Butterworth filter  
 B—Tchebycheff filter  
 C—Elliptic-function filter

**Computer-Designed Filters** Designing a filter is time consuming and requires specialized knowledge, and the designs frequently yield circuits with nonstandard components. The chart of figure 48 is based on selections from computer-calculated filter designs. They will work at frequencies from 1 kHz to 100 MHz, and use standard capacitor values.

Thirty-six designs (18 low-pass and 18 high-pass) of five-element circuits were chosen for tabulation, and they were normalized for 50-ohm terminations and a 0.1- to 1-MHz frequency range. To select a filter, simply choose a frequency nearest the desired 3-dB cutoff frequency ( $f_{c0}$ ). Read the  $L$  and  $C$  component values from the

table, and assemble the components in accordance with the appropriate diagram. Although the filter tabulation covers directly only a 0.1- to 1-MHz frequency range and 50-ohm terminations, filter parameters for other cutoff frequencies and termination impedances can easily be determined by a simple scaling operation.

Termination of input and output with equal impedances makes possible equal values for the inductors ( $L_2 = L_4$ ) and capacitors ( $C_1 = C_5$ ). This simplifies component selection. Also a  $\pi$  configuration for the low-pass filter, and  $T$  for the high-pass, minimizes the number of inductors.

The tabulated filter cutoff frequencies ( $f_{c0}$  in megahertz at  $-3$  dB) have been selected to provide values to within about 15% of any value in the 0.1- to 1-MHz range. The designs are keyed to indicate three levels of standard capacitor use. For example, those with the symbol "0" have all capacitors of the more common standard sizes. Where the choice of cutoff frequency is flexible, selection of designs with a greater number of the more common standard capacitance values makes component procurement easier. Inductor values are nonstandard, but this should present no problem, since inductors are often hand-wound or available with a slug adjustment.

Filter attenuation slope, VSWR (voltage standing-wave ratio), and passband ripple are interrelated. In the first octave after cutoff, the tabulated designs have a minimum and maximum attenuation slope that lies between 30 and 40 dB/octave. The minimum and maximum values of VSWR and passband ripple are 1.00 to 1.29 and zero to 0.079 dB, respectively. The attenuation slope increases as the filter VSWR and passband ripple increase. Beyond  $3 f_{c0}$  the attenuation slope becomes 30 dB/octave and is independent of the VSWR. Because the VSWR and passband ripple of these designs are low, they should prove adequate for most ordinary filter requirements. Attenuation curves plotted for the filters are normalized in terms of  $f/f_{c0}$  for low-pass filters or  $f_{c0}/f$  for high-pass.

For termination resistances other than 50 ohms and cutoff frequencies outside the 0.1- to 1-MHz range, use the scaling equations shown with the tabulations. However, to re-

### Filter Chart

#### Scaling Equations

For cutoff frequencies outside the 0.1 to 1 MHz range and termination other than 50 Ω, use the following scaling equations:

$$L' = L \left( \frac{R}{F} \right), \quad C' = \frac{C}{(R \cdot F)}$$

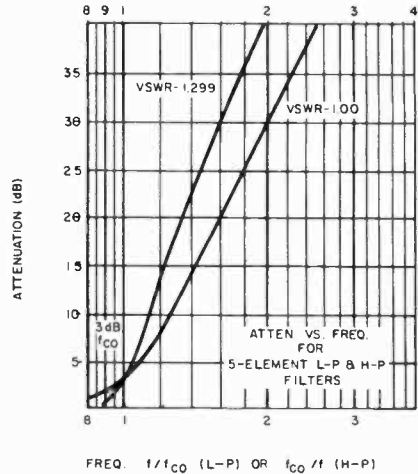
L' & C' = New Component Values  
L & C = Tabulated Values

$$\text{Multiplier } R = \frac{R'}{50}$$

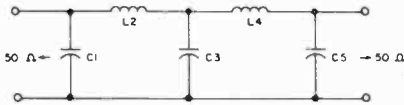
Where R' is a new termination resistance chosen to make R an integral power of ten.

$$\text{Multiplier } F = \frac{f'_{co}}{f_{co}}$$

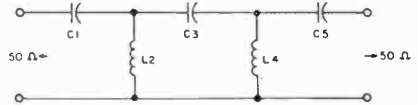
Where f'\_{co} is a new cutoff frequency and f\_{co} is a tabulated cutoff frequency, both chosen to make F an integral power of ten.



#### Low-pass Filters



#### High-pass Filters



* Key	f <sub>co</sub> 3dB (MHz)	VSWR	C <sub>1</sub>	C <sub>3</sub>	L <sub>2,4</sub>
			μF		
Δ	0.10	1.299	0.039	0.068	125.0
x	0.11	1.020	0.022	0.056	119.0
o	0.14	1.083	0.022	0.047	98.5
x	0.17	1.260	0.022	0.039	73.7
o	0.19	1.062	0.015	0.033	70.7
o	0.20	1.000	0.010	0.033	65.5
x	0.24	1.010	0.010	0.027	56.8
o	0.29	1.000	0.0068	0.022	44.5
x	0.35	1.010	0.0068	0.018	38.6
o	0.42	1.000	0.0047	0.015	30.8
Δ	0.47	1.273	0.0082	0.015	27.0
x	0.53	1.020	0.0047	0.012	25.3
x	0.57	1.273	0.0068	0.012	22.4
o	0.64	1.083	0.0047	0.010	21.0
x	0.71	1.151	0.0047	0.0091	18.5
x	0.76	1.020	0.0033	0.0082	17.8
x	0.85	1.051	0.0033	0.0075	16.0
o	0.95	1.105	0.0033	0.0068	14.1

* Key	f <sub>co</sub> 3dB (MHz)	VSWR	C <sub>1</sub>	C <sub>3</sub>	L <sub>2,4</sub>
			μF		
o	0.10	1.073	0.033	0.015	45.0
x	0.13	1.210	0.022	0.012	38.3
Δ	0.14	1.286	0.018	0.010	34.7
o	0.16	1.000	0.033	0.010	31.5
x	0.18	1.235	0.015	0.0082	27.1
x	0.20	1.151	0.015	0.0075	23.8
o	0.23	1.000	0.022	0.0068	21.0
x	0.26	1.030	0.015	0.0062	18.1
x	0.30	1.151	0.010	0.0050	15.9
o	0.34	1.000	0.015	0.0047	14.3
x	0.41	1.020	0.010	0.0039	11.6
o	0.48	1.105	0.0068	0.0033	10.0
x	0.53	1.051	0.0068	0.0030	8.77
x	0.60	1.020	0.0068	0.0027	7.88
x	0.65	1.139	0.0047	0.0024	7.32
o	0.72	1.083	0.0047	0.0022	6.56
x	0.85	1.210	0.0033	0.0018	5.75
x	0.96	1.116	0.0033	0.0016	4.93

\*Key

- o - C<sub>1</sub>, C<sub>3</sub>, and C<sub>5</sub> are common standard values.
- x - C<sub>1</sub> & C<sub>3</sub> are common standard values; C<sub>5</sub> is a less-common standard value.
- Δ - C<sub>1</sub> & C<sub>3</sub> are less-common standard values; C<sub>5</sub> is a common standard value.

Figure 48

tain the new capacitor values in standard sizes, the resistance or frequency multipliers,

F or R, must each be an integral power of 10. For example, if a 500-ohm, 2-kHz low-

pass filter is required, the resistance and frequency multipliers are  $R = 10$  and  $F = 10^{-2}$ . The tabulated 0.20-MHz low-pass filter design would be selected. The corresponding capacitances and inductances—.01  $\mu\text{F}$ , .033  $\mu\text{F}$ , and 65.5  $\mu\text{H}$ —then become 0.1  $\mu\text{F}$ , 0.33  $\mu\text{F}$ , and 65.5 mH, respectively.

To match a 500-ohm filter to a 600-ohm line, two minimum-loss, 500/600-ohm L-pads can be installed, one at each end of the filter. For instance, each pad could consist of a series-connected, 240-ohm resistor and

a shunt-connected, 1200-ohm resistor. The insertion loss of these two pads is approximately 7.5 dB.

Though capacitors and inductors with tolerances of 5 or 10% can be used, the actual cutoff frequency obtained will vary accordingly from the tabulated  $f_{co}$  values.

(The preceding section material and illustration are reprinted with permission from *Electronic Design* 24, November 23, 1973, Hayden Publishing Co., Inc. Rochelle Park, NJ 07662.)



# Semiconductor Devices

## Part I—Diodes and Bipolar Devices

One of the earliest detection devices used in radio was the galena crystal, a crude example of a *semiconductor*. More modern examples of semiconductors are the selenium and silicon rectifiers, the germanium diode, and numerous varieties of the transistor and integrated circuit. All of these devices offer the interesting property of greater resistance to the flow of electrical current in one direction than in the opposite direction. Typical conduction curves for some semiconductors are shown in figure 1. The *transistor*, a three-terminal device, moreover, offers current amplification and may be used for a wide variety of control functions including amplification, oscillation, and frequency conversion.

Semiconductors have important advantages over other types of electron devices. They are very small, light and require no filament voltage. In addition, they consume very little power, are rugged, and can be made impervious to many harsh environmental conditions.

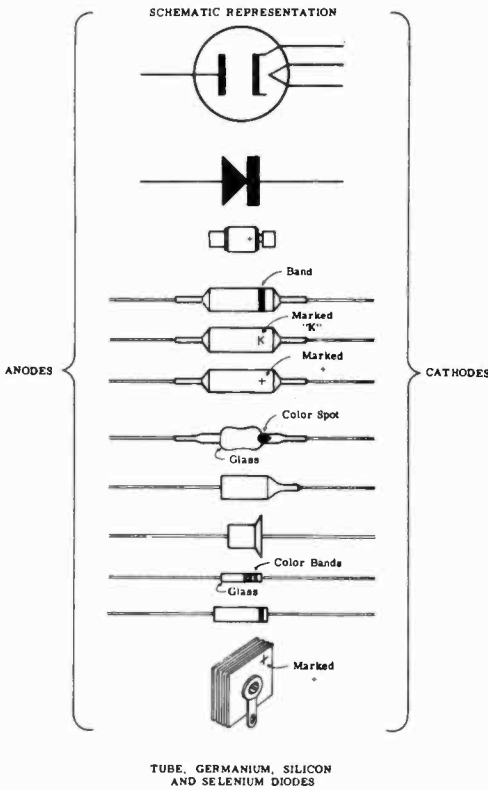
Transistors are capable of usable amplification into the microwave region and provide hundreds of watts of power capacity at frequencies through the vhf range.

Common transistors are current-operated devices whereas vacuum tubes are voltage-operated devices so that direct comparisons between the two may prove to be misleading, however economic competition exists between the two devices and the inexpensive and compact transistor has taken over most of the functions previously reserved for the more expensive vacuum tube.

### 4-1 Atomic Structure of Germanium and Silicon

Since the mechanism of conduction of a semiconductor is different from that of a vacuum tube, it is well to briefly review the atomic structure of various materials used in the manufacture of solid-state devices.

It was stated in an earlier chapter that the electrons in an element having a large atomic number are conveniently pictured as being grouped into rings, each ring having a definite number of electrons. Atoms in which these rings are completely filled are termed *inert gases*, of which helium and argon are examples. All other elements have one or more incomplete rings of electrons. If the incomplete ring is loosely bound, the electrons may be easily removed, the element is called *metallic*, and is a conductor of electric current. Copper and iron are examples of conductors. If the incomplete ring is tightly bound, with only a few electrons missing, the element is called *non-metallic*, and is an insulator (nonconductor) to electric current. A group of elements, of which germanium, gallium, and silicon are examples, fall between these two sharply defined groups and exhibit both metallic and nonmetallic characteristics. Pure germanium or silicon may be considered to be a good insulator. The addition of certain impurities in carefully controlled amounts to the pure element will alter the conductivity of the material. In addition, the choice of the impurity can change the direction of conduc-



mainly made of germanium but most modern transistors possessing power capability are made of silicon. Experimental transistors are being made of gallium arsenide which combines some of the desirable features of both germanium and silicon.

Both germanium and silicon may be "grown" in a diamond lattice crystal configuration, the atoms being held together by bonds involving a shared pair of electrons (figure 2). Electrical conduction within the crystal takes place when a bond is broken, or when the lattice structure is altered to obtain an excess electron by the addition of an impurity. When the impurity is added, it may have more or less loosely held electrons than the original atom, thus allowing an electron to become available for conduction, or creating a vacancy, or *hole*, in the shared electron bond. The presence of a hole encourages the flow of electrons and may be considered to have a positive charge, since it represents the absence of an electron. The hole behaves, then, as if it were an electron, but it does not exist outside the crystal.

### 4-2 Mechanism of Conduction

There exist in semiconductors both negatively charged electrons and absence of electrons in the lattice (holes), which behave as though they had a positive electrical charge equal in magnitude to the negative charge on the electron. These electrons and holes drift in an electrical field with a velocity which is proportional to the field itself:

$$V_{dh} = \mu_h E$$

where,

- $V_{dh}$  equals drift velocity of hole,
- $E$  equals magnitude of electric field,
- $\mu_h$  equals mobility of hole.

In an electric field the holes will drift in a direction opposite to that of the electron and with about one-half the velocity, since the hole mobility is about one-half the electron mobility. A sample of a semiconductor,

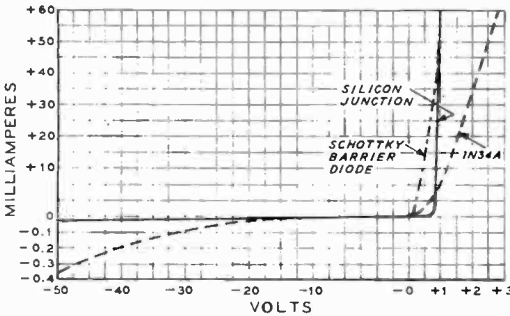


Figure 1

### DIODE CHARACTERISTICS AND CODING

The semiconductor diode offers greater resistance to the flow of current in one direction than in the opposite direction. Note expansion of negative current and positive voltage scales. Diode coding is shown above, with notations usually placed on cathode (positive) end of unit.

tivity through the element, some impurities increasing conductivity to positive potentials and others increasing conductivity to negative potentials. Early transistors were

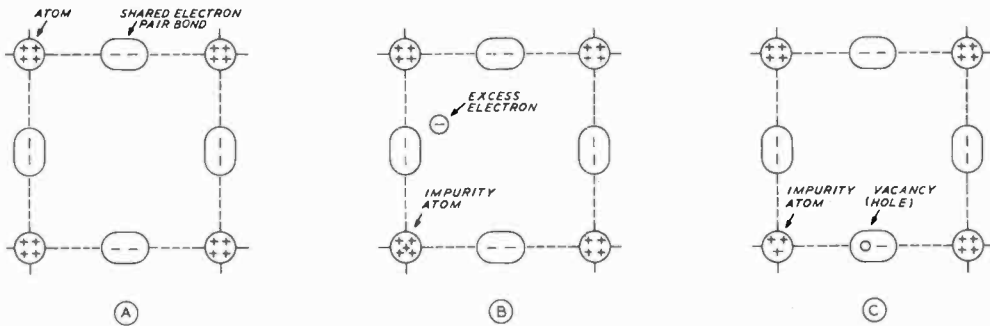


Figure 2

## SEMICONDUCTOR CRYSTAL LATTICE

Silicon and germanium lattice configuration made up of atoms held by bonds involving a shared pair of electrons. Conduction takes place when bond is altered to provide excess electron (B) or to create electron vacancy or conducting "hole" (C).

such as germanium or silicon, which is both chemically pure and mechanically perfect will contain in it approximately equal numbers of holes and electrons and is called an *intrinsic* semiconductor. The intrinsic resistivity of the semiconductor depends strongly on the temperature, being about 50 ohm cm for germanium at room temperature. The intrinsic resistivity of silicon is about 65,000 ohm cm at the same temperature.

If, in the growing of the semiconductor crystal, a small amount of an impurity, such as phosphorus is included in the crystal, each atom of the impurity contributes one free electron. This electron is available for conduction. The crystal is said to be *doped* and has become electron-conducting in nature and is called *N (negative)-type* silicon. The impurities which contribute electrons are called *donors*. N-type silicon has better conductivity than pure silicon in one direction, and a continuous stream of electrons will flow through the crystal in this direction as long as an external potential of the correct polarity is applied across the crystal.

Other impurities, such as boron add one hole to the semiconducting crystal by accepting one electron for each atom of impurity, thus creating additional holes in the semiconducting crystal. The material is now said to be hole-conducting, or *P (positive)-type* silicon. The impurities which create holes are called *acceptors*. P-type silicon has better conductivity than pure silicon in one direction. This direction is opposite to that of the N-type material. Either the N-type or

the P-type silicon is called *extrinsic* conducting type. The doped materials have lower resistivities than the pure materials, and doped semiconductor material in the resistivity range of .01 to 10 ohm cm is normally used in the production of transistors.

The electrons and holes are called *carriers*; the electrons are termed majority carriers, and the holes are called minority carriers.

## 4-3 The PN Junction

The semiconductor diode is a *PN junction*, or *junction diode* having the general electrical characteristic of figure 1 and the electrical configuration of figure 3. The anode of the junction diode is always positive type

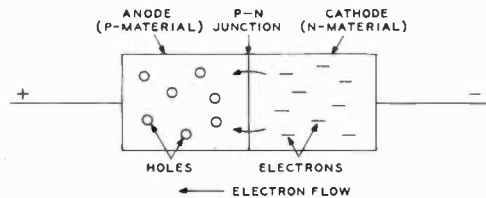


Figure 3

## PN JUNCTION DIODE

P-type and N-type materials form junction diode. Current flows when P anode is positive with respect to the N cathode (forward bias). Electrons and holes are termed carriers, with holes behaving as though they have a positive charge.



(P) material while the cathode is always negative-type (N) material. Current flow occurs when the P-anode is positive with respect to the N-cathode. This state is termed *forward bias*. Blocking occurs when the P-anode is negative with respect to the N-cathode. This is termed *reverse bias*. When no external voltage is applied to the PN junction, the energy barrier created at the junction prevents diffusion of carriers across the junction. Application of a positive potential to the P-anode effectively reduces the energy barrier, and application of a negative potential increases the energy barrier, limiting current flow through the junction.

In the forward-bias region shown in figure 1, current rises rapidly as the voltage is increased, whereas in the reverse-bias region current is much lower. The junction, in other words is a high-resistance element in the reverse-bias direction and a low-resistance element in the forward-bias direction.

Junction diodes are rated in terms of average and peak-inverse voltage in a given environment, much in the same manner as thermionic rectifiers. Unlike the latter, however, a small *leakage current* will flow in the reverse-biased junction diode because of a few hole-electron pairs thermally generated in the junction. As the applied inverse voltage is increased, a potential will be reached at which the leakage current rises abruptly at an *avalanche voltage* point. An increase in inverse voltage above this value can result in the flow of a large reverse current and the possible destruction of the diode.

Maximum permissible forward current in the junction diode is limited by the voltage drop across the diode and the heat-dissipation capability of the diode structure. Power diodes are often attached to the chassis of the equipment by means of a *heat-sink* to remove excess heat from the small junction.

Silicon diode rectifiers exhibit a forward voltage drop of 0.4 to 0.8 volts, depending on the junction temperature and the impurity concentration of the junction. The forward voltage drop is not constant, increasing directly as the forward current increases. Internal power loss in the diode increases as the square of the current and thus increases rapidly at high current and temperature levels.

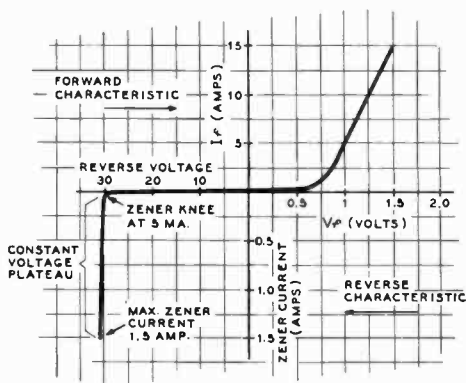


Figure 4

### ZENER-DIODE CHARACTERISTIC CURVE

Between zener-knee and point of maximum current, the zener voltage is essentially constant at 30 volts. Units are available with zener voltages from approximately 4 to 200.

After a period of conduction, a silicon rectifier requires a finite time interval to elapse before it may return to the reverse-bias condition. This *reverse recovery time* imposes an upper limit on the frequency at which a silicon rectifier may be used. Operation at a frequency above this limit results in overheating of the junction and possible destruction of the diode because of the power loss during the period of recovery.

**The Zener Diode** The *zener diode* (reference diode) is a PN junction that can be used as a constant-voltage reference, or as a control element. It is a silicon element operated in the reverse-bias avalanche breakdown region (figure 4). The break from nonconductance to conductance is very sharp and at applied voltages greater than the breakdown point, the voltage drop across the diode junction becomes essentially constant for a relatively wide range of currents. This is the *zener control region*. Zener diodes are available in ratings to 50 watts, with zener voltages ranging from approximately 4 volts to 200 volts.

Thermal dissipation is obtained by mounting the zener diode to a heat sink composed of a large area of metal having free access to ambient air.

The zener diode has no ignition potential as does a gas regulator tube, thus eliminating

the problems of relaxation oscillation and high firing potential, two ailments of the gas tube. Furthermore, the zener regulator or combinations can be obtained for almost any voltage or power range, while the gas tubes are limited to specific voltages and restricted current ranges.

Actually, only the zener diode having a voltage rating below approximately 6.8 volts is really operating in the zener region. A higher voltage zener diode displays its constant voltage characteristic by virtue of the *avalanche effect*, which has a very sharp knee (figure 4). A diode for a voltage below 6.8 operates in the true zener region and is characterized by a relatively soft knee.

Avalanche and zener modes of breakdown have quite different temperature characteristics and breakdown diodes that regulate in the 5.6- to 6.2-volt region often combine some of each mechanism of breakdown and have a voltage versus temperature characteristic which is nearly flat. Many of the very stable *reference diodes* are rated at 6.2 volts. Since the avalanche diode (breakdown voltage higher than 6.8 volts) displays a positive voltage-temperature slope, it is possible to temperature-compensate it with one or more series forward-biased silicon diodes ( $D_1$ ) as shown in figure 5. The 1N935 series

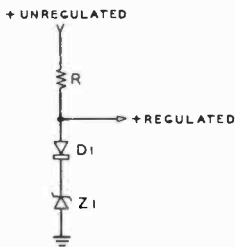


Figure 5

**TEMPERATURE-COMPENSATED ZENER DIODE**

(9 volt) is apparently of this sort, since the voltage is not 6.2 or some integer multiple thereof.

Several manufacturers have been successful in extending the avalanche mode of breakdown into the low-voltage region normally considered the domain of zener breakdown. By using such a *low-voltage avalanche* (LVA) diode instead of a zener, a sharp knee may be obtained at breakdown voltages below 6.8 volts.

National Semiconductor also has a series of 1.8 to 5.6 volt regulator diodes that display sharp knees compared to zener equivalents. These "diodes" are actually very small IC chips with a number of transistors on them. Only two leads are brought out of the package for use as a diode. The LM-103-1.8 through LM-103-5.6 comprise the diode family of 13 devices. A more complex IC is available as a 1.22 volt reference diode, the LM-113.

Silicon epitaxial transistors may also be used as zener diodes, if the current requirement is not too large. Most small, modern, silicon signal transistors have a  $V_{BEO}$  (back emitter-base breakdown voltage) between 3 and 5 volts. If the base and emitter leads are used as a zener diode, the breakdown will occur at a volt or so in excess of the  $V_{BEO}$  rating. Figure 6 shows NPN and PNP tran-

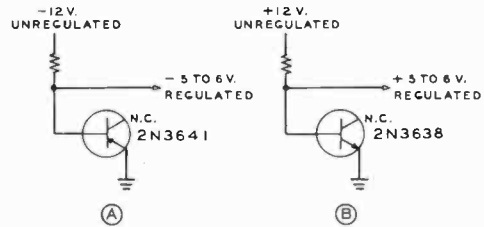


Figure 6

**SMALL-SIGNAL SILICON TRANSISTOR USED AS ZENER DIODE**

sistors used in this fashion. For safety, no more than one quarter the rated power dissipation of the transistor should be used when the device is operated this way.

All types of zener diodes are a potential source of noise, although some types are worse than others. If circuit noise is critical, the zener diode should be bypassed with a low-inductance capacitor. This noise can be evident at any frequency, and in the worst cases it may be necessary to use LC decoupling circuits between the diode and highly sensitive r-f circuits.

**Junction Capacitance** The PN junction possesses capacitance as the result of opposite electric charges existing on the sides of the barrier. Junction capacitance may change with applied voltage, as shown in figure 7.

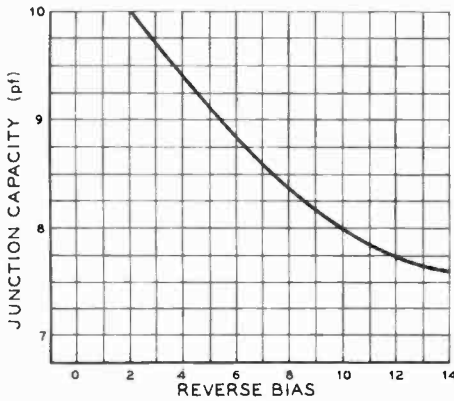


Figure 7

**JUNCTION CAPACITANCE VARIATION WITH RESPECT TO REVERSE VOLTAGE**

A voltage-variable capacitor (*varactor* or *varicap*) is generally made of a silicon junction having a special impurity concentration to enhance the capacitance variation and to minimize series resistance losses.

The varicap and the varactor are fundamentally the same type of device, the former used in tuning resonant circuits electrically and the latter used in parametric amplifiers and frequency multipliers. Both devices have been designed to give a high-Q capacitance vs. voltage relationship at radio frequencies.

The circuit of figure 8A shows a varicap used to electrically tune a resonant circuit. This form of tuning is restricted to circuits which have a very small r-f voltage across them, such as in receiver r-f amplifier stages. Any appreciable ac voltage (compared to the dc control voltage across the device)

will swing its capacitance at the r-f rate, causing circuit nonlinearity and possible crossmodulation of incoming signals. This nonlinearity may be overcome by using two varicap devices as shown in figure 8B. In this case, the ac component increases the capacitance of one varicap while decreasing that of the other. This tuning method may be used in circuits having relatively high r-f voltages without the danger of nonlinearity.

**The Varactor** The varactor frequency multiplier (also called the *parametric multiplier*) is a useful vhf/uhf multiplier which requires no dc input power. The input power consists only of the fundamental-frequency signal to be multiplied and typically 50% to 70% of that r-f power is recovered at the output of the multiplier unit. Since the efficiency of a varactor multiplier drops as the square of the multiple (*n*), such devices are not usually used for values of *n* greater than five.

Examples of varactor multipliers are shown in figure 9. There are usually a number of *idlers* (series-resonant circuits) in a varactor multiplier. In general, there will be *n*-2 idlers. These idlers are high-Q selective short circuits which reflect undesired harmonics back into the nonlinear capacitance diode.

An interesting development in multiplier diodes is the *step-recovery* diode. Like the varactor, this device is a frequency multiplier requiring no dc input. The important difference between the step-recovery diode and the varactor is that the former is deliberately driven into forward conduction by the fundamental drive voltage. In addi-

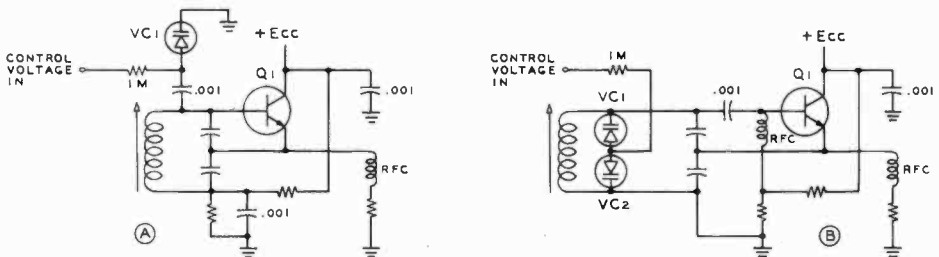


Figure 8

**VOLTAGE VARIABLE CAPACITORS**

- A—Single varicap used to tune resonant circuit
- B—Back-to-back varicaps provide increased tuning range with improved linearity

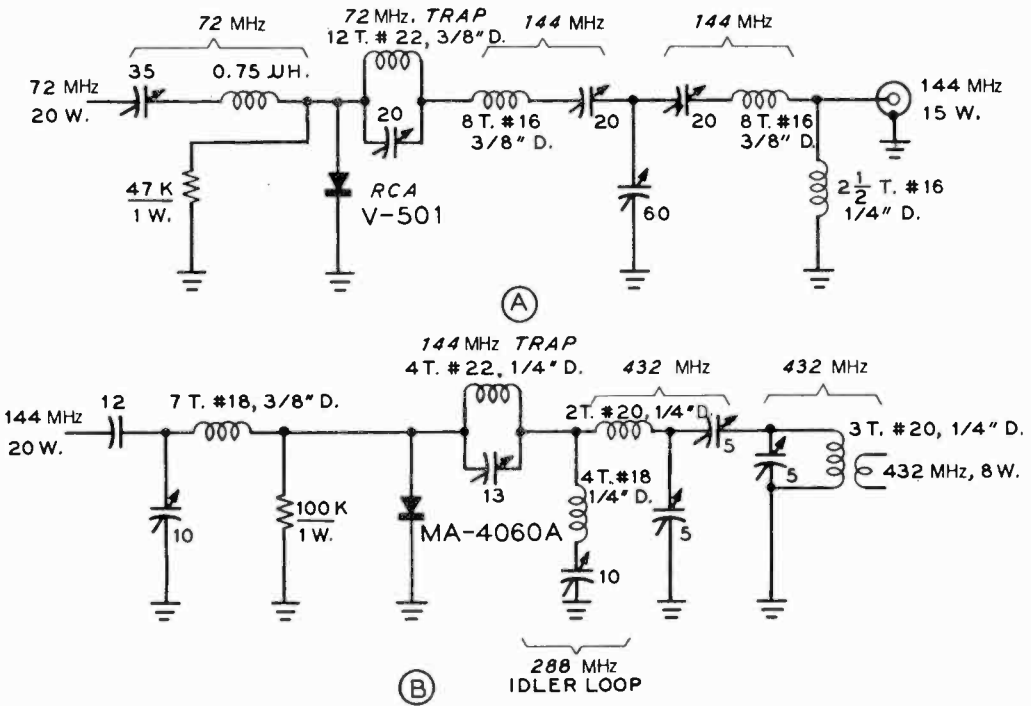


Figure 9

**BASIC VARACTOR DOUBLING AND TRIPLING CIRCUITS**

If "step-recovery" diode is used, idler loop may be omitted.

tion, the step-recovery diode multiplier requires no idler circuits and has an output efficiency that falls off only as 1  $\mu$ . A "times-ten" frequency multiplier could then approach 10% efficiency, as compared to a varactor multiplier whose efficiency would be in the neighborhood of 1%. A typical step-recovery multiplier is shown in figure 10. Diode multipliers are capable of providing output powers of over 25 watts at 1 GHz and several watts at 5 GHz. Experimental devices have been used for frequency multiplication at frequencies over 20 GHz, with power capabilities in the milliwatt region.

used as uhf mixers, having noise figures as low as 6 dB at 3 GHz. The 1N21-1N26 series and the 1N82 are typical versions of point-contact silicon diodes for mixer use. The germanium point-contact diode, as exemplified by the 1N34 and 1N270, has been most used as an r-f detector at vhf and lower frequencies. The germanium point-contact

**Point-Contact Diodes** A rectifying junction can be made of a metal "whisker" touching a very small semiconductor die. When properly assembled, the die injects electrons into the metal. The contact area exhibits extremely low capacitance and *point-contact* diodes are widely

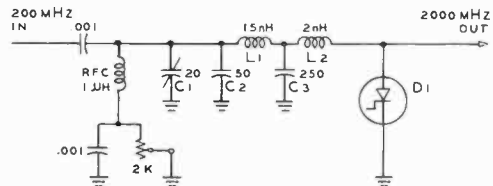


Figure 10

**STEP-RECOVERY FREQUENCY MULTIPLIER**

Step-recovery diode is used as multiplier. No idler circuits are required, such as used with varactor.

diode is still quite useful as a detector, but is being replaced in more modern designs by the silicon *Schottky-barrier (hot-carrier)* diode. The Schottky-barrier diode is similar to the silicon point-contact diode, with the metal-to-silicon interface made by metal deposition on silicon. This device behaves like a silicon point-contact diode, having a lower forward voltage drop than an equivalent silicon unit, good high-frequency response, and a lower noise figure.

**Other Diode Devices** *Impatt, Trapatt, and Gunn* diodes are used to produce r-f directly from dc when used in microwave cavities. The PIN diode is useful as an attenuator or switch at radio frequencies. This is a PN junction with a layer of undoped (intrinsic) silicon between

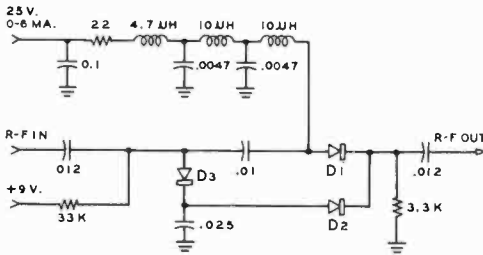


Figure 11

### PIN DIODE USED AS R-F ATTENUATOR OR SWITCH

Diode *D*<sub>1</sub> appears resistive to frequencies whose period is shorter than "carrier" lifetime. Control voltage varies r-f attenuation of diode.

the P and N regions. Because of the neutral intrinsic layer, the charge carriers in the diode are relatively slow; that is, they have a long carrier lifetime. If this lifetime is long compared to the period of the radio frequency impressed on the device, the diode appears resistive to that frequency. Since PIN diodes appear resistive to frequencies whose period is shorter than their carrier lifetime, these diodes can be used as attenuators and switches. An example of such an electrically variable PIN diode attenuator is shown in figure 11.

## 4-4 Diode Power Devices

Semiconductor devices have ratings which are based on thermal considerations similar to other electronic devices. The majority of power lost in semiconductors is lost internally and within a very small volume of the device. Heat generated by these losses must flow outward to some form of *heat exchanger* in order to hold junction temperature to a reasonable degree. The largest amount of heat flows out through the case and mounting stud of the semiconductor and thence through the heat exchanger into the air. The heat exchanger (or *heat sink*) must be in intimate contact with the case or leads of the semiconductor to achieve maximum uniform contact and maximum heat transfer. The matching surfaces are often lubricated with a substance having good thermal conductivity to reduce oxides or galvanic products from forming on the surfaces (*Dow-Corning Silicone Grease #200* and *Corning PC-4* are often used). The latter is silicone grease loaded with zinc oxide for improved heat transfer.

Care must be exercised in the contact between dissimilar metals when mounting semiconductor devices, otherwise electrolytic action may take place at the joint, with subsequent corrosion of one or more surfaces. Many rectifiers come with plated finishes to provide a nonactive material to be placed in contact with the heat sink.

When it is necessary to electrically insulate the case of the semiconductor from the heat sink, a thin mica or plastic washer may be placed between the device and the heat sink after lubricating the surfaces with a thermal lubricant.

**Diode Rectifiers** Semiconductor power rectifiers are the most-used solid-state devices in the electronics industry. Copper-oxide disc rectifiers have been used for decades, as have selenium disc rectifiers. The germanium junction rectifier, too, has been used extensively in electronics; the representative type 1N91 is still available.

Almost all new rectifier system design today uses the *silicon junction* rectifier (figure 12). This device offers the most promising range of applications; from extreme cold

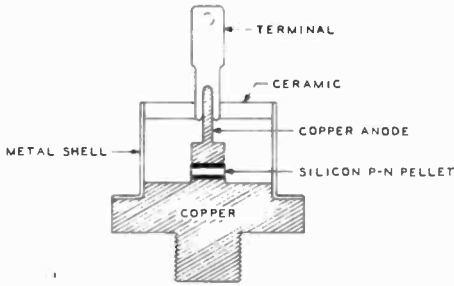


Figure 12

SILICON RECTIFIER

Silicon pellet is soldered to copper stud to provide low thermal resistance path between PN junction and heat sink. Copper anode is soldered to top of junction. Temperature of junction must be held to less than 200°C, as a result of increasing temperature on reverse current flow through junction.

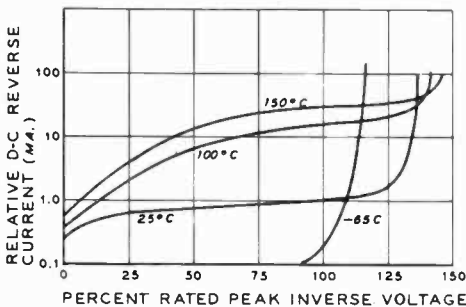
to high temperature, and from a few watts of the output power to very high voltage and currents. Inherent characteristics of silicon allow junction temperatures in the order of 200°C before the material exhibits intrinsic properties. This extends the operating range of silicon devices beyond that of any other efficient semiconductor and the excellent thermal range coupled with very small size per watt of output power make silicon rectifiers applicable where other rectifiers were previously considered impractical.

**Silicon Current Density** The current density of a silicon rectifier is very high, and on present designs ranges from 600 to 900 amperes per square inch of effective barrier layer. The usable current

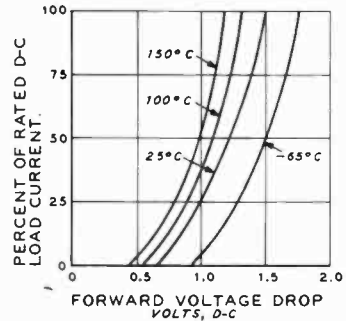
density depends on the general construction of the unit and the ability of the heat sink to conduct heat from the crystal. The small size of the crystal is illustrated by the fact that a rectifier rated at 15 dc amperes, and 150 amperes peak surge current has a total cell volume of only .00023 inch. Peak currents are extremely critical because the small mass of the cell will heat instantaneously and could reach failure temperatures within a time lapse of microseconds.

**Operating Characteristics** The reverse direction of a silicon rectifier is characterized by extremely high resistance, up to 10<sup>11</sup> ohms below a critical voltage point. This point of *avalanche voltage* is the region of a sharp break in the resistance curve, followed by rapidly decreasing resistance (figure 13A). In practice, the peak inverse working voltage is usually set at least 20% below the avalanche point to provide a safety factor.

A limited reverse current, usually of the order of 0.5 mA or less flows through the silicon diode during the inverse-voltage cycle. The reverse current is relatively constant to the avalanche point, increasing rapidly as this reverse-voltage limit is passed. The maximum reverse current increases as diode temperature rises and, at the same time, the avalanche point drops, leading to a "runaway" reverse-current condition at high temperatures which can destroy the diode.



(A)



(B)

Figure 13

SILICON RECTIFIER CHARACTERISTICS

- A—Reverse direction of silicon rectifier is characterized by extremely high resistance up to point of avalanche voltage.
- B—Threshold voltage of silicon cell is about 0.6 volt. Once device starts conducting the current increases exponentially with small increments of voltage, then nearly linearly on a very steep slope.

The forward characteristic, or resistance to the flow of forward current, determines the majority of power lost within the diode at operating temperatures. Figure 13B shows the static forward current characteristic relative to the forward voltage drop for a typical silicon diode. A small forward bias (a function of junction temperature) is required for conduction. The power loss of a typical diode rated at 0.5 ampere average forward current and operating at 100°C, for example, is about 0.6 watt during the conducting portion of the cycle. The forward voltage drop of silicon power rectifiers is carefully controlled to limit the heat dissipation in the junction.

**Diode Ratings and Terms** Silicon diodes are rated in terms similar to those used for vacuum-tube rectifiers.

Some of the more important terms and their definitions follow: *Peak Inverse Voltage* (PIV). The maximum reverse voltage that may be applied to a specific diode type before the avalanche breakdown point is reached.

*Maximum RMS Input Voltage*—The maximum rms voltage that may be applied to a specific diode type for a resistive or inductive load. The PIV across the diode may be greater than the applied rms voltage in the case of a capacitive load and the maximum rms input voltage rating must be reduced accordingly.

*Maximum Average Forward Current*—The maximum value of average current allowed to flow in the forward direction for a specified junction temperature. This value is specified for a resistive load.

*Peak Recurrent Forward Current*—The maximum repetitive instantaneous forward current permitted to flow under stated conditions. This value is usually specified for 60 Hz and a specific junction temperature.

*Maximum Single-Cycle Surge Current*—The maximum one-cycle surge current of a 60-Hz sine wave at a specific junction temperature. Surge currents generally occur when the diode-equipped power supply is first turned on, or when unusual voltage transients are introduced in the supply line.

*Derated Forward Current*—The value of direct current that may be passed through a diode for a given ambient temperature. For

higher temperatures, less current is allowed through the diode.

*Maximum Reverse Current*—The maximum leakage current that flows when the diode is biased to the peak-inverse voltage.

Silicon diodes may be mounted on a conducting surface termed a *heat sink* that, because of its large area and heat dissipating ability, can readily dispose of heat generated in the diode junction, thereby safeguarding the diode against damage by excessive temperature.

#### Improved Rectifier Types

A recent silicon rectifier design has been developed having most of the advantages of silicon, but also low forward voltage drop. This device is the Schottky-barrier or hot-carrier diode in a large format for power use. For two equal volume units, the Schottky-barrier type provides a higher current rating than does the equivalent silicon unit, bought about by the lower forward voltage drop.

The Schottky-barrier device is also a very fast rectifier; operation in high-frequency inverter circuits (up to several hundred kHz) is quite practical. So far the PIV of these diodes remains quite low (less than 50 volts).

A second semiconductor rectifier which combines most of the features of the

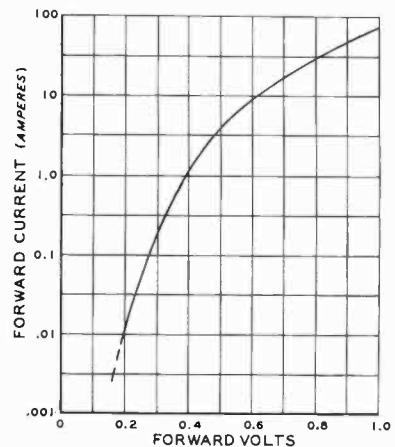


Figure 14

**ION-IMPLANTED DIODE FEATURES  
LOW FORWARD DROP AND FAST  
RECOVERY TIME**

Schottky-barrier and the common junction device is the *ion-implanted diode*. This diode has impurities implanted in the silicon by means of an "atom smasher." The impurity ions are fired from a particle accelerator into the silicon target wafer. The resultant silicon crystal lattice is modified in such a way as to cause the diodes made from this wafer to have a low forward drop and a fast recovery time (figure 14).

**SCR Devices** The *thyristor* is a generic term for that family of multilayer semiconductors that comprise *silicon controlled rectifiers* (SCR's), *Triacs*, *Diacs*, *Four Layer Diodes* and similar devices. The SCR is perhaps the most important member of the family, at least economically, and is widely used in the control of large blocks of 60-Hz power.

The SCR is a three-terminal, three-junction semiconductor, which could be thought of as a solid-state thyatron. The SCR will conduct high current in the forward direction with low voltage drop, presenting a high impedance in the reverse direction. The three terminals (figure 15) of an SCR device are *anode*, *cathode*, and *gate*. Without

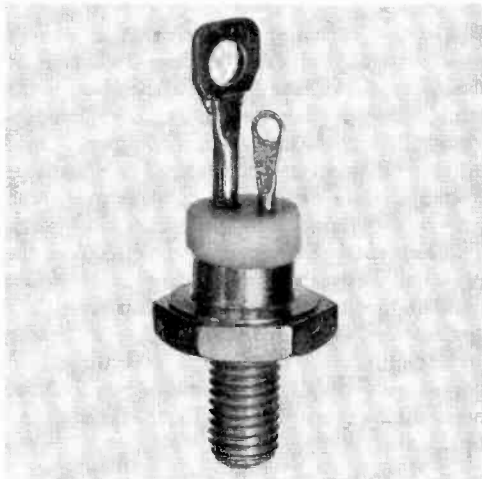


Figure 15

### THE SILICON CONTROLLED RECTIFIER

This three-terminal semiconductor is an open switch until it is triggered in the forward direction by the gate element. Conduction will continue until anode current is reduced below a critical value.

gate current the SCR is an open switch in either direction. Sufficient gate current will close the switch in the forward direction only. Forward conduction will continue even with gate current removed until anode current is reduced below a critical value. At this point the SCR again blocks open. The SCR is therefore a high-speed unidirectional switch capable of being latched on in the forward direction.

The gate signal used to trigger an SCR may be an ac wave, and the SCR may be used for dimming lights or speed control of small ac universal series-wound motors, such as those commonly used in power tools. Several power-control circuits using SCR devices and *triacs* (bidirectional triode thyristors) are shown in figure 16.

The *triac* is similar to the SCR except that when its gate is triggered on, it will conduct either polarity of applied voltage. This makes full-wave control much easier to achieve than with an SCR. An example of the triac in a full-wave power control circuit is shown in figure 16C.

The *four layer diode* is essentially an SCR without a gate electrode. As the forward voltage is increased across it, no conduction occurs until the voltage rises to the holdoff value, above which the device conducts in much the same fashion an SCR does when its holdoff voltage has been exceeded.

The *diac* is analogous to the triac with no gate electrode. It acts like a four layer diode, except that it has similar holdoff in both directions. The diac is used principally to generate trigger pulses for triac gating circuits.

The *silicon unilateral switch* (SUS) is similar to the four layer diode and the *silicon bilateral switch* (SBS) is similar to the diac. There are also a number of other variously named "trigger diodes" for use with thyristors, but they are all found to be functionally similar to the four layer diode or diac.

There exists one other thyristor of importance: it is the *silicon controlled switch* (SCS). This device has two electrodes: a *gate* to turn it on, and a second terminal called a *turn-off gate*. The SCS has, so far, only been available in low-voltage low-current versions, as exemplified by the 3N81-3N85 series.



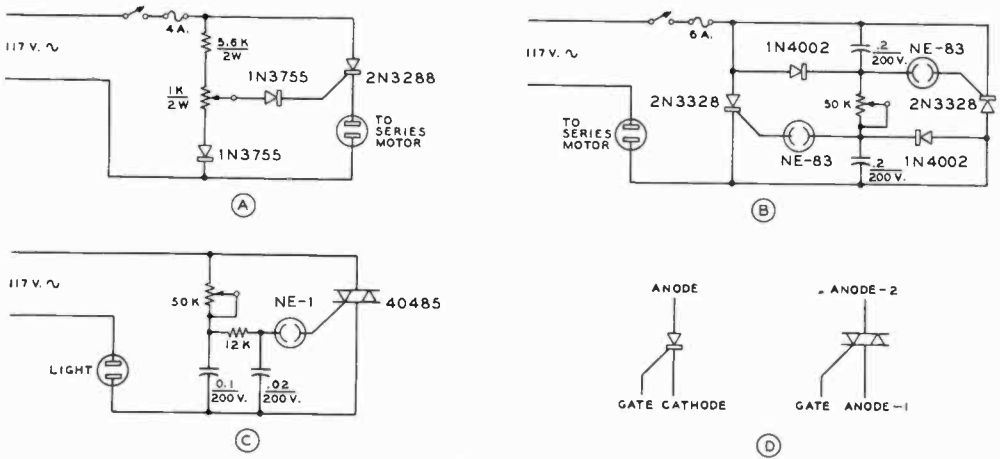


Figure 16

SCR CIRCUITS FOR MOTOR OR LIGHT CONTROL

A—Half-wave control circuit for series motor or light. B— Full-wave control circuit for series motor or light. C— Triac control light circuit. D— Symbols for SCR and Triac units.

**The Unijunction Transistor** The unijunction transistor (UJT) was originally known as the double-base diode, and its terminal designations (emitter, base 1, base 2) still reflect that nomenclature. If a positive voltage is placed between  $B_2$  and  $B_1$ , no conduction occurs until the emitter voltage rises to a fixed fraction of this voltage. The fixed fraction is termed  $\eta$  (the Greek letter *eta*) and is specified for each type of UJT. In the manner of the thyristor, when the emitter reaches  $\eta$  times the voltage between  $B_1$  and  $B_2$ , the resistance between the base elements suddenly and markedly decreases. For this reason, the UJT makes a good relaxation oscillator. A simple relaxation oscillator is shown in figure 17.

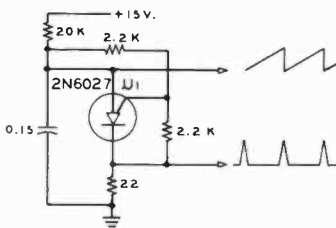


Figure 17

UNIUNCTION TRANSISTOR SERVES AS RELAXATION OSCILLATOR

Sawtooth or spike waveforms are produced by this simple circuit using single 2N6027 PUT.

Packaged equivalents are termed *programmed unijunction transistors* (PUT).

4-5 The Bipolar Transistor

The device event in the creation of the modern semiconductor was the invention of the *transistor* in late 1947. In the last decade semiconductor devices have grown prodigiously in variety, complexity, power capability, and speed of operation. The transistor is a solid-state device having gain properties previously found only in vacuum tubes. The elements germanium and silicon are the principal materials exhibiting the proper semiconducting properties which permit their application in transistors. However, other semiconducting materials, including the compounds of Gallium and Arsenic have been used experimentally in the production of transistors.

**Classes of Transistors** Thousands of type numbers of transistors exist, belonging to numerous families of construction and use. The large classes of transistors, based on manufacturing processes are:

*Point Contact Transistor*—The original transistor was of this class and consisted of

emitter and collector electrodes touching a small block of germanium called the *base*. The base could be either N-type or P-type material and was about .05" square. Because of the difficulty in controlling the characteristics of this fragile device, it is now considered obsolete.

**Grown Junction Transistor**—Crystals made by this process are grown from molten germanium or silicon in such a way as to have the closely spaced junctions imbedded in the wafer. The impurity material is changed during the growth of the crystal to produce either PNP or NPN ingots, which are then sliced into individual wafers. Junction transistors may be subdivided into *grown junction*, *alloy junction*, or *drift field* types. The latter type transistor is an alloy junction device in which the impurity concentration is contained within a certain region of the base in order to enhance the high-frequency performance of the transistor.

**Diffused Junction Transistor**—This class of semiconductor has enhanced frequency capability and the manufacturing process has facilitated the use of silicon rather than germanium, which aids the power capability of the unit. Diffused junction transistors may be subdivided into *single diffused* (homotaxial), *double diffused*, *double diffused planar* and *triple diffused planar* types.

**Epitaxial Transistors**—These junction transistors are grown on a semiconductor wafer and photolithographic processes are used to define emitter and base region during growth. The units may be subdivided into *epitaxial-base*, *epitaxial-layer*, and *overlay* transistors. A representation of an epitaxial-layer transistor is shown in figure 18.

**Field-Effect Transistors**—Developed in the last decade from experiments conducted over

forty years ago, the *field-effect* (FET) *transistor* may be expected to replace many more common transistor types. This majority carrier device is discussed in a later section of this Handbook.

Manufacturing techniques, transistor end-use, and patent restrictions result in a multitude of transistors, most of which fall into the broad groups discussed previously. Transistors, moreover, may be grouped in families wherein each member of the family is a unique type, but subtle differences exist between members in the matter of end-use, gain, capacitance, mounting, case, leads, breakdown-voltage characteristics, etc. The differences are important enough to warrant individual type identification of each member. In addition, the state of the art permits transistor parameters to be economically designed to fit the various equipment, rather than designing the equipment around available transistor types. This situation results in a great many transistor types having nearly identical general characteristics. Finally, improved manufacturing techniques may "obsolesce" a whole family of transistors with a newer, less-expensive family. It is recommended, therefore, that the reader refer to one of the various transistor substitution manuals for up-to-date guidance in transistor classification and substitution.

**Transistor Nomenclature** Semiconductors are generally divided into product groups classified as "entertainment," "industrial," and "military." The latter classifications often call for multiple testing, tighter tolerances, and quality documentation; and transistors from the same production line having less rigorous specifications often fall into the first, and least-expensive, category. Semiconductors are type numbered by several systems. The oldest standard is the JEDEC system. The first number of the identifier establishes the number of electrodes, or ports (1 = diode, 2 = triode, 3 = tetrode and 4 = heptode). The letter N stands for a semiconductor, followed by a sequential number under which the device was registered.

European manufacturers employ an identifier consisting of a type number composed of two or three letters followed by two or three numbers, the letters indicating the

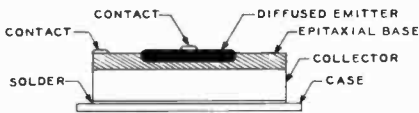


Figure 18

### EPITAXIAL TRANSISTOR

Epitaxial, dual-epitaxial and overlay transistors are grown on semiconductor wafer in a lattice structure. After fabrication, individual transistors are separated from wafer and mounted on headers. Connector wires are bonded to metalized regions and unit is sealed in an inclosure.

type of transistor and use and the numbers indicating the sequential number in the particular classification. Japanese transistors are usually identified by the code 2S, followed by an identifying letter and sequential number. In addition to these generally recognized codes, numerous codes adapted by individual manufacturers are also in use.

**The Junction Transistor** The junction transistor is fabricated in many forms, with the planar silicon type providing the majority of units. A pictorial equivalent of a silicon planar power transistor is shown in figure 19. In this type of transistor the emitter and base junctions are often formed by a photolithographic process in selected areas of the silicon dice. Many variations of this technique and design are in use. The transistor has three essential actions which collectively are called *transistor action*. These are: minority carrier injection,

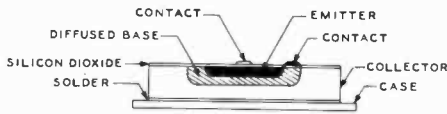


Figure 19

**DIFFUSED JUNCTION TRANSISTOR**

Emitter and base junctions are diffused into same side of semiconductor wafer which serves as collector. Junction heat is dissipated through solder joint between collector and package.

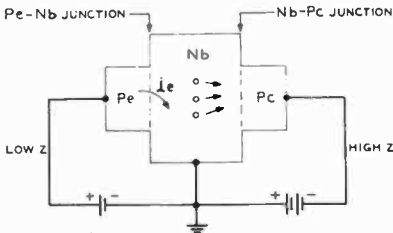


Figure 20

**PICTORIAL EQUIVALENT OF PNP JUNCTION TRANSISTOR**

transport, and collection. Fig. 20 shows a simplified drawing of a PNP junction-type transistor, which can illustrate this collective action. The PNP transistor consists of a piece of N-type silicon on opposite sides of which a layer of P-type material has been grown by the fusion process. Termjnals are

connected to the two P-sections and to the N-type base. The transistor may be considered as two PN junction rectifiers placed in close juxtaposition with a semiconductor crystal coupling the two rectifiers together. The left-hand terminal is biased in the forward (or conducting) direction and is called the *emitter*. The right-hand terminal is biased in the back (or reverse) direction and is called the *collector*. The operating potentials are chosen with respect to the *base terminal*, which may or may not be grounded. If an NPN transistor is used in place of the PNP, the operating potentials are reversed.

The  $P_e-N_b$  junction on the left is biased in the forward direction and holes from the  $P_e$  region are injected into the  $N_b$  region, producing therein a concentration of holes substantially greater than normally present in the material. These holes travel across the base region toward the collector, attracting neighboring electrons, finally increasing the available supply of conducting electrons in the collector loop. As a result, the collector loop possesses lower resistance whenever the emitter circuit is in operation. In junction transistors this *charge transport* is by means of diffusion wherein the charges move from a region of high concentration to a region of lower concentration at the collector. The collector, biased in the opposite direction, acts as a *sink* for these holes, and is said to collect them.

**Alpha** It is known that any rectifier biased in the forward direction has a very low internal impedance, whereas one biased in the back direction has a very high internal impedance. Thus, current flows into the transistor in a low-impedance circuit, and appears at the output as current flowing in a high-impedance circuit. The ratio of a change in dc collector current to a change in emitter current is called the *current amplification*, or *alpha*:

$$\alpha = \frac{i_c}{i_e}$$

where,

- $\alpha$  equals current amplification,
- $i_c$  equals change in collector current,
- $i_e$  equals change in emitter current.

Values of alpha up to 3 or so may be obtained in commercially available point-contact transistors, and values of alpha up to

about 0.999 are obtainable in junction transistors.

**Beta** The ratio of change in dc collector current to a change in base current ( $i_b$ ) is a measure of amplification, or *beta*:

$$\beta = \frac{\alpha}{1 - \alpha} = \frac{i_c}{i_b}$$

Values of beta run to 100 or so in inexpensive junction transistors. The static dc forward current gain of a transistor in the common-emitter mode is termed the dc *beta* and may be designated  $\beta_F$  or  $h_{FE}$ .

**Cutoff Frequencies** *The alpha cutoff frequency* ( $f_{\alpha}$ ) of a transistor is that frequency at which the grounded base current gain has decreased to 0.7 of the gain obtainable at 1 kHz. For audio transistors the alpha cutoff frequency is about 1 MHz. For r-f and switching transistors the alpha cutoff frequency may be 50 MHz or higher. The upper frequency limit of operation of the transistor is determined by the small but finite time it takes the majority carriers to move from one electrode to the other.

*The beta cutoff frequency* ( $f_{\beta}$ ) is that frequency at which the grounded-emitter current gain has decreased to 0.7 of the gain obtainable at 1 kHz. *Transconductance cutoff frequency* ( $f_{gm}$ ) is that frequency at which the transconductance falls to 0.7 of that value obtainable at 1 kHz. The *maximum frequency of oscillation* ( $f_{max}$ ) is that frequency at which the maximum power gain of the transistor drops to unity.

Various internal time constants and transit times limit the high-frequency response

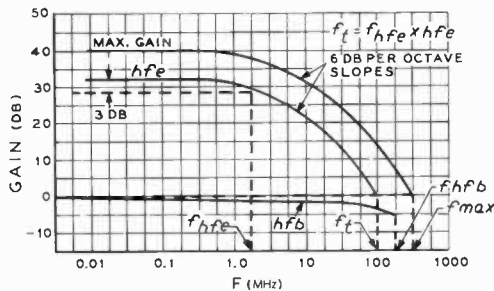


Figure 21

GAIN-BANDWIDTH CHART FOR TYPICAL HF TRANSISTOR

of the transistor and these limitations are summarized in the *gain-bandwidth product* ( $f_t$ ), which is identified by the frequency at which the beta current gain drops to unity. These various cutoff frequencies and the gain-bandwidth products are shown in figure 21.

**The Transition Region** A useful rule common to both PNP and NPN transistors is: *moving the base potential toward the collector voltage point turns the transistor on, while moving the base potential away from the collector voltage point turns the transistor off.* When fully on, the transistor is said to be *saturated*. When fully off, the transistor is said to be *cut off*. The region between these two extremes is termed the *transition region*. A transistor may be used as a switch by simply biasing the base-emitter circuit on and off. Adjusting the base-emitter bias to some point in the transition region will permit the transistor to act as a signal amplifier. For such operation, base-emitter dc bias will be about 0.3 volt for many common germanium transistors, and about 0.6 volt for silicon transistors.

**Handling Transistors** Used in the proper circuit under correct operating potentials the life of a transistor is practically unlimited. Unnecessary transistor failure often occurs because the user does not know how to handle the unit or understand the limitations imposed on the user by virtue of the minute size of the transistor chip. Microwave transistors, in particular, are subject to damage due to improper handling. The following simple rules will help the user avoid unnecessary transistor failures:

*Know how to handle the transistor.* Static discharges may damage microwave transistors or certain types of field-effect transistors because of small emitter areas in the former and the thin active layer between the channel and the gate in the latter. The transistor should always be picked up by the case and not by the leads. The FET, moreover, should be protected against static electricity by wrapping the leads with tin-foil when it is not in use, or otherwise interconnecting the leads when the unit is moved about or stored. Finally, no transistor should be inserted into or removed from a socket

when power is applied to the socket pins. *Never use an ohmmeter for continuity checks.* An ohmmeter may be used at some risk to determine if certain types of transistors are open or shorted. On the low ranges, however, an ohmmeter can supply over 250 milliamperes into a low-resistance load. Many small transistors are rated at a maximum emitter current of 20 to 50 milliamperes and should be tested only in a transistor test set wherein currents and voltages are adjustable and limited. *Don't solder transistor leads unless you can do it fast.* Always use a low-wattage (20 watts or so) pencil iron and a heat sink when soldering transistors into or removing them from the circuit. Long-nose pliers grasping the lead between iron and transistor body will help to prevent transistor chip temperature from becoming excessive. Make the joint fast so that time does not permit the chip to overheat.

In-circuit precautions should also be observed. Certain transistors may be damaged by applying operating potential of reversed polarity, applying an excessive surge of transient voltage, or subjecting the equipment to excessive heat. Dissipation of heat from intermediate-size and power transistors is vital and such units should never be run without an adequate heat-sink apparatus. Finally, a danger exists when operating a transistor close to a high-powered transmitter. The input circuit of the transistorized equipment may be protected by shunting it with two small diodes back to back to limit input voltage excursions.

**Transistor Symbols** The electrical symbols for common three-terminal transistors are shown in figure 22. The left drawing is of a PNP transistor. The symbol for an NPN transistor is similar except that the direction of the arrow of the emitter points away from the base. This suggests that *the arrow points toward the negative terminal of the power source*, and the source potentials are reversed when going from NPN to PNP transistors, or vice-versa. As stated earlier, a useful rule-of-thumb common to both NPN and PNP transistors concerns the base-emitter bias: Moving the base toward the collector voltage turns the transistor *on*, and moving the base away from the collector voltage turns the transistor

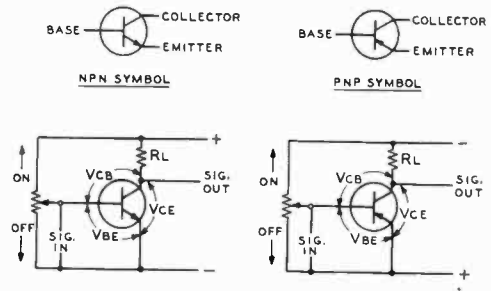


Figure 22

### TRANSISTOR SYMBOLS AND BIAS

Moving the base potential toward the collector turns the transistor on. Moving the base potential away from the collector turns the transistor off. Voltage notations are: Collector-to-base voltage,  $V_{CB}$ ; base-to-emitter voltage,  $V_{BE}$ ; collector-to-emitter voltage,  $V_{CE}$ .

off. As shown in the illustration, capital letters are used for dc voltages. The important dc voltages existing in transistor circuitry are: *base-emitter voltage ( $V_{BE}$ )*, *collector-emitter voltage ( $V_{CE}$ )*, and *collector-base voltage ( $V_{CB}$ )*. Signal and alternating voltages and currents are expressed by lower-case letters.

## 4-6 Transistor Characteristics

The transistor produces results that may be comparable to a vacuum tube, but there is a basic difference between the two devices. The vacuum tube is a voltage-controlled device whereas the transistor is a current-controlled device. A vacuum tube normally operates with its grid biased in the negative, or high-resistance, direction, and its plate biased in the positive, or low-resistance, direction. The tube conducts only by means of electrons, and has its conducting counterpart in the form of the NPN transistor, whose majority carriers are also electrons. There is no vacuum-tube equivalent of the PNP transistor, whose majority carriers are holes.

As discussed earlier, the transistor may be turned off and on by varying the bias on the base electrode in relation to the emitter potential. Adjusting the bias to some point approximately midway between cutoff and saturation will place the transistor in the *active region of operation*. When operated

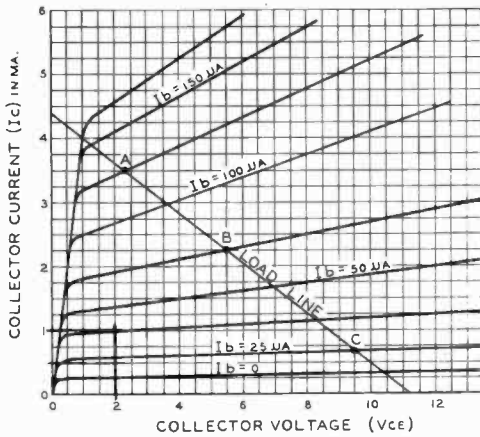


Figure 23

### CHARACTERISTIC PLOT OF JUNCTION TRANSISTOR

Characteristics of junction transistor biased in active region may be expressed in terms of plot of collector voltage versus collector current. Load line and limits of operation (points A, C) are plotted, as well as operating point (B) in the manner shown in Chapter Six for vacuum-tube plots.

in this region the transistor is capable of amplification. The characteristics of a transistor biased in the active region may be expressed in terms of electrode voltages and currents as is done for vacuum tubes in Chapter Five. The plot of  $V_{CE}$  versus  $I_C$  (collector-emitter voltage versus collector current) shown in figure 23, for example, should be compared with figure 16, Chapter Five, the plot of  $I_b$  versus  $E_b$  (plate current versus plate voltage) for a pentode tube. Typical transistor graphs are discussed in this chapter, and the use of similar vacuum-tube plots is discussed in Chapter Six.

**Transistor Analysis** Transistor behavior may be analyzed in terms of mathematical relationships among currents, voltages, resistances, and reactances. These relationships are termed *hybrid parameters* and define instantaneous voltage and current values existing in the circuit under examination. The parameters permit the prediction of the behavior of the particular circuit without actually constructing the circuit.

Equivalent circuits constructed from parameter data allow formulas to be derived

for current gain, voltage gain, power gain, and other important information necessary to establish proper transistor operation. A complete discussion of hybrid parameters and transistor circuitry may be obtained in the book *Basic Theory and Application of Transistors*, technical manual TM-11-690, available from the Superintendent of Documents, U.S. Government Printing Office, Washington, D.C. 20402.

Some of the more useful parameters for transistor application are listed below:

The *resistance gain* of a transistor is expressed as the ratio of output resistance to input resistance. The input resistance of a typical transistor is low, in the neighborhood of 500 ohms, while the output resistance is relatively high, usually over 20,000 ohms. For a junction transistor, the resistance gain is usually over 50.

The *voltage gain* of a transistor is the product of  $\alpha$  times the resistance gain.

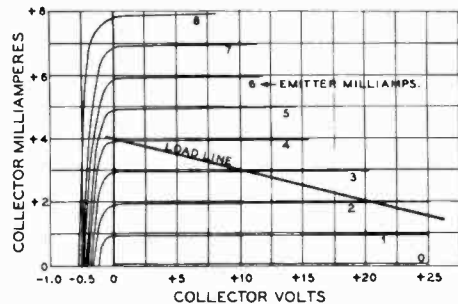


Figure 24

### PLOT OF JUNCTION TRANSISTOR

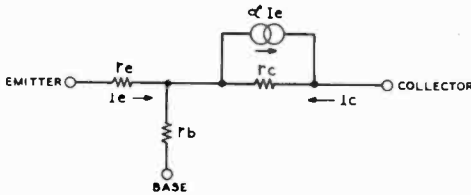
Plot resembles that of a pentode tube except that emitter current, not grid voltage, defines each member of the curve family. Collector current is practically independent of collector voltage.

A junction transistor which has a value of  $\alpha$  less than unity nevertheless has a resistance gain of the order of 2000 because of its extremely high output resistance, and the resulting voltage gain is about 1800 or so. For this type of transistor the *power gain* is the product of  $\alpha$  squared times the resistance gain and is of the order of 400 to 500.

The output characteristics of the junction transistor are of great interest. A typical example is shown in figure 24. It is seen that the junction transistor has the characteristics of an ideal pentode vacuum tube.

The collector current is practically independent of the collector voltage. The range of linear operation extends from a minimum voltage of about 0.2 volts up to the maximum rated collector voltage. A typical load line is shown, which illustrates the very high load impedance that would be required for maximum power transfer. A common-emitter circuit is usually used, since the output impedance is not as high as when a common-base circuit is used.

**Equivalent Circuit of a Transistor** As is known from network theory, the small-signal performance of any device in any network can be represented by means of an equivalent circuit. The most convenient equivalent circuit for the low-frequency small-signal performance of junc-



VALUES OF THE EQUIVALENT CIRCUIT

PARAMETER	JUNCTION TRANSISTOR ( $i_e = 1 \text{ mA}$ , $V_C = 3 \text{ v}$ )
$r_e$ - EMITTER RESISTANCE	$\frac{26}{i_e}$
$r_b$ - BASE RESISTANCE	300 $\Omega$
$r_c$ - COLLECTOR RESISTANCE	1 MEGOHM
$\alpha$ - CURRENT AMPLIFICATION	0.97

Figure 25

**LOW-FREQUENCY EQUIVALENT (COMMON-BASE) CIRCUIT FOR JUNCTION TRANSISTOR**

Parameter  $r_e$  is equivalent to  $52/i_e$  for silicon and  $26/i_e$  for germanium

tion transistors is shown in figure 25.  $r_e$ ,  $r_b$ , and  $r_c$  are dynamic resistances which can be associated with the emitter, base, and collector regions of the transistor. The current generator  $\alpha I_e$ , represents the transport of charge from emitter to collector.

**Transistor Configurations** There are three basic transistor configurations; grounded-base connection, grounded-emitter connection, and grounded-collector connection. These correspond roughly

to grounded-grid, grounded-cathode, and grounded-plate circuits in vacuum-tube terminology (figure 26).

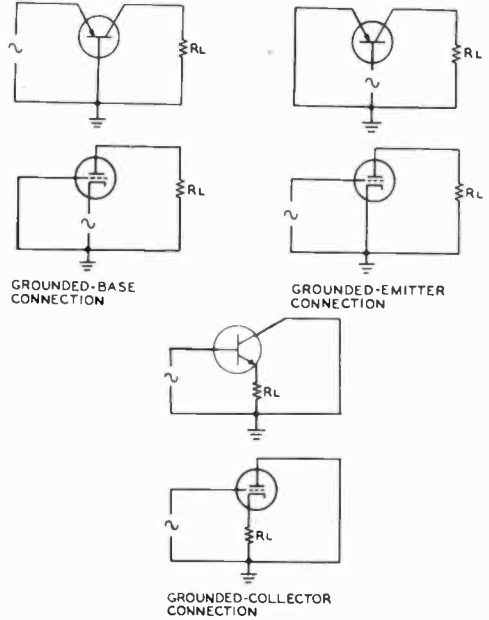


Figure 26

**COMPARISON OF BASIC VACUUM-TUBE AND TRANSISTOR CONFIGURATIONS**

The grounded-base circuit has a low input impedance and high output impedance, and no phase reversal of signal occurs from input to output circuit. The grounded-emitter circuit has a higher input impedance and a lower output impedance than the grounded-base circuit, and a reversal of phase between the input and output signal occurs. This usually provides maximum voltage gain from a transistor. The grounded-collector circuit has relatively high input impedance, low output impedance, and no phase reversal of signal from input to output circuit. Power and voltage gain are both low.

**Bias Stabilization** To establish the correct operating parameters of the transistor, a bias voltage must be established between the emitter and the base. Since transistors are temperature-sensitive devices, and since some variation in characteristics usually exists between transistors

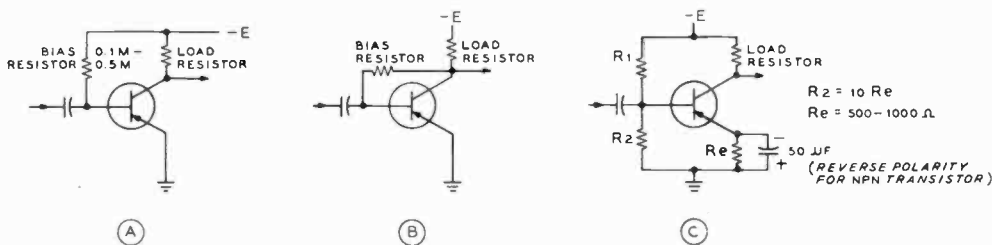


Figure 27

## BIAS CONFIGURATIONS FOR TRANSISTORS

The voltage divider system of C is recommended for general transistor use. Ratio of  $R_1/R_2$  establishes base bias, and emitter bias is provided by voltage drop across  $R_e$ . Battery polarity is reversed for NPN transistors.

of a given type, attention must be given to the bias system to overcome these difficulties. The simple *self-bias* system is shown in figure 27A. The base is simply connected to the power supply through a large resistance which supplies a fixed value of base current to the transistor. This bias system is extremely sensitive to the current-transfer ratio of the transistor, and must be adjusted for optimum results with each transistor.

When the supply voltage is fairly high and wide variations in ambient temperature do not occur, the bias system of figure 27B may be used, with the bias resistor connected from base to collector. When the collector voltage is high, the base current is increased, moving the operating point of the transistor down the load line. If the collector voltage is low, the operating point moves upward along the load line, thus providing automatic control of the base bias voltage. This circuit is sensitive to changes in ambient temperature, and may permit transistor failure when the transistor is operated near maximum dissipation ratings.

These circuits are often used in small imported transistor radios and are not recommended for general use unless the bias resistor is selected for the value of current gain of the particular transistor in use. A better bias system is shown in figure 27C, where the base bias is obtained from a voltage divider, ( $R_1$ ,  $R_2$ ), and an emitter resistor ( $R_e$ ) is used. To prevent signal degeneration, the emitter bias resistor is bypassed with a large capacitance. A high degree of circuit stability is provided by this form of bias, providing the emitter capacitance is of

the order of 50  $\mu\text{F}$  for audio-frequency applications.

#### Bias Circuitry Calculation

The voltage-divider bias technique illustrated in figure 27C is redrawn in generalized form in figure 28. This configuration divides the emitter resistor into two units ( $R_4$  and  $R_5$ ), one of which is bypassed. This introduction of a slight degree of feedback allows the designer more freedom to determine ac gain, while maintaining good dc stability. The assumption is made that a modern junction transistor is used having a  $b_{fe}$  of at least 40 and a low value of  $I_{CBO}$  (collector-cutoff current, emitter open). The procedure to determine bias circuitry is given in the following steps:

1. Collector current ( $I_c$ ) is chosen from the data sheet.
2. Collector load resistor ( $R_3$ ) is calculated so that the collector voltage is a little more than one-half the supply voltage.
3. Ac gain value ( $A$ ) is chosen and emitter resistor  $R_4$  calculated, letting  $R_4 = R_3/A$ .
4. Emitter resistor  $R_5$  is calculated to raise emitter voltage ( $E_e$ ) to about 10% to 15% of supply voltage:  

$$R_5 = (E_e/I_e) - R_4$$
5. Total base voltage ( $E_b$ ) is sum of  $E_e$  plus base-to-emitter voltage drop (about 0.7 volt for small-signal silicon devices).
6. The sum of base bias resistors  $R_1$  and  $R_2$  is such that one-tenth the value of the dc collector current flows through the bias circuit.



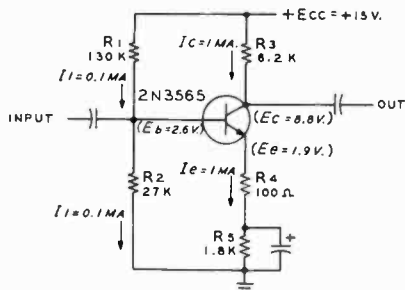


Figure 28

**BIAS CIRCUITRY CALCULATION**

Generalized form of voltage-divider bias technique.

7. Values of resistors  $R_1$  and  $R_2$  are calculated, knowing current and value of base voltage at midpoint of  $R_1$  and  $R_2$ .
8. The ac input impedance is approximately equal to the parallel combination of  $R_1$ ,  $R_2$ , and  $h_{fe} \times R_4$ .

To illustrate the design method, an example based on the 2N3565 is chosen. It is assumed that 1 mA of collector-emitter current flows. Collector load resistor  $R_3$  is estimated to be 6.2K, so that the voltage drop across it is 6.2 volts, placing the collector at a potential of  $15 - 6.2 = 8.8$  volts.

The data sheet of the 2N3565 shows that the range value of  $h_{fe}$  at 1 mA of collector current is 150 to 600. An ac gain value ( $A$ ) of 62 may be chosen, which is well below the ultimate current gain of the device. Emitter resistor  $R_4$  is now calculated, being equal to  $R_3/A = 6200/62 = 100$  ohms. Emitter resistor  $R_5$  is now calculated to be 1.8K, which raises the emitter voltage to 1.9 volts.

The base-emitter drop is between 0.6 to 0.7 volt for small-signal silicon devices, so this places the base at approximately 2.6 volts. Assuming no base current, the values of resistors  $R_1$  and  $R_2$  can now be determined as they are a simple voltage divider. The series current through  $R_1$  and  $R_2$  is to be one-tenth of the collector current, or 100  $\mu$ A. Resistor  $R_2 = 2.6V/0.001 \text{ mA} = 26,000$  ohms and  $R_1 = 15 - 2.6V/0.001 \text{ mA} = 124,000$  ohms. These are nonstandard values of resistance so 27K and 130K are used.

Once these calculations have been completed, the approximate value of the ac input impedance may be determined. This is the parallel combination of  $R_1$ ,  $R_2$ , and  $h_{fe} \times R_4$ . Thus,  $R_1$  and  $R_2$  in parallel are 22.3K and  $h_{fe} \times R_4$  is 15K. Finally, 22.3K and 15K in parallel are 9K.

Actually, the ac input impedance will be higher than 9K because a minimum value of  $h_{fe}$  was used. Also, it is worth noting that the dc collector voltage is 8.8 volts. This is about half-way between + 15V and + 2.6V, permitting the collector to swing  $\pm 6$  volts in response to the ac input voltage without clipping the peaks of the waveform.

This method of determining circuit parameters is quite simple and effective for RC amplifier design. With practice, the designer can juggle resistance values as calculations are made to avoid doing the design over at the end of the process.

**Output Characteristic Curves**

Calculation of the current, voltage and power gain of a common-emitter amplifier may be accomplished by using the common-emitter output static

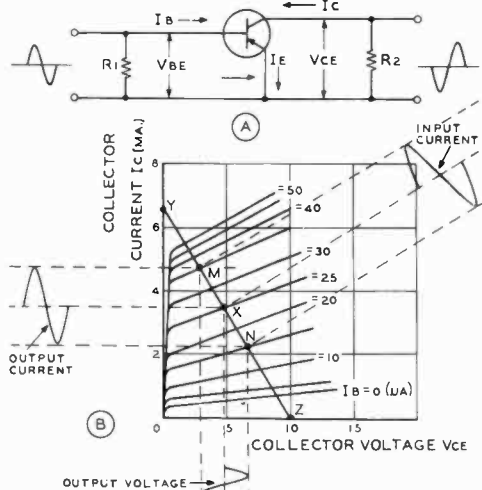


Figure 29

**CHARACTERISTIC CURVES AND LOAD LINE FOR COMMON-EMITTER CIRCUIT**

Calculation of current, voltage and power gain of a common-emitter transistor amplifier can be accomplished by using output characteristic curves as discussed in the text.

characteristic curves (figure 29) which plot collector current against collector voltage with the base current as a fixed value. In this example, the collector voltage supply is 10 volts, the load resistance is 1500 ohms, the input resistance is 500 ohms, the peak-to-peak input current is 20 microamperes and the *operating point* (X) is chosen at 25 microamperes of base current and 4.8 volts on the collector.

The first step is to establish a *load line* on the characteristic curves representing the voltage drop across the load resistor ( $R_2$ ). When the collector current is zero, the total collector supply voltage (10 volts) equals the collector voltage,  $V_{CE}$ . Point Z (one point of the load line) then is at the 10-volt mark on the collector voltage axis (x-axis). When the collector current is zero, the total collector supply voltage (10 volts) is dropped across load resistor  $R_2$ . The total current ( $I_c$ ) then is:

$$I_c = \frac{10}{1500} = 0.0066 \text{ amp} = 6.6 \text{ mA}$$

Point Y (a second point of the load line) then is at the 6.6-mA mark on the collector-current axis (y-axis). Connect points Y and Z to establish the load line. The operating point is located at point X on the load-line. Since the peak-to-peak input current is 20 microamperes, the deviation is 10 microamperes above the operating point (point M) and 10 microamperes below the operating point (point N).

The input current, output current, and output voltage waveforms may now be established by extending lines from the operating point perpendicular to the load line and to the y and x axes respectively and plotting the waveforms from each deviation point along the load-line excursions between points M and N.

*Current gain* (beta) in this configuration is the ratio of the change in collector current to the change in base current:

$$A_i = \frac{\Delta I_C}{\Delta I_B} = \frac{I_{C(\max)} - I_{C(\min)}}{I_{B(\max)} - I_{B(\min)}}$$

where,

$A_i$  is current gain,

$I_C$  is collector current,

$I_B$  is base current,

$\Delta$  equals a small increment.

Substituting known values in the formula:

$$\text{Current Gain } (A_i) = \frac{4.7 - 2.1}{35 - 15} = \frac{2.6 \text{ mA}}{20 \mu\text{A}} = 130$$

*Voltage gain* in this configuration is the ratio of the change in collector voltage to the change in base voltage:

$$A_v = \frac{\Delta V_{CE}}{\Delta V_{BE}} = \frac{V_{CE(\max)} - V_{CE(\min)}}{V_{BE(\max)} - V_{BE(\min)}}$$

where,

$A_v$  is voltage gain,

$V_{CE}$  is collector to emitter voltage,

$V_{BE}$  is base to emitter voltage.

(Note: The change in input voltage is the change in input current multiplied by the input impedance. In this case the input voltage is: 20 microamperes times 500 ohms, or 0.01 volt).

Therefore:

$$\text{Voltage Gain } (A_v) = \frac{6.7 - 2.7}{0.01} = 400$$

*Power gain* is voltage gain times current gain:

$$\text{Power gain} = 130 \times 400 = 52,000$$

Power gain in decibels is:

$$\begin{aligned} \text{Gain} &= 10 \log 52,000 = 10 \times 4.7 \\ &= 47 \text{ decibels} \end{aligned}$$

**Constant-Power-Dissipation Line** Each transistor has a maximum collector power that it can safely dissipate without damage to the transistor. To ensure that the maximum collector dissipation rating is not exceeded, a *constant-power-dissipation line* (figure 30) is drawn on the characteristic curves, and the collector load resistor is selected so that its load line falls in the area bounded by the vertical and horizontal axes and the constant-power-dissipation line. The dissipation line is determined by selecting points of collector voltage and current, the products of which are equal to the maximum collector power rating of the transistor. Any load line selected so that it is tangent to the constant-power-dissipation line will ensure maximum permissible power gain of the transistor while operating within the maximum collector power-dissipation rating. This is important in the design and use of power amplifiers.

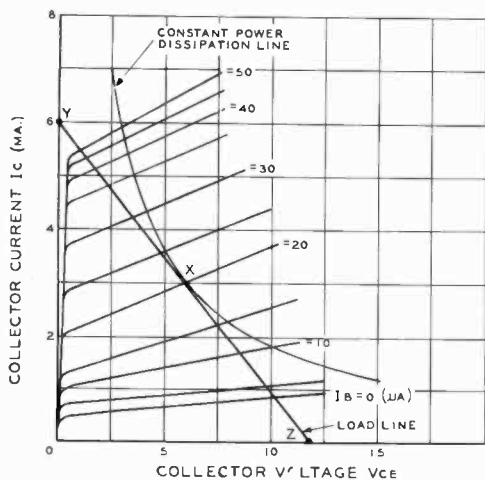


Figure 30

**CONSTANT POWER-DISSIPATION LINE**

Constant power-dissipation line is placed on output characteristic curves, with collector load line positioned so it falls within area bounded by vertical and horizontal axes and constant power-dissipation line. Load line tangent at (X) permits maximum power gain within maximum collector dissipation rating.

**4-7 Transistor Audio Circuitry**

The transistor can be connected as either a common-base, common-collector, or common-emitter stage, as discussed previously. Similar to the case for vacuum tubes, choice of transistor circuit configuration depends on the desired operating characteristics of the stage. The overall characteristics of these three circuits are summarized in figure 31. Common-emitter circuits are widely used for high gain amplification, and common-base circuits are useful for oscillator circuits and high-frequency operation, and common-collector circuits are used for various impedance transformation applications. Examples of these circuits will be given in this section.

**Audio Circuitry** As in the case of electron-tube amplifiers, transistor amplifiers can be operated Class A, class AB, class B, or class C. The first three classes are used in audio circuitry. The class-A transistor amplifier is biased so that collector

current flows continuously during the complete electrical cycle, even when no drive signal is present. The class-B transistor amplifier can be biased either for collector current cutoff or for zero collector voltage. The former configuration is most often used, since collector current flows only during that half-cycle of the input signal voltage that aids the forward bias. This bias technique is used because it results in the best power efficiency. Class-B transistor amplifiers must be operated in push-pull to avoid severe signal distortion. Class-AB transistor amplifiers can be biased so that either collector current or voltage is zero for less than half a cycle of the input signal, and the above statements for class-B service also apply for the class-AB mode.

A simple small-signal voltage amplifier is shown in figure 32A. Direct-current stabilization is employed in the emitter circuit. Operating parameters for the amplifier are given in the drawing. In this case, the input impedance of the amplifier is quite low. When used with a high-impedance driving source such as a crystal microphone,

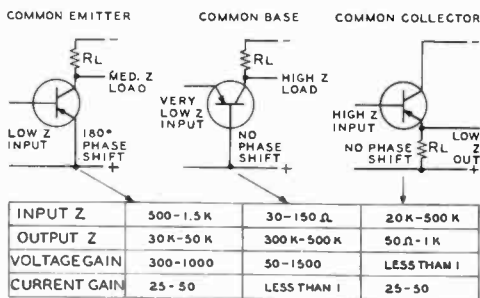


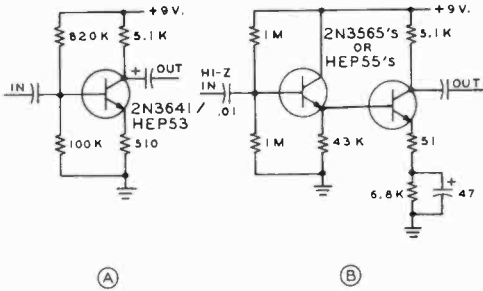
Figure 31

**THREE BASIC TRANSISTOR CIRCUITS**

Common-emitter circuits are used for high-gain amplification, common-base circuits are useful for oscillator circuits and common-collector circuits are used for various impedance transformations.

an emitter-follower input should be employed as shown in figure 32B.

The circuit of a two-stage resistance-coupled amplifier is shown in figure 33A. The input impedance is approximately 1600 ohms. Feedback may be placed around such an amplifier from the collector of the second stage to the base of the first stage, as shown in figure 33B. A direct-coupled version of



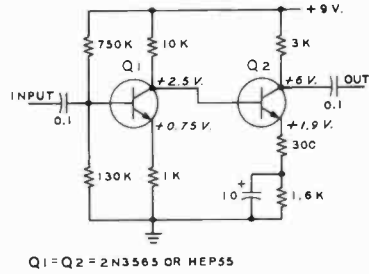
**Figure 32**  
**SMALL-SIGNAL VOLTAGE AMPLIFIERS**

A—Low impedance, dc stabilized amplifier  
B—Two stage amplifier features high input impedance

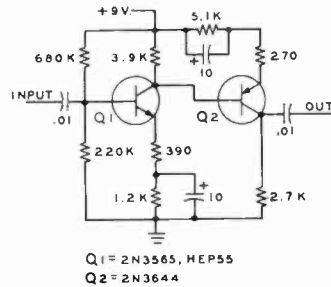
the resistance-coupled amplifier is shown in figure 34.

It is possible to employ NPN and PNP transistors in a common *complementary circuit* as shown in figure 35. There is no equivalent of this configuration in vacuum-tube technology. A variation of this interesting concept is the *complementary-symmetry* circuit of figure 36 which provides all the advantages of conventional push-pull operation plus direct coupling.

**The Emitter Follower** The *emitter-follower* configuration can be thought of as being very much like the vacuum-tube cathode follower, since both have a high input impedance and a relatively low output impedance. The base emitter fol-

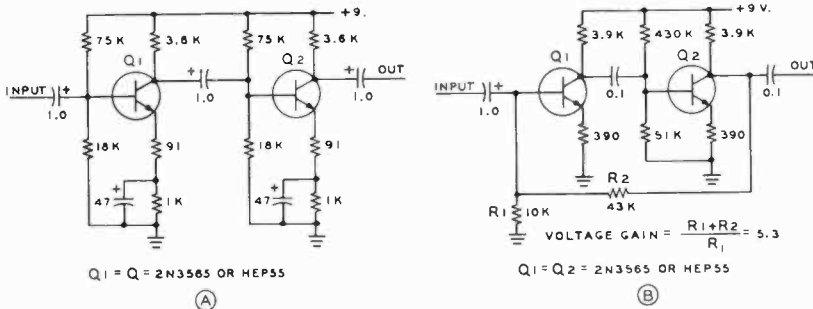


**Figure 34**  
**DIRECT-COUPLED TWO-STAGE AMPLIFIER**



**Figure 35**  
**COMPLEMENTARY AMPLIFIER USING NPN AND PNP DEVICES**

lower is shown in figure 37A. The output voltage is always 0.6 to 0.7 volt below the input (for silicon small-signal devices) and input and output impedances are approximately related by  $b_{fe}$ , the current gain of the transistor. Thus, a simple emitter follower with an emitter resistance of 500 ohms



**Figure 33**  
**TWO STAGE RC AMPLIFIERS**

A—Input impedance of amplifier is about 1600 ohms.  
B—Feedback amplifier with feedback loop from collector of Q<sub>2</sub> to base of Q<sub>1</sub>.

$$\text{VOLTAGE GAIN} = \frac{R_1 + R_2}{R_1} = 5.3$$

Q<sub>1</sub> = Q<sub>2</sub> = 2N3565 OR HEP55

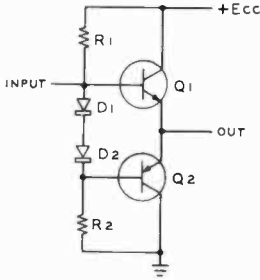


Figure 36

**COMPLEMENTARY-SYMMETRY AMPLIFIER**

Crossover distortion is reduced by use of diodes  $D_1$  and  $D_2$ . Forward voltage drop in diodes is equal to the emitter-base forward voltage drop of transistors  $Q_1$  and  $Q_2$ .

using a transistor having an  $h_{fe}$  of 150 can have an input impedance of over 75,000 ohms. A complementary emitter follower is shown in figure 37B.

A variation of the emitter-follower design is the *Darlington pair* (figure 37C). This arrangement cascades two emitter-follower stages with dc coupling between the devices. Darlington-pair-wired dual transistors in monolithic form (for near-perfect temperature tracking) are available in both NPN and PNP pairs, even for power applications. A disadvantage of the Darlington pair emitter follower is that there are two emitter-base diode voltage drops between input and output. The high equivalent  $h_{fe}$  of the Darlington pair, however, allows for very large impedance ratios from input to output.

For power output stages another type of emitter follower is often used. A *push-pull* complementary emitter follower is shown in

figure 38A. This circuit exhibits an inherent distortion in the form of a "dead zone" which exists when the input voltage is too low to turn on transistor  $Q_1$  and too high to turn on transistor  $Q_2$ . Thus, a sine wave would be distorted so as to appear as shown in figure 38B. The circuit of figure 36 corrects this problem by making the forward voltage drop in diodes  $D_1$  and  $D_2$  equal to the emitter-base forward voltage drop of transistors  $Q_1$  and  $Q_2$ .

**Power-Amplifier Circuits** The transistor may also be used as a class-A power amplifier as shown in figure 39.

Commercial transistors are available that will provide 50 watts of audio power when operating from a 28-volt supply. The smaller units provide power levels of a few milliwatts. The correct operating point is chosen so that the output signal can swing equally in the positive and negative directions, as shown in the collector curves of figure 39B.

The proper primary impedance of the output transformer depends on the amount of power to be delivered to the load:

$$R_p = \frac{E_c^2}{2P_o}$$

The collector current bias is:

$$I_c = \frac{2P_o}{E_c}$$

In a class-A output stage, the maximum ac power output obtainable is limited to 0.5 the allowable dissipation of the transistor. The product  $I_c E_c$  determines the maximum collector dissipation, and a plot of these

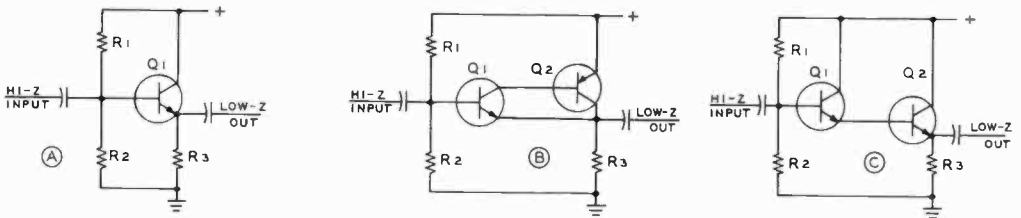


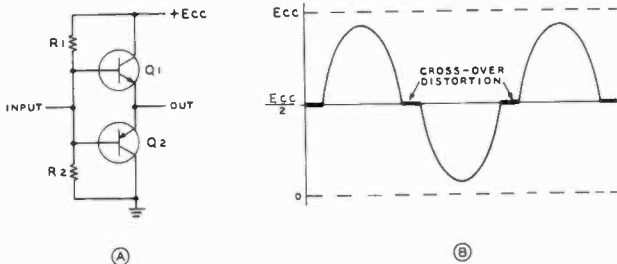
Figure 37

**EMITTER-FOLLOWER CIRCUITS**

- A—Output voltage of emitter-follower is about 0.7 volt below input voltage
- B—Complementary emitter follower
- C—Darlington pair emitter follower.  $Q_1$  and  $Q_2$  are often on one chip

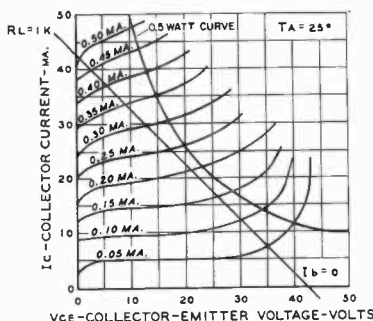
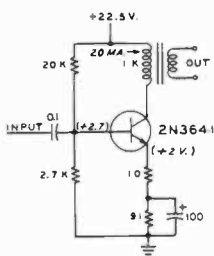
**Figure 38**  
**PUSH-PULL EMITTER-FOLLOWER OUTPUT STAGE**

- A—Crossover distortion exists when input voltage is too low to turn on  $Q_1$  and too high to turn on  $Q_2$ .
- B—Waveform distortion. Circuit of figure 36 corrects this problem.



**Figure 39**  
**TYPICAL CLASS-A AUDIO AMPLIFIER**

Operating point is chosen so that output signal can swing equally in a positive or negative direction without exceeding maximum collector dissipation.



values is shown in figure 39B. The load line should always lie under the dissipation curve, and should encompass the maximum possible area between the axes of the graph for maximum output condition. In general, the load line is tangent to the dissipation curve and passes through the supply-voltage point at zero collector current. The dc operating point is thus approximately one-half the supply voltage.

The circuit of a typical push-pull class-B transistor amplifier is shown in figure 40A. Push-pull operation is desirable for transistor operation, since the even-order harmonics are largely eliminated. This permits transistors to be driven into high collector-current regions without distortion normally caused by nonlinearity of the collector. Crossover

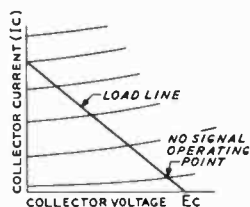
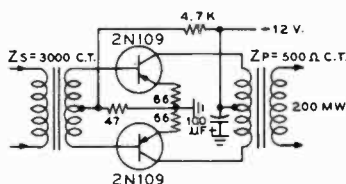
distortion is reduced to a minimum by providing a slight forward base bias in addition to the normal emitter bias. The base bias is usually less than 0.5 volt in most cases. Excessive base bias will boost the quiescent collector current and thereby lower the overall efficiency of the stage.

The operating point of the class-B amplifier is set on the  $I_c = 0$  axis at the point where the collector voltage equals the supply voltage. The collector-to-collector impedance of the output transformer is:

$$R_{c-c} = \frac{2E_c^2}{P_o}$$

In the class-B circuit, the maximum ac power input is approximately equal to three times the allowable collector dissipation of

**Figure 40**  
**CLASS-B AUDIO AMPLIFIER CIRCUITRY**



each transistor. Power transistors, such as the 2N514 have collector dissipation ratings of 80 watts and operate with class-B efficiency of about 67 percent. To achieve this level of operation the heavy-duty transistor relies on efficient heat transfer from the transistor case to the chassis, using the large thermal capacity of the chassis as a *heat sink*. An infinite heat sink may be approximated by mounting the transistor in the center of a 6" × 6" copper or aluminum sheet. This area may be part of a larger chassis.

The collector of most power transistors is electrically connected to the case. For applications where the collector is not grounded a thin sheet of mica may be used between the case of the transistor and the chassis.

**The "Bootstrap" Circuit** The bipolar transistor in common-emitter configuration presents a low input impedance unsuitable for use with high-impedance driving sources such as a crystal microphone or a diode voltmeter probe. The *bootstrap* circuit of figure 41 provides

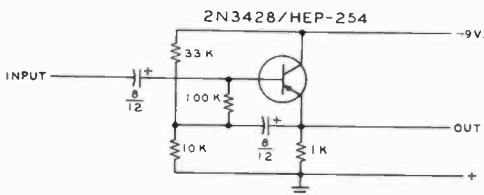


Figure 41

### HIGH INPUT IMPEDANCE (BOOTSTRAP) AMPLIFIER

High input impedance provided by simple feedback circuit makes this amplifier attractive for use with crystal microphones and other high-impedance devices. Input impedance may run from 100K to 10 megohms.

a very high input impedance for these special circuits. The low-impedance base-bias network is isolated from the input circuit by the 100K resistor. The signal is fed to the base of the transistor and the output signal, taken across the emitter resistor, is also coupled to the bottom of the 100K isolating resistor via a capacitor. When a signal appears at the base, it also appears at the emitter in the same phase and almost the same amplitude. Thus, nearly identical signal voltages appear at the ends of the isolat-

ing resistor and little or no signal current flows through it. The resistor then resembles an infinitely high impedance to the signal current, thus effectively isolating the base-bias resistors. Since the isolating resistor has no effect on the bias level, the base bias remains unchanged. In practice, the signal voltage at the emitter is slightly less than at the base, thus limiting the overall effectiveness of the circuit. For example, if the emitter-follower voltage gain is 0.99, and the value of the isolating resistor is 100K, the effective resistance to the ac input signal is 100K raised to 10 megohms, an increase in value by a factor of 100 times.

## 4-8 R-F Circuitry

The bipolar transistor, almost from its commercial inception, proved to be operable up into the hf range. The device has been refined and improved to the point where, now, operation into the gigahertz region is feasible. External feedback circuits are often used to counteract the effects of internal transistor feedback and to provide more stable performance at high gain figures. It should be noted, however, the bipolar transistor is not like a vacuum tube or FET device and must have its base-emitter junction forward-biased to display gain. The result of this requirement is that the driving stage is driving a nonlinear diode into forward conduction by the r-f signal intended to be amplified. This indicates the bipolar device is a nonlinear amplifier, to a greater or lesser degree. If the bipolar transistor is only required to amplify one frequency at a time, and that frequency is of constant amplitude, the bipolar transistor makes a satisfactory amplifier. When an ensemble of signals of different frequencies and or amplitudes is present, the typical bipolar device will demonstrate the effect of its inherent nonlinearity in a high level of cross-modulation distortion. The fact the bipolar transistor exhibits such nonlinearity makes it useful as a frequency multiplier and mixer.

The severity of the nonlinearity of a bipolar device depends to a degree upon how it is used in a given circuit. The current gain ( $b_{fc}$ ) of a transistor drops rapidly with increasing frequency (figure 21) and the ten-

gency is to use the transmitter in a common-emitter configuration to optimize gain. This circuit configuration also unfortunately optimizes nonlinearity. The common emitter circuit may be improved by leaving a portion of the emitter resistor unbypassed as shown in figure 42. This reduces stage gain, but also reduces nonlinearity and resultant cross-modulation problems to a greater degree. The unbypassed emitter resistor also boosts the input impedance at the base of the amplifier.

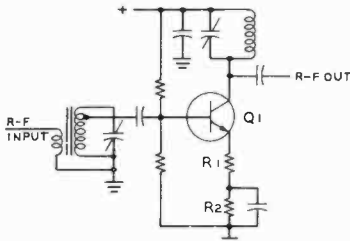


Figure 42

**COMMON EMITTER R-F AMPLIFIER**

Linearity is improved by leaving a portion of the emitter resistor unbypassed. Stage gain and cross modulation are both reduced.

**R-F Amplifiers** A representative common-base r-f amplifier is shown in figure 43. This configuration generally has lower gain than the common-emitter circuit and is less likely to require neutralization. The linearity is better than that of the common-emitter circuit because of matching considerations. The input impedance of a common-base amplifier is in the region of 50 ohms, so no voltage step up is involved in matching the transistor to the common 50-ohm antenna circuit. In the common-emitter stage the input impedance of a small hf transistor is about 500 ohms

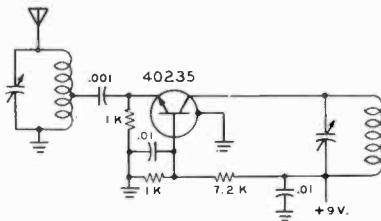


Figure 43

**COMMON-BASE R-F AMPLIFIER**

Linearity of this circuit is better than that of common-emitter configuration.

and a step-up impedance network must be used, causing the base voltage to be higher and aggravating the crossmodulation problem.

The relatively low gain of the common-base circuit may not be a detriment for hf operation because good receiver design calls for only enough gain to overcome mixer noise at the frequency of operation.

**Mixers and Converters** As mentioned previously, the bipolar transistor is an inherently nonlinear device and, as such, can be used as an effective mixer or converter. Figure 44 shows two widely used

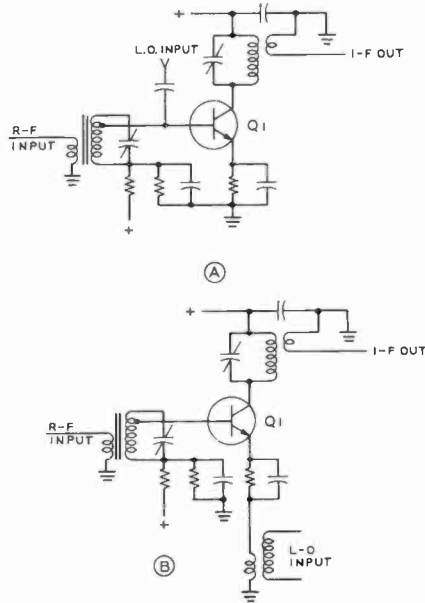


Figure 44

**REPRESENTATIVE MIXER CIRCUITS**

A—Base circuit injection of local oscillator.  
B—Emitter injection from low-impedance source.

transistor mixer circuits. The local oscillator signal can be injected into the base circuit in parallel with the r-f signal, or injected separately from a low-impedance source into the emitter circuit. The mixer products appear in the collector circuit and the desired one is taken from a selective output circuit.

A single transistor may be used in an autodyne converter circuit, as shown in figure 45. This is a common-emitter mixer with a tuned feedback circuit between



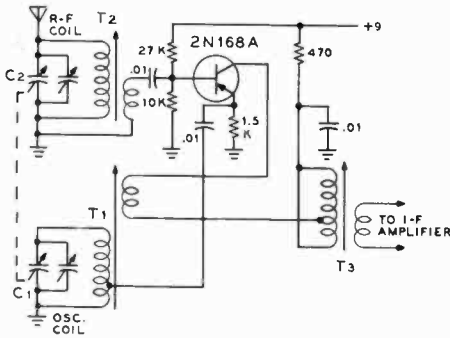


Figure 45

**THE AUTODYNE CONVERTER CIRCUIT USING A 2N168A AS A MIXER**

emitter and collector and is often used in inexpensive transistorized broadcast receivers. The circuit has only economy to recommend it and often requires selection of transistors to make it oscillate.

**Transistor Oscillators** The bipolar transistor may be used in the oscillator circuits discussed in Chapter 11 (*Generation of Radio Frequency Energy*). Because of the self-limiting diode, the oscillator is of the base-emitter diode, which produces a waveform with high harmonic content. A representative NPN transistor oscillator circuit is shown in figure 46. Sufficient coup-

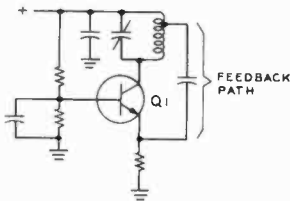


Figure 46

**NPN OSCILLATOR CIRCUIT**

External feedback path permits oscillation up to approximately the alpha-cutoff frequency of device.

pling between input and output circuits of the transistor via collector-base capacitance or via external circuitry will permit oscillation up to or slightly above the alpha-cutoff frequency.

Because of the relatively low impedance associated with bipolar transistors, they are best used with crystals operating in the se-

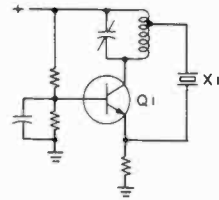


Figure 47

**SERIES-MODE TRANSISTOR OSCILLATOR**

Crystal is placed in feedback path and oscillates in series mode.

ries mode, as shown in figure 47. If a standard parallel-mode type crystal is used in one of these series circuits, it will oscillate at its series-resonant frequency which is slightly lower than that frequency marked on the holder.

**Transistor Detectors** The bipolar device can be used as an amplitude detector, very much as a diode is used since the emitter-base junction is, after all, a diode. The transistor detector offers gain, however, since current passed by the base-emitter diode is multiplied by the factor  $b_{fe}$ . The detected signal is recovered at the collector. Since germanium transistors have a lower forward conduction voltage than silicon types, they are often used in this circuit. This allows the detector to operate on a few tenths of a volt (peak) as opposed to about 0.6 volt (peak) required for a silicon transistor. The bipolar transistor can also be used as a product detector for SSB and c-w, such as shown in figure 48.

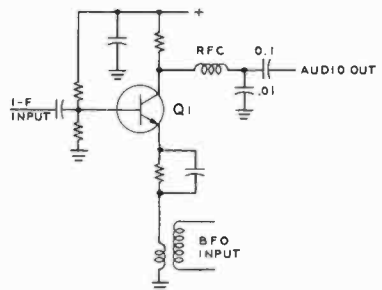


Figure 48

**PRODUCT DETECTOR**

Bfo is injected into the emitter circuit from a low-impedance source. Audio is recovered in the collector circuit.

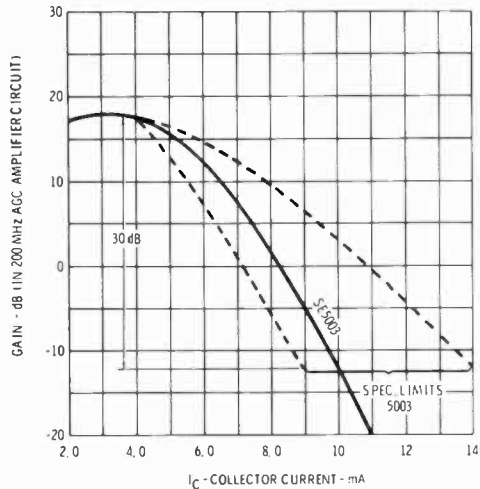
**Automatic Gain Control** The gain of a transistor amplifier stage will decrease as the emitter current is decreased. This property can be used to control the gain of an r-f or i-f amplifier strip so that weak and strong signals will produce the same audio output level. Automatic gain control voltage may be derived as described in Chapter 10 (*Radio Receiver Fundamentals*). If NPN transistors are used in the gain controlled stages, a negative agc voltage is required which reduces the fixed value of forward bias on the stage, decreasing the emitter current. If PNP transistors are used, a positive agc voltage is required.

There are also transistors especially designed for agc controlled amplifier service which are forward-biased to decrease gain. The Fairchild SE-5003 has a gain curve as shown in figure 49 and normally operates at a collector current of 4 mA. As can be seen,

an increase in collector current will decrease the gain. This is a result of  $b_{fe}$  decreasing after it peaks at about 4 mA. All bipolar devices have a similar  $b_{fe}$  peak, but the SE-5003 is designed to peak at a low enough current so that increasing collector current beyond the  $b_{fe}$  peak value is still within the dissipation rating of the device.

Figure 49

TYPICAL GAIN VERSUS COLLECTOR CURRENT, SE 5003



## Part II—Field-Effect Devices, Integrated Circuits and Numeric Displays

### 4.9 Field-Effect Devices

The *junction field-effect transistor* (JFET), or unipolar transistor was explored in 1928 but it was not until 1958 that the first practical field-effect transistor was developed. This device may be most easily visualized as a bar, or channel, of semiconductor material of either N-type or P-type silicon. An ohmic contact is made to each end of the bar as shown in figure 1A, which represents an N-type field-effect transistor in its simplest form. If two P-regions are diffused into a bar of N-material (from opposite sides of the N-channel) and externally connected together electrically, a *gate* is produced. One ohmic contact is called the *source* and the other the *drain*; it matters not which if the gate diffusion is in the center of the device. If a positive voltage is applied between drain and source (figure 1B)

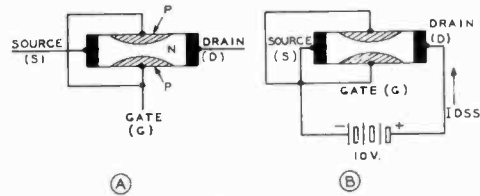


Figure 1

#### JUNCTION FIELD-EFFECT TRANSISTOR

A—Basic JFET is channel of N- or P-type material with contact at each end. Two P or N regions are diffused into the bar. B—If a positive voltage is applied across contacts a current flows through the gate region. Control of gate bias changes current flow from source contact to drain contact. Drain current is thus controlled by gate voltage.

and the gate is connected to the source, a current will flow. This is the most important definitive current in a field-effect device and is termed the *zero bias drain current* ( $I_{DSS}$ ).

This current represents the maximum current flow with the gate-source diode at zero bias. As the gate is made more negative relative to the source, the P-region expands cutting down the size of the N-channel through which current can flow. Finally, at a negative gate potential termed the *pinch-off voltage*, conduction in the channel ceases. The region of control for negative gate voltages lies between zero and the gate-to-source cutoff voltage ( $V_{GS-off}$ ). These voltages cause the gate-source junction to be *back-biased*, a condition analogous to the vacuum tube, since drain current is controlled by gate voltage. In the vacuum tube

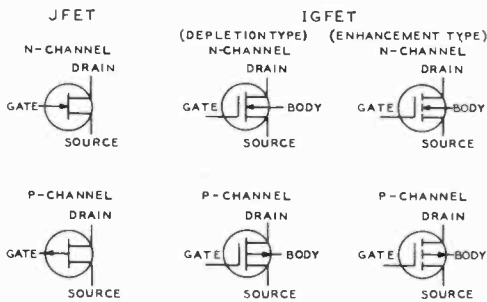


Figure 2

### SYMBOLS AND NOMENCLATURE FOR FIELD-EFFECT TRANSISTORS

a potential on the grid affects the plate current, however the charge carrying the signal does not flow in the region between cathode and plate to any significant extent.

It is possible to build a P-channel JFET device that requires a negative drain voltage and is biased with positive gate voltage. Combining both N-channel and P-channel JFET's makes it possible to design complementary circuits as in the manner previously described for NPN and PNP bipolar transistors. The symbols used to depict N-channel and P-channel JFET's are shown in figure 2.

The *Insulated Gate Field-Effect Transistor* (IGFET) differs from the JFET in a number of ways. The gate element is insulated from the rest of the device and control is by means of capacitance variation. The IGFET may be visualized as in figure 3, again an N-channel device. The basic form of the device is P-type material, into which has been diffused two N-type regions

to form the source and drain. The gate is a layer of metalization laid down directly over the P-type region between source and drain, but separated from the region by a thin layer of insulating silicon dioxide (silicon nitride is also used in some types). If a positive voltage is applied to the drain, relative

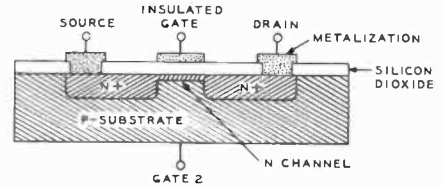


Figure 3

### INSULATED-GATE FIELD-EFFECT TRANSISTOR

IGFET has insulated gate element and current control is by means of capacitance variation. Enhancement mode (positive gate control) and depletion mode (negative gate control) IGFETs are available. Gate voltage limitation is point of breakdown of oxide dielectric in the gate. Diode-protected IGFET has zener diodes on the chip to limit potential between gate and body of device.

to the source, and there is no potential difference between gate and substrate, no current will flow because the path appears as two back-to-back diodes (NP-PN). If a positive voltage is applied to the gate relative to the substrate, it will *induce* an N-region between source and drain and conduction will occur. This type of IGFET is termed an *enhancement mode* type; that is, application of forward bias to the gate enhances current flow from source to drain. (It is not possible to build an enhancement mode JFET because the gate is a diode which will conduct if forward-biased).

A *depletion mode* IGFET is built by diffusing a small N-region between the source and drain to cause conduction even if there is no voltage applied between gate and substrate. Similar to the JFET, this depletion mode IGFET must have its gate reverse-biased to reduce source-to-drain current. The depletion mode IGFET is used in the same manner as the JFET except that the gate may also be driven forward and the drain current can be increased to values even greater than the zero-bias drain current,  $I_{DSS}$ .

Gate voltage of the JFET is limited in the reverse direction by the avalanche breakdown

potential of the gate-source and gate-drain circuits. In the IGFET, on the other hand, the gate voltage limitation is the point of destructive breakdown of the oxide dielectric under the gate. This breakdown must be avoided to prevent permanent damage to the oxide.

Static electricity represents the greatest threat to the gate insulation in IGFET devices. This type of charge accumulation can be avoided by wrapping the leads in tinfoil, or by otherwise connecting the leads when the devices are being transported and installed. The user of the device, moreover, may accumulate a static potential that will damage the IGFET when it is handled or installed and a grounding strap around the electrodes is recommended. Gate protection is often included within the device in the form of zener diodes on the chip between the gate and the body, forming a *diode-protected IGFET*.

**FET Terminal Leads** Note in figures 1 and 3 there are really four terminations associated with any FET device. In the JFET they are source, drain, and the two connections to the two P-diffusions made in the channel. In the IGFET they are source, drain, gate, and substrate. In some JFETs all four leads are brought out of the package and in others only three leads are available. In a three-lead configuration, it is considered that the two P-diffusion gate connections are tied together inside the package. In the case of the IGFET, all four leads are generally available for use; but more often than not, the substrate is externally connected to the source in the actual circuit. The advantage of the four-lead package is the ability to allow separate control ports, much like a multigrad vacuum tube.

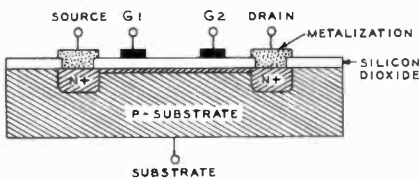


Figure 4

DUAL-GATE IGFET

Depletion type, dual-gate IGFET is intended for r-f use through the vhf range. One port is for input signal and the other for agc control.

An improved *dual-gate IGFET* of the depletion type has recently become available, intended for r-f use through the vhf range. The 3N140, 3N141, and 40673 of RCA, and the Motorola MFE-3006 and MFE-3007 are representative types. Their construction is shown in figure 4. These devices serve where dual ports are required, such as in mixers, product detectors, and agc-controlled stages, with one gate used as the signal port and the other the control port.

**V-MOS** The VMOSFET is a relatively new addition to the family of available semiconductors. It is named "V" MOS because of its physical crosssection which is in the form of a V (figure 5). This is quite different from the MOSFET cross-section shown in figure 3. Because of the vertical

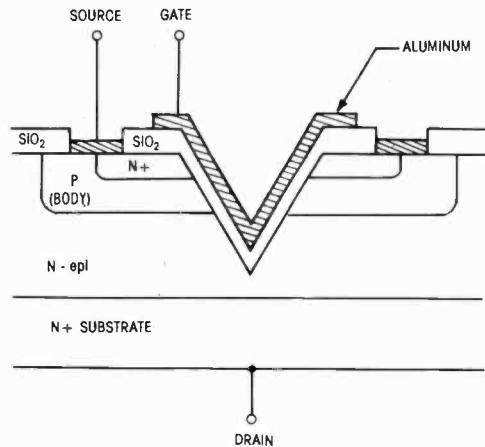


Figure 5

CROSS-SECTION OF VMOS CHANNEL

N+ material is used as substrate. The gate is positive with respect to the source resulting in an N-type channel, with electrons flowing from the source, through the channel and N-epi layer into the substrate, or drain.

penetration of the V-shaped gate, the VMOSFET is sometimes called a Vertical MOSFET.

The VMOSFET provides high-voltage, high current, and high-frequency performance which was previously unavailable in conventional designs. The first devices available were the VPM1, VPM11 and VPM12 (Siliconix) packaged in the TO-3 configuration. These devices are capable of currents

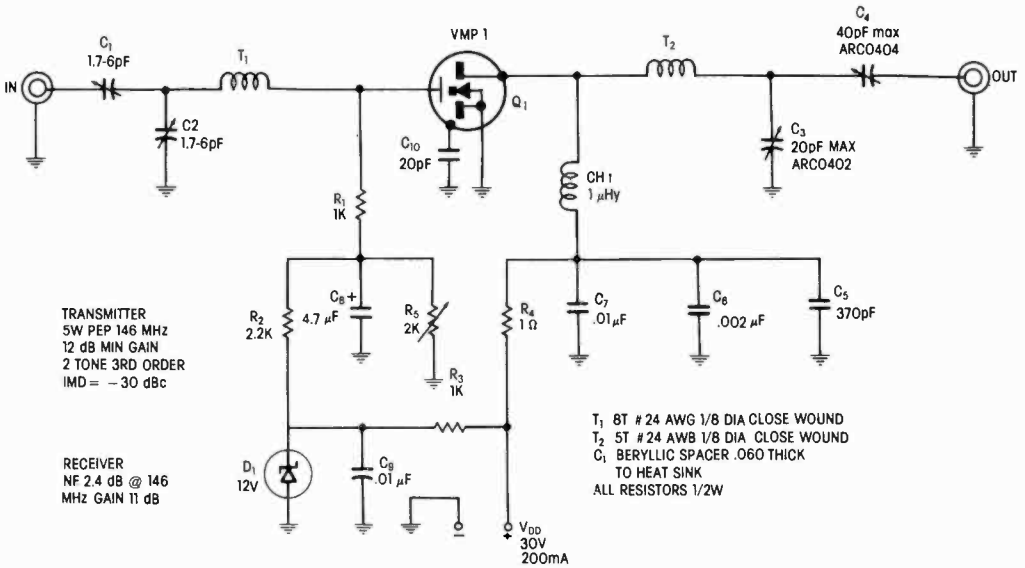


Figure 6

**A 5-WATT PEP OUTPUT AMPLIFIER USING V MOSFET**

This circuit may be used either as a 5-watt linear amplifier for 2 meters or as a low-noise preamplifier.

up to two amperes and potentials up to 90 volts and can produce 12 dB gain and a 2.4 dB noise figure at 146 MHz. A 5-watt PEP output linear amplifier using a VPM1 device is shown in figure 6. This amplifier has a power gain of about 12 dB.

The V MOSFET was originally developed for use as output stage devices for high fidelity audio systems to provide extremely linear characteristics that certain low-μ triode tubes (such as the 2A3) can produce with nega-

tive feedback. As such, the V MOSFET makes a very fine audio amplifier. In addition, since this device has a high impedance MOS gate, it has a perfect input impedance for interfacing MOS or PMOS logic family ICs to power load, such as a lamp or a relay. An example of this use is shown in figure 7.

**4-10 Circuitry**

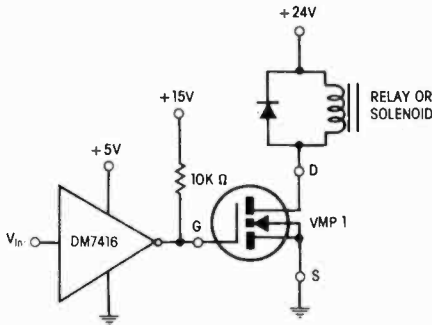


Figure 7

**TTL LOGIC-COMPATIBLE HIGH-CURRENT RELAY DRIVER**

JFET and depletion-mode IGFET devices are used in linear circuitry in very much the same way as are vacuum tubes, but at lower voltages. As an example, the drain characteristics of an inexpensive and popular FET (*Siliconix* E300) are shown in figure 8. The line that is labeled  $V_{GS} = 0$  is the one that represents the zero-bias drain current state, or  $I_{DSS}$ . At a drain to source potential of 10 volts,  $I_D$  is 15 milliamperes and, according to the data sheet,  $I_D$  could be any value between 6 mA and 30 mA at this potential. This spread of  $I_{DSS}$  is fairly typical of the lower cost FETs and the curve shown is also typical, as is the value of  $I_D$  read from it.

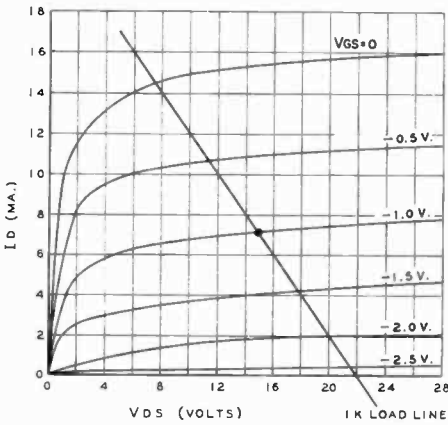


Figure 8

**DRAIN CHARACTERISTICS OF E300 FET**

Drain characteristic curves of FET resemble the characteristic curves of pentode vacuum tube as the current plots are nearly horizontal in slope above  $V_{DS}$  of about 6 volts. Load line is drawn on plot for gate bias of  $-1$  volt, drain voltage of  $+15$  volts, and drain current of  $7$  milliamperes.

The E300 drain characteristics look very similar in shape to the characteristics of a pentode vacuum tube; that is, at  $V_{DS}$  (drain to source potential) greater than about 6 volts, the drain current curves are nearly horizontal in slope. The FET, then, like the pentode, is generally used in circuits in this so-called *constant current* region of the characteristics.

A 1000-ohm load line is drawn on the characteristic plot in the same manner as one is drawn on a vacuum-tube plate characteristic curve (see Chapter 7). The load line is marked for a gate-bias voltage of  $-1$

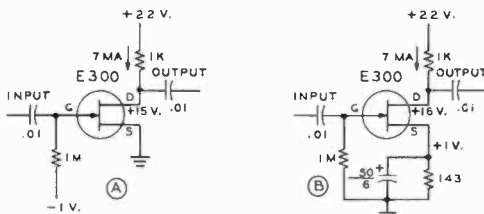


Figure 9

**COMMON-SOURCE AMPLIFIERS USING E300 FET**

Common-source amplifiers operating under conditions shown in figure 8. A—Separate gate bias. B—Source self-bias.

volt, a drain voltage of  $+15$  volts, and a resting drain current of  $7$  milliamperes. The circuit of a *common-source* amplifier operating under these conditions is shown in figure 9.

It can be observed from the load line that, at the bias point of  $-1$  volt, as the input signal swings plus and minus  $1$  volt, the drain voltage will swing between  $+8$  to  $+20$  volts. The gate bias may be supplied either from a separate supply or from a source resistor (equivalent to a cathode resistor in vacuum-tube technology). Typical input impedance of the common-source small-signal audio amplifier is quite high, with  $10$  megohms a not-uncommon value for low leakage JFETs and values higher than this for IGFETs.

The *common-gate* configuration shown in figure 10 may be compared in performance to the cathode-driven vacuum-tube amplifier, having a rather low value of input imped-

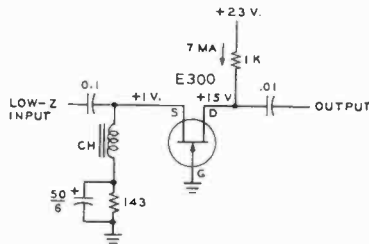


Figure 10

**COMMON-GATE AMPLIFIER USING E300 FET**

Input impedance of common-gate circuit is about  $150$  ohms. Stage gain is lower than common-source circuit.

ance. A typical value of input impedance is approximately  $1/g_{fs}$  where  $g_{fs}$  is the transconductance (similar to  $g_m$  in the vacuum tubes). The  $g_{fs}$  for the E300 device is about  $6600$  microhms; so the circuit of figure 7 will have an input impedance around  $150$  ohms. The common-gate configuration will have somewhat lower gain than the common-source circuit, but has other advantages discussed later.

The FET analogy to the cathode follower is shown in figure 11. This *source follower*, shown with self-bias, has a very high input impedance and very low output impedance ( $1/g_{fs}$ ).

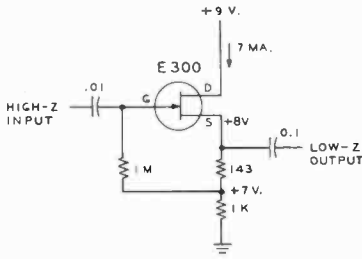


Figure 11

**SOURCE-FOLLOWER AMPLIFIER USING E300 FET**

Source-follower circuit has very high input impedance and low output impedance.

**The FET in Specialized Circuits**

The FET makes a very good r-f device because of some of its unique characteristics. In particular, the FET has a transfer characteristic that is remarkably free of third-order curvature, which ensures that intermodulation distortion and crossmodulation will be at a minimum in a properly designed circuit. A typical IGFET (depletion mode) vhf r-f amplifier is shown in figure 12.

FET devices have second order curvature in their transfer functions and operate as

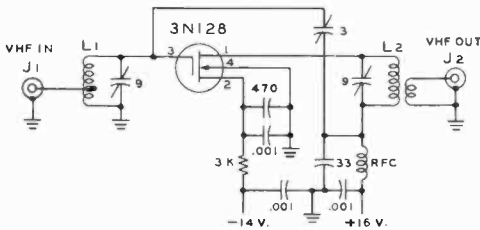


Figure 12

**IGFET DEPLETION-MODE VHF AMPLIFIER**

3N128 is neutralized for best circuitry stability and optimum noise figure.

good mixers having little intermodulation distortion. The use of FET devices in receivers is discussed in Chapter 10.

Aside from common usage discussed elsewhere in this handbook, the characteristics of the FET permit it to do a good job in specialized circuits. A phase-shift audio oscillator using the HEP 801 is shown in figure 13. This configuration employs the tapered RC network wherein each RC pair has the same time constant but successively higher impedance. The bridge-T and Wien bridge circuits also adapt themselves easily to the FET as shown in figures 14 and 15.

Since the FET is commonly operated in the constant-current region, it is often used as a constant-current generator with the

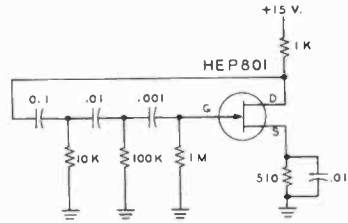


Figure 13

**PHASE-SHIFT AUDIO OSCILLATOR WITH HEP 801**

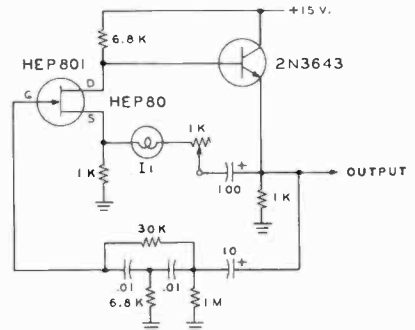


Figure 14

**BRIDGE-T AUDIO OSCILLATOR USING HEP 801 AND 2N3643**

I.—Sylvania 120 MB lamp.

gate and source connected together to form a two-terminal device. A linear ramp generator using a FET in place of a transistor to charge a capacitor is shown in figure 16. A unijunction transistor is used to discharge the capacitor.

A combination FET and zener diode circuit (figure 17A) provides improved regulation since the current flow through the zener is constant. Special JFETs that serve as constant-current diodes are available, but the experimenter can use nearly any small

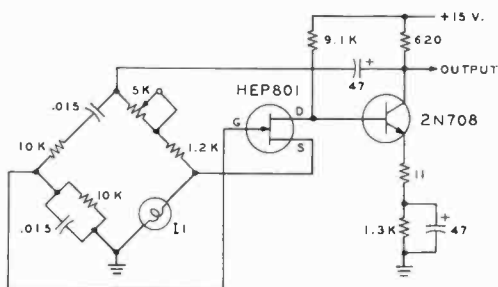


Figure 15

**WIEN BRIDGE AUDIO OSCILLATOR USING HEP 801 AND 2N708**

I<sub>1</sub>—Sylvania 120 MB lamp.

JFET in a similar manner by connecting the gate to the source. If the FET is used with a variable resistance in the source lead, as shown in figure 17B, an adjustable but constant-current source is available.

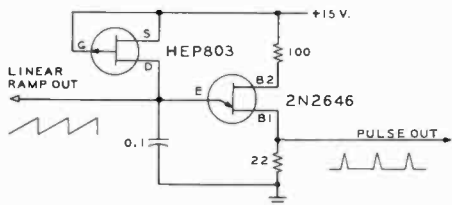


Figure 16

**LINEAR RAMP GENERATOR**

HEP 803 FET used as constant current source to generate linear ramp waveforms.

The enhancement-mode IGFET (P-channel) is almost exclusively used as a switch for computing or for logic circuits and the basic building block upon which one form of logic integrated circuit is based, as discussed in a later chapter. Discrete enhancement-mode IGFETs are used in *sample and hold* circuits, such as shown in figure 18. The waveform at the input is sampled only when the negative sample pulse, applied between substrate and gate, is present. The capacitor (C) is then charged to whatever value the input received during the sample pulse, and holds this value because the IGFET represents an open circuit at all other times. The voltage on the capacitor may be used to drive another FET (depletion mode) so that the input impedance of the

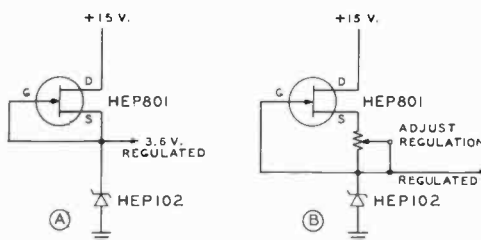


Figure 17

**FET AND ZENER DIODE PROVIDE IMPROVED REGULATION**

A—Constant current source. B—Variable current source.

sensing amplifier does not discharge the capacitor to any degree during sampling times. The enhancement-mode IGFET also serves as a fast switch in chopper service or as a series switch in certain types of noise suppression devices.

As the technology of FET construction develops, JFETs and IGFETs continue to invade new circuit areas. JFETs for 1-GHz operation are available and so are 10-watt stud-mounted types for lower-frequency power application. IGFETs are being designed for 1-GHz operation to satisfy the demands of UHF-TV reception. Some experimental FETs have been built to operate at 10 GHz. Other experimental JFETs available for low-frequency work can withstand 100 volts between source and drain.

It appears that virtually every circuit that can be realized with receiving type vacuum tubes can also be eventually duplicated with some sort of FET package and interesting variations of this efficient and inexpensive solid-state device that will apply to high-frequency communication are on the horizon.

**The Fetron** A JFET called a *Fetron* has been developed that replaces a vacuum tube in a circuit directly, without requiring major modifications in the circuit. High-voltage FETs are used and the Fetron can either be a single JFET or two cascode connected JFETs in a hybrid integrated circuit. The Fetron is packaged in an oversize metal can that has the same pin configuration as the tube it replaces. The JFET



characteristics can be chosen to simulate the dynamic performance of a tube. Two JFETs are required to simulate the performance of a pentode. Fetrons feature long life, low aging, and reduced power consumption as compared to an equivalent vacuum tube.

**Microwave Gallium Arsenide (GaAs) FETS**

have been developed that promise superior low-noise performance for microwave applications. Typical noise figures for these devices are about 3 dB at 4 GHz, 4 dB at 8 GHz, and 5 dB at 12.5 GHz. Developmental GaAs FETs with a Schottky-barrier gate exhibit a noise figure of 3.3 dB at 10 GHz and a power gain of 9 dB. Many of these new experimental FETs have an  $f_{max}$  in excess of 30 GHz. Enhanced noise figures have been produced by cooling the FET device with liquid nitrogen to 77° K.

Recent advances in Gallium Arsenide FET technology have produced devices capable of 1 watt output at 10 GHz. These state-of-the-art GaAs FETs are very expensive, and for the present must be considered as components used in high priority systems, such as avionics.

**Analog Switches** The example of using an enhancement mode MOSFET as an analog switch in the sample-and-hold circuit of figure 18 shows the general con-

cept of analog switching. A whole class of IC-packaged analog switches have been developed for this purpose, making circuit details much simpler than with the use of other devices. The control input to these new devices is usually compatible with one or more of the standard digital logic families such as TTL or CMOS. Figure 19A shows an analog gate using a DG200 (Siliconix) as a noise pulse gate such as employed in an i-f noise silencer. Note that TTL control is used and

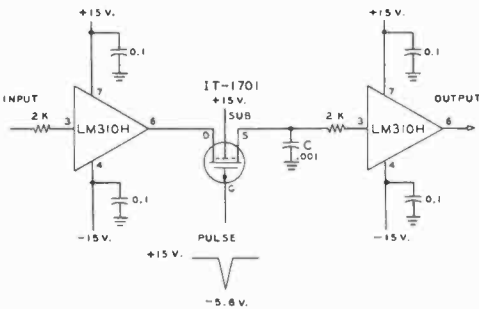
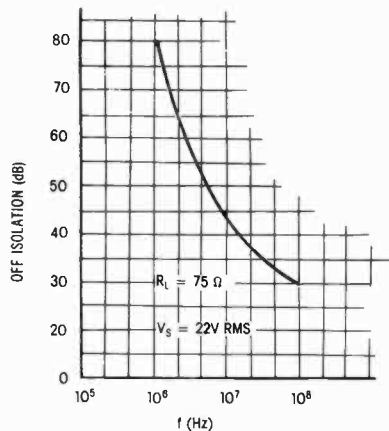
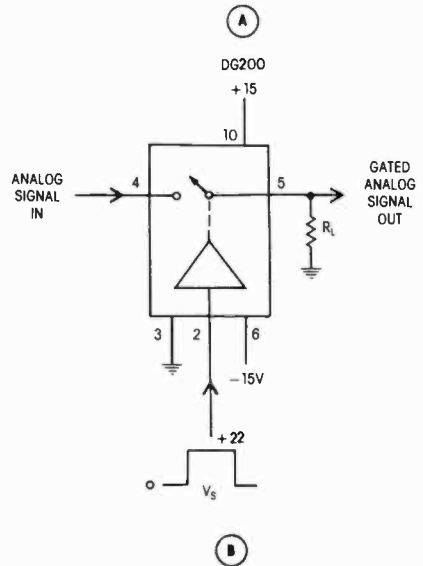


Figure 18

**SAMPLE AND HOLD CIRCUIT WITH ENHANCEMENT MODE IGFET**

Input waveform is sampled only when negative sample pulse applied between substrate and gate of IT-1701 IGFET is present. Capacitor C is then charged to value of input voltage and drives sensing amplifier through operational amplifier LM310H, at right. Capacitor holds charge because IGFET represents open circuit after pulse passes.

Figure 19

**THE ANALOG SWITCH**

A—Use of Siliconix DG200 as an analog gate. A positive pulse opens switch.  
B—Isolation of DG200 vs frequency.

that the DG200 uses standard  $\pm 15$  volt power, as do most IC op amps and some other linear ICs.

A plot of isolation vs. frequency (figure 19B) shows that the DG200 is usable up to about 100 MHz. Also, since there are two analog gates in each DG200 package, the device can be used as a single-pole, double-throw switch for analog signals or to form a series-shunt analog gate for increased isolation, as shown in figure 20.

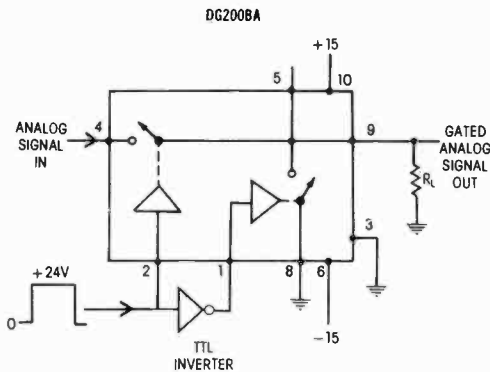


Figure 20

### SERIES-SHUNT ANALOG SWITCH

## 4-11 Integrated Circuits

The *integrated circuit* (IC) comprises a family in the field of microelectronics in which small, conventional components are combined in an orderly fashion in compact, high-density assemblies (*micromodules*) as shown in figure 21. Integrated circuits may be composed of passive elements (resistors, capacitors, and interconnections), and active elements such as diodes and transistors. The IC family may be divided into *monolithic* and multichip, or *hybrid*, circuits. The former category consists of an entire circuit function constructed in a single semiconductor block. The latter consists of two or more semiconductor blocks, each containing active or passive elements interconnected to form a complete circuit and assembled in a single package.

Integrated circuits offer relief in complex systems by permitting a reduction in the number of pieces and interconnections mak-

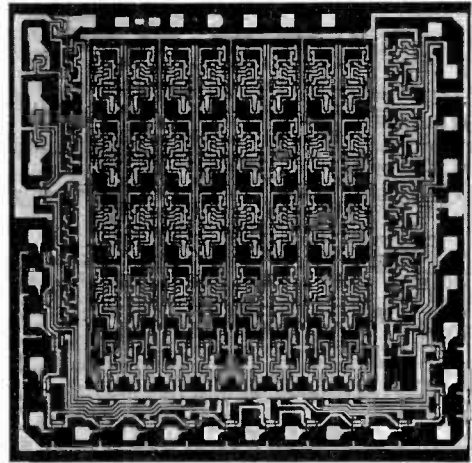


Figure 21

### INTEGRATED CIRCUIT ASSEMBLY

This 36-lead integrated circuit complex is smaller than a postage stamp and includes 285 gates fabricated on a single chip. It is used for access to computer memory circuits. (Fairchild TT<sub>L</sub>L 9035).

ing up the system, a reduction in overall system size, better transistor matching and potentially lower system cost.

Using very small monolithic IC's makes it possible to make thousands of circuits simultaneously. For example, several hundred *dice* (plural of die) may be produced side by side from a single silicon slice in the simultaneous processing of about a hundred slices. Each die contains a complete circuit made up of ten to one hundred or more active and inactive components.

The silicon slice is prepared by an *epitaxial* process, which is defined as "the placement of materials on a surface." Epitaxy is used to grow thin layers of silicon on the slice, the layer resistivity controlled by the addition of N-type or P-type impurities (*diffusion*) to the silicon atoms being deposited. When localized regions are diffused into the base material (*substrate*), isolated circuits are achieved. Diffusion of additional P-type or N-type regions forms transistors.

Once the die is prepared by successive diffusions, a photomasking and etching process cuts accurately sized-and-located windows in the oxide surface, setting the circuit element dimensions simultaneously on every circuit in the slice. The wafer is then coated

with an insulating oxide layer which can be opened in areas to permit metalization and interconnection.

The metalization process follows next, connecting circuit elements in the substrate. Electrical *isolation barriers* (insulators) may be provided in the form of reverse-biased PN junctions, or the resistance of the substrate may be used. Dielectric insulation, making use of a formed layer around a sensitive region is also employed. Successive diffusion processes produce transistors and circuit elements of microscopic size, ready to have external leads bonded to them, and suitable for encapsulation.

Typical IC dice range in size from less than 0.02" square up to 0.08" × 0.2". Many package configurations are used, the most popular being the *multipin TO-5 package*, the *dual in-line package*, the *flat package*, and the inexpensive *epoxy package*.

**Digital and Linear IC's** Integrated circuits may be classified in terms of their functional end-use into two families:

*Digital*—A family of circuits that operate effectively as "on-of" switches. These circuits are most frequently used in com-

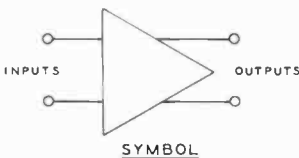
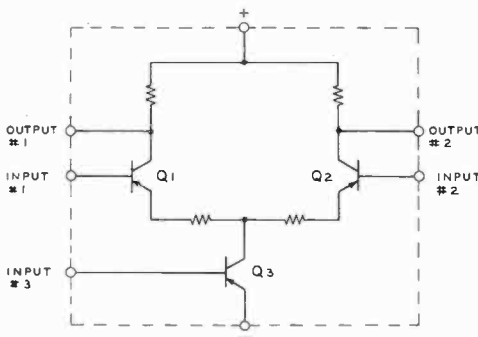


Figure 22

**DIFFERENTIAL INTEGRATED-CIRCUIT AMPLIFIER**

puters to count in accord with the absence or presence of a signal.

*Linear (Analog)*—A family of circuits that operate on an electrical signal to change its shape, increase its amplitude, or modify it for a specific use.

The *differential amplifier* is a basic circuit configuration for ICs used in a wide variety of linear applications (figure 22). The circuit is basically a balanced amplifier in which the currents to the emitter-coupled differential pair of transistors are supplied from a constant-current source, such as a transistor. An *operational amplifier* is a high-gain direct-coupled amplifier which is designed to use feedback for control of response characteristics (figure 23). The circuit symbol for these amplifiers is a triangle with the apex pointing in the direction of operation.

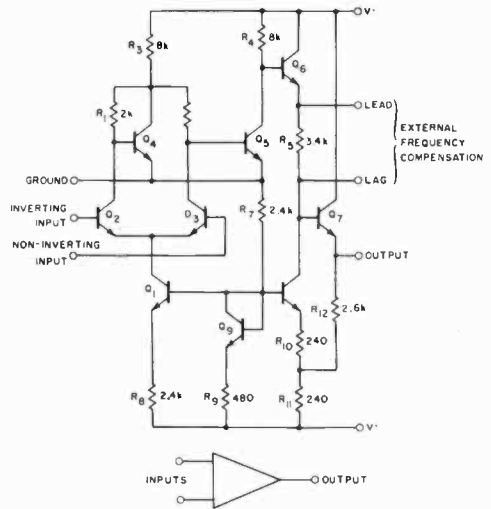


Figure 23

**OPERATIONAL INTEGRATED-CIRCUIT AMPLIFIER**

**The MOSFET IC** The basic monolithic bipolar IC requires a seven-mask process; that is, seven different photographic masks (negatives) must be used in diffusion, etching, and oxidizing cycles. The necessity for all of these masks to *exactly* overlay (or register) is one very critical factor in getting the yield of an IC

fabrication process up to a reasonable percentage of functional chips.

Another monolithic IC, that is more simple to fabricate, is the MOSFET type. The *MOSFET IC* is principally used in logic type functional blocks. Unlike the bipolar monolithic IC, no separate diffusion is necessary to make resistors—FETs are used as resistors as well as active devices. Since MOSFET's have capacitors inherent in them (gate to channel capacitance), the small capacitors needed are already present. So, with every device on the chip a MOSFET, only several maskings must be made. The smaller number of mask processes has the effect of increasing yields, or alternately allowing more separate elements to be put on the chip.

A simple MOS-IC circuit is shown in figure 25. This is a digital inverter,  $Q_1$  serving as the active device and  $Q_2$  functioning as a drain resistor. A typical MOS-IC chip has literally hundreds or thousands of circuits

such as this on it, interconnected as a relatively complex circuit system block, such as a shift register.

## 4-12 Digital-Logic ICs

An electronic system that deals with discrete events based on digits functions on an "on-off" principle wherein the active devices in the system are either operating in one of two modes: *cutoff* (off) or *saturation* (on). Operation is based on *binary* mathematics using only the digits *zero* and *one*. In general, zero is indicated by a low signal voltage and one by a higher signal voltage. In a negative logic system the reverse is true, one being indicated by the most negative voltage.

In either case, the circuits that perform digital logic exercises may be made up of hundreds or thousands of discrete components, both active and inactive. Logic dia-

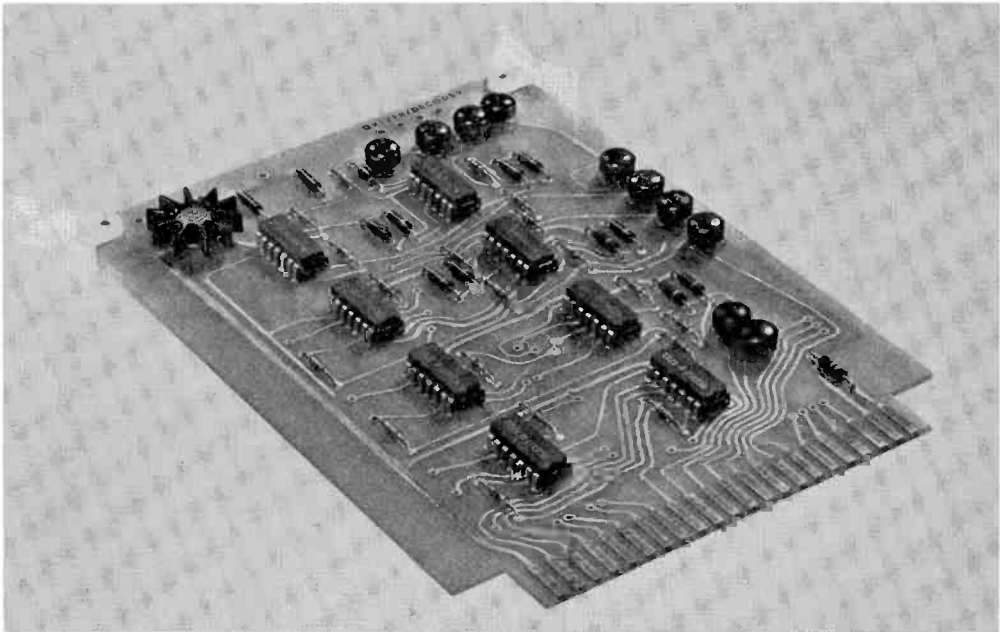


Figure 24

### I-C CIRCUIT BOARD PERFORMS AS VOLTAGE REGULATOR

Complicated circuitry is reduced to printed-circuit board, eight "in-line" IC's and ten TO-5 style IC's. Transistor version would occupy many times this volume and have hundreds of discrete components. Final voltage regulator IC is at left with heat sink.

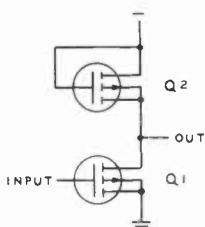


Figure 25

### BASIC MOS INTEGRATED CIRCUIT

Device  $Q_1$  serves as active device and  $Q_2$  serves as drain resistor.

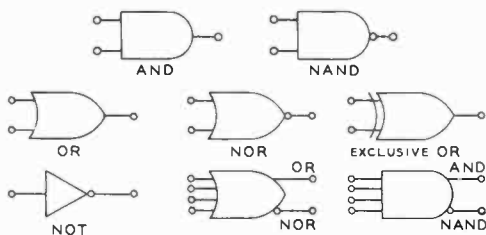


Figure 26

### EXAMPLES OF SYMBOLIC LOGIC CIRCUITRY

grams show symbols based on the specific functions performed and not on the component configuration which may consist of many microscopic particles on a semiconductor chip. Typical examples of symbolic circuitry are shown in figure 26.

**RTL Logic** The earliest practical IC logic form was *resistor-transistor logic* (RTL). A basic building block of RTL is the inverter or *NOT gate* (figure 27A), whose output is the opposite or complement of the input level. The output and input levels, thus, are *not* the same. The *NOR gate* is shown in figure 27B. These gates, plus the *NAND gate* permit the designer to build up *OR* and *AND* gates, plus multivibrators and even more complicated logic functions.

The *NOR gate* (not *OR*) makes use of two or more bipolar devices. If both *NOR* inputs are at ground (state "0"), then the output level is at +3.6 volt in this example (state "1"). However, if either input A or input B is at a positive level, then the

output level drops to a voltage near ground. The logic statement expressed in binary mathematics by the *NOR gate* is (in Boolean algebra):  $A + B = \bar{C}$ , or if A or B is one, then C is zero. Simply, the statement says input at gate 1 or gate 2 yields a zero (*NOR*) at the output.

By adding a *NOT* circuit after the *NOR*, or *OR* circuit is formed (figure 27C); now if either A or B are one, then C is one. In Boolean notation:  $A + B = C$ .

If one is termed *true* and zero termed *false*, these terms relate the circuits to logic in the common sense of the word. An *AND* gate is shown in figure 27D.

These simple *AND*, *OR*, and *NOT* circuits can be used to solve complex problems, and systems may be activated by the desired combination of true and false input statements. In addition to use in logic functions, *NAND*, *NOR*, and *NOT* gates can be wired as astable (free-running) multivibrators, monostable (one-shot) multivibrators and Schmitt triggers. Representative examples of such functions are shown in figure 28.

**DTL Logic** Some logic ICs are *diode transistor logic* (DTL) as shown in figure 29. Illustration A shows one-quarter of a quadruple-two-input *NAND* gate. The DTL configuration behaves differently than the RTL devices. If the two inputs of figure 29A are open ("high," or one), the output is "low," (or zero). If any input is grounded (zero), the output remains high. Current has to flow out of the diode inputs to place the output level at zero. This action is termed *current sinking*.

The portion of the two-input *NAND* gate shown in figure 29B is a member of the TTL family, all of which can be interfaced electrically with each other and with DTL as far as signal levels are concerned. It is possible to use logic ICs in linear circuits and figure 30 shows two crystal oscillators built around RTL and TTL integrated circuits.

RTL and DTL devices are inexpensive and easily used in system designs. The RTL devices require a +3.6-volt supply and the DTL devices require a +5.0-volt supply. Both these families suffer the disadvantage of

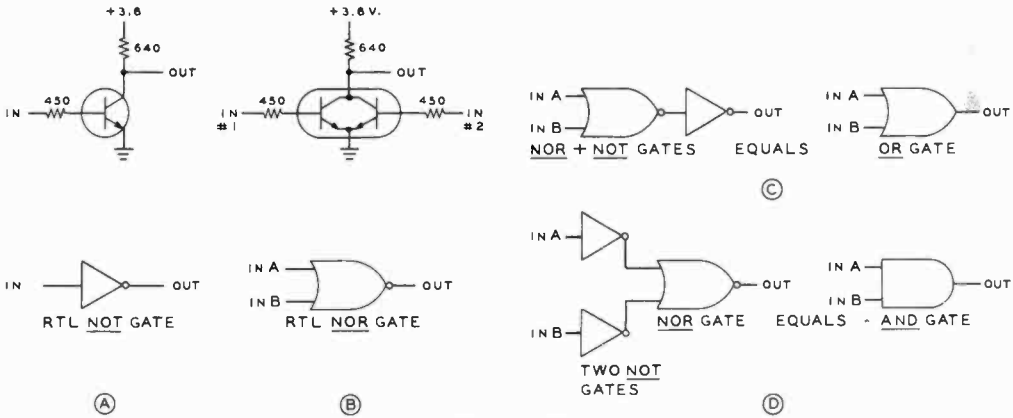


Figure 27  
RTL LOGIC

A—Inverter, or NOT gate. B—Noninverting NOR gate. C—NOR plus NOT gates form OR gate. D—Two NOT gates plus NOR gate form AND gate.

low immunity to transient noise and are sensitive to r-f pickup.

Flip Flops and Counters

A flip flop is a device which provides two outputs which can be driven to zero- and one-level combinations. Usually when one output is zero, the other is one. Flip-flop

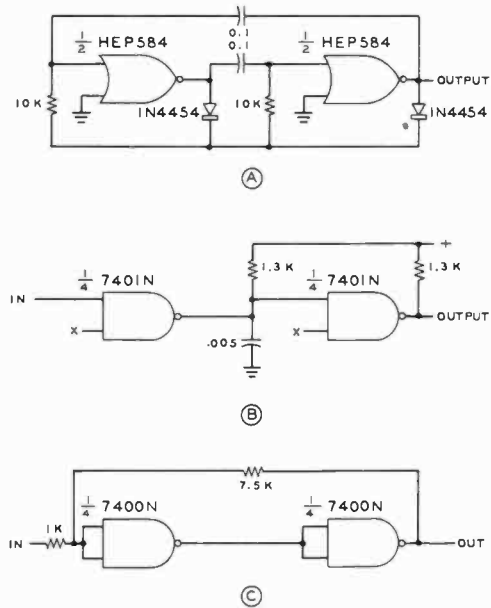


Figure 28

TTL AND RTL GATES USED AS MULTIVIBRATORS AND TRIGGERS

A—Free-running multivibrator using RTL dual gate. B—Monostable multivibrator (one-shot) made from half of a TTL quad-gate. C—Schmitt trigger made from half of a TTL quad-gate.

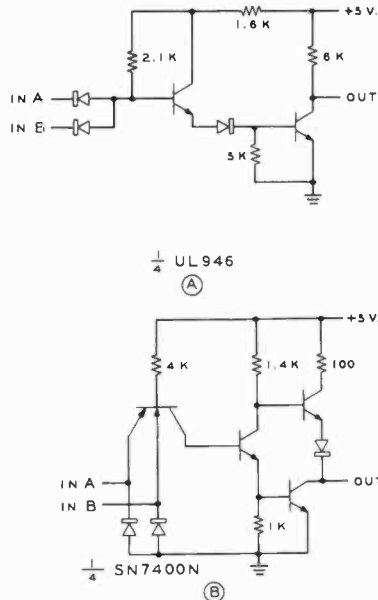
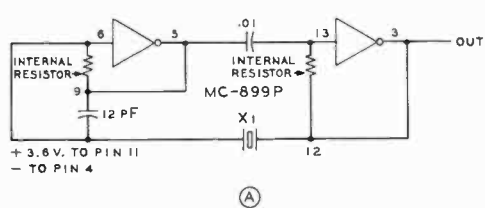


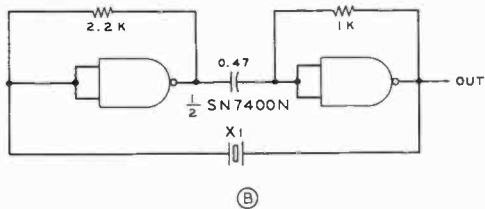
Figure 29

TTL AND DTL LOGIC GATES

A—DTL two input NAND gate using 1/4 of  $\mu L 946$ . B—TTL two input NAND gate using 1/4 of SN7400N.



(A)



(B)

Figure 30

**CRYSTAL OSCILLATORS USING RTL AND TTL INTEGRATED CIRCUITS**

A—7 MHz oscillator using RTL dual buffer.  
 B—1 MHz oscillator using TTL gates.

devices may be interconnected to provide a *decade counter* (a divide-by-ten operation with ten input pulses required to provide one output pulse). A programmed counter can be used to divide frequencies by  $2^n$ , 10, or any programmed number for service in

frequency counters and synthesizers. A decade divider made up of four flip flops is shown in figure 31. These flip flops are toggled or clocked devices which change state as a result of an input change.

Flip-flop devices to divide by a common integer are available on a single chip, a divide-by-ten counter such as shown being representative.

**HTL Logic** Another form of DTL type logic device is designed to operate at a higher signal level for noise and transient immunity. *High Threshold Logic* (HTL) and *High Noise Immunity Logic* (HNIL) are devices often used in circuits that have relays and control power, such as those found in industrial systems. These families of ICs are generally operated from +12 to +15 volts and special HTL HNIL devices are available to interface with the less expensive RTL, DTL, and TTL families.

**ECL Logic** *Emitter-coupled logic* (ECL) is a very high speed system capable of operation as high as 1200 MHz with certain devices. A typical ECL configuration is shown in figure 32. ECL operates on the principle of nonsaturation of the internal transistors. Logic swings are reduced in am-

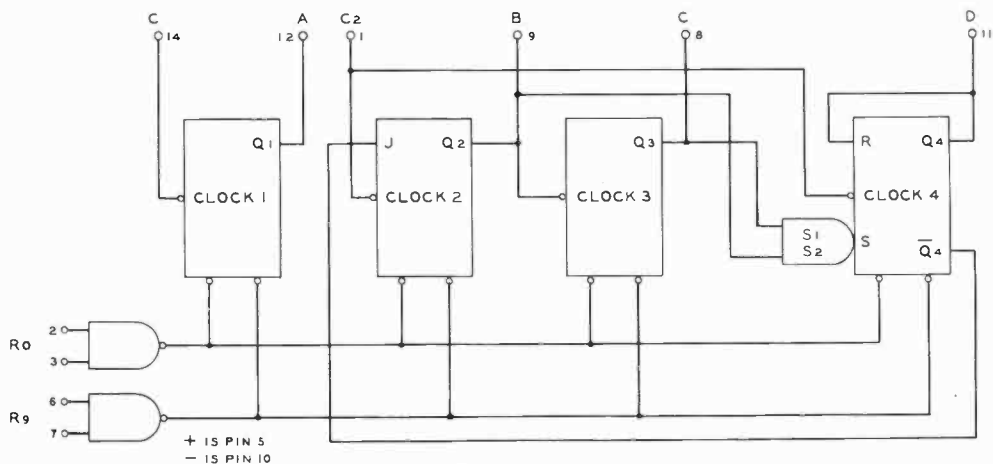


Figure 31

**SN 7490N USED AS DECADE DIVIDER**

Decade divider is made up of four flip-flop devices which provide zero and one level combinations. If  $R_0$  and  $R_9$  terminals are grounded and terminals 1 and 12 jumpered, input frequency applied to terminal 14 will be divided by 10 and appear at terminal 11. Output waveform has 20% on-cycle.

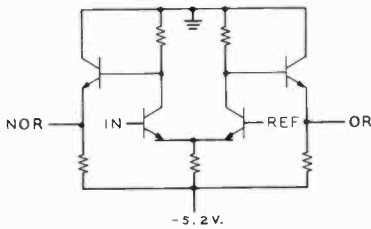


Figure 32

**HIGH SPEED ECL LOGIC CIRCUIT**

ECL device operates up to 350 MHz with non-saturation of internal transistors.

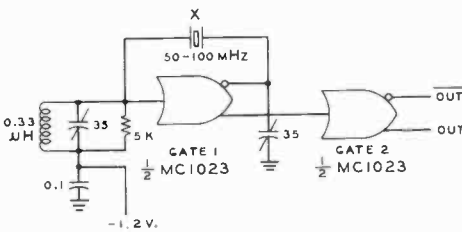


Figure 33

**ECL CRYSTAL-CONTROLLED OSCILLATOR**

Frequency range is 50 MHz to 100 MHz dependent on crystal and resonant circuit tuning.

plitude and the fact that the stored charge of a saturated transistor does not have to be discharged results in the speed increase. ECL is, by convention, operated from a  $-5.2$  volt source and the swing from *zero* to *one* in logic levels is comparatively small; *zero* being  $-1.55$  volt and *one* being  $-0.75$  volt. This is still considered to be "positive" logic because the most negative voltage level is defined as *zero*.

Representative nonlogic IC usage as a crystal-controlled oscillator and an astable multivibrator is shown in figure 33. Interface ICs are available to or from ECL and RTL, DTL, and TTL.

**4-13 MOS Logic**

Digital MOS devices have been recently developed that handle logic problems whose solution is impractical in other logic fami-

lies, such as problems requiring very high capacity memories. Complementary MOS (CMOS) will interface directly with RTL, DTL, TTL, or HTL if operated on a common power buss. Because of the low power consumption of CMOS, it is widely used for the frequency-divider IC in quartz-crystal-controlled watches.

A typical CMOS inverter is shown in figure 34. It makes use of a P-channel, N-channel pair (both enhancement-mode types). If the gates are high (*one*), then the N-channel MOSFET is on and the P-channel is off, so the output is low (*zero*). If the gates are low (*zero*), then the P-channel MOSFET is on and the N-channel is off, so the output is high (*one*). Note that in

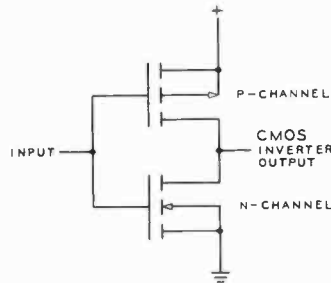


Figure 34

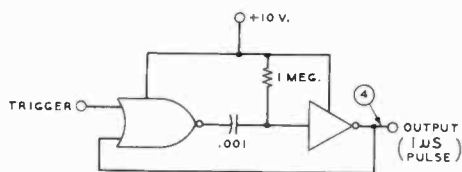
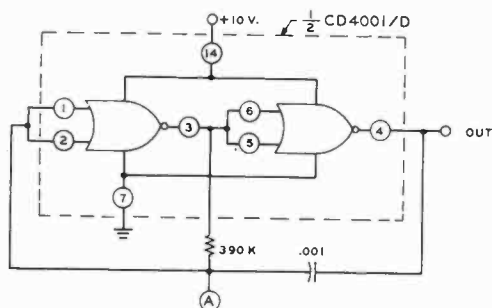
**CMOS INVERTER**

CMOS device makes use of P-channel, N-channel, enhancement-mode devices and provides low current consumption which is proportional to switching speed.

either state one device or the other is off and the inverter pair draws only a very small leakage current, with appreciable current being drawn only during the transition from *one* to *zero* and vice versa. The more transitions per second, the higher is the average current drawn, thus the power consumption of CMOS is directly proportional to the frequency at which it is switched.

As a result of the low power consumption and the simplifications of MOS-type fabrication CMOS is moving rapidly through medium scale integration (MSI), with hundreds of FETs per chip, into large scale integration (LSI), with thousands of FETs per chip—all in one package and at a relatively low cost.





(B)

Figure 35

**CMOS GATES USED AS MULTIVIBRATORS**

- A—Astable multivibrator using CD4001/D dual gates.
- B—One-shot multivibrator using dual CMOS gates.

The CMOS devices now available allow for quite a large variety of circuitry, and like the types previously discussed, they may be used in nonlogic ways. Figure 35 shows how CMOS gates may be used as an astable multivibrator and a one-shot multivibrator.

CMOS is now available in two families; the original CD4000 series by RCA (second-sourced by at least six other suppliers) and the 74C00 family originated by National Semiconductor. The latter family has the same terminals and generally the same usage rules as the popular 7400 TTL logic family. Both CMOS families are compatible in logic levels and it remains to be seen which will become the dominant family.

**P-MOS Memory) Logic** Conventional P-MOS (P-channel, enhancement mode) logic provides low cost, high capacity *shift registers* and mem-

*ories*. The shift register is a unique form of memory device which has one input and one output, plus a *clock* (timing) input. One commonly used P-MOS shift register has 256 bits of storage in it. The shift register may be compared to a piece of pipe just long enough to hold 256 marbles which are randomly colored white and black. The black marbles indicate a *one* value and the white marbles indicate a *zero* value. The sum of marbles makes up a 256-bit binary *word*. The pipe is assumed to be opaque so the sequence of marbles cannot be seen. In order to determine the binary word, it is necessary to push 256 marbles in at the input end of the pipe and observe each marble exiting from the output, noting the binary sequence of the marbles. Each marble pushed in the pipe is the equivalent of a clock pulse. In a real shift register the output is wired back to the input, 256 clock pulses are triggered, and the content of the register is read and the binary word is loaded back into the register.

The shift register form of memory represents a valid way of storing binary information but it is slow because interrogating the register takes as many clock pulses as the register is long. To speed up access to the content of a memory, it is possible to array the bits of storage in better ways.

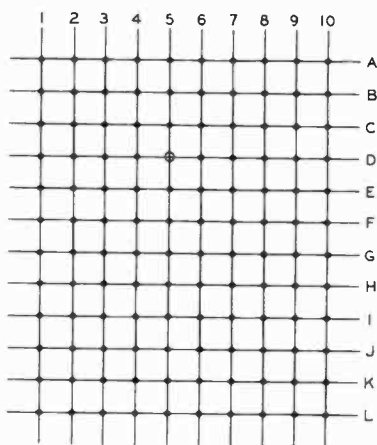


Figure 36

**FERRITE-CORE MEMORY**

Representation of core memory showing cores and sensing wires. Address of representative sample core is D-5. This configuration is termed a matrix.

A more efficient organization of a large memory bank is the use of a *ferrite-core memory*, such as shown in figure 36. A bit of information can be permanently stored in a core by having it magnetized or not magnetized. If the memory has a  $30 \times 30$  matrix, there are 900 cores and 900 bits of storage. Any X-line and Y-line combination locates one particular core; this location is referred to as the core *address*.

If, instead of ferrite memory cores, a large number of MOS two-state circuits are arranged in a similar matrix, an *IC memory* is produced. Most small ICs, however, are pin-limited by their packaging and to bring out 60 leads from one package is a mechanical problem. The common package has 10 leads brought out for addressing purposes; five leads for the X-line, and five for the Y-line. By using all the lines in X and Y to define a location,  $2^5 = 32$  X and Y coordinates are available, thus the total bit storage is thus  $2^5 \times 2^5 = 1024$  bits of information.

**The Random-Access Memory** A *random-access memory* device (RAM) is organized in the above fashion and  $32 \times 32$  is a common size. These memories can be written-into and read-out of, and are used for purposes where the stored information is of a changing nature, such as in signal processing systems. For this reason a RAM is often referred to as a *scratch-pad memory*.

There is a feature about MOS devices which is unique and which allows the manufacture of shift registers and RAMs that are unlike any other semiconductor memory. Since the gate of a MOSFET is a capacitor it will store a charge, making a complete two-state flip flop to store *ones* and *zeros* unnecessary if the data rate is high enough. Such a *dynamic register* will only hold data for about one millisecond. Each cell of the dynamic shift register is simpler than a cell of a static shift register so the dynamic type permits more bits on a chip and is cheaper per bit to manufacture.

**The Read-Only Memory** The *read-only memory* (ROM) can only be programmed once and is read in sequence. Certain ROMs, however, are made

in reprogrammable versions, where the stored information can be changed. The ROM is used in a type of Morse code automatic keyer which employs a 256-bit device custom-programmed to send a short message, such as: CQ CQ DE W6SAI K. This type of program is permanently placed in the chip matrix in the manufacturing process by a photomask process. However, at least one semiconductor manufacturer makes a *programmable ROM* (pROM) that may be programmed in the field. The way in which a pROM is programmed is by subjecting the bits desired to be *zeros* to a pulse of current which burns out a fusible link of nichrome on the chip. Some manufacturers will program a pROM for the buyer to his specification for a nominal charge.

Another type of pROM has been developed that is not only programmable, but which may be erased and reprogrammed. The *avalanche-induced charge-migration* pROM is initially all *zeros*. By pulsing high current into each location where a *one* is desired, the device is programmed. This charge is apparently permanent, until a flash of ultraviolet light is directed through the quartz window atop the chip. Following the ultraviolet erasure, the pROM can be

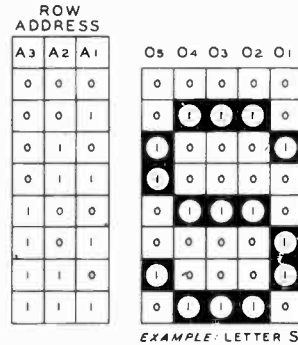


Figure 37

TELETYPE-TO-CODE CONVERTER

Signetics 2513 ROM device produces letters and figures on screen of a cathode-ray tube from an ASCII teletype code input. ROM illustrates letter "S" readout.

programmed again. Some pROMs are available in up to 2048 bits, with 4096-bit capacity expected shortly.

**Other ROM Devices** There are several standard ROMs available that have factory mask programs of potential interest to the radio amateur. The *character generator* is useful for presenting letters and numerals on a cathode-ray tube such as is done in various electronic RTTY (radio teletype) terminal units. An example of such an ROM is the *Signetics 2513* which creates readable characters from an ASCII 8-level teletype code used in most time-shared computer terminals (figure 37).

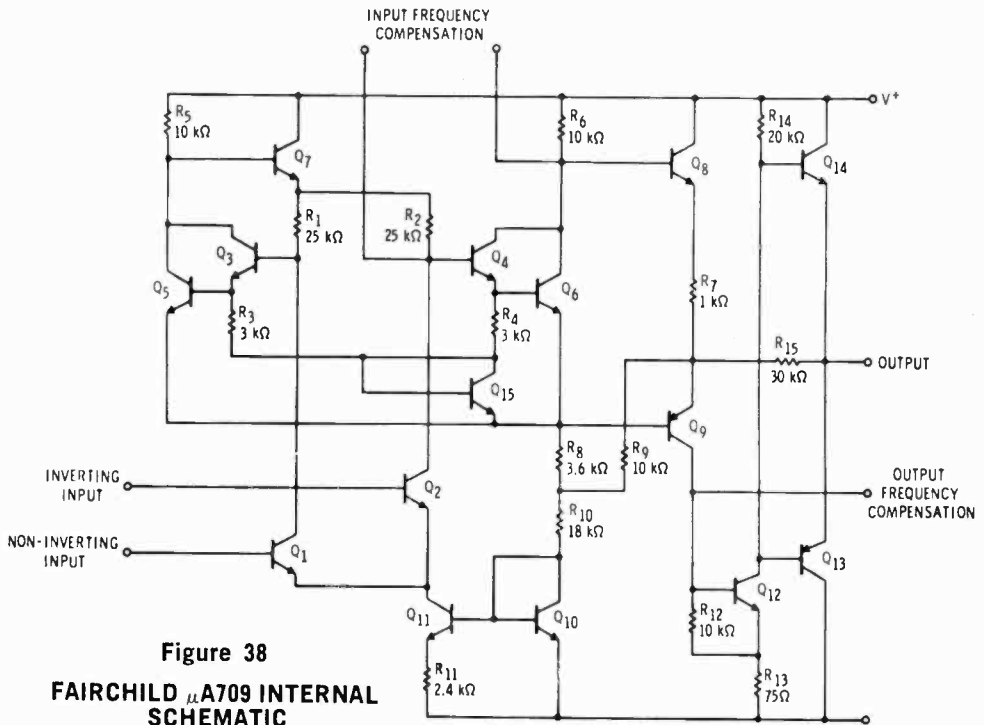
Radio amateurs use the older 5-level *Baudot code* in their RTTY systems, but another ROM device can make the translation from Baudot to ASCII code. Still another

ROM is now available to generate "The quick brown fox jumps over the lazy dog 1 2 3 4 5 6 7 8 9 0."

### 4-14 Linear ICs

The *linear integrated circuit* is a device whose internal transistors operate in the amplification region rather than snapping back and forth from one state to another (such as cutoff to saturation). Some linear ICs are designed to replace nearly all the discrete components used in earlier composite equipment. Others perform unique functions heretofore unavailable.

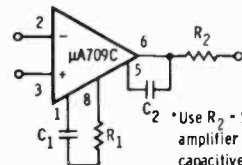
*Operational amplifiers, differential amplifiers and diode-transistor arrays* are important members of the linear IC family.



**Figure 38**  
**FAIRCHILD  $\mu$ A709 INTERNAL SCHEMATIC**

Integrated circuits are designed to replace discrete components and perform functions heretofore unavailable.

#### FREQUENCY COMPENSATION CIRCUIT



\*Use  $R_2 = 50 \Omega$  when the amplifier is operated with capacitive loading.

The Fairchild  $\mu A700$  series of linear monolith IC devices and particularly the  $\mu A709$ , are the most widely used linear IC types and more recent IC *operational amplifiers* (op-amps) are compatible in their pin configuration to this basic family of devices. The basic  $\mu A709$  schematic is shown in figure 38, along with the equivalent op-amp symbol. Compensating networks may be required for stable operation and some of the newer op-amps have the necessary compensation built inside the package.

**The Operational Amplifier** The perfect operational amplifier is a high-gain dc coupled amplifier having two differential inputs of infinite impedance, infinite gain, zero output impedance, and no phase shift. (Phase shift is  $180^\circ$  between the output and inverting input and  $0^\circ$  between the output and noninverting input).

Two voltages may be *added* in a differential amplifier as shown in figure 39. In illustration A, the noninverting (plus) input is grounded and the amplifier is in the *inverting* mode. The stage gain is the ratio  $R_2/R_1$  and the input impedance is  $R_1$ . The circuit may be modified as shown in illustration C so that a noninverting gain of

$$\frac{R_2}{R_1} + 1 \text{ is obtained.}$$

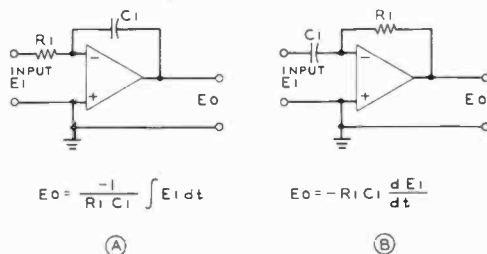


Figure 40

**INTEGRATING AND DIFFERENTIATING AMPLIFIERS**

A—Inverting integrating circuit. B—Inverting differentiating circuit.

The op-amp can be connected to perform the *integral* or *differential* of the input voltage as shown in figure 40. By combining these operations in a number of coordinated op-amps an *analog computer* may be constructed. This type of machine represents the use of an electrical system as a model for a second system that is usually more difficult or more expensive to construct or measure, and that obeys the equations of the same form. The term *analog* implies similarity of relations or properties between the systems.

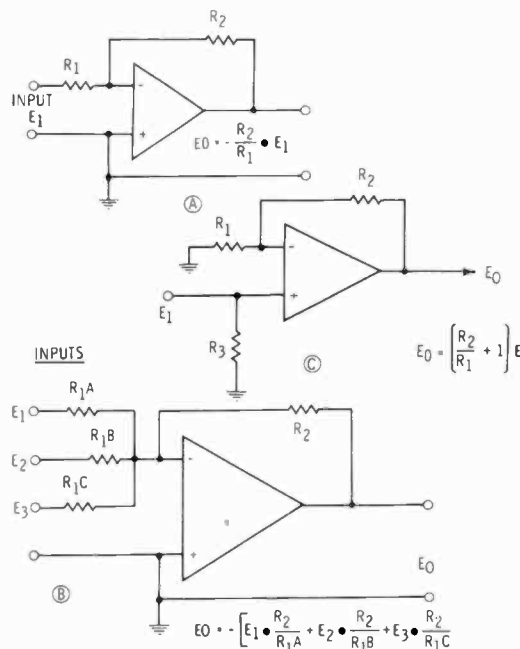


Figure 39

**OPERATIONAL AMPLIFIER (OP-AMP) SYMBOL**

A—Differential amplifier in inverting mode. B—Summing amplifier. If input is applied to positive gate, output is subtractive. C—Differential amplifier using noninverting mode.  $R_1$  is chosen to match input signal source.

**The Differential Amplifier** The *differential amplifier* is a dc-coupled amplifier having similar input circuits.

The amplifier responds to the difference between two input voltages or currents (figure 41). The differential amplifier may be compared to a push-pull stage fed from a constant current source.

Differential amplifiers are useful linear devices over the range from dc to the vhf spectrum and are useful as product detectors, mixers, limiters, frequency multipliers and r-f amplifiers. Various versions of the

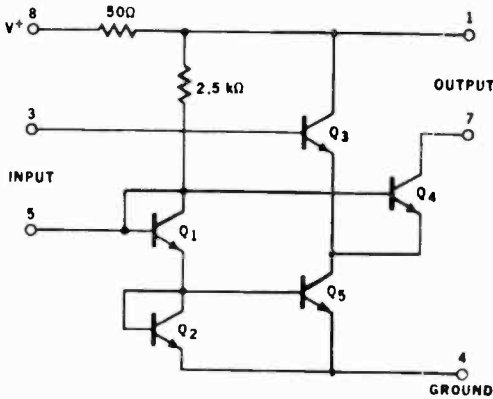


Figure 41

**DIFFERENTIAL AMPLIFIER**

The differential op-amp is a dual input dc coupled amplifier comparable to a push-pull stage fed from a constant-current source.

differential amplifier are discussed in the following sections.

A widely used differential amplifier is the r-f/i-f amplifier device used as an i-f amplifier at 10.7 MHz in f-m tuners. The Fairchild  $\mu A703$ , Motorola HEP-590 and the Signetics NE-510 are typical examples of this device. A representative amplifier-limiter is shown in figure 42. These ICs can be used for a variety of other purposes and an a-m modulator using the HEP-590 is shown in figure 43.

The National Semiconductor LM-373 IC may be used for the detection of a-m, f-m, cw, or SSB signals, as shown in figure 44. Note that the gain of the LM-373 has been divided into two blocks, with provisions for insertion of an i-f bandpass filter between the blocks.

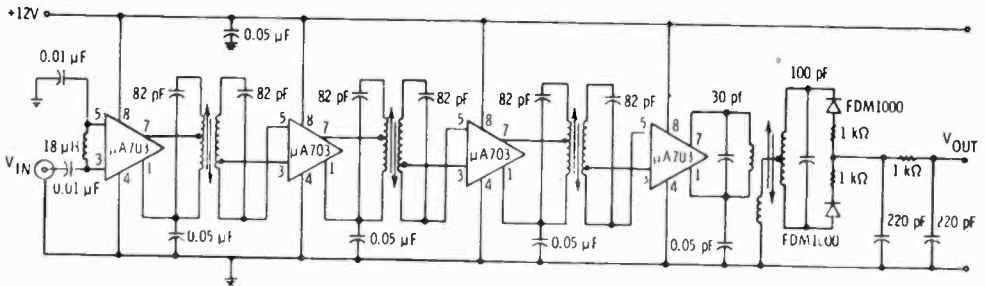


Figure 42

**DIFFERENTIAL AMPLIFIERS IN R-F SERVICE**

FAIRCHILD  $\mu A703$  ICs used in f-m i-f amplifier and limiter.

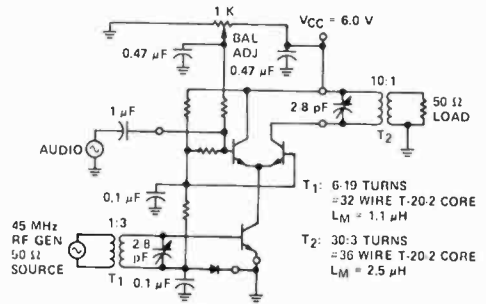


Figure 43

**HEP-590 IC USED AS A-M MODULATOR**

Various ICs have been developed for use as i-f/f-m detectors in TV receivers. One unit comprises a complete 4.5-MHz TV sound system using the quadrature method of f-m detection similar to that employed with the 6BN6 tube. This unit has a quadrature f-m detector, 10.7-MHz i-f, and limiter in one package (figure 45).

An IC package that is useful in signal processing applications—especially SSB—is shown in figure 46. The circuit is a balanced demodulator for SSB detection.

**The PLL IC** A recent development is the *phase-locked loop integrated circuit* which performs a remarkable range of functions: selective amplifier, f-m detector, frequency multiplier, touchtone decoder, a-m detector, frequency synthesizer, and many more. The Signetics NE-560B shown in figure 47 is configured as an f-m detector. In this circuit the voltage-controlled oscillator (VCO) in the PLL locks itself into a 90° phase relationship with the incoming

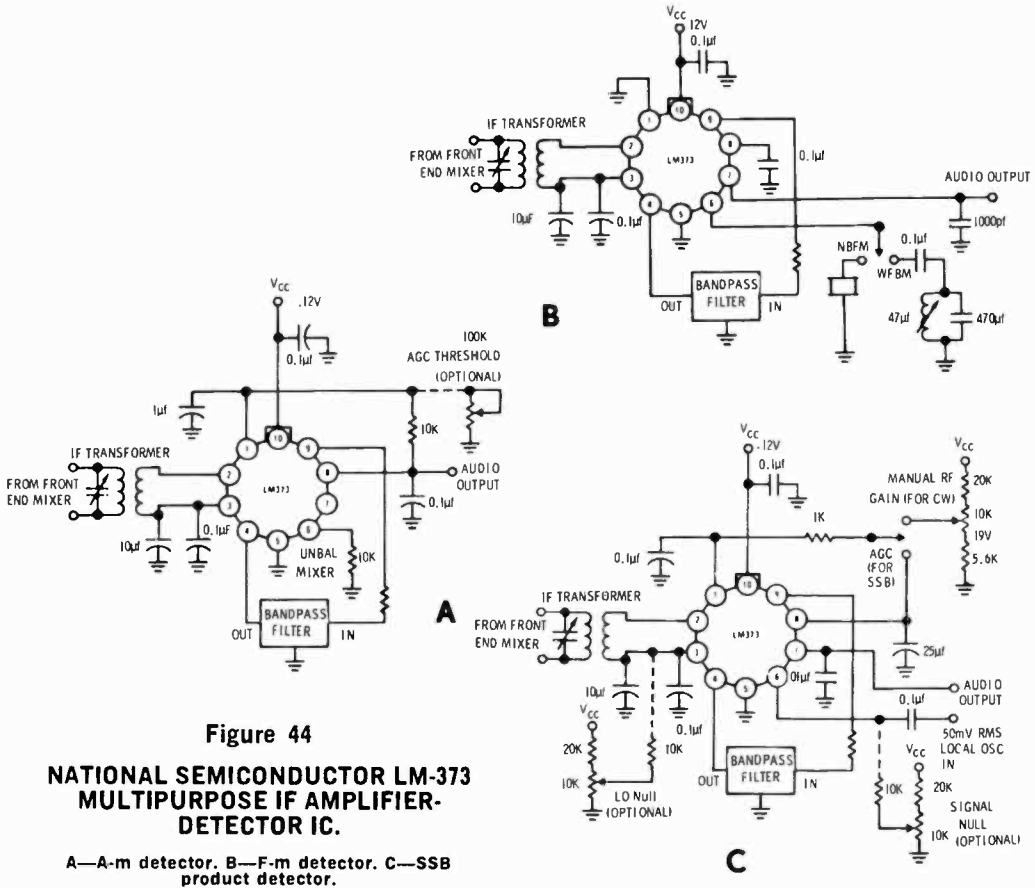


Figure 44

**NATIONAL SEMICONDUCTOR LM-373  
MULTIPURPOSE IF AMPLIFIER-  
DETECTOR IC.**

A—A-m detector. B—F-m detector. C—SSB  
product detector.

carrier signal. Variations of this circuit are useful in solid-state color-TV receivers.

**Diode-Transistor Arrays**

A category of linear ICs that is of great use comprises the *diode-transistor array* family, or *array* for short. The various types of arrays available contain a number of bipolar transistors inside the package which are more or less uncommitted to any particular configuration. Because of pin limitations there are necessarily some interconnections inside the package but there is still great flexibility to interconnect the transistors for a specific purpose. Examples of these array devices are the CA 3018, CA 3036, etc. of RCA. A voltage regulator built around the CA 3018 is shown in figure 48. Note that one of the internal transistor base-emitter junctions of the IC has been used as a breakdown diode for a voltage reference.

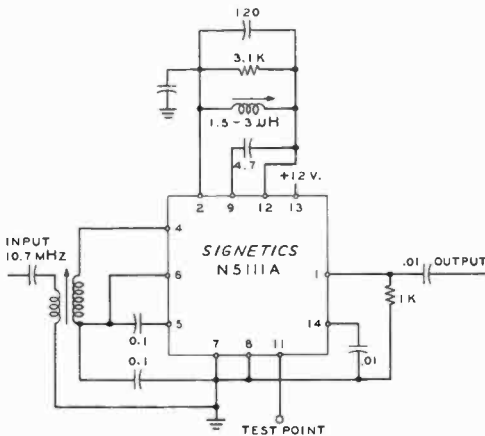


Figure 45

**SIGNETICS N511A AS QUADRATURE  
F-M DETECTOR AT 10.7 MHz**

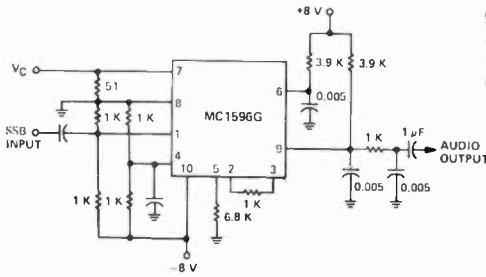


Figure 46

**MC-1596G AS BALANCED MODULATOR FOR SSB DETECTION**

This is only one of many circuits possible using an IC array.

Many other types of linear ICs exist: video amplifiers, logarithmic amplifiers, TV chroma demodulators, stereo-multiplex demodulators, squelch amplifiers, and so on. These represent special interest areas and it would be impossible to treat each category here. Looking at the large market areas wherein linear electronics is used, the experimenter will find ICs available or being designed for TV receivers, auto ignition systems, CATV distribution, a-m/f-m radios, stereo gear, and camera equipment. Doubtless many of the ICs developed for these markets will be readily usable in the radio communications field.

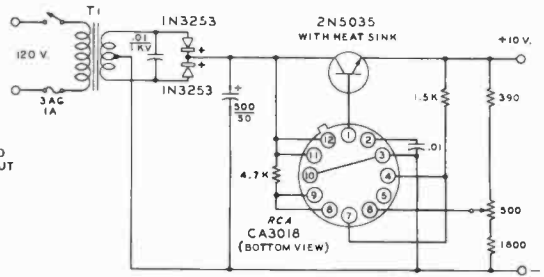


Figure 48

**RCA CA-3018 AS VOLTAGE REGULATOR**

T<sub>1</sub>—10/20/40 volts center tap. Triad F-91X. Use red and yellow leads.

The area of greatest growth in recent years in linear ICs has been in power-handling capability. Most manufacturers of ICs now have IC regulators and audio output devices that will handle reasonable amounts of power without external transistors to assist them.

The Fairchild  $\mu$ A-7800 and the National LM-309K families of three terminal regulators are of particular interest. The LM-309K is a 5-volt regulator capable of 1 ampere of regulated output. It is only necessary to connect the common pin (the case of the TO-3 package) to ground and the unregulated input to the input pin; output is then

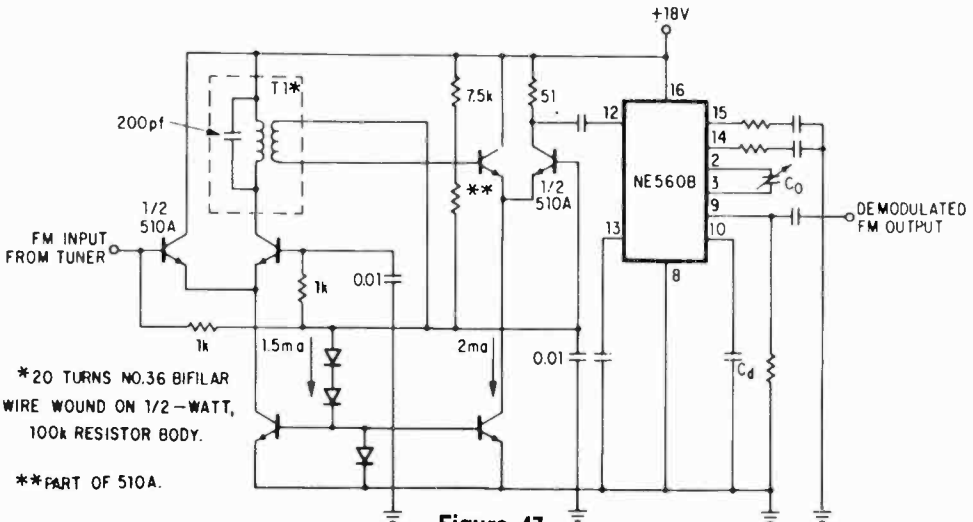


Figure 47

**SIGNETICS NE-560B PHASE-LOCKED LOOP AS AN F-M DETECTOR**

\* 20 TURNS NO.36 BIFILAR WIRE WOUND ON 1/2-WATT, 100k RESISTOR BODY.

\*\*PART OF 510A.

taken from the output pin (a  $0.22 \mu\text{F}$  capacitor across the input is required for stability). The *Fairchild* regulators offer similar performance in a variety of positive regulated output voltages. *Motorola* offers a similar family, the MC-7800C series of devices.

Both *Fairchild* and *Motorola* also offer a 7900 series of negative, three-terminal regulators as well as *National Semiconductor*.

*Raytheon* has introduced the RC-4194TK in a 9-pin, TO-66 package. This device produces plus and minus regulated voltages for operating linear ICs. This regulator can pass up to 250 mA at an output voltage adjustable from zero up to 42 volts.

In the audio-amplifier area, ICs are now available at output levels up to 15 watts. The *National* LM-380 will drive an 8-ohm speaker up to 5 watts output and other devices are on the market that will drive a 4-ohm speaker up to 15 watts.

#### 4-15 Solid-State Light Sources and Numeric Displays

A recent development is the *light-emitting diode* (LED) which promises to replace the incandescent lamp as a light source in displays—especially those subject to heavy vibration.

The first LEDs were a deep red in color and made of Gallium-Arsenide-Phosphide and produced about 30 to 100 microwatts of light power output. More recently, the green LED of Gallium-Phosphide and the amber LED of Gallium-Arsenide-Phosphide have been made available.

Small LEDs have a forward voltage drop of about 1.5 to 2.0 volts and they can be driven up to about 40 ma. The LED does not have a sudden end-of-life as does an incandescent lamp, instead the LED loses brilliance with age. Predicted life (to half brilliance) of a typical LED is  $10^6$  hours.

Another type of LED is the *infrared diode* which has maximum radiation at about 9000 Angstrom units ( $10^{-10}$  meters) wavelength in the near-infrared region. Because it radiates just outside the visible spectrum, the infrared produced by this Gallium-Arsenide diode is treated in the same manner as visible light, using conventional optics. The IR output of these diodes is very close to the op-

optimum sensitivity of most silicon photo-diodes, light-sensitive transistors, and FETs. The IR LED can be modulated (even at megahertz rates) and serves as a transmitter in voice and data links or as an intruder alarm. A Gallium Arsenide emitter and Silicon detector may be combined in an *opti-*

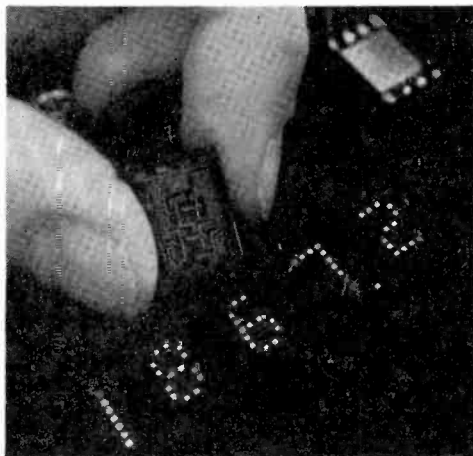


Figure 49

#### HEWLETT-PACKARD SOLID-STATE NUMERIC INDICATORS

*cally coupled isolator* (opto-electronic switch) which combines the pair in an opaque, plastic package. Light then couples the input circuit of the emitter to the output circuit of the detector, with no electrical coupling between the ports. This isolator is the equivalent of a relay, with none of the mechanically fragile components.

An array of LEDs can be configured as a seven-segment display for numeric indication and integrated circuits are available that will convert the binary-coded decimal system to the seven-segment coding required for this display.

A solid-state numeric indicator is shown in figure 49. This small unit is a hybrid microcircuit consisting of a decoder-driver and an array of light-emitting diodes. The numeric indicator is enabled by a pulse and the display will follow changes on the logic inputs as long as the enable port is held at zero (low). In this mode the device is operated as a real-time display. When the enable line rises (high), the latches retain the current inputs and the display is no longer



affected by changes on the logic input ports. The decimal point voltage low corresponds to point illumination.

**Other Digital Displays** In addition to light-emitting diodes, other forms of digital display exist. The *liquid crystal* display provides a brilliant indication that consumes very little power and can be driven at low voltage by CMOS circuitry. The display consists of a sandwich of two thin glass sheets, coated on their inner surfaces with a thin transparent conductor such as indium oxide. The conductor is etched into seven bars of the standard 7-segment display format (figure 50). Each bar, or segment, is electrically separate and can be selected by a logic driver circuit so that any numeral can be formed.

The interior of the cell is filled with a liquid crystal material whose molecular order is disturbed when an electric field is applied to the segments. The optical appearance of the crystal is thus altered to display the digits.

Because crystal displays are relatively fast, it is necessary to drive them at a frequency which is above the observable flicker rate.

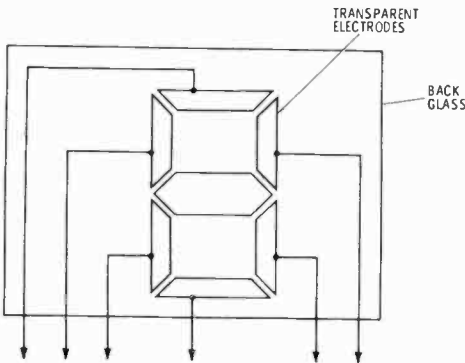


Figure 50

LIQUID-CRYSTAL DISPLAY

Typical drive frequencies are in the 30-Hz to 60-Hz range.

*Gas Discharge* displays provide a large digit and are composed of a glass sandwich on which the segments are silk-screened. The

unit is sealed and filled with a neon gas mixture. The display anodes and the keep-alive cathode are sequentially gated, one anode at a time to create the appropriate number or character. The display is cycled at about 80 Hz to remain flicker-free.

Large displays often make use of a matrix, or array, of special *incandescent lamps* arranged to form the desired characters when the lamps are appropriately driven. Lamps are available for this purpose in a wide range of size, color and style.

**Opto-Isolators and Solid-State Relays**

The fact that a gallium-arsenide Infrared Emitting Diode produces an infrared output which closely matches the spectral sensitivity of a silicon transistor has led to the creation of a broad category of *opto-isolators*. This device consists of an infrared diode and silicon transistor in a single opaque package. The *Monsanto MCT* series is representative of such devices, although they are also made by others. Figure 51 illustrates the use of a simple opto-isolator. If the base of the transistor  $Q_1$  is left uncon-

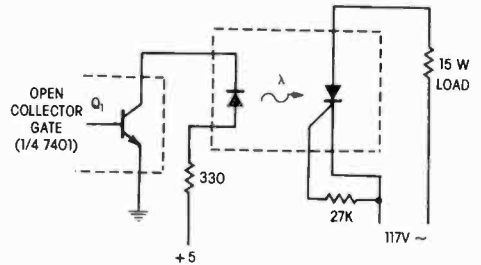


Figure 51

HALF-WAVE CONTROL OF AC CIRCUIT WITH SCR-PHOTOCOUPLER

nected, the device has only four terminals: two input and two output. The ratio of current flowing in the output to that flowing in the input is expressed as the *current transfer ratio*. This figure can be as low as thirty-five percent for simple IR diode-transistor opto-couplers and as high as five hundred percent for those using a Darlington pair as the phototransistor. A full-wave opto-isolator circuit is shown in figure 52.

The *solid-state relay* (SSR) is an extension of the diode-isolator. It is capable of alternating current control up to 50 amperes as

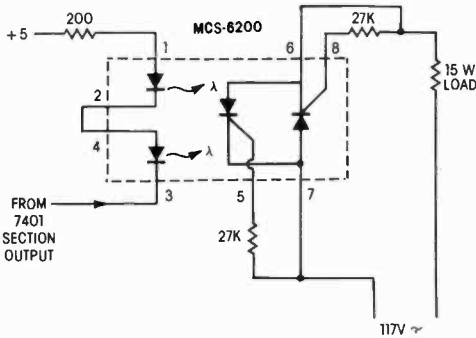


Figure 52

**FULL-WAVE CONTROL OF AC CIRCUIT WITH SCR PHOTOCOUPLER**

high as 440 volts. In addition most SSRs have zero-voltage turn-on and zero-current turn-off features. This aids interference problems since the SSR never turns on the ac load at the peak voltage of the cycle, nor turns it off at a current peak. Figure 53 represents a *Monsanto* solid-state relay.

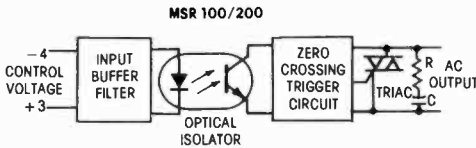


Figure 53

**ELECTRICAL CIRCUIT OF SOLID-STATE RELAY**

Zero voltage "on" and zero current "off" eliminates damaging high current surges, high voltage transients and avoids RFI from these sources.

**4-16 The Microprocessor**

A recent I.S.I addition to the logic IC area is the *microprocessor*. This device consists of various ICs on a chip and resembles a small-scale version of the central processor in a computer. It is thus often called a "computer on a chip." This is not literally true, since a computer comprises more than a central processor, but the microprocessor is a powerful data processing device when provided with support components, such as

memories, input output elements, and signal processors.

As communication equipment becomes more complex, it is reasonable to expect to see microprocessors built in receivers, transmitters, Morse code keyers, and combinations of these as a sequence controller to make the operator-equipment interface simpler.

**The Basic MPU** The microprocessor unit (MPU) is a single integrated circuit chip that contains some of the processing power of a small computer. It

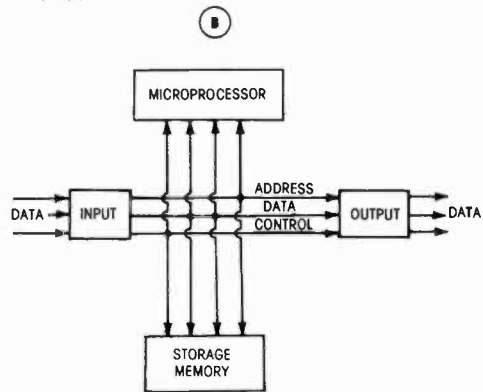
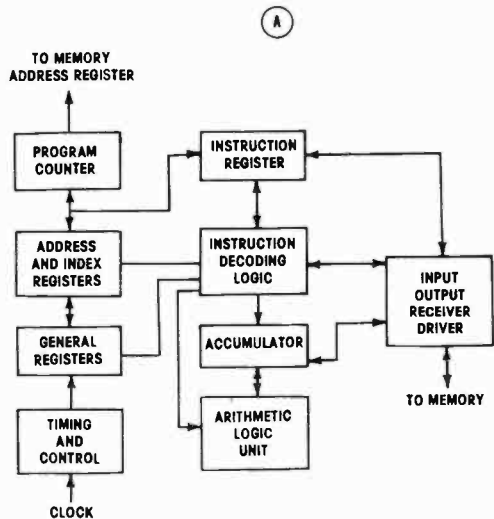


Figure 54

**A—BLOCK DIAGRAM OF MICROPROCESSOR  
B—BASIC MICROPROCESSOR STRUCTURE**

can perform arithmetic, logic, and decision making as well as communicate with input and output devices controlled by instructions stored in the memory. The MPU can therefore replace a large number of digital integrated circuits. The flexibility of the MPU permits it to perform many tasks depending on the programming that is used.

The basic microprocessor structure is shown in figure 54. The system is interconnected through *address*, *data*, and *control buses*. The microprocessor develops the address and control bus signals used by the other system elements. The data bus is bidirectional and permits the microprocessor to exchange data with the other elements. The buses allow data to be exchanged or transferred between the elements of the microprocessor system in the form of ones and zeros.

The microprocessor transforms data present at its input and controls which element the data is transferred to in accordance with the program the microprocessor is executing. The input section accepts data for processing and the output section presents processed data for use. Data may be transferred to and from the input/output devices in either

parallel or serial form. Series data transmission is slower but requires less cable than parallel data transmission. The storage element saves values for future use. This memory can consist of *Random Access Memories* (RAM), *Read Only Memories* (ROM), magnetic tape, floppy disc, or other digital storage devices. The RAM permits the microprocessor to read or write for it by placing the address on the address bus, then manipulating the data on the data bus. The ROM allows the microprocessor to read from the storage area (it cannot write or change the data). This permits programming material to be entered once and thereafter it may be referred to by the microprocessor. The material will not be lost when the system is powered down. This programming when entered into a ROM or PROM (Programmable Read Only Memory) is called *firmware*.

The word size of the microprocessor is usually defined as the *width* of the data bus, and the most basic classification of this device relates to its optimum *bit* handling capability. Four-bit processors are used in small control systems where speed is not required. Larger 8-, 12-, and 16-bit processors are used in more sophisticated computer systems.

# Vacuum-Tube Principles

In the previous chapters the manner in which an electric current flows through a conductor as a result of electron drift has been discussed. This drift, which takes place between the ends of the conductor, is in addition to the normal random electron motion between the molecules of the conductor.

Devices that utilize the flow of free electrons in a vacuum are referred to as *vacuum tubes*, or simply, *tubes* or *valves* (in Europe). Since the current flow in a tube takes place in an evacuated enclosure, there must be located within the enclosure a source of electrons and a collector for the emitted electrons. The source is termed the *cathode*, and the collector the *anode*, or *plate*. An external supply of energy is required at the cathode to impart sufficient velocity to the electrons within the cathode material to enable them to escape into the surrounding medium. In the common vacuum tube, the cathode energy is applied in the form of heat; either from a separate *filament* or by passing low voltage through the cathode structure itself. Electron emission takes place when the cathode is heated to a temperature high enough that free electrons in the emitter have sufficient energy to overcome restraining forces at the surface of the material.

## 5-1 Thermionic Emission

Emission of electrons from a heated surface is called *thermionic* emission. Practical

emitters include tungsten, thoriated tungsten, and barium or strontium oxide. Choice of emitter depends on the service in which the tube is being operated, the electrode voltages of the tube, and the life expected from the tube.

The most efficient cathode is the oxide type which operates at an orange-red temperature (1100°K) and is used for receiving tubes and low-power transmitting tubes. The thoriated-tungsten filament is used in medium- and high-power transmitting tubes and operates at a temperature of about 2000°K.

The *heater-cathode* emitter (figure 3) provides an emitter which can be operated from alternating current yet does not introduce any hum modulation on the cathode emission. The heater may be operated at any voltage from 2.5 to 120 volts, although 6.3 and 12.6 volts are the most common values.

**Secondary Emission** The bombarding of most metals and a few insulators by electrons will result in the emission of other electrons by a process called *secondary emission*. The secondary electrons are literally knocked from the surface layers of the bombarded material by the primary electrons which strike the material. The number of secondary electrons emitted per primary electron varies from a very small percentage to as high as 5 to 10 secondary electrons per primary.

The phenomena of secondary emission is undesirable for most thermionic electron

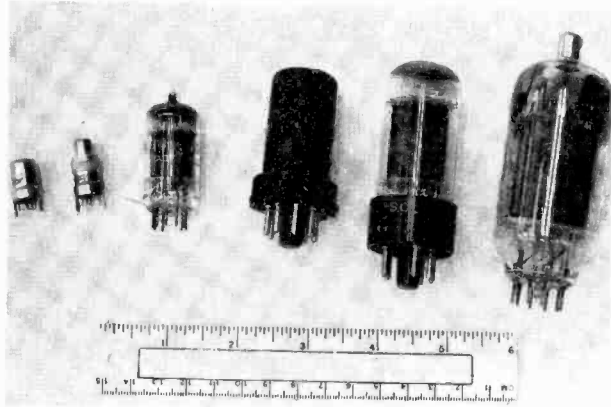


Figure 1  
ELECTRON-TUBE TYPES

At the left are two Nuvistor types intended for vhf operation in TV tuners and receivers up to 450 MHz or so. Next is a typical miniature glass receiving tube alongside an old-style metal, octal-based tube. At the right are an octal-based glass audio tube and (at far right) a nine-pin based sweep tube intended for use in color television receivers (type 6LQ6). This type of tube is often used as a linear amplifier in amateur-type single-sideband transmitting equipment.

tubes. However, the process is used to advantage in electron tubes such as the *image orthicon* (TV camera tube) and the photoelectric cell. In types of devices which make use of secondary emission, such as "electron multiplier" tubes the secondary-electron emitting surfaces are specially treated to provide a high ratio of secondary to primary

electrons. Thus a high degree of current amplification in the electron-multiplier section of the tube is obtained.

**The Space-Charge Effect** As a cathode is heated so that it begins to emit, those electrons which have been discharged into the surrounding space form a

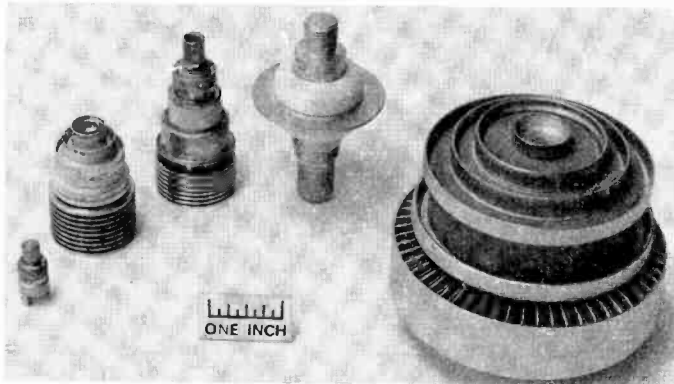


Figure 2  
VHF AND UHF TUBE TYPES

At the left is an 8058 nuvistor tetrode, representative of the family of small vhf types useful in receivers and low-power transmitters. The second type is a 6816 planar tetrode rated at 180 watts input to 1215 MHz. The third tube from the left is a 3CX100A5 planar triode, an improved and ruggedized version of the 2C39A, and rated at 100 watts input to 2900 MHz. The fourth tube from the left is the X-843 (Eimac) planar triode designed to deliver over 100 watts at 2100 MHz. The tube is used in a grounded-grid cavity configuration. The tube to the right is a 7213 planar tetrode, rated at 2500 watts input to 1215 MHz. All of these vhf/uhf negative grid tubes make use of ceramic insulation for the lowest envelope loss at the higher frequencies and the larger ones have coaxial bases for use in resonant cavities.

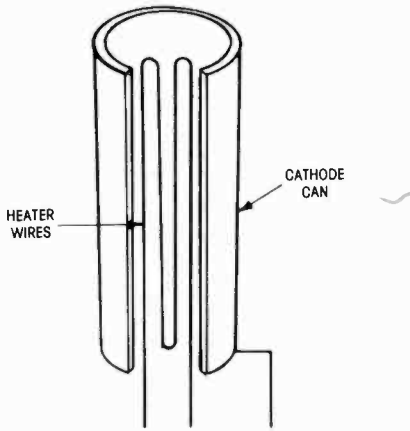


Figure 3

Cut-open view of a cathode-heater assembly. The indirectly heated cathode can is a source of electrons when heater wires reach operating temperature.

negatively charged cloud in the immediate vicinity of the cathode. This cloud of electrons around the cathode is called the *space charge*. The electrons comprising the charge are continuously changing, since those electrons making up the original charge fall back into the cathode and are replaced by others emitted by it.

## 5-2 Tube Types

**The Diode** The *diode* is a two element tube made up of a cathode that emits electrons and an anode, or plate. If a source of dc voltage is placed in the external circuit between plate and cathode so that a positive potential is on the plate with respect to the cathode, electrons are drawn away from the cathode (figure 4).

At moderate plate voltages the cathode current is limited by the space charge but increasing the plate voltage will increase the electron flow. Plate current is determined by the plate potential and is substantially independent of the electron emission of the cathode. When limited by space charge, plate current is proportional to the three-halves power of the plate voltage, the total plate current being expressed as:

$$I_b = KE_b^{3/2}$$

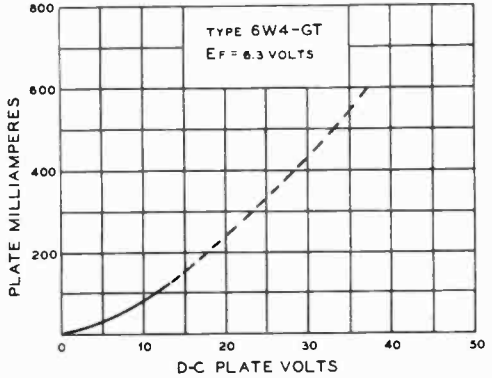


Figure 4

### TYPICAL PLATE CHARACTERISTICS OF A POWER DIODE

where,

$K$  is a constant (perveance) determined by the geometry of the tube,

$E_b$  is the anode voltage with respect to the cathode.

At high values of plate voltage the space charge is neutralized and all cathode electrons are attracted to the plate. The diode is now saturated and a further increase in plate voltage will cause only a small increase in plate current.

The plate current flowing in the plate-cathode area of a conducting diode represents the energy required to accelerate electrons from the potential of the cathode to that of the plate. When the accelerated electrons strike the plate, the energy associated with their velocity is released to the anode and appears as heating of the plate or anode structure.

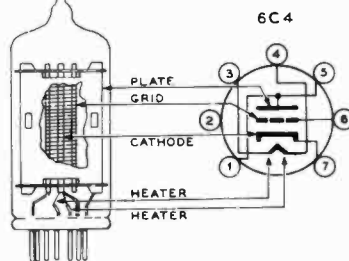


Figure 5

### CUTAWAY DRAWING OF A 6C4 TRIODE

**The Triode** The *triode* can be thought of as a diode with a control electrode added between cathode and plate (figure 5). The control electrode is called the *grid* and it serves as an imperfect electrostatic shield, permitting some but not all of the electrons to reach the plate. If the grid element is made negative with respect to the cathode, the negative charge will repel the electrons back into the space charge surrounding the cathode. If the grid charge is made sufficiently negative, all electrons leaving the cathode will be repelled back to it and the plate current will be reduced to zero. The grid control voltage is called the *grid bias* and the smallest negative voltage that will cause plate current cutoff at a particular plate voltage is called the *cutoff bias* (figure 6).

*Plate current* in a triode is the result of the net field at the cathode caused by grid and plate voltages. The ratio between the change in grid bias and change in plate voltage which will cause the same small change in plate current is called the *amplification factor* and is defined as:

$$\mu = - \frac{\Delta E_b}{\Delta E_c}$$

where,

- $\mu$  equals amplification factor,
- $E_b$  equals plate voltage,
- $E_c$  equals grid voltage,
- $\Delta$  represents a small increment.

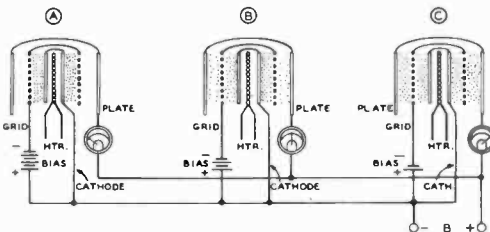


Figure 6

**ACTION OF THE GRID IN A TRIODE**

(A) shows the triode tube with cutoff bias on the grid. Note that all the electrons emitted by the cathode remain inside the grid mesh. (B) shows the same tube with an intermediate value of bias on the grid. Note the medium value of plate current and the fact that there is a reserve of electrons remaining within the grid mesh. (C) shows the operation with a relatively small amount of bias which with certain tube types will allow substantially all the electrons emitted by the cathode to reach the plate.

The amplification factor of modern triodes ranges from 3 to over 200.

The cathode current in a triode is proportional to the three-halves power of  $(E_c + E_b/\mu)$ . The cutoff bias corresponds to  $-E_b/\mu$ .

Other important coefficients of the triode tube are:

*Plate Resistance*—The dynamic plate resistance ( $r_p$ ) is the ratio of change in plate current which a small change in plate voltage produces, and is expressed in ohms.

$$r_p = \frac{\Delta E_b}{\Delta I_b}$$

where,

$I_b$  equals plate current

*Conductance*—The conductance ( $G_m$ ) is the ratio of a change in plate current to a change in grid voltage which brought about the plate current change, the plate voltage being constant,

$$G_m = \frac{\Delta I_b}{\Delta E_c} = \frac{\mu}{r_p}$$

The positive and negative grid characteristics of a triode are summed up by the curves of figures 7 and 8.

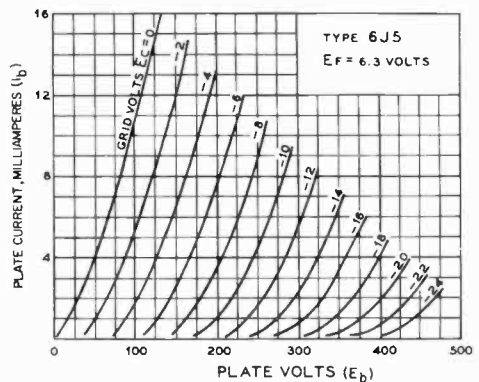


Figure 7

**NEGATIVE GRID CHARACTERISTICS ( $I_b$  VS.  $E_b$  CURVES) OF A TYPICAL TRIODE**

Average plate characteristics of this form are most commonly used in determining the Class-A operating characteristics of a triode amplifier stage.

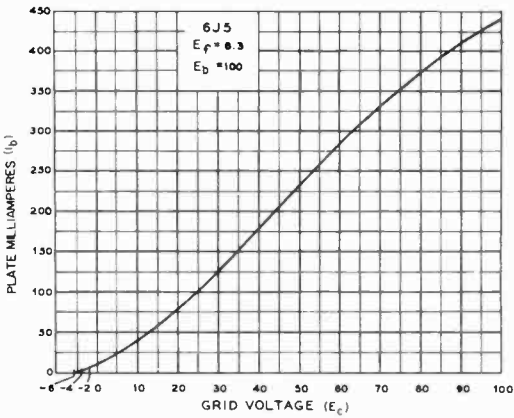


Figure 8

**POSITIVE GRID CHARACTERISTICS ( $I_b$  VS.  $E_c$ ) OF A TYPICAL TRIODE**

Plate characteristics of this type are most commonly used in determining the pulse-signal operating characteristics of a triode amplifier stage. Note the large emission capability of the oxide-coated heater cathode in tubes of the general type of the 6J5.

**The Load Line** A *load line* is a graphical representation of the voltage on the plate of a vacuum tube and the current passing through the plate circuit of the tube for various values of plate load resistance and plate supply voltage. Figure 9 illustrates a triode tube with a resistive plate load, and a supply voltage of 300 volts. The voltage at the plate of the tube ( $e_b$ ) may be expressed as:

$$e_b = E_b - (i_b \times R_L)$$

where,

- $E_b$  equals plate supply voltage,
- $i_b$  equals plate current,
- $R_L$  equals load resistance in ohms.

Assuming various values of  $i_b$  flowing in the circuit, controlled by the internal resistance of the tube (a function of the grid bias), values of plate voltage may be plotted as shown for each value of plate current ( $i_b$ ). The line connecting these points is called the *load line* for the particular value of plate load resistance used. The *slope* of the load line is equal to the ratio of the

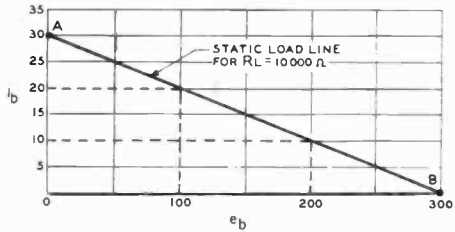
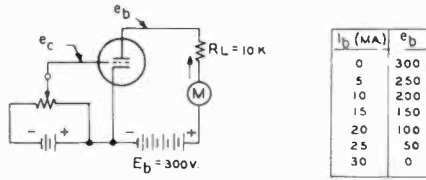


Figure 9

**THE STATIC LOAD LINE FOR A TYPICAL TRIODE TUBE WITH A PLATE LOAD RESISTANCE OF 10,000 OHMS**

lengths of the vertical and horizontal projections of any segment of the load line.

The slope of the load line is equal to  $-1/R_L$ . At point A on the load line, the voltage across the tube is zero. This would be true for a perfect tube with zero internal voltage drop, or if the tube is short-circuited from cathode to plate. Point B on the load line corresponds to the cutoff point of the tube, where no plate current is flowing. The operating range of the tube lies between these two extremes.

**Application of Tube Characteristics** As an example of the application of tube characteristics, the constants of the triode amplifier circuit shown in figure

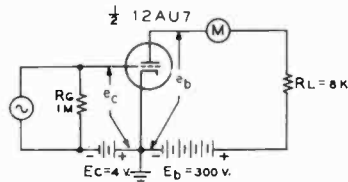


Figure 10

**TRIODE TUBE CONNECTED FOR DETERMINATION OF PLATE-CIRCUIT LOAD LINE AND OPERATING PARAMETERS OF THE CIRCUIT**



10 may be considered. The plate supply is 300 volts, and the plate load is 8000 ohms. If the tube is considered to be an open circuit no plate current will flow, and there is no voltage drop across the plate load resistor ( $R_L$ ). The plate voltage on the tube is therefore 300 volts. If, on the other hand, the tube is considered to be a short circuit, maximum possible plate current flows and the full 300 volt drop appears across  $R_L$ . The plate voltage is zero, and the plate current is  $300/8000$ , or 37.5 milliamperes. These two extreme conditions define the ends of the load line on the  $I_b$  vs.  $E_b$  characteristic curve figure 11.

For this application the grid of the tube is returned to a steady biasing voltage of  $-4$  volts. The steady or quiescent operation of the tube is determined by the intersection of the load line with the  $-4$ -volt curve at point Q. By projection from point Q through the plate-current axis it is found that the value of plate current with no signal applied to the grid is 12.75 milliamperes. By projection from point Q through the plate-voltage axis it is found that the quiescent plate voltage is 198 volts. This leaves a drop of 102 volts across  $R_L$ , which is borne out by the relation  $0.01275 \times 8000 = 102$  volts.

An alternating voltage of 4 volts maximum swing about the normal bias value of

$-4$  volts is applied now to the grid of the triode amplifier. This signal swings the grid in a positive direction to 0 volts, and in a negative direction to  $-8$  volts, and establishes the *operating region* of the tube along the load line between points A and B. Thus the maxima and minima of the plate voltage and plate current are established. By projection from points A and B through the plate-current axis the maximum instantaneous plate current is found to be 18.25 milliamperes and the minimum is 7.5 milliamperes. By projections from points A and B through the plate-voltage axis the minimum instantaneous plate-voltage swing is found to be 154 volts and the maximum is 240 volts.

By this graphical application of the  $I_b$  vs.  $E_b$  characteristic of the 12AU7 triode the operation of the circuit illustrated in figure 10 becomes apparent. A voltage variation of 8 volts (peak to peak) on the grid produces a variation of 84 volts at the plate.

**Polarity Inversion** When the signal voltage applied to the grid has its maximum positive instantaneous value the plate current is also maximum. Reference to figure 10 shows that this maximum plate current flows through plate-load resistor  $R_L$ , producing a maximum voltage drop across it. The lower end of  $R_L$  is connected to the

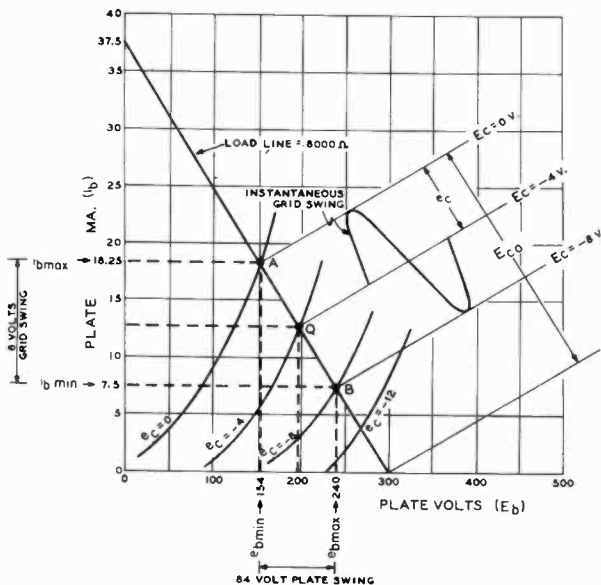


Figure 11  
APPLICATION OF  $I_b$  VS.  $E_b$   
CHARACTERISTICS OF  
A VACUUM TUBE

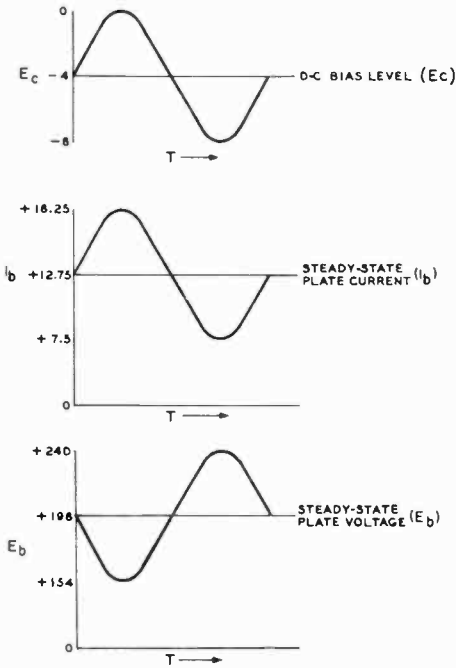


Figure 12

**POLARITY REVERSAL BETWEEN GRID AND PLATE VOLTAGES**

plate supply, and is therefore held at a constant potential of 300 volts. With maximum voltage drop across the load resistor, the upper end of  $R_L$  is at a minimum instantaneous voltage. The plate of the tube is connected to this end of  $R_L$  and is therefore at the same minimum instantaneous potential.

**The Tetrode and Pentode** Additional grids can be added to a tube to create a *tetrode* (four elements) or a *pentode* (five elements). The additional grids modify the voltage and current relations within the tube in a way that is useful for many purposes. The extra grids also provide electrostatic shielding between the control grid and the plate. This shielding is important when the tube is used to amplify very high frequencies.

In the case of the tetrode, when the screen voltage is held at a constant value, it is possible to make large changes in plate voltage without appreciably affecting the plate current (figure 13).

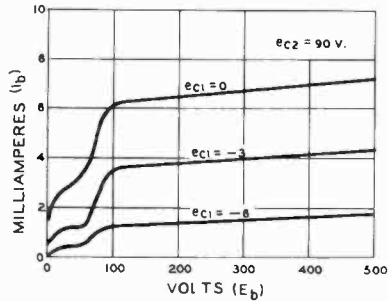


Figure 13

**TYPICAL  $I_b$  VS.  $E_b$  TETRODE CHARACTERISTIC CURVES**

The pentode tube incorporates a *suppressor grid* which is operated at near-cathode potential. The characteristic curves of a typical pentode are shown in figure 14. The suppressor grid allows efficient operation of the tube at low values of plate voltage, increas-

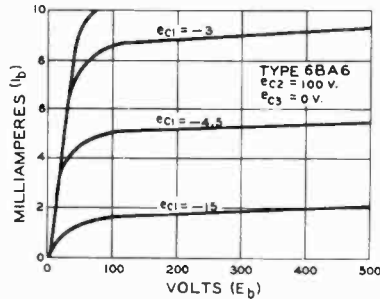


Figure 14

**TYPICAL  $I_b$  VS.  $E_b$  PENTODE CHARACTERISTIC CURVES**

ing the lower limit to which the instantaneous plate voltage may approach under conditions of excitation.

Important coefficients of the triode and pentode tube are:

*Grid-screen Mu Factor*—The grid screen  $\mu$  factor ( $\mu_s$ ) is analogous to the amplification factor in a triode, except that the screen element is substituted for the plate,

$$\mu_s = \frac{\Delta E_{C2}}{\Delta E_{C1}}$$

where,

$E_{C2}$  equals screen voltage,

$E_{C1}$  equals grid voltage.

and  $I_{O2}$  is held constant.

*Cathode current* ( $I_k$ ) in a tetrode or pentode is expressed by,

$$I_k = k \left( E_{c1} + \frac{E_{c2}}{\mu_s} + \frac{E_b}{\mu} \right)^{3/2}$$

Note that total cathode current is relatively independent of plate voltage in a tetrode or pentode.

*Conductance*—The conductance of a tetrode or pentode is equal to:

$$G_m = \frac{\Delta I_b}{\Delta E_c}$$

where,

$E_{c2}$  and  $E_b$  are constant.

*Plate resistance*—The plate resistance of a tetrode or pentode is equal to:

$$r_p = \frac{\Delta E_b}{\Delta I_b}$$

where,

$E_{c1}$  and  $E_{c2}$  are constant.

**The Multigrad Mixer** Multielement tubes may serve as mixers, or converters, with the local mixing signal injected on one of the grids (figure 15). Such tubes provide better isolation between the input signal and the mixing signal but are much noisier in operation than triode or diode mixers.

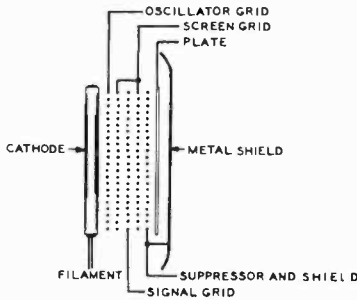


Figure 15

**GRID STRUCTURE OF 6BA7 CONVERTER TUBE**

**Electron Tubes at Very High Frequencies**

The vacuum tube has been largely replaced in low-power hf and vhf communication equipment. Aside from

the lower cost and better performance of the transistor, the vacuum tube has inherent problems that limit its usefulness as an effective vhf device.

Among the critical vacuum-tube parameters that affect vhf performance are the interelectrode capacitances, lead inductance, and electron transit time. Tubes designed to overcome these difficulties are expensive, but can operate to over 500 MHz. They bear little or no resemblance to their low-frequency counterparts.

**Effects of Lead Inductance**

The effect of lead inductance is twofold. First, as shown in figure 16, the combination of grid-lead inductance, grid-cathode capacitance, and cathode-lead inductance tends to reduce the effective grid-cathode signal voltage for a constant voltage at the tube terminals as the frequency is increased. Second, cathode-lead inductance tends to introduce undesired coupling between the various elements within the tube.

Tubes especially designed for vhf and uhf use have had their lead inductances minimized. The usual procedures for reducing lead inductance are: (1) using heavy lead conductors or several leads in parallel (examples are the 6J4 and 6AK5), (2) scaling down the tube in all dimensions to reduce both lead inductances and interelectrode capacitances (examples are the 6CW4, 6F4, and other nuvistor and miniature

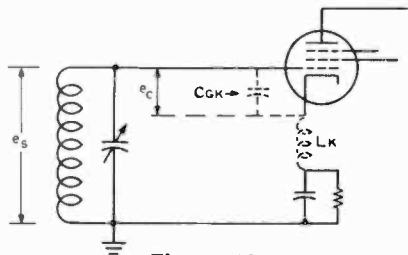


Figure 16

**SHOWING THE EFFECT OF CATHODE LEAD INDUCTANCE**

The degenerative action of cathode lead inductance tends to reduce the effective grid-to-cathode voltage with respect to the voltage available across the tuned input circuit. Cathode lead inductance also introduces undesirable coupling between input and output circuits.

tubes), and (3) the use of very low-inductance extensions of the elements themselves as external connections (examples are lighthouse tubes such as the 2C40, planar tubes such as the 3CX100A5, and many types of vhf transmitting tubes).

A representative vhf planar triode is shown in figure 17.

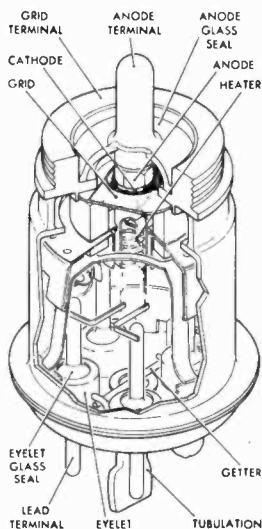


Figure 17

### CUTAWAY VIEW OF WESTERN ELECTRIC 416-B/6280 VHF PLANAR TRIODE TUBE

The 416-B, designed by the Bell Telephone Laboratories is intended for amplifier or frequency multiplier service in the 4000 MHz region. Employing grid wires having a diameter equal to fifteen wavelengths of light, the 416-B has a transconductance of 50,000. Spacing between grid and cathode is .0005", to reduce transit-time effects. Entire tube is gold plated.

**Effect of Transit Time** When an electron tube is operated at a frequency high enough that electron transit time between cathode and plate is an appreciable fraction of a cycle at the input frequency, several undesirable effects take place. First, the grid takes power from the input signal even though the grid is negative at all times. This comes about since the grid will have changed its potential during the time required for an electron to pass from cathode to plate. Due to interaction, and a resulting phase difference between the field associated with the grid and that associated with a moving electron, the grid presents a

resistance to an input signal in addition to its normal "cold" capacitance. Further, as a result of this action, plate current no longer is in phase with grid voltage.

An amplifier stage operating at a frequency high enough that *transit time* is appreciable:

(a) Is difficult to excite as a result of grid loss from the equivalent input grid resistance,

(b) Is capable of less output since transconductance is reduced and plate current is not in phase with grid voltage.

The effects of transit time increase with the square of the operating frequency, and they increase rapidly as frequency is increased above the value where they become just appreciable. These effects may be reduced by scaling down tube dimensions; a procedure which also reduces lead inductance. Further, transit-time effects may be reduced by the obvious procedure of increasing electrode potentials so that electron velocity will be increased. However, due to the law of electron motion in an electric field, transit time is increased only as the square root of the ratio of operating potential increase; therefore this expedient is of limited value due to other limitations on operating voltages of small electron tubes.

## 5-3 Special Microwave Electron Tubes

Due primarily to the limitation imposed by transit time, conventional negative-grid electron tubes are capable of affording worthwhile amplification and power output only up to a definite upper frequency. This upper frequency limit varies from perhaps 100 MHz for conventional tube types to about 2000 MHz for specialized types such as the planar triode. Above the limiting frequency, the conventional negative-grid tube no longer is practicable and recourse must be taken to totally different types of electron tubes in which electron transit time is not a limitation to operation. Three of the most important of such microwave tube types are the *klystron*, the *magnetron*, and the *traveling-wave tube*.

**The Power Klystron** The klystron is a rugged, microwave power tube in which electron transit time is used to advantage (figure 18). The klystron consists of a number of *resonant cavities* linked together by metallic sections called *drift tubes*.

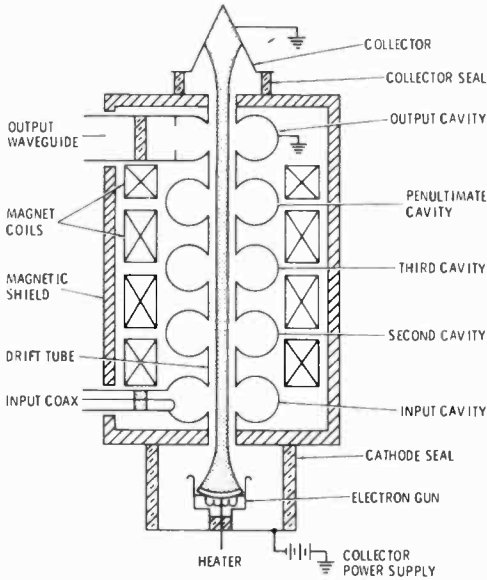


Figure 18

### THE POWER KLYSTRON

Large klystrons are commonly used in uhf-TV transmitter service providing upward of 35-kW output at frequencies up to 900 MHz. The resonant cavities may be integral (as shown) or external, clamped to the drift tube which has large ceramic insulating sections covering the cavity gap.

The drift tubes provide isolation between the cavities at the operating frequency of the tube and the output circuitry of the klystron is effectively isolated from the input circuitry, an important consideration in vhf amplifiers.

The cathode, or *electron gun*, emits a stream of electrons which is focused into a tight beam. The beam passes through the succession of cavities and drift tubes, ultimately reaching the *collector*. The main body of the tube is usually operated at ground potential, with the cathode and associated focus electrode operated at a high negative potential. The electron beam is held on course by means of an axial magnetic field created by magnetic coils placed

about the tube. The strength of the magnetic field is adjustable to permit accurate adjustment of the electron beam, which can be made to travel long distances, with less than one percent current interception by the drift tube walls.

The input and output terminations of a typical klystron are coaxial fittings, or waveguide connectors. The resonant cavities of the klystron may be tuned either for maximum stage gain or for maximum efficiency. For maximum gain, all cavities are tuned to the center operating frequency; but for better bandwidth and higher efficiency the cavities are usually stagger-tuned across the operating band.

**"Bunching"** The electron stream leaving the cathode gun of a klystron is uniform in density, but the action of the cavities and drift tubes cause a large degree of *density modulation* to appear in the beam at the output cavity. This action, called *bunching*, is a result of the beam being exposed to the varying electric field which appears across the gaps in the cavities. Electrons passing through the gaps, when the r-f field across the gap is zero, travel in the drift regions at a velocity corresponding to the beam voltage. When the gap appears positive, the electrons are accelerated, and when the gap appears negative the electrons travel at reduced velocity. The result of this velocity modulation is that the electrons tend to bunch progressively.

The output cavity of the klystron is exposed to a series of electron bunches which are timed to arrive with a frequency equal to the resonant frequency of the cavity and a net power flow from the beam to the cavity exists. The energy is extracted from the cavity by means of a coupling loop.

**The Reflex Klystron** The multicavity klystron as described in the preceding paragraphs is primarily used as a transmitting device since large amounts of power are made available in its output circuit. However, for applications where a much smaller amount of power is required — power levels in the milliwatt range — for low-power transmitters, receiver local oscillators, etc., another type of klystron hav-

ing only a single cavity is more frequently used.

The theory of operation of the single-cavity klystron is essentially the same as the multicavity type with the exception that the velocity-modulated electron beam, after having left the input cavity is reflected back into the area of the cavity again by a repeller electrode as illustrated in figure 19. The potentials on the various electrodes are adjusted to a value such that proper bunching of the electron beam will take place just as a particular portion of the velocity-modulated beam re-enters the area of the resonant cavity. Since this type of klystron has only one circuit it can be used only as an oscillator and not as an amplifier. Effective modulation of the frequency of a single-cavity klystron for f-m work can be obtained by modulating the repeller electrode voltage.

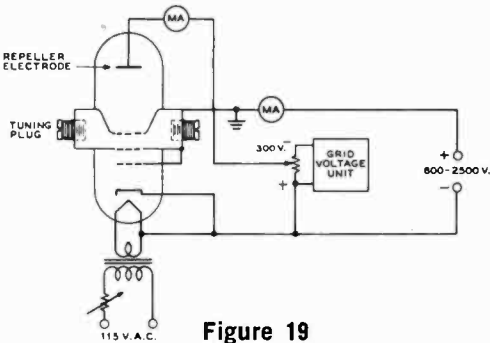


Figure 19

REFLEX KLYSTRON OSCILLATOR

A conventional reflex klystron oscillator of the type commonly used as a local oscillator in superheterodyne receivers operating above about 2000 MHz is shown above. Frequency modulation of the output frequency of the oscillator, or afc operation in a receiver, may be obtained by varying the negative voltage on the repeller electrode.

**The Magnetron** The magnetron is a *ubf* oscillator tube normally employed where very-high values of peak power or moderate amounts of average power are required in the range from perhaps 700 MHz to 30,000 MHz. Special magnetrons were developed for wartime use in radar equipment which had peak power capabilities of several million watts (megawatts) output at frequencies in the vicinity of 3000 MHz. The normal duty cycle of operation of these radar units was approximately

1/10 of one percent (the tube operated about 1/1000 of the time and rested for the balance of the operating period) so that the average power output of these magnetrons was in the vicinity of 1000 watts.

In its simplest form the magnetron tube is a filament-type diode with two half-cylindrical plates or anodes situated coaxially with respect to the filament. The construction is illustrated in figure 20A. The anodes of the magnetron are connected to a resonant circuit as illustrated in figure 20B. The tube is surrounded by an electromagnet coil which, in turn, is connected to a low-voltage dc energizing source through a rheostat (R) for controlling the strength of the magnetic field. The field coil is oriented

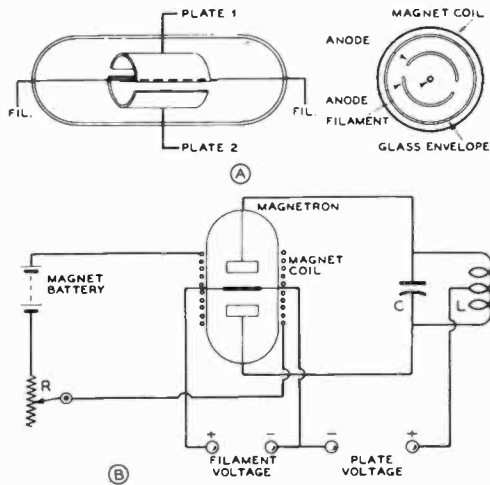


Figure 20

SIMPLE MAGNETRON OSCILLATOR

An external tank circuit is used with this type of magnetron oscillator for operation in the lower uhf range.

so that the lines of magnetic force it sets up are parallel to the axis of the electrodes.

Under the influence of the strong magnetic field, electrons leaving the filament are deflected from their normal paths and move in circular orbits within the anode cylinder. This effect results in a negative resistance which sustains oscillations. The oscillation frequency is very nearly the value determined by *L* and *C*. In other magnetron circuits, the frequency may be governed by

the electron rotation, no external tuned circuits being employed. Wavelengths of less than 1 centimeter have been produced with such circuits.

More complex magnetron tubes employ no external tuned circuit, but utilize instead one or more resonant cavities which are integral with the anode structure. Figure 21 shows a magnetron of this type having a multicellular anode of eight cavities. It will be noted, also, that alternate cavities (which would operate at the same polarity when the tube is oscillating) are strapped together. Strapping was found to improve the efficiency and stability of high-power radar magnetrons. In most radar applications of magnetron oscillators, a powerful permanent magnet of controlled characteristics is employed to supply the magnetic field, rather than the use of an electromagnet.

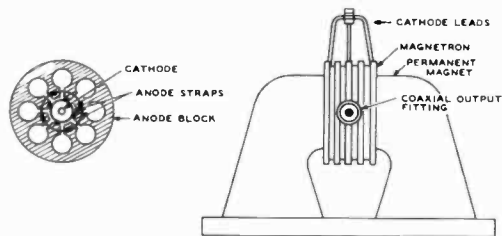


Figure 21

### MODERN MULTICAVITY MAGNETRON

Illustrated is an external-anode strapped magnetron of the type commonly used in radar equipment for the 10-cm range. An integral permanent magnet is shown in the righthand portion of the drawing, with the magnetron in place between the pole pieces of the magnet.

A second class of magnetron oscillator is the *voltage tunable magnetron* (VTM). This device can be adjusted in frequency by changing the anode voltage. Voltage tuning requires a low-Q anode cavity and auxiliary injection electrodes, not used on the simpler magnetron, are employed with the VTM. An isolator is often used in the output circuit as the frequency of operation and output power are interrelated. Other classes of magnetrons include the injected-beam, backward-wave oscillator (*Carcinatron*), and the crossed-field backward-wave oscillator (BWO).

### The Traveling-Wave Tube

The *traveling-wave tube* (figure 22) consists of a helix located within an evacuated envelope. Input and output terminations are affixed to each end of the helix. An electron beam passes through the helix and interacts with a wave traveling along the helix to produce broadband amplification at microwave frequencies.

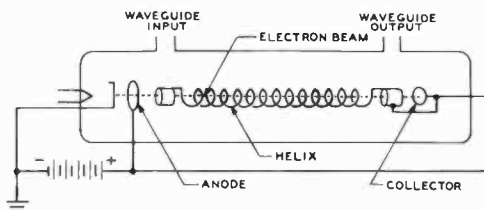


Figure 22

### THE TRAVELING-WAVE TUBE

Operation of this tube is the result of interaction between the electron beam and wave traveling along the helix.

When the input signal is applied to the gun end of the helix, it travels along the helix wire at approximately the speed of light. However, the signal velocity measured along the axis of the helix is considerably lower. The electrons emitted by the cathode gun pass axially through the helix to the collector, located at the output end of the helix. The average velocity of the electrons depends on the potential of the collector with respect to the cathode. When the average velocity of the electrons is greater than the velocity of the helix wave, the electrons become crowded together in the various regions of retarded field, where they impart energy to the helix wave. (The helix structure is surrounded by a focusing magnet not shown in the illustration).

This action results in a great amplification of the signal by the time it reaches the output. Traveling-wave tubes have been built with power gains of more than  $10^7$  (70 dB).

While the TWT provides extremely high gain, its uniqueness is found in its broadband capability. TWT's have been made to amplify r-f signals at frequencies over a 5-to-1 bandwidth, due principally to the non-frequency-resonant construction. It is therefore not subject to the gain-bandwidth

equation, which states that as the gain is increased, bandwidth is decreased.

Active electronic countermeasure (ECM) systems are designed to receive a wide band of input frequencies and retransmit range information. The TWT is ideally tailored to such a microwave system by its inherent ability to provide high gain over octave bandwidths. Additional benefits offered by the TWT are low noise capability, high power-handling capability, high efficiency and good linearity.

The long life characteristic of the TWT has led to its extensive use in spaceborne equipment, such as the Mariner and Pioneer missions into outer space, and commercial and military communication satellites where continuous operation is essential.

### 5-4 The Cathode-Ray Tube

The *cathode-ray tube* is a special type of electron tube which permits the visual observation of electrical signals. It may be incorporated into an oscilloscope for use as a test instrument or it may be the display device for radar equipment or television.

**Operation of the CRT** A cathode-ray tube always includes an *electron gun* for producing a stream of electrons, a *grid* for controlling the intensity of the electron beam, and a *luminescent screen* for converting the impinging electron beam into visible light. Such a tube always operates in conjunction with either a built-in or an external means for focusing the electron stream into a narrow beam, and a means for deflecting the electron beam in accordance with an electrical signal.

The main electrical difference between types of cathode-ray tubes lies in the means employed for focusing and deflecting the electron beam. The beam may be focused and/or deflected either electrostatically or magnetically, since a stream of electrons can be acted on either by an electrostatic or a magnetic field. In an electrostatic field the electron beam tends to be deflected toward the positive termination of the field (figure 23). In a magnetic field the stream tends to be deflected at right angles to the field. Fur-

ther, an electron beam tends to be deflected so that it is normal (perpendicular) to the equipotential lines of an electrostatic field—and it tends to be deflected so that it is parallel to the lines of force in a magnetic field.

Large cathode-ray tubes used as *kinescopes* in television receivers usually are both focused and deflected magnetically. On the other hand, the medium-size CR tubes used in oscilloscopes and small television receivers usually are both focused and deflected electrostatically. Cathode-ray tubes for special applications may be focused magnetically and deflected electrostatically or vice versa.

There are advantages and disadvantages to both types of focusing and deflection. However, it may be stated that electrostatic deflection is much better than magnetic deflection when high-frequency waves are to be displayed on the screen; hence the almost universal use of this type of deflection for oscillographic work. When a tube is operated at a high value of accelerating potential so as to obtain a bright display on the face of the tube as for television or radar work, the use of magnetic deflection becomes desirable since it is relatively easier to deflect a high-velocity electron beam magnetically than electrostatically. An *ion trap* is required with magnetic deflection since the heavy negative ions emitted by the cathode are not materially deflected by the magnetic field and would burn an *ion spot* in the center of the luminescent screen. With electrostatic deflection the heavy ions are deflected equally as well as the electrons in the beam so that an ion spot is not formed.

**Construction of Electrostatic CRT** The construction of a typical electrostatic-focus, electrostatic-deflection cathode-ray tube is illustrated in the pic-

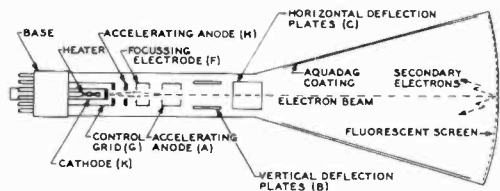


Figure 23

TYPICAL ELECTROSTATIC CATHODE-RAY TUBE



torial diagram of figure 23. The *indirectly heated cathode* (K) releases free electrons when heated by the enclosed filament. The cathode is surrounded by a cylinder (G) which has a small hole in its front for the passage of the electron stream. Although this element is not a wire mesh as is the usual grid, it is known by the same name because its action is similar: it controls the electron stream when its negative potential is varied.

Next in order, is found the first *accelerating anode* (H) which resembles another disk or cylinder with a small hole in its center. This electrode is run at a high or moderately high positive voltage, to accelerate the electrons toward the far end of the tube.

The *focusing electrode* (F) is a sleeve which usually contains two small disks, each with a small hole.

After leaving the focusing electrode, the electrons pass through another *accelerating anode* (A) which is operated at a high positive potential. In some tubes this electrode is operated at a higher potential than the first accelerating electrode (H) while in other tubes both accelerating electrodes are operated at the same potential.

The electrodes which have been described up to this point constitute the *electron gun*, which produces the free electrons and focuses them into a slender, concentrated, rapidly traveling stream for projecting onto the viewing screen.

**Electrostatic Deflection** To make the tube useful, means must be provided for deflecting the electron beam along two axes at right angles to each other. The more common tubes employ *electrostatic deflection plates*, one pair to exert a force on the beam in the vertical plane and one pair to exert a force in the horizontal plane. These plates are designated as B and C in figure 23.

Standard oscilloscope practice with small cathode-ray tubes calls for connecting one of the B plates and one of the C plates together and to the high-voltage accelerating anode. With the newer three-inch tubes and with five-inch tubes and larger, all four deflection plates are commonly used for deflection. The *positive* high voltage is grounded, instead of the negative as is common prac-

tice in amplifiers, etc., in order to permit operation of the deflecting plates at a dc potential at or near ground.

An *Aquadag* coating is applied to the inside of the envelope to attract any secondary electrons emitted by the fluorescent screen.

In the average electrostatic-deflection CR tube the spot will be fairly well centered if all four deflection plates are returned to the potential of the second anode (ground). However, for accurate centering and to permit moving the entire trace either horizontally or vertically to permit display of a particular waveform, horizontal- and vertical-centering controls usually are provided on the front of the oscilloscope.

After the spot is once centered, it is necessary only to apply a positive or negative voltage (with respect to ground) to one of the ungrounded or "free" deflector plates in order to move the spot. If the voltage is positive with respect to ground, the beam will be attracted toward that deflector plate. If it is negative, the beam and spot will be repulsed. The amount of deflection is directly proportional to the voltage (with respect to ground) that is applied to the free electrode.

With the larger-screen higher-voltage tubes it becomes necessary to place deflecting voltage on both horizontal and both vertical plates. This is done for two reasons: First, the amount of deflection voltage required by the high-voltage tubes is so great that a transmitting tube operating from a high-voltage supply would be required to attain this voltage without distortion. By using push-pull deflection with two tubes feeding the deflection plates, the necessary plate-supply voltage for the deflection amplifier is halved. Second, a certain amount of defocusing of the electron stream is always present on the extreme excursions in deflection voltage when this voltage is applied only to one deflecting plate. When the deflecting voltage is fed in push-pull to both deflecting plates in each plane, there is no defocusing because the *average* voltage acting on the electron stream is zero, even though the *net* voltage (which causes the deflection) acting on the stream is twice that on either plate.

The fact that the beam is deflected by a magnetic field is important even in an oscil-

lescope which employs a tube using electrostatic deflection, because it means that precautions must be taken to protect the tube from the transformer fields and sometimes even the earth's magnetic field. This normally is done by incorporating a magnetic shield around the tube and by placing any transformers as far from the tube as possible, oriented to the position which produces minimum effect on the electron stream.

**Construction of Electro-magnetic CRT** The electromagnetic cathode-ray tube allows greater definition than does the electrostatic tube. Also, electromagnetic definition has a number of advantages when a rotating radial sweep is required to give polar indications.

The production of the electron beam in an electromagnetic tube is essentially the same as in the electrostatic tube. The grid structure is similar, and controls the electron beam in an identical manner. The elements of a typical electromagnetic tube are shown in figure 24. The *focus coil* is wound on an iron core which may be moved along the neck of the tube to focus the electron beam. For final adjustment, the current flowing in the coil may be varied. A second pair of coils, the *deflection coils*, are mounted at right angles to each other around the neck of the tube. In some cases, these coils can rotate around the axis of the tube.

Two *anodes* are used for accelerating the electrons from the cathode to the screen. The second anode is a graphite coating (*Aquadag*) on the inside of the glass envelope. The function of this coating is to attract any secondary electrons emitted by the fluorescent screen, and also to shield the electron beam.

In some types of electromagnetic tubes, a first, or *accelerating anode* is also used in addition to the *Aquadag*.

**Electromagnetic Deflection** A magnetic field will deflect an electron beam in a direction which is at right angles to both the direction of the field and the direction of motion of the beam.

In the general case, two pairs of deflection coils are used (figure 25). One pair is for horizontal deflection, and the other pair is for vertical deflection. The two coils in a

pair are connected in series and are wound in such directions that the magnetic field flows from one coil, through the electron beam to the other coil. The force exerted on the beam by the field moves it to any point on the screen by the application of the proper currents to these coils.

**The Trace** The human eye retains an image for about one-sixteenth second after viewing. In a CRT, the spot can be moved so quickly that a series of adjacent

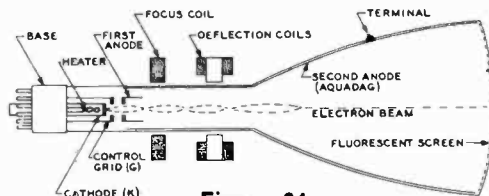


Figure 24

**TYPICAL ELECTROMAGNETIC CATHODE-RAY TUBE**

spots can be made to appear as a line, if the beam is swept over the path fast enough. As long as the electron beam strikes in a given place at least sixteen times a second, the spot will appear to the human eye as a source of continuous light with very little flicker.

**Screen Materials—“Phosphors”** At least five types of luminescent screen materials are commonly available

on the various types of CR tubes commercially available. These screen materials are called *phosphors*; each of the five phosphors is best suited to a particular type of application. The P-1 phosphor, which has a green fluorescence with medium persistence, is almost invariably used for oscilloscope tubes for visual observation. The P-4 phosphor, with white fluorescence and medium persistence, is used on television viewing tubes (*Kinescopes*). The P-5 and P-11 phosphors, with blue fluorescence and very short persistence, are used primarily in oscilloscopes where photographic recording of the trace is to be obtained. The P-7 phosphor, which has a blue flash and a long-persistence greenish-yellow persistence, is used primarily for radar displays where retention of the image for several seconds after the initial signal display is required.

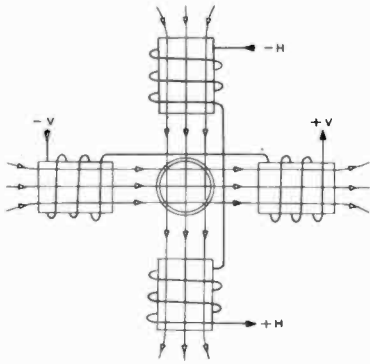


Figure 25

**TWO PAIRS OF COILS  
ARRANGED FOR ELECTROMAGNETIC  
DEFLECTION IN TWO DIRECTIONS**

## 5-5 Miscellaneous Tube Types

**Gas Tubes** The space charge of electrons in the vicinity of the cathode and the attending voltage drop can be neutralized by the presence of positive ions in the space between the cathode and the anode. The voltage drop across the tube then remains constant at the ionizing potential of the gas, running between 10 and 20 volts, depending on the particular gas employed. In particular, mercury vapor is widely used, as is xenon, to provide a high voltage rectifier capable of heavy current rectification up to about 3500 volts dc rectified output.

If a grid is inserted between the cathode and plate of a gas tube, a negative potential on the grid will increase the cathode-plate voltage drop required before the tube will ionize and conduct. The grid potential will have no effect on the voltage drop once the tube has ionized. The grid voltage may be adjusted to such a value that conduction will take place only over the desired portion of the cycle of the ac voltage being impressed on the plate of the diode.

A variation of the gas tube is the glow-discharge *voltage regulator* tube wherein the voltage drop across the electrodes remains constant over a wide range of operating current. This property exists because the degree of ionization of the gas within the tube

varies with the amount of current passing through the tube.

**Electron-Ray Tubes** The *electron-ray tube* contains two sets of elements, one of which is a triode amplifier and the other a cathode-ray indicator. The plate of the triode section is connected to the ray-control electrodes (figure 26), so that as the plate voltage varies in accordance with the applied signal, the voltage on the ray-control electrode also varies. The electrons which strike the anode cause it to fluoresce, or give off light, so that the deflection caused by the ray-control electrodes, which prevents electrons from striking part of the anode, produces an electrical shadow on the fluorescent anode. The size of this shadow is determined by the voltage on the ray electrodes. When these electrodes are at the same potential as the fluorescent anode, the shadow disappears; if the ray electrode is less positive than the anode, a shadow appears, the length of which is proportional to the voltage on the ray electrodes.

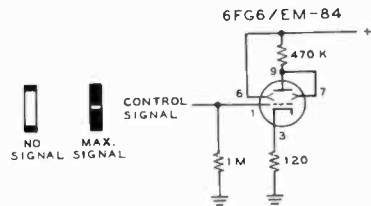


Figure 26

**SCHEMATIC REPRESENTATION  
OF ELECTRON RAY TUBE**

**Digital Readout Tubes** *Register tubes*, or *Nixies*, are glow tubes that provide the direct display of characters for data presentation. Nixies have stacked internal elements in the form of metallic numerals with a common anode. When negative voltage is applied to a selected character, it glows like the cathode of a gas-discharge tube. Usually only the selected numeral is visible in the viewing area because the visual glow discharge is larger than its metallic source. The *Nixie* tube requires careful control of cathode current for long life and reliability.

Register tubes are available with up to 10 characters and require a potential of about

200 volts for proper character formation. In addition to digits (0 to 9), some devices display letters of the alphabet or special characters.

**Vacuum-Tube Classification** Vacuum tubes are grouped into three major classifications: commercial, ruggedized, and premium (or reliable). Any one of these three groups may also be further classified for military duty (MIL spec. or JAN classification). To qualify for MIL classification, sample lots of the particular tube must have passed special qualification tests at the factory. It should not be construed that a MIL-type tube is better than a commercial tube, since some commercial tests and specifications are more rigid than the corresponding MIL specifications. The MIL stamped tube has merely been accepted under a certain set of conditions for military service.

**Ruggedized or Premium Tubes** Radio tubes are used for industrial applications, such as computing and control machinery, and in aviation and marine equipment.

To meet the demands of these industrial applications, a series of tubes was evolved incorporating many special features designed to ensure a long and predetermined operating life, and uniform characteristics among similar tubes. Such tubes are known as *ruggedized* or *premium* tubes.

Ruggedized tubes will withstand severe impact shocks for short periods, and will operate under conditions of vibration for many hours. The tubes may be identified in many cases by the fact that their nomenclature includes a "W" in the type number, as in 807W, 5U4W, etc. Some ruggedized tubes are included in the "5000" series nomenclature. The 5654 is a ruggedized version of the 6AK5, the 5692 is a ruggedized version of the 6SN7, etc.



# Vacuum-Tube Amplifiers

The ideal vacuum-tube amplifier should have an infinite input impedance, zero output impedance and a high forward gain. Thus, it takes no input power but can furnish an unlimited output power. In addition, it is unilateral, in that its input circuit is not affected by the voltage at the output circuit. Practical amplifiers differ from this ideal in many respects.

While the advent of the transistor is limiting the use of the vacuum tube in many cases, it is still widely used in special applications. The voltage handling capability of the vacuum tube satisfies the requirements for high-power circuits and for pulse generators for radar and other specialized equipment. Solid-state devices have largely replaced tubes in low-power applications.

Knowledge of the operation of vacuum-tube circuits, however, is helpful to the experimenter as a multitude of equipment is still in use that employs vacuum tubes and the generalized knowledge of vacuum-tube circuitry is useful in the study and application of advanced solid-state devices.

## 6-1 Classes and Types of Vacuum-Tube Amplifiers

Vacuum-tube amplifiers are grouped into various classes and subclasses according to the type of work they are intended to perform. The difference between the various classes is determined primarily by the angle of plate-current flow, the value of average grid bias employed, and the maximum value of the exciting signal impressed on the grid circuit.

**Class-A Amplifier** A *class-A amplifier* is an amplifier biased and supplied with excitation of such amplitude that plate current flows continuously ( $360^\circ$  of the exciting voltage waveshape) and grid current does not flow at any time. Such an amplifier is normally operated in the center of the grid-voltage plate-current transfer characteristic and gives an output waveshape which is a substantial replica of the input waveshape.

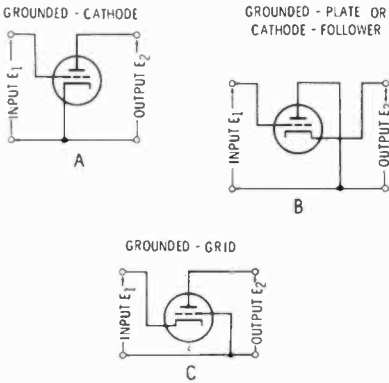
**Class-AB<sub>1</sub> Amplifier** *Class-AB<sub>1</sub>* signifies an amplifier operated under such conditions of grid bias and exciting voltage that plate current flows for more than one-half the input voltage cycle but for less than the complete cycle. In other words the operating angle of plate current flow is appreciably greater than  $180^\circ$  but less than  $360^\circ$ . The suffix <sub>1</sub> indicates that grid current does not flow over any portion of the input cycle.

**Class-B Amplifier** A *class-B amplifier* is biased substantially to cutoff of plate current (without exciting voltage) so that plate current flows essentially over one-half the input voltage cycle. The operating angle of plate-current flow is  $180^\circ$ . The class-B amplifier is usually excited to the extent that grid current flows.

**Class-C Amplifier** A *class-C amplifier* is biased to a value greater than the value required for plate-current cutoff and is excited with a signal of such amplitude that grid current flows over an appreciable period of the input-voltage waveshape. The angle of plate-current flow in a class-C

amplifier is appreciably less than  $180^\circ$ , or in other words, plate current flows less than one-half the time. Class-C amplifiers are not capable of linear amplification as their output waveform is not a replica of the input voltage for all signal amplitudes.

**Types of Amplifiers** There are three general types of amplifier circuits in use. These types are classified on the basis of the return for the input and output circuits (figure 1). Conventional amplifiers are called *grid-driven* amplifiers, with the cathode acting as the common return for both the input and output circuits. The second type is known as a plate-return amplifier or *cathode follower* since the plate circuit is effectively at ground for the input and output signal voltages and the output voltage or power is taken between cathode and plate. The third type is called a *cathode-driven* or *grounded-grid* amplifier since the grid is effectively at ground potential for input and output signals and output is taken between grid and plate.



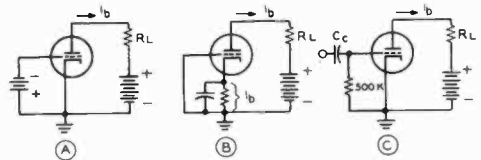
**Figure 1**  
**TYPES OF AMPLIFIERS**

**Bias Considerations** The average potential difference between the control grid and cathode is called the *grid bias*, or simply *bias*. The bias value is chosen to place the tube in the desired class of operation.

Bias may be obtained from an external source, such as a battery, or provided by the voltage drop across a cathode resistor, as

shown in figure 2A-B. In the latter case, the cathode of the tube is placed at a positive voltage with respect to the grid. A capacitor is commonly placed across the bias resistor to provide a low impedance path to ground for the signal component of the cathode current.

A third method of providing bias is shown in figure 2C. This is termed *grid-resistor* bias. During the positive portion of the input cycle, a small amount of grid current flows from grid to cathode, charging capacitor  $C_c$ . During the negative portion of the signal cycle, the discharge path of the capacitor is through the grid resistor. Discharge time constant is quite long in comparison to the period of the input signal and only a small portion of the charge is lost. Thus the bias developed is substantially constant and the average grid potential does not follow the positive portion of the input signal.



**Figure 2**  
**TYPES OF BIAS SYSTEMS**

- A—Fixed bias
- B—Cathode bias
- C—Grid-resistor bias

**Distortion in Amplifiers** There are four main types of distortion that may occur in amplifiers: frequency distortion, phase distortion, amplitude distortion and intermodulation distortion.

*Frequency distortion* occurs when some frequency components of a signal are amplified more than others. It may occur at low frequencies if coupling capacitors are inadequate, or at high frequencies as a result of excessive circuit distributed capacities.

*Phase distortion* occurs when a harmonic of an input signal is shifted in time with relation to the fundamental signal (figure 3). Phase shift of a sine wave has no effect on the output signal, however, when a complex wave is passed through a coupling circuit each component frequency of the wave may be shifted in phase by a different amount, so the output signal is not a reproduction of the input waveform.

*Amplitude distortion* occurs when a tube is operated on a nonlinear portion of its characteristic curve. In such a region, a change in grid voltage does not result in a change in plate current which is directly proportional to the grid voltage change.

*Intermodulation distortion* is a result of a change in stage gain with respect to signal level when the stage is driven by a complex signal having more than one frequency. This form of distortion occurs in any nonlinear device and generates spurious frequencies falling within the passband of the amplifier. The subject of intermodulation distortion is covered in Chapter 7 in more detail.

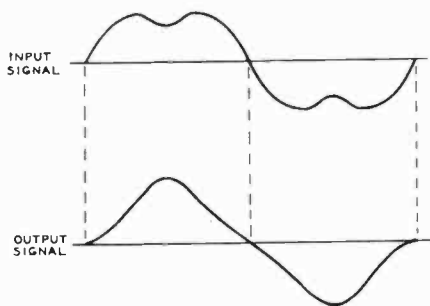


Figure 3

**THE EFFECT OF PHASE DISTORTION ON INPUT WAVE CONTAINING A THIRD-HARMONIC SIGNAL**

**6-2 Interstage Coupling Circuits**

Circuits of *resistance-coupled* amplifiers are shown in figures 4 and 5. Resistor  $R_L$  is the load across which the output signal is developed. Capacitor  $C_C$  prevents the plate voltage from being applied to the grid circuit of the next stage and its value should be large enough to offer a low reactance to the lowest frequency being amplified. The grid resistor,  $R_G$ , should offer a very high resistance in order that the shunting effect of the resistor and coupling capacitor on the circuit is small.

The response of a resistance-coupled amplifier varies with frequency as shown in figure 6 for the case of a pentode tube. Amplification is constant over a midband frequency

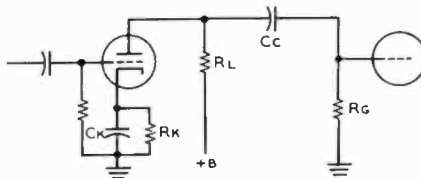


Figure 4

**STANDARD CIRCUIT FOR RESISTANCE-CAPACITANCE COUPLED TRIODE AMPLIFIER STAGE**

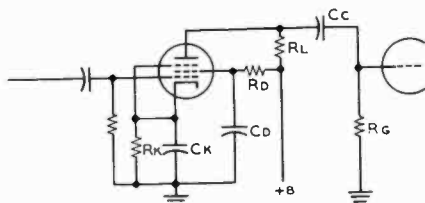


Figure 5

**STANDARD CIRCUIT FOR RESISTANCE-CAPACITANCE COUPLED PENTODE AMPLIFIER STAGE**

range, falling off at the lower and higher frequencies. Low-frequency falloff is caused by the reactance of the coupling capacitor and high-frequency falloff is due to shunting effect of circuit capacitances.

A *video amplifier* is one that has been designed to pass frequencies from the lower audio range to the middle r-f range and is commonly used in television, pulse communication and radar work (figure 7). For full information on resistance-coupled amplifiers, the reader is referred to the *Radio Engineer's Handbook*, by F. E. Terman, published by McGraw-Hill Book Co. (N.Y.).

In the *transformer-coupled* amplifier, the load impedance in the plate circuit of the tube is the primary of a transformer, the secondary of which is connected to the grid of the succeeding stage (figure 8). The transformer winding may be centertapped for push-pull service. Transformer coupling is commonly used to drive a class-B power amplifier which requires driving power combined with good driver regulation.

A *phase inverter* is a form of resistance coupling which provides voltages equal in amplitude but opposite in polarity for a push-pull stage (figure 9). There are a large



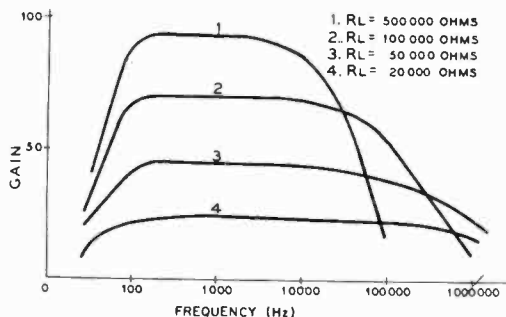


Figure 6

THE VARIATION OF STAGE GAIN WITH FREQUENCY IN AN RC-COUPLED PENTODE AMPLIFIER FOR VARIOUS VALUES OF PLATE-LOAD RESISTANCE

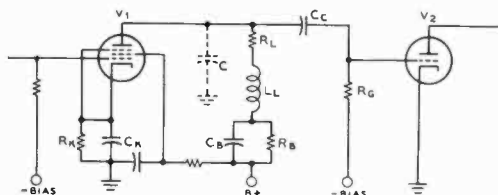


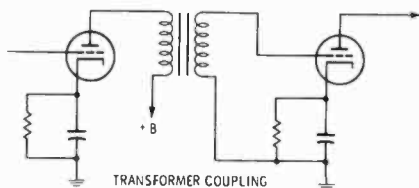
Figure 7

SIMPLE COMPENSATED VIDEO AMPLIFIER CIRCUIT

Resistor  $R_L$  in conjunction with coil  $L$ , serves to flatten the high-frequency response of the stage, while  $C_B$  and  $R_B$  serve to equalize the low-frequency response of this simple video amplifier stage.

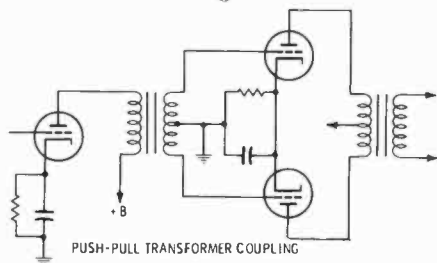
number of phase-inversion circuits but the one shown is most satisfactory from the point of view of the number of components used and the accuracy of the two out-of-phase voltages. The circuit is based on the principle that a  $180^\circ$  phase shift occurs between the cathode and plate load circuits, ( $R_L$  and  $R_{K2}$ ). Cathode bias is supplied by resistor  $R_{K1}$ .

*Direct-coupled* amplifiers (figure 10) are special types where amplification of very low frequencies is desired. The bias level of the second tube is set to balance out the excessive voltage drop across the plate load resistor of the first tube. High-frequency response is limited by the shunting effects of tube capacitances and the circuit is susceptible to long term, slow drift as small



TRANSFORMER COUPLING

(A)



PUSH-PULL TRANSFORMER COUPLING

(B)

Figure 8

INTERSTAGE COUPLING METHODS

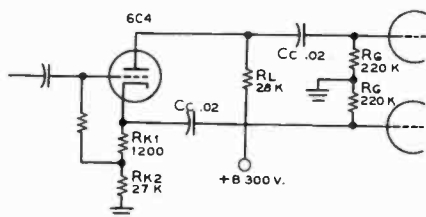


Figure 9

TYPICAL PHASE-INVERTER CIRCUIT WITH RECOMMENDED VALUES FOR CIRCUIT COMPONENTS

changes in electrode voltages cannot be distinguished from the exciting voltage.

### 6-3 The Triode Amplifier

The operating characteristics of both triode and tetrode audio amplifiers are covered in various tube manuals, but the following example will provide the general method of determining operational characteristics by use of the characteristic curves for a particular tube type.

A class-A power amplifier operates in such a way as to amplify as faithfully as

possible the waveform applied to the grid of the tube. Larger power output is of more importance than high voltage amplification, consequently gain characteristics may be sacrificed in power-tube design to obtain more important power-handling capabilities. Class-A power tubes, such as the 2A3, and 6AS7G, are characterized by a low amplification factor, high plate dissipation, and relatively high filament emission.

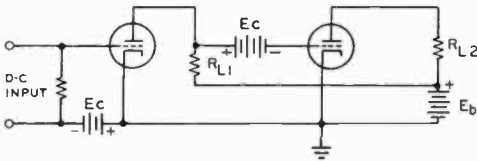


Figure 10

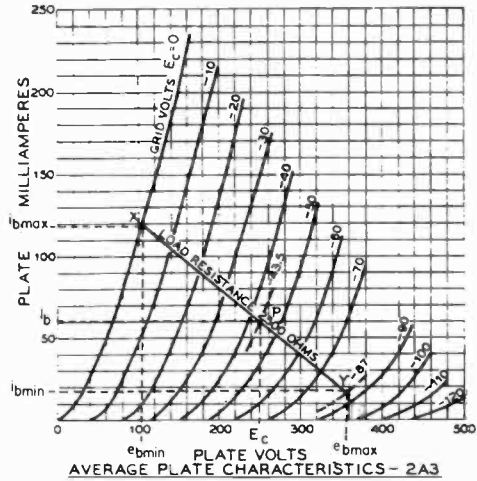
**DIRECT-COUPLED DC AMPLIFIER**

The operating characteristics of a class-A triode amplifier employing an output-transformer coupled load may be calculated from the plate family of curves for the particular tube in question by employing the following steps:

1. The load resistance should be approximately twice the plate resistance of the tube for maximum undistorted power output. Remember this fact for a quick check on calculations.
2. Calculate the zero-signal bias voltage ( $E_{c1}$ ).

$$E_{c1} = \frac{- (0.68 \times E_b)}{\mu}$$

3. Locate the  $E_{c1}$  bias point on the  $I_b$  versus  $E_b$  graph where the  $E_c$  bias line crosses the plate-voltage line, as shown in figure 11. Call this point P.
4. Locate on the plate family of curves the value of zero-signal plate current, ( $I_b$ ) corresponding to operating point P.
5. Locate  $2 \times I_b$  (twice the value of  $I_b$ ) on the plate-current axis (Y axis). This point corresponds to the value of maximum-signal plate current ( $i_{b \max}$ ).
6. Locate point x on the dc bias curve at zero volts ( $E_c = 0$ ), corresponding to the value of  $i_{b \max}$ .
7. Draw a straight line (x - y) through points x and P. This line is the load-



$\mu = 4.2$   $R_p = 800$  OHMS  
 PLATE DISSIPATION = 15 WATTS

**LOAD RESISTANCE**

$$R_L = \frac{e_{b \max} - e_{b \min}}{i_{b \max} - i_{b \min}} \text{ OHMS}$$

**POWER OUTPUT**

$$P_o = \frac{(i_{b \max} - i_{b \min}) (e_{b \max} - e_{b \min})}{8} \text{ WATTS}$$

**SECOND-HARMONIC DISTORTION**

$$D_2 = \frac{\left( \frac{i_{b \max} + i_{b \min}}{2} \right) - i_b}{i_{b \max} - i_{b \min}} \times 100 \text{ PERCENT}$$

Figure 11

Formulas for determining the operating conditions of a class-A triode single-ended audio-frequency power output stage. A typical load line has been drawn on the average plate characteristics of a type 2A3 tube to illustrate the procedure.

resistance line. Its slope corresponds to the value of the load resistance.

8. Load resistance, (in ohms) equals:

$$R_L = \frac{e_{b \max} - e_{b \min}}{i_{b \max} - i_{b \min}}$$

9. Check: Multiply the zero-signal plate current ( $I_b$ ) by the operating plate voltage, ( $E_b$ ). If the plate dissipation rating of the tube is exceeded, it is necessary to increase the bias ( $E_c$ ) on the tube so that the plate dissipation falls within the maximum rating of the tube. If this step is taken, operations 2 through 8 must be repeated with the new value of  $E_c$ .

10. For maximum power output, the peak ac grid voltage on the tube should swing to  $2E_c$  on the negative cycle, and to zero-bias on the positive cycle. At the peak of the negative swing, the plate voltage reaches  $e_{b \max}$  and the plate current drops to  $i_{b \min}$ . On the positive swing of the grid signal, the plate voltage drops to  $e_{b \min}$  and the plate current reaches  $i_{b \max}$ . The power output of the tube in watts is:

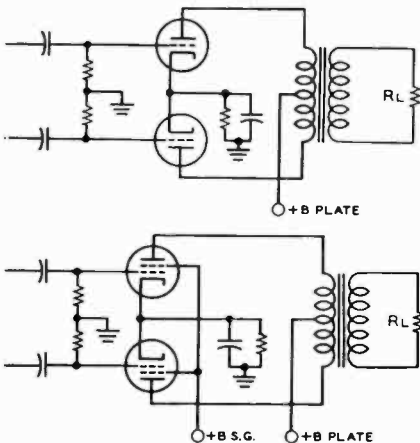
$$P_o = \frac{(i_{b \max} - i_{b \min}) \times (e_{b \max} - e_{b \min})}{8}$$

where,  
*i* is in amperes,  
*e* is in volts.

11. The second-harmonic distortion generated in a single-ended class-A triode amplifier, expressed as a percentage of the fundamental output signal is:

$$\% \text{ 2nd harmonic} = \left( \frac{(i_{b \max} - i_{b \min}) - I_b}{2(i_{b \max} - i_{b \min})} \right) \times 100$$

A similar approach is used for a single tetrode or pentode tube by using the characteristic curves. Generally speaking, the plate current of the pentode is relatively independent of the applied plate voltage but



PUSH-PULL TRIODE AND TETRODE

Figure 12

CONVENTIONAL PUSH-PULL CIRCUITS

is sensitive to screen voltage. The correct load resistance can be approximated by:

$$R_L = \frac{0.9E_b}{I_b}$$

and the power output is somewhat less than:

$$P_o = \frac{E_b \times I_b}{2}$$

**The Push-Pull Amplifier** Two tubes are used in a *push-pull amplifier* as shown in figure 12. The tubes may be either triodes, tetrodes or pentodes. The grids are driven by equal, out-of-phase voltages and the outputs of the tubes are combined in a center-tapped transformer. The advantages of push-pull operation are a cancellation of the magnetizing effect of the plate current in the output transformer and the even harmonics of the input signal are largely cancelled. Because of the reduction of the second harmonic, it is possible to extend the operating range of the amplifier into

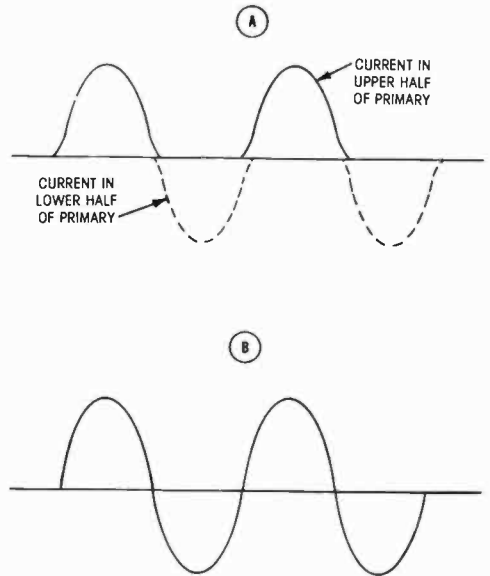


Figure 13

CURRENTS IN PRIMARY AND SECONDARY WINDINGS OF CLASS-B AUDIO OUTPUT TRANSFORMER

A—Current in transformer primary.  
 B—Current in transformer secondary.

the region which represents high distortion with single-tube operation.

The push-pull connection is commonly used for high power class-B audio service using triode tubes biased close to cutoff. One tube amplifies the positive half-cycles of the driving signal while the other amplifies the negative half-cycles, with the output transformer combining the signals in the secondary to provide a restored waveform, as shown in figure 13.

### 6-4 The Class-B Audio-Frequency Power Amplifier

The class-B audio-frequency power amplifier (figure 14) operates at a higher plate-

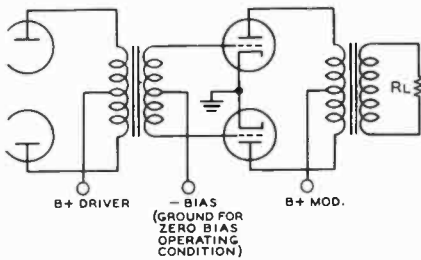


Figure 14

#### CLASS-B AUDIO-FREQUENCY POWER AMPLIFIER

circuit efficiency than any of the previously described types of audio power amplifiers. Full-signal plate-circuit efficiencies of 60 to 70 percent are readily obtainable with the tube types presently available for this mode of operation. An additional factor in favor of the class-B audio amplifier is the fact that the power input to the stage is relatively low under no-signal conditions. It is for these reasons that this type of amplifier is often used at powers from 100 watts on up to levels of approximately 500,000 watts as required for large shortwave broadcast stations.

**Disadvantages of Class-B Amplifier Operation** There are attendant disadvantageous features to the operation of a power amplifier of this type; but all these disadvantages can be overcome by

proper design of the circuits associated with the power-amplifier stage. These disadvantages are: (1) The class-B audio amplifier requires driving power in its grid circuit; this requirement can be overcome by the use of an oversize power stage preceding the class-B stage with a step-down transformer between the driver stage and the class-B grids. Degenerative feedback is sometimes employed to reduce the plate impedance of the driver stage and thus to improve the voltage regulation under the varying load presented by the class-B grids. (2) The class-B stage requires a constant value of average grid bias to be supplied in spite of the fact that the grid current of the stage is zero over most of the cycle but rises to value as high as one-third of the peak plate current at the peak of the exciting voltage cycle. Special regulated bias supplies are used for this application. However, a number of tubes especially designed for class-B audio amplifiers have been developed which require zero average grid bias for their operation. The 811A, 3-400Z, and 3-1000Z are examples of this type of tube. All these so-called *zero-bias* tubes have rated operating conditions up to moderate plate voltages wherein they can be operated without grid bias. As the plate voltage is increased to the maximum ratings, however, a small amount of grid bias, such as could be obtained from a regulated bias supply, is required. (3) A class-B audio-frequency power amplifier or modulator requires a source of plate-supply voltage having reasonably good regulation.

**Calculation of Operating Conditions of Class-B Power Amplifiers** The following procedure can be used for the calculation of the operating conditions of class-B power amplifiers when they are to operate into a resistive load such as presented by a class-C power amplifier. This procedure can be used with equal effectiveness for the calculation of the operating conditions of beam tetrodes as class-AB<sub>2</sub> amplifiers or modulators when the resting plate current of the tubes (no-signal condition) is less than 25 or 30 percent of the maximum-signal plate current.

1. Using the average plate characteristics of the tube, select a point on the

$E_b = E_c$  (diode bend) line at about twice the plate current you expect the tubes to draw under modulation peaks. If beam tetrode tubes are concerned, select a point at about the same amount of plate current mentioned above, just to the right of the region where the  $I_b$  line takes a sharp curve downward. This will be the first trial point, and the plate voltage at the point chosen should be not more than about 20 percent of the dc voltage applied to the tubes if good plate-circuit efficiency is desired.

2. Note down the value of  $i_{b \max}$  and  $e_{b \min}$  at this point.
3. Subtract the value of  $e_{b \min}$  from the dc plate voltage on the tubes.
4. Substitute the values obtained in the following equations:

$$P_o \text{ (2 tubes)} = \frac{i_{b \max} (E_b - e_{b \min})}{2}$$

$$R_b \text{ (2 tubes)} = 4 \frac{(E_b - e_{b \min})}{i_{b \max}}$$

$$\text{Full signal efficiency } (N_p =$$

$$78.5 \left( 1 - \frac{(e_{b \min})}{E_b} \right)$$

Figure 15 shows a set of plate characteristics for a type 811A tube with a load line drawn for class-B operation. Figure 16 shows a sample calculation for proper operating conditions for a plate potential of 1000 volts and the method of determining the

proper turns ratio for the modulation transformer to match a load impedance of 11,400 ohms.

The driver stage must supply a well-regulated audio signal to the grid circuit of the class-B stage. To enhance the voltage regulation, the driver tube must have low plate resistance and the driver transformer as large a stepdown ratio as possible.

The driver transformer should reflect into the plate circuit of the driver tube a load of such value that the required driving power is just developed with full excitation applied to the input circuit of the driver.

### 6-5 The Cathode-Follower Amplifier

The *cathode-follower amplifier* is a stage in which the exciting signal is applied between grid and ground. The plate is maintained at signal ground potential and the output signal is taken between cathode and ground (figure 17). Voltage gain of this circuit is always less than unity and the output impedance of the stage is much less than the same tube operated as a conventional amplifier. This amplifier is useful in feeding a low-impedance load, or where it is desired to feed a load of varying impedance with a signal having good regulation.

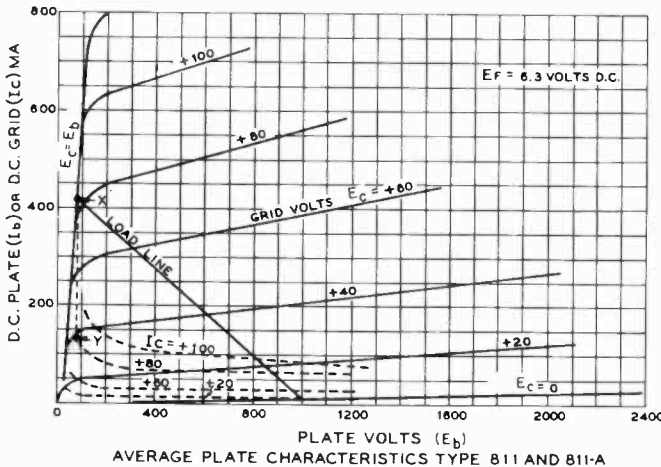


Figure 15  
PLATE  
CHARACTERISTICS

Typical class-B a-f amplifier load line. The load line has been drawn on the average characteristics of a type 811A tube.

SAMPLE CALCULATION

CONDITION: 2 TYPE 811 TUBES,  $E_b = 1000$   
 INPUT TO FINAL STAGE, 350 W.  
 PEAK POWER OUTPUT NEEDED =  $350 + 6\% = 370$  W.  
 FINAL AMPLIFIER  $E_b = 2000$  V.  
 FINAL AMPLIFIER  $I_b = .175$  A.  
 FINAL AMPLIFIER  $Z_L = \frac{2000}{.175} = 11400 \Omega$

EXAMPLE: CHOSE POINT ON 811 CHARACTERISTICS JUST TO RIGHT OF  $E_b = E_c$  (POINT X, FIG. 24)  
 $I_{bmax} = .410$  A.  $E_{cmin} = +100$   
 $I_{cmax} = .100$  A.  $E_{cmin} = +80$

PEAK  $P_o = .410 \times (1000 - 100) = .410 \times 900 = 369$  W.  
 $R_L = 4 \times \frac{900}{.410} = 8800 \Omega$   
 $N_p = 78.5 \left(1 - \frac{100}{1000}\right) = 78.5 (.9) = 70.5 \%$   
 $W_o$  (AVERAGE WITH SINE WAVE) =  $\frac{P_o(PEAK)}{2} = 184.5$  W  
 $W_{in} = \frac{184.5}{70.5} = 260$  W.  
 $I_b$  (MAXIMUM WITH SINE WAVE) = 260 MA  
 $W_g$  PEAK =  $.100 \times 80 = 8$  W.  
 DRIVING POWER =  $\frac{W_g P_k}{2} = 4$  W.

TRANSFORMER:

$$\frac{Z_s}{Z_p} = \frac{11400}{8800} = 1.29$$

$$\text{TURNS RATIO} = \sqrt{\frac{Z_s}{Z_p}} = \sqrt{1.29} = 1.14 \text{ STEP UP}$$

Figure 16

Typical calculation of operating conditions for a class-B a-f power amplifier using a pair of type 811A tubes. Plate characteristics and load line are shown in figure 15.

6-6 The Feedback Amplifier

It is possible to modify the characteristics of an amplifier by feeding back a portion of the output to the input. All components, circuits, and tubes included between the point where the feedback is taken off and the point where the feedback energy is inserted are said to be included within the feedback loop. An amplifier containing a feedback loop is said to be a *feedback amplifier*. One stage or any number of stages may be included within the feedback loop. However, the difficulty of obtaining proper operation of a feedback amplifier increases with the bandwidth of the amplifier, and with the number of stages and circuit elements included within the feedback loop.

**Gain and Phase Shift in Feedback Amplifiers** The gain and phase shift of any amplifier are functions of frequency. For any amplifier containing a feedback loop to be completely stable, the gain of such an amplifier, as measured from the input back to the point where the feedback

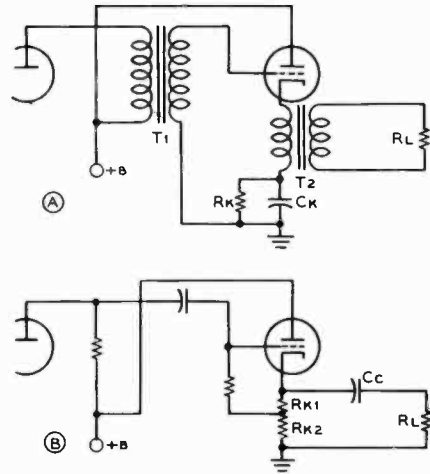
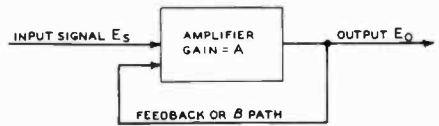


Figure 17  
 CATHODE-FOLLOWER OUTPUT  
 CIRCUITS FOR AUDIO OR  
 VIDEO AMPLIFIERS

circuit connects to the input, must be less than unity at the frequency where the feedback voltage is in phase with the input voltage of the amplifier. If the gain is equal to or more than unity at the frequency where the feedback voltage is in phase with the in-



$$\text{VOLTAGE AMPLIFICATION WITH FEEDBACK} = \frac{A}{1 - A\beta}$$

$A$  = GAIN IN ABSENCE OF FEEDBACK  
 $\beta$  = FRACTION OF OUTPUT VOLTAGE FED BACK  
 $\beta$  IS NEGATIVE FOR NEGATIVE FEEDBACK

$$\text{FEEDBACK IN DECIBELS} = 20 \log (1 - A\beta)$$

$$= 20 \log \frac{\text{MID-FREQ. GAIN WITHOUT FEEDBACK}}{\text{MID-FREQ. GAIN WITH FEEDBACK}}$$

$$\text{DISTORTION WITH FEEDBACK} = \frac{\text{DISTORTION WITHOUT FEEDBACK}}{(1 - A\beta)}$$

$$R_o = \frac{R_N}{1 - A\beta \left(1 + \frac{R_N}{R_L}\right)}$$

WHERE:

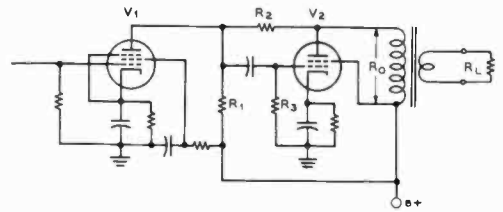
- $R_o$  = OUTPUT IMPEDANCE OF AMPLIFIER WITH FEEDBACK
- $R_N$  = OUTPUT IMPEDANCE OF AMPLIFIER WITHOUT FEEDBACK
- $R_L$  = LOAD IMPEDANCE INTO WHICH AMPLIFIER OPERATES

Figure 18  
 FEEDBACK AMPLIFIER  
 RELATIONSHIPS

put, the amplifier will oscillate. This fact imposes a limitation on the amount of feedback which may be employed in an amplifier which is to remain stable.

**Types of Feedback** Feedback may be either negative or positive, and the feedback voltage may be proportional either to

output voltage or output current. The most commonly used type of feedback with a-f or video amplifiers is *negative feedback* proportional to output voltage. Figure 18 gives the general operating conditions for feedback amplifiers. Note that the reduction in distortion is proportional to the reduction in gain of the amplifier, and also that the reduction in the output impedance of the amplifier is somewhat greater than the reduction in the gain by an amount which is a function of the ratio of the output impedance of the amplifier without feedback to the load impedance. The reduction in noise and hum in those stages included within the feedback loop is proportional to the reduction in gain. However, due to the reduction in gain of the output section of the amplifier somewhat increased gain is required of the stages preceding the stages included within the feedback loop. Therefore the noise and hum output of the entire amplifier may or may not be reduced dependent on the relative contributions of the first part and the latter part of the amplifier to hum and noise. If most of the noise and hum is coming from the stages included within the feedback loop the undesired signals will be reduced in the output from the complete amplifier. It is most frequently true in conventional amplifiers that the hum and distortion come from the latter stages, hence these will be reduced by feedback, but thermal agitation and microphonic noise come from the first stage and will not be reduced but may be increased by



$$\text{DB FEEDBACK} = 20 \text{ LOG} \left[ \frac{R_2 + R_A (G_M V_2 R_0)}{R_2} \right]$$

$$= 20 \text{ LOG} \left[ \frac{R_2 + R_A (\text{VOLTAGE GAIN OF } V_2)}{R_2} \right]$$

$$\text{GAIN OF BOTH STAGES} = \left[ G_M V_1 \left( \frac{R_A \times R_A}{R_B + R_A} \right) \right] \times (G_M V_2 R_0)$$

WHERE:

$$R_A = \frac{R_1 \times R_3}{R_1 + R_3}$$

$$R_B = \frac{R_2}{G_M V_2 R_0}$$

$R_0$  = REFLECTED LOAD IMPEDANCE ON  $V_2$

$R_2$  = FEEDBACK RESISTOR (USUALLY ABOUT 500 K)

$$\text{OUTPUT IMPEDANCE} = \frac{R_N R_2}{\left\{ R_2 + R_A (G_M V_2 R_0) \right\} \times \left( 1 + \frac{R_N}{R_0} \right)}$$

$R_N$  = PLATE IMPEDANCE OF  $V_2$

Figure 19

**SHUNT FEEDBACK CIRCUIT FOR PENTODES OR TETRODES**

This circuit requires only the addition of one resistor ( $R_1$ ) to the normal circuit for such an application. The plate impedance and distortion introduced by the output stage are materially reduced.

feedback unless the feedback loop includes the first stage of the amplifier.

Figure 19 illustrates a very simple and effective application of negative-voltage feedback to an output pentode or tetrode amplifier stage. The reduction in hum and distortion may amount to 15 to 20 dB. The reduction in the effective plate impedance of the stage will be by a factor of 20 to 100 depending on the operating conditions. The circuit is commonly used in commercial equipment with tubes such as the 6AU6 for  $V_1$  and the 6AQ5 for  $V_2$ .

# Radio-Frequency Power Amplifiers

All modern radio transmitters consist of a comparatively low-level source of radio-frequency energy which is amplified in strength and mixed or multiplied in frequency to achieve the desired power level and operating frequency. Microwave transmitters may be of the self-excited oscillator type, but when it is possible to use r-f amplifiers in uhf transmitters the flexibility of their application is increased.

Radio-frequency power amplifiers are generally classified according to frequency range (hf, vhf, uhf, etc.), power level, type of tube used, and type of service (a-m, f-m, c-w, SSB). In addition, the amplifier may be classified according to mode, or dynamic operating characteristic of the tube (Class AB<sub>1</sub>, B, or C); and according to circuitry (grid driven or cathode driven). Each mode of operation and circuit configuration has its distinct advantages and disadvantages, and no one mode or circuit is superior in all respects to any other. As a result, modern transmitting equipments employ various modes of operation, intermixed with various tubes and circuit configurations. The following portion of this chapter will be devoted to the calculation of dynamic characteristics for some of the more practical modes of tuned power amplifier operation.

## 7-1 Class-C R-F Power Amplifiers

It is often desired to operate the r-f power amplifier in the class-B or class-C mode since such stages can be made to give high

plate-circuit efficiency. Hence, the tube cost and cost of power to supply the stage is least for any given power output. Nevertheless, the class-C amplifier provides less *power gain* than either a class-A or class-B amplifier under similar conditions. The grid of the class-C amplifier must be driven highly positive over the small portion of the exciting signal when the instantaneous plate voltage on the tube is at its lower point, and is at a large negative potential over a major portion of the operating cycle. As a result, no plate current will flow except during the time plate voltage is very low. Comparatively large amounts of drive power are necessary to achieve this mode of operation. Class-C operational efficiency is high because no plate current flows except when the plate-to-cathode voltage drop across the tube is at its lowest value, but the price paid for stage efficiency is the large value of drive power required to achieve this mode of operation.

The gain of a class-B amplifier is higher than that of the class-C stage, and driving power is less in comparison. In addition, the class-B amplifier may be considered to be linear; that is, the output voltage is a replica of the input voltage at all signal levels up to overload. This is not true in the case of the class-C amplifier whose output waveform consist of short pulses of current, as discussed later in this chapter.

The gain of a class-A amplifier is higher than that of the class-B or class-C stage, but the efficiency is the lowest of the three modes of operation. As with the class-B stage, the class-A amplifier is considered



to be linear with respect to input and output waveforms.

**Relationships in Class-C Stage** The class-C amplifier is analyzed as its operation provides an all-inclusive case of the study of class-B and class-AB<sub>1</sub> r-f amplifiers.

The class-C amplifier is characterized by the fact that the plate current flows in pulses which, by definition, are less than one-half of the *operating cycle*. The operating cycle is that portion of the electrical cycle in which the grid is driven in a positive direction with respect to the cathode. The operating cycle is considered in terms of the plate or grid *conduction angle* ( $\theta$ ). The conduction angle is an expression of that fraction of time (expressed in degrees of the electrical cycle) that the tube conducts plate or grid current as compared to the operating cycle of the input voltage waveform.

The theoretical efficiency of any power amplifier depends on the magnitude of the conduction angle; a tuned class-A amplifier having a large conduction angle with a maximum theoretical efficiency of 50 percent; a class-B amplifier with an angle of 180 degrees, and efficiency of 78.5 percent; and a class-C amplifier with an angle of about 160 degrees and efficiency of about 85 percent.

Figure 1 illustrates a transfer curve representing the relationships between grid and plate voltages and currents during the operating cycle of a class-C amplifier. Symbols shown in figure 1 and given in the following discussion are defined and listed in the *Glossary of Terms* included at the front of this Handbook.

The plot is of the *transfer curve* of a typical triode tube, and represents the change in plate current, ( $i_b$ ) for a given amount of grid voltage ( $e_c$ ). The representation is of the form of the  $I_b$  versus  $E_c$  plot for a triode shown in figure 9, chapter 5.

The *operating point*, or grid-bias level ( $E_c$ ), is chosen at several times cutoff bias ( $E_{c0}$ ), and superimposed on the operating point is one-half cycle of the grid exciting voltage,  $e_{g \text{ max}}$ . A sample point of grid voltage,  $e_{cx}$ , is shown to produce a value of instantaneous plate current,  $i_{bx}$ . All other points on the grid-voltage curve relate to

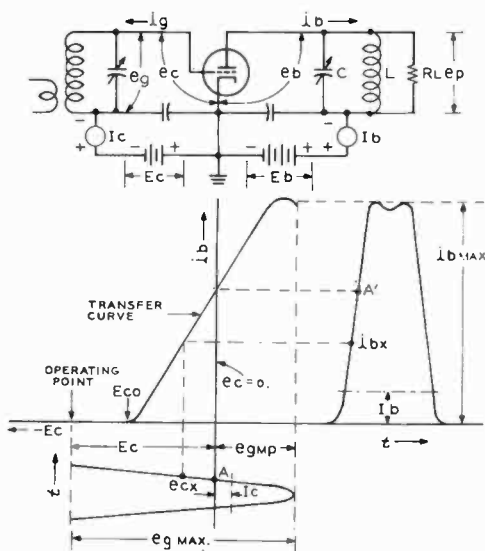


Figure 1

### TRANSFER CURVE FOR OPERATING CYCLE OF CLASS-C AMPLIFIER

Typical class-C amplifier (less neutralizing circuits) is shown with various average and instantaneous voltages noted. A summary of symbols is given in the glossary of terms. The plot is of the transfer curve, representing the change in plate current for a given grid voltage. The grid signal ( $e_{g \text{ max}}$ ) is represented by a pulse of voltage along the y-axis, with the operating point determined by the amount of grid bias,  $E_c$ . As the waveform rises in amplitude, a corresponding pulse of plate current is developed across the plate load impedance, ( $R_L$ ). A single point of grid voltage (A) represents a corresponding value of instantaneous plate current (A'). All other points on the grid-voltage curve relate to corresponding points on the plate-current curve.

corresponding points on the plate-current curve.

As the grid is driven considerably positive, grid current flows, causing the plate current to be "starved" at the peak of each cycle, thus the plate-current waveform pulse is slightly indented at the top. As the waveform is poor and the distortion high, class-C operation is restricted to r-f amplification where high efficiency is desirable and when the identity of the output waveform to the input waveform is relatively unimportant.

The relation between grid and plate voltages and currents is more fully detailed in the graphs of figures 2 and 3, which illustrate in detail the various voltage and cur-

rent variations during one electrical cycle of the exciting signal.

**Voltage at the Grid** The curves of figure 2 represent the grid voltage and current variations with respect to time. The  $x$ -axis for grid voltage is  $E_{c1}$  with a secondary axis ( $E_{c0} = 0$ ) above it, the vertical distance between axes representing the fixed grid-bias voltage ( $E_c$ ). At the beginning of the operating cycle ( $t = 0$ ) the exciting voltage ( $e_g$ ) is zero and increases in amplitude, until at *point A* it equals in magnitude the value of the bias voltage. At this point, the instantaneous voltage on the grid of the tube is zero with respect to the cathode, and plate current has already begun to flow (*point A* in figure 1), as the exciting signal is already greater in magnitude than the cutoff grid voltage ( $E_{c0}$ ). The relations are normally such that at the crest of the positive grid voltage cycle,  $e_{cmp}$  (or  $e_{g \text{ max}}$  positive), the grid is driven appreciably positive with respect to the cathode and consequently draws some grid current,  $i_g$ . The dc component of grid current,  $I_c$ , may be read on the grid meter shown in figure 1. The grid draws current only over that por-

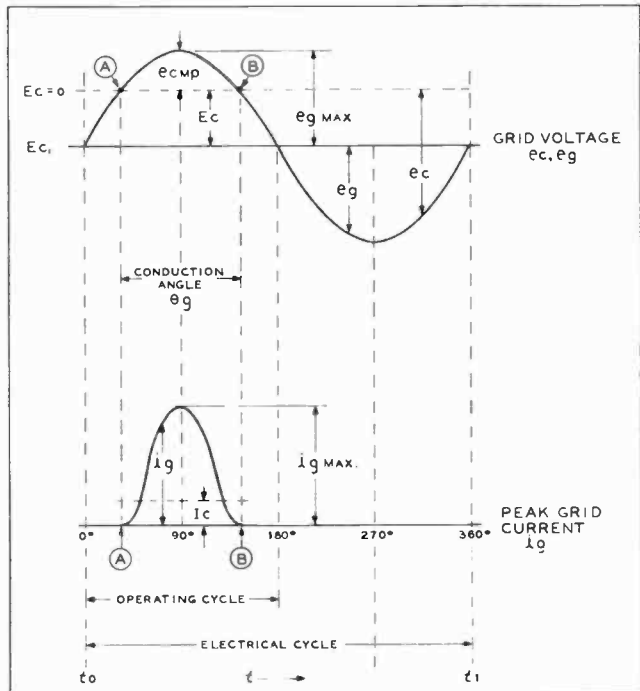
tion of the operating cycle when it is positive with respect to the cathode (that portion of the curve above the  $E_c = 0$  axis in graph A). This portion of the exciting voltage is termed the *maximum positive grid voltage* ( $e_{cmp}$ ).

**Voltage at the Plate** The voltage at the plate of the tube responds to the changes in grid voltage as shown in figure 3. Instantaneous plate voltage ( $e_p$ ), consists of the dc plate voltage ( $E_p$ ) less the ac voltage drop across the plate load impedance ( $e_p$ ). As the grid element becomes more positive, a greater flow of electrons reach the plate, instantaneous plate current increases, and the voltage drop across the plate load impedance ( $R_L$ ) rises. The phase relations are such that the minimum instantaneous plate potential ( $e_{b \text{ min}}$ ) and the maximum instantaneous grid potential ( $e_{g \text{ max}}$ ) occur simultaneously. The corresponding instantaneous plate current ( $i_b$ ) for this sequence is shown in the current plot of figure 3.

As plate current is conducted only between *points A* and *B* of the grid-voltage

**Figure 2**  
**INSTANTANEOUS GRID VOLTAGE AND CURRENT OF A CLASS-C R-F POWER AMPLIFIER**

Grid voltage and current variations with respect to time are shown. The grid is negatively biased by the amount  $E_c$ . As soon as the positive value of grid exciting voltage ( $e_g$ ) exceeds  $E$  (*point A*) the grid starts to draw current, as it is positive with respect to the filament. Grid current flows from *point A* to *point B* of the grid voltage plot. This portion of the grid cycle is termed the conduction angle. Average value of grid current ( $I_c$ ) may be read on a dc meter in series with grid return line to bias supply. For typical class-C performance, grid current flows over a portion of the operating cycle which is less than half the electrical cycle.



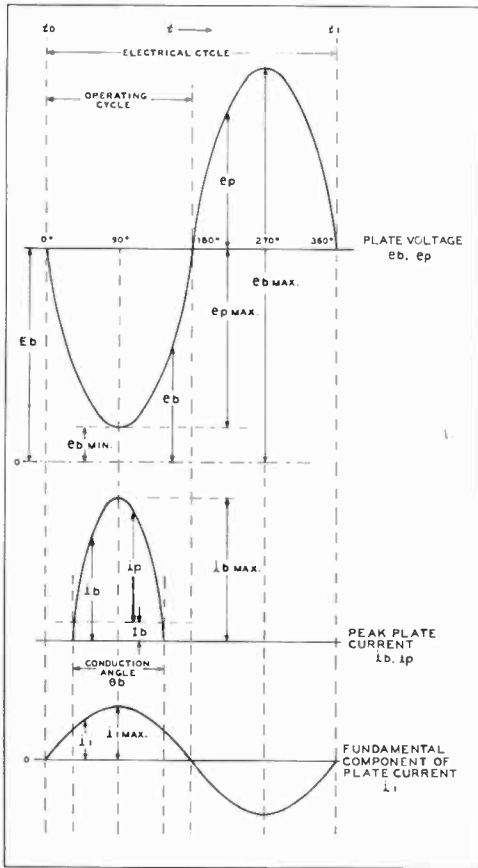


Figure 3

### INSTANTANEOUS PLATE VOLTAGE AND CURRENT OF CLASS-C POWER AMPLIFIER

Instantaneous plate voltage and current responds to the changes in grid voltage shown in figure 2. As grid becomes more positive, the peak plate current rises, causing an increased voltage drop across the plate load impedance ( $R_L$ , figure 1). Maximum peak plate current flows at condition of minimum instantaneous plate voltage ( $e_{b \text{ min}}$ ) and maximum voltage drop across load impedance ( $e_{p \text{ max}}$ ). Plate-current pulse exists only over a portion of the operating cycle (conduction angle). Usable power is derived from the fundamental component of the plate current which is a sine wave developed across the resonant tank circuit.  $e_{p \text{ max}}$  equals  $e_{p \text{ min}}$ .

excursion, it can be seen that the plate-current pulse exists only over a portion ( $\theta_b$ ) of the complete plate operating cycle. (The operating cycle is taken to be that half-cycle of grid voltage having a positive excursion of the drive voltage.) The opposite half of the electrical cycle is of little interest,

as the grid merely assumes a more negative condition and no flow of plate current is possible.

Peak plate current pulses, then, flow as pictured in figure 3 over the conduction angle of each operating cycle. The fundamental component of plate current ( $i_1$ ) however, is a sine wave since it is developed across a resonant circuit ( $LC$ ). The resonant circuit, in effect, acts as a "flywheel," holding r-f energy over the pulsed portion of the operating cycle, and releasing it during the quiescent portion of the electrical cycle.

The patterns of grid voltage and current shown in figure 2 are important in determining grid-circuit parameters, and the patterns of plate voltage and current shown in the illustrations can be used to determine plate-circuit parameters, as will be discussed later.

The various manufacturers of vacuum tubes publish data sheets listing in adequate detail various operating conditions for the tubes they manufacture. In addition, additional operating data for special conditions is often available for the asking. It is, nevertheless, often desirable to determine optimum operating conditions for a tube under a particular set of circumstances. To assist in such calculations the following paragraphs are devoted to a method of calculating various operating conditions which is moderately simple and yet sufficiently accurate for all practical purposes. It is based on wave-analysis techniques of the peak plate current of the operating cycle, adapted from Fourier analysis of a fundamental wave and its accompanying harmonics. Considerable ingenuity has been displayed in devising various graphical ways of evaluating the waveforms in r-f power amplifiers. One of these techniques, a *Tube Performance Calculator*, for class-AB<sub>1</sub>, class-B, and Class-C service may be obtained at no cost by writing: Application Engineering Dept., Eimac Division of Varian, San Carlos, Calif. 94070.

#### Tank-Circuit Flywheel Effect

When the plate circuit of a class-B or class-C operated tube is connected to a parallel-resonant circuit tuned to the same frequency as the exciting voltage for the ampli-

fier, the plate current serves to maintain this  $L/C$  circuit in a state of oscillation.

The plate current is supplied in short pulses which do not begin to resemble a sine wave, even though the grid may be excited by a sine-wave voltage. These spurts of plate current are converted into a sine wave in the plate tank circuit by virtue of the  $Q$  or *flywheel effect* of the tank.

If a tank did not have some resistance losses, it would, when given a "kick" with a single pulse, continue to oscillate indefinitely. With a moderate amount of resistance or "friction" in the circuit the tank will still have inertia, and continue to oscillate with decreasing amplitude for a time after being given a "kick." With such a circuit, almost pure sine-wave voltage will be developed across the tank circuit even though power is supplied to the tank in short pulses or spurts, so long as the spurts are evenly spaced with respect to time and have a frequency that is the same as the resonant frequency of the tank.

Another way to visualize the action of the tank is to recall that a resonant tank with moderate  $Q$  will discriminate strongly against harmonics of the resonant frequency. The distorted plate current pulse in a class-C amplifier contains not only the fundamental frequency (that of the grid excitation voltage) but also higher harmonics. As the tank offers low impedance to the harmonics and high impedance to the fundamental (being resonant to the latter), only the fundamental — a sine-wave voltage — appears across the tank circuit in substantial magnitude.

**Loaded and Unloaded  $Q$**  Confusion sometimes exists as to the relationship between the unloaded and the loaded  $Q$  of the tank circuit in the plate of an r-f power amplifier. In the normal case the loaded  $Q$  of the tank circuit is determined by such factors as the operating conditions of the amplifier, bandwidth of the signal to be emitted, permissible level of harmonic radiation, and such factors. The normal value of *loaded  $Q$*  for an r-f amplifier used for communications service is from perhaps 6 to 20. The *unloaded  $Q$*  of the tank circuit determines the efficiency of the output circuit and is determined by the losses in the

tank coil, its leads and switch contacts, if any, and by the losses in the tank capacitor which ordinarily are very low. The unloaded  $Q$  of a good quality large diameter tank coil in the high-frequency range may be as high as 500, and values greater than 300 are quite common.

**Tank-Circuit Efficiency** Since the unloaded  $Q$  of a tank circuit is determined by the minimum losses in the tank, while the loaded  $Q$  is determined by useful loading of the tank circuit from the external load in addition to the internal losses in the tank circuit, the relationship between the two  $Q$  values determines the operating efficiency of the tank circuit. Expressed in the form of an equation, the loaded efficiency of a tank circuit is:

$$\text{Tank efficiency} = \left(1 - \frac{Q_1}{Q_0}\right) \times 100$$

where,

$Q_0$  equals unloaded  $Q$  of the tank circuit,  
 $Q_1$  equals loaded  $Q$  of the tank circuit.

As an example, if the unloaded  $Q$  of the tank circuit for a class-C r-f power amplifier is 400, and the external load is coupled to the tank circuit by an amount such that the loaded  $Q$  is 20, the tank-circuit efficiency will be:  $\text{eff.} = (1 - 20/400) \times 100$ , or  $(1 - 0.05) \times 100$ , or 95 per cent. Hence 5 percent of the power output of the class-C amplifier will be lost as heat in the tank circuit and the remaining 95 percent will be delivered to the load.

## 7-2 Constant-Current Curves

Although class-C operating conditions can be determined with the aid of conventional grid-voltage versus plate-current operating curves (figure 9, chapter 5), the calculation is simplified if the alternative *constant current* graph of the tube in question is used (figure 4). This representation is a graph of constant plate current on a grid-voltage versus plate-voltage plot, as previously shown in figure 10, chapter 5. The constant-current plot is helpful as the *operating line* of a

tuned power amplifier is a straight line on a set of curves and lends itself readily to graphic computations. Any point on the operating line, moreover, defines the instantaneous values of plate, screen and grid current which must flow when these particular values of plate, screen and grid voltages are applied to the tube. Thus, by taking off the values of the currents and plotting them against time, it is possible to generate a curve of instantaneous electrode currents, such as shown in figures 1 and 2. An analysis of the curve of instantaneous current values will derive the dc components of the currents, which may be read on a dc ammeter. In addition, if the plate current flows through a properly loaded resonant r-f circuit, the amount of power delivered to

the circuit may be predicted, as well as drive power, and harmonic components of drive and output voltage.

A set of typical constant-current curves for the 304-TH medium- $\mu$  triode is shown in figure 5, with a corresponding set of curves for the 304-TL low- $\mu$  triode shown in figure 6. The graphs illustrate how much more plate current can be obtained from the low- $\mu$  tube without driving the grid into the positive-grid region, as contrasted to the higher- $\mu$  tube. In addition, more bias voltage is required to cut off the plate current of the low- $\mu$  tube, as compared to the higher- $\mu$  tube for a given value of plate voltage. With the higher value of bias, a corresponding increase in grid-voltage swing is required to drive the tube up to the zero grid-volt-

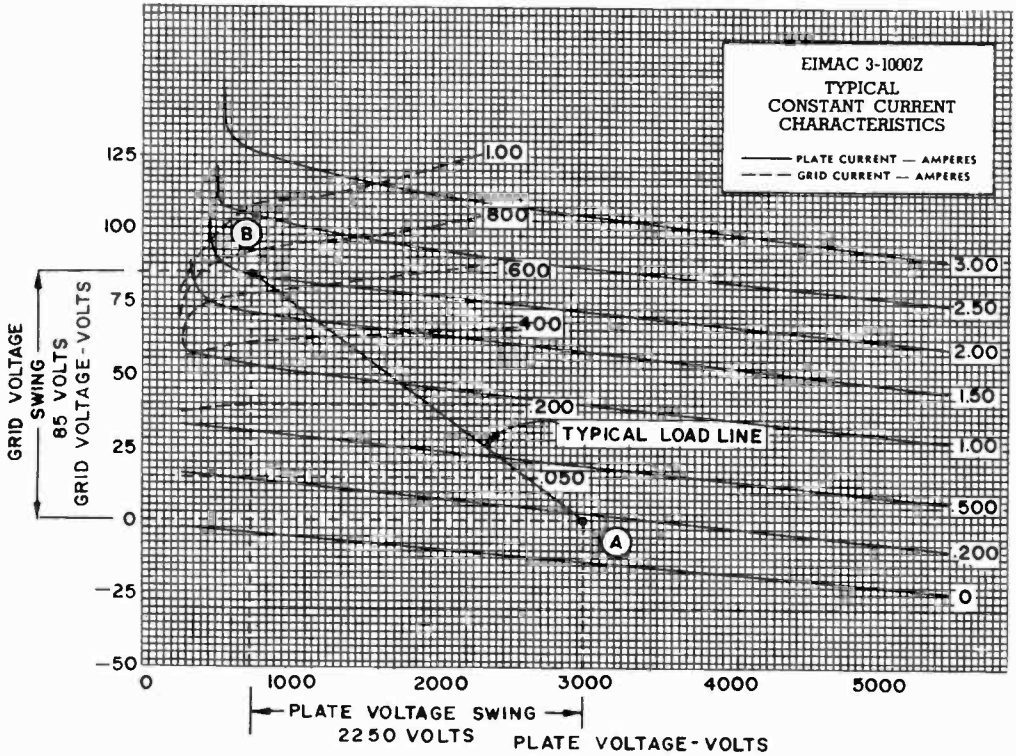


Figure 4

CONSTANT-CURRENT CHART FOR 3-1000Z HIGH- $\mu$  TRIODE

The constant-current chart is a plot of constant plate-current lines for various values of grid voltage and plate current. At the start of operation (quiescent point A) the tube rests at a plate voltage of 3000 and zero grid voltage. At a positive grid potential of 85 volts (point B), the plate current has increased to 2 amperes, and the plate voltage has dropped to 750, by virtue of the voltage drop across the plate load impedance. As the grid voltage rises from zero to maximum, the operating point passes from A to B along the load line. By examining representative samples of plate voltage and current along the load line, typical operating characteristics may be derived for the given set of conditions shown on the graph.

age point on the curve. Low- $\mu$  tubes thus, by definition, have lower voltage gain, and this can be seen by comparing the curves of figures 5 and 6.

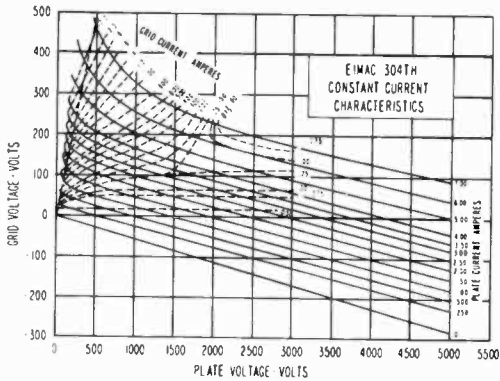


Figure 5

**CONSTANT-CURRENT CHART FOR MEDIUM- $\mu$  TRIODE**

Constant current plot for a 304TH triode with a  $\mu$  of 20. Note that the lines of constant plate current have a greater slope than the corresponding lines of the high- $\mu$  triode (3-1000Z) and that for a given value of positive grid potential, and plate potential, the plate current of this tube is higher than that of the higher- $\mu$  tube.

Low- $\mu$  (3-15) power triodes are chosen for class-A amplifiers and series-pass tubes in voltage regulators, as they operate well over a wide range of load current with low plate voltage drop. Medium- $\mu$  (15-50) triodes are generally used in r-f amplifiers and oscillators, as well as class-B audio modulators. High- $\mu$  (50-200) triodes have high power gain and are often used in cathode-driven ("grounded-grid") r-f amplifiers. If the amplification factor ( $\mu$ ) is sufficiently high, no external bias supply is required, and no protective circuits for loss of bias or drive are necessary. A set of constant-current curves for the 3-500Z high- $\mu$  triode is given in figure 7.

The amplification factor of a triode is a function of the physical size and location of the grid structure. The upper limit of amplification factor is controlled by grid dissipation, as high- $\mu$  grid structures require many grid wires of small diameter having relatively poorer heat-conduction qualities as compared to a low- $\mu$  structure, made up of fewer wires of greater diameter and better heat conductivity. A set of constant-current curves for the 250TH power triode with a sample load line drawn thereon is shown in figure 8.

**7-3 Class-C Amplifier Calculations**

In calculating and predicting the operation of a vacuum tube as a class-C radio-frequency amplifier, the considerations which determine the operating conditions are plate efficiency, power output required, maximum allowable plate and grid dissipation, maximum allowable plate voltage, and maximum allowable plate current. The values chosen for these factors will depend on the demands of a particular application of the tube.

The plate and grid currents of a class-C amplifier tube are periodic pulses, the durations of which are always less than 180 degrees. For this reason the average grid current, average plate current, power output, driving power, etc., cannot be directly calculated but must be determined by a Fourier analysis from points selected at proper intervals along the line of operation as plotted on the constant-current characteristics. This may be done either analytically or graphical-

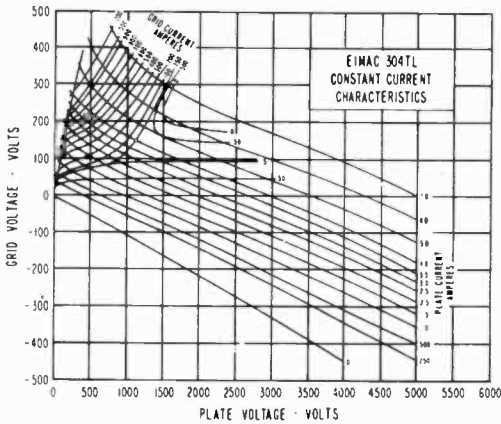


Figure 6

**CONSTANT CURRENT CHART FOR LOW- $\mu$  TRIODE**

Constant-current plot for a 304TL triode with a  $\mu$  of 12. Note that more plate current at a given plate voltage can be obtained from the low- $\mu$  triode without driving the grid into the positive voltage region. In addition, more bias voltage is required to cut off the plate current at a given plate voltage. With this increased value of bias there is a corresponding increase in grid-voltage swing required to drive up to the zero grid-voltage point on the graph.

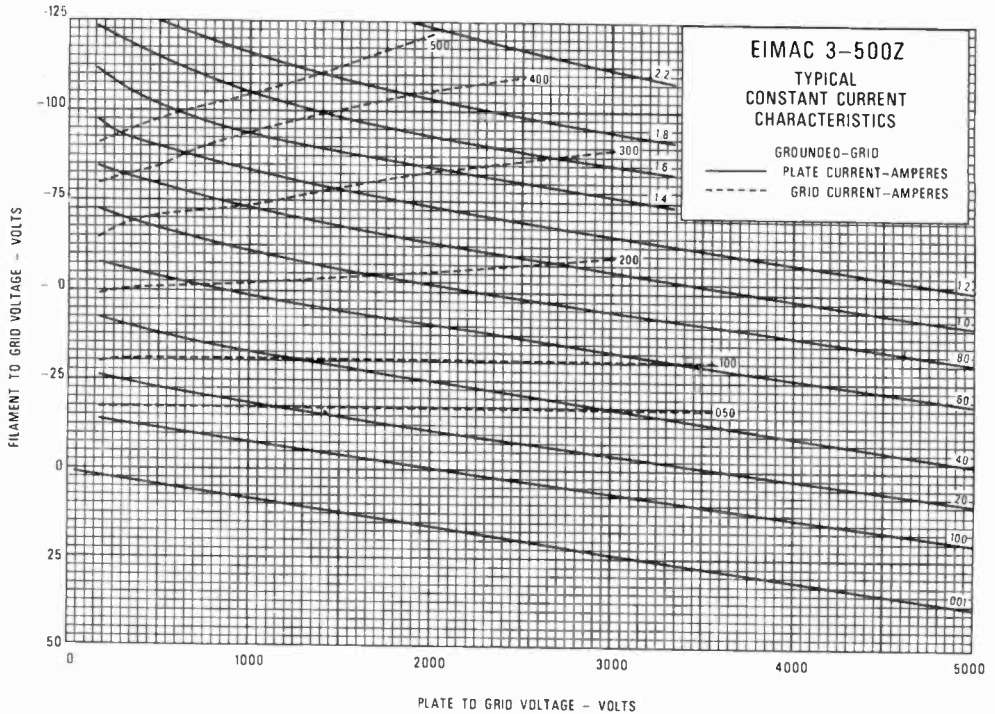


Figure 7

### CONSTANT-CURRENT CHART FOR HIGH- $\mu$ TRIODE

Constant current plot for a 3-500Z triode with  $\mu$  of 160. The 3-500Z is considered to be "zero bias" up to a plate potential of about 3000. Resting plate current at this value of plate voltage is approximately 160 milliamperes. This plot is for grounded-grid, cathode-driven use, and grid-voltage axis is defined in terms of filament to grid voltage (negative) instead of grid-to-filament voltage (positive). Grid and screen currents are usually logged on constant-current plots, along with plate current.

ly. While the Fourier analysis has the advantage of accuracy, it also has the disadvantage of being tedious and involved.

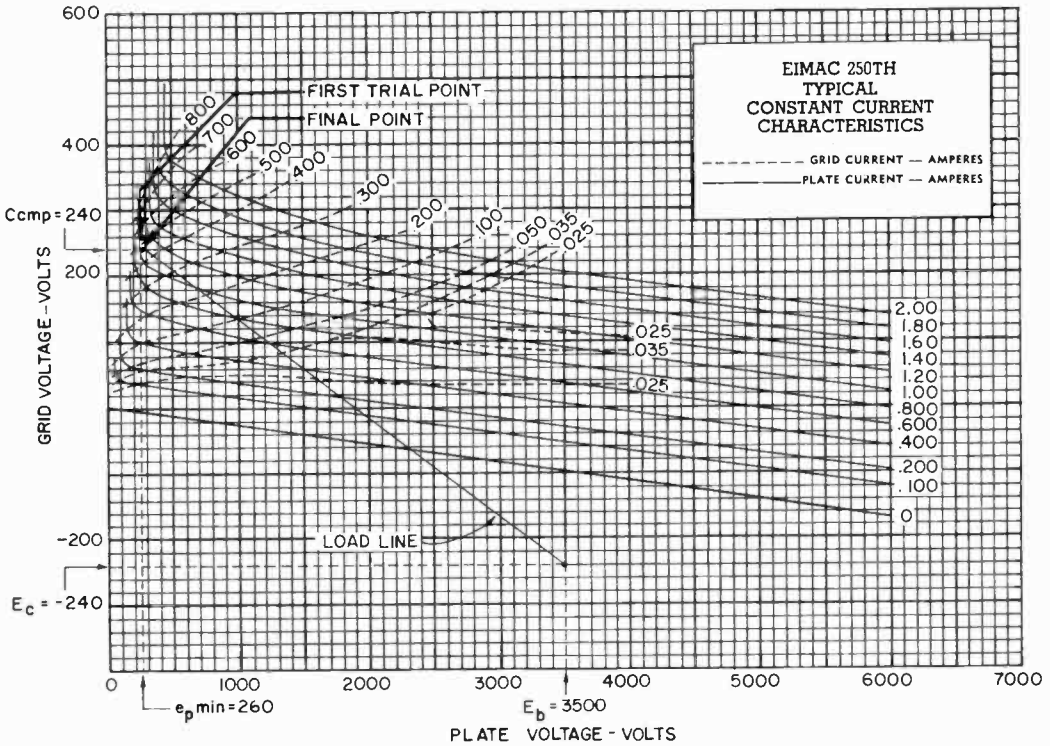
The approximate analysis which follows has proved to be sufficiently accurate for most applications. This type of analysis also has the advantage of giving the desired information at the first trial. The system is direct in giving the desired information since the important factors, power output, plate efficiency, and plate voltage are arbitrarily selected at the beginning.

**Method of Colculation** The first step in the method to be described is to determine the power which must be delivered by the class-C amplifier. In making this determination it is well to remember that ordinarily from 5 to 10 percent of the power delivered by the amplifier tube or tubes will

be lost in well-designed tank and coupling circuits at frequencies below 20 MHz. Above 20 MHz the tank and circuit losses are ordinarily somewhat above 10 percent.

The plate power input necessary to produce the desired output is determined by the plate efficiency:  $P_i = P_o/N_p$ , assuming 100-percent tank circuit efficiency.

For most applications it is desirable to operate at the highest practicable efficiency. High-efficiency operation usually requires less-expensive tubes and power supplies, and the amount of external cooling required is frequently less than for low-efficiency operation. On the other hand, high-efficiency operation usually requires more driving power and involves the use of higher plate voltages and higher peak tube voltages. The better types of triodes will ordinarily operate at a plate efficiency of 75 to 85 percent at the highest rated plate voltage, and at a plate



**Figure 8**  
**CONSTANT-CURRENT CHART FOR 250TH**

Active portion of load line for an Eimac 250TH class-C r-f power amplifier, showing first trial point and final operating point for calculation of operating parameters at a power input of 1000 watts.

efficiency of 65 to 75 percent at intermediate values of plate voltage.

The first determining factor in selecting a tube or tubes for a particular application is the amount of plate dissipation which will be required of the stage. The total plate dissipation rating for the tube or tubes to be used in the stage must be equal to or greater than that calculated from:  $P_p = P_i - P_o$ .

After selecting a tube or tubes to meet the power output and plate dissipation requirements it becomes necessary to determine from the tube characteristics whether the tube selected is capable of the desired operation and, if so, to determine the driving power, grid bias, and grid dissipation.

The complete procedure necessary to determine a set of class-C amplifier operating conditions is given in the following steps:

1. Select the plate voltage, power output and efficiency.
2. Determine plate input from:  
 $P_i = P_o / \eta_p$
3. Determine plate dissipation from:  
 $P_p = (P_i - P_o) / 1.1$   
( $P_p$  must not exceed maximum rated plate dissipation for selected tube or tubes. Tank circuit efficiency assumed to be 90%).
4. Determine average plate current ( $I_b$ ) from:  $I_b = P_i / E_b$ .
5. Determine approximate peak plate current ( $i_{b \max}$ ) from:

$$\begin{aligned}
 i_{b \max} &= 4.9 I_b \text{ for } N_p = 0.85 \\
 i_{b \max} &= 4.5 I_b \text{ for } N_p = 0.80 \\
 i_{b \max} &= 4.0 I_b \text{ for } N_p = 0.75 \\
 i_{b \max} &= 3.5 I_b \text{ for } N_p = 0.70 \\
 i_{b \max} &= 3.1 I_b \text{ for } N_p = 0.65
 \end{aligned}$$



Note: A figure of  $N_p = 0.75$  is often used for class-C service, and a figure of  $N_p = 0.65$  is often used for class-B and class-AB service.

6. Locate the point on the constant-current chart where the constant-current plate line corresponding to the appropriate value of  $i_{b \max}$  determined in step 5 crosses the point of intersection of equal values of plate and grid voltage. (The locus of such points for all these combinations of grid and plate voltage is termed the *diode line*). Estimate the value of  $e_{p \min}$  at this point.

In some cases, the lines of constant plate current will inflect sharply upward before reaching the diode line. If so,  $e_{p \min}$  should not be read at the diode line but at a point to the right where the plate-current line intersects a line drawn from the origin through these points of inflection.

7. Calculate  $e_{b \min}$  from:

$$e_{b \min} = E_b - e_{p \min}$$

8. Calculate the ratio:  $i_{1 \max} / I_b$  from:

$$\frac{i_{1 \max}}{I_b} = \frac{2 N_p \times E_b}{e_{p \min}}$$

(where  $i_{1 \max}$  = peak fundamental component of plate current).

9. From the ratio of  $i_{1 \max} / I_b$  calculated in step 8 determine the ratio:  $i_{b \max} / I_b$  from the graph of figure 9.
10. Derive a new value for  $i_{b \max}$  from the ratio found in step 9:
- $$i_{b \max} = (\text{ratio found in step 9}) \times I_b$$
11. Read the values of maximum positive grid voltage,  $e_{g \max}$  and peak grid current ( $i_{g \max}$ ) from the chart for the values of  $e_{p \min}$  and  $i_{b \max}$  found in steps 6 and 10 respectively.
12. Calculate the cosine of one-half the angle of plate-current flow (one-half the operating cycle,  $\theta_p/2$ ).

$$\cos \frac{\theta_p}{2} = 2.32 \left( \frac{i_{1 \max}}{I_b} - 1.57 \right)$$

13. Calculate the grid bias voltage ( $E_c$ ) from:

$$E_c = \frac{1}{1 - \cos \frac{\theta_p}{2}} \times$$

$$\left[ \cos \frac{\theta_p}{2} \left( \frac{e_{b \min}}{\mu} - e_{c \text{mp}} \right) - \frac{E_b}{\mu} \right]$$

for triodes.

$$E_{c1} = \frac{1}{1 - \cos \frac{\theta_p}{2}} \times$$

$$\left[ -e_{c \text{mp}} \times \cos \frac{\theta_p}{2} - \frac{E_{c2}}{\mu_s} \right]$$

for tetrodes, where  $\mu_s$  is the grid-screen amplification factor.

14. Calculate the peak fundamental grid voltage,  $e_{g \max}$  from:

$e_{g \max} = e_{c \text{mp}} - (-E_c)$ , using negative value of  $E_c$ .

15. Calculate the ratio  $e_{g \max} / E_c$  for the values of  $E_c$  and  $e_{g \max}$  found in steps 13 and 14.

16. Read the ratio  $i_{g \max} / I_c$  from figure 10 for the ratio  $e_{g \max} / E_c$  found in step 15.

17. Calculate the average grid current ( $I_c$ ) from the ratio found in step 16 and the value of  $i_{g \max}$  found in step 11:

$$I_c = \frac{i_{g \max}}{(\text{ratio found in step 16})}$$

18. Calculate approximate grid driving power from:

$$P_d = 0.9 e_{g \max} \times I_c$$

19. Calculate grid dissipation from:

$$P_g = P_d - (-E_c \times I_c)$$

( $P_g$  must not exceed the maximum rated grid dissipation for the tube or tubes selected).

**Sample Calculation** A typical example of class-C amplifier calculation is shown in the following example. Reference is made to figures 8, 9, and 10 in the calculation. The steps correspond to those in the previous section.

1. Desired power output—800 watts.
2. Desired plate voltage—3500 volts.  
Desired plate efficiency—80%  
( $N_p = 0.8$ ).  $P_i = 800/0.8 = 1000$  watts.

$$3. P_p = \frac{1000 - 800}{1.1} = 182 \text{ watts.}$$

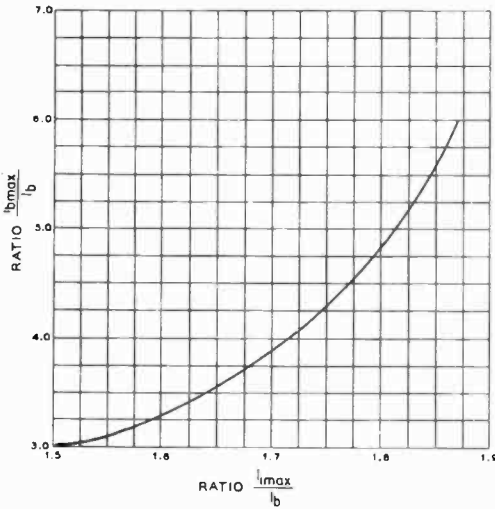


Figure 9

Relationship between the peak value of the fundamental component of the tube plate current, and average plate current; as compared to the ratio of the instantaneous peak value of tube plate current, and average plate current value.

(Use 250TH; max  $P_p = 250W$ ;  
 $\mu = 37$ ).

4.  $I_b = 1000/3500 = 0.285$  ampere (285 mA). (Maximum rated  $I_b$  for 250TH = 350 mA).
5. Approximate  $i_{b \text{ max}}$ :  $0.285 \times 4.5 = 1.28$  amp
6.  $e_{b \text{ min}} = 260$  volts (see figure 8, first trial point).
7.  $e_{p \text{ min}} = 3500 - 260 = 3240$  volts.
8.  $i_1 \text{ max} / I_b = (2 \times 0.8 \times 3500) / 3240 = 1.73$ .
9.  $i_{b \text{ max}} / I_b = 4.1$  (from figure 9).
10.  $i_{b \text{ max}} = 4.1 \times 0.285 = 1.17$ .
11.  $e_{c \text{ mp}} = 240$  volts  
 $i_{g \text{ max}} = 0.43$  amp  
(Both read from final point on figure 8).
12.  $\cos \frac{\theta_b}{2} = 2.32 (1.73 - 1.57) = 0.37$

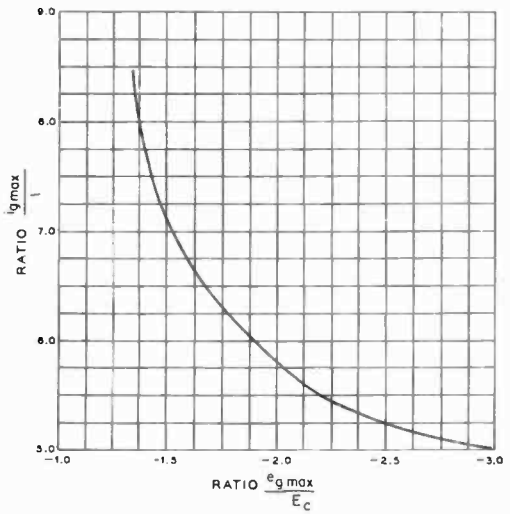


Figure 10

Relationship between the ratio of the peak value of the fundamental component of the grid excitation voltage, and the average grid bias; as compared to the ratio between instantaneous peak grid current and average grid current.

$$\left( \frac{\theta_b}{2} = 68.3^\circ \text{ and } \theta_b = 136.6^\circ \right)$$

$$13. E_c = \frac{1}{1 - 0.37} \times$$

$$\left[ 0.37 \left( \frac{3240}{37} - 240 \right) - \frac{3500}{37} \right]$$

$$= -240 \text{ volts.}$$

14.  $e_{g \text{ max}} = 240 - (-240) = 480$  volts.
15.  $e_{g \text{ max}}/E_c = 480/-240 = -2$ .
16.  $i_{g \text{ max}}/I_c = 5.75$  (from figure 10).
17.  $I_c = 0.43/5.75 = 0.075$  amp (75 mA).
18.  $P_d = 0.9 \times 480 \times 0.075 = 32.5$  watts.
19.  $P_g = 32.5 + (-240 \times 0.075) = 14.5$  watts (Maximum rated  $P_g$  for 250TH = 40 watts).
20. The power output of any type of r-f amplifier is equal to:

$$P_o = \frac{i_1 \text{ max} \times e_{p \text{ min}}}{2}$$

( $i_1 \text{ max}$  can be determined by multiplying the ratio determined in step 8 by

$I_b$ . Thus =  $1.73 \times 0.285 = 0.495$ .  
 $P_o = (0.495 \times 3240)/2 = 800$  watts

21. The plate load impedance of any type of r-f amplifier is equal to:

$$R_L = \frac{e_p \text{ min}}{i_1 \text{ max}}$$

$$R_L = \frac{3240}{0.495} = 6550 \text{ ohms}$$

An alternative equation for the approximate value of  $R_L$  is:

$$R_L \cong \frac{E_b}{1.8 \times I_b}$$

$$R_L \cong \frac{3500}{1.8 \times 0.285} = 6820 \text{ ohms}$$

**Q of Amplifier Tank Circuit** In order to obtain proper plate tank-circuit tuning and low radiation of harmonics from an amplifier it is necessary that the plate tank circuit have the correct Q. Charts giving compromise values of Q for class-C amplifiers are given in the chapter, *Generation of R-F Energy*. However, the amount of inductance required for a special tank-circuit Q under specified operating conditions can be calculated from the following expression:

$$\omega L = \frac{R_L}{Q}$$

where,

- $\omega$  equals  $2 \pi \times$  operating frequency,
- L equals tank inductance,
- $R_L$  equals required tube load impedance,
- Q equals effective tank circuit Q.

A tank circuit Q of 12 to 20 is recommended for all normal conditions. However, if a balanced push-pull amplifier is employed the tank receives two impulses per cycle and the circuit Q may be lowered somewhat from the above values.

**Quick Method of Calculating Amplifier Plate Efficiency** The plate-circuit efficiency of a class-B or class-C r-f amplifier is approximately equal

to the product of two factors:  $F_1$ , which is equal to the ratio of  $e_p \text{ max}$  to  $E_b$  ( $F_1 = e_p \text{ max}/E_b$ ) and  $F_2$ , which is proportional to the one-half angle of plate current flow  $\theta_b/2$ .

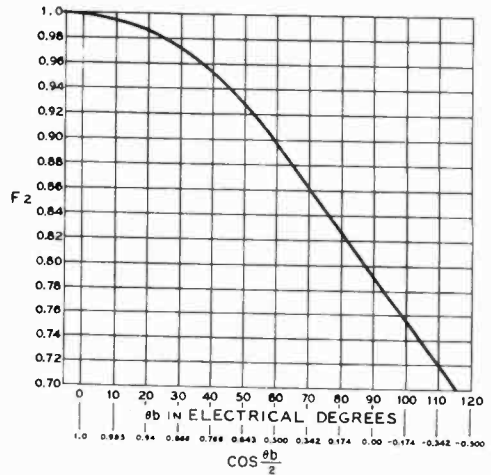


Figure 11

Relationship between factor  $F_2$  and the half-angle of plate-current flow in an amplifier with sine-wave input and output voltage, operating at a grid-bias voltage greater than cutoff.

A graph of  $F_2$  versus both  $\theta_b/2$  and  $\cos \theta_b/2$  is given in figure 11. Either  $\theta_b/2$  or  $\cos \theta_b/2$  may be used to determine  $F_2$ .  $\cos \theta_b/2$  may be determined either from the procedure previously given for making class-C amplifier computations or it may be determined from the following expression:

$$\cos \frac{\theta_b}{2} = - \frac{\mu E_c + E_b}{\mu \times e_{g \text{ max}} - e_{p \text{ max}}}$$

**Example of Method** It is desired to know the one-half angle of plate-current flow and the plate-circuit efficiency for an 812 tube operating under the following class-C conditions which have been assumed from inspection of the data and curves given in the RCA Transmitting Tube Handbook:

1.  $E_b = 1100$  volts
- $E_c = -40$  volts
- $\mu = 29$
- $e_{g \text{ max}} = 120$  volts
- $e_{p \text{ max}} = 1000$  volts

2.  $F_1 = \frac{e_p \text{ max}}{E_b} = 0.91$

3.  $\cos \frac{\theta_b}{2} = - \left[ \frac{(29 \times 40) + 1100}{(29 \times 120) - 1000} \right] = \frac{60}{2480} = 0.025$

- 4.  $F_2 = 0.79$  (by reference to figure 11)
- 5.  $N_p = F_1 \times F_2 = 0.91 \times 0.79 = 0.72$  (72 percent efficiency)

$$N_p = 78.5 \times \frac{e_{p \max}}{E_b}$$

Note: In reference to figure 3,  $e_{p \max}$  is equal in magnitude to  $e_{p \min}$  and absolute value should be used.

$F_1$  could be called the *plate-voltage-swing efficiency factor*, and  $F_2$  can be called the *operating-angle efficiency factor* or the maximum possible efficiency of any stage running with that value of half-angle of plate current flow.

$N_p$  is, of course, only the ratio between power output and power input. If it is desired to determine the power input, exciting power, and grid current of the stage, these can be obtained through the use of steps 7, 8, 9, and 10 of the previously given method for determining power input and output; and knowing that  $i_{g \max}$  is 0.095 ampere, the grid-circuit conditions can be determined through the use of steps 15, 16, 17, 18, and 19.

### 7-4 Class-B Radio-Frequency Power Amplifiers

Radio-frequency power amplifiers operating under class-B conditions of grid bias and excitation voltage are used in various types of applications in transmitters. The first general application is as a buffer-amplifier stage where it is desired to obtain a high value of power amplification in a particular stage without regard to linearity. A particular tube type operated with a given plate voltage will be capable of somewhat greater output for a certain amount of excitation power when operated as a class-B amplifier than when operated as a class-C amplifier.

**Calculation of Operating Characteristics** Calculation of the operating conditions for this type of class-B r-f amplifier can be carried out in a manner similar to that described in the previous paragraphs, except that the grid-bias voltage is set on the tube before calculation at the value:  $E_c = -E_b/\mu$ . Since the grid bias is set at cutoff the one-half angle of plate-current flow is  $90^\circ$ ; hence  $\cos \theta_b/2$  is fixed at 0.00. The plate-circuit efficiency for a class-B r-f amplifier operated in this manner can be determined in the following manner:

**The "Class-B Linear"** The second type of class-B r-f amplifier is the so-called *class-B linear amplifier* which is

often used in transmitters for the amplification of a single-sideband signal or a conventional amplitude-modulated wave. Calculation of operating conditions may be carried out in a manner similar to that previously described with the following exceptions: The first trial operating point is chosen on the basis of the 100-percent positive modulation peak (or PEP condition) of the exciting wave. The plate-circuit and grid-peak voltages and currents can then be determined and the power input and output calculated. Then (in the case for an a-m linear) with the exciting voltage reduced to one-half for the no-modulating condition of the exciting wave, and with the same value of load resistance reflected on the tube, the a-m plate input and plate efficiency will drop to approximately one-half the values at the 100-percent positive modulation peak and the power output of the stage will drop to one-fourth the peak-modulation value. On the negative modulation peak the input, efficiency and output all drop to zero.

In general, the proper plate voltage, bias voltage, load resistance, and power output listed in the tube tables for class-B audio work will also apply to class-B linear r-f application.

**Calculation of Operating Parameters for a Class-B Linear Amplifier** The class-B linear amplifier parameters may be calculated from constant-current curves, as suggested, or may be derived from the  $E_b$  vs  $I_b$  curves, as outlined in this section.

Figure 12 illustrates the characteristic curves for an 813 tube. Assume the plate supply to be 2000 volts, and the screen supply to be 400 volts. To determine the operating parameters of this tube as a class-B linear SSB r-f amplifier, the following steps should be taken:

1. The grid bias is chosen so that the resting plate current will produce approximately 1/3 of the maximum plate dissipation of the tube. The maximum dissipation of the 813 is 125 watts, so the bias is set to allow one-third of this value, or 42 watts of resting dissipation. At a plate potential of 2000 volts, a plate current of 21 milliamperes will produce this figure. Referring to figure 12, a grid bias of -45 volts is approximately correct.
2. A practical class-B linear r-f amplifier runs at an efficiency of about 66% at full output (the carrier efficiency dropping to about 33% with a modulated exciting signal). In the case of single-sideband suppressed-carrier excitation, the linear amplifier runs at the resting or quiescent input of 42 watts with no exciting signal. The peak allowable power input to the 813 is:

$$\begin{aligned} \text{PEP input power } (p_1) &= \\ &= \frac{\text{plate dissipation} \times 100}{(100 - \% \text{ plate efficiency})} = \\ &= \frac{125 \times 100}{33} = 378 \text{ watts PEP} \end{aligned}$$

3. The maximum dc signal plate current is:

$$I_{b \max} = \frac{p_1}{E_b} = \frac{378}{2000} = 0.189 \text{ ampere}$$

(Single-tone drive signal condition)

4. The plate-current conduction angle ( $\theta_b$ ) of the class-B linear amplifier is approximately 180°, and the peak plate-current pulses have a maximum value of about 3.14 times  $I_{b \max}$ :

$$i_{b \max} = 3.14 \times 0.189 = 0.593 \text{ amp.}$$

5. Referring to figure 12, a current of about 0.6 ampere (Point A) will flow at a positive grid potential of 60 volts and a minimum plate potential of 420 volts. The grid is biased at -45 volts, so a peak r-f grid voltage of 60 + 45 volts, or 105 volts, swing is required.

6. The grid driving power required for the class-B linear stage may be found by the aid of figure 13. It is one-third the product of the peak grid current times the peak grid swing.

$$P_d = \frac{0.015 \times 105}{3} = 0.525 \text{ watt}$$

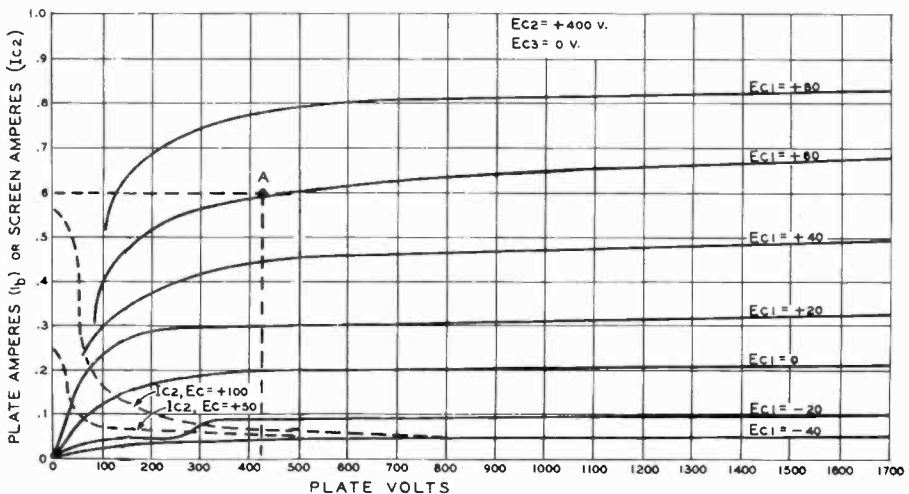


Figure 12

AVERAGE PLATE CHARACTERISTICS OF 813 TUBE

7. The single-tone (peak) power output of the 813 is:

$$P_o = .785 (E_b - e_{b \text{ min}}) \times I_{b \text{ max}}$$

$$P_o = .785 (2000 - 420) \times 0.189$$

$$= 235 \text{ watts PEP}$$

8. The plate load resistance is:

$$R_L \cong \frac{E_b}{1.8 \times I_b} = \frac{2000}{1.8 \times 0.188}$$

$$= 5870 \text{ ohms}$$

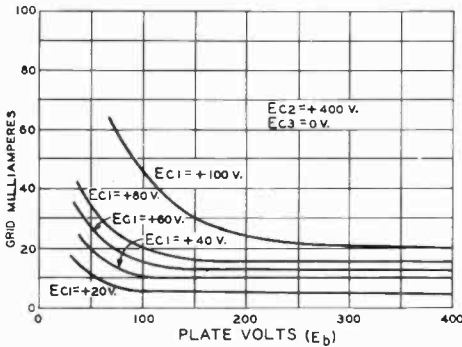


Figure 13

**E<sub>c1</sub> VERSUS E<sub>b</sub> CHARACTERISTICS OF 813 TUBE**

9. If a loaded plate tank circuit Q of 12 is desired, the reactance of the plate tank capacitor of a parallel tuned circuit at resonance is:

$$X_c = \frac{R_L}{Q} = \frac{5870}{12} = 490 \text{ ohms}$$

10. For an operating frequency of 4.0 MHz, the effective resonant capacitance is:

$$C = \frac{10^6}{6.28 \times 4.0 \times 490} = 81 \text{ pF}$$

11. The inductance required to resonate at 4.0 MHz with this value of capacitance is:

$$L = \frac{490}{6.28 \times 4.0} = 19.5 \text{ microhenrys}$$

**Grid-Circuit Considerations**

1. The maximum positive grid potential is 60 volts and the peak r-f grid voltage is 105 volts. Required peak driving power is 0.525 watt. The

equivalent grid resistance of this stage is:

$$r_g = \frac{(e_{g \text{ max}})^2}{2 \times P_d} = \frac{105^2}{2 \times 0.525}$$

$$= 10,000 \text{ ohms}$$

2. As in the case of the class-B audio amplifier the grid resistance of the linear amplifier varies from infinity to a low value when maximum grid current is drawn. To decrease the effect of this resistance excursion, a swamping resistor should be placed across the grid-tank circuit. The value of the resistor should be dropped until a shortage of driving power begins to be noticed. For this example, a resistor of 3000 ohms is used. The grid circuit load for no grid current is now 3000 ohms instead of infinity, and drops to 2300 ohms when maximum grid current is drawn.

3. A circuit Q of 15 is chosen for the grid tank. The capacitive reactance required is:

$$X_c = \frac{2300}{15} = 154 \text{ ohms}$$

4. At 4.0 MHz the effective capacitance is:

$$C = \frac{10^6}{6.28 \times 4.0 \times 154} = 259 \text{ pF}$$

5. The inductive reactance required to resonate the grid circuit at 4.0 MHz is:

$$L = \frac{154}{6.28 \times 4.0} = 6.1 \text{ microhenrys}$$

6. By substituting the loaded-grid resistance figure in the formula in the first paragraph, the peak grid driving power is now found to be approximately 2.4 watts.

**Screen-Circuit Considerations**

By reference to the plate characteristic curve of the 813 tube, it can be seen that at a minimum plate potential of 420 volts, and a maximum plate current of 0.6 ampere, the screen current will be approximately 30 milliamperes, dropping to one or two milli-

amperes in the quiescent state. It is necessary to use a well-regulated screen supply to hold the screen voltage at the correct potential over this range of current excursion. The use of an electronically regulated screen supply is recommended.

## 7-5 Grounded-Grid and Cathode-Follower R-F Power Amplifier Circuits

The r-f power amplifier discussions of Sections 7-3 and 7-4 have been based on the assumption that a conventional grounded-cathode or cathode-return type of amplifier was in question. It is possible, however, as in the case of a-f and low-level r-f amplifiers to use circuits in which electrodes other than the cathode are returned to ground insofar as the signal potential is concerned. Both the plate-return or cathode-follower amplifier and the *grid-return* or *grounded-grid* amplifier are effective in certain circuit applications as tuned r-f power amplifiers.

### Disadvantages of Grounded-Cathode Amplifiers

An undesirable aspect of the operation of cathode-return r-f power amplifiers using triode tubes is that such amplifiers must be neutralized. Principles and methods of neutralizing r-f power amplifiers are discussed in the chapter *Generation of R-F Energy*. As the frequency of operation of an amplifier is increased the stage becomes more and more difficult to neutralize due to inductance in the grid and cathode leads of the tube and in the leads to the neutralizing capacitor. In other words the bandwidth of neutralization decreases as the presence of the neutralizing capacitor adds additional undesirable capacitive loading to the grid and plate tank circuits of the tube or tubes. To look at the problem in another way, an amplifier that may be perfectly neutralized at a frequency of 30 MHz may be completely out of neutralization at a frequency of 120 MHz. Therefore, if there are circuits in both the grid and plate circuits which offer appreciable impedance at this high frequency it is quite possible that the stage may develop a parasitic oscillation in the vicinity of 120 MHz.

**Grounded-Grid R-F Amplifiers** This condition of restricted-range neutralization of r-f power amplifiers can be greatly alleviated through the use of a *cathode-driven* or *grounded-grid* r-f stage. The grounded-grid amplifier has the following advantages:

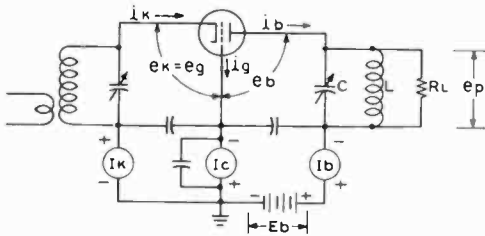
1. The output and input capacitances of a stage are reduced to approximately one-half the value which would be obtained if the same tube or tubes were operated as a conventional neutralized amplifier.
2. The tendency toward parasitic oscillations in such a stage is greatly reduced since the shielding effect of the control grid between the filament and the plate is effective over a broad range of frequencies.
3. The feedback capacitance within the stage is the plate-to-cathode capacitance which is ordinarily very much less than the grid-to-plate capacitance. Hence neutralization is ordinarily not required in the high frequency region. If neutralization is required the neutralizing capacitors are very small in value and are cross-connected between plates and cathodes in a push-pull stage, or between the opposite end of a split plate tank and the cathode in a single-ended stage.

The disadvantages of a grounded-grid amplifier are:

1. A large amount of excitation energy is required. However, only the normal amount of energy is lost in the grid circuit of the amplifier tube; most additional energy over this amount is delivered to the load circuit as useful output.
2. The cathode of a grounded-grid amplifier stage is above r-f ground. This means that the cathode must be fed through a suitable impedance from the filament supply, or the filament transformer must be of the low capacitance type and adequately insulated for the r-f voltage which will be present.
3. A grounded-grid r-f amplifier cannot be plate modulated 100 percent unless the output of the exciting stage is modulated also. Approximately 70-per

cent modulation of the exciter stage, while the final stage is modulated 100 percent, is recommended. However the grounded-grid r-f amplifier is quite satisfactory as a class-B linear r-f amplifier for single-sideband or conventional amplitude-modulated waves or as an amplifier for a straight c-w or f-m signal.

Figure 14 shows a simplified representation of a grounded-grid zero-bias triode r-f power amplifier stage. The relationships between input and output power and the peak fundamental components of electrode voltages and currents are given below the drawing. The calculation of the complete operating conditions for a grounded-grid amplifier stage is somewhat more complex than that for a conventional amplifier because the input circuit of the tube is in series with the output circuit as far as the load is con-



$$\text{PEP POWER TO LOAD} = \frac{(e_b \text{ MIN} + e_g \text{ MAX}) \times i_1 \text{ MAX}}{2}$$

$$\text{PEP POWER DELIVERED BY OUTPUT TUBE} = \frac{e_b \text{ MIN} \times i_1 \text{ MAX}}{2}$$

$$\text{PEP DRIVE POWER} = \frac{e_g \text{ MAX} \times i_1 \text{ MAX}}{2} + 0.9 (e_g \text{ MAX} \times i_c)$$

$$Z_k \cong \frac{e_g \text{ MAX}}{i_1 \text{ MAX} + 1.5 \times i_c}$$

$$R_L \cong \frac{e_b}{1.5 \times i_b}$$

**Figure 14**  
**ZERO-BIAS GROUNDED-GRID AMPLIFIER**

The equations in the above figure give the relationships between the output power, drive power, feedthrough power, and input and output impedances expressed in terms of the various voltages and currents of the stage.

cerned. The primary result of this effect is, as stated before, that considerably more power is required from the driver stage. The normal power gain for a g-g stage is from 3 to 15 depending on the grid-circuit conditions chosen for the output stage. The higher

the grid bias and grid swing required on the output stage, the higher will be the requirement from the driver.

**Calculation of Operating Conditions of Grounded-Grid R-F Amplifiers** It is most convenient to determine the operating conditions for a class-

B or class-C grounded-grid r-f power amplifier in a two-step process. The first step is to determine the plate-circuit and grid-circuit operating conditions of the tube as though it were to operate as a conventional grid-driven amplifier. The second step is to then add in the additional conditions imposed on the original data by the fact that the stage is to operate as a grounded-grid amplifier. This step is the addition of the portion of the drive power contributed by the conversion of drive power to plate output power. This portion of the drive power is referred to as *converted drive power*, or *feedthrough power*. The latter term is misleading, as this portion of drive power does not appear in the plate load circuit of the cathode-driven stage until after it is converted to a *varying-dc* plate potential effectively in series with the main amplifier power supply. The converted drive power serves a useful function in linear amplifier service because it swamps out the undesirable effects of nonlinear grid loading and presents a reasonably constant load to the exciter.

Special constant-current curves are often used for grounded-grid operation wherein the grid drive voltage is expressed as the *cathode-to-grid voltage* and is negative in sign. It must be remembered, however, that a negative cathode voltage is equal to a positive grid voltage, and normal constant-current curves may also be employed for cathode-driven computations.

For the first step in the calculations, the procedure given in Section 7-3 is used. For this example, a 3-1000Z "zero bias" triode is chosen, operating at 3000 plate volts at 2000 watts PEP input in class-B service. Computations are as follows:

3-1000Z at 3000 volts class-B

$$1,2,3. E_b = 3000$$

$$P_i = 2000 \text{ watts PEP}$$



Let  $N_p = 65\%$ , an average value for class-B mode

$$P_o = 2000 \times 0.65 = 1300 \text{ W PEP}$$

$$\mu = 200$$

$$4. \quad I_b = \frac{2000}{3000} = 0.67 \text{ amp}$$

$$5. \quad \text{Approx. } i_{b \text{ max}} = 3.1 I_b \text{ (for } N_p = 0.65) = 3.1 \times 0.65 = 2.08 \text{ amperes}$$

6. Locate the point on the constant-current chart where the constant-current line corresponding to the appropriate value of  $i_{b \text{ max}}$  determined in step 5 inflects sharply upward. Approximate  $e_{b \text{ min}} = 500$  volts.

$$7. \quad e_{p \text{ min}} = 3000 - 500 = 2500 \text{ volts.}$$

$$8. \quad \frac{i_{1 \text{ max}}}{I_b} = \frac{2 \times 0.65 \times 3000}{2500} = 1.56$$

$$9. \quad \frac{i_{b \text{ max}}}{I_b} = 3.13 \text{ (from figure 9).}$$

$$10. \quad i_{b \text{ max}} = 3.13 \times 0.67 = 2.1 \text{ amps.}$$

This agrees closely with the approximation made in Step 5.

11. Read the values maximum cathode-to-filament voltage ( $e_k$ ) and peak grid current ( $i_{g \text{ max}}$ ) from the constant-current chart for the values of  $e_{b \text{ min}}$  and  $i_{b \text{ max}}$  found in steps 6 and 10 respectively.

$$e_k = -88$$

$$i_{g \text{ max}} = 0.8 \text{ amp}$$

$$12. \quad \cos \frac{\theta_b}{2} = 2.32 (1.56 - 1.57) = 0$$

(Conduction angle is approximately  $180^\circ$  and  $\cos 180^\circ = 0$ )

$$13. \quad E_c = 0$$

$$14. \quad e_{k \text{ max}} = -88 \text{ volts}$$

$$15-17. \quad \text{For zero bias class-B mode, } I_c \cong 0.25 i_{g \text{ max}}. I_c \cong 0.25 \times 0.8 = 0.2 \text{ amp. (200mA)}$$

$$18. \quad p_d = 0.9 \times |88| \times 0.2 = 15.8 \text{ watts PEP}$$

$$19. \quad p_g = 15.8 \text{ watts PEP}$$

$$20. \quad i_{1 \text{ max}} = (\text{Ratio of step 8}) \times I_b$$

$$i_{1 \text{ max}} = 1.56 \times 0.67 = 1.06 \text{ amp}$$

$$P_o \text{ (PEP)} = \frac{1.06 \times 2500}{2}$$

$$= 1325 \text{ watts.}$$

$$21. \quad R_L \cong \frac{3000}{1.8 \times 0.67} = 2500 \text{ ohms}$$

22. Total peak drive power,

$$p_k = \frac{e_k \times i_{1 \text{ max}}}{2} + p_d$$

$$p_k = \frac{88 \times 1.06}{2} + 15.8 \cong 61 \text{ watts PEP}$$

23. Total power output of the stage is equal to 1325 watts (contributed by 3-1000Z) plus that portion of drive power contributed by the conversion of drive power to plate output power. This is approximately equal to the first term of the equation of step 22.

$$P_o \text{ (PEP) total} = 1325 + 44$$

$$= 1369 \text{ watts}$$

24. Cathode driving impedance of the grounded grid stage is:

$$Z_k \cong \frac{e_k}{i_{1 \text{ max}} + 1.5 \times I_c}$$

$$Z_k \cong \frac{88}{1.06 + 0.3} = 64 \text{ ohms}$$

A summary of the typical operating parameters for the 3-1000 Z at  $E_b = 3000$  are

Dc Plate Voltage	3000
Zero-Signal Plate Current	180 mA
(from constant-current chart)	
Max. Signal (PEP) Plate Current	670 mA
Max. Signal (PEP) Grid Current	200 mA
Max Signal (PEP) Drive Power	61 watts
Max. Signal (PEP) Power Input	2000 watts
Max. Signal (PEP) Power Output	1369 watts
(including feedthrough power)	
Plate Load Impedance	2500 ohms
Cathode Driving Impedance	64 ohms

**Cathode Tank of G-G or C-F Power Amplifier** The cathode tank circuit for either a grounded-grid or cathode-follower r-f power amplifier may be a conventional tank circuit if the filament transformer for the stage is of the low-

capacitance high-voltage type. Conventional filament transformers, however, will not operate with the high values of r-f voltage present in such a circuit. If a conventional filament transformer is to be used, the cathode tank coil may consist of two parallel heavy conductors (to carry the high filament current) bypassed at both the ground end and at the tube socket. The tuning capacitor is then placed between filament and ground. It is possible in certain cases to use two r-f chokes of special design to feed the filament current to the tubes, with a conventional tank circuit between filament and ground. Coaxial lines also may be used to serve both as cathode tank and filament feed to the tubes for vhf and uhf work.

**Control-Grid Dissipation** Tetrode tubes may be in **Grounded-Grid Stages** operated as grounded-grid (cathode-driven) amplifiers by tying the grid and screen together and operating the tube as a high- $\mu$  triode (figure 15). Combined grid and screen current, however, is a function of tube geometry and may reach destructive

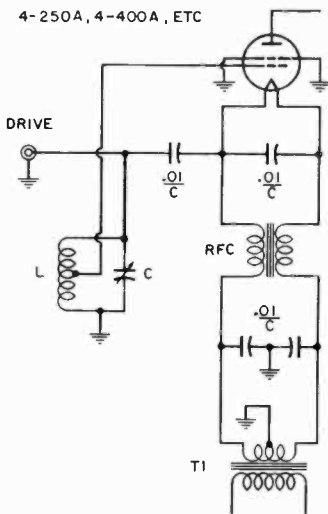


Figure 15

**TAPPED INPUT CIRCUIT REDUCES EXCESSIVE GRID DISSIPATION IN G-G CIRCUIT**

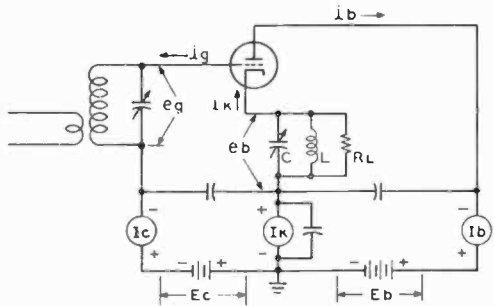
C = 20 pF per meter wavelength  
 RFC = Dual-winding on 1/2-inch diameter, 3 1/2-inch long ferrite rod. Q-1 material. (Indiana General).

values under conditions of full excitation. Proper division of excitation between grid and screen should be as the ratio of the screen-to-grid amplification, which is approximately 5 for tubes such as the 4-250A, 4-400A, etc. The proper ratio of grid/screen excitation may be achieved by tapping the grid at some point on the input circuit, as shown. Grid dissipation is reduced, but the over-all level of excitation is increased about 30% over the value required for simple grounded-grid operation.

**Plate-Return or Cathode-Follower R-F Power Amplifier**

Circuit diagram, electrode potentials and currents, and operating conditions for a cathode-follower r-f power amplifier are given in figure 16. This circuit can be used, in addition to the grounded-grid circuit just discussed, as an r-f amplifier with a triode tube and no additional neutralization circuit. However, the circuit will oscillate if the impedance from cathode to ground is allowed to become capacitive rather than

resistive. The circuit will oscillate if the impedance from cathode to ground is allowed to become capacitive rather than



$$\text{POWER OUTPUT TO LOAD} = \frac{e_b \text{ MIN} (i_1 \text{ MAX} + 1.8 i_c)}{2}$$

$$\text{POWER DELIVERED BY OUTPUT TUBE} = \frac{e_b \text{ MIN} \times i_1 \text{ MAX}}{2}$$

$$\text{DRIVE POWER} = \frac{(e_{g \text{ MP}} + e_b \text{ MIN}) \times 1.8 i_c}{2}$$

$$Z_G \approx \frac{e_g \text{ MAX}}{1.8 i_c}$$

$$R_L \approx \frac{E_b}{1.8 \times I_K}$$

Figure 16

**CATHODE-FOLLOWER R-F POWER AMPLIFIER**

The equations show the relationship between the tube potentials and currents and the input and output power of the stage. The approximate input and output load impedances are also given.

inductive or resistive with respect to the operating frequency. The circuit is not recommended except for vhf or uhf work with coaxial lines as tuned circuits since the peak grid swing required on the r-f amplifier stage is approximately equal to the plate voltage on the amplifier tube if high-efficiency operation is desired. This means, of course, that the grid tank must be able to withstand slightly more peak voltage than the plate tank. Such a stage may not be plate modulated unless the driver stage is modulated the same percentage as the final amplifier. However, such a stage may be used as an amplifier of modulated waves (class-B linear) or as a c-w or f-m amplifier.

The design of such an amplifier stage is essentially the same as the design of a grounded-grid amplifier stage as far as the first step is concerned. Then, for the second step the operating conditions given in figure 16 are applied to the data obtained in the first step.

## 7-6 Class-AB<sub>1</sub> Radio-Frequency Power Amplifiers

Class-AB<sub>1</sub> r-f amplifiers operate under such conditions of bias and excitation that grid current does not flow over any portion of the input cycle. This is desirable, since distortion caused by grid-current loading is absent, and also because the stage is capable of high power gain. Stage efficiency is about 60 percent when a plate current conduction angle of  $210^\circ$  is chosen, as compared to 65 percent for class-B operation.

The level of static (quiescent) plate current for *lowest distortion* is quite high for class-AB<sub>1</sub> tetrode operation. This value is determined by the tube characteristics, and is not greatly affected by the circuit parameters or operating voltages. The maximum dc potential is therefore limited by the static dissipation of the tube, since the resting plate current figure is fixed. The static plate current of a tetrode tube varies as the  $3/2$  power of the screen voltage. For example, raising the screen voltage from 300 to 500 volts will double the plate current. The optimum static plate current for mini-

mum distortion is also doubled, since the shape of the  $E_c-I_b$  curve does not change.

In actual practice, somewhat lower static plate current than optimum may be employed without raising the distortion appreciably, and values of static plate current of 0.6 to 0.8 of optimum may be safely used, depending on the amount of nonlinearity that can be tolerated.

As with the class-B linear stage, the minimum plate voltage swing ( $e_{b \text{ min}}$ ) of the class-AB<sub>1</sub> amplifier must be kept above the dc screen potential to prevent operation in the nonlinear portion of the characteristic curve. A *low value* of screen voltage allows greater r-f plate voltage swing, resulting in improvement in plate efficiency of the tube. A balance between plate dissipation, plate efficiency, and plate-voltage swing must be achieved for best linearity of the amplifier.

**The S-Curve** The perfect linear amplifier delivers a signal that is a replica of the input signal. Inspection of the plate-characteristic curve of a typical tube will disclose the tube linearity under class-AB<sub>1</sub> operating conditions (figure 17). The curve is usually of exponential shape, and the signal distortion is held to a small value by operating the tube well below its maximum output, and centering operation over the most linear portion of the characteristic curve.

The relationship between exciting voltage in a class-AB<sub>1</sub> amplifier and the r-f plate-

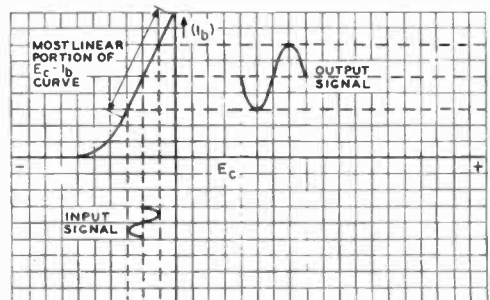


Figure 17  
E<sub>c</sub>-I<sub>b</sub> CURVE

Amplifier operation is confined to the most linear portion of the characteristic curve.

circuit voltage is shown in figure 18. With a small value of static plate current the lower portion of the line is curved. Maximum undistorted output is limited by the point on the line (A) where the instantaneous plate voltage drops down to the screen voltage. This "hook" in the line is caused by current diverted from the plate to the grid and

screen elements of the tube. The characteristic plot of the usual linear amplifier takes the shape of an S-curve. The lower portion of the curve is straightened out by using the proper value of static plate current, and the upper portion of the curve is avoided by limiting minimum plate voltage swing to a point substantially above the value of the screen voltage.

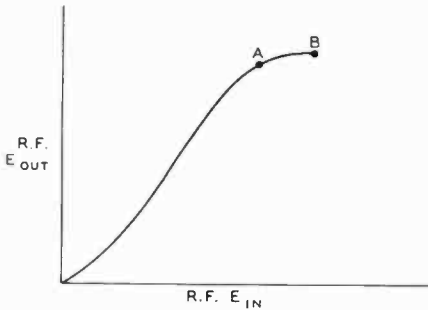


Figure 18

LINEARITY CURVE OF TYPICAL TETRODE AMPLIFIER

At point A the instantaneous plate voltage is swinging down to the value of the screen voltage. At point B it is swinging well below the screen and is approaching the point where saturation, or plate-current limiting takes place.

**Operating Parameters for the Class-AB<sub>1</sub> Linear Amplifier** The approximate operating parameters may be obtained from the constant-current curves ( $E_c-E_b$ ) or the  $E_c-I_b$  curves of the tube in question (figure 19). The following example will make use of the latter information, although equivalent results may be obtained from constant current curves. An operating load line is first approximated. One end of the load line is determined by the dc operating voltage of the tube, and the required static plate current. As a starting point, let the product of the plate voltage and current approximate the plate dissipation of the tube. Assuming a 4-400A tetrode is used, this end of the load line will

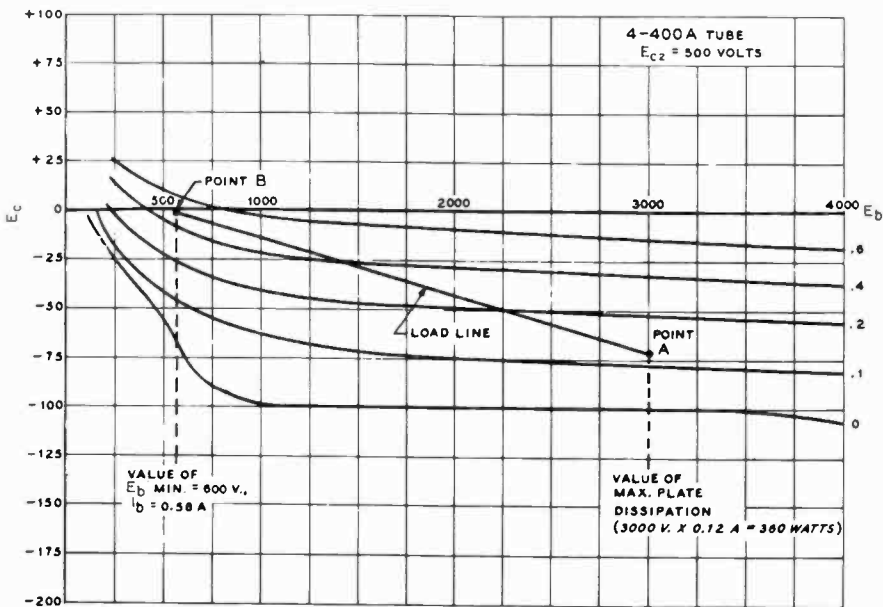


Figure 19

OPERATING PARAMETERS FOR TETRODE LINEAR AMPLIFIER ARE OBTAINED FROM CONSTANT-CURRENT CURVES.

fall on point A (figure 19). Plate power dissipation is 360 watts (300V at 120 mA). The opposite end of the load line will fall on a point determined by the minimum instantaneous plate voltage, and by the maximum instantaneous plate current. The minimum plate voltage, for best linearity should be considerably higher than the screen voltage. In this case, the screen voltage is 500, so the minimum plate voltage excursion should be limited to 600 volts. Class-AB<sub>1</sub> operation implies no grid current, therefore the load line cannot cross the  $E_c = 0$  line. At the point  $e_{b \text{ min}} = 600$ ,  $E_c = 0$ , the maximum instantaneous plate current is 580 mA (Point B).

Each point at which the load line crosses a grid-voltage axis may be taken as a point for construction of the  $E_c$ - $I_b$  curve, just as was done in figure 21, chapter 6. A constructed curve shows that the approximate static bias voltage is -74 volts, which checks closely with point A of figure 19. In actual practice, the bias voltage is set to hold the actual dissipation slightly below the maximum limit of the tube.

The single tone PEP power output is:

$$P_o = \frac{(E_b - e_{b \text{ min}}) \times i_{b \text{ max}}}{4} = \frac{(3000 - 600) \times 0.58}{4} = 348 \text{ watts}$$

The plate current conduction angle efficiency factor for this class of operation is 0.73, and the actual plate circuit efficiency is:

$$N_p = \frac{E_b - e_{b \text{ min}}}{E_b} \times 0.73 = 58.4\%$$

The peak power input to the stage is therefore:

$$\frac{P_o}{N_p} \times 100 = \frac{348}{58.4} = 595 \text{ watts PEP}$$

The peak plate dissipation is:

$$595 - 348 = 247 \text{ watts}$$

(Note: A 4-250A may thus be used in lieu of the 4-400A as peak plate dissipation is

less than 250 watts, provided resting plate current is lowered to 70 mA.)

It can be seen that the limiting factor for either the 4-250A or 4-400A is the static plate dissipation, which is quite a bit higher than the operating dissipation level. It is possible, at the expense of a higher level of distortion, to drop the static plate dissipation and to increase the screen voltage to obtain greater power output. If the screen voltage is set at 800, and the bias increased sufficiently to drop the static plate current to 70 mA, the single-toned dc plate current may rise to 300 mA, for a power input of 900 watts. The plate circuit efficiency is 55.6 percent, and the power output is 500 watts. Static plate dissipation is 210 watts, within the rating of either tube.

At a screen potential of 500 volts, the maximum screen current is less than 1 mA, and under certain loading conditions may be negative. When the screen potential is raised to 800 volts maximum screen current is 18 mA. The performance of the tube depends on the voltage fields set up in the tube by the cathode, control grid, screen grid, and plate. The quantity of current, flowing in the screen circuit is only incidental to the fact that the screen is maintained at a positive potential with respect to the electron stream surrounding it.

The tube will perform as expected as long as the screen current, in either direction, does not create undesirable changes in the screen voltage, or cause excessive screen dissipation. Good regulation of the screen supply is therefore required. Screen dissipation is highly responsive to plate loading conditions and the plate circuit should always be adjusted so as to keep the screen current below the maximum dissipation level as established by the applied voltage.

## 7-7 Grounded-Grid Linear Amplifiers

The popularity of grounded-grid (cathode-driven) linear amplifiers for SSB service is unique in the Amateur Service. Elimination of costly and bulky bias and screen power supplies make the "g-g" amplifier an economical and relatively light-weight power unit.

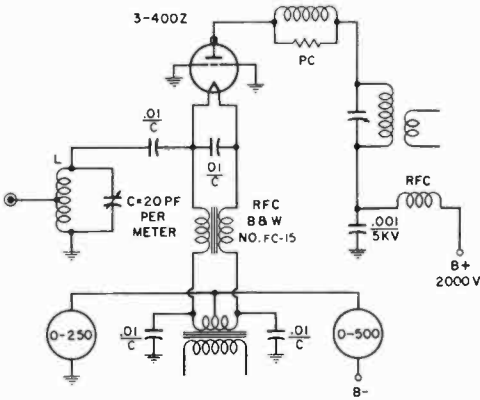


Figure 20

**SIMPLE GROUNDED-GRID LINEAR AMPLIFIER**

Tuned cathode (L-C) is required to prevent distortion of driving-signal waveform.

A typical grounded-grid amplifier is shown in figure 20. The driving signal is applied between the grid and the cathode, with the grid held at r-f ground potential. The control grid serves as a shield between the cathode and the plate, thus making neutralization unnecessary at medium and high frequencies. High- $\mu$  triodes and triode-

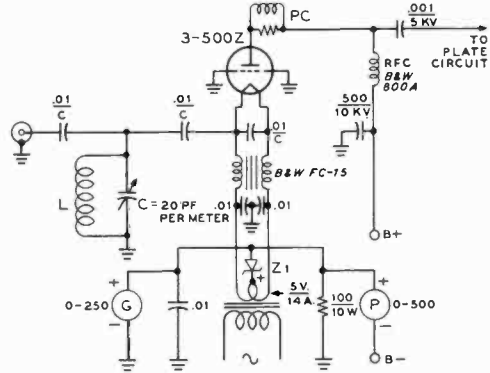


Figure 21

**ZENER-DIODE BIAS FOR GROUNDED-GRID STAGE**

The resting plate current of a grounded stage may be reduced by inclusion of a Zener diode in the filament return circuit. At a plate potential of 3250 volts, for example, a Zener bias of 4.7 volts reduces the resting plate current of the 3-500Z from 160 to approximately 90 milliamperes. A 1N4551 Zener may be used, bolted to the chassis for a heat sink.

connected tetrodes may be used in this configuration. Care must be taken to monitor the #1-grid current of the tetrode tubes as it may run abnormally high in some types (4X150A family) and damage to the tube

**R-F LINEAR AMPLIFIER SERVICE FOR SSB AND CW**

**CATHODE-DRIVEN (GROUNDED-GRID) CLASS-B MODE**

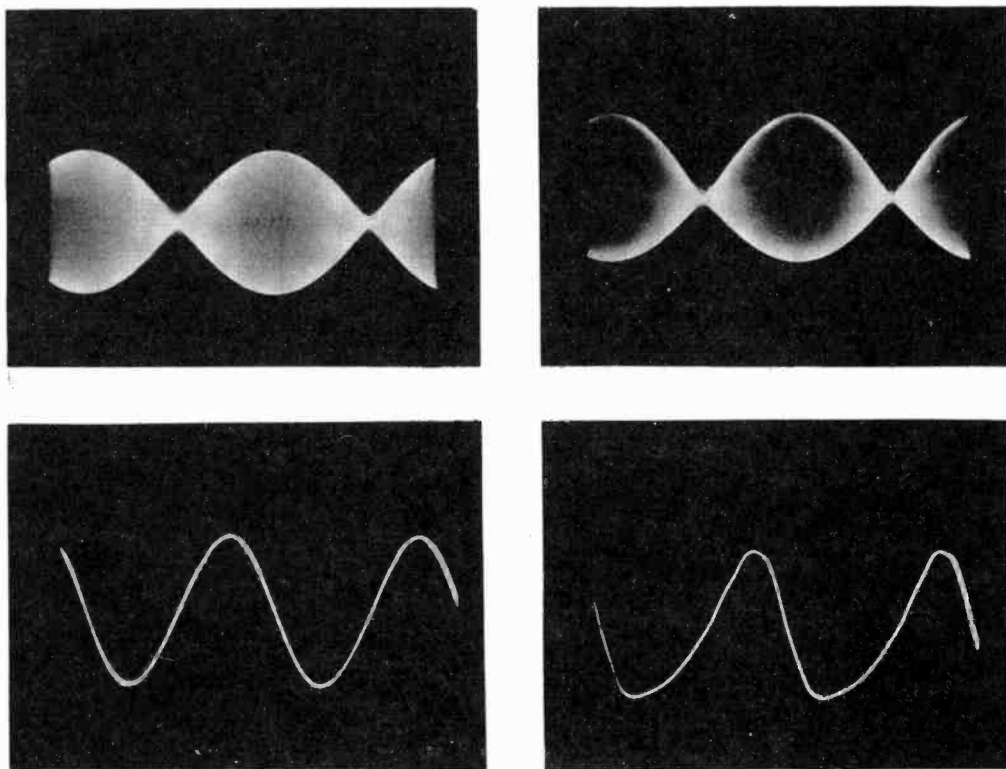
TUBE	PLATE VOLTAGE Eb	FIL V A	APPROX. ZERO SIG. PLATE I <sub>b0</sub> CURRENT	MAX. SIG. PLATE I <sub>b</sub> CURRENT	MAX. SIG. GRID I <sub>c1</sub> CURRENT	DRIVING IMPEDAN R <sub>k</sub>	PLATE LOAD R <sub>L</sub> IMPEDAN.	MAX. SIG. DRIVING POWER W.	PEP PLATE INPUT POWER W.	USEFUL OUTPUT POWER W.	AVERAGE PLATE DISSIPAT. P <sub>d</sub>	APPROX. 3 <sup>d</sup> ORDER IMD - Db
811A	1250 1700	7.5 4	18 30	175 160	28 28	320	3600 5200	12 15	220 270	135 175	70 85	-33 -28
572 B T-160L	2400	7.5 4	20	250	45	215	4500	30	600	350	160	-28
813	2000 2500	10 5	20 30	200	50 50	270	5000 7000	10 11	400 500	270 350	130 150	-30 -33
3-400Z 8163	2000 2500 3000	5 14.5	82 73 100	400 400 333	148 142 120	120	2750 3450 4750	— — 32	800 1000 1000	445 600 655	35.5 400 345	-40 -35 -32
3-500Z	2000 2500 3000	5 14.5	95 130 160	400 400 370	130 120 115	115	2750 3450 5000	— — 30	800 1000 1100	500 600 750	300 400 350	-38 -33 -30
3-1000Z 8164	2500 3000 3500	7.5 21	162 175 200	800 670 750	270 220 245	65 65 65	1800 2400 2600	95 85 85	2000 2000 2600	1250 1250 1770	750 750 830	-38 -35 -30
3CX1000A 8283	2500 3000	5 30	200 310	875 600	590 320	41 42	1100 1870	78 67	2200 2400	1000 1200	1000 1000	-32 -32
4-125A	2000 2500 3000	5 6.5	10 15 20	105 110 115	55 55 55	340 340 340	10500 13500 15700	18 18 18	210 275 345	145 190 240	65 85 100	— — —
4-400A	2000 2500 3000	5 14.5	55 60 70	265 270 330	100 100 108	180 150 140	3950 4500 5600	38 39 40	530 675 990	325 435 572	200 225 390	— — -30
4-1000A	3000 4000 5000	7.5 21	80 90 120	700 675 540	200 200 115	104 108 110	2450 2450 5500	130 105 70	2100 2700 2700	1475 1870 1900	750 730 700	-34 -34 —

Figure 22

may possibly result unless a protective circuit of the form shown in figure 21 is used.

"Zero-bias" triodes (811-A, 3-400Z and 3-1000Z) and certain triode-connected tetrodes (813 and 4-400A, for example) require no bias supply and good linearity may be achieved with a minimum of circuit components. An improvement of the order of 5 to 10 decibels in intermodulation distortion may be gained by operating such tubes in the grounded-grid mode in contrast to the same tubes operated in class-AB<sub>1</sub>, grid-driven mode. The improvement in the distortion figure varies from tube type to tube type, but all so-called "grounded-grid" triodes and triode-connected tetrodes show some degree of improvement in distortion figure when cathode-driven as opposed to grid-driven service.

**Cathode-Driven High- $\mu$  Triodes** High- $\mu$  triode tubes may be used to advantage in cathode-driven (grounded-grid) service. The inherent shielding of a high- $\mu$  tube is better than that of a low- $\mu$  tube and the former provides better gain per stage and requires less drive than the latter because of less feedthrough power. Resistive loading of the input or driving circuit is not required because of the constant feedthrough power load on the exciter as long as sufficient  $Q$  exists in the cathode tank circuit. Low- $\mu$  triodes, on the other hand, require extremely large driving signals when operated in the cathode-driven configuration, and stage gain is relatively small. In addition shielding between the input and output circuits is poor compared to that existing in high- $\mu$  triodes.



**Figure 23**

Waveform distortion caused by half-cycle loading at cathode of grounded-grid amplifier may be observed (right) whereas undistorted waveform is observed with tuned cathode circuit (left). Two-tone tests at 2.0 MHz proved the necessity of using a cathode tank circuit for lowest intermodulation distortion.

**Bias Supplies for G-G Amplifiers** Medium- $\mu$  triode tubes that require grid bias may be used in cathode-driven service if the grid is suitably bypassed to ground and placed at the proper negative dc potential. Bias supplies for such circuits, however, must be capable of good voltage regulation under conditions of grid current so that the dc bias value does not vary with the amplitude of the grid current of the stage. Suitable bias supplies for this mode of operation are shown in the *Power Supply* chapter of this Handbook. *Zener bias* (figure 21) may be used for low values of bias voltage. Approximate values of bias voltage for linear amplifier service data may be obtained from the audio data found in most tube manuals, usually stated for push-pull class-AB<sub>1</sub> or AB<sub>2</sub> operation. As the tube "doesn't know" whether it is being driven by an audio signal or an r-f signal, the audio parameters may be used for linear service, but the stated dc currents should be divided by two for a single tube, since the audio data is usually given for two tubes. Grounded-grid operating data for popular triode and tetrode tubes is given in figure 22.

**The Tuned Cathode Circuit** Input waveform distortion may be observed at the cathode of a grounded-grid linear amplifier as the result of grid- and plate-current loading of the input circuit on

alternate half-cycles by the single-ended stage (figure 23). The driving source thus "sees" a very low value of load impedance over a portion of the r-f cycle and an extremely high impedance over the remaining portion of the cycle. Unless the output voltage regulation of the r-f source is very good, the portion of the wave on the loaded part of the cycle will be degraded. This waveform distortion contributes to intermodulation distortion and also may cause TVI difficulties as a result of the harmonic content of the wave. Use of a tuned cathode circuit in the grounded-grid stage will preserve the waveform as shown in the photographs. The tuned-cathode circuit need have only a Q of 2 or more to do the job, and should be resonated to the operating frequency of the amplifier. Various versions of cathode tank circuits are shown in figure 24.

In addition to reduction of waveform distortion, the tuned-cathode circuit provides a short r-f return path for plate current pulses from plate to cathode (figure 25). When the tuned circuit is not used, the r-f return path is via the outer shield of the coaxial line, through the output capacitor of the exciter plate-tank circuit and back to the cathode of the linear amplifier tube via the center conductor of the coaxial line. This random, uncontrolled path varies with the length of interconnecting coaxial line, and permits the outer shield of the line to be "hot" compared to r-f ground.

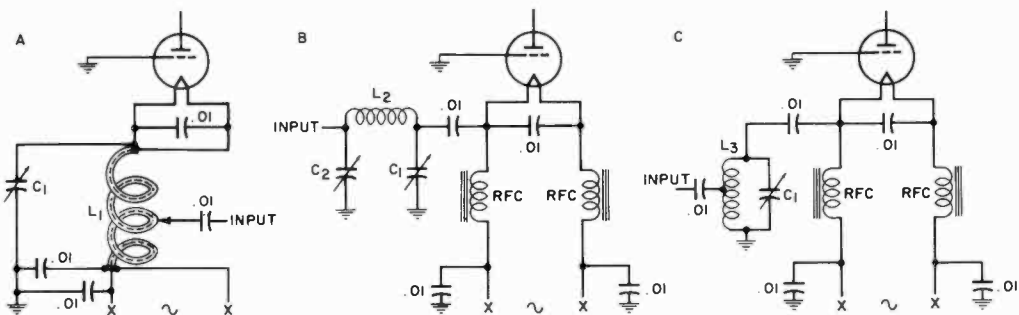


Figure 24

Tuned cathode network for cathode-driven circuit may take form of bifilar coil (A), pi-network (B), or shunt LC circuit (C). Circuit Q of at least 2 is recommended. Capacitor C<sub>1</sub> may be a 3-gang broadcast-type unit. Coils L<sub>1</sub>, L<sub>2</sub>, or L<sub>3</sub> are adjusted to resonate to the operating frequency with C<sub>1</sub> set to approximately 13 pF-per meter wavelength. Capacitor C<sub>2</sub> is approximately 1.5 times the value of C<sub>1</sub>. The input taps on coils L<sub>1</sub> and L<sub>3</sub>, or the capacitance of C<sub>2</sub> are adjusted for minimum SWR on coaxial line to the exciter.



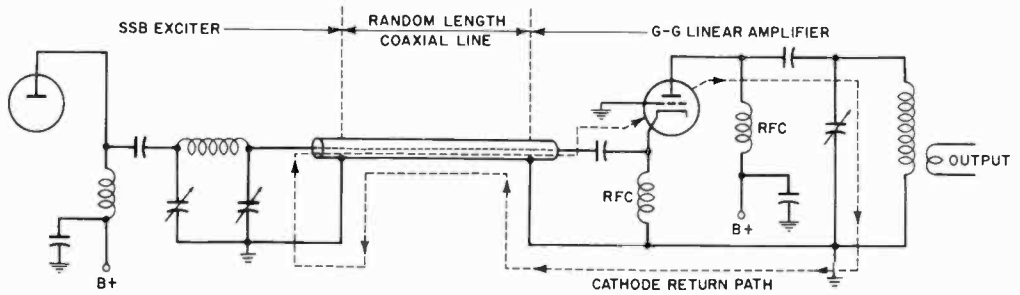


Figure 25

Untuned cathode circuit of grounded-grid amplifier offers high-impedance path to the r-f current flowing between plate and cathode of the amplifier tube. The alternative path is via the interconnecting coaxial line and tank circuit of the exciter. Waveform distortion of the driving signal and high intermodulation distortion may result from use of alternative input circuit.

## 7-8 Intermodulation Distortion

If the output signal of a linear amplifier is an exact replica of the exciting signal there will be no distortion of the original signal and no distortion products will be generated in the amplifier. Amplitude distortion of the signal exists when the output signal is not strictly proportional to the driving signal and such a change in magnitude may result in *intermodulation distortion* (IMD). IMD occurs in any nonlinear device driven by a complex signal having more than one frequency. A voice signal (made-up of a multiplicity of tones) will become blurred or distorted by IMD when amplified by a nonlinear device. As practical linear amplifiers have some degree of IMD (depending on design and operating parameters) this disagreeable form of distortion exists to a greater or lesser extent on most SSB signals.

A standard test to determine the degree of IMD is the *two-tone test*, wherein two radio-frequency signals of equal amplitude

are applied to the linear equipment, and the resulting output signal is examined for spurious signals, or unwanted products. These unwanted signals fall in the fundamental-signal region and in the various harmonic regions of the amplifier. Signals falling outside the fundamental-frequency region are termed *even-order products*, and may be attenuated by high- $Q$  tuned circuits in the amplifier. The spurious products falling close to the fundamental-frequency region are termed *odd-order products*. These unwanted products cannot be removed from the wanted signal by tuned circuits and show up on the signal as "splatter," which can cause severe interference to communication in an adjacent channel. Nonlinear operation of a so-called "linear" amplifier will generate these unwanted products. Amateur practice calls for suppression of these spurious products to better than 30 decibels below peak power level of one tone of a two-tone test signal. Commercial practice demands suppression to be better than 40 decibels below this peak level.

Additional data on IMD and two-tone test techniques is given in chapter 9.

# Special Circuitry for Semiconductors and Vacuum Tubes

Semiconductor and vacuum tube usage is not limited to the field of radio or wire communication, nor merely the generation and reception of electromagnetic signals. This chapter covers some of the more common semiconductor and vacuum tube circuits encountered in computer technology and advanced information transmission and storage applications.

## 8-1 Limiting Circuits

A *limiter* is a device in which some characteristic of the output signal is automatically prevented from exceeding a predetermined level (figure 1). Limiters are useful in waveshaping circuits where it is desirable to square off the peaks of the applied signal. For example, a sine wave may be applied to a limiter to produce a rectangular wave, or a peaked wave may be processed to eliminate either the positive or negative excursions from the output. Limiters are used in f-m receivers to limit signal amplitude at the detector stage and are used to reduce impulse noise on received signals. They may also be used to limit input signals to special devices or to maintain a high average level of modulation in a transmitter.

**The Diode Limiter** The characteristics of a diode are such that the device conducts only when the anode is positive with respect to the cathode. A positive potential may be placed on the cathode, but the diode will not conduct until the voltage on the anode rises above an equally positive value. When the anode becomes positive with respect to the cathode, the diode conducts and passes that portion of the signal which is more positive than the cathode. Diodes may be used as either series or parallel limiters, as shown in figure 2, and the diode may be biased so that only a portion of the positive or negative signal is removed.

**Peak Limiting** A peak limiter, or clipper, consisting of two diode limiters may be used to limit the amplitude of an ac signal to a predetermined value to provide a high average signal level. Limiters of this general type are useful in transmitters to provide a high level of modulation without danger of overmodulation. An effective limiter for this service is the twin diode clipper shown in figure 3. This circuit is a variation of the circuits of figure 2A and 2B, the clipping level being set by the clipping level control,  $R_4$ .

The square-topped audio waves generated by a clipper are high in harmonic content,

but these high-order harmonics can be greatly reduced by a low-pass speech filter following the clipper.

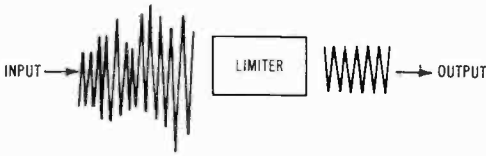


Figure 1

AMPLITUDE LIMITER ACTION

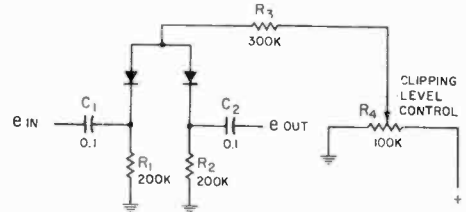


Figure 3

THE SERIES-DIODE GATE CLIPPER FOR PEAK LIMITING

or a *dc restorer*. Clamping circuits are used after RC-coupling circuits where the waveform swing is required to be either above or below the reference voltage, instead of alternating on both sides of it (figure 4). Clamping circuits are usually encountered in oscilloscope sweep circuits. If the sweep voltage

8-2 Clamping Circuits

A circuit which holds either amplitude extreme of a waveform to a given reference level of potential is called a *clamping circuit*

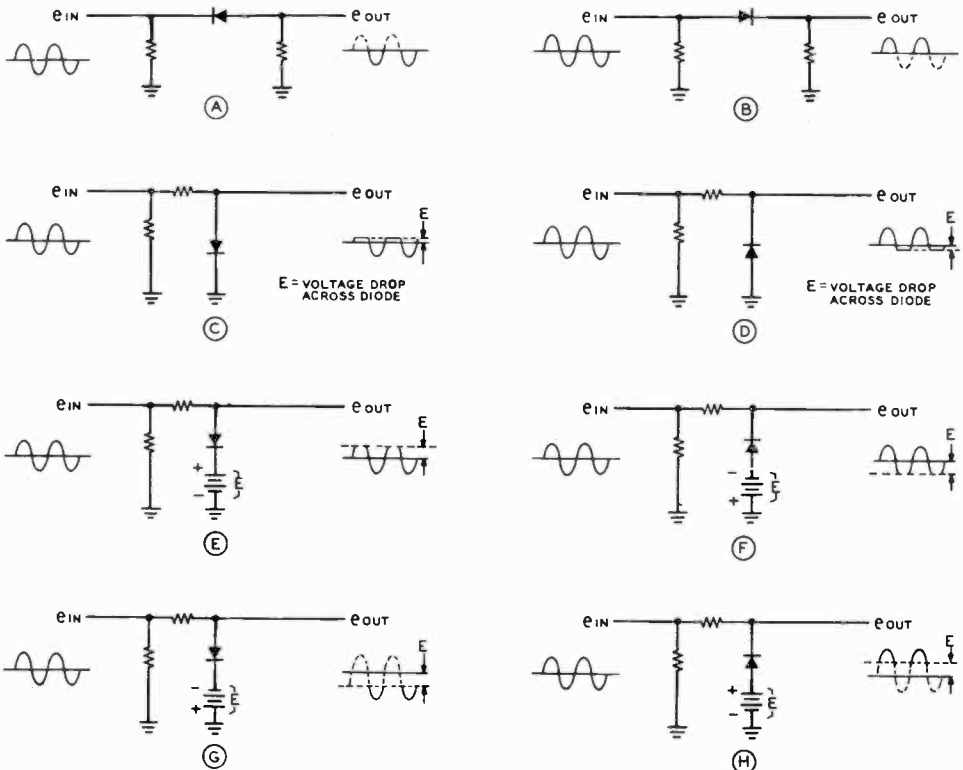


Figure 2

VARIOUS DIODE LIMITING CIRCUITS

Series diodes limiting positive and negative peaks are shown in A and B. Parallel diodes limiting positive and negative peaks are shown in C and D. Parallel diodes limiting above and below ground are shown in E and F. Parallel-diode limiters which pass negative and positive peaks are shown in G and H.

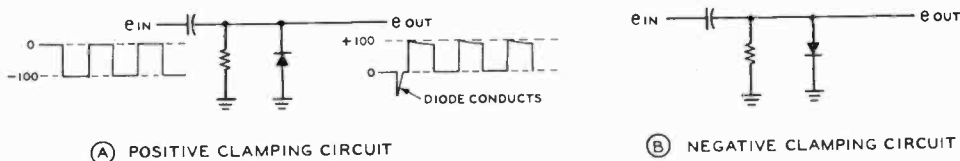


Figure 4

**SIMPLE POSITIVE AND NEGATIVE CLAMPING CIRCUITS**

does not always start from the same reference point, the trace on the screen does not begin at the same point on the screen each time the sweep is repeated and therefore is "jittery." If a clamping circuit is placed between the sweep amplifier and the deflection element, the start of the sweep can be regulated by adjusting the dc voltage applied to the clamping tube (figure 5).

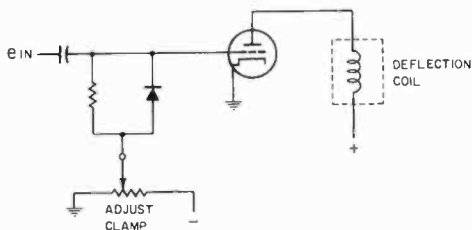


Figure 5

**NEGATIVE CLAMPING CIRCUIT EMPLOYED IN ELECTROMAGNETIC SWEEP SYSTEM**

**8-3 Positive Feedback Amplifiers**

Positive feedback may be employed in an amplifier to execute transitions between two distinct stable states. Amplifiers employing positive feedback are called *multivibrators*, *relaxation oscillators*, or *flip-flops*. They are used for timing, frequency division, and switching. The switching time is commonly called *regeneration time* and the time required to reach a final steady state condition is called *resolution time*.

**Monostable, Bistable, and Astable Operation**

Amplifiers having heavy positive feedback such as shown

in this section may operate in more than one mode. A *monostable* state implies that the

amplifier has one stable state. An external trigger is required to shift the circuit to a quasi-stable state for one cycle of a predetermined interval. A *bistable* state implies an amplifier having two stable operating states. The amplifier changes state for each external trigger signal. This circuit is also called a *flip-flop*. An *astable* state implies that the amplifier continuously alternates between two unstable states at a frequency determined by the circuit constants.

A *multivibrator*, or relaxation oscillator, is a circuit characterized by a large degree of positive feedback which causes the circuit to operate in abrupt transitions between two blocked end-states. The transition rate may be stabilized by the introduction of a synchronizing voltage of harmonic or subharmonic frequency. A representative multivibrator is shown in figure 6. Basically, it is a two-stage resistance-capacitance coupled amplifier with the output coupled back to the input. In general, the duration of a quasi-stable state is determined by the exponential decay of charge stored in a coupling circuit time constant. Action is started by thermal agitation or miscellaneous noise and is maintained by the charge and discharge of energy in the coupling capacitors. The paths for these actions are shown in figure 7.

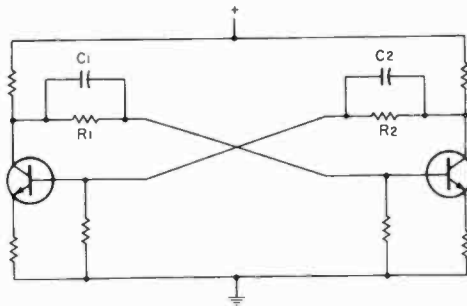


Figure 6

**BASIC MULTIVIBRATOR CIRCUIT**

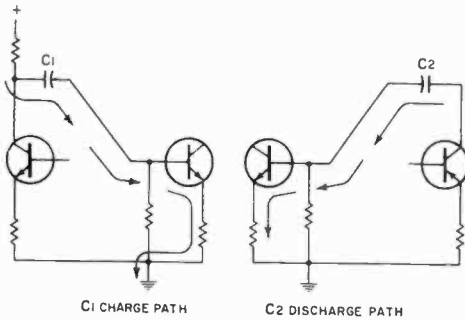


Figure 7

**THE CHARGE AND DISCHARGE PATHS IN THE FREE-RUNNING MULTIVIBRATOR OF FIGURE 6**

The output of a free-running multivibrator may be used as a source of square waves, as an electronic switch, or as a means of obtaining frequency division. Submultiple frequencies as low as one-tenth of the injected synchronizing frequency may easily be obtained.

A bistable multivibrator, or *Eccles-Jordan* (binary) circuit is one that it not free running, but that has two conditions of stable equilibrium (figure 8). One condition is when  $Q_1$  is conducting and  $Q_2$  is cutoff; the other is when  $Q_2$  is conducting and  $Q_1$  is cutoff. The circuit remains in one or the other of these stable conditions until a trigger signal causes the nonconducting device to conduct. The two devices then reverse their functions and remain in the new

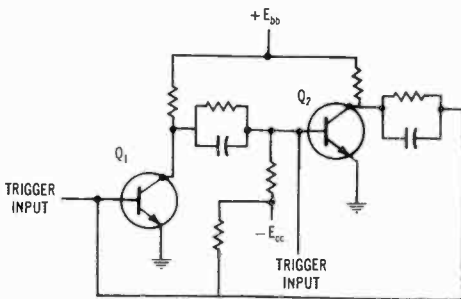
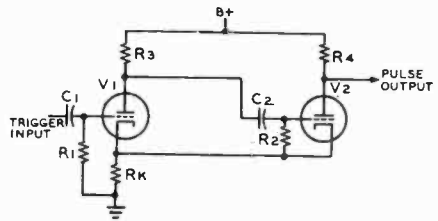


Figure 8

**TRANSISTOR BISTABLE MULTIVIBRATOR**

The collector-base coupled multivibrator operation is determined by base current flow. For switching, the loop current gain must be greater than unity.



ONE-SHOT MULTIVIBRATOR

Figure 9

**ECCLES-JORDAN MULTIVIBRATOR CIRCUIT**

condition until the next trigger signal is applied.

A vacuum-tube version of a modified bistable multivibrator is shown in figure 9. This circuit accomplishes a complete cycle when triggered by a positive pulse. Such a device is called a *one-shot* multivibrator. For initial action,  $V_1$  is cut off and  $V_2$  is conducting. A large positive pulse applied to the grid of  $V_1$  causes this tube to conduct, and the voltage at its plate decreases by virtue of the IR drop through  $R_3$ . Capacitor  $C_2$  is charged rapidly by this abrupt change in  $V_1$  plate voltage, and  $V_2$  becomes cut off while  $V_1$  conducts. This condition exists until  $C_2$  discharges, allowing  $V_2$  to conduct, raising the cathode bias of  $V_1$  until it is once again cut off.

**8-4 The Blocking Oscillator**

The *blocking oscillator* shown in figure 10 is a common-base, unity gain current amplifier coupled to a current transformer. When the circuit is triggered,  $Q_1$  and the transformer inject a current into the emitter circuit that is larger than the collector current. The collector-to-ground voltage drops abruptly and the collector junction appears as a short circuit. The collector current rises in an interval ( $t$ ), equals the emitter current, and the transistor is cut off. The collector current then drops to zero and the energy accumulated in the inductance of the transformer windings

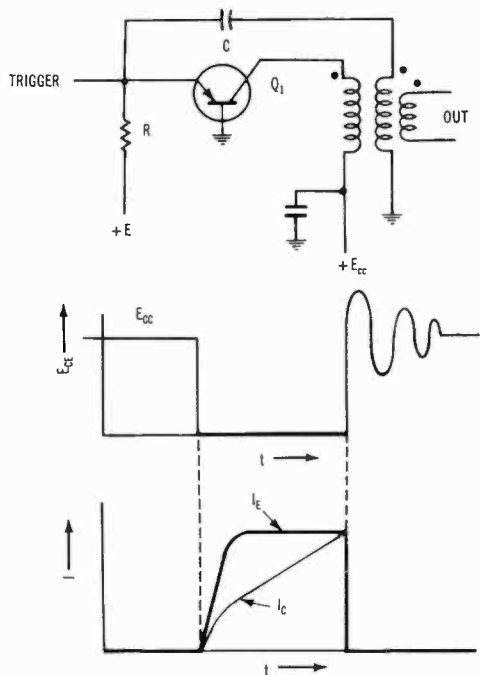


Figure 10

THE BLOCKING OSCILLATOR

causes a rapid increase in the collector voltage, as shown in the diagram. The "ringing" caused by the combination of capacitor C and the magnetization inductance of the transformer can be suppressed by an external damping circuit.

8-5 Counting Circuits

A counting circuit, or frequency divider, is one which receives uniform pulses (representing units to be counted) and produces a voltage that is proportional to the frequency of the pulses. A counting circuit may be

used in conjunction with a blocking oscillator to produce a trigger pulse which is a submultiple of the frequency of the applied pulse. Either positive or negative pulses may be counted. A positive counting circuit is shown in figure 11A, and a negative counting circuit is shown in figure 11B. The positive counter allows a certain amount of current to flow through  $R_1$  each time a pulse is applied to  $C_1$ .

The positive pulse charges capacitor  $C_1$  and makes the anode of diode 2 positive with respect to its cathode. Diode 2 conducts until the exciting pulse passes. Capacitor  $C_1$  is then discharged by diode 1, and the circuit is ready to accept another pulse. The

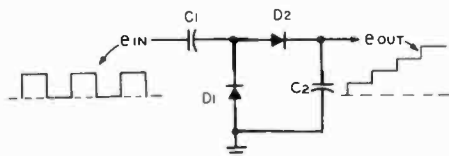


Figure 12

STEP-BY-STEP COUNTING CIRCUIT

average current flowing through  $R_1$  increases as the pulse-repetition frequency increases, and decreases as the p.r.f. decreases.

By reversing the diode connections, as shown in figure 11B, the circuit is made to respond to negative pulses. In this circuit, an increase in the p.r.f. causes a decrease in the average current flowing through  $R_1$ , which is opposite to the effect in the positive counter.

A step-counter is similar to the circuits discussed, except that a capacitor which is large compared to  $C_1$  replaces the diode load resistor. The charge of this capacitor is increased during the time of each pulse, producing a step voltage across the output (figure 12). A blocking oscillator may be con-

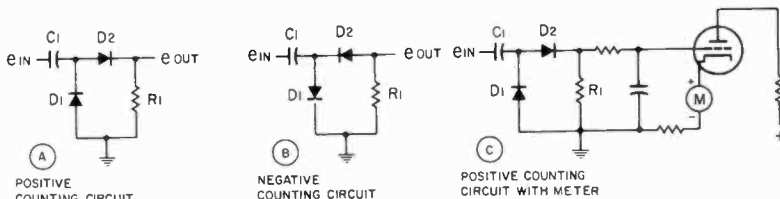


Figure 11

POSITIVE AND NEGATIVE COUNTING CIRCUITS

ected to a step counter, as shown in figure 13. The oscillator is triggered into operation when the voltage across  $C_2$  reaches a point sufficiently positive to raise the grid of  $V$  above cutoff. Circuit parameters may be chosen so that a count division up to  $1/20$  may be obtained with reliability.

### 8-6 The Resistance-Capacitance Oscillator

In an *RC oscillator*, the frequency is determined by a resistance capacitance network that provides regenerative coupling between the output and input of a feedback amplifier. No use is made of a tank circuit con-

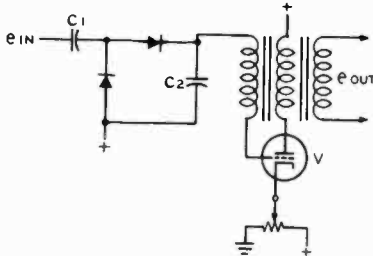


Figure 13

#### THE STEP-BY-STEP COUNTER USED TO TRIGGER A BLOCKING OSCILLATOR. THE BLOCKING OSCILLATOR SERVES AS A FREQUENCY DIVIDER.

sisting of inductance and capacitance to control the frequency of oscillation.

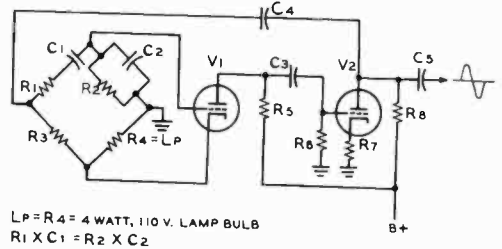
The *Wien-Bridge* oscillator employs a *Wien network* in the RC feedback circuit and is shown in figure 14. Tube  $V_1$  is the oscillator tube, and tube  $V_2$  is an amplifier and phase-inverter tube. Since the feedback voltage through  $C_4$  produced by  $V_2$  is in phase with the input circuit of  $V_1$  at all frequencies, oscillation is maintained by voltages of any frequency that exist in the circuit. The bridge circuit is used, then, to eliminate feedback voltages of all frequencies except the single frequency desired at the output of the oscillator. The bridge allows a voltage of only one frequency to be effective in the circuit because of the degeneration and phase shift provided by this circuit. The frequency at which oscillation occurs is:

$$f = \frac{1}{2\pi R_1 C_1}$$

when,

$$R_1 \times C_1 \text{ equals } R_2 \times C_2$$

A lamp ( $L_p$ ) is used for the cathode resistor



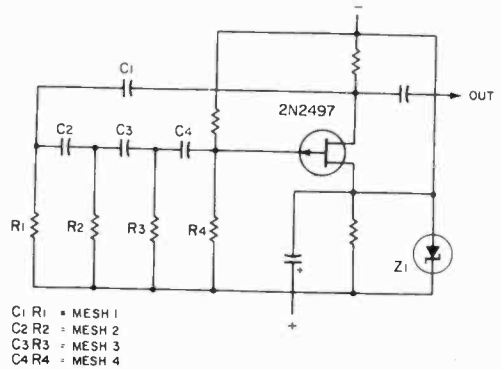
$L_p = R_4 = 4$  WATT, 110 V. LAMP BULB  
 $R_1 \times C_1 = R_2 \times C_2$

Figure 14

### THE WIEN-BRIDGE AUDIO OSCILLATOR

of  $V_1$  as a thermal stabilizer of the oscillator amplitude. The variation of the resistance with respect to the current of the lamp bulb holds the oscillator output voltage at a nearly constant amplitude.

The *phase-shift oscillator* shown in figure 15 is a single-transistor oscillator using a four mesh phase-shift network. Each section of



$C_1 R_1 = \text{MESH 1}$   
 $C_2 R_2 = \text{MESH 2}$   
 $C_3 R_3 = \text{MESH 3}$   
 $C_4 R_4 = \text{MESH 4}$

Figure 15

### THE PHASE-SHIFT OSCILLATOR

the network produces a phase shift in proportion to the frequency of the signal that passes through it. For oscillations to be produced, the signal through the network must be shifted  $180^\circ$ . Four successive phase shifts of  $45^\circ$  accomplish this, and the frequency of oscillation is determined by this phase shift.

In order to increase the frequency of oscillation, either the resistance or the capaci-

tance must be decreased by an appropriate amount.

A *bridge-type Twin-T oscillator* is shown in figure 16. The bridge is so proportioned that only at one frequency is the phase shift through the bridge equal to 180°. Voltages of other frequencies are fed back to the amplifying device out of phase with the existing input signal, and are cancelled by being amplified out of phase.

The *Bridge-T oscillator* developed by the National Bureau of Standards consists of a two-stage amplifier having two feedback loops, as shown in figure 17. Loop 1 consists of a regenerative cathode-to-cathode loop, consisting of  $L_{p1}$  and  $C_3$ . The bulb regulates the positive feedback, and tends to stabilize the output of the oscillator, much as in the manner of the Wien circuit. Loop 2 consists

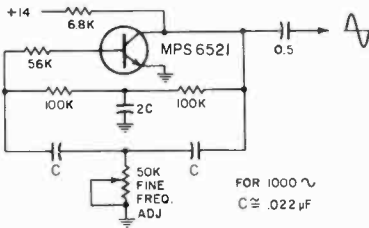


Figure 16  
THE TWIN-TEE OSCILLATOR

of a grid-cathode degenerative circuit, containing the Bridge-T.

Oscillation will occur at the null frequency of the bridge, at which frequency the bridge allows minimum degeneration in loop 2 (figure 18).

### 8-7 Closed-Loop Feedback

Feedback amplifiers have been discussed in Chapter 6, of this Handbook. A more general use of feedback is in automatic control and regulating systems. Mechanical feedback has been used for many years in such forms as engine-speed governors and servo steering engines on ships.

A simple feedback system for temperature control is shown in figure 19. This is a *cause-and-effect system*. The furnace (F) raises the room temperature (T) to a predetermined value at which point the sensing

thermostat (TH) reduces the fuel flow to the furnace. When the room temperature drops below the predetermined value the fuel flow is increased by the thermostat control. An interdependent control system is created by this arrangement: the room temperature depends on the thermostat action, and the thermostat action depends on the room temperature. This sequence of events may be termed a *closed-loop feedback system*.

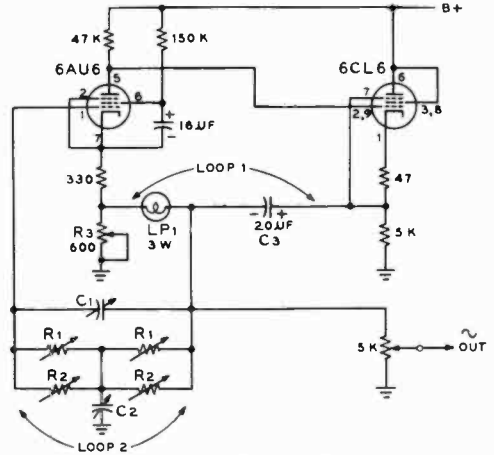


Figure 17

THE NBS BRIDGE-T OSCILLATOR CIRCUIT EMPLOYS TWO FEEDBACK LOOPS. LOOP 1 IS REGENERATIVE, LOOP 2 IS DEGENERATIVE

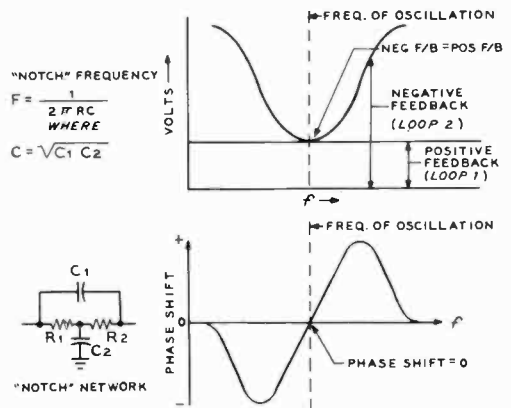
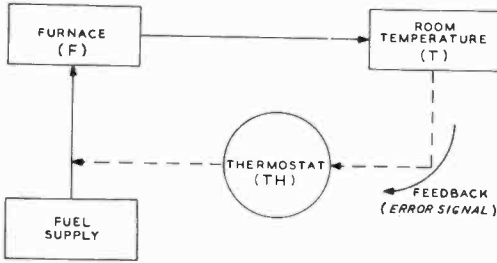


Figure 18

BRIDGE-T FEEDBACK LOOP CIRCUITS

Oscillation will occur at the null frequency of the bridge, at which frequency the bridge allows minimum degeneration in loop 2.



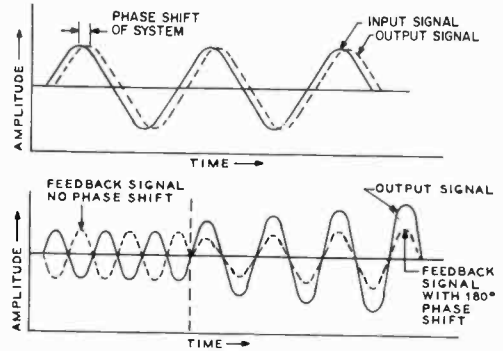


**Figure 19**  
**SIMPLE CLOSED-LOOP**  
**FEEDBACK SYSTEM**

Room temperature (T) controls fuel supply to furnace (F) by feedback loop through thermostat (TH) control.

**Error Cancellation** A feedback control system is dependent on a degree of error in the output signal, since this error component is used to bring about the correction. This component is called the *error signal*. The error, or deviation from the desired signal is passed through the feedback loop to cause an adjustment to reduce the value of the error signal. Care must be taken in the design of the feedback loop to reduce over-control tendencies wherein the correction signal would carry the system past the point of correct operation. Under certain circumstances the new error signal would cause the feedback control to overcorrect in the opposite direction, resulting in *hunting* or oscillation of the closed-loop system about the correct operating point.

Negative-feedback control would tend to damp out spurious system oscillation if it were not for the time lag or phase shift in the system. If the overall phase shift is equal to one-half cycle of the operating frequency of



**Figure 20**  
**PHASE SHIFT OF ERROR**  
**SIGNAL MAY CAUSE OSCILLATION**  
**IN CLOSED LOOP SYSTEM**

To prevent oscillation, the gain of the feedback loop must be less than unity when the phase shift of the system reaches 180 degrees.

the system, the feedback will maintain a steady state of oscillation when the circuit gain is sufficiently high (figure 20). In order to prevent oscillation, the gain figure of the feedback loop must be less than unity when the phase shift of the system reaches 180 degrees. In an ideal control system the gain of the loop would be constant throughout the operating range of the device, and would drop rapidly outside the range to reduce the bandwidth of the control system to a minimum.

The time lag in a closed-loop system may be reduced by using electronic circuits in place of mechanical devices, or by the use of special circuit elements having a *phase-lead* characteristic. Such devices make use of the properties of a capacitor, wherein the current leads the voltage applied to it.

# Single-Sideband Transmission and Reception

*Single-sideband* (SSB) communication is a unique, sophisticated information transmission system well suited for wire and radio services. Although known in theory for several decades, "sideband" was sparingly used in commercial service for a number of years, and only in the last decade has it achieved popularity and general acceptance in the Amateur Service. Economical in cost, sparing of valuable spectrum space, and usable under the most trying propagation conditions, SSB is the stepping stone to a future era of better and more reliable rapid hf communication.

## 9-1 The SSB System

Single sideband is a recent attempt to translate human intelligence into electrical impulses capable of being economically transmitted over great distances. The general flow of information in a communication system includes a *source*, followed by a *translator* which propagates the intelligence through a conducting *medium*. A second translator is used to extract the intelligence conveyed by the medium and to make it available in a usable form. The vocal chords, vibrations in the atmosphere, and the ear drum accomplish this sequence of events for sound; the light source, the "ether," and the human eye provide the same sequence for sight.

Experiments before the turn of the century proved the existence of electromagnetic waves which could be propagated and put to use for transmission of information. When voice transmission via radio waves was successfully accomplished *circa* 1907, the concept of carrier waves and sidebands was unknown, although it was understood that "a channel separation high compared with the pitch of the sound waves transmitted" was required. An implication that a *transmission band* of frequencies was involved was apparently not grasped at the time, and the idea that intelligence could be transmitted by a single carrier wave of constant frequency and varying amplitude persisted until about 1921 at which time the sideband concept had been established by a series of discoveries, experiments, and inventions.

Early SSB experiments with single-sideband transmission were conducted by the telephone industry which was interested in transmitting electrical impulses corresponding to the human voice over long-distance telephone circuits. Since the transmission properties of wire and cable deteriorate rapidly with cable length and increasing frequency, a means of frequency conservation was desired which would permit the "stacking" of different voices in an electromagnetic package so that many voices could be sent over a single circuit. The voice impulses were mainly concentrated in the band 300—3,000 Hz and the problem at hand was to translate this voice band to a higher

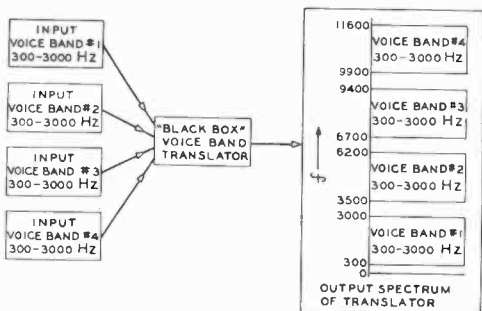


Figure 1

**THE "BLACK BOX" VOICE BAND TRANSLATOR**

A simple device for "stacking" voice bands in an electromagnetic "package" for transmitting many voices over a single circuit cannot be built as it is impossible to translate a band of frequencies directly to another band. Translation must be accomplished by an indirect method, making use of an auxiliary carrier wave and a mixing process termed "modulation."

band of frequencies (15,300—18,000 Hz, for example) for transmission on the telephone circuit, then to reverse the translation process at the receiving terminal to recover the original band of frequencies. Experiments proved, however, that a simple and economical apparatus for translation of the voice frequencies from one band to another was not forthcoming. No device could be built that would do the job that looked so simple when sketched on paper (figure 1). It proved possible, however, to generate a continuous electrical signal at some high frequency (15,000 Hz, for example) and to impress the voice impulses on this signal. For convenience, the continuous signal was termed the *carrier wave*, as it was assumed to "carry" the intelligence in some way or other. A suitable device at the receiving terminal detected the intelligence on the carrier, recovering the original speech frequencies impressed on the carrier at the transmitter. Mathematical analysis of this process (called *modulation*) showed that the carrier remained unchanged and additional frequencies were created lying on either side of the carrier, spaced from it by a frequency proportional to the modulation frequency (figure 2). These additional frequencies were termed *sidebands* and conclusive evidence of separate sidebands was achieved in 1915 by the use of electric filters that sep-

arated sidebands and carriers, proving their individuality.

The sideband theory was of little more than passing interest to radio engineers, but it was a matter of considerable importance to the telephone industry. The carrier wave was useless except as an operator necessary to generate and then upon which to "hang" the two sidebands, both of which carried the same information (figure 3). For economic reasons and spectrum conservation it was desirable to remove one sideband and the carrier from the translator, passing only one sideband through the conducting medium. At the receiver, a locally generated carrier wave of the correct frequency and amplitude was combined with the incoming single-sideband signal. The resulting output was a reproduction of the signal impressed on the translator. Commercial wire telephone systems using this technique were placed in operation in 1918 and the first h-f SSB telephone link was activated in 1927.

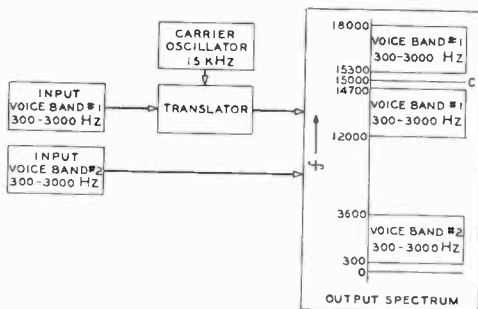


Figure 2

**THE TRANSLATOR MIXER**

Voice band #1 is impressed on a carrier signal in a translator (mixer) stage. Voice band #2 is unchanged. The output spectrum of the device shows that two voice bands are available, one "stacked" above the other in frequency. Addition of other translators will permit additional voice bands to be "stacked" in the frequency region between 3600 Hz and 12,000 Hz. The voice packages thus created could be sent over a single circuit. Note that the translation process creates two symmetrical voice bands from the original #1 signal, spaced each side of a carrier frequency between the bands. Elimination of carrier signal and one voice band would permit addition of another signal in this portion of the spectrum.

**Practical Application of SSB**

The spectrum waste arising from a frequency translation process utilizing simple amplitude modulation could be eliminated by suppression of one sideband

and the carrier, and the transmission of only the remaining sideband. To date, no method exists to directly generate an SSB signal. All translation techniques involve the use of a carrier wave, and the resulting signal includes the original carrier and two auxiliary sidebands.

The post-World War II acceptance of SSB transmission for military and commercial circuits has stimulated research and development in this field and has contributed to a heightened interest in the technique by the radio amateur. Mass production of sharp-cutoff filters and stable translation oscillators, plus the use of advanced and simplified circuitry has brought SSB to the point of obsoleting simple amplitude-modulation transmission on the high-frequency amateur bands. Undoubtedly, in the years ahead, further design refinements and technical advances will make the use of SSB even more advantageous to all concerned with transmission of intelligence by electrical means.

The popularity of SSB for general amateur use has been brought about as this technique has consistently proved to allow more reliable communication over a greater range than has amplitude modulation. It has greater ability to pierce interference, static, and man-made noise than has amplitude

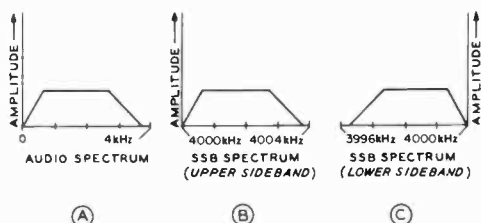


Figure 3

### RELATIONSHIP OF AUDIO AND SSB SPECTRUMS

The single-sideband components are the same as the original audio components except that the frequency of each is raised by the frequency of the carrier. The relative amplitude of the various components remains the same.

modulation and is inherently resistant to propagation abnormalities that render a-m completely useless. In addition, the annoying interference caused by heterodynes between a-m carriers is completely missing in SSB service.

**Basic SSB** A single-sideband signal can be best be described as an audio signal *raised* (or translated) to the desired radio frequency. The translation process may not result in the inversion of the audio-frequency components in the signal, depending on the sideband selected (figure 4). For example, a single audio tone of 2000 Hz is to be translated into an SSB signal in the 455-kHz region. The tone is amplified and applied to one input of a translator stage (usually termed a *balanced modulator*). A radio-frequency carrier is applied to the other input terminal of the modulator. For this example, the frequency of the

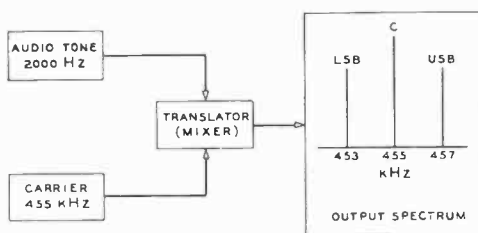


Figure 4

### THE TRANSLATOR SPECTRUM

The SSB signal is an audio signal raised (mixed, or translated) to the desired radio frequency. A 455-kHz carrier signal upon which is impressed a 2-kHz audio tone in a translator stage will possess two sidebands, separated from the carrier frequency by the frequency of the tone. The carrier has been generated by the separate oscillator and the two adjacent signals (sidebands) are a product of the mixing process taking place between the audio signal and the carrier. The output spectrum pictured is of a double sideband, with carrier. To produce an SSB signal, it is necessary to eliminate the carrier and one sideband.

carrier is 455 kHz. The translation process takes place in the balanced modulator; creating two *sidebands* positioned each side of the carrier, and separated from it by the modulation frequency. Thus, at least four signals are flowing within the modulator: the 2000-Hz (2-kHz) *audio signal*, the *lower sideband* ( $455 - 2 = 453$  kHz), the *carrier* (455 kHz), and the *upper sideband* ( $455 + 2 = 457$  kHz). The carrier, of course, has been generated by the separate local oscillator, and the two sidebands are a product of the mixing process taking place between the audio signal and the carrier.

The balanced modulator is usually designed to balance (or cancel) the carrier sig-

nal to a large degree, leaving only the two sidebands and the audio signal to appear in the output circuit. Some modulators also balance out the audio signal. Part of the job of creating an SSB signal has now been accomplished. The high-frequency components of the output signal of the balanced modulator comprise a *double-sideband, suppressed-carrier signal*. The remaining step to create an SSB signal is to eliminate one of the sidebands and to reduce to minor proportions any vestige of carrier permitted to pass through the balanced-modulator stage. A *sideband filter* accomplishes this last step. At the output of the filter is the desired SSB signal. The passband of the filter should be just wide enough to pass the intelligence without passing the carrier wave or the unwanted sideband. For voice communication, such filters usually pass a band of radio frequencies about 2 or 3 kHz wide.

The unwanted carrier and sideband that are eliminated by the filter and balanced modulator are actually absorbed by the filter and modulator and converted to heat. In order to hold the cost and size of the filter to a reasonable figure, it is necessary that the above process take place at a relatively low signal level, of the order of a volt or two, so that power dissipation is low.

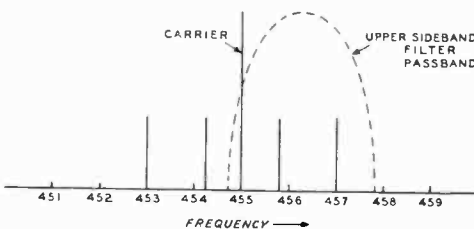


Figure 5

### THE SSB SIGNAL

The SSB signal may be generated by passing a double-sideband-with-carrier signal through a filter which removes one sideband and partially suppresses the carrier. In this example, a two-tone audio signal (700 and 2000 Hz) is mixed with a 455-kHz carrier signal. The output signal from the mixer, or modulator, contains four sideband frequencies: 453 kHz, 454.3 kHz, 455.7 kHz, and 457 kHz, in addition to the carrier at 455 kHz. Additional carrier suppression may be obtained by the use of a balanced modulator.

**The SSB Spectrum** A single audio tone in a perfect SSB system remains a simple sine wave at all points in the system and cannot be distinguished from a

c-w signal generated by more conventional means. A voice signal, on the other hand, is a complex band of audio components having many frequencies of varying amplitudes. A simple and useful compromise signal for testing SSB equipment is the *two-tone* signal, composed of two equal and separate sine waves separated a very small percentage in frequency. If two audio tones are applied to the input circuit of the SSB exciter previously discussed, the output of the 455-kHz balanced modulator will contain four sideband frequencies (figure 5). Assume the audio tones are 700 and 2000 Hz. The output frequencies of the balanced modulator will be: 453 kHz, 454.3 kHz, 455 kHz (the partially suppressed carrier), 455.7 kHz and 457 kHz. The two lower frequencies represent the lower sideband, and the two higher frequencies represent the upper sideband. With a properly designed filter following the balanced modulator, both the frequencies in one sideband and the remainder of the carrier will be almost completely eliminated. If the filter completely eliminates the lower sideband and the carrier, the output of the exciter will be two radio frequencies at 455.7 kHz and 457 kHz. An observer examining these r-f signals could not tell if the signals were generated by two oscillators operating at the observed frequencies, or if the two signals were the result of two audio tones applied to an SSB exciter.

The waveform of the SSB signal changes drastically as the number of audio tones is increased, as shown in figure 6. A single-tone waveform is shown in illustration A and is simply a single, steady sine-wave r-f output. A signal composed of two audio tones is shown in illustration B. The two radio-frequency signals are separated by the difference in frequency between the audio tones and beat together to give the SSB envelope shown. The figure has the shape of half-sine waves, and from one null to the next represents one full cycle of the difference frequency. If one tone has twice the amplitude of the other, the envelope shape is as shown in illustration C. The SSB envelope of three equal tones of equal frequency spacings and at one particular phase relationship is shown in illustration D. Illustration E shows the SSB envelope of four equal tones having equal frequency spacings

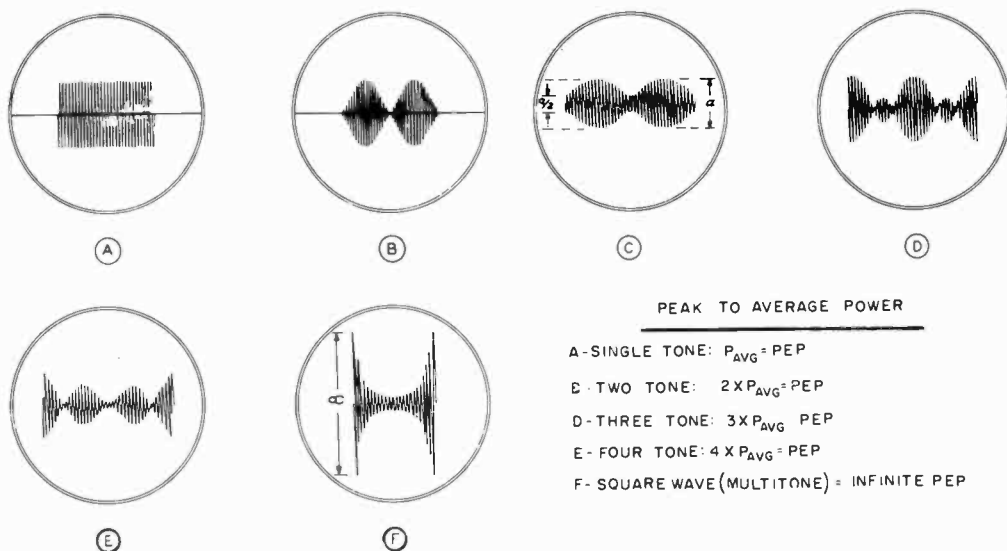


Figure 6

## SSB WAVEFORMS

The waveform of the SSB signal changes with the nature of the modulating signal, and the envelope shape of the SSB wave may not be the same as the original audio waveshape. The peak power in the SSB wave is a direct function of the r-f waveform, as shown here. Peak and average power in the SSB wave will be discussed later in this chapter.

and at one particular phase relationship. Finally, illustration F shows the SSB envelope of a square wave having an infinite number of odd harmonics. A pure square wave requires infinite bandwidth, so in theory the SSB envelope requires infinite amplitude. This emphasizes the point that the SSB envelope shape may not be the same as the original audio waveshape, and usually bears no similarity to it. This is because the percentage difference between the radio frequencies is small, even though one audio tone may be several times the other in terms of frequency. Because of nonlinearity and phase shift in the practical SSB transmitter, the peak amplitude of a transmitted square wave is not so great as predicted by theory through the addition of the harmonic coefficients, making it impossible to faithfully reproduce a square wave. Speech processing in the form of heavy audio *clipping* therefore is of limited value in SSB because the SSB r-f envelopes are so different from the audio envelopes. A heavily clipped wave approaches a square wave which will have the tendency to exhibit the high amplitude peaks shown in illustration 6F, a waveform

the SSB transmitter is theoretically unable to transmit.

**The Received SSB Signal** In summary, if an *audio spectrum* containing many different tones (the human voice, for example) is applied to the SSB exciter, an *r-f spectrum* is generated that corresponds to the audio tones. If the audio spectrum encompasses the range of 300—3000 Hz, the output of the 455-kHz balanced modulator will be 452 to 454.7 kHz (the lower sideband), 455 kHz (the partially suppressed carrier), and 455.3 to 458 kHz (the upper sideband). An “upper-sideband” type filter having a passband of 455.3 to 458 kHz will substantially eliminate the residual carrier and lower sideband.

Listening to the output of the SSB exciter on a typical a-m receiver will divulge a series of unintelligible sounds having no apparent relation to the original speech impressed on the SSB exciter. (A low-pitched voice can be read with difficulty as the syllabic content is preserved and is apparent). Injection in the receiver of a local carrier

frequency of 455 kHz (corresponding to the suppressed carrier eliminated in the exciter) will produce intelligible speech that is a replica of the original voice frequencies.

In order to transmit simple double sideband with carrier (amplitude modulation) with this SSB exciter, it is only necessary to bypass the sideband filter and unbalance the balanced modulator. The resulting a-m signal with carrier may be intelligible on the ordinary receiver without the necessity of local-oscillator injection, the latter function being fulfilled by the transmitted carrier, if it has sufficient strength relative to the sidebands.

**SSB Power Rating** The SSB transmitter is usually rated at *peak envelope input or output power*. Peak envelope power (PEP) is the root-mean-square (rms) power generated at the peak of the modulation envelope. With either a two-equal-tone test signal or a single-tone test signal, the following equations approximate the relationships between single-tone and two-tone meter readings, peak envelope power, and average power for class-B or class-AB linear amplifier operation:

*Single tone:*

DC Plate Current (Meter Reading):

$$I_b = \frac{i_{pm}}{\pi}$$

Plate Input (Watts):

$$P_{in} = \frac{i_{pm} \times E_b}{\pi}$$

Average Output Watts and PEP:

$$P_o = \frac{i_{pm} \times e_p}{4}$$

Plate Efficiency:

$$N_p = \frac{\pi \times e_p}{4 \times E_b}$$

*Two equal tones:*

DC Plate Current (Meter Reading):

$$I_b = \frac{2 \times i_{pm}}{\pi^2}$$

Plate Input (Watts):

$$P_{in} = \frac{2 \times i_{pm} \times E_b}{\pi^2}$$

Average Output Watts:

$$P_o = \frac{i_{pm} \times e_p}{8}$$

PEP Output Watts:

$$P_o = \frac{i_{pm} \times e_p}{4}$$

Plate Efficiency:

$$N_p = \left(\frac{\pi}{4}\right)^2 \times \frac{e_p}{E_b}$$

where,

- $i_{pm}$  equals peak of the plate-current pulse,
- $e_p$  equals peak value of plate-voltage swing,
- $\pi$  equals 3.14,
- $E_b$  equals dc plate voltage,
- $N_p$  equals efficiency in percent.

**"Average" Speech** Section 97.67 of the Amateur Radio Service Rules of the FCC indicates that the average power input of an SSB transmitter in the amateur service shall not exceed one kilowatt on modulation peaks, as indicated by a plate-current meter having a time constant of not more than 0.25 second. It is common practice among amateurs to define this as equivalent to a *peak envelope power* input of two kilowatts. This is convenient, since a two-tone test signal having a peak-to-average power ratio of two to one can thereby be employed for tuneup and adjustment purposes with the reasonable assumption that the SSB equipment will be properly adjusted for one kilowatt average power voice operation.

It is difficult to determine the ratio of peak to average power in the human voice, as the range of intensity of speech sounds may vary as much as 40 decibels. "Average" speech seems to have an intensity range of about 20 decibels and a ratio of instantaneous peak-to-average power of about 14 decibels for 99 percent of the time of speech.

Speech processing (clipping or compression) may alter this figure, bringing the peak to average power ratio closer to unity. In any event, adjustment of the amateur SSB transmitter to achieve a peak power input of twice the average power input level has proven by experience to allow sufficient peak-power capability to cover the majority of cases. In those situations where the peak capability of the equipment is exceeded at an average-power input level of one kilowatt, the average-power level must be reduced to conform with the maximum capability of the transmitter. In any case, the use of an oscilloscope is mandatory to determine the peak-power capability of an SSB transmitter.

**Power Advantage of SSB over AM** Single sideband is a very efficient form of voice communication by radio.

The amount of radio-frequency spectrum occupied can be no greater than the frequency range of the audio or speech signal transmitted, whereas other forms of radio transmission require from two to several times as much spectrum space. The r-f power in the transmitted SSB signal is directly proportional to the power in the original audio signal and no strong carrier is transmitted. Except for a weak pilot carrier present in some commercial usage, there is no r-f output when there is no audio input.

The power output rating of an SSB transmitter is given in terms of *peak envelope power* (PEP). This may be defined as the rms power at the crest of the modulation envelope. The peak envelope power of a conventional amplitude-modulated signal at 100% modulation is four times the carrier power. The average power input to an SSB transmitter is therefore a very small fraction of the power input to a conventional amplitude-modulated transmitter of the same power rating.

Single sideband is well suited for long-range communications because of its spectrum and power economy and because it is less susceptible to the effects of selective fading and interference than amplitude modulation. The principal advantages of SSB arise from the elimination of the high-energy carrier and from further reduction in sideband

power permitted by the improved performance of SSB under unfavorable propagation conditions.

In the presence of narrow-band manmade interference, the narrower bandwidth of SSB reduces the probability of destructive interference. A statistical study of the distribution of signals on the air versus the signal strength shows that the probability of successful communication will be the same if the SSB power is equal to one-half the power of one of the two a-m sidebands. Thus SSB can give from 0 to 9 dB improvement under various conditions when the *total* sideband power is equal in SSB and regular amplitude modulation. In general, it may be assumed that 3 dB of the possible 9 dB advantage will be realized on the average contact. In this case, the SSB power required for equivalent performance is equal to the power in one of the a-m sidebands. For example, this would rate a 100-watt SSB and a 400-watt (carrier) a-m transmitter as having equal performance. It should be noted that in this comparison it is assumed that the receiver bandwidth is just sufficient to accept the transmitted intelligence in each case.

To help evaluate other methods of comparison the following points should be considered. In conventional amplitude modulation two sidebands are transmitted, each having a peak envelope power equal to  $\frac{1}{4}$  carrier power. For example, a 100-watt a-m signal will have 25-watt peak envelope power in each sideband, or a total of 50 watts. When the receiver detects this signal, the voltages of the two sidebands are added in the detector. Thus the detector output voltage is equivalent to that of a 100-watt SSB signal. This method of comparison says that a 100-watt SSB transmitter is just equivalent to a 100-watt a-m transmitter. This assumption is valid only when the receiver bandwidth used for SSB is the same as that required for amplitude modulation (e.g., 6 kHz), when there is no noise or interference other than broadband noise, and if the a-m signal is not degraded by propagation. By using half the bandwidth for SSB reception (e.g., 3 kHz) the noise is reduced 3 dB so the 100-watt SSB signal becomes equivalent to a 200-watt carrier a-m signal. It is also possible for the a-m signal to be degraded another 3 dB on the average due to narrow-band interference and poor propaga-



tion conditions, giving a possible 4 to 1 power advantage to the SSB signal.

It should be noted that 3 dB signal-to-noise ratio is lost when receiving only one sideband of an a-m signal. The narrower receiving bandwidth reduces the noise by 3 dB but the 6 dB advantage of coherent detection is lost, leaving a net loss of 3 dB. Poor propagation will degrade this "one-sideband" reception of an a-m signal less than double-sideband reception, however. Also under severe narrow-band interference conditions (e.g., an adjacent strong signal) the ability to reject all interference on one side of the carrier is a great advantage.

**Advantage of SSB with Selective Fading** On long-distance communication circuits using amplitude modulation, selective fading often causes severe distortion and at times makes the signal unintelligible. When one sideband is weaker than the other, distortion results; but when the carrier becomes weak and the sidebands are strong, the distortion is extremely severe and the signal may sound like "monkey chatter." This is because a carrier of at least twice the amplitude of either sideband is necessary to demodulate the signal properly. This can be overcome by using *exalted-carrier reception*

in which the carrier is amplified separately and then reinserted before the signal is demodulated or detected. This is a great help, but the reinserted carrier must be very close to the same phase as the original carrier. For example, if the reinserted carrier were 90 degrees from the original source, the a-m signal would be converted to phase modulation and the usual a-m detector would deliver no output.

The phase of the reinserted carrier is of no importance in SSB reception and by using a strong reinserted carrier, exalted-carrier reception is in effect realized. Selective fading with one sideband simply changes the amplitude and the frequency response of the system and very seldom causes the signal to become unintelligible. Thus the receiving techniques used with SSB are those which inherently greatly minimize distortion due to selective fading.

**SSB Amplification and Frequency Changing** The single-sideband signal appearing at

the output of the filter must be amplified to a sufficiently strong level for practical use. The amplifying stage must have low distortion and the output signal must be a faithful replica of the input signal. An amplifier meeting these requirements is called a *linear amplifier*. Any deviation from amplitude linearity produces signal distortion and spurious products which rapidly degrade the SSB signal. It is therefore impossible to pass the SSB signal through frequency doublers or class-C amplifiers without creating severe distortion, because these are inherently nonlinear devices. Linear amplifier stages must be used, and if a change of frequency of the SSB signal is desired, it must be heterodyned to the new frequency by means of a mixer stage and another local oscillator (figure 7). The resulting signal may be vfo controlled by varying the frequency of the local oscillator, but the frequency at which the SSB signal is generated is held constant. Thus, by means of linear amplifiers and mixer stages, a low frequency SSB signal may be amplified and converted to any other frequency desirable for communication purposes.

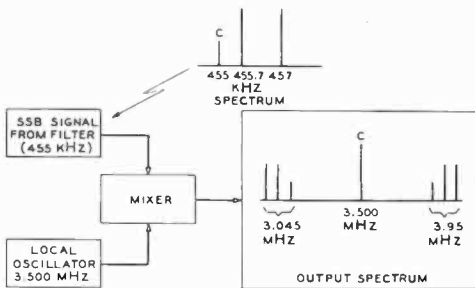


Figure 7

### SSB FREQUENCY TRANSLATION

The SSB signal may be translated higher in frequency in the same manner the voice signals are translated to a radio-frequency spectrum. In this example, the 455-kHz two-tone, suppressed-carrier signal is translated (mixed) with a 3.5-MHz oscillator to provide two new sidebands, one at 3.045 MHz and the other at 3.95 MHz. If the 3.95-MHz signal is desired, filter circuits may be used to eliminate the unwanted 3.045-MHz sideband and the 3.5-MHz carrier signal from the local oscillator. The 3.95-MHz signal may now be shifted in frequency by changing the frequency of the local oscillator.

## 9-2 A Basic Single-Sideband Transmitter

The general outline of a practical SSB filter-type transmitter suitable for high-frequency operation can be assembled from the preceding information. A block diagram of such a unit is shown in figure 8. The transmitter consists of a speech amplifier, a carrier oscillator, a balanced modulator, a sideband filter, a high-frequency mixer stage and conversion oscillator, and a linear amplifier having a high-Q tuned output circuit. Incidental equipment such as power supplies and metering circuits are also necessary. Many variations of this basic block diagram are possible.

*The Speech Amplifier*—A typical speech amplifier consists of a microphone which converts the voice into electrical signals in the audio band, followed by one or more stages of voltage amplification. No appreciable audio power output is required making the audio system of the SSB transmitter quite different from that of the usual a-m transmitter, which requires an audio power level equal to one-half the class C amplifier power input. Included in the speech system is a *speech level* (audio volume) control and additional stages to allow *automatic voice operation* (VOX) of the equipment.

*The Carrier Oscillator*—A highly stable r-f oscillator (often crystal-controlled) is used to generate the carrier signal required in the mixing process. The choice of carrier frequency is determined by the design of

the sideband filter, and frequencies in the range of 250 kHz to 20 MHz are common. Power output is low and frequency stability is a prime necessity in this circuit.

*The Balanced Modulator*—The balanced modulator translates the audio frequencies supplied by the speech amplifier into r-f sidebands adjacent to the carrier generated by the carrier oscillator. In addition, the balanced modulator partially rejects the carrier which has no further use after the mixing process is completed. A *carrier-balance* (null) control is an integral part of this circuit and is adjusted for optimum carrier suppression.

*The Sideband Filter*—Selection of one of the two sidebands at the output of the balanced modulator is the function of the filter. A practical filter may consist of small tuned LC circuits, or it may consist of mechanical resonators made of quartz or steel. A representative passband for a sideband filter is shown in figure 9. The filter must provide a sharp cutoff between the wanted sideband and the carrier, as well as rejection of the unwanted sideband.

*The Converter (Mixer) Stage and Conversion Oscillator*—It is usually necessary to obtain an SSB signal at a frequency other than that of the sideband filter passband. Frequency conversion is accomplished in the same manner the voice frequencies were translated to the filter frequency region; that is, by the use of a converter stage and conversion oscillator. The process carried out in this step may be referred to as *translation, mixing, heterodyning, or converting*. For this example, it is desired to

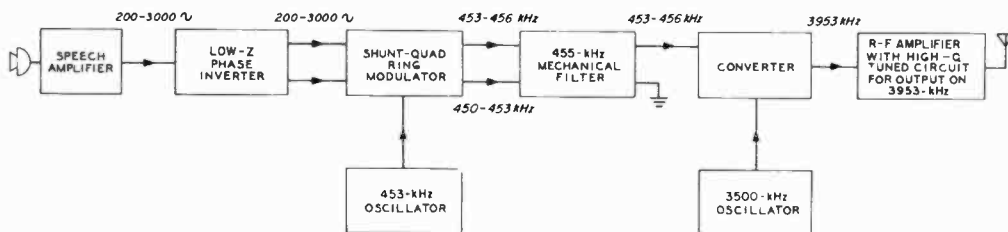


Figure 8

### BLOCK DIAGRAM OF FILTER-TYPE SSB TRANSMITTER

Voice frequencies in the range of 200 to 3000 Hz are amplified and fed to a balanced modulator. Depending on the choice of frequency of the local oscillator, either the upper or lower sideband may be passed through to the mechanical filter. The carrier has, to some extent, been reduced by the balanced modulator. Additional carrier rejection is afforded by the filter. The SSB signal at the output of the filter is translated directly to a higher operating frequency. Suitable tuned circuits follow the converter stage to eliminate the conversion oscillator signal and the image signal.

convert a 455-kHz SSB signal to 3.95 MHz. The operation takes place in a second balanced-modulator circuit. One input is the 455-kHz SSB signal, and the other input signal is from an oscillator operating on 3.500 MHz. The output of the second mixer is a partially suppressed carrier (3.500 MHz), the lower sideband in the 3.045-MHz range ( $3.500 - 0.455 = 3.045$  MHz), and the upper sideband in the 3.95-MHz range ( $3.500 + 0.455 = 3.95$  MHz). The upper sideband is the desired one, so a simple auxiliary *image filter* is used to separate it from the unwanted sideband and the partially suppressed carrier. In most cases, this filter consists of the two or three parallel-tuned circuits normally associated with the following amplifier stages tuned to 3.95 MHz.

*The Linear Amplifier*—The output of the last mixer stage is usually of the order of a few milliwatts and must be amplified to a usable level in one or more *linear amplifier* stages. For lowest distortion, the output of the linear amplifier should be a nearly exact reproduction of its input signal. Any amplitude nonlinearity in the amplifier not only will produce undesirable distortion within the SSB signal, but will also produce annoying spurious products in adjacent channels. Distortion may be held to a low

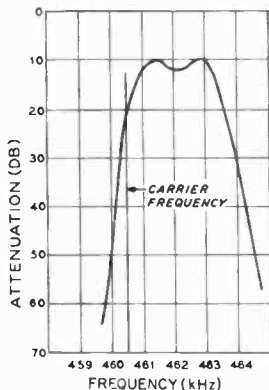


Figure 9

### PASSBAND OF CRYSTAL LATTICE FILTER

A 460.5-kHz crystal-lattice filter composed of eight crystals has an excellent passband for voice waveforms. Carrier rejection is about -20 decibels, and unwanted sideband rejection is better than -35 decibels. Passband is essentially flat up to 463 kHz, providing an audio passband of about 300 to 2500 Hz.

value by the proper choice of tubes, their operating voltages and driving-circuit considerations, and by the use of external negative feedback, as discussed in Chapter Twelve.

## 9-3 The Balanced Modulator

The *balanced modulator* is used to mix the audio signal with that of the local carrier to produce sideband components which may be selected for further amplification. Any *nonlinear* element will serve in a modulator, producing sum and difference signals as well as the original frequencies. This phenomenon is objectionable in amplifiers and desirable in mixers or modulators. The simplest modulator is a rapid-action switch, commonly simulated by diode rectifiers for r-f service. Either semiconductors or vacuum-tube rectifiers may be employed and some of the more commonly used circuits are shown in figure 10. The simplest modulator is that of figure 10A, the two-diode series-balanced modulator. The input transformer introduces the audio signal to the balanced diode switches, which are turned off and on by the carrier voltage introduced in an in-phase relationship. If the carrier amplitude is large with respect to the audio signal, the only current flowing in the output transformer is due to the action of the audio voltage added to the carrier voltage. A properly designed DSB output transformer will filter out the switching transients, the audio component, and the carrier signal, leaving only the desired double-sideband output. A shunt version of this circuit is shown in illustration B wherein the diodes form a short-circuit path across the input transformer on alternate half-cycles of carrier switching voltage.

Four-diode balanced modulators are shown in illustrations C through E. Circuits C and E are similar to the two-diode circuits except that untapped transformers may be used to save cost. The double-balanced ring circuit of illustration D is popular as both carrier and audio signal are balanced with respect to the output, which is advantageous when the output frequency is not sufficiently different from the inputs to allow ready separation by inexpensive filters. The

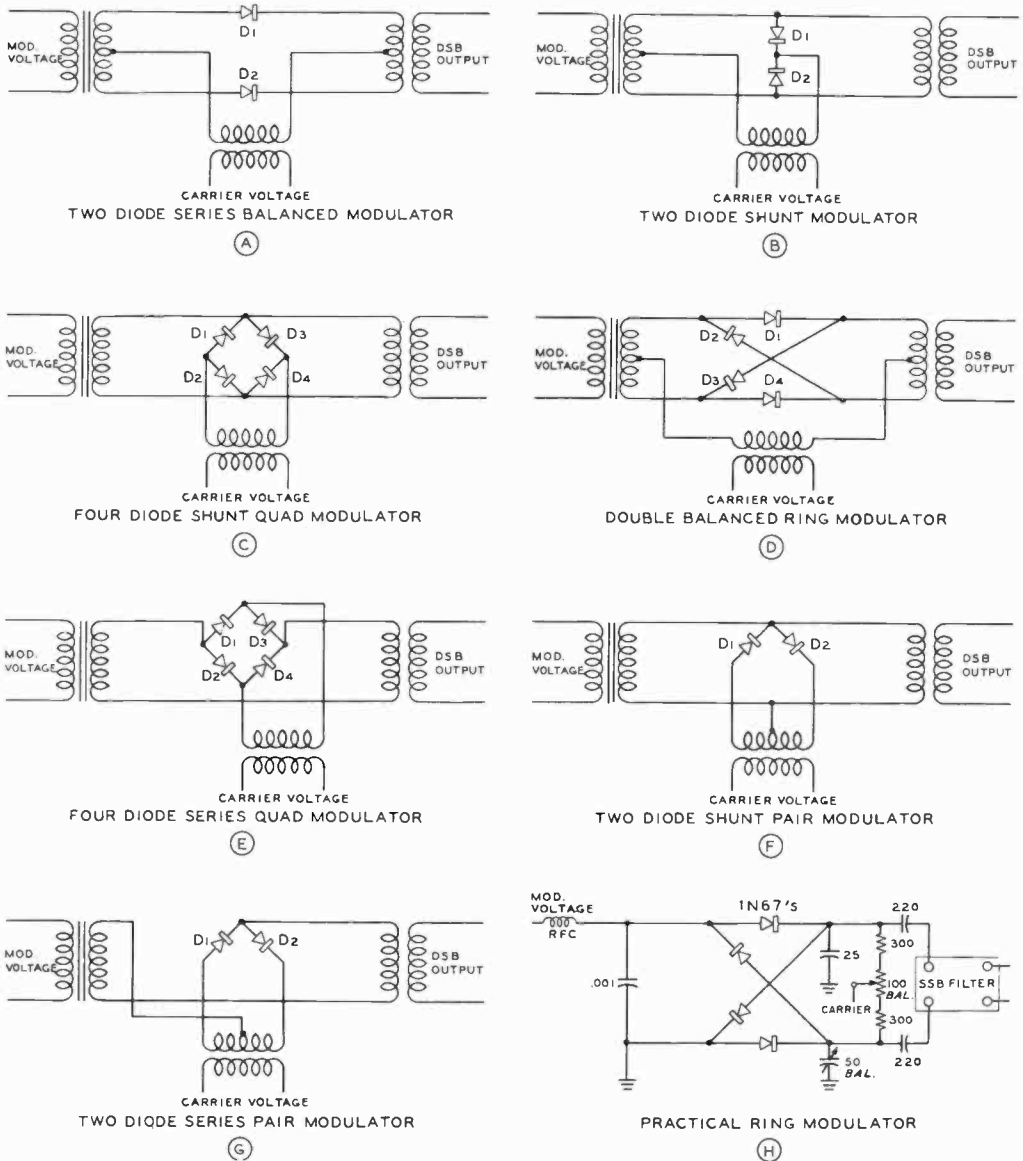


Figure 10

BALANCED-MODULATOR CIRCUITS

The balanced modulator is used to mix the audio signal with that of the carrier to produce sideband components. It may also be used as a converter or mixer stage to convert an SSB signal to a higher frequency. The diodes act as an r-f driven switch and may be arranged in series or shunt mode as shown in the illustrations. A practical diode modulator incorporating balancing circuits is shown in illustration H.

series and shunt-quad configuration may be adapted to two diodes as shown in illustrations F and G, substituting a balanced-carrier transformer for one side of the bridge. In applying any of these circuits, r-f chokes

and capacitors must be employed to control the path of audio and carrier currents and balancing capacitors are usually added to null the carrier as shown in the circuit of illustration H.

The double-diode circuits appear attractive, but in general it is more difficult to balance a transformer at the carrier frequency than it is to use an additional pair of diodes. Untapped transformers are desirable, eliminating this critical component from the circuit. Paired diodes combined with balancing potentiometers and capacitors usually provide a good compromise, permitting a high degree of carrier balance at minimum cost.

An integrated-circuit differential amplifier serves as a high quality balanced modulator, providing good balance under varying voltages and temperature (figure 11). The bias terminal of the IC provides a port for control voltage for c-w operation, allowing the carrier to pass through the modulator stage.

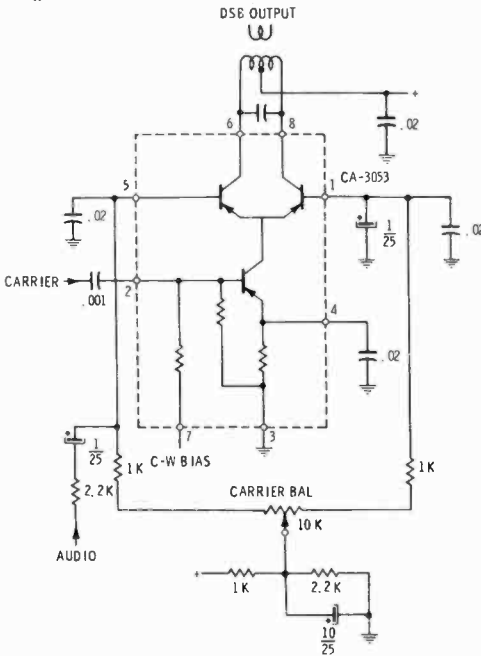


Figure 11

**DIFFERENTIAL AMPLIFIER USED AS BALANCED MODULATOR**

**Vacuum-Tube Modulators** Two modulated amplifiers may be connected with the inputs 180 degrees out of phase and with the outputs in phase. The carrier will be balanced out of the output

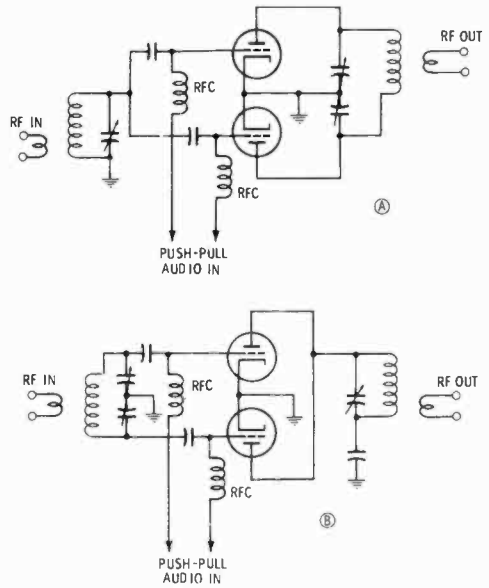


Figure 12

**TWO COMMON TYPES OF BALANCED MODULATORS**

Notice that a balanced modulator changes the circuit condition from single ended to push-pull, or vice versa. Choice of circuit depends on external circuit conditions since both the A and B arrangements can give satisfactory generation of a double-sideband suppressed-carrier signal.

circuit, leaving only the two sidebands. The audio signal may be applied either in push-pull or parallel mode (figure 12).

**9-4 The Sideband Filter**

The heart of a filter-type SSB exciter is the sideband filter. Conventional coils and capacitors may be used to construct a filter based on standard wave-filter techniques. Such filters are restricted to relatively low frequencies because of the rapid cutoff required between the filter passband and adjacent stopbands. The Q of the filter inductors must be relatively high when compared with the reciprocal of the fractional bandwidth. If a bandwidth of 3 kHz is needed at a carrier frequency of 50 kHz, for example, the bandwidth expressed in terms of the carrier frequency is 3/50, or 6 percent. This is expressed in terms of fractional bandwidth as 1/16. For satisfactory opera-

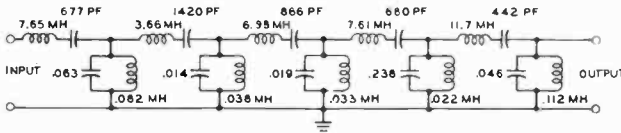


Figure 13

TEN-POLE BUTTERWORTH-TYPE SSB FILTER

The carrier frequency is 70 kHz and filter impedance is 600 ohms. Each series-resonant and parallel-resonant circuit is tuned to the carrier frequency. Using high-Q inductors, the filter passband is about 4 kHz wide at a response of -40 decibels. Nose of filter is about 2500 Hz wide. Low-frequency SSB filters of this type require two or more conversion stages to provide h-f SSB signal without troublesome images. High-frequency quartz-crystal filters, on the other hand, make possible SSB excitors capable of single conversion operation up to 50 MHz or so.

tion, the Q of the filter inductances should be ten times the reciprocal of this, or 160.

For voice communication purposes, the lower frequency response of the sideband filter is usually limited to about 300 Hz. Frequencies above 2500 Hz or so contribute little to speech intelligence, moreover, and their elimination permits closer grouping for SSB signals. Practical filters for speech transmission, therefore, have a passband from about 300 to 2500 Hz or so, rejecting signals in the unwanted passband and those above 3000 Hz by over 40 decibels. A ten-pole LC SSB filter and the characteristic response is shown in figure 13.

**Crystal Filters** Practical and inexpensive SSB filters may be designed around quartz crystal resonators at center frequencies well into the hf range. Home-made lattice-type filters of the type shown in figure 14 may be made of surplus low-frequency crystals. Experimental designs usually synthesize a selectivity curve by grouping sharp notches at the sides of the pass-

band. Where the width of the passband is greater than twice the spacing of the series and parallel resonances of the crystal, special circuit techniques must be used.

**Mechanical Filters** Filters using mechanical resonators have been studied by a number of companies and are offered commercially by the *Collins Radio Co.* They are available in a variety of bandwidths at center frequencies of 250 and 455 kHz. The 250-kHz series is specifically intended for sideband selection. The selectivity attained by these filters is intermediate between good LC filters at low center frequencies and engineered quartz-crystal filters. A passband of two 250-kHz filters is shown in figure 15. In application of the mechanical filters some special precautions are necessary. The driving and pickup coils should be carefully resonated to the operating frequency. If circuit capacitances are unknown, trimmer capacitors should be used across the coils. Maladjustment of these tuned coils will increase insertion loss and

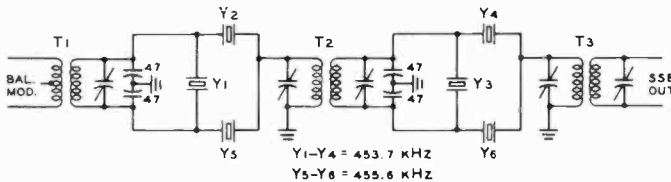


Figure 14

CRYSTAL-LATTICE FILTER

This crystal lattice filter is designed for a carrier frequency of 453.7 kHz. Surplus crystals are used. Y<sub>1</sub>-Y<sub>4</sub> are marked Channel 45, 24.5 MHz. Y<sub>5</sub>-Y<sub>6</sub> are marked Channel 46, 24.6 MHz. Transformers T<sub>2</sub> and T<sub>3</sub> are standard 455-kHz units. Transformer T<sub>1</sub> is a standard unit with one winding removed. A bifilar primary winding of 25 turns is wound in place of the removed winding. One 25-turn winding is applied, and a second 25-turn winding placed over it, with the end of the first winding connected to the beginning of the second. The common connection is the center tap. The transformers are aligned at the center of the passband (455.5kHz). When properly aligned, carrier rejection is better than -25 decibels and the nominal filter bandwidth is about 2500 Hz.

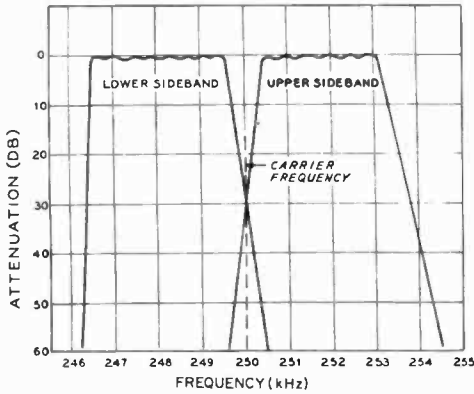


Figure 15

**PASSBAND OF LOWER- AND UPPER-SIDEBAND MECHANICAL FILTER**

the peak-to-valley ratio. On high-impedance filters (ten- to twenty-thousand ohms) signals greater than 2 volts at the input should be avoided. Direct current should be blocked out of the end coils. While the filters are rated for 5 mA of coil current, they are not rated for dc plate voltage.

**9-5 The Phasing Type SSB Exciter**

An SSB signal may be generated by the phasing of two a-m signals in such a way that one sideband is enhanced, and the other

sideband and carrier are cancelled or balanced out. This technique is known as the *phasing system* and exchanges the problems of filter design for those of accurately controlled phase shifts. In general, the phasing transmitter is more economical in cost than is the filter-type transmitter and may be less complex. It requires adjustment of various audio and r-f balancing controls for maximum suppression of the unwanted sideband and carrier that is otherwise accomplished by bandpass-filter action in the filter-type equipment. The phasing system has the advantage that all electrical circuits which give rise to the SSB signal can operate in a practical transmitter at the nominal output frequency of the transmitter. Thus, if an SSB signal is desired at 50.1 MHz, it is not necessary to go through several frequency conversions in order to obtain an SSB signal at the desired output frequency. The balanced modulator in the phasing transmitter is merely fed with a 50.1 MHz carrier and with the audio signal from a balanced phase splitter. Practical considerations, however, make the construction of a 6-meter SSB phasing-type exciter a challenge to the home constructor because of the closely controlled r-f phase shifts that must be achieved at that frequency.

**A Practical Phasing Exciter** A simplified block diagram illustrating the phasing method of SSB generation is shown in figure 16. An audio signal is amplified, restricted in bandwidth by a

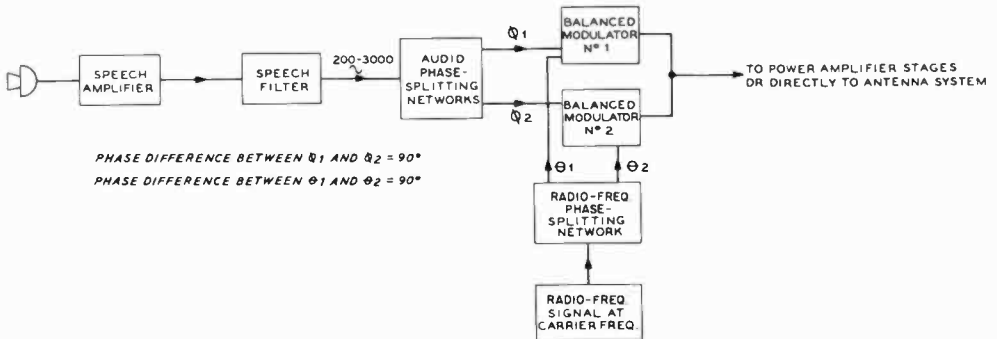


Figure 16

**BLOCK DIAGRAM OF A PHASING TYPE EXCITER**

The phasing method of obtaining a single-sideband signal is simpler than the filter system in regard to the number of tubes and circuits required. The system is also less expensive in regard to adjustments for the transmission of a pure single-sideband signal.

speech filter and then split into two branches ( $\phi_1$  and  $\phi_2$ ) by the *audio phase network*. The resulting signals are applied independently to two balanced modulators. The audio networks have the property of holding a  $90^\circ$  *phase difference* between their respective output signals within the restricted range of audio frequencies passed by the speech filter and applied to their input terminals. In addition, the amplitude response of the networks remains essentially constant over this frequency range.

Each balanced modulator is driven by a fixed-frequency carrier oscillator whose output is also split into two branches ( $\theta_1$  and  $\theta_2$ ) by a  $90^\circ$  r-f phase shift network operating at the carrier frequency. The algebraic sum of the output signals of the two-balanced modulators appears at the output of a combining circuit and is the desired single-sideband, suppressed-carrier signal. The degree of sideband suppression is dependent on the control of audio phase shift and amplitude balance through the system; a phase error of two degrees, for example, will degrade the sideband attenuation by over 10 decibels.

By way of illustration, assume that the carrier oscillator frequency is 3.8 MHz and that a single modulating tone of 2000 Hz

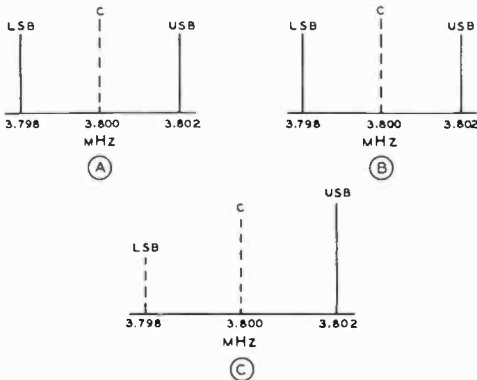


Figure 17

### THE PHASING-TYPE SSB SIGNAL

Two signals having identical spectrum plots may be combined to produce an SSB signal. The signals of illustrations A and B, however, have simultaneous  $90^\circ$ -degree phase shifts applied to the audio and carrier signals and when properly combined produce an SSB signal whose lower sidebands are out of phase and whose upper sidebands are in phase. By use of twin balanced modulators, the carrier may be suppressed and proper sideband addition and subtraction achieved (illustration C).

is used. The output from balanced modulator #1 is represented by the spectrum plot of figure 17A, in which the carrier frequency is represented by the vertical dashed line at 3.8 MHz with the symmetrical sidebands at 3.798 MHz and 3.802 MHz. The carrier frequency is balanced within the modulator and so does not appear in its output. Similarly, the output of balanced modulator #2 produces a signal which has an identical spectrum plot, as shown in figure 17B. While the spectrum plots appear identical, they do not show everything about the output signals of the two modulators as addition of two identical quantities yields a result which is simply twice as great as either quantity. However, the result of the two simultaneous  $90^\circ$  phase shifts applied to the audio and carrier signals impressed on the modulators produces sideband signals in their respective outputs that are *in phase* for the identical upper-sideband frequency of 3.802 MHz but  $180^\circ$  *out of phase* for the lower-sideband frequency of 3.798 MHz as shown in figure 17C. Addition of the output signals of the two balanced modulators thus doubles the strength of the upper-sideband component while balancing out the lower-sideband component. Conversely, subtraction of the output signals of one balanced modulator from those of the other will double the strength of the lower-sideband component while cancelling the upper-sideband component. In either case, an SSB signal is created. A double-pole, double-throw reversing switch in two of the four audio leads to the balanced modulators is all that is required to switch from one sideband to the other.

The phase-shift method works not so much because the system passes a certain band of frequencies but because it is able to cancel a closely adjacent band of frequencies. The result, however, is equivalent to that obtained by the use of bandpass filters.

**Filter versus Phasing?** The phasing system of SSB generation does not necessarily

produce a better or worse signal than does the filter-type of SSB generator. Suppression of the unwanted sideband in the phasing generator depends on the characteristic of the audio phase-shift net-



works and on matching the differential phase shift these networks provide to the r-f phase shift at carrier frequency. These adjustments must be accomplished by the equipment operator. On the other hand, in the filter-type SSB generator, unwanted sideband suppression depends on the built-in characteristics of the sideband filter and on the placement of the carrier relative to the filter passband. How well the job is done in each case is primarily a matter of design and cost—not one of basic superiority of one method over the other. Reduced cost of high-frequency crystal filters has dropped the price of the filter equipment to that of the previously less-expensive phasing system and most of today's commercial and amateur SSB gear makes use of the filter technique of sideband generation. Even so, for equivalent quality of components and design, it would be hard for an observer to tell

whether a given SSB signal was generated by the phasing method or by the filter method.

**Radio Frequency Phasing** A single sideband generator of the phasing type requires that the two balanced modulators be fed with r-f signals having a 90-degree phase difference. Figure 18 shows two MC-1496G integrated circuits used as balanced modulators. The outputs of the two balanced modulators are summed in the r-f transformer. A broadband, ferrite core transformer is used to eliminate circuit adjustment. The carrier is suppressed by about 60 dB and the second harmonic of the carrier about 30 dB. A low-pass filter should follow the succeeding amplifier stages to provide additional second harmonic attenuation.

A diagram of a representative r-f phase-shift circuit is shown in figure 19. A portion

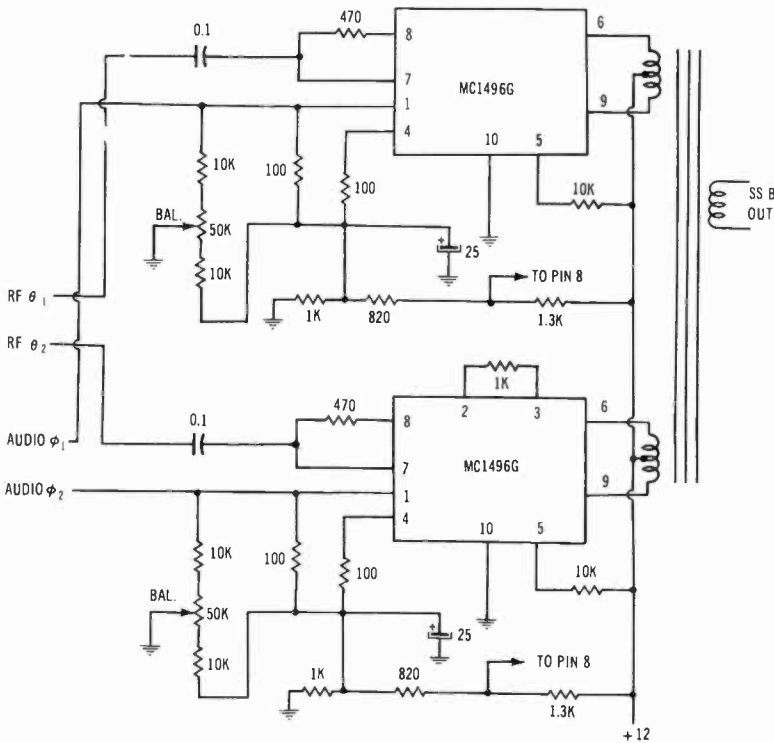


Figure 18

SSB GENERATION BY PHASING METHOD

Two Motorola MC1496G integrated circuits serve as balanced modulators. Outputs are summed in broadband ferrite-core transformer T<sub>1</sub>. Carrier is suppressed by about 60dB.

of MC-1035 serves as a flip-flop, or digital r-f phase shifter.

**Audio Frequency Phasing** Audio frequency phasing provides a 90-degree phase shift over the voice range of about 150 to 3000 Hz. A representative circuit employing vacuum tubes is shown in figure 20. The values of resistance and capacitance must be carefully held to ensure minimum deviation from a 90-degree shift over the voice spectrum.

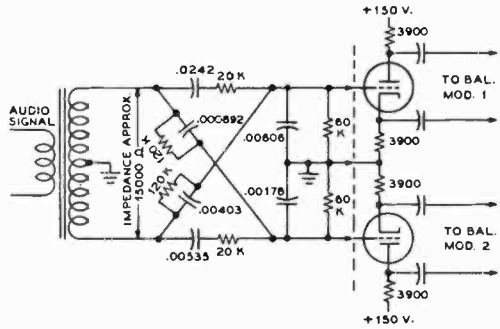


Figure 20

**DOMESTIC AUDIO-PHASE-SHIFT NETWORK**

This circuit arrangement is convenient for obtaining the audio phase shift when it is desired to use a minimum of circuit components and tube elements.

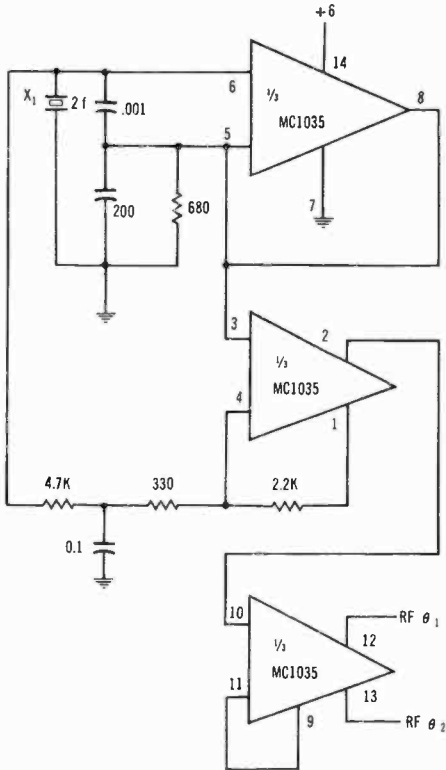


Figure 19

**R-F OSCILLATOR AND PHASE SHIFTER**

Motorola MC 1035 serves as digital r-f phase shifter. The outputs of the second MC 1035 section are two square waves, 180 degrees out of phase. These square waves are divided by two in the third section, a ring counter which also provides synchronization to the phase quadrature. The crystal frequency is thus always twice the desired suppressed-carrier frequency.

A passive audio phase-shift network employing no tubes is shown in figure 21. This

network has the same type of operating restrictions as those described above. A solid state phase-shift network is shown in figure 22. The network is preceded by a low-pass audio filter. In addition selective bypassing of the audio amplifier helps to roll-off the low audio frequencies. Sideband switching is accomplished by reversing the phase of one audio channel.

**9-6 Single-Sideband Frequency Conversion**

The output signal from the low-level SSB generator is usually at a fixed frequency

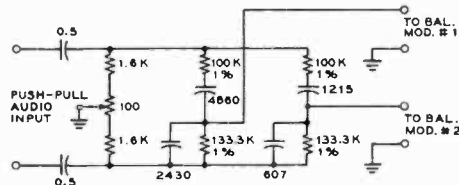


Figure 21

**PASSIVE AUDIO-PHASE-SHIFT NETWORK, USEFUL OVER RANGE OF 300 TO 3000 Hz.**

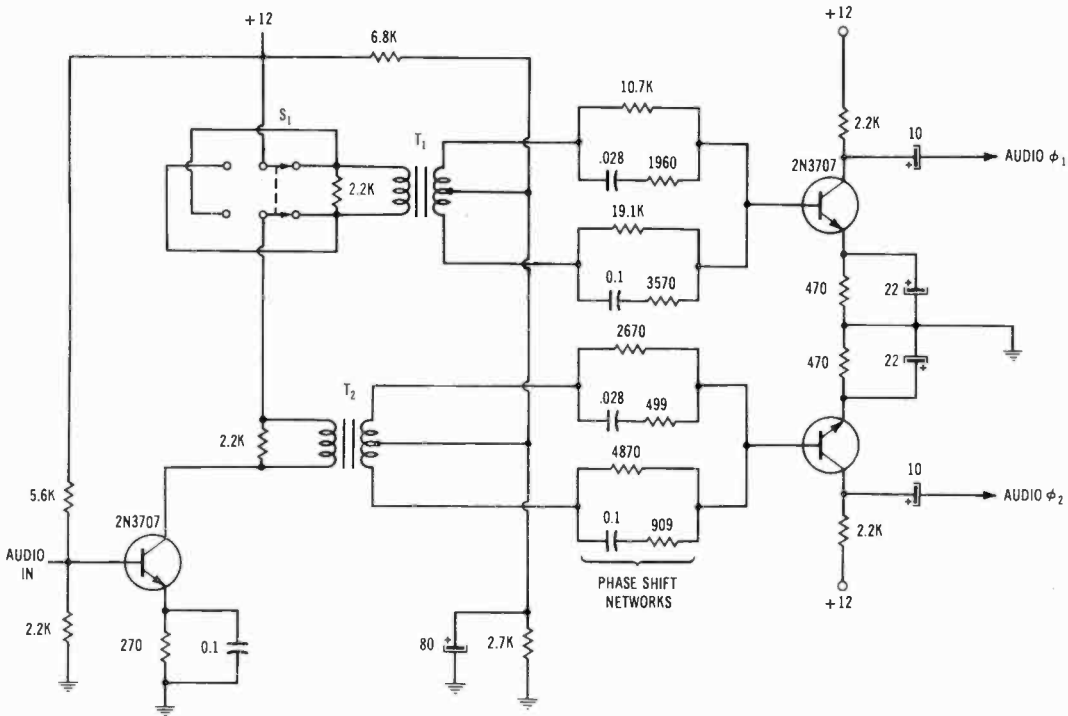


Figure 22

**AUDIO PHASE-SHIFT NETWORK**

Sideband is selected by switch  $S_1$ .

and must be converted, or translated, to the desired operating frequency. This conversion is accomplished by a heterodyne process involving converter or mixer stages and suitable oscillators. Frequency multipliers cannot be used with the SSB signal since this process would alter the frequency relationships present in the original audio signal.

The heterodyne process mixes two signals in a manner to produce new signal components equal in frequency to the sum and difference of the original frequencies. One of the two products is useful and is passed by the tuned circuits of the equipment which reject the undesired products as well as the original signals. Mixing imposes many problems in keeping the output signal free from spurious products created in the mixer. Selection of mixing frequencies and signal levels is required to aid in holding the level of unwanted products within reasonable limits. A discussion of

frequency-conversion problems will follow later in this chapter.

**Mixer Stages** One circuit which can be used for this purpose employs a receiving-type mixer tube, such as the 6BE6 (figure 23). The output signal from the SSB generator is fed into the #1 grid and the conversion frequency into the #3 grid. This is the reverse of the usual grid connections, but it offers about 10 dB improvement in distortion. The plate circuit is tuned to select the desired output frequency product. Actually, the output of the mixer tube contains all harmonics of the two input signals and all possible combinations of the sum and difference frequencies of all the harmonics. In order to avoid distortion of the SSB signal, it is fed to the mixer at a low level, such as 0.1 to 0.2 volt. The conversion frequency is fed in at a level about 20 dB

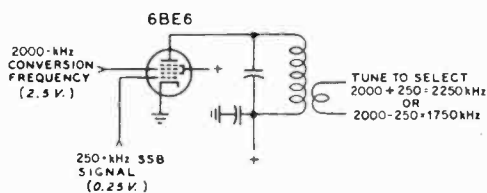


Figure 23

**PENTAGRID MIXER CIRCUIT FOR SSB FREQUENCY CONVERSION**

higher, or about 2 volts. By this means, harmonics of the incoming SSB signal generated in the mixer tube will be very low.

Not only is it necessary to select the desired mixing product in the mixer output but also the undesired products must be highly attenuated to avoid having spurious output signals from the transmitter. In general, all spurious signals that appear within the assigned frequency channel should be at least 60 dB below the desired signal, and those appearing outside of the assigned frequency channel at least 80 dB below the signal level.

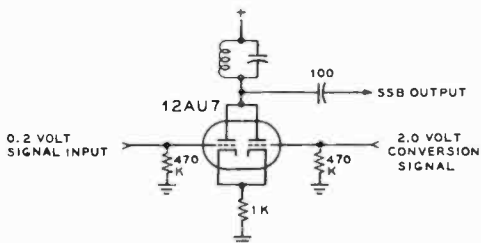


Figure 24

**TWIN-TRIODE MIXER CIRCUIT FOR SSB FREQUENCY CONVERSION**

The principal advantage of using balanced-modulator mixer stages is that the injection frequency theoretically does not appear in the output. In practice, when a considerable frequency range must be tuned by the balanced modulator and it is not practical to trim the push-pull circuits and the tubes into exact amplitude and phase balance, about 20 dB of injection-frequency cancellation is all that can be depended on. With suitable trimming adjustments the cancellation can be made as high as 40 dB, however, in fixed-frequency circuits.

**The Twin-Triode Mixer** The mixer circuit shown in figure 24 has about 10 dB lower distortion than the conventional 6BE6 converter tube. It has a lower voltage gain of about unity and a lower output impedance which loads the first tuned circuit and reduces its selectivity. In some applications the lower gain is of no consequence but the lower distortion level is important enough to warrant its use in high performance equipment. The signal-to-distortion ratio of this mixer is of the order of 70 dB compared to approximately 60 dB for a 6BE6 mixer when the level of each of two tone signals is 0.5 volt. With stronger signals, the 6BE6 distortion increases very rapidly, whereas the 12AU7 distortion is comparatively much better.

In practical equipment where the injection frequency is variable and trimming adjustments and tube selection cannot be used, it may be easier and more economical to obtain this extra 20 dB of attenuation by using an extra tuned circuit in the output than by using a balanced modulator circuit. A balanced modulator circuit of in-

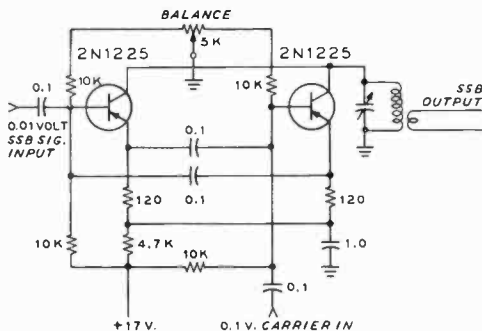


Figure 25

**BALANCED MODULATOR CIRCUIT FOR SSB FREQUENCY CONVERSION**

terest is shown in figure 25, providing a minimum of 20 dB of carrier attenuation.

**9-7 Selective Tuned Circuits**

The selectivity requirements of the tuned circuits following a mixer stage often be-

come quite severe. For example, using an input signal at 250 kHz and a conversion injection frequency of 400 kHz the desired output may be 4250 kHz. Passing the 4250-kHz signal and the associated sidebands without attenuation and realizing 100 dB of attenuation at 4000 kHz (which is only 250 kHz away) is a practical example. Adding the requirement that this selective circuit must tune from 2250 to 4250 kHz further complicates the basic requirement. The best solution is to cascade a number of tuned circuits. Since a large number of such circuits may be required, the most practical solution is to use permeability tuning, with the circuits tracked together.

If an amplifier tube is placed between each tuned circuit, the overall response will be the sum of one stage multiplied by the number of stages (assuming identical tuned circuits). Figure 26 is a chart which may be used to determine the number of tuned circuits required for a certain degree of attenuation at some nearby frequency. The  $Q$  of the circuits is assumed to be 50, which is normally realized in small permeability-tuned coils. The number of tuned circuits with a  $Q$  of 50 required for providing 100 dB of attenuation at 4000 kHz while passing 4250 kHz may be found as follows:

$$\Delta f \text{ is } 4250 - 4000 = 250 \text{ kHz}$$

where,

$f_r$  is the resonant frequency (4250 kHz),

and,

$$\frac{\Delta f}{f_r} = \frac{250}{4250} = 0.059$$

The point on the chart where .059 intersects 100 dB is between the curves for 6 and 7 tuned circuits, so 7 tuned circuits are required.

Another point which must be considered in practice is the tuning and tracking error of the circuits. For example, if the circuits were actually tuned to 4220 kHz instead of

4250 kHz, the  $\frac{\Delta f}{f_r}$  would be  $\frac{220}{4220}$  or

0.0522. Checking the curves shows that 7 circuits would just barely provide 100 dB of attenuation. This illustrates the need for

very accurate tuning and tracking in circuits having high attenuation properties.

#### **Coupled Tuned Circuits**

When as many as 7 tuned circuits are required for proper attenuation, it is not necessary to have the gain that 6 isolating amplifier tubes would provide. Several vacuum tubes can be eliminated by using two or three coupled circuits between the amplifiers. With a coefficient of coupling between circuits 0.5 of critical coupling, the overall response is very nearly the same as isolated circuits. The gain through a pair of circuits having 0.5 coupling is only eight-tenths that of two critically coupled circuits, however. If critical coupling is used between two tuned circuits, the nose of the response curve is broadened and about 6 dB is lost on the skirts of each pair of critically coupled circuits. In some cases it may be necessary to broaden the nose of the response curve to avoid adversely affecting the frequency response of the desired passband. Another tuned circuit may be required to make up for the loss of attenuation on the skirts of critically coupled circuits.

#### **Frequency-Conversion Problems**

The example in the previous section shows the difficult selectivity problem encountered when strong undesired signals appear near the desired frequency. A high-frequency SSB transmitter may be required to operate at any carrier frequency in the range of 1.7 to 30 MHz. The problem is to find a practical and economical means of heterodyning the generated SSB frequency to any carrier frequency in this range. There are many modulation products in the output of the mixer and a frequency scheme must be found that will not have undesired output of appreciable amplitude at or near the desired signal. When tuning across a frequency range some products may "cross over" the desired frequency. These undesired crossover frequencies should be at least 60 dB below the desired signal to meet modern standards. The amplitude of the undesired products depends on the particular characteristics of the mixer and the particular order of the product. In general, most products of the 7th order and higher will be at least 60 dB down. Thus any crossover fre-

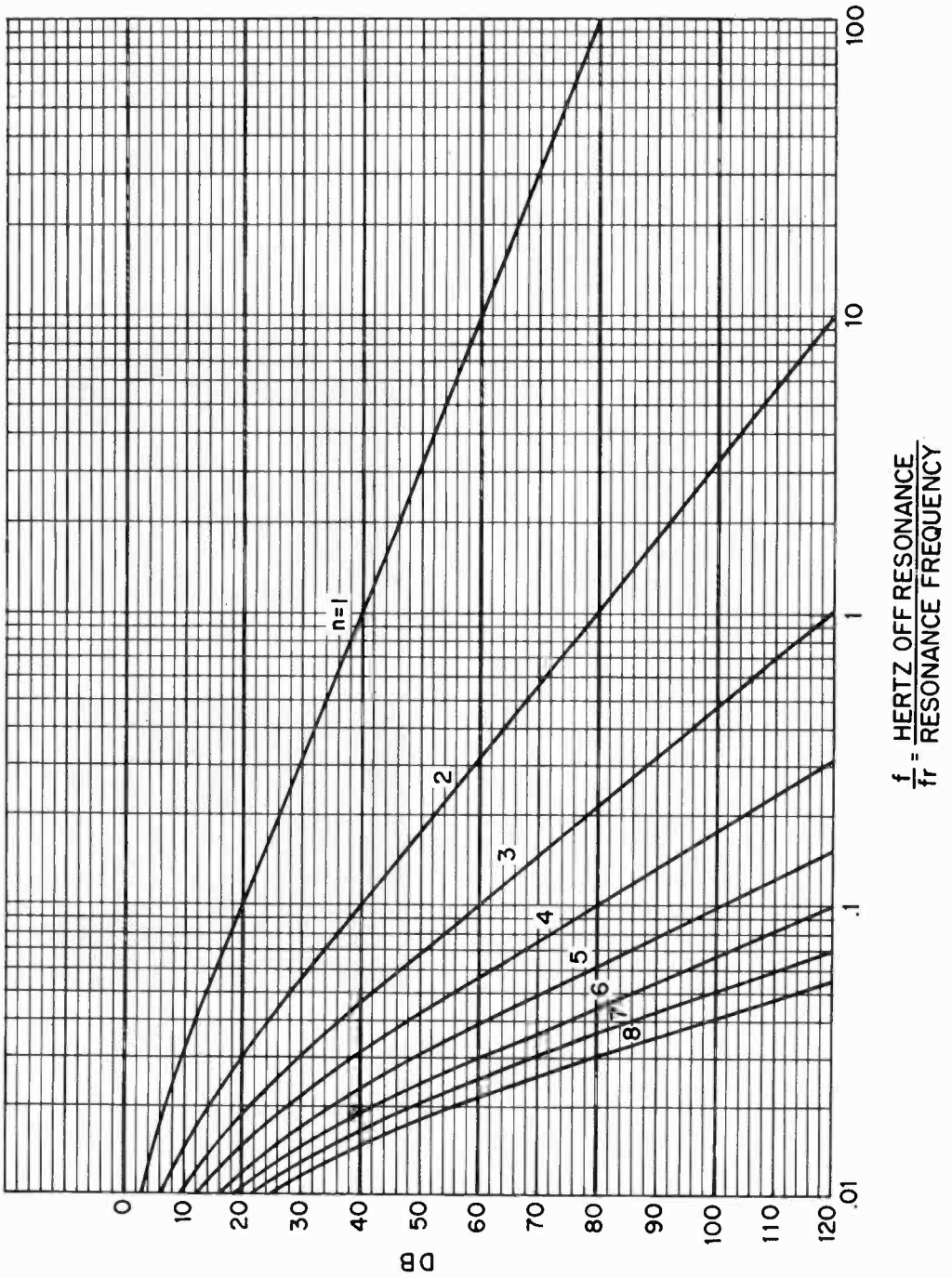


Figure 26  
 RESPONSE OF "N" NUMBER OF TUNED CIRCUITS,  
 ASSUMING EACH CIRCUIT Q IS 50

frequency lower than the 7th order must be avoided since there is no way of attenuating them if they appear within the desired pass-band. The book *Single Sideband Principles and Circuits* by Pappenfus, McGraw Hill Book Co., Inc., N. Y., covers the subject of spurious products and incorporates a "mix selector" chart that is useful in determining spurious products for various different mixing schemes.

In general, for most applications when the intelligence-bearing frequency is lower than the conversion frequency, it is desirable that the ratio of the two frequencies be between 5 to 1 and 10 to 1. This is a compromise between avoiding low-order harmonics of this signal input appearing in the output, and minimizing the selectivity requirements of the circuits following the mixer stage.

### 9-8 Distortion Products Due to Nonlinearity of R-F Amplifiers

When the SSB envelope of a *voice* or *multitone* signal is distorted, a great many new frequencies are generated. These represent all of the possible combinations of the sum and difference frequencies of all harmonics of the original frequencies. For purposes of test and analysis, a *two-tone* test signal (two equal-amplitude tones) is used as the SSB source. Since the SSB radio-frequency amplifiers use tank circuits, all distortion products are filtered out except those which lie close to the desired frequencies. These are all odd-order products; third order, fifth order, etc. The third-order products are  $2p-q$  and  $2q-p$  where  $p$  and  $q$  represent the two SSB r-f tone frequencies. The fifth order products are  $3p-2q$  and  $3q-2p$ . These and some higher order products are shown in figure 27 A, B, and C. It should be noted that the frequency spacings are always equal to the difference frequency of the two original tones. Thus when an SSB amplifier is badly overloaded, these spurious frequencies can extend far outside the original channel width and cause an unintelligible "splatter" type of interference in adjacent channels. This is usually of far more importance than the distortion of the original tones with regard to

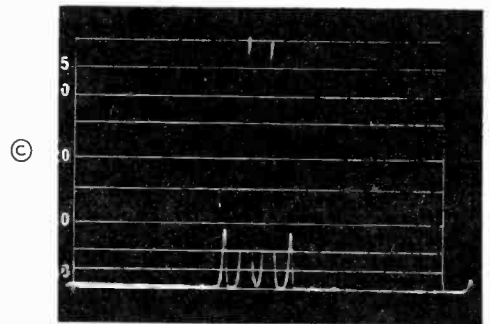
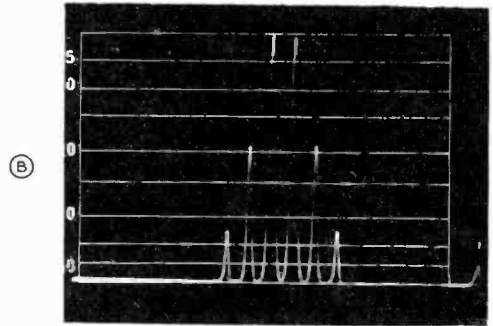
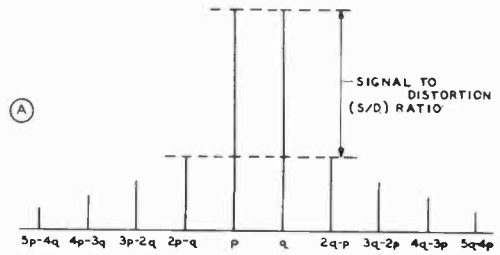


Figure 27

A shows SSB distortion products pictured up to ninth order. B shows SSB distortion products as seen on a panoramic analyzer. Third-order products are 19 decibels below two-tone test signal and fifth-order products are 32 decibels below the test signal. C illustrates that third-order products are better than 40 decibels down from test signal.

intelligibility or fidelity. To avoid interference in another channel, these distortion products should be down at least 30 dB below the adjacent channel signal. Using a two-tone test, the distortion is given as the ratio of the amplitude of one test tone to the amplitude of a third-order product. This is

called the *signal-to-distortion ratio (S/D)* and is usually given in decibels. The use of feedback r-f amplifiers make S/D ratios of greater than 40 dB possible and practical.

**Vacuum-Tube Nonlinearity** Distortion products caused by amplifier departure from a linear condition are termed *intermodulation products* and the distortion is termed *intermodulation distortion*. This distortion can be caused by nonlinearity of amplifier gain or phase shift with respect to input level, and only appears when a multi-tone signal is used to drive the linear amplifier. This is the case for a voice signal which is composed of many tones, and intermodulation distortion will show up as a "gravelly" tone on the voice and will create interference to signals on adjacent channels. The main source of intermodulation distortion in a linear amplifier is the vacuum tube or transistor as these components have inherently nonlinear characteristics. Maximum linearity may be achieved by proper choice of tube or transistor and their operating conditions.

A practical test of linearity is to employ a two-tone, low-distortion signal to drive the tube or transistor and to use a spectrum analyzer to display a sample of the output spectrum on an oscilloscope (figure 27). The test signal, along with spurious intermodulation products may be seen on the screen, separated on the horizontal axis by the difference in frequency between the two tones. A reading is made by comparing the amplitude of a specific intermodulation product with the amplitude of the test signal. For convenience, the ratio between one of the test signals and one of the intermodulation products is read as a power ratio expressed in decibels below the test signal level. Measurements made on a number of power tubes have shown typical intermodulation distortion levels in the range of  $-20$  to  $-40$  decibels below one tone of a two-tone test signal.

The present state of the art in commercial and military SSB equipment calls for third-order intermodulation products better than  $-40$  to  $-60$  decibels below one tone of a two-tone test signal. Amateur requirements

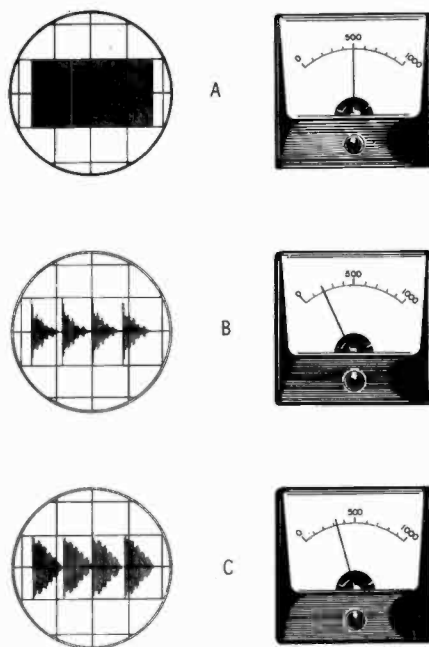


Figure 28

### SSB AMPLIFIER METER READINGS

- A—Carrier insertion at maximum input level.  
 B—Voice modulation with peaks reaching maximum level.  
 C—Voice modulation with audio clipping or compression. Peaks reaching maximum level.

are less strict, running as low as  $-20$  decibels, and may be justified on an economic basis since signal distortion, at least to the listener, is a highly subjective thing. To date, the use of inexpensive TV-type sweep tubes as linear amplifiers in amateur SSB gear has been acceptable, regardless of the rather high level of distortion inherent in these tube types.

**Interpreting SSB Meter Readings** The operator of an SSB transmitter should closely monitor the amplifier plate or collector current as it provides him with a quick check of equipment operation. Representative meter readings are shown in figure 28. These illustrations represent meter readings for a linear amplifier whose maximum plate current is 500 mA. In drawing A, the amplifier is loaded to the maximum value of



plate current by carrier insertion in the exciter or other means. An oscilloscope rendition of the output wave is shown to the left of the meter. Tuning and loading operations are conducted to provide maximum output from the amplifier at this value of plate current. The inserted carrier is now removed and the plate current drops to the resting (quiescent) value. Under the voice modulation, the peaks of the waveform just reach the same level of amplitude on the 'scope as was previously exhibited by the carrier (B). Because of the high peak-to-average power ratio of the human voice and the inertia of the meter, peak voice meter readings run about one half, or less, of the fully loaded condition. In this example, peak meter reading on voice runs about 200 mA.

If speech processing, or other form of compression is used, the signal peaks will remain the same on the oscilloscope (C) but the peak voice meter reading will increase. In this example, peak current is about 325 mA.

Thus, the steady state condition (A) sets the parameters for peak voice operation, as shown in B and C. Under no circumstances should the peak voice meter reading reach the steady state value shown in A or severe distortion and signal splatter will occur.

## 9-9 SSB Reception

Single-sideband reception may be considered the reverse of the process used in SSB transmission. The received SSB signal is amplified, translated downward in frequency, further amplified and converted into a replica of the original audio frequencies. The SSB receiver is invariably a superheterodyne in order to achieve high sensitivity and selectivity.

To recover the intelligence from the SSB signal, it is necessary to restore the carrier in such a way as to have the same relationship with the sideband components as the original carrier generated in the SSB exciter. To achieve this, it is important that the receiver oscillators have good frequency accuracy and stability.

To take advantage of the narrow bandwidth occupied by the SSB signal, selectivity characteristics of the receiver must

be held to narrow limits. Excessive receiver bandwidth degrades the signal by passing unnecessary interference and noise.

**SSB Receivers** In a conventional a-m receiver, the audio intelligence is recovered from the radio signal by an envelope amplitude detector, such as a diode rectifier. This technique may be used to recover the audio signal from an SSB transmission provided the amplitude of the local carrier generated by the beat oscillator is sufficiently high to hold audio distortion at a reasonable low level. Better performance with respect to distortion may be

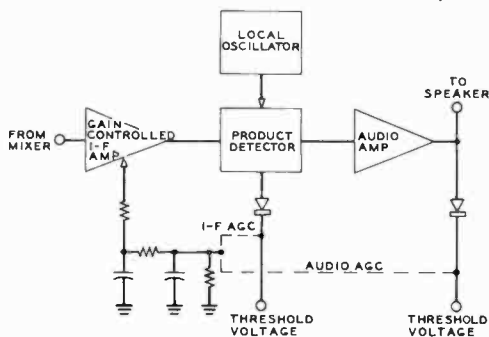


Figure 29

### BLOCK DIAGRAM OF AUTOMATIC GAIN CONTROL SYSTEM

Audio or i-f derived control signal is applied to low-level gain-controlled i-f amplifier in typical SSB receiver. Agc system reduces the gain of controlled stage(s) on signal peaks to prevent receiver overload. Control voltage must be derived from the modulation envelope, since carrier is not transmitted with voice SSB signal.

achieved if a *product detector* is used to recover the audio signal.

The characteristics of the *automatic volume control* (or *automatic gain control*) system of an SSB receiver differ from those of a conventional a-m receiver. In the latter, the agc voltage is derived by rectifying the received carrier, as the carrier is relatively constant and does not vary rapidly in amplitude. The agc system can therefore have a rather long time constant so that an S-meter may be used to indicate relative carrier amplitude.

In an SSB receiver, however, the signal level varies over a large range at a syllabic rate and a fast time-constant agc system is required to prevent receiver overload on

initial bursts of a received signal. To prevent background noise from receiving full amplification when the SSB signal is weak or absent, a relatively slow agc release time is required (figure 29).

The agc system, moreover, must be isolated from the local-oscillator voltage to prevent rectification of the oscillator voltage from placing an undesired no-signal static bias voltage on the agc line of the receiver.

Thus, the SSB receiver differs from the a-m receiver in that it requires a higher order of oscillator stability and i-f bandwidth, a more sophisticated agc system, and the capability of receiving signals over a very wide range of strength without overload or cross modulation. In addition, the tuning rate of the SSB receiver should be substantially less than that of an a-m receiver; generally speaking, tuning rates of 25 to 100 kHz per dial revolution are common in modern SSB receivers.

Because of variations in the propagation path, transmitter power, and distance between stations, the input signal to an SSB receiver can vary over a range of 120 decibels or so. The receiver requires, therefore, a large dynamic range of signal-handling capability and an enhanced degree of gain-adjusting capability.

**SSB Receiver Circuitry** For minimum spurious response it is desired to have good selectivity ahead of the amplifier stages in the SSB receiver. This is possible to a degree, provided circuit simplicity and receiver sensitivity are not sacrificed. For the case when sensitivity is not important, an attenuator may be placed in the receiver input circuit to reduce the amplitude of strong, nearby signals (figure 30). To further reduce the generation of cross-modulation interference, it is necessary to carefully select the tube or device used in the r-f amplifier stage to determine if it will retain its linearity with the application of agc-bias control voltage. Suitable r-f stage circuits are shown in the *Radio Receiver Fundamentals* chapter of this Handbook.

Avoidance of images and spurious responses is a main problem in the design of SSB receiver mixers. Due to the presence of harmonics in the mixer/oscillator signal and

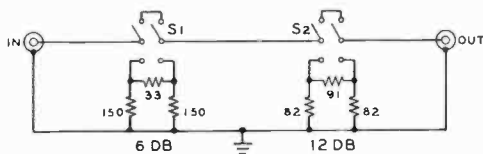


Figure 30

### R-F ATTENUATOR FOR SSB RECEIVER

The dynamic signal range of an SSB receiver may be increased, and troubles resulting from overload may be decreased with the use of a simple r-f attenuator placed in the coaxial line from the antenna to the receiver. This attenuator is designed for use with either 50- or 70-ohm transmission lines and may be built in a small aluminum Minibox.

nonlinearity in the mixer, higher-order products are generated in addition to the desired mixing product. These undesired products vary in frequency as the oscillator is tuned and may fall within the received passband, creating *crossovers*, or *birdies* (spurious beat-notes which tune faster than the normal tuning rate).

The twin problems of images and crossovers can be resolved through the use of double conversion. The first (high) conversion provides adequate image rejection and the second (low) conversion may be adjusted so as to reduce crossover points to a minimum. In addition, double conversion allows the use of a crystal-controlled oscillator for the first converter stage, which can provide a higher order of stability than a tunable oscillator. The oscillator for the lower mixer stage may be made tunable, covering only a single frequency range, eliminating some of the mechanical and electrical factors contributing to receiver instability.

Choice of an intermediate frequency low with respect to signal frequency minimizes the probability of strong birdie signals within the receiver passband. The low intermediate frequency, however, may lead to image problems at the higher received frequencies.

The bandwidth of the low-frequency i-f system determines the overall selectivity of the SSB receiver. For SSB voice reception, the optimum bandwidth at the 6-dB point is about 2 kHz to 3 kHz. It is good practice to place the selective filter in the circuit ahead of the i-f amplifier stages so that strong adjacent-channel signals are attenu-

ated before they drive the amplifier tubes into the overload region. In addition to the sideband filter, additional tuned circuits are usually provided to improve overall receiver selectivity, especially at frequencies which are down the skirt of the selectivity curve. Some types of SSB filters have spurious responses outside the passband which can be suppressed in this manner.

**Desensitization, Intermodulation, and Crossmodulation** When a receiver is tuned to a weak signal with a strong signal close to the received frequency, an apparent decrease in receiver gain may be noted. This loss of gain is called *desensitization* or *blocking*. It commonly occurs when the unwanted signal voltage is sufficient to overcome the operating bias of an amplifier or mixer stage, driving the stage into a nonlinear condition. Rectified signal current may be coupled back into the gain-control system, reducing overall gain and increasing signal distortion.

Amplifier and mixer stages using transistors and vacuum tubes may generate in-band spurious products resulting from beats between the components of the desired signal in the receiver, or between two received signals. This class of distortion is termed *intermodulation distortion* and is evident in a nonlinear device driven by a complex signal having more than one frequency, such as the human voice.

Intermodulation occurs at any signal level and spurious products are developed by this action. For example, assume a signal is on 900 kHz and a second signal is on 1.5 MHz. The receiver is tuned to the 80-meter band. Intermodulation distortion within the receiver can result in a spurious signal appearing at 3.9 MHz as a result of mixing in a nonlinear stage. The product mix is:  $(2 \times 1.5) + 0.9 = 3.9$  MHz.

This particular spurious signal (often termed a *spur*) is a result of a harmonic of the 1.5-MHz signal being produced in the receiver and beating against the incoming 0.9-MHz signal. Other spurious signals, composed of the sums and differences and harmonics of the fundamental signals exist in addition to the one at 3.9 MHz. Some of these products fall at: 0.3, 1.8, 2.1, 2.7, 3.0, 3.3, and 4.5 MHz. Other spurs may be

generated by higher order linearities. Thus, two signals passed through a nonlinear device can create a whole range of unwanted signals. Since the radio spectrum is crowded with numerous strong signals, all of which can create spurious intermodulation products simultaneously in varying degrees of severity, it is important that high-Q circuits or a number of tuned circuits be used in the front-end of a receiver to prevent out-of-band signals from entering the receiver. In addition, the optimum choice of transistor or tube must be made for each receiver stage, and its correct operating point established.

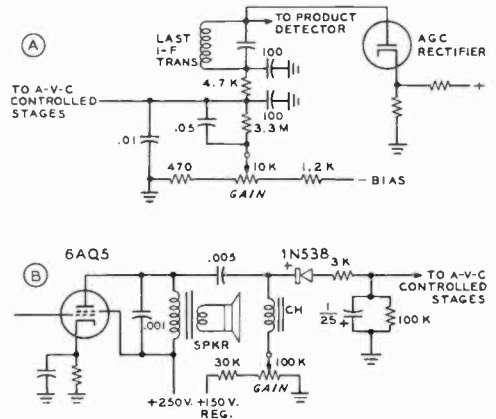


Figure 31

### R-F AND A-F DERIVED AGC CIRCUITS

**A**—Control voltage is derived from r-f signal by agc rectifier placed at end of i-f strip. Threshold gain is set by adjustment of negative bias on the plate of the agc rectifier. **B**—Control voltage is derived from audio signal taken from output stage of receiver. Threshold gain is set by diode bias applied through low-resistance audio inductance (CH).

*Crossmodulation* is the transfer of intelligence from an unwanted strong signal to a wanted weak one. Thus, if a receiver is tuned to a wanted signal at 3.9 MHz and a strong unwanted signal is at 3.8 MHz, the modulation on the second signal may be imposed on the wanted signal, even though the second signal is well outside the i-f passband of the receiver. Multiple signals, moreover, can produce multiple crossmodulation effects. Crossmodulation can be minimized by optimum selection of amplifying and

mixing devices and by careful selection of signal levels and operating voltages in the various receiver stages.

Intermodulation, crossmodulation and desensitization can all occur simultaneously in a receiver and the overall effect is a loss in intelligibility and signal-to-noise ratio of the desired signal. These receiver faults may be ascertained by injecting test signals of various frequencies and amplitudes into the receiver, a stage at a time.

Generally speaking, field-effect transistors and remote-cutoff vacuum tubes exhibit a significant improvement in linearity and provide enhanced rejection to these unwanted effects as opposed to bipolar transistors, which have a lower linearity figure than the other devices.

**Automatic Gain Control and Signal Demodulation** The function of an automatic gain control system is to reduce the gain of the controlled stages on signal peaks to prevent receiver overload and hold constant audio output.

Since the carrier is not transmitted in SSB, the receiver agc system must obtain its signal voltage from the modulation envelope. The agc voltage may be derived either from the i-f signal or the audio signal (figure 31). Audio-derived agc has the advantage of easier isolation from the local carrier voltage, but the i-f system will function on both SSB and a-m signals in a satisfactory manner.

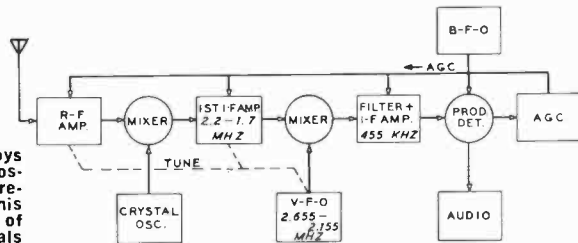
Product detectors are preferred for SSB reception because they minimize intermodu-

lation distortion products in the audio signal and, in addition, do not require a large local-oscillator voltage. The product detector also affords a high degree of isolation between the carrier oscillator and the agc circuit. The undesired mixing products present in the output circuit of the detector may be suppressed by a low-pass filter placed in the audio line.

**A Representative SSB Receiver** A typical SSB receiver is made up of circuits resembling those discussed in the previous section. To achieve both high stability and good image rejection, many amateur SSB receivers are double-conversion types, such as outlined in figure 32. An accurate, stable low-frequency tunable oscillator is employed, together with a standard 455-kHz i-f channel and a crystal or mechanical SSB filter. The frequency coverage of the vfo may be as high as 500 kHz to cover all of the low-frequency amateur bands, or it may be restricted to only 100 kHz or so, necessitating the use of a multiplicity of crystals in the first conversion oscillator to achieve complete band coverage. A tunable first i-f stage covering the required passband may be ganged with the variable-frequency oscillator and with the r-f amplifier tuning circuits. The high-frequency tuning range is chosen by the appropriate high-frequency crystal.

To permit sideband selection, the bfo may be tuned to either side of the i-f passband. Proper tuning is accomplished by ear, the setting of the bfo on the filter passband

**Figure 32**  
**DOUBLE CONVERSION**  
**SSB RECEIVER**



Typical double-conversion SSB receiver employs tunable first i-f and crystal-controlled local oscillator, with tunable oscillator and fixed-frequency i-f amplifier and sideband filter. This receiver tunes selected 500-kHz segments of the hf spectrum. Additional conversion crystals are required for complete coverage of the 10-meter band.

TUNING RANGE (MHZ)	CRYSTAL (MHZ)
3.5-4.0	5.7
7.0-7.5	9.0
14.0-14.5	18.2
21.0-21.5	23.2
28.5-29.0	30.7

slope may be quickly accomplished by experience and by recognition of the proper voice tones.

In addition to the special circuitry covered in this chapter, SSB receivers make full use of the general receiver design information given in this Handbook.

## 9-10 The SSB Transceiver

The SSB *transceiver* is a unit in which the functions of transmission and reception are combined, allowing single-channel semi-duplex operation at a substantial reduction in cost and complexity along with greatly increased ease of operation. The transceiver is especially popular for mobile operation

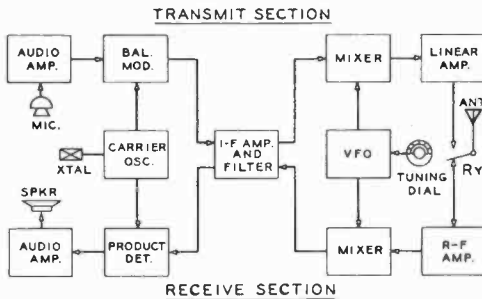


Figure 33

### THE SSB TRANSCEIVER

Common carrier oscillator, i-f amplifier/filter, and vfo are used in transceiver, designed to communicate on a single frequency selected by proper vfo setting. Transfer from receive to transmit is carried out by relays and by application of blocking voltage to unused stages.

where a savings in size, weight, and power consumption are important. Dual usage of components and stages in the SSB transceiver permits a large reduction in the number of circuit elements and facilitates tuning to the common frequency desired for two-way communication.

Figure 33 shows a basic filter-type transceiver circuit. Common mixer frequencies are used in each mode and the high frequency vfo is used to tune both transmit and receive channels to the same operating frequency. In addition, a common i-f system and sideband filter are used.

The transceiver is commonly switched from receive to transmit by a multiple-contact relay which transfers the antenna and removes blocking bias from the activated stages. Transceivers are ideal for net operation since the correct frequency may be ascertained by tuning the received signal to make the voice intelligible and pleasing. With practice, the SSB transceiver may be adjusted to a predetermined frequency with an error of 100 Hz or less by this simple procedure.

**Single-Band Transceivers** An important development is the single-band transceiver, a simplified circuit designed for operation over one narrow frequency band. For the 50-MHz band as well as the popular h-f amateur bands. Commercial transceiver designs are usually operated on crystal-controlled channels in the h-f and vhf spectrum using a crystal synthesizer for channel control. Elaborate synthesizers permit selection of discrete operating frequencies as closely separated as 100 Hz. Some units include a *clarifier* control which permits a slight frequency adjustment to place the unit exactly on the chosen operating channel.

# Communication Receiver Fundamentals

## Part I—The HF Receiver

Communication receivers vary widely in their cost, complexity and design, depending on the intended application and various economic factors. A receiver designed for amateur radio use must provide maximum intelligibility from signals varying widely in received strength, and which often have interfering signals in adjacent channels, or directly on the received channel. The practical receiver should permit reception of continuous wave (c-w), amplitude-modulated (a-m) and single-sideband (SSB) signals. Specialized receivers (or receiver adapters) are often used for reception of narrow band f-m (NBFM), radio teletype (RTTY), slow scan television (SSTV) and facsimile (FAX) signals.

The desired signal may vary in strength from a fraction of a microvolt to several volts at the input terminals of the receiver. Many extraneous strong signals must be rejected by the receiver in order to receive a signal often having a widely different level than the rejected signals.

The modern receiver, in addition, must have a high order of electrical and mechanical stability, and its tuning rate should be slow enough to facilitate the exact tuning of c-w and SSB signals. Finally, the receiver should be rugged and reliable as well as easy to service, maintain, and repair. All of these widely differing requirements demand a measure of compromise in receiver design in order to achieve a reasonable degree of flexibility.

Modern receivers utilizing either solid-state devices or vacuum tubes can readily meet most of these requirements. Modern

design makes use of semiconductors and field-effect devices, particularly in manufactured receivers because of performance, cost, and assembly considerations. The solid-state receivers, however, tend to be more complex than their vacuum-tube counterparts and often do not offer as high a dynamic signal range (the ability to cope with both very strong and very weak signals) as do receivers utilizing vacuum tubes.

Receiver circuits and characteristics discussed in this chapter apply equally well to the receiver portion of an SSB transceiver. F-m (frequency-modulation) reception is discussed at length in chapter 13 of this handbook.

### 10-1 Types of Receivers

All receivers are *detectors* or *demodulators* which are devices for removing the modulation (intelligence) carried by the incoming signal. Figure 1 illustrates an elementary receiver wherein the induced voltage from the signal is diode rectified into a varying direct current. The capacitor  $C_2$  is charged to the average value of the rectified waveform. The resulting current is passed through earphones which reproduce the modulation placed on the radio wave.

**The Autodyne Detector** Since a c-w signal consists of an unmodulated carrier interrupted by dots and dashes, it is apparent that such a signal would not be made audible by detection alone. Some means must be provided whereby an audible tone

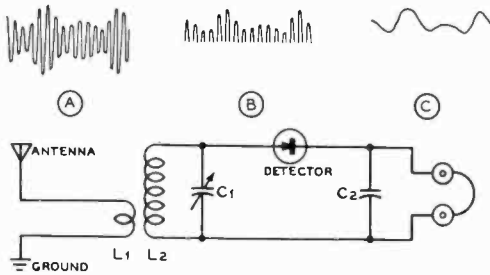


Figure 1

### ELEMENTARY FORM OF RECEIVER

This is the basis of the "crystal set" type of receiver. The tank circuit (L-C) is tuned to the frequency it is desired to receive. The bypass capacitor across the phones should have a low reactance to the carrier frequency being received, but a high reactance to the modulation on the received radio signal.

is heard when the carrier is received, the tone stopping when the carrier is interrupted. Audible detection may be accomplished by generating a local carrier of a slightly different frequency and mixing it with the incoming signal in the detector stage to form a beat note. The difference frequency, or *heterodyne*, exists only when both the incoming signal and the locally generated signal are present in the mixer. The mixer (or

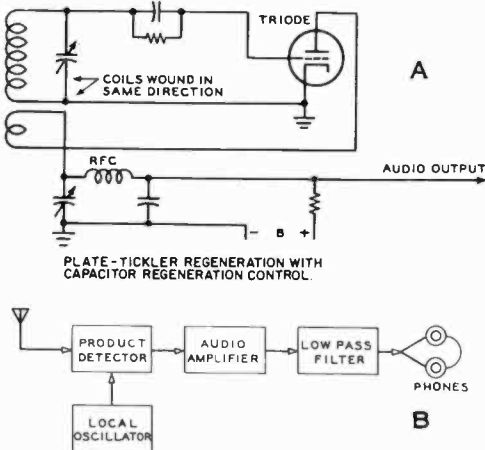


Figure 2

### DIRECT DETECTOR CIRCUITS

Regenerative detectors are seldom used at the present time due to their poor selectivity. Detector may be used for c-w or SSB when adjusted for oscillation or for a-m phone when set just below point of oscillation. Direct conversion receiver uses separate heterodyne oscillator to produce audio beat note signal. Passband is restricted by use of audio filter.

detector) may be made to supply the beating signal, as shown in the *autodyne detector* circuit of figure 2. A variation of the autodyne detector makes use of a separate oscillator and is termed a *direct conversion* receiver. A product detector may be used and signal selectivity is obtained at audio frequencies through the use of a low-pass audio filter.

## 10-2 Receiver Performance Requirements

Receiver performance may be defined in terms of *sensitivity*, *selectivity*, *tuning rate*, *stability*, *spurious response*, *dynamic signal range*, and *gain compression*. Other factors enter into receiver specifications, but these properties are of the greatest interest to the user. A well-designed communication receiver must be able to receive all modes of emission used in the band of reception while meeting minimum levels of performance in these important areas.

**Sensitivity** The *sensitivity* of a receiver may be defined as the input signal required to give a signal-plus-noise output of some ratio (usually 10 dB) above the noise output of the receiver. A perfect "noiseless" receiver would generate no internal noise and the sensitivity would be limited only by the thermal noise (or "r-f smog") about the receiving location. Below 30 MHz or so, external noise rather than internal receiver noise, is the limiting factor in weak signal reception.

Random electron motion, or *thermal agitation noise*, is proportional to the absolute temperature and is independent of frequency when the absolute bandwidth and input impedance of the receiver are constant. The noise is expressed as *equivalent noise resistance*, or that value of resistance which, if placed at the input circuit of a stage, will produce output circuit noise equivalent to the noise of the amplifying device in the stage.

The degree to which a "perfect" receiver is approached by a practical receiver having the same bandwidth is called the *noise figure*

of the receiver. This is defined as the ratio of the signal-to-noise power ratio of the "perfect" receiver to that ratio of the receiver under test. The noise figure is expressed in decibels or as a power ratio, and the larger the noise figure, the noisier is the receiver.

The noise figure is defined as:

$$F = \frac{S/kTB}{S_o/N_o}$$

where,

$F$  equals noise figure of receiver,

$S$  equals available signal power from source,

$S_o$  equals available signal power from receiver,

$N_o$  equals noise power from receiver,

$k$  equals Boltzmann's constant ( $1.38 \times 10^{-23}$  joules per °k),

$T$  equals absolute temperature of signal source,

$B$  equals bandwidth of receiver.

The quantity  $kTB$  represents the available noise power from a resistor of arbitrary value at temperature  $T$ . Thus, a signal, no matter how it is generated, has associated with it a minimum amount of noise ( $kTB$ ). If the signal is passed through a receiver that amplifies it without adding noise, the ratio of signal power to noise power at the output of the receiver will be the same as at the input and the noise figure ( $F$ ) will be unity. If the receiver adds additional noise,  $F$  will be greater than unity. The noise figure of a good hf communications receiver runs between 5 to 15 dB below 30 MHz; a noise figure better than this is of little use considering the high atmospheric noise level. In the vhf spectrum, very low noise figures are extremely useful as the external noise level is quite low.

**Noise Figure Measurement** Expressed in decibels, the noise figure of a receiver is:

$$F = 10 \log_{10} \frac{N_2}{N_1}$$

where,

$N_1$  and  $N_2$  are the noise power figures in watts and represent the output from an actual receiver, ( $N_2$ ) at 290° K (63°F),

divided by the noise power output from an ideal receiver ( $N_1$ ) at the same temperature.

The noise figure of a receiver may be ascertained by direct measurement with a noise generator. The receiver input is terminated with a resistor and wideband random noise, generated by thermal agitation in a suitable generator, is injected into the input circuit of the receiver. The power output of the receiver is measured with no noise input and the generator output is then increased until the receiver noise output is doubled. The noise figure of the receiver is a function of these two levels, and may be computed from these measurements.

It is common practice to match the impedance of the antenna transmission line to the input impedance of the amplifying device of the first r-f amplifier stage in a receiver. However, when vhf tubes and transistors are used at frequencies somewhat less than their maximum capabilities, a significant improvement in noise figure can be attained by increasing the coupling between the antenna and first tuned circuit to a value greater than that which gives greatest signal amplitude out of the receiver. In other words, in the vhf bands, it is possible to attain somewhat improved noise figure by increasing antenna coupling to the point where the gain of the receiver is slightly reduced.

It is always possible, in addition, to obtain improved noise figure in a vhf receiver through the use of devices which have improved input-impedance characteristics at the frequency in question over conventional types.

The relationship between the sensitivity in microvolts, noise figure and audio bandwidth is shown in figure 3 which assumes an antenna input impedance of 50 ohms and room temperature of 80.5°F.

**Selectivity** The *selectivity* of a receiver is the ability to distinguish between the desired signal and signals on closely adjacent frequencies. The bandwidth, or passband, of the receiver must be sufficiently wide to pass the signal and its sidebands if faithful reproduction of the signal is desired. For reception of a double-sideband amplitude-modulated broadcast signal, a passband



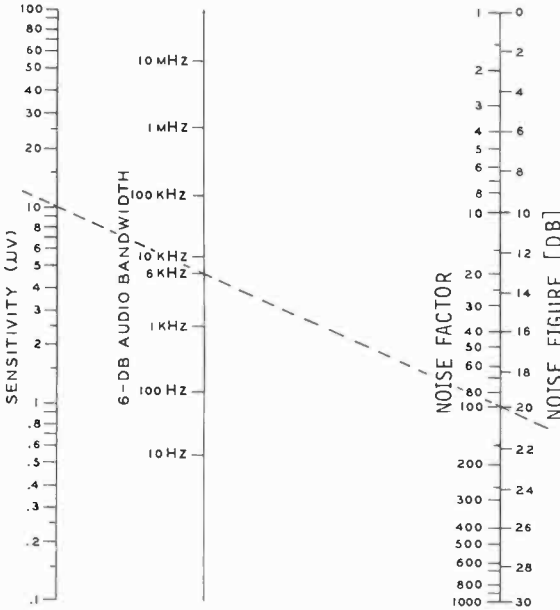


Figure 3

NOISE-FIGURE NOMOGRAPH

To find the noise figure of a receiver, a line extended between sensitivity and audio bandwidth points will intersect noise-figure line at right. Dashed line shows bandwidth of 6 kHz and sensitivity of 10 microvolts gives a noise factor of 100, or a noise figure of 20 dB.

of about 10 kHz is required. SSB passband response may be as small as 2 kHz for voice reception. For cw reception, a passband less than 100 Hz is often employed. As the circuit passband is reduced, transmitter and receiver frequency stability requirements become more strict and practical bandwidth in receivers may often have to be greater than the theoretical minimum value to compensate for frequency drift of the equipment.

Receiver bandwidth is defined in terms of skirt selectivity, or the degree of attenuation shown to a signal received at some frequency removed from the center frequency of reception, as shown in figure 4. The bandwidth is the width of the resonance curve of the receiver and is specified at the -6dB and -60 dB points. For the example shown, the -6 dB bandwidth is about 2.8 kHz for curve A and the -60 dB bandwidth is 12 kHz.

**Stability** The ability of a receiver to remain tuned to a chosen frequency is a measure of the *stability* of the receiver. Environmental changes such as variations in temperature, supply voltage, humidity and mechanical shock or vibration tend to alter the receiver characteristics over a period of time. Most receivers, to a greater or lesser degree, have a steady frequency variation known as *warm-up drift* which occurs during the first minutes of operation. Once the receiver components have reached operating temperature, the drift settles down, or subsides. *Long-term drift* may be apparent over a period of days, weeks or even years as components age or gradually shift in characteristics due to heat cycling or usage. Many receivers include a high-stability calibration oscillator to provide *marker signals* at known frequencies to allow rapid frequency calibration of the receiver dial. Typical short-term receiver drift is shown in figure 5.

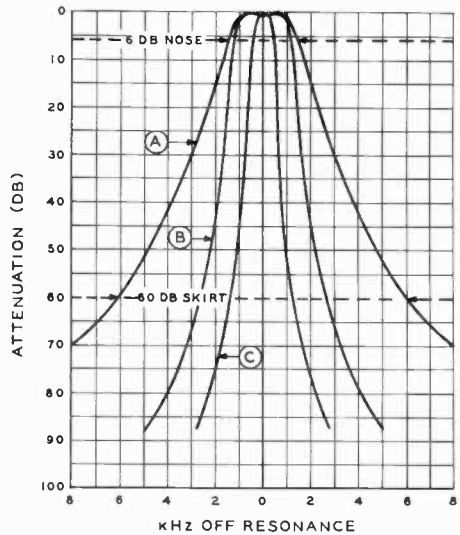


Figure 4

SKIRT SELECTIVITY

Receiver bandwidth is determined by selectivity of i-f system. Curve A shows typical response for reception of double-sideband, amplitude-modulated signal. SSB reception on a good communication receiver is shown by curve B. C-w selectivity is shown by curve C. Strong-signal selectivity is determined by bandwidth at 60-dB skirt points.

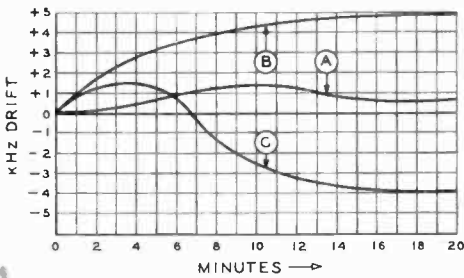


Figure 5

RECEIVER FREQUENCY STABILITY

Frequency drift of receiver depends on electrical and mechanical stability of tuned circuits. Temperature compensation (A) reduces warmup drift to a minimum. No compensation may result in long term, continual drift (B) and overcompensation can show as reversal of drift (C). Frequency compensation may be achieved by use of special capacitors having controlled temperature characteristics in critical circuits and by temperature stabilization of oscillator circuitry.

**Tuning Rate** A good communication receiver should have a slow *tuning rate*. That is, each revolution of the tuning control should represent only a moderate frequency change when compared to the bandwidth of reception. SSB receivers often have

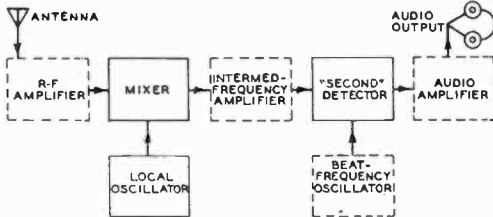


Figure 6

ESSENTIAL UNITS OF A SUPERHETERODYNE RECEIVER

The basic portions of the receiver are shown in solid blocks. Practicable receivers employ the dotted blocks and also usually include such additional circuits as a noise limiter, an agc circuit, and a bandpass filter in the i-f amplifier.

a tuning rate of 10 to 50 kHz per tuning dial revolution. Receivers intended for c-w reception may have a tuning rate as low as 5 kHz per dial revolution. The tuning rate may be determined mechanically by means of a step-down gear train or rim-drive mechanism placed between the tuning dial and the tuning control of the receiver. In

some instances, electrical *bandspread* (see Section 10-4) may be employed. Regardless of the technique used, the tuning mechanism should have a smooth action and be free of mechanical or electrical backlash.

**The Superheterodyne Receiver** By changing the frequency of a received signal to a lower, fixed, *intermediate frequency* before ultimate detection, high gain and selectivity may be obtained with a good order of stability. A receiver that performs this frequency changing (heterodyning) process is termed a *superheterodyne* or *superhet* receiver. A block diagram of a typical superhet receiver is shown in figure 6.

The incoming signal is applied to a *mixer* consisting of a nonlinear impedance such as a vacuum tube, transistor, or diode. The signal is mixed with a locally generated variable-frequency signal, with the result that a third signal bearing all the modulation applied to the original signal but of a frequency equal to the difference between the local oscillator and the incoming signal frequency appears in the mixer output circuit. The output from the mixer is fed into a fixed-tuned intermediate-frequency amplifier, wherein it is amplified, detected, and passed on to an audio amplifier.

Although the mixing process is inherently noisy, this disadvantage can be overcome by including a radio-frequency amplifier stage ahead of the mixer, if necessary.

**Advantages of the Superheterodyne** The advantages of superheterodyne reception are directly attributable to the use of the fixed-tuned *intermediate-frequency (i-f) amplifier*. Since all signals are converted to the intermediate frequency, this section of the receiver may be designed for optimum selectivity and high amplification. High amplification is easily obtained in the intermediate-frequency amplifier, since it operates at a relatively low frequency, where conventional pentode-type tubes and transistors give adequate voltage gain.

**Spurious Responses** The mark of a good receiver is its ability to reject spurious signals outside of the passband of the receiver and to generate no spurious

signals within the passband. While the superheterodyne receiver is universally accepted as the best combination of circuit principles for optimum reception, the device has practical disadvantages that should be recognized. The greatest handicap of this type of receiver is its susceptibility to various forms of spurious response and the complexity of design and adjustment required to reduce this response. Most of the responses, but not all, are a result of frequency conversion.

**Image Interference** The choice of a frequency for the i-f amplifier involves several considerations. One of these considerations concerns selectivity—the lower the intermediate frequency the greater the obtainable selectivity. On the other hand, a rather high intermediate frequency is desirable from the standpoint of image elimination, and also for the reception of signals from television and f-m transmitters both of which occupy a rather wide band of frequencies, making a broad selectivity characteristic desirable. Images are a peculiarity common to all superheterodyne receivers and for this reason they are given a detailed discussion later in this chapter.

While intermediate frequencies as low as 50 kHz are used where extreme selectivity is a requirement, and frequencies of 60 MHz and above are used in some specialized forms of receivers, many communication receivers use intermediate frequencies near 455 or 1600 kHz. Some receivers make use of high-frequency crystal-lattice filters in the i-f amplifier and use an intermediate frequency as high as 5 MHz or 9MHz to gain image rejection. Entertainment receivers normally use an intermediate frequency centered about 455 kHz, while many automobile receivers use a frequency of 262 kHz. The standard frequency for the i-f channel of f-m receivers is 10.7 MHz, whereas the majority of television receivers use an i-f which covers the band between 41 and 46 MHz.

**Arithmetical Selectivity** Aside from allowing the use of fixed-tuned bandpass amplifier stages, the superheterodyne has an overwhelming advantage over the autodyne type of receiver (figure 2B) because of what is commonly known as *arithmetical selectivity*.

This can best be illustrated by considering two receivers, one of the autodyne type and one of the superheterodyne type, both attempting to receive a desired signal at 10,000 kHz and eliminate a strong interfering signal at 10,010 kHz. In the autodyne receiver, separating these two signals in the tuning circuits is practically impossible, since they differ in frequency by only 0.1 percent. However, in a superheterodyne with an intermediate frequency of, for example, 1000 kHz, the desired signal will be converted to a frequency of 1000 kHz and the interfering signal will be converted to a frequency of 1010 kHz, both signals appearing at the input of the i-f amplifier. In this case, the two signals may be separated much more readily, since they differ by 1 percent, or 10 times as much as in the first case.

An audio filter will provide a degree of selectivity that makes the autodyne receiver practical for use in the hf spectrum.

**Images** There always are *two* signal frequencies which will combine with a given frequency to produce the same difference frequency. For example: assume a superheterodyne with its oscillator operating on a higher frequency than the signal (which is common practice in many superheterodynes) tuned to receive a signal at 14,100 kHz. Assuming an i-f amplifier frequency of 450 kHz, the mixer input circuit will be tuned to 14,100 kHz, and the oscillator to 14,100 plus 450, or 14,550 kHz. Now, a *strong* signal at the oscillator frequency plus the intermediate frequency (14,550 plus 450, or 15,000 kHz) will also give a difference frequency of 450 kHz in the mixer output and will be heard also. Note that the image is always *twice* the intermediate frequency away from the desired signal. Images cause *repeat points* on the tuning dial.

The only way that the image could be eliminated in this particular case would be to make the selectivity of the mixer input circuit, and any circuits preceding it, great enough so that the 15,000-kHz signal never reaches the mixer input circuit in sufficient amplitude to produce interference.

For any particular intermediate frequency, image interference troubles become increasingly greater as the frequency (to which the

signal-frequency portion of the receiver is tuned) is increased. This is due to the fact that the percentage difference between the desired frequency and the image frequency decreases as the receiver is tuned to a higher frequency. The ratio of strength between a signal at the image frequency and a signal at the frequency to which the receiver is tuned producing equal output is known as the *image ratio*. The higher this ratio is, the better the receiver will be in regard to image interference troubles.

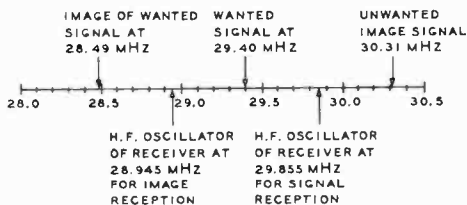
With but a single tuned circuit between the mixer grid and the antenna, and with 400- to 500-kHz i-f amplifiers, image ratios of 40 dB and over are easily obtainable up to frequencies around 2000 kHz. Above this frequency, greater selectivity in the mixer

all but the highest frequency bands, where "high-side" operation is often used.

**Phantom Signals** Any combination of desired and undesired signals, combined with the mixing oscillator and its harmonics, can produce signals at the intermediate frequency of the receiver. These, plus the spurious responses of the mixer stage are termed *birdies*.

Many spurious responses can be reduced by inclusion of adequate selectivity ahead of the mixer stage and by the use of shielding and filtering to prevent unwanted signal leak-through or pickup by later stages of the receiver.

*Intermodulation distortion products* are spurious signals generated in a nonlinear device. These signals are difficult to eliminate unless the frequencies for the mixing signal and the intermediate frequency are carefully chosen. Many undesired mixer products fall within the receiver passband and follow a predictable frequency relationship as the receiver mixing oscillator is tuned. Multiples of the signal and oscillator frequency are present in a mixer stage which corresponds to the second, third, fourth, fifth, and sixth harmonics of the mixing signals. Higher order products are also present but are usually attenuated sufficiently so as not to cause any birdie problem. In the case of the lower order products, typical crossover combinations are:



**Figure 7**  
**IMAGE SIGNAL**

Relation between image signal and wanted signal when receiver local oscillator operates on high-frequency side of wanted signal. Image of 29.40 MHz signal appears at 28.49 MHz when 455 kHz i-f system is used. Unwanted signal at 30.31 MHz appears as image signal when receiver is tuned to desired signal at 29.40 MHz. Conditions are reversed for operation of oscillator on low-frequency side of signal.

grid circuit through the use of additional tuned circuits between the mixer and the antenna is necessary if a good image ratio is to be maintained.

Image signal reception can be confusing, especially in SSB reception, when an image signal may appear on the opposite sideband and tune "in the wrong direction" as compared to normal signals. Figure 7 illustrates the relationship between image signals when the receiver local oscillator operates on the high-frequency side of the received signal. The conditions are reversed for oscillator operation on the low-frequency side of the received signal. For reasons of economy and maximum oscillator stability, many receivers employ "low-side" oscillator operation on

Odd-order products

$$\begin{array}{ll}
 2f_o \pm f_s & 2f_s \pm 2f_o \\
 f_o \pm 2f_s & 2f_o \pm 2f_s \\
 3f_o \pm f_s & 3f_o \pm 2f_s \\
 f_o \pm 3f_s & 2f_o \pm 3f_s \\
 4f_o \pm f_s & \dots \text{ and so on.} \\
 f_o \pm 4f_s &
 \end{array}$$

where,

$f_o$  equals frequency of local oscillator,  
 $f_s$  equals signal frequency.

**Dynamic Signal Range** The dynamic range of a receiver is that range over which the signal output of the receiver is a replica of the input signal. At the low-sensitivity end of the range, the limit is set by the noise and hum "floor" of the receiver. At the high end of the range, the

limiting factors are *intermodulation distortion*, *gain compression*, and *crossmodulation*.

Dynamic measurements on a receiver are made in terms of power, specified in decibels with respect to one milliwatt—abbreviated *dBm*. Specifically, 0 dBm is one milliwatt. A typical communications receiver will have a noise floor of -140 dBm and at a signal level of -40 dBm the receiver may show indications of blocking or crossmodulation. The dynamic range of the receiver, then is the difference between the two levels, or 100 dB. Modern high-frequency communications receivers have a dynamic range from 70 dB to better than 120 dB, as measured above the noise floor.

The dynamic range of a receiver can be specified by measuring the third order products and receiver gain for various levels of input signal. This is done with the test arrangement shown in figure 9.

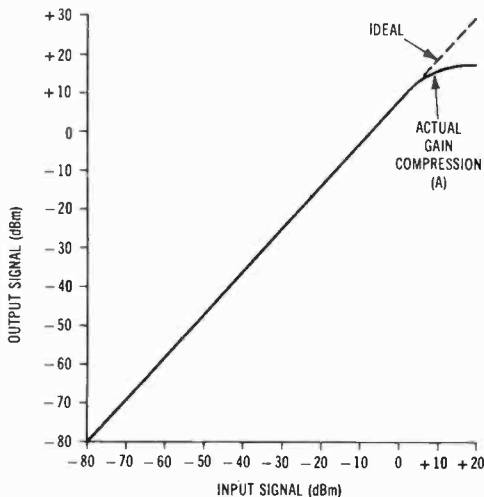


Figure 8

Comparison of input power versus output power for a receiver showing gain compression.

Using a single generator, input power versus output power is plotted as shown in figure 8. The input-output power relationship is linear until a certain signal level (A) is reached at which point the gain is compressed and the relationship is no longer linear. When 1 dB of gain compression occurs, the receiver has reached the level of desensitization.

A two-tone intermodulation test is now run (figure 9) to determine intermodulation distortion at the receiver. Two equal-level signals at slightly different frequencies ( $f_1$  and  $f_2$ ) are injected into the receiver. The third-order intermodulation products ( $2f_1 - f_2$  and  $2f_2 - f_1$ ) will appear in the mixer of the receiver and can be measured. For example, assume the two input frequencies are 7.0 MHz and 7.02 MHz. The third order intermodulation products, then, will be 6.98 MHz and 7.04 MHz. The intermodulation products can be detected by a spectrum analyzer or by a selective receiver coupled to the r-f circuitry of the receiver under test. As the amplitude of the two equal tones is increased, the frequencies at which the third-order products appear is monitored and the spurious signal levels plotted against the input signals.

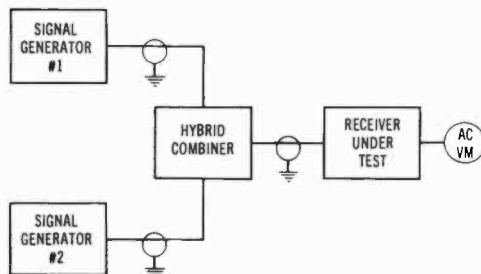


Figure 9

### RECEIVER EVALUATION

Dynamic range of a receiver can be specified by measuring third-order mixing products from two signal sources.

If these two plots are combined as one graph, the intercept point of the two curves is called the *third-order intermodulation intercept* and it defines the dynamic performance of the receiver for maximum signal levels as shown in figure 10.

Crossmodulation is the superposition of modulation from an unwanted signal. It can be measured with the test arrangement of figure 9. A specific signal level is chosen for one signal and the second signal is injected into the receiver. The second signal has a tone modulation of 30 percent and its power level is raised until a three percent modulation level is impressed on the first signal. The power level of the second signal neces-

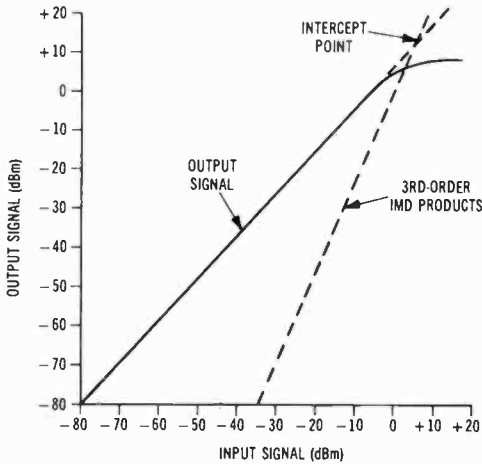


Figure 10

### DYNAMIC RANGE OF A RECEIVER

The output power level at which the two curves cross each other is called the third order, intermodulation intercept point and defines the intermodulation performance of the receiver.

sary to achieve this indicates the ability of the receiver to handle adjacent strong signals.

Additional selectivity ahead of the mixer stages will help to protect against cross modulation. Pre-mixer crystal filters are often used in specialized receivers.

## 10-3 The Superheterodyne Receiver

A block diagram of a single conversion superheterodyne was shown in figure 6. This is the basic "building block" for communications receivers of all types. Frequency conversion permits r-f amplification at a fixed, low frequency (the i-f stages) which provides high gain, good selectivity and a high order of stability. Improved image rejection and superior high-frequency performance can be achieved with the use of a double-conversion receiver.

**Double Conversion** As previously mentioned, the use of a higher intermediate frequency will also improve the image ratio, at the expense of i-f selectivity,

by placing the desired signal and the image farther apart. To give both good image ratio at the higher frequencies and good selectivity in the i-f amplifier, a system known as *double conversion* is sometimes employed. In this system, the incoming signal is first converted to a rather high intermediate frequency, and then amplified and again converted, this time to a much lower frequency. The first intermediate frequency supplies the necessary wide separation between the image and the desired signal, while the second one supplies the bulk of the i-f selectivity.

The double-conversion system, as illustrated in figure 11, is receiving two general types of application at the present time. The first application is for the purpose of attaining extremely good stability and image rejection in a communications receiver through the use of crystal control of the first oscillator. In such an arrangement the first oscillator is crystal controlled and is followed by a tunable i-f amplifier which then is followed by a mixer stage and a fixed-tuned i-f amplifier on a much lower frequency. Through such a circuit arrangement the stability of the complete receiver is equal to the stability of the oscillator which feeds the second mixer, while the selectivity is determined by the bandwidth of the second fixed i-f amplifier.

The second common application of the double-conversion principle is for the purpose of obtaining a very high degree of selectivity in the complete communications receiver. In this type of application, as illustrated in figure 11B, the 455-kHz i-f signal is fed to a fixed-tuned mixer stage, and then into a much lower intermediate-frequency amplifier before the signal is demodulated and fed to the audio system. The highly selective, second i-f amplifier system normally is operated on a frequency of 175 kHz, 85 kHz, or 50 kHz.

The recent development of high quality, low cost crystal filters has made feasible the use of a high intermediate frequency in a single-conversion receiver to provide good selectivity and a high order of image rejection. Filters in the 5 MHz to 10 MHz range provide satisfactory selectivity for SSB reception at less than the cost of a lower-frequency filter and the attendant conversion and mixer stages.

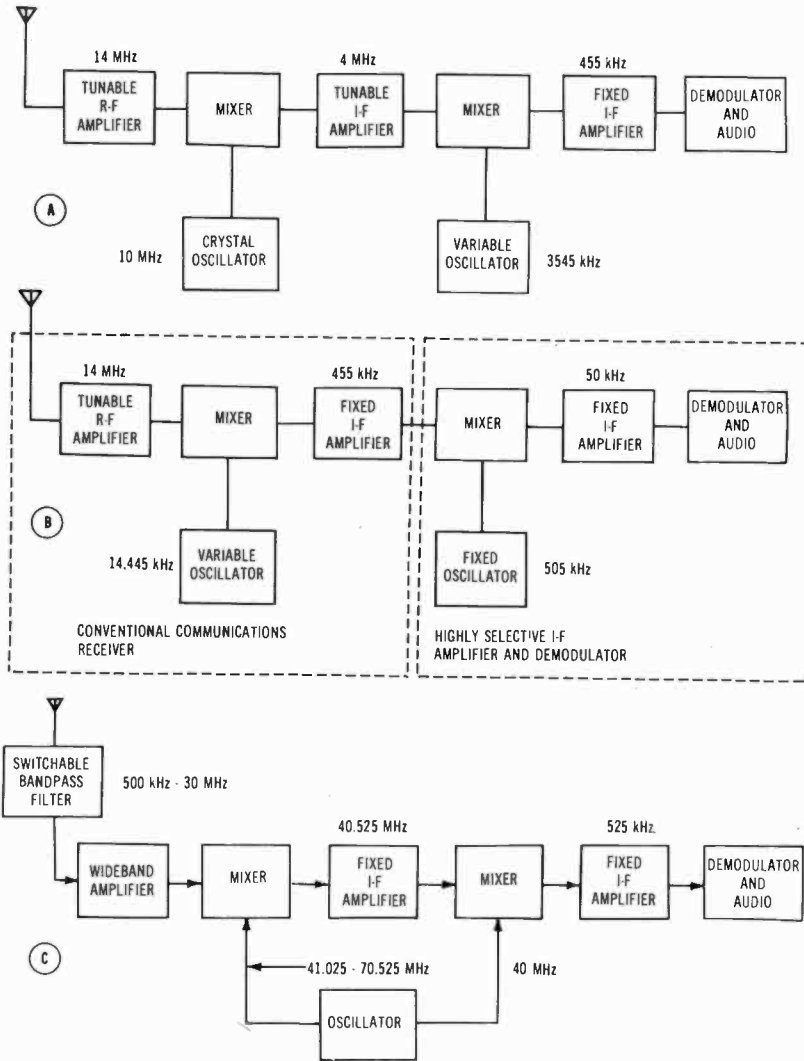


Figure 11

**TYPICAL DOUBLE-CONVERSION SUPERHETERODYNE RECEIVERS**

Illustrated at A is the basic circuit of a dual-conversion superheterodyne receiver. At B is illustrated the application of a sharp i-f channel for obtaining improved selectivity through the use of the double-conversion principle. Diagram C shows use of intermediate frequency higher than the signal frequency.

Some specialized high-frequency receivers make use of an intermediate frequency *above* the tuning range of the receiver (40 MHz, for example). The extremely high i-f permits a high order of attenuation of image responses and allows continuous tuning of all frequencies up to 30 MHz or so (figure

11C). In other designs, dual conversion is accomplished with the use of but a single local oscillator, with the injection frequency chosen so that oscillator drift is automatically eliminated.

In all double-conversion receivers, the problem of spurious responses is aggravated

because of the multiple-frequency signals existing within the receiver circuitry. Careful shielding and filtering of power leads must be incorporated in a receiver of this type if birdies and spurious signals are to be avoided.

**The Demodulator** The *demodulator* (detector, second mixer or second detector as it is variously named) retrieves the intelligence from the incoming signal. A simple diode detector is suitable for a-m reception, and a *beat-frequency oscillator* (bfo) can provide a heterodyne note, suitable for c-w reception. For SSB reception, the demodulator must have an extremely wide dynamic range of operation, plus a bfo that provides a strong mixing signal for low distortion reception of strong signals. A control voltage for automatic gain control may also be obtained from the demodulator stage.

**Automatic Gain Control** *Automatic gain control* (agc) provides for gain regulation of the receiver in inverse proportion to the strength of the received signal. The circuitry holds receiver output relatively constant despite large changes in the level of the incoming signal. In addition to control of gain, the agc circuit can also provide signal strength indication by means of an *S-meter*, whose reading is proportional to the agc control voltage.

**Audio Circuitry** The communication receiver has no need to reproduce audio frequencies outside of the required communication passband. The high-frequency response of such a receiver is usually limited by the selective i-f passband. For voice reception, the lower audio frequencies are also attenuated in order to make speech crisp and clear. An audio passband of about 200 to 2000 Hz is all that is normally required for good SSB reception of speech. For c-w reception, the audio passband can be narrowed further by peaking the response to a frequency span ranging from 100 to 1000 Hz. High-Q audio filters may be used in the

communication receiver to shape the audio response to the desired characteristic. In addition, audio or i-f filters may be added to either provide a special, narrow response characteristic, or a sharp rejection notch to eliminate heterodynes or objectionable interference.

**Control Circuitry** Under normal circumstances, the communication receiver is disabled during periods of transmission. A standby control may take the form of a switch or circuit that removes high voltage from certain tubes or transistors in the receiver. Alternatively, the bias level applied to the r-f and i-f stages may be substantially increased during standby periods to greatly reduce receiver gain. This will permit use of the receiver as a monitoring device during periods of transmission. In all cases, the input circuitry of the receiver must be protected from the relatively strong r-f field generated by the transmitter. Receiver control circuitry may be actuated by the transmitter control devices through the use of suitable interconnecting relay circuits (VOX), as discussed in Chapter 18 of this Handbook.

**Receiver Power Supplies** Communications receivers are generally designed to operate from a 120- or 240-volt, 50- to 60-Hz power source, with the possible addition of auxiliary circuitry to permit operation from a 12-volt automotive electrical system. The majority of receivers incorporate the power supply on the receiver chassis and thus must accommodate the heat the power supply generates during operation. Silicon diodes are to be preferred for power rectifiers as opposed to vacuum-tube rectifiers because of the lesser heat radiation of the solid-state devices. In some instances, voltage regulation circuits or devices are added to the supply to stabilize the voltages applied to critical oscillator circuits. In all instances, the primary circuit of a well designed communications receiver is fused to protect the equipment from overload and the complete receiver is designed and built to protect the operator from accidental shock.



## 10-4 The R-F Amplifier Stage

Since the necessary tuned circuits between the mixer stage and the antenna can be combined with solid-state devices or tubes to form r-f amplifier stages, the reduction of the effects of mixer noise and enhancement of the image ratio can be accomplished in the input section of the receiver. The tuned input stages, moreover, provide protection against unwanted signal response but, unfortunately, may increase the susceptibility of the receiver to cross-modulation, blocking, and desensitization because of the enhanced gain level of the received signals. In all cases, receiver gain (and particularly front-end gain) should be limited to that amount necessary to only override mixer noise. Excess receiver gain usually creates more problems than it solves.

If the r-f amplifier stage has its own tuning control, it is often known as a *preselector*. Some preselectors employ regeneration to boost signal gain and selectivity at the expense of the signal-to-noise ratio, which usually is degraded in such a circuit.

Generally speaking, atmospheric and man-made noises below about 30 MHz are so high that receiver sensitivity and signal-to-noise ratio is not a serious problem. Above 30 MHz or so, noise generated within the receiver is usually greater than the noise received on the antenna. Vhf and uhf r-f amplifiers will be discussed in Section II of this Chapter.

Experience has shown that about an 8-dB noise figure is adequate for weak-signal reception under most circumstances below 30

MHz. Interference immunity is very important below 30 MHz because of the widespread use of high-power transmitters and high-gain antennas and large-signal handling ability is usually more important to the hf communicator than is extreme weak-signal reception.

To minimize receiver overload from strong local signals, a variable attenuator such as the type shown in Chapter 9 may be placed in the receiver input circuit. The attenuation can be varied in 10-decibel steps and the unit is useful in dropping the signal level of strong, local transmitters.

A high-pass filter is shown in figure 12 which eliminates crossmodulation and intermodulation from local broadcast stations. Both of these devices provide good front-end protection from unwanted signals.

If the circuit  $Q$  is known for the tuned circuits in the r-f stage of the receiver, the image-rejection capability may be determined with the aid of the universal selectivity curve shown in figure 13. The operating  $Q$  of the coupled input circuit may be taken as about sixty percent of the unloaded  $Q$  and the  $Q$  of the output circuit may be estimated to be about eighty percent of the unloaded  $Q$ , for frequencies below 30 MHz.

### Solid-State R-F Amplifiers

Typical common solid-state r-f amplifiers are shown in figure 14. A *common-base amplifier* is shown in illustration A. To overcome the possibility of oscillation at the higher frequencies, an external neutralizing circuit may be added, which consists of a neutralizing capacitor placed between the collector and the lower end of the input circuit, which is lifted above ground. If the external feedback circuit cancels both resistive and reactive changes in the input circuit due to voltage feedback, the amplifier is considered to be *unilateralized*. If only the reactive changes in the input circuit are cancelled, the amplifier is considered to be *neutralized*. Neutralization, then, is a special case of unilateralization. Modern silicon NPN epitaxial planar type transistors are designed for vhf use up to 470 MHz and many have sufficiently low feedback capacitance so that neutralization is unnecessary. The *common-emitter amplifier* (figure 14B) corresponds to the grounded-cathode

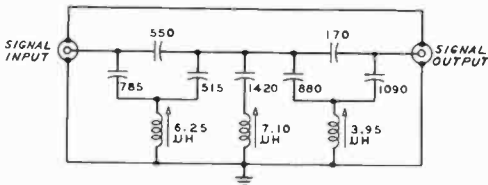


Figure 12

### HIGH-PASS INPUT FILTER

High-pass filter reduces cross modulation and intermodulation from local broadcast stations. At 1.6 MHz, response is down about 40 dB. High-Q inductors are wound on Ferroxcube 4C4 pot cores for optimum performance.

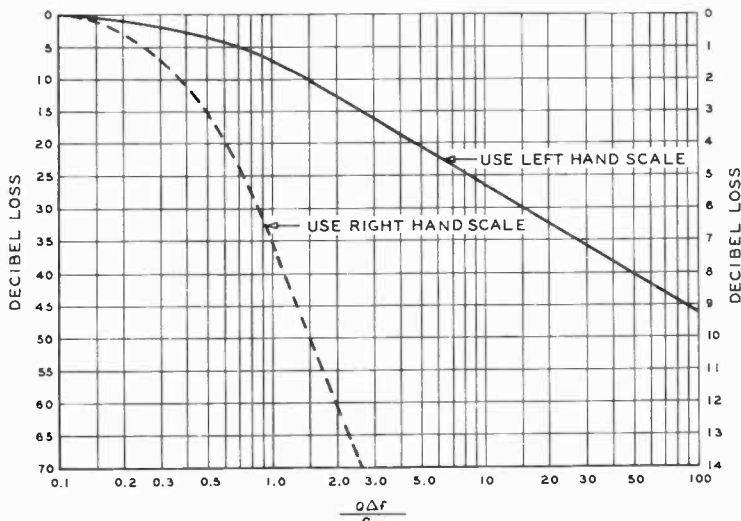


Figure 13

UNIVERSAL SELECTIVITY CURVE

Image rejection capability may be determined with aid of universal curves. Selectivity required to adequately suppress the various spurious signals is provided by tuned input circuits. The number of circuits required depends upon Q, frequency, and attenuation desired. These curves are for a single tuned circuit.

vacuum-tube circuit and provides the highest power gain of common transistor circuitry. As the phase of the output signal is opposite to that of the driving signal, the feedback from output to input circuit is essentially negative.

Field-effect transistors may be used in common-source, common-gate, or common-drain configurations. The common-source arrangement (figure 14C) is most frequently used as it provides high input impedance and medium-to-high output impedance. The first neutralized transistor drives the second connected in common-gate configuration which is used to transform from a low or medium input impedance to a high output impedance. The relatively low voltage gain of the second stage makes dual neutralization unnecessary in most cases. The two FET transistors are arranged in a cascode amplifier circuit, with the first stage inductively neutralized by coil  $L_N$ . FET amplifiers of this type have been used to provides low-noise reception at frequencies in excess of 500 MHz. A single gate MOSFET amplifier is shown in figure 14D.

A dual-gate diode-protected MOSFET r-f amplifier is shown in figure 15A. The signal

input is coupled to gate 1 and the output signal is taken from the drain. Gain control is applied to gate 2 and a dc sensing current may be taken from the source to be applied to the S-meter circuit, if desired. With proper intrastage shielding, no neutralization of this circuit is required in the hf region.

An integrated circuit may be used as an r-f amplifier (figure 15B). It is connected as a differential amplifier and provides high gain, good stability and improved agc characteristic as compared to a bipolar device.

A dual-gate MOSFET device is shown in figure 15C and will be more fully discussed in the vhf section of this chapter.

Vacuum-Tube R-F Amplifiers

A typical hf vacuum-tube amplifier circuit is shown in figure 16. A high-gain pentode such as a 6BA6 or 6BZ6 may be used with the input circuit connected between grid and cathode. The output signal is taken from the plate circuit. Modern pentode tubes provide very high gain, combined with low grid-to-plate capacitance, and usually do not require neutralization. Remote-cutoff

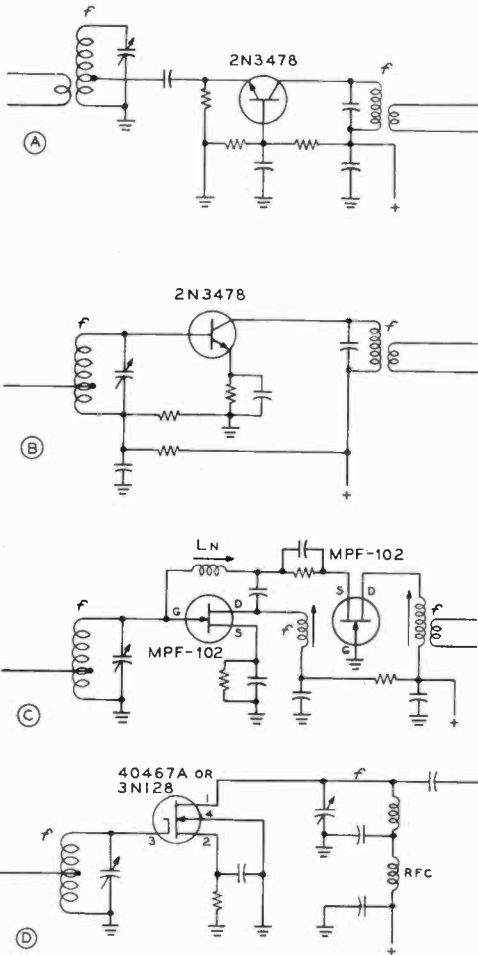


Figure 14

**HIGH-FREQUENCY TRANSISTOR R-F STAGES**

- A—Common-base amplifier.
- B—Common-emitter amplifier.
- C—Cascode amplifier using FET transistors in cascode circuit.
- D—Single-gate MOSFET amplifier.

tubes are most often used in r-f amplifier stages because of their superior large-signal handling capability and their good age characteristics.

Shown in figure 17 are two types of triode r-f amplifier stages that are useful in the hf and vhf range. A low noise, grounded-grid amplifier is shown in illustration 17A. This stage provides medium gain with good

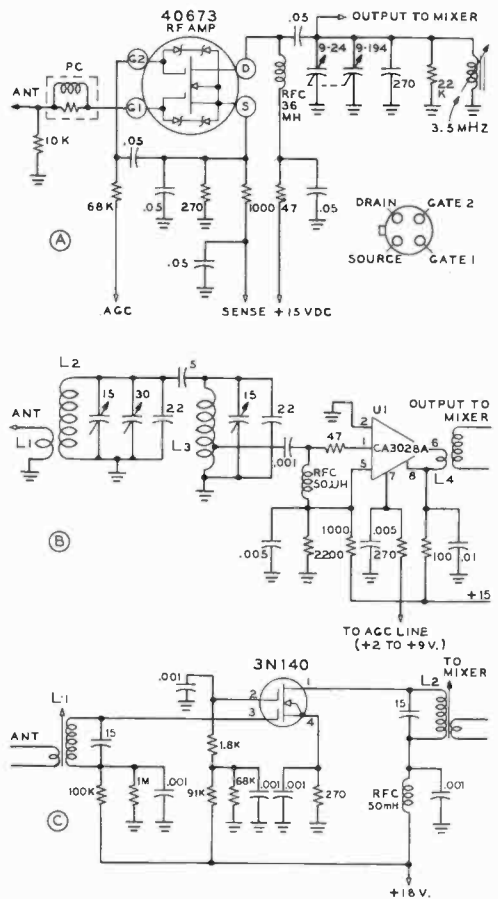


Figure 15

**SOLID-STATE R-F AMPLIFIER STAGES**

- A—Dual-gate, diode-protected MOSFET amplifier.
- B—Integrated circuit differential amplifier with double-tuned input circuit.
- C—Dual-gate MOSFET amplifier.

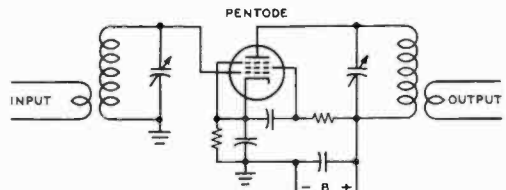


Figure 16

**TYPICAL PENTODE R-F AMPLIFIER STAGE**

overload characteristics and is often used before a low-noise tube-type mixer stage. A *cascode* r-f amplifier is shown in 17B. It employs a grounded-cathode triode driving a grounded-grid triode. The stage gain is about equal to that of a pentode tube. An improvement in noise figure is achieved by the neutralizing circuit ( $L_N$ ) which resonates at the operating frequency with the grid-plate capacitance of the first tube.

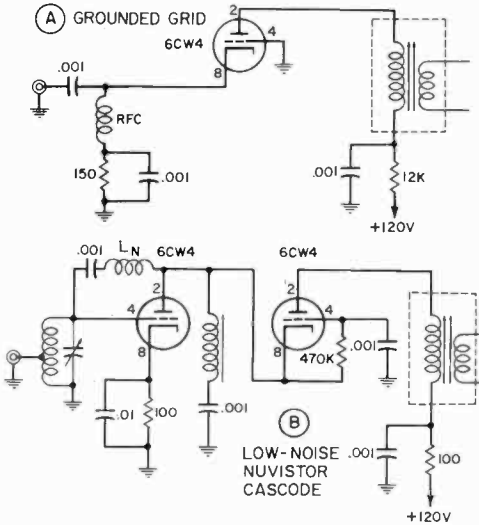


Figure 17

TYPICAL TRIODE VHF R-F AMPLIFIER STAGES

Triode r-f stages contribute the least amount of noise output for a given signal level.

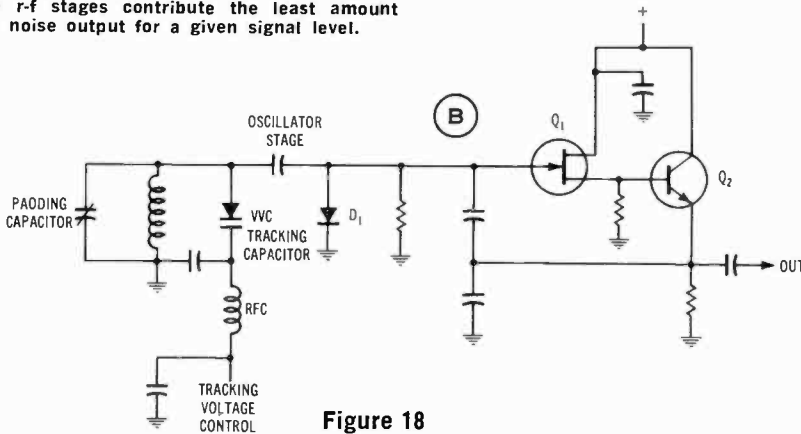


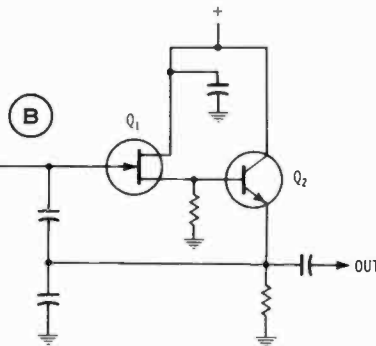
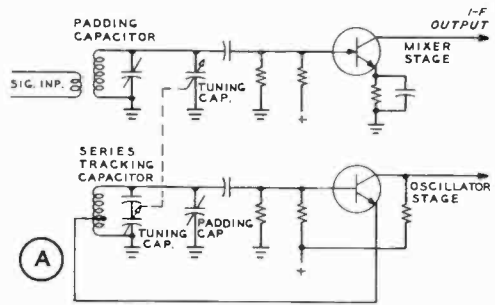
Figure 18

TRACKING SYSTEMS FOR SUPERHETERODYNE RECEIVER

A—Series tracking capacitor.  
 B—Varactor-tuned oscillator. Tracking is controlled electronically

**Signal-Frequency Circuits** The signal-frequency tuned circuits in high-frequency superheterodyne receivers consist of coils of either the solenoid or universal-wound (air or powdered-iron core) type shunted by variable capacitors. It is in these tuned circuits that the causes of success or failure of a receiver often lie. The universal-wound type coils usually are used at frequencies below 2000 kHz; above this frequency the single-layer solenoid type of coil is more satisfactory.

**Impedance and Q** The two factors of greatest significance in determining the gain-per-stage and selectivity, respectively, of a tuned amplifier are tuned-circuit impedance and tuned-circuit Q. Since the resistance of modern capacitors is low at ordinary frequencies, the resistance usually can be considered to be concentrated in the



coil. The resistance to be considered in making  $Q$  determinations is the r-f resistance, not the dc resistance of the wire in the coil. The latter ordinarily is low enough that it may be neglected. The increase in r-f resistance over dc resistance primarily is due to skin effect and is influenced by such factors as wire size and type, and the proximity of metallic objects or poor insulators, such as coil forms with high losses. Higher values of  $Q$  lead to better selectivity and increased r-f voltage across the tuned circuit. The increase in voltage is due to an increase in the circuit impedance with the higher values of  $Q$ .

Frequently it is possible to secure an increase in impedance in a resonant circuit (and consequently an increase in gain from an amplifier stage) by increasing the reactance through the use of larger coils and smaller tuning capacitors (higher LC ratio).

#### Superheterodyne Tracking

Because the tunable local oscillator in a superheterodyne operates "offset" from the other front-end circuits, it is often necessary to make special provisions to allow the oscillator to track when similar tuning capacitor sections are ganged. The usual method of obtaining good tracking is to operate the oscillator on the high-frequency side of the mixer and use a *series tracking capacitor* to retard the tuning rate of the oscillator. The oscillator tuning rate must be slower because it covers a smaller range than does the mixer when both are expressed as a percentage of frequency. At frequencies above 7000 kHz and with ordinary intermediate frequencies, the difference in percentage between the two tuning ranges is so small that it may be disregarded in receivers designed to cover only a small range, such as an amateur band.

A mixer- and oscillator-tuning arrangement in which a series tracking capacitor is provided is shown in figure 18A. The value of the tracking capacitor varies considerably with different intermediate frequencies and tuning ranges, capacitances as low as 100 pF being used at the lower tuning-range frequencies, and values up to .01  $\mu\text{F}$  being used at the higher frequencies.

An electronic tracking system using a varactor (voltage-variable capacitor) is shown in figure 18B. Tracking voltage is controlled

by a potentiometer ganged to the receiver tuning dial.

Superheterodyne receivers designed to cover only a single frequency range, such as the standard broadcast band, sometimes obtain tracking between the oscillator and the r-f circuits by cutting the variable plates of the oscillator tuning section to a different shape than those used to tune the r-f stage. In receivers using large tuning capacitors to cover the shortwave spectrum with a minimum of coils, tuning is likely to be quite difficult, owing to the large frequency range covered by a small rotation of the variable capacitors. To alleviate this condition, some method of slowing down the tuning rate, or *bandspreading*, must be used as shown in figure 19.

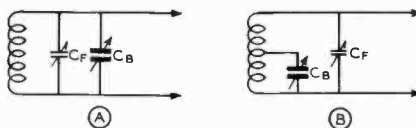


Figure 19  
BANDSPREAD CIRCUITS

Parallel bandspread is shown in drawing (A). The tuning capacitor can be tapped on the coil to achieve bandspreading, as shown in (B). Padding capacitor is connected across the whole coil. Parallel bandspread is employed in inexpensive receivers to reduce complexity of band-switch.

#### Types of Bandspread

Bandspreading systems are of two general types: electrical and mechanical. Mechanical systems are exemplified by high-ratio dials in which the tuning capacitors rotate much more slowly than the dial knob. In this system, there is often a separate scale or pointer either connected or geared to the dial knob to facilitate accurate dial readings. However, there is a practical limit to the amount of mechanical bandspread which can be obtained in a dial and capacitor before the speed-reduction unit and capacitor bearings become prohibitively expensive. Hence, most receivers employ a combination of electrical and mechanical bandspread. In such a system, a moderate reduction in the tuning rate is obtained in the dial, and the rest of the reduction obtained by *electrical bandspreading*.

**Stray Circuit Capacitance** The stray circuit capacitance is that value of capacitance remaining in a circuit when all the tuning and padding capacitors are set at their minimum value.

Circuit stray capacitance can be attributed to the input capacitance of the device in the circuit and also to the capacitance to ground of the components and wiring of the stage. In well-designed receivers, every effort is made to reduce stray capacitance to a minimum since a large stray value reduces the tuning range available with a given coil and reduces the LC ratio of the circuit.

### 10-5 The Mixer Stage

The *mixer*, or *frequency-converter* stage of a superhet receiver translates the received signal to the intermediate frequency by means of a modulation process similar to that employed in transmitters (figure 20). The signal and local-oscillator voltages appearing in the output circuit of the mixer are rejected by selective circuits and only the mixer product at the intermediate frequency is accepted.

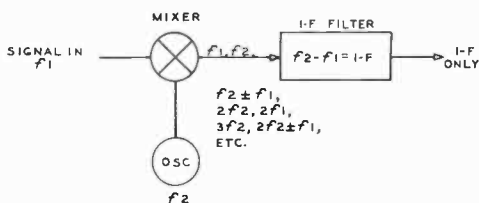


Figure 20

#### RECEIVER MIXER STAGE

Received signal is translated to intermediate frequency by the mixer stage. Signal and local-oscillator voltages and various mixer products are rejected by selective circuits in i-f amplifier and only the mixer product at the intermediate frequency is accepted.

Any nonlinear circuit element will act as a mixer, with the injection frequencies and sum and difference frequencies appearing in the output circuit. Thus any diode, vacuum-tube or solid-state device may be used as a mixer.

**The Diode Mixer** Representative diode mixers are shown in figure 21.

In illustration A, a single diode is used, the input signal being attenuated below the local oscillator signal by resistor R to provide low-distortion mixing action. A twin diode mixer is shown at B, the mixing signal being applied in parallel to the diode cathode while the input signal is applied in series with the diodes. Mixing produces a product of the signals, instead of sums and differences, and this circuit is termed a *product mixer*.

A double diode mixer is shown in figure 22. This circuit offers good isolation between the mixing signal and the input signal, attributable to the inherent circuit balance between the two input ports. No isolation exists between the signal port and the output (i-f) port and the circuit is not practical for vhf work as wiring capacitance, transformer winding capacitance and location of components can upset the circuit balance.

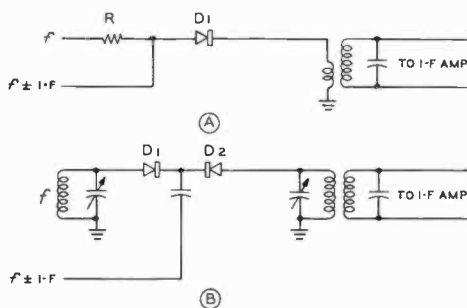


Figure 21

#### DIODE MIXER STAGES

A—Single diode mixer, B—Double diode mixer with input signal applied in series and mixing signal applied in parallel to diodes.

**The Double-Balanced Mixer** The double-balanced mixer has become a standard component in vhf and uhf communication systems and is now being used in hf single-sideband equipment because of its high degree of freedom from intermodulation, distortion and good isolation (figure 22). Balanced transformers and matched diodes are used for best results.

Mixer balance is achieved as shown in figure 23. If D<sub>1</sub> and D<sub>2</sub> and the local-oscillator transformer (T<sub>1</sub>) are symmetrical, then voltage at point A is the same as at the trans-

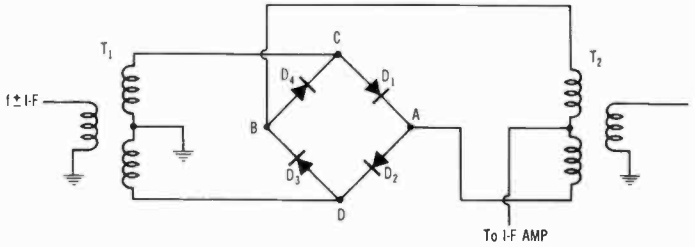


Figure 22

THE DOUBLE BALANCED MIXER

former centertap (ground). In like manner, if  $D_3$  and  $D_4$  are symmetrical, voltage at point B is zero. Therefore there is no voltage across A or B and no voltage across the input or output ports. This illustrates how isolation is obtained between the three ports.

Looking at the circuit from the signal input terminal, if  $D_4$  is equal to  $D_1$  and  $D_2$  equal to  $D_3$ , the voltage at point C will be equal to that at point D. Thus there is no voltage difference between C-D and no input signal will appear at the local-oscillator port. From symmetry it can be seen that the voltage at the output port is the same as the voltage at C, D, or zero; thus there is no input signal at the output port.

As with single- or double-diode mixers, unbalance and a subsequent drop in isolation will result from diode junction capacitance differences and transformer winding variations.

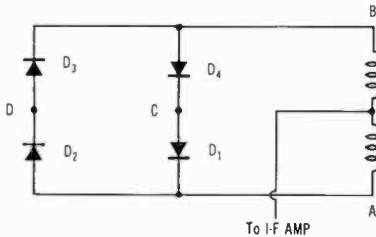


Figure 23

I-f leakage to signal and input ports is minimized in a double-balanced mixer by use of balanced transformers and matched diodes.

FET and MOSFET Mixers

Typical FET mixer circuits are shown in figure 24.

These circuits are preferred over bipolar mixer circuits because the dynamic characteristics of bipolar transistors

prevent them from handling high signal levels without severe intermodulation distortion. Illustration A shows a junction FET with signal and oscillator frequencies applied to the gate. Source injection is shown at B.

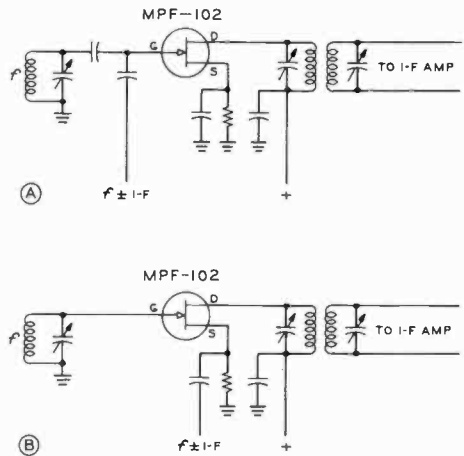


Figure 24

TYPICAL FET MIXER STAGES

- A—Junction FET mixer with gate injection.
- B—JFET mixer with source injection.

Both circuits can handle high input signal levels without overloading.

A dual gate MOSFET is shown in a typical mixer circuit in figure 25A. The unit shown has no internal chip protection and great care must be taken during installation to prevent the thin dielectric material of the gate from being punctured by static electricity. All leads should be shorted together until after the device is connected in the circuit. The MOSFET should be handled by its case and it should never be inserted or

removed from a circuit when operating voltages are applied.

The dual gate MOSFET shown in illustration B has internal protection diodes that allow it to be handled with ordinary care. Both circuits offer high conversion gain, relative immunity from cross modulation, and do not load the local oscillator heavily.

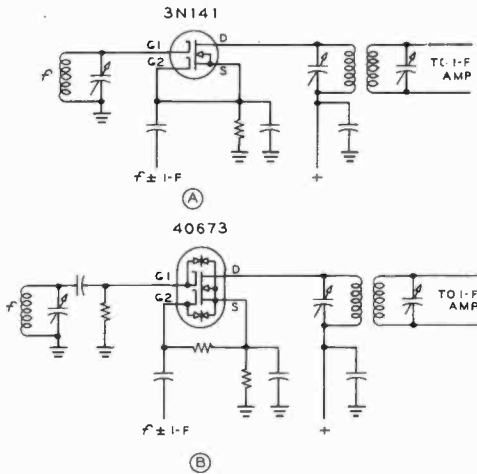


Figure 25

TYPICAL MOSFET MIXER STAGES

A—Dual-gate MOSFET mixer. B—Dual-gate MOSFET with diode protection. Both circuits offer high conversion gain and relative immunity from cross modulation.

A balanced mixer using JFETs is shown in figure 26. This mixer provides excellent immunity to intermodulation and cross-

modulation effects while exhibiting a noise figure of about 8 dB at 150 MHz. A common-gate configuration is used, with the mixing oscillator coupled to the input circuit. Wideband ferrite-core transformers are used for good performance over the 50-MHz to 150-MHz range. A trifilar i-f output transformer is used to match the input impedance of the following stage.

**Vacuum-Tube Mixers** Vacuum tubes have been used for decades as mixers and figure 27 illustrates one of the more common circuits. The pentagrid converter is shown. Tubes of this type are good conversion devices at medium frequencies, although their performance tends to drop off above 20 MHz or so. Electrically, grids 2 and 4 shield the signal grid from the oscillator section and also act as an anode for the oscillator portion of the tube which is composed of grid 1 and the cathode. The pentagrid converter is a noisy device, consequently good design calls for the use of a high gain, low noise r-f stage before it.

Triodes and pentodes may also be used as mixer tubes, the mixing voltage being injected on the control grid, screen grid, or cathode.

10-6 The Mixing Oscillator

The exact frequency of reception of a superheterodyne receiver is controlled by the

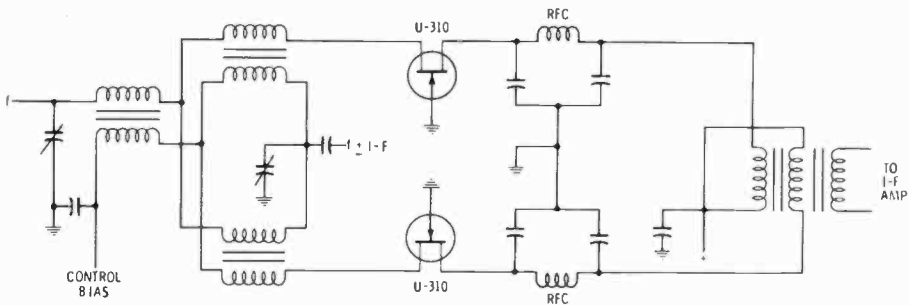


Figure 26

BALANCED MIXER USING FETs

JFET balanced mixer uses two devices operating in depletion mode. Mixer provides excellent immunity to cross modulation and overload.



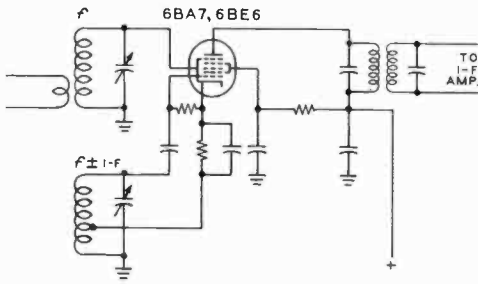


Figure 27

**PENTAGRID MIXER STAGE**

frequency of the mixing oscillator or oscillators. The overall stability of the receiver, moreover, is determined by the frequency stability of the oscillator. The frequency accuracy for SSB reception is rather precise when compared with most other communication systems. A frequency error of, say, 50 Hz in carrier reinsertion results in noticeable voice distortion, and intelligibility is impaired when the frequency error is 150 Hz or greater.

Oscillator stability should be relatively immune to mechanical shock and temperature rise of the receiver. A tunable oscillator should have good resetability and tuning should be smooth and accurate. Construction should be sturdy, with short, heavy interconnecting leads between components, that resist vibration. Variable capacitors should be mounted so that no strain exists on the bearings and the capacitors should be selected to have good, low-inductance wiping contacts that will resist aging.

The oscillator coil should be preferably wound on a ceramic form and the winding should be locked in position for maximum stability. Variable inductors with movable cores should be avoided if possible, because of possible movement of the core under vibration.

In case of double conversion receivers, one of the mixing oscillators is usually crystal-controlled. Information on crystal oscillators is given in chapter 11 of this handbook.

**Solid-State Oscillators** Transistor local-oscillator circuitry is employed in more modern SSB receivers. A bipolar circuit is shown in figure 28A. The base

element is near r-f ground potential and feedback is between the collector and the emitter. A JFET oscillator circuit (B) and a MOSFET circuit (C) are shown for comparison. The diode placed between gate and ground limits the level of gate bias to improve oscillator stability.

Because of the nonlinear change in the collector-base capacitance during oscillator operation, most transistor oscillators exhibit a high level of harmonic energy. A low-pass filter may be required after the oscillator to minimize spurious response in the receiver caused by mixing between unwanted signals and oscillator harmonics. In addition,

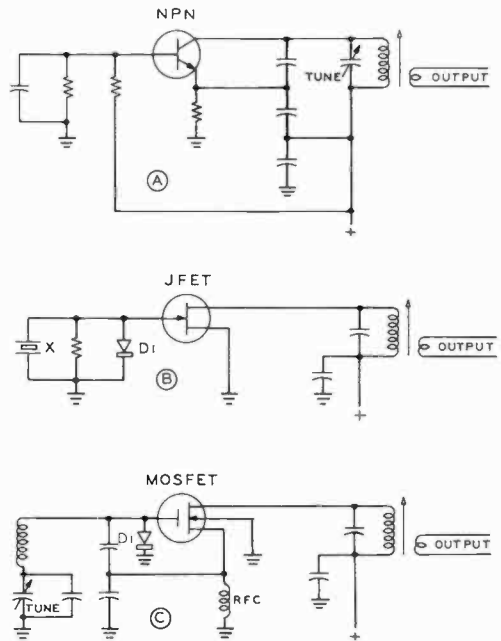


Figure 28

**TYPICAL SOLID-STATE OSCILLATOR CIRCUITS**

A—Bipolar transistor with emitter feedback from collector. B—JFET crystal oscillator. C—MOSFET oscillator. Diode D<sub>1</sub> between gate and ground limits level of gate bias to improve oscillator stability.

ion, one or more buffer stages may be required between oscillator and mixer to prevent the mixer from "pulling" the oscillator frequency when the strength of the incoming signal varies up and down.

**Vacuum-Tube Oscillator** Mixer tubes having internal oscillator sections were discussed earlier. Two separate oscillator circuits are shown in figure 29. A typical vacuum-tube oscillator is shown in illustration A. This is a Hartley, grounded-plate circuit. Feedback is obtained via a cathode tap on the grid coil. Mixing voltage is taken from the grid of the tube, or may be taken from the cathode for better circuit isolation. At the higher frequencies, the cathode-filament capacitance of the tube may introduce 60-Hz frequency modulation into the oscillator signal via filament-cathode leakage and a plate coil feedback circuit is to be preferred, as shown in illustration B.

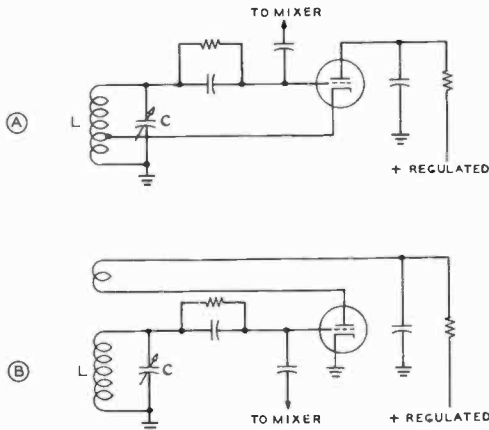


Figure 29

**TYPICAL VACUUM-TUBE OSCILLATOR CIRCUITS**

A—Hot cathode circuit with plate at r-f ground potential. B—Plate feedback circuit with cathode at ground potential.

**The Frequency Synthesizer** A higher order of accuracy of frequency control for both receiver and transmitter may be achieved by crystal control of the various conversion oscillators. Multiple-frequency operation, however, calls for an uneconomical and bulky number of crystals. These problems are solved by the use of a *frequency synthesizer* (figure 30). This is a device in which the harmonics and subharmonics of one or more oscillators are mixed to provide a multiplicity of output frequencies, all of which are harmonically related

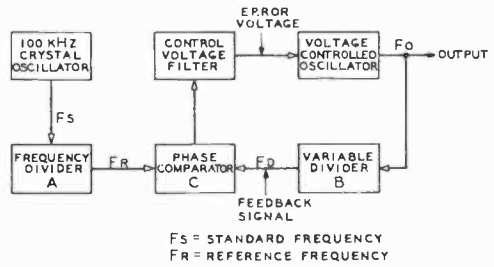


Figure 30

**FREQUENCY SYNTHESIZER**

Subharmonics ( $F_s$ ) of crystal oscillator are compared with divided signal ( $F_D$ ) of voltage-controlled variable oscillator. Error signal corrects frequency of voltage-controlled oscillator.

to a subharmonic of the master oscillator. A discussion of the frequency synthesizer is included in Chapter 12, "Frequency Synthesis."

**10-7 The I-F Amplifier**

The main voltage gain of a superhet receiver is achieved in the i-f amplifier stages. Intermediate-frequency amplifiers commonly employ bandpass circuits which can be arranged for any degree of selectivity, depending on the ultimate application of the amplifier. I-f amplifier circuitry is very similar to those circuits discussed for r-f amplifiers earlier in this chapter and the stage gain of the i-f chain may be controlled by an automatic gain control circuit actuated by the received signal.

**Choice of Intermediate Frequency** The intermediate frequency used is a compromise between high gain, good selectivity, and image rejection. The lower the frequency, the higher will be the gain and selectivity, and the lower the image rejection of the particular receiver. Conversely, the higher the i-f, the lower the gain and selectivity will be and the higher the image rejection. By traditional usage and international agreement, the most commonly used intermediate frequencies are 262 kHz, 455 kHz, and 1600 kHz for communication and entertainment receivers. Many sideband equipments make use of crystal-filter i-f

systems in the 5-MHz to 9-MHz range and vhf equipment may have intermediate frequencies as high as 50 MHz. When a high value of i-f is employed, it is common technique to convert the signal a second time to a lower intermediate frequency in order to pick up gain and selectivity that cannot be economically achieved in the higher i-f.

**I-F Transformers** Intermediate-frequency transformers commonly consist of two or more resonant circuits

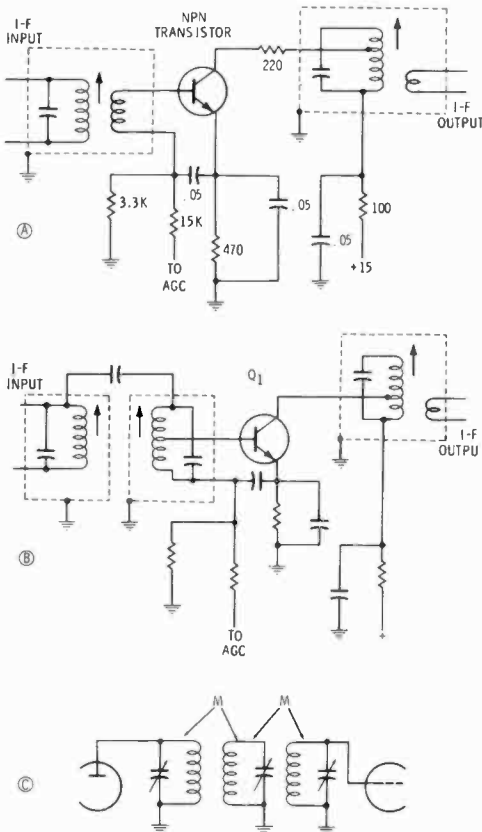


Figure 31

### I-F COUPLED CIRCUITS

- A—Bipolar transistor with low-impedance base drive.
- B—Two tuned circuits capacitively coupled provide enhanced selectivity and better shape factor in transistor i-f stage.
- C—Triple-tuned circuit provides high degree of selectivity. Center circuit acts as a sharply tuned coupler between input and output circuits.

coupled together. The circuits are usually mounted in a metal shield. Either air-, or powdered-iron core windings may be used, the latter providing a higher Q and greater selectivity.

The transformers are tuned by means of small parallel-connected capacitors, the capacitor being variable in some cases and in others the capacitors are fixed and the winding is tuned by varying the position of the slug core. Some representative examples are shown in figure 31. The circuit shown at A is the conventional i-f transformer, with inductive coupling provided between the windings. As the coupling is increased, the selectivity curve becomes broader and over-coupling the windings provides a flat-top response.

The windings of this type of i-f transformer, as well as most others used for low-frequency work, consist of small, flat, universal-wound pies mounted on either an insulated core, or on a powdered-iron core. The iron-core transformers generally have somewhat more gain and better selectivity than equivalent air-core units.

The circuit of illustration B utilizes capacitive coupling between the windings of separate transformers to improve selectivity. In some cases, three resonant circuits are used, as shown in illustration C. The energy is transferred from the input to the output winding by virtue of the mutual coupling to the center winding.

The selectivity of the i-f amplifier depends on the number of transformers used and the Q of the transformer windings. A single i-f stage operating at 455 kHz, for example, utilizing two transformers having two windings each could exhibit a response having a bandwidth of 3.5 kHz at the -6 dB points, and 16 kHz at the -50 dB points. Additional tuned circuits, of course, will sharpen the skirt selectivity of the amplifier, as discussed in the following section.

**Shape Factor** It is obvious that to accept an SSB signal the i-f amplifier must pass not a single frequency but a band of frequencies. The width of this passband, usually 2 kHz to 3 kHz in a good communication receiver, is known as the *passband*, and is arbitrarily taken as the width between the two frequencies at which the response

is attenuated 6 dB, or is "6 dB down." However, it is apparent that to discriminate against an interfering signal which is stronger than the desired signal, much more than 6 dB attenuation is required. The attenuation commonly chosen to indicate adequate discrimination against an interfering signal is 60 dB.

It is apparent that it is desirable to have the bandwidth at 60 dB down as narrow as possible, but it must be done without making the passband (6-dB points) too narrow for satisfactory reception of the desired signal. The figure of merit used to show the ratio of bandwidth at 6 dB down to that at 60 dB down is designated as *shape factor*. The ideal i-f curve (a rectangle), would have a shape factor of 1.0. The i-f shape factor in typical communications receivers runs from 2.0 to 5.5.

The most economical method of obtaining a low shape factor for a given number of tuned circuits is to employ them in pairs, adjusted to *critical coupling* (the value at which two resonance points just begin to become apparent). If this gives too sharp a *nose* or passband, then coils of lower *Q* should be employed, with the coupling maintained at the critical value. As the *Q* is lowered, closer coupling will be required for critical coupling.

Conversely if the passband is too broad, coils of higher *Q* should be employed, the coupling being maintained at critical. If the passband is made more narrow by using looser coupling instead of raising the *Q* and maintaining critical coupling, the shape factor will not be as good.

The *passband* will not be much narrower for several pairs of identical, critically coupled tuned circuits than for a single pair. However, the *shape factor* will be greatly improved as each additional pair is added, up to about 5 pairs, beyond which the improvement for each additional pair is not significant. The passband of a typical communication receiver is shown in figure 4.

**The Crystal Filter** A quartz crystal can be used as a selective filter in an i-f amplifier, providing a sharply peaked response that is suitable for c-w reception. Rejection of the audio

image signal as high as 50 dB can be obtained with the proper circuitry. The skirt selectivity of a single crystal filter, however, is poor and the shape factor of the response is poor for SSB reception.

**Bandpass Crystal Filters** The sharply peaked response of the single crystal filter can be modified by the use of several crystals in a bandpass configuration. Typically, a good bandpass filter for SSB reception might have a passband of 2100 Hz at -6dB and 4000 Hz at -60 dB. Representative filters are shown in figure 32. A simple filter utilizing two crystals is shown in illustration A. The series resonance of the crystals differs by an amount equal to the desired bandwidth. To improve the shape factor of the passband, additional crystals may be added to the filter, as shown in B. Provided there is no leakage of signal around the filter, an extremely good shape factor can be achieved with this filter design at a center frequency in excess of 100 MHz. Vhf crystal filters, moreover, have been used in commercial communication systems.

A representative cascade crystal filter is shown in figure 33. Filter bandwidth is determined by the series-resonance frequencies of the crystals. The values of the input and output terminating resistances are determined by the make of the filter and the passband required. For SSB reception, the frequency spacing between the  $X_1$ - $X_3$  and  $X_2$ - $X_4$  pairs is about 2 kHz.

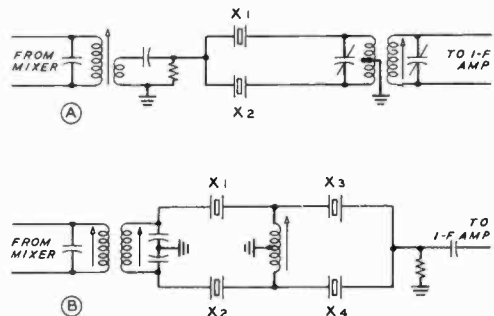


Figure 32

**BANDPASS CRYSTAL FILTERS**

A—Dual crystal filter. B—Multiple crystal filter improves passband response.

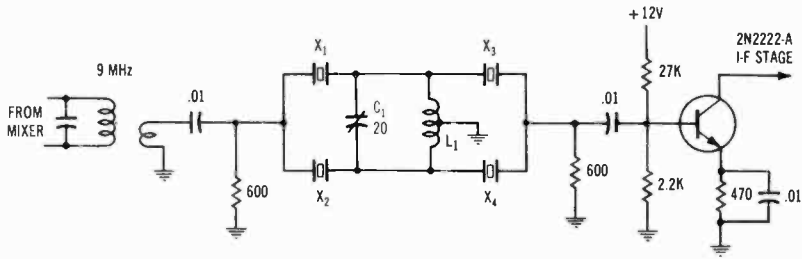


Figure 33

CASCADE CRYSTAL FILTER

Inductor  $L_1$  is tuned to center frequency of filter by  $C_1$ .

**The Mechanical Filter** The *mechanical filter* is an electromechanical bandpass device about a quarter the size of a cigarette package. As shown in figure 34, it consists of an input transducer, a resonant mechanical section comprised of a number of metal discs, and an output transducer.

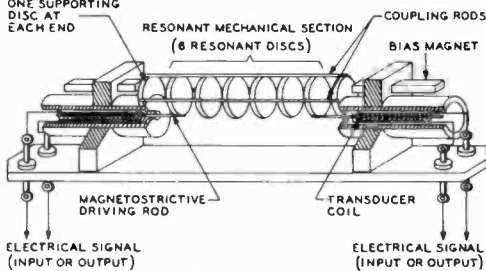


Figure 34

MECHANICAL FILTER FUNCTIONAL DIAGRAM

The frequency characteristics of the resonant mechanical section provide the almost rectangular selectivity curves shown in figure 35. The input and output transducers serve only as electrical-to-mechanical coupling devices and do not affect the selectivity characteristics which are determined by the metal discs. An electrical signal applied to the input terminals is converted into a mechanical vibration at the input transducer by means of *magnetostriction*. This mechanical vibration travels through the resonant mechanical section to the output transducer, where it is converted by magnetostriction to an electrical signal which appears at the output terminals.

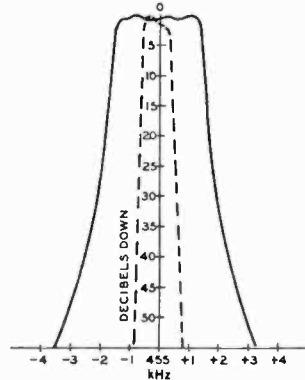


Figure 35

Selectivity curves of 455-kHz mechanical filters with nominal 0.8-kHz (dotted line) and 3.1-kHz (solid line) bandwidth at -6 dB.

In order to provide the most efficient electromechanical coupling, a small magnet in the mounting above each transducer applies a magnetic bias to the nickel transducer core. The electrical impulses then add to or subtract from this magnetic bias, causing vibration of the filter elements which corresponds to the exciting signal. There is no mechanical motion except for the imperceptible vibration of the metal discs.

Magnetostrictively driven mechanical filters have several advantages over electrical equivalents. In the region from 100 kHz to 500 kHz, the mechanical elements are extremely small, and a mechanical filter having better selectivity than the best of conventional i-f systems may be enclosed in a package smaller than one i-f transformer.

The frequency characteristics of the mechanical filter are permanent, and no ad-

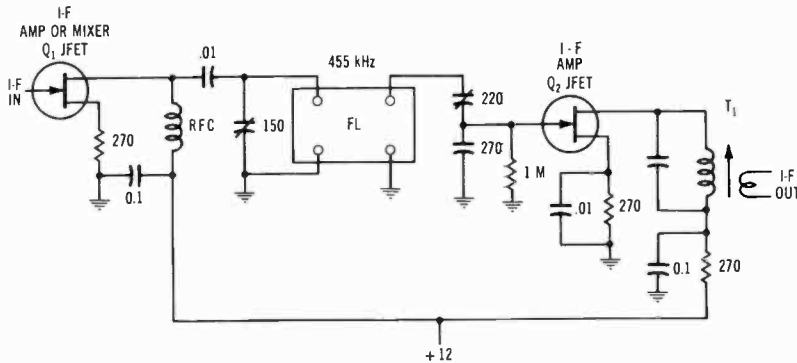


Figure 36

THE MECHANICAL FILTER IN AN I-F STRIP

justment is required or is possible. The filter is enclosed in a hermetically sealed case.

In order to realize full benefit from the mechanical filter's selectivity characteristics, it is necessary to provide shielding between the external input and output circuits, capable of reducing transfer of energy external to the filter by a minimum value of 100 dB. If the input circuit is allowed to couple energy into the output circuit external to the filter, the excellent skirt selectivity will deteriorate and the passband characteristics will be distorted.

As with almost any mechanically resonant circuit, elements of the mechanical filter have multiple resonances. These result in spurious modes of transmission through the filter and produce minor passbands at frequencies outside the primary passband. Design of the filter reduces these subbands to a low level and removes them from the immediate area of the major passband. Two conventional i-f transformers supply increased attenuation to these spurious responses, and are sufficient to reduce them to an insignificant level. A representative filter circuit is shown in figure 36.

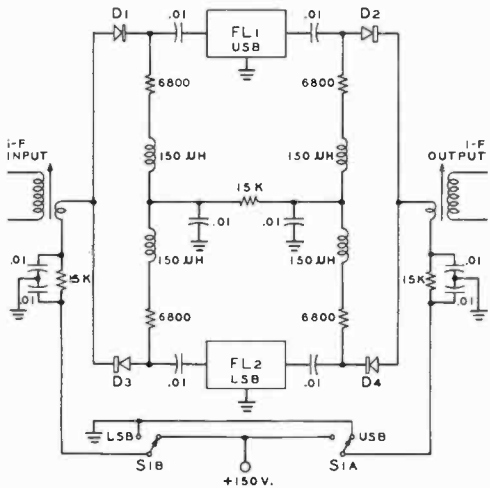


Figure 37

DIODE FILTER SWITCHING

Diode-controlled switching reduces unwanted coupling between input and output circuits of filters, thus preserving shape factor of the filter. Appropriate diode pairs are triggered by panel switch (S<sub>1</sub>). One diode pair is forward-biased at a time, allowing proper filter to function.

**Diode Filter Switching** Two filters of different bandwidths are commonly used for SSB and c-w reception. Mechanical switching of such filters may lead to unwanted coupling between input and output, thus seriously degrading the shape factor of the filter. By using diode-controlled switching (figure 37), the switching

components may be placed close to the filter terminals, thus offering a minimum of deterioration in isolation between ports. The diodes are triggered by a panel switch, and the appropriate diode pair places the desired filter in the i-f signal path. Operation of switch S<sub>1</sub> forward-biases a pair of diodes at a time and reverse-biases the other pair, allowing one filter to function at a time.

**The Transfilter** A small mechanical resonator (*transfilter*) may be used in place of an i-f transformer in transistor i-f circuits (figure 38A). A second transfilter may be substituted for the conventional emitter bypass capacitor to enhance i-f selectivity. Transfilters may also be employed in the high-Q oscillator tuned cir-

—from the balanced modulator to the mixer. The same tuned circuits are used for both transmitting and receiving. The various injection oscillators operate continuously, supplying the local mixing signals to the proper mixer stages.

In the circuit shown, the amplifier operates in the common-emitter configuration. In the receive mode, the 33K base-bias resistor is returned to the receiver cutoff-bias control line, disabling transistor  $Q_1$ . The 15K base-bias resistor of transistor  $Q_2$  is returned to the transmitter bias-control circuit, which is at ground potential when the VOX relay is actuated. Thus, in the receive mode, a signal appearing at the receiver i-f transformer ( $T_2$ ) will be amplified by transistor  $Q_2$  and delivered to the i-f transformer ( $T_1$ ). When the VOX circuit is activated to the transmit mode, the two bias-control lines are inverted in polarity so that transistor  $Q_2$  is cut off and  $Q_1$  is able to conduct. Therefore, a signal appearing at transformer  $T_1$  is amplified by  $Q_1$  and impressed on transformer  $T_2$ . Unilateral stages that are not required on either transmit or receive may be turned off by returning their base-bias resistors to an appropriate cutoff-bias control line.

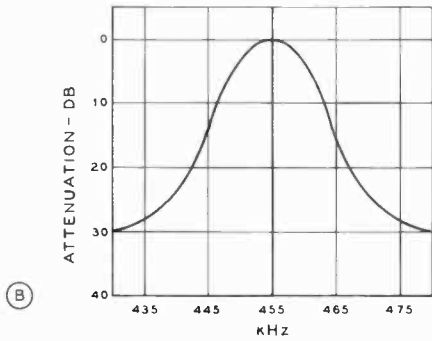
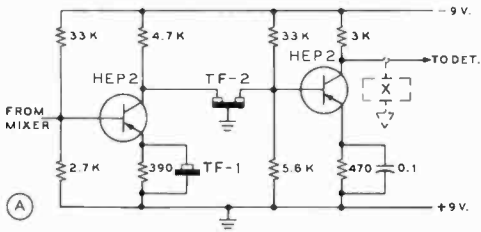


Figure 38

**MECHANICAL RESONATOR USED AS I-F FILTER**

A—Transistorized i-f amplifier using Transfilters (TF-1, TF-2). Addition of second Transfilter (X) will sharpen selectivity. B—Passband of single Transfilter i-f stage with emitter resonator.

cuits. The passband of a single transfilter i-f stage with emitter resonator is shown in figure 38B.

**Bilateral Amplifier** A *bilateral amplifier* is one that amplifies in two signal directions (figure 39). Such a stage is useful in SSB transceivers wherein r-f and i-f stages function in both receive and transmit modes. During the receive function, the bilateral amplifier passes the signal from the mixer to the balanced modulator and during transmit it passes the signal in the opposite direction

**10-8 A Solid-State I-F Strip**

A very compact i-f/a-f strip can be built around modern ICs. The model shown is designed for SSB reception and utilizes a 9-MHz crystal lattice filter for selectivity, a product detector, and a local oscillator. Various high gain, linear ICs have been developed for i-f amplifier service, and a typical unit is the CA 3028A, shown in figure 40A. This device consists of a differential amplifier ( $Q_1, Q_2$ ) with the common-emitter elements connected to the collector of  $Q_3$ . Because of the high impedance of  $Q_3$ , the sum of the emitter currents of  $Q_1$  and  $Q_2$  are practically independent of the operating points of  $Q_1$  and  $Q_2$ . Transistor  $Q_3$  is termed a *current sink*. The output of the IC device is a function of the difference between the input signals and, as such, functions as an amplifier. The 3028A can also serve as a

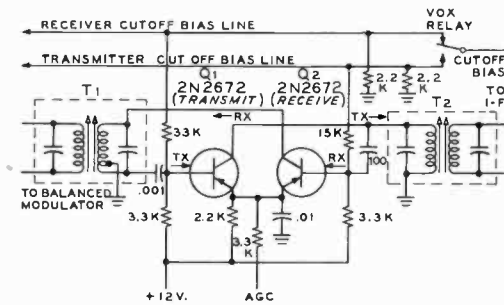


Figure 39

**BILATERAL I-F AMPLIFIER FOR TRANSCEIVER**

Bilateral i-f amplifier stage functions in both receive and transmit modes in SSB transceiver. Cutoff-bias lines transfer operation from transistor  $Q_1$  to transistor  $Q_2$ , as VOX relay is actuated. Common-emitter stages are used with base-bias control.

limiter, product detector, frequency multiplier, and mixer.

The more complex 3020 integrated circuit (figure 40B) is used as an audio amplifier and agc control device. This is a high-gain, direct-coupled amplifier with cascaded stages, incorporating a separate output stage ( $Q_6, Q_7$ ).

The circuit of the 9-MHz i-f amplifier chain is shown in figure 41. A 9-MHz crystal lattice filter ( $FL_1$ ) is placed at the input of the amplifier to determine the overall selectivity. The input impedance of  $IC_1$  together with the parallel-connected RC circuit form the load impedance for this particular filter. The signal is impressed on the base of transistor  $Q_3$  in the CA 3028A device which, together with  $Q_2$ , forms a low-noise cascode amplifier. Transistor  $Q_1$  is unused and connections 1 and 8 of  $IC_1$  are unconnected.

Gain control voltage is fed to pin 7 of  $IC_1$  and  $IC_2$  to vary the base bias of transistor element  $Q_3$ . Maximum gain is achieved at maximum voltage (+7) and minimum gain at about +1.7 volts. This voltage range varies the gain of the two stages over a 45-dB range. Pin 4 of  $IC_1$  is grounded through an RC network which permits a varying degree of negative feedback voltage to be applied to the emitter of  $Q_3$  (figure 40). Potentiometer  $R_1$  thus serves as a manual gain control, permitting adjustment

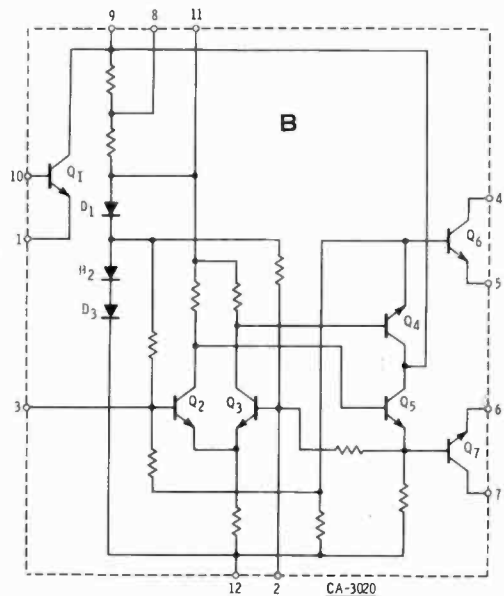
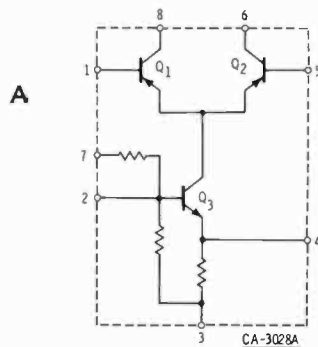


Figure 40

**DIFFERENTIAL AND OPERATIONAL AMPLIFIERS**

A—CA-3028A differential amplifier  
B—CA-3020 operational amplifier

of gain to achieve best overload characteristics.

The output signal of  $IC_1$  is taken from the collector of  $Q_2$  which is tapped on the interstage circuit at the proper impedance level to achieve good interstage selectivity. The second amplifier stage ( $IC_2$ ) is essentially connected in the same manner as the first stage. The output circuit is an untuned r-f choke.

$IC_3$  forms the product detector and local oscillator. The signal is fed to the base of



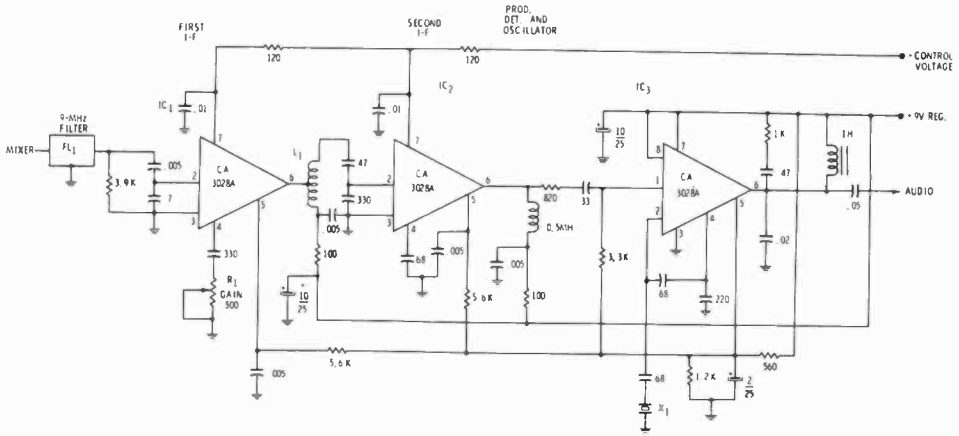


Figure 41

9-MHz IF STRIP USING ICs

This i-f strip is designed for SSB reception and includes a crystal filter (FL), two amplifying stages (IC<sub>1</sub> and IC<sub>2</sub>) and a combined product detector and local oscillator (IC<sub>3</sub>). The circuit combines high dynamic signal range (greater than 90 dB) and low noise figure. A manual control range of 20 dB is provided by an auxiliary control voltage to pin 7 of the first two ICs. Circuitry of ICs is shown in figure 40. This circuit is adapted from a design of K. P. Timmann, DJ9ZR.

device Q<sub>1</sub> through a series isolation circuit which prevents oscillator voltage from reaching IC<sub>2</sub>. Device Q<sub>3</sub> serves as a Colpitts oscillator with crystal X<sub>1</sub> for emitter injection into the differential amplifier Q<sub>1</sub>, Q<sub>2</sub>. The detected audio signal is taken from pin 6 of IC<sub>3</sub>, with the higher frequency components filtered out by a series RC circuit. The collector to Q<sub>2</sub> is fed via a small audio choke from the +9-volt power line.

bfo is not used for a-m reception, except as an aid in searching for weak stations.

Care must be taken with the bfo to prevent harmonics of the oscillator from being picked up at multiples of the bfo frequency. The complete bfo together with the coupling circuits to the second detector, should be thoroughly shielded to prevent pickup of the bfo harmonics by the input circuitry of the receiver. The local hf oscillator circuits shown in Section 10-6 may be used for beat-frequency oscillators, as can the various

10-9 The Beat-Frequency Oscillator

The *beat-frequency oscillator (bfo)* or *carrier-injection oscillator* is a necessary adjunct to the communication receiver for the reception of c-w or SSB signals.

The oscillator is coupled into or just ahead of the second detector circuit and supplies a signal of nearly the same frequency as that of the desired signal from the i-f amplifier. If the i-f amplifier is tuned to 455 kHz, for example, the bfo is tuned to approximately 454 or 456 kHz to produce an audible (1000-Hz) c-w beat note in the output of the second detector of the receiver. The carrier signal itself is, of course, inaudible. The

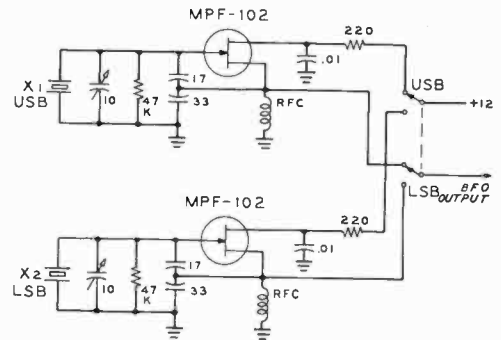


Figure 42

DUAL BFOs FOR USB AND LSB RECEPTION

oscillator circuits shown in the chapter "Generation of R-F Energy."

Many modern SSB receivers employ separate crystal-controlled beat-frequency oscillators to provide upper- and lower-sideband reception (figure 42). Dc switching is used in this particular circuit which is preferable to crystal switching. A buffer stage isolates the oscillators from the load, while increasing the bfo voltage to the proper level for the detector stage. The crystals are placed on the correct frequencies by means of the trimming capacitors.

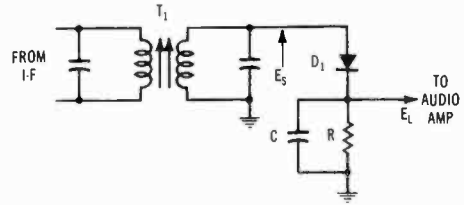


Figure 43

THE DIODE DETECTOR

RC is the load impedance across which the audio voltage is developed by the detector.

10-10 The Detector or Demodulator

Detection, or demodulation, is the process of recovering intelligence from a signal. The simplest and oldest detector is the diode, which makes use of the unilateral characteristics of a semiconductor or vacuum-tube device to produce an output voltage proportional to the modulation level (figure 43). The diode detector may be used directly on an a-m signal and can be used for SSB or c-w

reception with a carrier oscillator. The diode loads the driving circuit and thus reduces the selectivity of the i-f system to a degree unless the transformer is designed for the low-impedance load. To minimize audio distortion on a-m signals having a high percentage of modulation, the capacitance across the diode load resistor should be as low as possible. The diode may be used as a single-ended or push-pull detector, the latter circuit having somewhat lower audio distortion than the former.

Action of a diode detector is illustrated in figure 44. When a signal is applied to the

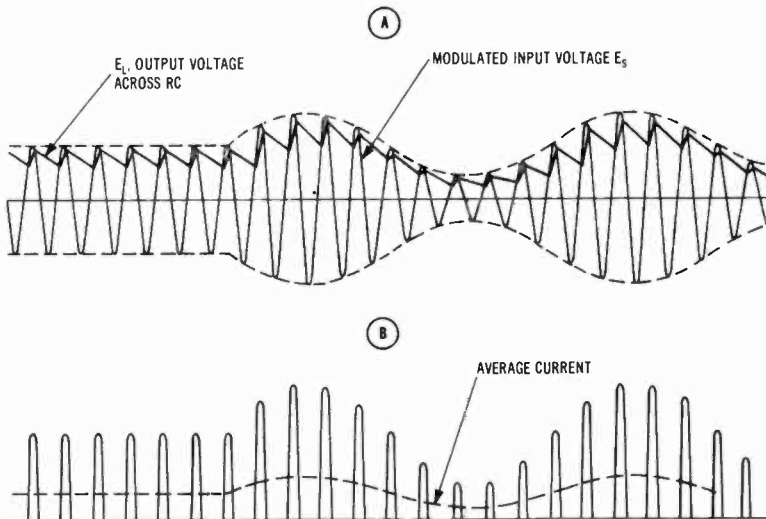


Figure 44

A—Load voltage follows modulating envelope.  
 B—Current flow through diode and load resistance.

detector circuit, current flows only during that part of the cycle over which the diode conducts. The capacitor C is charged up to a potential that is almost equal to the peak of the signal voltage. Between signal peaks, a portion of the charge on capacitor C is discharged through resistor R, to be replenished by a new charge at the peak of the next signal cycle. The result is that the voltage developed across the load resistor varies with respect to the modulation envelope, the value being smoothed out by capacitor C which acts as a filter for the r-f component of the signal output voltage.

**SSB Demodulators** The *product detector* is a *linear demodulator* in which two signals are multiplied together to produce a resultant output audio signal. Product detectors are preferred over other detectors for SSB reception because they minimize intermodulation distortion products in the audio output signal and do not require excessively large local carrier voltage. A simple double-diode product detector is

shown in figure 45A. This circuit has good large-signal handling capability and may be used with an inexpensive high impedance i-f transformer.

A diode ring demodulator is shown in figure 45B. This demodulator provides better low-signal response than the double-diode demodulator and provides a substantial degree of carrier cancellation. The i-f signal is applied to the ring demodulator in push-pull and the local carrier is applied in a parallel mode, where it is rejected by the push-pull output configuration.

A simple transistor sideband demodulator is shown in figure 45C. The transistor is heavily reverse-biased to a class-C condition and the two input signals are mixed in the base circuit. The audio product of mixing is taken from the collector circuit.

A source-follower product detector employing two JFETs is shown in figure 45D. Its vacuum-tube counterpart will be recognized in figure 46. The two gates provide high-impedance input for both the i-f signal and the carrier oscillator, while providing good isolation between the two signals. Both

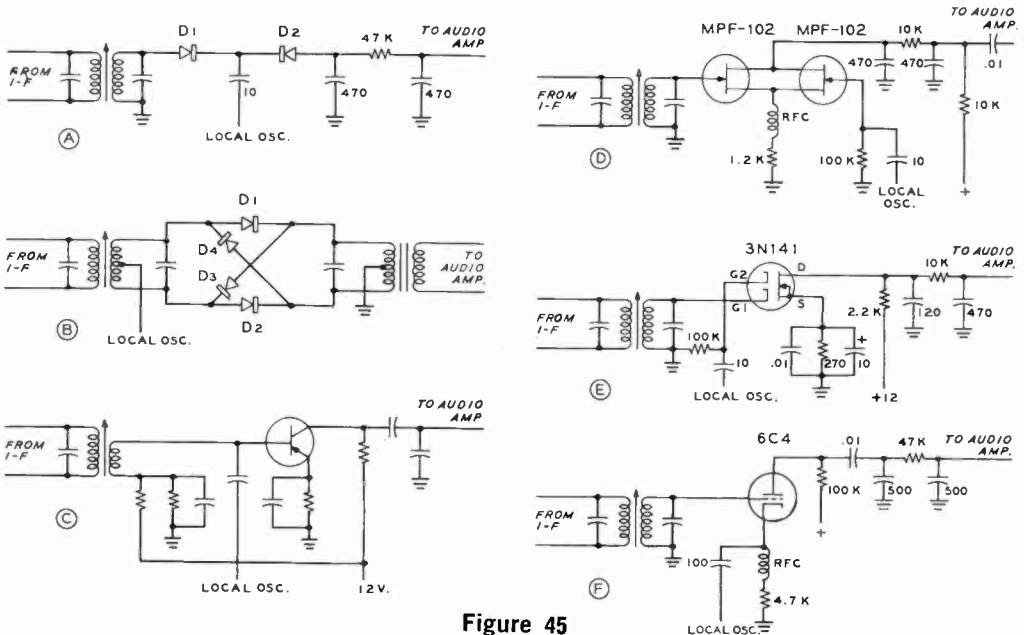


Figure 45

SSB DEMODULATORS

A—Double diode product detector. Simple RC filter is used in audio circuit to remove r-f products from output. B—Diode ring demodulator. C—Bipolar transistor demodulator. Input and local oscillator are mixed in base circuit. D—Source follower demodulator using two JFETs. E—Dual gate MOSFET product detector. F—Cathode-biased triode product detector.

intermodulation distortion and conversion gain are low in this circuit.

A dual-gate MOSFET is used as a product detector in figure 45E. Various MOSFETs, designed for mixer applications, provide a wide dynamic operating range which permit them to handle large signal levels.

Good isolation between i-f signal and carrier signal may be obtained with simple vacuum-tube product detector circuits. A single triode product detector is shown in figure 45F. The tube is cathode-biased into the nonlinear operating region and the demodulated signal is taken from the plate circuit through a simple r-f network that filters out the unwanted r-f mixing products.

A dual-triode demodulator circuit (similar to the JFET circuit shown in figure 45D) provides excellent isolation and low intermodulation distortion (figure 46A). The SSB signal from the i-f amplifier is applied to a cathode-follower stage that effectively

ing tube and is amplified. The signals mix within the tube and the product output is taken from the plate circuit of the mixer.

A multigrad converter tube may be used as a product detector, with one section of the tube serving as the carrier oscillator (figure 46B). An input attenuator is used to reduce the i-f signal to the proper level for mixing. The audio product is taken from the plate circuit through a low-pass filter network.

**Sideband Detectors in General** Any sideband modulator can be altered to become a demodulator by feeding in carrier and a sideband signal instead of a carrier

and audio signal and changing appropriate r-f transformers to audio transformers. Generally speaking, the magnitude of the carrier signal should be from 10 to 20 times as strong as the sideband signal for lowest intermodulation distortion and highest signal overload capability. All signal components other than the desired audio signal must be filtered from the output section of the demodulator if good performance is to be achieved. Carrier injection level should be adjusted for minimum intermodulation distortion on large signals, however, care must be taken to prevent the carrier signal from reaching the i-f stages of the receiver by radiation and conduction along circuit wiring. Excessive carrier signal may also cause overloading or desensitization of the audio section of the receiver and also cripple the agc action. Stray coupling from the carrier oscillator to other portions of the receiver circuitry, then, must be carefully controlled.

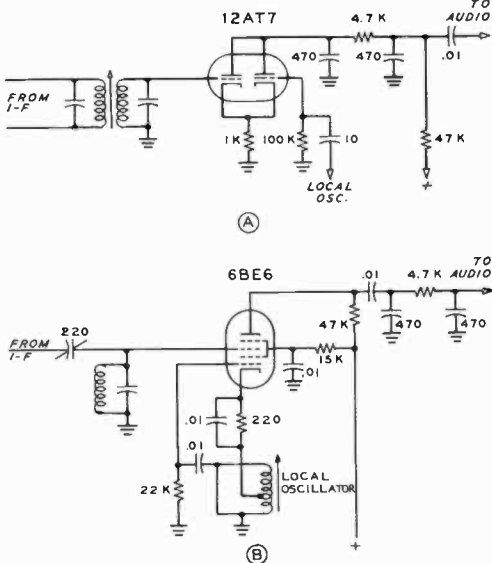


Figure 46

TYPICAL VACUUM-TUBE DEMODULATORS

- A—Dual triode product detector provides low intermodulation distortion at high signal level.
- B—Multigrad product detector and local oscillator.

isolates the signal source from the mixing circuit. The carrier signal is fed to the mix-

10-11 Automatic Gain Control

Modern communication receivers include a control loop to automatically adjust the r-f and i-f gain level. The loop holds the receiver output substantially constant despite changes in input signal level. This system is termed *automatic gain control (agc)*. Conventional a-m automatic volume control systems are generally not usable for SSB since they operate on the level of the carrier, which is suppressed in SSB. A system must

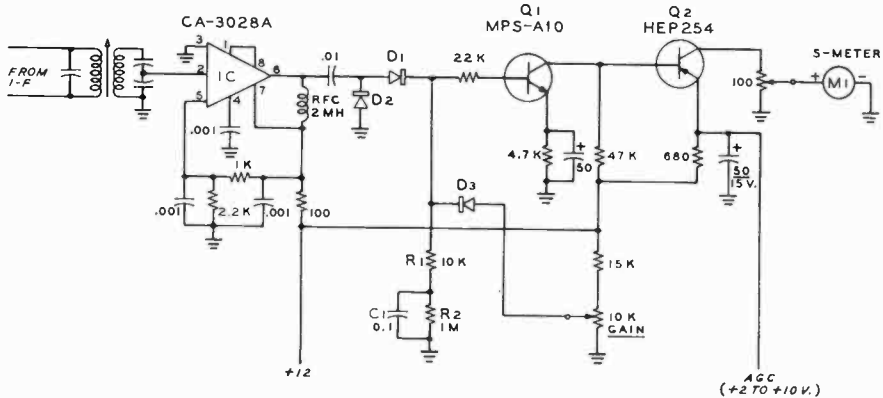


Figure 47

## SOLID-STATE AGC SYSTEM

IC amplifier stage provides gain and isolation for i-f signal applied to diode rectifier ( $D_1$ ,  $D_2$ ) and cascaded dc amplifiers,  $Q_1$  and  $Q_2$ . Agc signal is taken from emitter circuit of  $Q_1$ . Signal-strength meter ( $M_1$ ) is placed in collector circuit. Agc gain is controlled by the base-bias potentiometer in the  $Q_1$  base circuit.

be used which obtains its information directly from the modulation envelope of the incoming signal. The control voltage derived from the agc detector is applied to a variable gain element in the receiver, usually in the r-f and i-f chain.

For optimum SSB reception, the control voltage must be applied rapidly to the variable element to avoid transient overload at the beginning portion of each word, otherwise an annoying *agc thump* will be apparent at the start of the first syllable. As the syllabic envelope of the SSB signal is a replica of the original audio signal, the agc voltage must rise rapidly with the start of the syllable and then hold at a value corresponding to the average of the syllabic undulations of the signal over an extended period of seconds. Too-rapid variations of the agc voltage with respect to syllabic peaks may bring up background noise in an objectionable manner termed *agc pumping*. The ideal agc action, then, exhibits a fast-attack, slow-decay time constant. Circuits having a charge time of 50 to 200 milliseconds and a discharge time of 0.5 to 3 seconds have proven successful.

The i-f signal may be used to control the agc system in a solid-state receiver, as shown in figure 47. An IC is used as an amplifier to provide gain and isolation. The resulting signal is rectified and further amplified by cascaded dc amplifiers  $Q_1$  and  $Q_2$ . Transis-

tor  $Q_1$  is forward-biased by the agc voltage to provide a voltage drop across the collector load resistor. This voltage biases  $Q_2$  more heavily in the forward direction when a large signal arrives and increases the voltage drop across the emitter resistor. This voltage varies in accord with the strength of the incoming signal and changes the bias voltage on various signal stages. The agc characteristic is determined by the agc time constant,  $R_1$ ,  $R_2$ ,  $C_1$ .

An advanced agc system capable of handling a large dynamic signal range is shown in figure 48. This is a simplified schematic of the agc circuit of the *Heath SB-104* transceiver. An emitter-follower in the i-f circuit provides the driving power for the agc system. The i-f signal is sensed by a differential amplifier ( $Q_1$  and  $Q_2$ ). When the output level exceeds the threshold level,  $Q_1$  conducts and pulls the base of  $Q_3$  down on each signal peak and places positive pulses on the base of  $Q_4$ . This transistor is an integrator which converts the pulses to a dc voltage. It has separate time constants which set the agc attack and delay time constants for the agc system. Resistor  $R_1$  and capacitor  $C_1$  determine the attack time constant. Capacitor  $C_1$  discharges either through resistor  $R_2$  or resistors  $R_2$  and  $R_3$  in parallel depending on whether *fast* or *slow* agc is selected by switch  $S_1$  to set the delay time constant. This voltage, whose level is a function

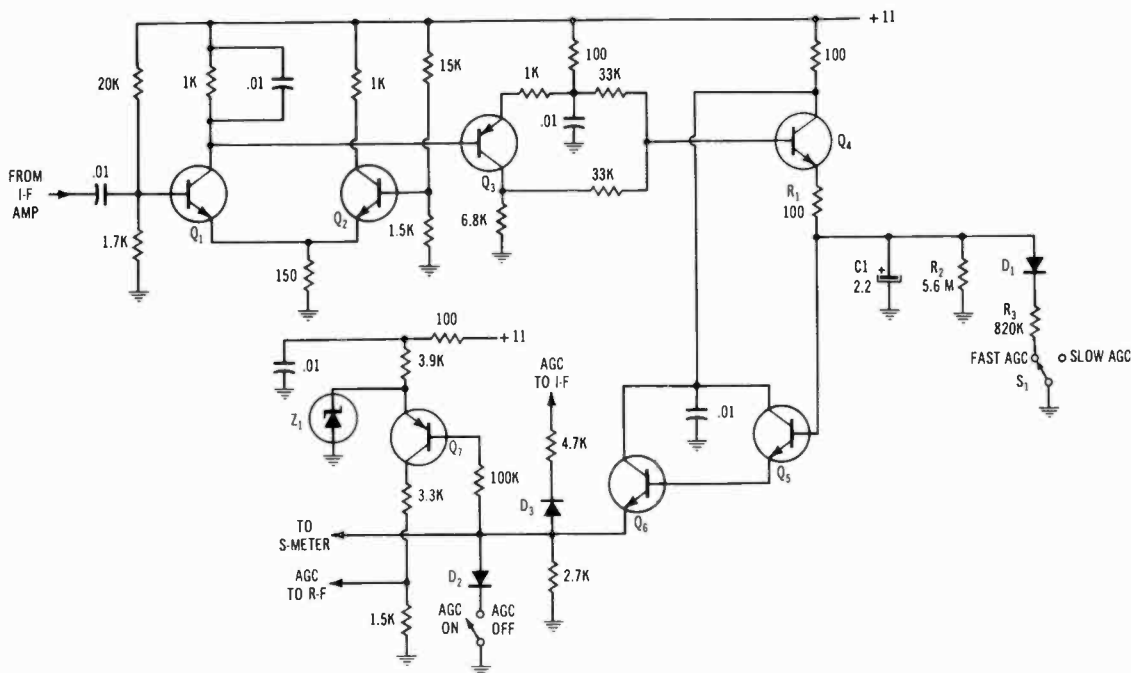


Figure 48

AN ADVANCED AGC SYSTEM WITH LARGE DYNAMIC SIGNAL RANGE CAPABILITY

of the i-f output level, is fed through the Darlington emitter follower ( $Q_5$  and  $Q_6$ ) where it is then applied to the integrated circuit i-f amplifier through diode  $D_3$ . The gain of the IC is thus controlled so that the output remains relatively constant for varying input levels.

**Audio Derived AGC** Since agc voltage follows the average SSB syllabic undulation of speech, it is possible to derive the agc voltage from the audio system of the receiver as shown in figure 49A. A portion of the audio signal is rectified and returned to the controlled stages after

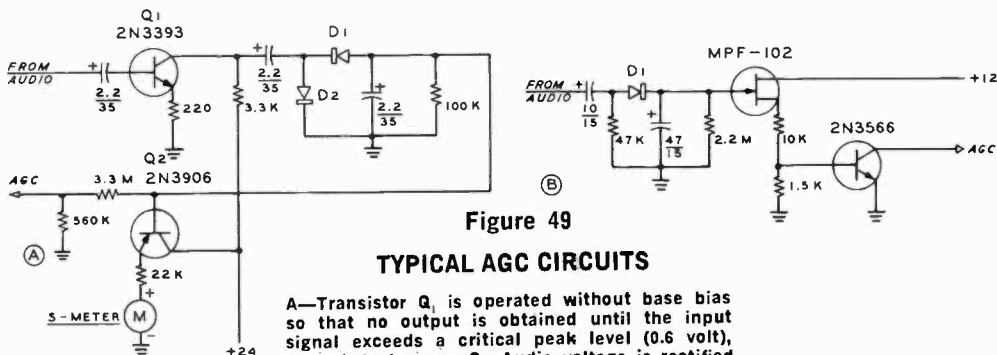
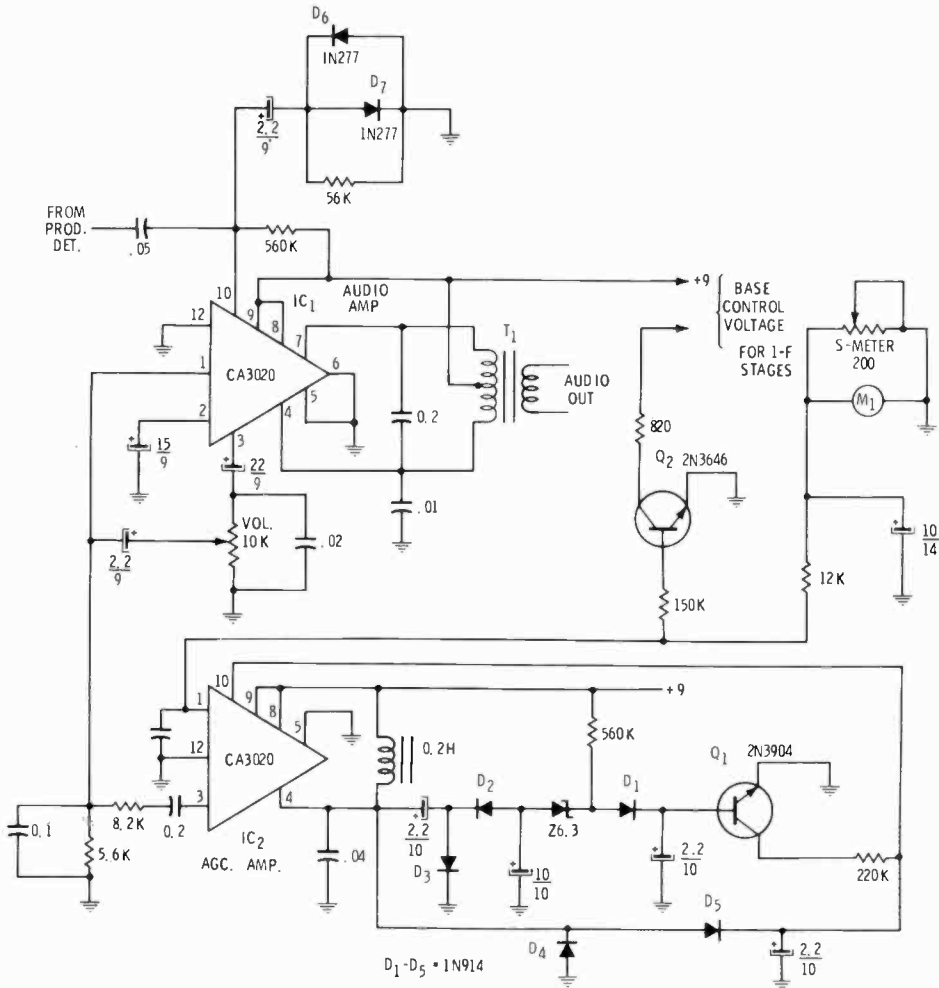


Figure 49

TYPICAL AGC CIRCUITS

A—Transistor  $Q_1$  is operated without base bias so that no output is obtained until the input signal exceeds a critical peak level (0.6 volt), enough to turn on  $Q_1$ . Audio voltage is rectified and applied to agc system.  $Q_2$  serves as signal meter amplifier with milliammeter in emitter circuit. B—JFET serves as a source follower driving the gain control transistor.



**Figure 50**  
**AUDIO AND AGC CIRCUITRY USING ICs**

This compact audio and agc strip uses two ICs and two transistors. IC<sub>1</sub> serves as an audio amplifier, driving an external speaker via T<sub>1</sub>. IC<sub>2</sub> serves as the agc amplifier and control stage. The dc control voltage is obtained from rectifiers (D<sub>1</sub>-D<sub>5</sub>). A variable time constant in the control voltage is achieved, whereby small time constants are obtained at low signal levels and a large time constant is achieved at a high signal level. Q<sub>2</sub> inverts the control voltage levels for correct polarity when applied to the i-f chain of figure 41. Refer to figure 40B for internal circuitry of IC<sub>1</sub>, IC<sub>2</sub>.

passing through a combination filter and delay network. Transistor Q<sub>1</sub> is operated without base bias so that no output is obtained until the input signal exceeds a critical peak level (0.6 volt), enough to turn on the transistor. Once this level is reached, very little additional voltage is needed to achieve full output from the agc rectifier. This results in a very flat agc characteristic.

A different audio-derived agc circuit is shown in figure 49B. A JFET serves as a source follower from the audio line, driving the gain control transistor (Q<sub>1</sub>). The no-signal voltage at the base of Q<sub>1</sub> is about 0.4 volt, rising to about 0.55 volt before gain reduction starts.

A compact audio, agc and S-meter can be built using two CA 3020 integrated circuits

and two transistors (figure 50). The audio signal from the product detector is fed to the base of  $Q_1$  of  $IC_1$  (see figure 40B). A peak limiter consisting of reverse-connected diodes  $D_6$ - $D_7$  is used as a peak suppressor, clipping all pulse-type interference peaks that are greater than the envelope of the audio signal. The emitter of device  $Q_1$  (pin 1) is grounded to r-f by a parallel RC circuit while the audio signal is passed through a volume control and back into  $Q_2$  of  $IC_1$ . The common emitter pair ( $Q_2, Q_3$ ) deliver a push-pull, balanced signal to  $Q_4$  and  $Q_5$  which, in turn, drive the output devices,  $Q_6$  and  $Q_7$ .  $IC_1$  provides about  $\frac{1}{2}$ -watt output into a 130 ohm load if a heat sink is used.

The agc control voltage is derived from the base of  $Q_1$  of  $IC_1$  (pin 1). Integrated circuit  $IC_2$  provides an amplified voltage at the collector of device  $Q_6$ . The voltage is coupled to the control rectifier ( $D_4, D_5$ ) which provides a positive voltage, and the rectifier network ( $D_2, D_3$ ) which provides time-constant (negative) voltage. Transis-

tor  $Q_1$  is used as a time constant switch providing small time constants for the agc loop at low signal levels and large time constants at high signal levels. This compensates for the characteristics of  $IC_1$  and  $IC_2$  which have an effect on the control time constant.

The control voltage must be reversed in polarity for control of the i-f amplifier stages and this is done by transistor  $Q_2$ . A voltage variation of 1.7 to 7.3 volts is available for control purposes. The same circuit provides control voltage for an S-meter.

### 10-12 The Signal-Strength Indicator

Visual means for determining the relative strength of the received signal may be provided by a tuning indicator, or S-meter. A dc milliammeter may be connected in a Wheatstone bridge circuit in the i-f system of a receiver, as shown in figure 51A. The dc plate resistance of the tube serves as one leg of the bridge, with resistors for the other three legs. A change in plate current, due to the action of the agc voltage, will be indicated on the instrument as a result of the consequent bridge unbalance. Sensitivity of the circuit is determined by resistor R.

A solid-state S-meter circuit which monitors agc voltage is shown in figure 51C. The collector current of the transistor rises as the negative agc voltage is increased and this current causes the meter reading to increase in accord with the agc voltage.

The calibration of an S-meter in the great majority of communication receivers varies with the band of reception and receiver gain. The actual reading, therefore, should be taken as a relative indication of received signal strength, rather than as an accurate measurement. Some manufacturers establish an S-9 meter indication as equivalent to an input signal to the receiver of 50 microvolts, but even this level changes between like receivers of the manufacturer. It should be remembered, therefore, that the typical S-meter is merely a high-impedance voltmeter that reads the average agc voltage of the receiver, which may vary widely as receiver gain varies.

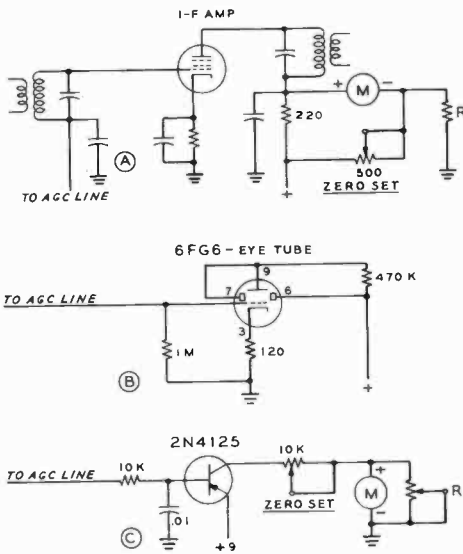


Figure 51

### SIGNAL-STRENGTH INDICATORS

Gain-controlled stages of receiver provide variable voltage for signal-strength indication. A—Vacuum-tube i-f stage uses milliammeter in bridge circuit. B—Transistorized high-impedance voltmeter measures average agc voltage.



### 10-13 Impulse Noise Limiters

High-frequency reception is susceptible to interference from *impulse-type noise* generated by certain types of electronic equipment, ignition systems, switches, or like circuitry. Impulse noise, because of the short pulse duration, has a low value of energy per pulse and to cause appreciable interference, must have a peak amplitude appreciably greater than the received signal. Noise may be reduced or eliminated by reducing the receiver gain during the period of the noise pulse or by clipping the pulse to the amplitude of the received signal.

If the receiver gain is reduced during the short duration of the pulse, a "hole" will be left in the signal. In some instances, the presence of the "hole" will degrade the intelligibility of the signal nearly as much as the original noise pulse. Practical *noise-blanker* circuits are able to silence the receiver without appreciably degrading signal intelligibility.

Noise reduction may be accomplished by amplitude limiting, wherein the r-f or a-f signal is clipped, or limited, at a level which substantially eliminates the noise pulse. Both blanking and limiting are most effective on short-duration noise pulses and, when the noise passes through the receiver tuned circuits, the pulse duration is increased because of the selectivity of the tuned circuits. Thus, the closer the noise reduction system is to the input of the receiver, the more effective the suppression will be.

**Audio Noise Limiters** Some of the simplest and most practical peak limiters for voice reception employ one or two diodes either as shunt or series limiters in the audio system of the receiver (figure 52). When a noise pulse exceeds a certain predetermined threshold value, the limiter diode acts either as a short or open circuit, depending on whether it is used in a shunt or series circuit. The threshold is made to occur at a level high enough that it will not clip modulation peaks enough to impair voice intelligibility, but low enough to limit the noise peaks effectively.

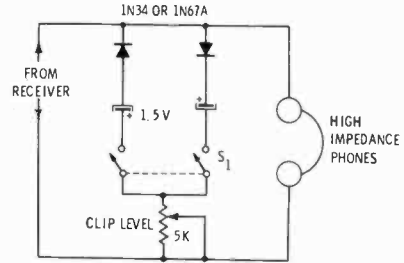


Figure 52

#### AUDIO NOISE LIMITER

When noise peaks exceed a predetermined voltage determined by the diode bias, the diodes conduct and shunt the noise peaks to ground. Clipping level may be increased by means of potentiometer.

Because the action of the peak limiter is needed most on very weak signals, and these usually are not strong enough to produce proper avc action, a threshold setting that is correct for a strong voice signal is not correct for optimum limiting on very weak signals. For this reason the threshold control is often tied in with the agc system so as to make the optimum threshold adjustment automatic instead of manual.

Suppression of impulse noise by means of an audio peak limiter is best accomplished at the very front end of the audio system (figure 53).

The amount of limiting that can be obtained is a function of the audio distortion that can be tolerated. Because excessive distortion will reduce the intelligibility as much as will background noise, the degree of limiting for which the circuit is designed has to be a compromise.

Peak noise limiters working at the second detector are much more effective when the i-f bandwidth is broad, because a sharp i-f amplifier will lengthen the pulses by the time they reach the second detector, making the limiter less effective.

**The I-F Noise Limiter** I-f noise limiting is more effective than audio limiting. A representative i-f noise limiter is shown in figure 54. This circuit clips the positive and negative noise peaks above a certain signal level, the capacitors in series with the diodes holding the diode bias constant for the duration of the heavy noise

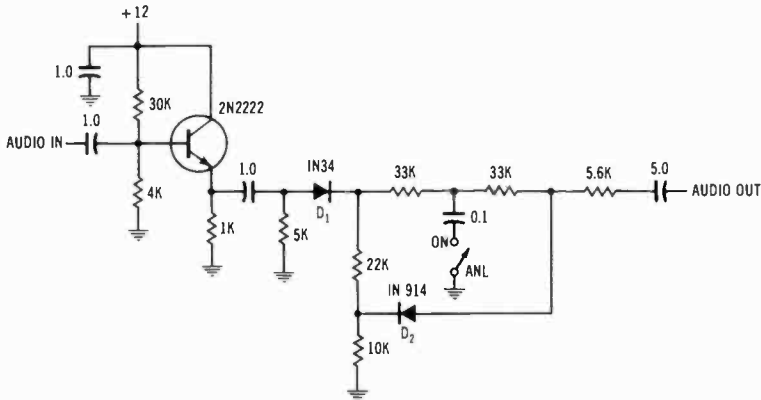


Figure 53

AUDIO NOISE LIMITER

Negative pulses disable diode  $D_1$  and positive pulses cause diode  $D_2$  to limit the positive pulses.

pulse. The time constant is determined by the value of the capacitors and the shunt resistance. The limiter is disabled by the 2N2222 control transistor.

10-14 Direct Frequency Readout

Many receivers and transceivers have a frequency counter incorporated in the design to provide direct readout of the operating frequency. *Digital readout* can provide frequency accuracy comparable with the accuracy of the measuring clock, and readout to 100 Hz, or better, in the hf region is achievable with inexpensive circuitry.

**The Noise Blanker** The noise blanker (figure 55) employs the i-f signal to drive blanking diodes which “punch a hole” in the signal. Device  $Q_1$  is a noise amplifier and  $D_1$  and  $D_2$  serve as a noise pulse rectifier. The negative-going rectified noise voltage is amplified by  $Q_2$  and applied to a switching transistor,  $Q_3$ . The switching level is set by the operator.

The simplest readout device measures the frequency of the conversion oscillator and adds the intermediate frequency to it to obtain the operating frequency (figure 56A).

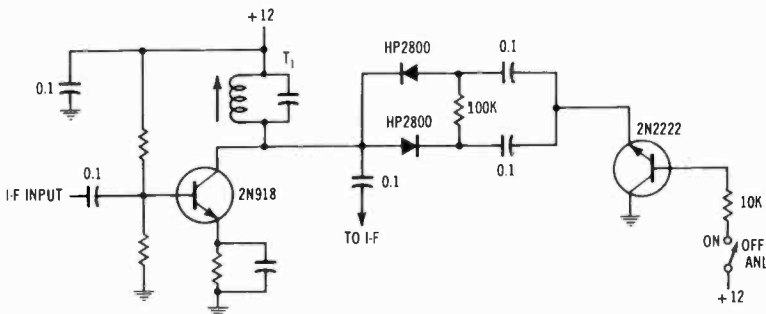


Figure 54

SELF-ADJUSTING I-F NOISE LIMITER

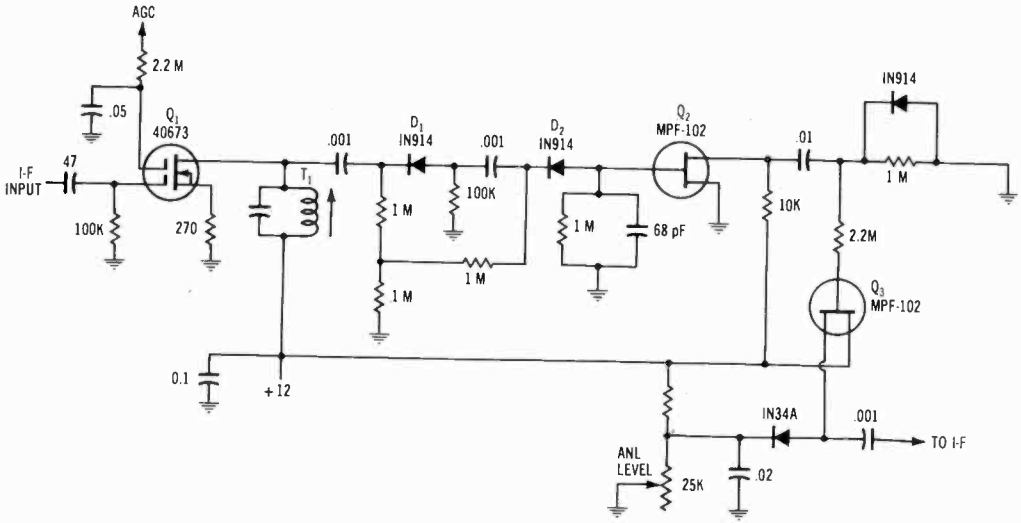


Figure 55

NOISE BLANKER FOR I-F SYSTEM

Noise blanker employs i-f signal to drive blanking diodes ( $D_1, D_2$ ) which "punch hole" in signal.

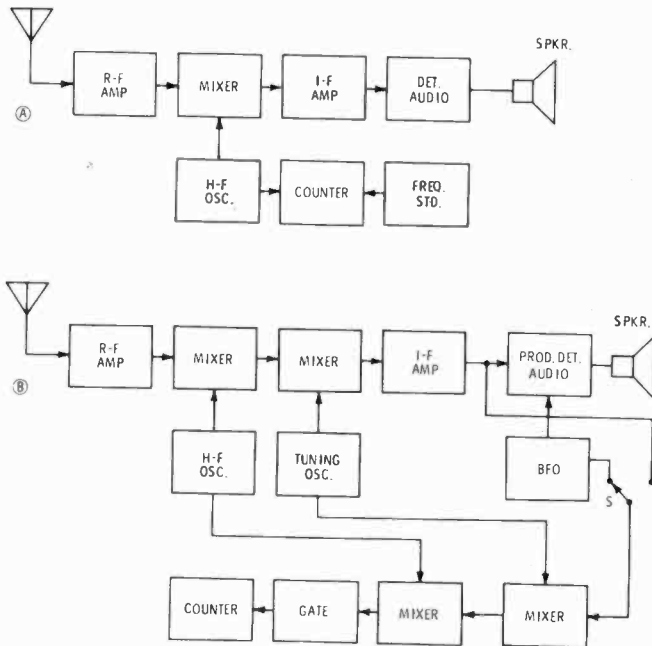


Figure 56

DIRECT FREQUENCY READOUT

A frequency counter can provide digital readout for a receiver, transmitter, or transceiver. A—Simple counter measures frequency of conversion oscillator and adds the intermediate frequency to show operating frequency. B—C-w and SSB counter adds frequency of all receiver oscillators. Counter can measure either zero-beat frequency, or carrier frequency.

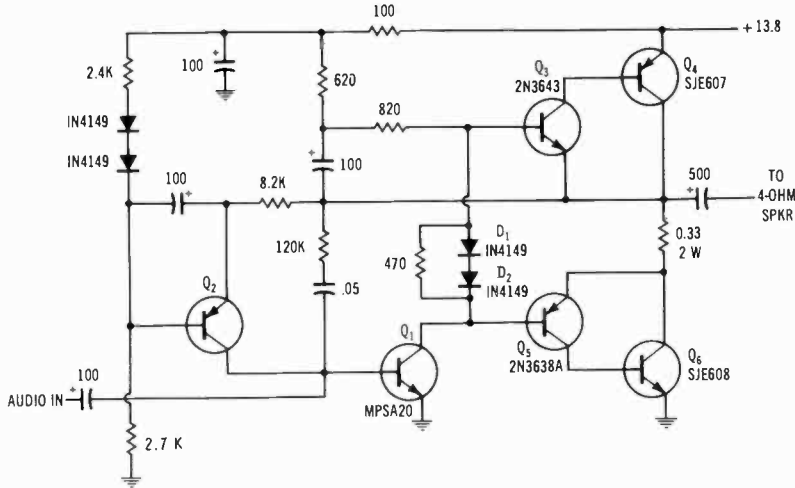


Figure 57

TWO-WATT AUDIO STAGE FOR RECEIVER

A counter of this type is suitable for a-m reception, but for SSB or c-w reception, a more complex interface between the receiver or transceiver and the counter is required.

A representative counter for c-w and SSB reception is shown in figure 56B. For SSB, the counter monitors the frequency of the suppressed carrier of the received signal and for c-w, the frequency of the incoming signal is read directly without zero-beating or other special tuning. For a double-conver-

sion receiver, the counter is connected to the three oscillators in the receiver which, in combination, determine the received frequency. The counter mixes the two hf oscillator frequencies, then mixes the resulting signal with the i-f (or beat-frequency) oscillator. Depending on the coupling between the counter and the bfo, the counter can either measure the actual tuning frequency, or the suppressed carrier frequency of an SSB signal.

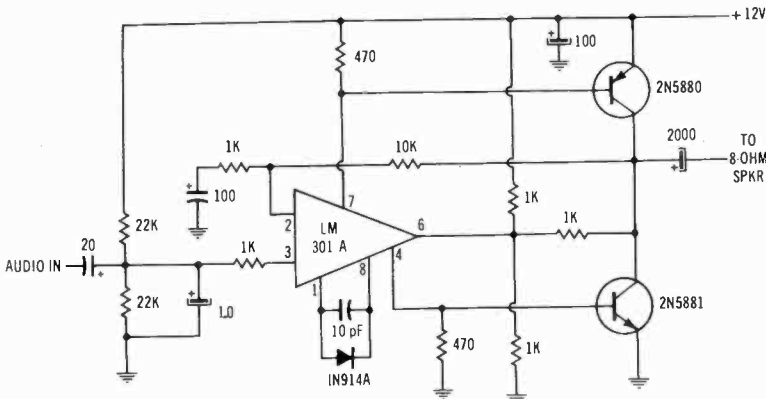


Figure 58

HIGH-QUALITY AUDIO AMPLIFIER FOR RECEIVER

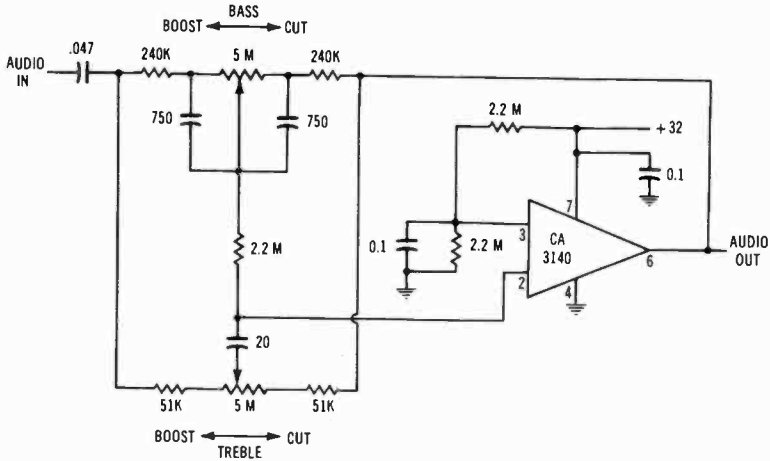


Figure 59

TONE CONTROL CIRCUIT

10-15 The Audio System

The audio system of many high-frequency receivers is of inferior quality. This is surprising in view of the inexpensive, high quality stereo equipment on the market. It would seem that some of this circuitry would be incorporated in the more sophisticated communication receivers. Such is not the case. Most receivers have a high level of audio distortion, marginal audio power capability

and a midget, low quality speaker. The older tube-style receivers, while not having a "high fidelity" audio system in most instances still surpass most new receivers having an IC audio system.

It is possible to have good quality audio when using solid-state circuitry. Figure 57 is a representative circuit that will provide good quality audio at a power level of about 2 watts. The audio signal from the detector is fed to the base of transistor Q<sub>1</sub>. This device drives a complementary output stage

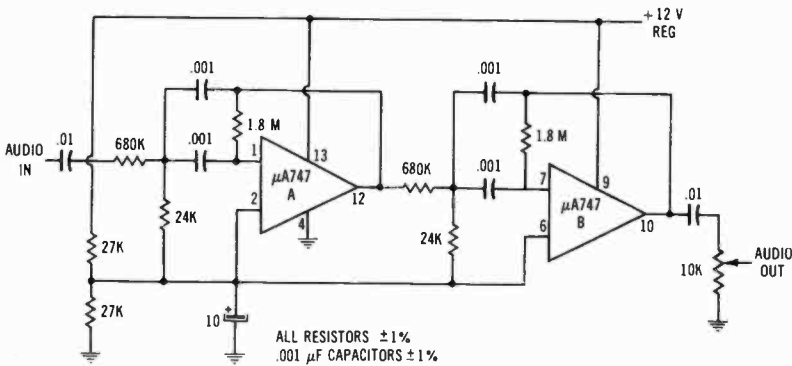


Figure 60

TWO-SECTION C-W FILTER WITH ADJUSTABLE BANDWIDTH

Bandwidth is set by choice of components in feedback circuit.

consisting of  $Q_3$ — $Q_6$ . The signal for the speaker is taken from the collector of  $Q_4$  through a large coupling capacitor which removes the dc from the speaker. The frequency response of the amplifier is established by a feedback circuit consisting of  $Q_2$  and associated components.

A 3-watt audio system capable of quite low distortion is shown in figure 58. A complementary-symmetry output circuit is used, driven by a low cost operational amplifier.

**The Audio Filter** An audio filter can be used in the audio system of a receiver to improve the signal-to-noise ratio, to increase the intelligibility of a weak signal, or to tailor the audio response to meet listening conditions. While LC filters have

been used extensively in this type of service, the modern *active filter* employing RC components has proven to give superior results. A simple tone-control circuit which can furnish up to 15 dB bass and treble boost or cut at 100 Hz and 10 kHz respectively, is shown in figure 59. With controls set for a flat frequency response, the circuit offers unity gain.

An active c-w filter peaked at 800 Hz is shown in figure 60. The bandwidth of this type of filter can be adjusted from a flat response to a peaked response of less than 10 Hz. In addition, it can be arranged to provide bandpass, highpass, or lowpass frequency response. Thus, this device is ideal for shaping the audio passband of a receiver for speech, RTTY or c-w reception. Filter response is determined by the feedback circuit placed around the active device. Additional discussion of feedback circuits for operational amplifiers is included in Chapter 4.

## Part II—The VHF and UHF Receiver

Vhf and uhf receiver design and construction follows the same general philosophy discussed in the first part of Chapter 10 for hf receivers, but with important consequences dictated by the peculiarities of radio waves and propagation at frequencies above 30 MHz.

It should be remembered that at 50 MHz a half-wavelength is about 118 inches and at 420 MHz a half-wavelength is only 14 inches. At the latter frequency, a one-watt resistor is about .04 wavelength long and a radio tube of the audio output variety is nearly an eighth-wavelength high. Thus at vhf and uhf wavelengths, ordinary radio components approach the physical size of the radio wave and under these conditions unusual things begin to happen to radio parts that function well in the hf region. As a result, special small components designed for vhf/uhf operation are used, component layout is critical and unusual precautions must be taken to make sure that hidden circuit resonances do not alter the proper operation of the equipment.

The outstanding factor in vhf/uhf reception, as compared to reception at the lower frequencies is that the ultimate system

sensitivity is primarily limited by equipment noise, rather than by noise external to the receiver. It is therefore possible to realize superior performance in terms of usable signal-to-noise ratio and sensitivity as opposed to an hf system, in which external atmospheric and manmade noise makes such receiver attributes relatively useless.

Vhf/uhf receivers are externally limited in sensitivity only by extraterrestrial (galactic) noise and some forms of man-made noise. Sophisticated receivers for this portion of the spectrum can reach the galactic noise level while rejecting manmade noise to a great degree. The state-of-the-art receiver noise figure is approximately as shown in figure 1.

### 10-16. VHF/UHF Noise Sources

External noise may be composed of atmospheric noise, galactic (cosmic) noise, and man-made noise as shown in figure 2. Above 30 MHz or so, external noise drops to a level that makes receiver noise of paramount importance. The development of low-

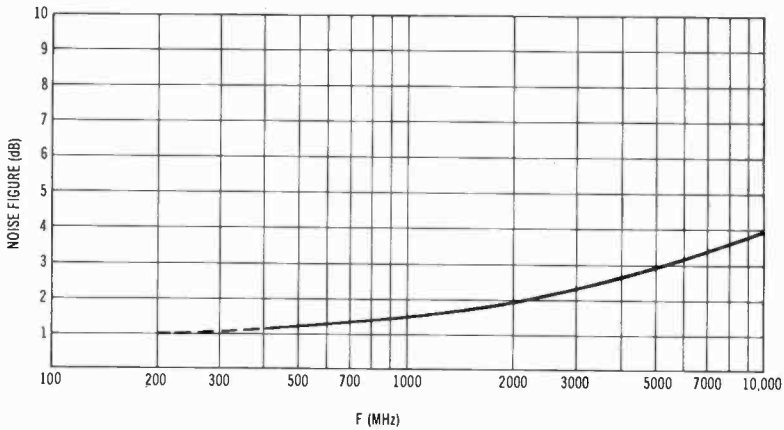


Figure 1

**REPRESENTATIVE RECEIVER NOISE FIGURE**

State-of-the-art receiver noise figure rises from about 1.2 dB at 450 MHz to near 4 dB at 10,000 MHz for specialized solid-state devices operating at room temperature.

noise vhf/uhf receivers is a continuing task as this portion of the spectrum becomes of greater and greater importance to the modern world.

*Atmospheric noise* is due mainly to lightning discharges in the atmosphere which are propagated worldwide by ionospheric reflection. The noise varies inversely with frequency, being greatest at the lower frequencies and least at the higher frequencies. It also varies in intensity with time of day, weather, season of the year, and geographical location. It is particularly severe in the tropical areas of the world during the rainy seasons.

*Galactic noise* is caused by disturbances that originate outside the earth's atmosphere. The primary sources of such noise are the sun and a large number of "radio stars" distributed principally along the galactic plane. Galactic noise is largely blocked out by atmospheric noise at frequencies below approximately 20 MHz.

*Man-made noise* tends to decrease with increasing frequency, although it may peak at some discrete frequency, depending on the electrical characteristics of the noise source. It can be caused by electrical appliances of all types, television receivers, ignition systems, motors, and erratic radiation of high-frequency components from power lines. Propagation is by direct transmission over

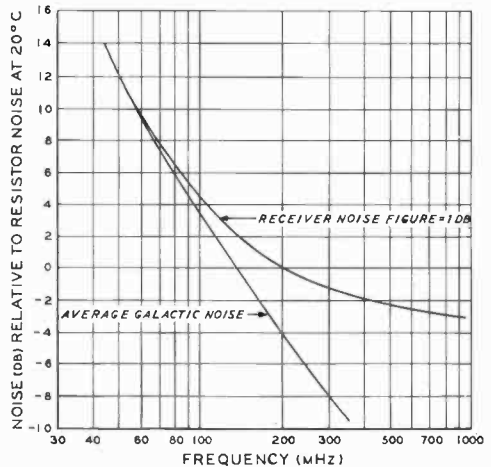


Figure 2

**AVERAGE GALACTIC (COSMIC) NOISE LEVEL**

Atmospheric noise predominates below 30 MHz. Galactic noise drops with increasing frequency, reaching low values at uhf. Receiver with 1-dB noise figure would have ultimate capability shown by top curve. Reduction of receiver noise figure becomes increasingly important for weak-signal reception above 100 MHz.

power lines and by radiation, induction, and occasionally by ionospheric reflection.

*Thermal noise*, or *Johnson noise*, is caused by the thermal agitation of electrons and

pervades nature. It is only at absolute zero that such motion ceases. As the temperature of a conductor rises above absolute zero, the random motion of free electrons increases and this motion corresponds to a minute electric current flowing in the conductor. This "white noise" is generated over a wide band of frequencies and the portion of it falling within the passband of a receiving system will contribute to the noise output of the system. Limiting system bandwidth, therefore, will tend to limit the thermal noise. Thermal noise takes place in the receiving antenna, the feedline, and the receiver itself, the noise level of the input stage of the receiver being particularly critical as to system performance.

### 10-17 Receiver Noise Performance

Receiver noise figure was discussed in the first part of this chapter. The overall noise figure to a great degree is determined by the first r-f stage of the receiver.

Noise figure, or effective noise temperature, can be used to stipulate the excellence of a receiver. The noise figure is defined as the ratio of the total noise power available at the output of the receiver when the input termination is at 290°K (63°F) to that portion of the total available noise power produced by the input termination. The "perfect" receiver has, therefore, a noise figure of zero decibels and its noise contribution is zero.

The noise temperature is an apparent temperature that is representative of the internally generated noise of the receiver. It represents the number of degrees that the input noise power must be raised before the receiver noise output power reaches a new value representing the internally generated noise. The equivalent noise temperature is expressed in degrees Kelvin and is shown relative to the noise figure in figure 3.

*Absolute* noise figure measurement can be made using two resistive inputs for the receiver under test. One resistor is immersed in liquid nitrogen at 77.3°K and the other is in a temperature controlled oven at 373.1°K. The noise power in watts from either receiver is equal to  $kBT$ , where  $T$  is the temperature of the resistor in degrees

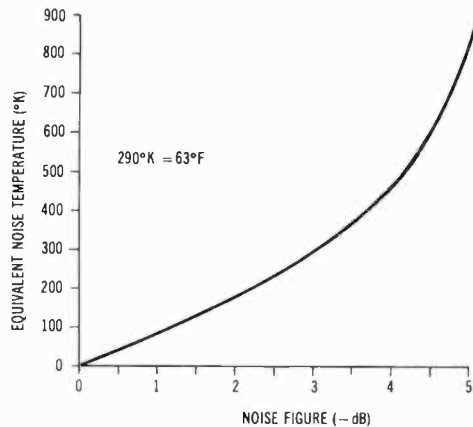


Figure 3

### EQUIVALENT NOISE TEMPERATURE EXPRESSED AS NOISE FIGURE

Kelvin,  $k$  is Boltzmann's Constant, and  $B$  is the noise bandwidth of the receiver in hertz.

The noise figure is:

$$F = \frac{(T_2/T_0 - 1) - Y(T_1/T_0 - 1)}{(Y - 1)}$$

where,

$F$  equals noise figure

$T_0$  equals 290°K

$T_1$  equals 77.3°K

$T_2$  equals 373.1°K

$Y$  equals  $N_2/N_1$

The quantities  $N_1$  and  $N_2$  are discussed in the first part of this chapter.

For an absolute comparison of noise figure between two receivers, both terms must be referenced to the standard temperature of 290°K. A representative test set-up is shown in figure 4.

*Relative* noise figures may be ascertained by direct receiver measurement with a noise generator. The receiver input is terminated with a resistor and wideband random noise is injected into the input circuit. The power output of the receiver is measured with no noise input and the generator output is then increased until the receiver noise output is doubled. The relative noise figure of the receiver is a function of these two levels, and may be computed from these measurements.



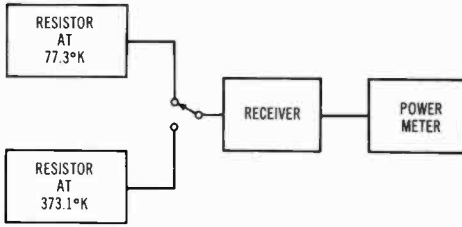


Figure 4

**NOISE FIGURE MEASUREMENT**

Receiver is switched between "cold" and "hot" noise sources.

**Vacuum Tubes in VHF/UHF Receivers** The vacuum tube has been eclipsed for low-noise reception above 30 MHz by solid-state devices. Because of the hot filament within the tube, thermal agitation and noise level are excessive for weak-signal reception. Vacuum-tube noise is composed of *shot noise* (electron noise), *partition noise* (noise caused by a random division of space current between the elements of the tube), and *induced grid noise* caused by fluctuations in cathode current passing the grid element. The summation of these noises is expressed as the *equivalent noise resistance* of the vacuum tube. In addition to noise, most vacuum tubes have comparatively high input and output capacitances and a low input impedance, all of which inhibit the design of high-Q, high-impedance tuned circuits above 50 MHz or so.

**Semiconductors in VHF/UHF Receivers** Great advances have been made in recent years in both bipolar and field-effect devices and these improved units have pre-empted the vacuum tube in vhf/uhf operation in low-noise receiver circuitry. While the bipolar transistor exhibits circuit loading due to low input impedance and often has characteristics that vary widely with temperature, these problems are being overcome by new design and production techniques. The field-effect device, on the other hand, exhibits an input impedance equal to, or better, than vacuum tubes in the vhf/uhf region.

The better solid-state devices are superior to vacuum tubes as far as good noise factor

is concerned and noise figures of 2 dB or better are possible up to 2000 MHz or so with selected transistors and field-effect devices.

**10-18 VHF Receiver Circuitry**

Vhf r-f receiver circuitry resembles the configurations discussed for hf receivers to a great degree. Solid-state r-f circuits specifically designed for efficient vhf operation are discussed in this section and they may be compared against the circuitry shown earlier in this chapter.

The common-base (or gate) r-f amplifier circuit (figure 5) is often used with bipolar devices in the vhf range since it is stable and requires no neutralization. Either PNP or NPN transistors may be used, with due attention paid to supply polarity. The input signal is fed to the emitter (source); the base (gate) is at r-f ground potential; and the output signal is taken from the collector (drain) circuit. Stage gain is low and two

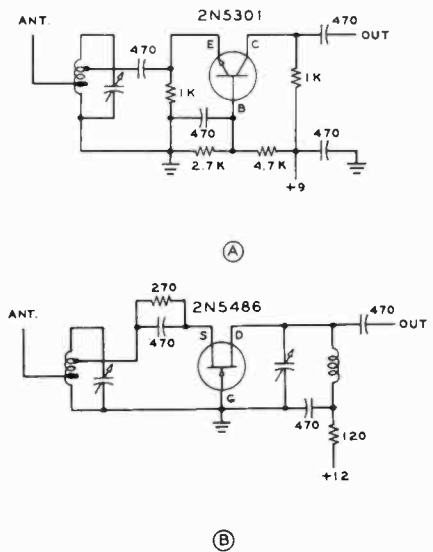


Figure 5

**COMMON-BASE (GATE) R-F AMPLIFIER**

Input signal is applied to emitter (A) or source (B) and output signal is taken from collector (A) or drain (B). Stage gain and input impedance are both low in this configuration.

or more stages are often cascaded to provide sufficient signal level to overcome mixer noise. The input impedance of the common-base circuit is low and this configuration does not offer as much r-f selectivity as does the common-emitter (source) circuit of figure 6. This circuit often requires neutralization, accomplished by feeding energy back from the output to the input circuit in proper amplitude and phase so as to cancel the effects of spurious signal feedthrough in and around the device. Tuning and neutralization are interlocking adjustments.

The cascode amplifier (figure 7) is a series-connected, ground-emitter (source), grounded-base (gate) circuit. Neutralization, while not always necessary, may be employed to achieve lowest noise figure.

A neutralized, IGFET vhf amplifier stage is shown in figure 8A. Protective diodes  $D_1$  and  $D_2$  (discussed in the next section) are used in the input circuit. A dual-gate, diode-protected MOSFET is employed in the amplifier circuit of figure 8B. Input and output points are tapped down the tuned circuits to reduce stage gain and to remove the necessity for neutralization, which otherwise may be necessary.

Special vacuum tubes, such as high-gain TV pentodes and low-noise triodes may be used in these typical vhf circuits and are often used in simple converters designed for 6 and 2 meters.

To optimize the noise figure of all of these circuits, the input coupling, bias level, and neutralizing adjustment (if any) are

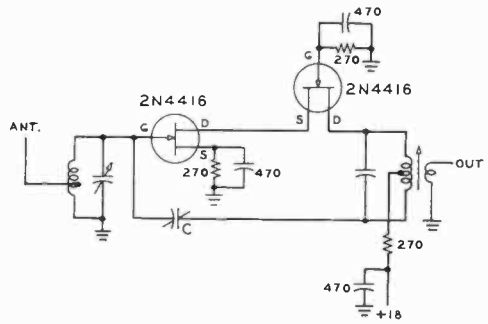


Figure 7

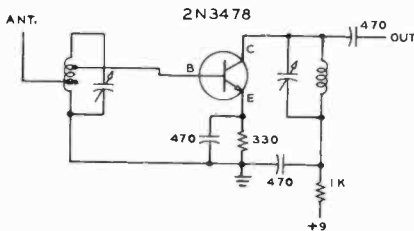
CASCODE R-F AMPLIFIER

Two FET devices are series-connected, the first being driven at the gate and the second at the source. Bipolar transistors or tubes are used in a similar arrangement. Neutralization is required to achieve highest overall gain and optimum noise figure.

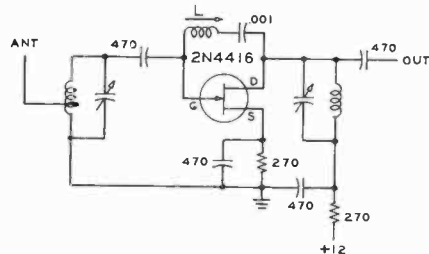
made with a weak signal source used for alignment. Adjustment is not complicated provided proper vhf construction techniques and shielding are used in construction of the amplifier.

Amplifier Protection

Vhf solid-state devices are vulnerable to burnout by accidental application of high input signal voltage to the receiver. Reverse-connected diodes (either silicon or germanium) placed across the input circuit will limit maximum signal voltage to a few tenths of a volt, providing automatic protection against damaging overload. In particular, the protection



(A)



(B)

Figure 6

COMMON-EMITTER (SOURCE) R-F AMPLIFIER

Input signal is applied to base (A) or gate (B) and output signal is taken from collector (A) or drain (B). Stage gain is high and neutralization is often required to cancel signal feedthrough, as shown in (B).

diodes will absorb r-f energy that leaks around an antenna changeover relay, or that is received from a nearby transmitter.

**VHF/UHF Mixers** Conventional multielement vacuum-tube mixers are occasionally used in the lower portion of the vhf spectrum because of their high-signal overload capability, giving away to solid-state mixers as the noise factor of the vacuum tube deteriorates rapidly with increasing frequency. Low-noise triode mixers (figure 9) are useful up to 250 MHz or so,

becomes practical to couple the antenna circuit directly to the mixer stage, following

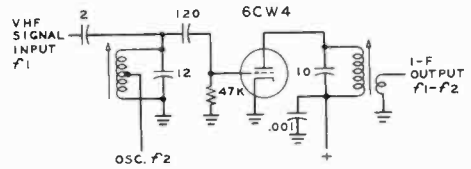


Figure 9

**LOW-NOISE TRIODE MIXER USEFUL UP TO 250 MHz OR SO WHEN PRECEDED BY LOW-NOISE R-F AMPLIFIER**

the mixer with a low-noise, high-gain i-f amplifier. The mixer, thus, becomes the dominant stage in determining receiver noise figure.

Various diodes are available for use as mixers and the *hot-carrier* diode serves as a low-noise mixer for applications up to and including the uhf region (figure 10). This

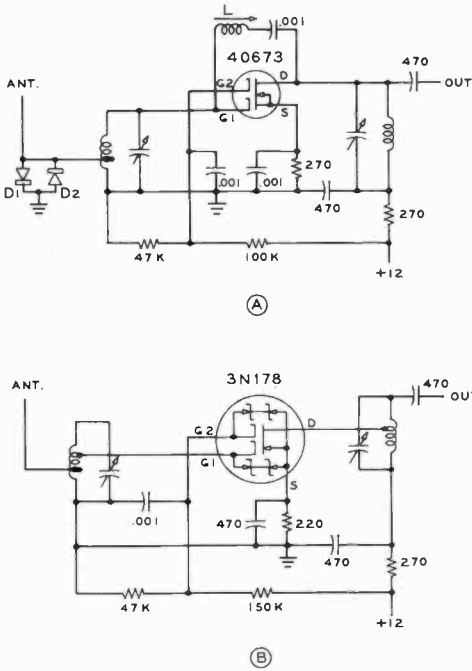


Figure 8

**FETs IN VHF CIRCUITRY**

A—Neutralized IGFET using 1N100 protective diodes in input (gate) circuit. B—Dual-gate, self-protected MOSFET circuit. Neutralization may be required for maximum stage gain and optimum noise figure.

when preceded by a high-gain, low-noise r-f amplifier chain.

As the noise figure of the solid-state device and the vacuum tube falls off above a few thousand MHz, the usefulness of the r-f amplifier stage becomes marginal and it

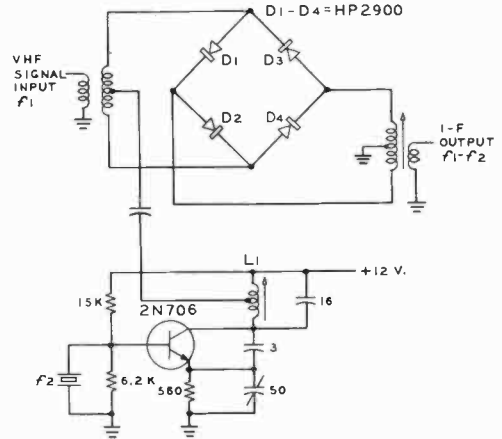


Figure 10

**HOT-CARRIER DIODE MIXER**

Schottky-barrier diode is a planar version of a conventional point-contact microwave mixer diode having closely matched transfer characteristics from unit to unit and high front-to-back ratio. It provides extremely fast switching time combined with low internal noise figure.

device (also known as a *Schottky-barrier diode*) is a planar version of a conventional point-contact microwave mixer diode. The hot-carrier diode has closely matched transfer characteristics from unit to unit and a

high front-to-back ratio. In addition, it provides extremely fast switching speed combined with low internal noise figure. Input and output impedances are low, but overall conversion efficiency is high.

A portion of the receiver noise originates in the local oscillator and if this noise were eliminated, there would be a reduction in the overall noise figure of the receiver. The balanced mixer of figure 10 balances out local oscillator noise products, thus reducing receiver noise from this source.

### 10-19 I-F Strips and Conversion Oscillators

To combine good image rejection with a high order of selectivity, double frequency conversion is normally used for vhf/uhf small-signal reception. The first intermediate frequency is usually rather high to provide adequate rejection of image signals and the second is low to provide good selectivity. Care must be used in choosing the first intermediate frequency or image problems will arise from signals in the 80- to 130-MHz range, which includes high power f-m transmitters and strong aircraft signals.

It is common practice to construct the r-f amplifier and first conversion circuits in a separate converter unit, the i-f output of which is fed into an hf communications receiver which serves as the low-frequency i-f strip. Choice of the first i-f channel is important, since many vhf/uhf converters provide scant selectivity at the received frequency, having bandwidths measured in hundreds of MHz. If the image ratio is unity,

the image signal may be as strong as the wanted signal and the noise figure of the receiving system is degraded by 3 decibels, regardless of the noise figure of the converter. The first i-f channel, and the r-f selectivity of the converter should therefore be sufficiently high so that images are not a problem. Generally speaking a first i-f channel of 15 MHz to 30 MHz is suitable for 144-MHz and 220-MHz reception and a frequency in the region of 144 MHz is often used as the first i-f channel for 432-MHz (and higher) reception.

In addition to attention to image problems, care must be taken to ensure that the harmonics of the local oscillator of the communications receiver used for the i-f strip do not fall within the input passband of the converter. Attention should also be given to the input circuit shielding of the communications receiver to prevent breakthrough of strong hf signals falling within the first i-f passband. Unwanted hf signals may also enter the receiver via the speaker wires or the power cord.

Spurious signals and unwanted "birdies" can be reduced to a minimum by using the highest practical injection frequency for the local oscillator. Most first conversion oscillators in vhf receiving systems are crystal controlled and high-overtone crystals are to be preferred as contrasted to lower-frequency crystals and a multiplier string. Unwanted harmonics generated by a multiplier string must be prevented from reaching the mixer stage by means of a high-Q trap circuit in order to avoid unwanted mixing action between received signals and the various harmonics.

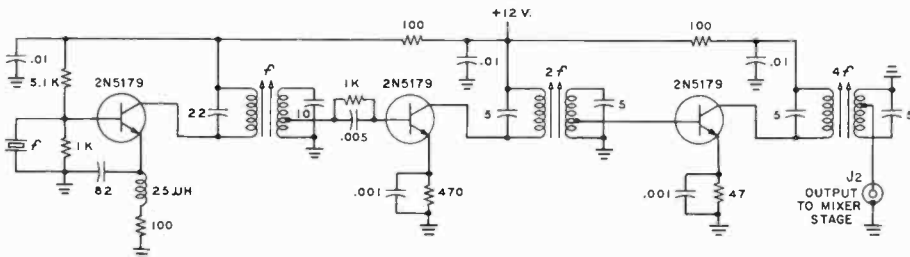


Figure 11

#### LOCAL-OSCILLATOR "STRING" FOR VHF RECEIVER

Multiple tuned high-Q circuits between stages prevent unwanted harmonics of oscillator from reaching the mixer stage. Fundamental oscillator signal and 3rd and 5th harmonics could produce spurious responses in receiver unless suitably attenuated.

When low-frequency conversion crystals are employed, the use of multiple tuned intermediate circuits in the multiplier string is suggested, as shown in figure 11. A simple diode multiplier may also be used in place of a tube or transistor, as shown in figure 12.

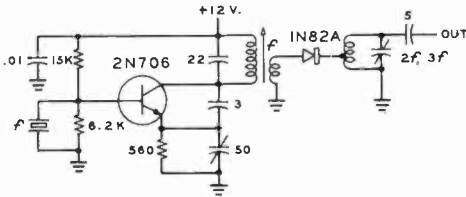


Figure 12

**DIODE MULTIPLIER FOR LOCAL OSCILLATOR INJECTION AT A HIGH HARMONIC**

One or more tuned circuits or traps are used after diode multiplier to attenuate unwanted harmonics of local oscillator.

**10-20 Band Scanning Receivers**

Monitor (*scanning*) receivers are capable of searching many vhf channels for activity. The receiver sequentially looks at preset channels and a signal on one channel will increase the agc voltage of the receiver, causing the scanner to stop seeking and lock onto the signal.

The simplest form of scanning receiver continually sweeps a band of frequencies and the receiver is manually locked on a received signal by the operator (figure 13). A multivibrator circuit sweeps the oscillator by means of a varactor diode ( $D_1$ ). Transistors  $Q_1$  and  $Q_2$  form the multivibrator, providing a sawtooth waveform in the base circuit. This voltage is applied to the varactor diode which sweeps the frequency of the variable oscillator. The scanning rate is determined by the values of the base resistors ( $R_1$ ) and capacitor  $C_2$ .

For crystal-control service, wherein the channels are preselected by the choice of crystals, the scanning receiver selects the proper conversion crystal and also squelches the receiver between channels. A unijunction transistor is used as the timing clock supplying a series of sawtooth pulses to the pulse-

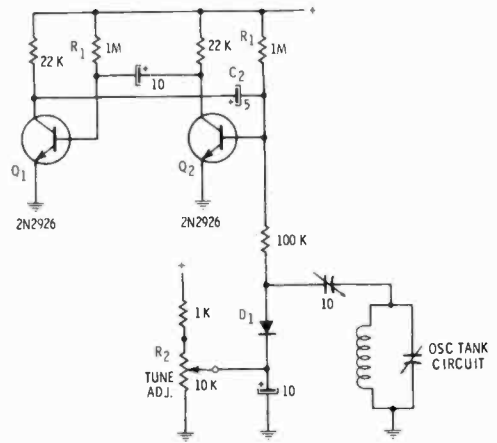


Figure 13

**MULTIVIBRATOR SCANNING CIRCUIT**

Sawtooth waveform from multivibrator ( $Q_1, Q_2$ ) sweeps oscillator across band. The scanning rate is determined by multivibrator constants and sweep limit is set by potentiometer  $R_2$ .

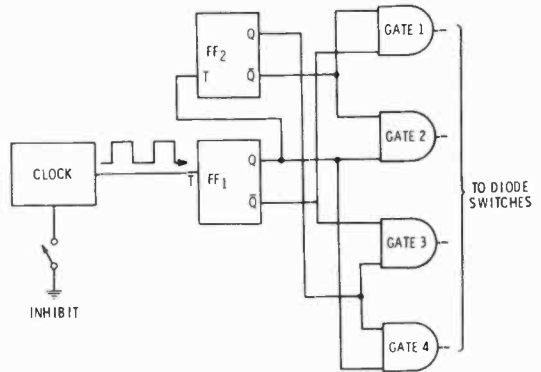


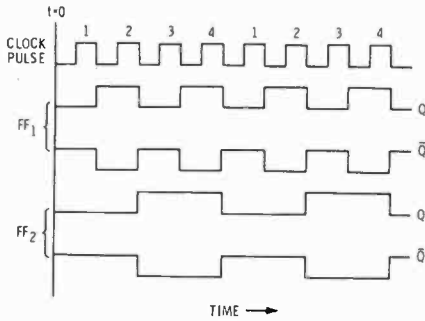
Figure 14

**FOUR CHANNEL SCANNER**

Scanner uses two J-K flip-flops ( $FF_1, FF_2$ ) and four two-input gates which sequentially select one of four crystals. Sequence of operation is shown in figure 15.

shaping circuits and logic scanning circuits. An "inhibit" control circuit interrupts, on command, the series of pulses to the decade counter.

The binary coded decimal output from the counter is fed to a decoder which selects one of several output lines each time an input pulse is received. Shown in figure 14 is a

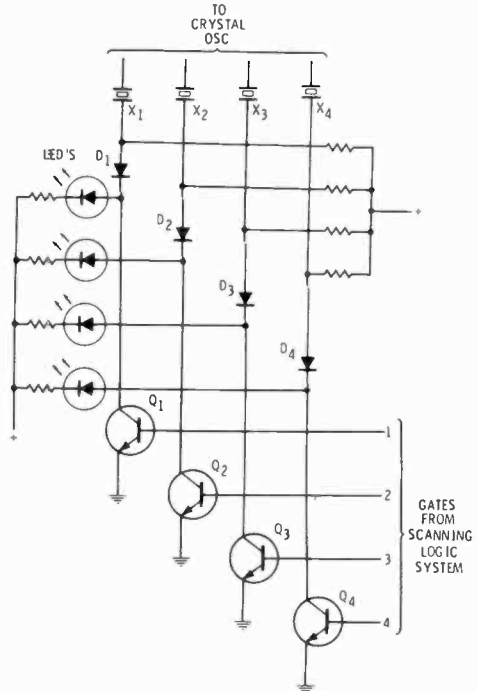


**Figure 15**  
**FLIP-FLOP WAVEFORM TO**  
**ACTIVATE DIODE SWITCHES**

NAND gates produce grounded output (logic zero) when both inputs are high (logic 1). During first clock pulse, Q of FF<sub>1</sub> and FF<sub>2</sub> are high and drive gate 1 of figure 16. When clock pulse 2 arrives, Q of FF<sub>1</sub> and FF<sub>2</sub> are high and drive gate 2. This sequence continues through all four pulses of the clock, then repeats.

typical four-channel scanner using two J-K flip-flops and four two-input gates which sequentially selects from among four crystals.

The sequence of operation is illustrated in figure 15. The NAND gates are connected to the flip-flops so that they produce a grounded output (logic zero) only when both inputs are high (logic 1), as shown in the waveforms from FF<sub>1</sub> and FF<sub>2</sub> underneath clock impulse 1. At this time only the Q outputs of FF<sub>1</sub> and FF<sub>2</sub> are high so they are used to drive gate 1. When clock pulse 2 arrives, the Q outputs of FF<sub>1</sub> and FF<sub>2</sub> are high while all others are low. They are used to drive gate 2. This sequence continues through all four pulses of the clock, then repeats.



**Figure 16**  
**DIODE SWITCH SELECTS**  
**CONVERSION CRYSTALS**

When the scanning logic selects a channel, a bias voltage saturates one transistor (Q<sub>1</sub>-Q<sub>4</sub>), resulting in a collector-emitter resistance of a few ohms. One of the diodes (D<sub>1</sub>-D<sub>4</sub>) is forward biased, grounding the crystal and illuminating LED indicator.

More complex scanning receivers scan up to 8 or 16 channels. This is accomplished by dividing the crystals into two groups, which are scanned alternatively. An additional flip-flop sequentially selects these groups in an odd-even select system.



# Generation and Amplification of Radio-Frequency Energy

## Part 1 - HF Circuits

A radio communication or broadcast transmitter consists of a source of radio frequency power, or *carrier*; a system for *modulating* the carrier whereby voice or telegraph keying or other modulation is superimposed upon it; and an antenna system, including feedline, for *radiating* the intelligence-carrying radio-frequency power. The power supply employed to convert primary power to the various voltages required by the r-f and modulator portions of the transmitter may also be considered part of the transmitter.

Modulation usually is accomplished by varying either the amplitude or the frequency of the radio-frequency carrier in accord with the components of intelligence to be transmitted or by generation of an SSB signal (a form of amplitude modulation).

Radiotelegraph keying normally is accomplished either by interrupting, shifting the frequency of, or superimposing an audio tone on the radio-frequency carrier in accordance with the intelligence to be transmitted.

The complexity of the radio-frequency generating portion of the transmitter is dependent on the power, order of stability, and frequency desired. An oscillator feeding an antenna directly is the simplest form of radio-frequency generator. A modern high-frequency transmitter, on the other hand, is a very complex generator. Such equipment comprises a very stable crystal-controlled or synthesized oscillator to stabilize the output frequency, a series of frequency multipliers, or mixers, one or more amplifier stages to increase the power up to the level which is desired for feeding the antenna system,

and a filter system for keeping the harmonic energy generated in the transmitter from being fed to the antenna system.

### 11-1 Self-Controlled Oscillators

The amplifying properties of a three- (or more) element vacuum tube, a bipolar transistor, or an FET give them the ability to generate an alternating current of a frequency determined by auxiliary components associated with them. Such circuits are termed *oscillators*. To generate ac power with an amplifier, a portion of the output power must be returned or fed back to the input in phase with the starting power (figure 1). The power delivered to the load will be the output power less the feedback power.

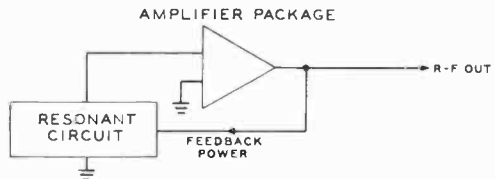


Figure 1

#### THREE TERMINAL OSCILLATOR

A portion of the output of a three-terminal amplifier is fed back to the input in proper phase and amplitude with the starting power which is generated initially by thermal noise. Power delivered to the load is output power less feedback power. Resonant circuit in input determines frequency of oscillation.



**Initial Oscillation** Oscillation may be initially caused in a transistor or tube circuit by external triggering, or by self-excitation. In the latter case, at the moment the dc power is applied, the energy level does not instantly reach maximum but, instead, gradually approaches it. Oscillations build up to a point limited by the normal operation of the amplifier, the feedback energy, and the nonlinear condition of the circuit. Practical oscillator circuits employ a variety of feedback paths, and some of the most useful ones are shown in figure 2. Either tubes, transistors, or FETs may be used in these circuits.

The oscillator is commonly described in terms of the feedback circuit. The *Hartley* oscillator (figure 2A) employs a tapped

inductor in the resonant circuit to develop the proper phase relationship for the feedback voltage, while the *Colpitts* oscillator derives the exciting voltage by means of a capacitive voltage divider. The *Clapp* circuit (figure 2C) employs a series-tuned tank circuit, shunted by a large capacitive voltage divider ( $C_1$ - $C_2$ ).

The *Seiler* and *Vackar* circuits employ a voltage divider ( $C_1$ - $C_5$ ) to establish the correct feedback level for proper operation. At resonance, all circuits are versions of a pin-network in one way or another, the tuning scheme and feedback path being different for the various configurations. Vacuum-tube versions of these circuits are shown in figure 3.

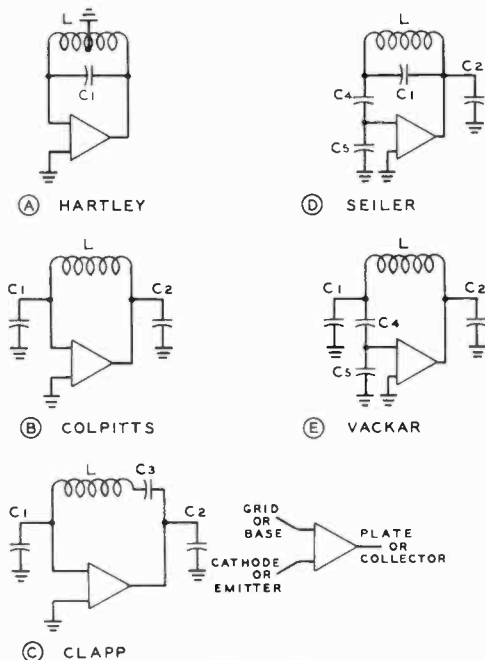


Figure 2

### COMMON TYPES OF SELF-EXCITED OSCILLATORS

The circuits are named after the inventors and are based on variations in the method of coupling and introducing feedback into oscillator tank circuit. A—Hartley circuit with inductive feedback. B—Colpitts circuit with capacitive feedback. C—Clapp circuit with capacitive feedback plus series-tuned tank. D—Seiler circuit with capacitive feedback and separate parallel-tuned tank circuit. E—Vackar circuit with capacitive feedback plus parallel-tuned tank circuit. Circuits may be used with either solid-state devices or vacuum tubes by adjustment of feedback amplitude and applied potentials.

**The Hartley** When plate voltage is applied to the Hartley circuit (figure 3A), the sudden flow of plate current accompanying the application of plate voltage will cause an electromagnetic field to be set up about the coil, resulting in a potential drop across the turns of the coil. Due to the inductive coupling between the portion of the coil in which the plate current is flowing and the grid portion, a potential will be induced in the grid portion.

Since the cathode tap is between the grid and plate ends of the coil, the induced grid voltage acts in such a manner as to increase further the plate current to the tube. This action will continue for a short period of time determined by the inductance and capacitance of the tuned circuit, until the *fly-wheel effect* of the tuned circuit causes this action to come to a maximum and then to reverse itself. The plate current then decreases (the magnetic field around the coil also decreasing) until a minimum is reached, when the action starts again in the original direction and at a greater amplitude than before. The amplitude of these oscillations, the frequency of which is determined by the coil-capacitor circuit, will increase in a very short period of time to a limit determined by the plate voltage of the oscillator tube.

**The Colpitts** Figure 3B shows a version of the *Colpitts* oscillator. It can be seen that this is essentially the same circuit as the Hartley except that the ratio

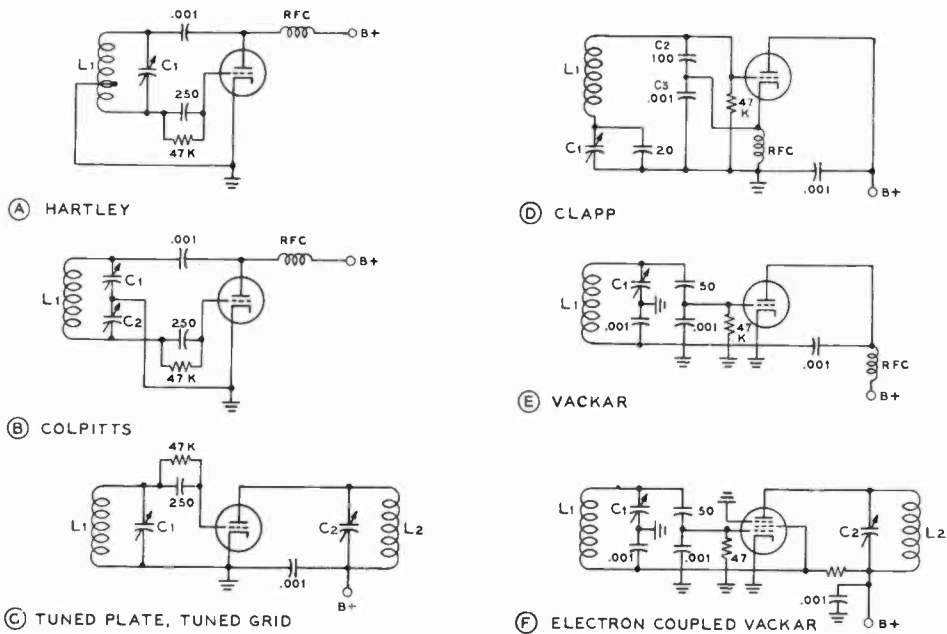


Figure 3

VACUUM-TUBE SELF-EXCITED OSCILLATORS

A—Shunt-fed Hartley. B—Shunt-fed Colpitts. C—Series-fed oscillator with feedback accomplished through plate-to-grid interelectrode capacitance. D—Clapp oscillator employs series-resonant tuned circuit. Capacitor  $C_1$  is of the order of 50 pF. E—Vackar circuit is variation of Clapp circuit having improved tuning range and more constant output. F—Electron-coupled oscillator using screen element of tube as the plate of the oscillator.

of a pair of capacitances in series determines the effective cathode tap, instead of actually using a tap on the tank coil. Also, the net capacitance of these two capacitors comprises the tank capacitance of the tuned circuit. This oscillator circuit is somewhat less susceptible to parasitic (spurious) oscillations than the Hartley.

For best operation of the Hartley and Colpitts oscillators, the voltage from grid to cathode, determined by the tap on the coil or the setting of the two capacitors, normally should be from 1/3 to 1/5 that appearing between plate and cathode.

**The T.P.T.G.** The *tuned-plate tuned-grid* oscillator illustrated at (C) has a tank circuit in both the plate and grid circuits. The feedback of energy from the plate to the grid circuits is accomplished by the plate-to-grid interelectrode capacitance within the tube. The necessary phase reversal in feedback voltage is provided by tuning the grid tank capacitor to the low

side of the desired frequency and the plate capacitor to the high side. A broadly resonant coil may be substituted for the grid tank to form the *T.N.T.* (tuned-not-tuned) oscillator.

**Electron-Coupled Oscillators**

In any of the oscillator circuits just described it is possible to take energy from the oscillator circuit by coupling an external load to the tank circuit. Since the tank circuit determines the frequency of oscillation of the tube, any variations in the conditions of the external circuit will be coupled back into the frequency-determining portion of the oscillator. These variations will result in frequency instability.

The frequency-determining portion of an oscillator may be coupled to the load circuit only by an electron stream, as illustrated in (F) of figure 3. When it is considered that the screen of the tube acts as the plate to the oscillator circuit, the plate merely acting as a coupler to the load, then

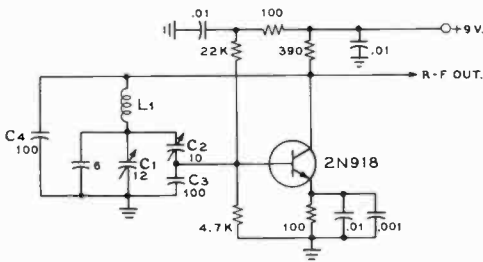


Figure 4

### TRANSISTOR VACKAR OSCILLATOR

Thirty-MHz oscillator for vhf frequency control. Coil  $L_1$  is 1.5  $\mu$ H, wound on a ceramic form. Capacitor  $C_2$  is adjusted for optimum drive level.

the similarity between the cathode-grid-screen circuit of these oscillators and the cathode-grid-plate circuits of the corresponding prototype can be seen.

The *electron-coupled* oscillator has good stability with respect to load and voltage variation. Load variations have a relatively small effect on the frequency, since the only coupling between the oscillating circuit and the load is through the electron stream flowing through the other elements to the plate. The plate is electrostatically shielded from the oscillating portion by the bypassed screen.

**The Clapp Oscillator** The *Clapp* oscillator differs from the previous circuits in that it employs a series-resonant circuit while in all the more common oscillator circuits the frequency-controlling circuit is parallel resonant (figure 3D).

The Clapp oscillator operates in the following manner: at the resonant frequency of the oscillator tuned circuit ( $L_1$ ,  $C_1$ ) the impedance of this circuit is at minimum (since it operates in series resonance) and maximum current flows through it. Note however, that  $C_2$  and  $C_3$  also are included within the current path for the series-resonant circuit, so that at the frequency of resonance an appreciable voltage drop appears across these capacitors. The voltage drop appearing across  $C_2$  is applied to the grid of the oscillator tube as excitation, while the amplified output of the oscillator tube appears across  $C_3$  as the driving power to keep the circuit in oscillation.

Capacitors  $C_2$  and  $C_3$  should be made as large in value as possible, while still permitting the circuit to oscillate over the full tuning range of  $C_1$ . The larger these capacitors are made, the smaller will be the coupling between the oscillating circuit and the tube, and consequently the better will be oscillator stability with respect to tube variations. High- $G_m$  tubes such as the 6AH6, 5763, and 6CB6 will permit the use of larger values of capacitance at  $C_2$  and  $C_3$  than will more conventional tubes such as the 6BA6, 6AQ5, and such types. In general it may be said that the reactance of capacitors  $C_2$  and  $C_3$  should be on the order of 40 to 120 ohms at the operating frequency of the oscillator—with the lower values of reactance going with high- $G_m$  tubes and the higher values being necessary to permit oscillation with tubes having  $G_m$  in the range of 2000 micromhos.

It will be found that the Clapp oscillator will have a tendency to vary in power output over the frequency range of tuning capacitor  $C_1$ . The output will be greatest where  $C_1$  is at its largest setting, and will tend to fall off with  $C_1$  at minimum capacitance. In fact, if capacitors  $C_2$  and  $C_3$  have too large a value the circuit will stop oscillating near the *minimum* capacitance setting of capacitor  $C_1$ .

Hence it will be necessary to use a slightly *smaller* value of capacitance at  $C_2$  and  $C_3$  (to provide an increase in the capacitive reactance at this point), or else the frequency range of the oscillator must be restricted by paralleling a fixed capacitor across  $C_1$  so that its effective capacitance at minimum setting will be increased to a value which will sustain oscillation.

**The Vackar Oscillator** The *Vackar* oscillator is a variation of the basic Clapp circuit which has improved tuning range and relatively constant output combined with good stability with respect to a varying load. A practical Vackar circuit designed for 30 MHz is shown in figure 4. With the constants shown, the range is from 26.9 to 34.7 MHz, with an output amplitude change of less than  $-1.5$  dB relative to the lower frequency. Capacitor  $C_1$  tunes the circuit while capacitor  $C_2$  is adjusted

for optimum drive level such that the transistor is not driven to cutoff or saturation. The output level, when properly adjusted, is about 4 volts peak-to-peak for a 9-volt supply. The emitter-bias resistor is bypassed for r-f and audio frequencies to eliminate a tendency for the circuit to oscillate at a parasitic frequency that is low in comparison to the working frequency. The value of capacitors  $C_3$  and  $C_4$  are approximately:

$$C \text{ (pF)} = \frac{3000}{f \text{ (MHz)}}$$

The frequency of oscillation is approximately:

$$f_{(osc)} = \frac{1}{2\pi \sqrt{L(C_1 + C_2)}}$$

**The Seiler Oscillator** The Seiler oscillator is another variation of the Clapp circuit, permitting one end of the tank coil to be at ground potential, and exhibiting slightly less loading of the tuned circuit than either the Vackar or the Clapp configuration. The large capacitors placed across the amplifying tube or transistor tend to swamp out any reactive changes in the active device and also limits the harmonic output, thereby enhancing frequency stability. A Seiler oscillator designed for SSB service is shown in figure 5.

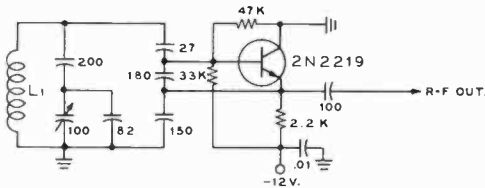


Figure 5

**TRANSISTORIZED SEILER OSCILLATOR**

Seiler oscillator is a variation of the Clapp circuit which permits one end of the tank coil to be at ground potential. Coil is 22 turns # 16e., 1 1/4" diam., closewound for range of 5.0-5.6 MHz.

**The Franklin Oscillator** The Franklin oscillator makes use of two cascaded tubes to obtain the negative-resistance effect (figure 6). The tubes may be either a pair of triodes, tetrodes, or pentodes; a dual

triode; or a combination of a triode and a multigrid tube. The chief advantage of this oscillator circuit is that the frequency-determining tank only has two terminals, and one side of the circuit is grounded.

The second tube acts as a phase inverter to give an effect similar to that obtained with the dynatron or transitron, except that the effective transconductance is much higher. If the tuned circuit is omitted or is replaced by a resistor, the circuit becomes a relaxation oscillator or a multivibrator.

**Oscillator Stability** The oscillator providing minimum coupling between the active device and the tuned circuit has proven to have the highest degree of stability. However, this inherently good stability is with respect to tube or transistor variations; instability of the tuned circuit with respect to vibration or temperature will of course have as much effect on the frequency of oscillation as with any other type of oscillator circuit. Solid mechanical construction of the components of the oscillating circuit, along with a small negative-coefficient compensating capacitor included as an element of the tuned circuit, usually will afford an adequate degree of oscillator stability.

**VFO Transmitter Controls** When used to control the frequency of a transmitter in which there are stringent limitations on frequency tolerance, several pre-

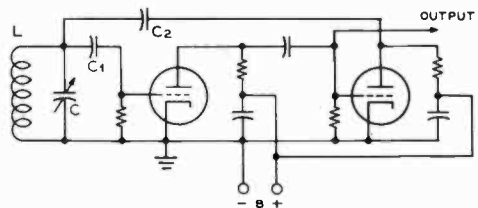


Figure 6

**THE FRANKLIN OSCILLATOR CIRCUIT**

A separate phase-inverter tube is used in the oscillator to feed a portion of the output back to the input in the proper phase to sustain oscillation. The values of  $C_1$  and  $C_2$  should be as small as will permit oscillations to be sustained over the desired frequency range.

cautions are taken to ensure that a variable-frequency oscillator will stay on frequency. The oscillator is fed from a voltage-regulated power supply, uses a well-designed and temperature-compensated tank circuit, is of rugged mechanical construction to avoid the effects of shock and vibration, is protected against excessive changes in ambient room temperature, and is isolated from feedback or stray coupling from other portions of the transmitter by shielding, filtering of voltage supply leads, and incorporation of one or more buffer-amplifier stages. In a high-power transmitter a small amount of stray coupling from the final amplifier to the oscillator can produce appreciable degradation of the oscillator stability if both are on the same frequency. Therefore, the oscillator usually is operated on a subharmonic or image of the transmitter output frequency, with one or more frequency multipliers or mixers between the oscillator and final amplifier.

## 11-2 Quartz-Crystal Oscillators

Quartz is a naturally occurring crystal having a structure such that when plates are cut in certain definite relationships to the crystallographic axes, these plates will show the *piezoelectric effect*. That is, the plates will be deformed in the influence of an electric field, and, conversely, when such a plate is deformed in any way a potential difference will appear on its opposite sides.

A quartz-crystal plate has several mechanical resonances. Some of them are at very-high frequencies because of the stiffness of the material. Having mechanical resonance, like a tuning fork, the crystal will vibrate at a frequency depending on the dimensions, the method of electrical excitation, and crystallographic orientation. Because of the piezoelectric properties, it is possible to cut a quartz plate which, when provided with suitable electrodes, will have the characteristics of a resonant circuit having a very high LC ratio. The circuit  $Q$  of a crystal is many times higher than can be obtained with conventional inductors and capacitors of any size. The  $Q$  of crystals ranges from 10,000 to several million.

The equivalent electrical circuits of a quartz-crystal plate are shown in figure 7. The shunt capacitance of the electrodes and holder is represented by  $C_0$ , and the capacitance between the electrodes with quartz as the dielectric is  $C_e$ . The series capacitance ( $C_1$ ) represents the motional elasticity of

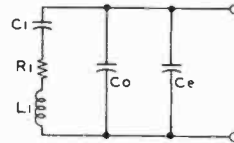


Figure 7  
EQUIVALENT CIRCUIT OF A  
QUARTZ PLATE

The equivalent series-resonant circuit of the crystal itself is at the left, with shunt capacitance of electrodes and holder ( $C_0$ ) and capacitance between electrodes with quartz as the dielectric ( $C_e$ ) at right. The composite circuit may exhibit both series resonance and parallel resonance (antiresonance), the separation in frequency between the two modes being very small and determined largely by the ratio of series capacitance ( $C_1$ ) to shunt capacitance.

the quartz, while the inductance ( $L_1$ ) is a function of the mass. The series resistance ( $R_1$ ) represents the sum of the crystal losses, including friction, acoustic loading, and power transmitted to the mounting structure.

**Practical Quartz Crystals** While quartz, tourmaline, Rochelle salts, ADP, and EDT crystals all exhibit the piezoelectric effect, only quartz has a low temperature coefficient and exhibits chemical and mechanical stability. The greater part of the raw quartz used today for frequency control is man-made rather than natural and crystal blanks are produced in large quantities at low prices. The crystal blank is cut from a billet of quartz at a predetermined orientation with respect to the optical and electrical axes, the orientation determining the activity, temperature coefficient, thickness coefficient, and other characteristics of the crystal.

The crystal blank is rough-ground almost to frequency, the frequency increasing in inverse ratio to the oscillating dimensions (usually the thickness, but often the

length). It is then finished to exact frequency by careful lapping, by etching, or by plating. Care is taken to stabilize the crystal so frequency and activity will not change with time.

Unplated crystals are mounted in pressure holders, in which an air gap exists between the crystal and electrodes. Only the corners of the crystal are clamped. At frequencies requiring a low ratio of length to thickness (usually below 2 MHz or so) a "free" air gap is required because even the corners of the crystal move.

Control of the orientation of the blank when cut from the quartz billet determines the characteristics of the crystal. The *turning point* (point of zero temperature coefficient) may be adjusted to room temperature, usually taken as 20° C. A graph of the normal frequency ranges of popular crystal cuts is shown in figure 8. For frequencies between 550 kHz and 55 MHz, the AT-cut crystal is now widely used. A large quantity of BT-cut crystals in the range of 6 MHz to 12 MHz exists as surplus stock from World War II. These crystals are mounted in the obsolete FT-243 style holder. The AT-cut, however, is now used because modern techniques allow it to be produced cheaply, and in quantity.

**Crystal Holders** Crystals are normally purchased ready-mounted. Modern high-frequency crystals are mounted within metal holders, hermetically sealed with glass insulation and a metal-to-glass bond. Older crystal types make use of a phenolic holder sealed with a metal plate and a rubber gasket. A summary of crystal holders and crystal types is given in figure 9.

Precision crystals for calibrating equipment are vacuum-sealed in a glass envelope. Special vacuum-sealed crystals having a relatively constant temperature coefficient are used in high-stability frequency standards in place of the near-obsolete and expensive temperature-controlled "crystal oven."

**Overtone-cut Crystals** Just as a vibrating string can be made to vibrate on its overtone frequencies, a quartz crystal will exhibit mechanical resonance (and therefore electrical resonance) at overtones of its fundamental frequency. (The terms *overtone* and *harmonic* should not be used interchangeably. The overtone is a mechanical phenomenon and its frequency differs from the harmonic by virtue of the mechanical loading of the crystal. The harmonic is

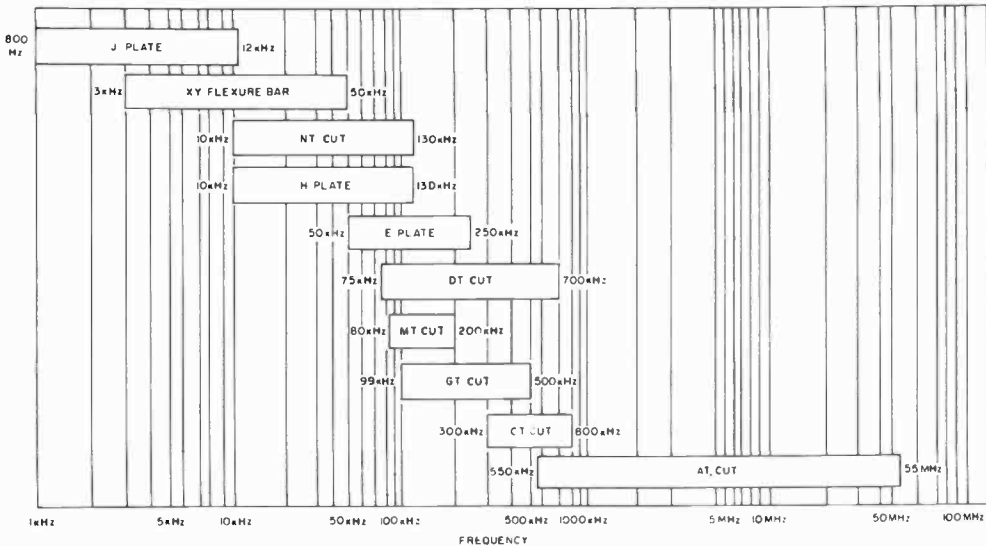


Figure 8

FREQUENCY RANGE OF CRYSTAL CUTS

## QUARTZ CRYSTAL HOLDERS

Holder Type	Pin Spacing	Pin Diam.	Size		
			H	W	T
HC-5/U	0.812	0.156	2.20	1.82	1.60
HC-6/U	0.486	0.050	0.78	0.76	0.35
HC-10/U	(1)	0.060	1.10	—	0.56D
HC-13/U	0.486	0.050	0.78	0.76	0.35
HC-17/U	0.486	0.093	0.78	0.76	0.35
HC-18/U	(2)	—	0.53	0.40	0.15
HC-25/U	0.192	0.040	1.53	0.76	0.35
FT-243	0.500	0.093	1.10	0.90	0.40

(1)—Barrel Mount

(2)—Wire Leads 0.018 Diam.

## QUARTZ CRYSTAL TYPES

Mil. Type	Holder Used	Type	Resonance
CR-15B/U	HC-5/U	Fund.	Parallel
CR-16B/U	HC-5/U	Fund.	Series
CR-17/U	HC-10/U	Overtone	Series
CR-18A/U	HC-6/U	Fund.	Parallel
CR-19A/U	HC-6/U	Fund.	Series
CR-23/U	HC-6/U	Overtone	Series
CR-24/U	HC-10/U	Overtone	Series
CR-27/U	HC-6/U	Fund.	Parallel
CR-28A/U	HC-6/U	Fund.	Series
CR-32A/U	HC-6/U	Overtone	Series
CR-52A/U	HC-6/U	Overtone	Series
CR-53A/U	HC-6/U	Overtone	Series

Figure 9

## CRYSTAL HOLDERS AND TYPES

an electrical phenomenon and is an exact multiple of the fundamental frequency.)

By grinding the crystal especially for overtone operation, it is possible to enhance its operation as an overtone resonator. AT-cut crystals designed for optimum overtone operation on the 3rd, 5th, and even the 7th overtone are available. The 5th- and 7th-overtone types, especially the latter, require special holders and circuits for satisfactory operation, but the 3rd-overtone type needs little more consideration than a regular fundamental type. It is possible in some circuits to operate a crystal on the fundamental and 3rd overtone simultaneously and produce an audio beat between the third harmonic and the third overtone. Unless specifically desired, this operation is to be avoided in conventional circuits.

The overtone frequency for which the crystal is designed is the working frequency which is not the fundamental, since the crystal actually oscillates on this working frequency when it is functioning in the proper manner. The  $Q$  of an overtone crystal, moreover, is much higher than that of a fundamental crystal of the same frequency. As a result, overtone crystals are less prone to frequency change brought about by changes of oscillator input capacitance. Many frequency-standard crystals in the hf range, therefore, are overtone types.

**Crystal Drive Level** Crystal dissipation is a function of the drive level. Excessive crystal current may lead to frequency drift and eventual fracture of the blank. The crystal oscillator should be run at as low a power level as possible to reduce crystal heating. Drive levels of 5 milliwatts or less are recommended for fundamental AT blanks in HC-6/U style holders, and a level of 1 milliwatt maximum is recommended for overtone crystals or fundamental crystals above 10 MHz in HC-6/U holders. The older FT-243 style crystal is capable of somewhat greater drive levels by virtue of the larger blank size.

**Series and Parallel Resonance** The shunt capacitance of the electrodes and associated wiring is considerably greater than the capacitive component of an equivalent series LC circuit, and unless the shunt capacitance is balanced out, the crystal will exhibit both series- and parallel-resonance frequencies, the latter being somewhat higher than the former. The series-resonant condition is employed in filter circuits and in oscillator circuits wherein the crystal is used in such a manner that the phase shift of the feedback voltage is at the series-resonant frequency.

The only difference between crystals designed for series-resonance and those for parallel-resonance operation is the oscillator input reactance (capacitance) for which they are calibrated. A crystal calibrated for parallel resonance will operate at its calibrated frequency in a series-resonant circuit with the addition of an appropriate value of series capacitance. Thus, a crystal cannot be specified in frequency without stating the reactance with which it is to be calibrated. The older FT-243 fundamental crystals were usually calibrated with a parallel capacitance of 35 pF, while many of the new hermetic sealed crystals are calibrated with a capacitance of 32 pF.

**Crystal Grinding Techniques** Crystals may be raised in frequency by grinding them to smaller dimensions.

Hand grinding can be used to raise the frequency of an already finished crystal and this can be accomplished without the use of special tools or instruments. In the case of the surplus FT-243 style of crystal, the blank may be raised in frequency up to sev-

eral hundred kilohertz, if it is a fundamental-frequency cut.

A micrometer is required to measure the crystal thickness and grinding is done on a small sheet of optically flat glass. A piece of plate glass will suffice for the home workshop. A grinding compound composed of carborundum powder and water is required. A few ounces of #220 and #400 grits are suggested.

Before grinding is started, the crystal should be checked in an oscillator to make sure it is active. Activity of the crystal can be rechecked during the grinding process to make sure that the faces of the crystal remain parallel.

One face of the crystal is marked with a pencil as a reference face. All grinding is done on the opposite face in order to maintain a reference flat surface. A small amount of #400 grinding grit is placed on the glass disc and enough water added to make a paste. The unmarked side of the crystal is placed face down on the disc and the blank is rubbed in a figure-8 motion over the disc, using just enough pressure from the index finger to move the crystal.

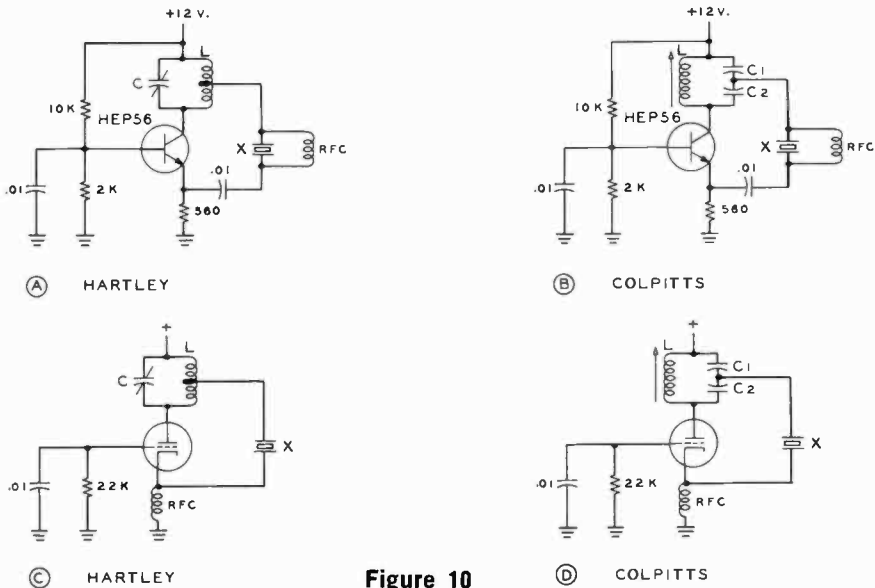


Figure 10

**BASIC CRYSTAL OSCILLATOR CIRCUITS**

Series-mode operation of the crystal is used in these circuits. Bipolar transistors have a low input impedance that makes parallel-resonant crystal circuits impractical. These circuits are versions of the basic oscillator configurations shown in figure 2.



After about a dozen figure-8 patterns have been traced (depending on the amount of frequency change desired), the crystal is washed with water and wiped dry. The crystal is then placed in the holder for a frequency check. The process is repeated a number of times until the crystal is gradually moved to the new frequency.

For larger movement of the crystal frequency, the #220 grit may be used. Additional grit should be added to the glass plate as the compound gradually loses its cutting power with use.

If crystal activity drops with grinding, the blank should be measured with a micrometer to determine the degree of flatness. Normally, the corners are one to three ten-thousandths of an inch thinner than the center of the blank. A thick corner will tend to reduce activity. Grinding the edge

of the crystal will restore activity in some cases.

When reassembling the FT-243 holder make sure that the raised corners of the top electrode press against the blank; these are the only points of the electrode that make contact with the crystal.

### 11-3 Crystal-Oscillator Circuits

A crystal may replace the conventional tuned circuit in a self-excited oscillator, the crystal oscillating at its series- or parallel-resonant frequency. Basic oscillator circuits are shown in figure 10. Series mode operation of the crystal is used in these circuits. In the solid-state circuits, the holder capacitance of the crystal package is parallel-res-

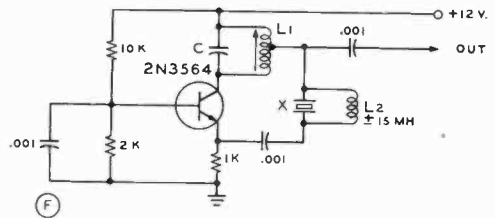
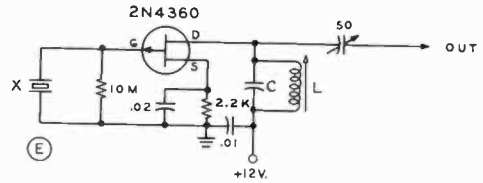
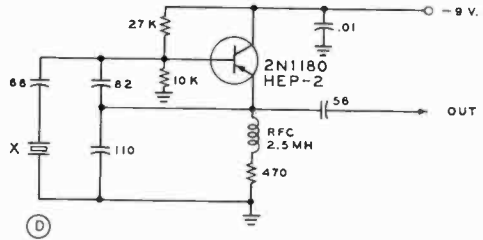
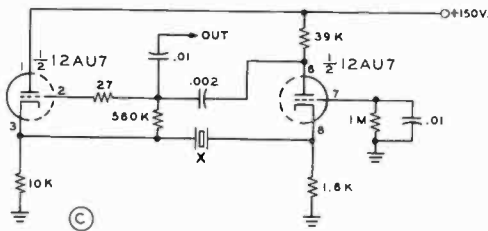
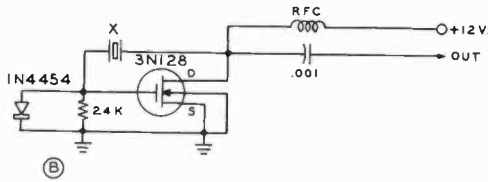
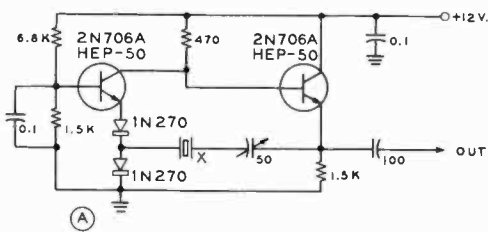


Figure 11

#### HIGH-FREQUENCY CRYSTAL-OSCILLATOR CIRCUITS

A—Transistorized Butler oscillator with amplitude-limiting diodes. The crystal is adjusted to frequency by series capacitor. Circuit is usable over range of 1 to 25 MHz. B—Pierce oscillator using FET. Drive voltage is clamped by diode. C—Vacuum-tube version of Butler oscillator with second triode section serving as a phase inverter. Circuit is designed for low-frequency operation (80 to 1000 kHz). D—General purpose hf crystal oscillator for 2- to 30-MHz range. E—FET crystal oscillator for hf range. Tuned circuit may be adjusted to overtone frequency of crystal. F—Overtone oscillator. Coil  $L_2$  resonates to crystal frequency with capacitance of crystal holder.

onated by the shunt-connected r-f choke, assuring that the crystal oscillates at the correct overtone, as marked on the holder.

Bipolar transistors have a much lower input impedance than the grid of a vacuum tube and this makes the use of the transistor impractical in circuits that use parallel-resonant crystals, such as the Pierce oscillator. Other possible oscillator circuits are suggested in figure 11.

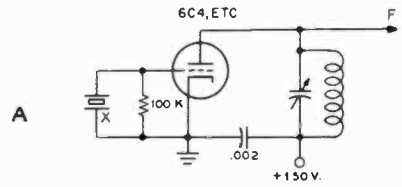
**Tuned-Plate Crystal Oscillator** The *Miller*, or tuned-plate crystal oscillator is shown in figure 12A. The plate tank is tuned on the low capacitance side of resonance and oscillation occurs near the parallel-resonant frequency of the crystal.

The diagram shown in figure 12A is the basic circuit. The most popular version of the tuned-plate oscillator employs a pentode or beam tetrode with cathode bias to prevent excessive plate dissipation when the circuit is not oscillating. The cathode resistor is optional. Its omission will reduce both crystal current and oscillator efficiency, resulting in somewhat more output for a given crystal current (figure 12B).

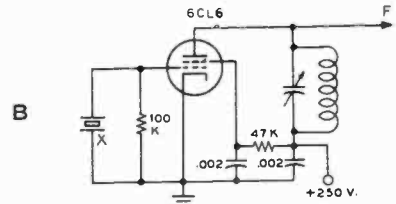
**Pentode Harmonic Crystal Oscillator Circuits** The usual type of crystal-controlled hf transmitter operates, at least part of the time, on a frequency which is an approximate multiple of the operating frequency of the controlling crystal. As a result, oscillator circuits which are capable of providing output on the crystal frequency if desired, but which also can deliver output energy on harmonics of the crystal frequency have come into wide use.

The *Tritet* oscillator circuit of figure 12C provides good harmonic output with low crystal current. The cathode circuit is tuned to approximately 1.5 times the crystal frequency and adjusted for maximum power output consistent with minimum crystal current. In some cases, an r-f choke is substituted for the grid resistor and cathode bias is added to provide additional power output and some protection for the tube in case oscillation stops.

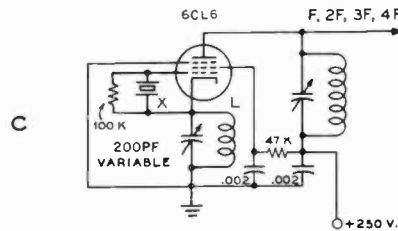
The *Colpitts* harmonic oscillator of figure 12D provides equivalent performance to the tritet circuit but requires no adjustable cath-



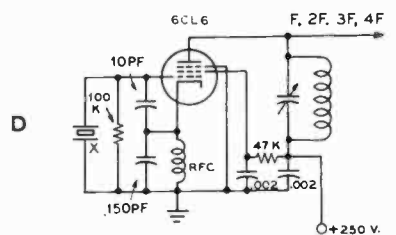
BASIC TUNED-PLATE OSCILLATOR



RECOMMENDED TUNED-PLATE OSCILLATOR



"TRITET" CIRCUIT



COLPITTS HARMONIC OSCILLATOR

Figure 12

CRYSTAL OSCILLATOR CIRCUITS

A—Tuned-plate crystal oscillator using triode tube. B—Tetrode or pentode tube in tuned-plate circuit provides high power output with relatively low crystal current. C—Tritet oscillator circuit utilizing electron coupling within tube. D—Colpitts harmonic oscillator permits one side of crystal to be grounded to facilitate switching.

ode circuit. In addition, one side of the crystal is at ground potential, which facilitates crystal switching circuits.



at the operating frequency. A circuit of this type is termed a *variable crystal oscillator* (VXO).

### 11-4 Spurious Frequencies

*Spurious frequencies* (*spurs*) are generated during every frequency conversion in a receiver or transmitter. These unwanted frequencies mix with the harmonics generated by the mixing oscillators to produce undesired signals that either interfere with reception of the wanted signal or can be radiated along with the desired signal from the transmitter. If the spurs are known, this information can help to determine the required r-f and i-f selectivity characteristics, the number of conversions, the allowable harmonic content of the oscillators, and the optimum intermediate frequencies.

The severity of interference from a given spur depends upon its proximity to the desired signal frequency, rather than the absolute frequency difference. For example, a simple tuned circuit has sufficient selectivity to reject a spur 4 MHz away from a 1-MHz frequency, while much more complicated means are needed to reject a spur that is 4 MHz away from a frequency of 100 MHz. Spur interference is dependent on the ratio of the spur frequency to the tuned frequency, and the lower the ratio, the more serious the problem.

Another indication of the importance of a particular spur is contained in the order of response. This order may be defined as the sum of the signal and oscillator harmonics that produce the spur. For example, a spur produced by the second harmonic of the signal and the third harmonic of the oscillator is known as a *fifth-order* spur. Lower-order spurs are more serious because higher harmonics of both input signals are easier to reject by circuit design techniques.

**A Spur Chart** Graphical relationships between the frequencies of the various spurious signals and the desired signal are presented by the spur chart of figure 15. A given ratio of spur to desired frequency is represented by a constant horizontal distance on the chart.

The local-oscillator frequency is represented by  $F_R$  and the relative signal frequency by  $F_O$ . The curves cover all spurious products up to the sixth order for spurious frequencies that fall within an octave of the signal frequency. Each line on the chart represents a normalized frequency difference of 1 for  $mF_O + nF_R$  where  $m$  and  $n$  may be positive or negative integers. The heavy, central lines labeled  $F_R - F_O$  and  $F_O - F_R$  are plots of the desired frequency conversion when the oscillator frequency is either higher or lower than the signal frequency. Whichever line represents the desired signal, the other line represents the image spur.

To determine the spurious environment for a given conversion, first normalize the desired signal and oscillator frequencies by dividing both frequencies by the mixing output frequency. Then locate the desired point on one of the heavy lines representing either  $F_O - F_R$  or  $F_R - F_O$ . Since the oscillator frequency does not change for spurs, simply trace horizontally in either direction to determine the relative frequency of the spurs.

*Example:* Desired signal frequency is 10 MHz.

Mixing output frequency is 2 MHz.

Oscillator frequency is 12 MHz.

Then, relative signal frequency  $F_O$  is  $10 \text{ MHz} / 2 \text{ MHz} = 5$ .

And, relative oscillator frequency  $F_R$  is  $12 \text{ MHz} / 2 \text{ MHz} = 6$ .

Since oscillator frequency is higher, we use the  $F_R - F_O$  curve.

Locate the  $F_O = 5$ ,  $F_R = 6$ , point on the curve. Tracing horizontally to the left, the spur lines intercepted on the  $F_O$  scale are:  
 $3F_O - 2F_R$  at  $F_O$  of 4.35, or signal frequency that causes the spur is  $8.70 \text{ MHz}$  ( $2 \text{ MHz} \times 4.35$ ).

$2F_R - 3F_O$  at  $F_O$  of 3.70, equivalent to a signal frequency of 7.40 MHz.

$2F_O - F_R$  at  $F_O$  of 3.50, equivalent to a signal frequency of 7.00 MHz.

Tracing right, nearest spur lines are:

$2F_R - 2F_O$  at  $F_O$  of 5.50, equivalent to a signal frequency of 11.0 MHz.

$3F_R - 3F_O$  at  $F_O$  of 5.70, equivalent to a signal frequency of 11.4 MHz.

$3F_O - 3F_R$  at  $F_O$  of 6.36, equivalent to a signal frequency of 12.7 MHz.

And the image frequency,  $F_O - F_R$ , occurs at 7.00 or 14.0 MHz.

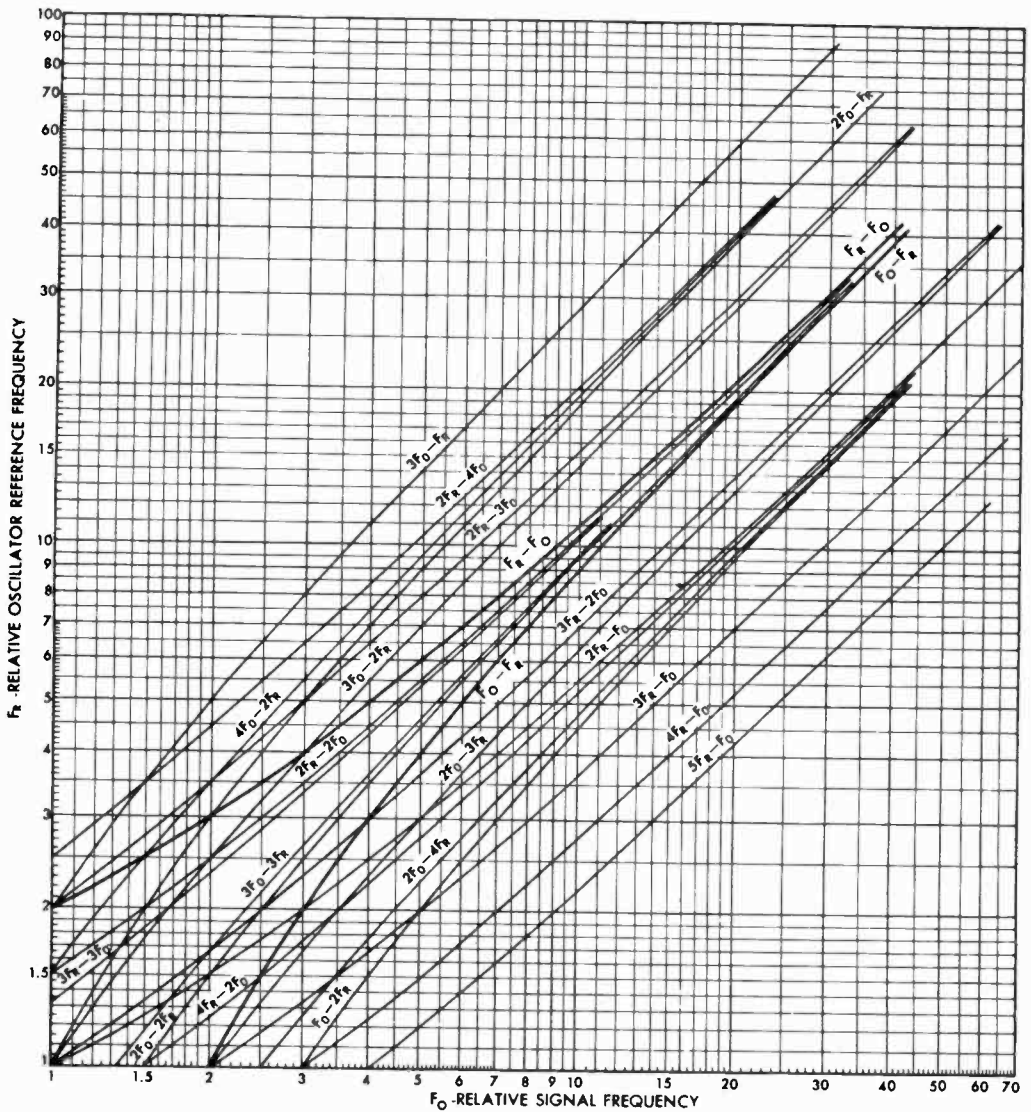


Figure 15  
SPUR CHART

Curves cover all spurious mixer products that fall within an octave of the signal frequency.

### 11-5 R-F Vacuum-Tube Amplifiers

The output of the oscillator stage in a transmitter must be held down to a comparatively low level to maintain stability and to retain a factor of safety from fracture of the crystal when one is used. The

low-level signal is brought up to the desired power level by means of radio-frequency amplifiers. The three classes of vacuum tube r-f amplifiers that find widest application in modern radio transmitters are the class-AB<sub>1</sub>, class-B, and class-C types.

The angle of plate-current conduction determines the class of operation. Class B

is a 180-degree conduction angle and class C is less than 180 degrees. Class AB is the region between 180 degrees and 360 degrees of conduction. The subscript "1" indicates that no grid current flows, and the subscript "2" means that grid current is present. The class of operation has nothing to do with whether the amplifier is grid driven or cathode driven (grounded grid). A cathode-driven amplifier, for example, can be operated in any desired class, within limitations imposed by the tube.

**The Classes of Amplifiers** The class-AB amplifier can be operated with very low intermodulation distortion in linear amplifier service. Typical plate efficiency is about 60 percent, and stage gain is about 20 to 25 decibels. The class-B amplifier will generate more intermodulation distortion than the class-AB circuit but the distortion level is acceptable in many applications. Typical plate efficiency is about 66 percent and power gains of 15 to 20 decibels are readily achieved. The class-C amplifier is used where large amounts of r-f power are to be amplified with high efficiency. Class-C amplifiers operate with considerably more than cutoff bias, much like a limiter; therefore, this configuration cannot amplify a modulated signal without serious distortion. Class-C amplifiers are used for high-level amplitude modulation wherein the plate voltage (or plate and screen voltages for tetrodes) is modulated at an audio rate. The output power of a class-C amplifier, adjusted for plate modulation, varies with the square of the plate voltage. That is the same condition that would take place if a resistor equal to the voltage on the amplifier, divided by the plate current, were substituted for the amplifier. Therefore, the stage presents a resistive load to the plate modulator. Typical plate efficiency is 70 percent and stage gain is 8 to 10 decibels.

**Grid Excitation** Adequate grid excitation must be available for class-B or class-C service. The excitation for a plate-modulated class-C stage must be sufficient to produce a normal value of dc grid current with rated bias voltage. The bias

voltage preferably should be obtained from a combination of grid-resistor and fixed grid-bias supply.

Cutoff bias can be calculated by dividing the amplification factor of the tube into the dc plate voltage. This is the value normally used for class-B amplifiers (fixed bias, no grid resistor). Class-C amplifiers use from 1.5 to 5 times this value, depending on the available grid drive, or excitation, and the desired plate efficiency. Less grid excitation is needed for c-w operation, and the values of fixed bias (if greater than cutoff) may be reduced, or the value of the grid-bias resistor can be lowered until normal rated dc grid current flows.

The values of grid excitation listed for each type of tube may be reduced by as much as 50 percent if only moderate power output and plate efficiency are desired. When consulting the tube tables, it is well to remember that the power lost in the tuned circuits must be taken into consideration when calculating the available grid drive. At very-high frequencies, the r-f circuit losses may even exceed the power required for actual grid excitation.

Excessive grid current damages tubes by overheating the grid structure; beyond a certain point of grid drive, no increase in power output can be obtained for a given plate voltage.

## 11-6 Neutralization of R-F Amplifiers

The plate-to-grid feedback capacitance of triodes makes it necessary that they be neutralized for operation as r-f amplifiers at frequencies above about 500 kHz. Those screen-grid tubes, pentodes, and beam tetrodes which have a plate-to-grid capacitance of 0.1 pF or less may be operated as an amplifier without neutralization in a well-designed amplifier up to 30 MHz provided the stage gain is less than the overall feedback gain from output to input circuit.

**Neutralizing Circuits** The object of *neutralization* is to cancel or neutralize the capacitive feedback of energy from plate to grid. There are two general methods by which this energy feedback may

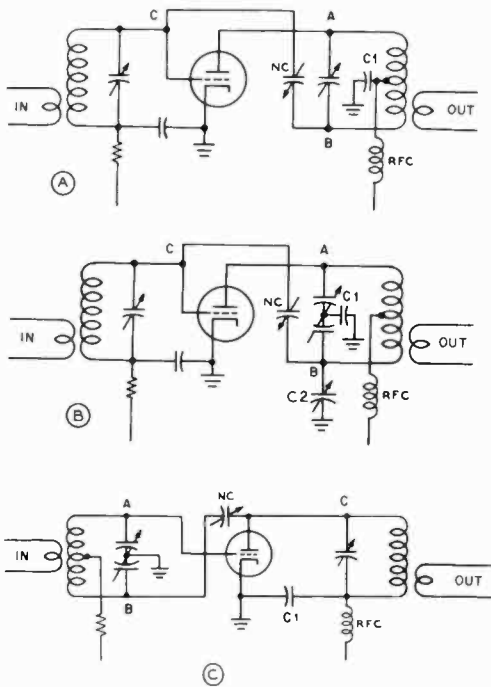


Figure 16

### COMMON NEUTRALIZING CIRCUITS FOR SINGLE-ENDED AMPLIFIERS

be eliminated: the first, and the most common method, is through the use of a capacitance bridge, and the second method is through the use of a parallel reactance of equal and opposite polarity to the grid-to-plate capacitance, to nullify the effect of this capacitance.

Examples of the first method are shown in figure 16. Figure 16A shows a capacitance-neutralized stage employing a balanced tank circuit. Phase reversal in the tank circuit is obtained by grounding the center of the tank coil to radio-frequency energy by capacitor  $C_1$ . Points A and B are 180 degrees out of phase with each other, and the correct amount of out-of-phase energy is coupled through the neutralizing capacitor (NC) to the grid circuit of the tube. The equivalent bridge circuit of this is shown in figure 17A. It is seen that the bridge is not in balance, since the plate-filament capacitance of the tube forms one leg of the bridge, and there is no corresponding capacitance

from the neutralizing capacitor (point B) to ground to obtain a complete balance. In addition, it is mechanically difficult to obtain a perfect electrical balance in the tank coil, and the potential between point A and ground and point B and ground, in most cases, is unequal. This circuit, therefore, holds neutralization over a very small operating range and unless tubes of low inter-electrode capacitance are used the inherent unbalance of the circuit will permit only approximate neutralization.

#### Split-Stator Plate Neutralization

Figure 16B shows the neutralization circuit which is widely used in single-ended r-f stages. The use of a split-stator plate capacitor makes the electrical balance of the circuit substantially independent of the mutual coupling within the coil and also makes the balance independent of the place where the coil is tapped. With conventional tubes this circuit will allow one neutralization adjustment to be made on, for example, 28 MHz, and this adjustment usually will hold sufficiently close for operation on all lower-frequency bands.

Capacitor  $C_2$  is used to balance out the plate-filament capacity of the tube to allow a perfect neutralizing balance at all frequencies. The equivalent bridge circuit is shown in figure 17B. If the plate-filament capacitance of the tube is extremely low, capacitor  $C_2$  may be omitted, or may merely consist of the residual capacity of NC to ground.

#### Grid Neutralization

A split grid-tank circuit may also be used for neutralization of a triode tube as shown in figure 16C. Out of phase voltage is developed across a balanced grid circuit, and coupled through NC to the single-ended plate circuit of the tube. The equivalent bridge circuit is shown in figure 17C. This circuit is in balance until the stage is in operation when the loading effect of the tube upon one-half of the grid circuit throws the bridge circuit out of balance. The amount of unbalance depends on the grid-plate capacitance of the tube, and the amount of mutual inductance between the two halves of the grid coil. If an r-f voltmeter is placed between point A and ground,

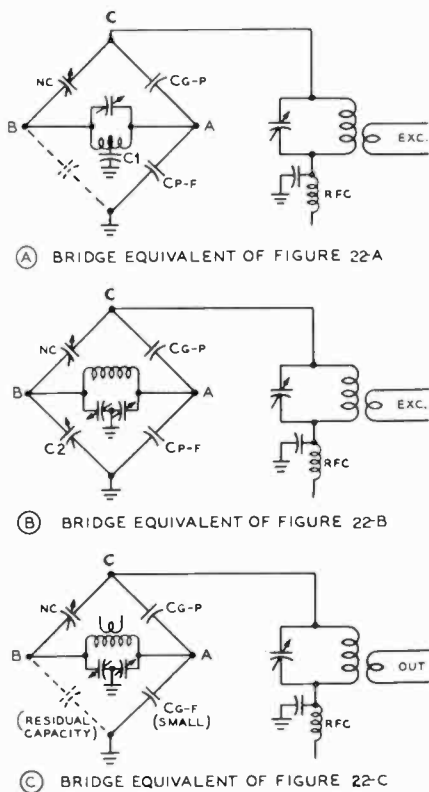


Figure 17

**EQUIVALENT NEUTRALIZING CIRCUITS**

and a second voltmeter placed between point B and ground, the loading effect of the tube will be noticeable. When the tube is supplied excitation with no plate voltage, NC may be adjusted until the circuit is in balance. When plate voltage is applied to the stage, the voltage from point A to ground will decrease, and the voltage from point B to ground will increase, both in direct proportion to the amount of circuit unbalance. The use of this circuit is not recommended above 7 MHz, and it should be used below that frequency only with low internal capacitance tubes.

**Push-Pull Neutralization**

Two tubes of the same type can be connected for *push-pull* operation so as to obtain twice as much output as that of a single tube. A push-pull amplifier, such as that shown in figure 18 also has an advantage

in that the circuit can more easily be balanced than a single-tube r-f amplifier. The various interelectrode capacitances and the neutralizing capacitors are connected in such a manner that the reactances on one side of the tuned circuits are exactly equal to those on the opposite side. For this reason, push-pull r-f amplifiers can be more easily neu-

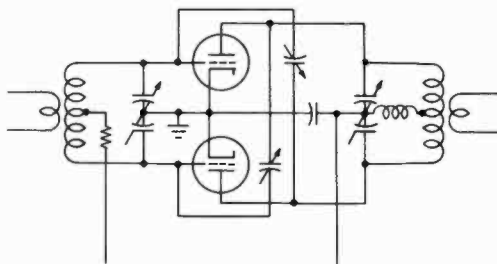


Figure 18

**STANDARD CROSS-NEUTRALIZED PUSH-PULL TRIODE AMPLIFIER**

tralized in vhf transmitters; also, they usually remain in perfect neutralization when tuning the amplifier to different bands.

**Shunt or Coil Neutralization**

The feedback of energy from grid to plate in an unneutralized r-f amplifier is a result of the grid-to-plate capacitance of the amplifier tube. A neutralization circuit is merely an electrical arrangement for nullifying the effect of this capacitance. All the previous neutralization circuits have made use of a bridge circuit for balancing out the grid-to-plate energy feedback by feeding back an equal amount of energy of opposite phase.

Another method of eliminating the feedback effect of this capacitance, and hence of neutralizing the amplifier stage, is shown in figure 19. The grid-to-plate capacitance in the triode amplifier tube acts as a capacitive reactance, coupling energy back from the plate to the grid circuit. If this capacitance is paralleled with an inductance having the same value of reactance of opposite sign, the reactance of one will cancel the reactance of the other and a high-impedance tuned circuit from grid to plate will result.

This neutralization circuit can be used on ultra high frequencies where other neutralization circuits are unsatisfactory. This is true because the lead length in the neutrali-



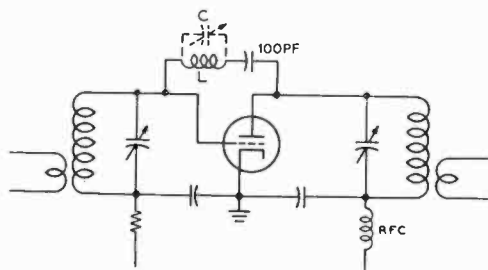


Figure 19

### COIL-NEUTRALIZED AMPLIFIER

This neutralization circuit is very effective with triode tubes on any frequency, but is particularly effective in the vhf range. Coil  $L$  is adjusted so that it resonates at the operating frequency with the grid-to-plate capacitance of the tube. Capacitor  $C$  may be a very small unit of the low-capacitance neutralizing type and is used to trim the circuit to resonance at the operating frequency. If some means of varying the inductance of the coil a small amount is available, the trimmer capacitor is not needed.

zation circuit is practically negligible. The circuit can also be used with push-pull r-f amplifiers. In this case, each tube will have its own neutralizing inductor connected from grid to plate.

The main advantage of this arrangement is that it allows the use of single-ended tank circuits with a single-ended amplifier.

The chief disadvantage of the shunt neutralized arrangement is that the stage must be neutralized each time the stage is removed that the grid and plate tank circuits must be retuned to resonance.

The 100-pF capacitor in series with the neutralizing coil is merely a blocking capacitor to isolate the plate voltage from the grid circuit.

### Neutralization of Cathode-Driven Amplifiers

Stable operation of the cathode-driven (grounded-grid) amplifier often requires neutralization, particularly above 25 MHz or so. Complete circuit stability requires neutralization of two feedback paths, as shown in figure 20.

The first path involves the cathode-to-plate capacitance and proper neutralization may be accomplished by a shunt inductance or by a balanced-bridge technique. The bridge technique is less critical of adjustment than the shunt-inductance circuit, and a reasonable bridge balance over a wide fre-

quency range may be achieved with a single setting of the neutralizing capacitance.

The second feedback path includes the grid-to-plate capacitance, the cathode-to-grid capacitance and the series inductance of the grid-to-ground path (figure 21). If this path is not neutralized, a voltage appears on the grid of the tube which either

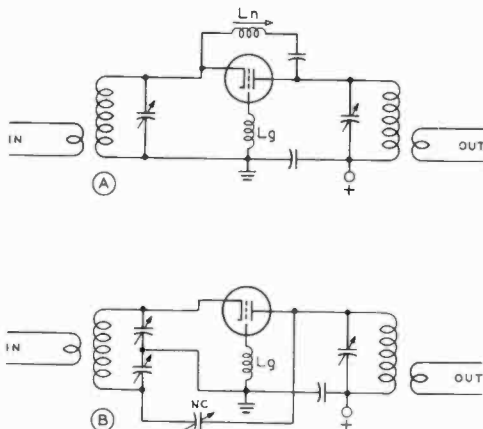


Figure 20

### NEUTRALIZATION OF CATHODE DRIVEN AMPLIFIER

A—Cathode-to-plate feedback path may be neutralized by making it part of a parallel-tuned circuit by addition of neutralizing coil  $L_n$ . Series capacitor removes plate voltage from neutralizing coil. Adjustments tend to be frequency sensitive.

B—Cathode-to-plate feedback path is neutralized by introducing out-of-phase voltage from drive circuit into plate circuit by means of capacitor  $NC$ . Inductor  $L_g$  represents grid-lead inductance of vacuum tube, whose effects are not cancelled by either neutralizing circuit.

increases or decreases the driving voltage, depending on the values of grid inductance and internal capacitances of the tube. A certain frequency exists at which these two feedback paths nullify each other and this self-neutralizing frequency may be moved about by adding either positive or negative reactance in the grid circuit, as shown in the illustration. If the operating frequency is above the self-neutralizing frequency a series capacitance is used to reduce the grid inductance. If the operating frequency is below the self-neutralizing frequency, the series grid inductance should be increased. For most tubes of the amateur power class, the self-neutralizing frequency lies between 50 and 150 MHz.

11-7 Neutralizing Procedures

Voltage feedback from output to input through the distributed constants of the vacuum tube has a deleterious effect on amplifier performance. The magnitude, phase and rate of change with respect to frequency of this feedback voltage determine the stability of the amplifier. Control of feedback is termed *neutralization*. The purpose of neutralization of an amplifier is to make the input and output circuits independent of each other with respect to voltage feedback. *Proper neutralization may be defined as the state in which, when output and input tank circuits are resonant, maximum drive voltage, minimum plate current, and maximum power output occur simultaneously.*

The state of correct neutralization, therefore, may be judged by observing these operating parameters or by observing the degree of feedback present in the amplifier. The amplifier may be neutralized in the active or passive state provided proper instrumentation is used.

**Passive Neutralization** An amplifier may be neutralized in the passive state with the aid of a signal generator, an r-f voltmeter, and a grid-dip oscillator. The input and output circuits of the amplifier are resonated to the operating frequency and a small signal from the generator is applied to the input circuit of the amplifier. An r-f voltmeter (or well-shielded receiver) is connected to the output circuit of the amplifier. Neutralizing adjustments are now made to reduce to a minimum the feed-through voltage reaching the receiver from the signal generator. Adjustments may be made with no filament or plate voltage applied to the amplifier. Once a null adjustment has been achieved, the amplifier may be activated and the neutralization adjustment touched up at full power level.

Passive neutralization is a highly recommended technique since no voltages are applied to the equipment, and adjustments and circuit modifications may be made without danger to the operator of accidental shock.

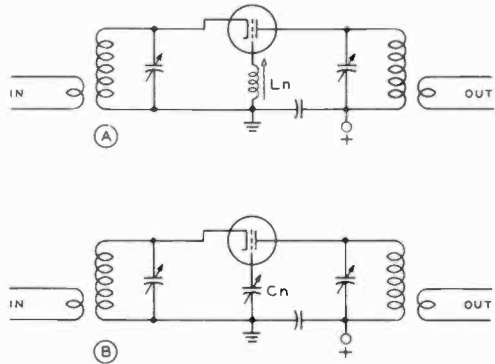


Figure 21  
NEUTRALIZATION OF GRID LEAD INDUCTANCE

A—When amplifier is operated below self-neutralizing frequency of tube (hf range, for example) additional inductance ( $L_n$ ) in grid-return lead may be required to achieve complete neutralization of amplifier.

B—When amplifier is operated above self-neutralizing frequency of tube (the vhf range, for example) grid inductance is compensated by addition of series capacitance which is adjusted to minimize interaction between input and output circuits of amplifier.

**Active Neutralization** An amplifier may be neutralized by the application of excitation with plate and screen voltage removed. A neutralizing indicator is coupled to the plate circuit and the neutralizing adjustment manipulated for an indication of minimum r-f voltage in the plate tank circuit. This adjustment is normally accomplished with input and output circuits resonated and with a suitable dummy load connected to the amplifier.

Plate (and screen) voltage should be completely removed by actually opening the dc plate-current return. If a direct-current return circuit exists, a small amount of plate current will flow when grid excitation is applied, even though no high voltage exists on the amplifier stage. Once neutralization has been established, a more accurate check may be made by applying high voltage, and tuning and loading the amplifier while noting if maximum grid and screen current occur at the same point of tuning on the plate circuit tuning capacitor as minimum plate current. As the plate tuning capacitor is detuned slightly from resonance on either side, plate current should rise, and the grid (or screen) current on the

stage should decrease smoothly without any sudden jumps on either side of the resonance point. This technique will be found to be a very precise indication of accurate neutralization so long as the amplifier stage is coupled to a load which presents a resistive impedance at the operating frequency.

**Neutralization of Screen-Grid R-F Amplifiers** Radio-frequency amplifiers using screen-grid tubes can be operated without any additional provision for neutralization at frequencies up to about 15 MHz, provided adequate shielding has been provided between the input and output circuits.

None of these tubes, however, has perfect shielding between the grid and the plate, a condition brought about by the inherent inductance of the screen leads within the tube itself. In addition, unless "watertight" shielding is used between the grid and plate circuits of the tube a certain amount of external leakage between the two circuits is present. These difficulties may not be serious enough to require neutralization of the stage to prevent oscillation, but in many instances they show up in terms of key-clicks when the stage in question is keyed, or as parasitics when the stage is modulated. Unless the designer of the equipment can carefully check the tetrode stage for miscellaneous feedback between the grid and plate circuits, and make the necessary circuit revisions to reduce this feedback to an absolute minimum, it is wise to neutralize the tetrode just as if it were a triode tube.

In most push-pull tetrode amplifiers the simplest method of accomplishing neutralization is to use the cross-neutralized capacitance bridge arrangement as normally employed with triode tubes. The neutralizing capacitances, however, must be very much smaller than used with triode tubes, values of the order of 0.2 pF normally being required with beam tetrode tubes. This order of capacitance is far less than can be obtained with a conventional neutralizing capacitor at minimum setting, so the neutralizing arrangement is most commonly made especially for the case at hand. Most common procedure is to bring a conductor (connected to the opposite grid) in the vicinity of the plate itself or of the plate

tuning capacitor of one of the tubes. Either one or two such capacitors may be used, two being normally used on a higher-frequency amplifier in order to maintain balance within the stage. An example of this is shown in figure 22A.

**Neutralizing Single-Ended Tetrode Stages** A single-ended tetrode r-f amplifier stage may be neutralized in the same manner as illustrated for a push-pull stage in figure 22A, provided a split-stator tank capacitor is in use in the plate circuit.

The circuit shown in figure 22B is not a true neutralizing circuit, in that the plate-to-grid capacitance is not balanced out. However, the circuit can afford the equivalent effect by isolating the high resonant impedance of the grid-tank circuit from the energy fed back from plate to grid. When  $NC$  and  $C$  are adjusted to bear the following ratio to the grid-to-plate capacitance and the total capacitance from grid-to-ground in the output tube,

$$\frac{NC}{C} = \frac{C_{gp}}{C_{gk}}$$

both ends of the grid tank circuit will be at the same voltage with respect to ground as a result of r-f energy fed back to the grid circuit. This means that the impedance from grid to ground will be effectively equal to the reactance of the grid-to-cathode capacitance in parallel with the stray grid-to-ground capacitance, since the high resonant impedance of the tuned circuit in the grid has been effectively isolated from the feedback path. It is important to note that the effective grid-to-ground capacitance of the tube being neutralized includes the rated grid-to-cathode or input capacitance of the tube, the capacitance of the socket, wiring capacitances and other strays, but it does *not* include the capacitances associated with the grid-tuning capacitor.

**Cancellation of Screen-Lead Inductance** The provisions discussed in the previous paragraphs are for neutralization of the small (though still important at the higher frequencies) grid-to-plate ca-

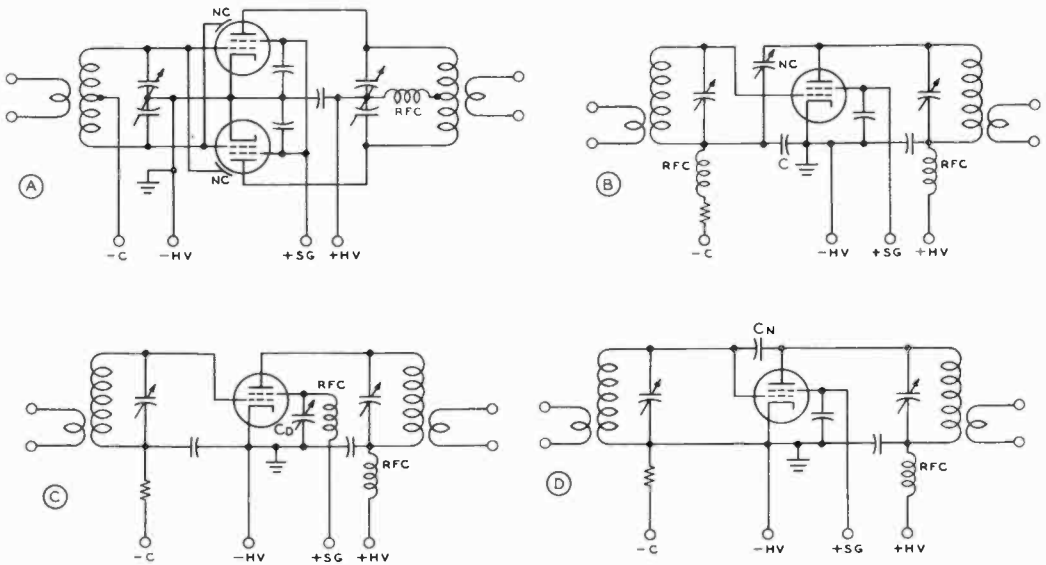


Figure 22

NEUTRALIZING CIRCUITS FOR TETRODES

A—Cross-neutralization with push-pull circuit. B—Bridge neutralization for hf operation. C—Screen neutralization using series capacitance. D—Grid-plate neutralization for use when tetrode is operated above self-neutralizing frequency.

capacitance of beam-tetrode tubes. However, in the vicinity of the upper frequency limit of each tube type the inductance of the screen lead of the tube becomes of considerable importance. With a tube operating at a frequency where the inductance of the screen lead is appreciable, the screen will allow a considerable amount of energy leak-through from plate to grid even though the socket terminal on the tube is carefully bypassed to ground. This condition takes place even though the socket pin is bypassed since the reactance of the screen lead will allow a moderate amount of r-f potential to appear on the screen itself inside the electrode assembly in the tube.

The effect of screen-lead inductance on the stability of a stage can be eliminated at any particular frequency by one of two methods. These methods are: (1) Tuning out the screen-lead inductance by series-resonating the screen-lead inductance with a capacitor to ground. This method is illustrated in figure 22C and is commonly employed in commercially built equipment for operation on a narrow frequency band in the

range above about 75 MHz. The other method (2) is illustrated in figure 22D and consists in feeding back additional energy from plate to grid by means of a small capacitor connected between these two elements. Note that this capacitor is connected in such a manner as to *increase* the effective grid-to-plate capacitance of the tube.

Note that both these methods of stabilizing a beam-tetrode vhf amplifier stage by cancellation of screen-lead inductance are suitable only for operation over a relatively narrow band of frequencies in the vhf range. At lower frequencies both these expedients for reducing the effects of screen-lead inductance will tend to increase the tendency toward oscillation of the amplifier stage.

11-8 Grounded-Grid Amplifiers

Certain triodes such as the 3-500Z have a grid structure and lead arrangement which result in a very low plate-to-filament capaci-

tance when the grid is grounded, the grid acting as an effective shield much in the manner of the screen of a tetrode tube. By connecting such a triode in the typical circuit of figure 23 taking the usual precautions against stray capacitive and inductive coupling between input and output circuits, a stable power amplifier is realized which requires no neutralization in the hf region. A high- $\mu$  triode may not require grid bias to operate in the class-B mode, however, some amount of grid bias may be added to achieve class-C operation.

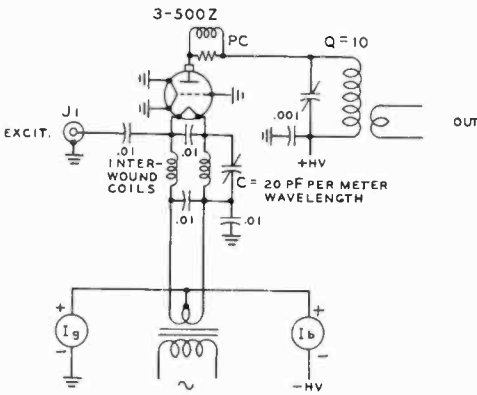


Figure 23

### GROUND-GRID AMPLIFIER

This type of triode amplifier requires no neutralization in the hf region, and is very popular as a zero-bias class-B linear stage for SSB service.

The *grounded-grid* (cathode-driven) amplifier requires considerably more excitation than if the same tube were employed in a conventional grounded-cathode circuit. The additional drive power required to drive a tube in a grounded-grid circuit is not lost, however, as it shows up in the output circuit and adds to the power delivered to the load. Nevertheless it means that a larger driver stage is required for an amplifier of given output power as a portion of the drive power is delivered to the load (*feedthrough* power). Stage gains of 10 to 12 decibels are common in grounded-grid circuits.

Some tetrodes may be strapped as triodes (screen and grid grounded) and operated as

class-B grounded-grid tubes. Data on this class of operation may often be obtained from the tube manufacturer.

## 11-9 Frequency Multipliers

Quartz crystals and variable-frequency oscillators are not ordinarily used for direct control of the output of high-frequency or vhf transmitters. *Frequency multipliers* are often used to multiply the crystal frequency to the desired value. The multiplier operates on exact multiples of the excitation frequency and when used at twice frequency is termed a *doubler*. The plate circuit of the multiplier is tuned to the desired harmonic, otherwise the circuitry remains the same as that of a simple class-C amplifier (see Chapter 7, figure 1).

The angle of plate current flow is quite small for a frequency multiplier stage to increase the harmonic content of the output wave. Hence higher grid bias is required so that grid excitation voltage will exceed the cutoff value for a shorter portion of the exciting voltage cycle. For a good order of efficiency, frequency doublers have an angle of plate current flow of 90 degrees or less, triplers 60 degrees or less, and quadruplers 45 degrees or less. Under these conditions the efficiency will be of the same order as the reciprocal of the harmonic on which the stage operates. Thus the efficiency of a doubler will be about 50 percent, the efficiency of a tripler about 33 percent, and so on.

The pulses ABC, EFG, and JKL in figure 24 illustrate 180-degree excitation pulses under class-B operation, the solid straight line indicating cutoff bias. If the bias is increased by  $N$  times, to the value indicated by the dotted straight line, and the excitation increased until the peak r-f voltage with respect to ground is the same as before, then the excitation frequency can be cut in half and the effective excitation pulses will have almost the same shape as before. The only difference is that every other pulse is missing; MNO simply shows where the missing pulse would go. However, if the  $Q$  of the plate tank circuit is high, it will have sufficient *flywheel effect* to carry over

through the missing pulse, and the only effect will be that the plate input and r-f output at optimum loading drop to approximately half. As the input frequency is half the output frequency, an efficient frequency doubler is the result.

By the same token, a tripler or quadrupler can be analyzed, the tripler skipping two excitation pulses and the quadrupler three. In each case the excitation pulse ideally should be short enough that it does not exceed 180 degrees at the output frequency; otherwise the excitation actually is *bucking* the output over a portion of the cycle.

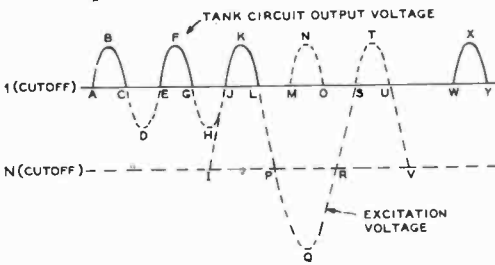


Figure 24

**ILLUSTRATING THE ACTION OF A FREQUENCY DOUBLER**

**Push-Push Multipliers** Two tubes can be connected in parallel to give twice the output of a single-tube doubler. If the grids are driven *out* of phase instead of *in* phase, the tubes then no longer work simultaneously, but rather one at a time. The effect is to fill in the missing pulses (figure 25). Not only is the output doubled, but several advantages accrue which cannot be obtained by straight parallel operation.

Chief among these is the effective neutralization of the fundamental and all *odd* harmonics, an advantage when spurious emissions must be minimized. Another advantage is that when the available excitation is low and excitation pulses exceed 90 degrees, the output and efficiency will be greater than for the same tubes connected in parallel.

**Push-Pull Frequency Triplers** It is frequently desirable in the case of uhf and vhf transmitters that frequency multiplication stages be balanced with respect to ground. Further it is just as easy in most cases to multiply the

crystal or vfo frequency by powers of three rather than multiplying by powers of two as is frequently done in lower-frequency trans-

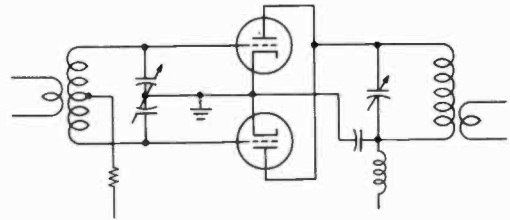


Figure 25

**PUSH-PUSH FREQUENCY DOUBLER**

The output of a doubler stage may be materially increased through the use of a push-push circuit such as illustrated above.

mitters. Thus, the use of a push-pull tripler is practical in both vhf and uhf transmitter designs. Such stages are balanced with respect to ground and appear in construction and on paper essentially the same as a push-pull r-f amplifier stage with the exception that the output tank circuit is tuned to three times the frequency of the grid-tank circuit.

**11-10 Tank-Circuit Design**

It is necessary that the proper value of Q be used in the plate tank circuit of any r-f amplifier. The following section has been devoted to a treatment of the subject, and charts are given to assist the reader in the determination of the proper LC ratio to be used in a radio-frequency amplifier stage.

A class-C amplifier draws plate current in the form of very distorted pulses of short duration. Such an amplifier is always operated into a tuned inductance-capacitance or tank circuit which tends to smooth out these pulses, by its storage or tank action, into a sine wave of radio-frequency output. Any waveform distortion of the carrier frequency results in harmonic interference in higher-frequency channels.

A class-A r-f amplifier would produce a sine wave of radio-frequency output if its exciting waveform were also a sine wave. However, a class-A amplifier stage converts its dc input to r-f output by acting as a variable resistance, and therefore heats considerably. A class-B or -C amplifier driven

hard with short pulses at the peak of the exciting waveform acts more as an electronic switch, and therefore can convert its dc input to r-f output with relatively good efficiency.

**Tank Circuit Q** As stated before, the tank circuit of a class-C amplifier receives energy in the form of short pulses of plate current which flow in the amplifier tube. But the tank circuit must be able to store enough energy so that it can deliver a current essentially sine wave in form to the load. The ability of a tank to store energy in this manner may be designated as the effective  $Q$  of the tank circuit. The effective circuit  $Q$  may be stated in any of several ways, but essentially the  $Q$  of a tank circuit is the ratio of the energy stored to  $2\pi$  times the energy lost per cycle. Further, the energy lost per cycle must, by definition, be equal to the energy delivered to the tank circuit by the class-B or -C amplifier tube or tubes.

The  $Q$  of a tank circuit at resonance is equal to its parallel-resonant impedance (the resonant impedance is resistive at resonance) divided by the reactance of either the capacitor or the inductor which go to make up the tank. The inductive reactance is equal to the capacitive reactance, by definition, at resonance. Hence we may state:

$$Q = \frac{R_L}{X_C} = \frac{R_L}{X_L}$$

where,

$R_L$  is the resonant impedance of the tank,  
 $X_C$  is the reactance of the tank capacitor,  
 $X_L$  is the reactance of the tank coil.

This value of resonant impedance ( $R_L$ ) is the r-f load which is presented to the class-C amplifier tube in a single-ended circuit such as shown in figure 26.

The value of r-f load impedance ( $R_L$ ) which the class-B/C amplifier tube sees may be obtained, looking in the other direction from the tank coil, from a knowledge of the operating conditions on the class-B/C tube. This load impedance may be obtained from the following expression, which is true in the general case of any class-B/C amplifier:

$$R_L = \frac{(e_p \text{ max})^2}{1.8 \times N_p \times I_b \times E_b}$$

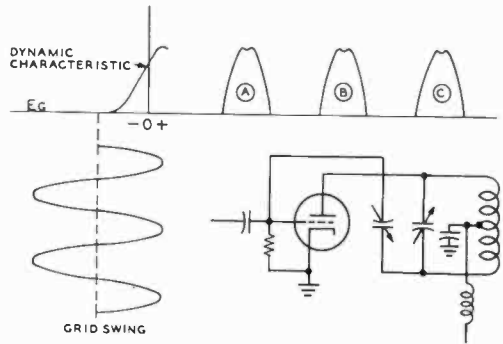


Figure 26

### CLASS-C AMPLIFIER OPERATION

Plate current pulses are shown at A, B, and C. The dip in the top of the plate current waveform will occur when the excitation voltage is such that the minimum plate voltage dips below the maximum grid voltage. A detailed discussion of the operation of class-C amplifiers is given in Chapter Seven.

where the values in the equation have the characteristics listed in the beginning of Chapter 7.

The expression is academic, since the peak value of the fundamental component of plate voltage swing ( $e_p \text{ max}$ ) is not ordinarily known unless a high-voltage peak ac voltmeter is available for checking. Also, the decimal value of plate-circuit efficiency is not ordinarily known with any degree of accuracy. However, in a normally operated class-B/C amplifier the plate voltage swing will be approximately equal to 0.85 to 0.9 times the dc plate voltage on the stage, and the plate-circuit efficiency will be from 70 to 80 percent ( $N_p$  of 0.7 to 0.8), the higher values of efficiency normally being associated with the higher values of plate voltage swing. With these two assumptions as to the normal class-B/C amplifier, the expression for the plate r-f load impedance can be greatly simplified to the following approximate expression, which also applies to class-AB<sub>1</sub> stages:

$$R_L = \frac{R_{d.c.}}{1.8}$$

which means simply that the resistance presented by the tank circuit to the class-B/C tube is approximately equal to one-half the dc load resistance which the class-C stage presents to the power supply (and also to the modulator in case high-level modulation of the stage is to be used).

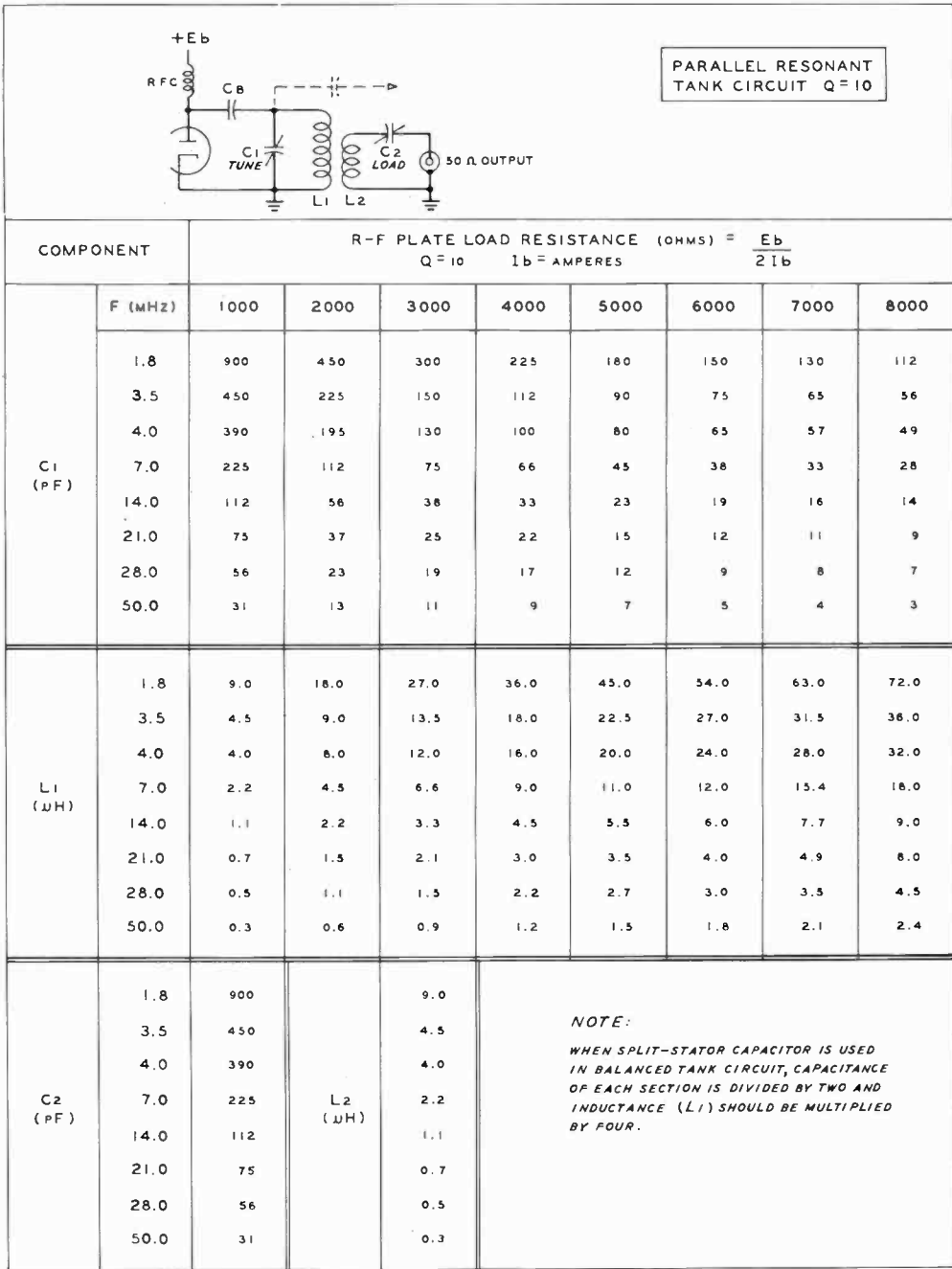


Figure 27

PARALLEL-TUNED-CIRCUIT CHART

Component values listed are for a Q of 10. For other values of Q, use  $Q_A/Q_B = C_A/C_B$  and  $Q_A/Q_B = L_B/L_A$ . Capacitance values shown are divided by four for balanced tank circuit (figure 29C) and inductance is multiplied by four. See figure 29B and D for split-stator circuitry.



Combining the above simplified expression for the r-f impedance presented by the tank to the tube, with the expression for tank  $Q$  given in a previous paragraph we have the following expression which relates the reactance of the tank capacitor or coil to the d-c input to the class-B/C stage:

$$X_C = X_L = \frac{R_{d.c.}}{2Q}$$

The foregoing expression is the basis of the usual charts giving tank capacitance for the various bands in terms of the dc plate voltage and current to the class-B/C stage, including the chart of figure 27.

**Harmonic Radiation versus  $Q$**  The problem of harmonic radiation from transmitters has long been present, but it has become critical during the past decades along with the extensive occupation of the vhf range. Television signals are particularly susceptible to interference from other signals falling within the passband of the re-

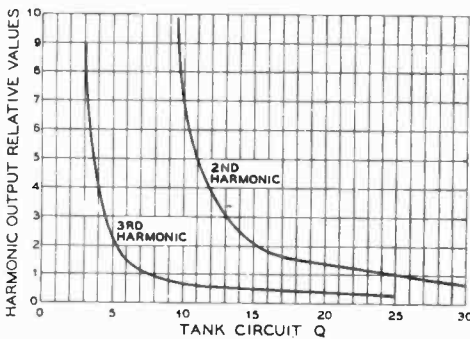


Figure 28

### RELATIVE HARMONIC OUTPUT PLOTTED AGAINST TANK CIRCUIT $Q$

ceiver, so that the TVI problem has received the major emphasis of all the services in the vhf range which are susceptible to interference from harmonics of signals in the hf or lower-vhf range.

Inspection of figure 28 will show quickly that the tank circuit of an r-f amplifier should have an operating  $Q$  of 10 or greater to afford satisfactory rejection of second-harmonic energy. The curve begins to straighten out above a  $Q$  of about 15, so that a considerable increase in  $Q$  must be

made before an appreciable reduction in second-harmonic energy is obtained. Above a circuit  $Q$  of about 10 any increase will not afford appreciable reduction in the third-harmonic energy, so that additional harmonic filtering circuits external to the amplifier proper must be used if increased attenuation of higher-order harmonics is desired. The curves also show that push-pull amplifiers may be operated at  $Q$  values of 6 or so, since the second harmonic is cancelled to a large extent if there is no unbalanced coupling between the output tank circuit and the antenna system.

**Plate Tank Circuit Design Chart** The chart of figure 27 shows circuit capacitance

( $C$ ) required for a circuit  $Q$  of 10, generally considered to be a good compromise value for class AB, B, and C amplifier stages. The capacitance value includes the output capacitance of the tube and stray circuit capacitances. Total stray capacitance may run from perhaps 5 pF for a low-power vhf stage to as high as 50 pF for a high-power, h-f stage. Also included in the chart are appropriate values for the tank inductance ( $L_1$ ).

While tank circuit constants are determined by the r-f load resistance, as discussed earlier, this chart has been modified to read in terms of the dc load resistance, as determined by the ratio of dc plate voltage to twice the value of the maximum (peak) dc plate current in amperes. For linear amplifier service, the maximum plate current may be taken as that noted for proper loading at resonance with full carrier injection.

If a different value of circuit  $Q$  is desired, a new  $Q$  value may be established by a simple ratio. For example, with a given value of plate voltage to plate current ratio, revised values of constants for a  $Q$  of 12 may be found by multiplying the capacitance by 12/10 and the inductance by 10/12. When a split tank circuit is used (figure 29B,D), the capacitance value may be reduced as shown and the inductance raised, while still maintaining a constant value of circuit  $Q$ .

At the higher frequencies, stray circuit capacitance may be larger than the value determined for a  $Q$  of 10. In this case, the  $Q$  must be raised to a higher value. Circuit

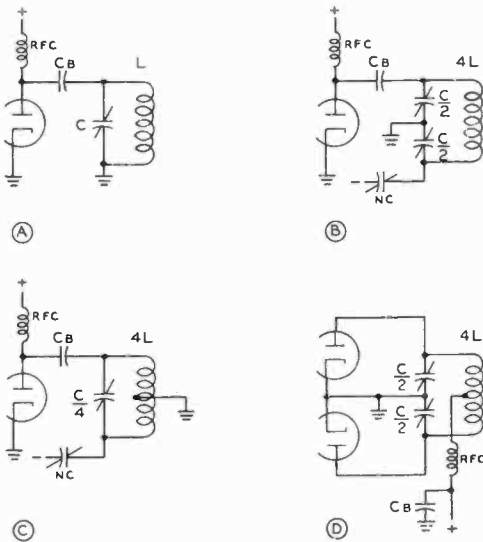


Figure 29

PARALLEL-TUNED TANK CIRCUITS

A—Single ended, use chart of figure 27 for values of L and C. B—Single-ended, split tank. Multiply values of L by four. Each section of split-stator capacitor is 1/2 value listed in figure 27. C—Split tank with single-section capacitor. Capacitor value is 1/4 value listed in figure 27. D—Push-pull circuit with split-stator capacitor. Each section of capacitor is 1/2 value indicated in figure 27.

Q values of 15 to 50 are often unavoidable and commonly used in the vhf range because of high stray circuit capacitance.

At the lower frequencies, on the other hand, circuit Q may be decreased to as low as 3 to reduce the cost of the tank tuning capacitor and to reduce circuit selectivity to eliminate sideband clipping. The increased harmonic content of the output waveform, in this instance, is reduced by placing a suitable harmonic filter in the transmission line from amplifier to antenna.

The tank circuit operates in the same manner whether the tube driving it is a pentode, triode, or tetrode; whether the circuit is single-ended or push-pull; or whether it is shunt-fed or series-fed. The prime factor in establishing the operating Q of the tank circuit is the ratio of the loaded resonant impedance across its terminals to the reactance of the coil and capacitor which make up the circuit.

USUAL BREAKDOWN RATINGS OF COMMON PLATE SPACINGS	
Air-gap in inches	Peak voltage breakdown
.030	1000
.050	2000
.070	3000
.100	4000
.125	4500
.150	5200
.170	6000
.200	7500
.250	9000
.350	11,000
.500	15,000
.700	20,000

Recommended air-gap for use when no dc voltage appears across plate tank capacitor (when plate circuit is shunt fed, or when the plate tank capacitor is insulated from ground).

D-C plate voltage	CW/SSB	Plate mod.
400	.030	.050
600	.050	.070
750	.050	.084
1000	.070	.100
1250	.070	.144
1500	.078	.200
2000	.100	.250
2500	.175	.375
3000	.200	.500
3500	.250	.600

Figure 30

Spacings should be multiplied by 1.5 for same safety factor when dc voltage appears across plate tank capacitor.

Effect of Loading on Q

The Q of a circuit depends on the resistance in series with the capacitance and inductance. This series resistance is very low for a low-loss coil not loaded by an antenna circuit. The value of Q may be from 100 to 400 under these conditions. Coupling an antenna circuit has the effect of increasing the series resistance, though in this case the power is consumed as useful radiation by the antenna. Mathematically, the antenna increases the value of R in the expression  $Q = \omega L / R$  where L is the coil inductance in microhenrys and  $\omega$  is the term  $2\pi f$  (f being in MHz).

The coupling from the final tank circuit to the antenna or antenna transmission line can be varied to obtain values of Q from perhaps 3 at maximum coupling to a value of Q equal to the unloaded Q of the circuit at zero antenna coupling. This value of unloaded Q can be as high as 400, as mentioned in the preceding paragraph. However, the value of Q = 10 will not be obtained at values of normal dc plate current in the class-C amplifier stage unless the

C-to-L ratio in the tank circuit is correct for that frequency of operation.

**Tuning Capacitor Air Gap** To determine the required tuning-capacitor air gap for a particular amplifier circuit it is first necessary to estimate the peak r-f voltage which will appear between the plates of the tuning capacitor. Then, using figure 30, it is possible to estimate the plate spacing which will be required.

The instantaneous r-f voltage in the plate circuit of a class-C amplifier tube varies from nearly zero to nearly twice the dc plate voltage. If the dc voltage is being 100 percent modulated by an audio voltage, the r-f peaks will reach nearly four times the dc voltage.

These rules apply to a loaded amplifier or buffer stage. If either is operated without an r-f load, the peak voltages will be greater and can exceed the dc plate supply voltage. For this reason no amplifier should be operated without load when anywhere near normal dc plate voltage is applied.

If a plate blocking capacitor is used, it must be rated to withstand the dc plate voltage plus any audio voltage. This capacitor should be rated at a dc working voltage of at least *twice the dc plate supply in a plate-modulated amplifier*, and at least equal to the dc supply in any other type of r-f amplifier.

**Inductive Coupling** The chart of figure 27 to a Coaxial Line provides data for coupling the resonant tank circuit to a low-impedance coaxial transmission line. To achieve proper coupling the coupling coil should be series-resonated to the tank frequency. The inductance of the link coil is such that its reactance at the operating frequency is equal to the characteristic

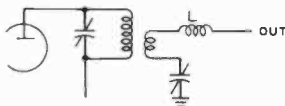


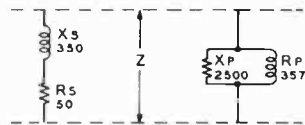
Figure 31

**AUXILIARY LOADING COIL (L) USED IN SERIES-TUNED ANTENNA CIRCUIT TO ACHIEVE MAXIMUM COUPLING**

impedance of the transmission line. The circuit Q of the link-capacitor combination may be as low as 2. In such a case, the value of series capacitance is quite large and the value may be reduced to a more practical amount by placing an auxiliary inductance (L) in series with the link coil as shown in figure 31.

### 11-11 L, Pi, and Pi-L Matching Networks

Various types of networks are used to transform one impedance to another and network types known as L, pi, and pi-L are commonly used in transmitter circuitry for this purpose. The reason these networks are able to complete a transformation is that, for any series circuit consisting of a series reactance and resistance, there can be found an equivalent parallel network which possesses the same impedance characteristics (figure 32). Such networks are used to accomplish a match between the tube or device of an amplifier and a transmission line.



$$\textcircled{1} \quad Z_s = \sqrt{R_s^2 + X_s^2} \qquad \textcircled{3} \quad Z_p = \frac{R_p X_p}{\sqrt{R_p^2 + X_p^2}}$$

$$\textcircled{2} \quad Q = \frac{X_s}{R_s} \qquad \textcircled{4} \quad Q = \frac{R_p}{X_p}$$

AND  $\textcircled{5} \quad \frac{R_p}{R_s} = Q^2 + 1$

Figure 32

#### SERIES TO PARALLEL IMPEDANCE CONVERSION

**The L-Network** The L-network is the simplest of the matching networks and may take either of the two forms of figure 33. The two configurations are equivalent, and the choice is usually made on the basis of other component and circuit considerations apart from the impedance matching characteristics. The circuit shown in illustration (B) is generally preferred be-

cause the shunt capacitor (C) provides a low impedance path to ground for the higher harmonic frequencies.

The L-network is of limited utility in impedance matching since its ratio of impedance transformation is fixed at a value equal to  $(Q^2 + 1)$ . The operating  $Q$  may be

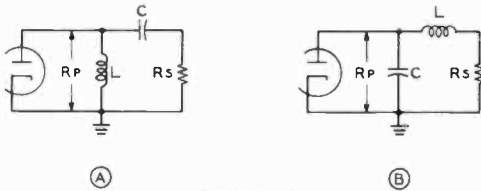


Figure 33

TWO EQUIVALENT L-NETWORKS

A—Inductance in parallel leg, capacitance in series leg. B—Capacitance in parallel leg, inductance in series leg. Impedance values for both circuits are given in figure 39.

relatively low (perhaps 3 to 6) in a matching network between the plate tank circuit of an amplifier and a transmission line; hence impedance transformation ratios of 10 to 1 and even lower may be attained. But when the network also acts as the plate tank circuit of the amplifier stage, as in figure 35, the operating  $Q$  should be at least 10 and preferably 15. An operating  $Q$  of 15 represents an impedance transformation of 225; this value normally will be too high even for transforming from the 2000- to 10,000-ohm plate impedance of a class B/C amplifier stage down to a 50-ohm transmission line.

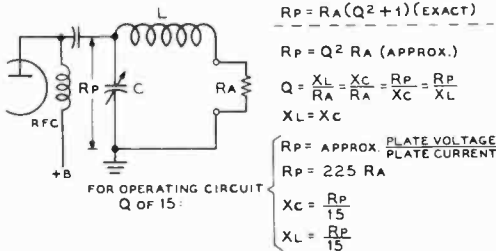


Figure 34

THE L-NETWORK IMPEDANCE TRANSFORMER

The L-network is useful with a moderate operating  $Q$  for high values of impedance transformation, and it may be used for applications other than in the plate circuit of a tube with relatively low values of operating  $Q$  for moderate impedance transformations. Exact and approximate design equations are given.

However, the L-network is interesting since it forms the basis of design for the pi-network. Inspection of figure 34 will show that the L-network in reality must be considered as a parallel-resonant tank circuit in which  $R_A$  represents the coupled-in load resistance; only in this case the load resistance is directly coupled into the tank circuit rather than being inductively coupled as in the conventional arrangement where the load circuit is coupled to the tank circuit by means of a link. When  $R_A$  is shorted,  $L$  and  $C$  comprise a conventional parallel-resonant tank circuit, since for proper operation  $L$  and  $C$  must be resonant in order for the network to present a resistive load to the class-C amplifier.

**The Pi-Network** The *pi-network* can be considered as two back-to-back L-networks as shown in figure 35. This network is much more general in its application than the L network since it offers greater harmonic attenuation and since it can be used to match a relatively wide range of impedances, while still maintaining any desired operating  $Q$ . The values of  $C_1$  and  $L_1$  in the pi-network of figure 35 can be thought of as having the same values of the L network in figure 34 for the same operating  $Q$ , but, what is more important from the comparison standpoint these values will be about the same as in a conventional tank circuit.

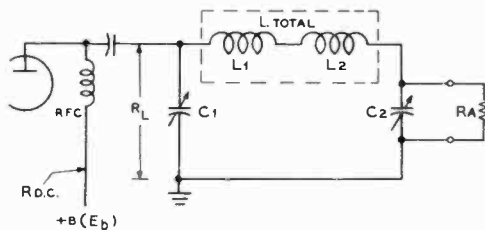
The value of the capacitance may be determined by calculation with the operating  $Q$  and the load impedance which should be reflected to the plate of the class-C amplifier as the two known quantities—or the actual values of the capacitance may be obtained for an operating  $Q$  of 10 by reference to the chart of figure 36.

The inductive arm in the pi-network can be thought of as consisting of two inductances in series, as illustrated in figure 35.

The first portion of this inductance ( $L_1$ ) is that value of inductance which would resonate with  $C_1$  at the operating frequency—the same as in a conventional tank circuit. However, the actual value of inductance in this arm of the pi-network,  $L_{Tot}$  will be greater than  $L_1$  for normal values of impedance transformation. For high transformation ratios  $L_{Tot}$  will be only slightly greater

than  $L_1$ ; for a transformation ratio of 1.0,  $L_{Tot}$  will be twice as great as  $L_1$ . The amount of inductance which must be added to  $L_1$  to restore resonance and maintain circuit  $Q$  is obtained through use of the expression for  $X_{L1}$  and  $X_{L2}$  in figure 35.

The peak voltage rating of the main tuning capacitor ( $C_1$ ) should be the normal value for a class-C amplifier operating at the plate voltage to be employed. The inductor ( $L_{Tot}$ ) may be a plug-in coil which is changed for each band of operation, or some sort of variable inductor may be used. A continuously variable slider-type variable inductor may be used to good advantage if available, or a tapped inductor may be employed. However, to maintain good circuit  $Q$  on the higher frequencies when a variable or tapped coil is used on the lower frequencies, the tapped or variable coil



$$R.D.C. = \frac{E_b}{I_b}$$

$$R_p \approx \frac{R.D.C.}{2}$$

$$X_{C1} = \frac{R_L}{Q}$$

$$X_{L1} = \frac{R_L}{Q}$$

$$X_{C2} = -R_A \sqrt{\frac{R_L}{R_A(Q^2 + 1) - R_L}}$$

$$X_{L2} = -\frac{R_A^2 X_{C2}}{R_A^2 + X_{C2}^2}$$

$$X_{L_{TOT}} = X_{L1} + X_{L2}$$

Figure 35

THE PI-NETWORK

The pi-network is valuable for use as an impedance transformer over a wide ratio of transformation values. The operating  $Q$  should be at least 10 when the circuit is to be used in the plate circuit of a class-C amplifier. Design equations are given above. Inductor  $L_{Tot}$  represents a single inductance, usually variable, with a value equal to the sum of  $L_1$  and  $L_2$ .

should be removed from the circuit and replaced by a smaller coil which has been especially designed for the higher frequency ranges.

The peak voltage rating of the output or loading capacitor ( $C_2$ ) is determined by the power level and the impedance to be fed. If

a 50-ohm coaxial line is to be fed from the pi-network, receiving-type capacitors will be satisfactory even up to the power level of a plate-modulated kilowatt amplifier. In any event, the peak voltage which will be impressed across the output capacitor is expressed by:

$$e_p = \sqrt{2 \times R_a \times P_o}$$

where,

$e_p$  is the peak voltage across the capacitor,  
 $R_a$  is the value of resistive load which the network is feeding,

$P_o$  is the maximum value of the average power output of the stage.

The harmonic attenuation of the pi-network is greater than that of the simple L-network but is not considered great enough to meet the FCC transmitter requirements for harmonic attenuation. The attenuation to second harmonic energy is approximately -35 dB for the pi-network for a transformation ratio of 40, and increases to -40 dB when the operating  $Q$  is raised from 10 to 15.

The Pi-L Network

The *pi-L network* is made up of three L-networks and provides a greater transformation ratio and higher harmonic suppression than do either of the simpler networks (figure 37). Because the loading capacitor is placed at the *image impedance* level ( $R_1$ ), which is usually of the order of 300 to 700 ohms, the peak voltage across the capacitor ( $C_{2A} + C_{2B}$ ) will be higher than that across the output capacitor of an equivalent pi-network, and the value of the pi-L capacitor will be appreciably less than that of the equivalent pi-network loading capacitor. A formal calculation of the pi-L circuit parameters is given in the article "The Pi-L Plate Circuit in Kilowatt Amplifiers," QST, July, 1962. A free reprint of this article may be obtained by writing to: Amateur Service Department, EIMAC division of Varian, San Carlos, Calif. Typical components for pi-L network design for the various hf amateur bands is given in the chart of figure 38.

For a transformation ratio of 40 the attenuation to second harmonic energy is about -52 dB for a pi-L network having a  $Q$  of 10 and an image impedance of 300

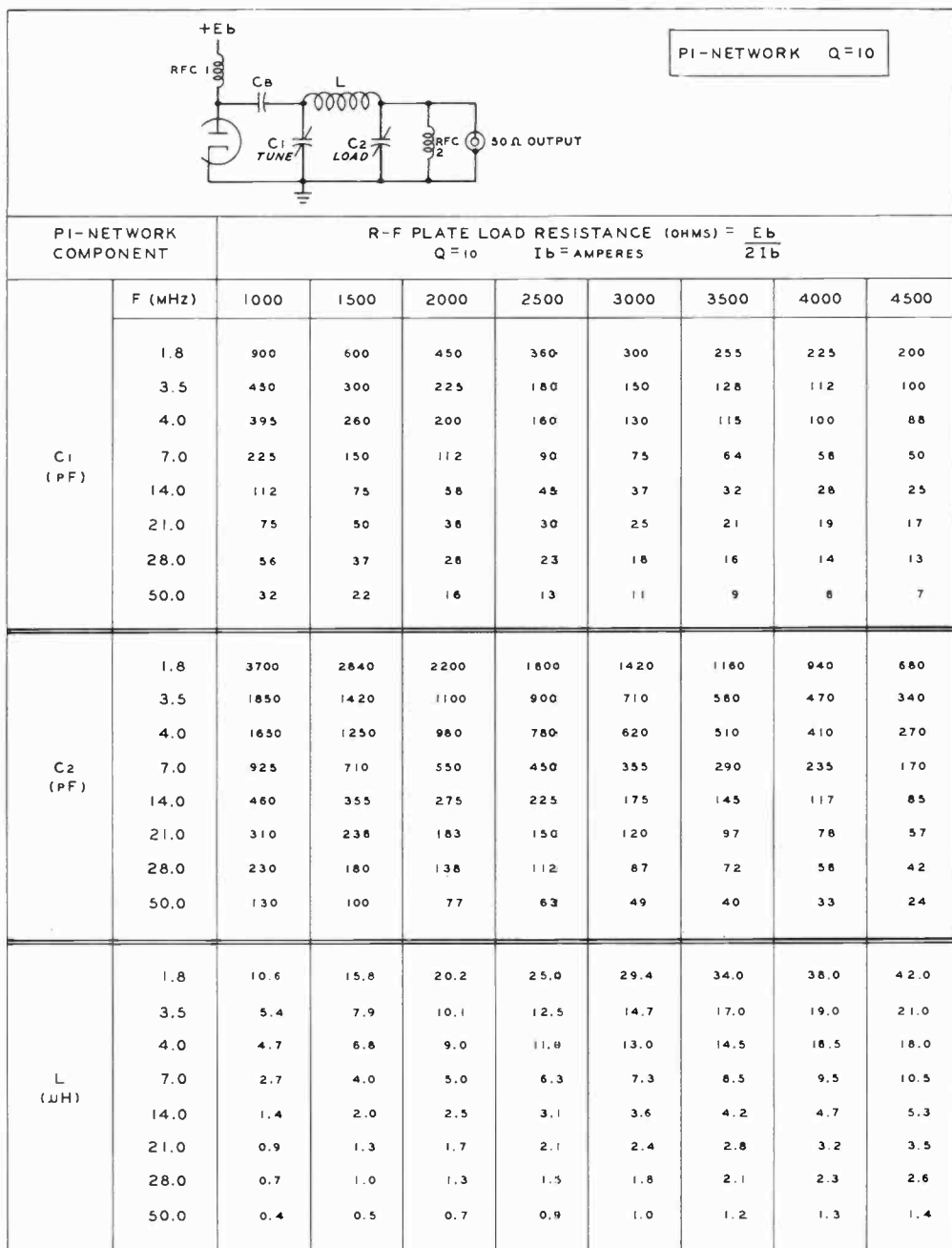


Figure 36

Pi-NETWORK CHART

Component values listed are for class-AB/B service for a Q of 10. For other values of Q, use  $Q_A/Q_B = C_A/C_B$  and  $Q_A/Q_B = L_B/L_A$ . When plate load resistance is higher than 3000 ohms, or for class-C service, it is recommended that components be selected for a circuit Q between 12 and 15. For 70-ohm termination, multiply values of capacitor, C<sub>2</sub> by 0.72.

ohms, rising to  $-55$  dB for a  $Q$  of 15 (figure 39).

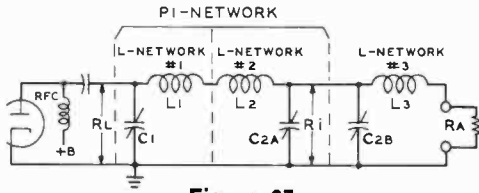


Figure 37

### PI-L NETWORK IS MADE UP OF THREE L-NETWORKS IN SERIES

Pi-L network provides greater transformation ratio and higher harmonic suppression than do either the L- or the pi-networks. Loading capacitor ( $C_2$ ) is common to networks 2 and 3 and is placed at image impedance level ( $R_i$ ) which is usually of the order of 300 to 700 ohms.

## 11-12 Toroidal-Wound Tank Coils

*Ferrite-core toroids* are often used in tank circuits up to the multikilowatt power level (figure 40). Because the toroid coil is self-shielding, its use permits much greater component density than does an equivalent air coil having a large field about it. The toroid, moreover, may be mounted directly against a metal surface without a significant change of circuit  $Q$ , and only a small change in overall distributed capacitance of the coil.

When used at hf, the core and winding losses of a ferrite-core inductor cannot be reduced by traditional design as in the case of lower-frequency transformers. In order to keep the leakage inductance small, the toroid winding must have the minimum possible number of turns, which means the core material is very heavily loaded. The ultimate power rating of the ferrite-core inductor therefore depends upon the effectiveness of core cooling. As the thermal conductivity of ferrite material is quite low, this means that core temperature can become quite high.

The working temperature of a ferrite core is limited to a medium value, and, as the temperature rises, the core loss increases rapidly and core permeability drops. There exists a temperature known as the *runaway temperature*, above which any increase in cooling is more than offset by the increase in losses. The working temperature must be held well below this point.

As the operating temperature of the ferrite core rises, both permeability and  $Q$  drop, causing a decrease in circuit efficiency and a detuning action both of which will contribute to higher core temperature. In addition, the nonlinearity of the ferrite material under a varying r-f flux can cause intermodulation distortion when the ferrite is being driven by a complex signal such as encountered in SSB service.

Each class of ferrite material achieves maximum circuit  $Q$  at a specific frequency and the ferrite is graded for initial permeability at a stated operating frequency.

## 11-13 Grid Bias

Radio-frequency amplifiers require some form of *grid bias* for proper operation. Practically all r-f amplifiers operate in such a manner that plate current flows in the form of short pulses which have a duration of only a fraction of an r-f cycle. To accomplish this with a sinusoidal excitation voltage, the operating grid bias must be at least sufficient to cut off the plate current. In a high efficiency class-C amplifier the operating bias may be several times the cutoff value. Cutoff bias, it will be recalled, is that value of grid voltage which will reduce the plate current to zero at the plate voltage employed. The method for calculating it has been indicated previously. This theoretical value of cutoff will not reduce the plate current completely to zero, due to the variable- $\mu$  tendency or "knee" which is characteristic of all tubes as the cutoff point is approached.

**Class-C Bias** Amplitude-modulated class-C amplifiers should be operated with the grid bias adjusted to a value greater than twice cutoff at the operating plate voltage. This procedure will ensure that the tube is operating at a bias greater than cutoff when the plate voltage is doubled on positive modulation peaks. C-w, RTTY, and f-m transmitters can be operated with bias as low as cutoff, if only limited excitation is available and moderate plate efficiency is satisfactory. In a c-w transmitter, the bias supply or resistor should be adjusted to the

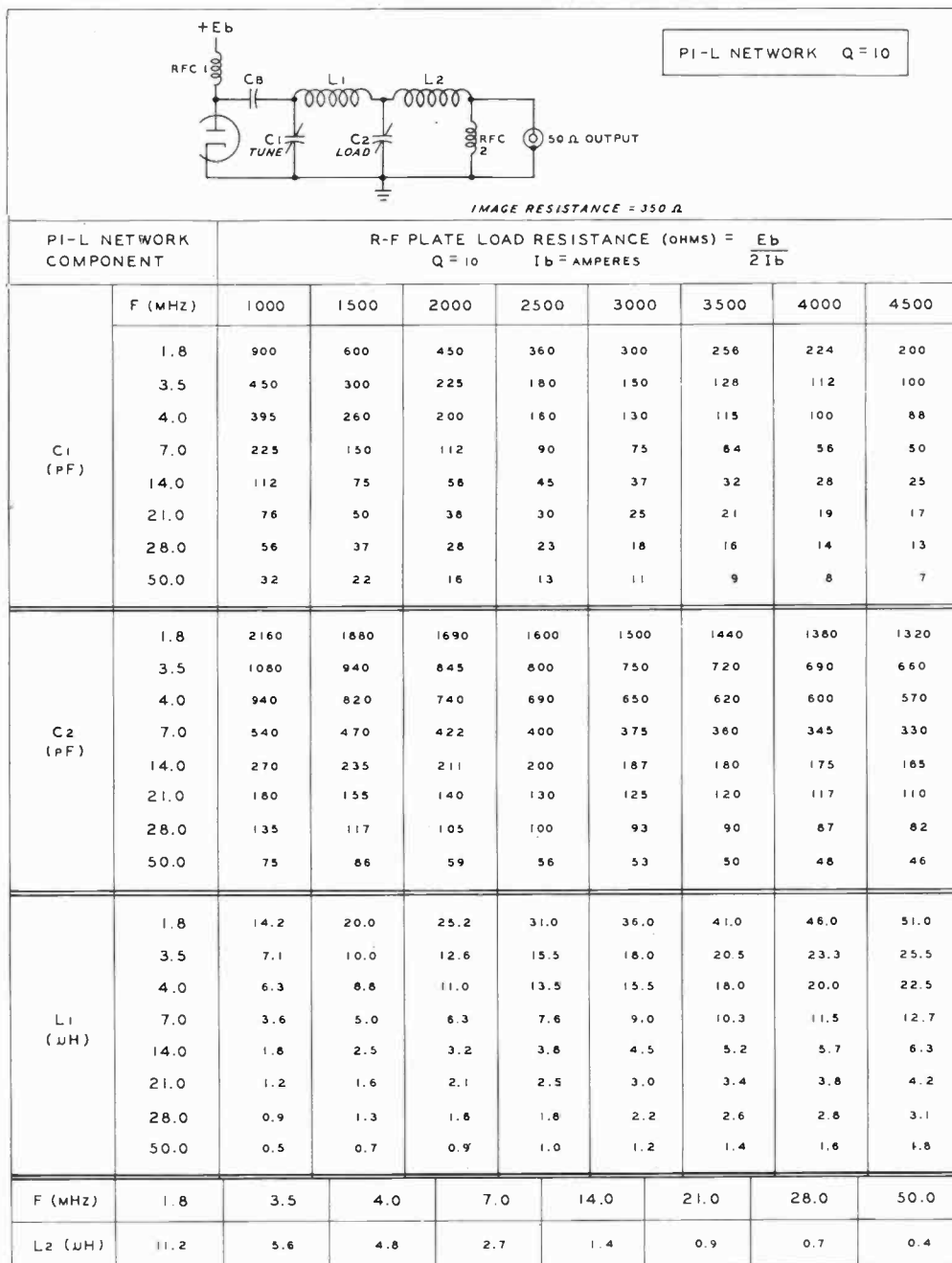


Figure 38

Pi-L NETWORK CHART

Component values are listed for class AB/B/C service for a Q of 10. For other values of Q, use conversion transformations listed in figures 35 and 37. Image impedance of 300 ohms is used for calculations.



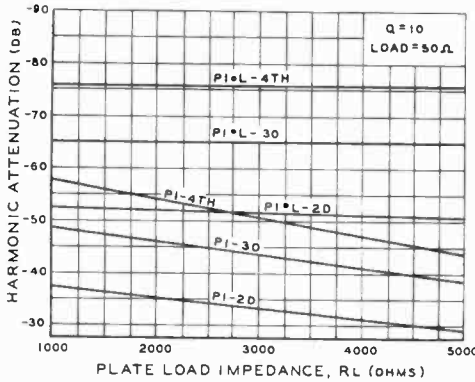


Figure 39

**HARMONIC ATTENUATION OF PI-AND Pi-L NETWORKS**

Second, third and fourth harmonic levels are shown relative to fundamental signal. Pi-L configuration provides improved attenuation to all higher harmonics as compared to pi-network.

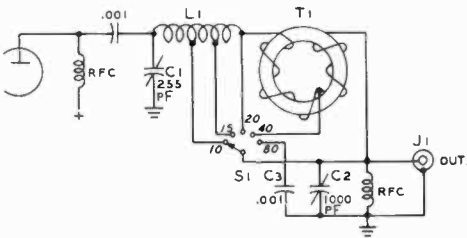


Figure 40

**FERRITE TOROID TANK CIRCUIT**

L<sub>1</sub>—9 turns of 3/16" copper tubing, 1 1/4" inside diameter, 2 1/2" long. 10 meter tap is 3.5 turns from plate, 15 meter tap 5.5 turns. Toroid inductor is 16 turns #10 wire tapped 5 turns from output end.

point which will allow normal grid current to flow for the particular amount of grid driving r-f power available.

**Self Bias** A resistor can be connected in the grid circuit of a class-C amplifier to provide *self-bias*. This resistor (R<sub>1</sub> in figure 41), is part of the dc path in the grid circuit.

The r-f excitation applied to the grid circuit of the tube causes a pulsating direct current to flow through the bias supply lead, due to the rectifying action of the grid, and any current flowing through R<sub>1</sub> produces a voltage drop across that resistor. The grid of

the tube is positive for a short duration of each r-f cycle, and draws electrons from the filament or cathode of the tube during that time. These electrons complete the circuit through the dc *grid return*. The voltage drop across the resistance in the grid return provides a *negative bias* for the grid.

Self bias automatically adjusts itself over fairly wide variations of r-f excitation. The value of grid resistance should be such that normal values of grid current will flow at the maximum available amount of r-f excitation. Self bias cannot be used for grid-modulated or linear amplifiers in which the average dc current is constantly varying with modulation.

**Safety Bias** Self bias alone provides no protection against excessive plate current in case of failure of the source of r-f grid excitation. A well-regulated low-voltage bias supply can be connected in series with the grid resistor as shown in figure 42. This fixed protective bias will protect the tube in the event of failure of grid excitation. "Zero-bias" tubes do not require this bias source, since their plate current will drop to a safe value when the excitation is removed.

**Cathode Bias** A resistor can be connected in series with the cathode or center-tapped filament lead of an amplifier to secure *automatic bias*. The plate current flows through this resistor, then back to the cathode or filament, and the voltage drop across the resistor can be applied to the grid

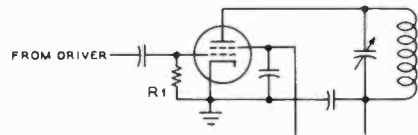
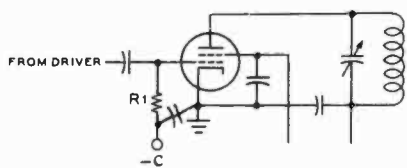


Figure 41  
**SELF BIAS**

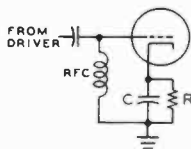
The grid resistor on an amplifier or multiplier stage may also be used as the shunt feed impedance to the grid of the tube when a high value of resistor (greater than perhaps 20,000 ohms) is used. When a lower value of grid resistor is to be employed, an r-f choke should be used between the grid of the tube and the grid resistor to reduce r-f losses in the grid resistance.



**Figure 42**  
**COMBINATION SELF- AND FIXED BIAS**

Self-bias often is used in conjunction with a fixed minimum value of power supply bias. This arrangement permits the operating bias to be established by the excitation energy, but in the absence of excitation the electrode currents to the tube will be held to safe values by the fixed-minimum power supply bias. If a relatively low value of grid resistor is to be used, an r-f choke should be connected between the grid of the tube and the resistor.

circuit by connecting the grid bias lead to the grounded or power-supply end of resistor R, as shown in figure 43.



**Figure 43**

**R-F STAGE WITH CATHODE BIAS**

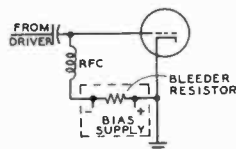
Cathode bias sometimes is advantageous for use in an r-f stage that operates with a relatively small amount of r-f excitation.

The grounded (B-minus) end of the cathode resistor is negative relative to the cathode by an amount equal to the voltage drop across the resistor. The value of resistance must be so chosen that the sum of the desired grid and plate current flowing through the resistor will bias the tube for proper operation.

This type of bias is used more extensively in audio-frequency than in radio-frequency amplifiers. The voltage drop across the resistor must be subtracted from the total plate supply voltage when calculating the power input to the amplifier, and this loss of plate voltage in an r-f amplifier may be excessive.

Often just enough cathode bias is employed in an r-f amplifier to act as safety bias to protect the tubes in case of excitation failure, with the rest of the bias coming from a grid resistor.

**Separate Bias Supply** An external supply often is used for grid bias, as shown in figure 44. The bleeder resistance across the output of the filter can be made sufficiently low in value that the grid current of the amplifier will not appreciably change the amount of negative grid-bias voltage. Alternately, a voltage-regulated grid-bias supply can be used. This type of bias supply is used in class-B audio and



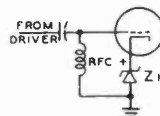
**Figure 44**

**SEPARATE BIAS SUPPLY**

A separate bias supply may be used for triodes or tetrodes. Bias is applied across a low-resistance bleeder. Grid current (if any) flowing through bleeder will boost bias voltage over nominal value of supply. Bias supply for AB<sub>1</sub> linear amplifier, even though no grid current is encountered, must still have low-resistance bleeder to help overcome rise in bias due to collection of primary electrons on grid of tube.

class-B r-f linear amplifier service where the voltage regulation in the bias supply is important.

**Zener Bias** A few volts of bias may be needed to reduce the zero-signal plate current of a "zero-bias" triode. A low-impedance bias source is required and the simplest way of obtaining well-regulated bias voltage is to place a zener diode in the fila-



**Figure 45**

**ZENER CATHODE BIAS**

Zener diode may be used to obtain a few volts of well-regulated cathode bias. This circuit may be used to reduce zero-signal plate current of high- $\mu$  triodes in cathode-driven (grounded-grid) service.

ment or cathode return circuit (figure 45). The 1N4551, for example, has a nominal voltage drop of 4.7 volts and an impedance of 0.1 ohm, making it ideal for this service. At this value of bias, the zero-signal plate current of a 3-500Z at a plate potential of

3250 volts is reduced from 160 to approximately 90 mA.

The 1N4551 diode may be bolted directly to the chassis which will act as a heat sink.

### 11-14 Protective Circuits for Transmitting Tubes

The tetrode transmitting tube requires three operating voltages: grid bias, screen voltage, and plate voltage. The current requirements of these three operating voltages are somewhat interdependent, and a change in potential of one voltage will affect the current drain of the tetrode in respect to the other two voltages. In particular, if the grid excitation voltage is interrupted as by keying action, or if the plate supply is momentarily interrupted, the resulting voltage or current surges in the screen circuit are apt to permanently damage the tube.

**The Series Screen Supply** A simple method of obtaining screen voltage is by means of a dropping resistor from the high-voltage plate supply; as shown in figure 46. This circuit is recommended for use with low power tetrodes (6146, 5763, etc.) in class-C service. Because of poor regulation with varying screen current it should not be used in a linear amplifier stage. Since the current drawn by the screen is a function of the exciting voltage applied to the tetrode, the screen voltage will rise to equal the plate voltage under conditions of no exciting voltage. If the control grid is overdriven, on the other

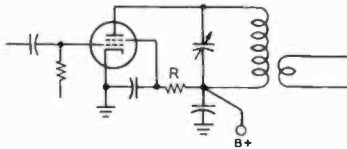


Figure 46

#### DROPPING-RESISTOR SCREEN SUPPLY

hand, the screen current may become excessive. In either case, damage to the screen and

its associated components may result. In addition, fluctuations in the plate loading of

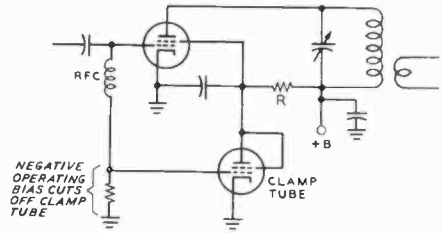


Figure 47

#### CLAMP-TUBE SCREEN SUPPLY

the tetrode stage will cause changes in the screen current of the tube. This will result in screen voltage fluctuations due to the inherently poor voltage regulation of the screen series dropping resistor. These effects become dangerous to tube life if the plate voltage is greater than the screen voltage by a factor of 2 or so.

**The Clamp Tube** A clamp tube may be added to the series screen supply, as shown in figure 47. The clamp tube is normally cut off by virtue of the dc grid bias drop developed across the grid resistor of the tetrode tube. When excitation is removed from the tetrode, no bias appears across the grid resistor, and the clamp tube conducts heavily, dropping the screen voltage to a safe value. When excitation is applied to the tetrode the clamp tube is inoperative, and fluctuations of the plate loading of the tetrode tube could allow the screen voltage to rise to a damaging value. Because of this factor, the clamp tube does not offer complete protection to the tetrode.

**The Separate Screen Supply** A low-voltage screen supply may be used instead of the series screen-dropping resistor. This will protect the screen circuit from excessive voltages when the other tetrode operating parameters shift. However, the screen can be easily damaged if plate or bias voltage is removed from the tetrode, as the screen current will reach high values and the screen dissipation will be exceeded. If the screen supply is capable of providing slightly more screen voltage than the tetrode re-

quires for proper operation, a series wattage-limiting resistor may be added to the circuit as shown in figure 48. With this resistor in the circuit it is possible to apply excitation to the tetrode tube with screen voltage present (but in the absence of plate voltage) and still not damage the screen of the tube. The value of the resistor should be chosen so that the product of the voltage applied to the screen of the tetrode times the screen current never exceeds the maximum rated screen dissipation of the tube.

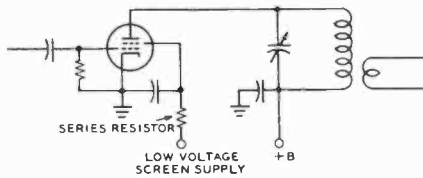


Figure 48

**A PROTECTIVE WATTAGE-LIMITING RESISTOR FOR USE WITH LOW-VOLTAGE SCREEN SUPPLY**

**Screen Protection** In designing equipment using high-power tetrodes, consideration must be given to control of secondary emission from the screen element of the tube. The screen is normally operated at a relatively low potential to accelerate the electrons emitted from the cathode. Not all of the electrons pass through the screen grid on the way to the plate, some of them being intercepted by the grid. In the process of striking the screen grid, other electrons are emitted, some of which may be attracted by the higher potential of the plate. The result is a flow of electrons from the screen to the plate. It is possible that more electrons will leave the screen than will arrive and a screen meter will indicate a reverse electron flow, or negative screen current, under this condition. A low-impedance path to ground must be provided for this flow, otherwise the screen voltage will attempt to rise to the value of the plate voltage, by virtue of the voltage drop created by the negative screen current flowing across the high-impedance screen circuit. As the screen voltage rises, the plate current of the tetrode increases and the tube is in a runaway condition. The addition of a resistor from screen to ground will compensate for the effect of negative screen current. The value

of this resistor will be such that the bleeder current will run from 20 mA to as high as

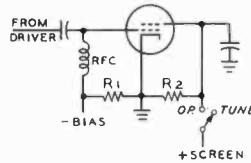


Figure 49

**SCREEN CONTROL CIRCUIT**

The dc return path to ground for screen of a tetrode should not be broken. Resistor R<sub>2</sub> completes the circuit and screen high-voltage lead may be open to reduce stage gain for tuneup purposes.

70 mA, depending on the tube type. Tube data sheets normally state the amount of bleeder current required to counteract the emission current.

A correct circuit for the screen supply of a linear amplifier, including a "tune-operate" switch is shown in figure 49. In the "tune" position, screen voltage is removed, permitting adjustments to be made to the circuit at a very low power level for tuneup purposes.

**Grid Protection** The impedance of the grid circuit must be considered, particularly in class AB<sub>1</sub> amplifiers wherein a regulated bias source is required. Primary grid emission can cause trouble if the impedance of the grid circuit is too high. The dc resistance to ground of the bias supply should be sufficiently low (below 1000 ohms or so) to prevent appreciable reverse bias from being developed by the flow of emission current through the internal resistance of the bias supply. The reverse bias produced by this effect tends to subtract from the grid bias, causing a runaway condition if not controlled.

**Arc Protection** Modern transmitting tubes have very close internal spacing between elements to achieve high power gain and good performance at very high operating frequencies. Components, too, tend toward more compact sizes to allow high-density construction in modern equipment. Under these conditions, flashovers or arcing between high- and low-potential

points in the circuit or tube may possibly occur. The impedance of an arc is very low, of the order of an ohm or so, and extremely high values of *fault current* flow during the flashover. Fault current flowing through a small resistance or impedance creates a high voltage drop in unexpected places and may result in damaged equipment. A flashover in a dc plate circuit, for example, can discharge the power-supply filter capacitor in a fraction of a second and allow thousands of amperes of current to pass through the arc and any components in series with the discharge path.

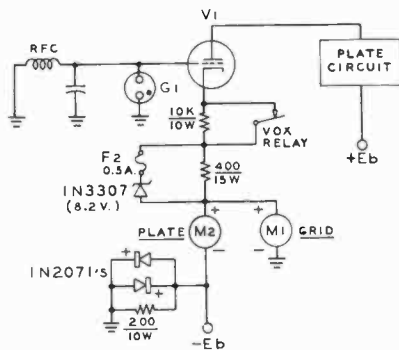


Figure 50

### FLASHOVER PROTECTION

Equipment can be protected from flashover and high flashover currents by placing spark gap ( $G_1$ ) from grid to ground, zener diode fuse in cathode lead and reverse-connected diodes placed across metering circuit. Spark gap arcs over at a predetermined voltage to provide low-impedance path from grid to ground, thus protecting r-f choke and grid bypass capacitor. Cathode fuse opens under heavy arc current, protecting zener diode, while shunt resistor provides path to ground for fault current. Reverse-connected diodes across plate and grid meters provide low-impedance shunt when voltage across meters reaches level of forward voltage drop across the diodes (about 0.4 to 0.8 volt, depending on diode temperature). Filter capacitors in the power supply may also be series-connected with a high-voltage quick-action fuse to prevent discharge through fault circuit in the equipment.

A sparking gap ( $G_1$ ) may be placed at a critical point, as shown in figure 50 to protect tube and components against transient arc voltages and a high-voltage, quick-action fuse can be placed in series with high capacity filter circuits to prevent damaging fault currents from flowing through delicate metering circuits or zener diodes. Meters may be protected from overload by placing reverse-connected silicon diodes, across them

to carry the fault current, as shown in the illustration.

The fault current may be limited to provide tube protection by the inclusion of a 25-ohm resistor in series with the B-plus lead to the amplifier. If a 2-watt composition resistor is used it will usually disintegrate under high fault current, thus opening the circuit and protecting the tube. If a high-wattage wirewound resistor is used it will reduce the fault current to a lesser value and provide time for an overload relay to open, removing plate voltage from the tube. In either case, the tube is protected from an excessively high level of fault current.

### Filament Inrush Current

The cold resistance of a thoriated tungsten filament is about one-tenth the hot resistance. As a result, a high level of filament inrush current exists when the tube is first turned on. The abnormal current can damage the vacuum seal of the filament leads of the tube, or the magnetic field accompanying the current can actually distort the filament structure leading to eventual filament-to-grid shorts within the tube.

A *step-start* circuit is suggested that will limit filament inrush current by applying a fraction of the filament voltage for a period of a few seconds. This allows the filament temperature to rise and for filament resistance to approach near-normal value. In general, holding filament voltage to sixty percent of normal for a period of two seconds will provide inrush protection for most small- and medium-size power tubes. Filament voltage may be brought up by means of a variable transformer in the primary side of the filament circuit or may be boosted to normal after an interval by a time delay relay which shorts out a series resistor in the filament primary circuit.

## 11-15 Interstage Coupling

Energy is usually coupled from one circuit of a transmitter into another either by *capacitive coupling*, *inductive coupling*, or *link coupling*. The latter is a special form of inductive coupling. The choice of a coupling

method depends on the purpose for which it is to be used.

**Capacitive Coupling** Capacitive coupling between an amplifier or doubler circuit and a preceding driver stage is shown in figure 51. The coupling capacitor (C) isolates the dc plate supply from the next grid and provides a low-impedance path for the rf energy between the tube being driven and the driver tube.

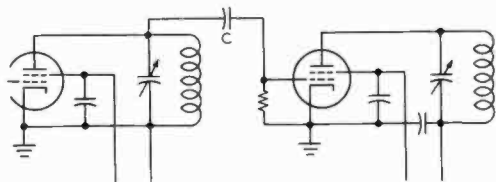


Figure 51

**CAPACITIVE INTERSTAGE COUPLING**

One significant disadvantage of capacitive coupling is the difficulty of adjusting the load on the driver stage. Impedance adjustment can be accomplished by tapping the coupling lead a part of the way down on the plate coil of the tuned stage of the driver circuit; but often when this is done a parasitic oscillation will take place in the stage being driven.

Capacitive coupling, generally speaking, does not provide a high degree of attenuation to harmonics of the driving signal and its use (particularly in driver chains for vhf equipment) should be tempered with caution.

**Inductive Coupling** Inductive coupling (figure 52) results when two coils are electromagnetically coupled to one another. The degree of coupling is controlled by varying the mutual inductance of the two coils, which is accomplished by changing the spacing or the relationship between the axes of the coils.

Inductive coupling is used extensively for coupling r-f amplifiers in radio receivers and in vhf exciters to attenuate harmonics and subharmonics of the signal frequency.

If the grid-tuning capacitor of figure 52 is removed and the coupling increased to the maximum practicable value by interwinding

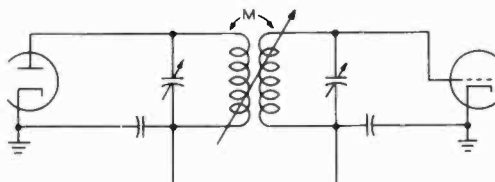


Figure 52

**INDUCTIVE INTERSTAGE COUPLING**

the turns of the two coils, the circuit insofar as r-f is concerned, acts like that of figure 51, in which one tank serves both as plate tank for the driver and grid tank for the driven stage. The interwound grid winding serves simply to isolate the dc plate voltage of the driver from the grid of the driven stage, and to provide a return for dc grid current. This type of coupling is known as *unity coupling*. Because of the high mutual inductance, both primary and secondary are resonated by the one tuning capacitor.

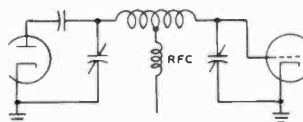


Figure 53

**PI-NETWORK INTERSTAGE COUPLING**

**Network Coupling** The L-, pi-, or pi-L network may be used as an interstage coupling device providing a high degree of harmonic attenuation. The pi-network (figure 53) is very effective in harmonic reduction when the output capacitor is connected directly across the input terminals of the amplifier stage, providing a direct capacitive shunt to ground for harmonic voltages. The network may be either a step-up or step-down design depending on the relative impedance levels of the driver output and amplifier input circuits.

**11-16 Solid-State HF Power Circuits**

Most high-frequency power transistors are silicon, planar, diffused NPN structures hav-

ing a high ratio of active to physical area. Upward of 200 watts average power at frequencies in the neighborhood of 450 MHz may be handled by modern silicon power transistors of advanced design. In the coming decade the efficiency, power gain, and temperature stability of these devices will lead to their use in many r-f amplifier applications heretofore solely reserved for electron tubes.

### Circuit

#### Considerations

The power output capability of a transistor is determined by current and voltage limitations at the frequency of operation. The maximum current capacity is limited by emitter area and layer resistivity, and the voltage-handling capacity is limited by maximum breakdown limits imposed by layer resistivity and by the penetration of the junction. The *high-frequency current gain* figure of merit ( $f_T$ ) defines the frequency at which the current gain is unity, and a high value of  $f_T$  at high emitter or collector current levels characterize a good r-f transistor.

In many cases, components and construction techniques used for vacuum tubes are not appropriate for transistor circuits. This variance in circuit considerations results mainly because of the lower circuit impedances encountered in transistor circuits. The most troublesome areas are power dissipation and unwanted oscillation. In the case of power dissipation, the levels reached under a given r-f power input are considerably higher than equivalent levels achieved under dc operating conditions, since the junction temperature is a complex function of device dissipation, which includes r-f losses introduced in the pellet mounting structure. The package, then, is an integral part of the r-f power transistor having thermal, capacitive, and inductive properties. The most critical parasitic features of the package are the emitter and base lead inductances. These undesired parameters can lead to oscillations, most of which occur at frequencies *below* the frequency of operation because of the increased gain of the transistor at lower frequencies. Because transistor parameters change with power level, instabilities can be found in both common-emitter and common-base circuits.

Some of the more common difficulties are listed below:

**Parametric Oscillation**—Parametric instability results because the transistor collector-base capacitance is nonlinear and can cause low-frequency modulation of the output frequency. This effect can be suppressed by careful selection of the bypass capacitors, and by the addition of a low-frequency bypass capacitor in addition to the high-frequency bypass capacitor (figure 54).

**Low Frequency Oscillation**—With transistor gain increasing at about 6 dB per octave, any parasitic low-frequency circuit can cause oscillation. Inadequate bypassing plus the use of high- $Q$ , resonant r-f chokes can lead to this difficulty. This effect can be eliminated by placing small resistances in series with the r-f choke, or by the use of low  $Q$  chokes of the ferrite-bead variety.

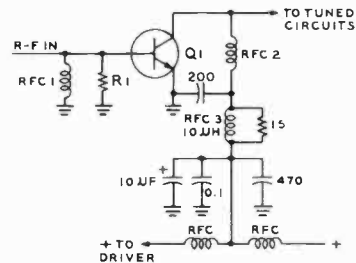


Figure 54

### WIDEBAND DECOUPLING CIRCUIT FOR POWER TRANSISTOR

To suppress parametric oscillation collector bypass circuit must be effective at very low frequencies. Multiple bypass capacitors and series r-f chokes provide an adequate filter when used in conjunction with regular hf and vhf filtering techniques.

**Hysteresis**—Hysteresis refers to discontinuous mode jumps in output power that occur when the input power or operating frequency is increased or decreased. This is caused by dynamic detuning resulting from nonlinear junction capacitance variation with change in r-f voltage. The tuned circuit, in other words, will have a different resonant frequency for a strong drive signal than for a weak one. Usually, these difficulties can be eliminated or minimized by careful choice of base bias, by proper choice of ground connections, and by the use of transistors having minimum values of parasitic capacitance and inductance. Circuit

wiring should be short and direct as possible and all grounds should be concentrated in a small area to prevent chassis inductance from causing common-impedance gain degeneration in the emitter circuit. In common-emitter circuits, stage gain is dependent on series emitter impedance and small amounts of degeneration can cause reduced circuit gain at the higher frequencies and permit unwanted feedback between output and input circuits.

**Thermal Considerations** All semiconductor devices are temperature sensitive to a greater or lesser degree and the operating temperature and power dissipation of a given unit must be held below the maximum specified rating either by limiting the input power or by providing some external means of removing the excess heat generated during normal operation. Low power devices have sufficient mass and heat dissipation area to conduct away the heat energy formed at the junctions, but higher power devices must use a *heat sink* to drain away the excess heat.

Transistors of the 200-watt class, for example, have a chip size up to  $\frac{1}{4}$ -inch on a side and the excess heat must be removed from this very small area. For silicon devices, the maximum junction temperature is usually in the range of 135°C to 200°C. The heat generated in the chip is passed directly to the case through the collector-case bond.

The heat sink is a device which takes the heat from the transistor case and couples it into the surrounding air. Discrete heat sinks are available in various sizes, shapes, colors and materials. It is also common practice to use the chassis of the equipment as a heat sink. The heat dissipation capability of the heat sink is based on its *thermal resistance*, expressed in degrees per watt, where the watt is the rate of heat flow. Low power semiconductor devices commonly employ a clip-on heat sink while higher power units require a massive cast-aluminum, finned, radiator-style sink.

The interface between transistor case and sink is extremely important because of the problem of maintaining a low level of thermal resistance at the surfaces. If it is required to electrically insulate the device

from the sink a mica washer may be used as an insulator and the mounting bolts are isolated with *nylon* or *teflon* washers. Some case designs may have a case mounting stud insulated from the collector so that it can be connected directly to the heat sink.

If the transistor is to be soldered into the circuit, the lead temperature during the soldering process is usually limited to about 250°C for not more than 10 seconds and the connections should not be made less than  $\frac{1}{32}$  inch away from the case.

The use of a thermal conductive compound such as a zinc-oxide, silicone compound (*Corning PC-4*), for example is recommended to fill the air insulating voids between the transistor case and the sink to achieve maximum heat transfer across the interface.

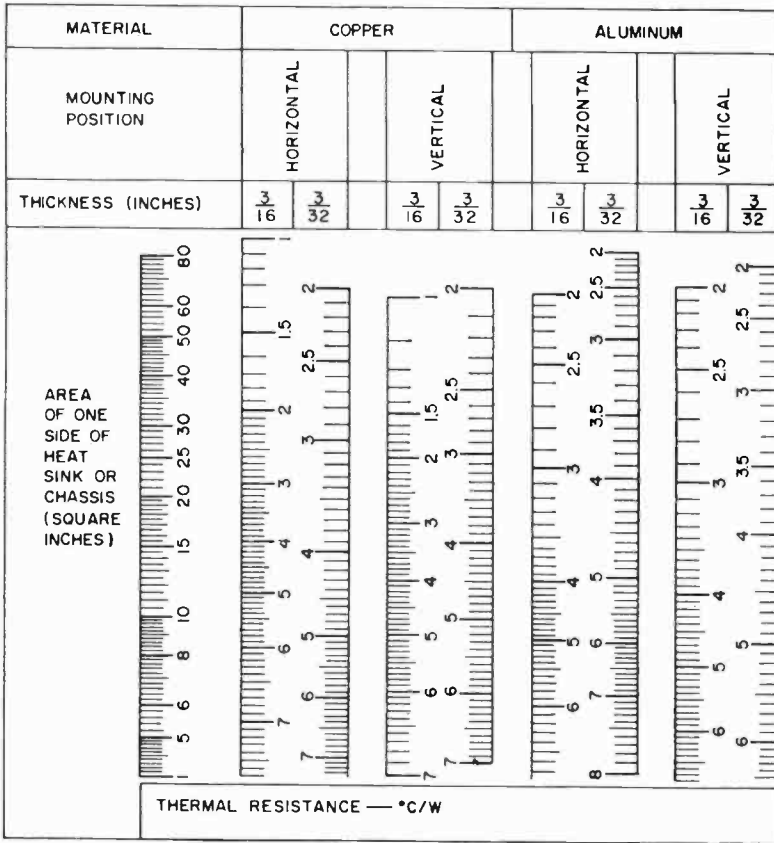
Figure 55 is a nomograph for obtaining the physical dimensions of a heat sink as a function of its thermal resistance. The data pertain to a convection- and radiation-cooled sink that is unpainted.

**Input Circuits** Once the dynamic input impedance has been determined from published data or from measurements, the input circuit may be designed. In practice, the input circuit must provide a match between a source impedance that is high compared to the input impedance of the transistor, which may be of the order of a few tenths of an ohm. Lumped LC circuits are used in the high-frequency region and air-line or strip-line circuits are used in the vhf region, as shown in figure 56.

The reactive portion of the input circuit is a function of the transistor package inductance and the chip capacitance; at the lower frequencies the input impedance is capacitive, and at the higher frequencies it becomes inductive; at some discrete intermediate frequency, it is entirely resistive. The inductive reactance present at the higher frequencies may be tuned out by means of a line section presenting capacitive reactance to the transistor. This advantageously results in an appreciable increase in overall line length, as compared to the more common quarter-wave matching transformer (figure 56D).

At the very high frequencies, the input impedance of a power transistor is commonly inductive and the interstage network of





**Figure 55**  
**DIMENSIONS OF HEAT SINK AS FUNCTION OF THERMAL RESISTANCE**

figure 57 is often used. A representative 20-watt, 150-MHz silicon device may have a series input impedance of about  $1 + j2$  ohms. Because of the low input impedance, network design and assembly is critical and care should be taken to observe the high circulating currents flowing in the final network loop, particularly through the shunt capacitance ( $C_3$ ). Current values in the amperes range may flow through this capacitor at drive powers of well less than 5 watts or so. Special ceramic microwave capacitors having an extremely high value of  $Q$  and low lead inductance are available for configurations of this type. The low-loss porcelain units are expensive, but their cost is still small compared to the expensive transis-

tors needed to produce appreciable power at the very high frequencies.

**Output Circuits** In most transistor power amplifiers, the load impedance ( $R_L$ ) presented to the collector is dictated by the required power output and the allowable peak dc collector voltage, and thus is not made equal to the output resistance of the transistor. The peak ac voltage is always less than the supply voltage and the collector load resistance may be expressed as:

$$R_L = \frac{(V_{CC})^2}{2 \times P_o}$$

where,

$V_{CC}$  equals supply voltage,  
 $P_o$  equals peak power output.

The nonlinear transfer characteristic of the transistor and the large dynamic voltage and current swings result in high-level harmonic currents being generated in the collector circuit. These currents must be suppressed by proper design of the output coupling network, which offers a relatively high impedance to the harmonic currents and a low impedance to the fundamental current (figure 58). Parallel-tuned, or pi-network circuitry may be used, with the reactive component of the output admittance tuned out by the proper design of the series choke (RFC<sub>1</sub>). At the lower frequencies, the collector of the transistor may be tapped down the tank coil as shown in the illustration. Capacitor C<sub>1</sub> provides tuning, and capacitor C<sub>2</sub> provides load matching. If the value of the inductor is properly chosen, harmonic suppression may be adequate.

A more flexible output circuit is shown in figure 59. This is commonly used with lumped constants in the hf region and also with strip-line configuration in the vhf region. A form of the lumped constant circuit is shown in figure 60.

**Mode of Operation** From the stability standpoint, the common-emitter configuration provides a more stable circuit at the higher frequencies than does the

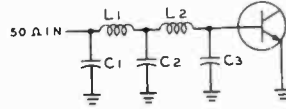


Figure 57

**TRIPLE L-NETWORK INPUT CIRCUIT**

Network steps down 50-ohm termination to low input impedance of base circuit. In the vhf region, the input impedance is commonly inductive, making up the missing series inductance of the third L network.

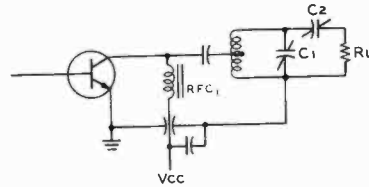


Figure 58

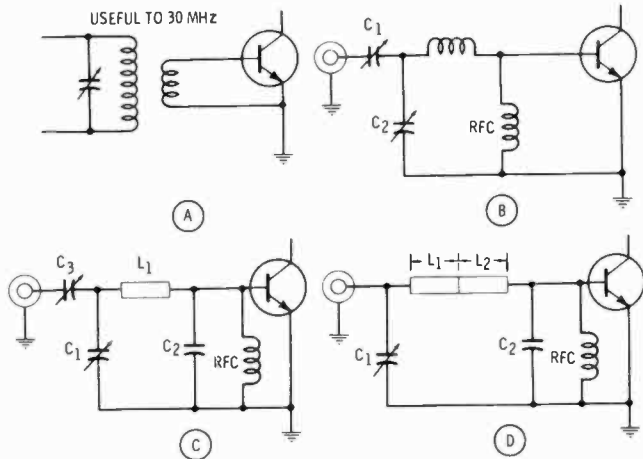
**TRANSISTOR OUTPUT MATCHING CIRCUITRY**

The reactive component of the output circuit of the transistor stage may be tuned out by proper design of the collector r-f choke (RFC<sub>1</sub>). Tuning is accomplished by capacitor C<sub>1</sub> and load matching by capacitor C<sub>2</sub>.

common-base circuit. Collector efficiency in either case is about the same. Generally speaking, breakdown voltages under r-f conditions are considerably lower than the normal dc breakdown voltages, and the capability of the r-f power transistor to work into

Figure 56  
**COMMON-EMITTER INPUT CIRCUITRY**

Gain of common-emitter circuit is very dependent on emitter series impedance which should be low. Base input impedance is usually less than one ohm and a matching circuit must be provided from a source impedance that is high compared to input impedance. A low-impedance inductive circuit (A) may be used, or various tuned networks that combine impedance transformation with rejection of harmonic frequencies (B). A linear pi network is shown at C. If the input circuit is inductive, the reactance may be tuned out by means of a line section (L) that presents a capacitive reactance to the transistor (D).



loads having a high value of SWR is limited. A well-designed circuit operated at low supply voltage where power gain is not excessive is found to be less prone to SWR mismatch. High values of SWR mismatch lead to excessive r-f peak voltages, poor efficiency, and instability.

Single-sideband, linear operation calls for class-AB transistor operation. Most high-frequency power transistors are designed for on-off (class-C) operation and the forward bias necessary to place them in a class-AB mode leaves them susceptible to *second breakdown*, a destructive phenomenon characterized by localized heating within the transistor pellet, which leads to a regenerative layer damage.

*Second breakdown* may be controlled by the addition of emitter resistance of low value. A compromise amount is usually chosen as excessive emitter resistance can limit power gain and output. Developmental transistors designed for linear amplifier service have emitter resistance in the chip, in amounts of a fraction of an ohm. Other transistor types may incorporate a zener diode on the chip to provide controlled, positive base voltage.

The forward bias must, in any event, be maintained over a wide temperature range to prevent an increase in idling current accompanied by a rise in chip temperature, which leads to a destructive runaway condition under maximum output conditions when transistor temperature is highest.

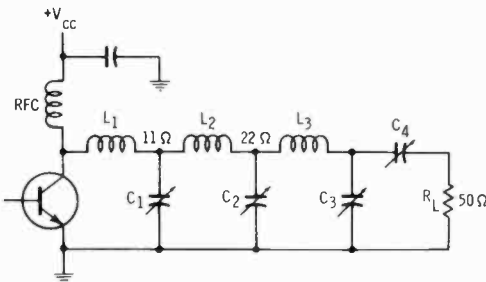


Figure 59

### REPRESENTATIVE OUTPUT MATCHING NETWORK

Transistor presents series-conjugate load impedance to network. Center point design impedances are 11 and 22 ohms. Load impedance is usually given on manufacturer's data sheet in either series or parallel equivalent.

## 11-17 Solid-State Power Amplifiers

The operating parameters for linear service present severe circuit problems for the solid-state device, among which is the wide variation in the base input impedance, which may vary widely with frequency and tuning, because of the low value of impedance and the relatively large value of collector-base capacitance. A representative 50-watt transistor designed for linear service may have a series input impedance ranging from  $4 - j2$  ohms at 3.5 MHz to  $0.5 - j 0.5$  ohms at 30 MHz.

The transistor for linear service should be chosen on the basis of good current-gain linearity at high values of collector current. A transistor having rapid  $b_{fe}$  falloff at high collector currents will generally have poor intermodulation distortion characteristics. In addition to good linearity, the device should have the ability to survive a mismatched load and maintain a low junction temperature at full power output. Transistors are available which combine these attributes, at power levels up to 100 watts PEP output, having intermodulation distortion levels of  $-30$  dB for the ratio of one distortion product to one of two test tones. Power gain and linearity are shown in figure 62 for the 2N5492 Motorola silicon transistor, specifically designed for linear amplifier service up to 30 MHz.

Operation of a solid-state linear amplifier at reduced collector voltage drastically reduces the maximum power output for a given degree of linearity since the device must deliver correspondingly higher collector peak currents for a given power output, thus placing a greater demand upon the  $b_{fe}$  linearity at high values of collector current.

**Bios Considerations** A typical class-C solid-state device is operated with both the base and emitter grounded and the transistor is cut off when no driving signal is present. The linearity of a solid-state device requires operation with forward bias, as stated previously. This implies a finite no-signal value of collector current. Optimum values of no-signal (quiescent) collector current range from 5 to 50 mA for devices in the 10- to 100-watt PEP range.

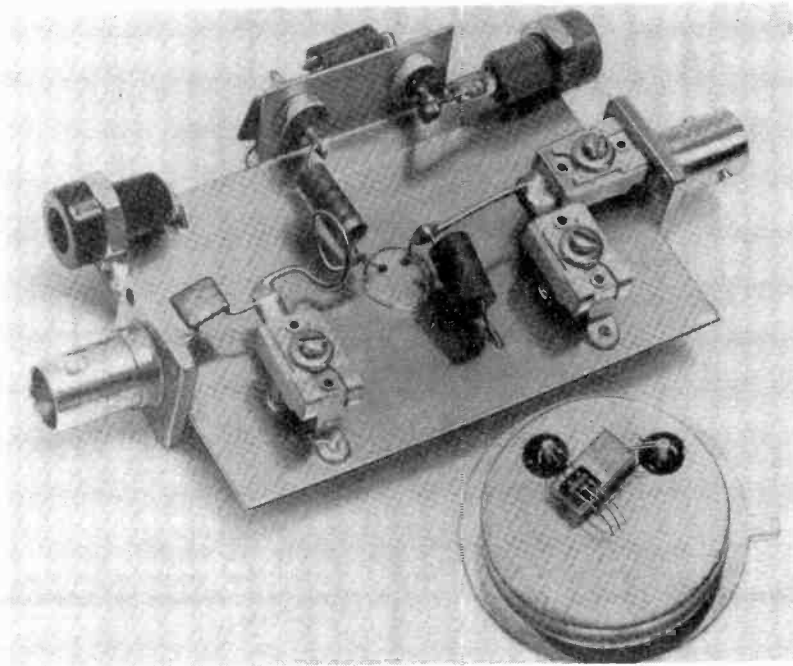


Figure 60

### HIGH-FREQUENCY TRANSISTOR AMPLIFIER SHOWING INPUT AND OUTPUT CIRCUITS

The input circuit is similar to that shown in figure 56B and the output circuit is a simplified version of that shown in figure 59. A magnified view of the transistor element is shown below the amplifier,

Such values fall under the definition of class-B operation. Class-B operation is complicated by thermal runaway problems and large variations in the transistor base current as the r-f drive level is varied. For best linearity, the dc base bias should remain constant as the r-f drive level is varied. This is in conflict with the conditions required to prevent thermal runaway. A representative bias circuit that meets these critical requirements is shown in figure 63. This circuit supplies an almost constant base bias by virtue of the zener diode ( $D_1$ ) which is also used to temperature-compensate the transistor. The diode is thermally coupled to the transistor by mounting it on the same heat sink, thus providing temperature compensation due to its decrease in forward voltage drop with increasing temperature. Using this particular transistor, base current rises from the no-signal value of 3 mA to about 200 mA at

80 watts output with a two-tone test signal. The current through the diode at the no-signal condition is about 260 mA and when r-f drive is applied, the transistor receives its additional base current from the diode, since the voltage drop across the diode is always slightly greater than the base-emitter voltage of the transistor due to the voltage drop in choke  $RFC_1$ .

Resistor  $R_1$  has a dual function in that it causes current to flow through  $RFC_1$  in the no-signal condition and it also reduces the impedance from base to ground, helping to improve the stability of the amplifier.

**Combining Power Transistors** When a single transistor is not capable of providing the output power necessary, extra devices may be added to the circuit. Or it may be desirable to use multiple devices

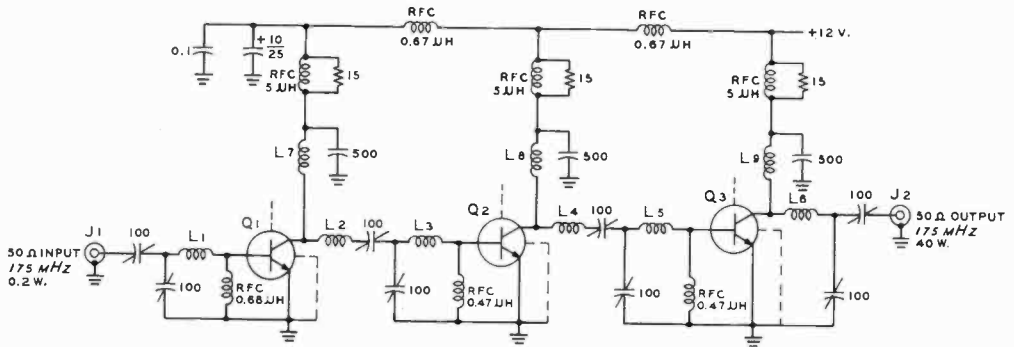


Figure 61

40-WATT, 175-MHZ THREE STAGE AMPLIFIER

- L<sub>1</sub>—#16 wire, 1/2-inch long
- L<sub>2</sub>, L<sub>4</sub>—#16 wire about 3/4-inch long formed into "U"
- L<sub>3</sub>, L<sub>5</sub>—1/4" X 1/8" strap, .005" thick about 1/2" long
- L<sub>6</sub>—1/2" X 1/4" strap, .005" thick about 1/2" long
- L<sub>7</sub>—8 turns #16 e., 1/4" diam.

- L<sub>8</sub>—6 turns, as L<sub>7</sub>
- L<sub>9</sub>—5 turns, as L<sub>7</sub>
- Q<sub>1</sub>—CTC type B3-12
- Q<sub>2</sub>—CTC type B12-12
- Q<sub>3</sub>—CTC type B40-12

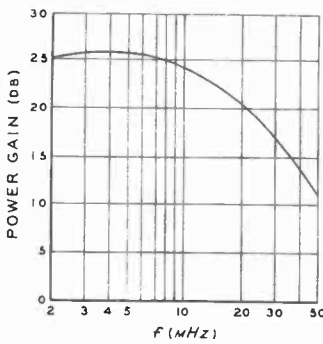
Note: 100-pF capacitors are mica compression type. (All transistors by Communications Transistor Corp.)

to achieve better reliability or heat distribution. Suitable combining choices for r-f work include the use of transformers, the use of hybrid coupling devices and the utilization of conventional LC networks.

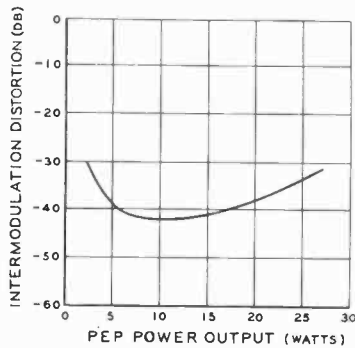
Difficulties are often encountered by unequal load sharing and matching extremely low load impedance levels when power devices are connected directly in parallel. These problems are minimized through the use of

signal splitting techniques in both the input and output networks.

Shown in figure 64 are two power transistors combined to provide twice the output power capability of a single device. Inductor L<sub>1</sub> in conjunction with capacitors C<sub>1</sub>-C<sub>1</sub> provides an impedance match between the driver impedance and the very low input impedance of Q<sub>1</sub> and Q<sub>2</sub>. This is a modified form of pi-network, inductor L<sub>2</sub> in the col-



(A)



(B)

Figure 62

POWER GAIN AND LINEARITY OF 2N5492

Motorola 2N5492 power transistor is designed for linear amplifier service up to 30 MHz and has intermodulation distortion level better than -30 dB.

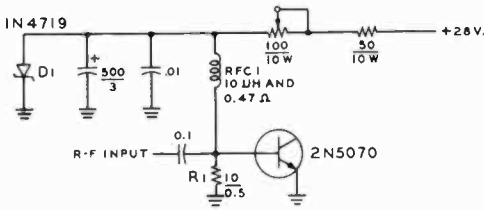


Figure 63

**BASE BIAS CIRCUIT FOR 2N5070 IN LINEAR AMPLIFIER SERVICE**

Zener diode  $D_1$  is also used to temperature-compensate the transistor by mounting it on common heat sink.

lector circuit divides the load between the transistors and permits the power output of each device to be combined at a higher impedance level at the common output terminating point.

External capacitors have been added at or near the base of each transistor to provide an impedance match at the operating frequency and a low-impedance path to ground at the second harmonic frequency for improved efficiency. In some transistors, these capacitors are incorporated in the device.

Resistors  $R_1$  and  $R_2$  help compensate for differences that may occur in transistor power

gains and input impedances and therefore help equalize load sharing between the two devices. This results in improved amplifier stability as collector voltage and drive levels are varied. Under symmetrical conditions, signals equal in phase and amplitude will appear on each terminal of  $R_1$  and each terminal of  $R_2$  and thus no current will flow through the resistors. In a practical case, a small current will flow but its effect on the matching network is minimal.

The inductors  $L_2$  and  $L_1$  function as r-f chokes, but also must present a low impedance at frequencies below the lowest operating frequency. This is necessary in order to assure stable operation, since the device gain is very high and the normal transmitter load is essentially removed by series coupling capacitor  $C_5$  at these frequencies. In addition, the inductors must have a low dc resistance to permit efficient operation at the dc current levels involved.

Because of lead inductance and other parasitic effects, actual capacitance values may deviate significantly from the design values, particularly at the higher frequencies and representative capacitors should be measured at the desired operating frequency. For example, a mica capacitor having a nominal low-frequency value of 125 pF can exhibit

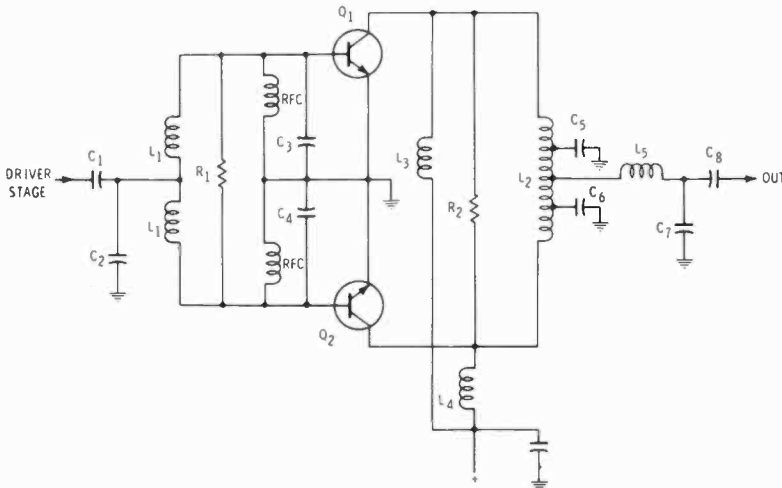


Figure 64

**OUTPUT STAGE COMBINES TWO TRANSISTORS TO PROVIDE TWICE THE POWER OF A SINGLE DEVICE**

Signal splitting networks and load equalizing resistors provide equal load sharing for two transistors. Conventional LC networks are used to provide inexpensive circuitry. Coils  $L_1$  and  $L_2$  are air wound inductors. Capacitors are ceramic chip.

an effective capacitance as high as 147 pF at 175 MHz.

**Broadband Circuitry** The use of transmission-line type wideband transformers permits the construction of a single-ended broadband amplifier (figure 65), whose power gain versus frequency performance is shown in figure 62. The special transformers consist of a low-impedance, twisted wire transmission line wound about a ferrite toroid. These devices have a much wider frequency response than conventional core-coupled or air-coupled transformers due to the utilization of transmission-line techniques and design. A representative transformer is shown in figure 66. The characteristic impedance of the twisted line is the geometric mean between the two impedances to be matched and the optimum length of the line is somewhat shorter than an eighth-wavelength at the highest frequency of operation. The impedance of the line is affected by the wire size, tightness of the twist (designated in *crests per inch*) and the number of wires in the line. In general, the impedance may be decreased by using larger wires, a tighter twist, or increasing the number of wires. In the transformer shown in the illus-

tration, four small wires connected in parallel are used for each line, colored insulation being used for ready identification of wires.

The ferrite core selected for the hf transformer is material usually used at frequencies below 10MHz. Optimum performance over the hf range is achieved with a low-frequency core, since these transformers are not core-coupled and the primary function of the core is to increase winding inductances to improve performance at the lower end of the operating frequency range.

Transformation ratios of 4:1 or 9:1 may be achieved with the proper winding connections. Two series-connected transformers can be used to achieve greater ratios, if required. Additional information on transformer design may be obtained in Motorola Application Note AN-546, available from *Motorola Semiconductor Products, Inc.*, Box 20912, Phoenix, AZ 85036. A representative amplifier schematic utilizing these wideband transformers was shown in figure 65.

**Broadband Push-pull Circuitry** Broadband push-pull transformers made up of a ferrite core stack provide hf coverage from 3 to 30 MHz (figure 67). The low-impedance primary winding consists of one

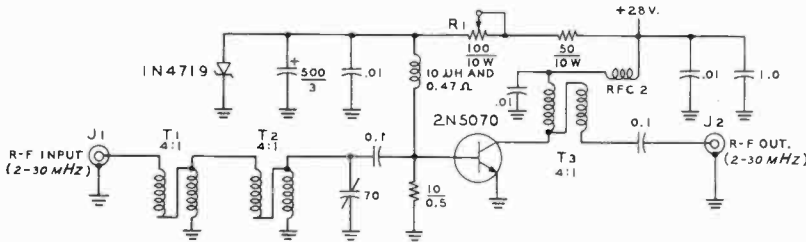


Figure 65

**BROADBAND 2- TO 30-MHz LINEAR AMPLIFIER USING 2N5070**

Nominal 50-ohm input is stepped down to the base impedance by series-connected 4:1 balun transformers. Single 4:1 balun transformer steps up collector impedance to 50-ohm level.

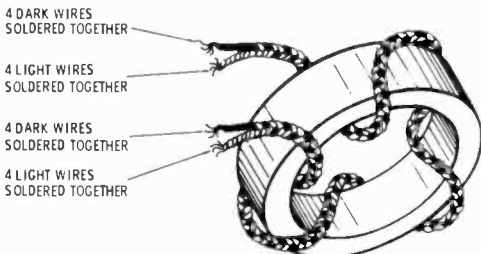


Figure 66

**BROADBAND FERRITE TOROID TRANSFORMER**

A short transmission line made of twisted conductors is wound on the ferrite core. In this example, each conductor consists of four wires in parallel.

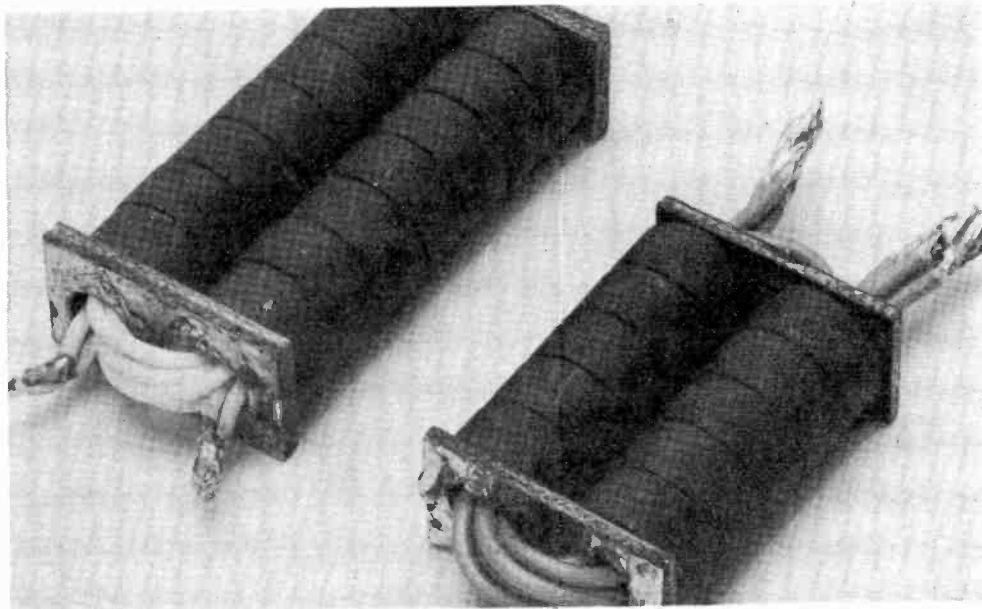


Figure 67

### BROADBAND FERRITE-CORE TRANSFORMERS

These small transformers are used with two power transistors to provide high-frequency coverage from 3 to 30 MHz. The primary of the transformer consists of two brass tubes connected together at one end by a copper clad plate, forming a U-turn. The opposite ends of the tubes are provided with insulated terminations for direct connection to the transistors (see transformer at right). The secondary winding is made up of parallel-connected lengths of flexible hookup wire. Ferrite cores are slipped over the brass tubes to complete the assembly. The larger transformer is  $1\frac{3}{4}$ " long and uses  $\frac{1}{2}$ " diameter ferrite cores. It is rated at 200 watts PEP input. The transformer at right is  $1\frac{1}{4}$ " long and is rated at 100 watts PEP input.

turn of brass tubing soldered to printed circuit board end plates. Ferrite beads are slipped over the tubing. The impedance transformation ratio depends on the number of secondary turns, two turns providing a 4:1 ratio, 3 turns a 9:1 ratio, and 4 turns a 16:1 ratio. The secondary turns are made by passing insulated wire through the primary winding tubes. The simplicity and ease of construction provide a balanced transformer that is rugged, adaptable to printed-circuit board construction and relatively inexpensive. A representative amplifier utilizing these transformers is shown in figure 68.

**The Power Combiner** Solid-state amplifiers may be connected together with a *power combiner* to provide twice the power output of one amplifier (figure 69). In this example, two 30-MHz amplifiers are combined at a 50-ohm impedance. The network converts a nominal 50-ohm source and load impedance into two 50-ohm ports which are in phase. Any amplitude or phase imbalance causes power to be dissipated in the load resistor, thus assuring equal load sharing between the two amplifiers. A number of amplifier units may be combined in this fashion to provide very high power, solid-state amplifiers for hf or vhf operation.

## Part II—VHF Circuits

The representative circuits discussed in the first part of this chapter apply equally as

well to the vhf portion of the spectrum as they do to the lower frequencies. At the



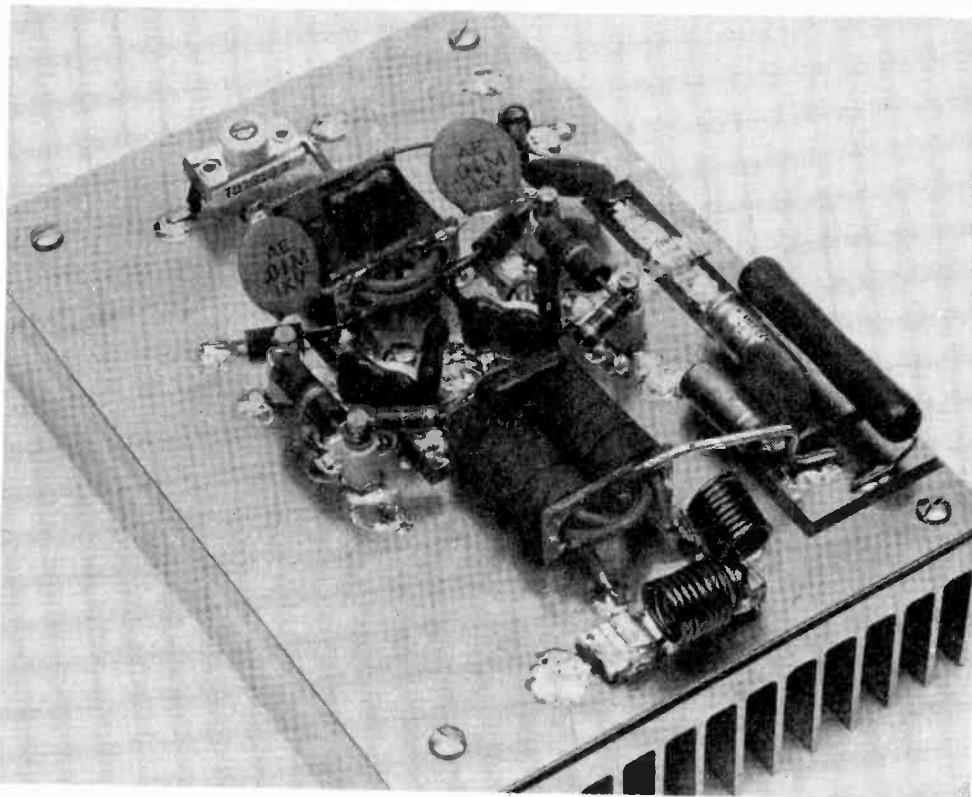


Figure 68

### SOLID STATE 100-WATT PEP LINEAR AMPLIFIER

The transistors are mounted to a printed-circuit board which, in turn, is fixed to the aluminum heat sink. The input and output broadband transformers are placed immediately adjacent to the transistors, with the r-f feedback circuitry grouped around the transistors. A third harmonic LC filter in the output circuitry is in the foreground.

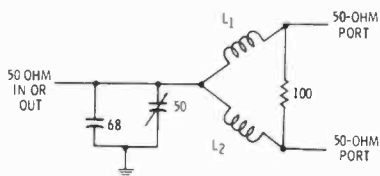


Figure 69

### POWER COMBINER FOR 28-30 MHz

This lumped constant combiner serves as either an input or output combiner. Coils  $L_1$  and  $L_2$  are 11 turns #18 wire,  $\frac{3}{8}$ " diam. As an input combiner,  $R_1$  is 100 ohms, 2-watt carbon. As an output combiner,  $R_1$  is 100 ohms, 25-watt Dale type NH-25.

(Design courtesy of Communication Transistor Corp.)

very-high frequencies, however, the clear distinction between external lumped circuit parameters and the amplifying device becomes indistinct and different design techniques are required to achieve proper circuit and tube efficiency.

### 11-18 Vacuum-Tube Limitations

The vacuum tube becomes progressively less efficient as the frequency of operation is raised requiring more drive power for a given power output level. At the same time, the input impedance of the tube drops as does the

maximum impedance realizable in the plate circuit. *Lead inductance* of tube and socket create undesirable r-f voltage drops so that the available driving r-f voltage does not appear across the tube elements (figure 1A). In addition, the interelectrode capacitance of the tube approaches a large fraction of the capacitance required to establish circuit resonance with the result that the tank circuit may "disappear" within the tube (figure 1B). The combination of lead inductance and interelectrode capacitance of the tube will cause an internal resonance in the upper vhf region, possibly leading to parasitic oscillation and instability.

**Cathode Lead Inductance** Tube gain is adversely affected by *cathode lead inductance* which, in conjunction with grid-cathode capacitance, causes a resistive load to appear across the input of the tube. This load results from a voltage drop across the cathode lead inductance which drives the cathode as in a grounded-grid amplifier stage. A portion of the drive signal thus appears in the output circuit (termed *feedthrough* power) which must be supplied by the driving stage. As the frequency of operation is raised, input loading due to cathode lead inductance rises, roughly as the square of the increase in frequency. Thus, input loading is nine times as great at 432 MHz as it is at 144 MHz for a given tube.

The cathode lead inductance may be neutralized by choosing a value of cathode bypass capacitance such that the total lead inductance (tube, socket, and stray circuit inductance) is approximately series-resonant at the operating frequency, as shown in figure 2.

Cathode lead inductance may also be neutralized by placing an inductance ( $L_K$ ) in series with the screen-to-ground circuit as shown in figure 3 or by utilizing the grid structure of the tube as a screen and placing the exciting signal on the cathode (figure 4). The cathode lead inductance is now a part of the input tuned circuit and the *grid lead inductance* (while having a voltage drop across it) usually is of much smaller magnitude than cathode lead inductance in a well designed vhf tube.

The grid lead inductance can either cause instability and a loss of drive voltage or it may provide a method of neutralizing the

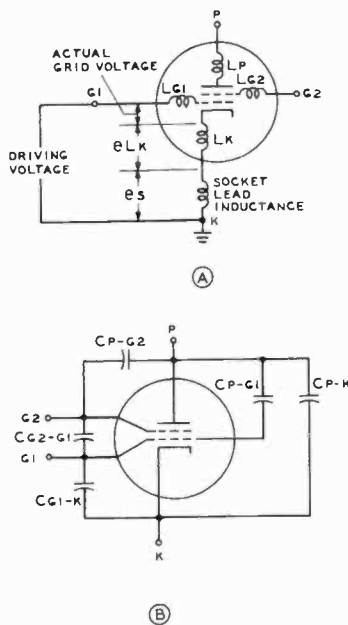


Figure 1

**LEAD INDUCTANCE AND INTERNAL CAPACITANCE**

A—Interelectrode capacitances of the tube may approach a large fraction of the capacitance required to establish circuit resonance. B—Lead inductance of the tube and socket creates voltage drops so that only a portion of the drive voltage appears between grid and cathode.

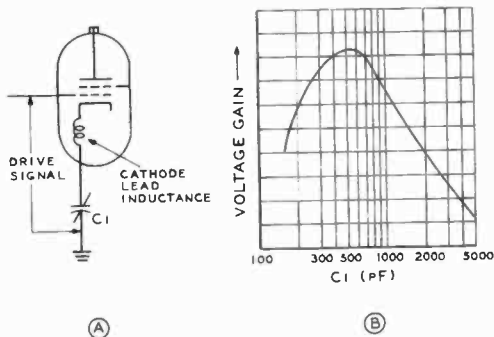


Figure 2

**CATHODE LEAD INDUCTANCE**

A—Cathode lead inductance is neutralized by series-resonant cathode circuit. B—Voltage gain of the tube may be peaked by adjustment of cathode bypass capacitor.

amplifier, as discussed in the previous part of this chapter.

**Screen Lead Inductance** *Screen lead inductance* may help or hinder the operation of the tube. Below the self-neutralizing frequency of the tube (see Part I, Section 11-7) screen lead inductance is detrimental to amplifier stability as r-f current flowing through the inductance will cause an unwanted r-f voltage to be developed on the screen element. At operating frequencies above the self-neutralizing frequency, a variable screen-bypass capacitor is sometimes added to allow the self-neutralizing frequency to be moved up to the operating frequency.

**Input Capacitance** The *input capacitance* of a grid-driven tetrode is the sum of the grid-cathode and grid-screen capacitances. The larger the input capacitance the lower the reactance and the greater the exciting current needed to charge the capacitance. The driving stage must supply the current to charge this capacitance. Stray input capacitance external to the tube must be held to the minimum value, and peak driving voltage should be limited by operating with low bias to reduce the effects of charging current and accompanying waste of drive power. The charging current can cause heating of the tube seals and expansion and detuning of the resonant circuits.

The cathode-driven amplifier has a lower input capacitance for a given tube than the grid-driven equivalent since the input capacitance consists only of the cathode-grid capacitance, and its use is widespread in vhf equipment.

**Feedback Capacitance** The *feedback capacitance* in a grid-driven amplifier is the grid-plate capacitance of the tube, which becomes a larger factor in circuit design as the frequency of operation is raised. The cathode-driven amplifier minimizes feedback capacitance since the cathode-plate capacitance is usually quite small in most vhf tetrode tubes, with the grid (or grids) shielding the output from the input circuit.

Regardless of circuitry, the higher the operating frequency is, the greater are the chances for amplifier instability due to r-f feedback from the output through the feedback capacitance of the tube to the input circuit.

**Circuit and Tube Losses** The power losses associated with tube and circuit all tend to increase with frequency. In the vhf region all r-f current flows in the surface layers of a conductor because of *skin effect*. Resistance and r-f losses in a conductor increase with the square root of the frequency, since the layer in which the current flows decreases in thickness as the frequency of operation increases. Additional circuit losses will accrue due to *radiation of energy* from wires and components carrying r-f current. The power radiated from a short length of conductor increases as the square of the frequency.

*Dielectric loss* within insulating supports in the tube and in external circuitry increases directly with frequency and is due to the molecular movements produced within the

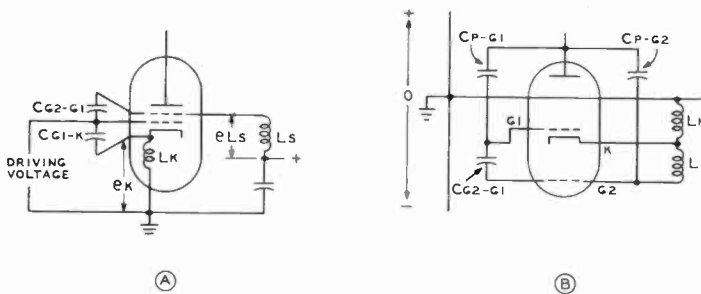


Figure 3

## VHF SCREEN NEUTRALIZATION

A—Cathode lead inductance may be neutralized by placing inductance in series with screen-to-ground circuit. B—Cathode and screen lead inductances form bridge with grid-to-screen and grid-to-plate capacitances. Bridge balance places grid and cathode at same voltage level as far as internal feedback is concerned. Bridge is balanced by adjustment of screen inductor  $L_s$ .

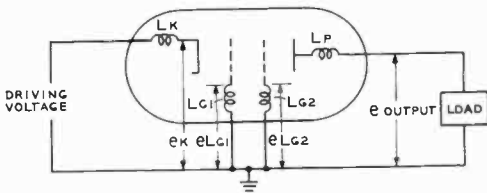
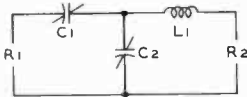


Figure 4

**CATHODE-DRIVEN VHF AMPLIFIER**

Cathode lead inductance is part of the input circuit and a degenerative signal now appears across grid-to-ground inductance. Grid inductance ( $L_c$ ) may be used for neutralization of the stage when proper phase shift is present.



$$R_1 > R_2$$

$$X_{L1} = Q_L R_2$$

$$X_{C1} = R_1 \sqrt{\frac{R_2(Q_L^2 + 1)}{R_1} - 1}$$

$$X_{C2} = \frac{R_2(Q_L^2 + 1)}{Q_L} \cdot \frac{1}{1 - \left(\frac{X_{C1}}{Q_L R_1}\right)}$$

$Q_L =$  LOADED Q OF NETWORK

Figure 5

**T-NETWORK FOR CATHODE-DRIVEN AMPLIFIER**

Simple T-network can be used for step-down or step-up transformation between cathode impedance and nominal 50-ohm termination. In this circuit,  $R_1$  is greater than  $R_2$ . Network Q of 2 to 5 is commonly used.

dielectric by the electric field. Both dielectric and radiation loss contribute to a general reduction in tube and circuit efficiency as the frequency of operation is raised.

**Transit-Time Effect** *Transit time* is the finite time an electron takes in passing from the cathode to the grid of a tube and is a function of the grid-to-cathode spacing and grid-to-cathode voltage, increasing as the frequency of operation is increased. If transit time is an appreciable fraction of one operating cycle, electrons in transit will be "out of step" with instantaneous grid potential, and the resulting plate

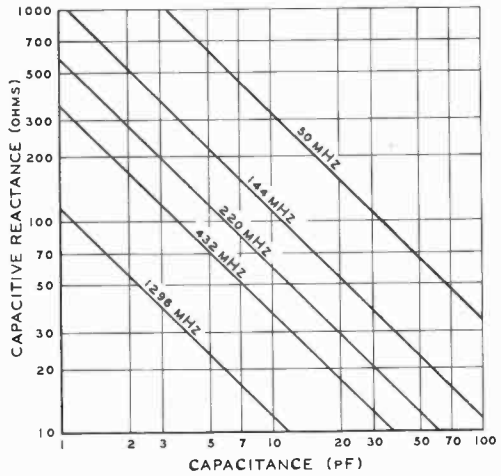


Figure 6

**REACTANCE CHART FOR VHF BANDS**

current pulses are not as sharp and defined as the current pulses liberated from the cathode. This increases the conduction angle of operation and reduces the plate efficiency of the tube.

**11-19 Input and Output Circuitry**

Single-ended vhf amplifiers make use of linear versions of parallel-tuned or network circuits in the input and output configurations. A practical and simple input circuit for a cathode-driven amplifier is the version of the T-network shown in figure 5. For the lower portion of the vhf region the network can be made up of lumped constants.

The output circuitry, in addition to matching the tube to the transmission line may also be called upon to dissipate the anode heat of the tube. In order to do this, and to prevent rapid detuning of the circuit with rising temperature, the circuit Q should be as low as practicable. The strip-line technique (see chapter 10, part II) is often used since it provides a large thermal capacity and requires a minimum of machine work, as compared to a coaxial cavity.

The strip line (or cavity) can operate in the 1/4-, 1/2- or 3/4-wave mode, with increasing loaded Q, increasing impedance, and decreasing bandwidth as the electrical length is

increased. The impedance of the output circuit is limited by tube and stray output capacitance:

$$X_c = Z_0 \times \tan l$$

where,

$X_c$  = tube and stray output capacitance,

$Z_0$  = characteristic impedance of line or cavity,

$l$  = length of line or cavity in electrical degrees.

For minimum loaded  $Q$  and greatest bandwidth, the ratio  $X_c/Z_0$  should approximate 0.5 for a quarter-wave circuit and 0.83 for a half-wave or three quarter-wave circuit.

Strip-line or coaxial circuit design may be aided by the charts of figures 6 and 7. For example, a 3CX1000A7 high- $\mu$  triode in grounded-grid configuration has an average output capacitance (plate-to-grid) of 15 pF. Circuit stray and tuning capacitance are estimated to total 15 pF. At 144 MHz,  $X_c$  is about 35 ohms for the total value of 30

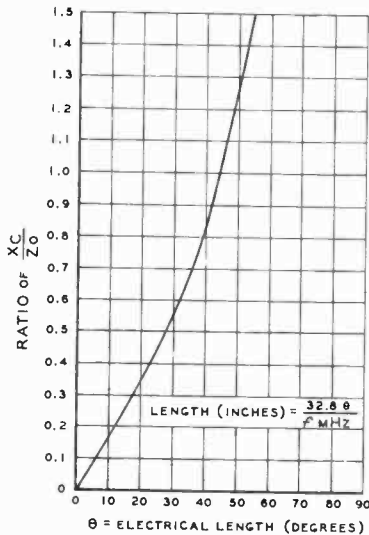


Figure 7

### ELECTRICAL LENGTH OF LINE AS FUNCTION OF $X_c/Z_0$

pF. For an  $X_c/Z_0$  ratio of 0.5 and given the  $X_c$  value of 35 ohms the line impedance

should be about 70 ohms. From figure 7, the point  $X_c/Z_0 = 35$  is found and the line length noted to be 27 electrical degrees, or about  $6\frac{1}{8}$  inches. This is the total physical length of the strip line and includes the path through the tube anode cooler and tuning capacitor. If this short a line poses coupling problems, the experimenter may go to a longer half wavelength line, with the attendant problems of increased circuit  $Q$  for the longer length.

The line, in any event, resonates with a fixed value of capacitance and decreasing line impedance increases the electrical length, whereas increasing line impedance decreases the electrical length.

#### The Half-Wavelength Line

The half-wavelength line or cavity is useful when the capacitance of the tube is appreciable and the use of a quarter-wavelength line places the low impedance end of the line close to the tube socket terminals. A single ended, half-wave strip-line circuit is shown in figure 8 with the tuning adjustment placed at the high-impedance end of the line at the point of low impedance and minimum r-f voltage. The whole circuit, including the output capacitance of the tube, becomes an electrical half wavelength, capacitively loaded at one end by the tube, and at the other by the tuning capacitor.

Though plate circuitry is shown in these examples, the principle applies equally well to grid circuitry.

#### Tank Circuit Impedance

The characteristic impedance of the transmission line making up the resonant tank circuit must be known in order to determine the physical attributes of the configuration. The characteristic impedance of parallel and coaxial lines having an air dielectric are given in figure 9. The impedance of an open *trough line* having height to width ratios of 0.33, 0.50 and 0.66 may be determined from the graph of figure 10. The characteristic impedance of a strip line having various height to width ratios can be calculated with the aid of the nomograph of figure 11.

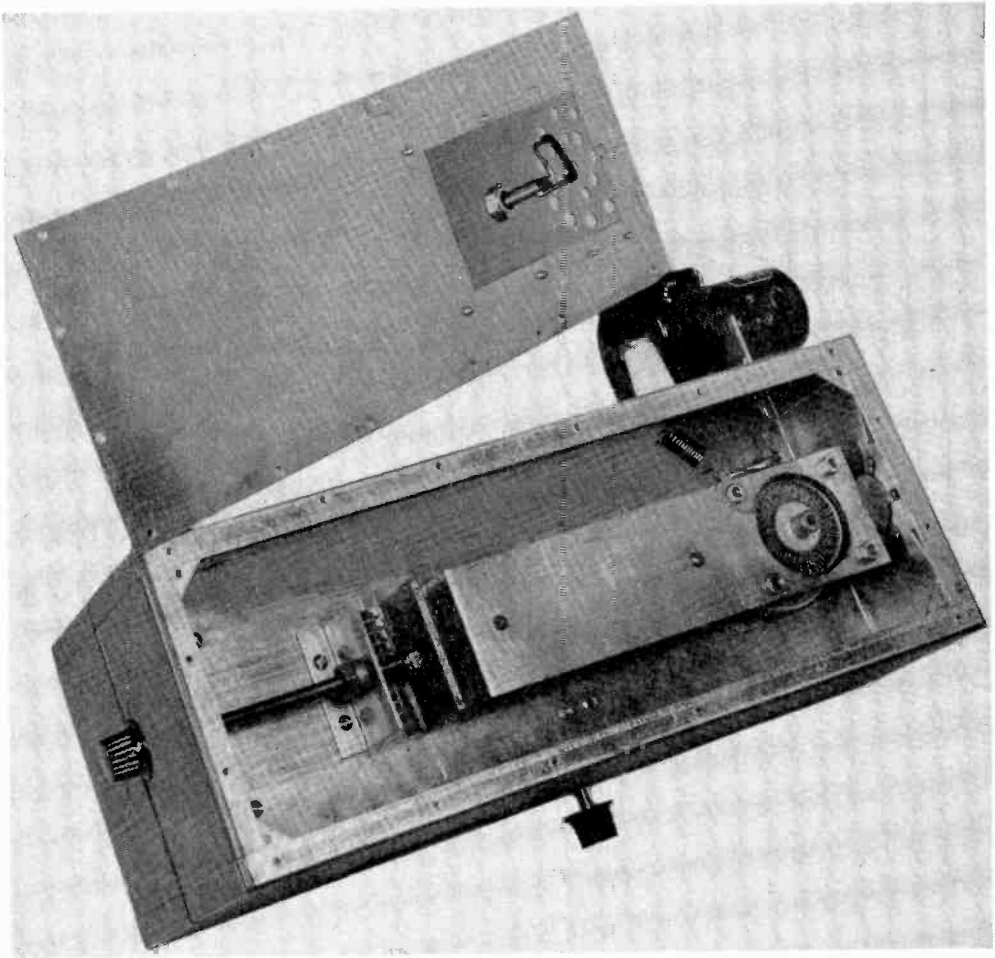


Figure 8

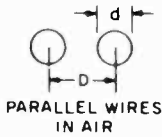
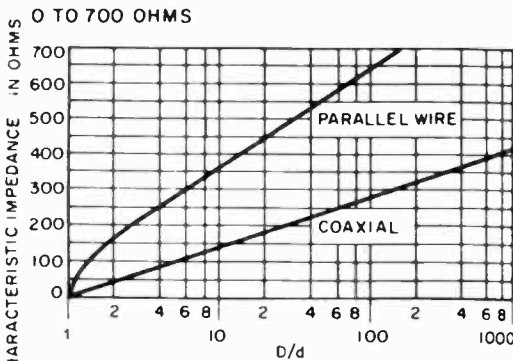
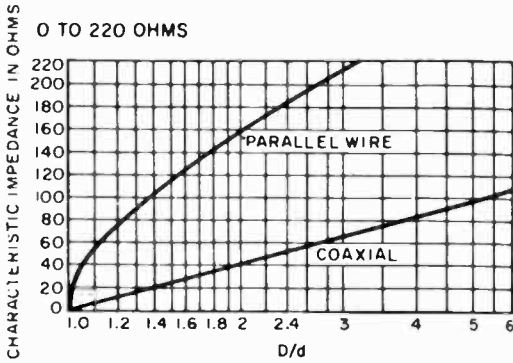
### HALF-WAVELENGTH STRIP-LINE PLATE CIRCUIT

Tuning capacitor is placed at the high-impedance end of the line away from the tube. Inductive output coupling loop is placed at a low-impedance on the line, near the center.

## 11-20 Solid-State VHF Circuitry

Power transistors are available that provide up to 150 watts power output to over 200 MHz and up to 100 watts power output to 500 MHz for class-C service. Experimental transistors can provide upward of 50 watts in class-C operation at frequencies in excess of 1000 MHz. These devices make practical, low cost solid-state power amplifiers for amateur f-m service up through 432 MHz.

Vhf power transistors are tailored for operation over certain popular frequency ranges (25-80 MHz, 100-200 MHz, or 200-600 MHz, for example) and the power capability and reliability require that the user operate the device within the intended range, since the ruggedness of the vhf power transistor is a function of *both* voltage and frequency. A transistor rated for operation near 175 MHz, will be less rugged at 100 MHz and may be too delicate for use at 30 MHz. In addition, the device must be operated well within the manufacturer's



$$Z_0 = 120 \cosh^{-1} \frac{D}{d}$$

FOR  $D \gg d$

$$Z_0 \approx 276 \log_{10} \frac{2D}{d}$$



$$Z_0 = \frac{138}{\sqrt{\epsilon}} \log_{10} \frac{D}{d}$$

CURVE IS FOR  $\epsilon = 1.00$

Figure 9

**CHARACTERISTIC IMPEDANCE OF PARALLEL AND COAXIAL LINES HAVING AIR DIELECTRIC**

rating and due attention paid to the standing-wave ratio appearing on the transistor output load network.

For f-m service, the vhf transistor is operated in the zero bias, class-C mode and strip-line circuitry is commonly employed.

**Circuit Techniques** Transistor input and output impedances are extremely low and stray circuit inductance and ground current return paths play a

large role in circuit design. Impedance levels of one ohm, or less, are common and lead length in r-f circuitry of 0.1 inch or so become quite critical. Special vhf ceramic capacitors having ribbon leads may be used in impedance matching circuits and uncased mica/porcelain chip capacitors used for high r-f current paths. The technique of grounding the r-f components becomes a very critical aspect of the circuit design as a result of the very low impedance characteristics of the transistor.

The common-base or common-emitter lead should be grounded *at the body* of the transistor for proper performance. With the strip-line package, the device may be mounted to a ground plane (such as a printed-circuit board) as shown in figure 12. Dual-surface board is used, with the top and bottom ground planes connected together using straps under each emitter lead. Capacitors in the input matching network require a good ground and extremely low inductive impedance. Two small chip capacitors are often used in parallel at this point, as shown in the illustration.

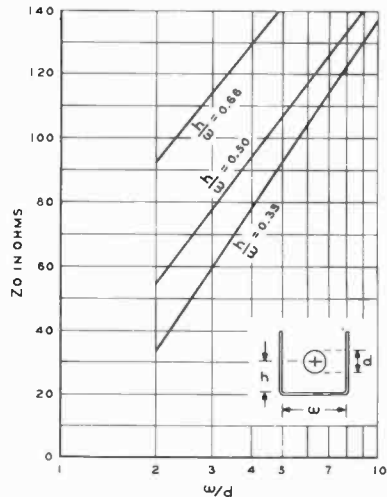


Figure 10

**CHARACTERISTIC IMPEDANCE OF OPEN THROUGH LINE FOR VARIOUS HEIGHT TO WIDTH RATIOS**

The stud-mounted transistor should be mounted on a flat surface (figure 13) for proper heat transfer. The flange connections should not be twisted or bent, and should

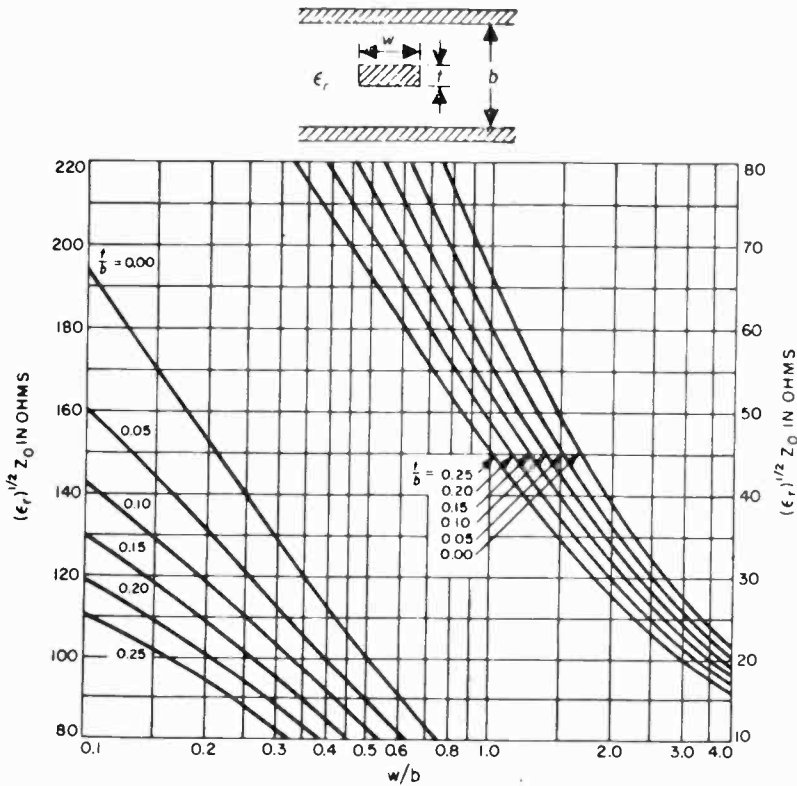


Figure 11

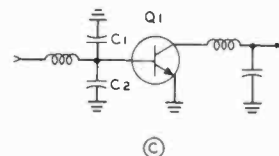
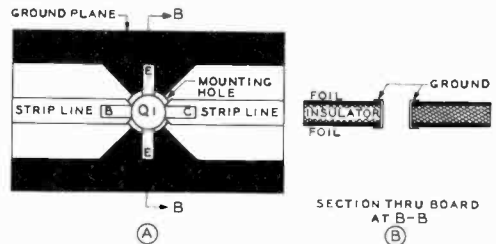
PLOT OF STRIP TRANSMISSION LINE  $Z_0$  VERSUS  $w/b$  FOR VARIOUS VALUES OF  $t/b$ .

For lower left family of curves, refer to left-hand ordinate values; for upper right curves, use right-hand scale.

Figure 12

VHF TRANSISTOR MOUNTED IN STRIP-LINE CONFIGURATION

(A) Two emitter leads of transistor are connected to ground plane. Base and collector leads are soldered to resonant strip lines. Dual-surface board is used with top and bottom ground planes connected together with straps under each emitter lead (B). Small ceramic chip capacitors are often placed in parallel at base terminal to form portion of input matching network (C). Extremely low impedance to ground is required at this point because current flowing in capacitors is heavy.





not be stressed when the transistor is torqued to the heat sink. Silicone grease should always be used on the stud to lower the thermal resistance between transistor and sink.

The transistor user should remember that the vhf power transistor will not tolerate overload as the thermal time constant of the small chip is very fast, thus, the allowable dissipation rating of the transistor must be capable of handling momentary overloads. Generally speaking, for class-C operation,

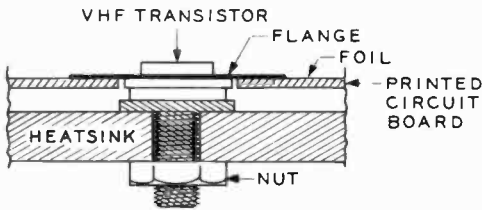


Figure 13

**STUD-MOUNTED TRANSISTOR IS BOLTED TO HEAT SINK**

Flange connections of transistor should not be twisted or bent. Printed-circuit board is elevated above the heat sink so that flange leads are not stressed and provide shortest possible connection to the strip line. Silicon grease is used on the stud to lower thermal resistance between transistor and heat sink.

the r-f output level of the vhf power transistor should be held to about 50 percent of the power dissipation rating.

**VHF Circuit Design** Vhf transistor circuitry involves impedance matching networks and dc feed systems. It is common practice to make networks up of simple, cascaded L-sections which provide low-pass filter characteristics and ample impedance transfer. If the Q of each step of the network is held to a low figure (2 or 3), the bandwidth of the amplifier will be wide enough to cover any of the vhf amateur bands. Representative two-section networks for input and output terminations are shown in figure 14.

The transistor input impedance in the vhf range is usually inductive and a shunt capacitor (circuit A, capacitor  $C_3$ ) is used to cancel the reactive portion of the impedance. Two series-connected L-sections are used, the first matching the 50-ohm input impedance down to 15 ohms and the second matching down from 15 ohms to the 5-ohm impedance level of the transistor. The intermediate impedance point is often chosen as the mean value between the output and input impedance levels. If a strip-line configuration is used, line impedance may be taken as the mean value to simplify calculations.

The vhf transistor generally has a capacitive reactance and the proper load impedance is usually given by the manufacturer. A series inductance (circuit B, inductor  $L_1$ ) equalizes the series capacitance of the device and two series-connected L-sections step the transistor impedance level up to 50 ohms.

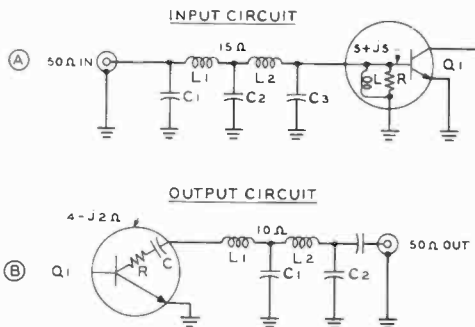


Figure 14

**INPUT AND OUTPUT MATCHING NETWORKS**

(A) Input impedance of vhf transistor, typically, is inductive. Two-section network with center impedance of 15 ohms matches 50-ohm input to the base circuit of the transistor. (B) Output impedance presents a low value of series reactance. Two-section network with center impedance of 10 ohms provides proper match to 50-ohm termination. Circuit Q of networks is held to 2 or 3 for optimum bandwidth.

**DC Feed Systems Design** The dc feed network permits the operating voltages to be applied to the transistor without interfering with the r-f circuitry. Voltages may be fed to the transistor via r-f chokes, which must be carefully designed in order to prevent low-frequency parasitic oscillations. Transistor gain increases rapidly with decreasing signal frequency and a figure of 40 dB is not uncommon for low-frequency gain. The dc feed network therefore must present a load impedance which will not sustain low-frequency oscillation. This may be done by using as small r-f chokes as pos-

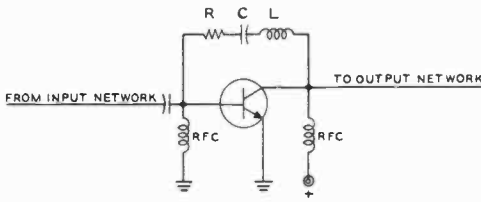


Figure 15

**NEGATIVE COLLECTOR FEEDBACK DECREASES LOW-FREQUENCY STAGE GAIN**

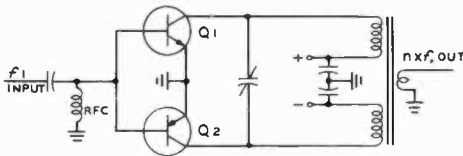


Figure 16

**COMPLEMENTARY BASE-DRIVEN MULTIPLIER**

Circuit may be considered to be either push pull or push push depending on phasing of the collector windings. Only one winding need be reversed to change mode of operation.

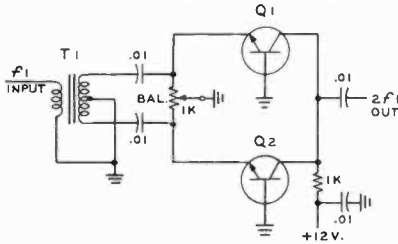


Figure 17

**BROADBAND PUSH-PUSH DOUBLER**

Balancing potentiometer permits attenuation of fundamental and third harmonic levels when circuit is used as a frequency doubler.

Figure 18

**PARAMETRIC FREQUENCY MULTIPLIER**

Bipolar transistor makes use of base-collector depletion capacitance to work as frequency multiplier. Idler circuits are used to reflect undesired harmonics back to collector-base capacitance.

sible consistent with the operating frequency and impedance level and large bypass capacitors. In addition negative collector feedback can be used to decrease the stage gain below the design frequency (figure 15).

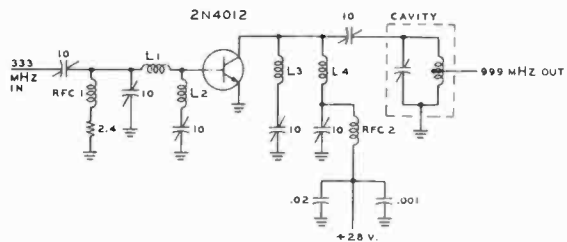
**11-21 Frequency Multipliers**

Although single-transistor frequency multipliers are most common, it is possible to use the push-pull multiplier for high order odd multiples and the push-push multiplier for high order even multiples of the fundamental frequency.

It is possible to build multipliers using bipolar transistors that are impossible to realize with tubes, because both NPN and PNP types of active devices are available.

Figure 16 shows a complementary base-driven frequency multiplier. It may be considered to be either a push-pull or a push-push configuration depending upon the phasing of the collector windings. Only one winding need be reversed to change from one design to the other since it is the balance of the circuit, in addition to the selectivity of the output tank, that attenuates adjacent harmonics in the output. A broadband hf push-push doubler is shown in figure 17. In this configuration, the amplitude of the fundamental and third-harmonic signals are respectively 28 dB and 32 dB below the level of the second harmonic output signal.

A second mechanism that may be used for frequency multiplication makes use of the base-collector depletion capacitance and is called *parametric multiplication* (figure 18). A number of idler circuits are used to reflect undesired harmonics back to the collector-base capacitance.



## Part III — R-F Feedback

Comparatively high gain is required in single-sideband equipment because the signal is usually generated at levels of one watt or less. To get from this level to a kilowatt requires about 30 dB of gain. High gain tetrodes may be used to obtain this increase with a minimum number of stages and circuits. Each stage contributes some distortion; therefore, it is good practice to keep the number of stages to a minimum. It is generally considered good practice to operate the low-level amplifiers below their maximum power capability in order to confine most of the distortion to the last two amplifier stages. *R-f feedback* can then be utilized to reduce the distortion in the last two stages. This type of feedback is no different from the common audio feedback used in high-fidelity sound systems. A sample of the output waveform is applied to the amplifier input to correct the distortion developed in the amplifier. The same advantages can be obtained at radio frequencies that are obtained at audio frequencies when feedback is used.

### 11-22 R-F Feedback Circuits

R-f feedback circuits have been developed by the *Collins Radio Co.* for use with linear amplifiers. Tests with large receiving and small transmitting tubes showed that amplifiers using these tubes without feedback developed signal-to-distortion ratios no better than 30 dB or so. Tests were run employing cathode-follower circuits, such as shown in

figure 1A. Lower distortion was achieved, but at the cost of low gain per stage. Since the voltage gain through the tube is less than unity, all gain has to be achieved by voltage step-up in the tank circuits. This gain is limited by the dissipation of the tank coils, since the circuit capacitance across the coils in a typical transmitter is quite high. In addition, the tuning of such a stage is sharp because of the high-*Q* circuits.

The cathode-follower performance of the tube can be retained by moving the r-f ground point of the circuit from the plate to the cathode as shown in figure 1B. Both ends of the input circuit are at high r-f potential so inductive coupling to this type of amplifier is necessary.

Inspection of figure 1B shows that by moving the top end of the input tank down on a voltage-divider tap across the plate tank circuit, the feedback can be reduced from 100%, as in the case of the cathode-follower circuit, down to any desired value. A typical feedback circuit is illustrated in figure 2. This circuit is more practical than those of figure 1, since the losses in the input tank are greatly reduced. A feedback level of 12 dB may be achieved as a good compromise between distortion and stage gain. The voltage developed across  $C_2$  will be three times the grid-cathode voltage. Inductive coupling is required for this circuit, as shown in the illustration.

The circuit of figure 3 eliminates the need for inductive coupling by moving the r-f ground to the point common to both tank circuits. The advantages of direct coupling between stages far outweigh the disadvan-

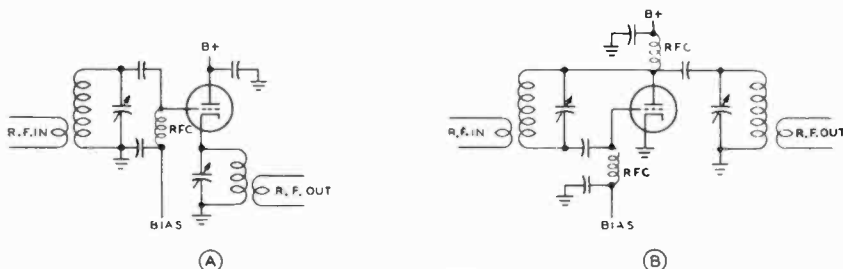
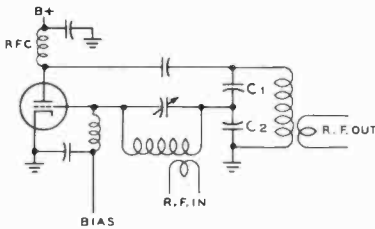


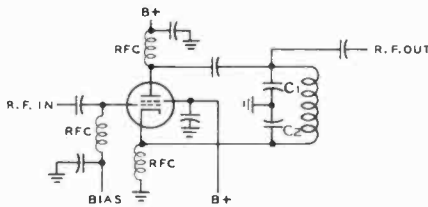
Figure 1  
SIMILAR CATHODE FOLLOWER CIRCUITS HAVING DIFFERENT R-F  
GROUND POINTS.



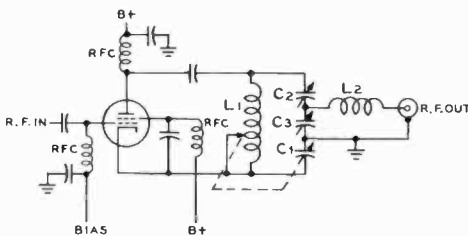
**Figure 2**  
**SINGLE STAGE AMPLIFIER WITH R-F FEEDBACK CIRCUIT**

tages of having the r-f feedback voltage appear on the cathode of the amplifier tube.

In order to match the amplifier to a load, the circuit of figure 4 may be used. The ratio of  $X_{L1}$  to  $X_{C1}$  determines the degree of feedback, so it is necessary to tune them in unison when the frequency of operation is changed. Tuning and loading functions are accomplished by varying  $C_2$  and  $C_3$ .  $L_2$  may also be varied to adjust the loading.



**Figure 3**  
**SINGLE STAGE FEEDBACK AMPLIFIER WITH GROUND RETURN POINT MODIFIED FOR UNBALANCED INPUT AND OUTPUT CONNECTIONS**



**Figure 4**  
**R-F AMPLIFIER WITH FEEDBACK AND IMPEDANCE MATCHING OUTPUT NETWORK**

Tuning and loading are accomplished by  $C_2$  and  $C_3$ .  $C_1$  and  $L_1$  are tuned in unison to establish the correct degree of feedback.

**Feedback Around a Two-Stage Amplifier**

The maximum phase shift obtainable over two simple tuned circuits does not exceed 180 degrees, and feedback around a two-stage amplifier is possible. The basic circuit of a two-stage feedback amplifier is shown in figure 5. This circuit is a conventional r-f two-stage tetrode amplifier except that r-f is fed back from the plate circuit of the PA tube to the cathode of the driver tube. This will reduce the distortion of both tubes as effectively as using individual feedback loops around each stage, yet will allow a higher level of overall gain. With only two tuned circuits in the feedback loop, it is possible to use 12 to 15 dB of feedback and still leave a wide margin for stability. It is possible to reduce the distortion by nearly as many dB as are used in feedback. This circuit has two advantages that are lacking in the single-stage feedback amplifier. First, the filament of the output stage can now be operated at r-f ground potential. Second, any conventional pi output network may be used.

R-f feedback will correct several types of distortion. It will help correct distortion caused by poor supply regulation, too low grid bias, and limiting on peaks when the plate voltage swing becomes too high.

**Neutralization and R-F Feedback**

The purpose of neutralization of an r-f amplifier stage is to balance out effects of the grid-plate capacitance coupling in the amplifier. In a conventional amplifier using a tetrode tube, the effective input capacity is given by:

$$\text{Input capacitance} = C_{in} + C_{gp} (1 + A \cos \theta)$$

where,

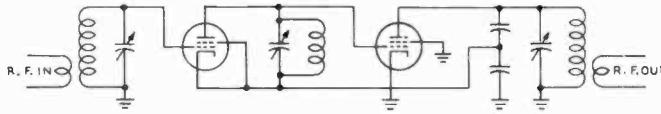
$C_{in}$  equals tube input capacitance,

$C_{gp}$  equals grid-plate capacitance,

$A$  equals grid-to-plate voltage amplification,

$\theta$  equals angle of load.

In a typical unneutralized tetrode amplifier having a stage gain of 33, the input capacitance of the tube with the plate circuit in resonance is increased by 8 pF due to the unneutralized grid-plate capacitance. This is unimportant in amplifiers where the gain ( $A$ ) remains constant but if the tube gain varies, serious detuning and r-f phase shift may result. A grid or screen modulated



**Figure 5**  
**BASIC CIRCUIT OF TWO-STAGE AMPLIFIER WITH R-F FEEDBACK**

Feedback voltage is obtained from a voltage divider across the output circuit and applied directly to the cathode of the first tube. The input tank circuit is thus outside the feedback loop.

r-f amplifier is an example of the case where the stage gain varies from a maximum down to zero. The gain of a tetrode r-f amplifier operating below plate-current saturation varies with loading so that if it drives a following stage into grid current the loading increases and the gain falls off.

The input of the grid circuit is also affected by the grid-plate capacitance, as shown in this equation:

$$\text{Input resistance} = \frac{1}{2\pi f \times C_{gp} (A \sin \theta)}$$

This resistance is in shunt with the grid current loading, grid tank circuit losses, and driving source impedance. When the plate circuit is inductive there is energy transferred from the plate to the grid circuit (positive feedback) which will introduce negative resistance in the grid circuit. When this shunt negative resistance across the grid circuit is lower than the equivalent positive resistance of the grid loading, circuit losses, and driving source impedance, the amplifier will oscillate.

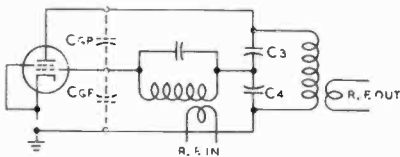
When the plate circuit is in resonance (phase angle equal to zero) the input resistance due to the grid-plate capacitance becomes infinite. As the plate circuit is tuned to the capacitive side of resonance, the input resistance becomes positive and power is actually transferred from the grid to the plate circuit. This is the reason that the grid cur-

rent in an unneutralized tetrode r-f amplifier varies from a low value with the plate circuit tuned on the low-frequency side of resonance to a high value on the high-frequency side of resonance. The grid current is proportional to the r-f voltage on the grid which is varying under these conditions. In a tetrode class-AB<sub>1</sub> amplifier, the effect of grid-plate feedback can be observed by placing a r-f voltmeter across the grid circuit and observing the voltage change as the plate circuit is tuned through resonance.

If the amplifier is over-neutralized, the effects reverse so that with the plate circuit tuned to the low frequency side of resonance, the grid voltage is high, and on the high frequency side of resonance, it is low.

**Amplifier Neutralization Check** A useful "rule of thumb" method of checking neutralization of an amplifier stage

(assuming that it is nearly correct to start with) is to tune both grid and plate circuits to resonance. Then, observing the r-f grid current, tune the plate circuit to the high-frequency side of resonance. If the grid current rises, more neutralization capacitance is required. Conversely, if the grid current decreases, less capacitance is needed. This indication is very sensitive in a neutralized triode amplifier, and correct neutralization exists when the grid current peaks at the point of plate current dip. In tetrode power amplifiers this indication is less pronounced. Sometimes in a supposedly neutralized tetrode amplifier, there is practically no change in grid voltage as the plate circuit is tuned through resonance, and in some amplifiers it is unchanged on one side of resonance and drops slightly on the other side. Another observation sometimes made is a small dip in the center of a broad peak of grid current. These various effects are probably caused by cou-



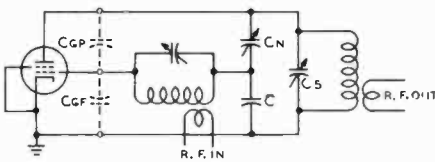
**Figure 6**  
**SINGLE STAGE R-F AMPLIFIER WITH FEEDBACK RATIO OF C<sub>3</sub>/C<sub>4</sub> TO C<sub>gp</sub>/C<sub>gf</sub> DETERMINES STAGE NEUTRALIZATION**

pling from the plate to the grid circuit through other paths which are not balanced out by the particular neutralizing circuit used.

**Feedback and Neutralization of a One-Stage R-F Amplifier**

Figure 6 shows an r-f amplifier with negative feedback. The voltage developed across  $C_4$  due to the divider action of  $C_3$  and  $C_4$

is introduced in series with the voltage developed across the grid tank circuit and is in phase-opposition to it. The feedback can be made any value from zero to 100% by properly choosing the values of  $C_3$  and  $C_4$ .



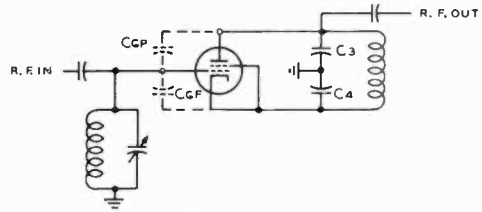
**Figure 7**  
**NEUTRALIZED AMPLIFIER AND INHERENT FEEDBACK CIRCUIT**  
Neutralization is achieved by varying the capacity of  $C_N$ .

For reasons stated previously, it is necessary to neutralize this amplifier, and the relationship for neutralization is:

$$\frac{C_3}{C_4} = \frac{C_{GP}}{C_{Rf}}$$

It is often necessary to add capacitance from plate to grid to satisfy this relationship.

Figure 7 is identical to figure 6 except that it is redrawn to show the feedback inherent in this neutralization circuit more



**Figure 8**  
**UNBALANCED INPUT AND OUTPUT CIRCUITS FOR SINGLE-STAGE R-F AMPLIFIER WITH FEEDBACK**

clearly.  $C_N$  and  $C$  replace  $C_3$  and  $C_4$ , and the main plate tank tuning capacitance is  $C_5$ . The circuit of figure 7 presents a problem in coupling to the grid circuit. Inductive coupling is ideal, but the extra tank circuits complicate the tuning of a transmitter which uses several cascaded amplifiers with feedback around each one. The grid could be coupled to a high source impedance such as a tetrode plate, but the driver then cannot use feedback because this would cause the source impedance to be low. A possible solution is to move the circuit ground point from the cathode to the bottom end of the grid tank circuit. The feedback voltage then appears between the cathode and ground (figure 8). The input can be capacitively coupled, and the plate of the amplifier can be capacitively coupled to the next stage. Also, cathode type transmitting tubes are available that allow the heater to remain at ground potential when r-f is impressed on the cathode. The output voltage available with capacity coupling, of course, is less than the plate-cathode r-f voltage developed by the amount of feedback voltage across  $C_4$ .



# Frequency Synthesis

*Frequency synthesis* is a technique that has gained widespread use in recent years, especially in radio communication services which are channelized. In Class D Citizens Radio Service and others, channelization is dictated by law; in vhf amateur repeaters the channelization is by mutual agreement among the users. But regardless of how the channel assignment occurs, this arrangement to operate at discrete (equally spaced) frequencies makes the use of frequency synthesis attractive.

The task of frequency synthesis may be accomplished in several ways, but the fundamental concept is to use one or more reference oscillators and combine their outputs to produce a multiplicity of output frequencies that are different from the reference frequencies.

referred to as the *direct method* of frequency synthesis and most of the early frequency synthesizers used this technique. The direct synthesis method has the advantage of being extremely fast-switching compared to other techniques.

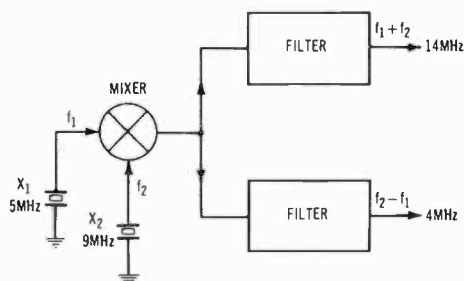


Figure 1

## SIMPLE MIXER SYNTHESIS

Two frequencies are mixed to produce sum and difference frequencies.

### 12-1 Synthesis Techniques

The first and most straightforward method of synthesis is by mixing two reference frequencies together and filtering the output to exclude one of the two resultant mixer outputs (figure 1). As an example, 5 MHz and 9 MHz reference signals may be applied to a mixer stage and the output filtered to pass the *difference frequency* of 4 MHz; or the output may be filtered to pass the *sum frequency* of 14 MHz. This technique is often

Figure 2 illustrates a simple frequency synthesizer utilizing eleven crystals to produce 23 channels in the 27-MHz region. The drawing shows how channel #1 is synthesized and the frequencies involved in generating the remaining 22 channels. This approach reduces the number of crystals for a 23-channel transmitter by more than one half.

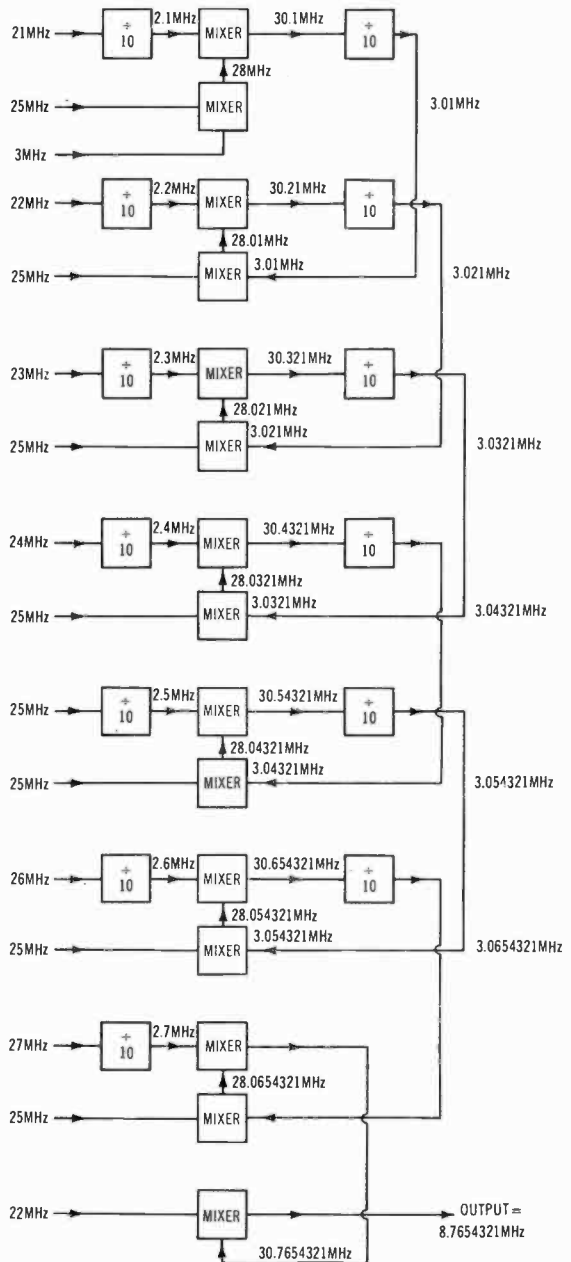
The technique can be extended to the point where one reference crystal frequency can be used to generate frequencies every 1.0 Hz (or finer) over the entire band of 1.0 Hz to 10 MHz.





**Figure 3B**  
**FIFTEEN MIXERS**  
**PROVIDE DESIRED**  
**FREQUENCY**

Frequencies derived from the "building block" generator of figure 3A are again mixed to provide specimen frequency of 8.7654321 MHz. Note that readout becomes more fine in each succeeding mixing process. (Read top to bottom of diagram.)



**Single Crystal Synthesizer** A single crystal synthesizer is shown in figure 3. A stabilized 5-MHz reference crystal oscillator creates a group of "building block" frequencies from the reference frequency by

frequency multiplication and division (illustration A) and then mixes them together in eight modules that each contain one or two mixers and one or two divide-by-ten counters (B) (see Chapter 4). This technique al-

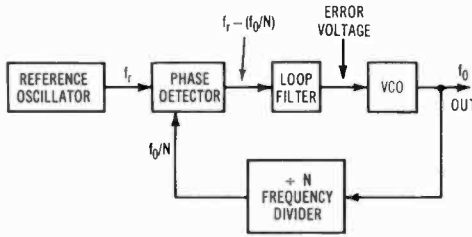


Figure 4

### BASIC PLL SYNTHESIZER

If the frequency of the VCO is divided by ten and compared to a reference frequency which is one-tenth the VCO frequency, a phase comparison can be made. The output of the comparator (phase detector) is filtered and used to control the VCO frequency.

lows the eight mixer-divider modules to be nearly identical. The diagram may seem complex but such designs are being used and work reliably using solid state components.

The advantage of this direct method of frequency synthesis is that frequency changes can be made in milliseconds or less which allows rapid frequency hopping, essential in special modes of transmission. These special modes are generally under computer control.

**The PLL Synthesizer** The *phase-locked loop* (PLL) system of frequency synthesis is the most used method in amateur equipment. A basic circuit is shown in figure 4. The use of a *voltage-controlled oscillator* (VCO) at the output allows direct output at the desired frequency. The VCO has relatively low inherent frequency stability; in fact the VCO is voltage-sensitive and varying the dc voltage input to its control port varies the output frequency in a predictable way.

If the frequency of the VCO ( $f_o$ ) is divided by 10, for example, and compared to a *reference frequency* ( $f_r$ ) which is approximately one-tenth of  $f_o$ , a phase comparison between  $f_r$  and  $f_o/10$  can be made in a phase comparator. If  $f_o$  is fairly close to ten times  $f_r$ , the output of the phase comparator will be a low frequency that is the difference between  $f_r$  and  $f_o/10$ . This phase comparator output frequency is filtered by a simple RC low-pass filter (the *loop filter*)

and is used to control the VCO at its control port. If the loop is properly designed, the VCO will lock-in in such a way as to put  $f_r$  and  $f_o/10$  in a phase-quadrature relationship. That is,  $f_r$  and  $f_o/10$  will be  $90^\circ$  out of phase with each other, but on the same frequency. This signifies that  $f_o$  will be forced to be exactly ten times  $f_r$  and the output frequency then acquires the same long-term stability as the reference frequency. By making  $f_r$  a high stability "standard frequency" and making  $N_1$  a programmable counter ( $N_1$  can be any integer) many output frequencies are available, each selectable by means of  $N_1$  and each having the stability of  $f_r$ . The frequencies will be  $N_1 \times f_r$  over the range that is within the voltage variable range of the VCO. The channel frequency spacing will be  $f_r$ .

If channel spacing smaller than 100 kHz (which is about the lowest frequency of "standard frequency" crystals) is desired, then the standard frequency is divided down by a fixed  $N_2$  frequency divider, as shown in figure 5. The best frequency standards operate in the 1 to 5 MHz range and thus most phase-locked loop synthesizers use this technique, otherwise channel spacing would be too coarse. The fixed  $N_2$  division of the standard can be carried to extremes; for instance suppose a 1 Hz channel spacing is desired with a 1 MHz standard frequency. The fixed  $N_2$  would be  $10^6$  and the inputs to the phase

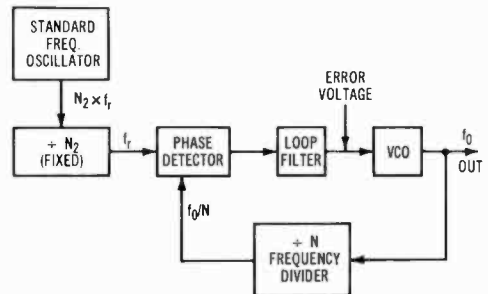


Figure 5

### SINGLE LOOP PLL WITH CHANNEL SPACING SMALLER THAN STANDARD FREQUENCY

Best standard frequency oscillators work in the 1- to 50-MHz range and frequency must be divided by a fixed  $N_2$  divider; otherwise channel spacing is too coarse.

comparator would be at 1 Hz. Since the phase comparator is essentially a mixer, it would show both the sum and difference of the input signals in its output port. For this example, the loop filter would have to have an R-C time constant of at least tens of seconds to discriminate against the sum output, thus the loop would be very slow to acquire and lock.

For this reason, phase-comparison is generally not done at frequencies below about 1 kHz, but multiple phase-locked loops are used instead. An example of a multiple loop, phased-locked synthesizer is shown in figure 6. It is considerably more difficult to design than a single PLL device. Merely deciding which values of N to use in the various dividers can be a tedious task and computer solutions are generally used for this sort of design.

## 12-2 The Voltage Controlled Oscillator

A *voltage controlled oscillator (VCO)* is shown in figure 7. The VCO is a stable r-f oscillator circuit, such as the Hartley or Col-

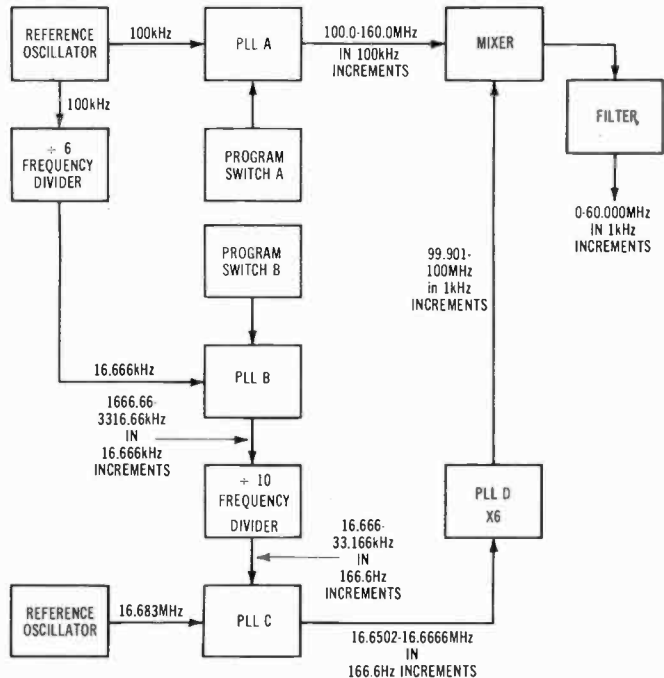
pitts (or some of their variations such as the Clapp, Vackar, etc.), with one of the tuning capacitors replaced by a varicap. The varicap (also called a varactor) is a back-biased diode which has a capacitance which varies with the amount of back-bias voltage. Vari-caps are usually specified as to capacity with —4 volts applied. (The large MV-series of *Motorola* and the VC-series of *TRW* are representative of varicaps used in VCOs as well as for other purposes).

The VCO shown in figure 7 uses a pair of varicaps in a 400-MHz circuit designed around a junction FET. The use of back-to-back varicaps is a common practice in VCO design as it allows larger r-f voltage to be used in the oscillator without the danger of forward-biasing the varicaps, with resulting nonlinearity.

There are numerous other ways of making an oscillator voltage-variable; saturable reactors in the inductance of the resonant circuit, dependence upon the voltage variable capacitance of the base-collector junction of a bi-polar transistor, the FET equivalence of a reactance tube, and the use of a voltage-sensitive astable RC flip-flop circuit. An astable flip-flop VCO is shown in figure 8.

**Figure 6**  
**FREQUENCY SYNTHESIZER FOR 0-60 MHz**

Four PLLs can be programmed to provide 1-kHz resolution between 0 and 60 MHz. Switching response time is about 2 ms.



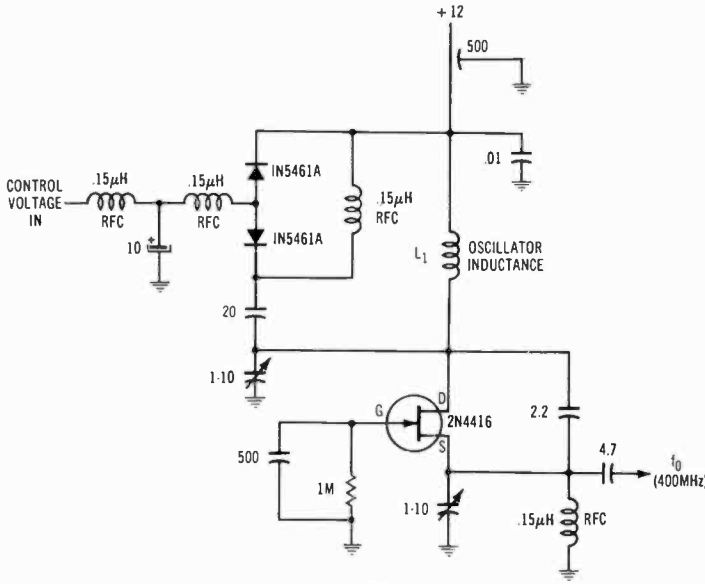


Figure 7

REPRESENTATIVE VCO FOR 400 MHz

Back-to-back varicaps are used for best linearity with respect to control voltage.

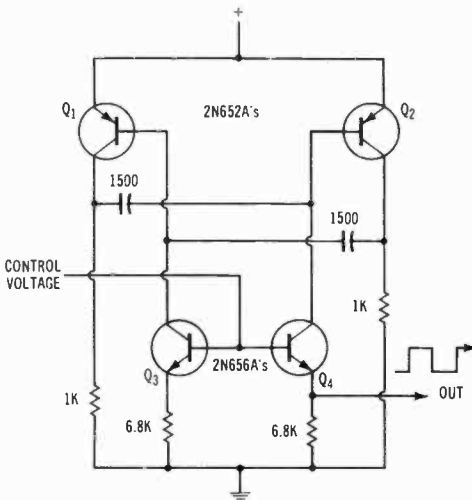


Figure 8

F-M MODULATOR

In this astable multivibrator emitter followers Q<sub>3</sub> and Q<sub>4</sub> replace conventional base resistors of Q<sub>1</sub> and Q<sub>2</sub>. Input control voltage is applied to base circuit. Linear collector current-input voltage relationship provides a linear frequency variation.

It is intended for rather low-frequency operation.

**The IC VCO** In recent years, several manufacturers have introduced IC versions of the VCO. The *Signetics NE566* and the *Motorola MC4024* are good examples. The NE566 is a square wave/triangular wave VCO operating on +10 to +24 volts and the MC4024 is a dual VCO operating on +5 volts and producing rectangular wave output at TTL level. Both of these VCOs are RC types and are rather limited in upper frequency capability. The NE566 will operate up to about 100 kHz and the MC4024 up to about 25 MHz.

*Motorola* also makes a VCO in their ECL family of logic, the MC1648. This device will operate up to 200 MHz and uses an external coil and varicap to determine frequency and provide frequency/voltage dependence. Because the MC1648 uses a coil, it has higher equivalent Q in the oscillator than most other IC VCOs. This means that the output frequency has less near-carrier noise.

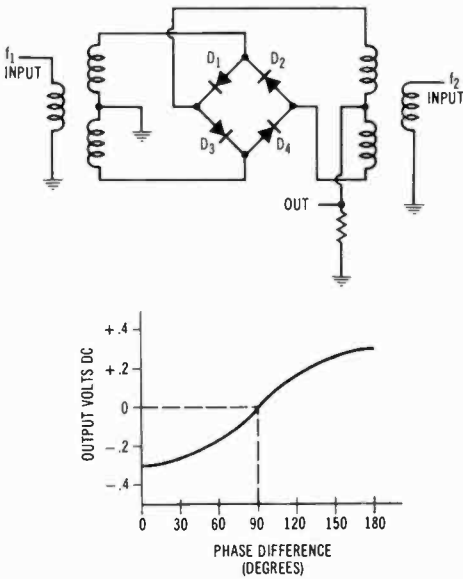


Figure 9

TYPICAL PHASE DETECTOR

Output voltage waveform as a function of phase difference is sinusoidal. With two square-wave inputs the output voltage is linear. With identical frequencies injected into the ports, a dc output related to the phase difference between the signals will appear at the output port.

**The Phase Detector** The *phase detector* is another crucial block in a PLL frequency synthesizer. While phase detectors are not common in normal communication electronics, they are used in disguised forms. Most mixers and product detectors are phase detectors and have the same function, that is, to multiply two signals together and produce the difference frequency. The phase detector always has a dc coupled output, however, so that an average dc level can be delivered to the VCO control port. The common double-balanced diode mixer has a good phase detector characteristic, as shown in figure 9.

It should be noted that a phase detector is quite different from a frequency detector, such as a discriminator, or ratio detector. The frequency detector has a tuned circuit built into it and provides a dc level that is

a function of the frequency difference between the built-in frequency "standard" and one external input frequency. *Frequency-locking* of a VCO can be reversed in sense, that is, the loop can be miswired so that locking is discriminated against. *Phase-locking* does not function that way, and it is impossible to reverse the feedback in a PLL provided that only phase control is in operation. Other forms of loop instability can prevent a loop from locking, however.

Phase detectors are available in IC form, just as VCO ICs are. The *Motorola MC4044* is a digital phase detector which is TTL compatible and specifically made to operate with the MC4024 VCO. The two devices can operate together in a TTL-PLL circuit as shown in figure 10. Note that the MC4044 is both a frequency and a phase detector, and so its sense can be reversed, making locking impossible. The *Motorola MC12040* is also a phase and frequency detector, but for use at frequencies up to 80 MHz it is part of the ECL family and is generally used with the MC1648 VCO.

**Frequency Division** The dividers used in a PLL frequency synthesizer are usually IC devices since building digital frequency dividers any other way is extremely expensive. Programmable dividers (usually decade types) are the rule. The *Motorola MC4016* and the *Texas Instrument SN-74190N* are representative types. These ICs can divide up to one decade per package at speeds of 10 MHz and 20 MHz respectively. More recently, even larger-scale programmable dividers have become available in MOS ICs; the *Mostek MK50398N* is representative of a six decade divider that can be *loaded* (programmed) and which will count up or down. The *Mostek* device is only good to 1 MHz, but similar ICs with higher frequency capability are on the horizon.

The programming of a digital counter is done by loading a number into the counter and then allowing the device to count down to zero or up to its maximum design count number. This loading must be done each time the counter counts up or down. This means, for a decade-down counter, that each time there is a 0000 to 1001 transition, the counter must be reloaded. For a decade-up

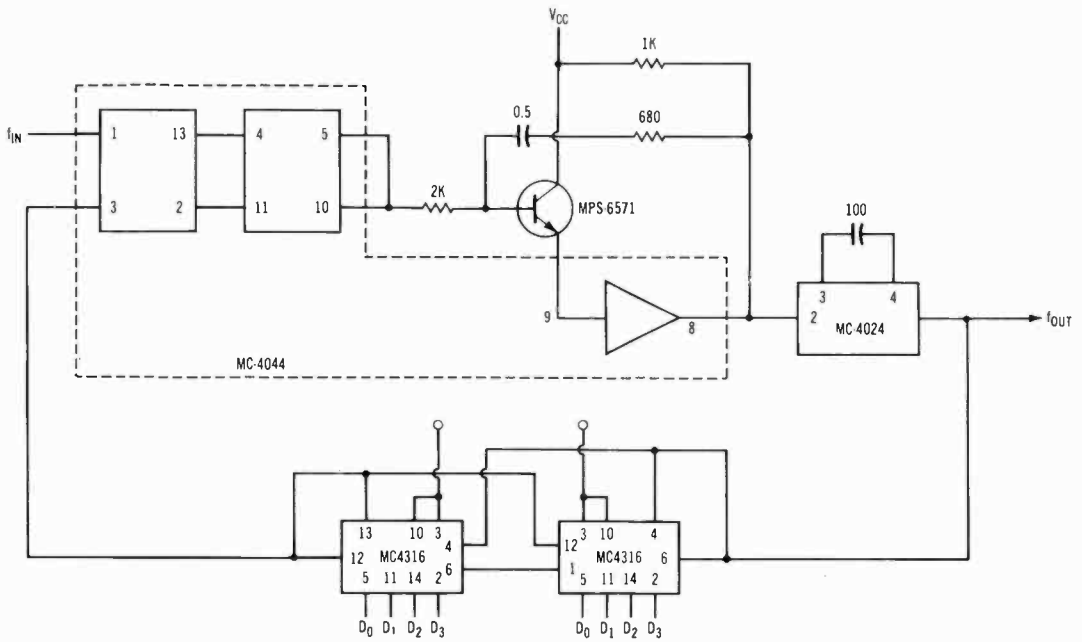


Figure 10

DIGITAL PHASE DETECTOR

The MC-4044 is a digital phase detector and the MC-4024 is a VCO.

counter, reloading must occur each time a 1001 to 0000 transition occurs.

The loop filter, as mentioned previously, is a simple RC low-pass circuit which is very important to the operation of the PLL. The basic form of the loop filter is shown in figure 11A, but it is usually implemented in the form shown in 11B so that the output has a lower impedance in order to drive the VCO. In general,  $R_2$  in the loop filter is considerably smaller than  $R_1$ . Note that  $R_1$  and  $C_1$  establish the cutoff frequency ( $f_c$ ) of the filter as shown in figure 12. The presence of  $R_2$  causes the filter rolloff to stop its 6-dB/octave rate and flatten out at some frequency  $f_t$ . This action occurs because at the higher frequencies,  $C_1$  is a short circuit and the filter becomes a voltage divider consisting of  $R_1$  and  $R_2$ . The design of a PLL is fairly complex and the stability of it depends in a large part on the loop filter once the VCO sensitivity (in MHz/volt) and the phase detector sensitivity (in volts/radian) are chosen.

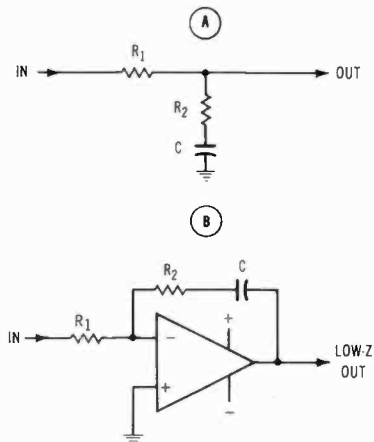


Figure 11

PLL LOOP FILTER

A—Basic RC filter.  
B—Operational filter has low output impedance to drive a VCO.

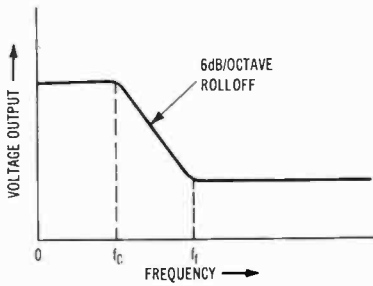


Figure 12

RESPONSE OF LOOP FILTER

In practice, an  $f_c$  compatible with the lock-up time of the loop is picked (being careful to make the time constant long enough so that the loop filter will ade-

quately attenuate the two input frequencies and the sum frequency from the phase detector). Next, the value of  $R_2$  is raised enough to cause the loop to be stable. This value of  $R_2$  is rarely more than one-tenth of  $R_1$ . Any attempt to make the filter roll off at greater than 6-dB/octave by the use of a sharper cutoff design will probably cause the loop to become unstable.

A Vhf Synthesizer

The synthesizer building blocks can be put together to form a 114-178 MHz synthesizer suitable for the amateur and mobile service bands. This unit provides outputs every 30 kHz (figure 13). The system uses both ECL and TTL logic ICs in a mixed package. Details on this system are given in the *Motor-*

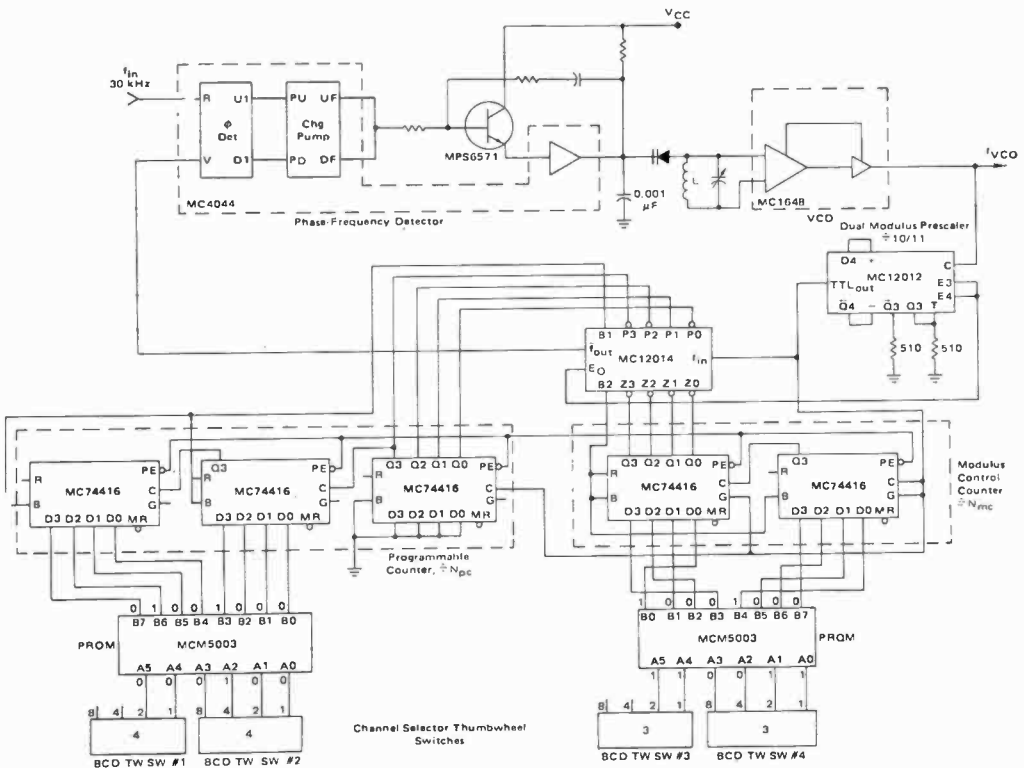


Figure 13

144- TO 178-MHz FREQUENCY SYNTHESIZER

This device provides 30-kHz channel spacing across a range of 34 MHz in the vhf region. The dual modulus prescaler (MC 12012) divides by either 10 or 11 in a pulse swallowing technique discussed later in this chapter. Channels are selected by four thumbwheel switches shown at bottom of diagram.





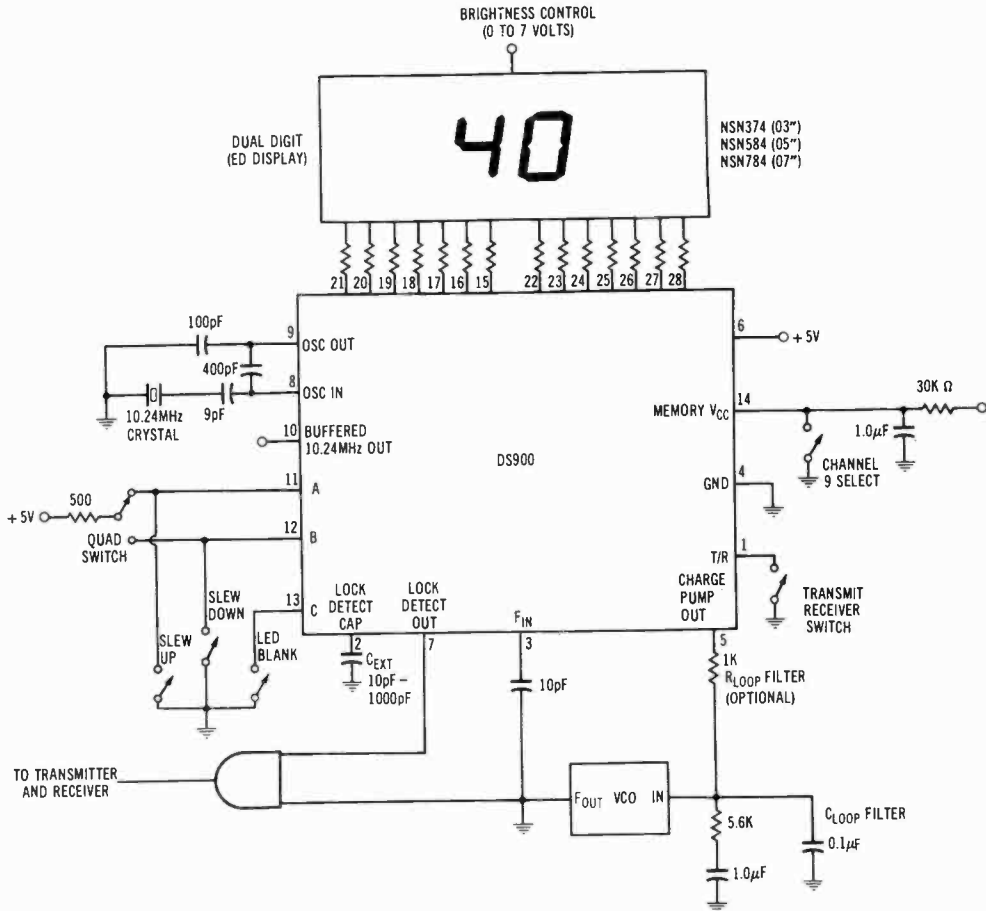


Figure 15

40-CHANNEL SYNTHESIZER ON A CHIP

Great capability is achieved at the expense of great specialization.

**Complex PLLs** Since the first IC PLLs were introduced about 1970, there has been considerable development toward more and more on-chip complexity. The programmable counters were included on the chip, the reference crystal oscillator put on the chip, and numerous other functions added. The *National DS8900* (figure 15) demonstrates how a chip can have so many features added to it that it is only applicable to a single use. In this case, 40 channel CB transceivers. Note that great capability is achieved at the expense of great specialization, which is a help to the equipment manufacturer, but of little use to the experimenter. *National* also makes a series of chips

that are not so complex (the 55100 series) which offer various features which should be checked for a particular usage. Other manufacturers also make similar synthesizer ICs, including *Micro-Power Systems*, *Nitron*, and several Japanese firms.

**Synthesizer Considerations** There are considerations and techniques that are important in certain synthesizer designs.

It has been stated that the long term stability of the VCO in a PLL is the same as that of the reference frequency. This does not mean that the short-term stability is as good as the reference. "Short-term" in this instance means frequencies plus or minus

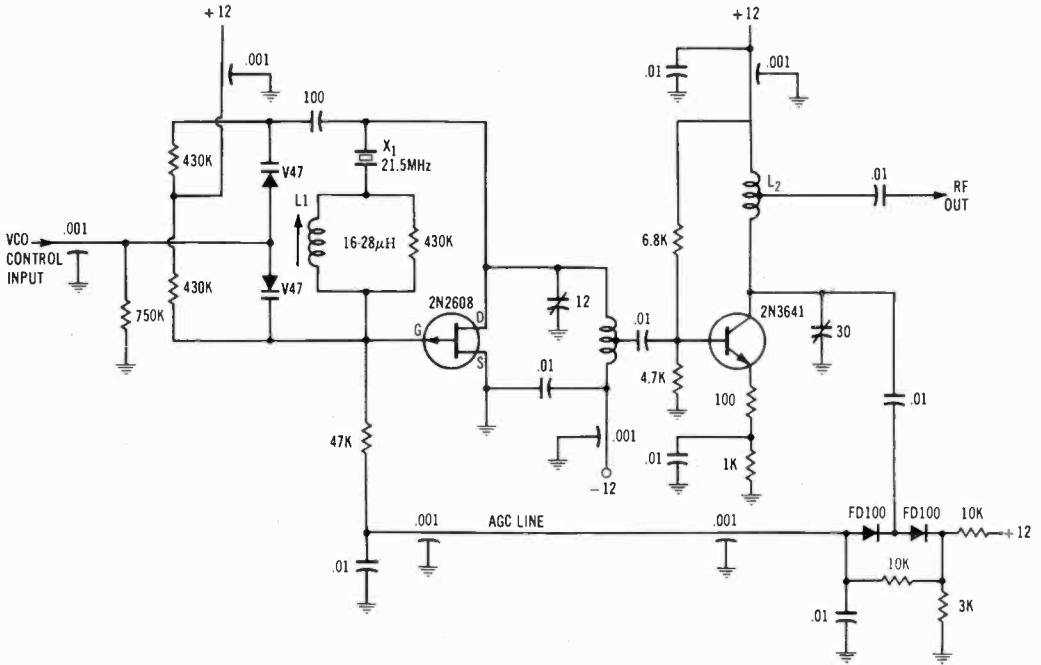


Figure 16

VOLTAGE-CONTROLLED CRYSTAL OSCILLATOR

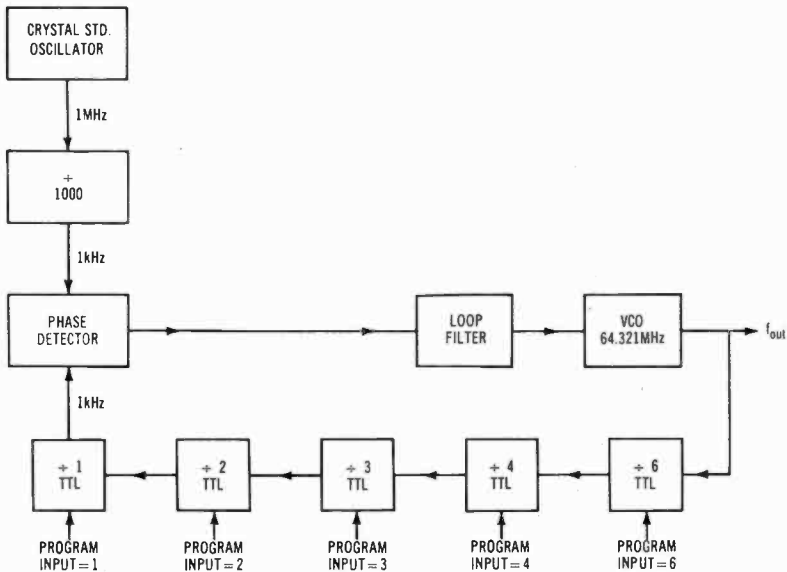


Figure 17

VHF PLL SYNTHESIZER

Channel Spacing = 1 kHz.

the VCO output that are high enough so that the loop filter does not pass them. Thus, a VCO with rather poor inherent stability will have only its average frequency stabilized by the feedback of the loop. Short term instability (showing up as phase noise) around the VCO output frequency will be present.

Two things can be done to improve short-term stability. First, the VCO must be made more stable by improving the  $Q$  of the VCO and mechanical stability problems must be solved. Second, a shorter time constant must be used in the loop filter. Increasing the  $Q$  of the VCO ultimately leads to the use of a crystal as the resonant element. Such a circuit is termed a *Voltage-Controlled Crystal Oscillator* (VCXO). While improving stability, the VCXO severely limits the range of output frequencies. A representative VCXO is shown in figure 16.

Shortening of the time constant of the loop filter can only be done if the frequency of the phase comparison is high enough so that  $f_1/N_2$  is not passed by this filter. In

short, attempts to clean up the phase noise or otherwise improve the short term stability of the synthesizer introduce additional conditions to be compromised in the total PLL design.

**Prescaling** A synthesizer for vhf or uhf operation is complicated by the fact that programmable dividers are most available for frequencies of 100 MHz, or lower. Thus, a different method of dividing down the VCO output frequency must be used when the VCO operates between 100 and 1000 MHz. Since ECL dividers are available that can operate up to about 1000 MHz, the straightforward approach is to divide first by ten in ECL, then make an ECL/TTL conversion and use programmable TTL dividers for lower frequencies. This is comparable to using a fixed decade prescaler on a frequency counter and has the same effect, that is, the least significant digit of frequency resolution is lost. Figure 17 shows an example of synthesizing 64.321 MHz. A PLL using TTL programmable di-

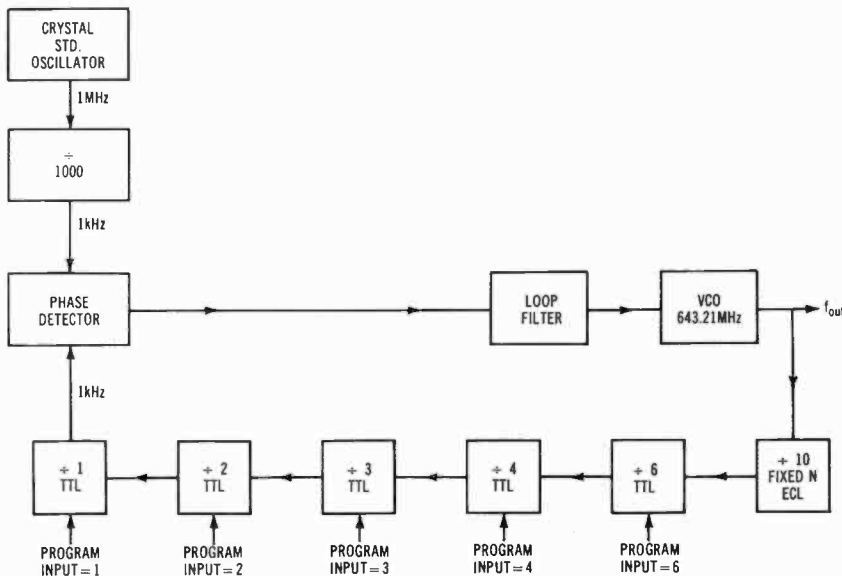


Figure 18

UHF PLL SYNTHESIZER

Channel Spacing = 10 kHz.

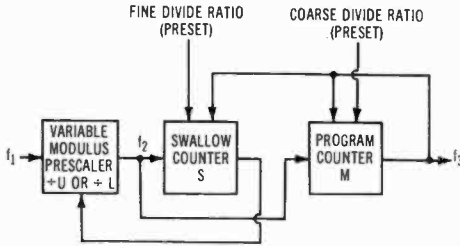


Figure 19

### PULSE-SWALLOWING COUNTER

The prescaler usually has a divide ratio of 10/11 or 5/6.  $U$  and  $L$  differ only by one and changing  $S$  by a certain amount changes  $N$  by the same amount. The prescaler and swallow counter thus act as a single, high speed, programmable divider.

viders is used. Also a method of synthesizing 643.21 MHz is shown in figure 18 using an ECL fixed decade followed by TTL dividers. Since it is decided that phase comparison will not be done below 1 kHz for economic reasons, the uhf synthesizer must be limited to having 10 kHz channel spacing instead of 1 kHz.

There is a solution to the fixed prescaler problem, at least for frequencies up to 650 MHz. By using one of the divide by 10/11 units such as the Fairchild 11C90 (or the 95C90 for frequencies up to 250 MHz) the technique of *pulse swallowing* can be used. As the 11C90 device can be controlled by either 10 or 11, it can count by 10 for a number of counts and then count by 11 for a number of counts. This is illustrated in figure 19. It can be shown that the total count (or "divide by") number  $N$  is given by:

$$N = (U-L)S + LM$$

where,

- $U$  is the upper count (11 in this case),
- $L$  is the lower count (10 in this case),
- $S$  is the divide ratio of the swallow counter,
- $M$  is the divide ratio of the program counter.

Thus,  $N = S + 10M$  and the design has achieved the equivalent of a high-frequency programmable divider by using the pulse-swallowing technique.

# Frequency Modulation and Repeaters

Exciter systems for f-m and single-sideband transmission are basically similar in that modulation of the signal in accordance with the intelligence to be transmitted is normally accomplished at a relatively low level. Then the intelligence-bearing signal is amplified to the desired power level for ultimate transmission. True, amplifiers for the two types of signals are basically different; linear amplifiers of the class-A or class-B type being used for SSB signals, while class-C or nonlinear class-B amplifiers may be used for f-m amplification. But the principle of low-level modulation and subsequent amplification is standard for both types of transmission.

## 13-1 Frequency Modulation

Early frequency-modulation experiments were conducted by Major Edwin H. Armstrong of Columbia University based on the belief that noise and static were amplitude variations that had no orderly variations in frequency. In 1934 Armstrong conducted his classic f-m transmissions in the old 2½ meter amateur band in conjunction with W2AG in Yonkers, N.Y. Subsequent amateur experiments in 1936 showed that f-m promised excellent prospects for static-free, reliable, mobile communication in the vhf bands.

Postwar vhf development centered around amplitude modulation in the amateur bands for over two decades, aided by the flood of surplus military vhf gear, and it was not until the "mid-sixties" that amateur inter-

est in f-m was stimulated by a quantity of obsolete commercial mobile f-m gear available on the surplus market at modest prices.

Vhf commercial two-way mobile radio is now standardized on channelized frequency-modulation techniques which provide superior rejection to random noise, interference, and fading as compared to conventional a-m systems. When the amplitude of the r-f signal is held constant (limited) and the intelligence transmitted by varying the frequency or phase of the signal, some of the disruptive effects of noise can be eliminated. In addition, audio squelch circuits silence noise peaks and background effects in the receiver until an intelligible signal appears on the frequency. The combination of noise rejection and squelch control provides superior range for a given primary power, as compared to an equivalent a-m power allocation.

Amateur vhf f-m techniques are based on the channel concept. Transmitters and receivers are mainly crystal controlled on a given frequency and random tuning techniques common to the lower frequency amateur bands are absent. F-m channels on the 10-meter band are standardized by common agreement at 40 kHz separation, starting at 29.55 MHz. A national calling channel is reserved at 29.60 MHz. On the 6-meter band the f-m channels start at 52.50 MHz, with 52.525 MHz reserved as a national calling frequency. Channel spacing is 40 kHz beginning at 52.60 MHz. F-m channels are spaced 30 kHz apart on the 2-meter band, beginning with 146.01 MHz, the repeater output channels being 600 kHz higher than the input channels up to 146.97 MHz. Above

this frequency, the repeater channels are inverted, with the input channels starting at 147.99 MHz and running down to 147.60 MHz. The output channels run from 147.39 MHz to 147.00 MHz. Simplex channels fall in the regions of 146.40 MHz to 146.58 MHz and 147.42 MHz to 147.57 MHz.

On the 220 MHz band, the f-m channels start at 222.30 MHz, with 40 kHz separation. The repeater input channels begin at 222.30 MHz, with the outputs 1.6 MHz higher in frequency. Simplex channels begin at 223.42 MHz and the national calling frequency is 223.50 MHz.

On the 420 MHz band, channel spacing is 50 kHz, with the f-m channels beginning at 438.05 MHz. Repeater inputs or outputs begin at 442.00 MHz, with the input or the output channel 5.0 MHz higher (or lower) in frequency. Simplex channels begin at 445.00 MHz, with a national calling frequency on 446.00 MHz.

In this chapter various points of difference between frequency-modulation and amplitude-modulation transmission and reception will be discussed and the advantages of frequency modulation for certain types of communication pointed out. Since the distinguishing features of the two types of transmission lie entirely in the modulating circuits at the transmitter and in the detector and limiter circuits in the receiver, these parts of the communication system will receive the major portion of attention.

**Modulation** *Modulation* is the process of altering a radio wave in accord with the intelligence to be transmitted. The nature of the intelligence is of little importance as far as the process of modulation is concerned; it is the *method*, by which this intelligence is made to give a distinguishing characteristic to the radio wave which will enable the receiver to convert it back into intelligence, that determines the type of modulation being used.

Figure 1 is a drawing of an r-f carrier amplitude-modulated by a sine-wave audio voltage. After modulation the resultant modulated r-f wave is seen still to vary about the zero axis at a constant rate, but the strength of the individual r-f waves is proportional to the amplitude of the modulation voltage.

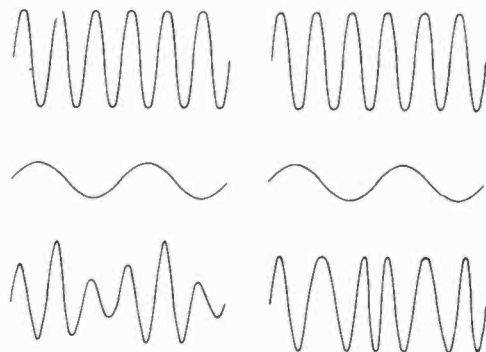


Figure 1

Figure 2

### A-M AND F-M WAVES

Figure 1 shows a sketch of the scope pattern of an amplitude-modulated wave at the bottom. The center sketch shows the modulating wave and the upper sketch shows the carrier wave.

Figure 2 shows at the bottom a sketch of a frequency-modulated wave. In this case the center sketch also shows the modulating wave and the upper sketch shows the carrier wave. Note that the carrier wave and the modulating wave are the same in either case, but that the waveform of the modulated wave is quite different in the two cases.

In figure 2, the carrier of figure 1 is shown frequency-modulated by the same modulating voltage. Here it may be seen that modulation voltage of one polarity causes the carrier frequency to decrease, as shown by the fact that the individual r-f waves of the carrier are spaced farther apart. A modulating voltage of the opposite polarity causes the frequency to increase, and this is shown by the r-f waves being compressed together to allow more of them to be completed in a given time interval.

Figures 1 and 2 reveal two very important characteristics about amplitude- and frequency-modulated waves. First, it is seen that while the amplitude (power) of the signal is varied in a-m transmission, no such variation takes place in frequency modulation. In many cases this advantage of frequency modulation is probably of equal or greater importance than the widely publicized noise-reduction capabilities of the system. When 100 percent amplitude modulation is obtained, the average power output of the transmitter must be increased by 50 percent. This additional output must be supplied either by the modulator itself, in the high-level system, or by operating one or

more of the transmitter stages at such a low output level that they are capable of producing the additional output without distortion in the low-level system as is commonly done in SSB—a form of amplitude modulation. On the other hand, a frequency-modulated transmitter requires an insignificant amount of power from the modulator and needs no provision for increased power output on modulation peaks. All of the stages between the oscillator and the antenna may be operated as high-efficiency class-B or class-C amplifiers or frequency multipliers.

**Carrier-Wave Distortion** The second characteristic of f-m and a-m waves revealed by figures 1 and 2 is that both types of modulation result in distortion of the r-f carrier. That is, after modulation, the r-f waves are no longer sine waves, as they would be if no frequencies other than the fundamental carrier frequency were present. It may be shown in the amplitude-modulation case illustrated, that there are only two additional frequencies present, and these are

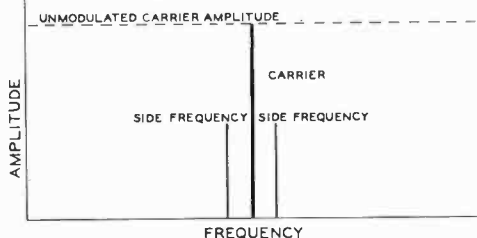


Figure 3

A-M SIDE FREQUENCIES

For each a-m modulating frequency, a pair of side frequencies is produced. The side frequencies are spaced away from the carrier by an amount equal to the modulation frequency, and their amplitude is directly proportional to the amplitude of the modulation. The amplitude of the carrier does not change under modulation.

the familiar *side frequencies*, one located on each side of the carrier, and each spaced from the carrier by a frequency interval equal to the modulation frequency. In regard to frequency and amplitude, the situation is as shown in figure 3. The strength of the carrier itself does not vary during modulation, but the strength of the side frequencies depends on the percentage of modulation. At 100 percent modulation the power in the

side frequencies is equal to one-half that of the carrier.

Under frequency modulation, the carrier wave again becomes distorted, as shown in figure 2. But, in this case, many more than two additional frequencies are formed. The first two of these frequencies are spaced from the carrier by the modulation frequency, and the additional side frequencies are located out on each side of the carrier and are also spaced from each other by an amount equal to the modulation frequency. Theoretically, there are an infinite number of side frequencies formed, but, fortunately, the strength of those beyond the frequency *swing* of the transmitter under modulation is relatively low.

One set of side frequencies that might be formed by frequency modulation is shown in figure 4. Unlike amplitude modulation, the strength of the component at the carrier frequency varies widely in frequency modulation and it may even disappear entirely under certain conditions. The variation of strength of the carrier component is useful in measuring the amount of frequency modulation, and will be discussed in detail later in this chapter.

One of the great advantages of frequency modulation over amplitude modulation is the

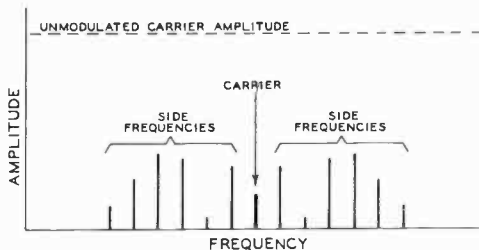


Figure 4

F-M SIDE FREQUENCIES

With frequency modulation, each modulation frequency component causes a large number of side frequencies to be produced. The side frequencies are separated from each other and the carrier by an amount equal to the modulation frequency, but their amplitude varies greatly as the amount of modulation is changed. The carrier strength also varies greatly with frequency modulation. The side frequencies shown represent a case where the deviation each side of the "carrier" frequency is equal to five times the modulating frequency. Other amounts of deviation with the same modulation frequency would cause the relative strengths of the various sidebands to change widely.



reduction in noise at the receiver which the system allows. If the receiver is made responsive only to changes in frequency, a considerable increase in signal-to-noise ratio is made possible through the use of frequency modulation, when the signal is of greater strength than the noise. The noise-reducing capabilities of frequency modulation arise from the inability of noise to cause appreciable frequency modulation of the noise-plus-signal voltage which is applied to the detector in the receiver.

**F-M Terms** Unlike amplitude modulation, the term *percentage modulation* means little in f-m practice, unless the receiver characteristics are specified. There are, however, three terms, *deviation*, *modulation index*, and *deviation ratio*, which convey considerable information concerning the character of the f-m wave.

*Deviation* is the amount of frequency shift each side of the unmodulated carrier frequency which occurs when the transmitter is modulated. Deviation is ordinarily measured in kilohertz, and in a properly operating f-m transmitter it will be directly proportional to the amplitude of the modulating signal. When a symmetrical modulating signal is applied to the transmitter, equal deviation each side of the resting frequency is obtained during each cycle of the modulating signal, and the total frequency range covered by the f-m transmitter is sometimes known as the *swing*. If, for instance, a transmitter operating on 1000 kHz has its frequency shifted from 1000 kHz to 1010 kHz, back to 1000 kHz, then to 990 kHz, and again back to 1000 kHz during one cycle of the modulating wave, the *deviation* would be 10 kHz and the *swing* 20 kHz.

The *modulation index* of an f-m signal is the ratio of the deviation to the audio modulating frequency, when both are expressed in the same units. Thus, in the example above if the signal is varied from 1000 kHz to 1010 kHz to 990 kHz, and back to 1000 kHz at a rate (frequency) of 2000 times a second, the modulation index would be 5, since the deviation (10 kHz) is 5 times the modulating frequency (2 kHz).

The *deviation ratio* is similar to the modulation index in that it involves the ratio

between a modulating frequency and deviation. In this case, however, the deviation in question is the peak frequency shift obtained under full modulation, and the audio frequency to be considered is the maximum audio frequency to be transmitted. When the maximum audio frequency to be transmitted is 5000 Hz, for example, a deviation ratio of 3 would call for a peak deviation of  $3 \times 5000$ , or 15 kHz at full modulation. The noise-suppression capabilities of frequency modulation are directly related to the deviation ratio. As the deviation ratio is increased, the noise suppression becomes better if the signal is somewhat stronger than the noise. Where the noise approaches the signal in strength, however, low deviation ratios allow communication to be maintained in many cases where high-deviation-ratio frequency modulation and conventional amplitude modulation are incapable of giving service. This assumes that a narrow-band f-m receiver is in use. For each value of r-f signal-to-noise ratio at the receiver, there is a maximum deviation ratio which may be used, beyond which the output audio signal-to-noise ratio decreases. Up to this critical deviation ratio, however, the noise suppression becomes progressively better as the deviation ratio is increased.

For high-fidelity f-m broadcasting purposes, a deviation ratio of 5 is ordinarily used, the maximum audio frequency being 15,000 Hz, and the peak deviation at full modulation being 75 kHz. Since a swing of 150 kHz is covered by the transmitter, it is obvious that wide-band f-m transmission must necessarily be confined to the vhf range or higher, where room for the signals is available.

In the case of television sound, the deviation ratio is 1.67; the maximum modulation frequency is 15,000 Hz, and the transmitter deviation for full modulation is 25 kHz. The sound carrier frequency in a standard TV signal is located exactly 4.5 MHz higher than the picture carrier frequency. In the *intercarrier* TV sound system, which is widely used, this constant difference between the picture carrier and the sound carrier is employed within the receiver to obtain an f-m subcarrier at 4.5 MHz. This 4.5 MHz subcarrier then is demodulated by the f-m detector to obtain the sound signal which accompanies the picture.

**Narrowband F-M Transmission** Narrowband f-m transmission has become standardized for use by the mobile services such as police, fire, and taxicab communications, and is also authorized for amateur work in portions of each of the amateur radiotelephone bands. A maximum deviation of 15 kHz has been standardized for the mobile and commercial communication services, while a maximum deviation of 3 kHz is authorized for amateur nbfm hf communication. For a maximum audio frequency of 3000 Hz, the maximum deviation ratio is 1.0. For vhf f-m, the deviation ranges from 3 kHz to 15 kHz for a deviation ratio of up to 5.0.

The new channelized f-m concept for amateur communication has standardized on 5 kHz deviation on 10 meters and 6 meters, 5 to 15 kHz deviation on 2 meters, and 40 to 50 kHz deviation on the higher vhf bands. F.C.C. amateur regulations limit the bandwidth of f-m to that of an a-m transmission having the same audio characteristics below 29.0 MHz and in the 50.1 to 52.5 MHz frequency segment. Greater band-

widths are allowed above 29 MHz and above 52.5 MHz.

**F-M Sidebands** Sidebands are set up when a radio-frequency carrier is frequency modulated. These sidebands differ from those resulting from a-m in that they occur at integral multiples of the modulating frequency; in a-m a single set of sidebands is generated for each modulating frequency. A simple method of determining the amplitude of the various f-m sidebands is the family of *Bessel curves* shown in figure 5. There is one curve for the carrier and one for each pair of sideband frequencies up to the fourth.

The Bessel curves show how the carrier and sideband frequency pairs rise and fall with increasing modulation index, and illustrate the particular values at which they disappear as they pass through zero. If the curves were extended for greater values of modulation index, it would be seen that the carrier amplitude goes through zero at modulation indices of 5.52, 8.65, 11.79, 14.93, etc. The modulation index, therefore, can

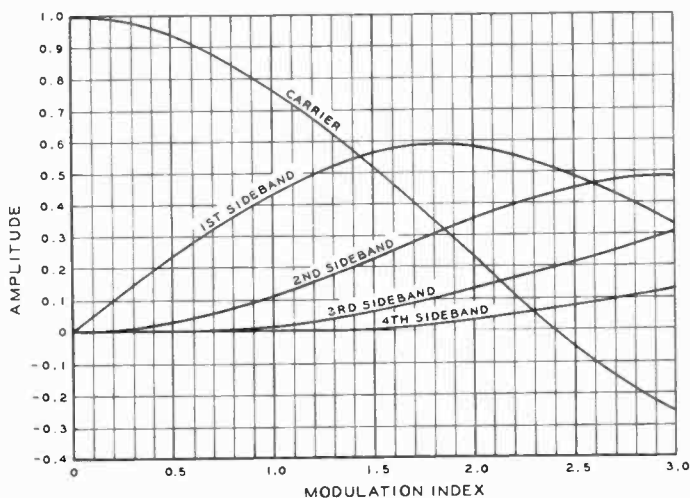


Figure 5

### BESSEL CURVES SHOW VARIATION IN CARRIER AND SIDEBAND AMPLITUDE AS MODULATION INDEX IS INCREASED

The carrier and sideband frequency pairs rise and fall with increasing modulation index and pass through zero at certain values. Carrier drops to zero at modulation index of 2.40. The negative amplitude of the carrier above the 2.40 index indicates that the phase is reversed as compared to the phase without modulation.

be measured at each of these points by noting the disappearance of the carrier.

The relative amplitudes of carrier and sideband frequencies for any modulation index can be determined by finding the y-axis amplitude intercept for the particular function. Representative spectrum plots for three different values of modulation index are shown in figure 6. The negative amplitude in the Bessel curves indicate that the phase of the particular function is reversed as compared to the phase without modulation. In f-m, the energy that goes into the sideband frequencies is taken from the carrier; the total power in the overall composite signal remains the same regardless of the modulation index.

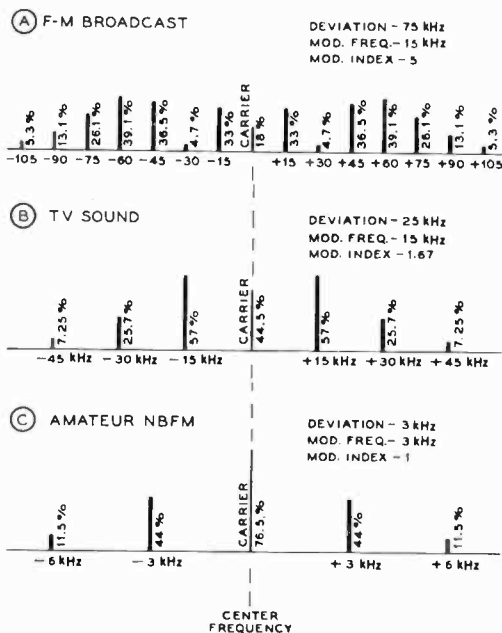


Figure 6

### EFFECT OF F-M MODULATION INDEX

Showing the side-frequency amplitude and distribution for the three most common modulation indices used in f-m work. The maximum modulating frequency and maximum deviation are shown in each case.

It might be thought that the large number of side frequencies thus formed might make the frequency spectrum produced by an f-m transmitter prohibitively wide. However, the additional side frequencies are of small amplitude, and, instead of increasing the

bandwidth, modulation by a complex wave actually reduces the effective bandwidth of the f-m spectrum. This is especially true when speech modulation is being used, since most of the power of voice sounds is concentrated in the lower audio frequencies.

## 13-2 Direct F-M Circuits

Frequency modulation may be obtained either by the direct method, in which the frequency of an oscillator is changed directly by the modulating signal, or by the indirect method which makes use of phase modulation. Phase-modulation circuits will be discussed in the following section.

A successful frequency-modulated transmitter must meet two requirements: (1) The frequency deviation must be symmetrical about a fixed frequency, for symmetrical modulation voltage. (2) The deviation must be directly proportional to the amplitude of the modulation, and independent of the modulation frequency. There are several methods of direct frequency modulation which will fulfill these requirements. Some of these methods will be described in the following paragraphs.

**Reactance Modulators** One of the most practical ways of obtaining direct frequency modulation is through the use of a *reactance modulator*. In this arrangement the modulator output circuit is connected across the oscillator tank circuit, and made to appear as either a capacitive or inductive reactance by exciting the modulator with a voltage which either leads or lags the oscillator tank voltage by 90 degrees. The leading or lagging input voltage causes a corresponding leading or lagging output current, and the output circuit appears as capacitive or inductive reactance across the oscillator tank circuit. When the transconductance of the modulator is varied by varying one of the element voltages, the magnitude of the reactance across the oscillator tank is varied. By applying audio modulating voltage to one of the elements, the transconductance (and hence the frequency) may be varied at an audio rate. When properly designed and operated, the

reactance modulator provides linear frequency modulation, and is capable of producing large amounts of deviation.

There are numerous possible configurations of the reactance modulator circuit. The difference in the various arrangements lies principally in the type of phase-shifting circuit used to provide an input voltage which is in phase quadrature with the r-f voltage at the output of the modulator. A representative tube circuit showing four phase-shift arrangements is shown in figure 7.

A simple reactance modulator is shown in figure 8. An FET is coupled through a capacitor to the "hot" side of the oscillator tank circuit. The phase-shift network consists of the blocking capacitor ( $C_1$ ), resistor  $R_1$ , and the input conductance of the FET ( $C_2$ ). The value of resistor  $R_1$  is made large in comparison with the reactance of capacitor  $C_2$  at the oscillator frequency, and the current through the series circuit will be nearly in phase with the voltage across the tank circuit. Thus, the voltage across capacitor  $C_2$  will lag the oscillator tank voltage by almost 90 degrees. The result of the lagging voltage is as though an inductance were connected across the oscillator tank circuit, thus raising the oscillator frequency. The increase in frequency is proportional to the amplitude of the lagging current in the reactance modulator stage.

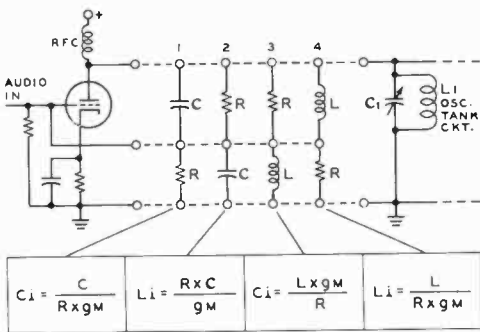


Figure 7

**FOUR POSSIBLE LOAD ARRANGEMENTS FOR REACTANCE MODULATOR**

**Stabilization** Due to the presence of the reactance-tube frequency modulator, the stabilization of an f-m oscillator in regard to voltage changes is considerably

more involved than in the case of a simple self-controlled oscillator for transmitter frequency control. If desired, the oscillator itself may be made perfectly stable under voltage changes, but the presence of the frequency modulator destroys the beneficial effect of any such stabilization. It thus becomes desirable to apply the stabilizing arrangement to the modulator as well as the oscillator.

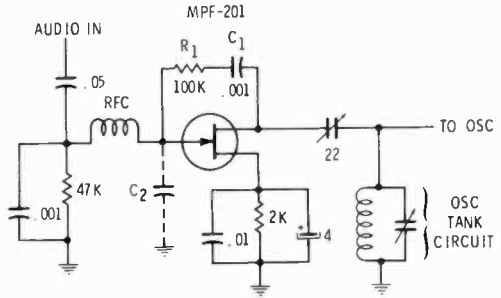


Figure 8

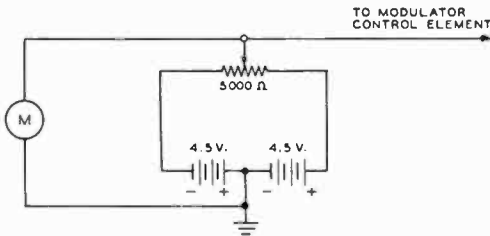
**REACTANCE MODULATOR FOR DIRECT F-M**

Phase-shift network consists of blocking capacitor  $C_1$  plus  $R_1$  and  $C_2$  (the input conductance of the FET).

**Linearity Test** It is almost a necessity to run a static test on the reactance modulator to determine its linearity and effectiveness, since small changes in the values of components, and in stray capacitances will almost certainly alter the modulator characteristics. A frequency-versus-control voltage curve should be plotted to ascertain that equal increments in control voltage, both in a positive and a negative direction, cause equal changes in frequency. If the curve shows that the modulator has an appreciable amount of nonlinearity, changes in bias, electrode voltages, r-f excitation, and resistance values may be made to obtain a straight-line characteristic.

Figure 9 shows a method of connecting two batteries and a potentiometer to plot the characteristic of the modulator. It will be necessary to use a zero-center voltmeter to measure the voltage, or else reverse the voltmeter leads when changing from positive to negative grid voltage. When a straight-line characteristic for the modulator is obtained by the static test method, the capacitances of the various bypass capacitors in the cir-

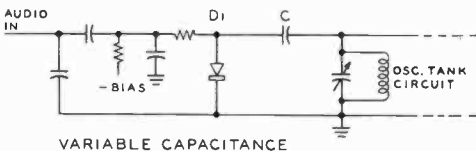
circuit must be kept small to retain this characteristic when an audio voltage is used to vary the frequency in place of the dc volt-



**FIGURE 9**  
**REACTANCE-MODULATOR**  
**LINEARITY CHECKER**

age with which the characteristic was plotted.

**The Diode Modulator** When a resistor and a capacitor are placed in series across an oscillator tank circuit, the current flowing in the series circuit is out of phase with the voltage. If the resistance or capacitance is made variable, the phase difference may be varied. If the variation is controlled at an audio rate, the resultant current can be used to frequency-modulate an oscillator (figure 10). The *diode modulator* may be a vacuum tube acting as a variable resistance or a solid-state voltage-variable capacitor whose capacitance varies inversely as the magnitude of the reverse bias. The variable element is placed in series with a small capacitance across the tank circuit of an oscillator to produce a frequency-modulated signal. The bias voltage applied to the diode should be regulated for best results.



**Figure 10**  
**THE DIODE MODULATOR**

### 13-3 Phase Modulation

By means of *phase modulation* (pm) it is possible to dispense with self-controlled os-

cillators and to obtain directly crystal-controlled frequency modulation. In the final analysis, phase modulation is simply frequency modulation in which the deviation is directly proportional to the modulation frequency. If an audio signal of 1000 Hz causes a deviation of 0.5 kHz, for example, a 2000-Hz modulating signal of the same amplitude will give a deviation of 1 kHz, and so on. To produce an f-m signal, it is necessary to make the deviation independent of the modulation frequency, and proportional only to the modulating signal (figure 11). With phase modulation this is done by including a frequency-correcting network in the transmitter. The audio-correction network must have an attenuation that varies directly with frequency, and this requirement is easily met by a very simple resistance capacitance network.

The only disadvantage of phase modulation, as compared to direct frequency modulation such as is obtained through the use of a reactance modulator, is the fact that very little frequency deviation is produced directly by the phase modulator. The deviation produced by a phase modulator is independent of the actual carrier frequency on which the modulator operates, but is dependent only on the phase deviation which is being produced and on the modulation frequency. Expressed as an equation:

$$F_d = M_p \times \text{modulating frequency}$$

where,

$F_d$  is the frequency deviation one way from the mean value of the carrier,

$M_p$  is the phase deviation accompanying modulation expressed in radians (a radian is approximately  $57.3^\circ$ ).

Thus, to take an example, if the phase deviation is  $\frac{1}{2}$  radian and the modulating frequency is 1000 Hz, the frequency deviation applied to the carrier being passed through the phase modulator will be 500 Hz.

It is easy to see that an enormous amount of multiplication of the carrier frequency is required in order to obtain from a phase modulator the frequency deviation of 75 kHz required for commercial f-m broadcasting. However, for amateur and com-

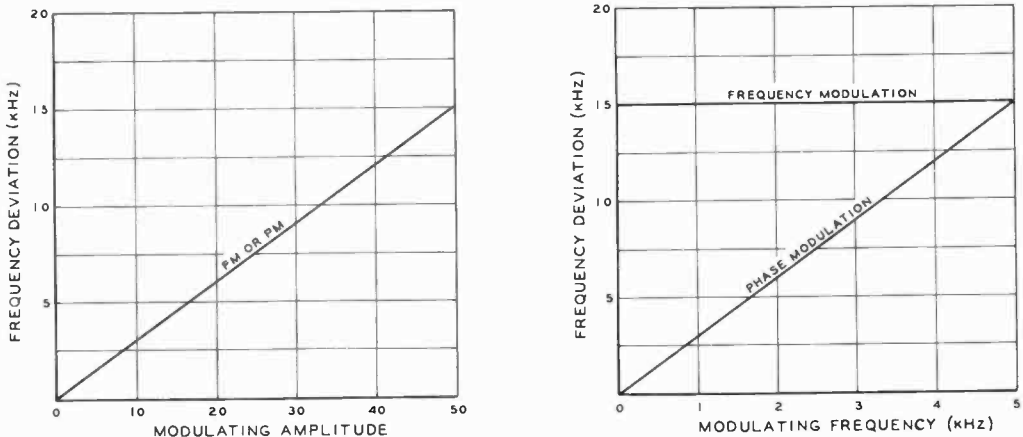


Figure 11

RELATIONSHIP BETWEEN FREQUENCY AND PHASE MODULATION

Frequency deviation is a function of amplitude and frequency of modulating signal for phase modulation (left) and a function of the amplitude only of modulating signal for frequency modulation (right). Most modern f-m transmitters use phase modulation as it may be easily applied to a crystal-controlled circuit.

mercial f-m work only a quite reasonable number of multiplier stages are required to obtain a deviation ratio of approximately one.

Many vhf f-m transmitters employ crystal control with the crystal frequency one twenty-fourth or one thirty-second of the carrier frequency. A deviation of 15 kHz at 144 MHz, for example, is equivalent to a deviation of 0.625 kHz at a crystal frequency of 6 MHz, which is well within the linear capability of a phase modulator. Some high-frequency f-m gear for the 30-MHz region employs crystals in the 200- to 500-kHz region to achieve sufficient frequency multiplication for satisfactory phase modulation at the crystal frequency.

Odd-harmonic distortion is produced when frequency-modulation is obtained by the phase-modulation method, and the amount of this distortion that can be tolerated is the limiting factor in determining the amount of phase modulation that can be used. Since the aforementioned frequency-correcting network causes the lowest modulating frequency to have the greatest amplitude, maximum phase modulation takes place at the lowest modulating frequency, and the amount of distortion that can be tolerated at this frequency determines the maximum deviation that can be obtained by the p-m method.

For high-fidelity broadcasting, the deviation produced by phase modulation is limited to an amount equal to about one-third of the lowest modulating frequency. But for nbfm work the deviation may be as high as 0.6 of the modulating frequency before distortion becomes objectionable on voice modulation. In other terms this means that phase deviations as high as 0.6 radian may be used for amateur and commercial nbfm transmission.

**The Phase Modulator** A change in the phase of a signal can be produced by passing the signal through a network containing a resistance and a reactance. If the series combination is considered to be the input, and the output voltage is taken from across the resistor, a definite amount of phase shift is introduced, the amount depending on the frequency of the signal and the ratio of the reactance to the resistance. When the resistance is varied with an applied audio signal, the phase angle of the output changes in direct proportion to the audio signal amplitude and produces a phase-modulated signal.

A representative phase modulator is shown in figure 12. The basic RC phase-shift network is composed of the resistance represented by the FET and the capacitor placed

between input and output terminals of the modulator. The modulator is placed after the crystal oscillator and before the frequency multiplier stages. Phase modulation occurs as the modulator, in effect, detunes the amplifier tank circuit and thus varies the phase of the tank current to achieve phase modulation. The degree of phase shift that occurs during the detuning process depends upon the  $Q$  of the circuit, the higher the  $Q$  the smaller amount of detuning required to secure a given number of degrees of phase shift. With a  $Q$  of 10, for example, the relation between phase shift and the degree of detuning in kHz either side of the resonant frequency is substantially linear over a phase-shift range of nearly 25 degrees.

Since frequency deviation increases with the modulating frequency in phase modulation, as contrasted to frequency modulation, it is necessary to attenuate the higher frequencies to reduce the unnecessary sidebands that could be generated at frequencies far-removed from the carrier.

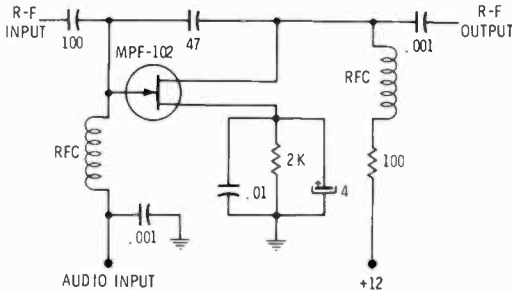


Figure 12

### SOLID-STATE PHASE MODULATOR

Modulator stage is placed between crystal oscillator and the following amplifier or multiplier stages.

Shown in figure 13 is a simple phase modulator which employs a varactor diode to vary the phase of a tuned circuit. The modulator is installed between the oscillator and the subsequent frequency multiplier stage.

A phase modulator capable of a greater degree of modulation is shown in figure 14. This configuration is often used in vhf crystal-controlled f-m transmitters. In general a FET is used as a crystal oscillator, followed by a second FET as a phase modu-

lator, with the modulating network in the gate circuit. Two inexpensive silicon diodes used as varactors across a phasing coil are driven by the modulating voltage. The r-f output of the 2N5459 is about 30 milliwatts.

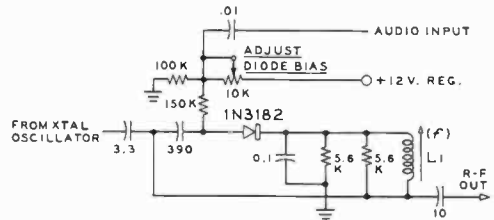


Figure 13

### PHASE MODULATOR EMPLOYING VARACTOR DIODE

Audio voltage applied to varactor diode varies the phase of the tuned circuit. Diode bias is adjusted for largest phase shift consistent with linearity.

**The F-M Transmitter** The various direct and indirect methods of producing f-m involve changing either the frequency or the phase of an r-f carrier in accordance with the modulating signal. The f-m signal is then raised to the operating frequency by passing it through a series of frequency multipliers. When the frequency is multiplied, the frequency deviation is multiplied by a like amount.

Inexpensive and highly stable crystals are available in the 3- to 10-MHz range and many popular f-m transmitters in the vhf region use such crystals, multiplying the crystal frequency by a factor of 12, 18 or 24. Because the amplitude of an f-m signal is constant, the signal may be amplified by nonlinear stages such as doublers and class-C amplifiers without introducing signal distortion. Actually, it is an advantage to pass an f-m signal through nonlinear stages, since any vestige of amplitude modulation generated in the phase modulator may be smoothed out by the inherent limiting action of a class-C amplifier.

**Measurement of Deviation** When a single-frequency modulating voltage is used with an f-m transmitter the relative amplitudes of the various sidebands and the carrier vary widely as the deviation is varied by increasing or decreasing the amount

of modulation. Since the relationship between the amplitudes of the various sidebands and carrier to the audio modulating frequency and the deviation is known, a simple method of measuring the deviation of a frequency-modulated transmitter is possible. In making the measurement, the result is given in the form of the modulation index for a certain amount of audio input.

The measurement is made by applying a sine-wave audio voltage of known frequency to the transmitter, and increasing the modulation until the amplitude of the carrier component of the frequency-modulated wave reaches zero. The modulation index for zero carrier may then be determined from the table below. As may be seen from the table, the first point of zero carrier is obtained when the modulation index has a value of 2.405—in other words, when the deviation is 2.405 times the modulation frequency. For example, if a modulation frequency of 1000 Hz is used, and the modulation is increased until the first carrier null is obtained, the deviation will then be 2.405 times the modulation frequency, or 2.405 kHz. If the modulating frequency happened to be 2000 Hz, the deviation at the first null would be 4.810 kHz. Other carrier nulls will be obtained when the index is 5.52, 8.654, and at increasing values separated approximately by  $\pi$ . The following is a listing of the modulation index at successive carrier nulls up to the tenth:

Zero carrier point no.	Modulation index
1	2.405
2	5.520
3	8.654
4	11.792
5	14.931
6	18.071
7	21.212
8	24.353
9	27.494
10	30.635

The only equipment required for making the measurements is a calibrated audio oscillator of good wave form, and a communication receiver equipped with a narrow pass-band i-f filter, to exclude sidebands spaced

from the carrier by the modulation frequency. The unmodulated carrier is accurately tuned on the receiver. Then modulation from the audio oscillator is applied to the transmitter, and the modulation is increased until the first carrier null is obtained. This carrier null will correspond to a modulation index of 2.405, as previously mentioned. Successive null points will correspond to the indices listed in the table.

A heterodyne deviation meter is shown in figure 15. This device provides a quick and easy means of "netting" an f-m transmitter. A diode mixer is used in conjunction with a local oscillator to provide an audio signal which is amplified and clipped in an operational amplifier, IC<sub>1</sub>. The resulting signal is a square wave which is applied to a rectifier

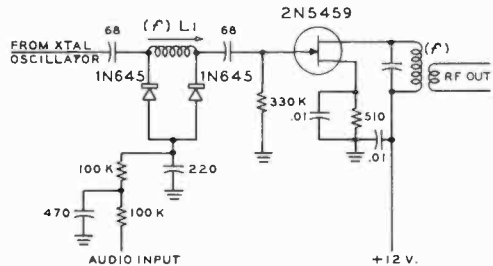


Figure 14

FET PHASE-MODULATED IN GATE CIRCUIT

Two silicon diodes are used as varactors across a phasing coil (L<sub>1</sub>). R-f output of 2N5459 is about 30 milliwatts. Circuit permits a small degree of amplitude modulation which is limited out by succeeding stages of f-m exciter.

and indicating meter. The squarewave signal is passed through an adjustable coupling capacitor which allows calibration for the meter ranges of 1, 10, and 20 kHz. The meter reads average rectified current which is proportional to frequency.

The deviation meter is calibrated by applying a low level audio signal to pin 2 of U<sub>1</sub>. The frequency of the applied signal is set at the indicated frequencies and the appropriate trimmer capacitor adjusted for full-scale deflection. As the audio frequency is varied, the meter reading should correspond with the frequency over the greater portion of the range.

The crystal is chosen so as to produce a harmonic signal at the carrier frequency of the f-m channel in use. Sine-wave modula-



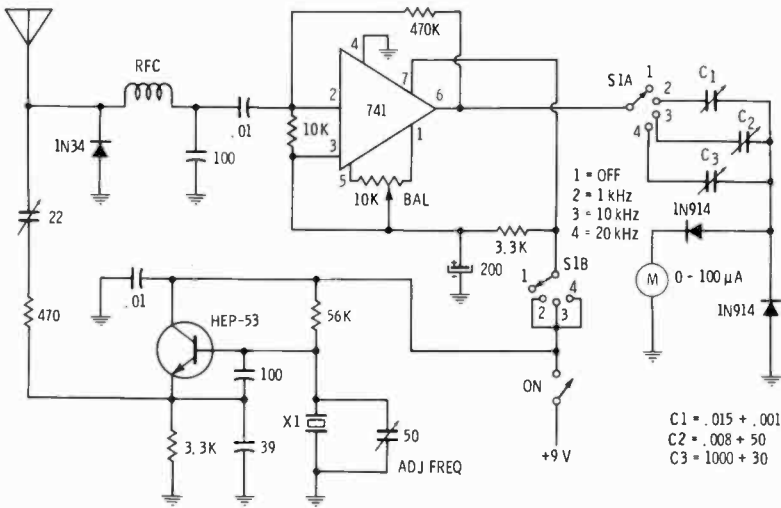


Figure 15

F-M DEVIATION METER

Simple direct-conversion receiver is coupled to a meter whose reading is proportional to the frequency of the applied audio signal. In this case, the audio signal is produced by the beat between the crystal harmonic frequency and the observed frequency.

tion is applied to the transmitter under test and the deviation level adjusted for the amount desired, as indicated on the meter of the instrument.

**Modulation Limiting** Deviation in an f-m transmitter can be controlled by a circuit that holds the audio level within prescribed limits. Simple audio clipping circuits may be used, as well as more complex deviation control circuits. Diode limiting circuits, such as discussed in Chapter 9 are commonly used, followed by a simple audio filter which removes the harmonics of the clipped audio signal. A

representative clipping and filtering circuit is shown in figure 16.

13-4 Reception of F-M Signals

A conventional communications receiver may be used to receive narrow-band f-m transmission, although performance will be much poorer than can be obtained with an nbfm receiver or adapter. However, a receiver specifically designed for f-m reception must be used when it is desired to receive high deviation f-m such as used by

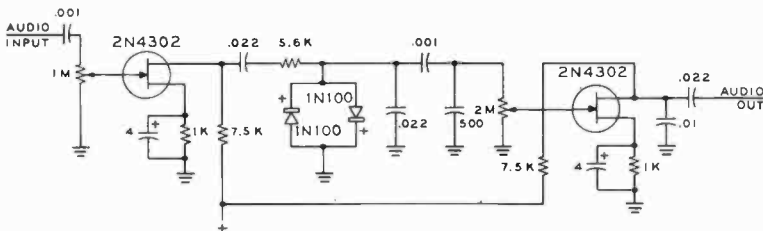


Figure 16

MODULATION LIMITING

Deviation in an f-m transmitter can be controlled by a clipping circuit which holds peak audio level within prescribed limits. Simple audio filter removes higher harmonics of clipped signal.

f-m broadcast stations, TV sound, and mobile communications.

The f-m receiver must have, first of all, a bandwidth sufficient to pass the range of frequencies generated by the f-m transmitter. And since the receiver must be superheterodyne if it is to have good sensitivity at the frequencies to which frequency modulation is restricted, i-f bandwidth is an important factor in its design.

The second requirement of the f-m receiver is that it incorporate some sort of device for converting frequency changes into amplitude changes, in other words, a detector operating on frequency variations rather than amplitude variations. Most f-m equipment operates in the vhf region, and at these frequencies it is not always possible to obtain optimum performance at reasonable cost with a single-conversion superheterodyne receiver. When good adjacent-channel selectivity is necessary, a low i-f channel is desirable; this, however lowers the image rejection ability of the receiver. Similarly, if good image rejection is desired, a high i-f channel should be used, but this is not compatible with good adjacent-channel rejection unless an expensive i-f filter is employed.

These difficulties are compromised by the use of a double-conversion receiver, such as the one shown in the block diagram of figure 17. In many receiver designs, the high i-f channel is chosen so that a harmonic of the mixing oscillator used for the second mixer may be used with the first mixer to reduce the number of crystals in the receiver. In other cases, a frequency synthesizer is used to generate the proper mixing frequencies.

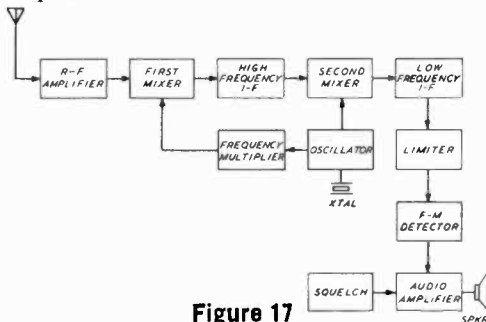


Figure 17

**DOUBLE-CONVERSION RECEIVER FOR VHF F-M RECEPTION**

The third requirement, and one which is necessary if the full noise-reducing capabilities of the f-m system of transmission are desired, is a limiting device to eliminate amplitude variations before they reach the detector.

**The Frequency Detector**

The simplest device for converting frequency variations to amplitude variations is an "off-tune" resonant circuit, as illustrated in figure 18. With the carrier tuned in at point A, a certain amount of r-f voltage will be developed across the tuned circuit, and, as the frequency is varied either side of this frequency by the modulation, the r-f voltage will increase and decrease to point C and B in accordance with the modulation. If the voltage across the tuned circuit is applied to an ordinary detector, the detector output will vary in accordance with the modulation, the amplitude of the variation being proportional to the deviation of the signal, and the rate being equal to the modulation frequency. It is obvious from figure 18 that only a small portion of the resonance curve is usable for linear conversion of frequency

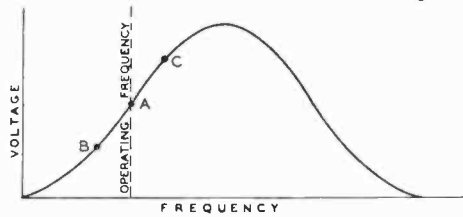


Figure 18

**SLOPE DETECTION OF F-M SIGNAL**

variations into amplitude variations, since the linear portion of the curve is rather short. Any frequency variation which exceeds the linear portion will cause distortion of the recovered audio. It is also obvious by inspection of figure 18 that an a-m receiver used in this manner is vulnerable to signals on the peak of the resonance curve and also to signals on the other side of the resonance curve. Further, no noise-limiting action is afforded by this type of reception.

**Double-Tuned Discriminator**

A better frequency detector or discriminator, is shown in figure 19A. In this arrangement two tuned circuits are used, one tuned on each side of the i-f amplifier frequency,

and with their resonant frequencies spaced slightly more than the expected transmitter swing. Their outputs are combined in a differential rectifier so that the voltage across series load resistors  $R_1$  and  $R_2$  is equal to the algebraic sum of the individual output voltages of each rectifier. When a signal

at the i-f midfrequency is received, the voltages across the load resistors are equal and opposite, and the sum voltage is zero. As the r-f signal varies from the midfrequency, however, these individual voltages become unequal, and a voltage having the polarity of the larger voltage and equal to the difference between the two voltages appears across the series resistors, and is applied to the audio amplifier. The relationship between frequency and discriminator output voltage is shown in figure 20A. The separation of the discriminator peaks and the linearity of the output voltage-versus-frequency curve depend on the discriminator frequency, the  $Q$  of the tuned circuits, and the value of the diode load resistors.

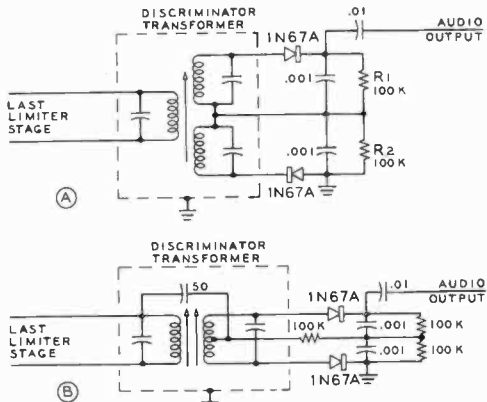


Figure 19

THE F-M DETECTOR

A—The double-tuned discriminator uses two secondary windings on the detector transformer, one tuned on each side of the i-f amplifier center frequency. On either side of center frequency a voltage of polarity and magnitude proportional to direction and magnitude of frequency shift is developed. B—Foster-Seeley discriminator employs a single, tapped secondary winding. Vector diagram of summed output voltages is shown in figure 20B-C.

**Foster-Seeley Discriminator** A popular form of discriminator is that shown in figure 19B. This type of discriminator yields an output voltage-versus-frequency characteristic similar to that shown in figure 20B. Here, again, the output voltage is equal to the algebraic sum of the voltages developed across the load resistors of the two diodes, the resistors being connected in series to ground. However, this *Foster-Seeley* discriminator requires only two tuned circuits instead of the three used in the previous discriminator. The operation of the circuit results from the phase relationships existing in a transformer having a tuned

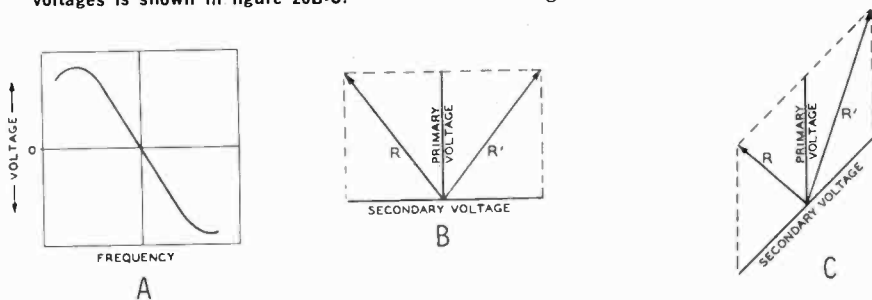


Figure 20

DISCRIMINATOR CHARACTERISTICS

- A—Discriminator of figure 19A produces zero voltage at the center frequency. On either side of this frequency it gives a voltage of a polarity and magnitude which depend on the direction and amount of frequency shift.
- B—Vector diagram of discriminator of figure 19B. Signal at the resonant frequency will cause secondary voltage to be 90 degrees out of phase with the primary voltage and the resultant voltages ( $R$  and  $R'$ ) are equal.
- C—If the signal frequency changes, the phase relationship changes and the resultant voltages are no longer equal. A differential detector is used to provide an output voltage proportional to the difference between  $R$  and  $R'$ .

secondary. In effect, as a close examination of the circuit will reveal, the primary circuit is in series for r-f, with each half of the secondary to ground. When the received signal is at the resonant frequency of the secondary, the r-f voltage across the secondary is 90 degrees out of phase with that across the primary. Since each diode is connected across one half of the secondary winding and the primary winding in series, the resultant r-f voltages applied to each are equal, and the voltages developed across each diode load resistor are equal and of opposite polarity. Hence, the net voltage between the top of the load resistors and ground is zero. This is shown vectorially in figure 20B where the resultant voltages R and R' which are applied to the two diodes are shown to be equal when the phase angle between primary and secondary voltages is 90 degrees. If, however, the signal varies from the resonant frequency, the 90-degree phase relationship no longer exists between primary and secondary.

The result of this effect is shown in figure 20C where the secondary r-f voltage is no longer 90 degrees out of phase with respect to the primary voltage. The resultant voltages applied to the two diodes are now no longer equal, and a dc voltage proportional to the difference between the r-f

deviation, is developed and passed on to the audio amplifier.

**Ratio Detector** A third form of f-m detector circuit, called the *ratio detector* is diagrammed in figure 21. The input transformer can be designed so that the parallel input voltage to the diodes can be taken from a tap on the primary of the transformer.

The circuit of the ratio detector appears very similar to that of the more conventional discriminator arrangement. However, it will be noted that the two diodes in the ratio detector are polarized so that their dc output voltages add, as contrasted to the Foster-Seeley circuit wherein the diodes are polarized so that the dc output voltages buck each other. At the center frequency to which the discriminator transformer is tuned, the voltage appearing at the top of the 100K resistor will be one-half the dc voltage appearing at the agc output terminal, since the contribution of each diode will be the same. However, as the input frequency varies to one side or the other of the tuned value (while remaining within the passband of the i-f amplifier feeding the detector) the relative contributions of the two diodes will be different. The voltage appearing at the top of the 100K resistor will increase for frequency deviations in one direction and will decrease for frequency deviations in the other direction from the mean or tuned value of the transformer. The audio output voltage is equal to the ratio of the relative contributions of the two diodes, hence the name ratio detector.

The ratio detector offers several advantages over the simple discriminator circuit. The circuit does not require the use of a limiter preceding the detector since the circuit is inherently insensitive to amplitude modulation on an incoming signal. This factor alone means that the r-f and i-f gain ahead of the detector can be much less than the conventional discriminator for the same overall sensitivity, further, the circuit provides agc voltage for controlling the gain of the preceding r-f and i-f stages. The ratio detector is, however, susceptible to variations in the amplitude of the incoming signal as in any other detector circuit except the discriminator *with* a limiter preceding it,

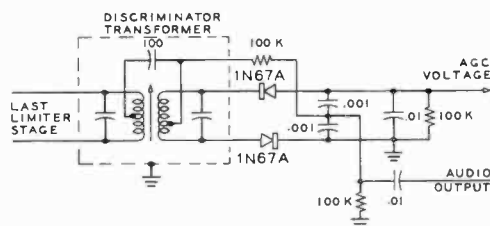
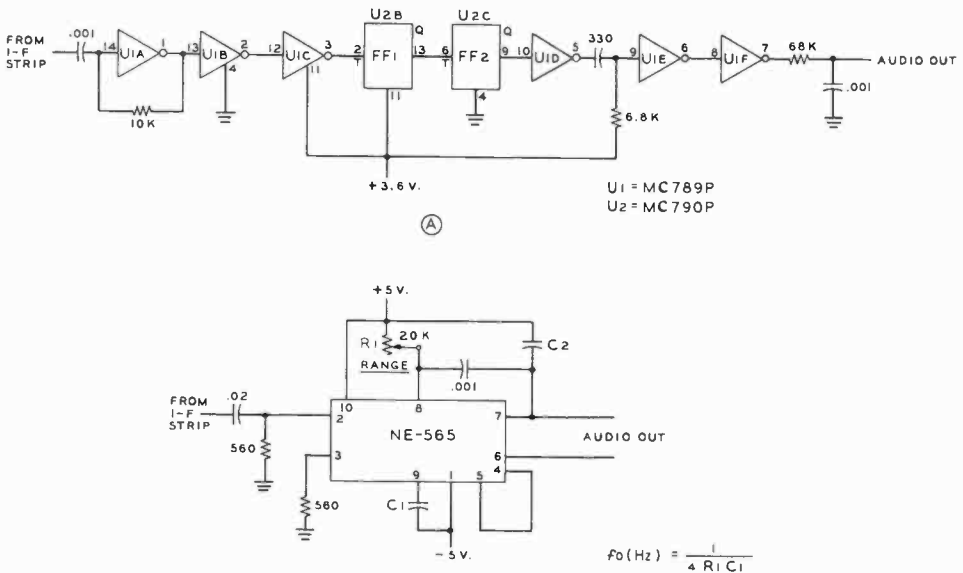


Figure 21

**THE RATIO DETECTOR**

This detector is inherently insensitive to amplitude modulation and does not require the use of a limiter ahead of it. Automatic volume control voltage is provided for controlling gain of r-f and i-f stages ahead of the detector.

voltages applied to the two diodes will exist across the series load resistors. As the signal frequency varies back and forth across the resonant frequency of the discriminator, an ac voltage of the same frequency as the original modulation, and proportional to the



(B)  
Figure 22

### UNUSUAL F-M DETECTORS MAKE USE OF INTEGRATED CIRCUITS

A—Pulse counting detector uses two small ICs and provides quieting and linear detection over wide frequency ranges. First three stages provide limiting and produce a pulse train which is fed to a "divide-by-four" pair of flip-flops. Low-frequency pulses trigger a multivibrator ( $U_{1D}$ ) whose repetition rate varies in direct proportion to frequency variation of i-f signal. Pulses are converted to audio signal by RC de-emphasis network at output of detector. B—Single IC performs as phase-locked loop detector for f-m. Error voltage proportional to frequency deviation is applied to voltage-controlled oscillator, locking it to incoming signal. Error voltage is replica of frequency shift on incoming signal.

so that agc should be used on the stage preceding the detector.

**The Pulse-Counting Detector** Shown in figure 22A is a compact detector that provides inherent quieting and linear detection over wide frequency ranges. Two ICs (RTL logic) provide the functions of a limiter and discriminator. The first inverter serves as a signal amplifier and the following two stages provide limiting to produce a pulse train at the intermediate frequency. This train is fed to a "divide-by-four" circuit composed of flip-flops FF<sub>1</sub> and FF<sub>2</sub>. The low-frequency signal triggers a monostable multivibrator ( $U_{1D}$ ), whose period is about 0.5 that of the i-f signal. The output pulses of the multivibrator have a repetition rate which varies in direct proportion to the frequency variation of the i-f signal. The pulses are amplified by two inverter stages and con-

verted to an audio signal by the RC de-emphasis network at the output of  $U_{1F}$ .

**The Phase-Locked Loop Detector** The phase-locked loop, discussed in Chapter 11 is now available in a single IC package or in separate building block ICs. The PLL consists of a phase detector, a filter, a dc amplifier, and a voltage-controlled oscillator which runs at a frequency close to that of an incoming signal. The phase detector produces an error voltage proportional to the difference in frequency between the oscillator and the incoming signal, the error voltage being applied to the voltage-controlled oscillator. Any change in frequency of the incoming signal is sensed, and the resulting error voltage readjusts the oscillator frequency so that it remains locked to the incoming signal. As a result, the error voltage is a replica of the audio variations originally used to shift the frequency of

the f-m signal, and the PLL functions directly as an f-m detector. The functional bandwidth of the system is determined by a filter placed on the error voltage line. The *Signetics NE565* is especially designed for this service (figure 22B).

**The Quadrature Detector** The *quadrature detector* (figure 23) demodulates an f-m signal by combining two versions of the i-f signal which are in quadrature (a phase difference of 90 degrees).

The input stages in the representative IC f-m quadrature detector are wideband limiting amplifiers which remove the a-m component of the wave and pass on a clipped, squarewave series to a signal splitter which feeds a portion of the signal to an external, 90-degree phase-shift network (illustration B). The shifted signal is fed to one input port of the synchronous detector. The gated detector integrates the pulsed signals to extract the audio signal.

Alignment of the quadrature detector requires that the phase-shift coil be adjusted

for maximum audio level, or the coil may be adjusted to null the noise level on an unmodulated signal.

**Limiters** The limiter of an f-m receiver using a conventional discriminator serves to remove amplitude modulation and pass on to the discriminator a frequency-modulated signal of constant amplitude; a typical circuit is shown in figure 24. The limiter tube is operated as an i-f stage with very low plate voltage and with grid-resistor bias, so that it overloads quite easily. Up to a certain point the output of the limiter will increase with an increase in signal. Above this point, however, the limiter becomes overloaded, and further large increases in signal will not give any increase in output. To operate successfully, the limiter must be supplied with a large amount of signal, so that the amplitude of its output will not change for rather wide variations in amplitude of the signal. Noise, which causes little frequency modulation but much amplitude modulation of the received signal, is virtually wiped out in the limiter.

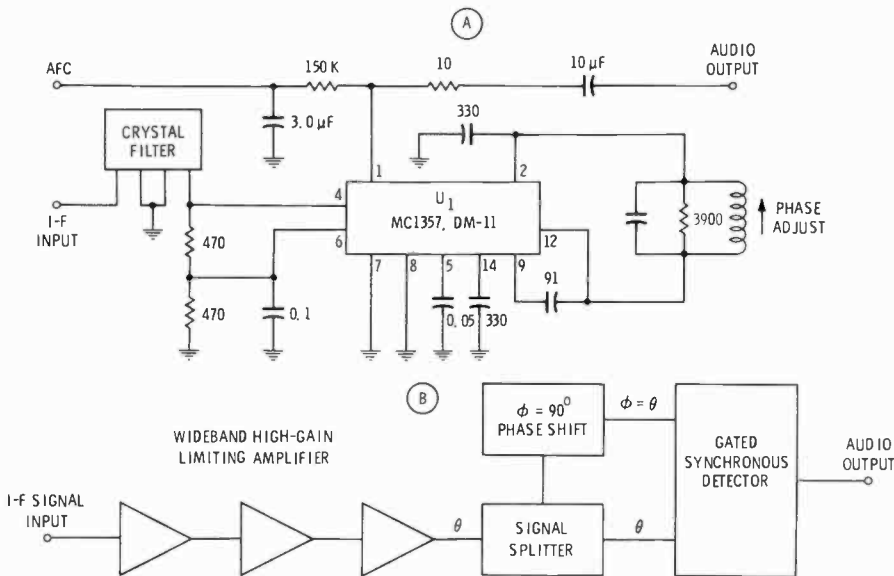


Figure 23

THE QUADRATURE DETECTOR

A—F-m Quadrature detector using MC 1357P Integrated Circuit  
 B—Block diagram of the MC 1357P quadrature detector

The voltage across the grid resistor varies with the amplitude of the received signal. For this reason, conventional amplitude-modulated signals may be received on the f-m receiver by connecting the input of the audio amplifier to the top of this resistor, rather than to the discriminator output. When properly filtered by a simple RC circuit, the voltage across the grid resistor may also be used as *agc* voltage for the receiver.

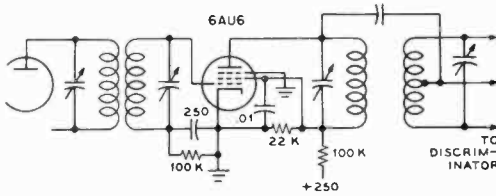


Figure 24

LIMITER CIRCUIT

One, or sometimes two, limiter stages normally precede the discriminator so that a constant signal level will be fed to the f-m detector. This procedure eliminates amplitude variations in the signal fed to the discriminator, so that it will respond only to frequency changes.

When the limiter is operating properly *agc* is neither necessary nor desirable, however, for f-m reception alone.

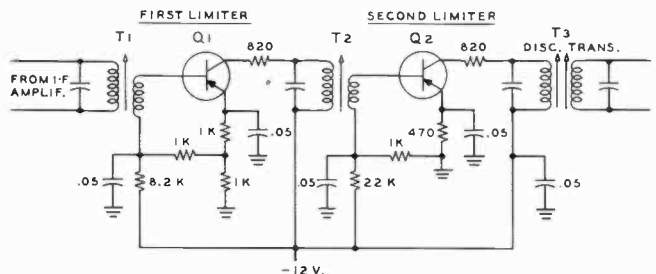
A two-stage solid-state limiter is shown in figure 25.

Proper limiting action calls for a signal of considerable strength to ensure full clipping, typically several volts for tubes and about one volt for transistors. Limiting action should start with an r-f input of 0.2  $\mu$ V, or less, at the receiver antenna terminals, consequently a large amount of signal gain is required between antenna and the limiter stages. Typically 100 dB to 140 dB gain is used in modern f-m receivers, most of this

Figure 25

TWO-STAGE SOLID-STATE F-M LIMITER

F-m limiter circuit serves to remove amplitude variations of incoming f-m signal. Limiter saturates with small signal and further increases in strength of incoming signal will not give any increase in output level. Noise, which causes little f-m but much a-m, is virtually eliminated in effective limiter stages.



gain being achieved in the i-f amplifier chain. The high gain level amplifies internal and external noise and an annoying blast of noise emits from the speaker of the f-m receiver unless some form of *audio squelch* is provided, as discussed later in this chapter.

**Receiver Bandwidth** One of the most important factors in the design of an f-m receiver is the frequency swing

which it is intended to handle. It will be apparent from figure 20 that if the straight portion of the discriminator circuit covers a wider range of frequencies than those generated by the transmitter, the audio output will be reduced from the maximum value of which the receiver is capable.

In this respect, the term *modulation percentage* is more applicable to the f-m receiver than it is to the transmitter, since the modulation capability of the communication system is limited by the receiver bandwidth and the discriminator characteristic; full utilization of the linear portion of the characteristic amounts, in effect, to 100 percent modulation. This means that some sort of standard must be agreed on, for any particular type of communication, to make it unnecessary to vary the transmitter swing to accommodate different receivers.

Two considerations influence the receiver bandwidth necessary for any particular type of communication. These are the maximum audio frequency which the system will handle, and the deviation ratio which will be employed. For voice communication, the maximum audio frequency is more or less fixed at 3000 to 4000 Hz. In the matter of deviation ratio, however, the amount of noise suppression which the f-m system will provide is influenced by the ratio chosen, since the improvement in signal-to-noise ratio which the f-m system shows over am-

plitude modulation is equivalent to a constant multiplied by the deviation ratio. This assumes that the signal is somewhat stronger than the noise at the receiver, however, as the advantages of wideband frequency modulation in regard to noise suppression disappear when the signal-to-noise ratio approaches unity.

As mentioned previously, broadcast f-m practice is to use a deviation ratio of 5. When this ratio is applied to a voice-communication system, the total swing becomes 30 to 40 kHz. With lower deviation ratios, such as are most frequently used for voice work, the swing becomes proportionally less, until at a deviation ratio of 1 the swing is equal to twice the highest audio frequency. Actually, however, the receiver bandwidth must be greater than the expected transmitter swing, since for distortionless reception the receiver must pass the complete band of energy generated by the transmitter, and this band will always cover a range somewhat wider than the transmitter swing.

On the other hand, a low deviation ratio is more satisfactory for strictly communication work, where readability at low signal-to-noise ratios is more important than additional noise suppression when the signal is already appreciably stronger than the noise.

Deviations of 15, 5, and 2.5 kHz are common on the amateur vhf bands and are termed wideband, narrowband, and sliver band, respectively. Bandwidth required in an f-m receiver is about 2.4 times the deviation:

36 kHz for wideband reception and 13 kHz for narrowband reception.

The proper degree of i-f selectivity may be achieved by using a number of overcoupled transformers or by the use of a ceramic or crystal filter. Shown in figure 26 is a transistorized i-f strip using a packaged filter for adjacent channel selectivity and four stages of resistance-coupled amplification to provide adequate gain. The stages are paired in regard to the supply voltage, with the paired transistors placed in series so that each has half the supply voltage. I-f filters for vhf f-m service generally have a center frequency of 455 kHz, 9.0, 10.7, or 21.5 MHz with bandwidths ranging from 12 kHz to 36 kHz.

**Pre-Emphasis and De-Emphasis** Standards in f-m broadcast and TV sound work call for the pre-emphasis of all audio modulating frequencies above about 2000 Hz, with a rising slope such as would be produced by a 75-microsecond RL network. Thus the f-m receiver should include a compensating de-emphasis RC network with a time constant of 75 microseconds so that the overall frequency response from microphone to speaker will approach linearity. The use of pre-emphasis and de-emphasis in this manner results in a considerable improvement in the overall signal-to-noise ratio of an f-m system. Appropriate values for the de-emphasis network, for different

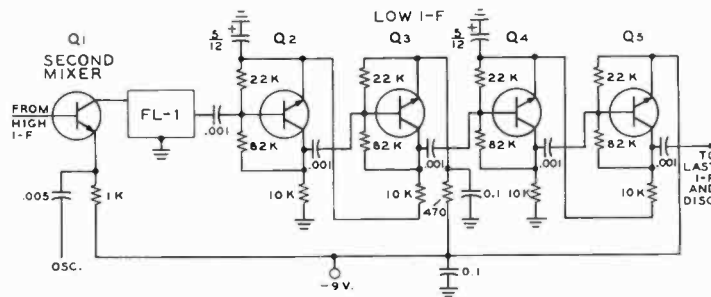


Figure 26

**TRANSISTOR I-F STRIP USES CASCODE CIRCUIT**

Transistors in pairs (Q<sub>2</sub>-Q<sub>3</sub> and Q<sub>4</sub>-Q<sub>5</sub>) are placed in series in regard to the supply voltage in the manner of a cascode amplifier so that each transistor of a pair has half the dc voltage across it. A crystal or mechanical filter provides good adjacent-channel selectivity.



values of circuit impedance are given in figure 27.

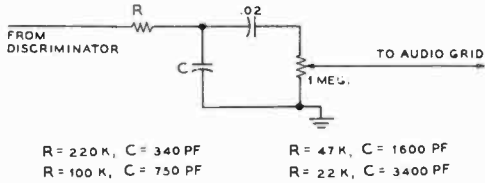


Figure 27

**75-MICROSECOND DE-EMPHASIS CIRCUIT**

The audio signal transmitted by f-m and TV stations has received high-frequency pre-emphasis, so that a de-emphasis circuit should be included between the output of the f-m detector and the input of the audio system.

**Squelch Circuits** *Squelch circuits* are used to mute the audio of an f-m receiver when no signal is present. In a high-gain receiver, speaker noise can be very annoying to the operator who must monitor a channel for a long period. When the receiver is squelched, no background noise is heard; when an r-f signal comes on, squelch is turned off and the audio system becomes operative. Squelch circuits may be carrier operated or noise operated.

A solid-state squelch circuit is shown in figure 28. Audio voltage is amplified and rectified and applied to the gate of a JFET which acts as a series audio gate. Squelch level is controlled by varying the signal gate voltage of the MPF-103 device. The output

impedance of the MPS-A10 amplifier is quite low and suitable for running into an audio line, if required.

**FM Stereo** Two program channels are transmitted. Additional signal processing in the receiver is required to recover the separate programs. The detector output with a stereo signal is a composite signal that contains the basic 50 to 15,000 Hz audio band (which is in mono form and consists of the sum of the two channels, or L+R), a 19-kHz pilot carrier, and a double-sideband signal about a 38-kHz suppressed subcarrier. This signal contains the difference of the stereo channels (L-R).

After processing in the multiplex demodulator, the L+R and L-R signals are recovered and can be combined in a resistive matrix. The addition and subtraction of these signals results in separation of the left and right program channel signals. Each signal is then deemphasized by a simple RC network that has a 75 μs time constant that rolls off the response at a 6 dB/octave rate above 2100 Hz (complementing a similar boost at the transmitter) to yield a flat overall frequency response.

**13-5 The F-M Repeater**

Since radio transmission in the vhf region is essentially short range, a form of radio relay station termed a *repeater* may be em-

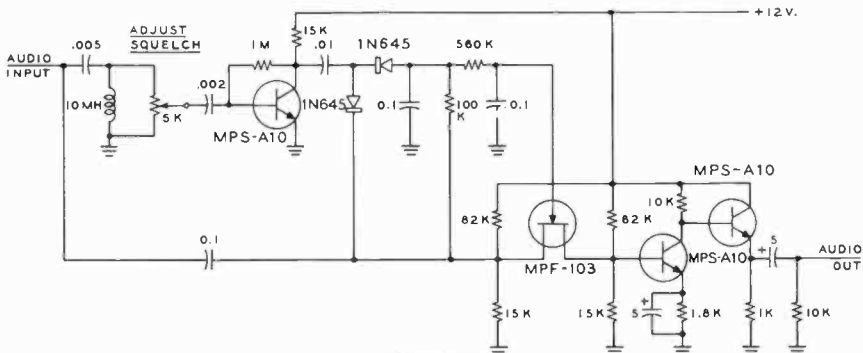


Figure 28

**SOLID-STATE SQUELCH CIRCUIT**

Audio voltage is amplified, rectified, and applied to the gate element of a JFET which acts as a series audio gate. Squelch level is controlled by varying the signal gate voltage of MPF-103 squelch amplifier stage.

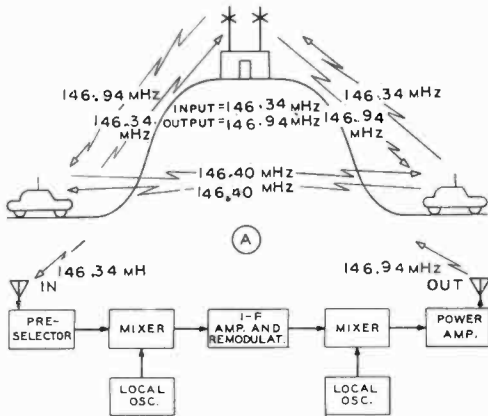


Figure 29

**F-M REMOTE REPEATER FOR MOBILE SERVICE**

Radio relay station serves as a repeater to extend the range of base or mobile f-m stations. Communication between units may be achieved either directly, or through repeater. The repeater consists of a back-to-back receiver and transmitter having a common i-f and remodulator system. Most repeaters are limited to a single channel, but multiplex operation permits simultaneous transmission of different information forms on the channel.

ployed to expand the communication range of base or mobile stations over an extended distance. Various types of relays are in use in the United States, their operation depending on the requirements of the communications circuit.

The *relay unit* is a fixed repeating station whose specific purpose is to extend station-to-station communication capability. The user's transmitter is on the input frequency while his receiver is on the output frequency of the relay (figure 29). When desired, direct communication between stations may take place by using a closely spaced frequency domain and a two-frequency transmitter.

The *remote base* is a form of relay unit whose location has a height or tactical advantage. Means must be provided to control such an installation which in amateur service most often is working in conjunction with a pair of frequencies—input and output. In so doing, remote bases serve on common frequencies by which individual groups operating their own installation can cross-communicate. Frequencies above 220 MHz

or direct-wire lines must be used for remote control.

*Simplex* communication, on the other hand, refers to communication between individual units operating on a common transmit and receive frequency. Thus simplex operation can be interfaced with relay operation, using either a local or remote base. Remote base operation must take place under FCC license to a responsible controlling authority and each application for such service is judged individually on the merits of the case.

**Repeater Types** There are two basic categories of repeaters: *open* and *closed*. The

*open* repeater is one which has been installed for the benefit of all who wish to use it for communications; the *closed* repeater is one which is designed to selectively benefit a specific group of users. Both types are in widespread use throughout the United States and many foreign countries. Early repeaters were a-m open types, which later gave way to the f-m open and closed repeaters. The open repeater is virtually always carrier operated, switching to the transmitting mode only with an incoming signal.

The closed repeater, as the name implies, gives the benefits of repeater coverage to a select group of subscribers or users. Special selective circuits are used on the repeater to reject all signals other than those for which the system was designed. This function is almost universally achieved with a system of *access tones*, whereby a specific tone on the incoming signal is a prerequisite to being automatically relayed to the repeater output. One technique calls for a continuous low-frequency tone (below 120 Hz) to be transmitted. A decoding device is employed at the repeater that responds only to signals bearing this tone. This is termed a *continuous tone squelched private line (PL)* system. A second technique requires that the incoming signal be accompanied by a short high-frequency *tone burst* of a few milliseconds. The decoder at the repeater allows the transmitter to be energized only when the signal bears the proper tone. This access approach is called the *single-tone*, or "whistle-on" system, since it may be activated by an operator with a good ear for tone and a talent for whistling!

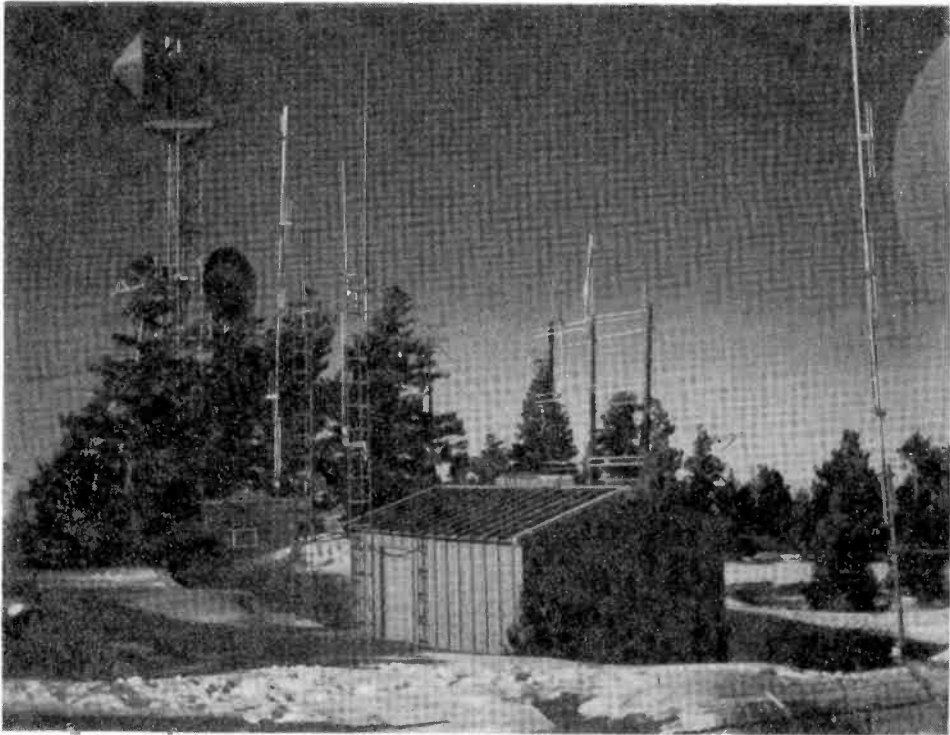


Figure 30

**TYPICAL REMOTE REPEATER INSTALLATION**

A vhf amateur remote repeater installation at a commercial facility atop 8500-foot Blueridge Summit in California.

Many repeaters make use of a *transmission limiter*, which consists of a timer which disables the repeater when input time exceeds 3 minutes or so. The repeater is reactivated

when the input signal is removed. More complicated control techniques exist, too, which make use of channelized tones between 1500 and 1650 Hz.

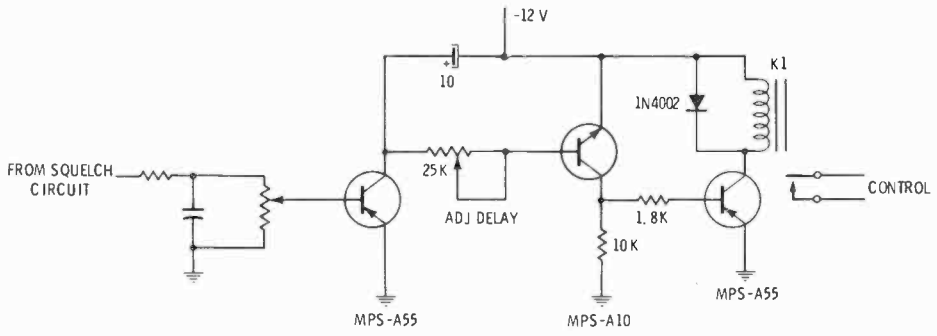


Figure 31

**CARRIER-OPERATED RELAY**

Adjustable delay circuit permits repeater to remain on the air for a few seconds after being keyed off.

**Control Techniques** The basic control element of most amateur repeaters is the <sup>1</sup> *carrier-operated relay (COR)*, a squelch-responding circuit that provides a relay closure ( $K_1$ ) with each signal that occupies the channel (figure 31). When the repeater is at a remote location, functional control may be exerted over a wire (telephone line) or by a uhf radio link. The control scheme is based upon the transmission of specific and precise audio frequency signals which activate turn-on and shut-down systems, frequency selections, and automatic time-out devices. The audio frequencies are generated by a tone generator termed an *encoder* and the responding device is called a *decoder*. Multiple functions may be achieved through the use of a single decoder by the use of tone filters and phase-locked loops (figure 32).

One of the most promising tone-control techniques makes use of the multitone (*Touchtone*) technique. *Touchtone* command signals are generated with a conventional *Touchtone* telephone dial which has an integral multitone encoder. The system makes use of eight discrete tone frequencies arranged in two groups of four tones each (a high group and a low group). Sixteen digits can then be represented by the combination of one tone from the high group with one tone from the low. The individual frequen-

cies and various combinations are shown in figure 33, which is a schematic of the standard 25A3 10-button *Touchtone telephone pad*. The supply voltage is fed to the pad over the same path as the output of the tones.

The *Touchtone* encoder pad can be connected directly into the microphone amplifier of an f-m transmitter for transmission of the tones over the air to the decoder unit at the repeater site.

The *Touchtone* signal can be decoded by separating the two-tone combination via bandpass and band-elimination filters into groups so that each tone can be regulated, limited, and applied to the desired control circuit.

Other tone systems exist, including the dual-tone (*Secode*) system and the single-tone approach. The latter may be used with a telephone dial pulsing system, as shown in figure 34. Control pulses are sent serially, at a rate of about 10 pulses per second to initiate a command function at the repeater.

**The Repeater** The repeater is a receiver-transmitter combination capable of duplex operation. That is, the receiver must be capable of functioning regardless of whether the transmitter is activated or not. Since the repeater equipment must run

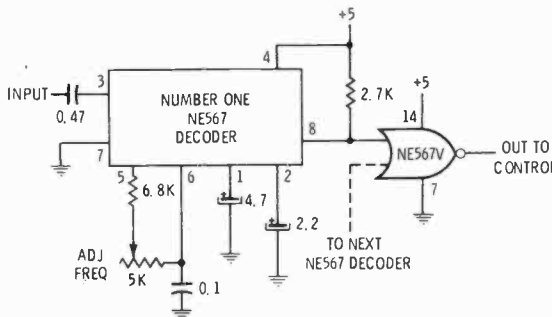


Figure 32

PLL DECODER BUILDING BLOCK

Phase-lock loop (PLL) basic building block. Seven NE 567 ICs are used in the decoder section, each centered on a particular tone frequency. Four TTL quad gates are used in the logic section. When a tone is received, the output goes from a logic high to a logic low. The output of the gate can be used to drive a relay or a function decoder. Proper interconnections to the logic sections can provide for encoded pair of tones, two low inputs switching the gate to a high level, for example.

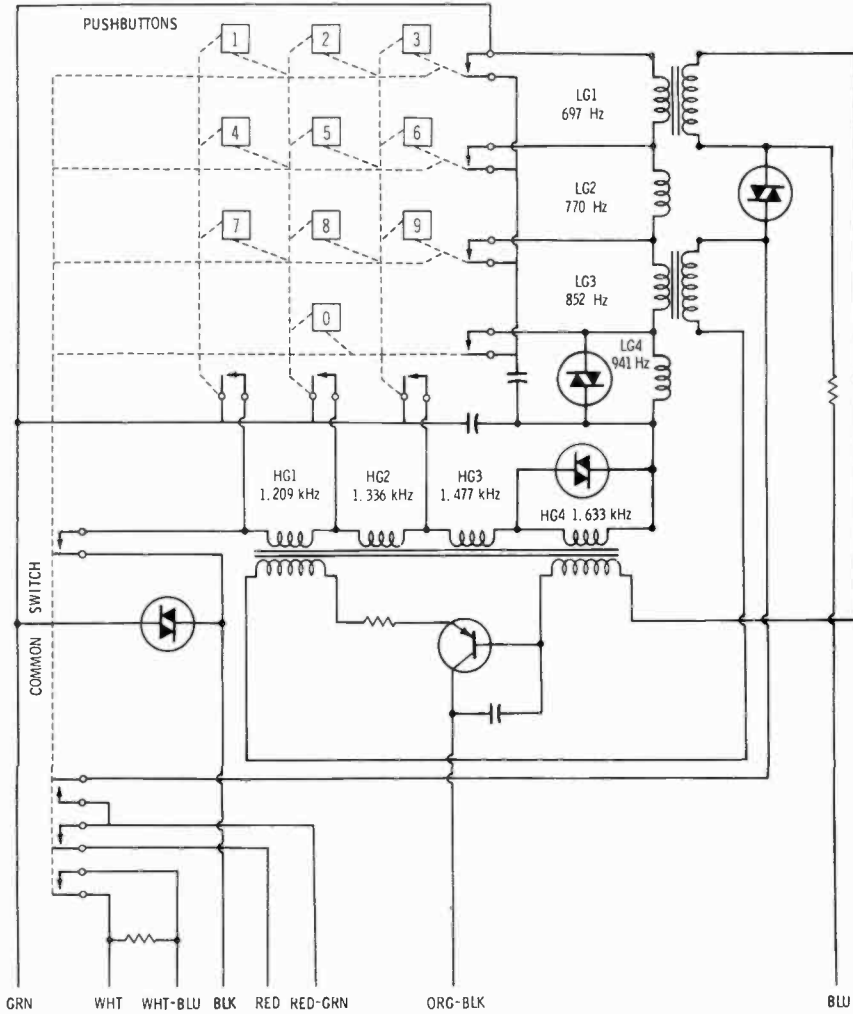


Figure 33

TOUCHTONE PAD

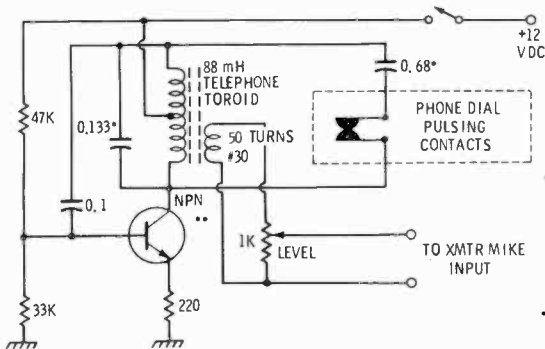


Figure 34

SECODE-TYPE 600/1500-Hz OSCILLATOR

\* TO ADJUST TONE FREQUENCY, FIRST OPEN THE TELEPHONE DIAL PULSING CONTACTS. SELECT THE 0.133- $\mu$ F CAPACITOR FOR 1500-Hz OUTPUT. CLOSE THE DIAL PULSING CONTACTS, AND SELECT THE 0.68  $\mu$ F CAPACITOR FOR 600-Hz OUTPUT.

\*\* ANY NPN TRANSISTOR WITH  $\beta_{FE}$  OF 50 TO 100.

continuously (probably in a remote spot without air conditioning) it must be well ventilated. Most repeaters have air continuously circulated about within the cabinet or enclosure by means of exhaust and intake fans as shown in figure 35.

**Transmitter Noise**—Broadband noise may be radiated by any r-f generating equipment as the result of random noise components generated and amplified in the driver stages, which are amplified and passed on to the antenna through the relatively broad selectivity of the amplifier output circuitry. Enough noise may be radiated to degrade the performance of a nearby receiver operating several MHz away (figure 36A). Transmitter noise is bothersome as "off-channel" noise which cannot be filtered out at the receiver, competing with the desired signal and reducing effective receiver sensitivity.

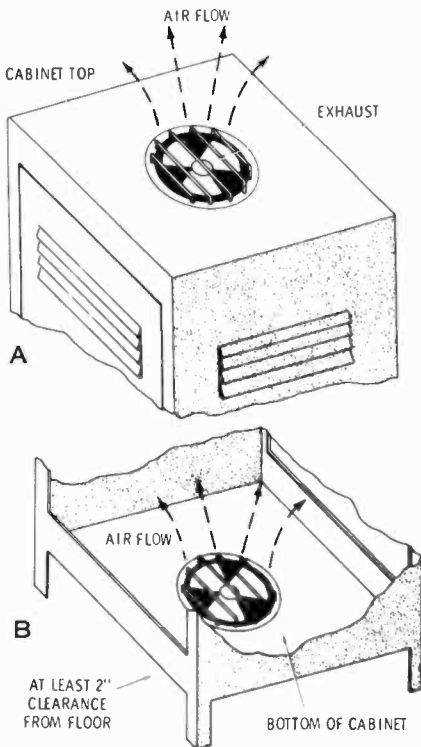


Figure 35

**METHODS FOR MOUNTING VENTILATING FANS**

A—Top-mounted exhaust fan. B—Bottom-mounted forced-air type.

**Receiver Desensitization**—This form of interference is the result of a strong off-channel frequency signal entering the front-end of the receiver, upsetting critical voltage and current levels, and reducing receiver gain.

**Intermodulation**—Intermodulation is the generation of spurious frequencies in a non-linear circuit element. The undesired frequencies correspond to the sum and differ-

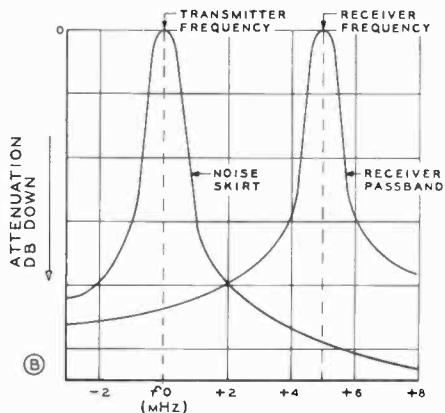
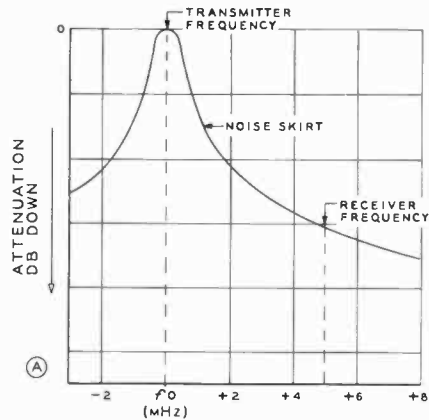
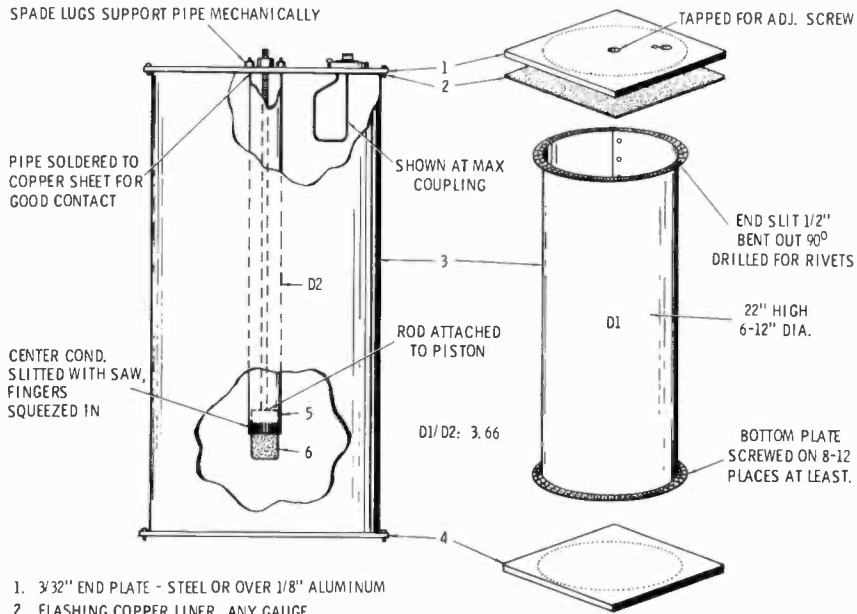


Figure 36

A—Broadband noise is radiated by an f-m transmitter as result of random noise components amplified and passed to antenna through relatively broad selectivity of output circuitry. Enough noise may be radiated to degrade performance of nearby receiver operating several MHz away from transmitting frequency. B—Bandpass cavity on output of transmitter and input of receiver provides sufficient attenuation and rejection of off-channel noise to protect receiver from desensitization.



1. 3/32" END PLATE - STEEL OR OVER 1/8" ALUMINUM
2. FLASHING COPPER LINER, ANY GAUGE
3. ALUMINUM CYLINDER (0.032" OR THICKER)
4. 3/32" STEEL OR ALUMINUM END PLATE
5. COPPER PIPE - DIA: 1/3.66 x OUTSIDE DIA. OF CAVITY (NOT CRITICAL)
6. TUNING PISTON - ANY MATERIAL WITH FLASHING COPPER WRAPPED ON OUTSIDE. LENGTH TO ALLOW TRAVEL MAKING TOTAL CENTER CONDUCTOR VARIABLE FROM 17" TO 21".

NOTE: FOR PISTON ROD SCREW, USE 5/16-18 THREADED ROD. SECURE AT TOP WITH LOCKNUT.

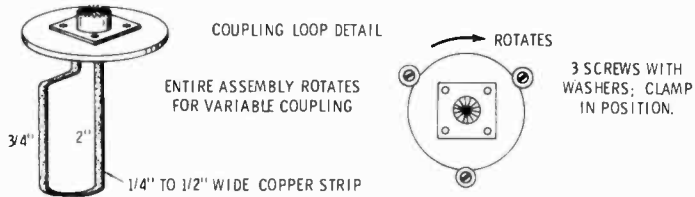


Figure 37

DESIGN DETAILS OF THE 144- TO 148-MHz CAVITY

ences of the fundamental and harmonics of two or more frequencies passing through the element, as discussed in Chapter 16.

Intermodulation interference may occur from signals outside the normal operating range of the equipment to produce a product which can interfere with a desired signal.

**Receiver Protection** Sufficient electrical isolation between receiver and transmitter at a repeater site will protect the receiver from desensitization, intermodula-

tion, and spurious transmitter noise. Receiver protection may be brought about by physically separating the receiver and transmitter antennas in space and by the use of a high-Q bandpass cavity at the input of the receiver to reject frequencies outside of the cavity passband (figure 37). The cavity resonator is placed in the antenna circuit in such a way as to pass the received frequency and reject the transmitted frequency. A second cavity on the output of the transmitter will reduce off-frequency transmitter noise passing to the antenna, as shown in figure 36B.

# Specialized Amateur Communications Systems and Techniques

Electromagnetic communication includes various modulation techniques and propagation modes that lie afiel from the more common voice and code modulation systems and ionospheric reflection propagation used by the majority of radio amateurs. Great strides have been made in recent years by small, dedicated groups of radio amateurs operating in the forefront of technology, exploring new methods and techniques of intercommunication.

Chief among these interesting, new modes and techniques are *satellite communication, earth-moon-earth communication, radio teletype, slow-scan television, broadband television, facsimile, and radio control of models*. Of these new modes and techniques, satellite communication and earth-moon-earth (moonbounce) have excited the greatest interest, both in the United States and abroad as they have pointed the way to a more extensive utilization of the vhf bands for long distance communication.

The very nature of amateur radio is such that from its beginning more than 70 years ago, it has not only kept pace with the development of other radio services, but it has often been well in the vanguard. It is not surprising, therefore, that the radio amateur should be among the first to utilize new,

specialized techniques and modes of communication. This chapter will cover some of the more interesting developments.

## 14-1 Amateur Space Communication

Radio amateurs have been interested in space communication ever since the first *Sputnik* was placed in orbit in the fall of 1957. Thousands of amateurs monitored the 20-MHz signal and shortly thereafter some of them began to discuss the exciting prospect of constructing a satellite of their own.

The first space experiments consisted of monitoring telemetry signals from satellites launched in other services. In 1959, however, a group of radio amateurs in California formed the *Project Oscar Association*, Oscar being an acronym for Orbiting Satellite Carrying Amateur Radio. The objective was to design, build, and launch an amateur radio space satellite. The satellite would operate in a band allocated to the amateur service and would permit radio amateurs everywhere to make useful contributions to the new field of space communications. The task was enormous, but the Project Oscar



group completed their first satellite in about a year of spare time work. The satellite contained a simple 100-milliwatt radio beacon transmitting on 144.98 MHz.

Amateur radio entered the space age on December 12, 1961 when OSCAR-1 was successfully launched as ballast aboard a scheduled research vehicle of the U.S. Air Force (figure 1). Before the historic flight

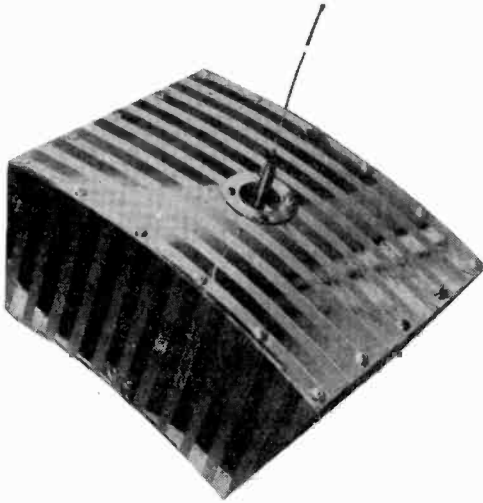


Figure 1

### OSCAR-1, AMATEUR RADIO'S FIRST SPACE SATELLITE

Fifty years after Marconi sent the letter "S" across the North Atlantic, amateur radio operators entered the space age with the launch of OSCAR-1. This tiny space satellite was launched from California and transmitted a telemetry signal in the amateur 144-MHz band. Radio amateurs in all continents and 28 countries filed more than 5000 telemetry reports with Project OSCAR headquarters. OSCAR-1 operated for about 3 weeks before batteries expired.

ended three weeks later, the beacon signal had been tracked and logged by amateurs in all continents and 28 countries, and more than 5000 telemetry reports were received by the Project from interested amateurs (figure 2).

Amateur radio's second satellite, OSCAR-2, was launched in June, 1962. It consisted of a 144-MHz telemetry beacon and gave amateurs further training in this new and exciting aspect of amateur radio. More than 6000 reception reports were received from

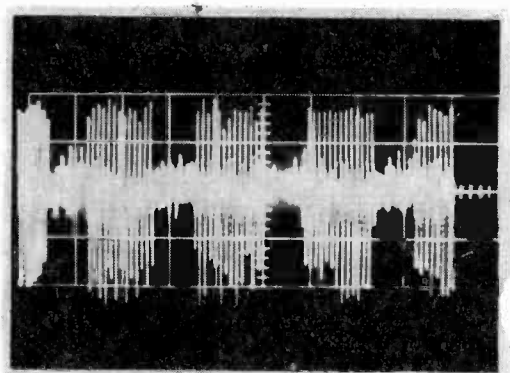


Figure 2

### OSCAR TELEMETRY SENDS "HI" SIGNAL TO AMATEURS WORLDWIDE

Early OSCAR satellites sent the Morse letters "HI" in the form of telemetry on the 144-MHz band. This photograph of the OSCAR-3 signal was recorded by F3NB near Paris, France in 1965.

over 700 different amateur stations throughout the world.

By 1962, then, the first two satellites were successful in introducing radio amateurs to space communications. The telemetry beacons provided useful propagation data as well as continuous observations of the satellites' behavior, thus paving the way for OSCAR-3, amateur radio's first active communications satellite.

**Satellite History Made in 1965** OSCAR-3 made telecommunications history. By being launched a month before *Early Bird* (the first International Telecommunications Satellite Consortium INTELSAT) it holds the distinction of being the world's first free-access communications satellite (figure 3). In many instances amateur communication through OSCAR-3 marked the first time that a space communication project had been conducted in overseas countries. Over 400 amateurs in 16 countries communicated through the satellite repeater during the two week life of the device. The Atlantic Ocean was bridged twice with contacts logged between the United States and Germany and Spain, and California amateurs heard Hawaiian signals through OSCAR-3. The first Asia-Europe contact was logged between Israel

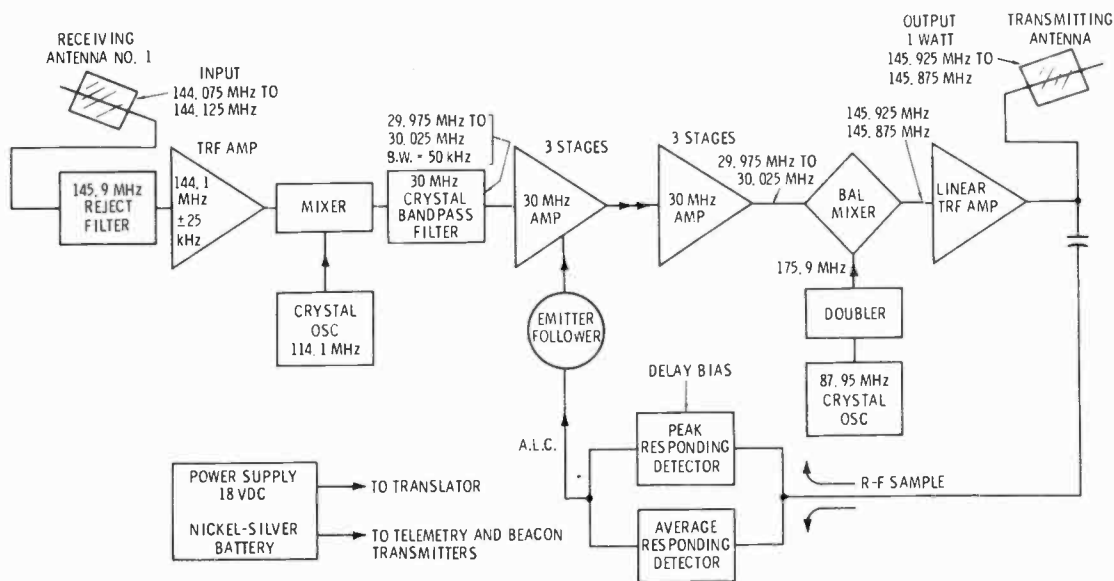


Figure 3

## BLOCK DIAGRAM OF OSCAR-3 SATELLITE

OSCAR-3 was a frequency-translating satellite that received a 50-kHz segment of the two-meter band, amplified it, and translated it to another portion of the band for retransmission. Maximum transmitter power was 1 watt, PEP. There was no detection and remodulation, and within the bandwidth limitations of the system, any mode of communication was possible. This was the first multiple-access device ever launched. Input signals were received on a separate antenna, filtered, and passed to conventional amplification and mixer stages. The intermediate frequency was 30 MHz. A second mixer converted the i-f passband back to 144 MHz for further amplification. A second antenna was used to radiate the received signals. A special ALC circuit acted to reduce overload from strong signals.

and Bulgaria and Alaskan amateurs heard signals from the United States via the satellite.

Continuing the program, OSCAR-4 was launched in December, 1965 (figure 4). This communication satellite featured an up-link in the 144-MHz band and a down-link in the 432-MHz band. The goal was to place the 3-watt repeater in a semisynchronous orbit, about 18,000 miles above the earth. At this altitude, the satellite would move with the speed of the earth's rotation, and thus hang steady over the northern tip of Brazil, providing vhf communication over the American hemisphere for radio amateurs.

While the satellite equipment functioned, the desired orbit was not achieved, the satellite being placed in a highly elliptical orbit, tumbling rapidly as it revolved about the earth. Nevertheless, a number of successful contacts were made through the repeater, in-

cluding the first two-way satellite contact between the U.S.A. and the U.S.S.R.

**Australis OSCAR-5** Demonstrating the worldwide nature of Project Oscar, the fifth amateur satellite was designed and constructed by students at Melbourne University in Australia, under the auspices of the Wireless Institute of Australia. Working with the *Radio Amateur Satellite Corporation* (AMSAT), a Washington, D.C. based international organization of radio amateurs, the satellite was prepared and qualified for launch by NASA in early 1970. It was carried as a secondary payload on the *Itos-1* weather satellite mission. OSCAR-5 included a two-band beacon on 144 MHz and 29.45 MHz, the latter incorporating a command control permitting it to be turned on and off from the ground tracking stations. This was an important demonstration that the emissions from the amateur satellite could



Figure 4

#### OSCAR-4 SATELLITE WITH 432- TO 144-MHz REPEATER

OSCAR-4 was a translator device having a 144-MHz up-link and a 432-MHz down-link. Solar cells covered the tetrahedron-shaped vehicle. Designed as a semisynchronous satellite for an 18,000-mile orbit, OSCAR-4 was placed in a highly elliptical orbit when one of the launch stages failed to ignite. First satellite contact between the United States and the Soviet Union was made through OSCAR-4.

be controlled in the event interference developed, thus greatly enhancing the practicality of operating amateur satellites in those amateur bands shared with other services.

OSCAR-5 was the first amateur satellite to transmit in the hf as well as the vhf spectrum, permitting propagation studies to be made at two distinctly different frequency ranges. A significant number of propagation anomalies were reported, such as over-the-horizon and antipodal reception of the 10-meter beacon.

**OSCAR-6** OSCAR-6, launched in late 1972, was a far more elaborate satellite than the previous models. This AMSAT device included two beacon trans-

mitters and a 144 MHz to 28 MHz repeater. A block diagram of the satellite is shown in figure 5. A command receiver is incorporated in the package which accepts pulsed commands from the ground control station and converts them to level commands which turn on and off the 435.1-MHz beacon transmitter. In a similar manner, the control logic converts ground commands to change the modulation modes of the beacon transmitters. Either Morse Code telemetry or the Codestore system can be commanded to key the beacons. Additional commands control the 24-channel telemetry system incorporated in the satellite. A block diagram of the 144 MHz to 28 MHz repeater is shown in figure 6.

**The Linear Repeater** *The linear repeater, or frequency translator, is the heart of the repeater satellite. This device receives a segment of one band and retransmits the segment on another frequency. The transmitted band may or may not be in the same band as the input spectrum. Many separate signals can be accommodated within the spectrum and all signals received by the satellite in the spectrum are translated and rebroadcast simultaneously.*

As more signals appear in the passband, the output power of the translator is divided between the signals, so that an ultimate limit is reached when the translator is saturated with signals. In a similar manner, a strong signal can overload the translator circuitry and cause weaker signals to be suppressed in signal strength. Improved circuitry is constantly being developed to overcome the limitations of translator devices, especially those designed to accept random signals.

In the case of OSCAR-6 the translator is designed to receive amateur signals in the frequency range of 145.9 to 146.0 MHz, relaying them in the down-link frequency range of 29.45 to 29.55 MHz. The repeater makes use of input and output filters in order to reduce spurious responses and to prevent the repeater from listening to the "white noise" signal of the transmitter. All stages, except the mixers, operate in the linear mode and the output of the repeater is an exact replica of the input. This device differs from the more commonly known f-m

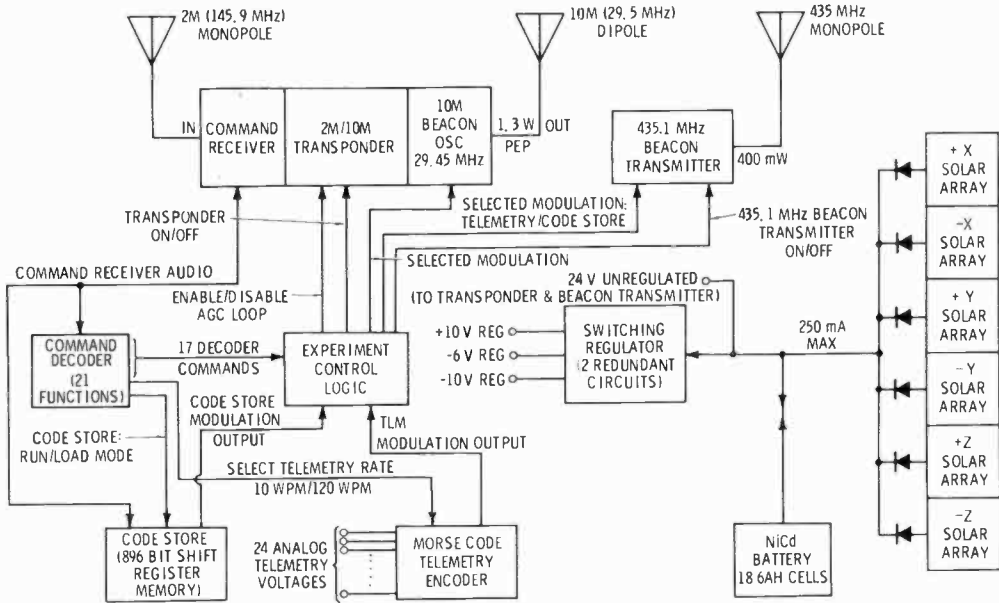


Figure 5

## THE OSCAR-6 REPEATER SATELLITE

Block diagram of the repeater showing command and control circuitry. OSCAR-6 incorporated a digital decoder activated by an up-link command signal. Twenty one command functions are available. Codestore system uses a reprogrammable shift-register memory to transmit binary messages loaded on ground command. Repeater block diagram is shown in figure 6.

repeater in that the satellite repeater reproduces a frequency spectrum which may contain a multitude of separate signals. In some instances, spectrum "translation" is inverted, as shown in figure 7.

### Using the Repeater

The spacecraft repeater of OSCAR-6 is typical and its use will be described briefly. While the repeater will handle most forms of narrow-band modulation, SSB and c-w are recommended as they make the most efficient use of the repeater because a number of users can operate simultaneously, each taking different proportions of the repeater's power capability at a given moment.

Most amateurs engaging in repeater contacts monitor their own down-link signals which enables them to hear their signal as others hear it. This requires that a separate receiver and antenna be available for down-link reception while up-link transmission is being accomplished. This type of operation

makes break-in, or duplex, contacts possible and the power level and frequency of each station can be adjusted for best performance. If a transmitter is vfo controlled, its frequency can be continually adjusted to keep the apparent down-link frequency constant in the presence of Doppler shift, which can be as much as  $\pm 4.5$  kHz during an overhead pass.

Experience with satellite-repeated signals leads to operating expertise and various techniques have been developed to assist the operator in making the best use of a particular satellite. Additional information on the subject may be obtained from AMSAT, Box 27, Washington DC 20044.

**OSCAR-7** The OSCAR-7 spacecraft was launched in late 1974, while OSCAR-6 was still functioning. For the first time, amateur radio operators had two operable communication satellites in orbit at the same time. OSCAR-7 was many mag-

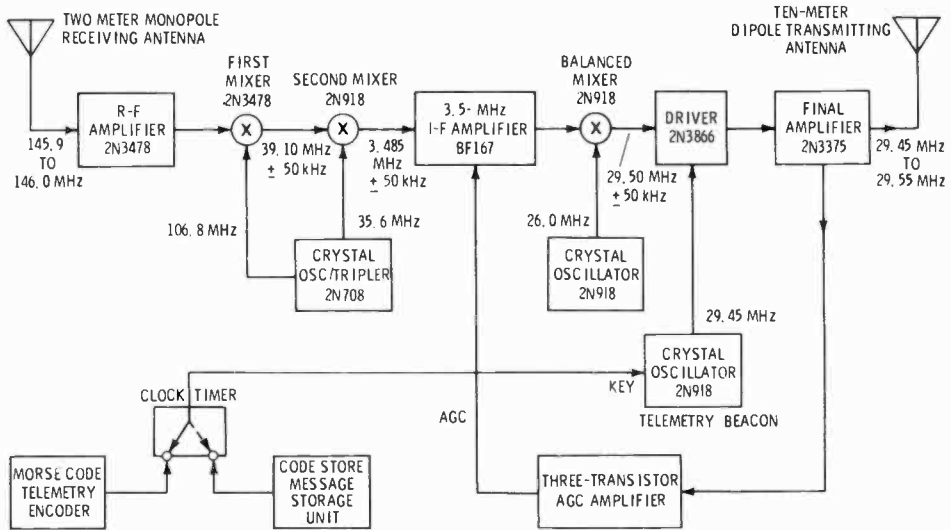


Figure 6

**BLOCK DIAGRAM OF OSCAR-6 144-MHz TO 29-MHz REPEATER**

The linear repeater "listens" over the range of 145.9 MHz to 146.0 MHz, converting received signals to the first i-f of 39.1 MHz and the second i-f of 3.5 MHz. After 35 dB of amplification, the passband is up-converted to 29.45 to 29.55 MHz. Maximum power output is 1.3 watts, PEP. The power source is a 24-volt Nicad battery charged by solar cells. The repeater also contains a beacon oscillator on 29.45 MHz. Input and output filters are used to reduce spurious responses and to eliminate television-band signal interference with the repeater.

itudes more complex than the previous amateur satellites and was designed for long life. It was built in an octahedral configuration to allow sufficient surface area for a

powerful solar cell power supply (figure 8). The satellite contained two repeaters and two tracking beacons and both Morse Code and teletype telemetry encoders. Down-link

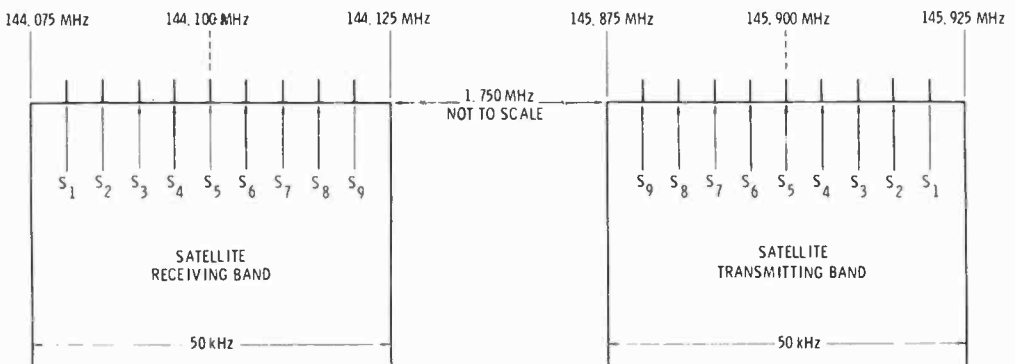


Figure 7

**OSCAR-3 FREQUENCY TRANSLATION**

The frequency translation satellite receives a 50-kHz segment falling between 144.075 MHz and 144.125 MHz. All energy in this spectrum will be processed by the translator. This device inverts the spectrum, that is, signals at the low-frequency end of the input band (S<sub>1</sub>, S<sub>2</sub>) appear at the high-frequency end of the output band. A station transmitting upper-sideband SSB will be retransmitted as a lower-sideband SSB signal. Other satellites may not necessarily invert the spectrum, but the principle of translation still applies.

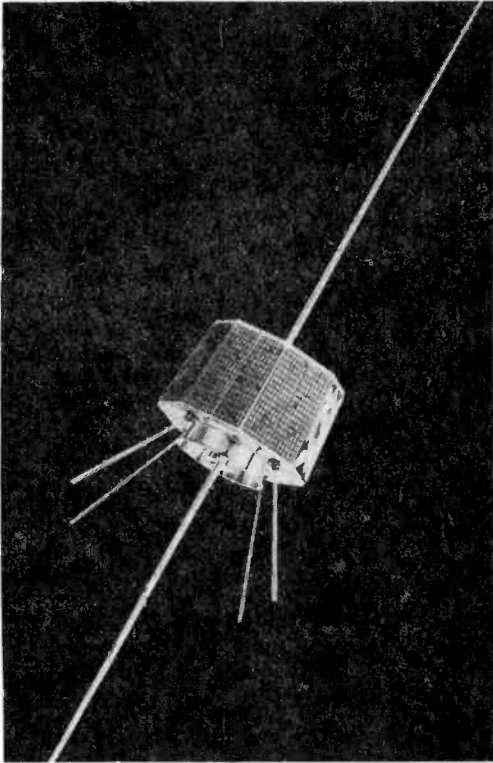


Figure 8  
AMSAT OSCAR-7

This is an applications communications spacecraft designed for noncommercial public service and educational use by the amateur radio community. OSCAR stands for Orbiting Satellite Carrying Amateur Radio. Developed by the Radio Amateur Satellite Corporation (AMSAT), a nonprofit scientific corporation headquartered in Washington, D.C., the purpose of the spacecraft is to have students around the world work with their teachers to get a direct understanding of space science by actually participating in demonstrations through local radio amateur operators anywhere in the world. OSCAR-7 was launched by the National Aeronautics and Space Administration—the third OSCAR to be launched by NASA as a piggy-back spacecraft aboard a Delta rocket from Vandenberg Air Force Base, California. (Photograph courtesy of NASA)

telemetry and stored message data could be routed to either of the beacons. It was thus possible, for example, to receive Morse Code on the 10-meter beacon and *Codestore* information on the 435-MHz beacon at the same time, using two ground receivers.

The satellite normally alternated between a 144 MHz to 10 meters repeater and a 432

MHz to 146 MHz repeater, switching every 24 hours. The timer could be ground controlled so that the mode change could be conducted at approximately the same time each day.

OSCAR-7 contained automatic power-supply monitoring circuitry so that if the battery voltage dropped below a predetermined level, the spacecraft would switch to a low-power condition for recharge from the solar cells.

While many amateurs communicated via OSCAR-7, some of the most meaningful contacts took place via satellite repeater, using both OSCAR-6 and -7 satellites working together. Thus, a 432-MHz ground station could be repeated by OSCAR-7 on the 144-MHz band to OSCAR-6 which would re-repeat the signal on the 10-meter band.

**OSCAR 8** The OSCAR-8 satellite was launched in early March, 1978.

It was built by radio amateurs in the United States, Canada, West Germany and Japan. This satellite carries transponders for two modes of operation. There is a conventional 145.9- to 29.4-MHz transponder and a new 145.9- to 435.1-MHz transponder, a similar frequency combination that was pioneered by the OSCAR-4 spacecraft in 1966. Six channels of telemetry are provided to monitor the onboard status of the spacecraft.

The principal objective of OSCAR-8 is the educational use of a low orbiting satellite. It is to provide a means for the use of such a satellite as an educational tool in schools and other institutions. Other objectives include the continuation of communications demonstrations by amateurs, and of the feasibility of using satellites with small amateur terminals for "bush" communication, emergency communication and satellite-to-home broadcasting to amateur receivers.

**Satellite Operation** The OSCAR-8 satellite contains two communications transponders and command and telemetry systems. The spacecraft is solar powered, weighs 60 pounds, and is a 15 inch rectangular solid 13 inches high (figure 9). Its anticipated useful life is three years.

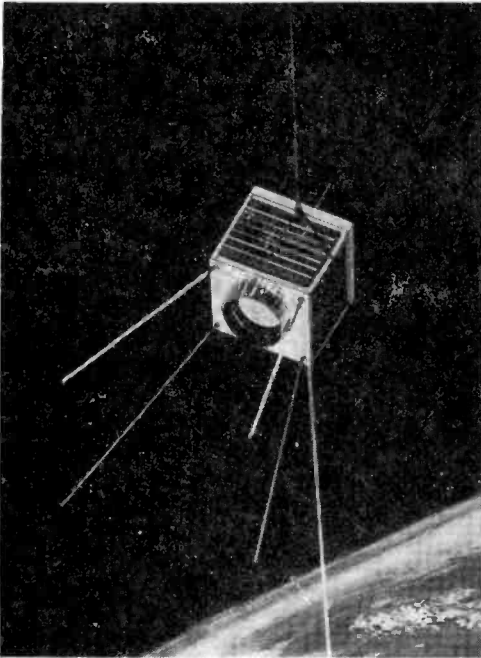


Figure 9

### AMSAT OSCAR 8 SATELLITE

This is the eighth of a series of satellites built by radio amateurs that began with the launch of OSCAR 1 in 1961. The spacecraft was built by AMSAT (Radio Amateur Satellite Corporation) a Washington, D.C.-based international organization of amateurs and was provided to NASA at no cost for launch on a noninterference basis. (Photo by NASA).

The *Mode A* transponder is a two-to-ten device similar to the one on OSCAR-7 and with the same frequency passband (input passband of 145.85 to 145.95 MHz, and output frequency passband between 29.40 and 29.50 MHz). A 250 mW telemetry beacon provides telemetry data in Morse code at a frequency of 29.402 MHz. Approximately  $-95$  dBm is required at the transponder input terminals for an output of one watt. This corresponds to an *effective radiated power* (ERP) from the ground of 80 watts for a distance to the satellite of 1200 miles and a polarization mismatch of 3 dB. The transponder translation frequency (input frequency minus output frequency) is 116.458 MHz. Thus, the relationship between the uplink ( $f_u$ ) and downlink ( $f_d$ ) is:

$$f_d = f_u - 116.458 \pm \text{Doppler shift}$$

where both  $f_d$  and  $f_u$  are in MHz.

As in the recent satellites, the passband is not inverted and upper sideband uplink signals become upper sideband downlink signals. Output power is one to two watts.

The *Mode J* transponder uses the same receiving antenna as the *Mode A* device, a canted turnstile fed by a hybrid and matching network so as to develop circular polarization. Left-hand circular polarization can be used by amateurs in the Northern Hemisphere and right-hand circular polarization by users in the Southern Hemisphere. The *Mode A* ten meter dipole is oriented perpendicular to the stabilization magnet in the spacecraft. The *Mode J* 435 MHz downlink antenna is a monopole, linearly polarized, on top of the spacecraft.

The spacecraft contains solar panels on its four sides and on the top. The solar cells, combined with a 12-cell, six ampere-hour battery should be adequate to power the spacecraft for several years. A battery charge regulator is also contained which converts from the 28-30 volt solar array voltage to the 12-16 volts required by the battery.

OSCAR-8 was launched from the NASA Western Test Range as a secondary payload with the LANDSAT-C earth resources technology satellite on a two-stage Thor-Delta 2910 launch vehicle. The orbital parameters were programmed to be:

Apogee: 577 statute miles  
 Perigee: 549 statute miles  
 Period: 103 minutes  
 Inclination: 99.0 degrees  
 Time of descending mode: 9:30 AM

The orbit is sun-synchronous, with passes repeating at the same time each day on a one-day cycle. Because the satellite operates in a 560 statute mile orbit, at just about half the altitude of the 910 statute mile orbit of OSCAR-7, the communication range will be less. The usable time on an overhead pass will be about 18 minutes and the horizon range will be about 2000 miles. The schedule of orbits for OSCAR-8 is a feature in *QST* magazine.

In this rapid and exciting fashion the science of amateur space communication has advanced over the few short years between

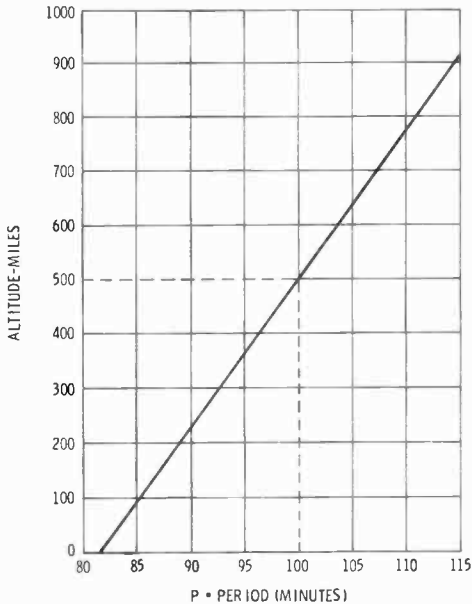


Figure 10

### PERIOD OF SATELLITE AND ALTITUDE RELATIONSHIP

The Orbital period of the satellite is related to the altitude as shown in this graph for a circular orbit. For example, if the period is 100 minutes, the altitude is 500 miles. If the period is below approximately 85 minutes, the satellite quickly falls back to earth after a few orbits.

OSCAR-1 and the modern, sophisticated space satellite of today.

**OSCAR Satellite Tracking** To communicate through an OSCAR repeater satellite, it is necessary to know the location, orbit, and orbital time of the spacecraft in addition to the parameters of the onboard repeater.

In general, communication satellites are launched in a circular orbit about the earth. *Orbital height* and *period of orbit* are related to each other, as shown in figure 10. If the period drops below 85 minutes, the satellite will not remain in orbit, but will plunge back to earth. Once the satellite's height has been determined from the orbital period, the maximum *ground range* (range to the horizon from a point on earth beneath the satellite) may be determined, as shown in figure 11.

**Satellite Range** Unlike earth-moon-earth (moon-bounce) communication, space satellites in orbit relatively close to the earth's surface appear to move rapidly across the sky from horizon to horizon. It is confusing to picture yourself on a stationary earth with the satellite whirling overhead on various erratic passes, sometimes going north to south and other times going south to north. A much clearer picture may be gained by visualizing the satellite as rotating about the earth in a fixed plane, with the earth revolving inside the satellite orbit (figure 12). Thus, when a satellite passes over a ground station on one orbit, the rotation of the earth will cause the satellite to pass over a different spot, lying to the west of the ground station, on the next orbit. This is termed *progression*.

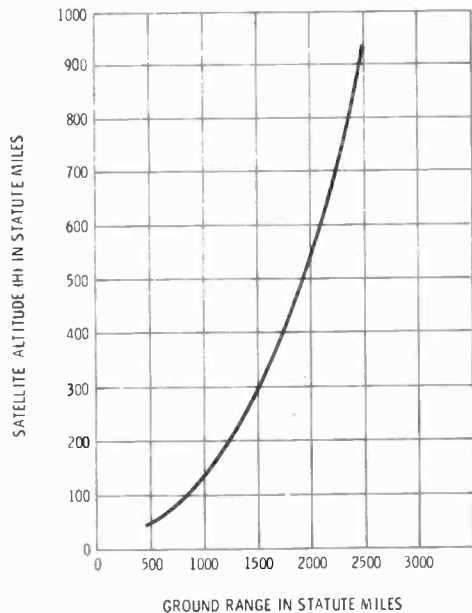


Figure 11

### GROUND RANGE AS A FUNCTION OF SATELLITE ALTITUDE

The ground range is the distance measured along the surface of the earth from the ground station to a point on the earth directly below the satellite. At an altitude of 500 miles, for example, the ground range is nearly 2000 miles and two stations broadside to the satellite path and 4000 miles apart could theoretically communicate with each other through a repeater satellite orbiting at that height.



Each successive orbit will progressively cross the earth's equator farther west from the original point of observation and, to the observer at the ground station, each successive orbit has moved further west from his point of observation. In reality, the observer has moved east with the earth's rotation, and the orbit of the satellite has remained fixed in the sky. When the ground station's position has rotated 180 degrees (12 hours), the observer is looking at the reverse side of the orbit and if he was watching north-to-south passes, he is now watching south-to-north passes (figure 13).

How long the satellite will remain within range of a ground station is dependent on two factors: the distance it will be at the *point of closest approach* (PCA) to the station and the altitude of the satellite. The longest duration at any altitude will occur on orbits that pass directly over the station location, and the duration of the pass will decrease for orbits that pass further away

from the station (figure 14). For example, a satellite in a 1000 mile high orbit would be within line of sight range of a ground station for about 25 minutes on an overhead pass, about 20 minutes when it comes within 1000 miles of the ground station and only about 10 minutes with a 2000-mile distance of closest approach. When using a satellite for two-way communication, it is therefore necessary to take into consideration the length of time the satellite will be within the simultaneous range of all ground stations involved. Communication will be possible with any other ground station having the satellite within its range at the same time, but the length of time of contact will vary with the position of the ground station relative to the satellite, as shown in figure 14.

The higher a satellite is, the greater the effective range of a ground station using it will have. Since higher satellites are further away from the ground station, signal strengths will be less due to path losses unless either more powerful transmitters or higher gain receiving systems are used. The

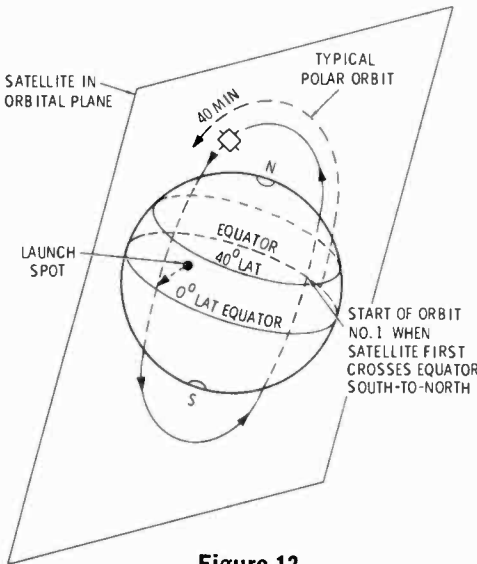


Figure 12

**EARTH ROTATES WITHIN SATELLITE ORBITAL PLANE**

As the earth rotates within the orbit of the satellite, all areas on the earth's surface will pass beneath the satellite if it is in a polar orbit. If the orbital plane is tipped, areas of high longitude will lie outside the orbit of the satellite. Orbit number 1 starts when the satellite first crosses the equator in a south-to-north direction.

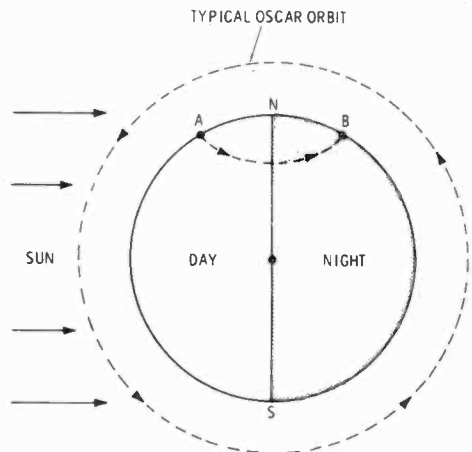


Figure 13

**EARTH REVOLVES WITHIN SATELLITE ORBIT**

Satellite orbit remains fixed in space while the earth revolves inside it. For example, if a space satellite is launched from California, in a southward direction, all future daytime passes will be in a south-north direction. For daytime passes the observer is at point A and for nighttime passes at point B.

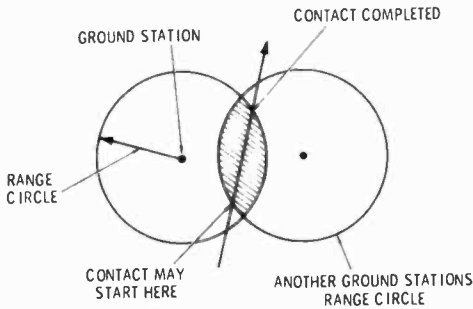


Figure 14

**GROUND RANGE AND POINT OF CLOSEST APPROACH**

Ground range of two stations overlap when satellite passes between them. The longest duration of pass occurs on an orbit that passes directly over a ground station, but maximum ground range occurs on a pass to the side of the ground station. In this example two ground stations are within range of the satellite and the time of communication is shown by the shaded area.

greater the line-of-sight path distance between user and satellite, the more circuit gain will be required to maintain adequate signal levels. Therefore, although high altitude satellites will allow contacts with more distant stations, a more elaborate ground station will be required, or else a satellite with larger transmitters and antennas.

**Doppler Shift** The movement of a satellite relative to the ground station results in a change of frequency of signals received in either direction. This change, known as *Doppler Shift*, can be determined from the following formula:

$$f_{(ds)} = 5.4 (f_u - f_d) V$$

where,

$f_{ds}$  = shift on either side of the center frequency (MHz),

$f_u$  = frequency of ground station (up-link) in MHz,

$f_d$  = frequency of the satellite-repeated signal (down-link) in MHz,

$V$  = speed of the satellite in miles/second (a function of the altitude).

Maximum Doppler Shift will occur on overhead passes. It can be seen in the formula that Doppler Shift is a function of frequency as well as speed and is greater at the higher frequencies. Table 1 indicates the

total shift that may be expected at various altitudes and frequencies.

This shift in frequency of course must be taken into account when tuning receivers and transmitters for satellite communication. The frequency of a satellite transmitter moving toward a ground station will appear *higher* than the actual satellite transmission frequency and will drop as the satellite approaches until at the exact point of closest approach, when it will be on the true frequency. Past this point, the received signal will continue to drop *lower* in frequency as the satellite moves away from the ground station.

Problems of tuning transmitted and received frequencies are reduced when the satellite receiver and transmitter frequencies are sufficiently far apart to permit the ground station to monitor its down-link while it is transmitting, as for example, when the up-link is 2 meters and the down-link is 10 meters. This allows maximum efficiency of spectrum use since mutual interference between stations on the same frequency can be immediately detected.

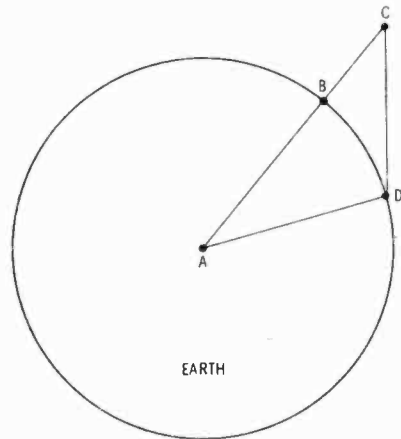


Figure 15

**POSITION OF THE SATELLITE**

Line ABC is the distance from the earth's center to a satellite in orbit (C). The spot where this line intersects the earth (B) is the subsatellite point. Point D is the location of a ground station and distance CD is the slant range to the satellite. Arc BD is the distance along the earth's surface between the station and the subsatellite point. An observer at B would see the satellite directly overhead.

TABLE 1.

Total Doppler Shift for Overhead Pass			
Altitude	29 MHz	145 MHz	436 MHz
100 st. mi.	1510 Hz	7550 Hz	22,720 Hz
500 st. mi.	1440 Hz	7210 Hz	21,680 Hz
1000 st. mi.	1360 Hz	6834 Hz	20,550 Hz

**Satellite Position** In determining the position of a satellite and predicting its future location some knowledge of terms and orbital relationships is useful. Satellite distances and speeds may be expressed in different ways. Nautical and statute miles, as well as meters and kilometers are commonly used. A summary of these terms is shown in Table 2.

Figure 15 summarizes satellite position. Line ABC is the distance from the center of the earth to a satellite in orbit (point C). The spot where this line intersects the earth's surface is called the *sub-satellite point* (B). Point D is the location on the earth of an amateur station. Line CD is called the *slant range* to the satellite. Arc BD is the distance along the earth's surface between the station and the *sub-satellite point*. This distance can be plotted on a map of the earth to locate the satellite to see if it is within range of a particular ground station. The distance may be expressed as a distance of angular degrees (one degree on the earth's surface being equal to 69.09 statute miles, 59.97 nautical miles, or 111.14 km). All points on the diagram except points A and D are continually changing as the earth rotates and the satellite moves. A station at point B would observe the satellite directly overhead.

All factors in a satellite's orbit are inter-related and much can be determined from a few known facts. For instance, the velocity of a satellite through space is a function of altitude and the period and time of one revolution are a function of altitude and velocity. Rough orbital predictions can be made if three pieces of information are available: the altitude or period of the satellite, the time and longitude of any equator-

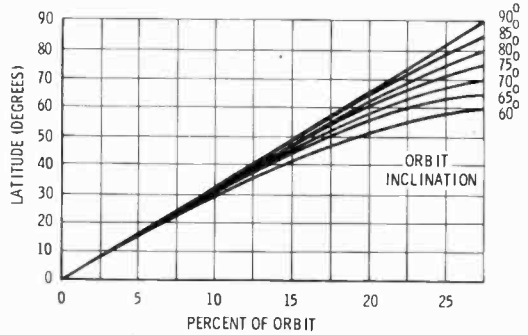


Figure 16

**ORBITAL TRAVEL TIME FROM EQUATOR**

The travel time of a satellite to reach a given latitude, as expressed as a percent of total orbital time. For example, if the observer is located at altitude 40 degrees, and the satellite has an orbital inclination of 80 degrees, it takes about 12 percent of total period time to travel from the equator to that latitude.

ial crossing and the angle at which the satellite crossed the equator.

Informational broadcasts are commonly given during an OSCAR flight by the ARRL Headquarters station, W1AW, and selected OSCAR stations. These broadcasts include tracking data for the satellite and provide the predicted times of south-to-north equatorial crossings in GMT, the points of crossing in degrees of west longitude and the time of pass over major cities on the earth. Once you have heard a satellite in your vicinity on one orbit, all that is really needed to predict when it will again be within your range is the orbital period, the progression per orbit and the time it takes to reach your location from the equatorial crossing point (figure 16).

TABLE 2. Conversion Table

1 st. mile = 0.868 naut. mile = 1609.344m = 1.609344 km
1 kilometer = 0.6214 st. mile = 0.5396 naut. miles = 1000 meters.

**Ground Station Antennas** The most recent OSCAR satellites have operated in the 432-MHz, 144-MHz, and 10-meter amateur bands. For 10-meter reception of satellite signals a 10-meter rotary beam is satisfactory. When mounted well in the clear it provides a low angle of radiation which is desirable for maximum communication range when the satellite is just over the horizon. For passes close to the ground station, a dipole antenna mounted at a lower height (having a high angle of radiation) is useful.

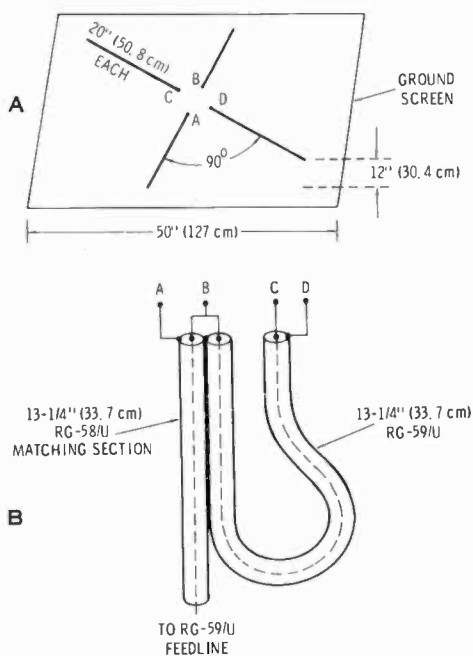


Figure 17

### TURNSTILE ANTENNA WITH SCREEN REFLECTOR FOR SATELLITE COMMUNICATION AT 144 MHz

This simple antenna provides an omnidirectional, high-angle pattern suitable for satellite reception above the horizon. Full coverage is provided at angles above 20 degrees. Crossed dipoles are mounted above a ground screen measuring 50 inches on a side. The screen reflector may be made of galvanized wire having openings less than one-half inch square. Window screen can serve as a substitute. The turnstile antenna is placed 12 inches above the screen. A phasing harness (B) provides the correct 90-degree phase difference between the dipoles. Antenna is designed to be fed with a 70-ohm coaxial line.

For transmitting to the satellite on the vhf bands, many amateurs use a simple high gain, Yagi antenna. Experience with the OSCAR satellites, however, has shown that rapid fading of the signals repeated by the satellite is partially due to the radiation pattern nulls of the vhf beam antenna. In addition, because of the random positioning of the satellite in the orbital path, cross polarization of the transmitting and receiving antennas can contribute to observed fading.

Cross-polarization fading can be reduced by using circular polarization at the ground station and radiation pattern nulls can be compensated for by using either a null-free antenna or a continuously tracking antenna that holds the satellite at the center of the radiation pattern.

A simple turnstile antenna mounted about a quarter-wavelength above a reflector screen will provide a circularly polarized pattern. The maximum lobe of the radiation pattern is vertical, providing a broad lobe that is effective at all elevation angles above approximately 40 degrees. A practical turnstile antenna array for 144 MHz is shown in figure 17.

Crossed-Yagi antennas can be used to provide circular polarization and details on the construction of such an antenna is contained in the *VHF Handbook For Radio Amateurs*, available from Radio Publications, Inc., Box 149, Wilton, Conn., 06897. Additional information on satellite techniques may be found in *Specialized Communications Techniques*, published by the American Radio Relay League, Newington, Conn., 06111. A quarterly newsletter covering amateur satellite activity is published by AMSAT, Box 27, Washington, DC 20044.

## 14-2 EME (Moonbounce) Communication

The moon presents a good radio target when it rides high in the sky and by the end of World War II circuits and techniques were available to use it as a passive reflector for radio signals. The first instance of amateur moon-reflected signals was the reception of W4AO's 144-MHz signals by W3GKP in mid-1950. In 1960, the first two-way moonbounce contact took place on the 1296-MHz band between W6HB and

W1BU using dish antennas and experimental, 1-kilowatt vhf klystron tubes in the transmitters. From these early tests, moonbounce communication has grown rapidly, as interested vhf operators turned to this new and exciting mode of communication. Today, moonbounce activity is taking place on the various vhf bands, with the major interest concentrating on the 144- and 432-MHz bands (figure 18).

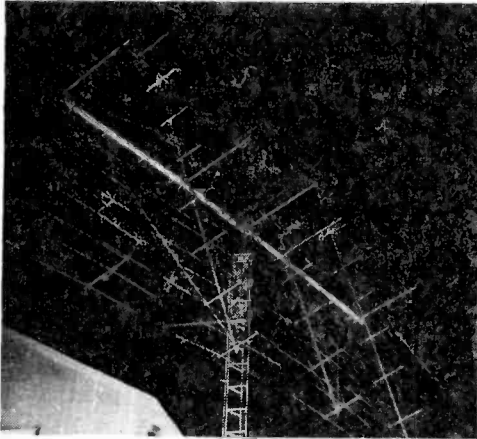


Figure 18

**THE 144-MHz MOONBOUNCE ANTENNA OF W6PO**

The array consists of 160 elements arranged in 32 Yagi beams formed into eight 20-element collinear assemblies, stacked four wide. Overall antenna size is 33 feet wide, 24 feet high, and 8 feet deep. Gain is estimated to be approximately 23 decibels. Similar arrays are also in use on the 432-MHz band by active "moonbouncers".

**The EME Circuit** The moon is about 2160 miles in diameter and orbits the earth at a distance that varies from 221,463 miles to 252,710 miles. The orbital period is 28 days and because the orbit is somewhat eccentric, the moon travels along a somewhat different path each night of the lunar month.

As a target for radio reflection, the moon subtends an arc of about one-half degree when seen from the earth. The reflection coefficient of the moon's surface is about 7 percent so the remaining 93 percent of the signal striking the moon is absorbed. The portion of the signal that is reflected is dif-

fused all over space and only a minor portion of it is returned to earth. A smaller fraction of the returned signal is captured by the receiving antenna, which is small compared to the earth surface area facing the moon; about 98,470,000 square miles. Thus, the EME path loss is quite high and moonbounce communication at the maximum amateur power level is a challenge to the best talents of many of the world's most skillful radio amateurs.

Radio signals travelling through space are attenuated as the square ratio of the frequency. Consequently the EME path loss is about 8.3 times (9 dB) greater on 144 MHz than on 50 MHz, and a similar increase in path attenuation takes place between the 144-MHz and 432-MHz bands. In addition, transmitter efficiency tends to decrease and receiver noise figure and transmission line loss increase with increasing frequency.

On the other hand, the power gain of a directive antenna of a given size increases by the same ratio that the path loss increases and, because the antenna gain is real-

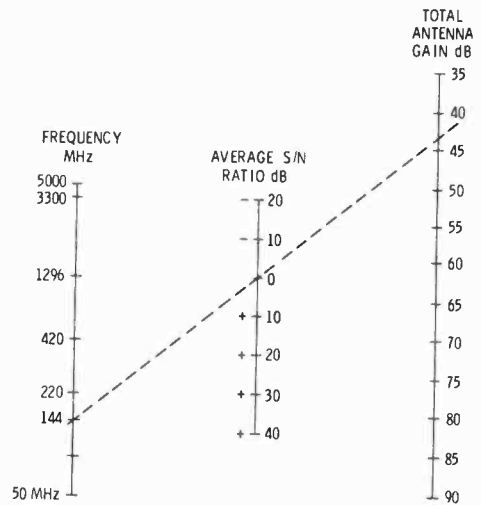


Figure 19

**ANTENNA GAIN REQUIREMENT FOR EME CIRCUIT**

This graph is based on 600 watts transmitter power output, a zero-dB receiver noise figure, and 100-Hz receiver bandwidth. At 144 MHz, for example, for an average signal-to-noise ratio of zero decibels, a total antenna gain is about 42 dB. Two 21-dB antennas should be satisfactory.

ized during both transmission and reception at each end of the circuit, there is a net signal gain with increase in frequency, notwithstanding the increased circuit losses.

The free space loss for the EME circuit varies about 2 dB depending on whether the moon is at perigee or apogee. Typically, the circuit loss at perigee (the point of closest approach of the moon) is 216 dB for 50 MHz, 225 dB for 144 MHz, 235 dB for 432 MHz, and 244 dB for 1296 MHz. The nomograph of figure 19 illustrates antenna gain and average signal-to-noise requirements as a function of frequency for an average path loss. This graph and the circuit losses are based on a transmitter power output of 600 watts to the antenna, a zero-decibel noise figure and a receiver bandwidth of 100 Hz. As an example, at 144 MHz, for an average signal-to-noise ratio of zero decibels, the total antenna gain should be about 42 decibels. Thus, two 21-dB antennas are required, one at each end of the path. If the gain of one antenna is higher than this, the gain of the other may be correspondingly lower to achieve the same signal-to-noise ratio.

Under the best of conditions, then, using the maximum legal power, the most sensitive receiver and the largest possible antenna array, two-way amateur communication via the moon is a marginal means of communication. Even so, the number of successful c-w and SSB contacts via moon reflection speak well for the experimenters doing this fascinating, space-age means of world-wide vhf communication.

**Faraday Rotation** During the passage of a radio signal to and from the moon, it may rotate in polarization several times. This effect is called *Faraday Rotation* and is thought to be produced by the effect of the earth's magnetic field on the signal. Faraday Rotation produces a cyclic fading in the signal received, as the path length between the earth and the moon is constantly changing. The fade is quite rapid at the lower frequencies and the period increases with frequency until it ceases to be significant above 1000 MHz. Special antennas can be used to combat Faraday Rotation, at a loss in signal gain, but most experimenters accept the slow fade and work

around it, especially on 144 MHz, where the fade period is rather long, typically 20 minutes between signal peaks.

A second fading phenomena known as *libration fading* of moon reflected signals is caused by a rocking motion in the movement of the moon in orbit. The fading is characterized by a rapid flutter in the received signal.

**The EME Reporting System** Because of the weakness and unpredictability of moon-reflected signals, special reporting systems have been devised by experimenters to provide quick and reliable confirmation of a valid contact. Each of the vhf bands has its own unique system, the majority of which convey information with a series of dashes, since dots have a low energy content and tend to disappear in the noise.

On 144 MHz, for example, the *TMO Report System* is used. The letter *T* is sent repeatedly when the signal can be heard but no intelligence can be detected. The letter *M* is sent when portions of call letters can be copied, and the letter *O* is sent when a complete call set is copied. Once contact is established, and the signals are loud enough, normal amateur procedure is commonly used. At 144 MHz, where the Faraday Rotation is long, the usual moonbounce calling sequence is 2 minutes, whereas at 50 MHz, where the Faraday Rotation is rapid, the calling sequence is 30 seconds. In all cases, the sequence is agreed to beforehand and synchronized with time signals from WWV.

For more information about moonbounce experiments and activity, write to Amateur Service Department, EIMAC division of Varian, 301 Industrial Way, San Carlos, CA 94070 and ask for their free bulletin series AS-49 (*Almost Everything You Want to Know About Moonbounce*).

### 14-3 Radioteletype Systems

*Teleprinting* is a form of communication based on a simple binary (on-off) code designed for electromechanical transmission. The code consists of dc pulses generated by a special electric typewriter, which can be reproduced at a distance by a separate

machine. The pulses may be transmitted from one machine to another by wire or by a radio circuit. When radio transmission is used, the system is termed *radioteletype* (RTTY). The name *teletype* is a registered trademark of *Teletype Corporation* and the term *teleprinter* is used in preference to the registered term.

Although the first, teleprinter machine was put in service in the United States before World War I, radio amateur RTTY experiments did not start until about 1946 using make-and-break (c-w) keying on the 80-meter band and audio keying on the 144-MHz band. *Frequency-shift keying* (FSK) was permitted on the hf bands in 1953 using a shift of 850 Hz. Since that date, interest in RTTY has grown rapidly among radio amateurs, particularly with the advent of solid-state devices, microprocessor systems, etc. in some cases eliminating the need for "teleprinters" entirely unless paper copy is required.

**Radioteleprinter Systems** The dc pulses that comprise the teleprinter signal may be converted into three basic forms of emission suitable for radio transmission.

These are: (1) *frequency-shift keying* (FSK), designated as F1 emission; (2) *make-break keying* (MBK), designated as A1 emission; and (3) *audio frequency-shift keying* (AFSK), designated as F2 emission.

*Frequency-shift keying* is achieved by varying the transmitted frequency of the radio signal a fixed amount (usually 170 Hz using tones of 2125 and 2295 Hz) during the keying process. The shift is accomplished in discrete intervals designated *mark*

and *space*. Both types of intervals convey information to the teleprinter. *Make-break keying* is analogous to simple c-w transmission in that the radio carrier conveys information by changing from an *on* to an *off* condition. Early RTTY circuits employed MBK equipment, which is now considered obsolete since it is less reliable than the frequency-shift technique. *Audio frequency-shift keying* is the most popular method, particularly when an SSB transmitter is used and tones are introduced into the microphone jack. The transmitter is modulated by an audio tone which is shifted in frequency according to the RTTY pulses. Other forms of information transmission may be employed by a RTTY system which also encompass translation of binary pulses into r-f signals.

**The Teleprinter Code** The teleprinter code (*Baudot*) consists of 26 letters of the alphabet and additional characters that accomplish machine nonprinting functions, such as line feed, carriage return, bell, and upper- and lower-case shift. These special characters are required for the complete automatic process of teleprinter operation in printing received copy. Numerals, punctuation, and symbols may be taken care of in the case shift, since all transmitted letters are capitals (figure 20).

The teleprinter code is made up of spaces and pulses, for transmission at 60, 67, 75, or 100 words per minute. Each character (at 60 w.p.m.) is made up of five elements, plus a 22 millisecond *start space* and a 31 millisecond *stop pulse*. All characters are equal

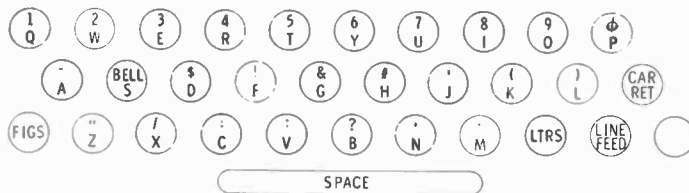


Figure 20

TYPICAL TELEPRINTER KEYBOARD

Shown here is the Western Union keyboard. The lower case is identical to that of an American-style typewriter, with the exception of the auxiliary keys, which control line feed, carriage return, and figures. Various types of upper-case keyboards exist, including the Bell System (TWX), the weather system, the American Communications Keyboard, and the CCITT (European) styles. Only three rows of keys are used instead of the four as on a normal typewriter. All printed letters are capitalized.

in total transmission time to 163 milliseconds duration to achieve machine synchronization at both ends of the RTTY circuit. Timing is usually accomplished by the use of synchronous motors in the equipment, locked to the ac line frequency. The sequence of mark and space pulses for the letter R is shown in figure 21. The start space provides time for synchronization of the receiving machine with the sending machine. The stop pulse provides time for the sending mechanism as well as the receiving mechanism to properly position themselves for transmission of the following character.

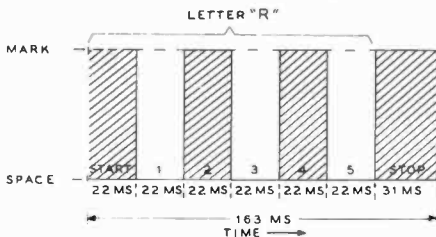


Figure 21

### THE TELEPRINTER CODE

Teleprinting is based on a simple binary code made up of spaces and pulses, each of 22 milliseconds duration. Normal transmission is at the rate of 60 w.p.m. The sequence of mark and space pulses for the letter R are shown here. Start space provides time for machine synchronization and stop pulse provides time for sending and receiving mechanisms to position themselves for transmission of the following character.

The keying system normally employs the higher radio frequency as the mark and the lower frequency as the space. This relationship holds true in the AFSK system also. The lower audio frequency is 2125 Hz and the higher audio frequency 2295 Hz, giving a frequency difference or shift of 170 Hz.

**The Teleprinter and Keyboard** The older style *teletype-writer* (keyboard) is an electro-mechanical device that resembles a typewriter in appearance having a keyboard, a type basket, a carriage, and other familiar appurtenances. The keyboard, however, is not mechanically linked to the type basket or printer. When a key is pressed on the keyboard of the sending apparatus a whole code sequence for that character is generated in the form

of pulses and spaces. When this code sequence is received on a remote machine, a type bar is selected and made to print the

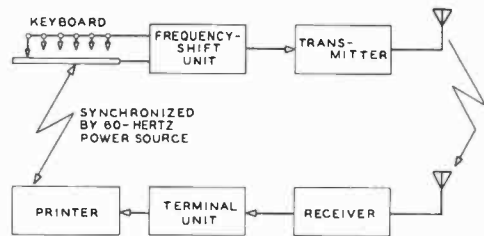


Figure 22

### BLOCK DIAGRAM OF ONE-WAY-RTTY CIRCUIT

The teleprinter generates code sequence in the form of on-off pulses for the alphabet and additional special characters. Teleprinter code is transmitted at rate of 60 w.p.m. by means of frequency-shift technique. The receiving apparatus drives a mechanical printer that is usually synchronized with the keyboard by the common 80-Hz power source.

letter corresponding to the key pressed. Synchronization of machines is accomplished by means of start and stop pulses transmitted with each character. An electro-mechanical device driven by the motor of the teleprinter is released when a key is pressed and transmission of the complete character is automatic.

The receiving apparatus operates in reverse sequence, being set in operation by the transmitter mechanism. While each character is sent at the speed of 60 w.p.m., actual transmission of a sequence of characters may be much slower, depending on the typing speed of the operator. A simplified diagram of a one-way RTTY circuit is shown in figure 22. Many amateurs have obtained these machines from surplus channels and, although obsolete, they are still in use on the amateur bands.

The modern keyboard, however, is completely solid-state in construction and uses no mechanical linkages between the keyboard and the pulse generator, type basket, or printer. A typical device is shown in figure 23. This dual-mode keyboard permits the operator to send either the teleprinter pulse code or Morse code. In the RTTY mode, transmission at standard data rates of 60, 66, 75, or 100 w.p.m. is available. In





**Figure 23**  
**DUAL MODE, SOLID-STATE**  
**KEYBOARD**

The HAL DKB-20-10 electronic keyboard transmits both RTTY and Morse codes. It includes a station identifier which automatically transmits the station call sign at the touch of a key and a buffer memory that stores characters typed for transmission at a constant rate. Extra keys are used for double characters commonly used, such as SK, AS, AR, KN, and BT. A tune key overrides the keyboard and keys the transmitter on for adjustment. The device uses 57 ICs, 12 transistors, and 125 diodes. Keying speeds are controlled by three precision crystals. (Photo courtesy HAL Communications Corp.)

the c-w mode, transmission at speeds between 8 and 60 w.p.m. is possible. In either mode, a built-in sidetone oscillator allows the operator to monitor the transmission. A block diagram of the dual-mode keyboard is shown in figure 24.

#### 14-4 RTTY Transmission

The pulsed dc voltage generated by the teleprinter is used to operate a keyer circuit in the radio transmitter to shift the carrier frequency back and forth in accord with the mark and space signals of the RTTY code. *Audio frequency-shift keying* (AFSK) is generally used on the amateur bands. For many years the frequency shift was 850 Hz (equal to an audio shift of 2125 Hz to 2975 Hz). The newer systems employ a closer shift, 170 Hz being commonly used, with tones of 2125 Hz and 2295 Hz comprising the audio shift. In AFSK, the nominal transmitter frequency is chosen as the mark and the shift condition is chosen as the space signal.

*Frequency shift keying* (FSK) may be accomplished by varying the frequency of the transmitter oscillator in a stable manner between the mark and the space frequencies. The amount of shift must be held within close tolerances as the shift must match the frequency difference between the selective circuits in the receiving unit. The degree of frequency shift of the transmitting oscillator is, of course, multiplied by any factor of multiplication realized in succeeding multiplier stages of the transmitter. In most simple heterodyning systems, there is no frequency multiplication so the oscillator shift is equal to the desired mark/space relationship. However, depending on which side of the carrier the mixing process occurs, the shift may be inverted on one or more bands.

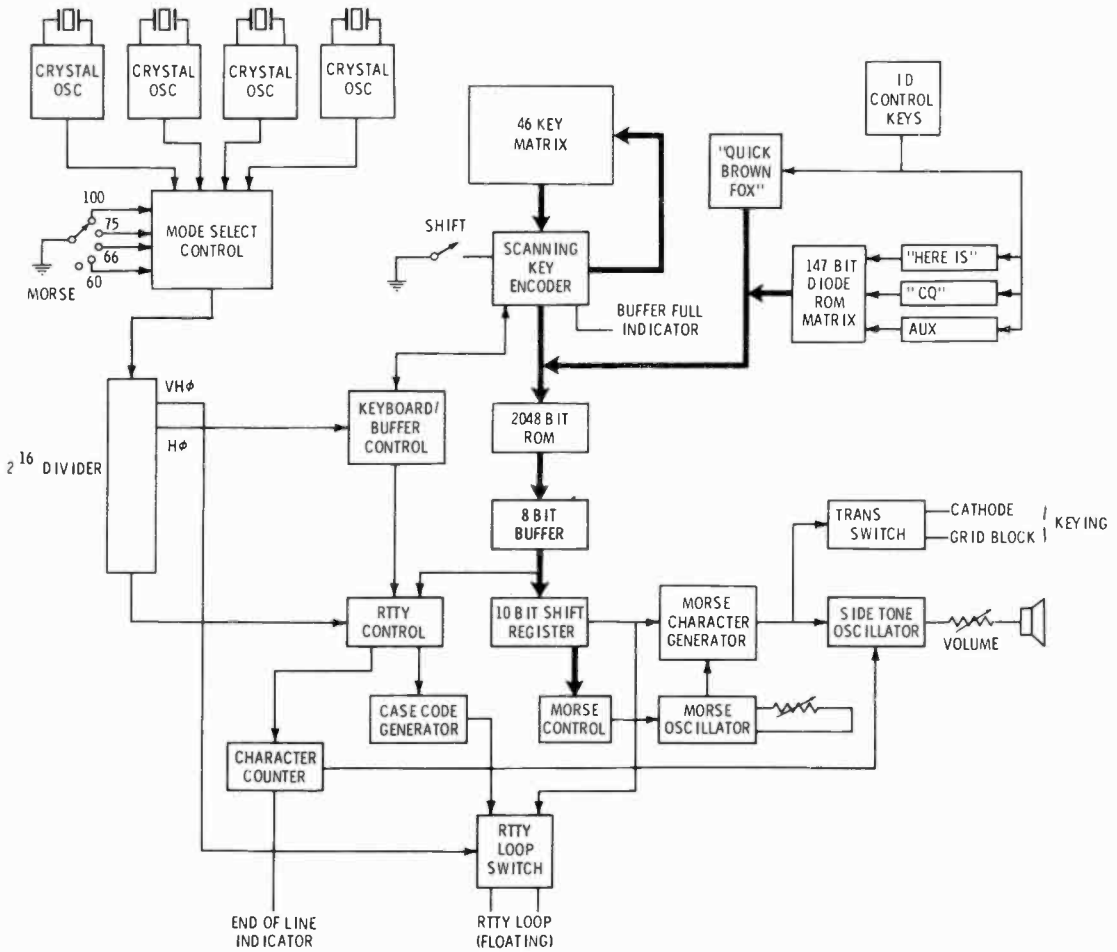
**Frequency Shift Circuitry** A widely used FSK device is the diode switch

(figure 25). Upon receiving a pulse from the teleprinter, the diode conducts and places the open terminal of the shift capacitor at ground, thus lowering the frequency of the oscillator. The series-connected choke and associated bypass capacitors remove the r-f from the keying leads. C-w identification is provided by an auxiliary key, the series potentiometer permitting the operator to adjust the amount of frequency shift used for identification.

To invert the keying, the diode is biased to conduct with a small auxiliary supply, the teleprinter pulses removing the bias during the keying cycle (figure 26).

Audio shift keying (AFSK) is primarily used by radio amateurs for compatibility with SSB equipment. An audio oscillator is employed to generate the mark (2125 Hz) and space (2295 Hz) tones when driven by the teleprinter or by a tape unit. The audio signal is then applied to the microphone jack of the transmitter and the resulting frequency-shifted signal is detected and put to use by an audio converter. A simple AFSK keying oscillator is shown in figure 27.

**RTTY Duty Cycle** The *duty cycle* during an RTTY transmission is unity; that is, the average-to-peak power



**Figure 24**  
**BLOCK DIAGRAM OF DUAL-MODE KEYBOARD**

Keying speeds are controlled by four crystal oscillators. The 46-key matrix (driven by the keyboard) is connected to a large-scale IC key encoder whose output is a seven-bit digital code which is the ASCII equivalent of the character to be transmitted. The digital code is applied to the eight address inputs of the ROM (read-only memory) and addresses a particular eight-bit address in the memory. In that location is stored the correct code for the character, which appears at the ROM output. The ASCII code is thus converted to the Morse or RTTY bit pattern. The ROM output is fed to an eight-bit buffer memory which stores the code until the shift register is cleared and ready to accept new data. The ten-bit shift register now transforms the information from a parallel to a series mode. Clock pulses are applied to the register, causing the bits to appear in sequence at the register output. Depending on the setting of the mode switch, the register output activates either the Morse character generator or the RTTY loop-switching circuit. For Morse transmission, the bits are converted to pulses of unequal length, forming dots and dashes. The generator output activates the Morse keying transistor and the sidetone oscillator.

ratio is one. Most amateur equipments, particularly SSB equipments, are designed with a speech duty cycle in mind and must be derated for RTTY service. Generally speaking, the duty cycle for RTTY is equal to

the plate dissipation rating of the tube or tubes (or the collector dissipation of the transistor or transistors) in the amplifier stage. Thus, if the amplifier has a pair of, say, 6LQ6 tubes having a combined plate

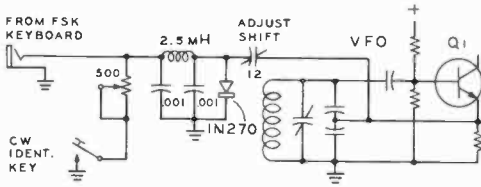


Figure 25

**DIODE KEYS FOR FREQUENCY-SHIFT KEYING OF VFO**

A simple diode switch may be used to vary the frequency of the transmitter in a stable manner between two chosen frequencies. The amount of shift must match the frequency difference between the selective filters in the receiving demodulators unit.

dissipation of 60 watts for continuous service, the maximum input to the amplifier for RTTY service is limited to about 120 watts.

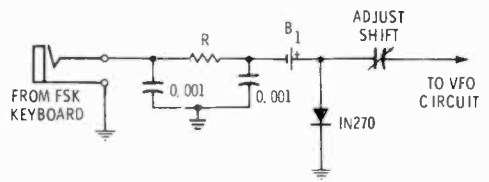


Figure 26

**DIODE KEYS FOR INVERTED KEYING**

The diode is biased to conduct, the teleprinter pulses removing the bias during the keying cycle.

**Auxiliary RTTY Equipment** RTTY transmission by punched tape is made possible by means of a *transmitter-distributor* (T-D) unit. This is an electromechanical device which senses perforations in a teleprinter tape and translates this information into electrical impulses of the five-unit teleprinter code at a constant speed. The information derived from the

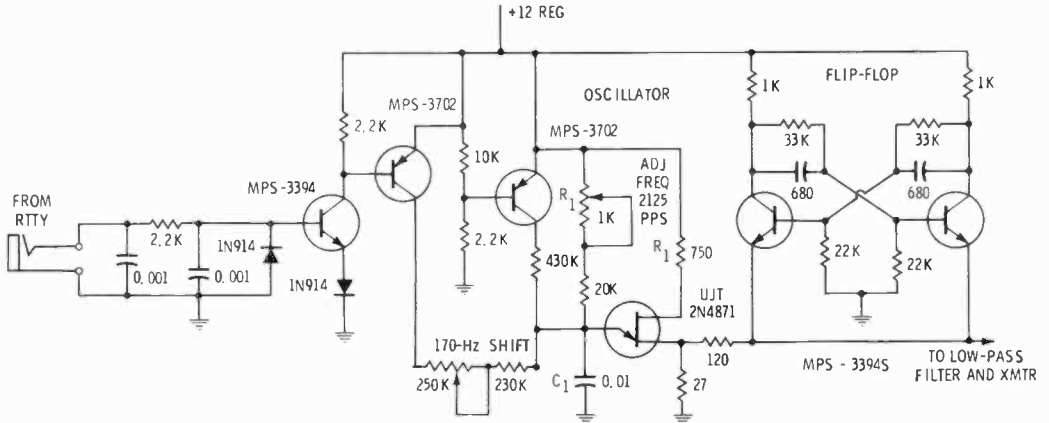


Figure 27

**SIMPLIFIED SCHEMATIC OF AFSK KEYING OSCILLATOR**

A portion of the Mainline AK-1 AFSK unit. Keyboard providing a positive voltage for the space character is required. The frequency of the unijunction pulse generator is set by R-C. A mylar capacitor is used for maximum frequency stability. The shift is set by a selector switch. UJT generator runs at 4250 pulses per second and flip-flop divides by two to provide 2125 pulses per second. Flip-flop also squares pulses. Audio pulses are then passed through a low-pass filter to remove all harmonics above 3000 Hz, changing the square wave into a sine wave. Since the UJT generator does not have an LC circuit to determine the frequency, keying transients are minimized when shifting from mark to space.

punched tape by contact fingers is transmitted in the proper time sequence by a

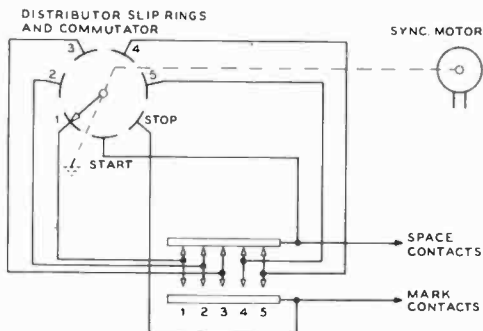


Figure 28

### TRANSMITTER-DISTRIBUTOR (T-D) UNIT

T-D unit is electromechanical device which senses perforations in a teleprinter tape and translates this information into the electrical impulses of the teleprinter code. Information derived from the tape by contact fingers is transmitted in proper time sequence by a commutator-distributor driven by a constant-speed motor.

commutator-distributor driven at a constant speed by a synchronous motor (figure 28). Used in conjunction with the T-D is a *tape perforator* which punches the teleprinter code in a paper tape. The perforator operates mechanically from a teleprinter keyboard for originating messages. A *reperforator* may be connected to receiving equipment to "tape" an incoming message for storage or retransmission.

## 14-5 RTTY Reception

The RTTY receiving system must respond to a sequence of pulses and spaces transmitted by wire or radio. Frequency-shift keying may be demodulated by a beat-frequency technique, by means of a discriminator as employed in f-m service or by a pulse counting technique. The received signal is converted into dc pulses which are used to operate the printing mechanism in the teleprinter. Conversion of RTTY signals into proper pulses is accomplished by a *receiving converter* (*terminal unit*, abbreviated TU, or *demodulator*). RTTY converters may be either i-f or audio units, the former having been used quite extensively

by the military. A block diagram of an intermediate-frequency converter is shown in figure 29A. The RTTY signal in the i-f system of the receiver is considered to be a carrier frequency-modulated by a 22.8-Hz square wave having a deviation of plus and minus 85 Hz (for 170-Hz shift). Amplitude variations in the signal are removed by the limiter stage and the discriminator stage converts the frequency shift into a 22.8-Hz waveform, applied to the teleprinter by means of an electronic keyer. In its simplest form, the i-f demodulator requires that adequate selectivity and interference rejection be achieved by the i-f system of the receiver. I-f demodulators do not provide good selectivity or rejection of interfering signals and they are not well suited for operation in the crowded amateur bands.

**The Audio RTTY Demodulator** The audio converter, or demodulator, is generally considered to be superior

to the i-f device, and the former unit is preferable for amateur work. A block diagram of a simple audio-frequency demodulator is shown in figure 29B. An audio limiter is followed by mark-frequency and space-frequency filters placed ahead of the discriminator stage. A low-pass filter and electronic keyer provide the proper signal required by the teleprinter. The beat oscillator of the receiver may be used to provide the beat tones of 2125 and 2295 Hz required in the 170-Hz shift system. Either frequency may be used for either mark or space, and the signal can be inverted by tuning the beat oscillator to the opposite side of the i-f passband of the receiver.

The demodulator may ignore one tone and concentrate on the other tone, the space tone generally being used to actuate the printer, which is biased to rest on the mark tone. It is more reliable, however, to take advantage of both tones, providing negative keying voltage for one tone and positive voltage for the other, as is done in the more sophisticated converters.

High-frequency RTTY signals often exhibit severe fading, with the mark and space frequencies fading independently as sky-wave reflection varies. Selective fading can often obliterate one frequency and then the

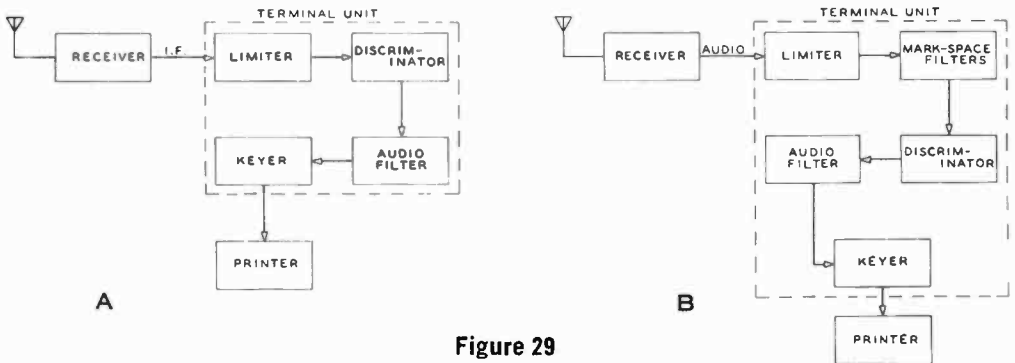


Figure 29

## I-F AND AUDIO TERMINAL UNITS

A shows a block diagram of an i-f terminal unit employing f-m discriminator technique. I-f converter requires that selectivity and interference rejection be achieved by means of selective tuned circuits of the receiver. B shows a block diagram of audio-frequency terminal unit. Mark and space filters are used ahead of audio discriminator, followed by a low-pass audio filter. Beat oscillator of the receiver is used to provide audio beat tones of 2125 and 2295 Hz required for nominal 170-Hz shift system.

other in a random sequence and even the demodulation of both tones will often not permit proper copy during a prolonged fade period, but with properly designed circuitry, normal operation of the demodulator and teleprinter will continue even during periods of severe fading.

A representative audio frequency RTTY demodulator is shown in figure 30. This simple unit works with 2125-2295 mark and space tones required by SSB receivers. Two small op-amps and a 300-volt rated transistor are used, along with nine diodes.

The first op-amp is a high gain limiter. Reverse-connected zener diodes in the input circuit protect the amplifier against an excessive signal level. The 25K balance potentiometer compensates for a small degree of offset input voltage.

The output of the op-amp is fed to the discriminator filters which use surplus 88-mH toroidal inductors ( $T_1$ ,  $T_2$ ). Full-wave rectification and a simple RC low-pass filter remove the audio component of the signal as the shifting audio tones are converted into dc pulses in a slicer stage. This op-amp takes the small voltages from the tuned filters and changes them to +10 volts for *mark* and -10 volts for *space*. Overall gain is sufficient so that the unit will operate with shifts as low as a few cycles.

The keyer transistor ( $Q_1$ ) has a 300-volt collector-emitter rating and will pass the 60 mA loop current required for teleprinters. A simple RC network in the collector-emitter circuit protects the transistor from the back-emf developed by the inductance of the selector magnets in the printer. The teleprinter keyboard may be connected in series with the printer magnets, both seriesed through jack  $J_1$ , if desired.

## An Advanced RTTY Demodulator

The *Mainline ST-6* demodulator, designed by W6FFC, is a popular unit and provides many advantages over the more simple circuits. The *ST-6* accepts frequency-shifted audio tones from the station receiver and converts them into dc pulses to operate a teleprinter or a video display (figure 31).

The *ST-6* is designed to accept various shifts, the most widely used of which are 850 Hz and 170 Hz. Bandpass filters at the input of the device provide a high order of selectivity to eliminate interfering signals. The filters are followed by a limiter having a dynamic range of about 90 dB to correct for signal fading. The output signal from the limiter is fed to a discriminator and detector stage which provides the low-frequency switching pulses. A lowpass active

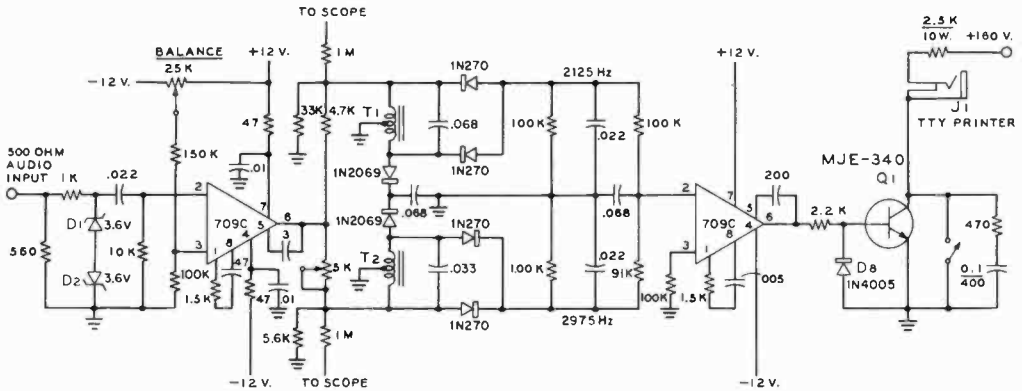


Figure 30

REPRESENTATIVE RTTY DEMODULATOR (CONVERTER)

This solid-state audio RTTY demodulator is based on a design by W6FFC (the Mainline ST-5). It uses two 709C operational amplifiers, one as an audio limiter, and the other as a trigger stage to drive the keyer transistor, which has a 300-volt collector-emitter rating. Reverse-connected zener diodes limit the drive signal to the demodulator unit and the mark and space tones are separated by tuned filters, which are built around surplus 88-mH toroid inductors (T<sub>1</sub>, T<sub>2</sub>).

filter after the discriminator/detector provides over 50 dB attenuation to transients normally encountered above the keying speed in service.

The filter is followed by a threshold corrector which provides symmetry to the pulses and corrects the effects of the low-pass filter, which tends to change the desired square wave into a sine wave. The

processed signal then passes to a slicer which is a low-frequency amplifier compensated for proper response to the control signals. The output of the slicer drives the keyer stage which provides a mark-hold signal to the teleprinter when there is no input from the slicer. Auxiliary equipment include a loop supply for the teleprinter, automatic start control, and an antispacer circuit that

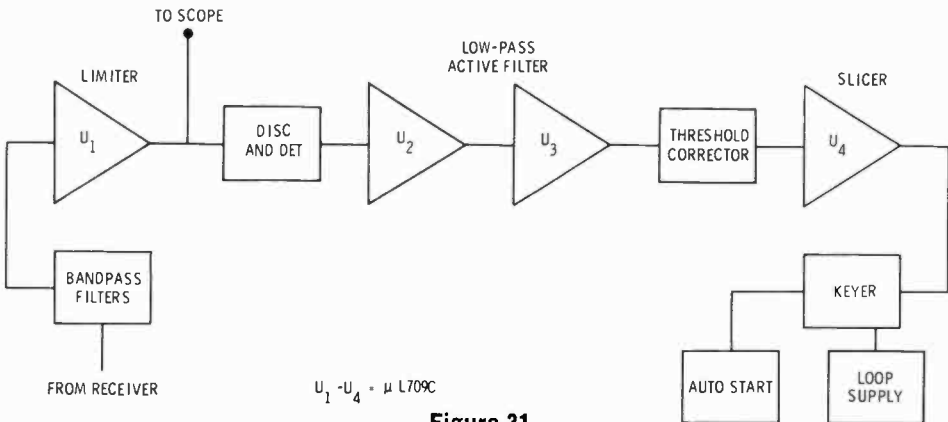


Figure 31

BLOCK DIAGRAM OF ST-6 RTTY DEMODULATOR

The Mainline ST-6 demodulator accepts frequency-shifted tones from the station receiver and converts them into dc pulses to operate a teleprinter or video display. A commercial version of the ST-6 is produced by HAL Communications Corp.

locks the printer to mark-hold when a non-RTTY signal in the space channel tends to activate the printer. A tuning meter is provided to allow the operator to correctly tune the receiver to "straddle" the RTTY signal.

Additional features of the ST-6 are a normal-reverse switch for copying stations having inverted mark/space characteristic and an optional limiterless operation wherein copy may be made from mark-only or space-only signals.

**RTTY Video Display** A recent development in RTTY apparatus is the *video display generator* which converts the output of a demodulator unit into RTTY readout which may be fed to a TV monitor or to a standard TV receiver (figure 32A). The display generator block dia-

gram is shown in figure 32B. The RTTY characters are shown as white letters on a black background and are made up as a 5 × 7 dot matrix. There are 40 characters per line and 25 lines per page, displaying 1000 characters per screen. Characters are continually on the screen and new information is written letter by letter as it is received on the bottom line of the display, much in the manner of a typewritten page. When the screen is filled, the top line is pushed off the screen by the next bottom line of display.

Video signal bandwidth is about 4 MHz, the line rate is 15,750 kHz and the field rate is 60 Hz. Frame rate is 30 Hz, with 262.5 lines per field and two fields per frame, with interlaced lines. This provides a compatible signal with U.S. television standards.

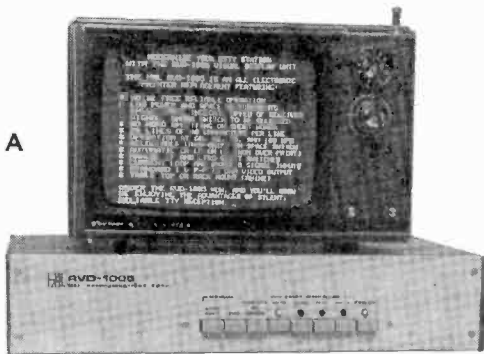
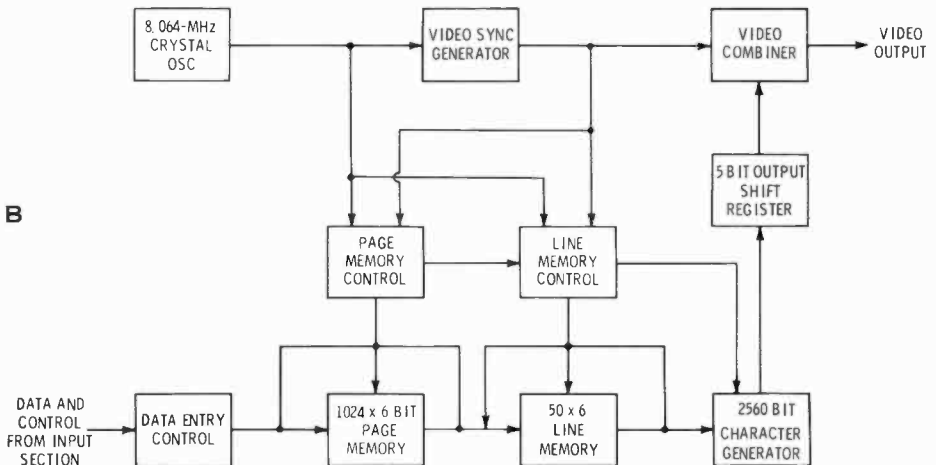


Figure 32

**RTTY VIDEO DISPLAY GENERATOR**

The HAL RVD 1005 display generator converts the output of RTTY demodulator into readout which is fed to a standard TV receiver or monitor. RTTY characters are shown as white letters on a black background. The generator takes the output of an RTTY demodulator and converts the pulsed signals into impulses compatible with any television receiver. The unit works with speeds of 60, 66, 75, and 100 words per minute, at 40 characters per line and 25 lines per page. (Photo courtesy HAL Communications Corp.).



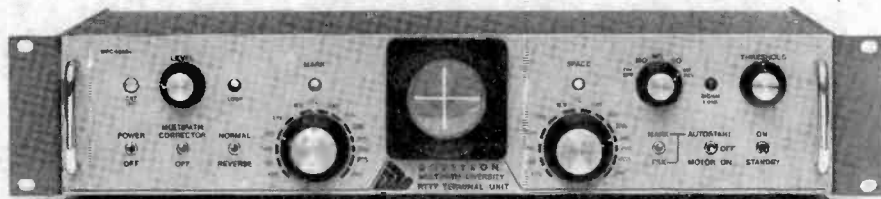


Figure 33

**DIVERSITY TERMINAL UNIT**

The Dovetron MPC-1000C multipath diversity terminal unit provides special circuits for correcting signals distorted by multipath reflections. Block diagram of unit is shown in figure 34.

**Diversity Reception** At best, RTTY communication over a hf path is subject to fading. Various methods of diversity reception and signal processing have been utilized to combat this problem. The methods include space diversity with the attendant requirement of multiple antennas and frequency diversity with the required multiple transmitters, antennas, and receivers.

Another less common approach is the *in-band diversity* technique whereby use of the redundant information inherent to the mark/space FSK signal provides an improvement over a nondiversity system. A recent implementation of the in-band diver-

sity method is the *multipath diversity terminal unit* (figure 33). This design also provides special circuits for correcting signals distorted by multipath reflections. The block diagram of the system is shown in figure 34. A detailed functional block diagram of the basic terminal unit is shown in figure 35.

**14-6 Slow-Scan Television**

*Slow-scan television (SSTV)* is a narrow-band system for transmitting video images approved by the FCC for use in various

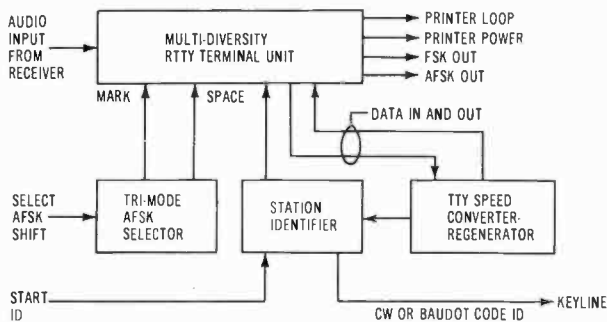


Figure 34

**BLOCK DIAGRAM  
REGENERATIVE RTTY TERMINAL SYSTEM**

(Dovetron MPC-1000R Terminal)



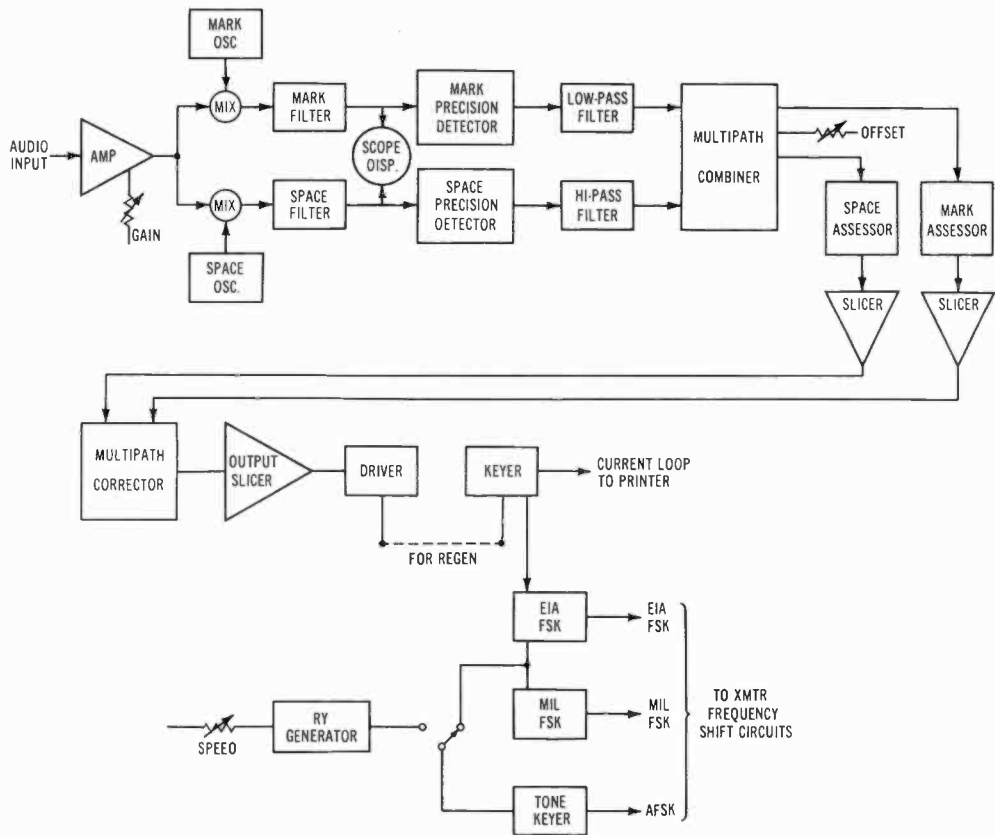


Figure 35

## BLOCK DIAGRAM OF BASIC TERMINAL UNIT

amateur bands. Signal bandwidth of an SSTV image is limited to 3 kHz. This transformation is commonly accomplished by converting the video information to a varying tone which is fed into the audio system of an amateur transmitter. Either a-m, SSB, or f-m transmission may be used. SSB is used for SSTV on the hf bands and f-m on the vhf bands. Because of the restricted bandwidth, the video signal may be received on a communication receiver and may be preserved on an audio tape recorder running at  $3\frac{3}{4}$  inches per second, or more.

The first experiments with SSTV were conducted by WØORX in the early 50's on the then-available 11-meter band, the only portion of the hf spectrum where emissions of this type were permitted. As a result of these early experiments, the FCC granted

permission for SSTV transmissions on an experimental basis on the 14- and 28-MHz bands. Since 1958 SSTV has been permitted in the Advanced and Extra Class portions of all hf bands, and in the General Class portion (phone) of the 10- and 6- meter bands, as well as in the vhf bands. Independent sideband transmission is permitted, with picture information in one sideband and voice in the other sideband.

**SSTV Transmission** A representative SSTV signal consists of a 1500-Hz tone which is shifted down to 1200-Hz for sync information and modulated upward to 2300-Hz for video (picture) information. The 1500-Hz frequency represents the *black level* and the 2300-Hz frequency

is the *white level*, with tones in between giving shades of gray. The sync pulse durations are 5 milliseconds for the horizontal and 30 milliseconds for the vertical. The scanning sequence is left to right and top to bottom. Normally, 120 lines are scanned per frame, with an aspect ratio of 1:1. For 60-Hz areas, the horizontal sweep rate is 15 Hz and the vertical sweep rate is 6 to 8 seconds. Since picture transmission time is only a few seconds, it permits rapid alternation of the voice and picture transmission over the same circuit. See Table 3 for a summary of SSTV standards.

A representative SSTV installation is shown in figure 36. The input of the SSTV monitor connects in parallel with the receiver speaker and the audio input circuit of the transmitter is switched to select either video or audio inputs. A good quality cassette or reel-to-reel tape recorder may also be used to record either incoming or outgoing SSTV material.

*The P7 Monitor*—The simplest and least expensive method of getting started with SSTV involves the use of a P-7 cathode-ray tube type monitor (see Chapter 5, Section 4 for information on this cathode-ray tube). Such units may be purchased commercially or homebuilt from readily available components. A working knowledge of audio and dc circuitry is the only prerequisite for building this type monitor.

Stripped of extras, the operational concept of all P-7 monitors is basically the same. The block diagram of a hypothetical unit is shown in figure 37. Incoming SSTV signals are applied to an audio amplifier and limiter stage, producing a constant amplitude fm signal which can be applied to video and sync discriminators. The frequency-sensitive video discriminator produces minimum output for black (1500 Hz) and maximum output for white (2300 Hz). These signals are then detected, amplified and applied to the picture tube as instantaneous cutoff bias (video). During this same time, 1200 Hz sync pulses are removed from the signal by the sync discriminator. These pulses are then detected, amplified, and used to trigger ramp generating circuits in the horizontal and vertical sweep stages. Since the vertical frequency is much lower than the horizontal frequency, a timing circuit is used to eliminate false triggering caused by interference or noise on the signal. If infrablack sync pulses (1200 Hz) get through the video discriminator they cannot be seen as they do not develop any picture tube voltage. A simple high-Q tuned circuit can be used for the sync discriminator while the video discriminator can be a lower-Q tuned circuit resonant at 2300 Hz. The video amplifier is usually a single transistor stage capable of linearly driving the picture tube from cutoff (black) to satur-

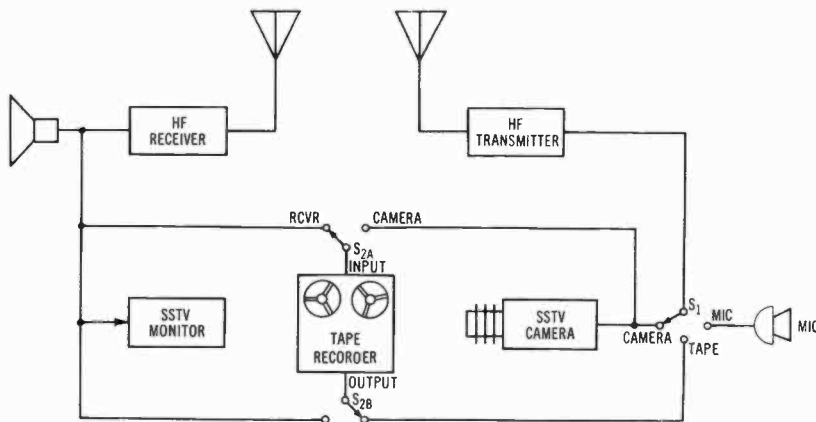


Figure 36

### REPRESENTATIVE SSTV STATION

Tape recorder should not be the type that records and plays back simultaneously.

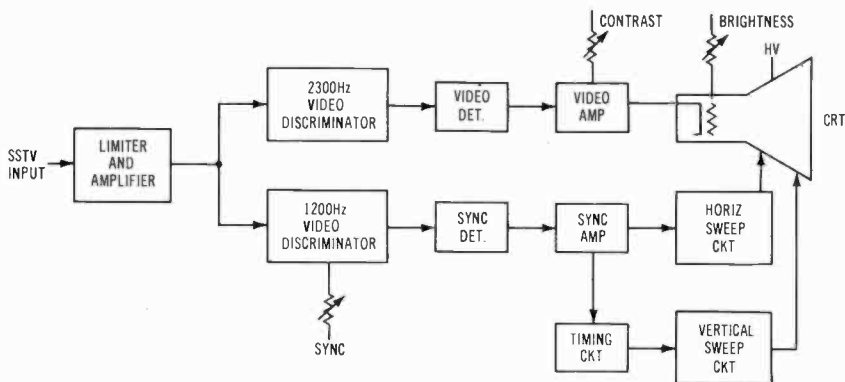


Figure 37

## BLOCK DIAGRAM OF TYPICAL SSTV MONITOR

TABLE 3. SSTV Standards

Item	60 Hz line frequency	50 Hz line frequency
Horizontal sweep rate	15 Hz	16 $\frac{2}{3}$ Hz
Vertical sweep rate	8 sec.	7.2 sec.
Scanning lines	120	120
Picture aspect ratio	1:1	1:1
Direction of horizontal scan	L-R	L-R
Direction of vertical scan	Top to bottom	Top to bottom
Horizontal sync pulse	5 ms	5 ms
Vertical sync pulse	30 ms	30 ms
Subcarrier frequencies:		
Sync		1200 Hz
Black		1500 Hz
White		2300 Hz

ation (white). Likewise, the sync amplifier amplifies sync pulses to the proper level for accurately triggering the horizontal and vertical sawtooth generating circuits. The output of these sweep circuits can be amplified with complementary-symmetry solid state circuits, if necessary.

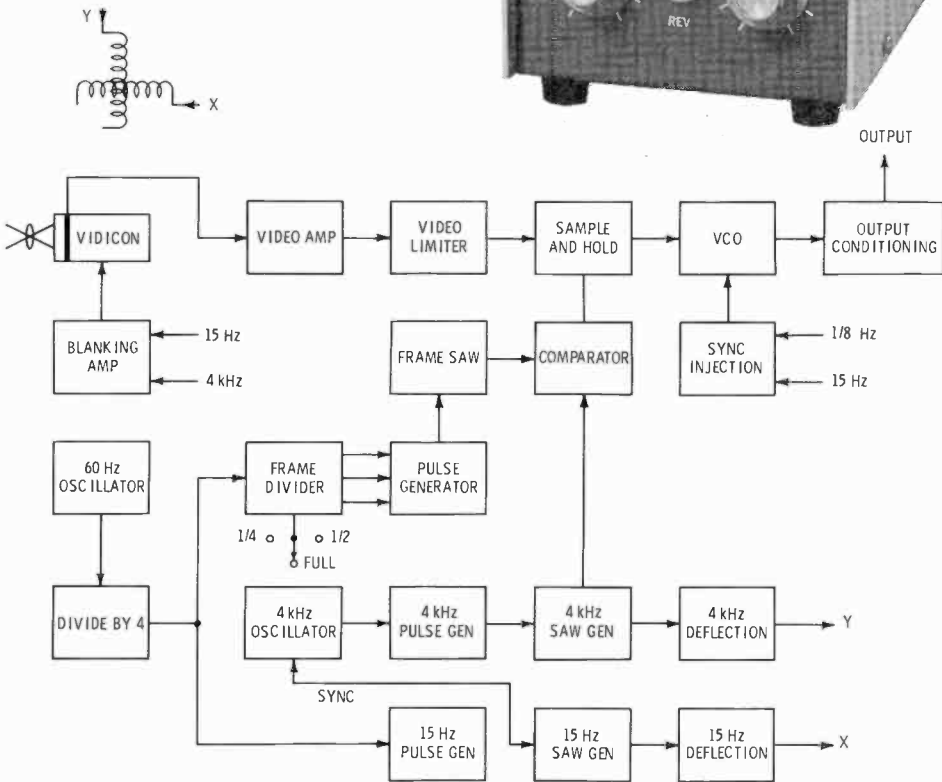
**A SSTV Camera** The camera used for SSTV operation fall into two general categories: *plumbicon* units and conventional *vidicon* units. The plumbicon tube employs a form of cesium oxide target which has sufficient time lag to permit its direct use at slow scan rates. Conventional SSTV circuitry is employed in such homebuilt units. Plumbicon tubes are expensive and

often TV station "pull-outs" are logical sources for these devices. Vidicon units, on the otherhand, have a short time lag and thus must be operated at fast-scan rates and their signal output sampled at the appropriate times. Each of the video samples is then used to modulate a voltage-controlled SSTV oscillator. A simplified block diagram of a sampling camera is shown in figure 38.

Two sets of sync signals are employed in this unit: one set for fast scan and one for slow scan. The fast scan circuitry drives the vidicon and triggers the SSTV sync generator. The vidicon output signal is passed to the video amplifier during the time each raster line is scanned. Then, during prede-

**Figure 38**  
**SAMPLING CAMERA FOR SSTV**

Vidicon camera tube is scanned with a 4000-Hz vertical rate and a 15-Hz horizontal rate. A timing and sampling circuitry picks individual picture elements out of the fast-scan picture. Elements are then stretched in time and form to form a baseband slow-scan signal. Diagram is of the Robot 70A Monitor. (Photo courtesy Robot Research, Inc.).



terminated times of each line, the comparator senses proper levels of fast and slow scan sweep and sends a "load pulse" to the sample and hold circuit. This permits certain video picture elements (*pixels*) to move

into storage and their consequent levels modulate the SSTV voltage-controlled oscillator. The SSTV sync generator is periodically shifted to a preset level for driving the SST VCO to sync frequency.

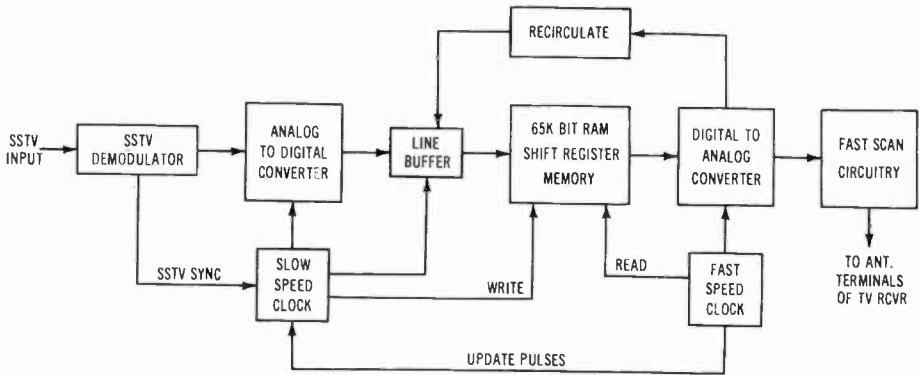


Figure 39

### BLOCK DIAGRAM OF DIGITAL SCAN CONVERTER

Slow to fast mode. Approximately 65,000 bits of memory are required to resolve sixteen shades of gray in reproduced pictures.

**Digital Scan Conversion** One of the most recent innovations to SSTV has been the application of digital scan conversion techniques. These concepts permit unmodified fast scan equipment to be used directly in a slow scan mode. Two modes of digital scan conversion are possible:

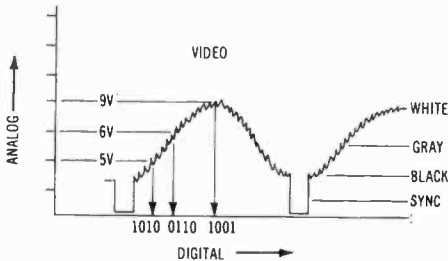


Figure 40

### A-TO-D CONVERSION

Analog to digital conversion is accomplished by taking approximately 256 samples of the voltage in each line of the picture then producing a binary coded equivalent signal. Usually four bits are utilized to describe sixteen shades of gray.

ble: fast to slow and slow to fast. Essentially, a scan converter may be considered as a time buffer which stores incoming information, accelerating or decelerating it approximately 1000 times, providing output at the required data rate. Approximately 65,000 bits of memory are required for these operations. Due to the relatively large

memory requirements and the time consuming task of constructing such scan converters commercial units are commonly used, the *Robot Model 400* being a representative device.

In addition to converting scan rates both ways (fast to slow and slow to fast) the unit also functions as a complete SSTV station control, gray-scale test generator and auxiliary storage device for any single fast or slow scan picture. The concepts associated with digital scan conversion techniques are basically identical, thus a simplified description of slow to fast conversion will suffice (figure 39).

An incoming slow scan picture is initially received and impressed on an SSTV demodulator which functions in a manner similar to the input circuitry of many P7 monitors. The resulting video voltages from the demodulator are then converted to digitalized equivalents by an analog to digital converter and stored in the single-line buffer. An example of the operation performed by the A to D converter is shown in figure 40.

After each line of SSTV video has been received, an SSTV sync pulse is extracted and used to trigger the slow speed clock. This clock then directs data from the line buffer to the main memory during the next available recirculate/update pulse. This operation permits one full line of SSTV to

enter the high speed 65,000 bit main memory. A complete SSTV picture is loaded in the memory after approximately 128 of these load functions have been implemented about 8 seconds). As the fast speed clock is continuously directing data in the main memory to recirculate a fast scan rate while also updating with new data from the line

memory and delivering voltage equivalents to the fast scan circuitry. The fast speed clock sends preset (sync) levels to the D to A converter at the end of each fast scan line. Finally, the video and sync voltages applied to the fast scan circuitry are used to modulate a vhf oscillator which is attached to the antenna terminals of a conventional television receiver. Meanwhile, additional incoming SSTV signals continue to refresh the main memory and are consequently displayed on the TV screen. The resulting pictures (which bear a striking resemblance to ordinary black and white TV pictures) can be viewed in a brightly illuminated room.

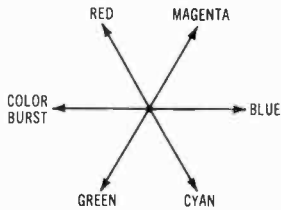


Figure 41

**VECTOR ANALYSIS OF COLOR BURST**

Picture element multiplexing is shown below.

buffer, the necessary scan rate conversion is performed.

The next step is to release this data. The digital to analog converter performs this function by monitoring data from the main

**Living Color SSTV** The first techniques of real-time color SSTV employed a modified concept used in commercial fast scan television. A 500 Hz subcarrier was modulated in quadrature with blue and red video information while green video, which contains 59 percent of the composite video information, modulated the regular SSTV carrier. Frequency-interleaving concepts were also investigated during this early period.

Three digital memories were required for this system: one for red, one for blue and

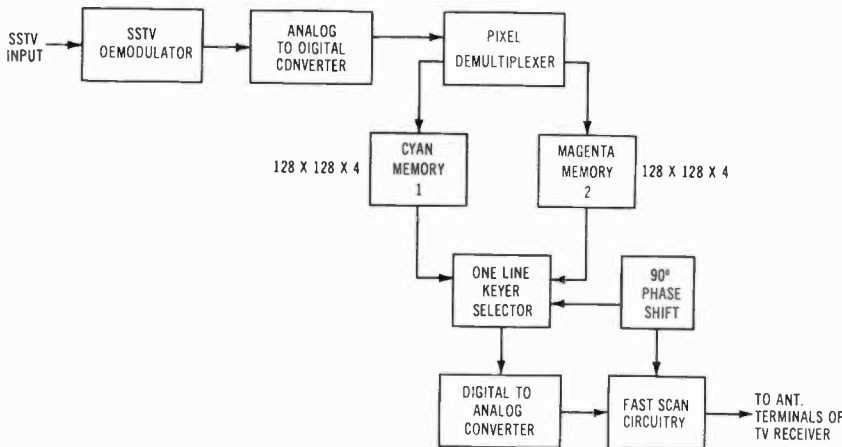


Figure 42

**TWO COLOR SSTV SYSTEM USING PIXEL MULTIPLYING TECHNIQUE**

This system will reproduce full color, real-time television pictures from SSTV.

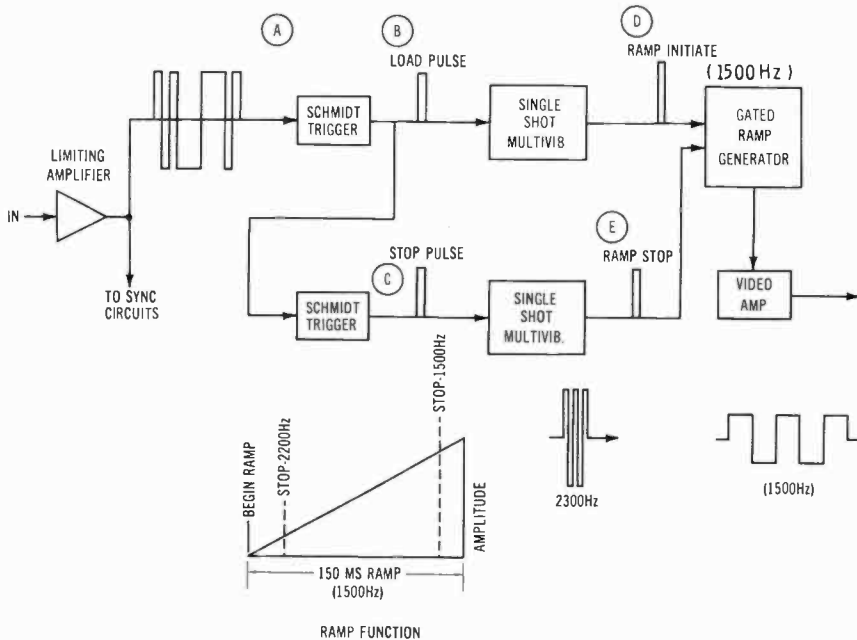


Figure 43

### BASIC VIDEO SAMPLING TECHNIQUE

one for green. Because of the complexity and cost, a more flexible technique was developed. The resulting system, which is presently gaining popularity was primarily developed by Dr. Don Miller, W9NTP. There are only two colors used in this system (figure 41). The colors are *cyan* and *magenta*. The logic of using these colors may be visualized by reference to the color burst shown in the illustration. Cyan is the complement (inverse) of red and magenta is the complement of green. Additionally, blue may be synthesized by combining noninverted cyan and magenta. Conventional black and white SSTV installations receiving these cyan and magenta color multiplexed pictures display them as conventional slow scan television. Meanwhile, a color SSTV installation demodulates the signals using the condensed technique illustrated in figure 42.

Incoming color-multiplexed SSTV information is demodulated and A to D converted, then demultiplexed and alternately loaded into the proper 65K bit memory. Then, at the proper fast scan times, the one line keyer alternately extracts information

from the memories as required to reconstruct each line of the color picture. Next, the D to A converter and fast scan circuitry encode this information into conventional Y, I, and Q signals which can be applied to a regular fast scan color television receiver.

Y, I, and Q are descriptive terms for the constant luminance principle used in conventional (Fast Scan) color TV systems. This principle is necessary for full black-and-white and color compatibility. Essentially, this means that all brightness variations (gray scale) are transmitted in the regular luminance, or Y, channel while color-difference signals containing the specific shades of colors (hue) and their amounts (saturation) are conveyed by the color subcarrier. The luminance, or Y, channel is amplitude modulated with black and white video, and the subcarrier is modulated in phase and amplitude with color information. The subcarrier's color modulating signals are either in Phase (I) or 90 degrees out of phase (Q) with the luminance (Y) signals. Black and white TV's receive and detect only "Y" information. Color TV's receive and detect I, Q, and Y information. Since

only "color information" is contained in the I and Q signals, the color TV combines this information with "Y" to determine all variations of color brightness.

This interesting two color SSTV system provides full black-and-white compatibility and picture element multiplexing also allows the maximum amount of full color information to be displayed in fine detail. The system simplicity is a virtue and many digital scan converters commonly in use can be modified for live color slow scan by the addition of a second 65K bit memory board.

During black-and-white television operation, the additional memory board can also perform these interesting operations: *Interference-Processing*, *3-D* and *limited motion* SSTV. If each of the 65K memories is loaded with partial or distorted black-and-white SSTV information during periods of interference, and pixel averaging techniques are used, a relatively high quality picture can be produced. Likewise, 3-D (three dimension) SSTV can be produced by loading each memory with color-keyed eye viewing information, and viewing the resultant pictures through color-polarized glasses. These color-keyed 3-D pictures may initially be produced by loading two 65K memories from one camera, which is moved approximately four inches between frames and its lens covered with the appropriate color-key filter.

Limited motion SSTV may be accomplished by initially loading the first of a "motion series" of Slow Scan pictures into one memory, then allowing the next frame of "difference information" (the motion) to load the second memory. Consequent SSTV frames are then used to update each memory in a leap-frog manner. Special sync and memory-select signals are required for this system.

#### Video Sampling Techniques

One of the most outstanding means of securing the highest possible video resolution from a transmitted SSTV signal involves video sampling. This technique, which may be applied to any SSTV monitor, is similar to that used in modern digital voltmeters. Sampling operates on the principle of time detection rather than frequency detection, that is, a sine (or square)

wave for 1500 Hz will have a longer time rate than a wave for 2300 Hz. Thus each incoming alteration of video is compared with a 150 microsecond ramp (frequency = 1/time) and a corresponding voltage for each alternation of video is delivered to the video amplifier. The basic concept of video sampling is shown in figure 43.

Incoming slow scan signals are initially amplified and limited in amplitude, producing square waves at point A. Positive video alternations of these waves then "fire" the top Schmidt trigger (point B) while negative transitions "fire" the bottom Schmidt trigger (point C). The top single impulse produces an output pulse for each input pulse, and the bottom single impulse does likewise. The time between these pulses (point D and E) is determined by the time, or frequency, of each incoming video alternation. The gated ramp generator produces a sawtooth of voltage each time an *initiate* pulse hits the input (point D). The ramp will increase in amplitude for 150 microseconds, unless it is stopped by an incoming pulse from the bottom single im-



Figure 44

#### SSTV VIA OSCAR SATELLITE

Slow Scan Television picture transmitted by WA9UHV on 145.98 MHz and received by W9NTP on 29.53 MHz via OSCAR 4. An amateur radio "first" (October, 1972). Picture interference is caused by other transmissions through the satellite.

pulse (point E). If the incoming frequency is 1500 Hz, the ramp builds in amplitude for 150 microseconds. Voltage developed by the ramp generator is then amplified and applied to the cathode ray tube as bias



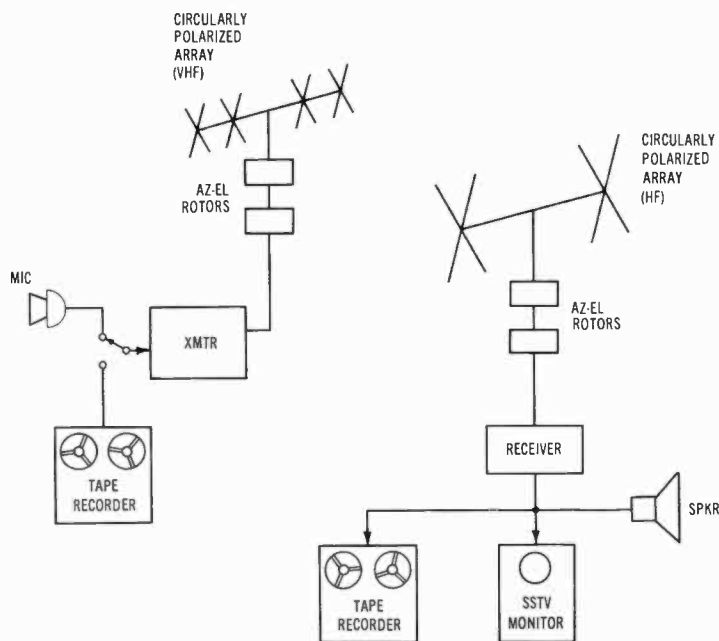


Figure 45

### REPRESENTATIVE SSTV STATIONS FOR OSCAR OPERATIONS

—high bias for black picture elements and low bias for white picture elements. Incoming video can also be converted to digitalized equivalents using this technique. For example, the “initiate” pulse at point *D* can start a counter and the “stop” pulse at point *E* can stop the counter. These digital counts then represent precise shades of gray for each picture element. The sampling process restarts with each new alteration of incoming video. The use of a coincidence detector circuit before the ramp generator also permits this sampling concept to be used for amplitude-modulated (fast scan) video systems.

**OSCAR SSTV** Operating SSTV via an OSCAR satellite can be a challenging and rewarding experience. The array of experiments via this medium is only limited by the imagination. Initially, the operator should operate cw and SSB via the satellite to gain knowledge in working with variables such as satellite tracking, Doppler shift, roll rate, etc. Then, after successfully communicating via the satellite, slow scan

TV may be included in future experiments (figure 44).

A typical OSCAR SSTV experiment is shown in figure 45. Separate tape recorders are used for transmitting and receiving SSTV, permitting maximum operational flexibility and reducing the many variables which could inhibit operation. Transmitting a prerecorded program during a satellite pass is very desirable, as it allows the operator to concentrate on such aspects as signal levels, antenna positions and the possibility of monitoring the transmitted signal returned via the satellite. Once SSTV operations have begun during a pass, the receiver's tape recorder should run continuously to enable the operator to review the exercise once the satellite has passed from radio range.

One of the most important considerations in satellite SSTV work is the use of low transmitter power. The 100 percent duty cycle of SSTV can heavily tax the satellite transponder. Returned signals should never be allowed to be as strong as the satellite's beacon.



Figure 46

### SSTV INSTALLATION AT K6SVP

Camera and tape deck are to the left of the transmitter. Fast scan monitor is at right of desk atop digital scan converter.



Figure 47

### SSTV INSTALLATION AT N6WQ

SBE Scanvision P7 monitor features built-in cassette tape deck. A second recorder above monitor permits additional station flexibility. SSTV keyboard is home-built.

**Operating SSTV** Transmitting and receiving SSTV pictures via the hf and vhf amateur bands can be an enjoyable experience provided the operator takes time to plan and organize an efficient video setup (figures 46, 47). Several high quality audio cassettes, prerecorded with station identification, operator views, etc. will ease the operating workload during periods of high activity. A cart rack or ca-

sette "lazy susan" are ideal for holding these cartridges. In addition, operating controls and lights should be placed so that the operator does not have to reach over the equipment to make adjustments during a transmission. One widely used setup technique involves placing all equipment in a desired location, then simulating operation before permanently connecting all gear for operation. An optimum location for the SSTV camera would allow it to view a wall-mounted pegboard covered with an appropriate pattern for quick focus, then by turning the tripod handle, shift the view to the station and operator. An incandescent light dimmer for controlling camera floodlights is handy and can be placed at the operating desk to eliminate frequent *f*-stop adjustments to the camera.

The transmitter output power should be reduced to one half the SSB rating when transmitting SSTV. This can be accomplished by decreasing microphone gain. Never detune the exciter or amplifier, as this places undue strain on the output tubes or transistors.

As an example, assume the station wattmeter registers 400 watts SSB output on voice peaks. The transmitter gain control should be reduced until the wattmeter reads not over 200 watts on SSTV transmission. An extra fan directed toward the final amplifier tubes of the exciter and amplifier should be used during the time of transmission. Half-power signal reduction at the transmitter will result in approximately equal video and audio levels at the receiving station.

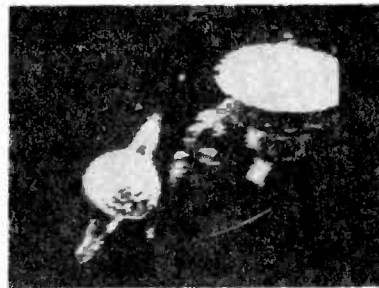


Figure 48

### PLANET SATURN VIA SSTV

SSTV picture of Voyager 1 approaching Saturn. Picture was transmitted to K4TJW by K6SVP.

The majority of SSTV activity on the amateur bands at the time of writing will be found approximately  $\pm 10$  kHz of the following frequencies: 3845 kHz, 7171 kHz, 14,230 kHz, 21,340 kHz and 28,680 kHz. Amateurs desiring additional information or assistance with special problems should look for the International Slow Scan Net which meets each Saturday at 1800Z on 14,230 kHz.

## 14-7 Amateur Facsimile

*Facsimile* (FAX) is the process whereby graphic or photographic information is either transmitted or recorded by electronic means. Commercial use of FAX includes transmission of weather maps, drawings, and photographs.

FAX transmission is permitted in the United States above 50.1 MHz on the 6-meter band, above 144.1 MHz on the 2-meter band and on all amateur frequencies above 220 MHz. F-m facsimile is permitted above 220 MHz.

**FAX Transmission** In general, a facsimile image is created by photoelectric scanning of a printed image (figure 49). The most common technique is to wrap the material to be transmitted around

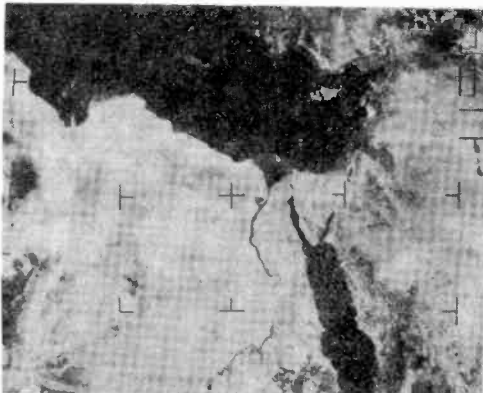


Figure 49

### FACSIMILE PHOTOGRAPH VIA SATELLITE

This facsimile photograph was received from the ITOS-1 satellite showing the Middle East area of the Red Sea, Nile and Delta, Dead Sea, Cyprus, etc. The light sandy terrain of North Africa shows up as near-white. (Photo courtesy of Science Department, Ambassador College).

a cylinder which is rotated about its axis while a light spot is projected on the image. The light reflected from the image is focused on a photomultiplier tube whose output is a function of the varying light intensity reflected from the image on the drum. As the drum is turned, the photoelectric tube is moved slowly by a lead screw causing a slight separation of the scanning lines, much in the manner of operation of a stereo pickup head on a record (figure 50).

A second technique is to use a "flying-spot" scanner, similar to that process discussed in the previous section. Scanning, in either case, is the same as the normal reading process: from left to right and top to bottom.

The voltage output of the photoelectric device is called the *baseband* which consists of varying dc levels representing the range of contrast from white to black. Maximum

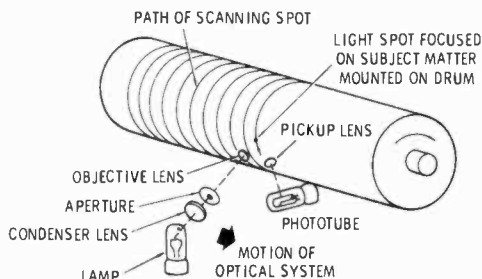


Figure 50

### FACSIMILE SCANNING SYSTEM

Material to be transmitted is placed on a revolving drum. A scanning spot of light explores the area of the subject material. The light is focused on the drum and the reflection is picked up by a photocell. The optical system moves along the axis of the revolving drum to provide coverage of the subject by the scanner.

output may be taken to be either white or black. The baseband signal is then used to control the frequency of a voltage-controlled oscillator to generate a subcarrier in which the shades of black and white are represented by a band of frequencies.

The FAX transmission is synchronized with reception by the use of synchronous motors locked to the 60-Hz line frequency. In addition, a series of phasing pulses sent

by the FAX transmitter control the start of each line scan so that the receiving unit starts each line of reproduction at the same point on the page.

In general, drum writing speed is 120 lines per minute, with a scan density of 96 lines per inch. Drum speed, and other specifications, vary greatly between equipments of different manufacture and no universally accepted standards are in effect, at least as far as amateur facsimile is concerned.

**FAX Reception** FAX may be received on a communication receiver, the signal being detected and demodulated. The resulting signal has a varying dc component which corresponds to the light shades in the transmitted subject material. The transmission process, in effect, is reversed. Sensitized paper is placed on a revolving drum in contact with a stylus which advances along the paper in unison with the movement of the photoelectric device transmitting the picture. A current is passed through the stylus onto the paper on the drum, which is treated with a special electrolyte. The variations in stylus current cause a variation in the darkness of the paper. In some machines, a lamp replaces the stylus and photosensitive paper is used. After exposure, the paper is developed, in the manner of a photographic negative.

## 14-8 Amateur Television

*Amateur television* (ATV) transmissions first took place in the prewar 160-meter band using primitive scanning-disc techniques. Electronic television transmissions were experimentally run in the prewar 112-MHz amateur band, but it was not until after 1950 that amateurs used the present 432-MHz band for wideband picture transmission. ATV transmission is growing in popularity, with video transmission in the 432-MHz band and audio transmission in the 144-MHz band.

**ATV Transmission** The amateur television transmitter employs the same standards as commercial television. In the United States, this consists of 525 lines

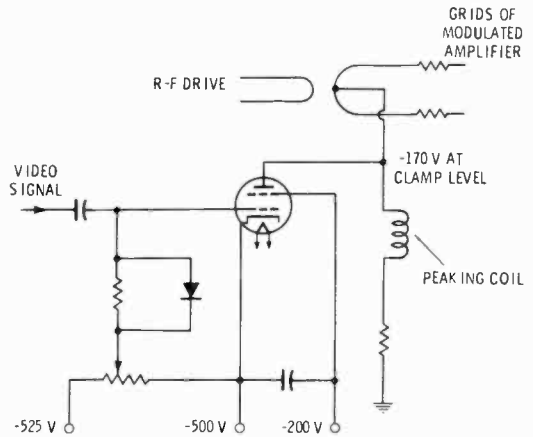


Figure 51

### VIDEO MODULATOR FOR ATV TRANSMISSION

The video modulator can transmit a dc component. Clamping diode provides dc resoration for maximum brightness at the peak of the sync signal. Video modulator plate potential is -170 volts with respect to ground, with screen at -200, cathode at -500 and control grid biased to -525 volts. Actual plate and screen voltages are 330 and 300 volts.

per picture at 30 frames per second. The video channel is 4.25 MHz wide and negative modulation is used. The line frequency is 15.75 kHz (525 lines per frame  $\times$  30 frames per second). Other standards are in use in other countries.

The *video modulator* of a television transmitter must pass up to 3.5 MHz for black and white service. While the r-f portion of a television transmitter is conventional, the video modulator is unique, and a representative grid-modulation system is shown in figure 51. High-frequency response is enhanced by reducing shunt capacitances and by using series or shunt peaking circuits.

The video signal to be transmitted consists of: (1) impulses corresponding to the brightness of the scanned picture elements conveyed by the camera signal; (2) the blanking of the scanning signal at the receiver during the retrace motions, by the blanking level, or *pedestal* of the signal; and (3) the synchronization of the scanning signal by the vertical and horizontal synchronization signals. When the video signal is imposed on the carrier wave, the envelope

of the modulated carrier constitutes the video signal waveform.

The portion of the carrier envelope below the black level is called the *camera signal* and polarity of transmission is negative, that is, increased light on the camera results in a decrease in carrier amplitude. The maximum white level is 15 percent or less of maximum carrier amplitude.

The synchronizing pulses are above the black level (in the *infrablack* region) and do not produce light in the received image. The synchronizing signals contain horizontal impulses for initiating the motion of the scanning spot along each horizontal line and vertical impulses for initiating motion of the scanning spot vertically at the beginning of each field.

**ATV Reception** Since ATV standards are the same as commercial TV, the least expensive reception technique is to make use of a conventional black-and-white TV receiver, in conjunction with a 432-MHz converter. Tunable converters are in general use, as opposed to a crystal-controlled converter, as it is desirable to be able to tune off to one side of the ATV carrier to obtain the clearest picture consistent with local interference and the shape of the receiver passband. Since amateur TV transmits both sidebands, instead of one as is done in commercial practice, it is convenient to be able to tune to either sideband for best reception.

## 14-9 Narrow-Band Voice Modulation (NBVM)

The increasing demand for hf and vhf spectrum space has brought about various methods for reducing channel separation in commercial and military service and for allowing more amateurs to operate comfortably in the narrow frequency bands assigned to them.

Narrow-band voice modulation has been under investigation for many years and various solutions to this problem have been advanced. The demand for spectrum space will continue to increase as new uses for radio develop. This is especially true in the vhf region because this band has particularly good characteristics for mobile use.

Two modern technologies have been recently introduced that permit significant improvement in signal-to-noise ratio and required band width for a communication circuit. These are the *amplitude compandor* which compresses signal amplitude on transmission and expands it on reception and the *frequency compandor* which compresses bandwidth on transmission and expands it on reception.

The amplitude compandor is well known in amateur terms as a "speech compressor," or "speech processor" which compresses the amplitude on transmission. The companion device which expands the signal back to its original proportions on reception is not as well known. Frequency compression and expansion, on the other hand, are relatively new concepts. Both systems modify the basic voice signals, one in the amplitude domain and the other in the frequency domain, to make more efficient use of a frequency channel.

**The Compandor** The *amplitude compandor* works by reducing the amplitude of loud syllables and increasing the amplitude of weak ones to achieve a transmitted signal more even (compressed) in power level. After transmission and reception, the signal is restored (expanded) to its original form (compressor plus expander equals "compandor"). The result is that noise occurring during quiet passages is greatly reduced; noise during loud passages is increased, but it is masked by the loudness of the passage itself. For the average listener, FCC tests have shown the amplitude compandor results in an apparent 15 dB improvement in signal-to-noise ratio. That is the compandored signal sounds as good as a normal signal that has 15 dB less noise power. The 15 dB improvement is obtained for amplitude compression giving 1 dB output variation for every 2 dB of input variation.

In the second technique, *frequency companding*, the voice frequencies are compressed prior to transmission and expanded upon reception. One system takes advantage of the tendency in human speech for either the lower frequencies to be voiced (on vowel sounds) or the higher frequencies to be voiced (on consonant sounds), but not

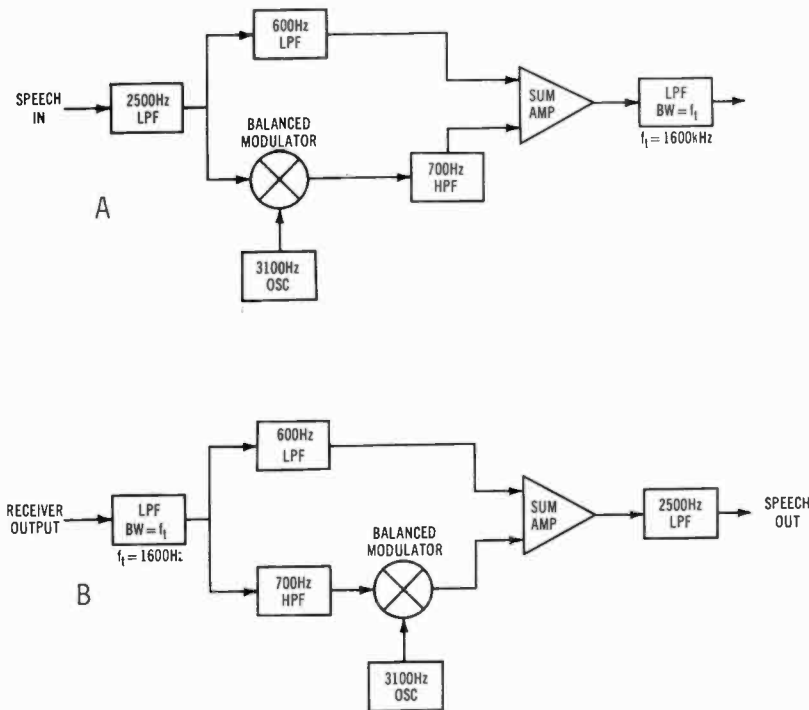


Figure 52

## BLOCK DIAGRAM OF FREQUENCY COMPANDOR SYSTEM

- A—The frequency compressor is placed between the microphone and the transmitter. The speech is divided into two voice bands and the higher frequency voice band is inverted by the balanced modulator and “folded” down into the lower speech band.
- B—The reverse process takes place at the receiver with the frequency expander placed between the receiver and the speaker. The “folded” speech is “unfolded” in a continuous manner and the natural balance of the voice is restored. (This diagram is based upon the compandor design of VBC, Inc. of San Mateo, Calif.)

together. This system “folds” the higher frequencies down over the lower frequencies and transmits both together. Expansion at the receiver gives a high-quality signal that, in this particular system, has been transmitted in about 0.60 of the bandwidth normally required for intelligible voice.

These two techniques are applied to the basic voice signal prior to modulation of the transmitter and at the receiver before the speaker, or reproducer. Alteration of the basic transmitter and receiver is not required.

Shown in figure 52 is the block diagram of a practical frequency compandor. Illustration A outlines the frequency compressor system used at the transmitter. Distortion

that may reduce speech intelligibility is reduced by the use of a 2500-Hz audio filter before the compandor. By the use of additional filters the speech is separated into two bands, one from dc to 600 Hz and the second from  $f_1$  to 2500 Hz. The frequency  $f_1$  is chosen based upon the characteristics of the second lowpass filter cutoff frequency. A practical frequency for  $f_1$  is 1600 Hz.

The frequency range of dc to 600 Hz is passed essentially straight through the system. The characteristics of the SSB exciter generally limits the audio frequencies below 250 Hz. The other range, however, is inverted by the balanced modulator and local oscillator and down-converted. The resulting speech range is then added to the first

one and passed through a 1600-Hz low-pass filter. Although a gap does exist in the final output spectrum, the speech is of high intelligibility and has high recognizability. The process is reversed for reception (illustration B).

Acoustically, voice consonants are emphasized and folded, electronically, into blank spaces not occupied by vowels as speech occurs. This is possible since vowels and consonants do not interfere in time domain because a vowel and a consonant can-

not occur at the same time. On receiving the "folded" speech, the vowels and consonants are "unfolded" in a continuous manner and the natural balance between vowels and consonants restored.

Frequency compressed voice signals can be received with reduced intelligibility on a conventional ssb receiver by switching sidebands and retuning the receiver. Thus it is possible for amateurs to observe this unique transmission technique as it is experimentally introduced into the amateur bands.

# Amplitude Modulation and Audio Processing

A listener to the amateur bands would conclude that *amplitude modulation* is extinct and that all communication is carried on by single sideband, RTTY or c-w on the high-frequency bands and by frequency modulation and SSB on the very-high frequency bands.

While it is true that the Amateur Radio Service has "outmoded" amplitude modulation, the greater bulk of everyday radio communication in the United States (and throughout the world) is still conducted by amplitude modulation (a-m).

Over 4500 a-m broadcast stations exist in the United States, together with over 240,000 a-m stations in the Aeronautical Radio Service. And of the 8,000,000 CB transmitters in existence, an estimated 80-percent of these are amplitude modulated.

As far as SSB goes, it too is basically an amplitude-modulated signal whose carrier and one sideband have been removed.

Basically, then, amplitude modulation is the heart of the modern communication system and the details of this fundamental means of superimposing intelligence on a radio-frequency carrier are discussed in this chapter.

## 15-1 Sidebands

Modulation is essentially a form of mixing, or combining, already covered in a previous chapter. To transmit intelligence at

radio frequencies by means of a-m, the intelligence is converted to radio-frequency *sidebands*. The sidebands appear symmetrically above and below the frequency of the unmodulated carrier signal, as shown in figure 1.

Even though the amplitude of radio-frequency voltage representing the composite signal (resultant of the carrier and sidebands, called the *envelope*) will vary from zero to twice the unmodulated signal value during full modulation, the amplitude of the *carrier* component does not vary. Also, as long as the amplitude of the modulating voltage does not vary, the amplitude of the sidebands will remain constant. For this to be apparent, however, it is necessary to measure the amplitude of each component with a highly selective filter. Otherwise, the measured

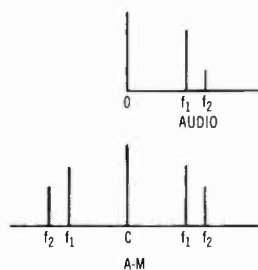


Figure 1

### FREQUENCY SPECTRUM

Comparison of two-tone signal in the audio spectrum and resulting amplitude-modulated waveform. Unmodulated carrier is at C.



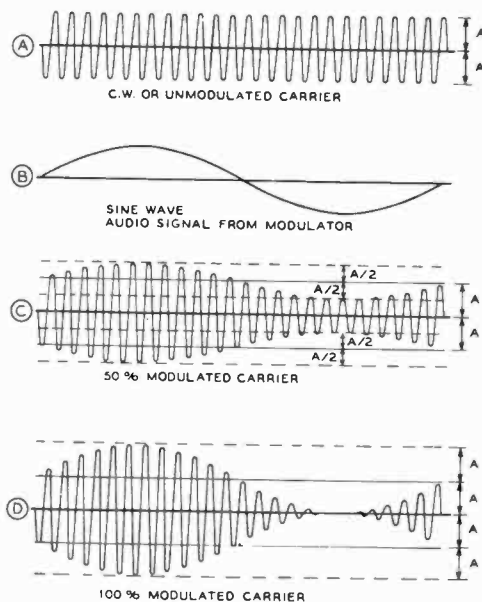


Figure 2

### AMPLITUDE-MODULATED WAVE

Top drawing A represents an unmodulated carrier wave; B shows the audio output of the modulator. Drawing C shows the audio signal impressed on the carrier wave to the extent of 50 percent modulation; D shows the carrier with 100 percent amplitude modulation.

power or voltage will be a *resultant* of two or more of the components, and the amplitude of the resultant will vary at the modulation rate.

If a carrier frequency of 5000 kHz is modulated by a pure tone of 1000 Hz, or 1 kHz, two sidebands are formed: one at 5001 kHz (the sum frequency) and one at 4999 kHz (the difference frequency). The frequency of each sideband is independent of the amplitude of the modulating tone, or *modulation percentage*; the frequency of each sideband is determined only by the frequency of the modulating tone. This assumes, of course, that the transmitter is not modulated in excess of its linear capability.

When the modulating signal consists of multiple frequencies, as is the case with voice or music modulation, two sidebands will be formed by each modulating frequency (one on each side of the carrier), and the radiated signal will consist of a *band* of frequencies. The *bandwidth*, or *channel*, taken

up in the frequency spectrum by a conventional double-sideband amplitude-modulated signal, is equal to twice the highest modulating frequency. For example, if the highest modulating frequency is 5000 Hz, then the signal (assuming modulation of complex and varying waveform) will occupy a band extending from 5000 Hz below the carrier to 5000 Hz above the carrier.

Frequencies up to at least 2000 Hz, and preferably 2500 Hz, are necessary for good speech intelligibility. If a filter is incorporated in the audio system to cut out all frequencies above approximately 2500 Hz, the bandwidth of an a-m signal can be limited to 5 kHz without a significant loss in intelligibility. However, if harmonic distortion is introduced subsequent to the filter, as would happen in the case of an overloaded modulator or overmodulation of the carrier, new frequencies will be generated and the signal will occupy a band wider than 5 kHz.

## 15-2 Mechanics of Modulation

A c-w or unmodulated r-f carrier wave is represented in figure 2A. An audio-frequency sine wave is represented by the curve of figure 2B. When the two are combined or "mixed," the carrier is said to be amplitude modulated, and a resultant similar to 2C or 2D is obtained. It should be noted that under modulation, each half cycle of r-f voltage differs slightly from the preceding one and the following one; therefore at no time during modulation is the r-f waveform a pure sine wave. This is simply another way of saying that during modulation, the transmitted r-f energy no longer is confined to a single radio frequency.

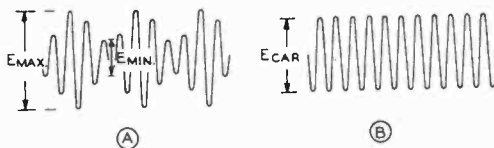
It will be noted that the *average* amplitude of the peak r-f voltage, or modulation envelope, is the same with or without modulation. This simply means that the modulation is symmetrical (assuming a symmetrical modulating wave) and that for distortionless modulation the upward modulation is limited to a value of twice the unmodulated carrier wave amplitude because the amplitude cannot go below zero on downward portions of the modulation cycle. Figure 2D illustrates the maximum obtainable distortionless modulation with a sine modulating wave, the r-f

voltage at the peak of the r-f cycle varying from zero to twice the unmodulated value, and the r-f power varying from zero to four times the unmodulated value (the power varies as the square of the voltage).

While the average r-f *voltage* of the modulated wave over a modulation cycle is the same as for the unmodulated carrier, the average *power* increases with modulation. If the radio-frequency power is integrated over the audio cycle, it will be found with 100 percent sine-wave modulation the average r-f power has increased 50 percent. This additional power is represented by the sidebands, because, as previously mentioned, the carrier power does not vary under modulation. Thus, when a 100-watt carrier is modulated 100 percent by a sine wave, the total r-f power is 150 watts—100 watts in the carrier and 25 watts in each of the two sidebands.

**Modulation Percentage** So long as the *relative proportion* of the various sidebands making up voice modulation is maintained, the signal may be received and detected without distortion. However, the higher the average amplitude of the sidebands, the greater the audio signal produced at the receiver. For this reason it is desirable to increase the *modulation percentage*, or degree of modulation, to the point where maximum "negative" peaks just hit 100 percent. If the modulation percentage is increased so that the peaks exceed this value, distortion is introduced, and if carried very far, bad interference to signals on nearby channels will result.

**Modulation Measurement** The amount by which a carrier is being modulated may be expressed either as a *modulation factor*, varying from zero to 1.0 at maximum modulation, or as a percentage. The percentage of modulation is equal to 100 times the modulation factor. Figure 3A shows a carrier wave modulated by a sine-wave audio tone. A picture such as this might be seen on the screen of a cathode-ray oscilloscope with sawtooth sweep on the horizontal plates and the modulated carrier impressed on the vertical plates. The same carrier without modulation would appear on the oscilloscope screen as figure 3B.



**Figure 3**  
**GRAPHICAL DETERMINATION OF MODULATION PERCENTAGE**

The procedure for determining modulation percentage from the peak voltage points indicated is discussed in the text.

The percentage of modulation of the positive peaks and the percentage of modulation of the negative peaks can be determined separately from two oscilloscope pictures such as shown.

The modulation factor of the positive peaks may be determined by the formula:

$$M = \frac{E_{max} - E_{car}}{E_{car}}$$

The factor for negative peaks may be determined from the formula:

$$M = \frac{E_{car} - E_{min}}{E_{car}}$$

In the above two formulas  $E_{max}$  is the maximum carrier amplitude with modulation and  $E_{min}$  is the minimum amplitude;  $E_{car}$  is the steady-state amplitude of the carrier without modulation.

If the modulating voltage is symmetrical, such as a sine wave, and modulation is accomplished without the introduction of distortion, then the percentage modulation will be the same for both negative and positive peaks. However, the distribution and phase relationships of harmonics in voice and music waveforms are such that the percentage modulation of the negative modulation peaks may exceed the percentage modulation of the positive peaks, or vice versa. The percentage modulation when referred to without regard to polarity is an indication of the average of the negative and positive peaks.

**Modulation Capability** The *modulation capability* of a transmitter is the maximum percentage to which that transmitter may be modulated before spurious sidebands

are generated in the output or before the distortion of the modulating waveform becomes objectionable. The highest modulation capability which *any* transmitter may have on the *negative* peaks is 100 percent. Overmodulation on negative peaks causes clipping of the wave at the zero axis and changes the envelope wave shape to one that includes higher-order harmonics which appear as additional side frequencies, showing up in a receiver as sideband "splatter" and distortion of the imposed signal intelligence.

Overmodulation on upward modulating peaks does not cause distortion, within the linearity limit of the transmitter. In the United States, an increase in positive peak modulation to 125 percent is permitted in the a-m broadcast service.

**Speech Waveform Dissymmetry** The manner in which the human voice is produced by the vocal cords gives rise to a certain dissymmetry in the waveform of voice sounds when they are picked up by a good quality microphone. This is especially pronounced in the male voice, and more so on certain voice sounds than on others. The result of this dissymmetry in the waveform is that the voltage peaks on one side of the average value of the wave will be considerably greater, often two or three times as great, as the voltage excursions on the other side of the zero axis. The *average* value of voltage on both sides of the wave is, of course, the same.

As a result of this dissymmetry in the male voice waveform, there is an optimum polarity of the modulating voltage that must be observed if maximum sideband energy is to be obtained without negative peak clipping and generation of *splatter* on adjacent channels.

The use of the proper polarity of the incoming speech wave in modulating a transmitter can allow a useful increase in the average level of intelligence that may be placed on the signal. If the modulating amplitude is adjusted so that the peak downward (negative) modulation is held to 100 percent, or less, the peak upward (positive) modulation may reach a greater value. If the modulation envelope reproduces the waveform of the modulating signal, there is no distortion.

**Overmodulation** If the peak negative modulation level is too great, a period of time will exist during which the instantaneous voltage applied to the modulated stage is zero, or negative, and the stage is cut off. The shape of the modulation envelope is then no longer accurately reproduced and the modulation is distorted. This condition is called *overmodulation* and results in the creation of new, additional side frequencies generated on both sides of the carrier. These spurious frequencies widen the sidebands of the signal and can cause severe adjacent channel interference termed *splatter*.

The splatter is a direct consequence of clipping the r-f waveform at the zero axis during peaks of negative modulation. A neg-

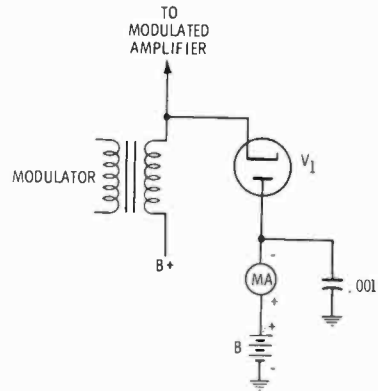


Figure 4

### NEGATIVE PEAK OVERMODULATION INDICATOR

The milliammeter will show a reading on modulation peaks that carry the instantaneous voltage on the plate-modulated amplifier below zero. Bias voltage (B) may be adjusted to provide indication of negative modulation peaks of any value below 100 percent.

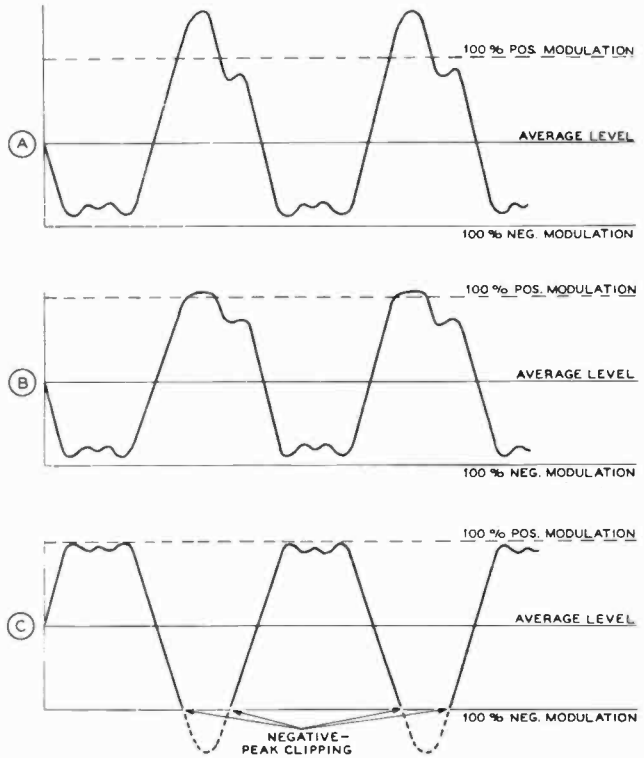
ative peak modulation indicator (figure 4) can be used to monitor this form of clipping. The effect of modulation beyond 100 percent of both positive and negative peaks is illustrated in figure 5.

## 15-3 Audio Processing

Speech waveforms are characterized by frequently recurring high-intensity peaks of very short duration. These peaks will cause overmodulation if the average level of mod-

**Figure 5**  
**SPEECH-WAVEFORM**  
**AMPLITUDE**  
**MODULATION**

Showing the effect of using the proper polarity of a speech wave for modulating an a-m transmitter. A shows the effect of proper speech polarity on a transmitter having an upward modulation capability of greater than 100 percent. B shows the effect of using proper speech polarity on a transmitter having an upward modulation capability of only 100 percent. Both these conditions will give a clean signal without objectionable splatter. C shows the effect of the use of improper speech polarity. This condition will cause serious splatter due to negative-peak clipping in the modulated-amplifier stage.



ulation on loud syllables exceeds approximately 30 percent. Careful checking into the nature of speech sounds has revealed that these high-intensity peaks are due primarily to the vowel sounds. Further research has revealed that the vowel sounds add little to intelligibility, the major contribution to intelligibility coming from the consonant sounds such as *v*, *b*, *k*, *s*, *t*, and *l*. Measurements have shown that the power contained in these consonant sounds may be down 30 dB or more from the energy in the vowel sounds in the same speech passage. Obviously, then, if we can increase the relative energy content of the consonant sounds with respect to the vowel sounds it will be possible to understand a signal modulated with such a waveform in the presence of a much higher level of background noise and interference. Experience has shown that it is possible to accomplish this desirable result by *audio processing* which builds up the effective level of the weaker sounds without overmodulation of the carrier. Various systems exist that accomplish this goal without

appreciable audio distortion. Among these systems are *dynamic compression* and *amplitude limiting*.

**Dynamic Compression** Dynamic compression of the audio signal may be used to maintain a high level of modulation over a large range of audio input to the modulating system. This is accomplished by taking a control voltage from the output voltage of the system and using it to control system gain so that the output voltage is virtually constant.

A practical dynamic compressor rectifies and filters the audio signal as it passes through the amplifier and applies the dc component to a gain control element in the amplifier (figure 6). Simple compressors exhibit an attack time of 300 milliseconds or longer. A compression range of the order of 20 to 35 dB is realizable, corresponding to the dynamic range of the human voice. Reverberation and background noise usually limit the practical compression range to about 15 dB. A representative solid-state



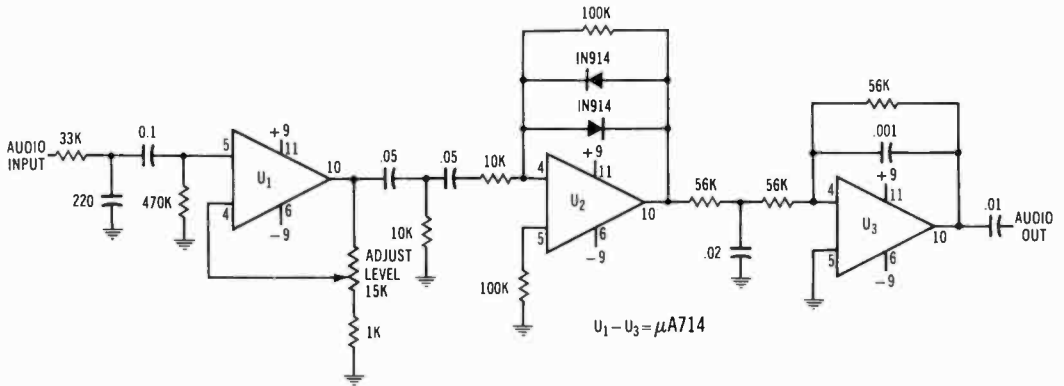


Figure 9

AN AUDIO CLIPPER

A preamplifier ( $U_1$ ) incorporates r-f filtering and high-frequency audio cutoff in the output circuit. A high impedance microphone should be used.  $U_1$  is an adjustable gain amplifier which sets the input level to limiting amplifier  $U_2$ .  $U_2$  limits because of the nonlinear resistance characteristics of the back-to-back diodes which supply increasingly heavier negative feedback as the output amplitude of  $U_2$  increases. A lowpass filter ( $U_3$ ) follows the compressor. Frequencies above 2.8 kHz that are generated in  $U_2$  are removed in this stage.

This has the advantage that fewer in-band distortion products are created for a given degree of clipping than in an equivalent audio clipper. This results in a higher quality signal, provided an r-f filter maintains the original circuit bandwidth (figure 10). With 15 dB of clipping, an increase in speech intelligibility of nearly 8 dB may be achieved. Generally speaking, the distortion produced by r-f envelope clipping is less objectionable than that caused by an equivalent amount of audio clipping.

**R-F Compression** R-f compression (often termed *automatic load control*, or *ALC*) may take the form shown in figure 11. Operation is very similar to the i-f stage of a receiver having automatic gain control. Control voltage is obtained from the amplifier output circuit and a large delay (threshold) bias is used so that

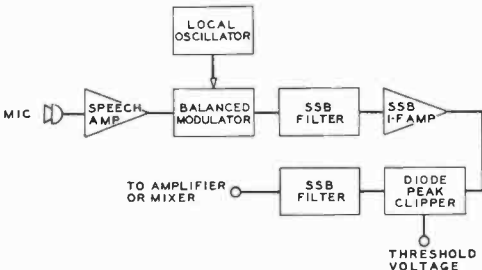


Figure 10

BLOCK DIAGRAM OF R-F ENVELOPE CLIPPER

An r-f clipper may be placed in the i-f portion of the SSB transmitter to limit amplitude of SSB signal. The clipper is followed by an r-f filter to remove harmonics and out-of-band products caused by clipping action. Clipping level is controlled by threshold voltage.

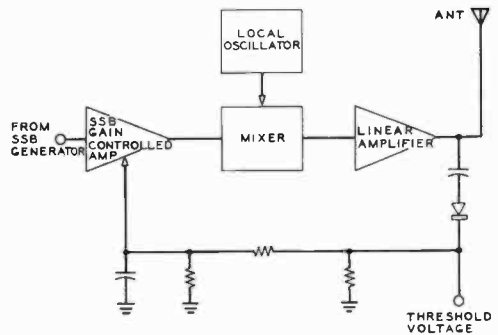


Figure 11

BLOCK DIAGRAM OF R-F COMPRESSOR

R-f compression (automatic load control) is similar to automatic gain control circuit of a receiver. Control voltage is obtained from rectified output signal of final linear amplifier stage and is applied to low level gain-controlled stage. Threshold bias is set so that no gain reduction takes place until output signal is nearly up to the maximum linear signal capability of the amplifier.

no gain reduction takes place until the output signal is nearly up to the maximum linear signal capability of the amplifier. At this level, the rectified output signal overcomes the delay bias and the gain of the preamplifier is reduced rapidly with increasing signal level. Peak r-f compression levels of up to 15 decibels are commonly used in SSB service, providing an increase in average-to-peak power of up to 5 decibels. Speech *intelligibility* may be improved only by about one decibel by such a technique.

**A Comparison of Processing Techniques** Outboard speech-processing adapters incorporated into existing equipment are becoming quite popular, but

should be viewed with caution, since the equipment in question may have inherent limitations that preclude the use of a driving signal having a high average-to-peak ratio. Excessive dissipation levels may be reached in amplifier tubes, or low-level stages may be overloaded by the intemperate use of speech processing equipment. In any case, the output spectrum of the transmitter should be carefully examined for out-of-passband emissions.

Figure 12 shows a comparison of the four different methods of speech processing used in SSB work. R-f envelope clipping has an advantage of several decibels over the other systems. All techniques increase transmitted average-to-peak power to a degree, thereby improving the overall speech intelligibility. Use of two speech-processing systems, however, is not directly additive, and only the larger improvement factor should be considered.

**Power-Supply Requirements** The power load of an SSB transmitter can fluctuate between the zero-signal value and that required for maximum signal power output. For a class-B stage, this may represent a current ratio of 10 to 1, or more. The rate and amount of current fluctuation are related to the envelope of the SSB signal and the frequency components in the supply current variation may be much lower and higher than the frequency components of the driving signal. For voice modulation, supply current fluctuations corresponding to

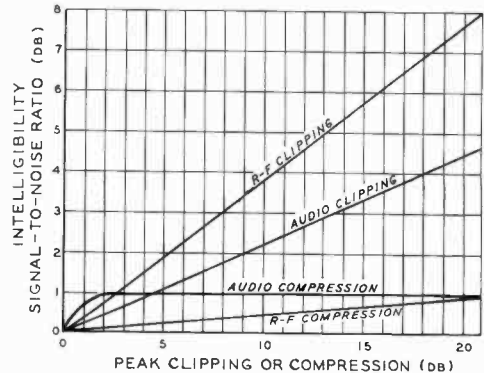


Figure 12

### COMPARISON OF SPEECH-PROCESSING TECHNIQUES

In terms of overall speech intelligibility, r-f clipping has an advantage of several decibels over other systems. R-f clipping of several decibels or so may be used with many SSB transmitters without objectionable distortion. Use of add-on speech processing of any type should be done with caution since the user has no knowledge of limitations of the transmitter, which may preclude drastic changes in peak-to-average ratio of driving signal.

syllabic variations may be as low as 20 Hz and high-order distortion products of non-linear stages may produce fluctuations higher than 3000 Hz. The power supply for an SSB transmitter, therefore, must have good *dynamic regulation*, or the ability to absorb a sudden change in the load without an abrupt voltage change. The most effective means of achieving good dynamic regulation in the supply is to have sufficient filter capacity in the supply to overcome sudden current peaks caused by abrupt changes of signal level. At the same time, *static regulation* of the supply may be enhanced by reducing voltage drops in the power transformer, rectifier, and filter choke, and by controlling transformer leakage reactance.

## 15-4 Systems of Amplitude Modulation

The simplest form of modulation uses a single diode driven by two signals (figure 13). The carrier to be modulated is normally at a high frequency compared with the modulating frequency. The current at

point A consists of positive pulses passed by the diode and at point B, because of the tuned circuit, a double sideband, a-m signal is produced. To hold distortion to a low value, modulation of the carrier is limited to about 10 percent in this circuit.

**Modulator Classifications** The following discussion concerns modulation systems employing vacuum tubes. A later section will cover solid-state modulators. There are many different systems and methods for amplitude-modulating a carrier, but most may be grouped under three general classifications: (1) *variable efficiency* systems in which the average input to the stage remains constant with and without modulation and the variations in the efficiency of the stage in accordance with the modulating signal accomplish the modulation; (2) *constant-efficiency* systems in which the input to the stage is varied by an external source of modulating energy to accomplish the modulation; and (3) so-called *high efficiency* systems in which circuit complexity is increased to obtain high plate-circuit efficiency in the modulated stage without the requirement of an external high-level modulator. The various systems under each classification have individual characteristics which make certain ones best suited to particular applications.

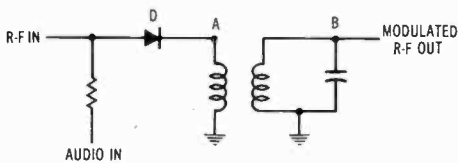


Figure 13

DIODE MODULATOR

The current at A consists of positive pulses passed by diode D, and at point B, because of the tuned circuit, a double sideband a-m signal is produced.

**Variable-Efficiency Modulation** Since the *average* input remains constant in a stage employing variable-efficiency modulation, and since the average power output of the stage increases with modulation, the additional average power output from the stage *with* modulation must

come from the plate dissipation of the tubes in the stage. Thus, for the best relation between tube cost and power output, the tubes employed should have as high a plate dissipation rating per unit cost as possible.

The plate efficiency in such an amplifier is doubled when going from the unmodulated condition to the peak of the modulation cycle. As a result, the unmodulated efficiency of such an amplifier *must always be less than 40 percent*, since the maximum peak efficiency obtainable in a conventional amplifier is in the vicinity of 80 percent. Since the peak efficiency in certain types of amplifiers will be as low as 60 percent, the unmodulated efficiency in such amplifiers will be in the vicinity of 30 percent.

There are many systems of efficiency modulation, but they *all* have the general limitation discussed in the previous paragraph—so long as the carrier amplitude is to remain constant with and without modulation, the efficiency at carrier level must be not greater than one-half the peak modulation efficiency, if the stage is to be capable of 100-percent modulation.

The Class-B Grid Driven Linear Amplifier

This is the simplest practicable type amplifier for an amplitude-modulated wave or a single-sideband signal.

The system requires that excitation, grid bias, and loading must be carefully controlled to preserve the linearity of the stage. Also, the grid circuit of the tube, in the usual application where grid current is drawn on peaks, presents a widely varying value of load impedance to the source of excitation. It is thus necessary to include some sort of *swamping resistor* to reduce the effect of grid-impedance variations with modulation (figure 14). If such a swamping resistance across the grid tank is not included, or is too high in value, the positive modulation peaks of the incoming modulated signal will tend to be flattened with resultant distortion of the wave being amplified.

Since a class-B a-m linear amplifier is biased to *extended* cutoff with no excitation (the grid bias at extended cutoff will be approximately equal to the plate voltage divided by the amplification factor for a triode, and will be approximately equal to the screen voltage divided by the grid-screen  $\mu$  factor



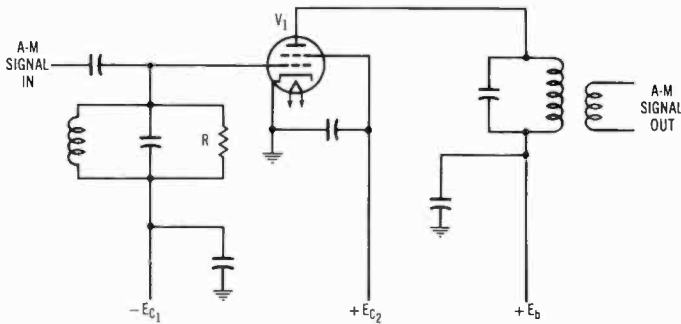


Figure 14

### CLASS-B GRID-DRIVEN LINEAR AMPLIFIER

Swamping resistor  $R$  is included in the grid circuit to reduce effects of grid impedance variation on the driving stage when grid current is drawn.

for a tetrode or pentode) the plate current will essentially flow in 180-degree pulses. Due to the relatively large operating angle of plate current flow the theoretical peak plate efficiency is limited to 78.5 percent, with 65 to 70 percent representing a range of efficiency normally attainable.

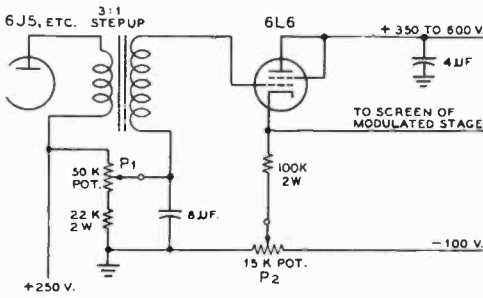
The carrier power output from a class-B linear amplifier of a normal 100 percent modulated a-m signal will be about one-half the rated plate dissipation of the stage, with optimum operating conditions. The peak output from a class-B linear, which represents the maximum-signal output as a single-sideband amplifier, or peak output with a 100 percent a-m signal, will be about twice the plate dissipation of the tubes in the stage. Thus the carrier-level input power to a class-B linear should be about 1.5 times the rated plate dissipation of the stage.

**Screen-Grid Modulation** Amplitude modulation may be accomplished by varying the screen-grid voltage in a class-C amplifier which employs a pentode, beam tetrode, or other type of screen-grid tube. The modulation obtained in this way is not especially linear as the impedance of the screen grid with respect to the modulating signal is nonlinear. However, *screen-grid modulation* does offer other advantages and the linearity is quite adequate for communications work.

A screen-grid modulated r-f amplifier operates as an efficiency-modulated amplifier, the same as does a class-B linear amplifier and a grid-modulated stage. The *plate circuit* loading is relatively critical as in any efficiency-modulated stage, and must be adjusted to the correct value if normal power output with full modulation capability is to be obtained. As in the case of any efficiency-modulated stage, the operating efficiency at the peak of the modulation cycle will be between 70 and 80 percent, with efficiency at the carrier level (if the stage is operating in the normal manner with full carrier) about half of the peak-modulation value.

**Screen-Grid Impedance** Instead of being linear with respect to modulating voltage, as is the plate circuit of a plate-modulated class-C amplifier, the screen grid presents approximately a square-law impedance to the modulating signal over the region of signal excursion where the screen is positive with respect to ground.

Another factor which must be considered in the design of a screen-modulated stage, if full modulation is to be obtained, is that the power output of a screen-grid stage with zero screen voltage is still relatively large. Thus, if anything approaching full modulation or negative peaks is to be obtained, the screen potential must be made negative with respect to ground on negative modula-



**Figure 15**  
**CATHODE-FOLLOWER**  
**SCREEN-MODULATION CIRCUIT**

tion peaks. In the usual types of beam tetrode tubes the screen potential must be 20 to 50 volts negative with respect to ground before cutoff of output is obtained. This condition further complicates the problem of obtaining good linearity in the audio modulating voltage for the screen-modulated stage, since the screen voltage must be driven negative with respect to ground over a portion of the cycle.

The cathode-follower modulator circuit of figure 15 is capable of giving good quality screen-grid modulation, and in addition the circuit provides convenient adjustments for the carrier level and the output level on

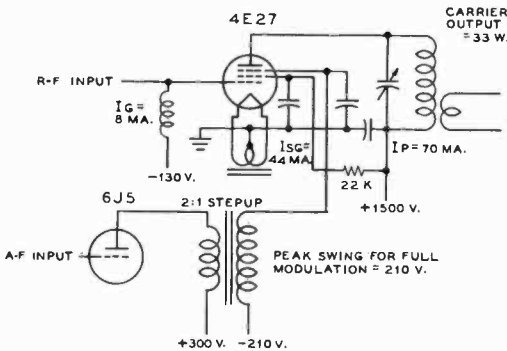
negative modulation peaks. This latter control ( $P_2$ ), allows the amplifier to be adjusted in such a manner that negative-peak clipping cannot take place, yet the negative modulation peaks may be adjusted to a level just above that at which sideband splatter will occur.

The voltage applied to the plate of the cathode follower should be about 100 volts greater than the rated screen voltage for the tetrode tube as a c-w class-C amplifier. Then potentiometer ( $P_1$ ) in figure 15 should be adjusted until the carrier-level screen voltage on the modulated stage is about one-half the rated screen voltage specified for the tube as a class-C c-w amplifier. The current taken by the screen of the modulated tube under carrier conditions will be about one-fourth the normal screen current for c-w operation.

**Suppressor-Grid Modulation**

Still another form of efficiency modulation may be obtained by applying the audio modulating signal to the suppressor grid of a pentode class-C r-f amplifier (figure 16). Basically, *suppressor-grid modulation* operates in the same general manner as other forms of efficiency modulation; carrier plate-circuit efficiency is about 35 percent, and antenna coupling must be rather heavy.

In tuning a suppressor-grid modulated amplifier, the grid bias, grid current, screen voltage, and plate voltage are about the same as for class-C c-w operation of the stage. But the suppressor grid is biased negatively to a value which reduces the plate-circuit efficiency to about one-half the maximum obtainable from the particular amplifier, with antenna coupling adjusted until the plate input is about 1.5 times the rated plate dissipation of the stage. It is important that the input to the screen grid be measured to make sure that the rated screen dissipation of the tube is not being exceeded. Then the audio signal is applied to the suppressor grid. In the normal application the audio voltage swing on the suppressor will be somewhat greater than the negative bias on the element. Suppressor-grid current will flow on modulation peaks, so that the source of audio signal voltage must have good regulation.



**Figure 16**  
**AMPLIFIER WITH SUPPRESSOR-GRID**  
**MODULATION**

Recommended operating conditions for linear suppressor-grid modulation of a 4E27/5-125B stage are given on the drawing.

## 15-5 Input Modulation Systems

Constant-efficiency variable-input modulation systems operate by virtue of the addition of external power to the modulated stage to effect the modulation. There are two general classifications that come under this heading; those systems in which the additional power is supplied as audio-frequency energy from a modulator (usually called *plate-modulation systems*) and those systems in which the additional power to effect modulation is supplied as direct current from the plate supply.

Under the former classification comes *Heising* modulation (probably the oldest type of modulation to be applied to a continuous carrier), class-B plate modulation, and cathode modulation. These types of modulation are by far the easiest to get into operation, and they give a very good ratio of power input to the modulated stage to power output; 65 to 80 percent efficiency is the general rule.

Modulation systems coming under the second classification have been widely applied to broadcast work. There are quite a few systems in this class. Two of the more widely used are the *Doherty* linear amplifier, and the *Terman-Woodyard* high-efficiency grid-modulated amplifier. Both systems operate by virtue of a carrier amplifier and a peak amplifier connected together by electrical quarter-wave lines. They will be described later in this section.

**Plate Modulation** Plate modulation is the application of the audio power to the *plate circuit* of an r-f amplifier. The r-f amplifier must be operated class C for this type of modulation in order to obtain a radio-frequency output which changes in exact accord with the variation in plate voltage. *The r-f amplifier is 100 percent modulated when the peak ac voltage from the modulator is equal to the dc voltage applied to the r-f tube.* The positive peaks of audio voltage increase the instantaneous plate voltage on the r-f tube to *twice*

the dc value, and the negative peaks reduce the voltage to zero.

The instantaneous plate *current* to the r-f stage also varies in accord with the modulating voltage. The peak alternating current in the output of a modulator must be equal to the dc plate current of the class-C r-f stage at the point of 100 percent modulation. This combination of change in audio voltage and current can be most easily referred to in terms of *audio power in watts*.

In a sinusoidally modulated wave, the antenna current increases approximately 22 percent for 100 percent modulation with a pure tone input; an r-f meter in the antenna circuit indicates this increase in antenna current. The *average power* of the r-f wave increases 50 percent for 100 percent modulation, the efficiency remaining constant.

This indicates that in a plate-modulated transmitter, the audio-frequency channel must supply this additional 50 percent increase in average power for sine-wave modulation. If the power input to the modulated stage is 100 watts, for example, the *average power* will increase to 150 watts at 100 percent modulation, and this additional 50 watts of power must be supplied by the

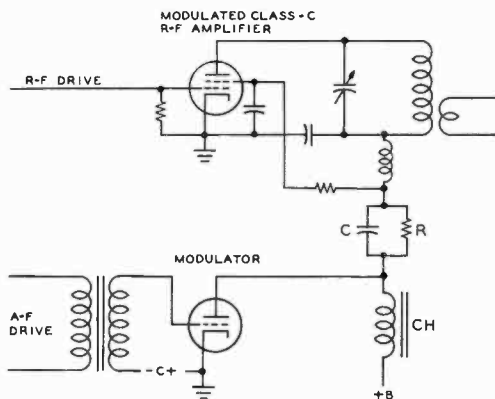


Figure 17

### HEISING PLATE MODULATION

This type of modulation was the first form of plate modulation. It is sometimes known as "constant-current" modulation. Because of the effective 1:1 ratio of the coupling choke, it is impossible to obtain 100 percent modulation unless the plate voltage to the modulated stage is dropped slightly by resistor R. The capacitor (C) merely bypasses the audio around R, so that the full a-f output voltage of the modulator is impressed on the class-C stage.

*modulator* when plate modulation is used. The actual antenna power is a constant percentage of the total value of input power.

By properly matching the plate impedance of the r-f tube to the output of the modulator, the ratio of voltage and current swing to dc voltage and current is automatically obtained. The modulator should have a peak voltage output equal to the average dc plate voltage on the modulated stage. The modulator should also have a *peak* power output equal to the dc plate input power to the modulated stage.

**Heising Modulation** *Heising* modulation is the oldest system of plate modulation, and usually consists of a class-A audio amplifier coupled to the r-f amplifier by means of a modulation choke, as shown in figure 17.

The dc plate voltage and plate current of the r-f amplifier must be adjusted to a value which will cause the plate impedance to match the output of the modulator, since the modulation choke gives a 1-to-1 coupling ratio. A series resistor, bypassed for audio frequencies by means of a capacitor, must be connected in series with the plate of

the r-f amplifier to obtain modulation up to 100 percent. The peak output voltage of a class-A amplifier does not reach a value equal to the dc voltage applied to the amplifier and, consequently, the dc plate voltage impressed across the r-f tube must be reduced to a value equal to the maximum available ac peak voltage if 100% modulation is to be obtained.

**Class-B Plate Modulation** High-level class-B plate modulation is the least expensive method of plate modulation. Figure 18 shows a conventional class-B plate-modulated class-C amplifier.

The statement that the modulator output power must be one-half the class-C input for 100 percent modulation is correct only if the waveform of the modulating power is a *sine wave*. Where the modulator waveform is unclipped speech waveforms, the average modulator power for 100 percent modulation is considerably less than one-half the class-C input.

**Power Relations in Speech Waveforms** It has been determined experimentally that the ratio of peak-to-average power in a speech waveform is approximately 4 to 1 as contrasted to a ratio of 2 to 1 in a sine wave. This is due to the high harmonic content of such waveform, and to the fact that this high harmonic content manifests itself by making the wave unsymmetrical and causing sharp peaks of high energy content to appear. Thus for unclipped speech, the *average* modulator plate current, plate dissipation, and power output are approximately one-half the sine wave values for a given *peak* output power.

For 100 percent modulation, the *peak* (instantaneous) audio power must equal the class-C input, although the average power for this value of peak varies widely depending on the modulation waveform, being greater than 50 percent for speech that has been clipped and filtered, 50 percent for a sine wave, and about 25 percent for typical unclipped speech tones.

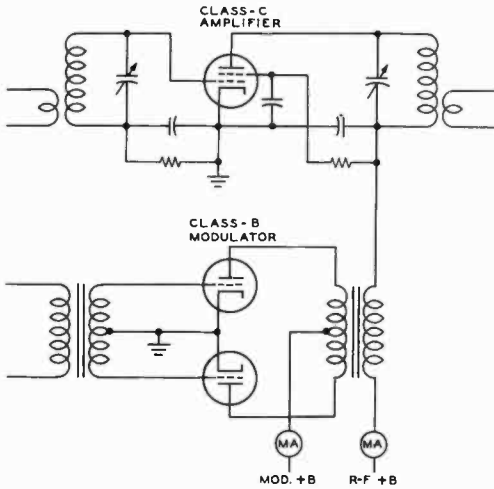


Figure 18

**CLASS-B PLATE MODULATION**

This type of modulation is the most flexible in that the loading adjustment can be made in a short period of time and without elaborate test equipment after a change in operating frequency of the class-C amplifier has been made.

**Plate-and-Screen Modulation** When *only* the plate of a tetrode tube is modulated, it is difficult to obtain high-percentage linear modulation under

ordinary conditions. The plate current of such a stage is not linear with plate voltage. However, if the screen is modulated simultaneously with the plate, the instantaneous screen voltage drops in proportion to the drop in the plate voltage, and linear modulation can then be obtained (figure 19).

The screen r-f bypass capacitor ( $C_2$ ) should not have a greater value than  $0.005 \mu\text{F}$ , preferably not larger than  $0.001 \mu\text{F}$ . It should be large enough to bypass effectively all r-f voltage without short-circuiting high-frequency audio voltages. The plate bypass capacitor can be of any value from  $0.002 \mu\text{F}$  to  $0.005 \mu\text{F}$ . The screen-dropping resistor ( $R_1$ ) should reduce the applied high voltage to the value specified for operating the particular tube in the circuit.

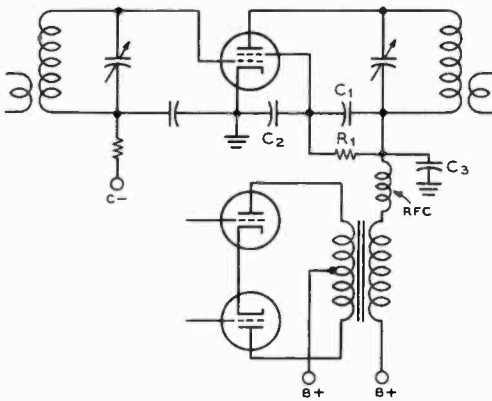


Figure 19

**PLATE MODULATION OF A BEAM-TETRODE OR SCREEN-GRID TUBE**

**15-6 The Doherty and the Terman-Woodyard Modulated Amplifiers**

These two amplifiers will be described together since they operate on very similar principles. Figure 20 shows a greatly simplified schematic diagram of the operation of both types. Both systems operate by virtue of a *carrier tube*, ( $V_1$  in both figures 20 and 21) which supplies the unmodulated carrier,

and whose output is reduced to supply negative peaks, and a *peak tube*, ( $V_2$ ) whose function is to supply approximately half the positive peak of the modulation cycle and whose additional function is to lower the load impedance on the carrier tube so that it will be able to supply the other half of the positive peak of the modulation cycle.

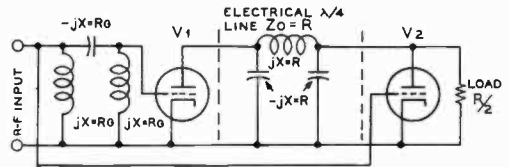


Figure 20

**DIAGRAMMATIC REPRESENTATION OF THE DOHERTY LINEAR**

The peak tube is able to increase the output of the carrier tube by virtue of an impedance-inverting line between the plate circuits of the two tubes. This line is designed to have a characteristic impedance of one-half the value of load into which the carrier tube operates under the carrier conditions. Then a load of one-half the characteristic impedance of the quarter-wave line is coupled into the output. It is known that a quarter-wave line will vary the impedance at one end of the line in such a manner that the geometric mean between the two terminal impedances will be equal to the characteristic impedance of the line. Thus, if a value of load of *one-half* the characteristic impedance of the line is placed at one end, the other end of the line will present a value of *twice* the characteristic impedance of the lines to carrier tube  $V_1$ .

This is the situation that exists under the carrier conditions when the peak tube merely floats across the load end of the line and contributes no power. Then as a positive peak of modulation comes along, the peak tube starts to contribute power to the load until at the peak of the modulation cycle it is contributing enough power so that the impedance at the load end of the line is equal to  $R$ , instead of the  $R/2$  that is presented under the carrier conditions. This is true because at a positive modulation peak (since it is delivering full power) the peak tube

subtracts a negative resistance of  $R/2$  from the load end of the line.

Now, since under the peak condition of modulation the load end of the line is terminated in  $R$  ohms instead of  $R/2$ , the impedance at the carrier-tube will be reduced from  $2R$  ohms to  $R$  ohms. This again is due to the impedance-inverting action of the line. Since the load resistance on the carrier tube has been reduced to half the carrier value, its output at the peak of the modulation cycle will be doubled. Thus the necessary condition for a 100 percent modulation peak exists and the amplifier will deliver four times as much power as it does under the carrier conditions.

On negative modulation peaks the peak tube does not contribute; the output of the carrier tube is reduced until, on a 100 percent negative peak, its output is zero.

**The Electrical Quarter-Wave Line** While an electrical quarter-wave line (consisting of a pi network with the inductance and capacitance units having a reactance equal to the characteristic impedance of the line) does have the desired impedance-inverting effect, it also has the undesirable effect of introducing a  $90^\circ$  phase shift across such a line. If the shunt elements are capacitances, the phase shift across the line lags by  $90^\circ$ ; if they are inductances, the phase shift leads by  $90^\circ$ . Since there is an undesirable phase shift of  $90^\circ$  between the plate circuits of the carrier and peak tubes, an equal and opposite phase shift must be introduced in the exciting voltage of the grid circuits of the two tubes so that the resultant output in the plate circuit will be in phase. This additional phase shift has been indicated in figure 20 and a method of obtaining it has been shown in figure 21.

**Comparison Between Doherty and Terman-Woodyard Amplifiers** The difference between the Doherty linear amplifier and the Terman-Woodyard grid-modulated amplifier is the same as the difference between any linear and grid-modulated stages. Modulated r-f is applied to the grid circuit of the Doherty linear amplifier with the carrier tube biased to cutoff and the peak tube biased to the point where it draws

substantially zero plate current at the carrier condition.

In the Terman-Woodyard grid-modulated amplifier the carrier tube runs class-C with comparatively high bias and high plate effi-

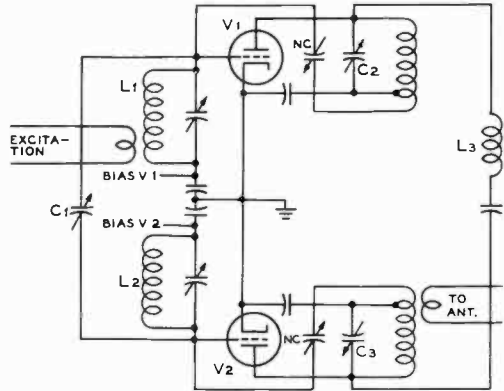


Figure 21

**SIMPLIFIED SCHEMATIC OF A "HIGH-EFFICIENCY" AMPLIFIER**

The basic system, comprising a "carrier" tube ( $V_1$ ) and a "peak" tube ( $V_2$ ) interconnected by lumped-constant quarter-wave lines, is the same for either grid-bias modulation or for use as a linear amplifier of a modulated wave.

ciency, while the peak tube again is biased so that it draws almost no plate current. Unmodulated r-f is applied to the grid circuits of the two tubes and the modulating voltage is inserted in series with the fixed bias voltages. From one-half to two-thirds as much audio voltage is required at the grid of the peak tube as is required at the grid of the carrier tube.

**Operating Efficiencies** The resting carrier efficiency of the grid-modulated amplifier may run as high as is obtainable in any class-C stage—80 percent or better. The resting carrier efficiency of the linear will be about as good as is obtainable in any class-B amplifier—60 to 70 percent. The overall efficiency of the bias-modulated amplifier at 100 percent modulation will run about 75 percent; of the linear—about 60 percent.

In figure 21 the plate tank circuits are detuned enough to give an effect equivalent to the shunt elements of the quarter-wave "line" of figure 20. At resonance, coils  $L_1$  and  $L_2$  in the grid circuits of the two tubes have each an inductive reactance equal to the capacitive reactance of capacitor  $C_1$ . Thus we have the effect of a pi network consisting of shunt inductances and series capacitance. In the plate circuit we want a phase shift of the same magnitude but in the opposite direction; so our series element is inductance  $L_3$  whose reactance is equal to the characteristic impedance desired of the network. Then the plate tank capacitors of the two tubes ( $C_2$  and  $C_3$ ) are increased an amount past resonance, so that they have a capacitive reactance equal to the inductive reactance of the coil  $L_3$ . It is quite important that there be no coupling between the inductors.

**Other High-Efficiency Modulation Systems** Many other high-efficiency modulation systems have been described since about 1936. The majority of these, however, have received little application either by commercial interests or by amateurs. Nearly all of these circuits have been published in the *Proceedings of the IRE* (now IEEE) and the interested reader can refer to them in back copies of that journal.

**Pulse-Duration Modulation** A recent innovation in high-level plate modulation is the *pulse-duration modulation* technique wherein the modulator tube is operated in a saturated switching mode and is placed in series with the r-f power tube.

The plate modulator in a conventional a-m transmitter operates in a linear mode that may be compared to an analog system. In the pulse-duration modulator, the modulator operates in a switching mode that may be compared to a digital computer, having two conditions; *off* and *on*. Audio information is contained in the duration of the *on* pulse.

Audio amplitude is determined by the duty cycle of the modulator tube. A square-wave signal of about 70 kHz is pulse-width modulated by the audio signal, whose amplitude causes the symmetry of the square

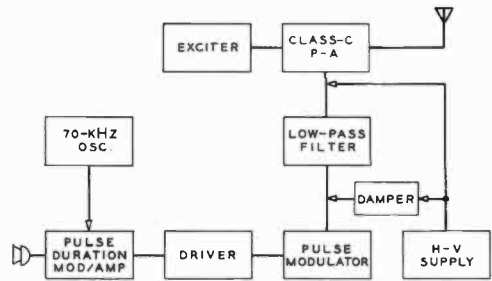


Figure 22

### GATES PULSE-DURATION MODULATION SYSTEM

The audio signal is combined with a 70-kHz square-wave signal and processed to produce a modulated pulse-width modulated train which is amplified and applied to the cathode of the class-C r-f amplifier through a low-pass filter that removes the 70-kHz signal and its sidebands, thereby recovering the original audio. The modulator tube acts like a variable resistance whose value varies with the amplitude and frequency of the applied audio signal. The driver stages for the modulator are simple "on"- "off" switches. A damper diode is connected between the output of the modulator and the high-voltage supply to conduct when the modulator does not.

wave to vary. The audio signal is imposed on the 70-kHz square wave train at a low level and the resulting signal is amplified to the modulating level. The square-wave component is then filtered out to leave the amplified audio voltage, plus a dc component that is the modulated plate voltage for the class-C amplifier. This technique eliminates the need of a modulation transformer and modulation choke.

A block diagram of the *Gates* VP-100 pulse-duration modulated a-m transmitter is shown in figure 22.

## 15-7 Spread-Spectrum Modulation

In conventional communications a bandwidth is generally used that is just wide enough to transmit the information involved. The *spread-spectrum* technique, on the other hand, uses a much larger transmission bandwidth than the information bandwidth being communicated. The spread-spectrum system thus makes use of some function other than information bandwidth

to establish the transmitted signal bandwidth. Current spread-spectrum systems use a transmitted bandwidth up to a million times the information bandwidth.

One of the immediate advantages of spread-spectrum distribution of a signal over a great bandwidth is that power density (watts per Hz) is lowered by the same amount that the spectrum is widened. This interchange of power density for spectrum space can reach a point where signals can be transmitted and received while hidden many decibels below the background noise. Obviously, such low-density signals can reduce the problem of message interception, while at the same time preventing interfer-

ence to other circuits. For civilian as well as military networks, spread-spectrum systems allow many users to share a single channel.

Information to be transmitted by spread-spectrum techniques is first converted into digital data to provide a primary modulation of the carrier. A secondary modulation of much wider bandwidth is then applied to the carrier to spread the spectrum of the primary modulation (figure 23). A pseudo-random noise generator (PRN) is one method of establishing the spectrum spread. Frequency-hopping may also be used.

The total energy expended is the same both in the spread and the conventional unspread signals. An important difference is that the power density in the former system is distributed over a wider area of the frequency spectrum. Various space satellites rely on spreading transmissions over wide bandwidths to provide high resistance to jamming, security, and multiple access.

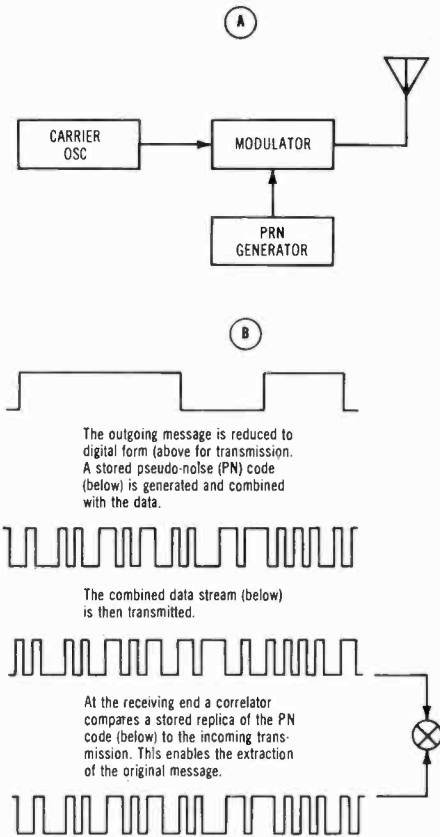


Figure 23

**SPREAD-SPECTRUM MODULATION**

- A—Block diagram of spread-spectrum transmitter.
- B—PRN modulation and demodulation.

**15-8 A-M Stereo Transmission**

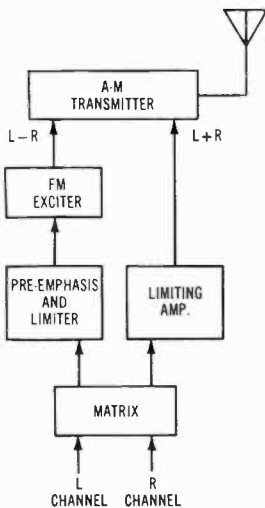
Many a-m broadcast stations have seen a steady erosion of their audience as the interest in f-m stereo has grown. The added dimension of stereo might recover some of the lost audience.

A-m stereo was first demonstrated in 1925 but before it became practical, interest shifted to f-m and later to stereo f-m. Only recently has interest in stereo a-m been revived.

A variety of techniques exist to generate stereo a-m. One of the simplest systems is shown in figure 24. In this composite modulation system, the constant frequency a-m signal carries the L + R channel combination and the variable frequency (f-m) signal within the a-m envelope carries the L - R signal. Channel bandwidth is about 12 KHz to accommodate the significant sidebands arising from the composite modulation stereo system.

Reception is accomplished with a special receiver having both an a-m and an f-m detector to derive the left and right channel information.





**Figure 24**  
**BLOCK DIAGRAM OF A**  
**COMPATIBLE A-M STEREO**  
**TRANSMITTER**

## 15-9 Practical High Level Modulation

**Tetrode Modulators** In regard to the use of tetrodes, the advantages of these tubes have long been noted for use in modulators having from 10 to 100 watts output. The 6AQ5, 6L6GC and 6146 tubes have served well in providing audio power outputs in this range. The higher-power tetrodes such as the 4-400A, and the zero-bias triodes such as the 3-500Z are popular as high-level audio amplifiers. The beam tetrodes offer the advantages of low driving power (even down to zero driving power for many applications) as compared to the high driving-power requirements of the usual triode tubes having equivalent power-output capabilities.

**A High-Power Modulator with Beam Tetrodes** Listed in Table 1 are representative operating conditions for various tetrode tubes providing power levels up to 1500

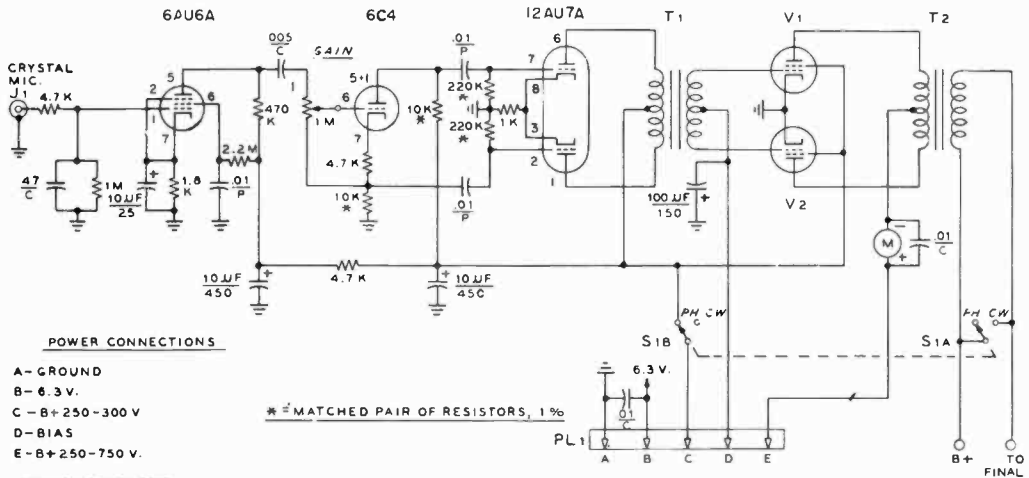
watts of audio. Complete operating data on these tube types may be obtained from the manufacturer. Class-AB<sub>1</sub> operation of the modulator is recommended since it places less demand on the driver stage, and a simple transformer-coupled voltage amplifier may be used, such as the one shown in the circuit of figure 25.

Because of the power level involved and the design of the external-anode tube, the 4X150A/4CX250B tubes must be forced-air cooled in this application. It is recommended that the 4-250A, and 4-400A tubes be convection cooled with a small fan.

**Triode Class-B Modulators** High level class-B modulators can make use of triodes such as the 811A or 810 tubes with operating plate voltages between 750 and 2500 (Table 2). Because of the grid driving power required, a low-impedance driving source is necessary for this class of service. Push-pull, low- $\mu$  triodes, such as the 2A3 type are commonly used as the driver stage. A well regulated bias supply for the class-B stage is also required, as the triodes draw heavy grid current when the grids are driven into the positive region.

**Modulator Adjustment** When the modulator has been wired and checked, it should be tested before being used with an r-f unit. A satisfactory test setup is shown in figure 26. A common ground lead should be run between the speech amplifier and the modulator. A number of 1000-ohm 100-watt resistors are connected in series and placed across the high-voltage terminals of the modulator unit to act as an audio load. Bias should be adjusted to show the indicated value from grid terminal to ground as measured with a high-resistance voltmeter. If an oscilloscope is available, it should be coupled to point "A" on the load resistor through a 500-pF ceramic TV capacitor of 10,000 volts rating. The case of the oscilloscope should be grounded to the common ground point of the modulator.

The listed plate voltage is now applied to the modulator, and bias is adjusted for proper resting plate current.



DANGER  
HIGH VOLTAGE

Figure 25

**SCHEMATIC OF HIGH-PCWER MODULATOR**

M—0-500 dc milliammeter      T<sub>1</sub>—Driver transformer to match V<sub>1</sub>, V<sub>2</sub>  
 T<sub>2</sub>—Modulation transformer to match V<sub>1</sub>, V<sub>2</sub>

**Table 1.**  
**Typical Operating Conditions For**  
**Class AB<sub>1</sub> Tetrode Modulator**

Tubes V <sub>1</sub> , V <sub>2</sub>	Plate Volts (E)	Screen Volts (C)	Grid Bias (D)	P-P Load (Ohms)	Plate Current (mA)	Power Output (Watts)
4-125A	2500	600	-96	20,300	235	330
4-250A	3000	600	-116	15,000	420	750
4-400A	4000	750	-150	14,000	580	1540
4CX250B	2000	350	-55	9,500	500	600

*Be extremely careful during these adjustments, since the plate supply of the modulator is a lethal weapon. Never touch the modulator when the plate voltage supply is on! Be sure you employ the TV blocking capacitor between the oscilloscope and the plate-load resistors, as these load resistors are at high-voltage potential! If a high-resistance ac voltmeter is available that has a 2000-volt scale, it should be clipped between the high-voltage terminals of the modulator, directly across the dummy load. Do not touch the meter when the high-voltage supply is in operation! An audio oscillator should be connected to the audio input circuit of the exciter-transmitter and the audio excitation*

to the high-level modulator should be increased until the ac voltmeter across the dummy-load resistor indicates an rms reading that is equal to 0.7 (70%) of the plate voltage applied to the modulator. If the modulator plate voltage is 2500 volts, for example, the ac meter should indicate 1750 volts developed across the 600-ohm dummy-load resistor. This is equivalent to an audio output of 500 watts. Under these conditions, the oscilloscope may be used to observe the audio waveform of the modulator when coupled to point "A" through the 10,000 volt coupling capacitor.

When the frequency of the audio oscillator is advanced above 3500 Hz the output level

**Table 2.**  
**Suggested Operating Conditions**  
**For General-Purpose Modulator**

Class-B Tubes	Plate Voltage	Grid Bias (Volts)	Plate Current (mA)	Plate-To-Plate Load (Ohms)	Sine Wave Power Output (Watts)
811-A	750	0	30-350	5,100	175
811-A	1000	0	45-350	7,400	245
811-A	1250	0	50-350	9,200	310
811-A	1500	-4.5	32-315	12,400	340
810	2000	-50	60-420	12,000	450
810	2500	-75	50-420	17,500	500

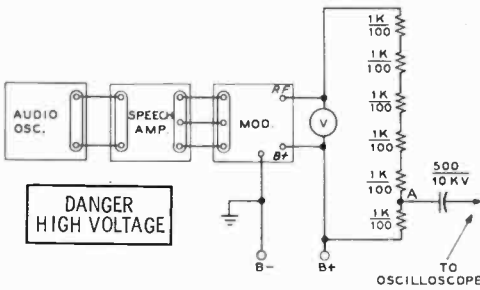


Figure 26

**TEST SETUP FOR MODULATOR**

of the modulator as measured on the ac voltmeter should drop sharply indicating that the low-pass audio network is functioning properly (if low-pass network is used).

**15-10 Solid-State Modulation Circuitry**

Transistors and other solid-state devices are useful in amplitude-modulated service and the great majority of CB and Aeronautical Radio Service equipment is a-m, solid state.

The modulation requirements of transistor r-f power amplifiers is similar to those for tube amplifiers. For good modulation linearity, class-C operation of the device is commonly used. In this class of service, the

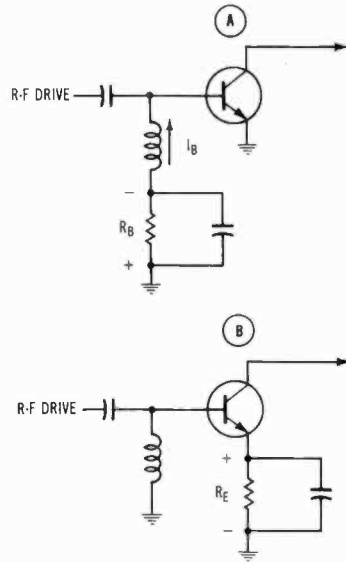


Figure 27

**CLASS-C MODULATION OF SOLID-STATE AMPLIFIER**

- A—Base-emitter junction bias is obtained by IR drop through base resistance.
- B—Self-bias is developed across emitter resistor.

collector conduction angle is less than 180 degrees. This corresponds to the same mode of operation in a vacuum tube class-C amplifier.

For class-C operation, the base-emitter junction of the transistor must be reverse-biased so that the collector quiescent current is near-zero during zero signal conditions. This may be accomplished by the application of a reverse dc bias to the base, or the reverse bias may be obtained by the flow of dc base current through a resistance (figure 27A) or by the use of self-bias developed across an emitter resistor (figure 27B). Because no external base resistance is added in the latter circuit, the collector-emitter breakdown voltage is not affected. The base bias resistor must be carefully bypassed to provide a low impedance r-f path to ground to prevent degeneration of stage gain at the signal frequency.

Simple amplitude modulation of the collector supply of a transistor output stage does not result in full modulation as a por-

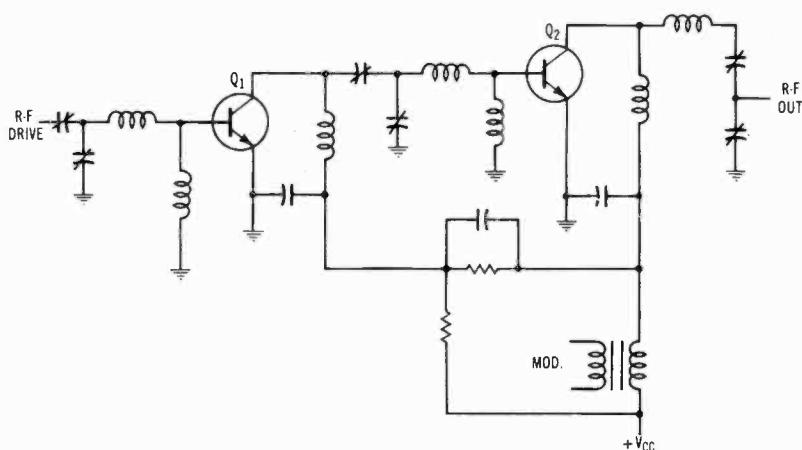


Figure 28

**FULL MODULATION IS ACCOMPLISHED BY MODULATION OF THE COLLECTOR SUPPLY OF TWO STAGES IN THE TRANSMITTER CHAIN.**

tion of the r-f drive feeds through the transistor and is unmodulated. Better modulation characteristics can be obtained by modulation of the collector supply of the last two stages in the transmitter chain (figure 28).

On the downward portion of the modulation cycle, drive from the preceding modulated stage is reduced, and less feedthrough power appears in the output. Flattening of the r-f output on the upward portion of the modulation cycle is reduced because of the

increased drive from the modulated lower-level stage.

The modulated stages must be operated at half their normal voltage levels to avoid high collector voltage swings that may exceed transistor collector-emitter breakdown ratings.

Amplitude modulation of a solid-state transmitter may also be obtained by modulation of a lower-level stage and operation of the higher-level stages in a linear mode.



# Radio Interference (RFI)

The radio amateur may be the cause, or the victim, of *radio frequency interference* (RFI). Equally troublesome is the fact that he may be accused of creating RFI for which he is not responsible.

In 1973 the Federal Communications Commission received over 42,000 complaints of RFI. The greater percentage of these involved home-entertainment equipment of which a large portion had no provision for protection from nearby r-f energy. Basic design deficiencies in most equipment of this type, therefore, are a cause of a great deal of the RFI that is reported.

Even while only a small proportion of the population lives in the vicinity of a radio amateur, the tremendous growth in radio communications over the past decade has resulted in a high density of radio transmitters in urban and suburban areas. In addition to radio amateurs, there are over one million transmitters operating in the Citizens Radio Service, in addition to hundreds of thousands of transmitters in the Land Mobile Service and the television and broadcast service. In addition there are thousands of transmitters in the military, microwave-repeater, and maritime services, all of which could be potential sources of radio frequency interference to a poorly designed electronic device.

A second type of prevalent RFI is *radio noise*. Impulse noise generated by a spark discharge or by solid-state switching devices creates an annoying type of interference that can be transmitted for many miles by conduction and radiation. A serious form of impulse noise is power line interference, with appliance interference as an additional source of widespread radio noise.

Many of the problems associated with RFI could be alleviated if there was some control over spurious r-f emissions and if technical standards were set for the protection of electronic equipment against unwanted radia-

tion. Unfortunately, this is not being done at the present time. The burden of RFI, then, falls mainly upon the radio amateur, as he is a visible source of RFI to his neighbors and—at the same time—uniquely qualified to assist his neighbors in understanding and correcting RFI problems.

## 16-1 Television Interference

*Television interference* (TVI), while not the problem it was a decade ago, is still an annoyance to many viewers. More likely than not, TVI is often blamed on the amateur, regardless of the cause. Over the years, amateur transmitting equipment has been designed with the idea in mind of reducing TVI-causing harmonics and spurious emissions and, as a result, modern SSB equipment is relatively TVI-free. The F.C.C. reports that over 90 percent of all TVI complaints can be cured only at the TV receiver. If your own TV set is free of interference from your station, it is likely that interference to a more distant TV receiver at your neighbors' home is not the fault of your equipment. All amateur equipment, however, is not TVI-free and certain precautions must be taken to make sure that your station does not cause interference to nearby television receivers.

**Types of TV Interference** There are two main causes of TVI which may occur singly or in combination as caused by emissions from an amateur transmitter. These causes are:

1. Overload of the television receiver by the fundamental signal of the transmitter.

- Impairment of the TV picture by either spurious emissions or harmonic radiation from the transmitter.

In the first instance, the television receiver can be protected by the addition of a high-pass filter in the antenna feed line, directly at the receiver. In the second instance, filtering of transmitter circuits and/or circuit modifications to the transmitting equipment are called for.

#### TV Receiver Overload

Even if the amateur transmitter were perfect and had no harmonic or spurious emission whatsoever, it could still cause overloading to a TV receiver whose antenna is within a few hundred feet of the transmitting antenna. The overload is caused by the fact that the field intensity in the immediate vicinity of the transmitting antenna is sufficiently high so that the selective circuits of the TV receiver cannot reject the signal which is greater than the dynamic range the receiver can accept. Spurious responses are then generated within the television receiver that cause severe interference. A characteristic of this type of interference is that it will always be eliminated when the transmitter in question is operated into a dummy antenna. Another characteristic of this type of overloading is that its effects are substantially continuous over the entire frequency range of the TV receiver, all channels being affected to approximately the same degree.

The problem, then, is to keep the fundamental signal of the amateur transmitter out of the affected receiver. (Other types of interference may or may not show up when the fundamental signal is eliminated, but at least the fundamental signal must be eliminated first).

Elimination of the fundamental signal from the television receiver is normally the only operation performed on or in the vicinity of the receiver. After this has been accomplished, work may then begin on the transmitter toward eliminating this as the cause of the other type of interference.

**Removing the Fundamental Signal** A strong signal, out of the passband of the television receiver, can cause objectionable interference to either the picture or the audio signal, or both. The interference may be caused by crossmodula-

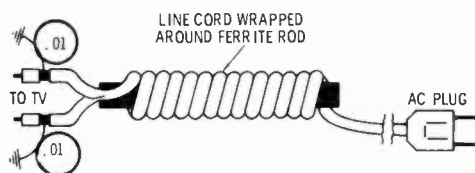


Figure 1

#### LINE FILTER FOR TV RECEIVER

The line cord of the TV receiver is bypassed at the chassis with two .01- $\mu$ F, 1.6-kV ceramic capacitors and a portion of the line is wound around a  $\frac{1}{2}$ -inch diameter ferrite rod to form a simple r-f choke. Cord may be held in position about the rod with vinyl electrical tape.

tion within the receiver, interference with the audio or i-f circuitry, or mixing of the local signal with other strong nearby signals. The interfering signal, or signals, can enter the TV receiver via the antenna circuit or via the power line. It is possible to install suitable filters in these leads to reduce, or eliminate, the interfering signal.

*The Power Line Filter*—The power line can act as an antenna, picking up a nearby signal and radiating it within the sensitive circuits of the TV receiver. If the interference continues when the antenna is removed from the television receiver, it is probable that the signal is entering the set via the ac power line. A filter of the type used to suppress electric shavers, vacuum cleaners, etc., placed in the power line *at the receiver* may remove this interference. Alternatively, the power line should be bypassed to the chassis of the receiver as shown in figure 1 and the line cord formed into an r-f choke by winding the cord around a ferrite antenna rod. Make sure the capacitors are rated for continuous operation under ac conditions.

*The Antenna Filter*—Fundamental overloading can be prevented by reducing the nearby signal to such a level that the selective circuits of the television receiver can reject it. A high-pass filter in the antenna lead of the TV set can accomplish this task, in most cases. The filter, having a cutoff frequency between 30 MHz and 54 MHz is installed *at the tuner input terminals* of the receiver. Design data for suitable filters are given in figure 2. The filters should preferably be built in a small shielded box for highest rejection, although "open-air" filters work quite well if maximum rejection is not required. The series-connected capacitors are

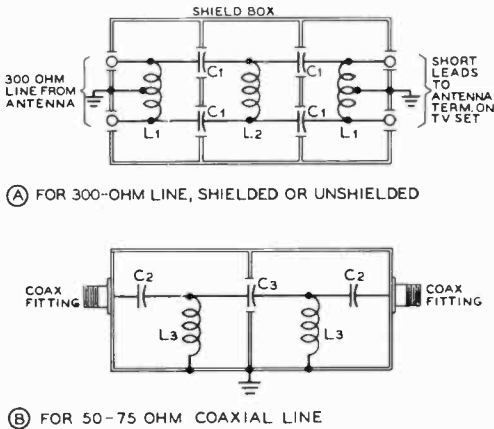


Figure 2

**HIGH-PASS TRANSMISSION LINE FILTERS**

The arrangement of A will stop the passing of all signals below about 45 MHz from the antenna transmission line into the TV set. Coils  $L_1$  are each 1.2 microhenrys (17 turns No. 24 enam. closewound on 1/4-inch dia. polystyrene rod) with the center tap grounded. It will be found best to scrape, twist, and solder the center tap before winding the coil. The number of turns each side of the tap may then be varied until the tap is in the exact center of the winding. Coil  $L_2$  is 0.6 microhenry (12 turns No. 24 enam. closewound on 1/4-inch dia. polystyrene rod). The capacitors should be about 16.5 pF, but either 15- or 20-pF ceramic capacitors will give satisfactory results. A similar filter for coaxial antenna transmission line is shown at B. Both coils should be 0.12 microhenry (7 turns No. 18 enam. spaced to 1/2 inch on 1/4-inch dia. polystyrene rod). Capacitors  $C_1$  should be 75-pF midget ceramics, while  $C_2$  should be a 40-pF ceramic.

mounted in holes cut in the interior shields of the box, if such an assembly is used. Various commercial filters are also available. Input and output terminals of the filter may be standard TV connectors, or the inexpensive terminal strips usually employed on "ribbon" lines.

Operation on the 50-MHz amateur band in an area where TV channel 2 is in use imposes a special problem in the matter of receiver blocking. High-pass filters of the normal type simply are not capable of giving sufficient protection to channel 2 from a strong 50-MHz signal whose frequency is so close to the necessary passband of the filter. In this case, a resonant circuit element, such as shown in figure 3 is recommended to trap out the transmitter signal at the input of the television set. The stub

is selective and therefore protects the television receiver only over a small range of frequencies in the 50-MHz band. The stub is trimmed for minimum TVI while the transmitter is tuned to the most-used operating frequency.

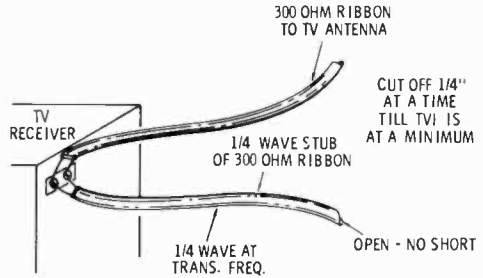


Figure 3

**RESONANT STUB FOR 50-MHz PROTECTION**

A 1/4-wave open stub will provide protection against a local 50 MHz transmitter. The stub is placed in parallel with the 300-ohm ribbon line at the antenna terminals of the TV set. Using line with a velocity of propagation of 0.84, the line should be about 50 inches long. It is trimmed a quarter-inch at a time for minimum TVI. If it is too short, it will affect reception of TV channel 2.

*Transmission Line Pickup*—In most cases, the "ribbon line" connecting the antenna to the television receiver is longer in terms of wavelengths than the TV antenna is, especially at the high frequencies represented by the amateur bands up through 6 meters. Thus, the transmission line will actually pick up more energy from a nearby amateur transmitter than will the TV antenna.

The induced currents flowing in the TV line flow in parallel and in phase, the two-wire line acting as a single wire antenna. Most TV input circuits respond strongly to such parallel currents and the nearby signal at the input circuit of the tuner is much stronger than if the interference were only picked up by the relatively small TV antenna.

A solution to this form of overload is to use a shielded transmission line from the antenna to the television receiver. Balanced, *twinax* 300-ohm line is readily available, or coaxial line may be used for an unbalanced feed system. In either case, the outer shield of the line should be grounded to the TV receiver chassis.



## 16-2 Harmonic Radiation

After any condition of blocking at the TV receiver has been eliminated, and when the transmitter is completely free of transients and parasitic oscillations, it is probable that TVI will be eliminated in many cases. Certainly general interference should be eliminated, particularly if the transmitter is a well-designed affair operated on one of the lower frequency bands, and the station is in a high-signal TV area. But when the transmitter is to be operated on one of the higher frequency bands, and particularly in a marginal TV area, the job of TVI-proofing will just have begun. The elimination of harmonic radiation from the transmitter is a job which must be done in an orderly manner if completely satisfactory results are to be obtained.

First it is well to become familiar with the TV channels presently assigned, with the TV intermediate frequencies commonly used, and with the channels which will receive interference from harmonics of the various amateur bands. Figures 4 and 5 give this information.

Even a short inspection of figures 4 and 5 will make obvious the seriousness of the in-

terference which can be caused by harmonics of amateur signals in the higher frequency bands. With any sort of reasonable precautions in the design and shielding of the transmitter it is not likely that harmonics higher than the 6th will be encountered. For this reason, the most frequently found offenders in the way of harmonic interference will almost invariably be those bands above 14 MHz.

**Nature of Harmonic Interference** Investigations into the nature of the interference caused by amateur signals on the TV screen, assuming that blocking has been eliminated as described earlier in this chapter, have revealed the following facts:

1. An unmodulated carrier, such as a c-w signal with the key down or an a-m signal without modulation, will give a crosshatch or herringbone pattern on the TV screen. This same general type of picture also will occur in the case of a narrow-band f-m signal either with or without modulation.
2. A relatively strong a-m or SSB signal will give in addition to the herringbone

TRANSMITTER FUNDAMENTAL	2ND	3RD	4TH	5TH	6TH	7TH	8TH	9TH	10TH
7.0-7.3		21-21.9 TV I.F.			42-44 TV I.F.		56-58.4 CHANNEL ②	63-65.7 CHANNEL ③	70-73 CHANNEL ④
14.0-14.35		42-43 TV I.F.	56-57.6 CHANNEL ②	70-72 CHANNEL ④	84-86.4 CHANNEL ⑥	98-100.8 F-M BROADCAST			
21.0-21.45		63-64.35 CHANNEL ③	84-85.8 CHANNEL ⑤	105-107.25 F-M BROADCAST				189-193 CHANNELS ⑨ ⑩	210-214.5 CHANNEL ⑪
28.0-29.7	56-59.4 CHANNEL ②	84-89.1 CHANNEL ⑤			168-178.2 CHANNEL ⑦	196-207.9 CHANNELS ⑩ ⑪ ⑫			
50.0-54.0	100-108 F-M BROADCAST		200-216 CHANNELS ⑬ ⑭ ⑮				450-486 500-540 POSSIBLE INTERFERENCE TO UHF CHANNELS		

Figure 4

### HARMONICS OF THE AMATEUR BANDS

Shown are the harmonic frequency ranges of the amateur bands between 7 and 54 MHz, with the TV channels (and TV i-f systems) which are most likely to receive interference from these harmonics. Under certain conditions amateur signals in the 1.8- and 3.5-MHz bands can cause interference as a result of direct pickup in the video systems of TV receivers which are not adequately shielded.

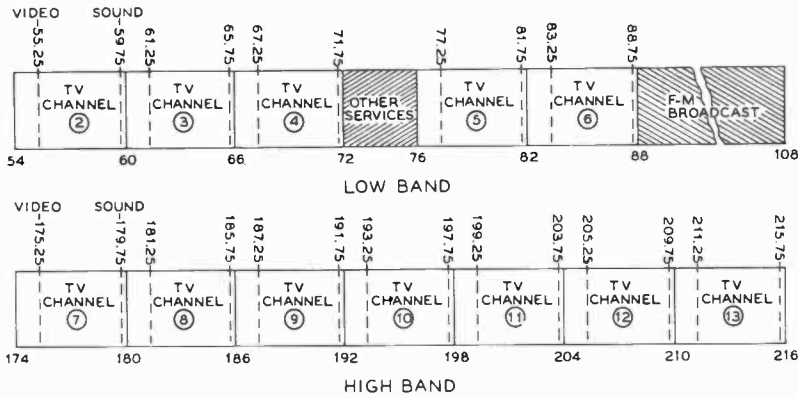


Figure 5

FREQUENCIES OF THE VHF TV CHANNELS

Showing the frequency ranges of TV channels 2 through 13, with the picture carrier and sound carrier frequencies also shown.

a very serious succession of light and dark bands across the TV picture.

3. A moderate strength c-w signal without transients, in the absence of overloading of the TV set, will result merely in the turning on and off of the herringbone on the picture.

To discuss condition 1 above, the herringbone is a result of the beat note between the TV video carrier and the amateur harmonic. Hence the higher the beat note the less obvious will be the resulting crosshatch. Further, it has been shown that a much stronger signal is required to produce a discernible herringbone when the interfering harmonic is as far away as possible from the video carrier, without running into the sound carrier. Thus, as a last resort, or to eliminate the last vestige of interference after all corrective measures have been taken, operate the transmitter on a frequency such that the interfering harmonic will fall as far as possible from the picture carrier. The worst possible interference to the picture from a continuous carrier will be obtained when the interfering signal is very close in frequency to the video carrier.

**Isolating the Source of the Interference** Throughout the testing procedure it will be necessary to have some sort of indicating device as a means of determining harmonic field intensities. The best indicator, of course, is a nearby television

receiver. The home receiver may be borrowed for these tests. A portable "rabbit ears" antenna is useful since it may be moved about the transmitter site to examine the intensity of the interfering harmonics.

The first step is to turn on the transmitter and check all TV channels to determine the extent of the interference and the number of channels affected. Then disconnect the transmitting antenna and substitute a shielded dummy load, noting the change in interference level, if any. Now, remove excitation from the final stage of the transmitter, and determine the extent of interference caused by the exciter stages.

In most cases, it will be found that the interference drops materially when the transmitting antenna is removed and a dummy load substituted. It may also be found that the interference level is relatively constant, regardless of the operation of the output stage of the transmitter. In rare cases, it may be found that a particular stage in the transmitter is causing the interference and corrective measures may be applied to this stage. The common case, however, is general TVI radiating from antenna, cabinet, and power leads of the transmitter.

The first corrective measure is to properly bypass the transmitter power leads before they leave the cabinet. Each lead should be bypassed to chassis ground with a .01- $\mu$ F, 1.6-kV ceramic capacitor, or run through a 0.1- $\mu$ F, 600-volt feedthrough (*Hyypass*)

capacitor. If possible, the transmitter chassis should be connected to an external ground.

The next step is to check transmitter shielding. Paint should be removed from mating surfaces wherever possible and the cabinet should be made as "r-f tight" as possible in the manner discussed in Chapter 33.

### 16-3 Low Pass Filters

After the transmitter has been shielded, and all power leads have been filtered in such a manner that the transmitter shielding has not been rendered ineffective, the only remaining available exit for harmonic energy lies in the antenna transmission line. Thus, the main burden of harmonic attenuation will fall on the low-pass filter installed between the output of the transmitter and the antenna system.

Experience has shown that the low-pass filter can best be installed externally to the main transmitter enclosure, and that the transmission line from the transmitter to the low-pass filter should be of the coaxial type.

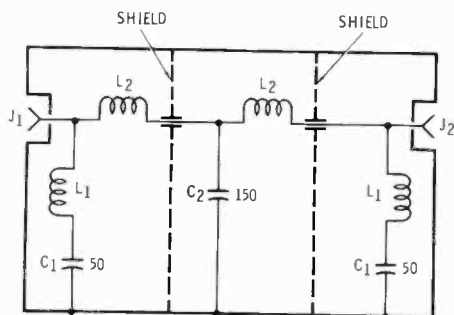


Figure 6

#### SIMPLE LOW-PASS FILTER FOR 1.8- TO 30-MHz TRANSMITTER

This filter is suitable for high frequency transmitters of up to 2 kW PEP power operating up to 30 MHz. Capacitors designated C, are 50-pF, 5-kV ceramic units (Centralab type 850S-50Z) Capacitor C<sub>2</sub> is composed of two 75-pF, 5-kV units connected in parallel (Centralab type 850S-75N). Coils designated L<sub>1</sub>, are 4 turns of #12 enamel wire, 1/2-inch inside diameter, 1/2-inch long. Coils designated L<sub>2</sub>, are 7 turns wound as same as L<sub>1</sub>, and about 1 inch long. Coils L<sub>1</sub> and L<sub>2</sub> are mounted at right angles to each other. The filter is designed for use in a 50-ohm coaxial line. Receptacles J<sub>1</sub> and J<sub>2</sub> are matching units, such as SO-239 for type PL-259 plugs.

As a result, the majority of low-pass filters are designed for a characteristic impedance of 50 ohms, so that RG-8/U cable (or RG-58/U for a small transmitter) may be used between the output of the transmitter and the antenna transmission line or the antenna tuner.

Transmitting-type low-pass filters for amateur use usually are designed in such a manner as to pass frequencies up to about 30 MHz without attenuation. The nominal cutoff frequency of the filters is usually between 38 and 45 MHz, and *m*-derived sections with maximum attenuation in channel 2 usually are included. Well-designed filters capable of carrying any power level up to one kilowatt are available commercially from several manufacturers. Alternatively, filters in kit form are available from several manufacturers at a somewhat lower price. Effective filters may be home constructed, if the test equipment is available and if sufficient care is taken in the construction of the assembly.

#### Construction of Low-Pass Filters

Shown in figure 6 is a simple low-pass filter suitable for home construction. The filter provides at least 30 dB attenuation to all frequencies above 54 MHz when properly built and adjusted. The filter is built in a small aluminum utility box measuring 2 1/4" × 2 1/4" × 5". Two aluminum partitions are installed in the box to make three compartments. Small holes are drilled in the partition to pass the connecting leads.

The coils are self-supporting and wound of #14 enamel or *formvar* covered copper wire. The ceramic capacitors are bolted to the side of the box. Since appreciable r-f current flows through the capacitors, heavy-duty ceramic units of the type specified must be used. In the case of the center capacitor, two units connected in parallel by a 3/8-inch wide copper strap are used. The capacitors are placed side by side so that minimum strap length is achieved. The coils are connected between capacitor terminals and the coaxial fittings mounted on the end walls of the box.

Once the filter is complete, it is adjusted before the lid of the box is bolted in place. To check the end sections, the coaxial connectors are shorted out on the inside of the case with short leads and the resonant fre-

quency of the end sections is checked with the aid of a grid dip meter. The coils  $L_1$  should be squeezed or spread until resonance occurs between 56 and 57 MHz. The shorts are now removed and the cover placed on the box.

### Two High-Performance Filters

Figure 7 shows the construction and assembly of high-performance low-pass filters which are suitable for home construction. All are constructed in slip-cover aluminum boxes with dimensions of 17 by 3 by  $2\frac{5}{8}$  inches. Five aluminum baffle plates have been installed in the chassis to make six shielded sections within the enclosure.

Both the A and B filter types are designed for a nominal cutoff frequency of 45 MHz, with a frequency of maximum rejection at about 57 MHz as established by the terminating half-sections at each end. Characteristic impedance is 50 ohms in all cases. The alternative filter designs diagramed in figure 7B have provisions for an additional rejection trap in the center of the filter unit which may be designed to offer maximum rejection in channel 2, 4, 5, or 6, depending on which channel is likely to be received in the area in question. The only components which must be changed when changing the frequency of the maximum rejection notch in the center of the filter unit are inductors  $L_3$ ,  $L_4$ , and  $L_5$ , and capacitor  $C_3$ . A trimmer capacitor has been included as a portion of  $C_3$  so that the frequency of maximum rejection can be tuned accurately to the desired value. Reference to figures 4 and 5 will show the amateur bands which are most likely to cause interference to specific TV channels.

Either high-power or low-power components may be used in the filters diagramed in figure 7. With the small zero-coefficient ceramic capacitors used in the filter units of figure 7A or figure 7B, power levels up to 100 watts output may be used without danger of damage to the capacitors, *provided* the filter is feeding a 50-ohm resistive load. It may be practical to use higher levels of power with this type of ceramic capacitor in the filter, but at a power level of 100 watts on the 28-MHz band the capacitors run just perceptibly warm to the touch. As a point of interest, it is the current rating which is

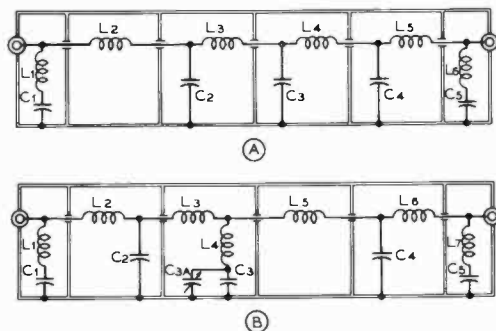


Figure 7

### LOW-PASS FILTER SCHEMATIC DIAGRAMS

The filter illustrated at A uses m-derived terminating half sections at each end, with three constant-k midsections. The filter at B is essentially the same except that the center section has been changed to act as an m-derived section which can be designed to offer maximum attenuation to channels, 2, 4, 5, or 6 in accord with the constants given below. Cutoff frequency is 45 MHz in all cases. All coils, except  $L_1$ , in B above, are wound  $\frac{1}{2}$ " i.d. with 8 turns per inch.

#### The A Filter

$C_1, C_5$ —41.5 pF (40 pF will be found suitable.)

$C_2, C_3, C_4$ —136 pF (130 to 140 pF may be used.)

$L_1, L_5$ —0.2  $\mu$ H;  $3\frac{1}{2}$  t. No. 14

$L_2, L_4$ —0.3  $\mu$ H; 5 t. No. 12

$L_3, L_6$ —0.37  $\mu$ H;  $6\frac{1}{2}$  t. No. 12

#### The B Filter with midsection tuned to Channel 2 (58 MHz)

$C_1, C_5$ —41.5 pF (use 40 pF)

$C_2, C_4$ —136 pF (use 130 to 140 pF)

$C_3$ —87 pF (50 pF fixed and 50 pF variable in parallel.)

$L_1, L_5$ —0.2  $\mu$ H;  $3\frac{1}{2}$  t. No. 14

$L_2, L_3, L_4, L_6$ —0.3  $\mu$ H; 5 t. No. 12

$L_7$ —0.09  $\mu$ H; 2 t. No. 14,  $\frac{1}{2}$ " dia.  $\frac{1}{4}$ " long

#### The B Filter with midsection tuned to Channel 4 (71 MHz). All components same except that:

$C_3$ —106 pF (use 100 pF)

$L_7, L_8$ —0.33  $\mu$ H; 8 t. No. 12

$L_9$ —0.05  $\mu$ H;  $1\frac{1}{2}$  t. No. 14,  $\frac{3}{8}$ " dia. by  $\frac{3}{8}$ " long.

#### The B Filter with midsection tuned to Channel 5 (81 MHz). Change the following:

$C_3$ —113 pF (use 115 pF)

$L_7, L_8$ —0.34  $\mu$ H; 6 t. No. 12

$L_9$ —0.033  $\mu$ H; 1 t. No. 14,  $\frac{3}{8}$ " dia.

The B Filter with midsection tuned to Channel 6 (88 MHz). All components are essentially the same except that the theoretical value of  $L_9$  is changed to 0.03  $\mu$ H, and the capacitance of  $C_3$  is changed to 117 pF. (use 120 pF)

of significance in the capacitors used in filters such as illustrated. Since current ratings for small capacitors such as these are not readily available, it is not possible to establish an accurate power rating for such a unit. The high-power unit which uses *Centralab type 850S and 854S* capacitors, has proven quite suitable for power levels up to 2 kW, PEP.

Capacitors  $C_1$ ,  $C_2$ ,  $C_4$ , and  $C_5$  can be standard manufactured units with normal 5 percent tolerance. The coils for the end sections can be wound to the dimensions given ( $L_1$ ,  $L_6$ , and  $L_7$ ). Then the resonant frequency of the series-resonant end sections should be checked with a grid-dip meter, after the adjacent input or output terminal has been shorted with a very short lead. The coils should be squeezed or spread until resonance occurs at 57 MHz.

The intermediate  $m$ -derived section in the filter of figure 7B may also be checked with a grid-dip meter for resonance at the correct rejection frequency, after the hot end of  $L_1$  has been temporarily grounded with a low-inductance lead. The variable-capacitor portion of  $C_3$  can be tuned until resonance at the correct frequency has been obtained. Note that there is so little difference between the constants of this intermediate section for channels 5 and 6 that variation in the setting of  $C_3$  will tune to either channel without materially changing the operation of the filter.

The coils in the intermediate sections of the filter ( $L_2$ ,  $L_3$ ,  $L_4$ , and  $L_5$  in figure 7A, and  $L_2$ ,  $L_3$ ,  $L_5$ , and  $L_6$  in figure 7B) may be checked most conveniently outside the filter unit with the aid of a small ceramic capacitor of known value and a grid-dip meter.

#### Using Low-Pass Filters

The low-pass filter connected in the output transmission line of the transmitter is capable of affording an enormous degree of harmonic attenuation. However, the filter must be operated in the correct manner or the results obtained will not be up to expectations.

In the first place, all direct radiation from the transmitter and its control and power leads must be suppressed. This subject has been discussed in the previous section. Secondly, the filter must be operated into a load impedance approximately equal to its design characteristic impedance. The filter itself will have very low losses (usually less than 0.5 dB) when operated into its nominal value of resistive load. But if the filter is not terminated correctly, its losses will become excessive, and it will not present the correct value of load impedance to the transmitter.

If a filter, being fed from a high-power transmitter, is operated into an incorrect termination it may be damaged; the coils may be overheated and the capacitors destroyed as a result of excessive r-f currents. Thus, it is wise when first installing a low-pass filter, to check the standing-wave ratio of the load being presented to the output of the filter with a standing-wave bridge.

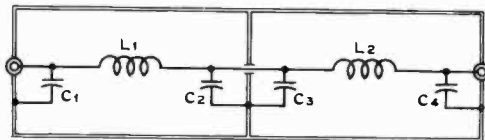


Figure 8

#### SCHEMATIC OF THE SINGLE-SECTION HALF-WAVE FILTER

The constants given below are for a characteristic impedance of 50 ohms, for use with RG-8/U and RG-58/U cable. Coil  $L_1$  should be checked for resonance at the operating frequency with  $C_1$ , and the same with  $L_2$  and  $C_4$ . This check can be made by soldering a low-inductance grounding strap to the lead between  $L_1$  and  $L_2$  where it passes through the shield. When the coils have been trimmed to resonance with a grid-dip meter, the grounding strap should of course be removed. This filter type will give an attenuation of about 30 dB to the second harmonic, about 48 dB to the third, about 60 dB to the fourth, 67 to the fifth, etc., increasing at a rate of about 30 dB per octave.

$C_1$ ,  $C_2$ ,  $C_3$ ,  $C_4$ .—Silver mica or small ceramic for low power, transmitting type ceramic for high power. Capacitance for different bands is given below.

- 160 meters—1700 pF
- 80 meters—850 pF
- 40 meters—440 pF
- 20 meters—220 pF
- 10 meters—110 pF
- 6 meters—60 pF

$L_1$ ,  $L_2$ .—May be made up of sections of B&W Miniinductor for power levels below 250 watts, or of No. 12 enam. for power up to one kilowatt. Approximate dimensions for the coils are given below, but the coils should be trimmed to resonate at the proper frequency with a grid-dip meter as discussed above. All coils except the ones for 160 meters are wound 8 turns per inch.

- 160 meters—4.2  $\mu$ H; 22 turns No. 16 enam. 1" dia. 2" long
- 80 Meters—2.1  $\mu$ H; 13 t. 1" dia. (No. 3014 Mini-inductor or No. 12 at 8 t.p.i.)
- 40 meters—1.1  $\mu$ H; 8 t. 1" dia. (No. 3014 or No. 12 at 8 t.p.i.)
- 20 meters—0.55  $\mu$ H; 7 t. 3/4" dia. (No. 3010 or No. 12 at 8 t.p.i.)
- 10 meters—0.3  $\mu$ H; 6 t. 1/2" dia. (No. 3002 or No. 12 at 8 t.p.i.)
- 6 meters—0.17  $\mu$ H; 4 t. 1/2" dia. (No. 3002 or No. 12 at 8 t.p.i.)

**The Half-Wave Filter** A *half-wave filter* is an effective device for TVI suppression and is easily built. It offers the advantage of presenting the same value of impedance at the input terminal as appears as a load across the output terminal. The filter is a single-band unit, offering high attenuation to the second- and higher-order harmonics. Design data for high-frequency half-wave filters is given in figure 8.

**A High-Power Filter for Six Meters** The second and higher harmonics of a six-meter transmitter fall directly into the f-m and uhf and vhf television bands. An effective low-pass filter is required to adequately suppress unwanted transmitter emissions falling in these bands. Described in this section is a six-meter TVI filter rated at the two-kilowatt level which provides better than 75 decibels suppression

of the second harmonic and better than 60 decibels suppression of higher harmonics of a six-meter transmitter (figure 9). The unit is composed of a half-wave filter with added end sections which are tuned to 100 MHz and 200 MHz. An auxiliary filter element in series with the input is tuned to 200 MHz to provide additional protection to television channels 11, 12, and 13.

The filter (figure 10) is built in an aluminum box measuring 4" × 4" × 10" and uses *type-N* coaxial fittings. The half-wave filter coils are wound of 3/16-inch diameter copper tubing and have large copper lugs soldered to the ends. The 60-pF capacitors are made up of three 20-pF, 5kV ceramic units in parallel. A small sheet of copper is cut in triangular shape and joins the capacitor terminals and a coil lug is attached to the center of the triangle with heavy brass bolts.

The parallel-tuned 200-MHz series filter element at the input terminal is made of a length of copper strap shunted across a 50-pF, 5kV ceramic capacitor. In this particular filter, the parallel circuit was affixed to the output capacitor of the pi-network tank circuit of the transmitter and does not show in the photograph.

The filter is adjusted by removing the connections from the ends of the half-wave sections and adjusting each section to 50 MHz by spreading the turns of the coil with a screwdriver while monitoring the resonant frequency with a grid-dip oscillator. The next step is to ground the top end of each series-tuned section (C<sub>2</sub>, L<sub>2</sub> and C<sub>7</sub>, L<sub>5</sub>) with a heavy strap. The input section is tuned to 100 MHz and the output section to 200 MHz. When tuning adjustments are completed, the straps are removed and the top of the filter box is held in place with sheet-metal screws.

**A Two-Meter Lowpass Filter** Most filter construction techniques that are usable in the high-frequency spectrum have serious shortcomings when used above 100 MHz. Normal capacitor lead lengths reduce the effectiveness of the capacitor and at medium power levels the loss in the capacitor can be excessive.

The requirement that the harmonic output of a vhf amplifier be held to 60 dB below the signal level is a difficult one to meet with

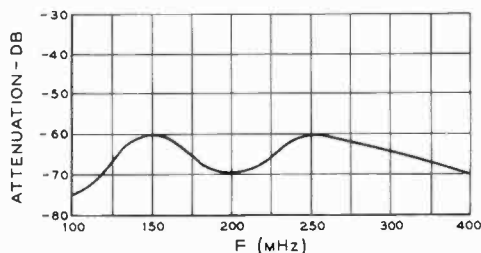
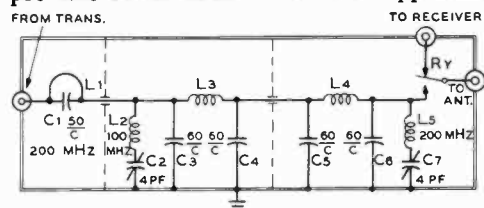


Figure 9

SIX METER TVI FILTER

- C<sub>1</sub>—50-pF Centralab 8505-50Z. Resonates with L<sub>1</sub> to 200 MHz.
- C<sub>2</sub>, C<sub>7</sub>—4-pF piston capacitor. JFD type VC-4G.
- C<sub>3</sub>, C<sub>4</sub>, C<sub>5</sub>, C<sub>6</sub>—60 pF. Three 20-pF capacitors in parallel. Centralab 853A-20Z.
- L<sub>1</sub>—Copper strap, 1/2" wide, 2 3/4" long, 1 7/8" between mounting holes, approximately 0.01" thick. Strap is bent in U-shape around capacitor and bolted to capacitor terminals.
- L<sub>2</sub>—11 turns #18 enam. wire, 1/4" diameter, 3/4" long, airwound. Resonates to 100 MHz with capacitor C<sub>2</sub>.
- L<sub>3</sub>, L<sub>4</sub>—3 turns 3/16" tubing, 1 1/4" i.d., spaced to occupy about 2 1/2". Turns are adjusted to resonate each section at 50 MHz.
- L<sub>5</sub>—6 turns #18 enam. wire, 1/4" diameter, 5/8" long, airwound. Resonates to 200 MHz with capacitor C<sub>6</sub>.

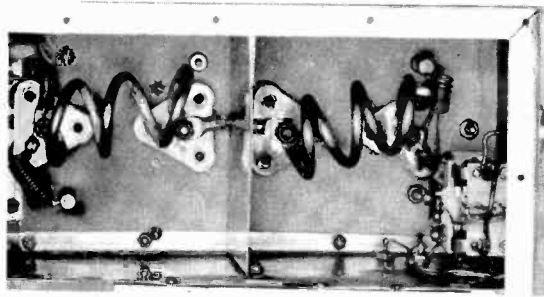


Figure 10

INTERIOR VIEW OF SIX-METER FILTER

The input compartment of the filter is at the left. The series coil is wound of copper tubing, and the connection to the output section (right) is made by a length of tubing which passes through a hole in the center shield. Series elements carry less current and employ wirewound coils. At right is antenna relay, with power leads bypassed as they leave filter compartment. Filter is set to correct frequency by adjusting the inductance of the tubing coils.

conventional construction techniques. The filter described in this section was developed to combine simple construction with sufficient attenuation to comply with the FCC standard.

The common three-pole filter can provide about 18 dB rejection to the second harmonic using standard components (figure 11). This is insufficient to meet modern requirements. Substitution of quarter wavelength open coaxial sections for the capacitors, however, provides superior rejection of the second harmonic, as shown in figure 12. For power levels up to several hundred

watts, RG-188/U line may be used for the coaxial sections. When higher power is used, the small coaxial line should be replaced with a copper line having air dielectric, where the capacitance per inch is selected to achieve one-quarter wavelength at the second harmonic. The resultant air line has an impedance of 57.3 ohms with conductor diameter ratios of 2.6:1. As an example, the outer conductor would have an inner diameter of 7/8 inch (2.22 cm) and the inner conductor would have a diameter of 5/16-inch (0.793 cm).

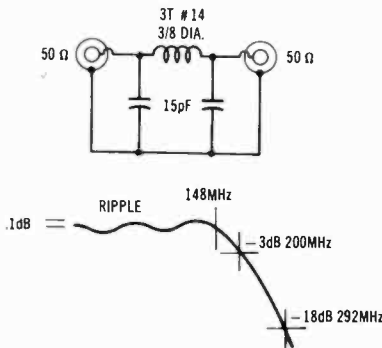


Figure 11

ATTENUATION OF 3-POLE VHF FILTER

18 dB protection is provided for 146-MHz signal for filter with cutoff frequency of 148 MHz.

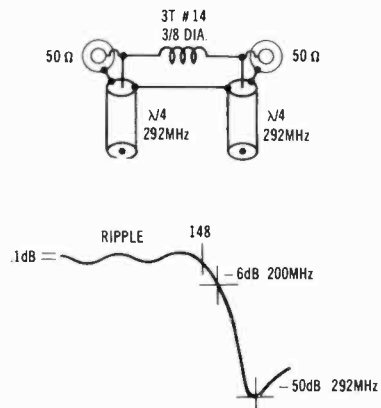


Figure 12

VHF FILTER WITH COAXIAL CAPACITORS

50 dB protection is provided for 146-MHz signal when coaxial capacitors are used.

The construction of a simple low-pass filter for 2 meters is shown in figure 13. All that it requires is a printed-circuit board, two lengths of coaxial line, and a small coil. The board provides termination for the line and coil. The far ends of the line are soldered to the board. The open end shields are soldered to small "islands" cut in the board which act as support points. The length of the lines may be trimmed slightly to place maximum attenuation at a specific point in the spectrum.

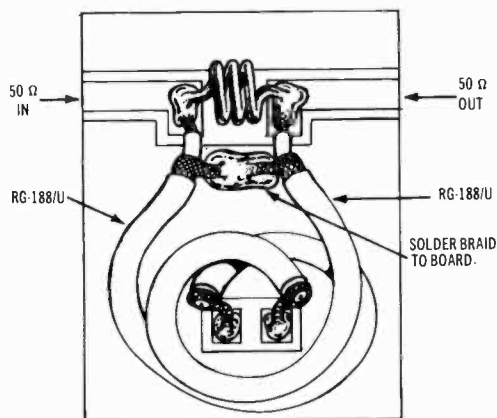


Figure 13

### LAYOUT OF COAXIAL VHF FILTER

Filter is built on printed-circuit board. Two lengths of RG-188/U (teflon dielectric) cable, each 6 $\frac{3}{8}$ " (16.9 cm) long are used. The braid at free end of cable is soldered to "island" on circuit board. Coil is 3 turns #14 enameled wire,  $\frac{3}{8}$ -inch (0.95 cm) in diameter. Filter designed by K6KBE.

## 16-4 Stereo-FM Interference

With the growing popularity of imported, solid-state stereo f-m equipment the problem of interference to these devices has become severe in the past few years. Most of this home-entertainment equipment has little or no effective filtering to prevent RFI and is "wide open" to nearby, strong signals. Unfortunately, the prospective purchaser of such a device has little or no knowledge of the susceptibility to RFI of the various imports and the burden falls on any nearby

amateur to convince the neighbor that the set, and not the amateur, is at fault when RFI shows up.

RFI rejection in stereo f-m equipment is especially poor when the device is solid state and uses printed-circuit boards wherein a good, r-f ground is almost impossible to maintain. This description covers the majority of home entertainment devices sold today.

**Reduce External Pickup** Most stereo f-m units have long leads running between the speakers and the set, with additional leads running to the changer and or auxiliary equipment. These leads make excellent antennas and are the major path for unwanted r-f energy to enter the equipment. The first step, then, in trying to eliminate the RFI path is to remove the input leads to the equipment, one at a time, and note which one reduces or eliminates the interference. The speaker leads can be disconnected and a pair of low impedance ear-phones with short leads substituted for the interference tests.

If interference is still present with the leads disconnected, the interference may be entering the equipment via the power line, or else is picked up by the internal wiring of the equipment. A power-line filter, such as described for a television receiver in an earlier Section of this chapter is recommended in the first case. Power line-type interference can be checked by pulling the plug out of the wall receptacle while the interference is manifesting itself. If the RFI is entering the equipment via the ac line it will disappear the instant the plug is pulled; if it is being picked up by the internal wiring of the stereo equipment it will slowly fade away as the power supply filter capacitors discharge.

If the interference seems to be arriving via the speaker leads, the leads should be made as short as possible and each lead bypassed to the chassis (ground) of the equipment by a .01- $\mu$ F disc ceramic capacitor. If interference is still present to a degree, the speaker leads may be wrapped around a ferrite rod, or core, at the equipment. About 20 turns around the core will suffice. Leads to the pickup may be treated in the same manner using a small ferrite



core. An extra ground lead between the changer pickup and the stereo chassis may also be of assistance in reducing r-f pickup.

**Equipment Problems** R-f interference to solid-state amplifiers is caused primarily by the rectifying action of the transistor junction which demodulates a strong, nearby signal. A small ceramic capacitor

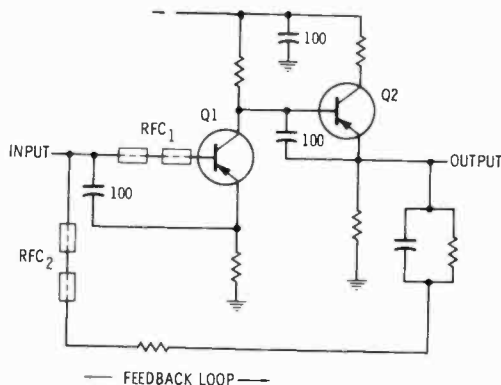


Figure 14

### RFI SUPPRESSION IN STEREO EQUIPMENT

A small ceramic bypass capacitor is placed between the base-emitter junction in the first stages of the amplifier. Ferrite beads can also be used in the input and feedback circuits to further suppress RFI. The collector supply is also bypassed with a ceramic disc capacitor.

should be connected between the emitter-base junction (figure 14). A ferrite bead in series with the base lead may also be of benefit. An additional ferrite bead on the feedback line is recommended.

In spite of shielded patch cords being used in modern stereo gear, the cords are poor shields as far as r-f energy goes. In many cases, the "shield" consists of a spirally wrapped wire partially covering the main lead. Substituting coaxial cable (RG-59/U, for example) for the original leads will also help in stubborn cases of RFI.

If it is apparent that the interference is entering the equipment via the f-m antenna, installation of a TV-type high-pass filter will attenuate the interfering signal. Only as a last resort should shielding of the stereo equipment itself be attempted as many units

have floating ground circuits. It is possible, however, to make small shields out of aluminum foil that may be clipped or fastened in place around critical circuits.

Each piece of stereo equipment must be handled as a special case, but if these broad guidelines are followed, it should be possible to suppress the majority of RFI cases. The techniques outlined in this section also apply to electronic organs or other home entertainment devices.

In many cases the equipment manufacturer has special service guides to aid in the suppression of RFI. This information should be obtained by writing directly to the manufacturer of the equipment.

## 16-5 Broadcast Interference

Interference to broadcast signals in the 540- to 1600-kHz band is a serious matter to those amateurs living in a densely populated area. Although broadcast interference (BCI) has been overshadowed by TVI and stereo problems, BCI still exists, especially for amateurs working the lower frequency bands.

**Blanketing** This is not a tunable effect, but a total blocking of the receiver. A more or less complete "washout" covers the entire receiver range when the carrier is switched on. This produces either a complete blotting out of all broadcast stations, or else knocks down their volume several decibels—depending on the severity of the interference. Voice modulation causing the blanketing will be highly distorted or even unintelligible. Keying of the carrier which produces the blanketing will cause an annoying fluctuation in the volume of the broadcast signals.

Blanketing generally occurs in the immediate neighborhood (inductive field) of a powerful transmitter, the affected area being directly proportional to the power of the transmitter. Also, it is more prevalent with transmitters which operate in the 160-meter and 80-meter bands, as compared to those operating on the higher frequencies.

The great majority of "modern" broadcast receivers employ a loopstick antenna con-





sealed within the receiver cabinet. Loopstick pickup at the higher frequencies is quite restricted and the receiver may be physically oriented for minimum pickup of the interfering signal. In addition, bypassing each side of the receiver power line to the chassis or negative return bus with a pair of .01- $\mu$ F, 1.6-kV ceramic disc capacitors is recommended. The remedies applicable to the stereo receiver circuits, previously discussed, also apply to a broadcast receiver.

**Phantoms** With two strong local signals applied to a nonlinear impedance, the beat note resulting from cross modulation between them may fall on some frequency within the broadcast band and will be audible at that point. If such a "phantom" signal falls on a local broadcast frequency, there will be heterodyne interference as well. This is a common occurrence with broadcast receivers in the neighborhood of two amateur stations, or an amateur and a broadcast station. It also sometimes occurs when only one of the stations is located in the immediate vicinity.

As an example: an amateur signal on 3514 kHz might beat with a local 2414 kHz carrier to produce a 1100-kHz phantom. If the two carriers are strong enough in the vicinity of a circuit which can cause rectification, the 1100-kHz phantom will be heard in the broadcast band. A poor contact between two oxidized wires can produce rectification.

Two stations must be transmitting simultaneously to produce a phantom signal; when either station goes off the air the phantom disappears. Hence, this type of interference is apt to be reported as highly intermittent and might be difficult to duplicate unless a test oscillator is used "on location" to simulate the missing station. Such interference cannot be remedied at the transmitter, and often the rectification takes place some distance from the receivers. In such occurrences it is most difficult to locate the source of the trouble.

It will also be apparent that a phantom might fall on the intermediate frequency of a simple superhet receiver and cause interference of the untunable variety if the manufacturer has not provided an i-f wavetrap in the antenna circuit.

This particular type of phantom may, in addition to causing i-f interference, generate harmonics which may be tuned in and out with heterodyne whistles from one end of the receiver dial to the other. It is in this manner that *birdies* often result from the operation of nearby amateur stations.

When one component of a phantom is a steady unmodulated carrier, only the intelligence presence on the other carrier is conveyed to the broadcast receiver.

Phantom signals almost always may be identified by the suddenness with which they are interrupted, signaling withdrawal of one party of the union. This is especially baffling to the inexperienced interference locator, who observes that the interference suddenly disappears, even though his own transmitter remains in operation.

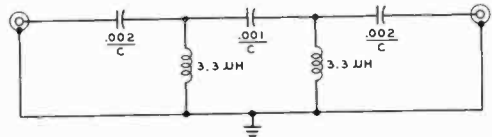


Figure 15

**HIGH-PASS FILTER FOR AMATEUR RECEIVER**

This simple filter attenuates signals below 1600 kHz to reduce overload caused by strong nearby broadcast stations. Filter is designed to be placed in series with coaxial line to receiver. Filter should be built in small shield box with appropriate coaxial fittings. J. W. Miller ferrite choke 74F336AP may be used for 3.3  $\mu$ H inductor.

If the mixing or rectification is taking place in the receiver itself, a phantom signal may be eliminated by removing either one of the contributing signals from the receiver input circuit.

In the case of phantom crosstalk in an amateur-band receiver, a simple high-pass filter designed to attenuate signals below 1600 kHz may be placed in the coaxial antenna lead to the receiver (figure 15). This will greatly reduce the strength of local broadcast signals, which in a metropolitan area may amount to fractions of a volt on the receiver input circuit.

**Ac/dc Receivers** Inexpensive tube-type ac/dc receivers are particularly susceptible to interference from ama-

teur transmissions. In most cases the receivers are at fault; but this does not absolve the amateur of his responsibility in attempting to eliminate the interference.

In cases of interference to inexpensive receivers, particularly those of the ac/dc type it will be found that stray receiver rectification is causing the trouble. The offending stage usually will be found to be a high- $\mu$  triode as the first audio stage following the second detector. Tubes of this type are quite nonlinear in their grid characteristic, and hence will readily rectify any r-f signal appearing between grid and cathode. The r-f signal may get to the tube as a result of direct signal pickup due to the lack of shielding, but more commonly will be fed to the tube from the power line as a result of the series heater string.

The remedy for this condition is simply to ensure that the cathode and grid of the high- $\mu$  audio tube (usually a 12AV6 or equivalent) are at the same r-f potential. This is accomplished by placing an r-f bypass capacitor with the shortest possible leads directly from grid to cathode, and then adding an impedance in the lead from the volume control to the grid of the audio tube (figure 16).

In many ac/dc receivers there is no r-f bypass included across the plate-supply rectifier for the set. If there is an appreciable level of r-f signal on the power line feeding the receiver, r-f rectification in the power rectifier of the receiver can cause a particularly bad type of interference which may be received on other broadcast receivers in the vicinity in addition to the one causing the rectification. The soldering of a 0.01- $\mu$ F, 1.6-kV disc ceramic capacitor directly from anode to cathode of the power rectifier (whether it is of the vacuum-tube or silicon-rectifier type) usually will bypass the r-f signal across the rectifier and thus eliminate the difficulty.

**Image Interference** In addition to those types of interference already discussed, there are two more which are common to superhet receivers. The prevalence of these types is of great concern to the amateur, although the responsibility for their existence more properly rests with the broadcast receiver.

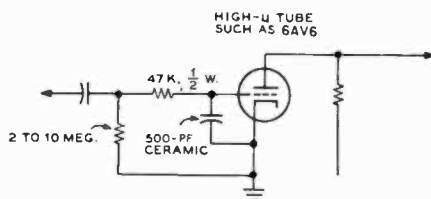


Figure 16

### CIRCUIT FOR ELIMINATING AUDIO-STAGE RECTIFICATION

The mechanism whereby image production takes place may be explained in the following manner: when the first detector is set to the frequency of an incoming signal, the high-frequency oscillator is operating on another frequency which differs from the signal by the number of kHz of the intermediate frequency. Now, with the setting of these two stages undisturbed, there is another signal which will beat with the high-frequency oscillator to produce an i-f signal. This other signal is the so-called *image*, which is separated from the desired signal by twice the intermediate frequency.

Thus, in a receiver with a 175-kHz intermediate frequency tuned to 1000 kHz; the hf oscillator is operating on 1175 kHz, and a signal on 1350 kHz (1000 kHz plus  $2 \times 175$  kHz) will beat with this 1175-kHz oscillator frequency to produce the 175-kHz i-f signal. Similarly, when the same receiver is tuned to 1450 kHz, an amateur signal on 1800 kHz can come through.

The second variety of superhet interference is the result of harmonics of the receiver high-frequency oscillator beating with amateur carriers to produce the intermediate frequency of the receiver. The amateur transmitter will always be found to be on a frequency equal to some harmonic of the receiver hf oscillator, *plus or minus the intermediate frequency*.

As an example: when a broadcast superhet with 465-kHz intermediate frequency is tuned to 1000 kHz, its high-frequency oscillator operates on 1465 kHz. The third harmonic of this oscillator frequency is 4395 kHz, which will beat with an amateur signal on 3930 kHz to send a signal through the i-f amplifier. The 3930 kHz signal would be tuned in at the 1000-kHz point on the dial.

Insofar as remedies for image and harmonic superhet interference are concerned, it is well to remember that *if* the amateur signal did not in the first place reach the input stage of the receiver, the annoyance would not have been created. It is therefore good policy to try and reduce or eliminate it by the means discussed in this chapter. However, in some solid-state equipments, it is almost impossible to make the necessary circuit changes, or the situation does not allow the amateur to work on the equipment. In either case, if this form of interference exists, the only alternative is to try and select an operating frequency such that neither image nor harmonic interference will be set up on favorite stations in the susceptible receiver.

## 16-6 Other Forms of Interference

**Telephone Interference** The carbon microphone of the telephone, as well as varistors in the compensation networks incorporated therein may serve as efficient rectifiers of nearby r-f energy, injecting the modulation of the signal on the telephone circuit. The first step to take when this form of interference develops is to contact the repair department of your local telephone company, giving them the details. Depending upon the series nomenclature of the phone in use, the company is able to supply various types of filters to suppress or reduce the interference. The widely-used *series 500* phones require the replacement of the existing compensation network with a type 425J network (supplied by the phone company). This device has the varistors replaced with resistors in the network. In addition, a .01- $\mu$ F ceramic capacitor should be placed across the carbon microphone and also across the receiver terminals. The older *series 300* phones require only a .01- $\mu$ F ceramic capacitor placed across the microphone.

The newer ("touchtone") phones, which include *series 1500, 1600 and 1700*, require the same modification as the *series 500* units, except that the replacement network is a type 4010E.

In addition to the modification devices for the telephone instrument the phone com-

pany can also supply a type 40BA line filter capacitor which acts to bypass the drop wire coming into the telephone and also a type 1542A r-f inductor which is placed at the connector block. All of these items are available, upon request, from your local telephone company, in most cases.

**Power-Line Interference** Power-line interference may reach a radio receiver by transmission along the line or by direct radiation. Typical sources of power-line interference are spark and electrostatic discharge. Spark discharge from brush-type motors, heaters for fish aquariums, thermostats on sleeping blankets, and heating pads are prolific sources of such interference. If the interfering unit can be located, bypass capacitors on the power line directly at the unit will usually suppress the noise. The noise may often be located by using a portable radio as a direction finder, homing in on the noise source. Direct power-line noise, caused by leaky insulators or defective hardware on high-voltage transmission lines is harder to pinpoint, as the noise may be carried for a considerable distance along the line. Standing waves of noise are also apparent on power lines, leading to false noise peaks that confuse the source. Many power companies have a program of locating interference and it is recommended that the amateur contact the local company office and register a complaint of power-line interference rather than to try and find it himself, since the cure for such troubles must be applied by the company, rather than the amateur.

Electrostatic discharge may be caused by intermittent contact between metallic objects in a strong electric field. Guy wires or hardware on power poles are a source of this form of interference. In addition, loose hardware on a nearby TV antenna, or the tower of the amateur antenna may cause this type of interference in the presence of a nearby power line. This type of interference is hard to pinpoint, but may often be found with the aid of a portable radio. In any event, suspected power-line interference originating on the power-line system should be left to the power-company interference investigator.

**Interference from TV Receivers**

The sweep oscillator of a modern TV receiver is a prolific generator of harmonics of the 15.75-kHz sweep signals. Harmonics of high amplitude are observed as high as 50 MHz from inadequately shielded receivers. Sweep oscillator radiation may take place via the power line of the TV set, from the antenna or directly from the picture tube and associated sweep circuit wiring. Most cases of nearby interference use a combination of all three paths.

Oscillator radiation along the power line can be reduced by the use of a power-line filter or by wrapping the line around a ferrite rod. Radiation from the TV antenna can be substantially reduced by the use of a high-pass filter installed at the receiver and/or the use of a shielded lead-in.

Radiation from the sweep-circuit wiring itself is difficult to suppress and modifications to the television receiver are not recommended. However, it should be pointed out that radiation of this type, if of sufficient intensity to cause serious interference to another radio service, falls under Part 15 of the FCC Rules and Regulations. When such interference is caused and is reported, the user of the receiver is obligated to take steps to eliminate it. The owner of the receiver is well advised to contact the manufacturer of the receiver for information concerning the alleviation of the radiation.

**Light Dimmers**

Inexpensive wall-receptacle light dimmers are a prolific source of r-f interference which resembles a high buzz which increases in strength at the lower frequencies. These devices make use of an inexpensive silicon controlled rectifier (SCR) which is a high speed unidirectional switch. When the SCR conducts, it creates a very steep wavefront, which is rich in harmonic energy. More expensive dimmer controls are available having r-f harmonic suppression built in the case, and the easiest way to get rid of this annoying source of RFI is to replace the offending unit with a model incorporating the suppression circuit.

**16-7 Help in Solving TVI**

Some TV set manufacturers will supply high-pass TV filters at cost for their re-

ceivers or provide information on TVI reduction upon request. When writing to the manufacturer about TVI problems, supply complete details, including model and serial number of the TV set involved; the name and address of the TV set owner; the name, address, and call letters of the amateur involved; and particulars of the interference problem (channels affected, frequency of amateur transmitter, sound or picture affected, etc.) The following manufacturers can supply information and assistance:

**Manufacturer Service Representatives**

(The information contained in this listing has been supplied by the American Radio Relay League (ARRL), Newington, Connecticut.)

**Institutional Listing  
Admiral**

*Admiral Group  
Rockwell International Corp.  
1701 East Woodfield Road  
Schaumburg, IL 60172*

**Primary Products  
Distributed and Remarks:**

RFI complaints are usually handled by the local Admiral dealer service technician. National Service personnel are available to assist the technician when needed. Admiral maintains its own staff of technical representatives who travel in the field and may be called upon to assist the dealer technician with difficult problems including RFI. Admiral provides technicians with various instruction bulletins dealing with RF interference suppression. RFI complaints should be referred to the local Admiral dealer. If front end overload or cross modulation occurs in areas of extremely high level of transmitter radiation, the National Services Division has suitable traps available at no charge to the customer:

*National Service Division  
Box 2845  
Bloomington, IL 60701*

**Akai**

*Akai America, Ltd.  
2139 E. Del Amo Blvd.  
Compton, CA 90220*

**Primary Products  
Distributed and Remarks:**

Akai products include audio tape recorders, video tape recorder, AM/FM receivers, speaker systems and related accessory products. Inquiries related to RFI should be addressed to:

*Akai America, Ltd.  
Customer Service Dept.  
2139 E. Del Amo Blvd.  
Compton, CA 90220*

Upon receipt of these inquiries, we will investigate the situation, and to our utmost try to resolve the customer's problems.

**Allen Organ Company**

*Macungie, PA 16162*

**Primary Products  
Distributed and Remarks:**

Electronic Organs. When a complaint is received via the dealer, Allen Organ Co. sends the dealer an informational service bulletin on RFI and sufficient components to cover all amplifiers in the affected instrument. This service is offered at no cost to the customer. Refer RFI problems to the local Allen dealer.

**Altec Lansing**

*Sound Products Division  
1515 S. Manchester Avenue  
Anaheim, CA 92803*

**Primary Products  
Distributed and Remarks:**

Customer RFI problems are referred to the local authorized Altec Warranty stations located nationwide and denoted by an information card furnished with each piece of equipment. Unusual situations are, at the option of the warranty station, referred to:

*Altec Customer Service  
1515 W. Katella Avenue  
Anaheim, CA 92803*

**Or:**

*Engineering Department  
1515 S. Manchester Avenue  
Anaheim, CA 92803  
Attention: Chief Engineer, Electronics*

**Arvin Industries, Inc.**

*15th Street  
Columbus, Indiana 47201*

**Primary Products  
Distributed and Remarks:**

Radios—8 Track Players

Customer problems involving RFI should be referred to the Manager of Field Service.

**Audio Research Corporation**

*2843 Twenty-Sixth Avenue, S.  
Minneapolis, Minnesota 55406*

**Primary Products  
Distributed and Remarks:**

Amplifiers—Pre-Amplifiers + Accessories

In the event of an RFI problem, customer may write to:

*Chief Engineer  
Audio Research Corp.  
Box 6003  
Minneapolis, MN 55406*

**Baldwin Piano & Organ Company**

*1801 Gilbert Avenue  
Cincinnati, Ohio 45202*

**Primary Products  
Distributed and Remarks:**

Electronic Organs

RFI complaints are usually handled by the local Baldwin service technician. Factory personnel are available to assist the technician when needed. Baldwin maintains its own staff of technical representatives who travel in the field and may be called upon to assist the dealer technician with difficult problems, including RFI. Baldwin provides technicians with a detailed instruction bulletin entitled "Hints on Suppressing RF Interference".

RFI complaints should be referred to the local Baldwin dealer.

**Benjamin Electronic Sound Company**

*790 Park Avenue  
Huntington, NY 11743*



**Primary Products****Distributed and Remarks:**

Manufacturers and distributors of ELAC Miracord record changers, Concord AM/FM receivers and CEC manual turntables.

RFI problems should be directed to the Service Manager in Huntington. Price of required modifications will depend upon equipment warranty status.

**Capehart Corporation**

*5th Street  
Norwich, Connecticut 06360*

**Primary Products****Distributed and Remarks:**

Stereo Console Phonographs and Radios

Capehart Corp. asks that if an RFI problem develops in their product, the customer refer the matter to the attention of the General Manager.

**Conn Organ Corporation**

*1101 East Beardsley Ave.  
Elkhart, Indiana 46514*

**Primary Products****Distributed and Remarks:**

Electronic Organs

RFI complaints should be referred to the local Conn dealer, whether equipment is in or out of warranty. Factory assistance is available to the dealer if he is unable to correct the problem.

RFI problems encountered within term of instrument warranty are usually corrected by the selling dealer without cost to the organ owner.

**Curtis Mathes Manufacturing Co.**

*P.O. Box 151  
Athens, Texas 75751*

**Primary Products****Distributed and Remarks:**

Color TV; Stereo (100% solid state) in portable, console, and combination configurations.

Customer complaints involving RFI should first be resolved at the retail dealer level. If

not satisfied, then complaint should be made in writing to the Consumer Relations Department, giving all details of problem, along with model, serial number, date of sale, dealer, and service history. Each complaint will be handled individually.

**Dumont**

(See Capehart Corporation)

**Dynaco-Dynakit Division of Tyco Laboratories**

*Coles Road  
P.O. Box 88  
Blackwood, New Jersey 08012*

**Primary Products****Distributed and Remarks:**

Amplifiers, Pre-Amplifiers, Tuners, Integrated Amplifiers, and Kits.

Inquiries related to RFI involving Dynaco products should be addressed to the Customer Service Department.

Dynaco has available for owners of Dynakits an excellent information sheet on solving RFI problems.

**Elpa Marketing Industries, Inc.**

*Thorens Building  
New Hyde Park, N.Y. 11040*

**Primary Products****Distributed and Remarks:**

Thorens turntables, Reel-to-Reel tape recorders.

Complaints are handled with respect to parts and labor on an individual basis. Necessary modifications for RFI are made on a no-charge basis, parts and labor, during the term of instrument warranty. Beyond warranty, modification parts are available free of charge. Customer then pays for labor involved in the installation of the parts.

**Emerson Quiet Kool Company**

*16th & Coles Streets  
Jersey City, New Jersey 07302*

**Primary Products****Distributed and Remarks:**

Televisions, Radios and Recorders.

Customer should refer RFI problems or inquiries related to Emerson or Dumont products to the National Service Manager for special handling.

### **Fisher Corporation**

21314 Lassen Street  
Chatsworth, CA 91311

#### **Primary Products Distributed and Remarks:**

Fisher Corp. asks that RFI problems involving Fisher products be handled by reference to one of the following:

1. Request assistance from the local selling dealer;
2. Request assistance from the local Fisher Authorized Service Station (a list is packed with every Fisher unit);
3. Contact Fisher Service Coordination Group.

Fisher's Service Coordination Group maintains close communications with Fisher Authorized Service Stations and engineering departments, and works under the supervision of the National Service Manager.

### **Garrard Piessey Consumer Products**

100 Commercial Street  
Plainview, L.I., New York 11803

#### **Primary Products Distributed and Remarks:**

Garrard Single Play and Multiple Play Automatic Turntables.

Garrard advises the consumer on methods which may eliminate RFI. In unique cases where the suggestions are ineffective, customer should refer the RFI problem to the Assistant Service Manager. Any RFI problems which are referred to Garrard are always handled on a no-charge basis.

### **General Electric Company**

Television Business Department  
College Blvd.  
Portsmouth, VA 23705

#### **Primary Products Distributed and Remarks:**

GE Television Receivers

RFI problems should be referred to the nearest GE Customer Care Service Operation. If GE Customer Care Service is unable to correct the RFI, the customer should refer the problem to the Television Business Dept., Attention: Manager, Product Service.

GE Radios, Record Players and other Audio Products.

All RFI problems involving audio products should be referred to:

Manager, Customer Services,  
Audio Electronics Department  
Electronics Park  
Syracuse, New York 13201

### **Gulbransen**

A Division of CBS, Inc.  
8501 West Higgins Road  
Chicago, Illinois 60631

#### **Primary Products Distributed and Remarks:**

Electronic Organs.

Gulbransen cooperates with dealers and customers in offering suggested RFI solutions. Gulbransen does not reimburse the consumer for servicing. However, when extreme cases are encountered due to proximity of the transmitter and relative power, the dealer may sometimes absorb the cost of servicing RFI problems.

Customers should refer RFI problems to the local dealer. Inquiries may be directed to the Customer Service Supervisor.

### **Hammond Organ Company**

11700 Copenhagen Court  
Franklin Park, Illinois 60131

#### **Primary Products Distributed and Remarks:**

Organs.

Hammond maintains a staff of Technical Service Representatives who become directly involved in RFI cases that the dealer's service personnel are unable to solve. Hammond states that the services of engineering and technical field service departments under its control are provided to consumer and dealer alike without charge whether or not a product is within warranty.

RFI problems should be referred to the local Hammond dealer.

The Hammond Technical Service Department asks that it be informed of any unique interference problem involving the Hammond instrument.

### **Harman-Kardon, Inc.**

*Subsidiary of Jervis Corp.  
55 Ames Court  
Plainview, New York 11803*

#### **Primary Products**

#### **Distributed and Remarks:**

Receivers, Amplifiers, Turntables, AM/FM Tuners, Preamps, Record Players, Tape Recorders.

Customers should refer RFI problems to the Manager of Customer Service.

Customer RFI problems are handled on an individual basis. If local, the customer is invited to bring the affected set into the plant. Non-local customers are referred to the nearest warranty station. Corrective action is provided at no cost to the customer.

### **Heath Schlumberger Company**

*Benton Harbor, MI 49022*

#### **Primary Products**

#### **Distributed and Remarks:**

AM/FM Radio, Television, Audio Systems (Kits), Transmitter Kits.

Heath Company suggests that for fastest service on matters related to RFI, regardless of the product involved, customers may now reach the Technical Consultation Department by either writing directly to that department or by using a new direct line telephone system to the department (616) 982-3302. DO NOT write to an individual.

### **Hitachi Sales Corporation of America**

*401 W. Artesia Boulevard  
Compton, California 90220*

#### **Primary Products**

#### **Distributed and Remarks:**

Televisions, Radios, Tape Products.

Customers with RFI problems should contact the service manager of the nearest regional office.

*Western Regional Office  
401 W. Artesia Blvd.  
Compton, CA 90220*

*Mid-Eastern Regional Office  
1400 Morse Avenue  
Elk Grove Village, IL 60007*

*Mid-Western Regional Office  
World Trade Center, 183  
2050 Stemmons Freeway  
Dallas, Texas 75207*

### **J.C. Penney Company, Inc.**

*1301 Avenue of the Americas  
New York, New York 10019*

#### **Primary Products**

#### **Distributed and Remarks:**

J.C. Penney Company asks that customers with RFI problems contact their nearest J.C. Penney store for personal assistance.

### **JVC America, Inc.**

*50-35 56th Road  
Maspeth, New York 11378*

#### **Primary Products**

#### **Distributed and Remarks:**

Amplifiers, Tuners, Receivers, Televisions.

Inquiries related to RFI involving JVC products may be referred to the office of the Chief Engineer.

### **Kenwood Electronics, Inc.**

*15777 South Broadway  
Gardena, California 90248*

#### **Primary Products**

#### **Distributed and Remarks:**

Receivers, Tuners, Amplifiers, Turntables.

Kenwood asks that customers with RFI problems take the affected unit to an authorized service center where adjustments will be made at no cost to the customer if the product is properly registered with Kenwood and within warranty. It is suggested that prior authorization for the return be obtained from Kenwood.

### **KLH Research and Development Corporation**

*30 Cross Street  
Cambridge, Mass. 02139*

**Primary Products****Distributed and Remarks:**

Radio Receivers, Turntables, Music Systems.

KLH initially provides the customer with a listing of suggested steps for isolating and correcting RFI. If self-help does not resolve the problem, the customer may write to the Manager, Customer Service for authorization to return the affected unit to the factory. Return can then be made through contact with the nearest KLH factory authorized service station.

KLH absorbs the cost of service for units returned to the factory for any RFI problem. Customer bears the responsibility for shipping the unit to and from the repairing service station.

**Lafayette Radio Electronics Corporation**

111 Jericho Turnpike  
Syosset, L.I., New York 11791

**Primary Products****Distributed and Remarks:**

AM/FM radio, Home Entertainment Audio Products.

Customers should refer RFI problems involving Lafayette products to the local dealer. If the dealer cannot alleviate the problem, the customer may contact the Vice President, Engineering.

**Magnavox Consumer Electronics Company**

1700 Magnavox Way  
Fort Wayne, Indiana 46804

**Primary Products****Distributed and Remarks:**

Televisions, Multi-Channel Receivers, Record Changers.

Customers should direct RFI problems involving Magnavox products to the nearest of the nine Magnavox service offices.

*Pacific Division*  
1360 San Mateo Avenue  
So. San Francisco, CA 94080

*Los Angeles Division*  
2645 Maricopa Street  
Torrance, CA 90503

*Southwestern Division*  
8813 John Carpenter Highway  
Dallas, Texas 75247

*Great Plains Division*  
7510 Frontage Road  
Skokie, Illinois 60076

*Great Lakes Division*  
24092 Detroit Road  
Westlake, Ohio 44145

*Southeastern Division*  
1898 Leland Drive  
Marietta, Georgia 30062

*Northeastern Division*  
607 North Avenue, Door 17  
Wakefield, Mass. 01880

*New York Division*  
161 East Union Avenue  
East Rutherford, N.J. 07073

*Mid-Atlantic Division*  
2201 Route 38, Suite 750  
Cherry Hill, N.J. 08034

**MGA Mitsubishi Electric Corporation**

*Melco Sales, Inc.*  
3030 East Victoria Street  
Compton, California 90221

**Primary Products****Distributed and Remarks:**

Melco Sales, Inc. is the sales and service representative for the Mitsubishi Electric Corporation.

RFI reports from the field, beyond the dealers capability to resolve, in which Melco Sales becomes involved, are handled on an individual basis. All attempts will be made to give customer satisfaction.

Melco Sales suggests that requests for assistance be addressed to its Compton, CA address, or the Service Department may be contacted by telephone on a toll free number (800) 421-1132. Ask for the National Service Manager.

**Midland International Corporation**

*Consumer Products Division*  
P.O. Box 1903  
Kansas City, Missouri 64141

**Primary Products**  
**Distributed and Remarks:**

Portable Black and White and Color Television Receivers.

Midland asks that, should any RFI problems be encountered with the Midland product, individuals should write the General Services Manager or call (816) 842-0511.

**Montgomery Ward**

*Corporate Offices*  
 535 West Chicago Avenue  
 P.O. Box 8339  
 Chicago, Illinois 60680

**Primary Products**  
**Distributed and Remarks:**

Televisions, Radios, Audio Products.  
 Service for RFI should be obtained from the nearest Montgomery Ward location. If service is not obtainable locally, customer may write to the Customer Service Product Manager at the Corporate Offices. The Montgomery Ward field service organization can call upon factory and corporate engineering talent for assistance with difficult RFI problems.

**Morantz**

(See Superscope)

**Nikko Electric Corporation of America**

16270 Raymer Street  
 Van Nuys, CA 91406

**Primary Products**  
**Distributed and Remarks:**

Stereo receivers, Tuners and Amplifiers, Combination Preamp, Main amp pairs.

For information and assistance with any Nikko Electric products, inquiries should be made to the Service Department, Attention: National Service Manager.

**Norlin Music, Inc.**

737 North Cicero Avenue  
 Lincolnwood, Illinois 60646

**Primary Products**  
**Distributed and Remarks:**

Lowrey Electronic Organs  
 Norlin offers local service organizations technical help in treating RFI through the Norlin Service Manager.

Customers should refer RFI problems to the local Lowrey dealer.

**North American Phillips Corporation**

100 E. 42nd Street  
 New York, New York 10017

**Primary Products**  
**Distributed and Remarks:**

Each RFI situation is handled individually by the Service Manager of the particular division whose product is involved. Inquiries related to RFI should be addressed to the proper division of North American Phillips Corporation.

**Nutone Division**

*Scovill Housing Products Group*  
 Madison & Red Bank Roads  
 Cincinnati, Ohio 45227

**Primary Products**  
**Distributed and Remarks:**

Radios, Intercoms, AM radios.

Refer RFI problems to Consumer Relations Department for handling.

**Panasonic Company**

*Division of Matsushita Electric Corporation of America*  
 50 Meadowlands Parkway  
 Secaucus, New Jersey 07094

**Primary Products**  
**Distributed and Remarks:**

When instances of RFI occur, the customer should contact Panasonic in Secaucus.

Customers should provide model number, serial number and information concerning the problem. Upon review, the customer will be contacted advising them where to return their unit for corrective repair. Panasonic will absorb both parts and labor costs in these instances.

**Philco (Television)**

(See GTE Sylvania)

**Quasar Electronics Corporation**

9401 West Grand Avenue  
 Franklin Park, Illinois 60131  
 Attention: Consumer Relations Manager

**Primary Products****Distributed and Remarks:**

For a high-pass filter, consumer should write Quasar and should include model and serial number of the receiver, frequency of the interference signal (if known), and whether sound or picture, or both, are affected. The Quasar distributor serving the local area should be contacted relative to any other interference problem that is unique to Quasar products.

**Radio Shack**

*National Headquarters  
2617 West Seventh Street  
Fort Worth, Texas 76107*

**Primary Products****Distributed and Remarks:**

AM/FM Radios, Home Entertainment Audio Products.

Customers who encounter unique interference problems involving Radio Shack audio products may write to the Product Development Manager or the National Quality Control Manager.

**RCA Consumer Electronics**

*600 N. Sherman Drive  
Indianapolis, Indiana 46201*

**Primary Products****Distributed and Remarks:**

RFI problems involving both television and audio products may be referred to RCA Consumer Electronics 1-455.

Requests for filters should include model and serial number of the equipment. Filter installation charges will be the customer's responsibility.

**Rodgers Organ Company**

*1300 N. East 25th Avenue  
Hillsboro, Oregon 97223*

**Primary Products****Distributed and Remarks:**

RFI problems involving the Rodgers Organ may be referred to Custom Organ Test Dept.

**Sansui Electronics Corporation**

*201 East 42nd Street  
New York, New York 10017*

**Primary Products****Distributed and Remarks:**

RFI problems should be directed to the attention of the Vice President, 201 Communications Inc. (212) 867-3325.

201 Communications, Inc. is the advertising and public relations agency representing Sansui. They will direct the customer to the appropriate Sansui Service Center. They state that all Sansui products are carefully checked prior to final engineering commitments for susceptibility to RFI. Units are often taken to high RF level areas such as New York City to determine any design flaws.

**Sanyo Electric, Inc.**

*Electronics Division  
1200 W. Artesia Blvd.  
Compton, CA 90220*

**Primary Products****Distributed and Remarks:**

In the event an RFI problem should occur, the customer is requested to take the set to the nearest Sanyo Authorized Repair Station.

Transportation to and from the shop is the responsibility of the customer. Should the shop not alleviate the problem, either the customer or the shop should contact the Field Service Manager in Compton (213) 537-5830.

**Schober Organ Corporation**

*43 West 61st Street  
New York, New York 10023*

**Primary Products****Distributed and Remarks:**

Organ Kits.

Customers with RFI problems are supplied with the necessary parts, free of charge, to correct the trouble. Schober Organ Corp. also assists customers in location of the offending stages in the organ.

Refer RFI problems to the Development Engineer.

**H. H. Scott, Inc.**

*111 Powder Mill Road  
Maynard, Mass. 01754*

**Primary Products****Distributed and Remarks:**

Manufacturer and Importer of AM/FM Tuners-Receivers and Stereo Amplifiers used in Hi-Fi Systems.

Manufacturer offers simple instruction sheet to aid customers in resolving problems involving RF pickup. The information includes suggestions about suitable equipment grounding, power line bypassing, and hints and suggestions on how to determine where RF is entering the equipment.

Refer RFI problems to the Engineering Dept.

**Scientific Audio Electronics, Inc.**

*P.O. Box 60271 Terminal Annex  
Los Angeles, CA 90060*

**Primary Products****Distributed and Remarks:**

Refer all RFI inquiries to the attention of the National Marketing Manager.

**Sears Roebuck & Company**

*BSC-41-03  
Sears Tower  
Chicago, Illinois 60684*

**Primary Products****Distributed and Remarks:**

Televisions, Radios, Audio Products.

Sears asks that customers with an RFI problem involving a Sears product contact the nearest Sears Service Department for assistance.

**Sharp Electronics Corporation**

*10 Keystone Place  
Box 588  
Paramus, N.J. 07652*

**Primary Products****Distributed and Remarks:**

Manufacturer of Television and Radio Receivers.

Sharp Electronics will, with proof of purchase, supply to any TV owner who complains of interference, a Drake TV-300 high-pass filter at no charge. Audio rectification problems are handled on an individual basis by the service department. Refer all Sharp

Electronics RFI problems to the Service Department.

**Sherwood Electronic Laboratories, Inc.**

*4300 N. California Avenue  
Chicago, Illinois 60618*

**Primary Products****Distributed and Remarks:**

Receivers, Amplifiers, Tuners.

Customers with interference problems should contact the Service Laboratory Manager.

**Sony Corporation**

(See Superscope)

Consumer Audio Tape Products Only.

**Shure Brothers, Inc.**

*222 Hartrey Avenue  
Evanston, Illinois 60204*

**Primary Products****Distributed and Remarks:**

Microphones and Electronic Components.

Manufacturer recommends the use of balanced line, low impedance microphones, cables. If the RFI problem persists after taking this step, the consumer should contact Shure Brothers with specifics so that they may be able to help solve the problem. Refer RFI problems to Customer Service Manager.

**Superscope Corporate Offices**

*20525 Nordhoff Street  
Chatsworth, CA 91311*

**Primary Products****Distributed and Remarks:**

Superscope/Marantz AM/FM receivers, tuners, amplifiers, tape recorders, record players, and audio systems.

Sony consumer audio tape products.

In the event of special RFI cases, resulting from extremely high RF fields, contact the Technical Services Department at Superscope Corporate Offices.

Modifications necessary to resolve such RFI problems are provided customers on an individual basis.

**GTE Sylvania, Inc.**

*Entertainment Products Group  
Group Headquarters  
700 Ellicott Street  
Batavia, N.Y. 14020*

**Primary Products  
Distributed and Remarks:**

Televisions, AM/FM Tuners, Radios, Amplifiers.

Consumers should first contact the dealer. Factory Field Service and Field Engineering personnel work together to solve many of the TVI and Audio Rectification problems. The dealers are in touch with the manufacturer's services that will help resolve the problem. RFI problems are handled on an individual basis.

Sylvania has available for their technicians an excellent pictorial TVI training manual titled, "Diagnosis, Identification and Elimination" of TVI.

**Tanberg of America, Inc.**

*Labriola Court  
Armonk, New York 10504*

**Primary Products  
Distributed and Remarks:**

Recorders.

When RFI occurs in Tanberg products, the manufacturer suggests that the unit be returned to them. "We will do any modification possible to eliminate the RFI."

Prior authorization should be obtained from the Technical Manager prior to return of the unit.

**Tenna Corporation**

*19201 Cranwood Parkway  
Cleveland, Ohio 44128*

**Primary Products  
Distributed and Remarks:**

Tenna Corp. has not produced home entertainment equipment within the past two years, but will be glad to help out all past customers if a problem arises with RFI. Will install a circuit change at no cost except postage and handling. All unique RFI problems may be referred to the National Service Manager.

**Thomas Organ Company**

*7310 North Lehigh Avenue  
Chicago, Illinois 60648*

**Primary Products  
Distributed and Remarks:**

Electronic Organs.

Refer RFI complaints to the dealer. RFI is usually resolved at this level. If the manufacturer's field service is made aware of a consumer complaint regarding RFI, the field service will contact the seller and advise that person on how to eliminate the problem. Should that fail, "we continue to pursue the problem utilizing our own people."

Thomas has six field service engineers. In the event of a call for assistance, an engineer personally contacts the consumer by telephone, makes an appointment to visit the home of the consumer to correct the RFI condition, with or without the dealer's technician. "We do not charge the consumer for this service."

**Toshiba America, Inc.**

*41-06 Delong Street  
Flushing, N.Y. 11355*

**Primary Products  
Distributed and Remarks:**

Televisions, Radios, Tape Products, Amplifiers, Tuners, Receivers.

Customers should contact the nearest Regional Office Service Manager for obtaining assistance in resolving RFI problems.

*Eastern Regional Office  
41-06 Delong Street  
Flushing, N.Y. 11355*

*Southwest Regional Office  
3225 E. Carpenter Freeway  
Irving, Texas 75062*

*Western Regional Office  
19515 S. Vermont Avenue  
Torrance, CA 90502*

**U.S. Pioneer Electronics Corp.**

*75 Oxford Drive  
Moonachie, N.J. 07074*

**Primary Products  
Distributed and Remarks:**

Consumers should contact the nearest Regional Service Manager. Pioneer makes avail-



able to their technicians an excellent service manual titled, "Hi-Fi I Countermeasures."

*Eastern Regional Office  
75 Oxford Drive  
Moonachie, N.J. 07074*

*Midwest Regional Office  
1500 Greenleaf Avenue  
Elk Grove Village, Illinois*

*Western Regional Office  
13300 South Estrella Avenue  
Gardena, California*

### **Yamaha International Corporation**

*6600 Orangethorpe Avenue  
Buena Park, CA 90622*

#### **Primary Products Distributed and Remarks:**

Electronic Organs

Yamaha organization attempts to cure each RFI problem on an individual basis. Yamaha supplies all necessary technical information at no charge. If interference is due to design error, Yamaha takes steps at its own expense to remedy the problem.

Refer RFI problems to the local dealer. The dealers are kept well informed and current on RFI countermeasures.

### **Zenith Radio Corporation**

*11000 Seymour Avenue  
Franklin Park, IL 60131*

#### **Primary Products Distributed and Remarks:**

Televisions, Radios, Audio Systems.

Zenith gives consideration to handling and providing relief for RFI problems on a case-

by-case basis. RFI problems should be referred to the Service Division.

RFI referrals should include model and serial number of the affected product.

Customers with a unique, difficult RFI problem may direct a letter to the National Service Manager.

In any case of TVI, the social problem is as great, or greater than the RFI problem. Most find it hard to believe that their new TV or stereo equipment is at fault, and that the amateur is not at fault when his voice overrides the program material. If RFI does occur, the amateur should immediately make contact with the person making the complaint, as continuing interference causes tempers to rise until the problem is beyond repair. The public relations aspect of RFI, therefore, is a delicate and pressing problem that the amateur must pay special attention to.

When an RFI problem occurs, it is prudent to conduct tests to determine the type and degree of interference. It is suggested, moreover, that the aid of another amateur be enlisted, as the average person is not an objective observer when it comes to the matter of interference. Successful handling of an RFI problem depends to a great degree on the understanding and attitude of the radio amateur, as he must win the good will and confidence of the complainant.

A manual covering the resolution of TVI problems, prepared by the Federal Communications Commission may be obtained at a cost of \$1.50 from: Superintendent of Documents, Consumer Information Center, Department 051F, Pueblo, Colorado 81009. The manual is entitled, *How to Identify and Resolve Radio-TV Interference Problems*.

# Equipment Design

The performance of communication equipment is a function of the design, and is dependent on the execution of the design and the proper choice of components. This chapter deals with the study of equipment circuitry and the basic components that go to make up this circuitry. Modern components are far from faultless. Resistors have inductance and reactance, and inductors have resistance and distributed capacitance. None of these residual attributes show up on circuit diagrams, yet they are as much responsible for the success or failure of the equipment as are the necessary and vital bits of resistance, capacitance, and inductance. Because of these unwanted attributes, the job of translating a circuit on paper into a working piece of equipment often becomes an impossible task to those individuals who disregard such important trivia. Rarely do circuit diagrams show such pitfalls as ground loops and residual inductive coupling between stages.

Parasitic resonant circuits are seldom visible from a study of the schematic. Too many times radio equipment is rushed into service before it has been entirely checked. The immediate and only too apparent results of this enthusiasm are receiver instability, transmitter instability, difficulty of neutralization, r-f wandering all over the equipment, and a general "touchiness" of adjustment.

Hand in glove with these problems go the more serious ones of receiver overload, TVI, keyclicks, and parasitics. By paying at-

tention to detail, with a good working knowledge of the limitations of the components, and with a basic concept of the actions of ground currents, the average amateur will be able to build equipment that will work "just like the book says."

The twin problems of TVI and parasitics are an outgrowth of the major problem of overall circuit design. If close attention is paid, to the cardinal points of circuitry design, the secondary problems of TVI and parasitics will in themselves be solved.

## 17-1 The Resistor

A *resistor* is a device which impedes the flow of current and dissipates electrical energy as heat. The range of available resistors is great, ranging from less than one ohm to many million ohms.

Two fundamental types of resistors exist: fixed and variable. Fixed resistors are commonly either carbon composition, wire-wound, or film. Film types may be either carbon, metal, or nonmetal film.

The *carbon composition resistor* is composed of carbon held in a suitable binder and fired within a ceramic jacket. Resistance range is from 10 ohms to 22 megohms, with power ratings of  $\frac{1}{4}$ ,  $\frac{1}{2}$ , 1, and 2 watt being most in demand. Resistance tolerances are typically  $\pm 20\%$ , with  $\pm 10\%$  and  $\pm 5\%$  units available. Most units have tin-plated axial leads.

The *wirewound resistor* consists of resistance wire wound around an insulating form and fired with a ceramic jacket (figure 1). These units are used where temperature stability is a prerequisite. Units are available with resistance ratings of less than a fraction of an ohm to several hundred thousand ohms. General tolerance is  $\pm 2\%$  and the temperature coefficient of a typical resistor is about  $\pm 100$  ppm/ $^{\circ}\text{C}$ . Power ratings of wirewound resistors run from 2 watts to as much as 250 watts, or higher.

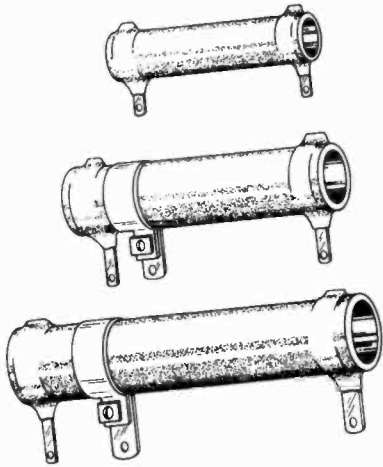


Figure 1

### WIREWOUND RESISTORS

Resistors are wound with nichrome wire on a ceramic form. Inductive reactance becomes a problem when these resistors are used in high-frequency applications. Special spirally wound, noninductive resistors are used to cancel out the inductive effects at the higher frequencies.

The basic construction of a wirewound resistor involves a winding of nichrome wire and is by nature an inductance. Inductive reactance becomes a problem when these resistors are used in high-frequency applications. Special spirally wound (noninductive) resistors are often used to cancel the inductive effects at the higher frequencies.

Wirewound resistors are available with either radial or axial leads and often have an uninsulated area so that contact may be made to the body of the resistor at a random point.

The *film-type* resistor is made of a thin conductive film deposited and fired on an aluminum oxide, or glass, mandrel. The film

may be nickel chromium, tin oxide, or a powdered precious metal mix (*cermet*).

Resistance value of the metal film resistor is set after the film has been fired on the mandrel. A spiral groove is ground or cut around the mandrel to set the desired value. The metal film resistor is finished by fitting end caps with leads over the ends. The unit is protected with a molten plastic dip.

Metal film resistors commonly available are in the  $\frac{1}{8}$ - and  $\frac{1}{4}$ -watt power capacity with tolerances of  $\pm 1\%$ . Resistance values up to 200 megohms are available with a typical temperature coefficient of 100 ppm/ $^{\circ}\text{C}$ .

The *variable resistor* (often called a *rheostat*, or *potentiometer*) is a unit whose resistance value may be changed by the user. The rheostat is primarily considered to be a power handling device, with ratings often in excess of 1000 watts. Rheostats are used for control of generator fields, motor speed, lamp dimming, and like services. The rheostat is commonly disc shaped and controlled by a rotating shaft. The resistance element is wound on an open ceramic ring and is welded at each end to a terminal band having connection points. The wound core is covered (except for an exposed track) with a fired enamel coating. The control arm is insulated from the moving contact assembly.

The contact brush, carried by the movable arm, is generally a powdered-metal compound (copper-graphite) which is connected by a flexible stranded shunt to a slip ring which rubs against a center lead supported by the rheostat framework.

Wattage rating of a common rheostat is based on a maximum attained temperature of  $340^{\circ}\text{C}$  measured at the hottest point on the enamel coating. The maximum hot-spot temperature varies with the percentage of the rheostat winding in use.

The general purpose *wirewound potentiometer* is available in resistance ranges from 0.5 ohm to about 150,000 ohms. The most common ratings are 1.5, 2, 4, 5, and 10 watts with a resistance tolerance of  $\pm 10\%$ . The great majority of potentiometers have a linear resistance winding, but special units are available wherein the resistance change is not constant throughout the shaft rotation.

An important property of the wirewound potentiometer is *resolution*. With such a device, the resistance change, as the slider moves from one extreme of rotation to the

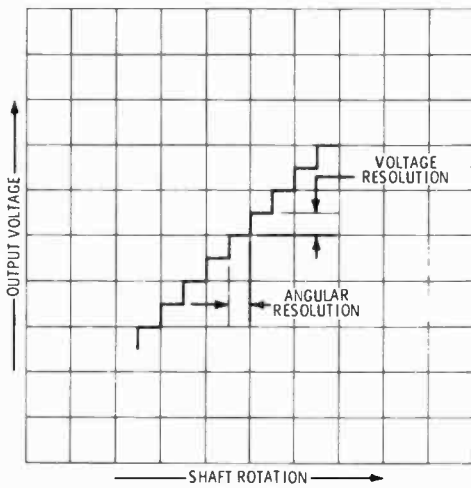


Figure 2

### RESOLUTION OF WIREWOUND POTENTIOMETER

The resistance of a wirewound potentiometer varies in a step-like progression as the slider moves from one turn of wire to the next. Resolution is expressed either as angular or voltage resolution.

other, does not occur as a straight line but rather as a step-like progression, as the slider moves from one turn of wire to the next. Resolution is expressed as either angular or voltage resolution (figure 2). Precision potentiometers having high tolerance and good resolution provide a resistance value that is proportional to shaft rotation to better than  $\pm 1\%$ . The precision devices may be either single turn, rotary; multiturn, rotary; or linear motion designs.

The *composition potentiometer* is widely used in all types of electronic equipment. Power ratings range from 1/10 watt to 4 watts, while resistances from 20 ohms through 10 megohms are commonly available. Various taper characteristics are shown in figure 3. The most common taper is the audio taper which provides 10% resistance at 50% rotation.

The resistance element may be carbon film, carbon-ceramic or molded carbon. More expensive potentiometers make use of *cermet* material. The composition potentiometer is available in a number of tolerances ranging from  $\pm 40\%$  for commercial carbon-film devices to  $\pm 5\%$  for high quality

cermet units. Ambient temperature rating for commercial units is  $55^{\circ}\text{C}$ .

For high resistance values, the maximum voltage rating across the end terminals of the potentiometer is an important factor. At a value of resistance defined as the critical value, the potentiometer is operating at

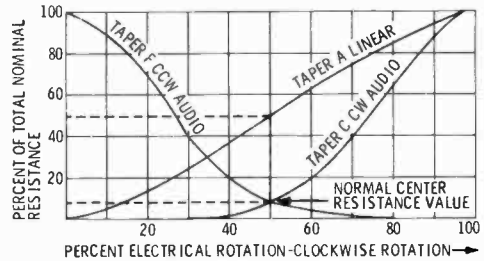


Figure 3

### TAPER CHARACTERISTICS OF COMPOSITION POTENTIOMETERS

The linear (A) taper provides 50 percent of the resistance value at 50 percent of the clockwise rotation. The tapers C and F provide 10 percent of the resistance value at 50 percent of the rotation. Taper F is counterclockwise and taper C is clockwise.

maximum voltage and power at the same time. Above this value, the wattage of the unit must be derated. Most potentiometers have a maximum terminal potential of 500 volts.

The *trimming potentiometer* is a "set and forget" device that is not intended for dynamic control. These units are quite small in size and often have a very limited rotational life of less than 1000 cycles. Once set, they are not normally readjusted except as part of a regular maintenance or calibration program.

Common trimmers are packaged as either rectangular, multiturn units or single-turn, round units (figure 4). Resistance values of standard products range from 10 ohms to 50,000 ohms, with a usual tolerance of  $\pm 10\%$ . Power rating of the common units is  $\frac{1}{4}$  to  $\frac{3}{4}$  watt at a maximum temperature rating of  $70^{\circ}\text{C}$ .

**Inductance of Resistors** Every resistor because of its physical size has in addition to its desired resistance, less desirable amounts of inductance and distributed capacitance. These quantities are illus-

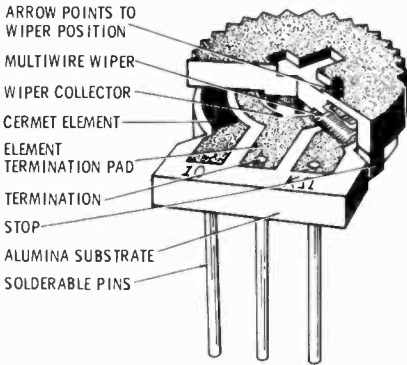
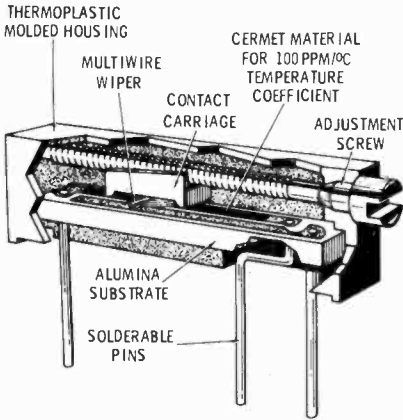
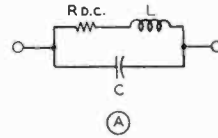


Figure 4

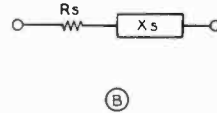
**THE TRIMMING POTENTIOMETER**

The trimming potentiometer is a "set and forget" device that is not intended for dynamic control. The top unit is a multiturn unit that offers infinite resolution. The lower unit is a single-turn design having a universal adjustment slot that accepts either a blade or Phillips-type screwdriver. Both units have pin terminals for circuit board mounting.

trated in figure 5A, the general equivalent circuit of a resistor. This circuit represents the actual impedance network of a resistor at any frequency. At a certain specified frequency the impedance of the resistor may be thought of as a series reactance ( $X_s$ ) as shown in figure 5B. This reactance may be either inductive or capacitive depending on whether the residual inductance or the distributed capacitance of the resistor is the dominating factor. As a rule, skin effect tends to increase the reactance with frequency, while the capacitance between turns



**EQUIVALENT CIRCUIT OF A RESISTOR**



**EQUIVALENT CIRCUIT OF A RESISTOR AT A PARTICULAR FREQUENCY**

Figure 5

of a wirewound resistor, or capacitance between the granules of a composition resistor tends to cause the reactance and resistance to drop with frequency. The behavior of various types of composition resistors over a

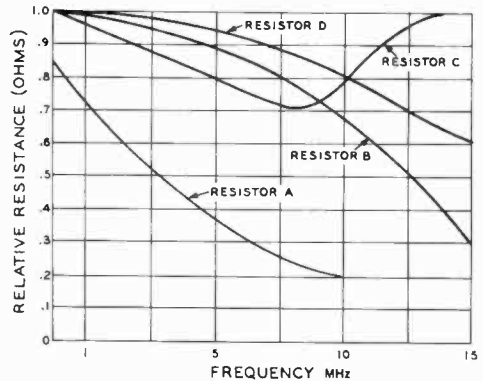


Figure 6

**FREQUENCY EFFECTS ON SAMPLE COMPOSITION RESISTORS**

large frequency range is shown in figure 6. By proper component design, noninductive resistors having a minimum of residual reactance characteristics may be constructed. Even these have reactive effects that cannot be ignored at high frequencies.

Wirewound resistors act as low-Q inductors at radio frequencies. Figure 7 shows typical curves of the high-frequency characteristics of cylindrical wirewound resistors. In addition to resistance variations wirewound resistors exhibit both capacitive and inductive reactance, depending on the type

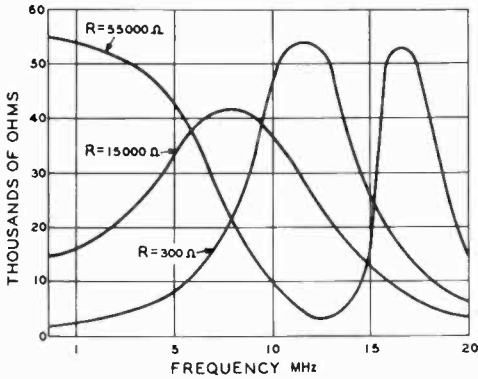


Figure 7

### CURVES OF THE IMPEDANCE OF WIRE WOUND RESISTORS AT RADIO FREQUENCIES

of resistor and the operating frequency. In fact, such resistors perform in a fashion as low- $Q$  r-f chokes below their parallel self-resonant frequency.

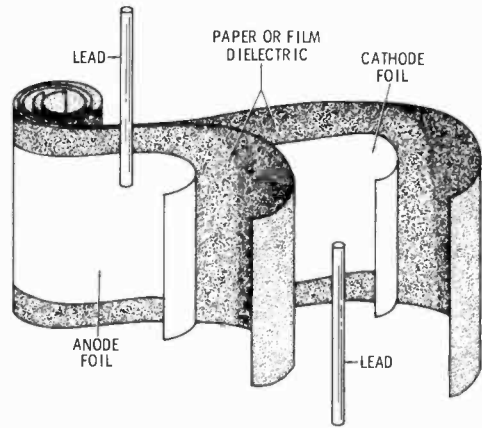


Figure 8

### THE CAPACITOR

The capacitor is a device which stores and releases electrical energy. In its simplest form it consists of a layer of insulation (dielectric) sandwiched between two metallic plates, or foils. Leads are attached to the foils for external connections. The inexpensive bypass capacitors use either paper or film for the dielectric.

## 17-2 The Capacitor

A *capacitor* is a device which stores and releases electrical energy. In its simplest form it consists of a layer of insulation or dielectric sandwiched between two metallic plates, or foils. The plates are oppositely charged and the electrical energy is stored in the polarized dielectric (figure 8).

The property of capacitance depends directly on the area of the plates, or foils, a product of dielectric constant and area, and is inversely proportional to the separation of the plate surfaces. Capacitance changes with temperature, frequency and dielectric age.

The two basic capacitor designs are fixed and variable units. Fixed capacitors are classified according to their dielectric material. *Mica* is a natural dielectric and has a dielectric constant averaging about 6.85. High quality mica fixed capacitors have very high dielectric strength and a sheet having a thickness of .001 inch has a breakdown potential of about 2000 volts. Mica capacitors are commonly used in high power r-f applications. Most fixed mica capacitors are planar devices with the mica

sandwiched between foil; in others the mica is metallized (silver mica).

*Glass* is an important dielectric and is superior to mica in many ways. The quality can be controlled more closely and there are no irregularities in a good glass dielectric. Layers of aluminum foil and glass can be interleaved and fused to form a monolithic capacitor having excellent resistance to moisture. *Vitreous enamel* is sometimes employed as a substitute dielectric for glass.

Inexpensive bypass capacitors use *paper* as a dielectric. The paper is often impregnated with mineral oil to improve the insulation and breakdown characteristics.

*Organic film* capacitors provide better and more reliable operation than do the older paper capacitors and these units are replacing the paper units in most applications. The film capacitors provide better insulation and can operate at higher temperatures than the paper counterparts. *Polyester film* (Mylar) is a standard dielectric which can handle peak voltages up to 1000 volts. *Polycarbonate film* is used in precision capacitors which require very high insulation resistance and a low temperature coefficient. *Polystyrene*, *polypropylene*, *poly-*

*sulfone* and *teflon* are also used as thermo-plastic dielectrics in special capacitors.

Mylar is the least expensive and most commonly used film. It has a dielectric constant between 2.8 and 3.5, but this parameter varies widely with temperature. In addition, mylar working voltage must be derated above 85°C. Polystyrene has a linear negative temperature coefficient of about 120 ppm/°C and is often used in temperature compensating capacitors. Maximum operating temperature is 85°C. Polysulfone has high temperature capability but is expensive and unproven in regard to reliability. Teflon works well up to 250°C and has a linear temperature characteristic but suffers from a low dielectric constant.

*Ceramic dielectric capacitors* are widely used in audio and rf circuitry. The inexpensive disc ceramic capacitor is made of *barium titanate* with a silver paste screened on the ceramic wafer to form the electrodes. Firing fixes the electrode to the ceramic and after leads are attached the unit is encapsulated. The general purpose ceramic capacitors have a temperature-capacitance curve that is generally positive below 25°C and negative above that point. *Temperature compensated* ceramic capacitors are available with a wide range of temperature coefficients. *P-types* have a positive temperature change, while *N-types* exhibit negative change. The *NPO* type exhibits virtually no capacitance change over the temperature range of -25°C to +85°C. *Temperature stable* ceramic capacitors are refinements of the *NPO* type, extended out to wider temperature limits.

Layer-built, ceramic *monolithic capacitors* are composed of alternate layers of thin ceramic dielectric and noble metal thick films (figure 9). The structure is fired into a homogeneous block. After firing, the block is cut up to form capacitors. Some are less than a tenth of an inch on a side. These small units are called *chip capacitors* and common varieties are available in capacitances as high as 0.1  $\mu\text{F}$  at 100 volts. The chips are leadless and unencapsulated and are designed to be attached to circuit substrates by solder reflow technique or thermal compression bonding.

The *electrolytic capacitor* is a polarized device consisting of two metallic electrodes separated by an electrolyte. A thin film of

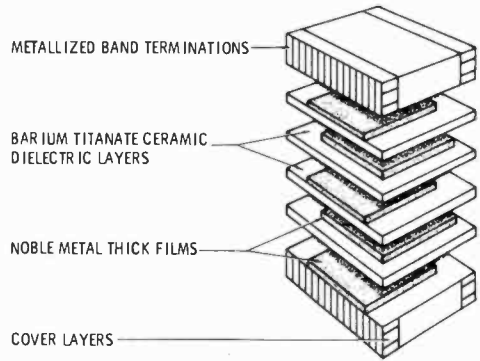


Figure 9

### THE MONOLITHIC LAYER-BUILT CAPACITOR

This capacitor is composed of alternate layers of barium titanate ceramic dielectric and noble metal thick films. The structure is fired into a homogeneous block which is cut up to form individual capacitors. The outer layers are metallized to allow solder connections to the unit.

oxide on the electrodes is produced by chemical (electrolytic) action to form the dielectric (figure 10).

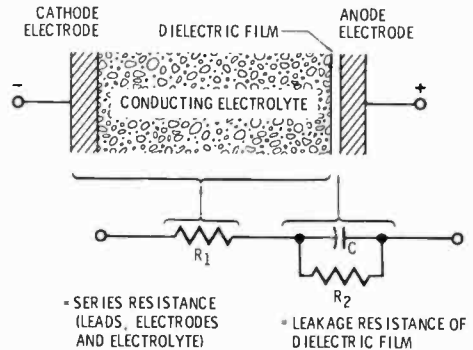


Figure 10

### BASIC CELL AND SIMPLIFIED EQUIVALENT CIRCUIT FOR A POLAR ELECTROLYTIC CAPACITOR

Among capacitors, the electrolytic device has the highest possible capacitance per unit volume. Common types are the *aluminum foil* and the *dry tantalum slug* versions, but there are also wet tantalum foil and slug types available. Foil units, regardless of the base metal, contain a liquid or gel electrolyte between the foil anode and the case that is in continuous contact with the oxide layer

and participates in its formation. The solid, or slug-type capacitor employs a solid semi-conducting electrolyte in place of the liquid or gel, and the anode is a sponge-like porous metal slug. For dry tantalum capacitors, manganese dioxide is used as the electrolyte.

Electrolytic capacitors are classified as either *aluminum oxide* or *tantalum oxide* capacitors. While aluminum foil capacitors are widely used in power supply, high energy storage and smoothing applications, tantalum slug units are used in miniaturized circuits where space is a premium.

The electrolytic capacitor element consists of two foils separated by a dielectric and wound convolutely and sealed in an aluminum can. In order to reduce the series resistance of the capacitor, multiple, parallel connected leads are attached to each foil, reducing the ohmic path to the terminals. Computer grade (*energy storage*) capacitors employ low inductance leads for minimum series resistance and charge/discharge capability.

Dc leakage is a significant factor in the life of an electrolytic capacitor. As the capacitor ages, and leakage increases, internal gasses form which are vented off through a special seal. Reverse voltage also causes excessive gassing. In either case, gassing drives the electrolyte out of the winding, causing a loss of capacitance and an increase in the internal resistance of the capacitor. The useful life of the electrolytic capacitor can be extended by operating the voltage below the maximum rated level, operation at a low temperature and positioning of the unit to permit adequate heat dissipation.

The miniature, epoxy-dipped solid electrolyte *tantalum capacitor* provides long operating life and is hermetically sealed against moisture (figure 11). Outgassing does not occur with this type of device. These compact capacitors are available in ratings up to 680  $\mu\text{F}$  in a voltage range of 3 to 50 volts. The capacitance tolerance is  $\pm 20\%$ .

**Capacitor Inductance** The inherent *residual* characteristics of capacitors include series resistance, series inductance and shunt resistance, as shown in figure 12. The series resistance and inductance depend to a large extent on the physi-

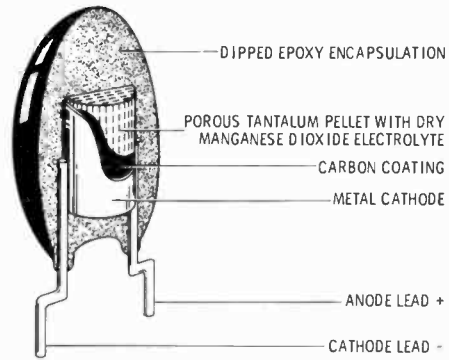


Figure 11

### MINIATURE EPOXY-DIPPED TANTALUM CAPACITOR

This dry electrolytic is hermetically sealed and is designed for insertion in printed-circuit boards.

cal configuration of the capacitor and on the material from which it is composed. Of great interest to the amateur constructor is the series inductance of the capacitor. At a certain frequency the series inductive reactance of the capacitor and the capacitive reactance are equal and opposite, and the capacitor is in itself series resonant at this frequency. As the operating frequency of the circuit in which the capacitor is used

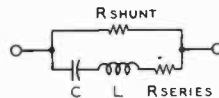


Figure 12

### EQUIVALENT CIRCUIT OF A CAPACITOR

is increased above the series-resonant frequency, the effectiveness of the capacitor as a bypassing element deteriorates until the unit is useless.

When considering the design of transmitting equipment, it must be remembered that while the transmitter is operating at some relatively low frequency (for example, 7 MHz), there will be harmonic currents flowing through the various bypass capacitors of the order of 10 to 20 times the operating frequency. A capacitor that behaves properly at 7 MHz however, may offer considerable impedance to the flow of these harmonic currents. For minimum harmonic generation and radiation, it is obviously of greatest im-



portance to employ bypass capacitors having the lowest possible internal inductance.

*Mica-dielectric* capacitors have much less internal inductance than do most paper capacitors. Figure 13 lists self-resonant frequencies of various mica capacitors having various lead lengths. It can be seen from inspection of this table that most mica capacitors become self-resonant in the 12- to 50-MHz region. The inductive reactance they would offer to harmonic currents of 100 MHz, or so, would be of considerable magnitude. In certain instances it is possible to deliberately series-resonate a mica capacitor to a certain frequency somewhat below

CAPACITOR		LEAD LENGTHS	RESONANT FREQ.
.02	$\mu$ F MICA	NONE	44.5 MHz
.002	$\mu$ F MICA	NONE	23.5 MHz
.01	$\mu$ F MICA	1/4"	10 MHz
.0009	$\mu$ F MICA	1/4"	55 MHz
.002	$\mu$ F CERAMIC	5/8"	24 MHz
.001	$\mu$ F CERAMIC	1/4"	55 MHz
500	pF BUTTON	NONE	220 MHz
.0005	$\mu$ F CERAMIC	1/4"	90 MHz
.01	$\mu$ F CERAMIC	1/2"	14.5 MHz

Figure 13

### SELF-RESONANT FREQUENCIES OF VARIOUS CAPACITORS WITH RANDOM LEAD LENGTH

its normal self-resonant frequency by trimming the leads to a critical length. This is sometimes done for maximum bypassing effect in the region of 40 to 60 MHz.

The *button-mica* capacitors shown in figure 14 are especially designed to have extremely low internal inductance. Certain types of button-mica capacitors of small physical size have a self-resonant frequency in the region of 600 MHz.

*Ceramic-dielectric* capacitors in general have the lowest amount of series inductance per unit of capacitance of these three universally used types of bypass capacitors. Typical resonant frequencies of various ceramic units are listed in figure 13. Ceramic capacitors are available in various voltage and capacitance ratings and different physical configurations. Standoff types such as shown in figure 14 are useful for bypassing socket and transformer terminals. Two of these capacitors may be mounted in close proximity on a chassis and connected together by an r-f choke to form a highly effective r-f

filter. The inexpensive *disc* type of ceramic capacitor is recommended for general bypassing in r-f circuitry, as it is effective as a bypass unit to well over 100 MHz.

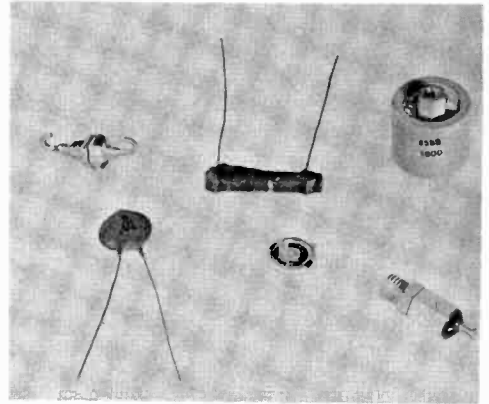


Figure 14

### TYPES OF CERAMIC AND MICA CAPACITORS SUITABLE FOR HIGH-FREQUENCY BYPASSING

The Centralab 858 S (1000 pF) is recommended for screen and plate circuits of tetrode tubes.

The large TV *doorknob* capacitors are useful as by-pass units for high voltage lines. These capacitors have a value of 500 pF, and are available in voltage ratings up to 40,000 volts. The dielectric of these capacitors is usually titanium dioxide. This material exhibits piezoelectric effects, and capacitors employing it for a dielectric will tend to "talk-back" when a-c voltages are applied across them.

An important member of the varied line of capacitors is the *coaxial*, or *Hy-pass*, type of capacitor. These capacitors exhibit superior bypassing qualities at frequencies up to 200 MHz and the bulkhead type is especially effective when used to filter leads passing through partition walls between two stages.

**Variable Air Capacitors** Even though air is the perfect dielectric, air capacitors exhibit losses because of the inherent resistance of the metallic parts that make up the capacitor. In addition, the leakage loss across the insulating supports may become of some consequence at high frequencies. Of greater concern is the inductance of the ca-

capacitor at high frequencies. Since the capacitor must be of finite size, it will have tie rods, metallic braces, and end plates; all of which contribute to the inductance of the unit. The actual amount of the inductance will depend on the physical size of the capacitor and the method used to make contact to the stator and rotor plates. This inductance may be cut to a minimum value by using as small a capacitor as is practical, by using insulated tie rods to prevent the formation of closed inductive loops in the frame of the unit, and by making connections to the centers of the plate assemblies rather than to the ends as is commonly done. A large transmitting capacitor may have an inherent inductance as large as 0.1 microhenry, making the capacitor susceptible to parasitic resonances in the 50- to 150-MHz range of frequencies.

The question of optimum C/L ratio and capacitor plate spacing is covered in Chapter Eleven. For all-band operation of a high-power stage, it is recommended that a capacitor just large enough for 40-meter operation be chosen. (This will have sufficient capacitance for operation on all higher-frequency bands.) Then use fixed padding capacitors for operation on 80 meters. Such padding capacitors are available in air, ceramic, and vacuum types.

Specially designed variable capacitors are recommended for uhf work; ordinary capacitors often have "loops" in the metal frame which may resonate near the operating frequency.

## 17-3 Wire and Inductors

**Wire Leads** Any length of wire, no matter how short, has a certain value of inductance. This property is of great help in making coils and inductors, but may be of great hindrance when it is not taken into account in circuit design and construction. Connecting circuit elements (themselves having residual inductance) together with a conductor possessing additional inductance can often lead to puzzling difficulties. A piece of No. 10 copper wire ten inches long (a not uncommon length for a plate lead in an amplifier) can have a self-inductance of 0.15 microhenry. This inductance and that of the plate tuning capacitor together

with the plate-to-ground capacity of the vacuum tube can form a resonant circuit which may lead to parasitic oscillations in the vhf regions. To keep the self-inductance at a minimum, all r-f carrying leads should be as short as possible and should be made out of as heavy material as possible.

At the higher frequencies, solid enameled copper wire is most efficient for r-f leads. Tinned or stranded wire will show greater losses at these frequencies. Tank-coil and tank-capacitor leads should be of heavier wire than other r-f leads.

The best type of flexible lead from the envelope of a tube to a terminal is thin copper strip, cut from thin sheet copper. Heavy, rigid leads to these terminals may crack the envelope glass when a tube heats or cools.

Wires carrying only audio frequencies or direct current should be chosen with the voltage and current in mind. Some of the low-filament-voltage transmitting tubes draw heavy current, and heavy wire must be used to avoid voltage drop. The voltage is low, and hence not much insulation is required. Filament and heater leads are usually twisted together. An initial check should be made on the filament voltage of all tubes of 25 watts or more plate dissipation rating. This voltage should be measured right at the tube sockets. If it is low, the filament-transformer voltage should be raised. If this is impossible, heavier or parallel wires should be used for filament leads, cutting down their length if possible.

Coaxial cable may be used for high-voltage leads when it is desirable to shield them from r-f fields. RG-8 U cable may be used at dc potentials up to 8000 volts, and the lighter RG-58/U may be used to potentials of 3000 volts. Spark plug-type high-tension wire may be used for unshielded leads, and will withstand 10,000 volts.

If this cable is used, the high-voltage leads may be cabled with filament and other low-voltage leads. For high-voltage leads in low-power excitors, where the plate voltage is not over 450 volts, ordinary radio hookup wire of good quality will serve the purpose.

No r-f leads should be cabled; in fact it is better to use enameled or bare copper wire for r-f leads and rely on spacing for insulation. All r-f joints should be soldered, and the joint should be a good mechanical junction before solder is applied.

**The Inductor** The *inductor* is an electric coil that stores and releases magnetic energy in the field about the coil. When the flow of current through the coil is varied, the resulting change in the magnetic field about the coil induces a voltage in the coil which opposes the supply voltage. This results in the coil having self inductance. The amount of inductance of a coil depends upon the number, size and arrangement of the turns forming the coil and the presence or absence of magnetic substances in the core of the coil.

Coils are classified according to the coil material and the type of winding. The *solenoid*, or *single-layer* winding is the simplest device, whereas a *multilayer wound* coil provides more inductance per unit of volume as compared to the solenoid. The *pi*, or *universal winding* provides a larger value of inductance per unit of volume. The coil material, in any case, may be either magnetic or nonmagnetic. *Adjustable inductors* are made by the addition of a moveable core which can be inserted or withdrawn from the inductor body. When

inductance range is important, *ferrite* or other high permeability powdered core material is used, when stability is more important, a lower permeability core material is used. *Ceramic* core material is often used to approximate an *air-core inductor*, providing an electrically stable winding platform.

Air-core inductors are used for r-f chokes and tuned circuits in modern communication equipment. Coil specification is difficult because of the fact that inductors, unlike resistors, capacitors and transistors, cannot be labeled as producing a particular electrical characteristic when placed in a circuit as the frequency at which a coil is tested affects its inductance as well as its *Q*, or figure of merit. Also, the inductor has a great many independently variable characteristics, such as *distributed capacitance*, resistance, impedance, etc. In the main, the inductor is evaluated for *Q* at the chosen frequency of operation and when placed in its operating position.

Physically small inductors can be coated with a waxlike substance to protect the

TABLE 1 AIRWOUND INDUCTORS

AIRWOUND INDUCTORS									
COIL DIA. INCHES	TURNS PER INCH	B & W	AIR DUX	INDUCTANCE $\mu H$	COIL DIA. INCHES	TURNS PER INCH	B & W	AIR DUX	INDUCTANCE $\mu H$
1/2	4	3001	404T	0.18	1 1/4	4	—	1004	2.75
	6	—	406T	0.40		6	—	1006	6.30
	8	3002	408T	0.72		8	—	1008	11.2
	10	—	410T	1.12		10	—	1010	17.5
	18	3003	418T	2.90		16	—	1016	42.5
5/8	32	3004	432T	12.0	4	—	1204	3.9	
	4	3005	504T	0.26	6	—	1206	6.6	
	6	—	506T	0.62	8	—	1208	15.6	
	8	3006	508T	1.1	10	—	1210	24.5	
	10	—	510T	1.7	16	—	1216	63.0	
3/4	18	3007	518T	4.4	4	—	1404	5.2	
	32	3008	532T	18.0	6	—	1406	11.6	
	4	3009	604T	0.39	8	—	1408	21.0	
	6	—	606T	0.87	10	—	1410	33.0	
	8	3010	608T	1.57	16	—	1416	65.0	
1	10	—	610T	2.45	4	—	1604	6.6	
	18	3011	618T	6.40	6	—	1606	15.0	
	32	3012	632T	26.0	8	—	1608	26.5	
	4	3013	804T	1.0	10	3907-1	1610	42.0	
	6	—	806T	2.3	16	—	1616	108.0	
1	8	3014	808T	4.2	4	—	2004	10.1	
	10	—	810T	6.6	6	3905-1	2006	23.0	
	18	3015	818T	16.6	8	3906-1	2008	41.0	
	32	3016	832T	66.0	10	—	2010	106.0	
	1	4	—	—	—	2 1/2	4	—	2404
6		—	—	—	6		—	2406	31.5
8		—	—	—	8		—	2408	56.0
10		—	—	—	10		—	2410	89.0

NOTE:  
COIL INDUCTANCE APPROXIMATELY  
PROPORTIONAL TO LENGTH, I.E., FOR 1/2  
INDUCTANCE VALUE, TRIM COIL TO 1/2 LENGTH.

winding from damage and encapsulation of the inductor in a plastic case resembling a composition resistor is common. The less expensive small inductors are machine wound on a plastic form, with an exposed winding. Open windings have the least environmental protection and more expensive units are either encapsulated or hermetically sealed and metal-encased. Temperature coefficients for air inductors generally vary from 150 to 300 ppm/°C. Inductance tolerances are commonly  $\pm 20\%$  for values up to 1  $\mu\text{H}$  and  $\pm 10\%$  above this value. The more expensive moulded inductors have a tolerance as close as 1%.

**Application By Frequency** Low frequency (below 100 kHz) inductors are commonly wound with solid wire, often on a laminated iron core. However above 10 kHz fine, stranded (Litz) wire is often used to improve coil  $Q$  by reducing the series dc resistance. In the medium frequency region (100 kHz to 3 MHz) solid wire is used for the majority of small inductors and ferrite cores are employed to achieve high  $Q$  in a small volume. Above 3 MHz, inductors are generally space wound with solid wire to achieve a high order of  $Q$ . Ferrite core material is often used, as discussed later. Above 30 MHz, it is common practice to use nonferrous core material, such as brass or copper, with a silver plating to reduce r-f losses. This type of core permits adjustment of the inductance but introduces losses similar to those caused by a shorted turn.

**Toroidal Inductors** A toroidal (doughnut-shaped) coil represents a near-perfect inductor as the magnetic field is almost wholly confined in the space enclosed by the winding. The majority of flux lines are therefore contained within the toroid. Stray magnetic fields from external sources have a minimal effect on a toroidal inductor and they may be stacked or mounted adjacent to other components. In most cases, shielding is not required, as the self-shielding feature permits a high value of  $Q$  to be maintained regardless of the environment.

Toroids can be used over the full spectrum from dc to the uhf region, but the

widest application is in the audio range. The coils are extensively used in electric wave filters and phase shifting devices. A governing field for toroids is in hf and vhf circuitry, especially with regards to low impedance circuits involving solid state devices.

Toroids may be classified according to core material and permeability. In general, the higher the core permeability, the fewer will be the number of coil turns for a given value of inductance, and the lower will be the maximum frequency of use (figure 15). Permeability ratings of 3 to 1500 are available in toroidal forms. For example, a core having a permeability of 125 may be rated for operation over the range of 200 kHz to 10 MHz, a permeability of 40 may be rated from 15 to 50 MHz and a permeability of 15 may be rated over the range of 50 to 250 MHz. At the lower frequencies (below 200 kHz) permeability values of 300 to 1500 are common.

Among the various core materials used in toroidal inductors are *magnetic steel* (*hypersil*) and *powder and ceramic materials*. Steel tape cores are used for low frequency applications in power supplies and inverters. Powder cores include *ferrite* (nickel-zinc), *carbonyl iron* and *molybdenum-permalloy* materials. Ferrite cores are popular in hf and vhf transmitting circuitry and have been used for r-f transformer application up to the 50 kilowatt power level.

The ferrite power rating depends upon the effectiveness of the core cooling as the thermal conductivity of ferrite material is quite low. The ferrite retains its magnetic properties up to the point at which the permeability drops sharply (the *Curie point*), but the working temperature is limited to a much lower value. At some operating temperature, the amount of heat extracted from the ferrite does not equal the heat created by power loss and the ferrite temperature increases rapidly. This point is known as the *runaway temperature*. In general, the maximum safe operating temperature of a ferrite core is limited to 60°C.

**Radio-Frequency Chokes** *R-f chokes* may be considered to be special inductances designed to have a high value of impedance over a large range of frequencies. A practical r-f choke has inductance, distributed capacitance, and

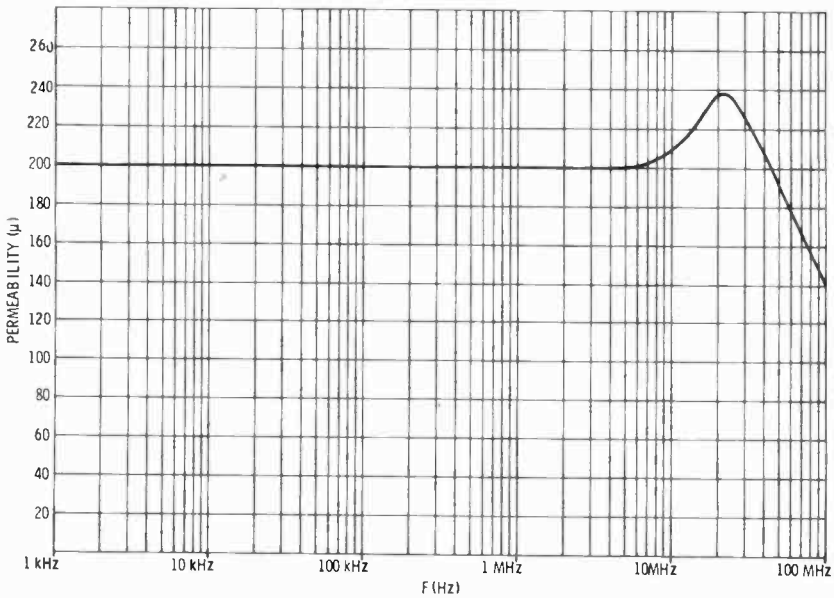


Figure 15

**PERMEABILITY CURVE OF FERRITE CORE**

Upper working frequency of ferrite core is defined by a drop in core permeability. This core material is rated to 10 MHz and has a nominal permeability rating of 200.

resistance. At low frequencies, the distributed capacitance has little effect and the electrical equivalent circuit of the r-f choke is as shown in figure 16A. As the operating frequency of the choke is raised the effect of the distributed capacitance becomes more evident until at some particular frequency the distributed capacitance resonates with the inductance of the choke and a parallel-resonant circuit is formed. This point is shown in figure 16B. As the frequency of operating is further increased the overall reactance of the choke becomes capacitive, and finally a point of series resonance is reached (figure 16C). This cycle repeats

itself as the operating frequency is raised above the series-resonant point, the impedance of the choke rapidly becoming lower on each successive cycle. A chart of this action is shown in figure 17. It can be seen that as the r-f choke approaches and leaves a condition of series resonance, the performance of the choke is seriously impaired. The condition of series resonance may easily be found by shorting the terminals of the r-f choke in question with a piece of wire and exploring the windings of the choke with a grid-dip oscillator. Most commercial transmitting-type chokes have series resonances in the vicinity of 11 or 24 MHz.

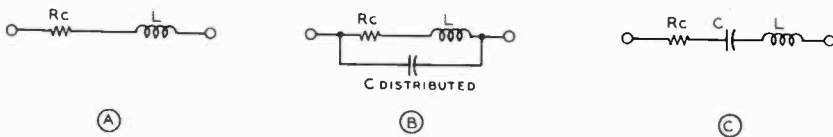


Figure 16

**ELECTRICAL EQUIVALENT OF R-F CHOKE AT VARIOUS FREQUENCIES**

**High Power R-F Chokes** By observing the series-resonant frequency of the choke, a homemade, high power r-f choke may be made very inexpensively. Representative designs are listed in Table 2. The first choke covers the 7.0- to 30-MHz frequency region with the first series resonance at 43 MHz. The choke is rated for an operating potential of 5 kV and a maximum dc current of 2 amperes. The second choke covers the 3.5- to 30-MHz region, with the exception of the series-resonance frequency near 25 MHz. The choke is rated for 3 kV at 1 ampere. The third choke is designed for the 21- to 54-MHz region with a series resonance near 130 MHz. It has the same voltage and current ratings as the second choke.

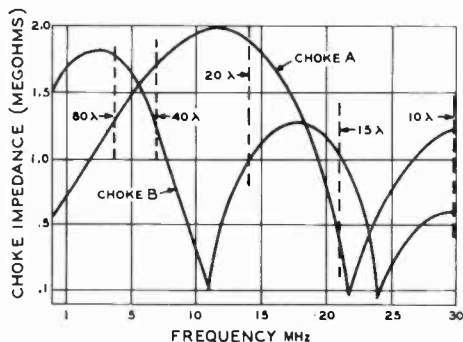
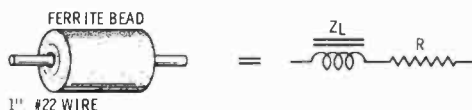


Figure 17

### FREQUENCY-IMPEDANCE CHARACTERISTICS FOR TYPICAL PIE-WOUND R-F CHOKES

**Ferrite "Beads"** Small, hollow sections of ferrite material can serve as an effective r-f choke when slipped over a conductor (figure 18). Unwanted, harmonic currents create a magnetic field about the conductor and, as the field cuts the ferrite material, the local impedance rises rapidly, creating the effect of an r-f choke in that immediate area (figure 19). At the lower frequencies, where the permeability of the bead is low, there is almost no impedance to the flow of current. By stringing one or more ferrite beads on a conductor, good high frequency isolation between stages is easily achieved.

Electrically equivalent to an r-f choke, these tiny devices offer a convenient, simple and inexpensive method of obtaining effective r-f decoupling at the higher frequencies.



FREQ. (MHz)	R (Ω)	Z <sub>L</sub> (Ω)
50	53	+j45
100	95	+j50
200	230	+j80
250	350	+j120

Figure 18

### THE FERRITE BEAD INDUCTOR

The ferrite bead, slipped over a wire, acts as an r-f choke to harmonic currents flowing on the wire. The equivalent series impedance of a ferrite bead placed on a #22 wire is shown above. Bead is Ferroxcube K5-001-00/3B.

Table 2. HF Radio-Frequency Chokes for Power Amplifiers

4000-Watt Peak Rating	
<b>7-30 MHz:</b>	90 turns #18 Formex, close-wound, about 4 1/8" long on 3/4" diam. × 6 1/2" long teflon form. Series resonant at 43 MHz (32μH).
<b>14-54 MHz:</b>	43 turns #16 Formex space-wound wire diameter, about 4 1/8" long on 3/4" diam. × 6 1/2" long Teflon form. Series resonant at 96 MHz (15μH) It is suggested that the form be grooved on a lathe for ease in winding.
2000-Watt PEP Rating	
<b>3.5-30 MHz:</b>	110 turns #26e., space-wound wire diameter, about 4" long on 1" diam. × 6" long ceramic form. Series resonant at 25 MHz. (78μH).
<b>21-54 MHz:</b>	48 turns #26e., space-wound wire diameter, about 1 1/2" long on 1/2" × 3" long ceramic form. Or Air-Dux 432-T (B & W 3004) on wood form. Series resonant near 130 MHz. (75μH.)

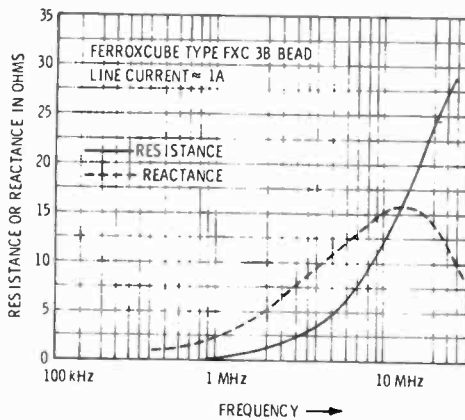


Figure 19

### IMPEDANCE OF FERRITE BEAD AS A FUNCTION OF FREQUENCY

Ferrite bead functions as effective r-f choke in low-impedance circuits in the hf and vhf regions. One or more beads can be strung on a conductor to achieve isolation of harmonic currents.

## 17-4 Insulators

An insulator is a substance which has high resistivity to electric current flow. The characteristics of an insulator include dielectric strength, dielectric constant, dissipation factor, resistivity, and arc resistance.

The *dielectric strength* is the voltage gradient across the material at which electric failure results. It is expressed in volts per unit of thickness and failure results in an excess flow of current and possible destruction of the material.

The *dielectric constant* is the ratio of the capacitance formed by the plates of a capacitor with some insulating material between them and the capacitance when the plates are in a vacuum. The *dissipation factor* is the ratio between the parallel resistance and the parallel reactance, (see figure 11, Chapter 3) and is directly related to the energy dissipation in the capacitor.

The *resistivity* is the ratio between the voltage applied to an insulator and the current flowing in it. Resistivity is sensitive to temperature, humidity, surface cleanliness, and surface contour. *Arc resistance* is a measure of insulator surface breakdown

caused by an arc that tends to form a conducting path.

Thermal properties of insulators are important in electronic equipment that often operates at an elevated temperature. Generally speaking, resistivity decreases as temperature increases. Dissipation factor and dielectric constant increase under this condition. In the case of some plastics, physical stability decreases with increasing temperature. Physical and electrical stability are often indicated by a continuous-use temperature figure given for the insulator.

## 17-5 Relays

A relay is an electrically operated switch which permits current flow as a result of contact closure, or prohibits the flow during the open-contact state. Relays are also used as protection devices and for time-delay or multiple circuit operation.

A basic relay is shown in figure 20. A pivoted armature is held in position by a spring, holding the armature contact in the normally open position. When the magnetic coil is energized, the moving contact is pressed against the lower contact and the circuit is closed. Standard relays range from single pole, single throw to eight pole, double throw. The usual relay breaks the upper contact before it makes the lower contact, however, certain designs provide make-before-break sequence.

The size and material of the relay contacts are determined by the circuit requirements, usually the amount of current that will pass through the contacts. The possibility of contacts sticking is greater when making than when breaking. An inductive load presents problems, as there may be high values of current flowing during the make and break relay sequence. When the inductive load is switched off, for example, the sudden collapse of the magnetic field around the inductive load produces a very high transient voltage which can cause excessive sparking at the relay contact. A capacitive load can produce high current surges which may cause pitting and burning of the relay contacts. Tungsten carbide, mercury-wetted,

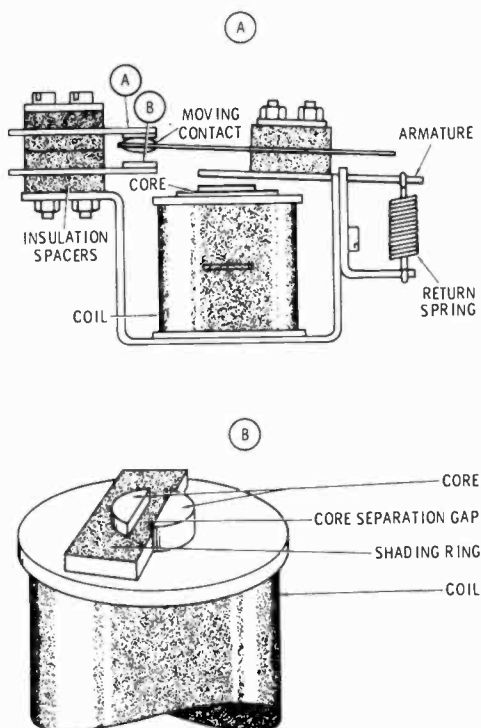


Figure 20  
THE BASIC RELAY

A—The relay consists of a pivoted armature held in position by a spring. When the magnetic coil is energized, the armature moves toward the magnet, transferring the electrical circuit from the upper contact (A) to the lower contact (B). B—Relay designed for alternating current is equipped with a copper shading ring mounted above the coil to eliminate hum and chatter caused by current variations through the coil.

or silver contacts are often used to allow good contact life.

The relay coil uses a relatively small current and coils are generally designed for 6, 12, 24, 48, or 115 volts dc and ac. Ac relay coils come equipped with copper shading ring to eliminate hum, a problem encountered because of current variations through the coil (figure 20B).

The miniature *reed relay* has recently been introduced into amateur equipment, particularly in keying circuits. The basic reed relay is a normally open switch consisting of two ferromagnetic reeds, each of which is sealed in the end of a glass tube. The reeds

are positioned with their ends overlapping about  $\frac{1}{16}$ -inch and are separated by a gap of about .01-inch. When a magnetic field is introduced to the switch, the reeds become flux carriers, the overlapping ends assume opposite magnetic polarities, and attract each other, making electrical contact.

The amount of power required to actuate a reed relay is typically 125 milliwatts. The more power that is applied, the faster the reeds will close, until the saturation point of the reeds is reached. Maximum operating time is about 0.8 ms. Contact bounce is increased when the reed relay is driven hard, so speed is dependent on permissible bounce. Standard contact material is gold, with the more expensive relays having mercury-wetted contacts. Relay operation over a temperature range of  $-65^{\circ}\text{C}$  to  $+85^{\circ}\text{C}$  is common.

The *static relay* has no moving parts to perform the switching function. This device utilizes solid-state components to provide isolation between the signal and load circuits and provides a high ratio of off to on impedance in the controlled circuit. The static relay eliminates the mechanical problems of the electromagnetic relay but does not provide the degree of isolation between input and output circuits inherent in the older device. In addition, static relays often produce electromagnetic interference and can be temperature sensitive.

## 17-6 Grounds

At frequencies of 30 MHz and below, a chassis may be considered as a fixed ground reference, since its dimensions are only a fraction of a wavelength. As the frequency is increased above 30 MHz, the chassis must be considered as a conducting sheet on which there are points of maximum current and potential. However, for the lower amateur frequencies, an object may be assumed to be at ground potential when it is affixed to the chassis.

In transmitter stages, two important current loops exist. One loop consists of the input circuit and chassis return, and the other loop consists of the output circuit and chassis return. These two loops are shown in figure 21. It can be seen that the chassis forms a return for both the input and output cir-



circuits, and that *ground currents* flow in the chassis toward the cathode circuit of the stage. For some years the theory has been to separate these ground currents from the chassis by returning all ground leads to one

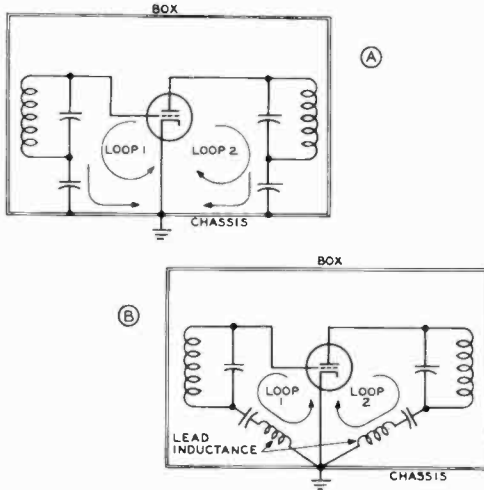


Figure 21

### GROUND LOOPS IN AMPLIFIER STAGES

- A. Using chassis return
- B. Common ground point

point, usually the cathode of the tube for the stage in question. This is well and good if the ground leads are of minute length and do not introduce cross couplings between the leads. Such a technique is illustrated in figure 21B, wherein all stage components are grounded to the cathode pin of the stage socket. However, in transmitter construction the physical size of the components prevent such close grouping. It is necessary to spread the components of such a stage over a fairly large area. In this case it is best to ground items directly to the chassis at the nearest possible point, with short, direct grounding leads. The ground currents will flow from these points through the low inductance chassis to the cathode return of the stage. Components grounded on the top of the chassis have their ground currents flow through holes to the cathode circuit which is usually located on the bottom of the chassis, since such currents travel on the surface of the chassis. The usual "top to bottom" ground path is through the hole cut in the

chassis for the tube socket. When the gain per stage is relatively low, or there are only a small number of stages on a chassis this universal grounding system is ideal. It is only in high gain stages (i-f strips) where the "gain per inch" is very high that circulating ground currents will cause operational instability.

### Intercoupling of Ground Currents

It is important to prevent intercoupling of various different ground currents when the chassis is used as a common ground return. To keep this intercoupling at a minimum, the stage should be completely shielded. This will prevent external fields from generating spurious ground currents, and prevent the ground currents of the stage from upsetting the action of nearby stages. Since the ground currents travel on the surface of the metal, the stage should be enclosed in an electrically tight box. When this is done, all ground currents generated inside the box will remain in the box. The only possible means of escape for fundamental and harmonic currents are imperfections in this electrically tight box. Whenever we bring a wire lead into the box, make a ventilation hole, or bring a control shaft through the box we create an imperfection. It is important that the effect of these imperfections be reduced to a minimum.

## 17-7 Holes, Leads, and Shafts

Large size holes for ventilation may be put in an electrically tight box provided they are properly screened. Perforated metal stock having many small, closely spaced holes is the best screening material. Copper wire screen may be used provided the screen wires are bonded together every few inches. As the wire corrodes, an insulating film prevents contact between the individual wires, and the attenuation of the screening suffers. The screening material should be carefully soldered to the box, or bolted with a spacing of not less than two inches between bolts. Mating surfaces of the box and the screening should be clean.

A screened ventilation opening should be roughly three times the size of an equivalent

unscreened opening, since the screening represents about a 70 percent coverage of the area. Careful attention must be paid to equipment heating when an electrically tight box is used.

Commercially available panels having half-inch ventilating holes may be used as part of the box. These holes have much less attenuation than does screening, but will perform in a satisfactory manner in all but the areas of weakest TV reception. If it is desired to reduce leakage from these panels to a minimum, the back of the grill must be covered with screening tightly bonded to the panel.

Doors may be placed in electrically tight boxes provided there is no r-f leakage around the seams of the door. Electronic weatherstripping or metal "finger stock" may be used to seal these doors. A long, narrow slot in a closed box has the tendency to act as a slot antenna and harmonic energy may pass more readily through such an opening than it would through a much larger circular hole.

Variable-capacitor or switch shafts may act as antennas, picking up currents inside the box and re-radiating them outside of the box. It is necessary either to ground the shaft securely as it leaves the box, or else to make the shaft of some insulating material.

A two- or three-inch panel meter causes a large leakage hole if it is mounted in the wall of an electrically tight box. To minimize leakage, the meter leads should be bypassed and shielded. The meter should be encased in a metal shield that makes contact to

shield may be made out of the end of a tin or aluminum can of correct diameter, cut to fit the depth of the meter. This complete shield assembly is shown in figure 22.

Openings for shafts, meters, and ventilation are sources of r-f leakage, and this spurious radiation may be reduced by designing the aperture through which leakage occurs as a waveguide-type attenuator.

A cutoff frequency for any waveguide is the lowest frequency at which propagation occurs without attenuation. Below cutoff, attenuation is a function of guide length and frequency. When an aperture is designed as a *waveguide below cutoff*, shielding efficiencies of a high order are achieved.

Figure 23A shows a set of design curves for circular waveguides ranging from 0.125" to 2" in radius and figure 23B shows curves for rectangular guides up to 4" in width. When the diameter or width of the opening is known, select the maximum frequency at which r-f suppression is desired. Select the appropriate curve from either chart and read attenuation in decibels per inch of length. Making the length of the waveguide three times the diameter for 100 dB of attenuation, and 80 dB with rectangular guides is a useful design shortcut.

As an example a 1" diameter hole is required in an enclosure and 100-dB transmission attenuation through the hole is desired at 100 MHz. From figure 23A attenuation is 32-dB per inch at 100 MHz for radius =  $\frac{1}{2}$ ". The required length is  $100/32 = 3.13$  inches.

#### Pass-Through Leads

Careful attention should be paid to leads entering and leaving the electrically tight box. Harmonic currents generated inside the box can easily flow out of the box on power or control leads, or even on the outer shields of coaxially shielded wires. Figure 24 illustrates the correct method of bringing shielded cables into a box where it is desired to preserve the continuity of the shielding.

Unshielded leads entering the box must be carefully filtered to prevent fundamental and harmonic energy from escaping down the lead. Combinations of r-f chokes and low-inductance bypass capacitors should be used in power leads. If the current in the lead is high, the chokes must be wound of large-gauge wire. Composition resistors may

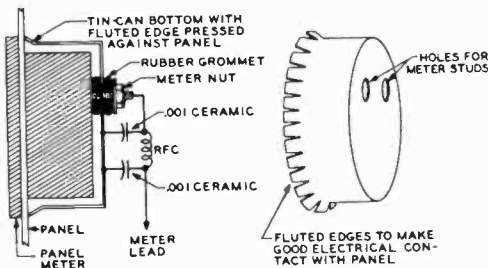


Figure 22

#### SIMPLE METER SHIELD

the box entirely around the meter. The connecting studs of the meter may project through the back of the metal shield. Such a

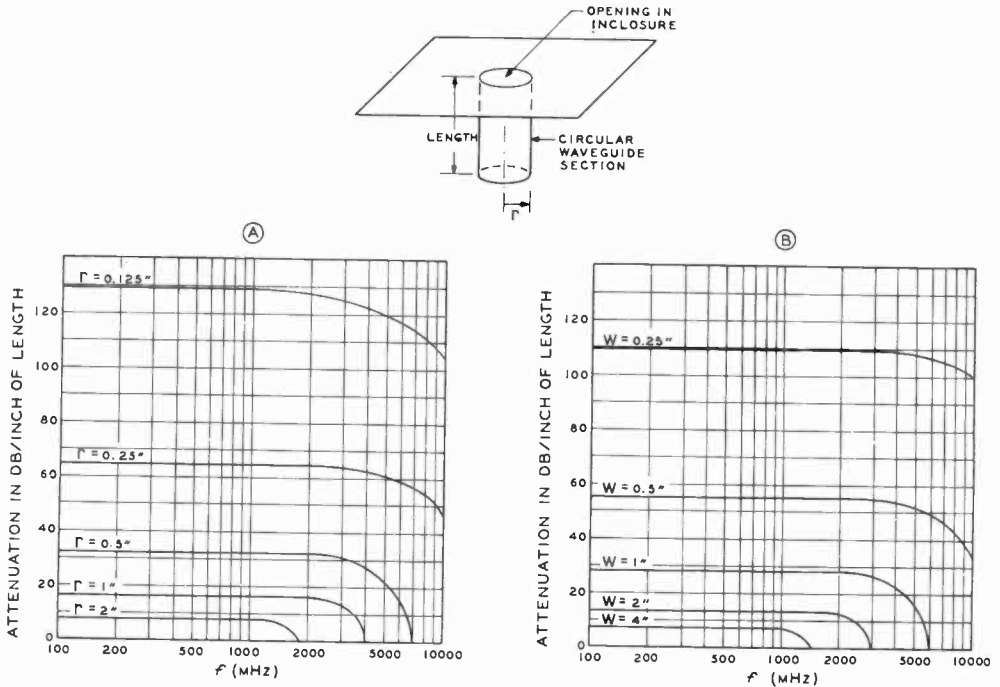


Figure 23

### WAVEGUIDE-BEYOND-CUTOFF INCLOSURE OPENINGS

Waveguide section at inclosure opening can provide improved shielding efficiency. Air passes through the waveguide but r-f attenuated to a greater degree than a simple opening can provide. Chart (A) provides attenuation in decibels/inch for circular waveguide. Chart (B) provides attenuation for rectangular waveguide for  $TE_{10}$  mode. All curves continue horizontally down to 10 MHz.

be substituted for the r-f chokes in high-impedance circuits. Bulkhead or feedthrough type capacitors are preferable when passing a lead through a shield partition. A summary of lead leakage with various filter arrangements is shown in figure 25.

**Internal Leads** Leads that connect two points within an electrically tight box may pick up fundamental and harmonic currents if they are located in a strong field of flux. Any lead forming a closed loop with itself will pick up such currents, as shown in figure 26. This effect is enhanced if the lead happens to be self-resonant at the frequency of the exciting energy. The solution for all of this is to bypass all internal power leads and control leads at each end, and to shield these leads their entire length. All filament, bias, and meter leads should be so

treated. This will make the job of filtering the leads as they leave the box much easier, since normally "cool" leads within the box will not have picked up spurious currents from nearby "hot" leads.

**Chassis Material** From a point of view of electrical properties, aluminum is a poor chassis material. It is difficult to make a soldered joint to it, and all grounds must rely on a pressure joint. These pressure joints are prone to give trouble at a later date because of high resistivity caused by the formation of oxides from electrolytic action in the joint. However, the ease of working and forming the aluminum material far outweighs the electrical shortcomings, and aluminum chassis and shielding may be used with good results provided care is taken

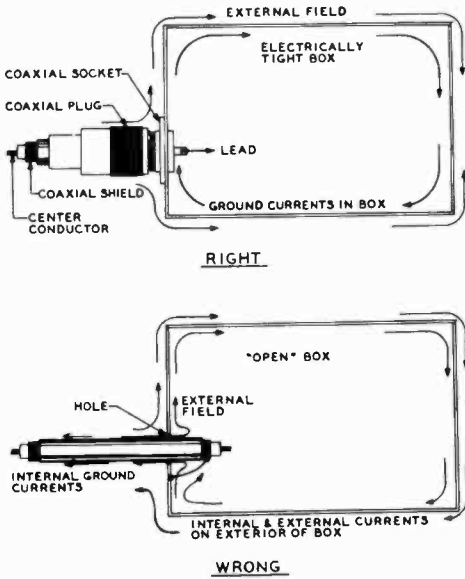


Figure 24

Use of coaxial connectors on electrically tight box prevents escape of ground currents from interior of box. At the same time external fields are not conducted into the interior of the box.

from a corrosion standpoint, but are much more difficult to handle in the home workshop.

### 17-8 Parasitic Resonances

Filament leads within vacuum tubes may resonate with the filament bypass capacitors at some particular frequency and cause instability in an amplifier stage. Large tubes of the 4-1000A and 3-1000Z type are prone to this spurious effect. In particular, an amplifier using .001- $\mu\text{F}$  filament bypass capacitors had a filament resonant loop that fell in the 7-MHz amateur band. When the amplifier was operated near this frequency, marked instability was noted, and the filaments of the tubes increased in brilliance when plate voltage was applied to the amplifier, indicating the presence of r-f in the filament circuit. Changing the filament bypass capacitors to .01  $\mu\text{F}$  lowered the filament resonance frequency to 2.2 MHz and cured this effect. A 1-kV mica capacitor of .01  $\mu\text{F}$  used as a filament bypass capacitor on each filament leg seems to be satisfactory

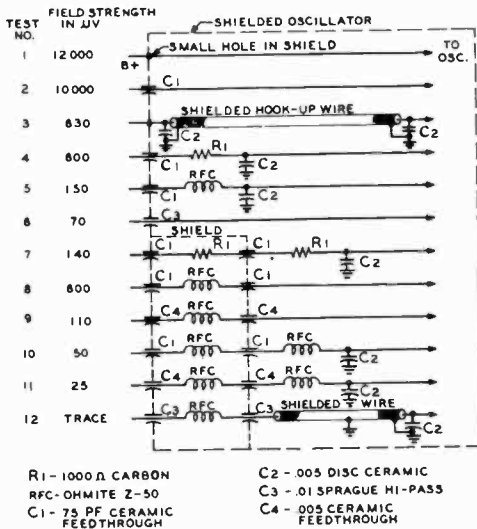
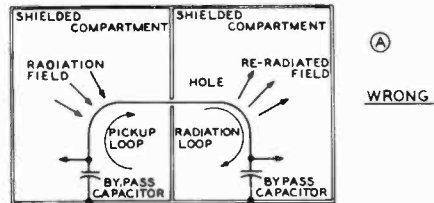


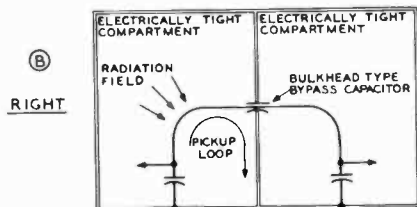
Figure 25

#### LEAD LEAKAGE WITH VARIOUS LEAD-FILTERING SYSTEMS

in making all grounding connections. Cadmium and zinc plated chassis are preferable



#### ILLUSTRATION OF HOW A SUPPOSEDLY GROUND POWER LEAD CAN COUPLE ENERGY FROM ONE COMPARTMENT TO ANOTHER



#### ILLUSTRATION OF LEAD ISOLATION BY PROPER USE OF BULKHEAD BYPASS CAPACITOR

Figure 26

from both a resonant and a TVI point of view. Filament bypass capacitors smaller in value than  $.01 \mu\text{F}$  should be used with caution.

## 17-9 Parasitic Oscillation in R-F Amplifiers

*Parasitics* (as distinguished from *self-oscillation* on the normal tuned frequency of the amplifier) are undesirable oscillations either of very-high or very-low frequencies which may occur in radio-frequency amplifiers.

They may cause spurious signals (which are often rough in tone) other than normal harmonics, hash on each side of a modulated carrier, key clicks, voltage breakdown or flash-over, instability or inefficiency, and shortened life or failure of the tubes. They may be damped and stop by themselves after keying or modulation peaks, or they may be undamped and build up during ordinary unmodulated transmission, continuing if the excitation is removed. They may result from series- or parallel-resonant circuits of all types. Due to neutralizing lead length and the nature of most parasitic circuits, the amplifier usually is not neutralized for the parasitic frequency.

Sometimes the fact that the plate supply is keyed will obscure parasitic oscillations in a final amplifier stage that might be very

severe if the plate voltage were left on and the excitation were keyed.

In some cases, a general coverage receiver will prove helpful in locating vhf spurious oscillations, but it may be necessary to check from several hundred MHz downward in frequency to the operating range. A normal harmonic is weaker than the fundamental but of good tone; a strong harmonic or a rough note at any frequency generally indicates a parasitic.

In general, the cure for parasitic oscillation is twofold: The oscillatory circuit is damped until sustained oscillation is impossible, or it is detuned until oscillation ceases. An examination of the various types of parasitic oscillations and of the parasitic oscillatory circuits will prove handy in applying the correct cure.

**Low-Frequency Parasitic Oscillations** One type of unwanted oscillation often occurs in shunt-fed circuits in which the grid and plate chokes resonate, coupled through the tube's interelectrode capacitance. This also can happen with series feed. This oscillation is generally at a much lower frequency than the operating frequency and will cause additional carriers to appear, spaced from perhaps twenty to a few hundred kHz on either side of the main wave. Such a circuit is illustrated in figure 27. In this case,  $\text{RFC}_1$  and  $\text{RFC}_2$  form the

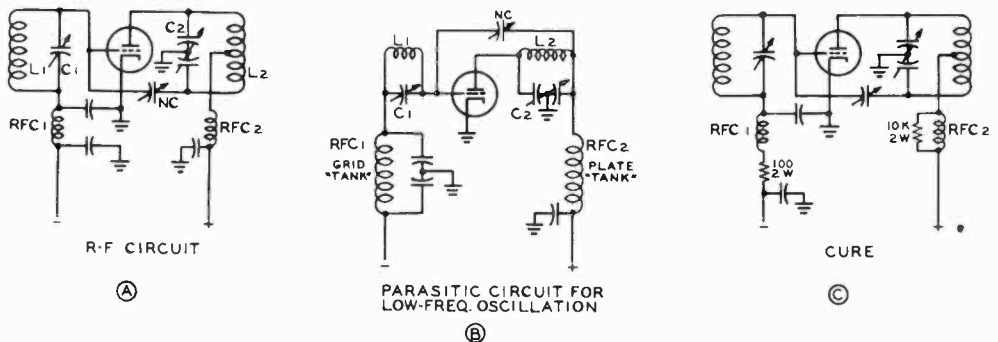


Figure 27

### LOW-FREQUENCY PARASITIC SUPPRESSION

A—Low-frequency parasitic circuit is formed by grid and plate r-f chokes and associated bypass capacitors, as shown at B. Fundamental-frequency tank circuits have little effect on parasitic frequency. C—Parasitic circuits are "de-Q'ed" by addition of either series or parallel resistance until circuit will not sustain oscillation.

grid and plate inductances of the parasitic oscillator. The neutralizing capacitor, no longer providing out-of-phase feedback to the grid circuit, actually enhances the low-frequency oscillation. Because of the low  $Q$  of the r-f chokes, they will usually run warm when this type of parasitic oscillation is present and may actually char and burn up. A neon bulb held near the oscillatory circuit will glow a bright yellow, the color appearing near the glass of the neon bulb and not between the electrodes.

One cure for this type of oscillation is to change the type of choke in either the plate or the grid circuit. This is a marginal cure, because the amplifier may again break into the same type of oscillation when the plate voltage is raised slightly. The best cure is to remove the grid r-f choke entirely and replace it with a wirewound resistor of sufficient wattage to carry the amplifier grid current. If the inclusion of such a resistor upsets the operating bias of the stage, an r-f choke may be used, with a 100-ohm 2-watt carbon resistor in series with the choke to lower the operating  $Q$  of the choke. If this expedient does not eliminate the condition, and the stage under investigation uses a beam-tetrode tube, negative resistance can exist in the screen circuit of such tubes. Try larger and smaller screen bypass capacitors to determine whether or not they have any effect. If the condition is coming from the screen circuit an audio choke with a resistor across it in series with the screen-feed lead will often eliminate the trouble.

Low-frequency parasitic oscillations can often take place in the audio system of a transmitter, and their presence will not be known until the transmitter is checked on a receiver. It is easy to determine whether or not the oscillations are coming from the modulator simply by switching off the modulator supply voltage. If the oscillations are coming from the modulator, the stage in which they are being generated can be determined by removing voltage successively, starting with the first speech amplification stage, until the oscillation stops. When the stage has been found, remedial steps can be taken on that stage.

If the stage causing the oscillation is a low-level speech stage it is possible that the trouble is coming from r-f or power-supply feedback, or it may be coming about as a

result of inductive coupling between two transformers. If the oscillation is taking place in a high-level audio stage, it is possible that inductive or capacitive coupling is taking place back to one of the low-level speech stages.

## 17-10 Elimination of VHF Parasitic Oscillations

Vhf parasitic oscillations are often difficult to locate and difficult to eliminate since their frequency often is only moderately above the desired frequency of operation. But it may be said that vhf parasitics always may be eliminated if the operating frequency is appreciably below the upper frequency limit for the tubes used in the stage. However, the elimination of a persistent parasitic oscillation on a frequency only moderately higher than the desired operating frequency will involve a sacrifice in either the power output or the power sensitivity of the stage, or in both.

Beam-tetrode stages, particularly those using 6146 or TV-style sweep tubes, will almost invariably have one or more vhf parasitic oscillations unless adequate precautions have been taken in advance. Many of the units described in the constructional section of this edition had parasitic oscillations when first constructed. But these oscillations were eliminated in each case; hence, the expedients used in these equipments should be studied. Vhf parasitics may be readily identified, as they cause a neon lamp to have a purple glow close to the electrodes when it is excited by the parasitic energy.

**Parasitic Oscillations with Triodes** In the case of triodes, vhf parasitic oscillations often come about as a result of inductance in the neutralizing leads. This is particularly true in the case of push-pull amplifiers. The cure for this effect will usually be found in reducing the length of the neutralizing leads and increasing their diameter. Both the reduction in length and increase in diameter will reduce the inductance of the leads and tend to raise the parasitic oscillation frequency until it is out of the range at which the tubes will oscillate. The use of straight-

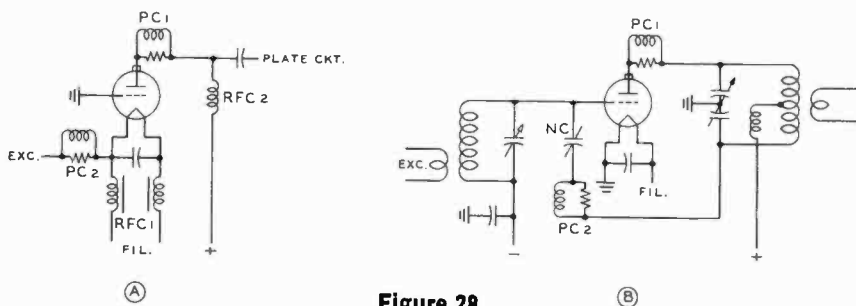


Figure 28

## PARASITIC SUPPRESSION CIRCUITS

A—Plate parasitic suppressor is used in grounded-grid circuit. Filament suppressor may be added if secondary parasitic is present. B—Plate parasitic suppressor is used for grid-driven circuit, with second suppressor added in neutralizing circuit, if necessary.

forward circuit design with short leads will assist in forestalling this trouble at the outset.

Vhf parasitic oscillations may take place as a result of inadequate bypassing or long bypass leads in the filament, grid-return, and plate-return circuits. Such oscillations also can take place when long leads exist between the grid and the grid tuning capacitor or between the plate and the plate tuning capacitor. Sometimes parasitic oscillations can be eliminated by using iron or nichrome wire for the neutralizing lead. But in any event it will always be found best to make the neutralizing lead as short and of as heavy conductor as is practicable.

To increase losses at the parasitic frequency, the parasitic coil may be wound on 100-ohm 2-watt resistors. The "lossy" suppressor should be placed in the plate or grid lead of the tube close to the anode or grid connection, as shown in figure 28.

**Parasitics with Beam Tetrodes** Where beam-tetrode tubes are used in the stage which has been found to be generating the parasitic oscillation, all the foregoing suggestions apply in general. However, there are certain additional considerations involved in elimination of parasitics from beam-tetrode amplifier stages. These considerations involve the facts that a beam-tetrode amplifier stage has greater power sensitivity than an equivalent triode amplifier, such a stage has a certain amount of screen-lead inductance which may give rise to trouble, and

such stages have a small amount of feedback capacitance.

Beam-tetrode stages often will require the inclusion of a neutralizing circuit to eliminate oscillation on the operating frequency. However, oscillation on the operating frequency is not normally called a parasitic oscillation, and different measures are required to eliminate the condition.

When a parasitic oscillation is found on a very high frequency, the interconnecting leads of the tube, the tuning capacitors and the bypass capacitors are involved. This type of oscillation generally does not occur when the amplifier is designed for vhf operation where the r-f circuits external to the tube have small tuning capacitors and inductors. Without tuning capacitors, the highest frequency of oscillation is then the fundamental frequency and no higher frequencies of resonance exist for the parasitic oscillation.

The vhf oscillation commonly occurs in hf amplifiers, using the capacitors and associated grid and plate leads for the inductances of the tuned circuit. The frequency of unwanted oscillation is generally well above the self-neutralizing frequency of the tube. If the frequency of the parasitic can be lowered to or below the self-neutralizing frequency, complete suppression of the parasitic will result. It is also possible to suppress the oscillation by loading the circuit so that the circuit is "lossy" at the parasitic frequency. This may be done by the use of a parasitic choke in the plate

and/or grid lead of the stage in question. A parallel coil and resistor combination operates on the principle that the resistor loads the vhf circuit but is shunted by the coil for the lower fundamental frequency. The parasitic choke (figure 29) is usually made up of a noninductive resistor of about 25 to 100 ohms, shunted by three or four turns of wire, approximately one-half inch in diameter and frequently wound over the body of the resistor.

In the process of adjusting the resistor-coil combination, it may be found that the resistor runs too hot. The heat is usually caused by the dissipation of fundamental power in the resistor, which is an indication of too many turns in the suppressor coil. Just enough turns should be used to suppress the parasitic oscillation, and no more. Once the circuit is properly loaded and the parasitic suppressed, no parasitic power will be present and no power other than primary power will be lost in the resistor of the suppressor.

For medium power levels, a plate suppressor may be made of a 22-ohm, 2-watt Ohmite or Allen-Bradley composition resistor wound with 4 turns of No. 18 enameled wire. For kilowatt stages operating up to 30 MHz, a satisfactory plate suppressor may be made of three 220-ohm, 2-watt composition resistors in parallel, shunted by 3 or 4 turns of No. 14 enameled wire, 1/2-inch diameter and 1/2-inch long.

The parasitic suppressor for the plate circuit of a small tube such as the 5763, 2E26,

6146, 6LQ6, or similar type normally may consist of a 47-ohm composition resistor of 2-watt size with 4 turns of No. 18 enameled wire wound around the resistor. However, for operation above 30 MHz, special tailoring of the value of the resistor and the size of the coil wound around it will be required in order to attain satisfactory parasitic suppression without excessive power loss in the parasitic suppressor.

**Tetrode Screening** Isolation between the grid and plate circuits of a tetrode tube is not perfect. For maximum stability, it is recommended that the tetrode stage be neutralized. Neutralization is *absolutely necessary* unless the grid and plate circuits of the tetrode stage are each completely isolated from each other in electrically tight boxes. Even when this is done, the stage will show signs of regeneration when the plate and grid tank circuits are tuned to the same frequency. Neutralization will eliminate this regeneration. Any of the neutralization circuits described in the chapter *Generation of R-F Energy* may be used.

## 17-11 Checking for Parasitic Oscillations

It is an unusual transmitter which harbors no parasitic oscillations when first constructed and tested. Therefore it is always wise to follow a definite procedure in check-

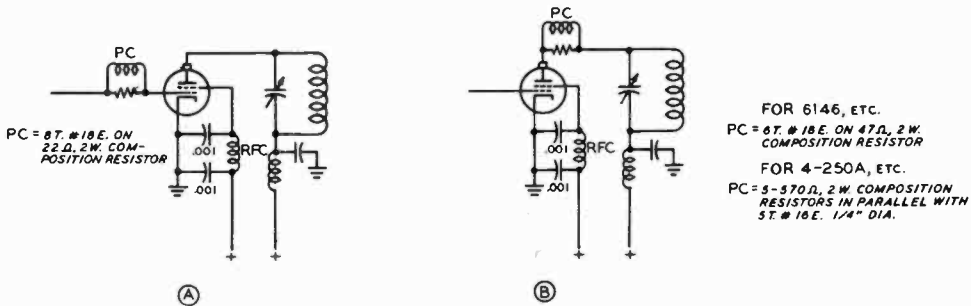


Figure 29

R-C-type parasitic chokes are placed in grid (A) or plate (B) lead of tetrode and pentode tubes as shown above. Too few turns on the parasitic choke will not completely suppress the parasitic, whereas too many turns will permit the shunt resistor to absorb too much fundamental power. Five turns for the shunt coil will work well to 14 MHz. For 21 and 28 MHz, the shunt coil should be reduced to three turns.



ing a new transmitter for parasitic oscillations.

Parasitic oscillations of all types are most easily found by itself, with full plate (and screen) voltage, sufficient protective bias to limit the plate current to a safe value, and no excitation. One stage should be tested at a time, and the complete transmitter should never be put on the air until all stages have been thoroughly checked for parasitics.

To protect tetrode tubes during tests for parasitics, the screen voltage should be applied through a series resistor which will limit the screen current to a safe value in case the plate voltage of the tetrode is suddenly removed when the screen supply is on. The correct procedure for parasitic testing is as follows (figure 30):

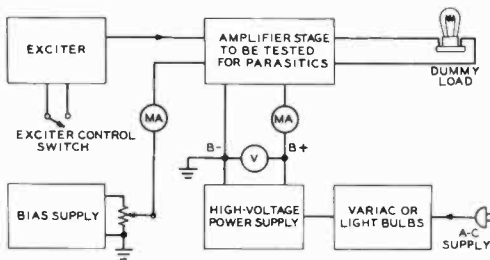


Figure 30

### SUGGESTED TEST SETUP FOR PARASITIC TEST

1. The stage should be coupled to a dummy load, and tuned up in correct operating shape. Sufficient protective bias should be applied to the tube at all times. For protection of the stage under test, a lamp bulb should be added in series with one leg of the primary circuit of the high-voltage power supply. As the plate-supply load increases during a period of parasitic oscillation, the voltage drop across the lamp increases, and the effective plate voltage drops. Bulbs of various sizes may be tried to adjust the voltage under testing conditions to the correct amount. If a *Variac* or *Powerstat* is at hand, it may be used in place of the bulbs for smoother voltage control. Don't test for parasitics unless some type of voltage control is used on the high-voltage supply! When a stage breaks into parasitic

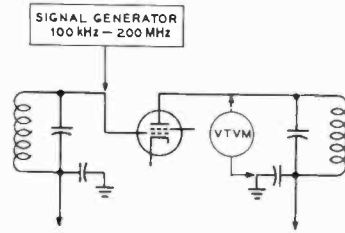


Figure 31

### PARASITIC GAIN MEASUREMENT

Grid-dip oscillator and vacuum tube voltmeter may be used to measure parasitic stage gain over 100 kHz-200 MHz region.

oscillations, the plate current increases violently and some protection to the tube under test *must* be used.

2. The r-f excitation to the tube should now be removed. When this is done, the grid, screen, and plate currents of the tube should drop to zero. Grid and plate tuning capacitors should be tuned to minimum capacity. No change in resting grid, screen, or plate current should be observed. If a parasitic is present, grid current will flow, and there will be an abrupt increase in plate current. The size of the lamp bulb in series with the high-voltage supply may be varied until the stage can oscillate continuously, without exceeding the rated plate or screen dissipation of the tube.

3. The frequency of the parasitic may now be determined by means of an absorption wavemeter, or a neon bulb. Low-frequency oscillations will cause a neon bulb to glow yellow. High-frequency oscillations will cause the bulb to have a soft, violet glow.

4. When the stage can pass the above test with no signs of parasitics, the bias supply of the tube in question should be decreased until the tube is dissipating its full plate rating when full plate voltage is applied, with no r-f excitation. Excitation may now be applied and the stage loaded to full input into a dummy load. The signal should now be monitored in a nearby receiver which has the antenna terminals grounded or otherwise shorted out. A series of rapid dots should be sent, and the frequency spectrum for several MHz each side of the carrier frequency care-

fully searched. If any vestige of parasitic is left, it will show up as an occasional "pop" on a keyed dot. This "pop" may be enhanced by a slight detuning of the input or output circuit.

5. If such a parasitic shows up, it means that the stage is still not stable, and further measures must be applied to the circuit. Parasitic suppressors may be needed in both screen and grid leads of a tetrode, or perhaps in both grid and neutralizing leads of a triode stage. As a last resort, a 10,000-ohm 25-watt wirewound resistor may be shunted across the input circuit of a high powered stage. This strategy removed a keying "pop" that showed up in a commercial transmitter, operating at a plate voltage of 5000.

#### Test for Parasitic Tendency in Tetrode Amplifiers

In most high-frequency transmitters there are a great many resonances in the tank circuit at frequencies other than the desired operating frequency. Most of these parasitic resonant circuits are not coupled to the tube and have no significant tendency to oscillate. A few, however, are coupled to the tube in some form of oscillatory circuit. If the regeneration is great enough, oscillation at the parasitic frequency results. Those spurious circuits existing just below oscillation must be found and suppressed to a safe level.

One test method is to feed a signal from a grid-dip oscillator into the grid of a stage and measure the resulting signal level in the plate circuit of the stage, as shown in figure 31. The test is made with all operating voltages applied to the tubes. Class-C stages should have bias reduced so a reasonable amount of static plate current flows. The grid-dip oscillator is tuned over the range of 100 kHz to 200 MHz, the relative level of the r-f voltmeter is watched, and the frequencies at which voltage peaks occur are noted. Each significant peak in voltage gain in the stage must be investigated. Circuit changes or suppression must then be added to reduce all peaks by 10 dB or more in amplitude.

## 17-12 Forced Air Cooling

A large percentage of the primary power drain of a transmitter is converted to heat emitted by tubes and components. The resulting temperature rise must be held within reasonable limits to ensure satisfactory life for the equipment.

Forced-air-cooled systems may be used to remove excess heat. A typical system consists of an *air blower*, a *conduit* to guide the air to the tube or component, a *heat radiator* on the component, and an *air exhaust exit*. The resistance to the air passage through such a system is termed system *back pressure*, *pressure drop*, or *static pressure*. Air requirements are normally expressed as a pressure drop defined in *inches of water* (as measured by a manometer) with a corresponding volumetric air flow defined in *cubic feet per minute (c.f.m.)*. A typical air-cooling system is shown in figure 32. Cooling requirements for most transmitting tubes are provided on the data sheet and air requirements and blower data for some popular tubes are given in figure 33.

Adequate cooling of the tube envelope and seals is one of the factors leading to long tube life. Deteriorating effects increase directly with the temperature of the tube envelope and seals. Even if no cooling air is specified by the technical data sheet for a particular tube, ample free space for circulation of air about the tube is required, or else air must be forced past the tube.

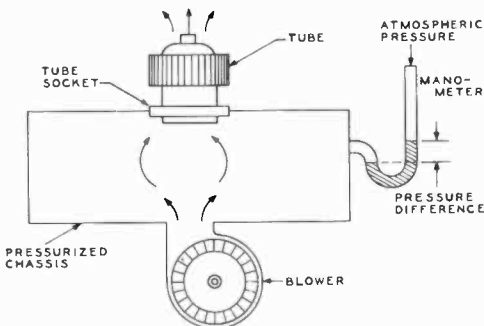


Figure 32

### FORCED-AIR COOLING SYSTEM

Centrifugal blower pressurizes plenum chamber (air-tight chassis) and air is exhausted through the tube socket and anode cooler of vacuum tube. Pressure difference between plenum chamber and atmosphere is measured with manometer tube.

TUBE TYPE	AIR CFM	BACK PRESSURE	BLOWER SIZE	RPM	SOCKET CHIMNEY
3-400Z 3-500Z	13	0.20	3	1600	SK410 SK416 SK406
3-1000Z	2.5	0.64	3 3/4 2 1/2	3000 6000	SK510 SK516
4-1000A	2.5	0.64	3 3/4 2 1/2	3000 6000	SK510 SK506
4CX250B	6.4	1.12	2 1/2	6000	SK600 SK606
4CX1000A 4CX1500B	2.2	0.3	3	3100	SK800 SK806
5CX1500A	4.7	1.12	3	6000	SK840 SK806

Figure 33

### COOLING REQUIREMENTS FOR TRANSMITTING TUBES

Air-system sockets and chimneys are required for high-power transmitting tubes. Complete air-cooling data for these types may be obtained from Application Engineering Department, Eimac Division of Varian, San Carlos, Calif. 94070.

As the frequency of operation of the tube is extended into the vhf region, additional cooling is usually required because of the larger r-f losses inherent in the tube structure.

Temperature-sensitive paint or crayons may be used to monitor the temperature of a tube under operating conditions. If the paint is applied to the tube envelope in a very thin coat, it will melt and virtually disappear at its critical temperature. After subsequent cooling, it will have a crystalline appearance indicating that the surface with which it is in contact has exceeded the critical temperature. Temperature-sensitive tapes and decals are also available to measure envelope temperature of transmitting tubes.

## 17-13 Conduction Cooling

The anode power dissipation density in a modern transmitting tube is extremely high and *conduction cooling* is often used to remove the heat from the tube structure.

A conduction cooling system comprises the heat source (the power tube), a *thermal link* to transfer the heat, and a *heat sink*, where the heat is removed from the system. The thermal link has the dual properties of a thermal conductor and an electrical insulator. *Beryllium oxide* (BeO) combines these properties and is generally used for the

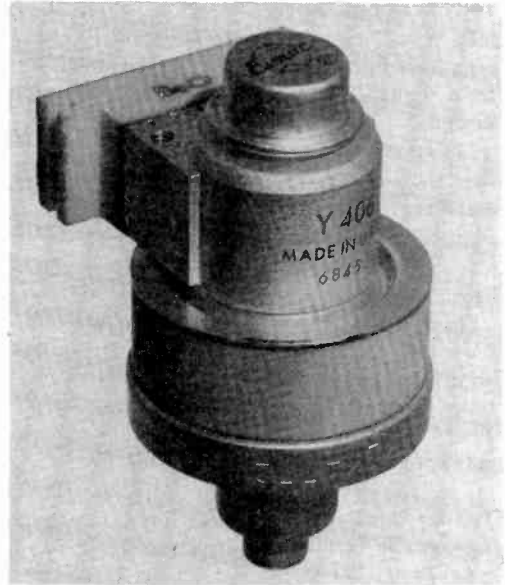


Figure 34

### CONDUCTION-COOLED TUBE WITH INTEGRAL THERMAL LINK

Experimental type Y-406 tetrode makes use of beryllium oxide thermal link to transfer anode heat to an external heat sink. Link is pressed against the sink, with mating surfaces coated with silicone grease to improve interface thermal resistance. The heat sink transfers excess system heat to the surrounding atmosphere.

thermal link. The BeO link may be brazed to the tube or be a detachable accessory (figure 34).

Most conduction-cooled tubes have an output capacitance which is higher than conventional air-cooled tubes due to the added capacitance between the tube anode and the heat sink, typically 6 to 10 pF. The capacitance is caused by the BeO dielectric. Below about 150 MHz, this added capacitance causes little difficulty since it can be included in the matching network design. Above 150 MHz, care in network design still permits successful operation up to the frequency limit of the tube, but attention must be given to bandwidth and efficiency requirements and the physical length and configuration of the required resonating inductance as the added capacitance of the thermal link will limit the value of resonating inductance.

Normal use of electron tubes having Beryllium oxide is safe. However, BeO dust or fumes are highly toxic and breathing them can be injurious to health. Never perform work on any ceramic part of a power tube utilizing this material which could possibly generate dust or fumes. At the end of the useful life of the tube or heat sink, the BeO material should be returned prepaid to the manufacturer with written authorization for its disposal.

### 17-14 Transient Protection

Circuits that are switched on and off can produce transients because of inductance in the circuits. The inductance may be a desired portion of the circuit or it may be the residual inductance of the circuit wiring and components. Transients can range as high as five to ten times the nominal circuit voltage and may damage equipment and components associated with the circuit.

Transient protection will reduce the damaging effects of over-voltage and various forms of *transient suppressors* are available

to do this work. The simplest form of transient protection takes the form of a voltage sensitive gap which trips, or fires, at a given value of peak voltage. Devices are made that trip from 550 volts to 20 kilovolts. Vacuum encapsulated gaps fire in a matter of microseconds when the trip voltage is exceeded and are capable of passing peak current pulses of thousands of amperes while preserving infinite resistance up to the trip voltage. Solid state suppressors are less costly but may exhibit a trip voltage that is dependent upon the rate at which the voltage is applied.

The life of a voltage suppressor can be approximated in terms of the cumulative charge, in coulombs, that can be passed through the device without changing its trip voltage by more than 10 percent. As an example, a vacuum type protector may have a life of 3000 discharges under a given set of circumstances.

When the protection device fires, the near-infinite resistance drops to a near-short. Thus, the follow-on current is limited only by circuit impedance. This current must be limited and finally interrupted to allow arrester recovery.



# Transmitter Keying and Control

Information is imparted to a radio wave by the process of modulation, which implies that the radio signal is changed in amplitude, frequency or phase. *On-off* (c-w) keying is a simple type of amplitude modulation and is a basic form of communication among radio amateurs.

Keying is usually accomplished in a low power stage of a transmitter so that the controlled power is small. The amplifiers following the keyed stage must be designed so that their power consumption remains within a safe limit when the drive signal is cut off during keying.

In certain styles of operation, it is convenient for the operator to listen through his transmission so that the station at the other end of the circuit can *break-in* while the first operator is transmitting. This requires that the sending station avoid generating an interfering signal, or *back wave*, in the local receiver when the transmitter is keyed off.

In simple on-off keying, the carrier is broken into dots and dashes of the Morse Code for transmission. The carrier signal is of constant amplitude when the key is closed, and is entirely removed when the key is open. If the change from key-up to key-down condition occurs too rapidly, the rectangular pulse which forms the keying character contains high-frequency components which take up a wide frequency band as sidebands and are heard as *key clicks* on the signal.

To be capable of transmitting code characters and at the same time not be causing unnecessary adjacent channel interference, the c-w transmitter must meet two important specifications:

1. The transmitter must have no parasitic oscillations either in the stage being keyed, or in any preceding or following stage.
2. The transmitter must have filters in the keying circuit capable of shaping

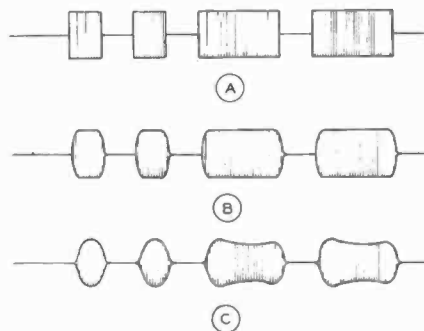
the leading and trailing edge of the waveform.

Both of these specifications must be satisfied before the transmitter is capable of meeting the FCC regulations concerning spurious emissions. Merely turning a transmitter carrier on and off by the haphazard insertion of a telegraph key, or keyer, in some power lead is an invitation to trouble.

Shown in this chapter are keying circuits and keyers capable of keying a transmitter to provide clean, clickless keying at high speed and which keep the keying circuit at ground potential so that no danger of shock exists to the operator.

## 18-1 Keying Requirements

The transmitter keying circuit must provide fast, clickless keying with no frequency variation or *chirp* in the keyed wave. Key click elimination is accomplished by preventing a too rapid make and break of power in the keyed circuit, thus rounding off the keying characters so as to limit the sidebands to



**Figure 1**  
**C-W KEYING CHARACTERISTICS**

A—Abrupt rise and decay time of dot character leads to severe key clicks on make and break. B—Simple keying filter rounds dot character reducing transition time between key-open and key-closed condition. C—Poor power-supply regulation can distort keying waveform and add "yoop" to the signal.

a value which does not cause interference in adjacent channels. The optimum keying characteristic is a highly subjective thing and "on the air" checks are questionable, since many amateurs hesitate to be truly critical of another amateur's signal unless it is causing objectionable interference.

Various keying characteristics are shown in figure 1. Illustration A shows a keyed wave with the envelope rising from zero to full value in 10 microseconds ( $\mu$ s). The leading edge of the signal has the same shape as one modulation cycle of an r-f signal modulated with a frequency of 100 kHz. Sidebands 100 kHz on each side of the carrier are therefore generated by this waveform. Up to a keying speed of 100 words per minute, a rise time as slow as 5 milliseconds can be used (illustration B), reducing the sidebands to 200 Hz. Suitable filter circuits in the keying system reduce the rise and decay times of the keyed characteristic to conservative values, thus decreasing the keyed bandwidth of the signal.

Poor power supply regulation can alter an otherwise perfect keyed waveform (illustration C). Insufficient filter capacitance permits the power in the keyed wave to sag during the long dash, adding an unusual sounding characteristic to the signal.

With high power equipment, transmitter keying can affect power line regulation and possibly make the lights blink in the vicinity of the transmitter. The variation in line voltage may affect the regulation of certain power supplies in the equipment, or make a slow variation in filament voltage, that will change the keying characteristic of the transmitted signal.

**Location of Keyed Stage** Considerable thought should be given as to which stage in a transmitter is the proper one to key. If the transmitter is keyed in a stage close to the oscillator, the change in r-f loading of the oscillator may cause the oscillator to shift frequency with keying. This will cause the signal to have a distinct chirp. The chirp will be multiplied as many times as the frequency of the oscillator is multiplied. A chirpy oscillator that would be passable on 80 meters would be unusable on 28-MHz c-w.

Keying the oscillator itself is an excellent way to run into keying difficulties. If no key-

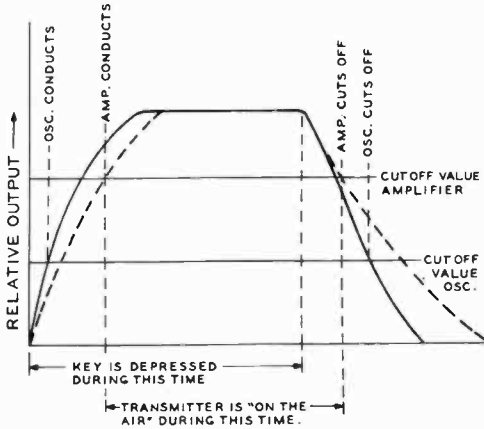
click filter is used in the keying circuit, the transmitter will have bad key clicks. If a key-click filter is used, the slow rise and decay of oscillator voltage induced by the filter action will cause a keying chirp. This action is true of all oscillators, whether electron coupled or crystal controlled.

The more amplifier or doubler stages that follow the keyed stage, the more difficult it is to hold control of the shape of the keyed waveform. A heavily driven stage acts as a peak clipper, tending to square up a rounded keying impulse, and the cumulative effect of several such stages cascaded is sufficient to square up the keyed waveform to the point where bad clicks are reimposed on a clean signal.

A good rule of thumb is to never key back farther than one stage removed from the final amplifier stage, and never key closer than one stage removed from the frequency-controlling oscillator of the transmitter. Thus there will always be one isolating stage between the keyed stage and the oscillator, and one isolating stage between the keyed stage and the antenna. At this point the waveform of the keyed signal may be most easily controlled.

**Differential Keying** Oscillator keying is tempting since it permits break-in operation, permitting the operator to listen to the other station between keyed characteristics. The use of *differential keying* permits break-in, as the oscillator is turned on quickly by the keying sequence, a moment before the rest of the transmitter stages are energized, and remains on a moment longer than the other stages (figure 2). The chirp, or frequency shift, associated with abrupt switching of the oscillator is thus removed from the emitted signal. In addition, the differential keyer can apply waveshaping to the amplifier section of the transmitter, eliminating the click caused by rapid keying of the latter stages.

The ideal differential keying sequence is shown in the illustration. When the key is closed, the oscillator reaches maximum output almost instantaneously. The following stages reach maximum output in a fashion determined by the waveshaping circuits of the keyer. When the key is opened, the output of the amplifier stages starts to decay in a predetermined manner, followed shortly

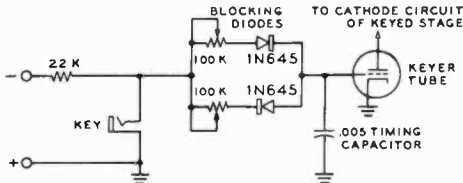


**Figure 2**  
**DIFFERENTIAL KEYER TIME SEQUENCE**

When differential keying is used, the oscillator is turned on quickly by the keying sequence, a moment before the rest of the transmitter is energized (at left of illustration). The oscillator remains on a moment longer than the rest of the transmitter (at right of illustration). Any chirp, or frequency shift associated with abrupt oscillator switching is thus removed from the emitted signal.

by cessation of the oscillator. The end result of this sequence is to provide relatively soft make and break to the keyed signal, meanwhile preventing oscillator frequency shift during the active keying sequence.

The rate of charge and decay in a representative RC keying circuit may be varied independently by the blocking diode system shown in figure 3. Each diode permits the charging current of the timing capacitor to flow through only one of the two adjustable



**Figure 3**  
**BLOCKING DIODES EMPLOYED TO VARY TIME CONSTANT OF "MAKE" AND "BREAK" CHARACTERISTICS OF VACUUM-TUBE KEYER**

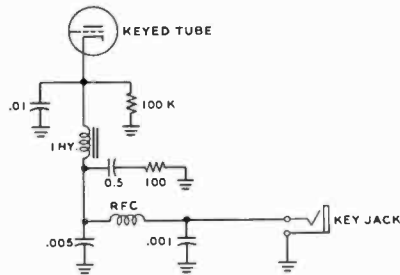
This keyer may be used to key the circuit of figure 4.

potentiometers, thus permitting independent adjustment of the make and break characteristics of the keying system.

## 18-2 Transmitter Keying

The problems of keying a vacuum tube are somewhat different from keying a solid-state circuit. The vacuum tube may be keyed in the grid, cathode or screen circuit and the tube element may be either blocked with a negative voltage or opened with respect to ground or the positive potential of the supply.

**Cathode Keying** Cathode keying is shown in figure 4. This circuit keys both the plate and grid dc return circuits to the cathode, thus blocking the grid at the



**Figure 4**  
**CATHODE KEYING WITH KEY CLICK FILTER**

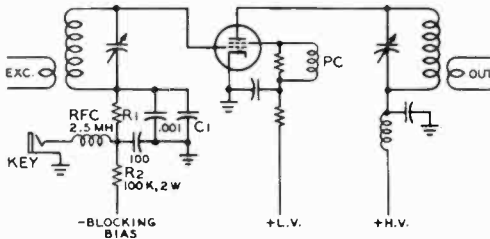
The constants shown are suggested as preliminary values for a cathode current of 50 mA to 200 mA and may be adjusted to permit optimum keying under different operating conditions. Inductance of iron-core choke and value of series capacitor are changed to alter the keying characteristic. R-f choke and associated capacitors reduce transients caused by sparking at key or relay contacts.

same time the plate circuit is opened. This helps to reduce backwave that would otherwise leak through the keyed stage. Voltage exists across the key contacts and an electronic switch or relay should be used to lessen the danger of shock.

**Grid Circuit** Blocked-grid keying is a form of the aforementioned keyer tube, in which the keyer tube is an amplifying tube in the transmitter. A basic blocked-grid keying circuit is shown in figure 5. The keying time constant is de-



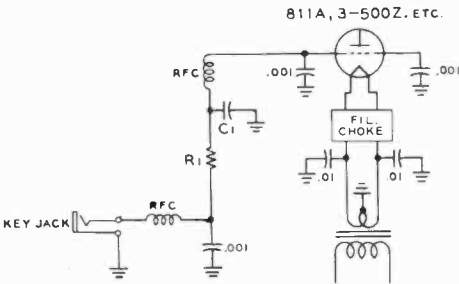
terminated by the RC network, which also forms a part of the bias circuit of the tube. When the key is closed, operating bias is developed by the flow of grid current through resistor  $R_1$ . When the key is open, sufficient fixed bias is applied to the tube to block it. If the stage is operating in the linear mode, the operating bias is set by the external bias supply rather than by the flow of current through the grid resistor.



**Figure 5**  
**SIMPLE BLOCKED-GRID KEYING SYSTEM**

The blocking bias must be sufficient to cut off plate current to the amplifier stage in the presence of the excitation voltage.  $R_1$  is normal bias resistor for the tube.  $R_2$  and  $C_1$  should be adjusted for correct keying waveform.

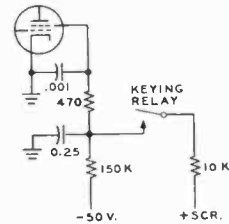
Self-blocking keying may be achieved with certain high- $\mu$  triodes, such as the 811A and the 3-500Z which automatically cut themselves off when the grid return circuit is opened (figure 6).



**Figure 6**  
**SELF-BLOCKING KEYING SYSTEM FOR HIGH-MU (ZERO BIAS) TRIODE**

High- $\mu$  triodes such as the 811A, 572B (T160L), 3-400Z, 3-500Z, etc. may be keyed by opening the dc grid-return circuit. Components  $R_1$  and  $C_1$  are adjusted for correct keying waveform. This circuit is not suited for keying a linear amplifier stage as the voltage drop across resistor  $R_1$  provides additional grid bias to the amplifier tube.

**Screen Circuit Keying** The *Screen circuit* of a tetrode may be keyed for c-w operation (figure 7). In order to cut the plate current to zero when screen voltage is removed, it is necessary to place a small negative voltage on the screen grid, otherwise a backwave signal will pass through the stage. In addition, if an unneutralized tetrode stage is keyed, there is the possibility of a considerable backwave caused by r-f leakage through the grid-plate capacitance of the tube.



**Figure 7**  
**SCREEN-GRID KEYER CIRCUIT FOR TETRODE AND PENTODE TUBES**

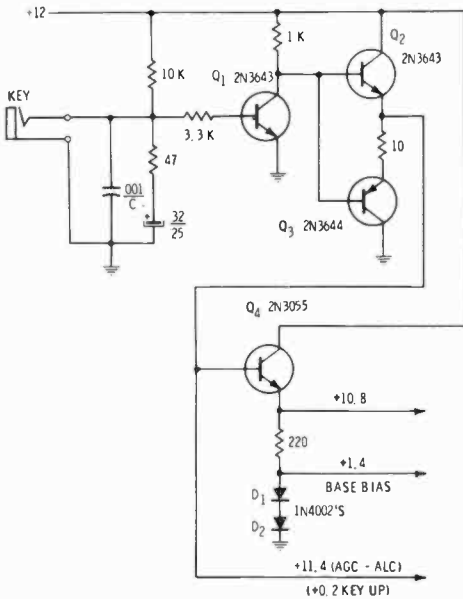
A simple relay-controlled keying circuit employs a screen-keying relay. When relay is open, negative bias voltage applied through a 150K resistor effectively blocks tube screen circuit.

**Differential Keying Circuits** Various *differential keying* circuits have been found to be practical and easy to get working. Shown in figure 8 is a simple keyer. Grid-block keying is used on tubes  $V_2$  and  $V_3$ . A waveshaping filter consisting of  $R_2$ ,  $R_3$ , and  $C_1$  is used in the keying control circuit of  $V_2$  and  $V_3$ . To avoid chirp when the oscillator ( $V_1$ ) is keyed, the keyer tube ( $V_4$ ) allows the oscillator to start quickly—before  $V_2$  and  $V_3$  start conducting—and then continue operating until after  $V_2$  and  $V_3$  have stopped conducting. Potentiometer  $R_1$  adjusts the *hold* time for vfo operation after the key is opened. This may be adjusted to cut off the vfo between marks of keyed characters, thus allowing rapid break-in operation.

### 18-3 Break-in Keying

*Break-in* c-w operation permits information to be transmitted back and forth between two stations at will. For true break-in, each station must be able to listen to the





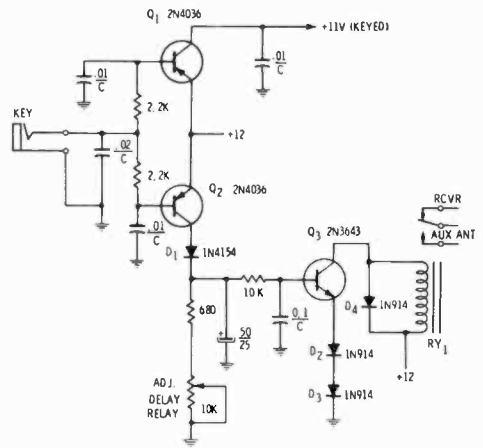
**Figure 10**  
**TRANSMITTER BREAK-IN CIRCUIT**

Transistors  $Q_1$ - $Q_4$  control transmitter bias on two stages of solid-state circuitry. When the key is closed, the circuits go to the positive voltages indicated. The 1.4-volt line is used to bias-on the base circuits of the r-f driver stages of the transmitter. The AGC/ALC control voltage is derived from transistors  $Q_2$ - $Q_3$ .

potential during key-up periods. When the key is closed, the circuits go to the positive voltages indicated in the diagram. The potential of the + 1.4-volt line is determined by the two diodes  $D_1$  and  $D_2$ . This voltage is used to bias-on the base circuits of the r-f section of the transmitter. The AGC/ALC control voltage is derived from transistors  $Q_2$ - $Q_3$ .

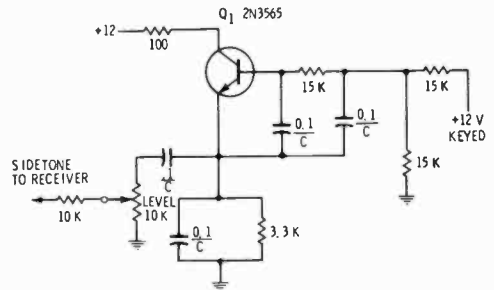
A break-in circuit utilizing relay control for antenna switchover is shown in figure 11. Transistors  $Q_1$  and  $Q_2$  conduct when the key is closed. Transistor  $Q_1$  provides collector voltage to the low-level stages of the exciter and  $Q_2$  provides driving voltage for switch transistor  $Q_3$  through an RC waveshaping circuit. The transistor ( $Q_3$ ) is normally cut off by the two diodes in the emitter circuit when the key is up.

A companion *sidetone* generator is shown in figure 12 which provides an audio tone for the receiver when the transmitter is keyed.



**Figure 11**  
**BREAK-IN CIRCUIT FOR RELAY CONTROL**

Transistors  $Q_1$ - $Q_3$  conduct when the key is closed.  $Q_1$  provides collector voltage to a low level r-f stage of the exciter and  $Q_2$  provides driving voltage for switch transistor  $Q_3$  through a wave-shaping circuit. The relay is controlled by  $Q_3$ .



**Figure 12**  
**SIDETONE GENERATOR FOR BREAK-IN KEYING**

A break-in circuit designed around the NE-555 timing IC is shown in figure 13. This device contains a set-reset flip-flop as well as an output buffer and has a wide range of operation control. The 555 timer may be used in electronic keyers or in break-in circuitry as well as automatic T-R (transmit-receive) switching. In the circuit illustrated, device  $U_1$  is the main timing element. When the key is closed  $U_1$  switches on, activating the antenna relay through  $Q_1$  and muting the receiver by means of  $Q_2$ . After a short delay which al-

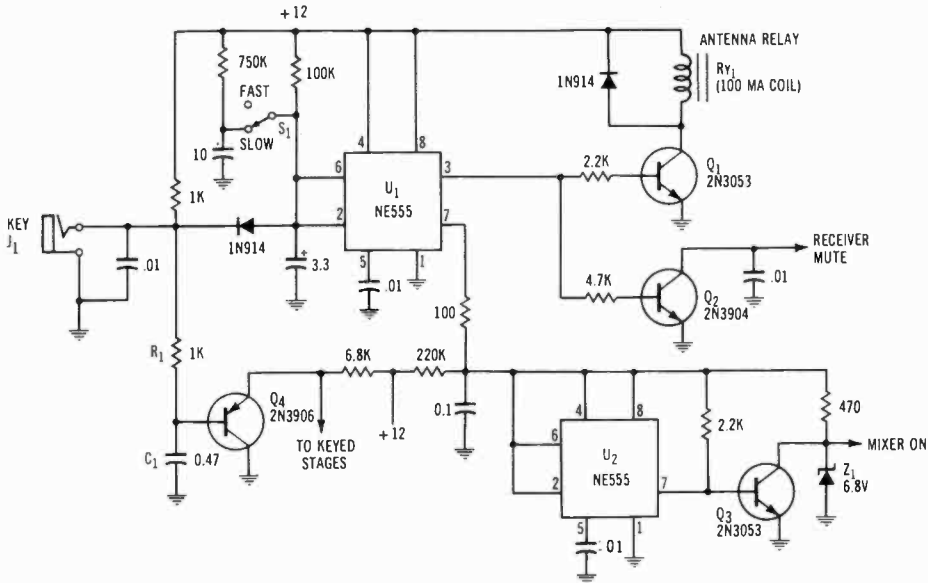


Figure 13

TRANSMITTER CONTROL CIRCUIT

The timer  $V_1$  controls antenna relay and receiver-mute timing. Timer  $V_2$  turns on mixer stage and transistor  $Q_4$  controls keyed stages. Time delay is determined by switch  $S_1$ .

lows the antenna relay to operate,  $U_2$  turns on a low-level mixer stage. At the same time these operations take place, the keyed stages of the transmitter are activated by  $Q_4$ , an emitter follower. The combination  $R_1-C_1$  provides proper keying characteristics.

In the case of a vacuum-tube amplifier driven by a solid-state device, the circuit of figure 14 may be used. Driver  $Q_2$  is keyed through transistor  $Q_1$  and the amplifier tube  $V_1$  is blockgrid keyed directly through a waveform shaping circuit ( $R_1-C_1$ ).

18-4 The Electronic Key

The *International Morse Code* used in radio telegraphy is made up of three elements: the *dot*, the *dash*, and the *space* (see Chapter 1, Section 4). Intelligence can be transmitted at high rates of speed by using various combinations of these elements. A standard time relationship exists between the elements and between the space between words. The dot is a unit pulse and one pulse per second is termed one *baud*. The dot has

a duty cycle of fifty percent, thus making the space equivalent in length to a unit pulse. The dash has a duty cycle of seventy-five percent, or three unit pulses in length. The space between words is seven unit pulses in length.

These fixed relationships between the code elements make it possible to use digital techniques to generate the timing characteristics used in an automatic electronic keying device, or *keyer*.

The representative keyer is actuated by the operator who keys at approximately correct times, the keyer functioning at precisely correct times determined by the *clock circuit* of the device.

In most keyers either an astable multivibrator or a pulse generator is used as a clock to create precise dots and dashes. The latter are made by filling in the space between two dots. Latching (memory) circuits are used so that an element, or code character, will be completed once it is initiated by the keyer paddle, or lever.

Since the transmitter following the keyer has wave-shaping circuits and possibly relay closure delay, a *weight control* may be



cise spacing between the code elements as the space will always be one dot long, regardless of the sending speed. A dual flip-flop (IC<sub>2A</sub>, IC<sub>2B</sub>) is used as a character generator. Grounding the dot contact of the two-contact key triggers the *set* (S) input of the dot flip-flop (IC<sub>2A</sub>) which then sends precise square-wave dots as long as the dot contact is closed. If the dot contact is opened before the completion of a dot, the element will be completed (dot memory).

Grounding the dash contact of the key triggers the *set* input of the dash flip-flop (IC<sub>2B</sub>) and also grounds the *set* input of the dot flip-flop through diode D<sub>1</sub>. The dot flip-flop starts a dot, the dash flip-flop is triggered, and a second dot is initiated completing the dash element at the end of the second dot. The outputs of the flip-flops are added in a summing gate (IC<sub>3</sub>). Once a character has started, it is impossible to alter it with the paddle and characters are self-completing.

The transmitter is actuated by a keying transistor (Q<sub>1</sub>) employing a fast-operating

relay in the collector circuit. In many instances, a *reed relay* is used. This type of relay has operate and release times of less than one millisecond and can allow good keying up to 100 words per minute. Some keyers eliminate the relay in favor of a keying transistor having a high collector-to-emitter voltage rating and a large collector current rating, thus permitting the transistor to be used to directly key cathode or grid circuits carrying up to several hundred milliamperes with an open-key voltage up to 300.

A *sidetone oscillator* or keying monitor can be driven by the keyer to provide the operator with an audible indication of the keying process.

Variation in the control logic and the use of a double paddle key permits conversion of the basic keyer to iambic keying whereby grounding either the dot or the dash contact and then immediately grounding the other produces alternating dots and dashes. Another version will produce a dot or dash

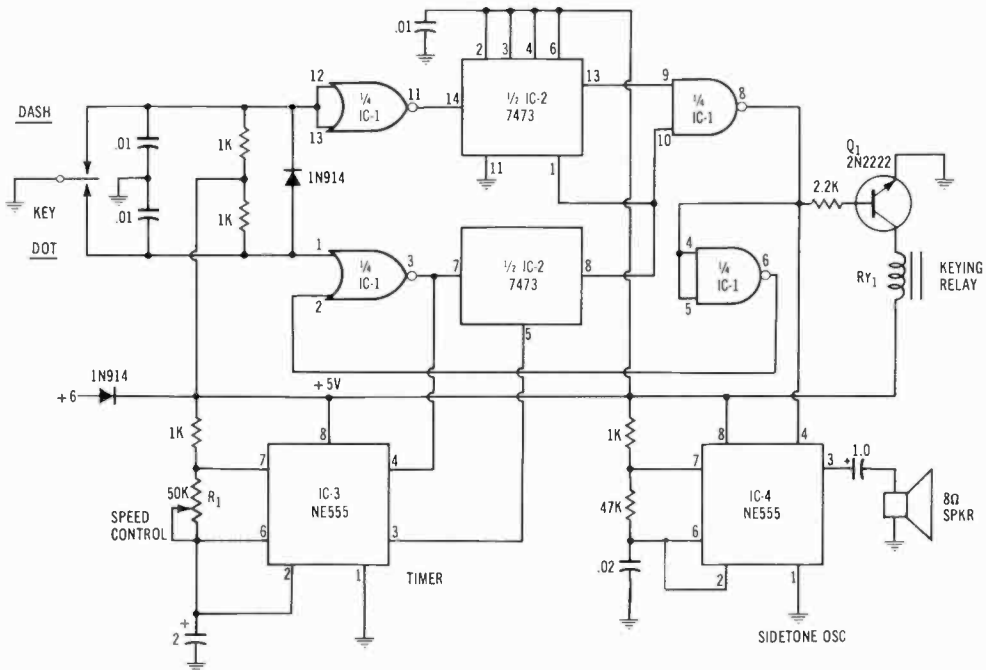


Figure 16

ELECTRONIC KEYS

Device IC-1 is a 7400 Quad, two input NAND gate. RY<sub>1</sub> is a reed relay.

override sequence whereby closing both contacts simultaneously, only dots (or dashes) are generated.

A representative keyer is shown in figure 16. This unit employs a dual flip-flop for dot and dash generation at a three-to-one ratio. The IC-3 (NE-555) serves as a clock generator whose speed is set by control potentiometer  $R_1$ . A second timer serves as a sidetone generator. The transmit-

ter is keyed by means of transistor  $Q_1$  and a reed relay which isolates the keyer circuit from the transmitter voltages.

### 18-5 The COSMOS Keyer—Mark II

This compact and reliable keyer is an up-to-date version of the popular W9TO keyer

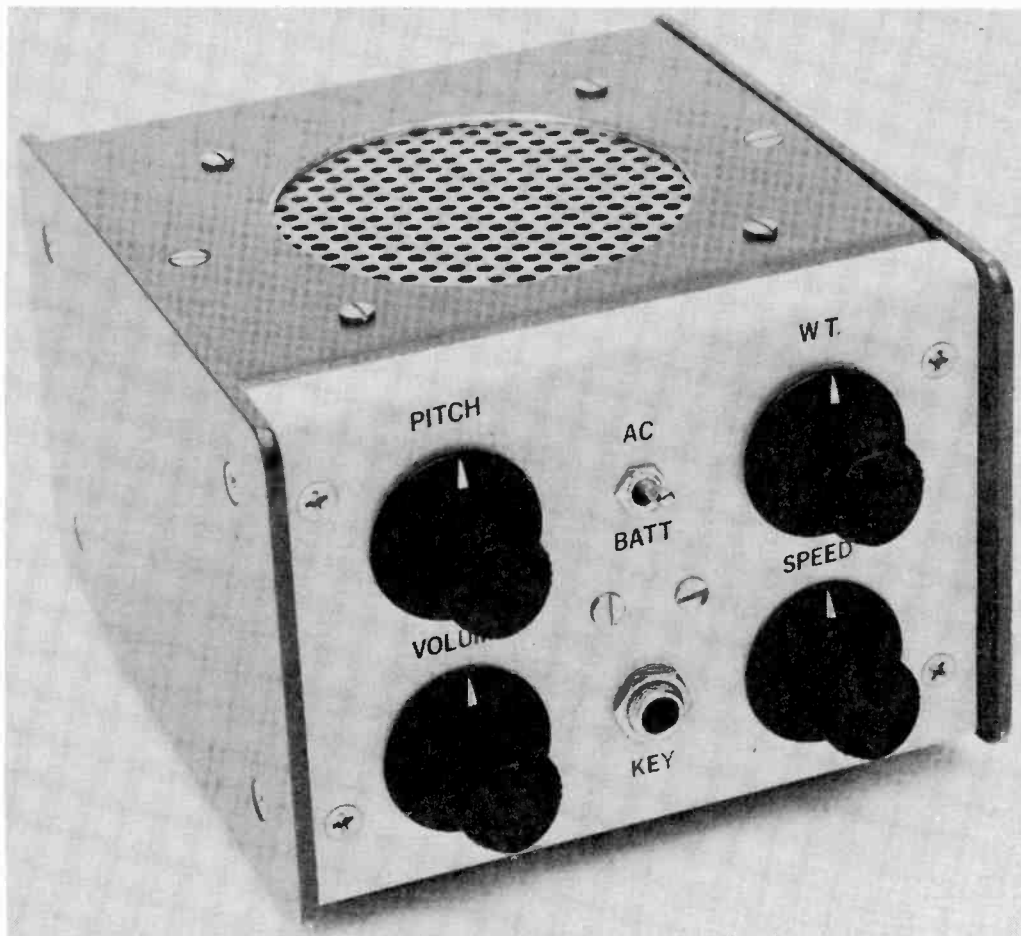


Figure 17  
THE COSMOS INTEGRATED-CIRCUIT  
KEYER—MARK II

The COSMOS keyer uses CMOS logic with a single IC, the Curtis 8044. This device provides dot and dash memory, variable weight, and iambic (squeeze keying) mode. The device works either from an internal 3-volt battery or from 120 volts 60 Hz. The unit is built in a Moduline cabinet measuring 5" wide, 3½" high and 5" deep, exclusive of controls. The small speaker is mounted in the removable lid of the box. Pitch and weight controls are in line across the top, with volume and speed controls across the bottom. Rubber feet are placed at the bottom of the box to prevent scratching the operating table. Box color is gray, with an off-white panel.

that has appeared in various versions, revisions, and modifications over the past decade. The design has passed through vacuum tubes; discrete transistor circuits; RTL, DTL, and TTL circuits; to the present one. The latest design uses the newest and the best adapted IC logic form: CMOS (figure 17). A recently developed IC does it all, the *Curtis 8044*. Rather than building up a keyer using several small scale integration type IC's, the builder can use only one *8044* and have dot and dash memory, variable weight, and even iambic (squeeze keying) mode.

Because CMOS is inherently capable of operating from a wide range of supply voltages, the *8044* can operate on +5 to +12 volts dc. Since 9-volt transistor radio batteries are cheap and common, that voltage was chosen for this keyer. Either battery or ac operation is selectable by the front panel power switch. Since the keyer consumes only about 50  $\mu$ A "key-up" and 50 mA "key-down," leaving the power switch on in the battery mode causes little drain.

**Keyer Circuitry** The circuit of the COSMOS keyer is shown in figure 18, as arranged for cathode keying of a tube-type transmitter. Note that transistor  $Q_3$  is a type capable of withstanding +300 volts

in the "key-up" condition and 200 mA in the "key-down" position.

The transmitter may be turned on for tuning, by closing the *tune* switch on the keyer. Also, the keyer may be used for code practice, without keying the transmitter by closing the *self-test* switch.

The ac power supply uses a four terminal regulator, the *Fairchild 78 MG*. This regulator is very much like the 3-terminal types having fixed voltages, but has a fourth terminal by which the output voltage may be adjusted. The power supply circuit is shown in figure 19. Since the regulator is fully adjustable, it can be set to +9 volts, the same as the nominal battery voltage.

Note that all leads passing in and out of the keyer cabinet (*Moduline P-355*) are r-f decoupled. The two keyer paddle leads and the transmitter keying line are choked, using a ferrite bead and a 1000-pF feedthrough capacitor in each lead, forming a simple L-network. These rfi precautions may not always be required because the *Curtis 8044* IC is relatively insensitive to r-f, being CMOS. It is safest to put it in as the keyer is built, rather than having to add it on later if trouble does develop. The keyer is assembled on a peg board, as shown in the interior view of figure 20.

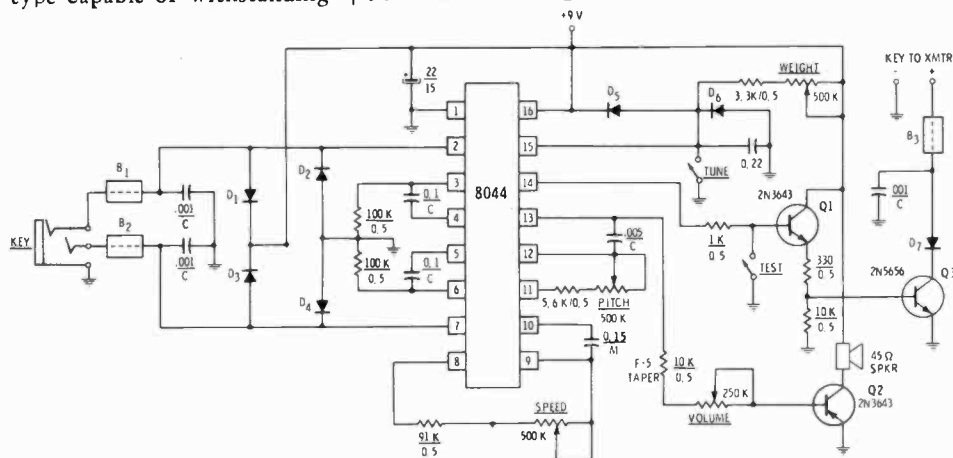


Figure 18

SCHEMATIC OF THE COSMOS KEYS—MARK II

Diodes  $D_1$ - $D_4$  are germanium (1N270). Diode  $D_5$  is a 1N4006. All capacitors may be ceramic except the 0.15- $\mu$ F unit between pins 9 and 10 of the IC, which is a mylar unit. Ceramic beads ( $B_1$ - $B_2$ ) are placed on key lines to reduce r-f feedback into the keyer. A set of the major components and a glass-epoxy circuit board for the keyer may be ordered from: Curtis Electro Devices, Box 4090, Mountain View, CA 94040.



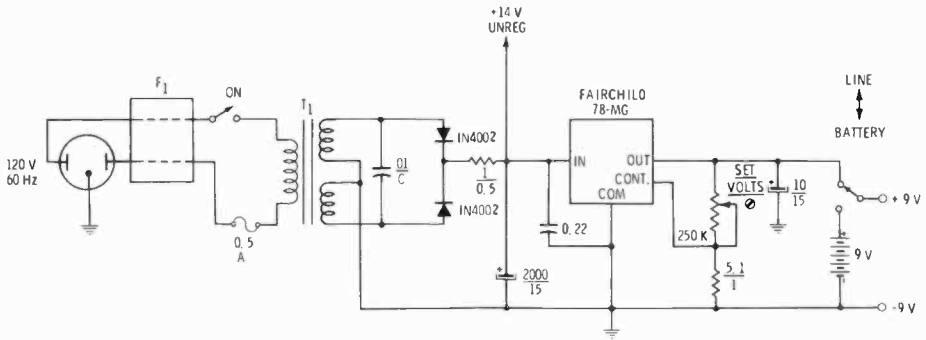


Figure 19

SCHEMATIC OF KEYER POWER SUPPLY

F<sub>1</sub>—Line receptacle and filter. CORCOM 6EF-1. T<sub>1</sub>—10-0-10 volts at 60 mA. Signal PC-20-60.

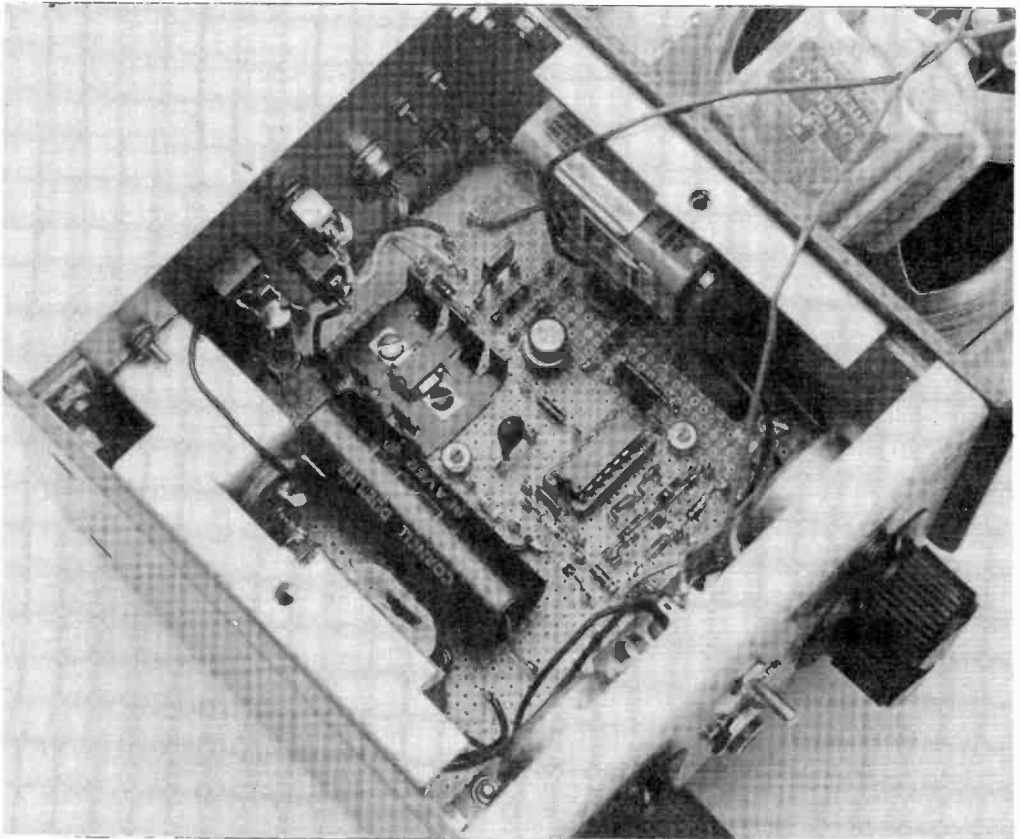


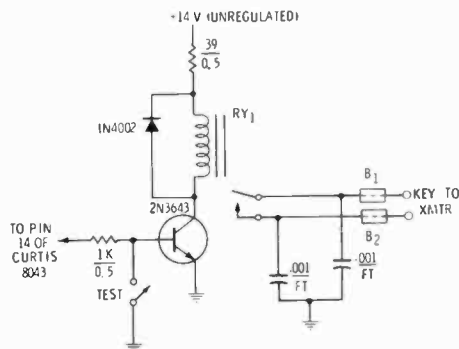
Figure 20

INTERIOR VIEW OF KEYER

The keyer is built upon a pre-punched terminal board, P pattern with 0.042" diameter holes and type T45-4 terminals (Vector). The 9-volt transistor battery is mounted to the side of the cabinet with a clip. At the rear of the board is the IC voltage regulator, with the power transformer and filter capacitor to the side. The Curtis IC is near the center of the board, mounted in a 16-pin socket. Connections between the terminals is made on the under side of the terminal board. The test and tune switches, along with the rfi-proof power receptacle and terminal board for keying connections are mounted on the rear wall of the cabinet.

**Using the Keyer** The only adjustment to be made once the keyer is wired and checked is to set the regulator (figure 20) for +9 volts. The keyer should be tested on the external supply and then on the internal battery. A Ni-cad battery is recommended for longest life. If desired a small LED may be placed across the supply to indicate when the keyer is turned on.

The *Curtis 8044* comes with an IC socket and instruction manual. The manual shows how the IC may be used to key a transmitter having a negative "key-up" potential. This method uses a high-voltage PNP transistor as a saturated switch, in much the same manner as the NPN ( $Q_3$ ) device was used to key a positive voltage ("key-up") transmitter. The circuit shown in the *Curtis* manual, however, places the keyer paddle common at -9 volts relative to the transmitter chassis. If complete isolation is desired, an inexpensive reed relay, offering millisecond response and minimum bounce may be used in the circuit of figure 21.



**Figure 21**  
**REED RELAY KEYING CIRCUIT FOR COSMOS KEYS**

$B_1, B_2$ —Ferrite bead.  $RY_1$ —Reed relay, 12-volt coil. Potter & Brumfield JR-M-1009.

The keyer provides self-completing dots, dashes, and spaces. Once a character (or space) is commenced, there is no way to prevent it from being completed. The self-completing function of an electronic keyer can cause dots to get lost because the operator tends to "lead" the keyer. Since dashes are held longer, they seldom get lost. To prevent lost dots, the 8044 CMOS device employs a memory to remember when a dot is called for and to insert it at the proper time. The

dot memory also aids in "squeeze" keying where a tap on the dot paddle will insert a dot into a series of dashes. When the dot paddle is pressed, a continuous string of dots is produced. When the dash paddle is pressed, continuous dashes are produced. When both paddles are closed, an alternating series of dots and dashes (iambic) is produced. The series can be started with either a dot or a dash depending upon which paddle is closed first. Iambic operation allows "squeeze" keying if desired by using a twin-lever paddle. A single-lever paddle allows the "non-squeeze" mode.

The keyer provides a speed range of 8 to 50 w.p.m. Resistor  $R_{12}$  sets the upper end of the speed range and may be decreased in value for higher speed keying.

## 18-6 The Keyboard Keyer

Use of a *keyboard-style* keyer is growing, especially among radio amateurs interested in very high speed c-w, from 50 to 90 w.p.m., at which speed accurate manual transmission is very difficult. Keyboards are also used by lower speed operators interested in accurate c-w independent of physical dexterity.

A keyboard keyer consists of a keyboard, usually arranged similar to a typewriter, an *encoding system* for the keys, a *converter* for obtaining the Morse code characters with proper element spacing, a *sidetone monitor* and an *output section* for keying the transmitter. The *Curtis KB-4200 Morse Keyboard* is shown in figure 22, and a block diagram of the device is given in figure 23.

**Keyboard Operation** Although there are several ways of implementing a keyboard keyer, the machines fall into two general classes; those with a *buffer memory* and those without. This difference has a large effect upon the sequence of operation of the device. On keyboards without buffers, character and word spacing is provided by the operator and is variable as a result. On units having buffers, the operator types a few code characters ahead of the actual

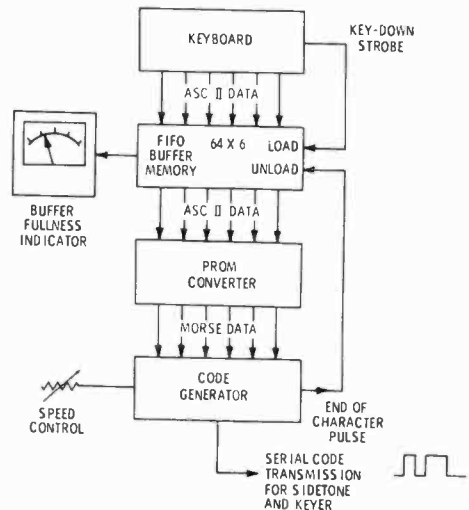


**Figure 22**  
**THE CURTIS KEYBOARD**

Standard typewriter format is used in the keyboard. At upper left is the buffer status meter, with the speed control, calibrated in words per minute at the center. Volume, pitch, and weight controls are at upper right.

transmission. The buffering circuitry supplies character spacing, and by depressing a *space bar* on the keyboard, the operator inserts standard word spaces into the message.

Buffer memory sizes range from one character to as many as 128. A buffer storage of 64 characters is more than adequate for normal operation. Buffered keyboards are normally designed to produce only one character per key depression similar to a typewriter, whereas certain of the unbuffered designs send a continuous stream of characters on key depression. While helpful in sending words with rapid, repetitive letters, such as "keep," the key must be released very quickly to avoid sending unwanted duplicates of short letters at high keying speeds. Also, on an unbuffered device, the rhythm of key depression is tied to the rhythm of the Morse transmission, that is, some letters are short and some very long. On buffered units, the operator is free to type independent of transmission speed once he has a few characters stored in the buffer.



**Figure 23**  
**THE CURTIS KB-4200 KEYBOARD**  
**KEYER**

Keyboard provides standard ASCII code of six parallel lines to a 64-character FIFO (first-in, first-out) buffer memory. A fullness meter indicates the amount of storage in use. As each character is withdrawn from the memory, the stack falls by one character. The ASCII data is routed to a PROM code converter where Morse equivalents are generated. A sidetone monitor and keyer are run by the code generator.

**A Buffered Keyboard** The diagram of figure 23 illustrates a buffered keyboard. This device makes use of a standard computer terminal keyset and associated electronics to prevent key de-bouncing and two-key roll often caused by overlapping key depressions by the operator. The output of this section is the standard ASCII code (American Standard Code for Information Interchange) for alphanumeric characters consisting of six parallel lines. A strobe output indicates when a key has been depressed and the key data is valid.

The ASCII information is routed to a 64 character FIFO (first-in, first-out) buffer memory (using two FSC 3341 ICs), where it is stacked up, ready for transmission. As each character is withdrawn for transmission the stack falls one character. Operation of the FIFO memory is similar to an old-time trolley car conductor's coin changer where the rate of coins deposited and extracted is completely independent. In the KB-4200 keyboard, buffer fullness is indicated by a

panel meter, calibrated in characters, as an operating convenience.

Data for each character exciting the FIFO buffer memory are routed to a code converter (using two Signetics 8223 PROMS,  $32 \times 8$ , each) where the ASCII representation is changed to a Morse code representation. A convenient and compact Morse representation consists of eight parallel bits. The first five describe the character elements (*dit* or *dab*) and the last three contain a binary count of the number of elements in the character. Calling a dit "1" and a dash "0," some examples are:

Letter	Element	Count
E	10000	001
A	10000	010
V	11100	100
6	01111	101

Six-element characters can be accommodated with this system using advanced electronic circuitry.

The parallel Morse representation is routed to a code generator which makes up the actual Morse character in a serial form ready for transmission.

### 18-7 VOX Circuitry

A form of VOX (*voice-operated transmission*) is often employed in SSB operation. A representative VOX system illustrated in figure 24. The VOX signal voltage is taken from the speech amplifier of the SSB transmitter and adjusted to the proper amplitude by means of *VOX-gain* potentiometer. The signal is rectified by diode  $V_2A$  and the positive voice impulses are applied to the grid of the VOX relay tube ( $V_3A$ ) which is normally biased to cutoff. An RC network in the VOX rectifier circuit permits rapid relay action yet delays the opening of the relay so that VOX action is sustained during syllables and between words. Delay periods of up to 0.5 second are common.

The antivoice signal voltage is derived from the speaker circuit of the receiver, adjusted to the proper amplitude by the *antivoice-gain* potentiometer and rectified by diode  $V_2B$  to provide a negative voice impulse which biases the vox diode ( $V_2A$ ) to a nonconducting state. The relay is held in a cut-off

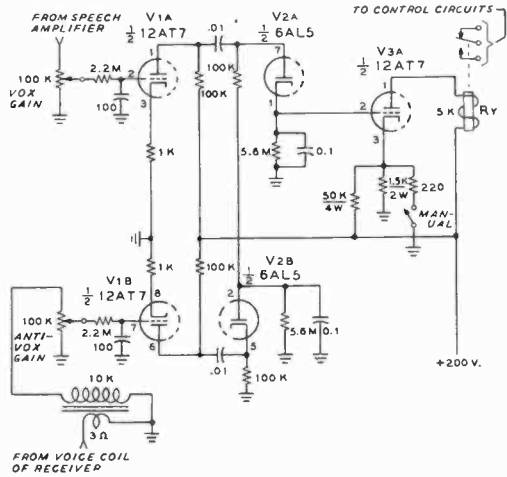


Figure 24

### A REPRESENTATIVE VOX CIRCUIT

position until a positive override signal from the VOX circuit defeats the antivoice signal taken from the station receiver. The relay tube may also be actuated by the *manual* switch which drops the bias level, causing the tube to draw a heavy plate current and trip the VOX relay.

**A Transistor VOX Circuit** The transistor VOX circuit shown in figure 25 may be added to existing SSB equipment, or may be included in new-design equipment to provide inexpensive and compact VOX control. The unit is powered from a 9-volt transistor-radio battery, or power may be obtained from a well-filtered tap point in the station equipment.

The input impedance of the first emitter-follower stage is of sufficiently high impedance to work directly from a crystal microphone or from the grid circuit of the first or second speech-amplifier stage in the station equipment. Two stages of high-gain RC amplifier follow the direct coupled input stage and the enhanced voice signal is rectified and clamped in a 1N34-2N404 combination, the output of which drives a 2N2925 relay-control transistor. Time delay is determined by a capacitor in the emitter circuit of the 2N404. Relay dropout is determined largely by the travel time of the relay armature.



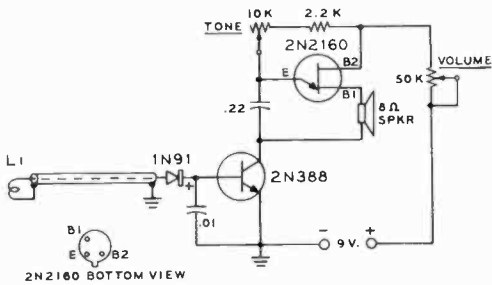


Figure 27

Schematic of R-F Actuated Keying Monitor

the final amplifier stage, and the trigger voltage level adjusted by moving the coil away from, or closer to, the tank inductor.

### 18-9 The Phone Patch

The *phone-patch* is an electrical interconnection between the amateur station and the telephone line. Effective in 1959, the Bell System responded to an FCC order covering interconnection of the System with privately owned facilities, which legalized phone-patching. Accordingly, most telephone companies will provide a unit called a *voice coupler* which is a connecting device to be attached to a telephone set, along with a switch to connect and disconnect the coupler. The coupler isolates the station equipment from the telephone line and provides an impedance match and level control between the line and the station equipment. The coupler is connected in parallel with the telephone set when a phone patch is in progress.

To effect a phone patch, the average voice level to be applied to the phone line is restricted by the telephone company and the audio power in various a-f bands is specified, in particular, the band from 2450 Hz to

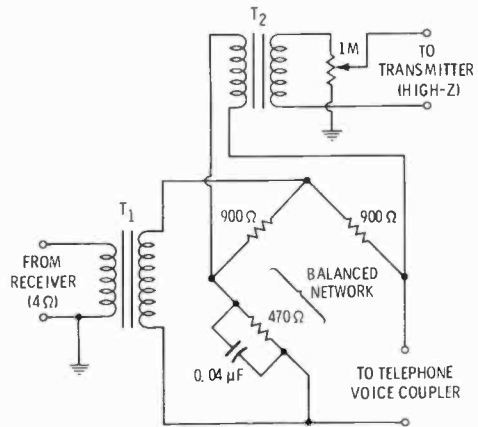


Figure 28

REPRESENTATIVE PHONE PATCH

T<sub>1</sub>—1000 ohms to 4 ohms (reversed)  
 T<sub>2</sub>—1000 ohms to 5000 ohms  
 Adjust balancing network for minimum signal feedthrough between receiver and transmitter.

2750 Hz, which if present, must not exceed a proscribed level. This band is used for signaling.

Modern SSB equipment uses VOX and antivoix circuitry, and provisions for voice control are helpful for full phone-patch service. In order for this to be accomplished correctly, a *hybrid* circuit is included in the phone patch. This is a network which resembles a bridge and prevents the receiver audio signal from reaching the audio circuitry of the transmitter (figure 28). The signal-level loss of this circuit is approximately 10 dB. In some patches, a 2600-Hz filter is added in the line from the receiver to prevent unwanted disconnections resulting from heterodynes or interference on the received signal falling in that audio-frequency range. Such a filter is helpful on long distance phone calls but is usually not required for local calls.



# Mobile and Portable Equipment

Mobile operation is permitted on all amateur bands. Tremendous impetus to this phase of the hobby was given by the suitable design of compact mobile equipment. Complete mobile installations may be purchased as packaged units, or the whole mobile station may be home built, according to the whim of the operator.

The problems involved in achieving a satisfactory two-way installation vary somewhat with the band, but many of the problems are common to all bands. For instance, ignition noise is more troublesome on 10 meters than on 80 meters, but on the other hand an efficient antenna system is much more easily accomplished on 10 meters than on 80 meters. Also, obtaining a worthwhile amount of transmitter output without excessive battery drain is a problem on all bands.

Compact mobile equipment is available for f-m operation on the vhf bands and this popular mode has flourished, at the expense of mobile operation on the hf bands. The use of fixed f-m repeaters placed on elevated locations has done much to enhance vhf mobile communication.

The majority of high-frequency mobile operation takes place on single sideband. The low duty-cycle of SSB equipment, as contrasted to the heavy power drain of conventional a-m gear has encouraged the use of relatively high-power sideband equipment in many mobile installations.

The SSB transceiver, thus, has become the universal high-frequency mobile device with the majority of use on SSB and a small but growing minority of amateurs using the transceiver for mobile c-w operation.

Portable operation is extremely popular on all hf and vhf bands and specialized

equipment for this mode of operation is available, using battery power as a primary source. To conserve battery drain, solid-state devices are commonly used and power input is limited for the same reason. Some amateurs employ gasoline driven power generators for portable and emergency service. In all cases, however, the power source is critical since even mobile power sources are limited in their ultimate capacity.

The handicap of low power in mobile and portable operation can be overcome by the ability of the operator to select his operating site in many instances. A high, clear, noise-free location will permit successful operation on the vhf bands to the line-of-sight distance and will permit contacts over thousands of miles on the hf bands while running only a few watts of transmitter power. A good location combined with a good station antenna will permit a successful operator to compete in today's interference-full amateur bands even under the most difficult operating conditions.

## 19-1 Mobile and Portable Power Sources

A small transistor converter for casual listening may be run from a 9-volt battery, but larger mobile receivers, transmitters, and transceivers require power from the electrical system of the automobile. SSB equipment, with its relatively light duty cycle, is ideally suited for mobile use and demands the least primary power drain for a given radiated signal of all the common types of amateur transmission. As a result of the combination of low power requirement and enhanced communication effectiveness, SSB has sup-



planted amplitude modulation for mobile service on the hf amateur bands. F-m, on the other hand, is universally used for vhf mobile service. In any case, a total equipment power drain of about 250 watts for SSB or f-m is about the maximum power that may be taken from the electrical system of an automobile without serious regard to discharging the battery when the car is stopped for *short* periods of mobile operation.

With many SSB mobile-radio installations now requiring 500 to 1000 watts peak power from the automotive electrical system, it is usually necessary to run the car engine when the equipment is operated for more than a few minutes at a time to avoid discharging the battery. Fortunately, a majority of automobiles have a 12-volt *alternator system* as standard equipment and as a result, most SSB transceivers may be run directly from the automotive electrical system without undue strain on the battery during the course of normal driving.

**The Alternator** A typical alternator circuit is shown in figure 1. The alternator differs from the classic generator in that it uses a rotating field to which dc is supplied through slip rings and carbon brushes. Field current is quite low, of the order of 3 amperes or so for many alternators. The rotating field usually has six

pairs of poles, and the output of one stator winding represents six electrical cycles for each revolution of the field. The output frequency in cycles per second is one-tenth the shaft speed expressed in revolutions per second.

The high output current of the alternator is supplied directly from the fixed stator windings in the form of three-phase current. The stator is usually connected in a *wye* (Y) configuration to an internal rectifier assembly made up of six silicon diodes which provide full-wave rectification. The ripple frequency is six times the frequency developed in one winding. Thus, at a shaft speed of 4000 r.p.m., the nominal voltage is 14, output frequency will be 400 Hz, and the ripple frequency is 2400 Hz.

The diode assembly (D<sub>1</sub>, D<sub>6</sub>) may be mounted on or behind the rear end-bell of the alternator, in conjunction with an isolation diode (D<sub>7</sub>) which protects the rectifier assembly from voltage surges and helps to suppress radio noise.

The output voltage of the alternator system is a function of the shaft speed to about 5000 r.p.m. or so. Above this speed, output voltage tends to stabilize because of hysteresis losses. In any case, the alternator output is regulated through adjusting the current in the field by a mechanical voltage regulator or by a solid-state regulator. Because the reverse current through the rectifier diodes is small, the alternator is usually connected directly to the battery without the use of a cutout relay.

The automobile alternator may be used to supply 3-phase, 400 Hz for auxiliary equipment. Many alternators are capable of supplying 350 watts of primary power which, when the battery is charged and the auto accessories are not being used, may be employed to run the mobile equipment. The power is tapped off points A, B, and C in figure 1. The schematic of an 1800-volt, 3-phase intermittent duty SSB power supply capable of 1 kW PEP service is shown in figure 2. This supply is designed for use with a linear amplifier using four 811A or two 572B/T-160L type tubes.

A solid-state regulator is recommended for use with this supply, since mechanical relay regulators interrupt the alternator field current when the battery is fully charged,

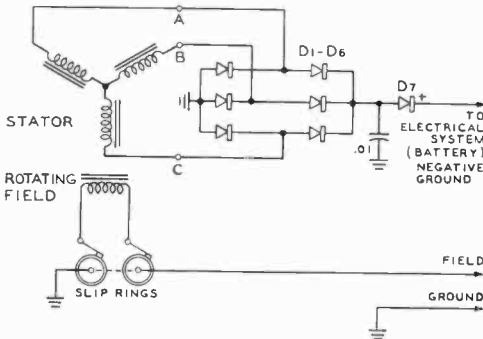


Figure 1

**THREE-PHASE AUTOMOBILE ALTERNATOR**

Three-phase output voltage is converted to dc by full wave rectifier D<sub>1</sub>, - D<sub>6</sub>. Rectifier D<sub>7</sub> protects rectifier assembly from transients and voltage surges in electrical system of auto.

thus removing the power to the equipment. If a relay regulator is used, it should be shorted out, or otherwise disabled during mobile operation.

**Batteries** The voltage available at the terminals of a battery is determined by the chemical composition of the cell. Many types and sizes of batteries are available for portable radio and communication equipment. The inexpensive *carbon-zinc* cell provides a nominal 1.5 volts and, unused, will hold a charge for about a year. The current capacity of the cell depends on the physical size of the electrodes and the composition of the electrolyte. A battery may be made up of a number of cells connected in series, providing good life under intermittent service.

Next to the carbon-zinc cell, the most commonly used unit is the *alkaline cell* (1.2 volts) which has about twice the total energy capacity per unit size as compared to the carbon-zinc cell. This cell is capable of a high discharge rate over an extended period of time and provides longer life in

continuous service than does the carbon-zinc cell.

The *mercury cell* (1.34 volts) is more expensive than the previously mentioned cells, but it has an extremely long working life. In addition, the mercury cell maintains full rated voltage until just before expiration; then the voltage drops sharply. Shelf life of the mercury cell is excellent and it may be stored for long periods of time.

These three types of batteries may be recharged to some extent by reversing the chemical action by application of a reverse current to the cell. For best results, the current should be low and should have a small ac component to provide a more even re-deposit of material on the negative electrode. Recharged cells have an uncertain operating life, and the recharging cycle may vary from cell to cell.

The *nickel-cadmium (Nicad)* cell (1.25 volts) is the most expensive cell in terms of initial costs, but it may be recharged at a slow rate a number of times in reliable cycles of operation.

The wet cell, (*lead-acid*) storage battery

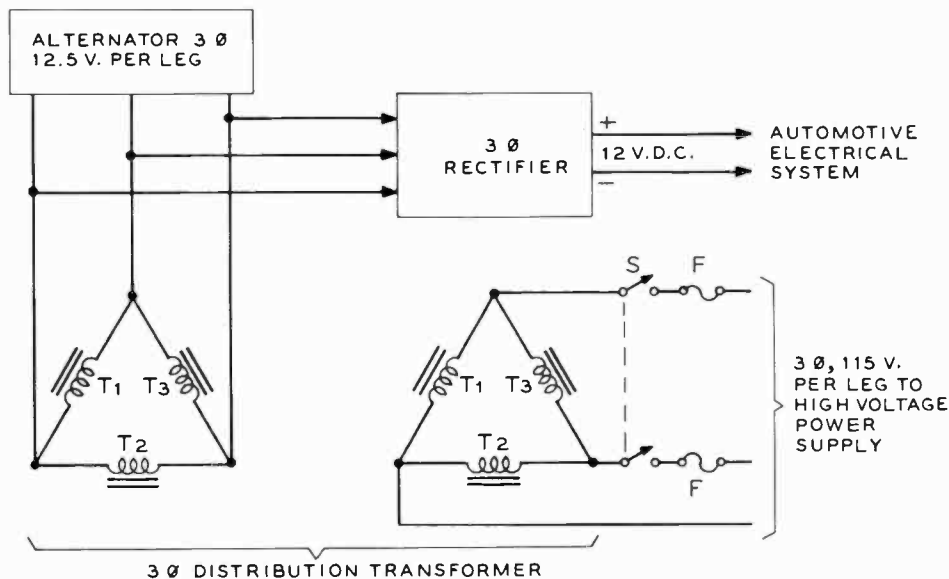


Figure 2

THREE-PHASE-MOBILE KILOWATT SUPPLY

Three-phase power from a system such as shown in figure 1 may be used to provide high voltage for mobile transmitting equipment. For 1800 volts, transformers T<sub>1</sub>, T<sub>2</sub>, and T<sub>3</sub> are 115-volt primary, 830-volt secondary (Stancor PC-8301). For 2400 volts, T<sub>1</sub>, T<sub>2</sub>, and T<sub>3</sub> are 115-volt primary, 1030-volt secondary (Stancor PC-8302). Three type 1N4005 diodes are used in each stack.

is in near-universal use in automotive equipment. The cell delivers about 2.1 volts and is rechargeable. The lead-acid cell is made of coated lead plates immersed in a solution of sulphuric acid and water. The acid content of the dielectric varies with the state of charge, which may be determined by measuring the specific gravity of the electrolyte. Generally speaking, a hydrometer reading of 1.27 indicates a fully charged cell, whereas a reading of 1.15 or below indicates the cell is in need of charging. The wet cell may be fast-charged as high as 40 amperes for a 12-volt battery, provided that care is taken to let escaping gases free themselves and provided that electrolyte temperature is held below 125° Fahrenheit.

**The Nickel-Cadmium Cell** The nickel-cadmium (Nicaid) cell is a high-efficiency cell capable of being recharged hundreds or thousands of times in the proper circumstances. The cell has a positive nickel electrode and a negative cadmium electrode immersed in a solution of potassium hydroxide at a specific gravity of 1.300 at 72°F. The common and popular lead-acid battery does not equal the recharge ability of the nickel-cadmium battery and use of the latter is common in mobile and portable equipment and other devices where small cell size and high recharge capability are an asset.

There are two common types of nickel-cadmium batteries classified as *vented* and *nonvented*. The nonvented cell is a hermetically sealed unit which resembles a conventional dry cell in appearance. The vented cell resembles a lead-acid cell and often has a removable plug which covers a port for gas venting during the charging process.

The terminal voltage of a nickel-cadmium cell varies with the state of charge and normally runs between 1.25 and 1.30 volts on open circuit. Exact terminal voltage depends on the state of charge, the charging current, and the time of charge. The specific gravity of the electrolyte, moreover, does not change appreciably between charge and discharge, as is commonly done with lead-acid cells. At end of charge, nickel-cadmium cell voltage may drop as low as a fraction of a volt and it is possible under heavy discharge for a cell to show a negative or reversed voltage, indicating a state of

extreme discharge. A terminal voltage of 1.1 volts is usually considered to be a state of complete discharge, for all practical purposes and should not be exceeded.

For standby service the nickel-cadmium cell can be maintained on a trickle charge, with the charger adjusted to maintain a terminal potential of 1.36 to 1.38 volts per cell. Following a substantial discharge, a regular charge should be given, after which the cell is placed back on trickle charge. While the overcharge tolerance is good and the cell may be left on charge for long periods of time, severe overcharge must be avoided because the cell may be destroyed by accumulation of gases within the container.

The nickel-cadmium cell may be charged by a *constant-potential process* whereby charger current is continually adjusted to maintain a constant potential of 1.55 volts across the cell. This requires a charger designed for such service, as very high current occurs at the start of charge, tapering rapidly as the charge progresses. A fully discharged cell can be completely recharged by this method in an hour or so.

The nickel-cadmium cell may also be charged by the *constant-current process*. This technique requires a charging source having an ammeter and control rheostat in the charging circuit. The cell is charged at a constant current rate. To maintain constant current, the rheostat requires adjustment during the charge period as the counter-emf of the cell rises.

The practical value of charging current varies from cell to cell and is usually specified by the manufacturer. If the extent of discharge is not known, the cell may be charged at a constant current rate until the cell voltage ceases to rise. Reasonable overcharge is not harmful as long as the electrolyte level is above the plate tops and the electrolyte temperature does not exceed 125°F.

When charging at a high rate, the nickel-cadmium cell will gas rather vigorously when approaching full charge. This gassing will cause the electrolyte level to rise above the limit line. This apparent excess electrolyte should not be removed as the level will drop back after the cell stands on open circuit following the charge. Charging disassociates water from the electrolyte which forms this gas.

The energy capability of a nickel-cadmium cell is usually rated in milliampere-hours. for small cells and ampere-hours for large ones. The rating is based on cell capability to a specific end point (usually 1.1 volts per cell) over a 10-hour period. This figure is used as the capacity of the cell and depends upon the rate of discharge. Generally speaking, the charging current is held to 10 percent of the milliampere-hour rating of a small cell and the time of charge is set at 150 percent of the time required to re-establish the maximum milliampere-hour rating of the cell. Thus a 250 milliampere-hour cell is charged at 25 milliamperes for 15 hours. This ensures that the lost energy is restored and various other losses and inefficiencies are accounted for. With a simple charger the standard battery can be left on extended trickle charge (at less than 10 percent of the milliampere-hour rating) for years. This constant current extended charge feature has value in standby applications where the battery must be instantly ready to operate.

Nonvented, or sealed, cells can be mounted in any position because their construction prevents the electrolyte from spilling out. Since they are maintenance free, these sealed cells are frequently totally encased in a molded plastic or metal housing.

The nickel-cadmium cell can also be stored for years with no significant degradation in performance and then, after just a few charge-discharge cycles, can be brought back to the point where it will be good as new. This long storage feature has consider-

able value in situations where the battery is only used occasionally.

The following precautions are recommended to users of Nicad cells or batteries:

1. Do not dispose of batteries in a fire.
2. Do not attempt to solder directly to a sealed cell because the seal can be damaged by too much heat.
3. Do not place a charged cell in your pocket. If you have keys, coins, or other metal objects in your pocket, the cell may be shorted and produce extreme heat.

## 19-2 Transistor Supplies

The vibrator-type of mobile supply achieves an overall efficiency in the neighborhood of 70%. The vibrator may be thought of as a mechanical switch reversing the polarity of the primary source at a repetition rate of 120 transfers per second. The switch is actuated by a magnetic coil and breaker circuit requiring appreciable power which must be supplied by the primary source.

One of the principal applications of the transistor is in switching circuits. The transistor may be switched from an "off" condition to an "on" condition with but the application of a minute exciting signal. When the transistor is nonconductive it may be considered to be an open circuit. When it is in a conductive state, the internal resistance is very low. Two transistors properly connected, therefore, can replace

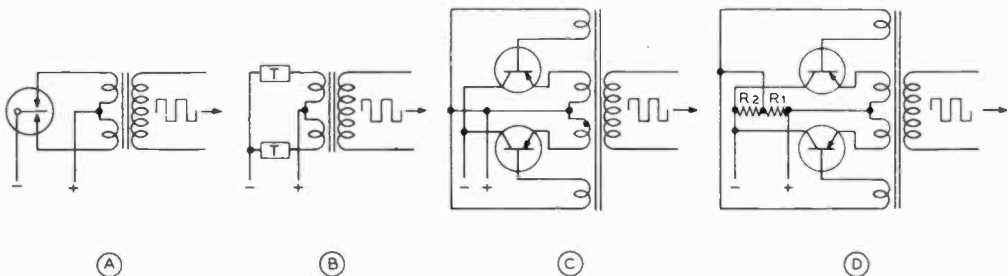


Figure 3

### TRANSISTORS CAN REPLACE VIBRATOR IN MOBILE POWER SUPPLY SYSTEM

A—Typical vibrator circuit.

B—Vibrator can be represented by two single-pole single-throw switches, or transistors.

C—Push-pull square-wave "oscillator" is driven by special feedback windings on power transformer.

D—Addition of bias in base-emitter circuit results in oscillator capable of starting under full load.

the single-pole, double-throw mechanical switch representing the vibrator. The transistor switching action is many times faster than that of the mechanical vibrator and the transistor can switch an appreciable amount of power. Efficiencies in the neighborhood of 95 percent can be obtained with 28-volt primary-type transistor power supplies, permitting great savings in primary power over conventional vibrators and dynamos.

**Transistor Operation** The transistor operation resembles a magnetically coupled multivibrator, or an audio-frequency push-pull square-wave oscillator (figure 3C). A special feedback winding on the power transformer provides 180-degree phase-shift voltage necessary to maintain oscillation. In this application the transistors are operated as on-off switches; i.e., they are either completing the circuit or opening it. The oscillator output voltage is a square wave having a frequency that is dependent on the driving voltage, the primary inductance of the power transformer, and the peak collector current drawn by the conducting transistor. Changes in transformer turns, core area, core material, and feedback turns ratio have an effect on the frequency of oscillation. Frequencies in common use are in the range of 120 Hz to 3500 Hz.

The power consumed by the transistors is relatively independent of load. Loading the oscillator causes an increase in input current that is sufficient to supply the required power to the load and the additional losses in the transformer windings. Thus, the overall efficiency actually increases with load and is greatest at the heaviest load the oscillator will supply. A result of this is that an increase in load produces very little extra heating of the transistors. This feature means that it is impossible to burn out the transistors in the event of a shorted load since the switching action merely stops.

**Transistor Power Rating** The power capability of the transistor is limited by the amount of heat created by the current flow through the internal resistance of the transistor. When the transistor is conducting, the internal resistance is extremely

low and little heat is generated by current flow. Conversely, when the transistor is in a cut-off condition the internal resistance is very high and the current flow is extremely small. Thus, in both the "on" and "off" conditions the transistor dissipates a minimum of power. The important portion of the operating cycle is that portion when the actual switching from one transistor to the other occurs, as this is the time during which the transistor may be passing through the region of high dissipation. The greater the rate of switching, in general, the faster will be the rise time of the square wave (figure 4) and the lower will be the internal losses of the transistor. The average transistor can switch about eight times the power rating of class-A operation of the unit. Two switching transistors having 5-watt class-A power output rating can therefore switch 80 watts of power when working at optimum switching frequency.

**Self-Starting Oscillators** The transistor supply shown in figure 3C is impractical because oscillations will not start under load. Base bias of the proper polarity has to be momentarily introduced into the base-emitter circuit before oscillation will start and sustain itself. The addition of a bias resistor (figure 3D) to the circuit results in an oscillator that is capable of starting under full load.  $R_1$  is usually of the order of 10 to 50 ohms while  $R_2$  is adjusted so that approximately 100 milliamperes flow through the circuit.

The current drawn from the battery by this network flows through  $R_2$  and then divides between  $R_1$  and the input resistances of the two transistors. The current flowing in the emitter-base circuit depends on the value of input resistance. The induced voltage across the feedback winding of the transformer is a square wave of such polarity that it forward-biases the emitter-base diode of the transistor that is starting to conduct collector current, and reverse-biases the other transistor. The forward-biased transistor will have a very low input impedance, while the input impedance of the reverse-biased transistor will be quite high. Thus, most of the starting current drained from the primary power source will flow in  $R_1$  and the base-emitter circuit of the forward-biased

transistor and very little in the other transistor. It can be seen that  $R_1$  must not be too low in comparison to the input resistance of the conducting transistor, or it will shunt too much current from the transistor. When switching takes place, the transformer polarities reverse and the additional current now flows in the base-emitter circuit of the other transistor.

**The Power Transformer** The power transformer in a transistor-type supply is designed to reach a state of maximum flux density (saturation) at the point of maximum transistor conductance. When this state is reached the flux density drops to zero and reduces the feedback voltage developed in the base winding to zero. The flux then reverses because there is no conducting transistor to sustain the magnetizing current. This change of flux induces a voltage of the opposite polarity in the transformer. This voltage turns the first transistor off and holds the second transistor on. The transistor instantly reaches a state of maximum conduction, producing a state of saturation in the transformer. This action repeats itself at a very fast rate. Switching time is of the order of 5 to 10 microseconds, and saturation time is perhaps 200 to 2000 microseconds. The collector waveform of a

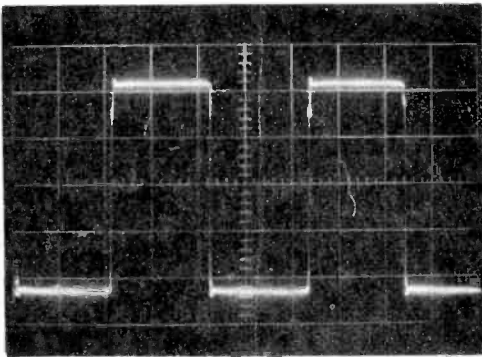


Figure 4

#### EMITTER-COLLECTOR WAVEFORM OF SWITCHING CIRCUIT

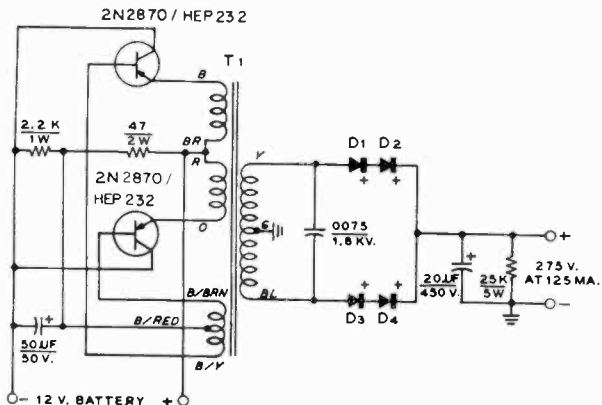
Square waveshape produces almost ideal switching action. Small 2-volt, "spike" on leading edge of pulses may be reduced by proper transformer design. Pulse length is about 1000 microseconds and rise time is 10 microseconds.

typical transistor supply is shown in figure 4. The rise time of the wave is about 5 microseconds, and the saturation time is 500 microseconds. The small "spike" at the leading edge of the pulse has an amplitude of about 2.5 volts and is a product of switching transients caused by the primary leakage reactance of the transformer. Proper transformer design can reduce this "spike" to a minimum value. An excessively large "spike" can puncture the transistor junction and ruin the unit.

**A 35-Watt Supply** The 35-watt power unit uses two inexpensive 2N2870 power transistors for the switching elements and four silicon diodes for the high-voltage rectifiers. The complete schematic is shown in figure 5. Because of the relatively high switching frequency only a single 20- $\mu$ F filter capacitor is required to provide pure direct current.

Regulation of the supply is remarkably good. No-load voltage is 310 volts, dropping to 275 volts at maximum current drain of 125 milliamperes.

The complete power package is built on an aluminum chassis-box measuring  $5\frac{1}{4}$ "  $\times$  3"  $\times$  2". Paint is removed from the center portion of the box to form a simple heat sink for the transistors. The box therefore conducts heat away from the collector elements of the transistors. The collector of the transistor is the metal case terminal and in this circuit is returned to the negative terminal of the primary supply. If the negative of the automobile battery is grounded to the frame of the car the case of the transistor may be directly grounded to the unpainted area of the chassis. If the positive terminal of the car battery is grounded it is necessary to electrically insulate the transistor from the aluminum chassis, yet at the same time permit a low thermal barrier to exist between the transistor case and the power-supply chassis. A simple method of accomplishing this is to insert a thin mica sheet between the transistor and the chassis. *Two-mil* (0.002") mica washers for transistors are available at many large radio supply houses. The mica is placed between the transistor and the chassis deck, and fiber washers are placed under the retaining nuts holding the transistors in



**Figure 5**  
**SCHEMATIC, TRANSISTOR POWER SUPPLY FOR 12-VOLT AUTOMOTIVE SYSTEM**

T<sub>1</sub>—Transistor power transformer, 12-volt primary, to provide 275 volts at 125 mA, Stancor DCT-1  
D<sub>1</sub>-D<sub>4</sub>—1N4005 with .01 μF and 100K across each diode  
Use 6 amp. fuse in +12-volt lead.

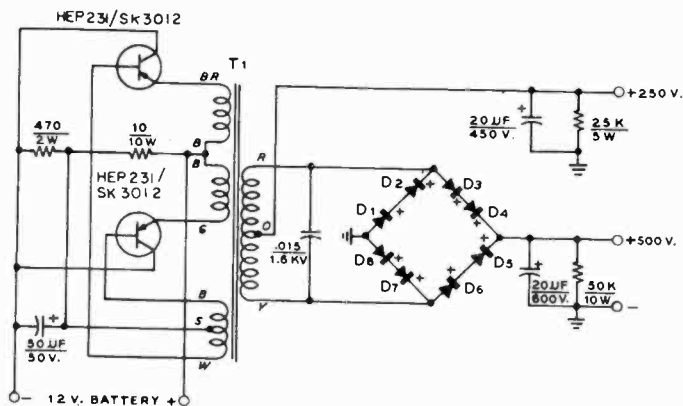
place. When the transistors are mounted in place, measure the collector-to-ground resistance with an ohmmeter. It should be 100 megohms or higher in dry air. After the mounting is completed, spray the transistor and the bare chassis section with plastic Krylon to retard oxidation. Several manufacturers produce anodized aluminum washers that serve as mounting insulators. These may be used in place of the mica washers, if desired.

**An 85-Watt Supply** Figure 6 shows the schematic of a dual-voltage transistor mobile power supply. A bridge rectifier permits the choice of either 250 volts or 500 volts, or a combination of both at a total current drain that limits the secondary power to 85 watts. Thus, 500 volts at 170 milliamperes may be drawn, with correspondingly less current as additional power is drawn from the 250-volt tap.

The supply is built on an aluminum box chassis measuring 7" × 5" × 3", the layout closely following that of the 35-watt supply. HEP-231 or SK3012 transistors are used as the switching elements and eight silicon diodes form the high-voltage bridge rectifier.

The transistors are affixed to the chassis in conjunction with a homemade aluminum heat sink formed from two pieces of aluminum sheet bent into channels, as shown in figure 7. Silicone grease is spread thinly between the transistors, heat sinks, and the chassis to permit better heat transfer between the various components of the assembly.

**A 270-Watt Transceiver Supply** SSB transceivers suitable for mobile service are capable of PEP power inputs up to 250 watts or more. Shown in figure 8 is a compact triple-voltage supply capable of running many transceivers from



**Figure 6**  
**SCHEMATIC, 85-WATT TRANSISTOR POWER SUPPLY FOR 12-VOLT AUTOMOTIVE SYSTEM**

T<sub>1</sub>—Transistor power transformer, 12-volt primary to provide 275 volts at 125 mA, Stancor DCT-2.  
D<sub>1</sub>-D<sub>8</sub>—1N4005 with .01 μF and 100K across each diode.

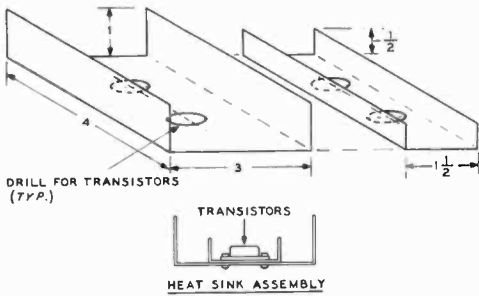


Figure 7

**HOMEMADE HEAT SINK FOR POWER TRANSISTOR**

a 12 volt dc supply. The unit provides 900 volts at 300 milliamperes, 275 volts at 180 milliamperes, and an adjustable bias voltage of -15 to -150. Additionally, -150 volts at 40 milliamperes is available for VOX standby circuitry in auxiliary equipment.

Two heavy-duty switching transistors are used, driven by base feedback from a winding of oscillator transformer  $T_1$ . The transistors are forward-biased by a voltage divider circuit and are protected from volt-

age spikes by the two 1N4719 diodes. Two zener diodes (1N4746) provide transient suppression in the primary circuit of transformer  $T_1$ . A power transformer ( $T_2$ ) is driven by the squarewave pulses provided by the switching circuit based on transformer  $T_1$ .

The supply is built on an aluminum chassis measuring 12"  $\times$  6"  $\times$  3". The main components are mounted atop the chassis with the heat sinks mounted on one side, with the fins in a vertical position. To improve thermal conductivity, the heat sinks are bolted to a 1/8-inch thick copper plate (measuring 12"  $\times$  6") affixed to the side of the chassis. The transistors are insulated from the chassis by thin insulators coated with silicone grease.

All primary leads to the power transistors, transformer  $T_1$ , and the input terminals are wired with #6 conductors, with the negative primary circuit grounded at one point in the supply. Heavy 1/4-inch battery leads run from the supply to the automobile battery. The supply should be mounted close to the battery to reduce primary voltage drop to a minimum.

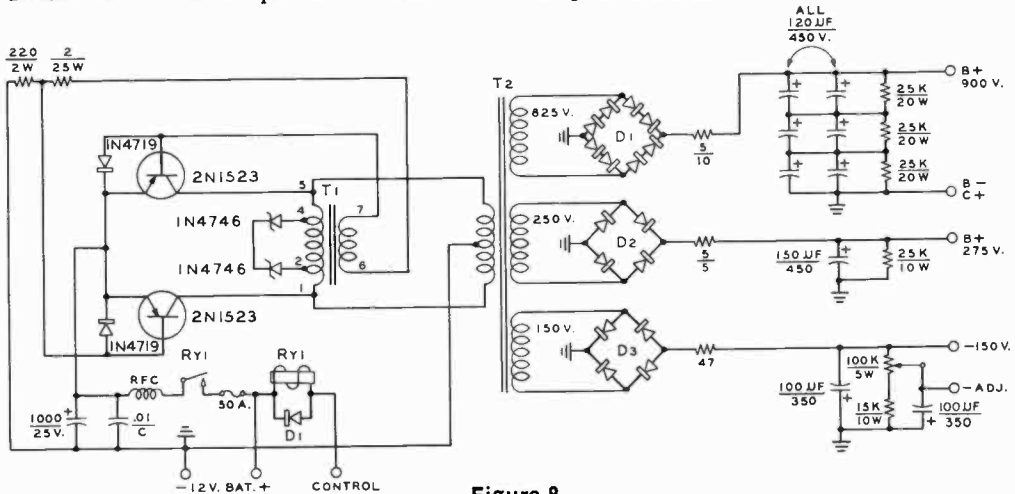


Figure 8

**270-WATT MOBILE TRANSCEIVER POWER SUPPLY**

- $D_1$ - $D_3$ —Use 1N4005 diodes. Two diodes in series are used in each leg of  $D_1$ . Place 470K 1-watt resistor and 0.1, 1.6-kV disc across each diode
- $RY$ —SPST contactor, 60 ampere, with 12-volt coil. Potter-Brumfield MB-3D
- RFC—10 turns #10 enamel wire on 1" form
- $T_1$ —Oscillator transformer (1000 Hz). Osborne 6784 (Osborne Transformer Co. 3834 Mitchell Ave., Detroit, Michigan)
- $T_2$ —Power transformer, Osborne 21555
- Heat sink—One for each 2N1523. Thermalloy 6421B, or Delco 7281366
- Use Delco insulator kit 7274633 for transistors



**A D-C to A-C Inverter For the Car or Boat** Radio and electrical equipment of all kinds up to about 200 watts intermittent power consumption may be run from this compact d-c to a-c power inverter. Designed for use with 12-volt automotive systems, the inverter provides a nominal 115-volt, 60-Hz square-wave output, suitable for transformer-powered equipment, lights, or motors.

The inverter construction is straightforward, and assembly is on an aluminum chassis measuring 8" × 6" × 2". A standard heat sink for the transistors is specified, however, the sink shown in figure 7 may be used. A grounded-collector circuit is

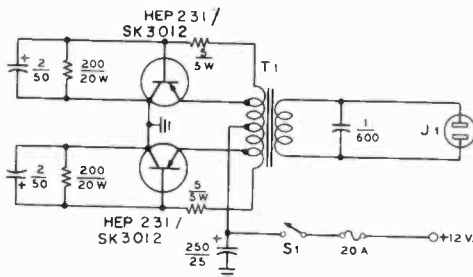


Figure 9

### DC TO AC INVERTER FOR THE CAR

**T<sub>1</sub>**—Inverter transformer. 12-volt dc, tapped primary, 115-volt ac, tapped secondary (Triad TY-75A)

**Line Filter**—J. W. Miller 5521 choke, 4  $\mu$ H at 20 amperes, bypassed with 0.1- $\mu$ F capacitors on each side (12-volt circuit). J. W. Miller 7818 (115-volt circuit)

**Heat Sink**—Wakefield NC 623A for each transistor

used (negative ground) so the transistors need not be insulated from the heat sink or chassis. Silicon grease should be placed between the transistor, sink sections, and chassis to ensure good thermal conductivity between the units. The low-voltage primary circuit should be wired with heavy-duty flexible line cord, or stranded #12 hookup wire.

This supply is designed to start under full load, and should be turned on loaded, since unloaded operation (especially starting and stopping) may give rise to transients which may endanger the transistors.

The supply is capable of 100 watts continuous power and about twice this amount in intermittent service. Because of the

square-wave output, additional line filtering may be necessary in the power line to the equipment, and a suitable line filter is tabulated in the parts list of figure 9.

### 19-3 Antennas for Mobile Operation

The mobile antenna is the key to successful operation on any amateur band. Because of space limitations on the vehicle and the sweep of the vehicle body panels, the vertical whip antenna is the most popular mobile antenna, regardless of the band of operation. For hf service, the whip takes the form of a flexible, tapered steel rod with a threaded base fitting.

Unless the whip is a resonant length (common only on the vhf, 6- and 10-meter bands) it is brought into resonance by the addition of a *loading coil* which makes up for the missing antenna length. The coil may be placed either at the base of the whip, or near the center. Overall antenna efficiency is generally a function of the *Q* or circuit efficiency of the loading coil, and every effort should be made to design and use a high-*Q* coil, well removed from the body of the vehicle.

**Antenna Mounts** High-frequency whip antennas, because of their height, are usually mounted low on the vehicle, often on the rear bumper or fender as shown in figure 10. Chain or strap-type mounts are available; they clamp directly over the edges of the bumper without the need of drilling mounting holes in the vehicle. The antenna is held in position by an insulated adapter bolted to the top bracket of the mount. Sometimes a heavy spring is included in the mount to absorb the road shock.

The whip antenna must remain free and clear of the body of the vehicle. Use of a bumper mount on station wagons, trucks and vans is not recommended because the whip passes too close to the upper metal body panels of the vehicle and severe detuning of the antenna may result. In this situation, a shorter antenna mounted higher on the body or roof is recommended.

A ball mount and spring (figure 11) can be used to mount the whip antenna at an

angle on the vehicle so that the antenna itself is in a vertical plane, regardless of the plane of the mount. Usual placement includes the rear deck, the side or top of the fender or (for short antennas) the top, flat portion of the roof. In the latter case, care must be taken to make sure the antenna does not strike overhead electrical wires and tree limbs.

The ball mount requires that a mounting hole be drilled in the skin of the vehicle on a relatively flat surface. Once the mount is in place, the whip is inserted in the socket and the rotary ball joint adjusted to align the whip in a vertical position.

Many amateurs hesitate to drill holes in their vehicle and are interested in an antenna mount that will not scar the body of the automobile. The trunk lip mount is a device that meets this need. The adjustable antenna mount is slipped beneath the edge of the trunk lid and bolted firmly to the groove of the car body. Enough clearance



Figure 10

#### MULTIBAND MOBILE WHIP USING HIGH-Q AIRWOUND COIL

Heavy base section provides support for adjustable loading coil. Antenna may be used over a range of about 15 kHz on 80 meters without re-tuning and correspondingly larger ranges on the higher frequency bands. Coil is mounted well clear of automobile body. Outer braid of coax line is grounded to bumper and to auto frame at base of antenna.

exists around the edge of most trunk lids to permit the user to bring a small coaxial cable (RG-58/U) through the gap and up to the antenna mount as shown in the il-



Figure 11

#### ADJUSTABLE BASE MOUNT FOR MOBILE WHIP

Mount may be placed on automobile panel and then adjusted so that whip is vertical regardless of position of panel. Jumper wire inside spring ensures that inductance of spring does not become part of the antenna.

lustration. Some trunk mounts fasten to the trunk lid as shown in figure 12.

A vhf whip may be clamped to the rain gutter of the vehicle by means of a gutter clamp. The mount is affixed to the outer rim of the gutter, taking care to be sure that the clamp breaks through the enamel coating of the gutter to make a good electrical contact to the body of the vehicle. Scraping off the paint at this point is a good idea. The mount is adjustable to permit placing the antenna in a vertical position.

**Vhf Antennas** In areas where vertical polarization is predominant, the vertical whip antenna is used for mobile operation. The most logical place for a vhf whip is at the center of the vehicle roof since this provides a relatively large ground-plane area and nearly omnidirectional coverage. The next best location is at or near the center of the trunk lid at the rear of the

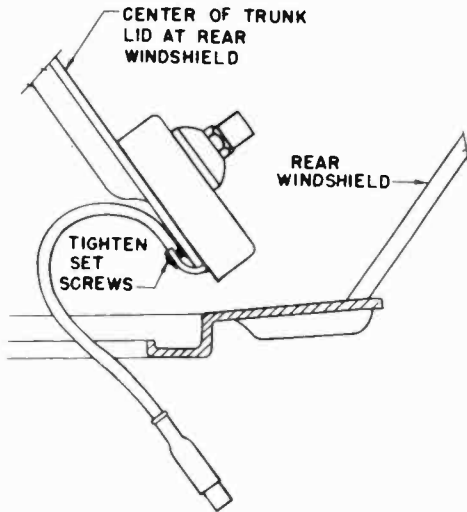


Figure 12

### TRUNK-LID ANTENNA MOUNT

Antenna mount is bolted to underside of trunk lid so that auto body is not damaged by mounting holes.

vehicle. Field-strength tests have shown that trunk-lid mounting of a 144-MHz whip antenna provides an omnidirectional pattern that is only 1 decibel less in signal strength than the same antenna in a roof-mount position.

#### The Vhf Whip Antenna

By far the most popular and inexpensive antenna for vhf mobile service is the quarter-wave whip, which uses the automobile body as a ground plane. Nominal whip length is 55" (140 cm) for the 50-MHz band, 19" (48.5 cm) for the 144-MHz band, 12½" (32 cm) for the 220-MHz band and 6½" (16.5 cm) for the 430-MHz band. The radiation resistance of the whip is about 30 ohms when mounted on the car body and overall length of the whip may be adjusted for lowest value of SWR on the coaxial feed system.

A popular antenna for 50-MHz and 144-MHz operation is a 55" (140 cm) whip which operates as a ¼-wavelength radiator on the lower band and as a ¾-wavelength radiator on the higher band. A collapsible whip can be adjusted for minimum SWR on either band since the resonant points for each band are only a few inches apart.

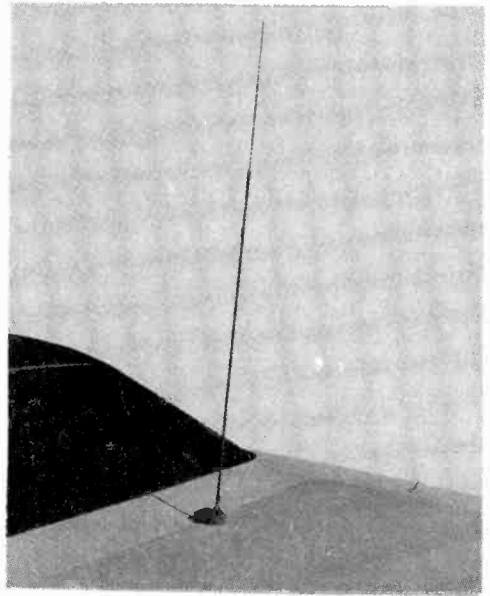


Figure 13

### VHF EXTENDED WHIP EQUALS ROOF-MOUNTED GROUND PLANE

Five-eighths wave antenna mounted on rear trunk area of vehicle provides equivalent performance to quarter-wavelength ground plane mounted at center of vehicle roof. Base coil is 6 turns #18 wire, ½" diam., 1" long.

A typical ⅝-wavelength whip for the 2-meter band is shown in figure 13. The whip is reduced in length to 47" (119.3 cm) and is base-loaded with a small coil which is mounted in the base assembly mount. Whip length is adjusted a quarter-inch at a time for lowest SWR on the transmission line to the antenna.

**Hf Whip Antennas** At frequencies lower than 28 MHz, the common mobile whip antenna is appreciably shorter than a quarter-wavelength. As the length of the whip decreases with respect to the wavelength of operation, the radiation resistance of the whip drops sharply. The antenna thus requires some kind of matching system to match the 50-ohm nominal output impedance of most transmitting equipment. If the matching device were 100 percent efficient, the whip antenna performance would compare favorably with a full size antenna. However, the short whip, combined with the

imperfect ground system in a mobile installation is a very lossy device, whose efficiency drops as the operating frequency is lowered. Depending on the length of the antenna and other factors, the radiation resistance of a whip antenna may be as low as one ohm at 80 meters, with a capacitive reactance component as high as 3500 ohms.

In addition to the radiation resistance, the loss resistance of the matching network must be recognized as well as the ground loss resistance, the sum of which comprise the total resistive component of the impedance appearing at the base of the antenna. The loss resistance, taken in total, is usually much greater than the radiation resistance, especially at the lower operating frequencies (figure 14). In this example of an 80-meter whip, the radiation resistance is 1 ohm, the loading coil resistance is 10 ohms and the ground loss is 9 ohms. The overall radiating efficiency is 5 percent, representing a transmitter power loss of about 12 dB. In spite of such inefficiency, mobile whip antennas are used to good advantage on the 80- and 160-meter bands for short range, ground-wave communication.

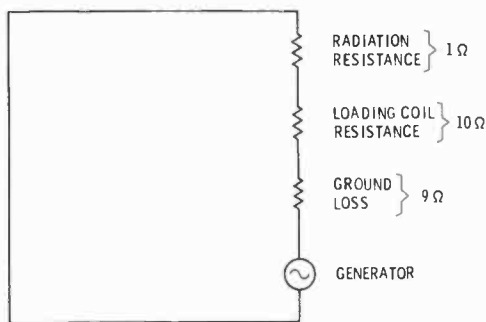


Figure 14

### 80-METER MOBILE WHIP HAS LOW EFFICIENCY

A representative 80-meter mobile whip center loaded, has an overall radiation loss of 19 ohms compared to a radiation resistance of about 1 ohm. Efficiency is about 5 percent, representing a transmitter power loss of 12 decibels.

**10-Meter Mobile Antennas** The most popular mobile antenna for 10-meter operation is a rear-mounted whip approximately 8 feet long, fed with coaxial line. This is a highly satisfactory

antenna, but a few remarks are in order on the subject of feed and coupling systems.

The feed-point resistance of a resonant quarter-wave rear-mounted whip is approx-

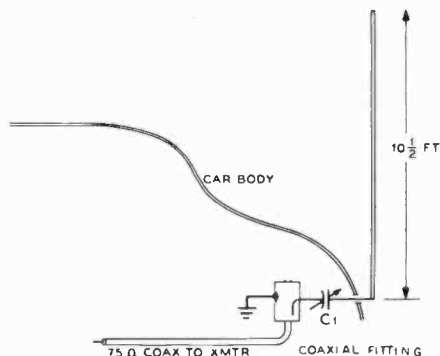


Figure 15

### 5/16-WAVE WHIP RADIATOR FOR 10 METERS

If a whip antenna is made slightly longer than one-quarter wave it acts as a slightly better radiator than the usual quarter-wave whip, and it can provide a better match to the antenna transmission line if the reactance is tuned out by a series capacitor close to the base of the antenna. Capacitor  $C_1$  may be a 100-pF midget variable.

imately 20 to 25 ohms. While the standing-wave ratio when using 50-ohm coaxial line will not be much greater than 2 to 1, it is nevertheless desirable to make the line to the transmitter exactly odd multiples of one-quarter wavelength long electrically at the center of the band. This procedure will minimize variations in loading over the band.

A more effective radiator and a better line match may be obtained by making the whip approximately  $10\frac{1}{2}$  feet long and feeding it with 75-ohm coax (such as RG-11/U) via a series capacitor, as shown in figure 15. The relay and series capacitor are mounted inside the trunk, as close to the antenna feedthrough or base-mount insulator as possible. The  $10\frac{1}{2}$ -foot length applies to the overall length from the tip of the whip to the point where the lead-in passes through the car body. The leads inside the car (connecting the coaxial cable, relay, series capacitor and antenna lead) should be as short as possible. The outer conductor of both coaxial cables should be grounded to the car body at the relay end with short, heavy conductors.

A 100-pF midget variable capacitor is suitable for  $C_1$ . The optimum setting for lowest SWR at the transmitter should be determined experimentally at the center of

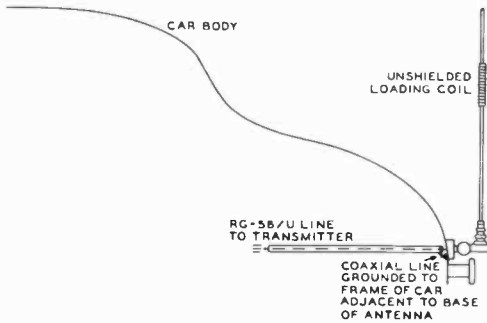


Figure 16

### THE CENTER-LOADED WHIP ANTENNA

The center-loaded whip antenna when provided with a tapped loading coil or a series of coils, may be used over a wide frequency range. The loading coil may be shorted for use of the antenna on the 10-meter band.

the band. This setting then will be satisfactory over the whole band.

If an all-band center-loaded mobile antenna is used, the loading coil at the center of the antenna may be shorted out for operation of the antenna on the 10-meter band. The usual type of center-loaded mobile antenna will be between 9 and 11 feet long, including the center-loading inductance which is shorted out. Thus such an antenna may be shortened to an electrical quarter wave for the 10-meter band by using a series capacitor as just discussed. If a pi network is used in the plate circuit of the output stage of the mobile transmitter, any reactance presented at the antenna terminals of the transmitter by the antenna may be tuned out with the pi network.

#### The All-Band Center-Loaded Mobile Antenna

The great majority of mobile operation on the 14-MHz band and below is with center-loaded whip antennas. These antennas use an insulated bumper or body mount, with provision for coaxial feed from the base of the antenna to the transmitter, as shown in figure 16.

The center-loaded whip antenna must be tuned to obtain optimum operation on the desired frequency of operation. These antennas will operate at maximum efficiency

over a range of perhaps 20 kHz on the 75-meter band, covering a somewhat wider range on the 40-meter band, and covering the whole 20-meter phone band. The procedure for tuning the antenna is as follows:

The antenna is installed, fully assembled, with a coaxial lead of RG-58/U from the base of the antenna to the place where the transmitter is installed. The rear deck of the car should be closed, and the car should be parked in a location as clear as possible of trees, buildings, and overhead power lines. Objects within 15 or 20 feet of the antenna can exert a considerable detuning effect on the antenna system due to its relatively high operating  $Q$ . The end of the coaxial cable which will plug into the transmitter is terminated in a link of 3 or 4 turns of wire. This link is then coupled to a grid-dip meter and the resonant frequency of the antenna determined by noting the frequency at which the grid current fluctuates. The coils furnished with the antennas normally are too large for the usual operating frequency, since it is much easier to remove turns than to add them. Turns then are removed, *one at a time*, until the antenna resonates at the desired frequency. If too many turns have been removed, a length of wire may be spliced on and soldered. Then, with a length of insulating tubing slipped over the soldered joint, turns may be added to lower the resonant frequency. Or, if the tapped type of coil is used, taps are changed until the proper number of turns for the desired operating frequency is found. This procedure is repeated for the different bands of operation.

Ground loss resistance in the automobile and capacitance of the car body to ground have been measured to be about 20 ohms at 3.9 MHz. These radiation and loss resistances, plus the loss resistance of a typical loading coil may bring the input impedance of a typical 80-meter center-loaded whip to about 25 to 30 ohms at the resonant frequency. Overall radiation efficiency is about two to five percent and operational bandwidth (for a 3/1 SWR on the transmission line) is about 25 kHz when the antenna is properly matched.

The relatively low efficiency of the loaded whip antenna at the lower frequencies indicates that attention must be paid to all details of the antenna installation. The load-

ing coil must be of the highest possible  $Q$  and all joints in the antenna system must be of low resistance. To properly match the 25-ohm antenna load to a typical 50-ohm transmission line, the matching system of figure 18 may be used. The loaded whip antenna forms a portion of a network whose input impedance over a small frequency range is close to 50 ohms. The antenna is made a part of an equivalent parallel-reso-

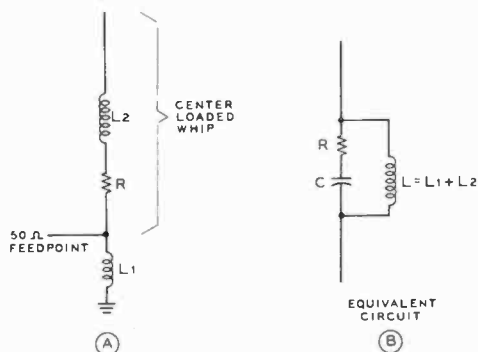


Figure 17

### CENTER-LOADED WHIP ANTENNA

A—Center-loaded whip represents large loss resistance ( $R$ ) which is inverse function of coil  $Q$ . High- $Q$  coil (300 or better) provides minimum losses consistent with practical coil design. B—Equivalent circuit provides impedance match between whip antenna and 50-ohm feedpoint.

nant circuit in which the radiation resistance appears in series with the reactive branch of the circuit. The input impedance of such a circuit varies nearly inversely with respect to the radiation resistance of the antenna, thus the very low radiation resistance of the whip antenna may be transformed to a larger value which will match the impedance of the transmission line.

The radiation resistance of the whip antenna can be made to appear as a capacitive reactance at the feedpoint by shortening the antenna. In this case, this is done by slightly reducing the inductance of the center-loading coil. The inductive portion of the tuned network ( $L_1$ ) consists of a small coil placed across the terminals of the antenna as shown in figure 17A. The LC ratio of antenna and matching coil determine the transformation ratio of the network when the LC product is parallel resonant at the operating frequency of the antenna.

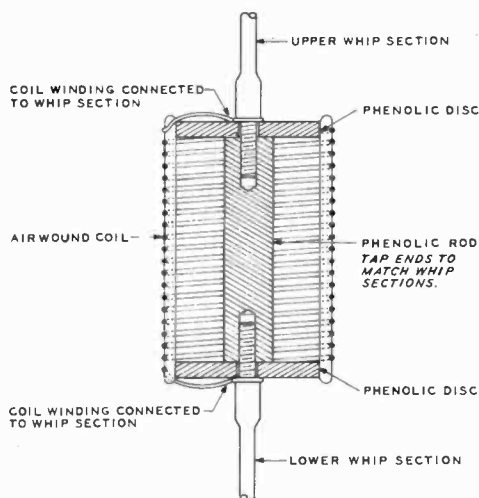


Figure 18

### HIGH-Q MOBILE LOADING COIL

Efficient loading coil is assembled from section of air-wound coil stock (i-Core or B-W). 2½" diam coil is recommended. Approximate inductance for various bands, when used in center of 8-foot whip: is 160 meters, 700  $\mu\text{H}$ ; 80 meters, 150  $\mu\text{H}$ ; 40 meters, 40  $\mu\text{H}$ ; 20 meters, 9  $\mu\text{H}$ ; 15 meters, 2.5  $\mu\text{H}$ . Complete antenna is grid-dipped to operating frequency and number of turns in coil adjusted for proper resonance.

Typically, coil  $L_1$  at the base of the center-loaded whip may be about 5  $\mu\text{H}$  for operation on the 80-meter band. The turns are shorted out for operation on the higher-frequency bands. A coil consisting of 13 turns of #12 wire, 2½" diameter and 4" long will be satisfactory.

The antenna system is grid-dipped to the operating frequency and the coaxial line is then tapped on the base coil at a point which provides a satisfactory impedance match, which may be determined with the aid of a SWR meter in the line to the transmitter.

Construction of a high- $Q$  center loading coil from available coil stock is shown in figure 18.

**Top Loading** A *capacity hat* may be added to a loaded whip antenna (figure 19) to improve the efficiency at the expense of the wind resistance. The capacitance added above the loading coil requires a reduction in the number of turns in the coil to reestablish resonance. Since the loss resistance of the coil is proportional to the inductance,

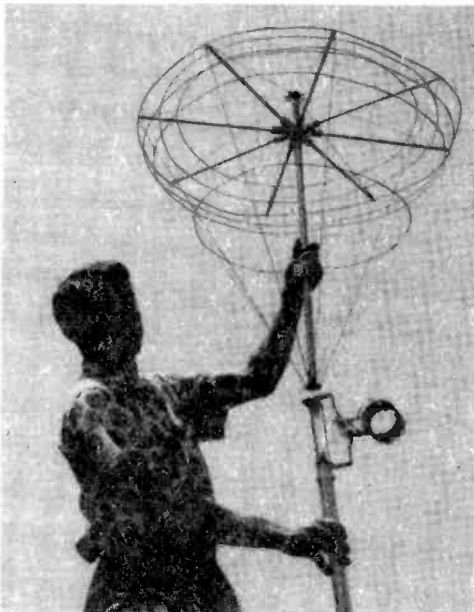


Figure 19

### THE "CALIFORNIA SUNSHADE" CAPACITY HAT

Designed by K6LFH, this capacity hat is used for 40- and 80-meter mobile operation. The spokes and hub of the hat are made of wood and the hat wires are hard drawn copper. Diameter of the hat is about two feet. The loading coil is mounted at right angles to the whip directly below the hat. It was found that mounting the coil in this position greatly improved the Q, as contrasted to the usual arrangement where the coil is in-line with the whip. A light nylon line holds the whip in a vertical position when the car is moving. Overall antenna height is about 8 feet. This design has consistently outperformed other versions of loaded antennas for both 40- and 80-meter service.

any reduction in the number of turns for a given antenna is beneficial.

The hat may be made out of lengths of hard copper wire and hat diameters of several feet have been used with success for 80- and 160-meter operation. The larger the hat, in terms of surface area, the greater the capacitance and the fewer the turns needed in the loading coil.

**An SWR Meter for Mobile Use** This simple reflectometer is designed to be used with mobile equipment over the 3- to 30-MHz range at power levels up to 500 watts. It may be placed in the 50-ohm

coaxial transmission line to the antenna and mounted under the dash of the automobile to provide a constant check of transmitter power output and antenna operation. It is also useful for tuneup purposes, since the transmitter stages may be adjusted for maximum forward-power reading of the instrument. The circuit is bidirectional; that is, either terminal may be used for either input or output connection.

The SWR meter is constructed in an aluminum utility box measuring 4" × 4" × 2" and the circuit is shown in figure 21. The heart of the device is a 4¾" long pickup line made of the inner conductor of a length of RG-58A/U coaxial line and a piece of ¼-inch copper tubing, which makes a close slip fit over the polyethylene inner insulation of the line.

To assemble the pickup line, the outer jacket and braid are removed from a length of coaxial line. Before the line is passed within the tubing, the insulation is cut and removed at the center point, which is tinned. A small hole is drilled at the center of the copper-tubing section so that a connection may be made to the inner line. The line is passed through the tubing, and one lead of a 51-ohm, ½-watt composition resistor

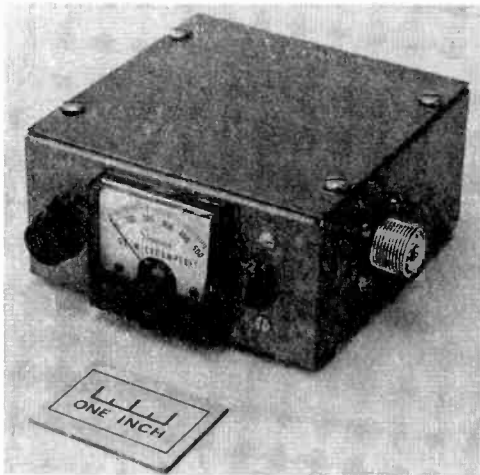


Figure 20

### MINI-SWR METER FOR MOBILE EQUIPMENT

Inexpensive reflectometer is built in 4" × 4" × 2" aluminum utility box and may be used over 3- to 30-MHz range at power levels up to 500 watts or so.

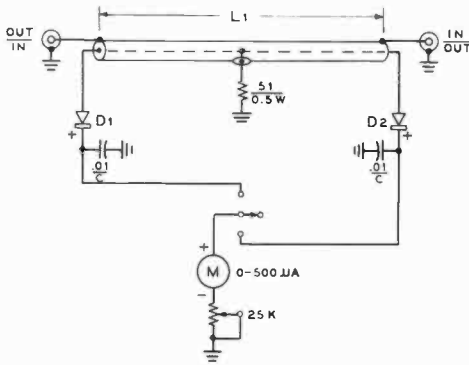


Figure 21

## SCHEMATIC, MINI-SWR METER

D<sub>1</sub>, D<sub>2</sub>—1N34A  
 L<sub>1</sub>—See text  
 M—0-500  $\mu$ A, dc, Simpson 1212

is soldered to the line at this point. The pickup line is then bent into a semicircle and the ends of the tubing are affixed to the coaxial connectors, as shown in figure 22.

Sensitivity of the SWR meter is controlled by the variable resistance in series with the meter. To check the instrument, power is fed through it to a matching dummy load and the meter switch set to read forward power. On reversal of the switch, the meter will read reflected power. In the case of a good load match, the reflected reading will be near zero, increasing in value with the degree of mismatch of the load.

## 19-4 Construction of Mobile Equipment

The following measures are recommended for the construction of mobile equipment, either transmitting or receiving, to ensure trouble-free operation over long periods:

Use only a stiff, heavy chassis unless the chassis is quite small.

Use lock washers or lock nuts when mounting components by means of screws.

Use stranded hookup wire except where r-f considerations make it inadvisable (such as for instance the plate tank circuit leads in a vhf amplifier). Lace and tie leads wherever necessary to keep them from vibrating or flopping around.

Unless provided with gear drive, tuning capacitors in the large sizes will require a rotor lock.

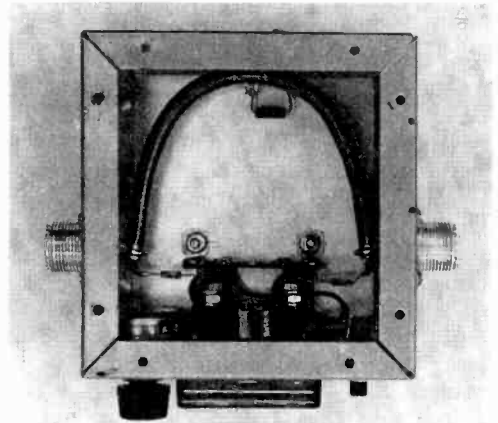


Figure 22

## INTERIOR, MINI-SWR METER

Pickup line is bent in semicircle and tubing is soldered to loops of wire which connect to center pin of SO-239 coaxial receptacles. Center conductor of line is attached to diodes D<sub>1</sub>, D<sub>2</sub>.

Generally speaking, rubber shock mounts are unnecessary or even undesirable with passenger car installations, or at least with full-size passenger cars. The springing is sufficiently "soft" that well constructed radio equipment can be bolted directly to the vehicle without damage from shock or vibration. Unless shock mounting is properly engineered as to the stiffness and placement of the shock mounts, mechanical-resonance "amplification" effects may actually cause the equipment to be shaken more than if the equipment were bolted directly to the vehicle.

To facilitate servicing of mobile equipment, all interconnecting cables between units should be provided with separable connectors on at least one end.

Finally, it should be remembered that the interior of the vehicle can get very hot when it is left in the sun for a period of time. Excessive heat may possibly damage solid-state devices and some crystal microphones. Try and place the mobile equipment where it will not be exposed to such heat. Excessive cold, on the other hand, may render solid-state equipment inoperative as the transistorized power supply may refuse to start.



**Control Circuits** The send-receive control circuits of a mobile installation are dictated by the design of the equipment, and therefore will be left to the ingenuity of the reader. However, a few generalizations and suggestions are in order.

Do not attempt to control too many relays, particularly heavy-duty relays with large coils, by means of an ordinary push-to-talk switch on a microphone. These contacts are not designed for heavy work, and the inductive "kick" will cause more arcing than the contacts on the microphone switch are designed to handle. It is better to actuate a single relay with the push-to-talk switch and then control all other relays, including the heavy-duty contactor for the transistor power pack with this relay.

A recommended general control circuit, where one side of the main control relay is connected to the hot 12-volt circuit, but all

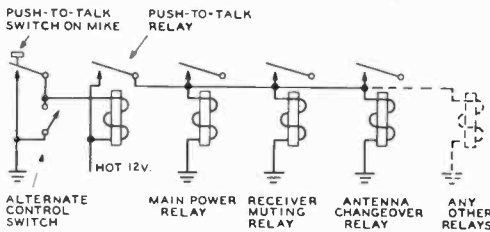


Figure 23

### RELAY CONTROL CIRCUIT

Simplified schematic of the recommended relay control circuit for mobile transmitters. The relatively small push-to-talk relay is controlled by the button on the microphone or the communications switch. Then one of the contacts on this relay controls the other relays of the transmitter; one side of the coils of all the additional relays controlled should be grounded.

other relays have one side connected to the ground, is illustrated in figure 23.

When purchasing relays keep in mind that the current rating of the contacts is not a fixed value, but depends on (1) the voltage, (2) whether it is a.c. or d.c., and (3) whether the circuit is purely resistive or is inductive. If in doubt, refer to the manufacturer's recommendations.

**Microphones and Circuits** The standardized connections for a majority of hand-held microphones provided with push-to-talk switch are shown in figure 24.

The high-impedance *dynamic* microphone is probably the most popular with the *ceramic-crystal* type next in popularity. The conventional crystal type is not suitable for mobile use since the crystal unit will be destroyed by the high temperatures which can be reached in a closed car parked in the sun in the summer time.

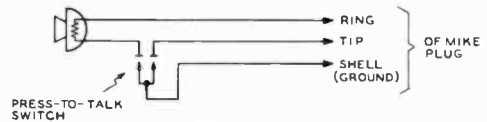


Figure 24

### STANDARD CONNECTIONS FOR THE PUSH-TO-TALK SWITCH ON A HAND-HELD MICROPHONE

The use of low-level microphones in mobile service requires careful attention to the elimination of common-ground circuits in the microphone lead. The ground connection for the shielded cable which runs from the transmitter to the microphone should be made at only one point, preferably directly adjacent to the input of the first tube or transistor in the speech amplifier. The use of a low-level microphone usually will require the addition of two speech stages, but these stages will take only a milliampere or two of current.

## 19-5 Vehicular Noise Suppression

Satisfactory reception on frequencies above the broadcast band usually requires greater attention to noise-suppression measures. The required measures vary with the particular vehicle and the frequency range involved.

Most of the various types of noise that are present in a vehicle may be broken down into the following main categories:

- (1) Ignition noise.
- (2) Wheel static (tire static, brake static, and intermittent ground via front wheel bearings).
- (3) "Hash" from voltage-regulator contacts.
- (4) "Whine" from generator commutator segment make and break.

- (5) Static from scraping connections between various parts of the car.

It is best to thoroughly suppress ignition noise in your car, even though ignition noise from passing vehicles make the use of a noise limiter mandatory. However, the limiter should not be given too much work to do, because at high engine speeds a noisy ignition system will tend to mask weak signals, even though with the limiter working, ignition "pops" may appear to be completely eliminated.

Another reason for good ignition suppression at the source is that strong ignition pulses contain enough energy, when integrated, to block the agc circuit of the receiver, causing the gain to drop whenever the engine is speeded up. Since the agc circuits of the receiver obtain no benefit from a noise clipper, it is important that ignition noise be suppressed enough at the source that the agc circuits will not be affected even when the engine is running at high speed.

**Ignition Noise** The following procedures should be found adequate for reducing the ignition noise of practically any passenger car to a level which the clipper can handle satisfactorily at any engine speed at any frequency from 500 kHz to 450 MHz. Some of the measures may already have been taken when the auto receiver was installed.

First either install a spark-plug suppressor on each plug, or else substitute resistor plugs. The latter are more effective than suppressors and on some cars ignition noise is reduced to a satisfactory level simply by installing them. However, they may not do an adequate job alone after they have been in use for a while, and it is a good idea to take the following additional measures.

Check all high-tension connections for gaps, particularly the "pinch-fit" terminal connectors widely used. Replace old high-tension wiring that may have become leaky. Complete substitution of the ignition wiring with a commercial shielded ignition system is recommended, in case of severe interference.

Check to see if any of the high-tension wiring is cabled with low-tension wiring, or run in the same conduit. If so, reroute

the low-tension wiring to provide as much separation as practical.

Bypass to ground the 12-volt wire from the ignition switch at each end with a 0.1- $\mu$ F molded-case paper capacitor in parallel with a .001- $\mu$ F mica or ceramic, using the shortest possible leads.

Check to see that the hood makes good ground contact to the car body at several points. Special grounding contactors are available for attachment to the hood lacing on cars that otherwise would present a grounding problem.

If the high-tension coil is mounted on the dash, it may be necessary to shield the high-tension wire as far as the bulkhead, unless it already is shielded with armored conduit.

**Wheel Static** Wheel static is either static electricity generated by rotation of the tires and brake drums, or is noise generated by poor contact between the front wheels and the axles (due to the grease in the bearings). The latter type of noise seldom is caused by the rear wheels, but tire static may of course be generated by all four tires.

Wheel static can be eliminated by insertion of grounding springs under the front hub caps, and by inserting "tire powder" in all inner tubes. Both items are available at radio parts stores and from most auto radio dealers.

**Voltage-Regulator "Hash"** Certain voltage regulators generate an objectionable amount of "hash" at the higher frequencies, particularly in the vhf range. A large bypass capacitor will affect the operation of the regulator and possibly damage the points. A small bypass can be used, however, without causing trouble. A 0.001- $\mu$ F mica capacitor placed from the field terminal of the regulator to ground with the shortest possible leads often will produce sufficient improvement. If not, a choke consisting of about 60 turns of No. 18 d.c.c. wound on a  $\frac{3}{4}$ -inch form can be added. This should be placed at the regulator terminal, and the 0.001- $\mu$ F bypass placed from the generator side of the choke to ground.

**Generator "Whine"** Generator "whine" often can be satisfactorily suppressed from 550 kHz to 148 MHz simply by bypassing the armature terminal to ground with a special "auto-radio" capacitor of 0.25 or 0.5  $\mu\text{F}$  in parallel with a 0.001- $\mu\text{F}$  mica or ceramic capacitor. The former usually is placed on the generator when an auto radio is installed, but must be augmented by a mica or ceramic capacitor with short leads in order to be effective at the higher frequencies as well as the broadcast band.

When more drastic measures are required, special filters can be obtained which are designed for the purpose. These are recommended for stubborn cases when a wide frequency range is involved. For reception over only a comparatively narrow band of frequencies, such as the 10-meter amateur band, a highly effective filter can be improvised by connecting a resonant choke between the previously described parallel bypass capacitors and the generator armature terminal. This may consist of 11 turns of No. 10 enameled wire wound on a one-inch form and shunted with an adjustable 30-pF trimmer capacitor to permit resonating the combination to the center of the ten-meter band.

When generator "whine" shows up after once being satisfactorily suppressed, the condition of the brushes and commutator should be checked. Unless a bypass capacitor has opened up, excessive "whine" usually indicates that the brushes or commutator are in need of attention in order to prevent damage to the generator.

**Body Static** Loose linkages in body or frame joints anywhere in the car are potential static producers when the car is in motion, particularly over a rough road. Locating the source of such noise is difficult, and the simplest procedure is to give the car a thorough tightening up in the hope that the offending poor contacts will be caught up by the procedure. The use of braided bonding straps between the various sections of the body of the car also may prove helpful.

**Miscellaneous** There are several other potential noise sources on a passenger vehicle, but they do not necessarily

give trouble and therefore require attention only in some cases.

The heat, oil pressure, and gas gauges can cause a rasping or scraping noise. The gas gauge is the most likely offender. It will cause trouble only when the car is rocked or is in motion. The gauge units and panel indicators should both be bypassed with the 0.1- $\mu\text{F}$  paper and 0.001- $\mu\text{F}$  mica or ceramic capacitor combination previously described.

At high car speeds under certain atmospheric conditions, corona static may be encountered unless means are taken to prevent it. The receiving-type auto whips which employ a plastic ball tip are so provided in order to minimize this type of noise, which is simply a discharge of the frictional static built up on the car. A whip which ends in a relatively sharp metal point makes an ideal discharge point for the static charge, and will cause corona trouble at a much lower voltage than if the tip were hooded with insulation. A piece of *Vinylite* sleeving slipped over the top portion of the whip and wrapped tightly with heavy thread will prevent this type of static discharge under practically all conditions. An alternative arrangement is to wrap the top portion of the whip with *Scotch* brand electrical tape.

Generally speaking it is undesirable from the standpoint of engine performance to use both spark-plug suppressors and a distributor suppressor. Unless the distributor rotor clearance is excessive, noise caused by sparking of the distributor rotor will not be so bad but that it can be handled satisfactorily by a noise limiter. If not, it is preferable to shield the "hot" lead between ignition coil and distributor rather than use a distributor suppressor.

In many cases the control rods, speedometer cable, etc., will pick up high-tension noise under the hood and conduct it up under the dash where it causes trouble. If so, all control rods and cables should be bonded to the fire wall (bulkhead) where they pass through, using a short piece of heavy flexible braid of the type used for shielding.

In some cases it may be necessary to bond the engine to the frame at each rubber engine mount in a similar manner. If a rear mounted whip is employed, the exhaust tail

pipe also should be bonded to the frame if supported by rubber mounts.

**Locating Noise Sources** Determining the source of certain types of noise is made difficult when several things are contributing to the noise, because elimination of one source often will make little or no apparent difference in the total noise. The following procedure will help to isolate and identify various types of noise.

Ignition noise will be present only when the ignition is on, even though the engine is turning over.

Generator noise will be present when the motor is turning over, regardless of whether the ignition switch is on. Slipping the drive belt off will kill it.

Gauge noise usually will be present only when the ignition switch is on or in the "left" position provided on some cars.

Wheel static, when present, will persist when the car clutch is disengaged and the

ignition switch turned off, with the car coasting.

Body noise will be noticeably worse on a bumpy road than on a smooth road, particularly at low speeds.

## 19-6 A Portable Amateur Band Receiver

The availability of low priced solid-state devices and integrated circuits makes feasible the design of a compact, completely solid-state amateur band receiver for c-w and SSB reception that performs as well as or better than an equivalent receiver using conventional vacuum tubes. The advanced receiver described in this section (figure 25) is completely solid state, making use of improved MOSFET and IC devices, and covers the amateur bands between 80 and 10 meters in 500-kHz segments. The design goal was to produce a compact receiver of top-notch

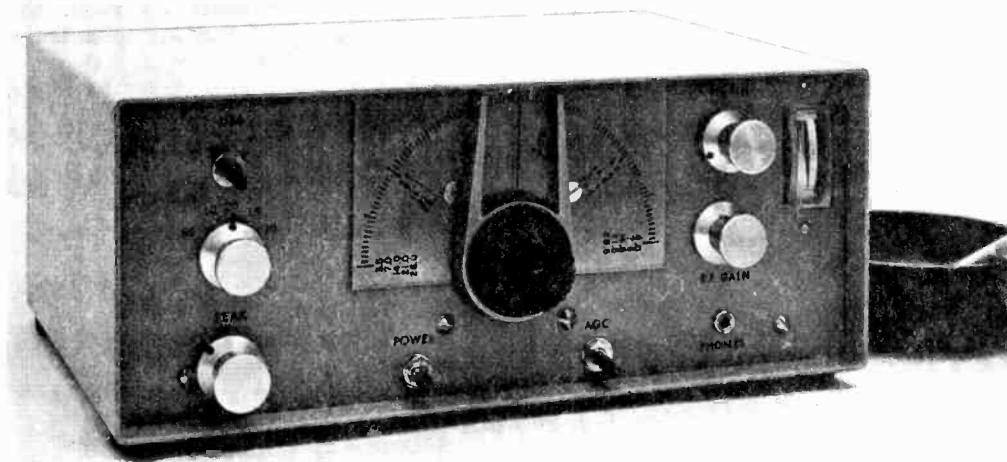


Figure 25

### A SOLID-STATE AMATEUR BAND RECEIVER

This advanced communication receiver covers all amateur bands between 80 and 10 meters. It uses 3 MOSFETs, 5 FETs, 5 transistors, 2 ICs, and 3 hot carrier diodes. Measuring only 10" x 4" (panel size) and 7" deep, the solid-state receiver provides excellent reception of SSB and c-w signals, combined with exceptional strong signal overload capability.

Panel controls (l. to r.) are: Sideband selector switch (S<sub>1</sub>); bandswitch; peak preselector (C<sub>1</sub>) power switch (S<sub>2</sub>); AGC switch (S<sub>3</sub>); phone jack (J<sub>1</sub>) insulated from the panel; r-f gain potentiometer (R<sub>1</sub>); audio gain control (R<sub>2</sub>); and signal-strength meter (M).

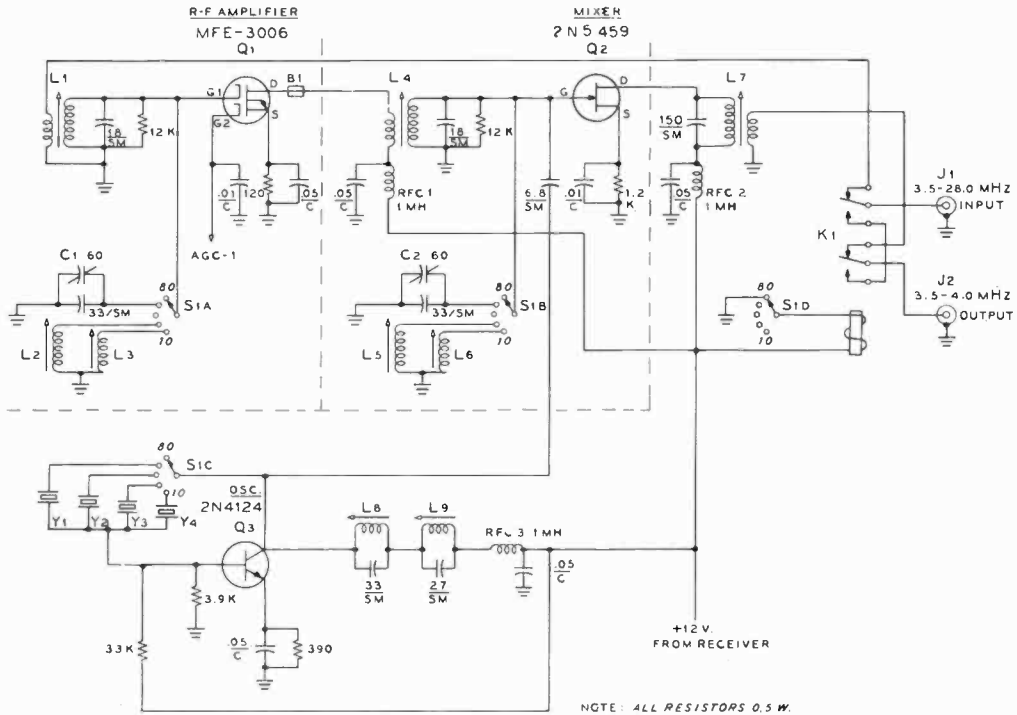
The main tuning dial is calibrated every 100 kHz, with 5-kHz markers and is made of a panel mask (figure 34). The pointer window is cut from a piece of 1/4-inch aluminum stock and has a plastic window insert epoxied to the underside of the frame. The cursor line is scratched on the rear of the window.



resonant frequency by means of capacitor  $C_1$  (figure 28). For 15- and 10-meter operation, the inductance of the tuned circuit is shunted by parallel inductors ( $L_2$  and  $L_3$ ) thus effectively raising the resonant frequency of the new circuit formed by the auxiliary inductors. These tuned circuits are designed to have an essentially flat response over 500 kHz of the band in use, making

a peaking control unnecessary. The 10-meter tuned circuits can be adjusted to pass any 500-kHz segment of the 10-meter band, allowing the receiver to cover the complete band, by the proper choice of local-oscillator conversion crystal and auxiliary inductor tuning.

Maximum gain is obtained from the MOSFETs in the r-f amplifier stages when



NOTE: ALL RESISTORS 0.5 W.

Figure 27

CONVERTER PORTION OF COMMUNICATION RECEIVER

- B<sub>1</sub>—Ceramic bead (Ferroxcube K5-001-03B or Stackpole 7D)
- C<sub>1</sub>, C<sub>2</sub>—10 to 60-pF piston capacitors (Votronics TM-60C, or equiv.)
- J<sub>1</sub>, J<sub>2</sub>—Type BNC receptacles, UG-657/U
- K<sub>1</sub>—Dpdt relay, crystal-can style, 12-volt coil (Potter-Brumfield SC-11DB or equiv.)
- L<sub>1</sub>, L<sub>2</sub>—24 turns #32 enameled wire, closewound on 1/4" diameter form. Approx. 4 μH (Q = 50). Use J. W. Miller 4500-2 (red) form, powdered iron core. Link winding is 5 turns # 42 e. around "cold" end of coil
- L<sub>3</sub>, L<sub>4</sub>—(15 meters). 20 turns #32 e., closewound on 1/4" diam. form. Approx. 3.4 μH. J. W. Miller 4500-3 (green) form, powdered-iron core
- L<sub>5</sub>, L<sub>6</sub>—(10 meters). 11 turns #32 e., as L<sub>3</sub>. Approx. 1.4 μH
- L<sub>7</sub>—40 turns #32 e., closewound on 1/4" diameter form. J. W. Miller 4500-3 (green) form, powdered iron core. Tunes to 3.9 MHz. Link winding is 10 turns #32 e. around "cold" end of coil
- L<sub>8</sub>—10 turns #32 e., closewound on 1/4" diameter form. J. W. Miller 4500-2 (red) form, powdered iron core. Resonates to 24.5 MHz.
- L<sub>9</sub>—15 turns #32 e., as L<sub>5</sub>. Resonates to 17.5 MHz
- RFC<sub>1, 3</sub>—1 millihenry. J. W. Miller 9350-44 or equiv.
- S<sub>1A, 1, D</sub>—4 pole 6 position ceramic switch. Centralab 2021 or equiv.
- Y<sub>1</sub>—3.500 MHz crystal, HC-6/U holder
- Y<sub>2</sub>—10.500 MHz, as Y<sub>1</sub>
- Y<sub>3</sub>—17.500 MHz, as Y<sub>1</sub>
- Y<sub>4</sub>—24.500 MHz, as Y<sub>1</sub>

gate 2 has +12 volts applied to it; however, this amount of gain has a tendency to overload the i-f system on any strong signal. Hence, provision has been made in the design of the age system to limit the positive swing of the front-end age input, eliminating this problem.

*The Mixer-Oscillator*—A 2N5459 FET is used as a common-source mixer with local oscillator and received signals applied to the gate element. The crystal controlled local oscillator is capacitively coupled to the gate and the incoming signal is inductively coupled through transformer  $L_1$ . The converter oscillator employs a 2N4124 bipolar transistor and uses an r-f choke as a broadband collector load on the lower frequencies (RFC<sub>1</sub>). Series-connected parallel-tuned circuits provide properly selective collector loads on the two higher-frequency bands. These circuits exhibit little effect except when excited by the crystal frequencies to which they are resonant. The use of tuned collector-load circuits is particularly necessary above 20 MHz or so where the common practice is to employ overtone crystals.

The schematic of the tunable 80-meter stages and low-frequency i-f section is shown in figure 29. The front end of this section of the receiver has two stages of r-f amplification using MFE-3006 MOSFETs to provide needed sensitivity and image rejection. The tuned circuits for these stages are adjustable from the panel of the receiver and provide a preselector function (*PEAK*). Good electrical isolation between the stages is necessary as the gain of this cascade circuitry is considerable. To avoid cross-modulation and overload, these stages are followed by a 2N5459 FET mixer ( $Q_1$ ), using a common-gate circuit proven to be tolerant of high input levels.

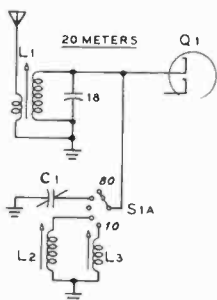


Figure 28

## SIMPLIFIED R-F SWITCHING CIRCUIT

The external antenna is coupled to a resonant LC circuit for 20-meter reception. When the bandswitch is changed to 40 meters, the 20-meter circuit is padded to the lower frequency by the addition of piston capacitor  $C_1$ , placed in the circuit by switch section  $S_{1A}$ . On 15 meters, the inductance of 20-meter coil  $L_1$  is decreased by the added shunting action of coil  $L_2$ . On 10 meters, coil  $L_1$  is switched in the circuit. Alignment of the tuned circuit must first be done on 20 meters before the 15- and 20-meter bands are adjusted.

The intermediate frequency of the receiver is 455 kHz and the frequency response of the i-f system is largely established by a mechanical filter having a passband (2.1 kHz) suitable for SSB reception. Intermediate-frequency gain is provided by a *Motorola* integrated circuit element (MC-1553G), matched to the mechanical filter by a simple transformer and resistance network.

*The Product Detector*—A product detector is used to provide good linearity, low insertion loss, and a minimum of beat-oscillator leakthrough into the audio system. One-half of a diode quad is used for the detector, employing 1N2970 hot-carrier diodes, resulting in excellent circuit balance. Closely matched 1K load resistors ensure minimum leakthrough while a simple low-pass audio filter ( $T_3$ ) placed after the product detector attenuates all residual high-frequency products. The filter is a parallel-tuned circuit at 455 kHz offering high impedance to the intermediate frequency, and a low impedance to audio frequencies.

The local oscillator (bfo) consists of separate crystal-controlled oscillators with the outputs selected by switch  $S_2$ , feeding the input of the product detector through transformer  $T_2$ . A switch on the panel of the receiver (*SIDEBAND SELECT*) turns on one oscillator or the other for upper- or lower-sideband reception. The specified oscillator crystals should be as close to the target frequency as possible, since reduced detector output will result if one or the other of the crystals is misplaced on the slope of the filter passband. Product-detector attenuation is only about 6 decibels, which provides an audio output of nearly 10 millivolts with a 20-millivolt peak i-f signal input. Linearity of the i-f circuit and detector stages is excellent, input signals up to 300 millivolts or so being attained before

distortion products in the audio signal are evident to the ear.

The audio system is a second integrated-circuit package (TAA-300) delivering almost a watt of audio power with a 10-millivolt driving signal. Speakers of 3 to 30 ohms impedance may be used, and the receiver will drive an efficient 10-inch diameter speaker with impressive results. A jack is provided on the panel for use with low-impedance earphones.

*The AGC System*—The agc network is novel in that the agc lines swing from positive to negative potential with increasing input signal level (figure 24). The three control lines are terminated at the arm of the R-F GAIN control potentiometer ( $R_2$ ). One end of the potentiometer (max) is connected to the +12-volt supply line, and the other end (min) to about -3 volts when the agc switch ( $S_2$ ) is off. When agc is on, the control is switched to the drain circuit of an agc control FET ( $Q_{10}$ ). With no input signal, the gate of the control FET is near zero potential and the FET conducts, placing the negative end of the r-f gain control potentiometer close to ground potential. The agc lines, therefore, are at some positive potential between ground and +12 volts, depending on the setting of the potentiometer, allowing maximum receiver gain to be established, if desired. When a higher input signal level requires reduced front-end receiver gain, rectified audio of a positive polarity from the agc amplifiers ( $Q_8$ ,  $Q_9$ ) is applied to the gate of the control FET, reducing its conduction. Accordingly, the drain element of the FET drops toward -12 volts, taking the agc lines along with it, thus reducing front-end gain of the receiver.

The gate element of the control FET is connected to an RC circuit having a long time constant, which prevents gate voltage from changing too rapidly between c-w characteristics or between spoken syllables of an SSB signal. This circuit is designed to charge quickly when the receiver power is first applied, so that front-end gain is minimum. A diode across a portion of the time-constant circuit leaks off this charge in less than a minute, and the action can be observed on the S-meter when the receiver is first turned on.

A signal-strength meter is incorporated as part of the agc system. The meter is connected so as to measure the current drawn by the control FET. The *METER-ADJUST* control ( $R_3$ ) is set so the meter indicates full-scale current when the antenna input terminals are grounded. In operation, the R-F GAIN control ( $R_2$ ) is set so that a small deflection of the meter (toward zero current) takes place with antenna connected but without signal input. At this point, the agc system will control receiver front-end gain in the proper manner, between near cutoff and maximum usable gain.

*Power and Switching Circuits*—The receiver is operated from a +12-volt 200-ma supply. In addition, -12 volts is required for agc action. The drain of the -12 volt section is only 20 milliamperes and series connected "penlite" cells may be incorporated in the receiver, if desired, for this function.

The converter portion of the receiver is switched in and out by means of a small crystal-can relay ( $K_1$ , figure 27) operated by the bandswitch. The relay is normally unenergized in all band positions except 80 meters. On this band, the relay removes the converter from the circuit and bypasses the antenna connections around the converter portion of the receiver.

**Receiver Construction** A multiband receiver such as this is a complex device and its construction should only be undertaken by a person familiar with solid-state devices in general and MOSFETs in particular, and who has built and aligned equipment approaching this complexity.

The solid-state receiver is built on a chassis within a wrap-around metal cabinet measuring 10" × 7" × 4". The cabinet assembly specified comes complete with panel, chassis, and rubber mounting feet. Other cabinets of the same general configuration, of course, may be used.

General receiver assembly may be seen in the photographs and drawings. The high-frequency converter covering 40 through 10 meters is the most complex assembly and the most compact (figure 31). This unit is built in an aluminum box measuring 4" × 2" × 2 3/4" and is mounted to the left rear of the main chassis. The converter band-





switch ( $S_1$ ) is panel driven by means of an extension shaft as seen in the top-view photograph. Power and control leads are brought out through miniature feedthrough insulators mounted on the side of the box.

The variable-frequency oscillator is a second subassembly built within an aluminum box measuring  $3\frac{1}{4}'' \times 2\frac{1}{8}'' \times 1\frac{5}{8}''$ . The tuning capacitor used ( $C_3$ ) is a high-

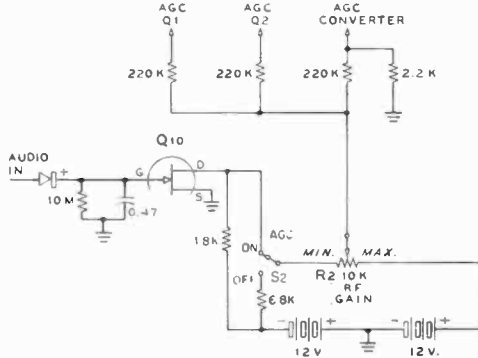


Figure 30

### SIMPLIFIED AUDIO-CONTROLLED AGC SYSTEM

The three agc lines ( $Q_1$ ,  $Q_2$  and converter) are terminated at the arm of r-f gain control  $R_2$ . When agc switch  $S_2$  is off, control voltage may be varied between +12 and -3 volts. When the agc system is on, control is switched to the drain circuit of FET  $Q_{10}$ . Agc voltage is now proportional to the audio input signal, varying between zero and +12 volts under normal conditions. A strong signal will drive the agc towards -12 volts, sharply reducing receiver gain. Maximum gain is controlled by the potentiometer.

quality unit having full ball-race bearings front and back and a controlled torque. This unit provides minimum drag on the geared dial. The i-f mechanical filter is mounted to the left of the vfo assembly, with the receiver r-f stages and mixer to the left. Both the vfo and the high-frequency converter sections are built as separate units and may be tested and aligned before installation on the main receiver chassis.

The first step in construction of the solid-state receiver is to lay out the chassis, panel, tuning dial, and other major components in a "mockup" assembly to ensure that the receiver will go together without a physical conflict between the components. Figure 32 shows placement of the converter and

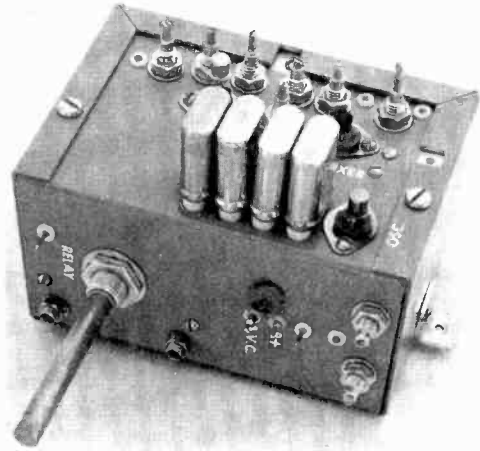


Figure 31

### OBLIQUE VIEW OF CONVERTER UNIT

The converter section of the solid-state communications receiver covers the amateur bands between 80 and 10 meters and has an i-f output of 80 meters. The unit is built in a small aluminum box ( $4'' \times 2'' \times 2\frac{3}{4}''$ ) with the major components mounted on the inner, U-shaped box section.

Across the rear of the assembly are the slug-tuned r-f coils (l. to r.): 20-, 15-, and 10-meter coils. The 15- and 10-meter mixer coils are immediately to the right. In the righthand corner of the box is the mixer output coil ( $L_1$ ).

Along the center line of the converter unit are (l. to r.): The MFE-3006 r-f amplifier socket, the 20-meter mixer coil, and the 2N5459 mixer socket. At the front of the unit are the conversion crystals (l. to r.): 3.5 MHz, 10.5 MHz, 17.5 MHz, and 24.5 MHz. To the right of the crystals is the 2N4124 oscillator socket. Along the front section of the assembly are (l. to r.): the relay feedthrough terminal and piston capacitor  $C_1$ , bandswitch  $S_1$ , piston capacitor  $C_2$ , agc and voltage feedthrough terminals, and (at the extreme right) oscillator collector coils  $L_2$  and  $L_3$ .

oscillator assemblies and the i-f filter. The exact location of the vfo box behind the panel and the height of the main tuning capacitor on the side of the box are determined by the position of the tuning dial on the main panel. It is suggested that a trial panel be cut from heavy cardboard and used to support the main dial and assembly so that vfo placement may be checked before any holes are cut in the aluminum panel or the chassis. The panel is held in place by means of the various hexagonal nuts on the controls and the lower lip of the aluminum chassis is cut out to pass the dial mechanism, as shown in figure 33. Placement



*PRESELECTOR*) and has an extension shaft press-fit onto the short tuning stub. The capacitor is supported from a small bracket mounted directly behind the panel.

Small shields are mounted across each MOSFET socket. The shields are cut of scrap aluminum or brass and have a mounting foot on them which is held in place by a nearby 4-40 bolt. The first r-f stage MOSFET socket ( $Q_1$ ) is at the left of the photograph with the small coaxial line from

the converter unit visible at the lower edge of the assembly. To the right is the second r-f stage MOSFET socket ( $Q_2$ ), with the FET mixer socket above and to the right. The injection line from the vfo passes through a *Teflon* feedthrough insulator mounted in the chassis immediately behind the tuning dial and runs to the gate terminal of the FET socket.

The remainder of the construction and assembly on the main chassis is straightfor-

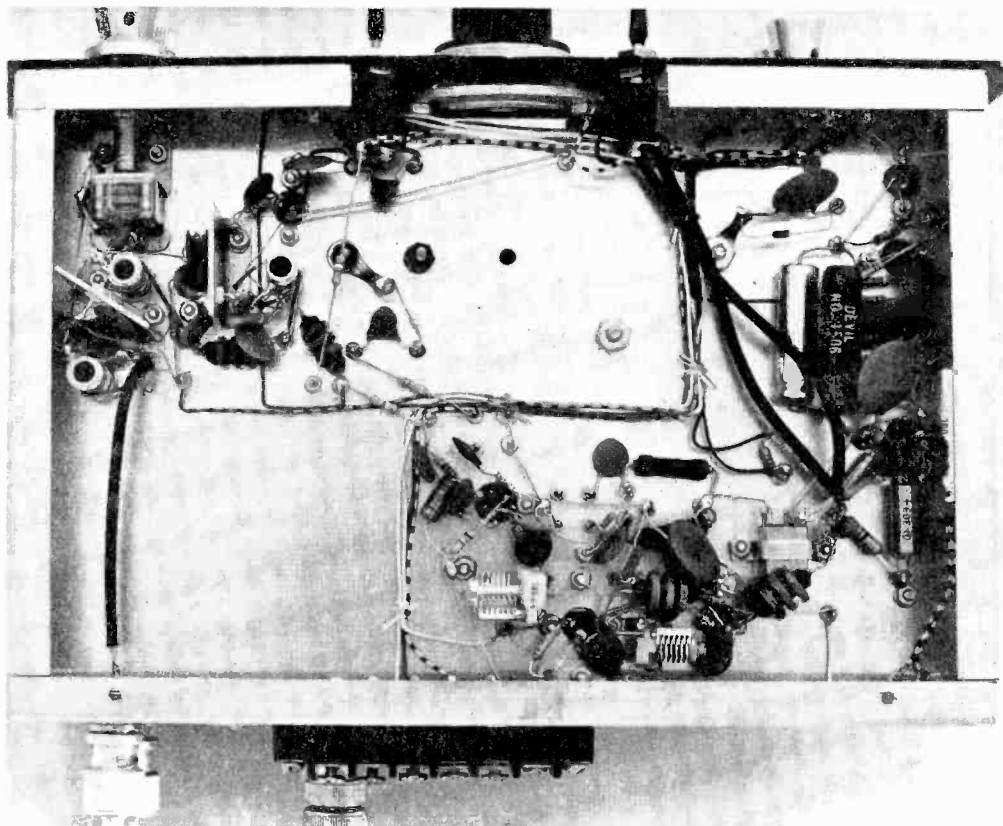


Figure 33

### UNDER-CHASSIS VIEW OF SOLID-STATE COMMUNICATIONS RECEIVER

The 80-meter r-f amplifier and mixer stages are seen in the upper left corner of the chassis. The two-section variable mica compression capacitor ( $C_{1,2}$ ) is mounted to the chassis by means of a small aluminum bracket affixed behind the main panel. The capacitor is driven by a short extension shaft. An intrastage shield is placed across the first r-f amplifier MOSFET socket ( $Q_1$ ) and a second similar shield is placed across the second r-f amplifier socket. The shields may be made of copper-plated circuit board, aluminum, or thin copper shim stock. The audio circuit and agc components are placed along the right-hand edge of the chassis, with the bfo, detector and i-f components strung along the rear of the chassis area (bottom of the photograph). The two 35-pf capacitors used to adjust the frequency of the bfo crystals are supported below the chassis by their leads.

Note: The cutout at the front of the chassis is to provide room for the gear-reduction drive mounted to the panel.

ward. Using 1/4-watt resistors and miniature capacitors helps to keep assembly neat and compact. Liberal use of *Teflon* feedthrough insulators and terminals assists greatly in controlling underchassis "clutter."

The main tuning dial is made up of a reduction drive, a home-made pointer, and a calibrated scale etched on a piece of copper-plated circuit board of the glass-epoxy variety. The mask for the negative of the board is reproduced in figure 34. It may be photocopied from the page and used to make a negative for direct reproduction. It should be noted that in the process of etching the board, the photoresist material should not be removed from the board after etching. It is attractive if left on and will prevent the dial surface from being corroded by fingerprints or moisture in the atmosphere.

*The Converter Assembly*—The general layout of the converter assembly is shown in figures 35 through 37. The MOSFETs and conversion crystals are mounted in sockets placed atop the converter box, with the various slug-tuned coils mounted at the rear of the assembly. Figure 35 shows the rear of the box with the cover removed. The r-f amplifier ( $Q_1$ ) coils are at the right of the shield partition, with the mixer coils ( $Q_2$ ) at the left. Directly below the mixer coils is the crystal-can relay ( $K_1$ ) with the coaxial leads attached to it. The various outer shields of the coaxial lines are grounded at the relay mounting bracket. Note that several *Teflon* feedthrough insulators are mounted in the L-shaped shield partition to



Figure 35

REAR VIEW OF CONVERTER ASSEMBLY

The r-f amplifier and bandswitch are seen at the right of the internal shield partition. R-f coils are (l. to r.): 20, 15 and 10 meters. Note *Teflon* feedthrough terminals mounted in the intrastage partition. The mixer stage and crystal can relay ( $K_1$ ) are at the left of the partition. Mixer coils are (l. to r.): 15 and 10 meters. I-f output coil  $L_7$  is at the extreme left.

pass power leads between the stages within the box. An oblique view of the r-f compartment is shown in figure 36. The two-section ceramic bandswitch is in the foreground, with the 40-meter piston tuning capacitor ( $C_1$ ) mounted to the wall of the box in the foreground. Directly in front of the bandswitch is the feedthrough insulator for the lead to the coil of the crystal-can relay. The bandswitch is positioned to provide the shortest possible leads to the slug-tuned coils mounted adjacent to it.

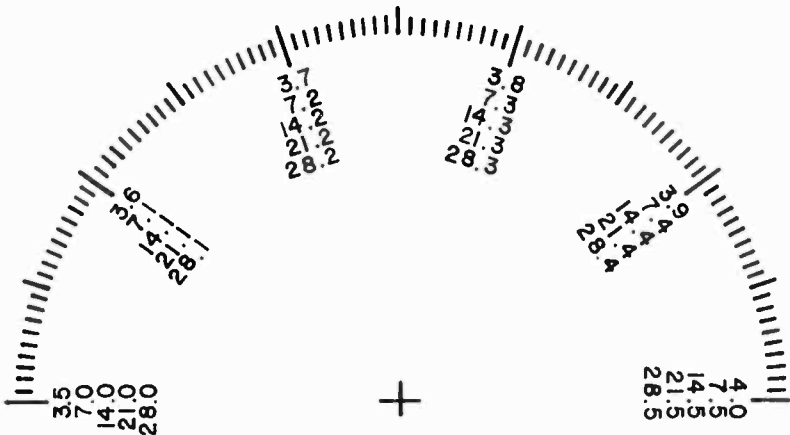


Figure 34  
TUNING DIAL  
TEMPLATE FOR  
THE SOLID-STATE  
RECEIVER

An end view of the converter assembly is shown in figure 37. The relay is held in position with a small aluminum U-clamp over the body, and the opposite side of the L-shaped intrastage shield is visible.

*The Variable Oscillator*—The vfo is the only other separate subassembly. Layout of parts (aside from placement of the main tuning capacitor, mentioned earlier) is not critical. The components are self-supported around the capacitor using short, direct leads to prevent vibration. It is possible to build the unit in a much smaller box, but the good

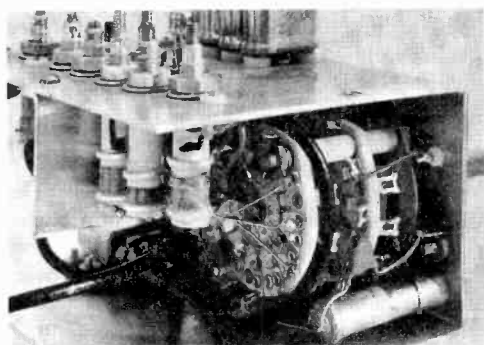


Figure 36

### THE R-F AMPLIFIER

The r-f amplifier coils are in the foreground with the bandswitch and piston capacitor ( $C_1$ ) at the right. The coaxial leads run to the crystal-can relay. The outer shields of the various coaxial lines are grounded to a common point near the relay and also at the free ends in the receiver assembly. Note that coils and bandswitch have been arranged for shortest possible lead lengths.

drift characteristic (100-Hz total warmup drift) makes the larger box worthwhile. Both FET sockets are mounted on the vertical front surface of the box, with the oscillator coil ( $L_1$ ) mounted to one end; and the bandset capacitor ( $C_2$ ) mounted to the other end of the box.

**Receiver Alignment** Alignment of the receiver is not difficult if done in a systematic manner and may be done by ear alone. A quicker and better job may be achieved, however, with the use of proper instruments. The main receiver chassis is aligned first, so that a proper output indicator will be available for subsequent alignment of the converter. All alignment is

done with the agc switched off. Before beginning the alignment and before power is applied to the receiver, the tuning meter should be disconnected to prevent its possible damage due to accidental overcurrent. The builder should also note the information in the transistor chapter of this Handbook regarding the handling procedures to be used with the MOSFET transistors, which are inserted toward the end of the alignment operation.

The audio portion of the receiver is tested first. A heat sink is placed over the audio IC (TAA-300) before tests are begun. A

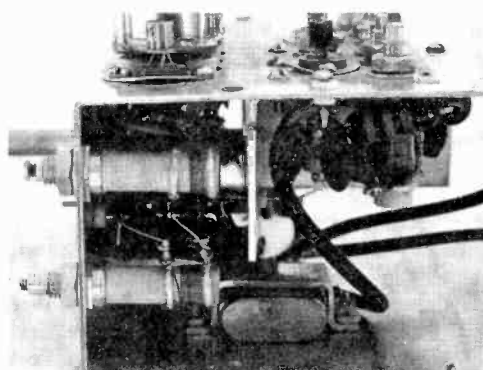


Figure 37

### SIDE VIEW OF THE CONVERTER UNIT

The crystal-can relay is in the lower foreground with the 10-meter oscillator coil at the top left and the 15-meter oscillator coil at the bottom left. The internal shield (also seen in figure 35) is L-shaped and isolates the oscillator coils from the mixer coils located at the rear of the chassis deck.

1000-Hz, 10-millivolt sine-wave audio signal is applied at the arm of the *AUDIO-GAIN* potentiometer ( $R_1$ ) and should result in a signal in the speaker when primary power is applied to the receiver, indicating the audio stage is working. Check the voltage at the drain of the 2N4360 agc control transistor ( $Q_{10}$ ). It should be close to -12 volts. Removing the audio signal should cause it to drop to almost zero volts. This indicates that the complete agc system is working.

Next, set the *METER-ADJUST* potentiometer ( $R_3$ ) for zero resistance (short circuit) and reconnect the tuning meter. With the audio signal applied again as be-

fore, adjust the meter current for minimum deflection (minimum reading). Removing the audio signal should cause the meter current to increase to a full-scale value. Although the agc is off, the system still controls the meter and it can now be used as an indicator of input signal level to the receiver. Advance the *R-F GAIN* control ( $R_2$ ) fully clockwise to *Max* position. Apply a 456.5-kHz modulated signal of 1-millivolt level to the input (pin 1) of the IC i-f amplifier (MC-1553G). If the amplifier, the bfo, and the product-detector stages are working, an audio signal should be heard in the speaker. Adjust the detector filter circuit ( $T_4$ ) for minimum hiss in the speaker when the audio modulation is turned off. Now, adjust the *AUDIO-GAIN* control ( $R_1$ ) back and forth to make sure it functions properly. Apply the same r-f signal to the input of the mechanical filter and adjust i-f transformer  $T_1$  for maximum signal in the speaker. Varying the input signal frequency above and below 456.5 kHz will provide an indication of the intermediate-frequency passband response of the receiver. Switch the bfo *SELECT-SIDEBAND* switch ( $S_1$ ) to both positions to ensure that both oscillator circuits are working. Crystal alignment on the filter passband is accomplished by adjustment of the series capacitors.

The next step is to test the variable tuning oscillator. The transistors are inserted in their sockets and the oscillator tuned circuit should be adjusted to tune over the range of 3043.5 kHz to 3543.5 kHz between the extreme positions of the dial. The bandset capacitor ( $C_2$ ) may be used for this adjustment, along with the slug adjustment of coil  $L_1$ . After the slug position has been determined, it should be fastened in place with a drop of cement to prevent vibration.

The tuned circuits in the r-f stages and the mixer should be adjusted to track across the 80-meter band when the *PEAK-PRESELECTOR* control is adjusted. Preliminary alignment should be done with a grid-dip oscillator with transistors  $Q_1$ ,  $Q_2$ , and  $Q_3$  removed from their sockets. When MOSFETs  $Q_1$  and  $Q_2$  are inserted in their respective sockets, a ferrite bead is slipped over the gate and drain leads of each device to suppress any tendency toward vhf para-

sitic oscillations. Place the peaking control ( $C_1$ ) at half capacitance and apply a 10 microvolt, 3750-kHz signal at the input terminal ( $J_1$ ) of the main receiver. Tune the receiver to the signal and adjust the three tuning slugs in coils  $L_1$ ,  $L_2$ , and  $L_3$  for maximum signal output. The receiver may now be used for 80-meter reception.

*Converter Alignment*—The high-frequency converter should now be attached to the main chassis and the various leads connected. Before the MOSFETs are placed in the sockets, the converter tuned circuits should have been grid-dipped to the approximate working frequencies. Now, the converter bandswitch is set to the 20-meter position and the main tuning dial of the receiver set to 14.250 MHz. A 10-microvolt signal at this frequency is applied to the converter input circuit, making sure that the relay  $K_1$  is properly activated. Adjust the slug of the mixer coil ( $L_4$ ) for maximum output signal, followed by adjustment of r-f coil  $L_1$ . These adjustments will not be critical due to the large bandwidth of these circuits. The converter must be first aligned on 20 meters since the tuned circuits are basically tuned to that band. Once they are aligned, do not touch them further.

The bandswitch is now placed in the 40-meter position and a 7.2-MHz signal applied to the receiver. Capacitors  $C_1$  and  $C_2$  are adjusted for maximum signal level. In the same fashion, a midband signal is applied to the converter for the 15- and 10-meter bands, aligning them by the slugs in the shunt coils, as before, mixer circuit first. Finally, adjust the 10-meter oscillator circuit ( $L_5$ ) for best received signal on that band, then adjust the 15-meter oscillator circuit ( $L_6$ ) for *minimum* received signal when a 20-meter signal is injected into the receiver. This completes alignment of the receiver.

## 19-7 A Solid-State 10-Watt Linear Amplifier for 420 MHz

This inexpensive 10 watt *linear* stripline amplifier is designed and built by WB6QXF for mobile use, or fixed station service using either SSB or f-m modes (figure 38). With a

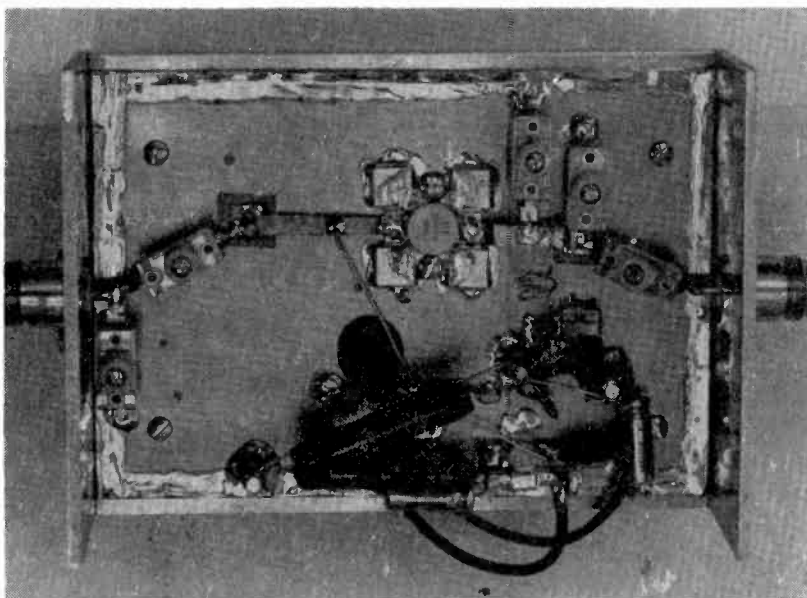


Figure 38

### 10-WATT LINEAR AMPLIFIER FOR 420-450 MHz

This broadband, solid-state linear amplifier is designed for either SSB or f-m service. Power gain is better than 10 dB. The amplifier is built on inexpensive, 2-side epoxy circuit board. The edges of the board are trimmed with copper shim that provides a conductive path between the top and bottom surfaces. The CTC power transistor and associated "UNELCO" uhf capacitors are located near the center of the board. The inexpensive mica compression tuning capacitors are in the input and output circuits. A stripline configuration is used, with the lines cut from thin copper stock. The lines are mounted about  $\frac{3}{8}$ " above the board and are held in position by soldering the free ends to isolated islands cut in the copper board material. Input and output connectors are mounted to aluminum plates bolted to the ends of the heat sink.

Choke RFC<sub>1</sub> is visible as a single length of wire running between the center point of the input line (at left) and the associated bypass capacitors, hidden beneath the series-connected resistors that make up R<sub>1</sub>. The output circuit and RFC<sub>2</sub> are to the right of the power transistor.

nominal 12.6-volt supply, the amplifier provides 10 watts PEP output with 10 dB, or better, power gain. With a simple modification, the amplifier is converted to class-C mode for f-m service, providing the same power output.

Many amateurs find solid-state stripline amplifiers difficult and expensive to build. The special teflon-glass board is hard to find and costly, and the printed stripline circuits become quite critical to make, especially in the 450-MHz region. This amplifier overcomes these problems. It is designed around low cost *G-10 glass filled epoxy* board and employs stripline circuitry made of short lengths of flashing copper. No intricate circuit board work is required.

**Amplifier Circuitry** The amplifier schematic is shown in figure 39. A base-driven circuit is used, with a simple L-network in the base circuit. A pi-L network is used in the collector output circuit to provide a good match to a nominal 50-ohm load impedance. A CTC CM10-12 power transistor is used. This device was developed for land mobile service and is inexpensive and rugged.

For linear service, the power transistor is forward biased by the use of *byistor* (Q<sub>2</sub>). This device consists of a diode and a silicon resistor in one package. It is physically coupled to the heat sink of the amplifier and tracks the power amplifier thermally, assuring that thermal runaway problems are





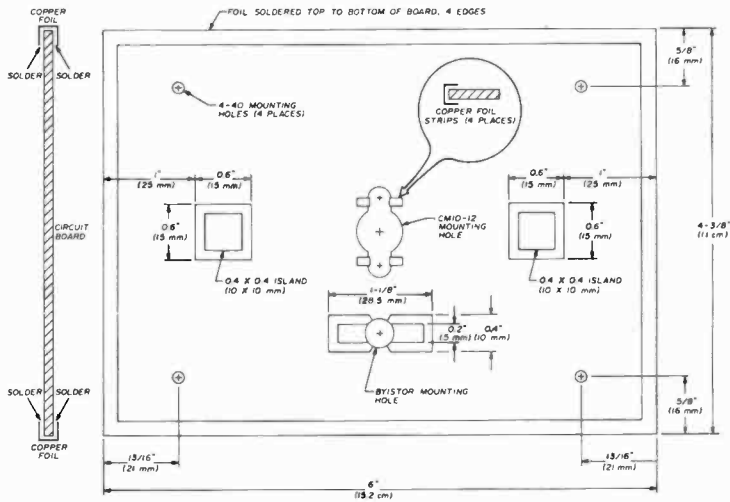


Figure 40

LAYOUT AND CONSTRUCTION OF CIRCUIT BOARD

The next step is to solder the four special *Underwood* vhf capacitors to the board as close as possible to the transistor mounting hole. The cases are soldered to the board in such a way as to allow the leads to overlap each other, as shown in figure 41. The overlap provides base and collector connections to the transistor. The leads of the transistor are now trimmed to size and silicone grease (*GE Insulgrease* or equivalent) is placed on the mounting flanges and bottom of the transistor. The transistor must be bolted in

position, to the heat sink before the leads are soldered in place to prevent the transistor case from being strained.

After the transistor is mounted, the islands are cut in the copper foil of the circuit board for the ends of the strip lines. An *Exacto* knife or razor blade is used for this operation. The input island is one inch (2.54 cm) away from the overlapped leads of the input capacitors, as measured from the edge of the cutout. The island area is 5/16" (0.8 cm) square in the center of a cutout 1/2 inch (1.3 cm) square. The collector island is the same size and is located 1 1/16" (1.74 cm) away from the overlapped leads of the capacitors. Smaller islands are cut for the byistor supplier and injector leads.

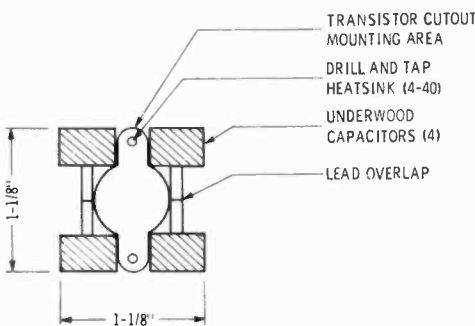


Figure 41

The four *Underwood* capacitors are soldered to the circuit board with their leads overlapping, as shown. The transistor is placed in the mounting hole and attached to the heat sink with 4-40 bolts run into holes tapped in the heat sink. The four transistor leads are soldered to the cases of the capacitors. The striplines are soldered to the overlapping inner terminals. See photograph for details. Whole assembly is 1 1/8" (2.86 cm) square.

The remaining components are placed as shown in the photograph. Placement of parts is not critical, except for placement of the base circuit bypass capacitors at the termination of RFC<sub>1</sub>. Since the choke is only a short length of wire, the capacitors are positioned at the terminal point of the wire.

*Testing the Amplifier*—Temporarily disconnect the collector dc choke (RFC<sub>2</sub>) from the stripline. Insert a 0-500 dc milliammeter in series with the byistor at point X in the schematic. Gradually apply low voltage to the byistor circuit, gradually increasing it toward 12.6 volts while observing the injector current. At 12.6 volts, the current should be in the range of 300 mA to 350

mA. If not, the value of series resistor  $R_1$  should be adjusted until this level is achieved. The resistor may be composed of two units in series to aid in adjustment.

Once the injector current of the byistor is set at the proper level, the collector choke RFC<sub>2</sub> is reconnected to the stripline. Short base resistor  $R_2$  with a 1-ohm resistor and apply 12.6 volts to the amplifier, with the milliammeter connected to read total current drain. The meter now indicates byistor current plus the quiescent current of the power amplifier. Increase the value of  $R_2$  in one-half ohm steps until an idling current of 50 mA to 60 mA is achieved. It may be necessary to parallel two resistors to reach the correct value of idling current. The meter will now read approximately 350 mA, of which about 300 mA is byistor current and 50 mA is amplifier current. The amplifier is now ready for tuneup.

**Adjusting the Amplifier** Preliminary tuneup can most easily be accomplished with a SWR bridge, power meter, and dummy load (figure 42). An accurate power meter is necessary for proper adjustment.

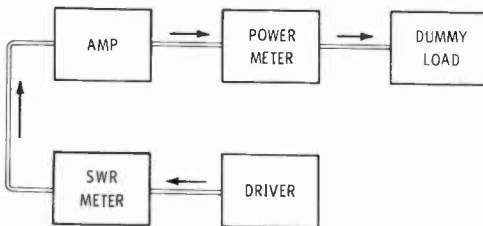


Figure 42

### TEST SETUP FOR 450 MHz AMPLIFIER

A Bird #43 power meter may be used for the SWR meter as well as the output measuring device. A 20-watt dummy load having a low value of SWR at 150 MHz should be employed. When a two-tone test signal is used, the wattmeter will read approximately one-half the actual PEP output.

Voltage is applied to the amplifier and the power meter checked for zero power. Any indication of power at this point indicates amplifier oscillation. (No such oscillations were detected in four amplifiers built to these specifications. For additional information on amplifier instability, refer to Chapter 11). Next, apply about 200 mW of drive power and tune output capacitors  $C_3$ ,  $C_4$ ,

and  $C_5$  for maximum output. Tune capacitors  $C_1$  and  $C_2$  for minimum input SWR. Increase the drive level to about 600 mW and repeat the adjustments. The power meter should now show a reading of about 10 watts. If a two-tone drive signal is used, and the power meter is an average-reading device (ie: Bird #43), the reading will be approximately one-half of the actual PEP output.

**Amplifier Performance**—A well regulated 12.6-volt power supply is necessary for linear operation. Since current drain is less than 2 amperes, a simple series regulator will be satisfactory. An oscilloscope should be used to check for flattopping of the waveform under voice modulation. The collector current should rise to about 500 mA to 600 mA under proper drive with a voice signal.

Care must be taken to operate the amplifier into a load having a low value of SWR. Although the transistor will survive an infinite SWR, sustained operation into a load having a high value of SWR is not recommended. Performance data for the amplifier is listed in Table 1.

For f-m service, the byistor circuit can be removed and the bottom end of base choke RFC<sub>1</sub> returned to ground. This removes the forward bias from the transistor and allows class-C operation. Tuneup adjustments for this class of service are as described previously.

**TABLE 1**  
Performance Data for  
450-MHz Amplifier

SINGLE TONE	TWO TONE
Supply Volts = +12.6	Supply Volts = +12.6
Input Power = 15 W	Input Power = 600 mW PEP
Output Power = 10 W	Output Power = 10 W PEP
$I_c = 1.2$ A	$I_c = 750$ mA
	IMD = -29 dB, 3rd
	Order Products At 10W PEP

Note: Meter will read 300 mA High Because of Byistor Current.

## 19-8 Two Solid-State Linear Amplifiers for Mobile SSB

Described in this section are two solid-state, broadband class-B linear amplifiers cov-

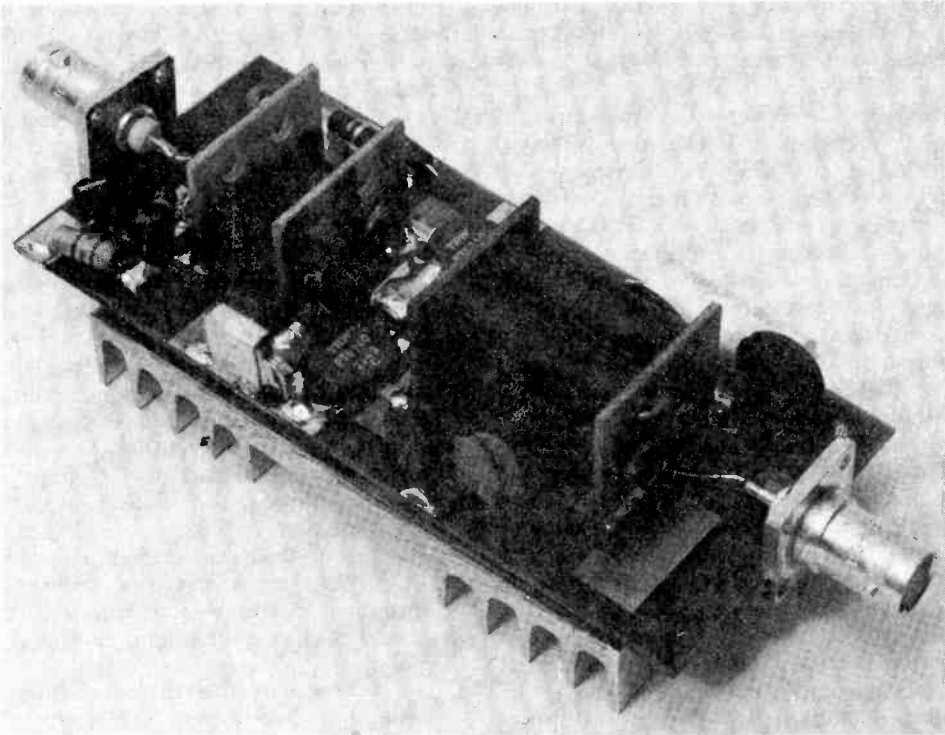


Figure 43

### 25-WATT PEP OUTPUT SOLID-STATE H-F LINEAR AMPLIFIER

Two TRW type PT 5740 transistors in a broadband circuit provide high performance over the 1.5- to 30-MHz range. The amplifier is built on an etched-circuit board with ferrite-loaded input and output transformers. The input transformer is at the left with the two NPN power transistors at center. The multiple output transformer and feed transformer are at the right of the assembly. Transistors are heat-sinked to an aluminum radiator beneath the circuit board. Ground points atop the board are jumpered to the copper foil on the underside of the printed-circuit board.

ering the 1.5-MHz to 30-MHz spectrum. They are suitable for mobile operation with a nominal 12.6 volt dc power supply. The amplifiers are untuned and provide outputs of 25 watts PEP and 100 watts PEP, respectively. They exhibit intermodulation distortion product levels of better than  $-30$  dB below one tone of a two-tone test signal at full output level.

The amplifiers combine small size, good efficiency, and wide instantaneous bandwidth with high stability and excellent tolerance to various operating conditions. In particular, these units are designed to withstand a wide range of operating temperatures (such as encountered in portable or mobile work), bias variation, extremes of load SWR, and overdrive condition. The

amplifiers are assembled on circuit boards which are mounted on aluminum heat sinks to achieve proper temperature control. The units may be placed in a cabinet or case at the builder's choice.

#### The 25-Watt Amplifier

The 25-watt PEP output amplifier is shown in figures 43 through 47. It requires only 0.4 watt PEP drive at 30 MHz for full output, having a power gain of about 18 decibels. Amplifier efficiency is about 55 percent under c-w (carrier) conditions. Even-order harmonics are better than  $-35$  decibels below peak power output. The level of the odd-order harmonics is such that a harmonic filter should be incorporated after the amplifier to

suppress the 3rd, 5th, and 7th order harmonics which are attenuated less than -30 decibels below peak power output in the amplifier.

*Amplifier Circuitry*—The schematic of the 25-watt amplifier is shown in figure 44. Two TRW type PT5740 epitaxial silicon NPN power transistors, specially designed for hf SSB service are used ( $Q_1$ ,  $Q_2$ ). The transistors incorporate temperature-compensating emitter resistors on the chip and are designed to work into an infinite SWR load without damage at a maximum collector potential of 16 volts.

The PT5740 devices are connected in a push-pull configuration with broadband, ferrite-loaded transformers used in the input and output circuits to match unbalanced terminations. A simple RLC compensation network is placed across the input winding of transformer  $T_1$  to equalize amplifier gain across the operating range.

The input impedance of a PT 5740 power transistor is below 5.5 ohms and is capacitive over the operating range of the amplifier. The output impedance is of the order of 4 ohms. As a result, special r-f transformers must be built to match these very low impedance levels to 50 ohms.

The push-pull collectors of the transistors are connected to a balanced feed transformer ( $T_2$ ) and to a matching output transformer ( $T_3$ ) to provide single-ended output at a nominal impedance value of 50 ohms. The push-pull configuration is used since the amplifier covers five octaves of bandwidth, and suppression of even harmonics is of major importance since the harmonics are a function of the ratio of the cutoff frequency to the operating frequency and the selectivity of the output matching network.

*Bias Stability*—One of the most demanding aspects of solid-state linear amplifier design is the bias network and the associated temperature stability of the transistors. Factors influencing the bias value and network include: (1) Large signal r-f amplifiers generally rectify a portion of the input signal and if the base-emitter resistance is high the amplifier will be biased class AB for small signals, but will self-bias to class-C operation under large signal conditions. This shift in operating point seriously increases intermodulation distortion. The bias

source resistance, therefore, must be held to a low value, typically 0.5 to 1 ohm. (2) Intermodulation distortion is usually minimum over a relatively narrow range of resting collector current. The devices used in this amplifier have a large safe operating current range and the resting collector current may be set high enough to achieve the lowest value of intermodulation. (3) Under small-signal conditions transistor dissipation is low and junction temperature is low. However, under conditions of peak power dissipation the junction temperature rises. Using a constant-voltage bias source with a device having a negative temperature coefficient for emitter-base voltage change can lead to thermal destruction of the chip unless thermal equilibrium is established by proper transistor design and use of the proper heat sink.

In both of these amplifiers, the design of the PT 5740 power transistor and the accompanying circuitry solves the important bias, temperature and collector current problems.

*Impedance Matching*—Broadband, ferrite-loaded input and output transformers are used in this amplifier to achieve the required frequency response. The ferrite material used has an initial permeability of 800 which remains above 200 at 30 MHz. Losses in the ferrite material are quite low and ferrite temperature rise is less than 20°C in any transformer at full power output at any frequency in the operating range.

Input transformer  $T_1$  is shown in figures 45 and 46. The unit consists of a very low impedance, split secondary made of two short brass tubes mounted between end plates made of printed-circuit board (foil on one side). One end board serves as the terminal end connections for the tubes and the other acts as a connecting strap and center-tap point between the tubes. Two stacks of three ferrite cores are slid over the tubes which are then soldered in position between the boards and the assembly is epoxied for rigidity. The high impedance wire winding (50 ohms) is threaded in continuous fashion through the tubes.

The dc feed transformer ( $T_2$ ) and the output matching transformer ( $T_3$ ) are mounted side by side between two printed-circuit board end plates, in the manner described for the input transformer. Each

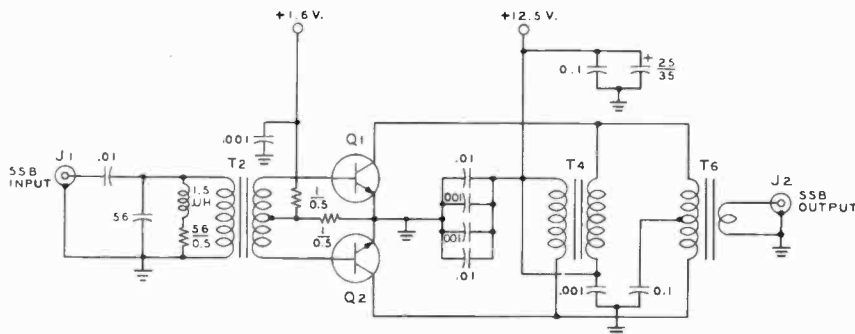


Figure 44

## SCHEMATIC, 25-WATT AMPLIFIER

$T_2$ ,  $T_4$ ,  $T_6$ —See text and figures 45-47

$Q_1$ ,  $Q_2$ —TRW type PT 5740 r-f power transistors

Circuit-board material—Glass-filled epoxy board, G-10, 0.060" thick

Heat sink—Wakefield 620 or equivalent

NPO chip capacitors—UNELCO (Underwood Electronics)

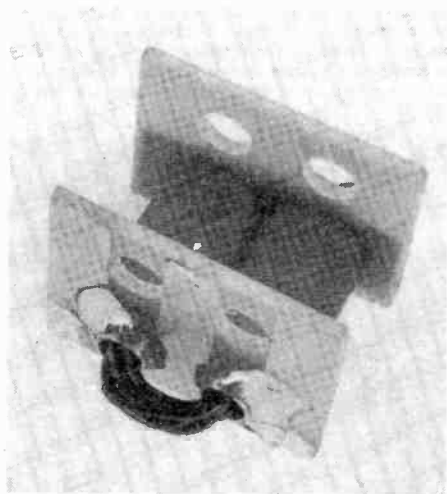


Figure 45

FERRITE-LOADED INPUT TRANSFORMERS  $T_2$  and  $T_3$ 

Each transformer consists of six ferrite cores in two stacks of three each, epoxied between end plates made of p.c. board material. Each transformer consists of a single-turn winding of two pieces of 0.190" diameter brass rod, each 0.80" long. The pieces are connected together at one end by the foil of one p.c. end board thus forming a one turn loop. For the 25-watt amplifier, the primary consists of 4 turns #20 e. wire. For the 100-watt amplifier, the primary consists of 5 turns #18 e. wire.

transformer consists of two stacks of six ferrite cores. The assembly is shown in figure 46. The end plates are soldered to the

two brass tubes that make up the low impedance winding of transformer  $T_3$  and the whole assembly of ferrites and end plates is epoxied for rigidity. The secondary winding of transformer  $T_3$  and the twisted-pair dual winding of  $T_2$  are then wound back and forth through the ferrite stacks as shown in the photograph. When completed, the transformers are soldered to the copper foil of the circuit board. The low impedance (brass tube) winding ends are soldered directly to the foil of the end boards and the foil to that of the master board.

*Amplifier Assembly and Testing*—The amplifier is assembled on an etched-circuit board measuring  $4\frac{1}{2}$ " x 2" and mounted to an aluminum heat sink. The sink ends are trimmed to fit the board.

Upon completion, the amplifier is connected to an exciter, a dummy load, and a metered 12.5-volt source capable of supplying 5 amperes. Base bias is supplied from a well-regulated source and is adjusted for a resting collector current of 150 mA. With full carrier insertion, the collector current will rise to nearly 5 amperes, and will approximate 2.5 ampere peaks under voice modulation. The third harmonic is -13 dB below the fundamental signal level and a suitable harmonic filter should be used before the antenna to reduce this emission. (Note: the unfiltered waveform is essentially a square wave. Output power measurement should be made with a calorimetric power

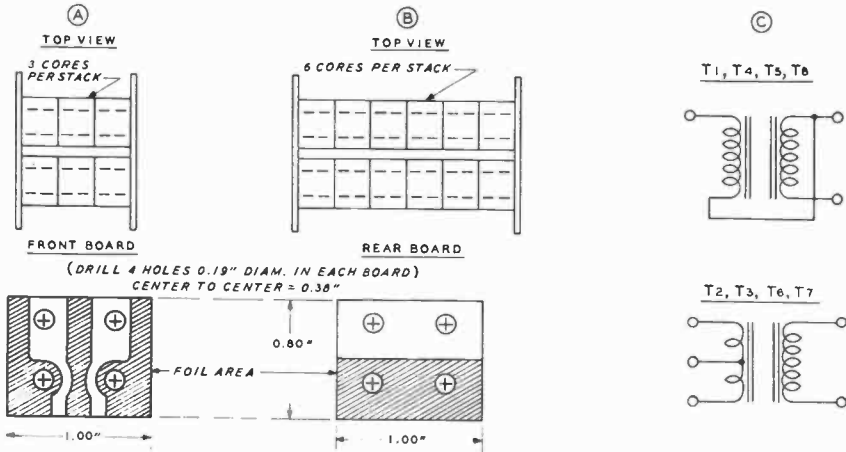


Figure 46

### DETAILS OF FERRITE-LOADED TRANSFORMERS

- (A)—Top view of input transformer stack of 3 ferrite cores showing assembly and view of front p.c. board. Foil areas provide terminations for brass tubes and connections to main circuit board.  
 (B)—Top view of transformer assembly of output and feed transformers. Each transformer is made up of two stacks of six cores each. Brass tubes are connected to foil on p.c. board at front and rear.  
 (C)—Schematic of ferrite transformers. Transformers  $T_1$  and  $T_5$  are identical to  $T_4$  and  $T_5$  but are not mounted on p.c. board frame.

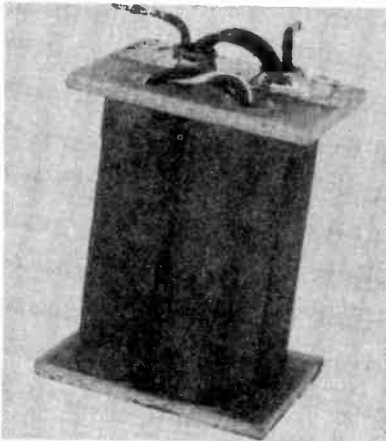


Figure 47

### OUTPUT AND FEED TRANSFORMER ASSEMBLY $T_4$ , $T_6$ and $T_5$ , $T_7$

The feed transformer is shown atop the output transformer in a four-stack assembly. Twenty-four ferrite cores are used, stacked between two p.c. end plates. The feed transformer has two, one-turn windings made of #18 enamel wire, twisted at 5 twists per inch. Hybrid transformers  $T_1$  and  $T_5$  are identical but are not mounted on p.c. end boards (see figure 48). Transformers  $T_6$  and  $T_7$  are composed of copper-tube windings, similar to  $T_2$  and  $T_3$  except that six stack cores are used and the tubes are 1.375" long. The output winding consists of 4 turns #18 enamel copper wire.

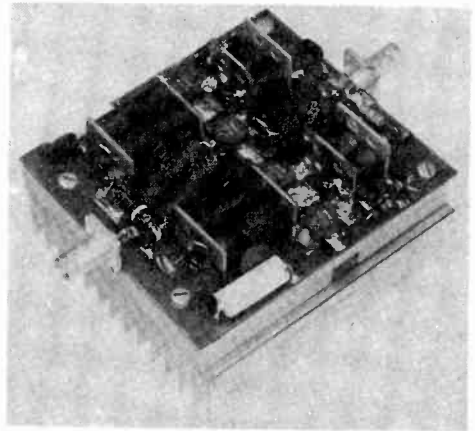


Figure 48

### 100-WATT PEP OUTPUT SOLID-STATE HF LINEAR AMPLIFIER

Four TRW type PT5741 transistors are used in a combined, push-pull configuration to cover the 1.5- to 30-MHz range. The four transistors are in line across the middle of the printed-circuit board. At the right are the two input transformers  $T_2$  and  $T_3$  with the hybrid transformer  $T_1$  between them. At the left are the two output-feed transformer assemblies with the hybrid transformer  $T_6$  between them. Ground points atop the board are jumpered to the copper-foil ground plane on the underside of the p.c. board.

meter or other thermal sensing instrument. Power meters using a diode detector will read low by a factor of 0.785).

**The 100-Watt Amplifier** The 100-watt PEP output amplifier is shown in figures 47 and 48. The unit requires 3 watts PEP drive power at 30 MHz for full output, having a power gain of about 15 decibels. It may be easily driven by the amplifier described in the previous section.

**Amplifier Circuitry**—The schematic of the amplifier is shown in figure 49. Two pairs of TRW type PT 5741 transistors are operated push-pull and then combined with zero-degree hybrid transformers ( $T_1$  and  $T_6$ ) which convert the nominal 50-ohm source and load impedances to two 100-ohm ports which are in phase. Any amplitude or phase unbalance causes power to be dissipated in resistors  $R_1$  and  $R_2$ . As in the smaller amplifier previously described, an RLC compensation network is placed across the input winding of transformer  $T_1$  to equalize amplifier gain across the operating range.

The collector-feed transformers ( $T_4$ ,  $T_5$ ) combine with the output matching transformers ( $T_6$ ,  $T_7$ ) to form a modified 180°

hybrid combiner. Difference in phase or amplitude that would otherwise exist at the collectors are minimized by allowing the difference current to be bypassed to ground. The resulting output currents in the two transformers are highly balanced and provide good second harmonic rejection. Any minor amplitude or phase unbalance is dissipated in resistor  $R_2$ . The port impedance is transformed to an unbalanced value of about 50 ohms by transformer  $T_5$ .

**Amplifier Assembly and Testing**—Data for the various ferrite transformers is given in figures 45, 46, and 47 and the amplifier layout is shown in figure 48. The unit is assembled on an etched-circuit board measuring  $4\frac{1}{2}'' \times 4''$  in size. Placement of the four output transistors is critical in that the connection between the collectors and the brass-tubing winding of the output transformers should be extremely short, being composed of the copper foil on the mating circuit boards. Multiple bypass capacitors at the "cold" end of the windings contribute to the low impedance collector path to ground.

Using a 12.5-volt source capable of supplying 16 amperes, the amplifier is adjusted to draw a resting collector current of 0.5 ampere by varying the base bias potential.

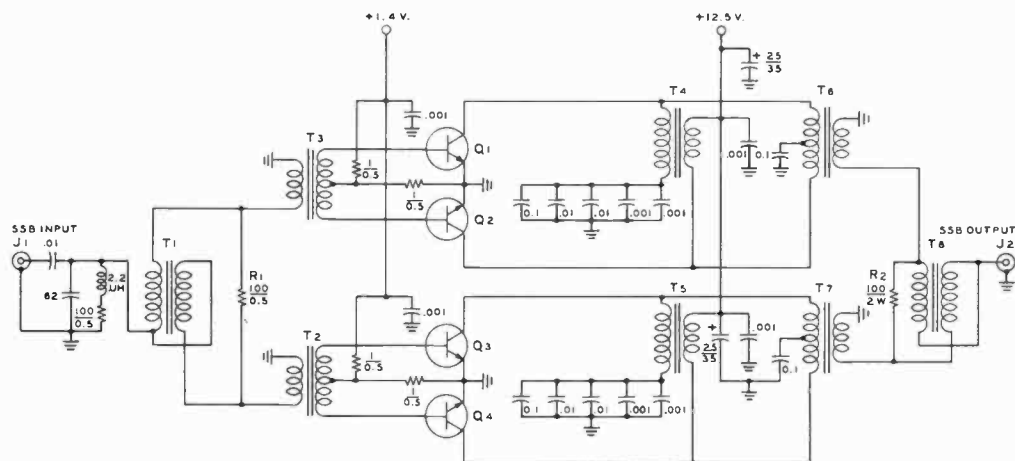


Figure 49

### SCHEMATIC, 100-WATT AMPLIFIER

$T_1$ - $T_6$ —See text and figures 45-47

$Q_1$ - $Q_4$ —TRW type PT 5741 r-f power transistors

Circuit-board material—Glass-filled epoxy board, type G-10, 0.060" thick

Heat sink—Wakefield, or equivalent

NPO chip capacitors—UNELCO (Underwood Electronics)



With full carrier insertion, the collector current will rise to nearly 16 amperes, and will approximate 7-ampere peaks under voice modulation. As in the case of the smaller amplifier, a suitable harmonic filter should be used between the amplifier and the antenna to suppress odd-order harmonics.

(Note additional information on the amplifiers, a circuit-board template, and data on the TRW transistors may be obtained by requesting Application Notes CT-122-71 and CT-113-71 from the *Semiconductor Division, TRW Inc.*, 14520 Aviation Blvd., Lawndale, CA, 90260.)

NOTE: The Underwood (UNELCO)

capacitors specified in various units in this chapter may be obtained from:

Underwood Electric Co.  
148 - 8th Ave.  
Maywood, IL 60153

or,

VHF Engineering Co.  
320 Water St.  
Binghamton, NY 13902

The CTC transistors may be obtained from:

Webster Radio Co.  
2602 East Ashland  
Fresno, CA 93726

# Receivers and Exciters

Equipment construction has just about become a lost art. Aside from the many excellent kits, the average amateur has a difficult time building his own gear. Reliable communication equipment is available, ready to go, at moderate prices and the home-built equipment is further handicapped because it has no resale value. Finally, the job of finding the desired components is a difficult one, and many frustrating hours can be spent searching for one or two inexpensive components that have held up a home building project.

On the other hand, the purchaser of ready-made equipment pays a penalty for convenience. The c-w operator must often pay for the SSB operator's wide passband and S-meter that he never uses, and the SSB operator must pay for the c-w operator's narrow filter. For one amateur, the receiver or transmitter has too little bandwidth or power, for the next, too much. The design of the equipment is often compromised for economy's sake and for ease of alignment, low- $Q$  circuits are often found where high- $Q$  circuits are called for, making the receiver a victim of overloading from nearby signals. Inexpensive transistors are used in the interest of economy, leaving the receiver wide open to crossmodulation and desensitization. Rarely does the purchaser of commercial equipment realize the manufacturing trade-offs encountered considering the results he might achieve if he built his own equipment to his desired specifications.

The ardent experimenter, however, needs no such arguments. He builds his equipment for the enjoyment of construction and creation, and the thrill of using a product of his own manufacture.

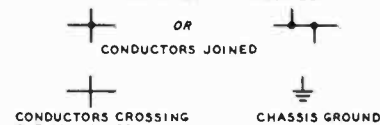
It is hoped that the equipment described in this, and the succeeding chapters, will awaken the experimenter's instinct in the reader, even in those fortunate individuals owning expensive commercial equipment. These lucky amateurs have the advantage of comparing their home-built product against the best the commercial market has to offer. Sometimes such a comparison is surprising.

**Check Your Equipment** When the builder has finished the wiring of his equipment it is suggested that he check his wiring and connections carefully for possible errors before any voltages are applied to the circuits. If possible, the wiring should be checked by a second party as a safety measure. Some transistors can be permanently damaged by having the wrong voltages applied to their electrodes. Electrolytic capacitors can be ruined by hooking them up with the wrong voltage polarity across the capacitor terminals. Transformer, choke, and coil windings may be damaged by incorrect wiring of the high-voltage leads.

The problem of meeting and overcoming such obstacles is just part of the game. A true radio amateur should have adequate knowledge of the art of communication. He should know quite a bit about his equipment (even if purchased) and, if circumstances permit, he should build a portion of his own equipment. Those amateurs who do such construction work are convinced that half of the enjoyment of the hobby may be obtained from the satisfaction of building and operating their own receiving and transmitting equipment.

Figure 1

## COMPONENT NOMENCLATURE

CAPACITORS:		RESISTORS:	
1- VALUES BELOW 999 PF ARE INDICATED IN UNITS. EXAMPLE: 150 PF DESIGNATED AS 150.		1- RESISTANCE VALUES ARE STATED IN OHMS, THOUSANDS OF OHMS (K), AND MEGOHMS (M). EXAMPLE: 270 OHMS = 270 4700 OHMS = 4.7 K 33,000 OHMS = 33 K 100,000 OHMS = 100 K OR 0.1 M 33,000,000 OHMS = 33 M	
2- VALUES ABOVE 999 PF ARE INDICATED IN DECIMALS. EXAMPLE: .005 $\mu$ FD DESIGNATED AS .005.		2- ALL RESISTORS ARE 1-WATT COMPOSITION TYPE UNLESS OTHERWISE NOTED. WATTAGE NOTATION IS THEN INDICATED BELOW RESISTANCE VALUE. EXAMPLE: $\frac{47K}{0.5}$	
3- OTHER CAPACITOR VALUES ARE AS STATED. EXAMPLE: 10 $\mu$ FD, 0.5 PF, ETC.		INDUCTORS:	
4- TYPE OF CAPACITOR IS INDICATED BENEATH THE VALUE DESIGNATION. SM = SILVER MICA C = CERAMIC M = MICA P = PAPER  EXAMPLE: $\frac{250}{C}, \frac{.01}{P}, \frac{.001}{M}$		MICROHENRIES = $\mu$ H MILLIHENRIES = mH HENRIES = H	
5- VOLTAGE RATING OF ELECTROLYTIC OR "FILTER" CAPACITOR IS INDICATED BELOW CAPACITY DESIGNATION.  EXAMPLE: $\frac{10}{450}, \frac{20}{600}, \frac{25}{10}$		SCHEMATIC SYMBOLS:	
6- THE CURVED LINE IN CAPACITOR SYMBOL REPRESENTS THE OUTSIDE FOIL "GROUND" OF PAPER CAPACITORS, THE NEGATIVE ELECTRODE OF ELECTROLYTIC CAPACITORS, OR THE ROTOR OF VARIABLE CAPACITORS.		 <p>CONDUCTORS JOINED</p> <p>OR</p> <p>CONDUCTORS CROSSING BUT NOT JOINED</p> <p>CHASSIS GROUND</p>	

**Circuitry and Components** It is the practice of the editors of this Handbook to place as much usable information in the schematic illustration as possible. In order to simplify the drawing, the component nomenclature of figure 1 is used in all the following construction chapters.

The electrical value of many small circuit components such as resistors and capacitors is often indicated by a series of colored bands or spots placed on the body of the component. Several color codes have been used in the past, and are being used in modified form at present to indicate component values. The most important of these color codes for resistors, capacitors, power transformers, chokes, i-f transformers, etc. can be found in Chapter 35 of this Handbook.

## 20-1 A Deluxe, Solid-State Amateur Band Receiver—Mark II

This is the latest up-to-date version of a popular receiver previously described in this handbook. The receiver, including the present modified design, is a creation of

VE3GFN. It provides good sensitivity ( $1\mu V$  for 20 dB signal-plus-noise to noise ratio, or better) with good overload capability (figure 2). Features such as IC power-supply regulation, varactor diode tuning of front-end circuits and variable oscillators, integrated double-balanced modulator mixers, diode switching of filters and tuned circuits, and a solid-state digital readout counter, are included in the design.

Modular construction is used as much as possible. Most of the circuits are built as separate, shielded modules, and are tested and aligned as such, completely independent of the receiver system (figure 3). This technique makes system modification easy, simplifies testing and alignment, and contributes greatly to freedom from spurious mixing products and circuit radiation. Input/output specifications are provided for each module, allowing the receiver to be duplicated module by module; by meeting the various module requirements, the builder is assured that his system will function properly when assembled.

The detailed description of this receiver is along modular lines as well, with the description of each module including necessary circuit theory, construction details, and electrical specifications.

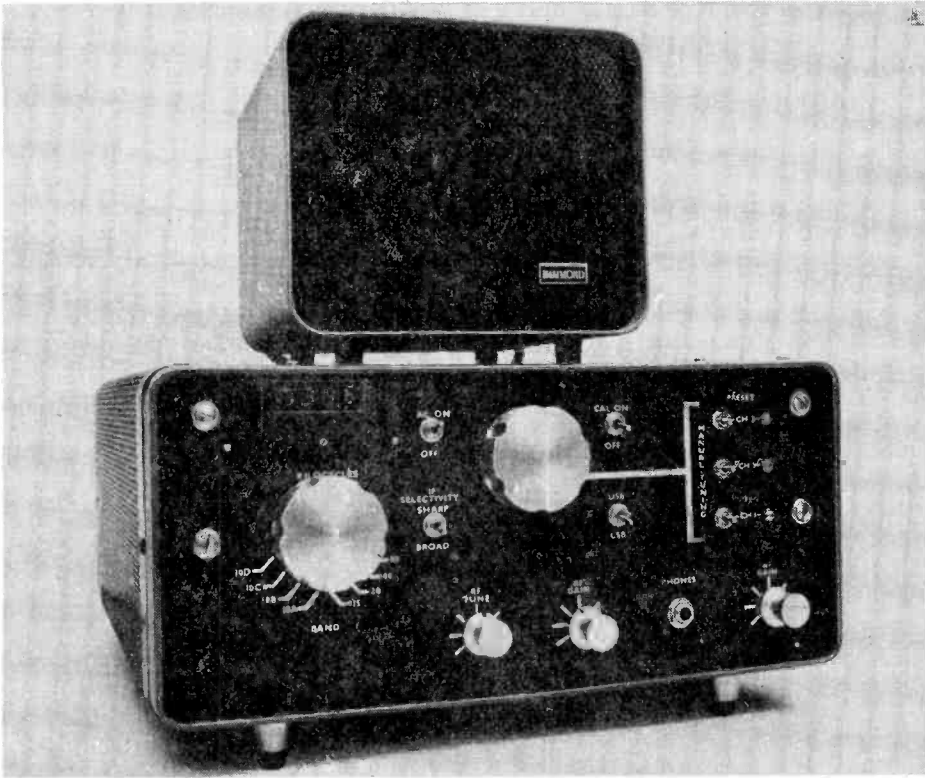


Figure 2

### SOLID-STATE DELUXE AMATEUR BAND RECEIVER

This advanced receiver covers the amateur bands between 80 and 10 meters in 500-kHz segments. Featuring direct readout, varactor diode tuning, integrated circuit double-balanced modulators, and diode switching, the modularized receiver is an ideal construction project for the advanced amateur. The direct read-out escutcheon is at the upper left of the panel, with the KILOCYCLES-BAND switch directly below it. Readout is to 100 Hz. The large knob to the right is the tuning control, with the three pre-set channel switches at the right of the panel, the R-F TUNE, R-F GAIN, and A-F GAIN controls and earphone jack are along the lower edge of the panel. To the left of the main tuning control are the AC ON switch and the I-F SELECTIVITY switch. Two crystal filters provide optimum selectivity for SSB and c-w modes. A separate speaker sits atop the receiver. Construction is simplified by building the receiver in modules, each of which may be tested independently before the receiver is assembled.

#### The Receiver Circuit

The receiver is single conversion on all amateur bands, 80 through 10 meters; coverage of the entire 10-meter band is included (figure 4). For good stability and to avoid tracking problems, the local-oscillator injection voltage is derived from the mixing product of a 5.0- to 5.5-MHz *variable-oscillator module* (A) with a *crystal-oscillator module* (B), the frequency of which is changed for each band. On 20 meters only, the variable oscillator is not

mixed with a crystal oscillator, but drives the signal-path mixer directly. The frequency of the variable oscillator is counted by the *digital counter and display module* (D), to 100Hz resolution, and displayed as "kHz above the band edge." While a display of exact frequency may be more convenient from the operator's standpoint, the system used is simpler, and enables the digital counter to be built and tested as separate a module as any other, completely independent of the bandswitch.

Band changing is accomplished by a rugged rotary switch built into the *front-end mixer module (C)*. Extra wafers on this switch control the switching of the heterodyne mixer output circuits, and the variable oscillator output, through or around the heterodyne mixer system.

The antenna signal first passes through a PIN diode, agc controlled, r-f attenuator which provides 30 dB of agc range. Signal input from the antenna is amplified by a dual-gate MOSFET r-f amplifier ( $Q_1$ ) which is tuned from the front panel (*RF Tune*) by controlling the bias of varactor diodes  $D_1$  and  $D_2$  in the input and output tuned circuits (figure 5). The amplified antenna signal then passes through the signal-path

mixer ( $U_1$ ), a double-balanced IC modulator. Local-oscillator injection for this mixer comes from the *heterodyne mixer module (E)*, and is the sum of the variable-oscillator frequency, and the frequency of one of the heterodyne crystal oscillators. The heterodyne mixer ( $U_4$ ) has diode-gated tuned circuits in the output to control the mixing frequency. The variable oscillator ( $Q_5$ ) is a JFET circuit, varactor-tuned, of high stability. Injection to the signal-path mixer from the heterodyne mixer or the variable oscillator is controlled by diode gates through the bandswitch.

The output of the signal-path mixer ( $U_1$ ) is the 9.0-MHz i-f signal, which passes through two crystal filters; a 2.4-kHz filter

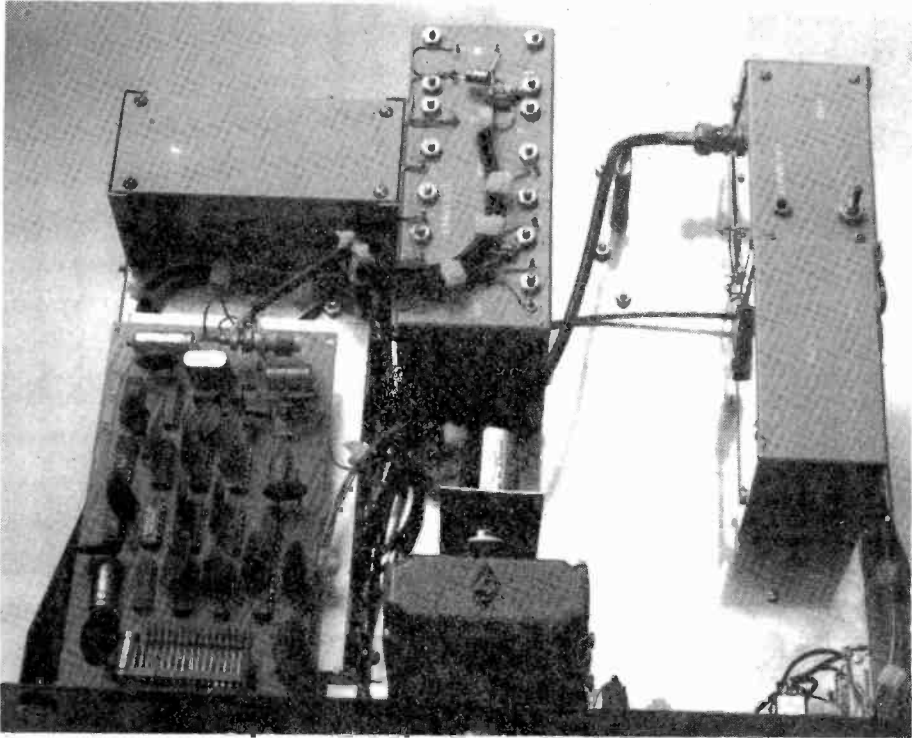


Figure 3

### TOP VIEW OF RECEIVER CHASSIS

Placement of the major modules may be seen in this view. The VFO module (A) is at the right, rear of the chassis with the heterodyne mixer module (E) in the left rear corner. The front-end module (C) is hidden under the digital counter board (D). At the right, next to the vfo module is the bfo module (F). The varactor diode tuning assembly is centered behind the National PW-0 dial mechanism which is set back from the panel to allow room for the various control switches. The heterodyne oscillator module (B) is at the rear, center of the chassis. Switches and "trimpots" for the preset, manual tuning channels are on the right, front corner of the panel. All modules are pretested before mounting on the receiver chassis

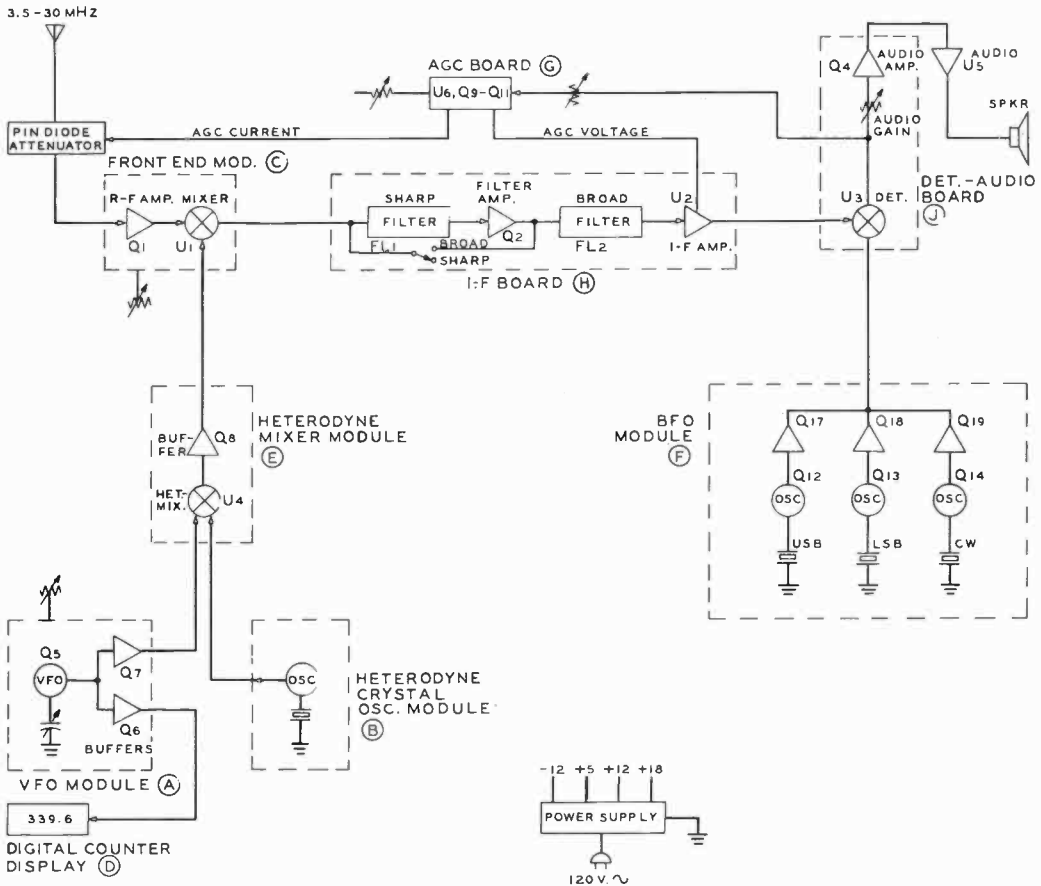


Figure 4

**BLOCK DIAGRAM OF OELUXE AMATEUR BAND RECEIVER**

The receiver is built and described in modules. The mixing signal is derived from a heterodyne mixer module (E). The mixing frequency is changed for each band. On 20 meters only, the variable oscillator (A) is not mixed with the heterodyne crystal oscillator (B), but drives the mixer (U<sub>4</sub>) directly. The frequency of the variable oscillator is counted by the digital counter (D) to 100-Hz resolution and displayed as "kHz above the band edge." For 20 meters, the frequency shown is 14,339.6 kHz. Bandchanging is accomplished by a rotary switch in the mixer module. Separate i-f filters provide c-w and SSB selectivity and switchable bfo crystals provide upper and lower sideband.

for SSB, (FL<sub>2</sub>), and a 500-Hz filter for c-w (FL<sub>1</sub>). The choice of filter is made by the i-f *Selectivity Broad/Sharp* panel switch, which controls diode gates that direct the i-f signal to the filters.

The sharp filter has a dual-gate MOSFET amplifier (Q<sub>2</sub>) after its output, which is adjusted for equal system gain when using either filter; the sharp filter has more insertion attenuation, making this necessary. The sharp filter and the compensation amplifier are shorted out by a diode gate for ssb reception.

The i-f signal is amplified by an IC amplifier (U<sub>2</sub>) common to both filters, providing up to 20 dB i-f gain.

The second detector is a double-balanced modulator (U<sub>3</sub>), used in a product-detector configuration, obtaining beat-frequency injection from the *beat-frequency oscillator* module (F), employing crystal oscillators whose frequency is selected by the *USB/LSB* panel switch, or the i-f *Selectivity* switch, depending on the choice of c-w or SSB reception. The detector output drives a high gain bipolar audio amplifier (Q<sub>4</sub>).

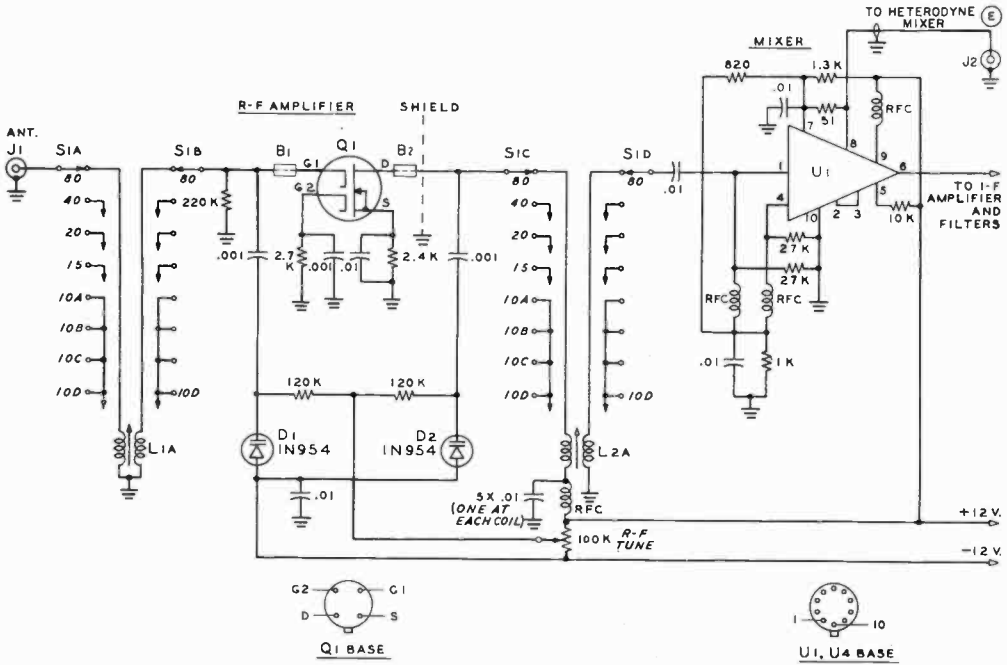


Figure 5  
SCHEMATIC, FRONT-END BANDSWITCHING MODULE

B<sub>1</sub>, B<sub>2</sub>—Ferrite beads  
 J<sub>1</sub>, J<sub>2</sub>—BNC connector, UG-185/U  
 L<sub>1</sub>, L<sub>2</sub>—See Table 1  
 Q<sub>1</sub>—RCA 40673 or Fairchild FT 0601  
 Note: All resistors 1/4 watt

RFC—1 millihenry, 35-mA, J.W. Miller 10F-103A1  
 S—3 deck heavy duty rotary switch, 6 pole, 8 position, Centralab JV-9037, or equivalent  
 U<sub>1</sub>—Motorola MC 1596G or Fairchild  $\mu$ A 796

The audio output stage (U<sub>5</sub>) is a six-watt IC amplifier, with its own power supply regulator.

Frequency readout is obtained from LED devices (light emitting diodes) in the *digital counter display module* (D) which are driven by a highly stable time base and decade counters. A 100-kHz crystal is used as a standard for the count. The frequency of the variable oscillator is read to 100 Hz. A separate 100-kHz oscillator is provided for receiver calibration checks (figure 7B).

**General Construction Technique** Most of the circuits in this receiver are hand wired on 10 glass epoxy printed-circuit board subchassis, using teflon press-fit terminals at the interconnection points. Ground connections are soldered di-

rectly to the copper foil. Solid-state devices are soldered directly into the circuits, with no device sockets used except in the digital counter, the only module where printed-circuit technique was necessary to simplify duplication. In a few cases (the i-f strip, for example) the main aluminum chassis was used as the construction base.

This assembly technique is ideal for high-frequency circuit work; it is quickly and easily modified, and short-lead construction is easy. Employing the copper-board subchassis utilizes most of the advantages of printed-circuit construction, but eliminates the extra time needed for artwork and board fabrication. When the final design has been completed, it can be easily adapted to the usual printed circuits if desired.

*PIN Diode Attenuator*—The PIN diode attenuator is designed to be inserted between

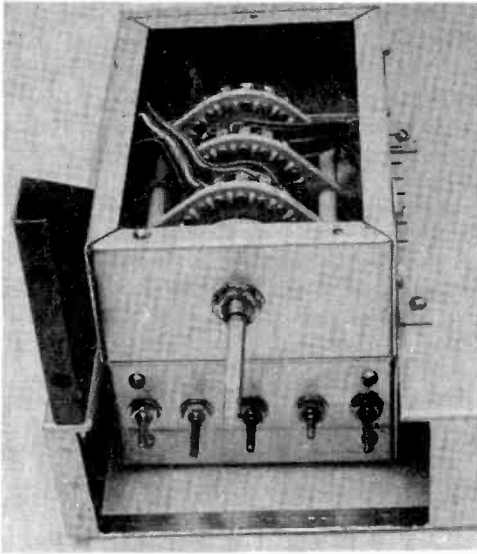


Figure 6

### FRONT VIEW OF INSTALLED FRONT-END MODULE

Front-end module (C) is installed in cutout in main receiver chassis. The module is held in position by angle brackets on the sides. Module assembly is made of two aluminum chassis mounted back-to-back. Connecting terminals are on sides of the module. Digital counter board (D) mounts on top plate of module. R-f coils (L, series) are mounted to front of lower module chassis (left to right): 10-, 15-, 20-, 40-, and 80-meter coils.

the antenna and the antenna input port of the receiver. The PIN diode has a very low impedance when conducting a relatively high bias current and a very high impedance when the bias current is small (figure 7A). While most PIN diodes are designed to be used above 100 MHz, certain Hewlett-Packard diodes are useful down to 1 MHz. The attenuator itself is built in a separate shielded enclosure with coaxial receptacles provided on each end. Depending upon construction, this attenuator can provide up to 40 dB attenuation (and therefore an equal agc range) between 3 and 30 MHz when terminated in a 50-ohm impedance.

The circuit layout of the diode attenuator is critical. Attenuation can be compromised by stray capacitance so all leads should be kept as short as possible. Only disc ceramic capacitors should be used. The at-

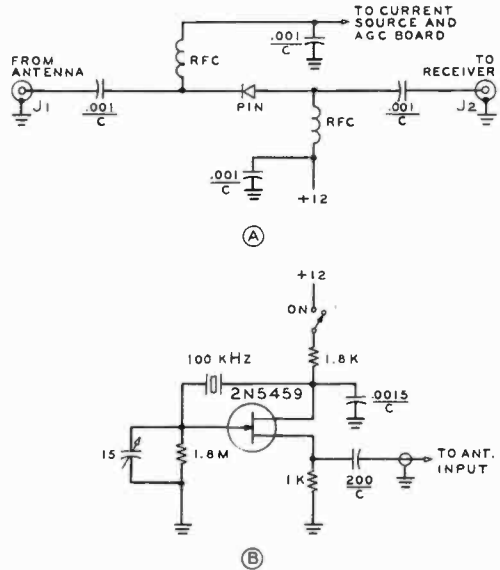


Figure 7

### PIN ATTENUATOR AND CALIBRATOR

A—The PIN attenuator PIN diode functions as variable attenuator driven from agc circuit and provides up to 40 dB of control.

PIN diode: Hewlett Packard 5082-3379

RFC = 1 mH, 100 mA.

B—100-kHz calibrator.

tenuator uses a piece of printed-circuit board as a chassis with ground connections soldered directly to the board. The enclosure is also made of circuit-board stock, with the entire assembly soldered together after the final tests are completed.

*Construction of Front-End/Bandswitching Module (C)*—The front-end module contains the r-f amplifier ( $Q_1$ ), the signal-path mixer ( $U_1$ ), associated tuned circuits, and the receiver bandswitch. The schematic is shown in figure 5.

The r-f amplifier is a dual-gate MOSFET, providing up to 20 dB of r-f gain.

The r-f input and output circuits are tuned by means of varactor diodes  $D_1$  and  $D_2$ , the bias (capacitance) of which is controlled by the *R-F Tune* panel control. The amplifier is stable on all bands without neutralization. Ferrite beads on the MOSFET input and output leads contribute to inherent stability.



The signal-path mixer ( $U_1$ ) uses an IC as a double-balanced modulator, which provides great attenuation to undesired mixing products. This IC device is used throughout the receiver for all signal-translation applications.

The local-oscillator injection for the signal-path mixer is obtained from the heterodyne mixer module (E) on all bands except 20 meters, where the variable-frequency oscillator module drives it directly. Input to  $U_1$  at  $J_2$  from the mixer module should be 50-300 mV p-p of sinusoidal waveform.

Additional wafers of bandswitch  $S_1$  control the heterodyne crystal oscillators, the gating of the output tuned circuits in the heterodyne mixer module, and the diode gating of the variable-frequency oscillator module output.

The output of the front-end module (with the first i-f transformer connected)

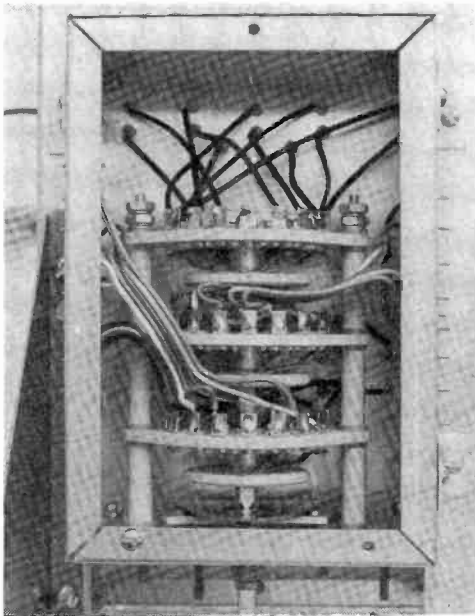


Figure 8

### INTERIOR OF FRONT-END MODULE

Main bandswitch is centered in compartment with press-fit feedthrough insulators grouped near switch terminals. Wires running between switch points and underside of module (for control of crystal oscillators and heterodyne mixer gating) are kept as short as possible and laid out so as not to interfere with switch action.

should be a sinusoidal waveform at 9.0 MHz, of a level about 40 dB greater than the antenna signal level, with the r-f amplifier adjusted for maximum gain. This gain figure is only a nominal one. Views of the front-end module are shown in figures 6, 8, and 9.

The bandswitching module contains the bandswitch, the r-f amplifier ( $Q_1$ ) and the signal-path mixer  $U_1$ . It is the most complex and compact of the receiver modules, and its assembly will be simplified if

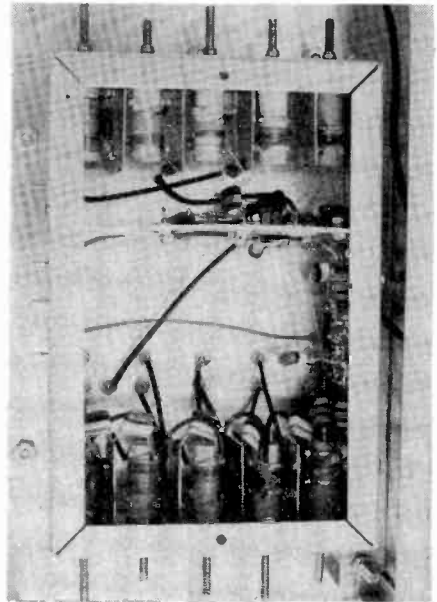


Figure 9

### UNDER-CHASSIS VIEW OF FRONT-END MODULE

The horizontal shield across the enclosure contains the r-f amplifier FET and associated components. At the bottom of the compartment are the r-f input coils, with the detector coils at the top (rear) of the compartment. The signal-path mixer ( $U_1$ ) is mounted on a small circuit board on the side of the enclosure. The shield sections between the coils are soldered to p.c. boards mounted on the front and back sides of the module chassis. Mounting holes for the coils are drilled through board and chassis. Note the feedthrough terminals from the band-switch enclosure protruding through the clearance holes in the deck of the chassis.

the following step-by-step procedure (used in the construction of the prototype) is followed. See Table 1 for coil data.

The bandswitching mixer module (C) is built in two aluminum chassis, each 6" × 4" × 2" mounted back-to-back, as seen in figure 6. The bandswitch is installed in the top chassis, and the solid-state circuits and coils in the bottom chassis. The contacts of the switch are wired to press-fit feedthrough terminals mounted in the bottom of the switch chassis; these terminals protrude through clearance holes drilled in the circuit chassis, and the coils and proper circuits are wired to them. Thus the switch is shielded from the r-f circuitry, yet leads

tom-view photograph of the switch chassis (figure 8) for the feedthrough terminal layout. Note where the common switch arm of each wafer is on each deck, as its location requires more than a casual glance. Mark centers for the feedthrough terminals close to each wafer of the switch, being very careful of clearances when marking the terminals for the inner wafers. Now, remove the switch from its chassis, center punch the marked hole centers, bolt the two chassis together, and drill a centering hole through both chassis. Separate the chassis. The feedthrough terminals require a 9/64" hole, and the clearance holes should be enlarged to 1/4".

**Table 1. R-F Amplifier and Mixer Coils (L<sub>1</sub>, L<sub>2</sub>)**

Band (Meters)	L <sub>1</sub> and L <sub>2</sub>
80	50 turns #29 e. on Cambion 1534/2/1 form, closewound. Inductance = 17 μH, Q = 55. Link = 10 turns #27 closewound on "cold" end. 100 pf connected across primary, 80 meters only.
40	35 turns #29 e., as above. Inductance = 10 μH, Q = 85. Link = 7 turns #27, as above.
20	15 turns #29 e., as above. Inductance = 4.4 μH, Q = 70. Link = 4 turns, as above.
15	12 turns #27 e. on Cambion 1534/3/1 form, closewound. Inductance = 1.8 μH, Q = 115. Link = 3 turns as above.
10	8 turns #27 e., closewound, as above. Inductance = 0.8 μH, Q = 140. Link = 3 turns, as above.

are kept short. The bandswitching module is constructed as a separate assembly and mounted in a slot in the main chassis. Assembly of the Module is as follows:

**Step 1.** Cut 3/8" clearance hole in switch chassis front, center, to mount bandswitch. Do not mount the switch.

**Step 2.** Drill 9/64" mounting holes in all four corners of the switch chassis, allowing room for a 6-32 nut to cover the hole and clear the chassis corner. Place the two chassis back-to-back, and mark the centers for the mounting holes in the circuit chassis, using the drilled switch chassis as a template.

**Step 3.** Mount and secure the bandswitch in its chassis. Refer to the bot-

**Step 4.** Install the switch in the switch chassis. Now examine the location of the feedthrough terminals, and the switch contacts to which they must be wired. The terminals for the inner wafers are almost covered by the switch, and are virtually inaccessible. These feedthrough terminals should be pre-wired (before the switch is installed) using 4" lengths of bare wire. As the switch is installed, these wires can be drawn up to the proper contacts, and wired to them, after sliding a length of insulating tubing over each lead. The switch contacts that are accessible (front and rear) should be pre-wired in a similar manner, and these wires run to the proper feedthrough terminals after the switch is installed. This completes the wiring of the switch chassis.

**Step 5.** Make up two coil-shield partition assemblies as shown in the under-chassis photograph (figure 9), using the following procedure: Mount a pre-cut printed-circuit board on the front and back ends of the circuit chassis. Mark the centering holes for the five coil forms (L<sub>1</sub> series and L<sub>2</sub> series) on the outside of the chassis end pieces. Center punch and drill through both chassis and p.c. boards. Then enlarge the holes to the required size. Remove the boards and temporarily mount the coil forms, then mark the locations of the brass shield partitions. Remove the coil forms and solder the partitions into place. This method en-

sure proper clearance for the coil forms after the shield partitions are installed.

Step 6. Bolt the two chassis together, install all coils, and wire them to the terminals of the bandswitch.

Step 7. The r-f amplifier stage is built on the aluminum shield section which separates the r-f amplifier coils ( $L_1$  series) from the mixer section. Install the wired r-f amplifier shield section, then install the mixer subchassis. Wire these to the proper switch terminals, and to the terminals on the side of the chassis for input, output, gain control, tune voltage, and supply lines. This completes the assembly of the Bandswitching Mixer Module.

*Construction of Heterodyne Crystal Oscillator Module (B)*—The seven crystal oscillators for the heterodyne mixer are built as separate units to avoid the bandswitching complexities and design compromises necessary in one oscillator covering 7.5 to 33.5 MHz (figures 10 and 11).

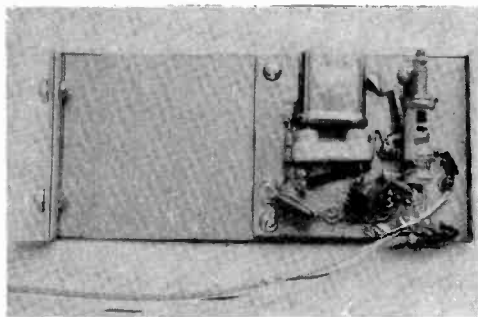


Figure 10

#### TYPICAL HETERODYNE CRYSTAL OSCILLATOR ASSEMBLY

The heterodyne crystal oscillator board (B) shown contains one of the seven crystal oscillator stages. The other three boards each have two oscillator stages on them and are visible in the main under-chassis view of the receiver. The oscillator slug-tuned inductor is adjustable from beneath the receiver.

The output of each oscillator should be a reasonably undistorted sinusoid, of 200-500 millivolts p-p amplitude, measured at the input (50 ohms impedance) of the heterodyne mixer ( $U_4$ ). The series output at-

tenuator circuit (10 pF, 1K) prevents oscillator loading and eliminates any problems due to the oscillator signal being routed through the bandswitch and around the chassis.

Table 2. Heterodyne Oscillator Module—Circuit Details

Band (Meters)	$C_1$ (pF)	$X_1$ (MHz)	$L_1$	Output mV (P-P)
80	100	7.500	35 turns #29 on Cambion 1536/2/1 $L = 7.5 \mu\text{H}$	600 into 50 $\Omega$
40	32	11.000	Same as above	550 into 50 $\Omega$
15	45	25.000	12 turns #29 on Cambion 1536/3/1 $L = 1.5 \mu\text{H}$	450 into 50 $\Omega$
10A	—	32.000	7 turns #29 on Cambion 1536/3/1 $L = 0.55 \mu\text{H}$	450 into 50 $\Omega$
10B	—	32.500	Same as above	same
10C	—	33.000	Same as above	same
10D	—	33.500	Same as above	same

The output of each oscillator should be measured after the series attenuator network, using an oscilloscope of at least 150-MHz bandwidth capability as an instrument of lesser bandwidth will not reveal harmonic distortion in the output. The frequency of each oscillator should be accurately checked as overtone crystals often have a penchant for operating on their second harmonic.

If a crystal does not oscillate, or if there is distortion in the output, the output tuned circuit probably requires adjustment. See Table 2 for coil and capacitor data.

The crystal oscillator module construction is straightforward using an enclosure 3"  $\times$  2 $\frac{3}{8}$ "  $\times$  6" in size.

#### Construction of Heterodyne Mixer Module (E)

The heterodyne mixer module (figures 13, 14, and 15) consists of an IC double-balanced modulator ( $U_4$ ) and a JFET buffer ( $Q_8$ ) to

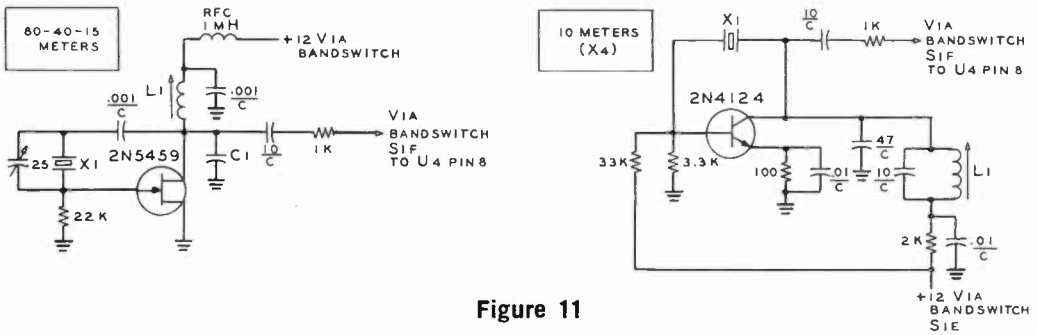


Figure 11

**HETERODYNE CRYSTAL OSCILLATORS**

See Table 2 for component details

enable the mixer to drive a 50-ohm load, plus an output filter made up of seven tuned circuits and seven diode switches. The

module is completely self-contained, with inputs being supplied through 50-ohm coaxial cables, and bandchanging accomplished

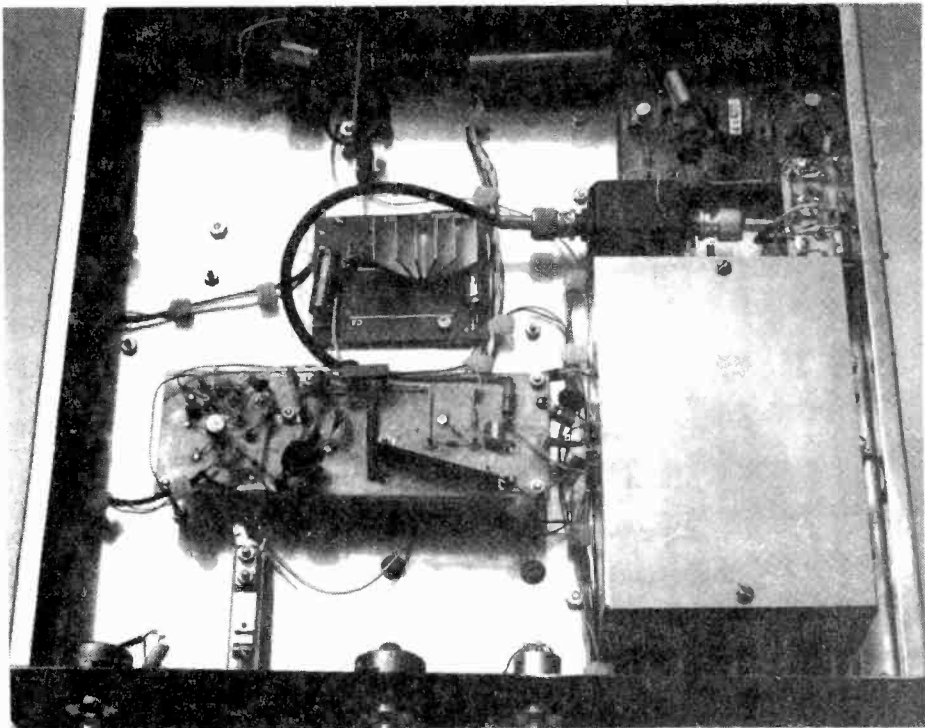


Figure 12

**UNDERCHASSIS VIEW OF RECEIVER**

At the right is the front-end module (C), recessed in a hole cut in the chassis. To the left of it, at center, is the i-f strip (H) and behind it is the small detector-audio board (J) with the large heat sink on the audio device. Behind the front-end module are the r-f attenuator and the vfo diode gating board. At the rear of the chassis is the crystal calibrator board and along the side of the chassis is the detector-audio board (J). Note that decoupling capacitors are installed at the power connector at the rear of the chassis.

by using one deck of the bandswitch ( $S_1E$ ) to supply twelve volts to the appropriate diode switch.

The mixer buffer output signal is 200-300 millivolts peak-to-peak of sinusoidal waveform into a 50-ohm load. The vfo injection signal (pin 1,  $U_1$ ) must be 200 millivolts peak-to-peak (or less) and the crystal-oscillator injection signal (pin 8,  $U_1$ ) must be 300 millivolts peak-to-peak (or less) of as sinusoidal a waveform as possible. Distortion in the input or output sine waveform increases the possibility of spurious frequencies occurring in the receiver system. The heterodyne mixer, buffer is not used on 20 meters.

The mixer module output filter consists of seven tuned circuits ( $L_1A$  to  $L_1G$ ), each of which is resonant at midband of one of the necessary injection spectrum frequencies required by the signal-path mixer as listed in Table 3.

Only one coil must be switched in the mixer output circuit at any time, and this coil completes the mixer dc output circuit. The gating diode in series with the coil in use is forward-biased, and completes the circuit to pin 6 of the mixer ( $U_1$ ),

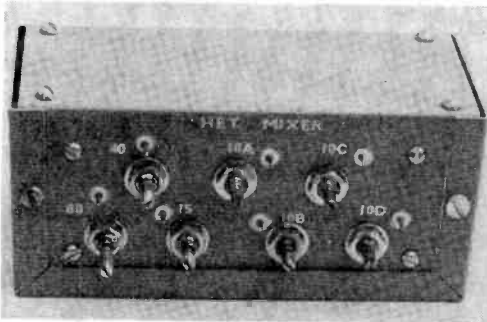


Figure 13

### THE HETERODYNE MIXER MODULE

The heterodyne mixer module (E) is built in an aluminum minibox. The seven coils ( $L_1$  series) and gating-control press-fit feedthrough terminals are mounted on the side of the box. The four corner screws secure the component chassis board inside the module.

which is at an 11.3-volt level. The cathodes of the remaining switching diodes are at this same positive level, while the anodes are close to ground potential; and so are reverse-biased. The *Amperex* (*Philips*) BA-

Table 3. Heterodyne Mixer Module (E) Frequencies

Band (Meters)	Heterodyne Mixer Output Range (MHz)	Heterodyne Oscillator (MHz)
80	12.5 - 13.0 MHz	7.5 MHz
40	16.0 - 16.5 MHz	11.0 MHz
20	—	—
15	30.0 - 30.5 MHz	25.0 MHz
10A	37.0 - 37.5 MHz	32.0 MHz
10B	37.5 - 38.0 MHz	32.5 MHz
10C	38.0 - 38.5 MHz	33.0 MHz
10D	38.5 - 39.0 MHz	33.5 MHz

### COIL DATA

80	$L_1A$ —22 turns #29 on Cambion 1534/2/1 form. $L = 5 \mu H$ . $Q = 75$ . Note: 18-pf capacitor connected across coil.
40	$L_1B$ —25 turns as above. $L = 6 \mu H$ . $Q = 75$ . Resonates with circuit capacitance.
15	$L_1C$ —10 turns #27. $L = 1.5 \mu H$ . $Q = 75$ . Cambion 1534/3/1.
10A—D	$L_1D$ — $L_1G$ —5 turns #27. $L = 1 \mu H$ . $Q = 100$ . Cambion 1534/3/1. Note: 18-pf trimmer capacitor connected across each of the 10-meter coils.

182 diodes ( $D_1$ — $D_7$ ) were selected for their low forward impedance and their small reverse capacitance.

A silicon diode ( $D_8$ ) in series with the dc current path to the rest of the mixer corrects the output dc level imbalance caused by the diode junction voltage drop of the switching diodes. The series circuit of an r-f choke and 1K resistor across the mixer output (pin 6) drains additional current though the switching diodes.

The heterodyne mixer module is built into the "U" shaped portion of a minibox  $2\frac{1}{4}'' \times 2\frac{1}{4}'' \times 5''$ . Because of the large number of components that must be installed in this module, it is assembled using "layered" construction.

The heterodyne mixer consists of three separate sections; a chassis board, containing the components of the mixer itself (figure 15), the U-shaped section of the minibox, the sides of which have been drilled to ac-

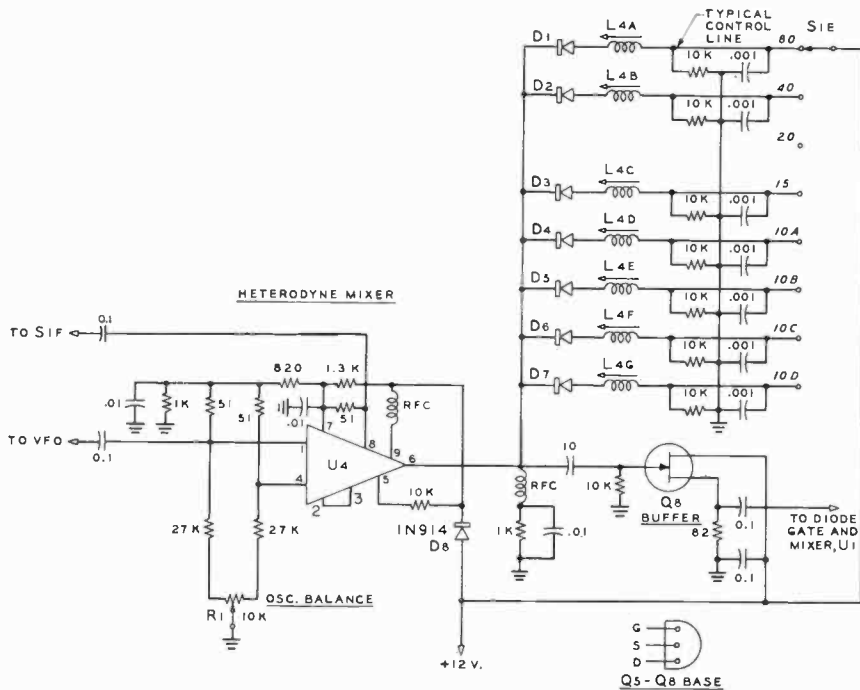


Figure 14

## SCHEMATIC, HETERODYNE MIXER MODULE

Q<sub>8</sub>—2N5459U<sub>4</sub>—Motorola MC 1496G or Fairchild  $\mu$ A 796D<sub>1</sub>-D<sub>7</sub>—Amperex Phillips BA 182L<sub>4A</sub>-L<sub>4G</sub>—See Table 3

RFC—1 millihenry, 35-mA, J. W. Miller 10F-103A1

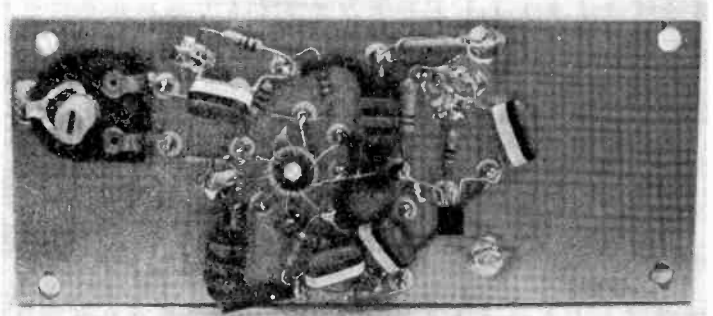
Note: All resistors  $\frac{1}{4}$  watt.

cept the seven coils, and another chassis board, drilled to match the side of the minibox, on which components connected directly to the coils are mounted. Figure 13 showing the completed mixer module illustrates how the side of the minibox must be drilled for the coils; board containing the coil components is simply cut to match the dimensions and holes of the minibox side.

The mixer component board is wired, keeping all leads short, and using sufficient heat on the ground connections. When it is completed, mount it on the bottom of the U-section of the minibox. The board containing the coil components is then cut to size and installed on the side of the minibox. The centers of the holes for the coils and the feedthrough terminals are then

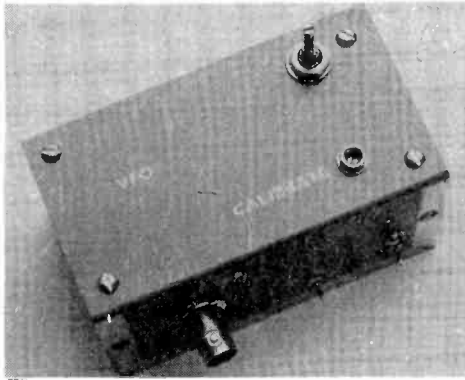
### Figure 15 HETERODYNE MIXER COMPONENT BOARD

Integrated circuit U<sub>4</sub> is at center with the oscillator null potentiometer (R<sub>1</sub>) at the extreme left of the board. The assembly is built as compact and flat as possible to allow clearance for the board below the coils, once the module is assembled. The buffer FET (Q<sub>8</sub>) is at the right of the board.



marked, and the holes drilled through both the minibox side and the coil component board.

The component board is now removed from the side of the minibox, and the coil bypass capacitors and the gating-diode biasing resistors are installed on the board. The board is then reinstalled on the side of the minibox and the coils are now installed in the module and wired in to both of the



**Figure 16**  
**VFO MODULE**

Counter output from buffer stage  $Q_6$  is at left (BNC connector) and oscillator inductor  $L_1$  is atop the chassis, along with calibrating capacitor,  $C_1$ .

component boards. If the coils mounted nearest the bottom of the minibox are installed first, wiring will be easy. It is important to keep the diode leads as short as possible. For this reason, the 10-meter coils are mounted nearest the output pin of the mixer component board.

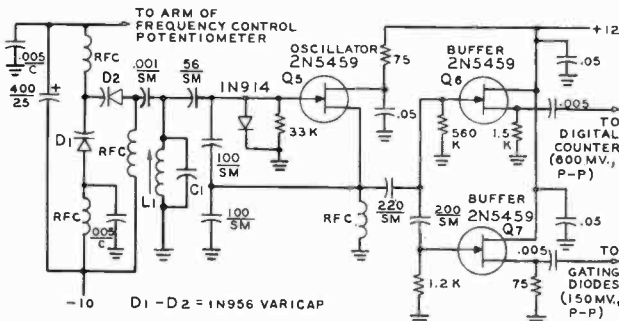
To align the heterodyne mixer, inject a 5.0- to 5.5-MHz signal at the correct amplitude into one port (pin 1), and the speci-

fied frequency and amplitude to simulate the crystal oscillators into the other port (pin 8). Terminate the module output in 50 ohms, and check with a high-frequency oscilloscope and digital counter for the correct mixer-output frequency, and a clean sinusoidal waveform, as each tuned circuit is gated into the output by applying +12 volts to each of the gating terminals. Make sure, as each band is checked, that the correct crystal-oscillator frequency is being injected. Check each band for uniform output over the 5.0-5.5 MHz vfo range. On the 10-meter band, the output tuned circuits may interact to a certain extent, and the tuning process may have to be repeated several times. For each band, the idea is to obtain maximum output, and uniform output amplitude, at the correct frequency.

When testing the mixer, use the mixer module (pin 6) to drive the oscilloscope; do not try to probe the output circuits of the mixer itself with the oscilloscope, as even the small input capacitance of a high-frequency oscilloscope will load the tuned circuits.

*Construction of Variable-Frequency Oscillator Module (A)*—The vfo module consists of a voltage-controlled oscillator ( $Q_5$ ), two buffer stages ( $Q_6$  and  $Q_7$ ) for the two necessary oscillator outputs, and a regulated supply for the frequency-control potentiometer that is derived from the positive and negative 12-volt rails (figures 16, 17, and 18).

The vfo itself covers 5.0 to 5.5 MHz, and is a Colpitts circuit using a JFET as the oscillating device, and varactor diodes  $D_1$ ,  $D_2$ ) as the bandspread tuning capacitor. A piston trimmer ( $C_1$ ) across the varactor diode circuit enables the limits of the tuning range to be accurately calibrated, once



**Figure 17**  
**SCHEMATIC,**  
**VFO-BUFFER MODULE**

- $L_1$ —7 $\mu$ H. Cambion 2419-2
- $C_1$ —Piston capacitor, 60 pF. MC-606Y
- RFC—1 mH, 35 mA. J. W. Miller 10F-103A1

the inductance has been established. Elimination of the large plate-type variable capacitor often used in such circuits allows the vfo to be built in a much smaller enclosure than usual, and the JFET oscillator is inherently quite thermally stable.

The vfo covers a wide frequency range with the circuit constants provided, so the voltage range of the varactor diode is limited by the regulator circuits of the frequency-control potentiometer as shown in figure 19. The regulators also serve the purpose of stabilizing the tuning voltage, which directly affects the stability of the oscillator.

The tuned circuits for the vfo are wired with solid wire, with leads as short as possible; the entire vfo should be built mechanically stable and vibration proof. After construction, the output ports of the buffer

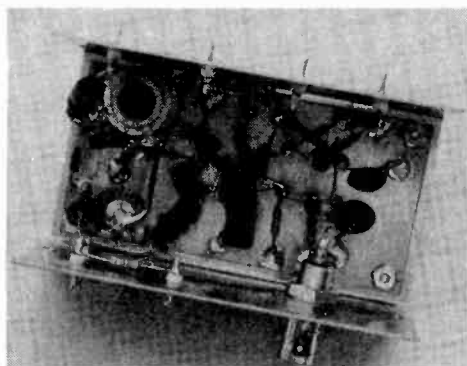


Figure 18

#### INTERIOR VIEW OF VFO MODULE

Components of vfo Module (A) are securely mounted to p.c. board bolted to one half of minibox. Tuned circuit (L-C) is at right, with buffer FETs just behind the BNC coaxial connector. Oscillator leads are short and heavy.

stages should be checked for a sinusoidal output, of amplitudes approximating those indicated in figure 17.

The frequency range of the oscillator can be adjusted with the aid of an accurate digital frequency counter on the high-level output; the inductance adjustment will affect the width of the frequency variation, and the piston trimmer is used to set the lower-frequency limit of the tuning range. Adjusting each of these in turn, and checking the frequency range with each adjust-

ment, should result in proper calibration being attained in short order.

The oscillator circuitry is built into a minibox measuring  $2\frac{1}{4}'' \times 2\frac{1}{4}'' \times 4''$ . The Oscillator Module is thermally coupled to the main chassis by cleaning the paint from the bottom of the module and covering it with a layer of silicone grease before mounting it. By heat-sinking the module to the main chassis, excellent thermal stability is attained, even though the oscillator enclosure is quite small. No electrical temperature compensation is required.

The potentiometer used to control the frequency of the receiver is a matter of choice for the builder. Since a *National PW-O* gear reduction drive is used to drive the control potentiometer, the tuning of the receiver is very smooth, and reasonably slow even with a single-turn carbon unit of linear taper (figure 19). Using a single-turn potentiometer, a tuning rate of 35 to 60 kHz per tuning knob revolution is obtained, depending on the total coverage adjustment of the oscillator. This tuning rate enables the operator to cover the band at a fairly rapid rate, and is ideal for SSB operation. It is a bit fast, however, for tuning the band with the very selective 500-Hz c-w filter. Using a 10-turn helipot, (the *Ampphenol 2151B-104* is recommended for installation in the same space) a tuning rate of 3 to 5 kHz per knob revolution is easily attained. While it is tedious to tune the entire band at this rate, even with a "spinner" knob, it is perfect for use with the sharp filter.

By varying the total coverage adjustment of the oscillator, and by varying the voltage limits between which the tuning potentiometer wiper moves (a maximum of + and -12 volts), a wide variation in tuning rates can be attained.

*Variable-Frequency Oscillator Output Gating Detail*—The output of the vfo drives the heterodyne mixer module on all bands except 20 meters. The heterodyne mixer is driven by one of the seven crystal oscillators as well, and it drives the local-oscillator injection port of the signal-path mixer ( $U_1$ , pin 8) on all bands except 20 meters.

On 20 meters alone, the various crystal oscillators are disabled, and the vfo drives



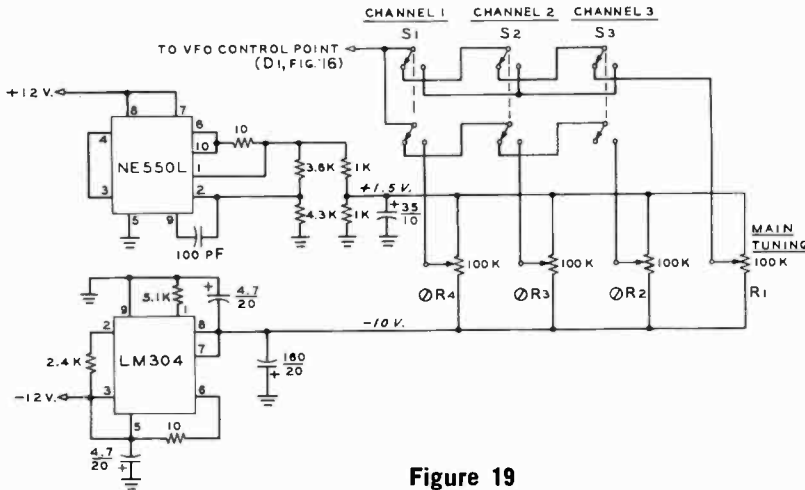


Figure 19

**FREQUENCY-CONTROL SYSTEM AND REGULATED SUPPLY**

R<sub>1</sub>—100K Amphenol 215B-104

R<sub>2</sub>, R<sub>3</sub>—100K "Trimpot" Amphenol 2750SL or Bourns 3052-S

Note: All switches shown in "Main tuning" position. If more than one switch at a time is set to "Preset Channel" position, only one preset control is active. All wiring done with shielded wire to prevent noise pickup on varactor control leads.

the signal-path mixer directly, while the heterodyne mixer input and output circuits are completely isolated from the system.

The circuit isolation and signal gating are accomplished by means of diode gates, which only change conduction states when the bandswitch is in the 20-meter position (figure 20). In this position, none of the

crystal oscillators are supplied with dc power; the oscillator outputs are not connected to the heterodyne mixer through the bandswitch, and the +12 volt line which normally powers the crystal oscillators now changes the status of the vfo output gates and the heterodyne mixer gates.

Diode gate status change is accomplished by changing the level at point S from -12 volts through a high impedance to +12 volts through a low impedance (the dc resistance of the isolating choke) by means of the bandswitch. This forces the diode gates between the vfo and signal-path mixer to conduct, while at the same time reverse-biasing the diode gates at the heterodyne mixer input and output circuits.

*VFO Module Frequency-Control System*

—The use of a varactor-diode tuned circuit in the variable oscillator allows several modes of frequency control not seen in the usual amateur receiver.

The usual mode, employing a front-panel knob ganged to a tuning element in the oscillator, is here approximated by the ten-turn potentiometer which controls the varactor bias and which is driven through a gear-reduction drive from the front panel *Main Tuning Control*.

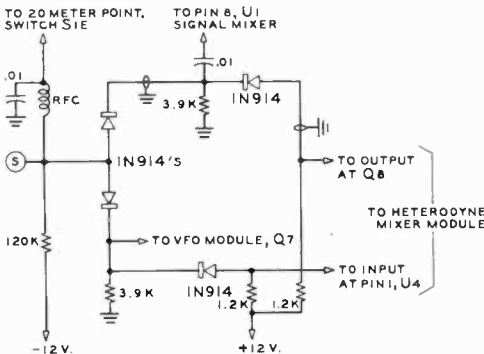


Figure 20

**VFO GATING CIRCUIT**

RFC—1 millihenry, 35 mA. J. W. Miller 10F-103A1

Note: All resistors 1/4 watt

Because the frequency of the oscillator is controlled by a varying dc voltage, this receiver is also equipped for *channel* operation; by switching one of three switches provided, one of three preset frequencies may be selected (figure 19). These preset channels are adjustable from the front panel, by means of three panel-mounting *trimpots*. In case more than one channel switch is activated at the same time, the circuit is arranged so only one channel is actually enabled, even though all three switches may be in the channel position. Only when all three switches are in the *Main Tuning* position is frequency control by means of the panel tuning control possible. The *trimpot* channel adjusts may be easily set by a small screwdriver, while watching the digital counter; they will adjust the vfo frequency independently of band changing, of course. Once set, it is impossible to knock them out of adjustment accidentally. This feature will be found useful for net operation, for DX-ing, and for cross-frequency operation.

*Remote Operation*—This receiver is easily adapted for remote operation: For mobile work, the receiver can be located in the rear of the vehicle. A small control box near the driver would require only a speaker and a multiturn potentiometer to replace the main tuning potentiometer (it should be wired into the vfo module in exactly the same way). In addition, a second control to adjust the *R-F Tune* voltage is necessary, as the tuning of these circuits is quite sharp.

It is also possible to adapt this receiver to automatic tuning; a dc sawtooth voltage of approximately one cycle/30 seconds, and ranging from  $-10$  to  $+1.5$  volts applied to the varactor control point in place of voltage from a tuning potentiometer will cause the receiver to scan its complete range, quickly return to the starting point, and scan again. Because of the very sharp tuning of the r-f circuits scanning over a small range is probably most practical.

*I-F Strip*—The i-f strip uses an RCA CA3002 chip ( $U_2$ ) which provides 30 dB of gain at 9 MHz and is specified as having

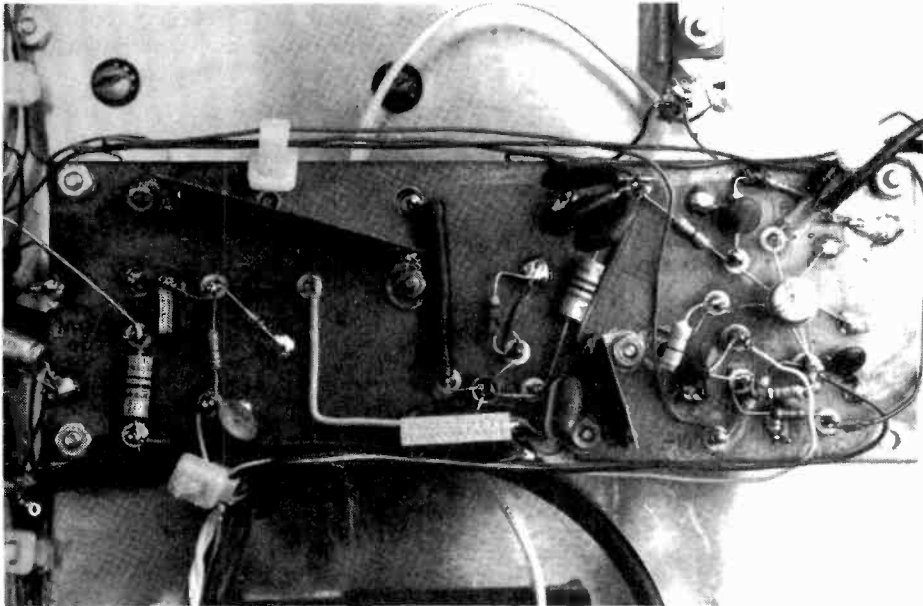


Figure 21

#### THE I-F BOARD

The two filters are mounted on the reverse side of the board. Small metal shields are placed across the filter to isolate input and output terminals. These shields are seen on-edge and are difficult to locate. One is at top, left of the board just above  $Q_2$  and the second is to the left of the device  $U_2$ . The gain compensation helipot is at the bottom of the board.

80 dB of agc control range (figure 21). Used in conjunction with the PIN attenuator, agc range in excess of 70 dB was measurable and the range is thought to be better than 120 dB, far beyond most instrumentation to confirm.

The agc control port of  $U_2$  is driven through  $Q_3$  from the PIN attenuator agc system (figure 22). Circuit values are used that provide a nominal value of attenuation by  $U_2$ , until the attenuation limits of the PIN attenuator are approached; after this level attenuation in the i-f system increases very rapidly.

In front of the i-f IC ( $U_2$ ), two KVG 9-MHz crystal filters are installed such that in normal operation the two filters are cascaded. The sharp filter (500 Hz) drives a MOSFET amplifier ( $Q_2$ ), which has its own gain control. This amplifier is adjusted so as to have a gain which exactly compensates for the insertion loss of the sharp filter. This ensures that the i-f strip has the same gain whether the sharp filter is in the circuit, or not. When a wider i-f bandwidth is desired, the sharp filter and its compensation amplifier are shorted out by activating a diode gate. The switch that controls

the gate also switches in the proper bfo crystal when the sharp filter is used. The input circuit of the i-f board is designed to supply the dc operating voltage to the mixer which drives it.

An optional muting circuit can be provided by adding a front panel switch to connect *pin 1* of the i-f amplifier device to -6 volts. Receiver muting is complete and recovery is immediate. A jack on the rear apron allows an external transmitter to perform the mute-switching function.

*The Detector and Audio Stages*—The detector is a double-balanced modulator IC ( $U_3$ ), used in a product-detector configuration (figure 23A). It requires 50 to 300 millivolts p-p injection from the beat-frequency oscillator, applied to pin 8.

The detector drives a high-gain, bipolar transistor a-f preamplifier stage ( $Q_4$ ), the output of which drives the output a-f amplifier.

To test this system, connect an oscilloscope to the a-f preamplifier transistor collector. Inject 8999.0 kHz at 300 millivolts p-p from an oscillator into pin 8 of the detector. Inject 9.0 MHz at 100 millivolts p-p from a second oscillator into the input

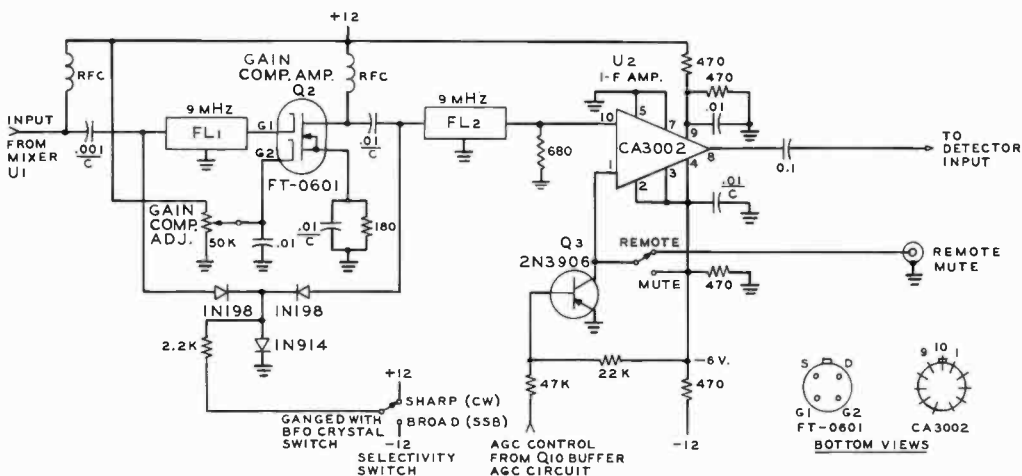


Figure 22

## SCHEMATIC, I-F BOARD

Cascaded crystal filters are used to obtain optimum bandwidth for SSB and C-W operation.

- FL<sub>1</sub>—Crystal filter, KVG type XL-10M (500 Hz bandwidth)
- FL<sub>2</sub>—Crystal filter, KVG type XL-9B (2.1 to 3 kHz bandwidth)
- RFC—1 mH, 3 mA. J. W. Miller 1741
- Q<sub>2</sub>—Fairchild FT-0601
- U<sub>1</sub>—RCA CA3002

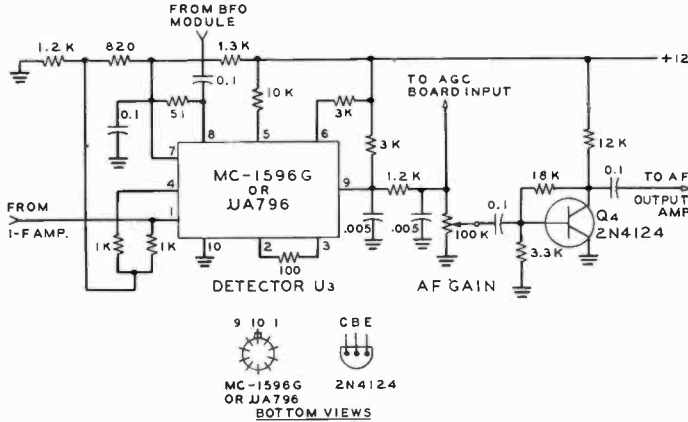


Figure 23A

**SCHEMATIC, DETECTOR-AUDIO BOARD**

U<sub>3</sub>—Motorola MC-1596G or Fairchild  $\mu$ A-796

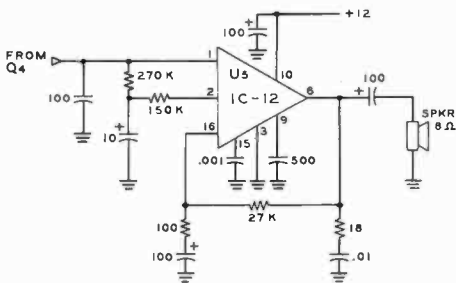


Figure 23B

**SCHEMATIC, AUDIO AMPLIFIER**

U<sub>5</sub>—Sinclair IC-12 or equivalent

of the i-f strip. Adjust the gain-compensation amplifier gain control for equal audio output when either one or both of the i-f filters are used.

The audio output stage is a Sinclair IC12 (figure 23B) amplifier (U<sub>5</sub>), which delivers up to six watts into an 8-ohm speaker. The output connectors may be arranged so that a pair of low-impedance (stereo) headphones can be plugged into a front panel jack, disabling the speaker.

**Construction of Beat Frequency Oscillator Module (F)**—The bfo module contains three beat-frequency oscillators and three source followers which transform both the oscillator output amplitude and impedance

to the level required by the detector (figure 24).

The bfo module frequencies are crystal controlled, with three-frequency capability necessary for operating c-w and SSB (both upper and lower sideband). One of the three oscillator-follower combinations is selected by applying a positive 12-volt level to the appropriate power supply line by means of front panel switches *I-F Selectivity* and *USB/LSB* (S<sub>2</sub>B). When the *I-F Selectivity* switch is set to the *Sharp* position, the bfo frequency is automatically set to 8999.0 kHz for use with the sharp filter. When the switch is in the *Broad* position, bfo frequency is selected by the *USB/LSB* switch.

The frequency of each oscillator can be adjusted over quite a range by means of the trimmer capacitor across each crystal. No interaction of adjustments will be noticed. The module is designed so that the trimmers may be adjusted while the receiver is operating, without it being necessary to disassemble the module to gain access to the trimmers.

The bfo output should be a reasonably sinusoidal waveform of about 300 millivolts p-p amplitude when driving a 50-ohm load. Once the module is built, the frequencies may be adjusted by connecting the module output to a digital counter.

**Construction of AGC and PIN Board**—The PIN current source, buffer and agc

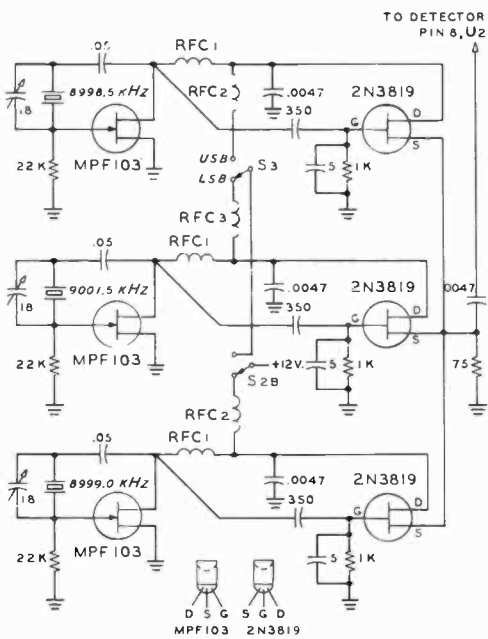


Figure 24

**SCHEMATIC, BFO MODULE**

RFC<sub>1</sub>, RFC<sub>2</sub>—1 millihenry, 35 mA. J. W. Miller 10F-103A1 or equivalent  
 Crystals—KVG. 8999.0 kHz, type XF-903. 8998.5 kHz, type XF-901. 9001.5 kHz, type XF-902 (Spectrum International, Box 1084, Concord, MA 01742), or equivalent

circuit are built on a separate board (figure 25). An NPN transistor is used as a current source, providing in excess of 100 mA to the PIN diode. The current-source transistor is driven from the agc circuit through a JFET buffer (Q<sub>10</sub>), which prevents the low impedance of the current source Q<sub>11</sub> from loading the agc line and affecting the time constant. The time constant is determined by R<sub>1</sub> C<sub>1</sub>, the values shown being a compromise between slow (SSB) and fast (c-w) agc.

The agc voltage is audio derived. The signal is taken from the a-f gain control and is amplified and rectified; 200 mV rms at the input of U<sub>6</sub> is sufficient to cause maximum attenuation. The center tap of transformer T<sub>1</sub> can be grounded, but if it is tied to the arm of a potentiometer connected between ground and the -12 volt bus, manual control of attenuation level provides an r-f gain control function while the automatic control feature is still maintained.

*Construction of Digital Counter Module (D)*—The digital counter is the single module built on a printed-circuit board; the only practical way of doing it. By following a board layout and figures 26, 27, and 28 (use the schematic as a reference, while following the board layout) it should be possible to duplicate the counter easily. Since the board

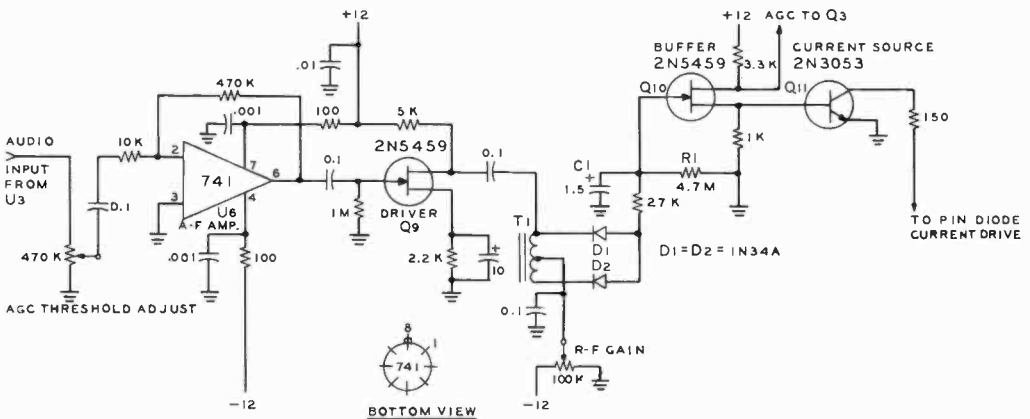


Figure 25

**AGC AND PIN CURRENT SOURCE BOARD**

T<sub>1</sub>—Small audio transformer with center-tap winding (200 mW)

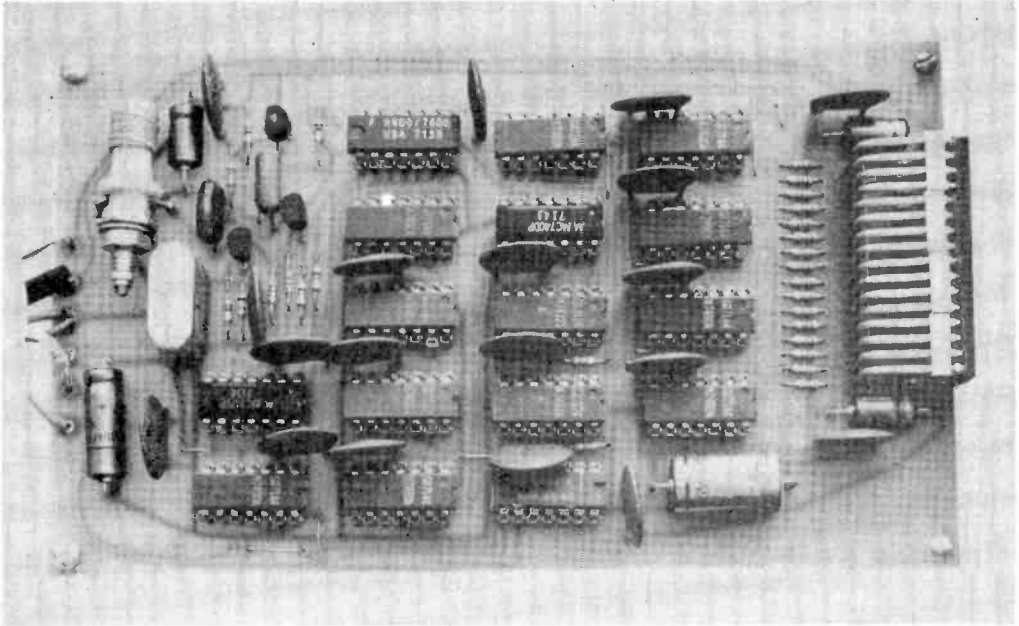


Figure 26  
DIGITAL COUNTER AND DISPLAY BOARD (D)

Frequency count-out of receiver is displayed on panel-viewing LEDs (light-emitting diodes) seen at the front (right) of this assembly. Time base is established by 1000.00-kHz crystal at opposite end of board. ICs and other components are mounted to printed-circuit board. A full-size template of the p.c. board may be obtained by writing the publishers of this Handbook, enclosing 25 cents to cover cost of mailing.

layout drawings and photo are made directly from the board itself, and the schematic does not show all the many decoupling capacitors in detail, the layout and photo should guide the builder through any points of confusion. It is important that small components be used where indicated. A print of the board layout and a component layout drawing may be obtained by sending one dollar to cover the cost of mailing, to the Editor of this Handbook.

The frequency counter may be divided into two parts, a *time-base* and a *divider-display*.

*The Time Base*—The time-base consists of a 1-MHz clock oscillator, the output of which is shaped and divided down to give the needed timing pulses. The oscillator is a FET tuned-drain oscillator, crystal-controlled. The output is buffered by a FET source follower, and shaped by two NAND gates into a squarewave suitable for the inputs of the chain of decade dividers. The

time-base output is a series of 5-Hz pulses, which drive the *enable/disable count* line, resulting in 5 frequency sample/updates per second of the display. The display does not blink during the count, nor can it be seen to “run up.”

During the *disable* cycle, *read-in* and *clear* signals are generated using additional NAND gates, to control the operation of the *memory* circuits of the display, located inside the *readout* chips.

*The Divider/Display*—If this section seems to be a bit sparse, it is because the LED *Readout* integrated-circuits contain their own decoder drivers and memory circuits, making the divide/display circuitry relatively simple to build.

The input signal to the counter is buffered by an emitter follower, squared by a *Schmitt Trigger*, and then counted down by decade counters in a manner similar to the reference clock. The decade counters count the input signal for a time determined by

the time-base control, then the counter outputs are read into the memories (in binary-coded-decimal) of the readout chips. The BCD is decoded into decimal inside the readouts, and the appropriate digit is indicated on the display.

The counter module has three connection points at the rear of the board:

- (1) 5V—to power supply.
- (2) GD—chassis ground.
- (3) SIGNAL IN—input signal from the Vfo buffer, Q 6.

**Construction of the Power Supply**

The power supply is built on a chassis separate from the main receiver chassis, and is housed in the speaker cabinet. An on/off switch is provided on the supply chassis for testing purposes; this is connected in parallel (through the power cable) with a power control switch on the receiver panel.

The supply provides three dc rails; plus and minus twelve volts, and plus five volts

(all with respect to chassis ground) and all rails are extremely well regulated, using IC regulators (figure 29).

The negative supply is regulated by means of a positive regulator, by isolating the regulator from ground; for this reason, the negative supply regulator is not mounted/heat-sinked to the chassis; however, little current is drawn from this supply, making this procedure quite safe.

The unregulated input to the five-volt supply would be as high as eighteen volts, were it not for the series five-ohm resistors, which gradually decrease the input to the regulator with increasing load, thus minimizing the dissipation of the regulator. The load on the five-volt supply is close to one ampere and will not vary; the input voltage to the regulator under these conditions is about eight volts.

The supply is built on a 6" x 4" x 1" chassis and is housed in a 8" x 8" x 6"

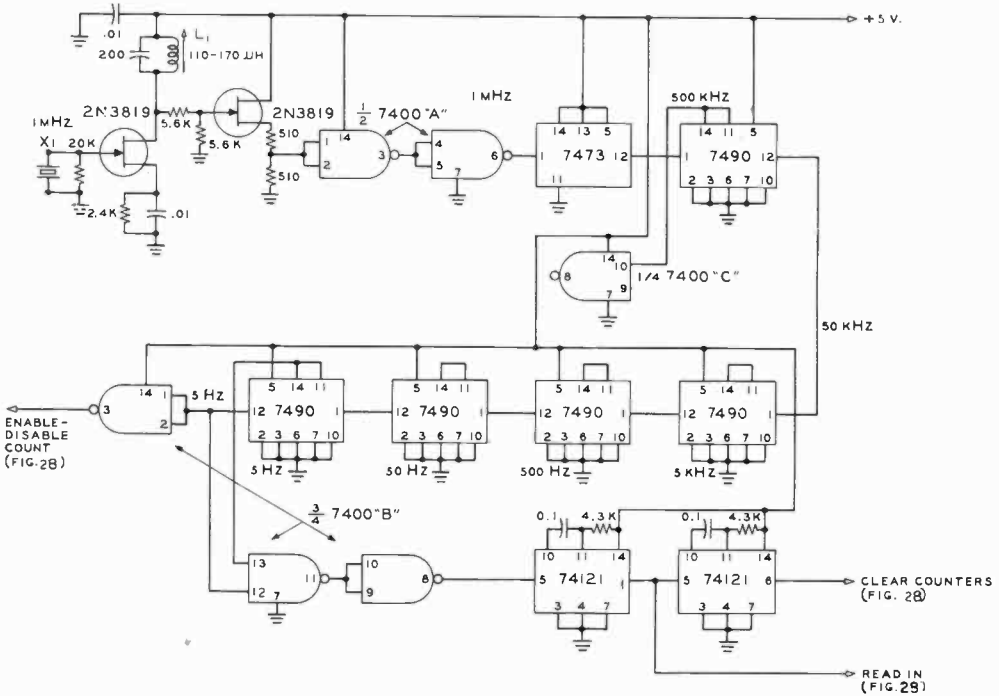


Figure 27

**SCHEMATIC, COUNTER TIME-BASE MODULE**

L<sub>1</sub>—Cambion 3338-21 or equivalent

Integrated Circuits—National Semiconductor DM 7400, Quad, two input NAND; National Semiconductor DM 7490 Decade counter; National Semiconductor DM 7473 Dual J-K flip-flop; National Semiconductor DM 74121 Monostable multivibrator

speaker cabinet. Separating the power supply from the main chassis eliminates possible hum problems, prevents component crowding, and facilitates portable operation of the receiver. If battery operation is contemplated and the digital readout is to be powered as well, it will be necessary to provide a means of shutting off the readout, except during actual frequency measurement; the high current drain of the readout will otherwise run down the supply battery quite rapidly.

It is all-important that the dc supply lines be as free as possible from ac ripple. Not only will audio hum rise with increasing ripple, but residual f-m hum in the output of the vfo will create intolerable audio distortion on received signals. Keep in mind that if a 10-volt change in potential across the vfo varactor tuning diode causes the frequency to change by 500 kHz, one millivolt of ripple on the varactor control line will cause 50 Hz of frequency shift, which can be easily heard in the audio, particularly when listening to a c-w signal!

Careful attention must be paid to power-supply lead lengths, lead size, and grounding when wiring the power-supply rectifier circuits; particularly the positive rectifier, which has the highest load current. The filter capacitors are mounted directly above the rectifiers, with the capacitor terminals close to the chassis, and short, heavy leads are run from the terminals directly to the bridge rectifiers. The positive rectifier is grounded directly to a solder lug, and the ground line in the receiver power cable is grounded to the same lug, to prevent ground loops. Additional decoupling capacitors are installed across the dc input lines, directly at the receiver power connector.

It may be necessary to add a separate heavy ground strap between the power supply and the receiver chassis to eliminate unwanted ground loops. With all these efforts, additional supply regulations inside the vfo module itself will be necessary, to reduce residual f-m on the vfo output to an acceptable level (details are included in the section on the vfo module).

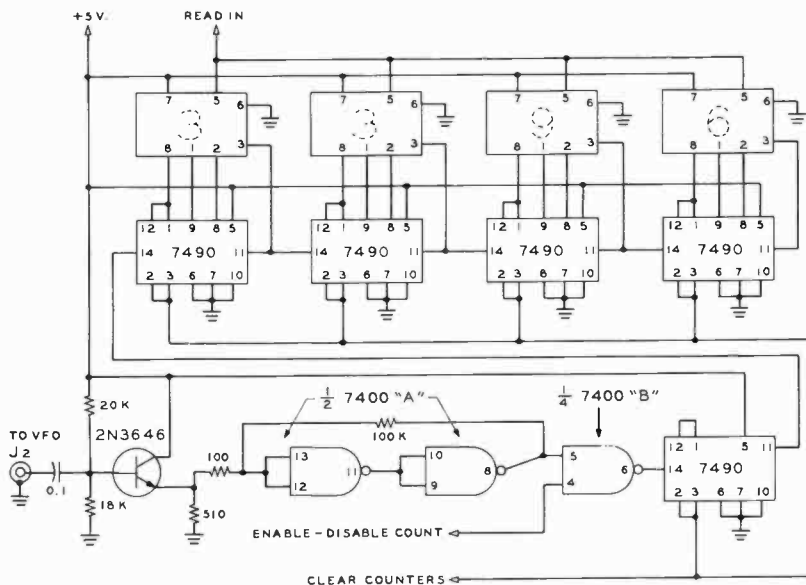


Figure 28

## SCHEMATIC, DISPLAY MODULE

Integrated Circuits—National Semiconductor DM 7400, Quad, two input NAND. National Semiconductor DM 7490 Decade Counter; Hewlett-Packard 5082-7300 LED Digital Readout.





- (5) With oscilloscope and counter, check for proper injection to the detector from the bfo module, while switching from one i-f filter to the other, and from USB to LSB.
- (6) With a one-microvolt unmodulated signal at the antenna input, check for a comfortable audio level in headphones or speaker (*A-F Gain* at maximum) while tuning across the signal. Confirm that the digital counter in the receiver indicates the proper frequency; and keep in mind that any errors in calculation are the result of inaccuracies in the frequency being generated by the heterodyne crystal oscillator in use. During prototype testing, the receiver was able to copy 0.5- $\mu$ V signals on all bands, using the speaker.  
If instability is noted on any band, it may be necessary to alter wiring layout, lead dress, or add ferrite beads and/or "losser" resistors to the inputs and/or outputs of high-frequency amplifiers in the receiver. With the receiver properly shielded and grounded, no instability should be observed.
- (7) On the prototype it was found necessary to do extensive decoupling of the +12 and -12 volt rails using 0.1  $\mu$ F and 1  $\mu$ F capacitors where the feedpoints entered the various modules. The rails should be checked at every module, using a high frequency oscilloscope. No signals should appear on the rails.

## 20-2 An Advanced, Solid-State HF Communications Receiver

The high-frequency communications receiver described in this section was built by W8ZR. It is designed to meet the problems of both weak- and strong-signal reception with overload or crossmodulation by making use of modern circuit techniques and high performance solid-state devices (figure 30).

The receiver covers the amateur bands, 80 through 10 meters, plus WWV, in eight 500-kHz segments. The dial calibration is linear and, because of the conversion technique used, none of the bands tune backwards. Provisions are made for three crystal filters for c-w, SSB and a-m. Incremental tuning may be used in the event the receiver vfo is used for transceiver operation. A summary of receiver performance is given in Table 4.

Receiver performance is quite in line with the best modern practices. The signal/noise ratio with a 0.17- $\mu$ V input signal is better than 20 dB up to 14.4 MHz, dropping to 15

**Table 4.**

### Receiver Performance Data

1. I-f Rejection (9 MHz signal into antenna terminals. Level adjusted until 1 $\mu$ V i-f breakthrough signal detected):		
Band	9 MHz level	
80	2 volts	
40	100 mV	
20	600 mV	
15	2 volts	
10	2 volts	
2. Dynamic Range: Agc Threshold: 2 $\mu$ V. No overload detected with 3-volt signal. Agc off: I-f overload begins at 20 $\mu$ V with r-f gain open.		
3. Image Rejection: Signal injected at image frequency.		
Band	Image Signal	Detected Signal
80	3 Volts	None
40	3 Volts	0.5 $\mu$ V
20	3 Volts	none
15	3 Volts	none
10	3 Volts	none
4. Frequency Stability: (14 MHz)		
Time	Frequency Shift (Hz)	
1 min.	+100	
30 min.	+250	
1 hr.	+305	
2 hrs.	+320	
3 hrs.	+310	
5. Sensitivity: (0.17 $\mu$ V signal)		
Band	S/N	
80	> 20 dB	
40	> 20 dB	
20	> 20 dB	
15	> 15 dB	
10	> 10 dB	
6. Spurious Responses: 7,196 kHz (1 $\mu$ V) 21,099 kHz (0.3 $\mu$ V) Also responses less than 0.1 $\mu$ V noted at 14,032; 14,082; 14,316 and 21,189 kHz		

dB at 21 MHz and 10 dB at 29 MHz. Frequency stability is better than 250 Hz after 30 minutes operation and spurious responses are under  $0.1 \mu\text{V}$  except for one spur at 7196 kHz which is approximately  $1 \mu\text{V}$ . The dynamic range is such that no overload is detected at agc threshold on a  $2\text{-}\mu\text{V}$  signal when a nearby signal has an amplitude of 3 volts. With the agc off, the i-f system begins to overload at  $20 \mu\text{V}$  with the r-f gain control wide open. These figures equal, or exceed, the specifications of the best communications receivers on the amateur market.

**The Receiver Design** In order to minimize spurious responses (birdies) and to hold image rejection high, only one frequency conversion is used in the main signal path of the receiver. A 9-MHz intermediate frequency is used, while the vfo tunes 6.0 to 6.5 MHz and is premixed to

provide an injection signal which is 9 MHz higher than the signal frequency (figure 31). Although the cost of two crystals could have been saved by operating the vfo over the 5.0- to 5.5-MHz range and by injecting the vfo signal directly into the mixer for 80- and 20-meter coverage, one of the bands would then have tuned backward on the dial, and image rejection would have suffered on both bands.

To minimize crossmodulation effects in the mixer, the r-f amplifier stage operates at a low gain level and is triple-tuned to provide a good measure of adjacent channel preselectivity (Table 4). Toroid inductors are used in the front end tuned circuits to reduce interstage coupling and to maintain high circuit  $Q$ . A sophisticated audio-derived hang agc circuit is used to control the gain of both the r-f and i-f stages; the agc loop is very "tight," resulting in a dynamic range well in excess of 120 dB and making the receiver virtually immune to overload prob-

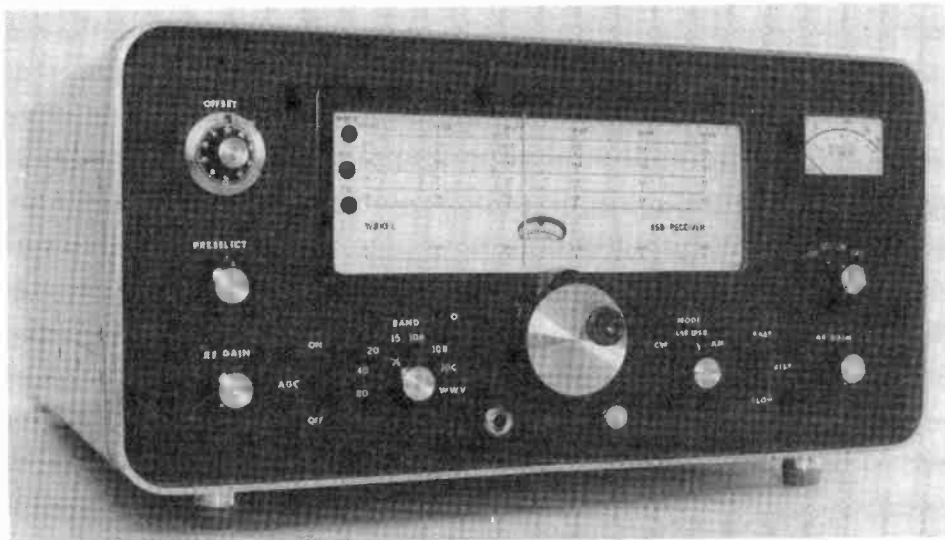


Figure 30

### THE W8ZR HIGH PERFORMANCE COMMUNICATIONS RECEIVER

This solid state hf communications receiver combines both weak- and strong-signal reception with protection from overload and cross modulation. The coverage includes all amateur bands 80 through 10 meters, plus WWV, in 500-kHz band segments. The dial is directly calibrated and readable to 1 kHz. Three crystal filters are employed for SSB, c-w and a-m reception. The OFFSET (Receiver Incremental Tuning) control is at the upper left of the panel, with the PRESELECT alignment capacitor beneath it. Directly below is the R-F GAIN control potentiometer.

To the right of the gain control is the AGC ON-OFF switch and the bandswitch. At the upper right of the panel is the S-METER, calibrated in microvolts and S-units and below it is the OFF-STANDBY-ON-CALIBRATE switch. Directly below this switch is the A-F GAIN control potentiometer.

The receiver is built in a homemade wraparound cabinet and is completely self-contained.

lems. A low distortion 5-watt audio output stage is used which results in very crisp sounding c-w and smooth sideband copy, particularly when using high quality stereo earphones.

### The Receiver Circuit

A block diagram of the complete receiver is shown in figure 31. The circuit of the r-f amplifier is shown in figure 32. The incoming signal is inductively coupled by two tuned circuits to the r-f amplifier MOSFET ( $Q_1$ ). This device has reverse agc voltage applied to its second gate, and on strong signals provides more than 30 dB of signal attenuation. After passing through a third tuned circuit in the drain connection, the signal is applied to source-follower  $Q_2$  (figure 33), which provides an impedance match to the doubly-balanced diode ring mixer, consisting of transformers  $T_1$ ,  $T_2$ , and hot-carrier diodes  $D_1$ - $D_4$ . This mixer has a conversion loss of about 8 dB, but is superior to a dual-gate MOSFET with respect to intermodulation and overloading. The primary of  $T_2$  is tuned

to the 9-MHz intermediate frequency. The i-f output from  $T_2$  is coupled through one of the crystal filters ( $FL_1$ - $FL_3$ ) to the i-f amplifier consisting of devices  $U_1$  and  $U_2$  (figure 34). To assure stability, the tuned circuits in the i-f strip ( $L_5$ - $C_6$ ) and ( $L_7$ - $C_7$ ) are intentionally "de-Q'ed" by resistors  $R_1$  and  $R_2$  which also serve to limit the overall i-f strip gain to about 60 dB. Forward agc voltage is applied to both  $U_1$  and  $U_2$  resulting in a control range for the i-f amplifier of about 100 dB.

The output from the i-f amplifier is coupled via a low impedance line to the product detector ( $U_3$ , figure 36A-B). The bfo is crystal controlled and consists of an oscillator ( $Q_3$ ) and a buffer ( $Q_1$ ) (figure 37). A conventional diode detector is used for a-m reception.

The potentiometer at the output of  $U_3$  (placed at the arm of switch  $S_2$ , G) controls the audio level to the audio board. This is not used as an audio gain control, but rather to set the agc threshold value, as it adjusts the input level to transistor  $Q_7$  in the agc

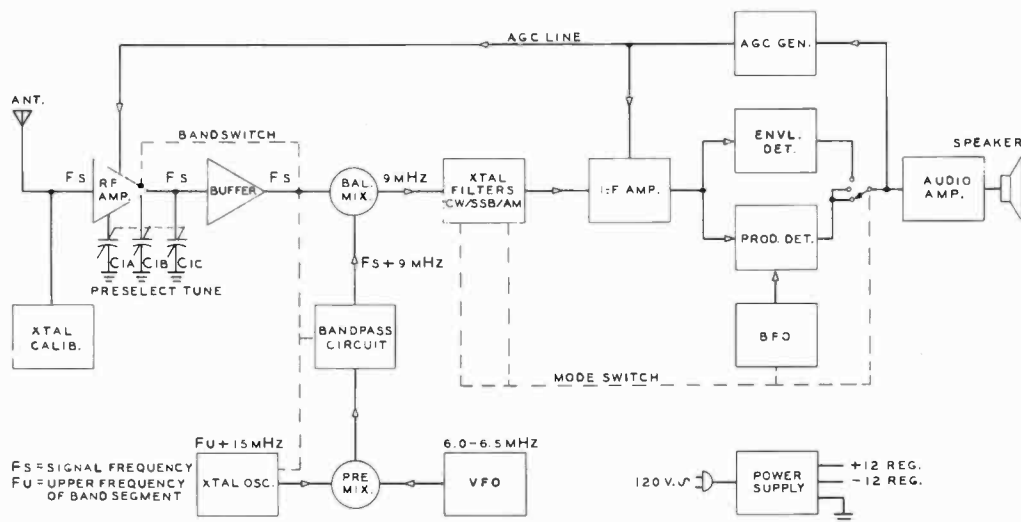


Figure 31

### BLOCK DIAGRAM OF SOLID-STATE HF COMMUNICATIONS RECEIVER

This eight-band solid-state receiver covers the vhf amateur bands plus WWV (15 MHz). The receiver is built in modules on small circuit boards. The r-f amplifier uses a JFET for low noise figure and good dynamic signal range. Three tuned circuits precede the mixer to reduce image response and unwanted signal pickup. The mixing signal is derived from a vfo and crystal oscillator combination which is followed by a pre-mixer and a simple bandpass circuit to attenuate unwanted "birdies". Three degrees of selectivity are provided by crystal i-f filters and a product detector and amplified agc provide good overload characteristics. The dial is direct reading to 1 kHz and each amateur band is covered in a 500-kHz segment.

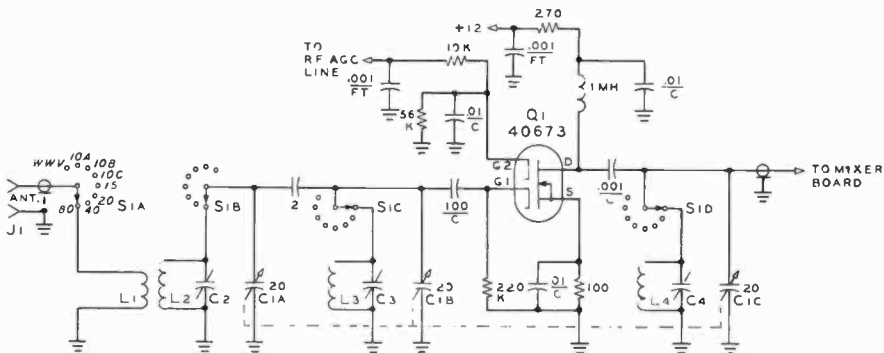


Figure 32

R-F AMPLIFIER SECTION OF RECEIVER

C<sub>1</sub>-A-B-C—Three section capacitor, 20 pF per section. Miller 1460, or equivalent

C<sub>2</sub>, C<sub>3</sub>, C<sub>4</sub>—Arco compression trimmers. See Table 5

S<sub>1</sub>—Bandswitch assembly consisting of eight, 2-12 pole ceramic switch sections (Centralab PA-1) mounted on index assembly (Centralab PA-302). Eight switch positions are used

Notes: All resistors, unless otherwise specified, are metal film, 1/4-watt, 2% tolerance. Corning C-4, or equivalent. Feedthrough capacitors are Centralab FT-1000. R-f chokes are Miller 70F103A1. Tuning dial for C<sub>1</sub> is Bourns H-510-2 turns-counting dial. Main tuning dial is Eddystone 898 assembly

system. The control is placed beneath the chassis and can be seen in the upper corner of figure 36B. Audio gain is controlled by the *a-f gain* potentiometer placed at the input of device U<sub>5</sub>, the audio preamplifier stage.

The audio system is shown in figure 38A-B. It consists of preamplifiers U<sub>1</sub> and

U<sub>5</sub>, and a 5-watt output stage (Q<sub>5</sub>-Q<sub>6</sub>). It is desirable, though not essential, that Q<sub>5</sub> and Q<sub>6</sub> have matched *beta* characteristics. The *agc* voltage is derived from the audio signal by U<sub>8</sub>, a sophisticated device which provides a "hang" period to maintain the receiver gain during speech or c-w pauses, but which will smoothly follow a fading signal and at

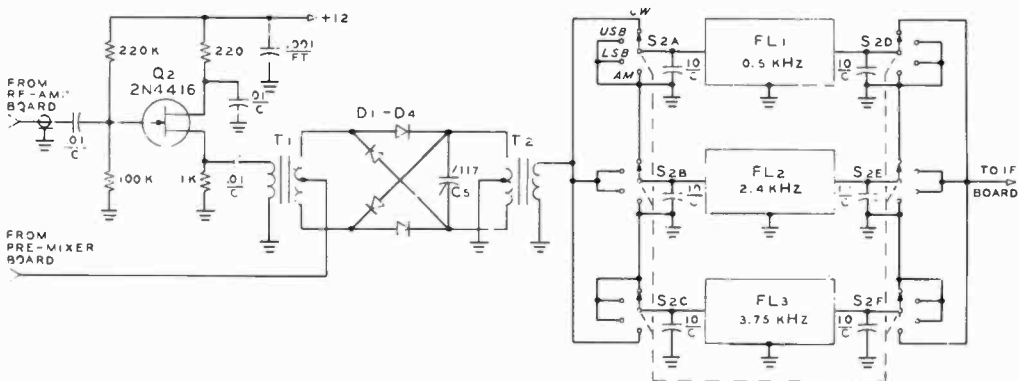


Figure 33

SCHEMATIC, MIXER AND I-F FILTER SECTION

C<sub>5</sub>—87 pF to 117 pF. 82-pF silver mica parallel with 35-pF compression trimmer

D<sub>1</sub>-D<sub>4</sub>—Matched Quad. Hewlett-Packard HPA 5082-2830 or equiv.

FL<sub>1</sub>, FL<sub>2</sub>, FL<sub>3</sub>—KVG XF9-M (0.5 kHz), KVG XF9-B (2.4 kHz), KVG XF9-C (3.75 kHz). Spectrum International, Box 1084, Concord, MA 01742

T<sub>1</sub>—Primary: 10 turns #26 e. wound on T-50-2 core (Amidon). Secondary is 20 turns #26. Coils are trifilar wound.

T<sub>2</sub>—Primary: 20 turns #20 e., wound on T-50-2 core (Amidon). Secondary is 24 turns #26. Coils are trifilar wound.

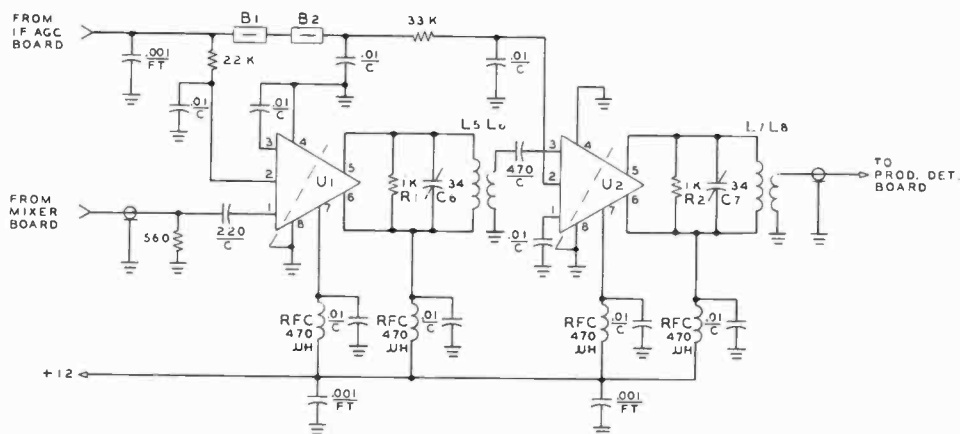


Figure 34

## SCHEMATIC, RECEIVER I-F AMPLIFIER

**B<sub>1</sub>, B<sub>2</sub>**—Ferrite beads. Amidon  
**C<sub>6</sub>, C<sub>7</sub>**—34 pF. Johnson 189-506-5, or equivalent in parallel with 18-pF silver mica capacitor  
**L<sub>5</sub>, L<sub>7</sub>**—42 turns #28 e. on Amidon T-50-2 core  
**L<sub>4</sub>, L<sub>8</sub>**—11 turns #28 teflon insulated wire wound over "cold" ends of L<sub>5</sub>, L<sub>7</sub>

**U<sub>1</sub>, U<sub>2</sub>**—MC-1590G integrated circuit. Motorola  
 Notes: R-f chokes are Miller 70F474A1. All resistors, unless otherwise specified, are metal film, 1/4-watt, 2% tolerance. Corning C-4, or equivalent

the same time suppress impulse noise. "Hang" periods of 1 second or 0.25 second selected by switch S<sub>3</sub>, are used for SSB and c-w reception, respectively. Devices U<sub>7</sub> and U<sub>8</sub> are used to convert the output of U<sub>6</sub> to the voltage levels required by the r-f and i-f amplifiers.

The vfo uses a variation of the Vackar circuit (figure 39) and is extremely stable. Stability is important in the local oscillator which the narrow bandwidth (500-Hz) filter is used for c-w reception. Polystyrene padding capacitors are used for the fixed elements in the oscillator, as opposed to silver-mica capacitors, because the former are sealed against moisture and have a superior temperature coefficient. The silver-mica units, particularly those of the larger values tend to have erratic drift characteristics, especially with regard to temperature and this effect shows up markedly when the narrowband filter is in use.

The oscillator is followed by a buffer-amplifier stage (Q<sub>9</sub>) which boosts the output of the oscillator and at the same time isolates it from the mixer stage. The mixing signal is pure and oscillator noise is very low, compared to the peak oscillator voltage.

Electrical dial correction is provided by varicap diode VC<sub>1</sub>, which is panel-controlled

by a small knob placed next to the main tuning dial. This adjustment brings the dial into calibration on each band, and provides precise calibration at any point on the dial. *Incremental tuning* (for use with an external transceiver or exciter) is provided by varicap VC<sub>2</sub>. This control is a 10-turn potentiometer which is cut in or out of the circuit either by switch S<sub>1</sub> (*RIT on/off*) or from the external exciter by means of relay RY<sub>2</sub>, which removes the RIT bias voltage when it is energized.

This control is helpful in chasing DX as the receiver may be set to the transmitting frequency with the RIT control and, when this is defeated by RY<sub>2</sub>, the receiver is instantly returned to the frequency of the DX station, which is set on the main tuning dial.

The vfo output is mixed by U<sub>9</sub> with crystal oscillator Q<sub>10</sub>-Q<sub>11</sub> (figure 40 A-B) and injected via a tuned circuit and low-impedance link (L<sub>11</sub>, L<sub>12</sub>, C<sub>16</sub>) into the main receiver mixer. Although a bandpass coupler might ordinarily be used at this point instead of a simple tuned circuit, it was not required because of the inherent suppression of fundamental and even-order mixer products provided by the double balanced design of mixer U<sub>9</sub>.

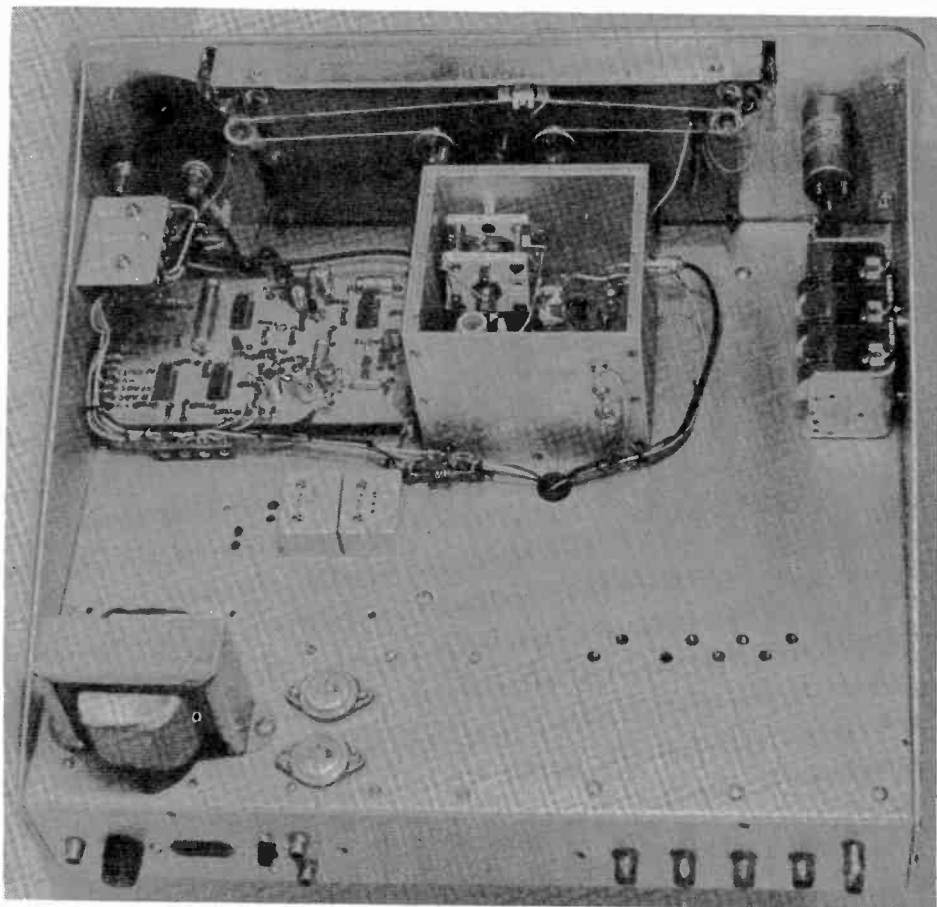


Figure 35

### TOP VIEW OF RECEIVER CHASSIS

Placement of the major parts atop the chassis may be seen in this view. The vfo module is at center, driven by the main panel dial. At the right is the r-f preselector alignment capacitor, with the 10-turn potentiometer for incremental tuning directly above it. To the left of the vfo is the audio-agg board with the S-meter controls on a small bracket above it. The controls are: Zero set and sensitivity.

In front of the vfo compartment are the KVG i-f filters, with the power supply components at the corner of the chassis. The individual antenna coaxial receptacles for each band are along the rear apron of the chassis with the slugs of the hf oscillator coils projecting through the chassis near the center of the assembly. The line cord receptacle, primary fuse, speaker connections, and muting terminals are at the left corner of the chassis apron.

Chassis and panel are joined with two angle support strips on the sides and an angle plate is fastened above the dial assembly to provide a connection to the slip-on cabinet.

Receiver muting is accomplished by solid-state switches  $Q_{13}$ - $Q_{15}$  (figure 41), and operates smoothly without pops or thumps. A reed relay (RY<sub>1</sub>) shorts the antenna terminals of the receiver to ground during standby periods but can be omitted if this task is already accomplished elsewhere, for example in a transceiver or linear amplifier.

The power supply (figure 42A-B) provides regulated +12 and -12 volts at 1 ampere. Although a less complicated design could be used without impairing the performance of the receiver, this particular circuit has exceptionally good regulation as well as adjustable current limiting. This last feature is particularly valuable if the opera-

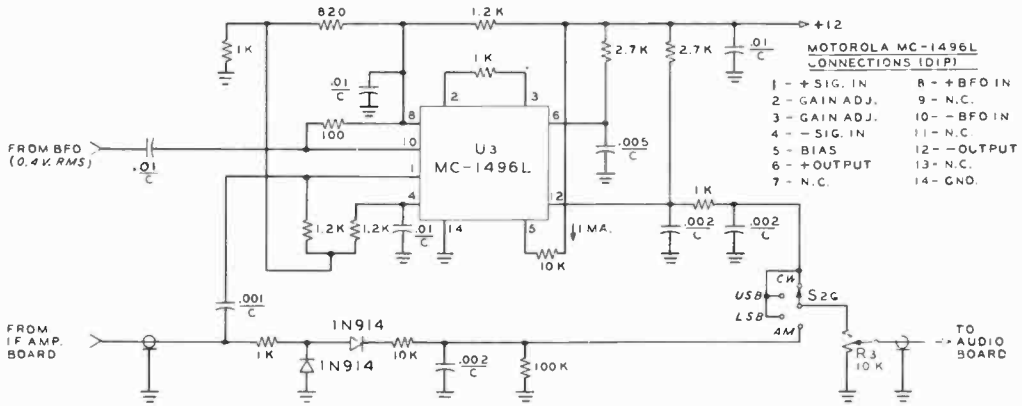


Figure 36A

SCHEMATIC OF PRODUCT AND A-M DETECTORS

U<sub>3</sub>—MC-1496L integrated circuit, Motorola

Notes: All resistors, unless otherwise specified, are metal film, 2% tolerance. Corning C-4, or equivalent, Potentiometer is Trimpot.

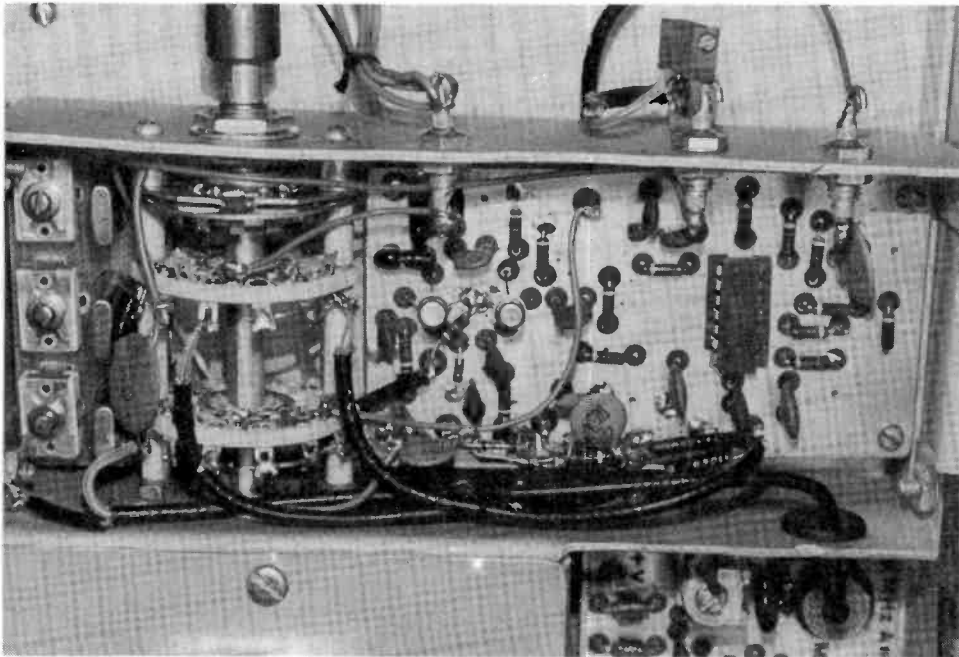


Figure 36B

ARRANGEMENT OF OSCILLATOR AND PRODUCT DETECTOR BOARD

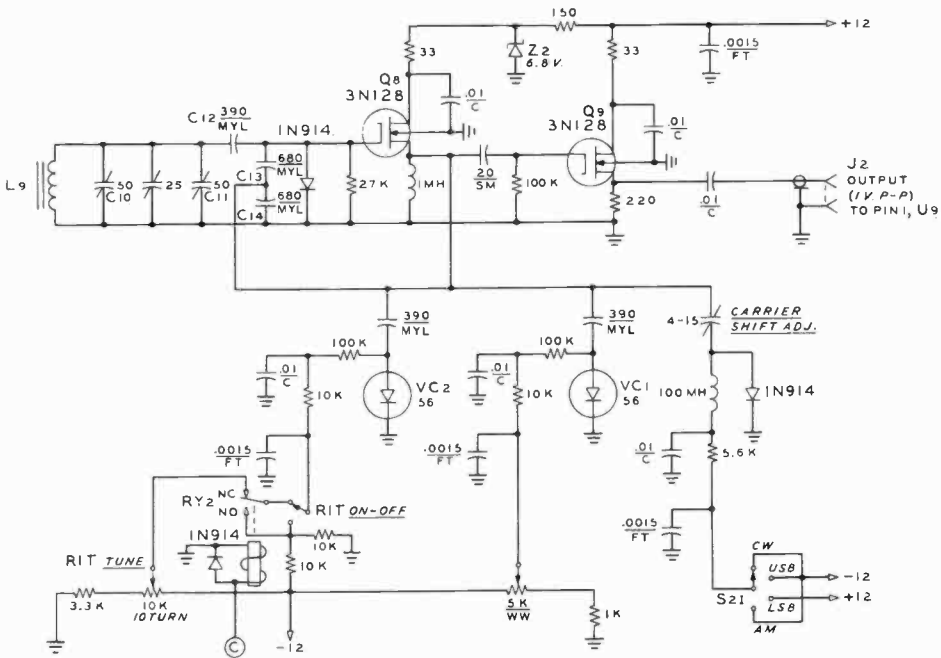
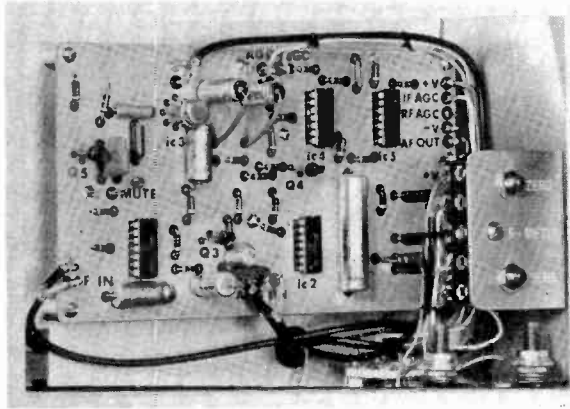
This board is located in the upper right corner of the underchassis, as observed in figure 43. At the left are the two sideband crystals and padding capacitors plus an extra crystal for a-m reception when the receiver is used as an i-f strip for a vhf converter. Selector switch S<sub>1</sub> is adjacent to the crystals, with devices Q<sub>1</sub> and Q<sub>2</sub> immediately to the right. Near the right-hand edge of the board is U<sub>3</sub>, the product detector. This board comprises the circuitry shown in figures 36 and 37. The 10K sensitivity control is mounted to the aluminum flange that supports switch S<sub>1</sub>.





**Figure 38B**  
**AUDIO AND AGC**  
**AMPLIFIER ASSEMBLY**

This board includes the audio stages and agc system. At lower right is the small bracket holding the S-meter controls. The four ICs are mounted in sockets affixed to the board. The board is held in place above the chassis by means of 1/4" spacers and 4-40 hardware.



**Figure 39**

**SCHEMATIC, VARIABLE FREQUENCY OSCILLATOR**

- C<sub>0</sub>—50 pF. Millen 23050MK, or equivalent
  - C<sub>11</sub>—50 pF, 750 NPO
  - C<sub>12</sub>, C<sub>13</sub>, C<sub>14</sub>—Mylar capacitors
  - L<sub>9</sub>—Wound on Millen 69046 coil form, 1/2" diameter, orange core. Wind with 17 turns #20 enamel or formvar wire
  - RY<sub>2</sub>—Spdt reed relay. Magnecraft W103-MX2, or equivalent
  - VC<sub>1</sub>, VC<sub>2</sub>—HEP R2504 variable capacitor diodes. Motorola
- Notes: RIT tune control is 10 turn Helipot (surplus). All resistors, unless otherwise specified, are metal film, 1/4-watt, 2% tolerance. Corning C-4, or equivalent. RF chokes are Miller 70F104A1. Feedthrough capacitors are Centralab FT-1500

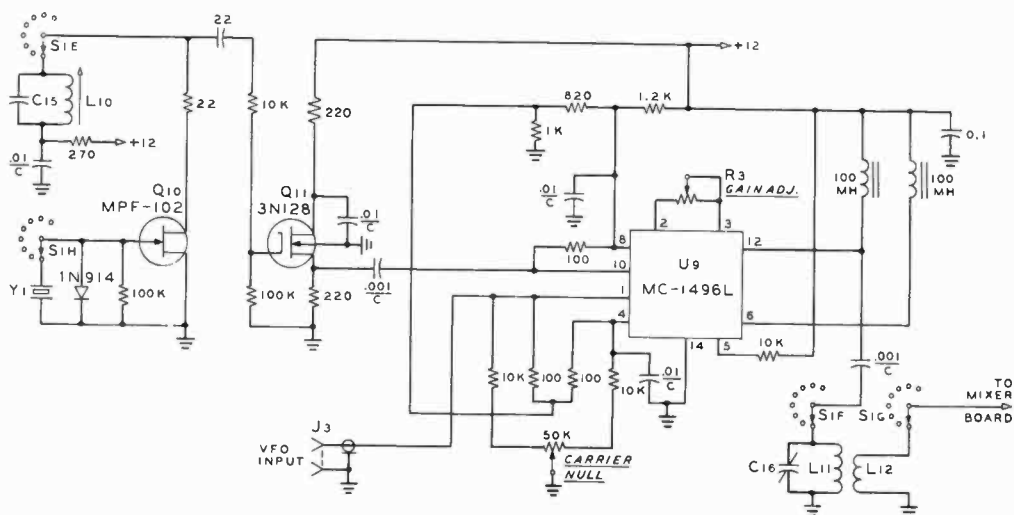


Figure 40A

### SCHEMATIC, HF CRYSTAL OSCILLATOR AND PREMIXER

C<sub>15</sub>, C<sub>16</sub>—See Table 6

L<sub>10</sub>, L<sub>11</sub>, L<sub>12</sub>—See Table 6. Toroid cores by Amidon, or equivalent

U<sub>9</sub>—MC-1496L integrated circuit. Motorola, or equivalent

Y<sub>1</sub>, Y<sub>2</sub>—Sentry SGP-6 crystals. See Table 6

Trimmer capacitors—Johnson 189-506-5

Note: All resistors, unless otherwise specified, are metal film, 1/4-watt, 2% tolerance. Corning C-4, or equivalent

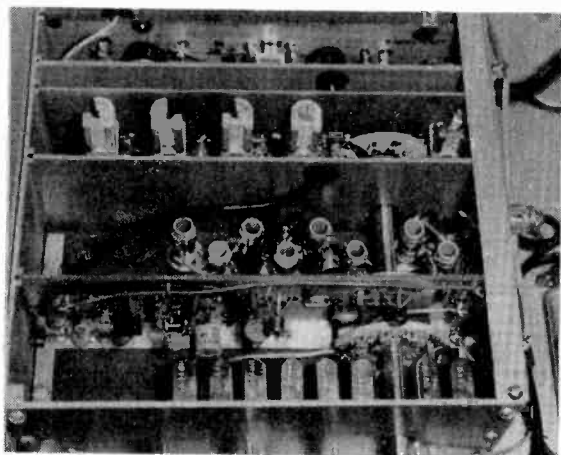


Figure 40B

### HF OSCILLATOR AND PREMIXER ASSEMBLY

This view covers the assembly shown in figure 40. At the front are the eight crystals which cover the 80 through 15 meter bands, plus three segments on 10 meters and WWV. The circuit board behind the crystals contains the components for crystal oscillator Q<sub>10</sub> and buffer stage Q<sub>11</sub>. At the left of the board is the pre-mixer (U<sub>9</sub>). Bandswitch segment S<sub>A-E</sub> is in the foreground. The slug-tuned coils (series L<sub>10</sub>) are immediately behind the circuit board. Coil assemblies L<sub>11</sub>, L<sub>12</sub> are wound on small ferrite cores which are mounted to the rear of the circuit board immediately behind the small Johnson air-variable capacitors at the rear of the photograph. The coaxial receptacle for vfo input is mounted to the right of the compartment.

tor ever short-circuits the power supply accidentally during troubleshooting or alignment periods.

**General Construction Technique** The circuitry of the receiver is constructed on thirteen double-sided, glass epoxy etched circuit boards. The vfo, audio circuitry, filters, power transformer, pre-

selector tuning capacitor, and S-meter circuitry are mounted atop the chassis, as shown in figure 35. The r-f and i-f stages, mixers, crystal oscillators, and product detector are mounted below the chassis, as seen in figure 43.

The most vexing mechanical consideration in a multiband receiver is the problem of locating all of the tuned circuits close to the

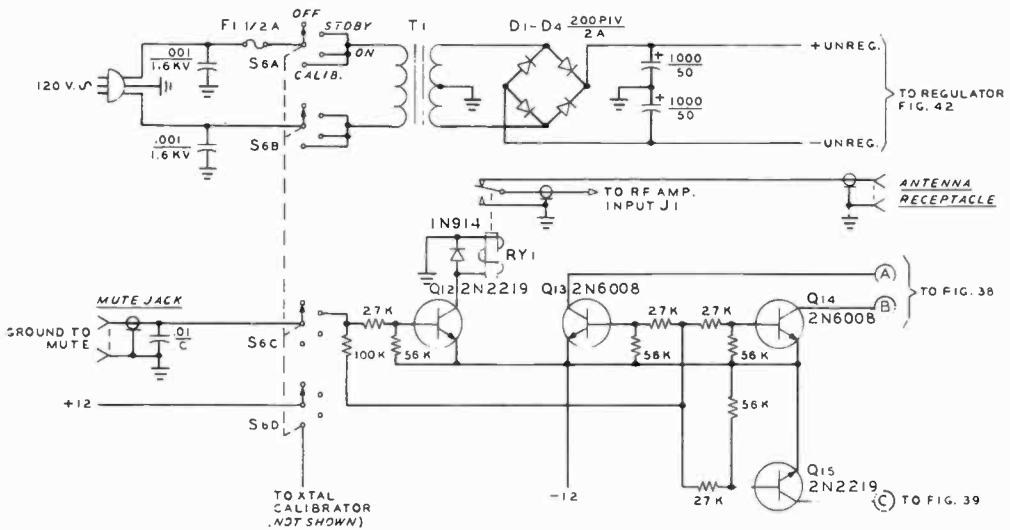


Figure 41

**SCHEMATIC, RECEIVER POWER SUPPLY**

D<sub>1</sub>-D<sub>4</sub>—200-volt piv, 2-ampere bridge rectifier. Sarkes-Tarzian S-6211  
 RY<sub>1</sub>—Spdt reed relay. Magnecraft W103MX-2  
 S<sub>6</sub>—Two sections, 4 poles, 2-6 position ceramic rotary switch. Centralab 2011

T<sub>1</sub>—25.2 volts, 2 amperes. Stancor P-8357  
 Note: All resistors, unless otherwise specified are metal film, 1/4-watt, 2% tolerance. Corning C-4, or equivalent

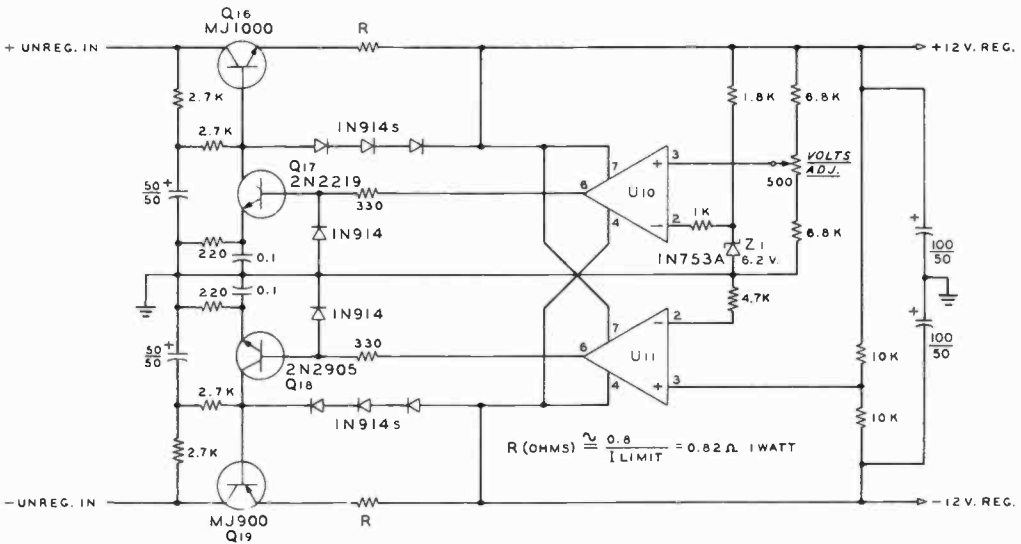


Figure 42A

**SCHEMATIC, REGULATOR CIRCUIT**

Q<sub>16</sub>, Q<sub>19</sub>—Motorola power Darlington transistors.  
 U<sub>10</sub>, U<sub>11</sub>—µA 741 operational amplifiers. Fairchild Semiconductor  
 Z<sub>1</sub>—Zener diode, 6.2 volt

Notes: All resistors, unless otherwise specified, are metal film, 1/4-watt, 2% tolerance. Corning C-4, or equivalent. Resistors marked R are proportional to the limiting value of current, as indicated.

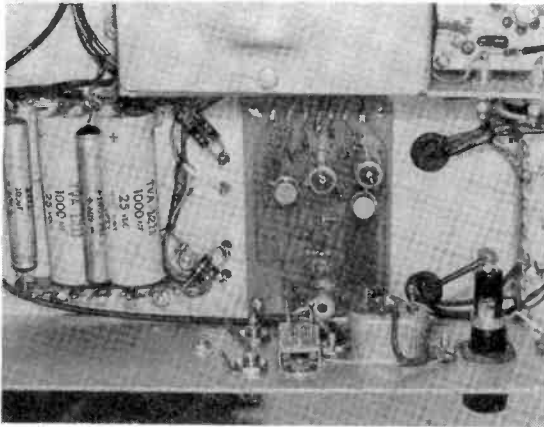


Figure 42B

### POWER SUPPLY AND REGULATOR ASSEMBLY

This view covers the assembly shown in figure 42. At the left are the filter capacitors for the power supply, with the dual regulator for the +12 volt and -12 volt power supply on the circuit board at the center.

bandswitch while at the same time avoiding unwanted interstage coupling. In this design all of the bandswitched circuits were constructed on  $2\frac{1}{4}'' \times 5\frac{3}{4}''$  circuit boards. A representative board is shown in figure 44. The components are mounted directly to the glass-epoxy boards, including the switch section and the boards are mounted on edge underneath the chassis. The bandswitch shaft is then inserted from the front panel through all of the boards, and finally the detent assembly attached to the shaft with a shaft coupling. Aluminum shield plates, the same size as the circuit boards, are used to isolate the various stages of the bandswitch assembly from each other.

The inclosure is homemade, with the side pieces milled out of thick aluminum stock to provide guides for the various boards. It would be difficult to duplicate this with-

out machine shop facilities, but there are a variety of commercial circuit board guides available, such as the *Vector SR-1* or *SR-2 "Frame-Loc Rail"* series.

Referring to figure 43 the boards (from the front to the back of the receiver) are: *Board 1*: holds reed relay  $RY_1$  and band-switch segment  $S_{1A}$ . *Board 2*: Input circuit  $L_1, L_2$  and bandswitch segment  $S_{1B}$ . *Board 3*: Input circuit  $L_3, C_3$  and switch segment  $S_{1C}$ . A shield plate separates board 3 from the next board. *Board 4*: R-f amplifiers  $Q_1$  and  $Q_2$ . *Board 5*: Output circuits  $L_1, C_1$  and switch segment  $S_{1D}$ . *Board 6*: Doubly-balanced mixer and transformers  $T_1$  and  $T_2$ . *Board 7*: Coupler  $L_{11}-L_{12}$  and switch segments  $S_{1F}$  and  $S_{1G}$ .

Immediately adjacent to board 7 is the area holding the crystal oscillator and pre-mixer assembly and switch segments  $S_{1E}$

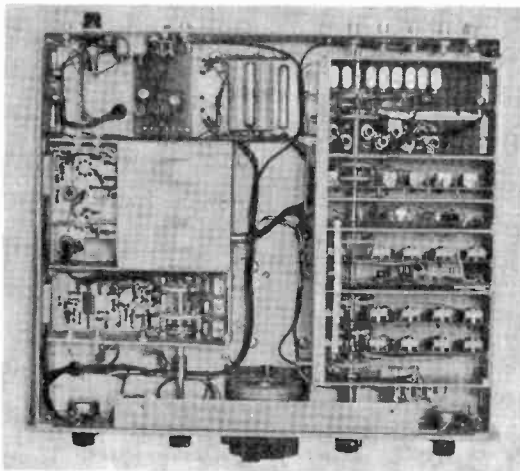


Figure 43

### UNDERCHASSIS VIEW OF RECEIVER

General placement of circuit boards may be seen in this view. At the right are the r-f boards, mounted vertically about the bandchange switch. A common ground strap is soldered to the top corner of the r-f boards, running from the front to the back of the assembly. The conversion crystals are at the upper right corner of the chassis.

On the opposite front portion of the chassis is located the sideband oscillator components and the sideband selector switch. At the center is the shielded box containing the i-f filter switch sections. The i-f amplifier board is to the left of this inclosure. Behind the inclosure are the power supply and voltage regulator boards. A large flange is placed across the inside front panel of the receiver to allow it to be firmly fastened to the cabinet.

and S<sub>1</sub>H. Finally, at the rear of the inclosure are the high-frequency crystals. Extra shield partitions are placed between boards 5 and 6, boards 6 and 7, and boards 7 and 8. The whole assembly measures 11" deep by 6" wide by 2¼" high. It is assembled and tested, a board at a time, before inclusion within the receiver chassis.

The receiver chassis measures approximately 13" deep by 15" wide by 2½" high. It is made up of a top plate (which includes the back lip), two side plates that act as panel support brackets (see figure 35) and a panel. After all main holes are drilled, the chassis is sandblasted to give it a matte finish; etching the chassis in a caustic lye solution would have a similar effect. A double panel measuring 16" × 7½" is used to avoid unsightly screw holes. The inner panel is countersunk to accept mounting screws and is then concealed by an outer panel covered with black vinyl (obtained from an upholstery shop).

Epoxy cement is used to attach the vinyl to the aluminum; other cements should not be used as they will not make a good bond. Press-on labels are used to label the panel which is finally sprayed with a thin coat of matte-finish plastic spray. The same letters are used to label the dial and the panel meter. The cabinet is also homemade; the curved sections made by bending the sheet aluminum around a piece of pipe. Important di-

mensions for the chassis assembly are given in figure 45.

The vfo assembly is shown in figure 46. To ensure good mechanical stability, the vfo is constructed on ⅛-inch thick glass-epoxy circuit board and is mounted inside of a homemade aluminum housing whose side panels are ¼ inch thick. Recessed edges are milled in the panels to accept ⅛-inch thick mating panels resulting in an r-f tight inclosure with battleship rigidity. A die-cast aluminum box (*Bud CU-347*) would make an acceptable substitute, although an unreinforced "minibox"-type inclosure would not have the required rigidity. It was found necessary to add a temperature compensating capacitor (C<sub>11</sub>) to the vfo to reduce a slow, gradual drift resulting from the heat generated by the power transformer. Until this was done, the vfo drifted about 2 kHz before stabilizing; with the temperature compensation the warmup drift is less than 300 Hz in the first hour and 10 to 20 Hz per hour afterwards.

The crystal i-f filters are mounted atop the receiver, with their terminals projecting into an aluminum box visible from the underside of the receiver. The interior of the box, showing the switching mechanism is shown in figure 47. A grounded shield plate isolates the input and output sections of the filters. The *mode* switch shaft runs into this box and has extra sections on each side of the

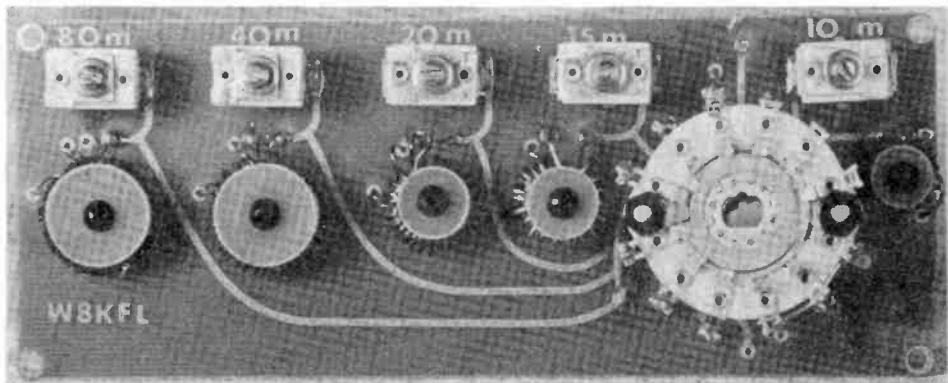


Figure 44

#### REPRESENTATIVE CIRCUIT BOARD OF RF ASSEMBLY

This board contains the input tuned circuits shown in figure 32. Padding capacitors C, for each band are across the top of the board, with the ferrite core inductors (series L<sub>1</sub>, L<sub>2</sub>) directly below them. At the right is bandswitch segment S-A-B. The board for the second coupled circuit (L<sub>2</sub>-C<sub>2</sub>) is similar to this one. The 2-pF coupling capacitor is connected between the boards, which are mounted vertically in the upper left-hand corner of the bottom view (figure 43).

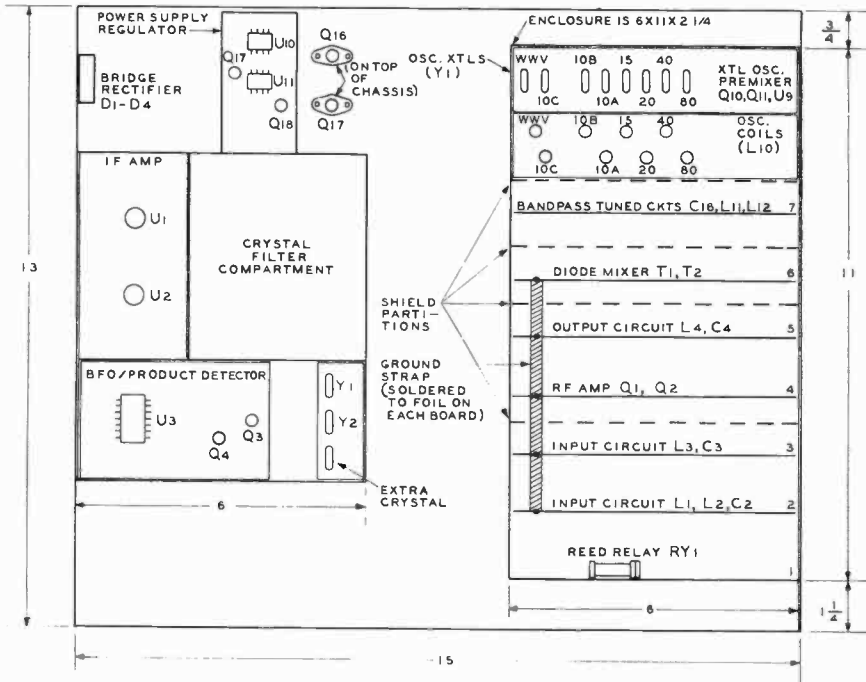


Figure 45

UNDERCHASSIS LAYOUT OF MAJOR COMPONENTS

Refer to photograph of figure 43 for comparison

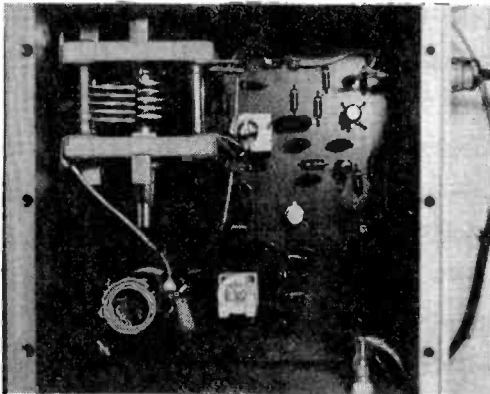


Figure 46

INTERIOR VIEW OF VFO

The vfo schematic is given in figure 39. The box is constructed of heavy aluminum with the tuning capacitor (C<sub>10</sub>) bolted to the front wall of the box. Once inductor L<sub>2</sub> is properly adjusted, the slug is held in position with a drop of epoxy cement to prevent it from moving or vibrating within the coil form. The adjustable padding capacitors are next to the tuned circuit. The coaxial connector for vfo output is at the right side of the box.

shield plate for shorting the terminals of the unused filters to ground. If this precaution is not taken, the ultimate stopband attenuation of the receiver is likely to be limited by leakage around the filters rather than by the rejection characteristics of the filters themselves.

**Receiver Alignment and Test** As with any receiver, construction and alignment should begin with the simpler stages (audio, product detector, and power supply) and proceed backward towards the r-f stages. After the audio sections are working, the bfo injection into the product detector should be checked to make sure that it is about 0.4 volt rms. The bfo crystals can then be trimmed with their paddlers to the correct frequency, placing them about 20 decibels down the skirt of the SSB crystal filter. Next, the i-f amplifier tuned circuits are brought to resonance; this adjustment is not critical since the Q of these circuits is relatively low.

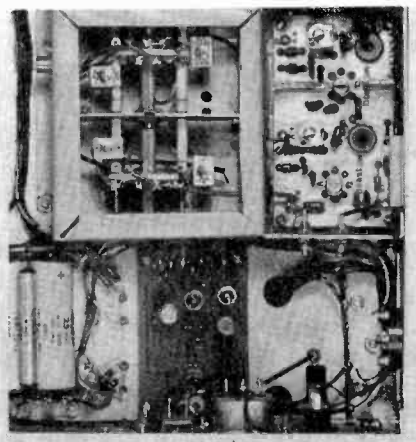


Figure 47

### CLOSEUP VIEW OF CRYSTAL FILTER SWITCH AND I-F AMPLIFIER

The filter switch  $S$ , runs through the filter box at left. Filters  $FL_1$  and  $FL_2$  are installed atop the chassis with the alignment capacitors mounted on the switch deck terminals. At right is the i-f amplifier with the two Motorola ICs adjacent to toroid inductors  $L_3$  and  $L_4$ . A shield plate is mounted across  $U_1$  with the air trimmer capacitors immediately adjacent to the toroid inductors. These compartments correspond with figures 33 and 34.

Once the audio and detector stages are operating correctly, the vfo should be calibrated so that it covers the range of 6.0 to 6.5 MHz with an output of about 0.3 volt rms. Do not try to get the calibration exact at this time, since the job must be repeated when the vfo is linearized. Next, adjust the tuned circuits in the crystal oscillator stage until all the crystals start reliably; the proper

point is just after the oscillator output begins to drop off on the high side of resonance.

Now comes an important part of the alignment procedure; setting the gain of the premixer ( $U_9$ ). The gain of this stage is adjusted with potentiometer  $R_3$  and should be set to as low a value as possible consistent with adequate drive into the diode ring mixer (about 0.2 to 0.3 volt rms). If the drive level is too low, mixer performance and noise figure will be degraded, while if it is too high  $U_9$  will not operate in a linear mode, and spurious signals (birdies) will be generated. The mixer will also be prone to overload and desensitization on strong signals. The tuned circuits in the r-f amplifier stage are now brought into resonance and the dc voltage on gate 2 of  $Q_1$  checked to be about 0.5 volt with the antenna terminals shorted to ground.

At this point, the overall gain distribution of the receiver should be checked. With a 50-ohm composition resistor connected across the antenna terminals, a definite increase in speaker hiss should be noted when the pre-selector control is swept through resonance; if this is not heard, it probably means that the i-f gain is too high. Agc voltage should begin to be developed with an input signal of about 2  $\mu$ V, and should keep all the amplifier stages operating in their linear range up to an input signal of several volts.

The final part of the alignment procedure is the linearization of the vfo. The uncorrected vfo is not more than about 15 kHz away from linearity at any point in its range. However, it is not a difficult procedure to reduce this error, if a frequency counter is at hand, and it does permit the vernier window on the dial to be used for direct 1-kHz readout.

Begin by adjusting vfo coil  $L_9$  and trimmer capacitor  $C_{10}$  so that the vfo tunes from 6.5 MHz to approximately 6.0 MHz. Don't worry about setting the low frequency limit precisely at this time. Next, make a graph of the exact deviation from linearity of the oscillator, keeping in mind that the vfo should be at 6.5 MHz when the dial reads zero. The horizontal scale of the graph is labelled in dial divisions (0 to 500) and the vertical scale in kHz (0 to -40). Now, if at a dial reading of 100, the vfo frequency is actually 6390 kHz, a point is placed at

Table 5. R-F Tuned Circuits

Band	$L_1, L_2, L_3$	$L_4$	Amidon Core	$C_1, C_2, C_3$ (pF)
80	73t. #28e.	4t. #26	T-68-2	4-60
40	37t. #24e.	3t. #24	T-68-2	4-60
20/WWV	23t. #22e.	3t. #22	T-50-6	4-40
15	17t. #20e.	3t. #20	T-50-6	4-40
10 A,B,C	13t. #22e.	2t. #22	T-37-6	1.5-20

Notes: L wound over "cold" end of  $L_1$   
capacitors are compression-type



—10 on the graph, indicating that the vfo is actually 10 kHz too low at the correct dial setting.

After the initial calibration curve is obtained, return the vfo to its high frequency limit and grind a piece  $\frac{1}{64}$ -inch deep by  $\frac{1}{2}$ -inch long off the outside edge of each of the rotor plates, toward the end of the assembly which will first enter the stator. Use a small hand-held grinding tool (such as the *Dremel Roto-tool*) with a fine grain grinding wheel, and exercise care to avoid breaking the solder bond which holds the plates to the rotor shaft. Then, run a new calibration curve and repeat the grinding process until the calibration curve is essentially linear.

Because a variable capacitor is inherently nonlinear at the ends of its range, it is difficult to obtain a linear calibration over about a 10-kHz range at one end of the dial. After the calibration is completed to your satisfaction, remove the variable capacitor from the vfo and wash off all brass filings which may have collected between the plates. Finally, adjust the carrier-shift capacitor so that the frequency of the receiver does not change when shifting between upper- and lower-sideband.

## 20-3 An Advanced Six-Band Solid-State SSB Exciter

The SSB exciter described in this section was designed and built by K5JA. It is a state-of-the-art device capable of exceptionally good efficiency and low intermodulation distortion (IMD) over the range of 3.5 MHz to 54 MHz (figure 48). Power output is in excess of 5 watts PEP on all bands except the 50-MHz band where the output is 1 watt PEP. The IMD is better than —33 decibels below one tone of a two-tone test signal on the lower bands and —45 dB on the 50-MHz band. Operating convenience has not been overlooked as provision is made for VOX operation and/or push-to-talk. In addition, a frequency-spotting switch for split operation and a carrier-insertion circuit for linear amplifier tuneup have been incorporated. No tuning of the exciter is required when changing frequency or bands as the output circuits are broadbanded over the full 3.5- to 54-MHz frequency range.

Also incorporated in this exciter is front-panel control of both audio and r-f clip-

Table 6. HF Oscillator Tuned Circuit Details

Band	C <sub>15</sub> (pF)	L <sub>10</sub>	Y <sub>1</sub> (MHz)	C <sub>14</sub> (pF)	L <sub>11</sub>	L <sub>12</sub>
80	22	17½t. #26	19.000	4-25	27t. #24	7t. #24 T-50-6 core (Amidon)
40	22	14t. #26	22.500	4-25	21t. #20	6t. #24 T-50-6 core (Amidon)
20	22	10t. #24	29.500	4-25	16t. #20	3t. #20 T-50-10 core (Amidon)
15	18	9t. #24	36.500	4-25	11t. #20	2½t. #20 T-50-10 core (Amidon)
10	12 each	8½t. #24 each	A = 43.500 B = 44.000 C = 44.500	4-25 each	11t. #20 each	2t. #20 T-37-10 core each (Amidon)
WWV (15 MHz)	22pF	9½t. #24	30.000	20-meter circuits used		

- Notes: 1. L<sub>10</sub> uses J. W. Miller 4500-2 form (0.26 × 0.86) 1.0-20 MHz, red core  
 2. L<sub>12</sub> wound over "cold" end of L  
 3. C<sub>15</sub> are silver-mica capacitors  
 4. C<sub>16</sub> is Johnson 189-509-5 or equivalent

ping (variable from zero to 20 dB of clipping). This allows the operator to tailor his signal to meet the existing conditions; clipping may be reduced for local ragchews or turned up for more audio punch in DX pileups. An audio speech compressor adjustable from the panel is also incorporated in the design. All of these features add up to provide a very potent SSB exciter for the advanced amateur who has had experience with the sophisticated components and circuitry used in this unit.

**Circuit Description** The exciter and power supply are completely solid state and wideband circuitry is employed to simplify tuning and adjustment. Special, switchable filters are used in the low-level stages to eliminate unwanted mixing signals, and dual crystal filters are used in the r-f processing circuitry. A phase-locked loop synthesizer is used to generate the conversion signal. This results in an exceptionally clean signal, free of the spurious problems often

associated with a premixer and also provides the same tuning rate and degree of frequency stability on all bands. The master reference oscillator tunes over the range of 3.21 to 3.71 MHz, providing excellent stability on all bands. Provision is made for coverage of four 500-kHz bands in the 10-meter range and four 500-kHz bands in the six-meter range, although this combination may be changed, if desired. Operation on nonamateur frequencies is also possible (with some exceptions) by the proper choice of crystal and tuned-circuit components. The 3.21- to 3.71-MHz oscillator tuning range was chosen by careful consideration of all mixing products up to the tenth order with the aid of a digital computer. During several months of on-the-air operation no spurious problems have been observed.

For best spurious rejection, the mixing frequency is 9 MHz *above* the desired operating band, which places the mixing frequency quite high for 6-meter operation.



**Figure 48**  
**SOLID-STATE SIX-BAND SSB EXCITER**

This compact, solid-state SSB exciter delivers over 5 watts PEP output over the range of 3.5 to 29.7 MHz and provides over 1-watt PEP output on the six-meter band. Audio and r-f clipping circuits provide good audio "punch." A phase-locked-loop synthesizer is used for the conversion oscillator and r-f circuits are broadbanded over the full operating range. The main tuning dial is at the right, with the phase-lock light above it. Across the bottom of the panel are (left to right): Audio level, Audio compression (gain and recovery time), carrier insertion, VOX (gain, delay, and antivox gain), and the VOX override switch. The general purpose multimeter and switch are at the upper left of the panel and to the right are the bandswitch and drive-level controls, with the sideband selector switch centered between them. The multimeter has two ranges: 0 to 30 volts and 0 to 900 milliamperes. The +28, +12, and -12 volt supplies are monitored, as well as amplifier current.

However, the use of the frequency synthesizer provides stable frequency control from a low-frequency oscillator of good stability.

If the exciter is used to drive the antenna directly, a half-wave low-pass filter such as described in Chapter 16, Section 3 should be used between the exciter and the antenna to attenuate the harmonics of the fundamental signal. If a linear amplifier with high-Q tuned circuits is used after the exciter, however, the low-pass filter may not be required since the tuned circuits of the linear amplifier will attenuate the harmonics. If desired, an extra switch section could be added on the exciter bandswitch to remotely select the appropriate low-pass filter automatically.

**Exciter Circuitry** *Audio and VOX Circuits*— Shown in figure 49 is a block diagram of the audio and VOX circuits. The schematic for these circuits is shown in figures 50 and 51. An FET device ( $Q_1$ ) provides a high input impedance for the microphone and drives the first IC audio amplifier ( $U_1$ , figure 50) and the VOX amplifier ( $U_1$ , figure 51). The *AUDIO GAIN* control in the source circuit of  $Q_1$  allows the drive level of  $U_1$  and  $U_2$  to be set for optimum operation of the compressor

circuit consisting of  $U_1$ ,  $U_2$ ,  $Q_2$ , and  $Q_3$ . The *COMPRESSOR GAIN ADJUST* control varies the amount of compression and the *RECOVERY TIME CONSTANT* adjustment varies the time required for the circuit to return to maximum gain after a large signal is removed from the input. The *COMPRESSION LEVEL ADJUST* is an internal control which is set to give 3 volts rms at pin 6 of device  $U_2$  with a large input signal. The *AUDIO CLIPPING ADJUST* control then allows the clipping to be varied from zero to 20 decibels. Transistors  $Q_4$  and  $Q_5$  are used as reverse-connected diodes to provide clipping and they function much better than ordinary diodes in this circuit. Integrated circuit  $U_3$  and associated components form an active three-pole low-pass filter with a 3-kHz cutoff frequency which removes the higher-frequency components generated by the clipping circuit.

Referring to figure 51, integrated circuit  $U_1$  amplifies the signal from the microphone by 40 dB and the *VOX GAIN* control varies the signal level applied to  $U_2$ . The output signal of  $U_2$  is rectified and the positive voltage coupled to the base of transistor  $Q_3$ , turning it on when an audio signal is generated by the microphone. This causes  $Q_1$  and  $Q_2$  to turn on and the VOX

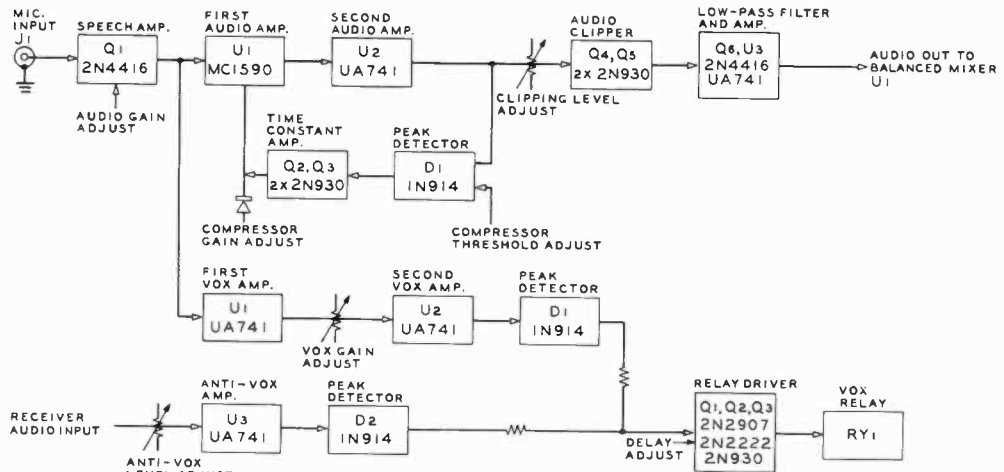


Figure 49

### BLOCK DIAGRAM OF AUDIO AND VOX CIRCUITS

Audio clipping and compression are included in the speech amplifier of this versatile exciter. Compression gain and recovery time are adjustable. An audio filter follows the clipper to remove higher order harmonics. Vox gain and delay are adjustable permitting the operating time and hold-in time to be varied at the operator's preference.

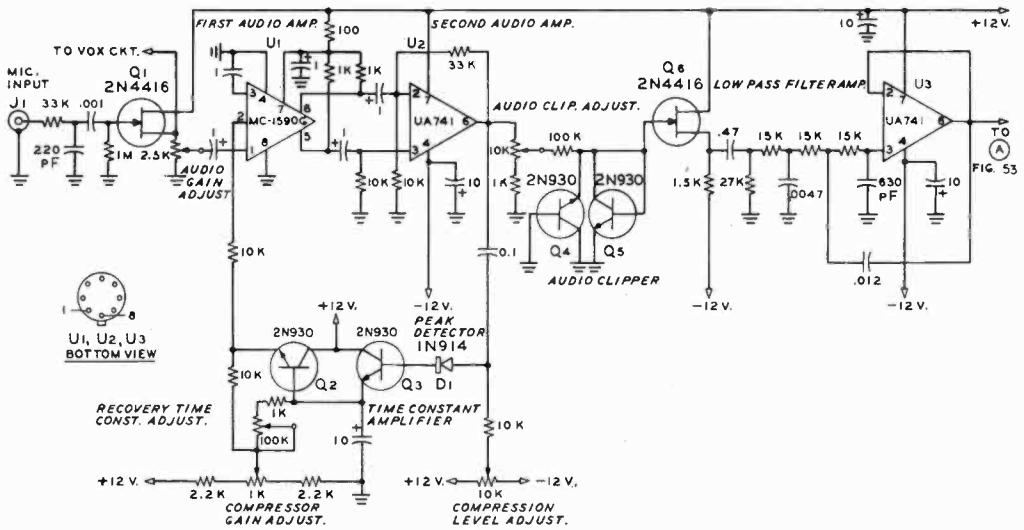


Figure 50

SCHEMATIC, AUDIO CIRCUITRY OF SSB EXCITER

U<sub>1</sub>—Motorola MC 1590G

U<sub>2</sub>, U<sub>3</sub>—Fairchild  $\mu$ A 741

Note: All resistors 1/4 watt. All potentiometers audio taper

relay (RY<sub>1</sub>) to close. Integrated circuit U<sub>3</sub> amplifies the signal from the receiver output circuit, which is rectified, and the resulting negative voltage also is applied to the base

of Q<sub>3</sub>. Adjusting the ANTIVOX control prevents the speaker output picked up by the microphone from closing the VOX relay. The DELAY adjustment allows the

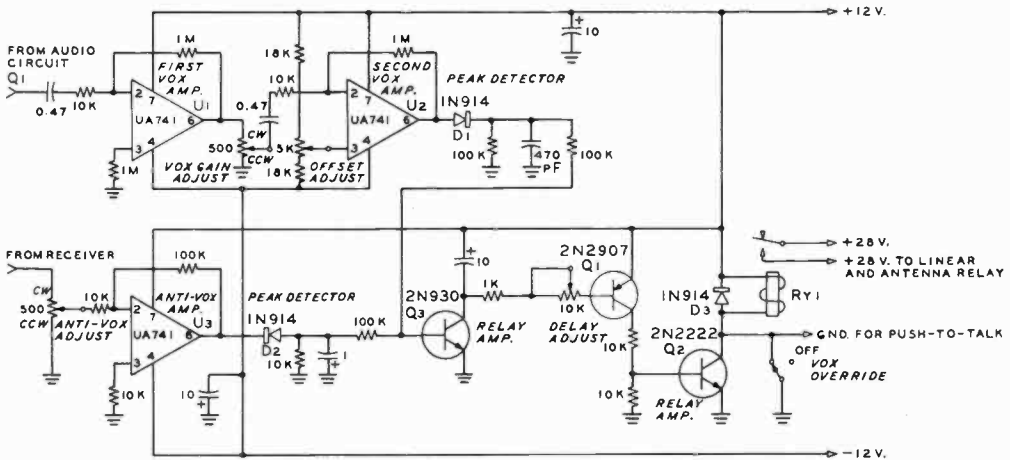


Figure 51

SCHEMATIC, VOX CIRCUITRY

U<sub>1</sub>, U<sub>3</sub>—Fairchild  $\mu$ A 741

RY<sub>1</sub>—Crystal can relay or reed relay. Potter Brumfield JMF 1080-61

Note: All resistors 1/4 watt. All potentiometers audio taper

hold-in time of the relay to be varied at the operator's preference.

*The RF Circuitry*—The block diagram of the rest of the exciter is shown in figure 52, including the phase-locked synthesizer. Schematic diagrams of the r-f circuits are shown in figures 53, 54, and 55. The balanced mixer ( $U_1$  in figure 53) generates a DSB signal from the processed audio ( $Q_3, Q_4$ ). Diode switches are used to remotely select crystals for upper- or lower-sideband operation. The first 9-MHz crystal filter ( $FL_1$ ) selects one sideband which is amplified by FET device  $Q_1$  and applied to the r-f clipping circuit. Diodes  $D_1$  and  $D_2$  are inexpensive ultrafast switching diodes and perform almost perfect clipping of the signal. The amount of clipping is adjustable by varying the gain of  $Q_1$  over the range of zero to 20 dB of r-f clipping. The clipped signal is then passed through a second crys-

tal filter ( $FL_2$ , figure 54) to remove high-order products outside the passband of the filter. The clipped signal, now restored to its original bandwidth, is amplified by driver  $Q_3$  and applied to the conversion balanced mixer ( $U_2$ ). The *DRIVE ADJUST* potentiometer in the #2 gate of  $Q_3$  allows the drive level to the following circuits to be adjusted as required. Drive is not adjusted by the audio circuits as is done in conventional exciters due to the various clipping circuits in this design.

*The Conversion Mixer*—The conversion mixer ( $U_2$  in figure 54) has three inputs: conversion-oscillator injection from the phase-locked synthesizer; a 9-MHz signal from  $Q_3$ ; or the carrier-insertion signal from the circuit consisting of diodes  $D_3, D_4$ , and associated components. The diodes are long-storage-time PIN devices which act as variable resistors (instead of diodes) at this fre-

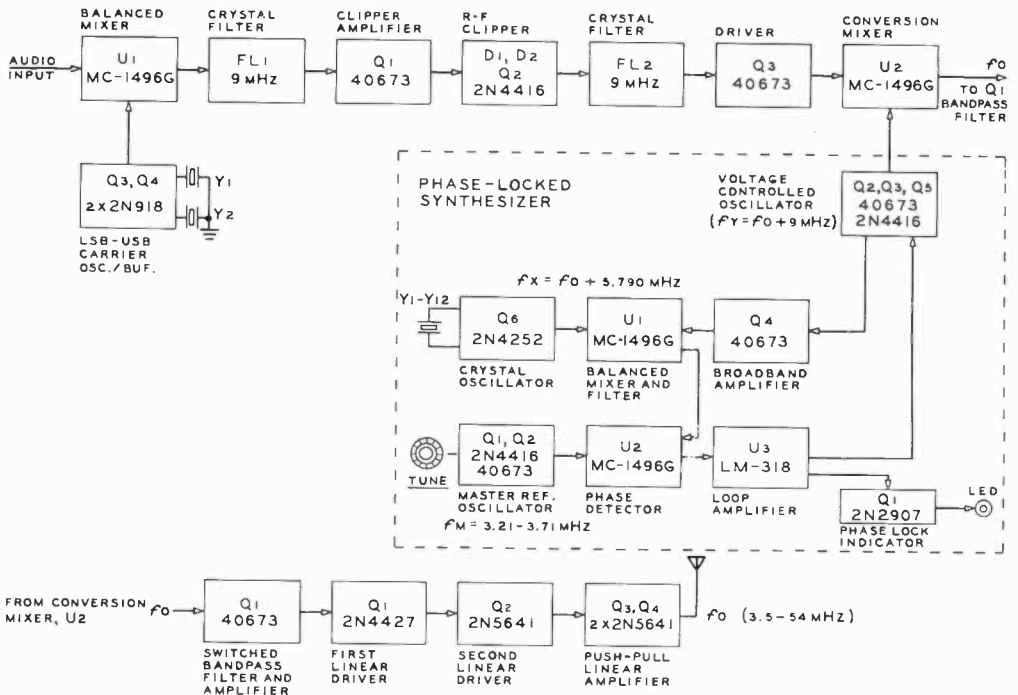


Figure 52

**BLOCK DIAGRAM, R-F CIRCUITRY OF SSB EXCITER**

The conversion frequency ( $F_c$ ) is 9 MHz above the signal frequency. The master reference oscillator tunes the range of 3.21 MHz to 3.71 MHz. The SSB signal is passed through a switched bandpass filter (lower left) before being amplified by the three-stage linear amplifier. Operation of phase-locked loop is indicated by light-emitting diode (LED).

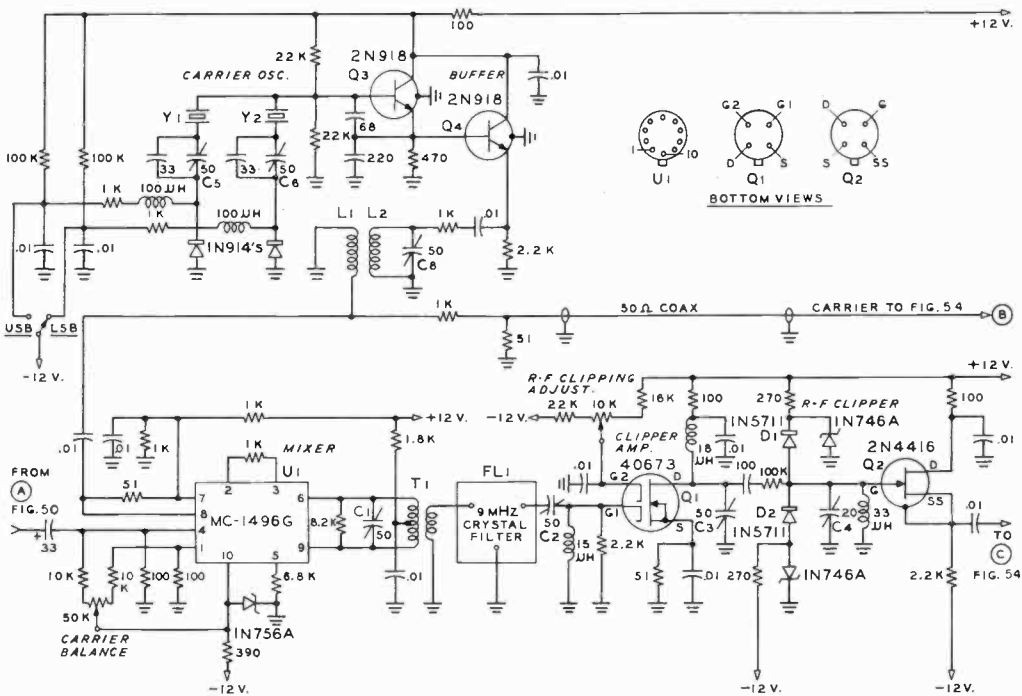


Figure 53

**SCHEMATIC, SSB GENERATOR AND R-F CLIPPER**

- D<sub>1</sub>, D<sub>2</sub>—Hewlett-Packard HPA 5082-2800 (1N5711)
- C<sub>1</sub>-C<sub>3</sub>—5-50 pF, Johanson 9305
- C<sub>4</sub>—20 pF, Johanson 9.02
- C<sub>5</sub>, C<sub>6</sub>—5-50 pF, Johanson 9305
- L<sub>1</sub>, L<sub>2</sub>—19 turns #28 on CTC 1536-6-2 fo:m. Link is 5 turns #28 closewound on "cold" end of L<sub>2</sub>

- FL<sub>1</sub>—9-MHz filter with 2.4-kHz bandwidth. KVG XF-9A (Spectrum International, Box 1084, Concord, Mass. 01742)
- Y<sub>1</sub>—8998.5 kHz, KVG XF-901 (see above)
- Y<sub>2</sub>—9001.5 kHz, KVG XF 902 (see above).
- T<sub>1</sub>—Primary: 19 turns #30 bifilar wound, secondary: 8 turns #24 e. Wound on .437 X .250 X .187 Carbonyl SF toroid

Note: All Resistors 1/4 watt

quency. This allows a variable amount of carrier signal to be inserted by a front-panel control when the *PUSH TO SPOT* switch is depressed. In normal operation of the exciter these diodes are biased open to prevent the carrier from appearing at the output of U<sub>2</sub>. Depressing the switch allows the bias to be adjusted by the *CARRIER INSERTION* potentiometer, causing the diodes to act as a variable attenuator, controlling carrier level as desired.

Transformer T<sub>2</sub> at the output of mixer U<sub>2</sub> is a broadband device (balun) which matches the mixer output impedance to the low-impedance coaxial cable interconnection to Q<sub>1</sub> in figure 55. The output of this device contains a double-tuned filter circuit which passes only the desired mixer product

to the high-gain, three-stage linear amplifier. Switch S<sub>1</sub> selects the proper filter for the band in use and may be eliminated if a single-band exciter is desired. In that case, the proper filter is wired directly into the circuit.

*The Linear Amplifier*—The linear amplifier (figures 56 and 57) consists of two class-A driver stages (Q<sub>1</sub>, Q<sub>2</sub>) followed by a push-pull class-AB power output stage (Q<sub>3</sub>, Q<sub>4</sub>). All stages are broadbanded across the 3.5- to 55-MHz range and the power gain is essentially flat to 30 MHz, decreasing to about 6 dB at 50 MHz. The resistive attenuator at the input to Q<sub>1</sub> is necessary to ensure stable operation on all bands. Devices Q<sub>2</sub>, Q<sub>3</sub>, and Q<sub>4</sub> are vhf power transistors with balanced emitter construction; the



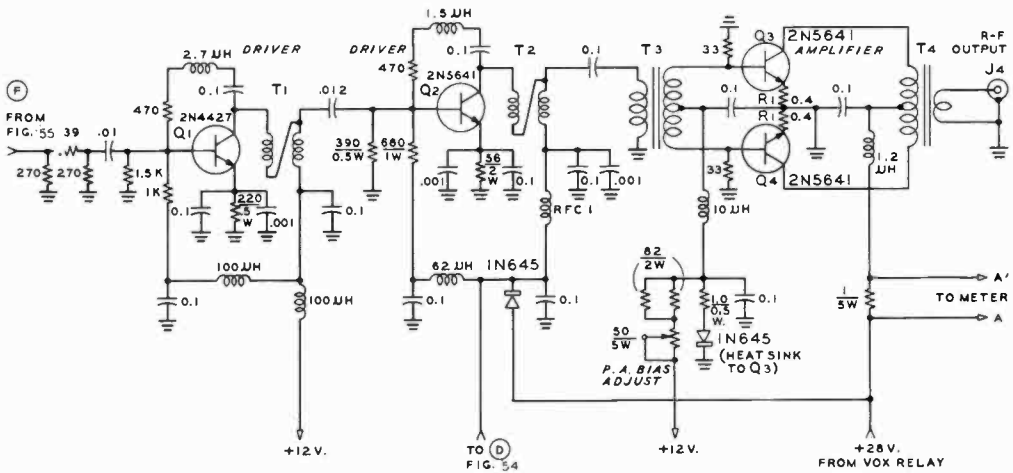


Figure 56

## SCHEMATIC, LINEAR AMPLIFIER STAGES

Q<sub>1</sub>-Q<sub>4</sub>—Motorola transistors (see text)

T<sub>1</sub>, T<sub>2</sub>—Four-to-one wideband transformer. 8 turns of #28 twisted pair, 8 twists per inch wound on CF-102 core (Indiana General)

T<sub>3</sub>, T<sub>4</sub>—See figure 57 and text

R<sub>1</sub>—Three 1.2-ohm, 1/2-watt carbon resistors in parallel

RFC<sub>1</sub>—Ferroxcube VK200-10/3B

Note: All resistors 1/4 watt unless otherwise specified. Dual emitter leads of Q<sub>2</sub> bypassed with .001 μF and .1 μF on each lead. All inductance values in microhenrys

Motorola type 2N5641 was found to combine excellent linearity and ruggedness. Other manufacturer's 2N5641s were not tested and unless linearity testing equipment is available, the Motorola devices should be used. A 1N645 diode provides temperature compensation for the bias of Q<sub>3</sub> and Q<sub>4</sub> and should be thermally connected to one of these transistors with heat-sink thermal compound (Dow Corning 340 or equivalent). As mentioned previously, a low-pass filter for the band of operation should follow the linear amplifier to suppress the r-f harmonics of the signal if the amplifier is connected directly to an antenna.

**The Power Supply**—The circuit of the power supply is shown in figure 58. It utilizes IC power regulators to provide plus and minus regulated 12 volts. Both positive and negative full-wave rectifier circuits are connected to the secondary of transformer T<sub>1</sub>. The +28 volts is used to drive the linear power-amplifier circuits directly and is also connected to regulator U<sub>1</sub>, which delivers +12 volts at a maximum current of

500 mA. Regulator U<sub>2</sub> is connected to the negative supply and delivers -12 volts at up to 500 mA. The metering circuit allows the power-supply voltages to be measured as well as allowing the operator to monitor the power amplifier supply current.

**The Master Reference Oscillator**—Shown in figure 59 is the circuit of the master reference oscillator. The circuit is of the Seiler type and gives excellent frequency stability. A box made of 1/4" thick aluminum plate is used for the assembly and is mounted on the rear of a National NPW-0 dial mechanism to achieve the required mechanical rigidity. Drift of the unit shown is less than 50 Hz during the first five minutes of operation at 20°C and less than 10 Hz per hour thereafter at a given temperature. With the temperature compensation shown, frequency change is less than 200 Hz over the range of 0° to 50°C.

A buffer amplifier (Q<sub>2</sub>) provides isolation between the oscillator and the load and is partially responsible for the excellent performance of the circuit. Variable capacitor C<sub>3</sub> allows the output level of the unit to



Table 7. Oscillator Components

VCO VALUES ( $f_y = f_0 + 9 \text{ MHz}$ )							XTAL OSC. VALUES				
BAND (MHz)	$f_0$	$R_4$	$L_1$	$C_5$ (PF)	$C_7$ (PF)	$C_9$ (PF)	$C_{10}$ (PF)	$C_{11}$ (PF)	$L_2$ ( $\mu\text{H}$ )	$Y_1$ (MHz)	
3.5 - 4.0	80 M	4.3 K	19T, N <sup>o</sup> 28	—	120	10	27	270	6.6	9.290	
7.0 - 7.5	40	4.3 K	15T, N <sup>o</sup> 28	1-15	62	10	33	250	2.7	12.790	
14.0 - 14.5	20	4.3 K	11T, N <sup>o</sup> 28	1-15	47	10	200	18	1.5	19.790	
21.0 - 21.5	15	4.3 K	8T, N <sup>o</sup> 24	1-15	33	22	62	—	1.2	26.790	
28.0 - 28.5	10A	6.2 K	6T, N <sup>o</sup> 22	—	30	18	62	—	0.82	33.790	
28.5 - 29.0	10B	—	6T, N <sup>o</sup> 22	—	30	18	62	—	0.82	34.290	
29.0 - 29.5	10C	—	6T, N <sup>o</sup> 22	—	30	18	62	—	0.82	34.790	
29.5 - 30.0	10D	—	6T, N <sup>o</sup> 22	—	30	18	62	—	0.82	35.290	
50.0 - 50.5	6A	—	2.5T, N <sup>o</sup> 18	—	17	12	62	—	0.33	55.790	
50.5 - 51.0	6B	—	2.5T, N <sup>o</sup> 18	—	17	12	62	—	0.33	56.290	
51.0 - 51.5	6C	—	2.5T, N <sup>o</sup> 18	—	17	12	62	—	0.33	56.790	
51.5 - 52.0	6D	—	2.5T, N <sup>o</sup> 18	—	17	12	62	—	0.33	57.290	

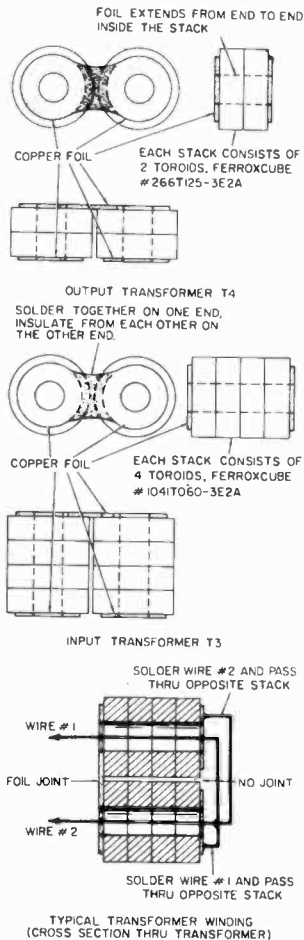


Figure 57

CORE STACK FOR WIDEBAND R-F TRANSFORMERS

Transformers  $T_3$  and  $T_4$  in the linear amplifier are wideband devices made up of stacks of ferrite cores. The stacks are held together by a cylinder of copper foil with adhesive on one side (available Newark Electronics part 38F1301 or 38F1222). Roll the foil around a drill shank of proper size, adhesive side out, to form a cylinder. Slide the toroids on the cylinder. Remove the drill and cut the foil so it is  $1/8$ " longer than the stack of toroids on each end. Make 4 to 6 slits in the extended foil and flare out flat against the toroids. Fill in the gaps with small pieces of foil tape and carefully solder in place. Trim even with the edge of the core. Place two stacks side by side and tape together with paper tape. Solder the foil on the end of one stack to the foil on the end of the other stack. This junction forms the center tap of one winding. Solder a short piece of #24 insulated wire to the foil on the other end of each stack and pass the two wires through the adjacent toroid stack. This completes one turn on either side of the center tap. Wind on the remaining turns of the center-tap winding. Finally, wind on the second winding so that the ends of the winding extend from the opposite end of the assembly from the center-tap connection. (Ferroxcube cores available from: Ferroxcube Corporation, 5835 Yale Blvd., Dallas, Texas). See Lowe, QST, December, 1971 for additional transformer data.



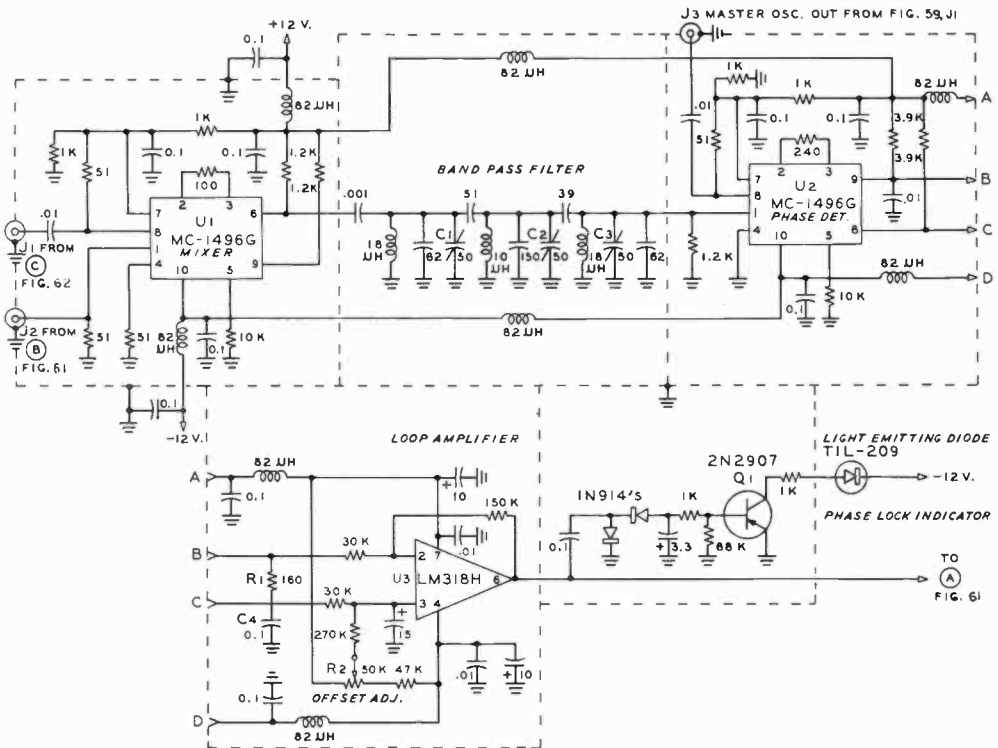


Figure 60

**SCHEMATIC, MIXER, BANDPASS FILTER, PHASE DETECTOR, LOOP FILTER, AND LOCK INDICATOR**

C<sub>1</sub>-C<sub>4</sub>—5 to 50 pF. Johanson 9035

Note: All inductance values in microhenries. All inductors J. W. Miller 9200 series. All resistors 1/4 watt

is very important for proper operation of the synthesizer. The values are chosen so that the loop has a 100-kHz pull-in range; that is, if the frequency difference between the master oscillator and the output of U<sub>1</sub> is less than 100 kHz, the loop will lock-up and remain locked. Thus, the VCO will have the same stability as the master reference oscillator.

The output of U<sub>3</sub> is connected to the varicap diode (D<sub>2</sub>) in the VCO circuit (figure 61) and also to the lock indicator circuit (Q<sub>1</sub>, figure 60). When the loop is locked, only a dc voltage is present at the output of U<sub>3</sub> and Q<sub>1</sub> is turned off, preventing current from flowing through the light-emitting diode (LED) placed on the exciter panel above the main tuning dial. Should the loop become unlocked, however, a large ac

voltage is developed at the output of U<sub>3</sub>, which is rectified by the diodes, thus turning on Q<sub>1</sub>. This causes the LED to light, signaling the loop is unlocked. On-the-air operation of the exciter should never be attempted if the loop is unlocked because in this condition the VCO output consists of many frequencies instead of one.

*The Voltage-Controlled Oscillator* (figure 61)—Another Seiler circuit similar to the one used for the master reference oscillator is used as a voltage-controlled oscillator. Two varicap diodes are used to tune the frequency; the first (D<sub>1</sub>) is driven from a potentiometer (*coarse tune*) which is mechanically coupled to the dial shaft of the master reference oscillator. This coupling causes the frequency of the VCO to be approximately tuned to the desired frequency

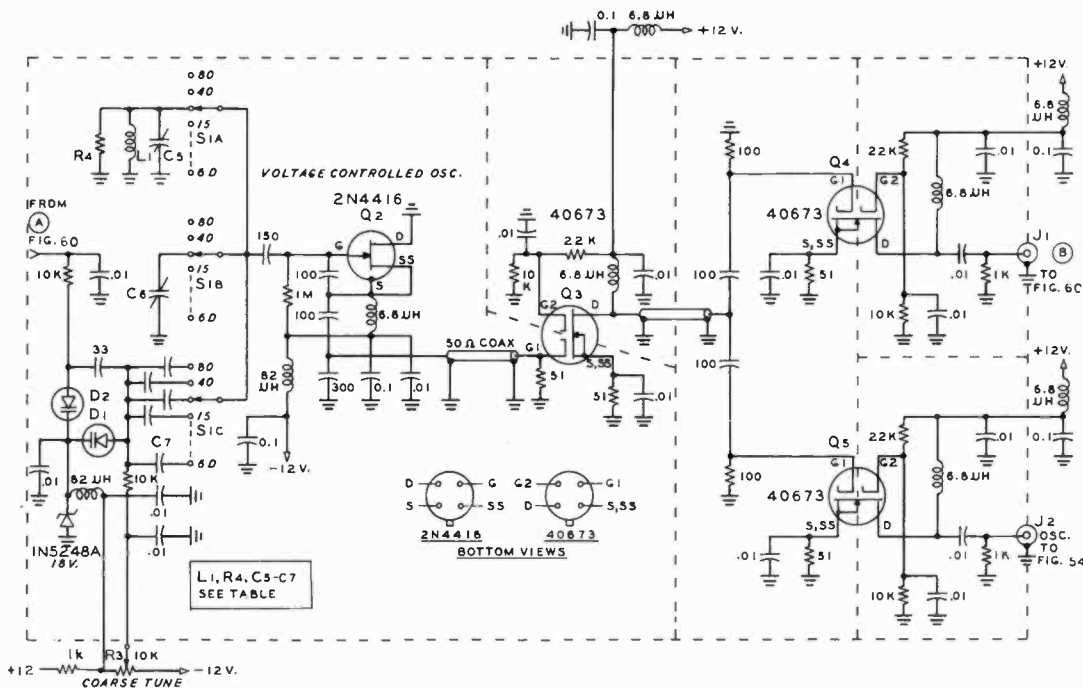


Figure 61

**SCHEMATIC, VOLTAGE-CONTROLLED OSCILLATOR AND BUFFERS**

D<sub>1</sub>, D<sub>2</sub>—1N5148A

S—6-pole, 12-position switch

Note: For coil and capacitor data, See Table 7. All resistors 1/4 watt. All inductance values in microhenrys

selected by the reference oscillator. The second diode (D<sub>2</sub>) driven by the loop amplifier, readjusts the frequency slightly so that the loop will lock-up.

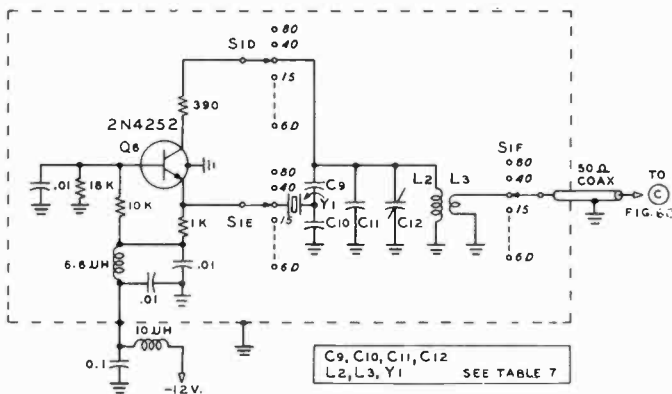
Component values for the frequency determining circuit of the VCO (Table 7)

are selected to allow the circuit to tune the proper frequency range for the bands shown. Other bands may be covered after considering the mixer products. Devices Q<sub>3</sub>, Q<sub>4</sub>, and Q<sub>5</sub> (figure 61) are broadband amplifiers which isolate the VCO from the

Figure 62

**SCHEMATIC CRYSTAL OSCILLATOR**

Note: For coil and crystal data, see Table 7. All resistors 1/4 watt



loads and the loads from each other. The output of  $Q_4$  is used to drive the phase-locked loop and the output of  $Q_5$  drives the conversion mixer ( $U_2$ , in figure 54).

*The Crystal Oscillator* (figure 62)—The crystal oscillator consists of a grounded-base Colpitts circuit with the crystal in the feedback path. These crystals have a series-resonant frequency as listed in Table 7. Coil  $L_2$  is a subminiature choke about the size of a  $\frac{1}{4}$ -watt resistor. Link  $L_3$  consists of  $1\frac{1}{2}$  turns of #28 insulated wire wound on the ground end of  $L_2$ . The output of this oscillator connects to  $U_1$  in figure 60 to complete the phase-lock synthesizer circuit.

**Exciter Construction** The exciter is built in several modules which are mounted on an aluminum chassis measuring  $9'' \times 14'' \times 2''$ . The unit is housed within a *Bud Shadow Cabinet* (SB-2142), as shown

in figure 48. Placement of the modules is shown in the rear-view photograph (figure 63). The chassis is mounted to the panel with two end brackets. A small gap is left at the rear of the chassis to aid cooling and the rear panel of the cabinet is replaced with a sheet of perforated aluminum. The linear-amplifier module is built on a finned heat sink with all but the end fins removed on one side. It is mounted in a vertical position at the rear of the chassis with the remaining fins projecting beyond the chassis into the gap between chassis and cabinet.

Type BNC connectors and miniature coaxial cable are used to interconnect the various modules. Immediately in front of the linear-amplifier module are the switched-filter module (figure 55) and the synthesizer module (figures 59 through 62). Adjacent to the linear amplifier is the driver module (part of figure 54) which includes the *P-A BIAS ADJUST* potentiometer.

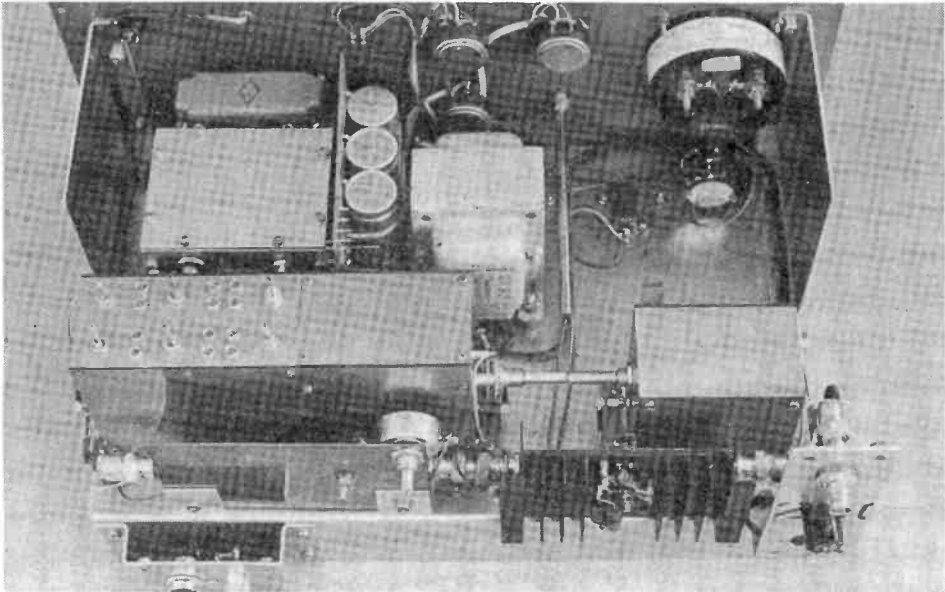


Figure 63

### TOP VIEW OF SOLID-STATE SSB EXCITER

Exciter is built in modules that may be tested and aligned one at a time. In the upper left corner is the reduction dial drive and the rugged aluminum box for the master reference oscillator. At center of the chassis are the power transformer and filter capacitors. Directly behind the oscillator is the synthesizer assembly containing the circuits of figures 59, 60, and 61. The bandswitch passes out the end of the module and is ganged with the bandswitch of the switched filter (figure 45). Across the rear of the chassis (foreground of photo) are the driver stages and bias potentiometer (left) and the push-pull linear amplifier (right). Power plug, fuse, and antenna reseat are on bracket at right. Microphone and VOX inputs are at lower left.

These modules are tested individually then bolted together and mounted as one unit to the rear of the main chassis.

The aluminum box containing the master reference oscillator is behind the *National* dial drive assembly, with the power supply centered on the chassis.

The enclosures for the switched filter and the synthesizer are built from rectangles cut from double sided 0.06" fiberglass p.c. board material and are soldered together. The synthesizer box measures 7"  $\times$  4"  $\times$

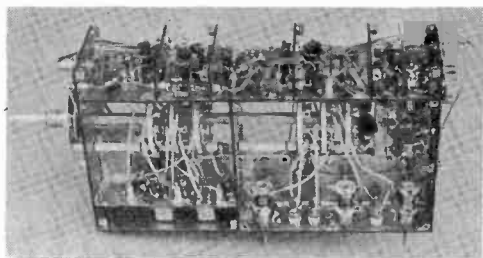


Figure 64

#### OBLIQUE VIEW OF SYNTHESIZER MODULE

Module is built of double-sided fiberglass printed-circuit board cut into rectangles and soldered together. The bandswitch passes through the two compartments of the assembly. At the left is the crystal oscillator and crystals with the bandpass filter (figure 59) at the upper right. Across the top of the assembly are compartments containing (left to right): mixer, bandpass filter, phase detector, loop filter, and buffer stages ( $Q_4$ ,  $Q_5$ , figure 60). Ten, 15, and 20 meter oscillator coils are at the right.

2" and the filter box measures 3" square. A view of the interior of the synthesizer is shown in figure 64. The enclosures are assembled in a similar manner. Threaded brass spacers  $\frac{1}{4}$ " long are soldered in the corners to add strength to the box and to secure the covers. The pieces of circuit board used for the center dividers in the synthesizer box should have the copper soldered together along the exposed edge to provide the best grounds. This was done by wrapping a narrow strip of .001" copper shim stock over the edge of the dividers and soldering on both sides. A good fit between the box panels is obtained by sawing the parts to a slightly large size and then filing the pieces to exact size. After the boxes are soldered together the exposed edges where the covers fit are

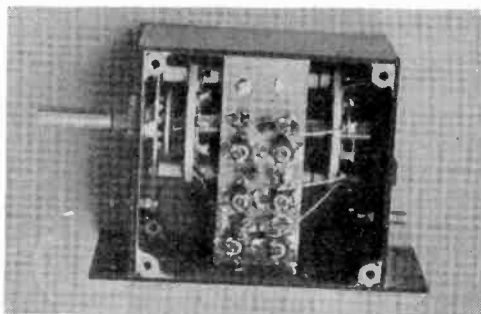


Figure 65

#### INTERIOR OF SWITCHED FILTER

Filter schematic is shown in figure 55. Filter components are mounted to printed-circuit board placed between the switch decks. Input and output coaxial receptacles are on the ends of the box.

ground flat with a piece of fine emery cloth placed on a flat surface. This results in a neat enclosure which is strong and compact.

The switches for both units are assembled from *Centralab* PA-1 ceramic decks with a PA-302 index assembly used in the synthesizer and a PA-301 assembly used in the switched filter. An interior view of the switched filter is shown in figure 65.

The remainder of the exciter circuitry is mounted on two pieces of circuit board, each measuring 4"  $\times$  10", mounted below the chassis on  $\frac{1}{4}$ " spacers (figure 66). The board nearest the front panel contains the audio processing circuits, VOX, and anti-VOX circuitry. The rear board contains the r-f circuitry including the two crystal filters, r-f clipper, and conversion mixer. Input and output terminations are made with BNC coaxial fittings, and each board is tested and aligned before it is placed in the chassis. Small standoff terminals are soldered directly to the copper foil to provide tie points (since no holes are drilled). This is a very fast and convenient method to build the circuits and provides a good ground plane since all grounds may be soldered directly to the copper. Circuit changes or modifications can be done easily and quickly, should the need arise.

Miniature components are used throughout the exciter. The resistors are  $\frac{1}{4}$ -watt carbon units, the inductors are approximately the same size (*J W Miller* 9200 series

or equivalent), and the bypass capacitors are miniature ceramic units. The small capacitors are *El Menco* DM-5 type mica units. The power-supply components except for the IC regulators are mounted on a vertical p.c. board between the power transformer and the master reference oscillator. A right-angle drive is used to drive the bandswitch from the front panel. When wiring the switches remember that one switch rotates in a direction opposite that of the other when viewed from the front of the switch. The IC regulators are mounted on either end of the chassis to distribute the power dissipation.

**Exciter Adjustment** Exciter tuneup is not complicated if all modules have been pretested before installation on the chassis. An electronic voltmeter with an r-f probe is required, as well as an audio generator and an oscilloscope. A frequency counter is desirable, but not mandatory.

After checking the units and the power-supply voltage, connect a 5-watt, 50-ohm

load to the output terminal. Connect the audio generator through a variable attenuator to the microphone input receptacle and adjust the *COMPRESSION LEVEL ADJUST* control to provide 3 volts rms at pin 6 of  $U_2$  (figure 50) when the *AUDIO GAIN* and *COMPRESSOR GAIN ADJUST* controls are at mid-setting. The output at pin 6 should remain constant over a signal input range of 40 decibels from the threshold point to the point where waveform distortion becomes visible on the oscilloscope. The *AUDIO GAIN* control can be used to adjust the input level to the compressor to compensate for different microphones and the *COMPRESSOR GAIN* adjustment used to determine how much, if any, compression is used.

To adjust the *VOX* controls, set the *ANTIVOX* and *VOX GAIN* controls at minimum, turn down the receiver output and turn up the *VOX GAIN* until the *VOX* relay closes when speaking into the microphone in a normal manner. Now, turn up the speaker to normal output and adjust the

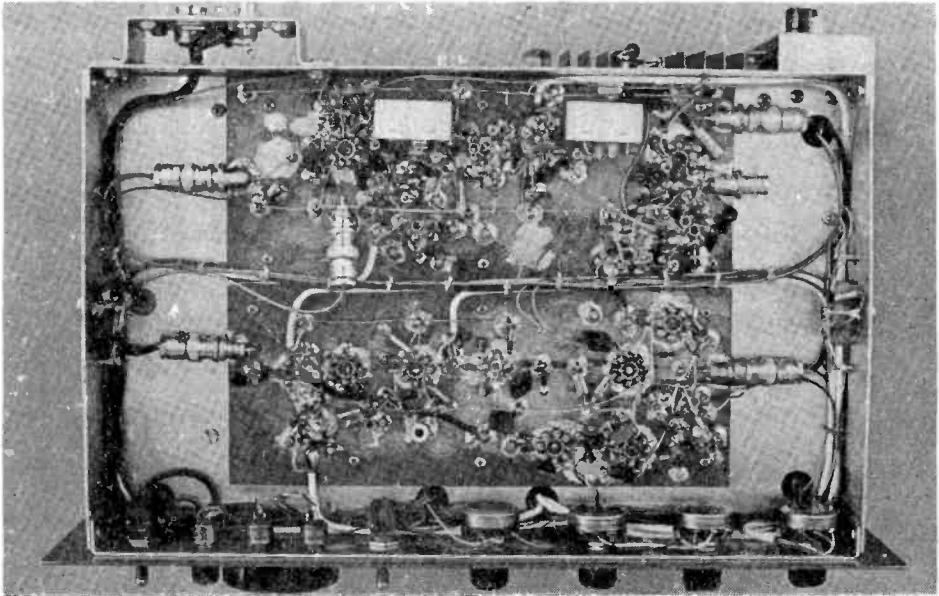


Figure 66

#### UNDER-CHASSIS VIEW OF SSB EXCITER

The two circuit boards are mounted beneath the aluminum chassis. The board at the rear of the chassis contains the r-f circuitry and the two i-f crystal filters. The board adjacent to the front panel contains the audio circuitry. At the left is the microphone-input coaxial receptacle and at the right is the audio-output coaxial fitting. The r-f output to the switched filter atop the chassis is at the left of the rear circuit board.

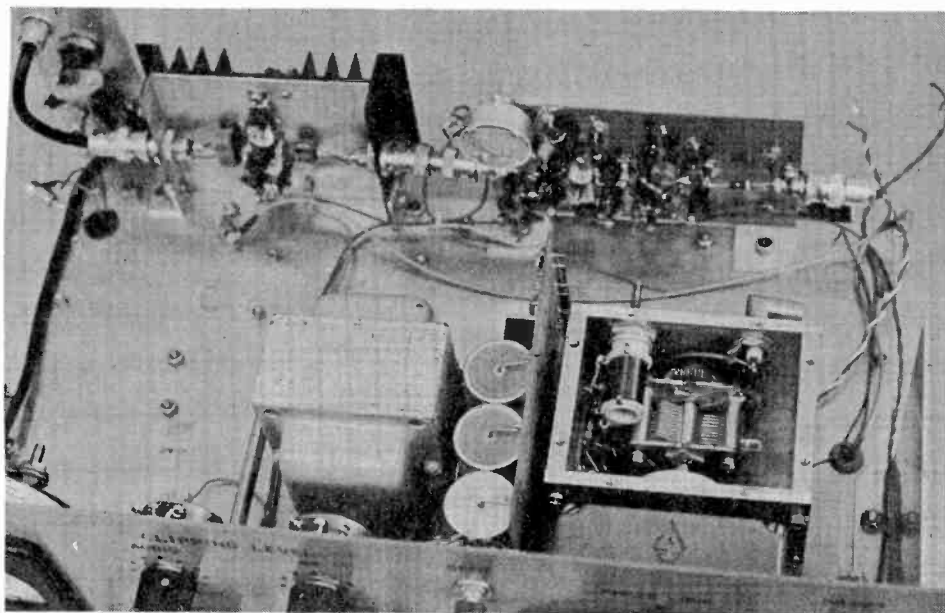


Figure 67

### SSB EXCITER CHASSIS AND INTERIOR VIEW OF VFO

The synthesizer module has been removed for this photograph to show the linear amplifiers mounted across the rear of the chassis. The VOX reed relay is directly behind the power-supply filter capacitors. The lid of the vfo module has been removed to show the tuning capacitor and the 1:1 gear drive to the "coarse-tune" potentiometer.

*ANTIVOX* control until the relay does not close on loud signals. The *VOX DELAY* control can now be adjusted for proper hold-in time, as desired.

As a final check, connect the oscilloscope to the source of  $Q_6$  (figure 50). No clipping of the waveform should be observed when the *AUDIO CLIP* control is at minimum and clean clipping of the waveform should be visible at maximum clipping setting.

*RF Alignment*—To align the r-f circuits first adjust capacitors  $C_5$  and  $C_6$  (figure 53) to midrange and peak capacitor  $C_8$  in the emitter circuit of the buffer stage ( $Q_1$ ) for a maximum reading on the electronic voltmeter with the r-f probe connected to the top of coil  $L_1$ . Indicated voltage should be about 100 millivolts rms and may be adjusted, if necessary, by changing the value of the 1K resistor connected to  $L_2$  and  $C_8$ .

Now, apply 300 millivolts rms of 1-kHz audio signal to pin 4 of  $U_1$  (figure 53) and peak the r-f output at the source of  $O_3$ , the

buffer FET, by tuning capacitors  $C_1$ ,  $C_2$ ,  $C_3$ , and  $C_4$  in the first crystal filter stage, the clipper amplifier, and the buffer stage. Set the audio frequency to 2.7 kHz and adjust capacitors  $C_5$  (or  $C_6$ , depending upon the sideband selected) in the oscillator stage for maximum response. Continue tuning the capacitor until the output decreases 3 to 6 decibels. Repeat this procedure with the other capacitor for the opposite sideband. Next, vary the frequency of the audio generator from 300 to 3000 Hz and note the ripple in the filter passband and the upper frequency at which the output has fallen off by 6 decibels. The ripple should be less than plus or minus one decibel across the band. If it is greater than this, adjust capacitors  $C_1$  and  $C_2$  slightly. In an extreme case, it may be necessary to alter the number of secondary turns of transformer  $T_1$ .

Next, disconnect the +28-volt line from the VOX relay to the linear amplifier and turn on the VOX OVERRIDE switch to



remove the cutoff bias applied to  $Q_3$  in the standby mode. Connect the r-f probe to pin 4 of  $U_2$  (figure 54) and adjust capacitors  $C_8$ ,  $C_9$ , and  $C_{10}$  (filter  $FL_2$  and the driver transistor) for maximum response with the *DRIVE ADJUST* potentiometer at mid-setting. Again, check the passband ripple and realign capacitors  $C_8$  or  $C_9$ , if necessary.

**Synthesizer Alignment**—Apply +12 volts to the master reference oscillator (figure 67) and adjust coil  $L_1$  and capacitor  $C_1$  so the oscillator tunes the range of 3.185 to 3.735 MHz. Adjust the potentiometer coupled to the shaft of capacitor  $C_2$  so that it is at the clockwise end of its rotation when the oscillator is tuned to 3.735 MHz. Rotate the shaft of the potentiometer back about 10 degrees before locking in place to eliminate the nonlinear portion of rotation next to the stop. Adjust capacitor  $C_3$  to provide 100 millivolts rms output when the oscillator is connected to a 50-ohm load through the subminiature 50-ohm coaxial line and connectors. Apply -12 volts to the crystal oscillator (figure 62) and tune capacitor  $C_{12}$  for maximum output on each band. Adjust the coupling between coil  $L_2$  and link  $L_3$  by sliding  $L_3$  up or down the form until the oscillator output is about 100 millivolts on each band, using a 50-ohm load.

Disconnect pin 6 of  $U_3$  (figure 60) from the 10K resistor and varicap diodes (figure 61) and ground the open end of the resistor. (Do *not* ground pin 6 of  $U_3$ ). Place all padding capacitors in the VCO (figure 61) to midrange and tune coil  $L_1$  until the output frequency (as measured at the drain terminal of FET  $Q_4$ ) is nearly correct for each band, starting with 80 meters and working up in frequency. (Remember the frequency you are measuring is 9 MHz higher than the desired band).

With the electronic voltmeter connected to pin 6 of  $U_3$  and power disconnected from the crystal oscillator, adjust the *OFFSET ADJUST* potentiometer (figure 60, loop amplifier  $U_3$ ) for a reading of zero volts, dc. Turn off the power and reconnect the 10K resistor to pin 6 of  $U_3$ .

Next, tune the master reference oscillator to 3.185 MHz and set the bandswitch to 80 meters. Connect the electronic voltmeter and oscilloscope to pin 6 of  $U_3$ , being careful not to short this point to ground. Turn on power and adjust coil  $L_1$  (80 meters) for zero volts dc at pin 6. The phase-lock indicator should be off and the oscilloscope should indicate no ac voltage present. Repeat the tuning of  $L_1$  for each band in sequence, leaving the oscillator at 3.185 MHz. Now set the master reference oscillator to 3.735 MHz and adjust capacitor  $C_5$  or  $C_6$  for the appropriate band for a zero volt dc reading. Again, start with the 80-meter band and work up in frequency. It probably will be necessary to repeat the procedure twice to get all bands properly tuned. As a final check, tune completely across each band to make sure the loop does not become unlocked at any frequency. If the loop unlocks, the voltage at pin 6 will rise, possibly as high as 10 volts. If this happens, readjust the oscillator capacitor and inductor slightly for a different L/C ratio. For conditions of lock, the voltage at any point in the band should remain between zero and 6 volts.

If a frequency counter is available, the above procedure can be speeded up. Break the line that connects one end of the *coarse tune* potentiometer to the 1N5248A diode and insert a switch in the line. Tune the master reference oscillator to 3.185 MHz with the switch closed and adjust coil  $L_1$ . Open the switch and the VCO will be tuned

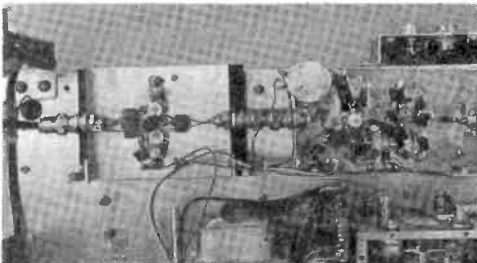


Figure 68

### LINEAR AMPLIFIER STAGES

The push-pull amplifier is on the left chassis, with the driver stages on the right chassis. The chassis have been removed from the main chassis and tilted forward for this picture. The "bias adjust" potentiometer is mounted to the plate connecting the two assemblies together.

to the high end of the band, even though the master oscillator is still tuned to the low-frequency end. Now capacitors  $C_5$  and  $C_6$  may be aligned as indicated by the counter which is connected to pin 1 of the mixer ( $U_1$ , figure 60). Remember that the counter reads a frequency that is 9 MHz above the desired band.

*Switched Filter Alignment*—A 50-ohm load is connected to the linear amplifier and power is applied to all stages. The *DRIVE ADJUST* potentiometer is set for minimum drive and the *VOX OVERRIDE* switch is turned on. The idling current to the power output stage (as read on the panel meter) is set to 20 mA by adjusting the *PA BIAS ADJUST* control. Connect the audio generator and inject a 1-kHz tone into the exciter, advancing the *DRIVE ADJUST* control (figure 54) to mid-setting. Set the master reference oscillator to a midband frequency and tune the capacitors in each filter section (starting with 80 meters) for a peak current reading on the meter, adjusting the drive control as necessary so as not to exceed 400 mA. The higher bands will require more drive than the lower bands, and output on the 50-MHz band is drive-limited. With 400 mA indicated current power output will be in excess of 5 watts. If a two-tone source is available, maximum current drain should be limited to 300 mA for 5 watts PEP output.

## 20-4 A High Performance Conversion Module for the 23-cm Band

Equipment design, objectives and operating philosophy gradually change as the experimenter moves higher and higher in the radio spectrum. Most amateurs are familiar with equipment schematics and design techniques that are employed well into the vhf spectrum, but fewer amateurs are versed with equipment for the uhf bands and less information is available on equipment that may be built by the home experimenter. Shown in this section is an experimental conversion module for the 23-cm band (1215 MHz to 1300 MHz) which typifies some of the equipment now being used in this por-

tion of the radio spectrum by uhf enthusiasts. This module is of particular interest to the vhf amateur as it permits him to assemble a high performance 1296-MHz receiver, transmitter, or transceiver.

The module consists of a local-oscillator chain, bilateral mixer, and an image filter. The design was developed by WA6UAM and may be successfully duplicated in the average vhf home workshop with moderate effort.\* As linear conversion is employed, this module can be adapted for transmission or reception of any mode including c-w, SSB, f-m and ATV.

The various modes of operation of the conversion module are illustrated in figure 69. When the module is operated in conjunction with a 2-meter SSB transceiver (illustration A), the unit functions as a basic transceiver-converter from 2 meters to 1296 MHz. Receiver noise figure is of the order of 10 dB and output power in the transmit mode is 0.5 milliwatt. This performance is satisfactory for 1296 MHz communication over line-of-sight paths of several miles. Note that no transmit-receive switching is required, but that the intermediate-frequency injection from the 2-meter transceiver (transmitter) must be restricted to a few milliwatts to maintain linearity and avoid damaging the mixer diodes in the module.

For weak signal reception, the conversion module is combined with one or two stages of r-f preamplification and a 2-meter i-f preamplifier may be added in front of the transceiver, as shown in illustration B. The module employs extensive filtering, thus this configuration assures freedom from spurious responses or image interference that plague the simpler conversion schemes, while yielding a noise figure in the 2- to 3-dB region.

Illustration C shows a method of interfacing the conversion module with several stages of commercially available transmit linear amplification. Output power is of the order of 300 milliwatts. This power level is sufficient for moderate range communication if a gain antenna is used, and is adequate for driving vacuum-tube stages if high power

\* Full information and specifications on this and other 1296-MHz circuit modules may be obtained from *Microcomm*, 14908 Sandy Lane, San Jose, CA 95124. Send SASE for details.

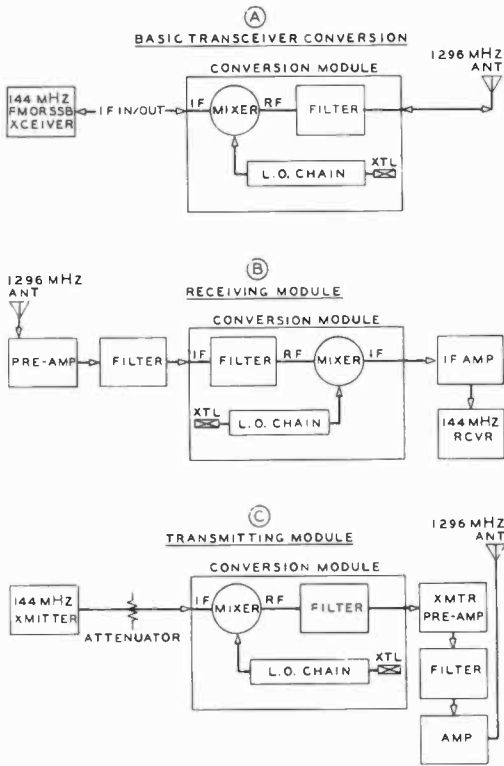


Figure 69

**BLOCK DIAGRAM SHOWING VARIOUS MODES OF OPERATION OF CONVERSION MODULE**

operation is desired. Thus, the basic module can be supplemented according to the needs and resources of the builder.

In order to optimize the design of each circuit, the prototype of the conversion module was built on seven separate circuit boards (figure 70). The final version of the completed module is shown in figures 71 and 72.

**Circuit Description** The schematic of the 1296-MHz conversion module is given in figure 73. The conversion oscillator uses two JFETs ( $Q_1, Q_2$ ) in a modified Butler circuit, which is characterized by true series-mode operation of the crystal. It can provide multiplication well into the uhf region with good stability. A crystal frequency near 96 MHz is used, and the output circuit of the oscillator ( $L_2, C_1$ ) is tuned to 288 MHz. JFET devices are used to reduce the phase noise often associated with bipolar oscillator circuits.

Oscillator stability, of paramount importance in applications employing numerous stages of multiplication to reach the local-oscillator injection frequency, can be no better than the inherent stability of the crystal selected. The crystal used in this unit is a fifth-overtone, series-resonant crystal in an HC/18-U holder. Calibration tolerance of  $\pm 10$  p.p.m. is desirable, as is a temperature coefficient of  $\pm 5$  p.p.m. over the range of  $+15^\circ\text{C}$  to  $+35^\circ\text{C}$ . The unit used meets these specifications for this circuit. Less costly crystals may be used, but at a corresponding decrease in overall circuit stability.

A 2N5179 bipolar uhf transistor ( $Q_3$ ) operating in the class-A mode is used as a

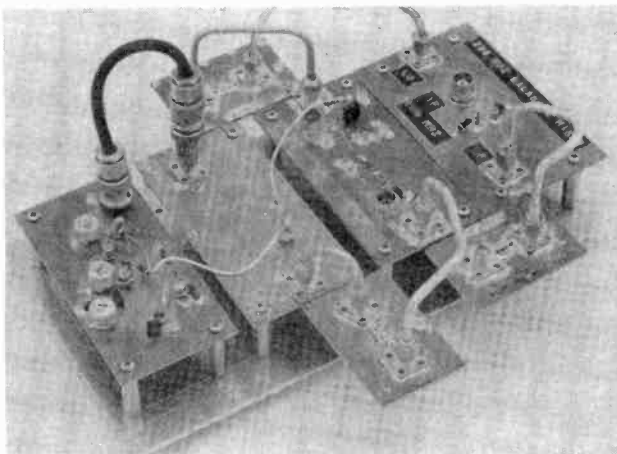


Figure 70

**PROTOTYPE OF CONVERSION MODULE**

The 23-cm conversion module was first built on seven separate circuit boards in order to optimize the design of each circuit. In this assembly, the crystal-oscillator chain is at the left with the image filters in the foreground. The balanced mixer is at the rear. The stages are interconnected with 50-ohm coaxial lines. When the design was optimized, it was transferred to a single circuit board. This type of experimental assembly has much to offer to experimenters working in the vhf/uhf regions.

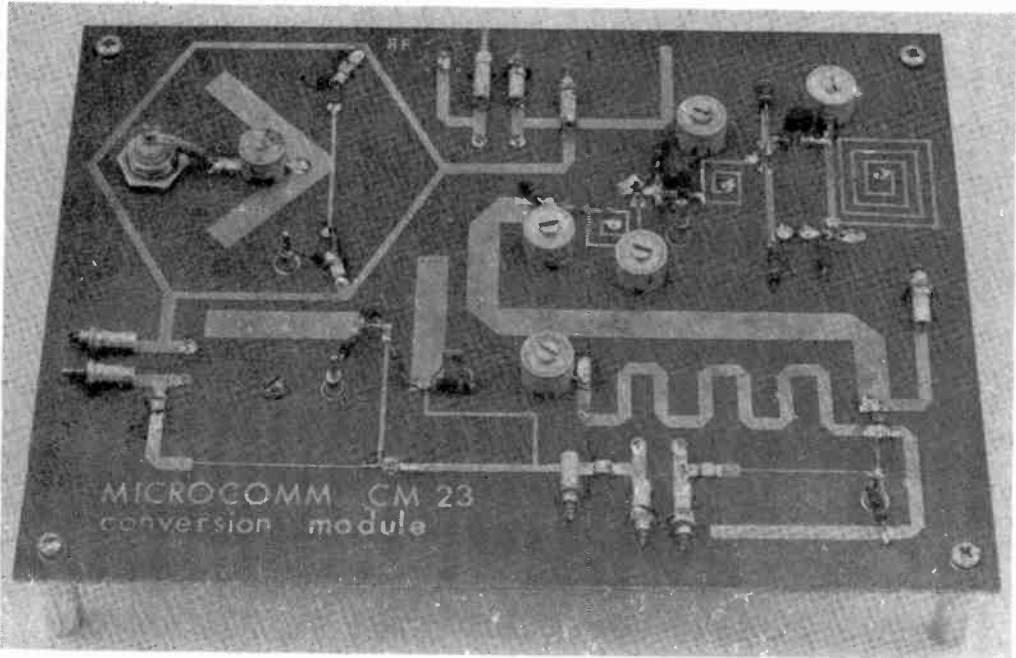


Figure 71

### THE 23-cm CONVERSION MODULE

The conversion module is assembled on a printed-circuit board which provides the microstrip lines and inductors. At the upper left of the board is the ring-hybrid balanced mixer with the i-f port ( $J_1$ ) at the left side. The two microstrip lines ( $L_{20}$ ,  $L_{21}$ ) form a "V" inside the ring. At the right of the ring's interior are the two diodes ( $D_1$ ,  $D_2$ ) and their associated networks. To the right of the ring and above it are the r-f port ( $J_2$ ) and tuned circuits  $C_{24}$ ,  $C_{25}$ ,  $C_{26}$  and  $L_{24}$ ,  $L_{25}$ . At the right end of the board are the local-oscillator chain components and the square inductors ( $L_1$ ,  $L_2$ , and  $L_3$ ). At the center of the board is the wide inductor ( $L_4$ ) with capacitor  $C_{10}$  at the lefthand end and  $C_{12}$  at the righthand end. Immediately below is the zig-zag inductor ( $L_5$ ) with capacitor  $C_{31}$  at the left end and inductor  $L_6$  following it at the lower righthand edge of the board. Across the bottom edge of the board is inductor  $L_{11}$  with transistor  $Q_1$  between it and inductor  $L_{14}$  (running to the left hand edge of the board). Immediately above this line are strip-line inductors  $L_{17}$  and  $L_{18}$ , with capacitors  $C_{19}$  and  $C_{21}$  at the left edge of the board immediately below the mixer ring. Strip-line  $L_{18}$  runs horizontally to the right of capacitor  $C_{20}$ . Strip-line  $L_{12}$  is to the right of  $L_{15}$ . Bias circuit components not shown are mounted on the ground plane side of the board. All grounding is accomplished directly through the board to the ground plane.

common-emitter buffer/amplifier following the Butler oscillator. This stage furnishes 10 mW of drive power to the multiplier chain, and provides additional attenuation of any spurious oscillator products. Note that the inductors associated with the oscillator and buffer stages ( $L_1$ ,  $L_2$ , and  $L_3$ ) are designed into the printed-circuit board trace pattern. This simplifies construction and eliminates any possibility of coil winding errors.

The 288-MHz output from the buffer stage is applied to a microwave transistor ( $Q_1$ ) which quadruples to 1152 MHz. The common-emitter multiplier is biased for class-C operation as a small collector conduction angle provides an output which is rich

in harmonic energy. Microstrip matching is used in this stage, and quarter-wavelength stubs at 288 MHz ( $L_7$ ,  $C_{31}$ ) and 576 MHz ( $L_{16}$ ) shunting the collector tend to attenuate undesired multiples of the driving signal.

Operation of this multiplier stage depends on the parametric, or negative-impedance, effect. A series-resonant trap ( $L_5$ ,  $C_{12}$ ) at the desired output frequency (1152 MHz) shunts the base of the multiplier. At any given frequency, a short to ground at the base will tend to make the collector impedance of a microwave transistor appear negative. Thus, by series-resonating the base to the desired output frequency, gain at that multiple is maximized.

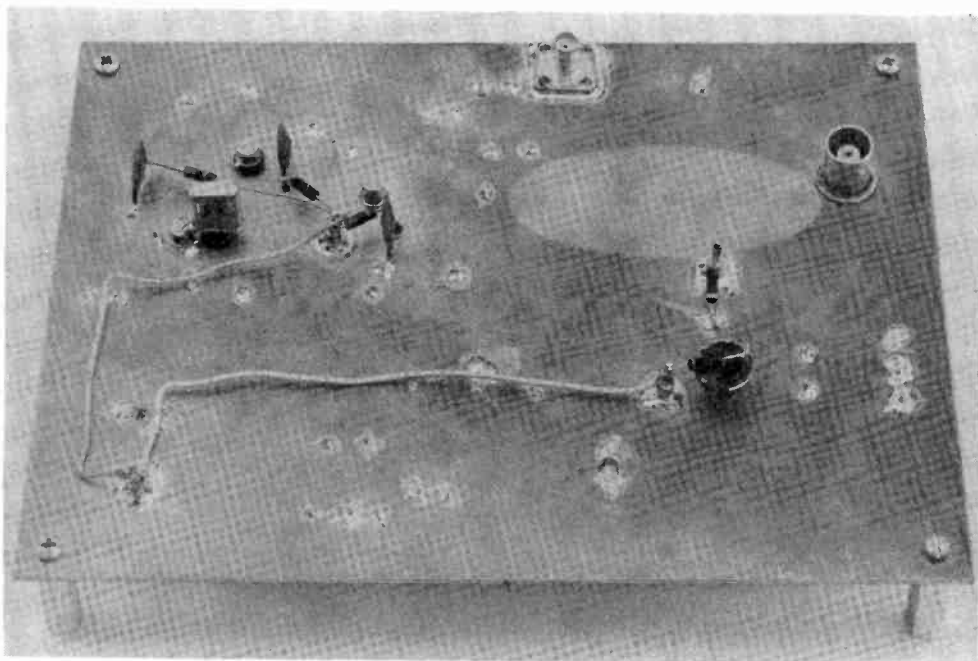


Figure 72

## GROUND-PLANE SIDE OF MODULE

Bias circuit components and crystal are mounted on this side of the module. Except for ground points, leads brought through the board are isolated from ground by countersinking holes on ground-plane side of the board. This applies to leads of transistors, crystal, and  $V_{cc}$  side of etched coils. In this view, coaxial receptacle  $J_1$  is at the top of the board, with the crystal and  $Q_1$  to the left. A drop of solder is run from the crystal can to  $Q_1$  to make sure they assume the same temperature. At the upper right is receptacle  $J_2$  with feedthrough capacitor  $C_3$  and resistor  $R_6$  below it and to the left. Capacitor  $C_{11}$  is at the bottom left of the board.

Additional spurious filtering is provided by a two-pole resonator ( $L_9, L_{10}, C_{14}, C_{15}$ ) at the output of the multiplier stage.

The driver stage uses a second microwave transistor ( $Q_5$ ) in a common-emitter configuration as a buffer-amplifier at 1152 MHz to boost the local-oscillator drive level to 20 mW. The driver output is passed through a second two-pole resonator ( $L_{17}, L_{18}, C_{20}, C_{21}$ ) so that the ultimate spurious rejection in the local-oscillator chain is of the order of 40 dB.

*The Balanced Mixer*—Bilateral (two-way) conversion is accomplished in a balanced mixer of the *ring-hybrid*, or "rat-race" configuration. A 50-ohm microstrip line couples the local-oscillator injection voltage into the hybrid ring ( $L_{19}$ ), which is effectively a circular 70-ohm microstrip line, one and one-half wavelengths in circumference. The r-f

port is coupled in via a 50-ohm microstrip line at a point one-half wavelength away from the local-oscillator connection on the hybrid ring. The two ports are effectively isolated from each other, as signals leaving one port, travelling clockwise around the ring, arrive at the other port 180 degrees out of phase with signals travelling counterclockwise. Thus, up to 25 dB of balance, or inter-port isolation, may be achieved.

Two hot-carrier mixer diodes ( $D_1, D_2$ ) are positioned around the ring so as to be driven out of phase by the local-oscillator signal, and are in phase to signals injected at the r-f port (in the receive, or down-conversion mode). The signal at the junction of the two diodes thus contains both the two original frequency components, their sum, and their difference. Filtering components ( $L_{20}, L_{21}, L_{22}, C_{22}$ ) assure that only the dif-

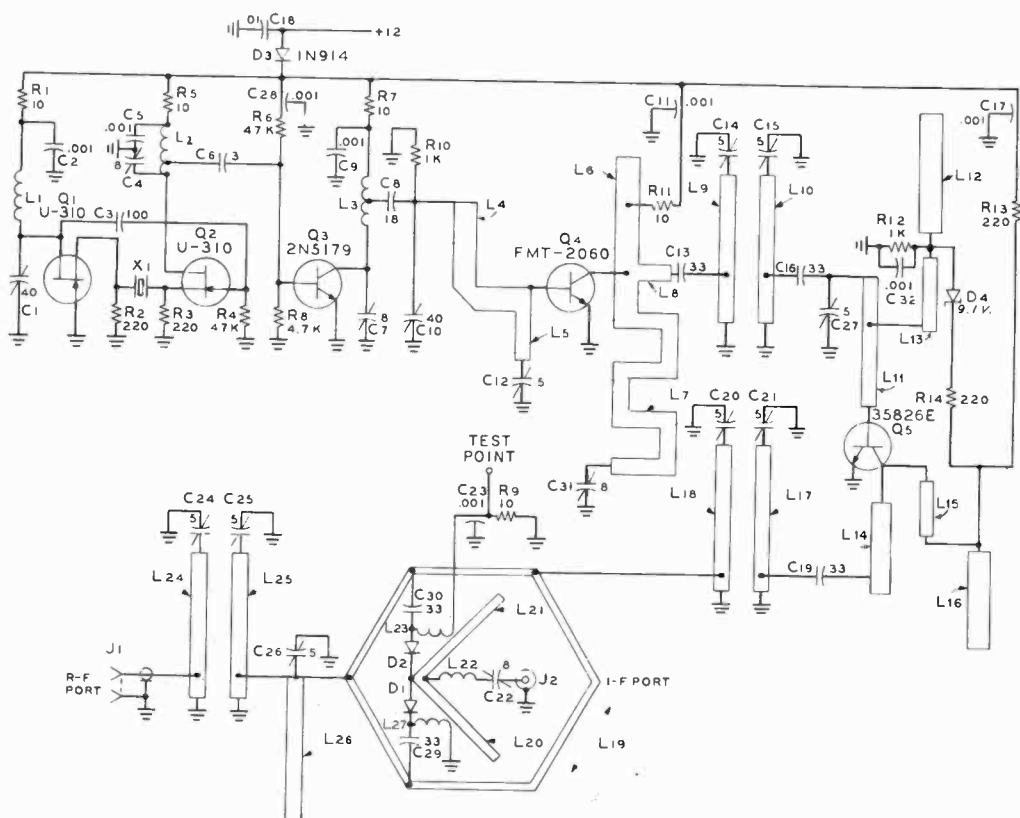


Figure 73

## SCHEMATIC OF 23 CM CONVERSION MODULE

- C<sub>1</sub>, C<sub>10</sub>**—7-40 pF ceramic trimmers. (Centralab 518-000G-7-40 or equiv.)  
**C<sub>2</sub>**<sup>27519153</sup>—0.001 μF disc ceramic capacitor  
**C<sub>3</sub>**—100 pF disc ceramic capacitor  
**C<sub>4</sub>**<sup>47722731</sup>—2 to 8 pF ceramic trimmers (Centralab 538-002A-2-8 or equiv.)  
**C<sub>5</sub>**—3 pF dipped silver mica capacitor  
**C<sub>6</sub>**—18 pF disc ceramic capacitor  
**C<sub>7</sub>**<sup>1117193378</sup>—0.001 μF feedthru capacitors (Erie 2404-000-X5U0-101M or equiv.)  
**C<sub>8</sub>**<sup>127144157207124 22</sup>—1.5 pF ceramic piston capacitors (R-Triko) available from MICROCOMM  
**C<sub>9</sub>**<sup>1371671920730</sup>—33 pF chip capacitors (ATC-100B or Mytronics NCU-330)  
**C<sub>10</sub>**—0.01 μF disc capacitor  
**D<sub>1</sub>, D<sub>2</sub>**—Hot carrier diodes. (Hewlett-Packard 5082-2817)  
**D<sub>3</sub>**—1N914 diode

- D<sub>4</sub>**—9.1 volt, 400 mW zener diode  
**J<sub>1</sub>**—Coaxial receptacle, type SMA (E.F. Johnson or equivalent)  
**J<sub>2</sub>**—Coaxial receptacle, type BNC  
**L<sub>1</sub>**<sup>211 24 26</sup>—Etched circuit microstrip inductors. See circuit board artwork  
**L<sub>22</sub>**—0.33 μH molded inductor. (J.W. Miller or equivalent)  
**L<sub>23</sub>, L<sub>27</sub>**—3 turns No. 30 e. 0.1" diameter  
**Q<sub>1</sub>, Q<sub>2</sub>**—U-310 JFETs (Siliconix)  
**Q<sub>3</sub>**—2N5179 (Siliconix)  
**Q<sub>4</sub>**—FMT-2060 (Fairchild)  
**Q<sub>5</sub>**—Hewlett Packard 35826E. NEC VO-21 in ML3 package also acceptable  
**X**—95.900 MHz for 145.2-MHz intermediate frequency, fifth overtone, series mode, type HC-18/U. (Crown C180-DBX-00. Crown Ltd., 500 Beach St., Whitby, Ontario, Canada)

ference frequency reaches the i-f port ( $J_2$ ). The dc return for the diodes is brought through an r-f choke ( $L_{23}$ ), feedthrough capacitor  $C_{23}$ , and a 10-ohm resistor to ground. By measuring the voltage drop across this resistor, the bias current through the

diodes can be determined. This provides an indication of local-oscillator injection, useful in aligning the local-oscillator chain.

Mixer operation is similar in the up-conversion, or transmit, mode, except that it is now the signal injected into the i-f port

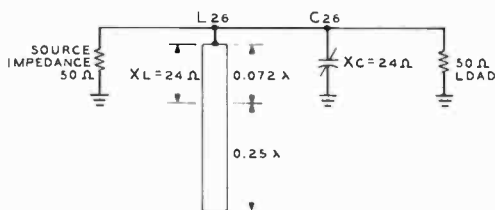


Figure 74

### DERIVATION OF Q FOR THE IMAGE FILTER

Image filter combines the functions of a series-resonant trap at the image frequency (1006 MHz) with a parallel-resonant circuit at 1296 MHz. Capacitor  $C_{24}$  resonates with inductive reactance of the image trap line, as discussed in the text.

( $J_2$ ) which biases the mixer diodes in phase. Sum and difference frequencies are developed at the r-f port ( $J_1$ ), the difference frequency being attenuated by the image filter ( $C_{24}$ ,  $C_{25}$ ,  $C_{26}$ ,  $L_{24}$ ,  $L_{25}$ ,  $L_{26}$ ).

*The Image Filter*—The image filtering system is unusual, combining the functions of a series trap at the image frequency (1006 MHz) with a parallel-resonant circuit at 1296 MHz. By shunting the r-f port with a 50-ohm open microstrip line which is a quarter-wavelength at the image frequency ( $L_{26}$ ), up to 20 dB of image rejection may be obtained. However, such a line would appear as a shunt reactance at the signal frequency, disrupting r-f port matching. A stripline which is a quarter wavelength long at 1296 MHz. At the signal frequency, then, this electrical length may be interpreted as representing a 0.072 wavelength line in series with an open quarter-wavelength section. Since the quarter-wavelength section transforms the open termination at the end into a short at the opposite end, the circuit behaves like a short length of grounded microstrip line, exhibiting inductive properties.

The inductive reactance of the image trap line at the signal frequency may be found by the formula:

$$X_L = Z_0 \tan \theta$$

where,

$$\theta = 0.072 \text{ wavelength} \times 360^\circ = 25.9^\circ,$$

$$Z_0 = 50 \text{ ohms.}$$

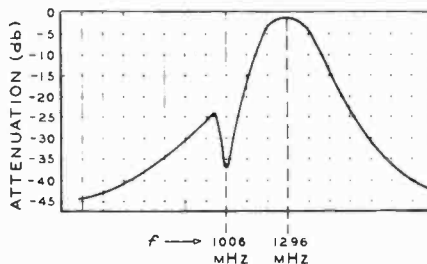


Figure 75

### PASSBAND OF IMAGE FILTER

Swept-frequency response of image filter at r-f port ( $L_{24}$ ,  $L_{25}$ ,  $C_{24}$ ,  $C_{25}$ ). Image rejection is better than 35 dB.

Thus,  $X_L$  is 24 ohms, which may be resonated by a like value of capacitive reactance. A 5-pF trimmer ( $C_{26}$ ) performs this function.

A simple parallel-resonant circuit at 1296 MHz now exists, consisting of a short, 50-ohm, r-f grounded microstrip line shunted by an appropriate value of capacitance.

Figure 74 illustrates that the total resistance shunting the resonant circuit is equal to the source resistance in parallel with the load resistance, or 25 ohms. Since  $Q = R_p/X_L$ , the loaded  $Q$  of this circuit is unity, and the image rejection from the parallel-resonant circuit would be minimal. However, as the circuit contains a series-resonant trap at the image frequency, total image rejection from  $L_{26}$ ,  $C_{26}$  is approximately 20 dB. Two more poles of parallel-resonant filtering ( $L_{24}$ ,  $L_{25}$ ,  $C_{24}$ ,  $C_{25}$ ) further attenuate the image frequency. The overall bandpass at the r-f port is shown in figure 75.

**Constructing the Module** The entire conversion module is fabricated on a single 5" × 7", double-sided printed-circuit board. The microstrip lines are designed around the r-f properties of  $\frac{1}{16}$ "-thick, G-10 fiberglass-epoxy board, double clad with 1 oz. copper. No substitution of board material is permissible without completely redesigning the microstrip dimensions. The specified material is both inexpensive and readily available worldwide. It does exhibit somewhat greater attenuation at microwave frequencies than do the more costly glass,

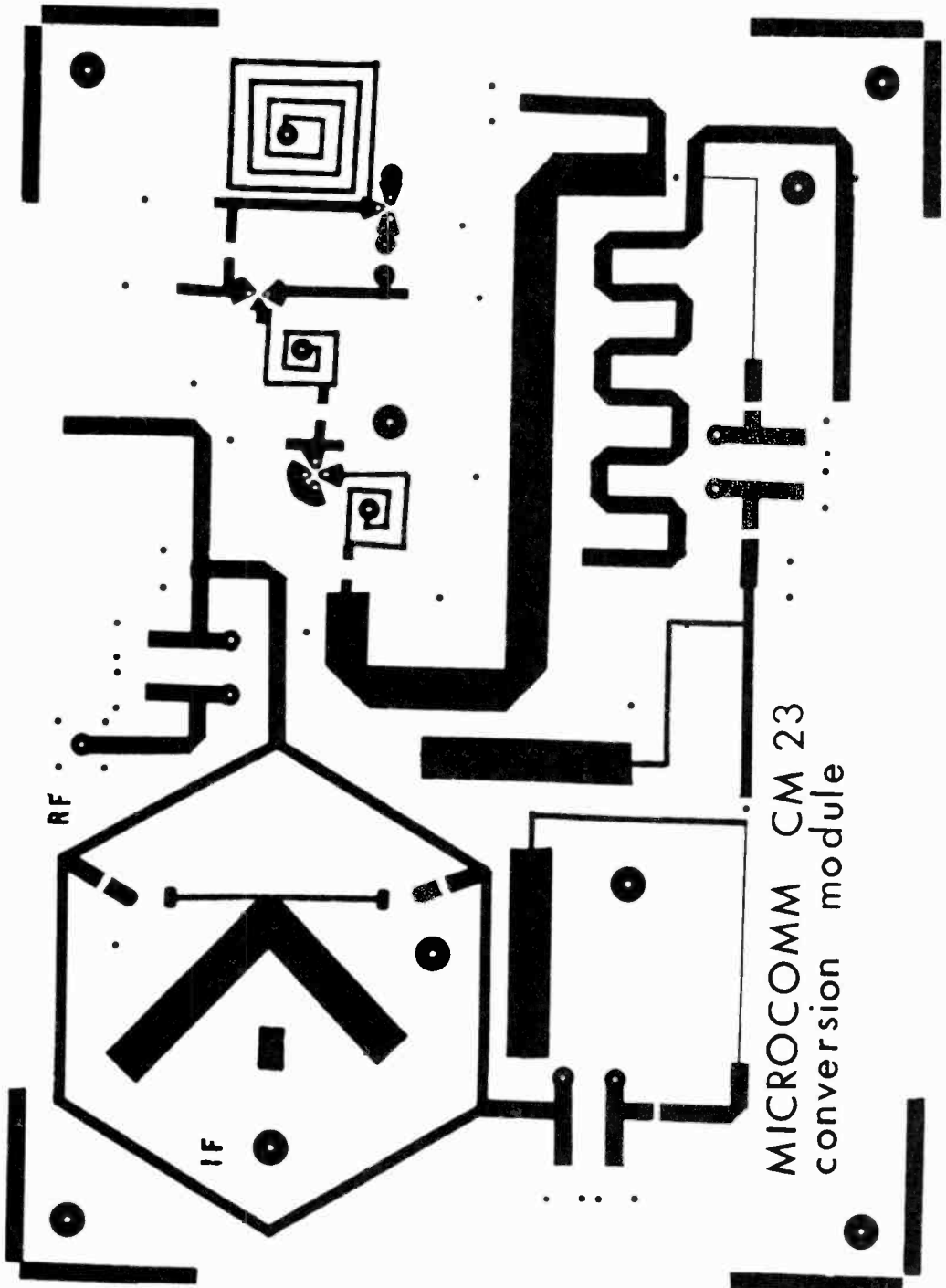


Figure 76

FULL SIZE REPRODUCTION OF ART WORK FOR PC BOARD



ceramic or TFE (teflon) dielectrics (on the order of 0.1 dB per inch of stripline length at 1296 MHz). This amount of circuit loss may be considered negligible in amateur applications. Only the microstrip line side of the board is etched; the opposite side remains fully clad with copper and serves as a ground plane. In order to maintain the required degree of dimensional precision required in the trace pattern, a photographic etching technique should be employed. Any commercial photographic laboratory or print shop equipped with a copy camera should inexpensively produce the required negative directly from figure 76, which is a full-sized artwork of the printed-circuit trace.

Layout of the components may be seen from the photographs. All grounding is accomplished directly through the board to the groundplane beneath it. It is recommended that all passive components be mounted first, followed by the transistors and diodes, using accepted techniques for dealing with solid-state devices. Due to its susceptibility to mechanical damage, the oscillator crystal should be the last component assembled to the board.

#### Tuneup and Adjustment of the Module

The following steps are taken in initial adjustment: 1. Remove +12 volts ( $V_{cc}$ ) from the multiplier stages at  $C_{11}$  and the local-oscillator driver stage at  $C_{17}$ . Insert metering to monitor the supply current ( $I_{cc}$ ) to the oscillator and buffer stages. 2. Apply power and adjust capacitors  $C_1$ ,  $C_4$ , and  $C_5$  for maximum indicated current, which should run about 40 mA, nominal. 3. Connect +12 volts to the multiplier at  $C_{11}$  through a milliammeter. Adjust  $C_{10}$ ,  $C_{12}$ , and  $C_7$  for maximum multiplier current. Adjust  $C_{31}$  for a dip in multiplier current. Final value of current should be 15 mA, nominal. 4. Remove operating voltage from oscillator, buffer and multiplier stages. Connect +12 volts to the local-oscillator driver through a milliammeter. Driver current should be about 15 mA. Reapply +12 volts to oscillator, buffer, and multiplier stages. Driver current should not change. 5. Connect a sensitive high-impedance voltmeter across resistor  $R_9$ . With  $V_{cc}$  applied to all stages, adjust capacitors  $C_{14}$ ,  $C_{15}$ ,  $C_{27}$ ,  $C_{20}$ , and  $C_{21}$  for maximum meter

indication of diode current. The meter should peak to 100 mV, nominal, which corresponds to 10 mA of mixer diode current. 6. With a weak signal source connected to the r-f port ( $J_1$ ) and a 144-MHz receiver connected to the i-f port ( $J_2$ ), adjust capacitors  $C_{24}$ ,  $C_{25}$ ,  $C_{26}$ , and  $C_{22}$  for maximum received signal.

Some of the above adjustments tend to be interacting, and may have to be repeated until no further improvement in performance can be observed.

## 20-5 A Variable Active Audio Filter

Audio filters have proven their worth in c-w and weak signal reception of all types. Most popular filters have been fixed-frequency devices having a narrow bandwidth determined by high-Q LC circuits. These filters have the disadvantage of ringing; that is, the tuned filter circuit can oscillate when excited by a signal, resulting in a ringing noise which sounds very much like the original signal, making it difficult to copy a very weak signal. In addition, being fixed-tuned, the LC filter cannot be easily adjusted to optimize either the passband or the center frequency.

The disadvantages of the LC filter have been overcome by the *active filter* which can provide variable bandwidth and variable center frequency. In addition, the active filter uses no LC elements, eliminating the annoying ringing effect of the high-Q filter circuit.

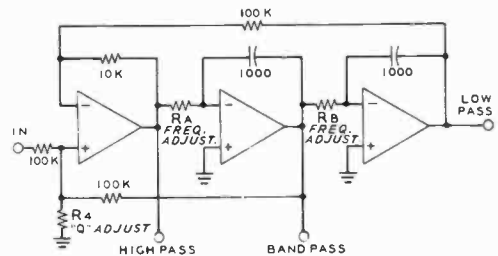


Figure 77

### ACTIVE AUDIO FILTER

An active audio filter can be built using three ICs in a stable, negative-feedback circuit which may be adjusted for flat, bandpass, highpass, or lowpass response. The three ICs are packaged as one unit in the KTI FX-60 device.



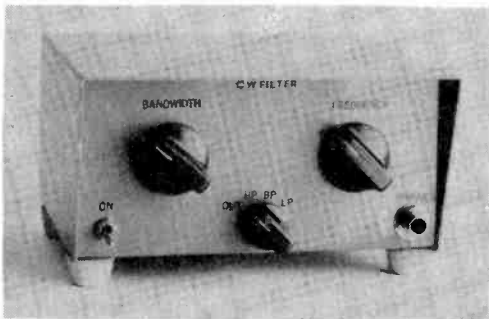


Figure 79

### THE ACTIVE AUDIO FILTER

This adjustable filter is built in a small aluminum channel box and has its own power supply. The bandwidth and center frequency controls are at center of the panel, with the function switch immediately below.

the circuit just goes into oscillation. The correct value of  $R_2$  is one that prevents circuit oscillation.

The audio level to the LM-380 is set by the two resistors at pin 2. The 220-pF capacitor provides a high-frequency rolloff at 4 kHz.

**Using the Filter** The filter is usually set to the lowpass mode for SSB reception and to the bandpass mode for c-w reception. It is peaked on the c-w signal, but the center frequency setting and bandwidth will vary from person to person. The ear-brain combination is capable of acting like a variable-bandwidth, variable-frequency filter itself and the operator, with experience, can copy signals buried in noise or interference. Signals that are as low as 10 dB below the noise level can be copied, as shown by listening tests conducted under controlled conditions.

A relatively low beat frequency is suggested for weak signal c-w reception because the signal is easier to copy in the presence of interference. If, for example, the signal has a pitch of 1000 Hz, and there is an interfering signal 100 Hz away, the difference between the desired and undesired signals is 10 percent. If the pitch of the signal is changed to 500 Hz, and the interfering signal is 100 Hz away, the difference is now 20 percent.

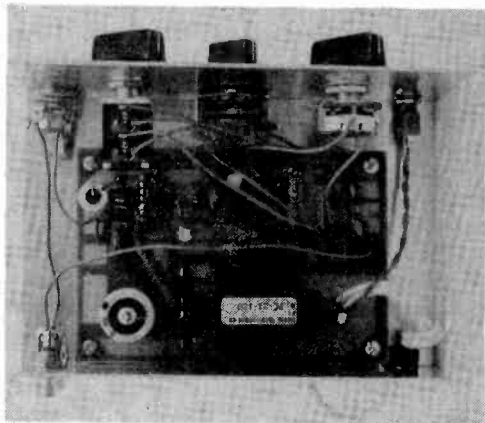


Figure 80

### LAYOUT AND CONSTRUCTION OF FILTER

The filter is assembled on a printed-circuit board which is held to the bottom section of the cabinet by 4-40 hardware. The output receptacle is at lower left. At the rear of the p-c board is the built-in power supply.

## 20-6 A Very Low Noise Preamplifier for 144 MHz

The preamplifier shown in this section was designed by W2AZL and built by W6PO for 144-MHz moonbounce communication. The unit is easy to build and get working and provides a noise figure of 1.5 dB with an unselected JFET device. It is designed for placement at the antenna, or for use directly at the station receiver. The preamplifier is self-contained except for an external 12 Vdc power source (figure 81).

**The Preamplifier Circuit** The circuit of the device is shown in figure 82. A *Siliconix* U-310 or 2N5397 is used in a common-gate circuit. The preamplifier provides about 10 dB gain and does not require neutralization. Gate bias is provided by a resistor in the source circuit to ground and both source and drain return circuits are bypassed both for vhf as well as high frequency paths. Input and output impedances are 50 ohms.

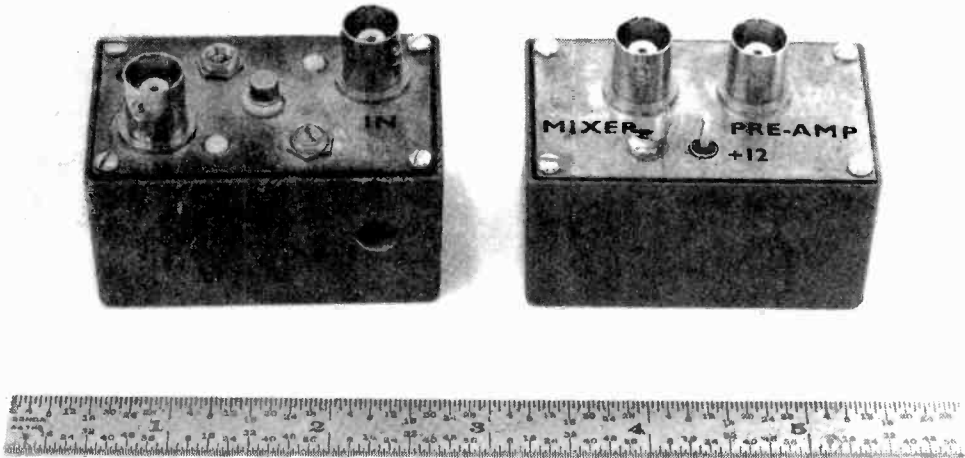


Figure 81

LOW NOISE PREAMPLIFIER FOR 2 METERS

On the left is the low noise preamplifier built in a cast aluminum box. Input and output connectors are located on the printed-circuit chassis board. The hole in the side of the box is to allow adjustment of capacitor C<sub>1</sub>. A similar hole on the opposite side of the box is for adjustment of capacitor C<sub>4</sub>. On the right is the power distribution unit used when the preamplifier is located at the antenna site.

If it is desired to operate the preamplifier remotely at the antenna site, the circuit of figure 83 is used in conjunction with the preamplifier to allow the +12 volts to be fed to the unit using the center conductor of the coaxial cable connecting the preamplifier to the converter.

**Preamplifier Construction** The preamplifier is designed to fit within a cast aluminum box (figure 84). A double sided printed-circuit board is used for the chassis, as shown in figure 85. Components are mounted directly to the board and a small shield (figure 85B) is placed over

the JFET socket to provide isolation between input and output circuits.

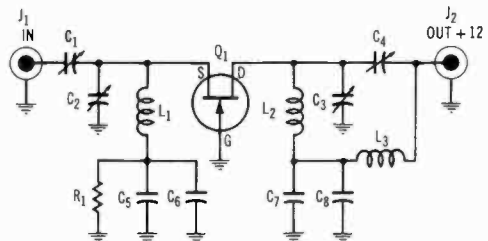
The JFET is mounted in a very small transistor socket (figure 86) and all leads made as short as possible between the various components. If desired, the output adjustment capacitor C<sub>4</sub> may be made a fixed 2 pF silver mica unit, thus reducing the cost of the preamplifier without detracting from the gain or noise figure. Wiring should be done with a small soldering iron with a pointed tip.

Layout for the power distribution box chassis is shown in figure 86B and 87. Again, very short interconnecting leads should be used in this unit.

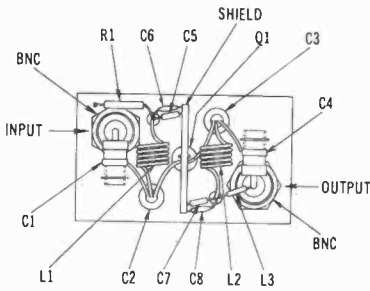
Figure 82

SCHEMATIC OF 2-METER LOW-NOISE PREAMPLIFIER

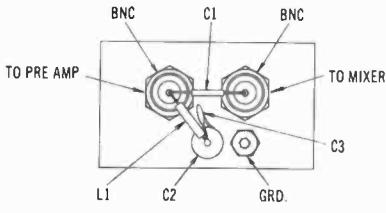
- C<sub>1</sub>-C<sub>4</sub>—0.5 to 10 pF. (Johanson)
- C<sub>5</sub>, C<sub>7</sub>—500 pF disc capacitor
- C<sub>6</sub>, C<sub>8</sub>—0.1 μF disc capacitor
- Box—Pomona 2417
- L<sub>1</sub>, L<sub>2</sub>—5 turns #18 e., 1/4" inside diam. Space diameter of wire
- L<sub>3</sub>—1 μH r-f choke
- Q<sub>1</sub>—Siliconix U-310 or 2N5397
- R<sub>1</sub>—Chosen for drain current of 10 mA. About 180 ohms
- J<sub>1</sub>, J<sub>2</sub>—BNC receptacles







A

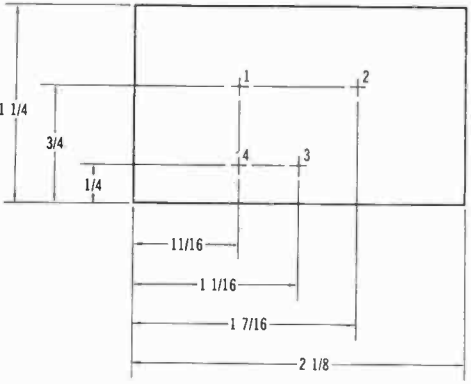


B

Figure 86

COMPONENT LAYOUT

- A—Preamplifier parts placement
- B—Power distribution deck parts placement



- # 1 & 2—3/8" DRILL-BNC CONNECTORS
- # 3—HOLE FOR FEED THRU CAPACITOR C2
- # 4—# 32 DRILL—# 4-40 UNC-Grd. SOLDER LUG

MATERIAL—1/16 DOUBLE SIDED P.C BOARD

Figure 87

DRILLING DATA FOR POWER DISTRIBUTION UNIT

20-7 A Tuneable 2-Meter Receiver With Digital Readout

ceiving antenna and the preamplifier when in the transmitting mode.

One solution to this problem is to use an additional antenna relay on the preamplifier which will switch its input circuit to a 50-ohm load resistor during transmit. The preamplifier input should not be short- or open-circuited while transmitting, since this may encourage oscillation in the preamplifier.

Since no mechanical relay switches instantaneously, there can exist an instant when transmitter power may be present on the line before the preamplifier is adequately isolated from the antenna. An effective way to handle this problem is to use a delay relay in the final power amplifier, preferably in the high-voltage line. This will allow antenna and preamplifier relays to switch before transmitter power is applied to the antenna. In addition to protecting the preamplifier, this will lessen the chances of burning the contacts of the antenna relay.

A modern tuneable two meter f-m receiver has to have excellent dial readout, crystal filter selectivity, and a high order of freedom from overload and intermodulation distortion. Only a few years ago these characteristics were difficult to obtain in a high-frequency receiver, much less one designed for 144-MHz service.

The receiver shown in this section was designed and built by K2BLA for use in today's crowded 2-meter band. It is compact, easy to build and get working and is not complex (figure 88). The receiver works from a 12-volt supply and is intended for either fixed or mobile operation.

The Receiver Circuit

A popular receiver design for the vhf enthusiast is the combination of a crystal-controlled converter feeding a tuneable i-f sys-

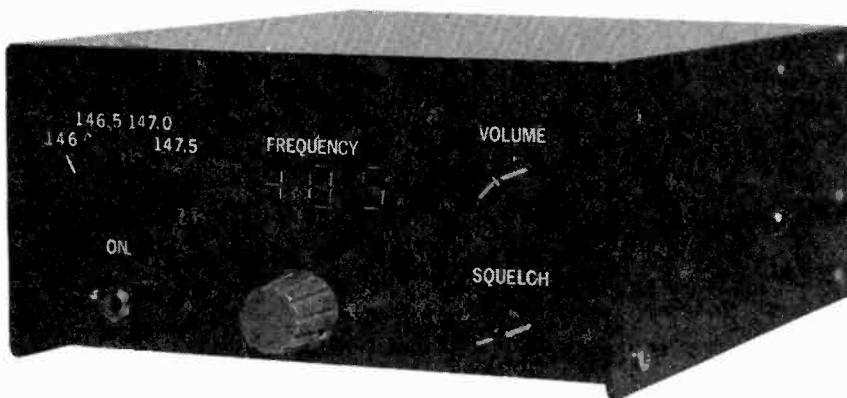


Figure 88

**SOLID-STATE 2-METER RECEIVER WITH DIGITAL READOUT**

This sensitive 2-meter receiver is designed for f-m service in today's crowded band. It covers the range of 146.0 MHz to 148.0 MHz in four bands. Dial readout is to one kilohertz and electronic tuning system provides 50 KHz per turn. Receiver measures 7¼" long by 6" deep by 2¾" high. At left is the band switch, with the primary power switch directly beneath it. Volume and squelch controls are at right. In the center is the tuning control directly beneath the frequency readout window. Press-on decals are used for panel labeling.

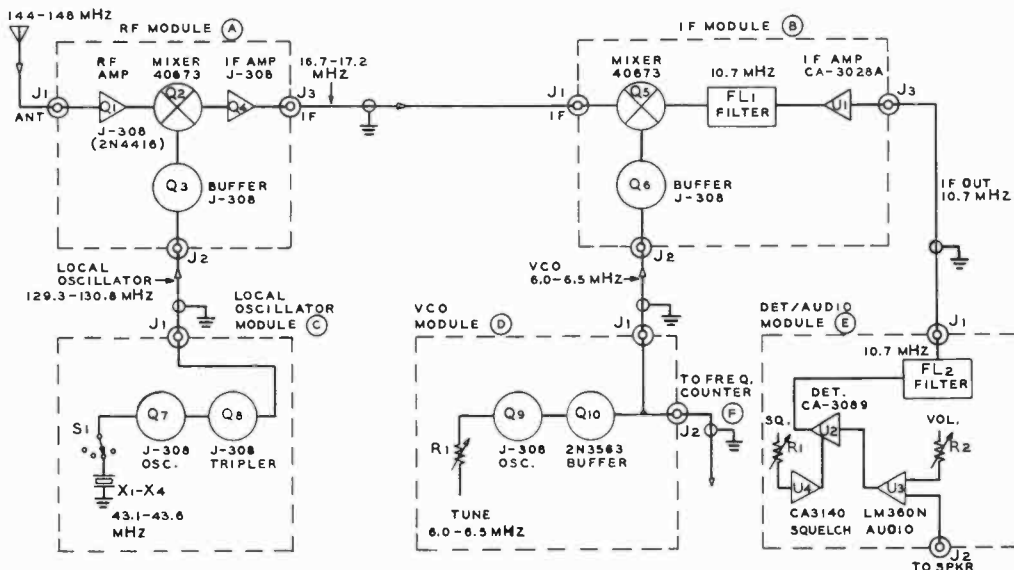


Figure 89

**BLOCK DIAGRAM OF 2-METER RECEIVER**

The receiver is built and described in modules. The r-f module (A) and local oscillator module (C) form a converter with an i-f output frequency of about 17 MHz. Four crystals are used to cover the f-m range of the two meter band. The i-f module (B) contains a second mixer with variable frequency injection from the VCO module (D). The second intermediate frequency is 10.7 MHz. The VCO is tuned by a varactor diode and the frequency is read in a simple counter (figure 93). The detector/audio module contains a second i-f filter and a crystal discriminator. An adjustable squelch control quiets the receiver between signals.

tem (usually the station hf receiver). This concept is satisfactory for ssb or c-w but leaves much to be desired for f-m service. However, this concept can be adapted to f-m operation as shown in this compact receiver. The design features a 144-MHz converter working into a packaged f-m i-f system. A dial accuracy of one kHz is achieved, along with 0.3  $\mu$ V sensitivity, good f-m limiting and excellent audio response for voice communication. Dual i-f filters are used and the design is specially tailored for amateur construction. It is possible to build and align this receiver with equipment no more sophisticated than a signal generator and a high-impedance voltmeter with an r-f probe.

A block diagram of the receiver is shown in figure 89. A crystal-controlled converter is built up of modules A and C. The r-f amplifier is a common-gate connected JFET ( $Q_1$ ) having about 12 dB of gain. The transistor used is a J-308. As a substitute, the 2N4416 may be substituted without circuit change but with a slight decrease in performance. The first mixer ( $Q_2$ ) is a dual-gate MOSFET, type 40673, which provides about 12 dB of conversion gain.

The first local oscillator ( $Q_7$ ) uses third-overtone crystals in the 43-MHz range and is followed by a tripler ( $Q_8$ ) to the 129-MHz region. Multiple tuned circuits in the oscillator chain ensure a clean local-oscillator signal since unwanted harmonic energy in the mixer would result in spurious responses. These circuits are necessary as the r-f amplifier module has only two tuned circuits for the sake of simplicity. A more exotic front-end would provide greater rejection to off-frequency signals but would require a sweep generator for proper alignment. In keeping with the design philosophy of simplicity, a less-complex front-end was adopted at the expense of image rejection. However, the first intermediate frequency was carefully chosen so that the image frequencies fall in the aeronautical navigation band. Transmitters in this band are intended to be received by airborne receivers and when heard on the ground, the signals are usually very weak. If this receiver is used in close proximity to a navigation aid station that causes interference, a simple parallel-tuned trap inserted in the antenna lead and tuned to the frequency of the interference will solve the problem.

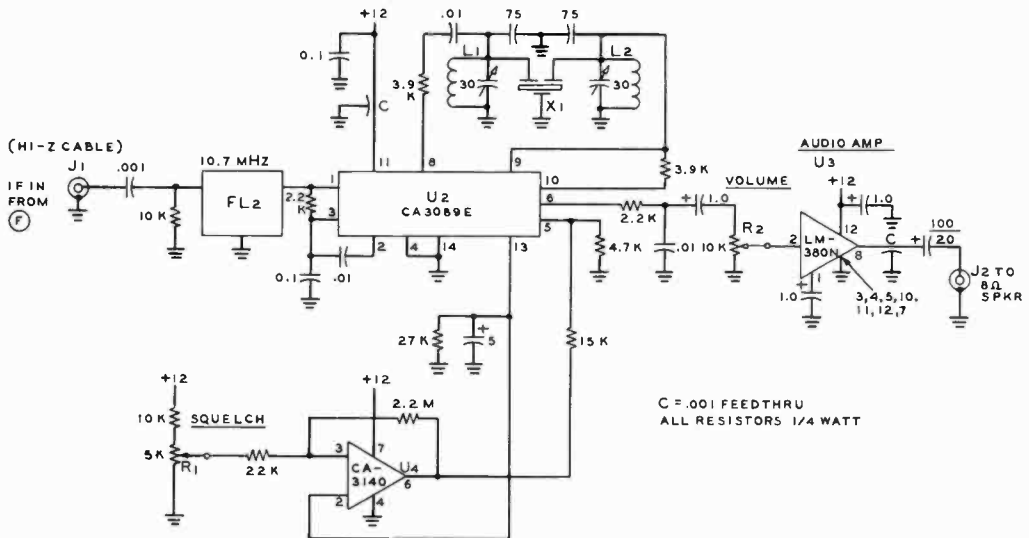


Figure 90

SCHEMATIC, I-F DETECTOR/AUDIO MODULE-E

- FL<sub>2</sub>—8-pole, 10.7 MHz filter. Piezo-Technology, Inc. Module 1475
- X<sub>1</sub>—Crystal discriminator. Piezo Technology 2283
- L<sub>1</sub>, L<sub>2</sub>—2.2  $\mu$ H molded choke. J. W. Miller 9360-02 or equivalent



The first i-f signal band is at 17 MHz and a coaxial cable connects the r-f module (A) to the i-f module (B). The second mixer is a dual-gate MOSFET ( $Q_5$ ) which provides about 15 dB conversion gain. As in the first oscillator chain, the second oscillator chain is filtered to eliminate unwanted harmonics and only a single tuned circuit is necessary to remove unwanted responses. The second mixer feeds an eight-

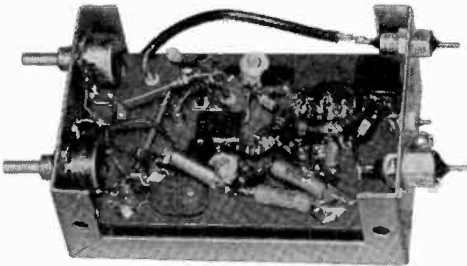


Figure 91

DETECTOR-AUDIO MODULE

This module is built on a copper-clad board. Volume and squelch controls are at left. Crystal discriminator and adjustable alignment capacitors are at the center of the board. Filter  $FL_2$  is at right end of board, away from the panel controls. Integrated circuit  $U_2$  is next to the filter. The module box is bolted in a vertical position to the side of the counter module.

pole monolithic crystal filter ( $FL_1$ ). A second eight-pole filter ( $FL_2$ , module E) is used before the detector to provide an excellent overall bandpass response. The second filter is necessary in any case for the proper operation of the CA-3089 i-f subsystem. A crystal-filtered discriminator is used in conjunction with the CA-3089 i-f subsystem (module E) and a simple audio amplifier ( $U_1$ ) provides up to two watts of power which is sufficient for mobile or fixed operation. Rapid and accurate squelch control is provided by device  $U_4$ , a CA-3140 integrated circuit.

The frequency of the second local oscillator (module D,  $Q_1$ ) is adjusted by the main tuning control. The oscillator tunes from 6.0 MHz to 6.5 MHz, allowing the two-meter band to be covered in 500 kHz segments. The local oscillator is electronically tuned with a varactor diode and a 10-turn potentiometer. This system provides a very smooth, backlash-free tuning system allowing 50 kHz per turn of resolution. Since the actual frequency is measured by an electronic frequency counter (figure 93) dial accuracy and tracking is no problem, and the received frequency may be set within one kHz with ease.

The frequency counter (module F) displays the last three kilohertz digits of the

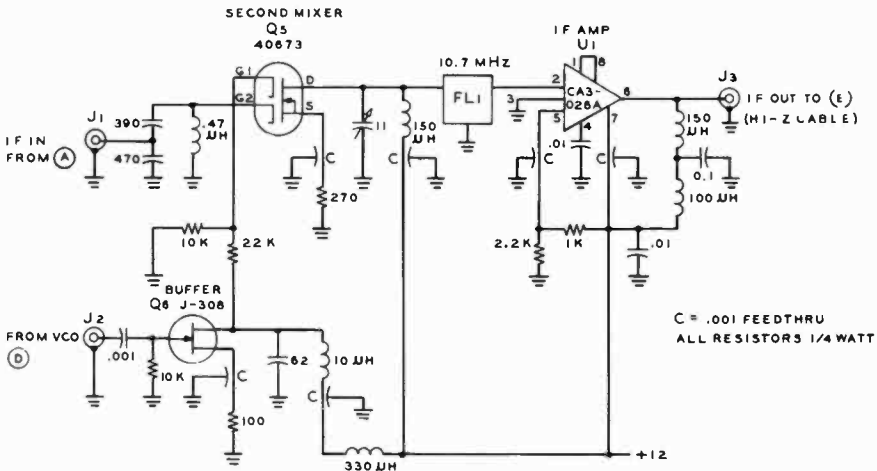


Figure 92

SCHEMATIC, I-F SECOND MIXER MODULE-B

$FL_1$ —8-pole, 10.7 MHz Filter. Piezo-Technology, Inc. Model 1475  
 Inductors—J. W. Miller 9340-9350 series molded chokes  
 Small capacitors are silver mica or NPO ceramic

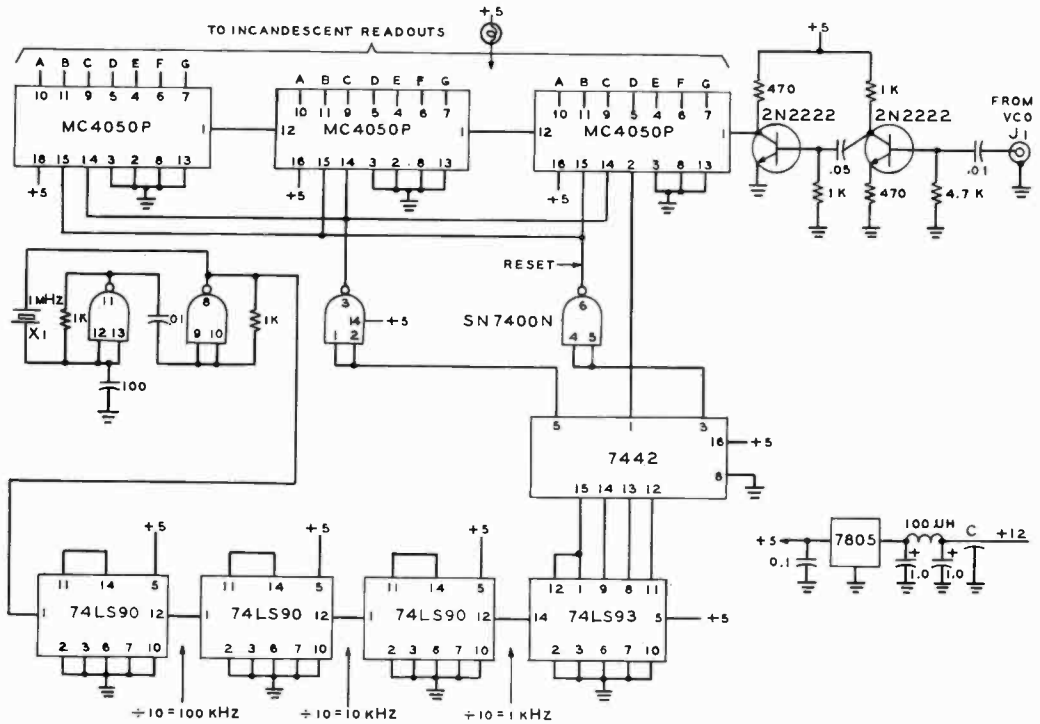


Figure 93

FREQUENCY COUNTER SCHEMATIC MODULE - F

second local oscillator. For example, if the oscillator is at 6.050 MHz, the counter will read 050. Likewise, if the oscillator is at 6.485 MHz, the counter will read 485. The actual received frequency is determined by the first local-oscillator crystal frequency plus the second local-oscillator frequency as displayed on the counter. For example, if the first local oscillator is set to the 146.5-MHz position and the counter indicates 485, the received frequency is  $146.5 + 0.485 = 146.985$  MHz.

The receiver operates from a power source within the range of 12 to 14 volts with a 0.3 to 0.5A drain. An internal regulator provides +5 volts for the counter circuits.

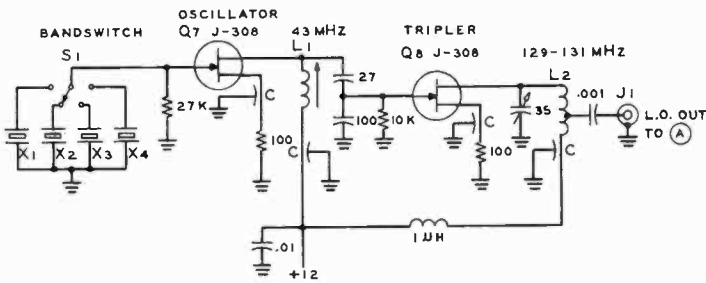
**Receiver Construction and Wiring** The receiver is built in separate modules for easy construction and testing, as well as to achieve good shielding. Excellent shielding and good power lead bypassing techniques are absolute necessities

if internally generated spurious signals are to be kept to a minimum. If the receiver is constructed and tested in the suggested order, the entire unit may be aligned with simple test equipment. It is necessary to use some of the completed modules to test and align other portions of the receiver.

*The I-F Subsystem and Detector/Audio Module*—This is the first module to build as it will be used to test other modules. The assembly is built up on perforated board. The assembly is designated *module E* and the schematic is shown in figure 90. A photograph of this module is shown in figure 91. The unit is built within an aluminum minibox measuring  $2\frac{1}{8}'' \times 1\frac{1}{8}'' \times 3\frac{1}{4}''$  (Bud CU-2117A).

Make sure to keep lead lengths short, particularly around U<sub>2</sub>, the CA-3089. The *Squelch* and *Volume* controls are located on one end of the box and the power leads on the other. After the unit has been wired and checked, a speaker and a 12-volt supply are





BAND (MHz)	XTAL (MHz)
146.0-146.5	43.1000
146.5-147.0	43.2667
147.0-147.5	43.4333
147.5-148.0	43.6000

C = .001 FEEDTHRU  
ALL RESISTORS 1/4 WATT

Figure 95

**SCHEMATIC, FIRST OSCILLATOR MODULE-C**

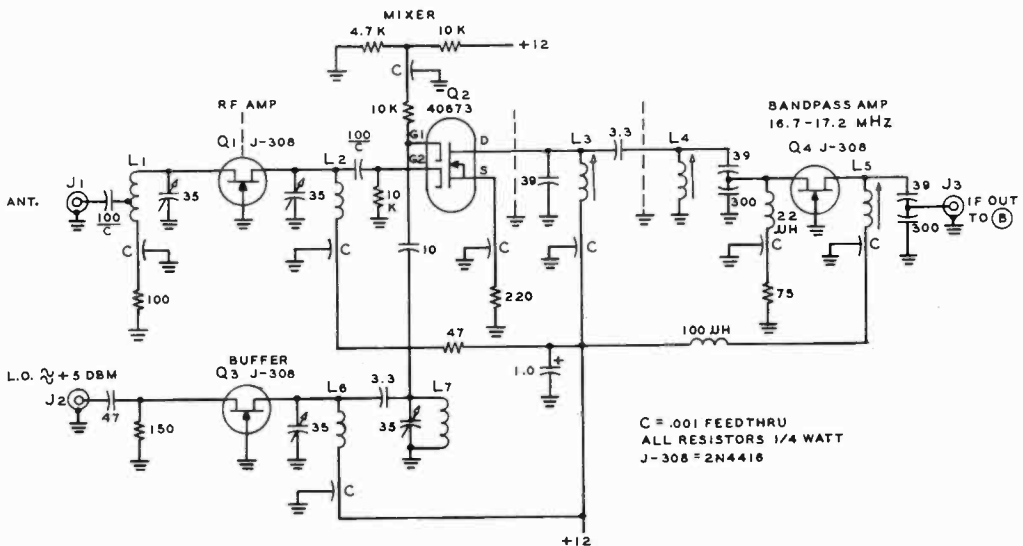
L<sub>1</sub>—9 turns # 20 e. on 1/4" diam. slug tuned form. J. W. Miller 4500

L<sub>2</sub>—5 turns #20 e., 1/4" diam. airwound, tap at 1/2 turns from bottom

be tested by applying a 0.5 volt rms signal to receptacle J<sub>1</sub> from the signal generator at about 6.0 MHz and observing the display.

The counter will be required to adjust the second local oscillator which is the next

item to be constructed. If the oscillator and buffers are functioning properly, there should be some reading on the frequency counter as the main tuning dial is rotated. Turn the main tuning control from full



C = .001 FEEDTHRU  
ALL RESISTORS 1/4 WATT  
J-308 = 2N4416

Figure 96

**SCHEMATIC, R-F MODULE - A**

L<sub>1</sub>—5 turns #20 e., 1/4" diam. spacewound. Tap 3 turns from ground

L<sub>2</sub>—Same as L<sub>1</sub>, no tap

L<sub>3</sub>, L<sub>4</sub>-L<sub>5</sub>—24 turns #22 e. on 1/4" diam. slug-tuned form. J. W. Miller 4500

L<sub>6</sub>, L<sub>7</sub>—6 turns #22 e. spacewound

clockwise to full counterclockwise and the frequency span shown should be about 5.98 MHz to 6.52 MHz. The oscillator must tune from 6.0 to 6.5 MHz with some overtravel on each end. If the span is incorrect, the slug in the oscillator coil (figure 94) may be adjusted and  $R_A$  and  $R_B$  changed in value. Any overtravel between 20 and 50 kHz is acceptable.

*Receiver Assembly and Alignment*—The remaining sections of the receiver are the first local oscillator (module C, figure 95) and the r-f circuitry (module A, figure 96). A side view of the assembly showing modules C and D in position (figure 97) is helpful in the final receiver assembly. The view of the r-f module A is shown in figure 98. These units are built in accord with good construction practices.

The crystal oscillator (module C) is built in a separate minibox measuring  $2\frac{1}{4}'' \times 1\frac{3}{8}'' \times 1\frac{3}{8}''$  (LMB-CR211) because of space considerations. The crystal oscillator and tripler do not have to be physically separate from the front-end circuitry, but since the oscillator contains a panel mounted switch, the circuitry was separated from the rest of module A to conserve front panel space.

Once modules A and C are completed, the first i-f amplifier should be aligned. If a sweep generator is available, the most ac-

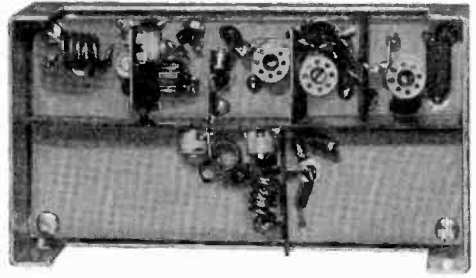


Figure 98

### R-F MODULE OF 144 MHz RECEIVER

Circuit is built up on copper plated board. The various stages have shields placed between them. The shields are made of board stock, cut to size and soldered to the copper overlay. End view of slug-tuned coils is shown with all components supported by their leads. Module is bolted to rear of receiver cabinet.

curate alignment can be accomplished by coupling the generator through a  $0.01 \mu\text{F}$  capacitor to gate #2 of the first mixer ( $Q_2$ ). If a sweep generator is not available, connect the signal generator in the same manner and connect an r-f probe to the i-f output connector ( $J_3$ ).

Using the sweep generator, tune  $L_3$ ,  $L_4$ , and  $L_5$  for a flat response over the i-f spectrum of 16.7 MHz to 17.2 MHz. If a sweep generator is not used, a weak signal is in-

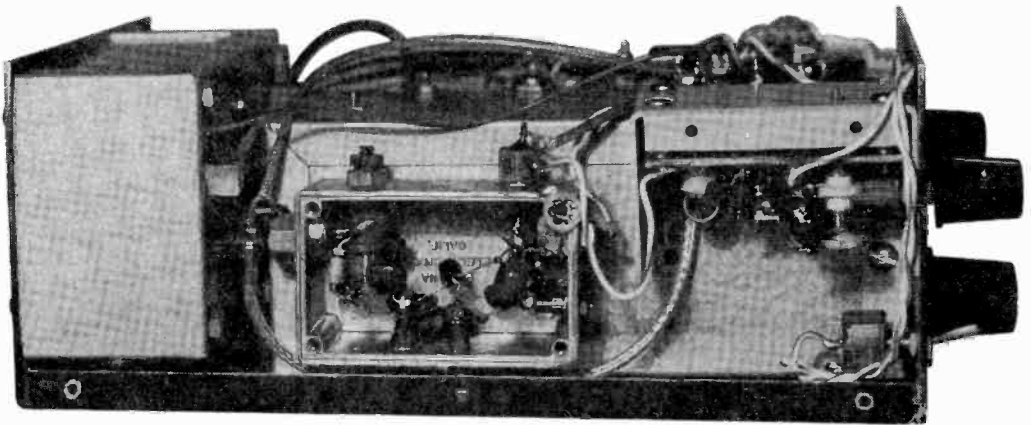


Figure 97

### SIDE VIEW OF RECEIVER

Modules C (local oscillator) and D (VCO) are exposed in this view. Slug of the VCO coil is adjustable from top of module box. The local oscillator module is panel mounted with the crystal switch projecting through the panel. At the rear of the assembly is the r-f module, A. Power switch is at lower corner of panel.

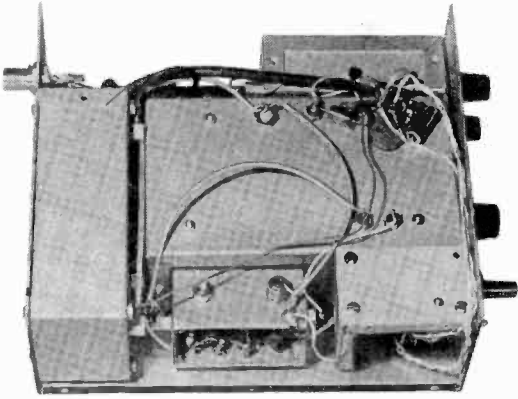


Figure 99

**TOP VIEW OF RECEIVER ASSEMBLY**

Receiver modules are mounted in the receiver cabinet. R-f module is at the rear, right, with other modules bolted to center counter module. Oscillator modules are in foreground.

jected into the module and inductor  $L_3$  is adjusted for maximum response at 16.7 MHz. The generator is then tuned to 17.2 MHz and inductor  $L_5$  is adjusted in similar fashion. Inductor  $L_4$  is adjusted to smooth out peaks in the i-f passband.

Once the crystal oscillator (module C) is finished, the bandswitch should be set to a midfrequency crystal. The r-f probe is touched to the gate of oscillator  $Q_7$  and the slug of inductor  $L_1$  adjusted for maximum reading. The probe is next moved to the tripler coil ( $L_2$ ) and the circuit capacitor adjusted for maximum output. The buffer stage in module A is next resonated for maximum signal. The r-f voltage at gate #2 of mixer  $Q_2$  should be between 0.5 and 1.5 volts, rms.

The last adjustment is to peak the r-f amplifier circuits at about 146 MHz. This may

be done with the signal generator. The circuits should be tuned for minimum receiver background noise while reducing generator output so that the generator barely quiets the receiver. Sensitivity, typically, is less than 0.5 microvolt. Final adjustment should be done on a weak signal as most generators leak enough signal so as to make this adjustment difficult.

When alignment is complete, the various modules can be placed in a small cabinet. This unit shown is in a *LMB-OH743* cabinet measuring  $7\frac{1}{4}'' \times 6'' \times 2\frac{3}{4}''$ . Placement of the modules can be seen in figure 99.

If more of the two-meter band is desired, crystals may be added. The crystal frequency is determined by the following formula:

$$X_1 = \frac{F_1 - 16.7}{3}$$

where,

$X_1$  is the crystal frequency in MHz,

$F_1$  is the lowest frequency of the desired band segment.

The receiver offers interesting possibilities for other vhf bands. By simply changing the front end module (A), the receiver can be modified for use on 50-, 220-, or 450-MHz. Any converter having an output spectrum between 16.7 and 17.2 MHz may be used. Those commercial converters having output in the 20-meter band can be easily modified for use in this receiver design.

Another possibility, since tuning is accomplished by varying a dc voltage, is to use a ramp generator to automatically scan a band segment, the scan stopping when the squelch opens. Preset channels could be set by means of individual potentiometers and a selector switch. A tuning meter and signal-strength meter may also be added.



# HF and VHF Power Amplifier Design

A *power amplifier* is a converter that changes dc into r-f output. Chapter Seven of this Handbook discussed the various classes of r-f power amplifiers and Chapters Eleven and Twelve covered the calculation of input and output circuit parameters. This chapter covers power-amplifier design and adjustment.

Modern hf amateur transmitters are capable of operating on c-w, SSB and often RTTY and SSTV on one or more amateur bands between 3.5 MHz and 29.7 MHz. Very few pieces of commercially built amateur equipment have amplitude-modulation capability, other than some gear designed for 6- and 2-meter operation, since the changeover from a-m to SSB during the past decade is now almost complete. On the other hand, expansion of 160-meter privileges in the past years has not brought about the inclusion of that band in most amateur equipment.

The most popular and flexible amateur hf transmitting arrangement usually includes a compact bandswitching exciter or transceiver having 100 to 500 watts PEP input on the most commonly used hf bands, followed by a single linear power-amplifier stage having 1 kW to 2 kW PEP input capacity. In many instances, the exciter is an SSB transceiver unit capable of mobile operation, while the amplifier may be a compact tabletop assembly. The amplifier is usually coupled to the exciter by a coaxial cable and changeover relay combination, permitting the exciter to run independently of the amplifier, if desired, or in combination with the amplifier for maximum power output. For c-w or RTTY, the amplifier is usually operated in the linear mode, since conversion to class-C operation is not required.

These practical designs are a natural outgrowth of the importance of vfo operation and the use of SSB and c-w modes in amateur practice. It is not practical to make a rapid frequency change when a whole succession of stages must be retuned to resonance, or when bandswitching is not employed. Another significant feature in station design is the popularity of 100- to 250-watt output SSB exciter/transceivers. These provide sufficient drive for high-level linear amplifiers without the need for intermediate stages of amplification.

**Power-Amplifier Design** Power amplifiers are classified according to operating mode and circuitry. Thus,

a particular amplifier mode may be class AB<sub>1</sub>, class B, or class C; the circuitry can be either single-ended or push-pull; and the unit may be grid- or cathode-driven. Mode of operation and circuit configuration should not be confused, since they may be mixed in various combinations, according to the desire of the user and the characteristics of the amplifier tube.

High-frequency silicon power transistors are used in some advanced amateur and commercial equipment designs up to the 300-watt PEP power level or so. Undoubtedly solid-state devices will become of increasing importance in hf power amplifiers in the coming decade.

Either triode or tetrode tubes may be used in the proper circuitry in hf and vhf power amplifiers. The choice of tube type is often dependent on the amount of drive power available and, in the case of home-made gear, the tube at hand. If an exciter of 100 to 200 watts PEP output capacity is to be used, it is prudent to employ an amplifier



whose drive requirement falls in the same power range as the exciter output. Triode or tetrode tubes may be used in cathode-driven (grounded-grid) circuitry which will pass along an excess of exciter power in the form of feedthrough power to the antenna circuit. The tubes may also be grid-driven in combination with a power absorption network that will dissipate excess exciter power not required by the amplifier.

On the other hand, if the power output of the exciter is only a few watts PEP, either low-drive, high-gain tetrodes must be used in grid-driven configuration, or an intermediate amplifier must be used to boost the drive to that level required by triode tubes. Thus, the interface between the exciter and the amplifier in terms of PEP level must be reconciled in the design of the station transmitting equipment.

## 21-1 Triode Amplifier Design

Triode tubes may be operated in either grid- or cathode-driven configuration, and may be run in class-AB<sub>1</sub>, class-AB<sub>2</sub>, class-B or class-C mode. Plate dissipation and amplification factor ( $\mu$ ) are two triode characteristics which provide the information necessary to establish proper mode and circuitry and to evaluate the tube for linear-amplifier or class-C service.

*Plate dissipation* is important in that it determines the ultimate average and peak power capabilities of the tube. Linear amplifiers commonly run between 55- and 65-percent plate efficiency, with the majority of the remainder of the power being lost as plate dissipation. Class-C service often runs at about 70- to 75-percent plate efficiency. Knowing the plate dissipation rating of the tube, the approximate maximum power input and output levels for various modes of service may be determined by the methods outlined in Chapter 7.

*Amplification Factor* ( $\mu$ ) of a triode expresses the ratio of change of plate voltage for a given change in grid voltage at some fixed value of plate current. Values of  $\mu$  between 10 and 300 are common for triode transmitting tubes. High- $\mu$  tubes ( $\mu$  greater than about 30) are most suitable in cathode-driven (grounded-grid) circuitry as the

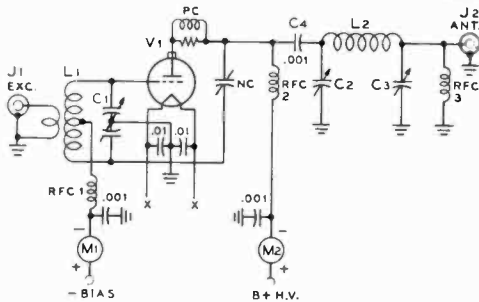
cathode-plate shielding of a high- $\mu$  tube is superior to that of a comparable low- $\mu$  tube, and because a high- $\mu$  tube provides more gain and requires less driving power than a low- $\mu$  tube in this class of service. Low- $\mu$  triodes, on the other hand, are well suited for grid-driven class-AB<sub>1</sub> operation since it is possible to reach a high value of plate current with this type of tube, as opposed to the high- $\mu$  equivalent, without driving the grid into the power-consuming, positive region. Even though a large value of driving voltage is required for the low- $\mu$  tube, little drive power is required for class-AB<sub>1</sub> service, since the grid always remains negative and never draws current.

As a rule-of-thumb, then, a triode tube to be used for linear r-f service in a power amplifier should have a large plate-dissipation capability, and the output power to be expected from a single tube will run about twice the plate-dissipation rating. High- $\mu$  triodes, generally speaking, perform better in cathode-driven, class-B circuitry; whereas medium- and low- $\mu$  triodes are to be preferred in grid-driven, class AB<sub>1</sub> circuitry. Circuit neutralization may often be disposed with in the first case (at least in the hf region), and is usually necessary in the second case, otherwise the circuits bear a striking similarity.

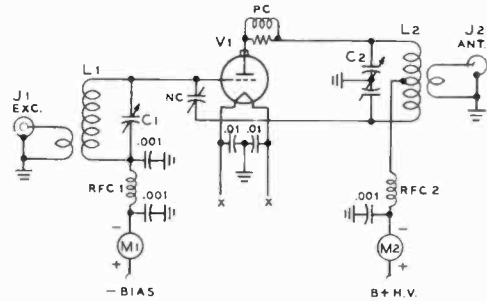
**Grid-Driven Circuitry** Representative grid- and cathode-driven triode circuits are shown in figure 1. The classic grid-driven, grid-neutralized circuit is shown in illustration A. The drive signal is applied to a balanced grid tank circuit ( $L_1, C_1$ ) with an out-of-phase portion of the exciting voltage fed through capacitor NC to the plate circuit in a bridge neutralization scheme. A pi network is employed for the plate output coupling circuit. The plate inductor ( $L_2$ ) may be tapped or otherwise variable and is normally adjustable from the amplifier panel, eliminating the necessity of plug-in coils and access openings into the shielded amplifier inclosure. The grid circuit may also be switched or varied in a similar manner.

A high ratio of capacitance to inductance (high-C) is required in the tuned grid circuit in order to preserve the phase relationship in the neutralizing circuit under

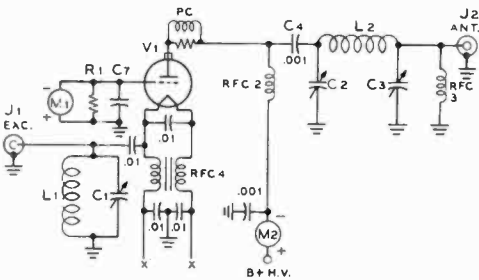
## TRIODE CIRCUITRY



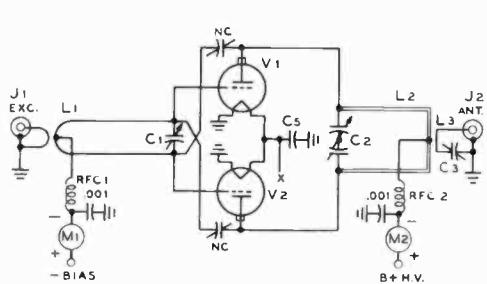
(A) GRID DRIVEN



(B) GRID DRIVEN



(C) CATHODE DRIVEN



(D) GRID DRIVEN, PUSH PULL

Figure 1

## REPRESENTATIVE TRIODE AMPLIFIER CIRCUITS

Circuits A, B and C are for the 3-54 MHz region. Circuit D is intended for the 50-500 MHz region. Note that one filament leg is grounded in circuit D to reduce inductance of filament return circuit.

**C<sub>1</sub>**—Input tuning capacitor. Typically, 3 pF per meter of wavelength. Spacing .003" for power level up to 2 kW, PEP

**C<sub>2</sub>**—Output tuning capacitor. Refer to plate-circuit design data in Chapter 11.

**C<sub>3</sub>**—Loading capacitor. Typically, 20 pF per meter of wavelength. Refer to Chapter 11.

**C<sub>4</sub>**—Plate-blocking capacitor. Typically, 500 pF to 1000 pF, 5 kV

**C<sub>5</sub>, C<sub>6</sub>**—Low-inductance mica or ceramic capacitor, series resonant near operating frequency. See Chapter 17

**M<sub>1</sub>**—Grid-current meter

**M<sub>2</sub>**—Plate-current meter

**RFC<sub>1</sub>**—Grid choke, receiving type rated to carry

grid current. Typically, 1 to 2.5 mH for 3- to 30-MHz range

**RFC<sub>2</sub>**—Plate choke, transmitting type, solenoid. Rated to carry plate current. Typically, 800 μH. See Chapter 17

**RFC<sub>3</sub>**—Receiving-type choke. 2½ mH for 3- to 30-MHz range.

**RFC<sub>4</sub>**—Bifilar windings, 15 turns each #12 wire on ½-inch diameter ferrite core, 3" long for 3- to 54-MHz range

**PC**—Plate parasitic suppressor. Typically, 3 turns #18 enamel, ½-inch diameter, ½-inch long, in parallel with 50-ohm 2-watt composition resistor. See Chapter 17

operating conditions. If a low-C grid circuit is used, grid loading will unbalance the neutralizing network, the r-f voltage at the grid dropping and the voltage at the neutralizing end of the grid circuit rising. A high-C circuit tends to alleviate this problem.

Plate circuit neutralization (figure 1B) does not exhibit such a degree of unbalance

under load and is to be preferred, especially for operation at the higher frequencies. A split plate-tank circuit is required in place of the split grid circuit, making the use of a single ended pi-network output circuit impractical. Theory and adjustment of grid and plate neutralizing circuits are covered in Chapter 11. In either configuration, care must be taken in construction to make sure

that a minimum of stray coupling exists between grid and plate tank circuits. Whenever possible, the grid and plate coils should be mounted at right angles to each other, and should be separated sufficiently to reduce coupling between them to a minimum. Unwanted coupling will tend to make neutralization frequency-sensitive, requiring that the circuit be reneutralized when a major frequency change is made.

**Cathode-Driven Circuitry** A representative cathode-driven (grounded-grid) triode circuit is shown in figure 1C. A pi-network plate circuit is used, and excitation is applied to the filament (cathode) circuit, the grid being at r-f ground potential. If the amplification factor of the triode is sufficiently high so as to limit the static plate current to a reasonable value, no auxiliary grid bias is required. A parallel-tuned cathode input circuit is shown, although pi-network circuitry may be used in this position. Filament voltage may either be fed via a shunt r-f choke as shown, or applied through a bifilar series-fed cathode tank coil.

While nominally at r-f ground, the grid of the triode may be lifted above ground a sufficient amount so as to insert a monitoring circuit to measure dc grid current. The grid to ground r-f impedance should remain very low, and proper attention must be paid to the r-f circuit. A considerable amount of r-f current flows through the grid bypass capacitor ( $C_7$ ) and this component should be rated for r-f service. It should be shunted with a low value of resistance (of the order of 10 ohms or less) and the dc voltage drop across this resistor is monitored by the grid voltmeter, which is calibrated in terms of grid current. Both resistor and capacitor aid in establishing a low-impedance path from grid to ground and should be mounted directly at the socket of the tube. If multiple grid pins are available, each pin should be individually bypassed to ground. Control of the grid-to-ground impedance in the cathode-driven circuit establishes the degree of intrastage feedback, and an increase in grid impedance may alter stage gain, leading to possible uncontrolled oscillation or perhaps making the stage difficult to drive. At the higher frequencies, stage gain may be controlled by

the proper choice of the grid-to-ground impedance.

From a practical standpoint, it is suggested that the cathode tank circuit be made fixed-tuned and peaked at the middle of the amateur band in use. This form of construction is suggested because if the cathode circuit is inadvertently tuned too far off-frequency, it will turn the cathode-driven amplifier into a robust oscillator! The user might suspect instability, or a possible parasitic oscillation, which is not the case. It is merely that the circuit constants are such that a phase shift may be unintentionally created between cathode and plate which will sustain oscillation. The use of a fixed-tuned, or slug-tuned, cathode circuit will prevent this, as it cannot be adjusted sufficiently far off frequency to sustain oscillation.

**Push-Pull Circuitry** A push-pull triode amplifier configuration is shown in figure 1D. This circuit design is now rarely used in the hf region because of the mechanical difficulties that ensue when a large frequency change is desired. In the vhf region, on the other hand, where operation of an amplifier is generally restricted to one band of frequencies, linear push-pull tank circuits are often employed. Lumped-inductance tank coils are usually avoided in the vhf region since various forms of parallel-line or strip-line circuitry provide better efficiency, higher  $Q$ , and better thermal stability than the coil-and-capacitor combination tank assemblies used at the high frequencies. Push-pull operation is of benefit in the vhf region as unavoidable tube capacitances are halved, and circuit impedances are generally higher than in the case of single-ended circuitry. At the higher vhf regions, parallel- and strip-line circuitry give way to coaxial tank circuits in which the tube structure becomes a part of the resonant circuit.

The output coupling circuit may be designed for either balanced or unbalanced connection to coaxial or twin-conductor transmission line. In many cases, a series capacitor ( $C_3$ ) is placed in one leg of the line at the feed point to compensate for the inductance of the coupling coil.

Common hf construction technique employs plug-in plate and grid coils which

necessitate an opening in the amplifier enclosure for coil-changing purposes. Care must be taken in the construction of the door of the opening to reduce harmonic leakage to a minimum. While variations in layout, construction, and voltage application are found, the following general remarks apply to hf amplifiers of all classes and types.

**Circuit Layout** The most important consideration in constructing a push-pull amplifier is to maintain electrical symmetry on both sides of the balanced circuit. Of utmost importance in maintaining electrical balance is the control of stray capacitance between each side of the circuit and ground.

Large masses of metal placed near one side of the grid or plate circuits can cause serious unbalance, especially at the higher frequencies, where the tank capacitance between one side of the tuned circuit and ground is often quite small in itself. Capacitive unbalance most often occurs when a plate or grid coil is located with one of its ends close to a metal panel. The solution to this difficulty is to mount the coil parallel to the panel to make the capacitance to ground equal from each end of the coil, or to place a grounded piece of metal opposite the "free" end of the coil to accomplish a capacity balance.

All r-f leads should be made as short and direct as possible. The leads from the tube grids or plates should be connected directly to their respective tank capacitors, and the leads between the tank capacitors and coils should be as heavy as the wire that is used in the coils themselves. Plate and grid leads to the tubes may be made of flexible tinned braid or flat copper strip. Neutralizing leads should run directly to the tube grids and plates and should be separate from the grid and plate leads to the tank circuits. Having a portion of the plate or grid connections to their tank circuits serve as part of a neutralizing lead can often result in amplifier instability at certain operating frequencies.

**Filament Supply** The amplifier filament transformer should be placed right on the amplifier chassis in close proximity to the tubes. Short filament leads are

necessary to prevent excessive voltage drop in the connecting leads, and also to prevent r-f pickup in the filament circuit. Long filament leads can often induce instability in an otherwise stable amplifier circuit, especially if the leads are exposed to the radiated field of the plate circuit of the amplifier stage. The filament voltage should be the correct value specified by the tube manufacturer when measured *at the tube sockets*. A filament transformer having a tapped primary often will be found useful in adjusting the filament voltage. When there is a choice of having the filament voltage slightly higher or slightly lower than normal, the lower voltage is preferable.

Filament bypass capacitors should be low internal inductance units of approximately  $.01\mu\text{F}$ . A separate capacitor should be used for each socket terminal. Lower values of capacitance should be avoided to prevent spurious resonances in the internal filament structure of the tube. Use heavy, shielded filament leads for low voltage drop and maximum circuit isolation.

**Plate Feed** The series plate-voltage feed shown in figure 1D is the most satisfactory method for push-pull stages. This method of feed puts high voltage on the plate tank inductor, but since the r-f voltage on the inductor is in itself sufficient reason for protecting the inductor from accidental bodily contact, no additional protective arrangements are made necessary by the use of series feed.

The insulation in the plate supply circuit should be adequate for the voltages encountered. In general, the insulation should be rated to withstand at least four times the maximum dc plate voltage. For safety, the plate meter should be placed in the cathode return lead, since there is danger of voltage breakdown between a metal panel and the meter movement at plate voltages much higher than one thousand.

Parallel plate feed, such as shown in figures 1A and 1B, is commonly used for single-ended pi-network amplifier configurations. The plate r-f choke is a critical component in this circuit, and a discussion of choke design is covered in Chapter 17. The plate-blocking capacitor ( $C_1$ ) should be rated to withstand the peak r-f plate cur-



copper strap. The amount of lead shunted by the resistor constitutes the inductor and determines the degree of coupling between the fundamental signal and the parasitic suppressor.

When large tubes are used in the vhf region, the parasitic frequency of the circuit may fall near, or at, the fundamental operating frequency. If this is so, parasitic suppression is unnecessary as the conventional cross-neutralization circuit will also inhibit parasitic oscillation.

## 21-2 Tetrode Amplifier Design

As in the case of triode tubes, tetrodes may be operated in either grid- or cathode-driven configuration and may (within certain limits) be run in class-AB<sub>1</sub>, -AB<sub>2</sub>, -B, or class-C mode. Much of the information on circuit layout and operation previously discussed for triode tubes applies in equal context to tetrodes. Other differences and additional operational data will be discussed in this section.

Tetrode tubes are widely used in hf and vhf amplifiers because of their high power gain and wide range of simple neutralization. Tetrode circuitry resembles triode circuitry in that comparable modes and circuit configurations may be used. Various popular and proven tetrode circuits are shown in figure 3. Illustration A shows a typical single-ended neutralized tetrode circuit employing a pi-network output circuit and a bridge neutralization scheme. Tetrode neutralization techniques are discussed in detail in Chapter 11.

Tetrode plate current is a direct function of screen voltage and means must be employed to control screen voltage under all conditions of operation of the tetrode. In particular, if the *dc screen-to-ground* path is broken, the screen voltage may rise to equal the plate potential, thus damaging the tube and rupturing the screen bypass capacitor. It is dangerous, therefore, to reduce screen voltage for tuneup purposes by simply breaking the screen power lead unless a protective screen bleeder resistor ( $R_s$ ) is placed directly at the tube socket, as shown in the illustrations of figure 3. If this resistor is used, the screen supply may be safely

broken at point X for tuneup purposes, or for reduced-power operation. The value of screen bleeder resistance will vary depending on tube characteristics, and a typical value is generally specified in the tube data sheet. For tubes of the 4CX250B family, the value of resistance is chosen to draw about 15 to 20 mA from the screen power supply. The 4CX1000A, on the other hand, requires a screen bleeder current of about 70 mA.

In any case, regardless of whether the screen circuit is broken or not, the use of a screen bleeder resistor in the circuit at all times is mandatory for those tetrodes which produce reverse screen current under certain operating conditions. This is a normal characteristic of most modern, high-gain tetrodes and the screen power supply should be designed with this characteristic in mind so that correct operating voltages will be maintained on the screen at all times.

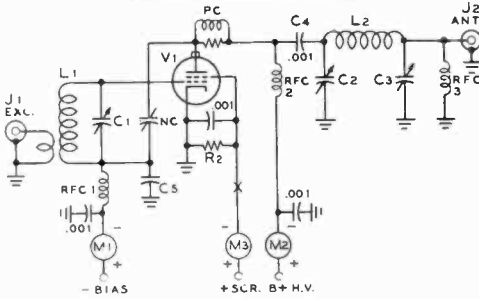
With the use of a screen bleeder resistor, full protection for the screen may be provided by an overcurrent relay and by interlocking the screen supply so that the plate voltage must be applied before screen voltage can be applied.

Power output from a tetrode is very sensitive to screen voltage, and for linear service a well-regulated screen power supply is required. Voltage-regulator tubes or a series-regulated power supply are often used in high-power tetrode linear-amplifier stages.

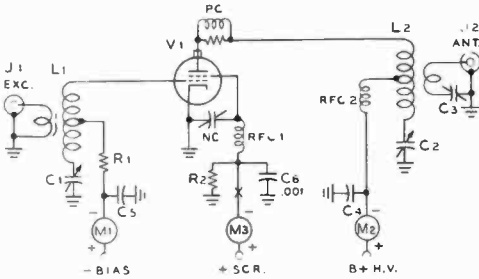
A tetrode neutralizing circuit suitable for the lower portion of the vhf region is shown in figure 3B. When the operating frequency of the tetrode is higher than the self-neutralizing frequency, the r-f voltage developed in the screen circuit is too great to provide proper voltage division between the internal capacitances of the tube (see Chapter 11). One method of reducing the voltage across the screen lead inductance and thus achieving neutralization is to adjust the inductive reactance of the screen-to-ground path so as to lower the total reactance. This reactance adjustment may take the form of a variable series capacitor as shown in illustration B. This circuit is frequency sensitive and must be readjusted for major changes in the frequency of operation of the amplifier.

Balanced input and output tuned circuits are used in the configuration of figure 3B.

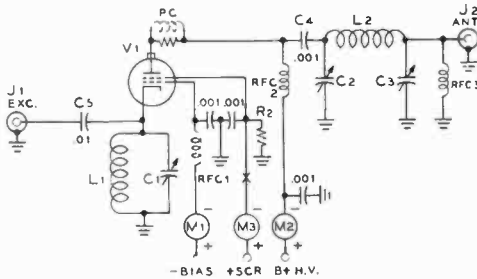
TETRODE CIRCUITRY



(A) GRID DRIVEN



(B) GRID DRIVEN



(C) CATHODE DRIVEN

Figure 3

REPRESENTATIVE TETRODE AMPLIFIER CIRCUITS

Circuit B is intended for operation above the self-neutralizing frequency of the tetrode. Above 30 MHz or so, the screen bypass capacitor of circuits A and C is often chosen so as to be self-resonant at the operating frequency of the amplifier.

- C<sub>1</sub>, L<sub>1</sub>—Input tuned circuit. Typically, 3 pF per meter of wavelength for circuits A and B. 20 pF per meter of wavelength for circuit C
- C<sub>2</sub>, C<sub>3</sub>, L<sub>2</sub>—Pi-network plate circuit. Refer to plate-circuit design data in Chapter 11
- C<sub>4</sub>—Plate-blocking capacitor. Typically, 500 pF to 1000 pF at 5 kV
- R<sub>1</sub>—Wirewound resistor (100-500 ohms) to act as low-Q r-f choke
- R<sub>2</sub>—Screen resistor to carry negative screen current and complete screen-to-ground circuit. See tube data sheet for details
- PC—Plate parasitic suppressor. See Chapter 17 and figure 1 of this chapter. For vhf operation, suppressor may consist of composition resistor shunted across a short portion of the plate lead
- RFC—Grid choke, receiving type. Typically, 2.5 mH for 3- to 30-MHz range. Vhf-rated choke for 50 MHz and 144 MHz
- RFC<sub>1</sub>—Plate choke, transmitting type, solenoid. Rated to carry plate current. Typically, 800 μH for 3- to 30-MHz range. Vhf-rated choke for 50 MHz and 144 MHz
- RFC<sub>2</sub>—Receiving-type choke. 2.5 mH for 3- to 30-MHz range
- M<sub>1</sub>—Grid-current meter
- M<sub>2</sub>—Plate-current meter
- M<sub>3</sub>—Screen-current meter

In the grid circuit, the split capacitance is composed of variable capacitor C<sub>1</sub> and the grid-cathode input capacitance of the tube. The coil (L<sub>1</sub>) is chosen so that C<sub>1</sub> approximates the input capacitance. The same technique is employed in the plate circuit, where a split tank is achieved by virtue of capacitance C<sub>2</sub> and the output capacitance of the tetrode tube.

A cathode-driven tetrode amplifier is shown in illustration C. Many tetrodes do not perform well when connected in class-B grounded-grid configuration (screen and grid both at ground potential). These tubes are characterized by high perveance, together

with extremely small spacing between the grid bars, and between the grid structure and the cathode. Tubes of the 4-65A, 4X150A/4CX250B, and 4CX1000A family are in this class. For proper operation of these high-gain tubes, the screen requires much larger voltage than the control grid. When the electrodes of these tubes are tied together, the control grid tends to draw heavy current and there is risk of damaging the tube. Lower-gain tetrodes, such as the 813, 4-400A, and 4-1000A have a more balanced ratio of grid to screen current and may be operated in zero-bias, grounded-grid mode. The best way to employ the higher-gain tetrode tubes in cathode-driven service is to ground the grid and screen through bypass capacitors and to operate the elements at their rated class AB<sub>1</sub> dc voltages. In all cases, grid and screen current should be monitored, so as to keep maximum currents within ratings.

**Tetrode Amplifier Circuitry** The most widely used tetrode circuitry for hf use is the single-ended pi-network configuration, variations of which are shown in figure 4.

A common form of pi-network amplifier is shown in figure 4A. The  $\pi$  circuit forms the matching system between the plate of the amplifier tube and the low-impedance, unbalanced, antenna circuit. The coil and input capacitor of the  $\pi$  may be varied to tune the circuit over a 10 to 1 frequency range (usually 3.0 to 30 MHz). Operation over the 20- to 30-MHz range takes place when the variable slider on coil  $L_2$  is adjusted to short this coil out of the circuit. Coil  $L_1$  therefore comprises the tank inductance for the highest portion of the operating range. This coil has no taps or sliders and is constructed for the highest possible  $Q$  at the high-frequency end of the range. The adjustable coil (because of the variable tap and physical construction) usually has a lower  $Q$  than that of the fixed coil.

The degree of loading is controlled by capacitors  $C_1$  and  $C_3$ . The amount of circuit capacitance required at this point is inversely proportional to the operating frequency and to the impedance of the antenna circuit. A loading capacitor range of 100 to 2500 pF is normally ample to cover the 3.5- to 30-MHz range.

The  $\pi$  circuit is usually shunt-fed to remove the dc plate voltage from the coils and capacitors. The components are held at ground potential by completing the circuit to ground through the choke ( $RFC_1$ ). Great stress is placed on the plate-circuit choke ( $RFC_2$ ). This component must be specially designed for this mode of operation, having low interturn capacitance and no spurious internal resonances throughout the operating range of the amplifier.

Parasitic suppression is accomplished by means of chokes  $PC_1$  and  $PC_2$  in the screen, grid, or plate leads of the tetrode. Suitable values for these chokes are given in the parts list of figure 4. Effective parasitic suppression is dependent to a large degree on the choice of screen bypass capacitor  $C_1$ . This component must have extremely low inductance throughout the operating range of the amplifier and well up into the vhf parasitic

range. The capacitor must have a voltage rating equal to at least twice the screen potential (four times the screen potential for plate modulation). There are practically no capacitors available that will perform this difficult task. One satisfactory solution is to allow the amplifier chassis to form one plate of the screen capacitor. A "sandwich" is built on the chassis with a sheet of insulating material of high dielectric constant and a matching metal sheet which forms the screen side of the capacitance. A capacitor of this type has very low internal inductance but is very bulky and takes up valuable space beneath the chassis. One suitable capacitor for this position is the *Centralab* type 858S-1000, rated at 1000 pF at 5000 volts. This compact ceramic capacitor has relatively low internal inductance and may be mounted to the chassis by a 6-32 bolt. Further screen isolation may be provided by a shielded power lead, isolated from the screen by a .001- $\mu$ F ceramic capacitor and a 100-ohm carbon resistor.

Various forms of the basic pi-network amplifier are shown in figure 4. The *A* configuration employs the so-called "all-band" grid-tank circuit and a rotary pi-network coil in the plate circuit. The *B* circuit uses coil switching in the grid circuit, bridge neutralization, and a tapped pi-network coil with a vacuum tuning capacitor. Figure 4C shows an interesting circuit that is becoming more popular for class-AB<sub>1</sub> linear operation. A tetrode tube operating under class-AB<sub>1</sub> conditions draws no grid current and requires no grid-driving power. Only r-f voltage is required for proper operation. It is possible therefore to dispense with the usual tuned grid circuit and neutralizing capacitor and in their place employ a noninductive load resistor in the grid circuit across which the required excitation voltage may be developed. This resistor can be of the order of 50 to 300 ohms, depending on circuit requirements. Considerable power must be dissipated in the resistor to develop sufficient grid swing, but driving power is often cheaper to obtain than the cost of the usual grid-circuit components. In addition, the low-impedance grid return removes the tendency toward instability that is often common to the circuits of figures 4A and 4B.



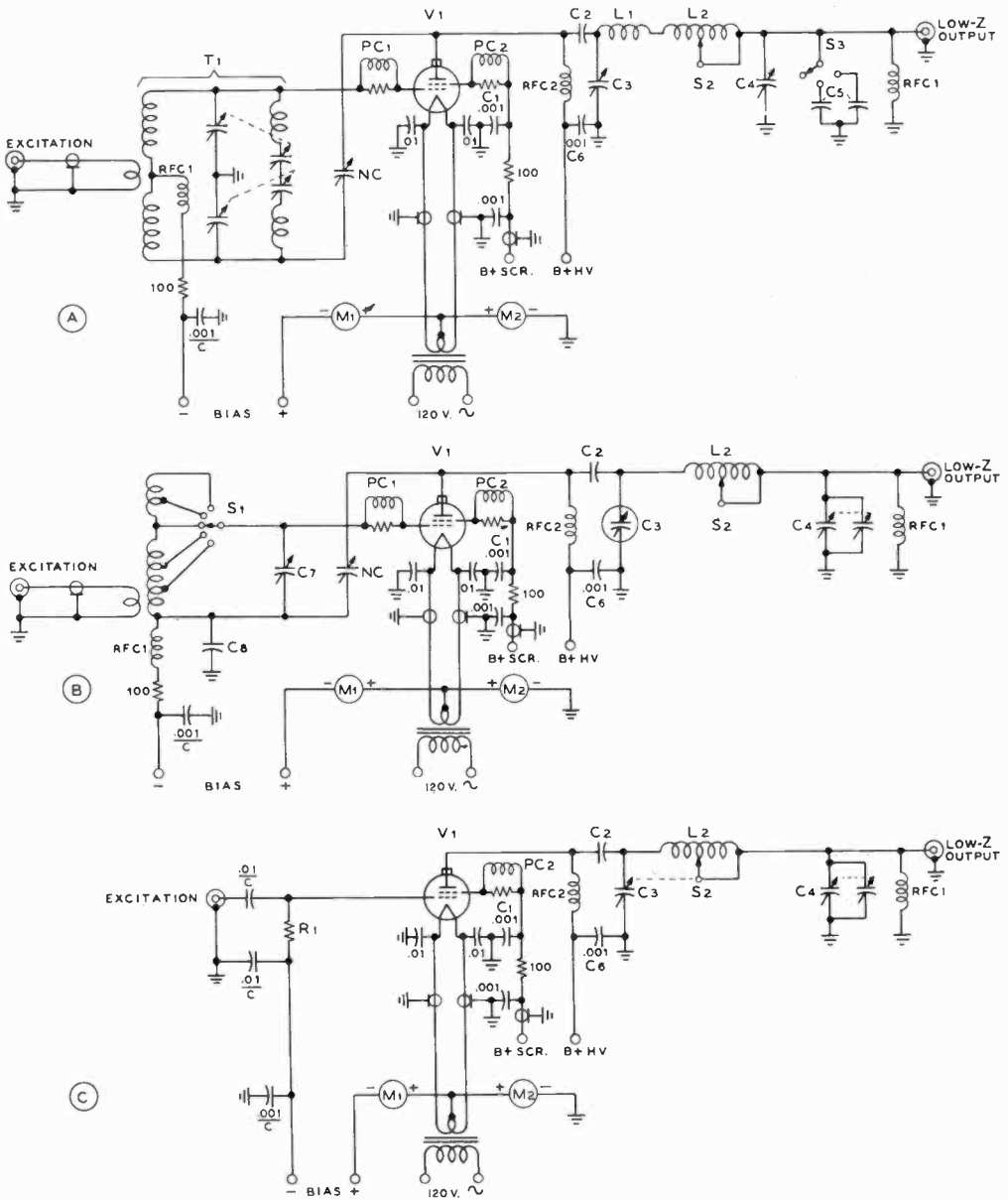


Figure 4

TYPICAL PI-NETWORK CONFIGURATIONS

A—Split grid circuit provides out-of-phase voltage for grid neutralization of tetrode tube. Rotary coil is employed in plate circuit, with small, fixed auxiliary coil for 28 MHz. Multiple tuning grid tank T<sub>1</sub> covers 3.5-30 MHz without switching  
 B—Tapped grid and plate inductors are used with "bridge-type" neutralizing circuit for tetrode amplifier stage. Vacuum tuning capacitor is used in input section of pi-network  
 C—Untuned input circuit (resistance loaded) and plate inductor ganged with tuning capacitor comprise simple amplifier configuration. R<sub>1</sub> is usually 50-ohm, 100-watt carbon resistor.  
 PC<sub>1</sub>, PC<sub>2</sub>—50-ohm, 2-watt composition resistor, wound with 3 turns #12 enam. wire  
 Note: Alternatively, PC<sub>2</sub> may be placed in the plate lead.

Neutralization is not required of the circuit of figure 4C, and in many cases parasitic suppression may be omitted. The price that must be paid is the additional excitation that is required to develop operating voltage across grid resistor  $R_1$ .

The pi-network circuit of figure 4C is interesting in that the rotary coil ( $L_2$ ) and the plate tuning capacitor ( $C_3$ ) are ganged together by a gear train, enabling the circuit to be tuned to resonance with one panel

control instead of the two required by the circuit of figure 4A. Careful design of the rotary inductor will permit the elimination of the auxiliary high-frequency coil ( $L_1$ ), thus reducing the cost and complexity of the circuit.

**The Grounded-Screen Configuration**

For maximum shielding, it is necessary to operate the tetrode tube with the screen at r-f ground potential. As the screen has a dc potential applied to it (in grid-driven circuits), it must be bypassed to ground to provide the necessary r-f return. The bypass capacitor employed must perform efficiently over a vast frequency spectrum that includes the operating range plus the region of possible vhf parasitic oscillations. This is a large order, and the usual bypass capacitors possess sufficient inductance to introduce regeneration into the screen circuit, degrading the grid-plate shielding to a marked degree. Nonlinearity and self-oscillation can be the result of this loss of circuit isolation. A solution to this problem is to eliminate the screen bypass capacitor, by grounding the screen terminals of the tube by means of a low-inductance strap. Screen voltage is then applied to the tube by grounding the positive terminal of the screen supply, and "floating" the negative of the screen and bias supplies below ground potential as shown in figure 5. Meters are placed in the separate-circuit cathode return leads, and each meter reads only the current flowing in that particular circuit. Operation of this grounded-screen circuit is normal in all respects, and it may be applied to any form of grid-driven tetrode amplifier with good results.

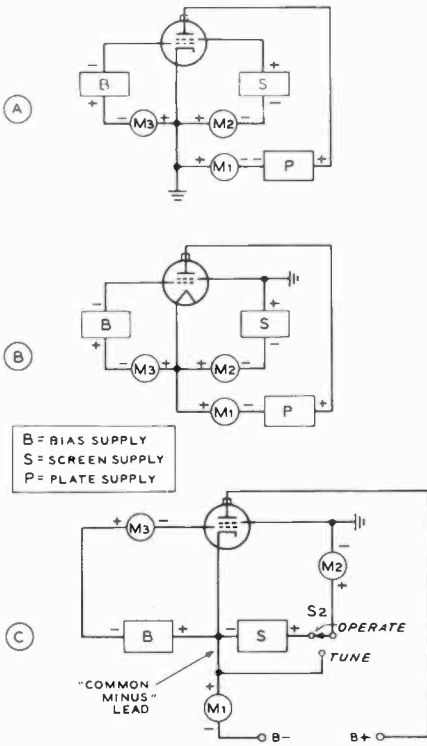


Figure 5

**GROUNDING-SCREEN-GRID CONFIGURATION PROVIDES HIGH ORDER OF ISOLATION IN TETRODE AMPLIFIER STAGE**

- A—Typical amplifier circuit has cathode return at ground potential. All circuits return to cathode.
- B—All circuits return to cathode, but ground point has been shifted to screen terminal of tube. Operation of the circuit remains the same, as potential differences between elements of the tube are the same as in circuit A.
- C—Practical grounded-screen circuit. "Common minus" lead returns to negative of plate supply, which cannot be grounded. Switch  $S_2$  removes screen voltage for tune-up purposes.

**The Inductively Tuned Tonk Circuit**

The output capacitance of large transmitting tubes and the residual circuit capacitance are often sufficiently great to prevent the plate tank circuit from having the desired value of  $Q$ , especially in the upper reaches of the hf range (28- to 54-MHz). Where tank capacitance values are small, it is possible for the output capacitance of the tube to be greater than the maximum desired value of tank capacitance. In some cases, it is possible to permit the circuit to operate with higher-than-normal  $Q$ , however this expedient is unsatisfactory

when circulating tank current is high, as it usually is in high-frequency amplifiers.

A practical alternative is to employ *inductive tuning* and to dispense entirely with the input tuning capacitor which usually has a high minimum value of capacitance (figure 6). The input capacitance of the circuit is thus reduced to that of the output capacitance of the tube which may be more nearly the desired value. Circuit resonance is established by varying the inductance of the tank coil with a movable, shorted turn, or loop, which may be made of a short length of copper water pipe of the proper diameter. The shorted turn is inserted within the tank coil by a lead-screw mechanism, or it may be mounted at an angle within the coil and rotated so that its plane travels from a parallel to an oblique position with respect to the coil. The shorted turn should be silver plated and have no joints to hold r-f losses to a minimum. Due attention should be given to the driving mechanism so that unwanted, parasitic shorted turns do not exist in this device.

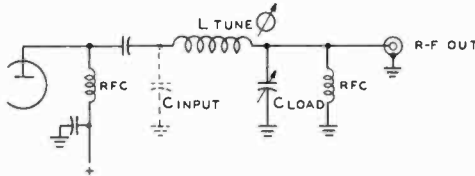


Figure 6

**INDUCTIVE TUNING ELIMINATES INPUT TUNING CAPACITOR**

**Push-Pull Tetrode Circuitry** Tetrode tubes may be employed in push-pull amplifiers, although the modern trend is to parallel operation of these tubes. A typical circuit for push-pull operation is shown in figure 7. The remarks concerning the filament supply, plate feed, and grid bias in Section 21-1 apply equally to tetrode stages. Because of the high circuit gain of the tetrode amplifier, extreme care must be taken to limit intrastage feedback to an absolute minimum. It must be remembered with high-gain tubes of this type that almost full output can be obtained with practically

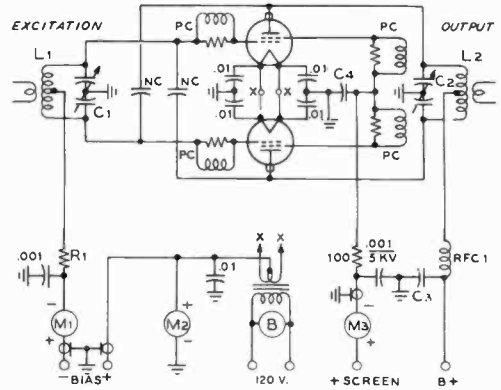


Figure 7

**REPRESENTATIVE PUSH-PULL TETRODE AMPLIFIER CIRCUIT**

The push-pull tetrode amplifier uses many of the same components required by the triode amplifier of figure 2. Parasitic suppressors may be placed in grid, screen, or plate leads. A low-inductance screen capacitor is required for proper amplifier operation. Capacitor C<sub>4</sub> may be .001 μF, 5 kV. Centralab type 858S-1000. Strap multiple screen terminals together at socket with 3/8-inch copper strap for operation below 30 MHz and attach PC to center of strap. Blower required for many medium- and high-power tetrode tubes to cool filament and plate seals.

zero grid excitation. Any minute amount of energy fed back from the plate circuit to the grid circuit can cause instability or oscillation. *Unless suitable precautions are incorporated in the electrical and mechanical design of the amplifier, this energy feedback will inevitably occur.*

Fortunately these precautions are simple. The grid and filament circuits must be isolated from the plate circuit. This is done by placing these circuits in an "electrically tight" box. All leads departing from this box are bypassed and filtered so that no r-f energy can pass along the leads into the box. This restricts the energy leakage path between the plate and grid circuits to the residual plate-to-grid capacity of the tetrode tubes. This capacity is of the order of 0.25 pF per tube, and under normal conditions is sufficient to produce a highly regenerative condition in the amplifier. Whether or not the amplifier will actually break into oscillation is dependent upon circuit loading and residual lead inductance of the stage. Suffice to say that unless the tubes are actually neu-

tralized a condition exists that will lead to circuit instability and oscillation under certain operating conditions.

Parasitic suppression is required with most modern high-gain tetrodes and may take place in either the plate or screen circuit. In some instances, suppressors are required in the grid circuit as well. Design of the suppressor is a cut-and-try process: if the inductor of the suppressor has too few turns, the parasitic oscillation will not be adequately suppressed. Too many turns on the suppressor will allow too great an amount of fundamental frequency power to be absorbed by the suppressor and it will overheat and be destroyed. From 3 to 5 turns of #12 wire in parallel with a 50-ohm, 2-watt composition resistor will usually suffice for operation in the hf region. At 50 MHz, the suppressor inductor may take the form of a length of copper strap (often a section of the plate lead) shunted by the suppressor resistor.

**VHF Push-Pull Tetrode Amplifiers**

The circuit considerations for the vhf triode amplifier configuration apply equally well to the push-pull tetrode circuit shown in figure 8. The neutralization techniques applied to the tetrode tube however, may vary as the frequency of operation of the amplifier varies about the self-neutralizing frequency of the tetrode tube. At or near the upper frequency limit of operation, the inductance of the screen-grid lead of the tetrode cannot be ignored as it becomes of importance. Passage of r-f current through the screen lead produces a potential drop in the lead which may or may not be in phase with the grid voltage impressed on the tube. At the self-neutralizing frequency of the tube, the tube is inherently neutralized due to the voltage and current divisions within the tube which place the grid at the filament potential as far as plate-circuit action is concerned (see Chapter 11, Section 6). When the tetrode tube is operated below this frequency, normal neutralizing circuits apply; operation at the self-neutralizing frequency normally does not require neutralization, provided the input and output circuits are well shielded. Operation above the self-neutralizing frequency (in the range of 25 MHz to 100 MHz for

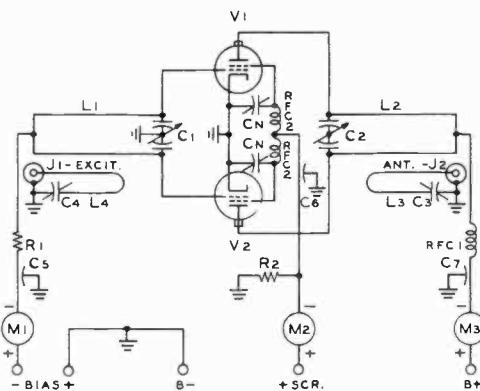


Figure 8

**REPRESENTATIVE VHF PUSH-PULL TETRODE AMPLIFIER CIRCUIT**

Tuned lines are used in grid and plate tank circuits in place of lumped inductances. Each screen circuit is series resonated to ground by neutralizing capacitor C<sub>n</sub>. Wirewound resistor (R<sub>1</sub>) is used in the grid-return circuit and frequency-rated r-f chokes in the plate and screen power leads. Screen resistor is included to complete screen-to-ground circuit, as discussed in text. Vhf type feedthrough capacitors are used for maximum suppression of r-f currents in power leads.

large glass tubes, and in the range of 120 MHz to 600 MHz for ceramic, vhf tubes) requires neutralization, which may take the form of a series screen-tuning capacitor, such as shown in the illustration.

Neutralization is frequency sensitive and the amplifier should be neutralized at the operating frequency. Adjustment is conducted so as to reduce the power fed from the grid to the plate circuit. The amplifier may be driven with a test signal (filament and dc voltages removed) and the signal in the plate tank circuit measured with an r-f voltmeter. The neutralizing capacitors are adjusted in unison until a minimum of fed-through voltage is measured. A good null will be obtained provided that intrastage feedback is reduced to a minimum by proper shielding and lead-bypassing techniques.

**Sweep Tubes in Linear Service** Listed in figure 9 are intermittent voice operation ratings for various TV sweep tubes when used for linear operation in the amateur service. While the plate dissipation of these tubes is of the order of 30 to 35

watts, the intermittent nature of amateur transmission and the high ratio of peak to average power in the human voice allow a good balance between peak power input, tube life, and tube cost to be achieved. For lower levels of intermodulation distortion, the user must shift to transmitting-type tubes rated for linear service, and which are designed to have low intermodulation distortion characteristics.

The owner of sweep-tube equipped SSB gear is cautioned that when the tubes are replaced, they should be of the same brand name as the original set, and the new tubes should be matched for equal values of resting plate current. Different manufacturers often have slightly different assembly techniques in matters such as lead length within the tube envelope. These minor construction differences do not affect operation in sweep circuits but may vastly alter the neutralization technique when the tube is used in r-f service. Certain brands of sweep tubes, moreover, have the internal connection between cathode and base pin taken from the top of the tube structure. This results in an extremely long cathode lead whose induct-

ance is so high that it is impossible to secure sufficient grid drive at 28 MHz for efficient operation in linear amplifier service.

Because of electrical variations from tube-to-tube, it is suggested that sweep tubes be matched for identical values of resting plate current when they are used in parallel connection. One tube may be tested at a time in the amplifier and two tubes chosen for use whose resting plate currents are approximately equal at the same bias level. When unbalanced tubes are used, one will tend to draw more plate current than the other, thus leading to shorter tube life and increased intermodulation distortion on the signal.

### 21-3 Cathode-Driven Amplifier Design

The *cathode-driven, or grounded-grid* amplifier has achieved astounding popularity in recent years as a high-power linear stage for sideband application. Various versions of this circuit are illustrated in figure 10. In

R-F LINEAR AMPLIFIER SERVICE FOR SSB AND CW GRID DRIVEN, CLASS AB <sub>1</sub> MODE													
TUBE	FIL $\frac{V}{A}$	BASE	PLATE VOLTAGE Eb	SCREEN VOLTAGE Ec2	GRID VOLTAGE Ec1	ZERO SIG PLATE CUR. Ib0	MAX SIG PLATE CUR. Ib	MAX SIG SCREEN CUR. Ic2	PL. LOAD IMPEDAN Rp-Ω	PLATE INPUT PWR. W.	USEFUL POWER OUT. Po	AVERAGE PLATE DISSIP. Pd	3d ORDER IMD Db
6146 6146B	$\frac{6.3}{1.2}$	7CK	600	200	-46	25	103	9	3570	61	41	16	-25
			750	200	-51	25	118	7	2825	86	55	28	-22
			800	290	-69	30	125	10	3620	100	59	35	-24
			800	290	-77	25	180	13	2300	145	91	45	-19
807	$\frac{6.3}{0.9}$	5AW	600	300	-34	18	70	8	4300	42	28	12	-23
			750	300	-35	15	70	8	5200	53	36	14	-23
6550	$\frac{6.3}{1.6}$	7S	680	340	-39	48	140	20	3010	95	67	26	-32
			800	290	-33	45	127	15	3920	102	70	29	-30
6DQ5	$\frac{6.3}{2.5}$	8JC	500	150	-46	48	170	17	1800	85	54	27	-28
			500	150	-46	48	182	13	1625	91	56	29	-26
			700	150	-49	35	182	11	2210	127	78	41	-23
			800	180	-67	30	250	13	1710	200	121	70	-19
6GB5	$\frac{6.3}{1.36}$	9NH	600	200	-41	23	192	14	1900	115	80	30	-18
6GE5	$\frac{6.3}{1.2}$	12BJ	600	200	-45	30	132	15	2500	79	51	23	-22
			800	250	-61	25	172	18	2750	138	90	39	-19
6HF5	$\frac{6.3}{2.25}$	12FB	500	140	-46	40	133	5	1900	67	35	29	-27
			800	125	-45	30	197	7	2170	158	100	48	-21
6JE6A	$\frac{6.3}{2.5}$	9QL	500	125	-44	40	110	4	2300	55	30	24	-28
			750	175	-63	27	218	15	1850	163	102	51	-20
6LQ6	$\frac{6.3}{2.5}$	9QL	750	175	-60	25	215	9	1850	161	102	49	-18
			800	200	-69	25	242	13	1850	197	124	60	-18

Figure 9

#### SWEEP TUBE DATA FOR CLASS AB<sub>1</sub> LINEAR AMPLIFIER SERVICE

Data for the 6LQ6 also applies to the 6MJ6

the basic circuit the control grid of the tube is at r-f ground potential and the exciting signal is applied to the cathode by means of a tuned circuit. Since the grid of the tube is grounded, it serves as a shield between the input and output circuits, making neutralization unnecessary in many instances. The very small plate-to-cathode capacitance of most tubes permits a minimum of intrastage coupling below 30 MHz. In addition, when zero-bias triodes or tetrodes are used, screen or bias supplies are not usually required.

stage linearity. The feedthrough power provides the user with added output power he would not obtain from a more conventional circuit. The driver stage for the grounded-grid amplifier must, of course, supply the normal excitation power plus the feedthrough power. Many commercial sideband excitors have power output capabilities of the order of 70 to 100 watts and are thus well suited to drive high-power grounded-grid linear amplifier stages whose total excitation requirements fall within this range.

**Feedthrough Power** A portion of the exciting power appears in the plate circuit of the grounded-grid (cathode-driven) amplifier and is termed *feedthrough* power. In any amplifier of this type, whether it be triode or tetrode, it is desirable to have a large ratio of feedthrough power to peak grid-driving power. The feedthrough power acts as a swamping resistor across the driving circuit to stabilize the effects of grid loading. The ratio of feedthrough power to driving power should be about 10 to 1 for best

**Distortion Products** Laboratory measurements made on various tubes in the circuit of figure 10A show that a distortion reduction of the order of 5 to 10 decibels in odd-order products can be obtained by operating the tube in cathode-driven service as opposed to grid-driven service. The improvement in distortion varies from tube type to tube type, but some order of improvement is noted for all tube types tested. Most amateur-type transmitting tubes provide signal-to-distortion ratios

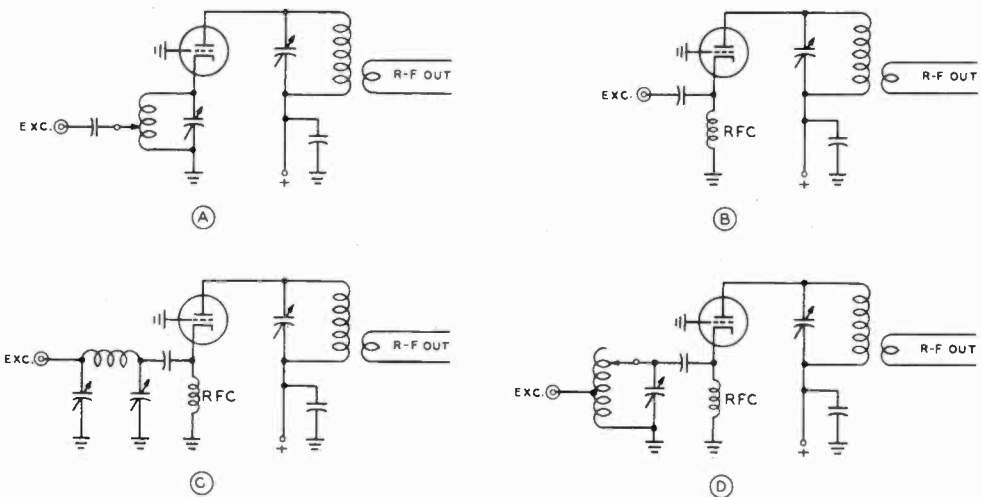


Figure 10

THE CATHODE-DRIVEN AMPLIFIER

Widely used as a linear amplifier for sideband service, the cathode-driven (g-g) circuit provides economy and simplicity, in addition to a worthwhile reduction in intermodulation distortion. A—The basic g-g amplifier employs tuned input circuit. B—A simplified circuit employs untuned r-f choke in cathode in place of the tuned circuit. Linearity and power output are inferior compared to circuit of figure A. C—Simple high-C pi-network may be used to match output impedance of sideband exciter to input impedance of grounded-grid stage. D—Parallel-tuned, high-C circuit may be employed for bandswitching amplifier. Excitation tap is adjusted to provide low value of SWR on exciter coaxial line.

of  $-20$  to  $-30$  decibels at full output in class-AB<sub>1</sub> grid-driven operation. The ratio increases to approximately  $-25$  to  $-40$  decibels for class-B grounded-grid operation. Distortion improvement is substantial, but not as great as might otherwise be assumed from the large amount of feedback inherent in the grounded-grid circuit.

A simplified version of the grounded-grid amplifier is shown in figure 10B. This configuration utilizes an untuned input circuit.

It has inherent limitations, however, that should be recognized. In general, slightly less power output and efficiency is observed with the untuned-cathode circuit, odd-order distortion products run 4 to 6 decibels higher, and the circuit is harder to drive and match to the exciter than is the tuned-cathode circuit of figure 10A. Best results are obtained when the coaxial line of the driver stage is very short—a few feet or so. Optimum linearity requires cathode-circuit  $Q$  that can only be supplied by a high-C tank circuit.

Since the single-ended class-B grounded-grid linear amplifier draws grid current on only one-half (or less) of the operating cycle, the sideband exciter "sees" a low-impedance load during this time, and a very high-impedance load over the balance of the cycle. Linearity of the exciter is thereby affected and the distortion products of the exciter are enhanced. Thus, the *driving signal* is degraded in the cathode circuit of the grounded-grid stage unless the unbalanced input impedance can be modified in some fashion. A high-C tuned circuit, stores enough energy over the operating r-f cycle so that the exciter "sees" a relatively constant load at all times. In addition, the tuned circuit may be tapped or otherwise adjusted so that the SWR on the coaxial line coupling the exciter to the amplifier is relatively low. This is a great advantage, particularly in the case of those exciters having fixed-ratio pi-network output circuits designed expressly for a 50-ohm termination.

Finally, it must be noted that removal of the tuned cathode circuit breaks the amplifier plate-circuit return to the cathode, and r-f plate-current pulses must return to the cathode via the outer shield of the driver coaxial line and back via the center con-

ductor! Extreme fluctuations in exciter loading, intermodulation distortion, and TVI can be noticed by changing the length of the cable between the exciter and the grounded-grid amplifier when an untuned-cathode input circuit and a long interconnecting coaxial line are used.

**Cathode-Driven Amplifier Construction** Design features of the single-ended and push-pull amplifiers discussed previously apply equally well to the grounded-grid stage. The g-g linear amplifier may have either configuration, although the majority of the g-g stages are single ended, as push-pull offers no distinct advantages and adds greatly to circuit complexity.

The *cathode circuit* of the amplifier is resonated to the operating frequency by means of a high-C tank (figure 10A). Resonance is indicated by maximum grid current of the stage. A low value of SWR on the driver coaxial line may be achieved by adjusting the tap on the tuned circuit, or by varying the capacitors of the pi-network (figure 10C). Correct adjustments will produce minimum SWR and maximum amplifier grid current at the same settings. The cathode tank should have a  $Q$  of 2 or more.

The cathode circuit should be completely shielded from the plate circuit. It is common practice to mount the cathode components in an "r-f tight" box below the chassis of the amplifier, and to place the plate circuit components in a screened box above the chassis.

The *grid (or screen) circuit* of the tube is operated at r-f ground potential, or may have dc voltage applied to it to determine the operating parameters of the stage (figure 11A). In either case, the r-f path to ground must be short, and have extremely low inductance, otherwise the screening action of the element will be impaired. The grid (and screen) therefore, must be bypassed to ground over a frequency range that includes the operating spectrum as well as the region of possible vhf parasitic oscillations. This is quite a large order. The inherent inductance of the usual bypass capacitor plus the length of element lead within the tube is often sufficient to introduce enough regeneration into the circuit to degrade the linearity of the

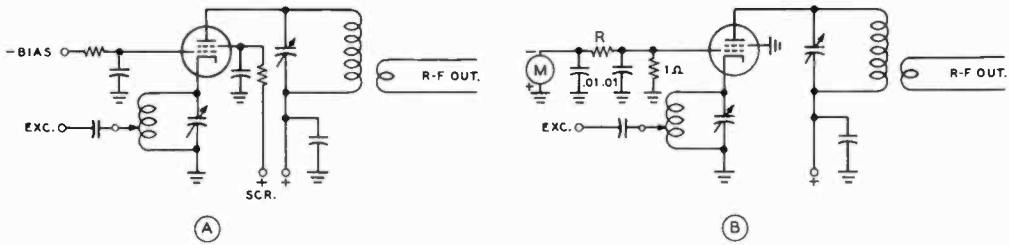


Figure 11

**TETRODE TUBES MAY BE USED IN CATHODE-DRIVEN AMPLIFIERS**

A—Tetrode tube may be used in cathode-driven configuration, with bias and screen voltages applied to elements which are at r-f ground potential. B—Grid current of grounded-grid tube is easily monitored by RC network which lifts grid above ground sufficiently to permit a millivoltmeter to indicate voltage drop across 1-ohm resistor. Meter is a 0-1 dc milliammeter in series with appropriate multiplier resistor.

amplifier at high signal levels even though the instability is not great enough to cause parasitic oscillation. In addition, it is often desired to “unground” the grounded screen or grid sufficiently to permit a metering circuit to be inserted.

One practical solution to these problems is to shunt the tube element to ground by means of a 1-ohm composition resistor, bypassed with a .01- $\mu$ F ceramic disc capacitor. The voltage drop caused by the flow of grid (or screen) current through the resistor can easily be measured by a millivoltmeter whose scale is calibrated in terms of element current (figure 11B).

The *plate circuit* of the grounded-grid amplifier is conventional, and either pi-network or inductive coupling to the load may be used.

**Tuning the Grounded-Grid Amplifier**

Since the input and output circuits of the grounded-grid amplifier are in series, a certain proportion of driving power appears in the output circuit. If full excitation is applied to the stage and the output circuit is opened, or the plate voltage removed from the tube, practically all of the driving power will be dissipated by the grid of the tube. Overheating of this element will quickly occur under these circumstances, followed by damage to the tube. Full excitation should therefore never be applied to a grounded-grid stage unless plate voltage is applied beforehand, and the stage is loaded to the antenna.

Tuneup for sideband operation consists of applying full plate voltage and sufficient excitation (carrier injection) so that a small rise in resting plate (cathode) current is noted. The plate loading capacitor is set near full capacitance and the plate tank capacitor is adjusted for resonance (minimum plate current). Drive is advanced until grid current is noted and the plate circuit is loaded by decreasing the capacitance of the plate loading capacitor. The drive is increased until about one-half normal grid current flows, and loading is continued (re-resonating the plate tank capacitor as required) until loading is near normal. Finally, grid drive and loading are adjusted until PEP-condition plate and grid currents are normal. The values of plate and grid current should be logged for future reference. At this point, the amplifier is loaded to the maximum PEP input condition. In most cases, the amplifier and power supply are capable of operation at this power level for only a short period of time, and it is not recommended that this condition be permitted for more than a minute or two.

The exciter is now switched to the SSB mode and, with speech excitation, the grid and plate currents of the cathode-driven stage should rise to approximately 40 to 50 percent of the previously logged PEP readings. The exact amount of meter movement with speech is variable and depends on meter damping and the peak to average ratio of the particular voice. Under no circumstances, however, should the voice meter



readings exceed 50 percent of the PEP adjustment readings unless some form of speech compression is in use.

To properly load a linear amplifier for the so-called "two-kilowatt PEP" condition, it is necessary for the amplifier to be tuned and loaded at the two-kilowatt level, albeit briefly. It is necessary to use a dummy load to comply with the FCC regulations, or else a two-tone test signal should be used, as discussed in Chapter 9.

For best linearity, the output circuit of the grounded-grid stage should be over-coupled so that power output drops about 2-percent from maximum value. A simple output r-f voltmeter is indispensable for proper circuit adjustment. Excessive grid current is a sign of antenna undercoupling, and overcoupling is indicated by a rapid drop in output power. Proper grounded-grid stage operation can be determined by finding the optimum ratio between grid and plate current and by adjusting the drive level and loading to maintain this ratio. Many manufacturers now provide grounded-grid operation data for their tubes, and the ratio of grid to plate current can be determined from the data for each particular tube.

**Choice of Tubes for G-G Service** Not all tubes are suitable for grounded-grid service.

In addition, the signal-to-distortion ratio of the suitable tubes varies over a wide range. Some of the best g-g performers are the 811A, 813, 4-400A, and 4-1000A. In addition, the 3-400Z, 3-500Z, 8873, 8877 and 3-1000Z triodes are specifically designed for low distortion, grounded-grid amplifier service.

Certain types of tetrodes, exemplified by the 4-65A, 4X150A, 4CX300A, and 4CX-1000A should not be used as grounded-grid amplifiers unless grid bias and screen voltage are applied to the elements of the tube (figure 11A). The internal structure of these tubes permits unusually high values of grid current to flow when true grounded-grid circuitry is used, and the tube may be easily damaged by this mode of operation.

The efficiency of a typical cathode-driven amplifier runs between 55- and 65-percent, indicating that the tube employed should have plenty of plate dissipation. In general,

the PEP input in watts to a tube operating in grounded-grid configuration can safely be about 2.5 to 3 times the rated plate dissipation. Because of the relatively low average-to-peak power of the human voice it is tempting to push this ratio to a higher figure in order to obtain more output from a given tube. This action is unwise in that the odd-order distortion products rise rapidly when the tube is overloaded, and because no safety margin is left (particularly in terms of grid dissipation) for tuning errors or circuit adjustment.

## 21-4 Neutralization of the Cathode-Driven Stage

A basic cathode-driven amplifier is shown in figure 12. The grid of the tube is at r-f ground potential and excitation is applied to the cathode, or filament. Instantaneous plate voltage is developed in series and in phase with the exciting voltage and the driver and amplifier may be thought of as operating in series to deliver power to the

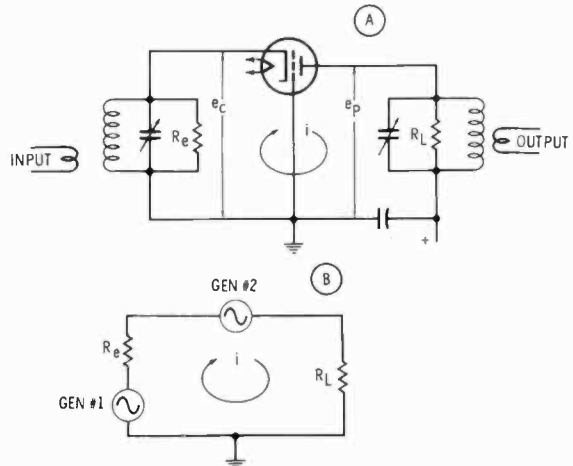


Figure 12

### THE CATHODE-DRIVEN AMPLIFIER

- A—Driving voltage  $e_c$  is applied to the cathode-grid circuit of the amplifier. Output voltage  $e_p$  appears across the plate load impedance.
- B—The driver (generator 1) and the cathode-driven amplifier (generator 2) are in series with respect to the amplifier voltages. Cathode current of the amplifier ( $i$ ) flows through the load resistance of the driver ( $R_L$ ), contributing a degree of feedback to the system.

load. A tuned circuit is used in the input of the cathode-driven amplifier to enhance the regulation of the driver stage and to provide a proper termination for the driver over the operating cycle of the amplifier.

As the driver and amplifier are in series, the output current of the amplifier passes through the load resistance of the driver, causing a voltage drop across that resistance which opposes the original driving voltage. This indicates that inverse feedback is inherent in the cathode-driven amplifier to some degree if the driver has appreciable load resistance.

Most high-frequency, cathode-driven amplifiers are not neutralized, that is, no external neutralizing circuit is built in the amplifier. As the frequency of operation is raised, however, it will be found that intrastage feedback exists and the amplifier may exhibit signs of instability. The instability is due to voltage feedback within the amplifier tube (figure 13).

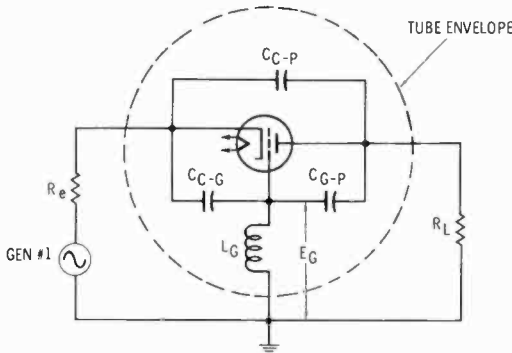


Figure 13

**FEEDBACK PATHS WITHIN CATHODE-DRIVEN AMPLIFIER**

Cathode-plate, cathode-grid, and grid-plate capacitances, together with grid lead inductance ( $L_G$ ) make up feedback paths that must be neutralized for proper stability of the amplifier, particularly in the vhf region. Two feedback paths enter the picture: the direct path from plate to cathode via capacitance  $C_{c-p}$ , and a more indirect path via the series capacitors ( $C_{c-g}$  and  $C_{g-p}$ ) and grid inductance  $L_G$ .

When a cathode-driven amplifier is operated at the higher frequencies, the internal capacitances and the inductance of the grid structure of the tube (or tubes) contribute to the degree of feedback. To achieve sta-

bility, the various feedback paths through the distributed constants in the tube structure must be balanced out, or nulled, by neutralizing techniques. Proper neutralization is defined as the state in which: with plate and cathode tank circuits resonant and with maximum cathode voltage, minimum plate current and maximum power output occur simultaneously. This implies that input and output circuits are independent of each other with respect to common reactive currents, and that the tuning of the circuits reveals no interaction.

This definition provides the user of a cathode-driven ("grounded-grid") amplifier a quick and easy means of checking amplifier stability. When the amplifier is properly loaded and tuned with carrier insertion, maximum grid current and minimum plate current should appear at the same setting of the plate circuit tuning capacitor. If this does not happen, the amplifier is not neutralized in the strict sense of the word.

**Neutralizing Circuits** Stable operation, particularly at the higher frequencies, often calls for the cathode-driven amplifier to be neutralized. Complete circuit stability requires neutralization of two feedback paths, for which separate techniques are required. The first feedback path involves the cathode-plate capacitance ( $C_{c-p}$ ). Although the capacitance involved is small, the path is critical and may require neutralization. This is accomplished either by a

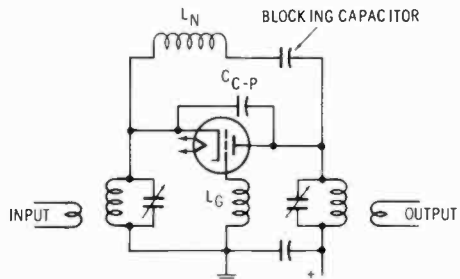


Figure 14

**INDUCTIVE NEUTRALIZATION**

Cathode-plate feedthrough capacitance is neutralized by making the capacitor part of a parallel-resonant circuit tuned to the operating frequency by the addition of inductor  $L_N$ . Blocking capacitor is added to remove dc plate voltage from the circuit.

shunt inductance or by a balanced capacitive bridge. The first technique consists of connecting an inductance from plate to cathode of such magnitude as to pass back to the cathode a current equal in value but opposite in phase to the current passing through the cathode-plate capacitance (figure 14). This is a version of the well-known inductive neutralization circuit used in conventional grid-driven amplifiers to balance out the effects of grid-plate capacitance. The inductive neutralizing circuit is frequency sensitive as the inductor and cathode-plate capacitance of the tube form a frequency-sensitive resonant circuit at the operating frequency. Consequently, as the operating frequency is moved, the neutralizing circuit must be readjusted to resonance.

**Bridge Neutralization** The second neutralizing technique is a variation of the bridge neutralizing circuit used in grid-driven circuits (figure 15). The balanced input circuit provides equal out-of-phase voltage to which the cathode of the tube and the neutralizing capacitor are attached. The voltages are balanced in the output circuit when neutralization is achieved. Both capacitances are quite small, and the series lead inductance is relatively unimportant, consequently the bridge remains in balance over a wide frequency range.

Either neutralizing circuit can be properly adjusted even though the grid of the tube may not be at actual r-f ground potential because of the internal grid lead inductance  $L_g$ . Intrastage feedback resulting from this inductance requires a separate solution, apart from the neutralizing techniques just discussed.

**Grid-Inductance Neutralization** A second feedback path exists in the cathode-driven amplifier which includes the grid-plate and grid-cathode capacitances and the series grid lead inductance (figure 16). These paths result in an apparent r-f leakage through the tube that may be many times greater than predicted. If the path is not neutralized, a voltage ( $e_1$ ) appears on the grid which either increases or decreases the driving voltage, depending upon the values of internal tube capacitances and the value of the grid in-

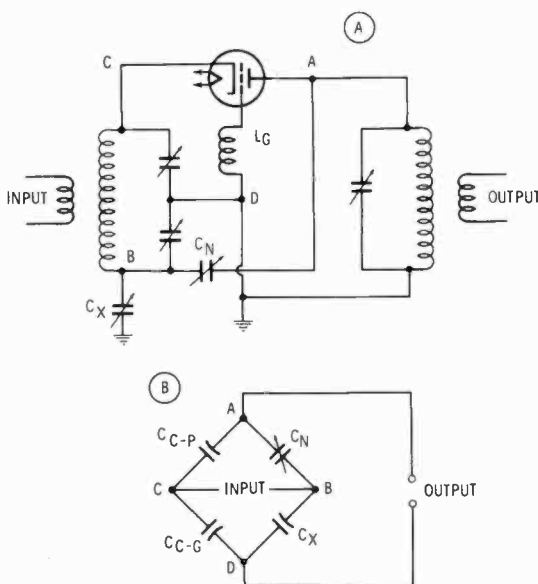


Figure 15

## EQUIVALENT BRIDGE CIRCUIT

- A—Cathode-plate bridge neutralizing circuit for cathode-driven amplifier. Balanced input tank provides equal, out-of-phase voltages at B and C.
- B—Equivalent bridge circuit. Bridge is balanced except for  $C_x$ , which represents residual capacitance from point B to ground. If the balanced input circuit is high-C in comparison to the electrode capacitances,  $C_{c-g}$  and  $C_{c-p}$ , are swamped out and bridge may be considered to be balanced. A capacitor from point B to ground provides exact balance.

ductance. Oscillation may occur, even though the cathode-plate feedback path discussed earlier is completely neutralized.

The voltage ( $e_L$ ) on the grid of the cathode-driven stage is determined by reaction between the total cathode-plate capacitance and a separate low-Q circuit composed of a capacitive voltage divider ( $C_{c-g}$  and  $C_{c-p}$  in series) together with grid inductance  $L_g$ . A certain frequency at which these two feedback paths nullify each other is the *self-neutralizing frequency* ( $f_1$ ) of the tube. This frequency usually falls in the lower portion of the vhf spectrum for small transmitting tubes. All the elements composing the neutralizing circuit are within the tube, but connecting the tube into a

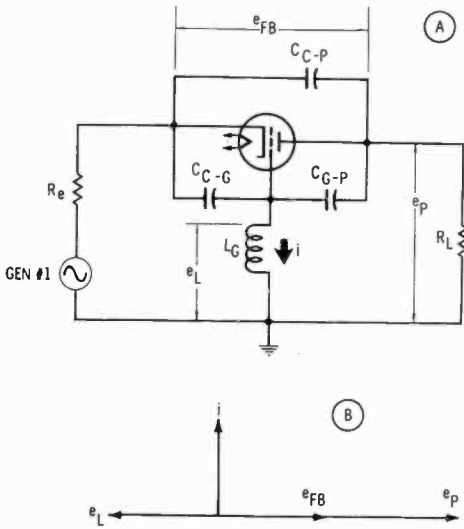


Figure 16

**GRID-INDUCTANCE NEUTRALIZATION**

A—Three terminal representation of cathode-driven amplifier showing internal capacitances of tube and grid-lead inductance.  
 B—Vector equivalent of feedback voltages in above circuit.

circuit by wiring or socketing will alter the frequency.

The self-neutralizing phenomenon comes about because of a frequency-sensitive voltage balance that takes place within this network (figure 16A) and which may be explained by a vector diagram (figure 16B). The r-f plate voltage ( $e_p$ ) causes a current ( $i$ ) to flow through  $C_{g-p}$  and  $L_g$ . If the reactance of  $L_g$  is small in comparison with the reactance of  $C_{g-p}$  (as would be the case below the self-neutralizing frequency), the current ( $i$ ) will lead the plate voltage ( $e_p$ ) by 90 degrees. In flowing through  $L_g$  this current develops a grid voltage ( $e_L$ ) which is 180 degrees out of phase with  $e_p$  and also the voltage ( $e_{fb}$ ) fed back to the cathode via  $C_{c-p}$  and series-connected  $C_{c-g}$  and  $C_{g-p}$ .

At some frequency the voltage ( $e_L$ ) developed across  $L_g$  will just equal the voltage fed back through the interelectrode capacitances ( $e_{fb}$ ). The frequency at which ( $e_L$  is equal to  $e_{fb}$  is the self-neutralizing frequency. A second, somewhat higher, frequency at which the complex grid configuration is in a series-resonant state with re-

spect to intrastage isolation is called the *grid series resonant frequency* ( $f_2$ ) of the tube.

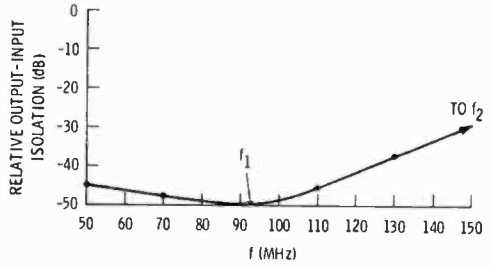


Figure 17

**INPUT-OUTPUT ISOLATION OF 3-400Z IN CATHODE-DRIVEN CIRCUIT**

Self-neutralizing frequency of 3-400Z is about 92 MHz. Tube is mounted in a special, shielded socket and measured in "cold" condition with filament unlit. Relative isolation is given since impedance of input and output circuits is not established.

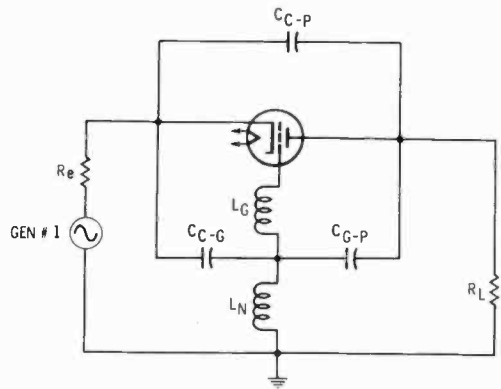


Figure 18

**LOW-FREQUENCY NEUTRALIZING CIRCUIT**

Below the self-neutralizing frequency of the tube, the point of self-neutralization may be adjusted by the addition of an inductance ( $L_N$ ) in series with the grid-to-ground of the tube.

The self-neutralizing characteristic of a 3-400Z type tube is shown in figure 17. A signal is applied to the grid of the tube and the transmission voltage through the tube measured at the plate. The test is conducted with the filament cold and no voltage applied to the tube. Above the self-neutralizing frequency, the intrastage isolation deteriorates as the test frequency approaches the

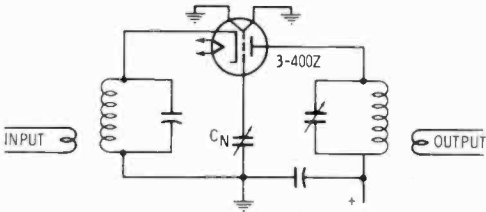


Figure 19

### VHF NEUTRALIZING CIRCUIT

Cathode-driven amplifier is neutralized above the self-neutralizing frequency by placing a series capacitance in one grid lead. Neutralization adjustment is frequency sensitive and must be peaked for maximum intrastage isolation at the operating frequency.

series-resonant frequency  $f_2$ . Near the latter, tube operation is impractical, being further complicated by transit-time effects.

Below the self-neutralizing frequency, the tube can be neutralized by the addition of

a small inductor in the grid-to-ground path (figure 18). Above this frequency, the tube can be neutralized by the addition of a series capacitance in one of the grid leads (figure 19). The original self-neutralizing frequency ( $f_1$ ) was little changed by the addition of the auxiliary circuit.

In the lower portion of the vhf spectrum only one neutralizing technique may be needed for a cathode-driven amplifier, at least as far as amplifier stability goes. As the frequency of operation is raised, however, both feedback circuits require attention to allow the amplifier to be properly neutralized. In the hf region, the cathode-driven amplifier, particularly when using well shielded, low capacitance tubes, probably will not require neutralization if the construction of the amplifier is such so that feedback between input and output circuits does not take place due to lack of shielding or feedback through the various power leads.

# HF and VHF Power Amplifier Construction

## Part I HF Amplifiers

Construction of amateur SSB and vhf equipment is difficult at best because of the problems involved in obtaining many of the components. In addition, costly and complex test equipment is often required, making the task of checking and testing the equipment a formidable one for the amateur working on a slim budget.

On the other hand, dispensing with the streamlined cabinet in place of a homemade enclosure and making the equipment a single-band device, instead of a multiband one, can save money for the home builder who can spare the time to construct his equipment. This is especially true with power amplifiers for hf and vhf service which can be built at moderate cost and with a minimum of test equipment. Best of all, many of the components for these units still seem to be available at electronic surplus outlets and some of the major distributors of electronic equipment.

Shown in this chapter are amplifiers of varying complexity that are representative of current amateur construction practice, and that are relatively foolproof in construction and operation. While complete layout plans are not given, the experienced amateur should have no difficulty in building the equipment, providing the layout follows accepted engineering practices as outlined in this Handbook.

The first part of this chapter covers schematic diagrams of popular hf amplifiers that have been requested by readers of this Handbook. In order to conserve space and yet permit the maximum amount of information to be given, only a short description of each unit is provided. The more

complex vhf units are described in detail in the second part of this chapter.

### 22-1 Amplifier Safety Summary

The amateur builder must remember that the equipment described in this chapter operates with extremely high voltages present and that consequently he should take precautions to protect himself from shock. The equipment should never be worked on when primary power is applied. This warning is doubly imperative to the solid-state experimenter, who often plunges his hand into equipment operating at a source supply of 12 volts, or less. *Voltages encountered in high power transmitting equipment are deadly and the equipment should never be turned on unless the operator is well clear of the circuitry involved.*

It is urged that a *shorting stick* be used to short out the high-voltage circuitry in equipment such as described in this chapter before work is done on it. The shorting stick is a dry, wood dowel rod having a metal point on the end. The point is connected to ground by means of a flexible, insulated wire jumper. Before work is started, the jumper is grounded to the negative of the power supply and the high-voltage terminal of the equipment shorted to ground by means of the stick. The wire-side of the shorting stick may be permanently hooked to the negative side of the power supply and mounted at the side of the workbench or operating table for quick use.

Before the equipment is placed on the air, it should be thoroughly bench-checked for

low- and high-frequency parasitic oscillations as discussed in Chapter 11. It is then run at full input into a dummy load, of the type described in Chapter 31. In short, it is the responsibility of the builder and user of the equipment to make sure that it is working properly before it is put on the air in order to make certain that interference is not caused to other amateurs or other communication services.

### *Warning—Radiation Hazard*

Avoid exposure to strong r-f fields, even at relatively low frequency. Absorption of r-f energy by human tissue is dependent on frequency. Under 30 MHz, most of the energy will pass completely through the human body with little attenuation or heating effect. Public health agencies are concerned with this hazard, however, even at these frequencies.

Many power tubes are specifically designed to generate or amplify radio-frequency power. There may be a relatively strong r-f field near the power tube and its associated circuitry—the more power involved and the larger the tube, the stronger the r-f field. Proper enclosure design and efficient coupling of r-f energy to the load will minimize the r-f field in the vicinity of the r-f power amplifier unit itself.

The dangers of r-f radiation are most severe at uhf and microwave frequencies. At these frequencies, extreme caution must be taken to avoid even brief exposures to strong r-f energy levels. In this range, the absorption of energy by human tissue is progressively greater and produces a heating effect which can be very rapid and destructive, particularly to sensitive tissue such as the eyes. Exposure of the human body to microwave radiation in excess of 10 milliwatts per square centimeter may be unsafe and may cause serious personal injury. Human eyes are particularly vulnerable to low-energy microwave radiation and blindness can result from overexposure. Exposure to high-energy microwaves can be fatal. Uhf and microwave energy must be contained properly by shielding and transmission lines. Arrangements should be made to prevent exposure of personnel to r-f fields in the vicinity of uhf and microwave tubes and in front of antenna systems.

**Hazardous Operation of Power Tubes** The operation of power tubes involves one or more of the following hazards, any one of which, in the absence of safe operating practices and precautions, could result in serious harm to personnel:

1. *High voltage.* Normal operating voltages can be deadly.
2. *R-f radiation.* Exposure to uhf or microwave radiation may cause serious bodily injury, possibly resulting in blindness or death. Cardiac pacemakers may be affected.
3. *Glass explosion.* Many electron tubes have glass envelopes. Breaking the glass can cause an implosion, which will result in an explosive scattering of glass particles. Handle glass tubes carefully.
4. *Hot Surfaces.* Surfaces of air-cooled radiators and other parts of tubes can reach temperatures of several hundred degrees and cause serious burns if touched.

## 22-2 Amplifier Schematics

Shown in this section are schematics of popular amplifier designs of interest to experimenters. Construction follows conventional techniques and where plate circuit components are not specified, the reader is referred to Chapter 11, which provides tables for pi- and pi-L networks based on the r-f plate impedance of the amplifier tube, or tubes. It is suggested that the equipment be built in shielded enclosed cabinets, or ventilated metal boxes to reduce the problem of TVI, yet at the same time provide operator safety and adequate ventilation so that tubes and components run at reasonable temperatures.

High frequency amplifiers employing a pi-network output circuit shown in this chapter are designed to have a second harmonic suppression of over 40 dB as referred to the mean power output. The third harmonic suppression should be better than 50 dB. Minor changes in lead length, component placement, and assembly may alter these figures. If more harmonic attenuation is desired, the reader is referred to Chapter 11

for the discussion and attenuation data for pi-L output networks. Substitution of a pi-L network for a pi-network will increase harmonic attenuation substantially.

### A 700-Watt PEP Amplifier Using Sweep Tubes

Shown in figure 1 is the schematic for an inexpensive, single-band linear amplifier. Four heavy duty 6MJ6 TV-type sweep tubes are used in cathode-driven service, operating at a plate potential of 800 volts. Plate current requirements is about 800 mA peak, or 400 mA average.

The four sweep tubes are parallel-connected, with the #1 grid tied to the cathode. This reduces the resting plate current and prevents excessive grid dissipation, which

occurs at peak power level when all grids are strapped together. The #2 and #3 grids are at r-f ground potential but have a small amount of negative bias applied by virtue of rectified filament voltage supplied by diode D<sub>1</sub>.

The r-f plate impedance of this amplifier is of the order of 525 ohms and the plate tank circuit constants for that value are given in Table 1. The amplifier incorporates a *tune-up* switch (S<sub>1</sub>) which permits adjustment with extra cathode bias in the circuit to reduce amplifier input during tuning.

Amplifier tuneup is straightforward. An SWR or power output meter in the antenna circuit is recommended for observation of amplifier operation. A low drive level is

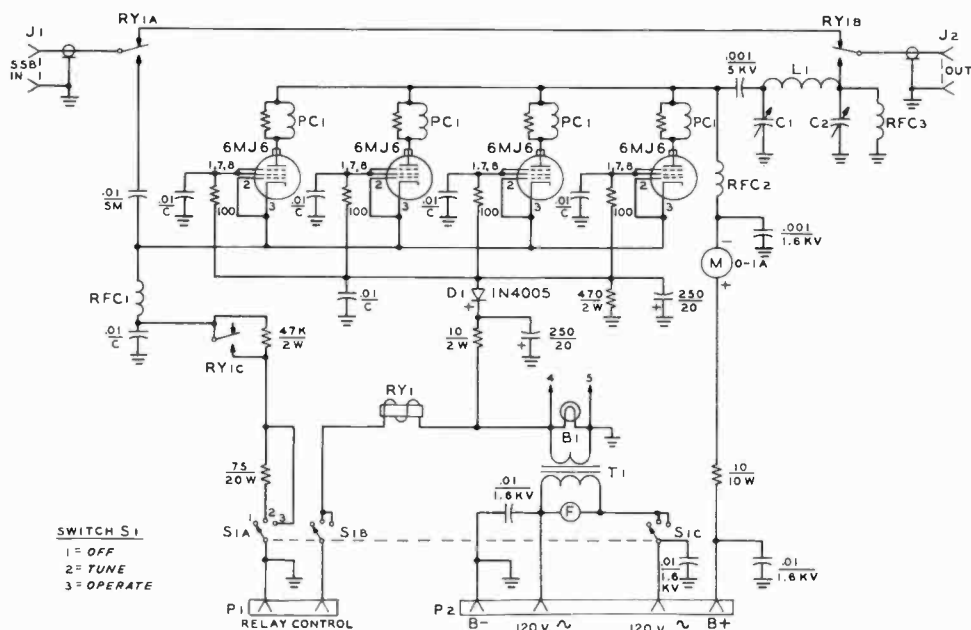


Figure 1

### SCHEMATIC OF MULTIPLE SWEEP-TUBE AMPLIFIER

- B.—Red pilot lamp, 6.3-volt bulb
- C.—Tuning capacitor, 2 kV working voltage. See Table 1
- C<sub>1</sub>—Loading capacitor, 500 V working voltage. See Table 1
- F.—Fan. Ripley SK-4125 cooling fan, or equivalent
- J<sub>1</sub>, J<sub>2</sub>—Coaxial receptacle, SO-239 or equivalent
- L<sub>1</sub>—Plate inductor. See Table 1
- M—0-1 dc ammeter

- PC<sub>1</sub>—50-ohm, 2-watt composition resistor wound with 5 turns #14 wire spaced to length of resistor
- RFC<sub>1</sub>—7μH, 1 ampere. 60 turns #20 enamel close-wound on 1/2" diam form
- RFC<sub>2</sub>—200 μH, 800 mA. Miller RFC-3.5 or Miller 4534
- RFC<sub>3</sub>—2.5 mH, 50 mA
- RY<sub>1</sub>—3-pole, double-throw relay with 6.3-Vac coil
- S<sub>1</sub>, S<sub>1</sub>A, S<sub>1</sub>B, S<sub>1</sub>C—3-pole, 3-position rotary switch
- T<sub>1</sub>—6.3 volts at 10 amperes



BAND (meters)	C <sub>1</sub> (pF)	C <sub>2</sub> (pF)	L <sub>1</sub> (μH)
160	1800	7800	21.0
80	900	3400	10.6
40	440	1850	4.7
20	220	925	2.7
15	150	700	1.8
10	80	470	1.4

160- and 80-Meter coils wound with #12 wire. Other coils wound with 3/16" copper tubing.

applied with switch S<sub>1</sub> in the *tune* position and the tuning and loading controls adjusted

for maximum output. Plate current should be held to 250 mA, or less. The switch is now turned to *operate* and the drive level increased for a plate current reading of about 500 mA. The amplifier controls are again adjusted for maximum output. Drive level is increased until maximum output is obtained at a resonant plate current of approximately 800 mA. This will occur with about 100 to 125 watts of drive power. Do not allow maximum continuous plate current to flow for more than 30 seconds, or the amplifier tubes may be damaged. If longer tuning time is required, switch to *tune* for a minute and reduce drive power, and then switch back to *operate* for another 30 sec-

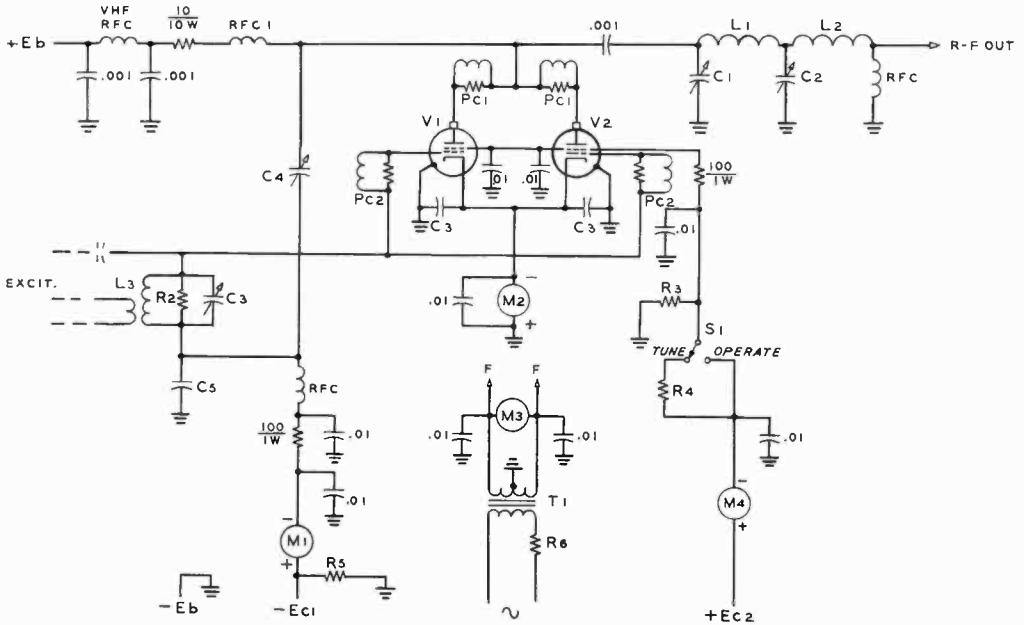


Figure 2

REPRESENTATIVE SCHEMATIC FOR GRID-DRIVEN TETRODE AMPLIFIER

- C<sub>1</sub>—Tuning capacitor. Working voltage equal to 1.5 times dc plate voltage
- C<sub>2</sub>—Loading capacitor. Working voltage equal to 0.3 times dc plate voltage
- C<sub>3</sub>—Grid tuning capacitor, receiving type. Capacitance about 2 pF/meter
- C<sub>4</sub>—Neutralizing capacitor. Working voltage equal to 2 times dc plate voltage
- L<sub>1</sub>, L<sub>2</sub>—See chapter 11, Section 12 for data on pi-L network components
- L<sub>3</sub>—Resonates to operating frequency with given value of C<sub>3</sub>. Excitation may be coupled by link or through capacitor, as indicated

- M<sub>1</sub>-M<sub>4</sub>—See tube data sheet for representative meter ranges
- PC<sub>1</sub>—Four turns #16 spaced around 47-ohm, 2-watt composition resistor
- PC<sub>2</sub>—Four turns #20 spaced around 47-ohm, 1-watt composition resistor
- RFC<sub>1</sub>—Solenoid-type r-f choke. Approximately 200 μH
- T<sub>1</sub>—Filament transformer. Use unit having minimum wattage capacity to limit filament inrush current
- R<sub>6</sub>—Inrush current limiting resistor. Short out with VOX relay (see text)

Note: Check tube data sheet to determine if forced air cooling is required. See text for additional circuit details and component ratings.

onds. With experience in tuning, it will be found that 30 seconds is more than enough time.

Under voice conditions, with no speech clipping or compression, plate current will peak between 350 mA and 400 mA for full output. It is easy to produce higher meter readings but flattopping and distortion will result. For operation under c-w conditions, the function switch may be placed in the *tune* position, or amplifier loading and drive reduced for a current reading of approximately 500 mA. The amplifier is actuated for VOX operation by shorting the relay control terminals. (Note: While somewhat less rugged, type 6JE6 or 6LO6 may be directly substituted for the type 6MJ6).

#### A Universal Grid-driven Tetrode Amplifier

Shown in figure 2 is the generalized schematic for a parallel-connected, grid driven tetrode amplifier. The design is suitable for power tubes ranging from the 6146B to the 4CX1000A. Electrode voltages and currents should be derived from the manufacturer's data sheet for the specific tube type used.

The circuit is straightforward. A Pi-L plate circuit is chosen to provide maximum harmonic rejection. Using the data given in Chapter 11, the network can be designed to match the plate load resistance presented by the parallel-connected tubes. For two tubes, the data given in the charts for a particular value of load impedance is correct provided the total plate current figure is used to derive the load resistance.

Lead filtering and bypassing is accomplished as discussed elsewhere in this handbook. If the tube(s) have multiple cathode terminals, each one must be bypassed to ground separately ( $C_3$ ). All components are chosen with regard to the operating potentials and currents.

A 10-ohm, 10-watt resistor is placed in series with the plate r-f choke to lower the Q of the choke and to serve as a surge suppressor in case of an inadvertent arc in the plate circuit. Individual parasitic suppressors are used in the plate and grid leads and the stage is neutralized by the bridge technique discussed in chapter 11. The value of the neutralizing capacitor ( $C_4$ ) and the grid bypass capacitor ( $C_5$ ) are chosen so as to permit the neutralization bridge to be bal-

anced with as large a value of  $C_5$  as possible. Resistor  $R_2$  is chosen to swamp out excessive drive power and should be a composition type device.

Resistors  $R_3$  and  $R_5$  are included to ensure that the screen and grid power supplies present a low dc impedance path to the cathode. This is especially critical in the case of high-gain tetrodes, such as the 4CX1000A and 4CX1500B. The grid resistor may be placed in the power supply and should hold the grid-to-ground resistance to less than 10,000 ohms. The series-connected screen resistor ( $R_4$ ), permits the amplifier to be tuned up at reduced screen voltage and reduced input. Screen voltage is dropped to about half-value, or less, by means of the resistor which is brought into the circuit in the *tune* position of switch  $S_1$ . Resistor  $R_3$  is chosen to hold the dc impedance-to-cathode path of the screen supply to between 10,000 to 50,000 ohms, depending on tube type regardless of the setting of switch  $S_1$ .

If the screen circuit of many high-gain power tetrodes is broken without a low-impedance path to ground present, the screen element of the tube will instantaneously assume the plate potential due to the electron flow within the tube. This can damage the screen and the screen bypass capacitor before the plate voltage can be removed. A permanent dc return path, provided by resistor  $R_3$ , prevents this from happening.

Plate-current metering is accomplished in the cathode circuit for safety reasons. The meter reads combined plate and screen current. The latter must be subtracted from the reading in order to ascertain the true plate current.

Some large tetrodes exhibit negative screen current over a portion of the operating cycle. The screen meter ( $M_4$ ) should therefore incorporate an elevated zero point so that negative current can be read. Alternatively, the meter can be placed before the screen stabilizing resistor ( $R_3$ ) so that it reads screen current (sometimes negative) and bleeder current (always positive).

In a Class-AB<sub>1</sub> amplifier, the grid is never driven positive and grid current never flows. Any appreciable grid current noted on modulation peaks indicates the amplifier is being driven into the distortion region.

For maximum stability and freedom from phase modulation of the SSB signal the amplifier should be neutralized even though it

seems stable without the neutralizing circuit. Neutralization can be checked by driving the amplifier with a signal generator and measuring the r-f voltage in the plate tank circuit. No voltages are applied to the amplifier for this test.

Filament transformer  $T_1$  should have no greater power capacity than that required for the job. This will restrict filament in-rush current, which can be as high as ten times normal current if an overly large filament transformer is used. Over a period of time, high in-rush current can crack the

tube seals or otherwise render the tube inoperative.

The easiest way to limit filament in-rush current is to use the smallest filament transformer practicable. In addition, a series resistor ( $R_6$ ) placed in the primary circuit will tend to reduce the in-rush current to a great extent. The resistance value is chosen so as to reduce the filament voltage fifty percent when twice normal filament current is drawn from the secondary winding. The resistor is shorted out of the circuit by a time-delay relay after the filaments have

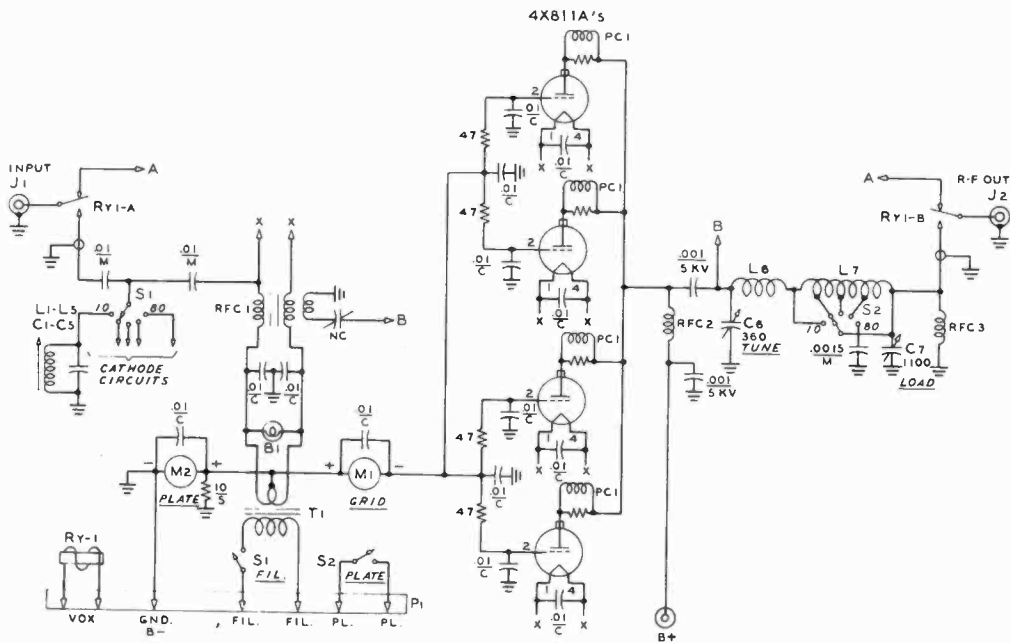


Figure 3

## SCHEMATIC, 811A LINEAR AMPLIFIER

- $C_1$ —200-pF mica capacitor, 500-volt  
 $C_2, C_3$ —470-pF mica capacitor, 500-volt  
 $C_4, C_5$ —1000-pF mica capacitor, 500-volt  
 $C_6$ —360-pF, 2.5 kV Johnson 154-2  
 $C_7$ —1100-pF three-section receiving capacitor (broadcast type)  
 $C_8$ —0.015- $\mu$ F, 1250-volt mica capacitor. Sangamo type H  
 NC—Neutralizing capacitor. Approx. 15 pF, 1.25 kV. Use 100-pF midget capacitor with alternate plates removed to leave six stator plates and seven rotor plates.  
 $L_1, L_2$ —(0.15  $\mu$ H) 4 turns #16 on 1/2-inch diameter form.  
 $L_3, L_4$ —(0.3  $\mu$ H) 6 turns #16 on 1/2-inch diameter form. Coil  $L_3$  is airwound, coil  $L_4$  wound on form with powdered-iron slug. Both coils closewound.  
 $L_5$ —(1.3  $\mu$ H) 13 turns #16 on 1/2-inch diameter form, closewound. Dip all tuned circuits to center of band.  
 $L_6$ —(10 meters): 4 1/2 turns #10 e., 1 1/2" diam., 1 1/2" long

$L_7$ —(80-15 meters): 13 turns #12 e., 2 1/2" diam., 2" long. Resonates as follows: 80 meters:  $C_6$ —300 pF,  $C_7$ —1600 pF; 40 meters:  $C_6$ —150 pF,  $C_7$ —800 pF; 20 meters:  $C_6$ —75 pF,  $C_7$ —400 pF; 15 meters:  $C_6$ —50 pF;  $C_7$ —350 pF; 10 meters:  $C_6$ —35 pF;  $C_7$ , 200 pF. Above capacitances include output capacitance of tubes. Adjust coil taps accordingly.

RFC1—16-ampere choke. 20 turns #12 enamel wire, bifilar wound (2 windings, 20 turns each) on ferrite core (1/2-inch diameter, Indiana General CF-501, Q-1 material. Cut and break rod to length). Neutralizing coil: Seven turns #18 closewound around tube end of choke in same direction as bifilar winding.

RFC2—200  $\mu$ H, 1 ampere. B & W 800

RFC3—2 mH, 100 mA. National R-100 or equiv.

PC1—4 turns #18 wound over 47-ohm 2-watt composition resistor. Turns spaced the length of the resistor

$T_1$ —6.3 volts at 16 amperes

reached operating temperature (about 0.5 second).

Plate and screen voltage should never be applied to oxide-coated, cathode type power tubes (4CX250B, 4CX1000A, etc.) until the filament has reached operating temperature, otherwise damage to the tube cathode may result. Delay time is commonly stipulated on the tube's data sheet. Thoriated tungsten type tubes (4-400A, 4-1000A, etc.) have a quick-heating filament and plate voltage may be applied to the tube at the same time the filament voltage is switched on.

The power gain of grid-driven tetrode tubes can approach 25 dB under some circumstances. This means that very little driving power is required: only a sufficient amount to overcome grid circuit losses. Swamping the grid circuit will increase the driving power and lower the stage gain. If maximum stage gain is desired, care must be taken to make sure that output power from the stage cannot return to the input circuit via the power leads of the amplifier and the power leads of the driver. In many

instances, power is inadvertently introduced into these stages via unshielded wires. Care must be taken in amplifier construction to make sure that output power does not feed back into the driver circuitry.

External feedback can often be neutralized out by adjustment of neutralizing capacitor  $C_4$ . However, such an adjustment is frequency-sensitive and the stage must be re-neutralized if the frequency of operation is shifted. It is better to isolate the power leads and properly shield the amplifier to achieved neutralization over the frequency range of the amplifier.

It is prudent to monitor the filament voltage of the amplifier tubes. Filament voltage should be adjustable to within the limits established by the manufacturer. It is better to err on the under-voltage side, rather than the over-voltage side. Filament voltage should be monitored with a meter having a scale accuracy of one percent. The common rectifier type of meter in wide usage should not be relied upon for ac filament voltage measurement. Only an rms-responding type of meter of known accuracy should be used.

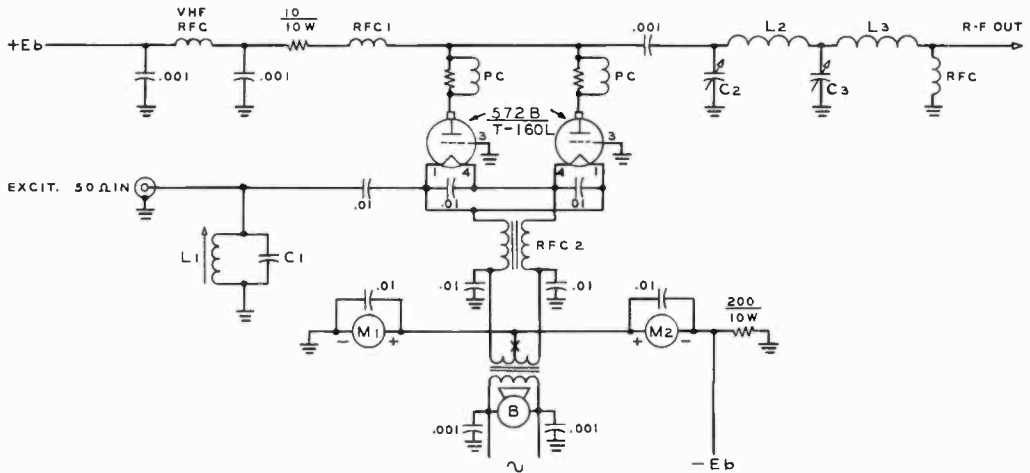


Figure 4

REPRESENTATIVE SCHEMATIC FOR GROUNDED-GRID TRIODE AMPLIFIER

- C<sub>1</sub>—Cathode tuning capacitor See table 2 for values
- C<sub>2</sub>—Tuning capacitor. Working voltage equal to 1.5 times dc plate voltage
- C<sub>3</sub>—Loading capacitor. Working voltage equal to 0.3 times dc plate voltage
- L<sub>1</sub>—Cathode tuning coil. See table 2
- L<sub>2</sub>, L<sub>3</sub>—See chapter 11, Section 12 for data on pi-L network components
- M<sub>1</sub>—0-100 mA
- M<sub>2</sub>—0-500 mA

- PC—four turns #16 spaced around 47-ohm, 2-watt composition resistor
- RFC<sub>1</sub>—Solenoid-type r-f choke. Approximate 200 μH
- RFC<sub>2</sub>—Bifilar winding. Each coil is 14 turns #12 e., on ferrite core, 5" long, 1/2" diameter. (Indiana-General CF-503)
- T—Filament transformer. 6.3 volts at 8 amperes.
- Blower—Rotary fan, 4 1/2" diameter impeller

**An Inexpensive 811A Linear Amplifier** This simple and inexpensive linear amplifier is designed for service on the 3.5- to 29.7-MHz hf amateur bands. It is capable of running 1-kW PEP input in SSB service when used with a plate supply providing 1500 volts at a peak plate current of 650 milliamperes. Plate load impedance is 1250 ohms. The schematic of the amplifier is shown in figure 3.

The four 811As are cathode-driven with provisions for neutralization. Drive requirement is 80 watts PEP for full input. Each grid of the 811A combination is at r-f ground and dc grid return is completed through a simple circuit that permits grid current measurement. Plate current is metered in the B-minus lead, with the negative lead of the power supply returned to the chassis ground of the amplifier. A built-in VOX relay provides antenna changeover for transceiver operation.

The amplifier is built on a chassis measuring 10" × 17" × 3" and fits within an aluminum inclosure made of perforated material bolted to the back of a standard relay rack-size panel. A bottom plate is made of the perforated material. Layout of parts is not critical provided reasonable care is taken to provide short, direct leads. The tubes are grouped at the corners of a square at one end of the chassis and quarter-inch holes are drilled around each socket to allow convection air currents to flow from beneath the chassis to help cool the tubes. The input circuits and filament transformer are mounted below deck. The tube sockets are recessed about an inch below the deck to conserve vertical space.

With the tubes in their sockets, the input circuits are dipped to the middle of each amateur band. The plate circuit inductor is dipped to frequency by setting the network capacitors to the given values and trimming the coil to establish resonance.

Injecting carrier, the amplifier is loaded to a peak plate current of 650 mA with a maximum grid current of 100 to 120 mA. The amplifier is neutralized on the 10-meter band. Starting with capacitor NC open (and with the top cover and bottom plate installed) the amplifier tuning capacitor should be swung out of resonance while grid and plate current readings are observed. The neu-

tralizing capacitance is gradually increased, using an insulated tool, until maximum grid current and minimum plate current are noted at the same setting of the tuning capacitor. Adjustment is not critical.

To limit plate dissipation, tuneup should be limited to 15 second periods of time every 30 seconds. Under SSB modulation, grid and plate currents for full input should kick up to about one half the carrier value.

**A 572B/T-160L Multiband Amplifier** A pair of 572B/T-160L high- $\mu$  triode tubes are used in this cathode-driven grounded-grid amplifier intended for multiband operation (figure 4). This amplifier is capable of 1-kW PEP input in SSB service when operated with a plate potential of 2500 volts at a peak plate current of 400mA. Plate load impedance is 3200 ohms and the component values for the plate tank circuit can be found in chapter 11 of this Handbook. A pi-L circuit is chosen to provide maximum harmonic attenuation but substitution of the simpler pi-network is discretionary.

The cathode circuit is fixed-tuned to the center of the amateur band in use (Table 2). Both cathode and plate circuits can be switched to provide rapid bandchange, if desired. If the coaxial lead from the exciter to the amplifier is short, the cathode tuned circuit may be omitted, provided the exciter has a variable load control adjustment (most solid-state exciters do not).

**Table 2. Input Network Details**

Circuit Component Values ( $Q \cong 1$ )		
Band	$L_1$	$C_1$
80	13 turns #18 e. on 1/2" diam. form. (1.3 $\mu$ H) closewound	1000 pF, 1kV Mica
40	6 turns #14 e. on 1/2" diam. form, spaced.	1000 pF, 1kV Mica
20	6 turns #14 e. on 1/2" diam. form, spaced	470 pF, 1 kV Mica
15	4 turns as above adjust to resonance	200 pF, 1 kV Mica
10	4 turns as above adjust to resonance	200 pF, 1 kV Mica

The two tubes draw about 50 mA resting plate current. This may be reduced to near zero by placement of a zener diode at point X in the filament return circuit. A 3.9-volt 10-watt device (HEP-Z3500 or equivalent) should be used with the positive terminal connected to the centertap of the filament transformer.

Metering is accomplished in the negative power leads and the negative circuit of the high voltage supply is raised above ground by a 200-ohm 10-watt resistor placed across the meter circuitry. The potential difference between B-minus and ground is less than a volt but the negative circuit of the power supply must not be grounded, otherwise the meter circuitry will be shorted out.

Once the amplifier is wired and checked the tuned cathode circuit ( $L_1-C_1$ ) should be adjusted to midband frequency with the aid of a dip meter. Plate circuit resonance can be roughly established in this fashion

when loading capacitor  $C_3$  remains set at maximum capacitance.

Initial tuneup should be done at reduced plate voltage, say, 1500 volts. Drive is applied and tuning capacitor  $C_2$  is adjusted for maximum power output as indicated by an external wattmeter or SWR meter. Capacitor  $C_3$  (load) is then adjusted for maximum output.

Plate voltage is now raised to the operating value and drive power advanced until plate current is near 400 mA. The tuning and loading capacitors are adjusted for maximum power output and minimum plate current, which should be about 400 mA. Tuning adjustments should be limited to periods of less than 30 seconds in order to allow the tubes to cool. During normal operation, the anodes of the tubes will approach a dull red color on voice peaks.

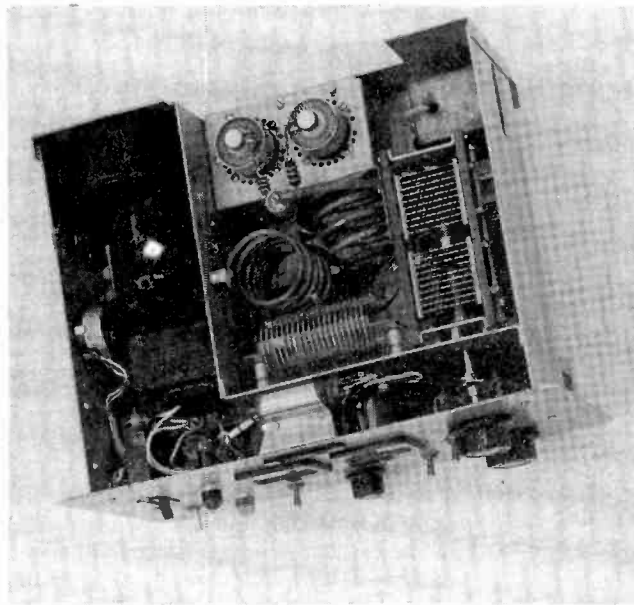
It is important that proper ventilation be maintained about the tubes. The small axial fan is positioned to blow across the glass envelopes and the warm air is exhausted out the top of the amplifier cabinet.

Because these tubes are running at near maximum allowable input, the use of speech compression or clipping is not recommended.

Figure 5

#### TOP VIEW OF 4CX250B LINEAR AMPLIFIER

Center compartment contains the main r-f components. At the rear are the two 4CX300A tubes mounted on a small chassis adjacent to the blower. To the right of the tubes is the small drawn aluminum case containing the output reflectometer. Plate loading and tuning capacitors are mounted at the right of the compartment on the front subpanel. Central area contains the three plate-circuit inductors and the band-switch. Low- and medium-frequency inductors are mounted to the sides of the compartment with small ceramic stand-off insulators, and the high-frequency coil is supported by bandswitch and tuning capacitor. The plate r-f choke is placed vertically at the rear of the compartment with the plate-blocking capacitor atop it. The blower, filament transformer, and auxiliary components are mounted to the left of the r-f compartment. The circuit breaker overload potentiometer ( $R_3$ ) is mounted to the outer wall of the inclosure. Electron tuning tube is mounted to the front panel by a bracket which encircles the tube.



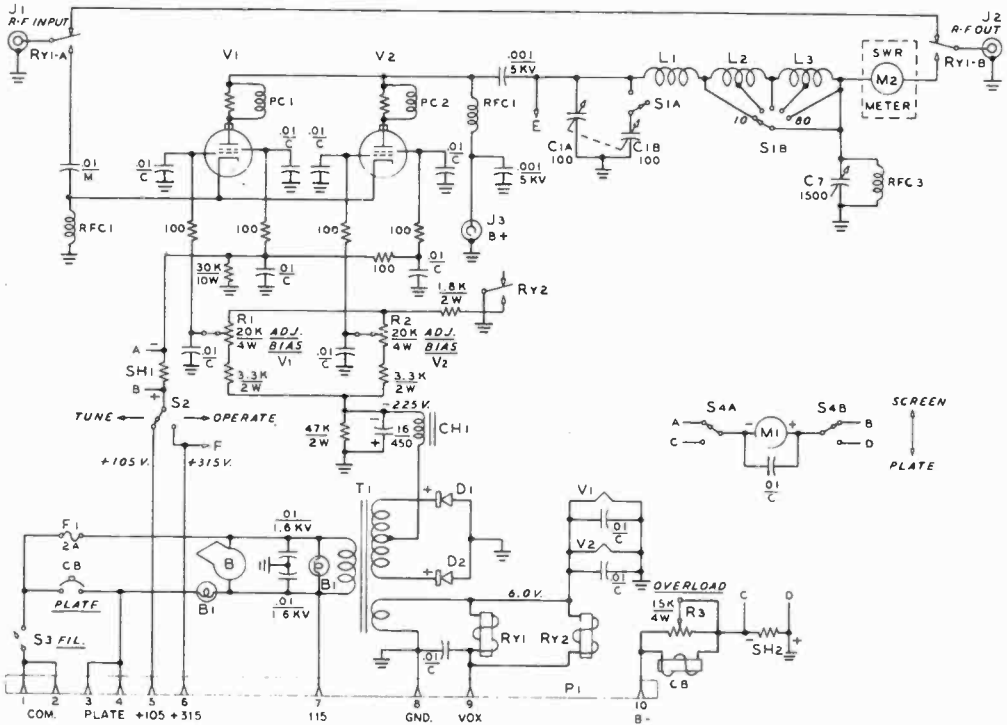


Figure 6

**SCHEMATIC, 4CX250B AMPLIFIER**

- C<sub>1A, B</sub>—Split stator, 100-pF per section, .07" spacing.
- C<sub>2</sub>—1500 pF, .03" spacing. Jackson 4595/3/380 (LE-3).
- L<sub>1</sub>—(10-meter coil) 4 turns, 3/8" copper tubing, 2 1/4" inside diam., 3" long
- L<sub>2</sub>—(15-20 meter coil) 6 1/2 turns, 1/8" copper tubing, 2" inside diam., 3" long. Tap at center
- L<sub>3</sub>—(40-80 meter coil) 20 turns #14 (6 t.p.i.), 2 1/4" diam., 3 1/4" long. Tap at center
- RFC<sub>1</sub>, RFC<sub>2</sub>—(84 µH) rated at 600 mA. J.W. Miller RFC-14
- RFC<sub>3</sub>—2.5 mH. J. W. Miller 4537
- RY<sub>1</sub>—Dpdt, ceramic insulation, 6.3-volt coil
- RY<sub>2</sub>—Spst, 6.3-volt coil
- PC<sub>1</sub>, PC<sub>2</sub>—3 turns #16 spaced around 47-ohm, 2-watt composition resistor
- CH<sub>1</sub>—12 H, 30 mA. Stancor C-2318
- T<sub>1</sub>—460-volt, center tapped at 50 mA, 6.3 volts

- at 5 amp, Stancor P-8155. Remove turns from filament winding to provide 6.0 volts under load
- B—Ripley 81 (left hand) with 2 3/4" impeller, 3100 r.p.m., 58 c.f.m.
- J<sub>1</sub>, J<sub>2</sub>—coaxial receptacle, SO-239
- S<sub>1A, B</sub>—2-pole, 6-position. Radio Switch Corp. (Marlboro, N. J.) Model 86 with two style A Rotors (standard)
- SH<sub>1</sub>—10 ohms, 1-watt
- SH<sub>2</sub>—500-ohm shunt to match meter movement
- CB—500-mA circuit breaker (Heinemann), 15-amp service.
- M<sub>1</sub>—0-50 dc milliamperes. Calibrate scale for 0-50 and 0-500 mA ranges
- D<sub>1</sub>, D<sub>2</sub>—1N4005, 600-volt PIV, 1 amp
- Sockets—Eimac SK-760 for 4CX300A. Eimac SK-640 plus SK-606 chimney for 4X150A and 4CX250B

**4CX250B Linear Amplifier for 3.5-29.7 MHz** Two 4CX250Bs, 4X150As, or 4CX300As are operated in the cathode-driven mode in this 1-kW PEP linear amplifier (figure 5). The amplifier is designed for continuous service and may be run at full input for RTTY or SSTV service.

The two high-gain tetrodes are run in class AB<sub>1</sub> mode with drive applied to the cathodes and normal dc operating potentials applied to the screen and grid elements from an external power supply (figures 6 and 7). Individual bias potentiometers (R<sub>1</sub>, R<sub>2</sub>) are provided to electrically balance the tubes to draw equal values of resting plate current.

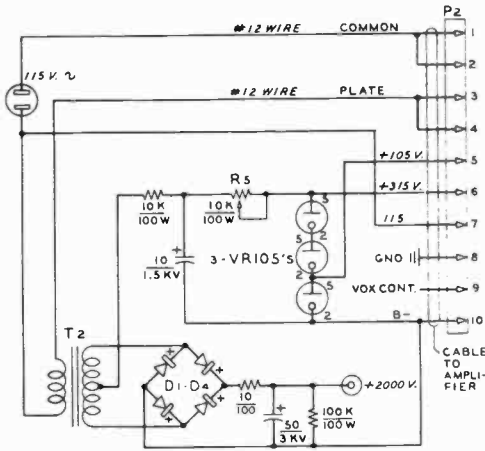


Figure 7

**4CX250B PLATE AND SCREEN POWER SUPPLY**

T<sub>2</sub>—1600-volt center tap, 500-mA secondary. Center tap insulated for 3kV. 117-volt primary  
 D<sub>1</sub>-D<sub>4</sub>—Diode bridge. Each leg requires six 1N4005 silicon diodes, 500-volt PIV at 1 ampere in series. Each diode is shunted by a .01-µF ceramic capacitor and a 470K, 1-watt resistor

A built-in bias supply provides -225 volts and the VOX relay permits plate current cutoff in the receive mode.

An electron-ray peak indicator (figure 8) is incorporated in the amplifier which samples the instantaneous r-f plate voltage, a portion of which is used for ALC voltage. The electron-ray tuning tube is used to establish proper plate loading. With no drive signal, the pattern of the tube is open, gradually closing with increased signal voltage until at the optimum plate load condition the pattern is closed, showing a solid green bar in the viewing portion of the tube.

In the standby mode, the linear amplifier is biased to cutoff by relay RY<sub>2</sub>, permitting the use of an intermittent voice service-rated power supply (see Power Supply chapter).

The amplifier is built on a chassis measuring 14" × 10" × 3" and fits within a shielded inclosure. The main bandswitch and pi-network loading capacitor are contained in cutout areas in the chassis. The tubes are mounted in a small box at the chassis rear which measures about 5¼" × 3¼" × 2" high. Sockets and auxiliary components are placed in the box, one end of which has a hole cut in it to match the opening of the

blower. Cooling air is exhausted through the sockets and chimneys. The three sections of the plate tank coil are placed in the center area of the chassis behind the bandswitch. The electron-ray tube is mounted horizontally at the rear of the panel behind a thin cutout.

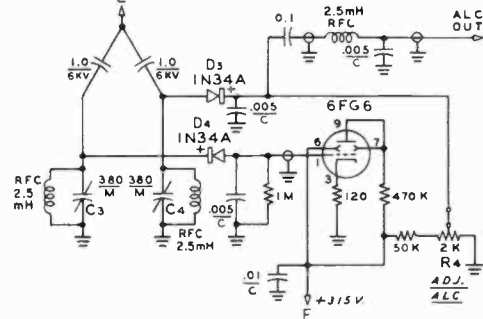


Figure 8

**ELECTRON-EYE PEAK INDICATOR AND ALC CIRCUITRY**

The 6FG6/EM-84 tuning indicator is used for an r-f peak-level indicator in the linear amplifier. R-f voltage is sampled, rectified, and applied to the gate (pin 1) of the indicator. The pattern is formed between the deflection elements (pins 6 and 7) and appears as a horizontal line. Amplitude of indication is adjustable by means of mica compression capacitor C<sub>1</sub>. ALC control voltage is taken from plate circuit and magnitude established by capacitor C<sub>2</sub>. Control point may be set by adjusting diode bias voltage with "Adjust ALC" potentiometer R<sub>5</sub>.

Filament voltage is checked at 6.0 volts. The amplifier inclosure is closed and high voltages are applied. One tube at a time is run with no drive signal and the bias adjusted for a resting plate current of 100 mA. Carrier is now inserted and the amplifier loaded and tuned for a maximum peak plate current of 500 mA. Screen current will be 20 to 30 mA, which includes the bleeder current flowing through the 30K screen resistor. Power output will run about 650 watts on all bands.

Once the amplifier is operating properly, the electron-ray tube is adjusted to completely close at maximum PEP power input by adjustment of capacitor C<sub>3</sub>. Once set, voice peaks will just cause the eye to close. The magnitude of the ALC voltage is set by adjustment of capacitor C<sub>1</sub> and potentiometer R<sub>1</sub> (which controls the threshold volt-



age). For c-w operation, the amplifier is loaded to a current of 500 mA.

#### A 4-1000A Grounded-grid Amplifier

The 4-1000A tetrode makes an excellent grounded-grid triode when the grid and screen are strapped together (figure 9). At a plate potential of 3.5 kV to 4 kV the 4-1000A will operate at 2 kW PEP input with a driving power of only 110 watts, PEP.

An L-network is used to match the input impedance of the tube (about 100 ohms) to a 50-ohm drive source. Data for the network is given in Table 3. Heavy duty, transmitting-type mica capacitors are suggested for cathode capacitor  $C_3$ .

Grid and plate current metering is done in the ground return circuits. If cutoff bias is desired during standby periods, a 25 K, 50-watt resistor may be placed in the filament return circuit at X. The resistor is then shorted out by contacts on the VOX relay during transmissions.

A pi-L plate circuit is used for maximum harmonic attenuation. The plate load impedance of the 4-1000A is 3000 ohms at a plate potential of 3.5 kV and 3500 ohms for a potential of 4 kV. Data to design the plate circuit is given in chapter 11 of this Handbook. Typical operating values for the amplifier are given in Table 3.

### 22-3 The KW-1 Mark III Linear Amplifier Using the 8875

This compact desktop linear amplifier, is a third generation descendant of the popular 1000-watt PEP amplifier featured in various forms in the last three editions of this Handbook. This new version operates on all amateur bands between 3.5 MHz and 29.7 MHz with good efficiency. The KW-1 amplifier features a single 8875 ceramic high- $\mu$  power triode with a 300-watt anode dissipation rating operating in a class-B, cathode-driven configuration. Peak power input is 1000 watts for SSB voice operation, 800 watts for intermittent c-w operation, and 500 watts for continuous RTTY service.

The 8875 anode has a transverse cooler requiring forced-air cooling directed cross-

**Table 3.**

Cathode Network (Dip to center of amateur band)		
Band	$L_3$	$C_3$
80	(2.3 $\mu$ H) 20 turns #14, $\frac{3}{4}$ " diam. $2\frac{1}{4}$ " long	500 pF XMTG Mica
40	(1.2 $\mu$ H) 12 turns #10, $\frac{3}{4}$ " diam. $1\frac{1}{2}$ " long	250 pF XMTG Mica
20	(0.6 $\mu$ H) 5 turns #10, $1\frac{1}{4}$ " diam. $1\frac{1}{2}$ " long	125 pF XMTG Mica
15	(0.4 $\mu$ H) 4 turns #10, $1\frac{1}{2}$ " diam. $1\frac{1}{4}$ " long	90 pF XMTG Mica
10	(0.3 $\mu$ H) 4 turns #10, $1\frac{1}{2}$ " diam. $1\frac{1}{2}$ " long	60 pF XMTG Mica
Typical Operating Characteristics		
Plate Voltage	3.0	3.5 kV
Resting Plate Current	100	110 mA
Single Tone Plate Current	700	650 mA
Single Tone $G_1 + G_2$ Current	275	230 mA
Single Tone Drive Power	120	110 watts

ways. Maximum dissipation is realized with ducted air to the cooler from a small, low noise blower mounted near the tube.

The 8875 is rated for 250 mA dc continuous anode current. In intermittent voice service or keyed c-w operation where short term duty does not exceed 50%, the dc anode current may be 500 mA during the "on" time. During very short test periods, the tube may be operated at the full 500 mA value but care must be taken to keep the "on" time as short as possible, with sufficient "off" time to allow for tube cooling.

The KW-1, Mark III linear amplifier is small enough to be placed on the operating table next to an SSB transceiver or exciter (figure 10). At 2500 volts anode potential, third-order products are better than -30 decibels below one tone of a two-tone test signal.

**The Amplifier Circuit** The schematic of the KW-1 amplifier is shown in figure 11. The 8875 is operated in a cathode-driven mode using switchable

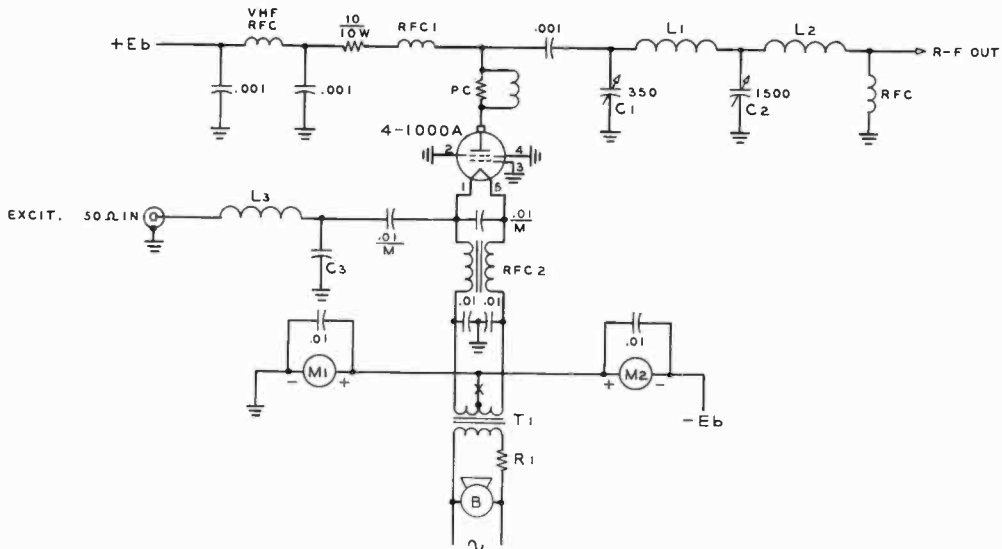


Figure 9

**SCHEMATIC, 4-1000A G-G AMPLIFIER**

- C<sub>1</sub>—Tuning capacitor. 350 pF at 6 kV
- C<sub>2</sub>—Loading capacitor. 1500 pF at 1 kV
- C<sub>3</sub>—Input tuning capacitor. See table 3
- L<sub>1</sub>, L<sub>2</sub>, L<sub>3</sub>—See table 3
- M<sub>1</sub>—Grid meter. 0-500 mA
- M<sub>2</sub>—Plate meter. 0-1000 mA
- PC—4 turns #16, 1/2" diameter around 47-ohm 2-watt resistor
- RFC<sub>1</sub>—(Approx. 60 μH.) 90 turns #26 e., space-wound wire diameter, 3 3/8" long, 3/4" diam. on ceramic or teflon form. Series resonant at 26

- MHz. (Use B&W 800 choke with 10 turns removed from top).
- RFC<sub>2</sub>—Bifilar winding. Each coil is 14 turns #10 e. on ferrite core, 5" long, 1/2" diam. (Indiana-General CF-503).
- T<sub>1</sub>—7.5 volts, 21 amperes. Chicago-Stancor R-6457 Socket for 4-1000A—SK-510 Chimney for 4-1000A—SK-506 Blower—20 cu. ft./min. Dayton 1C-180 or Ripley LR-81

cathode input transformers for each band (see Table 4) and a tapped pi-network output circuit. A small degree of r-f feedback is incorporated in the design by the choice of the 200-pF grid bypass capacitors on the tube, placing the grid above r-f ground by

the small voltage drop created across a divider formed by the plate-grid and grid-ground capacitances.

Table 4.

Cathode Transformers, T <sub>1</sub> -T <sub>5</sub> Wound on 3/8" diameter forms, slug-tuned.			
T <sub>1</sub> -(80 Meters)	24 turns #16e.	C6 (omitted).	C5= 470pF.
T <sub>2</sub> -(40 Meters)	17 turns #16e.	C6= 510pf.	C5= 310pF.
T <sub>3</sub> -(20 Meters)	9 1/2 turns #18e.	C6= 360pf.	C5= 200pF.
T <sub>4</sub> -(15 Meters)	4 1/2 turns #18e.	C6 (omitted).	C5= 75pF.
T <sub>5</sub> -(10 Meters)	3 1/2 turns #18e.	C6 (omitted).	C5= 68pF.

The power gain of the 8875 is quite high and—even with the r-f feedback—only 25 watts PEP drive power is required. A resistive T-pad is included in the input circuit which raises the drive level to about 100 watts PEP to accommodate some of the higher power SSB exciters. The pad may be omitted if a lower driving level is desired.

Because the grid of the 8875 is not at ground potential, a safety gap (surge arrester) is placed from grid to ground (SG<sub>1</sub>), which will ionize and "fire" when the grid potential exceeds the breakdown voltage of the gap. This protects the grid and cathode of the tube from transient voltages that may develop in the circuit.

Since the 8875 has a separate cathode, the filament may be isolated from the input circuit. It is not necessary in the hf region,

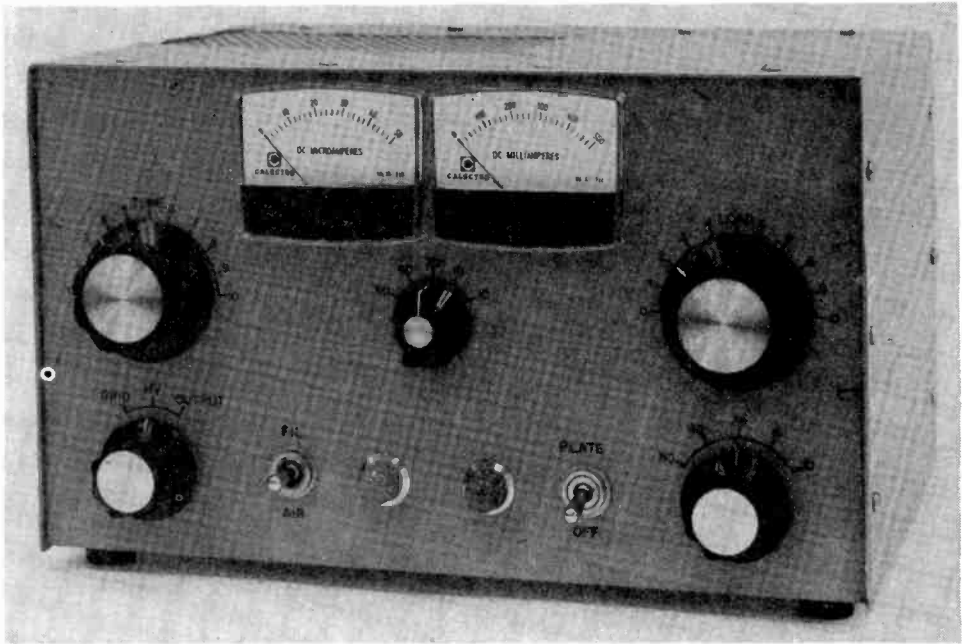


Figure 10

### THE KW-1, MARK III LINEAR AMPLIFIER

This amplifier covers all hf amateur bands between 80 and 10 meters using an 8875 ceramic, high- $\mu$  power triode. A cathode-driven circuit is employed and the amplifier is capable of 1000 watts PEP input for SSB. The unit is housed in an aluminum cabinet and is self-contained except for the power supply. At the top of the panel are the multimeter and plate meter, with the plate tuning control at the center left and the loading control at the right. The plate bandswitch is at center, with the cathode bandswitch at the lower right. The amplifier cabinet is light gray with a dark gray panel. After the lettering is applied, the panel is sprayed with clear Krylon enamel to protect the lettering.

but a special trifilar filament choke is used to permit the cathode to be returned to dc ground, as shown in the schematic.

Resting plate current of the 8875 is set by the *Adjust Bias* potentiometer. A built-in bias supply also provides control voltage for the transmit relay, RY<sub>1</sub>. A series connected diode in the control circuit serves to keep the relay transient voltage from upsetting the bias circuit. A separate filament transformer is used for the 8875 and a primary potentiometer allows the voltage to be set at 6.3 volts at the socket of the tube.

The control circuit is designed to prevent application of r-f drive without plate voltage and a 60-second time delay unit (TD) prevents plate voltage from being applied before the cathode of the tube reaches operating potential.

A single 50- $\mu$ A dc meter is used to monitor grid current, high voltage, and relative power output. Grid current is read across a 5-percent resistor in the grid-bias return lead. Plate voltage is read indirectly across the last resistor in the power-supply bleeder string. The full-scale meter readings are 50 mA and 5000 volts for grid current and plate voltage respectively.

The KW-1 Mark III amplifier plate circuit is a conventional pi-network arrangement with additional plate tuning capacitance ( $C_2$ ) added to the circuit on the 80-meter band by means of switch S<sub>2</sub>. The plate coil is divided into two sections; the smaller, air-wound coil being used for 10 and 15 meters and the larger coil for 20, 40, and 80 meters. The network is designed to match a nominal 50-ohm load having an SWR of 3



or less. An additional loading capacitance ( $C_4$ ) is automatically switched into the circuit for 80-meter operation.

**Amplifier Construction** The amplifier is built on an aluminum chassis measuring 12"  $\times$  8"  $\times$  2½". Inclosure height is 7". Front and back panels of the box are cut from ⅛" aluminum and the U-shaped cover is made of thin aluminum sheet. A 6"  $\times$  3" perforated aluminum plate is riveted in a cutout in the top of the cover to allow cooling air to escape from the inclosure. Angle stock is bolted around the top and side edges of the front and rear panels as a mounting surface for the cover.

The two meters are inclosed in a cut down minibox which serves as an r-f shield and an L-shaped bracket shields the filament transformer and antenna relay from the amplifier output circuitry.

Placement of the major components may be seen in figure 12. The 8875 is positioned carefully in front of the orifice of the blower and about one inch away. Six quarter-inch holes are drilled in the chassis around the tube socket to allow under-chassis air to be drawn up by convection to cool the base of the tube.

The cathode tuned circuits ( $T_1$ ,  $T_3$ ) and the time delay relay are mounted on an under-chassis shield plate, as seen in figure 13. The resistors making up the input attenuator are mounted immediately to the rear of this plate on two phenolic terminal strips.

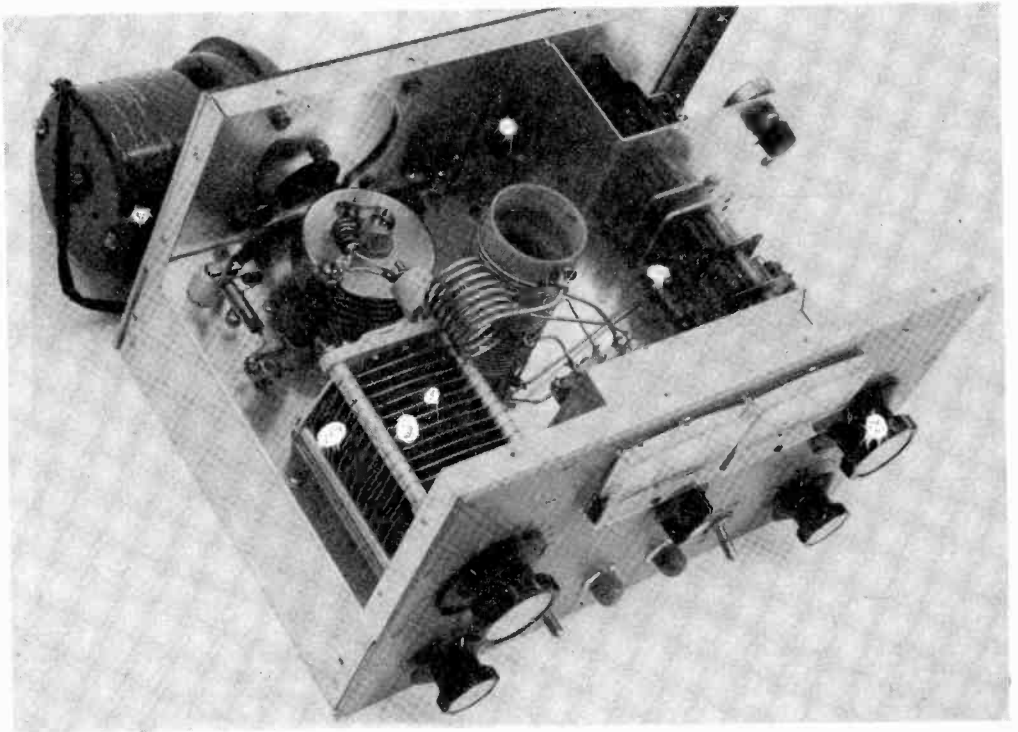


Figure 12

### INSIDE VIEW OF THE KW-1 AMPLIFIER

The 8875 tube is at the left with the blower positioned to force air across the anode cooler. Six holes are drilled in the chassis under the 8875 to allow air to escape from under the chassis by convection, thus cooling the tube base. The 80-40-20 meter plate coil is bolted vertically to the chassis at center with the high-frequency air-wound coil supported between the tuning capacitor and the bandswitch. The bias-control potentiometer is mounted on the shield plate behind the loading capacitor.

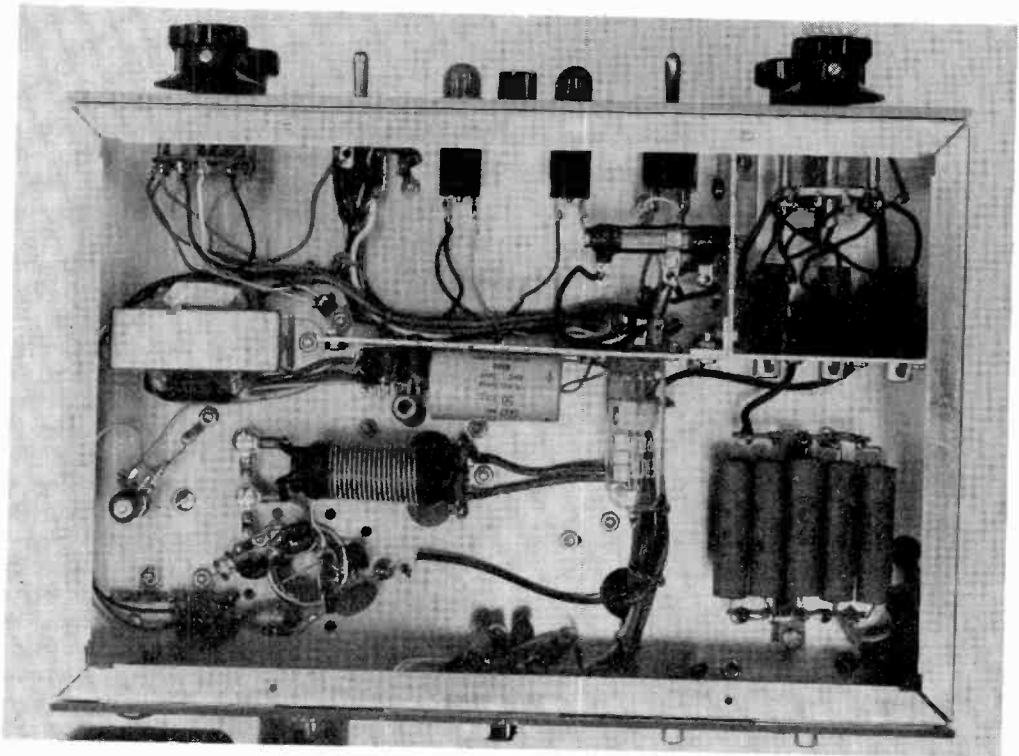


Figure 13

## UNDER-CHASSIS VIEW OF AMPLIFIER

The tuned cathode circuits are in the partitioned area at the upper right with the input attenuator pad directly behind it. At center are the glass encapsulated time-delay relay and the bias power supply. The 8875 socket and filament choke are at lower left.

Many of the components used in this amplifier are replacement parts for the *Heath SB-200* linear amplifier and were ordered directly from the *Service Department, Heath Co.*, Benton Harbor, Michigan 49022 under the identification number given in the parts list. Other similar components will work as well as the particular parts used in this amplifier.

**Transmitter** The schematic of the KW-1  
**Power Supply** Mark III power supply is shown in figure 15. A multi-conductor cable connects the supply to the amplifier along with the high voltage lead, which is run in RG-59/U coax. The *filament* switch on the panel of the amplifier

controls the primary power circuit and the time delay relay and *plate* switch activate the *transmit* relay control circuitry. The power supply is energized by grounding the *VOX control* terminal on the rear of the amplifier chassis. The power supply provides approximately 2500 volts under no-signal conditions and 2100 volts at a peak plate current of 450 milliamperes. The dynamic characteristics of the power supply allow the amplifier to develop about 20% greater peak SSB envelope power for a given level of c-w input. The power supply utilizes a voltage doubler circuit and incorporates high voltage metering. Supply voltage is checked with a meter of known accuracy and the *meter calibrate* potentiometer is adjusted to provide the same reading on the panel meter of the amplifier.

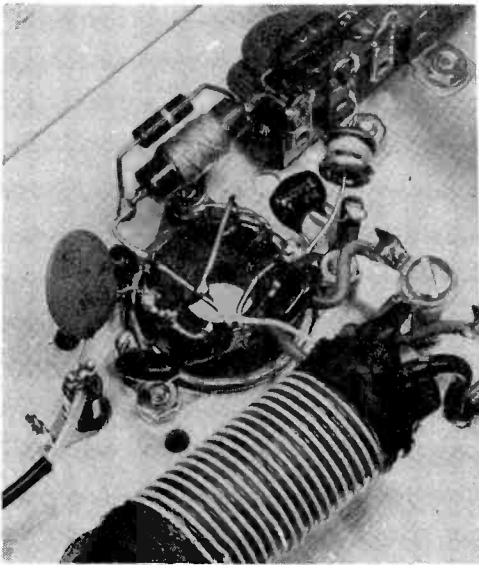


Figure 14

**CLOSEUP OF 8875 SOCKET WIRING**

To the right of the socket is the small glass-encapsulated spark gap connected between grid terminals and the chassis. The trifilar filament choke is in the foreground.

**Amplifier Tuning and Adjustment**

Wiring should be completely checked before power is applied. The approximate settings of the plate tank circuit should be determined for each band with the aid of a grid-dip oscillator. The

slug cores of the cathode transformers are adjusted to midband resonance for each position of the bandchange switch.

The *adjust bias* potentiometer is set for maximum grid bias and filament voltage is applied to the 8875 and checked at the socket. *Caution:* The cabinet cover should now be bolted in place as high voltage points are exposed in the amplifier.

An exciter and dummy load are attached to the amplifier and high voltage applied. The VOX circuit should be energized by grounding the VOX terminal. The amplifier is now ready to be tuned up. After the time-delay relay has closed, the bias potentiometer is adjusted for a resting plate current of about 25 mA. A small amount of carrier is applied to the amplifier as a tuning signal until about 150 mA of plate current is indicated. The amplifier is tuned to resonance and peaked for maximum reading on the output meter. Once resonance is established, the tuning and loading controls are adjusted for maximum output as the driving signal is gradually increased. The loading capacitor should be near full capacitance for 80 and 40 meters, about 60 percent meshed for 20 meters and slightly less for 15 and 10 meters. Maximum carrier signal plate current is 450 mA and corresponding grid current is 30 mA.

The last step is to peak the input transformers for maximum grid current on each band, retarding the excitation so as not to overdrive the amplifier.

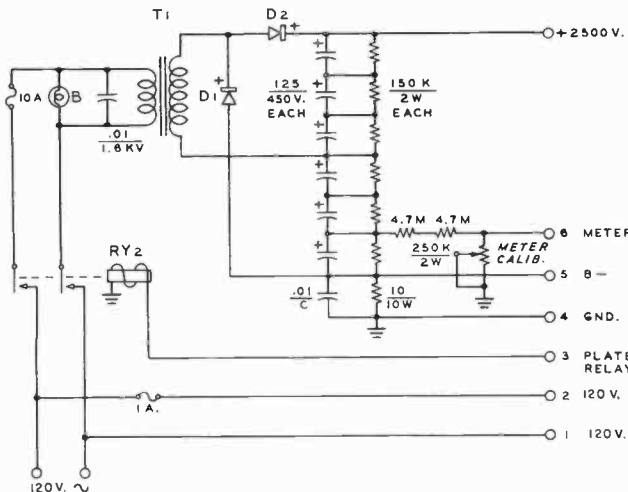


Figure 15

**POWER SUPPLY, KW-1 AMPLIFIER**

- T<sub>1</sub>—117-volt primary, 820-volt, 0.5-ampere secondary (54-151)
- D<sub>1</sub>, D<sub>2</sub>—Each leg: Five 1N4005 diodes. Place .01 μF, 1.6-kV disc capacitor and 100K, 1-watt resistor across each diode
- RY<sub>2</sub>—24-volt dc coil, DPDT

Carrier is now removed and voice modulation applied. A maximum of 1000 watts PEP input is achieved with peak voice current of about 210 milliamperes. For c-w operation, carrier insertion is used and the amplifier is loaded to a plate current of 400 mA.

### 22-4 The 500Z 2-kW PEP Linear Amplifier for 10 thru 80 Meters

Two 3-400Z or 3-500Z high- $\mu$  triode tubes form the basis for this compact, multi-band, high-power desk-top linear amplifier.

Heavy-duty design combined with rugged components permit the amplifier to be run at full legal power level for SSB or c-w service. Measuring only 16"  $\times$  8"  $\times$  13" deep the amplifier is small enough to be placed on the operating table adjacent to the SSB transceiver or exciter.

Auxiliary circuitry permits the exciter to bypass the amplifier, if desired, for low-power operation, and the unit incorporates automatic load control (ALC) for optimum voice efficiency in SSB operation. At maximum input level, the third-order intermodulation products are better than -33 decibels below one tone of a two-tone test signal, attesting to the high degree of linearity attained without the use of auxiliary feedback

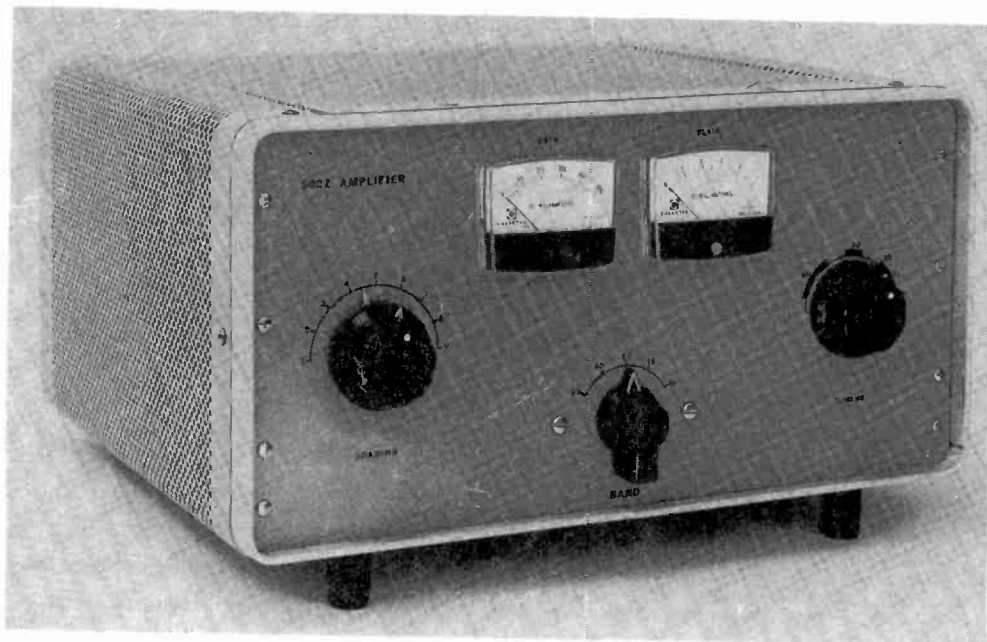


Figure 16

#### TWO-KILOWATT PEP INPUT IS FEATURED IN THIS COMPACT AMPLIFIER USING ZERO BIAS TRIODES

This desk-top amplifier allows maximum PEP input on all high-frequency amateur bands. Two zero-bias 3-500Z triodes are used in a cathode-driven, grounded-grid circuit. ALC is included as well as a high-efficiency, low-noise fan cooling system.

The amplifier is housed in a perforated aluminum case and is entirely self-contained, except for the power supply. At the top of the front panel are the grid and plate meters. The antenna loading control ( $C_2$ ) is at the left and the plate tuning control ( $C_6$ ) at the right. Both capacitors are driven through small precision planetary vernier drives. The bandswitch is centered at the lower portion of the panel.

The amplifier cabinet is gray, with light-green panel. After the lettering is applied, the panel is sprayed with clear Krylon enamel to protect the lettering. The unit is elevated above the desk top on rubber feet to permit good movement of air about the under-chassis area.



circuitry. Peak drive power is of the order of 90 watts, and the amplifier may be driven by any SSB exciter capable of this power output.

**The Amplifier Circuit** This 2000-watt PEP linear amplifier employs two zero-bias triode tubes connected in cathode-driven, grounded-grid configuration.

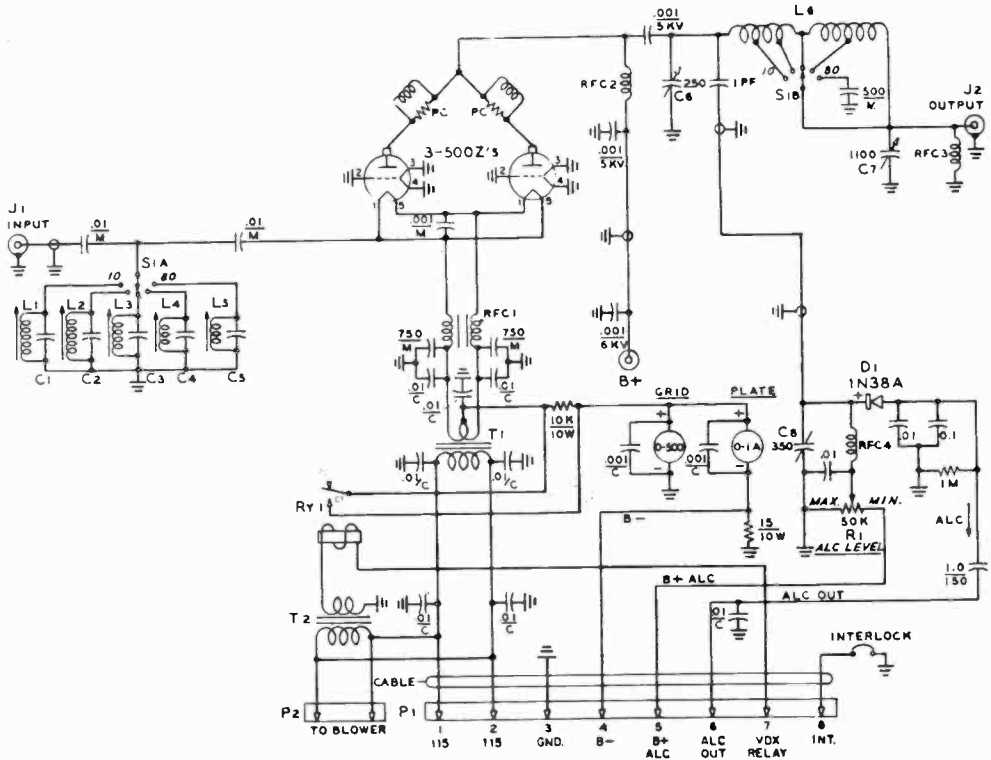


Figure 17

**SCHEMATIC OF 500Z LINEAR AMPLIFIER**

- C<sub>1</sub>—200 pF, 1-kV mica
- C<sub>2</sub>, C<sub>3</sub>—470 pF, 1-kV mica
- C<sub>4</sub>, C<sub>5</sub>—1000 pF, 1-kV mica
- L<sub>1</sub>, L<sub>2</sub>—(0.15 μH) 4 turns #16 on 1/2-inch diameter form
- L<sub>3</sub>, L<sub>4</sub>—(0.3 μH) 6 turns on 1/2-inch diameter form. Coil L<sub>3</sub> is airwound, coil L<sub>4</sub> wound on powdered-iron slug. Both coils closewound
- L<sub>5</sub>—(1.3 μH) 13 turns #16 on 1/2-inch diameter form, closewound. Dip all tuned circuits to center of band
- L<sub>6</sub>—(10-15-20 meters) 10 1/2 turns #8 wire, 2" diam., 3 1/2" long. 10-meter tap is 5 1/4 turns from plate end; 15-meter tap, 7 1/4 turns. (40-80 meters) 16 turns #10 wire, 2 1/2" diameter, 4" long. 40-meter tap is 8 turns from "hot" end. Coil wound on lucite plate with edges grooved for proper spacing of turns
- RFC<sub>1</sub>—Bifilar winding. Each coil is 14 turns #10 e., on ferrite core, 5" long, 1/2" diam. (Indiana General CF-503)
- RFC<sub>2</sub>—(Approx. 60 μH) 90 turns #26 e., spacewound wire diameter, 3 3/8" long, 3/4" diam. on ceramic or Teflon form. Series resonant at 26 MHz
- RFC<sub>3</sub>, RFC<sub>4</sub>—2.5 mH
- T<sub>1</sub>—5 volts, 30 amp. Stancor P-6492
- T<sub>2</sub>—6.3 volts, 1 amp. Stancor P-8389
- RY—Spst, 6.3-volt coil
- Fan—Ripley SK-4125 or equivalent
- Meters—Calectro
- PC—Three 100-ohm, 2-watt resistors in parallel. 3 1/2 turns #18 spacewound about one resistor
- S<sub>1A</sub>—Single-pole 11-position ceramic switch, 30° index. Centralab PA-6001
- S<sub>1B</sub>—Single-pole, 11-position ceramic switch, 30° index. Radio Switch Corp. Model 86-A
- Sockets—Johnson 122-275-1
- Dials—General Radio with Jackson Bros. 4511-DAF Planetary Ball Drive Unit

A pi-network output circuit is used, capable of matching 50-ohm or 70-ohm coaxial antenna circuits. For improved linearity and ease of drive, a simple tuned-cathode input circuit is ganged to the pi-network amplifier bandswitch. Separate grid and plate meters are used and a variable ALC circuit is provided for connection to the exciter. The amplifier is designed for operation over a plate voltage range of 2000 to 2700 volts and a plate potential of 2500 volts is recommended.

*Amplifier Circuitry*—The schematic of the linear amplifier is shown in figure 17. Two 3-400Z or 3-500Z tubes are connected in parallel. Each of the three grid pins of the tube sockets is grounded, and the driving signal is applied to the filament circuit of the tubes, which is isolated from ground by a bifilar r-f choke. Neutralization is not required because of the excellent circuit isolation provided by the tubes and by the circuit layout.

The driving signal is fed in a balanced manner to the filament circuit of the two tubes. Mica capacitors suitable for r-f service are used to properly distribute the driving signal to the tuned-cathode circuit and the filaments of the tubes. Ceramic-disc capacitors are not recommended for use in this portion of the circuit because the peak r-f current under full amplifier input may be as high as 6 amperes or so. The tuned-cathode circuits ( $L_1$ - $L_5$ ) are fixed-tuned to the center of each amateur band and may be forgotten.

*The Plate Circuit*—Plate voltage is applied to the tubes through a heavy duty r-f choke bypassed at the B-plus end by a low-inductance, ceramic capacitor. In addition, the high voltage passes through a length of shielded cable to the high-voltage connector at the back of the chassis, and is further bypassed to ground at that point. A single .001- $\mu$ F, 5-kV ceramic capacitor is used for the high-voltage plate-blocking capacitor and is mounted atop the plate r-f choke. The pi-network coil is divided into two parts for highest efficiency and ease in assembly. The first portion covers 10, 15, and 20 meters, and an additional section is added to the first to cover operation on 40 and 80 meters. Both coils are homemade and air wound at a minimum cost. The bandswitch is a *Radio Switch Corp.* high-voltage ce-

ramic-insulated unit mounted to the front panel of the amplifier

A typical circuit  $Q$  of 10 was chosen to permit a reasonable value of capacitance to be used at 80 meters and the number of turns in the plate coils was adjusted to maintain this value of  $Q$  up through 15 meters. At 10 meters, the  $Q$  rises to about 18 and is largely determined by the minimum circuit capacitance achieved at this frequency. The pi-network output capacitor is a three-section, ceramic insulated 1100-pF unit. It is sufficiently large for proper operation of the amplifier on all bands through 40 meter. For 80-meter operation, an additional 500-pF heavy duty mica capacitor is switched in parallel with the variable unit to provide good operation into low-impedance antenna systems commonly found on this band. The capacitor is connected to the unused 80-meter position of the bandswitch.

The instantaneous r-f plate voltage is sampled by a capacitive voltage divider and applied to a reverse-biased rectifier ( $D_1$ ). Bias level is set by means of an adjustable potentiometer (*ALC Level*). When the r-f voltage exceeds the bias level, an ALC pulse is applied to the ALC control circuit of the exciter. The r-f level applied to the control circuit is set by adjustment of capacitor  $C_8$  and the voltage is determined by the ratio of this capacitor to the 1-pF capacitor coupling the ALC circuit to the plates of the amplifier tubes. As a plate potential of 2500 or so, the nominal value of r-f plate voltage swing is about 1800 volts. If the ratio of the capacitive divider is 1:200, then about 90 volts of peak pulse is applied to the diode. Under normal operation, the diode is biased to about +30 volts and ALC pulses of about one-half this value are normal. Thus, the r-f voltage at the diode should be not more than 45 volts or so, calling for a capacitance ratio of about 1:300. This ratio is well within the range of the mica compression capacitor used for  $C_8$ .

*The Metering Circuit*—It is dangerous practice to place the plate-current meter in the B-plus lead to the amplifier unless the meter is suitably insulated from ground and isolated behind a protective panel so that the operator cannot accidentally receive a shock from the zero-adjustment fixture. If the meter is placed in the cathode return circuit, it will read the cathode

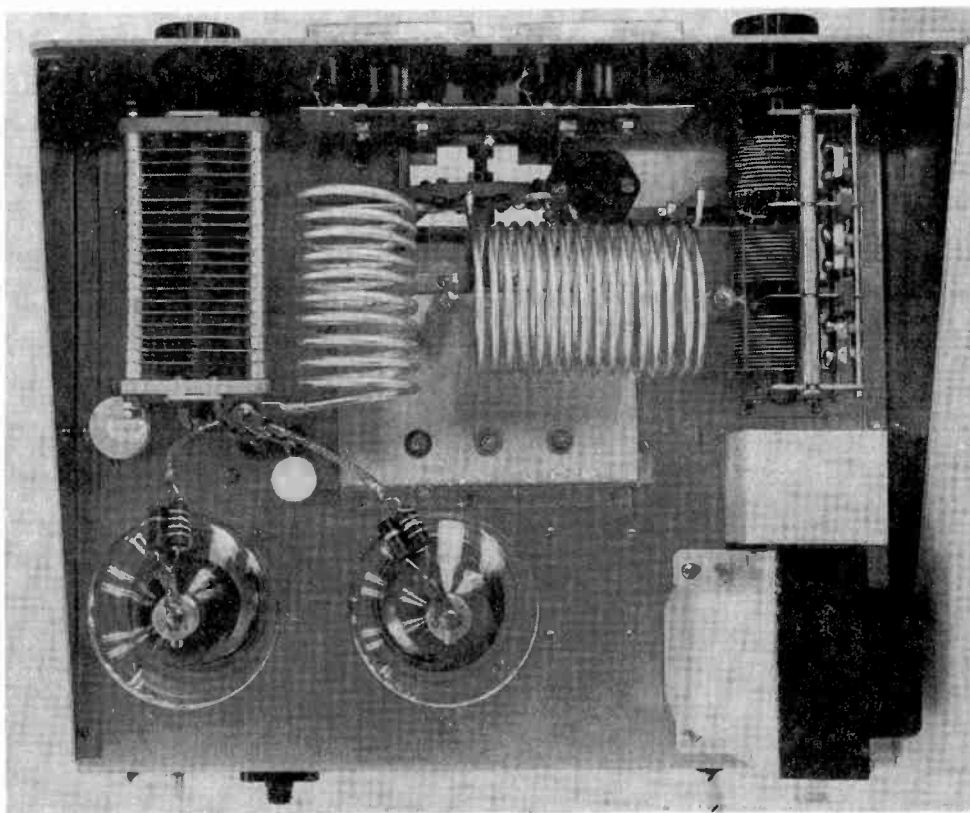


Figure 18

## TOP VIEW OF LINEAR AMPLIFIER

Two 3-500Z tubes are placed at the rear of the amplifier chassis. The spacing of sockets and blower are shown in figure 21. The plate loading and tuning capacitors are mounted to each side of the pi-network coil assembly. The three stator sections of the output capacitor are connected in parallel by short lengths of copper strap. Directly below the plate coils is the aluminum box containing the cathode tuned circuits, with the adjustment slugs of the coils projecting through the top of the box. The 500-pF auxiliary 80-meter loading capacitor is placed above the bandswitch, directly in front of the 80-40 meter coil. At the left, the 1-pF coupling capacitor is attached directly to the rotor of the main tuning capacitor (see figure 20).

The filament transformer for the two 3-500Z tubes is at the rear, right corner of the chassis. The portion of the transformer facing the tubes is painted white to reflect the infra-red radiation from the tubes, which run a cherry-red color at full plate dissipation level. The cooling fan is mounted to the rear of the cabinet, and is not seen in this view.

current which is the sum of the grid and plate currents. A better idea is to place the plate meter in the B-minus lead between the cathode return circuit and the negative terminal of the power supply. The negative of the supply must thus be left "floating" above ground, or the meter will not read properly (figure 17). A protective resistor is placed across the meter circuit to ensure that the negative side of the power supply remains close to ground potential. A separate ground

lead is then run between the chassis ground of the amplifier and that of the supply. Grid current is measured between grid and cathode return as shown in the simplified schematic, with the grid pins of the tubes directly connected to chassis ground.

*The Cooling System*—It is necessary to provide cooling air about the plate seal and filament seals of either the 3-400Z or 3-500Z tubes. Sufficient air is required to maintain the plate seal at a temperature below 225°C

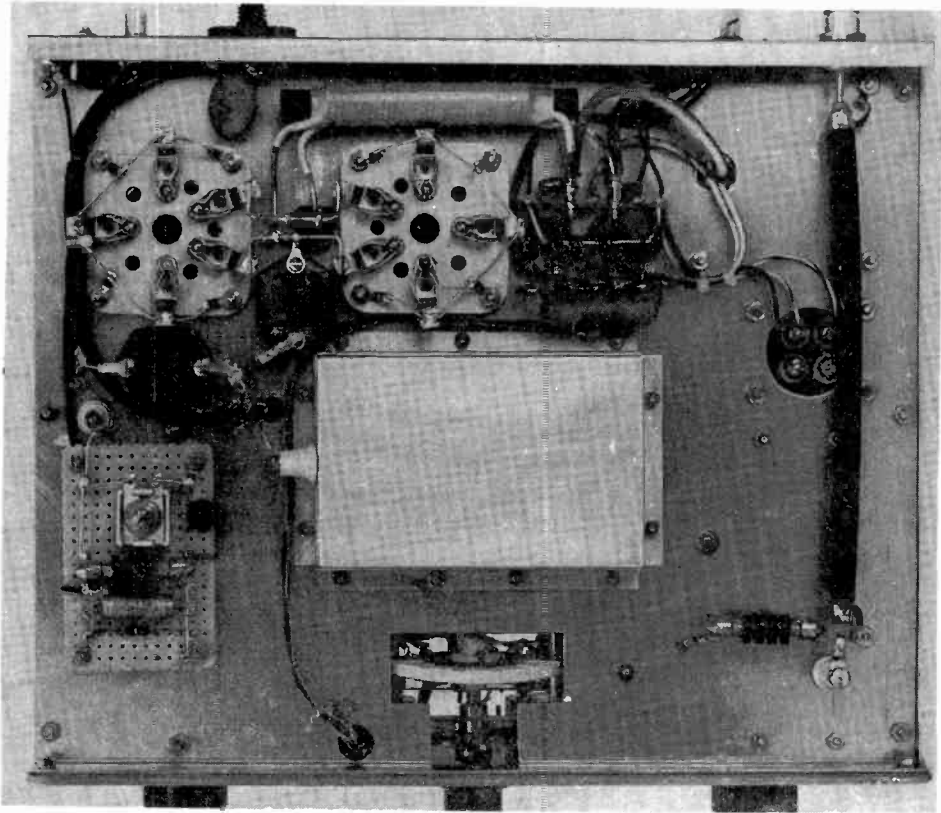


Figure 19

### UNDER-CHASSIS VIEW OF AMPLIFIER

The cathode circuit box is at the center of the chassis, with the connecting load passing through a feedthrough insulator at the left. The shaft of switch  $S_{1A}$  passes through the wall of the upper section of the box, only about 1/16-inch above the level of the chassis and is joined to the plate bandswitch ( $S_{1B}$ ) with a brass coupling.

The three grid pins of the tube sockets are grounded to the mounting bolts. The sockets are lowered below the chassis by means of spacers to permit cooling air to flow about the base of the tubes. The two .01- $\mu$ F mica coupling capacitors are placed adjacent to the left-hand tube socket, with the ferrite-core filament choke running parallel to the rear of the chassis. Directly to the right of the sockets are placed two phenolic terminal strips which support the filament wiring, the 10K VOX resistor and the 15-ohm meter safety resistor. The bypass capacitors for the "cold" end of the filament choke are also located on one terminal strip.

At the left side of the chassis is a small phenolic board that holds mica compression capacitor  $C_6$  and the components associated with the ALC circuit. The ALC level potentiometer is a small 3/4-inch diameter control mounted on the rear lip of the chassis, adjacent to input receptacle  $J_1$ . To the right of  $J_1$  is the high-voltage connector, with the .001- $\mu$ F, 6-kV disc capacitor mounted behind it. The antenna output circuitry is at the right end of the chassis. The connection from the plate-loading capacitor passes through a ceramic feedthrough insulator near the panel, and the connection to the coaxial receptacle ( $J_2$ ) at the rear of the amplifier is made via a short length of RG-8/U coaxial line. The outer braid of the line is grounded to the chassis at each end.

and the filament seals at a temperature below 200°C. Common practice calls for the use of special air-system sockets and chimneys, in conjunction with a centrifugal blower to maintain air flow requirements to meet these temperature limitations. Considerable

difficulty with conventional cooling techniques has arisen, caused by the noise created by the blower motor and the movement of air through the cooling system. Extensive tests have shown that for c-w and SSB operation at the legal power limits (1-kW c-w

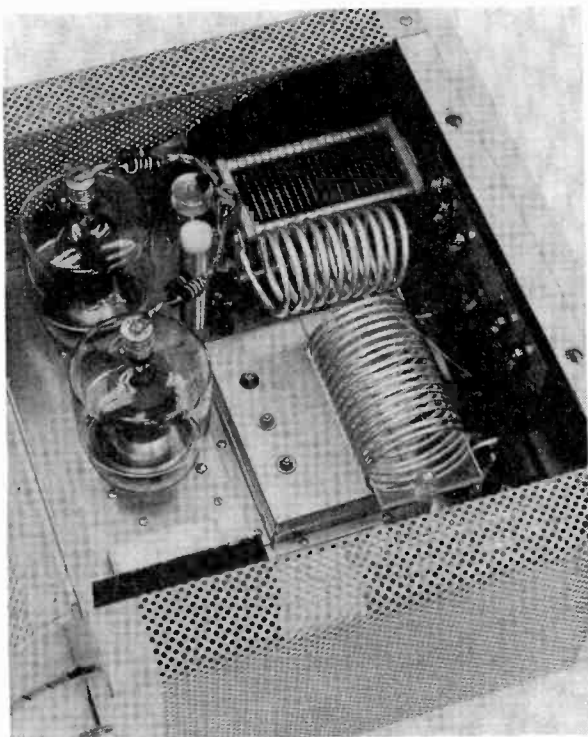


Figure 20  
OBLIQUE VIEW OF  
PLATE CIRCUIT

The Eimac HR-6 anode connectors are used on the 3-500Z tubes, with the parasitic suppressor mounted close to the connector. The plate leads are made of lengths of flexible copper braid. Both leads terminate at the plate-blocking capacitor which is mounted to a small bracket bolted to the stator terminal of the plate-tuning capacitor. At the far side of the tuning capacitor is the 1-pF ALC coupling capacitor, made of two 1-inch diameter copper discs, spaced about 1/4-inch apart. The upper disc is affixed to the stator terminal of the capacitor and the lower disc is supported by the feed-through insulator mounted directly beneath it on the chassis deck.

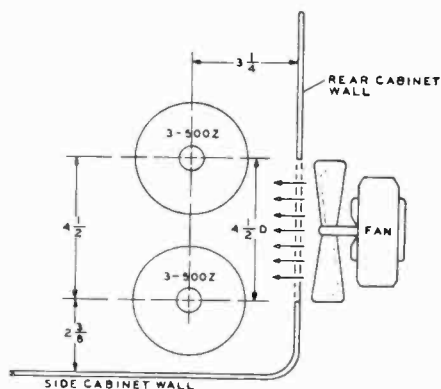
input and 2-kW PEP voice input on SSB) either the 3-400Z or 3-500Z may be adequately cooled by a lateral air blast blown against the tube by a small rotary fan, properly spaced from the tube. A drawing of such an installation is shown in figure 21.

The Johnson 122-275-1 ceramic tube socket is used, which permits a minimum amount of lateral pressure to be exerted on the glass base of the tube. The socket is mounted below the chassis deck about 1/16" to provide an air path around the base of the tube through which under-chassis air is drawn by convection. The rotary fan is mounted between the tubes, in line with the center of the glass envelope and blows cooling air across the envelope and plate caps. Under these conditions, maximum plate dissipation of about 350 watts per tube is achieved for the 3-400Z and 450 watts per tube for the 3-500Z. While maximum dissipation rating is not achieved with either tube, the allowable dissipation is sufficiently high so that the maximum amateur power input may be run in either case with

adequate safety factor. If it is desired to operate the amplifier under steady-state conditions (RTTY, for example), the power input will have to be reduced to about 850 watts in the case of the 3-500Z's or 750 watts for the 3-400Z's. The alternative is to install a forced-air cooling system to boost the plate dissipation capability to the maximum limit specified in the instruction sheet for the tube type in question. The air cooling system shown, however, is entirely adequate for c-w and SSB operation under normal operating conditions for extended periods of time.

The perforated metal cabinet provides maximum ventilation and, when the lid is closed, provides good r-f inclosure. In order to permit the air to be drawn into the bottom of the amplifier chassis, rubber "feet" are placed at each corner of the cabinet, raising it about one inch above the surface on which it sits. The top surface of the cabinet should be kept clear to permit the heat to freely escape from the amplifier when it is in use.

**Amplifier Construction** The over all dimensions of the perforated, wraparound cabinet housing the amplifier are 16" wide, 8" high, and 13" deep. The amplifier is built on a shallow chassis bent from a single sheet of aluminum and measures 15 1/4" wide, 12 1/2" deep and has a 1" lip at the rear. Clearance under the chassis is 1 1/4" to the bottom of the cabinet. An oblique view of the chassis and cabinet, including the placement of the major components is shown in figure 20. The cooling fan is mounted to the rear of the cabinet and forces air against the two transmitting tubes through a 4"



**Figure 21**  
**AIR-SYSTEM LAYOUT**

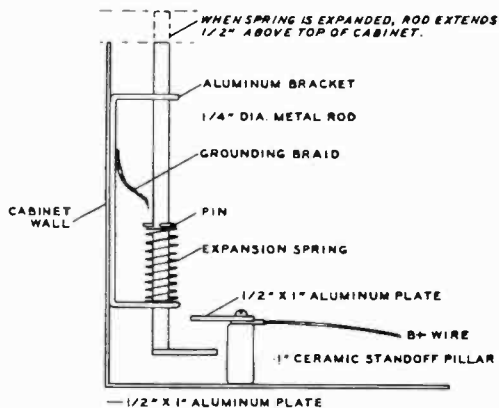
The Ripley fan (Ripley Co., Inc., Middletown, Conn.) is bolted to the rear of the cabinet behind a 4 1/2-inch diameter hole, covered with 1/4-inch mesh wire screen. The air blast passes across the tube envelopes and the warm air is exhausted out the perforated top of the amplifier cabinet. The tube sockets are located with respect to the fan to permit maximum cooling air to envelop the tubes.

diameter hole cut in the rear panel of the cabinet. The hole is covered with a piece of wire mesh having 1/4" squares.

Placement of the major components may be seen in the photographs. Because of the small depth of the chassis, placement of the bandswitch and tuned cathode assembly is critical. The various cathode tuned circuits and bandchange switch are mounted in an inclosed box placed near the center of the chassis, in line with the main band change switch. The cathode inclosure box is made

up of two small aluminum chassis (5" X 3 1/2" X 1") placed back to back, one atop and the other underneath the chassis. The flanges of the chassis are cut off, and substitute flanges are attached to the outside of the chassis lips, permitting the two units to be bolted together, as shown. The various coils and bandswitch are mounted to the top chassis box, in line with the main switch and connected to it with a shaft coupler. The cathode coils and capacitors are assembled and mounted in a vertical position within the box. The cathode tank-coil assembly may be wired and the tuned circuits grid-dipped to the center of each amateur band before the chassis box is bolted to the corresponding cutout in the chassis.

The pi-network coil assembly is seen in the top view photographs. The 10-15-20 meter coil is wound of No. 8 solid copper wire. Ordinary plastic-covered house wire is used, the plastic coating stripped off before the coil is close wound on a suitable form. Once the winding is completed, the coil is spaced and the taps are soldered in place. Thin, 1/8" wide copper strap is used for the tap leads. Each lead is pretinned at the end



**Figure 22**  
**HOME-MADE HIGH-VOLTAGE SAFETY SHORTING SWITCH**

and wrapped around the proper coil turn and soldered in place with a large iron. A good connection is important at this point as the r-f current flowing through the joint is high. Once the coil is cut to size, and the

tap leads soldered in place, the coil end connections are trimmed to length and adjusted to the proper position. The coil lead to the tuning capacitor terminates in a copper soldering lug and the opposite end is flattened in a vise to make a glove fit with the proper 20-meter tap point on the band-switch. Once all leads are properly trimmed, the coil is removed and silver plated.

The 40-80 meter coil is wound and tapped in the same fashion. Once completed, it is threaded on a strip of lucite or plastic material that has been grooved along both edges to fit the spaced winding of the coil. The grooves may be easily cut with a small triangular file. The lucite plate is supported by two plastic posts, cut to size and mounted to the chassis behind the bandswitch.

The plate parasitic suppressors for each tube are made of three composition resistors wired in parallel, with a small inductor wound around one resistor. The suppressors are placed immediately adjacent to the anode connectors of each tube, and flexible leads made of copper braid are run from the suppressors to a common terminal of the plate coupling capacitor mounted atop the plate r-f choke.

The placement of the major components beneath the chassis is shown in figure 19. A T-shaped opening is cut in the forward area of the chassis to clear the plate band-switch, and an opening is cut in the center of the chassis for the cathode tank assembly. The tube sockets are mounted beneath the chassis by 6-32 hardware, with several washers placed on each mounting bolt beneath the chassis to lower the socket about  $\frac{1}{16}$  inch, providing additional air passage around the base seal of the tube. The grid pins are grounded to the adjacent socket bolts. The large filament choke is mounted from a phenolic terminal strip to the parallel-connected filament pins of the tubes. The mica coupling capacitors are placed in close position to the filament wiring and the ceramic feedthrough insulator mounted in the sidewall of the input coil compartment.

At the side of the under-chassis area a small perforated circuit board supports the various components of the ALC circuit and the connecting lead to the 1-pF air capacitor mounted on the main tuning capacitor passes through a ceramic feedthrough insulator in the chassis deck.

The connection from the pi-network output capacitor to the coaxial receptacle mounted on the rear lip of the chassis is made via a short length of 50-ohm coaxial cable, the outer shield of the cable being grounded at both ends to nearby chassis points.

The filament transformer is mounted atop the chassis in a rear corner as seen in the photographs. The bottom area of the transformer is cleaned of paint so that the end bells make a good ground connection to the chassis to partially shield the windings from the r-f field atop the chassis. The end bell of the transformer nearest the tubes is painted white to reflect the infrared radiation emitted from the tubes, permitting the transformer to run much cooler than otherwise would be the case if the end bell was left black. The remainder of the transformer is left black so as to radiate the heat generated within the transformer.

The VOX relay and auxiliary transformer are mounted in a small shield box placed in front of the filament transformer. Sufficient room exists in this area so the box may be enlarged to also hold a rectifier and filter capacitor should it be desired to substitute a dc relay for the ac unit specified.

A shield plate measuring 6"  $\times$  2" is affixed to the rear of the meters to shield the movements from the intense r-f field surrounding the plate coils. The shield is held in position by the meter studs, each stud passing through a rubber grommet mounted in the shield plate. The plate is grounded in each corner by a short, direct lead to the meter mounting bolts.

**Amplifier Adjustment** Before the tubes are inserted in the amplifier, the main bandswitch should be set to the various bands and the plate tank assembly tuned for resonance on each band when the loading capacitor is set to about  $\frac{2}{3}$  maximum value. The approximate settings should be logged for future reference. The two tubes are now inserted in their sockets and filament voltage applied to the amplifier. Voltage at the tube sockets should run between 4.8 and 5.1 volts, as measured with an accurate meter. The amplifier is now placed in the cabinet and the cooling fan

connected so that it runs whenever the filament circuit is energized. An interlock switch atop the cabinet should be immediately wired so that it opens the high-voltage control relay in the power supply. In addition, a high-voltage shorting switch, such as shown in the illustration (figure 22), is suggested as an integral part of the amplifier, since lethal voltages are exposed when the lid of the cabinet is raised unless precautions are taken.

Typical operating voltages and currents for the 3-500Z tube are tabulated in Table 5. An operating plate potential of 2500 is recommended with an intermittent-service power supply capability of 800 milliamperes.

Initial adjustment is greatly facilitated with the aid of an SWR meter or other

be achieved with the minimum drive level and maximum antenna load level possible.

Under voice modulation, the plate current will kick to about 440 mA and grid current will kick to about 130 mA. For c-w operation at 2500 volts, plate loading and grid drive are decreased until 400 mA plate current and 125 mA grid current are noted on the meters. As with all grounded-grid amplifiers, grid drive should never be applied before plate voltage, or damage to the tubes may result.

### 22-5 A Two-Stage High-Gain Amplifier Using The 3-1000Z

This sturdy amplifier (figure 23) is designed to operate at the 2-kW PEP input level when driven by an SSB signal of not more than 500 milliwatts PEP level. Amplifier gain is better than 33 decibels, and operation is stable under all normal conditions. The amplifier is designed for single-band operation at any frequency between 3.5 MHz and 30 MHz, and specific data is included for operation on any one of the amateur bands between 80 and 10 meters. Tank circuits are designed for a coverage of 500 kHz at the low end of the range of operation, and for 1.5-MHz coverage at the high end of the range. Used for heavy-duty service, the amplifier is capable of key-down (RTTY) service at the 2-kW power input level. Choice of rugged components and an efficient cooling system assure reliable, trouble-free, around-the-clock service.

The amplifier consists of a two-stage circuit, employing a 4CX250B ceramic tetrode operating class AB<sub>1</sub> to drive a 3-1000Z grounded-grid, class-B linear stage. For those amateurs having an SSB exciter capable of about 70 watts PEP output, the driver stage may be eliminated, and the 3-1000Z stage can be driven directly by the exciter. This may be accomplished by breaking the interconnecting coaxial cable between the stages at point X (figure 24). The 4CX250B stage may then be omitted, or a switch installed at this point to allow the amplifier to be used at two widely different drive levels.

**Table 5**  
Typical Operating Data, 3-500Z  
R-F Linear Amplifier Service, Class-B  
(one tube)

DC Plate Voltage	1500	2000	2500
Zero signal Plate Current (ma)	65	95	130
Single Tone DC Plate Current (ma)	400	400	400
Single Tone DC Grid Current (ma)	130	130	120
Two Tone DC Plate Current (ma)	260	270	280
Two Tone DC Grid Current (ma)	80	80	70
PEP Useful Output Power (watts)	330	500	600
Resonant Load Impedance (ohms)	1600	2750	3450
Intermodulation Distortion Products (db)	-46	-38	-33

output indicating device. Plate voltage is applied to the amplifier and the resting plate current is noted. A small amount of grid drive is introduced into the amplifier and resonance established in the plate circuit. Drive and loading are gradually increased, holding a ratio of about 3:1 between indicated plate and grid current. In the case of the 3-500Zs, maximum indicated grid current should be about 240 mA for a plate current of 800 mA. This ratio should



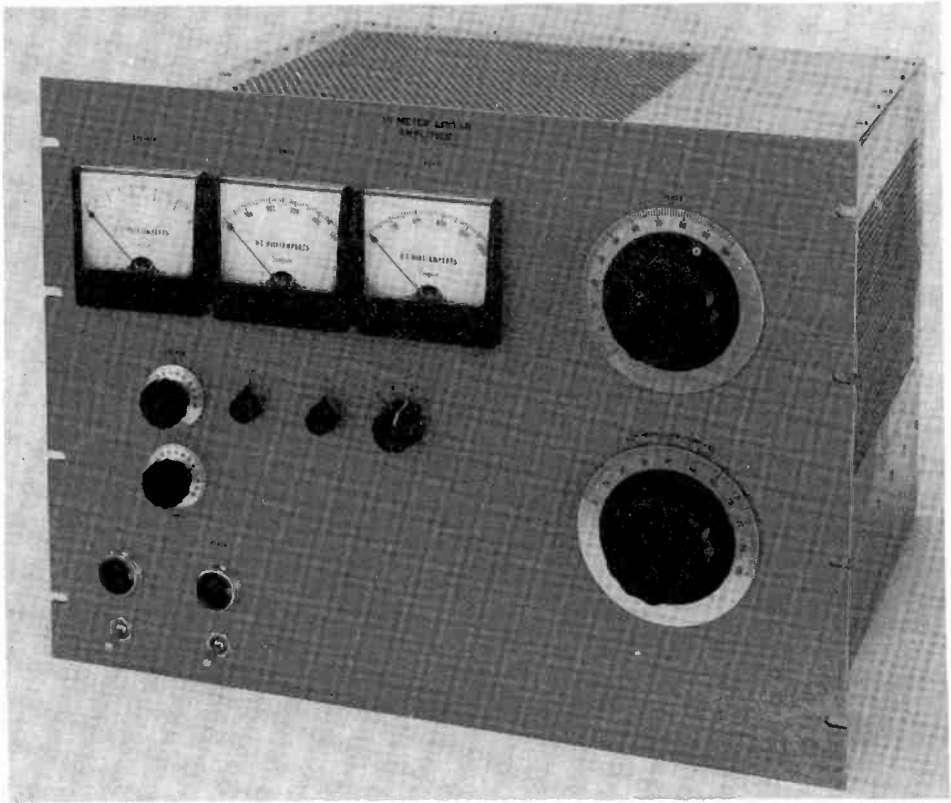


Figure 23

### TWO-STAGE LINEAR AMPLIFIER WITH 3-1000Z

This rugged, high-gain linear amplifier is designed for continuous-service operation at the 2-kW power level. Less than 1-watt PEP drive is required for full input. The amplifier is designed for single-band operation on any range of frequencies between 3.5 and 30 MHz.

The amplifier uses two tubes; a 4CX250B tetrode driver operating class AB<sub>1</sub>, and a 3-1000Z high- $\mu$  triode in grounded-grid circuitry. For use with exciters having a power output of 100 watts PEP or so, the driver stage may be omitted. The amplifier is designed for mounting in a standard 19" cabinet. The top of the shielded enclosure is removable, with top, sides and back being perforated to allow proper circulation of air within the amplifier.

Panel meters are (l. to r.): Multimeter M<sub>1</sub>, grid-current meter M<sub>2</sub>, and plate-current meter M<sub>3</sub>. In a vertical position below the left-hand meter are the input and output tuning controls for the driver stage, with the ALC Adjust, Adjust output, and meter-switch knobs to the right. Primary filament and plate circuit switches and pilot lamps are at the bottom of the panel. At the right are the plate-tuning control (top) and antenna-loading control (bottom). The panel is painted a hammer-tone gray and lettering is placed in position, then panel is given a spray coat of clear Krylon to protect the finish.

When operated under normal conditions, the third-order intermodulation distortion figure of the two-stage amplifier is better than -33 decibels below one tone of a two-tone test signal.

**Amplifier Circuitry** The circuit of the two-stage, high-gain linear amplifier is shown in figures 24 and 27. The

3-1000Z high- $\mu$  triode is operated in cathode-driven, grounded-grid service in the zero-bias mode. A pi-L network (C<sub>5</sub>, C<sub>6</sub>, L<sub>4</sub>, L<sub>5</sub>) is used in the plate circuit to achieve maximum harmonic suppression. The network is designed to match a 50-ohm load having a maximum SWR figure of 3/1, or less. To restrict overload and "flattopping," a portion of the instantaneous r-f plate volt-

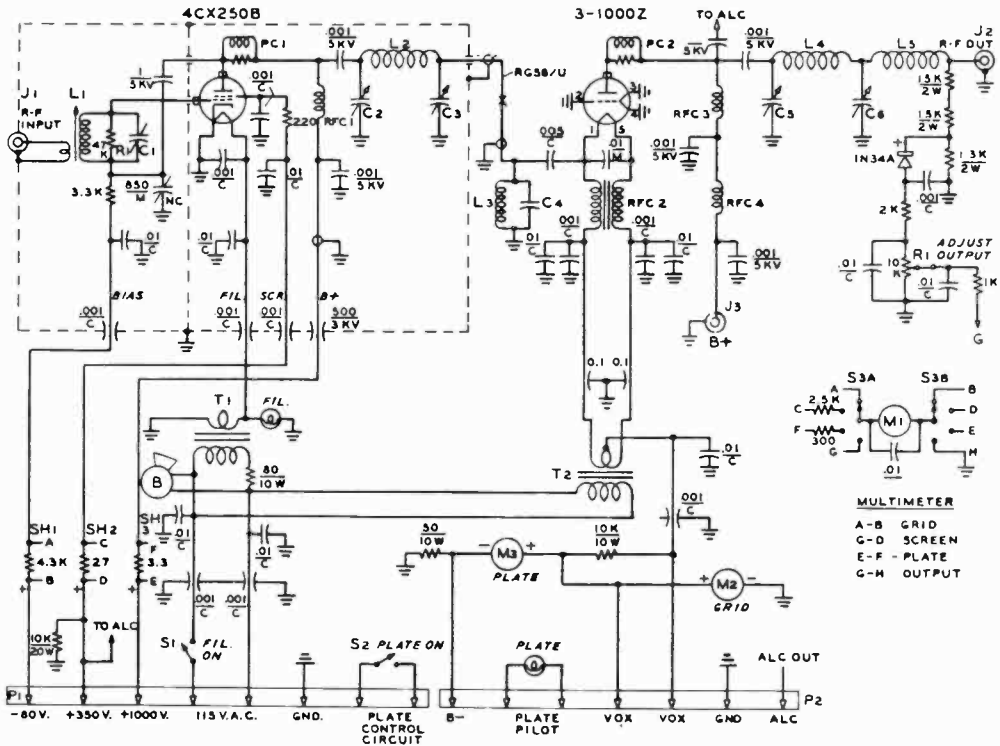


Figure 24

**SCHEMATIC OF TWO-STAGE HIGH-GAIN AMPLIFIER**

Note: See tables 6 and 7 for coil and capacitor data.

- J<sub>1</sub>—UG-290/U, type BNC connector
- J<sub>2</sub>—UG-58A/U, type N connector
- J<sub>3</sub>—UG-496B/U, type HN connector
- PC<sub>1</sub>—3 turns #14, spaced around a 47-ohm, 2-watt composition resistor
- PC<sub>2</sub>—(80-40 meters): 7 turns #12, 3/4" diam., around 50-ohm, 5-watt resistor. Ohmite P-300 (20-15 meters): 3 turns #12, as above. Ohmite P-300 with turns removed (10 meters): 2 turns #12, as above. Ohmite P-300 with turns removed
- RFC<sub>1</sub>—(80 meters): 1-mH, 600-mA. (40-10 meters): 44-μH, 600-mA. Ohmite Z-14
- RFC<sub>2</sub>—B&W FC-30A. Home-made substitute: 14 bifilar turns #10 e. wire on ferrite core, 1/2" diam., 3" long. (Indiana General CF-503 core.) Notch core with file and snap to break to length.
- RFC<sub>3</sub>—(80-20 meters): 200 μH, 800 mA. B&W 800. Home-made substitute: 180 turns #20, 3/4-inch diam., spaced 4 1/2" long, 40 t.p.i. Series resonant at 24 MHz (15 meters): 130 turns, as

- above, 3/4" long. Series resonant at 28 MHz. (Remove turns from B&W 800) (10 meters): 70 turns #16, 3/4-inch diam., 3" long. Series resonant at 40 MHz.
- RFC<sub>4</sub>—2μH. Ohmite Z-144
- T<sub>1</sub>—6.3 volts, 3 amps. Chicago-Stancor P-6466
- T<sub>2</sub>—7.5 volts, 21 amps. Chicago-Stancor P-6457
- N<sub>c</sub>—850-pF, mica compression capacitor. ARCO 306M
- Blower—20 cu. ft./min. Dayton 1C-180 or Ripley LR-81
- SH<sub>1</sub>, SH<sub>2</sub>, SH<sub>3</sub>—Meter shunts. Wind resistance wire around 47K, 1-watt resistor to provide proper meter ranges, as shown above
- M<sub>1</sub>—0-1 dc milliammeter, Simpson 1327
- M<sub>2</sub>—0-500 dc milliammeter, Simpson 1327
- M<sub>3</sub>—0-1000 dc milliammeter, Simpson 1327
- Socket for 4CX250B—SK-600
- Chimney for 4CX250B—SK-606
- Socket for 3-1000Z—SK-510
- Chimney for 3-1000Z—SK-516

age is sampled and rectified for use as ALC control, and applied to the exciter.

The 3-1000Z is coupled to the driver by a short length of coaxial line. The driver, a

4CX250B tetrode, is bridge neutralized for proper stability and the grid circuit is loaded by a resistor (R<sub>1</sub>) to establish the system drive level at about 1.5 watt PEP. Without

the resistor, the typical drive level is about 500 milliwatts PEP for full output of the two-stage amplifier at 3.8 MHz.

The 4CX250B has a relatively high-Q plate-tank circuit that is designed to work into a 50-ohm load. To combine high gain with maximum stability, the driver grid and plate circuits are carefully shielded from each other. In addition, the chassis is arranged to isolate the input and output of circuits within the inclosure by the use of multiple bypass capacitors and proper shielding of the power and metering leads. The majority of small components are removed

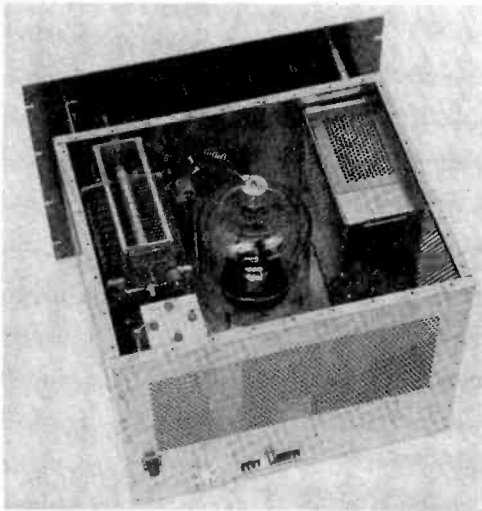


Figure 25

### TOP VIEW OF HEAVY-DUTY AMPLIFIER

An interior view of the 40-meter amplifier. Inclosed 4CX250B stage is at the side of the assembly, with centrifugal blower directly behind it. Pi-L plate-circuit components are at the left, with 3-1000Z tube and chimney on center line of chassis.

On the rear apron of the inclosure are (l. to r.): antenna, high-voltage, power, and input receptacles. The last three connectors are inclosed in a small aluminum box beneath the chassis to shield the leads from the r-f circuitry. Layout of major components is identical for all amplifiers.

from the r-f inclosure and are mounted on phenolic terminal boards between the inclosure and the amplifier panel.

Amplifier operation is monitored by three panel meters. Meter  $M_1$  is a multimeter

which reads grid, screen, or plate current of the 4CX250B, in addition to monitoring relative power output of the amplifier. Meter  $M_2$  measures grid current of the 3-1000Z, and meter  $M_3$  measures plate current in the B-minus return lead to the power supply.

Both the 4CX250B and the 3-1000Z require forced-air cooling at 25 c.f.m. A single centrifugal blower provides this air flow, at a back pressure of about 0.4 inch of water.

**Amplifier Construction** Proper interstage shielding in this amplifier contributes to the high degree of stability.

The unit is built within an aluminum inclosure measuring 18" wide, 12" high, and 15" deep. Sides and back of the inclosure are perforated to provide proper ventilation, as is the area of the top plate over the 3-1000Z. The inclosure is bent out of flat plate and riveted together with "pop" rivets. The centrifugal blower is mounted atop the chassis in a corner and draws air in through the rear of the inclosure and exhausts it into the under-chassis area, which serves as a plenum chamber. The under-chassis pressurized air is exhausted through the 3-1000Z air-system socket, and also passes into the driver box, providing proper cooling for the 4CX250B tube. Air chimneys are used with both the 3-1000Z and 4CX250B tubes to direct the flow of cooling air over the tube seals and anodes.

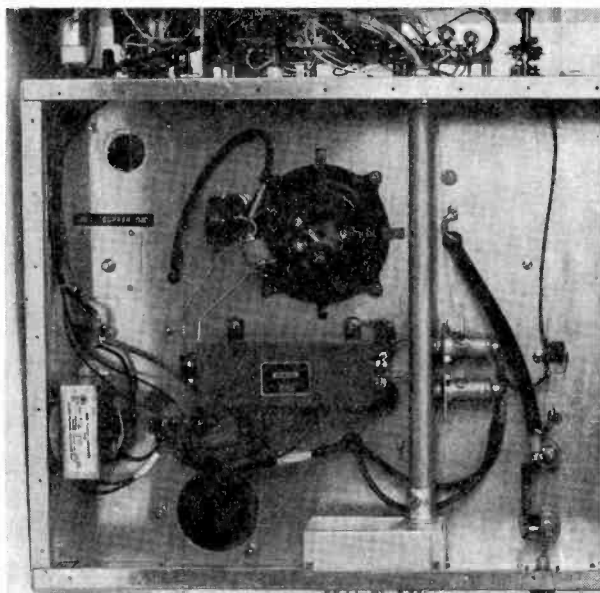
Regardless of the operating frequency, amplifier layout follows the arrangement shown in the photographs (figure 25 and 26). The 3-1000Z socket is near the center of the chassis deck, toward the front of the inclosure, with the plate-circuit components and coils to one side of the tube (figure 28). The driver inclosure is on the opposite side of the 3-1000Z. To the side of the chassis, the amplifier coils are directly behind the tank capacitors which are affixed to the front of the inclosure, and the filament transformer is mounted directly behind the 3-1000Z socket.

The exciter inclosure measures 8"  $\times$  8"  $\times$  3½" in size and is bolted in position atop the chassis deck of the amplifier. Power leads pass through feedthrough capacitors mounted in the front wall of the inclosure.

Figure 26

UNDER-CHASSIS VIEW OF 10-METER AMPLIFIER

The 3-1000Z socket is near chassis center, with the filament choke directly below it, and the cathode tuned circuit at one side. To the right of the socket is the electrical conduit and shield box for the power receptacles and wiring. Air inlet from the blower is seen at lower left, with exit hole for passing cooling air to the 4CX250B buffer stage at the upper left. The air opening is covered with screening. Filament transformer for the 4CX250B is at extreme left, with primary-circuit terminal strip adjacent to it. The shaft of 4CX250B loading capacitor projects through the bottom of the chassis directly above the transformer. Filament "Hypass" capacitors for the 3-1000Z are at the right of the filament choke, and the short coaxial lead for high voltage passes toward the back of the amplifier at the right side. Power wiring to the panel is extra length so that the panel may be removed for test purposes.



The 4CX250B socket mounts on an L-shaped bracket that incloses one-quarter of the internal area of the box. The grid-circuit components are contained in this area, as shown in the photograph of figure 29. Both sides of the box are removable for ease in wiring the stage. The portion of the box to the rear of the bracket holds the various plate-circuit components of the 4CX250B.

Cooling air is introduced into the box through a 1 1/4" hole in the bottom of the box which aligns with a similar hole cut in the deck of the main inclosure. The sides and top of the box are perforated to permit the air to pass out of the box after its passage through the socket and anode cooler of the 4CX250B.

The 3-1000Z cathode tuned circuit and filament choke are mounted under the amplifier deck, as is the 4CX250B filament transformer. Power and metering connectors are placed on the rear apron of the chassis and the various leads pass through the under-chassis area to the front-panel controls and components via a short length of 1/2-inch diameter electrical conduit pipe, grounded at both ends. A solid bottom plate completes the r-f shielding and also pressurizes the under-chassis area. The small joints, seams and holes in the chassis are filled with caulking compound to make the plenum chamber air tight.

The complete amplifier assembly is supported from the front panel by means of two U-channels made of aluminum. The intervening 2" space holds the circuit boards for various small components; and the panel meters, switches, and controls recess into this area.

The pi-network loading capacitor for the driver stage ( $C_3$ ) may be set for a 50-ohm load and forgotten. Accordingly, it is not brought out to the panel, but is mounted in a vertical position, with the shaft projecting into the under-chassis area (figure 26). It may be adjusted, if desired, by placing an adjustment hole in the bottom chassis plate, and covering the hole with a

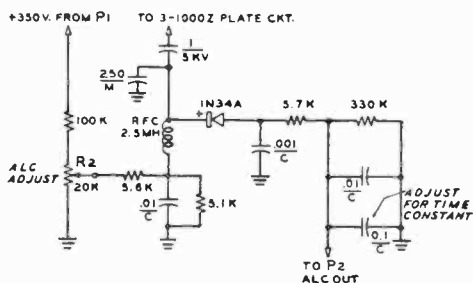


Figure 27

ALC CIRCUIT FOR AMPLIFIER

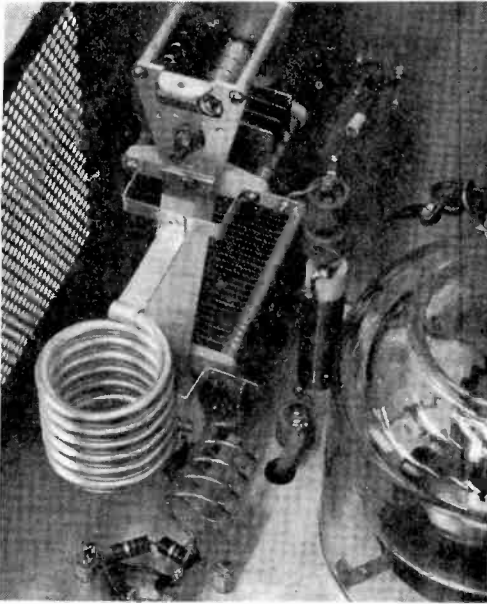


Figure 28

#### OBLIQUE VIEW OF 10-METER PI-L PLATE-TANK CIRCUIT

The rear frames of the pi-L capacitors are connected together with an aluminum strap and the front frames are attached to the panel with 1/2-inch metal spacers. The plate coil is attached to both stator terminals of each capacitor to evenly distribute the current through capacitor frame. Two .001-pF 5-kV ceramic capacitors are placed in series for the plate-blocking capacitor in this particular amplifier. The ALC capacitor (1 pF) is shown as a ceramic unit. It was replaced at a later date with a capacitor made up of two 1-inch diameter copper discs spaced about 3/8-inch apart, because several ceramic units failed in the 10-meter unit over a period of time. The 250-pF bridge capacitor (figure 27) is a mica feed-through "button" capacitor mounted to the wall of the amplifier inclosure. Note that the plate parasitic suppressor of the 10-meter amplifier has been reduced to two turns of the wire around the resistor.

snap bottom when it is not in use. The 4CX250B neutralizing capacitor (NC, figure 29) is adjustable through a hole drilled in the side panel of the subassembly. This adjustment hole, too, is covered when not in use to maintain the proper pressurized air system.

**Amplifier Tuning and Adjustment** The 4CX250B driver stage should be adjusted separately on the bench before it is placed within the amplifier. Temporary

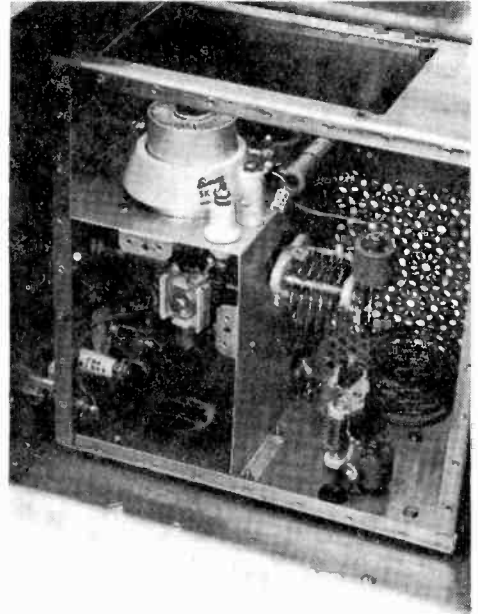


Figure 29

#### INTERIOR VIEW OF DRIVER STAGE

The 4CX250B driver is mounted within a separate compartment atop the main amplifier chassis. The sides and top panel of the compartment are removable. The lower inclosure holds the driver grid circuit components, with the variable compression mica neutralizing capacitor in the foreground. The pi-network plate circuit of the 4CX250B is at the right.

cooling air may be applied to the unit, and it can be operated into a dummy load. The 4CX250B requires 1000 volts at 220 mA for the plate, 350 volts (regulated) at 50 mA for the screen and -80 volts (adjustable) at 10 mA for the bias supply. Bias, plate, and screen voltages to the 4CX250B are applied in that order. Bias is adjusted for a resting plate current of 100 mA.

Before voltages are applied, the 4CX250B should be neutralized according to the procedures outlined in Chapter 11. Operating voltages are then applied through the metering circuits of the amplifier, making sure the 10K screen bleeder resistor is in the circuit. When properly loaded and driven, the plate current of the 4CX250B will run about 200 to 250 mA, screen current about 15 mA or less, and grid current should be less than one division on the 0-1

mA meter range. Proper neutralization is indicated by maximum power output, maximum screen current and minimum plate current all coinciding at one setting of tuning capacitor  $C_2$ . Once the amplifier has been properly adjusted, it may be permanently placed in the amplifier compartment and wired in place. Power output should be 100 to 120 watts, single tone with less than 1.5 watts driving power.

Voltage requirements for the 3-1000Z are: 3000 volts at 670 mA (SSB) or 2000 volts at 500 mA (c.w.). For tune-up purposes, the VOX terminals on power plug  $P_2$  should be shorted together. Plate voltage is applied, with the amplifier first being adjusted for c-w operation. Using a dummy load, excitation is slowly raised until the 3-1000Z draws 500 mA plate current at resonance at a grid current of about 200 mA. Excitation and antenna loading are interlocking, and are varied until this ratio of currents is achieved. The output circuit of the 4CX250B stage is re-resonated (and perhaps loading adjusted slightly) until the proper drive level is reached at the desired input to the 3-1000Z. Power output of the amplifier will be 650 watts, or better at 1-kW input.

In order to go from a one-kilowatt state to a 2-kW PEP state under the same load conditions, it is necessary to raise the plate voltage of the tube to 3000. At this plate potential, resting plate current should be about 220 mA when the VOX terminals are shorted. When the terminals are open, the bias provided by the 10K cathode resistor will drop the plate current to a few milliamperes. At the 3-kV potential, then, excitation is gradually raised to achieve a plate current of 665 mA at a grid current of 180 to 200 mA. Tuning adjustments need not be changed from the c-w condition.

If it is found that grid current to the 3-1000Z is too low when plate current reaches 665 mA at resonance, it is an indication that antenna loading is too heavy for the degree of grid drive. Conversely, if grid current is too high, it is an indication that excitation is too high for the amount of antenna loading. A proper balance of drive level and antenna loading will permit the proper ratio of grid current-to-plate current to be achieved. When the proper ratio is met, it will be found that when plate voltage is dropped to 2000 for c-w operation, the power input will automatically drop to 1 kW, and the only adjustment necessary to

Table 6.

4CX250B Driver-Circuit Data

Band	$L_1$	$C_1$	$L_2$	$C_2$	$C_3$
80	(11 $\mu$ H) J. W. Miller 43A105CBI, 1/2" diam. Primary = 15t #22 e.	200 pF	(13 $\mu$ H) 28 turns # 12, 1 1/4" diam., 2" long	200 pF 1.6 kV	1500 pF
40	(6.5 $\mu$ H) J. W. Miller 42A68CBI, 1/2" diam. Primary = 10t #22 e.	100 pF	(7.5 $\mu$ H) 14 turns # 12 1" diam., 2" long	100 pF 2 kV	1000 pF
20	(3.3 $\mu$ H) J. W. Miller 42A336CBI, 1/2" diam. Primary = 5t #22 e.	25 pF	(3.7 $\mu$ H) 8 turns # 12, 1" diam., 1 1/2" long	75 pF 2 kV	600 pF
15	(2.2 $\mu$ H) J. W. Miller 42A226CBI, 1/2" diam. Primary = 4t #22 e.	15 pF	(2.0 $\mu$ H) 6 turns # 10, 2" diam., 3" long	50 pF 2 kV	300 pF
10	(1.2 $\mu$ H) 8 turns #18, 5/8" diam. 1/2" long. Pri. = 4 turns #18, 5/8" diam., 1/2" long	15 pF	(1.5 $\mu$ H) 6 turns # 10, 1 1/4" diam., 1 1/8" long	35 pF 2 kV	200 pF

Table 7. 3-1000Z Circuit Data

Band	L <sub>3</sub>	C <sub>4</sub>	L <sub>4</sub>	C <sub>5</sub>	L <sub>5</sub>	C <sub>6</sub>
80	12 turns #10, 3/4" diam., 1 1/2" long (1.25 μH)	1600 pF XMTG. MICA	(9 μH) 14 turns #6, 3 1/2" diam., 5" long	500 pF 3.5 kV Johnson 153-6	(6.5 μH) 20 turns #12, 1 1/4" diam., 2" long	1500 pF
40	4 turns #10, 1 5/16" diam., 1 1/2" long (0.6 μH)	1000 pF XMTG. MICA	(4.5 μH) 8 turns #6 3 1/2" diam., 3 1/2" long	150 pF 4.5 kV Johnson 153-12	(3.2 μH) 11 turns #12, 1 1/4" diam., 1" long	1000 pF
20	4 turns #10, 1 1/8" diam., 1 1/2" long (0.3 μH)	400 pF XMTG. MICA	(2.2 μH) 10 turns 1/4" tubing, 1 7/8" diam., 4 1/4" long	100 pF 7 kV Johnson 153-14	(1.5 μH) 15 turns #12, 3/4" diam., 2" long	500 pF
15	3 turns #10, 1" diam., 1" long (0.2 μH)	250 pF XMTG. MICA	(1.3 μH) 6 turns 3/16" tubing, 2" diam., 4" long	75 pF 4.5 kV Johnson 154-13	(0.9 μH) 10 turns #10, 1/2" diam., 1 1/2" long	250 pF
10	4 turns #12, 1/2" diam., 3/4" long (0.15 μH)	200 pF XMTG. MICA	(1.2 μH) 6 turns 3/16" tubing, 1 1/2" diam., 3" long	85 pF 4.5 kV Johnson 154-11	(0.6 μH) 4 1/2 turns #10, 5/8" diam., 1 1/8" long	250 pF

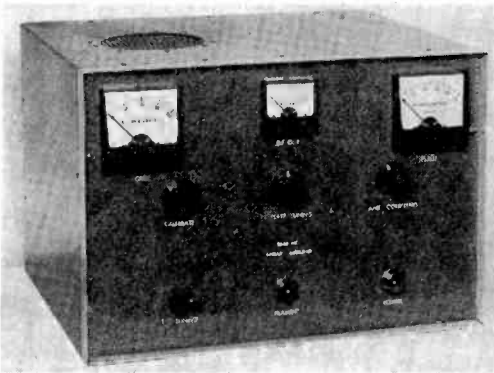


Figure 30

### 3-400Z LINEAR AMPLIFIER PACKS KILOWATT PUNCH FOR THE SIX-METER OPERATOR

This compact kilowatt linear amplifier is suited for SSB, c-w or a-m service in the 50-MHz band. Utilizing the 3-400Z in a grounded-grid circuit, the amplifier requires neither bias nor screen voltage. The homemade cabinet is an "r-f tight" inclosure which helps to reduce TVI problems. Meters are shielded and are in the circuit at all times so no extra switching circuits are required. Panel size is only 8 3/4" x 13". Panel components are (l. to r.): Grid meter, r-f output meter, and plate meter. In the line below the meters are: r-f output calibration control, plate tuning, and antenna loading. Across the bottom of the panel are: input tuning, filament pilot light, and high-voltage pilot light.

the amplifier may be a slight "touchup" of the driving level from the auxiliary exciter.

Once proper operation at 2000 and 3000 volts has been completed with a single-tone driving signal, the amplifier may be driven with a voice signal. Because of meter inertia and the relatively low power in the human voice, peak grid and plate current readings will average about one-half of the single-tone readings. Proper peak conditions for SSB may be monitored with an oscilloscope. Operation at 1-kW dc input at 3000 volts plate potential is not recommended because efficiency is low due to the limited r-f plate-voltage swing.

## 22-6 A Kilowatt Linear Amplifier for Six Meters

Described in this section is a high-power amplifier expressly designed for six-meter operation. It is capable of 1-kilowatt PEP input for sideband and c-w service, and will deliver a fully modulated carrier of about 200 watts as an a-m linear amplifier. A single Eimac 3-400Z (or 3-500Z) zero-bias triode is used in this efficient, compact unit which is capable of delivering full output

from an exciter providing 35 watts peak drive (or 15 watts carrier, amplitude-modulated). The cathode-driven (grounded-grid) configuration is utilized and neutralization is unnecessary.

**The Amplifier Circuit**

The schematic of the six-meter amplifier is shown in figure 31. A tuned-cathode circuit ( $L_1-C_1$ ) is used to preserve the waveform of the driving signal and to reduce harmonic distortion that may cause TVI.

The plate circuit of the amplifier utilizes a *pi-L* network to achieve a high order of harmonic suppression and a simple diode voltmeter is used to monitor the r-f output voltage. An antenna relay (RY) is incorporated in the amplifier, and an alternative

circuit is shown for using the linear amplifier with a transceiver (figure 32).

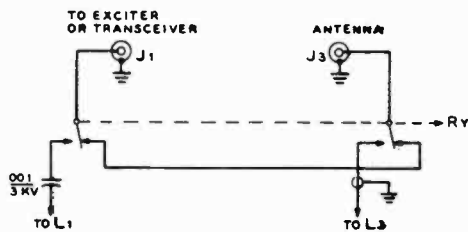


Figure 32

**SUGGESTED ANTENNA-RELAY CIRCUIT FOR USING AMPLIFIER WITH TRANSCEIVER**

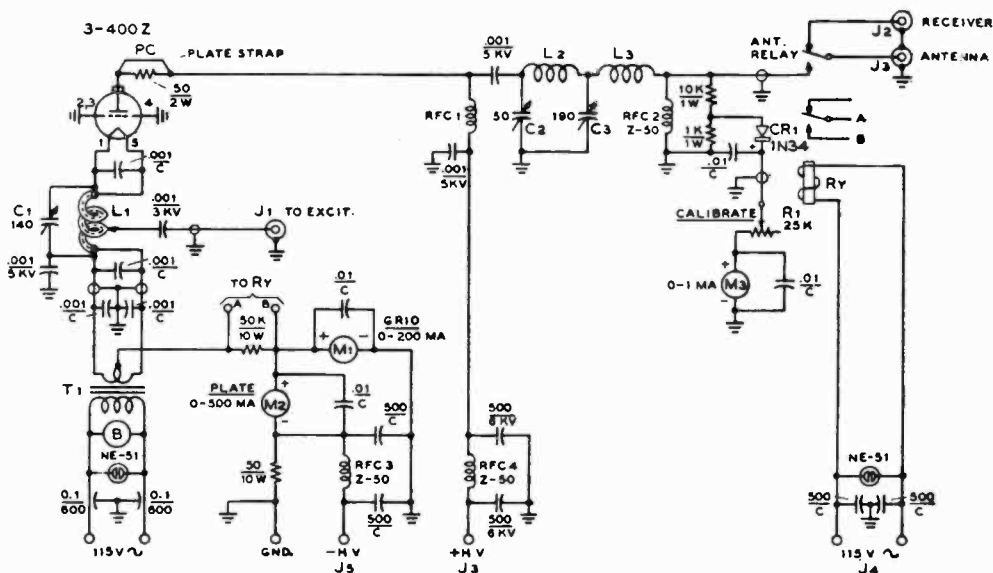


Figure 31

**SCHEMATIC OF SIX-METER LINEAR AMPLIFIER**

- B—Blower, 13 cubic feet per minute at 0.13 inches of water. Dayton 2C-782 or equivalent
  - C<sub>1</sub>—140 pF Bud 1856
  - C<sub>2</sub>—50 pF, 0.07" spacing. Hammarlund MC-505X
  - C<sub>3</sub>—190 pF. Bud 1858
  - J<sub>4</sub>—TV-type chassis-mount cord socket
  - L<sub>1</sub>—Bifilar coil. 3 turns, 1/8-inch diameter copper tubing spaced to 2", tapped 3/4 turn from grounded end. Inner conductor is No. 12 insulated or formvar wire (see text)
  - L<sub>2</sub>—Pi-section coil. 5 turns, 3/16-inch copper tubing, spaced to 3". Inside diameter is 1 1/8".
  - L<sub>3</sub>—L-section coil. 4 turns. 1/8-inch tubing, 3/4-inch inside diameter, spaced to 2 1/2"
  - RFC<sub>1</sub>—3 μH choke. 48 turns No. 16 formvar wire closewound on 1/2" diameter standoff insulator.
  - RFC<sub>2, 3, 4</sub>—Ohmite Z-50 choke
  - RY—Coaxial antenna relay.
  - T<sub>1</sub>—5 volts at 15 A. Stancor P-6433
- Note: 0.1 μF, 600-volt feedthrough capacitors are Sprague 80P-3. Meters are Simpson Wide-Vue.



**Metering and Suppression Circuits** It is necessary to measure both grid and plate current in a cathode-driven amplifier to establish the proper ratio of grid to plate current. At the higher frequencies it is desirable to directly ground the grid of the amplifier tube and not to rely on questionable bypass capacitors to insure that the grid remains at ground potential. Grid current, therefore, is measured in the cathode-return circuit of the amplifier by meter  $M_1$ .

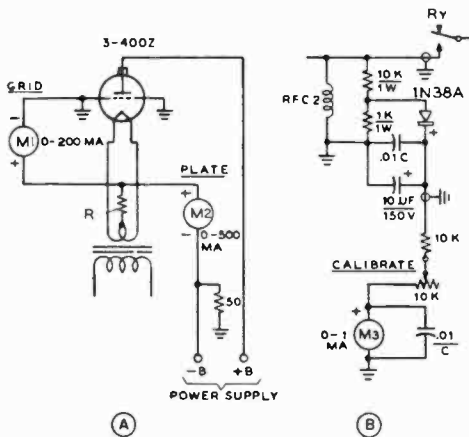


Figure 33

### METERING CIRCUITS FOR KILOWATT AMPLIFIER

A—Dc meter circuit showing grid and plate meters placed in low-potential return leads. The B-minus of the power supply "floats" above ground by virtue of the 50-ohm resistor, which may be placed in the power supply, if desired.

B—Peak-responding voltmeter circuit useful for adjusting linear for a-m service.

Plate current is measured in the B-minus lead to the power supply by meter  $M_2$ . A simplified metering circuit is shown in figure 33.

This amplifier was checked for parasitics and it was found that the usual plate parasitic choke was not required for stable operation. A variation in circuit layout, however, or changes in ground-return currents may allow weak parasitic oscillation to take place. If this condition is found, placement of a parasitic choke in the plate lead will suppress the unwanted parasitic. A practical parasitic choke is shown in the schematic and is made by merely shunting a portion of the plate strap with a composition resistor.

**Amplifier Construction** The amplifier is inclosed in an "r-f tight" cabinet measuring  $13'' \times 8\frac{3}{4}'' \times 10''$ . A standard  $12'' \times 10'' \times 3''$  aluminum chassis is used, along with an  $8\frac{3}{4}'' \times 13''$  panel (cut from a standard aluminum relay rack panel). The cabinet is made by bending a sheet of light aluminum ( $31'' \times 11''$ ) to fit around the panel. It is riveted to  $13'' \times 11''$  bottom plate. The rear of the cabinet is a sheet of perforated aluminum fastened to the cabinet with  $\frac{1}{2}$ -inch aluminum angle stock. Additional angle stock is cut to length and fastened to the front edge of the cabinet to secure the panel. A 4-inch hole is cut in the cabinet directly above the 3-400Z and is covered with a small sheet of perforated aluminum. This shielded vent permits the heated air from the tube to escape from the inclosure.

A meter shield is used to protect the panel meters from the r-f field of the plate circuit and to suppress r-f leakage from the cabinet via the meter face. The box-like shield is attached to the panel by means of aluminum angle stock which is held to the panel by the meter mounting bolts. All paint is removed from the rear of the panel to provide a good ground connection to the meter shield and to the chassis and cabinet.

The 3-400Z tube requires forced air cooling during operation and a blower (B) is mounted on the chassis and activated with application of filament voltage. An *Eimac* SK-410 air-system socket and SK-416 air chimney are used to achieve proper air flow around the filament and plate seals of the tube.

Layout of the major components may be seen in the photographs. The air-system socket is mounted on the underside of the chassis in a  $3\frac{1}{2}$ -inch diameter cutout. The spring clips that hold the chimney in place fasten with the same bolts used to mount the socket, which is oriented so that filament pins 1 and 5 are facing the front of the chassis. The cathode tuning capacitor ( $C_1$ ) is mounted on the front apron of the chassis with insulated washers as the rotor is above ground by the amount of the filament voltage. The cathode coil is a dual winding, made of copper tubing having an insulated center conductor. A section of  $\frac{1}{8}$ -inch soft-drawn copper tubing about a foot long is needed to make the coil. Before the coil is wound,

the ends of the tubing are smoothed with a file and a length of No. 12 cotton-covered (or *formvar*-insulated) wire is passed through the tubing. The coil is then wound about a  $\frac{3}{4}$ -inch diameter wood dowel rod used as a temporary form, spacing the three turns to a length of two inches. The tubing is trimmed, and the inner wire is left projecting about ten inches from each end. The coil is mounted close to the tube socket (figure 35) with one end supported by the filament pins of the tube socket. The inner conductor is trimmed to length and soldered to one filament pin, and the tubing is connected to the other filament pin by means of a short length of copper strap about  $\frac{1}{8}$ -inch wide, cut from copper "flashing" material. The end of the coil is equidistant from the filament pins. The strap encircles

one end of the tubing and is soldered in place, with the other end soldered to the pin. The filament bypass capacitor is soldered directly between the filament pins of the socket. A second short length of copper strap jumpers the first strap to the stator of the cathode tuning capacitor.

The opposite end of the cathode coil is bypassed to ground by a ceramic capacitor which also supports the coil. The inner conductor is bypassed to the outside tubing at this point, and a length of copper strap makes a connection to the rotor of the tuning capacitor. The inner conductor continues over to the filament transformer and a second length of No. 12 wire is run from the copper tubing to the second transformer terminal.

The three grid pins of the 3-400Z socket are grounded by passing a  $\frac{1}{4}$ -inch wide copper strap through the slot in the socket adjacent to each grid pin and soldering the strap directly to the flat tab on the pin. The straps are then bolted to the chassis just clear of the socket.

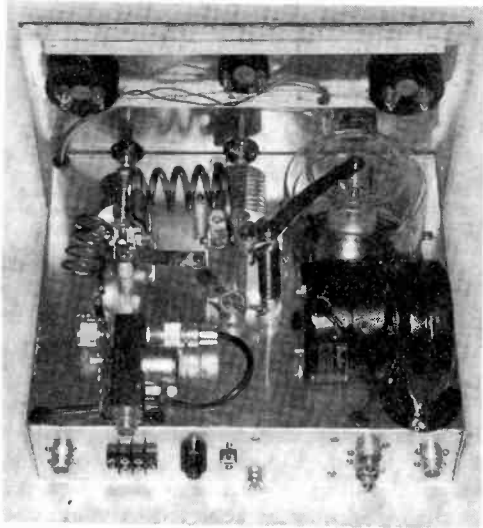


Figure 34

### TOP VIEW OF 3-400Z LINEAR AMPLIFIER FOR 50 MHz

Placement of the major components above the chassis may be seen in this photograph. The meter shield has been removed for the photograph. Leads to the meter compartment are shielded, and bypass capacitors are mounted at the meter terminals.

Across the rear apron of the chassis (l. to r.) are: receiver receptacle ( $J_2$ ); terminal strip ( $J_3$ ); Millen high-voltage connector ( $J_4$ ); Sprague feedthrough capacitors and r-f exciter receptacle ( $J_1$ ). At the bottom edge of the chassis are a ground connection and the relay voltage terminal ( $J_4$ ).

The copper ground strap between the plate-circuit tuning capacitors may be seen just behind the antenna relay.

**The Plate-Circuit Assembly** Layout of the components above the chassis are shown in figure 34. The plate tuning and loading capacitors ( $C_2$  and  $C_3$ ) are mounted on  $\frac{1}{2}$ -inch ceramic insulators. The tuning capacitor is rotated 90 degrees on its side and held in position with small aluminum brackets. A common ground connection made of a length of  $\frac{1}{2}$ -inch wide copper strap connects the rear rotor terminals of the capacitors. In addition, the capacitor rotor wipers are connected to the common ground strap.

A second strap grounds the rotors to a common ground point on the chassis under the stud of the high-voltage bypass capacitor at the lower end of the plate r-f choke. The shafts of the variable capacitors are driven with insulated couplers to prevent ground-loop currents from flowing through the shafts into the panel.

The plate r-f choke is homemade, and is wound on a  $\frac{1}{2}$ -inch diameter ceramic insulator. A commercial choke may be used, if desired. The base of the choke screws on the bolt of the high-voltage feedthrough insulator on the chassis, and is bypassed at this point with a ceramic capacitor.

The coaxial antenna relay is mounted on the top of the chassis positioned so the output lead from the L-section of the tank circuit can be connected directly to the input receptacle. The connection is made by trimming down a coaxial connector and soldering a short length of #10 wire to the center terminal to make the connection to the coil. The *antenna* receptacle of the relay extends beyond the rear apron of the chassis and through the rear of the cabinet. The *receive* receptacle is fed with a length of RG-58/U coaxial cable which terminates at the coaxial receptacle on the rear apron of the chassis. An auxiliary set of contacts on the relay are used to short out the 50K self-bias resistor in the cathode circuit of the 3-400Z when transmitting. The resistor serves to bias the tube to near cutoff during periods of reception to prevent noise being generated which may interfere with reception of weak signals and also to reduce the standby drain on the power supply. The relay is actuated by the control or VOX circuit of the exciter, and the relay coil should be chosen to match the voltage delivered from the exciter control circuit.

A diode r-f voltmeter is mounted beneath the chassis in a small aluminum box positioned over the r-f feedthrough insulator which supports the end of the L-network above the chassis. The lead from the voltmeter circuit to the *calibrate* potentiometer on the panel is run in shield braid, as are the leads from the center tap of the filament transformer. Tight rubber grommets are used in all chassis holes to restrict air leaks.

**Amplifier Adjustment** When the amplifier has been wired and inspected, it is ready for initial checks. Air is directed into the tube socket by means of a temporary bottom plate (cardboard) taped to the chassis. Filament voltage is applied and the blower motor should start. A strong blast of air out of the tube chimney should be noted. Tube filament voltage should be adjusted to 5.0 volts at the socket with an accurate meter. Filament voltage is now removed and the input and output coaxial receptacles are temporarily terminated in 50-ohm, 1-watt composition resistors, which may be soldered across the receptacles for

this test. A grid-dip meter is tuned to 50 MHz and brought near the cathode coil (the 3-400Z being in the socket. The meter

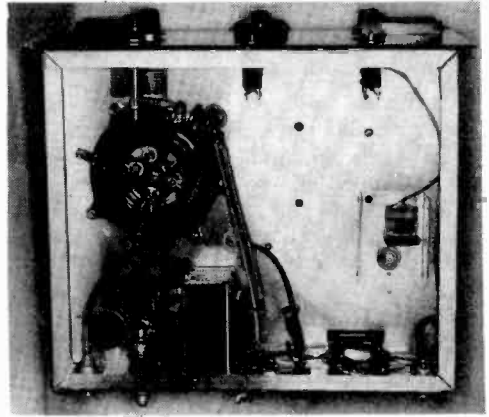


Figure 35

#### UNDER-CHASSIS VIEW OF LINEAR AMPLIFIER

The cathode circuit is mounted on the filament terminals of the air system socket (upper left), with the tuning capacitor ( $C_1$ ) insulated from the panel. Filament leads run from the tuned circuit to the filament transformer mounted to the rear apron of the chassis. At the right is the small aluminum box (cover removed) holding the components for the r-f output voltmeter. The blower outlet is at the left corner of the chassis next to the feedthrough capacitors.

should show resonance with the cathode tuning capacitor about two-thirds meshed. The plate tank circuit is now tested, with the tuning capacitor about one-half meshed and the loading capacitor about two-thirds meshed. Grid-dip resonance at these settings for 50 MHz may be achieved by slight alterations in the spacing of the pi-network coil. The L-section should also show a dip around 50 MHz.

Once resonance of the tank circuit has been verified, the 50-ohm resistors are removed and the amplifier attached to the exciter and coaxial antenna lead. A separate ground lead is run from the amplifier to the power supply. A plate potential of 2500 volts is recommended as a maximum (key-down) value, and good operation can be obtained down to 2000 volts. At the higher potential, the resting plate current will be about 80 mA. Random variations in resting plate current, or a show of grid current when the controls are tuned (with no grid

drive) is an indication of parasitic oscillation and a plate parasitic choke should be installed.

After plate voltage is applied, grid drive is slowly injected until a plate current of about 150 mA is noted. The cathode circuit is resonated for maximum grid current and the plate tuning capacitor adjusted for plate-current dip. Grid drive is increased and loading adjustments made in the normal manner for pi-network operation to achieve a *single tone (carrier)* plate current of 400 mA at a grid current of about 140 mA. Proper loading is indicated by the ratio of plate current to grid current, which should be about 3:1.

For operation as a linear amplifier for SSB, carrier injection is used as described for tuning and loading. The relative-voltage output meter is very useful in the tuning process and provides a continuous check on proper operation as it increases in proportion to grid current. Maximum carrier input conditions are as stated above, and under these conditions, the anode of the 3-400Z will be a cherry red in color. With carrier removed and SSB voice modulation applied, drive is advanced until voice peaks reach about 200 mA plate current and about 70 mA grid current. For c-w operation, the full 400 mA plate current value may be run.

**A-M Linear Operation** The amplifier may be used for a-m linear service when properly adjusted. The amplifier efficiency at the peak of the modulation cycle is about 66 percent and efficiency under carrier conditions (no modulation) is about 33 percent. As maximum plate dissipation is 400 watts, the total a-m carrier input to the 3-400Z is limited to about 600 watts (2500 volts at 240 mA). In order to *properly* load the amplifier to this condition for a-m linear service, an oscilloscope and peak-responding voltmeter are necessary. The r-f output voltmeter in the amplifier may be converted to a peak-responding instrument as shown in figure 33B. In addition, a simple 1000-Hz audio oscillator is used for the following adjustments.

For preliminary tuneup, the a-m driver is modulated 100 percent with the 1000-Hz tone. A driver capable of about 15 watts

carrier is required. The 3-400Z amplifier is loaded and drive level adjusted to 600 watts input under this condition. Amplifier output is monitored with the peak-responding voltmeter, which is adjusted to *full-scale* reading at the 600-watt input level. Grid current will run about  $\frac{1}{4}$  the plate-current value, or approximately 60 mA. Once this condition is reached, the modulation of the driver is removed, leaving only carrier excitation. If the linear amplifier is properly adjusted, the indication of the peak-responding voltmeter should drop to *one-half scale*, corresponding to an output drop to one-quarter power.

If the peak-voltage drop when modulation is removed is less than one-half, the plate circuit loading and grid-drive level of the linear amplifier must be adjusted to provide the correct ratio. This is an indication that antenna loading is too light for the given grid drive. If this process is monitored with an oscilloscope, the point of flat-topping can be noted and drive and loading adjusted to remove the distortion on the peaks of the signal. Under voice modulation, plate and grid current will flicker a small amount upward.

The combination of a peak-responding voltmeter, an oscilloscope, and an audio oscillator used with tune-up under 100 per cent single-tone modulation of the exciter affords a relatively easy and accurate method of achieving proper a-m linear amplifier service.

As with any cathode-driven amplifier, drive should never be applied to the amplifier in the absence of plate voltage, as damage to the grid of the tube may result. The proper sequence is to always apply plate voltage before drive, increasing the drive level slowly from a minimum value as tuning adjustments are made.

## 22-7 A Compact 2 kW PEP Linear Amplifier With the 8877

This rugged linear amplifier is designed around a single 8877 high mu, ceramic power triode and provides maximum legal

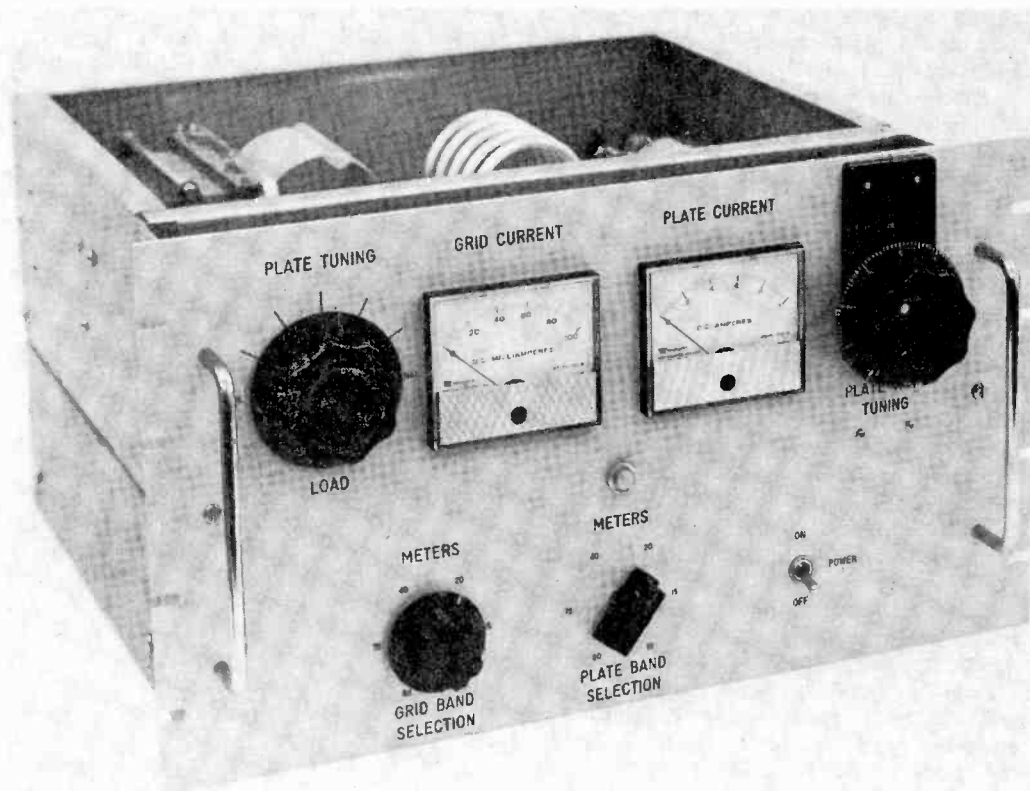


Figure 36

### THE GNQ-1000 LINEAR AMPLIFIER FOR 80-10 METERS

The compact, rugged linear amplifier runs full legal input for SSB, RTTY or SSTV service on the high frequency bands. An 8877 ceramic power triode is used in a cathode driven circuit. The plate load control is at the upper left of the panel, balanced by the counter dial for the plate tuning capacitor at upper right. Centered on the panel are the grid and plate current meters. The band-switch is bottom, center with a pilot lamp above it. At the left is the grid bandswitch, with the filament switch at the lower right of the panel. The top cover plate (removed for photographs) is perforated aluminum material to allow good air circulation within the amplifier when the blower is running.

power input on all amateur bands between 3.5 MHz and 29.7 MHz. It was designed and built by Dick Drevo, W3GNQ. Amplifier power gain is high and drive requirements are less than 100 watts PEP on all bands (figure 36). The amplifier features ALC control of the exciter and a pi-network input circuit. Grid and plate currents are metered and electronic bias switching lowers the standby plate current of the amplifier during standby periods, reducing tube dissipation, heat and the power bill. The amplifier is designed to operate at a plate potential of 3 kV. Third order intermodulation

products at maximum power output are about 40 dB below one tone of a two-tone test signal.

**The Amplifier Circuit** The schematic of the amplifier is shown in figure 37. The 8877 is operated in cathode-driven mode, with the grid at dc and r-f ground potential. The drive signal is coupled through a bandswitching pi-network to the cathode of the tube. The Q of the network is high enough to preserve the waveform of the driving signal yet low enough so that the networks need not be retuned when the

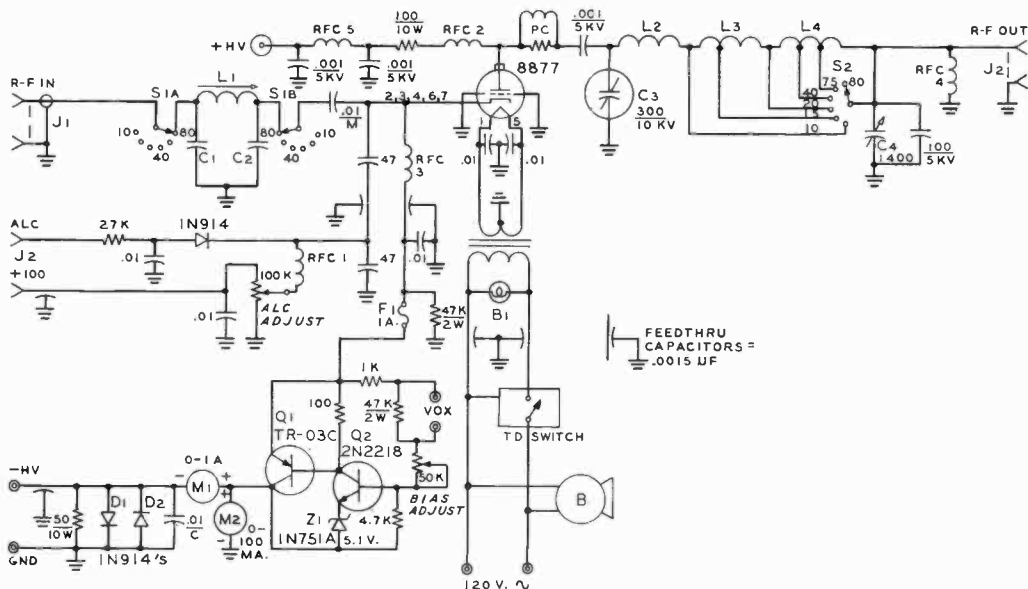


Figure 37

SCHMATIC, 8877 AMPLIFIER

- C<sub>1</sub>, C<sub>2</sub>—See table 8.
- C<sub>3</sub>—300 pF, 10 kV. ITT-Jennings Co.
- C<sub>4</sub>—1400 pF
- L<sub>1</sub>—See table 9.
- M<sub>1</sub>—0-1 Adc. Triplett 320G
- M<sub>2</sub>—0-100 mAdc. Triplett 320G
- PC—3 turns #12 e. around 47-ohm, 2-watt resistor
- Q<sub>1</sub>—TR-03C. International Rectifier Co.
- RFC<sub>1</sub>, 4—2.5 mH, 100 mA.
- RFC<sub>2</sub>—160 turns #24 e. wound on ceramic insulator 3/4" diam., 4" long.
- RFC<sub>3</sub>—2.5 mH, 300 mA

- RFC<sub>5</sub>—10 turns #14 e., 1/4" diam. 1" long.
- S<sub>1A</sub>, B—2 pole, 6-position. Centralab PA-2045
- S<sub>2</sub>—1 pole, 6 position. Millen 51001 or equivalent. Radio Switch Corp.
- T<sub>1</sub>—5 volts, 15 amperes. Stancor P-6433
- Blower—Dayton 1C180 or 2C781
- Chimney—SK-2216
- Counter dial—R. H. Bauman TC-3S
- Socket—SK-2210
- Time delay switch—180 seconds.
- Amperite 115-N0180

frequency of operation is moved about within an amateur band. A summary of the network components is given in Table 8. Grid current metering is accomplished in the bias return circuit.

During standby, the 8877 is biased to cutoff by the electronic bias switch Q<sub>1</sub>, Q<sub>2</sub>. Operating bias is adjustable. A fuse in the cathode circuit protects the tube from excessive plate current and a small series resistor in the plate circuit provides protection from inadvertent flashovers in the plate circuit.

*Metering Circuitry*—Grid current flows from cathode to ground through meter M<sub>2</sub> and cathode (plate) current flows through meter M<sub>1</sub>, which is located in the negative dc return lead to the power supply. Meter protection is provided by reverse-connected diodes D<sub>1</sub>-D<sub>2</sub>.

*The Plate and ALC Circuitry*—A pi-network output circuit is provided which is designed for a plate load impedance of about 1800 ohms with a loaded Q of 10. Data for the plate network is given in Table 9.

ALC voltage is obtained by sampling the signal in the cathode circuit through a capacitive divider. The reference level for ALC is set by means of potentiometer R<sub>2</sub>.

*Amplifier Cooling*—Maximum dissipation of the 8877 in this circuit at full legal input is about 800 watts. To hold tube temperature below 250°C with 50°C ambient temperature at least 20 c.f.m. of air at a pressure drop of 0.2" is required. A Dayton model 1C-180 (or equivalent) blower will satisfy this requirement. The air is drawn into the underchassis area of the amplifier and exhausted through the anode of the tube and out the perforated metal top of the cabinet.

Table 8. Input Network Details

Circuit Component Values ( $Q = 1$ )

Band	$C_1, C_2$	$L_1$
80	820pF	(2.36 $\mu$ H) 14 turns #24 e, $\frac{3}{8}$ " diam. closewound
75	750pF	(2.07 $\mu$ H) 14 turns #24 e, $\frac{3}{8}$ " diam. closewound
40	430pF	(1.18 $\mu$ H) 10 turns #24 e, $\frac{3}{8}$ " diam. closewound
20	220pF	(0.59 $\mu$ H) 7 turns #16 e, $\frac{3}{8}$ " diam. closewound
15	150pF	(0.39 $\mu$ H) 5 turns #16 e, $\frac{3}{8}$ " diam. closewound
10	100pF	(0.30 $\mu$ H) 4 turns #16 e, $\frac{3}{8}$ " diam. spaced wire diam.

Capacitors dipped mica: DM15-J series

Coil forms: J. W. Miller 4400-0 with red slugs (30-201-2 DP)

**TVI Suppression**—The amplifier is contained within an r-f tight metal cabinet for maximum containment of harmonics. All power leads are fully filtered and a screen is placed over the mouth of the blower to block this area from r-f leakage. The liberal use of feedthrough-type bypass capacitors greatly assists the reduction of radiated harmonics from the inclosure.

Table 9. Plate Circuit Details

Band	Plate Inductance
10	4½ turns $\frac{1}{4}$ " thin wall copper tubing, 2" diameter, $1\frac{3}{4}$ " long
15-20	5 turns $\frac{1}{4}$ " thin wall copper tubing, 3" diameter, $3\frac{3}{4}$ " long
40-75-80	12 turns #10, 2½" diam., 6 turns/inch

1—15-meter tap 2½ turns from plate end of  $L_3$ 2—40-meter tap 5 turns from plate end of  $L_4$ 3—75-meter tap 8¾ turns from plate end of  $L_4$ 

**The Power Supply**—The high-voltage supply for this amplifier provides 3000 volts at a peak plate current of about 700 mA. Average current drain is about one-half this value. In addition, an ALC supply voltage of +100 volts at 10 mA is required. The high-voltage supply has a time delay circuit in the primary side of the transformer which delays application of plate voltage for 180 seconds after the filament is turned on.

**Amplifier Construction** The amplifier is built into a metal enclosure measuring 10"  $\times$  13"  $\times$  17". This is composed of a chassis 4" high and a plate circuit box 6" high. A solid bottom plate makes the bottom chassis airtight and a perforated top plate allows cooling air to escape from the plate compartment (figure 38).

The 8877 7-pin septar socket is sub-mounted below the chassis deck with  $\frac{3}{8}$ -inch metal spacers while the grid ring of the tube is electrically grounded to the chassis by means of four grounding clips on the socket assembly. The air chimney sits atop the chassis, held in position by the air cooler of the tube.

The plate circuit bandswitch is mounted to the chassis plate, with the shaft projecting into the underchassis area. The switch is panel driven through a sturdy right-angle drive unit and an extension shaft (figure 39). The cathode circuits are mounted on a small subchassis bolted to the rear wall of the enclosure. They, too, are panel-driven by means of a switch and extension shaft.

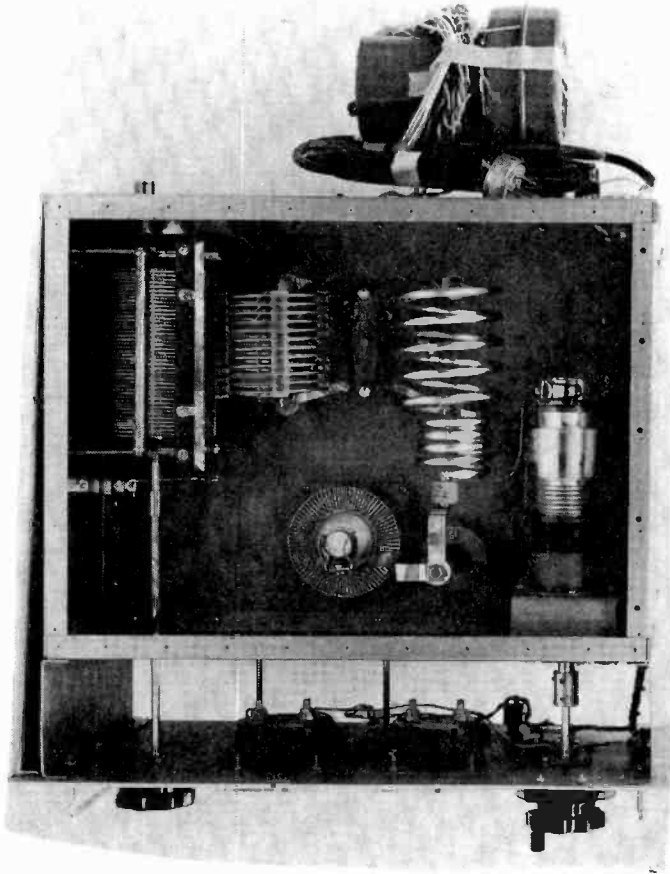
Looking at the front of the amplifier (figure 36), the panel layout is symmetrical, with the center lines of the meters  $2\frac{1}{4}$ " from the center line of the panel. The grid selector switch and power switch are located 4" from the center line. Plate tuning and loading controls are spaced  $3\frac{7}{8}$ " in from the outer edges of the panel and on a line 3" down from the top edge of the panel.

Looking at the interior view of the amplifier (figure 38) the tube socket is centered at a point 3" behind the front of the enclosure and  $7\frac{7}{8}$ " in from the left side. The center line of the main tank coil runs parallel to the chassis edge and 6" away from it. The bandswitch is centered on the chassis and  $4\frac{1}{4}$ " from the rear edge. Placement of the other parts in relation to these can be ascertained from the photographs.

The PNP transistor ( $Q_1$ ) is mounted on the amplifier chassis for a heat sink and insulated from it by a mica washer. Transistor  $Q_2$  is placed on a small printed-circuit board along with the associated resistors and zener diode. The ALC components are mounted on a similar board.

The vacuum variable plate-tuning capacitor is mounted on an aluminum bracket

Figure 38  
TOP VIEW OF  
GNQ-1000 AMPLIFIER



The 8877 tube is centered on the chassis near the front panel. To the right are the plate r-f choke and coupling capacitor. The variable vacuum plate tuning capacitor is mounted on a bracket at the far right. The bandswitch is chassis mounted in line with the tube. Above it, to the right and left, are the tank circuit components. Coils  $L_1$  and  $L_2$  are wound of copper tubing and run from the coupling capacitor back to the bandswitch. The coils are supported on ceramic insulators. To the left of the bandswitch is coil  $L_3$ , adjacent to the loading capacitor. The chassis is supported three inches behind the panel to allow area for meters, wiring, etc.

placed behind the enclosure wall. The network output capacitor is fastened to the side wall of the enclosure while the pi-network coils are mounted to the bandswitch and ceramic insulators bolted to the chassis. The plate r-f choke is fastened to the top terminal of the plate bypass capacitor. The plate lead from the choke to the high-voltage connector on the rear of the chassis is a short length of RG-8/U coaxial cable.

For highest efficiency the plate inductor is made of three coils. Inductor  $L_2$  is for 10 meters only, inductor  $L_3$  covers 15 and 20 meters when added to  $L_2$  and inductor  $L_4$  is for 40, 75 and 80 meters when added in the circuit. Splitting the 80-meter band in two sections helps maintain a good L/C ratio, aids in loading, and reduces harmonic content in the output signal. Leads from the tap points on the coils to the bandswitch

are made with  $\frac{1}{4}$ -inch wide copper strap, silver soldered to the coils. The coils and leads are silver plated before final assembly.

On the rear of the amplifier chassis are the bias control, the ALC control and a large terminal strip for external wiring. The slugs of the various cathode coils also project through the rear panel of the chassis.

At the front of the chassis, meter leads and accessory wiring are brought out via a shielded cable, all leads being bypassed to ground at the panel as well as at the meter terminals.

*Amplifier Alignment*—Once the amplifier is wired and checked, the input network coils are adjusted to the midpoint of each band with the aid of a dip-meter. This is done with the 8877 in the socket. Final alignment takes place once the amplifier is in operation.



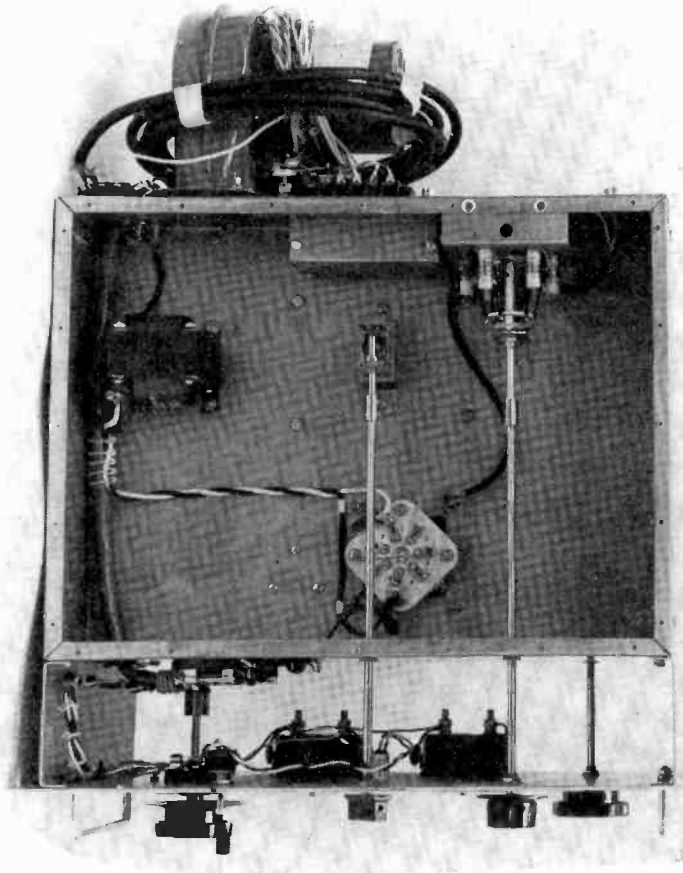


Figure 39

### UNDERCHASSIS VIEW OF AMPLIFIER

The bottom of the 8877 socket is centered on the chassis, with the filament transformer toward the rear corner of the chassis. The grid input circuit can be seen grouped around the grid bandswitch at the rear of the chassis, next to the compartment holding filter capacitors for the power leads. The shaft of the main bandswitch protrudes through the chassis deck and is panel driven by means of a right-angle drive unit seen behind the tube socket.

**Amplifier Tuning and Adjustment** The first step is to check filament voltage on the 8877 at the socket. It should be measured with a 1-percent voltmeter to determine that it is within the allowed range of 4.75 to 5.25 volts. Operation at the lower end of this range is recommended. The amplifier plate circuit should be roughly resonated with the aid of a dip meter and, after the time delay relay has activated, plate voltage may be applied to the 8877. The bias should be adjusted to provide a resting plate current of about 160 mA to 180 mA. Check to make sure the blower is operating properly and that a free flow of air exists through the anode cooler.

Drive power is applied and the amplifier is tuned and loaded for resonance. When properly loaded, grid current will run about 40 mA. The input circuits can be touched

up by inserting an SWR meter in the coaxial line between the exciter and the amplifier and tuning the coil slug on each band for minimum SWR at the center frequency in each band. This adjustment should be done with the amplifier running at full power input.

*Note: The amplifier cover should not be removed during operation as high-voltage points will be exposed.*

## 22-8 A Modern 3-1000Z Linear Amplifier for 80-10 Meters

This compact and rugged linear amplifier is designed for continuous duty operation at the maximum legal input power on c-w, SSB or RTTY. Designed and built by Jerry Pit-

tenger, K8RA, the unit uses a single 3-1000Z high- $\mu$  triode in a cathode driven circuit. "Grounded grid" service is especially attractive as maximum input may be run with a plate potential as low as 2500 volts, yet the power gain of the tube is high enough to allow sideband exciters of the "100-watt" class to drive it to full output. Neutralization is unnecessary up to 30 MHz as the excellent internal shielding of the 3-1000Z reduces intrastage feedback to a minimum. Distortion products of this amplifier are better than 35 dB below one tone of a two-tone test signal at maximum PEP level. A tuned cathode tank is used for greatest linearity and power output. Special attention has been given in the construction of the amplifier to protective shielding and lead filtering to reduce TVI-producing harmonics to a minimum (figure 40). A simple, solid-state power supply is also included in the equipment.

**The Amplifier Circuit** The 3-1000Z amplifier covers all amateur bands between 3.5 and 29.7 MHz with generous overlaps. Bandswitching circuits are used and the amplifier is designed to operate into a coaxial antenna system of 50 to 70 ohms having an SWR of less than 3. The schematic of the amplifier is given in figure 41.

The r-f deck is shown in figure 42A-B. The driving impedance of the 3-1000Z is approximately 55 ohms, providing a close match to either a 50- or 70-ohm coaxial system. The tuned cathode circuit prevents input waveform distortion caused by the half-cycle loading of the amplifier, which operates in a near class-B mode. Filament voltage is fed to the 3-1000Z through a conventional bifilar, ferrite-core r-f choke.

Plate current metering is accomplished in the B-minus power lead to remove dangerous anode potentials from the meter circuit. The resting plate current of the tube is reduced by means of a 7.5-volt, 50-watt zener diode in the cathode circuit, and for standby operation the cathode voltage is raised by a bias resistor which is inserted in the circuit by the *in/out* relay, RY<sub>1</sub>C. The relay shorts out the resistor to allow normal operation of the stage when actuated by the VOX circuit. The grid terminals of the 3-1000Z are

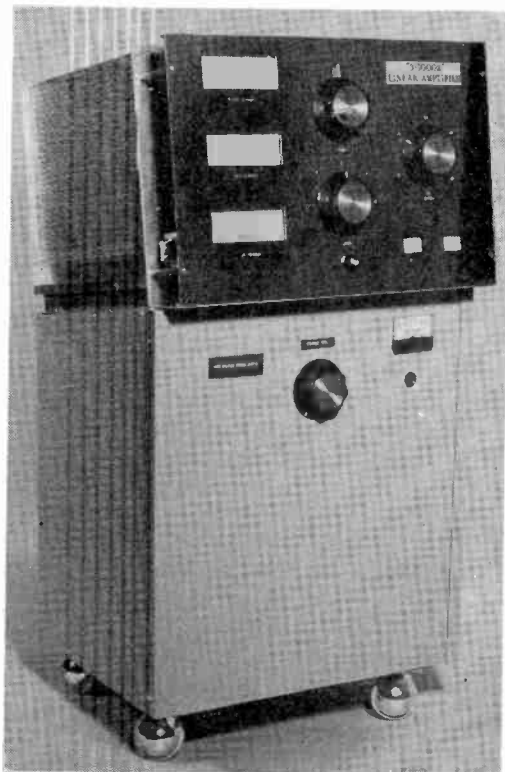


Figure 40

### 3-1000Z LINEAR AMPLIFIER FOR 80-10 METERS

This deluxe amplifier runs full legal input for SSB, RTTY, or SSTV service on the high-frequency bands. A single 3-1000Z high- $\mu$  triode is used in cathode-driven service. The amplifier (with cover removed) sits atop the power supply pedestal. On the panel of the amplifier are (left to right): Plate, grid, and r-f output meters; the tune and load controls; and the bandswitch. Below the bandswitch are the primary and in/out control switches.

The pedestal contains the variable voltage transformer at center, the plate voltmeter and the main pilot lamp assembly at right. Oversize casters permit the operator to move the amplifier about with ease.

directly grounded and grid current is measured in the cathode return circuit.

A pi-network plate tank circuit is used, with an additional loading capacitor switched in for 80-meter operation into low values of load impedances. In addition, a diode voltmeter is included to monitor the relative power level of the amplifier.

The amplifier plate coil is a modified commercial unit retapped to provide a loaded

circuit  $Q$  of approximately 10 on all bands with a plate potential of 3200 volts and a plate current of 600 milliamperes. A suitable value of  $Q$  is maintained on c-w by lowering the plate potential to 2500 volts by means of a variable voltage transformer in the primary circuit of the high-voltage power supply.

The 3-1000Z requires forced-air cooling to maintain the base seals at a temperature below 200°C and the plate seal at a temperature below 225°C. When using an *Eimac SK-510* socket and *SK-506* air system chimney, a minimum air flow of 25 cubic feet per minute is required at a back pressure of 0.25 inches of water. Cooling air must be supplied to the tube as long as the filament is lit.

Cooling is accomplished by a 3½-inch diameter impeller running at a speed of 3200 rpm. The squirrel cage blower is

mounted on the bottom plate of the chassis and extends downward into the power-supply pedestal. The chassis is pressurized, and the air is exhausted through the socket and chimney and past the anode of the tube, which is equipped with an *Eimac HR-8* heat dissipating anode connector.

**Amplifier Power Supply and Controls**—The control circuit of the 3-1000Z amplifier is shown in figure 43. Primary power enters the control circuitry via terminals 7 and 8. Switch  $S_1$  is the on/off control switch and switch  $S_2$  (amp. in/out) activates the 25-Vdc supply which is used to energize relay  $RY_1$  through the auxiliary VOX contacts. The filament transformer for the 3-1000Z and the air blower come on simultaneously when  $S_1$  is thrown. The cutoff bias resistor in series with the cathode zener diode is shorted out by the VOX circuit and relay contacts  $RY_1C$ .

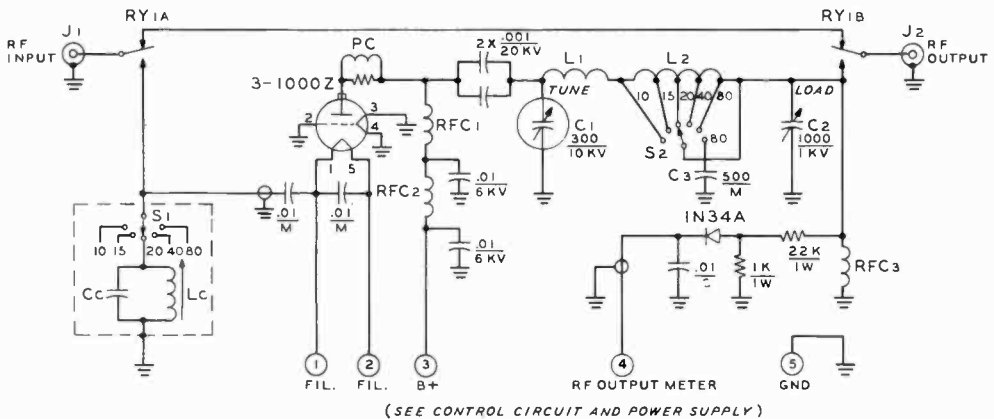


Figure 41

## SCHEMATIC OF 3-1000Z LINEAR AMPLIFIER

$C_1$ —10—300-pF, 10kV vacuum variable capacitor. Jennings UCS-300

$C_2$ —30-1000-pF, 1-kV. (A substitute unit, 1100-pF, 3-section capacitor Jackson LE3-4595-380 may be used.)

$C_3$ —500-pF mica, transmitting type. Sangamo type H

$L_1$ —5 turns of ¼" copper tubing, 1¼" diam., 3" long.

$L_2$ —Modified B-W 850A (see text). See chapter 11 for pi-network data for plate load impedance of 2800 ohms

PC—Three 120-ohm, 2-watt composition resistors in parallel. Short across ½" copper strap bent into U-shape, 2" long, 1" wide

RFC<sub>1</sub>—(Approx. 60 μH. 90 turns #26 e., space-wound wire diameter, 3⅜" long, ¾" diam. on ceramic or teflon form. Series resonant at 26 MHz.) B-W type 800.

RFC<sub>2</sub>—10 turns, ½" diameter, 1" long.

RFC<sub>3</sub>—1 mH, 0.3 ampere

$S_1$ —Single-pole, 11-position ceramic deck, 30° index. Centralab PA-6001

$S_2$ —Single-pole, 11-position ceramic switch, 30° index. Radio Switch Corp. Model 86-A

Cathode circuit:

$C_c$ —Silver mica. 10 meters, 200 pF; 15 meters, 470 pF; 20 meters, 470 pF; 40 meters, 1000 pF; 80 meters, 1000 pF

$L_c$ —All coils wound on ½" diameter form, powdered-iron slug. Slug removed on 10- and 15-meter coils. 10 meters, 4 turns; 15 meters, 4 turns; 20 meters, 6 turns; 40 meters, 7 turns; 80 meters, 13 turns. Wind with #16 e. wire. Grid-dip each coil to center of appropriate band.

The power supply for the amplifier is shown in figure 44. A 240-volt primary circuit is recommended, although the amplifier could operate from a well-regulated 120-volt circuit. Relay RY<sub>3</sub> is a *step-start* device which allows the charging current of the capacitor bank to be reduced by virtue of the primary resistor (33 ohms, 60 watts), which is shorted out of the circuit after a few milliseconds.

A 10-ohm, 10-watt safety resistor is included in the B-plus circuit from the supply to the amplifier. In case of a flashover in the amplifier, the resistor will absorb the surge and protect the rectifier bridge and the amplifier components from the heavy short current.

**Amplifier Construction** The r-f deck of the amplifier is built on an aluminum chassis measuring 12" × 17" × 3" and uses a dual front panel. The main panel is 19" wide and 14" high and is spaced 2½" away from the amplifier inclosure. The under-chassis area is divided into two compartments by a vertical shield. One compartment contains all wiring necessary for the 3-1000Z socket. The other compartment contains the input circuitry, power line filters and small, auxiliary components. The dual front panels allow space for the meters, power control wiring and facilitate structural support. The tube, filament transformer, antenna switching relay, and pi-network components are mounted atop the chassis. All electrical wiring from one compartment to another passes through 1000-pF feed-through capacitors. All cables entering or leaving the r-f deck pass through pi-section r-f filters. The majority of wiring utilizes shielded cables.

Atop the chassis, the antenna switching relay (RY<sub>1</sub>) is inclosed in a small aluminum utility box at the rear corner of the chassis. The box is insulated on the interior with ¼-inch thick cork tile, and the relay is mounted on small rubber grommets. The cork tile, plus the rubber mounting are very effective in eliminating relay noise and buzz. This relay switches the amplifier in and out of the antenna circuit and also removes the standby bias during operation.

The variable vacuum tuning capacitor and counter dial are mounted on the center-

line of the assembly, directly above the loading capacitor. Placement of the other components may be seen in figure 42A-B.

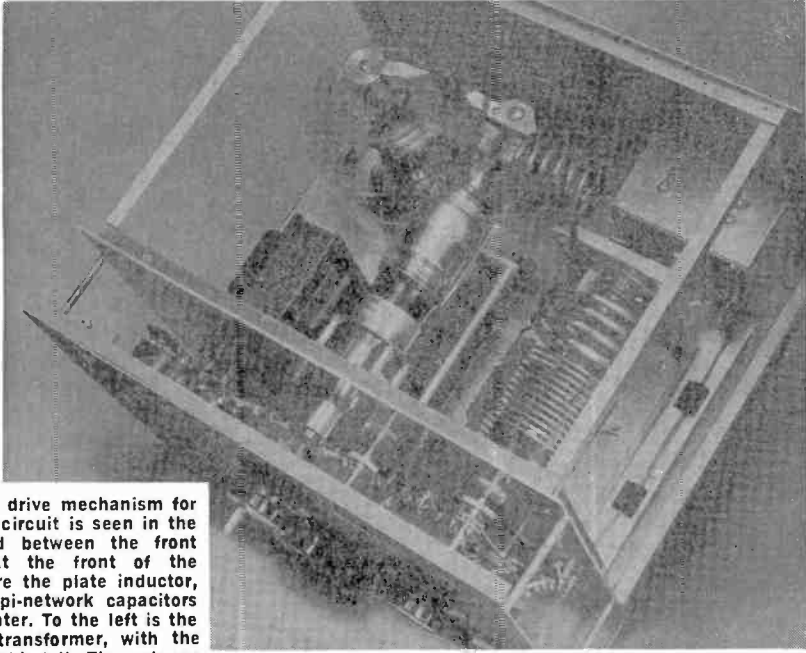
The pi-network inductor incorporates its own switch and the input bandswitch is ganged to the plate bandswitch by means of a chain drive system mounted in the space between the front panels. The plate inductor is a *Barker-Williamson 850A* modified to obtain optimum efficiency. The 10-meter strap inductor is discarded and a new 10-meter coil wound using ¼-inch copper tubing. The coil has an inner diameter of 1¼" and consists of 5 turns equally spaced out to 3 inches. The coil is silver plated.

As purchased, the 850A unit provides too much inductance on 40 and 80 meters. Accordingly, four turns are removed from the far end of the 80-meter wire portion of the inductor and the 40-meter meter tap is moved three turns closer to the tubing portion of the inductor. Connections to the inductor are made with ½-inch wide silver plated copper strap.

Beneath the chassis, the ferrite r-f filament choke is supported at one end by the filament terminals of the air socket and at the other end by the mica bypass capacitors, which are held to the chassis deck by means of heavy angle straps (figure 45). The bottom flange of the socket is cut off to allow better air flow and the grid terminals are grounded using short lengths of copper strap passed through the socket slots near each grid pin.

**Power Supply Construction** The r-f deck is mounted on a pedestal which contains the components of the high-voltage power supply. Pedestal height is 24". Because of the weight of the components, the pedestal is constructed of ½-inch angle aluminum welded together in the form of a rectangle with a sloping top which provides a slight tilt for the r-f deck. A piece of ¾-inch thick plywood is placed at the bottom of the frame to support the power-supply components (figure 46).

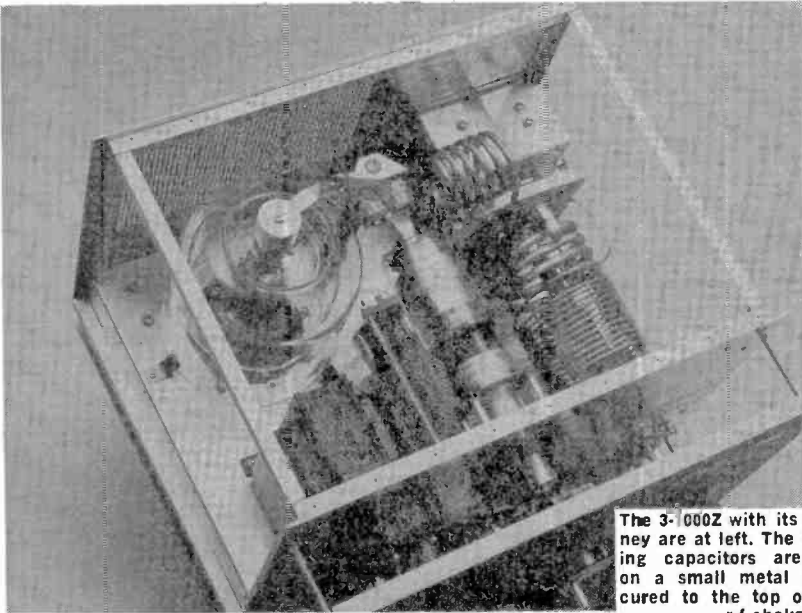
The sides and front of the pedestal are covered with wrinkled aluminum sheet, available at many large hardware stores. The aluminum is held to the frame with sheet-metal screws and the front corners covered with ½-inch angle aluminum. The rear panel



The chain drive mechanism for the input circuit is seen in the foreground between the front panels. At the front of the chassis are the plate inductor, with the pi-network capacitors at the center. To the left is the filament transformer, with the 3-1000Z behind it. The antenna changeover relay is in the inclosure behind the bandswitching inductor.

Figure 42A

### RIGHT-OBLIQUE VIEW OF POWER AMPLIFIER



The 3-1000Z with its glass chimney are at left. The plate blocking capacitors are supported on a small metal bracket secured to the top of the plate r-f choke.

Figure 42B

### LEFT-OBLIQUE VIEW OF POWER AMPLIFIER

of the pedestal is made of 1/16-inch aluminum sheet. A small jig was drilled in a piece of scrap steel and used to drill the ventilating holes in the rear panel, as shown in figure 47.

The amplifier is covered with a shield made out of perforated aluminum bent into a U-shape. The outer, decorative shield is cut from 1/16-inch aluminum and a large ventilating hole is cut in it over the top of the tube. The hole is covered with perforated aluminum stock.

The front panel of the amplifier is covered with common black leather (plastic) upholstery material. A thin film of white glue holds the material to the panel. After drying thoroughly, all holes are cut in the

plastic with a razor blade. Dry transfer lettering is then applied directly to the panel.

**Amplifier Adjustment** After wiring is completed and checked, the cathode and plate circuits should be resonated to frequency using a dip-meter. The cathode circuits may also be resonated by temporarily wiring a 60-ohm composition resistor on the socket from a grid terminal to ground with the tube removed. With a small signal applied, the coil slugs can be adjusted for minimum SWR on the driving line on each band.

The next step is to place the tube in the socket and activate the blower and light the

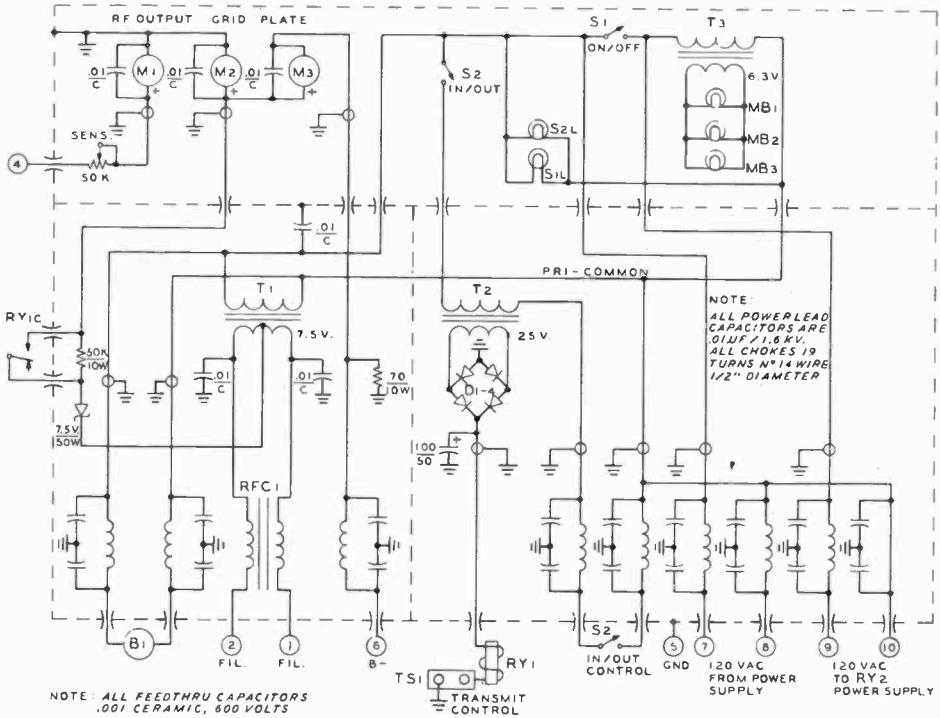


Figure 43

CONTROL CIRCUITRY FOR 3-1000Z AMPLIFIER

- B<sub>1</sub>—20 cu. ft./min. Dayton 1C-180 or Ripley LR-81 or equiv.
- D<sub>1</sub>-D<sub>2</sub>—100-volt, 0.5 ampere diode
- M<sub>1</sub>—0-1 milliampere dc meter
- M<sub>2</sub>—0-0.3 ampere dc meter
- M<sub>3</sub>—0-1.0 ampere dc meter
- MB<sub>1,2,3</sub>—6.3-volt ac lamps in meters M<sub>1</sub>, M<sub>2</sub>, M<sub>3</sub>
- S<sub>1</sub>, S<sub>2</sub>—SPST pushbutton switches with lamps

- S<sub>1</sub>L, S<sub>2</sub>L—120-vac lamp built into S<sub>1</sub>, S<sub>2</sub>
- RFC<sub>1</sub>—30-ampere bifilar filament choke. Each coil is 14 turns #10 e., on ferrite core, 5" long, 1/2" diam. (Indiana General CF-503) or equivalent
- T<sub>1</sub>—7.5 volts at 22 amperes, tapped primary winding.
- T<sub>2</sub>—25 volts at 0.5 ampere

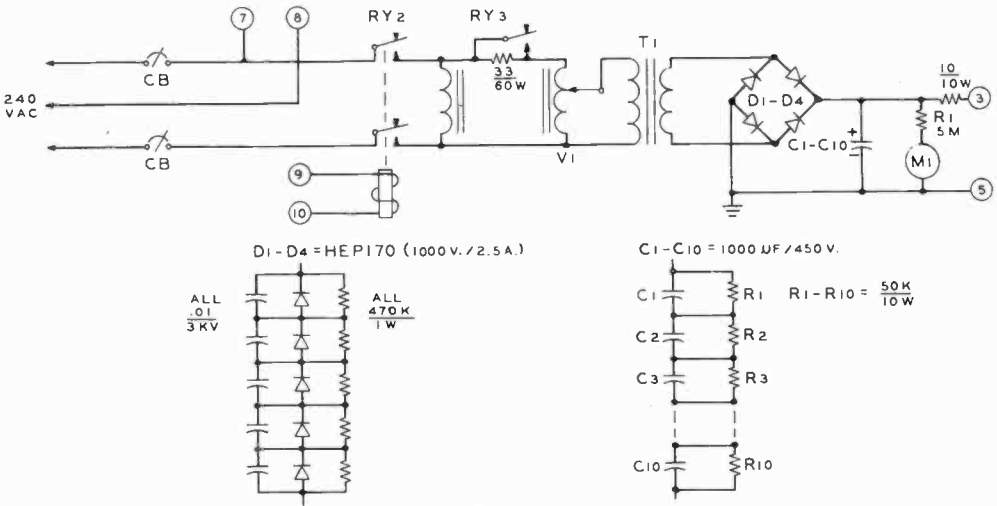


Figure 44

**SCHEMATIC OF POWER SUPPLY**

- CB—20 ampere circuit breaker
- RY<sub>2</sub>—Double-pole, double-throw relay with 120-volt coil. 25-ampere contacts
- RY<sub>3</sub>—Single-pole, single-throw relay with 120-volt coil. 5-ampere contacts
- T<sub>1</sub>—3600 volt rms secondary winding at 1 ampere. 240 volt primary
- M<sub>1</sub>—0.1 dc milliammeter for use with 5-megohm multiplier (R<sub>1</sub>)

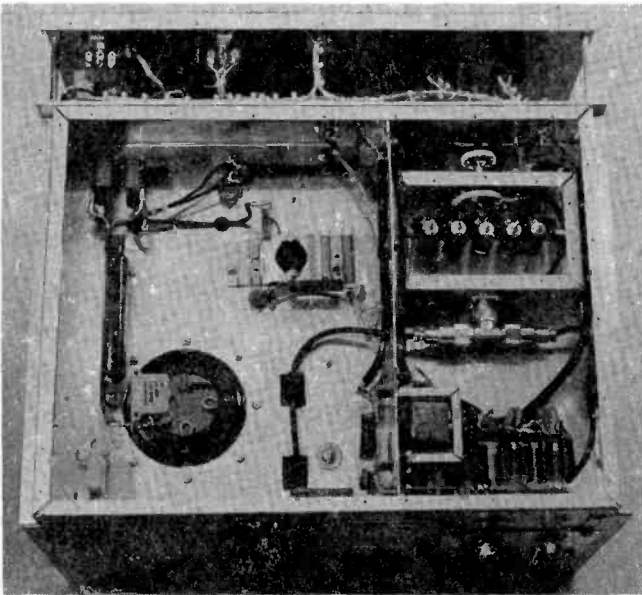


Figure 45

**UNDERCHASSIS VIEW OF 3-1000Z LINEAR AMPLIFIER**

The tube socket and filament r-f choke are at left, with the zener diode mounted to a small heat sink immediately above the socket. At the right is the small compartment holding the tuned input circuits. The coil slugs are adjustable through holes drilled in the cover. Connections to the tuned circuit are made via lengths of coaxial line and a T-fitting. The filter networks for the primary power leads are in the foreground.

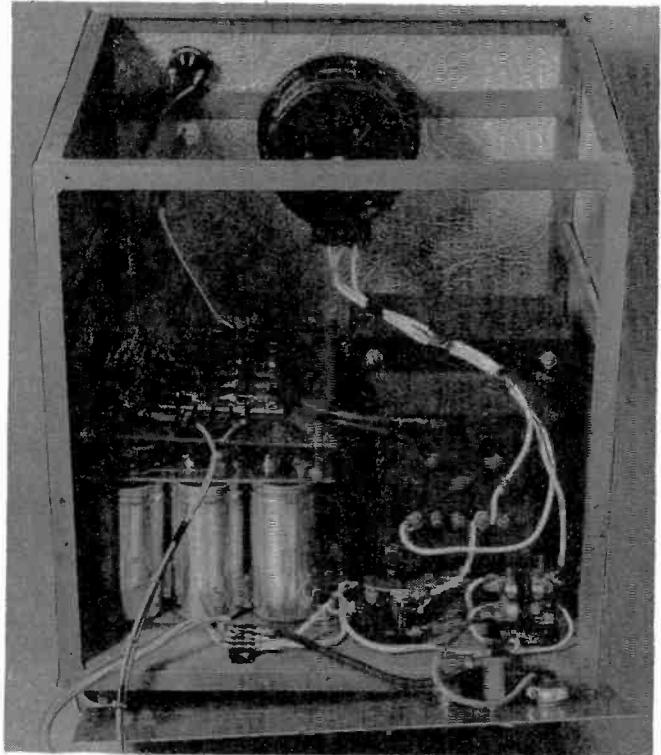
filament. The filament voltage should be checked at the tube socket. If the filament transformer primary is tapped, the tap should be set for the correct voltage, allow-

ing for the voltage drop in the filament choke.

Amplifier adjustment is initially done into a dummy load, such as the one described in

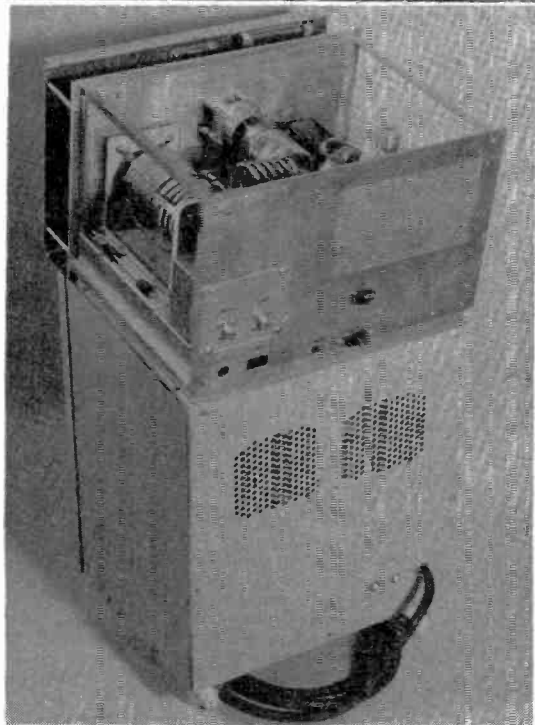
**Figure 46**  
**REAR VIEW OF**  
**PEDESTAL AND**  
**POWER SUPPLY**

The power-supply components are mounted on a sheet of plywood at the bottom of the pedestal. The filter capacitors and diode rectifier assembly are at left, with the relay controls in the foreground.



**Figure 47**  
**REAR VIEW OF THE 3-1000Z**  
**AMPLIFIER AND PEDESTAL**

The pedestal has a sloping top which provides a slight tilt for the r-f deck.





the Electronic Test Equipment chapter, to satisfy the requirements of the FCC. With filament and operating plate voltage applied, grid- and plate-current meters should read zero when the amplifier is switched out of the line. Shorting the *in/out* control terminals (figure 43) engages the antenna relay. In this mode, grid current with no drive should be zero. Plate current should read approximately 120 milliamperes (the exact value varying from tube to tube). If grid current is observed, it is probably a sign of parasitic oscillation, and the circuit should be examined for parasitic resonances and the plate parasitic choke checked before additional tests are run.

Drive power can now be slowly increased to raise the plate current to about 250 mA. Tuning and loading controls are adjusted for maximum power output as indicated on

the relative output power meter. Excitation and loading are now increased until approximately 600 mA plate current and 200 mA grid current are achieved, with maximum output indicated. When the above conditions have been met, the loading is increased slightly to ensure proper linearity. The amplifier is now properly tuned for 2-kW PEP operating conditions. Under speech conditions, peak plate current with no clipping will kick to about 300 mA and grid current will be approximately one-third this value.

### 22-9 A 4CX1500B 2-kW PEP Linear Amplifier

The linear amplifier described in this section is a deluxe 2-kW PEP, class AB<sub>2</sub> grid-

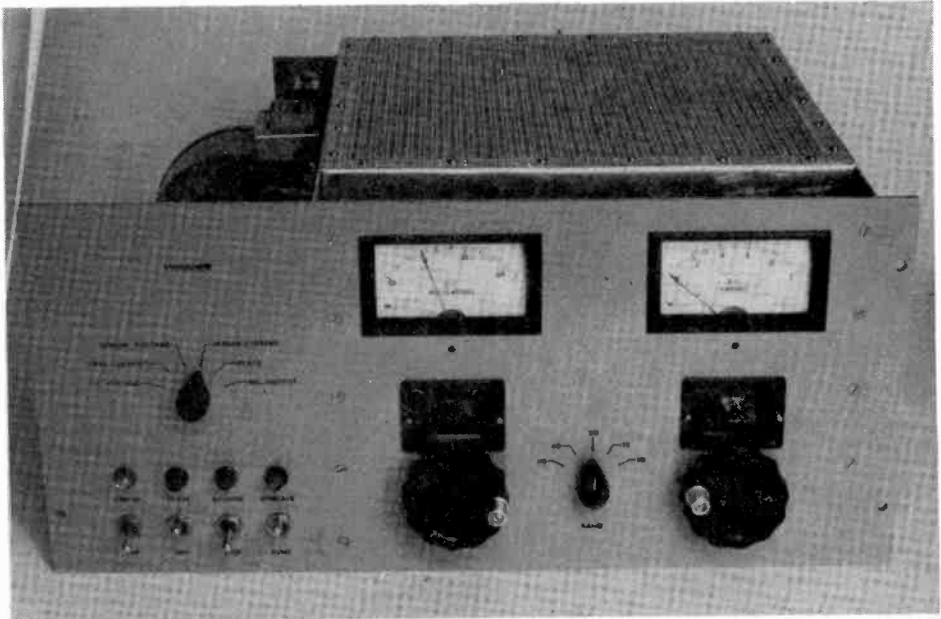


Figure 48

#### THE K5JA-2-KW PEP AMPLIFIER FOR 80-10 METER OPERATION

Designed for 2-kW PEP operation on all hf bands, the amplifier features an Eimac 4CX1500B tetrode in a passive grid circuit. A pi-L output tank circuit provides maximum harmonic attenuation. Maximum drive signal required for full output is 5 watts, PEP. The amplifier is contained within a standard tabletop cabinet (removed for photograph). The multimeter (left) and plate current meters are at the right, top area of the panel, with the tuning and loading counter dials below the meters. The bandswitch is centered between the meters. At the left of the panel are the electron-ray tuning tube mounted in a horizontal position behind a panel cutout, the multimeter selector switch and the control switches and indicator lights. The panel is spray painted and decals are applied before a final coat of clear Krylon plastic spray is added.

driven amplifier using the low distortion 4CX1500B tube (figure 48). This is a ceramic-metal, forced-air cooled tetrode having a maximum plate dissipation of 1500 watts. It is designed for exceptionally low intermodulation in SSB service. Typically, at a plate potential of 2750 volts and a plate current of 730 mA (2-kW PEP input) the third-order intermodulation distortion products are better than 40 decibels below one tone of a two-tone test signal. Under these conditions, the useful power output is better than 1100 watts, allowing for normal tank circuit losses.

This amplifier is designed and built by John Ehler, K5JA, as a companion unit to the low power, solid-state exciter described in chapter 20 of this Handbook. The amplifier features very high power gain and very stable operation on all amateur bands between 3.5 MHz and 29.7 MHz. Well suited for use with a solid-state driver, the amplifier will deliver full output with less than 5 watts PEP drive signal.

**The Amplifier Circuit** The 4CX1500B is used in a passive-grid circuit of the type shown in chapter 21. The schematic of the amplifier is shown in figure 49. In order to achieve maximum stability, the screen element of the tube is run at r-f ground potential. Screen voltage is applied to the tube by grounding the positive terminal of the screen power supply and "floating" the screen and bias supplies below ground. A special socket is used for the 4CX1500B which provides a low-inductance screen to ground path.

**The Input Circuit**—The grid drive requirement of the 4CX1500B is about 1.5 watts PEP for full output. The 5-watt input signal is fed to the tube through a four-to-one wideband ferrite transformer which steps up the impedance from 50 to 200 ohms. Five 1.2K, two-watt composition resistors in parallel ( $R_1$ ) plus the 1.2K resistor in the bias line provide a 200-ohm terminating load. The relatively high input capacitance of the 4CX1500B is resonated on each

**Table 10.**  
**Coil and Tuning Data**

Band	Grid Circuit	Plate Circuit	
	$L_1$	$L_4$ Tap	$L_5$ Tap
80	22 $\mu$ H RFC	All	All
40	4.7 $\mu$ H RFC	11 1/2 Turns	10 1/2 Turns
20	21 turns #30 on 1-watt resistor	7 1/2 Turns	5 1/2 Turns
15	14 turns #24 on 1-watt resistor	4 1/2 Turns	4 1/2 Turns
10	10 turns #24 on 1-watt resistor	2 1/2 Turns	3 1/2 Turns

$L_4$ —7 1/2 turns of 3/16"-diam. copper tubing spaced 0.3" plus 13 turns #8 wire spaced 0.25", 3" inside diameter.

$L_5$ —6 turns #10 spaced 0.25" plus 10 turns #10 spaced 0.18", 1 1/2" inside diameter.

Band	Plate Tuning	Plate Load
80	9.65 Turns	0.15 Turns
40	17.0 Turns	0.61 Turns
20	22.8 Turns	0.85 Turns
15	25.0 Turns	0.91 Turns
10	22.0 Turns	0.92 Turns

Note: Above turns data measured from maximum capacitance for 50-ohm load.

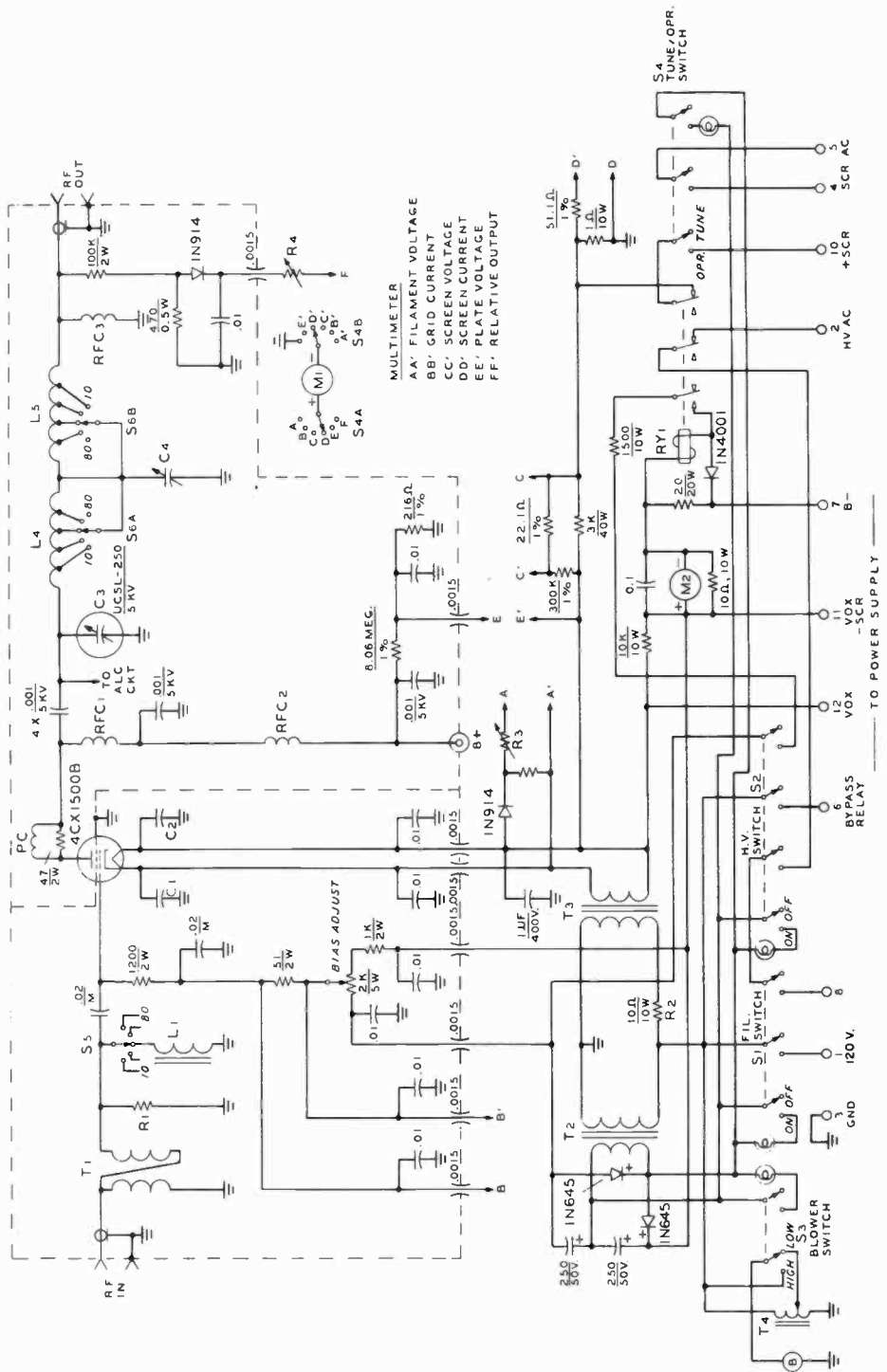


Figure 49

## SCHEMATIC, R-F SECTION OF LINEAR AMPLIFIER

- C<sub>1</sub>, C<sub>2</sub>**—.001  $\mu$ F and .01  $\mu$ F, 500-Vdc silver mica capacitors in parallel, see text  
**C<sub>3</sub>**—250 pF, 5 kV. Jennings variable vacuum capacitor UC5L-250-5  
**C<sub>4</sub>**—1000 pF, 1 kV. Johnson 154-30 or equivalent  
**L<sub>1</sub>**—Grid coils. See table 10  
**L<sub>4</sub>, L<sub>5</sub>**—Plate coils. See table 10  
**M<sub>1</sub>**—0-1 milliampere, dc. Triplett 320GLB  
**M<sub>2</sub>**—0-1 ampere, dc. Triplett 320GLB  
**PC**—47-ohm, 2-watt composition resistor connected across 2" of plate line  
**R<sub>1</sub>**—Five 1200-ohm, 2-watt composition resistors in parallel  
**R<sub>2</sub>**—10-ohm, 10-watt wirewound  
**R<sub>3</sub>, R<sub>4</sub>**—25K, 1-watt wirewound potentiometer  
**RFC**—105 turns #22 enamel, closewound on 1" diameter teflon rod  
**RFC**—22 turns #22 enamel on 100K, 2-watt composition resistor  
**RY**—3-pole, double-throw relay, 24-Vdc coil. Potter-Brumfield KL-14D or equiv.  
**S<sub>1</sub>, S<sub>2</sub>**—3-pole, double-throw toggle switch  
**S<sub>3</sub>**—4-pole, double-throw toggle switch  
**S<sub>4</sub>**—Double-pole, double-throw toggle switch  
**S<sub>5</sub>**—Single-pole, 6-position ceramic wafer deck. Centralab PA-1  
**S<sub>6</sub>A, B**—2-pole, 5-position ceramic switch. Radio Switch Corp. Type 86, one B-section  
**T<sub>1</sub>**—Four-to-one broadband transformer. 14 turns #24 bifilar wound on Indiana General CF-111-Q1 ferrite core  
**T<sub>2</sub>**—25 volts, 1 ampere. Stancor P-6469  
**T<sub>3</sub>**—6 volts, 11 amperes. Triad F-20U  
**T<sub>4</sub>**—Variable voltage transformer. Staco 171 or equivalent  
**Blower**—18 c.f.m. at 0.23 inch backpressure. Dayton 4C004 or equivalent  
**Socket**—EIMAC Y131A or Y149A  
**Chimney**—EIMAC SK-806

band by a small inductor switched by S<sub>5</sub>. The Q of the tuned circuit is quite low and complete coverage of each amateur band is possible without retuning.

Grid bias is applied to the 4CX1500B in shunt with the tuned circuit and provisions are incorporated for monitoring the grid current as well as for setting the zero-signal plate current of the tube (the *bias adjust* potentiometer).

With the screen element of the tube placed at dc ground, the cathode circuit and the negative side of the plate supply are connected to the negative side of the screen supply. Thus, the cathode is 225 volts negative with respect to ground and the grid, by virtue of the grid bias supply, is approximately 260 volts negative with respect to ground under normal operation. When the VOX relay contacts are open, additional negative grid bias is developed across the 10K cathode resistor, allowing the tube to draw only a few milliamperes of cathode current.

**The Output Circuit**—A pi-L network is used in the output circuit as it provides about 15 dB more harmonic attenuation than does the conventional pi-network. A variable vacuum capacitor is used for the plate tuning capacitor because the very small minimum capacitance (5 pF) permits the circuit Q to be held to a reasonable value on 10 meters. A design Q of 10 is used, rising to 12 at the high end of the 10-meter band.

Table 10 lists the design values and coil data for the output circuit.

**Monitoring Circuit**—Complete metering of the amplifier operation is provided by two meters and an electron-ray tuning tube (figure 50). The instantaneous r-f plate voltage of the amplifier is sampled by a capacitive voltage divider. A portion of the voltage is rectified and may be used for automatic load control voltage for the exciter. A second sample of voltage is used to energize the 6FG6 electron-ray tube mounted on the front panel of the amplifier. The tube is used to establish proper plate circuit loading. Under no-signal conditions, the pattern of the tube is open, gradually closing with increasing signal voltage until at maximum voltage the pattern is closed, showing a solid green bar in the viewing portion of the tube. This indication corresponds to maximum amplifier PEP input. The sensitivity of both the ALC and electron-ray tube circuits is adjustable by means of the capacitive divider.

A 0-1 dc ammeter is used to register plate current and a 0-1 dc milliammeter with the movement reworked to show zero at 30 percent of full scale is used for the multimeter.

**Control Circuits**—Overcurrent protection is provided by a 3-pole, double-throw relay (RY<sub>1</sub>) whose 24-volt dc coil is placed in series with the negative plate supply return. A 20-ohm resistor in parallel with the coil causes the circuit to latch-off at a plate current of 0.9 ampere. The plate supply pri-



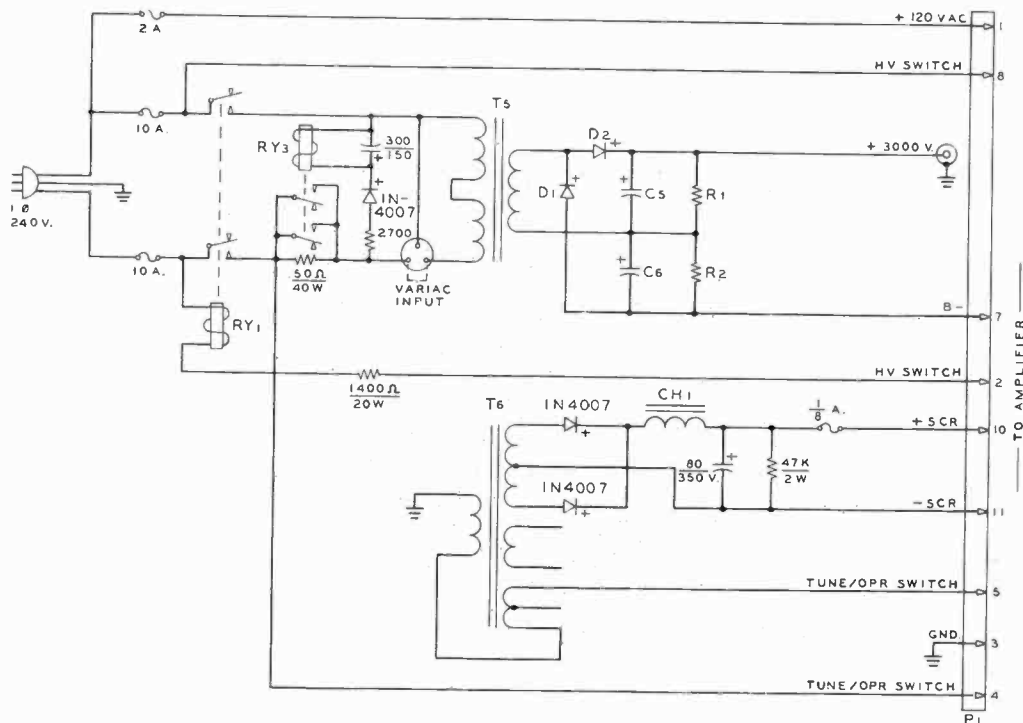


Figure 51

POWER SUPPLY FOR LINEAR AMPLIFIER

- C<sub>5</sub>, C<sub>6</sub>—Each consists of five, series-connected 300 µF, 450-volt electrolytic capacitors, Mallory HC-45003, or equivalent
- CH<sub>1</sub>—6 henrys, 90 ohms. UTC S-29
- D<sub>1</sub>, D<sub>2</sub>—Rectifier stack totalling 5000 volts PIV at 1 ampere with one cycle surge rating of 30 amperes.
- R<sub>1</sub>, R<sub>2</sub>—Five 47K, 10-watt resistors series connected across filter capacitors
- RY<sub>1</sub>—Double-pole, double-throw relay, 25 amperes. Poffter-Brumfield PR-11AYO
- RY<sub>3</sub>—Double-pole, double-throw relay, 12 amperes
- T<sub>5</sub>—1100-volt, 1.2-kW, ICAS rating. 120/240 volt primary. Berkshire Transformer Corp., Kent, Conn. type BTC-4905B
- T<sub>6</sub>—520 volts, center-tapped at 90 mA. Stancor PC-8404

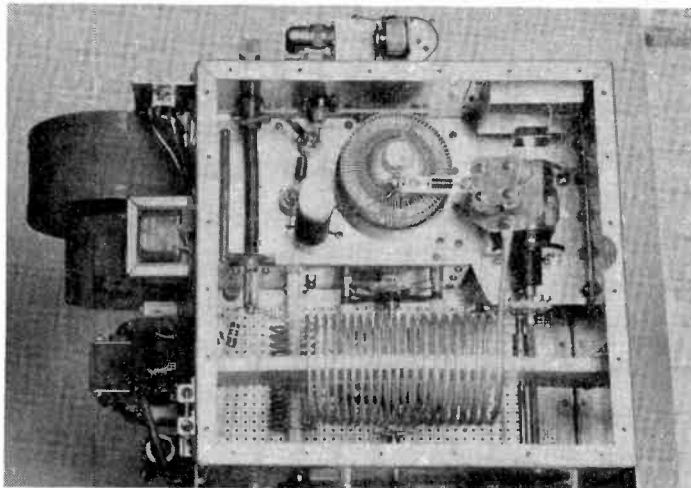
2-to-1 reduction ratio. The loading capacitor, whose shaft is lower than that of the counter dial, is also driven by a chain and gear reduction system to provide correct alignment and to allow better resolution when presetting the loading after changing bands. The frames of the counter mechanisms are mounted to the front of the r-f inclosure on 1 3/4" threaded shafts and the control shafts extend through holes in the front panel.

Within the r-f compartment, the 4CX1500B socket is mounted on a subchassis measuring 4 3/4" × 8 1/4" × 3 1/4" placed at the rear. The plate tuning capacitor is on top of, and the loading capacitor beneath,

the extended top surface of the subchassis. The main bandswitch is mounted to the front wall of the subchassis, with its shaft extending through the wall into the subchassis to drive the smaller wafer switch for the input circuit. Flats are filed on this shaft to align the switch sections. Connection from the switch shaft to the panel knob is made by a flexible coupling.

The pi-section of the plate tank coil is supported by a strip of 3/8-inch thick *teflon* sheet with notches cut in the edge to position the turns. The notches are made by drilling holes in the material and then cutting through the center line of the holes. The coil is wound from 3/16-inch copper

Figure 52

TOP VIEW OF  
AMPLIFIER

The 4CX1500B and auxiliary plate circuit components are mounted on a small chassis at the left, rear of the enclosure. The plate tuning capacitor is mounted on a bracket fastened to an extension of the top plate of the chassis. At the rear right of the amplifier is the sampling capacitor for the electron-ray tube and the shield for the circuit components for the r-f voltage divider.

The pi-L coils are in the open area at the front of the tube chassis, directly above the bandswitch. The high-voltage meter resistor is at the left of the enclosure, along with a short section of coaxial line that joins the output circuit to the coaxial connector at the rear of the amplifier. At the side of the amplifier are the squirrel-cage blower, filament transformer and control circuitry.

Top and bottom of the enclosure are made of perforated metal plate to provide ample cooling of the tube and components. The coaxial antenna relay is mounted on the rear of the box.

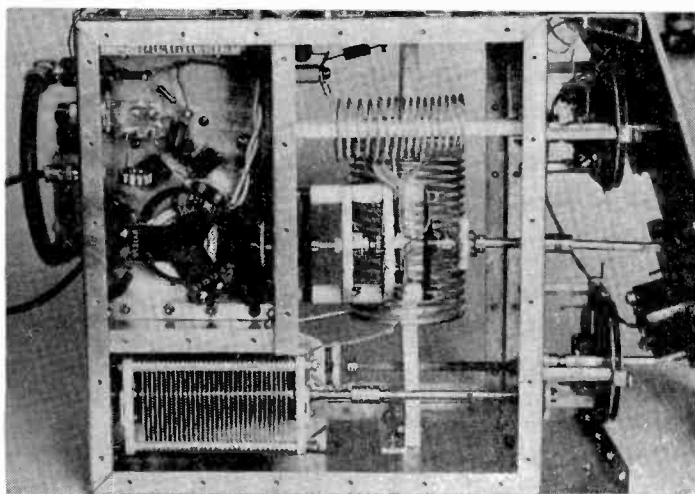


Figure 53

UNDERCHASSIS VIEW  
OF AMPLIFIER

The bandswitch assembly, coil support and pi-network capacitor are shown, with the sub-chassis for the 4CX1500B socket at upper left. The panel has been partially removed to show the mounting of the two counter dials.

tubing and #8 copper wire. Copper strap  $\frac{3}{8}$ -inch wide is used for the tap connections on the coil and all joints are silver soldered

before plating. The L-section of the plate inductor is similarly constructed and mounted at right angles underneath the main coil.

An underview of the chassis and closeup of the grid circuit compartment are shown in figures 53 and 54. All grid circuit components shown inside the dotted line at the left side of the amplifier schematic diagram are mounted inside the small subchassis. Each of the three tabs for the heater and heater/cathode socket terminals is bypassed with a .001- $\mu$ F mica capacitor placed in parallel with a .01- $\mu$ F mica capacitor. Additional low frequency filtering of the cathode lead is provided by the 1- $\mu$ F, 400-volt *mylar* capacitor mounted outside the grid compartment.

All other grid circuit components are within the inclosure, and the various auxiliary components are mounted on the outside, left wall of the inclosure. All leads passing from the inside to the outside are bypassed by means of a 1500-pF ceramic feedthrough capacitor in parallel with a .01- $\mu$ F, 1-kV disc capacitor.

The blower inlet is covered with a screen made from a small piece of  $\frac{1}{2}$ -inch thick aluminum "honeycomb" material. This, in addition to the careful bypassing of all power leads, result in a "clean" amplifier, free of harmonics and interference problems (figure 55).

The sampling components for the ALC and electron-ray tube are located on the rear wall of the r-f inclosure with feed-through capacitors used for all interconnections. The 1-pF sampling capacitor is made of two 1-inch square aluminum plates spaced about  $\frac{1}{4}$ -inch apart. A shield having a cutout for the capacitor connection to pass through covers these circuits and protects them from the strong r-f field of the

plate circuit. The electron-ray tuning indicator and the rest of the components associated with it are mounted on a bracket behind the front panel.

The control toggle switches are mounted in a row across the lower left portion of the panel with a 28-volt indicator lamp above each switch. Power for these indicators is taken from the bias transformer ( $T_2$ ) and an extra pole on each switch is used to turn on the indicator.

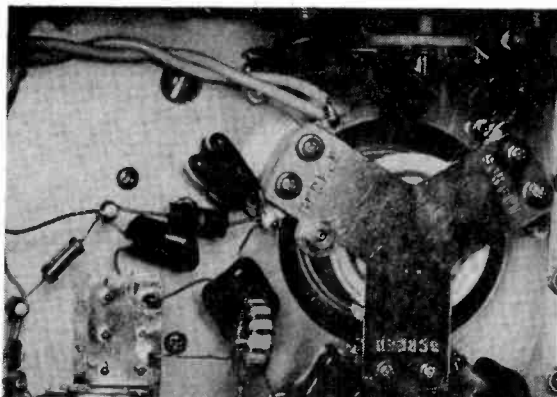
**Power Supply Construction** Power supply construction is straightforward. As shown in figures 56 and 57, the plate transformer, screen supply transformer, filter choke and filter capacitor are mounted atop a steel chassis measuring 11"  $\times$  17"  $\times$  3". All other components are mounted under the chassis except the high-voltage capacitors which are mounted to a 0.125" thick *fiberglass* printed circuit board having the interconnection pattern on the bottom side and the equalizing resistors on the top side. A similar piece of phenolic board is placed under the capacitor bank to insulate it from the chassis. Placement of the components beneath the chassis is not critical, provided the high-voltage circuits are sufficiently insulated from the rest of the components and wiring.

The solid-state rectifiers are mounted on a large, phenolic board near the center of the chassis. Any rectifiers, or stack of rectifiers, can be used as long as they have a one-cycle surge rating of 30 amperes, or better, and will handle 1 ampere forward current at a peak inverse voltage rating of 5000 volts. A high PIV rating is desirable

Figure 54

#### UNDERSIDE OF TUBE COMPARTMENT

The bandswitch segment and small grid inductors are mounted on the wall of the compartment beside the 4CX1500B tube socket. Left of the socket are the four-to-one toroid transformer and the grid load resistors, which are soldered between two thin copper plates. Note the multiple bypass capacitors on each socket terminal.





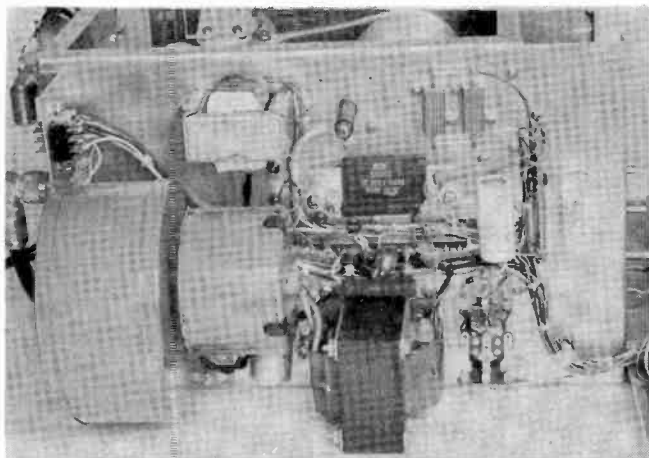


Figure 55  
SIDE OF THE  
AMPLIFIER SHOWING  
BLOWER

The blower motor, impeller housing, and 25-volt transformer are to the left, with the filament transformer and associated power wiring at center. The control relay is next to the transformer.

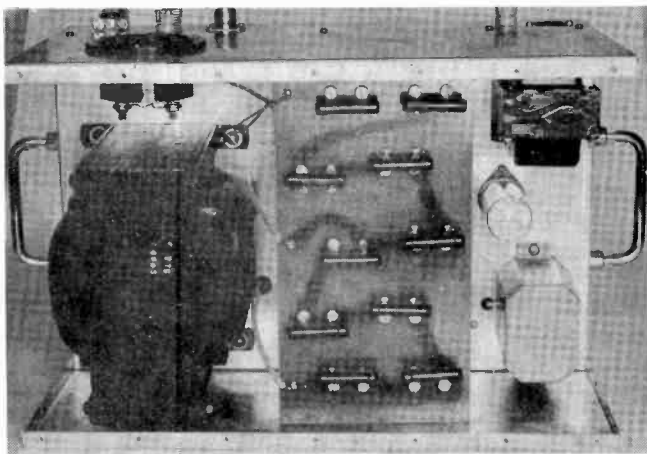


Figure 56  
TOP VIEW OF  
POWER SUPPLY

The filter capacitor bank and compensating resistors are at center, with the screen supply components to the side. Steel handles on the ends of the power-supply chassis assist the operator to move the heavy unit about. Front and back panels are attached to the chassis, which is covered with a U-shaped aluminum plate.

for protection against voltage surges on the power line.

*Type HN* coaxial connectors and RG-11A/U coaxial cable are used to interconnect the high voltage to the r-f unit and 12-pin connectors are used for the control lines. An air conditioner extension cord with the receptacle end removed provides connection to the primary power source.

**Amplifier Adjustment** Before power is applied to the amplifier, zero the counter dials with the capacitors set at maximum capacity value. Then, preset the dials to the approximate values given in Table 11 for the band in use.

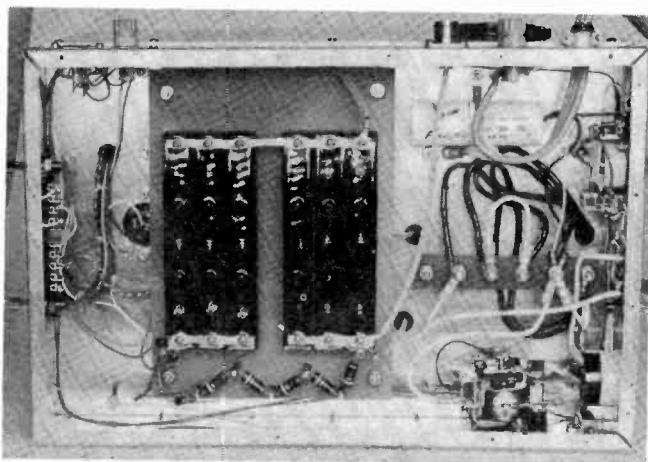
Remove the fuses from the plate transformer primary circuit and remove the 4CX1500B from its socket. After carefully

checking all wiring and interconnections, apply filament power. Adjust the bias potentiometer for +45 volts cathode to grid, as measured at the socket. Next, check the filament open-circuit voltage at the socket; it should be about 7 volts. Replace the high voltage fuses but leave the high-voltage cable disconnected from the amplifier. Short the VOX relay terminals together. Turn on the *filament* and *high-voltage* switches and place the *tune/operate* switch in the *operate* position. Measure the screen-to-cathode voltage at the socket; it should be close to 225 volts provided the auxiliary filament windings on the screen power transformer are properly connected to either aid or oppose the primary winding. Move the switch to *tune* and check to see that the screen-to-cathode voltage drops to zero. The *blower*

Figure 57

UNDERCHASSIS VIEW  
OF POWER SUPPLY

Rectifier bank is mounted on a phenolic plate spaced away from the chassis. Power relay, step-start relay and various primary circuit components are mounted to the wall of the chassis. Inner conductor of RG-59/U cable is used for high-voltage wiring.



switch should be set to *high* for all tuning under full power.

Carefully replace the 4CX1500B in the socket and apply filament power. Set the filament voltage to within 5.8 to 6.0 volts as measured at the socket with an accurate meter. Set the front panel multimeter switch and adjust resistor  $R_3$  to read a convenient reference on the meter. Reconnect the high-voltage cable and apply high voltage to the amplifier, after waiting for 3 minutes for the tube to warm up.

Adjust the *bias* potentiometer for 250 mA resting plate current with the VOX relay contacts shorted and the *tune/operate* switch in the *operate* position.

The amplifier is now ready for final tuning adjustments. Place the switch in the *tune* position and apply a single-tone signal of a few milliwatts PEP to the amplifier, adjusting the level to produce about 0.5 mA of grid current. Readjust the plate tuning for resonance, as indicated by a rise in output power and plate current; both will be small at this point. Place the switch in the *operate* position and readjust tuning and loading controls to obtain 670 mA of plate current at resonance and  $-15$  mA screen current, holding the grid current to less than 1 mA. Power output under these conditions will be better than 1150 watts, with a plate potential of 2950 volts (see Table 11).

With carrier removed and voice modulation applied, the plate current will rise to about 350 mA and screen current will peak at about  $-8$  mA. Grid current will be less than 0.03 mA. When the VOX relay opens,

Table 11

4CX1500B Typical Operation, Class-AB <sub>2</sub> R-F Linear Amplifier		
Dc plate voltage	2750	2900 volts
Dc screen voltage	225	225 volts
Dc grid voltage	-34	-34 volts
Zero-signal dc plate current	300	300 mA
Single-tone dc plate current	755	710 mA
Two-tone dc plate current	555	542 mA
Single-tone dc screen current	-14	-15 mA
Two-tone dc screen current	-11	-11 mA
Single-tone dc grid current	0.95	0.53 mA
Two-tone dc grid current	0.20	0.06 mA
Peak r-f grid voltage	45	41 volts
Driving power	1.5	1.5 watts
Resonant load impedance	1900	2200 ohms
Useful output power	1100	1100 watts

resting plate current will drop to a few milliamperes, as sufficient bias is added to produce a near-cutoff condition.

Operation of the amplifier should now be monitored with an oscilloscope to make sure that "flattopping" does not occur at maximum input level. When the maximum level has been established, adjust the capacitor on the back panel of the r-f unit until the electron-ray pattern just touches. In normal SSB voice operation, the indicator will barely reach this point at 2 kW PEP input, depending on the exact waveform of the driving signal.

## 22-10 A High Power Linear Amplifier With the 8877

The linear amplifier described in this section is built by Jim Garland, W8ZR. It is designed for continuous duty operation at the 2-kW PEP power level on all bands between 10 and 80 meters (figure 58). The use of a single 8877 high- $\mu$ , ceramic power triode in a class AB<sub>2</sub> cathode-driven (grounded-grid) configuration provides excellent efficiency and linearity with a peak drive power requirement of about 50 watts. The amplifier and power supply are self-contained in a single console and the design features a built-in r-f wattmeter for monitoring forward and reflected power, ALC control of the exciter, sequenced relay switching and several protective features to safeguard the 8877 and power supply components against malfunction or improper use.

At a plate potential of 3 kV, the third-order intermodulation products at maximum power output are 40 decibels below one tone of a two-tone test signal.

**The Amplifier Circuit** The schematic of the r-f deck of the amplifier console is shown in figure 59. The 8877 is operated with the grid at r-f ground potential with bias supplied in the cathode return circuit. The drive signal is coupled through relay RY<sub>1</sub>A and a pi-network circuit to the cathode of the 8877. The input network (C<sub>1</sub>, L<sub>1</sub> and C<sub>2</sub>) operates at a Q of 1, which is sufficient to preserve the waveform of the input signal during the variation of the 8877 cathode impedance during each r-f cycle. An r-f choke is used to isolate the r-f drive from the grid-metering and bias circuitry.

The filament of the 8877 is internally insulated from the cathode and can be placed at, or near, ground potential, thus eliminating the expensive bifilar filament choke; only a small cathode r-f choke is required.

During standby, the 8877 is biased to near cutoff by a 10K resistor in the cathode return lead. During amplifier operation, the resistor is shorted by a set of contacts on relay RY<sub>1</sub>, while a zener diode (Z<sub>1</sub>) provides



Figure 58

### HF LINEAR AMPLIFIER WITH 8877

This high power linear amplifier covers 80-10 meters at 2 kW PEP input. Using a single 8877 high- $\mu$  ceramic-metal triode in a grounded-grid circuit, the unit provides maximum output with a peak drive requirement of 50 watts. Amplifier and power supply are self-contained in a roll-about console. Controls and meters are (top): Plate current meter, plate tuning control, and plate loading control. Below are: Multimeter and selector switch, power and in/out switches, bandswitch, and power reset button. Console is made up of prefabricated channel stock and aluminum panels. The rack is painted black with dark gray panels.

7.5 volts of operating bias. A 1-ampere fuse in the cathode return protects the tube from excessive plate current, while a 500-ohm safety resistor prevents the voltage at the cathode from soaring if either the fuse or the zener diode fails.

**Metering Circuitry**—Grid current flows from the cathode of the 8877 to the grid (ground) through a 3.3-ohm resistor (R<sub>1</sub>)

and the voltage developed across this resistor is used to obtain grid current metering and also to provide a reference voltage for the grid protection circuit. During normal amplifier operation the voltage across  $R_1$  is insufficient to permit transistor  $Q_1$  to conduct. If the grid current of the 8877 rises to about 180 mA, however, then  $Q_1$  conducts and returns to ground one side of the grid overload relay ( $RY_3$ ), which then latches itself

closed, illuminating the front panel *reset* button and interrupting the VOX line. Pressing the *grid reset* button unlatches the relay and permits normal operation of the amplifier to resume. A 10- $\mu$ F capacitor across the coil of the relay prevents tripping of the circuit on instantaneous grid current "spikes."

The grid meter ( $M_1$ ) also functions as a multimeter, monitoring the forward and

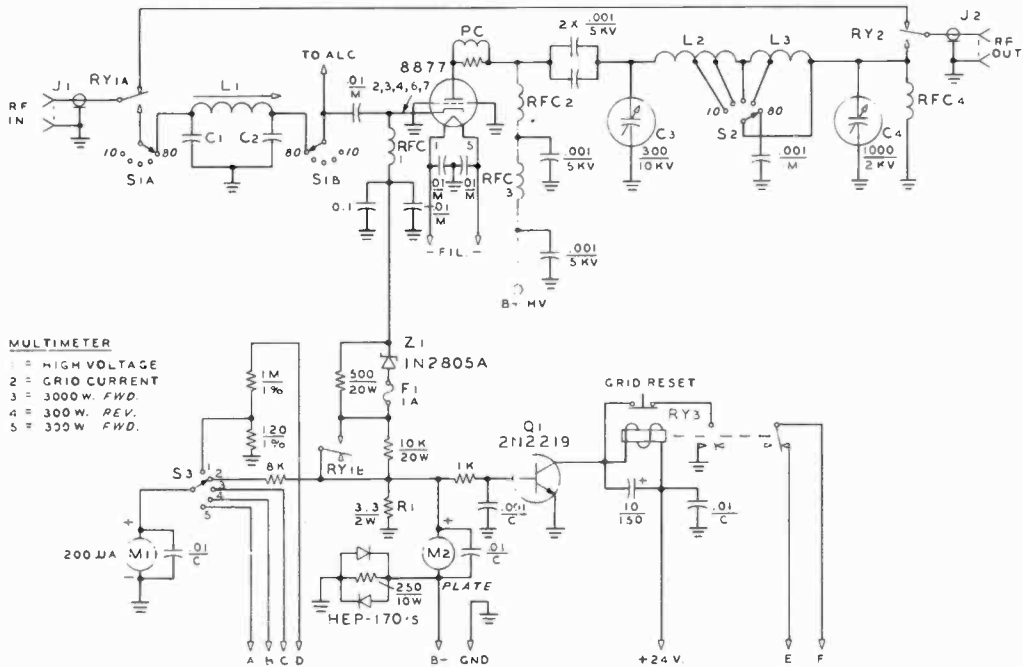


Figure 59

SCHEMATIC OF 8877 LINEAR AMPLIFIER

- $C_1, C_2$ —See Table 7
- $C_3$ —300  $\mu$ F, 10-kV variable vacuum capacitor. Jennings UCS-300. An air capacitor may be substituted for this unit.
- $C_4$ —1000  $\mu$ F, 2-kV variable vacuum capacitor. Jennings UCSL-1000. An air capacitor may be substituted for this unit.
- $L_1$ —See Table 12
- $M_1$ —0 to 1.5 ampere dc meter. Simpson 1327 with 1253 bezel
- $M_2$ —0 to 200  $\mu$ A dc meter. Simpson 1327T with 1253 bezel
- PC—Three 150-ohm, 2-watt composition resistors in parallel shunted across 1 turn of plate strap
- RFC—110 turns #24 e., on 1/2" diameter teflon rod. 28  $\mu$ H
- RFC<sub>2</sub>—170 turns #24 e., on 1" diameter teflon rod. 180  $\mu$ H
- RFC<sub>3</sub>—12 turns #14 e., on 3/8" rod, spacewound. 1  $\mu$ H

- $RY_1$ —Input relay. Potter-Brumfield KHP-17-D11, or equivalent
- $RY_2$ —Output relay. Jennings vacuum relay RF1-d, or equivalent
- $RY_3$ —Grid overload relay. Potter-Brumfield KHP-17-D11
- $S_1$ —2-pole, 6-position ceramic switch. Centralab PA series
- $S_2$ —1-pole, 6-position high voltage switch. Milten 51001
- $S_3$ —1-pole, 6-position switch. Centralab PA series
- Counter dials—Bauman TC3-S
- Socket—Eimac SK-2210
- Chimney—Eimac SK-2216
- Note: All wires passing from r-f compartment (except the high voltage lead) are bypassed with 1500-pF feedthru capacitors (not shown on drawing)
- See Table 12 for plate circuit data

reverse power levels indicated by the r-f wattmeter. Plate current is monitored by a separate meter ( $M_2$ ) in the B-minus return lead to the high voltage power supply; a pair of reverse-connected diodes are used to protect the meter in the event of a flashover in the plate circuit, while a 250-ohm safety resistor prevents the B-minus voltage from soaring above ground to a dangerous level if the plate meter should open up.

*The Plate and ALC Circuits*—The amplifier uses a conventional pi-network output circuit which is designed for a plate load impedance of 1800 ohms with a loaded  $Q$  of 12; the values of the plate circuit compo-

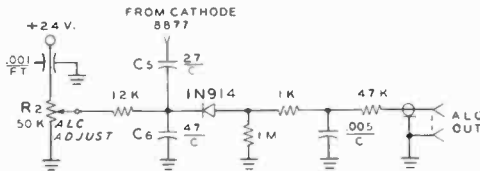


Figure 60  
ALC CONTROL CIRCUIT

nents for each band are given in Table 12. Circuit  $Q$  rises at 10 meters due to the output capacitance of the tube and the stray circuit capacitances (a total of about 25 pF) but circuit efficiency remains high.

ALC voltage is obtained by sampling the r-f voltage at the cathode of the 8877 with a capacitive voltage divider consisting of capacitors  $C_5$  and  $C_6$  (figure 60). Peak r-f drive voltage in excess of the dc reference voltage set by potentiometer  $R_2$  (*ALC adjust*) is rectified and filtered, to appear at the *ALC output jack* for control of the exciter power level.

The broadband r-f wattmeter (figure 62) uses a conventional circuit; the amplifier output power is sampled by toroid  $L_4$ , while capacitor  $C_7$  provides the reflected power *null adjustment*. Potentiometers  $R_3$ - $R_5$  allow calibration of the instrument to provide full scale meter readings of 3 kW and 300 W forward power and 300 W reverse power.

*Amplifier Cooling*—The 8877 requires 20.3 cfm of air at a pressure drop of 0.23" for 1000 watts anode dissipation at sea level. A squirrel cage blower provides proper cooling. For full 1500 watts dissipation, 38.0

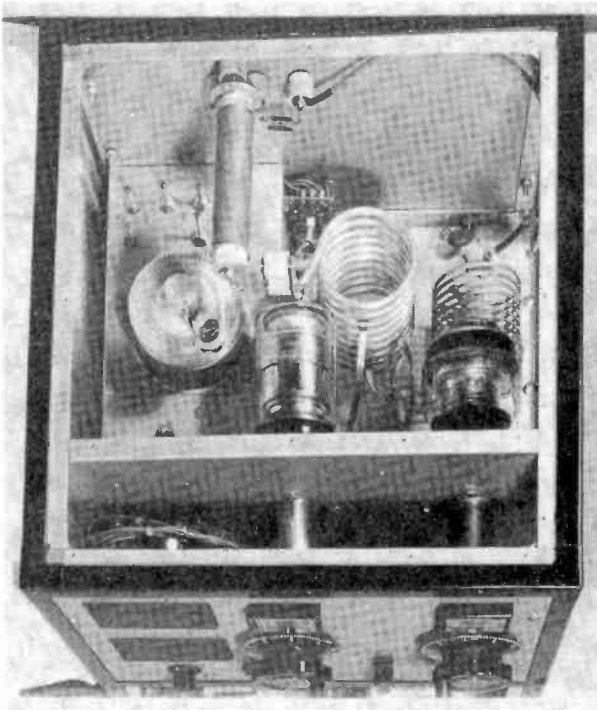


Figure 61  
TOP VIEW OF R-F DECK

The variable vacuum capacitors are attached to the inner front panel, allowing space for the counter dial mechanisms and meters behind the main panel. The 8877 tube is at left, with the plate parasitic suppressor between it and the plate choke. The suppressor is made of three 150-ohm 2-watt composition resistors in parallel shunted across two turns of the  $\frac{1}{4}$ " wide copper plate strap. Immediately behind the tube socket are the input inductors for the cathode circuit. The 8877 is mounted on a small subchassis which sits atop the bottom plate of the inclosure.

Tank coil  $L_2$  is mounted in a vertical position behind the bandswitch, which is hidden by the inner front panel. To the right is coil  $L_3$ , immediately behind the 1000-pF loading capacitor. The plate r-f choke is mounted to the rear vertical wall of the inclosure.

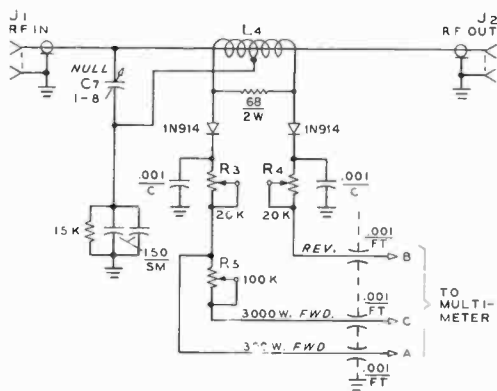


Figure 62

THE R-F WATTMETER

The pickup coil ( $L_4$ ) is wound with 20 turns #22, centertap on an Amidon T-50-6 ferrite toroid. A 68-ohm 2-watt resistor is shunted across the winding at the terminals. The null capacitor is a small variable ceramic type.

cfm of air is required at a pressure drop of 0.60". In all cases, sufficient cooling air must be supplied to hold tube temperature below 250°C with 50°C ambient temperature at sea level. A Dayton model 1C-180 blower will satisfy the 1000-watt requirement of the 8877 under almost all operating condi-

tions at a low ambient noise level. For operation at 10,000 feet, or above, or for extended contest operation in a high temperature environment, a Dayton model 2C-782 may be substituted with only moderate increase in noise level.

**Power Supply and Control Circuitry**—Primary power to the amplifier is applied through control switch  $S_1$  to the filament transformer, blower, and time delay relay  $RY_4$  (figure 63). After 180 seconds, the time delay relay closes and power may be applied via plate switch  $S_2$  to relay  $RY_5$ , a mercury plunger solenoid relay.

The initial charging current of the filter capacitor bank in the high voltage plate supply is limited by two 15-ohm resistors in the primary circuit of plate transformer  $T_3$ . As the filter capacitors become charged, the voltage at the primary of  $T_3$  rises because of decreased voltage drop across the resistors, eventually permitting surge-limit relay  $RY_6$  to close. The response time of the relay is about 0.25 second and is determined by the time constant of the filter in the 24-volt dc low-voltage power supply. This supply also provides power for the VOX and antenna changeover relays and reference voltage for the ALC circuit.

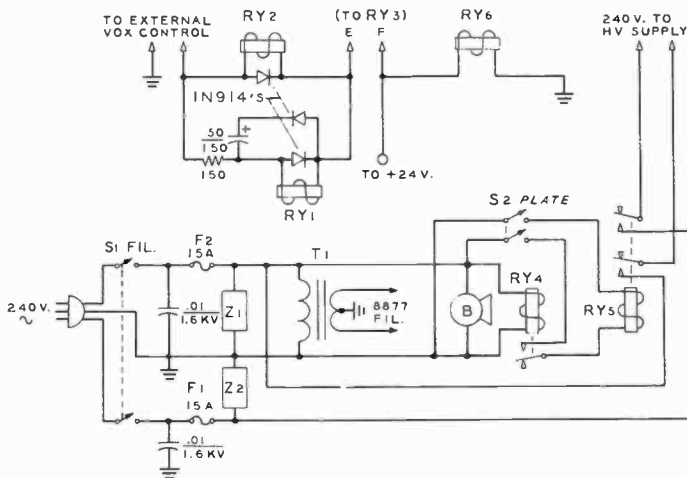
A sequencing network consisting of a 150-ohm resistor and a 50- $\mu$ F capacitor in series delay the closing of  $RY_2$ , the antenna changeover relay, until about 7 msec after the VOX line is actuated (figure 63). This prevents "hot-switching" the antenna relay, thus protecting the relay contacts and the plate circuit components from the high peak voltages arising from a momentarily unloaded condition. The diode across the relay coil prevents the capacitor charge from holding the relay closed after the VOX line is opened. Discharge time of the capacitor is about 100 msec through the back resistance of the parallel-connected diode.

The high voltage power supply employs a voltage doubler circuit and provides about 3000 Vdc under full load (figure 68). The diode banks are protected by RC suppressors across each diode and by thyrector surge suppressors ( $Z_1, Z_2$ , figure 63) across the primary winding of the plate transformer. These devices throw a low impedance short across the transformer in the presence of a high voltage transient on the primary circuit. The amplifier may be operated on either

Table 12. Input Network Details

Circuit component values ( $Q = 1$ )			
Band	$C_1, C_2$	$L_1(\mu H)$	
80m	820 pF	2.15	
40m	430 pF	1.20	
20m	220 pF	0.60	
15m	150 pF	0.40	
10m	100 pF	0.30	
Note: $C_1, C_2$ are made up of two paralleled silver mica capacitors.			
$L_1$ Coil Winding Data			
Band	No. Turns	Wire Size	Inductance Range( $\mu H$ )
80m	16	20	2.00-2.70
40m	10	18	0.92-1.30
20m	8	14	0.54-0.70
15m	6	14	0.35-0.48
10m	4	14	0.22-0.37

Note: Coil forms are 1/2" diameter ceramic forms (Miller 69046-orange core)



240 volts or 120 volts primary power by changing taps on the plate transformer. In the interest of good regulation, operation at the higher line voltage is preferred.

**Amplifier Construction** The amplifier is built into a console as shown in the various photographs. The assembly measures 15" wide  $\times$  16" deep  $\times$  27" high and is mounted on heavy duty furniture casters. The aluminum framework is made of preformed material manufactured by the *Dorlec Corp.*, Box 182, Cherry Hill, NJ 08002. The framework requires only a hacksaw and a tape measure to assemble. The high voltage supply is located in the lower compartment of the console (figure 64), with the r-f deck at the top. The sides and back of the console are cut from aluminum sheet, but the sides of the amplifier section are made of perforated stock to allow adequate ventilation of the r-f components. The blower is mounted on a removable plate which fastens to the underside of the r-f chassis, while air flow to the blower intake port is through a 6-inch diameter perforated cutout in the rear of the power supply compartment.

The photographs show the location of the major power supply components. The plate transformer is bolted directly to the  $\frac{1}{8}$ -inch thick aluminum baseplate while the filter capacitors are mounted on an insulating

Figure 63

### POWER SUPPLY CONTROL CIRCUIT

- RY<sub>1</sub>**— See figure 59 parts list  
**RY<sub>2</sub>**— See figure 59 parts list  
**RY<sub>4</sub>**—100 second time-delay relay. Amperite 115-NO-180  
**RY<sub>5</sub>**—Mercury plunger relay, 2-pole, normally open. Ebert A-11  
**RY<sub>6</sub>**—Power relay, double-pole, double-throw. Potter-Brumfield PR-11-DY  
**S<sub>1</sub>, S<sub>2</sub>**—Lighted Switch Assembly. Arrow-Hart actuator AH-83504 with lens AH-70 and AH-71, and contact block AH-83500  
**T<sub>1</sub>**—5 volts at 10 amperes. Stancor P-6135  
**Z<sub>1</sub>, Z<sub>2</sub>**—Thyatron, General Electric 6RS20-SP4B4  
**Blower**—60 cfm. Dayton 1C180

frame made of two 8-inch square plexiglass sheets (figure 65). The high voltage rectifiers are mounted on small ceramic terminals on a small plexiglass sheet placed in front of the filter capacitors.

**The R-F Deck** The layout of the top portion of the r-f deck is shown in figures 61 and 66. The top portion is a cubical inclosure with the socket for the 8877 mounted on a subchassis placed at the left, rear portion of the inclosure. The chassis measures  $11\frac{3}{4}$ "  $\times$   $5\frac{1}{2}$ "  $\times$   $3\frac{1}{2}$ ". The 7-pin septar socket is submounted below the chassis deck with  $\frac{3}{8}$ -inch metal spacers. The grid ring of the 8877 is electrically grounded to the chassis by means of four grounding clips on the socket assembly. The air chimney is held in place atop the chassis.

The filament transformer for the 8877, the antenna relay, the cathode input circuit and various auxiliary components are located inside the chassis and all electrical connections into this chassis are decoupled by 1500-pF feedthrough capacitors. The cathode input circuit switch has an extension

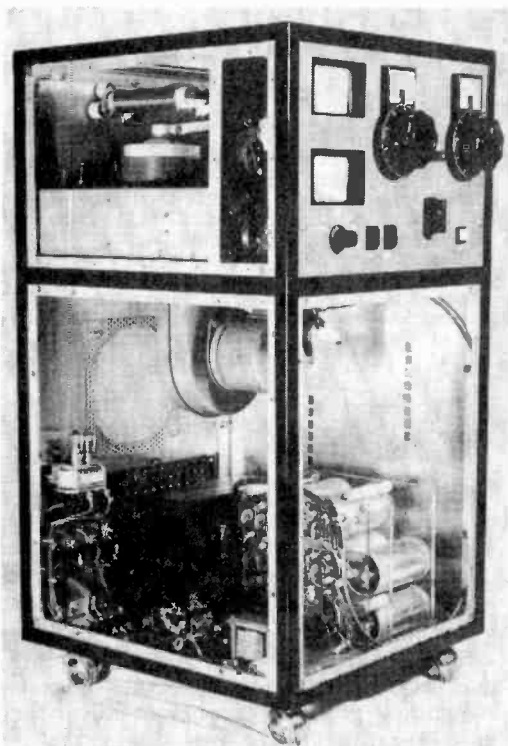


Figure 64

### SIDE VIEW OF AMPLIFIER CONSOLE

The side panels have been removed to show placement of parts. The 8877 tube is visible in the r-f inclosure at the top, with the squirrel cage blower mounted immediately below it in the power supply compartment. The air intake vent for the blower is in the rear panel. The main plate transformer is at the rear of the lower deck, with the mercury primary relay immediately beside it. The filter capacitor bank is to the right, with the auxiliary relay controls in the foreground.

shaft which extends out the front of the chassis through a panel bearing to the control knob. The slug-tuned coils are adjustable through the top of the chassis. The bottom plate is drilled to receive the blower.

Location of the major plate circuit components may be seen from the photographs. The two vacuum variable capacitors are mounted on a reinforced aluminum subpanel recessed 3" behind the main panel. The plate circuit bandswitch is also mounted on the subpanel; the switch being ganged to the cathode switch by means of two brass pulleys located in the space between the panels.

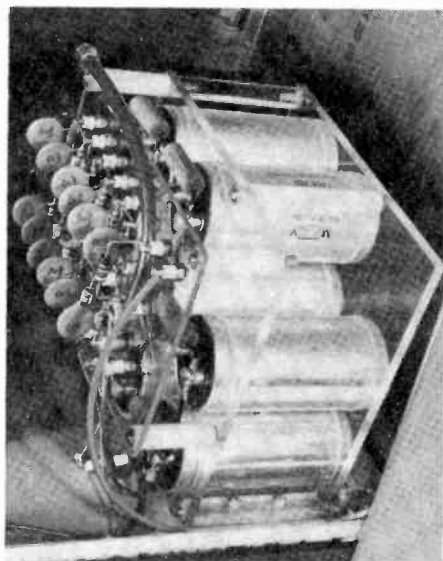


Figure 65

### FILTER CAPACITOR ASSEMBLY

The computer grade filter capacitors are sandwiched between insulating plates and mounted in a horizontal position. A third plate holds the diode assembly and RC network capacitors. The inner conductor of RG-8/U cable is used for high voltage wiring. All exposed terminals are taped after assembly to prevent accidental contact.

Heavy gauge piano wire is used to join the pulleys.

The plate r-f choke is fastened to the rear wall of the inclosure atop the bypass capacitor and the plate end of the choke is connected to the plate r-f blocking capacitors by an angle plate made of thin copper stock. The plate inductor consists of two coils; inductor  $L_2$  is made of  $\frac{1}{4}$ -inch copper tubing and is used for 10, 15, and 20 meters. It is suspended between a flange attached to the variable vacuum capacitor and a ceramic standoff insulator mounted to the bottom plate of the inclosure. Inductor  $L_3$  is made of  $\frac{1}{8}$ -inch copper tubing and provides additional inductance for 40- and 80-meter operation. Leads from the tap points on the coils to the bandswitch are made with  $\frac{1}{4}$ -inch copper strap; coils and straps are silver plated before final assembly. Complete data for the plate circuit is given in Table 13.

The r-f wattmeter components are mounted on a small printed-circuit board placed



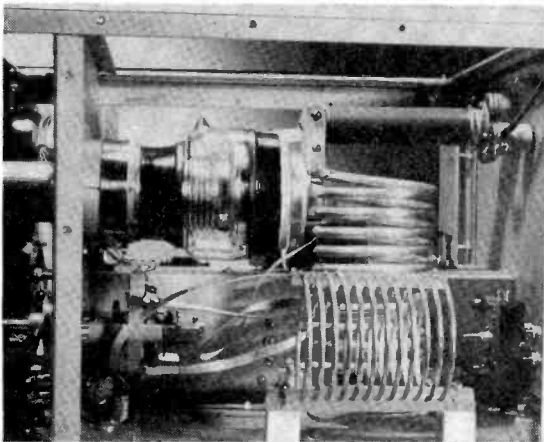


Figure 66

## CLOSEUP OF R-F DECK

The side panel has been removed to show the 1000-pF vacuum variable loading capacitor and the plate coil inductors. The band-switch is at left, mounted to the front panel. Connections are made to the coils with silver plated copper strap. The 8877 tube is hidden in the rear behind the loading capacitor. Visible at the right is the r-f wattmeter board, adjacent to the output receptacle.

adjacent to antenna coaxial receptacle  $J_2$ . The connection between the receptacle and the bandswitch is made with a short length of RG-8A/U cable.

**Calibration and Alignment** The values of capacitance and inductance for the plate circuit pi-network are given in Table 13. The values of the input tuning capacitance include about 15 pF of tube and stray circuit capacitance. The positions

of the taps on the plate inductors may be found by first setting capacitors  $C_3$  and  $C_1$  to the correct values and then adjusting the appropriate coil tap until circuit resonance is achieved, as indicated by a calibrated dip-meter. The capacitors themselves can be calibrated by the dip-meter and a known inductance; this is most easily done by constructing a graph of capacitance values for different settings of the turns-counter dial.

The input pi-network coils are aligned by inserting an SWR meter in the coaxial line between the exciter and the amplifier and tuning the coil slug on each band for minimum SWR at the center of the band. This adjustment should be done with the amplifier operating at full power input. *Since high-voltage components are in very close proximity to the slug adjustment screws, a nonmetallic screwdriver should be used for these adjustments.*

Calibration of the r-f wattmeter is done after the amplifier is finally tested. Capacitor  $C_7$  is adjusted to null the reflected power with a 50-ohm dummy load connected to the output of the amplifier. Potentiometers  $R_3$ - $R_5$  are adjusted to obtain full-scale meter readings at the desired power output levels using a calibrated r-f wattmeter for comparison.

**Amplifier Tuning and Alignment** After the amplifier wiring has been completed and inspected it is ready for initial checks. The filament voltage should be measured at the socket with a 1-percent meter to determine that it is within the

Table 13. Plate Circuit Details

Band	$C_3$ Input Cap.(pF)	$C_4$ Output Cap.(pF)	Plate Inductance ( $\mu$ H)
80m	279	1460	7.33
40m	145	762	3.82
20m	74	386	1.94
15m	49	259	1.30
10m	45	252	.778

Notes: (1) Input capacitance values include 15-20 pF of tube and stray circuit capacitance.

(2) Network designed for plate impedance of  $1820\Omega$ , load impedance of  $50\Omega$  and operating Q of 12 (Q = 15 on 10 meters).

(3) Calculated reactances at resonance:  
(80m-15m):

$$X_{C \text{ in}} = 152\Omega$$

$$X_{C \text{ out}} = 29\Omega$$

$$X_L = 172.65\Omega$$

(10 m)

$$X_{C \text{ in}} = 121.6\Omega$$

$$X_{C \text{ out}} = 22\Omega$$

$$X_L = 139.45\Omega$$

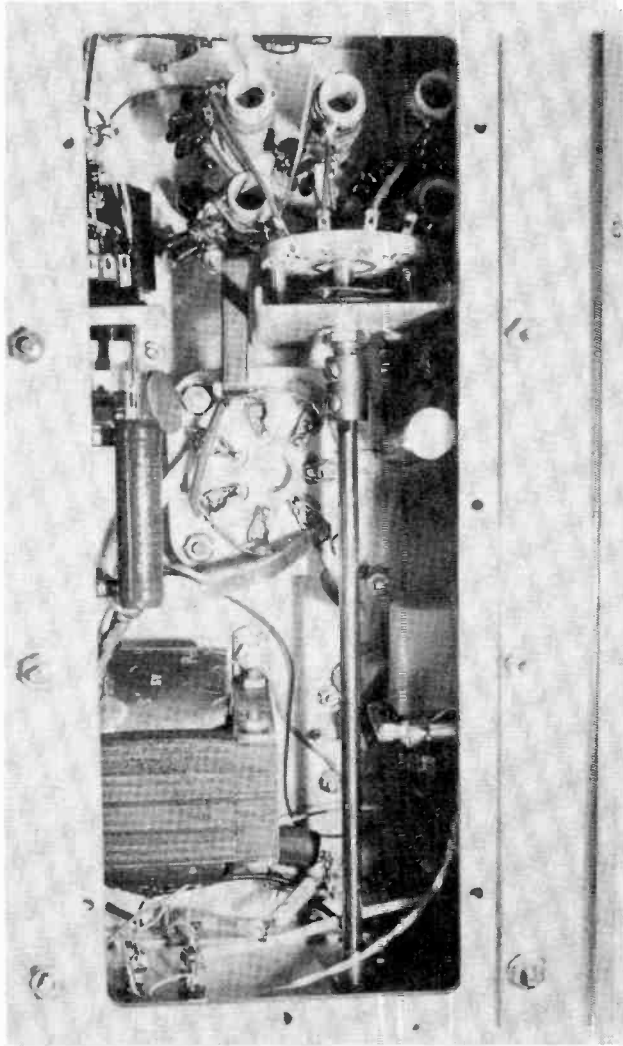


Figure 67

#### INTERIOR OF R-F CHASSIS

The underside of the 8877 chassis is shown in this view. The tuned cathode circuits are adjacent to the socket, with the filament transformer in a corner of the compartment. The input and overload relays are mounted to the walls of the chassis. The tube socket is recessed below the deck to permit passage of air about the tube.

allowed range of 4.75 to 5.25 volts. Operation at the lower end of this range will prolong tube life. After the 90 second time-delay relay activates, plate voltage may be applied to the 8877 and the dc resting plate current of the tube should be about 160 mA to 180 mA. At this time, check to make sure

the blower is operating properly and a free flow of air is escaping from the anode of the tube. The plate circuit controls should be set to the values determined previously.

Apply a small amount of drive power from the exciter and tune the plate circuit controls to resonance. Maximum grid cur-

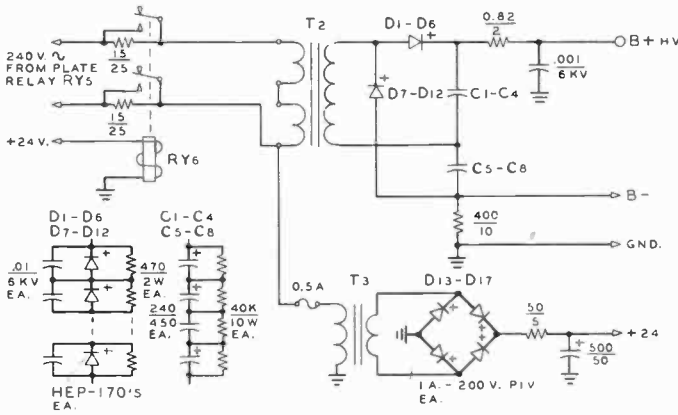


Figure 68

**SCHEMATIC OF POWER SUPPLIES**

- D<sub>1</sub>-D<sub>12</sub>—Diode network consisting of: 2.5 ampere, 1000 piv diode (HEP-170), .01 μF, 1.6 kV disc capacitor and 470k, 1-watt resistor
- C<sub>1</sub>-C<sub>8</sub>—240 μF, 450 WVdc capacitor. Mallory 241T450D1
- RY<sub>6</sub>—See figure 63 parts list
- T<sub>2</sub>—120/240 volt primary, 1100-volt secondary 1.2 kW rating.
- T<sub>3</sub>—26.8 volts at 1 ampere. Stancor P-8609
- D<sub>13</sub>, D<sub>14</sub>—Diode Bridge, 2 amperes, 200 volts piv.

rent, maximum r-f output, and minimum plate current should occur at the same setting of the plate tuning capacitor. When properly loaded to 2 kW input with carrier, grid current will run about 35 mA to 40 mA, corresponding to a drive power of about 40 watts. Operation of the grid protection circuit can be checked by temporarily re-

ducing the loading capacitor two or three turns and whistling briefly into the microphone, the grid overload relay should trip, illuminating the grid reset button and locking the amplifier into the standby mode. If the grid relay trips during subsequent operation of the amplifier, it is usually a sign of improper loading, a badly mismatched an-

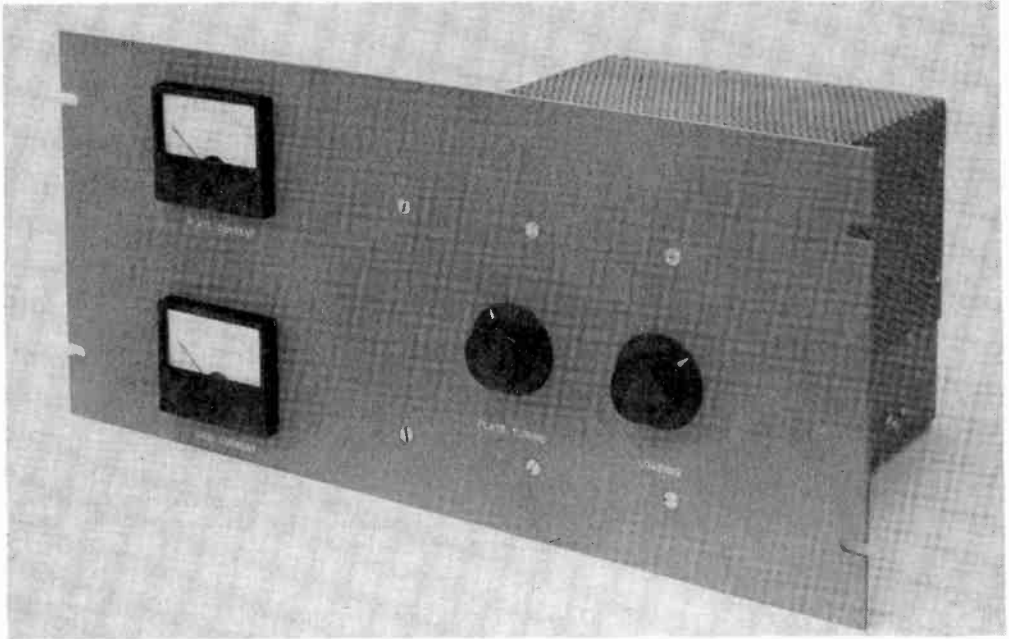


Figure 69

**TWO-KILOWATT LINEAR AMPLIFIER FOR 6-METERS**

This powerful amplifier features the 8877 high-μ ceramic triode in a cathode-driven circuit. At the left are the grid and plate current meters, with plate tuning and loading controls at the right. Amplifier requires about 40 watts peak drive for full output.

tenna, or excessive drive power. In any case, the difficulty should be remedied before re-suming operation of the amplifier.

As a final check of amplifier linearity, and to establish the correct ALC threshold, the amplifier output should be monitored on an oscilloscope trapezoid display. Single-tone plate current will run 660 mA, with a grid current of about 40 mA. Voice modulation, without audio clipping or compression, will run about one-half these values on voice peaks. Power output is about 1100 watts, peak.

### 22-11 A 2-kW Linear Amplifier for 6 Meters

This rugged and reliable amplifier, designed and built by W6PO, is designed

for the serious 50-MHz experimenter. It uses an 8877 ceramic, high- $\mu$  triode and operates at 1-kW input for continuous c-w or RTTY service and at 2-kW PEP power input for SSB service (figure 69). The amplifier is well shielded and all leads are filtered so that the unit has minimum harmonic radiation. A driver capable of 40 watts PEP power output is required for maximum amplifier input at a recommended anode potential of 2600 volts. Amplifier efficiency is 61 percent and the power gain is about 15 decibels.

Typically, at a potential of 2600 volts and a plate current of 750 milliamperes (2-kW PEP input) the third-order intermodulation products are better than -40 decibels below one tone of a two-tone test signal. This is an order of magnitude better than the majority of SSB exciters on the amateur market. Under these conditions, useful power output is more than 1200 watts, over and above tank circuit losses.

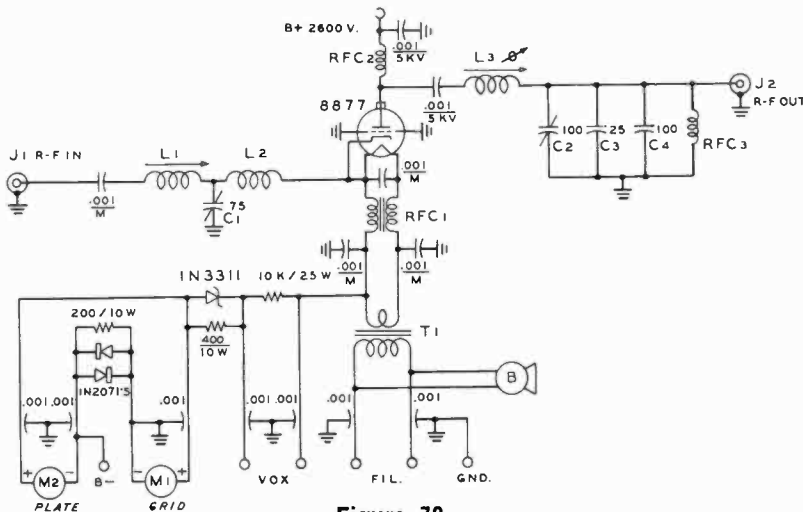


Figure 70

### SCHEMATIC, 6-METER AMPLIFIER

B—Dayton 1C-180

C<sub>1</sub>—75 pF. Hammarlund APC-75

C<sub>2</sub>—100 pF. Johnson 155-10

C<sub>3</sub>, C<sub>4</sub>—Centralab type CRL 858S

Chimney—SK-2216 (Eimac)

L—6 tur-s #18 e. on CTC-1538-4-3 form, winding length 7/8"-inch

L<sub>1</sub>—6 turns #18 e., 1/2-inch diameter, 5/8-inch long, self-supporting

L<sub>2</sub>—3 turns 3/8-inch diameter copper tubing, inside diameter 1 7/8-inch; coil length 2 3/8-inch.

Shorted turn 2 1/4-inch diameter copper ring 1/4 inch from main coil

M<sub>1</sub>—100 mA dc Weston

M<sub>2</sub>—1 ampere dc Weston

RFC<sub>1</sub>—Bifilar wound choke, 1/2-inch diameter ferrite core (Indiana General CF-503). Three windings of 12 turns #10 formvar

RFC<sub>2</sub>—54 turns #20 e. on 1/2-inch diameter Teflon rod; winding length 1.13/16 inches

RFC<sub>3</sub>—Ohmite Z-50

Socket—Johnson 122-247-202

T<sub>1</sub>—5 volts, 10 amperes. Stancor P-6135

**The Amplifier Circuit** The 8877 is used in a cathode driven circuit, as shown in figure 70. The control grid is operated at dc ground with a minimum of inductance between the tube and the chassis. Plate and grid currents are measured in the cathode return circuit. A 12-volt, 50-watt zener diode is placed in series with the cathode return lead to set the desired resting plate current.

Standby current is reduced by means of a 10K, 25-watt cathode resistor which is shorted out by the VOX relay, causing the tube to operate at its normal resting plate current. The 200-ohm resistor from the negative terminal of the plate supply to ground makes certain the negative supply terminal does not soar to the value of the plate voltage if the positive side of the supply is accidentally shorted to ground. Two reverse-connected diodes across the safety resistor limit any transient surges under a shorted condition which might cause insulation breakdown. In addition, the diodes protect the two panel meters from transient currents. A 200-ohm resistor across the zener diode provides a load for it and prevents the cathode voltage from soaring if the zener should burn open.

The cathode input matching circuit consists of a simple T-network to transform the nominal 50-ohm input to the cathode impedance of the 8877 which is 54 ohms in parallel with 26-pF input capacitance.

One coil ( $L_1$ ) and the shunt capacitor are variable. With these two adjustments it is possible to cover a wide range of impedance transformations. The controls for the variable elements are brought out the left rear side of the chassis. Once the adjustments have been made, no tuning is required over the first megahertz of the band.

The socket for the 8877 is mounted one-half inch below the chassis using threaded brass spacers. Four pieces of brass shim stock, or beryllium copper, are formed into L-shaped contacts placed between the spacers and the chassis to make contact to the control-grid ring (figure 71).

The plate circuit is a standard pi-network (figure 70) with tube output and stray capacitances forming the input capacitance of the network (about 30 pF). The output loading capacitor is an air variable unit, shunted by two fixed ceramic capacitors.

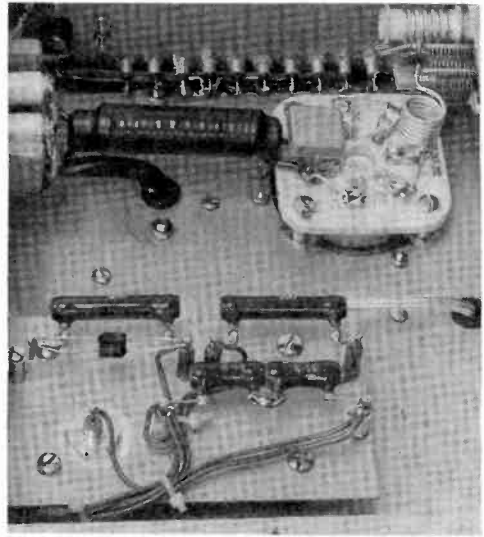


Figure 71

#### UNDER-CHASSIS VIEW OF AMPLIFIER COMPARTMENT

The input circuit is at the upper right with the filament choke at center. The filament by-pass capacitor is placed across the socket terminals. The grounding clips for the grid ring of the 8877 are next to the chassis, held in position by the socket-mounting studs and bolts. The socket is mounted below chassis level to allow passage of the cooling air. In the foreground are the zener diode, metering resistors, and reverse-connected meter diodes. The various filter capacitors for the power leads are mounted on the rear apron of the chassis, with the Millen high-voltage terminal at the left.

Amplifier tuning is accomplished by varying the inductance of the coil by adjusting the coupling between the coil and a shorted turn.

**Amplifier Construction** The amplifier is built on an aluminum chassis box which is shielded by a perforated aluminum cover plate and a solid bottom plate. Air is blown into the under-chassis area, drawn up through the anode cooler of the 8877, and exhausted through the perforated cover. Placement of the major components may be seen in the photographs.

The amplifier plate tank coil is supported on two short teflon insulators. The closed

ring near the front panel is the shorted turn used for tuning; it is made of  $\frac{3}{8}$ " diameter copper tubing, hard-soldered to a brass shaft coupler with copper-silver solder. Soft solder is not advisable in this application since the circulating current in the shorted turn is quite high.

The amplifier coil is adjustable in that the flexible strap connecting the blocking capacitor to the plate r-f choke may be moved about to subtract inductance from the main coil which is slightly oversize (figure 72). The position of the blocking capacitor (supported on a short bracket from the mounting insulator) is variable so that the strap can be flexed and set to the proper position. Note that the strap runs in the reverse direction to the winding direction of the main coil.

To adjust the amplifier for operation at the low-frequency end of the 6-meter band, the tube is placed in the socket, the shorted turn completely decoupled and the position of the blocking capacitor and anode strap adjusted to resonate the plate circuit to 50 MHz with the loading capacitor fully meshed. As the shorted turn is coupled tighter, total tank inductance will be reduced, causing the resonant frequency to rise. When the shorted turn is fully coupled, the resonant frequency of the plate tank circuit will be about 51 MHz.

Amplifier loading is accomplished in the same manner as in a typical pi-network circuit, with the shorted turn taking the place of the plate tuning capacitor.

A homemade plate r-f choke is used, since no commercial chokes were capable of pro-

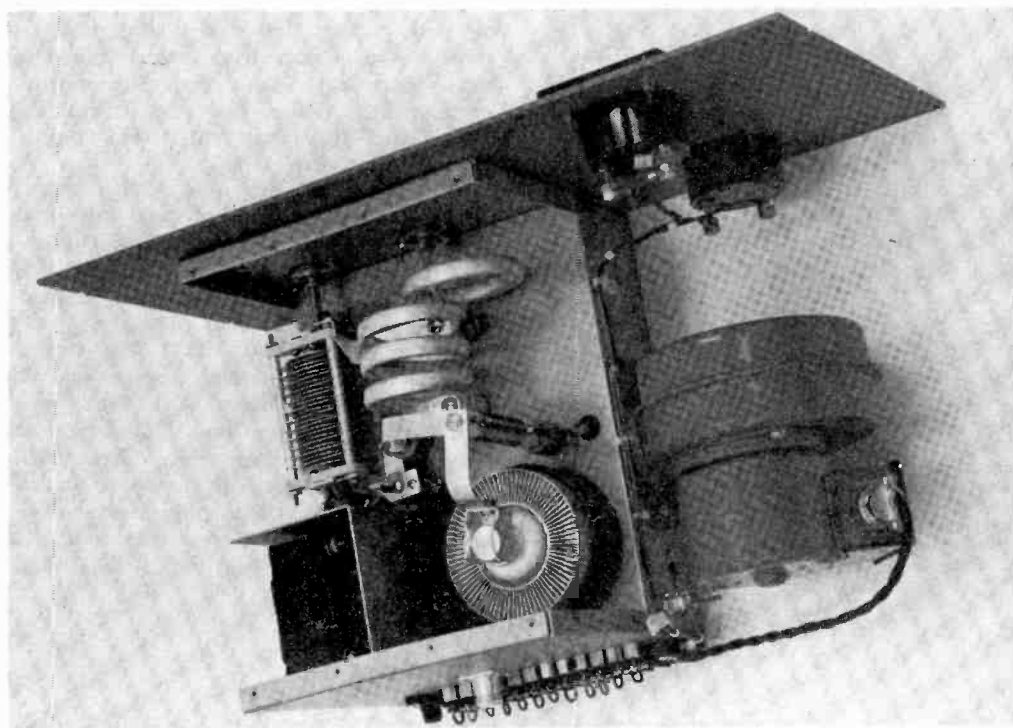


Figure 72

### TOP VIEW OF AMPLIFIER

The variable capacitor near the left edge of the chassis is the adjustable portion of the loading circuit (C.). Two ceramic transmitting capacitors are mounted in parallel with the air capacitor and can be seen at the rear of C, near the filament transformer shield. The variable, shorted turn is supported from the panel drive. Amplifier shield has been removed for this photograph.

viding proper service at this frequency. The choke is wound on a 1/2-inch diameter teflon rod and mounted atop the ceramic capacitor which bypasses the B-plus end of the choke.

Visible on the back of the front panel are the vernier ball-drive assemblies used on the plate tank controls. These allow the operator good control over the tuning and loading adjustments necessary for proper amplifier operation.

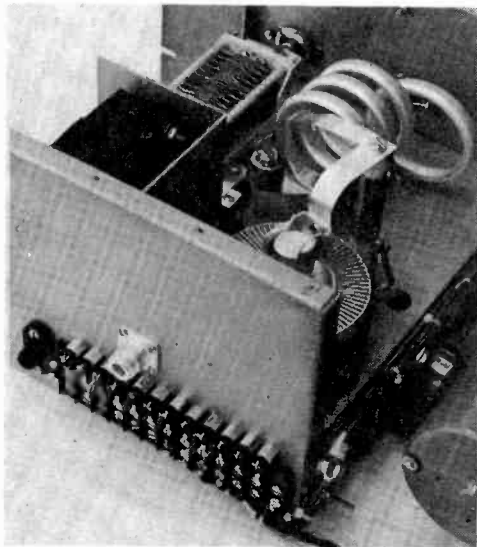


Figure 73

### CLOSEUP OF AMPLIFIER PLATE CIRCUIT

The shorted turn is hard-soldered to the shaft coupler to allow front-panel loading and tuning. The "anti-inductance" plate-circuit strap can be seen connecting the top of the plate choke to the plate-blocking capacitor. Note that the position of the plate-blocking capacitor can be changed by loosening one screw and rotating the capacitor around the screw.

**Amplifier Adjustment** The output circuit is grid-dipped to frequency with the 8877 in the socket and the output loading capacitor fully meshed. Filament voltage is adjusted to 5.0 volts at the socket and the top and bottom shields are bolted in position. The cooling blower should be checked for proper operation. Amplifier operation is completely stable and tuning and loading follow the same sequence as with any standard grounded-grid amplifier. Grid excitation, of course, should never be applied when plate voltage is removed from the amplifier.

For initial tuneup, an SWR meter should be placed in series with the input line so that the input network may be adjusted for lowest value of SWR. A second SWR meter may be placed in the output line to serve as a power output indicator.

Drive is applied to provide about 20 mA of grid current and the plate circuit is tuned to resonance, drive level is raised in small increments along with output coupling until the desired power level is reached. Always tune for maximum power at minimum input power.

When the amplifier is properly loaded, the input circuit may be adjusted for minimum SWR on the coaxial line to the exciter. Once the adjustment has been made, no tuning of the input circuit is required over the first 1000 kHz of the band.

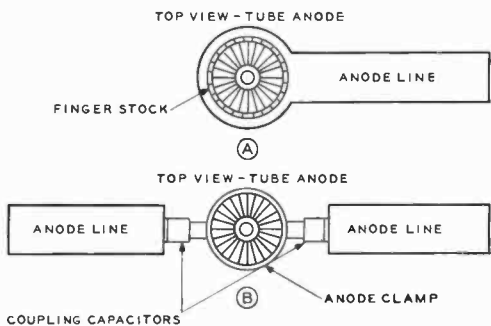
With a plate potential of 2600 volts, the amplifier is loaded to a plate current of 750 mA, with a grid current of 58 mA. This represents 2000 watts input. Under voice waveforms, the grid and plate current will be approximately one-half the above values. For c-w operation, the amplifier may be run at 400 mA plate current and 28 mA grid current, for a power output of about 640 watts.

## Part II VHF Amplifiers

Much of the hf construction data discussed in part I of this chapter applies to vhf amplifiers. However, because the wavelength is small enough in the vhf spectrum to approach the size of the components, various design techniques (discussed in some detail in Chapter 11, part II) uncommon to hf amplifiers are commonplace in the vhf

spectrum. The physical appearance of the vhf amplifier is unusual, as compared to the hf amplifier, as tank circuit components are measured in nanohenries and small values of picofarads.

Tank circuit  $Q$ s usually run quite high in vhf amplifiers as the output capacitance of the tube becomes a large portion of the tun-



**Figure 1**  
**REPRESENTATIVE VHF TANK**  
**CIRCUITS**

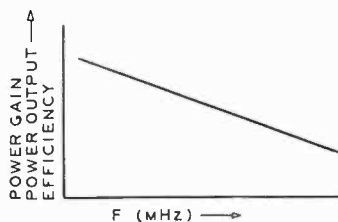
- A—Quarter-wave strip-line circuit. Anode connector encircles tube so that high circulating currents are distributed equally around anode.
- B—Half-wave plate line with tube at high current point. Equal currents flow in each part of the plate line.

ing capacitance. As a result of the high circuit  $Q$ , circulating currents are extremely high and the tank circuit must be designed so as to safely conduct these currents (figure 1). Circuit  $Q$  values as high as 50 or 100 are not uncommon in large vhf amplifiers.

In addition to high circulating currents in the tank circuit and through the leads of the tube, tube efficiency tends to drop off in the vhf spectrum due to lead inductance, transit time, and insulator loss (figure 2). Power output, power gain, and efficiency decrease as the frequency of operation rises and grid drive and grid losses increase. Depending on the physical size of the tube, the arrangement of leads and internal geometry, most gridded tubes designed for vhf use will provide decreasing efficiency up to about 900 MHz. Above that frequency, the use of a negative grid tube is open to question.

**Tuned Circuit Design**

In the case of a cathode-driven, grounded-grid amplifier a T-network such as the type shown in figure 3 is often used. The example shown matches a 50-ohm line to a cathode impedance of 42 ohms. Loaded  $Q$  is 2. This circuit functions well in the vhf region as the r-f cathode current flows through the

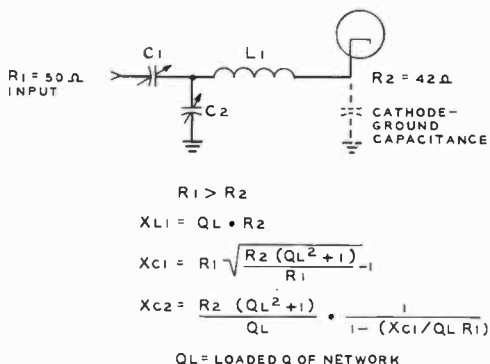


**Figure 2**  
**FREQUENCY RESPONSE OF**  
**VHF POWER TUBE**

Power output, power gain, and efficiency slowly drop off as the frequency of operation is raised. Upper frequency limit of most vhf-type gridded tubes is in 900-MHz region.

cathode-to-ground capacitance of the tube and circuit. Under full plate current, the input match is adjusted to a 1-to-1 SWR because only under full-load conditions will the tube input resistance be at the design value.

Strip-line or coaxial circuits are commonly used in the plate circuit of many vhf amplifiers. The tank impedance will be quite low, usually below 100 ohms. The higher the impedance of this part of the circuit, the less will be the  $Q$  in the line, consequently bandwidth will be greater (figure 4). A wide bandwidth is not necessary to pass modulation frequencies, but it is de-



**Figure 3**  
**T-NETWORK FOR CATHODE-**  
**INPUT CIRCUIT**

This circuit matches a 50-ohm source to a cathode impedance less than 50 ohms. Input match is adjusted for lowest SWR under full-load conditions of the amplifier.



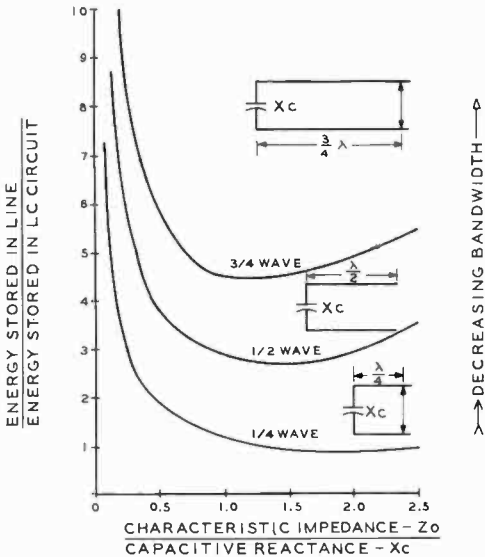


Figure 4

### LONG LINEAR TANK CIRCUIT PROVIDES HIGHER Q AND LESS OPERATIONAL BANDWIDTH

Because of high output capacitance of some tubes a half- or three quarters-wavelength plate line must be used. This reduces operational bandwidth of the amplifier. Highest possible plate line impedance provides greatest bandwidth.

Shown in this section are various amplifier designs for the 144-, 220-, and 432-MHz bands. Aside from the use of linear tank circuits, these amplifiers follow the same general electrical design as their low-frequency counterparts. Notice that care is taken to make sure that the r-f currents in the output circuit flow from all areas of the tube anode. In the 144-MHz amplifier, for example, the plate circuit is split into two sections ( $L_5$  and  $L_6$ ) which divide the r-f plate current equally between them. The tube, in effect, is in the middle of a half-wave line with equal currents flowing in both line sections. In the 450-MHz amplifier the tube is centered in a cavity which is proportioned so that r-f currents flowing from the anode of the tube pass through all the walls of the cavity in like amounts.

sirable if the amplifier is to be moved about in frequency without the necessity of re-trimming. In addition, a large amount of heat must be dissipated by the plate circuit and if the circuit  $Q$  is low, the tank circuit will not be detuned by expansion as rapidly as it would with a high- $Q$  circuit.

There is a practical limit as to how high the plate line impedance can be made. Tube output capacitance, plus stray capacitance, will limit the impedance and length of the plate line:

$$X_C = Z_0 \tan l$$

where,

- $X_C$  is the tube output reactance,
- $Z_0$  is the characteristic impedance of the plate line,
- $l$  is the line length in electrical degrees.

For a quarter-wave line,  $Z_0/X_C = 2$  is adequate.

Using proper circuit design, most vhf tubes in the amateur service will work well in the 450-MHz band. Unfortunately, most of these tubes will not perform in the next higher band (1215-1296 MHz). Aside from the popular planar triode design (3CX100A5, etc.) which has extremely close interelectrode spacing and very low lead inductance, the majority of vhf-rated tubes have an upper frequency limit below 1000 MHz.

**Planar Tubes** Planar triodes are well suited for vhf/uhf for amateur use in the uhf/vhf spectrum. Various surplus versions, such as the 2C40, 446B, and 2C39 have been used at frequencies up to 2400 MHz. The 3CX100A5, a ceramic version of the 2C39, will provide improved service as an amplifier, doubler, or tripler in the range from 1000 to 3000 MHz.

Because of the high gain of the 3CX100A5, grounded-grid circuitry is desirable, since intercoupling between the input and output circuits is reduced to a minimum and neutralization is not required in amplifier service.

At 1296 MHz, for example, the 3CX100A5 is capable of about 47 watts output at an efficiency of 47 percent. Power gain is 8

dB, indicating a required drive level of about 7.5 watts as measured at the input of the cathode cavity. At 2400 MHz, power output (at 100 watts input) drops to 25 watts, and grid driving power increases to 10 watts. As a frequency doubler to 1300 MHz, the efficiency of the 3CX100A5 is about 27 percent with a power gain of 5.3 dB.

A coaxial or cavity circuit is generally employed in the 1300 MHz region. The resonant frequency of a coaxial tank, capacitively loaded at the open end by a tube is given by:

$$\frac{1}{2\pi fC} = Z_0 \tan \frac{2\pi l}{\lambda}$$

where,

- f* equals frequency in MHz,
- C* is the loading capacitance in pF,
- l* is the line length in centimeters,
- $\lambda$  is the wavelength in centimeters,
- $Z_0$  is the characteristic impedance of the line.

The characteristic impedance is given by:

$$Z_0 = 138 \log_{10} \frac{R_1}{R_2}$$

where,

- $R_1$  equals the inside radius of the outer conductor,
- $R_2$  equals the outside radius of the inner conductor.

### 22-12 An 80-Watt Base Station Amplifier for 2-Meter F-M Service

The home constructor can build an inexpensive tube-type amplifier for use with the popular 2-meter solid-state f-m transceiver which provides about 10 watts output.

The amplifier uses two 6146Bs in a lumped inductance grid circuit and a parallel-line plate circuit. Cost of construction is far less than an equivalent amplifier using solid-state devices. For home service, an inexpensive power supply can power the unit.

The schematic of the amplifier is given in figure 5. The grid circuit coil, screen bypass capacitors, screen r-f chokes and neutralizing capacitors are mounted directly on the tube

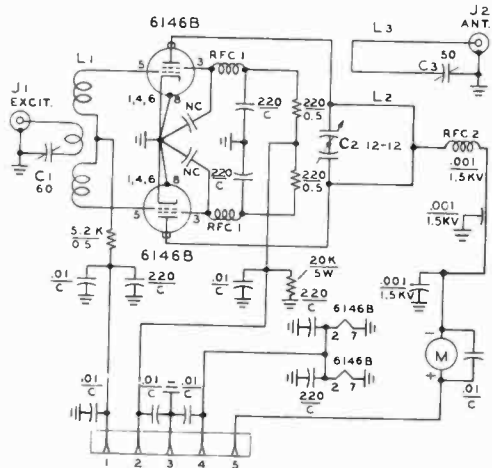


Figure 5  
SCHEMATIC, 2-METER LINEAR AMPLIFIER

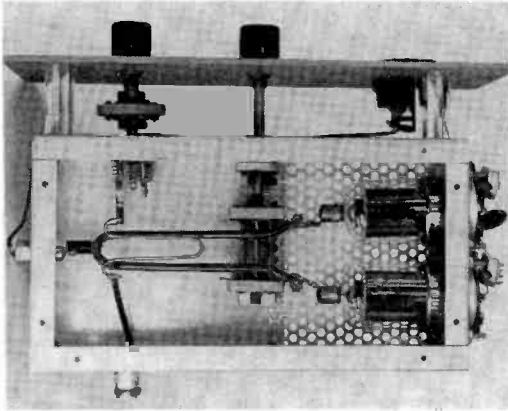
- C<sub>1</sub>, C<sub>2</sub>—60 pF, Centralab 822-AN or equiv.
- C<sub>3</sub>—12-12 pF, Bud 355 or Hammarlund HFD-15X
- NC—60 pF, Centralab 822-AN
- L<sub>1</sub>—4 turns #16, 3/8" diam., 1/2" long. Link coil is 2 turns #18 hookup wire.
- L<sub>2</sub>—U-shaped inductor made of 3/16" copper tubing, about 4 5/8" long. Spacing is 3/4".
- L<sub>3</sub>—U-shaped inductor, #12 wire, about 2 1/4" long, 1/2" wide
- RFC<sub>1</sub>—0.8 μH. Ohmite Z-235
- RFC<sub>2</sub>—1.8 μH. Ohmite Z-144
- Plate blocking capacitor—.001 μF at 1.5kV. Erie Filtron #1270-001
- Meter—0-500 mA dc
- J<sub>1</sub>—UG-290A/U coaxial receptacle
- J<sub>2</sub>—UG-58A/U coaxial receptacle
- P<sub>1</sub>—Cinch-Jones P-306-AB

sockets. The amplifier (figure 6) is built within an aluminum chassis measuring 9 1/2" × 5" × 2 1/2". The 6146B sockets are mounted at one end of the chassis, with the terminals projecting outwards. The interior of the chassis is taken up with the 6146Bs and the plate circuit components. Placement of components on the sockets is shown in figure 7.

The 6146Bs are screen neutralized at the operating frequency, the small ceramic variable capacitors being mounted between pins 1 and 3 of each socket. The plate line is bent from a single length of copper tubing and short, flexible lengths of brass shim stock connect the line to the plate clips of the tubes. The plate tuning capacitor is connected to the ends of the line with lengths of shim stock. The plate r-f choke is mounted inside the box in line with the plate

Figure 6

**UNDER-CHASSIS VIEW OF AMPLIFIER**



Amplifier chassis is mounted to panel by four spacers and tuning capacitors are driven through insulated, flexible couplings. Rotor of plate tuning capacitor is "floating" above ground. High-voltage plate circuit feedthrough capacitor is mounted to chassis at left, with plate r-f choke seen below end of plate line. The antenna pickup loop is supported from stator of antenna tuning capacitor and antenna receptacle. Grid and screen circuit components of 6146Bs are mounted to end of chassis, at right. Perforated bottom plate is attached to bottom of chassis with sheet metal screws.

line so that minimum coupling exists between the line and the choke.

The box is covered with a bottom plate of perforated metal and a 4-inch square area adjacent to the 6146Bs on the flat surface of the box is cut away and the opening covered with perforated metal to aid in air circulation.

Grid and plate circuits are tuned to the operating frequency with the tubes in the sockets with the aid of a dip meter. The amplifier is neutralized with all dc power removed by applying a small amount of excitation to the grid circuit and adjusting the neutralizing capacitors for minimum r-f in the plate circuit, as measured by an r-f voltmeter placed at the antenna terminals. A 1N34 diode and high impedance dc voltmeter will do the job.

The amplifier is tuned and loaded into a dummy load according to the data in Table 1. The input link tuning capacitor, coupling between link and grid coil, and inductance

of the grid coil are adjusted for maximum drive consistent with a low value of SWR on the line to the f-m driver. Drive level and loading are increased in stages as screen and plate current are monitored. Size and spacing of the antenna pickup loop can be adjusted to fit the antenna system in use. A suitable antenna changeover circuit is shown in figure 8.

The 6146B tubes may be checked for balance in a dark room. If one of them runs hot at full input, the balance may be ad-

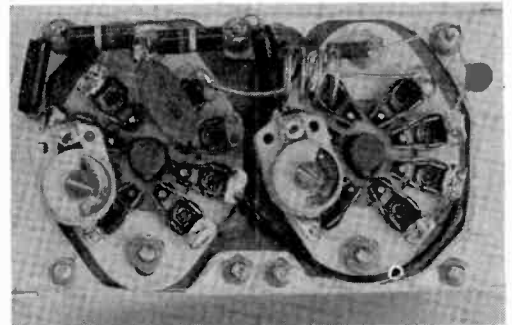


Figure 7

**6146B SOCKET ASSEMBLY**

Ceramic sockets are bolted to copper plates fitted into cutout in aluminum chassis. Socket grounds are made by soldering assembly rivets to copper plate. Twin ceramic neutralizing capacitors are at center, with screen chokes and isolating resistors at top of assembly.

**Table 1. Operating Data For 2-Meter F-M Amplifier (Two Tubes)**

Plate Voltage	400 Vdc
Screen Voltage	220 Vdc
Grid Voltage	-30 Vdc
Plate Current	240 mA
Screen Current	24 mA
Grid Current	8 mA
Power Output	80 Watts

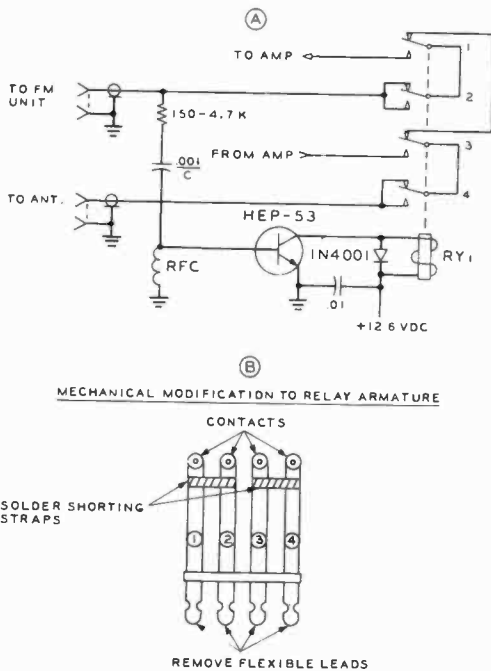


Figure 8

## ANTENNA CHANGEOVER RELAY FOR 2-METER AMPLIFIER

A modified 4-pole, double-throw dc relay switches the antenna circuit to bypass the amplifier in the receive mode. Circuit of relay control is shown at A. The miniature ceramic insulated relay is modified so that pigtail leads do not upset the antenna circuit on receive. The flexible connections to the relay arms are removed and a thin copper strap is soldered between adjacent pairs of contacts, as shown at B. Connections from relay to antenna circuit are made with lengths of coaxial line. Relay is Sigma 67R4-12D, or equivalent.

justed by altering the spacing of one side or the other of the grid coil until both tubes load evenly. The anodes should show no color at full input.

Power supply connections are: Pin 1, -30 Vdc; pin 2, +220 Vdc; pin 3, ground; pin 4, 6.3 Vac at 2.5 amperes; pin 5, 400 Vdc.

## 22-13 A High Performance 2-Meter Power Amplifier

This compact, high performance amplifier is rated for continuous duty at the 2-kW peak power level. It combines reliable service

with good linearity and efficiency. Designed and built by W6PO, the amplifier has been used for moonbounce communication with Europe on many occasions.

The amplifier uses an 8877 high- $\mu$  ceramic power triode in a cathode-driven circuit. A half-wave plate line is employed, along with a lumped-constant T-network input circuit. The amplifier is fully shielded and built to fit on a standard 19-inch relay rack panel (figure 9). The amplifier requires no neutralization, is completely stable and free of parasitics, and very easy to tune and operate.

The amplifier is designated for continuous duty at the 1-kW input level as well as at the 2-kW level for SSB operation. For the high power operation, plate voltage should be between 2500 and 3000 volts; under this condition the amplifier will deliver 1240 watts output. Stage gain is about 13.8 decibels and amplifier efficiency is 62 percent.

### The Amplifier Circuit

A schematic of the amplifier circuit is shown in figure 10.

The 8877 is operated with the grid at dc and r-f ground potential. The grid ring at the base of the tube provides a low inductance path between the grid element and the chassis. Plate and grid currents are measured in the cathode-return lead and a 12-volt, 50-watt zener diode is placed in series with the negative return to set the proper value of zero-signal plate current. Two diodes are reverse-connected across the instrument circuit to protect the meters.

Standby plate current of the 8877 is reduced to a very low value by the 10K cathode resistor which is shorted out when the VOX relay is activated, permitting the tube to operate in normal fashion.

A 200-ohm safety resistor ensures that the negative power lead of the amplifier does not rise above ground potential if the positive side of the high-voltage supply is accidentally grounded. A second safety resistor across the zener diode prevents the cathode potential from soaring if the zener should accidentally burn open.

*The Input Circuit*—The cathode input matching circuit is a T-network which matches the 50-ohm nominal input impedance of the amplifier to the input impedance of the 8877 which is about 54 ohms in parallel with 26 pF. The network con-

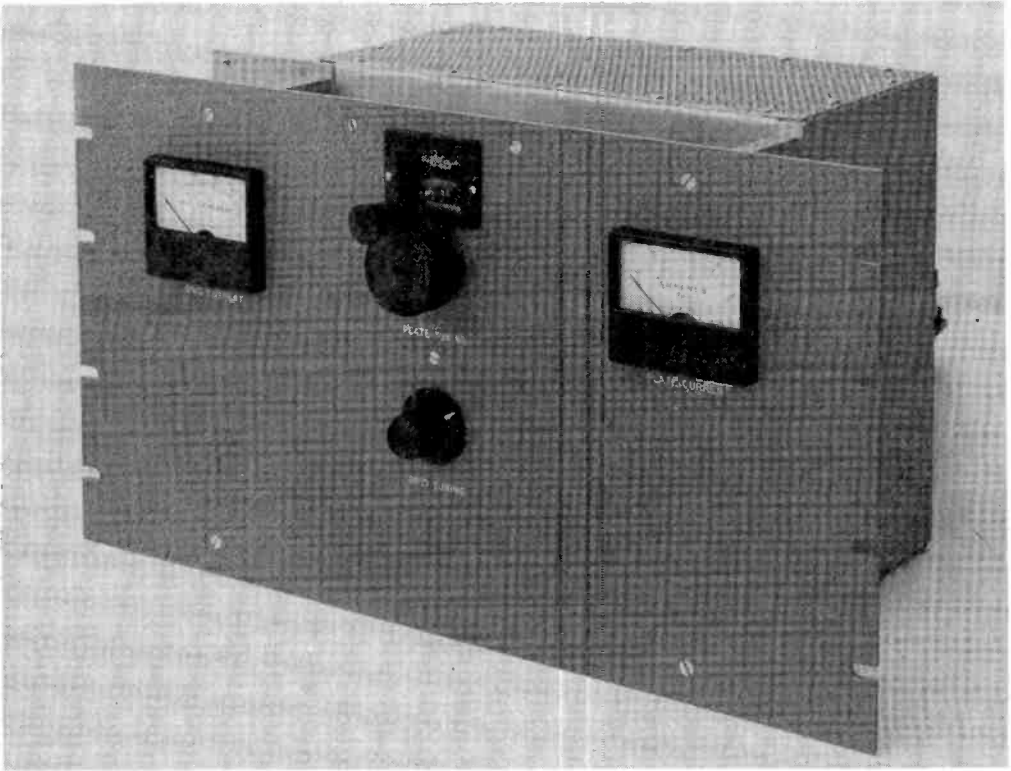


Figure 9

### THE HIGH-PERFORMANCE 2-METER POWER AMPLIFIER

This amplifier will operate at the 2-kw PEP input level for heavy-duty performance. The amplifier is built upon a 10½" relay rack panel. The counter dial for the plate-tuning capacitor is at the center of the panel with the grid-tuning control directly beneath it. Grid and plate meters are at the left and right of the panel. The top of the r-f enclosure is covered with perforated aluminum sheet to allow the cooling air to escape from around the tube.

sists of two series-connected inductors and a shunt capacitor. One inductor and the capacitor are variable so the network is able to cover a wide range of impedance transformation. The variable inductor ( $L_1$ ) is mounted to the rear wall of the chassis and may be adjusted from the rear of the amplifier. The input tuning capacitor ( $C_2$ ) is adjustable from the front panel. When the network has been properly tuned, no adjustment is then required over the 4-MHz range of the 2-meter band.

*The Plate Circuit*—The amplifier plate circuit is a transmission-line type resonator. The line ( $L_s$  plus  $L_n$ ) is a half wavelength long with the tube placed at the center (figure 11). This circuit, while having less

operational bandwidth than an equivalent quarter-wavelength line, is chosen because standard water pipe can be used as the center conductor of the line and the overall length of the line is long enough to be practical. In addition, the heavy r-f current that flows on the tube seals and control grid would, in the process of charging up the output capacitance to the peak plate voltage swing, tend to concentrate on one side of the tube if a single-ended, quarter-wavelength line were used. This current concentration would cause localized heating of the tube. The best tuned-circuit configuration to minimize this effect is a symmetrical, cylindrical coaxial cavity with the tube at the center. That arrangement is complex and difficult

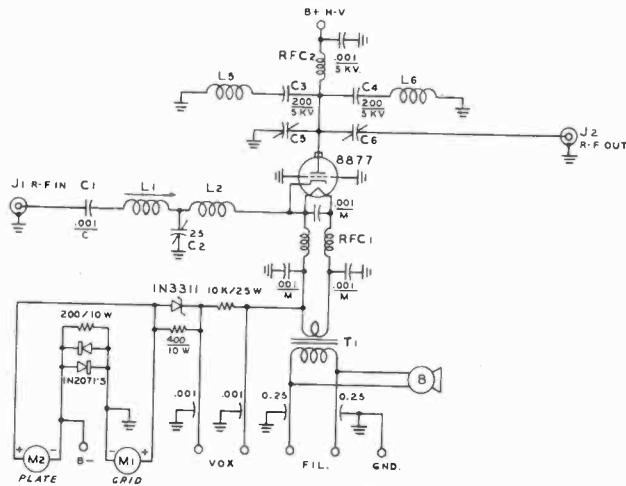


Figure 10

SCHMATIC, 2-METER POWER AMPLIFIER

- C<sub>1</sub>—Centralab 858S-1000
- C<sub>2</sub>—25 pF Hammarlund HFA-25B
- C<sub>3</sub>, C<sub>4</sub>—Each made up of two parallel connected 100 pF 5 kV ceramic capacitors. Centralab 850S-100
- C<sub>5</sub>—Plate tuning (see text)
- C<sub>6</sub>—Plate loading (see text)
- L<sub>1</sub>—5 turns #14, 3/4" long on 1/2" diameter form (white slug). CTC 1538-43
- L<sub>2</sub>—4 turns #14, 3/4" diam., 3/4" long

- L<sub>3</sub>, L<sub>4</sub>—(RFC<sub>1</sub>)—Two windings; 10 turns #12 enamel each, bifilar wound, 5/8" diameter
- L<sub>5</sub>, L<sub>6</sub>—Plate lines (see text)
- RFC<sub>2</sub>—7 turns #14, 5/8" diameter, 1 3/8" long
- T<sub>1</sub>—5 volts, 10 amperes. Chicago-Standard
- M<sub>1</sub>—0-100 mA dc
- M<sub>2</sub>—0-1 amp dc
- Socket—Eimac SK-2210
- Chimney—Eimac SK-2216

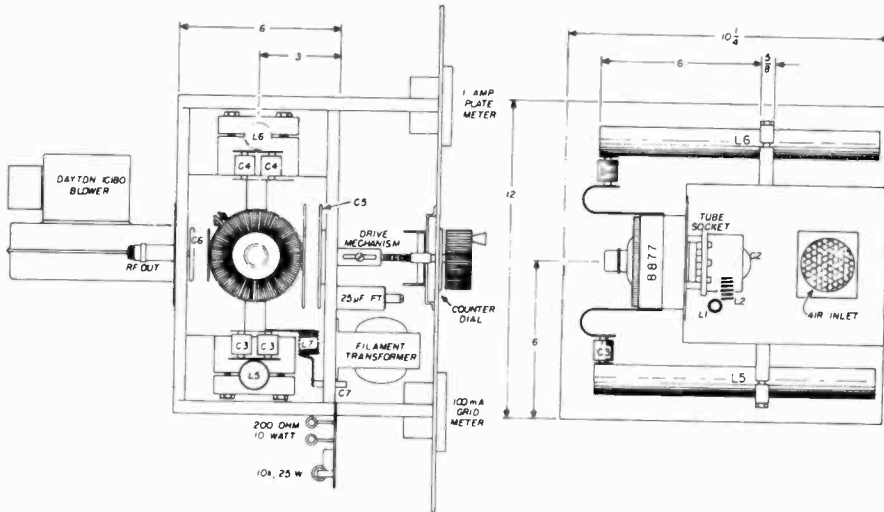


Figure 11

ASSEMBLY OF 2-METER AMPLIFIER

Structural details of the amplifier show relative size and position of the various components. Inclusion is made of aluminum panels. Bottom panel is solid and top panel is perforated to allow cooling air to escape.

to build. A practical compromise is to use two quarter-wavelength lines connected to opposite sides of the tube. Note that each of the two quarter-wavelength lines used in this design are physically longer than if only one quarter-wavelength line were used. This is because only one-half of the tube output capacitance loads each of the two lines.

Resonance is established by a moving plate capacitor ( $C_5$ ) and antenna loading is accomplished by a second capacitor ( $C_6$ ) placed at the anode of the 8877. Output power is coupled through the series capacitor into a 50-ohm output circuit. In the top-

view photograph (figure 12) tuning capacitor  $C_5$  is at the front of the compartment; variable loading capacitor  $C_6$  is at the rear. The plate r-f choke is visible in the front corner.

**Amplifier Construction** The 2-meter power amplifier is built in an enclosure measuring  $10\frac{1}{4}'' \times 12'' \times 6\frac{1}{4}''$ . The 8877 socket is centered on a  $6'' \times 6''$  subchassis plate. A squirrel-cage blower forces cooling air into the under-chassis area and the air escapes through the  $2\frac{5}{8}''$  diameter socket hole.

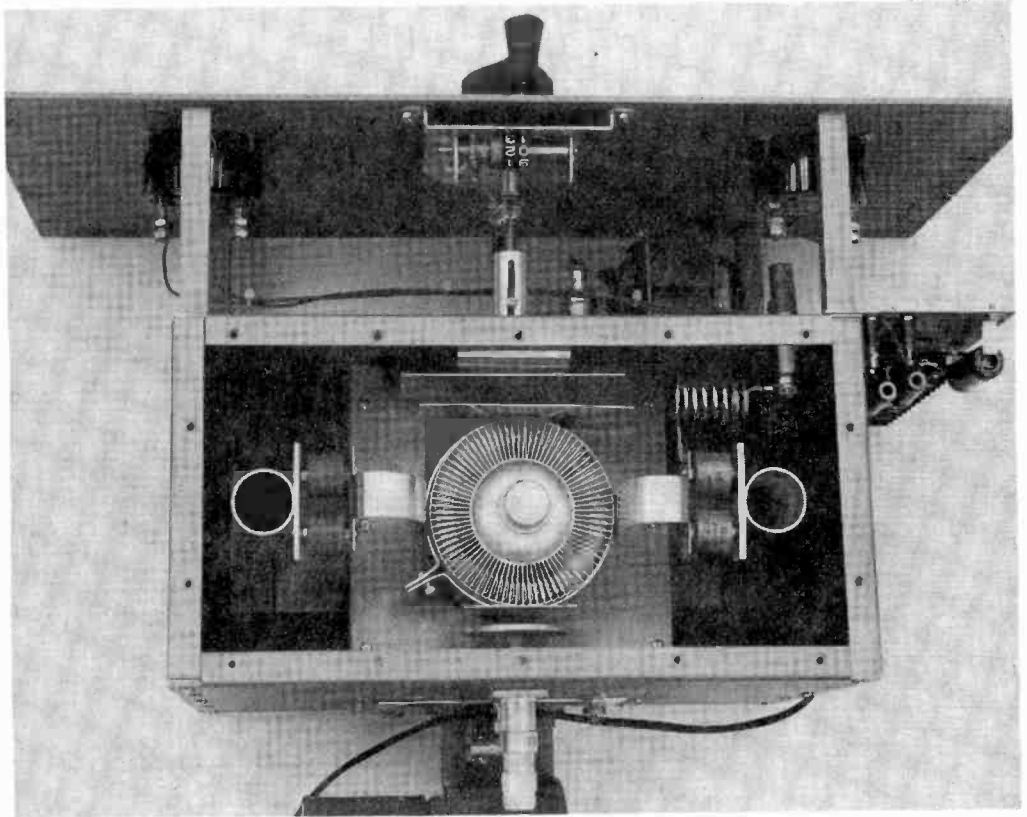


Figure 12

### TOP VIEW OF 2-METER AMPLIFIER

The perforated plate is removed from the plate compartment showing the 8877 tube at center. Plate-blocking capacitors and plate lines are at either side of the tube, with the plate r-f choke in the upper right corner of the enclosure. The two-plate tuning capacitor is shown just above the tube, with one of the plates attached to the anode strap of the tube. The other plate is driven in and out by means of a simple rotary mechanism driven by the counter dial. At the bottom (rear) of the amplifier the variable output coupling capacitor is seen just above the blower motor. The filament transformer and filament feedthrough capacitors are mounted to the front of the enclosure and a small plate at the right holds the various power resistors, diodes, etc.

The plate-tuning mechanism is shown in figure 13. This simple apparatus will operate with any variable plate capacitor, providing a back-and-forth movement of about one inch. It is driven by a counter dial and provides a quick, inexpensive and easy means of driving a vhf capacitor. The ground-return path for the grounded plate is through a wide, low-inductance beryllium-copper or brass strip which provides spring tension for the drive mechanism.

The variable output coupling capacitor is located at the side of the 8877 anode. The type-N coaxial fitting is connected to the moveable plate of the coupling capacitor. The fitting is centered in a tubular assembly which allows the whole connector to slide in and out of the chassis, permitting the variable plate of the coupling capacitor to move with respect to the fixed plate mounted on

the tube anode clamp (figure 11). When the final loading adjustment has been set, the sliding fitting is clamped by means of a small cable clamp passed around the tubular assembly, as shown in figure 12.

The length of the plate-line inductors ( $L_5, L_6$ ) is adjusted by means of two dural blocks placed at the shorted ends of the lines (figure 14). The position of the blocks is determined by setting plate-tuning capacitor  $C_5$  at its lowest value and adjusting line lengths so that the plate circuit resonates at 148 MHz with the plate circuit in the socket.

The plate r-f choke is mounted between the junction of one plate strap and a pair of the dual blocking capacitors and the high-voltage feedthrough capacitor is mounted to the front wall of the plate circuit compartment. The r-f blocking capacitors are

Figure 13  
PLATE-TUNING CAPACITOR ASSEMBLY

The variable plate portion of the plate-tuning capacitor. This assembly permits the capacitor to be adjusted under full power since there are no moving or sliding contacts which carry heavy r-f current.

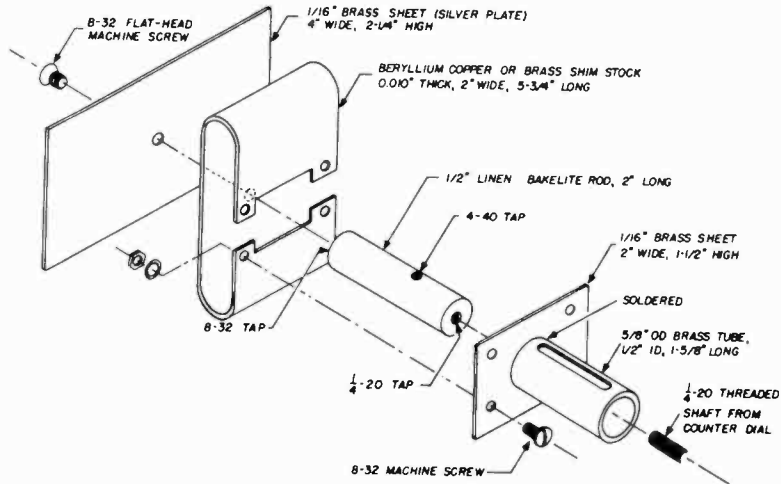
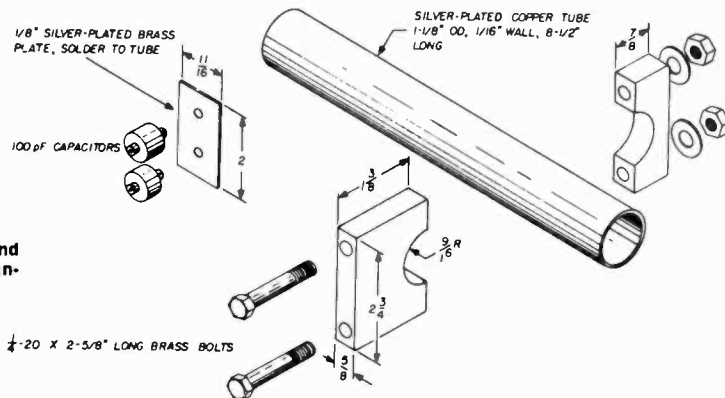


Figure 14  
PLATE-LINE ASSEMBLY

Detail of plate lines  $L_5$  and  $L_6$ . Copper tubes are standard water pipe





rated for r-f service and the substitution of TV-type capacitors at this point is not recommended.

Not observable in the photographs is a short chimney to direct cooling air from the socket through the anode of the 8877. It is made from thin, sheet *Teflon* and is clamped in place between the chassis and the anode strap.

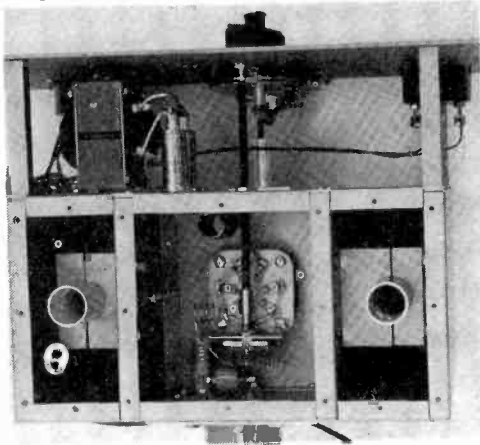


Figure 15

**UNDER-CHASSIS VIEW OF 2-METER AMPLIFIER**

The cathode input circuit is in the center compartment, with the filament choke just above the tube socket. The socket is mounted below the chassis deck to permit cooling air to escape up around the tube anode. The dural blocks holding the ends of the plate lines are bolted to the side walls of the inner chassis. The walls are slotted to permit the blocks to be moved up and down the lines to establish resonance.

Under-chassis layout is shown in figure 15. The cathode input circuit is in the center compartment. The slug-tuned coil ( $L_1$ ) is mounted on the rear wall. Air-wound filament chokes are placed in front of the socket. The cathode-heater choke coils are near the top edge of the enclosure. All of the cathode leads of the socket, plus one heater pin (pin 5) are connected in parallel and driven by the input matching network.

The ceramic socket for the 8877 is mounted one-half inch below chassis level by spacers to permit passage of cooling air to the anode. Four pieces of brass shim stock (or beryllium copper) are formed into grounding clips to make contact to the con-

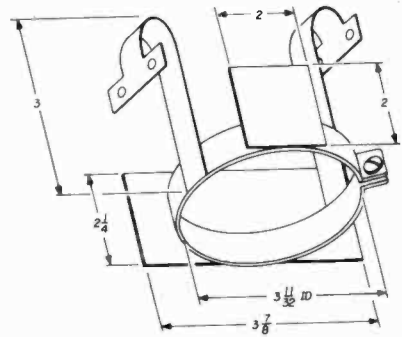


Figure 16

**ANODE CLAMP ASSEMBLY**

trol-grid ring. The clips are mounted between the spacers and the chassis. The aluminum clamps holding the ends of the plate lines are visible in the side compartments. The filament transformer and dial mechanism are placed in the area between the main enclosure and the panel.

**Amplifier Tuning and Adjustment** As with all grounded-grid amplifiers, excitation should never be applied when plate voltage is removed from the amplifier.

The first step is to grid-dip the input and output circuits to near resonance with the 8877 in the socket. An SWR meter should be placed in the input line so the input network may be adjusted for lowest SWR.

Tuning and loading follow the same sequence as with any lower-frequency

**TABLE 2. Operating Data for 8877 for 2-kW PEP and 1-kW Conditions**

Plate Voltage	3000	2500	2500V
Plate Current (peak) (single tone)	667	800	400 mA
Plate Current (no-signal)	54	44	44 mA
Grid Voltage	-12	-12	-12 V
Grid Current (single tone)	46	50	28 mA
Power Input	2000	2000	1000 W
Power Output	1240	1230	680 W
Drive Power	47	67	19 W

grounded-grid amplifier. Connect an SWR meter and dummy load to the output circuit. Plate voltage is applied, along with a very low drive level. The plate circuit is tuned for resonance and the cathode circuit is peaked for maximum grid current. Final adjustment of the cathode circuit should be done at full power input because the input impedance of a cathode-driven amplifier is a function of the plate current of the tube.

R-f drive is increased in small increments along with output coupling until the desired power level is reached. By adjusting drive and loading together it is possible to attain the operating conditions given in Table 2. Always tune for maximum plate efficiency; that is, maximum output power for minimum input power. Do not overload and underdrive as plate efficiency will drop drastically under these conditions.

## 22-14 A High Power Amplifier for 220 MHz

The amplifier described in this section is well suited for the serious vhf operator interested in tropo-scatter or moonbounce work. It is intended for 50-percent duty operation at the 1000-watt dc input level and can develop 1000 watts PEP input for SSB operation. Power output in either case is about 580 watts and drive power is 30 watts.

An 8874 high- $\mu$  ceramic triode is used in a cathode-driven circuit. The tube has a plate dissipation rating of 400 watts and is well suited to linear amplifier operation as

the intermodulation distortion is very low. The unit (figure 17) was designed and built by W6PO.

**The Amplifier Circuit** A grounded-grid, cathode-driven circuit is used (figure 18). Plate and grid currents are measured in the cathode return lead and an 18-volt zener diode sets the bias for the proper value of zero-signal plate current. The diode is fused for protection and a resistor shunt holds the cathode near ground potential if the fuse blows. Protective diodes are placed across the meters to protect them in case of an inadvertent short circuit or heavy current overload.

Standby plate current of the 8874 is reduced to a low value by the 10K cathode resistor which is shorted out when the VOX relay is activated.

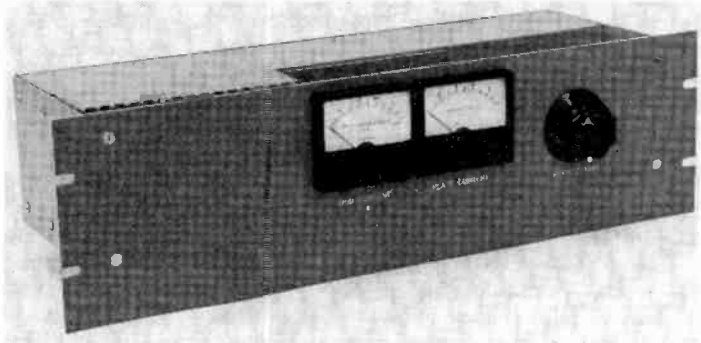
*The Input Circuit* — The cathode input matching circuit is a T-network which matches a 50-ohm termination to the input impedance of the tube (about 94 ohms in parallel with 27 pF). The network consists of one series capacitor ( $C_1$ ) and two series inductors ( $L_1$  and  $L_2$ ) with one shunt capacitance ( $C_2$ ). Capacitor  $C_1$  in series with  $L_1$  allows the input inductive reactance to be varied. Inductor  $L_1$  is larger than necessary and by placing a variable capacitor in series with it, the correct value of inductive reactance can be obtained.

The cathode of the 8874 is electrically insulated from the filament, however filament chokes ( $L_3, L_4$ ) are required because the filament/cathode structure is an appreciable fraction of a wavelength long at the operating frequency and an r-f potential appears in the filament circuit to a degree.

Figure 17

### HIGH POWER LINEAR AMPLIFIER FOR 220 MHz

This high performance kilowatt amplifier uses an 8874 high- $\mu$ , ceramic power triode in a grounded grid circuit. The amplifier is built upon a 5 $\frac{1}{4}$ " relay rack panel. Grid and plate meters are centered on the panel and the plate tuning control is at the right. The amplifier inclosure is spaced behind the panel to provide space for metering circuitry and auxiliary components.



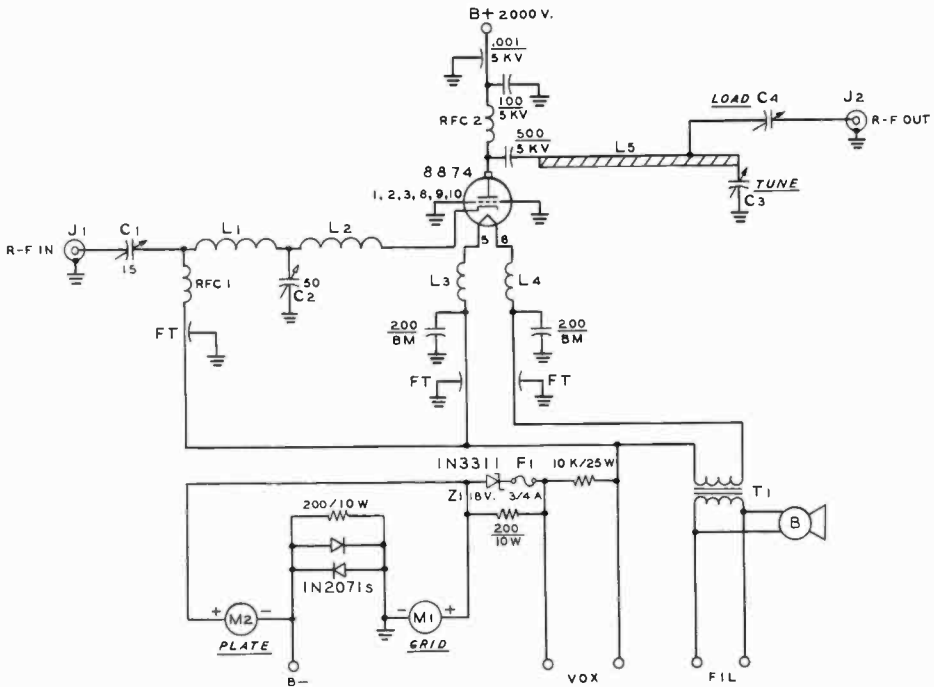


Figure 18

## SCHEMATIC, 220 MHz POWER AMPLIFIER

**C<sub>1</sub>**—15 pF (Hammarlund MAPC-15)  
**C<sub>2</sub>**—50 pF (Hammarlund MAPC-50)  
**C<sub>3</sub>**—1.75" diameter disc approximately 0.4" from plate line  
**C<sub>4</sub>**—1.50" diameter disc approximately 0.375" from plate line  
**L<sub>1</sub>**—0.8  $\mu$ H. Four turns #14, 5/16" diameter, 1/2" long

**L<sub>2</sub>**—0.03  $\mu$ H. 1 turn #14, 1/2" diameter, 1/2" long  
**L<sub>3</sub>, L<sub>4</sub>**—10 turns #16, closewound, 5/16" diameter  
**L<sub>5</sub>**—see figures 19, 20  
**RFC<sub>1</sub>**—Z-235 MHz r-f choke  
**RFC<sub>2</sub>**—10 turns #14, 3/8" diameter, 7/8" long  
**B**—Blower, Dayton 2C782 or equivalent. 2 1/2" diameter, 3160 rpm  
**T<sub>1</sub>**—6 volt, 4-amperes. Stancor P-6376

*The Plate Circuit*—The plate circuit of the amplifier is a half-wave open transmission line ( $L_5$ ). The line is made wide at the open end (figure 19) to allow sufficient area so that enough capacitance can be obtained in the tuning and loading capacitors without reducing the plate-to-plate spacing which would degrade the voltage hold-off capability. A low impedance half-wave line is too long to fit into the 17-inch inclosure therefore a shorter line was narrowed at the high current point to increase the inductance and make the line electrically longer (figure 20).

The plate line is resonated by capacitor  $C_3$  while the loading is adjusted by  $C_4$ . These two adjustments interact to a certain extent and the proper operating point must

be found by adjusting both controls several times.

A type-N coaxial fitting is connected to the movable disc of the loading capacitor. The fitting is centered in a special tubular assembly which permits the whole connector to slide in and out of the chassis mounting fixture. This allows the variable disc of the loading capacitor to move with respect to the fixed plate mounted on the tube anode clamp. When the final loading adjustment has been set the sliding fitting is clamped by a fixture similar to the slider on an adjustable wirewound resistor.

The disc is mounted on a threaded shaft which moves in and out through the threaded bushing on the front panel. To avoid jumpy tuning a fine thread is used.

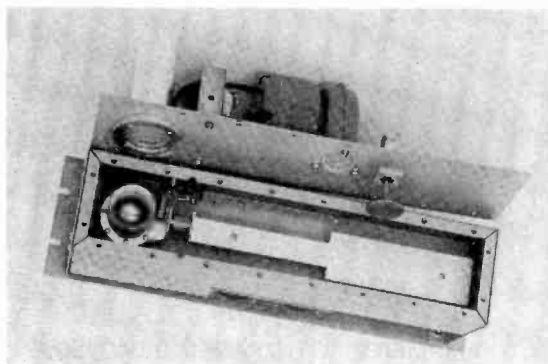


Figure 19

**ANODE INCLOSURE OF AMPLIFIER**

The 8874 is at the left with the plate line extending to the right. The disc near the end of the cover plate is loading capacitor C<sub>4</sub>. A Teflon chimney for the 8874 sits on top of the tube anode and protrudes out of the waveguide-beyond-cutoff air pipe in the cover plate. Note the r-f filter in the exhaust port of the blower.

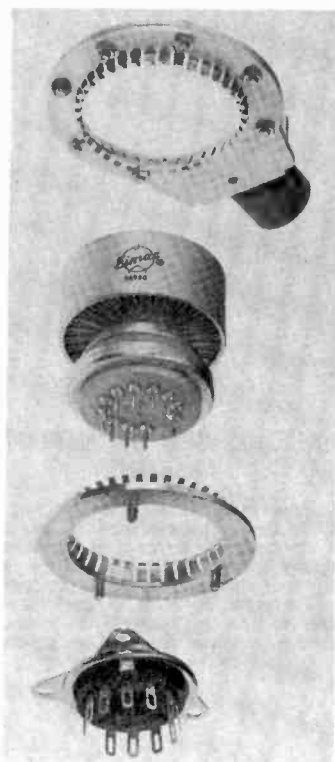


Figure 21

**PLATE ANODE CONNECTOR**

An exploded view of the tube socket, grid collet, tube, and tube anode assembly. The anode assembly is made of two copper rings which encircle the tube. The rings are clamped together with the collet in between. The bottom ring has a flange which is attached to the plate-blocking capacitor.

The plate contact assembly (figure 21) is made from two copper rings and a special collet clamped together with 4-40 brass machine screws. One of the rings in the clamp has a flange to provide a mounting bracket for the plate-blocking capacitor.

Note that an additional bypass capacitor is placed in parallel with the plate circuit feedthrough capacitor to remove all the r-f energy from the plate voltage lead. The feedthrough capacitor by itself did not do the job.

**Amplifier Construction** The amplifier is built within two standard aluminum chassis. The plate compartment is made from a 3" × 4" × 17" chassis;

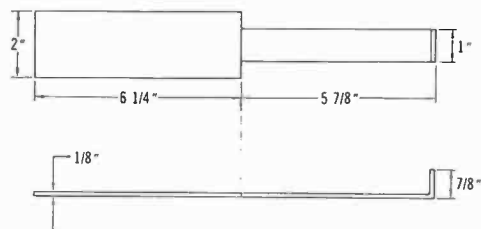
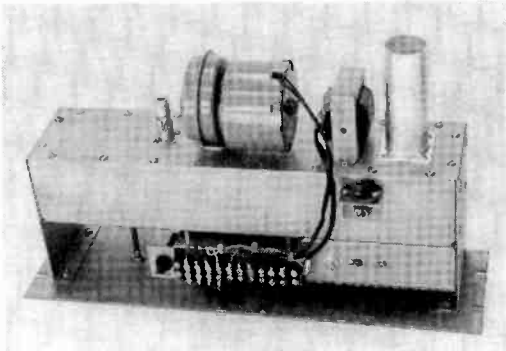


Figure 20

**PLATE LINE FOR THE 220 MHz AMPLIFIER**

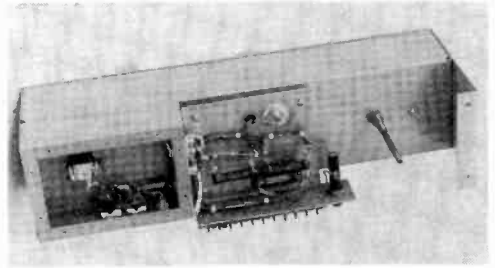
the grid inclosure is made from a 2" × 4" × 6" chassis assembly that is attached to a standard 5 1/4" relay rack panel. The front panel also supports the grid and plate current meters (figure 22). Behind the panel and next to the grid compartment is a flat aluminum plate that supports various resistors and the zener diode and related components (figure 23).

The pictorial drawing of figure 24 shows how the whole chassis assembly is put together. The back panel of the plate compartment is used to make an r-f shield, an air tight inclosure, and to serve as the mounting deck for the blower, filament transformer, the r-f output connector and the exhaust port for the cooling system. The



**Figure 22**  
**OBLIQUE VIEW OF AMPLIFIER ASSEMBLY**

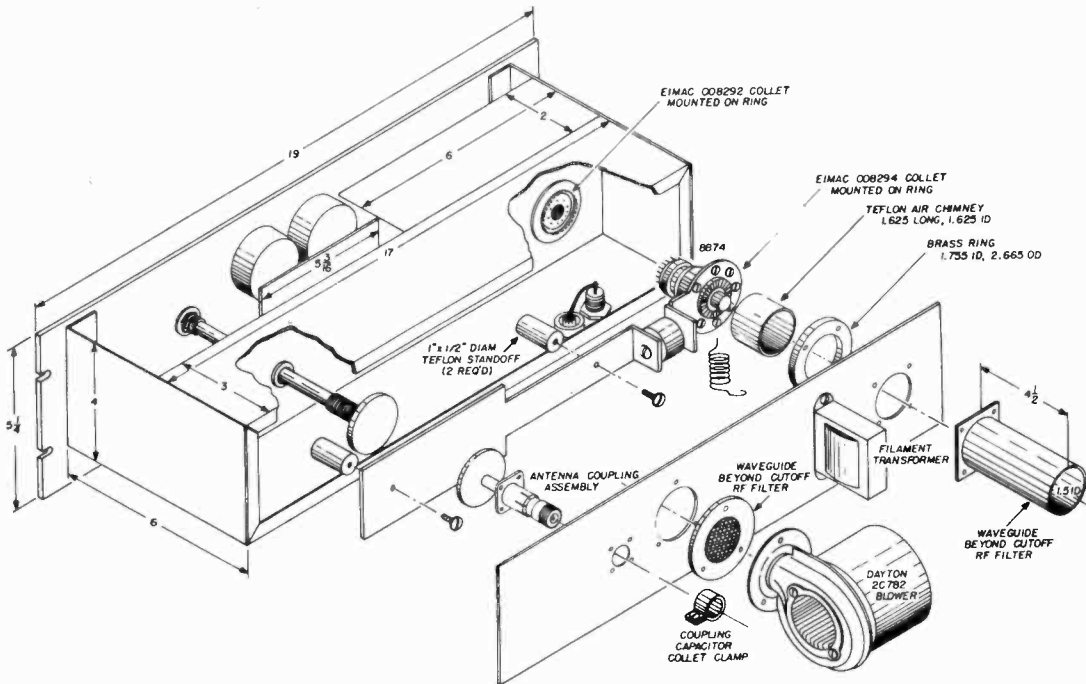
The coaxial input receptacle and two adjustments for the cathode circuit are on the wall of the smaller compartment at the lower right. The type-N coaxial output connector is to the side of the blower. Filament transformer and air duct are on the end of the chassis, just adjacent to the high-voltage terminal. Power connections and line fuse are on a small plate in the foreground.



**Figure 23**  
**AMPLIFIER WITH PANEL REMOVED**

The cathode input circuit is in the box at left with tuning capacitors mounted on the bottom. At center of the chassis are the various resistors, zener diode, zener protection fuse, and meter diodes. The shaft at the right is the plate-circuit tuning control.

blower forces air into the plate compartment and the air escapes through the anode cooling fins of the 8874, the teflon air chimney and finally, out through a waveguide-beyond-cutoff air pipe.



**Figure 24**  
**PICTORIAL DRAWING OF AMPLIFIER ASSEMBLY**

The cooling air inlet hole is shielded by a piece of copper honeycomb material similar to a radiator core which is soldered into the center of a ring and the assembly then mounted between the blower outlet and the back plate of the chassis (figure 25).

**Amplifier Tuning and Adjustment** Amplifier operation is completely stable with no parasitics. The circuits tune smoothly and plate-current dip occurs at the same time the power output peaks. As with all grounded-grid amplifiers, excitation should never be applied when plate voltage is removed.

The first step is to resonate the input (figure 26) and output circuits with the aid of a vhf dip meter. The 8874 should be in the socket. An SWR meter is placed in series with the input line and the input network adjusted for lowest SWR on the line from the exciter.

Tuning and loading follow the same sequence as any grounded-grid amplifier. Connect an SWR meter and load to the output of the amplifier and apply a small amount of drive power. Quickly tune the plate circuit to resonance.

The cathode circuit should now be resonated. Final adjustment on the cathode circuit for minimum SWR is done at full-power level because the input impedance of a cathode-driven amplifier is a function of the plate current of the tube.

Increase the drive in small increments along with output loading until the desired

power level is reached. By simultaneously adjusting the drive and loading it will be possible to attain the operating conditions outlined in Table 3. Always tune for maximum plate efficiency, that is, maximum power output for minimum input power. It is quite easy to load heavily and under-drive to get the desired power input, but power output will be down if this is done.

**Table 3. 8874 Typical Operating Conditions, 220 MHz**

Plate Voltage	2000 Vdc
Plate Current (zero signal)	20 mA
Plate Current (single tone)	500 mA
Grid Voltage	-12 Vdc
Grid Current (single tone)	75 mA
Power Input	1000 W
Power Output	580 W
Drive Power (single tone)	29 W
Power Gain	13 dB

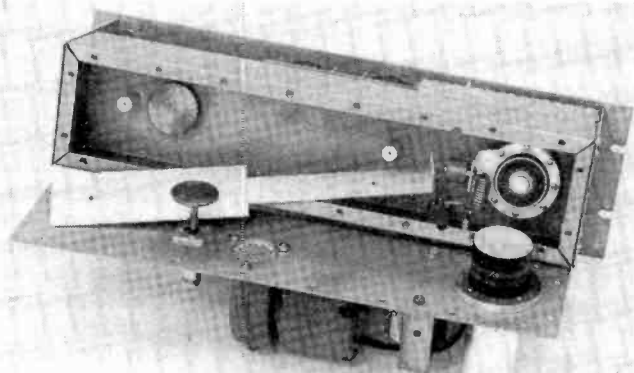
### 22-15 A Tripler/Amplifier for 432 MHz

An efficient tripler or amplifier for 432-MHz operation may be designed around the 4X150A or 4CX250B external-anode tetrode. Rated at 250 watts anode dissipation (the late production 4X150As also have the higher rating) this high-perveance tetrode is one of the few tubes that performs well as a tripler from 144 MHz or as a straight amplifier at 432 MHz. A power output of

**Figure 25**

#### ANODE COMPARTMENT WITH PLATE LINE REMOVED

Line has been displaced from its two Teflon support pillars to show the movable disc of the plate-tuning capacitor. Cooling air inlet has an r-f filter at center. Air is exhausted through tube chimney and out via Teflon chimney and air port.



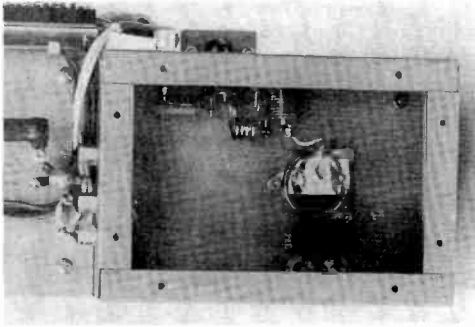


Figure 26

### THE CATHODE INPUT CIRCUIT

The cathode terminals of the socket are interconnected by a small metal plate to which input coil  $L_2$  is soldered. The filament chokes connect directly to feedthrough capacitors mounted in the wall of the inclosure. Cathode input matching circuit is on inner wall of box.

better than 60 watts may be obtained as a tripler, and over 200 watts output may be achieved in amplifier service.

Two units such as described may be built; one acting as a tripler to drive the second one as an amplifier at a power input up to 500 watts.

**The Tripler/Amplifier Circuit** The general schematic of the amplifier is shown in figure 28. An easily built coaxial plate-tank circuit provides high efficiency at 432 MHz and the unit operates in the same manner as if it were on the lower-frequency bands. The circuit consists of a short, loaded resonant cylindrical line which uses the amplifier case as the outer conductor. Plate voltage is fed through the line to the anode of the tube, which is insulated from the cylindrical line by means of a thin *teflon* sheet wrapped about the anode.

For tripler service, the grid circuit is tuned to 144 MHz, with the input capacitance of the tube and tuning capacitor  $C_2$  forming a balanced tank circuit. The isolation choke (RFC<sub>1</sub>) is at the center, or "cold" point of the grid inductor. A series-tuned link circuit couples the unit to the external exciter.

In amplifier service, the grid circuit is tuned to 432 MHz and takes the form of a half-wavelength line, tuned to resonance by

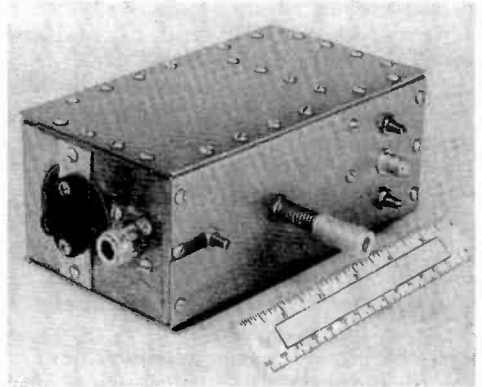


Figure 27

### 432-MHZ TRIPLER/AMPLIFIER USING 4X150A OR 4CX250B

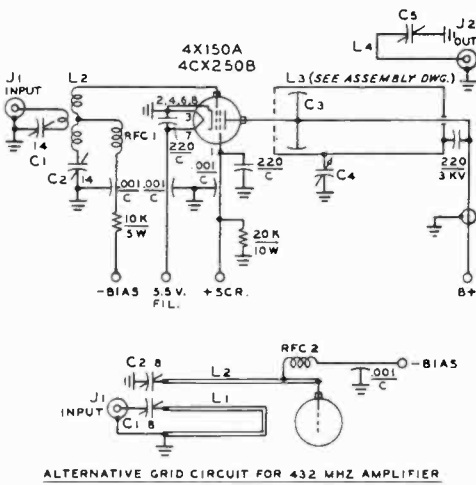
This compact unit functions either as a tripler to 432 MHz, or as an amplifier on that band. It uses an external-anode tetrode in a modified cavity plate circuit. Inclosure is made up of side pieces held together with sheet-metal screws or "pop" rivets. In this oblique view, the B-plus connector is at the left side of the unit, with the coaxial antenna receptacle immediately adjacent to it. The antenna tuning capacitor is mounted to the end piece of the box, which may be removed by loosening the holding screws and the capacitor nut. At the center of the box is the spring-loaded tuning capacitor and at the right end is the coaxial input receptacle and the input tuning capacitors.

a small capacitor placed at the end of the line opposite the tube.

A special air-system socket designed for the external-anode tetrode must be used. For tripler service, the builder has the choice of either the *EIMAC* SK-600, SK-610, SK-620, or SK-630 socket, together with the appropriate air chimney. The SK-606 chimney is to be used with the SK-606 or SK-610 socket, and the SK-626 chimney is to be used with the SK-620 or SK-630 socket.

For amplifier service at 432 MHz only, the *EIMAC* SK-620 or SK-630 sockets are recommended, as the other versions have screen terminals exposed to the plate-circuit field and exhibit more r-f feedthrough than do the suggested sockets, which have shielded screen terminals. Using the proper sockets, intrastage feedthrough at 432 MHz is sufficiently low so that stage neutralization is not required under normal, loaded operating conditions.

Not shown in the schematic is the fact that an external centrifugal blower is re-



ALTERNATIVE GRID CIRCUIT FOR 432 MHz AMPLIFIER

Figure 28

**SCHEMATIC—432-MHz  
TRIPLER/AMPLIFIER**

- C<sub>1</sub>, C<sub>2</sub>, C<sub>5</sub>—14 pF, Johnson 160-107
- C<sub>3</sub>, C<sub>4</sub>—See text
- Note: Use 8 pF, Johnson 160-104 for 432-MHz alternative grid circuit
- L<sub>1</sub>—1 turn hookup wire, 3/4" diam., inside L<sub>2</sub> (432 MHz)
- L<sub>2</sub>—3 1/2 turns #14, 1" diameter, 3/4" long (432 MHz)
- L<sub>3</sub>—See text
- L<sub>4</sub>—3/8"-wide copper strap form inductor 3/8" long x 1/8" high
- RFC<sub>1</sub>—1.7 μH. J. W. Miller RFC-144, or Ohmite Z-144
- RFC<sub>2</sub>—0.2 μH. J. W. Miller RFC-420 or Ohmite Z-420
- J<sub>1</sub>—Coaxial receptacle. UG-290A/U
- J<sub>2</sub>—Coaxial receptacle. UG-58A/U
- Blower—6 cfm at 0.4" back pressure. Use #2 1/2 impeller at 6000 rpm

quired to adequately cool the filament and plate seals of the external anode tube. Approximately 6.4 cubic feet per minute of cooling air at a pressure drop of 0.82 inches of water is required for full, 250-watt anode dissipation. For operation at reduced voltages and a limitation of 150 watts dissipation, the cooling-air requirement is 3.4 c.f.m. at a pressure drop of 0.15 inches of water.

At a frequency of 432 MHz, cathode backheating is observed in tubes of this type, and to maintain proper cathode temperature, the filament voltage should be reduced to 5.5 volts and held within plus or minus five percent of this value.

Finally, it should be noted that under certain operating conditions, the screen current of a tetrode may become negative. In order to protect the tube from excessively high screen voltage under certain negative-current conditions, it is mandatory to connect a bleeder resistor at the tube that will draw a value of current greater than drawn by the tube under negative-current operating conditions.

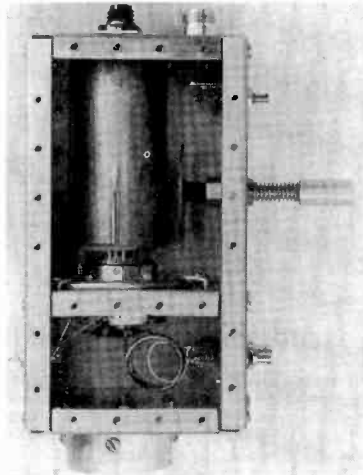
**Tripler/Amplifier Construction**

The tripler/amplifier is constructed within a metal box measuring 7" x 2 3/4" x 2 5/8". The top and bottom of the box are flat pieces of aluminum or brass measuring 7" x 2 3/4". The two side pieces are identical in size with matching holes for sheet-metal screws. Each side has small flanges along the edge which match the sides to the top and bottom pieces. The end section of the

Figure 29

**INSIDE VIEW OF  
TRIPLER/AMPLIFIER**

Tetrode tube socket mounts on small partition placed across interior of box. Plate-tuning capacitor and antenna capacitor are at right of assembly. The anode line of the 4X150A (4CX250B) is slotted and slips over the tube, insulated from it by a teflon wraparound insulator. B-plus passes down through the tube to a spring that makes connection to the anode. Below the partition are the grid circuit and various bypass capacitors. Power leads pass through feedthrough capacitors mounted in the rear wall of the inclosure (left). Aluminum fitting at the bottom of the box matches air-hose connection to external centrifugal blower. Blower should be turned on when filament voltage is applied to the tube.





box which makes up the plate-circuit assembly is made of brass so that the brass quarter-wavelength plate line may be soldered to it. The opposite end of the box has a hole drilled off center in it to accept a fitting for an air hose or blower orifice (figure 29).

The plate line is made of a  $3\frac{3}{4}$ " length of brass tube having a  $1\frac{3}{4}$ " outside diameter. The line is soldered to the brass end to accept the anode of the 4X150A or 4CX250B.

An internal partition separates the grid and plate circuits and supports the socket for the tetrode. The socket is bolted atop the partition, as shown in figure 29. Connection is made to the anode for the supply voltage by means of an extension shaft run from the high-voltage connected mounted on the top plate of the box. The shaft has a section of spring steel bolted at the end to make a press fit to the top of the anode of the tube.

The plate-blocking capacitor is made of a length of 3-mil *teflon* tape, wrapped twice around the tube anode. The tape is cut to a width of one inch to allow overlap on both sides of the anode. The tape is carefully wrapped around the metal anode before the tube is pressed into the open end of the plate line, as shown in figure 31.

The top plate of the box, in addition to the plate-line and high-voltage connector,

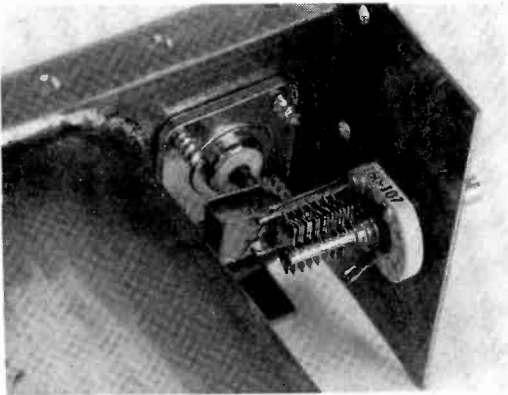


Figure 30

#### CLOSEUP OF ANTENNA CIRCUITRY

Small series-tuned loop is made of copper strap connected between coaxial output receptacle and stator rods of antenna tuning capacitor. Coupling is adjusted by setting of capacitor, and link is fixed about  $\frac{1}{8}$ -inch away from plate line. Plate line is soldered to brass end plate.

supports the antenna receptacle ( $J_2$ ) and the series antenna-tuning capacitor. The antenna pickup loop ( $L_4$ ) is soldered between the receptacle and the stator of the capacitor, and is spaced away from the plate line about  $\frac{1}{8}$  inch.

Plate-tuning capacitor is a  $1\frac{3}{4}$ " disc made of brass material soldered to the smooth end of a shaft that is threaded to match a panel bushing. The outer portion of the shaft is  $\frac{1}{4}$ -inch diameter to fit the dial drive. Tension is maintained on the shaft and bearing by placing a spring between the shaft extension and the panel bushing, as shown in the side view photograph.

#### Tripler/Amplifier Operation

After the unit has been assembled, it should be tested for operation at reduced voltages. The first step is to grid-dip the input and output circuits to resonance to make sure they tune properly. An r-f output meter or SWR bridge should be used in conjunction with a dummy load for the initial tests. A good dummy load for 432 MHz is 500 feet of RG-58/U coaxial cable. The far end should be shorted and waterproofed and the cable may be coiled up in a tub of water.

As with any tetrode, plate current is a function of screen voltage, and screen current is a function of plate loading. Screen voltage, therefore, should never be applied before plate voltage, and screen current should be monitored for proper plate loading. The amplifier should never be tested or operated without a proper dummy load.

To operate as a tripler, the following electrode voltages are suggested: plate voltage, 1000; screen voltage, 250; grid bias, -90 volts. The bias may be obtained from a small voltage-regulator tube or zener diode. Cooling air is applied with filament voltage which should be 5.5 volts. When these voltages are applied to the tube, plate current will be near-zero with no drive, and the screen current will be about 10 milliamperes, or less. The screen current noted will be the sum of the positive current flowing through the bleeder resistor and the negative screen current of the tube.

A small amount of excitation at 144 MHz is applied and the grid circuit resonated, as noted by a small rise in plate current. The plate circuit should be brought into reso-

nance. Excitation is boosted, and the tripler tuned for maximum power into the dummy load. Loading and grid drive may be increased until a plate current of 250 mA is achieved. At this level, total screen current will be about 15 to 20 mA, and grid current will be about 12 mA. Power input is about 250 watts and power output, as measured at the antenna receptacle with a vhf wattmeter is about 70 watts. Over-all tripler efficiency is about 28 percent and plate dissipation is nearly 180 watts.

Screen current is a sensitive indicator of circuit loading. If the screen current falls below 10 to 12 mA (including bleeder current), it is an indication that plate loading is too heavy or grid drive too light. Screen current readings of over 30 mA indicate drive is too heavy or plate loading is too light. A plate voltage as low as 800 volts may be used on the tripler stage, with an output of about 55 watts at a plate current

of 250 mA. Plate voltages below this value are not recommended as screen current starts to climb rapidly at low plate potentials. For amplifier service, the alternate grid circuit is employed. The amplifier may be operated either Class C or class AB<sub>1</sub>. Operating data for both classes of service are given in the 4X150A data sheet.

## 22-16 A 500-Watt Amplifier for 420-450 MHz

This compact and reliable amplifier is designed for c-w, SSB or f-m service in the 420-MHz amateur band. Power input is 500 watts PEP or continuous service, with a peak drive power of less than 15 watts. Power output is better than 250 watts at a plate potential of 2000 volts. The unit (figure 32) shown was designed and built by W6PO.

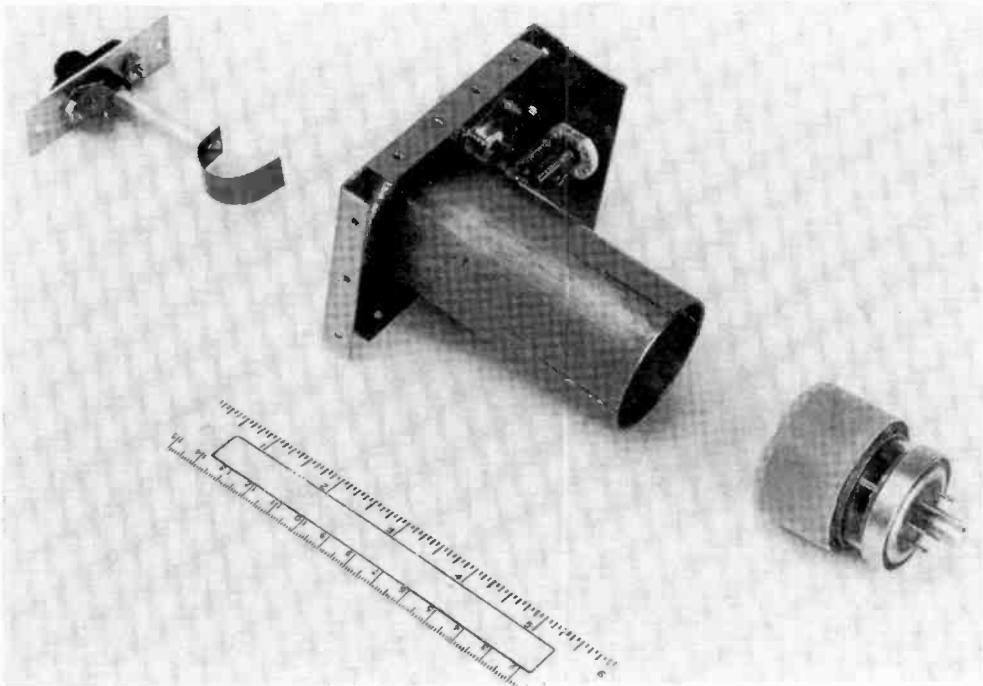


Figure 31

### EXPLODED VIEW OF PLATE-LINE ASSEMBLY

The high-voltage receptacle, plate bypass capacitor, and anode connector spring are at left. The brass end plate of the box and plate-circuit assembly are at the center, with the 4X150A tetrode at the right. The tube anode is wrapped with teflon tape to form a bypass capacitor, removing the dc voltage from the coaxial line. Copper line makes press fit over the anode of the tube.

The amplifier uses a single 8874 high- $\mu$  ceramic power triode in a cathode-driven circuit. A rectangular output cavity circuit is used, together with a strip-line half-wavelength tuned input circuit. The amplifier is fully shielded and fits on a standard 19-inch relay rack panel as a companion unit to the 2-Meter Power Amplifier described in the previous section of this Handbook. The amplifier is completely stable and requires no neutralization. Tuning is easy and uncomplicated.

**The Amplifier Circuit** The schematic of the amplifier is shown in figure 33. The 8874 is operated in a cathode driven circuit with the grid at dc and r-f ground potential. The grid ring at the base of the tube provides a low inductance path to ground between the grid element and the chassis. Plate and grid currents are measured in the cathode return lead and an 8.2-volt, 50-watt zener diode in series with the nega-

tive return sets the bias for the proper value of zero-signal plate current. The diode is fused for protection and shorted with a 200-ohm resistor to make sure the cathode remains at, or near, ground potential. Two small diodes are reverse-connected across the metering circuit to protect the meters in case of an inadvertent short circuit or heavy flow of current.

Standby plate current of the 8874 is reduced to a very low value by the 10K cathode resistor which is shorted out when the VOX relay is activated, permitting the tube to operate in a normal fashion.

*The Input Circuit*—The cathode input matching circuit is a modified half-wavelength line which matches the 50-ohm nominal input impedance of the amplifier to the input impedance of the 8874 which is about 160 ohms in parallel with 20 pF. A simplified drawing of the network is shown in figure 34. Illustration A shows a lumped, split-stator input circuit with the

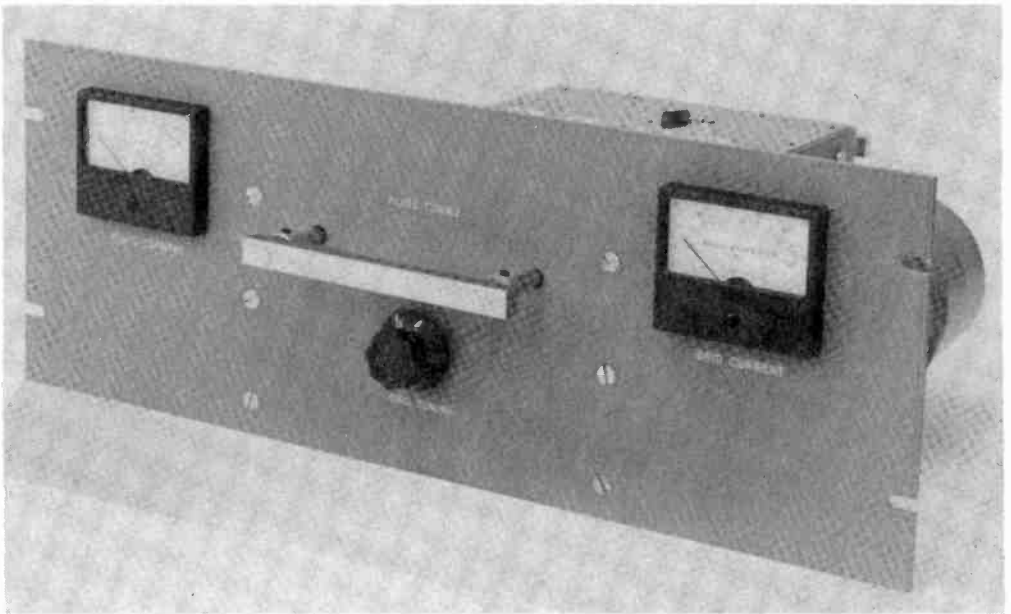


Figure 32

### 500-WATT AMPLIFIER FOR THE 420-MHz BAND

This compact, high gain amplifier operates at 1-kW input, PEP or continuous rating, for c-w, SSB or f-m service. A single 8874 power triode is used in a cathode-driven circuit. The amplifier is built on a 7" relay rack panel. The "push-in, pull-out" handle for plate cavity tuning is at center panel, with the input tuning control beneath it. Plate and grid current meters are on the outer corners of the panel.

The high-voltage terminal on the plate cavity is just visible over the top of the panel.



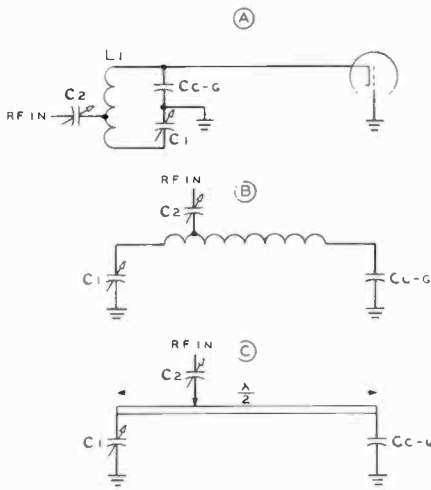


Figure 34

THE AMPLIFIER INPUT CIRCUIT

- A—Split stator circuit for hf use with input placed at 50 ohm tap point on inductor. Capacitance  $C_{C-G}$  is cathode-grid capacitance of tube.
- B—The same circuit adapted to strip line configuration.
- C—Strip line circuit using half-wave line in place of inductor.

Power is extracted from the resonant cavity through the magnetic field, a coupling loop being introduced into the cavity so that it incloses some of the magnetic lines of

force. The degree of coupling is determined by the cavity area inclosed by the loop and this area is controlled by moving one of the cavity walls, rather than by moving the loop itself.

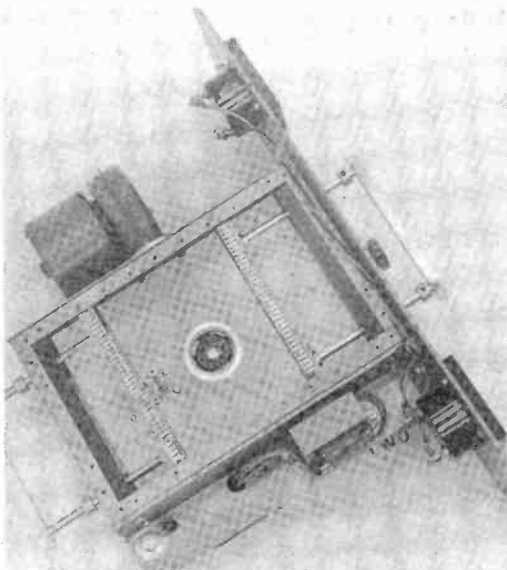
Cavity resonance is established by changing the volume of the cavity through the use of a second sliding drawer, as seen in the photographs. The two sliding walls are adjusted in unison, much like the tuning and loading controls of a conventional high-frequency amplifier, until the adjustment presents the proper impedance match to a 50-ohm external load.

**Amplifier Construction** The amplifier consists of two cavities made out of readily available aluminum chassis boxes. The cavities are supported from a 7-inch high relay rack panel by means of side braces. The output circuit cavity measures 11" × 7" × 2" and the input circuit cavity measures 7" × 5" × 2". The flat surfaces of the two chassis are placed adjacent to each other so that the removable bottom plates form the outer surfaces of the cavities. Both cavities are seated firmly against the front panel and the tube is centered in the plate cavity. This places the center of the tube socket 5 1/2" from the front of the grid cavity.

The chassis are held together by the 8874 socket which is mounted inside the grid

Figure 35

TOP VIEW OF 420-MHz POWER AMPLIFIER



The cover has been removed from the plate cavity to show placement of the tube socket, the antenna coupling rod and the movable drawers. The drawer at the left controls antenna loading and the one on the panel determines cavity resonance. The socket for the 8874 is submounted to allow a free flow of air around the base of the tube. The grid flange is grounded to the chassis by means of a special collet (Eimac 135-305). The filament transformer and zener diode are mounted on a small chassis flange on one side of the amplifier. The cooling blower is mounted to the opposite wall. A screen across the blower opening prevents r-f loss through the orifice. The fingerstock visible on the movable drawers contacts the cover and walls of the cavity.

compartment. The 8874 requires forced-air cooling for its anode which is obtained from a blower mounted in the wall of the pressurized anode compartment, with air passing through the anode cooler and then exhausting vertically through the lid of the cavity. A small quantity of air is bled past the socket to provide base cooling, as the socket hole is about  $\frac{1}{4}$  inch larger in diameter than the center portion of the socket.

For this class of service, a maximum anode dissipation of 300 watts is recommended which requires an air flow of 6 c.f.m. at a pressure drop of 0.22 inches of water. The specified blower, or equivalent, will handle this requirement with a good safety factor.

Dimensions for the input inductor ( $L_1$ ) are shown in figure 36. This device is supported by pins 1 through 3 and 8 through

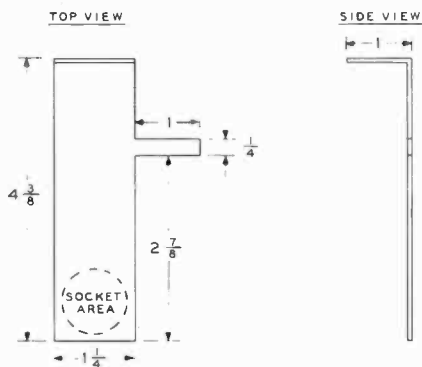


Figure 36

### INPUT LINE DIMENSIONS

10 of the tube socket and by a small teflon post placed at the far end of the line. The top surface of the line is spaced  $\frac{5}{16}$ " away from the chassis deck. Tuning is accomplished by disc capacitor  $C_1$  which is mounted in a threaded block of copper fastened to the chassis near the front partition. A threaded panel bushing provides an additional bearing so that the capacitor disc moves to and fro with an easy, rotational movement. A closeup of the input cavity is shown in figure 37.

Filament and cathode return leads are brought out of the grid inclosure via small, ceramic feedthrough capacitors as shown in the illustrations and the small filament chokes are air-wound coils mounted between the socket pins and the feedthrough capaci-

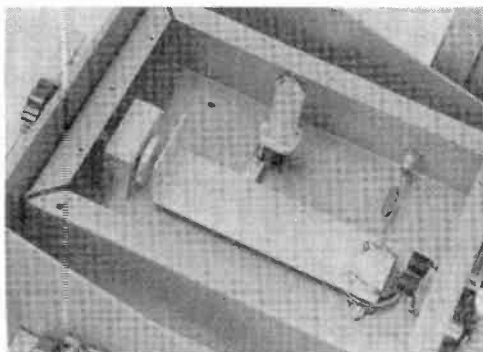


Figure 37

### INTERIOR VIEW OF INPUT COMPARTMENT

The input line is soldered to the six cathode pins of the tube socket. Matching holes are drilled in the line and the pins pass through the line. Matching capacitor  $C_2$  is soldered to the "ear" on the line. A short section of teflon rod is drilled and mounted on the capacitor shaft and adjustments are made through a hole in the perforated bottom plate, which has been removed for the photograph. At the far end of the line is disc capacitor  $C_1$  mounted in a copper slug bolted to the chassis. The shaft of the capacitor is threaded, as is the mounting slug. The filament chokes of the 8874 are at the right end of the inclosure.

tor terminals. The input inductor has a "foot" on it that is positioned in such a way as to provide a support for the series input tuning capacitor ( $C_1$ ). The capacitor is adjusted through a hole drilled in the cavity bottom plate. A short length of hollow teflon rod is slipped over the capacitor shaft to serve as a guide for an insulated screwdriver used for adjustment.

An underview of the amplifier is shown in figure 38. The cover for the input cavity is made of perforated aluminum stock held in place with screws and captive nuts. Directly behind the rear wall of the box is r-f output connector  $J_2$ . Two sets of mounting holes are drilled for the connector, one behind the other. The unused mounting hole is covered with a small plate. The holes represent the limits of adjustment of the pickup loop ( $L_2$ ) mounted in the plate cavity. The loop, which consists of a length of  $\frac{1}{4}$ -inch copper tubing, is soldered at one end to the center conductor of the receptacle. The opposite end is grounded to the top plate of the cavity. When the coaxial fitting is placed

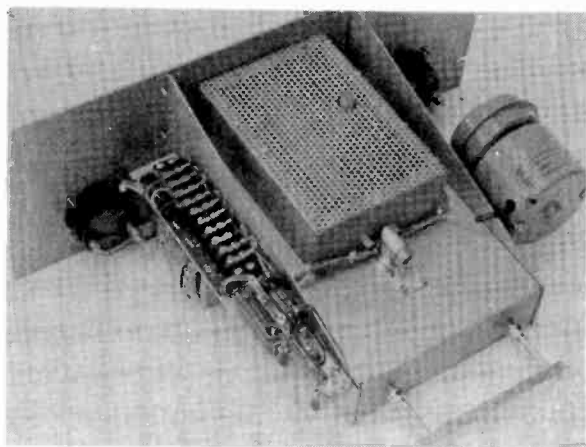


Figure 38

### UNDERSIDE OF 420-MHz AMPLIFIER

The input cavity is covered with perforated aluminum stock held in place with 4-40 hardware and captive nuts. At one side is the teflon extension shaft for capacitor C. The antenna receptacle (J<sub>1</sub>) is immediately in the foreground. Next to it is the plate covering the auxiliary mounting hole. The center of the first hole is 2½" from the rear edge of the plate cavity. At the side of the cavity is a small shelf that supports the zener diode, safety resistors, terminal strip, and filament transformer. The handle for the loading drawer is in the foreground.

in the rear hole, coupling is at minimum and when it is in the front hole, coupling is maximum. For intermediate values of coupling, a rod with a slight offset is used in place of the straight rod.

The auxiliary components for the amplifier are mounted on brackets at the side of the cavity assembly. On one side is the centrifugal blower which exhausts through a screened port into the plate cavity. On the opposite side are mounted the filament transformer, zener diode, and the various components of the metering circuit as well as a large terminal strip. Placement of components outside the cavities is not critical.

The plate coupling capacitor (C<sub>3</sub>) is a planar device made of a sheet of 1/16-inch copper 3¼" × 5¼" in area insulated from the cover plate by a sheet of 5 mil (.005") *Isomica*. The capacitance is about 1800 pF. The connection to the anode of the tube is made by a circular spring collet (*Eimac* part number 008-294) which is soldered into a heavy copper ring. The outer diameter of the ring is 2" and the height is 3/8-inch. The ring, in turn, is soldered to the capacitor plate, as shown in figure 69. The plate is held firmly to the cavity cover by means of teflon bushings and 6-32 bolts. The feedline choke (RFC<sub>1</sub>) is mounted on the outside of the cover plate between one of the capacitor mounting bolts and an extra teflon standoff insulator (figure 40).

A hole 1 7/8" diameter is cut in the cover-plate and *Isomica* sheet directly above the anode of the tube to allow the cooling air to escape.

**The Plate Tuning Mechanism** The tuning and loading mechanisms are shown in figures 35 and 41. The tuning drawer is driven from the front panel and the loading drawer from the rear of the amplifier. Each sliding drawer con-

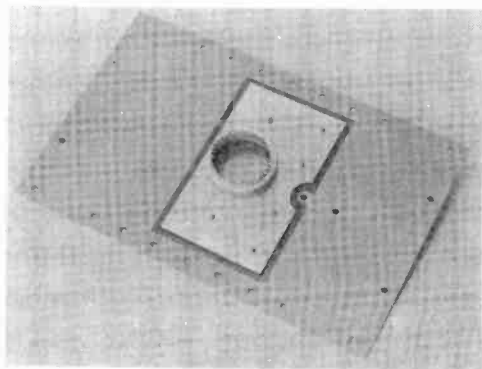


Figure 39

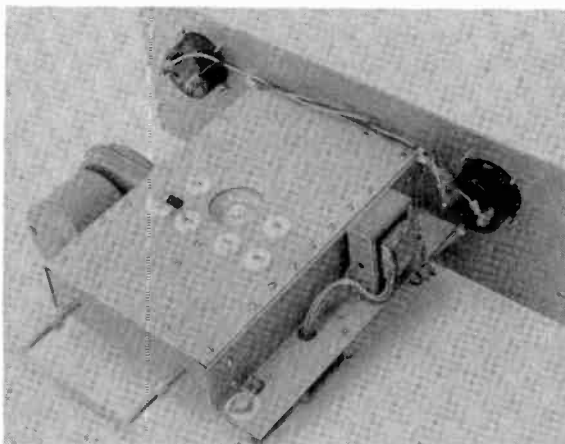
### THE CAVITY PLATE AND COUPLING CAPACITOR

The anode of the 8874 is encircled by a fitting made of a copper ring lined with finger stock (see text). The adaptor is soldered to a copper plate insulated from the cover plate by a thickness of *isomica* insulation. The resulting capacitor is held together by screws and teflon insulating washers. The *isomica* sheet is a product of 3M Company, catalog number 0-11-S having a thickness of .005". *Isomica* is available on order through the branch offices of Minnesota Mining and Manufacturing Co., Schenectady, N.Y. It is available in standard sheets 18" x 36". Breakdown is about 700 volts per mil of thickness. Other equivalent materials may be used for the dielectric material.

Figure 40

## REAR VIEW OF AMPLIFIER

The 8874 can be seen through the ventilation hole in the plate of the upper cavity. The teflon insulators and plate r-f choke are visible atop the plate. The loading drawer handles project out the rear of the inclosure. Note the metal rings in the push-in, pull-out rods to limit the distance of travel so that the shorting plate does not contact the output coupling loop. The aluminum chassis are "alodized" (not anodized) for protection against dirt and corrosion.



sists of an aluminum plate measuring about  $6\frac{1}{2}'' \times 1\frac{3}{4}''$  and  $\frac{1}{8}$ -inch thick. The plate is lined on four sides with *Eimac* finger stock (type CF-800) which provides a low inductance, sliding contact with the walls of the cavity. In order to make sure the contact is firm and does not vary with pressure, a second aluminum plate is cut slightly smaller than the first, and the finger stock is "sandwiched" between the two plates. This assembly, in turn, is driven from the exterior of the cavity by means of two  $\frac{5}{16}$ -inch diameter "push-and-pull" rods and a connecting handle as seen in figure 35. A bearing plate is made of  $\frac{1}{2}$ -inch thick *micarta* sheet which is bolted in place at the end of the cavity. Closely matching holes permit the driving rods to pass smoothly through the plate. A second set of guide holes in the end of the cavity permit proper alignment of the rods. An assembly drawing of this mechanism is shown in figure 40. Note that small, metal rings are slipped on each rod. Each ring has a set screw in it and the rings can be locked in position to prevent the tuning drawers from being moved too close to the tube and to the antenna pickup loop.

**Amplifier Tuning and Adjustment** As with all grounded-grid amplifiers, excitation should never be applied when plate voltage is removed from the amplifier.

Filament voltage is applied and the voltage at the socket pins is checked, as well as blower action. An SWR meter should be placed in the coaxial line to the exciter and

a 50-ohm 500-watt dummy load connected to the amplifier. Reduced plate voltage (about 1800 volts) is applied, along with a very low drive level. The cathode circuit is adjusted for maximum drive and the plate cavity tuning drawers adjusted for maximum power output. The plate voltage is now increased to 2 kV and additional drive ap-



Figure 41

## INTERIOR OF PLATE CAVITY

The 8874 and grid grounding ring are at the center, with the output coupling "loop" immediately adjacent to the socket. The top end of the "loop" is bolted to the cover of the cavity. To vary the degree of loading beyond that permitted by the sliding drawer, extra loops can be made up that have a U-bend in them to increase the inductance. Optimum coupling distance from center of the tube to center of the pickup rod was determined to be about  $2\frac{1}{2}$  inches. In this particular amplifier, this worked out to be halfway between the two coaxial receptacles. A new "loop" was made out of soft copper tubing that had an L-shaped foot on each end so that the vertical section was spaced the proper distance from the tube.



plied until the amplifier is delivering a few hundred watts. By adjusting drive level and loading, it should be possible to duplicate the operating conditions listed in Table 4..

Plate loading adjustment is limited by the placement of pickup rod  $L_2$  in the plate cavity. Two adjustments are possible when

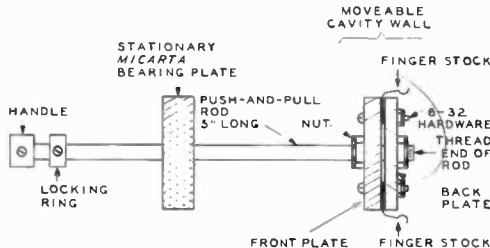


Figure 42

#### ASSEMBLY OF SLIDING DRAWER FOR PLATE CAVITY

a straight rod is used, depending on the placement of coaxial antenna receptacle  $J_2$ . If an intermediate loading position is required, a second rod is made up with a slight offset in it to provide an intermediate value of coupling. Always tune for maximum plate efficiency; that is, maximum output power for minimum input power. Do not under-load, as grid dissipation may become excessive.

The last step is to adjust the input circuit for minimum SWR on the coaxial line to the exciter.

Table 4. 8874, Typical Operating Conditions, 420 MHz

DC Plate Voltage	2000 Vdc
Grid Bias	-8.2 Vdc
Filament Voltage	5.7 Vac
Plate Current	250 mA
Grid Current	20-40 mA
Power Output	250 Watts
Drive Power	13 Watts

### 22-17 A Practical 2 kW PEP Amplifier for 432 MHz

This high power vhf amplifier was built by W3HMU and used in the successful

"moonbounce" expedition to South America in 1976. The amplifier combines reliability, high efficiency and ease of assembly in a small package (figure 43).

An 8938 high- $\mu$  ceramic power triode is used in a cathode-driven, grounded-grid, strip-line circuit. No neutralization is required. The 8938 is a coaxial-base version of the 8877 and is rated at 1500 watts plate dissipation. The amplifier is designed for continuous duty operation at the 1 kW input level as well as the 2 kW PEP level for SSB operation. A plate potential of 2500 volts is required.

#### The Amplifier Circuit and Assembly

A schematic of the amplifier is shown in figure 44. The plate circuit is a half-wave strip-line tuned by a single-plate variable capacitor. A second similar capacitor is used for antenna loading. The power triode is cathode driven by a half-wave strip-line circuit tuned by a moveable disc capacitor. A good impedance match between the driver and the tube is achieved by a second variable disc capacitor tapped on the cathode line.

Bias and metering circuits are much like the design shown for other amplifiers in this chapter. A 10K resistor in the dc cathode return circuit provides cutoff bias during standby periods. In the operating mode this resistor is shorted out by the VOX relay. Operating bias is established by a 27-volt zener diode in the cathode circuit.

Grid current is monitored in the cathode-to-ground circuit and plate current is measured in the B-minus power lead. A 200-ohm safety resistor provides reference to ground should the grid meter open up and a second resistor prevents the cathode from rising to a high dc potential in the event the zener diode burns open.

*The Input Circuit*—The input (cathode) circuit is half-wave strip-line counterpoised against one wall of the cathode compartment. It is tuned to resonance by disc capacitor  $C_1$  to ground at the open end of the line. Near this same end of the line a second disc capacitor  $C_2$  couples drive power into the cathode circuit (figure 45).

The cathode line ( $L_1$ ) is made of brass sheet,  $4\frac{1}{2}$ " long and  $1\frac{1}{4}$ " wide. The material is  $\frac{1}{16}$ " thick. This plate is soldered at one end to the tube socket cathode termi-

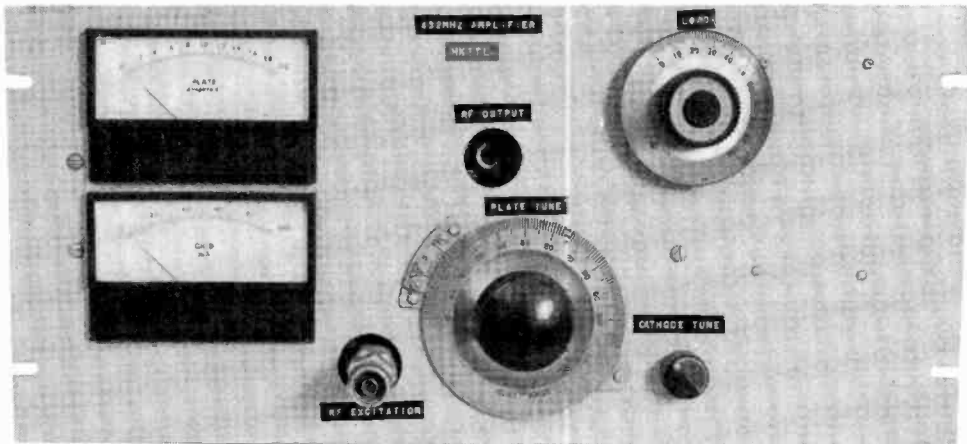


Figure 43

## VHF LINEAR AMPLIFIER WITH 8938

This heavy duty amplifier runs 1 kW continuous duty or 2 kW PEP in the 420-450 MHz band. Using a single 8938 high- $\mu$  ceramic-metal triode, the amplifier provides maximum output with a peak grid drive requirement of about 60 watts. The amplifier compartment is mounted to a standard relay rack panel. At left are the plate- and grid-current meters with the amplifier plate-tuning dial centered on the panel. To the right and above the dial is the loading control. The r-f input receptacle and cathode tuning controls are to the right and left of the plate-tuning dial. The r-f output receptacle is reached through a hole in the panel directly above the tuning dial.

nal. A teflon post  $1\frac{1}{4}$ " high supports the midpoint of the plate.

Tuning capacitor  $C_1$  is a 1-inch diameter brass disc soldered to the end of a surplus piston tuner. The tuner has finger stock contacts that ensure good r-f grounding of the rotating shaft. The stator of the capacitor is the end of the cathode line. The coupling capacitor ( $C_2$ ) is a 1-inch diameter disc of brass soldered to the center conductor of a section of  $1\frac{1}{2}$ -inch diameter foam-filled, semirigid coaxial line. The inner conductor of the line projects  $\frac{3}{8}$ "-inch beyond the outer conductor which passes into the cathode chamber through a flange mount. The mount is slotted so that the coaxial line can be moved back and forth a short distance for preliminary adjustment. The line is then clamped firmly in place.

The socket for the 8938 is made from a surplus 2C39 socket. Looking down into the plate compartment (figure 46), the outer ring of the socket is the grounded-grid ring. It is made of finger stock (*Instrument Specialties 97-135*). The finger stock is soldered to a brass sheet around the interior

of a hole  $2\frac{3}{16}$ " in diameter. The sheet is  $3\frac{5}{8}$ " in diameter and  $\frac{1}{8}$ " thick.

The grid ring assembly is bolted to the floor of the plate compartment. The grid ring mates over a  $1\frac{3}{4}$ " diameter hole cut in the compartment material. The remaining coaxial rings in the socket (moving inward in order) are the cathode ring, outer and inner filament rings and center cathode pin collet. The central rings are supported by the tube socket which is mounted between two layers of plexiglass,  $\frac{1}{4}$ -inch thick. These plastic layers insulate cathode and filament terminals from ground.

The cathode ring is a 2C39 plate ring (*Instrument Specialties 90-70*) which is soldered inside a  $1\frac{3}{8}$ -inch (outside diameter) length of copper tubing. The tubing is shimmed to fit by copper flashing material. The filament ring is made from a short length of  $\frac{5}{8}$ -inch (outside diameter) copper tubing, 0.049" wall, which is slotted with a hacksaw. The filament socket fits over the filament ring of the tube.

*The Plate Circuit*—The plate circuit is a half-wave strip line with "flapper" capaci-

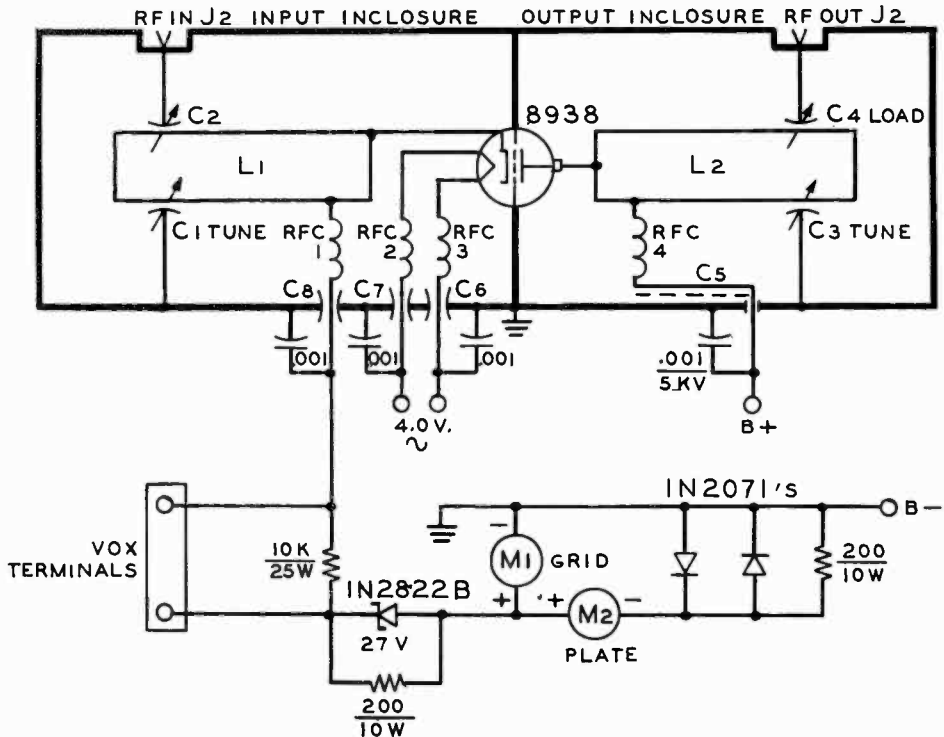


Figure 44

## SCHEMATIC, 432 MHz POWER AMPLIFIER

- C<sub>1</sub>**—One inch disc on piston tuner (see text)  
**C<sub>2</sub>**—One inch disc mounted on center conductor of transmission line.  
**C<sub>3</sub>**—Brass shim stock "flapper" (see text)  
**C<sub>4</sub>**—Brass or beryllium copper "flapper" (see text)  
**C<sub>5</sub>**—Plate bypass capacitor (see text)  
**C<sub>6</sub>-C<sub>8</sub>**—1000 pF feedthrough capacitor (Erie)  
**L<sub>1</sub>, L<sub>2</sub>**—Strip-line assemblies (see text)  
**M<sub>1</sub>**—0-100 mA dc meter. Simpson  
**M<sub>2</sub>**—0-1 A dc meter. Simpson  
**RFC<sub>1</sub>**—5½ turns #18 e., 3/8" diameter, closewound. Ferrite beads slipped over lead from choke to cathode.  
**RFC<sub>2</sub>, RFC<sub>3</sub>**—4½ turns #10 e., 7/8" diameter, spaced wire diameter.

tors for tuning and loading. The line is made from a 5" × 8" piece of double-clad, glass epoxy PC board, 1/8-inch thick. The corners are rounded to minimize voltage discontinuities.

The line is located approximately midway between the compartment base and cover, producing a short transmission line with a characteristic impedance of about 56 ohms. A finger stock cup is soldered into a hole in the plate line which passes the anode of the tube. Capacitor C<sub>3</sub>, which is about 0.5

pF at resonance, tunes the line. The capacitor plate is made of 1/32-inch thick brass shim stock and measures 3¼" long by 3" wide. The capacitor plate overlaps the outer 1/2-inch of the plate line (figure 47).

Loading capacitor C<sub>4</sub> is made of thin beryllium copper material 2" long by 1/2-inch wide. It is soldered at one end to the center contact of a type-N receptacle. A plexiglass block bolted to the side wall of the plate compartment prevents rotation of the output coupling capacitor and the cen-

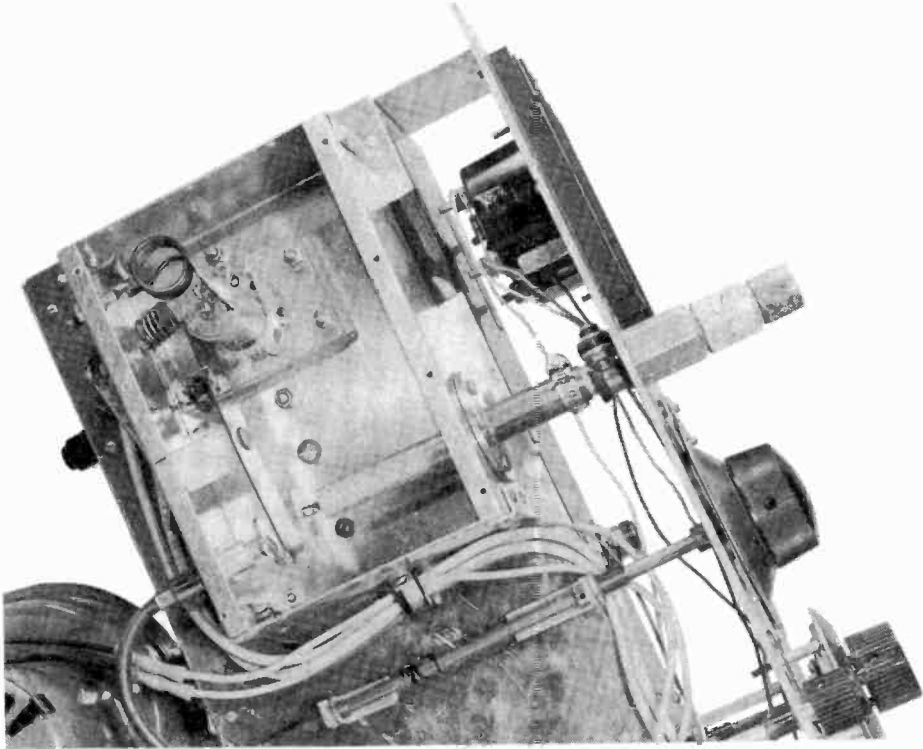


Figure 45

**CATHODE CIRCUIT COMPARTMENT**

At top of compartment is the tube socket and filament assembly. The filament and cathode chokes are wound of heavy wire, while the lighter cathode choke is below and closer to the deck. The input strip-line is supported at the top end by the tube socket and at the center by a teflon insulator. Tuning capacitor  $C_1$  is at left of the line with loading capacitor  $C_2$  to the right. Cover has been removed from the compartment for the photograph.

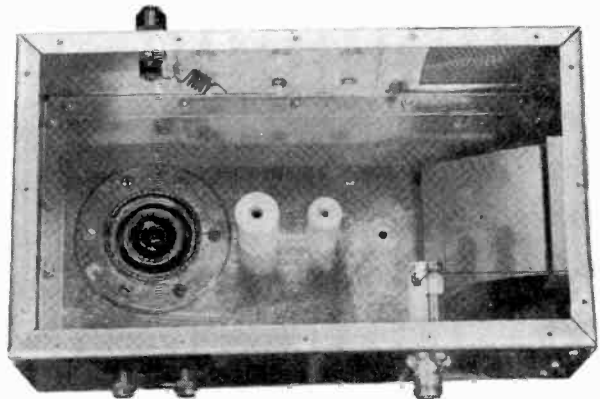
ter connector pin of the receptacle. The capacitor overlaps the line by about one inch.

Both tuning and loading capacitors are adjusted by dial cord strings running to the panel controls. The cord for the tuning ca-

Figure 46

**PLATE COMPARTMENT WITH TUBE REMOVED**

Tube and plate line have been removed to show tube socket assembly. Plate bypass capacitor is affixed to rear wall of inclosure. Tuning capacitor  $C_2$  is at right with string drive control. Air inlet hole can be seen at rear of inclosure.



capacitor passes down through a clearance hole in the base plate to a shaft which is rotated by the plate tuning control, which is a planetary-drive reduction device. The string from the loading capacitor plate passes directly upward, then over a stand-off-mounted fairlead and exits the compartment at the end. It then wraps around a shaft which is also driven by a reduction dial. The capacitor plate is retracted by the tension on the string and returns to maximum position when string tension is released. Action is smooth and positive. A string with good dielectric must be used, fly fishing line was tried but melted in the strong r-f field!

*The Plate Bypass Capacitor*—The plate-circuit bypass capacitor ( $C_5$ ) is a critical item in the upper reaches of the vhf region. In this case, a homemade bypass capacitor is used. It consists of a teflon sheet (0.015" thick) sandwiched between a single-sided sheet of PC board and the compartment wall. The PC board measures  $3\frac{1}{2}'' \times 4\frac{1}{2}''$  and has a ground lug soldered to the copper foil at one end. The lug is the high-voltage connection. The foil side of the board is in contact with the teflon dielectric which overlaps the PC board by  $\frac{1}{4}$ -inch on all sides. The plate r-f choke is connected between the lug on the PC board and the plate line at the low r-f voltage point, which is located approximately at the inboard edge of the tube anode.

*Amplifier Cooling*—The 8938 requires 28 cfm of air at a pressure drop of 0.24" for 1000 watts anode dissipation at sea level. For full 1500 watts dissipation, 50 cfm of air is required at a pressure drop of 0.70". To achieve the proper cooling, a blower is mounted at the plate-tuning end of the

plate circuit compartment. The air-inlet opening is covered with an aluminum insect screen. Air is forced into the plate circuit compartment by the blower and is restricted to exiting through the anode fins by the plate line and a mylar chimney, which is placed between the outer ring of the anode and the top plate air exit. A *Dayton model 1C-180* blower will satisfy the 1000-watt requirement of the 8938 under most conditions. For extended operation in a high temperature environment a *Dayton 2C-782* should be used.

The mylar chimney is  $3\frac{1}{2}''$  in diameter and  $2\frac{1}{2}''$  high. It is formed from 5-mil material. The plate circuit finger stock is mounted upside down on the plate line creating a convenient cup for the bottom of the mylar chimney.

*Plate Line Assembly*—The interior of the plate compartment is shown in figure 48. The tube is installed in the socket and the plate line is gently pushed down over the tube anode and bolted to the ceramic insulators. The mylar chimney is next placed over the tube anode and fitted into the finger stock cup. The top plate is aligned with the chimney and fastened into position, using sheet-metal screws. Remember to fasten the plate r-f choke to the line before securing the cover.

The top cover is fitted with an air outlet assembly shown in figure 49. The air outlet is made of metal honeycomb material fitted into a collar which was bent around the tube anode for sizing, and then trimmed and cut. A hose clamp holds the honeycomb disc in position in the collar. The mylar chimney fits inside the air outlet cut in the cover, forming an air-tight and r-f tight

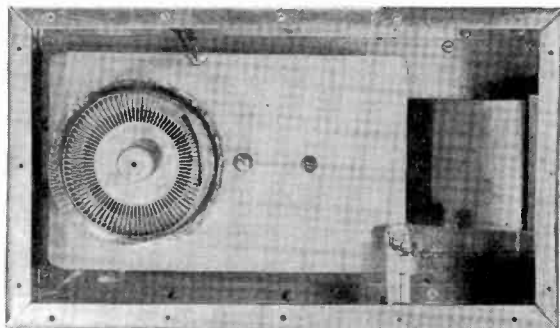


Figure 47

### ASSEMBLED PLATE COMPARTMENT

Tube and plate line are in place in this view. Air chimney fits over tube anode and is fitted into finger stock cup. Hole in top plate is aligned with the chimney.

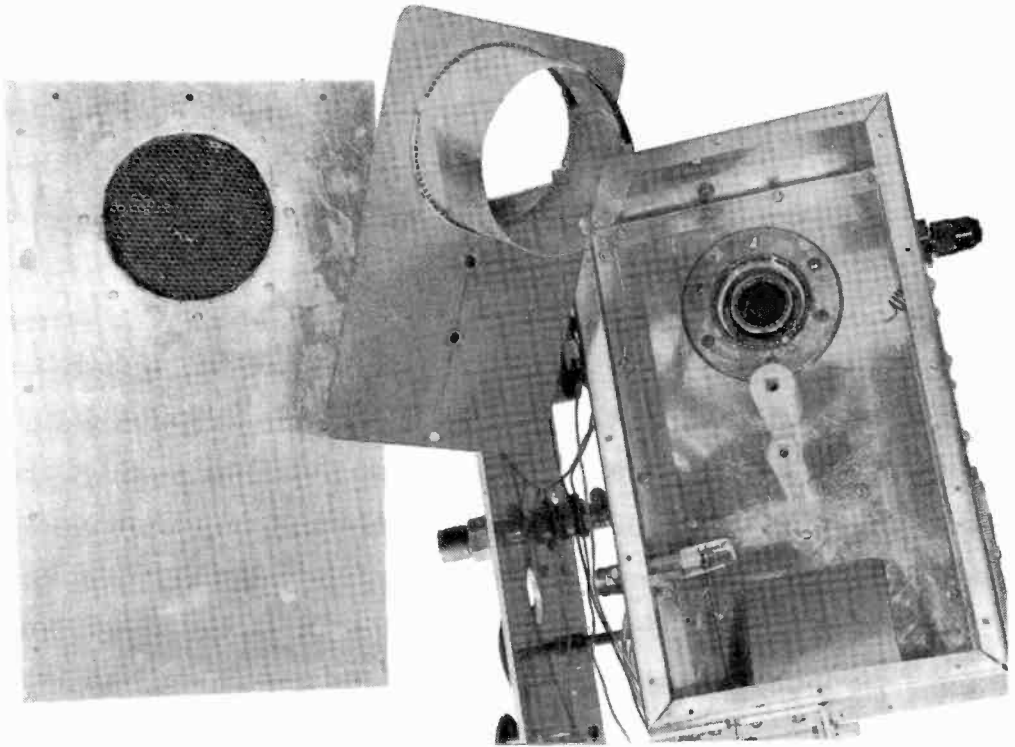


Figure 48

**"EXPLODED" VIEW OF PLATE COMPARTMENT**

The tube is installed in the socket and plate line is pushed down over anode of tube and bolted to the insulators. R-f choke is attached to plate line. Nylon chimney is placed over tube anode and fitted into finger stock cup (center). Top plate with air vent is aligned with chimney and bolted in place making airtight compartment.

enclosure. This assembly serves as a waveguide-beyond-cutoff opening which effectively prevents energy from escaping from the plate compartment.

*Amplifier Assembly* — The general arrangement of the amplifier can be seen in the photographs. The plate circuit enclosure is an aluminum box measuring 12" × 7" × 4" deep. The input circuit is in the lower box which measures 7" × 5" × 3". An aluminum center plate divides the two chambers and provides a support for the tube socket and strip-line supports.

The assembly is supported behind a 19" relay rack panel on which the tuning controls and meters are placed. At one side of the assembly is a small chassis which contains the various metering resistors, the zener diode, and the terminal strip for control

wires. The blower is mounted to the rear wall of the plate circuit box.

**Amplifier Adjustment and Tuning**

Because of cathode backheating in the vhf region, the recommended filament voltage for the 8938 at 432 MHz is 4.0 volts. This should be measured at the socket with a 1-percent voltmeter. Cathode warmup time is 4 minutes under these conditions.

As with other high- $\mu$  triodes in cathode driven service, the 8938 should not be operated with r-f drive unless plate voltage is applied.

Once the blower has been checked for operation, reduced plate voltage is applied to the amplifier (1000 Vdc) and the idling

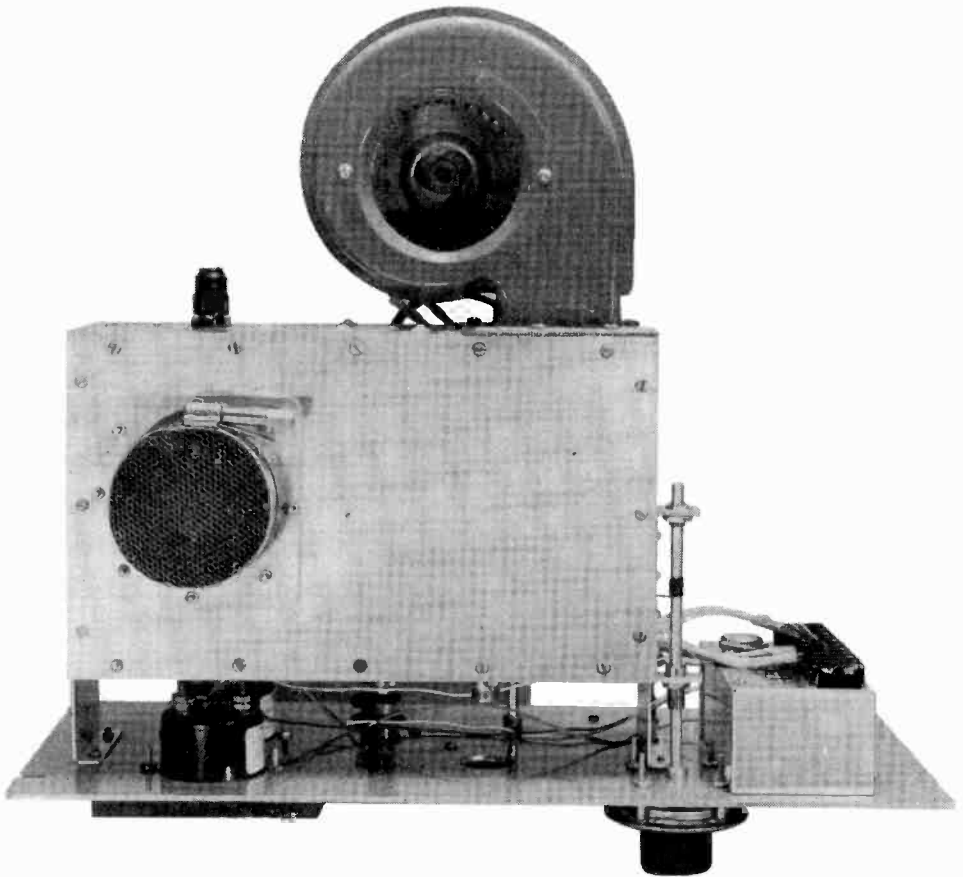


Figure 49

## TOP VIEW OF AMPLIFIER

Air outlet from anode compartment is at top, left of assembly. Blower is mounted to rear wall. At right is subchassis with zener diode and power terminal strip. Amplifier assembly is spaced behind panel to allow room for meters and drive cables.

plate current is checked. It should be about 35 mA. At 2 kV the idling plate current should rise to about 70 mA.

Drive power is applied slowly and plate loading and tuning capacitors are adjusted for maximum power output into a dummy load. The tuning capacitor must be reresonated each time the loading is changed. Once maximum output is achieved, the r-f drive coupling capacitor  $C_2$  is adjusted until minimum SWR occurs on the coaxial line to the

exciter. Once these adjustments have been completed, the plate voltage may be increased to the operating level and the controls again touched up for maximum power output.

When closing down, the plate and filament voltages are removed but the blower is left on for a few minutes to remove the heat from the tube. Representative operating conditions are given in the data sheet for the 8938.

# Power Supplies

## 23-1 The Primary Circuit

Electronic equipment, regardless of purpose, requires a primary power source of energy. Aside from portable equipment and small devices, the primary source of consumer power is the home electrical system which, in the United States, is nominally 120/240 volts, 60 Hz, in a 3-wire, grounded-neutral circuit. For mobile or portable equipment, the primary power source is usually a 6-, 12-, or 24-volt battery system.

The various dc voltage levels required for communication equipment are commonly supplied from the primary source via a transformer, rectifier, and filter network used in conjunction with a control and overload protection device.

In the case of vacuum tubes, the filament power can be either ac or dc and in some cases the primary power is rectified and applied directly to the high voltage circuits of the equipment, without the necessity of a voltage changing transformer.

**Power-Line "Standards"** A confusion of power-line voltages and frequencies, as well as a multiplicity of plugs and connectors exists throughout the world. In the United States and Canada the nominal design center for consumer equipment is 117 volts, 60 Hz. Voltages between 110 and 125 are commonly encountered. In many overseas countries, 220 or 240 volts at 50 Hz may be found. In addition, unique combinations, such as 137 volts at 42 Hz, or 110 volts at  $16\frac{2}{3}$  Hz may exist as a result of special circumstances. Operation of equipment on one phase of a three-phase 240-volt power system calls for a design center of 208 volts.

Aside from the primary power complexity, an endless number of plug and receptacle designs harass the experimenter. Recently, the *National Electrical Manufacturers Association* in the United States has announced standards covering general-purpose receptacles designed for the consumer wiring system, based on a design center of 117 volts for the "120-volt" system and 234 volts for the "240-volt" system used in the majority of new homes.

A clear distinction is made in all specifications between *system ground* and *equipment ground*. The former, referred to as a grounded conductor, normally carries line current at ground potential. Terminals for system grounds are marked *W* and are color-coded *white*. Terminals for equipment grounds are marked *G* and are color-coded *green*. In this standard, the equipment ground carries current only during short circuit conditions.

A summary of some of the more common NEMA receptacle configurations, and other configurations still in popular use are shown in figure 1. A complete chart covering all standard NEMA plugs and receptacles may be obtained for twenty-five cents from: *The Secretary, NEMA Wiring Device Section, 155 East 44th Street, New York, N.Y., 10017.*

**Checking an Outlet with a Heavy Load** To make sure that an outlet will stand the full load of the entire transmitter, plug in an electric heater rated at about 50 percent greater wattage than the power you expect to draw from the line. If the line voltage does not drop more than 5 volts (assuming a 120-volt line) under load and the wiring does not overheat, the wiring is



### SAFETY PRECAUTIONS

Voltages developed in some of the power supplies shown in this chapter are lethal. The supplies should be constructed in a cabinet or closed framework in such fashion that the components cannot be touched. All steps must be taken to prevent accidental contact with power leads of any voltage. Power leads from the supplies to the transmitting equipment should be run in high voltage cable.

Before any work is done on a power supply it is imperative that the supply be disconnected from the primary source and the filter capacitors discharged. A shorting stick may be used for this purpose. The stick is made by mounting a metal hook on one end of a long, dry stick of wood. A length of high voltage cable is run from the hook on the stick to a common ground point on the power supply. After the power is turned off, the shorting stick is used to short the filter capacitors and high voltage leads to insure that there is no voltage at these points.

All equipment should contain interlocks to open primary circuits of the power supply.

Always remember that high voltage can kill.

adequate to supply the transmitter. About 800 watts total drain is the maximum that should be drawn from a 120-volt *lighting* outlet or circuit even though the standard baseboard outlet is rated at 15 amperes (1800 watts). For greater power, a separate pair of heavy conductors should be run right from the meter box. For a 2-kW PEP transmitter, the total drain is so great that a 240-volt "split" system ordinarily will be required. Most of the newer homes are wired with this system, as are homes utilizing electricity for cooking and heating.

With a three-wire system, be sure there is no fuse in the neutral wire at the fuse box. A neutral fuse is not required if both "hot" legs are fused, and, should a neutral fuse blow, there is a chance that damage to the radio transmitter will result.

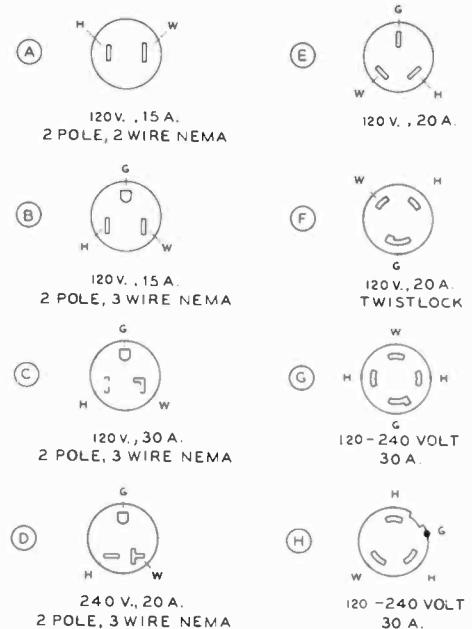


Figure 1

### COMMON RECEPTACLE STANDARDS IN THE UNITED STATES

The front view of various common 120-volt and 240-volt standard receptacles is shown. 120-volt circuits have one wire (neutral) at about ground potential and the other wire (hot) above ground. The neutral wire (white W, with nickel screw terminal) is unfused while the hot wire (H, black, red, or blue with brass screw terminal) is fused. The switch should be in the hot line. The neutral is grounded at the distribution transformer and should not be grounded at any other point. Neutral is often referred to as system ground and is coded white. Equipment ground (G) is separately grounded at the electrical device and is coded green (circuits A, B, and C). 240-volt single phase receptacles are polarized so that 120-volt plugs cannot be used by error. Duplex (E) and Twistlock (F) are common industrial plugs, while the plugs of figures G and H are used with electric stoves, motors, air conditioners, etc.

**Relay Control** Primary and secondary power circuits may be controlled by manually operated switches or remotely operated relays. A *relay* is an electrical switch operated by an independent electrical circuit. It permits a low voltage circuit to control a high voltage or current circuit by opening or closing appropriate contacts. (figure 2). Because of construction requirements, most relays are double-throw with single or multiple poles. The simple control

relay has one normal open and one normal closed position. When the relay is energized, the pole opens from the normally closed cir-

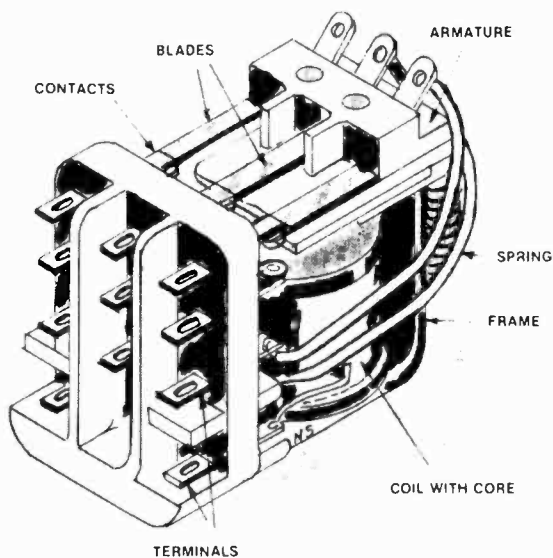


Figure 2

### CONTROL RELAY

A relay is an electric switch operated by an independent electrical circuit. The relay blades are attached to a movable armature which is actuated by a magnetic coil. Normally open and normally closed contacts are mounted on a terminal frame insulated from the relay structure. The relay coil may be either ac or dc operated.

cuit before a contact is established with the normally open contact. Typically, a general purpose power relay will close in 10 to 15 milliseconds and drop out in 5 to 10 milliseconds. Special, fast action relays are available for keying circuits and other rapid changeover systems.

The *contact rating* of a relay refers to the electrical limit permitted at the contacts. These are frequently stated as 2, 5, or 10 amperes at 120 volts, 0.8 power factor, or 28 volts dc, resistive load. If the relay is designed to handle a motor or other inductive load, the contact rating may be expressed in terms of horsepower; for example,  $\frac{1}{2}$  hp at 120 volts ac.

Many different mounting options are offered for a relay having the same electrical and mechanical characteristics. For example, the basic structure may have plug-in

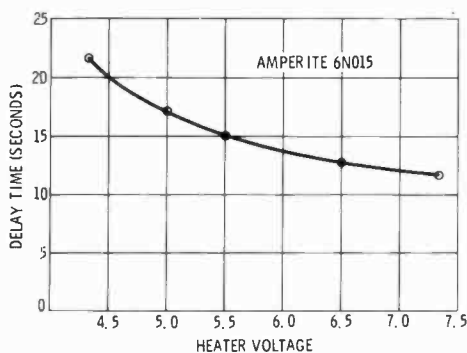


Figure 3

### TYPICAL TIME DELAY OF THERMOSTATIC RELAY

Thermostatic relay is actuated by a heater and can be run on either ac or dc. Delay time is a function of heater voltage, as shown for this 6-volt model. Inexpensive delay relays are sealed in a glass bulb, making them impervious to moisture.

termination, plus a matching socket, or soldering lugs.

A thermostatic *time-delay relay* is commonly used to allow warmup time, or time for circuit stabilization after a primary circuit is energized. Compact, inexpensive delay relays provide a delay of 2 to 180 seconds and operate at various values of heater voltage (figure 3). Motor operated time-delay relays are used for high power equipment, or to achieve longer delay periods. Thermostatic relays have a recycle time of 3 to 7 seconds, and after the heater is disconnected, the contacts may remain closed for as long as 10 seconds, depending upon relay design.

### Primary Circuit Transients

The primary power source often contains transient voltages that could pose a damage to certain electronic equipment. High level switching of industrial loads or lightning strikes on a nearby power system can create primary transients as high as 5 kV on the ordinary 120 volt line. The average residential circuit receives more than one transient a day in excess of 200 volts and can expect at least one a year in excess of 1000 volts. Some ordinary home motor loads, such as sump pumps and oil burners, regularly introduce transients of over 1500 volts into residential circuits.

Though the power system's protection system limits the transient voltage at a suppressor built into the power network, reflections and other interactions may permit high crest voltages at other points in the system. Transients can couple secondary transients through a power transformer, not by the turns ratio, but by the transformer's often high value of primary to secondary capacitance, thus permitting a high voltage transient to be present in a low voltage circuit, regardless of the step-down effect of the transformer. In addition to primary circuit transients, large voltage peaks are often built up in a power supply when it is turned on or off. These transients are created by the release of energy stored in an inductor or capacitor passing through other inductors or capacitors. These peak voltages may be far in excess of the voltage rating of the components or the rectifier units, leading to arc over and eventual breakdown of insulation or components in the circuit.

An expensive solution to the transient problem is to ensure that the peak voltage rating of all components is higher than expected voltage transients. A more economical solution is to employ a *transient suppressor (varistor)* in the circuit to protect the components from voltage peaks. Various such units have been developed to provide transient protection, and most of the

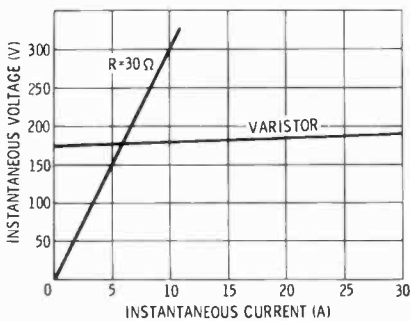


Figure 4

#### VOLT-AMPERE CHARACTERISTIC OF VARISTOR FOR 120-VOLT CIRCUIT

The voltage-current plot of a representative varistor shows that the device provides an almost constant voltage across the terminals over a wide range of currents. Standby power dissipation of 120-volt unit is about 0.5 watt. Curve of 30-ohm resistor is shown for comparison.

more modern communication equipment incorporates transient protection.

A transient suppressor is a nonlinear device that is voltage sensitive (figure 4). The higher the voltage across the suppressor the lower will be its resistance. The device is usually rated in terms of energy absorption for a single transient pulse and the voltage clamping ratio at which transient suppression becomes effective. For a 120 volt rms suppressor, a common clamping voltage is 170.

Nonlinear resistors, semiconductor devices, and spark gaps are commonly used as transient suppressors. One inexpensive suppressor consists of two zener diodes connected in series-opposition (figure 5). A



Figure 5

#### ZENER DIODE TRANSIENT SUPPRESSOR

simple RC network placed across the power line is also an effective transient suppressor (figure 6).

**Step-Start Circuitry** When a large power supply is energized, the incoming current (*inrush* current) can be many times the steady state current until the supply reaches a state of equilibrium. The inrush current is composed of the current required to charge the filter capacitors in the power supply and, for large equipment, the

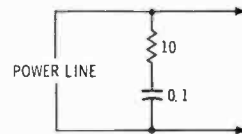


Figure 6

#### RESISTANCE-CAPACITANCE TRANSIENT SUPPRESSOR

heavy starting current required by power tubes during the short period when the filament temperature reaches operating level.

Inrush current may be limited by inclusion of a current-limiting resistor in the primary circuit which is shorted out after the time period required for the supply to reach a steady state condition (figure 7).

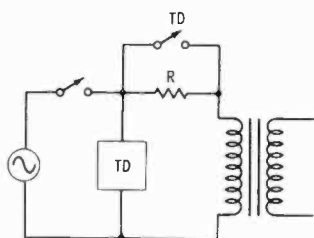


Figure 7

**TIME-DELAY RELAY AND SURGE RESISTOR PROVIDE PROTECTION FROM INRUSH CURRENT**

**Filament Inrush Current** A cold thoriated-tungsten filament has about one-tenth the resistance of one that has reached operating temperature. The cold inrush current (over a period of a few cycles) can thus reach as high as ten times the normal value of filament current. It is good engineering practice to limit the inrush filament current to no more than twice the normal current value. Limiting may be done by the circuit of figure 7 or it may be accomplished by the use of a filament transformer that saturates at the high current level, thus causing a momentary reduction in filament voltage.

A high value of inrush current can crack the glass seals about the filament leads of a large power tube, or can cause the filament structure to warp as a result of the high magnetic field about it.

An alternative means of reducing filament inrush current is to bring the filament voltage up slowly by means of a variable-ratio autotransformer placed in the primary circuit of the filament transformer.

**Interlock Protection, Fuses, and Circuit Breakers** In order to protect the operator from the high voltages normally present in transmitting

equipment, it is common practice to *interlock* the primary circuit in such a manner that turn-on is impossible until the interlock is activated (figure 8). When the interlock is broken, or incomplete, the primary circuit of the equipment cannot be completed. Door or cabinet interlocks are common devices that remove the high voltage when access is desired to the equipment.

The interlock can also short the high voltage supply to ground to make sure that the filter capacitors in the supply are discharged.

Communications equipment must be protected against overload or improper tuning

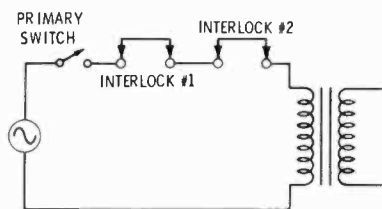


Figure 8

**PRIMARY INTERLOCK CIRCUIT**

Series-connected interlock switches prevent circuit from being activated until equipment doors are closed.

and the simplest form of protection is the *fuse*, a thermally operated link which blows when the current through it reaches a specified value. Most fuses are either fast action, medium-lag, or slow-blow (figure 9). The fast fuses are used to protect instruments and measuring devices, the medium action fuses are used for primary and secondary circuit protection and the slow-blow, or delayed action fuse, is for use in circuits having a high inrush current.

A fuse is normally capable of carrying a 10% overload indefinitely but will fail after

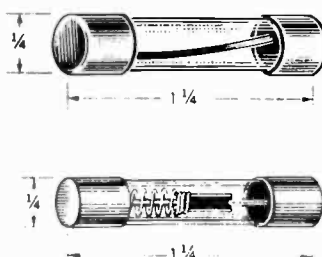


Figure 9

**INSTRUMENT AND EQUIPMENT FUSES**

Fast action and medium-lag fuses (top) can carry a 10-percent overload and will open at various time intervals under specific overload conditions. Typically, a 1-ampere fuse will open in 2 to 4 seconds at 200-percent overload. Slow-blow fuse (bottom) will open after one hour at 135-percent overload. Special instrument fuses will blow in milliseconds after overload.

a few thousand hours when operated at 100 percent of its rated load because of cyclic fatigue caused by mechanical stresses set up in the fuse element by current changes. Fuses loaded to about 50% of their rating will give a safety margin against cyclic failure and yet provide good protection for the equipment.

The *circuit breaker* is a mechanical switch that depends on the generation of heat to operate a bimetallic strip which trips the breaker mechanism. The thermal breaker, therefore, is a relatively slow acting device, opening the circuit after an overload period of 0.1 to 10 seconds, depending on design. A fast action, magnetic breaker can open an overload in as little as 10 ms.

**Variable-Ratio Autotransformers** There are several types of variable-ratio autotransformers available on the market. Of these, the most common are the *Variac* manufactured by the *General Radio Company*, and the *Powerstat* manufactured by the *Superior Electric Company*. Both these types of variable-ratio transformers are excellently constructed and are available in a wide range of power capabilities. Each

is capable of controlling the line voltage from zero to about 15 percent above the nominal line voltage. The maximum power-output capability of these units is available only at approximately the nominal line voltage, and must be reduced to a maximum current limitation when the output voltage is somewhat above or below the input line voltage. This, however, is not an important limitation for this type of application since the output voltage seldom will be raised above the line voltage, and when the output voltage is reduced below the line voltage the input to the transmitter is reduced accordingly.

One convenient arrangement for using a *Variac* or *Powerstat* in conjunction with the high-voltage transformer of a transmitter is illustrated in figure 10. In this circuit, a heavy three-wire cable is run from a plug on the transmitter to the *Variac* or *Powerstat*. The *Variac* or *Powerstat* then is installed so that it is accessible from the operating desk so that the input power to the transmitter may be controlled during operation.

## 23-2 Transmitter Control Methods

The majority of modern amateur transmitters are composed of an exciter unit and a separate power amplifier. Control circuits for the exciter, including VOX and time-delay circuitry, are incorporated in the exciter. The amplifier has its own power control circuitry which may be activated by the controls in the exciter, if convenient (figure 11). In this example, the high voltage supply is activated by a transmit-receive relay ( $K_2$ ) controlled by the exciter circuitry.

Primary power for the amplifier is taken from a 240-volt line whose system ground (neutral) is separate from the ground circuitry of the amplifier. Power plug  $P_1$  can be a four pin type, such as shown in figure 1G. The supply is fused in all lines except the ground and neutral, and the "hot" legs pass through interlocks which remove the voltage if the power supply cabinet is opened.

A panel switch (*Power On*) energizes the primary relay  $K_1$  and also illuminates a green pilot lamp on the panel of the supply. The

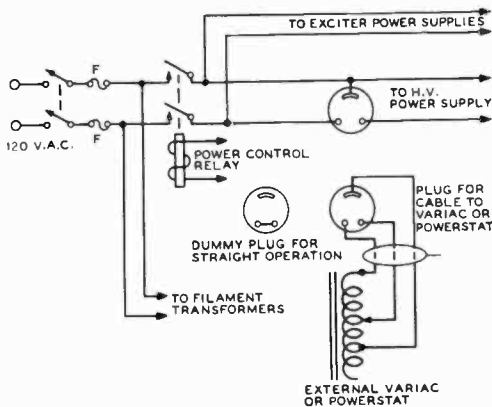


Figure 10

### CIRCUIT WITH VARIABLE-RATIO AUTOTRANSFORMER

When the dummy plug is inserted into the receptacle on the equipment, closing of the power-control relay will apply full voltage to the primaries. With the cable from the *Variac* or *Powerstat* plugged into the socket the voltage output of the high-voltage power supply may be varied from zero to about 15 percent above normal.

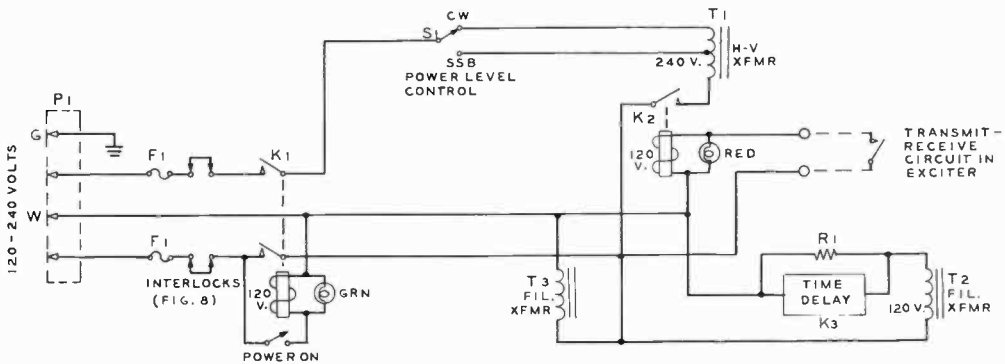


Figure 11

## TRANSMITTER CONTROL CIRCUIT

Linear amplifier is controlled by transmit-receive circuit in exciter. The high-voltage supply is actuated by relay  $K_2$ . Primary power is taken from 240-Vac line whose system ground (neutral) is separate from the ground circuit of the amplifier. A step-start circuit composed of resistor  $R_1$  and time delay relay  $K_3$  reduces filament inrush current for the amplifier tube. Changeover from 2 kW to 1 kW is accomplished by a voltage tap on the primary of the power transformer.

filament circuitry is now on, with filament transformer  $T_2$  activated through a time-delay circuit which reduces filament inrush current. Smaller tubes are connected to transformer  $T_3$ , as they do not require this protection.

The supply is activated by relay  $K_2$  which completes the primary circuit of transformer  $T_2$ . For best regulation this transformer has a 240-volt primary and is connected across the complete line. The relay and a red *Transmit* warning lamp are activated by the transmit-receive circuitry of the exciter, thus making changeover from receive to transmit automatic. The operating sequence is broken if a protective fuse blows or an interlock is opened.

**Transmitter Power Control** It is convenient to be able to rapidly switch between a 2-kW PEP power input condition and 1-kW dc input for c-w operation. A linear amplifier adjusted for 2-kW PEP will show a very low level of efficiency when the drive level and antenna loading are adjusted for the 1-kW power level condition. The transition can be accomplished at high efficiency, however, by reducing the dc plate voltage of the amplifier when switching from the SSB to the c-w mode.

For example, a 2-kW PEP linear amplifier may be operating at a plate potential of

3 kV and a peak dc plate current of 666 mA. Power input is 2 kW PEP and power output is, typically, 1.2 kW, PEP. Efficiency is about 60 percent. Switching to c-w, the operator drops excitation and readjusts antenna loading to provide a dc input of 1 kW which corresponds to 3 kV at 333 mA. Unfortunately, amplifier efficiency will drop to about 30 percent under these conditions, providing a power output of 300 watts. Unless the plate tank circuit has sufficient range to provide the proper plate impedance for the 1 kW mode—and most simple pi- or pi-L networks do not—plate efficiency will drop badly.

If however, the plate potential under c-w operating conditions is dropped to about 65 percent of that employed in the SSB mode, plate efficiency will remain high in both conditions. For the above example, dropping the plate potential to about 2 kV and boosting the plate current to 500 mA will provide approximately the same degree of efficiency at the 1-kW dc power level as will the 3-kV potential and 666 mA peak plate current at the 2-kW PEP power level. Many manufactured linear amplifiers accomplish the SSB to c-w switchover by dropping the plate potential on the amplifier tubes in the manner described. This is easily accomplished by the use of a tapped primary or secondary winding on the plate power transformer.

**The Safety Switch** The common technique of using a red pilot lamp to show when a circuit is on is useless except from an ornamental standpoint because the circuit can be on with the bulb not making contact or burned out.

To enable the operator to use, or work on the equipment with safety, it is prudent to incorporate an external warning device similar to that shown in figure 12. The safety switch is placed near the point where the primary power enters the room and in such a position so as to be inaccessible to small children. The switch breaks both

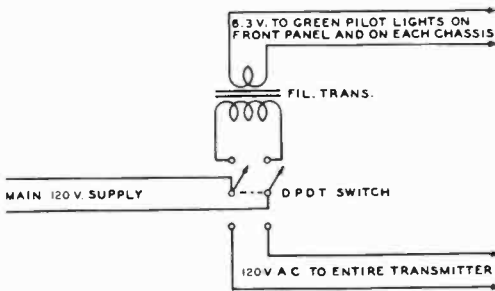


Figure 12

**COMBINED MAIN SWITCH AND SAFETY SIGNAL**

When shutting down the transmitter, throw the main switch to neutral. If work is to be done on the transmitter, throw the switch all the way to "pilot," thus turning on the green pilot lights on the panel and on each chassis, and ensuring that no voltage can exist on the primary of any transformer, even by virtue of a short or accidental ground.

power leads, completely removing the equipment from the power line so that the circuit cannot be completed through an accidental ground. Members of the operator's family should be instructed on the placement and use of the switch in times of an emergency. No work should be done on the equipment unless the switch is in the safety position.

**Relay Sequence** It is important that the antenna changeover relay be activated before r-f power flows through the relay contacts. Certain VOX or key-operated sequences do not provide this protection. As a result, the contacts of the antenna relay may be damaged from making and breaking the r-f current, or eventual

damage may occur to the transmitting equipment because of repeated operation without r-f load during the periods of time necessary for the antenna relay to close. The proper relay sequence can be achieved by actuating the antenna relay by the control system, then, in turn, actuating the transmitter by a separate set of control contacts on the antenna relay, as shown in figure 13A. In this manner, the antenna relay must be closed before r-f is applied to the contacts.

**DC Relay Operation** Relays designed to operate from an ac source are often troublesome sources of audible hum and chatter. Cleaning the relay striker and pole pieces will alleviate this annoyance somewhat, but operation of the relay from a dc source will eliminate this difficulty. Ac relays may be operated without damage from a dc source capable of supplying a dc voltage equal to about 70 percent of the ac design voltage. Thus an 85-volt dc supply will be proper to operate 120-volt ac relays.

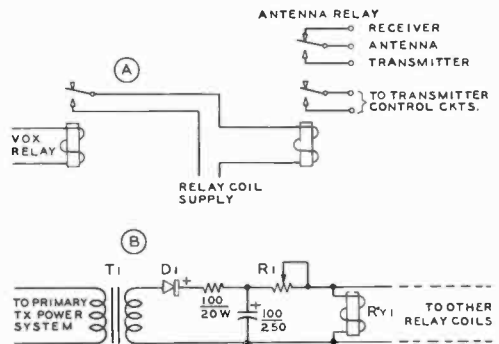


Figure 13

**ANTENNA-RELAY CONTROL SYSTEM**

A—Antenna relay should be actuated before r-f power flows through contacts. Extra set of contacts are used to control transmitter circuits after antenna relay closes. B—Ac relays may be operated from simple dc power supply to reduce hum and chatter. Transformer T<sub>1</sub> may be a 1:1 isolation transformer of 50 watts capacity, with D<sub>1</sub> a 1 ampere, 600 volt p.i.v. diode. Series resistor R<sub>1</sub> is adjusted to provide proper relay action and may be of the order of 500 to 5000 ohms, 50 watts. Additional relay coils may be placed in parallel across coil R<sub>Y1</sub>. Relay may be energized by applying primary power (with due regard to time-lag in filter system) or by completing secondary circuit between resistor R<sub>1</sub> and relay coil.

A suitable supply for such service is shown in figure 13B.

### 23-3 Power-Supply Requirements

A power supply for a transmitter or for a unit of station equipment should be designed in such a manner that it is capable of delivering the required current at a specified voltage, that it has a degree of regulation consistent with the requirements of the application, that its ripple level at full current is sufficiently low for the load which will be fed, that its internal impedance is sufficiently low for the job, and that none of the components shall be overloaded with the type of operation contemplated.

The meeting of all the requirements of the previous paragraph is not always a straightforward and simple problem. In many cases compromises will be involved, particularly when the power supply is for an amateur station and a number of components already on hand must be fitted into the plan.

The power-supply requirements needed to establish the design of a satisfactory unit include the full-load output voltage; minimum, normal and peak current drain; the required voltage regulation; ripple voltage limit, and type of rectifier circuit to be used.

Once these requirements have been ascertained, the actual components for the supply may be selected. It is prudent, however, to design a supply in such a manner that it will have the greatest degree of flexibility; this will allow the supply to be used without change as a portion of new station equipment or as a bench supply to run experimental equipment.

**Current-Rating Considerations** The *minimum current drain* which will be taken from a power supply will be, in most cases, merely the bleeder current. There are many cases where a particular power supply will always be used with a moderate or heavy load on it, but when the supply is a portion of a transmitter it is best to consider the minimum drain as that of the bleeder. The minimum current drain from a power supply is of importance since it, in conjunction with the nominal voltage of

the supply, determines the minimum value of inductance which the input choke must have to keep the voltage from soaring when the external load is removed.

The *normal current rating* of a power supply usually is a round-number value chosen on the basis of the transformers and chokes on hand or available from the catalog of a reliable manufacturer. The current rating of a supply to feed a steady load such as a receiver, a speech amplifier, or a continuously operating r-f stage should be at least equal to the steady drain of the load. However, other considerations come into play in choosing the current rating for a keyed amplifier, an amplifier of SSB signals, or a class-B modulator. In the case of a supply which will feed an intermittent load such as these, the current ratings of the transformers and chokes may be *less* than the maximum current which will be taken; but the current ratings of the rectifier system to be used should be at least equal to the maximum current which will be taken. That is to say that 300-mA transformers and chokes may be used in the supply for a modulator whose resting current is 100mA but whose maximum current at peak signal will rise to 500 mA. However, the rectifier system should be capable of handling the full 500 mA.

The iron-core components of a power supply which feeds an intermittent load (such as demanded by an SSB transmitter) may be chosen on the basis of the current averaged over a period of several minutes, since it is the heating effect of the current which is of greatest importance in establishing the rating of such components. Since iron-core components have a relatively large amount of thermal inertia, the effect of an intermittent heavy current is offset to an extent by a resting period between words and syllables, or by key-up periods in the case of c-w transmission. However, the current rating of a rectifier tube is established by the magnitude of emission available from the filament of the tube, and the rating of a semiconductor rectifier is established by the maximum temperature limit of the rectifier element, both of which cannot be exceeded even for a short period of time or the rectifier will be damaged.

The above considerations are predicated, however, on the assumption that none of



the iron-core components will become saturated due to the high level of intermittent current drain.

**Voltage Regulation** Since the current drain of a power supply can vary over a large magnitude, it is important to determine what happens to the output voltage of the supply with regard to change in current. Power-supply regulation may be expressed in terms of *static* and *dynamic* regulation. Static regulation relates to the regulation under long-term conditions of change in load whereas dynamic regulation relates to short-term changes in load conditions. Regulation is expressed as a change in output voltage with respect to load:

$$\text{Percent Regulation} = \frac{(E_1 - E_2) \times 100}{E_2}$$

where,

$E_1$  is no-load voltage,

$E_2$  is full-load voltage.

Thus static regulation concerns itself with the "on" and "off" voltages of the power supply and dynamic regulation concerns itself with syllabic or keyed fluctuations in load. Static regulation is expressed in terms of average voltages and currents, whereas dynamic regulation takes into account instantaneous voltages variations caused by peak currents, or currents caused by undesired transient oscillations in the filter section of the power supply. In particular, c-w and SSB transmissions having a high peak-to-quiescent ratio of current drain are affected by poor dynamic regulation in the power system.

Examples of static and dynamic regulation are shown in figure 14. In example A, the no-load power-supply voltage is 1000 and the full-load voltage is 875. Static regulation is therefore 14.3 percent. If an oscilloscope is used to examine the supply voltage during the first fractions of a second when the full load is applied, the instantaneous voltage follows the erratic plot shown in curve A of figure 14. The complex pattern of voltage fluctuations, or transients, are related to resonant frequencies present in the power-supply filter network and are of sufficient magnitude to distort the wave-

form of c-w signals, or to appreciably increase intermodulation distortion and alter the first syllable of speech in an SSB system. Proper design of the filter system can reduce dynamic voltage fluctuations to a minimum and, at the same time, greatly improve the static regulation of the power supply.

Static and dynamic regulation values of about 10 percent or so are considered to be limits of good design practice in amateur transmitting equipment, as illustrated by voltage curve B in figure 14.

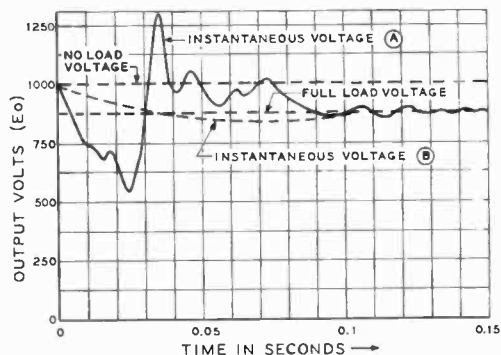


Figure 14

### STATIC AND DYNAMIC REGULATION

A—Dynamic regulation illustrates voltage peaks caused by transient oscillations in filter network.

B—Static regulation is expressed in terms of no-load and full-load currents and voltages.

**Ripple Voltage** The alternating component of the output voltage of a dc power supply is termed the *ripple voltage*. It is superimposed on the dc voltage, and the effectiveness of the filter system can be expressed in terms of the ratio of the rms value of the ripple voltage to the dc output voltage of the supply. Good design practice calls for a ripple voltage of less than 5 percent of the supply voltage for SSB and c-w amplifier service, and less than 0.01 percent of the supply voltage for oscillators and low-level speech amplifier stages.

Ripple frequency is related to the number of pulsations per second in the output of the filter system. A full-wave rectifier, having two pulses of 60 Hz, for example, produces a 120-Hz ripple wave. A simple capacitive filter will reduce 120-Hz ripple as shown in figure 15. Ripple is an inverse

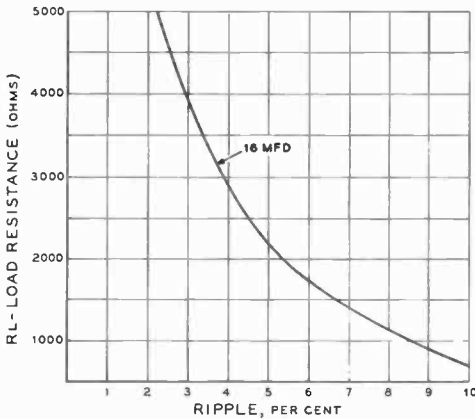


Figure 15

120-Hz RIPPLE ON 16-μF CAPACITOR AS FUNCTION OF LOAD RESISTANCE

ratio with capacitance, so doubling the capacitance will halve the ripple.

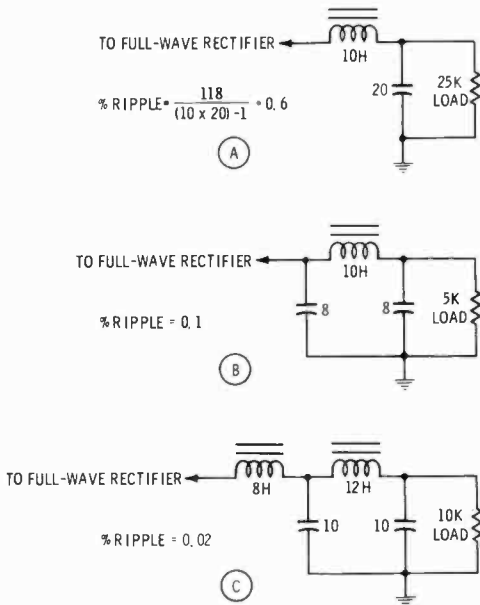


Figure 16

RIPPLE VOLTAGE FOR VARIOUS FILTERS

- A—Single section filter with choke input.
- B—Capacitance input filter.
- C—Two section filter with choke input.

**Ripple Filter Circuits** The percentage of ripple found in representative LC filter circuits is shown in figure 16. The approximate ripple percentage for filter components may be calculated with the aid of the following formulas, assuming the power line frequency to be 60 Hz and the use of a full-wave or full-wave-bridge rectifier circuit. The ripple at the output of the first section of a two-section choke input filter is:

$$\text{Percent Ripple} = \frac{118}{(L \times C) - 1}$$

where,

*L* is the input choke inductance in henrys (at the operating current to be used),

*C* is the capacitance which follows the choke, expressed in microfarads.

This percentage is multiplied by the filter reduction factor of the following section of filter. This reduction factor is determined through the use of the following formula:

$$\text{Filter reduction factor} = \frac{1.76}{LC - 1}$$

where *LC* again is the product of the inductance and capacitance of the filter section. The reduction factor will turn out to be a decimal value, which is then multiplied by the percentage ripple obtained from the use of the preceding formula.

**Resistance-Capacitance Filters** In many applications where current drain is relatively small, so that the voltage drop across the series resistor would not be excessive, a filter system made up of resistors and capacitors only may be used to advantage. In the normal case, where the reactance of the shunting capacitor is very much smaller than the resistance of the load fed by the filter system, the ripple reduction per section is equal to  $1/(2\pi RC)$ . In terms of the 120-Hz ripple from a full-wave rectifier the ripple-reduction factor becomes:  $1.33/RC$  where *R* is expressed in thousands of ohms and *C* in microfarads. For 60-Hz ripple the expression is:  $2.66/RC$  with *R* and *C* in the same quantities as above.

**Filter System Resonance** The inductance of the filter choke in an LC filter network is dependent to an extent on the current drawn through it. At some values of inductance, it is possible for a 60-Hz or 120-Hz resonant circuit to be set up if the filter capacitance value is low. Filter resonance imposes a heavy peak load on the rectifier system and diodes or mercury-vapor rectifier can be damaged by such undesired currents.

A 120-Hz resonance is achieved when the product of inductance and capacitance is 1.77. Thus, a 1- $\mu$ F capacitor and a 1.77-henry choke will resonate at 120 Hz. The LC product for resonance at 60 Hz is about 7.1. This latter value may occur when a 2- $\mu$ F capacitor is used with a 3.55-henry choke, for example. The LC products of 1.77 and 7.1 should be avoided to prevent resonance effects, which can result in destructive transient voltages in the power-supply system.

**Back-EMF** It is possible to place the filter choke in the B-minus lead of the power supply, reducing the voltage potential appearing from choke winding to ground. However, the *back-emf* of a good choke is quite high and can develop a dangerous potential from center tap to ground on the secondary winding of the plate transformer. If the transformer is not designed to withstand this potential, it is possible to break down the insulation at this point.

### 23-4 Power-Supply Components

The usual components which make up a power supply, in addition to rectifiers which have already been discussed, are filter capacitors, bleeder resistors, transformers, and chokes. These components normally will be purchased especially for the intended application, taking into consideration the factors discussed earlier in this chapter.

**Filter Capacitors** There are two principal types of filter capacitors: (1) paper-dielectric type, (2) electrolytic type.

*Paper capacitors* consist of two strips of metal foil separated by several layers of special paper. Some types of paper capaci-

tors are wax-impregnated, but the better ones, especially the high-voltage types, are oil-impregnated and oil-filled. Some capacitors are rated both for *flash* test and normal operating voltages; the latter is the important rating and is the maximum voltage which the capacitor should be required to withstand in service.

The capacitor across the rectifier circuit in a capacitor-input filter should have a working-voltage rating equal at least to 1.41 times the rms voltage output of the rectifier. The remaining capacitors may be rated more nearly in accordance with the dc voltage.

The *electrolytic capacitor* consists of two aluminum electrodes in contact with a conducting film which acts as an *electrolyte*. A very thin film of oxide is formed on the surface of one electrode, called the *anode*. This film of oxide acts as the dielectric. The electrolytic capacitor must be correctly connected in the circuit so that the anode is always at a positive potential with respect to the electrolyte, the latter actually serv-

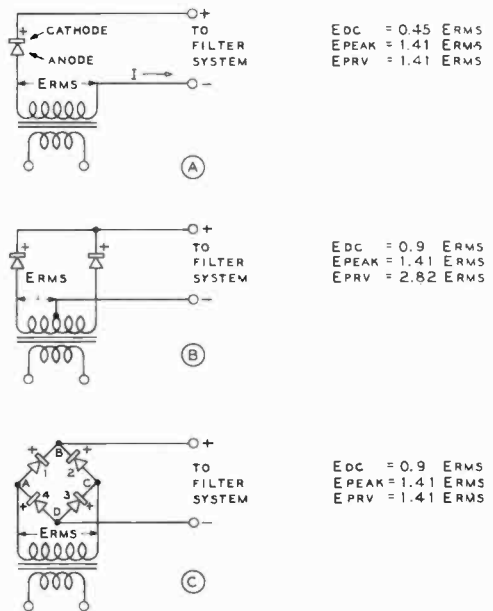


Figure 17

#### COMMON RECTIFIER CIRCUITS

- A—Half-wave rectifier. Ripple is 121%.
- B—Full-wave rectifier. Ripple is 48%.
- C—Bridge rectifier. Ripple is 48%.

ing as the other electrode (plate) of the capacitor. A reversal of the polarity for any length of time will ruin the capacitor.

The high capacitance of electrolytic capacitors results from the thinness of the film which is formed on the plates. The maximum voltage that can be safely impressed across the average electrolytic filter capacitor is between 450 and 600 volts; the working voltage is usually rated at 450. When electrolytic capacitors are used in filter circuits of high-voltage supplies, the capacitors should be connected in series. The positive terminal of one capacitor must connect to the negative terminal of the other, in the same manner as dry batteries are connected in series.

Electrolytic capacitors can be greatly reduced in size by the use of etched aluminum foil for the anode. This greatly increases the surface area, and the dielectric film covering it, but raises the power factor slightly. For this reason, ultramidget electrolytic capacitors ordinarily should not be used at full rated dc voltage when a high ac component is present as would be the case for the input capacitor in capacitor-input filter.

**Bleeder Resistors** A heavy-duty resistor should be connected across the output of a filter in order to draw some load current at all time. This resistor avoids soaring of the voltage at no load when swinging-choke input is used, and also provides a means for discharging the filter capacitors when no external circuit load is connected to the filter. This *bleeder* resistor should normally draw approximately 10 percent of the full load current.

The power dissipated in the bleeder resistor can be calculated by dividing the square of the dc voltage by the resistance. This power is dissipated in the form of heat, and, if the resistor is not in a well-ventilated position, the wattage rating should be higher than the actual wattage being dissipated. High-voltage, high-capacitance filter capacitors can hold a dangerous charge if not bled off, and wirewound resistors occasionally open up without warning. Hence it is wise to place carbon resistors in series across the regular wirewound bleeder.

**Transformers** Power transformers and filament transformers normally will give no trouble over a period of many years if purchased from a reputable manufacturer, and if given a reasonable amount of care. Transformers must be kept dry; even a small amount of moisture in a high-voltage unit will cause quick failure. A transformer which is operated continuously, within its ratings, seldom will give trouble from moisture, since an economically designed transformer operates at a moderate temperature rise above the temperature of the surrounding air. But an unsealed transformer which is inactive for an appreciable period of time in a highly humid location can absorb enough moisture to cause early failure.

**Filter Choke Coils** Filter inductors consist of a coil of wire wound on a laminated iron core. The size of wire is determined by the amount of direct current which is to flow through the choke coil. This direct current magnetizes the core and reduces the inductance of the choke coil; therefore, filter choke coils of the *smoothing* type are built with an air gap of a small fraction of an inch in the iron core, for the purpose of preventing saturation when maximum current flows through the coil winding. The "air gap" is usually in the form of a piece of fiber inserted between the ends of the laminations. The air gap reduces the initial inductance of the choke coil, but keeps it at a higher value under maximum load conditions. The coil must have a great many more turns for the same initial inductance when an air gap is used.

The dc resistance of any filter choke should be as low as practical for a specified value of inductance. Smaller filter chokes, such as those used in radio receivers, usually have an inductance of from 6 to 15 henrys, and a dc resistance of from 200 to 400 ohms. A high dc resistance will reduce the output voltage, due to the voltage drop across each choke coil. Large filter choke coils for radio transmitters and class-B amplifiers usually have less than 100 ohms dc resistance.

## 23-5 Rectification Circuits

There are a large variety of rectifier circuits suitable for use in power supplies. Figure 17 shows the three most common circuits used in supplies for amateur equipment.

**Half-Wave Rectifier** A *half-wave rectifier* (figure 17A) passes current in one direction but not in the other.

During one half of an applied ac cycle when the anode of the rectifier is positive with respect to the cathode the rectifier is in a state of conduction and current flows through the rectifier. During the other half of the cycle, when the anode is negative with respect to the cathode, the rectifier does not conduct and no current flows in the circuit. The output current, therefore, is of a pulsating nature which can be smoothed into direct current by means of an appropriate filter circuit. The output of a half-wave rectifier is zero during one-half of each ac cycle; this makes it difficult to filter the output properly and also to secure good voltage regulation for varying loads. The *peak inverse voltage* with a resistive or inductive load is equal to the peak ac voltage of the transformer ( $1.41 \times E_{\text{rms}}$ ) and is equal to twice the peak ac voltage with a capacitive load.

**Full-Wave Rectifier** A *full-wave rectifier* (figure 17B) consists of a pair of half-wave rectifiers working on opposite halves of the ac cycle, connected in such a manner that each portion of the rectified wave is combined in the output circuit, as shown in figure 18. A transformer with a center-tapped secondary is required. The transformer delivers ac to each anode of each rectifier element; one anode being positive at any instant during which the other anode is negative. The center point of the high-voltage winding of the transformer is taken as the negative (B-minus) connection.

The cathodes of the rectifier units are always positive in polarity with respect to the anode of this type of circuit, and the output current pulsates 120 times per second for a 60-Hz supply. The peak output voltage

is 1.4 times the rms transformer voltage and the inverse voltage across each rectifier unit is 2.8 times the rms voltage of the transformer (as measured across one half of the secondary winding). For a given value of ripple, the amount of filter required for a full-wave rectifier is half that required for a half-wave rectifier, since the ripple frequency of the former is twice that of the latter.

**Bridge Rectifier** A *bridge rectifier* (figure 17C) has four rectifier elements operated from a single ac-source. During one half-cycle of the applied ac voltage, *point A* becomes positive with respect to *point C* and conduction takes place through rectifiers 4 and 2. During the other half of the cycle, conduction takes place through rectifiers 3 and 1 when *point C* is positive with respect to *point A*. On one half of the cycle, therefore, rectifiers 4 and 2 are in series with the output circuit and on the other half-cycle, rectifiers 3 and 1 are in series with the circuit. The bridge circuit is a full-wave system since current flows during both halves of a cycle of the alternating current.

One advantage of a bridge-rectifier connection over a full-wave, two-rectifier system is that with a given transformer voltage the bridge circuit produces a voltage output nearly twice that of the conventional full-wave circuit. In addition, the peak inverse voltage across any rectifier unit is only 1.4 times the rms transformer voltage. Maximum output voltage into an inductive or resistive load is about 0.9 times the rms transformer voltage.

The center point of the high-voltage winding of the bridge transformer is not at ground potential. Many transformers having a center-tapped high voltage winding are not designed for bridge service and insulation between this point and the transformer core is inadequate. Lack of insulation at this point does no harm in a full-wave circuit when the center tap is grounded, but may cause breakdown when the transformer is used in bridge configuration.

**Rectifier Circuits** *Choke input* is used in many filter systems because it gives good utilization of both rec-

tifier and power-transformer capability (figure 18A). In addition, it provides much better voltage regulation than does a capacitor input system. A minimum value of choke inductance exists, and this critical value is equal to  $R_L/1000$ , where  $R_L$  is the load resistance. Inductance above the critical value will limit the no-load output voltage to about the average value ( $E_{d.c.}$ ) in contrast to the capacitor-input filter circuit (figure 18B) wherein the no-load output voltage may rise as high as the peak value of the transformer voltage. The capacitor-

input filter, at full load, provides a dc output voltage that is usually slightly above the rms voltage of the transformer.

When capacitor input is used, consideration must be given to the peak value of the ac voltage impressed on the filter capacitor, which usually runs equal to the peak transformer voltage ( $1.41 E_{rms}$ ). The input capacitor, therefore, must have a voltage rating high enough to withstand the peak voltage if breakdown is to be avoided.

**Special Single-Phase Rectification Circuits**

Figure 19 shows three circuits which may prove valuable when it is desired to obtain more than

one output voltage from one plate transformer or where some special combination of voltages is required. Figure 19A shows a common method for obtaining full voltage and half voltage from a bridge rectification circuit. With this type of circuit, separate input chokes and filter systems are used on both output voltages. If a transformer designed for use with a full-wave rectifier is used in this circuit, the current drain from the full-voltage tap is doubled and added to the drain from the half-voltage tap to determine whether the rating of the transformer is being exceeded.

The circuit of Figure 19B is similar to that of 19A except that the negative return point is shifted to the centertap of the transformer. The same voltages are derived from Circuit B as from circuit A with the exception that the voltage derived from one full-wave rectifier is negative with respect to the ground point. The choke for this circuit is placed in the positive lead.

Illustration C shows conventional full-wave rectifiers as used with a dual-voltage transformer. Each set of transformer taps has its own rectifier set. The output voltages are proportional to the taps on the transformer secondary winding.

**Polyphase Rectification Circuits**

It is usual practice in commercial equipment installations when the power drain from a plate supply is to be greater than about one kilowatt to use a polyphase rectification system. Such power supplies offer better transformer utilization, less ripple output and better power factor in the load placed on the ac line. However,

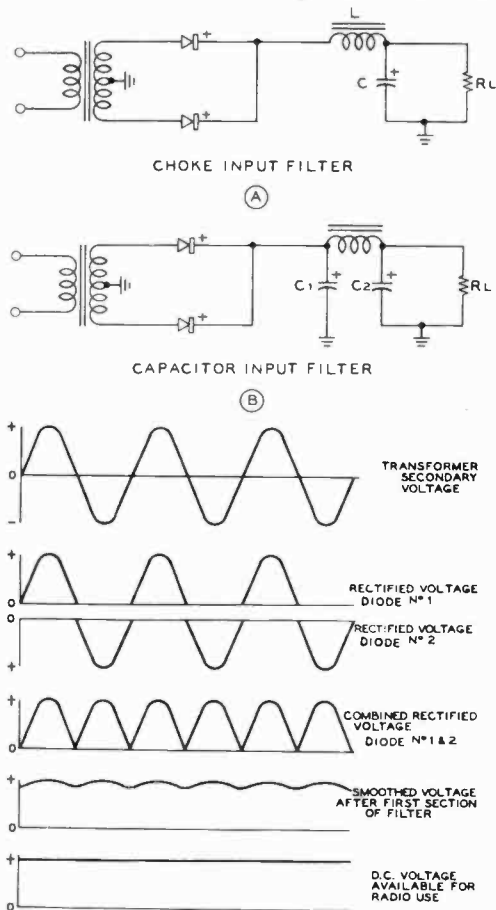
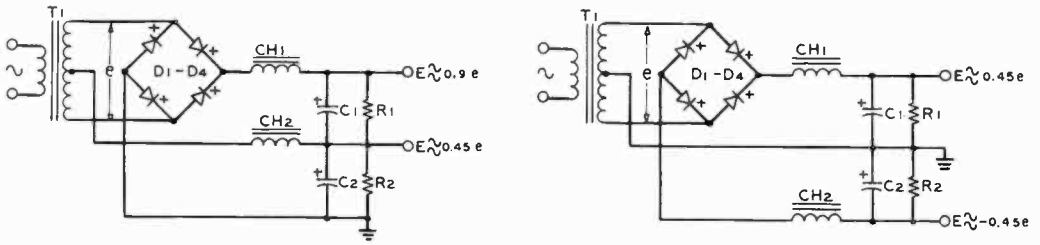


Figure 18

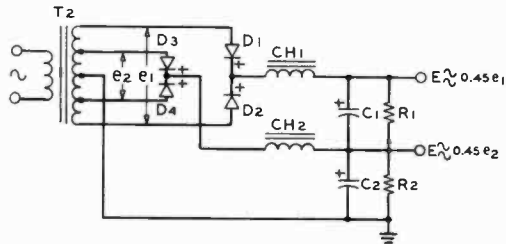
**RECTIFICATION AND FILTER ACTION**

Showing transformer secondary voltage, the rectified output of each diode, the combined output of the rectifiers, the smoothed voltage after the choke-input filter, and the dc output voltage of the capacitor input filter.



(A) HALF- AND FULL-VOLTAGE BRIDGE SUPPLY

(B) DUAL POSITIVE AND NEGATIVE SUPPLY

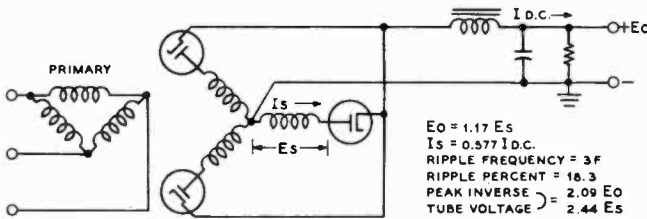


(C) TWO-VOLTAGE FULL-WAVE SUPPLY

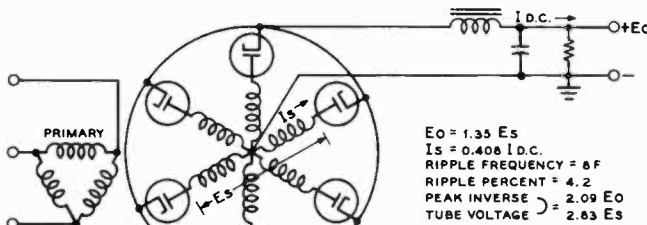
Figure 19

**SINGLE-PHASE RECTIFICATION CIRCUITS**

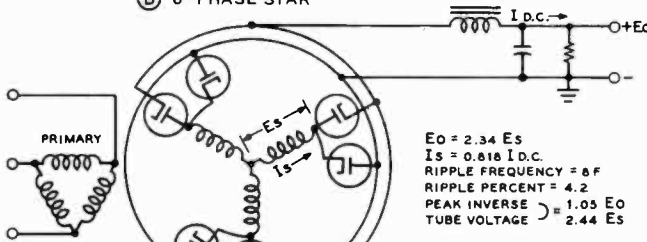
A description of each of these circuits is given in the accompanying text.



(A) 3-PHASE STAR



(B) 6-PHASE STAR



(C) 6-PHASE BRIDGE

Figure 20

**COMMON POLYPHASE-RECTIFICATION CIRCUITS**

These circuits are used when polyphase power is available for the plate supply of a high-power transmitter. The circuit at B is also called a three-phase full-wave rectification system. The circuits are described in the accompanying text.

such systems require a source of three-phase (or two-phase with Scott connection) energy. Several of the more common polyphase rectification circuits with their significant characteristics are shown in figure 20. The increase in ripple frequency and decrease in percentage of ripple is apparent from the figures given in figure 20. The circuit of figure 20C gives the best transformer utilization as does the bridge circuit in the single-phase connection. The circuit has the further advantage that there is no average dc flow in the transformers, so that three single-phase transformers may be used. A tap at half voltage may be taken at the junction of the star transformers, but there will be dc flow in the transformer secondaries with the power-supply center tap in use. The circuit of figure 20A has the disadvantage that there is an average dc flow in each of the windings.

#### Peak Inverse Voltage and Peak Current

In an ac circuit, the maximum peak voltage or current is  $\sqrt{2}$ , or 1.41 times that indicated by the ac meters in the circuit. The meters read the *root mean square* (rms) values, which are the peak values divided by 1.41 for a sine wave.

If a potential of 1000 rms volts is obtained from a high voltage secondary winding of a transformer, there will be 1410 volts peak potential from the rectifier anode to ground. In a single-phase supply the rectifier has this voltage impressed on it, either positively when the current flows or "inverse" when the current is blocked on the other half-cycle. The *peak inverse voltage* which the device will stand safely is used as a rating for rectifiers. At higher voltages the rectifier is liable to arc back, thereby destroying or damaging it. The relations between peak inverse voltage, total transformer voltage, and filter output voltage depend on the characteristics of the filter and rectifier circuits (whether full- or half-wave, bridge, single-phase or poly-phase, etc.)

Rectifiers are also rated in terms of *peak current*. The actual direct load current which can be drawn from a given rectifier depends on the type of filter circuit. A full-wave rectifier with capacitor input passes a

peak current several times the direct load current.

In a filter with choke input, the peak current is not much greater than the load current if the inductance of the choke is fairly high (assuming full-wave rectification).

#### Mercury-Vapor Rectifier Tubes

The inexpensive *mercury-vapor* type of rectifier tube is sometimes used in the high-voltage plate supplies of amateur and commercial transmitters. When new or long-unused tubes are first placed in service, the filaments should be operated at normal temperature for approximately twenty minutes before plate voltage is applied, in order to remove all traces of mercury from the cathode and to clear any mercury deposits from the top of the envelope. After this preliminary warmup with a new tube, plate voltage may be applied within 20 to 30 seconds after the time the filaments are turned on, each time the power supply is used. If plate voltage should be applied before the filament is brought to full temperature, active material may be knocked from the oxide-coated filament and the life of the tube will be greatly shortened.

Small r-f chokes must sometimes be connected in series with the plate leads of mercury-vapor rectifier tubes in order to prevent the generation of radio-frequency hash.

#### Voltage Multiplying Circuits

Practical *voltage multiplying circuits* can be built up using silicon rectifiers and filter capacitors. The rectifier delivers alternating half-cycles of energy to the filter capacitor and successive rectifier/capacitor stages may be connected to provide very high values of voltage from a low voltage source.

A common voltage multiplier is the half-wave *series multiplier* circuit (figure 21). On one half the ac cycle capacitor  $C_1$  is charged to nearly the peak source voltage through rectifier  $D_1$ . On the opposite half of the cycle, rectifier  $D_2$  conducts and capacitor  $C_2$  is charged to nearly twice the source peak voltage. At the same time, the next rectifier conducts and with the charge in  $C_2$  as the source,  $C_3$  is charged to the peak input voltage, and so on. Ripple in the output circuit is governed by:



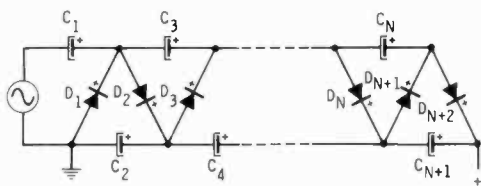


Figure 21

### HALF-WAVE SERIES MULTIPLIER CIRCUIT

A single stage consists of one capacitor and one rectifier unit and provides a dc voltage at no load nearly equal to the peak ac voltage. The internal impedance of the multiplier is quite high and rises as the third power of the number of stages. Variations of this circuit are common in power supplies for electronic equipment.

$$E_r = \pm \frac{I_{load}}{16 fC} (N^2 + N/2)$$

Ripple thus increases with the square power of the number of stages.

Regulation is governed by:

$$E_R = \frac{I_{load}}{12 fC} (N^3 + 9/4 N^2 + N/2)$$

The  $N^3$  term indicates a practical limitation as to the number of stages in a practical circuit in that the internal impedance of the multiplier rises very fast.

The half-wave *parallel multiplier* circuit is shown in figure 22. The operation of the parallel multiplier follows that of the series design with the exception that each capacitor in the string is charged up to higher voltages instead of each capacitor having the same potential across it as in the series configuration. Ripple in the output circuit is independent of the number of stages and is a function of capacitance, load current and frequency:

$$E_r \cong \frac{I_{load}}{fC}$$

Regulation is proportional to:

$$E_r \cong \frac{I_{load}}{fC} (N)$$

which indicates better regulation than provided by the series circuit, as  $N$  increases linearly instead of by the third power as in the series mode.

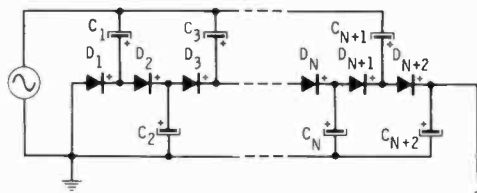


Figure 22

### HALF-WAVE PARALLEL MULTIPLIER CIRCUIT

The operation of the parallel multiplier follows that of the series design with the exception that each capacitor in the string is charged up to higher voltages instead of each capacitor having the same potential across it as in the series configuration. Ripple is independent of the number of stages and is a function of capacitance, load current, and frequency. Regulation is better than that of the series design and proportional directly to the number of stages.

Series and parallel multipliers provide practical voltage multiplier circuits up to about twelve times the input voltage.

Two half-wave rectifiers may be connected in reverse sequence to provide a full-wave circuit, as shown in figure 23. The ripple frequency is 120 Hz instead of 60 Hz, as with the half-wave configuration. Various simple half- and full-wave multipliers used in communication equipment are shown in figure 24.

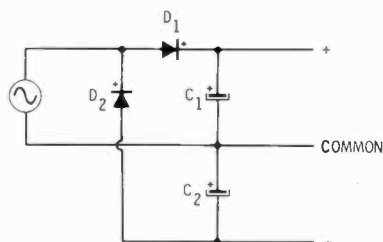


Figure 23

### FULL-WAVE VOLTAGE DOUBLER

The half-wave rectifiers may be connected in reverse sequence to provide full-wave rectification. Diode  $D_1$  charges capacitor  $C_1$  to the peak transformer voltage on one-half the cycle and diode  $D_2$  charges capacitor  $C_2$  on the other half-cycle. The output is taken across the two capacitors connected in series. Ripple frequency is 120 Hz. This "building block" may be made into a voltage quadrupler or sextupler.

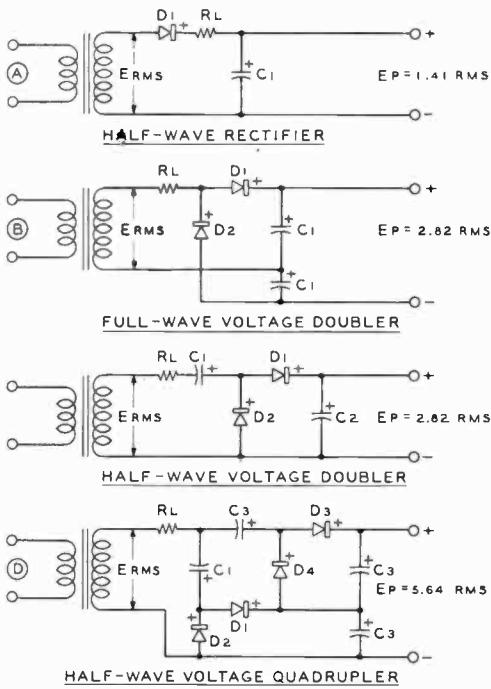


Figure 24

VOLTAGE-MULTIPLYING CIRCUITS

Voltage-multiplying circuits can be built up using silicon diode rectifiers or vacuum diodes. The basic "building block" is the half-wave rectifier (A). Capacitor C<sub>1</sub> is rated for twice the rms voltage of the transformer, and for a receiver supply, should be about 150 μF. Capacitor C<sub>2</sub> in the voltage doubler circuit of (C) is rated for four times the rms voltage of the transformer. Capacitor C<sub>1</sub> in the quadrupler circuit of (D) is rated for three times the rms voltage of the transformer.

**Diode Noise** The silicon diode which is widely used in these circuits does not conduct until the applied forward potential exceeds the threshold voltage, which is about 0.5 volt. At this voltage the diode conducts abruptly, creating a steep wavefront, capable of generating radio-frequency interference. The interference is often eliminated if a transient suppression capacitor is placed across the diode (figure 25). In some cases, especially with the use of controlled-avalanche diodes, the capacitor is omitted and the *white-noise* interference generated by the diode may be found as an annoying "rush" on the sidebands of the transmitted signal, or as an annoying noise

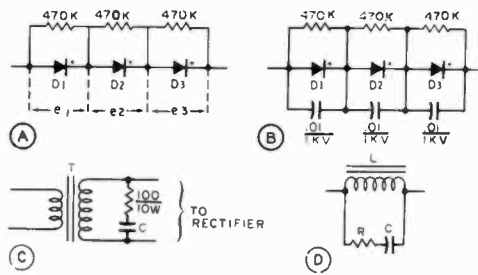


Figure 25

PROTECTION CIRCUITS FOR SEMICONDUCTOR POWER SUPPLIES

- A—Peak inverse voltage should be distributed equally between series-connected diodes. If diodes do not have matched reverse characteristics, shunt resistors should be placed across the diodes.
- B—Series-connected diodes are protected against high-voltage switching transients by shunt capacitors which equalize and absorb the transients uniformly along the stack.
- C—Transient suppressor placed across the secondary of the high-voltage transformer protects diode stack from transients often found on the ac power line or created by abrupt change in the magnetizing current of the power transformer.
- D—Suppressor network across series filter choke absorbs portion of energy released when magnetic field of choke collapses, thus preventing the surge current from destroying the diode stack.

in the receiver. Suppression capacitors and additional lead filtering in the power supply may be required to eliminate the interference created by the abrupt conduction characteristic of the diode rectifier.

23-6 Series Diode Operation

Series diode operation is commonly used when the peak-inverse voltage of the source is greater than the maximum PIV rating of a single diode. For proper series operation, it is important that the PIV be equally divided among the individual diodes. If it is not, one or more of the diodes in the stack will be subjected to a PIV greater than its maximum rating and, as a result, may be destroyed. As most failures of this type result in a shorted junction, the PIV on the remaining diodes in the stack is raised, making each diode subject to a greater value of PIV. Failure of a single diode in a stack can

lead to a "domino effect" which will destroy the remaining diodes if care is not taken to prevent this disaster. Forced voltage distribution in a stack is necessary when the individual diodes vary appreciably in reverse characteristics. To equalize the steady-state voltage division, shunt resistors may be placed across the diodes in a stack (figure 25A). The maximum value of the shunt resistor to achieve a 10-percent voltage balance, or better is:

$$\text{Shunt resistance} = \frac{\text{PIV}}{2 \times \frac{\text{Max. Reverse Current}}$$

Six-hundred-volt PIV diodes, for example, having a reverse current of 0.3 mA at the maximum PIV require a shunt resistance of 1 megohm, or less.

**Transient Protection** Diodes must be protected from voltage transients which often are many times greater than the permissible peak-inverse voltage. Transients can be caused by dc switching at the load, by transformer switching, or by shock excitation of LC circuits in the power supply or load. Shunt capacitors placed across the diodes will equalize and absorb the transients uniformly along the stack (figure 25B). The shunt capacitor should have at least 100 times the capacitance of the diode junction, and capacitance values of 0.01  $\mu\text{F}$  or greater are commonly found in diode stacks used in equipment designed for amateur service.

*Controlled avalanche* diodes having matched zener characteristics at the avalanche point usually do not require RC shunt suppressors, reducing power-supply cost and increasing overall reliability of the rectifier circuit.

It should be noted, however, that leaving out the RC suppressors brings back the problems of "white noise," mentioned previously.

In high-voltage stacks, it is prudent to provide transient protection in the form of an RC suppressor placed across the secondary of the power transformer (figure 25C). The suppressor provides a low-impedance path for high-voltage transients often found on ac power lines, or generated by an abrupt change in the magnetizing current

of the power transformer as a result of switching primary voltage or the load. The approximate value of the surge capacitor in such a network is:

$$\text{Capacitance } (\mu\text{F}) = \frac{15 \times E \times I}{e^2}$$

where,

$E$  is the dc supply voltage,

$I$  is the maximum output current of the supply in amperes,

$e$  is the rms voltage of the transformer secondary winding.

High-voltage transients can also be caused by series filter chokes subject to abrupt load changes. An RC suppressor network placed across the winding of the choke can absorb a portion of the energy released when the magnetic field of the choke collapses, thus preventing the current surge from destroying the diode stack (figure 25D). The approximate value of the transient capacitor is:

$$\text{Capacitance } (\mu\text{F}) = \frac{L \times I^2}{10 \times E^2}$$

where,

$L$  is the maximum choke inductance (henrys),

$I$  is the maximum current passing through the choke (amperes),

$E$  is the maximum dc supply voltage (kV)

The resistance in series with the capacitor should equal the load impedance placed across the supply.

## 23-7 Solid-State Supplies for SSB

Shown in figure 26 are three semiconductor power supplies. *Circuit A* provides 530 volts (balanced to ground) at 0.15 ampere. If the supply is isolated from ground by a 1:1 transformer of 250 watts capacity *point A* may be grounded and *point B* will provide half-voltage. *Circuit B* is a half-wave tripler that delivers 325 volts at 0.45 ampere. In this circuit, one side of the power

line is common to the negative side of the output. *Circuit C* is a 900-watt, 0.5 ampere supply composed of two voltage doublers supplied from a "distribution" transformer having dual 120/240-volt windings.

**Power Supply Rating for SSB Service** The *duty cycle* (ratio of duration of maximum power output to total "on" time) of a power supply in SSB and c-w service is much smaller than that of a supply used for a-m equipment. While the power supply must be capable of supplying peak power equal to the PEP input of the SSB equipment for a short duration, the average power demanded by SSB voice gear over a period of time usually runs about one-half or less of the PEP requirement. Then, too, the intervals between words in SSB operation provide periods of low duty, just as the spaces in c-w transmission allow the power supply to

"rest" during a transmission. Generally speaking, the average power capability of a power supply designed for *intermittent voice service* (IVS) can be as low as 25 percent of the PEP level. C-w requirements run somewhat higher than this, the average c-w power level running close to 50 percent of the peak level for short transmissions. Relatively small power transformers of modest capability may be used for intermittent voice and c-w service at a worthwhile saving in weight and cost. The power capability of a transformer may be judged by its weight, as shown in the graph of figure 27. It must be remembered that the use of alc or voice compression in SSB service raises the duty, thus reducing the advantage of the IVS power rating. The IVS rating is difficult to apply to very small power transformers, since the dc resistance of the transformer windings tends to degrade the voltage regulation to a point where the IVS rating is meaningless. Intelligent use of the IVS rating

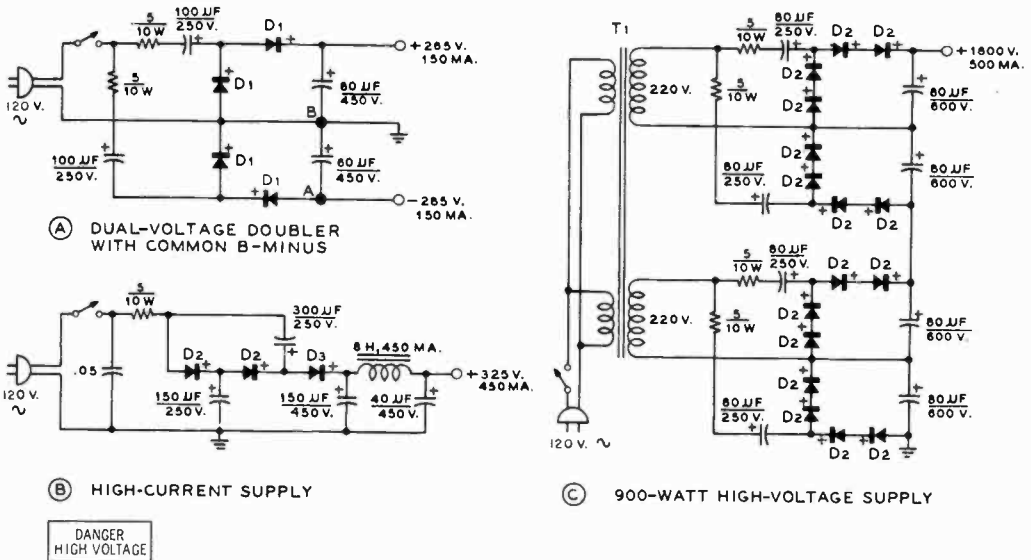


Figure 26

SEMICONDUCTOR POWER SUPPLIES

- A—Voltage-quadrupler circuit. If point "A" is taken as ground instead of point "B," supply will deliver 530 volts at 150 mA from 120-volt ac line. Supply is "hot" to line.
- B—Voltage tripler delivers 325 volts at 450 mA. Supply is "hot" to line.
- C—900-watt supply for sideband service may be made from two voltage quadruplers working in series from inexpensive "distribution-type" transformer. Supply features good dynamic voltage regulation.
- D<sub>1</sub>, D<sub>2</sub>, D<sub>3</sub>—1N4005. Use .01μF capacitor and 100K resistor across each diode.
- T<sub>1</sub>—Power distribution transformer, used backwards. 240/460 primary, 120/240 secondary, 0.75 KVA. Chicago PCB-24750.

in choosing a power transformer, stacked silicon rectifiers, and "computer" type electrolytic capacitors can permit the design and construction of inexpensive, lightweight high-voltage power supplies suitable for SSB and c-w service.

**The Design of IVS Power Supplies** The low duty of SSB and c-w modes can be used to advantage in the design of high-voltage power supplies for these services.

*The Power Transformer*—Relatively low-voltage transformers may be used in voltage-doubler service to provide a kilowatt or two of peak power at potentials ranging from one to three thousand volts. Most suitable power transformers are rated for com-

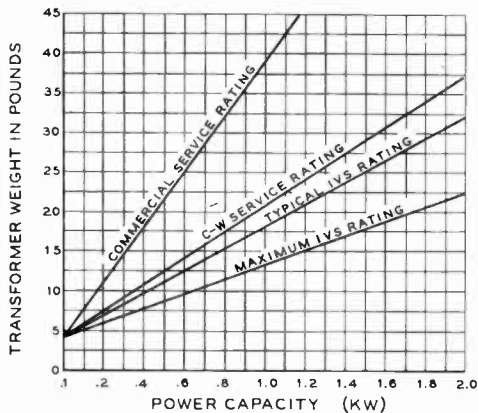


Figure 27

### INTERMITTENT VOICE SERVICE IN SSB PERMITS LARGE PEAK POWER TO BE DRAWN FROM POWER TRANSFORMER

Peak-to-average ratio of nearly four to one may be achieved with maximum IVS rating. Power capacity of transformer may be determined from weight.

mercial service and the IVS rating must be determined by experiment. Figure 27 shows a relationship between various services as determined by extensive tests performed on typical transformers. The data illustrates the relationship between transformer weight and power capability. Transformer weight excludes weight of the case and mounting fixtures. Thus, a plate transformer weighing about 17 pounds that is rated for 400

watts commercial or industrial service should have an 800-watt peak capacity for c-w service and a 950-watt peak capacity for intermittent SSB service. A transformer having a so-called "two-kilowatt PEP" rating for sideband may weigh as little as 22 pounds, according to this graph.

Not shown in the graph is the effect of amplifier idling (standby) current taken from the supply, or the effect of bleeder current. Both currents impose an extra, continuous drain on the power transformer and quickly degrade the IVS rating of the transformer. Accordingly, the IVS curves of figure 27 are limited to the bleeder current required by the equalizing resistors for a series capacitor filter and assume that the idling plate current of the amplifier is cut to only a few milliamperes by the use of a VOX-controlled cathode bias system. If the idling plate current of the amplifier assumes an appreciable fraction of the peak plate current, the power capability of the supply decreases to that given for c-w service.

Most small power transformers work reliably with the center tap of the secondary winding above ground potential. Some of the larger transformers, however, are designed to have the center tap grounded and lack sufficient insulation at this point to permit their use in either a bridge or voltage doubling configuration. The only way of determining if the center-tap insulation is sufficient is to use the transformer and see if the insulation breaks down at this point! It is wise to ground the frame of the transformer so that if breakdown occurs, the frame of the transformer does not assume the potential of the secondary winding and thus present a shock hazard to the operator.

*The Silicon Rectifier*—A bewildering variety of "TV-type" silicon rectifiers exists and new types are being added daily. Generally speaking, 600-volt PIV rectifiers, having an average rectified current rating of 1 ampere at an ambient temperature of 75°C with a maximum single-cycle surge-current rating of 15 amperes or better are suitable for use in the power supplies described in this section. Typical rectifiers are packaged in the *top-hat* configuration as well as the epoxy-encapsulated assembly and either type costs less than a dollar per unit. In addition, *potted* stacks utilizing controlled-avalanche rectifiers are available at a cost less than that of

building a complete RC stack of diodes. The silicon rectifier, if properly used, is rarely the limiting factor in the design of steady-state IVS power supplies, provided proper transient protection is incorporated in the supply.

*The Filter Capacitor*—Compact, "computer"-type aluminum-foil electrolytic capacitors combine high capacitance per unit of volume with moderate working voltage at a low price. Capacitors of this type can withstand short-interval voltage surges of 15 percent over their dc working voltage. In a stack, the capacitors should be protected by voltage-equalizing resistors, as shown in the power supplies in this section. The capacitors are sheathed in a Mylar jacket and may be mounted on the chassis or adjacent to each other without additional insulation between the units. The stack may be taped and mounted to a metal chassis with a metal clamp, as is done in some of the units described here.

*Inrush Current Protection* — When the power supply is first turned on, the filter capacitors are discharged and present a near short circuit to the power transformer and rectifier stack. The charging current of a high-capacitance stack may exceed the maximum peak-recurrent current rating of the rectifiers for several cycles, thus damaging the diodes. Charging current is

limited only by the series impedance of the power-supply circuit which consists mainly of the dc circuit resistance (primarily the resistance of the secondary winding of the power transformer) plus the leakage reactance of the transformer. Transformers having high secondary resistance and sufficient leakage reactance usually limit the inrush current so that additional inrush protection is unnecessary. This is not the case with larger transformers having low secondary resistance and low leakage reactance. To be on the safe side, in any case, it is good practice to limit inrush current to well within the capability of the diode stack. A current-limiting circuit is shown in figure 28 which can be added at little expense to any power supply. The current-limiting resistor ( $R$ ) is initially in the circuit when the power supply is turned on, but is shorted out by the relay  $RY$  after a sufficient time has elapsed to partially charge the filter capacitors of the power supply. The relay coil is in a simple time-delay circuit composed of  $R_1$ - $C_1$ . The delay may be adjusted by varying the capacitance value, and need only be about one-half second or so. Surplus 24-volt dc relays used in dynamotor starting circuits work well in this device, as they have large low-resistance contacts and reasonable coil resistance (250 ohms or so).

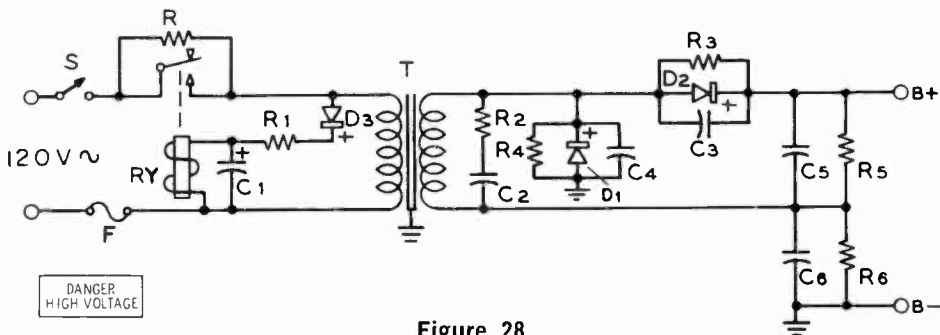


Figure 28

### INRUSH CURRENT PROTECTION FOR POWER SUPPLY

Charging current of capacitor filter may be limited by series impedance of the power supply. In voltage-doubler circuit shown here, primary resistor  $R$  limits inrush current to within the capability of the diodes. Limiting resistor is shorted out after sufficient time has elapsed to partially charge the filter capacitors. Delay time of 0.5 second is usually sufficient.  $R_1$ - $C_1$  combination determines time delay. Secondary surge suppression ( $R_2$ - $C_2$ ) is used, and shunt RC equalizing networks are employed across each diode stack. Filter capacitors ( $C_5$ ,  $C_6$ ) are "computer-grade" electrolytic capacitors in series with 10K, 10-watt wirewound resistor placed across each capacitor.

**Practical IVS Supplies** An IVS voltage-doubler power supply may be designed with the aid of figures 27 and 29. A typical doubler circuit, such as shown in figure 28 is to be used. The full-wave voltage doubler is preferred over the half-wave type, as the former charges the filter capacitors in parallel and discharges them in series to obtain a higher dc voltage than the peak voltage of the secondary winding of the power transformer. This saves transformer weight and expense.

Referring to figure 28, filter capacitors  $C_5$  and  $C_6$  are charged on alternate half cycles, but since the capacitors are in series across the load, the ripple frequency has twice the line frequency.

A second advantage of the full-wave doubler over the half-wave type is that the former tends to be self-protecting against

switching transients. One diode stack is always in a conducting mode, regardless of the polarity of a transient, and the transient is therefore discharged into the filter-capacitor stack.

The filter-capacitor stack is rated for the peak no-load voltage (plus a safety factor), while the diode rectifiers must be able to withstand twice the peak no-load voltage (plus a safety factor). Good engineering practice calls for the dc *working voltage of each portion* of the capacitor stack to be equal to the peak ac voltage of the power transformer ( $1.41 \times$  rms secondary voltage) plus 15 percent safety factor.

**The  $R'$  Factor**—The ac secondary voltage, secondary resistance, circuit reactance, and IVS capability of a transformer will determine its excellence in voltage-doubler service. The end effect of these parameters may be expressed by an empirical  $R'$  factor as shown in figure 29. As an example, assume a power transformer is at hand weighing 25 pounds, with a secondary winding of 840 volts (rms) and a dc secondary resistance of 8 ohms. The IVS rating of this transformer (from figure 27) is about 1.5 kW, PEP, or more. The appropriate dc no-load voltage of an IVS supply making use of this unit in voltage-doubler service, such as the circuit of figure 28, is:

$$E_{\text{NO LOAD}} = 2.81 \times e$$

where,

$e$  is the rms secondary voltage.

For this transformer, then, the no-load dc supply voltage is about 2360 volts. The full load voltage will be somewhat less than this value. For a maximum power capability of 1.5 kW, a full-load current of about 0.75 ampere is required if the full load dc voltage is in the vicinity of 2000. This is a realistic figure, so a "target" full-load voltage of 2000 is hopefully chosen.

The projected full-load voltage for a doubler-type supply may be determined with the aid of the  $R'$  factor and is calculated from:

$$E_{\text{LOAD}} = E_{\text{NO LOAD}} - R' (I \times R)$$

where,

$R'$  is determined from figure 29,  
 $I$  is the full current in amperes.

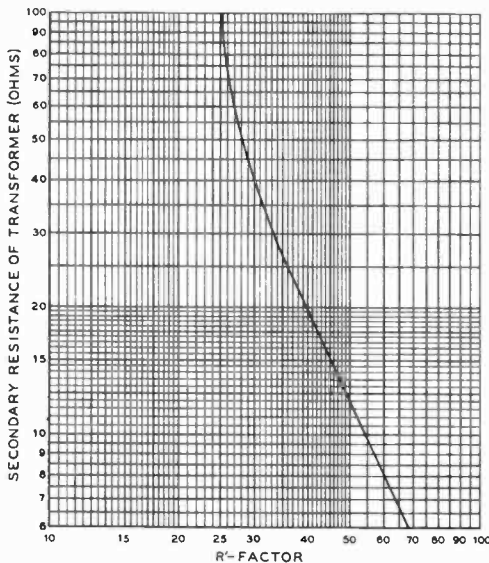


Figure 29

### R' FACTOR GRAPH FOR IVS POWER SUPPLIES

The full load dc voltage of an IVS-rated voltage-doubler power supply may be determined with the aid of this graph. The secondary resistance of the transformer is measured and the  $R'$  Factor is found. For example, a transformer having a secondary resistance of 20 ohms has an  $R'$  Factor of about 40. The factor is used in the formula to calculate the full load dc voltage of the power supply. For use with bridge circuits, the  $R'$  Factor derived here should be divided by 2.5 before being used in the formula.

$R$  is the secondary resistance of the transformer.

For this example,  $R'$  is about 60 for the secondary resistance of 8 ohms, and the full-load dc voltage of the supply is found to be just about 2000.

The peak rectified voltage across the complete filter-capacitor stack is equal to the no-load dc voltage and is 2360 volts. Six 450-volt "computer"-type 240- $\mu$ F electrolytic capacitors in series provide a 40- $\mu$ F effective capacitor, with a working voltage of 2700 (peak voltage rating of 3000), a sufficient margin for safety. Each capacitor is shunted with two 100K, 2-watt resistors in parallel.

The total PIV for the diode stack is twice the peak rectified voltage and is 4720 volts. A 100-percent safety factor is recommended for the complete stack, whose PIV should thus be about 9440 volts. The number of individual diodes in a suitable stack is:

$$\text{Number of diodes} = \frac{11.2 \times \text{rms voltage}}{\text{Diode PIV}}$$

For this example, 600-volt PIV rectifiers are chosen and 16 are required, eight in each half of the stack.

The charging current of the capacitor stack may be safely ignored if the power supply is energized through a series primary resistor ( $R$ ) such as shown in figure 28. One-ampere diodes having a single-cycle surge-current rating of 15 to 30 amperes are recommended for general use. The diffused silicon rectifiers (1N3195 and 1N4005, for example) have a single-cycle surge-current rating of 30 amperes.

**Capacitor Filters** Power supplies for SSB service whose current requirements have a large peak-to-average ratio often make use of capacitor filters (figure 30). This simple circuit eliminates the resonant transients that are often found in LC filter systems and, if the capacitance is sufficiently large, provides adequate voltage regulation. In the case of a 2-kW PEP supply (2500 volts at 0.8 ampere) the load resistance is 3100 ohms and the required capacitance for 5-percent regulation is 55  $\mu$ F. Dynamic regulation of this degree

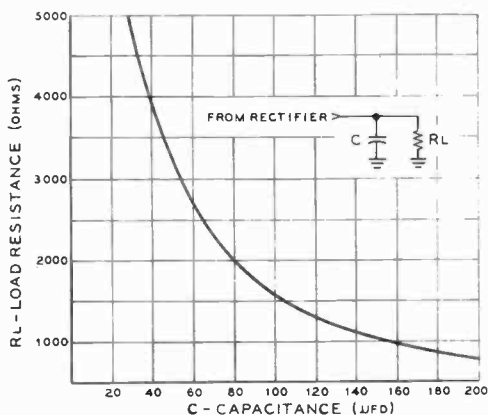


Figure 30

### CAPACITOR FILTER

Capacitor filter is often used for SSB linear-amplifier power supplies. For 5-percent regulation, chart shows capacitance required for various values of dc plate-load resistance.

is satisfactory for SSB and c-w service, as well as for amplitude modulation. As discussed earlier, the rectifier and power transformer must be protected from the inrush charging current of the filter capacitor.

## 23-8 A 1-Kilowatt IVS Power Supply

Shown in figures 31 and 32 is a typical 1-kilowatt IVS power supply designed from the above data. This supply is based on a 40-percent duty cycle and may be used for c-w service at 1-kilowatt level, or up to 1200 watts PEP or so for SSB service. The regulation of the supply is shown in the graph (figure 32), and the unit is capable of delivering 2300 volts at 0.5 ampere in IVS operation. The no-load voltage rises to 2750. The power supply is suitable for running a single 3-500Z at maximum rating, or it may be used for a pair of 8873 or 4CX250B tubes at the kilowatt level. A transformer having less secondary resistance and slightly less secondary voltage would provide improved voltage regulation. The 840-volt transformer having an 8-ohm secondary winding discussed earlier would be ideal in this application.

The power supply is constructed on a steel amplifier foundation chassis and dust



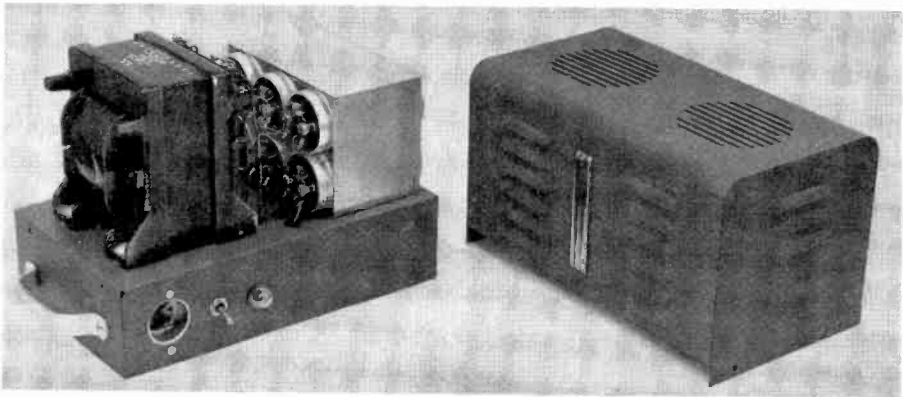


Figure 31

### COMPACT ONE-KILOWATT IVS SUPPLY FOR SSB AND C-W SERVICE

This power supply delivers 2250 volts at 500 mA for SSB operation and 2400 volts at 400 mA for c-w operation. The supply is constructed on a covered foundation unit measuring 12" X 7" X 9" high (Bud CA-1751). The electrolytic capacitors are held in position by a bracket cut from aluminum sheet. Primary power receptacle, power switch, and neon pilot light are on the front apron of the chassis, with primary fuse and Millen high-voltage connector on the rear apron. High-voltage diode stack is mounted beneath the chassis on a phenolic board.

cover. The diode stack is mounted on a perforated phenolic board under the chassis. The electrolytic capacitors are taped together and held in position atop the chassis by a clamp cut from an aluminum sheet. The interior of the clamp is lined with a piece of plastic material salvaged from a package of frozen vegetables. The voltage-equalizing resistors are wired across the terminals of the capacitors. Normally, it takes 10 seconds or so to fully discharge the filter capacitors when no external load is connected to the supply. It is recommended that the supply be discharged with a 1000-ohm, 100-watt resistor before any work is done on the unit. Power-supply components and all terminals should be well protected against accidental contact. The voltage delivered by this supply is lethal and the filter capacitors hold a considerable charge for a surprising length of time. This is the price one pays for an intermittent-duty design, and care should be exercised in the use of this equipment.

To reduce the standby current and power consumption, it is recommended that cathode bias be applied to the linear amplifier stage shown in various designs in this Hand-

book. During transmission, the cathode resistor may be shorted out by contacts of the VOX relay, restoring the stage to proper operation.

Using the alternative 1100-volt transformer, the supply delivers 2600 volts at a c-w rating of 380 mA. Peak IVS voice rating is 500 mA. (1.25 kW, PEP). No-load voltage is about 3100, and eight electrolytic capacitors are required in the stack instead of six.

### 23-9 A 2-Kilowatt PEP Supply for SSB

The power supply described in this section is designed for the maximum power rating for amateur service. It is capable of 1.2 kilowatts power for c-w (50 percent duty cycle) and 2 kilowatts IVS for SSB service. The supply is ideally suited for a grounded-grid amplifier using a single 3-1000Z, 4-1000A, or a pair of 3-500Z's. Regulation of the supply is shown in figure 33. A voltmeter is incorporated in the supply to

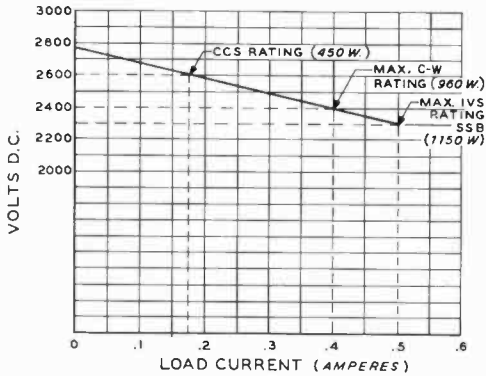


Figure 32

### REGULATION CURVE OF ONE KILOWATT IVS SUPPLY

The power supply uses the circuit of figure 28. Primary surge resistor ( $R_1$ ) is 5 ohms, 50 watts. Secondary surge-voltage resistor ( $R_2$ ) is 200 ohms, 10 watts. Surge capacitor ( $C_2$ ) is .02  $\mu$ F, 3 KV (Aerovox P89-M). Sixteen type 1N2071 (600-volt PIV) diodes are used in an assembly such as shown in figures 36 and 37. The diode shunt capacitors are .01- $\mu$ F, 600-volt ceramic discs, and the shunt resistors are 470K, 1/2-watt units. Six 450-volt (working), 240- $\mu$ F filter capacitors are used in series, each capacitor shunted with two 100K, 2-watt resistors in parallel. The time delay relay (RY) has a 24-volt dc coil with a resistance of about 280 ohms (Potter-Brumfield PR5-DY). Contacts are rated at 25 amperes. Delay time is about 0.5 second and is determined primarily by the time constant of  $R_1$ - $C_1$ . Suggested values are 800  $\mu$ F (50 working volts) for  $C_1$  and 600 ohms, 10 watts for  $R_1$ . Diode  $D_3$  may be a 1N2070. The power transformer shown is a surplus unit having a 120/240-volt primary and a 950-volt secondary. The transformer weight is 18 pounds and it has an IVS rating of 1.2 kW.

monitor the plate voltage at all times. The supply makes use of the circuit of figure 28. Twenty 600-volt PIV diodes are used in the rectifier stack to provide a total PIV of 12 kV, which allows an ample safety factor. Eight 240- $\mu$ F, 450-volt capacitors are used in the filter stack to provide 30- $\mu$ F effective capacitance at 3600 volts working voltage. The voltage across the "bottom" capacitor in the stack is monitored by a 0-to-1 dc milliammeter recalibrated 0 to 4 kV and which is used with a series multiplier to provide a 0 to 5000-volt full-scale indication. A 0-to-1 dc ammeter is placed in series with the negative lead to the high-voltage terminal strip.

The supply is built on a steel amplifier foundation chassis in the same style as the

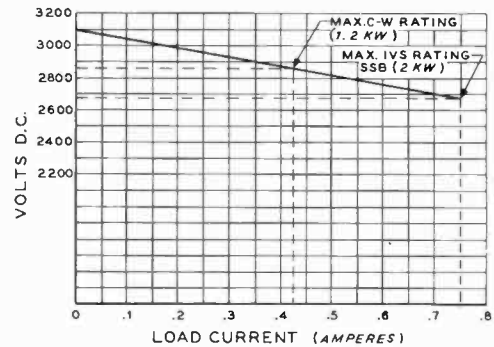


Figure 33

### REGULATION OF THE 2-kW SUPPLY

The power supply uses the circuit of figure 28. Surge components are as given, except that the surge capacitor ( $C_2$ ) has a rating of 5 kV. Twenty type-1N2071 (600-volt PIV) diodes are used in an assembly similar to that shown in figures 36 and 37. Eight 240  $\mu$ F, 450-working-volt (500-volt peak) capacitors are used to provide 30  $\mu$ F effective capacitance. Two 100K, 2-watt resistors are shunted across each capacitor. Time-delay circuit components are as suggested in figure 28. The transformer used has a 120/240 volt primary and an 1100-volt secondary, with an ICAS rating of 1.2 kW.

1-kW supply described previously. All safety precautions outlined earlier should be observed with this supply.

## 23-10 IVS Bridge-Rectifier Supplies

The bridge-rectifier circuit is somewhat more efficient than the full-wave circuit in that the former provides more direct current per unit of rms transformer current for a given load than does the full-wave circuit. Since there are two rectifiers in opposite arms of the bridge in the conducting mode when the ac voltage is at its peak value, the remaining two rectifiers are back-biased to the peak value of the ac voltage. Thus the bridge-rectifier circuit requires only half the PIV rating for the rectifiers as compared to a center-tap full-wave rectifier. The latter circuit applies the sum of the peak ac voltage plus the stored capacitor voltage to one rectifier arm in the maximum inverse-voltage condition.

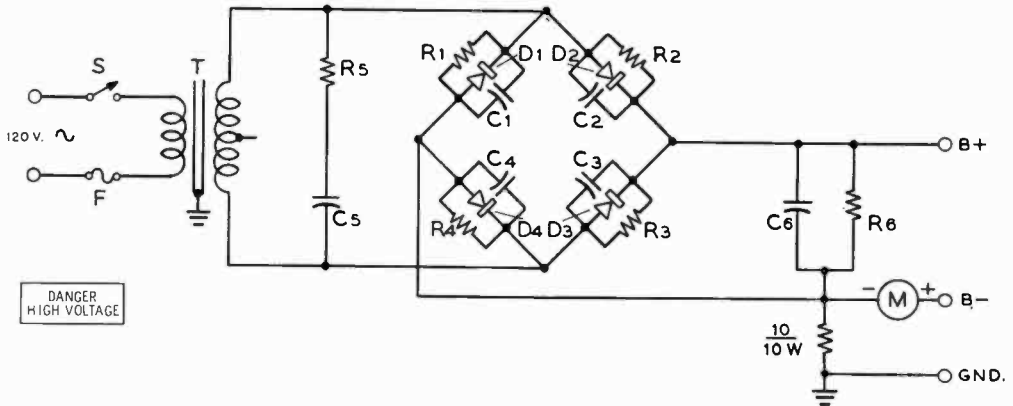


Figure 34

**SCHEMATIC OF 500-WATT IVS BRIDGE POWER SUPPLY**

Diode package (C<sub>1</sub>-D<sub>1</sub>-R<sub>1</sub>, etc.) is composed of six each: 1N2071 diode in parallel with .01 μF, 600-volt ceramic capacitor and a 470K, 1/2-watt resistor. Each bridge arm requires six packages, made as shown in figures 36 and 37. The secondary voltage-surge network (C<sub>5</sub>-R<sub>5</sub>) is a 100-ohm, 10-watt resistor in series with a .02 μF, 3 kV capacitor (Aerovox P89-M). The power transformer has a 1200-volt center tapped 200-ma rating. The filter stack uses four 120-μF, 450-volt electrolytic capacitors in series, with 10K, 10-watt resistors across each capacitor. Meter (M) is a 0-500 dc milliammeter. A 10-ampere fuse (F) is used. Transformer core is grounded as a safety measure.

**A 500-Watt IVS Bridge Power Supply** Shown in figure 34 is a 500-watt bridge power supply designed around an inexpensive "TV-replacement" type power transformer. The secondary winding is 1200 volts center-tapped at a current

For c-w use, the current rating is 225 mA at 1400 volts (about 300 watts). Maximum PIV is nearly 1700 volts so each arm of the bridge must withstand this value. Allowing a 100-percent safety factor requires 3400 volts PIV per arm, which may be made up of six 600-volt PIV diodes in series with an appropriate RC network across each diode. The diode assembly is constructed on two phenolic boards, one of which is shown in figures 36 and 37. A total of 24 rectifiers are required. Four 120-μF, 450-volt electrolytic capacitors in series provide 30 μF at a working voltage of 1800. The negative of the supply is above ground by virtue of the 10-ohm, 10-watt resistor which permits plate-current metering in the negative power lead while the supply and amplifier remain at the same ground potential.

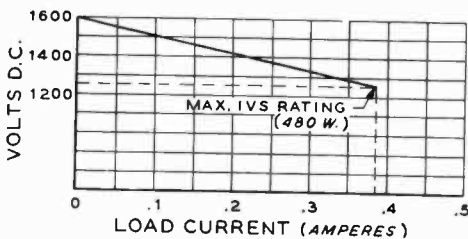


Figure 35

**VOLTAGE-REGULATION CURVE OF 500-WATT BRIDGE POWER SUPPLY**

rating of 200 mA. The weight of the transformer is 8 pounds, and the maximum IVS rating is about 500 watts or so. Secondary resistance is 100 ohms. Used in bridge service, the transformer makes practical an inexpensive power supply providing about 1250 volts at an IVS peak current rating of 380 mA. The no-load voltage is about 1600.

This supply is designed for use with two 811A's in grounded-grid service. The tubes are biased to plate-current cutoff in standby mode by a cathode resistor which is shorted out by contacts on the push-to-talk or VOX circuitry. The power supply is built in an inclosed amplifier cabinet, similar to the one shown in figure 31. The B-plus lead is made of a length of RG-8/U coaxial cable, used in conjunction with a high-voltage coaxial connector.

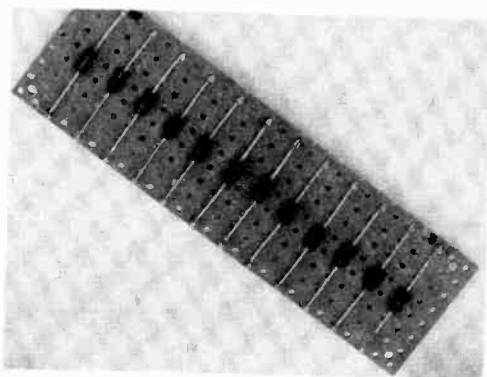


Figure 36

### ASSEMBLY OF HIGH-VOLTAGE DIODE STACK

Inexpensive "TV-type" diodes may be connected in series to provide a high value of peak-inverse voltage. Shown here are twelve type-1N2071 diodes mounted on a Vectorbord (64AA32 cut to size). The diodes are soldered to Vector terminals (T9.6) mounted in the pre-punched holes in the phenolic board. A pair of long-nose pliers should be used as a heat sink when soldering the diode leads. Grasp the diode lead between the diode body and the joint, permitting the pliers to absorb the soldering heat.

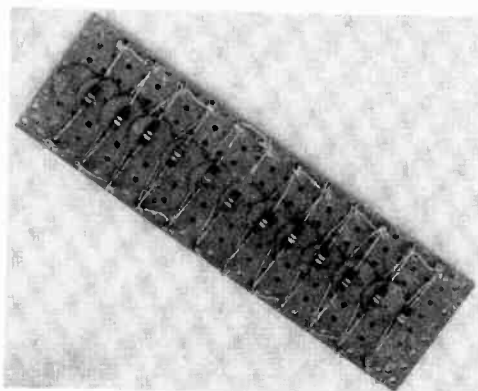


Figure 37

### REAR VIEW OF HIGH-VOLTAGE DIODE STACK

The shunt capacitors and resistors are mounted on the rear of the phenolic board. Each diode-resistor-capacitor package has an individual pair of mounting terminals, which are jumpered together to connect the diodes in series. This arrangement provides greatest available heat sink for the components. The assembly is mounted an inch or so away from the chassis by means of 4-40 machine screws and ceramic insulators placed in corners of the board.

## 23-11 A Heavy-Duty Primary Supply

This husky power supply provides a nominal 12 volts dc at a maximum continuous current of 10 amperes. It is useful as a shop supply to test mobile gear, as a battery charger, and as a general-purpose low-voltage power pack. The supply is unregulated and depends solely on the single-section filter for ripple reduction. Regulation is quite good at a current drain over one ampere, as seen in figure 38. The output voltage is controlled by the primary *powerstat*. To alert the user to the unloaded supply voltage (which may rise as high as 30 volts when the primary voltage is high) a meter protection and "alert" circuit is added. The red lamp is lit when more than 20 volts is present at the output terminals of the supply. Below 20 volts, the zener diode is nonconducting. Above 20 volts, the 10-volt zener conducts and the current through it turns the NPN transistor on and lights the warning indicator.

## 23-12 Regulated Power Supplies

Zener diodes or *voltage-regulator tubes* are commonly used to regulate power supplies to discrete voltages. Electronic voltage regulators have been developed that will handle higher voltage and current variations than the tube and diode devices are capable of handling. The electronic circuits, moreover, may be varied over a wide range of output voltage.

Electronic voltage regulators, in the main, are based on feedback circuits, such as discussed in Chapter 8, Section 7 whereby an error signal is passed through the feedback loop in such a manner as to cause an adjustment to reduce the value of the error signal.

Special integrated circuits have been developed for voltage-regulator service such as the LM300 and the  $\mu A-723$ . The IC regulator provides the gain required for the feedback loop and an auxiliary power transistor passes the major portion of the regular current. The  $\mu A-723$  and the improved LM305

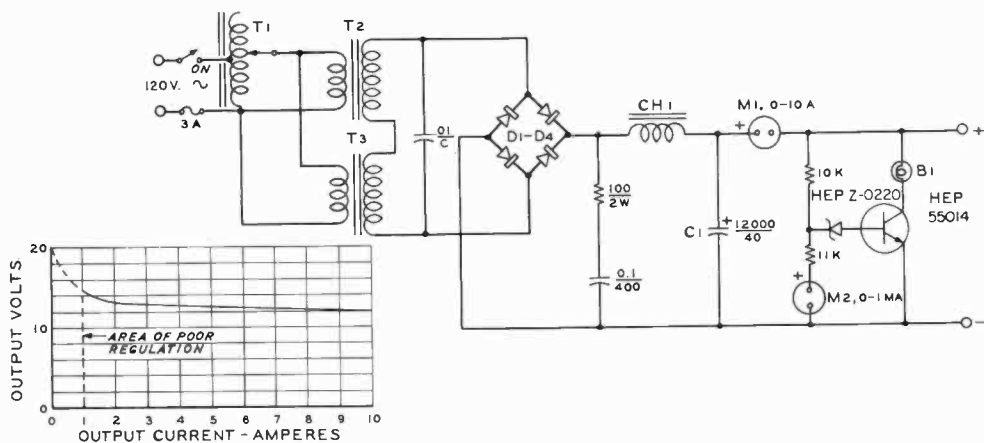


Figure 38

12-VOLT, 10-AMPERE GENERAL PURPOSE PRIMARY SUPPLY

- B<sub>1</sub>—1 amp, 28 volts. Chicago #327
- C<sub>1</sub>—12,000  $\mu$ F, 40 volts. Sprague 123G040BC
- CH<sub>1</sub>—0.3 Henry, 10-ampere. Triad C-49U
- D<sub>1</sub>, D<sub>4</sub>—Two 1N3209 and two 1N3209R. Use two

- Thermalloy heatsinks, 6500B-2
- T<sub>1</sub>—Powerstat, 200 watts, Superior 10B
- T<sub>2</sub>, T<sub>3</sub>—11 volts, 10 amperes. Stancor P-3020
- Meters: Weston model 301

are shown as series positive regulators with built-in current limiting in figure 40A-B. A negative regulator using an LM304 is shown in figure 40C.

A positive regulator circuit capable of handling several hundred milliamperes (if properly heat-sinked) is shown in figure 41. No external pass transistor is required. This IC regulator is designed for floating regulation and can be powered by a small secondary 25-volt supply that "floats," such as shown in figure 42. In this configuration, the IC never has the main supply voltage across it and the only semiconductor that must stand-off the main supply voltage is the series pass transistor (usually a Darlington Pair). In this manner, the MC1466 may be used to regulate any voltage, high or low, and it also allows the output voltage to be varied from zero to maximum.

**Three Terminal IC Regulators** A number of three-terminal IC regulators having fixed output voltages for the more commonly used circuit supply busses are available. The National LM-309 was the first of these, providing +5 volts at up to 1A dc for DTL and TTL logic IC supplies. More recently, both *National Semiconductor* and *Fairchild Semiconductor*

have expanded the range of output voltages available in their LM-340 and  $\mu$ A-7800 families. In addition, *negative output* three-terminal regulators are available in the LM-320 and  $\mu$ A-7900 series. The total ensemble of three-terminal regulators is shown in

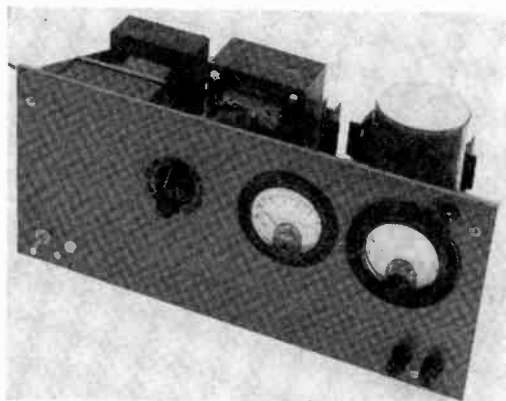


Figure 39

PRIMARY POWER SUPPLY

Handy to test mobile equipment, charge batteries or run surplus equipment, this supply provides 12 volts at 10 amperes with good regulation. Over-voltage lamp for meter protection is included.

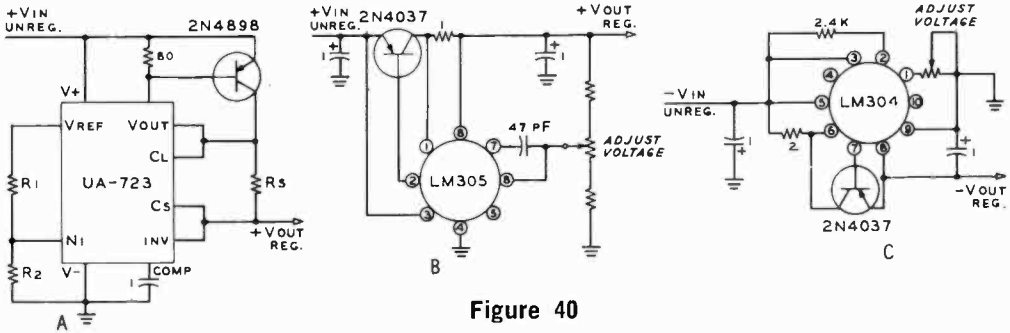


Figure 40

IC REGULATED POWER SUPPLIES

A— $\mu$ A-723 integrated circuit provides gain for feedback loop to 2N4898 pass transistor for series positive regulator. B—LM305 and 2N4037 provides simple adjustable positive voltage regulator. C—LM304 and 2N4037 serve as adjustable negative voltage regulator.

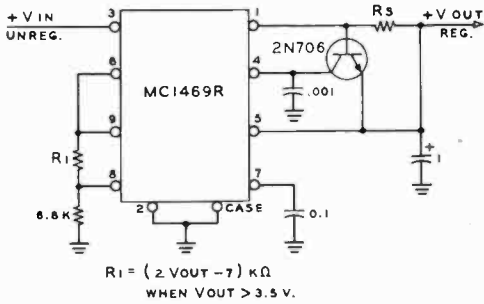


Figure 41

MEDIUM CURRENT IC REGULATOR FOR POSITIVE VOLTAGE

Heat sinked MC1469 provides regulated current for voltages above 3.5 volts. No external pass transistor is required.

Tables 1 through 6. The circuitry for these regulators is shown in figure 43. Note that the case of all the *positive* regulators is normally grounded for both heat sink and common electrical connection, but is never electrically grounded with the negative regulators.

Another essential requirement for stability when using these devices is that an input capacitor must be used on the positive regulators and both an input and output capacitor are required on the negative regulators. These capacitors serve much the same function as does the compensating capacitor on some operational amplifiers. The input capacitor requirement can be waived if the filter capacitor of the rectifier that provides unregulated dc to the three termi-

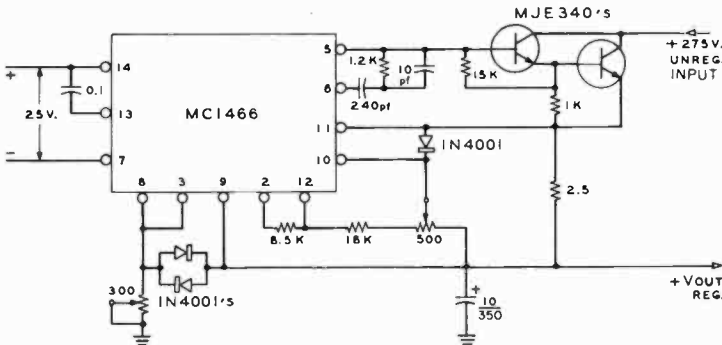


Figure 42

"FLOATING" IC REGULATOR

High-voltage IC regulator uses "floating" 25-volt supply. Series-pass transistors stand-off the main supply voltage. This circuit also allows the output voltage to be varied from zero to maximum value.

**TABLE 1.**  
**Positive Three-terminal Regulators**

Manufacturer	2.6 v	5 v	6 v	8 v	10 v	12 v	15 v	18 v	20 v	24 v	28 v
FAIRCHILD	---	$\mu$ A 7805	$\mu$ A 7806	$\mu$ A 7808	---	$\mu$ A 7812	$\mu$ A 7815	$\mu$ A 7818	---	$\mu$ A 7824	---
	---	LAS 1505	LAS 1506	LAS 1508	LAS 1510	LAS 1512	LAS 1515	LAS 1518	LAS 1520	LAS 1524	LAS 1528
MOTOROLA	---	MC 7805	MC 7806	MC 7808	---	MC 7812	MC 7815	MC 7818	MC 7820	MC 7824	---
	---	C 6110P	C 6111P	C 6112P	---	C 6113P	C 6114P	C 6115P	---	C 6116P	---
NATIONAL	---	LM 340-5	LM 340-6	LM 340-8	---	LM 340-12	LM 340-15	LM 340-18	---	LM 340-24	---
	---	LM 7805	LM 7806	LM 7808	---	LM 7812	LM 7815	LM 7818	---	LM 7824	---
RAYTHEON	---	RC 7805	RC 7806	RC 7808	---	RC 7812	RC 7815	RC 7818	---	RC 7824	---
	---	$\mu$ A 7805	$\mu$ A 7806	$\mu$ A 7808	---	$\mu$ A 7812	$\mu$ A 7815	$\mu$ A 7818	---	$\mu$ A 7824	---
SILICON GENERAL	---	SG 7805	SG 7806	SG 7808	---	SG 7812	SG 7815	SG 7818	---	SG 7824	---

**TABLE 2.**  
**Medium Current, Positive, Three-terminal Regulators**

Manufacturer	2.6 v	5 v	6 v	8 v	10 v	12 v	15 v	18 v	20 v	24 v	28 v
FAIRCHILD	---	$\mu\text{A}$ 78M05	$\mu\text{A}$ 78M06	$\mu\text{A}$ 78M08	---	$\mu\text{A}$ 78M12	$\mu\text{A}$ 78M15	---	$\mu\text{A}$ 78M20	$\mu\text{A}$ 78M24	---
MOTOROLA	---	MC 78M05	MC 78M06	MC 78M08	---	MC 78M12	MC 78M15	MC 78M18	MC 78M20	MC 78M24	---
NATIONAL	---	LM 341-5	LM 341-6	LM 341-8	---	LM 341-12	LM 341-15	LM 341-18	---	LM 341-24	---
SIGNETICS	---	$\mu\text{A}$ 78M05	$\mu\text{A}$ 78M06	$\mu\text{A}$ 78M08	---	$\mu\text{A}$ 78M12	$\mu\text{A}$ 78M15	$\mu\text{A}$ 78M18	$\mu\text{A}$ 78M20	$\mu\text{A}$ 78M24	---
MOTOROLA	---	MC 7705	MC 7706	MC 7708	---	MC 7712	MC 7715	MC 7718	MC 7720	MC 7724	---
TELEDYNE	---	78M05	78M06	78M08	---	78M12	78M15	---	78M20	78M24	---

**TABLE 3.**  
**Low Current, Positive, Three-terminal Regulator**

Manufacturer	2.6 v	5 v	6 v	8 v	10 v	12 v	15 v	18 v	20 v	24 v	28 v
TELEDYNE	---	---	---	---	---	829	830	---	---	---	---
FAIRCHILD	$\mu\text{A}$ 78L026	$\mu\text{A}$ 78L05	$\mu\text{A}$ 78L062	$\mu\text{A}$ 78L82	---	$\mu\text{A}$ 78L12	$\mu\text{A}$ 78L15	---	---	---	---
MOTOROLA	---	MC 78L05	---	MC 78L08	---	MC 78L12	MC 78L15	MC 78L18	---	MC 78L24	---
NATIONAL	---	LM 342-5	LM 342-6	LM 342-8	LM 342-10	LM 342-12	LM 342-15	LM 342-18	---	LM 342-24	---
NATIONAL	---	LM 3910-5	LM 3910-6	LM 3910-8	LM 3910-10	LM 3910-12	LM 3910-15	LM 3910-18	---	LM 3910-24	---
NATIONAL	---	LM 78L05	---	LM 78L08	---	LM 78L12	LM 78L15	LM 78L18	---	LM 78L24	---
SIGNETICS	$\mu\text{A}$ 78L02	$\mu\text{A}$ 78L05	$\mu\text{A}$ 78L06	---	---	$\mu\text{A}$ 78L12	$\mu\text{A}$ 78L15	---	---	---	---
PLESSEY	---	SL 78L05	SL 78L06	SL 78L08	---	SL 78L12	SL 78L15	SL 78L18	SL 78L20	SL 78L24	---



**TABLE 4.**  
**Negative Three-terminal Regulators**

Manufacturer	-2.0 v	-5.0 v	-5.2 v	-6 v	-8 v	-12 v	-15 v	-18 v	-24 v
FAIRCHILD	---	$\mu$ A 7905	---	$\mu$ A 7906	$\mu$ A 7908	$\mu$ A 7912	$\mu$ A 7915	$\mu$ A 7918	$\mu$ A 7924
MOTOROLA	MC 7902	MC 7905	MC 7905.2	MC 7906	MC 7908	MC 7912	MC 7915	MC 7918	MC 7924
MOTOROLA (HEP)	C 6117P	C 6118P	C 6119P	C 6120P	C 6121P	C 6122P	C 6123P	C 6124P	C 6125P
NATIONAL	---	LM 320-5	LM 320-5.2	LM 320-6	---	LM 320-12	LM 320-15	LM 320-18	LM 320-24
SILICON GENERAL	---	SG 320-5	SG 320-5.2	---	---	SG 320-12	SG 320-15	---	---

**TABLE 5.**  
**Negative Three-terminal Regulators, Medium Current**

Manufacturer	-3 v	-5 v	-5.2 v	-6 v	-8 v	-12 v	-15 v	-18 v	-20 v	-24 v
FAIRCHILD	---	$\mu$ A 79M05	---	$\mu$ A 79M06	$\mu$ A 79M08	$\mu$ A 79M12	79M15	---	$\mu$ A 79M20	MA 79M24

**TABLE 6.**  
**Negative Three-terminal Regulators, Low Current**

Manufacturer	-3 v	-5 v	-5.2 v	-6 v	-8 v	-12 v	-15 v	-18 v	-20 v	-24 v
MOTOROLA	MC 79L03	MC 79L05	---	---	---	MC 79L12	MC 79L15	MC 79L18	---	MC 79L24

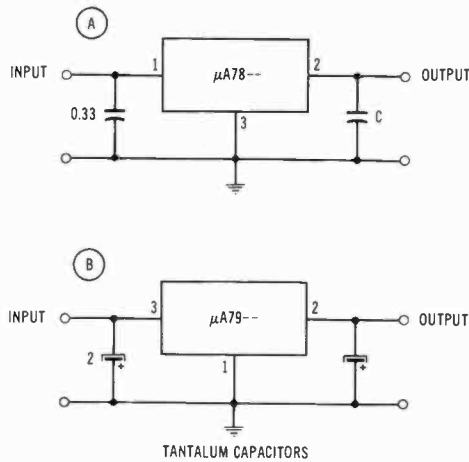


Figure 43

REPRESENTATIVE THREE-TERMINAL REGULATORS

- A—Positive Regulator. Although no output capacitor is (C) required for stability, it improves transient response.
- B—Negative Regulator. Bypass capacitors should be ceramic or solid tantalum which have good high-frequency response characteristics. If electrolytics are used, their values should be 10 μF, or larger. Bypass capacitors should be mounted with short leads, directly across regulator terminals.

nal regulator is closer than two inches (wire length) from the regulator input pin.

For greater flexibility, variable output three-and four-terminal regulators are available. The Fairchild μA-78MG and μA-79MG are positive and negative regulators capable of carrying or regulating current up to about 500 mA. The larger versions, capable of about 1A current are the μA-78G and the μA-79G respectively.

In addition, the National adjustable regulators LM-317 (positive) and LM-337 (negative) are capable of regulating current up to about 1.5A. A larger regulator, the LM-350, is rated up to 3A. The application of these devices is shown in figure 44.

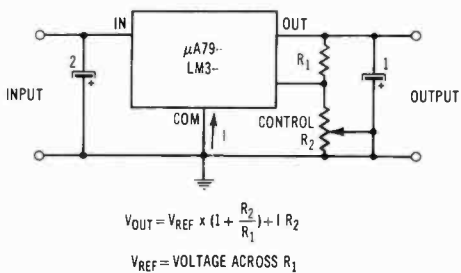
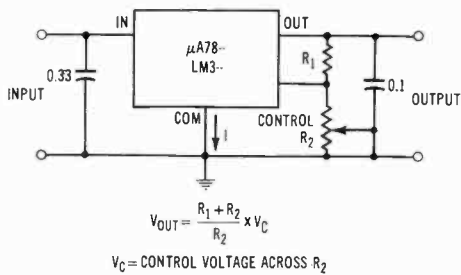


Figure 44

ADJUSTABLE THREE-TERMINAL REGULATORS

**Voltage-Regulator Tubes**

A voltage-regulator tube (VR tube) is a gaseous device which maintains a constant voltage across its electrodes under conditions of varying supply current. A number of tube types are available which stabilize the voltage across their terminals at 75, 90, 105, or 150 volts. The regulator tube is connected in series with a current-limiting resistor of such value that will permit the regulator tube to draw from 8 to 40 mA

under normal operating conditions. The tube must be supplied from a potential source that is higher than the starting, or ignition voltage of the tube (figure 45). Regulator-tube currents greater than 40 mA will shorten the life of the tube and currents lower than 5 mA or so will result in unstable regulation. A voltage excess of about 15 percent is required to ignite the tube and this is usually taken care of by the no-load voltage rise of the source supply.

The value of the limiting resistor must permit minimum tube current to flow, and at the same time allow maximum regulator-tube current to flow under conditions of no load current, as shown in the illustration.

**The Vacuum-Tube Regulator** Voltage regulation may be accomplished by the use of *series control tube* and a voltage sensing and comparison circuit, as shown in figure 46. The series tube must be capable of dissipating power represented by the difference between the input voltage from the supply and the output voltage from the regulator at the maximum current flow to the load. In many cases, tubes are operated in parallel to obtain the required plate dissipation. The output voltage of the electronically regulated supply may be changed over a wide range by varying the grid voltage of the dc amplifier

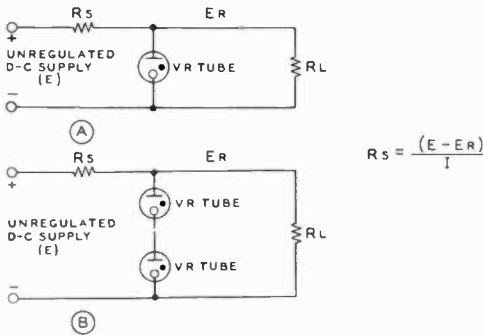


Figure 45

**VOLTAGE-REGULATOR TUBE CIRCUITS**

- A—Single regulator tube stabilizes voltage at discrete intervals between 90 and 150 volts.
- B—Series-connected tubes offer stabilization up to 300 volts. Series resistor ( $R_s$ ) is a function of supply voltage ( $E$ ) and regulated voltage ( $E_R$ ).

tube. The reference voltage may be supplied from a battery or voltage-regulator tube.

The dc amplifier compares the output voltage to that of the reference source. When the output voltage drops, the dc amplifier is unbalanced and the tube draws less plate current, thus raising the grid voltage on the series-connected control tube. The voltage drop through the control tube becomes less and the output voltage from the supply is raised, compensating for the original voltage reduction.

Practical electronic regulated supplies usually employ pentode tubes in the dc amplifier for higher amplifier gain and low- $\mu$  triode series control tubes for better control of regulation, providing regulation of the order of plus or minus 1 percent or so.

**Three Regulated Supplies** Shown in this section are three small, inexpensive regulated power supplies designed by W6GXX that are useful for work with solid-state equipment. The first low-voltage supply (figure 47) provides regulated 9 volts and may be used to power the whole gamut of little transistorized consumer electronic devices normally pow-

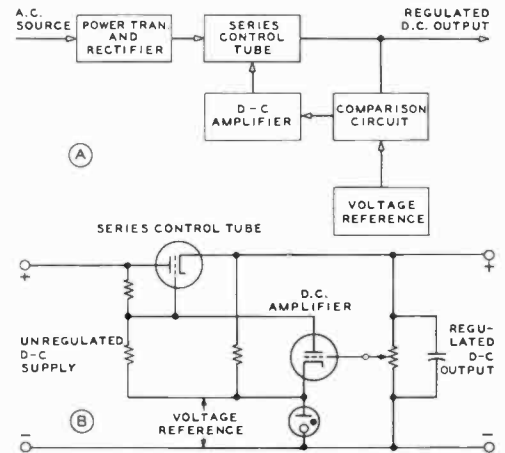


Figure 46

**SERIES-REGULATED DC POWER SUPPLY**

Dc amplifier compares the output voltage of power supply to a voltage reference source. Voltage drop through series control tube is adjusted to balance circuit, providing voltage regulation of 1% or better.

ered by batteries as well as some specialized f-m and vhf receivers operating in this power range. The supply provides a nominal 9 volts, regulated to 0.2 volt up to approximately 300 mA current drain.

A compact 5-volt, 1-ampere regulated supply suitable for operating digital IC circuits is shown in figure 48. Since DTL (diode-transistor-logic) and TTL (transistor-transistor-logic) both operate from +5 volts and represents the most popular two of the various IC logic families, this supply should take care of powering most digital systems. The supply includes current limiting at 1 ampere. The Fairchild  $\mu A-7805$  regulator is the heart of the supply and yields more "regulation per dollar" than almost any discrete circuit that can be built. The current-limit point is about 1 ampere.

For powering a wide variety of linear ICs, especially operational amplifiers, the supply of figure 49 provides plus and minus 15 volts at 300 mA. A dual regulator IC is used. Current limiting is provided for each of the two outputs. The two 2-ohm series resistors in the circuit are the controlling elements for current limiting, which is set at 300 mA because of the current capability of the particular transformer used. Note the use of the IC silicon bridge rectifier as a plus-and-minus full-wave rectifier. The center tap of the transformer is used, unlike the ordinary bridge connection.

In both the 5-volt and the plus-and-minus 15-volt regulated supplies the voltage output is constant until the current-limit point is reached, then the voltage value decreases abruptly.

**A Variable-Voltage Supply With Current Limiting**

Although the simpler supplies described in the previous section are very useful for the specific

voltage requirements most often encountered, it is helpful to have a continuously variable power supply for experimental purposes. Shown in figure 50 is a "bench supply" which provides 0 to 20 volts with current limiting up to 200 mA. The small size of the supply makes it convenient to use even if the builder has only a tiny corner of his operating desk on which to make experimental gear.

The supply is designed around the MC-1466L regulator IC which operates from a "floating" 25-volt source to control another supply of arbitrary voltage. This concept is especially useful where the supply covers the range down to zero volts. A small dual-winding transformer that mounts on a printed-circuit board is used (figure 51).

Switch  $S_{2A}$  places a 39-ohm resistor in series with the pass transistor,  $Q_1$ , which limits the collector dissipation of the device when operating at low voltage and high current. The other section of the switch selects the correct multiplier for the voltmeter to provide either 10 or 20 volts full scale. The switch should be set to the lower voltage when the supply is used below a 10-volt output level.

The supply is placed within a 4"  $\times$  4"  $\times$  4" aluminum utility box chassis. The Darlington Pair pass transistor ( $Q_1$ ) is heat-sunk to the front panel of the box with a mica washer and a nylon 4-40 screw, while the fuse holder and ac power switch are on

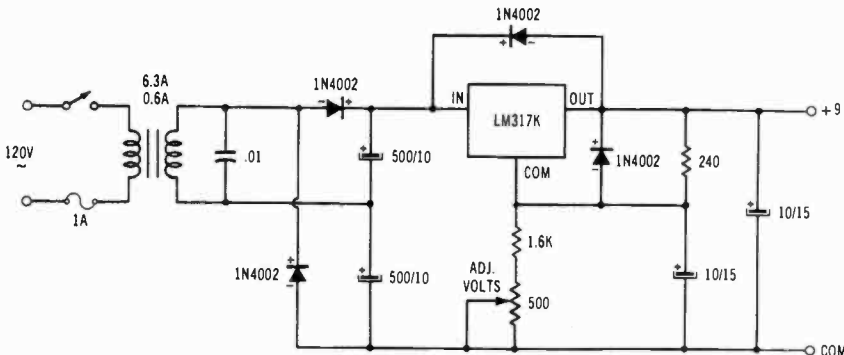


Figure 47

**REGULATED NINE-VOLT POWER SUPPLY**

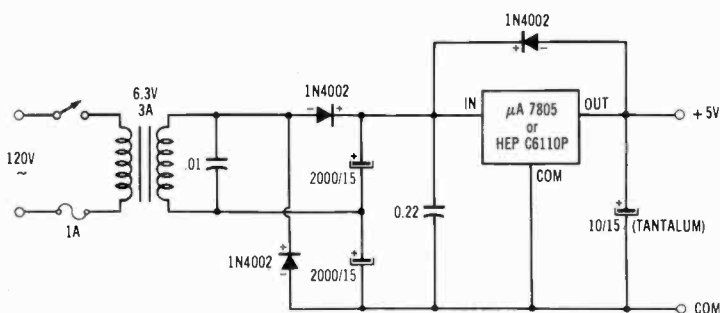


Figure 48

## REGULATED NINE-VOLT POWER SUPPLY

Output capacitor should be tantalum.

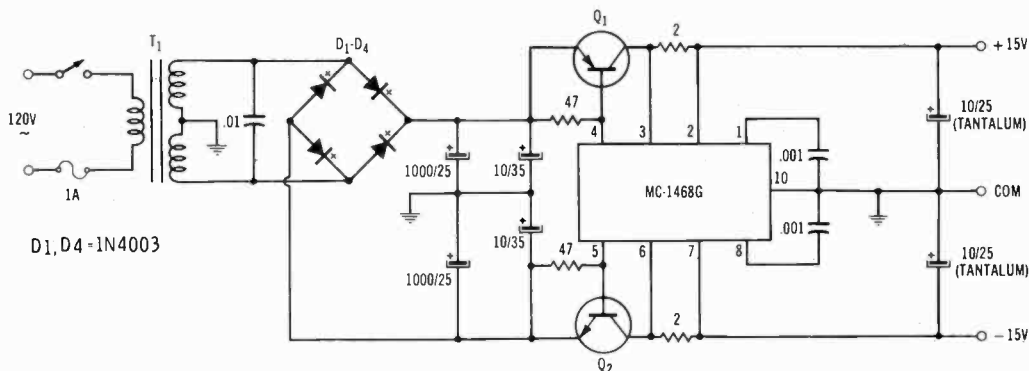


Figure 49

## DUAL REGULATED FIFTEEN-VOLT SUPPLY

Transistors  $Q_1$  and  $Q_2$  are heat-sinked with insulating washer and silicone grease. Output capacitors should be tantalum.

the rear of the box to keep their field away from the high-gain circuitry at the front of the assembly (figure 52).

**A "Mobile" Power Supply** This compact, regulated power supply provides 13.8 volts at 2 amperes and is designed to be used with 10-watt, 2- and 6-meter f-m transceivers, auto radios, and other dc powered devices in the 20-watt primary power range (figure 53).

The Fairchild  $\mu A-78CB$  fixed regulator is used in exactly the service for which it was intended: a regulator to provide auto elec-

trical system voltages for home operation of mobile equipment. The supply is constructed upon a 6"  $\times$  6"  $\times$  2" chassis.

**A Medium-Voltage Regulated Supply (150 to 250 volts)**

A stable, voltage-regulated power supply is a useful adjunct to the experimenters workshop for use with receivers, test equipment, and other devices requiring controlled voltage. Shown in figure 54 is a small power supply that is well suited to this task. The unit delivers 250 volts at 60 mA and may be controlled down to 150 volts, at which point

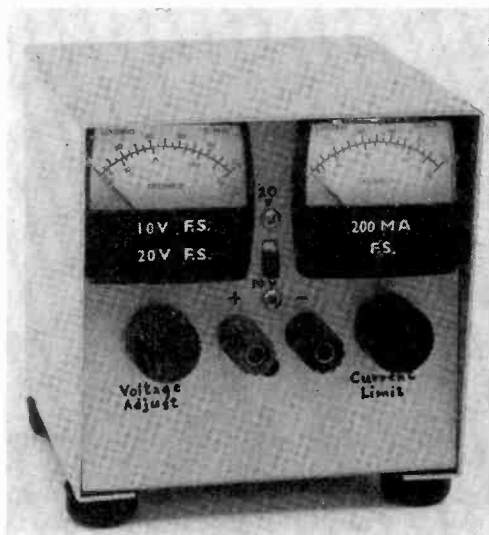


Figure 50

**COMPACT 20-VOLT REGULATED SUPPLY FOR LABORATORY WORK**

The supply provides 0 to 20 volts at 200 milliamperes with current limiting. Meter range may be switched between 10 and 20 volts full scale. A "floating" regulator circuit is used to allow the range to be extended down to zero volts.

the maximum current is limited to 40 mA. A single 6JZ8 *Compactron* tube serves as a series regulator and dc amplifier. A small NE-2 neon lamp connected in the cathode

circuit of the triode section of the 6JZ8 provides reference voltage and may be used as a pilot light.

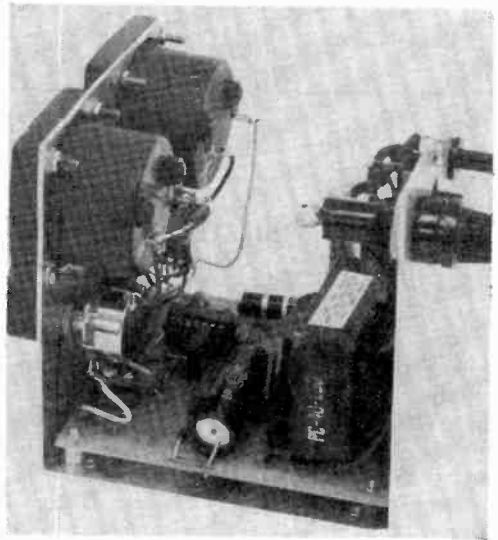


Figure 52

**INTERIOR OF VARIABLE-VOLTAGE SUPPLY**

Small components are mounted on printed circuit board. Darlington Pair transistor Q<sub>1</sub> is heat-sinked to front panel with a mica washer and nylon screw.

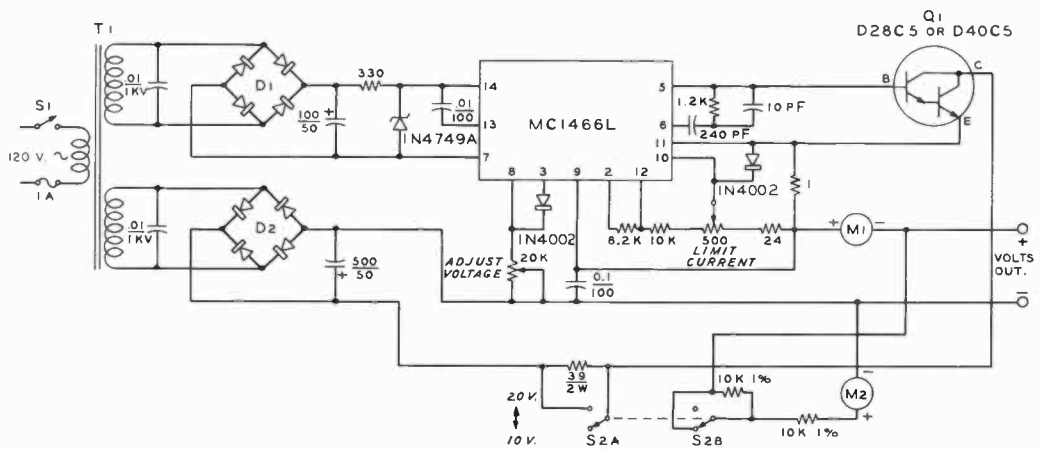


Figure 51

**VARIABLE-VOLTAGE SUPPLY WITH CURRENT LIMITING**

D<sub>1</sub>, D<sub>2</sub>—HEP 176. T<sub>1</sub>—29, 20 volts, 250 milliamperes. Signal PC-40-250. Box chassis—LMB 444N.



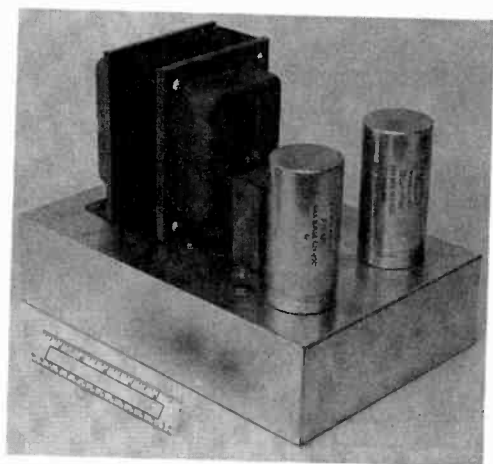


Figure 55

**600-WATT IVS POWER SUPPLY FOR SSB TRANSCEIVERS**

Special transceiver power supply provides heavy-duty capacity to run largest of SSB transceivers. Power transformer and filter choke are to the left, with bias-adjustment potentiometer in foreground. Multiwire cable connects supply to transceiver.

critical. The rectifier bridge is assembled on a phenolic board, and mounted below the chassis in a clear area. The filter capacitors are mounted to a phenolic board, their terminals protruding into the under-chassis area.

All voltage connections are terminated on a connector strip, and a single power cable may be run from the power supply to the transceiver. The leads carrying the filament voltage should be doubled up, using two wires for each lead to reduce voltage drop within the cable to a minimum. The 6.3-volt filament windings of the transformer may be arranged in either series or parallel configuration, according to the requirements of the transceiver.

Complete filter-capacitor discharge takes about 10 seconds once the supply is turned off, and it is recommended that the capacitor stack be shorted with a 1000-ohm 100-watt resistor before any work is done on the supply.

An inexpensive utility power supply may be constructed about a "TV replacement" transformer, using auxiliary transformers,

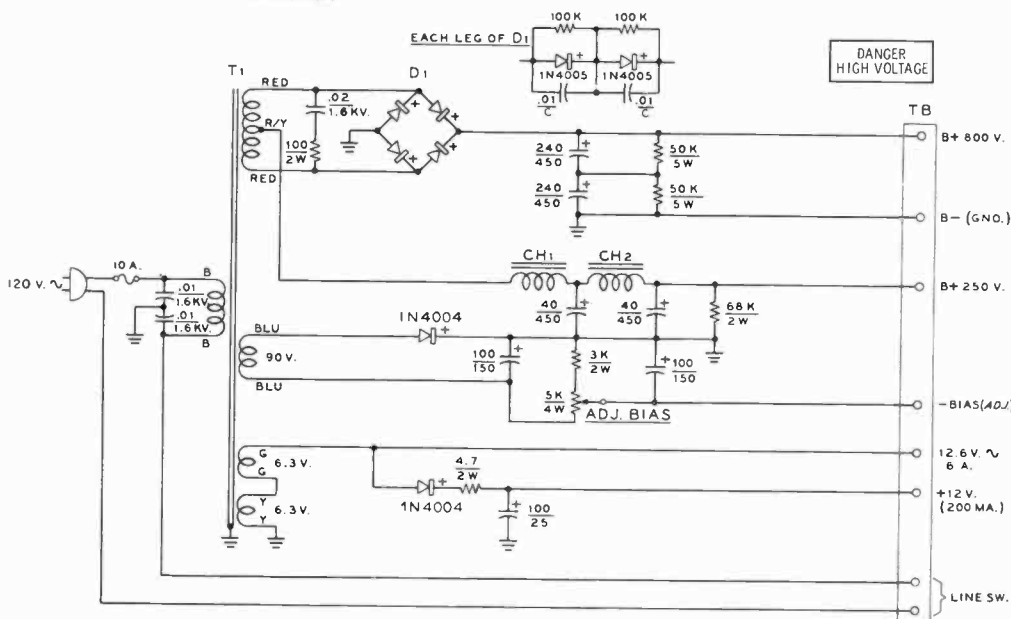


Figure 56

**SCHEMATIC, 600-WATT TRANSCEIVER SUPPLY**

T<sub>1</sub>—600 volts, 400 mA; 250 volts, 100 mA; 6.3 volts, 6 amps; 6.3 volts, 6 amps, 120-volt primary. Triad P-31A

CH<sub>1</sub>—1 henry, 300 mA  
CH<sub>2</sub>—3 henrys, 300 mA



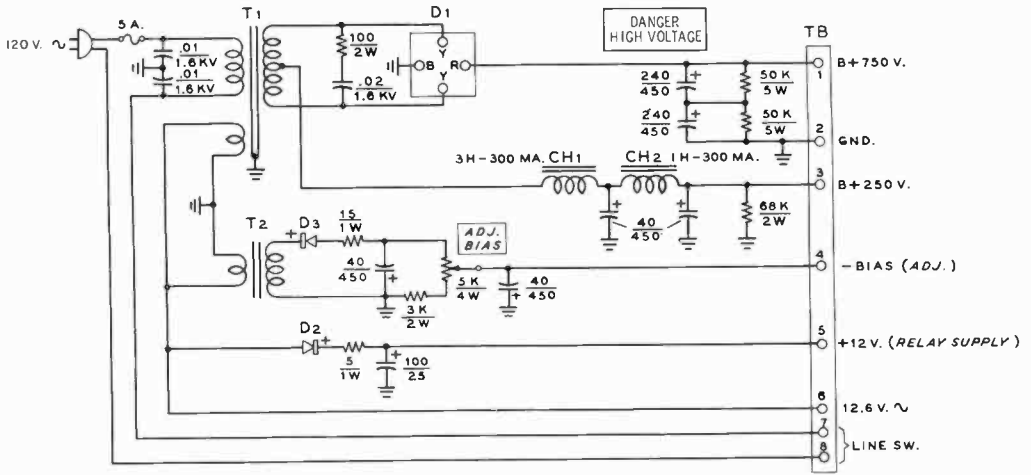


Figure 57

**SCHEMATIC, 300-WATT IVS TRANSCEIVER POWER SUPPLY**

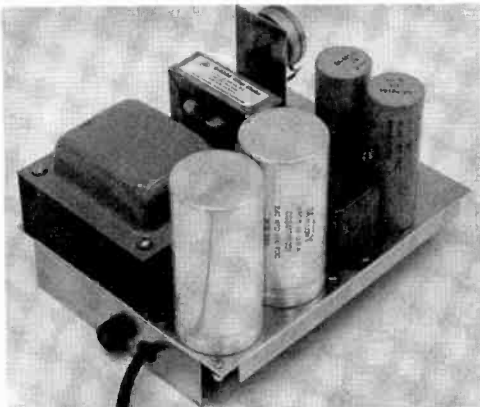
Various replacement power transformers may be used with this power supply. Suggested units are: (1) 650-volt c.t. at 225 mA; 12.6-volt at 5.25 amp. (Stancor P-8339), for 650-volt dc output. (2) 750-volt c.t. at 325 mA.; 12.6 volt at 6.0 amp. (Stancor P-8365), for 750-volt dc output. (3) 540-volt c.t. at 260 mA.; 6.3-volt at 8.8 amp. (Stancor P-8356), for 600-volt dc output and 6.3 volt filament supply.  
 Transformer T, 6.3 volts at 1 amp. (Stancor P-8389). CH<sub>1</sub>: 3 henrys at 300 mA (Stancor C-2334). CH<sub>2</sub>: 1 henry at 300 mA (Stancor C-2343). D<sub>1</sub>: Diode bridge, 1400-volt rms, 1.5 amp (2000-volt PIV). Diodes Inc. #BR-820A. D<sub>2</sub>, D<sub>3</sub>: 1N2070.

as needed, for filament and bias supplies, as shown in figure 57. The filament voltage is stepped up to 117 volts by a reverse-connected filament transformer (T<sub>2</sub>) and is rectified to provide adjustable bias voltage. The power supply delivers 600 to 750 volts at 400 milliamperes peak current, and about 250 volts at 200 milliamperes peak current. Depending on choice of power transformer, either 6.3- or 12.6-volt filament supply may

be provided, in addition to low-voltage dc for operation of VOX or control relays. Lay-out of the supply is shown in figure 58. The unit is constructed on a home-made aluminum chassis contoured to fit within a speaker cabinet.

Figure 58

**300-WATT IVS POWER SUPPLY FOR SSB TRANSCEIVERS**



This compact IVS-rated power supply provides all operating voltages necessary to operate most popular SSB transceivers. The supply uses a "TV-replacement" power transformer in conjunction with a bridge-rectifier circuit. The unit is designed to be placed in the speaker cabinet of the transceiver, and the chassis should be shaped to custom-fit the particular speaker cabinet in use. If desired, the supply may be built on a chassis with a dust cover and placed beneath the station console.

The power transformer is to the left, with the 240-µF, 450-volt filter capacitors in the foreground. The capacitors are mounted to a phenolic plate which is bolted to the chassis. The two filter chokes are to the rear, along with the low-voltage filter capacitors and the "adjust-bias" potentiometer. The reverse-connected filament transformer is at the rear of the chassis. Semiconductor rectifiers are placed beneath the chassis.

# Radiation and Propagation

## PART I

### WAVE PROPAGATION AND THE ANTENNA

*Electromagnetic waves* (radiant energy) encompass a number of familiar types of radiation, such as light, radio waves, X-rays, heat and Cosmic waves. Despite this variety, all these forms of radiation are similar in that they obey the same physical laws, differing only in wavelength and frequency. The *electromagnetic spectrum* may be defined in terms of wavelength, or frequency, ranging from extremely long waves of low frequency inherent in the magnetic field of the earth; through long, short and microscopic radio waves; infrared waves; light waves; ultraviolet and X-rays; and into the infinite region of gamma and Cosmic waves of unknown origin. Of this vast range of electromagnetic radiation bathing the earth, those waves of immediate interest in the field of communication are of a dimension comparable with the size of man himself—*radio waves*.

Every electric system that carries alternating or pulsating current radiates a certain amount of this energy into space in the form of electromagnetic waves. The amount of radiated energy is small when the waves are large compared to the radiating system, as in the case of 60-Hz industrial current. As the frequency of alternation is raised and the corresponding wavelength is shortened, a portion of the electromagnetic spectrum is reached wherein the radiated energy becomes of some practical use for long-distance radio communication. This region is termed the *communication region* of the electromagnetic spectrum and is composed largely of radio waves.

Of greatest interest to the communication specialist is that portion of the spectrum falling between 10-kHz and 10,000-MHz limits, for within these arbitrary boundaries worldwide, coordinated communication takes

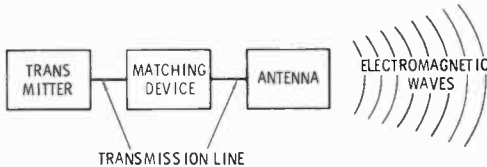
place, and the use of this portion of the spectrum is governed by international treaty, to which the United States is a signatory power. That slice of the communications spectrum between 1800 kHz and 30 MHz is of immediate interest, since ionospheric-reflected radiocommunication over long distances takes place in this region. The spectrum between 30 MHz and 450 MHz, in addition, is widely used for shortrange communication and experimental long-distance communication making use of anomalies of propagation. These frequency ranges are discussed at length in the following chapters.

#### 24-1 The Antenna System

The earliest use of a radio antenna was recorded by Hertz in his communication experiments of 1884. As the knowledge of radio grew, so the knowledge and use of radio antennas grew likewise. Today's antennas represent modern design applied to ideas nearly 100 years old. And while the antennas of today bear little resemblance to those of yesteryear, so the antennas of tomorrow will seem strange and unusual to the communicator of today. In a sense, while the basic theory of antennas remains the same, the application of the theory is constantly expanded and modified, in step with the growth of modern technology.

The *antenna* (aerial) is made up of a system of conductors designed to radiate or intercept electromagnetic waves. Antennas come in many shapes and sizes, but they all have one factor in common—they are made up of conducting material and require a *feed system* to extract or accept radio energy. Many antennas are complicated, but most of them are not. Some of the better hf and vhf antennas are described in this Handbook.

The antennas shown are practical and may be duplicated from the dimensions given. However, it is necessary for proper understanding of antenna operation and use to briefly examine the outer limits of antenna theory. Whenever possible, this will be done by the use of formulas, charts, and illustrations which minimize the mathematical processes involved.



**Figure 1**  
**REPRESENTATIVE ANTENNA SYSTEM**

The antenna is a device for converting guided electric waves into electromagnetic waves in free space. A matching device is often used to ease this abrupt transition, and a transmission line guides the electric waves from the transmitter to the antenna.

**The Complete Antenna** The *antenna* is a device for converting guided electric waves into electromagnetic waves in free space. A *matching device* of some sort is generally employed to ease this abrupt transition, and a *transmission line* is often used to efficiently guide the electric waves from the transmitter to the antenna (figure 1). It is understood, moreover, that the antenna system follows the general laws of reciprocity and can extract electromagnetic waves from free space and convert them to electric waves capable of being detected by a radio receiver.

The range of frequencies (*bandwidth*) over which a reasonable match or transformation between guided waves and free waves can be achieved depends to a degree on the amplitude and nature of the mismatch in the antenna system. If the transformation is gradual so that wave parameters do not undergo a sudden change, but vary gradually between the guided and the free condition, the transition is smooth and the frequency span of efficient operation may be quite large. Accordingly, the disturbance or unwanted reflection of the guided wave may be quite small.

If, on the other hand, the transition between the guided and the free-space waves is

abrupt, a region of reflection exists in the system such that a portion of the wave is sent back down the transmission line. The *reflected wave* may be compensated for, to a degree, by adjustments made to a matching device which creates equal and opposite reflections to annul the original reflection generated by the abrupt transition in the antenna system. In any case, the frequency span, or bandwidth, of the antenna system is considerably reduced over that achieved by a perfect transformation between guided and free waves.

The bandwidth of an antenna system is relative, and one way of specifying it is to define the limit of wave reflection allowed on the transmission line feeding the antenna. For example, if it is specified that the *reflected wave* shall be limited in amplitude to one quarter the value of the *incident* (direct) *wave* on the line, the overall system bandwidth may be defined by this limit, as measured under actual operating conditions.

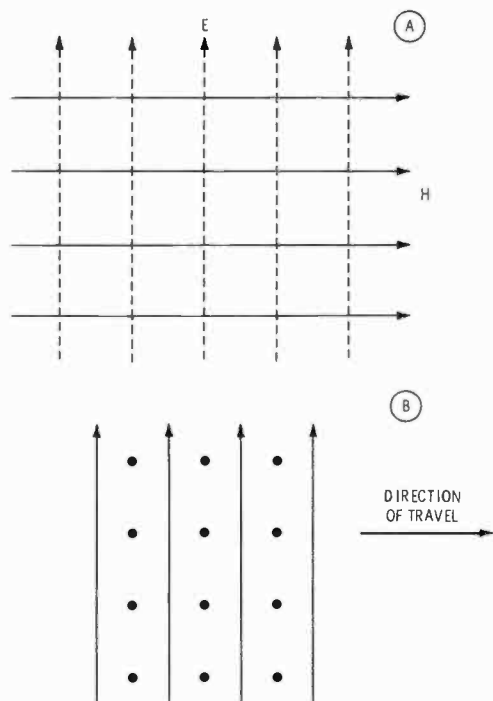
It is common practice to specify antenna system bandwidth in terms of the amplitude of the reflected wave with respect to the incident wave. This specification may be expressed as a *voltage standing-wave ratio* (abbreviated VSWR, or simply SWR) which is measurable by an inexpensive instrument placed in series with the transmission line. The SWR figure bears a definite relationship to the amplitude of the reflected wave, and it is simpler to measure and plot the SWR of an antenna and then to define the operating limits by SWR readings than it is to interpret the SWR in terms of the amount of reflection. Generally speaking, SWR values up to 3 are acceptable in simple antenna systems, while a somewhat lower SWR value of 2 is often specified as a maximum limit for various forms of beam antennas. On the other hand, some antennas employ so-called *tuned feeders* which operate with SWR values as high as 100. Strictly speaking, the maximum value of SWR acceptable in a system is often limited by the economics of the problem and is subjective rather than objective, being a relative concept rather than an absolute limitation arbitrarily imposed.

In practice, the maximum acceptable SWR limit of an antenna system may be decreed by the greatest allowable line loss, the desired operating bandwidth, or perhaps be expanded beyond credibility by an aggressive adver-

tising department of a particular antenna manufacturer, or it may merely be decided by whim. In any event, the SWR values mentioned earlier are acceptable for the various antenna designs commonly used by radio amateurs and are specified as arbitrary system bandwidth parameters in this Handbook.

## 24-2 The Electromagnetic Wave

A time-varying electromagnetic field, or wave, may be propagated through empty



**Figure 2**  
**THE PLANE ELECTROMAGNETIC WAVE**

When a wave has travelled far enough from the source the wavefront appears flat and it is called a plane wave. The plane contains the perpendicular electric ( $E$ ) and magnetic ( $H$ ) lines representing the wave front which is always perpendicular to the direction of wave travel. In (A) the wave is travelling out of the page toward the reader. A cross-section of a travelling wave is shown in (B). Arrows which go into the plane of the page are shown by small "X"s for the tail, and those which come out of the page are shown by dots for the points of the arrows. The particular configuration of an electromagnetic field is termed a "mode."

space at the velocity of light. The wave is considered to be made up of interrelated *electric* ( $E$ ) and *magnetic* ( $H$ ) fields at right angles to each other and lying in a plane, as pictured in figure 2. The wave energy is divided equally between the two fields. If the wave is pictured as originating at a point source in space, the wave spreads out in an ever-growing sphere with the source as the center. The path of an energy ray from the source to any spot on the sphere is a straight line and, at a large distance from the source, the wavefront does not appear to be spherical, but is assumed to be a flat surface, as shown in the illustration.

The plane electromagnetic wave may be represented in terms of its fields, with the vertical arrows representing the direction and strength of the electric field and the horizontal arrows the direction and strength of the magnetic field. The wave shown is said to be *vertically polarized* because the electric field is vertical. If the electric field were horizontal, the wave would be *horizontally polarized*. Other waves may be *circularly polarized*, corresponding to left-handed and right-handed helices.

The abstract concept of an electromagnetic wave travelling through space is difficult to comprehend without the assistance of mathematical proof. Viewed from the theory of electron flow in a conductor, there is no suggestion of energy radiation into space. A set of relationships termed *Maxwell's equations* form the basic tools for the analysis of most electromagnetic wave problems.

**Maxwell's Equations** James C. Maxwell (1831-1879), a brilliant student

of the natural sciences, derived a breathtaking concept of nature and revealed a set of striking equations that encompassed the various laws of electricity derived by Faraday, Ampere, Ohm, and others. Maxwell's unified field equations of electric and magnetic behavior form today's basis of electromagnetic theory. Not only did Maxwell's equations describe all known electromagnetic phenomena, but in the broader sense predicted electromagnetic radiation, simultaneously introducing into physics the general concept of fields to describe interactions between one body and another.

The abstract concept of a radio wave travelling through space is difficult to comprehend without the assistance of Maxwell's equations. Viewed from the simple concept of electron flow in a conductor there is no suggestion of radiation of energy into space in the form of electromagnetic waves. Maxwell's assumptions that an electric field changing in time is a form of current which sets up a magnetic field about itself, and the latter, also changing in time, sets up the electric field, is the basis for the further assumption that the two interact and propagate energy from one place to another. These assumptions provide the necessary bridge between simple electron flow and an electromagnetic field about the conductor.

$$(1) \operatorname{div} E = 0$$

$$(3) \operatorname{curl} E = \frac{1}{c} \cdot \frac{\partial H}{\partial t}$$

$$(2) \operatorname{div} H = 0$$

$$(4) \operatorname{curl} H = \frac{1}{c} \cdot \frac{\partial E}{\partial t}$$

Maxwell's equations (above) form the basis of modern electromagnetic theory. The first equation states that, in the absence of electric charges, electric lines of force can neither be created nor destroyed. The second equation states the same principle for magnetic lines of force and, in addition, states that magnetic charges do not exist. The third equation is a generalized statement of Faraday's Law that a changing magnetic field produces an electric field and that the ratio of the electrostatic units to the electromagnetic units is a constant ( $c$ ) related to the speed of light. The fourth equation is derived from Ampere's Law and states that a changing electric field produces a magnetic field by virtue of the sum of the conduction and displacement currents and that the time rate of change of the electric field has properties related to the displacement current.

$E$  and  $H$  represent the electric and magnetic field strengths. *Div* (divergence) and *curl* (an abbreviation for rotation) represent mathematical operations expressing rate of change and vorticity. The symbol  $\partial$  indicates a partial differentiation with respect to time,  $t$ .

Maxwell showed that an electric charge which is accelerated or decelerated is accompanied by a magnetic field which pulsates and, with the passage of time, is propagated outward through the surrounding medium. The increase of energy, of course, has been supplied by the force responsible for the acceleration of the charge. During acceleration and deceleration, the magnetic field energy does not simply flow outward and again inward. Rather, this energy is radiated and permanently lost to the charge and its field. The electromagnetic field thus created is in the form of an energy wave travelling radially outward from the source, with electric and magnetic components identical in form and mutually perpendicular. The electric and magnetic components become weaker as the wave travels outward because both are inversely proportional to the radius of the wave from the point of origin.

**Figure 3**  
**MAXWELL'S FAMOUS EQUATIONS**

Maxwell's equations (figure 3) picture the interplay of energy between electric and magnetic fields which is self-maintained,

with the energy radiating outward from the point of origin. The equations express the continuous nature of the fields and define

how changes in one field bring about changes in the other. The compound disturbance described by Maxwell's equations was proven in fact by Hertz, who generated, radiated and intercepted electromagnetic waves in 1888, fifteen years after Maxwell had predicted their existence. A complete discussion of Maxwell's equations and electromagnetic waves may be found in *Electromagnetics*, by John D. Kraus, McGraw-Hill Book Co., New York.

**Radiation From An Antenna** Radiation and interception of electromagnetic energy is explained by Maxwell's equations. The equations provide the link between electron motion in a conductor and electromagnetic waves in space. In addition, the equations show that the electromagnetic field, in ebb and flow, provides a quantity of energy which is propagated outward and is detached from the field of the moving electron, or charge, in the antenna.

The somewhat obscure concept of radiation from a current-carrying conductor may be pictured with the aid of an imaginary bit of antenna termed an *oscillating doublet* (figure 4). Two equal electric charges of opposite polarity spaced a fixed distance apart in space comprise this configuration. This concept allows for the regular, periodic linear displacement of charges along the axis of the doublet when excited by an alternating current. If the charges move up and down along the axis with equal and opposite velocities so that the system is in a continuous state of acceleration or deceleration, a current is said to flow in the doublet and the system must radiate energy.

The principles of radiation of electromagnetic energy are based on Maxwell's laws that a moving electric charge creates an electric field. The created field at any instant is in step with the parent field, but is perpendicular to it in space. These laws hold true whether a conductor is present or not.

At the start of oscillation (figure 4A) the doublet is neutral and the charges are just beginning to move apart. Flux lines are drawn between the charges. An electromagnetic field is created with the direction of the magnetic field in a loop around the doublet, perpendicular to the page. The electric field is in the plane of the page. As the doublet

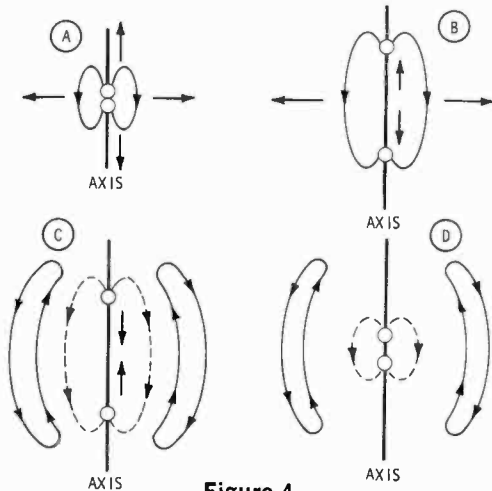


Figure 4  
THE OSCILLATING DOUBLET

The creation of a closed electric field about an oscillating doublet is illustrated here. The radiation of electromagnetic energy takes place from an oscillating doublet composed of charges moving sinusoidally with respect to each other along a common axis. Current flow (movement of charges) causes a magnetic field to be created, which is perpendicular to the page and not shown. Separation of charges causes an electric field to be set up, which is shown here by electric lines of force in the plane of the page. Since the currents and charges producing these fields are out of phase, the fields are also out of phase and constitute an induction field, the energy of which cannot be detached from the doublet. The electric field, however, in a radiated wave, does not terminate on a charge, and when the charges move together (C), the field closes upon itself in the polar regions. The independent electric field, in turn, generates a magnetic field and both fields constitute a radiated electromagnetic wave flowing outward from the doublet.

moves toward its full displacement (figure 4B) energy in both magnetic and electric fields is propagated outward. The intensity of the electromagnetic field is approximately  $E \times H$ , showing that as the charges separate, stored energy is increasing in the space around the doublet. Maxwell's first equation, moreover, states that the electric lines of force in a radiated wave do not terminate on a charge but are closed curves ( $\text{div } E = 0$ ) in the polar regions of the doublet, as shown in figure 4C.

An instant after the independent field has been formed, the doublet charges start to move together, producing lines of force opposite to the recently formed independent electric field (figure 4D). At first thought it would appear as though the periodic re-

versal of charge would result in a periodic reversal of the energy flow and no net energy would flow outward. This would be so if the field at a point away from the doublet at a given instant depended on the charge distribution of the doublet at that instant. However, here is a time lag between the creation of a particular current in the doublet, the charge distribution, and the consequent electromagnetic field at a given point. It is this time lag that allows some of the energy in the region around the doublet to continue to travel outward in a closed electric field even when conditions of charge at the doublet indicate a flow of energy directed inward toward the doublet. The closed, moving electric field generates a magnetic field in accord with Maxwell's third law and the detached electromagnetic field moves away from the doublet at the speed of light. The cycle starts to repeat itself with the collapse of the field when the charges move together and then separate once again.

With sinusoidal doublet motion there must, therefore, be a continuous radiation of energy over and above the amount required to establish a steady-state field. Maxwell's equations describe a beautifully simple electromagnetic wave travelling radially outward from the doublet, becoming weaker with distance since the two component fields are inversely proportional in strength to the distance travelled from the doublet. There is no loss of energy, it is merely dissipated in area as the wave spreads. Once having been produced, the expanding wave travels and propagates itself for an unlimited time, as do the light waves reaching the earth from an extragalactic nova, millions of years after the star that created them has ceased to exist.

### 24-3 The Standing Wave

A previous paragraph touched on the voltage standing-wave ratio (SWR) and its relation to antenna system discontinuity, and to the coefficient of reflection. This is an important concept and deserves additional elaboration.

When an electromagnetic wave travels through space, there is a balance between the electric and magnetic fields, with half the energy in each field (figure 5). If the wave

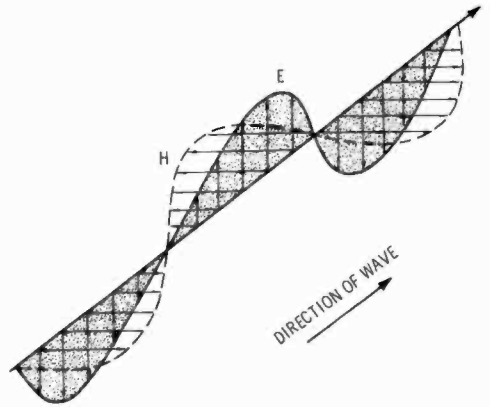


Figure 5  
OBLIQUE VIEW OF TRAVELING WAVE

The traveling electromagnetic wave is represented in terms of its electric and magnetic components, identical in form, and perpendicular in direction to each other and to the direction of travel of the wave. The fields vary sinusoidally along the axis of travel and at any fixed point, the fields vary sinusoidally with time. As the wave travels, the whole pattern moves to the right with the velocity of light.

enters a new medium, or encounters a discontinuity in the medium, there must be a new redistribution of energy. Whether the new medium is a conducting, semiconducting, or nonconducting material, there will have to be a readjustment of energy relations as the wave reaches the surface of the discontinuity.

Since no new energy can be added to the wave as it passes through the boundary surface, the only way that a new balance may be achieved is for some of the energy to be rejected. The rejected energy constitutes a *reflected wave*. In this manner, the observer sees reflection of light from a conducting metal surface or from a nonconducting glass surface.

The electromagnetic wave, if unimpeded, will travel indefinitely in free space. In the hypothetical case of an infinitely long conducting medium, the travelling wave could voyage onward forever. But if the medium is broken at a point, and a *load*, or absorptive device (a discontinuity) of the correct magnitude replaces the rest of the medium, the energy is completely absorbed and converted to heat in the load. If the medium is terminated by a discontinuity having reflective properties, the discontinuity will reflect

energy back through the medium toward the source. The reflected energy will combine with the forward energy in such a way as to produce a pattern in the medium known as a *standing wave*.

**Wave Reflection** An example of a simple discontinuity is a perfectly conducting plane surface (figure 6). A wave falling on the surface is totally reflected. Both the electric and magnetic components of the travelling wave are reflected, but while the electric component is reflected with reversal of sign (A) thus leaving the electric field at the reflecting surface zero, the magnetic component is reflected with unchanging sign (B) and is so doubled at the reflecting surface. The sum of the forward and reflected travelling waves is a standing wave which is continually changing in magnitude but is fixed in space, resembling the vibration of a string on a musical instrument. The total electric intensity at the reflecting surface is always zero, and also zero at distances that are multiples of half-wavelengths from the surface. These points of zero electric field are termed *nodes*. There are also nodes in the intensity of the magnetic field, at one-fourth wavelength and odd multiples thereof from the reflector. If there were no loss of energy, for example, in

the form of friction in the case of the vibrating string, or energy lost in the travelling wave, the standing wave would persist indefinitely.

Derivations of Maxwell's equations show that where there are nodes of magnetic fields, maximum electric fields (*loops*) occur. In addition, the standing waves of magnetic and electric fields pulse out of phase in time, so that when the magnetic field is zero, the electric field is maximum, and vice versa. Thus, the standing wave has a very different appearance from a traveling wave, although it is nothing more than the sum of two traveling waves.

**The Reflection Coefficient** When an electromagnetic wave falls on the surface of a dielectric or insulating material, or meets a discontinuity, there is a partial reflection and partial transmission of the incident energy. That fraction of the incident wave that is reflected, when expressed as a ratio of the original wave, is termed the *reflection coefficient*. If the reflection coefficient is low (the discontinuity of the medium possessing poor reflective qualities), there is very little reflected energy, and the total field about the reflecting surface is only slightly modified from that of a traveling wave. If, on the other

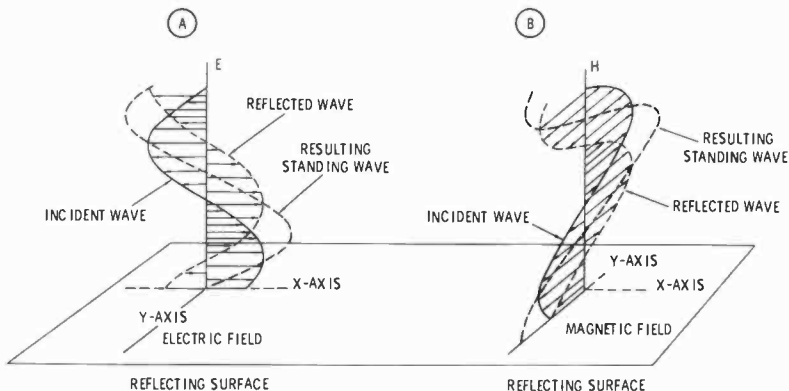


Figure 6

**REFLECTION OF THE ELECTROMAGNETIC WAVE FROM A CONDUCTING SURFACE**

When an electromagnetic wave is reflected from a conducting surface the electric field is reflected with reversed sign (A) so that the electric field at the reflecting surface is zero. The magnetic field is reflected with unchanging sign and is so doubled at the reflecting surface (B). The resulting wave in each case is the sum of the two travelling waves and oscillates in magnitude, but is fixed in space. It is termed a "standing wave."



hand, the reflection coefficient is near unity (the discontinuity possessing good reflective qualities), the maximum field strength will vary as a function of the distance from the surface, with well-defined nodes and loops. The resulting wave bears a definite relationship to the amplitude of the reflected wave and to the reflection coefficient, as expressed by:

$$\text{Coefficient of reflection} = \frac{\sigma - 1}{\sigma + 1}$$

where,

$\sigma$  = the voltage standing-wave ratio

Finally, it should be noted that if the medium is terminated by a load of the proper magnitude, no discontinuity or reflection will exist in the medium, and the medium is considered to be *matched*. The degree of *mismatch* between the medium and the load can be defined in terms of the amplitude of the reflected wave, or in terms of the standing-wave ratio (SWR), which may be readily measured by inexpensive instruments.

## 24-4 General Antenna Properties

All antennas have certain general properties which apply both to receiving and transmitting modes. Thus, the more efficient the antenna is for transmitting, the more effective it is for receiving. Directive properties will be the same for transmission as for reception and, in the case of directive antennas, the gain will be the same on both transmitted and received signals. In long distance, high-frequency communication, it should be noted, the often observed odd behavior and seeming perversity of antennas which often occurs, is due to the fact that the waves may not take exactly the same paths through the ionosphere when going in opposite directions, the two waves utilizing different portions of the directive pattern of the antenna. Even so, the concept of reciprocity between transmission and reception still stands correct.

**Antenna Resonance** The strength of the radio wave radiated by an antenna depends on antenna size and the amount of current flowing in it. It is rea-

sonable to expect the largest amount of current that can be achieved from the power available will provide the best radiation from a given antenna. The greatest amount of current flows when the reactance of the antenna is cancelled and the antenna made *resonant* at the operating frequency. The shortest conductor that will be self-resonant at a given frequency is one that is about half as long as the size of the radio wave. The half-wavelength antenna is used as a basis for all antenna theory and is a fundamental building block in antenna design (figure 7).

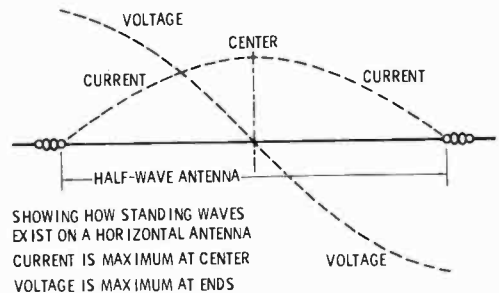


Figure 7

### THE RESONANT ANTENNA

The greatest amount of current flows in the antenna when it is resonant. The shortest conductor that is self-resonant at a given frequency is one that is about a half-wavelength long. The reflection pattern on the antenna creates a standing wave of both voltage and current. The half-wave, center-fed antenna is often called a "doublet."

Two practical methods exist to make a conductor self-resonant. First; the frequency of the radio wave may be changed to suit the conductor length; second the electrical length of the conductor may be altered to suit the given frequency of the wave.

The electrical length of a half-wave of electromagnetic energy is related to the speed of travel of the wave (the same velocity as the speed of light) and also to the frequency of the wave by an equation that is similar to equations dealing with other waves (such as waves in the ocean, or the vibrations of a piano string). In the case of a radio wave in free space, the metric formula is:

$$\text{Half wavelength (meters)} = \frac{150,000,000}{\text{Frequency in Hz}} = \frac{150}{\text{Frequency in MHz}}$$

The formula in the English system is:

$$\text{Half wavelength (ft)} =$$

$$\frac{492}{\text{Frequency in MHz}}$$

Frequency in MHz

The physical length of an antenna element varies slightly from this fundamental electrical length because the element has thickness and is affected by nearby objects. Information will be presented in a later Section defining this relationship in practical terms.

**Radiation Resistance and Reactance** When r-f power is applied to an antenna, it is radiated into space,

the antenna acting as a load, or sink, for the transmitter. In order to establish a frame of reference, the power dissipated in a dummy load (such as a resistor) may be compared in terms of voltage and current with the power radiated by a real antenna. This reference frame is defined in terms of the *radiation resistance* of the antenna. Simply stated, the radiation resistance of an antenna is that imaginary resistance exhibited which seems to dissipate the power the antenna actually radiates into space. Radiation resistance is expressed in ohms and is normally measured at a point in the antenna which has the maximum value of current flowing in it. A more general term used in this connection is *an-*

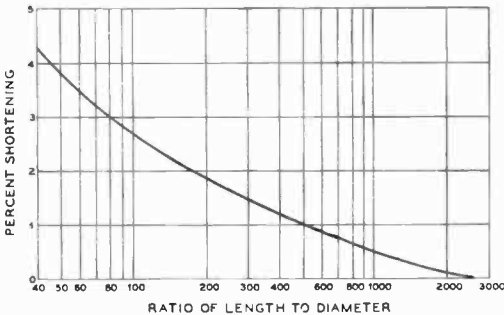


Figure 8

**LENGTH-TO-DIAMETER RATIO OF ANTENNA AFFECTS RADIATION RESISTANCE**

As the antenna becomes thicker with respect to length, the radiation resistance decreases and the antenna must be shortened to reestablish resonance. This chart illustrates the amount of shortening required with a resonant half-wavelength antenna in the frequency range of 2 MHz to 30 MHz. The chart applies to a wire antenna, or one made of small diameter aluminum tubing.

*tenna impedance* which, in addition to implying radiation resistance, also implies the presence of reactance in the antenna circuit.

In addition to radiation resistance, practical antennas also exhibit *loss resistance* which is energy dissipated in heat loss in the antenna element and nearby dielectrics. The total resistance of the antenna, which is the sum of these two figures, is often referred to as *feedpoint resistance*, although in popular usage the term "radiation resistance" usually encompasses the two separate entities.

The radiation resistance and resonant frequency of an antenna depend on the antenna

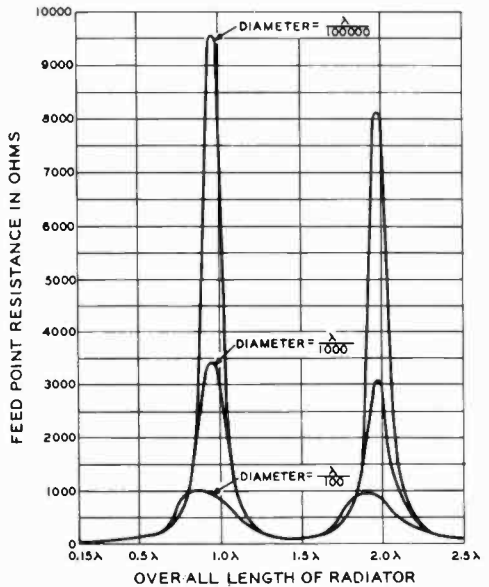


Figure 9

**IMPEDANCE OF ANTENNA VARIES ALONG THE LENGTH AND EXPRESSES THE RATIO BETWEEN VOLTAGE AND CURRENT AT ANY POINT ON THE ANTENNA**

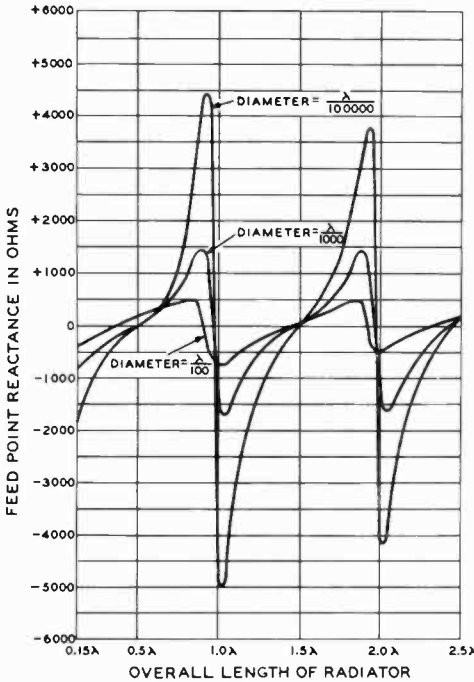
The feedpoint resistance of a center-fed antenna is a function of the physical length. For example, a half-wave antenna has a center feedpoint resistance of about 73 ohms, while an antenna one wavelength long has a center feedpoint resistance of 1000 ohms to 9500 ohms (depending upon the diameter of the element). As the length of the radiator increases, the impedance excursions become less drastic, especially for "fat" radiators.

size with respect to the radio wave and the proximity of the antenna to nearby objects which either absorb or reradiate power, such

as the ground, or other antennas or conductors. The length-to-diameter ratio of the antenna also affects the radiation resistance; as the antenna becomes thicker with respect to the length, the radiation resistance decreases (figure 8).

The feedpoint resistance of a resonant antenna is the load for the transmitter and its value is important in determining the method used to couple the two together.

**Antenna Impedance** Because the power at any point in an antenna is the same at any other point, the impedance at any point along the antenna expresses the ratio between voltage and current at that point (figure 7). Thus, the lowest impedance occurs where the current is highest

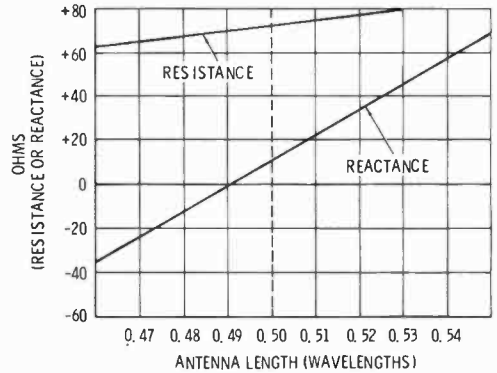


**Figure 10**  
**REACTIVE COMPONENT AT**  
**FEEDPOINT OF CENTER-FED**  
**ANTENNA**

Feedpoint reactance rises rapidly when antenna is in nonresonant condition and also increases as the length-to-diameter ratio of the antenna decreases. "Fat" antennas exhibit less reactance than "thin" ones. Reactance varies rapidly for center-fed antenna one wavelength long.

and the impedance rises uniformly toward the ends of the antenna, where it can reach a value as high as 10,000 ohms for a thin dipole remote from ground (figure 9).

Like a tank circuit, an antenna may exhibit reactance at the feedpoint. Since the antenna, by definition, is nonreactive at resonance, antenna reactance implies a state of nonresonance. Antenna reactance rises rapidly off-resonance and the manner in which the reactive component varies is illustrated in figure 10. The rate-of-change of the reactance increases as the antenna length departs from resonance and also increases as the length-to-diameter ratio decreases. The reactive component of an antenna is zero when the overall antenna length is slightly less than a multiple of quarter-wavelengths long. Near resonance, the resistance and reactance terms of an antenna vary much in the manner shown in figure 11.



**Figure 11**  
**FEEDPOINT RESISTANCE AND**  
**REACTANCE AS FUNCTION OF**  
**ANTENNA LENGTH**

Near resonance, the resistance and reactance of a dipole antenna vary in this typical manner. Reactance is zero when the antenna is slightly less than one-half wavelength long. The reactance changes more rapidly for "thin" antennas than for "fat" ones.

Both feedpoint resistance and reactance change more slowly with frequency for a fixed radiator length with "fat" elements than with "thin" elements, indicating that the effective antenna Q is lowered as element diameter increases. Lower Q is desirable, because it permits the use of a radiator over a wide frequency range without resorting to means for eliminating the reactive compo-

ment. If the antenna  $Q$  is low enough, the radiator is termed a *broadband* antenna.

The curves of figure 12 indicate the theoretical feedpoint resistance of a dipole antenna for various heights above a perfect ground plane. In free space, the feedpoint resistance of a thin dipole is approximately 73 ohms. The modifying effects of the

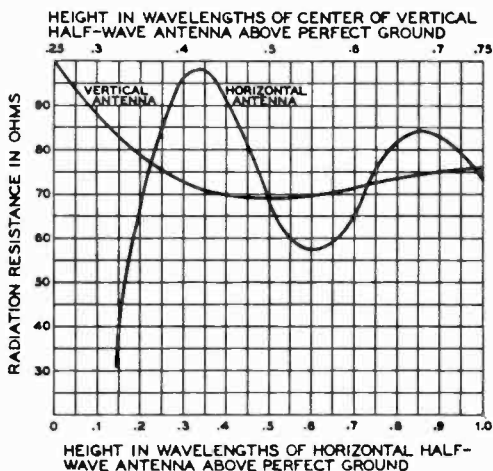


Figure 12

**FEEDPOINT RESISTANCE OF DIPOLE SUSPENDED ABOVE A PERFECT GROUND**

In free space the feedpoint resistance of a half-wave dipole is about 73 ohms. The modifying effects of the ground change this, as shown above, with the value approaching 73 ohms as the dipole is far removed from the ground. The ground has less effect on the feedpoint impedance of a vertical antenna.

ground change this nominal value as shown, with the value approaching 73 ohms as the dipole is removed from the ground by more than a wavelength.

**Antenna Directivity** Because of the manner in which current flows in an antenna, radiation from practical antennas is not uniform, but is directive to a certain degree. The amount of directivity can be altered or enhanced through the use of extra radiating elements, reflecting planes or curved surfaces; or, in the microwave portion of the radio spectrum, by the use of electromagnetic horns, lenses, and slotted devices.

The directive pattern of an antenna may also be modified by wave reflection from the

ground or from nearby objects. Structures which lie within a few wavelengths of the antenna have the greatest influence on the directivity of the antenna. The change in directivity is caused by the ability of the nearby conducting structure to reradiate energy emitted by the antenna. This reradiation may either reinforce or cancel the direct radiation of energy from the antenna, thus producing a distortion of the free-space pattern of the antenna (figure 13). By using properly adjusted conducting objects (called *driven elements, reflectors, or directors*) the

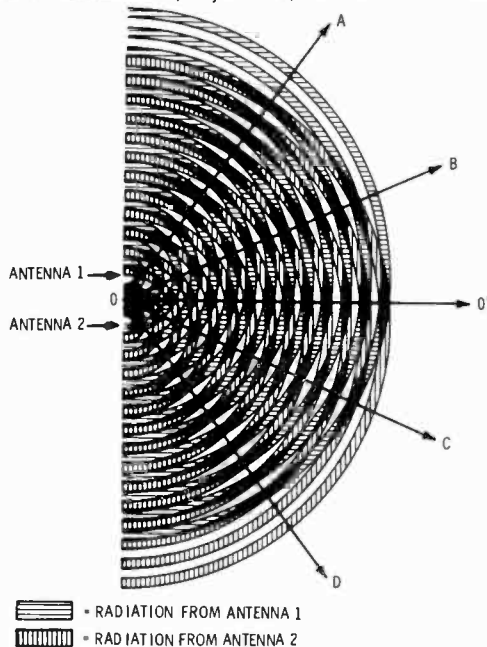


Figure 13

**RADIATION PATTERN FROM TWO ANTENNAS**

Wave interference patterns created by two adjacent antennas. Radio waves from two adjacent sources of the same frequency reinforce or cancel each other to provide wave pattern in space adjoining the antennas. In this representation, the waves reinforce each other along radial lines OA, OB, OO', OC, and OD. Midway between these lines the waves cancel each other. This pattern represents an antenna array having five lobes.

antenna radiation pattern may be deliberately distorted to produce an enhanced signal in a desired direction (figure 14). The signal gain varies with the adjustment and spacing of the various elements and the radi-

ation resistance of the parent antenna, as well as its tuning, is affected as well.

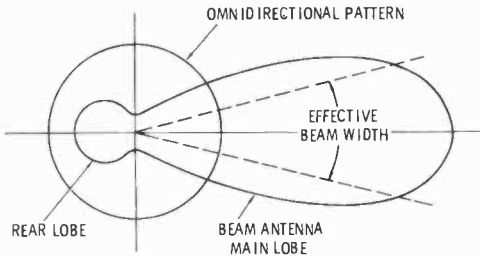


Figure 14

### ANTENNA PATTERN OF DIRECTIONAL ARRAY

Polar plot shows antenna radiation as compared to an omnidirectional antenna. Signal gain varies with the number and adjustment of antenna elements in the array. The directive pattern is termed the "main lobe" of the antenna, with the unwanted lobe termed the "rear lobe." The ratio between the two lobes is called the "front-to-back ratio" of the array.

**The Isotropic Radiator** Directivity of an antenna is the ability of the antenna to concentrate radiation in a particular direction. All practical antennas exhibit some degree of directivity. A completely nondirectional antenna (one which radiates equally well in all directions) is known as an *isotropic radiator*, and only exists as a mathematical concept. Such an antenna, if placed at the center of a sphere, would "illuminate" the inner surface of the sphere uniformly.

**Antenna Signal Gain** The effective signal gain, or power gain, of an antenna is the ratio between the power required in the antenna and the power required in an isotropic radiator to achieve the same field strength in the favored direction of the antenna under measurement (figure 15). Directive gain may be expressed as the power ratio, in units called *decibels* (dB). Referring to the illustration, the power gain of the antenna under test, placed at the center of the sphere, illuminates only a portion of the sphere and the power gain is the ratio of the surface area illuminated by the isotropic antenna to that area illuminated by the test antenna. Since the field pattern of radiation of any antenna is not clear, but blends into nothingness at the extremities, the practical pattern is defined

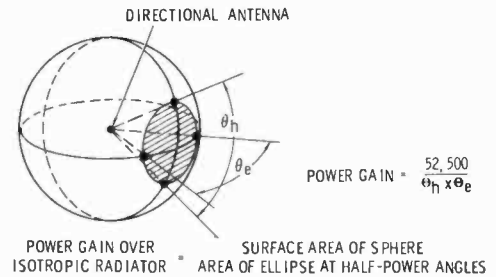


Figure 15

### ANTENNA POWER GAIN OVER ISOTROPIC RADIATOR

The effective power gain of an antenna is the ratio of power required in the antenna and the power required in an isotropic radiator to achieve the same field strength in the favored direction of the antenna under measurement. The power gain of a half-wave dipole over an isotropic radiator is 1.64. The gain of a directional antenna over an isotropic radiator is expressed by the formula in the illustration.

as that illuminated portion of the sphere which lies between the "half-power" angles of the radiator field. On the usual polar plot of an antenna pattern, these points are the "-3 dB" power points.

The power gain over an isotropic radiator, or over a simple dipole, is the measuring stick for antenna performance. The power gain over a dipole may be computed from the formula shown in the illustration, which provides a quick method of determining the power gain of an antenna by measuring the radiation pattern at the -3 dB power points.

Closely allied to the concept of power gain is the problem of suppressing unwanted radiation from the sides and rear of a directive antenna system. Unwanted energy radiated to the rear of the directional antenna may be compared to the energy radiated from the front of the array and is expressed as a power ratio in decibels termed the *front-to-back ratio*.

Simple antennas often have a symmetrical radiation pattern and may even possess modest gain without having appreciable front-to-back ratio. More complex antenna arrays exhibit higher gain and front-to-back ratio, but seldom will maximum power gain and maximum front-to-back ratio occur at the same condition of antenna adjustment.

Power gain implies *horizontal* or *vertical directivity* in the antenna pattern which can

be best expressed as a directive pattern which is a graph showing the relative radiated field intensity expressed in terms of the *azimuth angle* for horizontal directivity and in terms of the *elevation angle* for vertical directivity (figure 16).

**Antenna Bandwidth** The *bandwidth* of an antenna is a measure of its ability to operate over a specified range of frequencies. Unlike other antenna properties, bandwidth does not have a unique definition, as it depends on the operational requirement of the antenna. Bandwidth may be limited

by loss in gain, change of antenna pattern, excessive SWR on the feed system, or change in input impedance. One of these factors, such as gain or impedance, usually limits the low-frequency limit of operation, whereas change of pattern shape might determine the high-frequency limit. In amateur practice, bandwidth is usually specified in terms of a maximum SWR limit on the transmission line feeding the antenna system.

**Mutual Impedance** A conductor placed in the field of an antenna will have a current induced in it by virtue of the voltage applied to the antenna. In the case of two adjacent antennas, if a voltage is applied to the terminals of the first antenna and the induced current measured at the terminals of the second antenna, then an equal current will be found at the terminals of the first antenna if the original voltage is applied to the terminals of the second antenna.

This classic theory can be expanded into the concept of *mutual impedance* between two coupled antennas and accounts for the fact that the feed impedance of an individual element in an array of antennas may differ considerably from its free-space impedance because of the effect of mutual coupling with the other elements of the array. In an antenna array where the current distribution in the elements is critical because of pattern requirements, it is necessary to adjust the coupling system between the elements to provide correct current distribution and to match the *input impedance* of the array, rather than the self-impedance of the input element.

The input impedance is the sum of the self-impedance of the fed element and the mutual impedance with all other elements in the array. The magnitude and phase of the mutual impedance depends on the amplitude of the current induced in the fed antenna by the other elements and this, in turn, is a function of the spacing and tuning of the additional elements. Induced currents in the fed element are greatest when the elements of the array are close together, resonant, and parallel.

The induced current may be in phase, or out of phase, with the fed-element current and the impedance of the array may be higher, or lower, than that of the fed ele-

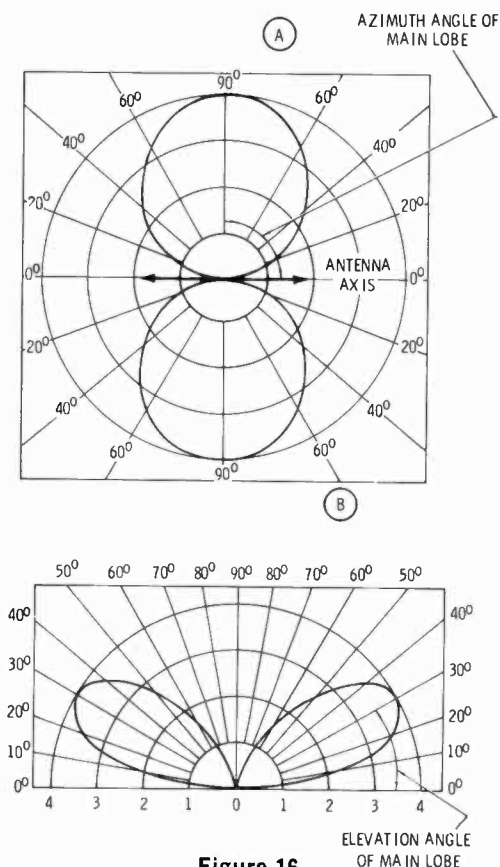


Figure 16

**DIRECTIVITY PATTERNS FOR DIPOLE ANTENNA ONE-HALF WAVELENGTH ABOVE THE EARTH**

Plotted field intensity for dipole antenna. Azimuth angle for horizontal directivity is shown at (A). Vertical angle (elevation angle) is shown at (B).

ment. In addition, the elements may introduce reactance into the fed element, detuning it from a resonant condition. All of these effects are interlocking, and changes in spacing or tuning can create vast differences in the performance of an antenna array.

The mutual impedance between antennas of an array is important as this factor determines the current that flows in the system for a given amount of power. The current determines the power in a given array and if the mutual impedance between the elements of an array is such that the resulting currents are greater (for the same amount of power) than if the antenna elements were not coupled, then the power gain of the system is greater.

## 24-5 The Antenna Above A Ground Plane

The properties of an antenna placed near a large conducting ground plane will be modified by the effect of *ground reflection*. In the hf region, the ground is a basic part of the antenna system and affects both the radiation pattern of the antenna as well as its radiation resistance. To estimate the effects of the ground plane, an *image antenna* is introduced below the ground plane as shown in figure 17. The electric charges of the master antenna above the ground are reversed in the imaginary ground image antenna. In addition, the vertical components of the image are in the same direction as those in the master antenna, while the horizontal components are reversed in direction. The radiated field of the master antenna above the ground plane can be determined by replacing the ground plane with the image antenna and computing the resulting field of the two antennas. In a similar manner, the effect of the ground on the radiation resistance of the antenna can be determined by image theory.

(Of interest is the case where one end of the master antenna terminates on the ground. For the case of the *Marconi antenna* (figure 18), the input impedance of the antenna is one-half of the value of the antenna plus its image when driven in free space. The impedance of a quarter-wave Marconi, then, is one-half that of a half-wave dipole in space, or about 36.5 ohms.)

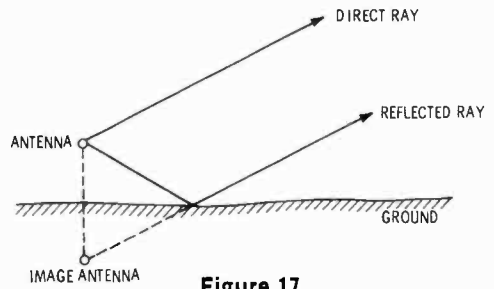


Figure 17

### GROUND PLANE PROVIDES MIRROR-IMAGE ANTENNA

The effects of a nearby conducting ground may be estimated by laws of optical reflection from a mirror. An image antenna is introduced below the ground plane at the same distance from it that the master antenna is above the plane. At a distant point the field strength of the antenna is the resultant of two rays, one direct from the antenna and the other reflected from the ground.

A reflected ray is assumed to radiate from the image antenna and is combined with the direct ray, the resultant ray depending upon the orientation of the antenna with respect to the earth. The reflected, or image, ray travels a longer distance to a given point than does the direct ray and this difference in path length results in a distant field pattern that is dependent on the height of the antenna above the ground and the characteristic of the ground. At some vertical angles above the horizon the direct and reflected rays may be in phase, additive, and at other angles the rays may be out of phase with the resultant field being the difference between the two.

In summary, then, the effect of the reflecting ground plane is different for horizontal and vertical antennas because of the reversal of electric charges in the image antenna. Vertically polarized waves are reflected with no change in phase and horizontally polarized waves have their phase shifted 180 degrees on reflection. These effects produce profound differences in the field pattern of the antenna, as will be discussed in a subsequent chapter.

**The "Perfect" Antenna** A simple antenna capable of covering an immense frequency span and having a smooth electrical transition between guided and free waves is shown in figure 19. A

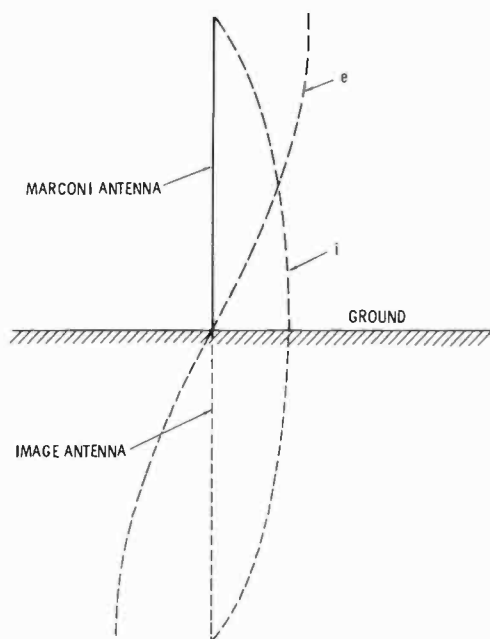


Figure 18

### MARCONI ANTENNA AND GROUND IMAGE

The missing half of the dipole antenna is supplied by the ground image for the case of the Marconi antenna. Antenna feedpoint impedance is one-half that of dipole, or about 36.5 ohms.

coaxial transmission line gradually diverges in such a way as to hold constant the natural line dimension ratios, expressed as an impedance (illustration A). If the divergence is smooth, gradual, and small in terms of wavelength, relatively little reflection will exist at any point along the diverging system. A guided wave traveling along the expanding line will expand smoothly over a larger and larger area, and when reaching the end of the line, will simply proceed into free space with little, if any, reflection. This simple antenna is relatively insensitive to the frequency of the emitted wave, provided the antenna is large in relation to wavelength.

A more practical and less bulky broadband antenna which holds true to the concept of gradual, smooth dimensional change per wavelength, is shown in illustration B. If the structure modification is more severe introducing a sudden change in system cross-section, additional sources of reflection are

introduced and the bandwidth of the antenna is reduced accordingly (illustrations C and D).

For very practical reasons it is economical to hold the volume occupied by any antenna

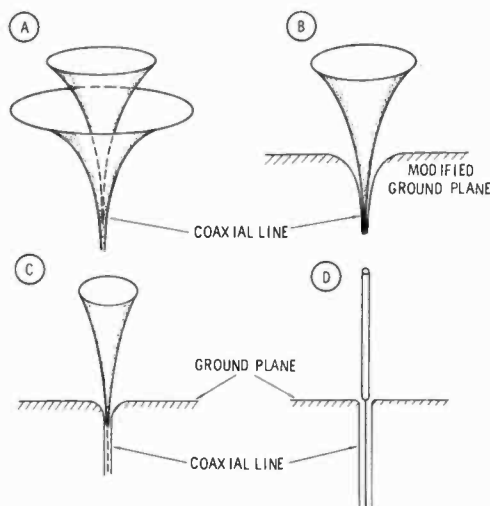


Figure 19

### EVOLUTION OF A BROADBAND ANTENNA

A coaxial transmission line gradually diverges in such a way as to hold constant the natural impedance of the line (A). The wave travelling along the line will expand smoothly over a larger and larger area and, when reaching the open end of the line, will pass into free space with little reflection. This infinitely broad structure can be modified (B) while still holding to the concept of gradual dimensional change per unit of wavelength, now resembling a broadband conical antenna working against a modified ground plane. More severe modification (C) produces a true conical antenna of moderate bandwidth and more severe change in system cross-section. The ultimate modification is reached when the center structure is reduced to a monopole (D) having a very restricted bandwidth and minimum reflection only over a restricted frequency range.

to the very minimum. Wideband antennas such as those discussed are uneconomical, except in the uhf region, since they occupy more space than other designs that have acceptable bandwidth. Smaller antenna structures can be built by permitting a greater degree of reflection to occur in the transformation of radio energy from the guided to the free state, and then compensating for the undesired reflection by introducing a compensating reflection somewhere in the feed system, or transmission line.



In the hf and vhf spectrums, in particular, very thin wire or tubing elements are commonly used to assemble relatively narrow-

bandwidth antenna systems having high gain, suitable only for operation over a quite restricted frequency region.

## PART II

### HF AND VHF PROPAGATION

Radio waves may be propagated from a transmitting antenna to a receiving antenna along the surface of the earth, through the atmosphere, or by reflection or scattering from natural or artificial reflectors. At the lower end of the communications spectrum, the ground wave may be propagated for several hundred miles. At high frequencies, however, the ground losses are so great that the ground wave can be propagated for less than one hundred miles. Propagation in the medium and high portion of the hf band is therefore primarily by *ionospheric reflection*.

The refractive index of the atmosphere is an important factor in radio propagation, especially above 100 MHz. Scattering of the radio waves by inhomogeneities in the atmosphere is used to provide satisfactory communication up to several times the line-of-sight distance. At higher frequencies, atmospheric absorption limits propagation to an extent, but the use of high-gain beam antennas make the use of such frequencies practical.

#### 24-6 Propagation— 2 to 30 MHz

At frequencies between about 2 and 30 MHz and for distances greater than 100 miles, transmission depends chiefly on sky waves reflected from the *ionosphere*. This is a region high above the earth's surface where the rarefied air is sufficiently ionized by ultraviolet light from the sun to reflect or absorb radio waves. The ionosphere is considered to be that region lying between 30 to 250 miles (50-400 km) above the surface of the earth and consists of a number of layers:

**The  $F_2$  Layer** The higher of the two major reflection regions of the ionosphere is called the  $F_2$  layer. This layer has a virtual height ranging from 130 to 250 miles (200-400 km) and is the principal reflecting region for long distance high-

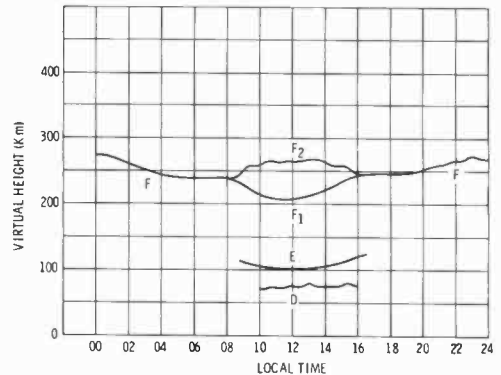


Figure 20

#### REPRESENTATIVE HOUR-TO-HOUR CHANGES IN THE IONOSPHERE

Ionized regions are referred to as layers, but they are not completely separated from one another. Each region overlaps the adjoining one, to some extent, forming a continuous but non-uniform area with at least four levels of peak density designated D, E,  $F_1$ , and  $F_2$  layers. Summertime  $F_2$  critical frequencies are lower than winter values but  $F_2$  nighttime critical frequencies during the summer months are higher than in winter. Thus the difference between day and night critical frequencies is much smaller in the summer than during the winter.

frequency communication. Height and ionization density vary diurnally, seasonally, and with the sunspot cycle. At night, the  $F_2$  layer merges with the  $F_1$  layer and reduction in absorption of the E layer causes nighttime field intensities and noise to be generally higher than during daylight hours.

The  $F_2$  layer appears about sunrise, local time, the critical frequency rising sharply, reaching a maximum a few hours after the sun is at its highest elevation, then decreasing exponentially from this value, reaching minimum during nighttime hours (figure 20).

**The  $F_1$  Layer** The  $F_1$  layer has a virtual height of about 100 to 150 miles (160-240 km) and exists only during the daylight hours. This layer occasionally

is the reflecting region for hf transmission, but usually waves that penetrate the *E* layer also penetrate the *F*<sub>1</sub> layer, to be reflected by the *F*<sub>2</sub> layer. The *F*<sub>1</sub> layer introduces additional absorption of such waves. At night the *F*<sub>1</sub> layer is nonexistent, merging with the *F*<sub>2</sub> layer to form the single nighttime *F* layer.

**The E Layer** Below the *F* layer at a height of about 60 miles (100 km) is an absorptive layer termed the *E* layer, which exists during daylight hours, reaching

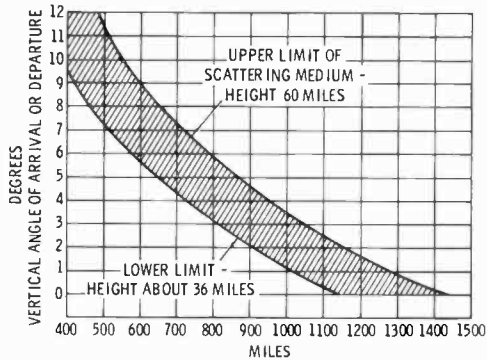


Figure 21

**E LAYER SCATTER RANGE**

*E* layer scatter range may be as great as 1400 miles for low angle, single-hop transmission. A high antenna (several thousand feet high, such as on a mountain top), combined with a sea level horizon are ideal. The scatter occurs at layer height of about 36 to 60 miles.

a diurnal maximum at noon. For all practical purposes, the *E* layer disappears at night, although weak traces of it are often observed. This layer is important for daytime hf propagation at distances less than 1000 miles (1600 km), and for occasional medium-frequency nighttime propagation at distances in excess of 100 miles (160 km). Irregular cloud-like areas of unusually high ionization, called *sporadic E*, may occur up to more than half of the time on certain days or nights. A large percentage of *sporadic E* propagation is attributed to visible bombardment of the atmosphere by the sun.

Layer height and electron density of the atmosphere determine the skip-distance of *sporadic E* propagation for a given signal angle (figure 21), and distances of 400 to 1200 miles (650-1930 km) are common on 50 MHz. Multiple-hop propagation is often

possible up to about 2500 miles (4000 km) on occasion. *Sporadic E* propagation has been observed in the 144 MHz band, but is not as common as on the lower frequency bands.

*E* layer propagation on the vhf bands is most common during the summer months, with a shorter season during the winter, with the periods reversed in the southern hemisphere.

**The D Layer** Below the *E* layer, the *D* layer exists at heights of 30 to 50 miles (50-80 km). It is absorptive and exists in the middle of the day during the warmer months. Not much is presently known about the characteristics of this layer, as it is so weakly ionized that the usual pulse-probing techniques do not produce meaningful echos. It is known that the *D* layer remains ionized as long as the atmosphere receives solar radiation and disappears quickly at sundown. It is thought this layer causes high absorption of signals in the medium- and high-frequency range during the middle of the day.

**The Critical Frequency** The *critical frequency* (*f*<sub>c</sub>) of an ionospheric layer is the highest frequency which will be reflected when the wave strikes the layer at vertical incidence. Frequencies higher than

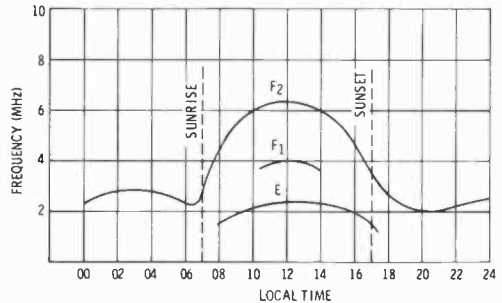


Figure 22

**VIRTUAL HEIGHT OF IONOSPHERE IS PRESENTED IN AN IONOGRAM**

Point of reflection of radar echo in ionosphere is measured and presented in graphic form, showing height as a function of frequency for specific times. Frequencies higher than a critical frequency will pass through the ionosphere and not be reflected, when a vertical pulse is used as a measuring device. At oblique angles, frequencies higher than the critical frequency will be reflected back to earth, creating a skip distance zone for a given circuit.

$f_c$  pass through the layer. The critical frequency of the most highly ionized layer of the ionosphere may be as low as 2 MHz at night and as high as 10 to 15 MHz in the middle of the day.

The critical frequency and height of the layers are measured by a pulse technique, the pulse and its return echo being observed on a cathode-ray tube, as in a radar set. The *virtual height*, or point of reflection in the ionosphere determined by this technique is presented in an *ionogram*, showing height as a function of frequency for specific periods of time (figure 22).

The critical frequency is of interest in that a *skip distance* zone will exist on all frequencies greater than the highest critical frequency at a given time for a given circuit. The higher the critical frequency, the greater the density of ionization and the higher the maximum usable frequency.

**The Maximum Usable Frequency (MUF)** High-frequency radio waves travel from the transmitter to a distant point by reflection from the ionosphere and earth in one or more hops, as indicated in figure 23. For a radio

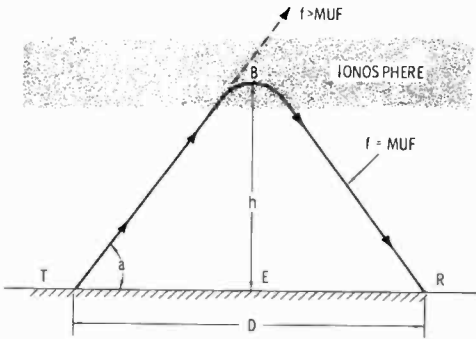


Figure 23

### THE MAXIMUM USABLE FREQUENCY

In order for a radio signal to be reflected from T to R, the electron density at B must be high enough to support reflection. As the frequency of the signal is raised, at some point the electron density will not be great enough to bend the wave back to earth and it will continue through the ionosphere into space. The upper frequency limit, or maximum usable frequency, can be calculated from ionospheric measurements by determining the critical frequency at point E. The vertical critical frequency determined is multiplied by a factor to provide the value of the oblique incident MUF for a particular distance (D) and layer height (h).

signal to travel from T to R via the ionosphere, its frequency must be less than a maximum value. Above this frequency, the electron density at B will not be great enough to bend the signal back to earth and it will continue on through the ionosphere into space. There is, therefore, an upper limit to the range of frequencies that will be reflected by the ionosphere between any two fixed points. This upper limiting frequency is called the *maximum usable frequency (MUF) for a given circuit*. The MUF is highest near noon or in the early afternoon and is highest during periods of greatest sunspot activity, often going to frequencies higher than 30 MHz (figure 24). The MUF often drops below 5 MHz in the early morning hours. Ionospheric losses are at a minimum near the MUF and increase rapidly for lower frequencies during daylight. MUF data is published periodically in radio amateur magazines and the MUF can be calculated with the aid of *Basic Radio Propagation Predictions, CRPL-D*, published monthly by the Government Printing Office, Washington, DC 20402.

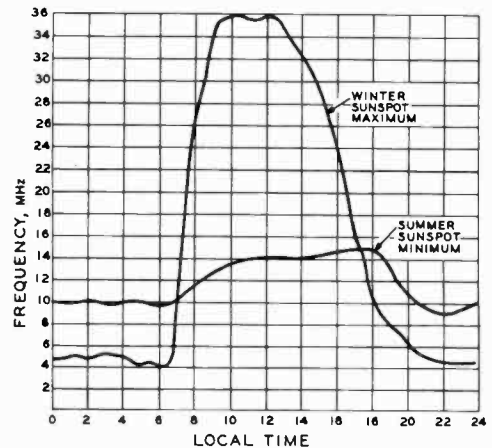


Figure 24

### MUF IS HIGHEST DURING PERIODS OF MAXIMUM SUNSPOT ACTIVITY

MUF extremes are greatest during periods of high sunspot activity. Ionospheric losses are at a minimum near the MUF and increase rapidly for lower frequencies, especially during daylight. The recommended upper limit of frequency for maximum circuit reliability is called the Optimum Traffic Frequency and is selected somewhat below the MUF to provide margin for ionospheric irregularities.

**The Optimum Traffic Frequency (FOT)** The recommended upper limit of frequency for maximum reliability is called the *optimum traffic frequency (FOT)* and is selected somewhat below the *MUF* to provide some margin for ionospheric irregularities and turbulence, as well as for day-to-day deviations from the predicted monthly median values of *MUF*. The *FOT* is usually about 15-percent less than the *MUF* for a particular communication circuit. As far as practicable, the *FOT* is chosen in close proximity to the *MUF* in order to reduce absorption loss.

**The Lowest Usable High Frequency (LUF)** The *lowest usable high frequency (LUF)* is the lowest frequency that can be used for a satisfactory communication circuit over a particular path at a particular time. The *LUF* depends primarily on atmospheric noise and static at the receiving site for a determined signal-to-noise ratio. At frequencies below the *LUF*, reception will not be possible since the received signal is lost in the prevailing noise level. As the operating frequency is raised above the *LUF*, the signal-to-noise ratio improves.

Unlike the *MUF*, which is dependent entirely upon ionospheric characteristics, the *LUF* can be controlled to an extent by adjustments in effective radiated power and circuit bandwidth. Generally speaking, the *LUF* can be lowered approximately 2 MHz for each 10-decibel increase in effective radiated power.

## 24-7 Cycles in Ionospheric Activity

The first recorded observations of *sunspot* activity were made by Chinese observers more than 2000 years ago (figure 25). Centuries later, in 1901, Marconi was unaware that his successful spanning of the Atlantic Ocean by radio for the first time was possible only because of the existence of sunspots which, the astronomers of that time thought, might be holes cut in the sun's surface by solar hurricanes, exposing the cooler layers below.

Experiments conducted by Heaviside (1902), Appleton (1924), and Naismith

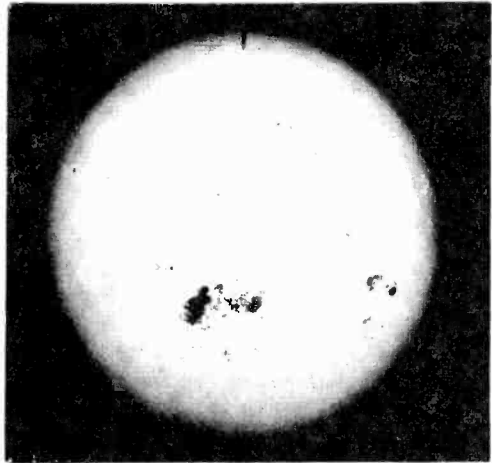


Figure 25

### SUNSPOTS IN ACTION

Sunspots have been observed and recorded for more than 2000 years. In this U.S. Navy photograph, a large group of sunspots is seen, moving from east to west, as the sun rotates. Sunspot activity has direct bearing on radio transmission.

(1927) proved the existence of an electrified reflecting region in the atmosphere, measured the characteristics of it and reached the conclusion that the principal solar factor in the production of ionization in the atmosphere was ultraviolet radiation from the sun. Later

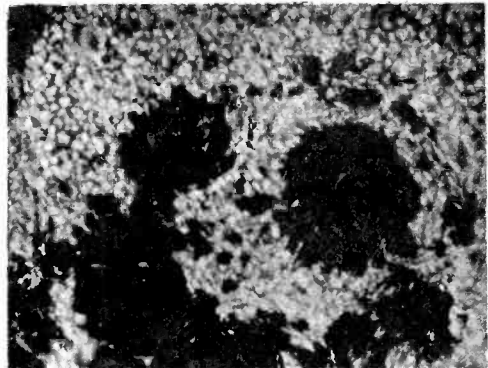


Figure 26

### SPOTS ON THE PHOTOSPHERE OF THE SUN

Large spots embedded in the solar surface are seen in this NASA photograph made from an unmanned research balloon at an altitude of 80,000 feet. The granular composition of the sun's surface can be seen clearly.

investigators discovered a direct relationship between the ultraviolet radiation, the degree of ionization in the atmosphere, and its relationship with long distance radio communication.

**Sunspots in Action** With the aid of suitable instruments, sunspots can be seen to develop from small dark areas on the brilliant surface of the sun. Studies indicate that the inner portion of the sunspot is a depression in the sun's surface having an average depth of several thousand miles (figure 26). The temperature of the sunspot is several thousand degrees cooler than that of the general surface of the sun and gives off about one-half as much light as the same area of the *photosphere*, or surface of the sun.

Sunspots almost always appear in groups, some spots as large as 80,000 miles (128,000 km) in diameter. The groups move parallel to the equator of the sun in an east to west direction in accord with the sun's rotation. Many terrestrial phenomena which are influenced by localized sunspot activity on the sun tend to occur at intervals of about 27 days, which is the period of rotation of the sun.

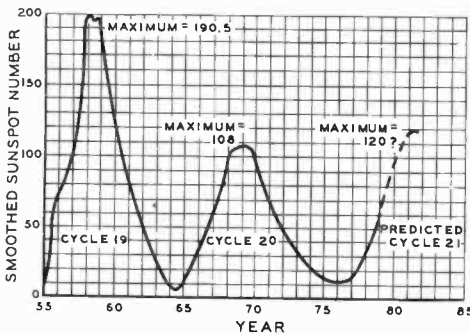


Figure 27

### SMOOTHED SUNSPOT CYCLE, 1955-1985

Sunspot cycle 19 reached the greatest maximum level measured since the year 1750. Some sunspot analyses predict that cycle 21 will have a rather broad peak and that the smoothed sunspot number at the peak may rise as high as 120 to 200. The following sunspot minimum is predicted to be reached about 1988. A good chance exists that smoothed sunspot numbers in excess of 100 will be observed during the following cycle. Thus the next 40 years may be characterized as having relatively high sunspot activity.

**The Sunspot Cycle** The number of sunspot groups, and individual sunspots, visible on the sun's surface vary between wide limits over a period of time. Sunspot activity follows an approximate 11-year cycle, steadily rising from very few to a maximum amount, then slowly receding to a minimum amount again (figure 27).

The sunspot count is recorded in *Zurich Sunspot Numbers* on a daily and monthly basis, and 12-month, smoothed running numbers are published in *CQ magazine* and various astronomical publications. The recordings began in 1750 and 19 complete cycles have been recorded to date. No two cycles have been exactly alike, although a definite repetitive behavior is established. Basic characteristics of the cycle, such as duration, height of maximum, depth of minimum and ascent and descent time are observed, and vary from cycle to cycle. No explanation of the sunspot cycle has yet proven to be completely satisfactory and current estimates of future performance are open to speculation. The present search for empirical laws governing solar activity has proceeded according to two different schools of thought, one holding that solar activity is a periodic phenomenon, the other consid-

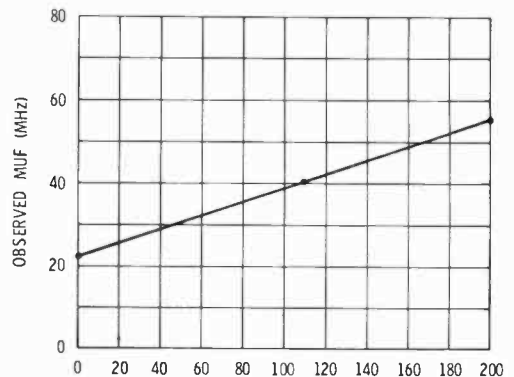


Figure 28

### RELATION BETWEEN OBSERVED MUF AND SMOOTHED SUNSPOT NUMBER

When the sunspot count is high, ionization of the earth's atmosphere is heavy and the MUF is correspondingly high, opening up additional frequencies for long distance communication. Predictions for cycle 21 indicate a maximum sunspot count of about 55, thus limiting the MUF to approximately 32 MHz for the next 15 years.

ering each solar cycle as an independent event.

Since hf radio transmission is dependent on the ionosphere, which varies with the sunspot cycle, the action of the cycle is of extreme interest to communicators (figure 28). When the sunspot count is high, ionization of the earth's atmosphere is heavy and the MUF is correspondingly high, opening up additional frequencies for long-distance communication. During cycle 19, which peaked at a count of over 200, the MUF regularly exceeded 50 MHz. Cycle 20, which ended in 1975 was considerably lower, limiting the MUF to something over 30 MHz at the peak of sunspot activity. Predictions for cycle 21 indicate a rather high, broad peak reaching a maximum count of approximately 150 in late 1982. An extended prediction indicates that sunspot numbers in the vicinity of 100 to 150 may be observed during the following sunspot cycle. Thus, the next 40 years may be characterized by medium to high values of sunspot activity comparable to the activity of the last 40 years.

The implication of low sunspot activity is that the MUF will be considerably lower, long distance propagation will be more infrequent and will occur for shorter periods of time, and with reduced signal levels. Frequencies below 8 MHz, however, may show

improvement even though the higher frequencies may show marginal performance.

Thus communication using ionospheric reflection in the hf bands will continue to react to the influence of the sun and undoubtedly more vital communication circuits will be switched to satellites to overcome the vagaries of ionospheric reflection.

**Geographical Variations in the MUF** At any specific time of day the sun's zenith angle varies with geographical latitude, and the intensity of ionizing radiation sweeping across the earth's upper atmosphere varies accordingly. The critical frequency and MUF, therefore, vary with geographical location, being highest in equatorial regions, where the sun is more directly overhead, and decreasing proportionately north and south of these latitudes (figure 29).

### 24-8 Ionospheric Disturbances

The diurnal, seasonal and solar cycle variations of the ionosphere discussed previously are dependent on the regular, more-or-less predictable behavior of the ionizing solar radiation. From time to time, however, the normal behavior of the ionosphere is upset by disturbances of a transitory or short-duration character. It is believed that these are the result of abnormal radiations from the sun. These disturbances give rise to abnormal radio propagation conditions, sometimes leading to a temporary "radio black-out," or complete failure of hf radio communications.

Ionospheric disturbances fall into two main categories: the *sudden ionospheric disturbance* (SID) and the *ionospheric storm*. The SID commences suddenly and lasts from a few minutes to an hour or so. The ionospheric storm develops over a period of a day or two and generally continues for several days. In either case, the normal behavior of the ionosphere is upset, with critical frequencies dropping, and ionospheric absorption increasing as the intensity of the disturbance increases.

The SID has a spectacular effect on hf propagation. A near-simultaneous radio fade-out occurs over a large portion of the hf spectrum, from approximately 2 Mhz to 30

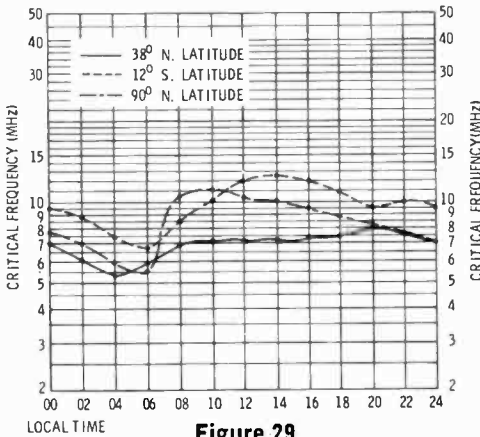


Figure 29

#### LATITUDE VARIATION IN F<sub>2</sub> CRITICAL FREQUENCIES

Values of critical frequency are generally highest in equatorial regions and lowest in high-latitude regions. Frequency also varies with time of day.

MHz, with even background noise sometimes disappearing. The only signals that can be heard during an SID are those from stations within the ground-wave range. The fadeout lasts for a short period, then conditions slowly return to normal.

It is thought that the SID is a result of a solar flare; a sudden, short-lived, bright eruption on the face of the sun. The incidence of solar flares varies with the solar cycle and are most prominent during years of very high solar activity.

The SID takes place about 11 minutes after a solar flare commences, and occurs only in those areas of the world in complete daylight. Not all flares produce SIDs, indicating that the SID is only one manifestation of the release of solar energy.

The typical change in a communication circuit during an SID is shown in figure 30. Signal drop-off is approximately 40 decibels in a matter of a few minutes, with the signal returning to normal in about 40 minutes.

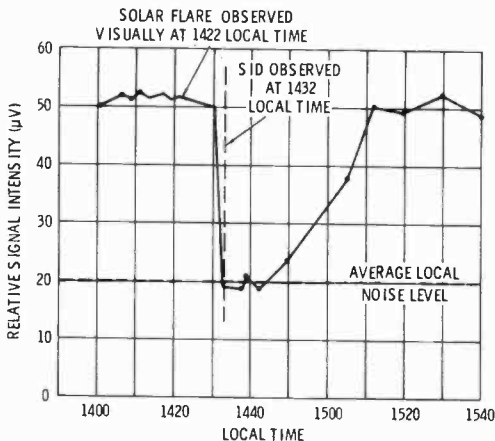


Figure 30

### SID SIGNAL DROP-OUT IN A COMMUNICATION CIRCUIT

Solar flare causes a sudden ionospheric disturbance about 11 minutes later in areas of the world in complete daylight. Signal returns to normal in 30 to 40 minutes after a drop-off of about 40 decibels in strength.

A second type of disturbance is the ionospheric storm. While not as spectacular as the SID, the storm actually constitutes a more serious communications problem because of its much greater duration. During a storm, hf signals (from approximately 3 MHz to

30 MHz) drop to a very low level and may even disappear entirely for periods of several days. Measurements indicate that the *F* layer is usually at an abnormally great height during the disturbance and is subject to considerable turbulence. Unlike the SID, the higher frequencies are most affected, and the storm occurs in both daylight and darkness regions of the world. Ionospheric absorption increases and signals are subject to considerable fading, often of an unusual type known as *flutter fading*.

It is thought that the ionospheric storm is caused by corpuscular radiation of ionized calcium emitted from solar flares at the same time the flare emits ultraviolet and X-ray radiation which produce the SID. Corpuscular radiation travels at a velocity much lower than the speed of light because of its greater energy content and arrives at the earth at a later period of time. The radiation is so confined that unless the emission is pointing directly at the earth, it may miss the earth entirely (figure 31).

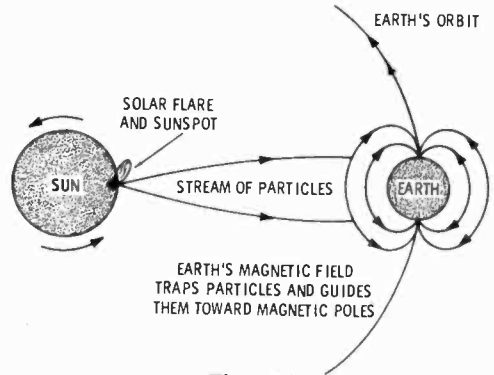


Figure 31

### SOLAR PARTICLES CAUSE IONOSPHERIC STORMS ON EARTH

An ionospheric storm is caused by corpuscular radiation emitted from solar flares at the same time flare emits ultraviolet and X-ray radiation which produce the SID. Corpuscular radiation travels at lower velocity than light and arrives at the earth at a later time period. Particles cause long-lasting ionospheric storm which disrupts long distance radio communication.

Besides radiant energy, solar flares also emit bursts of electromagnetic energy in the form of radio "noise". These bursts, occurring over a wide range of frequencies above about 10 MHz, are strongest in the vhf region of the radio spectrum. They can be re-

ceived as a hissing sound on a sensitive receiver. The flares also violently disrupt the earth's magnetic field for short periods of time as they disrupt the ionosphere. These *magnetic storms* are most intense in high latitudes and often last for several days.

As satellites and space vehicles probe further into space, many of the secrets of the solar flare, the SID and the magnetic storm will be revealed, and in the future the prediction of these phenomena may be made with greater accuracy than is possible at the present time.

**Atmospheric Noise** The usefulness of a radio signal is limited by the total noise in the receiver which may be either unwanted, external noise or the internal noise of the receiver.

Atmospheric static is usually the limiting factor in receiver sensitivity at frequencies below 30 MHz, while receiver noise is the primary limitation at higher frequencies, especially those above 200 to 500 MHz. In the hf band, the controlling factor depends upon the location of the receiver, time of day, man-made noise and atmospheric static.

Static is caused by lightning and other natural electrical disturbances and is propagated worldwide by ionospheric reflection. Static levels are generally stronger at night than in the daytime and the levels are higher in the warm tropical areas than in the cooler northern regions, which are far removed from most lightning storms.

The average static level in the tropics may be as much as 15 decibels higher than for the temperate zones, while in the Arctic regions the static level may be 15 to 25 decibels lower. In all areas, typical summer averages are a few decibels higher than the winter values.

External noise is an important factor in receiver design, and this subject is discussed further in the receiving section of this Handbook.

### 24-9 Propagation in the VHF Region

As a result of the tremendous increase in vhf activity since World War II, much has been learned about the different modes of

radio propagation at these frequencies. The boundary between the hf and the vhf region is variable, falling between 30 MHz and 50 MHz and is generally taken to be the *MUF*, above which normal ionospheric reflection ceases. Deviations from this simple definition are numerous. Interestingly, certain types of vhf propagation provide the only *reliable* means of long distance radio communication known today. These types will be discussed in detail later in this chapter.

**Ionospheric Scatter Propagation** *Ionospheric scatter propagation* permits communication in the frequency range of about 30 MHz to 300 MHz over distances ranging from 600 miles (1000 km) to nearly 1200 miles (2000 km). It is believed that this type of propagation is due to scattering of the signal from the lower *D* Layer, or possibly the *E* Layer. Because only a small portion of the radiated energy is scattered and returned to earth, such scatter signals are very weak (figure 32). The lower limit of ionospheric scatter

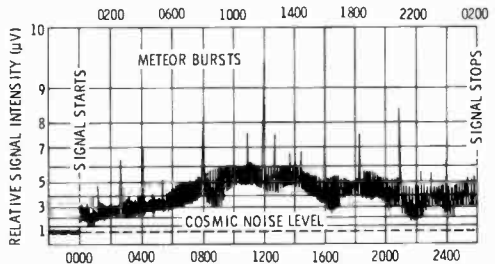


Figure 32

#### IONOSPHERIC SCATTER SIGNAL LEVEL IS LOW, PUNCTUATED BY METEOR BURSTS

Because only a small proportion of the radiated energy is scattered and returned to earth, scatter signals are very weak. Lower limit of ionospheric scatter is determined by masking action of normal ionospheric skip distance. Regular sky wave propagation can create selective interference on a scatter link circuit.

is determined by the masking action of normal ionospheric skip distance. Regular sky-wave propagation will create undesirable interference to a scatter signal and produce selective fading on a scatter link circuit.

Ionospheric scatter seems limited to a single-hop distance. Theoretically, it would be possible to communicate via double-hop



scatter, which could extend the range to 2000 miles (3200 km) or so, but circuit attenuation would be extreme.

**Meteor-Burst Propagation** Meteors have been observed for centuries, but until recently they were assumed to be relatively few in number. Recent studies, however, have shown that the earth is constantly colliding with innumerable particles as it sweeps on its annual journey around the sun. Over ten billion particles are estimated to reach the earth each 24 hour period, with the largest number of these less than 0.016 cm in diameter. Only a very few are large enough to be noticed, and only an extremely small percentage of the latter are large enough to reach the ground before they are burned up by friction with the earth's atmosphere (figure 33).

Name of Shower	Date of Peak Intensity	Duration (Days)	Meteors Per Hour
Quadrants	January 3	1	35-40
Lyrids	April 21	2	12-15
Eta Aquarids	May 5	9	12-20
Delta Aquarids	July 29	10	20-30
Perseids	August 12	5	50
Orionids	October 21	4	20-25
Taurids	Nov. 5; Nov. 12	20	12-15
Leonids	November 17	4	20-25
Geminids	December 13	5	40-50
Ursids	December 22	2	15

Figure 33

### MAJOR METEOR SHOWERS

List of major meteor showers. The spring showers peak between midnight and 0600 the Ursids peak during the early afternoon hours. Others generally peak during hours of darkness. Seasonally, more meteors occur during May and July than at any other time.

When a meteor strikes the earth's atmosphere, a cylindrical region of free electrons is formed at about the height of the E Layer. This slender, ionized column is quite long, and when first formed is sufficiently dense to reflect radio waves back to the earth. Frequencies in the range of 50 MHz to 80 MHz have been found best for meteor-burst transmission.

The effect of a single meteor of medium size (1 cm) shows up as a sudden "burst" of signal of short duration at a point not normally reached by the transmitter. The aggregate effect of many meteors impinging on the earth's atmosphere, while perhaps too weak to provide long-term ionization, is thought to contribute to the existence of the nighttime E layer.

**Aurora Propagation** At the earth's poles, where the atmosphere is more rarefied than elsewhere, radiation from the sun not only causes ionization, but often causes the air molecules to ignite. This phenomenon is called an *aurora* (or "northern" or "southern" lights). The action is similar to that which takes place in a neon tube. The aurora is a spectacular observance, with lights arcing across the night sky as yellowish-green dancing ribbons, or curtains, or great draperies which appear to fold and unfold. They occur at E layer height in the ionosphere and can be seen on the horizon as far as 600 miles (960 km) from the zenith point.

In the northern hemisphere, the zone of maximum occurrence (*auroral zone*) swings across northern Norway, Greenland and central Canada and back across Alaska, Siberia and northern European USSR (figure 34). Both north and south of this belt the occurrence of auroras decreases.

Auroras play havoc with high frequency radio communication and cause severe absorption of any hf wave that passes near or through the auroral zone. Besides absorption, the aurora superimposes an *auroral flutter* on hf signals.

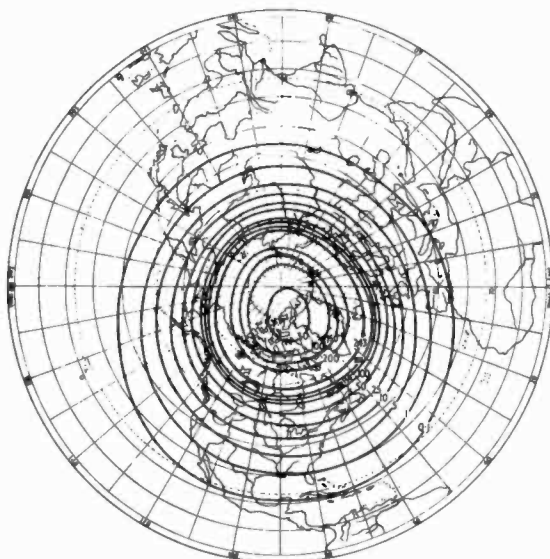
*Auroral propagation* of vhf signals is common at frequencies between 100 MHz and 450 MHz. The propagation involves reflection of the wave from the auroral display. The reflection properties of the aurora vary quite rapidly, with the result that the reflected vhf signal is badly distorted by multipath effects. Voice modulation becomes very rough and c-w telegraphy is usually employed for auroral communication in the vhf amateur bands.

Since aurora is caused by emission of charged particles from the sun, it is natural to find that aurora propagation follows the sunspot cycle and reaches a peak at the

Figure 34

**AURORA DISPLAY IS MOST PREVALENT AT NORTHERN LATITUDES**

Aurora can be seen on occasion as far south as Mexico City. The average number of nights per year having aurora displays are shown in this polar chart. Auroral propagation of vhf signals is common at frequencies between 100 and 450 MHz, but aurora disrupts hf radio communication at the same time.



same time as the cycle. In addition, auroras follow a seasonal pattern, peaking around March and September, although they may occur at any time.

Because of the shallow nature of the aurora belt, east-west transmission paths are usually favored. At times it is possible to communicate up to 2000 miles (3200 km) or more, via aurora propagation, but ranges of a few hundred miles are more common. Aurora propagation seems to reach a peak around sundown or early evening, and again around 0200, local time. The farther north a station is situated, the more frequently it will encounter aurora propagation, but during rare occasions it may be possible to employ this mode of transmission in the southernmost portions of the United States.

Vhf aurora propagation may be predicted by monitoring signals in the 2-MHz to 5-MHz range for the characteristic aurora distortion. This is evidence that vhf propagation may soon be possible.

**Tropospheric Scatter Propagation** *Tropospheric scatter (tropo-scatter)* is thought to be caused by random irregularities in the atmosphere in

which the refractive index differs from the mean value of surrounding areas. The scattering effect seems to take place by partial reflection where there is a rapid change of reflective index over a small range in height

associated with temperature and humidity changes. The result of scatter refraction is a faint signal illumination of the ground well beyond the horizon (figure 35).

The forward-scattering mechanism involves a large transmission loss and it becomes necessary to use high gain, narrow beam antennas for both transmission and reception. The effect of the scatter angle be-

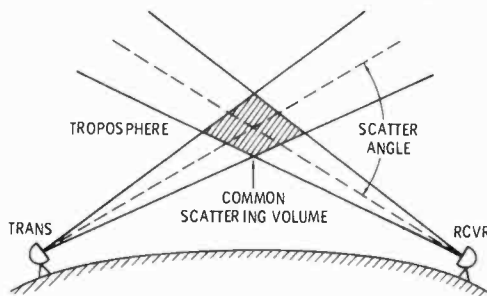


Figure 35

**GEOMETRY OF TROPOSPHERIC SCATTER SYSTEM**

Forward scatter mechanism involves a large transmission loss and requires high gain, narrow beam antennas at both ends of the circuit. The scatter angle is kept as small as possible by proper choice of transmitting and receiving sites.

tween the receiving and transmitting beam antennas is significant and is kept as small as possible by choosing transmitting and re-

ceiving sites so as to have an unobstructed view of the horizon.

The received scatter signal fluctuates continuously due to the large number of randomly varying components; hourly, daily and monthly variations may reach 10 to 20 decibels or more. However, *consistently usable signals* are obtainable at ranges exceeding 400 miles (700 km).

The scattering mechanism may be compared to the scattering of a light beam in a heavy fog, or mist, which results in a heavy glare of light caused by miniature water droplets, leaving the background weakly illuminated. No critical frequency is involved in the scattering mechanism, though the intensity of the scattered reflections decreases with increasing frequency.

**Trans-Equatorial Scatter Propagation** *Trans-equatorial scatter (T-E scatter)* has been observed on the 50-MHz amateur band during periods of moderate and high solar activity, over long north-south paths spanning the magnetic equator at times when the expected *MUF* is considerably lower for the paths involved.

T-E scatter is believed to be due to a highly ionized distortion known to exist in the ionosphere over the magnetic equator. Waves entering this area at a favorable angle are reflected considerable distances between the sides of the bulge, resulting in a long, single-hop opening, without intermediate ground reflection, of up to 5000 miles (8000 km).

T-E scatter is a nighttime propagation phenomenon, with most openings occurring between 2000 and 2300 hours, local time at the path midpoint. The signals must cross the magnetic equator in a north-south direction or propagation will not take place. The T-E maximum usable frequency is approximately 1.5 times greater than the daylight *MUF* observed on the same path. To date, no T-E scatter propagation has been observed over 100 MHz.

**Sporadic E Propagation** Sporadic *E* propagation has been mentioned earlier in this chapter. It is a popular form of communication for radio amateurs on the hf and vhf frequencies as it calls for no special station equipment. Sporadic *E*

openings on the higher frequency bands may often be predicted by observing the characteristics of the 28-MHz band. The geometry of propagation is such that as the skip distance decreases on the 28-MHz band, the highest frequency that will be reflected by a sporadic *E* cloud is increasing. Experience has shown that when skip signals are heard less than 500 miles (800 km) away on 10 meters, the chances are very good that Sporadic *E* propagation will be noted on the 50-MHz band over the same general direction.

**Tropospheric Ducting** *Tropospheric ducting* of vhf signals is quite common and is the result of change in the refractive index of the atmosphere at the boundary between air masses of differing temperatures and humidities. Using a simplified analogy, it can be said that the denser air at ground level slows the wave front a little more than does the rarer upper air, imparting a downward curve to the wave travel.

Ducting can occur on a very large scale when a large mass of cold air is overrun by warm air. This is termed a *temperature inversion*, and the boundary between the two air masses may extend for 1000 miles (1800 km) or more along a stationary weather front.

Temperature inversions occur most frequently along coastal areas bordering large bodies of water. This is the result of natural onshore movement of cool, humid air shortly after sunset when the ground air

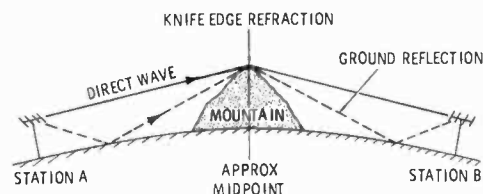


Figure 36

### KNIFE-EDGE DIFFRACTION

A ridge of hills or mountains may exhibit diffraction of a vhf wave travelling over the crest. An obstacle gain as high as 20 decibels may be realized when transmitting and receiving sites are optimized for maximum diffraction.

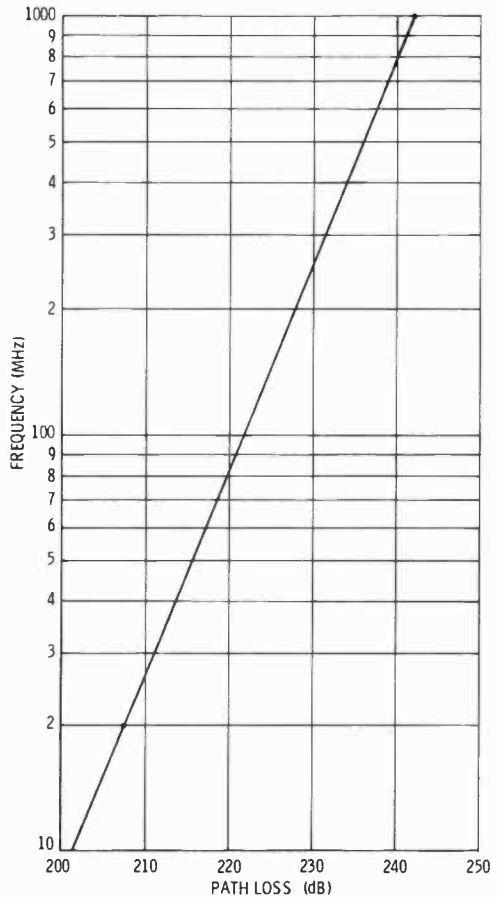
cools more quickly than the upper air layers. The same action may take place in the morning when the rising sun warms the upper air layers.

Tropospheric communication as a result of ducting is rare below 144 MHz, but occurs commonly in the 144-MHz to 450-MHz range. Less spectacular communications are possible as a result of simple temperature inversion, where ducting is not believed possible. Ducting over water, particularly between California and Hawaii, and Brazil and Africa, has produced vhf communication in excess of 3000 miles (4500 km).

**Knife-Edge** Under certain conditions, it is possible for a ridge of hills or mountains to exhibit noticeable diffraction of a vhf wave traveling over the crest. This phenomena of wave propagation is known as *knife-edge bending*, and has been demonstrated for years with light rays. The transmission path over a practical knife-edge diffraction path depends critically on the shape of the edge, the distance separating the stations and the angle from the stations to the obstacle. Ground reflection patterns may hinder the knife-edge path, but when all factors are optimized, an *obstacle gain* as high as 20 decibels may be realized (figure 36).

**Moon Reflection Propagation** Since 1953, radio amateurs have been experimenting with lunar communication (*moonbounce*). Moonbounce allows communication on earth between any two points that can observe the moon at a common time and has recently attracted the attention of growing numbers of experimentally minded vhf amateur experimenters.

The *earth-moon-earth* (EME) path varies from 442,000 miles (680,000 km) to 504,000 miles (750,000 km) for a round-trip signal, which takes approximately 2.5 seconds to make the journey. The moon subtends an angle of only one-half degree, as viewed from the earth and has a coefficient of reflection of only 7 percent for vhf energy that strikes its surface. In spite of these tremendous obstacles, EME radio amateur circuits are in almost daily operation on 144 and 432 MHz. The attenuation of the EME



**Figure 37**  
**EME PATH LOSS**

The average path loss, assuming 500 watts of radiated power, and a moon reflectivity of 7 percent is given. Path loss varies about 1 decibel plus or minus this figure as the monthly range to the moon changes. For 2-meter work, the total path loss is about 225 decibels.

path is shown in figure 37. Attenuation may vary as much as plus or minus one decibel during each month as range to the moon changes. For 144-MHz moonbounce work, the total path loss is about 225 decibels.

The requirements for the amateur station interested in moonbounce experiments is well known. For 144 MHz, as an example, with a transmitter running maximum legal power, an antenna gain of 20 decibels, or more, is required, along with a receiver having a high degree of selectivity and a noise figure of 2 decibels, or better. (The cosmic

noise level is about 1.9 decibels, so a system noise figure much better than this only allows the listener to hear more noise).

Because the moon may be moving toward or away from the EME stations at speeds up to 980 miles per hour, *Doppler shift* will change the received frequency, according to the formula:

$$\text{Doppler shift (Hz)} = 2.966 \times f_{(\text{MHz})}$$

When the shift is measured at the equator of the earth.

When the moon is rising, the Doppler effect increases the received frequency; at moonset the frequency is decreased.

In addition to the normal path attenuation, additional problems are caused by *Faraday rotation* of the polarization of the received signal. Because of the reflection of the signal, the polarization sense is reversed on the received signal, along with a "twist" in polarization along the path, out and back. A plane-polarized vhf signal passing through the ionosphere is gradually rotated in phase, and may go through several rotations before passing through the ionosphere into space. After reflection and phase reversal, the signal re-enters the ionosphere and rotates once again on the return path to the receiving antenna. The overall rotation may produce a 20 to 30 decibel signal loss when received on an antenna having incorrect polarization.

**Line-of-Sight Propagation** Under normal propagation conditions, the refractive index of the atmosphere decreases with height so that waves travel more slowly near the ground than at higher altitudes. This variation in velocity with height results in bending of the wave toward the earth's surface. Under unusual atmospheric conditions, the refractive index may increase with height, causing the wave to bend upwards, resulting in a decrease in the line-of-sight path.

Over most of the time, uniform, downward bending is present in the vhf and uhf region and may be represented by straight-line propagation, but with the radius of the earth modified so that the relative curvature remains unchanged. The new radius is known as the *effective earth radius (K)*. The average value of *K* in temperate climates is about 1.33.

The distance to the *radio horizon* over smooth earth, when the height *b* is very small compared with the earth's radius is given with a good approximation by:

$$d = \sqrt{\frac{3 K b}{2}}$$

where,

- b* = height in feet above the earth,
- d* = distance to radio horizon in miles,
- K* = effective earth radius in miles.

The nomograph of figure 38 gives the radio horizon distance between a transmitter at a height *b<sub>t</sub>* and a receiver at height *b<sub>r</sub>*.

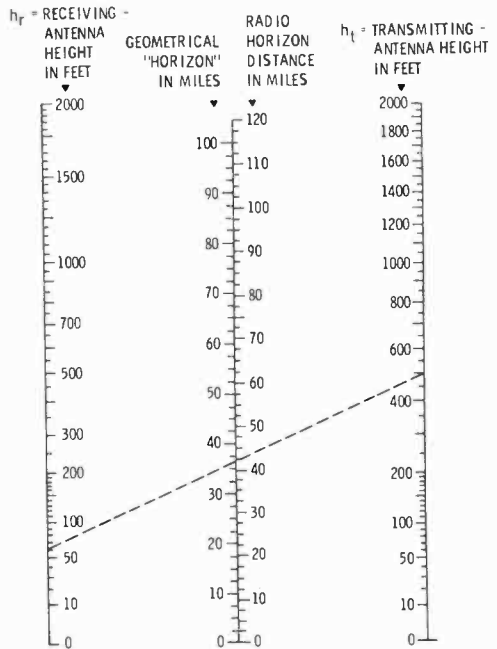


Figure 38

**RADIO HORIZON NOMOGRAPH**

Example shown: height of receiving antenna, 60 feet; height of transmitting antenna, 500 feet; maximum radio path length, 41.5 miles. Effective earth radius is taken as 1.33.

**24-10 Forecast of High-Frequency Propagation**

From theory and experimentation, constantly advancing hand-in-hand since the first ionospheric experiments of 1925, techniques have been evolved for applying certain measurable ionospheric data to the so-

lution of propagation and other engineering problems encountered in establishing hf radio circuits. It is possible, therefore, to estimate the *MUF* and *FOT* for a particular smoothed sunspot number for a given communication circuit. A representative propagation analysis chart for the New York to London circuit for a sunspot number of 150 is shown in figure 39.

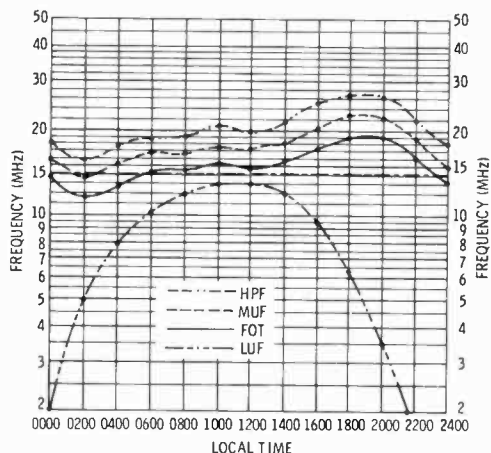


Figure 39

### PROPAGATION ANALYSIS CHART FOR NEW YORK TO LONDON PATH

This analysis chart shows the propagation path for a frequency of 14 MHz and an estimated radiated power of 1000 watts. The highest probable frequency (HPF) is that value of MUF that will occur on less than 10 percent of the days of the month. The lowest usable frequency (LUF) is dependent upon the local noise level at the receiving site. The path will be closed when the LUF is greater than the HPF.

World maps with overlay frequency contours are available for making frequency estimates manually and MUF estimations for months in advance may be made, if a predicted value of smoothed sunspot number is known. The maps are available in a set of four volumes: *Ionospheric Predictions*, OTTER 13, obtainable from the Superintendent of Documents, U.S. Government Printing Office, Washington, DC 20402. The Institute of Telecommunication Sciences of the Environmental Sciences Services Administration (ESSA) issues forecasts which may be used to determine the *MUF* and *FOT* for high-frequency communication paths. A handy source of propagation information is broadcast by the National Bureau of Standards station WWV during part of every 15th minute period on the standard frequencies in the hf range. Finally, the headquarters station of the American Radio Relay League, W1AW, rebroadcasts Propagation Forecast Bulletins on a regularly, weekly scheduled basis to all radio amateurs.

The best estimates indicate that the usable hf spectrum is expected to dwindle to half that space available during 1959 and that between the years 1974 to 2005 the amount of usable hf spectrum may never exceed 70 percent of that available during 1959. On the other hand, the steady use of the hf spectrum is expected to continue, even in spite of the transfer of large volumes of traffic to space satellites. Spectrum conservation and improved propagation knowledge are two actions that must be taken to prevent the high-frequency spectrum from becoming less useful for communications as a result of decreasing solar activity.



# The Transmission Line

A *transmission line* is a conducting system used to guide electrical energy from one point to another. Transmission lines are used to couple antennas to transmitters and receivers, or to establish proper phase relationships between the various elements of an antenna array. Of interest to the user is the distribution of voltage and current along the transmission line for a radio wave of a single frequency, as this knowledge is necessary to achieve maximum energy transfer along the line.

Any transmission line has an *input* (generator) *end* and a *load end*. The electrical properties of the line are specified by its distributed parameters which are the *series im-*

*pedance* per unit of length (composed of the series resistance and the series reactance) and the *shunt capacitance* and *conductance* per unit of length. These parameters are functions of the position and diameter of the conductors, the spacing between them, and the structure of the conductors and of the surrounding medium. The two-wire transmission line serves as a generalized example for discussion, and a lumped equivalent of a line section is shown in figure 1.

**Distributed Line Properties** As predicted by Maxwell's equations (Chapter 24, part I), a magnetic field is set up

about the conductors by the flow of current along the line, and energy is stored in, or released from, the field about the line, providing the line with the property of *inductance*. In addition, as the conductors are placed near each other, with air or other medium between them, they exhibit *capacitance* ( $C$ ) to each other and, if the medium or dielectric is imperfect, a leakage path exists between the conductors, which is expressed in terms of *conductance* ( $G$ ).

The illustration shows these properties as lumped constants in a sample section of two-wire transmission line. All of the properties may be expressed in terms of the series impedance and shunt admittance per unit length of line and are summed up in terms of the *characteristic impedance* (surge impedance) ( $Z_0$ ) which, in turn, may be specified in terms of the physical characteristics making up the line.

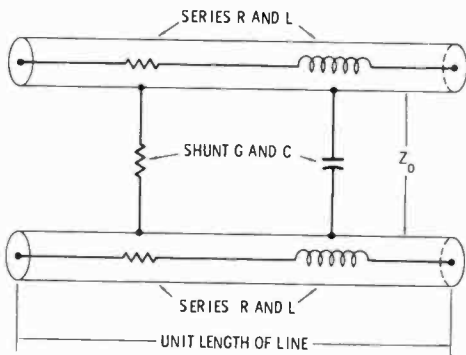


Figure 1

## REPRESENTATIVE CIRCUIT OF A SHORT SECTION OF TWO-WIRE TRANSMISSION LINE

The distributed properties of resistance, inductance and capacitance may be lumped in a unit section of line, short compared to the length of the line in wavelengths. This approximation is accurate enough for practical purposes and the properties may be specified in terms of the characteristic impedance of the line.

## 25-1 Characteristic Impedance

A transmission line is described in terms of its characteristic impedance which has



little, if anything, to do with line length, resistance of the conductors, or the frequency of operation of the line. In short, the characteristic impedance is equal to that value of impedance measured at the input end of the line, when the other end is terminated in an impedance of like value. This definition may seem confusing, but the validity is emphasized when it is found that raising the load impedance at the end of a certain length of transmission line may actually reduce the impedance measured at the input end. It can be seen, therefore, that it is possible for a transmission line to exhibit impedance transformations that, if understood and properly applied, can be extremely useful, but if ignored, can be catastrophic in their results.

**The Equivalent Load** To demonstrate the rather intangible concept of characteristic impedance, assume a given transmission line is terminated by a resistance with a small capacitance connected in parallel and a small inductance in series with the resistance, somewhat analogous to the lumped constant situation pictured for a short length of cable (figure 2). By mathematical conversion, the parallel RC load may be replaced by an equivalent

series RC circuit, as shown in figure 2B. If the two reactances are equal, they cancel each other (a condition of resonance) and the following definition of the terminating resistance ( $R'$ ) is achieved:

Let  $R'$  equal the series terminating resistance. At resonance,

$$X_L = \frac{R'^2}{X_C} \text{ and } X_L = 2\pi fL$$

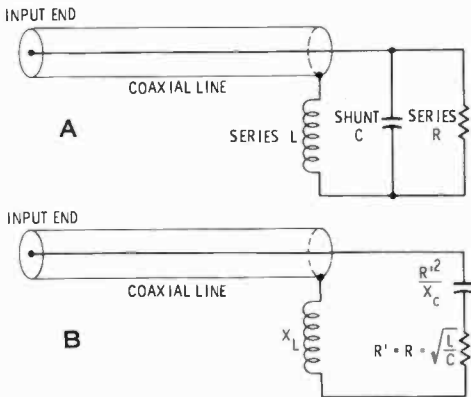
$$X_C = \frac{1}{2\pi fC}$$

Substituting and simplifying:

$$L = R'^2 C, \text{ or } R'^2 = \frac{L}{C}$$

$$\text{and } R' = \sqrt{\frac{L}{C}} = R$$

Thus the equivalent load circuit of figure 2B appears to a measuring instrument to be identical to the circuit of figure 2A, regardless of frequency and may therefore serve as a substitute for the terminating load of figure 2A. The input impedance of the equivalent circuit is still equal to the original impedance. There is no reason why this substitute process cannot be repeated indefinitely to build up an electrical equivalent of any transmission line, and it can be said that the input impedance of such an artificial line will always be the same, regardless of its length and the frequency of operation, provided that the far end of the artificial transmission line is always terminated in a load resistance equal to  $\sqrt{L/C}$ . Further, the input measurement of the line will always equal this exact amount and is apparently a resistance, termed the characteristic impedance of the line. The only difference between a real line and the artificial line is that the real one is bound to have some loss resistance as well as inductance and capacitance. Good transmission lines, however, have very little loss resistance in the hf region.



**Figure 2**  
**CHARACTERISTIC IMPEDANCE OF A TRANSMISSION LINE**

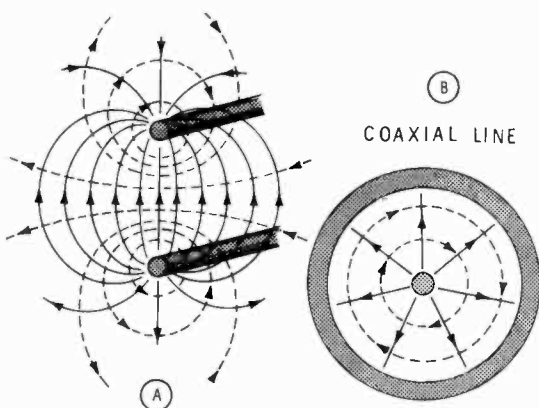
- A—The coaxial transmission line is terminated by a network analogous to the lumped-constant equivalent
- B—Mathematical equation of circuit A with components in series connection. The equivalent load circuit is electrically equal to the characteristic impedance of the line.

## 25-2 Transit Time and Wave Reflection

While electromagnetic waves travel approximately 186,240 miles per second in space, it takes more time for a wave to progress along a transmission line, from one end to the other, as the energy must charge

the distributed capacitance of the line and induce an electric field along the distributed inductance of the cable (figure 3). For many solid-dielectric coaxial cables, the wave travels at about 66 percent as fast as in air, and the cable is said to have a *velocity of propagation* ( $V_p$ ) of 0.66.

As the energy passes down the transmission line from generator to load, it is interesting to note that the generator has no means of determining the load conditions at the end of the line, nor does it "know" if the proper terminating condition  $R = \sqrt{L/C}$  is fulfilled or not. Thus, during the short interval the wave initially travels along the line, the current supplied by the generator is determined only by the characteristic impedance of the line. The power supplied by the generator is used exclusively to create a pattern of electric and magnetic fields speeding along the line. Since the characteristic impedance of the line is a resistance (neglecting cable losses), the current and voltage along the line are in phase. Until the energy reaches the end of the transmission line, it would seem that Ohm's law has been placed in suspended animation.



TWO-WIRE LINE **Figure 3**

**ELECTRIC AND MAGNETIC FIELDS ABOUT TRANSMISSION LINES**

Lines of electric field (solid) terminate on conductors and lines of magnetic field (dashed) curve about conductors.

**The "Suspension" of Ohm's Law** The transit time required for the wave to pass the length of the transmission line may be compared to quarterly income tax payments made before the annual

amount finally due has been determined. In such cases, it is necessary to make an estimated payment subject to later adjustment if the total sum is found to be in error. In a similar fashion, the generator has to "pay" current into the transmission line before it "knows" how much current the terminating load resistance will take. Ohm's law is, in effect, held in suspense until the current reaches the load at the end of the transmission line. During this finite period of transit, the only load the generator "sees" is that load caused by the creation of the electromagnetic field about the line.

If, when the energy reaches the end of the transmission line the load is a resistance, and the ratio of load voltage to line current is equal to the characteristic impedance of the line, then Ohm's law is fulfilled and the power arriving at the load is absorbed at exactly the same rate as it is being fed into the generator end of the line. The only effect of the transmission line, assuming it is lossless, is the transit time-lag of the electromagnetic wave along the line.

On the other hand, if the line energy arrives at the load and "finds" a load resistance unequal to the characteristic line impedance, Ohm's law is not fulfilled and a portion of the energy is sent back down the line toward the generator in opposition to the normal line current and voltage, the remainder of the energy being absorbed by the load in accordance with Ohm's law.

**Phase Shift** The finite period of time the radio wave takes to flash along the transmission line at near the velocity of light may be expressed in terms of *phase shift* along the line. The amount of phase shift introduced by the line is a function of the velocity of propagation of the wave and the distance of the point of reference from the end of the line.

Phase shift is commonly expressed in electrical degrees and to determine the phase of the current at any point along the line, it is only necessary to determine the number of electrical wavelengths and fractions thereof between the point of investigation and one end of the line and divide the result into 360 degrees; this gives the phase shift in degrees per unit length (figure 4).

The current and voltage in a transmission line exhibit a phase shift of 360 degrees

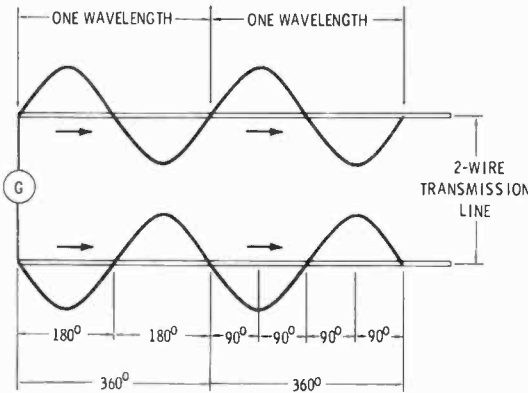


Figure 4

**TRANSMISSION LINE LENGTH IN ELECTRICAL DEGREES**

A conductor may be divided into electrical degrees, expressing length referenced to the input or output end of the line. One wavelength, or electrical cycle, is expressed as 360 electrical degrees. If the wave is, for example, 30 meters long, it will take 0.1 microsecond to pass one wavelength along the line. During this time, the phase has shifted through 360 degrees.

(one cycle) with respect to the source over a one-wavelength line segment. A second 360-degree phase shift will take place over a second electrical wavelength of line. The total phase shift over a transmission line two wavelengths long, then, is 720 degrees, or two complete cycles of source current.

Since the radio energy travels at constant velocity along the transmission line, the line may be divided into electrical degrees, as shown in the illustration. A quarter-wavelength of line is referred to as a 90-degree line, a half-wavelength line as a 180-degree line, and so on. In effect, the phase shift along the line may be explained in the terms used for phase shift in lumped constants, as discussed earlier in this Handbook, and as will be further discussed in the following chapters.

**Wave Reflection on a Transmission Line**

Before wave reflection is viewed in terms of fields and waves, it is interesting to observe it in terms of Ohm's law and simple r-f circuits. Figure 5A shows a 200-volt generator coupled to a 50-ohm load through a section of transmission line having a characteristic impedance of 50 ohms ( $Z_0 = 50$ ). The current flowing in the circuit is 4 amperes and the power dis-

sipated at the load is 800 watts. Accordingly, the generator delivers 4 amperes at 800 watts and the circuit satisfies Ohm's law in all details.

Assume the load resistance is changed to 300 ohms, designated as  $R'$ . If reflection does occur, let:

$I$  equal generator current sent down the line,

$E$  equal generator voltage at input end of the line,

$i$  equal the current reflected back down the line toward load,

$e$  equal the voltage reflected back down the line toward load.

The characteristic impedance is common to all voltages and currents, so:

$$\frac{E}{I} = Z_0 = \frac{e}{i}$$

It follows from Maxwell's equations and the previous discussion that the net current in the load is  $(I - i)$  and the total voltage across the load is  $(E + e)$ , as shown in figure 5B. To fulfill Ohm's law, then:

$$\frac{E + e}{I - i} = R'$$

when  $R'$  is any value of load resistance.

Solving these simultaneous equations, the inclusive expression for the general load condition,  $R$ , when the value of the load resistance is not equal to  $Z_0$ :

$$\frac{i}{I} = \frac{e}{E} = \frac{R - Z_0}{R + Z_0}$$

Now, if  $R = 300$  ohms, then:

$$\frac{i}{4} = \frac{e}{200} = \frac{300 - 50}{300 + 50} = \frac{250}{350} = 0.715$$

and  $i = 2.86$  amperes and  $e = 143$  volts.

In summation, then:

Power leaving the generator:  $4 \times 200 = 800$  watts.

Power arriving at load: 800 watts.

Power absorbed in load:  $(E + e) \times (I - i) = 343 \times 1.14 = 391$  watts.

Power reflected by load:  $e \times i = 143 \times 2.86 = 409$  watts.

If the generator has an internal impedance (and all of them do), and the impedance happens to be the same as the characteristic

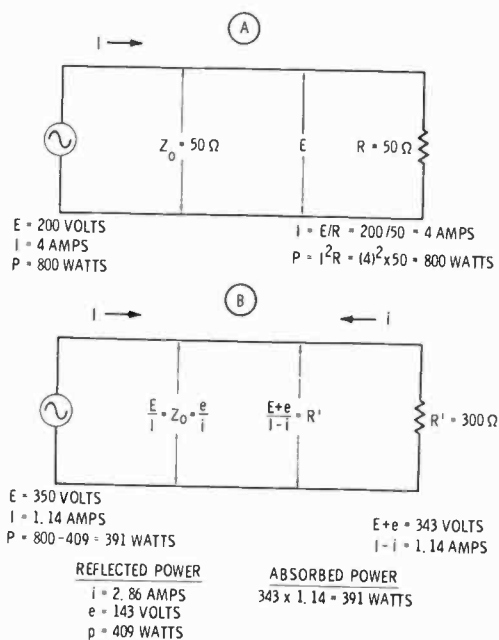


Figure 5

WAVE REFLECTION ON A TRANSMISSION LINE

- A—A matched line ( $Z_0 = R = 50 \text{ ohms}$ ) delivers 800 watts to a load and satisfies Ohm's law.
- B—Unmatched line ( $Z_0 = 50 \text{ ohms}$ ,  $R' = 300 \text{ ohms}$ ) delivers 391 watts to load and returns 409 watts to the generator, thus satisfying Ohm's law.

impedance of the line, the generator will completely accept the returned power, which in this case is 409 watts. As a result, the net outgoing power from the generator is reduced to:  $800 - 409 = 391$  watts.

Thus, the mismatch at the load has dropped the system power from 800 to 391 watts. If, however, the internal impedance of the generator is other than equal to the characteristic impedance of the transmission line (the usual case), it will rereflect a portion of the reflected power reached it. In turn, a portion of the rereflected power will once again travel down the line, to be reflected in the load, the total power traveling in each direction along the line being a summation of all incident and reflected powers. The net outgoing power at the generator, of course, is a function of the mismatch of the generator to the line, looking backward toward the generator.

In this fashion, a system mismatch at the terminating load can seriously affect the loading of the generator, and the power in the transmission system. A considerable portion of system power can be reflected and rereflected along the line causing undesirable characteristics to appear on the line.

Of immediate interest to the operator of a transmitter which is working into a mismatched transmission line is that the mismatch at the input end of the line may be so great that the tuning system of the equipment is unable to accommodate the load. Damage to the equipment may be the end result of trying to load into a badly matched antenna system.

25-3 Waves and Fields Along a Transmission Line

Maxwell's equations define the action of a transmission line as expressed in terms of field theory. A simplified discussion of fields and waves on a line may help clarify the previous discussion.

The current along, and voltage between, the conductors of a line produce magnetic and electric fields about the line containing the energy which has left the generator but which has not yet arrived at the load. In a sense, the transmission line guides and confines an electromagnetic field, as well as conducting the energy in a form of alternating current. The former concept is of great use in explaining the action of uhf waveguides (hollow pipes that conduct radio energy by propagating it as a traveling electromagnetic field within the pipe). At the same time, this field concept is equally correct in the investigation of hf transmission lines. Figure 3 showed end-on views of a two-conductor line and a coaxial line. The currents flowing in the conductors produced a magnetic field and the voltage difference between the conductors produced an electrostatic field. It is impossible to have current and voltage at a point on a transmission line without the existence of a corresponding electromagnetic field, and vice versa. The two concepts are so interrelated that it is immaterial whether at a point along the line the r-f current within and the voltage between the conductors are due to the electro-

magnetic field, or that the field is a product of the voltage and current, or that they are simply two manifestations of the same phenomenon. The expanding series of energy transfers from an electric field to a magnetic field, and so on, to propagate the energy along the line in the same manner electromagnetic energy is propagated through space.

As mentioned earlier, the electrical characteristics of a line are expressed as a characteristic impedance, based on the assumption that the capacitance and inductance of a short unit length of line may be considered independently of the rest of the line. As a result, the properties of the unit line are considered as lumped constants, and Ohm's law applies to these constants.

In the case of a transmission line whose length is comparable to the wavelength of energy flowing along the line, this assumption is not valid, as the time-flow (transit time) of electromagnetic energy is finite and a phase difference exists between separate points along the line. This difference is significant, since at a given instant the current at one point in the line may be passing through its maximum value, while at another point it may be near zero (figure 6). In such a case, the line must be considered as a complete system of distributed impedances, and it is more convenient and correct to view the system from the field-theory concept rather than from the more conventional, lumped-constant interpretation, utilizing Maxwell's series of equations. The simpler, lumped-constant approach will be used, in a modified form, in this Handbook, since it is sufficiently correct for the problems concerned with the hf and vhf antenna systems discussed herein.

#### Wave Motion on a Finite Transmission Line

If a line has infinite length, or if the line is terminated in a characteristic load, incident energy traveling down the line will continue indefinitely in the first case, or will be completely absorbed by the load in the second case. In either example, only one value of impedance is measured at the input terminals (or at any other point along the line) and this value is the characteristic line impedance.

When the far end of a finite transmission line is terminated with a load other than the characteristic load, a discontinuity exists at

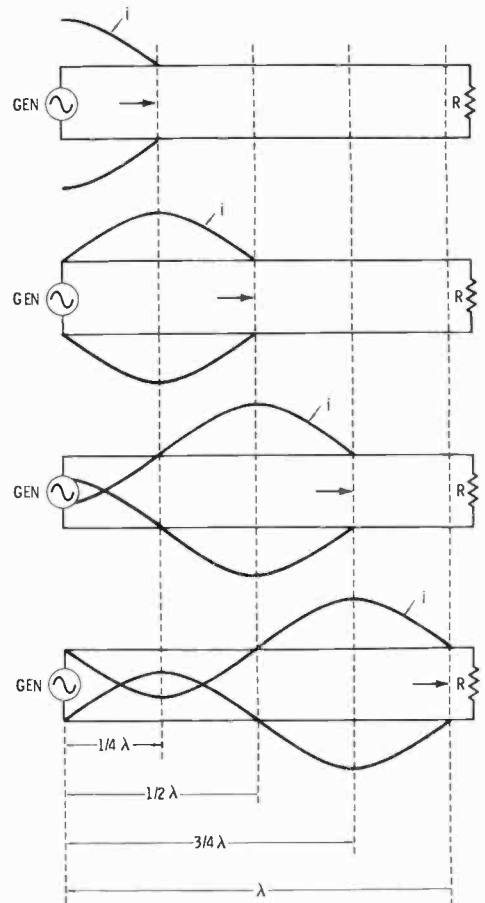


Figure 6

#### INSTANTANEOUS CURRENT ALONG A TRANSMISSION LINE

Transit time of electromagnetic energy is finite and a phase difference exists between separate points along the line. This example shows that the current wave passes from maximum to minimum values at successive quarter-wavelength points along the line as wave travels from left to right. The AVERAGE value of the current along the line, however, is constant.

this point and wave reflection occurs, as predicted by Maxwell's equations. Picture a finite transmission line connected through a switch to an r-f generator. Assume the switch is closed for a time equal to the period of wave energy, and then opened. As a result, one cycle of energy is sent down the line to the far end. If, for example, the line is open at the load end, the pulse of energy can go no further and the current at the end of the line collapses to zero. In doing

so, a collapse also occurs in the magnetic field, creating an electric field which acts in the manner of a reverse generator, inducing a new current equal to that of the incident wave, traveling back along the line toward the input end. The reinforced electric field at the end of the line is in phase with the incident voltage, while the current component of the reflected wave at this point is equal in amplitude and opposite in phase to that of the incident wave, giving a resultant current of zero (figure 7A).

If the generator switch is again closed during the reflected wave cycle, a condition then exists in which energy is traveling both ways on the line. If the switch is held closed, both incident and reflected waves are present on the transmission line, in the manner suggested in figures 5 and 6, chapter 24.

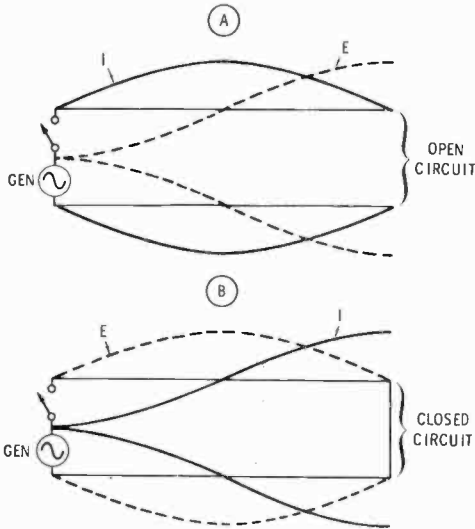


Figure 7

### WAVE REFLECTION FOR OPEN- AND CLOSED-END LINES

A—Reflection on a half-wavelength open line. Current and voltage waves are 90 degrees offset after reflection. The current is zero at the open end of the line and voltage is maximum at this point. Both waves exist as standing waves, each being the resultant of conflicting incident and reflected waves. A line having a standing wave on it may be regarded as a "storehouse" of energy similar to a lumped circuit.

B—Reflection on a half-wavelength closed line. Current and voltage waves are 180 degrees out of phase from condition (A). Open- and closed-end lines are used as tank circuits in vhf and uhf equipment as well as in matching devices.

Wave reflection also occurs along a transmission line shorted at the load end for reasons comparable to the open-end situation. The voltage at the short circuit collapses because a potential difference cannot exist across zero resistance, the current at this point is doubled, the current and voltage roles being reversed from the case of the open-end termination (figure 7B). The voltage undergoes a phase reversal upon reflection and a reflected wave flows back along the line toward the generator. The line does not have to be of any particular length to allow reflections to be created on it; the only requirement is that the line be finite in length and not terminated in its characteristic impedance.

**Reflection and Standing Waves** Hertz's early experiments show that when a radiated wave strikes an abrupt

change in medium, or a sharp boundary, some of the wave is reflected, and all of it is reflected in the case of meeting a conducting sheet or plane of perfect conductivity. Hertz also observed that the reflected wave tended at some points along the path to interfere destructively with the incident wave, while at other points it tended to interfere constructively. The net effect was the apparent creation of a third wave, termed a *standing wave*, which remained fixed in position, while the incident and reflected waves traveled along the antenna, or transmission line, at near the speed of light. Hertz concluded that an interference pattern of waves had been set up along the path.

An analogy may be drawn between a standing wave of electromagnetic energy and the vibrations of a violin string when it is plucked at some point. The string vibrates along its length, but the amplitude of vibration is a function of position along the string. The standing wave on the string, in fact, is a trapped wave that cannot escape because of the barriers created by the ends of the string. As far as the transmission line is concerned, voltmeters and ammeters placed along the line will provide visual evidence of the standing wave condition (figure 8). The *r-f* power at any point along the line remains constant, regardless of excursions of voltage and current caused by the wave interference pattern. The consecutive points of maximum current of the standing wave,

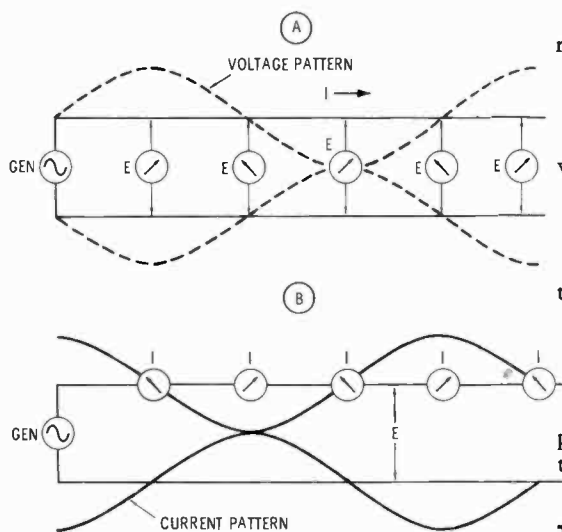


Figure 8

### STANDING WAVE PATTERNS OF VOLTAGE AND CURRENT ON A TRANSMISSION LINE

Mismatched two-wire line has reflected wave which interferes with incident wave, creating a third wave which remains fixed in position, while incident and reflected waves travel along the line.

A—Representation of voltage standing wave.  
B—Representation of current standing wave.

moreover, are separated by a quarter wavelength along the line from the maximum voltage points, and the pattern is repeated at half-wavelength intervals.

## 25-4 The Standing-Wave Ratio

Wave interference creates standing waves of voltage and current on a transmission line and measurement of these waves provides useful information concerning the electrical condition of the line. The condition may be defined in terms of the *reflection coefficient* ( $k$ ) and the *standing wave ratio* (SWR).

**The Reflection Coefficient** The reflection coefficient expresses the ratio of the reflected wave voltage ( $E_r$ ) to the incident, or forward wave voltage ( $E_t$ ):

$$k = \frac{E_r}{E_t}$$

If the terminating load on the line is resistive, the reflection coefficient is:

$$k = \frac{R - Z_0}{R + Z_0}$$

where,

$R$  is the terminating load,  
 $Z_0$  is the characteristic line impedance.

For example, assume a 50-ohm line is terminated in a 25-ohm load. Then,

$$k = \frac{25 - 50}{25 + 50} = \frac{-25}{75} = -0.33$$

Thus, the reflected wave is of opposite phase to the incident wave and has one-third the voltage amplitude.

**The Standing-Wave Ratio** The ratio of maximum rms voltage or current to minimum rms voltage or current along a transmission line defines the standing wave ratio:

$$SWR = \frac{I_{max}}{I_{min}} = \frac{E_{max}}{E_{min}}$$

The SWR may have a range of values from unity to infinity, and is an indicator of the line properties. The voltage standing-wave ratio (VSWR) can be measured with an inexpensive instrument (SWR meter) and is a convenient quantity in making calculations of line performance. The general case for a line terminated in a resistive load of any value is:

$$SWR = \frac{R}{Z_0}$$

when  $R$  is greater than  $Z_0$ , and

$$SWR = \frac{Z_0}{R}$$

when  $R$  is less than  $Z_0$ .

**Input Impedance** The value of impedance seen at the input end of a transmission line is important as this is the value that the transmitting equipment must work with. The *input impedance* must be within the limits imposed by the output matching network of the equipment in order to achieve proper loading.

The input impedance of the line depends not only on the load impedance at the far end of the line, but also on the electrical length of the transmission line. Thus, the input impedance is a function of frequency, as the electrical length of the transmission line changes in relation to the physical length with a change in frequency.

When the load impedance is not matched to the line, the input impedance of the line may be inductive, capacitive, resistive, or a combination of all three of these qualities. The magnitude and phase angle of these qualities depends on the line length, the SWR, and the characteristic impedance of the line.

An antenna system of the type used by most amateurs, is resistive at the resonant frequency and is reactive at frequencies off-

resonance, exhibiting various combinations of resistance and reactance to the transmission line (figure 9). Some combination of these qualities is the rule, rather than the exception, although the resistive term of the combination is predominant in most cases.

### 25-5 Impedance Matching With Resonant Lines

A transmission line exhibiting wave reflection is termed a *resonant line* since it assumes many of the characteristics of a resonant circuit. Variations of formulas that apply to LC circuits also apply to resonant lines. Sections of such lines can be economically substituted for lumped tuned circuits in wave filters, impedance-matching devices, phase shifters, line-balance converters, and frequency control circuits.

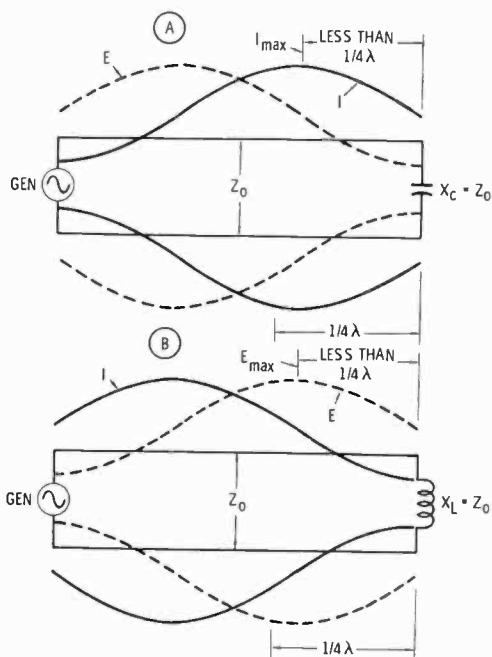


Figure 9

#### STANDING WAVE PATTERNS OF VOLTAGE AND CURRENT FOR REACTIVE LINE TERMINATIONS

- A—With capacitive reactance termination, the maximum point of current is closer than a quarter-wavelength to the termination.
- B—With inductive reactance termination, the maximum point of voltage is closer than a quarter-wavelength to the termination.

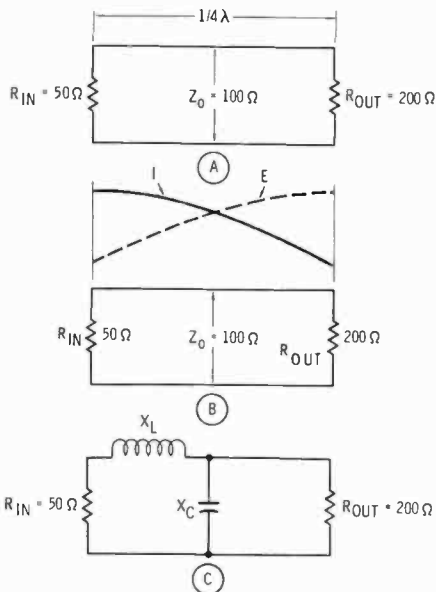


Figure 10

#### THE QUARTER-WAVE TRANSFORMER

The impedance inverting property of a quarter-wave line provides a good match between a high impedance and a low one. The transformer impedance is equal to the geometric mean between the two impedances. A—The matching transformer, sometimes called a "Q-section". B—The reversal of voltage and current on the transformer. C—The lumped equivalent circuit of the quarter-wave transformer. For a balanced transformer,  $X_L$  is divided into two inductors, one placed in series with each line and each having the value  $X_L/2$ .



Open-end and closed-end resonant lines are useful as matching devices between different impedance levels in antenna systems. Short, resonant lines (*stubs*, or *matching stubs*) can approximate capacitance or inductance and may be used to compensate for, or match out, unwanted reactive components in an antenna system.

**The Quarter-Wave Transformer** The input impedance ( $Z_i$ ) of a quarter-wave line terminated in a load impedance of  $Z_l$  is:

$$Z_i = \frac{(Z_0)^2}{Z_l}$$

where,  $Z_0$  is the characteristic line impedance.

The equivalent, lumped circuit is shown in figure 10C.

The impedance inverting property of the line provides a good match between a high impedance circuit and a low impedance one. By inverting the formula, the impedance of the *matching transformer* ( $Z_0$ ) required to match two different impedances is:

$$Z_0 = \sqrt{Z_i \times Z_l}$$

showing that the transformer impedance is equal to the geometric mean of the two impedances to be matched.

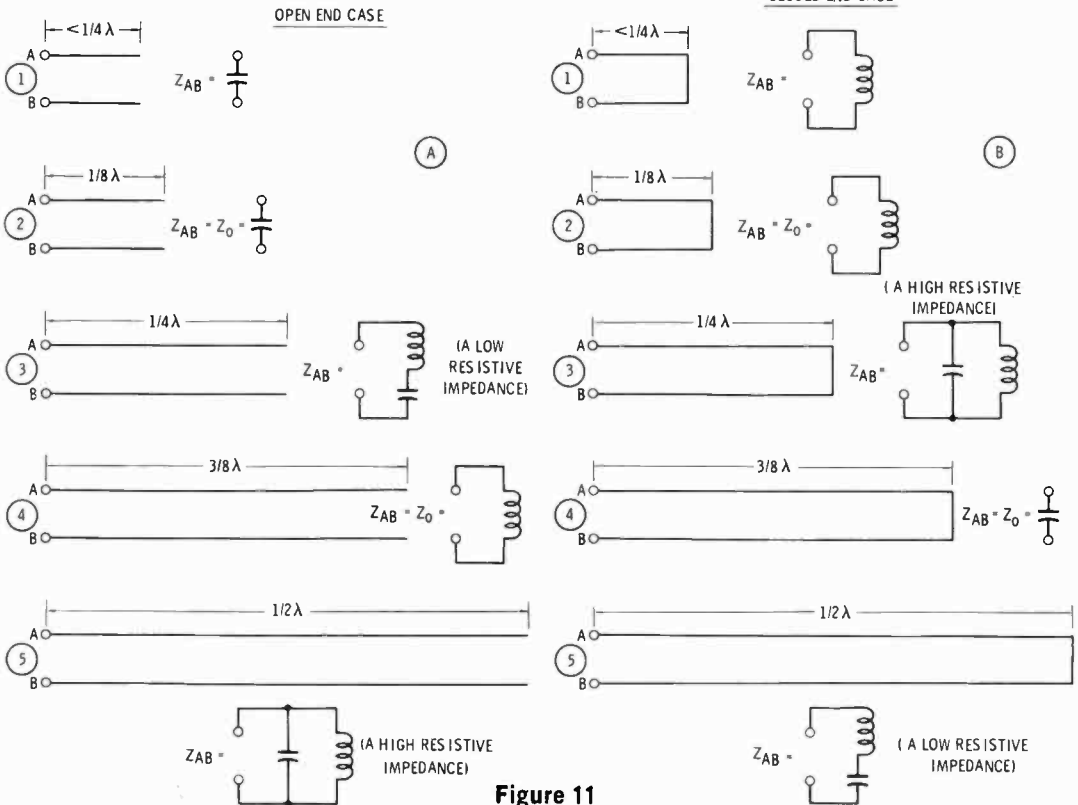


Figure 11

**LUMPED CIRCUIT EQUIVALENTS FOR RESONANT LINES**

**A—Open-end lines.** The one-eighth wave line transforms the line impedance into an equal value of capacitive reactance. The quarter-wave line functions as an impedance inverting device and the three-eighths-wave line transforms the line impedance into an equal value of inductive reactance.

**B—Closed-end lines.** Conditions are exactly reversed from the open-end lines although the basic transformation remains the same. The one-eighth wave line, for example, transforms the line impedance into an equal value of inductive reactance. The two cases are 90 degrees out of phase with each other in all respects.

**The Resonant Stub** A shorted, quarter-wave line is equivalent to a parallel resonant circuit, making it possible to substitute the line for a lumped LC circuit (figure 7B). For the general case, the *open-end impedance* of a shorted or open line varies with line length and may be capacitive, inductive, or present a low or high resonant impedance. The open-end inductive reactance of a loss-free, shorted line, less than a quarter-wavelength long is:

$$X_L = Z_0 \tan l$$

where,

$l$  is the electrical length in degrees,

$Z_0$  is the characteristic impedance of the line.

The open-end capacitive reactance of a loss-free, open line, less than a quarter-wavelength long is:

$$X_C = Z_0 \cot l$$

Figure 11 illustrates the manner in which the input reactance of a transmission line

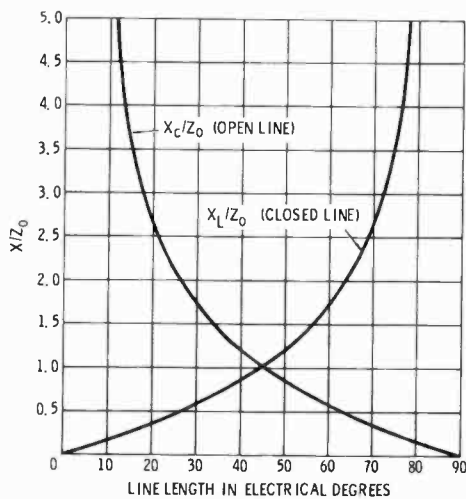


Figure 12

### REACTANCE CURVES FOR OPEN- AND CLOSED-END LINES

The quantity  $X/Z_0$ , multiplied by the characteristic impedance of the line is equal to the input reactance. The behavior of the two types of line is complementary, the quarter-wave open-end line acting as a series-resonant circuit and the closed-end line acting as a parallel-resonant circuit. Such sections of line are often used as chokes or tuned circuits in the vhf/uhf region.

varies with length for the open- and closed-end cases. Figure 12 represents the reactance curves for the two types of line.

**Stub Matching** A line segment less than a quarter-wavelength long presents a value of reactance at the measuring end that can be used to match out unwanted reactance in an antenna system. Either open- or closed-end stubs may be used, depending on the circuit requirements.

If a transmission line is connected directly to an antenna at, or near, a current loop or node, the chances are that the antenna will present other than a matched load, and standing waves will exist on the line. At a point on the line, less than one-half wavelength from the antenna, the resistive component of the antenna load will equal the characteristic line impedance, and a reactance whose value is equal and opposite placed at this point will cancel the unwanted reactance on the transmission line (figure 13). Stub dimension and placement is a function of the SWR on the line, as measured at the load. In some cases, lumped constants are substituted for the matching stub, and the resulting device is called an *impedance matching network*.

**Balancing Networks** Most hf antennas are balanced systems in that equal and out-of-phase voltages to ground exist at each input terminal. The Marconi antenna, discussed in the previous chapter, is an example of an exception to this statement.

When a balanced antenna is used, the two-conductor transmission line feeding the antenna should carry equal and opposite currents throughout its length to maintain the electrical symmetry of the antenna system. The popular coaxial transmission line (discussed later in this chapter) is an unbalanced device, with one conductor normally operated at ground potential. An electrical unbalance exists when such a line is connected to a balanced antenna.

In addition, a transmission line in the near-field of an antenna is coupled to the antenna by virtue of its proximity, and induced currents can flow in the outer conductor of the coaxial line. This current is called an *antenna current* and it tends to upset the

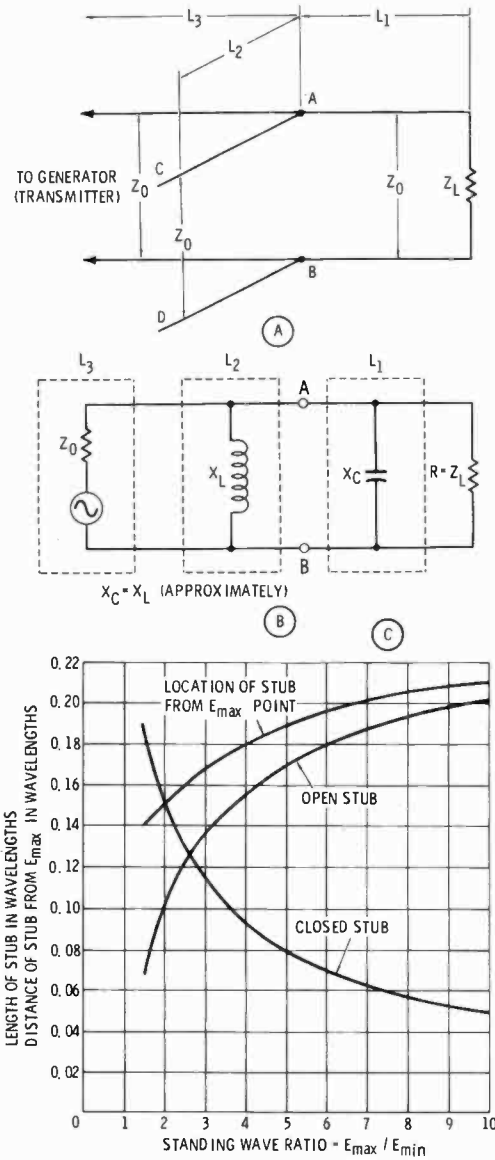


Figure 13

STUB MATCHING

An open-end or shorted-end stub connected across the main transmission line is used to reduce the SWR on the line and provide a good match between line and load impedance. The location of the stub in relation to the load (dimension  $L_1$ ) and the length of the stub (dimension  $L_2$ ) may be set from the measured value of the SWR. It is not necessary for the antenna to be resonant at the operating frequency as the stub matching system can compensate for the physical antenna length.

true SWR condition on the line, rendering meaningful SWR readings impossible.

To maintain proper current balance in the coaxial transmission line and also to reduce

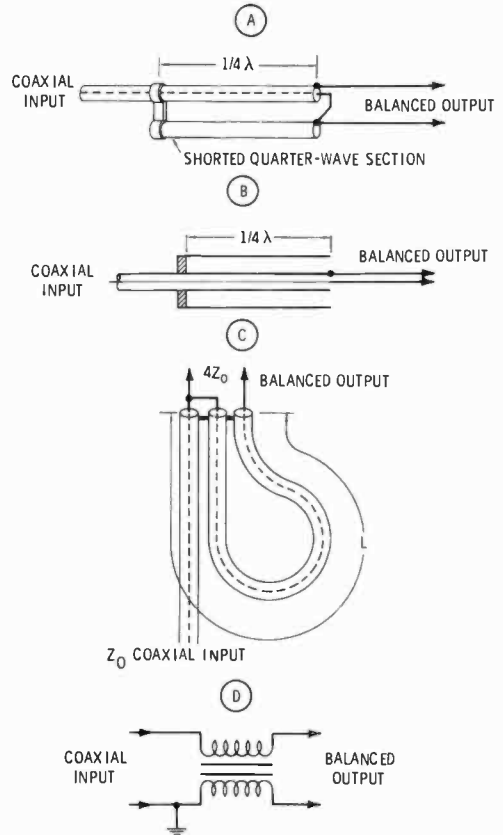


Figure 14

BALANCING DEVICES

- A—Quarter wave section made of parallel transmission line serves as balancing device. Coaxial line is run through one leg of the section. Equal and opposite currents flowing in legs of quarter wave section cancel each other and resultant current flowing on outside of transmission line is zero.
- B—Coaxial version of quarter-wave section. The outer sleeve acts much like an rf choke to suppress antenna currents from flowing on the coaxial transmission line.
- C—Half-wavelength coaxial balun provides impedance step-up of four to one. Balancing line is 0.66 of half-wavelength if solid dielectric coaxial line is used, taking the velocity factor of the line into account.
- D—Balun coil consists of bifilar winding which may be considered as a portion of the transmission line. Currents in windings are in phase and act to choke off antenna current tending to flow along coaxial transmission line.

antenna currents on the line to a minimum, the line should be brought away from the antenna at right angles to it, reducing inductive coupling to a minimum, and a balancing device should be placed between the transmission line and a balanced antenna. A suitable device is termed a *balancing network*, or *balun*. Linear and lumped-constant baluns are illustrated in figure 14.

**Wideband Baluns** Wideband baluns may be made of a section of transmission line wound into an inductance. A frequency span of 10 or 20 to 1 is achieved with the proper design and the device may be balanced or unbalanced with

various transformation ratios. Shown in figure 15 are representative designs for phase-reversal, balance-to-unbalance and impedance-transforming baluns.

The bandwidth of a particular balun is determined at the low-frequency end of the operating range by the inductance of the windings and at the high-frequency end by the distributed capacitance of the design. If a ferrite core is used in the device, care must be taken to limit the signal level so that saturation does not occur.

A two-winding balun may be used for phase reversal, or balance to unbalance. A 1-to-4 balun requires either 3 or 4 windings, depending on the state of balance, as

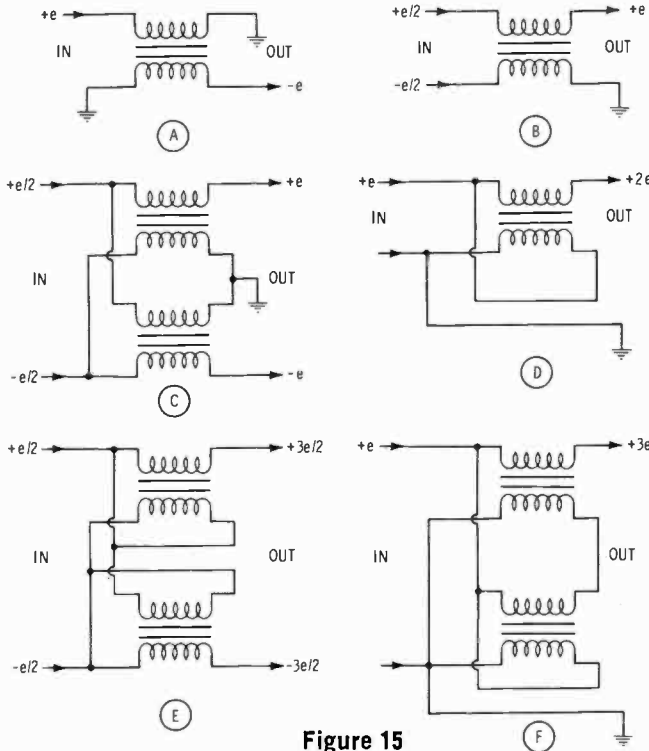


Figure 15

**WIDEBAND BALUN TRANSFORMERS**

- A—Phase reversing, 1-to-1 transformation ratio.
- B—Balance to unbalance, 1-to-1 transformation ratio.
- C—Balance to balance, 1-to-4 transformation ratio.
- D—Unbalance to unbalance, 1-to-4 transformation ratio.
- E—Balance to balance, 1-to-9 transformation ratio.
- F—Unbalance to unbalance, 1-to-9 transformation ratio.

shown in the illustration. A 1-to-9 impedance transformation may be accomplished with the same basic design, with windings with the same basic design, with windings series- instead of parallel-connected.

Two or more baluns may be interconnected to provide unusual transformation ratios. A balance-to-unbalance device providing transformation and unbalance in two steps is shown in figure 16. This configuration is often used to match power transistors to a 50-ohm load.

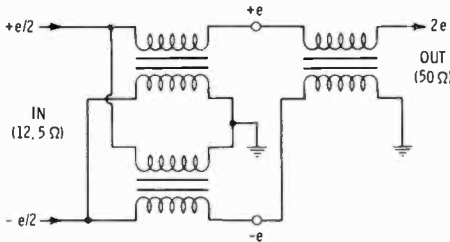


Figure 16

**SERIES CONNECTED BALUNS TO PROVIDE LOW IMPEDANCE, BALANCED INPUT TO 50-OHM LOAD TERMINATION**

Left balun provides balance to balance termination with 1 to 4 transformation ratio. Right balun provides balance to unbalance termination with 1-to-1 transformation ratio. This configuration is often used to match push-pull VHF power transistors to a 50-ohm load, with a strip-line balun design.

**25-6 Transmission Lines**

Practical transmission lines for the hf and vhf region are composed of two conductors separated by a dielectric. Two classes of lines, parallel-conductor and coaxial, are in wide use, although there are many styles of each class of line. Transmission lines may be either air-insulated or may be embedded in a solid dielectric.

**Two-Wire Open Line** A typical open transmission line is shown in figure 17. The conductors are held in position by means of insulating rods, the spacing varying from less than one inch for vhf service, to over one foot for high-power, hf service.

Expressed in physical terms, the characteristic impedance of a two-wire open line is:

$$Z_0 = 276 \log_{10} \frac{2S}{d}$$

where,

S = spacing between conductor centers,  
d = conductor diameter.

Since the formula is expressed as a ratio, the units of measurement may be in any convenient units, so long as the same units are used for each dimension. The equation is accurate so long as the conductor spacing is relatively large compared to the conductor diameter.

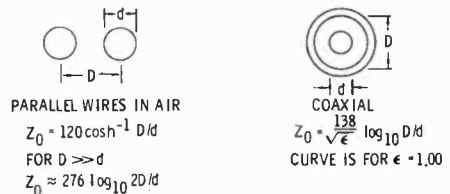
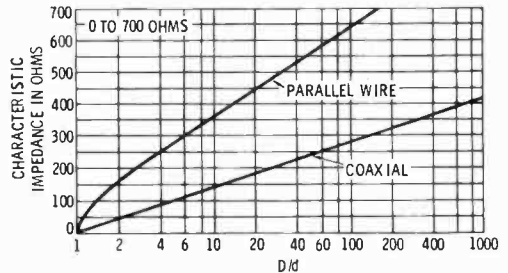
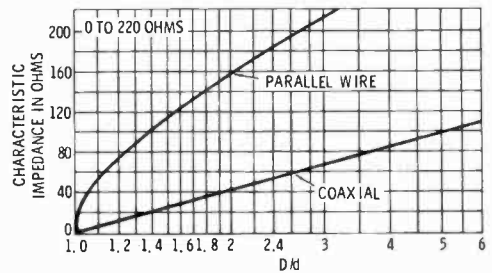


Figure 17

**TWO CONDUCTOR TRANSMISSION LINES**

**"Ribbon" and Tubular Line** Flexible, prefabricated parallel-conductor line is widely available for television lead-in cable. The majority of this line has a nominal characteristic impedance of 300 ohms.

Receiving types and transmitting types having power levels of up to one kilowatt in the hf range are listed, with their pertinent characteristics in Table 1.

**Table 1. Ribbon and Tubular Line**

Impedance (Ohms)	Amphenol Type Number	Velocity of Propagation	Power Rating (30 MHz) In Watts
75	214-023	0.71	1000
300 (Flat)	214-056	0.82	—
300 (Oval)	214-022	0.82	—
300 (Tubular)	214-271	0.82	500
	214-076	0.82	1000
(Foamed)	214-103	—	—

**Coaxial Line** The coaxial line has advantages that make it very practical for efficient operation in the hf and vhf regions. It is a perfectly shielded line and has a minimum of radiation loss. It may be made with braided conductors to gain flexibility and is impervious to weather. Since the line has little radiation loss, nearby metallic objects have minimum effect on the line as the outer conductor serves as a shield for the inner conductor (figure 17).

As in the case of a two-wire line, power lost in a properly terminated coaxial line is

the sum of the effective resistance loss along the length of the cable and the dielectric loss between the two conductors. Of the two losses, the resistance loss is the greater; since it is largely due to the skin effect and the loss (all other conditions remaining the same) will increase directly as the square root of the frequency.

The coaxial cable used in the majority of amateur installations is a flexible type, the outer conductor consisting of a braid of copper wire, with the inner conductor supported within the outer by means of a semi-solid dielectric of exceedingly low-loss characteristics called *polyethylene*. The characteristic impedance of the cable is about 50 ohms, but other cables are available in an impedance of 75 ohms (Table 2).

In order to preserve the waterproof characteristic of the flexible, coaxial line, special coaxial fittings are available as well as less-expensive nonwaterproof fittings (Table 3).

**Waveguides** Electromagnetic energy at microwave frequencies may be propagated through a hollow metal tube under fixed conditions. Such a tube is called a *waveguide*. Any surface which separates distinctly two regions of different electrical properties can exert a guiding effect on electromagnetic waves and the surface may take the form of a hollow pipe, generally rectangular or circular in cross section, with an air dielectric.

**Table 2. Coaxial Cables. Six Digit Type Numbers Are Amphenol Foamed Dielectric Cables.**

Impedance (Ohms)	Type Number	Velocity of Propagation	Diameter (Inches)	Power Rating (Watts) At 30 MHz
52.0	RG-8A/U	0.66	0.405	1720
50.0	RG-213/U	0.66	0.405	1720
50.0	621-111	0.80	0.405	—
53.5	RG-58/U	0.66	0.195	580
50.0	RG-58A/U	0.66	0.195	550
50.0	RG-58C/U	0.66	0.195	580
75.0	RG-11A/U	0.66	0.405	1400
75.0	621-100	0.80	0.405	—
73.0	RG-59/U	0.66	0.242	720
73.0	RG-59B/U	0.66	0.242	720
73.0	621-186	0.80	0.242	—
93.0	RG-62A/U	0.84	0.242	850
125.0	RG-63/U	—	0.405	—

**Table 3. Coaxial Cable Connectors**

FOR RG-8/U, RG-11/U AND RG-213/U  
COAXIAL LINES (0.405" DIAM.)  
"UHF"-TYPE CONNECTORS

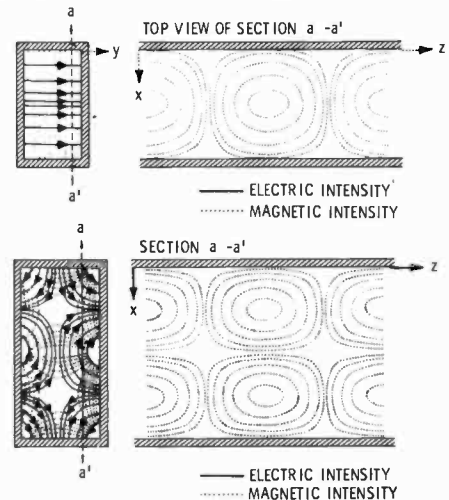
Description	Type Number	Amphenol Number
Plug	PL-259 PL-259A UG-111/U	83-1SP 83-756 83-750
Solderless Plug	—	83-151
Splice	PL-258	83-1J
Reduction Adapter: RG-58/U RG-59/U	UG-175/U UG-176/U	83-185 83-168
Receptacle	SO-239	83-1R
<b>TYPE-N CONNECTORS (50-OHM CABLES)</b>		
Plug	UG-21B/U UG-21C/U	82-61 82-96
Splice	UG-29A/U	83-65
Receptacle	UG-58A/U	82-97
UHF to Type-N	UG-146/U	—
Type-N to BNC	UG-201A/U	31-216
<b>TYPE-BNC CONNECTORS</b>		
Plug	UG-88/U UG-88B/U	31-002 31-018
Splice	UG-914/U	31-219
Receptacle	UG-290/U UG-625B/U	31-003 31-236
BNC to UHF	UG-273/U	31-028

**Table 3. Coaxial Connectors**

This partial list covers the most widely used coaxial connectors of the UHF, type-N and type-BNC families. The UHF type is considered obsolete, although by far the most widely used hardware on amateur equipment. The type-N family has superseded the UHF connectors and provides a constant impedance at cable joints and is weatherproof. The BNC-family of fittings is designed for small diameter cables, such as RG-58/U and feature a quick-disconnect bayonet lock arrangement. Most BNC fittings are weatherproof. Many other connecting devices, such as right-angle and T-adapters are available in all types, as well as special fittings to match one style of connector to another. In addition to these families, type-HN, type-C and type-MHV families of connectors exist, as well as special connectors for twinax cables.

A hollow waveguide has lower loss than a two-wire or a coaxial line since it has no dielectric or radiation loss, and the copper loss is low, because the area of current flow in the waveguide is great.

Energy may be propagated along a waveguide in several modes which are described by the relation between the electric (E) and magnetic (H) fields and the walls of the guide. The configuration of the electromagnetic fields in a waveguide can take many forms, and each is called a *mode* of operation. In all cases, either the magnetic or electric field must be perpendicular to the direction of wave travel. The modes, there-

**Figure 18**

### REPRESENTATIVE FIELD CONFIGURATIONS IN WAVEGUIDE

Top—Configuration for a  $TE_{1,0}$  wave.

Bottom—Configuration for a  $TE_{2,1}$  wave.

fore, are classified as either *transverse electric*, or *transverse magnetic*, abbreviated *TE* and *TM*, respectively. In addition to the letters TE or TM, subscript numbers are used to complete the description of the field pattern of the wave. The first number indicates the number of half-wave patterns of transverse lines which exist along the short dimension of the guide through the center of the cross-section. The second number indicates the number of transverse half-wave patterns that exist along the long dimension of the guide through the center of the cross-section (figure 18). In case there is

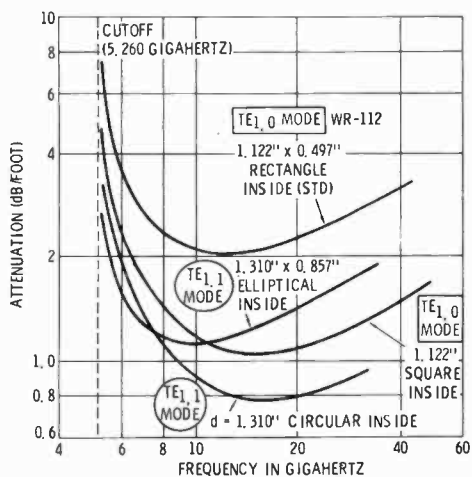


Figure 19

**ATTENUATION OF WAVEGUIDE**

Relationship between transmission modes and crosssection of waveguides shows cutoff frequency below which guide will not propagate energy efficiently.

no change in the field intensity, a zero is used.

Unlike coaxial and two-wire lines, the waveguide has a *cutoff frequency* below which it will not propagate energy efficiently (figure 19). The minimum frequency of operation of a particular guide is reached when, for a particular mode of transmission, the dimensions of the guide approach a half wavelength. Actually, propagation with high attenuation does take place for a small distance, and a short length of waveguide operating below cutoff is often used as a calibrated attenuator.

Energy is coupled into and removed from waveguides by the use of a coupling loop (which cuts, or couples, the lines of the magnetic field) or a probe (antenna) which is placed parallel to the electric lines. A

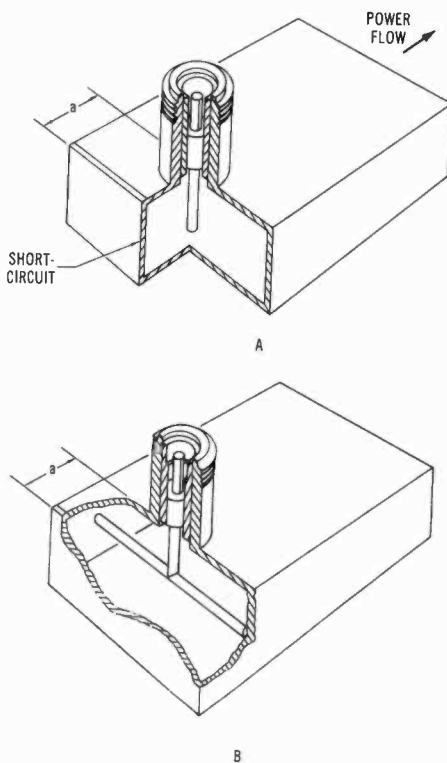


Figure 20

**METHODS OF COUPLING A COAXIAL LINE TO A WAVEGUIDE FOR TE<sub>1,0</sub> MODE**

third method is to link or contact the field of the guide by an external field through the use of a common slot or hole between the guide and the external circuit.

Two representative ways of coupling from a coaxial line to a rectangular waveguide to excite the TE<sub>1,0</sub> mode are shown in figure 20. The technique permits an SWR less than 1.15-to-1 at the junction over a 10- to 15-percent frequency band.





# Antenna Matching Systems

Some antennas, such as the half-wave dipole, can often be attached to a low-impedance transmission line for direct connection to the station equipment without the need of impedance matching devices at either end of the line.

In all antenna systems using a resonant antenna and a transmission line, however, the load presented to the transmitter is that value of impedance present at the antenna, modified by the transforming action of the

transmission line which is a function of line impedance, line length, load mismatch, and the operating frequency.

Most antennas, even the simple ones, exhibit a marked change in feedpoint impedance when operated off-frequency and, even at resonance, offer a feedpoint load of other than 50 ohms. Off-resonance, the feedpoint impedance shifts rapidly, producing a substantial mismatch to the transmission line and a consequent high value of SWR on the line (figure 1). The load presented to the transmitter, then, can fluctuate over an extremely large range of impedance which the equipment may be incapable of matching. Thus, for other than spot-frequency operation, most antenna systems require some type of impedance transformation or reactance compensation to provide a nominal match to the universally used 50- or 75-ohm coaxial transmission line. In some cases, additional compensation is required at the station end of the line to afford a good match to the transmitting equipment over a desired frequency span. The maximum value of mismatch permitted at the station usually defines the limits of SWR on the antenna system for a given frequency range.

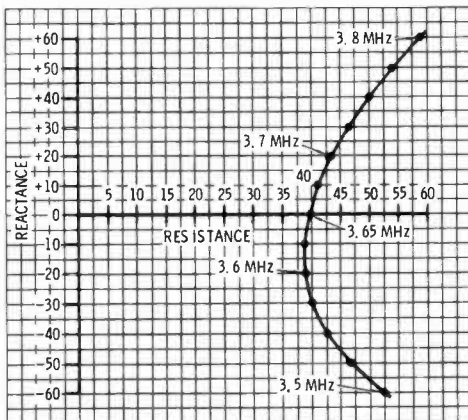


Figure 1

## REACTANCE PLOT OF 80-METER DIPOLE

At the resonant frequency of 3.65 MHz this dipole has a radiation resistance figure of 40 ohms. The feedpoint impedance rises rapidly each side of the resonant frequency, reaching 57 +j60 at 3.8 MHz and 52 -j60 at 3.5 MHz. These measurements were taken at the input end of a half-wavelength feedline having an impedance of 50 ohms. At no point over the operating range does the antenna match the line impedance so a SWR value of unity is never achieved. At the resonant frequency, the minimum value of SWR is 1.25.

## 26-1 SWR and Impedance Compensation

Antenna resonance is that electrical state in which the antenna presents a nonreactive load at the feedpoint. Some antennas exhibit moderate values of feedpoint reactance as the frequency of operation is moved away from the resonant frequency; others, such as short whip antennas or closely spaced parasitic arrays, are quite frequency sensi-

tive, showing large values of reactance for small frequency changes from resonance. The *frequency sensitivity*, or  $Q$ , of the antenna determines to an extent the parameters and complexity of the matching circuit to be used.

The feedpoint reactance of an antenna varies with frequency and cannot be matched perfectly over a wide frequency band. For practical purposes, the bandwidth obtainable for a given value of SWR on the transmission line is of importance, or conversely, the minimum limit of SWR that may be achieved for a given bandwidth. In the general case, the feedpoint impedance of a resonant antenna takes the form of a series-resonant circuit whose  $Q$ , or figure of merit, is:

$$Q = \frac{f_r}{\Delta f}$$

where,

$f_r$  is the resonant frequency,

$\Delta f$  is the frequency difference between the half-power points.

In this case, the half-power points are defined as the two frequencies at which the series reactance of the antenna is equal to the series resistance.

Once the  $Q$ , the feedpoint resistance, and the operating bandwidth are specified, it is possible to design a compensating network to provide the lowest value of SWR over the operating range. The network may be made up of lumped, LC circuits or may be sections of a transmission line, as the situation demands. Generally speaking, lumped constants are used at the lower frequencies to conserve size and linear circuits at the higher frequencies as pure inductance or capacitance is not simple to obtain from practical components in the vhf/uhf range.

For hf operation, the output circuit of most amateur equipment can accommodate a highly reactive load and may even include a compensation circuit to cancel large values of reactance. In many instances, a maximum value of SWR is stipulated, above which damage may occur to the components of the equipment. Commonly, a value of 2 or 3 is specified as a safe limit. Vhf equipment, on the other hand, often includes SWR protective circuitry wherein the input level to the amplifier stages is a function of the SWR—

the greater the SWR, the more the input level being limited.

In the great majority of cases, compensating circuits of some type are employed at one end or the other of the transmission line to provide a low value of SWR on the line and to provide a convenient load for the transmitter than might otherwise be provided by a high- $Q$  antenna operated at, or near, the resonant frequency.

The characteristics of transmission lines and basic impedance matching systems have been described in a previous chapter and this, and the following chapters, describe impedance compensation devices and their practical application.

## 26-2 The Smith Chart

Creating an impedance match between antenna and transmission line is not difficult for spot frequency operation. In amateur operation over frequency bands, a satisfactory match is achieved by matching the impedance at the resonant frequency and allowing the SWR on the line to increase off-frequency to a predetermined value, often chosen as 3. This defines the operational bandwidth of the antenna.

The feedpoint impedance of the antenna at a given frequency may be expressed as a complex number  $R \pm jX$  and may be plotted on an R-X diagram, as shown in figure 2. The antenna impedance ( $Z_a$ ) determined at each frequency covered by the antenna may be plotted and the points connected with a curve. The excursions of R and X determine the SWR on the antenna feed system and a *definition circle* can establish a predetermined SWR, as shown on the graph. For example, assuming a 50-ohm line is used and the SWR limit is 3, the intercepts of the definition circle on the R axis are:

$$\frac{Z_0}{\text{SWR}} = \frac{50}{3} = 16.6 \text{ and,}$$

$$Z_0 \times \text{SWR} = 50 \times 3 = 150$$

Inspection of figure 2 shows that by adding inductive reactance or capacitive reactance in series with the antenna the impedance curve can be moved up or down through the definition circle. Thus the

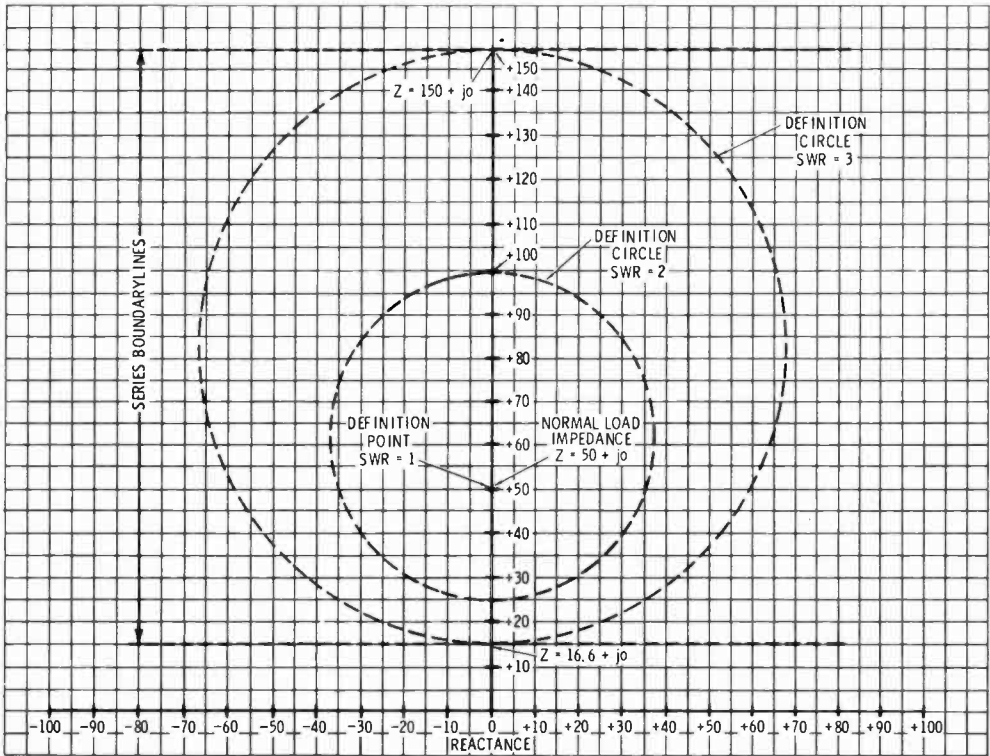


Figure 2

R-X DIAGRAM SHOWING DEFINITION CIRCLES

Complex impedances can be plotted on an R-X diagram such as this. The X-axis represents positive and negative reactance and the Y-axis represents resistance. SWR definition circles are plotted on the diagram for SWR values of 2 and 3. The series boundary lines are limits within which the antenna reactance may be modified by adding a series reactance to the circuit. While useful, this form of representation has been supplanted by the Smith Chart, in which curved, rather than straight, lines are used to form the coordinate system.

dashed lines represent the series boundaries, that is, if the impedance curve falls within these lines, by adding a series component, the curve can be shifted to be within the definition circle.

**The Impedance Circle Diagram** The impedance circle diagram, or *Smith Chart* is a specialized graph having a curved coordinate system. The system is composed of two families of circles, the *resistance circles* and the *reactance circles* (figure 3). These circles are curves of constant resistance and constant reactance. The complete coordinate system of the Smith Chart is shown in figure 4. *Wavelength* and *phase-angle scales* are plotted around the

perimeter of the chart in terms of the electrical wavelength along a transmission line, one scale running clockwise, the other counter-clockwise. The complete circle, in either case, represents a half-wavelength.

The scaled vertical line of the chart represents the ratio of the resistive component of the antenna ( $R$ ) to the impedance of the transmission line ( $Z_0$ ), measured at a particular frequency. *SWR circles* may be added to the Smith Chart by the user, centered at 1.0 on the vertical resistance scale. A circle centered at 1.0 and which passes through 3.0 on the same scale, for example, encloses all values of impedance which will cause a SWR of 3 or less when they terminate a transmission line having a characteristic imped-

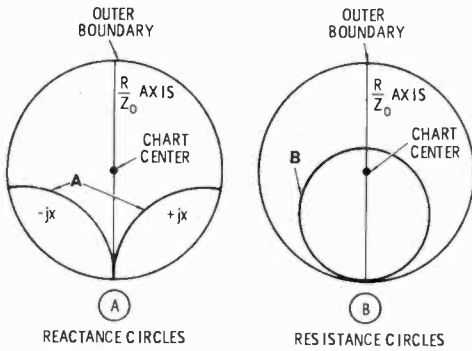


Figure 3

**CONSTRUCTION OF COORDINATES OF THE SMITH CHART**

The curves are constant reactance circles providing coordinates for both positive and negative reactance (A). Curves of constant resistance (B). Families of such curves are superimposed on the Smith Chart. The chart center is usually  $50 \pm j0$  ohms, or may be normalized to  $1.0 \pm j0$  ohms. Peripheral and radial scales are added to make a complete Smith Chart.

ance of  $Z_0$ . Charts with a center impedance of 50 (for use with 50-ohm lines) or a center impedance of 1.0 (the normalized case, for general use) are available. With this configuration, the point at which the

SWR on the transmission line is 1 is at the center of the chart and the locus of unity reflection coefficient (SWR is infinity) is the circumference of the chart.

Moving counterclockwise from the vertical resistance component line locates the negative (capacitive reactance) component, which is the ratio of the  $-jX$  component to  $Z_0$  and moving clockwise locates the positive (inductive reactance) component, which is the ratio of the  $+jX$  component to  $Z_0$ , at a particular frequency.

As an example of the use of a Smith Chart, a plot of a high-frequency antenna is shown in figure 5. Various transmission line problems can be solved graphically with the use of the Smith Chart and the design of networks is considerably simplified by this technique. For additional information on the chart, the reader is referred to *Electronic Applications of the Smith Chart*, P. H. Smith, McGraw-Hill Book Co. catalog number 58930.

**Use of the Smith Chart**

The Smith Chart has innumerable uses and is particularly valuable in the uhf region, in conjunction with a slotted line, for translating voltage measurements along the line

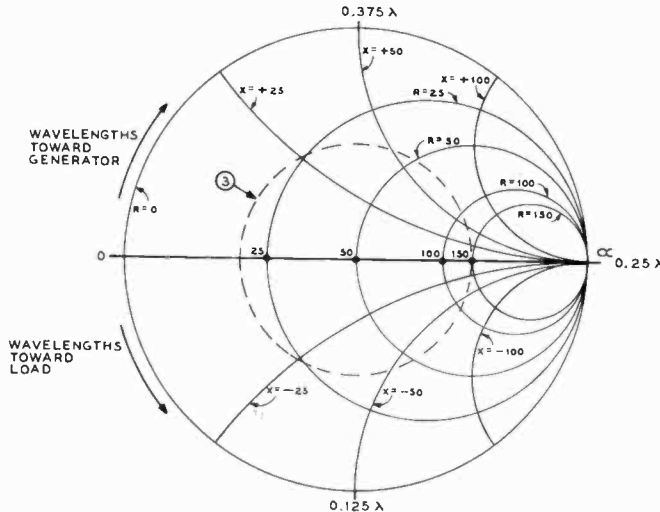


Figure 4

**COORDINATE SYSTEM OF THE SMITH CHART**

In this construction, the resistive component line is horizontal, running from zero ohms at the left, to infinity at the right. Reactance circles, in intervals of 25 ohms are shown, as well as resistive circles. A single SWR circle is indicated for SWR = 3. The circumference of the chart is one-half wavelength. A complete chart also has a phase angle notation around the circumference, which is not shown here.

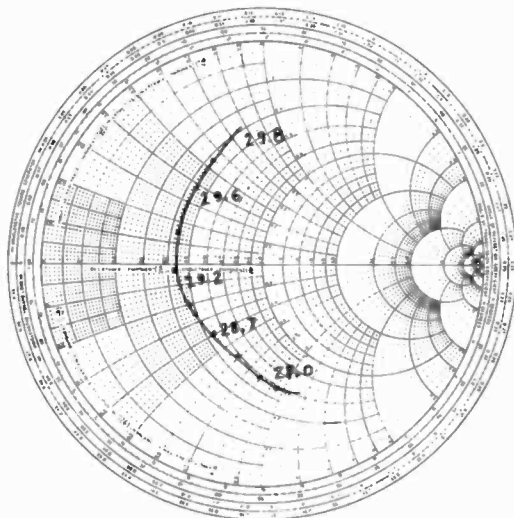


Figure 5

### IMPEDANCE PLOT OF 10-METER BEAM ANTENNA

A three element, wide spaced 10-meter beam antenna plotted on the Smith Chart. Measurements were made through a half wavelength of coaxial line. Chart is normalized, with 50 ohms taken as 1.0 at the center of the chart. Frequency of resonance is slightly higher than 29.2 MHz and input impedance of antenna at that frequency is  $0.45 \times 50 = 22.5$  ohms. SWR at resonance, without addition of impedance matching network at the antenna is  $50/22.5 = 2.23$ .

into SWR and impedance values. In the hf region, the characteristics of an antenna system may be determined with the aid of an *r-f impedance bridge* (see *Electronic Test Equipment chapter*) and the figures derived from these measurements transferred to a Smith Chart. Properly interpreted, the chart then can tell the user what impedance transformations must be made in the system to achieve the desired end results. Smith charts may be obtained at most college book stores or at many technical book stores. A comprehensive article on the use of the Smith Chart for amateur applications appeared in the November, 1970 and December, 1971 issues of *ham radio* magazine.

## 26-3 Practical Wideband Balun Transformers

A summary of simple balun transformers was given in the previous chapter. Impedance matching transformers are often called baluns, even though they may match between systems having the same state of bal-

ance although the term *balun* implies a transformation from the balanced to the unbalanced state.

Simple and inexpensive balun transformers having wideband characteristics can be wound of wire or coaxial cable on either air or ferrite cores, as shown in this section.

*A Ferrite Core Balun for 3.5- to 29.7-MHz Service*—A simple, compact ferrite balun design is shown in figures 6 and 7. It may be built for either a 1-to-1 or 4-to-1 transformation and a balance-to-unbalance condition. The power level is a function of core saturation and distributed capacitance, and is limited to about 250 watts average power at the high and low frequency limits, rising to about 600 watts average power over the midfrequency range. The unit may be used at impedance levels as low as 20 ohms and still provide good balance.

The 1-to-1 balun employs a trifilar winding; the three separate coils placed on the core in parallel and connected as shown in the drawing. The input terminals of the balun are nonsymmetrical, point A at the input end being taken as ground. The 4-to-1 balun has a bifilar winding and provides an

unbalance-to-balance condition at impedance levels down to about 20 ohms.

When completed, the ferrite balun can be protected from moisture by placing it in a waterproof, nonmetallic container. A plastic "squeeze bottle" cut to size is suggested, with wood discs cut for the end pieces and held in place with small screws.



Figure 6

### FERRITE-CORE BALUN FOR 3.5 TO 29.7 MHz

This balun has a trifilar winding and provides a 1-to-1 transformation. The center winding is cross-connected. The ferrite slug is Q-1 material, rated for r-f application to 10 MHz (Indiana General Corp. core CF-503). The core is  $\frac{1}{2}$ " (1.26 cm) diameter and  $3\frac{1}{4}$ " (8.25 cm) long. The ferrite material is broken to length by nicking it with a file around the circumference and breaking it with a sharp blow. When completed, the assembly is given a thin coat of Krylon, or coil dope at the ends. Do not coat the windings. The 4 to 1 balun is similar in construction but has only two windings.

*Air Core Baluns for HF Service*—An air core balun similar to the balance-to-unbalance type described in a previous chapter is useful over a 5-to-1 frequency range in the hf spectrum. Described here are various 1-to-1 designs for 20- to 70-ohm service in the amateur bands. Power capability of the designs is about 1000 watts, average power. The balun is wound on a polyvinyl chloride (PVC) tube of the proper diameter and *Formvar* wire is used for the windings.

The first design (figure 8) covers the 6.0- to 30.0-MHz range. The unit consists of 10

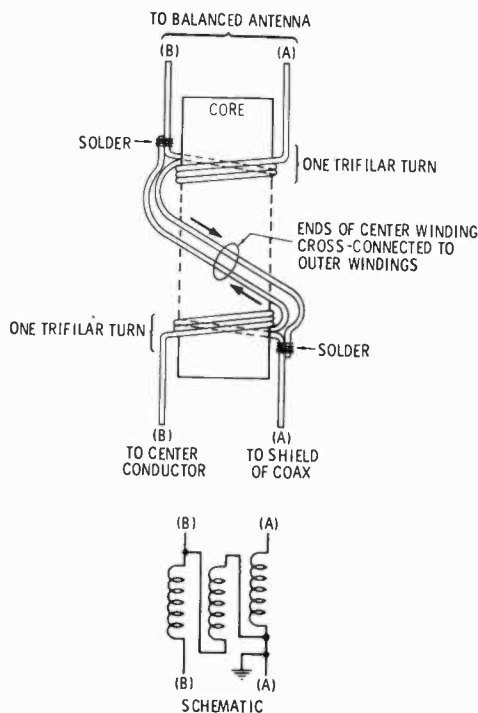


Figure 7

### WINDING DATA FOR FERRITE BALUN

The balun consists of 3 coils, each 6 turns of #14 enamel or *Formvar* wire. The wires are wound side by side, the ends being held in a vise. The center winding is cross-connected at the ends. Either end may be taken as input or output, but the common connection between the inner and the outer winding at one end must be taken as the ground point and attached to the shield of the coaxial line (A).

trifilar turns wound on a  $1\frac{1}{16}$ " (2.7 cm) diameter form. The winding is closewound. Ends of the winding are held in place by 4-40 hardware.

The second design covers the range of 2.5- to 15.0 MHz and consists of seven trifilar turns, closewound, of *Formvar* wire on a  $2\frac{3}{8}$ " (6.0 cm) diameter form. A third design, covering 0.54 to 2.5 MHz consists of 18 trifilar turns of wire wound on a  $3\frac{1}{2}$ " (9.0 cm) diameter form.

*A Broadband Coaxial Balun*—Shown in figure 9 is a broadband balun made of coaxial cable that covers the range of 6 to 30 MHz. It is designed to be installed directly at the terminals of a triband beam antenna (7-14-21 MHz).

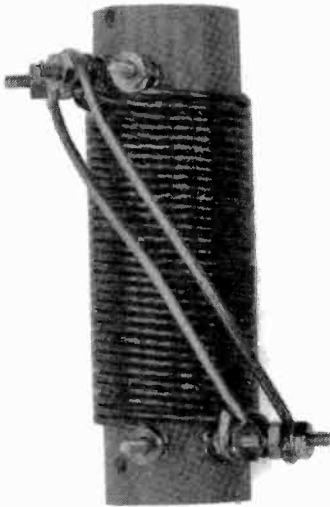


Figure 8

### THE AIR-CORE BROADBAND BALUN

The baluns of this design have the same winding technique as described for the ferrite balun. The units are wound on plastic tubing (polyvinyl-chloride) of the proper diameter. Three windings of #14 enamel or Formvar wire are used, the ends anchored in place with 4-40 hardware. The windings are cross-connected by additional lengths of copper wire run between the connecting points. The common connection of outer and inner windings is taken as ground at one end of the balun. The text describes two designs which cover the 2.5- to 10-MHz range and the 6- to 30-MHz range.

The balun coil is self-resonant near the center design frequency which, in this case is 15 MHz. The coil is made from a 16' 8" (5.08 m.) length of 50-ohm coaxial line (RG-8A/U or RG-213/U) closewound into a coil of nine turns having an inside diameter of 6 $\frac{3}{4}$ " (17.15 cm.). At one end of the coil the inner and outer conductors of the line are shorted together and grounded to the common ground point of the antenna assembly. The unbalanced coaxial transmission line is attached to the other end of the coil and a ground jumper is run between the outer ends of the braided connector. At the center of the coil, the outer braid is severed for a distance of about one inch, and a connection is made to the inner conductor at this point. In addition, the inner conductor is jumpered to the outer braid of the *shorted* coil section. The connections are wrapped with vinyl tape and coated with an aerosol plastic spray to protect the joints against

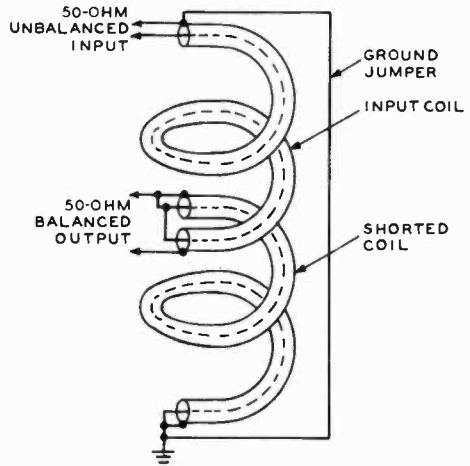


Figure 9

### AN EFFECTIVE BROADBAND BALUN FOR MULTIBAND BEAMS

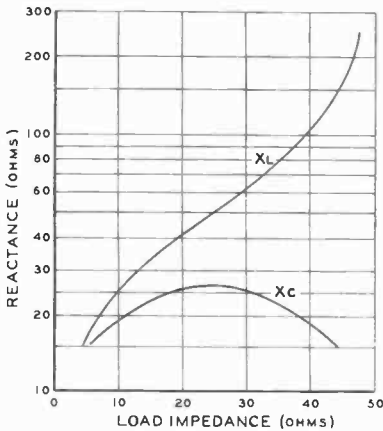
the weather. A coaxial plug may be attached to the input terminals of the balun. Connection to the balanced antenna is made at the center connections of the coil, using short, heavy straps.

*An Adjustable Balun Transformer*—The lumped constant baluns described in the previous section have a fixed impedance transformation of 1 to 1 or 4 to 1. In many cases some other ratio is desirable. The balun described in this section will match a 50-ohm coaxial line to a balanced load over the range of 10 ohms to 50 ohms.

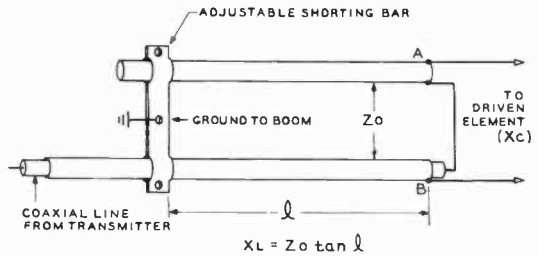
The balun is composed of a shorted section of transmission line having a coaxial line running down one leg of the assembly. Points A and B (figure 10) are balanced to ground and the inner conductor of the coaxial line is cross-connected to the opposite balun leg to provide the proper phase reversal. The impedance transformation is achieved by varying the length of the balun and also the length of the center-fed antenna connected to it. The antenna termination must appear capacitive at the balun terminals for proper operation and this is achieved by shortening the antenna element slightly past the point of resonance.

The balun transformer is made of two lengths of  $\frac{3}{8}$ -inch diameter, hard drawn copper rod about four feet long. Spacing between the rods is 3 inches. The balun is designed for 20-, 15-, and 10-meter operation.





(A)



(B)

Figure 10

ADJUSTABLE BALUN TRANSFORMER

A practical balun transformer to match a 50-ohm coaxial line to the low-impedance balanced load presented by a beam antenna is shown here. Coaxial line passes through one leg of balun. Outer conductor of the line is trimmed short to the point where the line enters balun tube, and is soldered to tube at this point. Inner conductor of the line passes along the balun tube and emerges at the antenna end, where it is cross-connected to the opposite tube as shown in the illustration. If the load impedance is known, the balun transformer may be set to length by the use of chart (A) and formula (B).

A modification of this balun design is shown in figure 11. This balun is designed for 14 MHz for use with a 3-element parasitic beam having a driving impedance of approximately 20 ohms. A variable capacitor is placed across the antenna end of the balun to permit the user to adjust the input reactance. The length of the balun and the value of capacitance are the variables that determine the impedance match to the resonant driven element. The variable capacitor should be mounted in a waterproof box to protect it from moisture.

*The Inducto-Match*—A dipole element may form a portion of a network whose in-

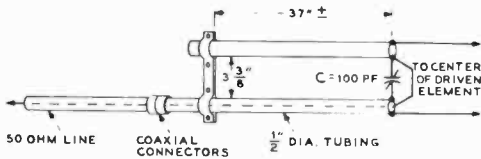


Figure 11

COAXIAL STUB BALUN FOR 14-MHz BEAM

Matching stub and balun are combined to provide balanced feed point for a 50-ohm transmission line to match low-impedance driven element. Balun is designed to be mounted on beam, at the center of driven element using short, heavy interconnecting leads.

put impedance is close to 50 ohms over a small frequency range (figure 12). It is necessary that the radiation resistance of the element be less than the impedance of the transmission line, and this condition is met under most circumstances.

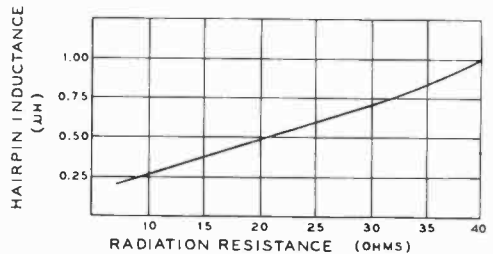
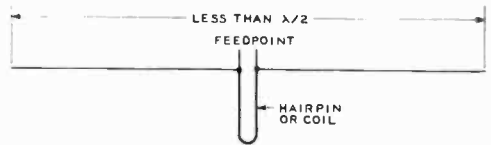


Figure 12

THE INDUCTO-MATCH

Dipole element acts as matching transformer by placing inductor at the center and shortening element to provide capacitive reactance across feedpoint. Typical three-element Yagi antenna has feedpoint impedance of about 20 ohms and calls for 0.5 uH inductor. Impedance match is made by varying inductor and length of dipole. Above chart is for 20 meters.

The radiation resistance of the antenna element is made to appear as a capacitive reactance at the driving point by shortening the element past the normal resonant length. The inductive portion of the network takes the form of a hairpin or coil placed across

the terminals of the driven element. The L/C ratio of the combination determines the transformation ratio of the network when the LC product is resonant at the center frequency of antenna operation. Inductance of the hairpin or coil is best determined by experiment. Measurements made at 14 MHz, point to a shortening effect of about six inches in the overall length of the driven element, and an inductance of about 0.5  $\mu\text{H}$  in the hairpin. Complete information on this compact and efficient matching system is given in the *Beam Antenna Handbook*, published by Radio Publications, Inc., Wilton, Conn.

**A Broadband LC Balun**—The derivation of a broadband lumped constant balun is given in figure 13. Illustration A shows two pi-network circuits with the inputs connected in parallel and the outputs series-connected. For this example, the balun is assumed to match a 50-ohm unbalanced line to a 20-ohm balanced load, a common condition for a Yagi beam antenna. One network is the conjugate of the other. The circuit can be redrawn, as in illustration B, omitting the components  $C_1$  and  $L_2$ , as they form a resonant circuit at the design frequency. The final revision is redrawing the circuit as a bridge, as shown in illustration C. There is no coupling between the coils and they should be mounted at right angles to each other. The bandwidth of the balun is inversely proportional to the transformation ratio, and a balun having a transformation ratio of unity has a theoretically infinite bandwidth.

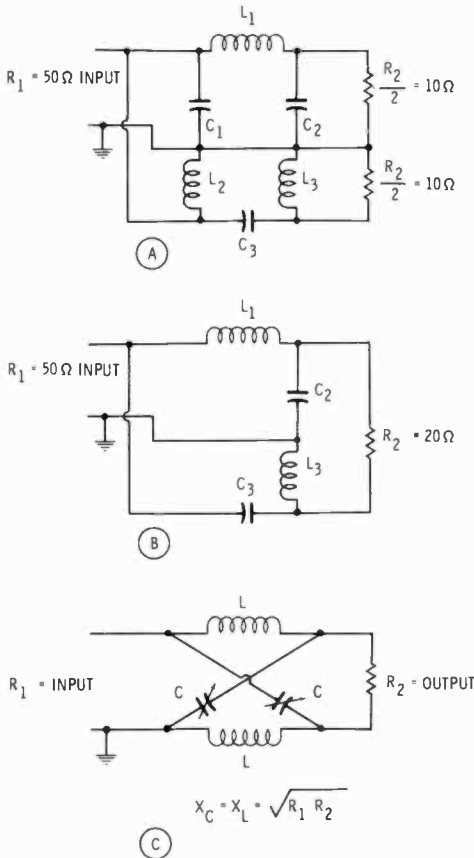


Figure 13

**BROADBAND UNIVERSAL BALUN TRANSFORMER**

This lumped-constant impedance transformer can be used in either balanced, or unbalanced-to-balanced condition. It may be used either for stepdown or stepup transformation. The circuit is derived from two pi networks (A), each of which has a 90-degree phase shift through it. The combination provides a 180-degree phase shift across the series-connected load terminals. The circuit is redrawn at (B), eliminating  $C_1$  and  $L_2$  which are parallel resonant at the design frequency. The circuit is redrawn as a bridge at (C). To match a 50-ohm load to a 20-ohm load at 14 MHz, for example, the value of  $X_L$  or  $X_C$  is 31.6 ohms. C is thus 360 pF and L is 0.36  $\mu\text{H}$ . The capacitors are made adjustable so as to provide some variance in transformation and balance.

**26-4 Antenna Matching Devices**

The feedpoint impedance of a hf or vhf antenna can vary from a few ohms to as high as several hundred ohms, and can exhibit either capacitive or inductive reactance during off-resonance operation. Modern amateur stations use either low-impedance coaxial lines in the feed system or balanced lines of medium impedance.

These transmission systems require some sort of matching device at the antenna to make an efficient transition from the impedance of the line to that of the antenna, otherwise severe standing waves can occur on the

transmission line. It must be remembered that no adjustment made at the transmitter end of the line will change the magnitude of the standing waves on the transmission line. Matching devices such as the baluns shown in the previous section and the matching systems shown in this section can provide a good transition between the differing impedance levels existing between feedline and antenna.

**The Delta-Matched Impedance Dipole** The *delta-type matched-impedance dipole* antenna is shown in figure 14. The impedance of the transmission line is transformed gradually into a higher value by the fanned-out Y portion of the feeders, and the Y portion is tapped on the antenna at points where the Y portion is a compromise between the impedance at the antenna and the impedance of the unfanned portion of the line.

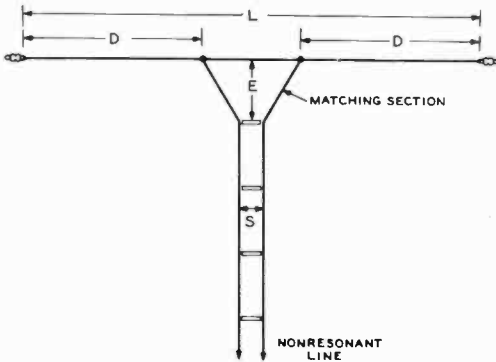


Figure 14

**THE DELTA-MATCHED DIPOLE ANTENNA**

The dimensions for the portions of the antenna are given in the text.

The constants of the system are rather critical, and the antenna must resonate at the operating frequency in order to minimize standing waves on the line. Some slight readjustment of the taps on the antenna is desirable, if appreciable standing waves persist in appearing on the line.

The constants for a dipole are determined by the following formulas:

$$L_{\text{feet}} = \frac{467}{F_{\text{MHz}}}$$

$$D_{\text{feet}} = \frac{175}{F_{\text{MHz}}}$$

$$E_{\text{feet}} = \frac{147}{F_{\text{MHz}}}$$

where,

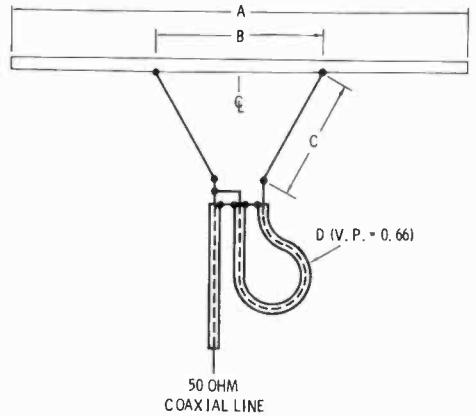
L is antenna length,

D is the distance in from each end at which the Y taps on,

E is the height of the Y section.

Since these constants are correct only for a 600-ohm transmission line, the spacing S of the line must be approximately 75 times the diameter of the wire used in the transmission line. For No. 14 wire, the spacing will be slightly less than 5 inches.

The delta match has become quite popular in the vhf region as a simple feed system



BAND MHz	A		B		C		D	
	IN	CM	IN	CM	IN	CM	IN	CM
50	111.0	281.9	22.0	55.9	15.0	38.1	79.0	200.7
144	38.0	96.5	6.5	16.5	4.0	10.2	27.0	68.6
220	25.4	64.6	4.2	10.7	2.7	6.9	18.0	45.7
432	12.9	32.8	3.0	7.6	1.5	3.8	9.1	23.1

Figure 15

**DELTA MATCH DIMENSIONS FOR VHF SERVICE**

The delta dimension B is adjusted to provide a 200-ohm termination point for use with a 50-ohm coaxial line and a four-to-one coaxial balun transformer. Antenna length may have to be readjusted slightly to achieve lowest value of SWR because of reactive effect of delta wires.

for a high gain Yagi antenna (figure 15). The device does not increase the diameter of the driven element as do other systems and its use is preferred when bandwidth is a consideration. The delta works well with a half-wave coaxial balun and provides a good match to a coaxial line. The delta wires are attached to the driven element with clips for quick and easy adjustment. Representative dimensions for the vhf bands are given in the illustration.

**The T-Match** A variation of the delta match is the *T-match* system, shown in figure 16. The legs of the T-match can be considered as sections of a transmission line, shorter than one-quarter wavelength and, as such, exhibit inductive reactance at the feedpoint. The antenna element, therefore, must be shortened a bit to provide sufficient capacitive reactance to cancel out that opposite value exhibited by the matching system.

If it is not desired to alter the antenna length, the inherent reactance of the T-match may be tuned out by the use of a resonating capacitor in series with each leg of the match. These capacitors should have a maximum capacitance of 8 pF per meter of wavelength. Thus, for 20 meters, each capacitor should be at least 160 pF. For power up to one kilowatt, 1 kV spacing of the capacitor is adequate. The length of the T-rods and the setting of the capacitors are adjusted in unison for minimum value of SWR on the transmission line. The T-match may be used in conjunction with a half-wave coaxial balun transformer to match a low-impedance coaxial line, in the manner shown previously for the delta matching system.

**The Gamma Match** The *gamma match* is an unbalanced, single-ended version of the T-match (figure 17). One

resonating capacitor is used, placed in series with the gamma rod. The capacitor should have a maximum capacitance of 8 pF per meter of wavelength. The length of the gamma rod determines the impedance transformation between the feedline and the fed element. By adjustment of the length of the rod and the value of capacitance, the SWR on the feedline may be reduced to a very low value at the resonant frequency of the driven element. Approximate dimensions for the hf bands are given in the illustration.

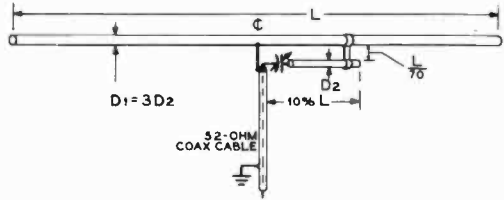


Figure 17

**THE GAMMA MATCHING SYSTEM**

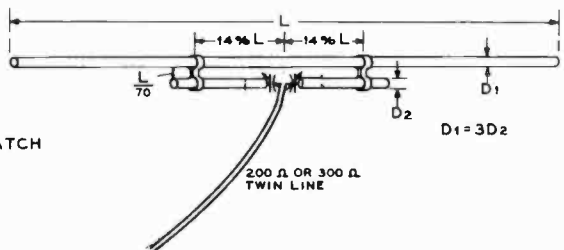
See text for details of resonating capacitor

**The Omega Match** The *omega match* is a modification of the gamma match, incorporating a shunt capacitor which permits the use of a shorter rod in the matching section. The impedance transformation is adjusted by variation of the omega capacitor, and resonance is established by adjustment of the series capacitor. Representative dimensions for the hf bands are shown in figure 18.

**The Folded Dipole** The *folded dipole* is an antenna element which incorporates its own impedance transformation system (figure 19). It has the same directional properties as the simple dipole but provides a convenient method of varying the basic feedpoint impedance of the dipole.

Figure 16  
"T" MATCH

ⓑ "T" MATCH



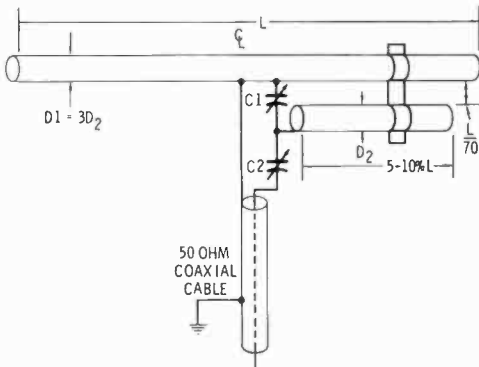


Figure 18

**THE OMEGA MATCHING SYSTEM**

The omega match incorporates a shunt capacitor (C<sub>1</sub>) which permits electrical adjustment of the length of the gamma rod. The greater the value of C<sub>1</sub>, the shorter will be the length of the rod. System resonance is established with the aid of series capacitor C<sub>2</sub>. Dimensions are based on the length of the dipole element (L).

When a dipole consists of more than one conductor, the current in the device divides between the conductors which are connected in parallel. The feedpoint resistance of such a radiator is increased by a factor of N<sup>2</sup>, where N is the number of conductors placed in parallel, all of the same diameter. Thus, if two equal-diameter conductors are used in

a folded dipole, the feedpoint resistance will be multiplied by 2<sup>2</sup>, or 4, and if three conductors are used, the feedpoint resistance will be multiplied by 3<sup>2</sup>, or 9. As more conductors are added in parallel, the current continues to divide between them and the feedpoint resistance is raised still more.

Even greater impedance transformation ratios may be achieved by varying the relative size and spacing of the conductors in the folded dipole, since the impedance transformation ratio is dependent both on the ratio of conductor diameters and on their spacing.

The following equation may be used for the determination of the impedance transformation when using different diameters in the two sections of a folded element:

Transformation ratio =

$$\left( 1 + \frac{Z_1}{Z_2} \right)^2$$

In this equation Z<sub>1</sub> is the characteristic impedance of a line made up of the smaller of the two conductor diameters spaced the center-to-center distance of the two conductors in the antenna, and Z<sub>2</sub> is the characteristic impedance of a line made up of two conductors the size of the larger of the

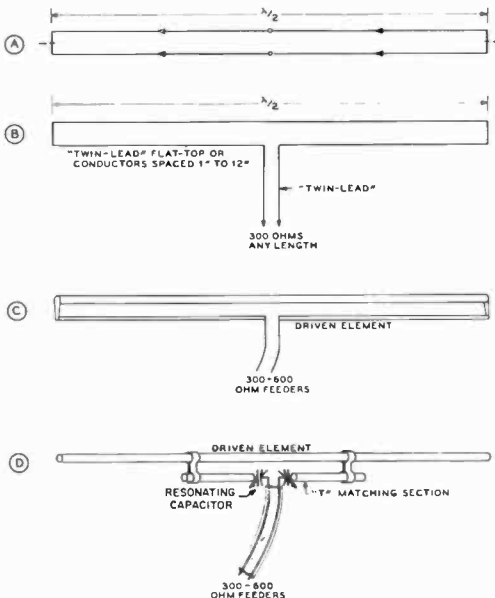


Figure 19

**FOLDED-ELEMENT MATCHING SYSTEMS**

Drawing A above shows a half-wave made up of two parallel wires. If one of the wires is broken as in B and the feeder connected, the feedpoint impedance is multiplied by four; such an antenna is commonly called a "folded dipole." The feed-point impedance for a simple half-wave dipole fed in this manner is approximately 300 ohms, depending on antenna height. Drawing C shows how the feedpoint impedance can be multiplied by a factor greater than four by making the half of the element that is broken smaller in diameter than the unbroken half. An extension of the principles of B and C is the arrangement shown at D where the section into which the feeders are connected is considerably shorter than the driven element.

two. This assumes that the feedline will be connected in series with the *smaller* of the two conductors so that an impedance step-up of greater than four will be obtained. If an impedance step-up of less than four is desired, the feedline is connected in series with the *larger* of the two conductors and  $Z_1$  in the above equation becomes the impedance of a hypothetical line made up of the larger of the two conductors and  $Z_2$  is made up of the smaller. The folded vhf unipole is an example where the transmission line is connected in series with the larger of the two conductors. Representative transformation ratios are shown in figure 20.

**The Q-Section** One of the earliest forms of impedance transformer used by amateurs is the *Q-section*, or quarter-wave transformer (figure 21). An impedance match between a dipole element and a balanced transmission line is obtained by utilizing a matching section, the characteristic impedance of which is the geometric mean between the input and output terminal impedances. An equivalent device for an unbalanced system can be made up of an electrical quarter-wavelength section of coaxial transmission line.

**Decoupling Devices** In the *Transmission Line* chapter it was stated that when a balanced antenna is used, the two conductor transmission line feeding the antenna should carry equal and opposite currents throughout its length to maintain the electrical symmetry of the system. To maintain this balance when a coaxial transmission line is used, various balance-to-unbalance devices have been described earlier in this chapter. The purpose of these devices (in addition to providing an impedance match) is to prevent unwanted antenna current from flowing on the outside of the coaxial line.

The unwanted current may be choked off by forming the transmission line into an r-f choke which will present a high impedance to currents flowing on the outer surface of the line, while allowing the current within the line to proceed unimpeded. This can be done by coiling the line into a "doughnut" about a foot in diameter. Six turns of line, coiled in this fashion and held in place with electrical tape will provide a satisfactory r-f choke for the high frequency bands. An even more effective choke can be made by passing three turns of the line through a large ferrite core, as shown in figure 22.

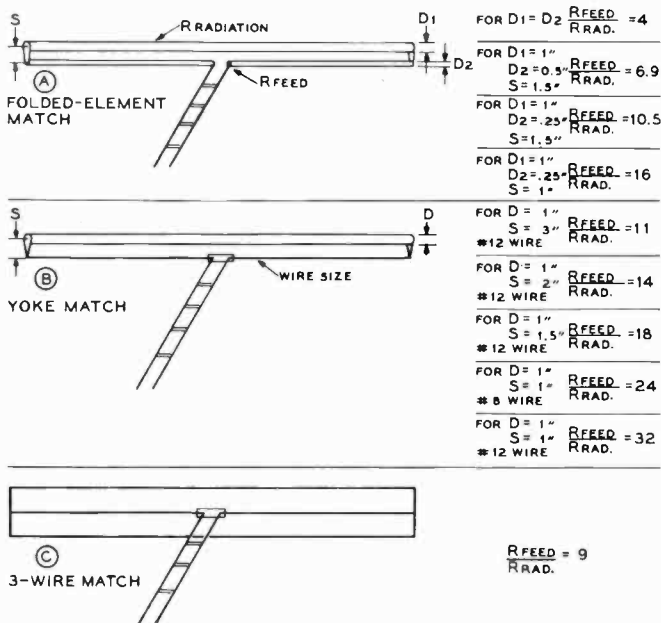
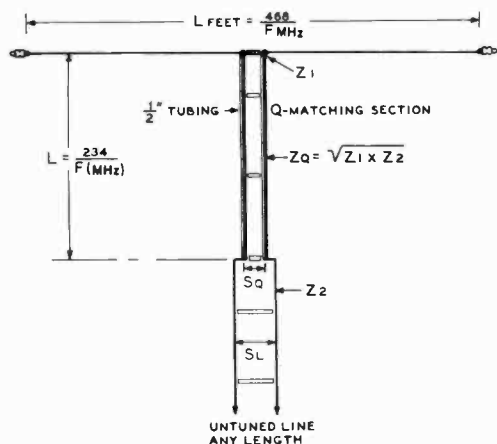


Figure 20

**DATA FOR FOLDED-ELEMENT MATCHING SYSTEMS**

In all normal applications of the data given the main element as shown is the driven element of a multi-element parasitic array. Directors and reflectors have not been shown for the sake of clarity.



Center to Center Spacing in Inches	Impedance in Ohms for 1/2" Diameters	Impedance in Ohms for 1/4" Diameters
1.0	170	250
1.25	188	277
1.5	207	298
1.75	225	318
2.0	248	335

Figure 21

**HALF-WAVE RADIATOR FED BY "Q BARS"**

The Q matching section is simply a quarter-wave transformer whose impedance is equal to the geometric mean between the impedance at the center of the antenna and the impedance of the transmission line to be used to feed the bottom of the transformer.

In the vhf region, an effective decoupling device can be constructed around a linear r-f choke, as shown in figure 23. A quarter-wave line, surrounding, or adjacent to, the outer shield of the transmission line as shown in the illustration effectively provides a balancing action to nullify antenna currents flowing on the outer shield of the transmission line.

**The Matching Stub** The subject of stub matching was briefly covered in the *Transmission Line* chapter. Short, open- or closed-end stubs are used for matching purposes, providing a reactance value that will cancel the unwanted reactance on the transmission line.

A variety of the matching stub is very useful, particularly at vhf, when it is desired to match a transmission line to an an-

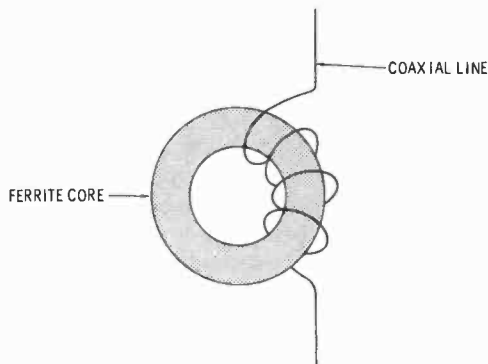


Figure 22

**HF DECOUPLING CHOKE FOR COAXIAL LINE**

Three turns of the transmission line passed through a large ferrite core will effectively decouple the transmission line from antenna currents. The choke is placed near the antenna terminals. Coil diameter is about 10" (25.4 cm) for RG-8A/U line. The core is Indiana General CF-124. For catalog and list of distributors, write Indiana General Corp., Crow Mills Road, Keasby, NJ 08832. Core is Q-1 material with a permeability of 125 at 1 MHz.

tenna system. By connecting a resonant stub to either a current or voltage loop and attaching a transmission line to the stub at a suitable impedance point, the stub may be made to serve as an impedance matching transformer (figure 24). Illustration A shows a half-wavelength, closed stub attached to the center of a dipole element. The far end of the stub is shorted, and the low impedance at this point is reflected across the antenna terminals at the other end of the stub. A closed, resonant circuit consisting of antenna and stub is thus formed. The stub and antenna can be resonated by sliding the shorting bar up and down the stub, noting resonance with a grid-dip oscillator coupled to the stub. The feedline is moved about in the same manner until the SWR on the line is at the lowest possible value.

Illustration B shows the use of a quarter-wavelength, open stub attached to the center of a dipole element. The stub is resonated in the same manner as the closed stub before the transmission line is attached. Illustration C shows a quarter-wavelength closed-end stub used in conjunction with a two-half-wavelengths antenna, which provides a high impedance at the feedpoint.

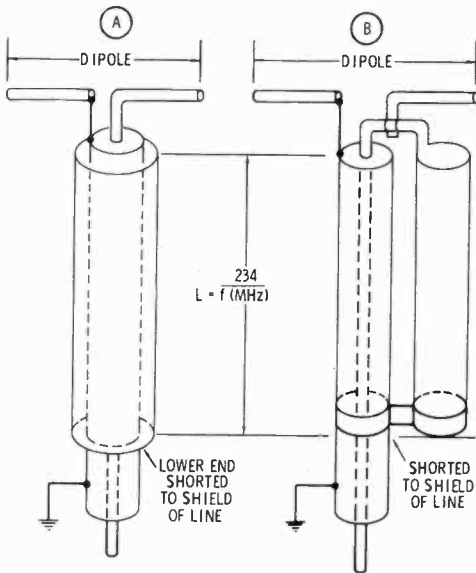


Figure 23

**QUARTER-WAVE DECOUPLING DEVICE**

A linear decoupling device is commonly used to choke off unwanted current from flowing on the outside of the coaxial line and also to provide a balanced feedpoint from an unbalanced transmission line. (A) Section of coaxial line acts as a quarter-wave resonant circuit providing a high impedance at the top end. Any Antenna current flowing on the line creates equal and opposite current flowing on the inner surface of coaxial shield. (B) Two conductor transmission line serves as balancing section.

In any one of these examples, the balanced, open-wire line may be removed and the matching stub fed with a coaxial line and half-wave balun transformer.

**26-5 Coupling to the Antenna System**

When coupling an antenna feed system to a transmitter the most important considerations are as follows: (1) means should be provided for varying the load on the amplifier; (2) the load presented to the final amplifier should be resistive (nonreactive) in character; and (3) means should be provided to reduce harmonic coupling between the final amplifier plate tank circuit and the antenna or antenna transmission line to an extremely low value.

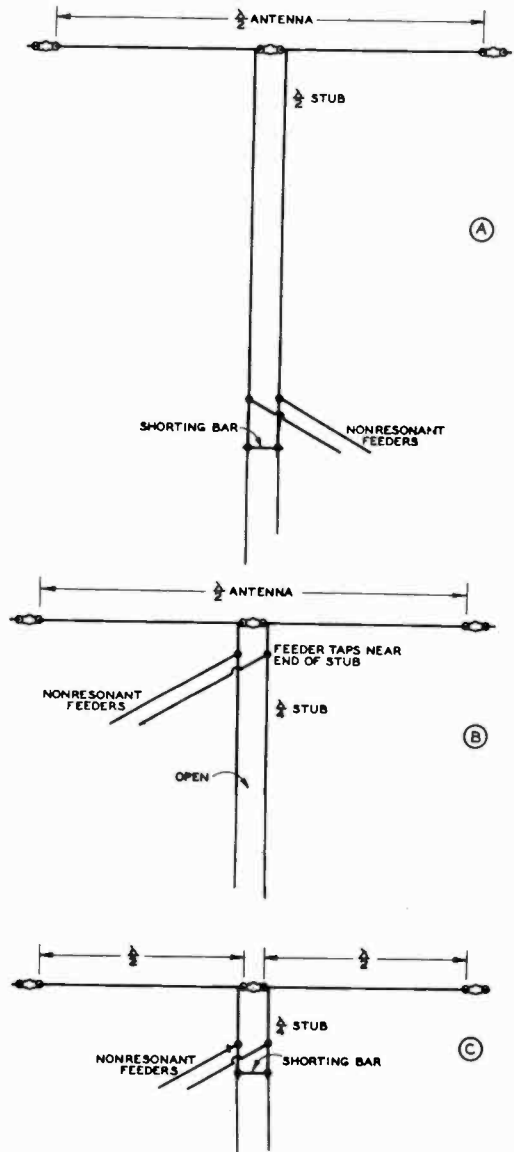


Figure 24

**MATCHING STUB APPLICATIONS**

Illustration A shows the use of a half-wave shorted stub to feed a relatively low impedance point such as the center of the driven element of a parasitic array, or the center of a half-wave dipole. The use of an open-ended quarter-wave stub to feed a low impedance is illustrated at B. C shows the conventional use of a shorted quarter-wave stub to voltage-feed two half-wave antennas with a 180° phase difference.



**Transmitter Loading and TVI** The problem of coupling the power output of a high-frequency or vhf transmitter to the radiating portion of the antenna system has been complicated by the virtual necessity for eliminating interference to TV reception. However, the TVI elimination portion of the problem may *always* be accomplished by adequate shielding of the transmitter, by filtering of the control and power leads which enter the transmitter enclosure, and by the inclusion of a harmonic attenuating filter between the output of the transmitter and the antenna system.

Although TVI may be eliminated through inclusion of a filter between the output of a shielded transmitter and the antenna system, the fact that such a filter should be included in the link between transmitter and antenna makes it necessary that the transmitter-loading problem be re-evaluated in terms of the necessity for inclusion of such a filter.

Harmonic attenuating filters must be operated at an impedance level which is close to their design value; therefore they must operate *into* a resistive termination substantially equal to the characteristic impedance of the filter. If such filters are operated into an impedance which is not resistive and approximately equal to their characteristic impedance: (1) the capacitors used in the filter sections will be subjected to high peak voltages and may be damaged, (2) the harmonic attenuating properties of the filter will be decreased, and (3) the impedance at the input end of the filter will be different from that seen by the filter at the load end (except in the case of the half-wave type filter). It is therefore important that the filter be included in the transmitter-to-antenna circuit at a point where the impedance is close to the nominal value of the

filter, and at a point where this impedance is likely to remain fairly constant with variations in frequency.

**Block Diagrams of Transmitter-to-Antenna Coupling Systems**

There are two basic arrangements which include all the provisions required in the transmitter-to-antenna coupling system, and which permit the harmonic attenuating filter to be placed at a position in the coupling system where it can be operated at an impedance level close to its nominal value. These arrangements are illustrated in block diagram form in figures 25 and 26.

The arrangement of figure 25 is recommended for use with a single-band antenna system, such as a dipole or a rotatable array, wherein an impedance matching system is included within or adjacent to the antenna. The feedline coming down from the antenna system should have a characteristic impedance equal to the nominal impedance of the harmonic filter, and the impedance matching at the antenna should be such that the standing-wave ratio on the antenna feedline is less than 3 over the range of frequency to be fed to the antenna.

The arrangement of figure 25 is more or less standard for commercially manufactured equipment for amateur and commercial use in the hf and vhf range.

The arrangement of figure 26 merely adds an antenna coupler between the output of the harmonic attenuating filter and the antenna transmission line. The antenna coupler will have some harmonic attenuating action, but its main function is to transform the impedance at the station end of the antenna transmission line to the nominal value of the harmonic filter. Hence the arrangement of figure 26 is more general than the figure

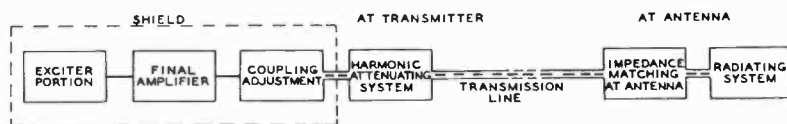


Figure 25

### ANTENNA COUPLING SYSTEM

The harmonic suppressing antenna coupling system illustrated above is for use when the antenna transmission line has a low standing-wave ratio, and when the characteristic impedance of the antenna transmission line is the same as the nominal impedance of the low-pass harmonic-attenuating filter.

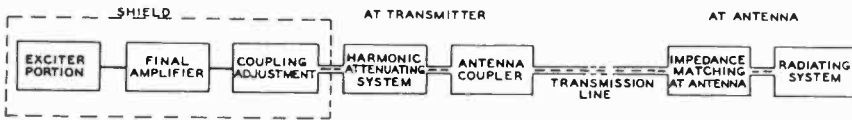


Figure 26

ANTENNA COUPLING SYSTEM

The antenna coupling system illustrated above is for use when the antenna transmission line does not have the same characteristic impedance as the TVI filter, and when the standing-wave ratio on the antenna transmission line may or may not be low.

25 system, since the inclusion of the antenna coupler allows the system to feed an antenna transmission line of any reasonable impedance value, and also without regard to the standing-wave ratio which might exist on the antenna transmission line. Antenna couplers are discussed in a following section.

**Output Coupling Adjustment** It will be noticed by reference to both figure 25 and figure 26 that a box labeled *Coupling Adjustment* is included in the block diagram. Such an element is necessary in the complete system to afford an adjustment in the value of load impedance presented to the tubes in the final amplifier stage of the transmitter. The impedance at the input terminal of the harmonic filter is established by the antenna, through its matching system and the antenna coupler, if used. In any event the impedance at the input terminal of the harmonic filter should be very close to the nominal impedance of the filter. Then the *Coupling Adjustment* provides means for transforming this impedance value to the correct operating value of load impedance which should be presented to the final amplifier stage.

There are two common ways for accomplishing the antenna coupling adjustment,

as illustrated in figures 27 and 28. Figure 27 shows the variable-link arrangement often used in home-constructed equipment, while the pi-network coupling arrangement is illustrated in figure 28. Either method may be used, and each has its advantages.

**Variable Link Coupling** The variable-link method illustrated in figure 27 provides good rejection to subharmonics. For greatest bandwidth of operation of the coupling circuit, the reactance of link coil L and the reactance of link tuning capacitor C should both be between 3 and 4 times the nominal load impedance of the harmonic filter. This is to say that the inductive reactance of coupling link L should be tuned out or resonated by capacitor C, and the operating Q of the LC link circuit should be between 3 and 4. If L and C are made resonant at the center of a band, with a link circuit Q of 3 to 4, and coupling adjustment is made by physical adjustment of L with respect to the final amplifier tank coil, it usually will be possible to operate over an entire amateur band without change in the coupling system. Capacitor C normally may have a low voltage rating, even with a high-power trans-

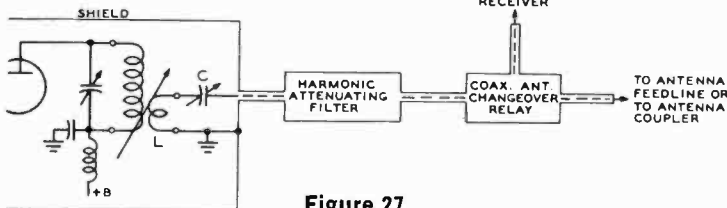


Figure 27

TUNED-LINK OUTPUT CIRCUIT

Capacitor C should be adjusted so as to tune out the inductive reactance of the link L. Amplifier loading is controlled by varying the coupling between the plate tank of the final amplifier and the antenna link.

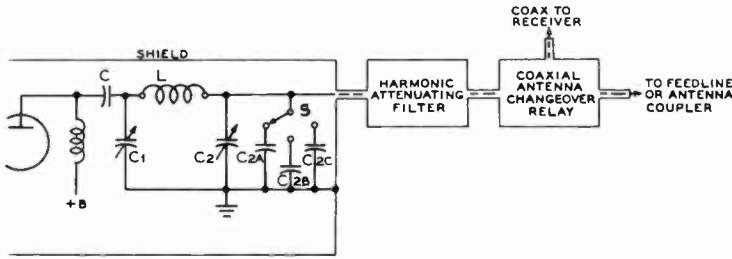


Figure 28

**PI-NETWORK ANTENNA COUPLER**

The design of pi-network circuits is discussed in Chapter Eleven. The additional output-end shunting capacitors selected by switch S are for use on the lower frequency ranges. Inductor L may be selected by a tap switch; it may be continuously variable; or plug-in inductors may be used.

mitter, due to the low Q and low impedance of the coupling circuit.

**Pi-Network Coupling** The pi-network coupling system offers two advantages: (1) a mechanical coupling variation is not required to vary the loading of the final amplifier, and (2) the pi-network (if used with an operating Q of about 10) offers within itself a harmonic attenuation of 30 dB or more, in addition to the harmonic attenuation provided by the additional harmonic attenuating filter. Some commercial equipment incorporates an L-network in addition to the pi-network, for accomplishing the impedance transformation in two steps to provide additional harmonic attenuation.

**Practical Antenna Couplers** As mentioned in the previous section, an antenna coupler is not required when the impedance of the antenna transmission line is the same as the nominal impedance of the harmonic filter, and the antenna feedline is being operated with a low standing-wave ratio. However, there are many cases where it is desirable to feed a multiband antenna from the output of the harmonic filter, where a tuned line is being used to feed the antenna, or where a long wire without a separate feedline is to be fed from the output of the harmonic filter. In such cases an antenna coupler is required.

In certain cases when a pi-network is being used at the output of the transmitter, the addition of an antenna coupler will provide sufficient harmonic attenuation. But in all normal cases it is prudent to include a

harmonic filter between the output of the transmitter and the antenna coupler.

**Function of an Antenna Coupler** The function of the antenna coupler is, basically, to transform the impedance of the antenna system being used to the correct value of resistive impedance for the harmonic filter, and hence for the transmitter. Thus the antenna coupler may be used to resonate the feeders or the radiating portion of the antenna system, in addition to its function of impedance transformation.

It is important to remember that there is nothing that can be done at the antenna coupler which will eliminate standing waves on the antenna transmission line. Standing waves are the result of reflection from the antenna, and the coupler can do nothing about this condition. However, the antenna coupler can resonate the feedline (by introducing a conjugate impedance) in addition to providing an impedance transformation. Thus, a resistive impedance of the correct value can be presented to the harmonic filter, as in figure 26, regardless of any reasonable value of standing-wave ratio on the antenna transmission line.

**Types of Antenna Couplers** All usual types of antenna couplers fall into two classifications: (1) inductively coupled resonant system as exemplified by those shown in figure 29, and (2) conductively coupled network systems such as shown in figure 30. The inductively coupled system is convenient for feeding a balanced line from the coaxial output of

the usual harmonic filter. The pi-network system is most useful for feeding a length of wire from the output of a transmitter.

Several general methods for using the inductively coupled resonant types of antenna coupler are illustrated in figure 29. The coupling between link coil L and the main tuned circuit need not be variable; in fact it is preferable that the correct link size and placement be determined for the tank coil which will be used for each band, and then that the link be made a portion of the plug-in coil. Capacitor C then can be adjusted to a predetermined value for each band so that it will resonate with the link coil for that band. The reactance of the link coil (and hence the reactance of the capacitor setting which will resonate the coil) should be about 3 or 4 times the impedance of the transmission line between the antenna coupler and the harmonic filter, so that the link coupling circuit will have an operating Q of 3 or 4.

The pi-network type of antenna coupler, as shown in figure 30, is useful for certain applications, but is primarily useful in feeding a single-wire antenna from a low-impedance transmission line. In such an application the operating Q of the pi-network may be somewhat lower than that of a pi-network in the plate circuit of the final amplifier of a transmitter, as shown in figure 28. An operating Q of 3 or 4 in such an application

will be found to be adequate, since harmonic attenuation has been accomplished ahead of the antenna coupler.

An alternative arrangement shown in figure 31 utilizes the antenna-coupling tank circuit only when feeding the coaxial output of the transmitter to the open-wire feed line (or similar multiband antenna) of the 40- and 80-meter antenna. The coaxial lines to the 10-meter beam and to the 20-meter beam would be fed directly from the output of the coaxial antenna-changeover relay through switch S.

### 26-6 A Single-Wire Antenna Tuner

One of the simplest and least expensive antennas for transmission and reception is the single-wire, end-fed Hertz antenna. When used over a wide range of frequencies, this type of antenna exhibits a very great range of input impedance. At the low-frequency end of the spectrum such an antenna may present a resistive load of less than one ohm to the transmitter, combined with a large positive or negative value of reactance. As the frequency of operation is raised, the resistive load may rise to several thousand ohms (near half-wave resonance) and the reactive component of the load can rapidly

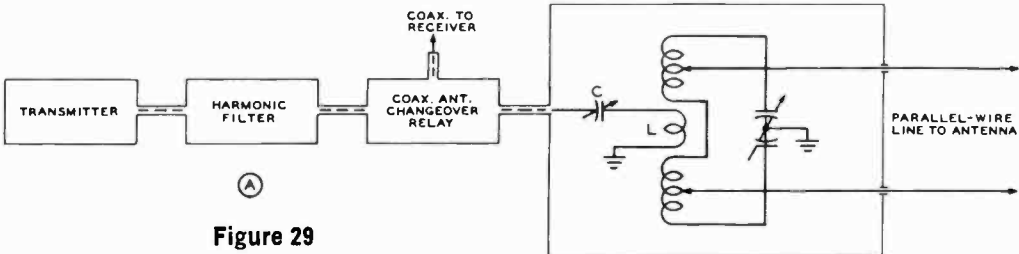
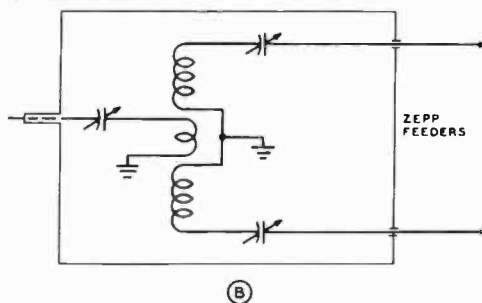


Figure 29

#### ALTERNATIVE ANTENNA COUPLER CIRCUITS

Plug-in coils, one or two variable capacitors of the split-stator variety, and a system of switches or plugs and jacks may be used in the antenna coupler to accomplish the feeding of different types of antennas and antenna transmission lines from the coaxial input line from the transmitter or from the antenna changeover relay. Link L should be resonated with capacitor C at the operating frequency of the transmitter so that the harmonic filter will operate into a resistive load impedance of the correct nominal value.



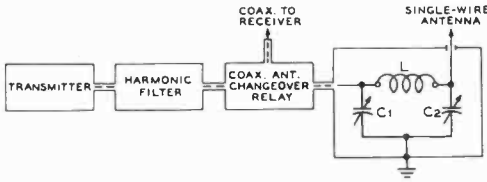


Figure 30

**PI-NETWORK  
ANTENNA COUPLER**

An arrangement such as illustrated above is convenient for feeding an end-fed Hertz antenna, or a random length of wire for portable or emergency operation, from the nominal value of impedance of the harmonic filter.

change from positive to negative values, or vice-versa.

To provide indication for tuning the network, a radio-frequency bridge (SWR meter) is included to indicate the degree of mismatch (standing-wave ratio) existing at the input to the tuner. All adjustments to the tuner are made with the purpose of reaching unity standing-wave ratio on the coaxial feed system between the tuner and the transmitter.

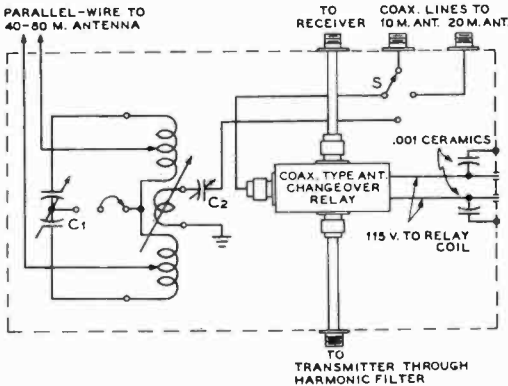


Figure 31

**ALTERNATIVE COAXIAL ANTENNA  
COUPLER**

This circuit is recommended for coaxial lines with low SWR used to feed antenna systems such as rotatable beams, and when it is desired to feed open-wire line to some sort of multiband antenna for the lower-frequency ranges. The tuned circuit of the antenna coupler is operative only when using the open-wire feed, and then it is in operation both for transmit and receive.

**A Practical Antenna Tuner** A simple antenna tuner for use with transmitters of 250 watts power or less is shown in figures 32 through 34. An SWR-bridge circuit is used to indicate tuner resonance. The resistive arm of the bridge consists of ten 10-ohm, 1-watt carbon resistors connected in parallel to form a 1-ohm resistor ( $R_1$ ). The other pair of bridge arms are capacitive rather than resistive. The bridge detector is a simple r-f voltmeter employing a 1N56 diode and a 0-1 dc milliammeter. A sensitivity control is incorporated to prevent overloading the meter when power is first applied to the tuner. Final adjustments are made with the sensitivity control at its maximum (clockwise) position. The bridge is balanced when the input impedance of the tuner is 50 ohms

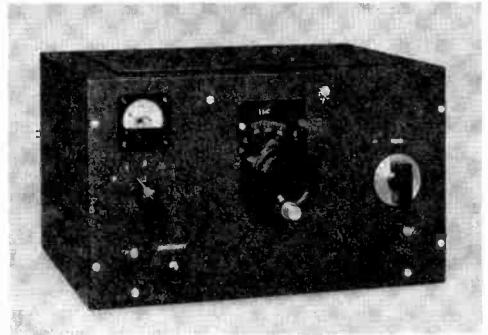


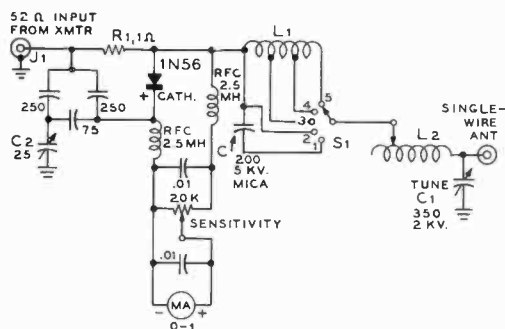
Figure 32

**ANTENNA TUNER IS HOUSED IN  
METAL CABINET 7 INCHES X 8  
INCHES IN SIZE**

Inductance switch S, and sensitivity control are at left with counter dial for  $L_2$  at center. Output tuning capacitor  $C_1$  is at right. SWR meter is mounted above S.

resistive. This is the condition for maximum energy transfer between transmission line and antenna. The meter is graduated in arbitrary units, since actual SWR value is not required.

**Tuner Construction** Major parts placement in the tuner is shown in figures 32 and 34. Tapped coil  $L_1$  is mounted on 1/2-inch ceramic insulators, and all major components are mounted above deck with the exception of the SWR bridge.



- L1-35 TURNS #18, 2" DIA., 3.5" LONG (AIR-DUX) TAP AT 15 T., 27 T., FROM POINT A
- L2-JOHNSON 229-201 VARIABLE INDUCTOR (10  $\mu$ H)
- C1-JOHNSON 35DE 20
- C2-CENTRALAB TYPE B22
- J1-TYPE 50-239 RECEPTACLE
- R1-TEN 10-OHM 1-WATT CARBON RESISTORS IN PARALLEL. IRC TYPE BTA

Figure 33

**SCHEMATIC OF A SINGLE-WIRE ANTENNA TUNER**

The components of the bridge are placed below deck, adjacent to the coaxial input plug mounted on the rear apron of the chassis. The ten 10-ohm resistors are soldered to two 1-inch rings made of copper wire as shown in the photograph (figure 35). The bridge capacitors are attached to this assembly with extremely short leads. The 1N56 diode mounts at right angles to the resistors to ensure minimum amount of capacitive coupling between the resistors and the detector. The output lead from the bridge passes through a ceramic feedthrough insulator to the top side of the chassis.

Connection to the antenna is made by means of a large feedthrough insulator mounted on the back of the tuner cabinet. This insulator is not visible in the photographs.

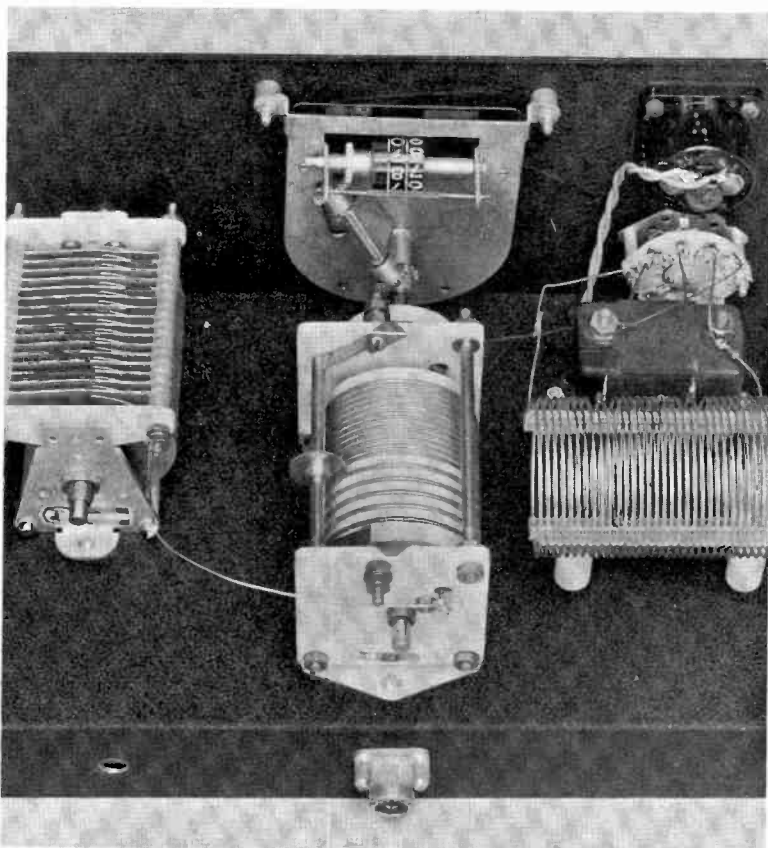


Figure 34

**REAR VIEW OF TUNER SHOWING PLACEMENT OF MAJOR COMPONENTS**

Rotary inductor is driven by Johnson 116-208-4 counter dial. Coaxial input receptacle J<sub>1</sub> is mounted directly below rotary inductor.

**Bridge Calibration** The SWR bridge must be calibrated for 50-ohm service. This can be done by temporarily disconnecting the lead between the bridge and the antenna tuner and connecting a 2-watt, 52-ohm carbon resistor to the junction of  $R_1$  and the negative terminal of the 1N56 diode. The opposite lead of the carbon resistor is grounded to the chassis of the bridge. A small amount of r-f energy is fed to the input of the bridge until a reading is obtained on the r-f voltmeter. The 25-pF bridge-balancing capacitor  $C_2$  is then adjusted with a fiber-blade screwdriver until a zero reading is obtained on the meter. The sensitivity control is advanced as the meter null grows, in order to obtain the exact point of bridge balance. When this point is found, the carbon resistor should be removed and the bridge attached to the antenna tuner. The bridge capacitor is sealed with a drop of nail polish to prevent misadjustment.

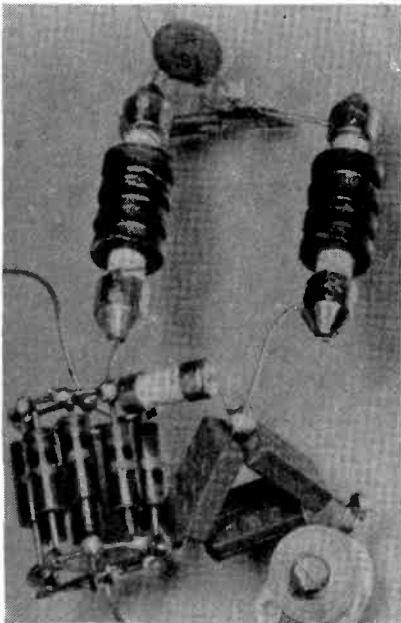


Figure 35

#### CLOSE-UP OF SWR BRIDGE

Simple SWR bridge is mounted below the chassis of the tuner. Carbon resistors are mounted to two copper rings to form low-inductance one ohm resistor. Bridge capacitors form triangular configuration for lowest lead inductance. Balancing capacitor  $C_2$  is at lower right.

**Tuner Adjustments** All tuning adjustments are made to obtain proper transmitter loading with a balanced (zero-meter-reading) bridge condition. The tuner is connected to the transmitter through a random length of 50-ohm coaxial line, and the single-wire antenna is attached to the output terminal of the tuner. Transmitter loading controls are set to approximate a 50-ohm termination. The transmitter is turned on (preferably at reduced input) and resonance is established in the amplifier tank circuit. The sensitivity control of the tuner is adjusted to provide near full-scale deflection on the bridge meter. Various settings of  $S_1$ ,  $L_2$ , and  $C_1$  should be tried to obtain a reduction of bridge reading. As tuner resonance is approached, the meter reading will decrease and the sensitivity control should be advanced. When the system is in resonance, the meter will read zero. All loading adjustments may then be made with the transmitter controls. The tuner should be readjusted whenever the frequency of the transmitter is varied by an appreciable amount.

## 26-7 Antenna Supports

The foregoing portion of this chapter has been concerned primarily with the *electrical* characteristics and considerations of antennas. Some of the physical aspects and mechanical problems incident to the actual erection of antennas and arrays will be discussed in the following section.

Up to 30 feet, there is little point in using mast-type antenna supports unless guy wires either must be eliminated or kept to a minimum. While a little more difficult to erect, because of their floppy nature, fabricated wood poles of the type to be described will be just as satisfactory as more rigid types, *provided* many guy wires are used.

Rather expensive when purchased through the regular channels, 40- and 50-foot telephone poles sometimes can be obtained quite reasonably. In the latter case, they are hard to beat, inasmuch as they require no guying if set in the ground six feet (standard depth), and the resultant pull in any lateral direction is not in excess of a hundred pounds or so.

For heights of 40 to 120 feet, either three- or four-sided lattice-type towers are most practical. They can be made self-supporting, but a few guys will enable one to use a smaller cross section without danger from high winds. The torque exerted on the base of a high self-supporting tower is terrific during a strong wind.

Guyed towers are the least expensive, while free-standing towers are more robust and considerably higher in cost than the guyed types. Crank-up towers, the most expensive of all, may be obtained in either guyed or free standing styles. A version of the crank-up tower is the fold-over tower, which has a special base allowing the retracted tower to be tilted over for work on the antenna at ground level.

In addition to the antenna requirements, the prospective tower owner must consider the practical limitations imposed on the antenna installation by local building codes and ordinances, the proximity of power and telephone lines and the esthetic effect upon family, friends and neighbors.

**The A-Frame Mast** An inexpensive wood mast suitable for use with wire antennas and small VHF beams is the A-frame mast shown in figure 36. This design is popular as there is only a moderate amount of work involved in the construction of the assembly and since the

material cost is relatively small. The three pieces of selected 2 by 2 are first set up on three sawhorses or boxes and the holes drilled for the three 1/4-inch bolts through the center of the assembly. Then the base legs are spread out to about 6 feet and the bottom braces installed. Finally the upper braces and the cross pieces are installed and the assembly given several coats of good-quality paint as a protection against weathering.

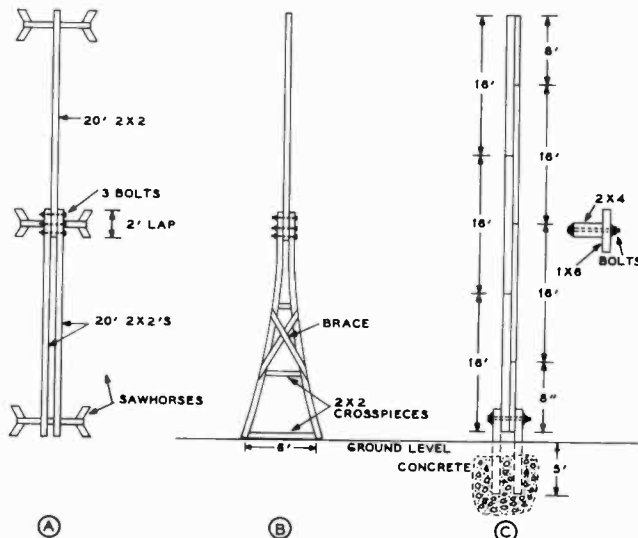
Figure 36C shows another common type of mast which is made up of sections of 2 X 4 placed end-to-end with stiffening sections of 1 by 6 bolted to the edge of the 2 by 4 section. Both types of mast will require a set of top guys and another set of guys about one-third of the way down from the top. Two guys spaced about 90 to 100 degrees and pulling against the load of the antenna will normally be adequate for the top guys. Three guys are usually used at the lower level, with one directly behind the load of the antenna and two more spaced 120 degrees from the rear guy.

Raising the mast is made much easier if a gin pole about 20 feet high is installed about 30 or 40 feet to the rear of the direction in which the antenna is to be raised. A line from a pulley on the top of the gin pole is then run to the top of the pole to be raised. The gin pole comes into play when the center of the mast has been raised 10 to 20 feet above the ground and an additional ele-

Figure 36

TWO SIMPLE WOOD MASTS

Shown at A is the method of assembly, and at B is the completed structure, of the conventional "A-frame" antenna mast. At C is shown a structure which is heavier but more stable than the A-frame for heights above about 40 feet.





vated pull is required to keep the top of the mast coming up as the center is raised further above ground.

**Using TV Masts** Steel tubing masts of the telescoping variety are widely available at a moderate price for use in supporting television antenna arrays. These masts usually consist of several 10-foot lengths of electrical metal tubing (EMT) of sizes such that the sections will telescope. The 30- and 40-foot lengths are well suited as masts for supporting antennas and arrays of the type used on the amateur bands. The masts are constructed in such a manner that the bottom 10-foot length may be guyed permanently before the other sections are raised. Then the upper sections may be extended, beginning with the top-mast section, until the mast is at full length (provided a strong wind is not blowing) following which all the guys may be anchored. It is important that there be no load on the top of the mast when the "vertical" raising method is to be employed.

**Guy Wires** Guy wires should never be pulled taut; a *small* amount of slack is desirable. Galvanized wire, somewhat heavier than seems sufficient for the job, should be used. The heavier wire is a little harder to handle, but costs only a little more and takes longer to rust through. Care should be taken to make sure that no kinks exist when the pole or tower is ready for erection, as the wire will be greatly weakened at such points if a kink is pulled tight, even if it is later straightened.

Stranded aluminum wire, which is corrosion resistant, may be used in place of galvanized wire guys for light weight towers.

If "dead men" are used for the guy wire terminations, the wire or rod reaching from the dead men to the surface should be of nonrusting material, such as brass, or given a heavy coating of asphalt or other protective substance to prevent destructive action by the damp soil. Galvanized iron wire will last only a short time when buried in moist soil.

Only strain-type (compression) insulators should be used for guy wires. Regular ones might be sufficiently strong for the job, but

it is not worth taking chances, and egg-type strain halyard insulators are no more expensive.

Only a brass or bronze pulley should be used for the halyard, as a high pole with a rusted pulley is truly a sad affair. The bearing of the pulley should be given a few drops of heavy machine oil before the pole or tower is raised. The halyard itself should be of good material, preferably waterproofed. Hemp rope of good quality is better than clothesline cord from several standpoints, and is less expensive. Soaking it thoroughly in linseed oil, and then wiping it off with a rag, will not only extend its life but minimize shrinkage in wet weather. Because of the difficulty of replacing a broken halyard it is a good idea to replace it periodically, without waiting for it to show excessive deterioration.

It is an excellent idea to tie both ends of the halyard line together in the manner of a flag-pole line. Then the antenna is tied onto the place where the two ends of the halyard are joined. This procedure of making the halyard into a loop prevents losing the top end of the halyard should the antenna break near the end, and it also prevents losing the halyard completely should the end of the halyard carelessly be allowed to go free and be pulled through the pulley at the top of the mast by the antenna load. A somewhat longer piece of line is required but the insurance is well worth the cost of the additional length of rope.

**Trees as Supports** Often a tall tree can be used to support one end of an antenna, but one should not attempt to attach anything to the top, as the swaying of the top of the tree during a heavy wind will complicate matters.

If a tree is utilized for support, provision should be made for keeping the antenna taut without submitting it to the possibility of being severed during a heavy wind. This can be done by the simple expedient of using a pulley and halyard, with weights attached to the lower end of the halyard to keep the antenna taut. Only enough weight to avoid excessive sag in the antenna should be tied to the halyard, as the continual swaying of the tree submits the pulley and halyard to considerable wear.

**Painting** The life of a wood mast or pole can be increased several hundred percent by protecting it from the elements with a coat or two of paint. And, of course, the appearance is greatly enhanced. The wood should first be given a primer coat of flat white outside house paint, which can be thinned down a bit to advantage with second-grade linseed oil. For the second coat, which should not be applied until the first is thoroughly dry, *aluminum paint* is not only the best from a preservative standpoint, but looks very well. This type of paint, when purchased in quantities, is considerably cheaper than might be gathered from the price asked for quarter-pint cans.

Portions of posts or poles below the surface of the soil can be protected from termites and moisture by painting with *cresote*. While not so strong initially, redwood will deteriorate much more slowly when buried than will the white woods, such as pine.

After the base of the pole or post has been treated, it should be given a wrapping of heavy aluminum foil paper to insulate it against ground water.

**Antenna Wire** The antenna or array itself presents no special problem. A few considerations should be borne in mind, however. For instance, soft-drawn copper should not be used, as even a short span will stretch several percent after whipping around in the wind a few weeks, thus affecting the resonant frequency. Enameled copper wire, as ordinarily available at radio stores, is usually soft-drawn, but by tying one end to some object such as a telephone pole and the other to the frame of an auto, a few husky tugs can be given and the wire, after stretching a bit, is equivalent to hard-drawn.

Where a long span of wire is required, or where heavy insulators in the center of the span result in considerable tension, copper-clad steel wire is somewhat better than hard-drawn copper. It is a bit more expensive, though the cost is far from prohibitive. The use of such wire, in conjunction with strain insulators is advisable where the antenna would endanger persons or property should it break.

For transmission lines and tuning stubs steel-core or hard-drawn wire will prove awkward to handle, and soft-drawn copper should, therefore, be used. If the line is long, the strain can be eased by supporting it at several points.

More important from an electrical standpoint than the actual size of wire used is the soldering of joints, especially at current loops in an antenna of low radiation resistance. In fact, it is good practice to solder *all* joints, thus ensuring quiet operation when the antenna is used for receiving.

**Insulation** A question that often arises is that of insulation. It depends, of course, on the r-f voltage at the point at which the insulator is placed. The r-f voltage, in turn, depends on the distance from a current node, and the radiation resistance of the antenna. Radiators having low radiation resistance have very high voltage at the voltage loops; consequently, better than usual insulation is advisable at those points.

Open-wire lines operated as nonresonant lines have little voltage across them; hence the most inexpensive ceramic types are sufficiently good electrically. With tuned lines, the voltage depends on the amplitude of the standing waves. If they are very great, the voltage will reach high values at the voltage loops, and the best spacers available are none too good. At the current loops the voltage is quite low, and almost anything will suffice.

When insulators are subject to very high r-f voltages, they should be cleaned occasionally if in the vicinity of sea water or smoke. Salt scum and soot are not readily dislodged by rain, and when the coating becomes heavy enough, the efficiency of the insulators is greatly impaired.

If a very pretentious installation is to be made, it is wise to check up on both Underwriter's rules and local ordinances which might be applicable. If you live anywhere near an airport, and are contemplating a tall pole, it is best to investigate possible regulations and ordinances pertaining to towers in the district, before starting construction.



# HF General Purpose Antennas

An antenna is a system of conductors that radiates and intercepts electromagnetic waves. The general characteristics of hf and vhf antennas were outlined in an earlier chapter. This chapter, and the following ones, deal with the practical aspects of designing, building, and adjusting antennas for optimum performance.

Under normal circumstances, long distance hf transmission is propagated along a *Great Circle path* to the target area. Ionospheric reflection for this path is most effective when the wave is propagated at a certain definite *angle of radiation* ( $A$ ) above the horizon, as shown in figure 1. Energy radiated in other directions and at other elevation angles performs no useful function. Hf directional antennas are commonly used by the various communication services.

Long distance vhf propagation is generally over a straight-line route to the target area, but the mode of propagation may be one or more of many types. Directive vhf antennas are effective for all of the common propagation modes and also help to reduce fading and interference arriving from unwanted directions. Thus, the directional characteristics and angle of radiation above the horizon of the antenna are of great importance to the hf or vhf operator. Other antenna attributes, such as bandwidth, power gain and front-to-back ratio are equally important.

## 27-1 The Angle of Radiation

The angle of radiation of an antenna is the angle above the horizon of the axis of the main lobe of radiation. With practical hf antennas of moderate size, the radiation

pattern of the main lobe is quite broad and occupies a large area in front of the antenna. The antenna "sprays" a great section of the ionosphere with energy, ensuring that even with a large change in layer height and variations in propagation along the path, a cer-

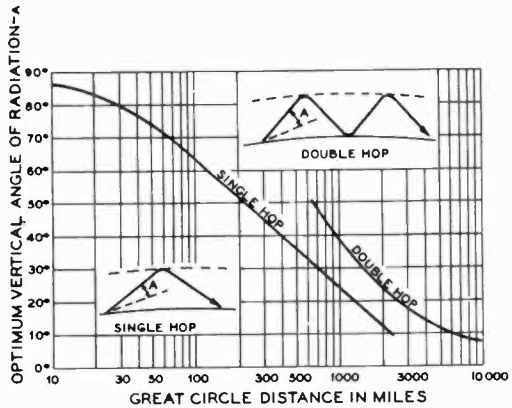


Figure 1

### OPTIMUM ANGLE OF RADIATION WITH RESPECT TO DISTANCES

Shown above is a plot of the optimum angle of radiation for one-hop and two-hop communication. An operating frequency close to of radiation for one-hop and two-hop communication distance is assumed.

tain amount of the radiated signal has a good chance of reaching the target area. Multielement vhf antennas that are large compared to the wavelength of the radiated wave, on the other hand, are capable of providing a sharply defined pattern at a specific angle of radiation, and their aiming may prove to be quite critical.

The angle of radiation above the horizon for a typical antenna close to the earth is dependent on the antenna height above the surface of the earth, the polarization of the

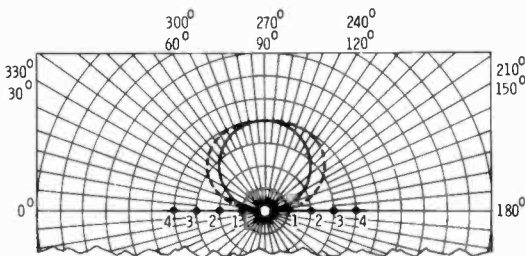
antenna, and the frequency of operation. In calculating the vertical angle of radiation for a particular antenna, the image concept (Chapter 24-5) is used to establish the effects of wave reflection. The surface of the earth in the vicinity of the antenna is assumed to be flat and perfectly conductive. The angle of radiation of the vertical field pattern maximum is created by addition and cancellation of the fields from the antenna and the hypothetical image antenna. Similarly, the image antenna concept is also used to calculate the impedance and current distribution characteristics of the actual antenna. The effect of reflection from a conducting surface can be expressed as a factor which, when multiplied by the free space radiation pattern of the antenna, gives the resultant pattern for various angles above the surface. The limiting conditions are those when the direct and reflected waves are in phase or out of phase, and the resulting field strength at a distant point will be either twice the field strength from the antenna alone, or zero.

By changing the height of the antenna above the reflecting ground, the vertical

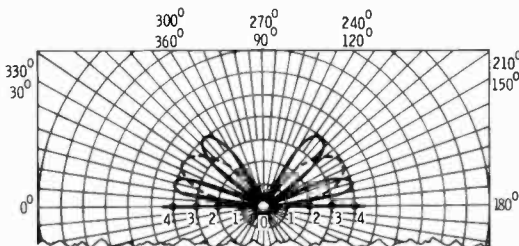
angle of the reflection and cancellation patterns may be readily changed. Ground reflection patterns have been developed by which the free space pattern of a dipole antenna can be modified to show the true vertical pattern of the antenna at any height above the ground, as shown in figure 2. These plots are multiplying factors that represent the effect of ground reflection on a horizontal antenna.

Because the current relationships between the actual antenna and the image antenna are reversed in the case of vertical polarization, the ground reflection patterns for a vertical dipole are different from those of a horizontal dipole (figure 3).

**Ground Characteristics** The ground reflection charts are based on the assumption that the earth is a perfect conductor, which it is not. Under actual conditions, ground conductivity varies widely with locale. In areas of poor surface conductivity, the actual reflection surface may seem to be several feet below the actual surface and the layer of earth near the surface acts as a lossy dielectric to the radio wave. If the amplitude of the reflected wave is reduced through ground losses, the vertical pattern of reflection will be affected, as



(A) 0.1 (SOLID) AND 0.25 (BROKEN) WAVELENGTH ABOVE GROUND.



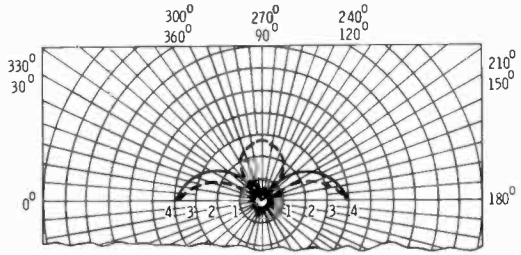
(B) 0.5 (BROKEN) AND 1.0 (SOLID) WAVELENGTH ABOVE GROUND.

**Figure 2**  
**GROUND REFLECTION**  
**PATTERNS FOR A**  
**DIPOLE ANTENNA**

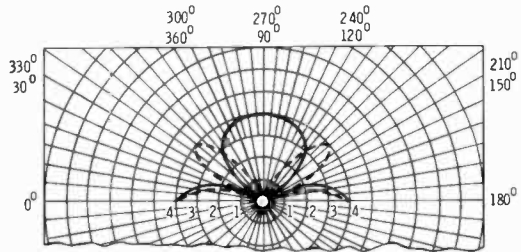
The vertical directivity patterns of a horizontal half-wave dipole are shown here. Illustration A indicates the relative intensity of radiation at 0.1 and 0.25 wavelength above ground, and illustration B shows the increase in low-angle radiation at 0.5 and 1.0 wavelength above ground. As antenna height is increased, more lobes appear in the pattern with the lower lobes approaching the horizontal plane. A perfectly conducting ground plane is assumed for these patterns.

**Figure 3**  
**GROUND REFLECTION PATTERNS FOR A VERTICAL HALF-WAVE ANTENNA**

The vertical directivity patterns of a vertical antenna are shown here. Illustration A indicates the relative intensity of radiation at 0.25 and 0.375 wavelength above ground and illustration B shows the radiation patterns for 0.5 and 0.75 wavelength above ground. These plots represent multiplying factors representing the effect of ground reflection. Note that the nulls and maxima are interchanged with those of the horizontal antenna.



(A) 0.25 (SOLID) AND 0.375 (BROKEN) WAVELENGTH ABOVE GROUND.



(B) 0.5 (SOLID) AND 0.75 (BROKEN) WAVELENGTH ABOVE GROUND.

will the feedpoint impedance of the antenna. The chief effect of the lossy dielectric is to absorb a large portion of the energy radiated at low angles to the earth. In addition, the magnitude of the main lobes is decreased by the amount of energy lost, or dispersed, and the nulls of the pattern tend to become obscured (figure 4).

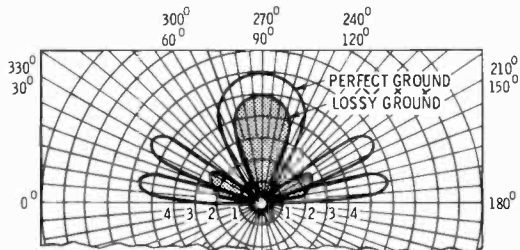
In the vhf region, the antenna is usually several wavelengths above the surface of the earth and the direct wave from the antenna travels to the target area without benefit of the portion of the wave that travels along the ground. The loss of energy at low angles due to a lossy ground is quite low and wave

attenuation is limited to that normal amount caused by path attenuation and spreading.

A perfectly conducting ground can be simulated by a *ground screen* placed under the antenna. The screen should have a small mesh compared to the size of the radio wave and should extend for at least a half wavelength in every direction from the antenna. Unless the screen is extremely large (several wavelengths in every direction) the screen will affect only the high angle radiation from a horizontal antenna and will not materially aid the effect of the earth on low angle radiation which is useful for long distance hf communication.

**Figure 4**  
**GROUND LOSS ALTERS VERTICAL PATTERN OF ANTENNA**

If the amplitude of the ground reflected wave is reduced through ground losses, the vertical pattern of reflection will be affected. Chief effect of lossy ground is to absorb a large portion of the energy radiated at low angles and to fill in the nulls of the pattern.



**Optimum Angle of Radiation**

The *optimum angle of radiation* for hf propagation between two points is dependent upon a number of variables, such as height of the ionospheric layer providing the reflection, the distance between the two stations and the number of hops necessary for propagation between the stations. It is often possible for different modes of

propagation to simultaneously provide signals between two points. This means, of course, that more than one angle of radiation is effective. If no elevation directivity is used under this condition of propagation, selective fading will take place because of interference between waves arriving over the different paths.

Measurements have shown that the optimum angles useful for long distance hf communication lie between  $5^\circ$  and  $40^\circ$ , the lower angles being more effective for the higher frequencies (figure 5). These figures assume normal propagation by virtue of  $F_2$  layer reflection.

The radiation available at useful, low angles from any antenna is of interest. The reflection plots of figures 2 and 3 apply to a dipole antenna. Other antennas which concentrate radiation in certain directions and suppress it in others provide modified vertical radiation patterns because some lobes that show up in the dipole pattern do not show up to as great a degree in the pattern of a different antenna type. In the case of a beam antenna, the resultant pattern may not be symmetrical since the beam tends to suppress radiation in certain directions. An example of this is shown in figure 6, wherein the high angle radiation of a dipole placed 0.75 wavelength above the ground is greatly attenuated in the case of a beam antenna located at the operating height. Placement of the two antennas at 0.5 wavelength height, on the other hand, produces nearly identical patterns. The angle of radiation of representative beam antennas will be discussed in the next chapter.

It should be noted that the beam antenna does not lower the angle of radiation of the main lobe, as compared to a dipole. The angle of radiation is a function of antenna height

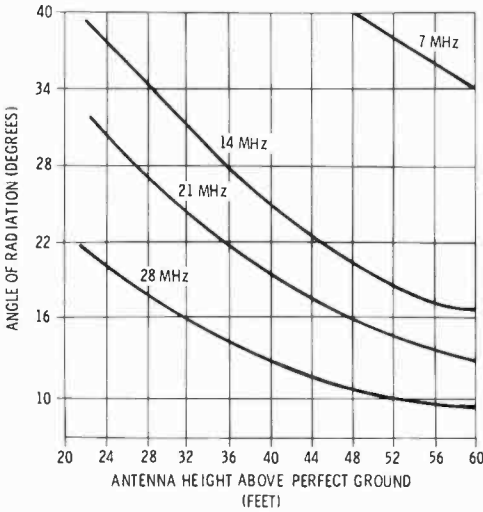


Figure 5

**OPTIMUM VERTICAL ANGLE OF RADIATION FOR HF TRANSMISSION**

The optimum vertical angle for hf transmission lies between  $5^\circ$  and  $40^\circ$ , depending on frequency used and path length. The optimum angle of radiation for the 7-MHz band occurs at an antenna height of 45 feet or greater above ground, for the 14-MHz band at a height of 40 feet or above, for the 21-MHz band at a height of 35 feet or above, and for the 28-MHz band at a height of 30 feet or above. Experience has shown that heights of 40 to 70 feet are a good compromise for long-distance communication on the various hf amateur bands.

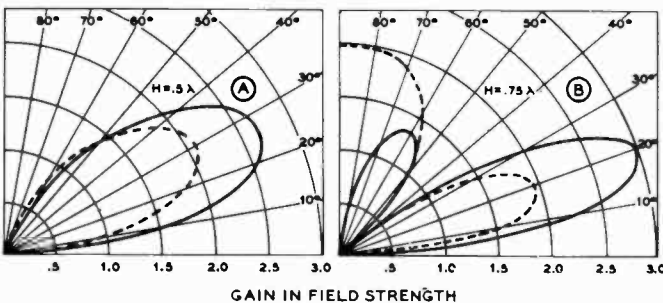


Figure 6

**VERTICAL RADIATION PATTERNS**

Showing vertical radiation patterns of a horizontal two element beam (solid curves) and a horizontal dipole (dashed curves) when both are 0.5 wavelength (A) and 0.75 wavelength (B) above ground. Note the suppression of the high angle radiation in the latter case.

above ground and the operating frequency, and has little to do with antenna configuration, at least in the case of the simpler antenna arrays.

**Horizontal Directivity** *Horizontal directivity* is desirable for hf or vhf operation, but it is not easily obtainable with reasonable antenna dimensions at the lower frequencies. Arrays having extremely high horizontal directivity are cumbersome, but the smaller designs can be rotated for point-to-point work. As in the case of ground reflection, the effect of a nearby conducting surface can alter the horizontal directivity of an antenna. The result is that the radiation pattern loses symmetry. In some cases, pattern distortion is deliberate, as in establishing the front-to-back ratio of a beam antenna; in other cases it is unintentional.

**Dipole Antenna Types** The most popular and least expensive antenna for general usage is the dipole. Antennas for the lower-frequency portion of the hf range and temporary or limited use antennas for the upper portion, usually are of a relatively simple type in which directivity is not a prime consideration. Also, it is often desirable that a single antenna system be capable of operation on various bands, or on frequencies outside the amateur band (MARS, etc.). Variations of the dipole and Marconi antenna designs are well qualified for this usage and the first portion of this chapter is devoted to a discussion of such antenna systems. The latter portion of the chapter is devoted to matching systems and antenna installation.

## 27-2 The Center-Fed Antenna

A center-fed half-wave antenna system is usually to be desired over an end-fed system since the center-fed system is inherently balanced to ground and is therefore less likely to be troubled by feeder radiation. A number of center-fed systems are illustrated in figure 7.

**The Tuned Dipole** The current-fed dipole with spaced feeders, sometimes called a *center-fed zep*, is an inherently balanced system if the two legs of the radiator are electrically equal. This fact holds true regardless of the frequency, or of the harmonic, on which the system is operated. The system can successfully be operated over a wide range of frequencies if the system as a whole (both tuned feeders and the center-fed flat top) can be resonated to the operating frequency. It is usually possible to tune such an antenna system to resonance with the aid of a tapped coil and a tuning capacitor that can optionally be placed either in series with the antenna coil or in parallel with it (figure 7D).

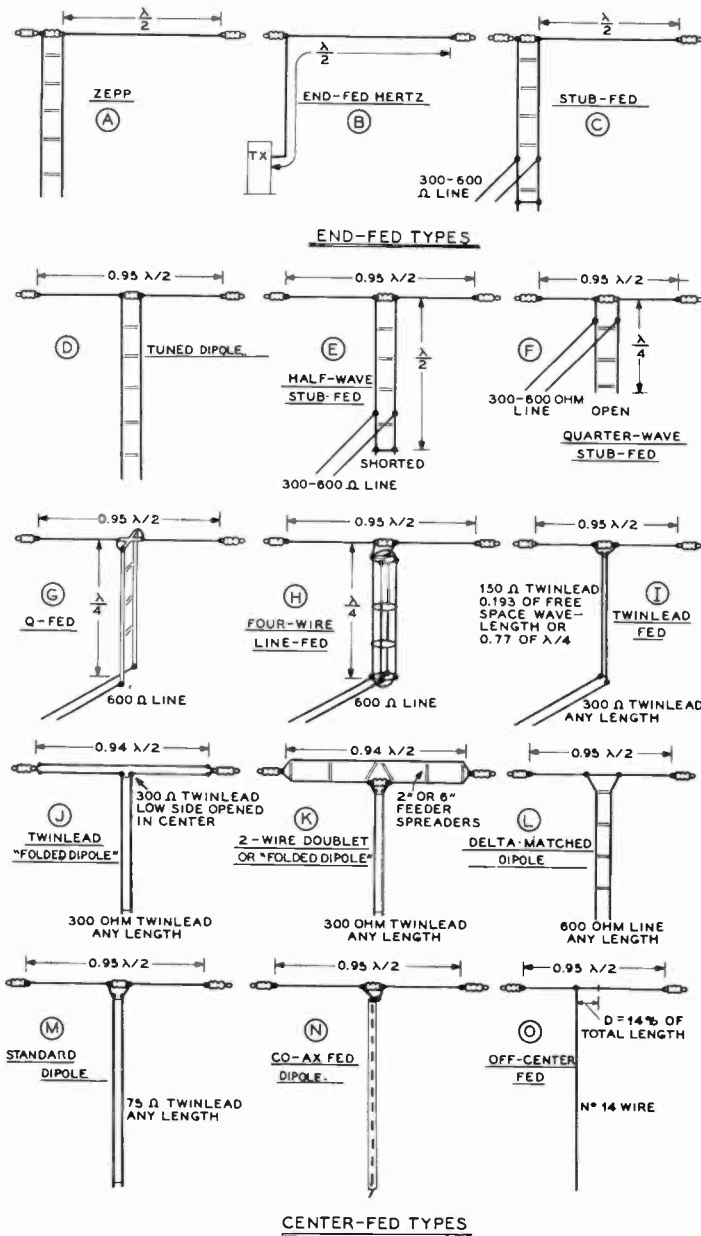
The antenna has a different radiation pattern when operated on its harmonics, as would be expected. The arrangement used on the second harmonic is better known as the *Franklin collinear array*.

Figures 7E and 7F show alternative arrangements for using an untuned transmission line between the transmitter and the tuned-dipole radiator. In figure 7E a half-wave shorted line is used to resonate the radiating system, while in figure 7F a quarter-wave open line is utilized. The adjustment of quarter-wave and half-wave stubs is discussed in Chapter 26.

**Dipoles with Quarter-Wave Transformers** The average value of feed impedance for a center-fed half-wave dipole is 75 ohms.

The actual value varies with height and is shown in Chapter 24. Other methods of matching this rather low value of impedance to a medium-impedance transmission line are shown in G, H, and I of figure 7. Each of these three systems uses a quarter-wave transformer to accomplish the impedance transformation. The only difference between the three systems lies in the type of transmission line used in the quarter-wave transformer. G shows the *Q-match system* whereby a line made up of 1/2-inch dural tubing is used for the low-impedance linear transformer. A line made up in this manner is frequently called a set of *Q bars*. Illustration H shows the use of a four-wire line as the linear transformer, and I shows the use of a piece of 150-ohm





**Figure 7**  
**FEED SYSTEMS FOR A HALF-WAVE DIPOLE ANTENNA**

The half-wave dipole antenna may be either center- or end-fed, as discussed in the text. For the hf region (below 30 MHz), the length of a simple dipole is computed by: length (feet) =  $468/f$ , with  $f$  in MHz. For the folded dipole, length is computed by: length (feet) =  $462/f$ , with  $f$  in MHz. Above 30 MHz, the length of the dipole is affected to an important degree by the diameter of the element and the method of supporting the dipole.

twin-lead, electrically  $1/4$  wave in length, as the transformer between the center of the dipole and a piece of 300-ohm twin-lead. In any case the impedance of the quarter-wave transformer will be of the order of 150 to 200 ohms. The use of sections of transmission line as linear transformers is discussed in detail in Chapter 26.

**Multiwire Dipoles**

An alternative method for increasing the feedpoint impedance of a dipole so that a medium-impedance transmission line may be used is shown in figures 7J and 7K. This system utilizes more than one wire in parallel for the radiating element, but only one of the wires is broken for attachment of the feeder.

The most common arrangement uses two wires in the flat top of the antenna so that an impedance multiplication of four is obtained.

The antenna shown in figure 7J is the so-called *twin-lead folded dipole* which is a commonly used antenna system on the medium-frequency amateur bands. In this arrangement both the antenna and the transmission line to the transmitter are constructed of 300-ohm twin-lead. The flat top of the antenna is made slightly less than the conventional length ( $462/F_{MHz}$  instead of  $468/F_{MHz}$  for a single-wire flat top) and the two ends of the twin-lead are joined together at each end. The center of one of the conductors of the twin-lead flat top is broken and the two ends of the twin-lead feeder are spliced into the flat-top leads.

Better bandwidth characteristics can be obtained with a folded dipole made of ribbon line if the two conductors of the ribbon line are shorted a distance of 0.82 (the velocity factor of ribbon line) of a free-space quarter-wave-length from the center or feedpoint. This procedure is illustrated

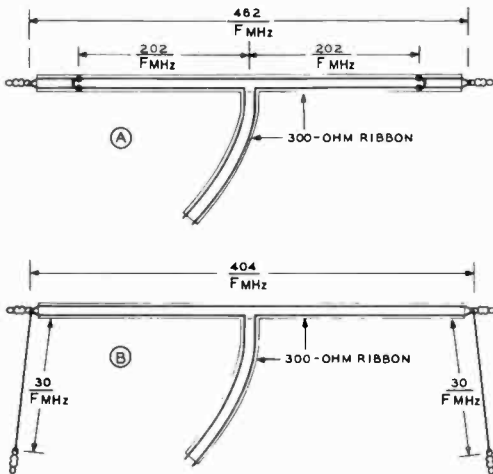


Figure 8

**FOLDED DIPOLE WITH SHORTING STRAPS**

The impedance match and bandwidth characteristics of a folded dipole may be improved by shorting the two wires of the ribbon a distance out from the center equal to the velocity factor of the ribbon times the half-length of the dipole as shown at A. An alternative arrangement with bent down ends for space conservation is illustrated at B.

in figure 8A. An alternative arrangement for a twin-lead folded dipole is illustrated in figure 8B. This type of half-wave antenna system is convenient for use on the 3.5-MHz band when the 116- to 132-foot distance required for a full half-wave is not quite available in a straight line, since the single-wire end pieces may be bent away or downward from the direction of the main section of the antenna.

Figure 7K shows the basic type of two-wire, or *folded, dipole* wherein the radiating section of the system is made up of standard antenna wire spaced by means of feeder spreaders. The feeder again is made of 300-ohm twin-lead since the feedpoint impedance is approximately 300 ohms, the same as that of the twin-lead folded dipole.

The folded-dipole type of antenna has the broadest response characteristics (greatest bandwidth) of any of the conventional half-wave antenna systems constructed of small wires or conductors. Hence such an antenna may be operated over the greatest frequency range, without serious standing waves, of any common half-wave antenna types.

**Delta-Matched and Standard Dipole**

These two types of radiating elements are shown in figure 7L and figure 7M.

The delta-matched dipole is described in detail in Chapter 26. The standard dipole shown in figure 7M, is fed in the center by means of 75-ohm transmitting type twin-lead.

The coaxial-fed dipole shown in figure 7N is a variation on the system shown in figure 7M. Either 50-ohm or 75-ohm coaxial cable may be used to feed the center of the dipole, although the 50-ohm type will give a somewhat better impedance match at lower antenna heights.

**Off-Center-Fed Dipole**

The system shown in figure 7O is sometimes used to feed a half-wave dipole, especially when it

is desired to use the same antenna on a number of harmonically related frequencies. The feeder wire (No. 14 enameled wire should be used) is tapped a distance of 14 percent of the total length of the antenna either side of center. The feeder wire, operating against

ground for the return current, has an impedance of approximately 300 ohms.

Dimensions for dipole antennas for the hf bands are tabulated in Table 1.

Table 1.

Length of Wire Dipole Antenna

FREQUENCY OR BAND (MHz)	DIPOLE LENGTH TIP-TO-TIP	
	Feet	Meters
1800 - 1900 kHz	253.0	77.16
1900 - 2000 kHz	240.0	73.20
3.5 - 3.8 MHz	125.25	38.20
3.7 - 4.0 MHz	121.0	36.90
7.0 - 7.3 MHz	65.5	19.97
14.0 - 14.35 MHz	33.0	10.06
21.0 - 21.45 MHz	22.1	6.74
28.0 - 29.7 MHz	16.3	4.97
50.0 - 52.0 MHz	9.6	2.93
52.0 - 54.0 MHz	9.2	2.81

## 27-3 The Vertical Antenna

The vertical antenna is of interest because its ground reflection patterns are reversed as compared to those of a horizontal antenna and because it may be supported in a minimum amount of ground space. In addition, the vertical is well suited to low-frequency service, wherein the groundwave range is used for communication. The vertical antenna is also popular in the vhf field, as much vehicular communication is vertically polarized.

The electrical equivalent of the dipole is the half-wave vertical antenna (figure 9). Placed with the bottom end from 0.01 to 0.2 wavelength above ground, it is an effective transmitting antenna for low-angle radiation in areas of high ground conductivity. The vertical antenna, in one form or another, is widely used for general broadcast service and for point-to-point work up to about 4.0 MHz. Generally speaking, the vertical antenna is susceptible to manmade interference when used for receiving, as a

great majority of noise seems to be vertically polarized.

The vertical antenna produces high current density in the ground beneath and around it and ground conduction currents return to the base of the antenna. Ground system losses can dissipate a major portion of the antenna power and reduce the radiated field accordingly unless precautions are taken to ensure a low resistance ground return path for the induced currents.

The best ground surface, or ground plane, is an infinite copper sheet placed beneath the antenna. This may be approximated in the medium- and high-frequency region by a system of radial wires. Broadcast specifications call for 120 radials, each approximately 0.25 wavelength long. The radials may be buried a few inches beneath the surface of the earth for protection from damage, or laid atop the surface.

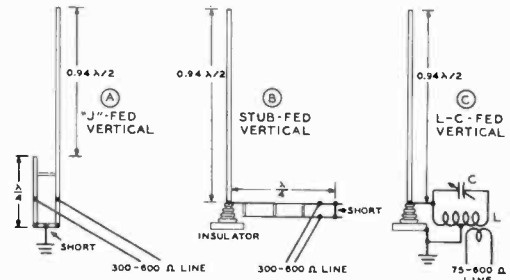


Figure 9  
HALF-WAVE VERTICAL ANTENNA  
SHOWING ALTERNATIVE  
METHODS OF FEED

In the amateur service, few enthusiasts can go to the trouble and expense of installing an elaborate ground system and must be content with fewer radials in their installation. The absolute minimum number of radial wires is one, which will provide a ground point at the base of the antenna. Common usage is four and many amateurs have settled on 12 radials as a good compromise between performance and expense. Tests have indicated that reducing the number of radials drops the radiated field of the antenna, and dropping from 120 radials to 4 can result in a decrease in the radiated field as much as 8 dB, if the ground conductivity beneath the antenna is poor and the antenna is short.

Vhf vertical antennas, mounted many wavelengths above ground, are less susceptible to ground losses and experience has shown that 4 radial wires usually do a good job on antennas of this category.

**The Ground-Plane Antenna** An effective form of Marconi antenna is the quarter-wave *ground-plane antenna*, so named because of the radial ground wires. The ground plane may be mounted with the radial wires a few inches above the ground, or elevated with the radials well above the surface of the ground. Since the radials are resonant, the ends are at a high voltage potential and they should be insulated to prevent accidental contact. In a like manner, the radials should not be grounded or buried, as this would destroy their resonance. A typical ground-plane antenna for the hf bands is shown in figure 10 along with suggested dimensions.

The base impedance of the ground plane is of the order of 30 to 35 ohms, and it may be fed with a 50-ohm coaxial line with only a slight impedance mismatch. For a more exact match, the antenna may be fed with

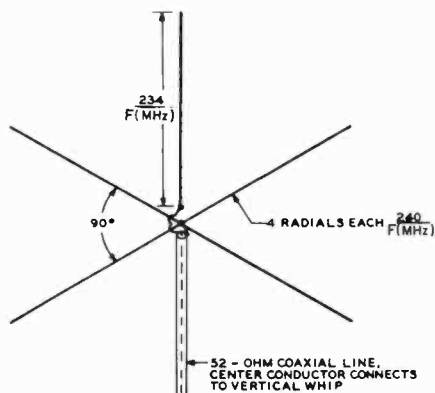


Figure 10

**THE HIGH FREQUENCY GROUND-PLANE ANTENNA**

This antenna is used on the hf amateur bands, usually in the form of a vertical whip, with the radials acting as guy wires for the assembly. The whip may be mounted on a post or tower, or on the roof of a building. The wire radials often slope downward. If the antenna is mounted near the ground, a ground connection may be added at the junction of the radials. A self-supporting version of the ground plane is popular for use in the vhf spectrum.

a 75-ohm coaxial line and a quarter-wave matching section made of 50-ohm coaxial line.

The feedpoint impedance of a ground plane may be raised to about 50 ohms by drooping the radials down at a 45° angle. Some horizontally polarized radiation from the radials will take place, raising the radiation resistance of the antenna. The radials can serve as guy wires when they are brought down in this fashion.

**The 3/8-Wave Vertical** The field strength of a short vertical antenna reaches a maximum figure when the antenna is 3/8 wavelength high, as opposed to 1/4 wavelength. A power gain of about 3 dB over a quarter-wave vertical is achieved with the extended design. The feedpoint of a 3/8-wave vertical is reactive and a series inductance is required to establish a non-reactive termination (figure 11). Quarter-wave radials are used with this antenna configuration.

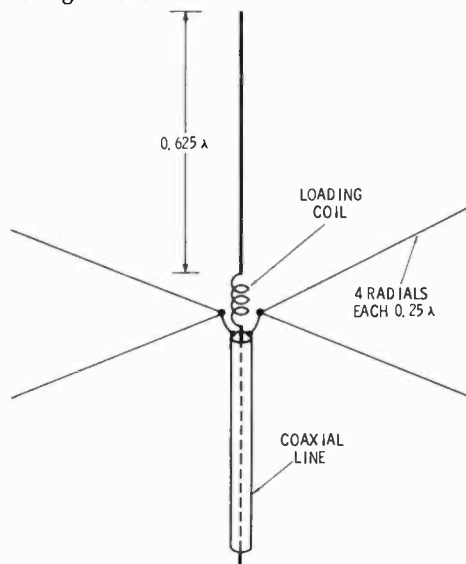


Figure 11

**THE 3/8-WAVELENGTH VERTICAL ANTENNA**

The extended vertical antenna provides about 3 dB gain over a quarter-wave groundplane. To establish resonance, a base loading coil is used to tune the antenna to 3/8-wave resonance. Base impedance is very close to 50 ohms. Standard, quarter-wave radials are used.

**Short Vertical Antennas** An antenna that is electrically small (the length small with respect to the wavelength of operation) can perform as an efficient radiator *provided* power can be efficiently applied to the antenna. Generally speaking, very short antennas have low values of radiation resistance and very high  $Q$ . Typically, an 8-foot base-loaded whip antenna at 3.8 MHz exhibits a load resistance value as shown in figure 12A. At all frequencies below self-resonance, the equivalent circuit of the short antenna is composed of a low value of resistance in series with a large value of capacitive reactance. In order to establish a state of resonance, and to match the whip antenna to a 50-ohm source, the reactance must be cancelled out and an impedance transformation effected. Both requirements demand high- $Q$  networks, such as the type shown in figure 12B. Even with care, a substantial portion of the available power may be lost in such networks. Generally, the higher the radiation resistance value of the whip antenna is, the easier it is to match and the higher will be the efficiency of the network.

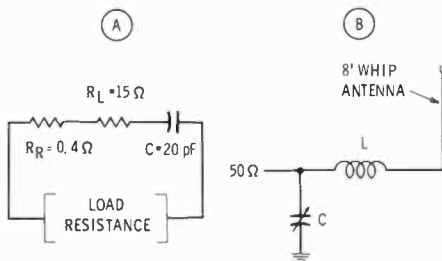


Figure 12

### THE SHORT VERTICAL ANTENNA

An electrically short antenna exhibits very low radiation resistance and high  $Q$  (selectivity). Typically, an 8-foot whip operating at 3.8 MHz exhibits a load resistance that is capacitive and about 15 ohms, of which only 0.4 ohm is radiation resistance. The other 14.6 ohms represents loss resistance (A). A suitable matching network for this antenna is shown in (B). The loss figure includes network loss, assuming a coil having a  $Q$  of over 250 is used.

**An 80-Meter Compact Ground Plane**—A 66-foot high vertical antenna for 80-meter operation presents a problem on a small lot, as the supporting guy wires tend to take up a large portion of the property. It is possible

to reduce the height of the antenna by the inclusion of a loading coil near the center of the vertical section (figure 13). Overall antenna height is cut to about 25 feet and the radiation resistance of the antenna is reduced to approximately 15 ohms.

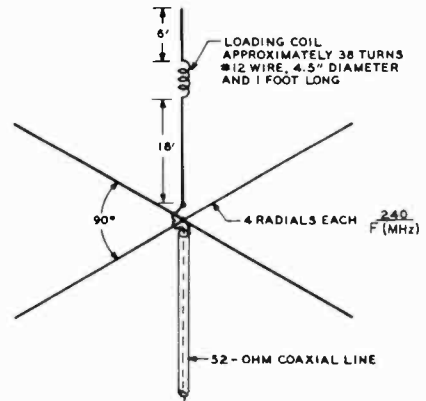


Figure 13

### 80-METER LOADED GROUND-PLANE ANTENNA

Number of turns in loading coil to be adjusted until antenna system resonates at desired frequency in 80-meter band.

The antenna has high  $Q$  and a rather narrow bandwidth; an operating range of about 100 kHz with an SWR of less than 2 is possible at the design frequency. The radial wires may be bent back upon themselves to conserve space, if necessary and the use of a suitable L-network to match the antenna to the transmission line is suggested.

**An "All-band" Vertical Antenna**—A short vertical antenna can be used on several amateur bands by employing an adjustable base-loading inductor. Sets of radial wires are used for the bands of interest. Shown in figure 14 is a 22-foot vertical antenna designed for operation on the amateur bands from 10 through 80 meters. The height is chosen to present a  $3/4$ -wavelength vertical for low-angle radiation at the highest frequency of operation. Multiple radial wires are used for the 10, 15, and 20 meter bands, and a single radial wire is used for either 40- or 80-meter operation. A ground connection may be used at the junction of the radial wires for lightning protection. If the antenna is roof mounted, it may be possible to use the metal gutter system as a ground.

Figure 14

"ALL-BAND" VERTICAL ANTENNA

Base-loaded whip and multiple radial system may be used on all bands from 80 through 10 meters. Loading-coil taps are adjusted for lowest SWR on each band. The SWR on 10 meters may be improved by placing a 250-pF capacitor in series with the feedline connection to the base of the antenna and adjusting the capacitor for minimum SWR. Coil is 40 turns, 2" in diameter, 4" long (Air-Dux 1610).

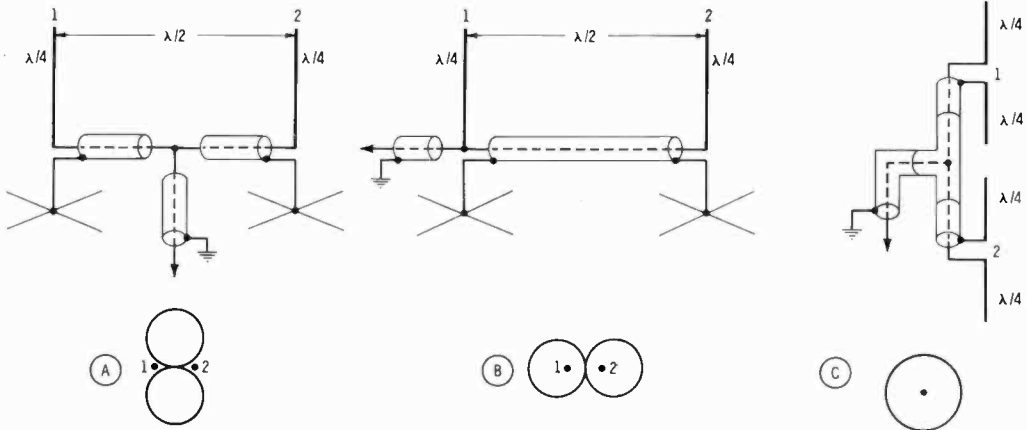
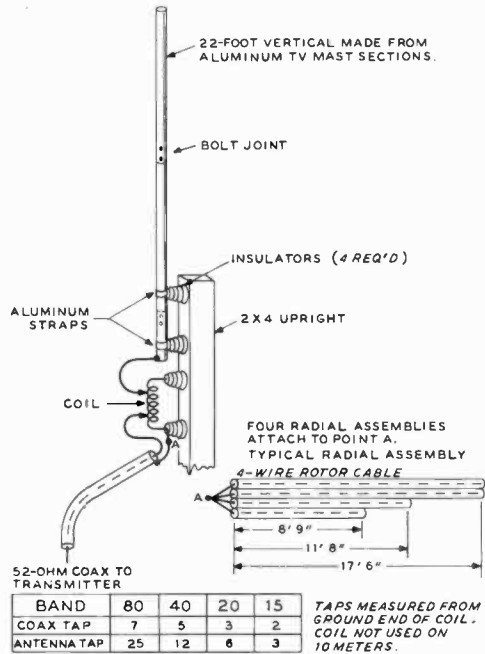


Figure 15

PHASED VERTICAL ANTENNAS

Antennas may be arranged in broadside (A), end-fire (B), or collinear (C) configuration depending on phase difference between the two antennas. Antennas are spaced one-half wavelength apart. The collinear vertical stack antenna produces an omnidirectional pattern.

Four-wire TV rotator cable is used to construct the hf radial system, each cable including a radial wire for one of the three bands. The fourth radial wire may be extended for 40- or 80-meter operation. At least three such radial assemblies should be used. These can be laid out on the roof, hid-

den in the attic, or passed about the yard (if the antenna is ground-mounted).

The vertical radiator is made of two ten-foot sections of aluminum TV mast, plus one five-foot section cut to the proper length. The sections are assembled with self-tapping sheet metal screws. The antenna and base

coil are attached to ceramic insulators mounted on the upright support post.

The antenna is resonated to the operating frequency in each band with the aid of an SWR meter in the coaxial feedline. The two taps are adjusted for lowest value of SWR reading. The approximate tap positions are indicated in the illustration.

*Phased Vertical Antennas*—Two or more vertical antennas can be operated in an array

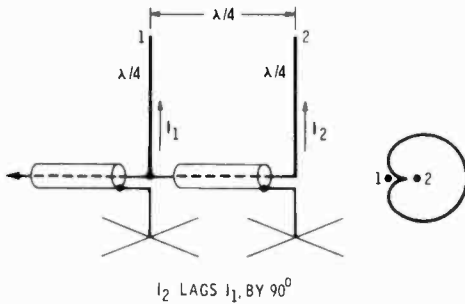


Figure 16

**PHASED VERTICALS PRODUCE UNIDIRECTIONAL PATTERN**

Two vertical antennas, spaced one-quarter wavelength apart and fed with a 90° phase reversal between them produce a unidirectional, cardioid pattern, as shown. The pattern is in line with the antennas and in the direction of the vertical receiving the lagging excitation.

to obtain additional power gain and directivity. The antennas may be in broadside, end-fire, or collinear configuration (figure 15). In illustration 15A, the broadside antennas are fed in-phase by two coaxial lines to produce a figure-8 pattern broadside to the plane of the antennas. The length of the lines from the line junction to the antennas is unimportant as long as both lines are of equal length. Illustration 15B shows the same antennas in end-fire connection, with the antennas fed out-of-phase. The pattern is in-line with the plane of the antennas. The interconnecting coaxial line must be an electrical half-wavelength long (or multiple thereof) to provide the figure-8 pattern. A collinear, vertically stacked array is shown in illustration 15C. The pattern is omnidirectional and a configuration of this type is popular on the vhf amateur bands.

The end-fire array can be modified to produce a unidirectional pattern (figure 16). The antennas are spaced a quarter wavelength with a 90° phase reversal between the antennas. The pattern is in-line with the plane of the antennas and in the direction of the vertical receiving the lagging excitation. The interconnecting line is an electrical quarter wavelength (or odd multiples thereof) long.

A good ground system is required for proper operation of a phased array and ex-

		1 ● ● 2 PHASING							
SPACING		0-1 0°-360°	1/8 45°	1/4 90°	3/8 135°	1/2 180°	5/8 225°	3/4 270°	7/8 315°
λ/2									
λ/4									
λ/8									

Figure 17

**RADIATION PATTERNS FOR 2-ELEMENT PHASED ARRAY**

A variety of patterns can be obtained by selection of spacing and phasing between two vertical antennas. The deep null of the phased array is of great help in the broadcast service, where protection must be given to a distant station working on the same channel.

perimenters have reported satisfactory results with radial systems composed of 60 radials, each 0.25 wavelength long.

Typical radiation patterns for two vertical antennas employing different spacing and phasing are summarized in figure 17.

### 27-4 The Marconi Antenna

On the lower-frequency amateur bands there is often insufficient space to erect a half wavelength antenna and some form of Marconi antenna is used. This is essentially

a vertical, or inverted-L antenna working against a ground or radial system.

The fundamental Marconi antenna is a quarter-wavelength radiator having an impedance transforming device to match a coaxial transmission line. Since most amateur antennas for the 160- and 80-meter bands are less than one quarter wavelength in height above ground (in the case of a inverted-L arrangement or a short vertical antenna) the feedpoint impedance is quite low, typically 5 to 10 ohms for a Marconi antenna 50 feet high operating at 1.8 MHz. The theoretical feedpoint resistance for an inverted-L or top-loaded vertical antenna is

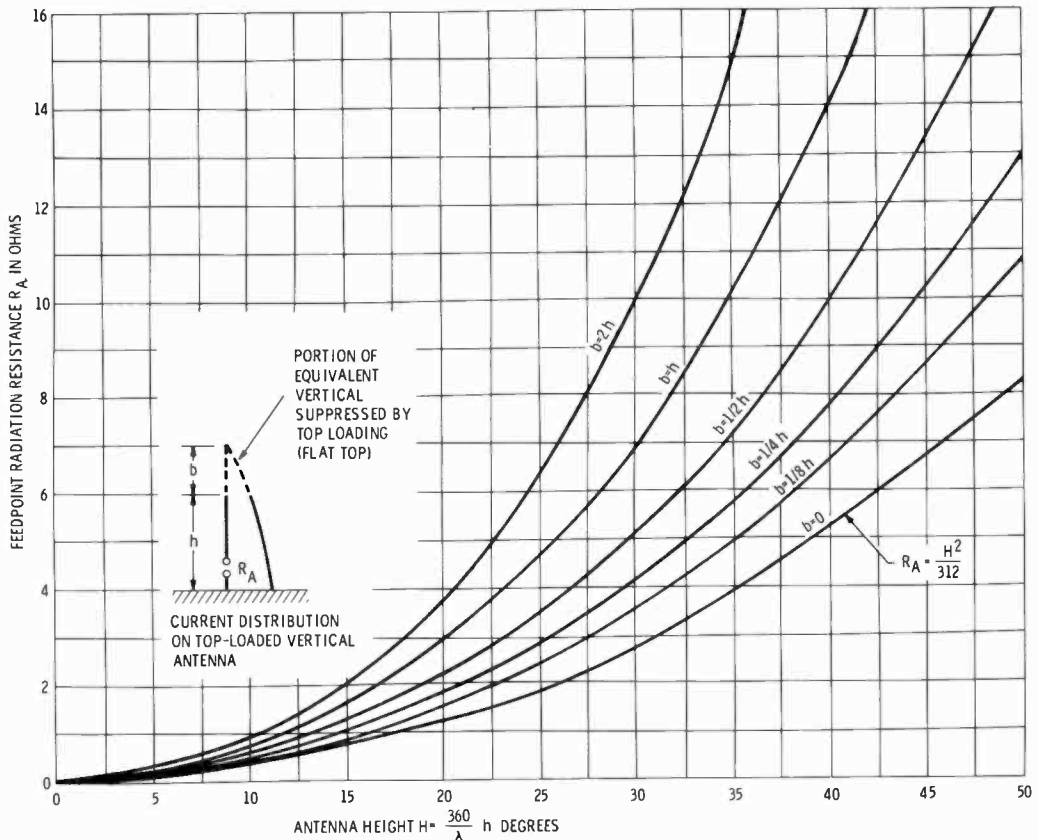


Figure 18

### FEEDPOINT RADIATION RESISTANCE OF LOADED VERTICAL ANTENNA

The theoretical radiation resistance for a top-loaded vertical antenna is quite low, if any degree of loading is assumed. For an eighth-wave vertical antenna with full top loading, the radiation resistance is about 20 ohms. Practical loading conditions provide a lower value of radiation resistance than indicated here. (Graph adapted from "Performance of Short Antennas," Smith & Johnson, Proceedings of the IRE, October, 1947).



shown in figure 18. A sine wave current distribution in the antenna is assumed.

Variations on the basic Marconi antenna are shown in figure 19. The vertical antenna is shown in illustration 19A and the inverted-L in illustration 19B. Top loading techniques are shown in illustrations 19C through 19F. The object of all loading techniques is to produce an increase in the effective length of the radiator, and thus to raise the point of maximum current in the radiator as far as possible above the ground. The arrangement in illustration 19F provides the maximum amount of loading for a given antenna height.

Amateurs primarily interested in the higher-frequency bands, but liking to work 80 or 160 meters occasionally, can usually manage to resonate one of their hf antennas as a Marconi by working the whole system (feeders and all) against a ground system, resorting to a loading coil, if necessary.

**Water-Pipe Grounds** Copper water pipe, because of its comparatively large surface and cross section, has a relatively low r-f resistance. If it is possible to attach to a junction of several water pipes a satisfactory ground connection will be obtained. If one of the pipes attaches to a lawn or garden sprinkler system in the immediate vicinity of the antenna, the effectiveness of the system will approach that of buried copper radials.

The main objection to iron water-pipe grounds is the possibility of high-resistance

joints in the pipe, due to the "dope" put on the coupling threads. By attaching the ground wire to a junction with three or more legs, the possibility of requiring the main portion of the r-f current to flow through a high resistance connection is greatly reduced.

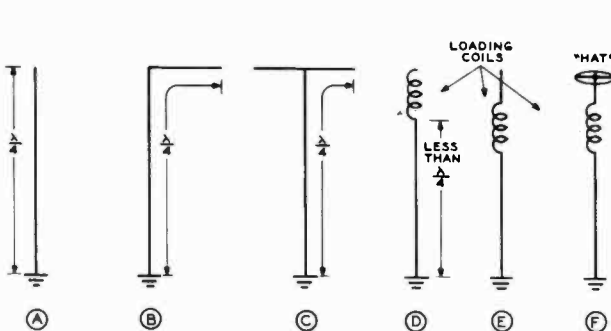
#### Marconi Dimensions

A Marconi antenna is an odd number of electrical quarter waves long (usually only one quarter wave in length), and is always resonated to the operating frequency. The correct loading of the final amplifier is accomplished by varying the coupling, rather than by detuning the antenna from resonance.

Physically, a quarter-wave Marconi may be made anywhere from one-eighth to three-eighths wavelength overall, including the total length of the antenna wire and ground lead from the end of the antenna to the point where the ground lead attaches to the junction of the radials or counterpoise wires, or where the water pipe enters the ground. The longer the antenna is made physically, the lower will be the current flowing in the ground connection, and the greater will be the overall radiation efficiency. However, when the antenna length exceeds three-eighths wavelength, the antenna becomes difficult to resonate by means of a series capacitor, and it begins to take shape as an end-fed Hertz, requiring a method of feed such as a pi-network.

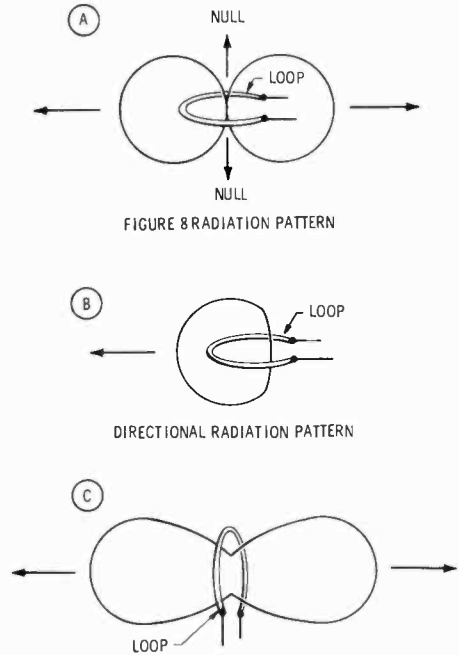
Figure 19

#### VARIATIONS OF THE MARCONI ANTENNA



The Marconi uses the ground image as the missing half of the half-wavelength antenna. (A) Simple quarter-wave vertical. (B) Inverted-L Marconi. (C) Top-loaded Marconi. (D) Top-loaded Marconi, using loading inductance at top of structure. (E) Loaded Marconi with inductor placed near midpoint of structure. (F) Optimum loading configuration combining loading inductor with capacitive "hat" at top of antenna. This arrangement provides maximum degree of loading for a given antenna height.

**The Radial Ground Wire** The ground termination for a Marconi or other unbalanced antenna system can be improved by the addition of a radial ground wire which is connected in parallel with the regular ground connection. The radial wire consists simply of a quarter wavelength of insulated wire connected to the ground terminal of the transmitter. The opposite end of the radial wire is left disconnected, or "floating." The radial wire may be run about the baseboard of the operating room or out the window and a foot or two above the ground. A high-impedance point is established at the end of the wire and a corresponding low-impedance (ground) point at the transmitter end which simulates a ground connection. While it may be used by itself as a ground termination, the radial ground wire works best when used in combination with a regular ground connection. Its use is highly recommended with all the antennas shown in this Handbook which require an external ground connection. Since the radial wire is a tuned device, separate radials wires cut to length are required for each amateur band. Several such radials can be connected in parallel at the transmitter ground point for multiband operation.



**Figure 20**  
**RADIATION PATTERNS OF LOOP ANTENNAS**

A loop antenna fed from a balanced feed system provides various field patterns, depending on the size of the loop. (A) Very small loop provides nulls above and below plane of loop, with maximum response in the plane of the loop. The half-wavelength loop (B) has no nulls in the pattern, and exhibits a directional response perpendicular to the loop plane and away from the feedpoint. The full-wave loop (C) exhibits nulls in its plane, with a bidirectional response perpendicular to the loop plane. This configuration is widely used in the popular Quad antenna, and provides a power gain of about 2 dB over a dipole antenna.

## 27-5 The Loop Antenna

The *loop antenna* is a radiating coil of one or more turns. A loop whose dimensions are small compared to the wavelength of operation has a figure-8 radiation pattern identical with that of a dipole oriented normal to the plane of the loop, with the electric and magnetic fields interchanged (figure 20A). For a small closed, circular loop structure, the approximate value of radiation resistance is:

$$R_r = 197 L^4 \text{ (for } L \text{ less than } 0.1 \text{ wavelength)}$$

where,

*L* equals the perimeter of the loop in wavelengths.

The radiation resistance of a small square loop is practically the same as for the circular loop if they have equal area.

When the perimeter of the loop is one-half wavelength, a resonance point is reached

and the feedpoint impedance is very high (of the order of 10,000 ohms). The radiation resistance of the loop, however (referred to the current loop opposite the terminals) is very low—approximately 5 ohms. The radiation pattern of the half-wavelength loop is shown in figure 20B.

The full-wave loop (Quad loop) has a pattern similar to that shown in figure 20C and provides a power gain of approximately 2 dB over a dipole. This configuration is widely used in the popular Quad beam antenna. The feedpoint impedance of the Quad loop is of the order of 120 ohms. Practical

Quad antennas will be discussed in a later chapter.

## 27-6 Space-Conserving Antennas

In many cases it is desired to undertake a considerable amount of operation on the 80- or 40-meter band, but sufficient space is simply not available for the installation of

half-wave radiator for the desired frequency of operation. This is a common experience of apartment dwellers.

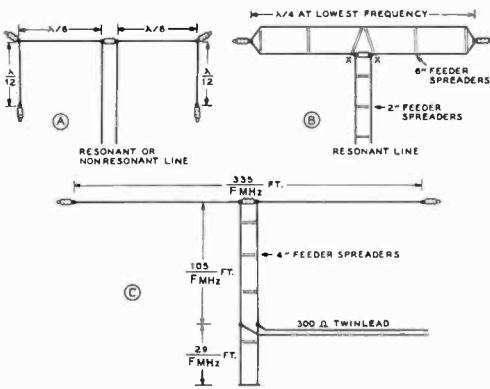


Figure 21

### THREE EFFECTIVE SPACE-CONSERVING ANTENNAS

The arrangements shown at A and B are satisfactory where resonant feed line can be used. However, nonresonant 75-ohm feed line may be used in the arrangement at A when the dimensions in wavelengths are as shown. In the arrangement shown at B, low standing waves will be obtained on the feed line when the overall length of the antenna is a half wave. The arrangement shown at C may be tuned for any reasonable length of flat top to give a minimum of standing waves.

One technique of producing an antenna for lower-frequency operation in restricted space is to erect a short radiator which is balanced with respect to ground and which is therefore independent of ground for its operation. Several antenna types meeting this set of conditions are shown in figure 21. Figure 21A shows a conventional center-fed dipole with bent-down ends. This type of antenna can be fed with coaxial line in the center, or it may be fed with a resonant line for operation on several bands. The overall length of the radiating wire will be a few percent greater than the normal length for

such an antenna since the wire is bent at a position intermediate between a current loop and a voltage loop.

Figure 21B shows a method for using a two-wire dipole on one-half of its normal operating frequency. It is recommended that spaced open conductor be used both for the radiating portion of the folded dipole and for the feedline. The reason for this lies in the fact that the two wires of the flat top are *not* at the same potential throughout their length when the antenna is operated on one-half frequency. If it is desired to feed the antenna with a nonresonant line, a quarter-wave stub may be connected to the antenna at the points X—X in figure 21B. The stub should be tuned and the transmission line connected to it in the normal manner.

The antenna system shown in figure 21C may be used when not quite enough length is available for a full half-wave radiator. The dimensions in terms of frequency are given on the drawing. An antenna of this type is 93 feet long for operation on 3600 kHz and 86 feet long for operation on 3900 kHz. This type of antenna has the additional advantage that it may be operated on the 7- and 14-MHz bands, when the flat top has been cut for the 3.5-MHz band, simply by changing the position of the shorting bar and the feeder line on the stub.

A sacrifice which must be made when using a shortened radiating system (as for example the types shown in figure 21), is in the bandwidth of the radiating system. The frequency range which may be covered by a shortened antenna system is approximately in proportion to the amount of shortening which has been employed.

**The Twin-Lead Marconi Antenna** Much of the power loss in the Marconi antenna is a result of low radiation resistance and high ground resistance. If the radiation resistance of the Marconi antenna is raised, the amount of power lost in the ground resistance is proportionately less. If a Marconi antenna is made out of 300-ohm TV-type ribbon line, as shown in figure 22, the radiation resistance of the antenna is raised from a low value of 10 or 15 ohms to a more reasonable value of 40 to 60 ohms.

The ground losses are now reduced by a factor of 4. In addition, the antenna may be directly fed from a 50-ohm coaxial line, or directly from the unbalanced output of a pi-network transmitter.

**A Broadband Dipole System** Shown in figures 23 and 24 are broadband dipoles for the 40- and 80-meter amateur bands. These fan-type dipoles have excellent broadband response, and are designed to be

fed with a 50-ohm unbalanced coaxial line. The antenna system consists of a fan-type dipole, a balun matching section, and a suitable coaxial feedline. The Q of the half-wave 80-meter dipole is lowered by decreasing the effective length-to-diameter ratio. The frequency range of operation of the dipole is increased considerably by this change. A typical SWR curve for the 80-meter dipole is shown in figure 25.

The balanced dipole is matched to the unbalanced coaxial line by the quarter-wave balun. If desired, a shortened balun may be used (figure 26). The short balun is capacitance loaded at the junction between the balun and the broadband dipole.

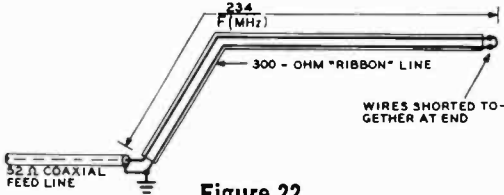


Figure 22

**TWIN-LEAD MARCONI ANTENNA FOR THE 80- AND 160-METER BANDS**

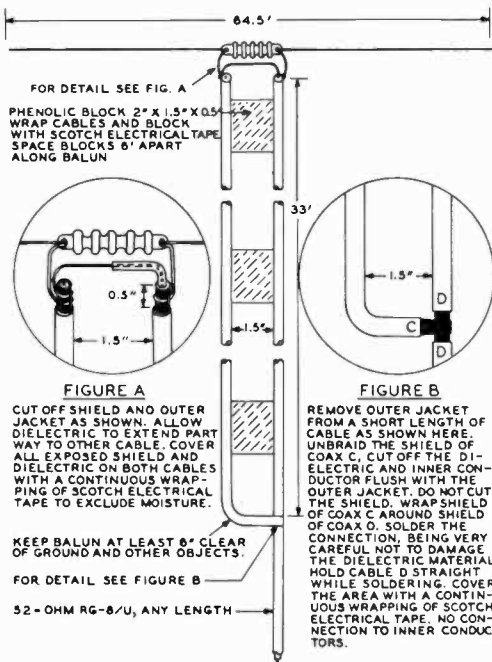


Figure 23

**HALF-WAVE ANTENNA WITH QUARTER-WAVE UNBALANCED-TO-BALANCED TRANSFORMER (BALUN) FEED SYSTEM FOR 40-METER OPERATION**

DIMENSIONS SHOWN HERE ARE FOR THE 40-METER BAND. THIS ANTENNA MAY BE BUILT FOR OTHER BANDS BY USING DIMENSIONS THAT ARE MULTIPLES OR SUBMULTIPLES OF THE DIMENSIONS SHOWN. BALUN SPACING IS 1.5" ON ALL BANDS.

**The Inverted-V Antenna** The *Inverted-V* antenna is a center-fed dipole with the ends lower than the middle.

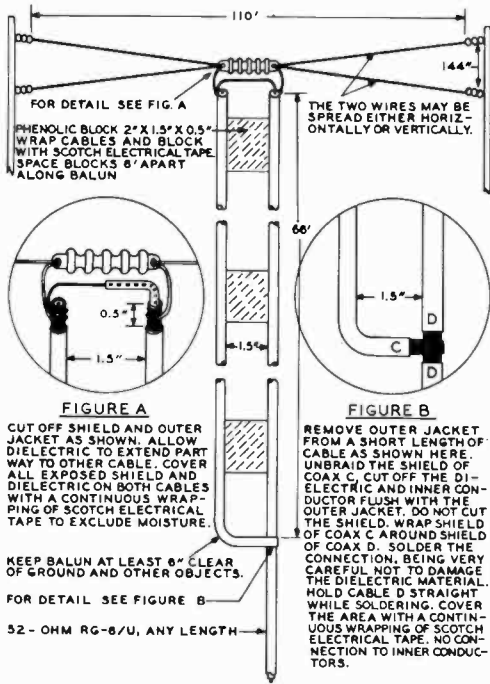
The radiation pattern is similar to a dipole, except that more radiation is apparent off the ends of the antenna. The main advantage of this antenna is that it may be hung, or supported, at the center from an existing tower, with the ends tied off near the surface of the ground. For 40- or 80-meter inverted V's, the center support should be from 40 to 60 feet above ground and the ends should clear the ground by at least 10 feet.

The impedance of an inverted V is less than that of an equivalent dipole placed at the apex of the array, however, a good match may be had to 50-ohm coaxial transmission line. Bandwidth is about equal to that of a regular horizontal dipole.

The length of the inverted V is greater than that of a dipole and may be computed from the following formula:

$$\text{Overall length (feet)} = \frac{485}{f_{\text{MHz}}}$$

Objects near the end of the inverted V will affect the resonant frequency to some extent and the installation may require end trimming to bring it on or near the desired frequency, especially in the presence of nearby buildings, telephone wires, or other conductors. For best results, a balun should be used between the inverted V and the coaxial feedline.



DIMENSIONS SHOWN HERE ARE FOR THE 80-METER BAND. THIS ANTENNA MAY BE BUILT FOR OTHER BANDS BY USING DIMENSIONS THAT ARE MULTIPLES OR SUBMULTIPLES OF THE DIMENSIONS SHOWN. BALUN SPACING IS 1.5" ON ALL BANDS.

Figure 24

**BROADBAND ANTENNA WITH QUARTER-WAVE UNBALANCED-TO-BALANCED TRANSFORMER (BALUN) FEED SYSTEM FOR 80-METER OPERATION**

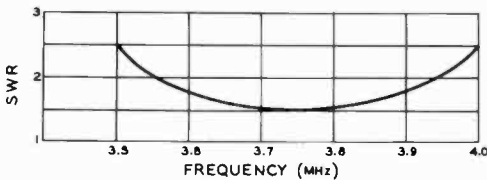


Figure 25

**SWR CURVE OF 80-METER BROADBAND DIPOLE**

covenants or restrictions in the lease or deed prohibit the erection of outdoor antennas of any type. It is possible to erect an "invisible" antenna of #26 enameled copper wire, strung to a nearby tree or lamp post, and used in conjunction with a radial ground wire inside the dwelling. A second alternative is an indoor antenna, artificially loaded to fit into the available space.

The indoor antenna will work well in a wood frame building, provided it is not electrically coupled to the electrical wiring of the building. Placement of the antenna is a "cut-and-try" process, moving the antenna about until the least interaction with the wiring of the building is noticed.

A simple loaded antenna design is shown in figure 27. The illustration shows a simple dipole installation, making use of similar loading coils in each half of the antenna. The ends of the dipole may be dropped down to conserve more space. Suggested values for coils are given in the drawing. The antenna can be resonated to the operating frequency by adjusting the loading coils for the minimum value of SWR on the transmission line at the design frequency. The coils are adjusted 1/2-turn at a time or trimming the antenna tips until resonance is established. At any given coil setting, a low value of SWR will be maintained only over a narrow frequency range, depending on the amount of loading required in the installation.

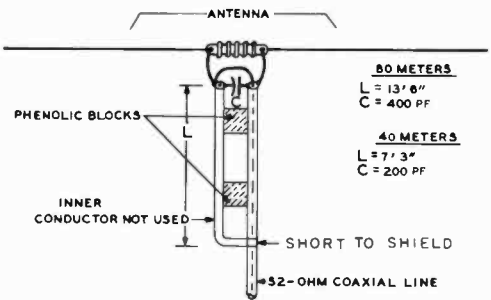


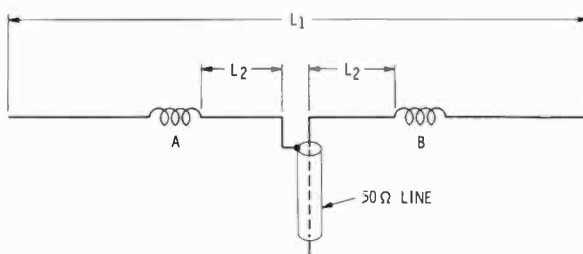
Figure 26

**SHORT BALUN FOR 40 AND 80 METERS**

**The Loaded Antenna** A shortened dipole or vertical antenna is often the only answer to a "tough" antenna location. Amateurs living in apartments, town houses or condominiums often find that

**27-7 Multiband Antennas**

An antenna that will operate on more than one band is a great convenience to the ama-



DESIGN FREQ. (MHZ)	L <sub>1</sub>		L <sub>2</sub>		COILS A AND B
	FT	MTRS	FT	MTRS	
3.6	90' 0"	27.45	51' 3"	15.63	17μH = 48 TURNS #16, 3" LONG, 1" DIA. SPACED 16 TURNS PER INCH
3.8	85' 6"	26.0	48' 9"	14.87	
7.15	45' 9"	14.0	26' 3"	8.00	9μH = SAME AS ABOVE EXCEPT 25 TURNS, 1-1/2" LONG.

Figure 27

SHORT DIPOLE FOR 80- OR 40-METER OPERATION

This center loaded dipole design is suitable for operation over 100 kHz of the 80-meter band or over 200 kHz of the 40-meter band. The antenna is resonated to the operating frequency by varying the inductance of the loading coils or by trimming the antenna tips. A 1-to-1 balun may be used at the feedpoint, if desired. A 10-turn coil, 1" diameter and 2" long, placed across the dipole feedpoint can be used to reduce the SWR on the coaxial line. Adjust the number of turns for lowest value of SWR.

teur operator. Various types of multiband antenna designs are available, and the choice depends on factors such as the amount of space at hand and the bands desired for the majority of operation. A number of recommended multiband antennas are shown in this section.

**Long Wire Multiband Antennas** One of the simplest multiband antennas is the long wire, either end-fed, or fed at the center. Two practical designs are shown here, along with compact models suitable for operation on all hf bands from a small lot.

*The End-Fed Long Wire*—A random length, long wire makes an inexpensive multiband antenna. It may be matched to the transmitter with a simple network and tuned to resonance with the aid of an SWR meter (figure 28). For operation on all bands from 160 through 6 meters, the recommended wire length is about 136 feet. In practice, the length of the antenna can be compensated for by the tuning unit, and any length that is at least 0.2 wavelength long at the lowest operating frequency will be found to be sat-

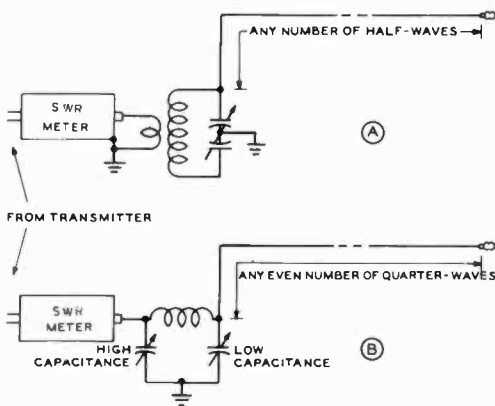


Figure 28

THE END-FED HERTZ ANTENNA

Showing the manner in which an end-fed Hertz may be fed through a low-impedance line and SWR meter by using a resonant tank circuit as at A, or through the use of a reverse-connected pi-network as at B.

isfactory. A good ground system is recommended and tuned radials for each band, plus a connection to ground are suggested. On the lower frequencies, the antenna is essen-

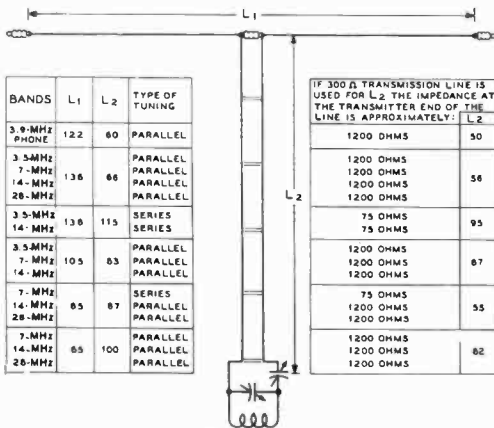


Figure 29

**DIMENSIONS FOR CENTER-FED MULTIBAND ANTENNA**

tially omnidirectional, but on the higher frequencies it tends to have a cloverleaf pattern, exhibiting directivity off the ends.

*The Center-Fed Long Wire*—The center-fed antenna requires no ground return for proper operation and has good rejection to harmonics. For ease of tuning, certain an-

tenna and feeder lengths operate better than others, and suggested combinations are listed in figure 29. Other lengths will work as well, as the total wire length in flat-top plus feeder is resonated by means of the compact tuning unit located at the operating position. Since the flattop does all the radiating, it would be prudent to place as much wire in the flattop as possible and leave the remainder to make up the two-wire, balanced feed system.

A flexible antenna tuner is shown in figure 30. A 50-ohm coaxial line and SWR meter connect the tuner to the transmitter. Proper antenna adjustment is achieved by observing the SWR reading and adjusting the variable capacitors for the lowest SWR reading consistent with proper transmitter loading. The switch connects the primary coils in either series or parallel. In general, the coils are series-connected for the 80-meter band and parallel connected for the higher bands.

*The Window Antenna*—The single-wire fed, or Window antenna is widely used for portable installations and locations where an unobtrusive antenna is required (figure 31). A single-wire feeder is used, having a characteristic impedance of about 300 ohms. The

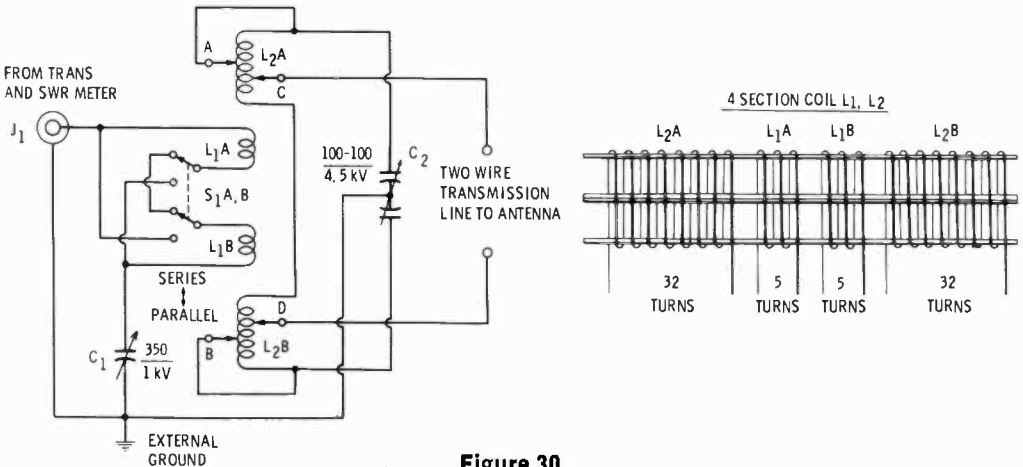


Figure 30

**ANTENNA TUNER FOR CENTER-FED ANTENNA**

The four section coil is made from a single length of coil stock (1-core Air Dux 2008, or equivalent). The coil is 2½" diameter, 8 turns per inch of #14 wire. Leave a 6" lead on one end and count 32 turns. Break the 33d turn at the center to make the opposite lead for coil L<sub>1</sub>A and L<sub>1</sub>B. Five more turns are counted and the coil broken at the 6th turn to make the opposite lead for coil L<sub>2</sub>A and the lead for coil L<sub>2</sub>B. Adjacent leads from the center coils are connected to the arms of the ceramic-insulated switch. Coil clips are Mueller #88. Capacitor C<sub>1</sub> is Johnson 154-2, or equivalent. Capacitor C<sub>2</sub> is Johnson 154-510, or equivalent. (Circuit and diagram courtesy of "Wire Antennas for Radio Amateurs", Orr, Radio Publications, Inc.)

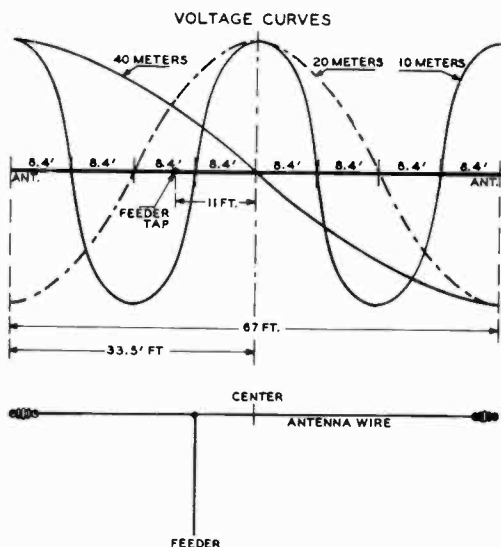


Figure 31

**SINGLE-WIRE-FED ANTENNA FOR ALL-BAND OPERATION**

An antenna of this type for 40-, 20- and 10-meter operation would have a radiator 67 feet long, with the feeder tapped 11 feet off center. The feeder can be 33, 66 or 99 feet long. The same type of antenna for 80-, 40-, 20- and 10-meter operation would have a radiator 134 feet long, with the feeder tapped 22 feet off center. The feeder can be either 66 or 132 feet long. This system should be used only with those coupling methods which provide good harmonic attenuation.

feeder is tapped at a point on the antenna that approximates this value on more than one band. An external ground system is required for proper operation of the antenna. Since the feeder wire radiates, it is necessary to bring it away from the antenna at right angles to the wire for at least one-half the length of the antenna. The antenna is fed with a simple L-network, such as described earlier in this section and an SWR meter. The network is adjusted for minimum SWR on the coaxial line from network to transmitter.

*The 160- 80-Meter Marconi Antenna*—A three-eighths wave Marconi can be operated on its harmonic frequency, providing two-band operation from a simple wire. Such an arrangement for operation on 160-80 meters, and 80-40 meters is shown in figure 32. On the harmonic frequency, the antenna acts as a three-quarter wavelength radiator, operat-

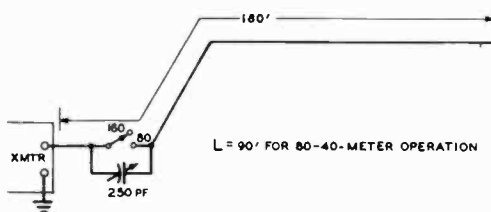


Figure 32

**A TWO-BAND MARCONI ANTENNA FOR 160-80 METER OPERATION**

ing against ground. Tuned radial wires, as discussed earlier in this chapter, are recommended for use with this antenna.

Overall antenna length may be varied slightly to place the self-resonant frequency at the second harmonic at the chosen spot in the band.

*The Multee Antenna*—A two-band antenna for 160/80 or 80/40 meters is an important adjunct to a beam antenna for the higher-frequency bands. The *multee antenna* (figure 33) is sufficiently compact to fit on a small lot and will cover two adjacent low-frequency bands and performs this task in an efficient manner. The antenna evolves from a vertical multiwire radiator, fed on one leg only. On the low-frequency band, the top portion does little radiating so it may be

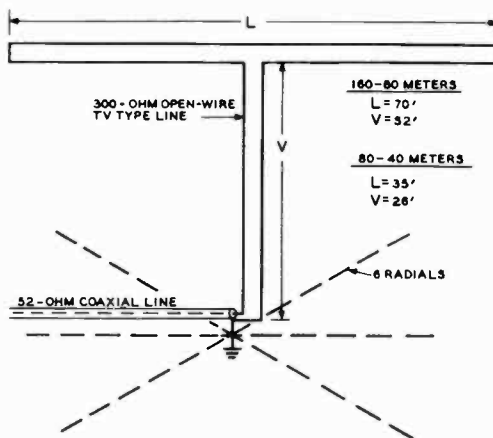


Figure 33

**THE MULTEE TWO-BAND ANTENNA**

This compact antenna can be used with excellent results on 160/80 and 80/40 meters. The feedline should be held as vertical as possible, since it radiates when the antenna is operated on its fundamental frequency.



folded horizontally to form a radiator for the high-frequency band. On the lower band, the antenna acts as a top-loaded vertical antenna, while on the higher band, the flat top does the radiating, rather than the vertical portion. The vertical portion, instead, acts as a quarter-wave linear transformer, matching the 6000-ohm nominal antenna impedance to the 50-ohm impedance of the coaxial transmission line.

A radial ground system should be installed beneath the antenna, two or three quarter-wave radials for each band being recommended.

When operating on either band, the transmitter should be checked for second harmonic emission, since this antenna will effectively radiate this harmonic.

*The Low-Frequency Discone Antenna*—The discone antenna is widely used on the vhf bands, but until recently it has not been put to any great use on the lower-frequency

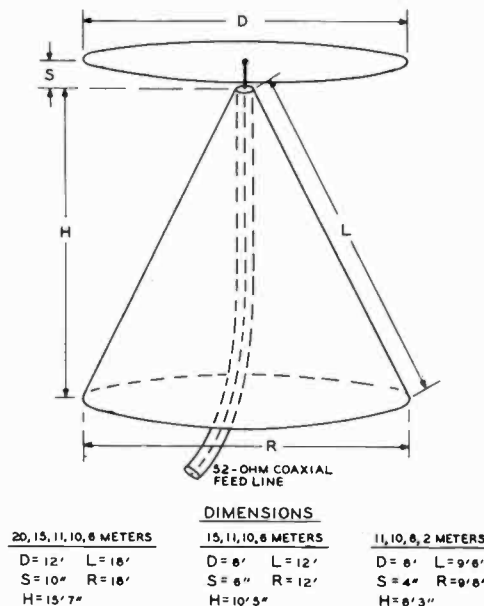


Figure 34

**DIMENSIONS OF DISCONE ANTENNA FOR LOW-FREQUENCY CUTOFF AT 13.2 MHz, 20.1 MHz, AND 26 MHz**

The Discone is a vertically polarized radiator, producing an omnidirectional pattern similar to a ground plane. Operation on several amateur bands with low SWR on the coaxial feed line is possible.

bands. Since the discone is a broadband device, it may be used on several harmonically related amateur bands. Size is the limiting factor in the use of a discone, and the 20-meter band is about the lowest practical frequency for a discone of reasonable dimensions. A discone designed for 20-meter operation may be used on 20, 15, 11, 10, and 6 meters with excellent results. It affords a good match to a 50-ohm coaxial feed system on all of these bands. A practical discone antenna is shown in figure 34, with a SWR curve for its operation over the frequency range of 13 to 55 MHz shown in figure 35. The discone antenna radiates a vertically polarized wave and has a very low angle of radiation. For vhf work the discone is constructed of sheet metal, but for low-frequency work it may be made of copper wire and aluminum angle stock. A suitable mechanical layout for a low-frequency discone is shown in figure 36. Smaller versions of this antenna may be constructed for 15, 11, 10, and 6 meters, or for 11, 10, 6, and 2 meters as shown in figure 34.

For minimum wind resistance, the top "hat" of the discone is constructed from three-quarter inch aluminum angle stock, the rods being bolted to an aluminum plate at the center of the structure. The tips of the rods are all connected together by lengths of No. 12 enameled copper wire. The cone elements are made of No. 12 copper wire and act as guy wires for the discone structure. A very rigid arrangement may be made from this design, one that will give no trouble in high winds. A 4" x 4" post can be used to support the discone structure.

The discone antenna may be fed by a length of 50-ohm coaxial cable directly

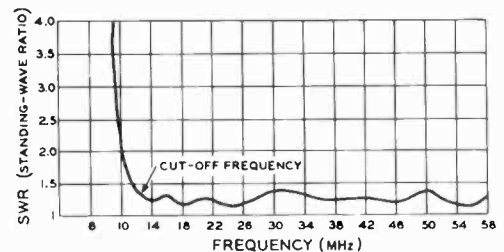


Figure 35

**SWR CURVE FOR A 13.2-MHz DISCONE ANTENNA. SWR IS BELOW 1.5 TO 1 FROM 13.0 MHz TO 58 MHz**

from the transmitter, with a very low SWR on all bands.

*The Trap Vertical Antenna*—The trap technique described in a later chapter can be employed for a three-band vertical antenna as shown in figure 37. This antenna is designed for operation on 10, 15, and 20 meters and uses a separate radial system for each band. No adjustments need be made to the antenna when changing frequency from one band to another. Substitution of a ground connection for the radials is not recommended because of the high ground loss normally encountered at these frequencies.

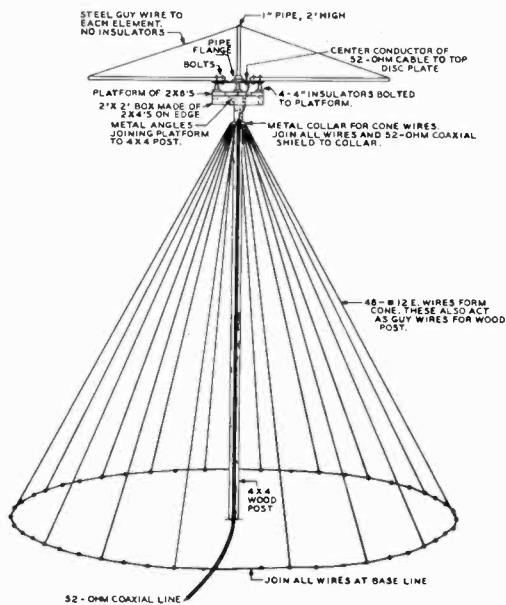
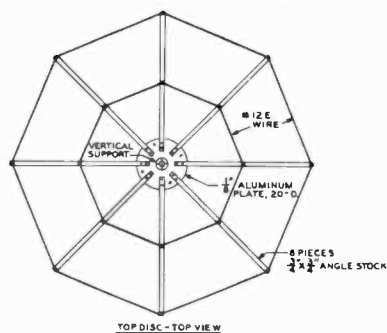


Figure 36

MECHANICAL CONSTRUCTION OF 20-METER DISCONE

Typical trap construction is discussed in the reference chapter, and the vertical radiator is built of sections of aluminum tubing, as described earlier.

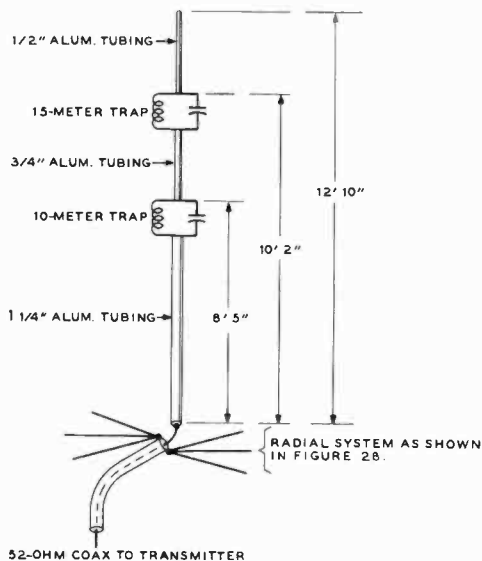
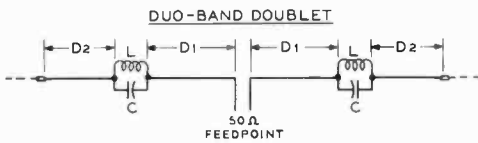


Figure 37

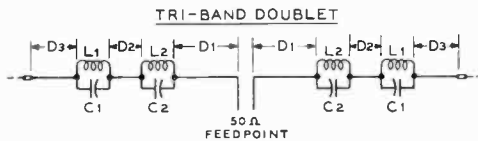
TRIBAND TRAP VERTICAL ANTENNA

Parallel-tuned trap assemblies are used in this vertical antenna designed for 20-, 15- and 10-meter operation. A radial ground wire set, such as described earlier in the chapter is used. Automatic trap action electrically switches antenna for proper operation on each band.

Each trap is built and grid-dipped to the proper frequency before it is placed in the radiator assembly. The 10-meter trap is self-resonant at about 27.9 MHz and the 15-meter trap is self-resonant at about 20.8 MHz. Once resonated, the traps need no further adjustment and do not enter into later adjustments made to the antenna. The complete antenna is resonated to each amateur band by placing a single-turn coil between the base of the vertical radiator and the radial connection and coupling the grid-dip oscillator to the coil. The coaxial line is removed for this test. The lower section of the vertical antenna is adjusted in length for 10-meter resonance at about 28.7 MHz, followed by adjustment of the center section for resonance at 21.2 MHz. The last adjustment is to the top section for resonance at about 14.2 MHz.



BANDS	D <sub>1</sub>	D <sub>2</sub>	L(UH)	C(PF)	F R
80-40	32' 0"	22' 0"	8.2	60	6.95
40-20	16' 8"	10' 8"	4.7	25	13.8
20-15	10' 5"	3' 7 1/2"	2.9	20	20.7
15-10	8' 0"	1' 11"	1.65	20	27.8



BAND	D <sub>1</sub>	D <sub>2</sub>	D <sub>3</sub>	L <sub>1</sub> (UH)	C <sub>1</sub> (PF)	L <sub>2</sub> (UH)	C <sub>2</sub> (PF)
20-15-10	8' 0"	1' 10"	2' 9"	2.9	20	1.65	20

Figure 38

MULTIBAND TRAP DIPOLES

Trap dipoles for duoband operation and a tri-band dipole are shown above. Traps are assembled as shown in the photograph. Antenna dimensions are based on an overall trap length of two inches. Highest band resonant frequency may be shifted by changing dimension D<sub>1</sub>. Lower band is also affected and dimension D<sub>2</sub> must be adjusted to compensate for change in D<sub>1</sub>. Sequence of adjustment is D<sub>1</sub>, D<sub>2</sub>, and then D<sub>3</sub>. Dimensions listed are for center-of-band resonance. Parallel-tuned traps are adjusted to trap frequency outside the low frequency end of each band. Dipoles may be fed with a 1-to-1 balun, if desired.

It must be remembered that trap, or other multifrequency antennas are capable of radiating harmonics of the transmitter that may be coupled to them via the transmission line. It is well to check for harmonic radiation with a nearby radio amateur. If such harmonics are noted, an antenna tuner similar to the one described later in this chapter should be added to the installation to reduce unwanted harmonics to a minimum.

*The Trap Dipole Antenna*—The trap principle may be applied to a dipole as well as to a vertical antenna. Shown in figure 38 are designs for various hf amateur bands. For portable, or Field Day use, the antennas may be fed directly with 50-ohm coaxial line. For

fixed station use, insertion of a 1-to-1 balun between the trap antenna and the coaxial transmission line is recommended.

A 20- and 15-meter trap is shown in figure 39. It is designed to be left unprotected and is water-resistant. If desired, it may be covered with a plastic "overcoat" made from a section of a flexible squeeze bottle, such as bleach or laundry soap containers.

Operational bandwidth on the lower-frequency band is somewhat less than that of a comparable dipole, since a portion of the antenna is wound up in the trap element and does not radiate. Typical bandwidth for an 80- and 40-meter dipole, as measured between the 2/1 SWR points on the transmission line is: 80 meters, 180 kHz; 40 meters, 250 kHz.

Operational bandwidth of the 40- and 20-meter antenna is typically: 40 meters, 300 kHz; 20 meters, 350 kHz. In addition, the antenna may be operated over the lower 1 MHz of the 10-meter band with an SWR figure of less than 1.5/1.



Figure 39

TRAP CONSTRUCTION

Fifteen-meter trap is shown here. Trap is designed for power level of 500 watts, PEP. Trap is built around strain insulator which removes pull of antenna from coil and capacitor. Capacitor is Centralab 853A-20Z (20 pf) and coil is 14 1/2 turns #16, 1" diameter and 2" long (8 turns per inch), Air-Dux 808T. Trap is about 2" long with 1 1/2" leads. Before placement in the antenna, it is grid-dipped to 20.7 MHz on the bench and adjusted to frequency by removal or addition of a fraction of a turn. Traps for other bands are constructed in similar manner. For 2 kW PEP level, coil should be #12 wire, about 2" diameter, and capacitor should be Centralab type 850S.

Data is also given in figure 38 for a tri-band doublet covering the 20-, and 15-, and 10-meter amateur bands. Operational bandwidth is sufficient to cover all the included bands with a maximum SWR figure at the band edges of less than 2/1 on the transmission line. As with any antenna configuration, bandwidth and minimum SWR indication are a function of the height of the antenna above the ground.

**The Linear Trap** The parallel-tuned trap circuit used in multifrequency antennas operates as an electrical switch, connecting and disconnecting portions of the antenna as

the frequency of operation is changed. The lumped trap may be replaced by a quarter-wavelength section of transmission line, shorted at the far end with equal results. Because of the problem of constructing a waterproof inductor and procuring a high-voltage capacitor, the transmission-line form of trap is occasionally used, as in the *Hygain* DB-24A duoband beam for 20 and 40 meters. In this particular design, the trap extends parallel along the element to conserve space and is termed a *decoupling stub*.

A resonant coaxial section may take the place of the decoupling stub and this configuration is often used in multifrequency vhf beam antennas.



# High-Frequency Fixed Directive Antennas

It is important in most types of radio communication to be capable of concentrating the radiated signal from the transmitter in a certain desired direction and to be able to discriminate at the receiver against reception from directions other than the desired one. Such capabilities involve the use of directive antenna arrays.

Few simple antennas, except the single vertical element, radiate energy equally well in all azimuth (horizontal or compass) directions. All horizontal antennas, except those specifically designed to give an omnidirectional azimuth radiation pattern such as the turnstile, have some directive properties. These properties depend on the length of the antenna in wavelengths, the height above ground, and the slope of the radiator.

The various forms of the half-wave horizontal antenna produce maximum radiation at right angles to the wire, but the directional effect is not great. Nearby objects also minimize the directivity of a dipole radiator, so that it hardly seems worth while to go to the trouble to rotate a simple half-wave dipole in an attempt to improve transmission and reception in any direction.

The half-wave dipole, folded-dipole, zepp, single-wire-fed, matched-impedance, and Q-section antennas all have practically the same radiation pattern *when properly built and adjusted*. They all are dipoles, and the feeder system, if it does not radiate in itself, will have no effect on the radiation pattern.

## 28-1 Directive Antennas

When a multiplicity of radiating elements is located and phased so as to reinforce the

radiation in certain desired directions and to neutralize radiation in other directions, a *directive antenna array* is formed.

The function of a directive antenna when used for transmitting is to give an increase in signal strength in some direction at the expense of radiation in other directions. For reception, one might find useful an antenna giving little or no gain in the direction from which it is desired to receive signals if the antenna is able to discriminate against interfering signals and static arriving from other directions. A good directive transmitting antenna, however, can also be used to good advantage for reception.

If radiation can be confined to a narrow beam, the signal intensity can be increased a great many times in the desired direction of transmission. This is equivalent to increasing the power output of the transmitter. On the higher frequencies, it is more economical to use a directive antenna than to increase transmitter power, if more than a few watts of power is being used.

Directive antennas for the high-frequency range have been designed and used commercially with gains as high as 23 dB over a simple dipole radiator. Gains as high as 35 dB are common in direct-ray microwave communication and radar systems. A gain of 23 dB represents a power gain of 200 times and a gain of 35 dB represents a power gain of almost 3500 times. However, an antenna with a gain of only 15 to 20 dB is so sharp in its radiation pattern that it is usable to full advantage only for point-to-point work.

The increase in radiated power in the desired direction is obtained at the expense of radiation in the undesired directions. Power

gains of 3 to 12 dB seem to be most practical for amateur communication, since the width of a beam with this order of power gain is wide enough to sweep a fairly large area. Gains of 3 to 12 dB represent effective transmitter power increases from 2 to 16 times.

**Types of Directive Arrays** There is an enormous variety of directive antenna arrays that can give a substantial power gain in the desired direction of transmission or reception. However, some are more effective than others which require the same space. In general it may be stated that long-wire antennas of various types, such as the single long wire, the V beam, and the rhombic, are less effective for a given space than arrays composed of resonant elements, but the long-wire arrays have the significant advantage that they may be used over a relatively large frequency range while resonant arrays are usable only over a quite narrow frequency band.

While fixed wire beams have been eclipsed by the more glamorous rotatable Yagi and Quad antennas, dollar-for-dollar the wire beam is hard to beat. The wide-spaced collinear arrays, moreover, have low-Q and wide bandwidth and may be used over a larger frequency range than their higher-Q counterparts. Finally, in some instances, the wire beam is more unobtrusive than one made of aluminum and may be erected in areas where more conventional antennas are frowned upon.

This chapter covers long-wire and multi-element fixed arrays, while the next chapter covers rotary arrays of the Yagi and Quad configuration.

## 28-2 The Long-Wire Antenna

A harmonically operated antenna radiates more energy in certain directions than others and can be considered to have power gain and directivity when it is several wavelengths long, or longer. The long wire has a natural current distribution in the form of either a travelling or a standing wave with the radiation adding in certain directions and cancelling in others. Long wires having a standing-wave pattern will be discussed first.

The radiation patterns of long-wire antennas are well known and available information is based on theory and field measurements. The dipole antenna in free space has a figure-8 pattern in the plane of the wire. The full-wave antenna has four lobes at angles to the wire, an antenna two wavelengths long has eight lobes, etc. (Figure 1). When the antenna is more than two wavelengths long, the end lobes begin to exhibit noticeable power gain while the broadside lobes become smaller, even though more numerous.

The actual directivity of the main lobes of radiation is not particularly well defined and the minor lobes tend to fill in the nulls and a real-life long-wire antenna provides nearly omnidirectional characteristics, especially when the ground beneath it has poor conductivity. This is due to the fact that the antenna is affected by the r-f resistance of the wire and the ground and also because the current amplitude drops off at successive current loops as a result of attenuation along the wire. The attenuation is due to radiation of power from the wire and also the resistance of the wire. As the length of the long wire increases, these factors become predominant and the tuning of the antenna becomes quite broad.

The physical length of a long wire antenna is related to its electrical length by the following formula:

$$\text{Length}_{(\text{feet})} = \frac{492 (N - 0.025)}{F_{(\text{MHz})}}$$

or,

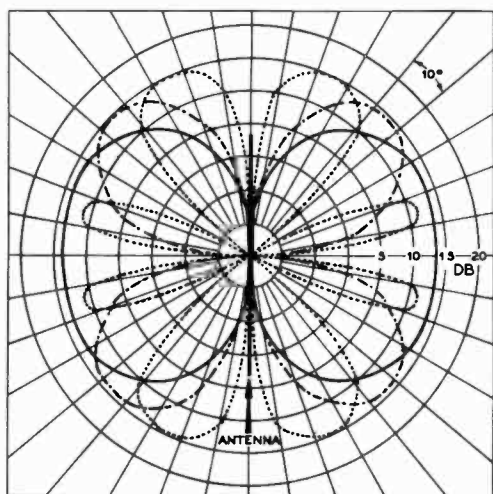
$$\text{Length}_{(\text{meters})} = \frac{150 (N - 0.05)}{F_{(\text{MHz})}}$$

where,

$N$  is the number of *half wavelengths* on the wire.

The directive gain of a long wire antenna in terms of wire length is shown in figure 2. Suggested antenna lengths are listed in Table 1.

**Practical Long Wire Antennas** The simplest long wire antenna is one that is end-fed, with the wire brought directly to the equipment site, at which point it is connected to the transmitter through an antenna tuner. Care must be taken to suppress transmitter harmonics before they reach the antenna, since an end-fed antenna offers no discrimination against harmonic



— HALF WAVE ANT. - - - FULL WAVE ANT. ..... 2 WAVES ANT.  
HORIZONTAL ANTENNAS IN FREE SPACE

Figure 1

**FREE-SPACE FIELD PATTERNS OF LONG-WIRE ANTENNAS**

The presence of the earth distorts the field pattern in such a manner that the azimuth pattern becomes a function of the elevation angle.

energy. The antenna can operate on its harmonic frequencies with good efficiency and can also be operated against ground at half frequency as a quarter-wave Marconi antenna.

When a long wire antenna is center-fed, the antenna radiation lobes are symmetrical on each side of the feedpoint (figure 3), but if the antenna is fed near one end, the lobes

on the longer leg become stronger, as compared to the shorter leg lobes.

*End-Fed Wire Antenna for 20, 15, or 10 Meters*—Shown in figure 4 is a single wire antenna for operation on any one of these bands. The feedline is placed one-quarter wavelength from one end of the antenna at a low-impedance point. The impedance of the antenna is of such a value that a 4:1 balun is used to provide a good termination for a 50-ohm transmission line.

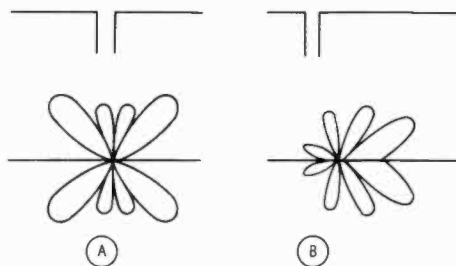


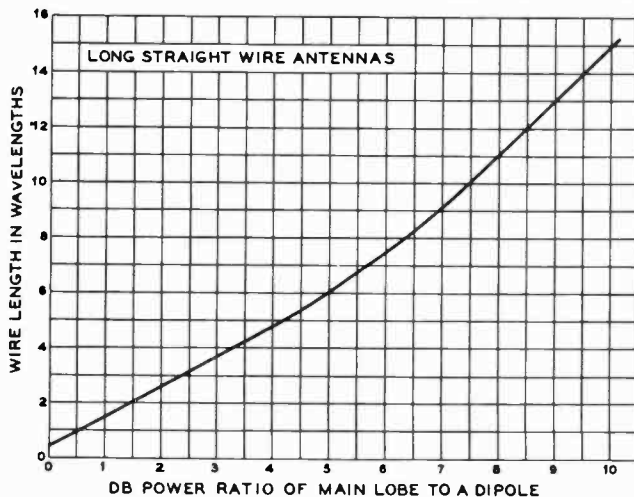
Figure 3

**FEED SYSTEM AFFECTS RADIATION PATTERN OF LONG WIRE ANTENNA**

When a long wire antenna is center-fed, the radiation pattern is symmetrical on each side of the feed point (A). When the antenna is fed at a low impedance point near one end (B), the pattern symmetry is destroyed and the lobes on the longer leg become stronger, as compared to the shorter leg lobes.

*Center-Fed Wire Antenna for 15 and 10 Meters*—The single-wire antenna can provide good two-band performance when fed

Figure 2  
**DIRECTIVE GAIN OF LONG WIRE ANTENNA**



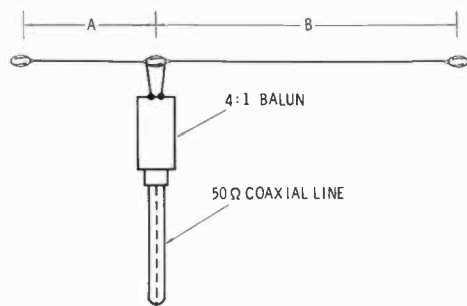


**Table 1. Long Wire Antenna Design Table**

Length in feet. To convert to meters, multiply by 0.305

Frequency In MHz	1λ	1½λ	2λ	2½λ	3λ	3½λ	4λ	4½λ
29 28	33 34	50 52	67 69	84 87	101 104	118 122	135 140	152 157
21.4 21.2 21.0	45 45 ¼ 45 ½	68 68 ¼ 68 ½	91 ½ 91 ¾ 92	114 ½ 114 ¾ 115	136 ½ 136 ¾ 137	160 ½ 160 ¾ 161	185 ½ 185 ¾ 186	209 ½ 209 ¾ 210
14.2 14.0	67 ½ 68 ½	102 103 ½	137 139	171 174	206 209	240 244	275 279	310 314
7.3 7.15 7.0	136 136 ½ 137	206 207 207 ½	276 277 277 ½	346 347 348	416 417 418	486 487 488	555 557 558	625 627 628
4.0 3.8 3.6 3.5	240 252 266 274	362 381 403 414	485 511 540 555	618 640 676 696	730 770 812 835	853 900 950 977	977 1030 1090 1120	1100 1160 1220
2.0 1.9 1.8	480 504 532	725 763 805	972 1020 1080	1230 1280	1475			

at the center, as shown in figure 5. A 4:1 balun is used and, as in the case of the end-fed design, the antenna has a multiplicity of lobes and may be considered to be generally omnidirectional, except for appreciable nulls off the ends of the wire.



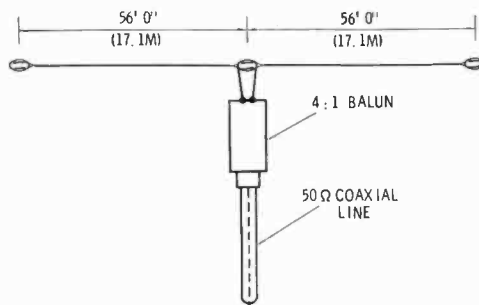
ANTENNA DIMENSIONS (A + B = 5/2 λ)

BAND	A		B	
	FEET	METERS	FEET	METERS
20	16' 6"	5.03	154' 0"	46.97
15	11' 0"	3.35	103' 6"	31.57
10	8' 3"	2.51	77' 6"	23.64

**Figure 4**

**LONG WIRE ANTENNA FOR 20, 15 OR 10 METERS**

This 5/2-wavelengths antenna provides maximum radiation at angles of about 30 degrees to the wire, with minor lobes filling in the areas at right angles to the wire. A 4-to-1 balun, such as described in Chapter 26, figures 6 and 7 is suggested for use with this antenna.



**Figure 5**

**CENTER-FED ANTENNA FOR 15- AND 10-METER BANDS**

This simple antenna provides good 2-band performance, operating as five half-wavelengths on 15 meters and seven half-wavelengths on 10 meters. The 4-to-1 balun is described in Chapter 26.

*The Inverted-V Antenna*—The *Inverted-V* or *Sloper* antenna is a popular design and a long wire may be modified by dropping the ends, or raising the center of the antenna, as shown in figure 6. The total included angle of the V should be not less than 90°, with angles as high as 120° providing good performance. The inverted-V provides less directivity off the ends of the antenna than a comparable horizontal installation.

It is practical to construct a multiband inverted-V antenna by end-tuning the legs. A pair of copper alligator clips and two segments of wire permit resonance on each of the three bands, as shown in figure 7. Since

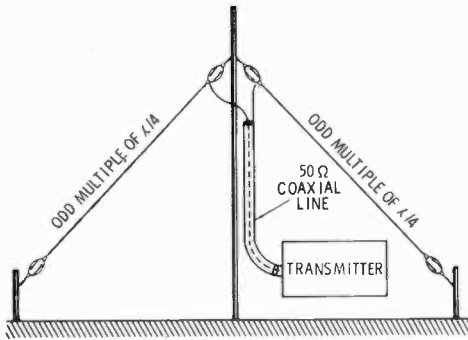


Figure 6

**THE INVERTED-V ANTENNA**

The inverted-V antenna may be a dipole, or each leg may be an odd multiple of half-wavelengths long. Use of a balun is optional.

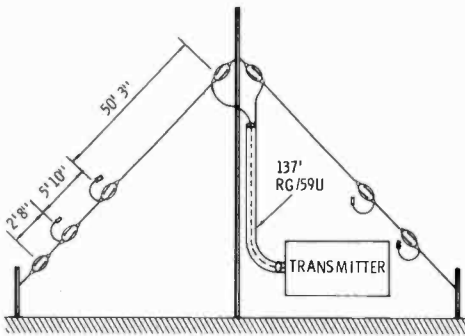


Figure 7

**LONG WIRE INVERTED-V ANTENNA FOR 20, 15, AND 10 METERS**

Each leg of the antenna is 50' 3" (15.33 meters) for 20 meter operation. A jumper 5' 10" (1.77 meters) is added for 15 meters, and a second jumper 2' 8" (0.82 meters) is added for 10-meter operation. The antenna is 3/2-wavelengths on 20, 5/2-wavelengths on 15, and 7/2-wavelengths on 10. Use of a balun is optional, but a 1-to-1 device may be added if desired. The transmission line is cut to provide a minimum value of reactance at the transmitter. Either RG-8A/U or RG-59C/U may be used.

the ends of the antenna are at a high r-f potential, care should be taken to keep them high enough so that they cannot be touched accidentally.

**The V Antenna** If two long wires are formed into a V, it is possible to make two of the maximum radiation lobes

additive in a line bisecting the V (figure 8). The resulting pattern is bidirectional with minor lobes to the sides of the major lobes.

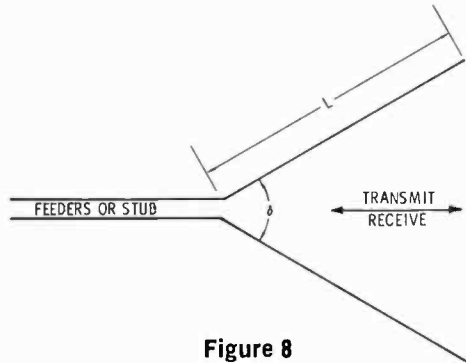


Figure 8

**A HORIZONTAL V-BEAM ANTENNA**

Two long wires in a V pattern, starting from a common apex, both parallel to the ground, form a V-beam. The pattern is bidirectional in a line bisecting the V.

Each leg of the V-beam can be any number of quarter wavelengths long, the feed system depending on whether the feedpoint is a high or low impedance. Representative gain figures are shown in figure 9, with suggested dimensions tabulated in Table 2. Best directivity and gain for beams having legs

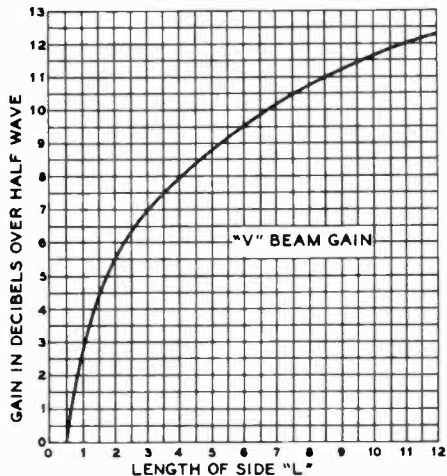


Figure 9

**DIRECTIVE GAIN OF A V BEAM**

This curve shows the approximate directive gain of a V beam with respect to a half-wave antenna located the same distance above ground, in terms of the side length L.

Table 2. V-Beam Design Table

Length in feet. To convert to meters, multiply by 0.305

V-ANTENNA DESIGN TABLE				
Frequency in kHz	$L = \lambda$ $\delta = 90^\circ$	$L = 2\lambda$ $\delta = 70^\circ$	$L = 4\lambda$ $\delta = 52^\circ$	$L = 8\lambda$ $\delta = 39^\circ$
28000 29000	34'8" 33'6"	69'8" 67'3"	140' 135'	280' 271'
21100 21300	45'9" 45'4"	91'9" 91'4"	183' 182'6"	366' 365'
14050 14150 14250	69' 68'6" 68'2"	139' 138' 137'	279' 277' 275'	558' 555' 552'
7020 7100 7200	138'2" 136'8" 134'10"	278' 275' 271'	558' 552' 545'	1120' 1106' 1090'

shorter than 3 wavelengths are obtained with a somewhat smaller angle than that determined by the lobes. Optimum directivity for a one wave-length V-beam, for example, is obtained at an included angle of  $90^\circ$  (figure 10).

The V-beam may be made unidirectional by placing another V-beam behind it and feeding it with a phase difference of  $90^\circ$ . The system will be directive through the V antenna having the lagging current. While such an antenna system is large for the hf bands, it is often used for long distance TV or f-m reception.

**Practical V-Beam Antennas** The V-beam may be fed with tuned, open-wire feeders to permit multiband operation (figure 8). An antenna tuner, such as described in the previous chapter, is used to convert the balanced feed system

to a coaxial termination, common to most transmitting equipment. For single-band operation, the V-beam is often fed directly at a current loop with a low-impedance coaxial line and a 4:1 balun (figure 11). Short V-beam antennas have an impedance close to 50 ohms and a direct coaxial feed may be employed, as shown in some of the following designs.

*V-Beam for 20-15-10 Meters*—Shown in figure 12 is a beam antenna designed for operation on the three popular hf DX bands. The antenna is 5 wavelengths long at 14 MHz and provides a power gain over a dipole of 7.5 dB at 14 MHz, 9 dB at 21 MHz and 10 dB at 28 MHz. A compromise apex angle is used to enhance multiband operation. The beam may also be used on the 80- and 40-meter bands, but provides little, if any, power gain on these lower frequencies. The beam is fed at the apex with a balanced, two-wire line and an antenna tuner.

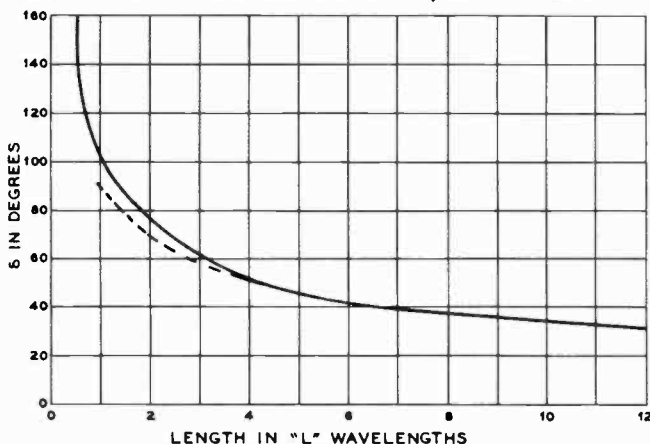


Figure 10

### INCLUDED ANGLE FOR A V BEAM

Showing the included angle between the legs of a V beam for various leg lengths. For optimum alignment of the radiation lobe at the correct vertical angle with leg lengths less than three wavelengths, the optimum included angle is shown by the dashed curve.

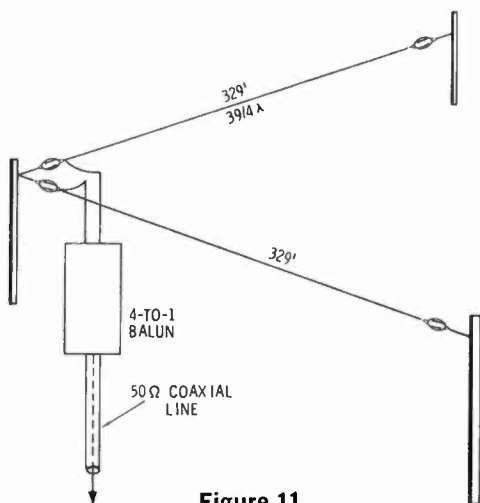


Figure 11

**TEN-METER V-BEAM**

This antenna provides about 11.5 decibels gain over a dipole on the 10-meter band. The included angle between the wires is  $32^\circ$ . The beam is fed at the apex with a 4-to-1 balun and a coaxial transmission line. See Chapter 26, figures 6 and 7 for balun design.

*Mini-V-Beam for 20-15-10 Meters*—The compact, space-saving V-beam shown in figure 13 provides about 3.0 dB gain for three-band operation. This is a compromise design which allows rather large minor lobes falling in line with the legs of the beam. Dimensions for the twin wires are provided in the illustration.

*V-Beam for 80-40-20 Meters*—Shown in figure 14 is a V-beam designed for operation on the lower frequency DX bands. The apex angle should be chosen for one particular band to provide best directivity. Operation on other bands will be possible, but large secondary lobes will impair the antenna directivity.

as high above level ground as possible. A minimum height of 50 feet is recommended. The wires of the beam may be allowed to slope down toward the ground to a final height of about 20 feet to improve the low-angle radiation in the forward direction.

### 28-3 The Rhombic Antenna

Two V-beams placed end-to-end form a *rhombic antenna* (figure 15). The simple,

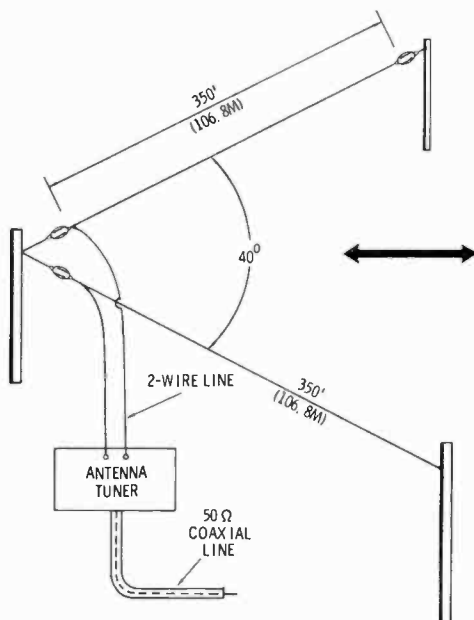


Figure 12

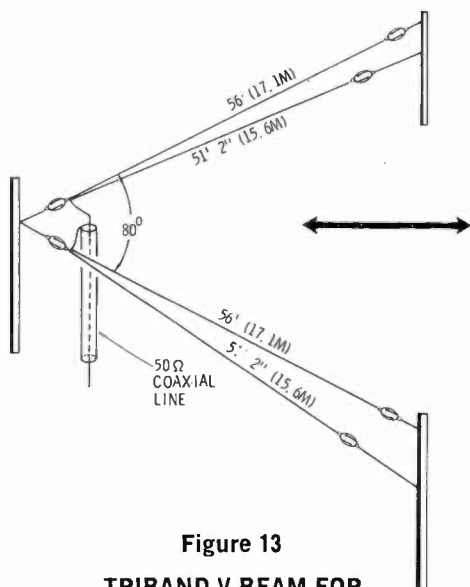
**V-BEAM FOR 20-15-10 METERS**

This V-beam provides good gain for DX work on 3 bands. Height above ground should be 50' to 70' for best results. The antenna is fed with a two wire line (300-ohm TV "ribbon" may be used for low power applications) and an antenna tuner, such as described in Chapter 26.

resonant rhombic antenna is bidirectional and provides approximately the same power gain and radiation pattern as a V-beam of equivalent size.

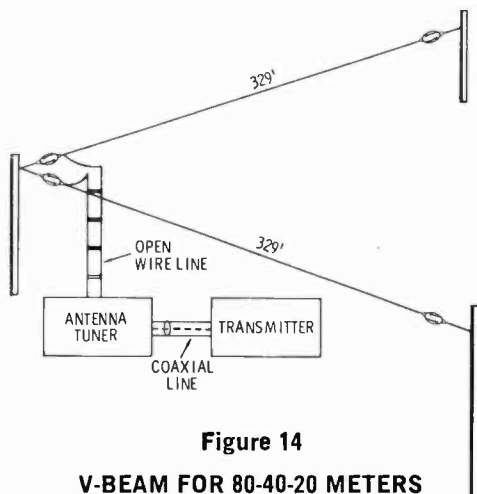
A variation of this design is the *nonresonant rhombic* antenna (figure 16) which is terminated at the end opposite the feedpoint. Resonance is not a necessary condition for antenna operation although some antennas are made resonant in order to provide a convenient, nonreactive feedpoint to eliminate complex matching networks. The nonresonant, or traveling-wave rhombic antenna provides wideband operation over an octave or more of frequency spectrum and provides a medium value of feedpoint impedance which remains relatively constant over the operating range. When properly terminated, the rhombic is unidirectional.

The power gain of a terminated rhombic antenna over a dipole is shown in figure 17, which includes an allowance of 3 dB for the power lost in the terminating resistor. This



**Figure 13**  
**TRIBAND V-BEAM FOR**  
**20-15-10-METERS**

A compact design provides good gain for 3-band operation. Two V-beams are connected in parallel at the apex. The 56' legs are cut for operation on 10 and 15 meters, while the 51-foot legs provide 20-meter operation. The included angle is 80°. The shorter legs run under the longer ones, and are separated by about 10' (3 meters) distance at the tips. A 1-to-1 balun may be used with the antenna, if desired.



**Figure 14**  
**V-BEAM FOR 80-40-20 METERS**

This V-beam performs well on the lower DX bands. The included angle should be 80° for 80 meters, 60° for 40 meters and 45° for 20 meters. Gain varies from 3 dB at 80 meters to about 7.5 dB at 20 meters. The beam is fed with a two-wire transmission line and an antenna tuner, such as described in Chapter 26.

power can be considered to be that power which normally would have been radiated in the reverse direction had the resistor not been there.

When the far end of a rhombic antenna is terminated in a noninductive resistance of about 800 ohms, the input resistance of the rhombic is about 700 ohms. The terminating resistance should be capable of dissipating about one-half the average power output of the transmitter. Small composition resistors may be used, in combination with a "lossy" transmission line. Typically, a two-wire line made up of #25 nichrome wire and terminated with a number of 2-watt resistors will usually serve except for very high power. The attenuating line may be folded back upon itself to conserve space.

The rhombic antenna can be fed with a two-wire line having a characteristic impedance of about 600 ohms. An antenna tuner is commonly used at the station end of the line to match the antenna system to a 50-ohm coaxial termination.

In order to minimize fluctuations of the feedpoint impedance of the rhombic antenna as the frequency is varied, a multiwire design is commonly used, as shown in figure 16. Parallel conductors are used in the assembly, joined together at the ends, but with increasing separation as the midpoint of the legs is approached.

The rhombic antenna transmits a horizontally polarized wave at a relatively low angle above the horizon. The vertical angle of radiation decreases as the height above ground is increased, in the same manner as with a dipole antenna. For best results on long distance circuits, the rhombic antenna should be at least one wavelength above ground. The antenna should be erected over level ground, with the plane of the antenna parallel to the ground.

Figure 18 provides design information for a rhombic antenna using either the "maximum output" technique or the "alignment" technique. The alignment method is about 1.5 dB below the other method, but requires only about 75% as much leg length.

## 28-4 The Multielement Fixed Array

Power gain and directivity may be achieved by combining antenna elements into

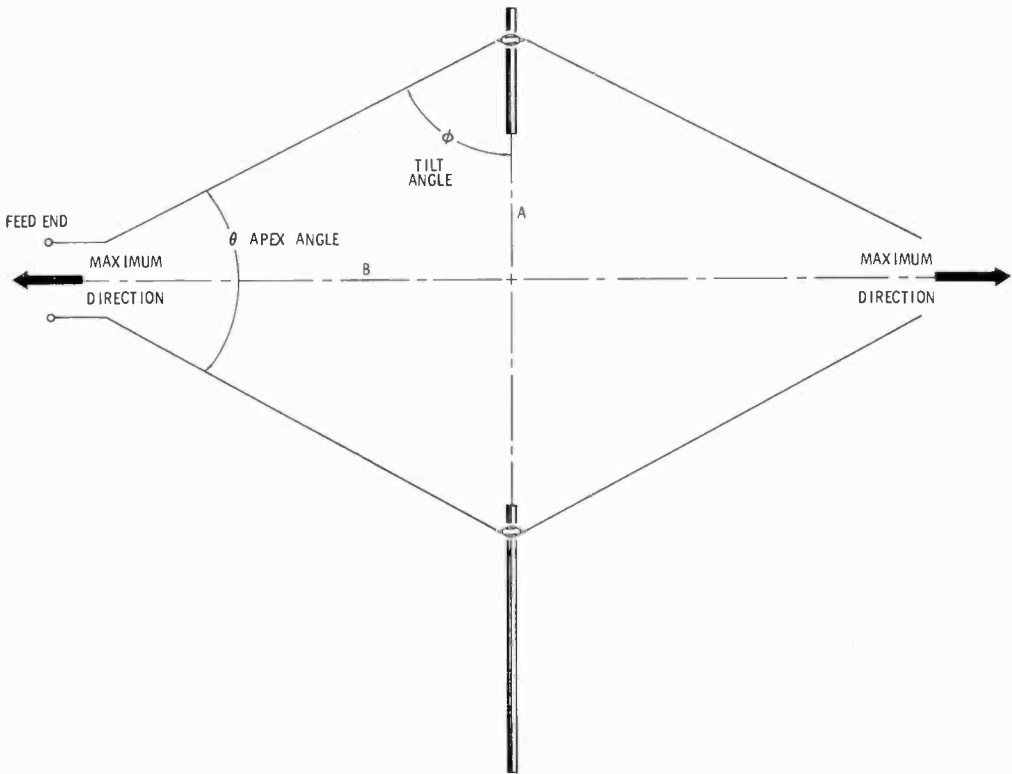


Figure 15

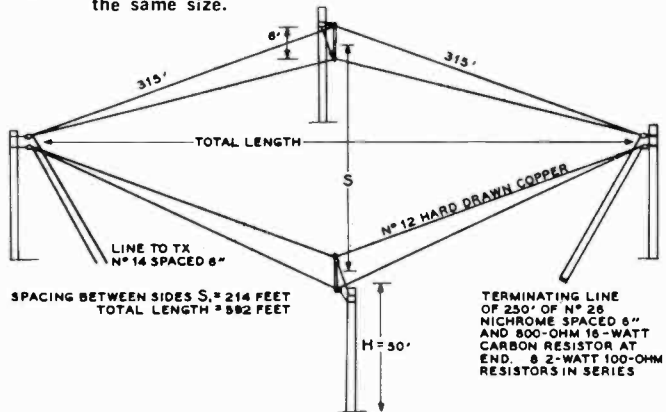
THE RESONANT RHOMBIC ANTENNA

Two V-beams, placed end-to-end in the horizontal plane form a rhombic antenna. The radiation pattern is bidirectional, bisecting the apex angle of the array. Because of wave interference between the two V's, the lobe amplitudes and apex angle are not the same as for equivalent, separate V antennas of the same size.

Figure 16

TYPICAL RHOMBIC ANTENNA DESIGN

The antenna system illustrated may be used over the frequency range from 7 to 29 MHz without change.



an array of elements. The characteristics of the half-wave dipole antenna have been described, and this element is commonly used in building antenna arrays.

When a second dipole is placed in the vicinity of a fed-dipole, and excited either directly or parasitically, the resultant radiation pattern will depend upon dipole spacing and

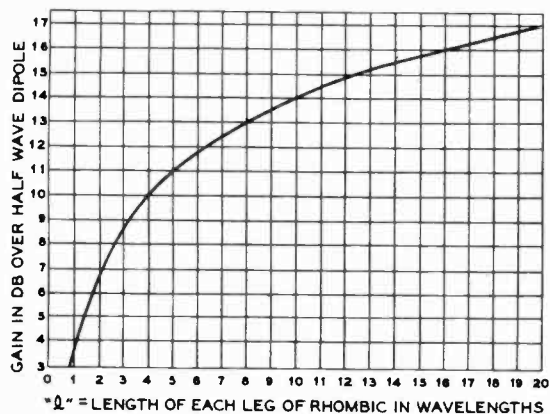


Figure 17

**RHOMBIC ANTENNA GAIN**

Showing the theoretical gain of a rhombic antenna, in terms of the side length, over a half-wave antenna mounted at the same height above the same type of soil.

phase differential, as well as the relative magnitude of the current in the two dipoles. The dipole elements may be placed parallel

to each other or end-to-end (*collinear*), or a combination of both arrangements may be used. The elements may be either horizontal or vertically polarized, depending on their relationship to the earth.

The array can have the maximum field of radiation *broadside* to the elements, (perpendicular to the axis of the array and to the plane containing the elements) or the maximum field may be *end-fire* (in line with the direction of the array axis, and through the elements). The radiation pattern for simple driven arrays is commonly controlled by holding element spacing and current constant and adjusting the phase relationship between the elements. With spacing less than 0.65 wavelength, the radiation is mainly

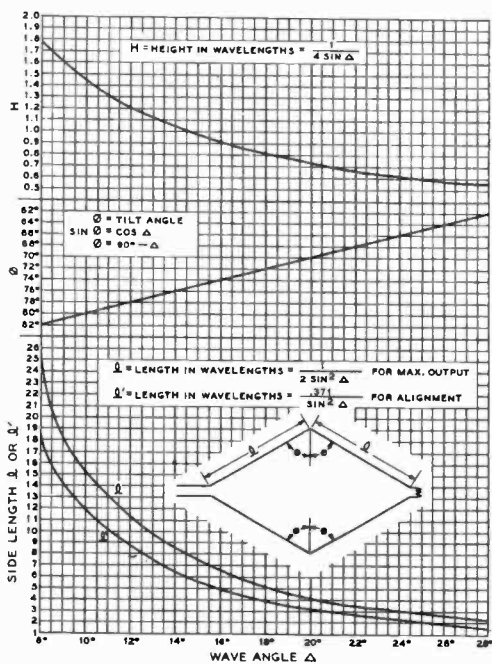


Figure 18

**RHOMBIC ANTENNA DESIGN TABLE**

Design data is given in terms of the wave angle (vertical angle of transmission and reception) of the antenna. The lengths  $L$  are for the "maximum output" design; the shorter lengths ( $L'$ ) are for the "alignment" method which gives approximately 1.5 dB less gain with a considerable reduction in the space required for the antenna. The values of side length, tilt angle, and height for a given wave angle are obtained by drawing a vertical line upward from the desired wave angle.

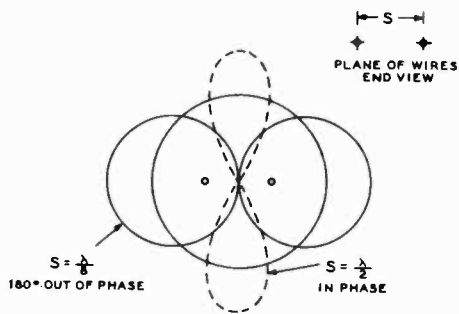


Figure 19

**RADIATION PATTERNS OF A PAIR OF DIPOLES OPERATING WITH IN-PHASE EXCITATION, AND WITH EXCITATION 180° OUT OF PHASE**

If the dipoles are oriented horizontally most of the directivity will be in the vertical plane; if they are oriented vertically most of the directivity will be in the horizontal plane.

broadside to the dipoles (bidirectional) when the phase difference is zero, and through the wires (end-fire) when the phase difference is 180° (figure 19). With a phase difference between 0° and 180° (45°, 90°, and 135°, for instance), the pattern is unsymmetrical, the radiation being greater in one direction than in the opposite direction.

**Multielement Collinear Arrays** Two or more dipole elements may be arranged in *collinear* fashion and fed in phase to provide power gain and restricted beam width (figure 20). This is a form of long-wire antenna having a modi-

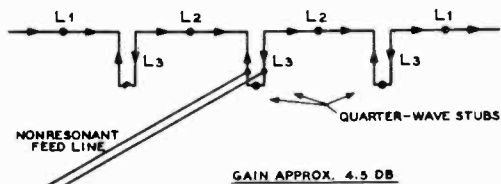


Figure 20

**THE FRANKLIN OR COLLINEAR ANTENNA ARRAY**

An antenna of this type, regardless of the number of elements, attains all of its directivity through sharpening of the horizontal or azimuth radiation pattern; no vertical directivity is provided. Hence a long antenna of this type has an extremely sharp azimuth pattern, but no vertical directivity.

fed current distribution accomplished by inserting a phase-reversing network every half-wavelength. The network may be a lumped LC circuit, but usually takes the form of a quarter-wavelength transmission line. The antenna is generally known as a *Franklin antenna*, after its inventor. Additional dipole elements may be added in symmetrical fashion to form three- and four-element collinear arrays (Table 3). If the

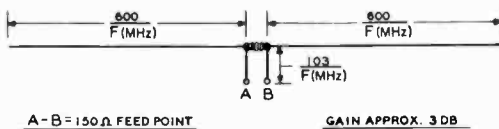


Figure 21

**DOUBLE EXTENDED ZEPP ANTENNA**

For best results, antenna should be tuned to operating frequency by means of grid-dip oscillator.

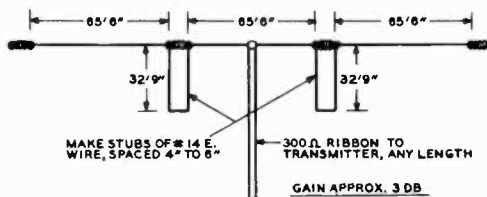


Figure 22

**PRECUT COLLINEAR ARRAY FOR 40 METERS**

The collinear array may be fed with a 4-to-1 balun placed at the feedpoint (see Chapter 26) and a 50-ohm coaxial line in place of the 300-ohm line. If the 300-ohm line is used, an antenna tuner is needed at the station end to convert the system to 50 ohms termination.

dipole tips are adjacent, the power gain over a dipole of a two-element collinear array is 1.9 decibels, that of a three-element array is 3.2 dB and that of a four-element array is 4.3 dB.

Additional gain may be achieved at the expense of simplicity by increasing the spacing between the collinear elements. A two-element, spaced array is termed a *double extended array* and provides about 3 dB power gain (figure 21).

The elevation radiation pattern for a collinear array is essentially the same as for a dipole and this consideration applies whether

**Table 3. Collinear Antenna Design Chart**

Length in feet. To convert to meters, multiply by 0.305

COLLINEAR ANTENNA DESIGN CHART			
Frequency in MHz	L <sub>1</sub>	L <sub>2</sub>	L <sub>3</sub>
28.5	16'8"	17'	8'6"
21.2	22'8"	23'3"	11'6"
14.2	33'8"	34'7"	17'3"
7.15	67'	68'8"	34'4"
4.0	120'	123'	61'6"
3.6	133'	136'5"	68'2"



the elements are of normal length or extended.

A three-element pre-cut array for 40-meter operation is shown in figure 22. It may be fed with a 50-ohm coaxial line and a 4:1 balun transformer. The dimensions of the antenna may be doubled for 80-meter operation, or reduced by half for 20-meter work. Power gain is approximately 3 dB over a dipole. A simple spaced array is shown in figure 23 that also provides a 3 dB power gain. The pattern is changed to a cloverleaf configuration by means of the phase-reversing switch. The dipoles are fed with 72-ohm, balanced twinlead.

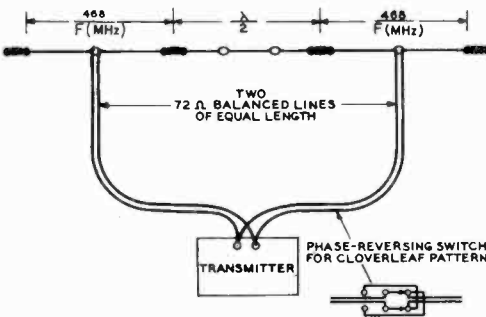


Figure 23

**TWO COLLINEAR HALF-WAVE ANTENNAS IN PHASE PRODUCE A 3 DB GAIN WHEN SEPARATED ONE-HALF WAVELENGTH**

**Multielement Broadside Arrays** An antenna array may be constructed of parallel elements having in-phase currents. The power gain of such a *broadside array* is a function of the number of elements and the spacing between the elements. Typically, gain with 0.5 wavelength spacing is 4 dB for 2 elements, 5 dB for 3 elements, and 6 dB for 4 elements. Practical limitations limit the number of in-phase elements in the hf range, since phase control becomes difficult as the number of elements are increased.

Additional gain is achieved when the element spacing is increased to 0.7 wavelength, but proper phasing becomes more of a problem at this spacing.

Collinear elements may be stacked above or below another string of collinear elements to form a *curtain array*. One of the most

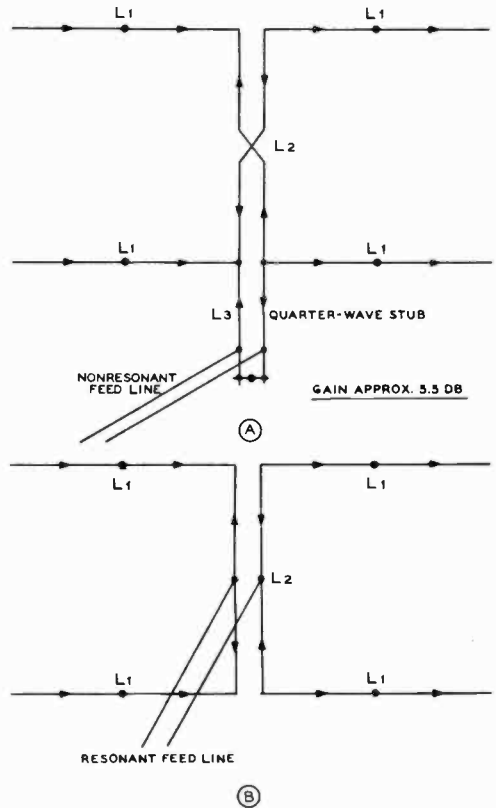


Figure 24

**THE LAZY-H ANTENNA SYSTEM**

Stacked, collinear pairs provide both horizontal and vertical directivity. The Lazy-H provides about 5.5 dB gain over a dipole. The nonresonant, balanced feedline may be replaced with a 1-to-1 balun and 50-ohm coaxial line, if desired.

popular arrays of this type is the *Lazy-H* array of figure 24. Horizontal collinear elements stacked two above two make up this beam, which provides a power gain of nearly 6 dB. The pattern is bidirectional and the antenna has a high value of radiation resistance at a current loop. The high radiation resistance results in low peak voltages in the assembly and provides a broad bandwidth, permitting the array to be used over a wide frequency range. Antenna dimensions are tabulated in Table 4. The antenna may be fed with a balanced line, as shown, or with a coaxial line and balun arrangement. The line, or balun, is tapped on the matching

stub at the point which provides the lowest SWR on the transmission line.

**Practical Broadside Arrays** An array of collinear and stacked dipole elements is termed a *Sterba curtain*, after the inventor of this antenna type. Figure 25 shows two simple Sterba curtains. Illustrations A and B show two methods of feeding a small curtain antenna, and an alternative method is shown in illustration C. A coaxial line and 1:1 balun transformer may be used with the design shown at B in place of the balanced feedline.

In the case of either the Lazy-H or the Sterba curtain, the array can be made uni-

directional and the gain increased by 3 dB if a similar array is placed 0.25 wavelength behind the driven array to act as a parasitic reflector. The wires in the reflector should be parallel to the radiating elements. For vhf work, a screen or mesh of wires, slightly greater in area than the antenna may be substituted for the wire configuration. In some instances, parasitic elements are used as reflectors or directors with a broadside array, but these have the disadvantage that their operation is selective with respect to frequency and a relatively small change in operating frequency will seriously affect the parasitic elements.

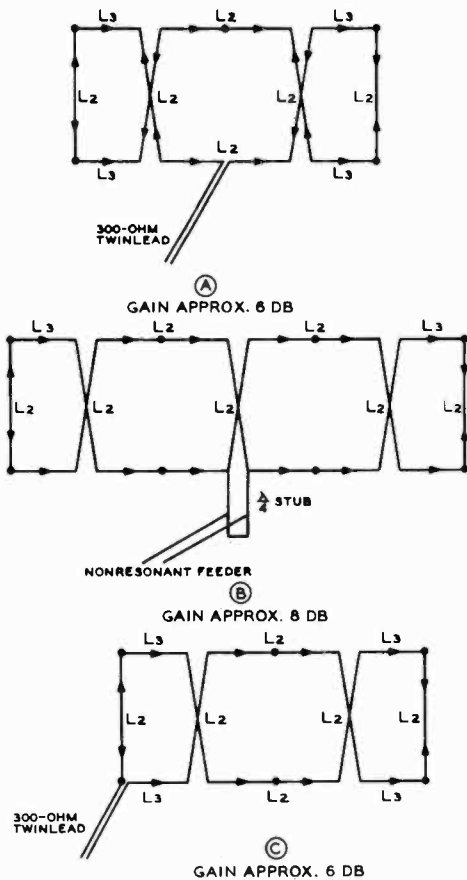


Figure 25

THE STERBA-CURTAIN ARRAY

Approximate directive gains along with alternative feed methods are shown.

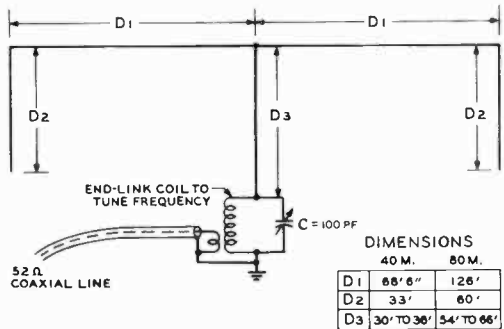


Figure 26

BOBTAIL BIDIRECTIONAL BROADSIDE CURTAIN FOR THE 7-MHZ OR THE 4.0-MHZ AMATEUR BANDS

This simple vertically polarized array provides low angle radiation and response with comparatively low pole heights, and is very effective for DX work on the 7-MHz band or the 4.0-MHz phone band. Because of the phase relationships, radiation from the horizontal portion of the antenna is effectively suppressed. Very little current flows in the ground lead to the coupling tank; so an elaborate ground system is not required, and the length of the ground lead is not critical so long as it uses heavy wire and is reasonably short.

*The Bobtail Beam for 80 and 40 Meters*—A truncated version of a Sterba curtain is shown in figure 26. This Bobtail beam provides vertical polarization in order to obtain low-angle radiation at the lower end of the hf spectrum without resorting to unreasonable pole heights. When precut to the dimensions shown, this bidirectional array will perform well over the 7-MHz band, or the 4-MHz phone band. For the latter, the required pole height is about 70 feet, and the array will provide a signal gain of about

Table 4. Design Chart for Lazy-H and Sterba Arrays

Length in feet. To convert to meters, multiply by 0.305

Frequency in MHz	L <sub>1</sub>	L <sub>2</sub>	L <sub>3</sub>
7.0	68'2"	70'	35'
7.3	65'10"	67'6"	33'9"
14.0	34'1"	35'	17'6"
14.2	33'8"	34'7"	17'3"
14.4	33'4"	34'2"	17'
21.0	22'9"	23'3"	11'8"
21.5	22'3"	22'9"	11'5"
27.3	17'7"	17'10"	8'11"
28.0	17'	17'7"	8'9"
29.0	16'6"	17'	8'6"
50.0	9'7"	9'10"	4'11"
52.0	9'3"	9'5"	4'8"
54.0	8'10"	9'1"	4'6"
144.0	39.8"	40.5"	20.3"
146.0	39"	40"	20"
148.0	38.4"	39.5"	19.8"

5 dB over a comparison vertical antenna when the path length exceeds 2500 miles.

The horizontal directivity is only moderate, the beam width at the half-power points being slightly greater than that obtained from three co-phased vertical radiators fed with equal currents.

#### Lazy-H Array for 20, 15, and 10 Meters—

The basic Lazy-H design can be modified for three band operation, as shown in figure 27. The array is fed at the center to preserve the proper phase relationship between the upper and lower radiators. Dimensions are not critical as long as symmetry is maintained. The array is bidirectional, at right

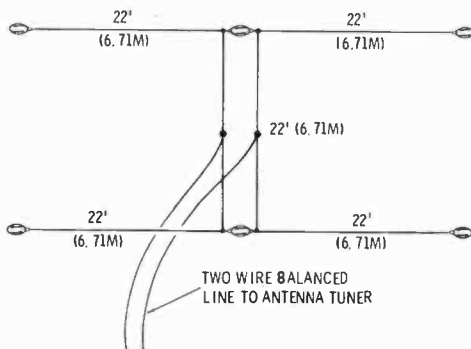


Figure 27

#### LAZY-H ARRAY FOR 20-15-10 METERS

This 3-band beam provides good results when mounted so that the lower wires are at least 20 feet off the ground. Gain is 4 dB on 20 meters, 5.5 dB on 15 meters, and over 6 dB on 10 meters. Feedline may be any length and can be 300-ohm TV "ribbon" for low-power applications. An antenna tuner, such as described in Chapter 26 is used with this array.

angles to the plane of the array. A parallel wire feedline is used, in conjunction with an antenna tuner at the station, which converts the balanced feed system to an unbalanced, 50-ohm line, suitable for connection to the majority of modern transmitters.

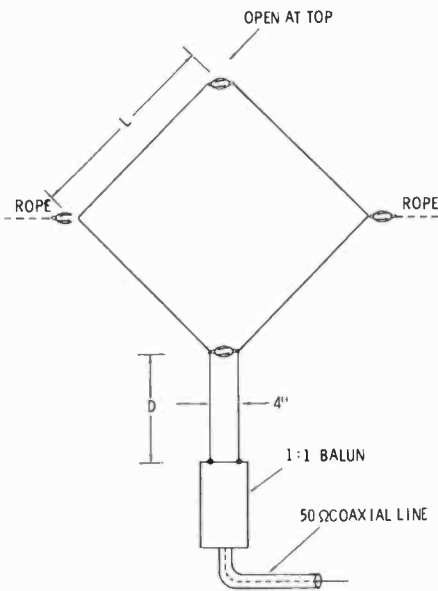
*The Bi-Square Broadside Array*—Illustrated in figure 28 is a simple, one element broadside array that may be suspended from a single pole. The power gain is approximately 4 dB over a dipole placed at the same average elevation.

Two Bi-Square arrays may be suspended from a single pole, at right angles to each other for general coverage. Alternatively, arrays for separate bands may be suspended, with the smaller one inside the larger.

The Bi-Square is fed with a quarter-wave matching transformer made of parallel wire line. The balun and 50-ohm coaxial line are attached to a movable insulator with clips on it, which is adjusted up and down the stub for minimum SWR on the line. A balun is used between the line and the stub in this simple design to achieve good antenna current balance.

**Multielement End-Fire Arrays** Two dipoles, or collinear arrays, spaced 0.1 to 0.25 wavelength, and driven 180° out of phase constitute an *end-fire array*. The maximum lobes of radiation are through the two elements and at right angles to them. A comparison of end-fire and broadside patterns is given in figure 19.

As in the case of the broadside array, the end-fire array tends to suppress high angle radiation, as illustrated in figure 29. The im-



DIMENSIONS OF BI - SQUARE ANT.

BAND	10		15		20	
	FEET	METERS	FEET	METERS	FEET	METERS
L	17'	5.19	25'	7.63	34'	10.37
D	8' 3"	2.52	12' 3"	3.74	16' 6"	5.03

Figure 28

**THE BI-SQUARE BIDIRECTIONAL BEAM ANTENNA**

The Bi-Square antenna provides about 4.5 dB gain over a dipole antenna. Shown here is a design for 20, 15, or 10 meters. The loop is open at the top and fed with a quarter-wavelength, two-wire line at the bottom. The 50-ohm line is attached to the two-wire line through a 1-to-1 balun (Chapter 26). The attachment point of the balun on the two-wire line is varied until the lowest SWR is achieved on the coaxial line.

Improvement in the amplitude of low angle-radiation at the expense of the high-angle radiation with these simple arrays, as contrasted to the dipole is quite marked.

**Practical End-Fire Arrays** The flat-top beam, designed by W8JK of Ohio State University is a simple and effective end-fire array (figure 30). This antenna consists of two close-spaced dipoles or collinear arrays in the horizontal plane. Because of the close spacing, it is possible to obtain the proper phase relationships by crossing the wires at the current or voltage

loops rather than by resorting to phasing stubs. This greatly simplifies the array.

The flat-top beam may be operated on a harmonic frequency, the radiation pattern being the same as a single-wire antenna of the same length. Thus, on the second harmonic, the flat-top beam retains the figure-8 radiation pattern, but on the fourth harmonic, the pattern splits into a cloverleaf configuration. If the beam is to be used on more than one band, tuned feeders, with an antenna tuner must be used. For single-band operation, a matching stub is preferred, fed with a 50-ohm line and 1:1 balun.

The radiation resistance of a flat-top beam is rather low, especially when only one section is used. That means that bandwidth is narrow and voltage is high at the voltage loops. For this reason, good insulators should be used in the construction of the array to prevent detuning in damp weather. The exact dimensions for the radiating elements are not critical, as slight deviations can be compensated in the match stub or tuned feeders. The antennas are adjusted to frequency by adjusting stub length (A) with a dip meter, and adjusting the feeder tap point (X) for lowest value of SWR on the transmission line. Nominal gains for the different types of beam over a dipole are: single-section, 4 dB; two-section, 6 dB; four-section, 7 dB.

*The Triplex Beam*—The triplex beam (figure 31) is a modified version of the single-section flat-top array which uses folded dipoles for the half-wave elements of the array. The use of folded elements results in higher radiation resistance of the array, and greater bandwidth. Three wire dipoles are used, and 300-ohm TV-type twin-lead is used for the two phasing sections (D). The antenna may be fed with a 300-ohm transmission line and antenna tuner, or a 4:1 balun may be placed at the junction of the two phasing sections, and the array fed with a 50-ohm transmission line. Array gain is about 4.5 dB over a dipole mounted at the same height above ground.

**28-5 Combination End-Fire and Broadside Arrays**

Any of the end-fire arrays previously described may be stacked one above the other or placed end to end (side by side) to give

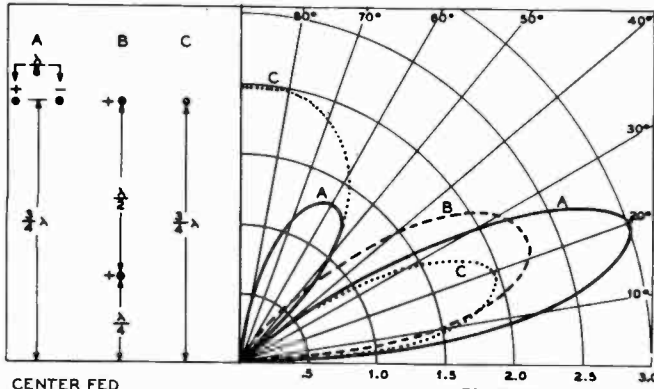
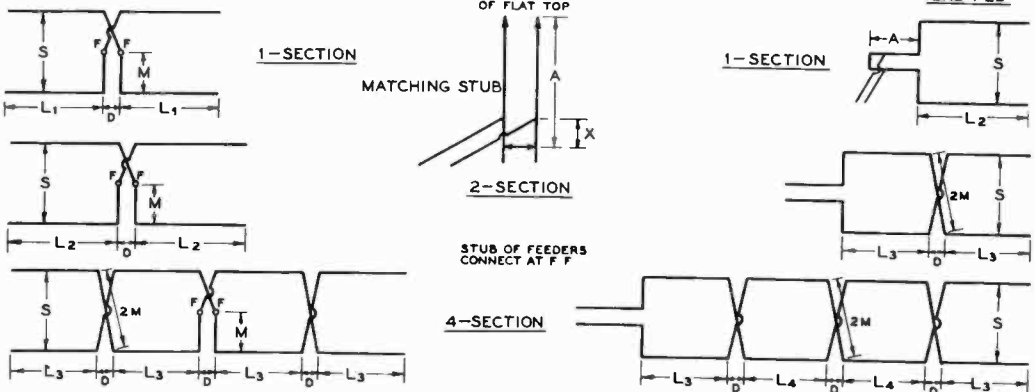


Figure 29

**COMPARATIVE VERTICAL RADIATION PATTERNS**

Showing the vertical radiation patterns of a horizontal single-section flat-top beam (A), an array of two stacked horizontal in-phase half-wave elements—half of a "Lazy H"—(B), and a horizontal dipole (C). In each case the top of the antenna system is 0.75 wavelength above ground, as shown to the left of the curves.



Band	S	L <sub>1</sub>	L <sub>2</sub>	L <sub>3</sub>	L <sub>4</sub>	M	D	A (1/4)	A (1/2)	A (3/4)	X
40	17'	33'6"	59'	51'8"	43'1"	8'8"	4'	26'	59'	94'	4'
20	8'8"	17'	30'	26'4"	22'	4'9"	2'	13'	30'	48'	2'
15	7'10"	12'8"	22'6"	18'3"	15'	4'0"	1'8"	10'6"	22'	36'	1'6"
10	5'2"	8'6"	15'	12'7"	10'	2'8"	1'6"	7'	15'	24'	1'

Figure 30

**FLAT-TOP BEAM (8JK ARRAY) DESIGN DATA**

Dimension chart for flat-top beam antennas. The meanings of the symbols are as follows: L<sub>1</sub>, L<sub>2</sub>, L<sub>3</sub>, L<sub>4</sub>, the lengths of the sides of the flat-top sections as shown. L<sub>1</sub> is length of the sides of single-section center-fed, L<sub>2</sub> single-section end-fed, L<sub>3</sub> 2-section center-fed, L<sub>4</sub> 4-section center-fed and end-sections of 4-section end-fed, and L<sub>4</sub> middle sections of 4-section end-fed.

- S, the spacing between the flat-top wires.
- M, the wire length from the outside to the center of each crossover.
- D, the spacing lengthwise between sections.
- A, Stub length (1/4, 1/2, 3/4 wavelength).
- X, the approximate distance above the shorting wire of the stub for the connection of a 600-ohm line. This distance, as given in the table, is approximately correct only for 2-section flat-tops. For single-section types it will be smaller and for 4-section types it will be larger.

The lengths given for a half-wave stub are applicable only to single-section center-fed flat-tops. To be certain of sufficient stub length, it is advisable to make the stub a foot or so longer than shown in the table, especially with the end-fed types. The lengths, A, are measured from the point where the stub connects to the flat-top.

Both the center and end-fed types may be used horizontally. However, where a vertical antenna is desired, the flat-tops can be turned on end. In this case, the end-fed types may be more convenient, feeding from the lower end.

greater directivity gain while maintaining a bidirectional characteristic. However, it must be kept in mind that to realize a worthwhile increase in directivity and gain while maintaining a bidirectional pattern the individual arrays must be spaced sufficiently to reduce the mutual impedance to a negligible value.

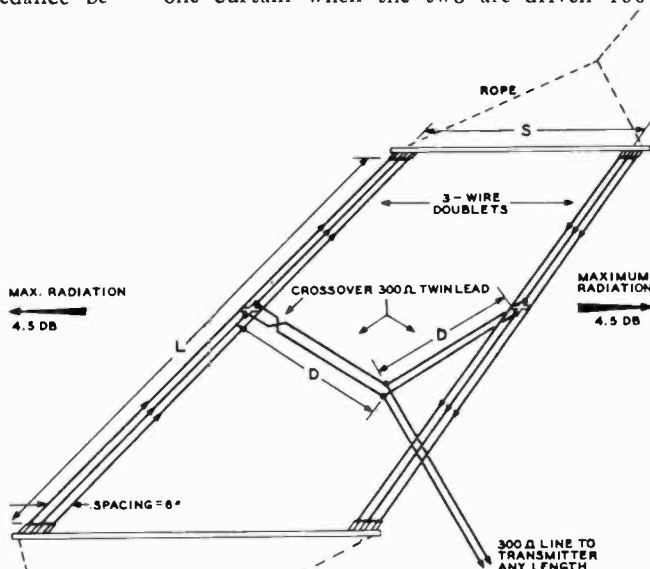
When two flat-top beams, for instance, are placed one above the other or end to end, a center spacing on the order of one wavelength is required in order to achieve a worthwhile increase in gain, or approximately 3 dB.

Thus it is seen that, while maximum gain occurs with two stacked dipoles at a spacing of about 0.7 wavelength and the space directivity gain is approximately 5 dB over one element under these conditions; the case of two flat-top or parasitic arrays stacked one above the other is another story. Maximum gain will occur at a greater spacing, and the gain over one array will not appreciably exceed 3 dB.

When two broadside curtains are placed one ahead of the other in end-free relationship, the aggregate mutual impedance be-

tween the two curtains is such that considerable spacing is required in order to realize a gain approaching 3 dB (the required spacing being a function of the size of the curtains). While it is true that a space-directivity gain of approximately 4 dB can be obtained by placing one half-wave dipole an eighth wavelength ahead of another and feeding them 180 degrees out of phase, a gain of less than 1 dB is obtained when the same procedure is applied to two large broadside curtains. To obtain a gain of approximately 3 dB and retain a bidirectional pattern, a spacing of many wavelengths is required between two large curtains placed one ahead of the other.

A different situation exists, however, when one driven curtain is placed ahead of an identical one and the two are phased so as to give a unidirectional pattern. When a unidirectional pattern is obtained, the gain over one curtain will be approximately 3 dB regardless of the spacing. For instance, two large curtains one placed a quarter wavelength ahead of the other may have a space-directivity gain of only 0.5 dB over one curtain when the two are driven 180



**Figure 31**  
**THE TRIPLEX FLAT-TOP**  
**BEAM ANTENNA FOR**  
**10, 15, AND 20 METERS**

DIMENSIONS				
	10M	15M	20M	MATERIAL
L	15' 0"	21' 5"	32' 2"	THREE #12 WIRES, SPACED 3"
S	5' 6"	7' 6"	11'	
D	7' 2"	10' 7"	14' 4"	300-OHM RIBBON

degrees out of phase to give a bidirectional pattern (the type of pattern obtained with a single curtain). However, if they are driven in phase quadrature (and with equal currents) the gain is approximately 3 dB.

The directivity gain of a composite array also can be explained on the basis of the directivity patterns of the component arrays alone, but it entails a rather complicated picture. It is sufficient for the purpose of this discussion to generalize and simplify by saying that the greater the directivity of an end-fire array, the farther an identical array must be spaced from it in broadside relationship to obtain optimum performance; and the greater the directivity of a broadside array, the farther an identical array must be spaced from it in end-fire relationship to obtain optimum performance and retain the bidirectional characteristic.

It is important to note that while a bidirectional end-fire pattern is obtained with two driven dipoles when spaced anything under a half wavelength, and while the proper phase relationship is 180 degrees regardless of the spacing for all spacings not exceeding one half wavelength, the situation is different in the case of two curtains placed in end-fire relationship to give a bidirectional pattern. For maximum gain at zero wave angle, the curtains should be spaced an odd multiple of one-half wavelength and driven so as to be 180 degrees out of phase, or spaced an even multiple of one half wavelength and driven in the same phase. The optimum spacing and phase rela-

tionship will depend on the directivity pattern of the individual curtains used alone, and as previously noted the optimum spacing increases with the size and directivity of the component arrays.

A concrete example of a combination broadside and end-fire array is two Lazy H arrays spaced along the direction of maximum radiation by a distance of four wavelengths and fed in phase. The space-directivity gain of such an arrangement is slightly less than 9 dB. However, approximately the same gain can be obtained by juxtaposing the two arrays side by side or one over the other in the same plane, so that the two combine to produce, in effect, one broadside curtain of twice the area. It is obvious that in most cases it will be more expedient to increase the area of a broadside array than to resort to a combination of end-fire and broadside directivity.

One exception, of course, is where two curtains are fed in phase quadrature to obtain a unidirectional pattern and space-directivity gain of approximately 3 dB with a spacing between curtains as small as one quarter wavelength. Another exception is where very low angle radiation is desired and the maximum pole height is strictly limited. The two aforementioned Lazy H arrays when placed in endfire relationship will have a considerably lower radiation angle than when placed side by side if the array elevation is low, and therefore may *under some conditions* exhibit appreciably greater practical signal gain.

# HF Rotary Beam Antennas

The rotary beam antenna has become standard equipment for the vhf and upper-hf amateur bands. The rotary array offers many advantages, such as power gain, reduction in interference from undesired directions, compactness and the ability to quickly and easily change the azimuth direction.

The majority of hf rotary antennas are horizontally polarized, unidirectional parasitic type designs while the vhf rotary antenna may be either horizontally or vertically polarized, depending on local usage and the mode of communication desired. In most cases the arrays are self-supporting, being constructed of aluminum or wire elements with a metal or wood framework. The electrical design is mainly end-fire, with parasitic elements lying in a single plane. This design is chosen because it provides a maximum gain figure for a given antenna volume, without the need of interconnecting feedlines between array elements. The *parasitic beam antenna* makes use of elements whose currents are derived by radiation from a nearby driven element.

## 29-1 The Parasitic Beam

A beam antenna may be composed of a radiator, or driven element, plus an additional number of parasitic elements, unconnected to the driven element. The magnitude of current in the parasitic elements falls off rapidly with increasing distance from the driven element and thus there is a tendency to use relatively close spacing between the elements of a parasitic array.

The parasitic element intercepts and re-radiates energy from the driven element. The distance between the parasitic and the driven elements and the length of the parasitic ele-

ment determine how the field about the elements is modified by the presence of the parasitic. Both spacing and parasitic element length determine the phase difference between the intercepted and reradiated energy and proper adjustment of these variables can produce an array which exhibits power gain in a favored direction at the expense of radiation in unwanted directions. An infinite number of combinations of element spacing and parasitic length exists, which makes the problem of designing a multi-element parasitic array a complex one. As a result, many of the existing array designs are based on experimental data collected from the study of model antennas on an antenna range.

A *parasitic director element* is one that provides power gain in a direction through the element. It is generally shorter in length than the driven element and thus capacitive in reactance and leading in phase. A *parasitic reflector element* is one that provides power gain in a direction away from the element. It is generally longer than the driven element and thus inductive in reactance and lagging in phase.

The presence of a parasitic element tends to reduce the feedpoint resistance of the driven element for close spacings and to increase it for spacings greater than one-half wavelength. Optimum dimensioning of spacing and element lengths, moreover, can only be obtained over a very narrow frequency range, and the parasitic beam will work only over a relatively restricted band of frequencies. In most cases, the bandwidth of such an array is compatible with the width of the hf amateur bands.

The compactness of a parasitic beam antenna more than outweighs the disadvantage of the critical performance and no other antenna exists that can compare, size for size,



with the power gain and directional characteristics of the parasitic array.

**The Two Element Parasitic Beam** The parasitic beam, or Yagi array (named after Dr. Hidetsugu Yagi of Tokyo University), was invented in 1926 and first placed in service by radio amateurs about 1935. The simplest form of Yagi is a two element configuration with a very close spaced, resonant parasitic element (figure 1). This array provides bidirectional directivity with a power gain of about 3 dB, since in the X-Y plane only one-half as much energy is radiated as compared to a simple dipole. The front-to-back (F/B) ratio is unity. If the length of the parasitic element is increased by about 5 percent, the parasitic element now acts as a reflector, reducing radiation to the rear and providing a forward gain close to 6 dB (figure 2). The front-to-back ratio is now evident. By decreasing the length of the parasitic elements from resonance by about 5 percent, the parasitic element serves as a director, providing essentially the same directive pattern as before. Finally, both a reflector and a director may be combined to form a three-element parasitic beam providing a power gain of about 8.5 dB over a comparison dipole.

Generally speaking, the two-element parasitic beam provides the greatest amount of gain per unit size of any commonly used array. Such an antenna is capable of a signal gain of about 5.5 dB in real life, with a front-to-back ratio of 7 to 15 dB, depending on the adjustment of the parasitic element. The parasitic may be used either as a director or as a reflector.

**Element Spacing** The optimum spacing for the reflector case is approximately 0.13 wavelength and with adjustment of element length for maximum gain, a feedpoint resistance of about 23 ohms at the driven element will be observed. If the parasitic element is to be used as a director, optimum spacing between it and the driven element is 0.11 wavelength.

The general characteristics of a two-element parasitic array may be seen in charts 1, 2, and 3. The gain characteristics of a two-element array when the parasitic ele-

ment is used as a director or as a reflector are shown. It can be seen that the director provides a maximum of 5.3 dB gain at a

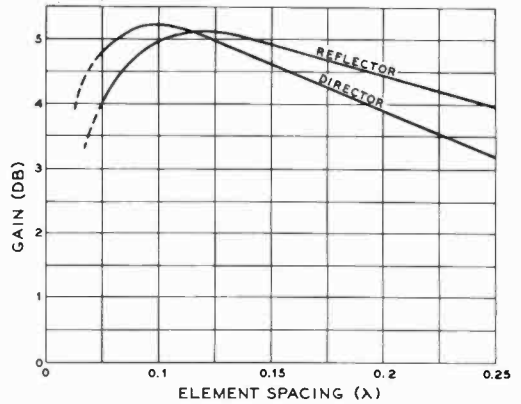


Chart 1.

### GAIN VERSUS ELEMENT SPACING FOR A TWO-ELEMENT CLOSE-SPACED PARASITIC BEAM ANTENNA WITH PARASITIC ELEMENT OPERATING AS A DIRECTOR OR REFLECTOR

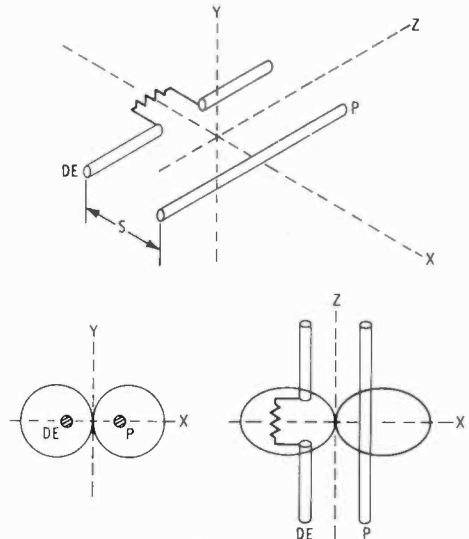


Figure 1

### DIRECTIONAL RESPONSE OF 2-ELEMENT PARASITIC BEAM

Close spaced, two-element parasitic beam having a resonant parasitic element provides a bidirectional pattern with 3 dB gain. A pronounced null exists along the Y-axis. Spacing between elements is approximately 0.04 wavelength. The radiation resistance of such a beam is about 2 ohms.

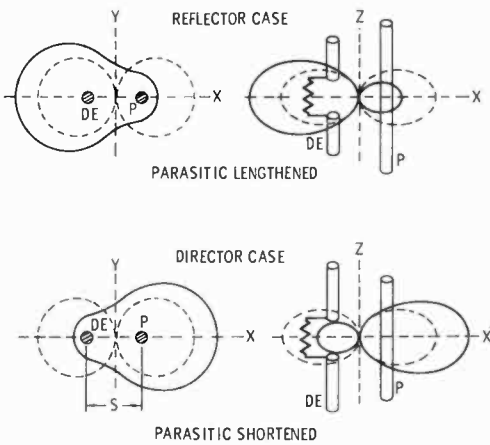


Figure 2

**DETUNED PARASITIC ELEMENT PROVIDES FRONT-TO-BACK RATIO**

If the parasitic element is detuned from resonance the beam pattern may be enhanced in one direction or the other as compared to the bidirectional case shown in figure 1. At a spacing of approximately 0.04 wavelength, the radiation resistance is about 3 ohms. By increasing the spacing between the elements to approximately 0.1 wavelength, the radiation resistance is raised to a more usable value of about 15 to 25 ohms. Power gain remains about the same, but the front-to-back ratio is degraded considerably for the director case. Practical values of the front-to-back ratio run from 7 to 15 dB at a power gain of about 5.5 dB.

spacing of slightly greater than 0.1 wavelength from the antenna. In the interests of greatest power gain and size conservation, therefore, the choice of a parasitic director would be wiser than the choice of a parasitic reflector, although the gain difference between the two is small.

Chart 2 shows the relationship between the element spacing and the radiation resistance for the two-element parasitic array for both the reflector and the director case. For either type of array, the radiation resistance falls in the 15- to 25-ohm region for typical spacings.

Chart 3 shows the front-to-back ratio for the two-element parasitic array for both the reflector and director cases. To produce these curves, the elements were tuned for maximum gain of the array. Better front-to-back ratios may be obtained at the expense of array gain, if desired, but the general shape of the curves remains the same. It can be readily observed that operation of

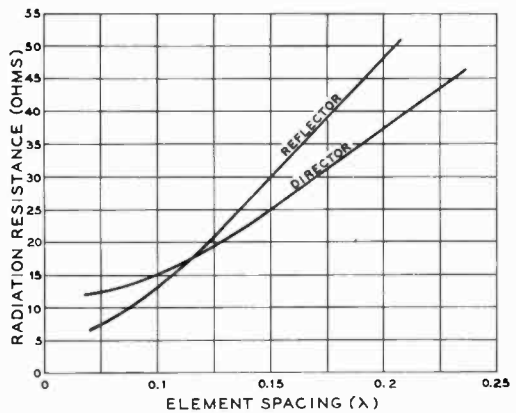


Chart 2.

**RADIATION RESISTANCE AS A FUNCTION OF THE ELEMENT SPACING FOR A TWO-ELEMENT PARASITIC ARRAY**

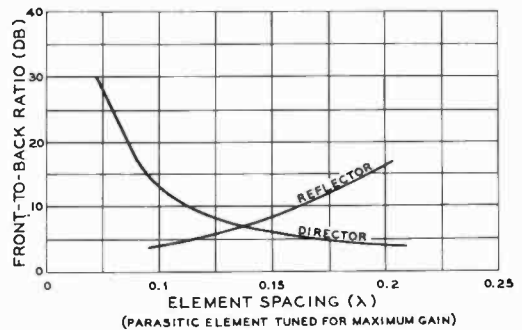


Chart 3.

**FRONT-TO-BACK RATIO AS A FUNCTION OF ELEMENT SPACING FOR A TWO-ELEMENT PARASITIC ARRAY**

the parasitic element as a reflector produces relatively poor front-to-back ratios except when the element spacing is greater than 0.15 wavelength. However, at this element spacing, the gain of the array begins to suffer.

Since a radiation resistance of 17 ohms is not unduly hard to match, it can be argued that the best all-around performance may be obtained from a two-element parasitic beam employing 0.11 element spacing, with the parasitic element tuned to operate as a director. This antenna will provide a forward gain of 5.3 dB, with a front-to-back ratio of about 10 dB or better. Closer spacing than this may be employed to provide better front-to-back ratio, but the radiation

resistance of the array becomes quite low, the bandwidth becomes very narrow, and the tuning becomes very critical. Thus the  $Q$  of the antenna increases as the element spacing is decreased and restricted frequency coverage is the result.

**Element Lengths** The length of the parasitic element in a Yagi antenna is affected by the diameter of the element, all other factors being equal. The smaller the element diameter, the greater will be the element length for a given set of operating conditions (Chart 4).

For the hf spectrum, and with element diameters of 1" to 2", the following dimensions for the two-element beam are applicable:

$$\text{Driven element length (feet)} = \frac{476}{F_{\text{MHz}}}$$

$$\text{Director length (feet)} = \frac{450}{F_{\text{MHz}}}$$

$$\text{Element spacing (feet)} = \frac{120}{F_{\text{MHz}}}$$

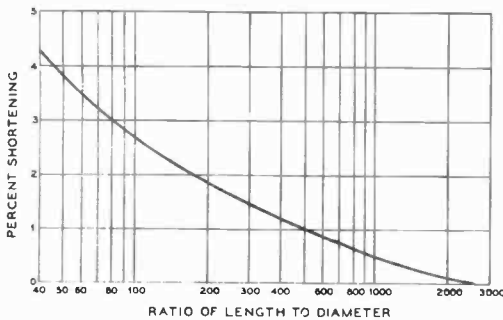


Chart 4.

### LENGTH-TO-DIAMETER RATIO AFFECTS LENGTH OF ELEMENT

When an element approximately a half-wavelength in length is constructed of material whose diameter is an appreciable fraction of the length, the resonant length will be shortened as illustrated in this graph. This particular chart applies to frequencies below approximately 54 MHz and applies to the basic formula where element length is expressed in  $476 / f_{(\text{MHz})}$ .

The effective bandwidth taken between the 1.5/1 standing-wave points of an array cut to the above dimensions is about 2.5 percent of the operating frequency. This

means that an array precut to a frequency of 14,150 kHz would have a bandwidth of 350 kHz (plus or minus 175 kHz of the center frequency), and therefore would be effective over the whole 20-meter band. In like fashion, a 15-meter array should be precut to 21,200 kHz.

A beam designed for use on the 10-meter band would have an effective bandwidth of some 700 kHz. Since the 10-meter band is 1700 kHz in width, the array should either be cut to 28,500 kHz for operation in the low-frequency portion of the band, or to 29,200 kHz for operation in the high-frequency portion of the band. Operation of the antenna outside the effective bandwidth will increase the SWR on the transmission line, and noticeably degrade both the gain and front-to-back ratio performance. The height above ground also influences the F/B ratio.

The bandwidth on the high-frequency side of the design frequency is limited at the frequency at which the director becomes self-resonant. At that frequency, the directional pattern of the array reverses itself and the parasitic element acts as a reflector instead of a director. For this reason, care is taken to make sure that director resonance falls outside the upper frequency limit of the amateur band, even if this means detuning the element slightly from the length that provides maximum gain at the design frequency. If the director is placed farther away from the driven element, the gain will be less than optimum, but the reversal effect will also be diminished.

A similar action takes place with the reflector when the array is operated lower than the design frequency, the reflector reversing itself and acting as a director at some critical frequency. Thus, the self-resonant frequency of the parasitic elements is the limiting factor in determining the operational bandwidth of a parasitic array.

## 29-2 The Multielement Parasitic Array

The three-element Yagi array is made up of a director, driven element and reflector. The practical power gain is about 8.5 dB over a dipole placed at the same height above ground and the front-to-back ratio runs

from 10 dB to 25 dB, depending on the antenna design. If close spacing is used, the operating bandwidth of the three-element beam is quite small and the front-to-back ratio deteriorates rapidly off the design frequency.

**Element Spacing** The optimum spacing for a two-element array is, as has been mentioned before, approximately 0.11 wavelength for a director and 0.13 wavelength for a reflector. However, when both a director and a reflector are combined with the driven element to make up a three-element array the optimum spacing is established by the bandwidth which the antenna will be required to cover. Wide spacing (of the order of 0.25 wavelength between elements) will result in greater bandwidth for a specified maximum standing-wave ratio on the antenna transmission line. Smaller spacings may be used when boom length is an important consideration, but for a specified standing-wave ratio and forward gain the frequency coverage will be smaller. Thus the  $Q$  of the antenna system will be *increased* as the spacing between the elements is *decreased*, resulting in smaller frequency coverage, and at the same time the feedpoint impedance of the driven element will be decreased.

For broad band coverage, such as the range from 28.0 to 29.7 MHz or from 50 to 54 MHz, 0.2 wavelength spacing from the driven element to each of the parasitic elements is recommended. For narrower bandwidth, such as would be adequate for the 14.0- to 14.4-MHz band or the 21- to 21.45-MHz band, the radiator-to-parasitic element spacing may be reduced to 0.12 wavelength, while still maintaining adequate array bandwidth for the amateur band in question.

The representative power gain as a function of overall boom length is expressed in Chart 5. It is possible, by proper design, to cut the size of a 3-element Yagi by about 25 percent and still obtain equivalent performance. Dimensional data for "compact" Yagis of this design are included later in this chapter. In all designs, the reflector-driven element and director-driven element spacings are approximately equal, but deviations from this balance are permissible for mechanical

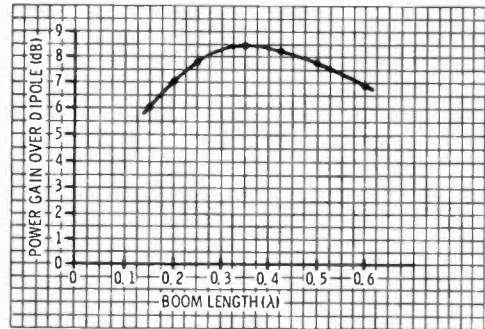


Chart 5.

### POWER GAIN AS A FUNCTION OF BOOM LENGTH

The representative gain of a three element beam is a function of the overall boom length. Actual power gain varies with the tuning of the elements. When tuned for maximum forward gain, maximum gain figure is obtained with a boom length of about 0.36 wavelength, with the spacing equally divided between the reflector and the director. At spacings much greater than this the mutual coupling between the elements tends to drop off and the gain of the antenna suffers. At 20 meters, this indicates the optimum boom length for maximum forward gain is about 25 feet in the case of a 3 element beam.

reasons. No evidence has been found that the use of uneven spacing of the elements in a small Yagi beam offers any advantage. Unequal spacing, however, is often employed in long, vhf Yagi designs to optimize performance.

**Element Length** Experience has shown that it is practical to cut the parasitic elements of a three-element parasitic array to a predetermined length before the installation of such an antenna. A pre-tuned antenna such as this will give good signal gain, adequate front-to-back ratio, and good bandwidth factor. By carefully tuning the array after it is in position the gain may be increased by a fraction of a dB, and the front-to-back ratio by several dB. However the slight improvement in performance is usually not worth the effort expended in tuning time.

The closer the lengths of the parasitic elements are to the resonant length of the driven element, the lower will be the feedpoint resistance of the driven element, and the smaller will be the bandwidth of the array. Hence, for wide frequency coverage

the director should be considerably shorter, and the reflector considerably longer than the driven element. For example, the director should still be less than a resonant half-wavelength at the upper frequency limit of the range wherein the antenna is to be operated, and the reflector should still be long enough to act as a reflector at the lower frequency limit. Another way of stating the same thing is to say, in the case of an array to cover a wide frequency range such as the amateur range from 28 to 29.7 MHz that the director should be cut for the upper end of the band and the reflector for the lower end of the band. In the case of the 28- to 29.7-MHz range this means that the director should be about 8 percent shorter than the driven element and the reflector should be about 8 percent longer. Such an antenna will show a relatively constant gain of about 6 dB over its range of coverage, and the pattern will not reverse at any point in the range.

Where the frequency range to be covered is somewhat less, such as the 14.0- to 14.4-MHz amateur band, or the lower half of the amateur 28-MHz phone band, the reflector should be about 5 percent longer than the driven element, and the director about 5 percent shorter. Such an antenna will perform well over its rated frequency band, will not reverse its pattern over this band, and will show a signal gain of 7 to 8 dB. See Table 1 for design figures for 3-element arrays.

**More Than Three Elements** Additional gain may be obtained through use of more than two parasitic elements, at the expense of reduced feedpoint impedance and lessened bandwidth (figure 3). One additional director will add about 1 dB, and a second additional director (making a total of five elements including the driven

element) will add slightly less than 1 dB more. In the vhf range, where the additional elements may be added without much difficulty, and where required bandwidths are small, the use of more than two parasitic elements is quite practical.

Doubling the number of directors boosts the overall gain figure by about 3 dB, as indicated in Table 1. Additional data on long Yagi antennas is included in the next chapter.

## 29-3 Building The Yagi Beam

The majority of hf Yagi beam antennas make use of elements made up of lengths of telescoping aluminum tubing. This assembly is easy to construct and avoids the problem of getting sufficiently good insulation at the ends of the elements, as the elements may be supported at the center with a minimum amount of sag.

Available tubing comes in 12-foot sections and 6061-T6 alloy is recommended as a good compromise between strength and ability to resist corrosion.

The element diameter depends on the size of the element. Generally speaking, a 20-meter Yagi element may be made of a center section of tubing about 1½" (3.81 cm) diameter, with end-sections made of 1⅛" (2.86 cm) diameter tubing. Alternatively, the element may be made of a 1½" diameter center section, intermediate sections of 1⅛" diameter tubing, and end sections of 1" (2.54 cm) tubing. Overall element length is determined by the distance the smaller sections are extended beyond the end of the center section (figure 4). For ease in telescoping, the difference in diameters (clearance) between the sections should be about 0.01" (0.025 cm).

**Table 1. Design Table for 3-Element Arrays**

TYPE	DRIVEN ELEMENT LENGTH	REFLECTOR LENGTH	1ST DIRECTOR LENGTH	2ND DIRECTOR LENGTH	3RD DIRECTOR LENGTH	SPACING BETWEEN ELEMENTS	APPROX. GAIN DB	APPROX. RADIATION RESISTANCE (Ω)
3-ELEMENT	$\frac{473}{F(\text{MHz})}$	$\frac{501}{F(\text{MHz})}$	$\frac{445}{F(\text{MHz})}$	—	—	.15-.15	7.5	20
3-ELEMENT	$\frac{473}{F(\text{MHz})}$	$\frac{501}{F(\text{MHz})}$	$\frac{450}{F(\text{MHz})}$	—	—	.25-.25	8.5	35
4-ELEMENT	$\frac{473}{F(\text{MHz})}$	$\frac{501}{F(\text{MHz})}$	$\frac{450}{F(\text{MHz})}$	$\frac{450}{F(\text{MHz})}$	—	.2-.2-.2	9.5	20
5-ELEMENT	$\frac{473}{F(\text{MHz})}$	$\frac{501}{F(\text{MHz})}$	$\frac{450}{F(\text{MHz})}$	$\frac{450}{F(\text{MHz})}$	$\frac{450}{F(\text{MHz})}$	.2-.2-.2-.2	10.0	15

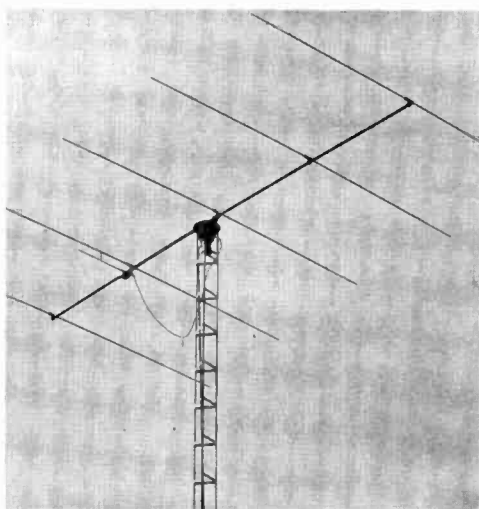


Figure 3

**FIVE ELEMENT 28-MHz BEAM ANTENNA AT W6SAI**

Antenna boom is made of twenty foot length of three-inch aluminum irrigation pipe. Spacing between elements is five feet. Elements are made of twelve foot lengths of 7/8-inch aluminum tubing, with extension tips made of 3/4-inch tubing. Beam dimensions are taken from Table 1.

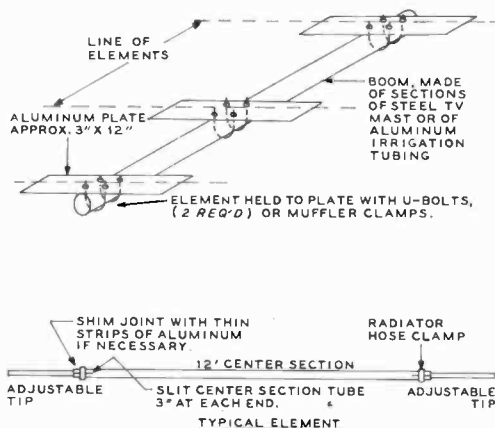


Figure 4

**3-ELEMENT ALL-METAL ANTENNA ARRAY**

All-metal configuration permits rugged, light assembly. Joints are made with U-bolts and metal plates for maximum rigidity.

For 15- and 10-meter beams, the center section of a typical element may be made of 1" diameter tubing, with end-sections of 7/8" (2.23 cm) diameter tubing.

In all cases, the greater the taper of the element from center to tip, the greater will be the element length.

**Material for the Boom** The stability and ruggedness of the Yagi antenna is primarily determined by the supporting boom. Small vhf arrays and small arrays for 6 and 10 meters can be built using a boom diameter of 1" (2.54 cm), or possibly less. For larger arrays, or for 15 and 20-meter 3-element Yagi arrays, a boom diameter of at least 2" (5.1 cm) is recommended, with a diameter of 3" (7.62 cm) suggested for areas having a harsh climate, or heavy wind conditions.

Regardless of boom diameter, the overall strength and stability of the assembly can be improved by the addition of a top truss, such as shown in figure 5.

For large hf arrays, including 40-meter beams, a 3" diameter boom having a wall thickness of 0.065" (0.17 cm) is suggested.

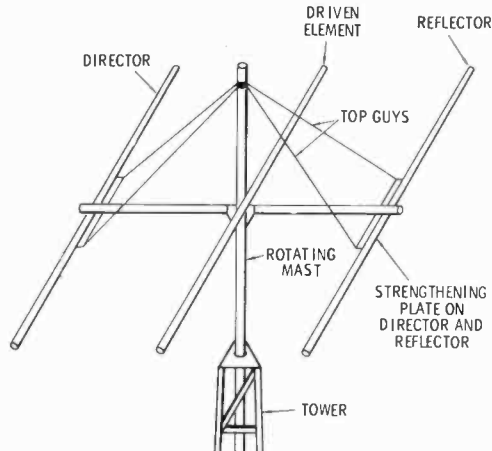


Figure 5

**GUY WIRES FORM TRUSS TO STRENGTHEN ROTARY BEAM**

A top truss will reduce boom sag and strengthen the beam assembly. Mast is extended above the beam and two guy wires are run to reflector and director elements. The elements can be strengthened by adding short plates at the center, the guy wires attaching to holes in the ends of the plates. The guy wires should be broken up with strain insulators.

**Stacking of Yagi Arrays** Parasitic arrays (yagis) may be stacked to provide additional gain in the same manner that dipoles may be stacked. Thus if an array of six dipoles would give a gain of 10 dB, the substitution of yagi arrays for each of the

dipoles would add the gain of *one* yagi array to the gain obtained with the dipoles. However, the yagi arrays *must be more widely spaced* than the dipoles to obtain this theoretical improvement. As an example, if six 5-element yagi arrays having a gain of

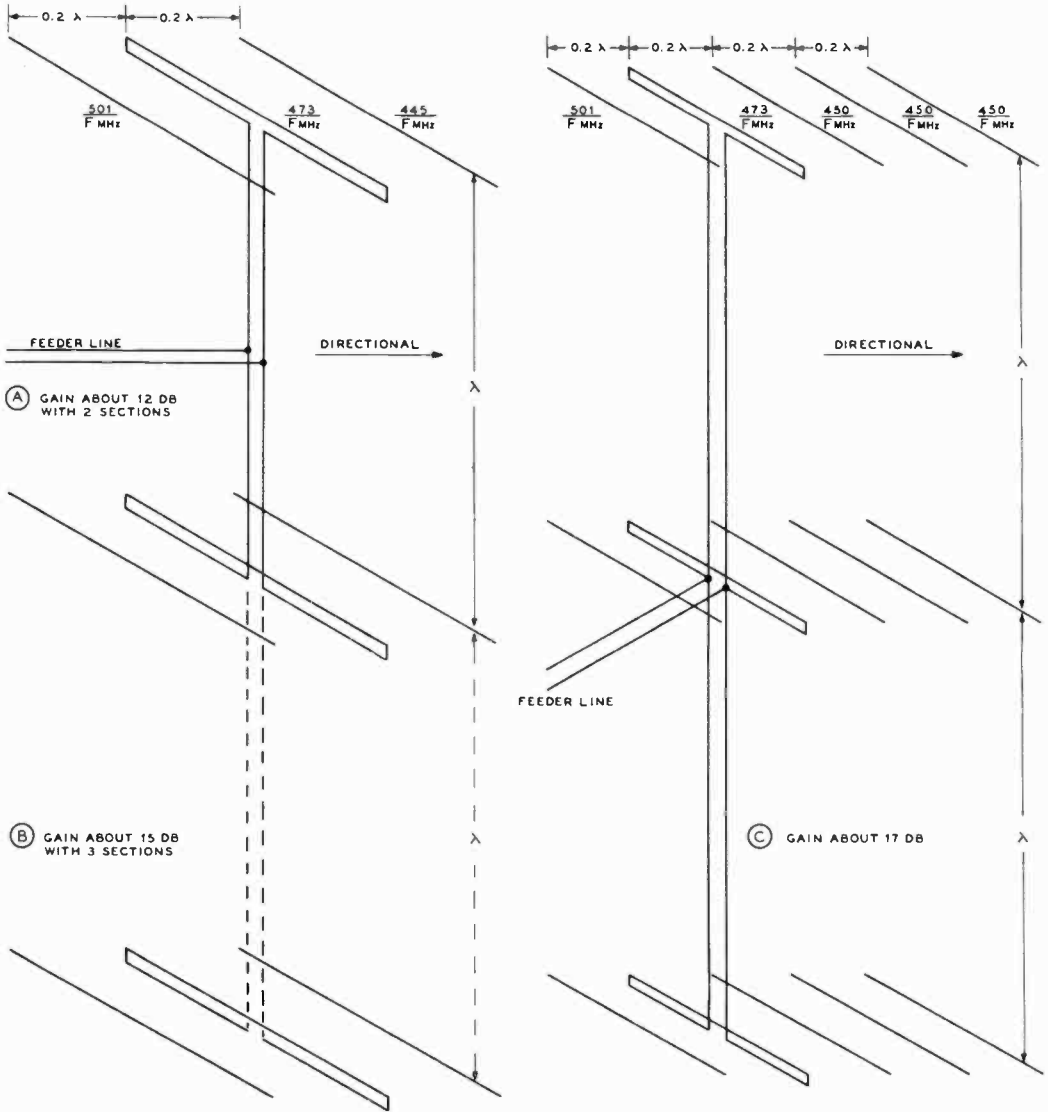


Figure 6

**STACKED YAGI ARRAYS**

It is possible to attain a relatively large amount of gain over a limited bandwidth with stacked yagi arrays. The two-section array at A will give a gain of about 12 dB, while adding a third section will bring the gain up to about 15 dB. Adding two additional parasitic directors to each section, as at C will bring the gain up to about 17 dB

about 10 dB were substituted for the dipoles, with appropriate increase in the spacing between the arrays, the gain of the whole system would approach the sum of the two gains, or 20 dB. A group of arrays of yagi antennas, with recommended spacing and approximate gains, is illustrated in figure 6.

Additional data on stacked arrays is given in the next chapter.

## 29-4 Feed Systems for Parasitic Arrays

Table 1 gives, in addition to other information, the approximate radiation resistance referred to the center of the driven element of multielement parasitic Yagi arrays. It is obvious, from these low values of radiation resistance, that special care must be taken in materials used and in the construction of the elements of the array to ensure that ohmic losses in the conductors will not be an appreciable percentage of the radiation resistance. It is also obvious that some method of impedance transformation must be used in many cases to match the low radiation resistance of these antenna arrays to the normal range of characteristic impedance used for antenna transmission lines.

The various matching systems described in chapter 26 apply to Yagi beams in general. Many homemade beams employ either the gamma or the omega match for ease of adjustment, whereas commercial arrays generally employ a balun matching system for economic reasons. In most cases, it is not mechanically desirable to break the center of the driven element for feeding the system, especially in the hf beam assemblies. Breaking the driven element rules out the practicability of building an all-metal array, and imposes mechanical limitations with any type of construction.

When continuous rotation is desired, an arrangement such as shown in figure 7D may be employed, utilizing a split driven element. This rotary link system is a simple transformer using two coupling rings about 10" (25.4 cm) in diameter constructed of copper tubing. One ring is supported from the rotating structure and the other from the fixed structure by means of standoff insulators. The capacitor (C) is adjusted for mini-

mum SWR on the line after the antenna has been tuned to frequency. A coaxial line and 4-to-1 balun transformer may take the place of the open wire transmission line. The dimensions shown will operate with either 20-, 15-, or 10-meter low impedance driven elements. The rings are parallel and lie in a plane normal to the axis of rotation of the array. The supporting pipe for the array passes through the center of the rotary rings.

## 29-5 The Miniature Beam

A parasitic array may be built of short, electrically loaded elements in place of the more common half-wavelength elements. In addition, element spacing may be reduced severely to make the overall beam dimensions small in terms of the operating wavelength. In order to obtain the benefits of small physical size, the miniature beam must sacrifice both power gain and bandwidth to some degree. The overall loss of performance is dependent to a large extent on the r-f losses incurred in the loading system.

The usual technique is to employ high-Q loading coils or stubs, as shown in figure 8. Some designs have used helical wound elements to achieve reduced size.

It is difficult to predict the result of reducing the size of a beam antenna as much depends on the mechanical construction and electrical efficiency of the loading system, and this must be determined on a case by case basis. Linear loading techniques have met with some success, as attested to the popularity of this design as employed with compact 40-meter beam antennas.

Design information for a compact, 3-element Yagi antenna for 40-, 20-, 15-, or 10-meter operation is given in figure 9. This design uses full size elements and minimum boom length to achieve high gain with the smallest possible overall size.

## 29-6 Three-Band Beams

A popular form of beam antenna is the so-called *three-band beam*. An array of this type is designed to operate on three adjacent amateur bands, such as the 10-, 15-, and 20-meter group. The principle of operation of this form of antenna is to employ



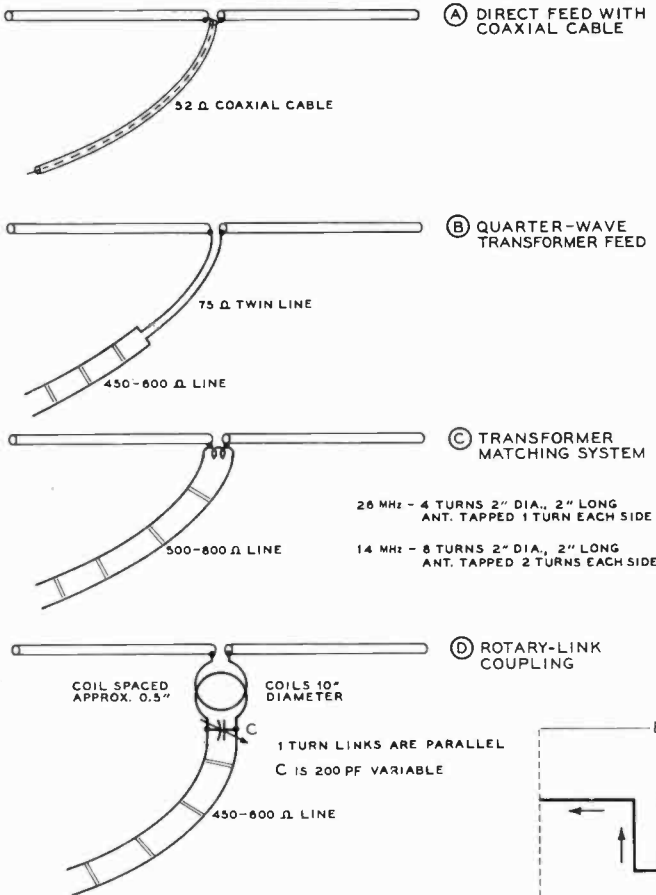


Figure 7  
**FEED SYSTEMS  
 WHERE THE DRIVEN  
 ELEMENT MAY BE  
 BROKEN IN THE  
 CENTER**

parallel-tuned circuits placed at critical positions in the elements of the beam which serve to electrically connect and disconnect the outer sections of the elements as the frequency of excitation of the antenna is changed. A typical three-band element is shown in figure 10. At the lowest operating frequency, the tuned *traps* exert a minimum influence on the element which resonates at a frequency determined by the electrical length of the configuration, plus a slight degree of loading contributed by the traps. At some higher frequency (generally about 1.5 times the lowest operating frequency) the outer set of traps is in a parallel resonant condition, placing a high impedance between the element and the tips beyond the traps. Thus, the element resonates at a frequency 1.5 times higher than that determined by the overall length of the element. As the frequency of operation is raised to

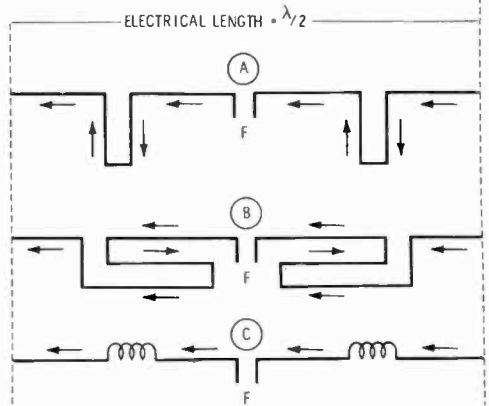


Figure 8

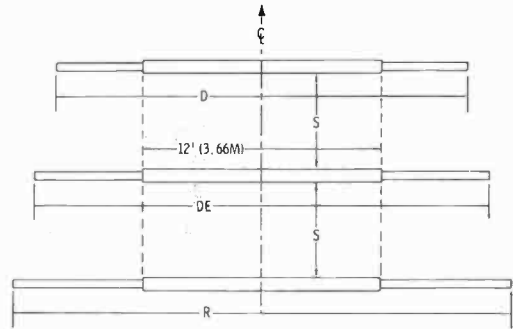
**THE LOADED HALF-WAVE ELEMENT**

Short, electrically loaded elements may be substituted for a full size element in a parasitic array. (A)—A portion of the dipole on each side of the center feedpoint is folded down to conserve space. The folded portion does not radiate as the wires carry opposite and nearly-equal currents. (B)—The folded portions of the elements are laid back against the center section of the element. (C)—An inductor is substituted for the folded portion of the element. The farther from the center the loading devices are, the larger they must be for a given resonant frequency of the element.

Figure 9

COMPACT THREE-ELEMENT BEAM

This precut three-element beam performs well and provides a good front-to-back ratio. Dimensions are given for all-band coverage, except for 10 meters, where the beam is cut for the 28.0- to 29.0-MHz portion. Dimensions are given for elements having a minimum taper. For a 2-to-1 diameter taper, all lengths should be increased by about five percent. Length of the driven element may vary slightly depending on the matching system used. Power gain is better than 7 dB and front-to-back ratio is greater than 25 dB.



DIMENSIONS

BAND	$D = \frac{465}{f \text{ (MHz)}}$		$DE = \frac{473}{f \text{ (MHz)}}$		$R = \frac{501}{f \text{ (MHz)}}$		$S = \frac{130}{f \text{ (MHz)}}$	
	FEET	METERS	FEET	METERS	FEET	METERS	FEET	METERS
40	65' 4"	19.91	66' 10"	20.32	70' 8"	21.60	18' 0"	5.50
20	32' 8"	9.96	33' 5"	10.16	35' 4"	10.82	9' 0"	2.75
15	21' 10"	6.68	22' 4"	6.81	23' 7"	7.25	6' 2"	1.87
10	16' 4"	4.98	16' 8"	5.08	17' 8"	5.41	4' 6"	1.37

approximately 2.0 times the lowest operating frequency, the inner set of traps becomes resonant, effectively disconnecting a larger portion of the element from the driven section. The length of the center section is resonant at the highest frequency of operation. The center section, plus the two adjacent inner sections are resonant at the intermediate frequency of operation, and the complete element is resonant at the lowest frequency of operation.

The efficiency of such a system is determined by the accuracy of tuning of both the element sections and the isolating traps. In addition the combined dielectric losses of

the traps affect the overall antenna efficiency. As with all multipurpose devices, some compromise between operating convenience and efficiency must be made with antennas designed to operate over more than one narrow band of frequencies. Taking into account the theoretical difficulties that must be overcome it is a tribute to the designers of the better multiband beams that they perform as well as they do.

**The Isolating Trap**

The parallel-tuned circuit which serves as an isolating trap for a multiband antenna should combine high circuit Q with good environmental protection. A highly satisfactory trap configuration based on the original design of W3DZZ is shown in figure 11. The trap capacitor, which has a value of about 25 pF is made of two sections of aluminum tubing which form a portion of the antenna element. The capacitor dielectric is molded lucite, or similar plastic material, given a coat of epoxy to help resist crazing and cracking caused by exposure to sunlight. The coil is wound of No. 8 aluminum wire and, with the capacitor placed within it, has a Q of nearly 300. The leads of the coil are bent around the tubing and a small aluminum block is used

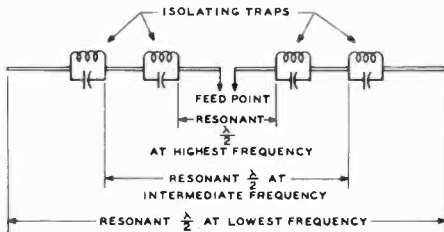


Figure 10

TRAP-TYPE "THREE-BAND" ELEMENT

Isolating traps permit dipole to be self-resonant at three widely different frequencies.

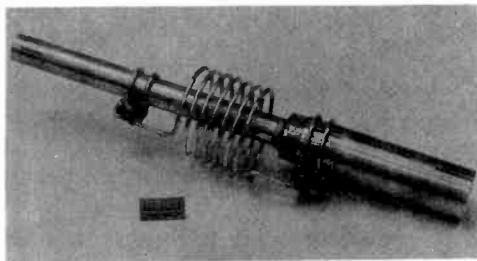


Figure 11

## HIGH-Q ISOLATING TRAP

This trap has a Q of nearly 300 and is well suited for multiband antennas. The coil is wound of No. 8 aluminum clothesline wire and is 3" in diameter and 3" long. The 15-meter trap has seven turns (illustrated) and the 10-meter trap has five turns. The capacitor is made from two lengths of aluminum tubing, coaxially aligned in a lucite dielectric. Capacitor length is about five inches and tubing sizes are  $\frac{3}{4}$  inch and  $1\frac{1}{4}$ -inch. Capacitance is about 25 pF. Lucite projects from end of capacitor to form  $\frac{1}{2}$ -inch collar which is coated with epoxy to prevent deterioration of the dielectric under exposure to sunlight. Similar traps have been made using teflon as a dielectric material. Ends of aluminum tubes are slotted to facilitate assembly to antenna elements.

to form an inexpensive clamp. If desired, an aluminum cable clamp may be substituted for the homemade device.

The isolating trap is usually tuned to the lower edge of an amateur band, rather than to the center, to compensate for the length of the unit. In general, the 15-meter trap is tuned to approximately 20.8 MHz and the 10-meter trap is tuned near 27.8 MHz. The trap frequency is not critical within a few hundred kilohertz. Resonance is established by squeezing or expanding the turns of the coil while the trap is resonated on the bench with a grid-dip oscillator and a calibrated receiver.

A substitute for the molded capacitor may be made up of two 40 pF, 5-kV ceramic capacitors connected in series (*Centralab 850S-50Z*) and mounted in a length of phenolic tubing of the proper diameter to slip within the aluminum antenna sections. The trap coil is then wound about the capacitor assembly in the manner shown in the photograph.

A complete discussion of Yagi antennas of all types, including the tribander, is contained in the *Beam Antenna Handbook*,

available from Radio Publications, Inc., Wilton, Conn., 06897.

## 29-7 The Cubical Quad Beam

The *Cubical Quad* beam is a parasitic array whose elements consist of closed loops having a circumference of one wavelength at the design frequency. The loops may take a diamond, square, or triangular shape (figure 12). The Quad beam has proven to be a very effective antenna and provides somewhat enhanced gain over a Yagi having an equal number of elements.

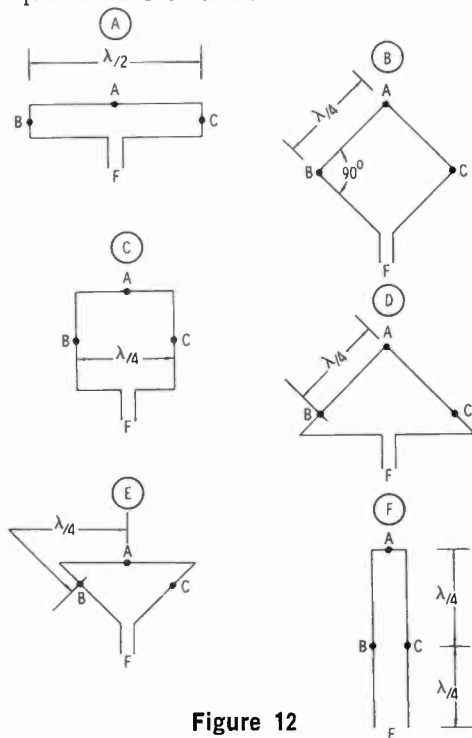


Figure 12

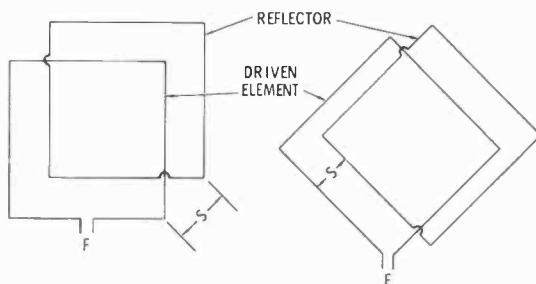
## EVOLUTION OF THE QUAD LOOP

The Quad loop evolves from the folded dipole (A) and may take a diamond, square, or triangular shape (B, C, D, E). The Quad is fed at a high current point with a balanced feed system. If the feedpoint F is closed, and the Quad loop opened at either point B or C, vertical polarization will result. The limiting case is a two wire, shorted transmission line (F), which represents the folded dipole pulled open to the maximum amount. All of these loops shown provide about 1.5 dB gain over the folded dipole. The configurations of (D) and (E) provide vertical as well as horizontal polarization.

One advantage of the Quad configuration is that a smaller array for a higher frequency band can be readily placed within a larger, lower frequency array, facilitating the construction of a compact, high gain beam for 20, 15, and 10 meters on a small frame.

The wave polarization of a Quad array is a function of the placement of the feed-point on the driven loop. When fed at the center of the horizontal side, the Quad is horizontally polarized and is vertically polarized when fed at the center of a vertical side. The parasitic elements, being closed loops, function equally well regardless of the polarization of the driven element.

The power gain of a driven Quad loop is about 1.4 dB over a dipole and the addition of parasitic loop elements brings the gain up in the same ratio as adding the equivalent elements to a Yagi array. Thus, element for element, the Quad exhibits about 1.4 dB more overall gain than an equivalent Yagi on the same length boom.



BAND	LENGTH OF SIDE				SPACING(S)	
	DRIVEN ELE.		REFLECTOR		FEET	METERS
	FEET	METERS	FEET	METERS		
40	35' 2"	10.76	36' 4"	11.08	17' 0"	5.2
20	17' 8"	5.38	18' 2"	5.36	8' 6"	2.6
15	11' 8"	3.56	12' 3"	3.74	5' 7"	1.7
10	8' 8"	2.65	9' 1"	2.77	4' 2"	1.3

Figure 13

THE TWO-ELEMENT QUAD BEAM

This simple, 2-element Quad provides a power gain of nearly 7.3 dB over a dipole. The antenna may be fed with either a 50- or 75-ohm coaxial line and 1-to-1 balun. Spacing (S) is not critical. The framework shown in figure 14 may be used with this array.

**The Quad Loop** The Quad loop may be compared to a "pulled open" folded dipole as shown in figure 12. If the loop is stretched past the Quad configuration, it ultimately becomes a two-wire transmission line, one-half wavelength long, shorted at the far end. The input impedance of the loop is about half that of the folded dipole, or approximately 140 ohms. The loop exhibits a figure-8 radiation pattern similar to the dipole.

**The Two-Element Quad** The conventional two-element Quad for hf operation is horizontally polarized and the parasitic element is tuned as a reflector (figure 13). At a spacing of about 0.13 wavelength, the Quad provides a power gain of nearly 7.3 dB over a dipole mounted at the median height of the Quad. The gain curve for a change in element spacing is quite flat for spacings between 0.1 and 0.2 wavelength. The radiation resistance, at a spacing of 0.13 wavelength is very close to 60 ohms.

The angle of radiation above the horizontal of a two-element Quad resembles that of a dipole or Yagi at the higher elevation angles. However, because of the effect of stacking, the angle of radiation for a Quad antenna at

the lower heights is appreciably below that of a dipole or Yagi array. At a height of 1/2-wavelength, for example, the angle of radiation of the main lobe of a Quad antenna is about 4° below that of a dipole. At an elevation of 3/8-wavelength, the angle of radiation of a Quad is nearly 10° below that of a dipole and, at a height of 1/4-wavelength the dipole is almost useless as most of the radiation is directed upwards. The Quad antenna, however, at the same height holds the main lobe at an angle of 40° above the horizon. Thus for low heights, the Quad antenna provides an appreciably lower angle of radiation than does either the dipole or the Yagi array.

**Element Dimensions** Element lengths for the Quad antenna may be expressed in terms of the circumference of the loop, regardless of whether the shape of the element is square, diamond, triangular

or circular. The following formulas apply to hf Quads made of wire:

Circumference of driven element:

$$\text{Feet} = \frac{1005}{f_{(\text{MHz})}}$$

$$\text{Meters} = \frac{306.5}{f_{(\text{MHz})}}$$

Circumference of director element:

$$\text{Feet} = \frac{975}{f_{(\text{MHz})}}$$

$$\text{Meters} = \frac{297.4}{f_{(\text{MHz})}}$$

Circumference of reflector element:

$$\text{Feet} = \frac{1030}{f_{(\text{MHz})}}$$

$$\text{Meters} = \frac{314.2}{f_{(\text{MHz})}}$$

**A Simple Quad Framework** Shown in figure 14 is an all-metal support structure for a 2-element Quad. Built of thin wall conduit pipe and angle iron, this "spider" will accommodate bamboo or *Fiber-glas* arms of sufficient length for a 20-, 15-, or 10-meter Quad, or an interlaced triband version. The "spider" is made in two parts so the elements may be assembled on the ground and carried to the top of the tower for final assembly. Boom length is only two feet, so the entire Quad can be easily supported by a single person.

When the structure is completed, it should be given a good coat of antirust paint, followed by a coat of heavy duty, outdoor paint to retard rust and corrosion. All hardware should be either stainless steel, or heavily plated.

**The Multielement Quad** The three-element Quad provides improved gain and front-to-back ratio over a two-element design but few antennas of this type are used since the center element

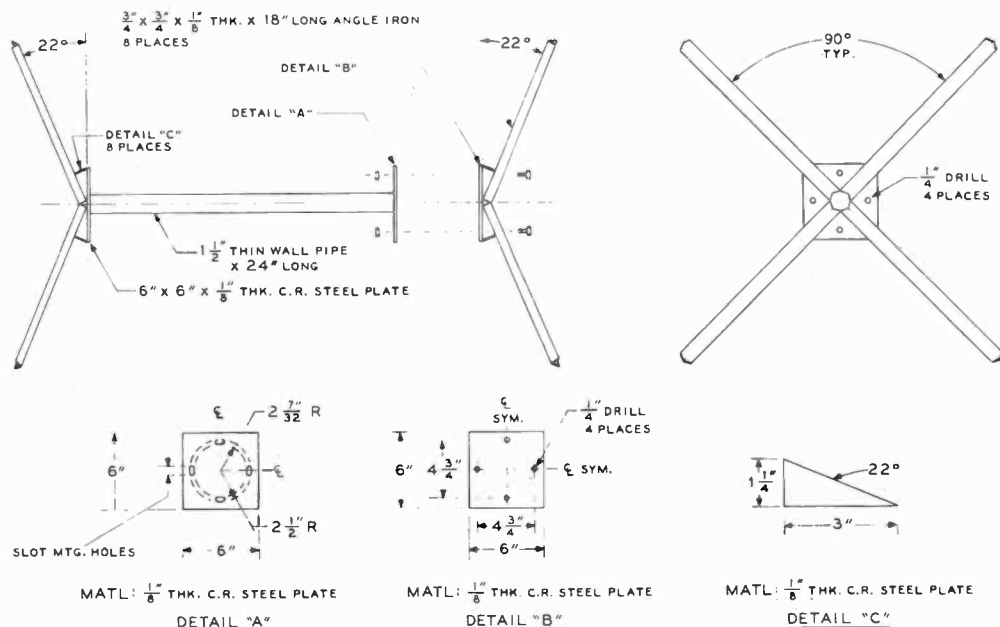


Figure 14

SPIDER CENTER STRUCTURE FOR QUAD ANTENNA

tends to interfere with the rotational and support system of the antenna. The four-element Quad, on the other hand, is quite popular as it is symmetrical with respect to the supporting structure and does not interfere with the rotating system.

The four-element Quad provides a power gain of about 10.5 dB over a dipole, and about 1.7 dB over a four-element Yagi beam mounted on the same length boom. Dimensions for a typical four-element Quad are shown in figure 15. The boom length is 30 feet, made up of two sections of 2 1/2" (6.4 cm) aluminum tubing having an 0.065" (0.17 cm) wall. Material is 6061-ST6. The sections are joined by a short section of tubing machined to slip-fit within the boom sections.

The elements are supported on *Fiberglas* arms mounted to the boom with cast alumi-

num fittings. A simple gamma match is used to provide adjustment and the antenna is fed with a coaxial transmission line.

A complete discussion of Quad antennas of all types is contained in the book, *All About Cubical Quad Antennas*, available from Radio Publications, Inc., Wilton, Conn., 06897.

### 29-8 The Driven Array

Multielement beams may be composed of driven elements, rather than parasitically excited elements. This arrangement provides somewhat greater frequency coverage than does the parasitically excited array. Shown in figure 16 is the so-called *ZL-Special*, two-element driven array. Half-wave elements are used, fed at the center with a transposed feedline. The antenna provides a cardioid

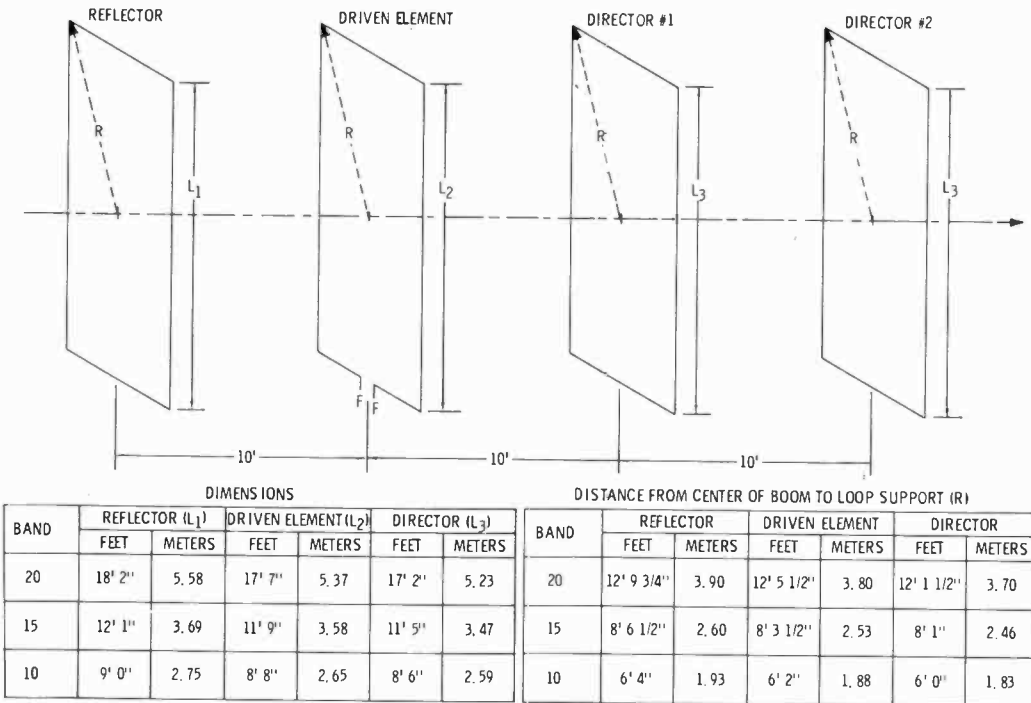


Figure 15

#### FOUR-ELEMENT QUAD BEAM PROVIDES 10.5 dB GAIN

Mounted on a 30-foot boom for 20 meters, this antenna provides a power gain of over ten times. A multiband Quad for 20, 15, and 10 meters may be built on the boom, using these dimensions. Alternatively, the boom may be shortened to 22 feet for a 15-meter Quad, or to 15 feet for a 10-meter version. For 3-band operation, the driven loops are connected in parallel at the feedpoint (F-F) and fed with a 1-to-1 balun and 50-ohm coaxial line. Additional feed information is given in the Quad handbook, discussed in the text.

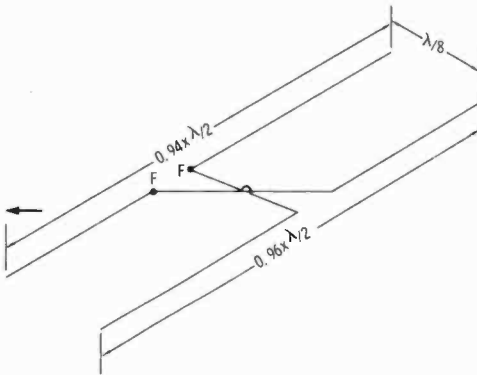


Figure 16

**TWO-ELEMENT PHASED ARRAY**

The "ZL-Special" two-element phased array provides about 3 dB gain over a dipole antenna. The forward element is cut slightly shorter than the rear element so as to improve the front-to-back ratio. The cross-connected feedline between elements is cut to provide a 135° phase difference between the elements. Since the line is transposed, the actual electrical length is 45°. For an air-insulated line, this corresponds to a length of 1/4-wavelength.

pattern with a power gain of about 3 dB over a dipole.

Various other types of unidirectional driven arrays are illustrated in figure 17. The array shown in figure 17A is an end-fire system which may be used in place of a parasitic array of similar dimensions when greater frequency coverage than is available with the yagi type is desired. Figure 17B is a combination end-fire and collinear system which will give approximately the same gain as the system of figure 17A, but which requires less boom length and greater total element length. Figure 17C illustrates the familiar lazy-H with driven reflectors (or directors, depending on the point of view) in a combination which will show wide bandwidth with a considerable amount of forward gain and good front-to-back ratio over the entire frequency coverage.

**Unidirectional Stacked Broadside Arrays** Three practical types of unidirectional stacked broadside arrays shown in figure 18. The first type, shown at figure 18A, is the simple lazy-H type of antenna with parasitic reflectors for each element. Figure 18B shows a simpler antenna

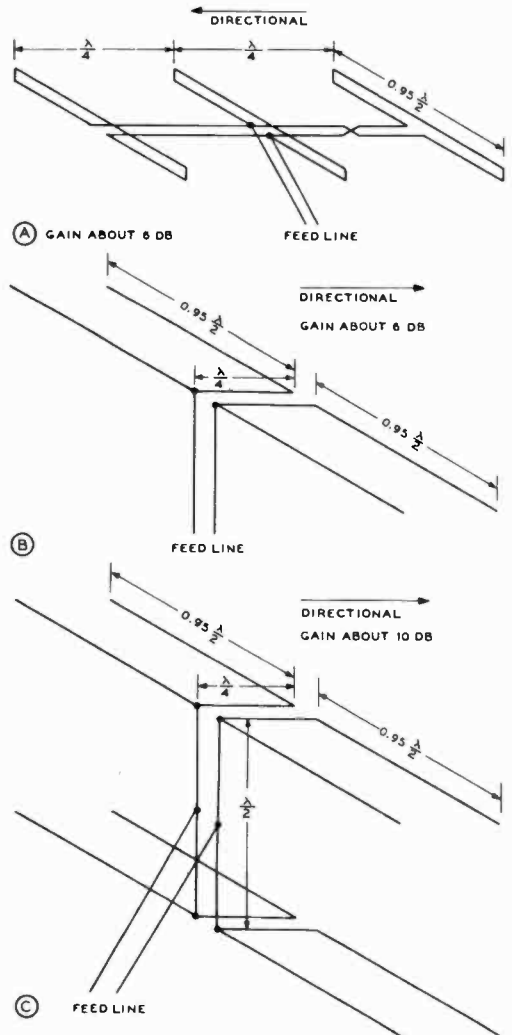


Figure 17

**UNIDIRECTIONAL ALL-DRIVEN ARRAYS**

A unidirectional all-driven end-fire array is shown at A. B shows an array with two half waves in phase with driven reflectors. A lazy-H array with driven reflectors is shown at C. Note that the directivity is through the elements with the greatest total feedline length in arrays such as shown at B and C.

array with a pair of folded dipoles spaced one-half wave vertically, operating with reflectors. In figure 18C is shown a more complex array with six half waves and six reflectors which will give a very worthwhile amount of gain.

In all three of the antenna arrays shown the spacing between the driven elements and the reflectors has been shown as one-quarter wavelength. This has been done to eliminate the requirement for tuning of the reflector, as a result of the fact that a half-wave element spaced exactly one-quarter wave from a driven element will make a unidirectional array when both elements are the same length. Using this procedure will give a gain of 3 dB with the reflectors over the gain without the reflectors, with only a moderate decrease in the radiation resistance of the driven element. Actually, the radiation resistance of a half-wave dipole goes down from 73 ohms to 60 ohms when an

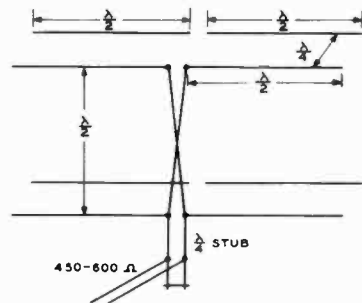
identical half-wave element is placed one-quarter wave behind it.

A very slight increase in gain for the entire array (about 1 dB) may be obtained at the expense of lowered radiation resistance, the necessity for tuning the reflectors, and decreased bandwidth by placing the reflectors 0.15 wavelength behind the driven elements and making them somewhat longer than the driven elements. The radiation resistance of each element will drop approximately to one-half the value obtained with untuned half-wave reflectors spaced one-quarter wave behind the driven elements.

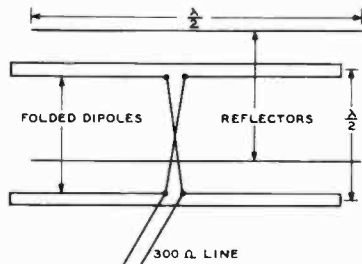
Antenna arrays of the type shown in figure 18 require the use of some sort of lat-

**Figure 18**  
**BROADSIDE ARRAYS**  
**WITH PARASITIC**  
**REFLECTORS**

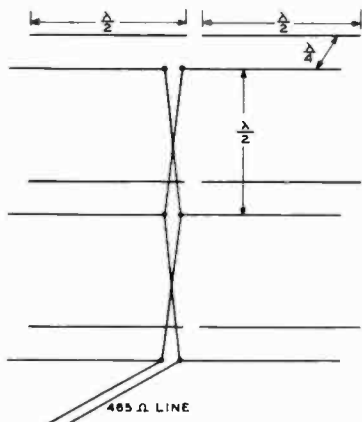
The apparent gain of the arrays illustrated will be greater than the values given due to concentration of the radiated signal at the lower elevation angles.



(A)  
"LAZY H" WITH REFLECTOR  
GAIN APPROX. 9 DB



(B)  
BROADSIDE HALF-WAVES  
WITH REFLECTORS  
GAIN APPROX. 7 DB



(C)  
"TWO OVER TWO OVER TWO"  
WITH REFLECTORS  
GAIN APPROX. 11.5 DB



tice work for the supporting structure since the arrays occupy appreciable distance in space in all three planes.

**Feed Methods** The requirements for the feed systems for antenna arrays of the type shown in figure 18 are less critical than those for the close-spaced parasitic arrays shown in the previous section. This is a natural result of the fact that a larger number of the radiating elements are directly fed with energy, and of the fact that the effective radiation resistance of each of the driven elements of the array is much higher than the feedpoint resistance of a parasitic array. As a consequence of this fact, arrays of the type shown in figure 18 can be expected to cover a somewhat greater frequency band for a specified value of standing-wave ratio than the parasitic type of array.

In most cases a simple open-wire line may be coupled to the feedpoint of the array without any matching system. The standing-wave ratio with such a system of feed will often be less than 2-to-1. However, if a more accurate match between the antenna transmission line and the array is desired a conventional quarter-wave stub, or a quarter-wave matching transformer of appropriate impedance, may be used to obtain a low standing-wave ratio.

### 29-9 Tuning the Parasitic Array

Although satisfactory results may be obtained in most cases by precutting the antenna elements to the dimensions given earlier in this chapter, the occasion might arise when it is desired to retune the parasitic beam, or to check on the operation of the antenna. The following information applies to the Yagi antenna, but the same general process applies to any parasitic array, such as the Quad.

The process of tuning an array may satisfactorily be divided into two more or less distinct steps: the actual tuning of the array for best front-to-back ratio or for maximum forward gain, and the adjustment to obtain the best possible impedance match between the antenna transmission line and the feedpoint of the array.

**Tuning the Array** The actual tuning of the array for best front-to-back ratio or maximum forward gain may best be accomplished with the aid of a low-power transmitter feeding a dipole antenna (polarized the same as the array being tuned) at least four or five wavelengths away from the antenna being tuned and located at the same elevation as that of the antenna under test. A calibrated field-strength meter of the remote-indicating type is then coupled to the feedpoint of the antenna array being tuned. The transmissions from the portable transmitter should be made as short as possible and the call sign of the station making the test should be transmitted at least every ten minutes.

One satisfactory method of tuning the array proper, assuming that it is a system with several parasitic elements, is to set the directors to the dimensions given in Table 1 and then to adjust the reflector for maximum forward signal. Then the first director should be varied in length until maximum forward signal is obtained, and so on if additional directors are used. Then the array may be reversed in direction and the reflector adjusted for best front-to-back ratio. Subsequent small adjustments may then be made in both the directors and the reflector for best forward signal with a reasonable ratio of front-to-back signal. The adjustments in the directors and the reflector will be found to be interdependent to a certain degree, but if small adjustments are made after the preliminary tuning process a satisfactory set of adjustments for maximum performance will be obtained. It is usually best to make the end sections of the elements smaller in diameter so that they will slip inside the larger tubing sections. The smaller sliding sections may be clamped inside the larger main sections.

**Matching to the Antenna Transmission Line** The problem of matching the impedance of the antenna transmission line to the array is much simplified if the process of tuning the array is made a substantially separate process as just described. After the tuning operation is complete, the resonant frequency of the driven element of the antenna should be checked, directly at the center of the driven

element if practical, with a grid-dip meter. It is important that the resonant frequency of the antenna be at the *center* of the frequency band to be covered. If the resonant frequency is found to be much different from the desired frequency, the length of the driven element of the array should be altered until this condition exists. A relatively small change in the length of the driven element will have only a second-order effect on the tuning of the parasitic elements of the array. Hence, a moderate change in the length of the driven element may be made without repeating the tuning process for the parasitic elements.

When the resonant frequency of the antenna system is correct, the antenna transmission line, with impedance-matching device or network between the line and antenna feedpoint, is then attached to the array and coupled to a low-power exciter unit or transmitter. Then, preferably, a standing-wave meter is connected in series with the antenna transmission line at a point relatively much closer to the transmitter than to the antenna.

If the standing-wave ratio is below 1.5 to 1 it is satisfactory to leave the installation as it is. If the ratio is greater than this range it will be best when twin line or coaxial line is being used, and advisable with open-wire line, to attempt to decrease the SWR.

It must be remembered that no adjustments made at the *transmitter* end of the transmission line will alter the SWR on the line. All adjustments to better the SWR must be made at the *antenna* end of the line and to the device which performs the impedance transformation necessary to match the characteristic impedance of the antenna to that of the transmission line.

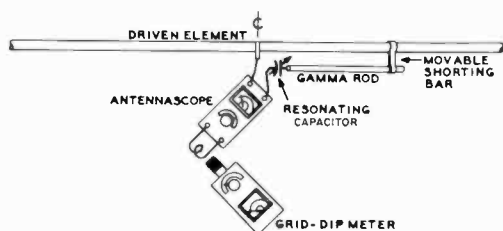


Figure 19

### ADJUSTMENT OF GAMMA MATCH BY USE OF ANTENNASCOPE AND GRID-DIP METER

Before any adjustments to the matching system are made, the resonant frequency of the driven element must be ascertained, as explained previously. If all adjustments to correct impedance mismatch are made at this frequency, the problem of reactance termination of the transmission line is eliminated, greatly simplifying the problem. The following steps should be taken to adjust the impedance transformation:

1. The output impedance of the matching device should be measured. An Antennascope and a grid-dip oscillator are required for this step. The Antennascope is connected to the output terminals of the matching device. If the driven element is a folded dipole, the Antennascope connects directly to the split section of the dipole. If a gamma match or T-match is used, the Antennascope connects to the transmission-line end of the device. If a  $\Omega$ -section is used, the Antennascope connects to the bottom end of the section. The grid-dip oscillator is coupled to the input terminals of the Antennascope as shown in figure 19.
2. The grid-dip oscillator is tuned to the resonant frequency of the antenna, which has been determined previously, and the Antennascope control is turned for a null reading on the meter of the Antennascope. The impedance presented to the Antennascope by the matching device may be read directly on the calibrated dial of the Antennascope.
3. Adjustments should be made to the matching device to present the desired impedance transformation to the Antennascope. If a folded dipole is used as the driven element, the transformation ratio of the dipole must be varied as explained previously in this handbook to provide a more exact match. If a T-match or gamma match system is used, the length of the matching rod may be changed to effect a proper match. If the Antennascope ohmic reading is *lower* than the desired reading, the length of the matching rod should be *increased*. If the Antennascope reading is *higher* than the desired reading, the length of the match-

ing rod should be *decreased*. After each change in length of the matching rod, the series capacitor in the matching system should be re-resonated for best null on the meter of the Antennascope.

**Raising and Lowering the Array** A practical problem always present when tuning up and matching an array is the physical location of the structure. If the array is atop the mast it is inaccessible for adjustment, and if it is located on stepladders where it can be adjusted easily it cannot be rotated. One encouraging factor in this situation is the fact that experience has shown that if the array is placed 8 or 10 feet above ground on some stepladders for the preliminary tuning process, the raising of the system to its full height will not produce a serious change in the adjustments. So it is usually possible to make preliminary adjustments with the system located slightly greater than head height above ground, and then to raise the antenna to a position where it may be rotated for final adjustments. If the position of the matching device as determined near the ground is marked so that the adjustments will not be lost, the array

may be raised to rotatable height and the fastening clamps left loose enough so that the elements may be slid in by means of a long bamboo pole. After a series of trials a satisfactory set of adjustments can be obtained.

The matching process does not require rotation, but it does require that the antenna proper be located at as nearly its normal operating position as possible. However, on a particular installation the standing-wave ratio on the transmission line near the transmitter may be checked with the array in the air, and then the array may be lowered to ascertain whether or not the SWR has changed. If it has not, and in most cases if the feeder line is strung out back and forth well above the ground as the antenna is lowered they will not change, the last adjustment may be determined, the standing-wave ratio again checked, and the antenna re-installed in its final location.

### 29-10 Indication of Direction

The most satisfactory method for indicating the direction of transmission of a ro-

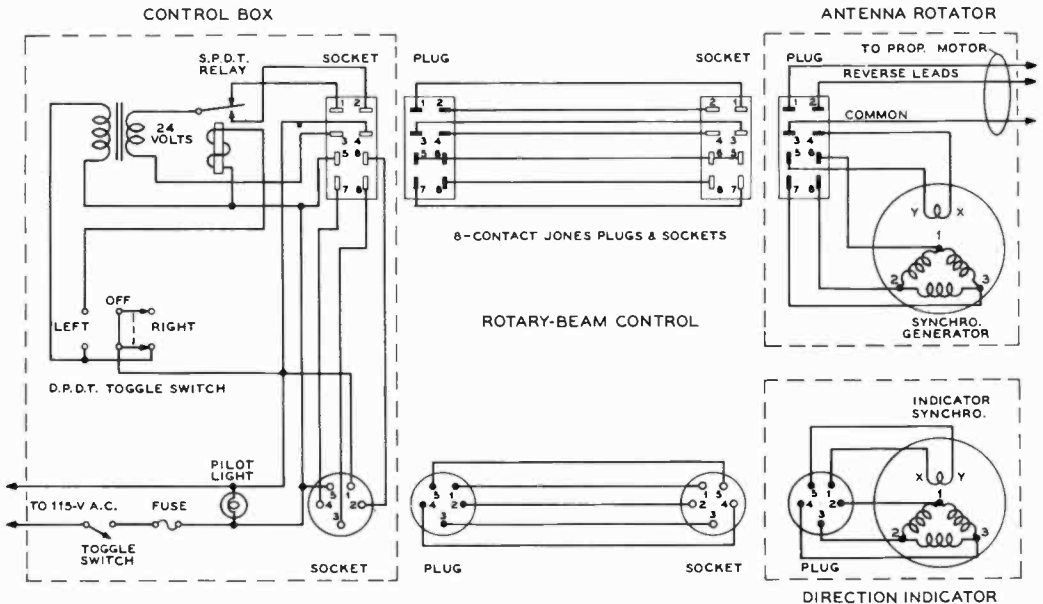
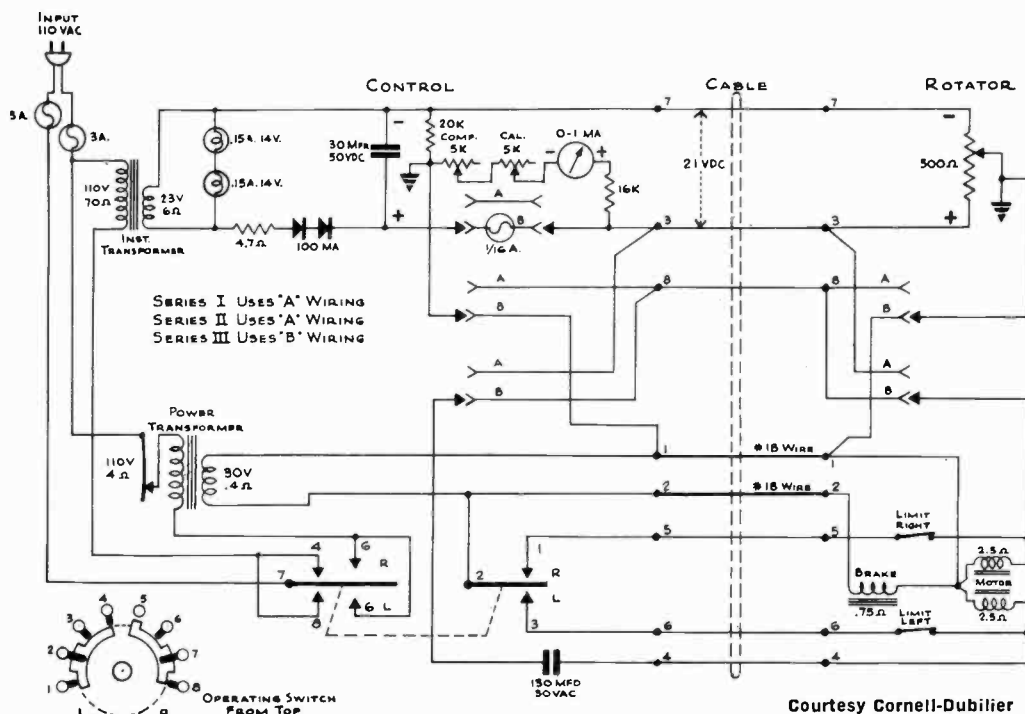


Figure 20  
SCHEMATIC OF A COMPLETE ANTENNA CONTROL SYSTEM



Courtesy Cornell-Dubilier

Figure 21

HEAVY-DUTY HAM-TYPE ROTOR

Representative schematic of "HAM"-type rotor.

tatable array is that which uses *Selsyns* or *Synchros* for the transmission of the data from the rotating structure to the indicating pointer at the operating position. A number of *Synchros* and *Selsyns* of various types are available. A heavy-duty commercial *Selsyn* indicating system is shown in figure 20.

The majority of TV rotators and heavy-duty rotators designed for amateur service have built-in direction-indicating systems. In most instances, this is a modified form of indicating potentiometer and a milliammeter connected so that the rotation of the antenna is represented by the current flowing through the meter.

29-11 Antenna Rotators

Various commercial rotators are available to the amateur operator. The less-expensive

TV rotators are strong enough to turn small 2- and 6-meter beams and perhaps light 10- and 15-meter single-band parasitic beams. These units do not have braking ability in most cases and high winds or strong gusts will turn the antenna and rotate the motor in reverse fashion through the gear train. Damage to the rotor may result when the antenna is forced against the end-stop of the train.

Larger and more costly TV rotors have heavier gear trains and often include a braking mechanism that holds the antenna in position when power is removed. The heaviest design, specifically built for amateur use includes a heavy-duty brake and an accurate direction indicating system and is recommended for the heavier antenna arrays (figure 21).

Regardless of the type of rotor used, it is recommended that the rotor not be required to support the full weight of a heavy an-

tenna, especially if the antenna is at the end of a long lever arm from the rotor. The rotor should be mounted below the top of the tower and a bearing placed at the top of the tower to absorb the sideways thrust of the wind that would otherwise be imposed on the gear mechanism of the rotor. If the antenna installation is a heavy one, a thrust bearing should be used between the antenna and the rotor to ease the downward strain on the rotor mechanism.

All joints between the antenna and the rotor should be securely pinned to prevent

the antenna working free and "wind-milling" in a heavy storm. The force of a heavy antenna working back and forth in a storm can cause havoc with the mechanism of any rotor and replacement or repair of the rotor usually means that the whole antenna installation must be disassembled and the rotor brought to earth for repairs.

Finally, all hardware used in the support and rotation system should be either stainless steel, or heavily plated. Rusty hardware will make repairs almost impossible on any antenna system.

# VHF and UHF Antennas

The *very-high-frequency* or *vhf* domain is defined as that range falling between 30 and 300 MHz. The *ultrahigh-frequency* or *uhf* range is defined as falling between 300 and 3000 MHz. This chapter will be devoted to the design and construction of antenna systems for operation on the amateur 50-, 144-, 220-, and 420-MHz bands. Although the basic principles of antenna operation are the same for all frequencies, the shorter physical length of a wave in this frequency range and the differing modes of signal propagation make it possible and expedient to use antenna systems different in design from those used in the range from 3 to 30 MHz.

## 30-1 Antenna Requirements

Any type of antenna design usable on the lower frequencies *may* be used in the vhf and uhf bands. In fact, simple nondirectional half-wave or quarter-wave vertical antennas are very popular for general transmission and reception from all directions, especially for short-range repeater work. But for serious vhf or uhf work the use of some sort of directional antenna array is a necessity. In the first place, when the transmitter power is concentrated into a narrow beam the apparent transmitter power at the receiving station is increased many times. A "billboard" array or a Yagi beam having a gain of 16 dB will make a 25-watt transmitter sound like a kilowatt at the other station. Even a much simpler and smaller three- or four-element parasitic array having a gain of 7 to 10 dB will produce a marked improvement in the received signal at the other station.

However, as all vhf and uhf workers know, the most important contribution of a high-gain antenna array is in reception. If a remote station cannot be heard it obviously is impossible to make contact. The limiting

factor in vhf and uhf reception is in almost every case the noise generated within the receiver itself. Atmospheric and solar noise are quite low, and ignition interference can almost invariably be reduced to a satisfactory level through the use of an effective noise limiter. Even with a low noise front-end in the receiver, the noise contribution of the first tuned circuit will be relatively large. Hence it is desirable to use an antenna system which will deliver the greatest signal voltage to the first tuned circuit for a given field strength at the receiving location.

Since the field intensity being produced at the receiving location by a remote transmitting station may be assumed to be constant, the receiving antenna which intercepts the greatest amount of wave front (assuming that the polarization and directivity of the receiving antenna is proper) will be the antenna which gives the best received signal-to-noise ratio. An antenna which has two square wavelengths of effective area will pick up twice as much signal power as one which has one square wavelength area, assuming the same general type of antenna and that both are directed at the station being received. Many instances have been reported where a frequency band sounded completely dead with a simple ground-plane receiving antenna but when the receiver was switched to a three-element or larger array a considerable amount of activity from 80 to 160 miles distant was heard.

**VHF Antenna Types** The vhf directional antennas most used by serious experimenters fall into four characteristic groups: collinear, broadside, end-fire, and frequency-independent (figure 1). All of these, except the last, have been discussed in earlier chapters of this handbook. It is common vhf practice to combine antennas of one type into a large directional array of an-

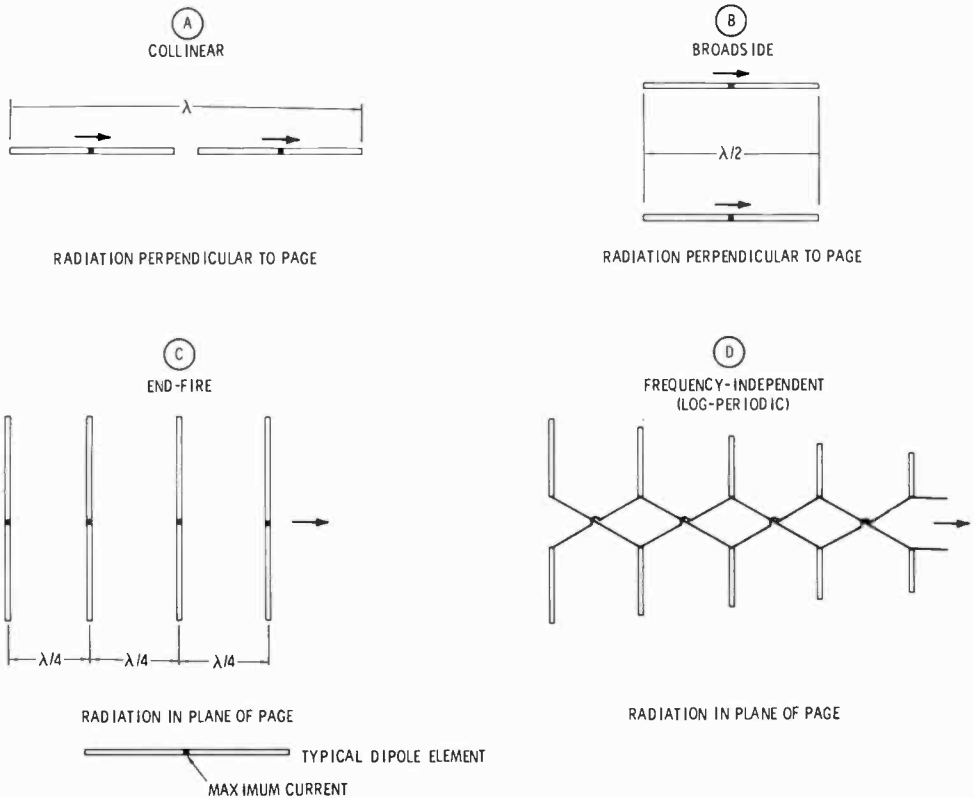


Figure 1

## GENERAL TYPES OF VHF ANTENNA ARRAYS

- A—Collinear array.** Elements lie in same plane, end to end and are fed with equal, in-phase energy. Maximum radiation is at right angles to line of array.
- B—Broadside array.** Elements lie in same plane, parallel to one another and are fed with equal in-phase energy. Maximum radiation is perpendicular to axis of array and to plane containing the elements.
- C—Endfire array.** Elements lie in same plane, parallel to one another. Radiation coincides with direction of axis of array. Elements may be fed with progressive phase shift, or may be parasitically excited from one driven element.
- D—Frequency-independent array.** Elements lie in same plane, parallel to one another. Radiation coincides with direction of axis of array. Elements fed out-of-phase with progressive phase shift. Element lengths are function of the angle they subtend from the apex point of array and whose distance from the apex is such to provide wideband behavior.

tennas, exhibiting a high gain figure and very narrow beam width. Such assemblies are usually impractical on the lower frequencies because of the excessively large size of the antenna combination. However, at 50 MHz and higher, a high-gain antenna is quite small, and "back yard" arrays can be built for moonbounce communication, meteor reflection, or tropospheric scatter work that provide upward of 20 dB gain. Arrays for the higher bands of comparable power gain are, of course, much smaller.

This chapter covers some of the more popular antenna designs that have been proven in service and can be easily built, assembled and adjusted without the use of complicated test equipment.

The choice of antenna to use depends on the type of communication the experimenter is primarily concerned with and usually involves a trade-off between operational bandwidth and power gain. No "universal" vhf antenna exists that will satisfy the requirements of every vhf operator.

Because vhf beams are relatively small compared to hf beam antennas of equivalent gain, it is possible for the experimenter to easily build and evaluate various vhf antenna designs. The broadside, curtain style beams are generally simpler to get working than the Yagi, although the Yagi can be made with fewer elements for a given amount of power gain. Unless the Yagi is accurately adjusted, the broadside array may end up with more signal gain than the Yagi. Stacking Yagi antennas, in addition, can raise additional problems not always encountered in the broadside array. The expected 3-dB power gain expected for the addition of a second Yagi may not be realized unless the antennas are spaced far enough apart so that the apertures do not overlap. This may cause the minor lobes of the pattern to enlarge, which may lead to undesired signal pickup and degraded front-to-side ratio.

In spite of the design problems associated with the Yagi, many successful designs have been worked out and some of the better ones are described in this chapter. The log-periodic Yagi (LPY) beam overcomes some of the difficulties associated with the Yagi and a wideband, LPY array for 50 MHz is shown. Other practical beams for 220 and 420 MHz are shown in later sections.

Generally speaking, an omnidirectional antenna pattern with vertical polarization and moderate gain is desired by the f-m enthusiast who wishes to work into numerous repeaters at various distances and directions from his station. A rotary beam antenna in this instance would be a nuisance. The moon-bounce enthusiast requires a high gain antenna, movable in both azimuth and elevation so that he can track the moon. The OSCAR experimenter perhaps requires a medium-gain antenna having a broad lobe that will allow the satellite to move a distance across the sky before it becomes necessary to realign the antenna. Selecting the proper vhf antenna is the first important step, then, in the order of priorities that faces the vhf operator.

**VHF Antenna Placement** For hf DX work, the higher the antenna, the lower the angle of radiation will be and, presumably, the better the DX results. In the vhf region, height is a virtue, especially for extended, line-of-sight contacts. How-

ever, the antenna height must be balanced against the increase in transmission line loss, which can be quite high, especially in the upper vhf and lower uhf range. Large vhf antennas, too, are often damaged by winter weather, especially when mounted high and in the clear. For specialized communication, such as moonbounce, antenna height is of little importance as long as the antenna can "see" the moon. Satellite work with OSCAR does not require great antenna height either, as long as the satellite path is in the clear, with regard to the transmitting and receiving antennas.

**VHF Antenna Polarization** Vhf mobile operation generally implies vertical polarization and base stations in general contact with mobiles use vertical polarization exclusively. Long range vhf operation, however, seems to show no preference for one form of polarization over another. Manmade noise seems to be vertically polarized and many amateurs avoid vertical polarization if they live in an area having a high level of "r-f smog." Generally speaking, horizontal polarization seems to hold a slight edge over vertical polarization for long distance vhf communication and construction problems seem to be less with horizontal elements when a large antenna array is assembled. Cross polarization (horizontal to vertical, and vice versa) entails a circuit loss of about 20 dB, so it is wise to check what type of polarization is in use in your area before the construction of a large antenna array is undertaken.

**VHF Transmission Lines** Both parallel-conductor air line and coaxial line having a solid dielectric are commonly used in the vhf region. In cases where line loss is a limiting factor, air-insulated coaxial line may be used. It is wise to use the very minimum amount of transmission line possible since line loss mounts rapidly at frequencies above 50 MHz (figure 2). Generally speaking, the popular 50-ohm coaxial line (RG-8A U and RG-58A U) are commonly used for short cable runs on the vhf bands up to 450 MHz. Longer runs require the larger, expensive RG-17 U cable, or open-wire line. Foam-dielectric coaxial line may be used for less



CABLE	$Z_0$	$V_p$	ATTENUATION IN dB/100 FT.				POWER RATING (WATTS)			
			50 MHz	144 MHz	220 MHz	432 MHz	50 MHz	144 MHz	220 MHz	432 MHz
RG-58C/U	52.5	.66	3.0	6.0	8.0	15.0	350	175	125	90
RG-58(F)	50	.79	2.2	4.1	5.0	7.1	450	230	160	120
RG-59B/U	73	.66	2.3	4.2	5.5	8.0	500	250	180	125
RG-59(F)	75	.79	2.0	3.4	4.6	6.1	650	320	230	160
RG-8A/U	52	.66	1.5	2.5	3.5	5.0	1500	800	650	400
RG-213/U										
RG-8(F)	50	.80	1.2	2.2	2.7	3.9	1950	1100	850	520
RG-11A/U	75	.66	1.55	2.8	3.7	5.5	1500	800	650	400
RG-17A/U	52	.66	0.5	1.0	1.3	2.3	4500	2300	1800	1200
RG-218/U										

Figure 2

## COAXIAL CABLES FOR VHF USE

The popular RG-8A/U and RG-58C/U are recommended for general purpose vhf use. Foam-dielectric cable, having somewhat lower loss than the solid-dielectric cable, is indicated by (F). The impedance ( $Z_0$ ) of these cables is about 50 ohms. The velocity of propagation ( $V_p$ ) of the wave along the cable is a function of the dielectric material. Where line loss is an important factor, air-insulated rigid coaxial line may be used.

loss, as compared to solid-dielectric line, and many amateurs prefer this newer type of cable.

Since most vhf f-m gear is designed for use with coaxial cable, the use of low-loss, open line is impractical. Some amateurs, however, use an antenna tuner or balun and convert their station equipment to use either TV-style 300-ohm twin lead, or open-wire line in order to reduce line losses (figure 3). While the initial cost of the TV line is low and the overall efficiency of the line is high, the line loss increases rapidly when the line is wet or covered with ice and snow. In addition, the line must be installed well clear of metallic objects and run in straight lengths with gradual turns. Heavy-duty transmitting line is better than the smaller receiving line, but either type must be carefully installed to hold signal loss to a minimum.

Air-insulated parallel-conductor line must also be carefully installed or its low loss characteristic may be lost. The line should be taut, with no sharp turns. The line must be symmetrical with respect to ground and nearby metallic objects which might unbalance it. Even a slight electrical unbalance can cause the line to radiate energy and to decrease the power delivered to the load.

As a result of the installation problems, most vhf amateurs settle for flexible coaxial line in spite of its higher loss. Properly pre-

pared, a coaxial line is waterproof and may be run anywhere, since the r-f energy is mainly contained within the cable. In addition, vhf SWR meters are available, or easily made, to be used with standard 50- or 75-ohm coaxial line.

While the coaxial line is waterproof, the ends of the line are not, and water can easily get inside the exposed end of the line if precautions are not taken. To protect the line, it is necessary to coat the coaxial fittings with a waterproofing sealant, such as *General Electric RTV-102*. As a substitute, white bathtub caulking compound may be used. The coaxial plugs should be coated on the interior with *Dow Corning DC-4* paste, or equivalent, to prevent moisture from entering the plug.

**VHF Coaxial Hardware** Most amateur equipment is fitted with the so-called *ubf-style* coaxial fittings, which are a relic of the "forties." The plug is known as the PL-259 and the receptacle is the SO-239. These items are not waterproof and are not suited for use above 150 MHz, since they introduce an appreciable SWR "bump" in the transmission line. The newer and more efficient *type-N*, or type *BNC* coaxial connectors are now used in up-to-date vhf equipment (figure 4). These families of vhf hardware are considered to be

DESCRIPTION AND MAKE	V <sub>p</sub>	ATTENUATION dB/100 FEET		
		50 MHz	100 MHz	400 MHz
GENERAL PURPOSE 7 X 28 WIRE AM-214-056 C-4506 CL-01004	0.85	0.72	1.3	2.6
HEAVY DUTY 7 X 26 WIRE TUBULAR AM-214-076 C-4523	0.82	0.7	1.1	2.3
GENERAL PURPOSE HOLLOW OR FOAM CORE 7 X 28 WIRE AM-214-022 C-4527	0.84	0.55	0.8	1.8
SHIELDED FOAM DIELECTRIC C-4535 CL-05720	0.76	2.0	2.8	5.9
UNSHIELDED FOAM DIELECTRIC C-4532 CL-05790	0.80	—	1.4	—
C=Consolidated Wire CL=Columbia Wire		AM=Amphenol		

Figure 3

“RIBBON” LINE FOR VHF USE

Attenuation varies somewhat between different cable manufacturers. Types having foam dielectric have lower loss than equivalent types having solid dielectric. Amphenol also makes a heavy-duty 75-ohm “ribbon” line for transmitting service (214-023).

“constant impedance” and do not appreciably affect the SWR on the transmission line at least up to 500 MHz.

Generally speaking, RG-8A/U line and type-N fittings are recommended for high power operation and/or long cable runs from equipment to antenna. The smaller, light duty RG-58 U cable and associated BNC hardware are suggested for low power and short cable runs.

**Antenna Changeover** It is recommended that the same antenna be used for transmitting and receiving in the vhf and uhf range. An ever-present problem in this connection, however, is the antenna changeover relay. Reflections at the antenna

changeover relay become of increasing importance as the frequency of transmission is increased. When coaxial cable is used as the antenna transmission line, satisfactory coaxial antenna changeover relays with low reflection can be used.

On the 220- and 420-MHz amateur bands, the size of the antenna array becomes quite small, and it is practical to mount two identical antennas side by side. One of these antennas is used for the transmitter, and the other antenna for the receiver. Separate transmission lines are used, and the antenna relay may be eliminated.

TYPE-N CONNECTORS		
DESCRIPTION	MILITARY TYPE	AMPHENOL TYPE
PLUG	UG-21/U	3900
SPLICE	UG-29/U	15000
RECEPTACLE	UG-58/U	82-97
TYPE BNC CONNECTORS		
PLUG	UG-88/U	31-002
SPLICE	UG-914/U	31-219
RECEPTACLE	UG-625/U	5575
ADAPTER TO UHF	UG-273/U	31-028

Figure 4

VHF COAXIAL HARDWARE

Type-N and type BNC coaxial hardware are used on up-to-date vhf and uhf equipment. These units are constant-impedance design and do not appreciably affect the SWR on the transmission line at least up to 500 MHz. Many type numbers exist, and these listed are representative. Adapters are available to convert from one system of hardware to another.

**Effect of Feed System on Radiation Angle** It is important that line radiation be held to a minimum or the radiation pattern of a high gain vhf antenna may be adversely affected. Military-style cables having the “RG” nomenclature exhibit radiation loss through the outer braided shield of about -35 dB below the power in the line. Less expensive cables having a looser outer braid, or having less wires in the braid, often show a radiation loss in the neighborhood of -20 dB. Line radiation not only robs the antenna of some power, but can distort the radiation pattern of the antenna and dilute the front-to-back ratio of an otherwise good antenna pattern. In

addition, the radiation angle of the main lobe of the antenna may be bent upward by the effect of line radiation, and if the transmission line passes through a noisy area, line pickup may mask the weak-signal ability of the receiving system.

Thus, the best grade of coaxial line should be used to minimize line radiation through the braid, and the line itself should be led away from the antenna at right angles to the radiating elements of the antenna. Lastly, a balun or other balancing device should be placed between a balanced antenna and a coaxial feedline to keep antenna current from flowing on the outside of the shield of the line.

**Element Diameter** In the vhf region, aluminum tubing is commonly used for antenna construction since element length is short and the material is inexpensive and readily available. The diameter of

the various elements in a vhf array must be sufficient so that they are self-supporting even in severe weather and so that their surface conductivity is not low enough to degrade the performance appreciably. If, on the other hand, the diameter of the elements is too large, the circuit Q of the element is lowered and its effectiveness, particularly as a parasitic in a Yagi array, is decreased. Most vhf antenna designs are based on 3/8" (0.9 cm) or 1" (2.54 cm) diameter tubing for 50-MHz work, 1/4" (0.6 cm) or 3/16" (0.5 cm) diameter tubing for 144-MHz work, and 1/8" (0.3 cm) diameter rod for 220- or 420-MHz work. If smaller diameter elements are used, the length of the elements must be increased accordingly to maintain resonance. The relationship between element diameter and length is difficult to ascertain, beyond actual measurements made on an antenna range, and variations in element diameter from a given design should be approached

**Table 1. Wavelength and Antenna Dimensions (Rounded)**

F (MHz)	λ/2 (SPACE)		λ/4 (SPACE)		λ/2 DIPOLE		0.2λ (SPACE)	
	Inches	cm	Inches	cm	Inches	cm	Inches	cm
50.5	116.5	295.9	58.3	148.0	110.5	280.7	46.8	118.8
51.5	114.5	290.8	57.3	145.5	108.5	275.6	45.8	116.3
52.5	112.5	285.7	56.3	143.0	106.5	270.5	44.5	113.0
53.5	110.5	280.6	55.3	140.5	104.5	265.4	44.0	111.7
144	41.0	104.1	20.5	52.0	38.9	98.8	16.4	41.7
145	40.8	103.6	20.4	51.7	38.6	98.0	16.3	41.4
146	40.5	102.8	20.2	51.3	38.3	97.2	16.2	41.1
147	40.2	102.1	20.1	51.0	38.0	96.6	16.1	40.8
148	40.0	101.6	20.0	50.7	37.8	96.0	16.0	40.6
220	26.8	68.0	13.4	34.0	25.5	64.7	10.7	27.2
221	26.7	67.8	13.4	34.0	25.3	64.3	10.7	27.2
222	26.6	67.5	13.3	33.7	25.2	64.0	10.6	26.9
223	26.5	67.3	13.3	33.7	25.1	63.7	10.6	26.9
224	26.4	67.0	13.2	33.5	25.0	63.5	10.5	26.6
420	14.0	35.6	7.0	17.8	13.3	33.8	5.6	14.2
430	13.7	34.8	6.8	17.4	13.0	33.0	5.5	13.9
440	13.4	34.0	6.7	17.0	12.7	32.2	5.4	13.7
450	13.1	33.2	6.5	16.6	12.4	31.4	5.3	13.5
CHANGE Per MHz	FORMULAS—							
50 MHz = 2.0"	$\lambda/2 \text{ (Space)} = \frac{5905}{f \text{ (MHz)}}$							
144 MHz = 0.3"	$\lambda/2 \text{ (Dipole)} = \frac{5600}{f \text{ (MHz)}}$							
—For parasitic director, multiply dipole length by 0.95. —For parasitic reflector, multiply dipole length by 1.05. —For additional directors, multiply dipole length by 0.94. —1" tubing for 50 MHz, 1/4" tubing for 144 MHz, 1/8" tubing for 220 and 420 MHz arrays.								

with caution. As an example, reducing element diameter by a factor of four at 50 MHz requires an increase in element length by about 8 percent to maintain resonance. Representative lengths for a dipole element for the vhf bands is given in Table 1.

Since the length-to-diameter ratio of antennas above 100 MHz or so is somewhat smaller than that of high-frequency arrays and because the arrays are physically smaller dimensions are generally given in inches, based on the following formula:

$$\text{Dipole length (inches)} = \frac{5600}{f_{\text{MHz}}}$$

The metric equivalent is:

$$\text{Dipole length (cm)} = \frac{14,224}{f_{\text{MHz}}}$$

The dimensions for small (3, 4, or 5 element) Yagis may be derived from Table 1, based on elements of the listed diameters and using a nominal spacing of 0.2 wavelength. If other element spacings are to be used, the reflector and director elements will have to be readjusted accordingly. Closer reflector driven-element spacing will call for a slightly shorter reflector for optimum gain. Closer director driven-element spacing will call for a slightly longer director for optimum gain. Generally speaking, anything closer to 0.2-wavelength spacing in Yagi arrays tends to reduce the bandwidth, reduce the driven-element impedance, and increase the front-to-back ratio.

The parasitic element should not be painted as this tends to detune the element. A light coat of Krylon plastic spray may be used to protect the element against weather.

Various vertical antennas are shown in figure 5. Antenna A is known as the *sleeve antenna*, the lower half of the radiator being a large piece of pipe up through which the concentric feedline is run. At B is shown the *ground-plane vertical*, and at C a modification of this latter antenna. In many cases, the antennas of illustrations A and C have a set of quarter-wavelength radials placed beneath the array to decouple it from the transmission line.

The radiation resistance of the ground-plane vertical is approximately 30 ohms, which is not a standard impedance for coaxial line. To obtain a good match, the first quarter wavelength of feeder may be of 50 ohms impedance, and the remainder of the line of 75 ohms impedance. Thus, the first quarter-wavelength section of line is used as a matching transformer, and a good match is obtained.

In actual practice the antenna would consist of a quarter-wavelength rod, mounted by means of insulators atop a pole or pipe mast. Elaborate insulation is not required, as the voltage at the lower end of the quarter-wavelength radiator is very low. Self-supporting rods 0.25 wavelength long are extended out, as shown in the illustration, and

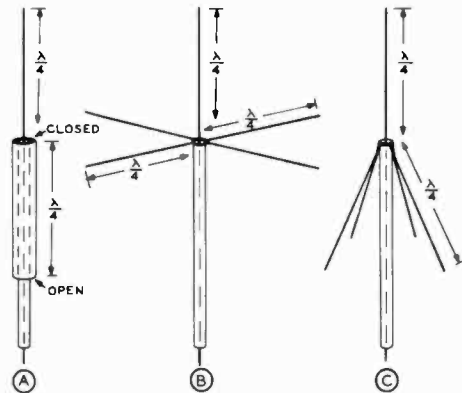


Figure 5

**THREE VERTICALLY POLARIZED LOW-ANGLE RADIATORS**

Shown at A is the "sleeve" or "hypodermic" type of radiator. At B is shown the ground-plane vertical, and C shows a modification of this antenna system which increases the feed-point impedance to a value such that the system may be fed directly from a coaxial line with no standing waves on the feedline.

**30-2 Base Station Antennas**

Vhf mobile communication makes use of vertical polarization and most vertical antennas are omnidirectional in the azimuth plane unless the pattern is modified by the addition of parasitic elements. In the great majority of cases, the desired base station coverage is omnidirectional and simple vertical dipoles form the basic antenna element.

connected together. Since the point of connection is effectively at ground potential, no insulation is required; the horizontal rods may be bolted directly to the supporting pole or mast, even if of metal. The coaxial line should be of the low-loss type especially designed for vhf use. The shield connects to the junction of the radials, and the inner conductor to the bottom end of the vertical radiator. An antenna of this type is moderately simple to construct and will give a good account of itself when fed at the lower end of the radiator directly by the 50-ohm RG-8 U coaxial cable. Theoretically the standing-wave ratio will be approximately 1.5-to-1 but in practice this moderate SWR produces no deleterious effects.

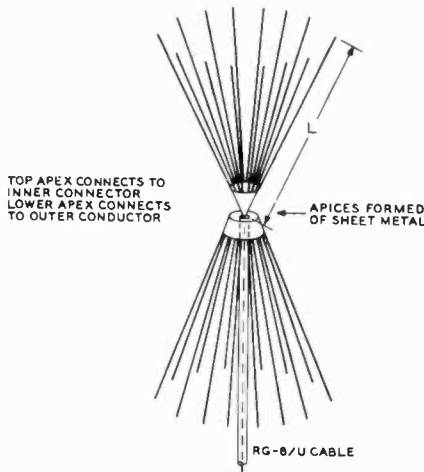


Figure 6

**THE DOUBLE SKELETON CONE ANTENNA**

A skeleton cone has been substituted for the single element radiator of figure 5C. This greatly increases the bandwidth. If at least 10 elements are used for each skeleton cone and the angle of revolution and element length are optimized, a low SWR can be obtained over a frequency range of at least two octaves. To obtain this order of bandwidth, element length  $L$  should be approximately 0.2 wavelength at the lower frequency end of the band and the angle of revolution optimized for the lowest maximum SWR within the frequency range to be covered. A greater improvement in the impedance-frequency characteristic can be achieved by adding elements than by increasing the diameter of the elements. With only 3 elements per "cone" and a much smaller angle of revolution a low SWR can be obtained over a frequency range of approximately 1.3 to 1.0 when the element lengths are optimized.

The modification shown in figure 5C permits matching to a standard 50- or 75-ohm flexible coaxial cable without a linear transformer. If the lower rods hug the line and supporting mast rather closely, the feedpoint impedance is about 75 ohms. If they are bent out to form an angle of about  $30^\circ$  with the support pipe the impedance is about 50 ohms.

The number of radial legs used in a vhf ground-plane antenna of either type has an important effect on the feed-point impedance and on the radiation characteristics of the antenna system. Experiment has shown that three radials is the minimum number that should be used, and that increasing the number of radials above six adds substantially nothing to the effectiveness of the an-

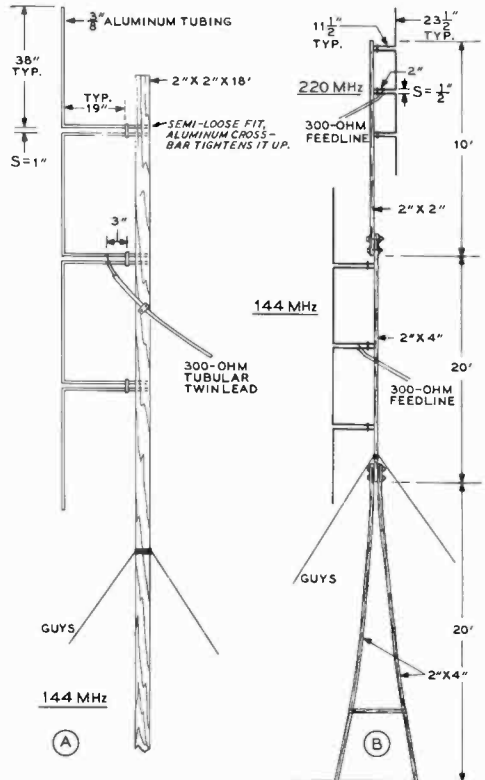


Figure 7

**NONDIRECTIONAL ARRAYS FOR 144 AND 220 MHz**

On right is shown a two-band installation. For portable use, the whole system may easily be disassembled and carried on a luggage rack atop a car.

tenna and has no effect on the feedpoint impedance.

**Double Skeleton Cone Antenna** The bandwidth of the antenna of figure 5C can be increased considerably by substituting several space-tapered rods for the single radiating element, so that the "radiator" and skirt are similar. If a sufficient number of rods are used in the skeleton cones and the angle of revolution is optimized for the particular type of feed-line used, this antenna exhibits a very low SWR over a 2-to-1 frequency range. Such an arrangement is illustrated schematically in figure 6.

**A Nondirectional Vertical Array** Half-wave elements may be stacked in the vertical plane to provide a nondirectional pattern with good horizontal gain. An array made up of four half-wave vertical elements is shown in figure 7A. This antenna provides a circular pattern with a gain of about 4.5 dB over a vertical dipole. It may be fed with 300-ohm TV-type line. The feed line should be conducted in such a way that the vertical portion of the line is at least one-half wavelength away from the vertical antenna elements. A suitable mechanical assembly is shown in figure 7B for the 144- and 220-MHz amateur bands.

**A Stacked Sleeve Antenna for 144 MHz** The sleeve antenna makes a good omnidirectional array for 144 MHz in areas where vertical polarization is used. A double stack, such as illustrated in figure 8, will provide low-angle radiation and a power gain of about 3 decibels. The array is designed to be fed with a 50-ohm coaxial transmission line.

The antenna is built on an eight-foot length of aluminum TV mast section,  $1\frac{1}{8}$ " diameter. A quarter-wavelength whip extends from the top of the assembly, and two sleeves are mounted to the mast section below the whip. Both sleeves are electrically connected to the mast at their tops, and the bottom sleeve is shock-excited by the top antenna array, which functions as a simple dipole. Directly below the sleeves

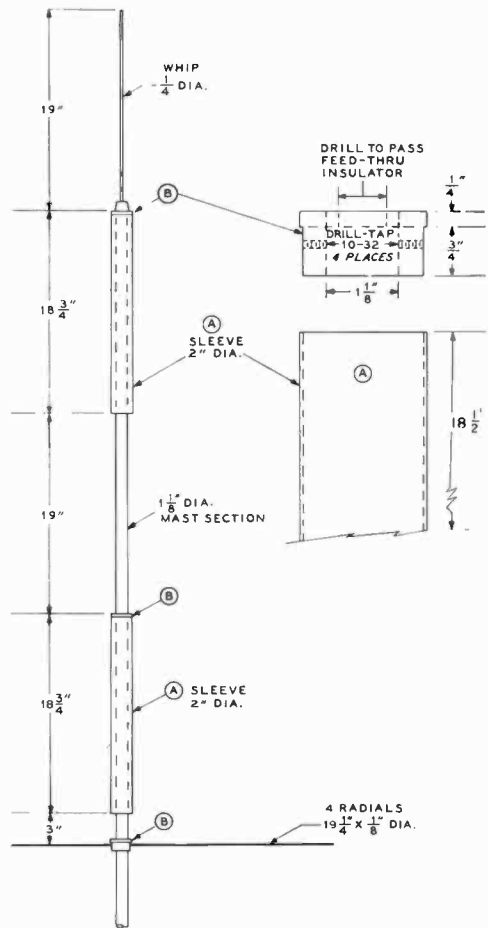


Figure 8  
SLEEVE ANTENNA FOR 144 MHz

Stacked dipoles provide nondirectional coverage with low-angle radiation. The top whip is fed by a coaxial line passed up through the mast section and is insulated from remainder of the antenna structure. Lower dipole is composed of mast section and matching skirt which is grounded to the mast at the top. Bottoms of both skirts are free. Radials beneath bottom section impede flow of antenna current on outside of coaxial line.

are mounted four quarter-wave horizontal radials which decouple the stacked antenna from the outer shield of the coaxial transmission line.

Antenna construction is straightforward and simple. The top of the mast is closed with an aluminum plug (B) having a ceramic feedthrough insulator mounted in it. The vertical whip attaches to the insula-

tor, as does the center conductor of the coaxial feedline. The outer shield of the line is grounded to the mast section at the insulator. The outer sleeve (A) is attached to the mast section by means of machine screws tapped into the aluminum plug.

The lower sleeve is attached to the mast in a similar manner, as shown in the drawing. The radials, made of aluminum clothes-line wire are threaded and screwed to an aluminum mounting cylinder (similar to B) which encircles the mast.

Three aluminum fittings (B) are required: one for the top sleeve, one for the lower sleeve, and one for the radials. The top fitting is shown in figure 8. The center one is similar, except that it is drilled to pass the mast section. The fitting for the radials is similar to the center one, except that the  $\frac{1}{4}$ -inch lip at the top is omitted.

The length of the fitting is such so that the inner resonant portion of the sleeve is slightly shorter than the outer section. The outer section acts as a portion of the antenna and the inner section acts as a decoupling transformer. The resonant lengths are different for each case, and the length of the fitting makes up the electrical difference.

The sleeves are free at the lower ends, with no connection or support at this point. Care must be taken to make the assembly waterproof, as an accumulation of moisture in the sleeve may detune it. Plugs at the bottom of the sleeves, therefore, are not advised.

The 50-ohm coaxial transmission line runs up the inside of the mast to the top fitting where the outer shield is grounded to the structure by means of a washer placed beneath the feedthrough insulator. The shield is soldered to a lug of the washer, which may be cut from thin brass or copper shim stock.

When fed with a 50-ohm transmission line, the measured SWR across the 144-MHz band is less than 2/1, and better than 1.5/1 at the center frequency of 146 MHz.

**The J-Pole Antenna** A half-wavelength vertical makes a good general purpose base station antenna as it requires no radials for proper operation and provides a slight power gain over a ground-plane antenna.

Shown in figure 9A is a *J-Pole* antenna for 50 MHz. It comprises a vertical dipole

fed at the base with a quarter-wave matching transformer and a coaxial line. The assembly is quite rugged and can be mounted atop an existing tower, or can be formed from an existing whip antenna.

The 144MHz J-Pole antenna is shown in figure 9B. The antenna is basically the same as the 6-meter version, except that a gamma match system is used to match the coaxial line to the quarter-wave transformer. The tap point of the gamma and the setting of the series capacitor are adjusted for lowest SWR on the coaxial transmission line.

**The Discone Antenna** The *Discone* antenna is a vertically polarized omnidirectional radiator which has very broad-

band characteristics and permits a simple, rugged structure. This antenna presents a substantially uniform feedpoint impedance, suitable for direct connection of a coaxial line, over a range of several octaves. Also, the vertical pattern is suitable for ground-wave work over several octaves, the gain varying only slightly over a very wide frequency range.

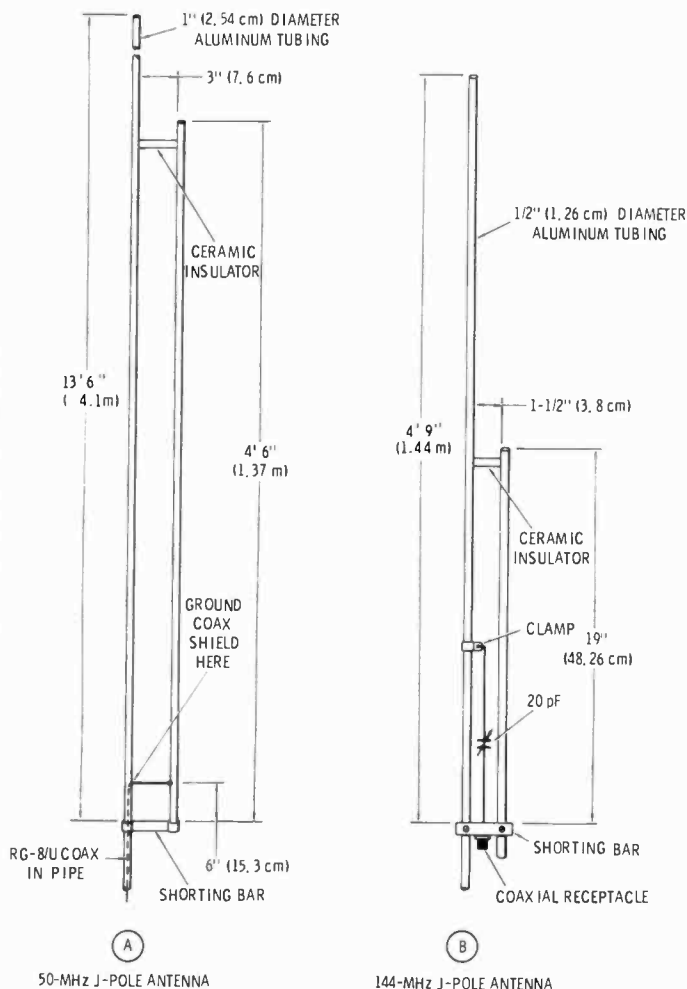
A Discone antenna suitable for multiband amateur work in the uhf/vhf range is shown schematically in figure 10. The distance (D) should be made approximately equal to a free-space quarter wavelength at the lowest operating frequency. The antenna then will perform well over a frequency range of at least 8 to 1. At certain frequencies within this range the vertical pattern will tend to rise slightly, causing a slight reduction in gain at zero angular elevation, but the reduction is very slight.

Below the frequency at which the slant height of the conical skirt is equal to a free-space quarter wavelength the standing-wave ratio starts to climb, and below a frequency approximately 20 percent lower than this the standing-wave ratio climbs very rapidly. This is termed the *cutoff frequency* of the antenna. By making the slant height approximately equal to a free-space quarter wavelength at the lowest frequency employed (refer to figure 11), an SWR of less than 1.5 will be obtained throughout the operating range of the antenna.

The Discone antenna may be considered as a cross between an electromagnetic horn and an inverted ground-plane unipole an-

**Figure 9**  
**THE J-POLE ANTENNA**  
**FOR 50 AND 144 MHZ**

The half wave vertical antenna is a popular omnidirectional installation for the vhf bands. A—50 MHz J-pole antenna. The coaxial cable is brought up inside the aluminum pipe, which serves as antenna and mast. The outer shield of the line is grounded to the pipe 6 inches above the mounting clamp for the matching section. The inner conductor is tapped on the matching section as shown. B—144 MHz J-pole antenna. A coaxial receptacle is mounted on the shorting bar. The inner terminal is tapped on the vertical radiator through a 20-pF variable capacitor. Adjustment of the capacitor and the tap point (about 2" above the bar) permit a very low value of SWR to be achieved on the transmission line. This is a simple version of the gamma match.



tenna. It looks to the feed line like a properly terminated high-pass filter. The top disc and the conical skirt may be fabricated either from sheet metal, screen (such as "hardware cloth"), or 12 or more "spine" radials. If screen is used, a supporting framework of rod or tubing will be necessary for mechanical strength except at the higher frequencies. If spines are used, they should be terminated on a stiff ring for mechanical strength, except at the higher frequencies.

The top disc is supported by means of three insulating pillars fastened to the skirt. Either polystyrene or low-loss ceramic is suitable for the purpose. The apex of the conical skirt is grounded to the supporting mast and to the outer conductor of the

coaxial line. The line is run down through the supporting mast. An alternative arrangement, one suitable for certain mobile applications, is to fasten the base of the skirt directly to an effective ground plane such as the top of an automobile.

#### Horizontally Polarized Antennas

On occasion, horizontal polarization is desired in a base station. Shown in figure 12 are two simple, omnidirectional horizontally polarized antennas. A set of crossed dipoles, fed  $90^\circ$  out of phase is shown in illustration A. This *turnstile* antenna is the basic antenna element used in many f-m broadcast arrays. The antennas



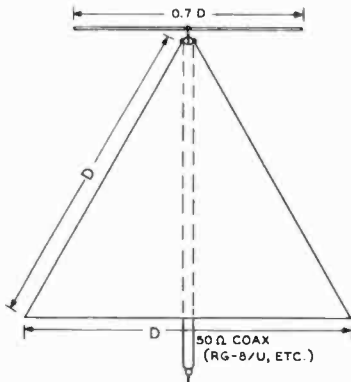


Figure 10

### THE DISCONE BROADBAND RADIATOR

This antenna system radiates a vertically polarized wave over a very wide frequency range. The "disc" may be made of solid metal sheet, a group of radials, or wire screen; the "cone" may best be constructed by forming a sheet of thin aluminum. A single antenna may be used for operation on the 50-, 144-, and 220-MHz amateur bands. The dimension  $D$  is determined by the lowest frequency to be employed, and is given in figure 11.

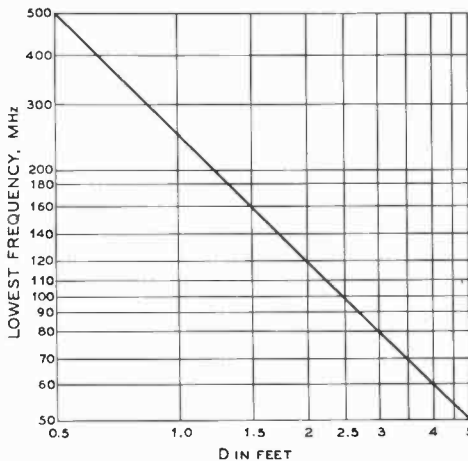


Figure 11

### DESIGN CHART FOR THE DISCONE ANTENNA

are displaced  $90^\circ$  and the vector sum of the patterns is essentially omnidirectional.

A second antenna producing a uniform, horizontally polarized pattern is shown in illustration B. Three dipoles are curved to form a circle and are excited in phase. A "bazooka" balun is included in the system

to prevent antenna currents from flowing on the outer surface of the coaxial conductor.

The *halo antenna* (figure 13) is a third popular form of horizontally polarized radiator. Basically, the halo is a dipole element formed into a circle and end-loaded by a capacitor to establish resonance. Any conventional feed system may be used with this antenna.

### The Vhf Rhombic Antenna

For vhf transmission and reception in a fixed direction, a horizontal *rhombic* permits 10 to 16 dB gain with a simpler construction than does a phased dipole array, and has the further advantage of being useful over a wide frequency range.

Except at the upper end of the vhf range a rhombic array having a worthwhile gain is too large to be rotated. However, in locations 75 to 150 miles from a large metropolitan area a rhombic array is ideally suited for working into the city on extended (horizontally polarized) ground wave while at the same time making an ideal antenna for TV reception.

The useful frequency range of a vhf rhombic array is about 2 to 1, or about plus 40% and minus 30% from the *design frequency*. This coverage is somewhat less than that of a high-frequency rhombic used for sky-wave communication. For ground-wave transmission or reception the only effective vertical angle is that of the horizon, and a frequency range greater than 2 to 1 cannot be covered with a rhombic array without an excessive change in the vertical angle of maximum radiation or response.

The dimensions of a vhf rhombic array are determined from the design frequency and figure 14, which shows the proper *tilt angle* (see figure 15) for a given leg length. The gain of a rhombic array increases with leg length. There is not much point in constructing a vhf rhombic array with legs shorter than about 4 wavelengths, and the beam width begins to become excessively sharp for leg lengths greater than about 8 wavelengths. A leg length of 6 wavelengths is a good compromise between beam width and gain.

The tilt angle ( $68^\circ$ ) given in figure 15 is based on a wave angle of zero degrees. For leg lengths of 4 wavelengths or longer it will

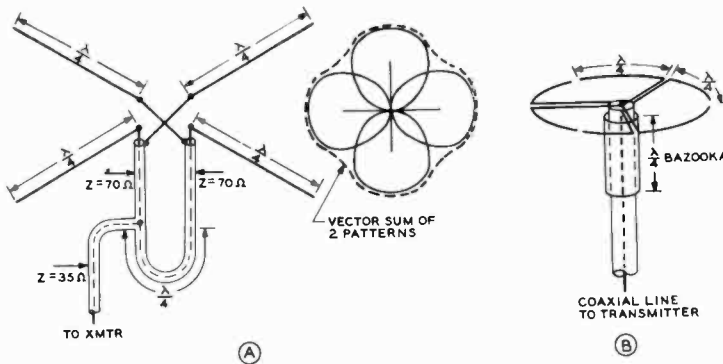


Figure 12

**HORIZONTAL POLARIZED, OMNIDIRECTIONAL VHF ANTENNAS**

- A—Turnstile antenna is widely used in f-m broadcast service.
- B—Modified turnstile using circular elements. A series of antennas of this type may be mounted in a stack on a single tower to provide power gain without sacrificing the omnidirectional pattern.

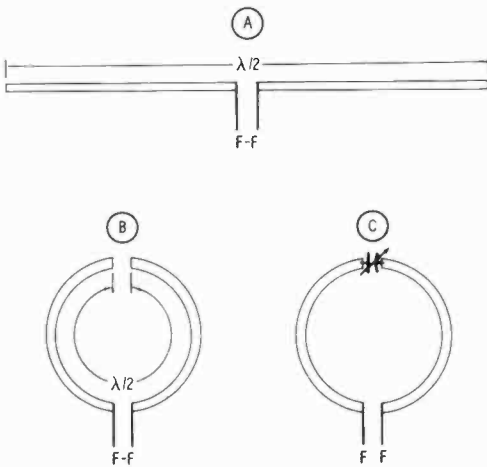


Figure 13

**EVOLUTION OF THE HALO ANTENNA**

- A—Half wave dipole antenna fed at F-F
- B—Dipole bent into circle
- C—Short dipole bent into circle and end-loaded to establish resonance. Halo antenna is placed parallel to the earth to establish horizontal polarization and essentially omnidirectional pattern. Conventional feed system, such as a gamma match, may be used. Circuit-Q of a Halo is quite high and operational bandwidth is less than that of equivalent dipole.

be necessary to elongate the array a few percent (pulling in the sides slightly) if the horizon elevation exceeds about 3 degrees.

Table 2 gives dimensions for two dual purpose rhombic arrays. One covers the 6-meter amateur band and the "low" tele-

vision band. The other covers the 2-meter amateur band, the "high" television band, and the 1¼-meter amateur band. The gain is approximately 12 dB over a matched half-wave dipole and the beam width is about 6 degrees.

The recommended feedline is an open-wire line having a surge impedance between 450 and 600 ohms. With such a line the SWR will be less than 2 to 1. A line with two-inch spacing is suitable for frequencies below 100 MHz, but one-inch spacing is recommended for higher frequencies.

If the array is to be used only for reception, a suitable termination consists of two

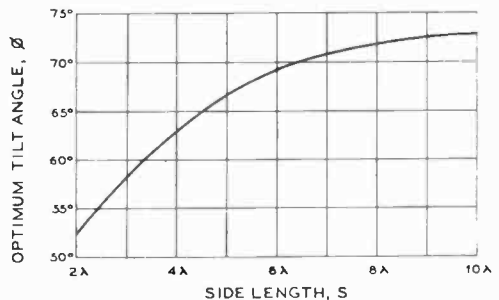


Figure 14

**VHF RHOMBIC ANTENNA DESIGN CHART**

The optimum tilt angle (see figure 15) for "zero-angle" radiation depends on the length of the sides.

Table 2. Rhombic Antenna Dimensions

DIMENSION	50 MHz AND LOW-BAND TV		144-200 MHz AND HIGH-BAND TV	
	Feet	Meters	Feet	Meters
SIDE (S)	90'0"	27.45	32'0"	9.76
LENGTH (L)	166'10"	50.88	59'4"	18.09
WIDTH (W)	67'4"	20.53	23'11"	7.29

TILT ANGLE =  $68^\circ$

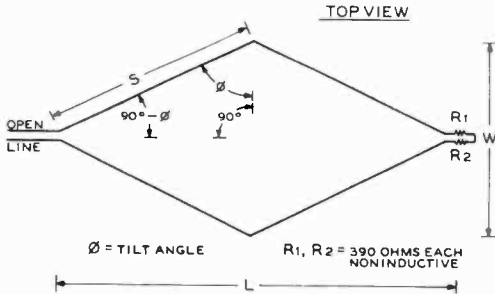


Figure 15

### VHF RHOMBIC ANTENNA CONSTRUCTION

390-ohm carbon resistors in series. If 2-watt resistors are employed, this termination also is suitable for transmitter outputs of 10 watts or less. For higher powers, however, resistors having greater dissipation with negligible reactance in the upper vhf range are not readily available.

For powers up to several hundred watts a suitable termination consists of a "lossy" line consisting of stainless-steel wire (corresponding to No. 24 or 26 gauge) spaced 2 inches, which in turn is terminated by two 390-ohm 2-watt carbon resistors. The dissipative line should be at least 6 wavelengths long.

## 30-3 The Log-Periodic Antenna

Frequency-independent antennas, of which the *Log-periodic* array is an example, are structures that have the same performance at different frequencies by virtue of the fact that the array is self-scaling and has no dimensions that are frequency sensitive. A basic self-scaling structure (shown in figure 16) is described by angles alone, with no characteristic length. Practical structures of

this type are finite in size, thus limiting the frequency-independent behavior. Variations of this basic design may take the form of toothed structures, such as illustrated.

An outgrowth of this form of wideband antenna is the *log-periodic dipole array* (figure 17) which is well suited to vhf and uhf work. This interesting antenna is made up of dipole elements whose lengths are determined by the angle they subtend from the apex point, and whose distance from the apex is such as to provide the log-periodic behavior. The dipoles are fed at the center from a parallel-wire line in such fashion that successive dipoles come out from the line in opposite directions, equivalent to a  $180^\circ$  phase shift between elements. A broadband log-periodic structure is thus formed, with most of the radiation coming from those dipole elements in the vicinity of a half-wavelength long. The bandwidth of the structure is thus limited by the length of the longest and shortest elements, which must be approximately a half-wavelength long at the extreme frequency limits of the antenna array. Gain and bandwidth of the log-periodic antenna thus bear a definite relationship to the included angle of the structure and the length.

An easily constructed log-periodic antenna is the *log-periodic dipole array*, a two-dimensional structure made up of a series of dipoles, fed at the center in such a way that adjacent dipoles are out of phase. The array is fed at the apex and the elements are excited from a parallel-wire transmission line which, if properly designed, may serve as the support structure for the dipoles. The dipole array, in effect, is a balanced transmission line with elements fed from each line, each set of elements reversed in feed polarity. The limiting structure, is a two-element array, and amateur versions of this device are often termed the "ZL-Special" antenna.

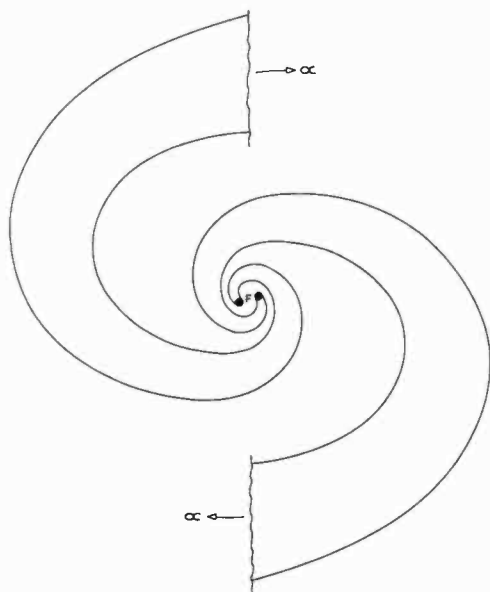


Figure 16

### SPIRAL ANTENNA STRUCTURE

This equiangular spiral antenna structure serves as a frequency independent antenna as its shape is entirely specified by angles. The shape of the antenna, when expressed in terms of operating wavelength, is the same for any frequency. The structure is fed at the center (point F) and the arm length is infinite.

The balanced log-periodic dipole structure may be fed with an unbalanced coaxial line by using the support structure as a balun, feeding the coaxial line back from the feed-point through the structure toward the rear.

**A L-P Dipole Array for 140–450 MHz** A practical L-P dipole array for the vhf spectrum is shown in figure

17. The antenna has a power gain over a dipole of about 7 decibels and may be fed with a 50-ohm coaxial transmission line. The maximum SWR on the transmission line, after adjustment of the boom spacing is better than 2.5/1 over the entire range. The L-P array is built on a twin boom made of 1/2-inch diameter, heavy-wall aluminum tubing. Two lengths of material are clamped together to form a low-impedance transmission line 84" (213 cm) long. The clamps may be made of hard wood, or other good insulating material. An impedance match

between the array and the transmission line is effected by varying the spacing of the boom, which changes the impedance of the transmission line created by the proximity of the booms to each other.

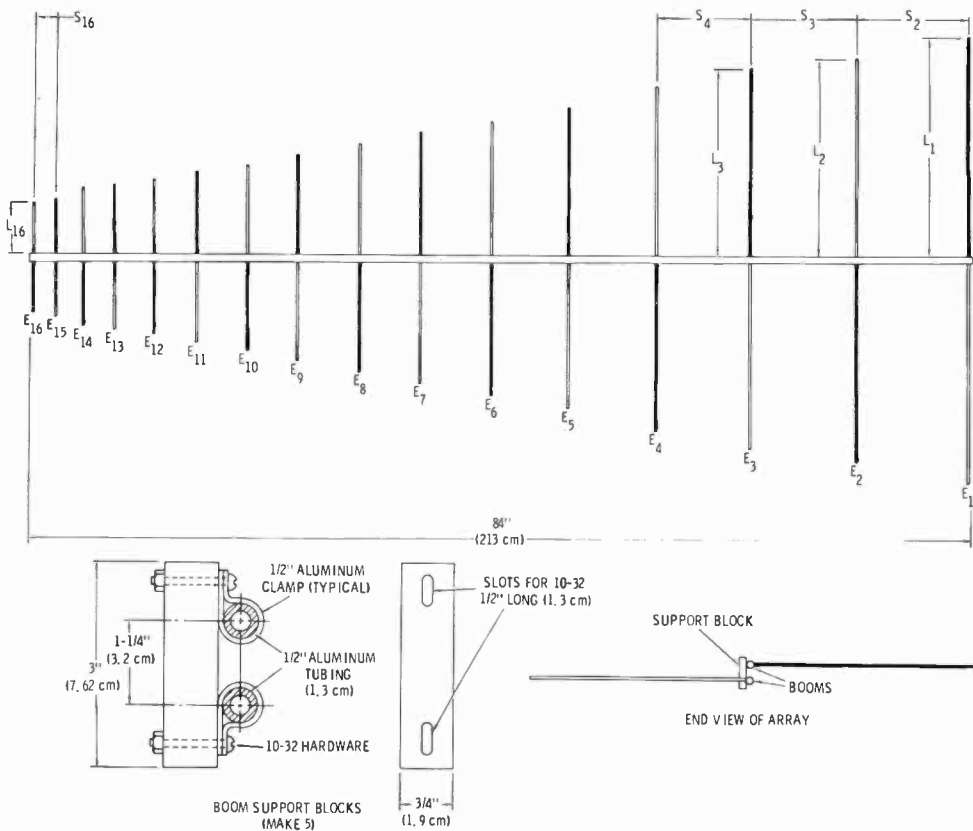
Alternate halves of successive dipole elements are fastened to a boom section by threading the element, and affixing it to a clamp, as shown in the illustration. Element spacings are measured from the rear of the array and are rounded off to the nearest quarter inch.

When the array is completed, all elements lie in the same plane, with successive elements off center from the supporting structure by virtue of the alternate feed system employed. Boom spacing should be set as shown in the drawing, and later adjusted for minimum SWR on the coaxial transmission line at the various frequencies of interest.

The coaxial line is passed through one boom from the rear and connection to both booms is made at the nose of the array. The outer braid of the line is connected to the boom through which the line passes, and the center conductor connects to the opposite boom. Type-N coaxial connectors are recommended for use in this frequency region.

**A L-P Yagi for 50 MHz** A yagi antenna consists of a driven element plus parasitic elements to increase the gain and directivity of the radiation pattern over that of a dipole. The number of parasitic elements, their length and spacing with respect to the driven element determine the characteristics of the parasitic yagi antenna. As gain and directivity increase, bandwidth decreases, limiting the ultimate usefulness of this antenna over a complete amateur band, especially at 10 meters and above. To increase the bandwidth of the array, the log-periodic principle used for broadband antennas may be applied to the parasitic beam. The log-periodic yagi array consists of log-periodic elements, interspersed with parasitic reflectors and directors to form individual cells, differing in size by a geometric constant. The driven element in each cell is fed by a common balanced transmission line.

A variation of the log-periodic principle is used in the parasitic antenna described in this section. This L-P yagi antenna is com-



L-P YAGI DIMENSIONS

ELEMENTS (L)	1	2	3	4	5	6	7	8	9	10	11	12	13	14	15	16
INCHES	19.5	17.5	16.5	15.0	13.0	11.8	10.8	9.8	8.8	8.0	7.3	6.5	6.0	5.8	4.8	4.5
cm	49.5	44.5	41.9	38.1	33.0	29.9	27.4	24.9	22.4	20.3	18.5	16.5	15.2	14.7	12.2	11.4

SPACINGS (S)	1	2	3	4	5	6	7	8	9	10	11	12	13	14	15	16
INCHES	-	10.0	9.5	8.3	7.8	6.8	6.3	5.5	5.5	4.5	4.5	3.8	3.5	2.8	2.5	2.0
cm	-	25.4	24.1	21.0	19.8	17.3	16.0	13.9	13.9	11.4	11.4	9.7	8.9	7.1	6.4	5.1

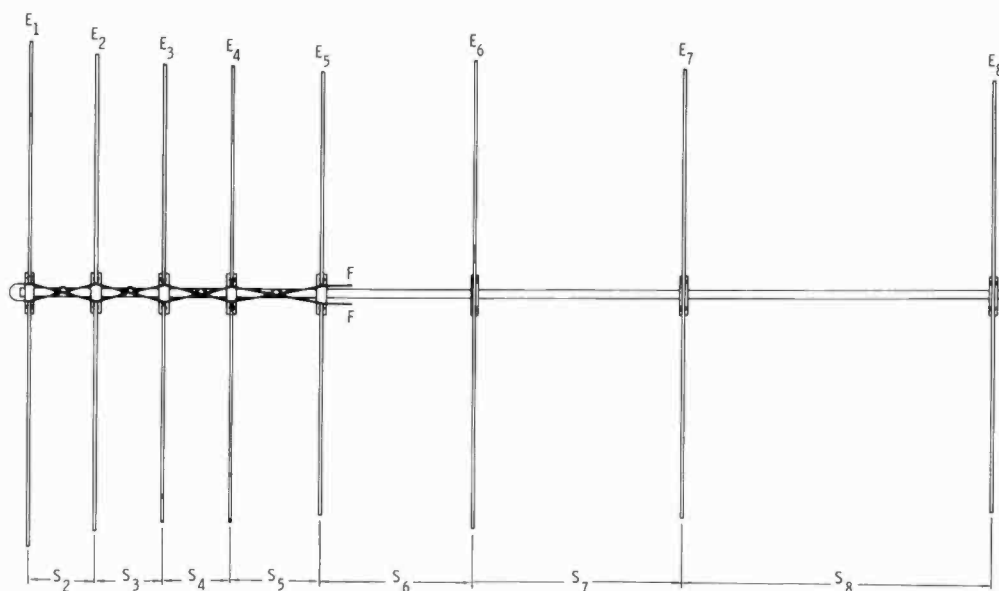
Figure 17

LOG-PERIODIC ANTENNA FOR 140 TO 450 MHz

Vhf log-periodic dipole array is built on double-boom structure made of two lengths of aluminum tubing spaced by insulated support blocks. Elements coded black are attached to the top boom and elements coded white are attached to the lower boom. The coaxial transmission line is inserted in the rear of one boom and passed through the boom, which acts as a balancing device. Center conductor is attached to opposite boom, and shield is attached to balancing boom.

posed of a five element log-periodic section designed to cover the 50- to 52-MHz range and is used in conjunction with three parasitic director elements mounted in front of the log-periodic section. A top view of

the antenna is shown in figure 18. The antenna exhibits about 12 decibels forward gain and compares nearly identically with an 8-element yagi mounted on a 30-foot boom. The overall length of the L-P yagi is only



L-P YAGI DIMENSIONS (TIP-TO-TIP)

ELEMENTS	1	2	3	4	5	6	7	8
INCHES	116.5	110	106	104	102	108	103	100
cm	296	279	269	264	259	274	261	254

SPACING	1	2	3	4	5	6	7	8
INCHES	-	15.5	15.7	15.7	20	35	49	71.5
cm	-	39.4	40	40	51.1	88.3	124.5	181.6

Figure 18

### L-P YAGI ANTENNA FOR SIX METERS

This design combines bandwidth of log-periodic structure with gain of yagi antenna. L-P yagi may be built on 1/2-inch (4.0 cm) diameter boom, about 19 feet (5.8 m) long. L-P elements are insulated from boom by mounting on insulating blocks. Yagi elements are grounded to boom at their center point. The antenna is fed with a balanced 70-ohm ribbon line at the feedpoint and the L-P transmission line is made up of No. 8 aluminum clothesline wire, criss-cross connected between the elements. Rear element is shorted with six-inch loop of aluminum wire. The spacing between the inner tips of the L-P elements is 3 1/2 inches (8.9 cm).

about 18 1/2 feet (5.64 meters) and it provides improved bandwidth performance and smaller size than the comparable yagi array.

## 30-4 The Helical Beam Antenna

Most vhf and uhf antennas are either vertically polarized or horizontally polarized (plane polarization). However, circu-

larly polarized antennas having interesting characteristics which may be useful for certain applications. The installation of such an antenna can effectively solve the problem of horizontal versus vertical polarization.

A circularly polarized wave has its energy divided equally between a vertically polarized component and a horizontally polarized component, the two being 90 degrees out of phase. The circularly polarized wave may be either "left handed" or "right handed," depending on whether the vertically polar-

ized component leads or lags the horizontal component.

A circularly polarized antenna will respond to any plane polarized wave whether horizontally polarized, vertically polarized,

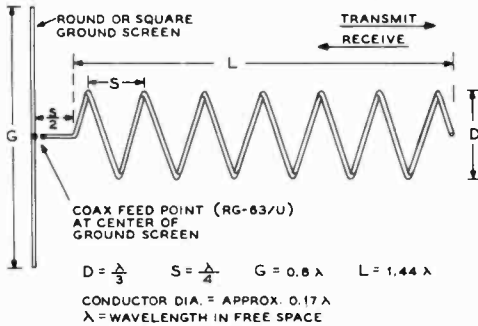


Figure 19

### THE HELICAL BEAM ANTENNA

This type of directional antenna system gives excellent performance over a frequency range of 1.7 to 1.8 to 1. Its dimensions are such that it is ordinarily not practical, however, for use as a rotatable array on frequencies below about 100 MHz. The center conductor of the feedline should pass through the ground screen for connection to the feedpoint. The outer conductor of the coaxial line should be grounded to the ground screen.

or diagonally polarized. Also, a circular polarized wave can be received on a plane polarized antenna, regardless of the polarization of the latter.

When using circularly polarized antennas at *both* ends of the circuit, however, both must be left handed or both must be right handed. This offers some interesting possibilities with regard to reduction of interference. At the time of writing, there has been no standardization of the "twist" for general amateur work.

Perhaps the simplest antenna configuration for a directional beam antenna having circular polarization is the *helical beam* which consists simply of a helix working against a ground plane and fed with coaxial line. In the uhf and the upper vhf range the physical dimensions are sufficiently small to permit construction of a rotatable structure without much difficulty.

When the dimensions are optimized, the characteristics of the helical beam antenna are such as to qualify it as a broadband antenna. An optimized helical beam shows

little variation in the pattern of the main lobe and a fairly uniform feed-point impedance averaging approximately 125 ohms over a frequency range of as much as 1.7 to 1. The direction of "electrical twist" (right or left handed) depends on the direction in which the helix is wound.

A six-turn helical beam is shown schematically in figure 19. The dimensions shown will give good performance over a frequency range of plus or minus 20 percent of the design frequency. This means that the dimensions are not especially critical when the array is to be used at a single frequency or over a narrow band of frequencies, such as an amateur band. At the design frequency the beam width is about 50 degrees and the power gain about 12 dB, referred to a non-directional circularly polarized antenna.

For the frequency range 100 to 500 MHz a suitable ground screen can be made from "chicken wire" poultry netting of 1-inch mesh, fastened to a round or square frame of either metal or wood. The netting should be of the type that is galvanized *after* weaving. A small, sheet-metal ground plate of diameter equal to approximately  $D/2$  should be centered on the screen and soldered to it. Tin, galvanized iron, or sheet copper is suitable. The outer conductor of the RG-63/U (125-ohm) coax is connected to this plate, and the inner conductor contacts the helix through a hole in the center of the plate. The end of the coax should be taped with *Scotch* electrical tape to keep water out.

It should be noted that the beam proper consists of six full turns. The start of the helix is spaced a distance of  $S/2$  from the ground screen, and the conductor goes directly from the center of the ground screen to the start of the helix.

Aluminum tubing in the 2014 alloy grade is suitable for the helix. Alternatively, lengths of the relatively soft aluminum electrical conduit may be used. In the vhf range it will be necessary to support the helix on either two or four wooden longerons in order to achieve sufficient strength. The longerons should be of the smallest cross section which provides sufficient rigidity, and should be given several coats of varnish. The ground plane butts against the longerons and the whole assembly is sup-

ported from the balance point if it is to be rotated.

Aluminum tubing in the larger diameters ordinarily is not readily available in lengths greater than 12 feet. In this case several lengths can be spliced by means of short telescoping sections and sheet-metal screws.

The tubing is closewound on a drum and then spaced to give the specified pitch. Note that the length of one complete turn when spaced is somewhat greater than the circumference of a circle having the diameter D.

**Broad-Band  
144- to 225-MHz  
Helical Beam**

A highly useful vhf helical beam which will receive signals with good gain over the complete frequency range from 144 through 225 MHz may be constructed by using the fol-

lowing dimensions (180 MHz design center):

- D ..... 22 in. ( 55.8 cm)
- S ..... 16 1/2 in. ( 41.9 cm)
- G ..... 53 in. (134.6 cm)
- Tubing o.d. .... 1 in. ( 2.5 cm)

The D and S dimensions are to the center of the tubing. These dimensions must be held rather closely, since the range from 144 through 225 MHz represents just about the practical limit of coverage of this type of antenna system.

Note that an array constructed with the above dimensions will give unusually good highband TV reception in addition to covering the 144- and 220-MHz amateur bands and the taxi and police services.

On the 144-MHz band the beam width is approximately 60 degrees to the half-power

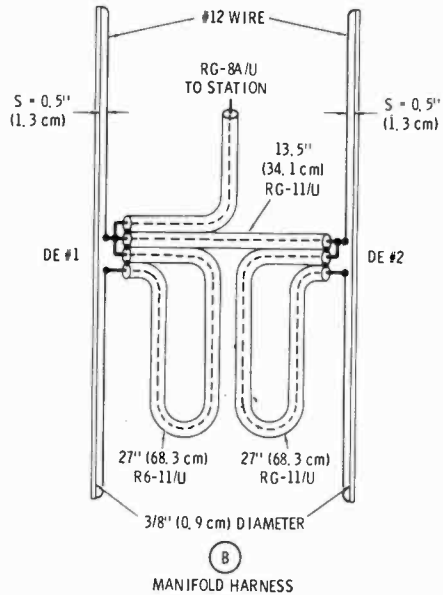
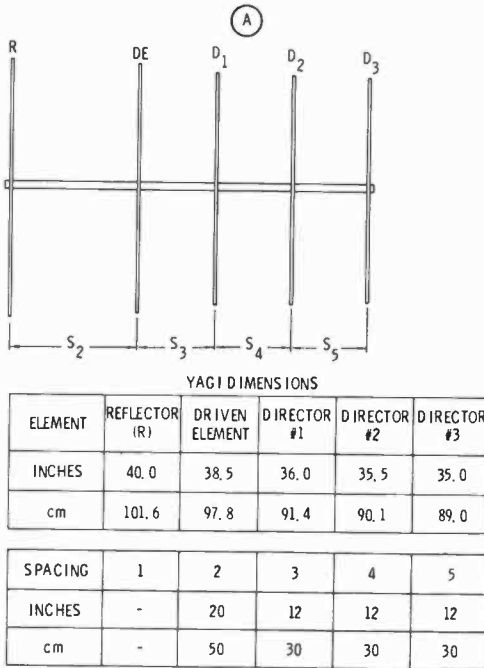


Figure 20

**BEAM ANTENNA FOR OSCAR SATELLITE**

Two 144-MHz Yagi beams, mounted at right angles to each other on the same boom and fed 90° out of phase will provide circular polarization. (A)—Dimensions of one Yagi array are shown. The element lengths are cut for a wood boom. The second set of elements are mounted on the same boom, displaced by 90° and moved along the boom about one inch so that the elements do not touch when they pass through the boom. The parasitic elements are cut from 1/8" (0.3 cm) diameter aluminum rod or wire. (B)— The manifold harness uses a single length of RG-11/U (75-ohm) coaxial line as a phasing section and lengths of RG-11/U as half-wave length baluns. The coaxial transmission line is RG-8/U (50 ohms).



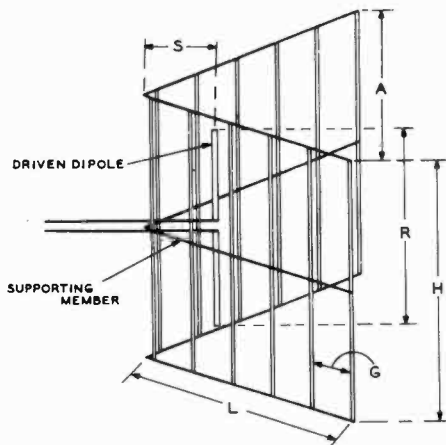


Figure 21

### CONSTRUCTION OF THE CORNER REFLECTOR ANTENNA

Such an antenna is capable of giving high gain with a minimum of complexity in the radiating system. It may be used either with horizontal or vertical polarization. Design data for the antenna is given in the Corner-Reflector Design Table.

points, while the power gain is approximately 11 dB over a nondirectional circularly polarized antenna. For high-band TV coverage the gain will be 12 to 14 dB, with a beam width of about 50 degrees, and on the 220-MHz amateur band the beam width will be about 40 degrees with a power gain of approximately 15 dB.

The antenna system will receive vertically polarized or horizontally polarized signals with equal gain over its entire frequency range. Conversely, it will transmit signals over the same range, which then can be received with equal strength on either horizontally polarized or vertically polarized receiving antennas. The standing-wave ratio will be very low over the complete frequency range if RG-63 U coaxial feed line is used.

#### A Circularly Polarized 144-MHz Yagi Beam for OSCAR

The advantages of circular polarization are obvious when communication with (or through) an OSCAR satellite is attempted. The random, tumbling motion of the satellite provides an ever-changing signal of random polarization at

the ground station. Even though a circularly polarized antenna exhibits a loss of 3 dB over a comparable linearly polarized antenna when a linearly polarized signal of the correct polarization is received, the normal reflection and diffraction of most vhf signals tend to mask out this difference.

The polarization shift of a space satellite will cause a slow regular fading of the received signal, the maximum signal being received when the signal is in phase with the polarization of the receiving antenna, and fades up to 20 dB can be noticed when the signal is 90° out of phase. Circular polarization provides a much more uniform coverage under these circumstances.

Finally, circular polarization may be used advantageously for communication between a base station and a mobile station, the "flutter" caused by the polarization shift due to the motion of the mobile station being greatly reduced when circular polarization is used at the base station.

Two 144-MHz Yagi beam antennas mounted at right angles to each other on the same boom and fed 90° out of phase will provide circular polarization (figure 20). The phase shift is obtained by using two feedlines, one a quarter-wavelength longer than the other. The two lines are parallel-connected to a common transmission line which goes to the station.

Each Yagi has a folded dipole driven element designed to match a 300-ohm load. A four-to-one balun at each antenna transforms this impedance down to approximately 75 ohms. The antennas are interconnected by a short phasing line to obtain the proper 90° phase shift. The line is an electrical quarter-wavelength long. The direction of polarization (clockwise or counterclockwise) depends on which dipole is directly energized by the transmission line, and which is energized by the phasing line. It is possible to switch polarization rotation by means of a coaxial relay placed at the antenna.

The impedance presented at the feedpoint of the two antennas is half the feedpoint impedance of each antenna, or about 37 ohms. A quarter-wave transformer made of 50-ohm line will match this to a 75-ohm transmission line, or a 50-ohm line may be used, with a resulting SWR of about 1.4 at the antenna resonant frequency.

The antenna may be tested by aiming it at a linearly polarized signal (such as from a repeater). Rotating the array on its axis should produce no more than 1 dB signal variation if the phasing is correct. Power gain of the array is approximately 8 dB.

### 30-5 The Corner-Reflector and Horn-Type Antennas

The corner-reflector antenna is a good directional radiator for the vhf and uhf region. The antenna may be used with the radiating element vertical, in which case the directivity is in the horizontal or azimuth plane, or the system may be used with the driven element horizontal, in which case the radiation is horizontally polarized, and most of the directivity is in the vertical plane. With the antenna used as a horizontally polarized radiating system the array is a very good low-angle beam array although the nose of the horizontal pattern is still quite sharp. When the radiator is oriented vertically the corner reflector operates very satisfactorily as a direction-finding antenna.

Design data for the corner-reflector antenna is given in figure 21 and in Table 3, *Corner-Reflector Design Data*. The planes which make up the reflecting corner may be made of solid sheets of copper or aluminum for the uhf bands, although spaced wires with the ends soldered together at top and bottom may be used as the reflector on the lower frequencies. Copper screen may also be used for the reflecting planes.

The values of spacing given in the corner-reflector chart have been chosen such that the center impedance of the driven element would be approximately 75 ohms. This means that the element may be fed directly with 75-ohm coaxial line, or a quarter-wave matching transformer such as a  $\lambda/4$ -section may be used to provide an impedance match between the center impedance of the element and a 460-ohm line constructed of No. 12 wire spaced 2 inches (5 cm).

In many uhf antenna systems, waveguide transmission lines are terminated by *pyramidal horn* antennas. These horn antennas (figure 22A) will transmit and receive either horizontally or vertically polarized waves. The use of waveguides at 144 and

220 MHz, however, is out of the question because of the relatively large dimensions needed for a waveguide operating at these low frequencies.

A modified type of horn antenna may still be used on these frequencies, since only one particular plane of polarization is of interest to the amateur. In this case, the horn antenna can be simplified to two triangular sides of the pyramidal horn. When these two sides are insulated from each other, direct excitation at the apex of the horn by a two-wire transmission line is possible.

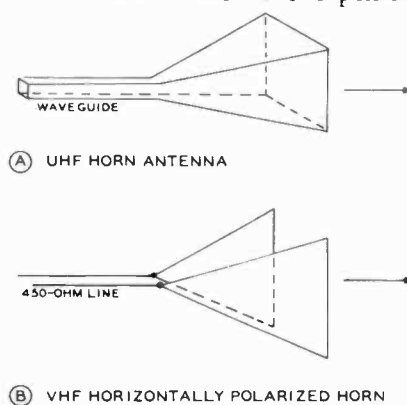


Figure 22

#### TWO TYPES OF HORN ANTENNAS

The "two-sided horn" of illustration B may be fed by means of an open-wire transmission line.

In a normal pyramidal horn, all four triangular sides are covered with conducting material, but when horizontal polarization alone is of interest (as in amateur work) only the *vertical* areas of the horn need be used. If vertical polarization is required, only the *horizontal* areas of the horn are employed. In either case, the system is unidirectional, away from the apex of the horn. A typical horn of this type is shown in figure 22B. The two metallic sides of the horn are insulated from each other, and the sides of the horn are made of small mesh "chicken wire" or copper window screening.

A pyramidal horn is essentially a high-pass device whose low-frequency cutoff is reached when a side of the horn is  $\frac{1}{2}$  wavelength. It will work up to infinitely high frequencies, the gain of the horn increasing

by 6 dB every time the operating frequency is doubled. The power gain of such a horn compared to a half-wave dipole at frequencies higher than cutoff is:

$$\text{Power gain (dB)} = \frac{8.4 A^2}{\lambda^2}$$

where  $A$  is the frontal area of the mouth of the horn. For the 60-degree horn shown in figure 23 the formula simplifies to:

$$\text{Power gain (dB)} = 8.4 D^2, \text{ when } D \text{ is expressed in terms of wavelength.}$$

When  $D$  is equal to one wavelength, the power gain of the horn is approximately 9 dB.

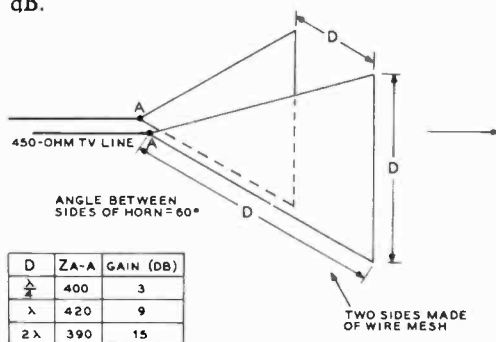


Figure 23

THE 60° HORN ANTENNA FOR USE ON FREQUENCIES ABOVE 144 MHz

### 30-6 VHF Yagi Beam Antennas

The multielement rotary beam is undoubtedly the most popular type vhf antenna in use. In general, the design, assembly and tuning of these antennas follows a pattern similar to that used for the larger rotary arrays used on the lower-frequency amateur bands. The characteristics of the latter antennas are

discussed in a previous chapter of this Handbook, and the information contained in that chapter applies in general to the vhf beam antennas discussed herewith.

**Element Lengths** Optimum length for parasitic elements in vhf arrays is a function of element spacing and the diameter of the element. To hold a satisfactory length/diameter ratio, the diameter of the element must decrease as the frequency of operation is raised. At very-high frequencies, element length is so short that the diameter of a self-supporting element becomes a large fraction of the length. Short, large-diameter elements have low  $Q$  and are not practical in parasitic arrays. Thus the yagi array becomes critical in adjustment and marginal in operation in the upper reaches of the vhf spectrum. Yagi antennas can be made to work at 432 MHz and higher, but their adjustment is tedious, and preference is given to broadside arrays having relatively large spacings between elements and high impedance. The yagi antenna, however, remains "the antenna to beat" for the 50-, 144-, and 220-MHz amateur bands.

The yagi antennas shown in this section are of all-metal construction with the elements directly grounded to the boom. Either a gamma-match system, T match, or folded-dipole element may be used on the arrays. For short lengths of transmission line, 50-ohm low-loss coaxial cable is recommended for use with a gamma match, or with folded dipole or T match and a coaxial balun. Longer line lengths should be made up of 300-ohm TV-type "ribbon" line or open-wire TV-type transmission line. Care should be taken to keep the ribbon or open-wire lines clear of nearby metallic objects.

Table 3. Corner Reflector Dimensions

BAND (MHz)	CORNER ANGLE	R		S		H		A		L	
		in	cm	in	cm	in	cm	in	cm	in	cm
50	60°	110	279.4	115	292	140	355.6	230	584.2	230	584
144	60°	38	96.5	40	101.6	48	121.9	100	254	100	254
220	60°	24.5	62.2	25	63.5	30	76.2	72	183	72	183
420	60°	13	33.0	14	35.6	18	45.7	36	91.5	36	91.5

(1)—DIMENSION G IS 18" (45.7 cm) FOR 50 MHz, 3" (7.6 cm) FOR 144-220 MHz AND MESH SCREEN FOR 420 MHz  
 (2)—ANTENNA GAIN ON ALL BANDS IS 12 dB  
 (3)—FEEDPOINT IMPEDANCE IS ABOUT 75 OHMS

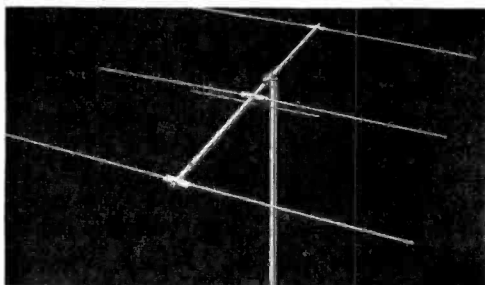


Figure 24

### THREE-ELEMENT YAGI BEAM FOR SIX METERS

This all-aluminum array is a popular six-meter antenna. Available in kit form (Hy-Gain), it also may easily be constructed from available aluminum tubing. Elements are clamped to the boom and either a T match, Gamma match or split-driven-element feed system used. T match with half-wave coaxial balun is recommended system for ease in adjustment. Brass or aluminum hardware should be employed to prevent corrosion of elements due to weather.

**Yagi Beams** All-aluminum beam antennas for 6 and 2 are easy to construct for the 6- and 2-meter amateur bands. The three-element array is very popular for general 6-meter operation, and up to ten elements are often used for DX work on this band. The four-element array is often used on 2 meters, either horizontally or vertically polarized, and arrays having as many as twelve to fifteen elements are used for meteor-scatter and over-horizon work on 144 MHz.

Shown in figures 24 and 25 is a simple three-element array for the 6-meter band. The design frequency is 50.5 MHz, and the beam is capable of operation over the 50- to 51-MHz frequency span. The antenna may be fed from a 50-ohm coaxial line with a half-wave balun and T match as shown in the illustration. The supporting boom is made of a length of  $1\frac{1}{2}$ -inch diameter aluminum TV mast section, and the elements are made of  $\frac{1}{2}$ -inch diameter aluminum tubing. The elements are mounted in position by drilling the boom to pass the element and then clamping the point as shown in the drawing.

The T-match system must be properly resonated at the center frequency of antenna operation. To do this, the antenna is temporarily mounted atop a step ladder, in the

clear, and fed with a few watts of power from the station transmitter. An SWR meter or reflectometer is placed in the line near the antenna and the length of the T sections and the series capacitors are adjusted to provide the lowest value of SWR on the transmission line. The capacitors are varied in unison to preserve the symmetry of balance. The capacitors should be enclosed in a weatherproof box and mounted at the center of the T section.

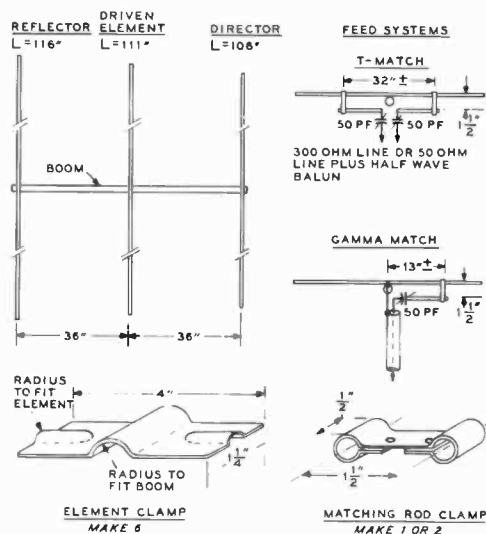


Figure 25

### SIX-METER BEAM ASSEMBLY

Element clamps are fabricated from soft aluminum strip. All joints should be cleaned and covered with Penetrox paste to prevent corrosion. Elements may be made of sections of telescoping tubing. Diameters between one inch and one-half inch are recommended.

A four-element array for the 2-meter band is shown in figures 26 and 27. Dimensions are given for a center frequency of 146 MHz. The antenna provides a power gain of about 9 decibels over a dipole and is capable of good operation over the complete 2-meter band. For optimum operation at the low end of the band, all element lengths should be increased by one-half inch.

Antenna construction is similar to the 6-meter array in that an aluminum section of tubing is used for the boom and the elements are passed through holes drilled in the boom. One-quarter inch aluminum

tubing is used for the elements. The T match and coaxial balun are used to match the antenna to a 50-ohm coaxial transmission line.

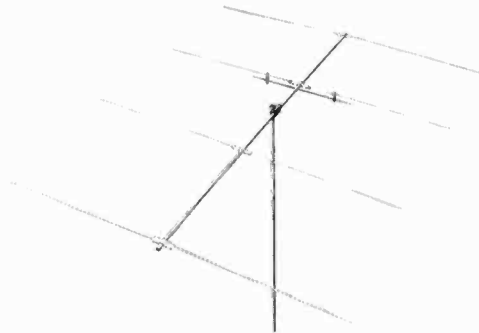


Figure 26

**FOUR-ELEMENT YAGI BEAM FOR TWO METERS**

Light aluminum is employed for easy-to-build two meter beam. Reynolds "Do It Yourself" aluminum, available at many hardware and building supply stores may be used. Construction is similar to six-meter array. If boom diameter is about one inch, the boom may be drilled for the elements, which are then held in place by a sheet-metal screw through boom and element.

ment rotary beam for 144-MHz use. This array can be tilted to obtain either horizontal or vertical polarization. It is necessary that the transmitting and receiving stations use the same polarization for the ground-wave signal propagation which is characteristic of this frequency range. Although polarization has been loosely standardized in various areas of the country, exceptions are frequent enough so that it is desirable that the polarization of antenna radiation be easily changeable from horizontal to vertical.

The antenna illustrated has shown a signal gain of about 11 dB, representing a power gain of about 13. Although the signal gain of the antenna is the same whether it is oriented for vertical or horizontal polarization, the horizontal beam width is smaller when the antenna is oriented for vertical polarization. Conversely, the vertical pattern is sharper when the antenna system is oriented for horizontal polarization.

The changeover from one polarization to the other is accomplished simply by pulling on the appropriate cord. Hence, the operation is based on the offset head sketched in figure 28. Although a wood mast has been used, the same system may be used with a pipe mast.

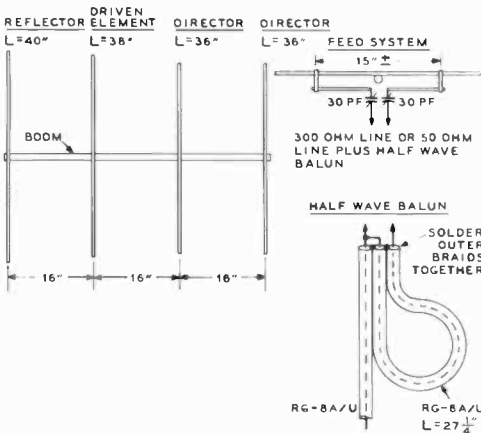


Figure 27

**TWO-METER BEAM ASSEMBLY**

**An 8-Element "Tiltable" Yagi for 144 MHz**

Two four-element beams may be stacked to double the power gain and to sharpen the pattern of a single beam. Figure 28 illustrates an 8-ele-

The 40-inch lengths of RG-59/U cable (electrical 3/4-wavelength) running from the center of each folded dipole driven element to the coaxial T-junction allow enough slack to permit free movement of the main boom when changing polarity. Type RG-8/U cable is run from the T-junction to the operating position. Measured standing-wave ratio was less than 2:1 over the 144- to 148-MHz band, with the lengths and spacing given in figure 28.

Most of the constructional aspects of the antenna array are self-evident from figure 28. However, the pointers given in the following paragraphs will be of assistance to those wishing to reproduce the array.

The drilling of holes for the small elements should be done carefully on accurately marked centers. A small angular error in the drilling of these holes will result in a considerable misalignment of the elements after the array is assembled. The same consideration is true of the filing out of the rounded notches in the ends of the main boom for the fitting of the two-antenna booms.

ment rotary beam for 144-MHz use. This array can be tilted to obtain either horizontal or vertical polarization. It is necessary that the transmitting and receiving stations use the same polarization for the ground-wave signal propagation which is characteristic of this frequency range. Although polarization has been loosely standardized in various areas of the country, exceptions are frequent enough so that it is desirable that the polarization of antenna radiation be easily changeable from horizontal to vertical.

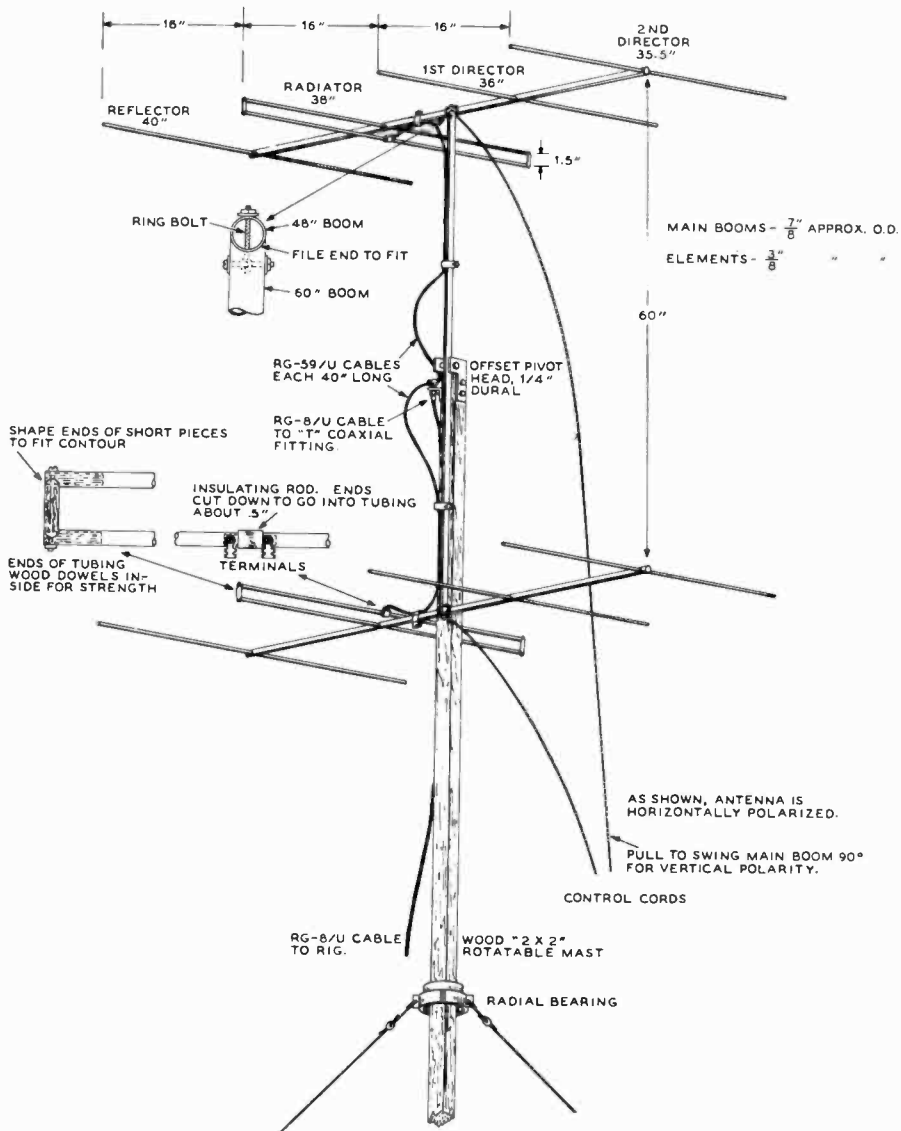


Figure 28

CONSTRUCTION DRAWING OF AN EIGHT-ELEMENT TILTABLE 144-MHz ARRAY

Short lengths of wood dowel are used freely in the construction of the array. The ends of the small elements are plugged with an inch or so of dowel, and the ends of the antenna booms are similarly treated with larger discs pressed into place.

The ends of the folded dipoles are made in the following manner: Drive a length of

dowel into the short connecting lengths of aluminum tubing. Then drill down the center of the dowel with a clearance hole for the center of the connecting screw. Then shape the ends of the connecting pieces to fit the sides of the element ends. After assembly the junctions may be dressed with a file and sandpaper until a smooth fit is obtained.

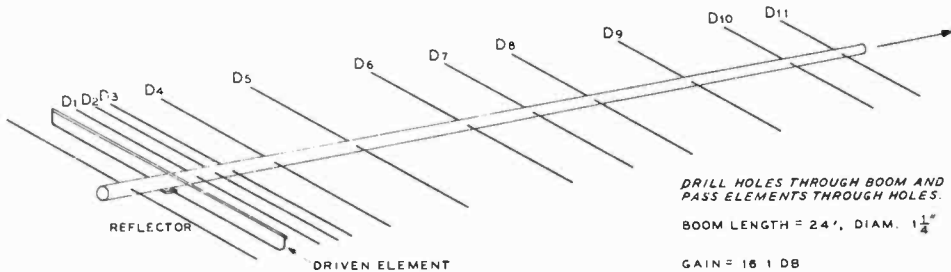
The mast used for supporting the array is a 30-foot spliced "2 X 2". A large discarded ball bearing is used as the radial load bearing and guy-wire termination. Enough of the upper-mast corners were removed with a drawknife to permit sliding the ball bearing down about 9 feet from the top of the mast. The bearing then was encircled by an assembly of three pieces of dural ribbon to form a clamp, with ears for tightening screws and attachment of the guy wires. The bearing then was greased and covered with a piece of auto inner tube to serve as protection from the weather. Another junk-box bearing was used at the bottom of the mast as a thrust bearing.

The main booms were made from 3/4-inch aluminum electrical conduit. Any size of small tubing will serve for making the elements. Note that the main boom is

mounted at the balance center and not necessarily at the physical center.

In connecting the phasing sections between the T-junction and the centers of the folded dipoles, it is important that the center conductors of the phasing sections be connected to the same side of the driven elements of the antennas. In other words, when the antenna is oriented for horizontal polarization and the center of the coaxial section goes to the left side of the top antenna, the center conductor of the other coaxial phasing section should go to the left side of the bottom antenna.

**Long Yagi** For a given power gain, the *Yagi antenna* can be built lighter, more compact, and with less wind resistance than any other type. On the other hand, if a Yagi array of the same



ELEMENT DIMENSIONS, 2-METER BAND

ELEMENT (DIAM. 1/8")	LENGTH				SPACING FROM DIPOLE
	144 MHz	145 MHz	146 MHz	147 MHz	
REFLECTOR	41"	40 3/4"	40 7/16"	40 3/16"	19"
DIRECTORS	36 3/4"	36 1/2"	36 3/8"	36 3/16"	D1 = 7" D2 = 14.5" D3 = 2.2" D4 = 36" D5 = 70" D6 = 102" D7 = 134" D8 = 166" D9 = 198" D10 = 230" D11 = 242"

DRIVEN ELEMENT	
BOOM	38.5"
CLEARANCE HOLE FOR BOLT	
INSULATING PLATE	
FLATTEN TUBING AT ENDS	
# 8 WIRE FOR 300 Ω MATCH	
# 10 WIRE FOR 450 Ω MATCH	

Figure 29

LONG YAGI BEAM ANTENNA FOR 2 METERS

This design provides 16 dB gain over a dipole and covers about 1 MHz at 144 MHz. Dimensions are provided for four frequencies in the 2-meter band. Multiply dimensions by 2.54 to obtain element lengths and spacings in centimeters. Antenna may be fed by 50-ohm coaxial line and half-wave balun. If elements are mounted atop the boom, they should all be shortened by about 3/4-inch.

approximate size and weight as another antenna type is built, it will provide a higher order of power gain and directivity than that of the other antenna.

The power gain of a Yagi antenna increases directly with the physical length of the array. The maximum practical length is entirely a mechanical problem of physically supporting the long series of director elements, although when the array exceeds a few wavelengths in length the element lengths, spacings, and  $Q$ 's becomes more and more critical. The effectiveness of the array depends on a proper combination of the mutual coupling loops between adjacent directors and between the first director and the driven element.

Practically all work on Yagi antennas with more than three or four elements has been on an experimental, cut-and-try basis. Figure 29 provides dimensions for a typical long Yagi antenna for the 2-meter vhf band. Note that all directors have the same physical length. If the long Yagi is designed so that the directors gradually decrease in length as they progress from the dipole, bandwidth will be increased, and both side lobes and forward gain will be reduced. One advantage gained from staggered director length is that the array can be shortened and lengthened by adding or taking away directors without the need for re-tuning the remaining group of parasitic elements. When all directors are the same length, they must be all shortened *en masse* as the array is lengthened, and vice versa when the array is shortened.

### 30-7 Stacking Vhf Antennas

By stacking, it is meant that two or more single antennas of any type form a broadside array, so that antennas can be stacked horizontally as well as vertically. Any number of antennas, within reason, may be stacked and coupled together to provide enhanced gain and directivity. A simple example of stacking is the eight-element "tiltable" array shown in the previous section.

The optimum stacking distance for two dipoles is 0.67 wavelength for maximum gain, but this is not generally true for high-

gain beam antennas. By spacing the beams so that their apertures just "touch," power gain will increase directly as the number of antennas used.

The beamwidth of the stacked array will change according to the direction of the



Figure 30

#### TWO-METER LONG YAGI ARRAY

Elements are mounted atop boom by means of small clamps made of soft aluminum strap. Either folded dipole or T-matching device may be used with antenna. Eight-element beam similar in construction is manufactured and sold in kit form.

stacking. If the array is made four antennas wide, the beamwidth in the horizontal plane will be one-fourth of the beamwidth of one antenna. If the array is made two antennas high, the vertical beamwidth will be one-half that of one antenna alone.

As a simple rule of thumb in stacking extended Yagi antennas, or other arrays having high gain, it is suggested that stacking distance be equal to  $\frac{3}{4}$  of the length of the antenna. This figure will be quite close to the aperture size of a single antenna. Examples of good stacking technique are shown in figures 31 and 32.

**The Manifold Feed System** Most high gain vhf antennas used for moonbounce or meteor scatter work are made up of many antennas arranged into a large array. The power applied to the array must be divided equally among the antennas and be in the proper phase to permit the individual fields to add vectorially. A *manifold feed system*, such as shown in figure 33 may be used to feed a large number of antennas. The



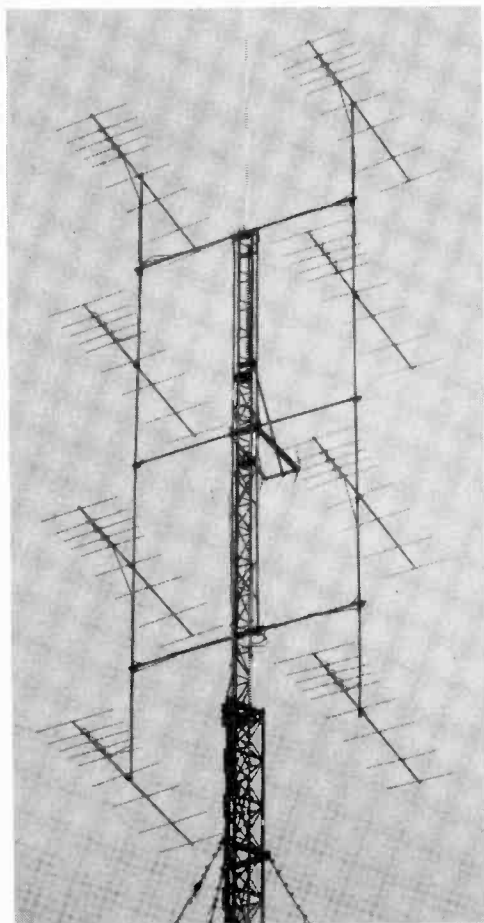


Figure 31

**72 ELEMENT, 144 MHz ARRAY OF W30LV**

Eight nine-element, log-periodic Yagi antennas are stacked four high and two wide in this impressive array. Antenna structure can be tilted from vertical for tracking the moon or for meteor scatter work. Antenna provides over 21 dB power gain as compared to a dipole. Beams are fed with a coaxial manifold harness so that length of feedline to each beam is of equal length from common feed point at center of array.

manifold harness may use open wire line, or coaxial cable. The antennas must be identical and well matched to the impedance of the interconnecting phasing line. In this example, each driven element is adjusted to provide a 200-ohm feedpoint. Typically, this may be done with a gamma match or a folded dipole having the proper transforma-

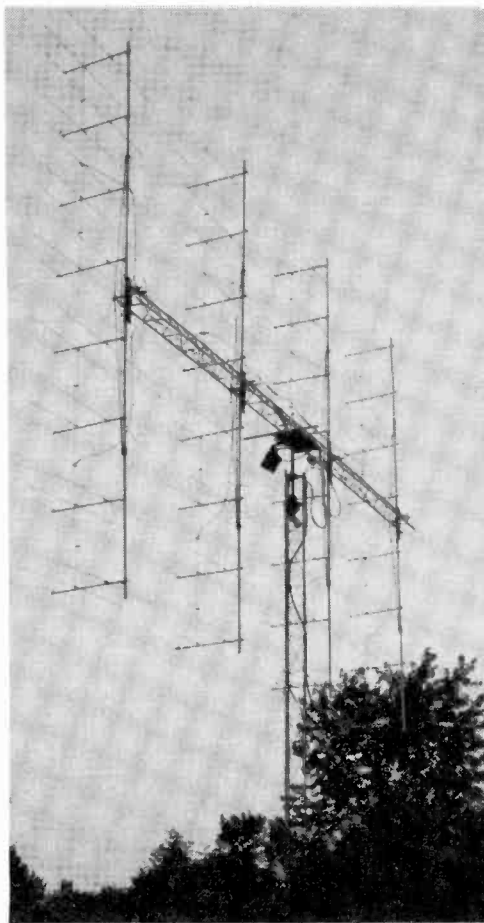


Figure 32

**160-ELEMENT, 144-MHz ARRAY OF K8III**

Thirty two, five-element, extended-expanded arrays are stacked eight high and four wide in this rugged installation. Each individual beam is a "lazy-H", expanded configuration, backed up by two reflectors and a single director. Array may be tilted for moonbounce or meteor scatter work. Power gain is better than 23 dB over a dipole.

tion ratio. Each element is equipped with a half-wave balun to provide a 50-ohm termination for the coaxial phasing line. The length of the lines is unimportant, as long as they are equal. At the junction point (A), the lines are connected in parallel to provide a nominal impedance of 25 ohms. Two 50-ohm quarter-wave transformers change this

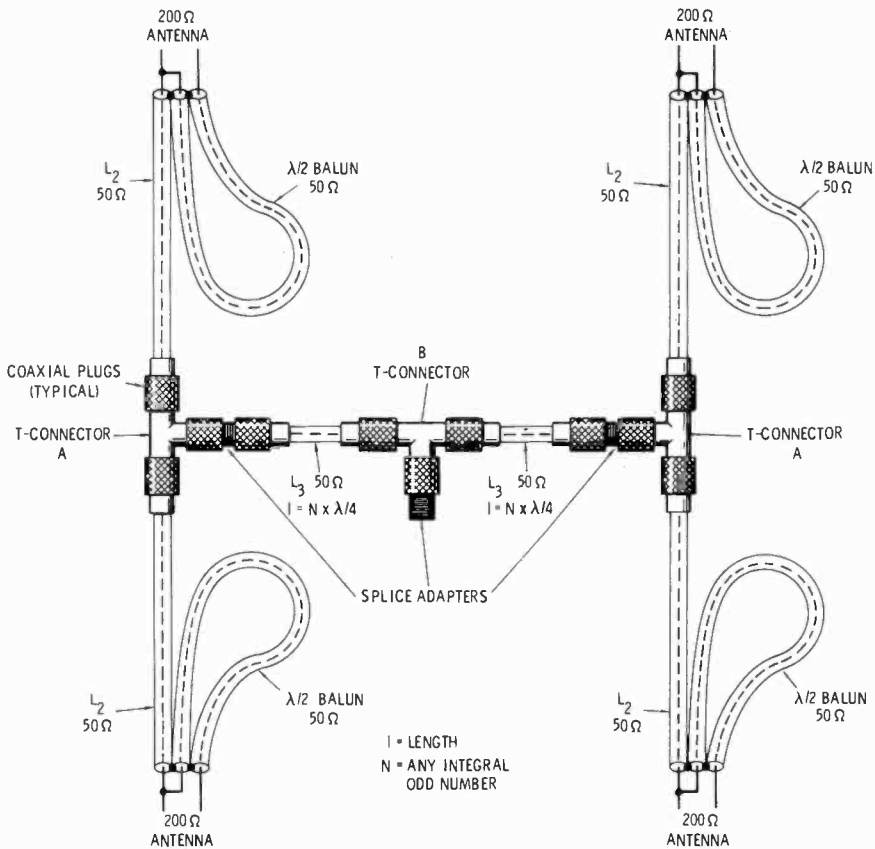


Figure 33

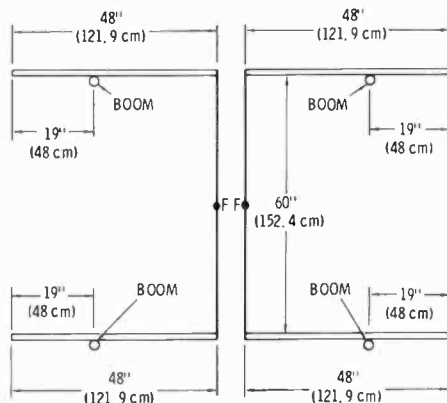
COAXIAL MANIFOLD FEED SYSTEM

Four antennas are fed from a central feedpoint (B). Each branch feeds two other antennas at secondary feedpoint (A). Each antenna has a folded-dipole driven element and a half-wave coaxial balun to provide an unbalanced 50-ohm feedpoint. A gamma match may be substituted for the folded dipole and balun. For the larger, more complicated arrays, many vhf experimenters use balanced, open-wire line in preference to coaxial line.

Figure 34

THE W6GD EXTENDED-EXPANDED FEED SYSTEM FOR STACKED ARRAYS

Four Yagi antennas may be fed with this simple system to provide improved power gain. The driven elements only are shown in this drawing. The Yagis are stacked two above two, with the center line of the Yagi boom marked as shown. The array is fed at F-F with a half-wavelength, shorted stub. The assembly is grid-dipped to frequency and the movable short soldered in position. A coaxial line and half-wavelength balun feed the balanced stub a few inches above the shorting bar. Dimensions are for 144 MHz. Normal length reflectors and directors are used.



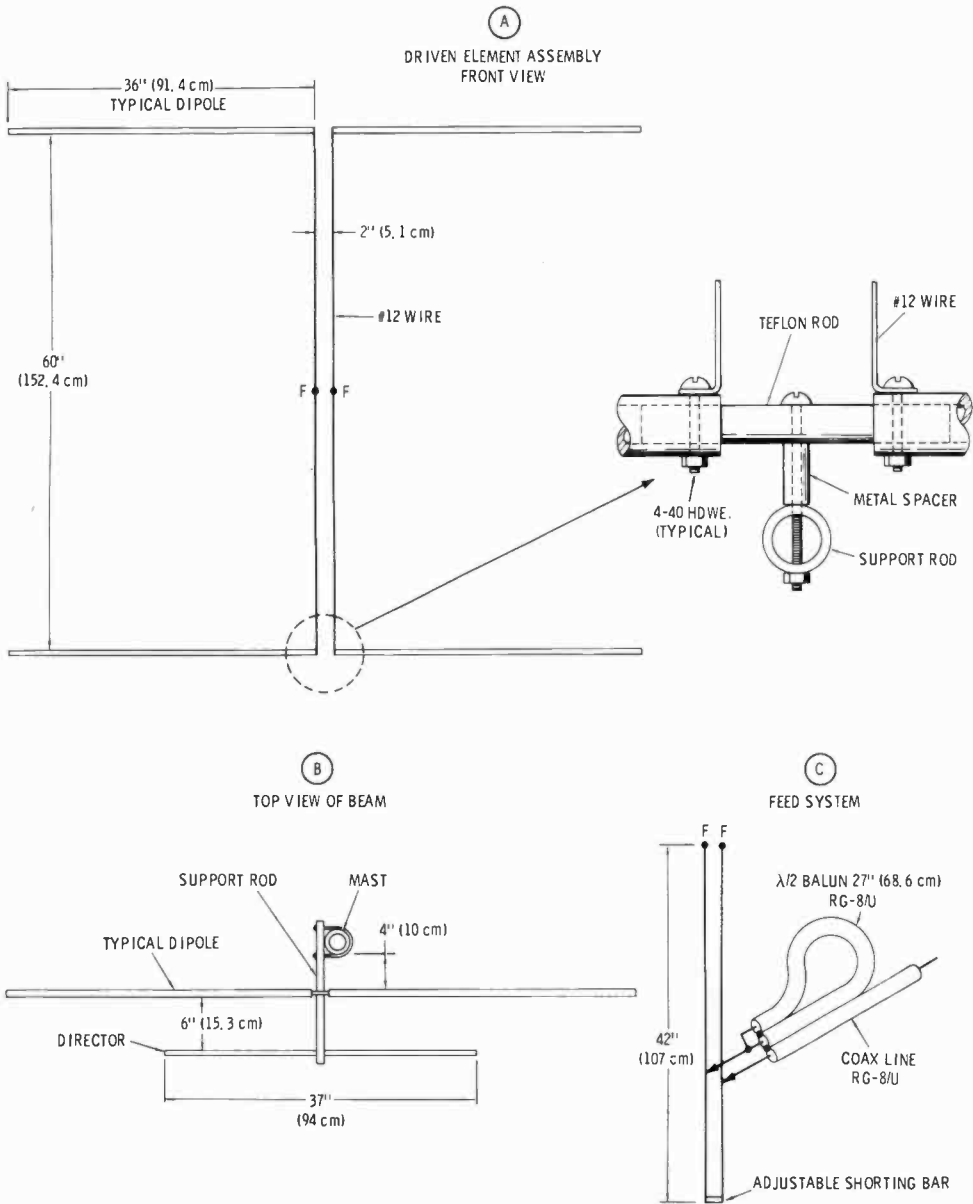


Figure 35

SIX-ELEMENT BEAM FOR 144 MHz

A broadside array with two directors provides about 10 dB power gain. Each set of collinear elements has a single director, the combination providing more gain than if a double set of directors were used. A—The four dipole elements are stacked two above two, with a two-wire phasing line connecting the stack. The assembly is fed at point F-F. Elements are shown for horizontal polarization. B—The top view of the array shows placement of the director elements in front of the collinear dipoles. The support rod is plugged with a wood dowel at the points where the dipole and director elements are attached. C—A half-wavelength stub is attached to the phasing line at point F-F and a coaxial balun and 50-ohm line are tapped on the stub to provide the lowest value of SWR.

impedance level to 100 ohms in each case, and the 100-ohm points are connected in parallel at (B) to provide a 50-ohm termination for the coaxial transmission line to the station.

### 30-8 Extended, Expanded vhf Arrays

Two collinear elements 0.64 wavelength long make a simple array that provides about 3 dB power gain over the dipole. This is known as an *extended double Zepp* antenna among old-timers. The directional pattern of this simple antenna resembles a dipole, except that it is somewhat sharper and has minor lobes at an acute angle to the line of the antennas.

A simple manifold feed system designed by ex-W6GD is shown in figure 34. Four Yagi antennas, stacked 2 above 2 may be driven by this easily built harness. Each driven element is extended in length to about  $\frac{3}{8}$ -wavelength, which places the horizontal Yagi beams about  $\frac{3}{4}$ -wavelength apart when the driven elements are placed tip-to-tip. The spacing is a little less than optimum, but gain and antenna pattern are not seriously affected. Vertical stacking is about  $\frac{3}{4}$ -wavelength. Dimensions for the 144 MHz band are given in the drawing.

Four of these collinear arrays may be fed from a single transmission line, as shown in figure 34 to provide a simple driving element for more complex arrays. Because of the gain of the collinear elements, a stack of four provides a power gain of about 6 dB over a dipole.

The extended, expanded antenna stack may be used in Yagi arrays or in broadside arrays. Shown in this section are representative antennas for the 144, 220, and 420 MHz bands that make use of this principle.

**A Six-Element Broadside Beam for 144 MHz** This compact array provides about 10 dB power gain. Only six elements are used, four in a collinear broadside configuration, plus two added directors. A single director for each set of collinear elements provides more gain than separate directors placed in front of each element (figure 35). Director spacing is quite close

and the director element is longer than usual. The array is fed with a half-wavelength, shorted stub and coaxial balun, and may be mounted in either a horizontal or vertical position. Horizontal polarization is shown in the illustration. The collinear dipoles are physically connected by a short length of *teflon* rod slipped inside the ends of the tubing. The dipole pair is then supported from a horizontal support rod by means of 4-40 hardware and metal spacers affixed at the center of the rod. The elements are made of  $\frac{1}{2}$ " (1.2 cm) diameter tubing, as is the support rod. The interconnecting phasing line is made of #12 wire and is fed at the midpoint by a half-wavelength matching stub, coaxial balun and 50-ohm line (illustration C).

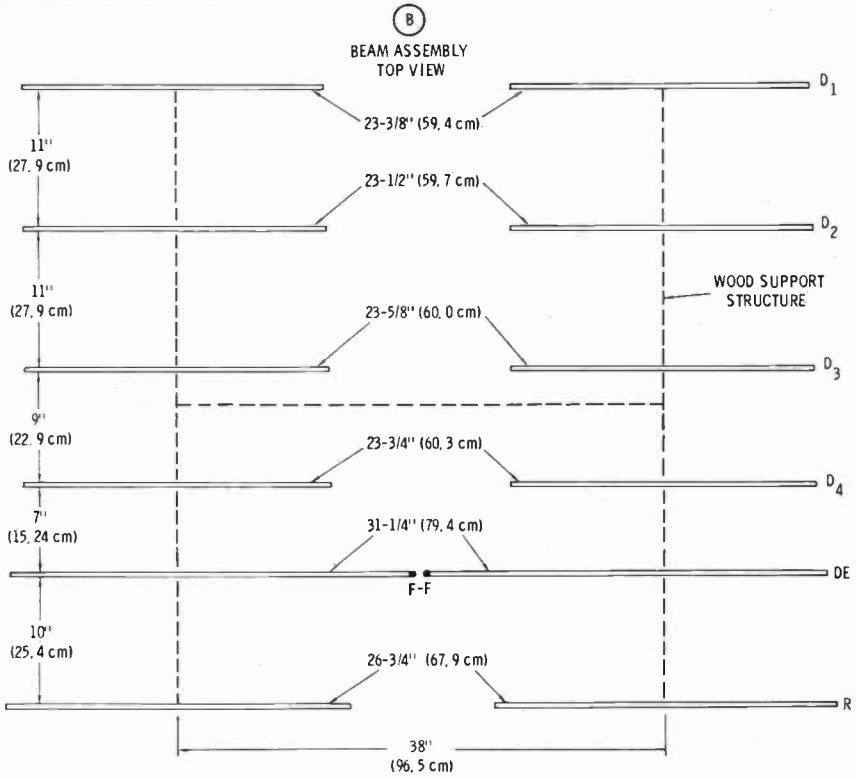
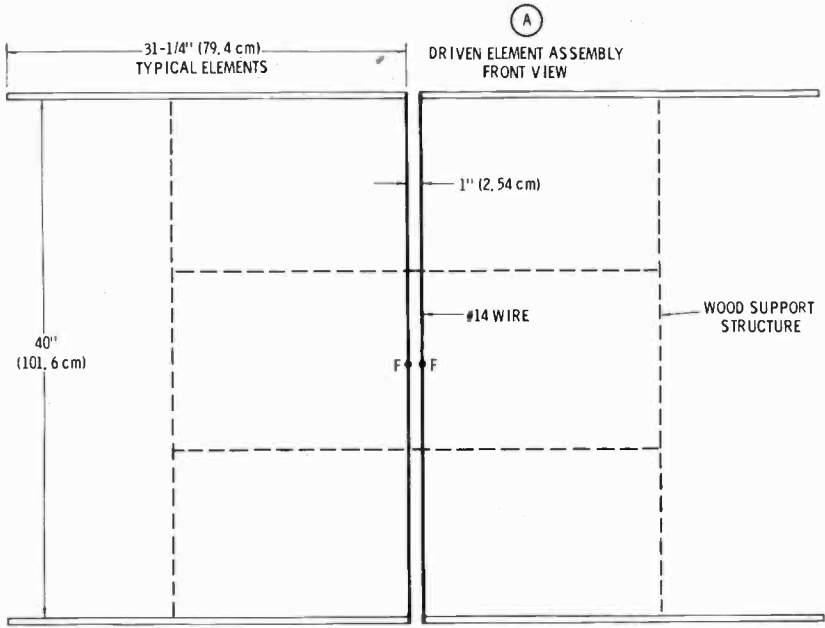
Only two directors are required for the array, centered between the collinear elements (illustration B). The directors are  $\frac{1}{2}$ " tubing mounted to the support rod with a small clamp.

The antenna is adjusted to the design frequency with the coaxial balun and transmission line removed. The wire stub is coupled to a dip oscillator and the short adjusted to provide resonance. The balun and line are then attached near the shorting bar and power applied to the array. The tap position of the balun and the shorting bar are then adjusted to provide the lowest value of SWR on the transmission line. The coaxial line and balun are brought back to the mast and the line is run down the mast to make sure it does not enter the active field of the antenna.

**A 24-Element Expanded Yagi Array for 220 MHz** The extended, expanded concept developed by ex-W6GD works well with Yagi beams, as illustrated by this "four-over-four" array for 220 MHz. The antenna provides about 14 dB gain over a dipole and performs well plus or minus 1 MHz of the design frequency.

Four, six-element beams are arranged in a square (figure 36). The driven elements of each Yagi extend inwards to about  $\frac{3}{8}$ -wavelength and are fed with a two-wire phasing line. A half-wavelength, shorted stub and coaxial balun (as shown in figure 35) are connected to the phasing line at point F-F.

The elements are made of  $\frac{1}{8}$ -inch diameter rod or tubing passed through a wood boom. The elements are held in position by means



DESIGN CUT FOR 220-222 MHz

Figure 36

“FOUR-BY-FOUR” ARRAY FOR 220 MHz

This compact and inexpensive beam provides about 14 dB gain over a 2-MHz segment of the 220-MHz band. The array uses the extended, expanded concept for maximum gain and simplicity of feed. The array is built on a wood framework made of 1" x 1" lumber, well painted to protect it from the weather.

of a woodscrew passing into the boom and pressing against the element.

The shorting stub is about 26" (66 cm) long and the half-wavelength coaxial balun is 17½" (44.5 cm) long. The balun and coaxial transmission line use RG-8A/U coaxial line. The balun taps on the stub about 3" (7.6 cm) from the shorting bar.

Adjustment is similar to that of the 144-MHz array. The stub length and tap point are adjusted for lowest SWR on the coaxial transmission line.

Element lengths are chosen for a wood structure and will have to be lengthened if a metal structure is substituted.

The W6GD Broadside Array for 432 MHz

The extended-expanded broadside array was designed by the late W6GD of Stanford University and has consistently out-performed larger and more sophisticated antennas at 432 MHz. The W6GD beam is a 16-element beam and has been measured to have 12 decibels power gain over a dipole. Extended elements are used with ¾-wavelength spacing. The array has a sharp front lobe, with nulls at 19° and 42° each side of center and must be aimed carefully for best results.

All elements are made of 0.175-inch diameter brass rod. The active elements are

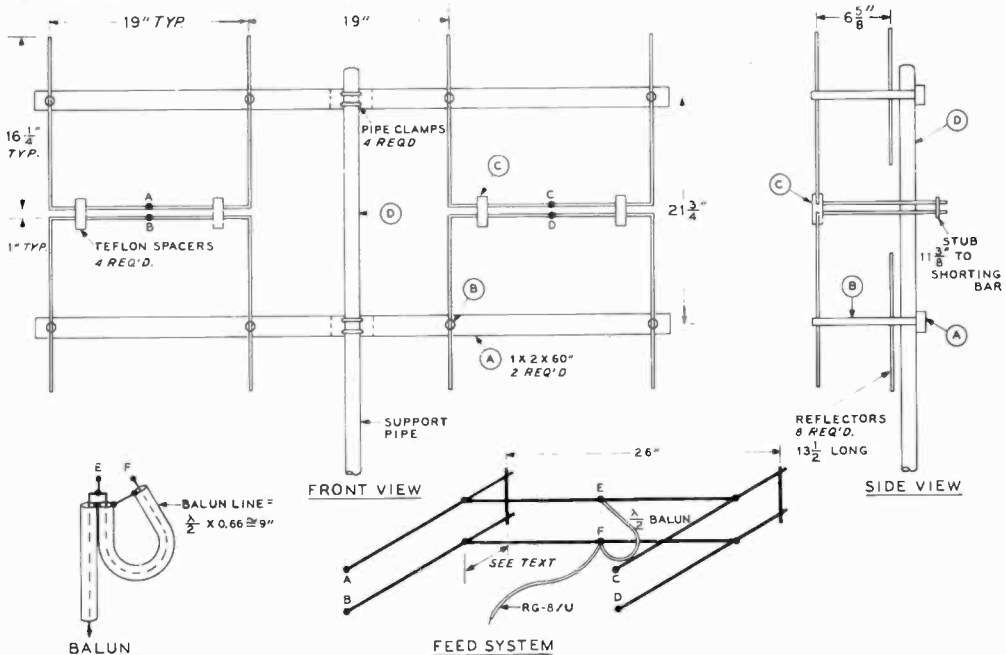


Figure 37

W6GD EXPANDED BROADSIDE ARRAY FOR 432-MHz

The 16-element beam is made of brass rod suspended from a wooden frame at low-voltage points on the antenna. Small ceramic insulators are used to mount the rods. Antenna elements and lines are aligned by means of small teflon or polystyrene spacer blocks passed over the rods before they are bent into shape. Half-wave lines are employed in feed system together with a full-wavelength transformer and balun to provide a close match to a 50-ohm transmission line. Lines and transformer are made up of brass rod and adjustable shorting bars are used.

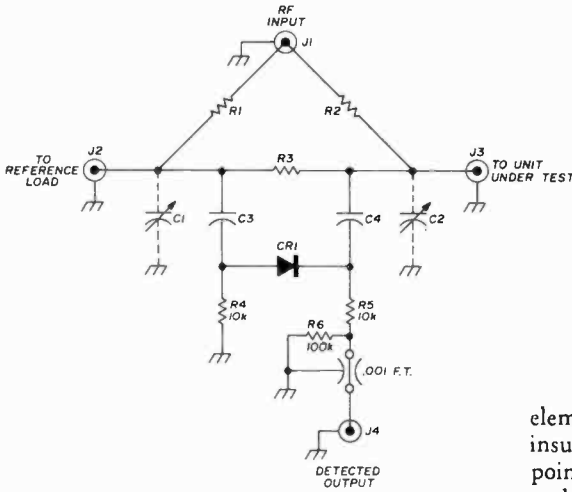


Figure 38

VHF SWR BRIDGE

- C<sub>1</sub>, C<sub>2</sub>—Small capacitive tab for balance (see text)
- C<sub>3</sub>, C<sub>4</sub>—.001 μF disc ceramic or chip capacitor
- CR<sub>1</sub>—1N82 or equivalent germanium diode
- J<sub>1</sub>, J<sub>4</sub>—UG-290A/U type BNC connector
- J<sub>2</sub>, J<sub>3</sub>—UG-58/U type N connector
- R<sub>1</sub>, R<sub>2</sub>—47 to 55 ohms, 1/4-watt carbon-composition
- R<sub>3</sub>—51 ohms, 1/4-watt as above

made of square "U"s bent from four lengths of rod, each 5 1/2 inches long. The half-wavelength reflectors are cut of the same material and are 13 1/8-inches long. The W6GD array is built on a wooden framework, so designed as to keep the supporting structure in back of the array. The driven

elements are self-supporting except for four insulating blocks placed at low-voltage points. The blocks and spacers are drilled and slipped on the brass rods before the assembly is bent into shape (figure 37).

After assembly, the matching stubs are silver-soldered to the driven elements and the balun and the interconnecting transmission line temporarily connected in place. The line is tapped up each stub to attain a low value of SWR on the coaxial or open-wire transmission line. Placement of the taps is determined by experiment.

A complete discussion of vhf antennas is contained in the *VHF Handbook*, available from Radio Publications, Inc., Wilton, Conn. 06897.

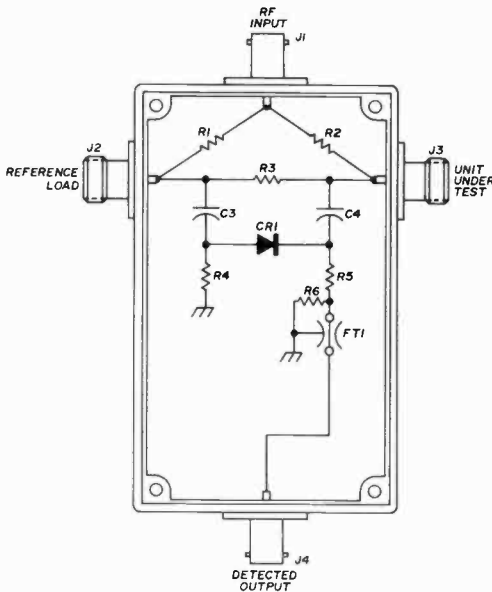


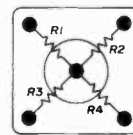
Figure 39

BRIDGE LAYOUT

Recommended parts layout for vhf SWR bridge. Enclosure is a Pomona 2417 shielded box.

30-9 A Vhf SWR Meter

Shown in figures 38 and 39 are construction details for an inexpensive SWR meter that functions well through 450 MHz. It can be used for adjusting the antennas



R<sub>1</sub>-R<sub>4</sub> - 200 OHM, 1/4 WATT CARBON COMPOSITION RESISTORS FOR 50-OHM LOAD.

TYPE-N CONNECTOR

50-OHM LOAD

Figure 40

VHF 50-OHM LOAD

shown in this chapter. The device is based upon the designs given in chapter 31 of this Handbook and is intended for use with a 50-ohm coaxial line.

The values of resistors  $R_1$  and  $R_2$  are not critical but both should be the same type and matched for best accuracy. This can be done by comparing a dozen similar resistors on an ohmmeter and choosing the two which are closest in value. Capacitors  $C_1$  and  $C_2$  are small copper tabs that can be added close to  $J_2$  and  $J_3$  if the ultimate in balance is desired.

When building such a bridge short leads and symmetry are prime considerations as

long leads and stray capacitance can obscure bridge balance. A recommended layout is shown in the illustration.

To check the bridge identical loads are placed at  $J_1$  and  $J_2$ . The dc output at  $J_4$  should be zero when an r-f signal is applied at  $J_1$ . If the identical loads are swapped in position, the output at  $J_4$  should remain zero. A simple homemade 50-ohm load is shown in figure 40. Two of these can be used to check the bridge.

For operation, one 50-ohm load is plugged into  $J_2$  and the antenna or other device under test is attached to  $J_3$ . A 0-100  $\mu\text{A}$  may be used for relative readings at  $J_4$ .





# Electronic Test Equipment

All amateur stations are required by law to have certain items of test equipment available within the station. A c-w station is required to have a frequency standard or other means, in addition to the transmitter frequency control, for ensuring that the transmitted signal is on a frequency within one of the frequency bands assigned for such use. An SSB station is required in addition to have a means of determining that the transmitter is not being modulated in excess of its modulation capability, and in the case of an a-m transmitter, not more than 100 percent. Further, any station operating with a dc power input greater than 900 watts is required to have a means of determining the exact input to the final stage of the transmitter, so as to ensure that the dc power input to the plate circuit of the output stage does not exceed 1000 watts.

The additional test and measurement equipment required by a station will be determined by the type of operation contemplated. It is desirable that all stations have an accurately calibrated voltohmmeter for routine transmitter and receiver checking and as an assistance in getting new pieces of equipment into operation. An oscilloscope and an audio oscillator make a very desirable adjunct to a station using f-m transmission, and are recommended items of test equipment if single-sideband operation is

contemplated. A calibrated signal generator is almost a necessity if much receiver work is contemplated, although a noise generator will serve in place of the signal generator. Extensive antenna work invariably requires the use of some type of standing-wave meter. Lastly, if much construction work is to be done, a simple, solid-state dip meter will be found to be one of the most used items of test equipment in the station.

Other modern pieces of test equipment such as digital voltmeters, counters and frequency synthesizers are becoming common items of station equipment as the amateur operator advances rapidly into today's world of solid-state equipment.

## **31-1 Voltage, Current, and Resistance Measurements**

The measurement of *voltage*, *current*, and *resistance* in electronic circuits is very important in the design, operation, and maintenance of equipment. Solid-state devices and vacuum tubes of the types used in communications work must be operated within rather narrow limits in regard to electrode voltages and they must be operated within certain maximum and minimum limits as

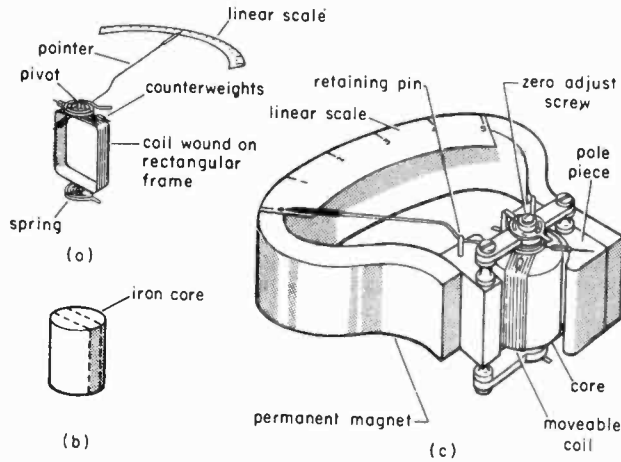


Figure 1

THE D'ARSONVAL METER MOVEMENT

Pointer deflection is proportional to the current flowing through the instrument.

regard to the voltage and current flowing in the circuit elements.

**Analog Instruments** Both direct current and voltage may be measured with the aid of an *analog instrument* which indicates a measurement smoothly and continuously as the voltage or current passes through an infinite number of different values. The most common instrument of this type consists of a coil that is

free to move in a varying magnetic field (*d'Arsonval* type instrument). This consists of a coil of fine wire suspended in the field of a permanent magnet (figure 1). A pointer is attached to the coil and the coil is held at rest by spiral springs. When the voltage or current being measured causes a current to flow in the coil, an electromagnetic field is produced about the coil. A rotational force in the coil in opposition to the permanent magnet repels the field of the coil cre-

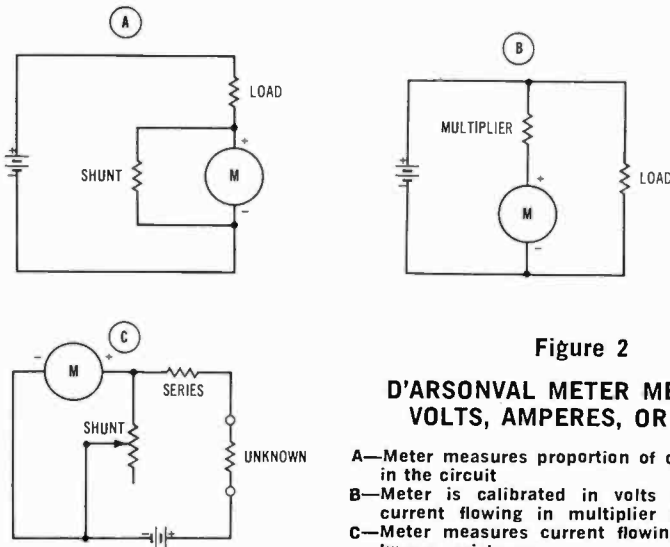


Figure 2

D'ARSONVAL METER MEASURES VOLTS, AMPERES, OR OHMS

- A—Meter measures proportion of current flowing in the circuit
- B—Meter is calibrated in volts but measures current flowing in multiplier resistor
- C—Meter measures current flowing through unknown resistance

ating spring force, causing the pointer to move along a graduated scale mounted on the meter frame. For a given design, the pointer movement is proportional to the coil current and therefore proportional to the voltage or current being measured.

Several types of coil suspension mechanisms are in use. The coil may be suspended between pivots or may be held in position by taut metal bands that flex and twist as the movement turns.

The d'Arsonval movement is directly used for dc measurements (figure 2A). The current to be measured passes through the coil and causes a proportional deflection of the pointer. The basic meter movement is very sensitive and when large currents are to be measured a parallel path, or *shunt*, is provided to bypass most of the current in the circuit around the meter coil. For high accuracy, the shunt must be a precise fraction of the coil resistance.

The d'Arsonval movement is also used for measuring voltage (figure 2B). A resistance (termed a *multiplier*) is connected in series with the meter movement so that a certain voltage is required to cause full-scale deflection.

Resistance measurements are accomplished as shown in figure 2C. This simple *ohmmeter* is representative of more sophisticated circuits. The meter movement is connected across a variable shunt resistor and the combination is connected in series with a fixed resistor, a power source and the unknown resistor. In this application, meter displacement is reversed, that is, when the unknown resistance is zero, the meter will indicate maximum (full scale) deflection and the meter is adjusted to read "zero" by means of the adjustable shunt resistor. The meter scale is calibrated backwards, with the left end of the scale being infinity and the right end being zero. The scale is nonlinear, with the graduations crowded together near the high end.

#### Measurement of Alternating Current and Voltage

The d'Arsonval movement can also be used for measuring ac voltages or current by the use of a diode rectifier to convert the ac to a dc value. The pointer deflection of the meter is proportional to the average value of the unidirectional, pulsating dc wave

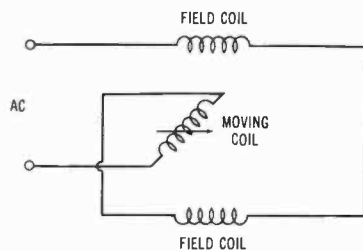


Figure 3

#### DYNAMOMETER TYPE METER

Magnetic field is provided by series-connected field coils.

produced by the rectifier. Commonly, ac meter deflection is proportional to the rms value of the measured sine wave (see Chapter 3) and the scale is calibrated for 1.11 times the actual current or voltage that would be read by a correctly scaled dc meter. A meter calibrated in this fashion will show a *rms reading* regardless of the waveform of the ac wave.

For higher accuracy ac measurements at low frequencies (below 2000 Hz) an *electrodynamometer* type meter (figure 3) is commonly used. It is similar to the d'Arsonval meter except that the magnetic field in which the coil moves is provided by a pair of field coils rather than by a permanent magnet. All coils are connected in series and the measured current flows through all of them, providing a true rms measurement. Power is consumed by this type of meter and it does not have the high sensitivity of the true d'Arsonval movement.

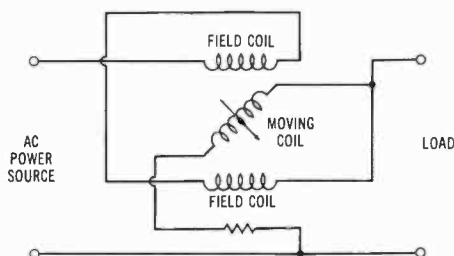


Figure 4

#### AC WATTMETER

Fixed coil field is proportional to load current and moving coil field is proportional to line voltage.

The dynamometer movement can be used for ac power measurements as shown in figure 4. The field coils are series connected with the load so that field current is proportional to load current. A resistor is connected in series with the moving coil across the line so that coil voltage is proportional to line voltage. The meter now reads the product of volts and amperes, or watts, assuming the power factor is unity.

A *watt-hour* meter is used to record the use of electrical power in a system. This instrument, instead of a moving coil, uses a pivot-mounted metal disc and field coils energized by the voltage and current in the circuit. The interacting magnetic fields produced by the coils cause the disc to rotate at a speed proportional to the voltage and current. The shaft of the disc is geared to a counting mechanism that records power consumption in terms of watt-hours.

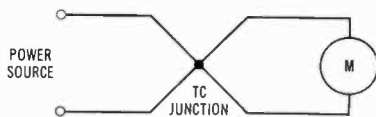


Figure 5

### THERMOCOUPLE METER

Thermocouple junction develops voltage when heated by current passing through it. Thermoelectric voltage is impressed on meter movement.

High frequency alternating current can be measured by means of a *thermocouple* meter (figure 5). This provides a true rms reading. The thermocouple consists of a dissimilar-metal junction which produces a small voltage when heated. The thermoelectric voltage is impressed on the meter movement.

**The Multimeter** The d'Arsonval meter can provide a number of different measurements and ranges by the use of selectable shunts and multipliers. Typical multimeters provide measurement of ac and dc volts, milliamperes, amperes and ohms. In all cases, the instrument must extract current from the circuit in order to deflect the meter movement. In extracting the current, the multimeter (or *voltohmmeter*, VOM) can often load the circuit and cause

inaccurate measurements. The loading effect depends upon the internal resistance of the multimeter. The resistance of a multimeter depends on the full scale current drawn, and is usually specified in *ohms per volt*. This means that the resistance of a multimeter on the 100-volt range could be 100,000 ohms, or 1000 ohms per volt. A more sensitive instrument might exhibit 2,000,000 ohms on the 100-volt range, or 20,000 ohms per volt. For a high resistance circuit, the second multimeter would be acceptable, whereas the first would not.

Generally speaking, the resistance of the multimeter should be at least ten times the source impedance of the voltage measured in order to avoid excessive error in the reading. Circuits with low voltage and high impedance place critical demands on the multimeter. For highest accuracy, the multimeter resistance should exceed twenty-five times the source impedance, reducing the loading error to less than two percent, which is within the accuracy range of the meter movement.

Since the ohmmeter section of the multimeter contains a battery, care must be taken when measuring or otherwise checking circuits and components that are voltage sensitive. Some semiconductors and small electrolytic capacitors can be destroyed if the multimeter supplies excessive voltage or current during measurement.

## 31-2 The Digital Voltmeter (DVM)

The common d'Arsonval (analog) instrument is available at medium cost with an accuracy of  $\pm 2$  percent of full-scale reading. Laboratory instruments accurate to  $\pm 0.5$  percent are obtainable at a much higher price. The new *digital meter* provides an accuracy of  $\pm 0.5$  percent in the less costly models and as high as  $\pm 0.001$  percent in the laboratory models. Since the digital meter displays the measurement numerically, rather than as a pointer movement over a graduated scale, it is easier to read and reduces operator error.

The digital meter is basically an analog-to-digital converter with a numeric display. The digital meter is commonly available as a

digital voltmeter (DVM), digital panel meter (DPM), or digital multimeter (DMM).

The heart of an electronic digital meter is the device which converts analog voltage to a digital form. This is known as analog-to-digital conversion, or ADC. Most digital meters make the conversion by one of four systems:

**Successive Approximation**—This instrument converts the input voltage into digital form by a series of approximations and decisions. The device consists of a digital storage register, a digital-to-analog converter, an error detector, a precision voltage reference, and control circuitry. The input voltage is compared first with the most significant reference bit. If the input voltage is less than the most significant bit of the reference, the most significant bit of the register is cleared and the next lower bit is switched in for comparison. The process of switching in the next lower significant bit is continued until a decision is made on all digits. At this point, the voltmeter has completed its measurement.

**Continuous Balance**—This type of meter performs a digital measurement by comparing the unknown voltage against a voltage derived from a reference source. At the beginning of a measurement, the unknown is compared to the "full-scale" reference. If a null is not reached, a voltage derived from the reference is reached by an incremental value representing a unit of the least significant digit by automatically switching precision resistors. This process continues until a null is reached.

**Ramp (Voltage to Time Conversion)**—The ramp meter measures the length of time it takes for a linear ramp of voltage to become equal to the unknown input voltage after starting from a known level. This time period is measured with an electronic time-interval counter and is displayed on an in-line indicating device. A block diagram of a ramp-type DVM is shown in figure 6. A voltage ramp is generated and compared with the unknown voltage and with zero voltage. Coincidence with either voltage starts an oscillator and the electronic coun-

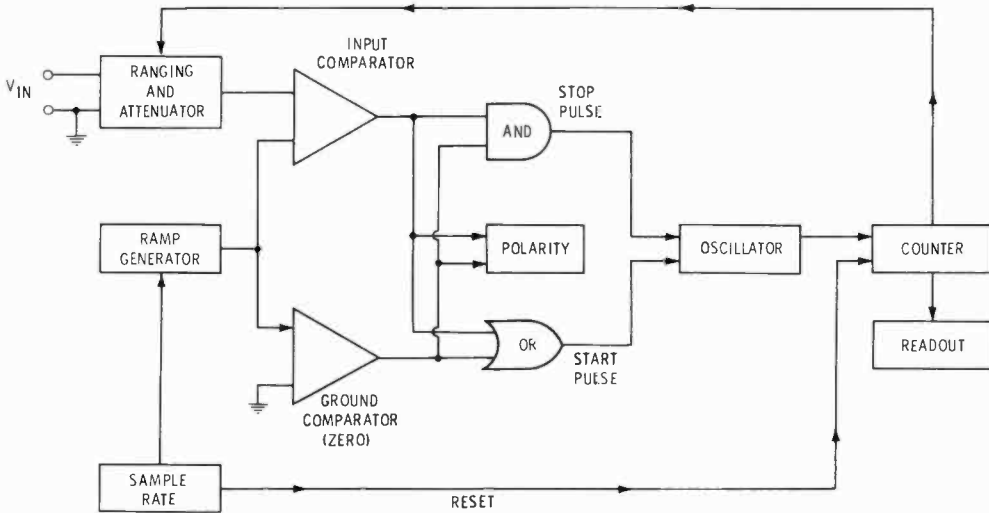


Figure 6

### BLOCK DIAGRAM OF RAMP-TYPE DVM

This represents a typical ramp-type DVM. A voltage ramp is generated by a ramp generator and is compared with the unknown input signal in the input comparator and also with zero voltage. Coincidence with either voltage starts an oscillator and the counter registers the cycles. Coincidence with the other comparator stops the oscillator. The elapsed time is proportional to the time the ramp voltage takes to go between the unknown voltage and zero volts, or vice versa. The order in which the pulses come from the two comparators indicate the polarity of the unknown voltage. The accumulated reading in the counter can be used to control ranging circuits.

ter registers the cycles. Coincidence with the second comparator stops the oscillator. The elapsed time is proportional to the time the ramp takes to go between the unknown voltage and zero volts, or vice versa. The order in which the pulses come from the two comparators indicates the polarity of the unknown voltage.

*Integrating (Voltage to Frequency Conversion)*—This device measures the true average of the input voltage over a fixed encoding time instead of measuring the voltage at the end of the encoding time as do ramp-type instruments. Conversion of a voltage to a frequency is accomplished in the manner shown in figure 7. The circuit functions as a feedback control system which governs the rate of pulse generation, making the average voltage of the rectangular pulse train equal to the dc input voltage.

A positive unknown voltage results in a negative-going ramp voltage at the output of the integrator which continues until it reaches a voltage level that triggers the level detector, which in turn, triggers the pulse generator. The pulse from that device tends to discharge capacitor C to bring the input of the integrator back to the starting

level. The entire cycle then repeats. Since the ramp slope is proportional to the input voltage, a steeper slope causes the ramp to have a shorter time duration and the pulse repetition rate is consequently higher. As the repetition rate is proportional to the input voltage, the pulses can be counted during a given time interval to obtain a digital measure of the input voltage.

A variation of the voltage-to-frequency conversion technique is the *dual-slope instrument* that makes a two-step measurement that combines integration in the first step with automatic comparison of its internal standard in the second. This technique rejects noise because of integration and achieves good stability from comparison with the standard. Direct numerical readout is accomplished with numerical display tubes or solid-state light-emitting devices.

A form of the dual-slope digital voltmeter is the *Heathkit Digital Multimeter IM-102*. This instrument measures ac and dc volts, ac and dc current, and resistance. All of the inputs are scaled to, or converted to, the basic measuring ranges of 200 millivolts or 2 volts, depending on the setting of the range switch. The measuring circuit is

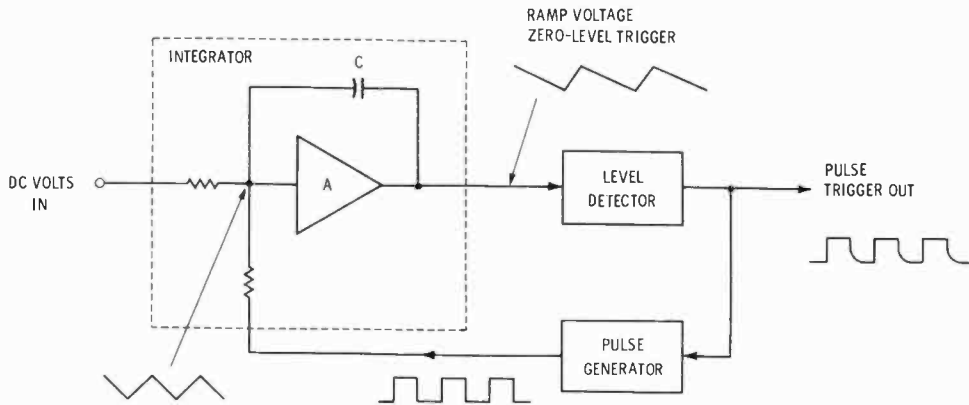


Figure 7

### BLOCK DIAGRAM OF VOLTAGE-TO-FREQUENCY CONVERSION

This integrating device measures the true average of the input voltage over a fixed encoding time as do ramp-type instruments. Conversion of a voltage to a frequency takes place by a feedback control system which governs the rate of pulse generation, making the average voltage of the rectangular pulse train equal to the dc input voltage. The integrator output voltage triggers the level detector which drives the pulse generator. The pulse tends to discharge capacitor C to bring the input of the integrator back to the starting level. The repetition rate is thus proportional to the input voltage and the pulses are counted during a fixed time interval to obtain a digital measure of the input voltage.

a high-impedance bipolar analog-to-digital converter. Resistance is measured by passing a scaled constant current through the unknown resistor and measuring the voltage drop across it. Alternating voltages are converted to dc by an average-sensing, rms-calibrated, converter assembly. Current is measured by the voltage drop it establishes across a shunt network.

In addition to the electronic DM, an electromechanical type exists which employ stepping switches, stroboscopic devices, or analog servo systems.

The electronic DM, in addition to offering a high order of accuracy, also can provide *autopolarity*, whereby the correct polarity (either negative or positive) is automatically indicated on the display, for a measured quantity. Some instruments also feature *autoranging*, which provides switching from range to range automatically and *autozero*, whereby all zeros are displayed when no measurement is being made.

Other features include *overranging*, a feature wherein some indication (usually a blinking light or flashing display) that the quantity being measured is too high in value for the range selected and *lead-compensated resistance*, wherein the resistance of the measurement leads is nulled out with a front panel control.

### 31-3 Electronic Voltmeters

An *electronic voltmeter* is essentially a detector in which a change in the input signal will produce a change in the indicating instrument (usually a d'Arsonval meter) placed in the output circuit. A *vacuum-tube voltmeter* (v.t.v.m.) may use a diode rectifier and several amplifying tubes, whereas a *solid-state voltmeter* makes use of transistors or ICs for the measurement of alternating or direct current.

When an electronic voltmeter is used in dc measurement it is used primarily because

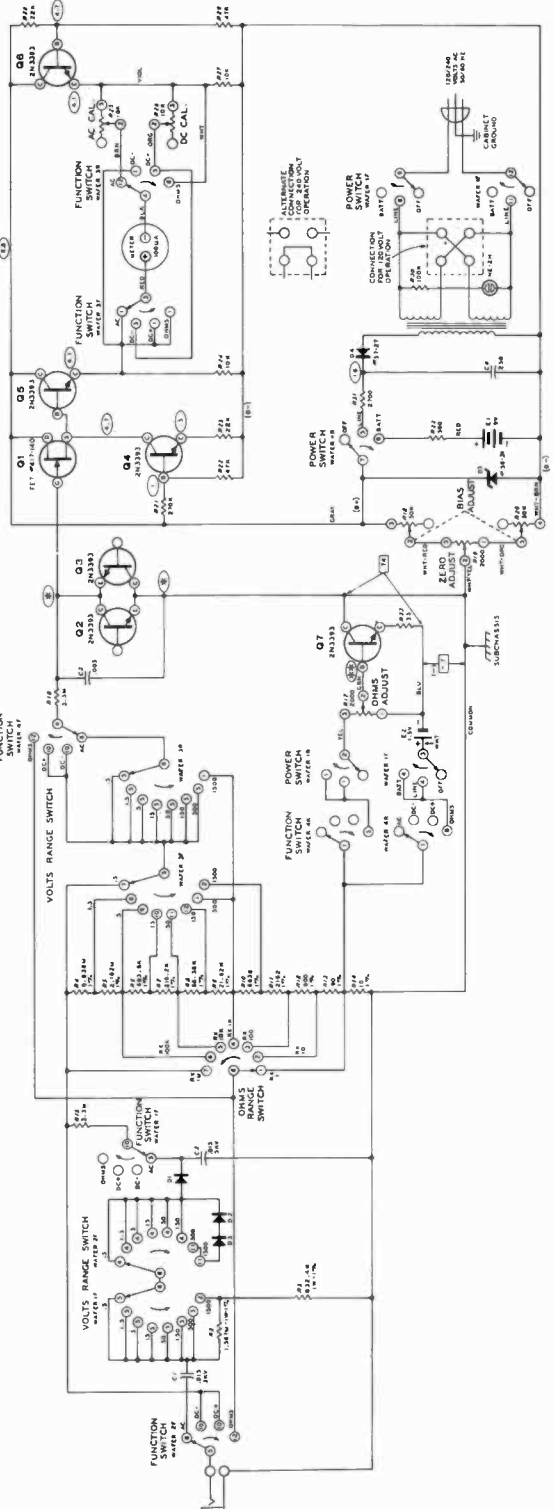


Figure 8

HEATH SOLID-STATE  
VOLTMETER IM-16



of the very great input resistance of the device. Thus, the electronic voltmeter may be used for the measurement of ac, afc, and discriminator output voltages where no loading of the circuits can be tolerated.

The electronic voltmeter requires a closed dc path for proper operation and—like the simple meter—can be overloaded and, thus, is limited in the amplitude of the voltage the input circuit can handle. Modern electronic voltmeters have an input resistance of 10 megohms, or more and usually incorporate a series resistance of 1 megohm, or more, to isolate the electronic voltmeter circuit from the circuit under test.

**The Solid-State Voltmeter** The circuit of a solid-state voltmeter is shown in figure 8. The three input circuits (AC Volts, DC Volts, and Ohms) are shown on the left-hand side of the schematic. These circuits perform the switching, attenuation and rectification required to supply the correct voltage to the detecting and indicating circuits at the right-hand side of the schematic. Approximately 0.5 volt is required at the gate of FET input transistor  $Q_1$  for full-scale deflection of the meter. Voltages greater than 0.5 are attenuated in the input circuits.

Input transistor  $Q_1$  has a very high impedance gate circuit which keeps it from loading the input switching and attenuating circuits. A constant current source ( $Q_4$ ), is used in place of a resistor in the source circuit of the FET. *Bias adjust* and *zero adjust* controls are provided to set the meter pointer to zero when no signal voltage is passed through the input circuits.

Transistors  $Q_2$  and  $Q_3$ , together with a 3.3-megohm series input resistor are used to protect the input FET from accidental overload. The reverse-connected transistors perform like a 9-volt zener diode, short circuiting higher input voltages by virtue of the drop across the series input resistor.

The meter movement is driven by the voltage applied to the output circuit by  $Q_1$ . The source of  $Q_1$  is directly coupled to the base of  $Q_5$ . Transistors  $Q_5$  and  $Q_6$  are used as emitter followers to provide the power to drive the meter. When the circuit is properly adjusted, no current flows through the meter without a signal being applied to  $Q_1$ .

Since the source current of  $Q_1$  is constant and  $Q_5$  is a direct-coupled emitter follower, voltage variations at the input of  $Q_1$  are transferred to the meter circuit; a negative going input signal causing the meter pointer to move backwards. Meter polarity may be reversed so that negative going input voltages cause forward meter readings. The *zero adjust* control, moreover, varies the gate bias on  $Q_1$  by introducing a positive voltage in series with the source which is returned to a "floating" negative return bus.

### 31-4 Power Measurements

Audio-frequency or radio-frequency power in a resistive circuit is most commonly and most easily determined by the indirect method, i.e., through the use of one of the following formulas:

$$P = EI, \quad P = E^2/R, \quad P = I^2R$$

These three formulas mean that if any two of the three factors determining power are known (resistance, current, voltage) the power being dissipated may be determined. In an ordinary 120-volt ac line circuit the above formulas are not strictly true since the power factor of the load must be multiplied into the result—or a direct method of determining power such as a wattmeter may be used. But in a resistive a-f circuit and in a resonant r-f circuit the power factor of the load is taken as being unity.

For accurate measurement of a-f and r-f power, a *thermogalvanometer* or *thermocouple* ammeter in series with a noninductive resistor of known resistance can be used. The meter should have good accuracy, and the exact value of resistance should be known with accuracy. Suitable dummy-load resistors are available in various resistances in ratings up to thousands of kilowatts. These are virtually noninductive, and may be considered as a pure resistance up to 150 MHz depending on the design.

Sine-wave power measurements (r-f or single-frequency audio) may also be made through the use of a high impedance voltmeter and a resistor of known value. In fact a solid-state voltmeter of the type shown in

figure 8 is particularly suited to this work. The formula  $P = E^2/R$  is used in this case. However, it must be noted that some devices indicate the *peak* value of the ac wave. This reading must be converted to the rms or *heating* value of the wave by multiplying it by 0.707 before substituting the voltage value in the formula. (Note: Some solid-state multimeters are *peak reading* but are calibrated rms on the meter scale).

Power may also be measured through the use of a *calorimeter*, by actually measuring the amount of heat being dissipated. Through the use of a water-cooled dummy-load resistor this method of power output determination is being used by some of the most modern broadcast stations.

Power may also be determined *photometrically* through the use of a voltmeter, ammeter, incandescent lamp used as a load resistor, and a photographic exposure meter. With this method the exposure meter is used to determine the relative visual output of the lamp running as a dummy-load resistor and of the lamp running from the 120-volt ac line. A rheostat in series with the lead from the ac line to the lamp is used to vary its light intensity to the same value (as indicated by the exposure meter) as achieved as a dummy load. The ac voltmeter in parallel with the lamp and ammeter in series with it is then used to determine lamp power input by:  $P = EI$ . This method of power determination is satisfactory for audio and low-frequency r-f but is not satisfactory for vhf work because of variations in lamp efficiency due to uneven heating of the filament.

Finally, r-f power may be measured by means of a *directional coupler*, as discussed later in this chapter.

A frequency-compensation circuit is used to balance out the slight capacitive reactance of the resistors. The compensation circuit is mounted in an aluminum tube 1" in diameter and  $2\frac{5}{8}$ " long. The tube is plugged at the ends by metal discs, and is mounted to the front panel of the box.

The resistors are mounted on aluminum T-bar stock and are grounded to the case at the rear of the assembly. Connection to the coaxial receptacle is made via copper strap.

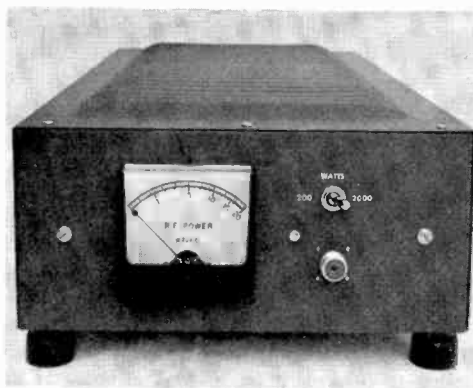


Figure 9

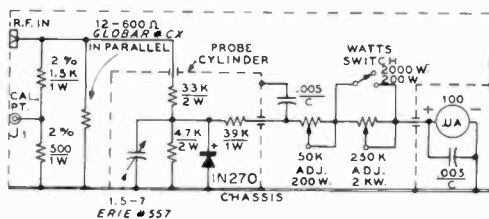
### 2-KILOWATT DUMMY LOAD FOR 3-30 MHz

Load is built in case measuring 22" deep, 11" wide and 5" high. Meter is calibrated in watts against microampere scale as follows: (1) 22.3  $\mu$ A, (5), 50  $\mu$ A, (10), 70.5  $\mu$ A, (15), 86.5  $\mu$ A, (20), 100  $\mu$ A. Scale may be marked off as shown in photograph. Calibration technique is discussed in text. Alternatively, a standing-wave bridge (calibrated in watts) may be used to determine power input to load.

Vents in top of case, and  $\frac{1}{4}$ -inch holes in chassis permit circulation of air about resistors. Unit should be fan-cooled for continuous dissipation.

**The Dummy Load** A suitable r-f load for power up to a few watts may be made by paralleling 2-watt composition resistors of suitable value to make a 50-ohm resistor of adequate dissipation.

A 2-kW dummy load having an SWR of less than 1.05 to 1 at 30 MHz is shown in figures 9, 10, and 11. The load consists of twelve 600-ohm, 120-watt *Globar type CX* noninductive resistors connected in parallel.



NOTE: FIXED RESISTORS ARE OHMITE "LITTLE DEVIL" COMPOSITION UNITS.

Figure 10

### SCHEMATIC, KILOWATT DUMMY LOAD

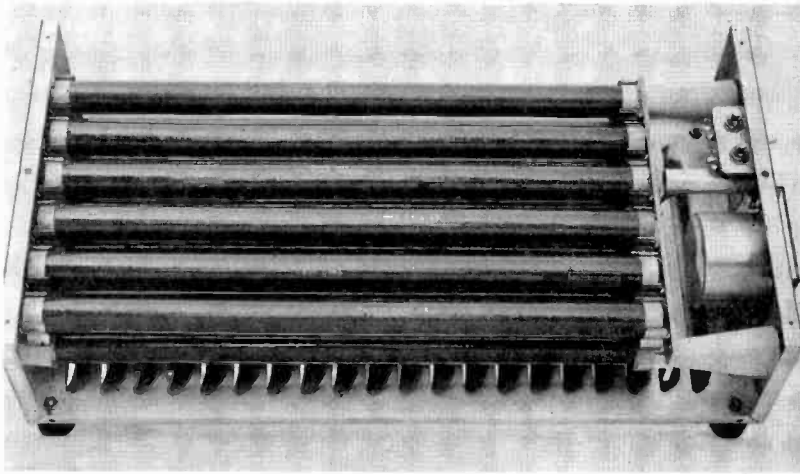


Figure 11

**DUMMY-LOAD ASSEMBLY**

Twelve Globar resistors (surplus) are mounted to aluminum "Tee" stock six to a side, in fuse clips. Right end is supported by ceramic pillars from front panel. Probe, meter, and potentiometers are at right.

The power meter is calibrated using a solid-state voltmeter and r-f probe. Power is applied to the load at 3.5 MHz and the level is adjusted to provide 17.6 volts at "Calibration point." With the *Watts Switch* in the 200-watt position, the potentiometer is adjusted to provide a reading of 100 watts on the meter. In the 2000-watt position, the other potentiometer is adjusted for a meter reading of 200 watts. The excitation frequency is now changed to 29.7 MHz and the 17.6-volt level re-established. Adjust the frequency compensating capacitor until the meter again reads 100 watts. Recheck at 3.5 MHz and repeat until the meter reads 100 watts at each frequency when 17.6-volt level is maintained.

### 31-5 Measurement of Circuit Constants

The measurement of the resistance, capacitance, inductance, and  $Q$  (figure of merit) of the components used in communications work can be divided into three general methods: the impedance method, the substitution or resonance method, and the bridge method.

**The Impedance Method** The *impedance method* of measuring inductance and capacitance can be likened to the ohmmeter method for measuring resistance. An ac voltmeter, or milliammeter in series with a resistor, is connected in

series with the inductance or capacitance to be measured and the ac line. The reading of the meter will be inversely proportional to the impedance of the component being measured. After the meter has been calibrated it will be possible to obtain the approximate value of the impedance directly from the scale of the meter. If the component is a capacitor, the value of impedance may be taken as its reactance at the measurement frequency and the capacitance determined accordingly. But the dc resistance of an inductor must also be taken into consideration in determining its inductance. After the dc resistance and the impedance have been determined, the reactance may be determined from the formula:  $X_L = \sqrt{Z^2 - R^2}$ . Then the inductance may be determined from:  $L$  equals  $X_L/2\pi f$ .

**The Substitution Method** The *substitution method* is a satisfactory system for obtaining the inductance or capacitance of high-frequency components. A large variable capacitor with a good dial having an accurate calibration curve is a necessity for making determinations by this method. If an unknown inductor is to be measured, it is connected in parallel with the standard capacitor and the combination tuned accurately to some known frequency. This tuning may be accomplished either by using the tuned circuit as a wavemeter and

coupling it to the tuned circuit of a reference oscillator, or by using the tuned circuit in the controlling position of a two terminal oscillator such as a dynatron or transistor. The capacitance required to tune this first frequency is then noted as  $C_1$ . The circuit or the oscillator is then tuned to the *second harmonic* of this first frequency and the amount of capacitance again noted, this time as  $C_2$ . Then the distributed capacitance across the coil (including all stray capacitances) is equal to:  $C_0 = (C_1 - 4C_2)/3$ .

This value of distributed capacitance is then substituted in the following formula along with the value of the standard capacitance for either of the two frequencies of measurement:

$$L = \frac{l}{4\pi^2 f_1^2 (C_1 + C_0)}$$

The determination of an unknown capacitance is somewhat less complicated than the above. A tuned circuit including a coil, the unknown capacitor and the standard capacitor, all in parallel, is resonated to some convenient frequency. The capacitance of the standard capacitor is noted. Then the unknown capacitor is removed and the circuit re-resonated by means of the standard capacitor. The difference between the two readings of the standard capacitor is then equal to the capacitance of the unknown capacitor.

### 31-6 Measurements With a Bridge

**The Wheatstone Bridge** Experience has shown that one of the most satisfactory methods for measuring circuit constants (resistance, capacitance, and inductance) at audio frequencies is by means of the ac bridge. The *Wheatstone (dc) bridge* is also one of the most accurate methods for the measurement of dc resistance. With a simple bridge of the type shown in figure 12A it is entirely practical to obtain dc resistance determinations accurate to four significant figures. With an ac bridge operat-

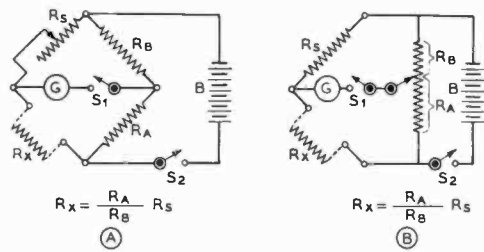


Figure 12

#### TWO WHEATSTONE BRIDGE CIRCUITS

These circuits are used for the measurement of dc resistance. In A the "ratio arms"  $R_B$  and  $R_A$  are fixed and balancing of the bridge is accomplished by variation of the standard  $R_S$ . The standard in this case usually consists of a decade box giving resistance in 1-ohm steps from 0 to 1110 or to 11,110 ohms. In B a fixed standard is used for each range and the ratio arm is varied to obtain balance. A calibrated slide wire or potentiometer calibrated by resistance in terms of degrees is usually employed as  $R_A$  and  $R_B$ . It will be noticed that the formula for determining the unknown resistance from the known is the same in either case.

ing within its normal rating as to frequency and range of measurement it is possible to obtain results accurate to three significant figures.

Both the ac and the dc bridges consist of a source of energy, a standard or reference of measurement, a means of balancing this standard against the unknown, and a means of indicating when this balance has been reached. The source of energy in the dc bridge is a battery; the indicator is a sensitive galvanometer. In the ac bridge the source of energy is an audio oscillator (usually in the vicinity of 1000 Hz), and the indicator is usually a pair of headphones or a sensitive meter. The standard for the dc bridge is a resistance, usually in the form of a decade box. Standards for the ac bridge can be resistance, capacitance, and inductance in varying forms.

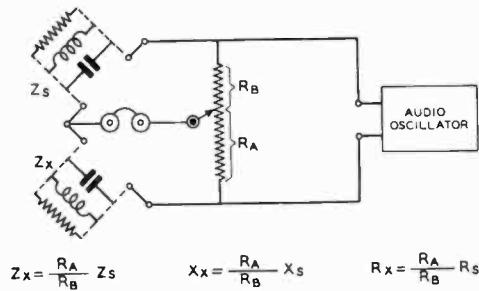
Figure 12 shows two general types of the Wheatstone or dc bridge. In A the so-called "ratio arms" ( $R_A$  and  $R_B$ ) are fixed (usually in a ratio of 1-to-1, 1-to-10, 1-to-100, or 1-to-1000) and the standard resistor ( $R_S$ ) is varied until the bridge is in balance. In commercially manufactured bridges there are usually two or more buttons on the galvanometer for progressively increasing its

sensitivity as balance is approached. Figure 12B is the *slide-wire* type of bridge in which fixed standards are used and the ratio arm is continuously variable. The slide wire may actually consist of a moving contact along a length of wire of uniform cross section in which case the ratio of  $R_A$  to  $R_B$  may be read off directly in centimeters or inches, or in degrees of rotation if the slide wire is bent around a circular former. Alternatively, the slide wire may consist of a linear-wound potentiometer with its dial calibrated in degrees or in resistance from each end.

Figure 13A shows a simple type of ac bridge for the measurement of capacitance and inductance. It can also, if desired, be used for the measurement of resistance. It is necessary with this type of bridge to use a standard which presents the same type of impedance as the unknown being measured: resistance standard for a resistance measurement, capacitance standard for capacitance, and inductance standard for inductance determination.

**The Wagner** For measurement of capacitances from a few picofarads to about  $0.001 \mu\text{F}$ , a *Wagner-grounded substitution capacitance bridge* of the type shown in figure 13B will be found satisfactory. The ratio arms  $R_A$  and  $R_B$  should be of the same value within 1 percent; any value between 2500 and 10,000 ohms for both will be satisfactory. The two resistors  $R_C$  and  $R_D$  should be 1000-ohm wirewound potentiometers.  $C_S$  should be a straight-line capacitance capacitor with an accurate vernier dial; 500 to 1000 pF will be satisfactory.  $C_C$  can be a two- or three-gang broadcast capacitor from 700 to 1000 pF maximum capacitance.

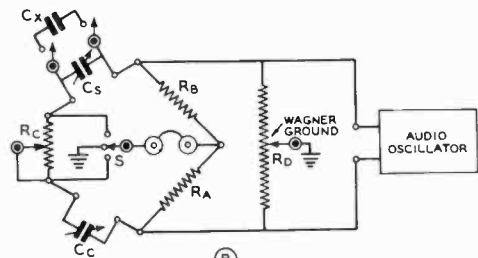
The procedure for making a measurement is as follows: The unknown capacitor  $C_X$  is placed in parallel with the standard capacitor  $C_S$ . The *Wagner ground* ( $R_D$ ) is varied back and forth a small amount from the center of its range until no signal is heard in the phones with the switch (S) in the center position. Then the switch (S) is placed in either of the two outside positions,  $C_C$  is adjusted to a capacitance somewhat greater than the assumed value of the unknown  $C_X$ , and the bridge is brought into balance by variation of the standard capacitor



$$Z_x = \frac{R_A}{R_B} Z_s \quad X_x = \frac{R_A}{R_B} X_s \quad R_x = \frac{R_A}{R_B} R_s$$

$Z_x$  = IMPEDANCE BEING MEASURED,  $R_s$  = RESISTANCE COMPONENT OF  $Z_s$   
 $Z_s$  = IMPEDANCE OF STANDARD,  $X_x$  = REACTANCE COMPONENT OF  $Z_x$   
 $R_x$  = RESISTANCE COMPONENT OF  $Z_x$ ,  $X_s$  = REACTANCE COMPONENT OF  $Z_s$

(A)



(B)

Figure 13

## TWO AC BRIDGE CIRCUITS

The operation of these bridges is essentially the same as those of figure 12 except that ac is fed into the bridge instead of dc and a pair of phones is used as the indicator instead of the galvanometer. The bridge shown at A can be used for the measurement of resistance, but it is usually used for the measurement of the impedance and reactance of coils and capacitors at frequencies from 200 to 1000 Hz. The bridge shown at B is used for the measurement of small values of capacitance by the substitution method. Full description of the operation of both bridges is given in the accompanying text.

itor ( $C_S$ ). It may be necessary to cut some resistance in at  $R_C$  and to switch to the other outside position of S before an exact balance can be obtained. The setting of  $C_S$  is then noted,  $C_X$  is removed from the circuit (but the leads which went to it are not changed in any way which would alter their mutual capacitance), and  $C_S$  is readjusted until balance is again obtained. The difference in the two settings of  $C_S$  is equal to the capacitance of the unknown capacitor  $C_X$ .

### 31-7 The R-F Bridge

The basic bridge circuits are applicable to measurements at frequencies well up into the uhf band. While most of the null circuits used from dc to about 100 MHz are adaptations of the fundamental Wheatstone Bridge circuit, many other types of networks that can be adjusted to give zero transmission are employed at higher frequencies.

At very-high frequencies, where impedances can no longer be treated as lumped elements, null circuits based on coaxial line techniques are used. The upper frequency limit of conventional bridge circuits using lumped parameters is determined by the magnitude of the residual impedance of the elements and the leads. The corrections for these usually become unmanageable at frequencies higher than 100 MHz or so.

**The "General Radio," Bridge** An r-f bridge suitable for use up to about 60 MHz is shown in figure 14. The bridge can measure resistances up to 1000 ohms and reactances over the range of plus or minus 5000 ohms at 1 MHz. The reactance range varies inversely as the frequency in MHz. Measurements are made by a series-substitution method in which the bridge is first balanced by means of capacitors  $C_P$  and  $C_A$  with a short-circuit across the unknown terminals. The short is then removed, the unknown impedance connected in its place, and the bridge rebalanced. The unknown resistance and reactance values are then read from the difference between the initial and final balances.

The bridge measures the equivalent series resistance and reactance ( $r + jx$ ) of the unknown impedance, whereas some other types of r-f instruments provide an answer in terms of an equivalent parallel combination of resistance and reactance or conductance and susceptance. The numerical results between equivalent series and parallel measurements will not be the same although the equivalent series impedance can be mathematically converted into the equivalent parallel impedance (or admittance) and vice versa.

A vhf variation of the r-f bridge provides direct measurements up to 500 MHz

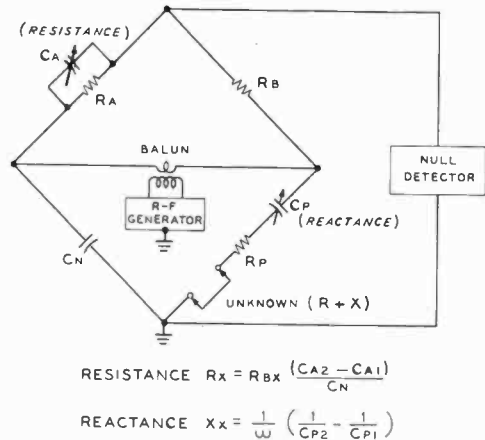


Figure 14

#### THE "GENERAL RADIO" R-F BRIDGE

This bridge is suitable for r-f measurements up to 60 MHz or so. Calibrated reactance ( $C_P$ ) and resistance ( $C_A$ ) dials allow direct measurements at 1 MHz. At other frequencies reactance reading must be divided by the frequency in MHz. Wide-band balun input transformer allows bridge to be driven from signal generator via a coaxial line.

by sampling the electric and magnetic fields in a transmission line. Two attenuators are controlled simultaneously; one receives energy proportional to the electric field in the line, and the other receives energy proportional to the magnetic field. The magnitude of the unknown impedance is determined by adjusting this combination for equal output from each attenuator. The two equal signals may also be applied to opposite ends of another transmission line, and phase angle can be determined from their point of cancellation.

Above 500 MHz, impedance measurements are normally determined by inserting a detector probe in a slotted section of transmission line, as discussed in the next section of this chapter.

**The R-X Meter** A version of the r-f bridge is the R-X meter. This device is a package combination of an r-f generator and detector, plus a calibrated r-f bridge. The R-X meter reads the parallel combination of resistance and reactance over a frequency range of 500 kHz to 250 MHz.

The resistance range is 15 to 100,000 ohms and the reactive range is zero to 20 pF, capacitive. Inductive reactance is measured in terms of negative capacitance, the value being equal to that required to resonate the negative capacitance reading at the test frequency. The maximum value of negative capacitance readable is 100 pF.

The latest development in impedance measuring devices is the *vector impedance meter* which provides magnitude and phase angle of an unknown at a given frequency on two panel meters. Operational range of a typical device is 500 kHz to 108 MHz and the reading is in the form of a series equivalent impedance.

### 31-8 Antenna and Transmission-Line Instrumentation

The degree of adjustment of any amateur antenna can be judged by a study of the standing-wave ratio on the transmission line feeding the antenna. Various types of instruments have been designed to measure the ratio of forward to reflected power by sampling the r-f incident and reflected waves on the transmission line, or to measure the actual radiation resistance and reactance of the antenna in question. The most important of these instruments are the *slotted line*, the *directional coupler*, and the *r-f impedance bridge*.

**The Slotted Line** The relationship between the incident and the reflected power and standing wave present on a transmission line is expressed by:

$$K = \frac{1 + R}{1 - R}$$

where,

$K$  = Standing-wave ratio,

$R$  = Reflection coefficient, or ratio of relative amplitude of reflected signal to incident signal.

When measurements of a high degree of accuracy are required, it is necessary to insert an instrument into a section of line in order to ascertain the conditions existing

within the shielded line. For most vhf measurements, wherein a wavelength is of manageable proportions, a *slotted line* is the instrument frequently used. Such an instrument, shown in figure 15, is an item of test equipment which could be constructed in a home workshop which includes a lathe and other metal-working tools. Commercially built slotted lines are very expensive since they are constructed with a high degree of accuracy for precise laboratory work. The slotted line consists essentially of a section of air-dielectric line having the same characteristic impedance as the transmission line into which it is inserted. Tapered fittings for the transmission line connectors at each end of the slotted line usually are required due to differences in the diameters of the slotted line and the line into which it is inserted. A narrow slot from  $\frac{1}{8}$ -inch to  $\frac{1}{4}$ -inch in width is cut into the outer conductor of the line. A probe then is inserted into the slot so that it is coupled to the field inside the line. Some sort of accurately machined track or lead screw must be provided to ensure that the probe maintains a constant spacing from the inner conductor as it is moved from one end of the slotted line to the other. The probe usually includes some type of rectifying element whose output is fed to an indicating instrument alongside the slotted line.

The unfortunate part of the slotted-line system of measurement is that the line must

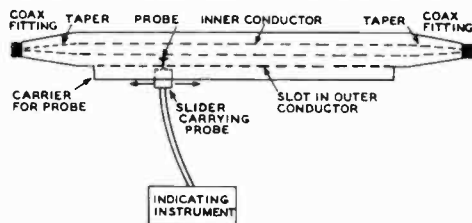


Figure 15

#### THE UHF SLOTTED LINE

The conductor ratios in the slotted line, including the tapered end sections should be such that the characteristic impedance of the equipment is the same as that of the transmission line with which the equipment is to be used. The indicating instrument may be operated by the dc output of the rectifier coupled to the probe, or it may be operated by the ac components of the rectified signal if the signal generator or transmitter is amplitude-modulated at a constant percentage.

be somewhat over one-half wavelength long at the test frequency, and for best results should be a full wavelength long. This requirement is easily met at frequencies of 420 MHz and above where a full wavelength is 28 inches or less. But for the lower frequencies such an instrument is mechanically impractical.

**The Directional Coupler** The r-f voltage on a transmission line may be considered to have two components. The *forward component* (incident component) and the *reverse component* (reflected component). The reverse component is brought about by operation of the line when terminated in a load that is unequal to the characteristic impedance of the line.

A *directional coupler* is an instrument that can sense either the forward or reflected components in a transmission line by taking advantage of the fact that the reflected components of voltage and current are 180 degrees out of phase while the forward components of voltage and current are in phase.

The directional coupler is inserted in the transmission line at an appropriate location. For a coaxial line, the instrument consists of a short section of line containing a small loop coplanar with the inner conductor (figure 16). The loop is connected through a resistor to the outer conductor, and this resistor is capacitively coupled to the inner conductor of the line. The voltage appearing across the series arrangement of loop and resistor is measured when the voltage across the resistor and the voltage induced in the loop are aiding and again when they are in opposition to each other. By rotating the loop through 180 degrees, the readings may be used to determine the amount of mismatch and the power carried by the line. Operation is substantially independent of load impedance and meter impedance at any frequency within the useful range of the instrument.

When the directional coupler is used to measure the SWR or the reflection coefficient on the line, the value obtained for these quantities depends only on the *ratio* of the two measured voltages. Power measurements are more stringent, since the absolute value of transmission line voltage must be deter-

mined and construction of a simple, compact r-f voltmeter that presents a linear reading over a wide frequency range and at various power levels is not simple.

In order to sample forward and reverse power, it is necessary to reverse the orientation of the directional coupler in the line, or to employ two couplers built in one unit

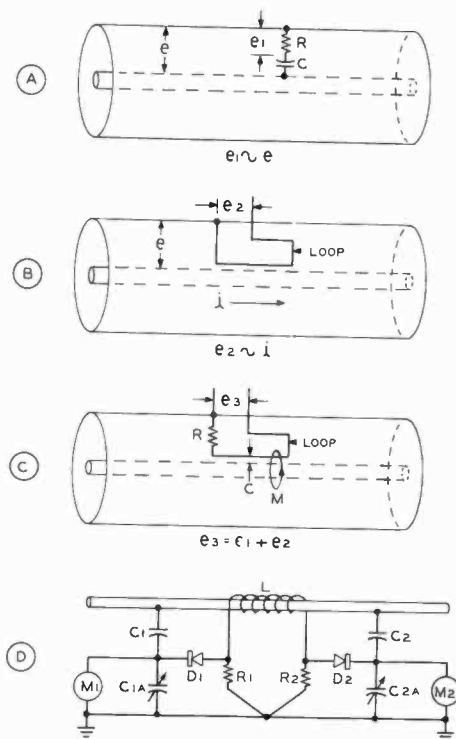


Figure 16

### THE DIRECTIONAL COUPLER

The directional coupler (reflectometer) is a coaxial-line section containing an r-f voltmeter which reads the incident or reflected component of voltage, depending on the position of the pickup device in the line.

- A—Voltage relationships for a series resistance-capacitance combination placed between the conductors of a coaxial line;  $e_1$  is proportional to  $e$ .
- B—Loop coupled to inner conductor will give voltage ( $e_2$ ) proportional to current flowing in line ( $i$ ).
- C—Representation of reflectometer. Capacitance is provided by proximity of loop to inner conductor.
- D—Double reflectometer provides simultaneous measurement of incident and reflected voltages. Ferrite core is placed around center conductor, with secondary winding acting as a coupling loop.



but oriented oppositely. It is necessary, moreover, to have both couplers identical in *coupling factor* and *directivity*.

**Directivity** The fraction of forward power that is sampled by the coupler is termed the *coupling factor*, and the *directivity* is the ability of the coupler to discriminate between opposite directions of current flow. If, for example one percent of the power is coupled out, the coupling factor is 20 decibels. If the coupler is now reversed to sample the power in the reverse direction, it may couple out, say 0.001 percent of the forward power even though there may be actually no reflected power. It is thus coupling out an amount of power 50 decibels below the power in the line. The discrimination between forward and reverse power is the difference between the coupled values, or 30 decibels. A *directivity* of 30 dB is common for better types of reflectometers and SWR measurements derived from the measured reflection coefficient are sufficiently accurate for adjustment of simple beam antennas. It should be noted, however, that it is difficult to make measurements with any degree of accuracy at low SWR values with inexpensive directional couplers, because the directivity power ratio at SWR values below about 1.5/1 or so falls within the error limits of directivity capability of all but the best and most expensive reflectometers.

**The SWR Bridge** The SWR bridge is a useful device for determining the standing-wave ratio on, and the power transmitted along, a transmission line. When the SWR on a given line is unity, the line is terminated in a pure resistance equal to the characteristic impedance of the line. If the line and terminating load are made part of an r-f bridge circuit, the bridge will be in a balanced condition when the SWR is unity (figure 17). A sensitive r-f voltmeter connected across the bridge will indicate balance and the magnitude of bridge unbalance, and may be calibrated in terms of SWR, power, or both. It may be seen in figure 17A that the meter reading is proportional to bridge unbalance, and is thus proportional to the reflected power and is not influenced by the forward power in the

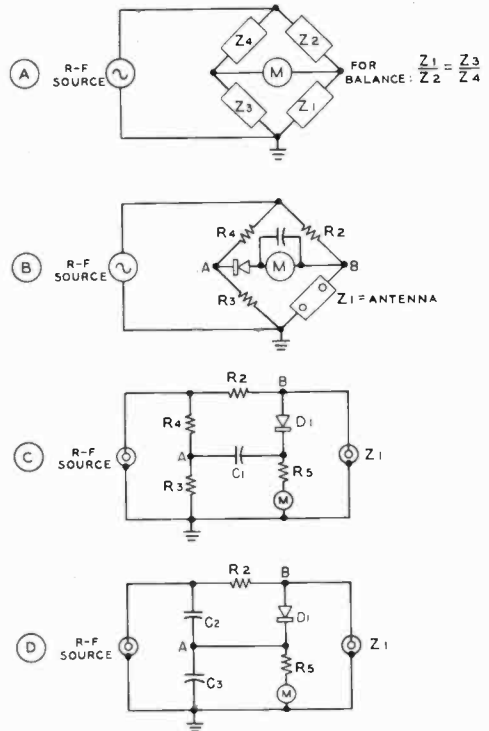


Figure 17

**THE BRIDGE DIRECTIONAL COUPLER**

A—When r-f bridge is balanced any change in load ( $Z_1$ ) will result in bridge unbalance and cause a reading on meter M. Reading is due to reflected voltage. SWR may be derived from:

$$SWR = \frac{E_o - E_r}{E_o + E_r}$$

where,  
 $E_o$  equals incident voltage,  
 $E_r$  equals reflected voltage.

B—Equivalent bridge circuit. Bridge must be individually calibrated since performance differs from formula due to nonlinearity of voltmeter circuit loading, and line discontinuity introduced by presence of bridge.

C, D—Practical bridge circuits having one side of meter grounded to line.

circuit. The meter will read zero if, and only if, the transmission line is properly terminated in  $Z_1$  so that  $Z_1 = Z_o$  of the line, so as to have unity standing-wave ratio.

Various forms of the SWR resistance bridge exist as shown in the illustration, but all of them are based on the principle of measurement of bridge balance by means of

a null-indicating meter. Circuit B consists of two resistive voltage dividers across the r-f source, with an r-f voltmeter reading the difference of potential across the points A and B. Circuit C is identical, but redrawn so as to show a practical layout for measurement in a coaxial system with one side of the generator and the r-f voltmeter at ground potential. Circuit D is similar, except that one of the voltage dividers of the bridge is capacitive instead of resistive.

### SWR Bridge Designs

Various forms of the SWR bridge are shown in figure 18. Circuit A is the *Micromatch* capacitance bridge. In order to pass appreciable power through the bridge, the series resistor is reduced to one ohm, thus requiring the capacitance divided to maintain about the same ratio as set in the resistive arm. For a 50-ohm transmission line, the transformation ratio is 50/1, and the 25-pF variable capacitor must be set at a value corresponding to about fifty times the reactance of the 820-pF capacitor. The power-handling capability of the bridge is limited by the dissipation capability of the 1-ohm resistor.

Circuit B incorporates a differential capacitor to obtain an adjustable bridge ratio. The capacitor may be calibrated in terms of the unknown load and may be used to indicate resistive loads in the range of 10 to 500 ohms. The bridge has an advantage over the circuits of illustrations A and C in that it may be used in the manner of a simple impedance bridge to determine the radiation resistance of a *resonant* antenna. The bridge is placed at the antenna terminals, and the frequency of the driving source and the setting of the differential capacitor are varied to produce a null indication on the meter. The null occurs at the resonant frequency of the antenna, and the radiation resistance at that frequency may be read from the instrument.

A less-expensive variation of the variable r-f bridge is shown in illustrations C and D and is called the *Antennascope*. The Antennascope is a variable bridge making use of a (relatively) noninductive potentiometer in one leg. These simple instruments are useful in antenna adjustment as they indicate the resonant frequency of the antenna and

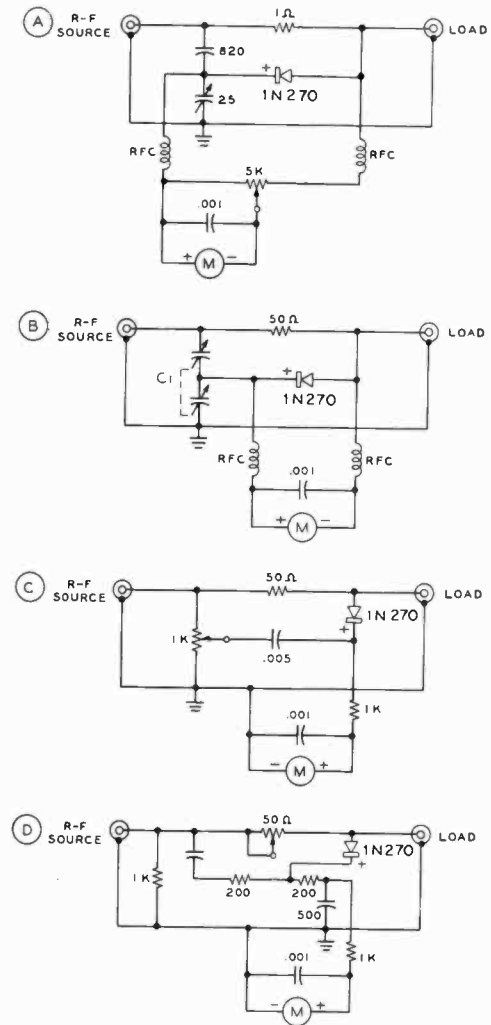


Figure 18  
SWR BRIDGES

- A—Micromatch bridge.
  - B—Capacitance ratio bridge.
  - C—Antennascope.
  - D—Antennascope with calibrating resistor in active leg of bridge.
- Note: Meter M may be 0-500 dc microammeter.

the approximate radiation resistance of the driven element at this frequency. At other than the resonant frequency, the antenna exhibits a reactive component and the null of the instrument will not be complete. Even so, at the low values of impedance en-

countered in most amateur beam antennas, the readings obtained at frequencies off resonance approximate the resistive component of the radiation resistance of the antenna.

Construction information for a practical Antennascope and other SWR instruments will be described in the following section of this Handbook.

### 31-9 Practical SWR Instruments

Simple forms of the directional coupler and the SWR bridge are suited to home construction and will work well over the range of 1.8 to 150 MHz. No special tools are needed for construction and calibration may be accomplished with the aid of a handful of 1-watt composition resistors of known d-c value resistance.

**The Antennascope** The *Antennascope* is a modified SWR bridge in which one leg of the bridge is composed of a noninductive variable resistor (figure 18D). This resistor is calibrated in ohms, and when its setting is equal to the radiation resistance of a resonant antenna under test, the bridge is in a balanced state. If a sensitive voltmeter is connected across the bridge, it will indicate a voltage null at bridge balance. The radiation resistance of the antenna may then be read directly from the calibrated dial of the instrument.

When the test antenna is nonresonant, the null indication on the Antennascope will be incomplete. The frequency of the exciting signal must then be altered to the resonant frequency of the antenna to obtain accurate readings of radiation resistance. The resonant frequency of the antenna, of course, is also determined by this exercise.

The circuit of the Antennascope is shown in figure 20. A 100-ohm noninductive potentiometer ( $R_1$ ) serves as the variable leg of the bridge. The other legs are composed of the 200-ohm composition resistors and the radiation resistance of the antenna. If the radiation resistance of the antenna or external load under test is 50 ohms, and the potentiometer is set at midscale, the bridge is balanced and the diode voltmeter will read

zero. If the radiation resistance of the antenna is any other value between about 10 and 100 ohms, the bridge may be balanced to this new value by varying the setting on the potentiometer, which is calibrated in ohms.

*Building the Antennascope*—The Antennascope is constructed within an aluminum box chassis measuring about 4"  $\times$  2"  $\times$  1½", and placement of the major components may be seen in the photographs. A ¼-inch diameter hole is drilled in the lower portion of the panel and the variable potentiometer is mounted in this hole on a thin piece of insulating material such as micarta or bakelite. The terminals of the potentiometer and the case are at r-f potential, so it is essential for proper bridge operation to have a minimum of capacitance between the potentiometer and ground.

The two 200-ohm, ½-watt resistors should be matched on an ohmmeter, and a number of the 500-pF capacitors should be checked on a bridge to find two units of equal capacitance. The exact value of resistance and

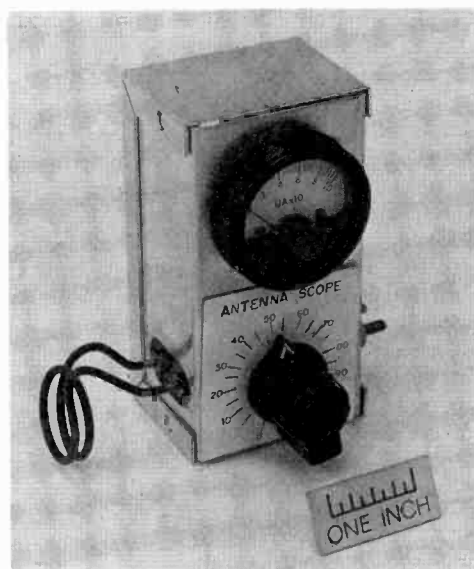


Figure 19

#### THE ANTENNASCOPE

The antennascope may be used to measure the resonant radiation resistance of antennas at frequencies up to 150 MHz. Grid-dip oscillator is coupled to input loop of antennascope and antenna under test is connected to output terminals with short, heavy leads.

capacitance in either case is not critical, it is only necessary that the companion units be equal in value. Care should be taken when soldering the small resistors in the circuit to see that they do not become overheated, causing the resistance value to permanently change. In like manner, the germanium diode should be soldered in the circuit using a pair of long-nose pliers as a heat sink to remove the soldering heat from the unit as rapidly as possible.

As shown in the photographs, copper strap cut from flashing stock is used for wiring the important r-f leads. The output leads terminate in an insulated terminal strip on one side of the box and the input coupling loop is made of a section of brass rod, which is tapped at each end for 6-32 machine nuts. The loop is bent and posi-

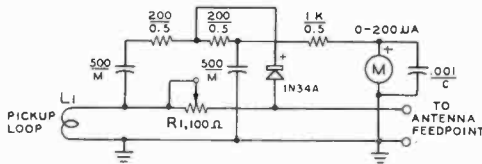


Figure 20

## SCHEMATIC, ANTENNASCOPE

- R<sub>1</sub>—100-ohm composition potentiometer. Ohmite AB or Allen-Bradley type J linear taper  
 L<sub>1</sub>—2 turns brass wire to fit dip-oscillator coil.  
 See photos  
 M—0-200  $\mu$ a dc meter

tioned so as to slip over the coil of a dip oscillator used as the driving source.

*Testing the Antennascope*—When the instrument is completed, a dip oscillator may be coupled to the input link. The oscillator should be set somewhere in the 10-MHz to 20-MHz range and coupling is adjusted to obtain a half-scale reading on the meter of the Antennascope. Various values of precalibrated 1-watt composition resistors ranging from 10 to 90 ohms should be placed across the output terminals of the Antennascope and the potentiometer adjusted for nulls on the indicating meter. The settings of the potentiometer may then be marked on a temporary paper dial and, by interpolation, 5-ohm points can be marked on the scale for the complete rotation of the control. The dial may then be removed and inked.

This calibration will hold to frequencies well above the 2-meter band, but as the internal lead inductance of the Antennascope starts to become a factor, it will no longer be possible to obtain a complete null on the indicating meter. Wired as shown, the meter null begins to rise off zero in the region of 150 MHz.

*Using the Antennascope*—The Antennascope is coupled to a dip oscillator by means of the input link. Additional turns may need to be added to the link to obtain sufficient pickup below 7 MHz or so. Enough coupling should be obtained to allow at least  $\frac{1}{4}$ -scale reading on the meter with no load connected to the measuring terminals. For general use, the measuring terminals of the instrument are connected across the antenna terminals at the feedpoint. Either

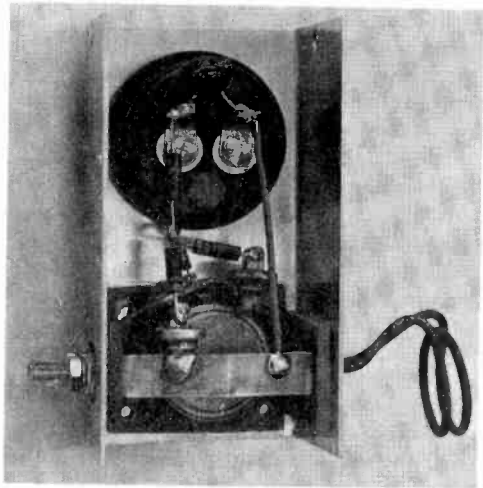


Figure 21

## INTERIOR OF ANTENNASCOPE

Strap connection is made between common input and output terminals. Dip-oscillator coupling loop is at right.

a balanced or unbalanced antenna system may be measured, the "hot" lead of the unbalanced antenna connection to the ungrounded terminal of the Antennascope. Excitation is supplied from the dip oscillator and the frequency of excitation and the Antennascope control dial are varied until a complete meter null is obtained. The frequency of the source of excitation now

indicates the resonant frequency of the antenna under test, and the approximate radiation resistance of the antenna may be read upon the dial of the Antennascope.

On measurements made on 40- and 80-meter antennas it may be found impossible to obtain a complete null on the Antennascope. This is usually caused by pickup of a nearby broadcast station, in which case the rectified signal of the station will obscure the null action of the Antennascope. This action is only noticed when antennas of large size are being checked.

The Antennascope is designed to be used directly at the antenna terminals without an intervening feedline. It is convenient to mount the instrument and the dip oscillator as a single package on a strip of wood. This unit may then be carried up the tower and attached to the terminal of the beam antenna. It is also possible to make remote measurements on an antenna with the use of an electrical half-wavelength of transmission line placed between the Antennascope and the antenna terminals.

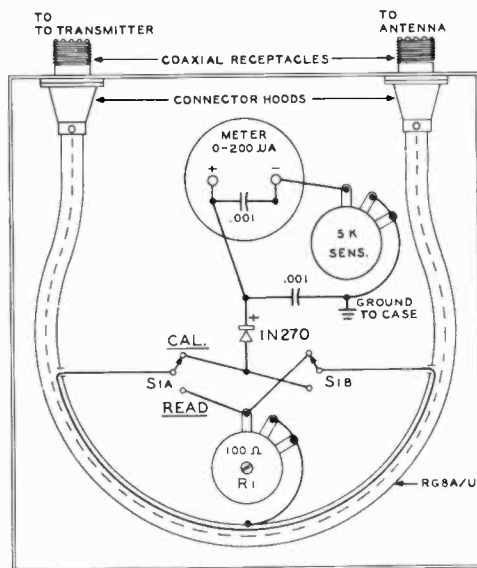


Figure 22  
MONIMATCH

**R<sub>1</sub>**—100-ohm composition potentiometer. Ohmite AB, or Allen Bradley type J, linear taper  
**S**—Dpdt rotary switch. Centralab 1462  
**Case**—5" × 7" × 2" chassis with back plate.

**The Monimatch** The *Monimatch* is a dual reflectometer constructed from a length of flexible coaxial transmission line (figure 22). The heart of the *Monimatch* is a pickup line made from a 14-inch length of RG-8A/U coaxial cable. The coupling loop of this special section is a piece of No. 22 enamel or *formvar* covered wire slid under the flexible outer shield of the coaxial line for a distance of about eight inches. The coaxial pickup line is then conveniently wound around the inside walls of the mounting box so that the protruding ends of the coupling loop fall adjacent to the simple switching circuit. The coupling loop and center conductor of the coaxial line form a simple reflectometer terminated at either end by a noninductive potentiometer. Choice of termination is determined by the panel switch. When the potentiometer is adjusted to the balance point, the bridge is calibrated and ready for use. The selector switch permits reading forward or reverse power in the coaxial line and an SWR of unity is indicated by a null reading on the meter of the instrument.

The special coaxial pickup loop is easily made. A 14-inch length of RG-8A/U cable

is trimmed square at the ends and the outer vinyl jacket is carefully removed. Two holes to pass the pickup wire are carefully made in the outer braid of the section with the aid of an awl or needle. Be careful not to break the fine wires of the braid. The holes are made 8 inches apart, and centered on the section. The outer shield is next bunched up a bit to loosen it and a length of No. 22 insulated wire is threaded under the braid, in and out of the holes. A stiff copper wire may be threaded through the holes and used as a needle to pass the flexible copper wire under the braid. Finally, the braid is smoothed out to its original length and the pickup wire checked with an ohmmeter to make sure that no shorts exist between the braid and the wire. The braid is then wrapped with vinyl tape at the two holes. The last step is to solder connector hoods and coaxial receptacles on each end of the line, making the assembly "r-f tight."

The special line may now be mounted in the instrument case, along with the various other components, as shown in the illustra-

tion. The calibrating potentiometer is mounted on an insulating plate in the center of a one-inch hole to reduce the capacity of the unit to ground. The coaxial line should be grounded only at the coaxial receptacles, and should otherwise be wrapped with vinyl tape to prevent it from shorting to the case or other components.

A noninductive 50-ohm dummy load is attached to the output of the Monimatch and it is driven from an r-f source. Place the panel switch in the *Calibrate* position and adjust the *sensitivity* control for a half-scale reading of the meter. Now switch to the *Read* position and adjust the sensitivity control for full-scale reading. Adjust the *Calibrate* potentiometer in the back of the Monimatch for a null in the meter reading—it should be very close to zero on the scale. Switch back to *Calibrate* again and once again adjust the sensitivity control for full-scale meter reading. Finally, switch once again to *Read* and re-null the meter with the *Calibrate* potentiometer. The Monimatch is now ready for use.

*Using the Monimatch*—The Monimatch is inserted in the coaxial line to the antenna, power is applied and the switch set to *Calibrate* position. The sensitivity control is adjusted for full-scale reading and the switch is thrown to the *Read* position. Adjustments to the antenna may now be made to reach an SWR of unity, at which point the meter reading will be at maximum null, or close to zero. If desired, the Monimatch may be calibrated in terms of SWR by observing the reading when various values of noninductive composition resistors of known value are measured with the device.

**A Practical Reflectometer** The reflectometer is an accurate, inexpensive and easily constructed instrument for the experimenter. Shown in this section is a practical reflectometer made from a short section of coaxial transmission line. It is designed for use with output power of up to 2000 watts and at frequencies up to 150 MHz. An easily wound toroid transformer is used for a pickup element, in conjunction with two reverse-connected diode voltmeters, affording quick indication of forward and reverse conditions within the transmission line. One voltmeter reads the incident com-

ponent of voltage and the other reads the reflected component. The magnitude of standing-wave ratio on the transmission line is the ratio of these two components.

The upper frequency limit of the reflectometer is determined by the dimensions of the pickup loop which should be a small fraction of a wavelength in size. When used to measure SWR, the resultant figure depends on the ratio of two measured voltages which are usually valid figures regardless of variations in load impedance and frequency. When used as a wattmeter, the absolute transmission-line voltage must be measured and the detection devices must have a flat frequency response with diodes operating in the square-law region for widest frequency coverage.

When used for SWR measurements, calibration of the reflectometer is not required since relative readings indicate the degree

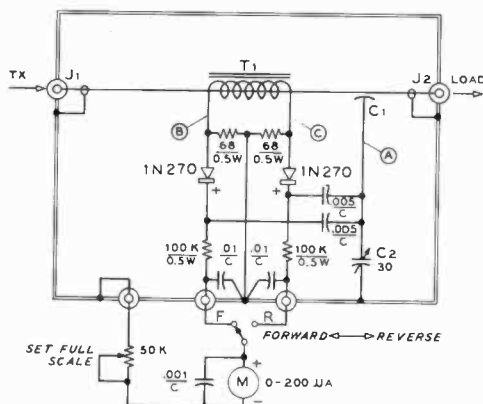


Figure 23

## REFLECTOMETER

**C<sub>1</sub>**—Sleeve formed of #28 tinned wire wrapped around inner dielectric of line for  $\frac{3}{8}$ -inch length. See text

**T<sub>1</sub>**—40 turns #28 insulated wire equally spaced around toroid core, Q-1 material. Indiana-General CF-114, 1.25" diameter X 0.38" thick. See figure 25 for assembly

of mismatch and all system adjustments are conducted so as to make this ratio as high as possible, regardless of the absolute values. Power measurements may be made if the instrument is calibrated against a known dummy load in both the forward and reverse directions. The reflectometer may be

left in the transmission line to indicate SWR and relative power output of the transmitter.

**Building the Reflectometer**—Assembly of the reflectometer is shown in figure 26. A short length of coaxial line of the chosen impedance is trimmed to length. The outer insulation and outer braid are cut with a sharp knife for a distance of about  $\frac{3}{4}$  of an inch at the center of the line, exposing a section of the inner dielectric. Around the dielectric a length of No. 28 tinned wire is wound to form a sleeve about  $\frac{3}{8}$ -inch long for 50-ohm cable. If 70-ohm cable is used, the sleeve should be about  $\frac{5}{8}$ -inch long. The sleeve is tinned and forms capacitor  $C_1$  to the inner conductor. A short length of insulated wire is soldered to the sleeve (*lead A*). The capacitor is now wrapped with vinyl tape. Next, a short section of thin copper shim stock is wrapped over the tape to form a simple Faraday shield which ensures that the coupling between the primary of  $T_1$  (the inner conductor of the coaxial line) and the secondary (the winding on the ferrite core) is inductive and not capacitive. One end of the shield is carefully soldered to the outer braid of the coaxial line and the other end is left free.

The ferrite core is now wrapped with vinyl tape and 40 turns of No. 28 insulated wire are evenly wrapped around the core. The core is then slipped over the cable section and positioned directly above capacitor  $C_1$ . The reflectometer section is then completed by forming a copper shield around the toroid assembly. In this case, the shield is made up of two copper discs soldered to the cable braid, over which is slipped a cop-

per cylinder made of thin shim stock. The cylinder and end rings are soldered into an inclusive shield, as shown in the photograph, with the three pickup leads passing through small holes placed in the cylindrical end sections.

The reflectometer and associated components are placed in an aluminum box (figure 24) having a terminal strip attached for connection to an external reversal switch and meter. Final adjustment is accomplished by feeding power through the reflectometer into a dummy load having a low value of SWR and adjusting capacitor  $C_2$  for minimum meter indication when the instrument is set for a reflected-power reading.

### 31-10 Frequency and Time Measurements

All frequency and time measurements within the United States are based on data transmitted from the *National Bureau of Standards*. Several time scales are used for time measurement: (1)—*Universal Time (UT)*. Universal time, or *Greenwich Mean Time (GMT)*, is a system of mean solar time based on the rotation of the earth about its axis relative to the position of the sun. Several UT scales are used: uncorrected astronomical observations are denoted  $U\phi$ ; the UT time scale corrected for the earth's polar variation is denoted UT1; the UT1 scale corrected for annual variation in the rotation of the earth is denoted UT2. Time signals transmitted by standard stations are generally based on the UT2 time scale. Although UT is in common use, it is non-uniform because of changes in the earth's

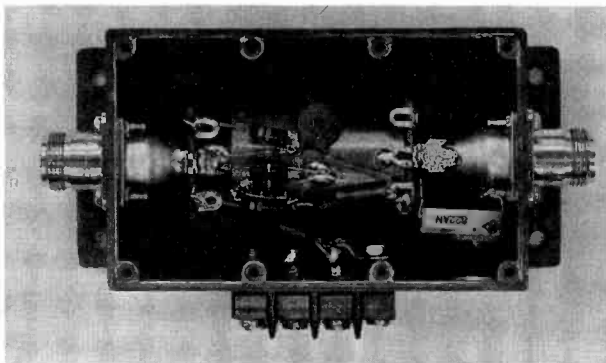


Figure 24

#### INTERIOR VIEW OF REFLECTOMETER

Complete assembly including accessory components is placed in cast aluminum box,  $4 \times 2\frac{1}{2} \times 1\frac{1}{2}$ " (Pomona Electronic #2904). Calibrating capacitor is adjustable through small hole drilled in box.

speed of rotation. (2)—*Ephemeris Time* (ET). Scientific measurements of precise time intervals require a uniform time scale. The fundamental standard of constant time is defined by the orbital motion of the earth about the sun and is called Ephemeris time, and is determined from lunar observations. (3)—*Atomic Time* (AT). Molecular and atomic resonance characteristics can be used to provide time scales which are apparently constant and nearly equivalent to ET. The designation A.1 has been given to the time scale derived from the zero-field resonance of *cesium*. The U. S. Frequency Standard at Boulder, Colorado, is maintained by reference to the A.1 time scale.

**Standard Radio Frequency and Time Signals** High- and low-frequency time signals are broadcast on standard frequencies in the United States by the

*National Bureau of Standards* over radio stations WWV, WWVB, and WWVL (located near Fort Collins, Colorado) and WWVH (located near Kekaha, Kauai, Hawaii). The broadcasts of WWV may also be heard by telephone by dialing (303) 499-7111, Boulder, Colorado.

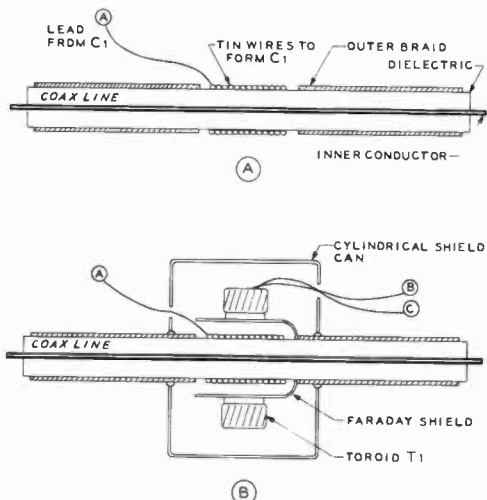


Figure 25

### ASSEMBLY DETAILS OF THE REFLECTOMETER

- A—Assembly of coaxial capacitor  $C_1$ .  
B—Assembly of capacitor, Faraday shield and toroid transformer  $T_1$ . Leads A, B, and C connect as shown in figure 23.

Stations WWV, WWVH, and WWVL broadcast nominal frequencies and time consistent with the internationally agreed upon time scale, *Coordinated Universal Time* (UTC). WWV broadcasts on 2.5, 5, 10, 15, 20, and 25 MHz; while WWVH broadcasts on all these frequencies except 25 MHz. Transmissions are continuous. WWVB broadcasts *Stepped Atomic Time* (SAT) on the standard frequency of 60 kHz and WWVL on 20 kHz. These two stations broadcast continuously except for scheduled maintenance periods. WWVL also transmits experimental, multiple frequencies, on occasion, at 19.9, 20.0 and 20.9 kHz.

Frequency accuracy, offset, and effects of the propagation medium are covered in the technical bulletin *NBS Time and Frequency Dissemination Services*, NBS Special Publication 432, available from the Superintendent of Documents, U.S. Government Printing Office, Washington D.C. 20402.

*Time Announcements*—Voice announcements are made from WWV and WWVH once every minute. To avoid confusion, a man's voice is used on WWV and a woman's voice on WWVH. The WWVH announcement occurs first, at 15 seconds before the minute, while the WWV announcement occurs at 7.5 seconds before the minute. Tone markers are transmitted simultaneously from both stations. The time referred to in the announcements is "Coordinated Universal Time," generally equivalent to "Greenwich Mean Time" (GMT). Local time may be derived from Chart 1 of Chapter 35.

*Standard Time Intervals*—Pulses mark the seconds of each minute, except for the 29th and 59th second pulses which are omitted. All pulses commence at the beginning of each second. In alternate minutes during most of each hour 500 Hz or 600 Hz audio tones are broadcast. A 440 Hz tone is broadcast once each hour.

**Official Announcements** Forty - five second announcements are available to other Federal agencies to disseminate official and public service information. Other announcements include:

*Marine Storm Warnings*—Weather information about major storms in the Atlantic and eastern North Pacific are broadcast in voice from WWV at 8, 9, and 10 minutes



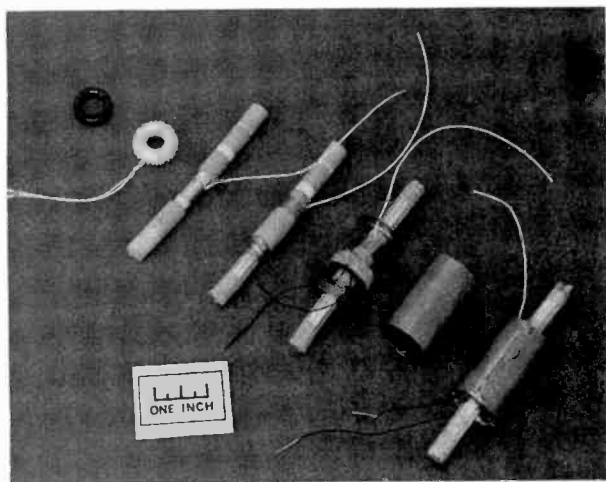


Figure 26

### ASSEMBLY SEQUENCE OF REFLECTOMETER UNIT

Left-to-Right—Toroid-core transformer  $T_1$ , coaxial capacitor assembly, Faraday shield, completed unit, outer shield, transformer with attached leads.

after each hour. Similar storm warnings are given for the east and central North Pacific from WWVH at 48, 49, and 50 minutes after each hour. Information regarding these broadcasts may be obtained by writing to: National Weather Service, Silver Spring, MD 20910.

**BCD Time Code**—A binary coded decimal time code is transmitted continuously by WWV and WWVH on a 100 Hz sub-carrier. The code provides a standard timing base for scientific observations made simultaneously at different locations. Time code information is outlined in the *NBS Special Publication 432*.

In addition to the NBS broadcasts, the Dominion Observatory of Canada transmits time ticks and voice announcements in English and French on 3.330, 7.335, and 14.670 MHz. Many other countries of the world also transmit standard frequency and time signals, particularly on 5, 10, and 15 MHz.

The standard-frequency transmissions may be used for accurately determining the limits of the various amateur bands with the aid of the station receiver and a *secondary frequency standard* which utilizes an accurate low-frequency crystal oscillator. The crystal is zero-beat with WWV by means of its harmonics and then left with only an occasional check to see that the frequency has not drifted off with time. Accurate signals at smaller frequency intervals may be derived from the secondary fre-

quency standard by the use of multivibrator or divider circuits to produce markers at intervals of 25, 10, 5, or 1 kHz. In addition, a variable-frequency *interpolation oscillator* may be used in conjunction with the secondary standard to measure frequencies at any point in the radio spectrum.

Shown in figure 28 is a simple 1 MHz calibration oscillator which provides marker signals up to 150 MHz or so.

## 31-11 A Precision Crystal Calibrator

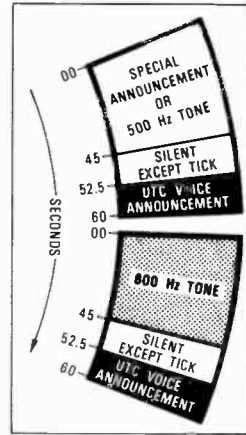
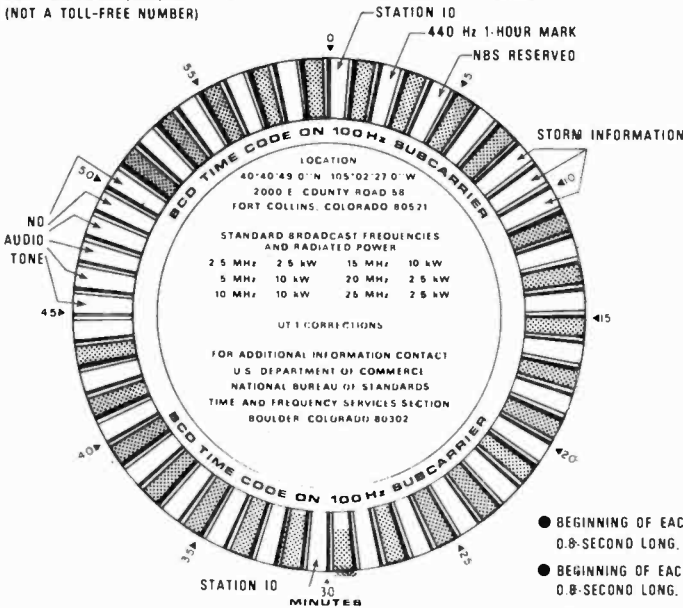
Modern direct-reading h-f receivers require a high order of calibrator accuracy. Shown in this section is a versatile crystal-controlled secondary frequency standard utilizing a 1 MHz AT-cut crystal of excellent temperature stability. The circuit of this instrument is shown in figure 29.

The crystal is used in an FET oscillator ( $Q_1$ ) having a high input impedance coupled to an amplifier ( $Q_2$ ), followed by an impedance transformer ( $Q_3$ ) to the logic circuit level. Integrated circuit  $U_1$  is a quadruple TTL-type gate used as a Schmitt trigger to provide fast rise and fall time for the decade divider ( $U_2$ ) and the dual flip-flop ( $U_3$ ). The available outputs are: 1 MHz, 500 kHz, 100 kHz, 50 kHz, and 25 kHz. The IC ( $U_2$ ) is configured as a divide-by-two and a divide-by-five combination to provide the 500-kHz and 100-kHz markers.

**WWV BROADCAST FORMAT**

VIA TELEPHONE: (303) 499-7111  
(NOT A TOLL-FREE NUMBER)

(A)

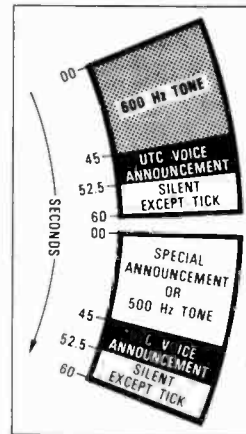
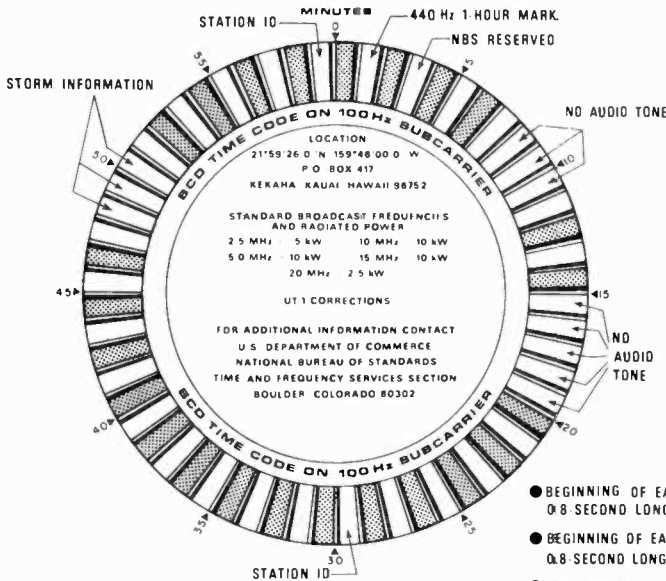


- BEGINNING OF EACH HOUR IS IDENTIFIED BY 0.8-SECOND LONG, 1500-Hz TONE.
- BEGINNING OF EACH MINUTE IS IDENTIFIED BY 0.8-SECOND LONG, 1000-Hz TONE.
- THE 29th & 59th SECOND PULSE OF EACH MINUTE IS OMITTED.

**WWVH BROADCAST FORMAT**

VIA TELEPHONE: (808) 335-4363 (NOT A TOLL-FREE NUMBER)

(B)



- BEGINNING OF EACH HOUR IS IDENTIFIED BY 0.8 SECOND LONG, 1500-Hz TONE.
- BEGINNING OF EACH MINUTE IS IDENTIFIED BY 0.8 SECOND LONG, 1200-Hz TONE.
- THE 29th & 59th SECOND PULSE OF EACH MINUTE IS OMITTED.

Figure 27

**HOURLY BROADCAST SCHEDULE OF WWV AND WWVH**

A dual-voltage, regulated power supply provides plus fourteen and plus five volts with very low ripple and good regulation.

Frequency of the 1-MHz crystal is set by adjusting capacitor  $C_1$  while zero-beating one of the 1-MHz harmonics with a transmission of WWV, or the frequency may be set with the aid of a frequency counter connected to the 1-MHz output.

For receiver calibration, a 5-pF capacitor at the receiver end of a short length of low capacitance coaxial cable (93 ohm) will permit maximum harmonic signal to be delivered at the antenna terminals.

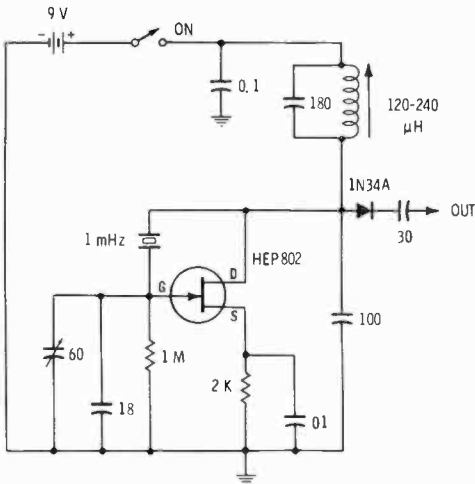


Figure 28

### INEXPENSIVE CRYSTAL CALIBRATOR

## 31-12 A Silicon Diode Noise Generator

The limiting factor in signal reception above 25 MHz is usually the thermal noise generated in the receiver. At any frequency, however, the tuned circuits of the receiver must be accurately aligned for best signal-to-noise ratio. Circuit changes (and even alignment changes) in the r-f stages of a receiver may do much to either enhance or degrade the noise figure of the receiver. It is exceedingly hard to determine whether changes of either alignment or circuitry are really providing a boost in signal-to-noise

ratio of the receiver, or are merely increasing the gain (and noise) of the unit.

A simple means of determining the degree of actual sensitivity of a receiver is to inject a minute signal in the input circuit and then measure the amount of this signal that is needed to overcome the inherent receiver noise. The less injected signal needed to override the receiver noise by a certain, fixed amount, the more sensitive the receiver is.

A simple source of minute signal may be obtained from a silicon crystal diode. If a small dc current is passed through a silicon crystal in the direction of higher resistance, a small but constant r-f noise (or hiss) is generated. The voltage necessary to generate this noise may be obtained from a few flashlight cells. The *noise generator* is a broadband device and requires no tuning. If built with short leads, it may be employed for receiver measurements well above 150 MHz. The noise generator should be used for comparative measurements only, since calibrations against a high-quality commercial noise generator is necessary for absolute measurements.

**A Practical Noise Generator** Described in this section is a simple silicon crystal noise generator. The schematic of this unit is illustrated in figure 30. The 1N21 crystal and .001- $\mu$ F ceramic capacitor are connected in series directly across the output terminals of the instrument. Three small flashlight batteries are wired in series and mounted inside the case, along with the 0-2 dc milliammeter and the noise-level potentiometer.

To prevent heat damage to the 1N21 crystal during the soldering process, the crystal should be held with a damp rag, and the connections soldered to it quickly with a very hot iron. Across the terminals (and in parallel with the equipment to be attached to the generator) is a 1-watt carbon resistor whose resistance is equal to the impedance level at which measurements are to be made. This will usually be either 50 or 300 ohms. If the noise generator is to be used at one impedance level only, this resistor may be mounted permanently inside of the case.

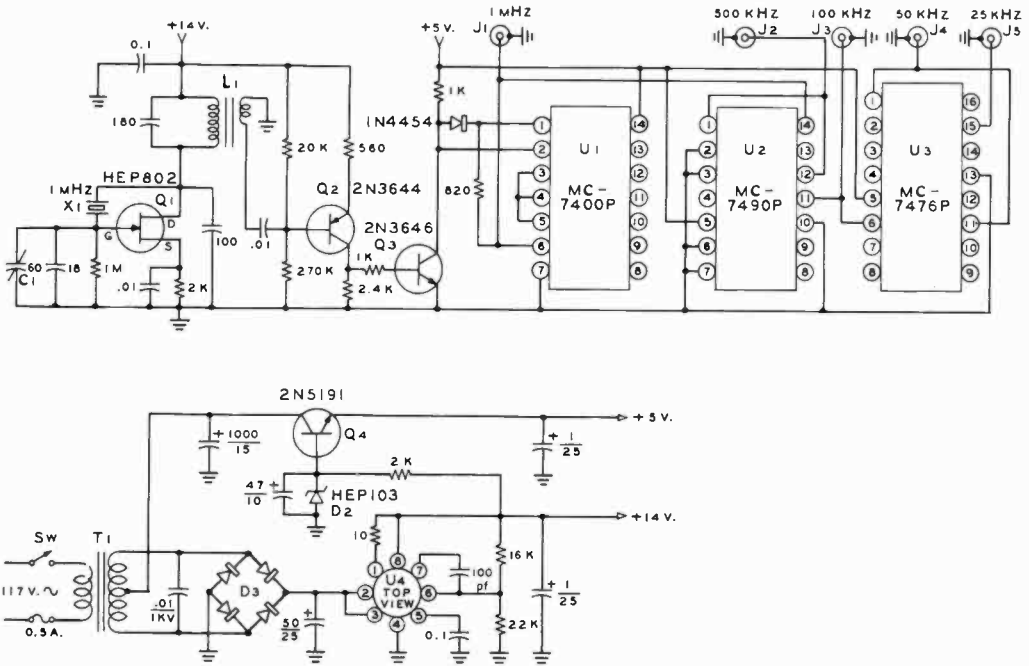


Figure 29

**SCHEMATIC, PRECISION CRYSTAL CALIBRATOR**

- D<sub>3</sub>—HEP 176
- U<sub>4</sub>—LM 300, SG 305T or CA 3055
- L<sub>1</sub>—120-240 μH. CTC2060-8. Secondary is 10 turns # 24 insulated wire
- T<sub>1</sub>—16-volt, center-tapped. Triad F-90X

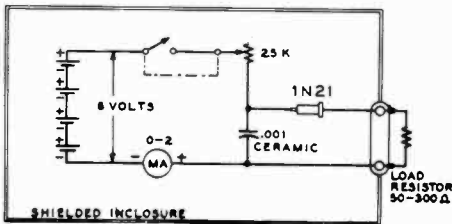


Figure 30

**A SILICON DIODE NOISE GENERATOR**

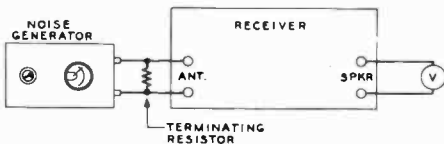


Figure 31

**TEST SETUP FOR NOISE GENERATOR**

**Using the Noise Generator** The test setup for use of the noise generator is shown in figure 31. The noise generator is connected to the antenna terminals of the receiver under test. The receiver is turned on, the avc turned off, and the r-f gain control is placed full on. The audio volume control is adjusted until the output meter advances to one-quarter scale. This reading is the basic receiver noise. The noise generator is turned on, and the noise-level potentiometer adjusted until the noise output voltage of the receiver is doubled. The more resistance in the diode circuit, the better is the signal-to-noise ratio of the receiver under test. The r-f circuit of the receiver may be aligned for maximum signal-to-noise ratio with the noise generator by aligning for a 2:1 noise ratio at minimum diode current.

### 31-13 The R-F Noise Bridge

Conventional impedance measurements on an antenna system usually call for an r-f impedance bridge, signal generator and a bridge detector. Such heavy and expensive devices are not suited for work on an amateur antenna where the operator and equipment may be balanced atop a ladder or hanging from the tower by one arm. A simple alternative that is light, inexpensive and accurate enough for most amateur hf antenna measurements is the *r-f noise bridge*. By combining a simple r-f bridge with a wideband noise generator in a small shielded box, an adequate impedance measuring device can be built. Since the r-f source is a wideband noise generator, the system selectivity is derived from the station receiver. This is a very important point; it is the receiver alone which establishes at what frequency the impedance measurement takes place, as the signal source may be considered to be "white noise."

R-f noise bridges are commercially available and there are three different types of instruments that are used. The first design has the bridge configuration shown in figure 32. The bridge is balanced by equating the resistance of potentiometer  $R_1$  to the resistive portion of the antenna impedance. Since no provision is made for a reactive leg in the bridge, this unit is only useful for mea-

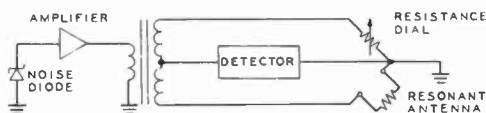


Figure 32

#### THE BASIC NOISE BRIDGE

The noise bridge is composed of a wideband noise source, an r-f bridge and a selective detector. The antenna forms one leg of the bridge. The bridge is balanced by nulling the noise signal in the detector. No reactive compensation is provided in the bridge.

surement of an antenna at the resonant frequency.

The second design is the modified noise bridge shown in figure 33. This unit makes it possible to measure both resistive and reactive impedance. When the 140-pF variable capacitor,  $C_X$ , is set at half-value, or 70 pF,

the bridge is balanced for reactance. This allows the user to increase the capacitance for nulling an antenna that has a net parallel capacitive reactance, and to decrease the

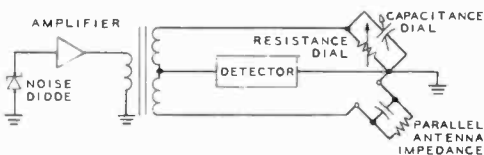


Figure 33

#### NOISE BRIDGE WITH PARALLEL CAPACITANCE RANGE

Addition of a capacitance dial permits noise bridge to measure both resistive and reactive impedance in antenna.

capacitance for nulling an antenna having a net inductive reactance. In either case, the capacitor dial reads out equivalent parallel capacitance in picofarads. When the antenna exhibits an inductive reactance, the equivalent negative capacitance is that value which would cause a coil of that reactance to resonate at the frequency of measurement. To obtain the equivalent series  $R + jX$  values of the antenna, the operator must go through a mathematical parallel-to-series conversion.

The r-f noise bridge described in this section uses the bridge configuration shown in figure 34. Note the similarity to figure 33, except that the capacitors in this design are in series, rather than in parallel, with the resistance potentiometer and the antenna terminals. This allows (as before) inductive or capacitive reactance to be observed. The difference is that the reading of the two dials at null is  $R + jX$  directly.

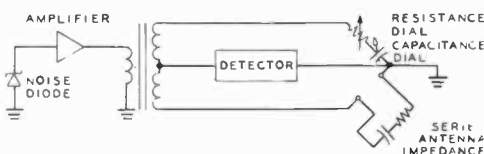


Figure 34

#### NOISE BRIDGE WITH SERIES CAPACITANCE RANGE

Inductive and capacitive reactance of antenna under test are read as a series impedance in the form of  $R + jX$ .

**The Noise Bridge Circuit** The complete noise bridge circuit is shown in figure 35. A zener diode,  $Z_1$ , is used as a "white noise" source, followed by a broadband noise amplifier ( $Q_1$ - $Q_3$ ). It is important to use devices that have good high-frequency response to provide adequate "white noise", especially at the upper frequency limits of the bridge. The transistors listed provide good results above 30 MHz.

The choice of zener diode is not critical so long as breakdown voltage is between 3.6 and 6.8 volts. The bypass and coupling capacitors in the noise amplifier are .01- $\mu$ F ceramic disc types. Coupling transformer  $T_1$  is quadrifilar-wound on a ferrite toroid. The 68-pF bridge capacitor should be a silver mica unit and potentiometer  $R_x$  is a low-inductance, composition type.

**Noise Bridge Construction** Construction of the noise bridge is shown in figures 36 and 37. The unit is built within a cast aluminum box measuring  $4\frac{1}{2}'' \times 3\frac{1}{2}'' \times 2\frac{1}{4}''$ . The receiver and unknown (antenna) coaxial receptacles are mounted between the two panel controls. All components are mounted on a piece of copper-plated circuit board which is bolted inside the lid of the box. The stator of the variable capacitor is grounded to the board surface with a short, wide length of copper strap. The various components are mounted by

their leads to insulated tie points soldered to the copper plane as shown in the rear view photograph. Placement of parts is not critical, provided attention is paid to lead length. The transformer is wound by winding four wires in parallel on the core. The indicated dots on the schematic of  $T_1$  in figure 35 represent the same end of all windings.

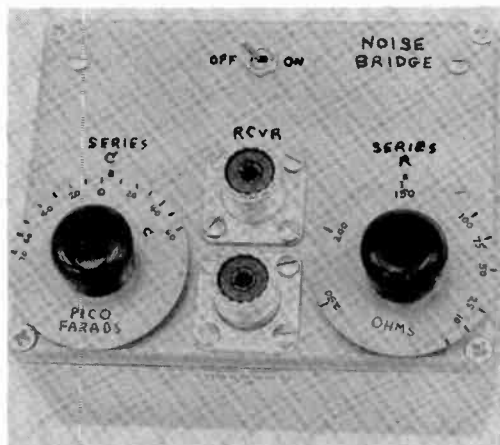


Figure 36

### THE R-F NOISE BRIDGE

Components are mounted on the lid of a cast aluminum box. The Series-C (capacitance) dial is at the left and the Series-R (resistance) dial is at the right. The coaxial receptacles for the detector (receiver) and antenna (unknown) are at the center of the panel. Dials are hand calibrated, as discussed in the text.

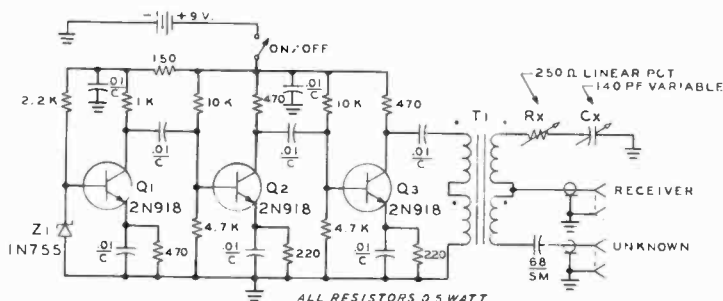


Figure 35

### SCHEMATIC OF WIDEBAND NOISE BRIDGE

This simple bridge provides usable measurements up to 30 MHz. The noise generator is a zener diode ( $Z_1$ ), followed by three stages of resistance coupled amplification ( $Q_1$ - $Q_3$ ). The station receiver is used as the bridge detector. Transformer  $T_1$  is quadrifilar wound of 4 turns No. 28 formvar on an Indiana General CF-102-Q2 ferrite core. (Indiana General Corp., Keasbey, NJ 08832. Also Amidon Assoc., 12033 Otsego St. No. Hollywood, CA 91607). Potentiometer is Allen-Bradley type JA1N-056S, or Ohmite type AB-CU2511.

**Aligning the Bridge** Calibration of the bridge is simple if a capacity meter and ohmmeter are available. The resistance dial for potentiometer  $R_x$  can be calibrated with the ohmmeter. To calibrate the reactance dial, set capacitor  $C_x$  to roughly half-capacitance and temporarily disconnect the lead to  $R_x$ . Drill a  $\frac{3}{8}$ -inch diameter hole in the box in a spot next to the ungrounded stator terminal of  $C_x$  and close the box. Pass a small probe from a capacitance meter (such as the *Tektronix 130*, or equivalent) into the hole to touch the stator terminal. Using the meter as a reference,  $C_x$  is adjusted to read 70 pF to ground. The dial is marked, then  $C_x$  is varied to provide plus and minus dial markings from 70 pF to 10 pF in small steps. The values below 70 pF are plotted on the dial as being measured from zero, which is 70 pF. Thus, the dial in a typical instrument will be calibrated 70-0-70 pF, with the max-

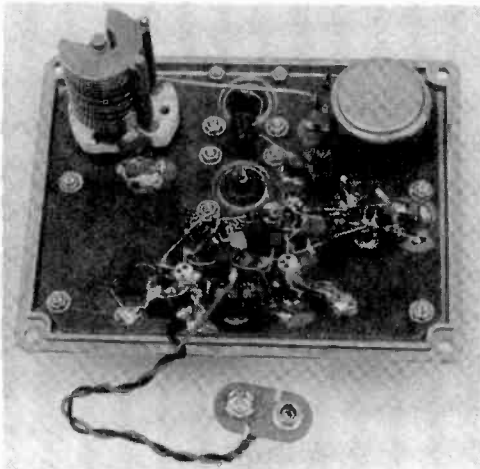


Figure 37

### INTERIOR OF THE R-F NOISE BRIDGE

The series capacitor is at upper left and the series variable resistor is at upper right, with the coaxial connectors between them. The small ferrite transformer is between the potentiometer and the lower connector. The components of the noise generator are mounted on solder terminals in the foreground.

imum values of capacitance marked as "inductance" on the dial.

**Using the Noise Bridge** The station receiver is connected to the *receiver* port of the bridge with a length of coaxial line and the bridge is connected to

the antenna directly, or through a coaxial line that is an electrical halfwavelength at the frequency of measurement. When the noise bridge is activated, the "white noise" will be heard as a strong hiss in the receiver. The *series R* and *series C* dials are adjusted to null, or balance out the hiss, and the radiation resistance and reactance of the antenna under test is read directly on the dials of the bridge. The reactance reading is in picofarads, which may be converted directly to reactance with the aid of a slide rule or pocket computer.

In some cases, when measurements are made in the vicinity of a strong, local broadcasting station, the bridge null may be obscured, as the bridge element is reacting to the pickup of the signal by the antenna under test.

### 31-14 A Universal Crystal Test Unit

This simple test unit will test crystals ranging in frequency from a few hundred kHz to over 90 MHz (figure 38). Transistor  $Q_1$  forms a variation of the Colpitts oscillator with feedback adjusted by capacitor  $C_1$ . The r-f voltage of the oscillator is rectified by two diodes and the resulting dc voltage provides forward bias for  $Q_2$  whose emitter current lights an indicating lamp. If the crystal fails to oscillate, the lamp remains dark. Various crystal sockets can be incorporated in the tester for different styles of holders. The unit is built within a small aluminum utility box with a self-contained battery.

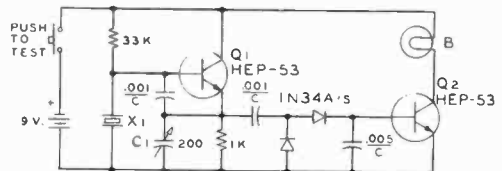


Figure 38

### UNIVERSAL CRYSTAL TEST UNIT

Crystal feedback is controlled by capacitor  $C_1$ . An adjustable mica capacitor may be used. Bulb is 10-volt, 14 mA (CM7-7344, Chicago Miniature Lamp, or equivalent).

### 31-15 An Inexpensive Transistor Tester

This compact and inexpensive transistor checker will measure the dc parameters of most common transistors. Either NPN or PNP transistors may be checked. A six-position test switch permits the following parameters to be measured: (1)  $I_{CO}-D_C$  collector current when collector junction is reverse-biased and emitter is open circuited; (2)  $I_{CO-20}$ —collector current when base current is 20 microamperes; (3)  $I_{CO-100}$ —collector current when base current is 100 microamperes; (4)  $I_{CEO}$ —collector current when collector junction is reverse-biased and base is open circuited; (5)  $I_{CES}$ —collector current when collector junction is reverse-biased and base is shorted to emitter; (6)  $I_{EO}$ —emitter

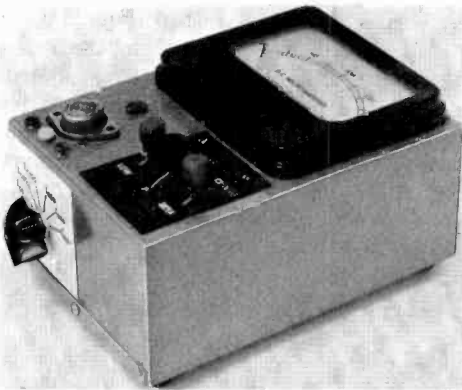


Figure 39

#### TRANSISTOR CHECKER

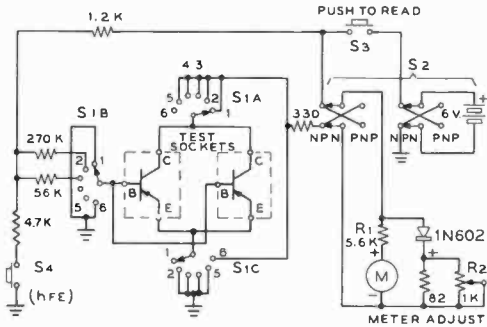
An expanded-scale meter provides accurate measurement of transistor parameters in this easily built instrument. Six dc parameters may be measured and with the data derived from these tests, the ac forward-current transfer ratios may be computed. Two transistor sockets are mounted at the left of the tester, with the three selector switches to the right. Six-position test switch is mounted to bottom side of box. Tip jacks are placed in parallel with transistor socket terminals to permit test of transistors having unorthodox bases.

current when emitter junction is reverse-biased and collector is open circuited.

Using the data derived from these tests, the static and ac forward-current transfer ratios ( $h_{FE}$  and  $h_{fc}$ , respectively) may be computed as shown in figure 40. This data

may be compared with the information listed in the transistor data sheet to determine the condition of the transistor under test.

The transistor parameters are read on a 0-100 dc microammeter placed in a diode network which provides a nearly linear scale to 20 microamperes, a highly compressed scale from 20 microamperes to one milliamperere, and a nearly linear scale to full scale at 10 milliamperes. Transistor parameters may be read to within 10 percent on all



TO TEST	WHEN	ADJUST S1 TO	RESULT
$I_{CO}$	$V_{CB} = 6V.$	1	READ METER DIRECT
$I_C$	$I_B = 20 \mu A$	2	"
$I_C$	$I_B = 100 \mu A$	3	"
$I_{CEO}$	$V_{CE} = 6V.$	4	"
$I_{CES}$	$V_{CE} = 6V.$	5	"
$I_{EO}$	$V_{EO} = 6V.$	6	"
$h_{FE}$	$I_B = 20 \mu A$	2	CALCULATE: $h_{FE} = \frac{I_C}{I_B} = \frac{\text{METER READING}}{20 \mu A}$
$h_{FE}$	$I_B = 100 \mu A$	3	CALCULATE: $h_{FE} = \frac{I_C}{I_B} = \frac{\text{METER READING}}{100 \mu A}$
$h_{fe}$	$I_B = 20 \mu A$	2	CALCULATE: WHERE $h_{fe} = \frac{I_{C1} - I_{C2}}{4 \times 10^{-8}}$ $I_{C1} = \text{METER READING}$
$h_{fe}$	$I_B = 100 \mu A$	3	CALCULATE: $I_{C2} = \text{METER READING WITH } S_4 \text{ CLOSED}$ $h_{fe} = \frac{I_{C1} - I_{C2}}{20 \times 10^{-8}}$
6 V. BATTERY	—	4	WITH 150 $\Omega$ RESISTOR CONNECTED TO C-E OF TEST SOCKET, FULL-SCALE METER DEFLECTION WILL RESULT WHEN S3 IS PRESSED.

Figure 40

#### SCHEMATIC OF TRANSISTOR CHECKER

- S<sub>1</sub>A, B, C—Three-pole 6-position. Centralab 1021
- S<sub>2</sub>, S<sub>3</sub>, S<sub>4</sub>—Centralab type 1400 nonshorting lever switch
- M—0-200 dc microammeter. General Electric or Simpson (4 1/2")

transistor types from mesas to power alloys without switching meter ranges and without damage to the meter movement or transistor.



By making the sum of the internal resistance of the meter plus series resistor  $R_1$  equal to about  $6K$ , the meter scale is compressed only one microampere at 20 microamperes. *Meter adjust* potentiometer  $R_2$  is set to give 10 milliamperes full-scale meter

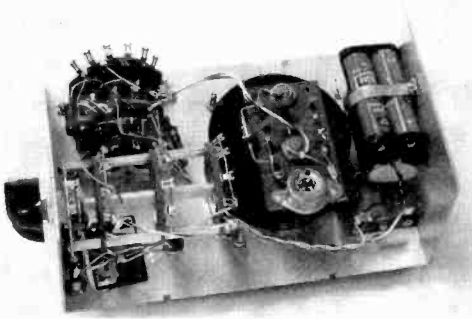


Figure 41

#### INTERIOR VIEW OF TRANSISTOR CHECKER

Components of meter diode circuit are mounted to phenolic board attached to meter terminals. Other small resistors may be wired directly to switch lugs. The four 1½-volt batteries are held in a small clamp at the rear of the case. Chassis is cut out for lever-action switches and opening is covered with three-position switch plate.

deflection. The scale may then be calibrated by comparison with a conventional meter.

If the *NPN-PNP switch* ( $S_2$ ) is in the wrong position, the collector and emitter junctions will be forward biased during the  $I_{CO}$  and  $I_{EO}$  tests (switch positions 1 and 6). The high resulting current may be used as a check for open or intermittent connections within the transistor.

The transistor checker also measures  $h_{FE}$  with 20 microamperes and 100 microamperes base current. Depressing the  $h_{FE}$  switch ( $S_1$ ) decreases the base drive about 20 percent, permitting  $h_{FE}$  to be estimated from the corresponding change in collector current (formulas 1 and 2). All tests are conducted with a 330-ohm resistor limiting the collector current to about 12 milliamperes and the maximum transistor dissipation to about 20 milliwatts. The checker therefore cannot harm a transistor regardless of how

it is plugged in or how the test switches are set.

The *battery test* provides full-scale meter deflection of 10 milliamperes when the battery potential is 6 volts. This is achieved by connecting a 150-ohm resistor from collector to emitter of a test socket.

**Test Set** The transistor checker is built **Construction** in an aluminum box measuring 3" × 5" × 7", as shown in the photographs. Test switch  $S_1$  is mounted on the end of the box; and the transistor sockets, microammeter, and the various other switches are placed on the top of the box. Three insulated tip jacks are wired to the leads of one transistor test socket so that transistors having unorthodox bases or leads may be clipped to the tester by means of short test leads. Four 1½-volt flashlight cells are mounted to the rear of the case by an aluminum clamp. Potentiometer  $R_2$ , the meter diode, and associated components are fastened to a phenolic board attached to the meter terminals. Switch  $S_1$  has an indicator scale made of heavy white cardboard, lettered with India ink and a lettering pen.

### 31-16 A Transistorized Capacitance Meter

Described in this section is a simple and inexpensive transistorized capacitance meter using a single unijunction transistor (figure 42). The instrument measures capacitance values ranging in size from a few pF up to 0.1  $\mu F$  in four ranges.

The capacitance meter uses a simple RC relaxation oscillator to generate square audio-frequency pulses (figure 43). The unknown capacitor is pulse-charged through a diode ( $D_1$ ) and is discharged through the indicating meter and its series resistance. The discharge current is directly proportional to the value of capacitance under test provided the frequency and amplitude of the charging pulses are held constant.

The frequency of the RC oscillator is switched to provide four capacitance ranges: 100 pF, 1000 pF, .01  $\mu F$  and .1  $\mu F$ . A 0 to 50 dc microammeter serves as a readout device so the reading of the meter must be

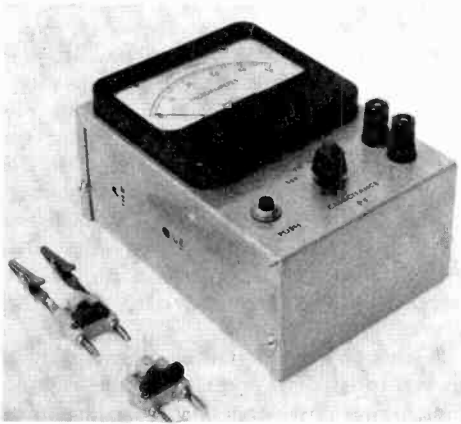


Figure 42

### TRANSISTORIZED CAPACITANCE METER

This small, inexpensive test instrument measures capacitance directly up to  $0.1 \mu\text{F}$ . Using a small self-contained battery, the tester employs a single unijunction transistor in a simple oscillator counter circuit. The "unknown" terminals are at the right of the panel, with the range switch and the push-to-test button to the left. Two jack plugs are made up with "standard" capacitors. The top plug has two alligator clips soldered to jack tips which may be inserted in the tester. Calibration potentiometers are adjusted through the small holes in the side of the case.

multiplied by two to obtain the value of measured capacitance. The base resistance of the unijunction transistor is switched in order to achieve full-scale meter deflection on the 100-pF range.

**Capacitance Meter Construction** The instrument is built in an aluminum box measuring  $3'' \times 5'' \times 7''$  (figures 42 and 44). Small components are mounted on two phenolic boards which are supported on either side of the meter by small metal angle brackets. The three 100K calibration potentiometers and the 10K corrector potentiometer are mounted on these boards so that the slotted shafts may be adjusted through small holes drilled in the sides of the case. The unijunction transistor is mounted in place by its leads. The battery is clamped to the rear half of the case with a small aluminum bracket.

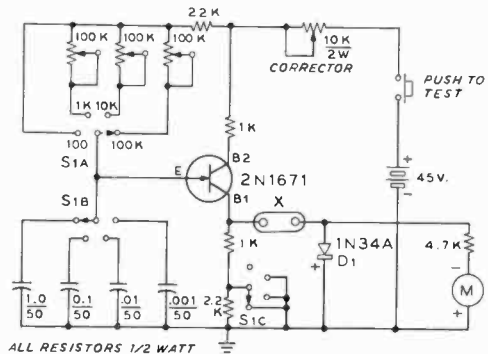


Figure 43

### SCHEMATIC OF CAPACITANCE METER

S<sub>1</sub>A, B, C—Three-pole, 4-position. Centralab PA-1007

M—0-50 dc microamperes. Simpson model 49 (4 1/2'')

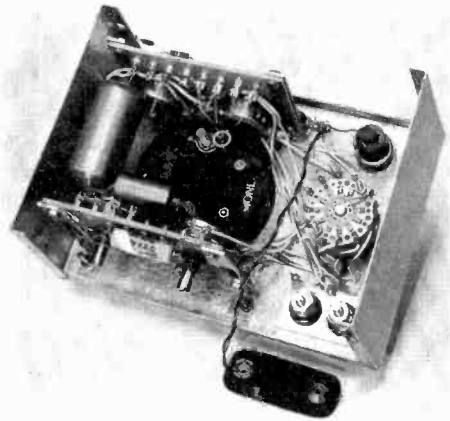


Figure 44

### INTERIOR VIEW OF CAPACITANCE METER

The smaller components are mounted to phenolic terminal strips held in place by angle brackets fastened to the meter bolts. The battery is bolted to the rear of the box and connections to the instrument are made via the battery clip in the foreground.

**Meter Calibration** When the wiring has been completed and checked, the capacitance meter may be calibrated with the aid of capacitors of known value. Ten-percent tolerance paper or mica capacitors that have been checked on a capacitance bridge of good accuracy may be used, or a set of one-percent tolerance capacitors may

be used as "standards." A 100-pF standard capacitor is placed between the "unknown" terminals of the capacitance meter (marked X on the schematic) and the meter switch is set to the 100-pF range. The *press to test* button is depressed and the *corrector* potentiometer is adjusted for full-scale meter deflection. The 1000-pF capacitor is now used on the next range to achieve full-scale deflection when the 100K range-calibration potentiometer is properly adjusted. The two higher ranges are adjusted in a like manner with standard capacitors of .01 μF and .1 μF. The *corrector* potentiometer should be adjusted only on the 100-pF range and should not be retouched until recalibration is necessary as a result of low battery voltage. Normal battery drain is about 5 milliamperes.

level from zero to maximum with a regular pattern that is easily interpreted. A simple means is to use two audio tones of equal amplitude to modulate the SSB transmitter. This is termed a *two-tone test*. This procedure causes the transmitter to emit two steady signals separated by the frequency difference of the two audio tones. The resultant, or beat, between the two r-f signals produces a pattern which, when observed on an oscilloscope has the appearance of a carrier 100-percent modulated by a series of half sine waves.

With a two-equal-tone test signal, the following equations approximate the relationships between two-tone meter readings, peak envelope power, and average power for class-AB or class-B operation:

Dc plate current:

$$I_b = \frac{2 \times i_{pm}}{\pi^2}$$

Plate Power Input (watts):

$$P_{in} = \frac{2 \times i_{pm} \times E_b}{\pi^2}$$

### 31-17 A 2-Tone Generator for SSB Testing

To examine linearity of an amplifier by observation of the output signal some means must be provided to vary the output signal

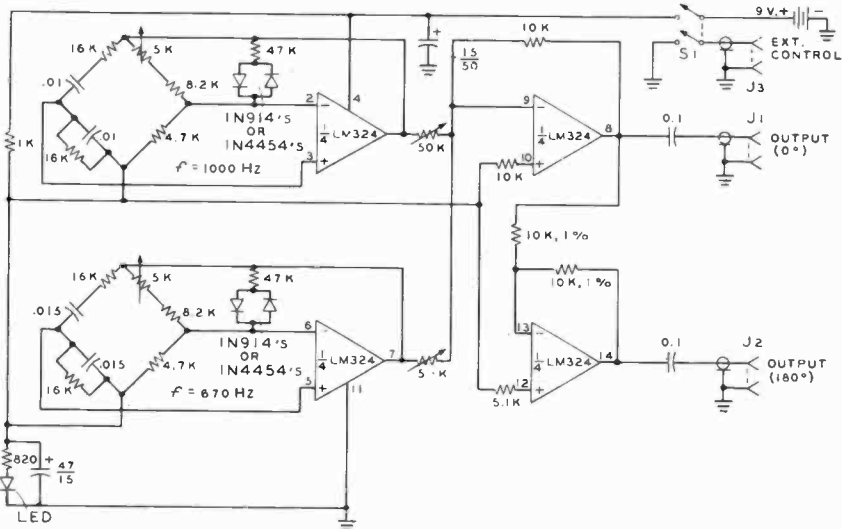


Figure 45

### SCHEMATIC OF TWO-TONE GENERATOR

Single IC chip provides two oscillators and associated buffer stages. Six-volt light-emitting diode (LED) provides "on" indication. (Dialco 507-4748-3331-500). Potentiometers are Bourns Trim-pot model 3305, or equivalent.

Average Power Output (watts):

$$P_o = \frac{i_{pm} \times e_p}{8}$$

Plate efficiency:

$$N_p = \left( \frac{\pi}{4} \right)^2 \times \frac{e_p}{E_b}$$

where,

$i_{pm}$  equals peak of the plate current pulse,  
 $e_p$  equals peak value of plate voltage swing,  
 $E_b$  equals dc plate voltage,  
 $\pi$  equals 3.14

Finally, peak-envelope-power *output* under these conditions is twice the average-power output. Thus, using a two-tone test signal, a linear amplifier may be tuned up at a power-output level of half that normally achieved at the so-called "two kilowatt PEP" input level. Power-*input* level, on the other hand, of the two-tone test condition is about two-thirds that of the single-tone condition.

**The Two-Tone Generator** Shown in figure 45 is the schematic of a simple two-tone audio generator which

provides a pair of linearly added sine waves. The second harmonic and intermodulation products are reduced at least 35 decibels below one tone. It is designed for either a single-ended audio input circuit (common to most SSB exciters) or a balanced line input. The generator operates from an internal 9-volt battery and contains no transformers so no power-line frequency associated components are produced in the two-tone signal.

Two bridge-type audio generators and associated buffer stages are contained on a single IC. One generator is adjusted for 1000 Hz and the other one for 670 Hz, although other audio tone combinations may be used.

The device is constructed within an aluminum utility box measuring  $3\frac{1}{2}'' \times 2'' \times 1\frac{1}{2}''$  (figure 46). All components are mounted on a perforated circuit board, as shown in the interior photograph (figure 47). The 9-volt battery is mounted beneath the board in a small clip.

*The Two-tone Test*—The test oscillator is connected to the audio system of the SSB transmitter which is tuned up into a dummy

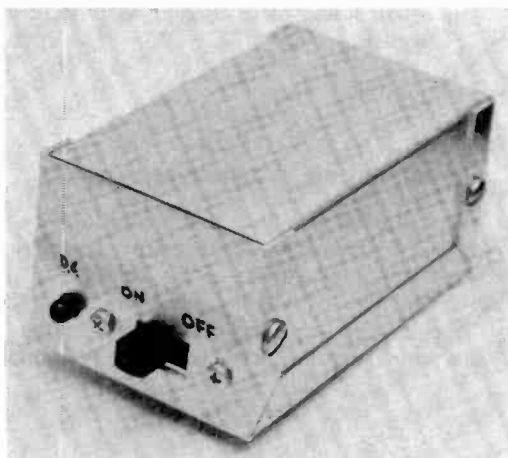


Figure 46

### TWO-TONE AUDIO GENERATOR

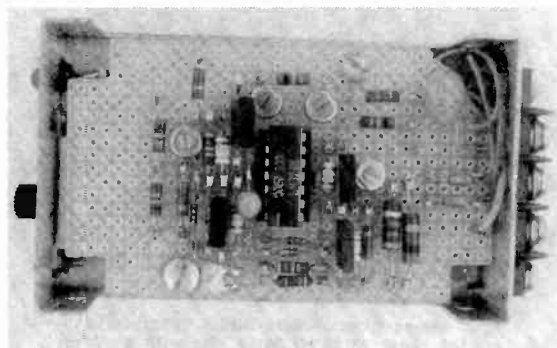


Figure 47

### INTERIOR OF GENERATOR

Components are mounted on small section of glass-epoxy board. The IC is at center, mounted in a socket. Terminal connections are at right, rear.

load with an oscilloscope coupled to the load to show a typical test pattern. The transmitter is adjusted for maximum power output without waveform flattopping. Under these conditions, the power input is:

$$\text{PEP Input (watts)} = I_b \times E_b$$

$$\left( 1.57 - 0.57 \frac{I_o}{I_b} \right)$$

where,

$E_b$  equals dc plate voltage,

$I_b$  equals two-tone dc plate current,

$I_0$  equals idling plate current with no test signal.

### 31-18 A Variable-Frequency Audio Generator

Described in this section is a high-quality, variable-frequency audio generator that covers the range of 20 Hz to 20 kHz, with a distortion level of 0.05% or less (figure 48).

Unlike the expensive laboratory oscillators which require dual (tracking) variable

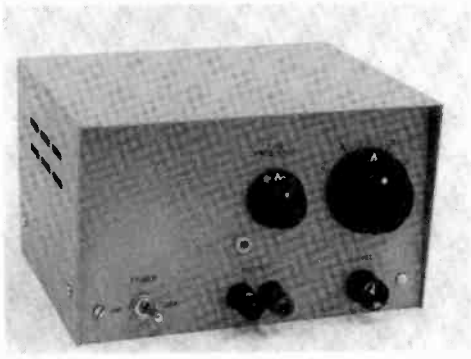


Figure 48

#### VARIABLE-FREQUENCY AUDIO GENERATOR

This compact, solid-state audio generator covers the range of 20 Hz to 20 kHz with a distortion level of 0.05 percent or less. The frequency-control potentiometer is near center, with the frequency-range switch at the right. Unit is built in a small aluminum utility cabinet.

resistors or capacitors, this compact oscillator uses a single variable resistor for tuning. The circuit is shown in figure 49.

Three operational IC amplifiers are used. Op-amp  $U_2$  functions as an active bandpass filter,  $U_1$  serves as a broadband amplifier, and  $U_3$  is used as a dual zener diode. The feedback loop that sustains oscillation involves 180 degrees of phase shift around  $U_1$  and 180 degrees of phase shift around  $U_2$ . To permit oscillation, sufficient circuit gain occurs only at the maximum response frequency of the active bandpass filter that is designed around  $U_2$ . The frequency of oscillation is thus controlled by varying the center frequency of the bandpass filter. Level stabilization is obtained by clipping

the sine wave by means of  $U_3$ , the Q of the active filter circuit removing the harmonics created by the clipping. Only the base-emitter diodes of the two input transistors of  $U_3$  are used (figure 50), the other leads are left floating. The LM 709C was used because of its very low price in comparison to the cost of a good seven-volt zener diode.

A test point is provided for the builder to monitor the percentage of sine-wave clipping in use, the level being set by potentiometer  $R_1$ . This is normally set so that about 20 percent of the sine wave total amplitude is clipped when the frequency control potentiometer ( $R_2$ ) is at the low-frequency (maximum resistance) position.

To power the audio oscillator, a simple dual-voltage regulated supply providing plus and minus 15 volts is included.

### 31-19 A Function Generator

One of the most recent and useful pieces of test equipment available for the amateur is the *function generator* (figure 51). The generator described in this section has three symmetrical outputs: sine, triangular and square waves. While the function generator does not replace either the sine wave oscillator or the pulse generator, it is more versatile than either because of its variety of output signals.

The schematic of the generator is shown in figure 52. It is designed around the *Inter-sil 8038* IC that was specifically developed for this application. This device has three separate output ports for the waveforms in question, and no external integrators or shaping circuits are required. The only auxiliary equipment to make the IC a complete item of test equipment are a power supply and an output amplifier.

The output amplifier is comprised of an operational amplifier output driver. The driver has only a 6-ohm impedance so 43 ohms is placed in series with it to provide a 50-ohm port when it is required to drive a matched coaxial line.

*Dc offset* is provided by a 10K potentiometer placed across the  $\pm 15$  volt supply through a series connected 100K resistor to the inverting input of the op amp. The out-

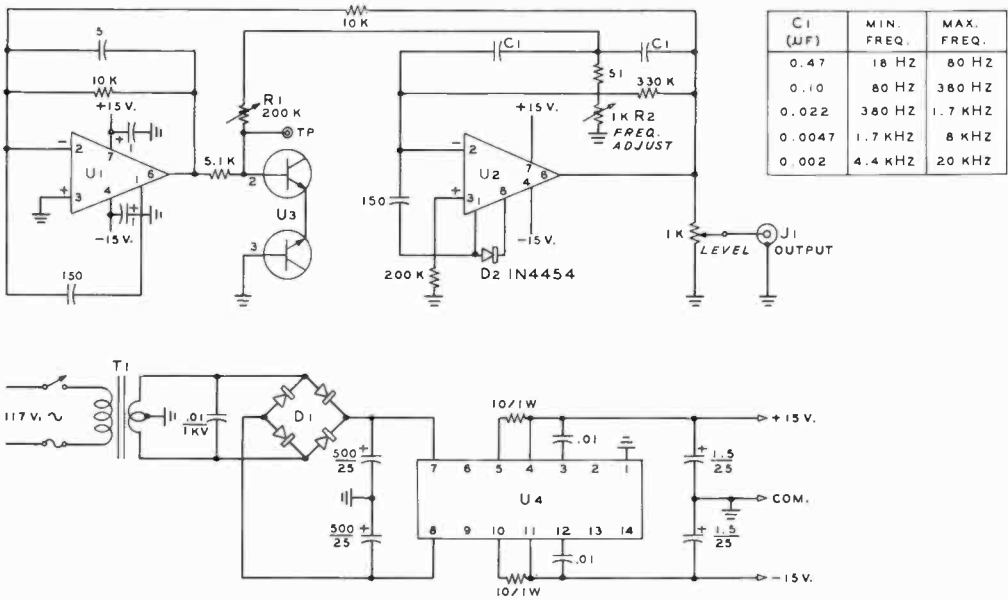


Figure 49

**SCHEMATIC, AUDIO GENERATOR**

- U<sub>1</sub>, U<sub>2</sub>—LM 301H (National Semiconductor)
- U<sub>3</sub>—LM709C used as dual zener (pins 2 and 3) (National Semiconductor)
- U<sub>4</sub>—SG 3501D (Silicon General)
- D<sub>1</sub>—HEP 176
- T<sub>1</sub>—32-volt, center-tapped. Triad F-90X

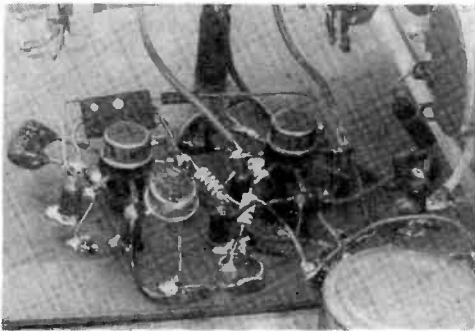


Figure 50

**COMPONENTS OF AUDIO GENERATOR ARE MOUNTED ON P.C. BOARD**

U<sub>3</sub>, the inexpensive IC used as a dual zener diode, is in the foreground at left. The two op-amps are placed in sockets supported on small terminals soldered to the board.

put waveform from the 8083 IC is fed to the noninverting input of the op amp. via

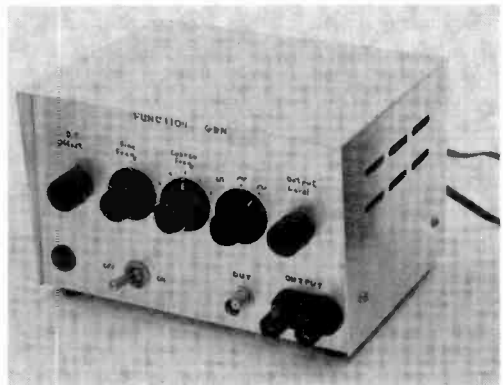


Figure 51

**THE FUNCTION GENERATOR**

This function generator delivers sine, triangular, or square waves over the frequency range of 1 Hz to 100 kHz. Panel controls (left to right) are: DC Offset Fine Frequency, Coarse Frequency, Waveform Selector Switch, and Output Level. Dual output connectors are provided for coaxial lead or for test leads. Output impedance is 50 ohms.

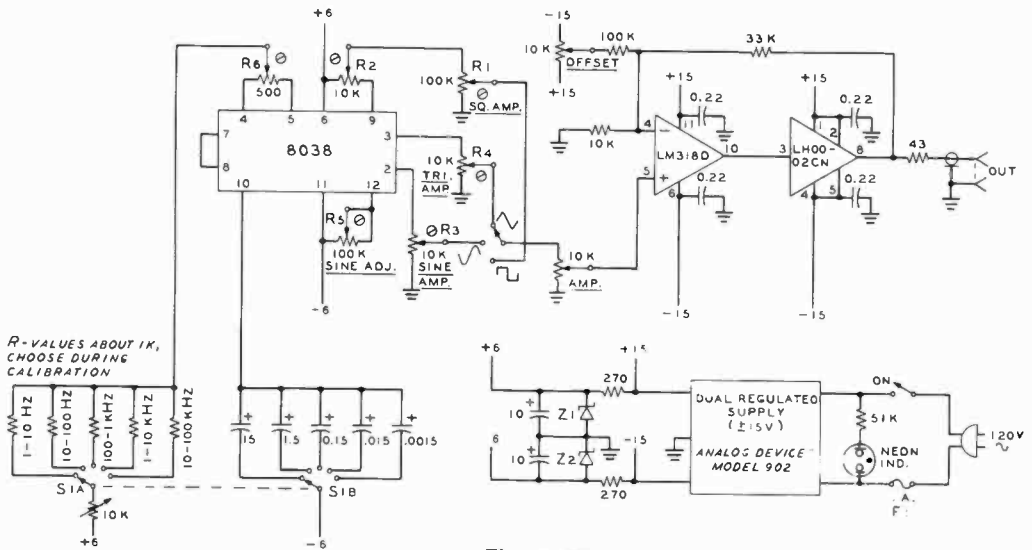


Figure 52

## SCHEMATIC OF FUNCTION GENERATOR

Capacitors above  $1 \mu\text{F}$  are tantalum types

Capacitors below  $1 \mu\text{F}$  are mylar types

Z<sub>1</sub>, Z<sub>2</sub>—6-volt zener. Motorola HEP-Z0408

Potentiometers R<sub>3</sub>-R<sub>5</sub> are multiturn Trim-pots (Allen-Bradley, Bourns, or equivalent)

Power Supply is Analog Devices 902 or equivalent (see figure 53)

a 10K potentiometer which serves as the *output level* control of the function generator. The voltage gain of the IC combination is about four which is enough to boost the various output signals of the 8038 to a 10 volt peak-to-peak level. Individual trim-pots on the three outputs (R<sub>1</sub>, R<sub>3</sub>, R<sub>4</sub>) of the 8038 are used to assure that all three signals have the same peak-to-peak level.

*Coarse frequency* control is accomplished by means of switched capacitors. The given values of 1500 pF to 15  $\mu\text{F}$  in 5 ranges provide an output frequency range of 1 Hz to 100 kHz. Resistors are simultaneously switched with the capacitors to relieve the necessity of using precision capacitors. The resistor values fall in the vicinity of 1000 ohms and are chosen during the calibration process. The *fine frequency* control is a 10K potentiometer in series with switch S<sub>1A</sub>.

Aside from the *fine frequency*, *output level*, *offset* and the three trimpots for the relative levels of the three waveforms, there are three other adjustments: potentiometers R<sub>2</sub>, R<sub>5</sub>, and R<sub>6</sub>. These are respectively: *square*

*wave offset*, *sine wave distortion adjust*, and *symmetry adjust*. These will be discussed in detail in the section on calibration.

The power supply delivers  $\pm 15$  volts, 100 mA regulated. A packaged unit may be used, or the supply shown in figure 53 can be built. The power regulator is meant to be operated on a heat sink with a mica insulated washer and the appropriate heat sink grease for thermal conductivity.

*Generator Construction*—The generator is built within a small aluminum cabinet measuring 7"  $\times$  5 1/4"  $\times$  4 1/2" (figure 54). The generator components are mounted on a small piece of perforated glass-epoxy circuit board measuring 3 1/2"  $\times$  2 1/2". The board is supported above the chassis on small metal spacers. The zener diodes, filter capacitors and 270-ohm series resistors are supported on a terminal strip in front of the board. The resistors and capacitors associated with the frequency control switch are mounted between the two decks of the ceramic switch. The remainder of the space is taken up with the compact dc power supply.

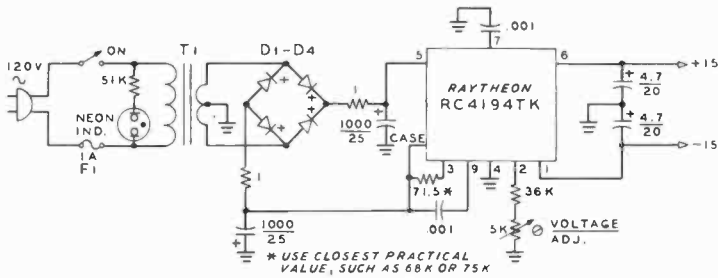


Figure 53

## ALTERNATIVE POWER SUPPLY FOR FUNCTION GENERATOR

D<sub>1</sub>-D<sub>4</sub>—Motorola MDA 920-3 or HEP-176 bridge rectifier  
 T<sub>1</sub>—34 volts, center-tapped at 100 mA. Triad F-93X  
 Capacitors above 1  $\mu$ F are tantalytic types  
 Regulator is Raytheon RC4194TK

**Calibrating the Generator** To calibrate the function generator, first preset all trimmer potentiometers (R<sub>1</sub>-R<sub>6</sub>) to midposition and temporarily connect a 1K potentiometer in series with the #3 contact of switch S<sub>1</sub>A and the center-tap of potentiometer R<sub>11</sub>. Set this temporary control for maximum resistance and place the coarse frequency switch to position 3 (100 to 1000 Hz). Turn the *fine-frequency* control potentiometer to the high end and the *offset* control (R<sub>6</sub>) to midposition (zero offset). Triangular waveform will be checked first since it will most clearly indicate proper symmetry. Connect an oscilloscope to the output terminals and apply power to the generator. With the amplitude control (*output level*) at maximum, adjust potentiometer R<sub>6</sub> for proper symmetry and then adjust the temporary potentiometer for a frequency of

1000 Hz. The oscillator frequency with the *fine-frequency* control set at minimum should reach 100 Hz, or less.

The sine wave output is checked next. With the *amplitude* control at maximum, adjust potentiometer R<sub>3</sub> for a 10-volt peak-to-peak output signal. Adjust trimmer potentiometer R<sub>5</sub> for minimum observed distortion of the sine wave.

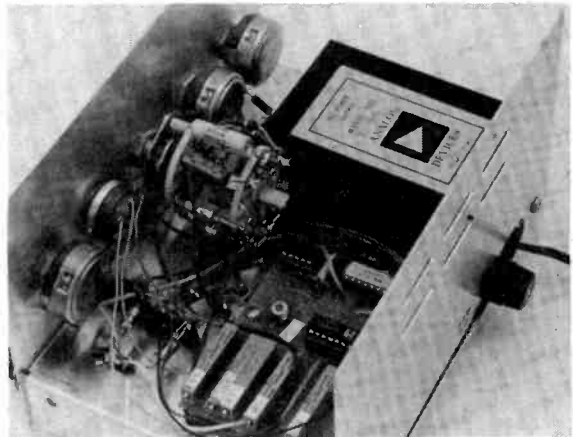
Next, switch to square wave output. Both potentiometers R<sub>2</sub> and R<sub>1</sub> must be adjusted for the desired 10-volt peak-to-peak signal. Trimmer R<sub>2</sub> will cancel out the offset voltage present for the square wave output and trimmer R<sub>1</sub> will control the amplitude. There is interaction between these two adjustments and they should be reset a few times to accomplish the desired results.

Measure the resistance value of the temporary potentiometer and make a note of the

Figure 54

## INTERIOR VIEW OF FUNCTION GENERATOR

Trim-pots and ICs are mounted on perforated circuit board in the foreground. The associated capacitors and resistors are mounted to the terminals of switch S<sub>1</sub>A-B (Coarse Frequency). The unitized power supply is at the rear of the chassis, with line cord and fuse directly below it. Zener diode regulators and tantalitic filter capacitors are mounted to a small terminal strip below the Output Level (amplitude) control.





required value for this range. Switch to each of the remaining ranges in turn and determine a value of resistance to calibrate each one. Remove the test potentiometer and install fixed calibrating resistors at the proper positions on the bandswitch.

### 31-20 An Electronic Multimeter

Probably the most important piece of test equipment for the radio enthusiast is the multimeter. The electronic multimeter is capable of measuring a wide range of ac and dc voltages, resistances and currents. The multimeter shown in this section has been designed specially for building and maintaining radio transmitting and receiving equipment, both solid state and with vacuum tubes. It is well suited for this type of service (figure 55).

An accurate d'Arsonval meter with a conventional pointer is used rather than the popular digital readout. Often it is necessary to tune or adjust circuitry for a maximum, minimum or zero reading, while the

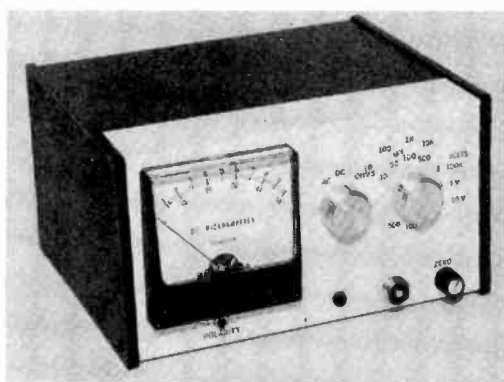


Figure 55

#### LABORATORY-TYPE ELECTRONIC MULTIMETER

This easily built multimeter is well suited for the home workshop. Meter ranges are: 0-10, 0-50, 0-100, 0-500 millivolts; 0-1, 0-5, 0-10, 0-50, 0-100 and 0-500 volts (ac and dc) plus 0-10, 0-100, 0-1000, 0-100K, 0-1M and 0-10 Megohms. Ac response is good up to 20 kHz. Meter is fully protected from overload.

actual voltage is of secondary importance. Using a digital meter for this task is difficult at best. In addition, the voltage sensitivity of this circuit extends to 10 millivolts, full scale, on both ac and dc ranges. This is important when the instrument is used as an r-f probe at low signal levels. This sensitivity can be achieved very simply in this analog design.

The ac response of this instrument is good up to 20 kHz and falls off smoothly above this figure. Sensitivity, however, is good enough at the same time to measure the output of a low level microphone.

The meter movement is fully protected from overload. An overload of 1000 times full scale, or 1000 volts, whichever is less, will not damage the voltage function. On the ohms function, an applied voltage of 10 volts will not damage the meter.

Even though precision parts are held to a minimum, the dc accuracy of the instrument is about  $\pm 2\%$  and the ohms and ac accuracy is about  $\pm 3\%$ . The input impedance is 10 megohms in parallel with 100 pF for both ac and dc ranges.

**Multimeter Circuitry** The circuit of the multimeter is shown in figure 56. The device consists of a power supply and four integrated circuit FET input operational amplifiers. The four op-amps provide the three basic circuit functions. Amplifier  $U_1$  is a wideband, dc-coupled "times 70" amplifier used for all three meter modes. The output of the amplifier is  $\pm 3.5$  volts on the dc functions and 10 volts peak-to-peak on the ac functions. This amplifier has an eight volt regulator ( $U_5$ ) to limit the current supplied to the meter during the dc and ohms functions to about fifty percent above full scale. Integrated circuit  $U_2$  is a precision half-wave rectifier for conversion of the signal to dc for the meter movement. The gain of this stage is set at 2.22 so that the meter (which reads the average of any pulsating voltage) is calibrated directly for the r.m.s. value of a sine wave. Circuits  $U_3$  and  $U_4$  constitute a precision current source for resistance measurements.

Many multimeters apply a fixed voltage to the unknown resistance and measure the resulting current. This results in a nonlinear calibration for the resistance scale of the

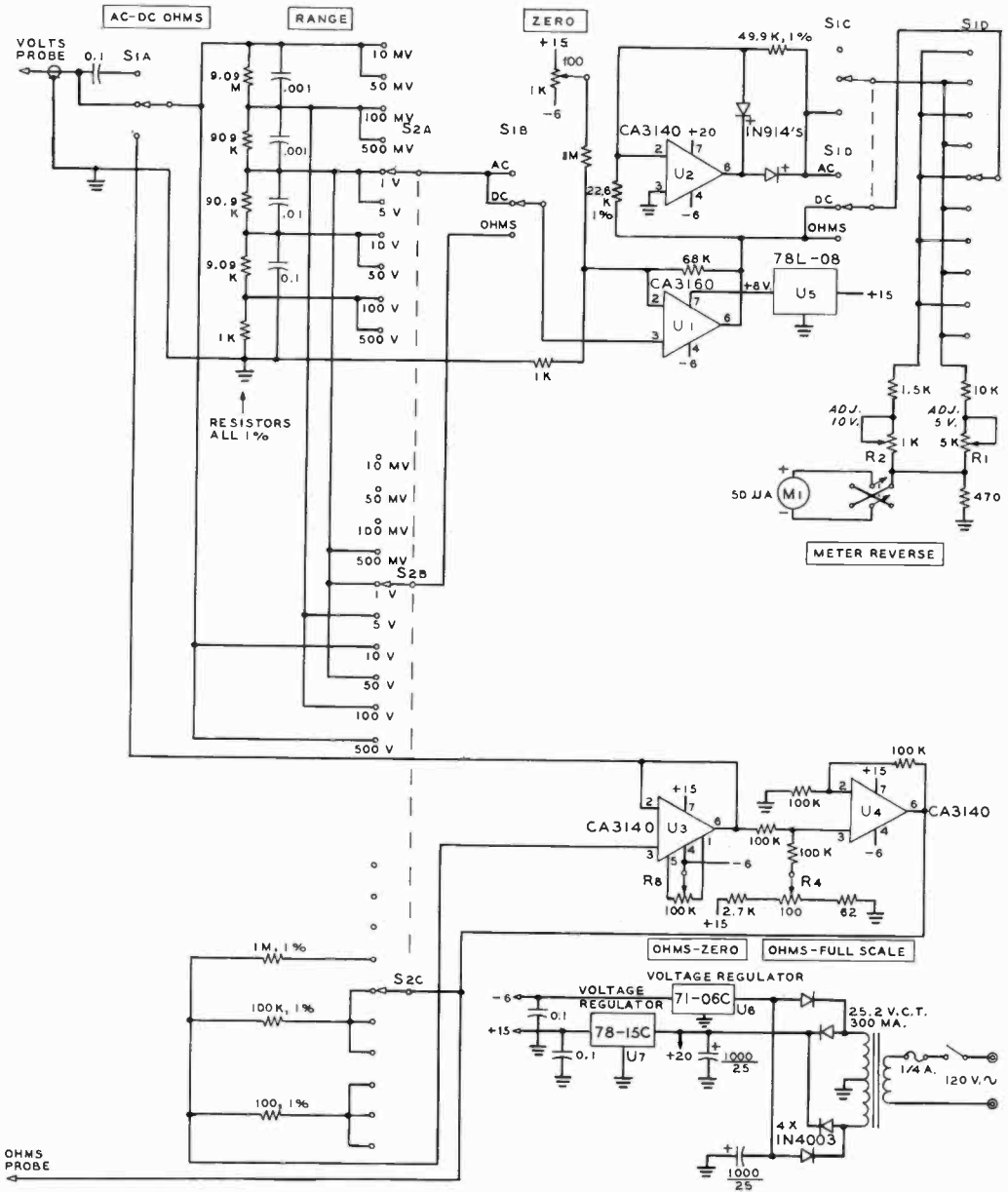


Figure 56

SCHMATIC OF MULTIMETER

U<sub>1</sub>-U<sub>4</sub>—RCA integrated circuits  
 Voltage regulator—Fairchild or Motorola  
 Precision resistors—Metal oxide film units by IRC or Dale

Capacitors—Mylar  
 S<sub>1</sub>—2 pole, 3 position  
 S<sub>2</sub>—4 pole, 10 position  
 Meter—50 μA. Simpson or Triplet

meter, requiring a nonstandard scale difficult for the builder to calibrate. The constant current technique allows a linear resistance scale on the meter than can be read directly in ohms.

The range switch is a two-part attenuator. The input decade attenuator ( $S_2A$ ) has five steps and the output 5-to-1 attenuator ( $S_2B$ ) has two steps, making a total of 10 steps of attenuation requiring only five precision resistors.

The meter is protected two ways. First, a damping resistor is placed across the movement. If an overload is applied, the overdamped pointer will move slowly off the scale, with no damage. In addition, the heavy damping prevents the pointer from moving during transit of the instrument.

The second meter protection limits overload current through the meter to a safe amount, controlled by the saturation voltage of the operational amplifier. Even though the input may be overloaded by a factor of 1000 times the full-scale value, the meter will not be damaged.

Overall accuracy of the multimeter depends primarily on the accuracy of the meter movement. A new meter is expensive, but a surplus meter can often be turned up at a bargain price. The attenuator resistors are one-percent devices, but the rest of the resistors may have a five percent

tolerance. Film resistors are recommended for stability.

*Multimeter Assembly*—The interior layout of the instrument is shown in the photographs. The entire electronics package is mounted on a perforated board except for the power transformer, rectifiers, and filters, which are mounted in an aluminum box (figure 57). Because of the very low signal levels involved, all precautions must be taken to prevent ac hum pickup. The power cord goes directly into the box and the power switch on the panel is interconnected with shielded wires. There is no power line ground connection, nor are there any line bypass capacitors.

*Meter Calibration*—The meter scale must be modified unless the builder is fortunate enough to have a meter with the correct markings. The scales in the multimeter progress in a 1-to-5 sequence; that is, 1, 5, 10, 50, etc., full scale, whether the reading is volts or milliamperes—ac, or dc. The ohms scale is decade; that is, 1, 10, 100, etc., full scale. Additional markings are therefore required in order to accommodate all of the multimeter ranges.

To accomplish this task, remove the glass from the meter and, using a screwdriver free of magnetic particles, remove the meter face. Using dry transfer letters, mark a new scale above the graduations of the old one, placing a 1 over the 5 mark, a 2 over the 10 mark, etc., ending with a 10 over the 50 mark. Spray the meter face with a clear protective lacquer and reassemble the meter.

*Multimeter Testing*—After the device has been built and the wiring checked, place the function switch in the *dc volts* position and the range switch on *100 volts*. Adjust the front panel *zero* control to zero the meter once the power has been turned on. An accurate voltage source is required to calibrate the meter. Fresh flashlight cells, used in conjunction with a one-percent meter may be used, as long as open circuit voltage is 5 volts, or slightly less. Three series-connected 1.5 volt cells will do the job. Connect the calibrating source to the *volts* probe and reduce the range switch to 5 volts. Adjust potentiometer  $R_1$  so that the multimeter reads the same as the calibrating voltmeter. Now switch to the *10-volt* range and adjust potentiometer  $R_2$  to provide the same voltage reading as before.

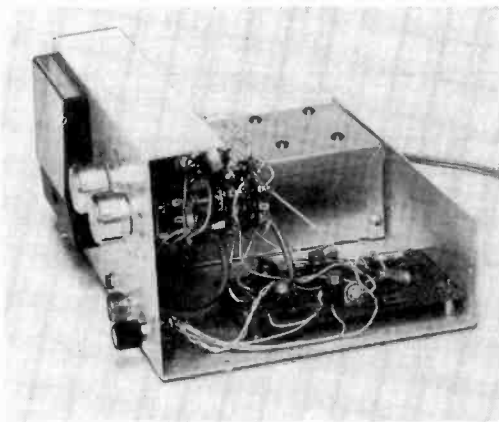


Figure 57

#### INTERIOR VIEW OF MULTIMETER

Range switch is at top of the panel with instrument circuit board directly below it. The power supply is included in the aluminum box at the rear of the chassis.

Next, set the function switch to *ohms*, the range switch to *10K ohms* and short the *ohms* probe to ground (chassis). Adjust potentiometer  $R_3$  for a zero meter reading. Now, connect a 10K, one percent resistor between the *ohms* probe and ground and adjust potentiometer  $R_1$  for a full-scale meter deflection. This completes the alignment procedure.

*The RF Probe and Volts Probe*—The *volts* probe is a specially constructed shielded probe (figure 58). A commercially available VOM probe set was purchased and the black probe used unmodified for the *ohms* function. The red probe was modified by removing the wire and replacing it with a shielded lead. The shield was carried to within  $\frac{1}{4}$ -inch of the probe tip. A ground lead is then brought to the top of the probe body and secured with heat-shrink tubing or electrical tape. An alligator clip is attached to the end of this ground wire.

A shielded microphone connector is placed on the free end of the i-f probe cable. Shielded wire is also used inside the instrument to connect the input receptacle to the attenuator. A ground lug on the input microphone connector serves as a common ground point. Good shielding and the common ground point are necessary to prevent ac hum pickup and to prevent ground loops from destroying the accuracy of the low voltage ranges.

The excellent sensitivity of the multimeter allows very low rf voltages to be meas-

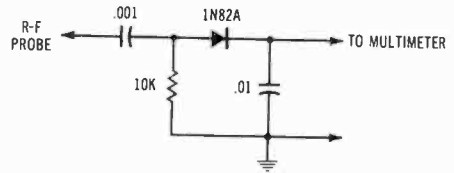


Figure 59

## R-F PROBE FOR MULTIMETER

ured with a simple r-f probe. It is possible to measure levels as low as 50 microwatts across a 50-ohm load with this probe. The circuit of the r-f probe is a half wave rectifier and filter (figure 59). For best frequency response a point-contact diode, the 1N82A, is used. Good results have been obtained up to 1000 MHz.

Very short leads should be used within the probe. The dc-blocking capacitor should be a mylar or mica unit. The probe housing should be of metallic material in order to reduce hand capacity. The calibration of the r-f probe will not be exact. Response will vary with frequency and the impedance of the circuit being measured. Furthermore, at low signal levels, the response will become "square law", that is, the input signal is proportional to the square of the output signal. Figure 60 shows a typical response of the probe. From this response, it can be seen why a 10 mV full-scale meter reading is valuable for the probe as a 50 mV r-f signal produces only 3 mV of dc output.

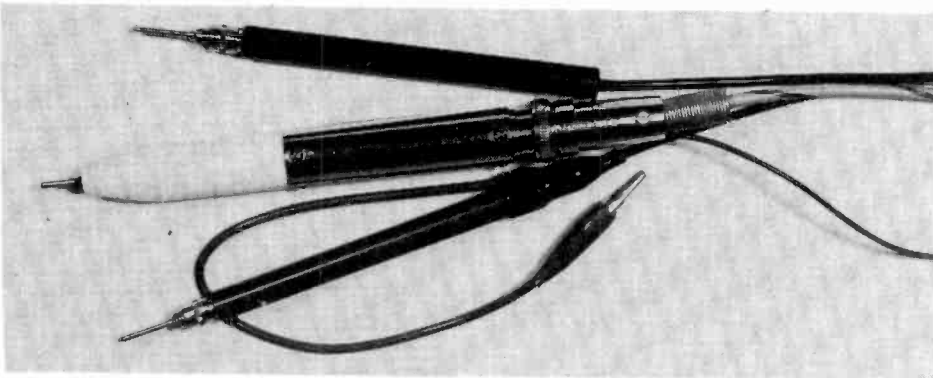


Figure 58

## MULTIMETER PROBES

Ground (black) probe is at top, the ac voltage probe is at center. The dc (red) probe is at the bottom of the photograph.

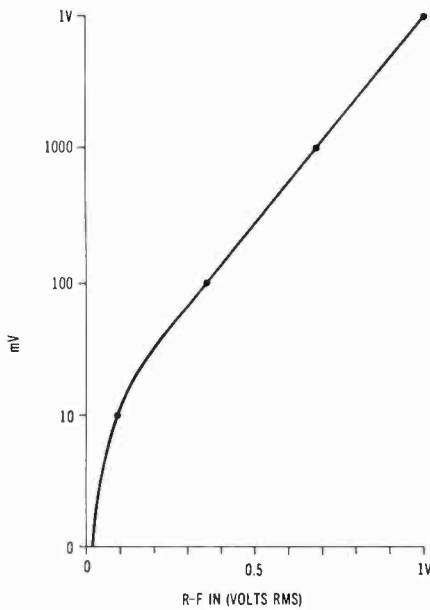


Figure 60

## RESPONSE OF R-F PROBE

*Using the Multimeter*—As with any precision electronic equipment, care and skill are required to gain maximum use from the instrument. Before making any measurements, check the meter zero in the dc position using the panel control. Always start

with a higher range setting than required, reducing the *range* switch position until the meter reaches maximum deflection without going off scale.

When using the ac function, the operator must be careful when connecting the probe to a circuit that has a dc component, as when the probe is first connected the instrument may be temporarily overloaded.

It is prudent to set the range switch to an ac range greater than the dc component, connect the probe, and then reduce the range switch to obtain a satisfactory reading. It is good practice to set the range switch to 50 volts or more and then ground the probe to the chassis after making ac measurements in a circuit having a large dc offset. This will discharge the coupling capacitor and prevents possible damage to circuits to be measured at a later time. Note that the meter will travel off scale when the *ohms* position is open and no measurement is being made. This is normal, and no damage to the instrument results.

Semiconductor junctions may be measured, or checked, using the 1K ohm scale. Good, reversed-bias junctions will read full scale. Forward-biased junctions will read 13K for silicon, 7K for germanium and 8K for Schottky-barrier devices. When measuring small signal transistors of any junction that have a low breakdown voltage, place a 1K resistor between the *ohm* probe and ground before making the measurement.

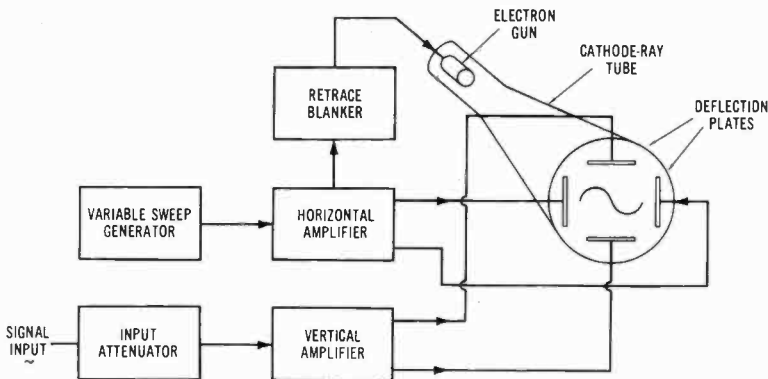
# The Oscilloscope

The *cathode-ray oscilloscope* is an instrument which permits visual examination of various electrical phenomena of interest to the electronic engineer. Instantaneous changes in voltage, current and phase are observable if they take place slowly enough for the eye to follow, or if they are periodic for a long enough time so that the eye can obtain an impression from the screen of the cathode-ray tube. In addition, the cathode-ray oscilloscope may be used to study any variable (within the limits of its frequency-response characteristic) which can be converted into electrical potentials. This conversion is made possible by the use of some type of *transducer*, such as a vibration pickup unit, pressure pickup unit, photoelectric

cell, microphone, or a variable impedance. The use of such a transducer makes the oscilloscope a valuable tool in fields other than electronics.

Oscilloscopes have become more versatile and complex in the last decade. A new order of measurement capability has made the 'scope into a device now used in computers, calculators, and the very heart of many complex electronic products, as well as serving as a measuring and indicating device.

*Oscilloscope bandwidth*, or the highest frequency signal the 'scope can display, is the most important factor indicating the degree of performance. The price of a 'scope is usually directly related to bandwidth. *Risetime* is a measure of how quickly the 'scope can



**SIMPLIFIED OSCILLOSCOPE CIRCUIT**

Beam deflection in a cathode-ray tube is accomplished by controlling the voltage on two sets of deflection plates in the tube. Sweep generator establishes the horizontal time base and input signal is applied to the vertical plates.

respond to an instantaneous change in voltage level at the input. It, along with bandwidth, is an important, but not sufficient judge of performance. Bandwidth and risetime are usually interrelated by a simple formula:

$$\text{Risetime} = 0.35 \text{ bandwidth}$$

*Pulse risetime* is an important specification, although not always given by the manufacturer. It relates to the ability of the 'scope to reproduce an ideal pulse. A pulse would be perfectly reproduced if the instrument had infinite bandwidth (or infinitely fast risetime). This is because the vertical leading edge of the pulse contains high-frequency components, which must pass through the oscilloscope amplifier system undistorted, in order to appear on the display exactly as generated.

*Gain compression* is a measure of the faithfulness of reproduction of a waveform on the screen. The ratio of change in signal amplitude of a waveform at different positions on the screen with respect to the waveform displayed at midscreen indicates the degree of gain compression.

*Time-base accuracy* represents how accurately, in terms of time period, the hori-

zontal deflection is maintained and *time-base linearity* indicates how constant the rate of travel is for the 'scope trace when moving from extreme left to extreme right.

Other parameters relating to oscilloscope performance include *screen persistence*, *writing speed*, and *spot size*, all of which should be described for a modern, multipurpose oscilloscope.

## 32-1 A Modern Oscilloscope

For the purpose of analysis, the operation of a modern oscilloscope will be described. The 'scope is completely solid state except for the cathode-ray tube. The simplified block diagram of the instrument is shown in figure 1. This oscilloscope (the *Heath-kit* model IO-102) is capable of reproducing sine waves up to 5 MHz and has a rise time of 80 nanoseconds. The sweep speed is continuously variable from 10 Hz to 500 kHz in five ranges, and the electron beam of the cathode-ray tube can be moved vertically or horizontally, or the movements may be combined to produce composite patterns on the screen. As shown in the diagram, the cathode-ray tube receives signals from two

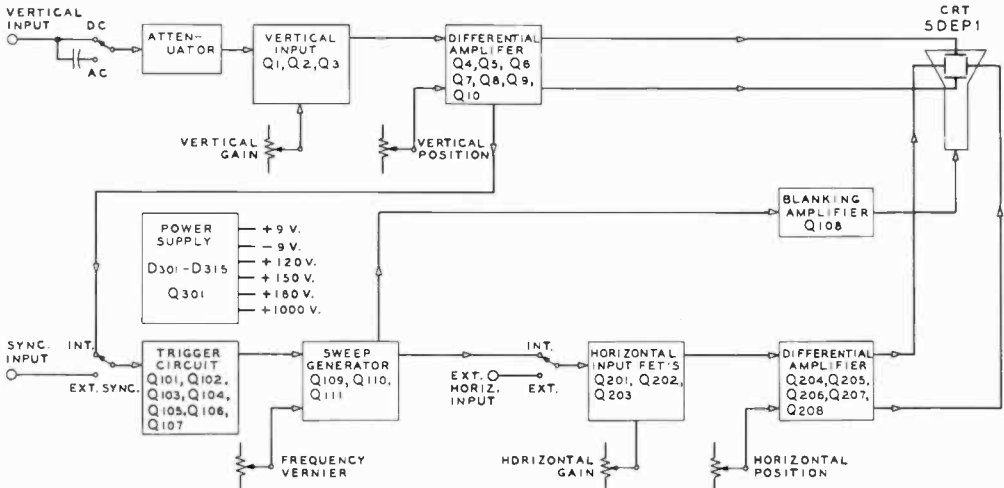


Figure 1

### BLOCK DIAGRAM OF A MODERN OSCILLOSCOPE

This simplified diagram of the Heath Kit IO-102 solid-state oscilloscope features triggered sweep and a blanking circuit that permits observation of extremely short pulses. The cathode-ray tube is the only vacuum tube in the instrument.

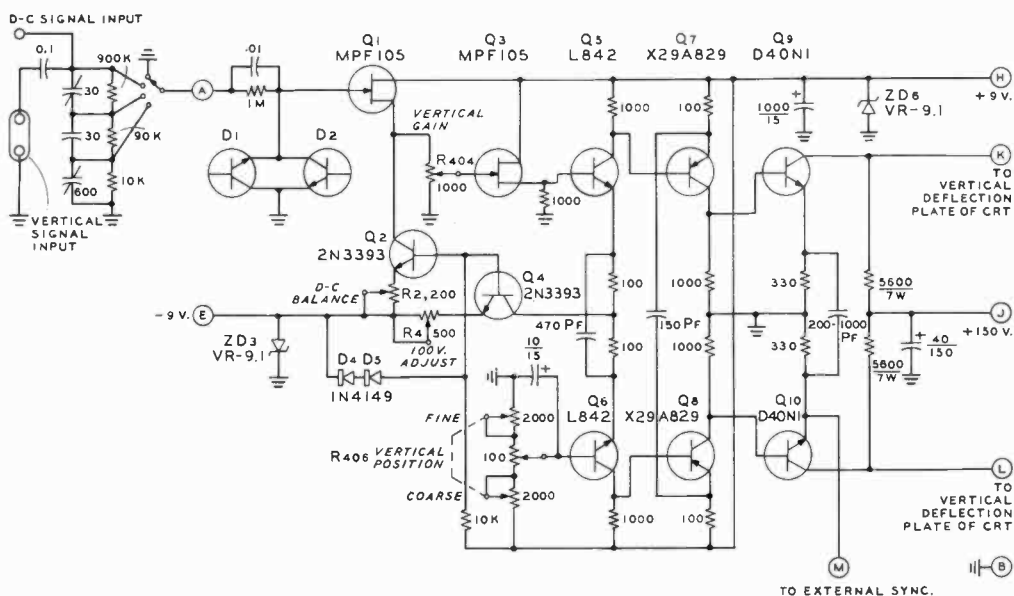


Figure 2  
VERTICAL AMPLIFIER

The vertical amplifier is capable of passing sine waves up to 5 MHz. The compensated input attenuator and peaking circuits provide gain that is essentially independent of frequency. Emitter-follower  $Q_5$  is coupled to amplifier  $Q_6$  to provide push-pull signal necessary for the deflection plates of the cathode-ray tube. The input signal is limited in amplitude by diodes  $D_1$  and  $D_2$  (the junction of inexpensive bipolar transistors).

sources: the *vertical* (Y-axis) and the *horizontal* (X-axis) amplifiers, and also receives *blanking pulses* that remove unwanted return trace signals from the screen. The operation of the cathode-ray tube has been covered in an earlier chapter and the auxiliary circuits pertaining to signal presentation will be discussed here.

**The Vertical Amplifier** The incoming signal to be displayed is coupled through a frequency-compensated attenuator network (figure 2). The gain may thus be controlled in calibrated steps. A capacitor blocks the dc component of the signal when ac signals are applied to the circuit. A portion of the input signal is applied through a voltage-limiting resistor and two limiting diodes ( $D_1$ ,  $D_2$ ) to a FET connected as a source follower amplifier ( $Q_1$ ). This device provides the high input impedance necessary to prevent circuit loading. Transistor  $Q_2$  is a constant-current source

for the FET and diodes  $D_4$  and  $D_5$  hold the base of  $Q_2$  at a constant voltage. Since  $Q_2$  is a form of emitter follower, the emitter voltage is a function of the base voltage, and the emitter voltage also remains constant. This voltage appears across the dc *balance* control which is adjusted so that the source voltage of the FET is zero when an input signal is not present. Thus, a signal applied to the gate of  $Q_1$  causes only voltage changes at the source because the current through  $Q_1$  is constant. The voltage variations are applied across the *vertical gain* control and a portion of this signal is applied to the gate of source follower  $Q_3$ . Transistor  $Q_4$  forms a constant-current source for transistors  $Q_5$  and  $Q_6$ . Since the emitter of each device is connected to this source, the source serves as a common-emitter resistance and sets the operating point for the following stages.

Transistors  $Q_5$  and  $Q_6$  have a common-emitter resistance and any signal present at the  $Q_5$  emitter is coupled to the emitter of  $Q_6$ , which functions as a common-base am-





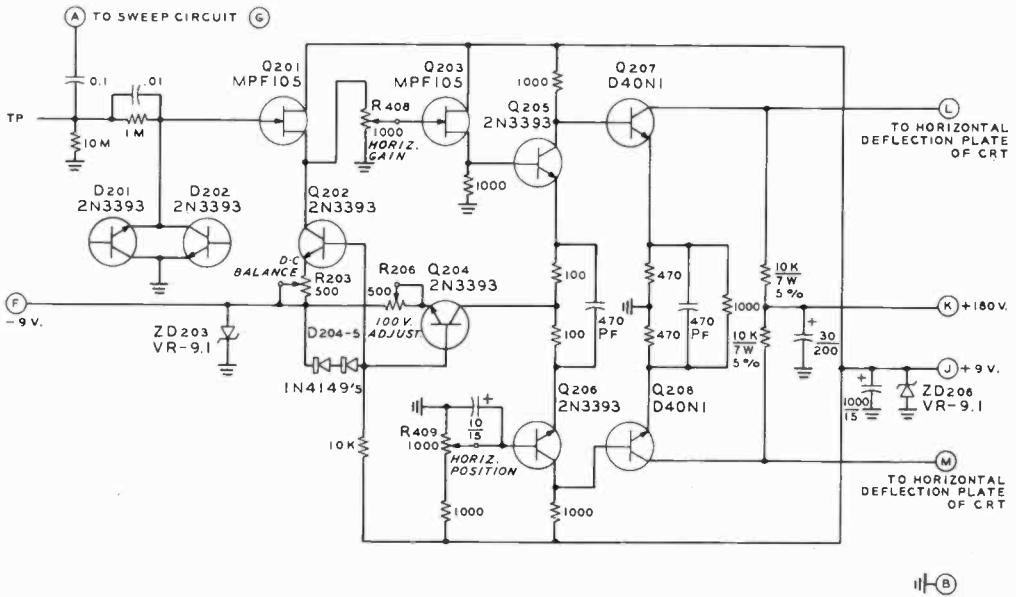


Figure 4  
HORIZONTAL AMPLIFIER

The horizontal amplifier is similar to the vertical amplifier except it does not have PNP stage  $Q_7$ ,  $Q_8$  shown in figure 3. Amplified sweep waveform is applied to the horizontal-deflection plates of the CRT causing the electron beam to sweep across the face of the tube producing a visible trace. Transistor  $Q_{205}$  serves as an emitter follower to produce push-pull driving signal for  $Q_{207}$  and  $Q_{208}$ . Horizontal positioning of signal on screen of CRT is determined by the base bias of  $Q_{204}$ .

through  $Q_{111}$  which, in turn, determines the discharge current and discharge time of the timing capacitor. As the capacitor discharges, a positive-going sawtooth voltage is generated and coupled to the horizontal amplifier. The frequency of the horizontal sweep is determined by the particular timing capacitor and the discharge current.

*The Blanking Circuit*—During the wait period between trigger pulses, the cathode-ray tube is completely cut off so that the blanking waveform is not seen. Since transistors  $Q_{107}$  and  $Q_{109}$  have a common emitter resistor, a signal applied to the base of  $Q_{107}$  is emitter-coupled to transistor  $Q_{109}$ . The pulse output of the Schmitt trigger ( $Q_{106}$ ) is coupled to  $Q_{109}$ . This causes this transistor to turn on and  $Q_{110}$  to cut off and start the sweep just prior to the time it would normally begin. When the signal at the emitter of  $Q_{109}$  goes positive, a positive pulse is applied to the base of blanking amplifier  $Q_{108}$ . A negative-going output

pulse is coupled to the grid of the cathode-ray tube which turns off the electron beam during retrace.

*The Horizontal Amplifier*—Since the amplitude of the sweep waveform at the output of the sweep generator is not large enough to drive the horizontal deflection plates of the cathode-ray tube, further amplification is needed. The signal from the sweep generator is applied to the horizontal amplifier, whose circuitry is similar to that of the vertical amplifier (figure 4). The major difference is that the horizontal amplifier does not have a PNP amplifier stage corresponding to  $Q_7$  and  $Q_8$  in the vertical amplifier. The positive-going sawtooth wave from the sweep generator is amplified and applied to the horizontal plates of the cathode-ray tube. This increasing voltage causes the electron beam to sweep across the face of the tube producing a visible trace. The sweep rate of the electron beam is determined by the sawtooth frequency.



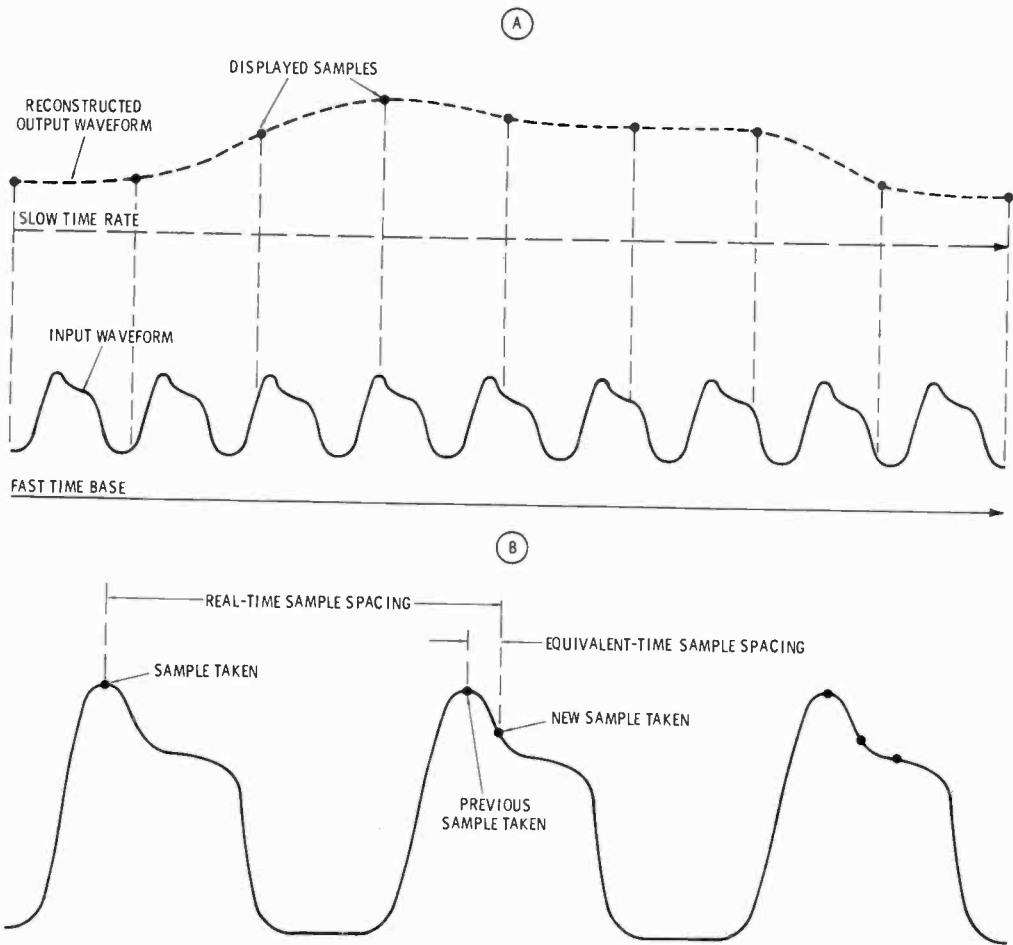


Figure 6

### SYNTHESIS OF A WAVEFORM BY SAMPLING TECHNIQUE

A—The sampling technique displays a synthesized reproduction of the original signal and is similar to the stationary image of a rapidly spinning wheel produced by an optical strobe light. The display appears as a series of image-retaining dots rather than the usual continuous presentation of a conventional oscilloscope.

B—The relationship between real time and equivalent time. In practice, a large number of dots form the display so that the trace appears continuous. The new time base of the synthesized display is adjusted to provide a picture equivalent to the original wave, the trace being independent of the repetition rate of the observed signal.

plates of the cathode-ray tube and the *astigmatism* grid are at the same potential. Since the vertical-deflection plate voltages (collectors of  $Q_{10}$  and  $Q_{11}$ ) are adjusted to 100 volts dc by the constant-current source  $Q_1$ , the astigmatism potential is also adjusted to 100 volts. A low-voltage regulated supply provides +9 and -9 volts and a third supply provides the various other voltages required by the oscilloscope circuits.

## 32-2 The Sampling Oscilloscope

In a conventional 'scope, the visual examination and analysis of waveforms in the uhf spectrum are restricted by the gain-bandwidth limitations of the deflection circuits

TABLE 1  
Plug-In Characteristics for the Type 545 Oscilloscope

Plug-In Unit	Calibrated Deflection Factor	Minimum Bandpass	Risetime	Input Capacitance
Type 1A1*	50 mv/cm to 20 v/cm 5 mv/cm	dc to 33 MHz dc to 23 MHz	10.6 nsec 15.2 nsec	15 pF
Type 1A2*	50 mv/cm to 20v/cm	dc to 33 MHz	10.6 nsec	15 pF
Type B	0.005 v/cm to 20 v/cm 0.05 v/cm to 20 v/cm	2 Hz to 12 MHz dc to 20 MHz	30 nsec 18 nsec	47 pF
Type CA*	0.05 v/cm to 20 v/cm	dc to 24 MHz	15 nsec	20 pF
Type D	1 mv/cm to 50 v/cm	dc to 300 kHz-2 MHz	0.18 $\mu$ sec	47 pF
Type E	50 $\mu$ v/cm to 10mv/cm	0.06 Hz to 20 kHz -60 kHz	6 $\mu$ sec	50 pF
Type G	0.05 v/cm to 20 v/cm	dc to 20 MHz	18 nsec	47 pF
Type H	5 mv/cm to 20 v/cm	dc to 15 MHz	23 nsec	47 pF
Type K	0.05 v/cm to 20 v/cm	dc to 30 MHz	12 nsec	20 pF
Type L	5 mv/cm to 2 v/cm 0.05 v/cm to 20 v/cm	3 Hz to 24 MHz dc to 30 MHz	15 nsec 12 nsec	20 pF
Type M*	0.02 v/cm to 10 v/cm	dc to 20 MHz	17 nsec	47 pF
Type N**	10 mv/cm	dc to 600 MHz	0.6 nsec	50 $\Omega$ input Z
Type O**	0.05 v/cm to 20 v/cm	dc to 25 MHz	14 nsec	47 pF
Type Q**	10 $\mu$ strain/cm to 10,000 $\mu$ strain/cm	dc to 6 kHz	60 $\mu$ sec	Adjustable
Type R**	0.5 ma/cm to 100 ma/cm	—	—	—
Type S**	0.05 v/cm to 0.5 v/cm	—	—	—
Type Z**	0.05 v/cm to 25 v/cm	dc to 13 MHz	27 nsec	24 pF

\*Multichannel plug-in units.

\*\*Special feature plug-in units.

and associated video amplifiers. Fast rise time is obtained at the expense of reduced amplifier gain and high sensitivity is achieved at the expense of fast rise time. In addition, when a conventional 'scope is used to display extremely fast changing signals of low amplitude, the trace becomes dim and the presentation may no longer be visible.

To offset these problems, *pulse sampling* techniques are used whereby fast, repetitive waveforms in the thousands of MHz range are converted into slow-speed signals of much lower frequency and identical waveform.

Sampling is the electronic equivalent of the optical stroboscope principle used for the visual examination of rapid mechanical motion. The synthesis of a recurring waveform is shown in figure 6 wherein the display appears as a series of image-retaining dots rather than the continuous presentation of a conventional oscilloscope. The dots, uniformly spaced in time, are produced by high

speed sampling pulses superimposed on the input signal along the contour of the waveform. Each time a sample is taken, the spot is moved along the X-axis and is repositioned on the Y-axis to the corresponding voltage amplitude of the signal. This process is continued until a replica of the original information is presented on the screen of the instrument.

The sampling gate of the 'scope is controlled by a *strobe generator* activated by the trigger signal, which may be derived internally or externally to the instrument. The amplitude of the input signal is measured so as to control the vertical output signal of the 'scope amplifier to an amplitude equal to the sampling signal level.

At the start of each sampling pulse, the cathode-ray display tube is unblanked, the pulse height samples are mixed with the vertical input signal and the resultant signal-modulated sample is amplified, lengthened in time and applied to the Y-axis of the 'scope.

**Plug-in Modules** Many modern oscilloscopes use plug-in modules which offer great operational flexibility. Probably the most common, and one of the earliest of these 'scopes, is the *Tektronix 535/545* series. These units are often available to the amateur at a reasonable price in surplus electronics stores. There are 17 plug-in pre-amplifier modules for this series of instruments (Table 1).

The type CA plug-in head for the 534/535 series is the one most often seen with this 'scope and is a dual-trace, dc to 24-MHz head. With this plug-in, two waveforms can be observed on the screen, each with essentially the full bandwidth of the 'scope. Note that "dual trace" in most modern oscilloscopes is not synonymous with "dual beam;" the basic 'scope has only one electron gun and deflection system, and the dual presentation is accomplished by chopping, or alternately displaying the two inputs (every other sweep). Other plug-in heads giving greater sensitivity, differential input and other features are available.

The *Tektronix 561* uses the next logical level of modularization; the front end (pre-amplifier) is a plug-in unit and so is the sweep control system. In this way it is possible to not only use different types of amplifiers for the Y-axis input, and different sweep control modules, but it is also possible to use two identical input amplifiers in the X- and Y-axes for applications such as lissajous figure phase and frequency comparisons.

The plug-in design is carried to four units per oscilloscope in the *Tektronix 7904*. This 'scope has slots for four plug-in modules. In some advanced 'scopes, the modules have smaller slots for submodules. These complicated modular techniques are used to achieve the greater and greater range of functions demanded by today's technology.

### 32-3 Display of Waveforms

Together with a working knowledge of the controls of the oscilloscope, an understanding of how the patterns are traced on the screen must be obtained for a thorough knowledge of oscilloscope operation. With

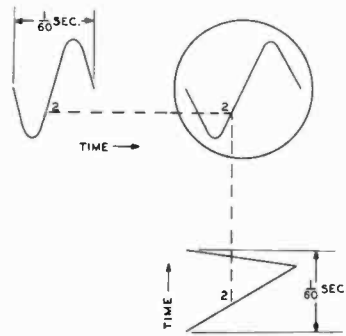


Figure 7

#### PROJECTION DRAWING OF A SINE WAVE APPLIED TO THE VERTICAL AXIS AND A SAWTOOTH WAVE OF THE SAME FREQUENCY APPLIED SIMULTANEOUSLY ON THE HORIZONTAL AXIS

this in mind a careful analysis of two fundamental waveform patterns is discussed under the following headings:

1. Patterns plotted against time (using the sweep generator for horizontal deflection).
2. *Lissajous figures* (using a sine wave for horizontal deflection).

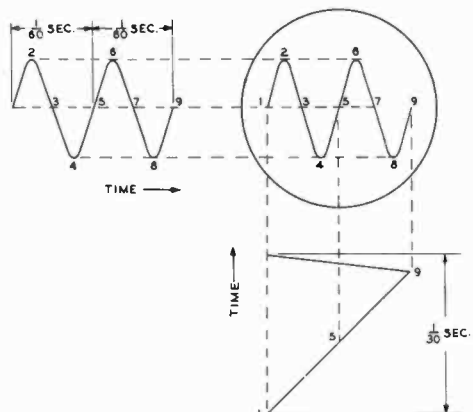


Figure 8

#### PROJECTION DRAWING SHOWING THE RESULTANT PATTERN WHEN THE FREQUENCY OF THE SAWTOOTH IS ONE-HALF OF THAT EMPLOYED IN FIGURE 7

**Patterns Plotted Against Time** A sine wave is typical of such a pattern and is convenient for this study. This wave is amplified by the vertical amplifier and impressed on the vertical (Y-axis) deflection plates of the cathode-ray tube. Simultaneously the sawtooth wave from the time-base generator is amplified and impressed on the horizontal (X-axis) deflection plates.

The electron beam moves in accordance with the resultant of the sine and sawtooth signals. The effect is shown in figure 7 where the sine and sawtooth waves are graphically represented on time and voltage axes. Points on the two waves that occur simultaneously are numbered similarly. For example, point 2 on the sine wave and point 2 on the sawtooth wave occur at the same instant. Therefore the position of the beam at instant 2 is the resultant of the voltages on the horizontal and vertical deflection plates at instant 2. Referring to figure 7, by projecting lines from the two point-2 positions, the position of the electron beam at instant 2 can be located. If projections were drawn from every other instantaneous position of each wave to intersect on the circle representing the tube screen, the intersections of similarly timed projects would trace out a sine wave.

In summation, figure 7 illustrates the principles involved in producing a sine-

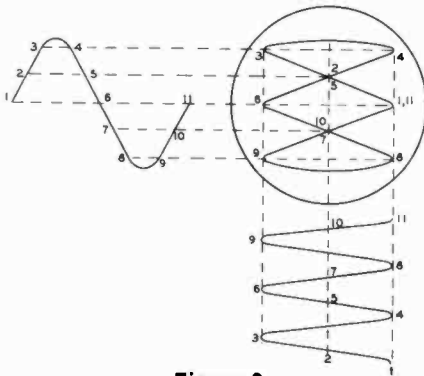


Figure 9

**PROJECTION DRAWING SHOWING THE RESULTANT LISSAJOUS PATTERN WHEN A SINE WAVE APPLIED TO THE HORIZONTAL AXIS IS THREE TIMES THAT APPLIED TO THE VERTICAL AXIS**

wave trace on the screen of a cathode-ray tube. Each intersection of similarly timed projections represents the position of the electron beam acting under the influence of the varying voltage waveforms on each pair of deflection plates. Figure 8 shows the effect on the pattern of decreasing the frequency of the sawtooth wave. Any recurrent waveform plotted against time can be displayed and analyzed by the same procedure as used in these examples.

The sine-wave problem just illustrated is typical of the method by which any waveform can be displayed on the screen of the cathode-ray tube. Such waveforms as square wave, sawtooth wave, and many more irregular recurrent waveforms can be observed by the same method explained in the preceding paragraphs.

## 32-4 Lissajous Figures

Another fundamental pattern is the *Lissajous figures*, named after the 19th-century French scientist. This type of pattern is of particular use in determining the frequency ratio between two sine-wave signals. If one of these signals is known, the other can be easily calculated from the pattern made by the two signals on the screen of the cathode-ray tube. Common practice is to connect the known signal to the horizontal channel and the unknown signal to the vertical channel.

The presentation of Lissajous figures can be analyzed by the same method as previ-

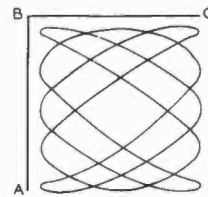


Figure 10

### METHOD OF CALCULATING FREQUENCY RATIO OF LISSAJOUS FIGURES

ously used for sine-wave presentation. A simple example is shown in figure 9. The frequency ratio of the signal on the horizontal axis to the signal on the vertical axis is 3 to 1. If the known signal on the hori-

zontal axis is 180 Hertz, the signal on the vertical axis is 60 Hertz.

**Obtaining a Lissajous Pattern on the Screen; Oscilloscope Settings** 1. The horizontal amplifier should be disconnected from the sweep oscillator. The

2. An audio oscillator signal should be connected to the vertical amplifier of the oscilloscope.

3. By adjusting the frequency of the audio oscillator a stationary pattern should be obtained on the screen of the oscilloscope. It is not necessary to stop the pattern, but

merely to slow it up enough to count the loops at the side of the pattern.

4. Count the number of loops which intersect an imaginary vertical line *AB* and the number of loops which intersect the imaginary horizontal line *BC* as shown in figure 10. The ratio of the number of loops which intersect *AB* is to the number of loops which intersect *BC* as the frequency of the horizontal signal is to the frequency of the vertical signal.

Figure 11 shows other examples of Lissajous figures. In each case the frequency ratio shown is the frequency ratio of the signal on the horizontal axis to that on the vertical axis.

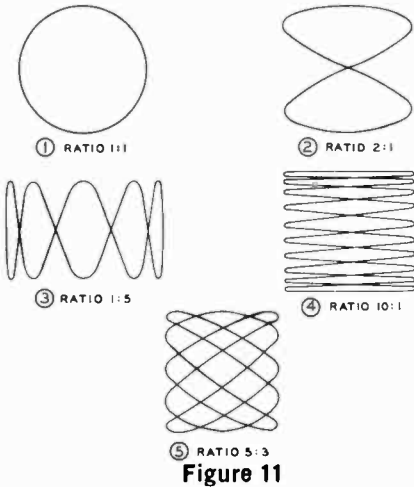


Figure 11

OTHER LISSAJOUS PATTERNS

**Phase Difference Patterns** Lissajous figures is the method used to determine the phase difference between signals of the same frequency. The patterns involved take on the form of ellipses with different degrees of eccentricity.

The following steps should be taken to obtain a phase-difference pattern:

1. With no signal input to the oscilloscope, the spot should be centered on the screen of the tube.
2. Connect one signal to the vertical amplifier of the oscilloscope, and the other signal to the horizontal amplifier.
3. Connect a common ground between the two frequencies under investigation and the oscilloscope.

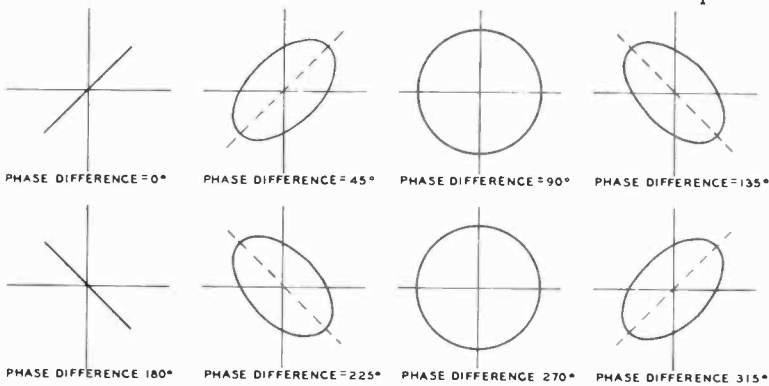


Figure 12

LISSAJOUS PATTERNS OBTAINED FROM THE MAJOR PHASE DIFFERENCE ANGLES



4. Adjust the vertical amplifier gain so as to give about 3 inches of deflection on a 5-inch tube, and adjust the calibrated scale of the oscilloscope so that the vertical axis of the scale coincides precisely with the vertical deflection of the spot.
5. Remove the signal from the vertical amplifier, being careful not to change the setting of the vertical gain control.
6. Increase the gain of the horizontal amplifier to give a deflection exactly the same as that to which the vertical amplifier control is adjusted (3 inches). Reconnect the signal to the vertical amplifier.

The resulting pattern will give an accurate picture of the exact phase difference between the two waves. If these two patterns are exactly the same frequency but different in phase and maintain that difference, the pattern on the screen will remain stationary. If, however, one of these frequencies is drifting slightly, the pattern will drift slowly through 360°. The phase angles of 0°, 45°, 90°, 135°, 180°, 225°, 270°, and 315° are shown in figure 12.

Each of the eight patterns in figure 12 can be analyzed separately by the previously used projection method. Figure 13 shows two sine waves which differ in phase being projected on to the screen of the cathode-ray tube. These signals represent a phase difference of 45°.

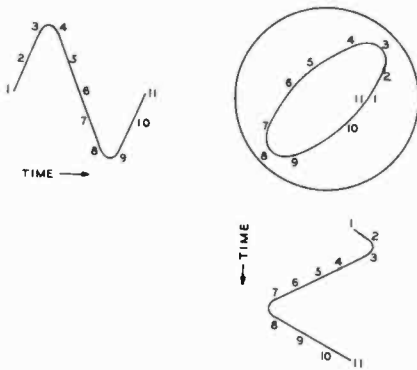


Figure 13

**PROJECTION DRAWING SHOWING THE RESULTANT PHASE-DIFFERENCE PATTERN OF TWO SINE WAVES 45° OUT OF PHASE**

**Determination of the Phase Angle** The relation commonly used in determining the phase angle between signals is:

$$\text{Sine } \theta = \frac{Y \text{ intercept}}{Y \text{ maximum}}$$

where,

- $\theta$  equals phase angle between signals,
- Y intercept* equals point where ellipse crosses vertical axis measured in tenths of inches (calibrations on the calibrated screen),
- Y maximum* equals highest vertical point on ellipse in tenths of inches.

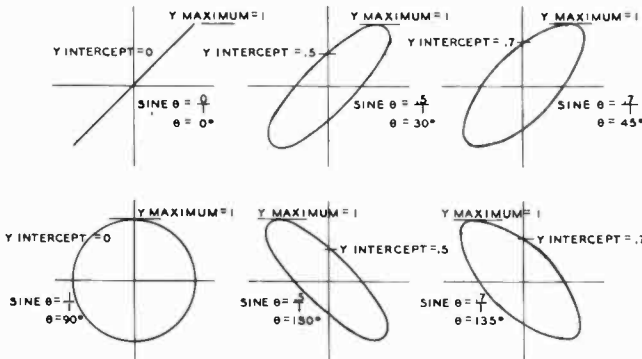


Figure 14

**EXAMPLES SHOWING THE USE OF THE INTERCEPT FORMULA FOR DETERMINATION OF PHASE DIFFERENCE**

Several examples of the use of the formula are given in figure 14. In each case the *Y intercept* and *Y maximum* are indicated together with the sine of the angle and the angle itself. For the operator to observe these various patterns with a single signal source such as the test signal, there are many types of phase shifters which can be used. Circuits can be obtained from a number of radio textbooks. The procedure is to connect the original signal to the horizontal channel of the oscilloscope and the signal which has passed through the phase shifter to the vertical channel of the oscilloscope, and follow the procedure set forth in this discussion to observe the various phase-shift patterns.

### 32-5 Receiver I-F Alignment with an Oscilloscope

The alignment of the i-f amplifiers of a receiver consists of adjusting all the tuned circuits to resonance at the intermediate frequency and at the same time permitting passage of a predetermined number of sidebands. The best indication of this adjustment is a resonance curve representing the response of the i-f circuit to its particular range of frequencies.

A representative response of a receiver i-f system is shown in figure 15. A response curve of this type can be displayed on a 'scope with the aid of a sweep generator.

**The Resonance Curve on the Screen** To present a resonance curve on the 'scope, a frequency-modulated signal source must be available. Some signal generators have a built-in sweep circuit in the

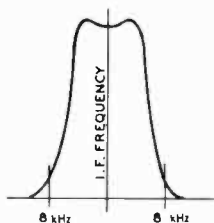


Figure 15

### FREQUENCY RESPONSE OF HIGH-FIDELITY I-F SYSTEM

form of a voltage-variable capacitor (VVC) which sweeps the signal frequency  $f$  to 10 kHz each side of the fundamental frequency. In addition, a blanking circuit in the generator is applied to the 'scope to blank out the return trace so that a double-hump resonance curve is not obtained.

### 32-6 Single-Sideband Applications

Measurement of power output and distortion are of particular importance in SSB transmitter adjustment. These measurements are related to the extent that distortion rises rapidly when the power amplifier is overloaded. The usable power output of an SSB transmitter is often defined as the maximum peak envelope power obtainable with a specified *signal-to-distortion* ratio. The oscilloscope is a useful instrument for measuring and studying distortion of all types that may be generated in single-sideband equipment.

**Single-Tone Observations** When an SSB transmitter is modulated with a single audio tone, the r-f output should be a single radio frequency. If the vertical plates of the oscilloscope are coupled to the output of the transmitter, and the horizontal amplifier sweep is set to a slow rate, the scope presentation will be as shown in figure 16. If unwanted distortion products or carrier are present, the top and bottom of the pattern will develop a "ripple" proportional to the degree of spurious products.

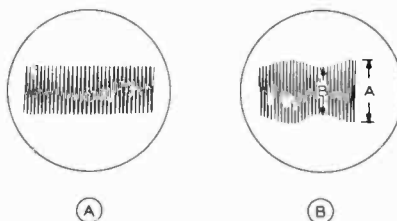


Figure 16

### SINGLE-TONE PRESENTATION

Oscilloscope trace of SSB signal modulated by single tone (A). Incomplete carrier suppression or spurious products will show modulated envelope of (B). The ratio of suppression is:

$$S = 20 \log \frac{A + B}{A - B}$$

**The Linearity Tracer** The *linearity tracer* is an auxiliary detector to be used with an oscilloscope for quick observation of amplifier adjustments and parameter variations. This instrument consists of two SSB *envelope detectors* the outputs of which connect to the horizontal and vertical inputs of an oscilloscope. Figure 17 shows a block diagram of a typical linearity test set-up. A two-tone test signal is normally employed to supply an SSB modulation envelope, but any modulating signal that provides an envelope that varies from zero to full amplitude may be used. Speech modulation gives a satisfactory trace, so that this instrument may be used as a visual monitor of transmitter linearity. It is particularly useful for monitoring the signal level and clearly shows when the amplifier under observation is overloaded. The linearity trace will be a straight line regardless of the envelope shape if the

oscilloscope trace is cancelled. The effect of diode differences is minimized by using a diode load of 5000 to 10,000 ohms, as shown. It is important that both detectors operate at approximately the same signal level so that their differences will cancel more exactly. The operating level should be 1 volt or higher.

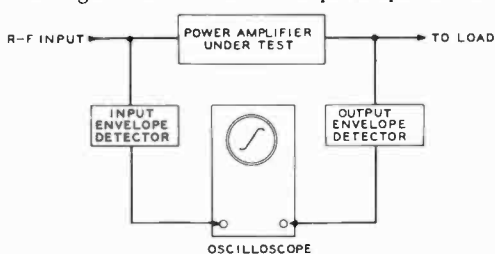


Figure 17

### BLOCK DIAGRAM OF LINEARITY TRACER

amplifier has no distortion. Overloading causes a sharp break in the linearity curve. Distortion due to too much bias is also easily observed and the adjustment for low distortion can easily be made.

Another feature of the linearity detector is that the distortion of each individual stage can be observed. This is helpful in troubleshooting. By connecting the input envelope detector to the output of the SSB generator, the over-all distortion of the entire r-f circuit beyond this point is observed. The unit can also serve as a voltage indicator which is useful in making tuning adjustments.

The circuit of a typical envelope detector is shown in figure 18. Two matched germanium diodes are used as detectors. The detectors are not linear at low signal levels,

but if the nonlinearity of the two detectors is matched, the effect of their nonlinearity on

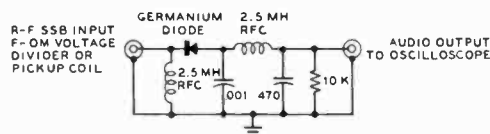


Figure 18

### SCHEMATIC OF ENVELOPE DETECTOR

the oscilloscope trace is cancelled. The effect of diode differences is minimized by using a diode load of 5000 to 10,000 ohms, as shown. It is important that both detectors operate at approximately the same signal level so that their differences will cancel more exactly. The operating level should be 1 volt or higher.

It is convenient to build the detector in a small shielded enclosure such as an i-f transformer can fitted with coaxial input and output connectors. Voltage dividers can be similarly constructed so that it is easy to insert the desired amount of voltage attenuation from the various sources. In some cases it is convenient to use a pickup loop on the end of a short length of coaxial cable.

The phase shift of the amplifiers in the oscilloscope should be the same and their frequency response should be flat out to at least twenty times the frequency difference of the two test tones. Excellent high-frequency characteristics are necessary because the rectified SSB envelope contains harmonics extending to the limit of the envelope detector's response. Inadequate frequency response of the vertical amplifier may cause a little "foot" to appear on the lower end of the trace, as shown in figure 19. If it is small, it may be safely neglected.

Another spurious effect often encountered is a double trace, as shown in figure 20. This can usually be corrected with an RC network placed between one detector and the oscilloscope. The best method of testing the detectors and the amplifiers is to connect the input of the envelope detectors in parallel. A perfectly straight line trace will result when everything is working properly. One detector is then connected to the other r-f source through a voltage divider adjusted so that no appreciable change in the setting of

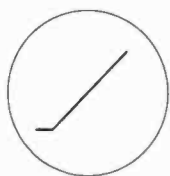


Figure 19

**EFFECT OF INADEQUATE RESPONSE OF VERTICAL AMPLIFIER**

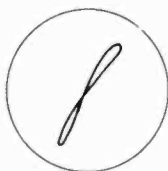


Figure 20

**DOUBLE TRACE CAUSED BY PHASE SHIFT**

the oscilloscope amplifier controls is required. Figure 21 illustrates some typical linearity traces. *Trace A* is caused by inadequate static plate current in class-A or class-B amplifiers or a mixer stage. To regain linearity, the grid bias of the stage should be reduced, the screen voltage should be raised, or the signal level should be decreased. *Trace B* is a result of poor grid-circuit regulation

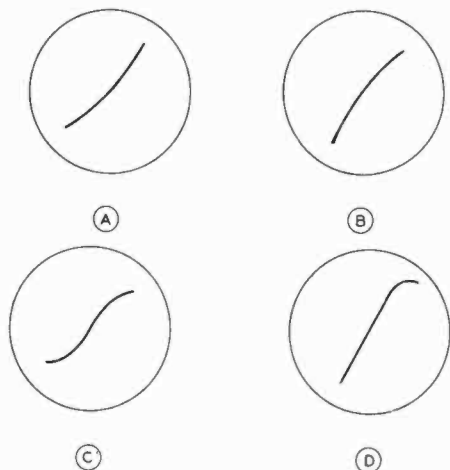


Figure 21

**TYPICAL LINEARITY TRACES**

when grid current is drawn, or a result of nonlinear plate characteristics of the amplifier tube at large plate swings. More grid swamping should be used, or the exciting signal should be reduced. A combination of the effects of A and B are shown in *Trace C*. *Trace D* illustrates amplifier overloading. The exciting signal should be reduced.

A means of estimating the distortion level observed is quite useful. The first- and third-order distortion components may be derived by an equation that will give the approximate signal-to-distortion level ratio of a *two-tone* test signal, operating on a given linearity curve. Figure 22 shows a linearity curve with two ordinates erected at half and full peak input signal level. The length of

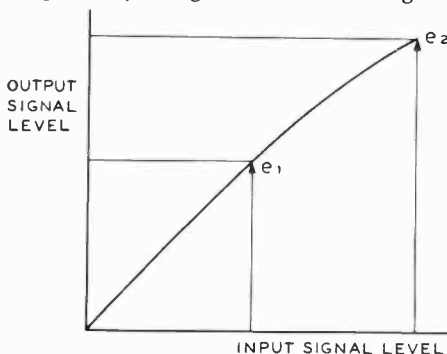


Figure 22

**ORDINATES ON LINEARITY CURVE FOR 3RD-ORDER DISTORTION EQUATION**

the ordinates  $e_1$  and  $e_2$  may be scaled and used in the following equation:

Signal-to-distortion ratio in dB =

$$20 \log \frac{3 e_1 - e_2}{2 e_1 - e_2}$$

**32-7 A-M Applications**

The oscilloscope may be used as an aid for the proper operation of an a-m transmitter, and may be used as an indicator of the overall performance of the transmitter output signal, and as a modulation monitor.

**Waveforms** There are two types of patterns that can serve as indicators, the *trapezoidal pattern* (figure 23) and the *modulated-wave pattern* (figure 24). The

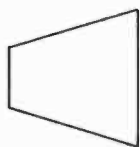


Figure 23

**TRAPEZOIDAL MODULATION PATTERN**

trapezoidal pattern is presented on the screen by impressing a modulated carrier-wave signal on the vertical deflection plates and the signal that modulates the carrier-wave signal (the modulating signal) on the horizontal deflection plates. The trapezoidal pattern can be analyzed by the method used previously in analyzing waveforms. Figure

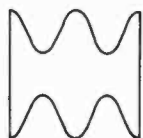


Figure 24

**MODULATED CARRIER-WAVE PATTERN**

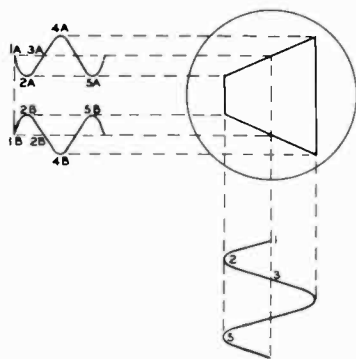


Figure 25

**PROJECTION DRAWING SHOWING TRAPEZOIDAL PATTERN**

25 shows how the signals cause the electron beam to trace out the pattern.

The modulated-wave pattern is accomplished by presenting a modulated carrier wave on the vertical deflection plates and by using the time-base generator for horizontal deflection. The modulated-wave pattern also can be used for analyzing waveforms. Figure 26 shows a representative modulation pattern.

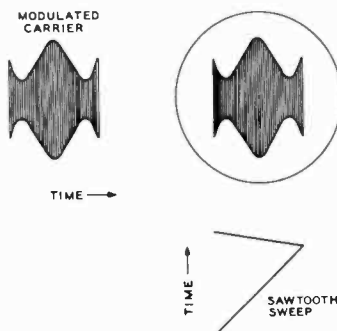


Figure 26

**PROJECTION DRAWING SHOWING MODULATED-CARRIER WAVE PATTERN**

The trapezoidal pattern is obtained by applying a portion of the audio signal to the horizontal input of the 'scope. This may be taken from the modulator through a small coupling capacitor and a high resistance voltage divider. Only a fraction of a volt of signal is required for the 'scope. A small amount of modulated r-f signal is coupled directly to the vertical deflection plates of the oscilloscope. This may be taken from a loop coupled to the final tank circuit or via a resonant circuit coupled to the transmission line of the transmitter.

On modulation of the transmitter, the trapezoidal pattern will appear. By changing the degree of modulation of the carrier wave the shape of the pattern will change. Figures 27 and 28 show the trapezoidal pattern for various degrees of modulation. The percentage of modulation may be determined by the following formula:

$$\text{Modulation percentage} = \frac{E_{\max} - E_{\min}}{E_{\max} + E_{\min}} \times 100$$

where,

$E_{\max}$  and  $E_{\min}$  are defined as in figure 27.

An overmodulated signal is shown in figure 29.

**The Modulated-Wave Pattern** The modulated-wave pattern is obtained by applying a portion of the modulated r-f signal to the horizontal input circuit of the 'scope. The vertical amplifier is

TRAPEZOIDAL PATTERNS

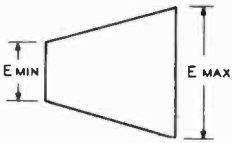


Figure 27

(LESS THAN 100% MODULATION)

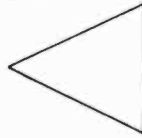


Figure 28

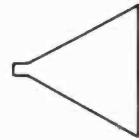


Figure 29

(OVERMODULATION)

CARRIER-WAVE PATTERN

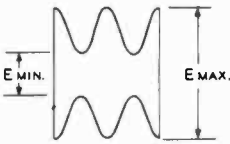


Figure 30

(LESS THAN 100% MODULATION)

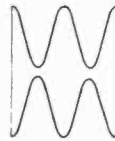


Figure 31

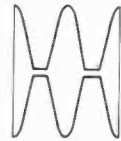


Figure 32

(OVERMODULATION)

connected to the internal sweep circuit of the instrument, which is synchronized with the modulating signal by applying a small portion of the audio signal to the *external sync* input terminal of the oscilloscope. The percentage of modulation may be determined in the same fashion as with a trapezoid pattern. Figures 30, 31, and 32 show the modulated wave pattern for various levels of modulation.

32-8 The Spectrum Analyzer

The *spectrum analyzer* is a receiver-oscilloscope combination that provides a convenient means of measuring the amplitude and frequency of radio signals because it can discriminate the energy of individual

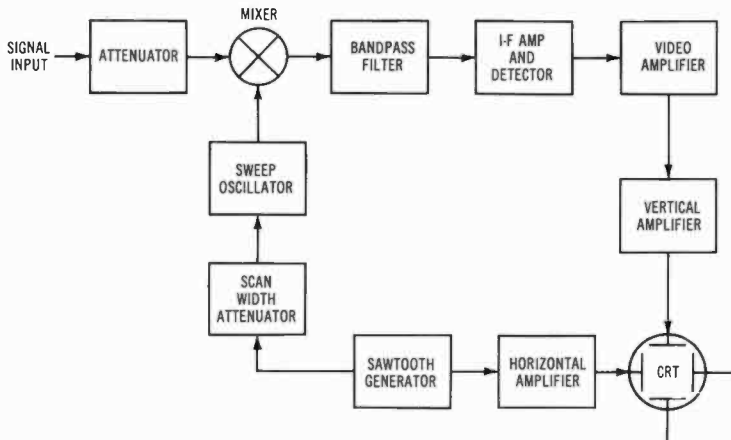
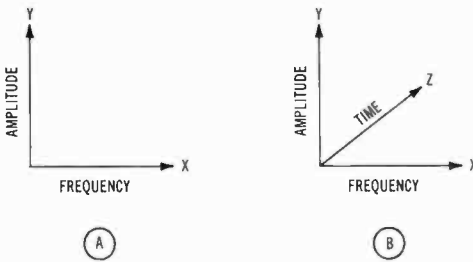


Figure 33

BLOCK DIAGRAM OF A SPECTRUM ANALYZER

Input spectrum is displayed in terms of frequency versus amplitude.



**Figure 34**  
**SPECTRUM DISPLAY**

**A—Two axis display.**  
**B—Three axis display.**

emissions, even at very low signal levels, on a swept-frequency basis (figure 33).

The spectrum analyzer commonly consists of an electronically swept oscillator sweeping through a range of frequencies in the radio spectrum, and an oscilloscope device whose horizontal sweep is synchronized with the sweep applied to the oscillator. The oscillator may be coupled to a mixer and receiver system so that either local signals or received signals are applied to the analyzer. The analyzer may plot either frequency versus amplitude in a two dimensional display or frequency versus amplitude versus time in a three dimensional display (figure 34).

## Construction Practices

With a few possible exceptions, such as cabinets, brackets, neutralizing capacitors and transmitting coils, it hardly pays one to attempt to build the components required for the construction of an amateur transmitter. This is especially true when the parts are of the type used in construction and replacement work on receivers and TV, as mass production has made these parts very inexpensive.

Those who have and wish to spend the necessary time can effect considerable monetary saving in their equipment by building them from the component parts. The necessary data is given in the construction chapter of this handbook.

To many builders, the construction is as fascinating as the operation of the finished transmitter; in fact, many amateurs get so much satisfaction out of building a well-performing piece of equipment that they spend more time constructing and rebuilding equipment than they do operating the equipment on the air.

### 33-1 Tools

Beautiful work can be done with metal chassis and panels with the help of only a few inexpensive tools. The time required for construction, however, will be greatly re-

duced if a fairly complete assortment of metal-working tools is available. Thus, while an array of tools will speed up the work, excellent results may be accomplished with few tools, if one has the time and patience.

The investment one is justified in making in tools is dependent upon several factors. If you like to tinker, there are many tools useful in radio construction that you would probably buy anyway, or perhaps already have, such as screwdrivers, hammer, saws, square, vise, files, etc. This means that the money taken for tools from your radio budget can be used to buy the more specialized tools, such as socket punches or hole saws, taps and dies, etc.

The amount of construction work one does determines whether buying a large assortment of tools is an economical move. It also determines if one should buy the less expensive type offered at surprisingly low prices by the familiar mail order houses, "five and ten" stores, and chain auto-supply stores, or whether one should spend more money and get first-grade tools. The latter cost considerably more and work but little better when new, but will outlast several sets of the cheaper tools. Therefore they are a wise investment for the experimenter who does lots of construction work. The amateur who constructs only an occasional piece of apparatus need not be so concerned with tool



life, as even the cheaper grade tools will last him several years, if they are given proper care.

The hand tools and materials in the accompanying lists will be found very useful around the home workshop. Materials not listed but ordinarily used, such as paint, can best be purchased as required for each individual job.

#### ESSENTIAL HAND TOOLS AND MATERIALS

- 1 Dual heat soldering gun, 100/140 watts
- 1 Spool resin core solder, 60/40 alloy
- 1 Set screwdrivers,  $\frac{1}{8}$ " and  $\frac{1}{4}$ " blade, 8" shaft
- 1 Set Phillips screwdrivers, #1, #2 and #4
- 1 Set nutdrivers,  $\frac{1}{4}$ ",  $\frac{5}{16}$ " and  $1\frac{1}{32}$ "
- 1 Hand "nibbling" tool
- 1 Long-nose pliers, 4"
- 1 Combination pliers, 6"
- 1 Diagonal "oblique" cutting pliers, 5"
- 1 Hand drill (egg-beater type)
- 1 Electrician's pocket knife
- 1 Combination steel rule and square, 1 foot
- 1 Yardstick, or steel tape
- 1 Multiple connection outlet box and extension cord
- 1 Set twist drills,  $\frac{1}{4}$ " shank,  $\frac{1}{16}$ " to  $\frac{1}{4}$ " (12 pcs.)
- 1 Set Allen and spline-head wrenches
- 1 Hacksaw and blades
- 1 Set medium files and handle
- 1 Roll vinyl electrical tape
- 1 Can paint thinner, or cleaner

#### HIGHLY DESIRABLE HAND TOOLS AND MATERIALS

- 1 Soldering iron, pencil type, 40 watt with interchangeable tips
- 1 Controlled temperature soldering stand
- 1 Electric drill,  $\frac{1}{4}$ ", variable speed
- 1 DYMO label embosser
- 1 Cutting pliers, end-cut, 4"
- 1 Tap and die set for 4-40, 6-32, 8-32, 10-32 and 10-24
- 1 "Pop" rivet gun
- 1 Bench vise, 3" jaws
- 1 Metal snips
- 1 Center punch, spring-loaded
- 1 Set round punches,  $\frac{5}{8}$ ",  $\frac{3}{4}$ ",  $\frac{7}{8}$ ",  $1\frac{1}{8}$ "
- 1 Fluorescent light and magnifier, 5" lens.
- 1 Crescent wrench, 6"
- 1 Set taper reamers
- 1 Set jeweler's screwdrivers

- 4 Small C-clamps
- 1 Wire stripper
- 1 Set alignment tools
- 1 Dusting brush
- 1 Small welding torch (gas)
- 1 Ratchet and socket set,  $\frac{3}{16}$ " to  $\frac{1}{2}$ "
- 1 12 drawer portable storage cabinet
- 1 Desoldering tool

Not listed are several special-purpose radio tools which are somewhat of a luxury, but are nevertheless quite handy, such as various around-the-corner screwdrivers and wrenches, special soldering iron tips, etc. These can be found in the larger radio parts stores and are usually listed in their mail order catalogs.

### 33-2 The Material

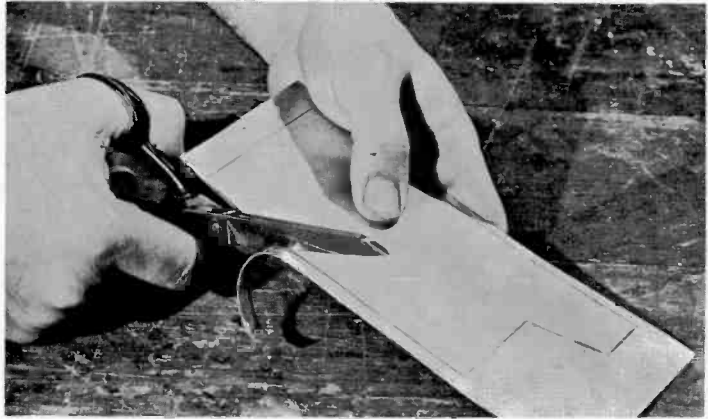
Electronic equipment may be built on a foundation of circuit board, steel, or aluminum. The choice of foundation material is governed by the requirements of the electrical circuit, the weight of the components of the assembly, and the financial cost of the project when balanced against the pocket-book contents of the constructor.

**Breadboard and Brassboard** Experimental circuits may be built up in a temporary fashion termed *breadboarding*, a term reflecting the old practice of the "twenties" when circuits were built on wooden boards. Modern breadboards may be built upon circuit board material or upon prepunched phenolic boards. The prepunched boards contain a grid of small holes into which the component leads may be anchored for soldering.

A *brassboard* is an advanced form of assembly in which the experimental circuit is built up in semipermanent form on a metal chassis or copper-plated circuit board. Manufacture and use of printed-circuit boards is covered later in this chapter.

**Special Frameworks** For high-powered r-f stages, many amateur constructors prefer to discard the more conventional types of construction and employ instead special metal frameworks and brackets which they design specially for the parts which they intend to use. These are usually

**Figure 1**  
**SOFT ALUMINUM SHEET MAY BE CUT WITH HEAVY KITCHEN SHEARS**



arranged to give the shortest possible r-f leads and to fasten directly behind a panel by means of a few bolts, with the control shafts projecting through corresponding holes in the panel.

**Working with Aluminum** The necessity of employing "electrically tight inclosures" for the containment of TVI-producing harmonics has led to the general use of aluminum for chassis, panel, and inclosure construction. If the proper type of aluminum material is used, it may be cut and worked with the usual woodworking tools found in the home shop. Hard, brittle aluminum alloys such as 2024 and 6061

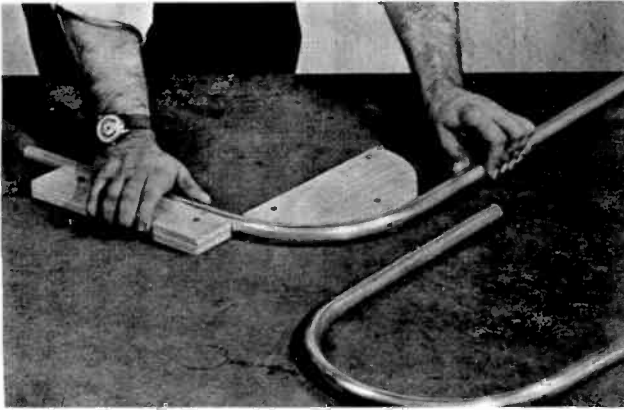
should be avoided, and the softer materials such as 1100 or 3003 should be employed.

Reynold's *Do-it-Yourself* aluminum, which is being distributed on a nationwide basis through hardware stores, lumber yards, and building material outlets, is an alloy which is temper selected for easy working with ordinary tools. Aluminum sheet, bar, and angle stock may be obtained, as well as perforated sheets for ventilated inclosures.

Figures 1 through 4 illustrate how this soft material may be cut and worked with ordinary shop tools, and figure 5 shows a simple operating desk that may be made from aluminum angle stock, plywood, and a flush-type six-foot door.

**Figure 2**  
**CONVENTIONAL WOOD EXPANSION BIT IS EFFECTIVE IN DRILLING SOCKET HOLES IN SOFT ALUMINUM**





**Figure 3**  
**SOFT ALUMINUM TUBING MAY BE BENT AROUND WOODEN FORM BLOCKS. TO PREVENT THE TUBE FROM COLLAPSING ON SHARP BENDS, IT IS PACKED WITH WET SAND**



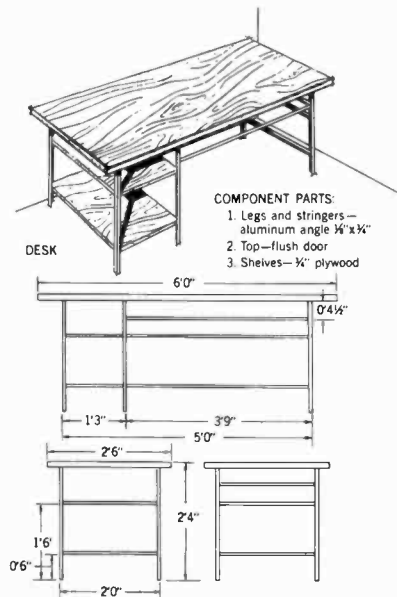
**Figure 4**  
**A WOODWORKING PLANE MAY BE USED TO SMOOTH OR TRIM THE EDGES OF ALUMINUM STOCK.**

**33-3 TVI-Proof Inclosures**

Armed with a right-angle square, tin-snips and a straight edge, the home constructor will find the assembly of aluminum inclosures an easy task. This section will show

simple construction methods, and short cuts in producing inclosures.

The simplest type of aluminum inclosure is that formed from a single sheet of perforated material as shown in figure 6. The top, sides, and back of the inclosure are of one piece, complete with folds that permit the formed inclosure to be bolted together along the edges. The top area of the inclosure should match the area of the chassis to en-



**Figure 5**  
**INEXPENSIVE OPERATING DESK MADE FROM ALUMINUM ANGLE STOCK, PLYWOOD AND A FLUSH-TYPE DOOR**

sure a close fit. The front edge of the inclosure is attached to aluminum angle strips that are bolted to the front panel of the unit; the sides and back can either be bolted to matching angle strips affixed to the chassis, or may simply be attached to the edge of the chassis with self-tapping sheet-metal screws.

A more sophisticated inclosure is shown in figure 7. In this assembly aluminum angle stock is cut to length to form a framework on which the individual sides, back, and top of the inclosure are bolted. For greatest strength, small aluminum gusset plates should be affixed in each corner of the in-

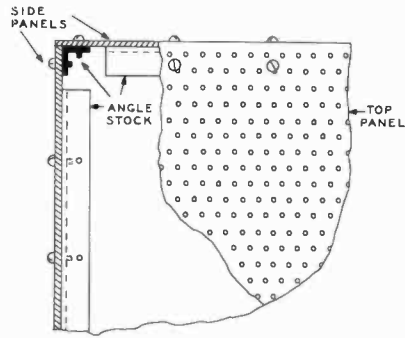


Figure 7

**HOME MADE SHIELDED INCLOSURE**

Perforated aluminum sheet is screwed or riveted to angle stock to form r-f tight inclosure. Small perforations in sheet provide adequate ventilation for low power equipment but do not impair quality of shielding.

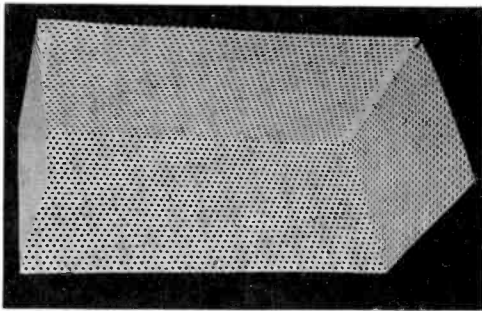


Figure 6

**TVI INCLOSURE MADE FROM SINGLE SHEET OF PERFORATED ALUMINUM**

Reynolds Metal Co. "Do-it-yourself" aluminum sheet may be cut and folded to form TVI-proof inclosure. One-half inch lip on edges is bolted to center section with 6-32 machine screws.

closure. The complete assembly may be held together by No. 6 sheet-metal screws or "pop" rivets.

Regardless of the type of inclosure to be made, care should be taken to ensure that all joints are square. Do not assume that all prefabricated chassis and panels are absolutely true and square. Check them before you start to form your shield because any dimensional errors in the foundation will cause endless patching and cutting after your inclosure is bolted together. Finally, be sure that paint is removed from the panel and chassis at the point the inclosure attaches to the foundation. A clean, metallic contact along the seam is required for maximum harmonic suppression.

**33-4 Inclosure Openings**

Openings into shielded inclosures may be made simply by covering them by a piece of shielding held in place by sheet-metal screws.

Openings through vertical panels, however, usually require a bit more attention to prevent leakage of harmonic energy through the crack of the door which is supposed to seal the opening. Hinged door openings, however, do not seal tightly enough to be called TVI-proof. In areas of high TV signal strength where a minimum of operation above 21 MHz is contemplated, the door probably is satisfactory as-is.

To accomplish more complete harmonic suppression, the edges of the opening should be lined with preformed, spring-alloy *finger stock* (figure 8) to act as electronic "weatherstripping." Harmonic leakage through such a sealed opening is reduced to a minimum level. The mating surface to the finger stock should be paint-free and should provide a good electrical connection to the stock.

**33-5 Sheet Metal Construction Practice**

**Chassis Layout** The chassis first should be covered with a layer of wrapping paper, which is drawn tightly down on all sides and fastened with scotch tape. This

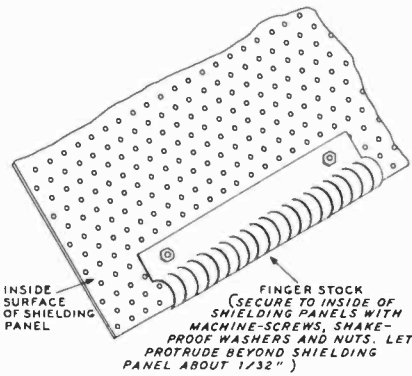


Figure 8

### FINGER STOCK PROVIDES R-F TIGHT OPENING

Finger stock secured to edges of door panel will provide good electrical contact with inclosure walls.

allows any number of measurement lines and hole centers to be spotted in the correct positions without making any marks on the chassis itself. Place on it the parts to be mounted and play a game of chess with them, trying different arrangements until all the leads are made as short as possible, tubes and transistors are clear of coil fields, r-f chokes are in safe positions, etc. Remember, especially if you are going to use a panel, that a good mechanical layout often can accompany sound electrical design, but that the electrical design should be given first consideration.

All too often parts are grouped to give a symmetrical panel, irrespective of the arrangement behind. When a satisfactory arrangement has been reached, the mounting holes may be marked. The same procedure now must be followed for the underside, always being careful to see that there are no clashes between the two (that no top mounting screws come down into the middle of a paper capacitor on the underside, that the variable capacitor rotors do not hit anything when turned, etc.).

When all the holes have been spotted, they should be center-punched *through* the paper into the chassis. Don't forget to spot holes for leads which must also come through the chassis.

For transformers which have lugs on the bottoms, the clearance holes may be spotted

by pressing the transformer on a piece of paper to obtain impressions, which may then be transferred to the chassis.

**Punching** In cutting socket holes one should use socket punches. These punches are easy to operate and only a few precautions are necessary. The guide pin should fit snugly in the guide hole. This increases the accuracy of location of the socket. If this is not of great importance, one may well use a drill of  $\frac{1}{32}$  inch larger diameter than the guide pin.

The male part of the punch should be placed in the vise, cutting edge up and the female portion forced against the metal with a wrench. These punches can be obtained in sizes to accommodate all tube sockets and even large enough to be used for meter holes. In the large socket sizes they require the use of a  $\frac{3}{8}$ -inch center hole to accommodate the bolt.

**Transformer Cutouts** Cutouts for transformers and chokes are not so simply handled. After marking off the part to be cut, drill about a  $\frac{1}{4}$ -inch hole on each of the inside corners and tangential to the edges. After burring the holes, clamp the piece and a block of cast iron or steel in the vise. Then, take your burring chisel and insert it in one of the corner holes. Cut out the metal by hitting the chisel with a hammer. The blows should be light and numerous. The chisel acts against the block in the same way that the two blades of a pair of scissors work against each other. This same process is repeated for the other sides. A file is used to trim up the completed cutout.

Another method is to drill the four corner holes large enough to take a hack saw blade, then saw instead of chisel. The four holes permit nice looking corners.

**Removing Burrs** In both drilling and punching, a burr is usually left on the work.

There are three simple ways of removing these. Perhaps the best is to take a chisel (be sure it is one for use on metal) and set it so that its bottom face is parallel to the piece. Then gently tap it with a ham-

mer. This usually will make a clean job with a little practice. If one has access to a counterbore, this will also do a nice job. A countersink will work, although it bevels the edges. A drill of several sizes larger is a much used arrangement. The third method is by filing off the burr, which does a good job but scratches the adjacent metal surfaces badly.

**Mounting Components** There are two methods in general use for the fastening of transformers, chokes, and similar pieces of apparatus to chassis or breadboards. The first, using nuts and machine screws, is slow, and the manufacturing practice of using self-tapping screws or rivets is gaining favor. For the mounting of small parts such as resistors and capacitors, "tie points" are very useful to gain rigidity. They also contribute materially to the appearance of finished apparatus.

Rubber grommets of the proper size placed in all chassis holes through which wires are to be passed, will give a neater appearing job and also will reduce the possibility of short circuits.

**Soldering** Making a strong, low-resistance solder joint does not mean just dropping a blob of solder on the two parts to be joined and then hoping that they'll stick. There are several definite rules that *must* be observed.

*All parts to be soldered must be absolutely clean.* To clean a wire, lug, or whatever it may be, take your pocket knife and scrape it thoroughly, until fresh metal is laid bare. It is not enough to make a few streaks; scrape until the part to be soldered is bright.

*Make a good mechanical joint before applying any solder.* Solder is intended primarily to make a good electrical connection; mechanical rigidity should be obtained by bending the wire into a small hook at the end and nipping it firmly around the other part, so that it will hold well even before the solder is applied.

*Keep your iron properly tinned.* It is impossible to get the work hot enough to take the solder properly if the iron is dirty. To tin your iron, file it, while hot, on one side until a full surface of clean metal is exposed. Im-

mediately apply rosin core solder until a thin layer flows completely over the exposed, surface. Repeat for the other faces. Then take a clean rag and wipe off all excess solder and rosin. The iron should also be wiped frequently while the actual construction is going on; it helps prevent pitting the tip.

*Apply the solder to the work,* not to the iron. The iron should be held against the parts to be joined until they are thoroughly heated. The solder should then be applied against the parts and the iron should be held in place until the solder flows smoothly and envelops the work. If it acts like water on a greasy plate, and forms a ball, the work is not sufficiently clean.

*The completed joint must be held perfectly still until the solder has had time to solidify.* If the work is moved before the solder has become completely solid, a "cold" joint will result. This can be identified immediately, because the solder will have a dull "white" appearance rather than one of shiny "silver." Such joints tend to be of high resistance and will very likely have a bad effect on a circuit. The cure is simple, merely reheat the joint and do the job correctly.

For general construction work, 60-40 solder (60% tin, 40% lead) is generally used. It melts at 370°F.

**Finishes** If the apparatus is constructed on a painted chassis (commonly available in flat black and gray and "hammer-tone"), there is no need for application of a protective coating when the equipment is finished, assuming that you are careful not to scratch or mar the finish while drilling holes and mounting parts. However, many amateurs prefer to use unpainted (zinc or cadmium plated) steel chassis, because it is much simpler to make a chassis ground connection with this type of chassis. In localities near the sea coast it is a good idea to paint the edges of the various chassis cutouts even on a painted chassis, as rust will get a good start at these points unless the metal is protected where the drill or saw has exposed it.

An attractive dull gloss finish, almost velvety can be put on aluminum by sand-blasting it with a very weak blast and fine particles and then lacquering it. Soaking the aluminum in a solution of lye produces

somewhat the same effect as a fine-grain sand blast.

Metal panels and inclosures may be painted an attractive color with the aid of aerosol spray paint, available in many colors. After the panel is spray-painted, press-on *decals* may be used to letter the panel. Once the decals have dried, the panel may then be given a spray coat of clear plastic or lacquer to hold the decals in position and to protect the surface.

### 33-6 Printed Circuits

*Etched* or *printed circuits* were developed to apply mass-production techniques to electronic assemblies, utilizing the processes of the graphic arts industry. On a large-volume basis, the etched-circuit technique provides uniformity of layout and freedom from wiring errors at a substantial reduction in assembly time and cost. In this assembly scheme, the methods of the photoengraving process are used to print photographic patterns representing electronic circuitry on copper-foil clad insulating board. By using an *etch-resistant* material (impervious to acid) for the pattern of conductors, the unmasked areas of the foil may be etched away, leaving the desired conducting pattern, conforming to the wiring harness of the electronic assembly.

The etched board is drilled at appropriate places to accept lead wires, thus permitting small components such as resistors and capacitors to be affixed to the board by inserting the leads in the matching holes. Larger components, such as sockets, inductors, and small transformers, are fitted with tabs which pass through matching holes in the board. The various components are interconnected by the foil conductors on one or both sides of the board. All joints are soldered at one time by immersing one side of the board in molten solder.

The foil-clad circuit board is usually made of laminated material such as phenolic, silicon, *teflon*, or *fiberglass*, impregnated with resin and having a copper foil of 0.0007- to 0.009-inch thickness affixed to the board under heat and pressure. Boards are available in thicknesses of  $\frac{1}{16}$  to  $\frac{1}{4}$  inch.

While large production runs of etched-circuit boards are made by a photographic process utilizing a master negative and

photosensitive board, a simpler process may be used by experimenters to produce circuit boards in the home workshop through the use of *tape* or *ink resist*, plus a chemical solution which etches away all unmasked copper, without affecting the circuit board.

**Homemade Circuit Boards** Circuit boards may be easily constructed for electronic assemblies without the need of photographic equipment. The method is simple and fast and requires few special materials. The circuit board is made from a full-scale template of the circuit. Precut board is available from large radio supply houses as are the etchant and resist used in this process. This is how the board is prepared:

*Step 1*—A full-scale template of the desired circuit is drawn. Lead placement must be arranged so that the conductors do not cross each other except at interconnection points. Holes for component leads and terminals are surrounded by a foil area for the soldered connection. It is suggested that a trial layout be drawn on a piece of graph paper, making the conductors about  $\frac{1}{16}$ -inch wide and the terminal circles about  $\frac{1}{8}$ -inch in diameter. When conductors must cross, a point is selected where a component may be used to bridge one conductor; or a wire jumper may be added to the circuit.

Special layout paper marked with the same pattern as on perforated boards may also be used.

*Step 2*—The template is transferred to the foil-clad board. The board should be unsensitized and cut somewhat oversize. Either single-clad or dual-clad board may be used. For simple circuits, the complete layout can be traced on the board by eye, using a ruler and a pencil. For more complicated circuits, the template should be applied directly to the copper foil by the use of rubber cement. The circuit is traced and the board lightly centerpunched at all drill points for reference. The template and cement are now removed.

*Step 3*—Once the board has been punched, the board is cleaned to remove copper oxide. A bright, uniform finish is required to ensure proper adhesion of the resist and complete etching. Kitchen cleaning powder may be used for this operation, followed by a thor-

ough washing of the board in water. Care should be taken to avoid touching the copper foil from this point on. Now, to etch out the circuit on the copper foil, the resist material is applied to areas where the copper will remain, and the areas that are not covered with resist will be etched away.

*Step 4*—The conductors and interconnecting points are laid down on the copper laminate using resist material (figure 10). One form of resist is liquid and is applied from a resist marking pen. A second form of resist is thin vinyl tape having adhesive backing. In an emergency, India Ink or nail polish may be used for resist. Using the original templates as a visual guide, the resist is applied to the clean foil and allowed to dry.

Suitable etchants are *ferric chloride* or *ammonium persulfate*. The etchant may be liquid or a powder which is mixed with hot water according to directions. Ready-made etchant kits using these chemicals are available from several manufacturers.

The board is now ready to be immersed in an *etchant bath*, or tank. A quick and effective etching technique makes use of a *froth etching bath* (figure 11), described as follows.

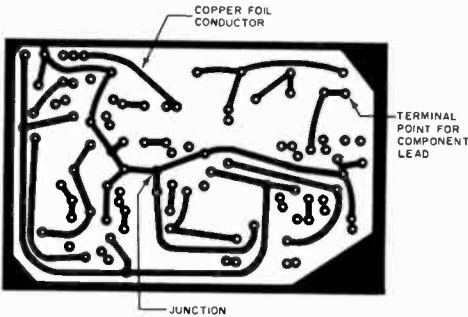


Figure 10

**LIQUID RESIST MAKES PRACTICAL PRINTED CIRCUIT**

Liquid resist is applied to copper foil of circuit board to protect conductor areas from etchant. Each lead hole is circled, the circle being about four times the diameter of the hole. After the holes have been circled, lines are drawn between them in accordance with the circuit sketch. Junctions are marked with a solid circle. Connecting path should be about 1/16-inch wide, ample to carry a current of about 10 amperes, if required. Tape or a "transfer" resist material provides professional appearance to board. Placement of components may be marked on reverse of board in India Ink.

DRILL NUMBER	Di- ameter (in.)	Clears Screw	Correct for Topping Steel or Brass
1	.228	—	—
2	.221	12-24	—
3	.213	—	14-24
4	.209	12-20	—
5	.205	—	—
6	.204	—	—
7	.201	—	—
8	.199	—	—
9	.196	—	—
10*	.193	10-32	—
11	.191	10-24	—
12*	.189	—	—
13	.185	—	—
14	.182	—	—
15	.180	—	—
16	.177	—	12-24
17	.173	—	—
18*	.169	8-32	—
19	.166	—	12-20
20	.161	—	—
21*	.159	—	10-32
22	.157	—	—
23	.154	—	—
24	.152	—	—
25*	.149	—	10-24
26	.147	—	—
27	.144	—	—
28*	.140	6-32	—
29*	.136	—	8-32
30	.128	—	—
31	.120	—	—
32	.116	—	—
33*	.113	4-36 4-40	—
34	.111	—	—
35*	.110	—	6-32
36	.106	—	—
37	.104	—	—
38	.102	—	—
39*	.100	3-48	—
40	.098	—	—
41	.096	—	—
42*	.093	—	4-36 4-40
43	.089	2-56	—
44	.086	—	—
45*	.082	—	3-48

\*Sizes most commonly used in radio construction.

†Use next size larger for tapping bakelite and similar composition materials (plastics, etc.).

Figure 9  
NUMBERED DRILL SIZES

**The Froth Etching Technique** The froth etcher is designed for fast etching of both single and double faced boards on which fine resolution is also important. It produces uniformly etched boards in about four minutes with very little undercutting of the foil. As a bonus, the process automatically aerates the etchant, greatly extending its life.

Constructing the froth etcher tank is quite simple. A heat-resistant glass dish (*Pyrex*, or equivalent) with cover serves as the tank. Also required are a tungsten-car-



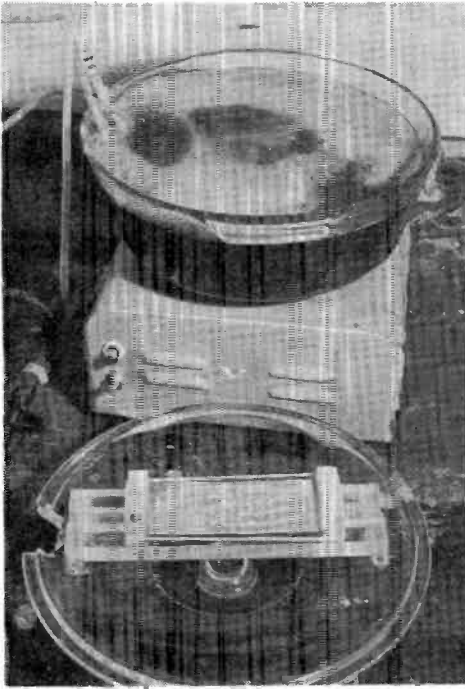


Figure 11

### FROTH ETCHING IS QUICK AND EASY

The continuous air flow through the aerators creates a surface froth that "scrubs" the circuit board with constantly agitated etchant. The sliding clamp holder which is attached to the dish cover permits rapid insertion or reversal of the printed circuit board. Sample board is clamped to cover holder in foreground.

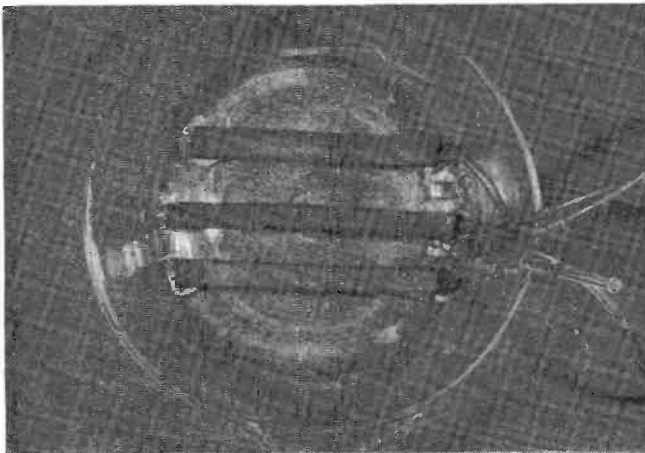


Figure 12

### INTERIOR OF ETCHING BATH

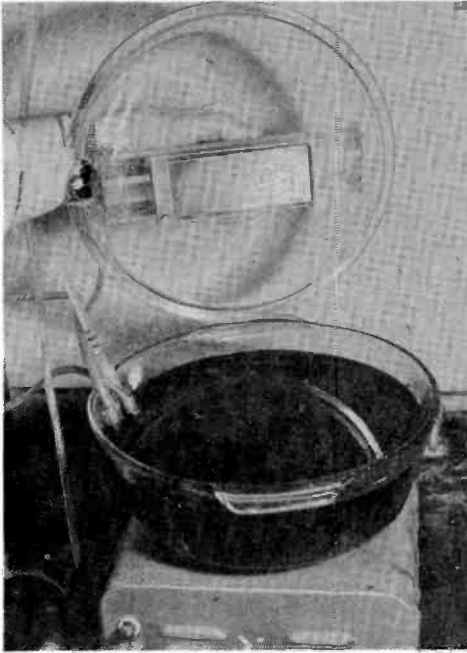
Aquarium aerators are cemented into the bottom of the heat-resistant glass dish, along with sections of plastic tubing to support the rubber air tubes and the thermometer. The tubes are connected by T-fittings to a single tube running to the main air supply, which is an aquarium air pump.

vide hacksaw blade to notch the dish cover, some two-part epoxy adhesive, some rubber air tubes and a thermometer. To provide the continuous air flow, three inexpensive ceramic aquarium aerators and an aquarium pump are used. Finally, a plexiglass holder for the boards is required.

The small ceramic aerators are cemented to the bottom of the glass dish, as shown in figure 12. The quick-change printed circuit board holder is cemented to the glass cover as shown in figure 13. The thermometer and short lengths of plastic tubing which serve as holders for the air hoses are cemented to the side of the dish and the cover is notched to provide egress for them. The complete froth bath assembly is shown in figure 13.

The continuous air flow through the aerators creates a surface froth that "scrubs" the circuit board with constantly agitated etchant. The board is held in position in the bath by the plexiglass holder shown in figure 14. The etchant used consists of ferric chloride in the proportion of  $1\frac{3}{4}$  pounds of  $FeCl$  to every quart of water, mixed at a temperature of between  $100^{\circ}F$  and  $110^{\circ}F$ .

The froth bath is placed on an electric hot plate and filled with etchant to a level that just reaches the bottom of the copper-clad board when it is mounted in the lid holder. The etchant is heated to its lower operating temperature ( $100^{\circ}F$ ) and the hot plate is turned off. The board is now placed in the holder, the cover placed on the dish and the air supply is turned on, adjusting it to create a continuous, vigorous froth over the total surface of the etchant. After a few

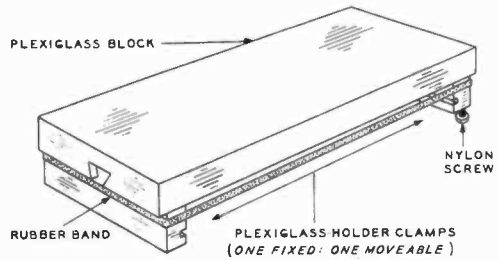


**Figure 13**  
**BATH LID AND CIRCUIT BOARD HOLDER**

Plexiglass holder grips the edge of the printed circuit board, assuring uniform etch of the entire surface. One clamp is threaded and fitted with a nylon screw to accommodate boards of various sizes. A rubber band around the clamp provides tension. Observing the etching process is easily done by lifting the heat-resistant glass etcher cover to which the printed circuit board is attached. Before the cover is removed, air supply must be turned off to prevent any splattering of the etchant.

minutes—anything from three to eight minutes, depending on the freshness of the solution—inspect the board by raising the cover. The air supply must be turned off first to prevent splattering of the etchant. When the process is observed to be complete, the board is removed and washed in clean water.

The resist material can be left on the board to protect the conductors until the board is cut to final size, clamped between wood blocks in a vise and trimmed with a fine hacksaw blade. The resist is then removed with soft steel wool or a solvent. The complete board is then given a final cleaning with soft steel wool and the center-punched points drilled with a #54 pilot



**Figure 14**

### PLEXIGLASS HOLDER FOR ETCHANT TANK

drill. The holes are then drilled out to a larger size as required for component assembly.

The components are mounted to the board on the side opposite the conductors. The leads are passed through the appropriate holes, bent slightly to hold the component in place, and then clipped close to the conductor surface. After checking placement and observing polarity where necessary, the leads may be individually soldered to the conductor with a small pencil-tip iron. Use small diameter (0.032-inch diameter or smaller) solder and take care not to overheat the board or components during this operation. The last step is to wash the circuit side of the board with solvent to remove any soldering flux and then to give the board a coating of clear acrylic (*Krylon*) plastic spray from an aerosol can.

(The Froth etching technique is reprinted from *Electronics*, July 3, 1972; copyright McGraw-Hill, Inc. 1972).

## 33-7 Coaxial Cable Terminations

Commercial electronics equipment usually employs *series N* and *series BNC* coaxial connectors, whereas the majority of amateur equipment employs the older *UHF series* coaxial connectors. Shown in figure 15 is a simplified and quick method of placing the UHF plug (PL-259) on RG-8A/U or RG-11/U coaxial line. The only special tools needed are a *Stanley 99A* (or equivalent) shop knife and a *General Hardware 123* (or equivalent) midget tubing cutter.

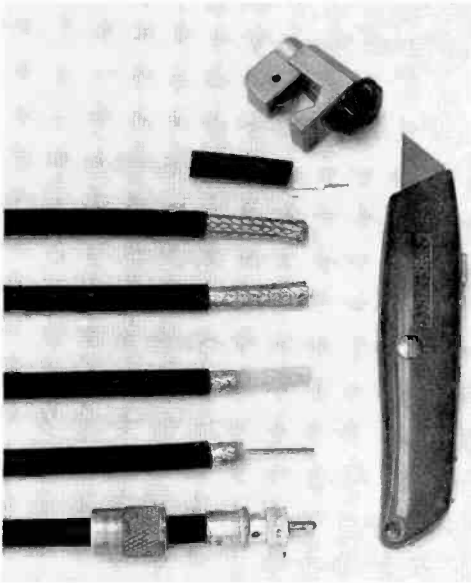


Figure 15

#### CABLE PREPARATION FOR PL-259 COAXIAL PLUG

Midget tubing cutter and utility knife are used to prepare RG-8/U cable for uhf-type plug. Cable jacket is removed and outer braid tinned with hot iron. Braid is then cut with tubing cutter and inner insulation trimmed with knife. PL-259 shell is twisted on cable and soldered in position through holes in shank.

The first step is to slide the coupling ring of the PL-259 plug over the coaxial line. Next, the utility knife is used to circumscribe a cut in the outer, black vinyl jacket of the cable  $1\frac{1}{4}$  inches back from the end. The cut should be square, and the free jacket piece is slit and removed from the cable.

Next, using a hot iron or soldering gun, quickly tin the exposed braid of the cable. Do this quickly so the inner polyethylene insulation does not soften. Clean the flux from the braid with paint thinner after the solder cools.

The next step is to cut the solid, tinned braid with the tubing cutter so that  $\frac{1}{16}$  inch remains. Mark the cutting line with a pencil and place the cutting wheel over the mark. Tighten the wheel and revolve the cutter about the cable. The unwanted braid end may be removed, using wire cutters as snips.

Next, trim the inner polyethylene insulation with the utility knife so that  $\frac{1}{16}$  inch remains exposed beyond the braid. Using a circular cut, slice the insulation and pull the slug free with a twisting motion. Tin the inner conductor. The last step is to push the shell of the PL-259 plug on the prepared cable end. Screw it on with your fingers until the tinned braid is fully visible through

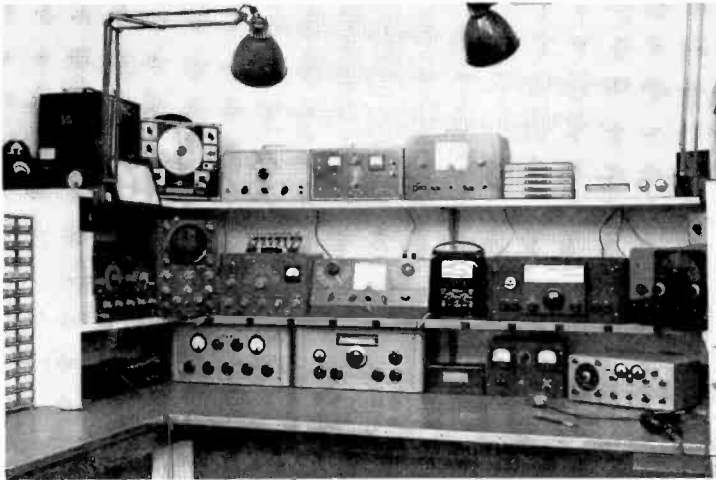


Figure 16

#### GOOD SHOP LAYOUT AIDS CAREFUL WORKMANSHIP

Built in a corner of a garage, this shop has all features necessary for electronic work. Test instruments are arranged on shelves above bench. Numerous outlets reduce "haywire" produced by tangled line cords. Not shown in picture are drill press and sander at end of left bench.

the solder holes of the plug. Using an iron with a small point, solder the plug to the braid through the four holes, using care that the solder does not run over the outer threads of the plug. Lastly, run the coupling ring down over the plug and solder the inner conductor to the plug tip.

### 33-8 Workshop Layout

The *size* of your workshop is relatively unimportant since the shop *layout* will determine its efficiency and the ease with which you may complete your work.

Shown in figure 16 is a workshop built into a 10' X 10' area in the corner of a garage. The workbench is 32" wide, made up of four strips of 2" X 8" lumber supported on a solid framework made of 2" X 4" lumber. The top of the workbench is covered with hard-surface *Masonite*. The edge of the surface is protected with aluminum "counter edging" strip, obtainable at large hardware stores. Two wooden shelves 12" wide are placed above the bench to hold the various items of test equipment. The shelves are bolted to the wall studs with large angle brackets and have wooden end pieces. Along the edge of the lower shelf a metal "outlet strip" is placed that has a 117-volt outlet every six inches along its length. A similar strip is run along the *back* of the lower shelf. The front strip is used for equipment that

is being bench-tested, and the rear strip powers the various items of test equipment placed on the shelves.

At the left of the bench is a storage bin for small components. A file cabinet can be placed at the right of the bench. This necessary item holds schematics, transformer data sheets, and other papers that normally are lost in the usual clutter and confusion.

The area below the workbench has two storage shelves which are concealed by sliding doors made of 1/4-inch *Masonite*. Heavier tools, and large components are stored in this area. On the floor and not shown in the photograph is a very necessary item of shop equipment: a large trash receptacle.

A heavy duty workbench that may be bolted to a cement block or stud wall is shown in figure 17.

### 33-9 Components and Hardware

Procurement of components and hardware for a construction project can often be a time consuming and vexing task as smaller radio parts stores often have limited or incomplete stocks of only the most fast-moving items. Larger distributors carrying industrial stocks, however, maintain warehouse inventories of components or have facilities for obtaining them at short notice. It is recommended, therefore, that the ex-

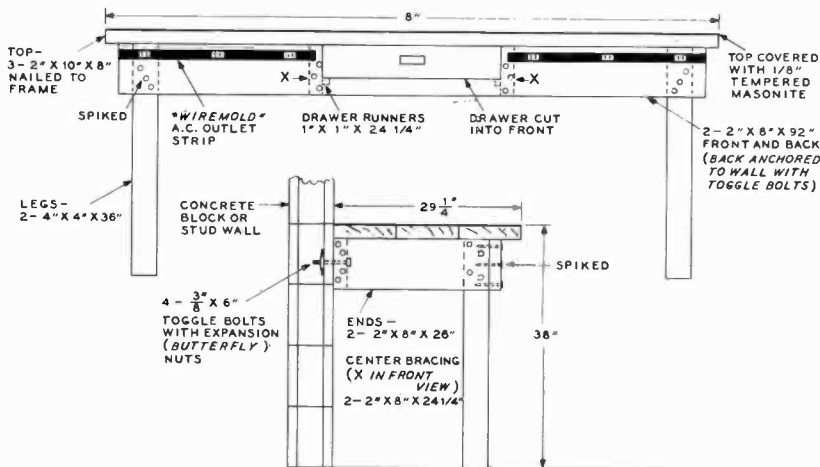


Figure 17

### HEAVY-DUTY WORKBENCH TO BOLT TO CEMENT BLOCK OR STUD WALL

perimeter have at hand catalogs from some of the larger supply houses which distribute to the electronics industry. The following industrial catalogs of large mail-order distributors are suggested as part of your technical library:

*Allied Electronics Co.*, 401 East 8th St., Fort Worth, Texas 76102; *Lafayette Radio Electronics*, 111 Jericho Turnpike, Syosset,

N.Y. 11791; *Newark Electronics*, 500 No. Pulaski Rd., Chicago, Ill. 60624.

A complete 1700-page catalog of electronic parts and components (*The Radio Electronic Master Catalog*) may be obtained from United Technical Publications, 645 Stewart Ave., Garden City, N.Y. 11530. Copies of this master catalog are often available at large radio supply houses.

# Electronic Mathematics and Calculations

Amateur radio, as well as the larger field of electronics, has advanced well beyond the point of trial-and-error design and operation. So much so that a general knowledge of mathematics is required in order to perform the calculations encountered in circuit design and in order to interpret the results obtained in operation.

One of the natural developments in the progress of radio engineering has been the quick acceptance of higher mathematical methods as an aid in solving particular circuit needs. Just as the study of mathematics in early times developed the logarithm as an aid in processing numbers (multiplying, raising to powers, etc.), so advances in electronics, circuit theory and transmission line theory have given rise to the development and use of tools such as vector analysis, Boolean algebra, and the Smith Chart. Some of these techniques lend themselves to use by amateurs and will be discussed in this chapter.

While the mathematical development of these tools is rather complex, their use is not and provided basic rules are followed, results can be achieved for involved problems with less effort than if a purely arithmetical approach were used. These tools are nothing more than processes that enable solutions to problems to be found either more quickly or more simply than by lesser means.

The subject of mathematics falls into two areas, the formation of the problem and the actual calculation of the required result, once the input parameters have been established. The calculation of a result to a formulated problem, given all the necessary input parameters, is known as *arithmetic*.

## 34-1 Arithmetic

The fundamental manipulation of numbers is well known and there is no need to repeat it. However, the experimenter has at his disposal one of the many developments of our time, the desktop or pocket *electronic calculator*. These are available, at low cost, in a variety of complexities from a basic four function device (addition, subtraction, multiplication, and division) to units involving a number of trigonometric and exponential functions, as well as some constants, intermediate result storage, and even the ability to perform programmed calculations of vast proportions.

Having a readout to 8 or more digits, the average calculator is accurate enough for most purposes and takes the drudgery out of calculation. As a result, the pocket calculator has become an electronic scratch pad, saving a good deal of operator time, while giving results of high accuracy. Calculators that are more complex (and thus more expensive) than the basic four function design, only simplify the overall operation in most cases.

**Calculator Use** It is unnecessary to detail the operation of a general pocket calculator as they are accompanied by instructions that detail the peculiarities of the respective unit. With any device, however, there are a few general rules that must be observed in the evaluation of expressions:

Consider a general expression of this kind:

$$\sin \left\{ \left[ \frac{3}{4} \times (77.1 + 16.97) \right] \div \left[ (7.3^{1.9} - 3.04) + 3.3 \right] \right\}$$

Expressions (terms) within parenthesis must be evaluated first, then those within the brackets, and finally those in braces. Operator expressions and complete exponents have to be evaluated before these bracketed expressions can be completed.

The expression reduces to:

$$\sin \left( \frac{3}{4} \times 94.07 \right) \div \left[ (43.943 - 3.04) + 3.3 \right]$$

Then to:

$$\sin 70.5525 \div (40.643 + 3.3)$$

Then to:

$$0.9429 \div 43.943$$

And finally the answer

$$0.02146$$

With operator experience, and a suitable calculator, this calculation could have been performed with 7 number entries and only 9 operator entries, with a total of 33 buttons to press. Longhand methods would involve the use of tables of logarithms and sines, and certainly a lot more time.

Although not covering all the rules of computation, the above example indicates the level of care that must be taken. For example, if in the given expression, the portion  $\sin \frac{3}{4} \times 77.1$  had been performed first, the resulting incorrect answer would have been 0.4091.

**The Square Root Operator** One operator that is not provided on the simpler pocket calculators is the *square root operator*. However, there is a simple process by which a square root can be obtained using a four function calculator only. The process uses the *iteration* formula:

$$\sqrt{a} \cong \frac{(a/x + x)}{2}$$

where,

$a$  is the given square,  
 $x$  is an approximation.

For example, assume that the square root of 153 is required. The square of 12 is 144 and the square of 13 is 169. Thus, the square root of 153 will be about 12.5, as an approximation. Applying the formula and substituting 12.5 for  $x$ :

$$\sqrt{a} \cong \frac{\left( \frac{153}{12.5} + 12.5 \right)}{2} = 12.37$$

This new value is substituted for  $x$  and reiterated:

$$\sqrt{a} = \frac{\left( \frac{153}{12.37} + 12.37 \right)}{2} = 12.369316$$

which is correct to 8 significant figures.

Two methods may be used to establish how many applications of the formula to use. Either the formula may be reapplied until there is no further change in the result, or the result, after a couple of applications of the formula can be squared and compared with the original number whose square root was required, i.e. 12.369316 squared is 152.99997 which is very close to 153, the original number.

**Logarithms** It can be demonstrated that the following equations hold:

$$a^{(p+q)} = a^p \times a^q$$

$$a^{(p-q)} = a^p \div a^q$$

In these equations  $a$  is defined as a *fixed base* and  $p$  and  $q$  as *indices*. As an example of the first equation, let  $a = 2$ ,  $p = 3$ , and  $q = 4$ . Then,

$$a^{(p+q)} = 2^{(3+4)} = 2^7 = 128$$

$$a^p \times a^q = 2^3 \times 2^4 = 8 \times 16 = 128$$

This represents a process that enables complex multiplication and division to be accomplished more simply by addition and subtraction. This technique has been put to convenient use in the form of *logarithms*. The logarithm is defined by the following relationship:

$$a^x = y$$

where  $\log_a (y)$  equals  $x$ .

Thus, the logarithm is simply the *exponent* to which the base ( $a$ ) is raised to obtain the number ( $y$ ). The number ( $y$ ), moreover, can never be negative.

The foregoing equations involving the exponents ( $p$ ) and ( $q$ ) may then be rewritten as:

$$\log_a p + \log_a q = \log_a (p \times q)$$

$$\log_a p - \log_a q = \log_a (p \div q)$$

and by expansion:

$$\log_a p^x = x \log_a p$$

In electronic calculations, base ( $a$ ) usually takes one of three values: 10,  $e$ , or 2

**Base (a) = 10** The *base 10* is the *common logarithm*, chosen because it is the most convenient one to use in the decimal system. It is normally written as  $\log n$ ; the value of ( $a$ ) is not included in this expression as it is assumed to be 10. The convenience of the base 10 can be seen by referring to a table of logarithms (Table 1). If the logarithms of numbers from  $n = 1$  to  $n = 10$  (or 10 to 100) are determined, the logarithms of all other positive numbers can be found, since  $\log 10 = 1$ ,  $\log 100 = 2$ , etc., and  $\log 0.1 = -1$ ,  $\log 0.01 = -2$ , etc. Thus:

$$\log 346 = \log 100 + \log 3.46$$

Then, referring to figure 1, for ( $n$ ) between 1 and 10:

$$\log 3.46 = 0.5391$$

and by the reasoning above,

$$\log 100 = 2$$

Therefore,  $\log 346 = 2.5391$

In this example the logarithm of 3.46 from Table 1 was found by considering the first two figures in the left-hand column (10 to 99) and the third figure along the top row (0 to 9). The intersection of this row and column gives the logarithm of the number: 0.5391.

In many tables there are nine additional columns on the right-hand side. These are called *difference columns* or *proportional columns*. If desired, these can be used to provide further accuracy when the logarithm of a four-figure number is required. The method is to determine the logarithm of the first three figures, as above, and add the difference from the appropriate difference column as determined by the fourth digit.

The inverse, or *antilogarithm* is determined by the reverse of the above process, or alternatively by the use of tables of antilogarithms. This is how these methods apply to a typical numerical example:

$$\begin{array}{rcl} 64.72 \times 1.342 \div 647 & & \\ \log 64.72 & = & 1.8110 \\ + \log 1.342 & = & 0.1277 \\ & & \hline & & 1.9387 \\ - \log 647 & = & -2.8109 \\ & & \hline & & 1.1278 \end{array}$$

A new symbol ( $\bar{1}$ ) is introduced. The logarithm of a number between 1 and 10 is always positive and is called the *mantissa*. The whole-number part of the logarithm is called the *characteristic* and can be positive or negative depending on whether the number itself is greater or less than 1. The notation above, then, really means  $(+0.1278 - 1)$ . Conventionally,  $\bar{1}$  and  $\bar{2}$  (etc.) are used in place of  $-1$  and  $-2$  to indicate that the mantissa is positive.

In these terms, the result of the above calculation becomes:

$$\begin{array}{l} \text{antilog } 1.1278 \\ = \text{antilog } 0.1278 \times \text{antilog } (-1) \\ = 1.342 \times 0.1 \\ = 0.1342 \end{array}$$

**The Decibel** There is a convenient convention for the comparison of electrical power levels that makes use of the common logarithm (Table 2). This is written as the *decibel* (dB). A circuit having either amplification or attenuation is said to have a power gain of  $q$  decibels, where,

$$q = 10 \log \left( \frac{\text{power out}}{\text{power in}} \right)$$

Thus, if an amplifier has an output of 100 watts resulting from an input of 1 watt, the amplifier is said to have a power gain of 20 dB, since:

$$\begin{aligned} 10 \log \left( \frac{\text{power out}}{\text{power in}} \right) &= 10 \log 100 \\ &= 10 \times 2 = 20 \text{ dB} \end{aligned}$$

This notation is also used to express *signal level* in a circuit, but this is meaningless unless a reference is considered, since the decibel refers only to relative quantities. The usual reference of zero dB is one milliwatt (mW). This has been chosen because it is approximately the power level associated



with a telephone circuit at the microphone. When this level is applied to an impedance of 600 ohms (also the nominal impedance of a telephone line) the voltage across the line is 0.775 volt, rms. Unfortunately, this

terminology is often misused and terms such as "a voltage gain of  $x$  decibels" are widely used. The reference is only true if the impedances of the input and output levels are identical.

Table 1. Four-Place Logarithms

	0	1	2	3	4	5	6	7	8	9	proportional parts								
											1	2	3	4	5	6	7	8	9
10	0000	0043	0086	0128	0170	0212	0253	0294	0334	0374	4 8 12	17 21 25	29 33 37						
11	0414	0453	0492	0531	0569	0607	0645	0682	0719	0755	4 8 11	15 19 23	26 30 34						
12	0792	0828	0864	0899	0934	0969	1004	1038	1072	1106	3 7 10	14 17 21	24 28 31						
13	1139	1173	1206	1239	1271	1303	1335	1367	1399	1430	3 6 10	13 16 19	23 26 29						
14	1461	1492	1523	1553	1584	1614	1644	1673	1703	1732	3 6 9	12 15 18	21 24 27						
15	1761	1790	1818	1847	1875	1903	1931	1959	1987	2014	3 6 8	11 14 17	20 22 25						
16	2041	2068	2095	2122	2148	2175	2201	2227	2253	2279	3 5 8	11 13 16	18 21 24						
17	2304	2330	2355	2380	2405	2430	2455	2480	2504	2529	2 5 7	10 12 15	17 20 22						
18	2553	2577	2601	2625	2648	2672	2695	2718	2742	2765	2 5 7	9 12 14	16 19 21						
19	2788	2810	2833	2856	2878	2900	2923	2945	2967	2989	2 4 7	9 11 13	16 18 20						
20	3010	3032	3054	3075	3096	3118	3139	3160	3181	3201	2 4 6	8 11 13	15 17 19						
21	3222	3243	3263	3284	3304	3324	3345	3365	3385	3404	2 4 6	8 10 12	14 16 18						
22	3424	3444	3464	3483	3502	3522	3541	3560	3579	3598	2 4 6	8 10 12	14 15 17						
23	3617	3636	3655	3674	3692	3711	3729	3747	3766	3784	2 4 6	7 9 11	13 15 17						
24	3802	3820	3838	3856	3874	3892	3909	3927	3945	3962	2 4 5	7 9 11	12 14 16						
25	3979	3997	4014	4031	4048	4065	4082	4099	4116	4133	2 3 5	7 9 10	12 14 15						
26	4150	4166	4183	4200	4216	4232	4249	4265	4281	4298	2 3 5	7 8 10	11 13 15						
27	4314	4330	4346	4362	4378	4393	4409	4425	4440	4456	2 3 5	6 8 9	11 13 14						
28	4472	4487	4502	4518	4533	4548	4564	4579	4594	4609	2 3 5	6 8 9	11 12 14						
29	4624	4639	4654	4669	4683	4698	4713	4728	4742	4757	1 3 4	6 7 9	10 12 13						
30	4771	4786	4800	4814	4829	4843	4857	4871	4886	4900	1 3 4	6 7 9	10 11 13						
31	4914	4928	4942	4955	4969	4983	4997	5011	5024	5038	1 3 4	6 7 8	10 11 12						
32	5051	5065	5079	5092	5105	5119	5132	5145	5159	5172	1 3 4	5 7 8	9 11 12						
33	5185	5198	5211	5224	5237	5250	5263	5276	5289	5302	1 3 4	5 6 8	9 10 12						
34	5315	5328	5340	5353	5366	5378	5391	5403	5416	5428	1 3 4	5 6 8	9 10 11						
35	5441	5453	5465	5478	5490	5502	5514	5527	5539	5551	1 2 4	5 6 7	9 10 11						
36	5563	5575	5587	5599	5611	5623	5635	5647	5658	5670	1 2 4	5 6 7	8 10 11						
37	5682	5694	5705	5717	5729	5740	5752	5763	5775	5786	1 2 3	5 6 7	8 9 10						
38	5798	5809	5821	5832	5843	5855	5866	5877	5888	5899	1 2 3	5 6 7	8 9 10						
39	5911	5922	5933	5944	5955	5966	5977	5988	5999	6010	1 2 3	4 5 7	8 9 10						
40	6021	6031	6042	6053	6064	6075	6085	6096	6107	6117	1 2 3	4 5 6	8 9 10						
41	6128	6138	6149	6160	6170	6180	6191	6201	6212	6222	1 2 3	4 5 6	7 8 9						
42	6232	6243	6253	6263	6274	6284	6294	6304	6314	6325	1 2 3	4 5 6	7 8 9						
43	6335	6345	6355	6365	6375	6385	6395	6405	6415	6425	1 2 3	4 5 6	7 8 9						
44	6435	6444	6454	6464	6474	6484	6493	6503	6513	6522	1 2 3	4 5 6	7 8 9						
45	6532	6542	6551	6561	6571	6580	6590	6599	6609	6618	1 2 3	4 5 6	7 8 9						
46	6628	6637	6646	6656	6665	6675	6684	6693	6702	6712	1 2 3	4 5 6	7 7 8						
47	6721	6730	6739	6749	6758	6767	6776	6785	6794	6803	1 2 3	4 5 5	6 7 8						
48	6812	6821	6830	6839	6848	6857	6866	6875	6884	6893	1 2 3	4 4 5	6 7 8						
49	6902	6911	6920	6928	6937	6946	6955	6964	6972	6981	1 2 3	4 4 5	6 7 8						
50	6990	6998	7007	7016	7024	7033	7042	7050	7059	7067	1 2 3	3 4 5	6 7 8						
51	7076	7084	7093	7101	7110	7118	7126	7135	7143	7152	1 2 3	3 4 5	6 7 8						
52	7160	7168	7177	7185	7193	7202	7210	7218	7226	7235	1 2 2	3 4 5	6 7 7						
53	7243	7251	7259	7267	7275	7284	7292	7300	7308	7316	1 2 2	3 4 5	6 6 7						
54	7324	7332	7340	7348	7356	7364	7372	7380	7388	7396	1 2 2	3 4 5	6 6 7						

Negative gain (loss) may be calculated by the same process. For example, an attenuator pad has equal input and output impedances, and the output voltage is 1 volt when the input voltage is 100 volts.

$$\text{gain} = 20 \log \left( \frac{\text{volts out}}{\text{volts in}} \right)$$

$$= 20 \log 1/100 = 20 (-2) = -40 \text{ dB}$$

Alternatively, the pad may be said to have a loss of + 40 dB. Also,

Table 1. Four-Place Logarithms

	0	1	2	3	4	5	6	7	8	9	proportional parts								
											1	2	3	4	5	6	7	8	9
55	7404	7412	7419	7427	7435	7443	7451	7459	7466	7474	1 2 2	3 4 5	5 6 7						
56	7482	7490	7497	7505	7513	7520	7528	7536	7543	7551	1 2 2	3 4 5	5 6 7						
57	7559	7566	7574	7582	7589	7597	7604	7612	7619	7627	1 2 2	3 4 5	5 6 7						
58	7634	7642	7649	7657	7664	7672	7679	7686	7694	7701	1 1 2	3 4 4	5 6 7						
59	7709	7716	7723	7731	7738	7745	7752	7760	7767	7774	1 1 2	3 4 4	5 6 7						
60	7782	7789	7796	7803	7810	7818	7825	7832	7839	7846	1 1 2	3 4 4	5 6 6						
61	7853	7860	7868	7875	7882	7889	7896	7903	7910	7917	1 1 2	3 4 4	5 6 6						
62	7924	7931	7938	7945	7952	7959	7966	7973	7980	7987	1 1 2	3 3 4	5 6 6						
63	7993	8000	8007	8014	8021	8028	8035	8041	8048	8055	1 1 2	3 3 4	5 5 6						
64	8062	8069	8075	8082	8089	8096	8102	8109	8116	8122	1 1 2	3 3 4	5 5 6						
65	8129	8136	8142	8149	8156	8162	8169	8176	8182	8189	1 1 2	3 3 4	5 5 6						
66	8195	8202	8209	8215	8222	8228	8235	8241	8248	8254	1 1 2	3 3 4	5 5 6						
67	8261	8267	8274	8280	8287	8293	8299	8306	8312	8319	1 1 2	3 3 4	5 5 6						
68	8325	8331	8338	8344	8351	8357	8363	8370	8376	8382	1 1 2	3 3 4	4 5 6						
69	8388	8395	8401	8407	8414	8420	8426	8432	8439	8445	1 1 2	2 3 4	4 5 6						
70	8451	8457	8463	8470	8476	8482	8488	8494	8500	8506	1 1 2	2 3 4	4 5 6						
71	8513	8519	8525	8531	8537	8543	8549	8555	8561	8567	1 1 2	2 3 4	4 5 5						
72	8573	8579	8585	8591	8597	8603	8609	8615	8621	8627	1 1 2	2 3 4	4 5 5						
73	8633	8639	8645	8651	8657	8663	8669	8675	8681	8686	1 1 2	2 3 4	4 5 5						
74	8692	8698	8704	8710	8716	8722	8727	8733	8739	8745	1 1 2	2 3 4	4 5 5						
75	8751	8756	8762	8768	8774	8779	8785	8791	8797	8802	1 1 2	2 3 3	4 5 5						
76	8808	8814	8820	8825	8831	8837	8842	8848	8854	8859	1 1 2	2 3 3	4 5 5						
77	8865	8871	8876	8882	8887	8893	8899	8904	8910	8915	1 1 2	2 3 3	4 4 5						
78	8921	8927	8932	8938	8943	8949	8954	8960	8965	8971	1 1 2	2 3 3	4 4 5						
79	8976	8982	8987	8993	8998	9004	9009	9015	9020	9025	1 1 2	2 3 3	4 4 5						
80	9031	9036	9042	9047	9053	9058	9063	9069	9074	9079	1 1 2	2 3 3	4 4 5						
81	9085	9090	9096	9101	9106	9112	9117	9122	9128	9133	1 1 2	2 3 3	4 4 5						
82	9138	9143	9149	9154	9159	9165	9170	9175	9180	9186	1 1 2	2 3 3	4 4 5						
83	9191	9196	9201	9206	9212	9217	9222	9227	9232	9238	1 1 2	2 3 3	4 4 5						
84	9243	9248	9253	9258	9263	9269	9274	9279	9284	9289	1 1 2	2 3 3	4 4 5						
85	9294	9299	9304	9309	9315	9320	9325	9330	9335	9340	1 1 2	2 3 3	4 4 5						
86	9345	9350	9355	9360	9365	9370	9375	9380	9385	9390	1 1 2	2 3 3	4 4 5						
87	9395	9400	9405	9410	9415	9420	9425	9430	9435	9440	0 1 1	2 2 3	3 4 4						
88	9445	9450	9455	9460	9465	9469	9474	9479	9484	9489	0 1 1	2 2 3	3 4 4						
89	9494	9499	9504	9509	9513	9518	9523	9528	9533	9538	0 1 1	2 2 3	3 4 4						
90	9542	9547	9552	9557	9562	9566	9571	9576	9581	9586	0 1 1	2 2 3	3 4 4						
91	9590	9595	9600	9605	9609	9614	9619	9624	9628	9633	0 1 1	2 2 3	3 4 4						
92	9638	9643	9647	9652	9657	9661	9666	9671	9675	9680	0 1 1	2 2 3	3 4 4						
93	9685	9689	9694	9699	9703	9708	9713	9717	9722	9727	0 1 1	2 2 3	3 4 4						
94	9731	9736	9741	9745	9750	9754	9759	9763	9768	9773	0 1 1	2 2 3	3 4 4						
95	9777	9782	9786	9791	9795	9800	9805	9809	9814	9818	0 1 1	2 2 3	3 4 4						
96	9823	9827	9832	9836	9841	9845	9850	9854	9859	9863	0 1 1	2 2 3	3 4 4						
97	9868	9872	9877	9881	9886	9890	9894	9899	9903	9908	0 1 1	2 2 3	3 4 4						
98	9912	9917	9921	9926	9930	9934	9939	9943	9948	9952	0 1 1	2 2 3	3 4 4						
99	9956	9961	9965	9969	9974	9978	9983	9987	9991	9996	0 1 1	2 2 3	3 3 4						

Table 2. Decibel Gains Versus Power Ratios

The decibel, abbreviated dB, is a unit used to express the ratio between two amounts of power,  $P_1$  and  $P_2$ , existing at two points. By definition number of dB =  $10 \log_{10} (P_1/P_2)$ . It is also used to express voltage and current ratios: number of dB =  $20 \log_{10} (V_1/V_2) = 20 \log_{10} (I_1/I_2)$ .

Strictly, it can be used to express voltage and current ratios only when the voltages or currents in question are measured at places having identical impedances.

Power Ratio	Voltage and Current Ratio	Decibels	Nepers	Power Ratio	Voltage and Current Ratio	Decibels	Nepers
1.0233	1.0116	0.1	0.01	19.953	4.4668	13.0	1.50
1.0471	1.0233	0.2	0.02	25.119	5.0119	14.0	1.61
1.0715	1.0351	0.3	0.03	31.623	5.6234	15.0	1.73
1.0965	1.0471	0.4	0.05	39.811	6.3096	16.0	1.84
1.1220	1.0593	0.5	0.06	50.119	7.0795	17.0	1.96
1.1482	1.0715	0.6	0.07	63.096	7.9433	18.0	2.07
1.1749	1.0839	0.7	0.08	79.433	8.9125	19.0	2.19
1.2023	1.0965	0.8	0.09	100.00	10.0000	20.0	2.30
1.2303	1.1092	0.9	0.10	158.49	12.589	22.0	2.53
1.2589	1.1220	1.0	0.12	251.19	15.849	24.0	2.76
1.3183	1.1482	1.2	0.14	398.11	19.953	26.0	2.99
1.3804	1.1749	1.4	0.16	630.96	25.119	28.0	3.22
1.4454	1.2023	1.6	0.18	1000.0	31.623	30.0	3.45
1.5136	1.2303	1.8	0.21	1584.9	39.811	32.0	3.68
1.5849	1.2589	2.0	0.23	2511.9	50.119	34.0	3.91
1.6595	1.2882	2.2	0.25	3981.1	63.096	36.0	4.14
1.7378	1.3183	2.4	0.28	6309.6	79.433	38.0	4.37
1.8197	1.3490	2.6	0.30	10 <sup>4</sup>	100.000	40.0	4.60
1.9055	1.3804	2.8	0.32	10 <sup>4</sup> × 1.5849	125.89	42.0	4.83
1.9953	1.4125	3.0	0.35	10 <sup>4</sup> × 2.5119	158.49	44.0	5.06
2.2387	1.4962	3.5	0.40	10 <sup>4</sup> × 3.9811	199.53	46.0	5.29
2.5119	1.5849	4.0	0.46	10 <sup>4</sup> × 6.3096	251.19	48.0	5.52
2.8184	1.6788	4.5	0.52	10 <sup>5</sup>	316.23	50.0	5.76
3.1623	1.7783	5.0	0.58	10 <sup>5</sup> × 1.5849	398.11	52.0	5.99
3.5481	1.8836	5.5	0.63	10 <sup>5</sup> × 2.5119	501.19	54.0	6.22
3.9811	1.9953	6.0	0.69	10 <sup>5</sup> × 3.9811	630.96	56.0	6.45
5.0119	2.2387	7.0	0.81	10 <sup>5</sup> × 6.3096	794.33	58.0	6.68
6.3096	2.5119	8.0	0.92	10 <sup>6</sup>	1 000.00	60.0	6.91
7.9433	2.8184	9.0	1.04	10 <sup>7</sup>	3 162.3	70.0	8.06
10.0000	3.1623	10.0	1.15	10 <sup>8</sup>	10 000.0	80.0	9.21
12.589	3.5481	11.0	1.27	10 <sup>9</sup>	31 623	90.0	10.36
15.849	3.9811	12.0	1.38	10 <sup>10</sup>	100 000	100.0	11.51

To convert:

Decibels to nepers, multiply by 0.1151

Decibels per statute mile to nepers per kilometer, multiply by  $7.154 \times 10^{-2}$

Decibels per nautical mile to nepers per kilometer, multiply by  $6.215 \times 10^{-2}$

Nepers to decibels, multiply by 8.686

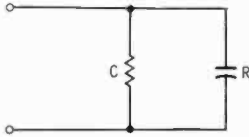
Nepers per kilometer to decibels per statute mile, multiply by 13.978

Nepers per kilometer to decibels per nautical mile, multiply by 16.074.

Where the power ratio is less than unity, it is usual to invert the fraction and express the answer as a decibel loss.

$$\text{loss} = 10 \log \left( \frac{\text{power in}}{\text{power out}} \right) \text{ decibels}$$

**Base (a) = (e) = 2.71828** The expression  $\log_e (n)$ , is known as the *natural logarithm*; it is usually written  $\ln (n)$ . It is called the natural logarithm because it occurs so regularly in nature, from the hanging shape of a chain to the voltage decay of an RC circuit. It is the latter case which is of most interest to the amateur (figure 1).



**Figure 1**

**SIMPLE RC PARALLEL CIRCUIT HAS EXPONENTIAL VOLTAGE DECAY**

In this simple RC decay circuit the voltage across the network falls to  $1/e$  of its initial value in time ( $t$ ) where,  $t = RC$  (seconds = ohms  $\times$  farads). Thus,

$$V_o/V_t = e^{\frac{t}{RC}}$$

and,

$$\ln (V_o/V_t) = \ln e^{\frac{t}{RC}} = \frac{t}{RC} \quad \ln e = \frac{t}{RC}$$

and thus,

$$\ln (V_o/V_t) = t/RC$$

where,

$V_o$  is the initial voltage and  $V_t$  is the final voltage at time ( $t$ ), as shown in figure 2.

For example, let  $R = 1$  megohm,  $C = 1 \mu\text{F}$ ; i.e.  $RC = 1$  and,

$$V_o = 1000 \text{ and } V_t = 0.1$$

then,

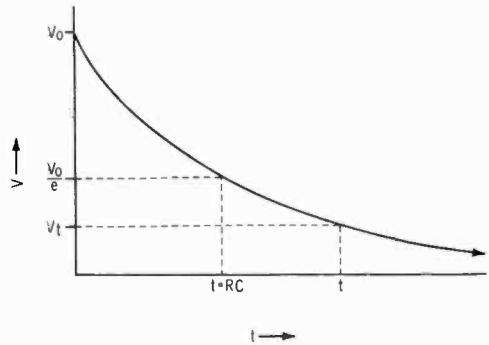
$$t = RC \ln (V_o/V_t) = 1 \times \ln (1000/0.1) \\ t = \ln 10,000$$

Tables of natural logarithms are inconvenient and are generally not available. On the other hand, logarithms to the base (10) may be used with a suitable multiplier:

$$\ln (n) = 2.3026 \log (n)$$

and,

$$\log (n) = 0.4343 \ln (n)$$



**Figure 2**

**DECAY CURVE OF FIGURE 1**

Accordingly, in the above example,

$$t = \ln (10,000) \\ = 2.3026 \log (10,000) \\ = 2.3026 \times 4 \\ t = 9.2104 \text{ seconds}$$

The inverse of this procedure may be used to determine an unknown  $R$  or  $C$ , but commonly only for very large values (those outside the range of available test instruments).

An European usage of the natural logarithm is the *neper*. This is a unit of power comparison similar to the decibel, and is defined as:

$$\text{gain} = \ln \left( \frac{\text{power out}}{\text{power in}} \right) \quad \text{nepers}$$

**Base (a) = 2** Logarithms to the base (2) are encountered in electronics when the concept of channel or system utilization, or efficiency is considered. Similarly, they are also encountered in some noise calculations.

**Other Uses** There are various other uses of logarithms, among which are: *the slide rule*. The arithmetic part of a slide rule is based on logarithms to the base (10), and effectively multiplies and divides by adding and subtracting logarithms. The use of a slide rule is strongly advocated for all persons in electronics, but no instructions are included herewith, because there are many texts and

instruction manuals supplied by slide rule manufacturers.

**Graphical Uses**—Many graphical uses of logarithms exist. For example, log/log curves of amplitude response versus frequency, since the plotted results are usually straight lines which are easy to construct and analyze.

**Significant Figures** In most radio calculations, numbers represent quantities which were obtained by measurement. Since no measurement gives absolute accuracy, such quantities are only approximate and their value is given only to a few significant figures. In calculations, these limitations must be kept in mind and one should not finish, for instance, with a result expressed in more significant figures than the given quantities at the beginning. This would imply a greater accuracy than actually was obtained and is therefore misleading, if not ridiculous.

An example may make this clear. Many ammeters and voltmeters do not give results to closer than  $\frac{1}{4}$  ampere or  $\frac{1}{4}$  volt. Thus if we have  $2\frac{1}{4}$  amperes flowing in a dc circuit at  $6\frac{3}{4}$  volts, we can obtain a theoretical answer by multiplying 2.25 by 6.75 to get 15.1875 watts. But it is misleading to express the answer down to a ten-thousandth of a watt when the original measurements were only good to  $\frac{1}{4}$  ampere or volt. The answer should be expressed as 15 watts, not even 15.0 watts. If we assume a possible error of  $\frac{1}{8}$  volt or ampere (that is, that our original data are only correct to the *nearest*  $\frac{1}{4}$  volt or ampere) the true power lies between 14.078 (product of  $2\frac{1}{8}$  and  $6\frac{7}{8}$ ) and 16.328 (product of  $2\frac{3}{8}$  and  $6\frac{7}{8}$ ). Therefore, any third significant figure would be misleading as implying an accuracy which we do not have.

Conversely, there is also no point to calculating the value of a part down to 5 or 6 significant figures when the actual part to be used cannot be measured to better than 1 part in one hundred. For instance, if we are going to use 1% resistors in some circuit, such as an ohmmeter, there is no need to calculate the value of such a resistor to 5 places, such as 1262.5 ohms. Obviously, 1% of this quantity is over 12 ohms and the value should simply be written as 1260 ohms.

There is a definite technique in handling these approximate figures. When giving values obtained by measurement, no more figures are given than the accuracy of the measurement permits. Thus, if the measurement is good to two places, we would write, for instance, 6.9 which would mean that the true value is somewhere between 6.85 and 6.95. If the measurement is known to three significant figures, we might write 6.90 which means that the true value is somewhere between 6.895 and 6.905. In dealing with approximate quantities, the added cipher at the right of the decimal point has a meaning.

There is unfortunately no standardized system of writing approximate figures with many ciphers to the left of the decimal point. 69000 does not necessarily mean that the quantity is known to 5 significant figures. Some indicate the accuracy by writing  $69 \times 10^3$  or  $690 \times 10^2$ , etc., but this system is not universally employed. The reader can use his own system, but whatever notation is used, the number of significant figures should be kept in mind.

Working with approximate figures, one may obtain an idea of the influence of the doubtful figures by marking all of them, and products or sums derived from them. In the following example, the doubtful figures have been underlined.

$$\begin{array}{r} 603 \\ 34.6 \\ \underline{0.120} \\ 637.720 \end{array} \text{ answer: } 638$$

Multiplication:

$$\begin{array}{r} 654 \\ \underline{0.342} \\ 1308 \\ 2616 \\ \underline{1962} \\ 223.668 \end{array} \text{ answer: } 224 \quad \begin{array}{r} 654 \\ \underline{0.342} \\ 196|2 \\ 26|16 \\ \underline{1|308} \\ 224 \end{array}$$

It is recommended that the system at the right be used and that the figures to the right of the vertical line be omitted or guessed so as to save labor. Here the partial products are written in the reverse order, the most important ones first.

In division, labor can be saved when after each digit of the quotient is obtained, one figure of the divisor be dropped. Example:

$$\begin{array}{r} 1.28 \\ 527 \overline{) 673} \\ \underline{527} \\ 146 \\ 53 \overline{) 146} \\ \underline{106} \\ 40 \\ 5 \overline{) 40} \\ \underline{40} \end{array}$$

## 34-2 Algebra

Algebra is not a separate branch of mathematics but is merely a form of *generalized arithmetic* in which letters of the alphabet and occasional other symbols are substituted for numbers, from which it is often referred to as *literal notation*. It is simply a short-hand method of writing operations which could be spelled out.

The laws of most common electrical phenomena and circuits (including of course radio phenomena and circuits) lend themselves particularly well to representation by literal notation and solution by algebraic equations or formulas.

While we may write a particular problem in Ohm's law as an ordinary division or multiplication, the general statement of all such problems calls for the replacement of the numbers by symbols. We might be explicit and write out the names of the units and use these names as symbols:

$$\text{volts} = \text{amperes} \times \text{ohms}$$

Such a procedure becomes too clumsy when the expression is more involved and would be unusually cumbersome if any operations like multiplication were required. Therefore as a short way of writing these generalized relations the numbers are represented by letters. Ohm's law then becomes

$$E = I \times R$$

In the statement of any particular problem the significance of the letters is usually indicated directly below the equation or formula using them unless there can be no ambiguity. Thus the above form of Ohm's law would be more completely written as:

$$E = I \times R$$

where,

$E$  equals e.m.f. in volts,

$I$  equals current in amperes,

$R$  equals resistance in ohms.

Letters therefore represent numbers, and for any letter we can read "any number." When the same letter occurs again in the same expression we would mentally read "the same number," and for another letter "another number of any value."

These letters are connected by the usual operational symbols of arithmetic,  $+$ ,  $-$ ,  $\times$ ,  $\div$ , etc. In algebra, the sign for division is seldom used, a division being usually written as a fraction. The multiplication sign,  $\times$ , is usually omitted or one may write a dot only. Examples:

$$\begin{aligned} 2 \times a \times b &= 2ab \\ 2 \cdot 3 \cdot 4 \cdot 5a &= 2 \times 3 \times 4 \times 5 \times a \end{aligned}$$

In practical applications of algebra, an expression usually states some physical law and each letter represents a variable quantity which is therefore called a *variable*. A fixed number in front of such a quantity (by which it is to be multiplied) is known as the *coefficient*. Sometimes the coefficient may be unknown, yet to be determined; it is then also written as a letter;  $k$  is most commonly used for this purpose.

**The Negative Sign** In ordinary arithmetic we seldom work with negative numbers, although we may be "short" in a subtraction. In algebra, however, a number may be either negative or positive. Such a thing may seem *academic* but a negative quantity can have a real existence. We need only refer to a *debt* being considered a negative possession. In electrical work, however, a result of a problem might be a negative number of amperes or volts, indicating that the direction of the current is opposite to the direction chosen as positive. This will be illustrated later.

Having established the existence of negative quantities, we must now learn how to work with these negative quantities in addition, subtraction, multiplication, etc.

In addition, a negative number added to a positive number is the same as subtracting a positive number from it.

$$\frac{-3}{4} \text{ (add) is the same as } \frac{3}{4} \text{ (subtract)}$$

or it might be written

$$7 + (-3) = 7 - 3 = 4$$

Similarly, we have:

$$a + (-b) = a - b$$

When a minus sign is in front of an expression in brackets, this minus sign has the effect of reversing the signs of every term within the brackets:

$$\begin{aligned} -(a - b) &= -a + b \\ -(2a + 3b - 5c) &= -2a - 3b + 5c \end{aligned}$$

**Multiplication**—When both the multiplicand and the multiplier are negative, the product is positive. When only one (either one) is negative the product is negative. The four possible cases are illustrated below:

$$\begin{array}{ll} + \times + = + & + \times - = - \\ - \times + = - & - \times - = + \end{array}$$

**Division**—Since division is but the reverse of multiplication, similar rules apply for the sign of the quotient. When both the dividend and the divisor have the same sign (both negative or both positive) the quotient is positive. If they have unlike signs (one positive and one negative) the quotient is negative.

$$\begin{array}{ll} \frac{+}{+} = + & \frac{+}{-} = - \\ \frac{-}{+} = - & \frac{-}{-} = + \end{array}$$

**Powers**—Even powers of negative numbers are positive and *odd* powers are negative. Powers of positive numbers are always positive. Examples:

$$\begin{aligned} -2^2 &= -2 \times -2 = +4 \\ -2^3 &= -2 \times -2 \times -2 \\ &= +4 \times -2 = -8 \end{aligned}$$

**Roots**—Since the square of a negative number is positive and the square of a positive number is also positive, it follows that a positive number has two square roots. The square root of 4 can be either +2 or -2

for  $(+2) \times (+2) = +4$  and  $(-2) \times (-2) = +4$ .

**Addition and Subtraction** *Polynomials* are quantities like  $3ab^2 + 4ab^3 - 7a^2b^4$  which have several terms of different *names*. When adding polynomials, only terms of the same name can be taken together.

$$\begin{array}{r} 7a^3 + 8ab^2 + 3a^2b \quad + 3 \\ a^3 - 5ab^2 \quad - b^3 \\ \hline 8a^3 + 3ab^2 + 3a^2b - b^3 + 3 \end{array}$$

**Collecting terms.** When an expression contains more than one term of the same name, these can be added together and the expression made simpler:

$$\begin{aligned} 5x^2 + 2xy + 3xy^2 - 3x^2 + 7xy &= \\ 5x^2 - 3x^2 + 2xy + 7xy + 3xy^2 &= \\ 2x^2 + 9xy + 3xy^2 & \end{aligned}$$

**Multiplication** Multiplication of single terms is indicated simply by writing them together.

$$a \times b \text{ is written as } ab$$

$$a \times b^2 \text{ is written as } ab^2$$

Bracketed quantities are multiplied by a single term by multiplying each term:

$$a(b + c + d) = ab + ac + ad$$

When two bracketed quantities are multiplied, each term of the first bracketed quantity is to be multiplied by each term of the second bracketed quantity, thereby making every possible combination.

$$(a + b)(c + d) = ac + ad + bc + bd$$

In this work particular care must be taken to get the signs correct. Examples:

$$(a + b)(a - b) = a^2 + ab - ab - b^2 = a^2 - b^2$$

$$(a + b)(a + b) = a^2 + ab + ab + b^2 = a^2 + 2ab + b^2$$

$$(a - b)(a - b) = a^2 - ab - ab + b^2 = a^2 - 2ab + b^2$$

**Division** It is possible to do longhand division in algebra, although it is somewhat more complicated than in arithmetic. However, the division will seldom come out even, and is not often done in this form. The method is as follows: Write the terms of the dividend in the order of descending powers of one variable and do likewise with the divisor. Example:

$$\text{Divide } 5a^2b + 21b^3 + 2a^3 - 26ab^2 \text{ by } 2a - 3b$$

Write the dividend in the order of descending powers of  $a$  and divide in the same way as in arithmetic.

$$\begin{array}{r} \phantom{2a - 3b} \phantom{)} \phantom{2a^3} + 4ab - 7b^2 \\ 2a - 3b \phantom{)} 2a^3 + 5a^2b - 26ab^2 + 21b^3 \\ \underline{2a^3 - 3a^2b} \phantom{+ 21b^3} \\ \phantom{2a - 3b} \phantom{)} \phantom{2a^3} + 8a^2b - 26ab^2 \\ \phantom{2a - 3b} \phantom{)} \phantom{2a^3} + 8a^2b - 12ab^2 \\ \underline{\phantom{2a - 3b} \phantom{)} \phantom{2a^3} + 8a^2b - 12ab^2} \\ \phantom{2a - 3b} \phantom{)} \phantom{2a^3} \phantom{+ 8a^2b} - 14ab^2 + 21b^3 \\ \phantom{2a - 3b} \phantom{)} \phantom{2a^3} \phantom{+ 8a^2b} - 14ab^2 + 21b^3 \\ \hline \phantom{2a - 3b} \phantom{)} \phantom{2a^3} \phantom{+ 8a^2b} \phantom{- 14ab^2} + 21b^3 \end{array}$$

Another example: Divide  $x^3 - y^3$  by  $x - y$ :

$$\begin{array}{r} x - y \phantom{)} x^3 + 0 + 0 - y^3 \phantom{+ y^2} \\ \underline{x^3 - x^2y} \phantom{+ y^2} \\ \phantom{x - y} \phantom{)} \phantom{x^3} + x^2y - xy^2 \\ \underline{\phantom{x - y} \phantom{)} \phantom{x^3} + x^2y - xy^2} \\ \phantom{x - y} \phantom{)} \phantom{x^3} \phantom{+ x^2y} + xy^2 - y^3 \\ \underline{\phantom{x - y} \phantom{)} \phantom{x^3} \phantom{+ x^2y} + xy^2 - y^3} \\ \phantom{x - y} \phantom{)} \phantom{x^3} \phantom{+ x^2y} \phantom{+ xy^2} - y^3 \end{array}$$

**Factoring** Very often it is necessary to simplify expressions by finding a factor. This is done by collecting two or more terms having the same factor and bringing the factor outside the brackets:

$$6ab + 3ac = 3a(2b + c)$$

In a four term expression one can take together two terms at a time; the intention is to try getting the terms within the brackets the same after the factor has been removed:

$$\begin{aligned} 30ac - 18bc + 10ad - 6bd &= \\ 6c(5a - 3b) + 2d(5a - 3b) &= \\ (5a - 3b)(6c + 2d) & \end{aligned}$$

Of course, this is not always possible and the expression may not have any factors. A similar process can of course be followed when the expression has six or eight or any even number of terms.

A special case is a three-term polynomial, which can sometimes be factored by writing the middle term as the sum of two terms:

$$\begin{aligned} x^2 - 7xy + 12y^2 &\text{ may be rewritten as} \\ x^2 - 3xy - 4xy + 12y^2 &= \\ x(x - 3y) - 4y(x - 3y) &= \\ (x - 4y)(x - 3y) & \end{aligned}$$

The middle term should be split into two in such a way that the sum of the two new terms equals the original middle term and that their product equals the product of the two outer terms. In the above example these conditions are fulfilled for  $-3xy - 4xy = -7xy$  and  $(-3xy)(-4xy) = 12x^2y^2$ . It is not always possible to do this and there are then no simple factors.

**Working with Powers and Roots**

When two powers of the same number are to be multiplied, the exponents are added.

$$\begin{aligned} a^2 \times a^3 &= aa \times aaa = aaaaa = a^5 \text{ or} \\ a^2 \times a^3 &= a^{(2+3)} = a^5 \\ b^3 \times b &= b^4 \\ c^5 \times c^7 &= c^{12} \end{aligned}$$

Similarly, dividing of powers is done by subtracting the exponents.

$$\begin{aligned} \frac{a^3}{a^2} &= \frac{aaa}{aa} = a \text{ or } \frac{a^3}{a^2} = a^{(3-2)} = a^1 = a \\ \frac{b^5}{b^3} &= \frac{bbbbb}{bbb} = b^2 \text{ or } \frac{b^5}{b^3} = b^{(5-3)} = b^2 \end{aligned}$$

Now we are logically led into some important new ways of notation. We have seen that when dividing, the exponents are subtracted. This can be continued into negative exponents. In the following series, we successively divide by  $a$  and since this can now be done in two ways, the two ways of notation must have the same meaning and be identical.



$$\begin{array}{lll}
 a^5 & a^2 & a^{-1} = \frac{1}{a} \\
 a^4 & a^1 = a & a^{-2} = \frac{1}{a^2} \\
 a^3 & a^0 = 1 & a^{-3} = \frac{1}{a^3}
 \end{array}$$

These examples illustrate two rules: (1) any number raised to "zero" power equals one or unity; (2) any quantity raised to a negative power is the inverse or reciprocal of the same quantity raised to the same positive power.

$$n^0 = 1 \quad a^{-n} = \frac{1}{a^n}$$

**Roots**—The product of the square root of two quantities equals the square root of their product.

$$\sqrt{a} \times \sqrt{b} = \sqrt{ab}$$

Also, the quotient of two roots is equal to the root of the quotient.

$$\frac{\sqrt{a}}{\sqrt{b}} = \sqrt{\frac{a}{b}}$$

Note, however, that in addition or subtraction the square root of the sum or difference is *not* the same as the sum or difference of the square roots.

$$\text{Thus, } \sqrt{9} - \sqrt{4} = 3 - 2 = 1$$

$$\text{but } \sqrt{9 - 4} = \sqrt{5} = 2.2361$$

Likewise  $\sqrt{a} + \sqrt{b}$  is *not* the same as  $\sqrt{a+b}$

Roots may be written as fractional powers.

Thus  $\sqrt{a}$  may be written as  $a^{1/2}$  because

$$\sqrt{a} \times \sqrt{a} = a$$

and,  $a^{1/2} \times a^{1/2} = a^{1/2+1/2} = a^1 = a$

Any root may be written in this form

$$\sqrt{b} = b^{1/2} \quad \sqrt[3]{b} = b^{1/3} \quad \sqrt[4]{b^3} = b^{3/4}$$

The same notation is also extended in the negative direction:

$$b^{-1/2} = \frac{1}{b^{1/2}} = \frac{1}{\sqrt{b}} \quad c^{-1/3} = \frac{1}{c^{1/3}} = \frac{1}{\sqrt[3]{c}}$$

Following the previous rules that exponents add when powers are multiplied,

$$\begin{array}{l}
 \sqrt[3]{a} \times \sqrt[3]{a} = \sqrt[3]{a^2} \\
 \text{but also } a^{1/3} \times a^{1/3} = a^{2/3} \\
 \text{therefore } a^{2/3} = \sqrt[3]{a^2}
 \end{array}$$

**Powers of powers**—When a power is again raised to a power, the exponents are multiplied;

$$\begin{array}{ll}
 (a^2)^3 = a^6 & (b^{-1})^3 = b^{-3} \\
 (a^3)^4 = a^{12} & (b^{-2})^{-4} = b^8
 \end{array}$$

This same rule also applies to roots of roots and also powers of roots and roots of powers because a root can always be written as a fractional power.

$$\sqrt[3]{\sqrt{a}} = \sqrt[6]{a} \text{ for } (a^{1/2})^{1/3} = a^{1/6}$$

**Removing radicals**—A root or radical in the denominator of a fraction makes the expression difficult to handle. If there must be a radical it should be located in the numerator rather than in the denominator. The removal of the radical from the denominator is done by multiplying both numerator and denominator by a quantity which will remove the radical from the denominator, thus *rationalizing* it:

$$\frac{1}{\sqrt{a}} = \frac{\sqrt{a}}{\sqrt{a} \times \sqrt{a}} = \frac{1}{a} \sqrt{a}$$

Suppose we have to rationalize

$\frac{3a}{\sqrt{a} + \sqrt{b}}$  In this case we must multiply numerator and denominator by  $\sqrt{a} - \sqrt{b}$ , the same terms but with the second having the opposite sign, so that their product will not contain a root.

$$\begin{aligned}
 \frac{3a}{\sqrt{a} + \sqrt{b}} &= \frac{3a(\sqrt{a} - \sqrt{b})}{(\sqrt{a} + \sqrt{b})(\sqrt{a} - \sqrt{b})} \\
 &= \frac{3a(\sqrt{a} - \sqrt{b})}{a - b}
 \end{aligned}$$

**Imaginary Numbers** Since the square of a negative number is positive and the square of a positive number is also positive, the square root of a negative number can be neither positive nor negative. Such a number is said to be *imaginary*; the most common such number ( $\sqrt{-1}$ ) is

often represented by the letter  $i$  in mathematical work or  $j$  in electrical work.

$$\sqrt{-1} = i \text{ or } j \text{ and } i^2 \text{ or } j^2 = -1$$

Imaginary numbers do not exactly correspond to anything in our experience and it is best not to try to visualize them. Despite this fact, their interest is much more than academic, for they are extremely useful in many calculations involving alternating currents.

The square root of any other negative number may be reduced to a product of two roots, one positive and one negative. For instance:

$$\sqrt{-57} = \sqrt{-1} \sqrt{57} = i\sqrt{57}$$

or, in general

$$\sqrt{-a} = i\sqrt{a}$$

Since  $i = \sqrt{-1}$ , the powers of  $i$  have the following values:

$$i^2 = -1$$

$$i^3 = -1 \times i = -i$$

$$i^4 = +1$$

$$i^5 = +1 \times i = i$$

Imaginary numbers are different from either positive or negative numbers; so in addition or subtraction they must always be accounted for separately. Numbers which consist of both real and imaginary parts are called *complex* numbers. Examples of complex numbers:

$$3 + 4i = 3 + 4\sqrt{-1}$$

$$a + bi = a + b\sqrt{-1}$$

Since an imaginary number can never be equal to a real number, it follows that in an equality like

$$a + bi = c + di$$

$a$  must equal  $c$  and  $bi$  must equal  $di$

Complex numbers are handled in algebra just like any other expression, considering  $i$  as a known quantity. Whenever powers of  $i$  occur, they can be replaced by the equivalents given above. This idea of having in one equation two separate sets of quantities which must be accounted for separately, has

found a symbolic application in vector notation. These are covered later in this chapter.

**Equations of the First Degree** Algebraic expressions usually come in the form of equations, that is, one set of terms equals another set of terms. The simplest example of this is Ohm's law:

$$E = IR$$

One of the three quantities may be unknown but if the other two are known, the third can be found readily by substituting the known values in the equation. This is very easy if it is  $E$  in the above example that is to be found; but suppose we wish to find  $I$  while  $E$  and  $R$  are given. We must then rearrange the equation so that  $I$  comes to stand alone to the left of the equality sign. This is known as *solving the equation for I*.

Solution of the equation in this case is done simply by transposing. If two things are equal then they must still be equal if both are multiplied or divided by the same number. Dividing both sides of the equation by  $R$ :

$$\frac{E}{R} = \frac{IR}{R} = I \text{ or } I = \frac{E}{R}$$

If it were required to solve the equation for  $R$ , we should divide both sides of the equation by  $I$ .

$$\frac{E}{I} = R \text{ or } R = \frac{E}{I}$$

A little more complicated example is the equation for the reactance of a capacitor:

$$X = \frac{1}{2\pi fC}$$

To solve this equation for  $C$ , we may multiply both sides of the equation by  $C$  and divide both sides by  $X$

$$X \times \frac{C}{X} = \frac{1}{2\pi fC} \times \frac{C}{X}, \text{ or}$$

$$C = \frac{1}{2\pi fX}$$

This equation is one of those which requires a good knowledge of the placing of the decimal point when solving. Therefore

we give a few examples: What is the reactance of a 25 pF capacitor at 1000 kHz? In filling in the given values in the equation we must remember that the units used are farads, hertz, and ohms. Hence, we must write 25 pF as 25 millionths of a millionth of a farad or  $25 \times 10^{-12}$  farad; similarly, 1000 kHz must be converted to 1,000,000 Hz. Substituting these values in the original equation, we have

$$X = \frac{1}{2 \times 3.14 \times 1,000,000 \times 25 \times 10^{-12}}$$

$$X = \frac{1}{6.28 \times 10^6 \times 25 \times 10^{-12}} = \frac{10^6}{6.28 \times 25}$$

$$= 6360 \text{ ohms}$$

A bias resistor of 1000 ohms should be bypassed, so that at the lowest frequency the reactance of the capacitor is 1/10th of that of the resistor. Assume the lowest frequency to be 50 hertz, then the required capacity should have a reactance of 100 ohms, at 50 Hz.

$$C = \frac{1}{2 \times 3.14 \times 50 \times 100} \text{ farads}$$

$$C = \frac{10^6}{6.28 \times 5000} \text{ microfarads}$$

$$C = 32 \mu\text{F}$$

In the third possible case, it may be that the frequency is the unknown. This happens for instance in some tone-control problems. Suppose it is required to find the frequency which makes the reactance of a 0.03  $\mu\text{F}$  capacitor equal to 100,000 ohms.

First we must solve the equation for  $f$ . This is done by transposition.

$$X = \frac{1}{2 \pi fC} \quad f = \frac{1}{2 \pi CX}$$

Substituting known values

$$f = \frac{1}{2 \times 3.14 \times 0.03 \times 10^{-6} \times 100,000} \text{ Hz}$$

$$f = \frac{1}{0.01884} \text{ hertz} = 53 \text{ Hz}$$

These equations are known as first degree equations with one unknown. First degree, because the unknown occurs only as a first

power. Such an equation always has one possible solution or *root* if all the other values are known.

If there are two unknowns, a single equation will not suffice, for there are then an infinite number of possible solutions. In the case of two unknowns we need *two independent* simultaneous equations. An example of this is:

$$3x + 5y = 7 \quad 4x - 10y = 3$$

Required, to find  $x$  and  $y$ .

This type of work is done either by the *substitution method* or by the *elimination method*. In the substitution method we might write for the first equation:

$$3x = 7 - 5y \quad \therefore x = \frac{7 - 5y}{3}$$

(The symbol  $\therefore$  means, *therefore* or *hence*).

This value of  $x$  can then be substituted for  $x$  in the second equation making it a single equation with but one unknown,  $y$ .

It is, however, simpler in this case to use the elimination method. Multiply both sides of the first equation by two and add it to the second equation:

$$\begin{array}{r} 6x + 10y = 14 \\ 4x - 10y = 3 \\ \hline 10x = 17 \end{array} \text{ add}$$

$$x = 1.7$$

Substituting this value of  $x$  in the first equation, we have

$$5.1 + 5y = 7 \quad \therefore 5y = 7 - 5.1 = 1.9 \quad \therefore y = 0.38$$

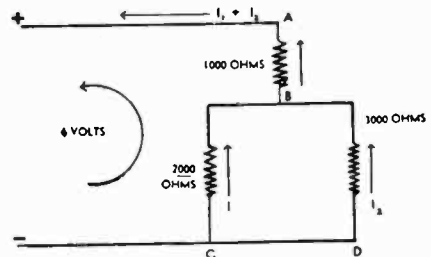


Figure 3

In this simple network the current divides through the 2000-ohm and 3000-ohm resistors. The current through each may be found by using two simultaneous linear equations. Note that the arrows indicate the direction of electron flow.

An application of two simultaneous linear equations will now be given. In figure 3 a simple network is shown consisting of three resistances; let it be required to find the currents  $I_1$  and  $I_2$  in the two branches.

The general way in which all such problems can be solved is to assign directions to the currents through the various resistances. When these are chosen wrong it will do no harm for the result of the equations will then be negative, showing up the error. In this simple illustration there is, of course, no such difficulty.

Next we write the equations for the meshes, in accordance with Kirchhoff's second law. All voltage drops in the direction of the curved arrow are considered positive, the reverse ones negative. Since there are two unknowns we write two equations.

$$\begin{aligned} 1000(I_1 + I_2) + 2000I_1 &= 6 \\ -2000I_1 + 3000I_2 &= 0 \end{aligned}$$

Expand the first equation

$$3000I_1 + 1000I_2 = 6$$

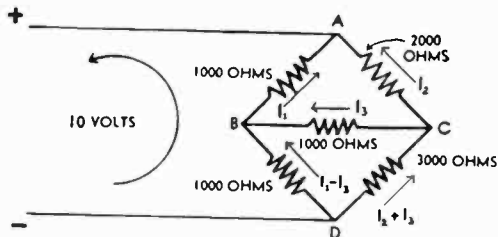


Figure 4

### A MORE COMPLICATED PROBLEM REQUIRING THE SOLUTION OF CURRENTS IN A NETWORK

This problem is similar to that in figure 3 but requires the use of three simultaneous linear equations.

Multiply this equation by 3

$$9000I_1 + 3000I_2 = 18$$

Subtracting the second equation from the first

$$\begin{aligned} 11000I_1 &= 18 \\ I_1 &= 18/11000 = 0.00164 \text{ amp.} \end{aligned}$$

Filling in this value in the second equation

$$3000I_2 = 3.28 \quad I_2 = 0.00109 \text{ amp.}$$

A similar problem but requiring three equations is shown in figure 4. This consists of an unbalanced bridge and the problem is to find the current in the bridge-branch,  $I_3$ . We again assign directions to the different currents, guessing at the one marked  $I_3$ . The voltages around closed loops  $ABC$  [eq. (1)] and  $BDC$  [eq. (2)] equal zero and are assumed to be positive in a counterclockwise direction; that from  $D$  to  $A$  equals 10 volts [eq. (3)].

$$(1) \quad -1000I_1 + 2000I_2 - 1000I_3 = 0$$

$$(2) \quad -1000(I_1 - I_3) + 1000I_3 + 3000(I_2 + I_3) = 0$$

$$(3) \quad 1000I_1 + 1000(I_1 - I_3) - 10 = 0$$

Expand equations (2) and (3)

$$(2) \quad -1000I_1 + 3000I_2 + 5000I_3 = 0$$

$$(3) \quad 2000I_1 - 1000I_3 - 10 = 0$$

Subtract equation (2) from equation (1)

$$(a) \quad -1000I_2 - 6000I_3 = 0$$

Multiply the second equation by 2 and add it to the third equation

$$(b) \quad 6000I_2 + 9000I_3 - 10 = 0$$

Now we have but two equations with two unknowns.

Multiplying equation (a) by 6 and adding to equation (b) we have

$$\begin{aligned} -27000I_3 - 10 &= 0 \\ I_3 &= -10/27000 = -0.00037 \text{ amp.} \end{aligned}$$

Note that now the solution is negative which means that we have drawn the arrow for  $I_3$  in figure 4 in the wrong direction. The current is 0.37 mA in the other direction.

**Second Degree or Quadratic Equations** A somewhat similar problem in radio would be, if power in watts and resistance in ohms of a circuit are given, to find the voltage and the current. Exam-

ple: When lighted to normal brilliancy, a 100-watt lamp has a resistance of 49 ohms; for what line voltage was the lamp designed and what current would it take?

Here we have to use the simultaneous equations:

$$P = EI \text{ and } E = IR$$

Filling in the known values:

$$P = EI = 100 \text{ and } E = IR = I \times 49$$

Substitute the second equation into the first equation

$$P = EI = (I) I \times 49 = 49 I^2 = 100$$

$$\therefore I = \sqrt{\frac{100}{49}} = \frac{10}{7} = 1.43 \text{ amp.}$$

Substituting the found value of 1.43 amp. for  $I$  in the first equation, we obtain the value of the line voltage, 70 volts.

Note that this is a *second degree* equation for we finally had the second power of  $I$ . Also, since the current in this problem could only be positive, the negative square root of  $100/49$  or  $-10/7$  was not used. Strictly speaking, however, there are two more values that satisfy both equations, these are  $-1.43$  and  $-70$ .

In general, a second degree equation in one unknown has two roots, a third degree equation three roots, etc.

**The Quadratic Equation** Quadratic or second degree equations with but one unknown can be reduced to the general form

$$ax^2 + bx + c = 0$$

where,

$x$  is the unknown,

$a$ ,  $b$ , and  $c$  are constants.

This type of equation can sometimes be solved by the method of factoring a three-term expression as follows:

$$2x^2 + 7x + 6 = 0$$

$$2x^2 + 4x + 3x + 6 = 0$$

factoring:

$$2x(x + 2) + 3(x + 2) = 0$$

$$(2x + 3)(x + 2) = 0$$

There are two possibilities when a product is zero. Either the one or the other factor equals zero. Therefore there are two solutions.

$$2x_1 + 3 = 0$$

$$x_2 + 2 = 0$$

$$2x_1 = -3$$

$$x_2 = -2$$

$$x_1 = -1\frac{1}{2}$$

Since factoring is not always easy, the following general solution can usually be employed; in this equation  $a$ ,  $b$ , and  $c$  are the coefficients referred to above.

$$x = \frac{-b \pm \sqrt{b^2 - 4ac}}{2a}$$

Applying this method of solution to the previous example:

$$\begin{aligned} x &= \frac{-7 \pm \sqrt{49 - 8 \times 6}}{4} \\ &= \frac{-7 \pm \sqrt{1}}{4} = \frac{-7 \pm 1}{4} \end{aligned}$$

$$x_1 = \frac{-7 + 1}{4} = -1\frac{1}{2}$$

$$x_2 = \frac{-7 - 1}{4} = -2$$

A practical example involving quadratics is the law of impedance in ac circuits. However, this is a simple kind of quadratic equation which can be solved readily without the use of the special formula given above.

$$Z = \sqrt{R^2 + (X_L - X_C)^2}$$

This equation can always be solved for  $R$ , by squaring both sides of the equation. It should now be understood that squaring both sides of an equation as well as multiplying both sides with a term containing the unknown *may add a new root*. Since we know here that  $Z$  and  $R$  are positive, when we square the expression there is no ambiguity.

$$Z^2 = R^2 + (X_L - X_C)^2$$

$$\text{and } R^2 = Z^2 - (X_L - X_C)^2$$

$$\text{or } R = \sqrt{Z^2 - (X_L - X_C)^2}$$

$$\text{also: } (X_L - X_C)^2 = Z^2 - R^2$$

$$\text{and } \pm (X_L - X_C) = \sqrt{Z^2 - R^2}$$

But here we do not know the sign of the solution unless there are other facts which indicate it. To find either  $X_L$  or  $X_C$  alone it would have to be known whether the one or the other is the larger.

### 34-3 Trigonometry

Trigonometry is the science of measurement of *triangles*. At first glance triangles may seem to have little to do with electrical phenomena; however, in ac work most currents and voltages follow laws equivalent to those of the various trigonometric relations which we are about to examine briefly. Examples of their application to ac work will be given in the section on *vectors*.

Angles are measured in *degrees* or in *radians*. The circle has been divided into 360 degrees, each degree into 60 minutes, and each minute into 60 seconds. A decimal division of the degree is also in use because it makes calculation easier. Degrees, minutes and seconds are indicated by the following signs:  $^{\circ}$ ,  $'$  and  $''$ . Example:  $6^{\circ} 5' 23''$  means six degrees, five minutes, twenty-three seconds. In the decimal notation we simply write  $8.47^{\circ}$ , eight and forty-seven hundredths of a degree.

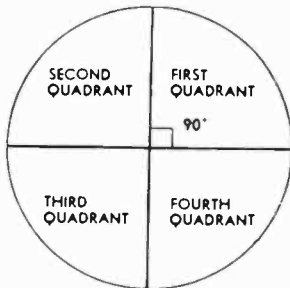


Figure 5

**THE CIRCLE IS DIVIDED INTO FOUR QUADRANTS BY TWO PERPENDICULAR LINES AT RIGHT ANGLES TO EACH OTHER**

The "northeast" quadrant thus formed is known as the first quadrant; the others are numbered consecutively in a counterclockwise direction.

When a circle is divided into four quadrants by two perpendicular lines passing through the center (figure 5) the angle made by the two lines is 90 degrees, known

as a *right angle*. Two right angles, or  $180^{\circ}$  equals a *straight angle*.

*The radian*—If we take the radius of a circle and bend it so it can cover a part of the circumference, the arc it covers subtends an angle called a *radian* (figure 6). Since the diameter of a circle equals 2 times the radius, there are  $2\pi$  radians in  $360^{\circ}$ . So we have the following relations:

$$1 \text{ radian} = 57^{\circ} 17' 45'' = 57.2958^{\circ}$$

$$\pi = 3.14159$$

$$1 \text{ degree} = 0.01745 \text{ radians}$$

$$\pi \text{ radians} = 180^{\circ}$$

$$\pi/2 \text{ radians} = 90^{\circ}$$

$$\pi/3 \text{ radians} = 60^{\circ}$$

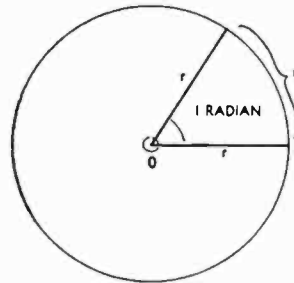


Figure 6

#### THE RADIAN

A radian is an angle whose arc is exactly equal to the length of either side. Note that the angle is constant regardless of the length of the side and the arc so long as they are equal. A radian equals  $57.2958^{\circ}$ .

In trigonometry we consider an angle *generated* by two lines, one stationary and the other rotating as if it were hinged at  $O$  (figure 7). Angles can be greater than 180 degrees and even greater than 360 degrees as illustrated in this figure.

Two angles are complements of each other when their sum is  $90^{\circ}$ , or a right angle.  $A$  is the complement of  $B$  and  $B$  is the complement of  $A$  when

$$A = (90^{\circ} - B)$$

and when

$$B = (90^{\circ} - A)$$

Two angles are supplements of each other when their sum is equal to a straight angle, or  $180^{\circ}$ .  $A$  is the supplement of  $B$  and  $B$  is the supplement of  $A$  when:

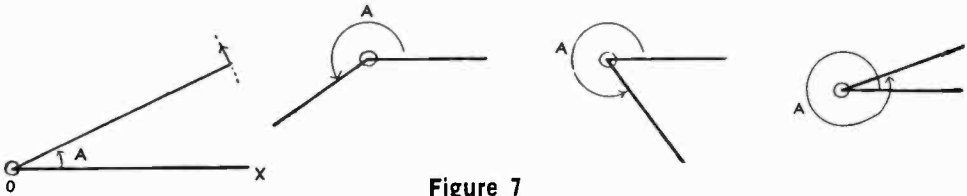


Figure 7

**AN ANGLE IS GENERATED BY TWO LINES, ONE STATIONARY AND THE OTHER ROTATING**

The line OX is stationary; the line with the small arrow at the far end rotates in a counterclockwise direction. At the position illustrated in the lefthandmost section of the drawing it makes an angle, A, which is less than 90° and is therefore in the first quadrant. In the position shown in the second portion of the drawing the Angle A has increased to such a value that it now lies in the third quadrant; note that an angle can be greater than 180°. In the fourth illustration the angle A is in the fourth quadrant. In the fourth position the rotating vector has made more than one complete revolution and is hence in the fifth quadrant; since the fifth quadrant is an exact repetition of the first quadrant, its values will be the same as in the lefthandmost portion of the illustration.

$$A = (180^\circ - B)$$

and

$$B = (180^\circ - A)$$

$$\secant A = \frac{c}{b} \qquad \text{cosecant } A = \frac{c}{a}$$

Let us take a special angle as an example. For instance, let the angle A be 60 degrees as in figure 8B. Then the relations between the sides are as in the figure and the six functions become:

In the angle A (figure 8A), a line is drawn from P, perpendicular to b. Regardless of the point selected for P, the ratio a/c will always be the same for any given angle, A. So will all the other proportions between a, b, and c remain constant regardless of the position of point P on c. The six possible ratios each are named and defined as follows:

$$\begin{aligned} \text{sine } A &= \frac{a}{c} & \text{cosine } A &= \frac{b}{c} \\ \text{tangent } A &= \frac{a}{b} & \text{cotangent } A &= \frac{b}{a} \end{aligned}$$

$$\begin{aligned} \sin 60^\circ &= \frac{a}{c} = \frac{1/2 \sqrt{3}}{1} = 1/2 \sqrt{3} \\ \cos 60^\circ &= \frac{b}{c} = \frac{1/2}{1} = 1/2 \\ \tan 60^\circ &= \frac{a}{b} = \frac{1/2 \sqrt{3}}{1/2} = \sqrt{3} \\ \cot 60^\circ &= \frac{1/2}{1/2 \sqrt{3}} = \frac{1}{\sqrt{3}} = 1/3 \sqrt{3} \end{aligned}$$

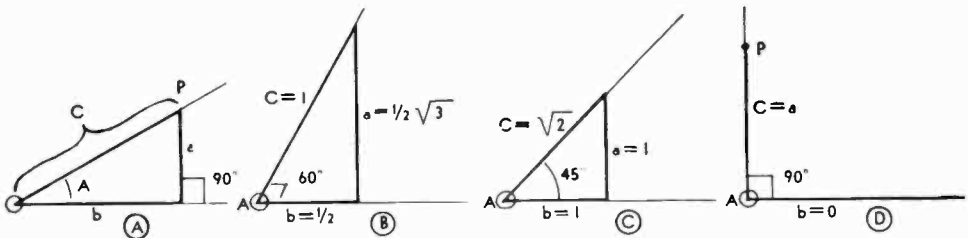


Figure 8

**THE TRIGONOMETRIC FUNCTIONS**

In the right triangle shown in (A) the side opposite the angle A is a, while the adjoining sides are b and c; the trigonometric functions of the angle A are completely defined by the ratios of the sides a, b and c. In (B) are shown the lengths of the sides a and b when angle A is 60° and side c is 1. In (C) angle A is 45°; a and b equal 1, while c equals √2. In (D) note that c equals a for a right angle while b equals 0.

$$\sec 60^\circ = \frac{c}{b} = \frac{1}{1/2} = 2$$

$$\csc 60^\circ = \frac{c}{a} = \frac{1}{1/2 \sqrt{3}} = \frac{2}{3} \sqrt{3}$$

Another example: Let the angle be  $45^\circ$ , then the relations between the lengths of  $a$ ,  $b$ , and  $c$  are as shown in figure 8C and the six functions are:

$$\sin 45^\circ = \frac{1}{\sqrt{2}} = 1/2 \sqrt{2}$$

$$\cos 45^\circ = \frac{1}{\sqrt{2}} = 1/2 \sqrt{2}$$

$$\tan 45^\circ = \frac{1}{1} = 1 \quad \cot 45^\circ = \frac{1}{1} = 1$$

$$\sec 45^\circ = \frac{\sqrt{2}}{1} = \sqrt{2}$$

$$\operatorname{cosec} 45^\circ = \frac{\sqrt{2}}{1} = \sqrt{2}$$

There are some special difficulties when the angle is zero or 90 degrees. In figure 8D an angle of 90 degrees is shown; drawing a line perpendicular to  $b$  from point  $P$  makes it fall on top of  $c$ . Therefore in this case  $a = c$  and  $b = 0$ . The six ratios are now:

$$\sin 90^\circ = \frac{a}{c} = 1 \quad \cos 90^\circ = \frac{b}{c} = \frac{0}{c} = 0$$

$$\tan 90^\circ = \frac{a}{b} = \frac{a}{0} = \infty \quad \cot 90^\circ = \frac{0}{a} = 0$$

$$\sec 90^\circ = \frac{c}{b} = \frac{c}{0} = \infty \quad \operatorname{cosec} 90^\circ = \frac{c}{a} = 1$$

When the angle is zero,  $a=0$  and  $b=c$ . The values are then:

$$\sin 0^\circ = \frac{a}{c} = \frac{0}{c} = 0 \quad \cos 0^\circ = \frac{b}{c} = 1$$

$$\tan 0^\circ = \frac{a}{b} = \frac{0}{b} = 0 \quad \cot 0^\circ = \frac{b}{a} = \frac{b}{0} = \infty$$

$$\sec 0^\circ = \frac{c}{b} = 1 \quad \operatorname{cosec} 0^\circ = \frac{c}{a} = \frac{c}{0} = \infty$$

In general, for every angle, there will be definite values of the six functions. Conversely, when any of the six functions is

known, the angle is defined. Tables have been calculated giving the value of the functions for angles.

From the foregoing we can make up a small table of our own (figure 9), giving values of the functions for some common angles.

**Relations Between Functions** It follows from the definitions that

$$\sin A = \frac{1}{\operatorname{cosec} A} \quad \cos A = \frac{1}{\sec A}$$

$$\text{and } \tan A = \frac{1}{\cot A}$$

Angle	Sin	Cos.	Tan	Cot	Sec.	Cosec.
0	0	1	0	$\infty$	1	$\infty$
30°	1/2	$1/2 \sqrt{3}$	$1/3 \sqrt{3}$	$\sqrt{3}$	$2/3 \sqrt{3}$	2
45°	$1/2 \sqrt{2}$	$1/2 \sqrt{2}$	1	1	$\sqrt{2}$	$\sqrt{2}$
60°	$1/2 \sqrt{3}$	1/2	$\sqrt{3}$	$1/3 \sqrt{3}$	2	$2/3 \sqrt{3}$
90°	1	0	$\infty$	0	$\infty$	1

Figure 9

Values of trigonometric functions for common angles in the first quadrant.

From the definitions also follows the relation  $\cos A = \sin(\text{complement of } A) = \sin(90^\circ - A)$  because in the right triangle of figure 10  $\cos A = b/c = \sin B$  and  $B = 90^\circ - A$  or the complement of  $A$ . For the same reason:

$$\cot A = \tan(90^\circ - A)$$

$$\csc A = \sec(90^\circ - A)$$

**Relations in Right Triangles** In the right triangle of figure 10,  $\sin A = a/c$  and by transposition

$$a = c \sin A$$

For the same reason we have the following identities:

$$\tan A = a/b \quad a = b \tan A$$

$$\cot A = b/a \quad b = a \cot A$$

In the same triangle we can do the same for functions of the angle  $B$

$$\sin B = b/c \quad b = c \sin B$$



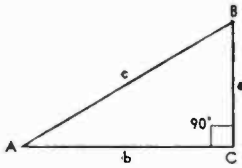


Figure 10

In this figure, the sides  $a$ ,  $b$ , and  $c$  are used to define the trigonometric functions of angle  $B$  as well as angle  $A$ .

$$\begin{aligned} \cos B &= a/c & a &= c \cos B \\ \tan B &= b/a & b &= a \tan B \\ \cot B &= a/b & a &= b \cot B \end{aligned}$$

**Functions of Angles Greater Than 90 Degrees** In angles greater than 90 degrees, the values of  $a$  and  $b$  become negative on occasion in accordance with the rules of Cartesian coordinates. When  $b$  is measured from 0 towards the left it is considered negative and similarly, when  $a$  is measured from 0 downwards, it is negative. Referring to figure 11, an angle in the *second quadrant* (between  $90^\circ$  and  $180^\circ$ ) has some of its functions negative:

$$\begin{aligned} \sin A &= \frac{a}{c} = \text{pos.} & \cos A &= \frac{-b}{c} = \text{neg.} \\ \tan A &= \frac{a}{-b} = \text{neg.} & \cot A &= \frac{-b}{a} = \text{neg.} \\ \sec A &= \frac{c}{-b} = \text{pos.} & \text{cosec } A &= \frac{c}{a} = \text{pos.} \end{aligned}$$

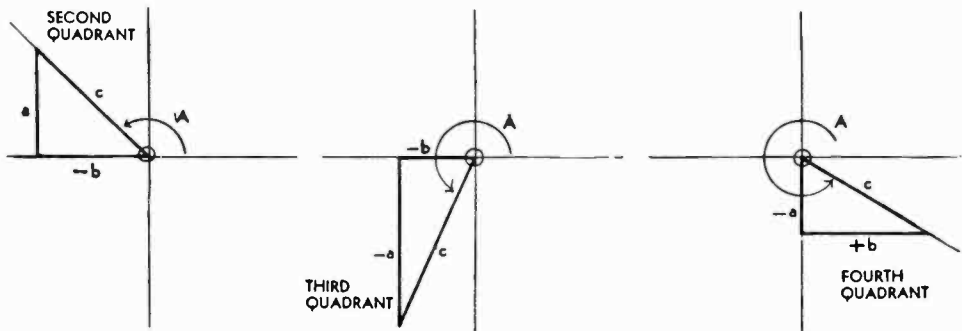


Figure 11

**TRIGONOMETRIC FUNCTIONS IN THE SECOND, THIRD, AND FOURTH QUADRANTS**

The trigonometric functions in these quadrants are similar to first quadrant values, but the signs of the functions vary as listed in the text.

For an angle in the *third quadrant* ( $180^\circ$  to  $270^\circ$ ), the functions are

$$\begin{aligned} \sin A &= \frac{-a}{c} = \text{neg.} & \cos A &= \frac{-b}{c} = \text{neg.} \\ \tan A &= \frac{-a}{-b} = \text{pos.} & \cot A &= \frac{-b}{-a} = \text{pos.} \\ \sec A &= \frac{c}{-b} = \text{neg.} & \text{cosec } A &= \frac{c}{-a} = \text{neg.} \end{aligned}$$

And in the *fourth quadrant* ( $270^\circ$  to  $360^\circ$ ):

$$\begin{aligned} \sin A &= \frac{-a}{c} = \text{neg.} & \cos A &= \frac{b}{c} = \text{pos.} \\ \tan A &= \frac{-a}{b} = \text{neg.} & \cot A &= \frac{b}{-a} = \text{neg.} \\ \sec A &= \frac{c}{b} = \text{pos.} & \text{cosec } A &= \frac{c}{-a} = \text{neg.} \end{aligned}$$

Summarizing, the sign of the functions in each quadrant can be seen at a glance from figure 12, where in each quadrant are written the names of functions which are positive; those not mentioned are negative.

**Graphs of Trigonometric Functions** *The sine wave*—When we have the relation  $y = \sin x$ , where  $x$  is an angle measured in radians or degrees, we can draw a curve of  $y$  versus  $x$  for all values of the independent variable, and thus get a good conception how the sine varies with the

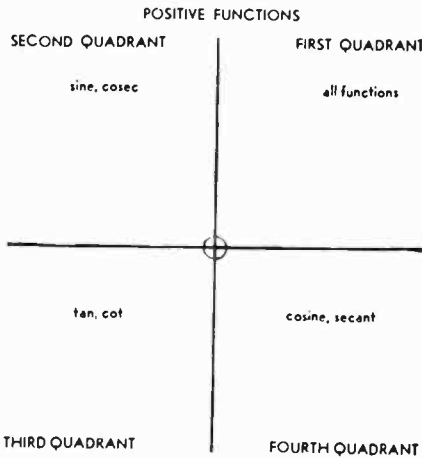


Figure 12

**SIGNS OF THE TRIGONOMETRIC FUNCTIONS**

The functions listed in this diagram are positive; all other functions are negative.

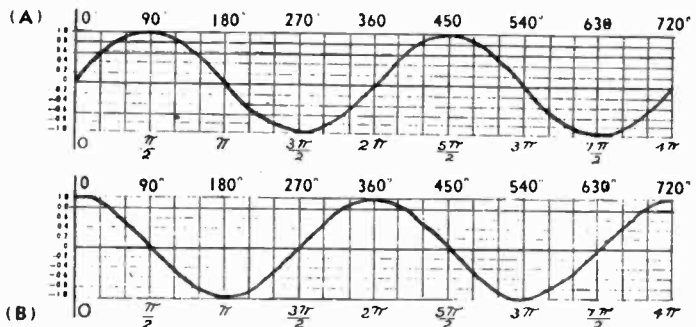
magnitude of the angle. This has been done in figure 13A. We can learn from this curve the following facts.

1. The sine varies between +1 and -1
2. It is a periodic curve, repeating itself after every multiple of  $2\pi$  or  $360^\circ$
3.  $\sin x = \sin (180^\circ - x)$  or  $\sin (\pi - x)$
4.  $\sin x = -\sin (180^\circ + x)$ , or  $-\sin (\pi + x)$

*The cosine wave*—Making a curve for the function  $y = \cos x$ , we obtain a curve similar to that for  $y = \sin x$  except that it is displaced by  $90^\circ$  or  $\pi/2$  radians with respect to the Y-axis. This curve (figure 13B) is also periodic but it does not start with zero. We read from the curve:

**Figure 13**  
**SINE AND COSINE CURVES**

In (A) we have a sine curve drawn in Cartesian coordinates. This is the usual representation of an alternating current wave with out substantial harmonics. In (B) we have a cosine wave; note that it is exactly similar to a sine wave displaced by  $90^\circ$  or  $\pi/2$  radians.



1. The value of the cosine never goes beyond +1 or -1
2. The curve repeats, after every multiple of  $2\pi$  radians or  $360^\circ$
3.  $\cos x = -\cos (180^\circ - x)$  or  $-\cos (\pi - x)$
4.  $\cos x = \cos (360^\circ - x)$  or  $\cos (2\pi - x)$

The graph of the tangent is illustrated in figure 14. This is a discontinuous curve and illustrates well how the tangent increases from zero to infinity when the angle increases from zero to  $90^\circ$ . Then when the angle is further increased, the tangent starts from minus infinity going to zero in the second quadrant, and to infinity again in the third quadrant.

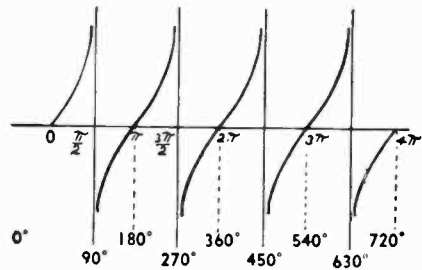


Figure 14

**TANGENT CURVES**

The tangent curve increases from 0 to  $\infty$  with an angular increase of  $90^\circ$ . In the next  $180^\circ$  it increases from  $-\infty$  to  $+\infty$ .

1. The tangent can have any value between  $+\infty$  and  $-\infty$
2. The curve repeats and the period is  $\pi$  radians or  $180^\circ$ , not  $2\pi$  radians
3.  $\tan x = \tan (180^\circ + x)$  or  $\tan (\pi + x)$

$$4. \tan x = -\tan (180^\circ - x) \text{ or } \tan (\pi - x)$$

The graph of the cotangent is the inverse of that of the tangent, see figure 15. It leads us to the following conclusions:

1. The cotangent can have any value between  $+\infty$  and  $-\infty$
2. It is a periodic curve, the period being  $\pi$  radians or  $180^\circ$
3.  $\cot x = \cot (180^\circ + x)$  or  $\cot (\pi + x)$
4.  $\cot x = -\cot (180^\circ - x)$  or  $-\cot (\pi - x)$

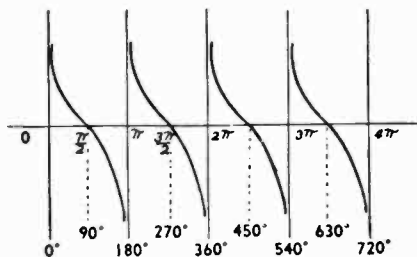


Figure 15

**COTANGENT CURVES**

Cotangent curves are the inverse of the tangent curves. They vary from  $+\infty$  to  $-\infty$  in each pair of quadrants.

The graphs of the secant and cosecant are of lesser importance and will not be shown here. They are the inverse, respectively, of the cosine and the sine, and therefore they vary from  $+1$  to infinity and from  $-1$  to  $-\infty$ .

Perhaps another useful way of visualizing the values of the functions is by considering figure 16. If the radius of the circle is the unit of measurement then the lengths of the lines are equal to the functions marked on them.

**Trigonometric Tables** There are two kinds of trigonometric tables.

The first type gives the functions of the angles, the second the logarithms of the functions. The first kind is also known as the table of *natural* trigonometric functions.

These tables give the functions of all angles between  $0$  and  $45^\circ$ . This is all that is necessary for the function of an angle between  $45^\circ$  and  $90^\circ$  can always be written as the cofunction of an angle below  $45^\circ$

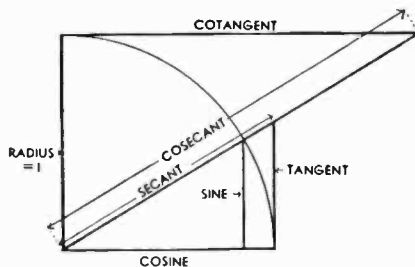


Figure 16

**ANOTHER REPRESENTATION OF TRIGONOMETRIC FUNCTIONS**

If the radius of a circle is considered as the unit of measurement, then the lengths of the various lines shown in this diagram are numerically equal to the functions marked adjacent to them.

Example: If we had to find the sine of  $48^\circ$ , we might write

$$\sin 48^\circ = \cos (90^\circ - 48^\circ) = \cos 42^\circ$$

Tables of the logarithms of trigonometric functions give the common logarithms ( $\log_{10}$ ) of these functions. Since many of these logarithms have negative characteristics, one should add  $-10$  to all logarithms in the table which have a characteristic of 6 or higher. For instance, the  $\log \sin 24^\circ = 9.60931 - 10$ .  $\log \tan 1^\circ = 8.24192 - 10$  but  $\log \cot 1^\circ = 1.75808$ . When the characteristic shown is less than 6, it is supposed to be positive and one should not add  $-10$ .

**Vectors** A scalar quantity has *magnitude* only; a *vector* quantity has both *magnitude* and *direction*. When we speak of a speed of 50 miles per hour, we are using a scalar quantity, but when we say the wind is northeast and has a velocity of 50 miles per hour, we speak of a vector quantity.

Vectors, representing forces, speeds, displacements, etc., are represented by arrows. They can be added graphically by well known methods illustrated in figure 17. We can make the parallelogram of forces or we can simply draw a triangle. The addition of many vectors can be accomplished graphically as in the same figure.

In order that we may define vectors algebraically and add, subtract, multiply, or divide them, we must have a logical notation system that lends itself to these operations. For this purpose vectors can be defined by



Figure 17

Vectors may be added as shown in these sketches. In each case the long vector represents the vector sum of the smaller vectors. For many engineering applications sufficient accuracy can be obtained by this method which avoids long and laborious calculations.

coordinate systems. Both the Cartesian and the polar coordinates are in use.

**Vectors Defined by Cartesian Coordinates** Since we have seen how the sum of two vectors is obtained, it follows from Figure 18, that the vector  $\dot{Z}$  equals the sum of the two vectors  $x$  and  $y$ . In fact, any vector can be resolved into vectors along the X- and Y-axis. For convenience in working with these quantities we need to distinguish between the  $x$ - and

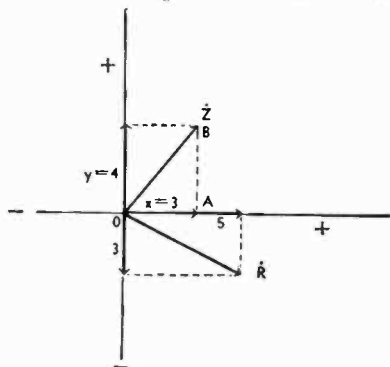


Figure 18

**RESOLUTION OF VECTORS**

Any vector such as  $\dot{Z}$  may be resolved into two vectors,  $x$  and  $y$ , along the X- and Y- axes. If vectors are to be added, their respective  $x$  and  $y$  components may be added to find the  $x$  and  $y$  components of the resultant vector.

$y$ -component, and so it has been agreed that the  $x$ -component alone shall be marked with the letter  $j$ . Example (figure 18):

$$\dot{Z} = 3 + 4j$$

Note again that the sign of components along the X-axis is positive when measured from 0 to the right and negative when measured from 0 towards the left. Also, the component along the Y-axis is positive when

measured from 0 upwards, and negative when measured from 0 downwards. So the vector,  $\dot{R}$ , is described as

$$\dot{R} = 5 - 3j$$

Vector quantities are usually indicated by some special typography, especially by using a point over the letter indicating the vector, as  $\dot{R}$ .

**Absolute Value of a Vector** The absolute or scalar value

of vectors such as  $\dot{Z}$  or  $\dot{R}$  in figure 18 is easily found by the theorem of Pythagoras, which states that in any right-angled triangle the square of the side opposite the right angle is equal to the sum of the squares of the sides adjoining the right angle. In figure 18,  $OAB$  is a right-angled triangle; therefore, the square of  $OB$  (or  $Z$ ) is equal to the square of  $OA$  (or  $x$ ) plus the square of  $AB$  (or  $y$ ). Thus the absolute values of  $Z$  and  $R$  may be determined as follows:

$$\begin{aligned} |Z| &= \sqrt{x^2 + y^2} \\ |Z| &= \sqrt{3^2 + 4^2} = 5 \\ |R| &= \sqrt{5^2 + 3^2} = \sqrt{34} = 5.83 \end{aligned}$$

The vertical lines indicate that the absolute or scalar value is meant without regard to sign or direction.

**Addition of Vectors** An examination of Figure 19 will show that the two vectors

$$\begin{aligned} \dot{R} &= x_1 + j y_1 \\ \dot{Z} &= x_2 + j y_2 \end{aligned}$$

can be added, if we add the X-components and the Y-components separately.

$$\dot{R} + \dot{Z} = x_1 + x_2 + j (y_1 + y_2)$$

For the same reason we can carry out subtraction by subtracting the horizontal components and subtracting the vertical components

$$\dot{R} - \dot{Z} = x_1 - x_2 + j (y_1 - y_2)$$

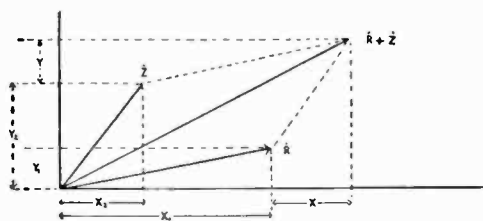


Figure 19

**ADDITION OR SUBTRACTION OF VECTORS**

Vectors may be added or subtracted by adding or subtracting their *x* or *y* components separately.

Let us consider the operator *j*. If we have a vector *a* along the *X*-axis and add a *j* in front of it (multiplying by *j*) the result is that the direction of the vector is rotated forward 90 degrees. If we do this twice (multiplying by *j*<sup>2</sup>) the vector is rotated forward by 180 degrees and now has the value  $-a$ . Therefore multiplying by *j*<sup>2</sup> is equivalent to multiplying by  $-1$ . Then

$$j^2 = -1 \text{ and } j = \sqrt{-1}$$

This is the imaginary number discussed before under algebra. In electrical engineering the letter *j* is used rather than *i*, because *i* is already known as the symbol for current.

**Multiplying Vectors** When two vectors are to be multiplied we can perform the operation just as in algebra, remembering that  $j^2 = -1$ .

$$\begin{aligned} \dot{\dot{R}}\dot{\dot{Z}} &= (x_1 + jy_1)(x_2 + jy_2) \\ &= x_1x_2 + jx_1y_2 + jx_2y_1 + j^2y_1y_2 \\ &= x_1x_2 - y_1y_2 + j(x_1y_2 + x_2y_1) \end{aligned}$$

*Division* has to be carried out so as to remove the *j*-term from the denominator. This can be done by multiplying both denominator and numerator by a quantity which will eliminate *j* from the denominator. Example:

$$\begin{aligned} \frac{\dot{\dot{R}}}{\dot{\dot{Z}}} &= \frac{x_1 + jy_1}{x_2 + jy_2} = \frac{(x_1 + jy_1)(x_2 - jy_2)}{(x_2 + jy_2)(x_2 - jy_2)} \\ &= \frac{x_1x_2 + y_1y_2 + j(x_2y_1 - x_1y_2)}{x_2^2 + y_2^2} \end{aligned}$$

**Polar Coordinates** A vector can also be defined in polar coordinates by its magnitude and its vectorial angle with an arbitrary reference axis. In figure 20 the vector *Z* has a magnitude 50 and a

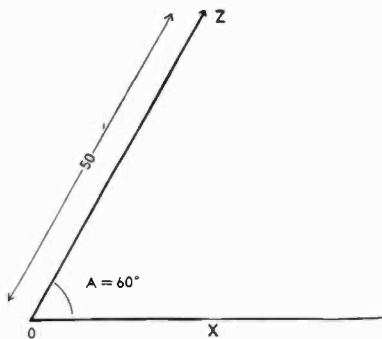


Figure 20

**IN THIS FIGURE A VECTOR HAS BEEN REPRESENTED IN POLAR INSTEAD OF CARTESIAN COORDINATES**

In polar coordinates a vector is defined by a magnitude and an angle, called the vectorial angle, instead of by two magnitudes as in Cartesian coordinates.

vectorial angle of 60 degrees. This will then be written

$$\dot{\dot{Z}} = 50 \angle 60^\circ$$

A vector  $a + jb$  can be transformed into polar notation very simply (see figure 21)

$$\dot{\dot{Z}} = a + jb = \sqrt{a^2 + b^2} \angle \tan^{-1} \frac{b}{a}$$

In this connection  $\tan^{-1}$  means the angle of which the tangent is. Sometimes the notation *arc tan*  $b/a$  is used. Both have the same meaning.

A polar notation of a vector can be transformed into a Cartesian coordinate notation in the following manner (figure 22)

$$\dot{\dot{Z}} = p \angle A = p \cos A + jp \sin A$$

A sinusoidally alternating voltage or current is symbolically represented by a rotating vector, having a magnitude equal to the peak voltage or current and rotating with an angular velocity of  $2\pi f$  radians per second or as many revolutions per second as there are cycles per second.

The instantaneous voltage ( $e$ ), is always equal to the sine of the vectorial angle of this rotating vector, multiplied by its magnitude.

$$e = E \sin 2\pi ft$$

The alternating voltage therefore varies with time as the sine varies with the angle. If we plot time horizontally and instantaneous voltage vertically we will get a curve like those in figure 13A&B.

In alternating-current circuits, the cur-

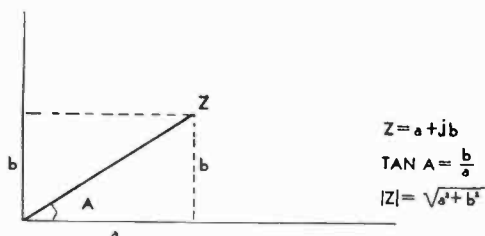


Figure 21

Vectors can be transformed from Cartesian into polar notation as shown in this figure.

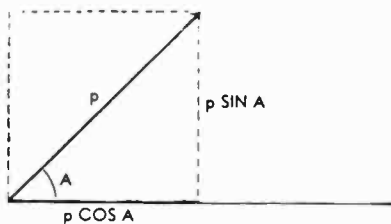


Figure 22

Vectors can be transformed from polar into Cartesian notation as shown in this figure.

rent which flows due to the alternating voltage is not necessarily in step with it. The rotating current vector may be ahead or behind the voltage vector, having a *phase difference* with it. For convenience we draw these vectors as if they were standing still, so that we can indicate the difference in phase or the *phase angle*. In figure 23 the current lags behind the voltage by the angle  $\theta$ , or we might say that the voltage leads the current by the angle  $\theta$ .

Vector diagrams show the phase relations between two or more vectors (voltages and currents) in a circuit. They may be added and subtracted as described; one may add a voltage vector to another voltage vector or a current vector to a current vector but not

a current vector to a voltage vector (for the same reason that one cannot add a force to a speed). Figure 23 illustrates the relations in the simple series circuit of a coil and resistor. We know that the current passing through coil and resistor must be the same and in the same phase, so we draw this current  $I$  along the  $X$ -axis. We know also that the voltage drop  $IR$  across the resistor is in phase with the current, so the vector  $IR$  representing the voltage drop is also along the  $X$ -axis.

The voltage across the coil is 90 degrees ahead of the current through it;  $IX$  must therefore be drawn along the  $Y$ -axis.  $E$  the applied voltage must be equal to the vectorial sum of the two voltage drops,  $IR$  and  $IX$ , and we have so constructed it in the drawing. Now expressing the same in algebraic notation, we have

$$\dot{E} = IR + jIX$$

$$\dot{I}Z = IR + jIX$$

Dividing by  $I$

$$\dot{Z} = R + jX$$

Due to the fact that a *reactance* rotates the voltage vector ahead or behind the current vector by 90 degrees, we must mark it with a  $j$  in vector notation. Inductive reactance will have a plus sign because it shifts the voltage vector forward; a capacitive reactance is negative because the voltage will lag behind the current. Therefore:

$$X_L = +j 2\pi fL$$

$$X_C = -j \frac{1}{2\pi fC}$$

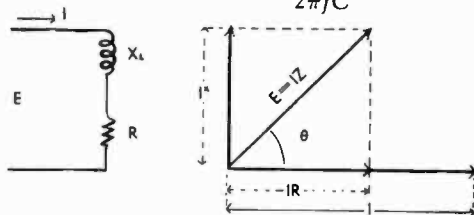


Figure 23

VECTOR REPRESENTATION OF A SIMPLE SERIES CIRCUIT

The right-hand portion of the illustration shows the vectors representing the voltage drops in the coil and resistance illustrated at the left. Note that the voltage drop across the coil ( $X_L$ ) leads that across the resistance by 90°.

In figure 23 the angle  $\theta$  is known as the phase angle between  $E$  and  $I$ . When calculating power, only the real components count. The power in the circuit is then

$$P = I (IR)$$

$$\text{but } IR = E \cos \theta$$

$$\therefore P = EI \cos \theta$$

The  $\cos \theta$  is known as the power factor of the circuit. In many circuits we strive to keep the angle  $\theta$  as small as possible, making  $\cos \theta$  as near to unity as possible. In tuned circuits, we use reactances which should have as low a power factor as possible. The merit of a coil or capacitor, its  $Q$ , is defined by the tangent of this phase angle:

$$Q = \tan \theta = \frac{X}{R}$$

For an efficient coil or capacitor,  $Q$  should be as large as possible; the phase-angle should then be as close to 90 degrees as possible, making the power factor nearly zero.  $Q$  is almost but not quite the inverse of  $\cos \theta$ . Note that in figure 24

$$Q = \frac{X}{R} \quad \text{and} \quad \cos \theta = \frac{R}{Z}$$

When  $Q$  is more than 5, the power factor is less than 20%; we can then safely say  $Q = 1/\cos \theta$  with a maximum error of about 2½ percent, for the worst case, when  $\cos \theta = 0.2$ ,  $Q$  will equal  $\tan \theta = 4.89$ . For higher values of  $Q$ , the error becomes less.

Note that from figure 24 can be seen the simple relation:

$$\dot{Z} = R + jX_L$$

$$|Z| = \sqrt{R^2 + X_L^2}$$

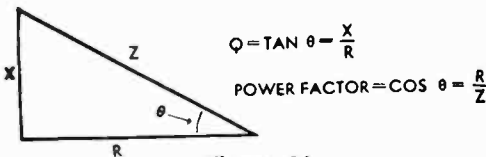


Figure 24

The figure of merit of a coil and its resistance is represented by the ratio of the inductive reactance to the resistance, which as shown in this diagram is equal to  $\frac{X}{R}$ , which equals  $\tan \theta$ .

For large values of  $\theta$  (the phase angle) this is approximately equal to the reciprocal of the  $\cos \theta$ .

### 34-4 Boolean Algebra

*Boolean Algebra*, a language of logic, is the simplest form of mathematics possible. Each variable has only one of two discrete values. These values can be called *off* and *on*, or 0 and 1, depending on usage. The results derived from this branch of mathematics are not the familiar sums, differences, products, etc., but even more basic answers of *yes*, *no*, or *which*.

Classic mathematics has, in the past, ignored this type of calculation because the results were usually very easily found intuitively and problems such as "box (a), is colored green, and box (b) is the same as box (a); then box (b) must be green" need no complex mathematics to obtain a solution.

As the problems increase in complexity (as seen in modern logic usage) the need for a formal mathematics of logic also increases. Boolean algebra fulfills this requirement appropriately.

Three symbols of operation are commonly used:

$$\text{and} = a \cdot b$$

$$\text{or} = a + b$$

$$\text{not (or inverse)} = \bar{a}$$

In applying Boolean algebra, the following seven important identities apply:

$$a + 1 = 1 \quad a + \bar{a} = 1$$

$$a \cdot 1 = a \quad a \cdot \bar{a} = 0$$

$$a + a = a \quad a \cdot (b + c) = a \cdot b + a \cdot c$$

$$a \cdot a = a$$

and a theorem called *De Morgan's Theorem* states:

$$\overline{a + b} = \bar{a} \cdot \bar{b}$$

$$\text{or, } \overline{a \cdot b} = \bar{a} + \bar{b}$$

A major application of this theory in electronics is the minimization of relay or other logic functions, where the aim is to reduce the Boolean expression to the minimum number of components in the circuit.

Calculation using Boolean algebra consists of converting from written language to this mathematical form, a process similar to the preparation of a computer program. This form is then simplified using the above identities and rules, finally giving the desired result. This result must then be trans-

lated back to "plain language" in terms of relay contacts or other circuit blocks.

The arithmetic processing of a Boolean expression follows the same rules as normal algebraic manipulation. The usual distribution rules apply, i.e.:

$$(a + b) \cdot (c + d) = a \cdot c + a \cdot d + b \cdot c + b \cdot d$$

Identities in these equations may be applied at any time, remembering that whenever an expression such as  $(a \cdot a \cdot b)$  is found it can be simplified to  $(a \cdot b)$  since, by definition  $(a \cdot a = a)$ . Again, the expression  $(2a)$  must be written as  $(a + a)$ , which is equal to  $(a)$ .

**A Boolean Relay Circuit** Consider, for example, a relay system for a station, possibly including overload alarms, indication of drive failure, or overvoltage alarm. There are three inputs ( $x$ ), ( $y$ ), and ( $z$ ) and an alarm is to be operated:

1. if  $x$  operates or  $y$  does not operate,
2. if  $x$  does not operate, or  $z$  does not operate,
3. and if  $x$ ,  $y$ , or  $z$  operate.

This could be achieved by the circuit of figure 25. Translating this into Boolean algebra, we obtain:

$$\text{Alarm} = (x \text{ or not } y) \text{ and } (\text{not } x \text{ or } z) \text{ and } (x \text{ or } y \text{ or } z)$$

$$= (x + \bar{y}) \cdot (\bar{x} + z) \cdot (x + y + z)$$

expanding this expression,

$$\text{Alarm} = (x + \bar{y}) \cdot (\bar{x} \cdot x + \bar{x} \cdot y + \bar{x} \cdot z + x \cdot z + z \cdot y + z \cdot z)$$

This simplifies to:

$$\text{Alarm} = (x + \bar{y}) \cdot (\bar{x} \cdot y + \bar{x} \cdot z + x \cdot z + z \cdot y + z)$$

Again, multiplying and simplifying,

$$\text{Alarm} = x \cdot \bar{y} \cdot z + \bar{x} \cdot \bar{y} \cdot z + x \cdot \bar{y} \cdot z + x \cdot z + \bar{y} \cdot z$$

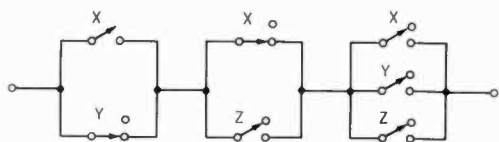


Figure 25

UNSIMPLIFIED RELAY NETWORK

Factoring gives,

$$\text{Alarm} = z \cdot (x + \bar{y})$$

Translating this into plain language:

Alarm =  $z$  operates and  $x$  operates or  $y$  does not operate

This expression is much simpler and could be constructed as in figure 26. It can be seen that this has effected a worthwhile savings in components compared to figure 25.

The theory may be expanded to systems where an output may become a new input in order to achieve memory or provide a logic sequence. It is possible to use even more complex Boolean methods to solve more complicated problems, such as a switching network with 16 inputs.

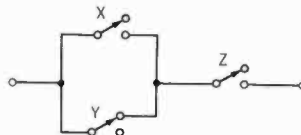


Figure 26

SIMPLIFIED OR MINIMAL CIRCUIT FOR RELAY NETWORK

### 34-5 The Smith Chart

There are several forms of chart-type calculators which may be used for calculations involving antennas, transmission lines, and impedance matching devices. In general, the most convenient of these, and certainly the most generally used, is the *Smith Chart* (figure 27).

The Smith Chart consists of two sets of orthogonal circles, where in one set, a given circle is the locus of points of equal real resistance, and equal reactance for the other set. Since there are both positive and negative values of reactance, the reactance loci are in reality two symmetrical sets. A breakdown of the Smith Chart into its components is shown in chapter 26, section 2 of this handbook.

In addition to resistance and reactance, additional sets of circles representing the loci of points of equal VSWR, transmission loss and reflection coefficients are present, or may be applied to the chart. With all of these parameters present in a single graphical form, it is no wonder that the Smith Chart is used



IMPEDANCE OR ADMITTANCE COORDINATES

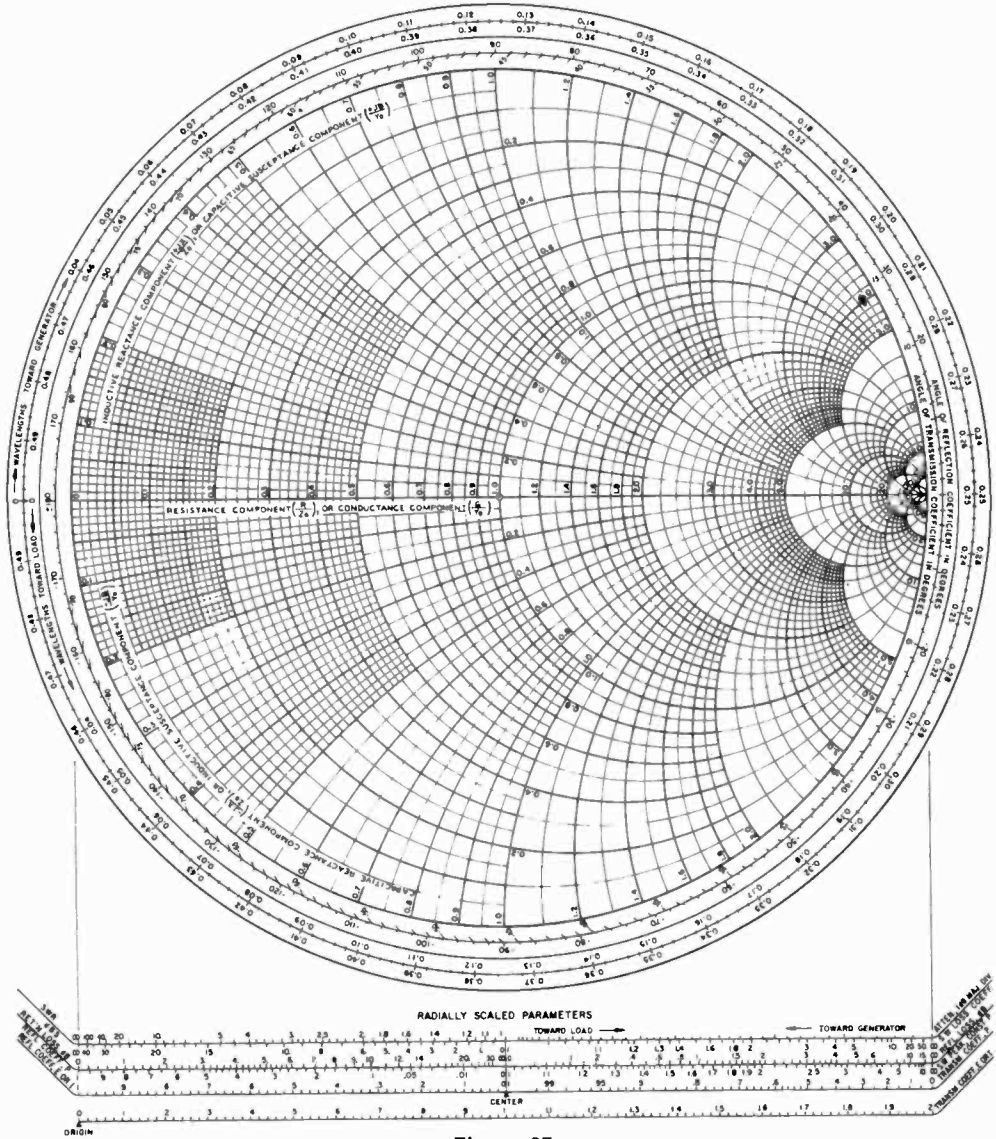


Figure 27

THE SMITH CHART

The Smith Chart is an impedance circle diagram having a curved coordinate system. The chart is composed of two families of circles, the resistance circles and the reactance circles. Wavelength scales are plotted around the perimeter of the chart, as well as a phase-angle scale. The perimeter of the chart represents a half-wavelength. The scaled horizontal line at the center represents the resistance scale, while the expanding arcs represent lines of reactance (positive and negative). The center point of the chart is normalized in this case to 1 + j0.

to such an extent. However, the value of the Smith Chart does not end here. Since within the zero resistance circle all values of impe-

dance are represented, for positive values of resistance, the Smith Chart is also used as a graphical representation of port impedance

IMPEDANCE OR ADMITTANCE COORDINATES

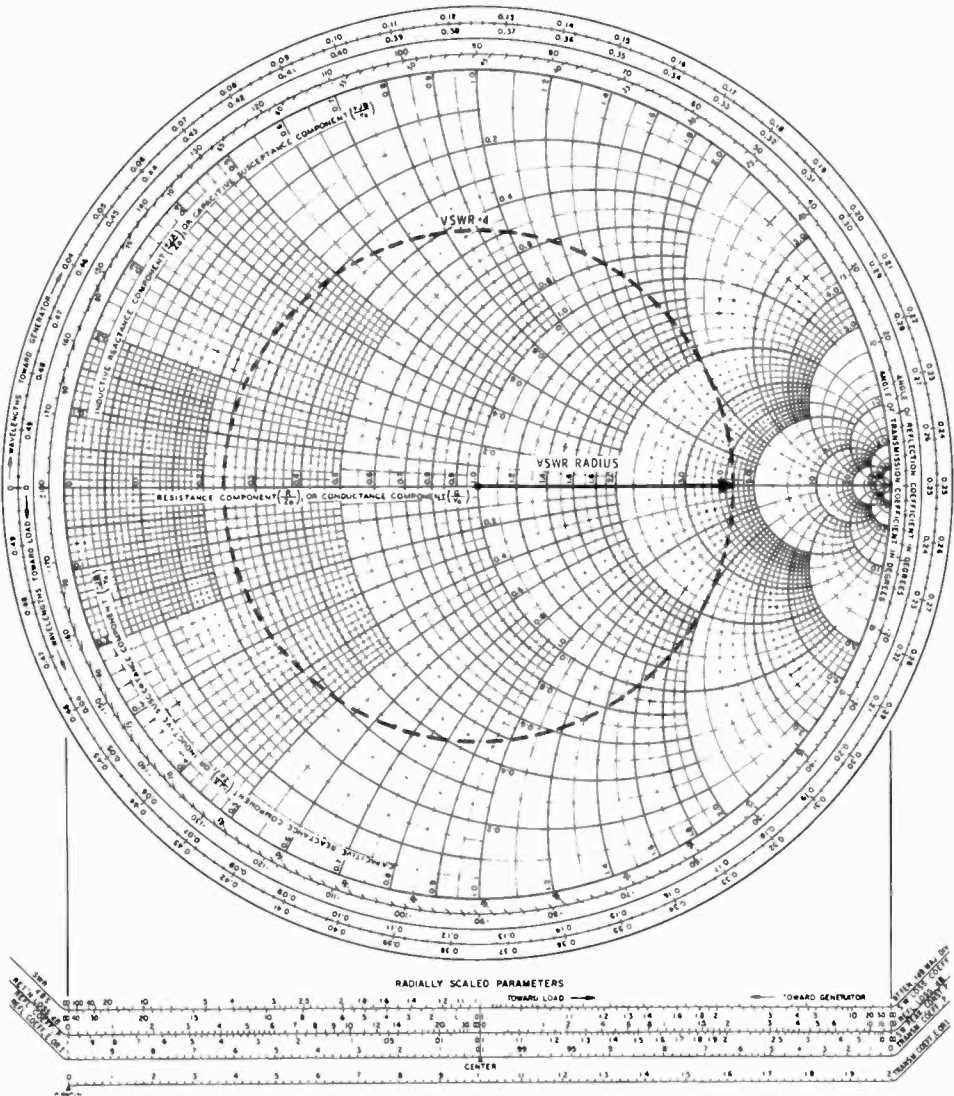


Figure 28

SWR CIRCLE ON THE SMITH CHART

SWR circles may be added to the Smith Chart, centered at 1.0 on the resistance scale. A circle centered at 1.0 and which passes through 4.0 on the resistance scale encloses all impedances which will cause a VSWR of 4 to 1, or less, on the system under examination. Charts having a center impedance value of 50 ohms are also available.

with respect to frequency, and as a method of performing vector analysis.

When understood, the Smith Chart is no more difficult to use than an engineering-model slide rule or calculator. The results obtained from the Smith Chart are, for normal

purposes, very reliable for the range of accuracies commonly needed, e.g., two to three significant figures.

Some Smith Charts are *normalized*, that is, the center has the coordinate  $1 + j0$ . To convert an impedance to a normalized im-

pedance, it must be divided by the characteristic impedance of the system. Thus,  $90 + j 160$  ohms normalized to a 50-ohm system would be determined by dividing each of the coordinates by 50, to obtain the normalized impedance of  $1.8 + j 3.2$ .

There are variations of the normalized Smith Chart with a center reference of 75 ohms or an admittance of 20 millimho, depending upon application. Charts also exist

in an expanded form for operation near the system characteristic impedance, and which allow accuracy up to four significant figures in that area.

**Applications of the Smith Chart** In the case of a lossless system, the VSWR is a constant over a particular part of the transmission line, assuming no stubs or other

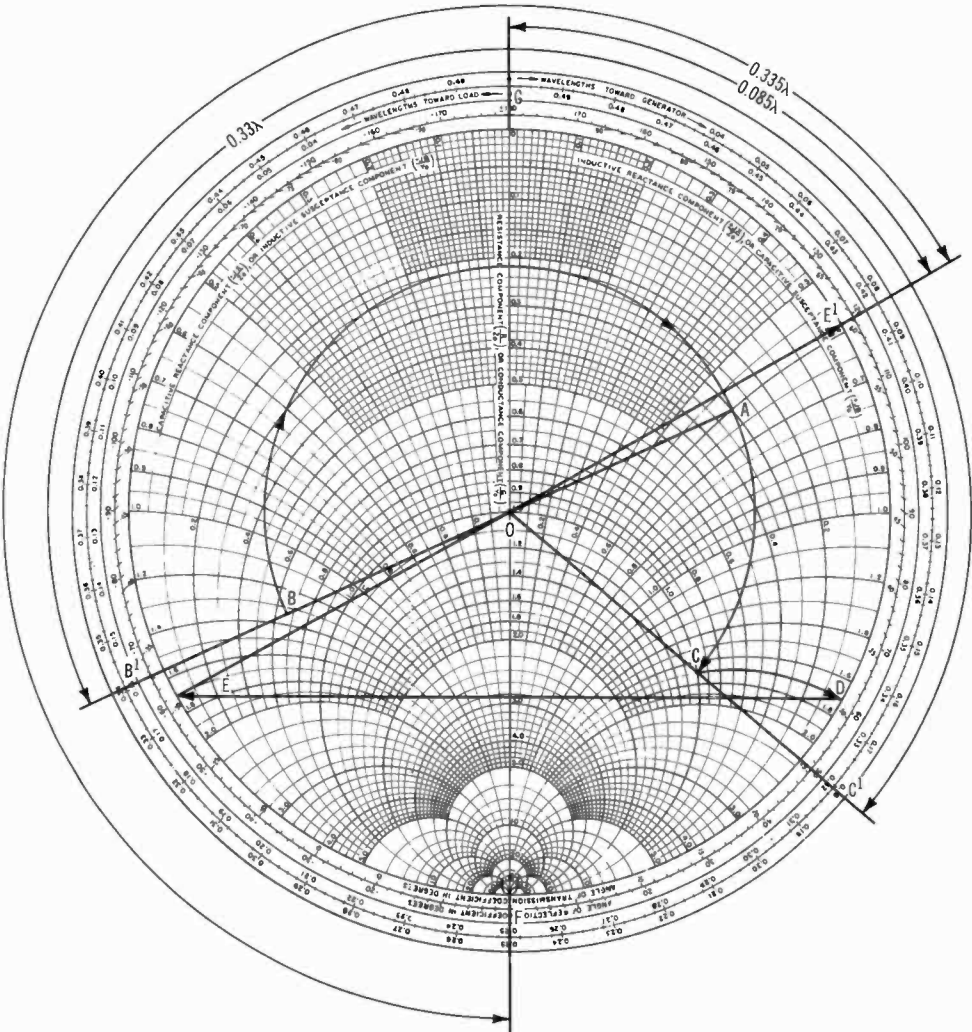


Figure 29

IMPEDANCE MATCHING WITH THE SMITH CHART

A 50-ohm transmission line is matched to a load impedance of  $15 + j30$  ohms (a normalized impedance of  $0.3 - j0.6$ ) by means of the chart.

discontinuities. All parameters in this part of the line are then equidistant from the center of the Smith Chart, that is, they lie on a circle whose radius is that of the normalized resistance component corresponding to the VSWR on the zero-reactance radius (figure 28).

One rotation of the Chart corresponds to a half-wavelength ( $180^\circ$ ) along the transmission line so that the impedance at all points along the line may be found directly once the impedance at a given point is determined. This may be determined from a maximum voltage measurement. At this point the real impedance is at a maximum and the point lies on the zero reactance line. Thus, to locate a transmission line point on the Smith Chart, two parameters are needed: the first to identify the radius of the operating locus (the VSWR) and the second to determine one position on that locus. At any other point on the line, its location on the Smith Chart, and thus its impedance, may be found by direct measurement on the chart, remembering that  $360^\circ$  around the Smith Chart corresponds to 180 electrical degrees, or a half-wavelength. It is important to note that the distance along the line must be in terms of electrical wavelengths, rather than inches or centimeters and must be increased by the square root of the dielectric constant of the insulation of the line to compensate for the velocity factor of the line.

In a practical case, it may be necessary to match a partly reactive antenna load to a transmission line. This may be achieved by means of a parallel-connected reactance at a point on the transmission line. Discrete components may be used, or open or shorted sections of transmission line may be employed to provide these reactances. The Smith Chart provides a convenient method of establishing all the parameters of such a match once the impedance at a particular point is known.

Consider the problem of providing a match on a transmission line where it is known that at point *A* the impedance is  $15 + j30$  ohms (figure 29). The procedure is to establish another point on the line where a pure reactance may be placed in parallel, resulting in a nonreactive load having the required resistance, usually the characteristic impedance of the transmission line. For this example, a 50-ohm match for a 50-ohm transmission line is considered.

Step 1: Normalize the impedance, i.e.  $0.3 + j0.6$ . Plot this on a Smith Chart (point *A* in figure 29).

Step 2: Find the admittance at this point by constructing the diametrically opposite point (point *B*). This step is necessary since the solution will be two impedances in parallel. The real and imaginary parts of the admittance simply add up (see Chapter 3-2).

Step 3: Rotating toward the generator, point *C* is determined at which the real part of the admittance is 1.0. At this point, constructing to *D*, there is a positive susceptance of  $j1.7$ . The angle  $B'$  through *G* to *C'* locates the position of the matching reactance. The distance from the known source *A* to this point is 0.33 wavelength.

Step 4: If a pure susceptance opposite in sign is placed at this point, the total admittance will be unity, or one, the desired result. The value to be added is at point *E*. The reactance equivalent to this is diametrically opposite at point *E'* and is  $+j0.58$ , or reverting to ohmic expression, is an inductance having a value of  $+j29$  ohms at the operating frequency.

Thus, a match to 50 ohms is achieved by placing an inductance of  $+j29$  ohms at the point 0.33 wavelength back along the line towards the generator from point *A*.

This solution is not unique. There exists a second point on the chart where the real part of the admittance is unity and the whole solution repeats every half-wavelength.

The Smith Chart may be used to take this problem a little further. Open- and short-circuit lengths of transmission line are nearly purely reactive, the sign and value of the reactance being determined by line length. It is common practice to use such lengths, and the general name of *stubs* is given to them. In terms of impedance, the point *G* is a short circuit and the point *F* is an open circuit. (The conditions are reversed if admittances are considered).

Returning to the example:

Step 5: The point *E'* is the required stub impedance, and the distance *E'* to-

ward load to  $G$  is the stub length for a short circuit stub, and is 0.085 wavelength. Similarly, an open circuit stub would have length  $E'$  toward load to  $F$ , or 0.335 wavelength. Any number of half-wavelengths may be added to these figures.

Thus, a short circuit stub 0.085 wavelength long placed at a point 0.33 wavelength back towards the generator from point  $A$  will be one of many configurations that will match the system to 50 ohms.

There are two important points to note: Matching is calculated at the frequency of interest and all lengths are in electrical terms and velocity factors must be considered.

**The Coaxial Matching Stub** In the case of a coaxial line where it may be difficult to obtain specific stub positions, two stubs arranged  $\frac{3}{8}$ ,  $\frac{1}{4}$ , or  $\frac{5}{8}$  wavelengths apart may be used, their length being determined by a suitable manipulation of the Smith Chart. The explanation for this is that it is normally possible to cut the stub nearest the load so as to present an admittance at the second stub whose real part is equal to the characteristic admittance of the system. A match can now be obtained by the use of a susceptance of equal magnitude but opposite sign at the second stub. This is termed *double-stub tuning*. A requirement for the double-stub match is that the distance between the stubs not be a multiple of half-wavelengths.

For additional references on the Smith Chart and its uses, the following works are recommended: "Transmission Line Calculator," P. H. Smith, *Electronics*, January, 1944. "The Smith Chart," Hickson, *Wireless World*, January, 1960. "How to Use the Smith Chart," Fisk, *Ham Radio*, November, 1970.

## 34-6 Graphical Representation

Formulas and physical laws are often presented in graphical form; this gives us a "bird's eye view" of various possible condi-

tions due to the variations of the quantities involved. In some cases graphs permit us to solve equations with greater ease than ordinary algebra.

**Coordinate Systems** All of us have used coordinate systems without realizing it. For instance, in modern cities we have numbered streets and numbered avenues. By this means we can define the location of any spot in the city if the nearest street crossings are named. This is nothing but an application of *Cartesian* coordinates.

In the Cartesian coordinate system (named after Descartes), we define the location of any point in a plane by giving its distance from each of two perpendicular lines or *axes*. Figure 30 illustrates this idea. The vertical axis is called the *Y-axis*, the horizontal axis is the *X-axis*. The intersection of these two axes is called the *origin* ( $O$ ). The location of a point ( $P$ ) (figure 30) is defined by measuring the respective distances,  $x$  and  $y$  along the *X-axis* and the *Y-axis*. In this example the distance along the *X-axis* is 2 units and along the *Y-axis* is 3 units. Thus we define the point as  $P(2, 3)$  or we might say  $x = 2$  and  $y = 3$ . The measurement  $x$  is called the *abscissa* of the point and the

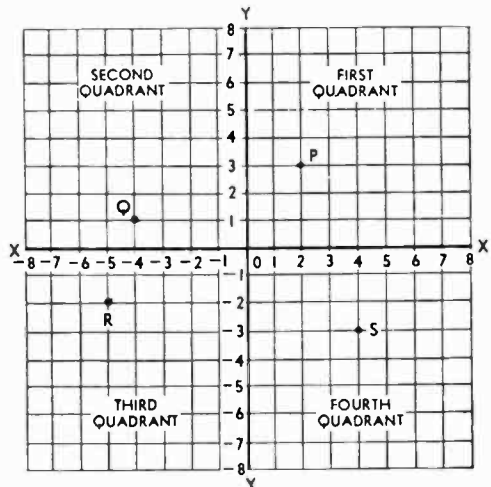


Figure 30

### CARTESIAN COORDINATES

The location of any point can be defined by its distance from the  $x$  and  $y$  axes.

distance  $y$  is called its *ordinate*. It is arbitrarily agreed that distances measured from 0 to the right along the  $X$ -axis shall be reckoned positive and to the left negative. Distances measured along the  $Y$ -axis are positive when measured upward from 0 and negative when measured downward from 0. This is illustrated in figure 30. The two axes divide the plane area into four parts called quadrants. These four quadrants are numbered as shown in the figure.

It follows from the foregoing statements, that points lying within the first quadrant have both  $x$  and  $y$  positive, as is the case with the point  $P$ . A point in the second quadrant has a negative abscissa, ( $x$ ), and a positive ordinate, ( $y$ .) This is illustrated by the point  $Q$ , which has the coordinates  $x = -4$  and  $y = +1$ . Points in the third quadrant have both  $x$  and  $y$  negative.  $x = -5$  and  $y = -2$  illustrates such a point, ( $R$ ). The point ( $S$ ), in the fourth quadrant has a negative ordinate, ( $y$ ) and a positive abscissa or  $x$ .

In practical applications we might draw only as much of this plane as needed to illustrate our equation and therefore, the scales along the  $X$ -axis and  $Y$ -axis might not start with zero and may show only that part of the scale which interests us.

**Representation of Functions** In the equation:

$$f = \frac{300,000}{\lambda}$$

$f$  is said to be a function of  $\lambda$ . For every value of  $\lambda$  there is a definite value of  $f$ . A variable is said to be a function of another variable when for every possible value of the latter, or *independent* variable, there is a definite value of the first or *dependent* variable. For instance, if  $y = 5x^2$ ,  $y$  is a function of  $x$  and  $x$  is called the independent variable. When  $a = 3b^3 + 5b^2 - 25b + 6$ , then  $a$  is a function of  $b$ .

A function can be illustrated in our coordinate system as follows. Let us take the equation for frequency versus wavelength as an example. Given different values to the independent variable find the corresponding values of the dependent variable. Then plot the *points* represented by the different sets of two values.

kHz	$\lambda$ meters
600	500
800	375
1000	300
1200	250
1400	214
1600	187
1800	167
2000	150

Plotting these points in figure 31 and drawing a smooth curve through them gives us the *curve* or *graph* of the equation. This curve will help us find values of  $f$  for other

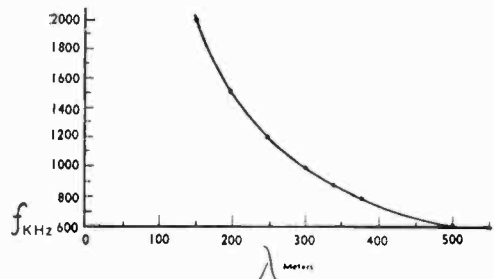


Figure 31

### REPRESENTATION OF A SIMPLE FUNCTION IN CARTESIAN COORDINATES

In this chart of the function  $f = \frac{300,000}{\lambda}$  distances along the  $x$  axis represent wavelength in meters, while those along the  $Y$  axis represent frequency in kilohertz. A curve such as this helps to find values between those calculated with sufficient accuracy for most purposes.

values of  $\lambda$  (those in between the points calculated) and so a curve of an often-used equation may serve better than a table which always has gaps.

When using the coordinate system described so far and when measuring linearly along both axes, there are some definite rules regarding the kind of curve we get for any type of equation. In fact, an expert can draw the curve with but a very few plotted points since the equation has told him what kind of curve to expect.

First, when the equation can be reduced to form  $y = mx + b$ , where  $x$  and  $y$  are the variables, it is known as a *linear* or *first degree* function and the curve becomes a straight line. (Mathematicians still speak of

a "curve" when it has become a straight line.)

When the equation is of the second degree, that is, when it contains terms like  $x^2$  or  $y^2$  or  $xy$ , the graph belongs to a group of curves, called *conic sections*. These include the circle, the ellipse, the parabola and the hyperbola. In the example given above, our equation is of the form

$$xy = c, \text{ } c \text{ being equal to } 300,000$$

which is a second degree equation and in this case, the graph is a hyperbola.

This type of curve does not lend itself readily for the purpose of calculation except near the middle, because at the ends a very large change in  $\lambda$  represents a small change in  $f$  and vice versa. Before discussing what can be done about this let us look at some other types of curves.

Suppose we have a resistance of 2 ohms and we plot the function represented by Ohm's law:  $E = 2I$ . Measuring  $E$  along the X-axis and amperes along the Y-axis, we plot the necessary points. Since this is a first degree equation, of the form  $y = mx + b$  (for  $E = y, m = 2$  and  $I = x$  and  $b = 0$ ) it will be a straight line so we need only two points to plot it.

(line passes through origin)	$\frac{I}{0} \quad \frac{E}{0}$
	$\frac{5}{10}$

The line is shown in figure 32. It is seen to be a straight line passing through the origin. If the resistance were 4 ohms, we should get the equation  $E = 4I$ , and this also repre-

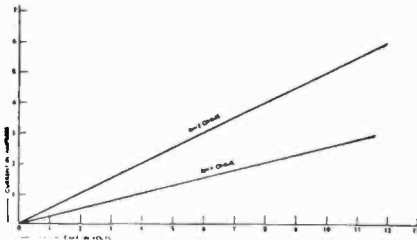


Figure 32

Only two points are needed to define functions which result in a straight line as shown in this diagram representing Ohm's law.

sents a line which we can plot in the same figure. As we see, this line also passes through the origin but has a different slope. In this

illustration the slope defines the resistance and we could make a protractor which would convert the angle into ohms. This fact may seem inconsequential now, but use of this is made in the drawing of loadlines on tube curves.

Figure 33 shows a typical, grid-voltage, plate-current static characteristic of a triode. The equation represented by this curve is rather complicated so that we prefer to deal with the curve. Note that this curve extends through the first and second quadrant.

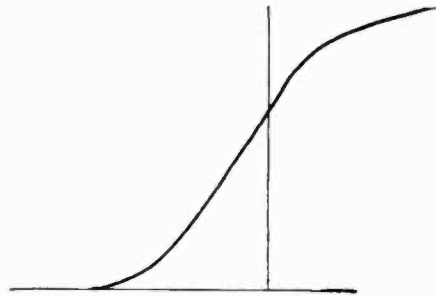


Figure 33

**A TYPICAL GRID-VOLTAGE  
PLATE-CURRENT CHARACTERISTIC  
CURVE**

The equation represented by such a curve is so complicated that we do not use it. Data for such a curve is obtained experimentally, and intermediate values can be found with sufficient accuracy from the curve.

**Families of Curves** It has been explained that curves in a plane can be made to illustrate the relation between *two* variables when one of them varies independently. However, what are we going to do when there are *three* variables and *two* of them vary independently. It is possible to use three dimensions and three axes but this is not conveniently done. Instead of this we may use a *family of curves*. We have already illustrated this partly with Ohm's law. If we wish to make a chart which will show the current through *any* resistance with *any* voltage applied across it, we must take the equation  $E = IR$ , having three variables.

We can now draw one line representing a resistance of 1 ohm, another line representing 2 ohms, another representing 3 ohms, etc., or as many as we wish and the size of our paper will allow. The whole set of lines is then applicable to any case of Ohm's law

falling within the range of the chart. If any two of the three quantities are given, the third can be found.

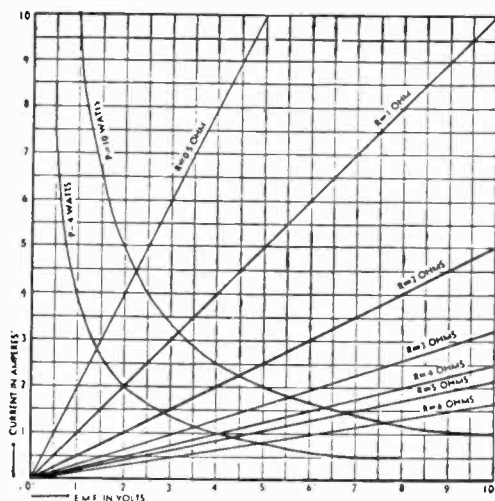


Figure 34

### A FAMILY OF CURVES

An equation such as Ohm's law has three variables, but can be represented in Cartesian coordinates by a family of curves such as shown here. If any two quantities are given, the third can be found. Any point in the chart represents a definite value of  $E$ ,  $I$ , and  $R$ , which will satisfy the equation of Ohm's law. Values of  $R$  not situated on an  $R$  line can be found by interpolation.

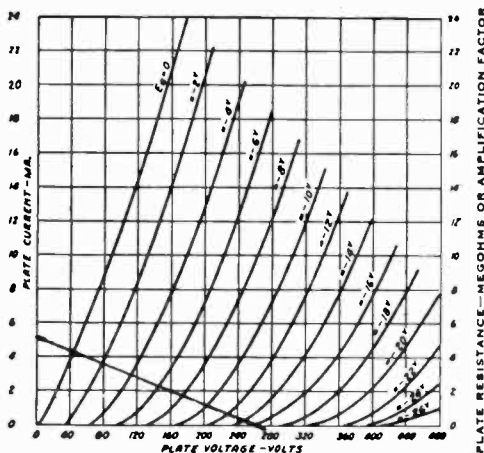
Figure 34 shows such a family of curves to solve Ohm's law. Any point in the chart represents a definite value each of  $E$ ,  $I$ , and  $R$  which will satisfy the equation. The value of  $R$  represented by a point that is not situated on an  $R$  line can be found by interpolation.

It is even possible to draw on the same chart a second family of curves, representing a fourth variable. But this is not always possible, for among the four variables there should be no more than *two independent variables*. In our example such a set of lines could represent power in watts; we have drawn only two of these but there could of course be as many as desired. A single point in the plane now indicates the four values of  $E$ ,  $I$ ,  $R$ , and  $P$  which belong together and the knowledge of any two of them will give us the other two by reference to the chart.

Another example of a family of curves is the dynamic transfer characteristic or *plate family* of a tube. Such a chart consists of several curves showing the relation between

plate voltage, plate current, and grid bias of a tube. Since we have again three variables,

### AVERAGE PLATE CHARACTERISTICS $E_g = 6.3$ V.





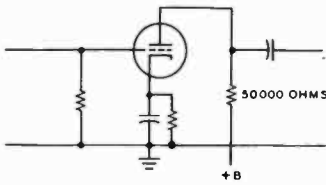


Figure 36

### PARTIAL DIAGRAM OF A RESISTANCE-COUPLED AMPLIFIER

The portion of the supply voltage wasted across the 50,000-ohm resistor is represented in figure 35 as the loadline.

which part across the tube for any value of plate current. In our example, let us suppose the plate resistor is 50,000 ohms. Then, if the plate current were zero, the voltage drop across the resistor would be zero and the full plate supply voltage is across the tube. Our first point of the loadline is  $E = 250, I = 0$ . Next, suppose, the plate current were 1 mA, then the voltage drop across the resistor would be 50 volts, which would leave for the tube 200 volts. The second point of the loadline is then  $E = 200, I = 1$ . We can continue like this but it is unnecessary for we shall find that it is a straight line and two points are sufficient to determine it.

This loadline shows at a glance what happens when the grid-bias is changed. Although there are many possible combinations of plate voltage, plate current, and grid bias, we are now restricted to points along this line as long as the 50,000-ohm plate resistor is in use. This line therefore shows the voltage drop across the tube as well as the voltage drop across the load for every value of grid bias. Therefore, if we know how much the grid bias varies, we can calculate the amount of variation in the plate voltage and plate current, the amplification, the power output, and the distortion.

**Logarithmic Scales** Sometimes it is convenient to measure along the axes the *logarithms* of our variable quantities. Instead of actually calculating the logarithm, special paper is available with logarithmic scales, that is, the distances measured along the axes are proportional to the logarithms of the numbers marked on

them rather than to the numbers themselves.

There is semilogarithmic paper, having logarithmic scales along one axis only, the other scale being linear. We also have full logarithmic paper where both axes carry logarithmic scales. Many curves are greatly simplified and some become straight lines when plotted on this paper.

As an example let us take the wavelength-frequency relation, charted before on straight cross-section paper.

$$f = \frac{300,000}{\lambda}$$

Taking logarithms:

$$\log f = \log 300,000 - \log \lambda$$

If we plot  $\log f$  along the Y-axis and  $\log \lambda$  along the X-axis, the curve becomes a straight line. Figure 37 illustrates this graph on full logarithmic paper. The graph may be read with the same accuracy at any point in contrast to the graph made with linear coordinates.

This last fact is a great advantage of logarithmic scales in general. It should be clear that if we have a linear scale with 100 small divisions numbered from 1 to 100, and if we are able to read to one tenth of a division, the possible error we can make near 100, way up the scale, is only 1/10th of a percent. But near the beginning of the scale, near 1, one tenth of a division amounts to 10 percent of 1 and we are making a 10 percent error.

In any logarithmic scale, our possible error in measurement or reading might be, say  $\frac{1}{32}$  of an inch which represents a fixed amount of the log depending on the scale used. The net result of adding to the logarithm a fixed quantity, as 0.01, is that the antilogarithm is multiplied by 1.025, or the error is  $2\frac{1}{2}\%$ . No matter at what part of the scale the 0.01 is added, the error is always  $2\frac{1}{2}\%$ .

An example of the advantage due to the use of semilogarithmic paper is shown in figures 38 and 39. A resonance curve, when plotted on linear coordinate paper will look like the curve in figure 38. Here we have plotted the output of a receiver against frequency while the applied voltage is kept con-

stant. The curve does not give enough information in this form for one might think that a signal 10 kHz off resonance would not cause any current at all and is tuned out. However, we frequently have off resonance signals which are 1000 times as strong as the desired signal and one cannot read on the graph of figure 38 how much any signal is attenuated if it is reduced more than about 20 times.

In comparison look at the curve of figure 39. Here the response (the current) is plotted in logarithmic proportion, which allows us to plot clearly how far off resonance a signal has to be to be reduced 100, 1000, or even 10,000 times.

Note that this curve is now "upside down"; it is therefore called a *selectivity* curve. The reason that it appears upside down is that

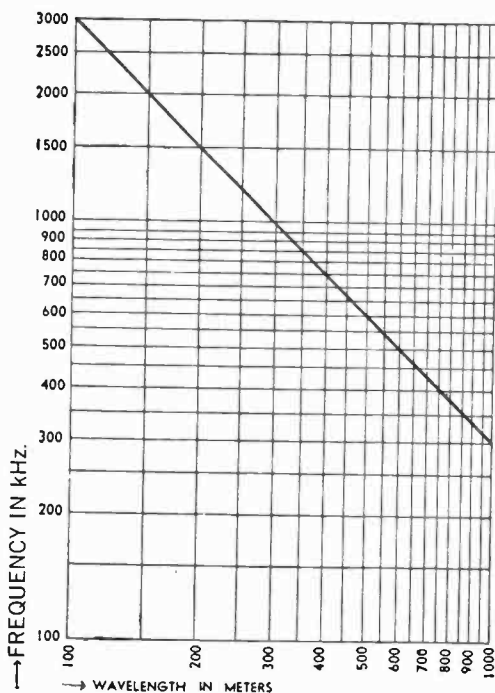


Figure 37

### A LOGARITHMIC CURVE

Many functions become greatly simplified and some become straight lines when plotted to logarithmic scales such as shown in this diagram. Here the frequency versus wavelength curve of figure 33 has been replotted to conform with logarithmic axes. Note that it is only necessary to calculate two points in order to determine the "curve" since this type of function results in a straight line.

the method of measurement is different. In a selectivity curve we plot the increase in signal voltage necessary to cause a standard output off resonance. It is also possible to plot this increase along the Y-axis in decibels; the curve then looks the same although linear paper can be used because now our unit is logarithmic.

An example of full logarithmic paper being used for families of curves is shown in the reactance charts of Charts 1 and 2.

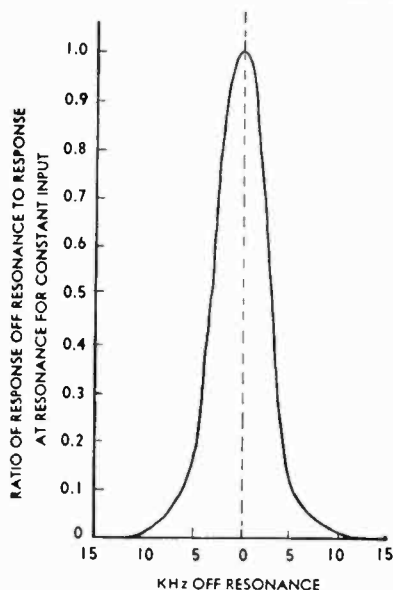


Figure 38

### A RECEIVER RESONANCE CURVE

This curve represents the output of a receiver versus frequency when plotted to linear coordinates.

### Nomograms or Alignment Charts

An alignment chart consists of three or more sets of scales which have been so laid out that to solve the formula for which the chart was made, we have but to lay a straight edge along the two given values on any two of the scales, to find the third and unknown value on the third scale. In its simplest form, it is somewhat like the lines in figure 40. If the lines *a*, *b*, and *c* are parallel and equidistant, we know from ordinary geometry, that  $b = \frac{1}{2}(a + c)$ . Therefore, if we draw a scale of the same units on all three lines, starting

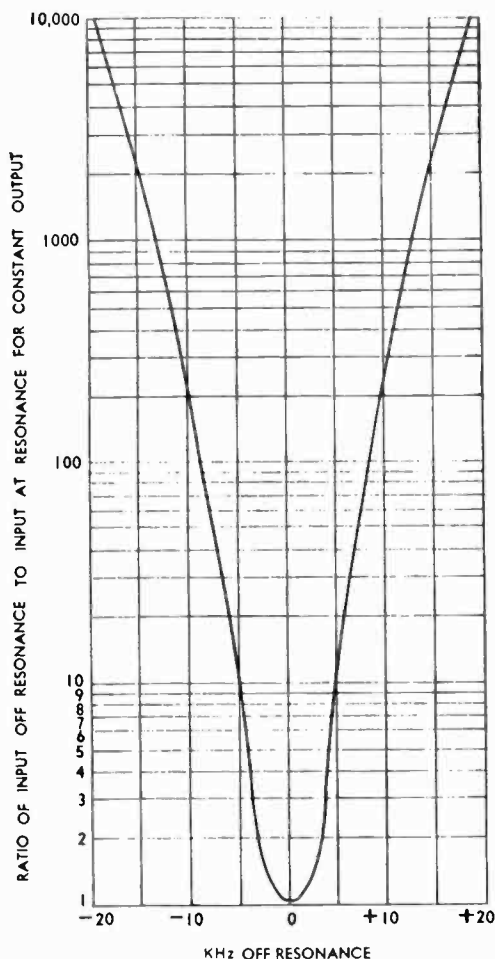


Figure 39

**A RECEIVER SELECTIVITY CURVE**

This curve represents the selectivity of a receiver plotted to logarithmic coordinates for the output, but linear coordinates for frequency. The reason that this curve appears inverted from that of figure 38 is explained in the text.

with zero at the bottom, we know that by laying a straightedge across the chart at any place, it will connect values of  $a$ ,  $b$ , and  $c$ , which satisfy the above equation. When any two quantities are known, the third can be found.

If, in the same configuration we used logarithmic scales instead of linear scales, the relation of the quantities would become

$$\log b = \frac{1}{2} (\log a + \log c) \text{ or } b = \sqrt{ac}$$

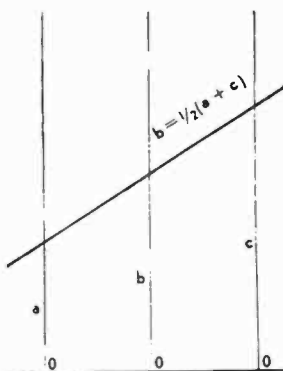


Figure 40

**THE SIMPLEST FORM OF NOMOGRAM**

By using different kinds of scales, different units, and different spacings between the scales, charts can be made to solve many kinds of equations.

If there are more than three variables it is generally necessary to make a double chart, that is, to make the result from the first chart serve as the given quantity of the second one. Such an example is the chart for the design of coils illustrated in Chart 3. This nomogram is used to convert the inductance in microhenrys to physical dimensions of the coil and vice versa. A pin and a straightedge are required. The method is shown under "R-F Tank Circuit Calculations" later in this chapter.

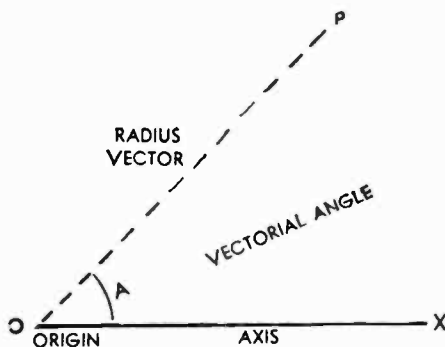


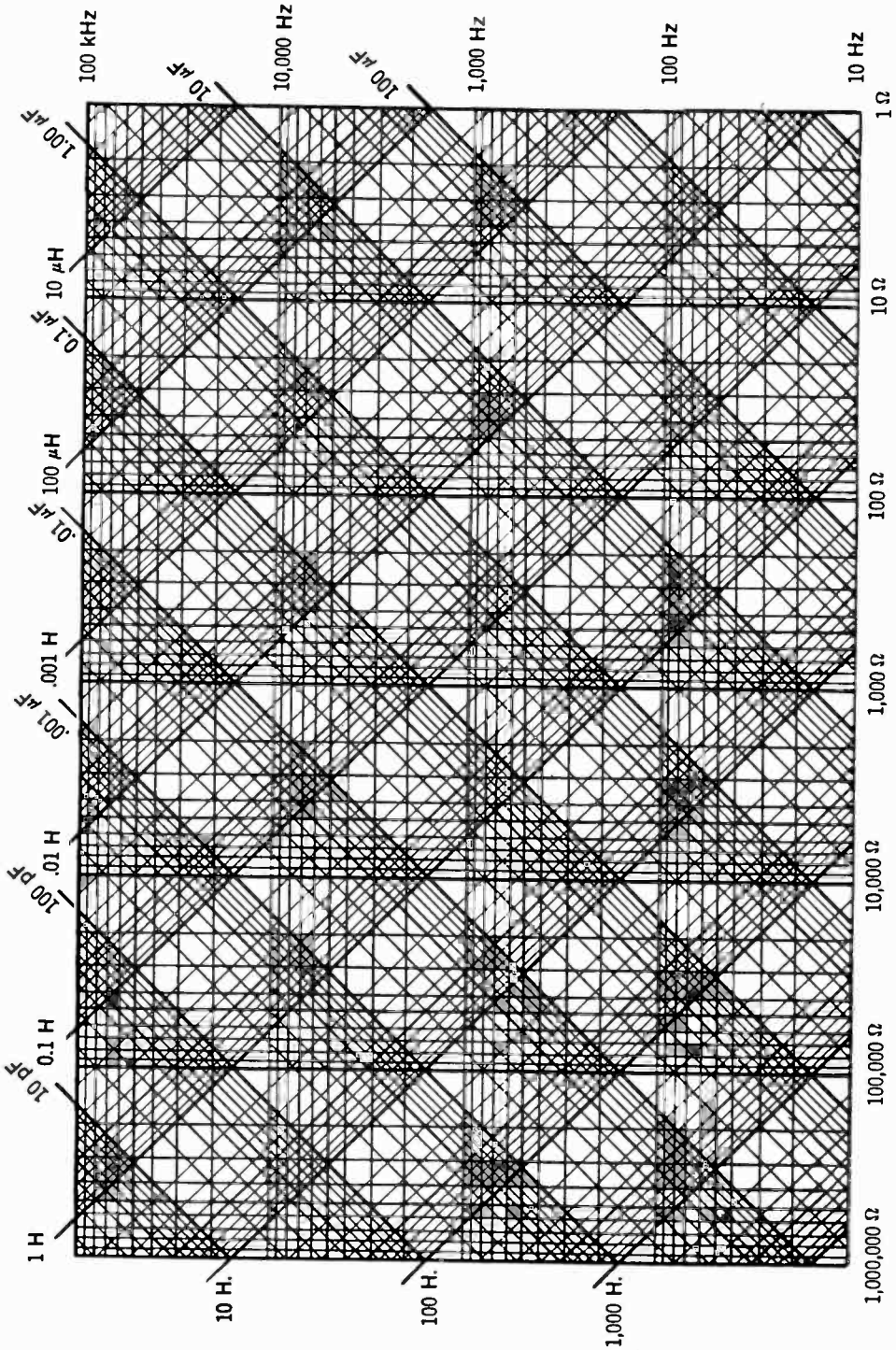
Figure 41

**THE LOCATION OF A POINT BY POLAR COORDINATES**

In the polar coordinate system any point is determined by its distance from the origin and the angle formed by a line drawn from it to the origin and the O-X axis.

Chart 1. REACTANCE-FREQUENCY CHART FOR AUDIO FREQUENCIES

See text for applications and instructions for use



**Polar Coordinates** Instead of the Cartesian coordinate system there is also another system for defining algebraically the location of a point or line in a plane. In this, the polar coordinate system, a point is determined by its distance from the origin,  $O$ , and by the angle it makes with the axis  $O-X$ . In figure 41 the point  $P$  is defined by the length of  $OP$ , known as the radius vector and by the angle  $A$  the vectorial angle. We give these data in the following form

$$P = 3 \angle 60^\circ$$

Polar coordinates are used in radio chiefly for the plotting of directional properties of microphones and antennas. A typical example of such a directional characteristic is shown in figure 42. The radiation of the antenna represented here is proportional to the distance of the characteristic from the origin for every possible direction.

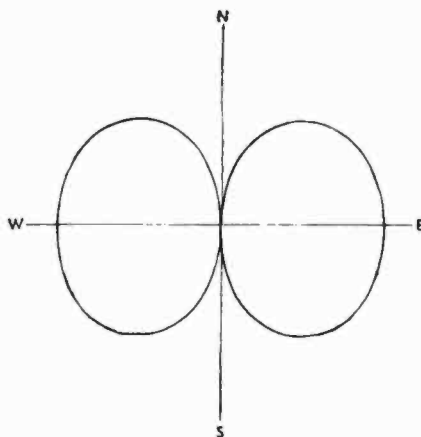


Figure 42

### THE RADIATION CURVE OF AN ANTENNA

Polar coordinates are used principally in radio work for plotting the directional characteristics of an antenna where the radiation is represented by the distance of the curve from the origin for every possible direction.

**Reactance Calculations** In audio frequency calculations, an accuracy to better than a few percent is seldom required, and when dealing with calculations involving inductance, capacitance, resonant frequency, etc., it is much simpler to make use of reactance-frequency charts such as those in Charts 1 and 2 rather than to wrestle with a combination of unwieldy formulas. From these charts it is possible to determine the reactance of a capacitor or coil if the capacitance or inductance is known, and vice versa. It follows from this that resonance calculations can be made directly from the chart, because resonance simply means that the inductive and capacitive reactances are equal. The capacitance required to resonate with a given inductance, or the inductance required to resonate with a given capacitance, can be taken directly from the chart.

While the chart may look somewhat formidable to one not familiar with charts of this type, its application is really quite simple, and can be learned in a short while. The following example should clarify its interpretation.

For instance, following the lines to their intersection, we see that 0.1 H. and 0.1  $\mu$ F intersect at approximately 1500 Hz and 1000

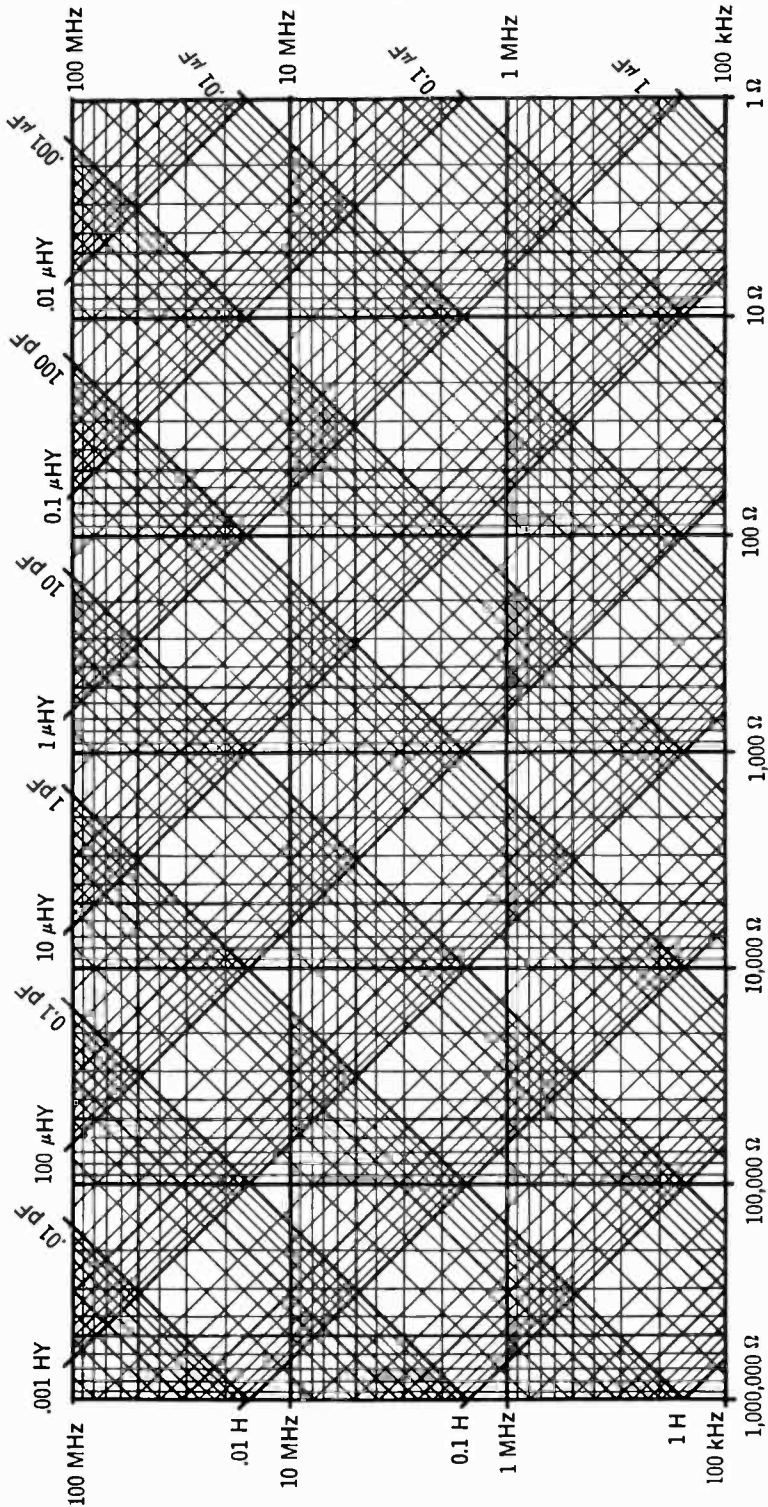
ohms. Thus, the reactance of either the coil or capacitor taken alone is about 1000 ohms, and the resonant frequency about 1500 Hz.

To find the reactance of 0.1 H. at, say, 10,000 Hz, simply follow the inductance line diagonally up toward the upper left till it intersects the horizontal 10,000-Hz line. Following vertically downward from the point of intersection, we see that the reactance at this frequency is about 6000 ohms.

To facilitate use of the chart and to avoid errors, simply keep the following in mind: The vertical lines indicate reactance in ohms, the horizontal lines always indicate the frequency, the diagonal lines sloping to the lower right represent inductance, and the diagonal lines sloping toward the lower left indicate capacitance. Also remember that the scale is *logarithmic*. For instance, the next horizontal line above 1000 Hz is 2000 Hz. Note that there are 9, not 10, divisions between the heavy lines. This also should be kept in mind when interpolating between lines when best possible accuracy is desired; halfway between the line representing 200 Hz and the line representing 300 Hz is *not* 250 Hz, but approximately 230 Hz. The 250 Hz point is approximately 0.7 of the way between the 200-Hz line and the 300-Hz line rather than halfway between.

**Chart 2. REACTANCE-FREQUENCY CHART FOR 100 kHz TO 100 MHz**

This chart is used in conjunction with the nomograph (Chart 3) for radio frequency computations



Use of the chart need not be limited by the physical boundaries of the chart. For instance, the 10-pF line can be extended to find where it intersects the 100-H. line, the resonant frequency being determined by projecting the intersection horizontally back on to the chart. To determine the reactance, the logarithmic ohms scale must be extended.

**R-F Tank Circuit Calculations** When winding coils for use in radio receivers and transmitters, it is desirable to be able to determine in advance the full coil specifications for a given frequency. Likewise, it often is desired to determine how much capacity is required to resonate a given coil so that a suitable capacitor can be used.

Fortunately, extreme accuracy is not required, except where fixed capacitors are used across the tank coil with no provision for trimming the tank to resonance. Thus, even though it may be necessary to estimate the stray circuit capacity present in shunt with the tank capacity, and to take for granted the likelihood of a small error when using a chart instead of the formula upon which the chart was based, the results will be sufficiently accurate in most cases, and in any case give a reasonably close point from which to start "pruning."

The inductance required to resonate with a certain capacitance is given in Chart 2. By means of the r-f chart, the inductance of the coil can be determined, or the capacitance determined if the inductance is known. When making calculations, be sure to allow for stray circuit capacitance, such as tube interelectrode capacitance, wiring, sockets, etc. This will normally run from 5 to 25 picofarads depending on the components and circuit.

To convert the inductance in microhenrys to physical dimensions of the coil, or vice versa, the nomograph in Chart 3 is used. A pin and a straightedge are required. The inductance of a coil is found as follows:

The straightedge is placed from the correct point on the turns column to the correct point on the diameter-to-length ratio column, the latter simply being the diameter divided by the length. Place the pin at the point on the plot axis column where the straightedge crosses it. From this point lay

the straightedge to the correct point on the diameter column. The point where the straightedge intersects the inductance column will give the inductance of the coil.

From the chart, we see that a 30-turn coil having a diameter-to-length ratio of 0.7 and a diameter of 1 inch has an inductance of approximately 12 microhenrys. Likewise any one of the four factors may be determined if the other three are known. For instance, to determine the number of turns when the desired inductance, the D/L ratio, and the diameter are known, simply work backward from the example given. In all cases, remember that the straightedge reads either turns and D/L ratio, or it reads inductance and diameter. It can read no other combination.

The actual wire size has negligible effect on the calculations for commonly used wire sizes (no. 10 to no. 30). The number of turns of insulated wire that can be wound per inch (solid) will be found in a copper wire table.

## 34-7 Calculus

The branch of mathematics dealing with the instantaneous *rate of change* of a variable is called *calculus*. This differs from other branches of mathematics which deal with finding fixed or constant quantities when a given value changes.

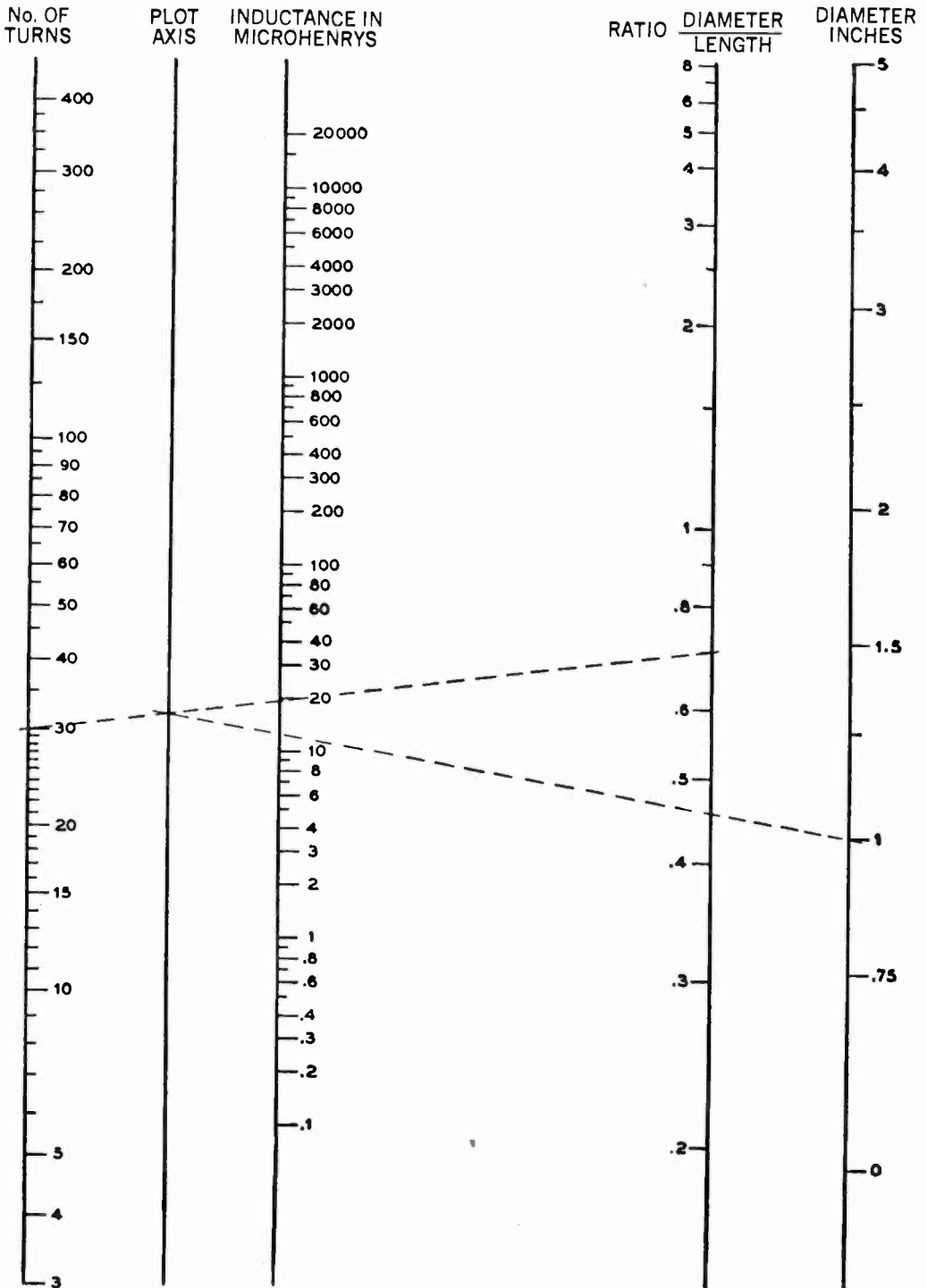
As an example, using the formula,

$$i = \frac{E}{R} \cdot e^{-t/RC}$$

the current at any given instant ( $i$ ) can be found by the use of algebra. Calculus allows the solution of the problem so that the rate at which the current changes at any given instant may be found. The rate, in this instance, is a variable quantity. A variable is a quantity to which an unlimited number of values can be assigned, such as  $i$ , which varies with time. The variable may be restricted to values falling between *limits*, or it may be unrestricted. It is *continuous* if it has no breaks or interruptions over the limits of investigation. A variable whose value is determined by the first variable is called a *function* of the first variable. Thus,

**Chart 3. COIL CALCULATOR NOMOGRAPH**

For single layer solenoid coils, any wire size. See text for instructions.





the symbol  $f(x)$  indicates a function of  $x$ , so that  $y = f(x)$ .

If, for example,  $f(a)$  and  $f(b)$  are two values of the function,  $f$ , then  $f(b) - f(a)$  represents the change in  $f$  brought about by the change from  $a$  to  $b$  in the number at which  $f$  is evaluated. The average rate of change of  $f$  between  $a$  and  $b$  is:

$$\frac{f(b) - f(a)}{b - a}$$

Such an equation may be graphed as discussed in a previous section and the slope of the resulting curve indicates the rate of change of the variable. The change, or *increment*, of the variable is the difference found by subtracting one value of the variable from the next, as shown above. The increment of  $x$  is denoted by  $\Delta x$ . In the equation  $y = f(x)$ , as  $x$  changes, so does the value of  $y$ . And as the increment  $\Delta x$  is made smaller,  $\Delta y$  also diminishes and the limiting case, when  $\Delta x$  is sufficiently small, is termed the *derivative* of  $x$  and is symbolized by:

$$\frac{dy}{dx} = \lim_{\Delta x \rightarrow 0} \frac{\Delta y}{\Delta x} = f'(x)$$

as  $\Delta x$  approaches zero. The symbol  $dy/dx$  indicates the limiting value of a fraction expressed by

$$\frac{\Delta y}{\Delta x}$$

Various rules of differentiation may be derived from the general rule and most of these apply directly to electrical problems dealing with the rate of change of a variable, such as a capacitor discharge, transmission-line theory, etc. Maximum and minimum values of a variable can be determined by setting the derivative equal to zero and solving the general equation.

It is convenient to use differential expressions such as:

$$dy = f'(x) dx = \frac{dy}{dx} \cdot dx$$

which states that the differential ( $dy$ ) of a function ( $x$ ) equals its derivative ( $dy/dx$ ) multiplied by the differential ( $dx$ ) of the independent variable.

**Integral Calculus** The derivative process may be inverted to find a function when the derivative is known, and this

is termed *integration*, or integral calculus. Integral calculus is helpful in electronic problems, especially those dealing with sine waves, or portions of waves of voltage, current or power. The symbol of integration is the capital script  $s$ :  $\int$  and,

$$\int f'(x) dx = f(x)$$

Graphically, integration may be thought of as a process of summation and is often used in electronics in this fashion.

Shown in figure 43 is an area  $ABCD$  representing a portion of a current wave. It is

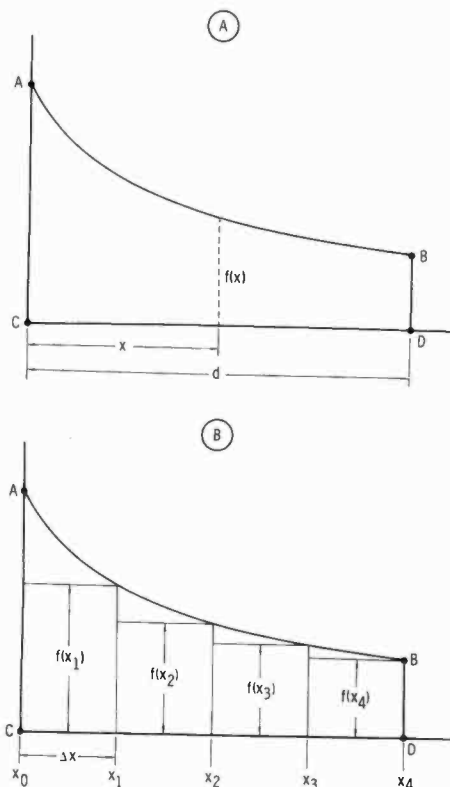


Figure 43

### GRAPHICAL REPRESENTATION OF INTEGRATION PROCESS

A—Area  $ABCD$  represents a portion of a current wave. The area is a function of  $x$ , the distance along the  $x$ -axis from the point of origin.

B—The area  $ABCD$  is approximated by drawing rectangles in it and adding up the areas of the rectangles. As the number of rectangles increases, the approximation approaches the actual area. The actual area is the limit of the sums of the individual areas as the number of areas approach infinity.

required to find the value of current, which is represented by the area under the wave  $AB$  divided by the period  $CD$ . The area  $ABCD$  may be approximated by drawing rectangles in it and adding up the areas of the rectangles. The height of each rectangle is defined by the function  $f(x)$ , which is the height of the curve  $x$  in units from the baseline. If, for example, four rectangles are drawn with equal bases, the sum of their areas is given by:

$$S_4 = f(x_1)\Delta x + f(x_2)\Delta x + f(x_3)\Delta x + f(x_4)\Delta x$$

In this equation,  $\Delta x$  equals  $d/4$ , the length of each base.

Now, if the baseline  $CD$  is divided into  $n$  equal parts by the points  $x_0, x_1, \dots, x_n$ , and if  $n$  rectangles are drawn, the sum  $S_n$  of the areas of the  $n$  rectangles is given by:

$$S_n = f(x_1)\Delta x + f(x_2)\Delta x + \dots + f(x_n)\Delta x$$

And  $\Delta x = \frac{d}{n}$ , or the length of each base.

$S_n$  thus is an approximation of the area  $ABCD$  and as  $n$  gets larger,  $S_n$  becomes closer and closer to the actual area. The actual area ( $A$ ) of region  $ABCD$  is the limit of  $S_n$  as  $n$  approaches infinity:

$$A = \lim_{n \rightarrow \infty} S_n$$

The limit of  $S_n$  as  $n$  approaches infinity is the *definite integral* of the function  $f$  from zero to  $d$ , written in the integral form as:

$$\int_0^d f(x) dx$$

Integration commonly takes place between limits to restrict the scope of the problem. A full study of calculus is beyond the scope of this chapter and for more information on this subject, the reader is referred to *Electronics Mathematics* (Volumes 1 and 2), Nunz and Shaw, McGraw-Hill Book Co., New York, N.Y.

## 34-8 Electronic Computers

Mechanical computing machines were first produced in the seventeenth century in Eu-

rope although the simple Chinese *abacus* (a digital computer) had been in use for centuries. Until the last decade only simple mechanical computers (such as adding and bookkeeping machines) were in general use.

The transformation and transmission of the volume of information required by modern technology requires that machines assume many of the information processing systems formerly done by the human mind. Computing machines can perform routine operations more quickly and more accurately than a human being, processing mathematical and logistical data on a production line basis. The computer, however, cannot create, but can only follow instructions. If the instructions are in error, the computer will produce a wrong answer.

Computers may be divided into two classes: the *digital* and the *analog*. The digital computer *counts*, and its accuracy is limited only by the number of significant figures provided for in the instrument. The analog computer *measures*, and its accuracy is limited by the percentage errors of the devices used, multiplied by the range of the variables they represent.

**Digital Computers** The *digital computer* operates in discrete steps. In general, the mathematical operations are performed by combinations of additions. Thus multiplication is performed by repeated additions, and integration is performed by summation. The digital computer may be thought of as an "on-off" device operating from signals that either exist or do not exist. The common adding machine is a simple computer of this type. The "on-off" or "yes-no" type of situation is well suited to switches, electrical relays, or to solid-state circuitry.

A simple electrical digital computer may be used to solve the old "farmer and river" problem. The farmer must transport a hen, a bushel of corn, and a fox across a river in a small boat capable of carrying the farmer plus one other article. If the farmer takes the fox in the boat with him, the hen will eat the corn. On the other hand, if he takes the corn, the fox will eat the hen. The circuit for a simple computer to solve this problem is shown in figure 44. When the switches are moved from "south shore" to "north shore" in the proper sequence the warning

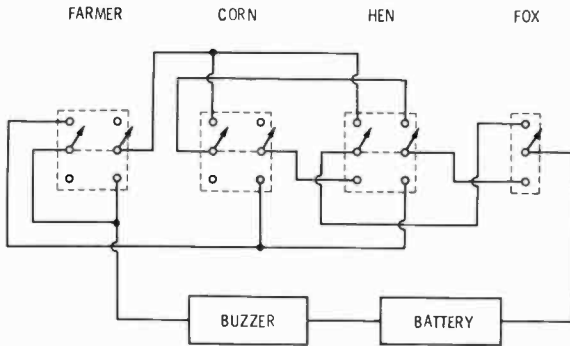


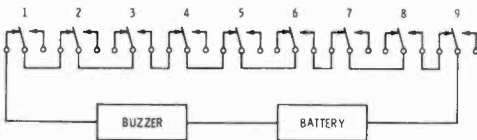
Figure 44

**SIMPLE PUZZLES IN LOGIC MAY BE SOLVED BY ELECTRIC COMPUTER. THE "FARMER AND RIVER" COMPUTER IS SHOWN HERE.**

buzzer will not sound. An error of choice will sound the buzzer.

A second simple "digital computer" is shown in figure 45. The problem is to find the three proper push buttons that will sound the buzzer. The nine buttons are mounted on a board so that the wiring cannot be seen.

Each switch of these simple computers executes an "on-off" action. When applied to a logical problem "yes-no" may be substituted for this term. The computer thus can act out a logical concept concerned with a simple choice. An electronic switch may be substituted for the mechanical switch to increase the speed of the computer. The early computers, such as the ENIAC (*Electronic Numerical Integrator and Calculator*) employed over 18,000 tubes for memory and registering circuits capable of "remembering" a 10-digit number.



NOTE: ALL BUTTONS HAVE ONE NORMALLY OPEN CONTACT AND ONE NORMALLY CLOSED CONTACT.

Figure 45

**A SEQUENCE COMPUTER**

Three correct buttons will sound the buzzer.

**Binary Notation** To simplify and reduce the cost of the digital computer it was necessary to modify the system of operation so that fewer devices were used per bit of information. The ENIAC-type computer requires 50 tubes to register a 5-digit number. The readout devices can be

arranged in five columns of 10 each. From right to left the columns represent units, tens, hundreds, thousands, etc. The bottom device in each column represents "zero," the second represents "one," the third "two," and so on. Only one device in each column is excited at any given instant. If the num-

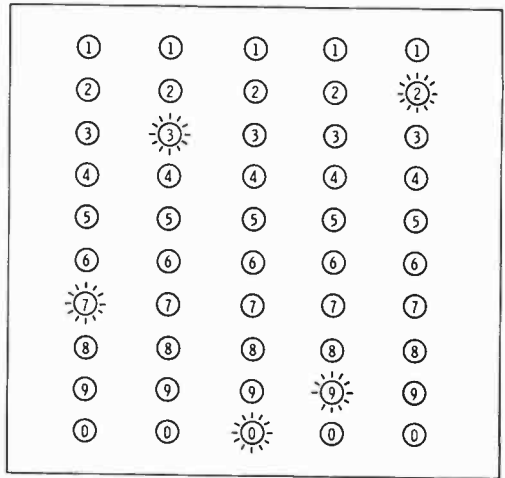


Figure 46

**BINARY NOTATION MAY BE USED FOR DIGITAL DISPLAY. BINARY BOARD ABOVE INDICATES "73092."**

ber 73092 is to be displayed, number seven in the fifth column is excited, number three in the fourth column, number zero in the third column, etc. as shown in figure 46.

A simpler system employs the *binary decimal* notation, wherein any number from one to fifteen can be represented by four devices. Each of the four positions has a numerical

value that is associated with its place in the group. More than one of the group may be excited at once, as illustrated in figure 47. The values assigned to the positions in this particular group are 1, 2, 4, and 8. Additional devices may be added to the group, doubling the notation thus: 1, 2, 4, 8, 16, 32, 64, 128, 256, etc. Any numerical value lower than the highest group number can be displayed by the correct device combination.

	①	②	④	⑧
DIGIT	TUBE(S)			
1				
2				
3				
4				
5				
6				
7				
8				
9				
10				
11				
12				
13				
14				
15				

Figure 47

**BINARY DECIMAL NOTATION. ONLY FOUR TUBES ARE REQUIRED TO REPRESENT DIGITS FROM 1 TO 15. THE DIGIT "12" IS INDICATED ABOVE.**

A third system employs the *binary notation* which makes use of a *bit* (binary digit) representing a single morsel of information. The binary system has been known for over forty centuries, and was considered a mystical revelation for ages since it employed only two symbols for all numbers. Computer service usually employs "zero" and "one" as these symbols. Decimal notation and binary notation for common numbers are shown in figure 48. The binary notation represents 4-digit numbers (thousands) with ten bits, and 7-digit numbers (millions) with 20 bits. Only one device is required to display an information bit. The savings in components and primary power drain of a binary-type computer over the older ENIAC-type computer is obvious. Figure 49 illustrates a com-

DECIMAL NOTATION	BINARY NOTATION
0	0
1	1
2	1, 0
3	1, 1
4	1, 0, 0
5	1, 0, 1
6	1, 1, 0
7	1, 1, 1
8	1, 0, 0, 0
9	1, 0, 0, 1
10	1, 0, 1, 0

Figure 48

**BINARY NOTATION SYSTEM REQUIRES ONLY TWO NUMBERS, "0" AND "1."**

puter board showing the binary indications from one to ten.

More recent technology has permitted more convenient readouts, the well-known seven segment and Nixie devices, for example. However, the theory is the same and the binary coded decimal format is extensively used.

**Digital Computer Use** Early digital computers were operated by keyboards, punched tapes or punched cards by means of direct instruction in terms of additions, subtractions, core locations and printing or display instructions. In all, a limited number of instructions were available to the user, and all other operators such as squares, cubes, trigonometrical ratios, etc., had to be programmed out in full, in terms of the available operators. The operation of these early computers was a difficult and tedious process, made even more difficult since the user had to know exactly how the computer operated. Early machines did not have indicators to tell the user when one part of the machine was full, and errors due to overflow were quite common.

As technology improved and computer users became more demanding, machine codes and then computer languages were developed. Effort was directed towards enabling the computer to be operated directly in terms of the English language. The early computer languages, such as ALGOL and FORTRAN, were developed as direct coding to comput-

DECIMAL NOTATION	COMPUTER NOTATION
0	● ● ● ○
1	● ● ● ●
2	● ● ○ ●
3	● ● ○ ○
4	● ○ ● ●
5	● ○ ● ○
6	● ○ ○ ●
7	● ○ ○ ○
8	○ ● ● ●
9	○ ● ● ○
10	○ ● ○ ●

● = OFF    ○ = ON

Figure 49

### BINARY NOTATION AS REPRESENTED ON COMPUTER BOARD FOR NUMBERS FROM 1 TO 10.

ers in general. Standardization between manufacturers meant that a program developed for one computer could be performed on another computer, provided that the second computer had a sufficiently large vocabulary. As the languages developed, often for specific purposes, the programming became easier and the computer more user-orientated.

The *interface* (readin, readout) between the computer and the user became more convenient as the older paper tapes and punched cards gave way to the many types of computer terminals that we have today. Each is developed for its particular application so that the result is in the form most convenient to the user.

These terminals are not always paper or other visual displays of numbers and letters as they were in virtually all the early computers. Manufacturing machines, telephone exchanges and a whole host of control applications are operated directly by computers at very high speeds. The situation has now developed that a user can order a machine to perform almost any operation requiring logic and it will be available. Computer technology is evident in many areas of everyday life. The small hand-held calculators mentioned earlier are true computers, and some of the programmable, handheld and desktop models available now have the computing power of the multimillion dollar "monsters" of fifteen years ago.

The reasons for the use of computers are as diverse as their application. From the calculation point of view, the time that may

be saved by the use of a computer is very great. On the other hand, computers are now used to perform operations in production line applications, for example, that would not otherwise be possible in the time period available.

**Computer Inputs** As time progresses, large computers are becoming readily accessible and many amateurs may obtain access to at least a *time share* terminal if they so desire. The use of multioperator time-share systems on low priority means that even the largest and most powerful computers are available at very low cost.

It is not possible to detail a single set of operating instructions that is suitable for use with all computers, as most manufacturers adopt only a limited range of computer languages such as BASIC, FORTRAN, and ALGOL, and usually only one operator access language such as CALL 360 or CANDE. Thus, it will be necessary for the prospective computer operator to consult the literature provided by the appropriate computer manufacturer and learn the language required. Some very powerful computer packages are available, providing curve plotting from limited results and actual circuit design and system optimization, as examples.

Figures 50 and 51 provide a simple example of a computation performed on a large computer via a time-share terminal. Figure 50 lists a program in FORTRAN IV which enables a printout of transmit- and receive-crystal frequencies for use in a communication system. The program operates interactively with the operator to enter the information required for computation so that variations may be made to the intermediate frequency of the system or carrier range without having to change the main program. A brief description of the operation of the program is shown on the right of the printout of figure 50.

**The Microprocessor** Many of the recent developments that have been put to use in radio communication equipment involve the use of digital control, as for example in frequency synthesi-

LIST XTAL

```

10 C="PROGRAM TO FIND CRYSTAL FREQUENCIES"
20 PRINT 10
30 10 FORMAT (2X,"ENTER I.F. FREQUENCY")
40 READ*,F
50 PRINT 20
60 20 FORMAT (2X,"ENTER TX/RX MULTIPLIERS")
70 READ*,A,B
80 PRINT 30
90 30 FORMAT (3X,"ENTER START/STEP/FINISH FREQUENCIES")
100 READ*,C,D,E
110 PRINT 40
120 40 FORMAT (8X,"F FREQUENCY",6X,"TX XTAL",6X,"RX XTAL")
130 10 50 F=C,D,E,D
140 TX=P/A
150 RX=(P-F)/B
160 50 WRITE(6,60)P,TX,RX
170 60 FORMAT (2X,3F14,6)
180 CONTINUE
190 END

```

Interactive entry of information on equipment and frequencies.

Sets up heading for output.

Performs calculations.

Lists results.

Figure 50

### FORTRAN IV PROGRAM FOR CRYSTAL FREQUENCIES

This program provides printout of transmit and receive crystal frequencies for use in a communication system. A description of the program is shown at the right.

zation (Chapter 12). Any control information which can be put in logical form may be used to control a "logical" item of electronic equipment, such as a transceiver, even though that input control information is in an unsuitable form. A logic transformation system is required.

It would be possible to build a logic translation unit to record the input information from, say, a keyboard to display the output on a digital readout and to provide the required control signals to a transceiver. Units of this type have been developed and a general class of small digital computers, called *microprocessors* can perform the task. Microprocessors are very flexible and can be programmed to perform calculations within themselves or to be interfaced with calculator modules similar to those used in hand-held calculators. The imagination of the user would appear to be the limit.

**Analog Computers** In the period before the miniaturization of the digital computer, there was a need for a computer system of limited precision and low cost. Before the extensive use of electronics, mechanical computers were in use which made use of differential gears to add and subtract, and discs, spirals, and cams to perform multiplication, integration, and

function generation. These machines ranged from the simple slide rule through the complex World War II bomb-sight computers to even more complex laboratory machines. They are not to be confused with the office-type mechanical calculator, which is a true digital machine.

These "computing engines" or *analog computers* relied for their accuracy on their own internal mechanical precision, and on the ability of the operator to read the output results from a scale. In general, the larger and more precise the scale, the more accurate the results.

Mechanical analog computers have largely given away to electronic machines where operational amplifiers and associated components enable mathematical operations to be performed and diode matrices serve as function generators. The output of the device is read on a chart or meter.

A real system that has been translated into mathematical functions can thus be observed under laboratory conditions without the need of the real system to actually exist. Since the system is in a mathematical form, it is possible to change time scales in order to observe the behavior of a system in slow motion. However, as digital computers improve and become more readily available at low cost, the analog computer finds less application and may eventually be of historical interest only.

```

#RUNNING 5208
  ENTER I.F. FREQUENCY

#?
6
  ENTER TX/RX MULTIPLIERS
12,1
  ENTER START/STEP/FINISH FREQUENCIES
52,.1,53
    FREQUENCY      TX XTAL      RX XTAL
52.000000         4.333333     46.000000
52.100000         4.341667     46.100000
52.200000         4.350000     46.200000
52.300000         4.358333     46.300000
52.400000         4.366667     46.400000
52.500000         4.375000     46.500000
52.600000         4.383333     46.600000
52.700000         4.391667     46.700000
52.800000         4.400000     46.800000
52.900000         4.408333     46.900000
53.000000         4.416667     47.000000

#ET=1:07.8 PT=0.3 ID=0.3

#RUNNING 0548
  ENTER I.F. FREQUENCY

#?
10.7
  ENTER TX/RX MULTIPLIERS
18,3
  ENTER START/STEP/FINISH FREQUENCIES
146,.05,147
    FREQUENCY      TX XTAL      RX XTAL
146.000000        8.111111     45.100000
146.050000        8.113889     45.116667
146.100000        8.116667     45.133333
146.150000        8.119444     45.150000
146.200000        8.122222     45.166667
146.250000        8.125000     45.183333
146.300000        8.127778     45.200000
146.350000        8.130556     45.216667
146.400000        8.133333     45.233333
146.450000        8.136111     45.250000
146.500000        8.138889     45.266667
146.550000        8.141667     45.283333
146.600000        8.144444     45.300000
146.650000        8.147222     45.316667
146.700000        8.150000     45.333333
146.750000        8.152778     45.350000
146.800000        8.155556     45.366667
146.850000        8.158333     45.383333
146.900000        8.161111     45.400000
146.950000        8.163889     45.416667
147.000000        8.166667     45.433333

#ET=1:13.8 PT=0.2 ID=0.2

```

Figure 51

## PROGRAM PRINTOUT

- A—Printout of crystal frequencies for a communication system having a receive first intermediate frequency of 6 MHz, a transmitter multiplier of 12, and a fundamental frequency receiver crystal for input frequencies from 52 to 53 MHz in steps of 0.1 MHz.
- B—Printout of crystal frequencies for a communication system having a receive first intermediate frequency of 10.7 MHz, a transmitter multiplier of 18 and a receiver multiplier of 3, for input frequencies from 146 to 147 MHz in steps of 0.05 MHz.

# Nomenclature of Components and Miscellaneous Data

## 35-1 Component Standardization

Standardization of electronic components or parts is handled by several cooperating agencies, among whom are the *Electronic Industries Association* (EIA), the *USA Standards Institute*, the *Joint Electron Device Engineering Council* (JEDEC) and the *National Electrical Manufacturers Associa-*

*tion* (NEMA). International standardization is carried out through the various technical committees of the *International Electrotechnical Commission*. Additional standardization is covered by the *International Standards Organization*. Military standards (MIL) are issued by the *US Department of Defense* or one of its agencies. Standard outlines, systems of nomenclature and coding and technical characteristics of components are a few of the items standardized in electronic equipment.

**Table 1. Standard Color Code of Electronics Industry**

Color	Significant Figure	Decimal Multiplier	Tolerance in Percent*	Voltage Rating	Characteristic
Black	0	1	±20 (M)	—	A
Brown	1	10	±1 (F)	100	B
Red	2	100	±2 (G)	200	C
Orange	3	1 000	±3	300	D
Yellow	4	10 000	GMV‡	400	E
Green	5	100 000	±5(J)†, (0.5)§	500	F
Blue	6	1 000 000	±6, (0.25)§	600	G
Violet	7	10 000 000	±12.5, (0.10)§	700	—
Gray	8	0.01†	±30, (0.05)§	800	I
White	9	0.1†	±10†	900	J
Gold	—	0.1	±5 (J), (0.5)	1 000	—
Silver	—	0.01	±10 (K)	2 000	—
No color	—	—	±20	500	—

\* Tolerance letter symbol as used in type designations has tolerance meaning as shown. ±3, ±6, ±12.5, and ±30 percent are tolerances for USA Std 40-, 20-, 10-, and 5-step series, respectively.

† Optional coding where metallic pigments are undesirable.

‡ GMV is -0 to +100-percent tolerance or Guaranteed Minimum Value.

§ For some film and other resistors only.

|| For some capacitors only.



Table 2. Preferred Values\*

Name of Series	USA Standard Z17.1†		USA Standard C83.2‡		
	"5"	"10"	±20%(E6)	±10%(E12)	±5%(E24)
Percent step size	60	25	≈40	20	10
Step multiplier	$(10)^{1/5}=1.58$	$(10)^{1/10}=1.26$	$(10)^{1/6}=1.46$	$(10)^{1/12}=1.21$	$(10)^{1/24}=1.10$
Values in the series (Use decimal multipliers for smaller or larger values)	10	10	10	10	10
	—	12.5 }	—	—	11
	—	(12) }	—	12	12
	—	—	—	—	13
	—	—	15	15	15
	16	16	—	—	16
	—	—	—	18	18
	—	20	—	—	20
	—	—	22	22	22
	—	—	—	—	24
	25	25	—	—	—
	—	—	—	27	27
	—	31.5 }	—	—	30
	—	(32) }	—	—	—
	—	—	33	33	33
	—	—	—	—	36
	—	—	—	39	39
	40	40	—	—	—
	—	—	—	—	43
	—	—	47	47	47
	—	50	—	—	—
	—	—	—	—	51
	—	—	—	56	56
	—	—	—	—	62
	63	63	—	—	—
	—	—	68	68	68
	—	—	—	—	75
	—	80	—	—	—
	—	—	—	82	82
	—	—	—	—	91
	100	100	100	100	100

\* USA Standard C83.2 applies to most electronics components; it was formerly EIA GEN 102 and is similar to IEC Publication 63. USA Standard Z17.1 covers preferred numbers and is similar to ISO R3, R17.

† "20" series with 12-percent steps ( $(10)^{1/20}=1.22$  multiplier) and a "40" series with 6-percent steps ( $(10)^{1/40}=1.059$  multiplier) are also standard.

‡ Associate the tolerance ±20%, ±10%, or ±5% only with the values listed in the corresponding column. Thus, 1200 ohms may be either ±10 or ±5, but not ±20 percent; 750 ohms may be ±5, but neither ±20 nor ±10 percent.

**The Color Code** In general, the color code of Table 1 is used for marking equipment. The *tolerance* specification is the maximum deviation allowed from the specified nominal value of the component, though for very small values of capacitance the tolerance may be specified in picofarads (pF). Where no tolerance is specified, com-

ponents are likely to vary ± 20 percent from the nominal value.

**Preferred Values** To maintain an orderly progression of sizes, preferred numbers are frequently used for the nominal values. Each preferred value differs from its predecessor by a constant multiplier,

and the final result is rounded to two significant figures. The USA standard of preferred numbers, widely used for fixed resistors, capacitors, and time-delay relays is listed in Table 2.

Distinction must be made between the *breakdown voltage rating* (test volts) and the *working voltage rating*. The maximum continuous voltage determines the working voltage rating. Application of the test voltage for more than a few seconds may result in permanent damage or failure of the component.

The *characteristic* term of the specification is frequently used to include various qualities of a component, such as temperature coefficient, Q value, maximum operating temperature, etc. One or two letters are assigned in the EIA or MIL type designations and the characteristic may be indicated by color coding on the part.

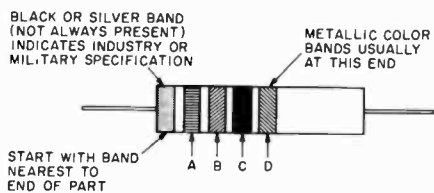


Figure 1

**COMPONENT VALUE CODING**

The code of Table 1 determines values. Band A color = First significant figure of value in ohms, picofarads, or microhenries. Band B color = Second significant figure of value. Band C color = Decimal multiplier for significant figures. Band D color = Tolerance in % (if omitted, the broadest tolerance series of the part applies).

**Component Value Coding** Axial lead and some other components are often color coded by circumferential bands to indicate value and tolerance. Usually the value may be decoded as indicated in Table 1 and figure 1. Sometimes instead of circumferential bands, colored dots are used as shown in figure 2.

*Semiconductor diodes* have a color code system as shown in figure 3. The sequential number portion (following the "1N" of the assigned industry type number) may be indicated by the color bands. Colors have the numerical significance given in Table 1. Bands J, K, L, and M represent the digits in the sequential number. For 2-digit num-

bers, band J is black. Band N is used to designate the suffix letter as shown in Table 3. This band may be omitted in 2- or 3-digit coding if not required. A single band indicates the cathode end of a diode.

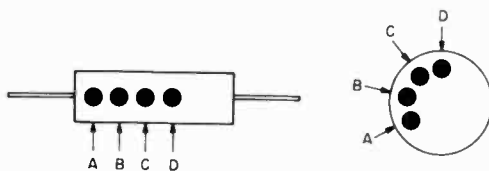


Figure 2

**ALTERNATIVE METHODS OF COMPONENT VALUE CODING**

EIA standard and MIL specification requirements for color coding of composition resistors are identical (see figure 1). Colors have the significance shown in Table 1 and figure 4 shows the EIA standard resistor markings. The MIL-standard resistor markings are shown in figure 5. Small *wirewound resistors* in 1/2-, 1- or 2-watt ratings may be color coded as described, but band A will be twice the width of the other bands.

A comprehensive numbering system, the type designation, is used to identify *mica*

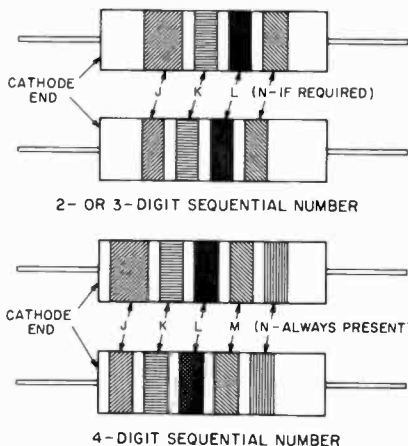


Figure 3

**SEMICONDUCTOR-DIODE VALUE CODING**

*capacitors*. Type designations are of the form shown in figure 6. Fixed mica dielectric capacitors are identified by the symbol CM.

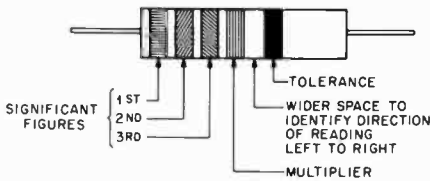


Figure 4

**RESISTOR VALUE COLOR CODE FOR 3 SIGNIFICANT FIGURES. COLORS OF TABLE 1 DETERMINE VALUES**

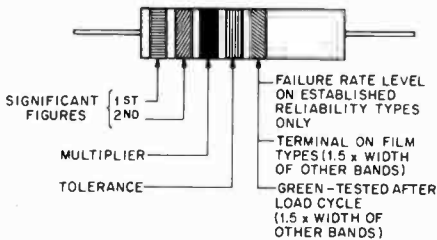


Figure 5

**RESISTOR COLOR CODE PER MIL-STD-221D.**

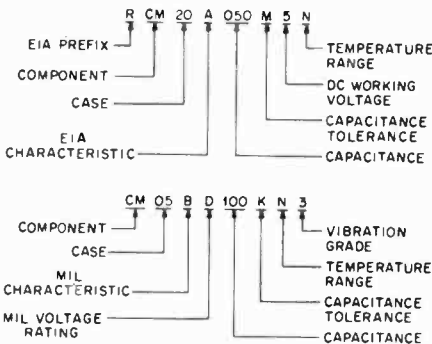


Figure 6

**TYPE DESIGNATION FOR MICA-DIELECTRIC CAPACITORS. EIA AT TOP; MIL AT BOTTOM**

For EIA, a prefix letter *R* is always included. The case designation is a two-symbol digit that identifies a particular size and shape of case. The MIL or EIA characteristic is indicated by a single letter in accordance with Table 4.

The significance of the various colored dots for EIA and MIL specification mica capacitors is shown in figure 7, with the colors having the meaning as explained in Table 1. Examples of EIA and MIL type designations are shown below.

*Button mica capacitors* are color coded in various ways, of which the two most widely used methods are shown in figure 8.

**Tantalum Capacitors** The small "tear-drop" tantalum capacitors are compact units widely used in modern solid-state equipment. They are available in a range of dc voltage from 3 to 35 volts and

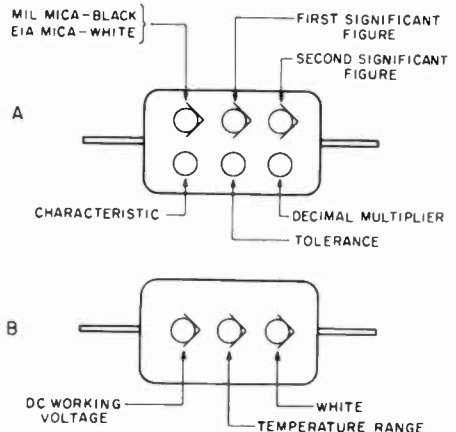
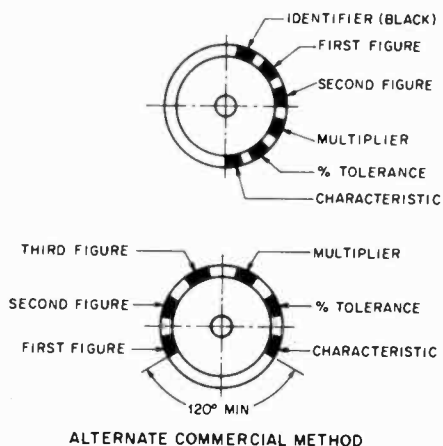


Figure 7

**STANDARD CODE FOR FIXED MICA CAPACITORS**

See color code in Table 1. A is the basic 6-dot form. The 9-dot form with B on the other side of the capacitor is used if the additional data are required.

Type	Top Row			Bottom Row			Description
	Left	Center	Right	Left	Tolerance Center	Multiplier Right	
RCM20A221M	white	red	red	black	black	brown	220 pF ± 20% EIA class A.
CM30C681J	black	blue	gray	red	gold	brown	680 pF ± 5%, MIL characteristic C.



**Figure 8**  
**COLOR CODING OF BUTTON**  
**MICA CAPACITORS**

See Table 1 for color code. Commercial color code for characteristic not standardized; varies with manufacturer.

in a capacitance range of 0.1  $\mu\text{F}$  to 100  $\mu\text{F}$ . The voltage-capacity product of representative units is about 300. That is, the larger capacitances are only available in lower voltage ratings. The capacitors are polarized and

NOMINAL CAPACITY- $\mu\text{F}$				RATED DC VOLTAGE
COLOR	FIRST DIGIT	SECOND DIGIT	DOT	
BLACK		0	$\times 1$	10
BROWN	1	1	$\times 10$	.
RED	2	2	$\times 100$	.
ORANGE	3	3	.	.
YELLOW	4	4	.	6.3
GREEN	5	5	.	16
BLUE	6	6	.	20
VIOLET	7	7	.	.
GRAY	8	8	$\times 0.01$	25
WHITE	9	9	$\times 0.1$	3
PINK				35

**Figure 9**  
**Standard Code for Tantalum Capacitors**

the sum of the dc and peak ac voltages should not exceed the rated voltage, nor should reverse voltage in excess of 0.3 volts be applied to a capacitor. Nominal capacitance tolerance is  $\pm 20$  percent and maximum operating temperature is 85°C (185°F). The color code used for these units is shown in figure 9.

**Printed Circuit Boards** Rigid printed-circuit base materials are available in thicknesses varying from  $\frac{1}{64}$ " to  $\frac{1}{2}$ ". The important properties of the usual materials are given in Table 6. For special applications, other materials are available such as glass-cloth teflon, Kel-F, or ceramic. The most widely used material is NEMA-XXXXP paper base phenolic.

**Table 3.**

Color	Suffix Letter	Number
Black	—	0
Brown	A	1
Red	B	2
Orange	C	3
Yellow	D	4
Green	E	5
Blue	F	6
Violet	G	7
Gray	H	8
White	J	9

**Air Wound Inductors** Commercial, air-wound inductors suitable for r-f circuitry are available. Two of the more available types are summarized in figure 10. In order to determine the inductance of a short length of coil stock, the factor to be applied to the inductance of the  $\frac{1}{2}$ " diameter and  $\frac{3}{4}$ " diameter coils is shown in figure 11. The factor for the larger diameter coils (for coil lengths up to 5") is shown in figure 12.

**Table 4. Fixed-Mica-Capacitor Requirements by MIL Characteristic and EIA Class.\***

MIL Characteristic or EIA Class	MIL-Specification Requirements†		EIA-Standard Requirements		
	Maximum Capacitance Drift	Maximum Range of Temperature Coefficient (ppm/°C)	Maximum Capacitance Drift	Maximum Range of Temperature Coefficient (ppm/°C)	Minimum Insulation Resistance (megohms)
A	—	—	±(5%+1 pF)	±1000	3000
B	—	—	±(3%+1 pF)	±500	6000
C	±(0.5%+0.1 pF)	±200	±(0.5%+0.5 pF)	±200	6000
I	—	—	±(0.3%+0.2 pF)	-50 to +150	6000
D	±(0.3%+0.1 pF)	±100	±(0.3%+0.1 pF)	±100	6000
J	—	—	±(0.2%+0.2 pF)	-50 to +100	6000
E	±(0.1%+0.1 pF)	-20 to +100	±(0.1%+0.1 pF)	-20 to +100	6000
F	±(0.05%+0.1 pF)	0 to +70	—	—	—

\* Maximum dissipation factors are given in the section on Dissipation Factor. Where no data are given in this table, such characteristics are not included in that particular standard.

† Insulation resistance of all MIL capacitors *must* exceed 7500 megohms.

**Figure 10.**

AIRWOUND INDUCTORS									
COIL DIA. INCHES	TURNS PER INCH	B & W	I-CORE	INDUCTANCE μH	COIL DIA INCHES	TURNS PER INCH	B & W	I-CORE	INDUCTANCE μH
1/2	4	3001	404T	0.18	1 1/4	4	—	1004	2.75
	6	—	406T	0.40		6	—	1006	6.30
	8	3002	408T	0.72		8	—	1008	11.2
	10	—	410T	1.12		10	—	1010	17.5
	16	3003	416T	2.90		16	—	1016	42.5
	32	3004	432T	12.0		4	—	1204	3.9
5/8	4	3005	504T	0.28	1 1/2	6	—	1206	8.8
	6	—	506T	0.62		8	—	1208	15.6
	8	3006	508T	1.1		10	—	1210	24.5
	10	—	510T	1.7		16	—	1216	63.0
	16	3007	516T	4.4		4	—	1404	5.2
	32	3008	532T	18.0		6	—	1406	11.8
3/4	4	3009	604T	0.39	1 3/4	8	—	1408	21.0
	6	—	606T	0.87		10	—	1410	33.0
	8	3010	608T	1.57		16	—	1416	85.0
	10	—	610T	2.45		4	—	1604	6.6
	16	3011	616T	6.40		6	—	1606	13.0
	32	3012	632T	26.0		8	3900	1608	26.5
1	4	3013	804T	1.0	2	10	3907-1	1610	42.0
	6	—	806T	2.3		16	—	1616	108.0
	8	3014	808T	4.2		4	—	2004	10.1
	10	—	810T	6.6		6	3905-1	2006	23.0
	16	3015	816T	18.8		8	3906-1	2008	41.0
	32	3016	832T	68.0		10	—	2010	108.0
NOTE: COIL INDUCTANCE APPROXIMATELY PROPORTIONAL TO LENGTH. I.E., FOR 1/2 INDUCTANCE VALUE, TRIM COIL TO 1/2 LENGTH.					3	4	—	2404	14.0
						6	—	2406	31.5
						8	—	2408	56.0
						10	—	2410	89.0
						16	—	2416	225.0

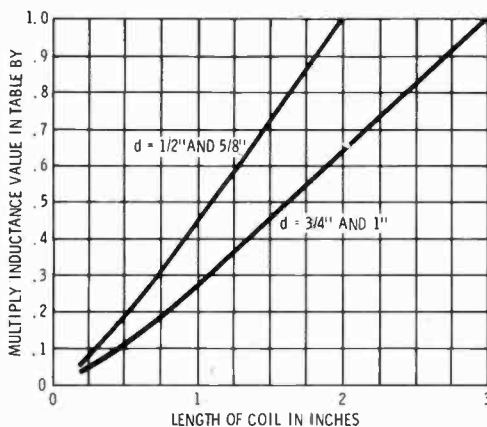


Figure 11

FACTOR TO BE APPLIED TO AIR-WOUND INDUCTORS OF 1/2", 5/8", 3/4", AND 1" DIAMETER

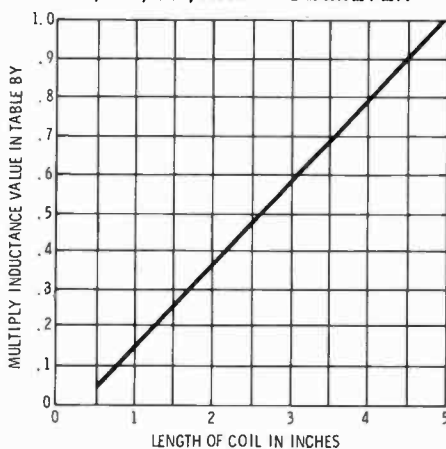


Figure 12

FACTOR TO BE APPLIED TO AIR-WOUND INDUCTORS OF 1/4" DIAMETER, OR GREATER

Table 5. Requirements for Button Mica Capacitors.

Characteristic		Max Range of Temp Coeff (ppm/°C)	Maximum Capacitance Drift
MIL	Commercial		
—	C	±200 ±100	±0.5% ±0.3% or 0.3 pF, whichever is greater
D	—		
—	E	(-20 to +100) + 0.05 pF (0 to +70) + 0.05 pF	±(0.1% + 0.10 pF) ±(0.05% + 0.10 pF)
—	F		

\* EIA Standard REC-109-C.

Table 6. Properties of Typical Printed-Circuit Dielectric Base Materials.

Material	Comparable MIL Type	Punchability	Mechanical Strength	Moisture Resistance	Insulation	Arc Resistance	Abrasive Action on Tools	Max Temperature (°C)*
NEMA type XXXP paper-base phenolic	—	Good	Good	Good	Good	Poor	No	105
NEMA type XXXPC paper-base phenolic	—	Very good	Good	Very good	Good	Poor	No	105
NEMA type FR-2 paper-base phenolic, flame resistant	—	Very good	Good	Very good	Good	Poor	No	105
NEMA type FR-3 paper-base epoxy, flame resistant	PX	Very good	Very good	Very good	Very good	Good	No	105
NEMA type FR-4 glass-fabric-base epoxy, general purpose, flame resistant	GF	Fair	Excellent	Excellent	Excellent	Very good	Yes	130 (125)
NEMA type FR-5 glass-fabric-base epoxy, temperature and flame resistant	GH	Fair	Excellent	Excellent	Excellent	Very good	Yes	155 (150)
NEMA type G-10 glass-fabric-base epoxy, general purpose	GE	Fair	Excellent	Excellent	Excellent	Very good	Yes	130 (125)
NEMA type G-11 glass-fabric-base epoxy, temperature resistant	GB	Poor	Excellent	Excellent	Excellent	Very good	Yes	155 (150)
Glass-fabric-base polytetrafluoroethylene	GT	—	Good	Excellent	Excellent	Excellent	—	(150)
Glass-fabric-base fluorinated ethylene propylene	FEP	—	Good	Excellent	Excellent	Excellent	—	(150)

\* MIL-STD-275B rating shown in parentheses if different from industry rating.

**35-2 Useful Reference Data**

**Table 7. Conversion Table—Units of Measurement**

CONVERSION TABLE — UNITS OF MEASUREMENT		
MICRO = ( $\mu$ ) ONE-MILLIONTH		KILO = (K) ONE THOUSAND
MILLI = (m) ONE-THOUSANDTH		MEGA = (M) ONE MILLION
TO CHANGE FROM	TO	OPERATOR
UNITS	MICRO-UNITS	$\times 1,000,000$ or $\times 10^6$
	MILLI-UNITS	$\times 1,000$ or $\times 10^3$
	KILO-UNITS	$\div 1,000$ or $\times 10^{-3}$
	MEGA-UNITS	$\div 1,000,000$ or $\times 10^{-6}$
MICRO-UNITS	MILLI-UNITS	$\div 1,000$ or $\times 10^{-3}$
	UNITS	$\div 1,000,000$ or $\times 10^{-6}$
MILLI-UNITS	MICRO-UNITS	$\times 1,000$ or $\times 10^3$
	UNITS	$\div 1,000$ or $\times 10^{-3}$
KILO-UNITS	MEGA-UNITS	$\div 1,000$ or $\times 10^{-3}$
	UNITS	$\times 1,000$ or $\times 10^3$
MEGA-UNITS	KILO-UNITS	$\times 1,000$ or $\times 10^3$
	UNITS	$\times 1,000,000$ or $\times 10^6$

**PRINCIPAL LOW-VOLTAGE POWER SUPPLIES IN THE WORLD**

Territory (Frequency) Voltage

Territory (Frequency) Voltage

*North America:*

Alaska (60) 120/240  
 Bermuda (60) 115/230; some 120/208  
 Belize (60) 110/220  
 Canada (60) 120/240; some 115/230  
 Costa Rica (60) 110/220  
 El Salvador (60) 110/220  
 Guatemala (60) 110/240; some 220, 120/208  
 Honduras (60) 110/220  
 Mexico (50, 60) 127/220 and other voltages  
     Mexico City (50) 125/216  
 Nicaragua (60) 120  
 Panama (60) 110/220; some 120/240, 115/230  
 United States (60) 120/240 and 120/208

Guadeloupe (50) 127/220  
 Jamaica (50, some 60) 110/220  
 Martinique (50) 127/220  
 Puerto Rico (60) 120/240  
 Trinidad (60) 115/230  
 Virgin Islands (60) 120/240

*South America:*

Argentina (50) 220/380; also 220/440 dc  
 Bolivia (50, also 60) 220 and other voltages  
 Brazil (50, 60) 110, 220; also other voltages and dc  
     Rio de Janeiro (50) 125/216  
 Chile (50) 220/380; some 220 dc  
 Colombia (60) 110/220; also 120/240 and others  
 Ecuador (60) 120/208; also 110/220 and others  
 French Guiana (50) 127/220  
 Guyana (50, 60) 110/220  
 Paraguay (50) 220/440; some 220/440 dc  
 Peru (60) 220; some 110  
 Surinam (50, 60) 127/220; some 115/230  
 Uruguay (50) 220  
 Venezuela (60, some 50) 120/208, 120/240

*West Indies:*

Antigua (60) 230/400  
 Bahamas (60) 115/200; some 115/220  
 Barbados (50) 120/208; some 110/200  
 Cuba (60) 115/230; some 120/208  
 Dominican Republic (60) 115/230



## Territory (Frequency) Voltage

*Europe:*

Austria (50) 220/380; Vienna also has 220/440 dc  
 Azores (50) 220/380  
 Belgium (50) 220/380 and many others; some dc  
 Canary Islands (50) 127/220  
 Denmark (50) 220/380; also 220/440 dc  
 Finland (50) 220/380  
 France (50) 120/240, 220/380, and many others  
 Germany (Federal Republic) (50) 220/380; also others, some dc  
 Gibraltar (50) 240/415  
 Greece (50) 220/380; also others, some dc  
 Iceland (50) 220; some 220/380  
 Ireland (50) 220/380; some 220/440 dc  
 Italy (50) 127/220, 220/380 and others  
 Luxembourg (50) 110/190, 220/380  
 Madeira (50) 220/380; also 220/440 dc  
 Malta (50) 240/415  
 Monaco (50) 120/240, 220/380  
 Netherlands (50) 220/380; also 127/220  
 Norway (50) 230  
 Portugal (50) 220/380; some 110/190  
 Spain (50) 127/220; also 220/380, some dc  
 Sweden (50) 127/220, 220/380; some dc  
 Switzerland (50) 220/380  
 Turkey (50) 220/380; some 110/190  
 United Kingdom (50) 240/415 and others, some dc  
 Yugoslavia (50) 220/380

*Asia:*

Afghanistan (50) 220/380  
 Burma (50) 230  
 Cambodia (50) 120/208; some 220/380  
 Sri Lanka (50) 230/400  
 Cyprus (50) 240  
 Hong Kong (50) 200/346  
 India (50) 230/400 and others, some dc  
 Indonesia (50) 127/220  
 Iran (50) 220/380  
 Iraq (50) 220/380  
 Israel (50) 230/400  
 Japan (50, 60) 100/200  
 Jordan (50) 220/380  
 Korea (60) 100/200  
 Kuwait (50) 240/415  
 Laos (50) 127/220; some 220/380  
 Lebanon (50) 110/190; some 220/380  
 Malaysia (50) 230/400; some 240/415  
 Nepal (50) 110/220  
 Okinawa (60) 120/240  
 Pakistan (50) 230/400 and others, some dc  
 Philippines (60) 110, 220, and others  
 Saudi Arabia (50, 60) 120/208; also 220/380, 230/400  
 Singapore (50) 230/400  
 Syria (50) 115/200; some 220/380  
 Taiwan (60) 100/200

## Territory (Frequency) Voltage

Thailand (50) 220/380; also 110/190  
 Vietnam (50) 220/380 future standard  
 Yemen Arab Republic (50) 220  
 Yemen; Peoples Democratic Republic (50) 230/400

*Africa:*

Algeria (50) 127/220, 220/380  
 Angola (50) 220/380  
 Dahomey (50) 220/380  
 Egypt (50) 110, 220 and others; some dc  
 Ethiopia (50) 220/380; some 127/220  
 Guinea (50) 220/380; some 127/220  
 Kenya (50) 240/415  
 Liberia (60) 120/240  
 Libya (50) 125/220; some 230/400  
 Malagasy Republic (50) 220/380; some 127/220  
 Mauritius (50) 230/400  
 Morocco (50) 115/200; also 230/400 and others  
 Mozambique (50) 220/380  
 Niger (50) 220/380  
 Nigeria (50) 230/400  
 Rhodesia (50) 220/380; also 230/400  
 Senegal (50) 127/220  
 Sierra Leone (50) 230/400  
 Somalia (50) 220/440; also 110, 230  
 South Africa (50) 220/380; also others, some dc  
 Sudan (50) 240/415  
 Tanganyika (50) 230/400  
 Tunisia (50) 220/380; also others  
 Uganda (50) 240/415  
 Upper Volta (50) 220/380  
 Zaire (50) 220/380

*Oceania:*

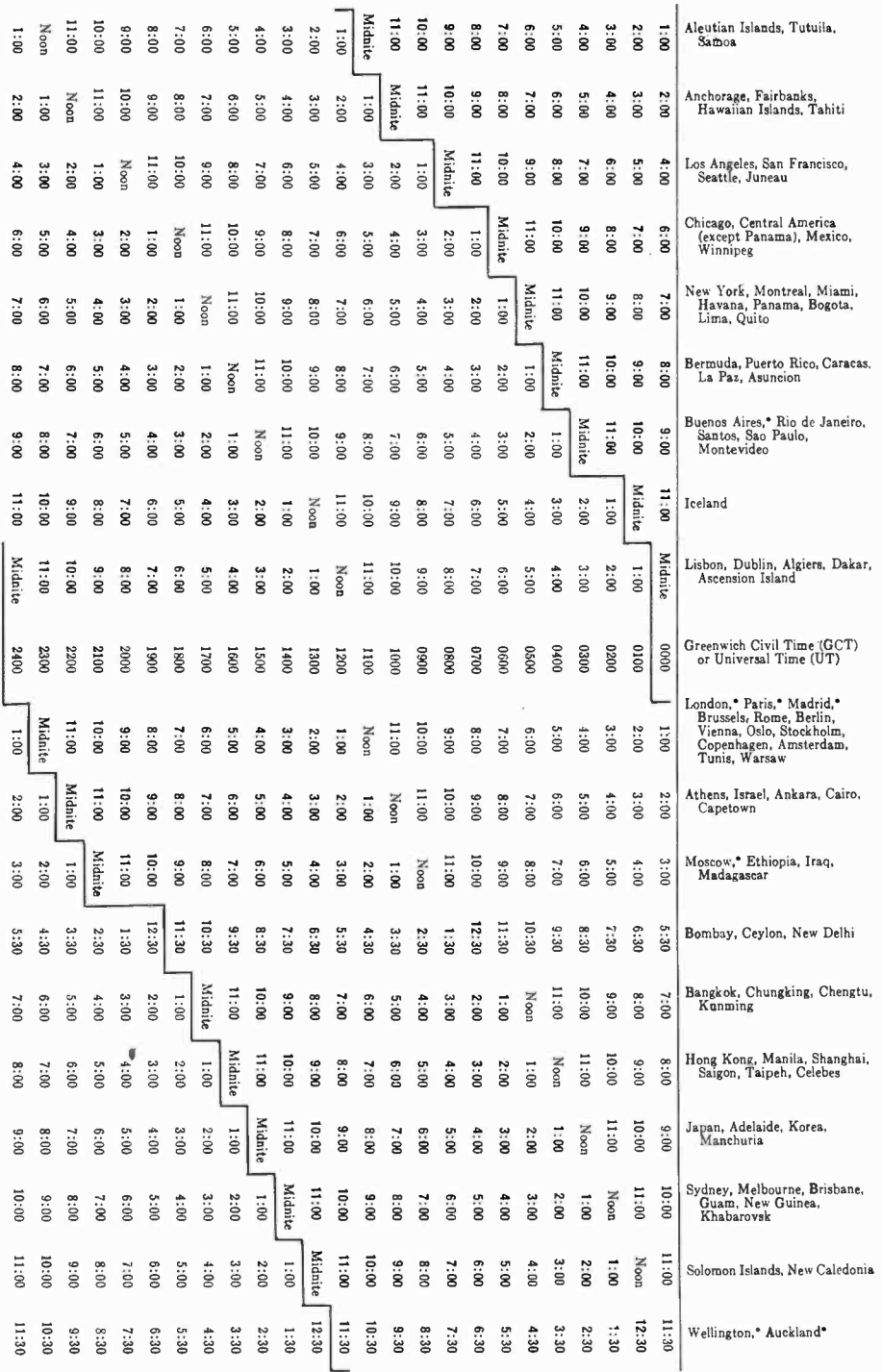
Australia (50) 240/415; also others and dc  
 Fiji Islands (50) 240/415  
 Hawaii (60) 120/240  
 New Caledonia (50) 220/440  
 New Zealand (50) 230/400

*Notes:*

1. Abstracted from "Electric Power Abroad," issued 1963 by the Bureau of International Commerce of the US Department of Commerce. This pamphlet is obtainable from the Superintendent of Documents, US Government Printing Office, Washington, D.C. 20402.

2. The listings show electric (residential) power supplied in each country; as indicated, in very many cases other types of supply also exist to a greater or lesser extent. Therefore, for specific characteristics of the power supply of particular cities, reference should be made to "Electric Power Abroad." This pamphlet also gives additional details such as number of phases, number of wires to

Chart 1. World Time



Notes: (1) Light-face figures designate AM, bold figures PM. (2) Time is that used at places indicated. In general, this is standard time but for places marked with asterisks it is permanent daylight saving time. Temporary daylight saving time is commonplace but not indicated above. (3) When passing the heavy line going down or to the right, add 1 day. When passing the heavy line going up or to the left, subtract 1 day.

Table 8. Copper Wire Table

Gauge No. B. & S.	Diam. in Mils <sup>1</sup>	Circular Mil Area	Turns per Linear Inch <sup>2</sup>			Turns per Square Inch <sup>3</sup>			Feet per Lb.		Ohms per 1000 ft. 25° C.	Correct Capacity at 1500 C.M. per Amp. <sup>3</sup>	Diam. in mm.
			Enamel	S.S.C.	D.S.C. or S.C.C.	D.C.C.	S.C.C.	Enamel	D.C.C.	Bare			
1	289.3	82690	—	—	—	—	—	—	3.947	—	1264	55.7	7.348
2	257.6	66370	—	—	—	—	—	—	4.977	—	1593	44.1	6.544
3	229.4	52640	—	—	—	—	—	—	6.276	—	2009	35.0	5.827
4	204.3	41740	—	—	—	—	—	—	7.914	—	2533	27.7	5.189
5	181.9	33100	—	—	—	—	—	—	9.980	—	3195	22.0	4.621
6	162.0	26250	—	—	—	—	—	—	12.58	—	4028	17.5	4.115
7	144.3	20820	—	—	—	—	—	—	15.87	—	5080	13.8	3.665
8	128.5	16510	7.6	—	7.4	7.1	—	—	20.01	—	6405	11.0	3.284
9	114.4	13090	8.6	—	8.2	7.8	—	—	25.23	—	8077	8.7	2.906
10	101.9	10380	9.6	—	9.3	8.9	—	—	31.82	—	1018	6.9	2.598
11	90.74	8234	10.7	—	10.3	9.8	—	80.0	40.12	30.9	1.284	5.5	2.305
12	80.81	6530	12.0	—	11.5	10.9	—	121.	50.59	48.9	1.619	4.4	2.057
13	71.96	5178	13.5	—	12.8	12.0	—	150	63.80	61.5	2.042	3.5	1.828
14	64.08	4107	15.0	—	14.2	13.8	—	183	80.44	77.3	2.575	2.7	1.628
15	57.07	3257	16.8	—	15.8	14.7	—	250	101.4	101.4	3.247	2.2	1.450
16	50.82	2583	18.9	—	17.9	16.4	—	321	127.9	119	4.094	1.7	1.291
17	45.26	2048	21.2	18.9	19.9	18.1	—	397	161.3	150	5.163	1.3	1.150
18	40.30	1624	23.6	23.6	22.0	19.8	—	493	203.4	188	6.510	1.0	1.024
19	35.89	1288	26.4	26.4	24.4	21.8	—	553	258.5	237	8.210	.86	.9116
20	31.96	1022	29.4	29.4	27.0	23.8	—	725	323.4	298	10.35	.68	.8118
21	28.46	810.1	33.1	32.7	29.8	26.0	—	895	407.8	370	13.05	.54	.7230
22	25.35	642.4	37.0	36.5	34.1	30.0	—	1070	514.2	461	16.46	.43	.6438
23	22.57	509.5	41.3	40.6	37.6	31.6	—	1300	648.4	594	20.76	.34	.5733
24	20.10	404.0	46.3	45.3	41.5	35.6	—	1570	817.7	795	26.17	.27	.5106
25	17.90	320.4	51.7	50.4	45.6	38.6	—	1910	1031.7	903	33.00	.21	.4547
26	15.94	254.1	58.0	55.6	50.2	41.8	—	2300	1300	1105	41.62	.17	.3606
27	14.20	201.5	64.9	61.5	55.0	45.0	—	2780	1639	1252	52.48	.13	.3211
28	12.64	159.8	72.7	68.6	60.2	48.5	—	3350	2067	1759	66.17	.11	.2859
29	11.26	126.7	81.6	74.8	65.4	51.8	—	3900	2607	2207	83.44	.084	.2546
30	10.03	100.5	90.5	83.3	71.5	55.5	—	4660	3297	2768	105.2	.067	.2268
31	8.928	79.70	101.	92.0	77.5	59.2	—	5280	4254	3137	132.7	.053	.2019
32	7.950	63.21	113.	101.	83.6	62.6	—	6060	5275	3760	167.3	.042	.1798
33	7.080	50.13	127.	110.	90.3	66.3	—	7360	6485	4697	211.0	.033	.1601
34	6.305	39.75	143.	120.	83.0	70.0	—	8310	8391	6168	266.0	.026	.1426
35	5.615	31.52	158.	132.	75.0	73.5	—	9700	9480	7377	335.0	.021	.1270
36	5.000	25.00	175.	143.	81.1	77.0	—	10700	13210	9309	423.0	.017	.1131
37	4.453	19.83	198.	154.	88.3	80.3	—	—	16660	10666	533.4	.013	.1007
38	3.965	15.72	224.	166.	93.6	83.6	—	—	21010	14222	672.6	.008	.0897
39	3.531	12.47	248.	181.	100.	89.7	—	—	26500	—	848.1	.006	.0799
40	3.145	9.88	282.	194.	111.	—	—	—	33410	—	1069	.006	—

<sup>1</sup>A mil is 1/1000 (one thousandth) of an inch.

<sup>2</sup>The figures given are approximate only, since the thickness of the insulation varies with different manufacturers.

<sup>3</sup>The current-carrying capacity at 1000 C.M. per ampere is equal to the circular-mil area (Column 3) divided by 1000.

Table 9. Fractions of an Inch With Metric Equivalents

Fractions of an inch	Decimals of an inch	Millimeters	Fractions of an inch	Decimals of an inch	Millimeters
$\frac{1}{64}$	0.0156	0.397	$\frac{33}{64}$	0.5156	13.097
$\frac{1}{32}$	0.0313	0.794	$\frac{17}{32}$	0.5313	13.494
$\frac{3}{64}$	0.0469	1.191	$\frac{35}{64}$	0.5469	13.891
$\frac{1}{16}$	0.0625	1.588	$\frac{9}{16}$	0.5625	14.288
$\frac{5}{64}$	0.0781	1.984	$\frac{37}{64}$	0.5781	14.684
$\frac{3}{32}$	0.0938	2.381	$\frac{19}{32}$	0.5938	15.081
$\frac{7}{64}$	0.1094	2.778	$\frac{39}{64}$	0.6094	15.478
$\frac{1}{8}$	0.1250	3.175	$\frac{5}{8}$	0.6250	15.875
$\frac{9}{64}$	0.1406	3.572	$\frac{41}{64}$	0.6406	16.272
$\frac{5}{32}$	0.1563	3.969	$\frac{21}{32}$	0.6563	16.669
$\frac{11}{64}$	0.1719	4.366	$\frac{43}{64}$	0.6719	17.066
$\frac{3}{16}$	0.1875	4.763	$\frac{11}{16}$	0.6875	17.463
$\frac{13}{64}$	0.2031	5.159	$\frac{45}{64}$	0.7031	17.859
$\frac{7}{32}$	0.2188	5.556	$\frac{23}{32}$	0.7188	18.256
$\frac{15}{64}$	0.2344	5.953	$\frac{47}{64}$	0.7344	18.653
$\frac{1}{4}$	0.2500	6.350	$\frac{3}{4}$	0.7500	19.050
$\frac{17}{64}$	0.2656	6.747	$\frac{49}{64}$	0.7656	19.447
$\frac{9}{32}$	0.2813	7.144	$\frac{25}{32}$	0.7813	19.844
$\frac{19}{64}$	0.2969	7.541	$\frac{51}{64}$	0.7969	20.241
$\frac{1}{16}$	0.3125	7.938	$\frac{13}{16}$	0.8125	20.638
$\frac{21}{64}$	0.3281	8.334	$\frac{53}{64}$	0.8281	21.034
$\frac{11}{32}$	0.3438	8.731	$\frac{27}{32}$	0.8438	21.431
$\frac{23}{64}$	0.3594	9.128	$\frac{55}{64}$	0.8594	21.828
$\frac{3}{8}$	0.3750	9.525	$\frac{7}{8}$	0.8750	22.225
$\frac{25}{64}$	0.3906	9.922	$\frac{57}{64}$	0.8906	22.622
$\frac{13}{32}$	0.4063	10.319	$\frac{29}{32}$	0.9063	23.019
$\frac{27}{64}$	0.4219	10.716	$\frac{59}{64}$	0.9219	23.416
$\frac{1}{16}$	0.4375	11.113	$\frac{15}{16}$	0.9375	23.813
$\frac{29}{64}$	0.4531	11.509	$\frac{61}{64}$	0.9531	24.209
$\frac{15}{32}$	0.4688	11.906	$\frac{31}{32}$	0.9688	24.606
$\frac{31}{64}$	0.4844	12.303	$\frac{63}{64}$	0.9844	25.003
$\frac{1}{2}$	0.5000	12.700	—	1.0000	25.400

the residence, frequency stability, grounding regulations, and some data on types of commercial service.

3. In the United States in urban areas, the usual supply is 60-hertz 3-phase 120/208 volts; in less densely populated areas it is usually 120/240 volts, single phase, to each customer. Any other supplies, including dc, are rare and are becoming more so. Additional information for the US is given in the current edition of "Directory of Electric

Utilities," published by McGraw-Hill Book Company, New York, N.Y.

4. All voltages in the table are ac except where specifically stated as dc. The latter are infrequent and in most cases are being replaced by ac. The lower voltages shown for ac, wye or delta ac, or for dc distribution lines, are used mostly for lighting and small appliances; the higher voltages are used for larger appliances.

COMPONENT COLOR CODING	
<u>POWER TRANSFORMERS</u>	
PRIMARY LEADS	BLACK
IF TAPPED:	
COMMON	BLACK
TAP	BLACK/YELLOW
END	BLACK/RED
HIGH VOLTAGE WINDING	RED
CENTER-TAP	RED/YELLOW
RECTIFIER FILAMENT WINDING	YELLOW
CENTER-TAP	YELLOW/BLUE
FILAMENT WINDING N° 1	GREEN
CENTER-TAP	GREEN/YELLOW
FILAMENT WINDING N° 2	BROWN
CENTER-TAP	BROWN/YELLOW
FILAMENT WINDING N° 3	SLATE
CENTER-TAP	SLATE/YELLOW
<u>I-F TRANSFORMERS</u>	
PLATE LEAD	BLUE
B+ LEAD	RED
GRID (OR DIODE) LEAD	GREEN
A-V-C (OR GROUND) LEAD	BLACK
<u>AUDIO TRANSFORMERS</u>	
PLATE LEAD (PRI.)	BLUE OR BROWN
B+ LEAD (PRI.)	RED
GRID LEAD (SEC.)	GREEN OR YELLOW
GRID RETURN (SEC.)	BLACK

# INDEX

## A

- Absolute value of a vector, 34.23
- AC
  - generator, 3.2
  - transient circuits, 3.23
  - voltage divider, 3.14
  - wattmeter, 31.3
- Ac and voltage measurements, 31.3
- Ac/dc receivers, 16.13
- Accelerating anode, 5.15
- Acceptor, 4.3
- Addition and subtraction, 34.10
- Addition of vectors, 34.23
- Admittance, 3.14
- A-frame mast, antenna, 26.23
- AFSK keying oscillator, 14.20
- Agc system, 19.25
- Air-core broadband balun, 26.7
- Air-core inductors, 17.10, 35.5
- Air-system layout, 22.25
- Algebra, 34.9
  - negative sign, 34.9
- Alkaline batteries, 19.3
- All-band center-load antenna, 19.14
- All band vertical antenna, 27.11
- Alpha, 4.14
  - cutoff frequency, 4.15
- Alternating current, 3.1
  - average value, 3.5
  - effective value of, 3.4
  - frequency spectrum, 3.1
  - generation of, 3.2
  - peak value, 3.5
  - radian notation, 3.3
  - rectified, 3.5
  - rms value, 3.5
  - voltage divider, 3.14
- Alternator, 3.2
  - mobile equipment, 19.2
- Aluminum foil capacitors, 17.6
- A-m linear operation, 22.39
- A-m stereo transmission, 15.17
- Amateur
  - bands, 1.4
  - receiver circuitry, 20.3
  - facsimile, 14.36
  - radio introduction, 1.1
  - space communication, 14.1
  - station licenses, 1.2, 1.4
  - classes of, 1.2
  - international regulations, 1.4
  - radio conference, 1.4
  - television, 14.37
- Amplification of r-f energy, 11.1
- Amplifier
  - adjustment, 22.38
  - circuits, 22.40
  - construction, 19.33
  - cooling, 22.41
  - 811A linear, 22.6
  - 8877 linear, 22.41, 22.62
  - 500-watt, 22.93
  - 4CX1500B linear, 22.54
  - 432 MHz power, 22.102
  - neutralization check, 11.62
  - performance, 19.36
  - power 220 MHz, 22.86
  - protection, 10.45
  - schematics, 22.2
  - six-meter, 22.71
  - 3-1000Z linear, 22.41, 22.46
  - 2-meter linear, 22.77
  - tuning and alignment, 22.68
- Amplifiers
  - basic construction, 6.2
  - cathode-driven, 6.2
  - cathode-follower, 6.8, 7.16
  - class-A, 6.1
  - class-AB, 6.1, 7.20
  - class-B, 6.1, 6.7, 7.13
  - class-C, 6.1, 7.1, 7.2
  - common-gate, 4.33
  - common-source, 4.33
  - conventional push-pull, 6.6
  - direct-coupled, 6.4, 6.5
  - distortion, 6.2
  - feedback, 6.9
  - grid-driven, 6.2
  - grounded-grid, 7.16
  - interstage-coupled, 6.3, 6.4
  - push-pull, 6.6
  - transformer-coupled, 6.3
  - vacuum-tube, 6.1
  - vhf IGFET, 4.33
  - video, 6.3
- Amplitude
  - compandor, 14.38
  - distortion, 6.3
  - limiting, 15.6
  - modulation, 15.1
- Analog
  - computers, 34.49
  - instruments, 31.2
  - switches, 4.36
- Angle of radiation, hf antenna, 27.1
- Antenna
  - A-frame mast, 26.23
  - above a ground plane, 24.14
  - all-band center-loaded, 19.14
  - bandwidth, 24.13
  - base station, 30.7
  - center-fed, 27.5, 28.3
  - changeover, 30.5
  - coupling system, 26.16, 26.17
  - directivity, 24.11
    - horizontal or vertical, 24.12
  - discone, 30.10
  - double skeleton cone, 30.8, 30.9
  - 80-meter compact ground plane, 27.10
  - element diameter, 30.6
  - end-fed, 28.3
  - filter, 16.2
  - for mobile operation, 19.10
    - mount, 19.10
  - $\frac{1}{8}$ -wave vertical, 27.9
  - folded dipole, 26.24
  - guy wire, 19.12
  - helical beam, 30.17
  - horizontally polarized antenna, 30.11
  - impedance, 24.9, 24.10
  - insulation, 26.25
  - J-pole, 30.10
  - linear trap, 27.25
  - long wire, 28.3
  - long Yagi, 30.26
  - matching device, 26.9
  - matching system, 26.1
  - mobile, 19.10
  - mount, 19.10
  - nondirectional, 30.8, 30.9
  - nonresonant, 28.7
  - properties, 24.8
  - radiation angle, 30.5
  - requirements, 30.1

## INDEX

- resonance, 24.8
- rhombic, 28.7
- rotators, 29.21
- signal gain, 24.12
- stacked sleeve for 144 MHz, 30.9
- support, 26.22
- system, 24.1
- 10-meter mobile, 19.3
- top-loading, 19.15
- tree support, 26.24
- tuner, 26.20
- twin-lead folded dipole, 27.7
- V-beam, 28.6
- vhf, 19.11
- vhf-Yagi beam, 30.22
- wire, 26.25
- whip
  - hf, 19.12
  - vhf, 19.12
- Yagi beam, 29.6
- Antenna and transmission-line instrumentation, 31.14
- Antennascope, 31.18
- Aquadag coating, 5.14
- Arc protection, 11.37
- Arc resistance, 17.14
- Arithmetic, 34.1
- Arithmetical selectivity, 10.6
- Atmospheric noise, 24.23
- Atom, 2.1
- ATV
  - reception, 14.38
  - transmission, 14.37
- Audio
  - circuitry, 10.11
  - clipper, 15.7
  - derived agc, 10.33
  - filter, 10.41, 20.65
  - noise limiter, 10.36
  - phase-shift network, 9.18
  - processing, 15.4
  - system, 10.40
  - RTTY demodulator, 14.21
- Audio amplifier circuits
  - class A, 4.25
  - class B, 4.25
  - frequency phasing, 9.17
  - frequency-shift keying, 14.18
- Audio and agc circuits using IC's, 10.34
- Aurora propagation, 24.24
- Autodyne detector, 10.1
- Automatic gain control (agc), 9.27, 10.11, 10.31
  - transistor, 4.29
- Auto transformer, 3.27
- B**
- Balanced-modulator circuit, 9.11
- Balanced mixer, 20.60
- Balancing network, 25.11
- Balun transformer, 26.7
- Bandpass crystal filter, 10.23
- Band scanning receivers, 10.48
- Bandspread, 10.16
- Bandswitching module, 20.6
- Batteries, 19.3
  - alkaline, 19.3
  - cadmium cells, 19.4
  - carbon-zinc, 19.3
  - mercury, 19.3
- BCD time code, 31.25
- Beat-frequency oscillator, 10.28, 20.5
- Beat frequency oscillator, module, 20.19
- Beta, 4.15
  - cutoff frequency, 4.15
- Bias consideration, 11.44
- Bias stability, 19.38
- Bilateral amplifier, 10.26
- Binary notation, 34.46
- Bipolar transistor, 4.12
- Bleeder resistors, 23.13
- Blocking oscillator, 8.4
- Bobtail beam 80 and 40 meter antenna, 28.13
- Body static, mobile, 19.20
- Boolean algebra, 34.26
- Boolean relay circuits, 34.27
- Bootstrap circuit, 4.26
- Break-in keying, 18.4
- Bridge rectifiers, 23.14
- Bridge-T audio oscillator, 4.34
- Broadband circuitry, 11.48
- Broadcast interference, 16.12
- Broadside array antenna, 28.13
- Buffer memory, 18.13
- Buffered keyboard, 18.14
- Bunching, 5.10
- Butterworth filter, 3.30
- C**
- Cable connectors, coaxial line, 25.16
- Calculator use, 34.1
- Calculus, 34.42
- Capacitive coupling, 11.39
- Capacitor, 2.12, 17.5
  - aluminum foil, 17.6
  - ceramic dielectric, 17.6
  - dry tantalum slug, 17.6
  - electrolytic, 2.18, 17.6, 23.12
  - filter, 23.25
  - glass, 17.5
  - inductance, 17.7
  - in parallel, 2.17
  - in series, 2.17
  - monolithic, 17.6
  - mylar, 17.5
  - organic film, 17.5
  - polycarbonate film, 17.5
  - polypropylene, 17.5
  - polystyrene, 17.5
  - polysulfane, 17.6
  - teflon, 17.6
  - temperature compensated, 17.6
  - vitreous enamel, 17.5
- Carbon composition resistors, 17.1
- Carbon-zinc batteries, 19.3
- Carrier-operated relay, 13.21
- Carrier-wave distortion, 13.3
- Cascade crystal filter, 10.24
- Cathode bias, 11.34
- Cathode-driven amplifiers, 21.14, 21.16
  - neutralization, 11.18
- Cathode-driven circuitry, 21.4
- Cathode-follower power amp, 6.8, 7.16
- Cathode lead inductance, 11.51
- Cathode-ray tube, 5.13
  - operation of, 5.13
- Center-fed antenna, 27.5, 28.3
- Ceramic dielectric capacitor, 17.6
- Characteristic impedance, 25.1
- Characteristics of transistors, 4.16
- Circuit breakers, 23.6
- Circuit layout, 21.5
- Circuit techniques, 11.56
- Circularly polarized 144 MHz Yagi beams, 30.20
- Clamp tube, 11.36
- Clamping circuits, 8.2
- Clapp oscillator, 11.4
- Class-A amplifier, 6.1
- Class AB amplifier, 6.1
- Class-AB<sub>1</sub> amplifier, 6.1, 7.20
- Class AB<sub>2</sub> amplifier, 6.1
- Class-B amplifier, 6.1, 6.7, 7.13
- Class-B grid-driven linear amplifier, 15.9
- Class-B plate modulation, 15.13
- Class-C amplifier, 6.1, 7.1, 7.2
- Class-C bias, 11.32
- Closed-loop feedback, 8.7
- CMOS inverter, 4.43
- Coaxial cable terminations, 33.11
- Coaxial line, transmission, 25.15
  - cable connectors, 25.16
  - for vhf use, 30.4
- Coaxial matching stub, 34.32
- Coaxial stub balun, 26.8
- Code, 1.9
- Collinear multielement antenna

## INDEX

- array, 28.11
  - Color code, 35.2
  - Colpits oscillator, 11.2, 11.11
  - Combining power transistors, 11.45
  - Common-drain amplifier, 4.32
  - Common-gate amplifier, 4.33
  - Common-source amplifier, 4.33
  - Communication receiver, 10.1, 20.25
  - Compactron tube, 23.39
  - Complex PLL, 12.11
  - Computer-design, filter, 3.31
  - Computer input, 34.48
  - Conductance, 2.7
  - Conductors, 2.2
  - Conduction cooling, 17.26
  - Constant-current curves, 7.5
  - Constant-K filter, 3.29
  - Construction of mobile equipment, 19.17
    - control circuits, 19.18
    - microphone circuits, 19.18
  - Construction practices, 33.1
    - tools, 33.1
  - Control circuitry, 10.11
  - Control techniques, 13.23
  - Conventional push-pull amplifier, 6.6
  - Conversion mixer, 20.44
  - Conversion oscillators, 10.47
  - Converter alignment, 19.32
  - Converter assembly, 19.30
  - Converter circuit, 19.23
  - Copper wire table, 35.12
  - Corner reflector/horn-type antenna, 30.21
  - COSMOS integrated-circuit keyer, 18.10
  - Counting circuits, 8.5
  - Coupled circuits, 3.19
    - impedance resonance in antenna systems, 3.21
  - Coupled-tuned circuits, 9.20
  - Coupling to antenna system, 26.15
  - Critical frequency, 24.17
  - Crossmodulation, 9.26
  - Crystal calibrator, 31.25
  - Crystal drive level, 11.8
  - Crystal filter, 10.23
    - bandpass, 10.23
  - Crystal grinding techniques, 11.9
  - Crystal-oscillator circuits, 11.10
    - high-frequency, 11.10
    - overtone, 11.12
    - pentode harmonic, 11.11
    - tuned-plate, 11.11
    - variable frequency, 11.12
  - Crystal synthesizer, 12.2
  - Cubical quad beam, 29.12
  - Current and voltage in series-resonant circuits, 3.16
  - Current measurements, 31.1
  - Current rating considerations, 23.9
  - Current regulation FET, 4.34
  - Curtis keyboard, 18.14
- D**
- Dc feed system design, 11.58
  - Dc relay operation, 23.8
  - Dc to ac inverter, 19.10
  - Decibel, 34.3
  - Decoupling device, 26.13
  - Delta-matched dipole, 26.10, 27.7
  - Demodulator, 10.11, 10.29
    - sideband, 10.31
    - SSB, 10.30
  - Desensitization, receiver, 9.26
  - Detector, 10.29, 19.24
    - autodyne, 10.1, 10.2
  - Detector circuits, transistors, 4.28
  - Dielectric, 2.12
    - breakdown, 2.15
    - constant, 17.14
    - materials, 2.15
    - strength, 17.14
  - Differential amplifier, 4.47
  - Differential keying, 18.2, 18.4
  - Digital
    - computers, 34.45
    - logic IC's, 4.38, 4.39
    - phase detector, 12.8
    - readout tube, 5.16
    - scan conversion, 14.30
    - voltmeter, 31.4
  - Diode, 4.1
    - avalanche, 4.5
    - devices, 4.8
    - filter switching, 10.25
    - limiters, 8.1
    - mixer, 10.17
    - modulator, 13.8
    - noise, 23.19
    - PN junction, 4.3
    - point-contact, 4.7
    - power devices, 4.8
    - rectifiers, 4.8
    - vacuum-tube, 5.3
    - zener, 4.4
  - Dipole antenna, 27.5
  - Direct-coupled amplifier, 6.4, 6.5
  - Direct-current circuits, 2.1
  - Direct f-m circuits, 13.6
  - Direct frequency readout, 10.37
  - Directional coupler, 31.15
  - Directive antenna, 28.1
    - types of, 28.2
  - Directivity, 31.16
  - Discone antenna, 30.10
  - Display of waveform, 32.9
  - Distributed line properties, 25.1
  - Distortion in amplifier, 6.2
  - Distortion products, 9.22, 21.15
  - Distributed capacitance, 17.10
  - Diversity reception, 14.25
  - D-layer, 24.17
  - Doherty modulated amplifier, 15.14
    - operation efficiencies, 15.15
  - Doppler shift, 14.11
  - Double-balanced mixer, 10.17
  - Double conversion, 10.9
  - Driven array, 29.15
  - DTL logic, 4.40
  - Dual-gate IGFET, 4.31
  - Dummy load, 31.9
  - Dynamic compression, 15.5
  - Dynamic regulation, 15.8
  - Dynamic signal range, 10.7
- E**
- Eccles-Jordan circuits, 8.4
  - ECL logic, 4.42
  - 811A linear amplifier, 22.6
  - 80-meter compact ground plane antenna, 27.10
  - 80-watt base station, for 2-meter f-m service, 22.77
  - 8877 amplifier, 22.44, 22.62
  - 85-watt transistor power supply, 19.8
  - E-layer, 24.17
  - Electric current, 2.4
  - Electrical quarter-wave line, 15.15
  - Electrolytic capacitors, 2.18, 17.6, 23.12
  - Electromagnetic
    - CRT, 5.14
    - deflection, 5.15
    - wave, 24.3
  - Electromotive force, 2.4
  - Electron-coupled oscillator, 11.3
  - Electron-ray tube, 5.16
  - Electron tube, 5.1, 5.8
    - high-frequency, 5.10
    - microwave, 5.9
  - Electronic computers, 34.45
  - Electronic key, 18.7
  - Electronic multimeter, 31.40
  - Electronic test equipment, 31.1
  - Electronic voltmeter, 31.7



## INDEX

- Electrons in action, 2.1  
Electrostatics, 2.12  
    calculation of capacitance, 2.16  
    capacitance and capacitors, 2.13  
Element diameter, antenna, 30.6  
Element length, antenna, 29.4, 29.5, 30.22  
Element spacing, antenna, 29.2, 29.5  
EME (moon bounce) circuits, 14.14  
Emitter-follower circuits, 4.24  
End-fed antenna, 27.19, 28.3  
Equations of the first degree, 34.13  
Equipment design, 17.1  
Equipment problems, 16.12  
Equivalent load, 25.2  
Equivalent series circuits, 3.13  
Error-cancellation, 8.8  
Exciter adjustment, 20.54  
Extended, expanded vhf array, 30.31
- F**
- Faraday rotation, 14.15  
FAX reception, 14.37  
FAX transmission, 14.36  
Feed method, antenna array, 29.18  
Feed system for parasitic arrays, 29.9  
Feedback  
    amplifiers, 6.9  
    around two-stage amplifier, 11.61  
    capacitance, 11.52  
    neutralization of one-stage amplifier, 11.63  
Feedthrough power, 21.15  
Ferrite beads, 17.13  
Ferrite core, 17.10  
Ferrite-core toroids, 11.32  
FET, 4.29  
    current regulator, 4.34  
    insulated-gate, 4.31  
    junction, 4.29  
    specialized circuits, 4.34  
    symbols, 4.30  
    terminal leads, 4.30  
FET circuits  
    bridge-T audio oscillator, 4.34  
    common-drain amplifier, 4.32  
    common-gate amplifier, 4.33  
    common-source amplifier, 4.33  
    current regulator, 4.34  
    phase-shift audio oscillator, 4.34  
    ramp generator, 4.33  
    sample and hold, 4.35  
    vhf amplifier, 4.33  
    Wien bridge audio oscillator, 4.35  
FET and MOSFET mixer, 10.18  
FET phase-modulated in gate circuit, 13.11  
Fetron, 4.35  
Field-effect devices, transistor, 4.29  
Filament inrush current, 11.38, 23.5  
Filament supply, 21.5  
Film-type resistors, 17.2  
Filter  
    Butterworth, 3.30  
    computer-design, 3.31  
    constant-K, 3.29  
    M-derived, 3.29  
    modern design, 3.29  
    operations, 3.28  
    Tchebycheff, 3.30  
Filter capacitors, 23.12  
Filter choke coils, 23.13  
Filter system resonance, 23.12  
1/8-wave vertical antenna, 27.9  
500-watt amplifier for 420-450 MHz, 22.93  
500Z linear amplifier, 22.20  
F<sub>1</sub> layer, 24.16  
F<sub>2</sub> layer, 24.16  
F-m  
    detector circuit, 13.14  
    repeater operation, 13.20  
    sidebands, 13.5  
    stereo, 13.20  
    terms, 13.4  
    transmitter, 13.10  
Folded dipole, 26.11  
Forced air cooling, 17.25  
Foster-Seeley discriminator, 13.14  
FOT (optimum traffic frequency), 24.19  
4CX1500B linear amplifier, 22.54  
4CX250B driver-circuit data, 22.33  
4CX250B linear amplifier, 22.10  
4-1000A grounded-grid amplifier, 22.12, 22.13  
450 MHz amplifier circuit, 19.34  
Four-place logarithms, 34.4, 34.5  
432 MHz power amplifier, 22.102
- Franklin oscillator, 11.5  
Frequency, 3.1  
    audio, 3.1  
    classification, 3.2  
    conversion, SSB, 9.17  
Frequency and time measurements, 31.22  
Frequency-conversion problems, 9.20  
Frequency detector, 13.13  
Frequency diversion, 12.7  
Frequency modulation, 13.1  
Function generator, 31.36  
Fuses and circuit breakers, 23.5  
Full-wave rectifiers, 23.14  
    sine wave, 3.5  
Frequency  
    multipliers, 11.22, 11.60  
    resonance, 3.15  
    spectrum, 3.1, 15.1  
    synthesizer, 10.21, 12.1  
Frequency-shift circuitry, 14.18
- G**
- Gamma match, 26.11  
Gas tubes, 5.16  
General Radio bridge, 31.13  
Generator, ac, 3.2  
Generator whine, 19.20  
Glass capacitors, 17.5  
Graphical representation, 34.32  
Graphs of trigonometric functions, 34.20  
Grid bias, 11.32  
    vacuum-tube, 5.4  
Grid-circuit considerations, 7.15  
Grid circuit keying, 18.3  
Grid-driven amplifier, 6.2  
Grid-driven circuitry, 21.2  
Grid-driven tetrode amplifier, 22.4, 22.5  
Grid excitation, 11.15  
Grid-inductance neutralization, 21.20  
Grid protection, 11.37  
Grid voltage, 7.3  
Ground characteristics, antenna, 27.2  
Ground current, 17.16  
Ground-plane antenna, 27.9  
Ground station antennas, 14.13  
Grounded-grid amplifier, 7.16, 10.14, 11.21  
Grounded-grid linear amplifier, 7.23  
Grounded-grid triode amplifier, 22.7  
Grounded-screen configuration, 21.11  
Grounds, 17.15

## INDEX

Guy wires, antenna, 26.24

### H

Half-wave filters, 16.9  
Half-wave rectifiers, 23.14  
Half-wavelength line, 11.54  
Harmonic radiation, 16.4  
Harmonic radiation versus Q, 11.26  
Hartley oscillator, 11.2  
Hazardous operations, 22.2  
Heater cathode, 5.1  
Heising modulation, 15.13  
Helical beam antenna, 30.17, 30.18  
Heterodyne mixer module, 20.13  
Hewlett-Packard solid-state indicator, 4.52  
Hf and vhf power amplifier design, 21.1  
Hf antenna, 27.1  
    angle of radiation, 27.1  
    fixed directive antennas, 28.1  
    rotary beam antennas, 29.1  
    whip antenna, 19.12  
Holes, leads, and shafts, 17.16  
Horizontal directivity, antenna, 27.5  
Horizontal sweep, oscilloscope, 32.5  
Horizontally polarized antenna, 30.11  
HTL logic, 4.42  
Hysteresis, 11.40

### I

IC voltage controlled oscillators, 12.6  
I-f  
    alignment with oscilloscope, 32.13  
    amplifier, 10.21  
    noise limiter, 10.36  
    transformers, 10.22  
Ignition noise, 19.19  
Image filter, 20.62  
Image interference, 10.6, 16.14  
Images, 10.6  
Imaginary numbers, 34.12  
Impedance and Q, 10.15  
Impedance matching, 19.38  
Impedance matching with resonant lines, 25.9  
Impedance of series resonant circuits, 3.15  
Impulse noise limiter, 10.36  
Inductance, 2.21  
Inductance of resistors, 17.3

Inductive coupling, 11.39  
    to coaxial line, 11.28  
Inductive loading of crystals, 11.12  
Inductive tuning, 21.12  
Inductively tuned tank circuit, 21.11  
Inductor, 17.10  
Inductors  
    at radio frequency, 2.22  
    in parallel, 2.21  
    in series, 2.21  
Input and output circuitry, 11.53  
Input capacitance, 11.52  
Input impedance, 25.8  
Input modulation system, 15.12  
Insulation, antenna, 26.25  
Insulators, 2.2, 17.14  
Integral calculus, 34.44  
Integrated circuits, 4.37  
Intercoupling of ground currents, 17.16  
Interlock protection, 23.5  
Intermodulation distortion, 6.3, 7.26  
Internal leads, 17.18  
International Morse code, 18.7  
Interstage coupling, 11.38  
Interstage-coupled amplifier, 6.3, 6.4  
Inverted-V antenna, 27.17, 28.4  
Ionosphere, 24.16  
Ionospheric disturbances, 24.21  
Ionospheric scatter propagation, 24.23  
Ionospheric storm, 24.21  
Irregular waveforms, 3.23  
Isolating trap, 29.11  
Isotropic radiator, 24.12  
IVS bridge-rectifier supplies, 23.27  
    500-watt, 23.28  
IVS power supply, 23.25

### J

J-operator, 3.8  
J-pole antenna, 30.10  
Junction capacitance, 4.5  
Junction field-effect transistors, 4.29  
Junction transistor, 4.14

### K

Key, electronic, 18.7  
Keyer circuit, 18.11  
Keying requirements, 18.1  
Kirchhoff's law, 2.10  
Klystron

power, 5.10  
reflex, 5.10

Knife-edge diffraction, 24.27  
KW-1 Mark III linear amplifier, 22.12, 22.14, 22.15  
KW-1 power supply, 22.18

### L

Lagging phase angle, 3.6  
Lazy-H array antenna, 28.12  
L-network, 11.28  
L-p dipole array (140-450 MHz), 30.15  
L-p Yagi antenna for 6 meters, 30.17  
L-p Yagi (50 MHz), 30.15  
L, Pi, and Pi-L matching networks, 11.28  
Leading phase angle, 3.7  
Learning aids, code, 1.13  
LED (light emitting diode), 4.51  
Light dimmers, 16.16  
Limiter, 13.17  
    audio noise, 10.36  
    i-f noise, 10.36  
    impulse noise, 10.36  
Limiting circuits, 8.1  
    peaks, 8.1  
Line-of-sight propagation, 24.28  
Linear amplifier, 20.45  
Linear amplifier power supply, 22.57  
Linear amplifier, 6-meter, 22.34  
Linear IC's, 4.46  
Linear repeater, 14.4  
Linear trap antenna, 27.25  
Linearity test, 13.7  
Linearity tracer, oscilloscope, 32.14  
Lissajous figures, 32.10  
Living color SSTV, 14.31  
Loaded antenna, 27.18  
Logarithmic scale, 34.36  
Logarithms, 34.2  
    four-place, 34.4, 34.5  
Log-periodic antenna, 30.14  
Long-wire antennas, 28.2, 28.3  
Long-wire multiband antenna, 27.19  
    center-fed, 27.20  
    end-fed, 27.19  
    low-frequency discone, 27.22  
    multee, 27.21  
    trap dipole, 27.23  
    trap vertical, 27.23  
    window, 27.20  
Long Yagi antenna, 30.26

## INDEX

- Loop antenna, 27.15  
Low-frequency oscillation, 11.40  
Low-frequency parasitic oscillation, 17.20  
Low noise preamplifier for 144 MHz, 20.66  
Low pass filters, 16.6  
  construction of, 16.6  
LUF (lowest usable high frequency), 24.19
- M
- M-derived filter, 3.29  
Magnetic  
  circuits, 2.19  
  fields, 2.18  
Magnetism and electromagnetism, 2.18  
Magnetomotive force, 2.19  
Magnetron, 5.11  
  multicavity, 5.12  
  oscillator, 5.12  
  voltage tunable, 5.11  
Manifold feed system, 30.27  
Manufacturer service reps, 16.16, 16.26  
Marconi antenna, 27.13  
  dimensions, 27.14  
Marine storm warning, 31.24  
Matching stub, 26.14  
Matching transmission line, 29.18  
Material, construction, 33.2  
Mathematics and calculations, 34.1  
Maxwell's equations, 24.3  
Measurement of circuit constants, 31.10  
  impedance method, 31.10  
  substitution method, 31.10  
Measurement of deviation, 13.10  
Measurements with a bridge, 31.11  
Mechanical filter, 10.24  
Mechanics of modulation, 15.2  
Mercury batteries, 19.3  
Mercury-vapor rectifier tubes, 23.17  
Meteor-burst propagation, 24.24  
Metering and suppression circuits, 22.36  
Metering circuitry, 22.41  
Microprocessor, 4.53, 34.48  
Microwave FET, 4.36  
Mixer circuits, transistor, 4.27  
Mixer-oscillator, 19.24  
Mixer stage, 9.18, 10.17  
  diode mixer, 10.17  
  double-balanced mixer, 10.17  
  FET and MOSFET mixer, 10.18  
  vacuum-tube mixer, 10.19  
Mixing oscillator, 10.19  
  solid-state, 10.20  
  vacuum-tube, 10.21  
Mobile and portable equipment, 19.1  
Mobile and portable power supply, 19.1  
  alternator, 19.2  
  three-phase, 19.2  
Mobile antenna, 19.10  
Mobile power supply, 23.38  
  medium voltage, 23.38  
Mode of operation, 11.43  
Modern filter design, 3.29  
Modulation  
  capability, 15.3  
  limiting, 13.12  
  measurements, 15.3  
  percentage, 15.3  
Modulator adjustments, 15.18  
Modulator classifications, 15.9  
Monimatch, 31.20  
Moon reflection propagation, 24.27  
Moonbounce communication, 14.13  
Monolithic capacitors, 17.6  
MOS logic, 4.43  
  complementary, 4.43  
MOSFET IC, 4.38  
MUF (maximum usable frequency), 24.18  
Multiband amplifier, 22.8  
Multiband antennas, 27.18  
  long wire, 27.19  
Multicavity magnetron, 5.12  
Multielement  
  broadside array, 28.12  
  Collinear array, 28.11  
  end-fire array antenna, 28.14, 18.15  
  fixed array antenna, 28.8  
  parasitic array, 29.4  
  quad, 29.14  
Multigrid mixer, 5.8  
Multilayer wound coils, 17.10  
Multimeter, 31.4  
Multiple sweep-tube amplifier, 22.3  
Multiplication, 34.10  
Multipliers  
  frequency, 11.22  
  push-pull, 11.23  
Multiplying vectors, 34.24  
Multivibrator circuits, 8.3, 8.4  
Multiwire dipoles, 27.6  
Mutual inductance, 2.21  
Mutual impedance, 24.13  
Mylar capacitors, 17.5
- N
- Narrowband f-m transmission, 13.5  
Narrowband voice modulation, 14.38  
Negative sign, algebra, 34.9  
Network coupling, 11.39  
Neutralization and r-f feedback, 11.61  
Neutralization, cathode-driven stage, 21.18  
Neutralization of r-f amplifiers, 11.15  
  cathode-driven, 11.18  
  grid, 11.16  
  push-pull, 11.17  
  screen-grid, 11.20  
  shunt or coil, 11.18  
  split-stator plate, 11.16  
Neutralizing circuits, 21.19  
Neutralizing procedures, 11.19  
  active, 11.19  
  Passive, 11.19  
  screen-grid, 11.20  
  single-end tetrode stages, 11.20  
Nickel-cadmium cell, 19.4  
Noise blanker, 10.37  
Noise figure measurements, 10.3  
Noise limiter  
  audio, 10.36  
  i-f, 10.36  
  impulse, 10.36  
Nomenclature of components, 35.1  
Nomograms, 34.37  
Nonresonant antenna, 28.7  
Nonsinusoidal waves and transients, 3.21
- O
- Ohm's law, 2.6, 2.7  
  suspension of, 25.3  
Omega match, 26.11  
100-watt amplifier, 19.41  
Operational amplifier, 4.47  
Opto-isolator relay, 4.52  
Orbital electrons, 2.1  
Organic film capacitors, 17.5  
OSCAR-3, 14.3  
OSCAR-6, 14.4  
OSCAR-7, 14.5  
OSCAR-8, 14.7  
OSCAR satellite tracking, 14.9  
OSCAR SSTV, 14.34  
Oscilloscope, 32.1  
Oscillator circuits, transistor, 4.28  
Oscillator stability, 11.5  
Output characteristic curve,

## INDEX

transistor, 4.20  
Output coupling adjustment, 26.17  
Overmodulation, 15.4  
Overtone-cut crystals, 11.7  
Overtone oscillators, 11.12

### P

Parallel resonance, 3.18  
Parallel RLC circuits, 3.13  
Parallel-tuned tank circuit, 11.27  
Parametric oscillation, 11.40  
Parasitic beam antenna, 29.1  
Parasitic director element, 29.1  
Parasitic oscillation  
  in r-f amplifiers, 17.20  
  in triodes, 17.21  
Parasitic reflector element, 29.1  
Parasitic resonances, 17.19  
Parasitics with beam tetrodes, 17.22  
Peak clipper, 15.6  
Pentode harmonic oscillator, 11.11  
Pentode, vacuum tube, 5.7  
PEP linear amplifier w/8877, 22.39  
Phantom signals, 10.7  
Phantoms, 16.13  
Phase-counting detector, 13.16  
Phase detector, 12.7  
Phase-inverter circuit, 6.4  
Phase-lock synthesizer, 20.49  
Phase-locked loop detector, 13.16  
Phase modulation, 13.8  
Phase modulator, 13.9  
Phase shift, 25.3  
Phase-shift audio oscillator, 4.34  
Phase-shift oscillator, 8.6  
Phased vertical antenna, 27.12  
Phone patch, 18.17  
Phosphors, 5.15  
Photosphere, 24.20  
Pi-L network, 11.30  
PIN diode attenuator, 20.6  
Pi-network, 11.29, 21.10  
Pi-network coupling, 26.18, 26.20  
Plate-and-screen modulation, 15.13  
Plate current, vacuum tube, 5.4  
Planar tubes, 22.76  
Plate feed, 21.5  
Plate modulation, 15.12  
Plate voltage, 7.3  
PLL IC, 4.48  
PLL loop filter, 12.8  
PLL synthesiser, 12.4

Plug-in modules oscilloscope, 32.9  
P-MOS logic, 4.44  
PN junction diode, 4.3  
Point-contact diode, 4.7  
Point-contact transistor, 4.12  
Polar coordinates, 34.24  
Polar notation, 3.8  
Polar inversion, 5.6  
Polycarbonate film capacitors, 17.5  
Polyphase rectification circuits, 23.15  
Portable amateur band receiver, 19.21  
Positive feedback amplifiers, 8.3  
Power amplifiers  
  r-f, 7.1  
Power amplifier circuits, transistor, 4.24  
Power amplifier construction, 22.1  
Power-amplifier design, 21.1  
Power and switching circuits, 19.25  
Power combiner, 11.49  
Power gain, transistor, 4.17  
Power line filter, 16.2  
Power-line interference, 16.15  
Power measurements, 31.8  
Power rating, SSB, 9.6  
Power supply, 23.1  
  components, 23.12  
  primary circuit, 23.1  
  requirements, 23.9  
Power supply requirements, 15.8  
Power transformer, 19.7  
  35-watt supply, 19.8  
  85-watt supply, 19.8  
  270 watt supply, 19.8  
Powers and roots, 34.11  
Practice, code, 1.8  
Pre-emphasis and de-emphasis, 13.19  
Preferred values, 35.2  
Prescaling, synthesizer, 12.13  
Primary circuit transients, 23.3  
Printed circuits, 33.8  
Printed circuit boards, 35.5  
Propagation in vhf region, 24.23  
Program printout, 34.50  
Protective circuits for transmitting tubes, 11.36  
Pulse-duration modulation, 15.16  
Push-pull amplifier, 6.6  
  neutralization, 11.17  
Push-pull circuitry, 21.4  
Push-pull frequency triplers, 11.23

Push-pull multipliers, 11.23  
Push-pull output, 6.6  
Push-pull tetrode circuitry, 21.12

### Q

Q, 7.12, 11.24  
Q-section, 26.13  
Quad loop, 29.13  
Quadratic equations, 34.16  
Quadrature detector, 13.17  
Quarter-wave transformer, 25.10

### R

Radial ground wire, 27.15  
Radiation and propagation, 24.1  
Radiation angle, antenna, 30.5  
Radiation from an antenna, 24.5  
Radiation hazard, 22.2  
Radiation resistance and reactance, 24.9  
Radio frequency energy, generation and amplification of, 11.1  
Radio frequency phasing, 9.16  
Radio-frequency power amplifier, 7.1  
  cathode-follower, 6.8, 7.20  
  Class AB, 7.20  
  S-curve, 7.20  
  Class B, 6.7, 7.13  
  calculations, 7.13  
  linear, 7.13  
  Class C, 7.1, 7.2  
  calculations, 7.7  
  method of, 7.8  
  direct coupled, 6.5  
  grounded-grid, 7.16  
  bias supply, 7.25  
  calculations, 7.17  
  disadvantages of, 7.16  
  linear, 7.22  
  push-pull, 6.6  
Radio interference (RFI), 16.1  
Radio noise, 16.1  
Radioteleprinter, 14.16  
Radioteletype systems, 14.15  
RAM (read-access memory), 4.45  
Ramp generator, 4.33  
Ratio detector, 13.15  
RC and RL transients, 2.22  
Reactance  
  calculations, 34.40  
  capacitive, 3.6  
  combination, 3.7  
  inductive, 3.6  
  leakage, 3.27  
Reactance modulation, 13.6

## INDEX

- Reactance modulator linearity checker, 13.8  
Reactive circuits, 3.6  
Receiver alignment, 19.31,  
Receiver bandwidth, 13.18  
Receiver noise performance,  
10.43  
Receiver performance require-  
ments, 10.2  
noise figure measurements,  
10.3  
selectivity, 10.3  
sensitivity, 10.2  
stability, 10.4  
Receiver power supplies, 10.11  
Receiver protection, 13.26  
Receivers, ac/dc, 16.13  
Reception of f-m signals, 13.12  
Rectified alternating current,  
3.5  
Rectifier circuits, 23.14  
Rectification circuits, 23.14  
Reed relay, 18.9  
Reflected wave, antenna, 24.6  
Reflection and standing waves,  
25.7  
Reflection coefficient, 24.7, 25.8  
Reflectometer, 31.21  
Regulated power supplies, 23.29  
Relay control, 23.2  
Relay sequence, 23.8  
Relays, 17.14  
Relaxation oscillator, 8.3  
Repeaters, 13.1  
Repeater types, f-m, 13.21  
Resistance and Reactance in  
parallel, 3.12  
Resistance-capacitance filters,  
23.11  
Resistance capacitance oscillator,  
8.6  
Resistance measurements, 31.1  
Resistivity, 17.14  
Resistor, 17.1  
carbon composition, 17.1  
film-type, 17.2  
rheostat, 17.2  
variable type, 17.2  
wirewound, 17.2  
potentiometer, 17.2  
Resonance curve, 3.16  
Resonant antenna, 24.8  
Resonant circuits, 3.15  
frequency, 3.15  
of resonance, 3.15  
Resonant stub, 25.11  
R-f  
amplifier stage, 10.12, 10.14  
solid-state, 10.12, 10.14  
vacuum-tube, 10.13  
bridge, 31.13  
chokes, 17.11  
circuitry, 20.44  
transistors, 4.26, 4.27  
clipping, 15.6  
compression, 15.7  
deck, 22.66  
feedback, 11.60  
noise bridge, 31.28  
operated keying monitor,  
18.16  
tank circuit calculations,  
34.42  
vacuum-tube amplifiers, 11.14  
Rheostat, 17.2  
Rhombic antenna, 28.7  
Rhombic antenna dimensions,  
30.14  
Ribbon and tubular line, 25.15  
Ripple voltage, 23.10  
ROM (read-only memory),  
4.45, 4.46  
Rotators, antenna, 29.21  
RTL logic, 4.41  
RTTY duty cycle, 14.18  
RTTY reception, 14.21  
RTTY transmission, 14.18  
RTTY video display, 14.24  
Ruggedized tubes, 5.17  
R-X meter, 31.13
- S
- Safety bias, 11.34  
Safety switch, 23.8  
Sample and hold circuit, 4.35  
Sampling oscilloscope, 32.7  
Satellite operation, 14.7  
Sawtooth wave, 3.24  
Schematic  
AFSK keying oscillator, 14.20  
audio amplifier circuits,  
class-A, 4.25  
class-B, 4.25  
audio clipper, 15.7  
audio phase-shift network,  
9.18  
balanced-modulator, 9.11  
basic crystal oscillator, 11.9,  
11.11  
cathode-driven amplifier,  
21.15  
cathode-follower output, 6.9  
common polyphase rectifica-  
tion circuit, 23.16  
converter circuit, 19.23  
COSMOS keyer, 18.11  
811A linear amplifier, 22.6  
8877 amplifier, 22.41, 22.62  
electronic keyer, 18.9  
emitter-follower circuit, 4.24  
500-watt amplifier for 420-  
450 MHz, 22.93  
500Z linear amplifier, 22.20  
f-m deviation meter, 13.12  
40-watt, 175 MHz three-stage  
amplifier, 11.46  
4CB250B linear amplifier,  
22.10  
4CX1500B linear amplifier,  
22.54  
4-1000A grounded-grid am-  
plifier, 22.12, 22.13  
450-MHz amplifier, 19.34  
432 MHz power amplifier,  
22.102  
grid-driven tetrode amplifier,  
22.4  
grounded-grid linear ampli-  
fier, 7.23  
grounded-grid triode ampli-  
fier, 22.7  
grounded screen-grid stage,  
21.11  
high-frequency crystal oscil-  
lator, 11.10  
high-frequency transistor rf  
stage, 10.14  
high-power modulator, 15.19  
horizontal amplifier oscillo-  
scope, 32.5  
kw-1 Mark III linear ampli-  
fier, 14.15, 22.12  
kw-1 power supply, 22.18  
linear amplifier stage, 20.47  
low-frequency parasitic sup-  
pression oscillator, 17.20  
multiple sweep-tube amplifier,  
22.3  
9 MHz i-f strip using IC's,  
10.28  
noise blanker for i-f system,  
10.38  
100-watt amplifier, 19.41  
144 MHz frequency synthe-  
sizer, 12.9  
parallel-tuned tank circuit,  
11.27  
phase-inverter, 6.4  
pi-network, 21.10  
power supply, oscilloscope,  
32.6  
push-pull output, 6.6  
regulator circuit, 20.35  
self-excited oscillator, 11.2  
semiconductor power supply,  
23.21  
single-phase rectification cir-  
cuit, 23.16  
six-meter amplifier, 22.35,  
22.71  
solid-state agc system, 10.32

## INDEX

- solid-state receiver, 19.26
- solid-state r-f amplifier stage, 10.14
- SSB exciter, 20.43
- SSB demodulator, 10.30
- sweep circuit oscilloscope, 32.4
- tetrode amplifier, 21.8
  - push-pull, 21.12, 21.13
- 3-1000Z linear amplifier, 22.44, 22.46
- three-phase-mobile kilowatt power supply, 19.3
- tone control circuit, 10.40
- 23cm conversion module, 20.61
- 25-watt amplifier, 19.36
- 220-MHz power amplifier, 22.86
- 2-meter linear amplifier, 22.77, 22.81
- two-stage RC amplifier, 4.23
- two-stage high-gain amplifier, 22.29
- two-watt audio stage, 10.39
- transceiver power supply, 300-watt, 23.42  
600-watt, 23.40
- transistor control circuit, 18.7, 23.7
- transistor power supply, 19.8
  - 85-watt, 19.8
  - 270-watt, 19.9
- transistor/vibrator power supply, 19.5
- transistorized VOX, 18.16
- triode amplifier, 21.3
  - push-pull, 21.6
- vertical amplifier oscilloscope, 32.3
- voltage-controlled crystal oscillator, 12.12
- VOX circuitry, 18.15
- SCR devices, 4.11
- Screen circuit keying, 18.4
- Screen-grid impedance, 15.10
- Screen-grid modulation, 15.10
- Screen-grid neutralization, 11.20
- Screen lead inductance, 11.52
- Screen protection, 11.37
- Seiler oscillator, 11.5
- Selective-tuned circuits, 9.19
- Selectivity, 10.3
- Self bias, 11.34
- Semiconductor, 2.2
  - conduction mechanism, 4.2
  - devices, 4.1
  - vhf/uhf receivers, 10.44
- Semiconductor power supply, 23.21
- Sensitivity, 10.2
- Series and parallel resonance, 11.8
- Series diode operation, 23.19
- Series RLC circuit, 3.9
- Series screen supply, 11.36
- Shape factor, i-f amplifier, 10.22
- Sheet metal construction, 33.5
- Shunt or coil neutralization, 11.18
- Sideband detectors, 10.31
- Sideband modulation, 15.1
- Sidetone oscillator, 18.9
- Signal-frequency circuits, 10.15
- Signal-strength indicator, 10.35
- Silicon bilateral switch, 4.11
- Silicon controlled rectifier, 4.11
  - switch, 4.11
- Silicon diode rating, 4.11
- Silicon diode noise generator, 31.26
- Silicon rectifier
  - current density, 4.9
  - operating characteristic, 4.9
- Single-end tetrode stage neutralizing, 11.20
- Single loop PLL synthesizer, 12.4
- Single-phase rectification circuits, 23.15
- Single-sideband frequency conversion, 9.17
- Single-sideband transmission and reception, 9.1
- Six-element broadside beam (144 MHz), 30.31
- Six meter amplifier, 22.71
- Six meter amplifier construction, 22.36
- Six meter high-power filter, 16.9
- Six-meter linear amplifier, 22.35
- Skin effect, 3.18
- Slotted line, 31.14
- Slow-scan television (SSTV), 14.25
- Smith chart, 26.2, 34.27, 34.28, 34.29, 34.30
  - application of, 34.30
- Solenoid, 17.10
- Solid state
  - hf power circuit, 11.39
  - i-f strip, 10.26
  - light sources, 4.51
  - modulation circuitry, 15.20
  - oscillator, 10.20
  - phase modulator, 13.10
  - power amplifiers, 11.44
  - receiver, 19.26
  - r-f amplifiers, 10.12
  - supplies for SSB, 23.20
  - 10-watt linear amplifier, 19.32
  - 2-meter receiver, 20.70
  - VHF circuitry, 11.55
  - voltmeter, 31.8
- Space charge effect, 5.2
- Space-conserving antenna, 27.16
- Special circuitry,
  - vacuum tubes and semi-conductors, 8.1
- Specialized amateur communication systems, 14.1
- Spectrum analyzer, 32.17
- Speech waveform dissymmetry, 15.4
- Split-stator plate neutralization, 11.18
- Sporadic E propagation, 24.26
- Spread-spectrum modulation, 15.16
- Spurious frequency, 11.13
- Spurious response, 10.5
- Square root operations, 34.2
- Square wave, 3.22
- Squelch circuit, 13.20
- SSB
  - application, 9.2
  - basic, 9.3
  - demodulator, 10.30
  - exciter, 20.43
  - frequency
    - conversion, 9.17
    - translation, 9.8
  - power
    - advantage, 9.7
    - rating, 9.6
  - receiver, 9.4
    - circuitry, 9.25
    - reception, 9.24
  - signal, 9.2
  - spectrum, 9.4
  - system, 9.1
  - transceiver, 9.28
- SSTV camera, 14.28, 14.29
- SSTV monitor, 14.28
- SSTV transmission, 14.26
- Stability, 10.4
- Stabilization, 13.7
- Stacked sleeve antenna for 144 MHz, 30.9
- Stacked Yagi array, 29.8
- Stacking vhf antenna, 30.27
- Standard dipole, 27.7
- Standard frequency and time signals, 31.23
- Standard time intervals, 31.24
- Standing wave, 24.6
- Standing-wave ratio, 25.8

## INDEX

- Static regulations, 15.8
  - Step counter, 8.6
  - Step-start circuitry, 23.4
  - Stereo-fm interference, 16.11
  - Stray circuit capacitance, 10.17
  - Stub matching, 25.11
  - Sunspot cycle, 24.20
  - Sunspots in action, 24.20
  - Superheterodyne receiver, 10.5, 10.9
    - advantages of, 10.5
  - Superheterodyne tracking, 10.16
  - Suppressor-grid modulation, 15.11
  - Sweep circuit, oscilloscope, 32.4
  - Sweep tubes in linear service, 21.13
  - SWR and impedance compensation, 26.1
  - SWR bridge, 31.16
  - SWR instruments, 31.18
  - SWR meter, 19.16
  - Synthesizer considerations, 12.11
  - Synthesis techniques, 12.1
    - building block, 12.2
    - crystal for SSB, 12.2
    - simple mixer, 12.1
  - Synthesizer alignment, 20.56
  - Systems of amplitude modulation, 15.8
- T
- T-match, 26.11
  - Tank circuit, 3.19
    - design, 11.23
    - efficiency, 7.5
    - flywheel effect, 7.4
    - impedance, 11.54
    - Q, 7.12, 11.24
    - unloaded Q, 7.5
  - Tantalum capacitors, 35.4
  - Tchebycheff filter, 3.30
  - Teflon capacitors, 17.6
  - Teleprinter, 14.16
  - Television interference, 16.1
  - Temperature compensating capacitors, 17.6
  - Terman-Woodyard modulated amplifier, 15.14
    - operation efficiencies, 15.15
  - Tetrode amplifier circuitry, 21.9
    - push-pull, 21.12, 21.13
  - Tetrode amplifier design, 21.7
  - Tetrode modulators, 15.18
  - Tetrode screening, 17.23
  - Tetrode, vacuum tube, 5.7
  - Thermal consideration, 11.41
  - Thermionic emission, 5.1
  - Thermocouple meter, 31.4
  - Three-band beams, antenna, 29.9
  - 3-1000Z linear amplifier, 22.44, 22.46
  - Three terminal IC regulator, 23.30
  - Tone control circuit, 10.40
  - Tools, construction, 33.1
  - Top-loading antenna, 19.15
  - Toroidal inductors, 17.11
  - Toroidal-wound tank coil, 11.32
  - Touchtone pad, 13.24
  - Trace CRT, 5.15
  - Trans-equatorial scatter propagation, 24.26
  - Transceiver power supply, 23.40
    - 300-watt, 23.42
    - 600-watt, 23.41
  - Transfilter, 10.26
  - Transformer-coupled amplifier, 6.3
  - Transformer, i-f amplifier, 10.22
  - Transformers, 3.25, 23.13
    - ampere turns, 3.27
    - impedance, 3.27
    - leakage, 3.28
    - ratio, 3.26
  - Transient circuits, ac, 3.23
  - Transient protection, 17.27, 23.20
  - Transistor
    - amplifier, 4.22
    - analysis, 4.17
    - audio circuitry, 4.22
    - automatic gain control, 4.29
    - characteristics, 4.16
    - configurations, 4.18
    - cutoff frequency, 4.15
    - detector circuit, 4.28
    - emitter follower, 4.23
    - epitaxial, 4.13
    - equivalent circuit, 4.18
    - field-effect devices, 4.29
    - grown junction, 4.13
    - handling, 4.15
    - mixer circuit, 4.27
    - nomenclature, 4.13
    - operation, 19.6
    - oscillator circuit, 4.28
    - output characteristic curve, 4.20
    - point-contact, 4.12
    - power-amplifier, 4.24
    - power gain, 4.17
    - power rating, 19.6
    - r-f circuitry, 4.26
    - supplies, 19.5
    - symbols, 4.16
    - tester, 31.31
    - transition region, 4.15
    - voltage gain, 4.17
  - Transistorized capacitance meter, 31.32
  - Transit-time effect, 11.53
  - Transit time and wave reflection, 25.2
  - Transition region, 4.15
  - Transmission line
    - pickup, 16.3
    - wave motion, 25.6
    - waves and fields, 25.5
  - Transmission lines, 25.14
    - coaxial line, 25.15
    - ribbon and tubular line, 25.15
    - two-wire open line, 25.14
  - Transmitter
    - control circuit, 18.7
    - control methods, 23.6
    - keying, 18.1, 18.3
    - power control, 23.7
  - Transmitter-to-antenna coupling, 26.16
  - Transmitter loading and TVI, 26.16
  - Traveling-wave tube, 5.12
  - Tree support, antenna, 26.24
  - Trigonometric tables, 34.22
  - Trigonometry, 34.17
  - Trimming potentiometer, 17.3
  - Triode amplifier design, 21.2
  - Triode class-B modulators, 15.18
  - Triode, vacuum-tube, 5.4
  - Tripler/amplifier circuit for 432 MHz, 22.90
  - Tritet oscillator, 11.1
  - Tropospheric ducting, 24.26
  - Tropospheric scatter propagation, 24.25
  - TTL logic, 4.41
  - Tubes for grounded-grid service, 21.18
  - Tuned-plate oscillator, 11.11
  - Tuned-plate tuned-grid oscillator, 11.3
  - Tuner, antenna, 26.20
  - Tuner construction, 26.20
  - Tuning capacitor air gap, 11.28
  - Tuning grounded-grid amplifier, 21.17
  - Tuning parasitic array, 29.18
  - TVI-proof enclosures, 33.4
  - TVI suppression, 22.42
  - TV mast, 26.24
  - TV receiver interference, 16.16
  - TV receiver overload, 16.2
  - 25-watt PEP hf linear amplifier, 19.37
  - Twin-lead folded dipole antenna, 27.16

## INDEX

- Twin-lead Marconi antenna, 27.16  
Twin-tee oscillator, 8.7  
Twin-triode mixer, 9.19  
Two-element parasitic beam, 29.2  
Two-element quad, 29.13  
270-watt transceiver power supply, 19.9  
220 MHz power amplifier, 22.86  
Two-kilowatt PEP supply for SSB, 23.26  
2-meter linear amplifier, 22.77, 22.81  
Two-meter long Yagi array, 30.27  
Two-meter lowpass filter, 16.9  
2-meter power supply, 22.79  
Two-stage high-gain amplifier, 22.27, 22.28, 22.29  
Two-tone generator, 31.35  
Two-tone generator for SSB testing, 31.34  
Two-wire open line, transmission, 25.14
- U**
- Unidirectional stacked broadside array, 29.16  
Unijunction transistor, 4.12  
Universal crystal test unit, 31.30
- V**
- V-antenna, 28.5  
V-beam antenna, 28.6  
Vackar oscillator, 11.4  
Vacuum-tube, amplifier, 6.1  
    r-f, 10.13  
classification, 5.7  
constants, 6.2  
demodulators, 10.30  
diode, 5.3  
grid bias, 5.4  
limitation, 11.50  
mixer, 10.19  
nonlinearity, 9.23  
oscillator, 10.21  
pentode, 5.7  
plate current, 5.4  
principles, 5.1  
receivers  
    vhf/uhf, 10.44  
    tetrode, 5.7  
    triode, 5.4  
Vacuum-tube regulator, 23.36  
Varactor, 4.6  
Variable active audio filter, 20.64  
Variable air capacitors, 17.8  
Variable-efficiency modulation, 15.9  
Variable-frequency audio generator, 31.36  
Variable frequency oscillator, 11.5, 11.12  
Variable link coupling, 26.17  
Variable oscillator, 19.31  
Variable-ratio autotransformer, 23.6  
Variable-voltage supply with current limiting, 23.37  
Vector analysis of color burst, 14.31  
Vectors, 34.22  
Vehicular noise suppression, 19.18  
Vertical amplifier, oscilloscope, 32.3  
Vertical antenna, 27.8  
Very-low frequency (vhf), 3.2  
Vfo buffer module, 20.14  
Vhf amplifier, 4.33, 22.74  
Vhf and uhf, mixers, 10.46  
    noise sources, 10.41, 10.42  
    receivers, 10.41  
Vhf and uhf antennas, 30.1  
Vhf antenna, 19.11  
Vhf antenna polarization, 30.3  
Vhf circuits, 11.49  
    design, 11.58  
Vhf coaxial hardware, 30.4  
Vhf push-pull tetrode amplifier, 21.13  
Vhf receiver circuitry, 10.44  
Vhf rhombic antenna, 30.12  
Vhf synthesizer, 12.9  
Vhf SWR meter, 30.34  
Vhf transmission lines, 30.3  
Vhf whip antenna, 19.12  
Vhf Yagi beam antenna, 30.22  
Video amplifier, 6.3  
Video sampling techniques, Vitreous enamel capacitors, 17.5  
    14.33  
Voltage across coil and capacitor in series circuits, 3.17  
Voltage controlled crystal oscillator, 12.12  
Voltage controlled oscillator, 12.5, 20.50  
    IC, 12.6  
Voltage divider, ac, 3.14  
Voltage measurements, 31.1  
Voltage multiplying circuits, 23.17  
Voltage regulation, 23.10  
Voltage-regulator hash, 19.19  
Voltage-regulator tubes, 23.35  
Voltmeter, digital, 31.4  
    electronic, 31.7  
    solid-state, 31.8  
VOX bias control, 18.16  
VOX circuitry, 18.15, 20.43
- W**
- Wagner ground, 31.12  
Water-pipe grounds, 27.14  
Wave, composition, 3.22  
    filters, 3.28  
    operations, 3.28  
    nonsinusoidal, 3.21  
    sawtooth, 3.24  
    square, 3.22  
Waveguides, 25.15  
    transmission line, 25.5  
Wave motion, finite transmission line, 25.6  
Wave reflection, antenna, 24.7  
Wave reflection on a transmission line, 25.4  
Waves and fields, transmission line, 25.5  
Wheel static, mobile, 19.19  
Whip antenna, hf, 19.12  
    vhf, 19.12  
Wideband baluns, 25.13  
Wien bridge audio oscillator, 4.35, 8.6  
Wire and inductors, 17.9  
Wire, antenna, 26.25  
Wire leads, 17.9  
Wirewound resistors, 17.2  
    potentiometer, 17.2  
Workshop layout, 33.13  
WWV broadcast schedule, 31.24  
WWVH broadcast schedule, 31.24
- Y**
- Yagi beam antenna, 29.6
- Z**
- Zener bias, 11.35  
Zener diode, 4.4  
    characteristic curve, 4.4  
    temperature-compensated, 4.5  
Zurich sunspot numbers, 24.20



