

# SAMS PHOTOFACT<sup>®</sup>



## AUTO RADIO SERIES

AR-37  
**37**  
JUNE 1966



### CONTENTS

REMOVAL INFORMATION PAGE 4

#### BUICK

Buick (1966) 7293634,  
Tenna BU-66PB  
Riviera (1966) 7293674  
Special (1966) 7293914,  
Tenna SP-66PB

#### CADILLAC

Cadillac (1966) 7293915

#### CHEVROLET

Chevrolet (1966) 986546,  
7296351, Tenna  
CH-66M/PB  
Chevrolet Truck (1966)  
CHT-66M PB  
Chevrolet (1965) Automatic  
C-5003N, CA-5503N,  
CAP-5504N, CP-5004N  
Chevrolet Truck (1965)  
Automatic TAC-5514N,  
TAX-5513N, TCM-5014N,  
TCX-5013N  
Chevrolet (1964) Automatic  
C-4049N, CA-4549N,

#### CHEVROLET cont.

CAP-4550N, 7299561  
Caprice (1966) 7296341,  
7299561  
Chevelle (1966) Tenna  
CL-66PB  
Chevy II (1966) Tenna  
CII-66PB  
Corvair (1966) Tenna  
CO-66PB

#### DODGE

Dart (1966) Mopar 229

#### LINCOLN

Lincoln (1966) 6TDC

#### MERCURY

Mercury (1966) 6TPG

#### OLDSMOBILE

Oldsmobile (1966)  
7292643, Tenna  
OL-66PB  
F-85 Tenna OF-66PB  
Toronado (1966) 7294743

#### PLYMOUTH

Plymouth (1966) Mopar 230  
Fury (1966) Mopar 23 II  
Valiant Mopar 228, 234

#### PONTIAC

Pontiac (1966) 7294332,  
Tenna TE-66PB

#### RAMBLER

Rambler (1966) Tenna  
RA-66PB

#### UNIVERSAL

Duo Vox AM8  
Gibbs 550, 551, 551-6,  
552, 553  
Hitachi TM-816U  
Sears 833.62830  
Tenatronics UA702, UM701

#### VOLKSWAGEN

Karmann Ghia (1966) 6BVG  
Transporter (1966) 6BVT  
Sedan (1966) 6BVW  
Type 3 Vehicles 6BV3

**HOWARD W. SAMS & CO., INC.**

**Indianapolis, Indiana**

\$2.95  
\$3.75 IN CANADA  
Cat. No. AR-37

---

# SAMS PHOTOFACT<sup>®</sup>

## AUTO RADIO SERIES

VOLUME

**37**

by the *Howard W. Sams* ENGINEERING STAFF



**HOWARD W. SAMS & CO., INC.**  
INDIANAPOLIS      INDIANA

**FIRST EDITION**  
**FIRST PRINTING—JUNE, 1966**

**PHOTOFACT®**  
**AUTO RADIO SERIES**  
**VOLUME 37**

Copyright © 1966 by Howard W. Sams & Co., Inc.  
Indianapolis, Indiana 46206. Printed in the United States of America

All rights reserved. Reproduction or use, without express permission, of editorial or pictorial content, in any manner, is prohibited. No patent liability is assumed with respect to the use of the information contained herein.

The listing of any available replacement part herein does not constitute in any case a recommendation, warranty or guaranty by Howard W. Sams & Co., Inc., as to the quality and suitability of such replacement part. The numbers of these parts have been compiled from information furnished to Howard W. Sams & Co., Inc., by the manufacturers of the particular type of replacement part listed.

Library of Congress Catalog Card Number: 49-11493



**TABLE OF CONTENTS**

Model Number	Page
Automatic Models C-4049N, C-5003N, CA-4549N, CA-5503N, CAP-4550N, CAP-5504N, CP-4050N, CP-5004N, TAC-5514N, TAX-5513N, TCM-5014N, TCX-5013N . . . . .	5
Buick Models 7293634, 7293674, 7293914 . . . . .	10
Cadillac Model 7293915 (990552) . . . . .	23
Chevrolet Model 986546 . . . . .	30
Chevrolet Models 7296341 (986731), 7299561 . . . . .	43
Chevrolet Model 7296351 (986644) . . . . .	52
Duo Vox Model AM-8 . . . . .	61
Gibbs Models 550, 551, 551-6 . . . . .	69
Gibbs Models 552, 553 . . . . .	72
Hitachi Model TM-816U . . . . .	75
Lincoln Model 6TDC . . . . .	85
Mercury Model 6TPG . . . . .	91
Mopar Models 228, 229, 230, 231, 234 . . . . .	97
Oldsmobile Models 7292643, 7294743 . . . . .	103
Pontiac Model 7294332 . . . . .	109
Sears Model 833.62830 . . . . .	116
Tenatronics Models UA702, UM701 . . . . .	126
Tenna Models BU-66PB, CII-66PB, CH-66M/PB, CHT-66M/PB, CL-66PB, CO-66PB, OF-66PB, OL-66PB, SP-66PB, TE-66PB . . . . .	132
Tenna Model RA-66PB . . . . .	139
Volkswagen Models 6BVG, 6BVT, 6BVW, 6BV3 . . . . .	145

<b>Cumulative Index to Prior Volumes . . . . .</b>	<b>151</b>
--	------------

# REMOVAL INSTRUCTIONS

## GENERAL REMOVAL INFORMATION

Most radios and speakers can be removed for service by following the steps shown in this block of information. Check the Make, Model and Year of car listed below. If more specific instructions are required, they are shown.

- Step 1 Disconnect power, speaker and antenna leads.
- Step 2 Remove knobs.
- Step 3 Remove nuts from control bushings and cabinet braces.

- Step 4 Remove radio from under dash.
- Step 5 Remove nuts holding speaker and remove speaker from under dash.

### BUICK - 1966

- Step 1. Remove Battery Ground Cable.
- Step 2. Remove windshield garnish moldings.
- Step 3. Remove 6 screws under eyebrow of instrument panel cover.
- Step 4. Lift instrument panel cover and disconnect speaker leads. Remove instrument panel cover.
- Step 5. Remove knobs.
- Step 6. Remove nuts from control bushings. Remove screw from rear brace.
- Step 7. Disconnect antenna lead and speaker connection.
- Step 8. Remove radio from top of instrument panel.

#### SPEAKER REMOVAL:

- Step 1. Perform steps 1, 2, 3 & 4 of above.
- Step 2. Remove 4 nuts from speaker mounting and remove speaker.

### BUICK SPECIAL - 1966

See General Removal Information.

### RIVIERA - 1966

- Step 1. Remove Battery Ground Cable.
- Step 2. Remove 5 screws from ash tray mounting and remove ash tray.
- Step 3. Remove knobs and nuts from control bushings.
- Step 4. Disconnect antenna and speaker connector.
- Step 5. Remove 2 screws from bottom of radio and 2 nuts from side mounting.
- Step 6. Remove radio thru ash tray opening.

#### SPEAKER REMOVAL:

- Step 1. Remove radio.
- Step 2. Remove 4 nuts from speaker mounting and remove speaker thru ash tray opening.

### CADILLAC - 1966

- Step 1. Use Allen wrench, loosen set screws, and remove knobs.
- Step 2. Use 1/2" Spanner wrench, remove nuts from control bushings. Remove Escutcheon.
- Step 3. Use Phillips screw driver, remove right and left windshield Garnish Moldings.
- Step 4. Use Phillips screw driver, remove upper panel cover.
- Step 5. Raise upper panel cover.
- Step 6. Disconnect Dial Bulb Socket, antenna lead, 5-way connector & foot control plug (if used).
- Step 7. Remove locknut securing radio front side bracket to mounting stud.
- Step 8. Use 3/8" wrench, remove nut from rear bracket.
- Step 9. Remove radio through top of Instrument panel.

#### SPEAKER REMOVAL:

- Step 1. Perform steps 3, 4 & 5 above.
- Step 2. Use 3/8" wrench, remove nuts from speaker mounting.
- Step 3. Remove speaker thru top of Instrument panel.

### CHEVROLET - 1964 thru 1966

See General Removal Information.

### CAPRICE - 1966

See General Removal Information.

### CHEVROLET TRUCK - 1965/66

See General Removal Information.

### CHEVELLE - 1966

See General Removal Information.

### CHEVY II - 1966

See General Removal Information.

### CORVAIR - 1966

See General Removal Information.

### DART - 1966

See General Removal Information.

### LINCOLN - 1966

- Step 1. Remove 6 screws from lower instrument panel cover and drop cover down.
- Step 2. Follow steps 1 thru 4 of General Removal Information.

#### SPEAKER REMOVAL:

- Step 1. Remove 6 screws from air conditioner grille.
- Step 2. Remove 2 screws holding word Lincoln on left side of cluster.
- Step 3. Remove 3 screws between cluster hood and crash pad.
- Step 4. Remove 4 screws from windshield molding and remove molding.
- Step 5. Remove 2 screws and 2 nuts from forward edge of crash pad.
- Step 6. Disconnect speaker leads and remove crash pad.
- Step 7. Remove 4 wing nuts holding speaker to crash pad and remove speaker.

### MERCURY - 1966

See General Removal Information.

### OLDSMOBILE - 1966

See General Removal Information.

### F- 85 1966

See General Removal Information.

### TORONADO - 1966

- Step 1. Remove steering column covers.
- Step 2. Remove 2 screws from instrument panel bracket (both sides of instrument panel.)
- Step 3. Remove 2 screws from top front of instrument panel.
- Step 4. Remove 2 nuts from steering column mounting and drop down.
- Step 5. Remove knobs and nuts from control bushings.
- Step 6. Remove antenna lead and speaker connector.
- Step 7. Remove instrument panel cover.
- Step 8. Remove 4 screws from left side retaining clip of instrument panel cover. Remove 1 nut from lower right side of instrument panel cover. Remove cover.
- Step 9. Remove nut from bottom bracket.
- Step 10. Lower instrument panel forward and remove radio.

#### SPEAKER REMOVAL:

- Step 1. Remove radio.
- Step 2. Remove left side duct work.
- Step 3. Remove 2 screws from speaker mounting.
- Step 4. Remove speaker.

### PLYMOUTH - 1966

See General Removal Information.

### FURY - 1966

See General Removal Information.

### VALIANT - 1966

See General Removal Information.

### PONTIAC - 1966

See General Removal Information.

### RAMBLER AMERICAN - 1966

- Step 1 Remove ash tray.
- Step 2 Follow steps 1 thru 5 of General Removal Information.

### VOLKSWAGEN SEDAN KARMANN GHIA - 1958-1966

- Step 1 Disconnect power, speaker and antenna leads.
- Step 2 Remove knobs.
- Step 3 Remove nuts from control bushings. From inside of luggage compartment, remove nut from rear brace.
- Step 4 Remove radio thru luggage compartment opening.
- Step 5 Remove nuts holding speaker and remove speaker thru luggage compartment opening.



TRADE NAME : Automatic Models  
 C-4049N 1964 Chevrolet  
 CA-4549N 1964 Chevrolet  
 CAP-4550N 1964 Chevrolet  
 CP-4050N 1964 Chevrolet  
 C-5003N 1965 Chevrolet  
 CA-5503N 1965 Chevrolet  
 CAP-5504N 1965 Chevrolet  
 CP-5004N 1965 Chevrolet  
 TAC-5514N 1965 Chevrolet Truck  
 TAX-5513N 1965 Chevrolet Truck  
 TCM-5014N 1965 Chevrolet Truck  
 TCX-5013N 1965 Chevrolet Truck

SUPPLIER : For Current Address, See Annual Index.

TYPE SET : 6 Transistor AM Receiver

POWER SUPPLY : 12 Volt Storage Battery

RATING : .725 Amp. @ 12.6 Volts DC

TUNING RANGE : BROADCAST 540-1615KC



AUTOMATIC CHEVROLET CUSTOM SERIES

## ALIGNMENT INSTRUCTIONS

Check for specified source voltage.  
 Use only enough generator output to provide a usable indication.  
 Suggested Alignment Tools:

A1 thru A7.                    GENERAL CEMENT: 9440  
    WALSCO: 2501

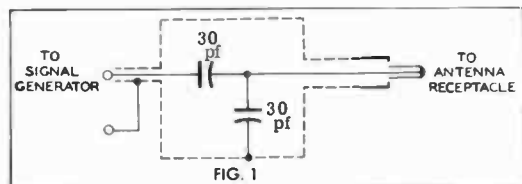
	SIGNAL GENERATOR COUPLING	SIGNAL GENERATOR FREQUENCY	RADIO DIAL SETTING	INDICATOR	ADJUST	REMARKS
1.	High side thru .1mfid to point (A), low side to ground.	262KC (400v Mod.)	High Freq. End Stop.	Output Meter across voice coil.	A1, A2, A3, A4	Adjust for maximum.
2.	Thru dummy (Fig. 1) to antenna receptacle.	1615KC	"	"	A5, A6, A7	"

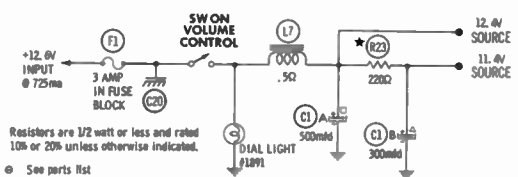
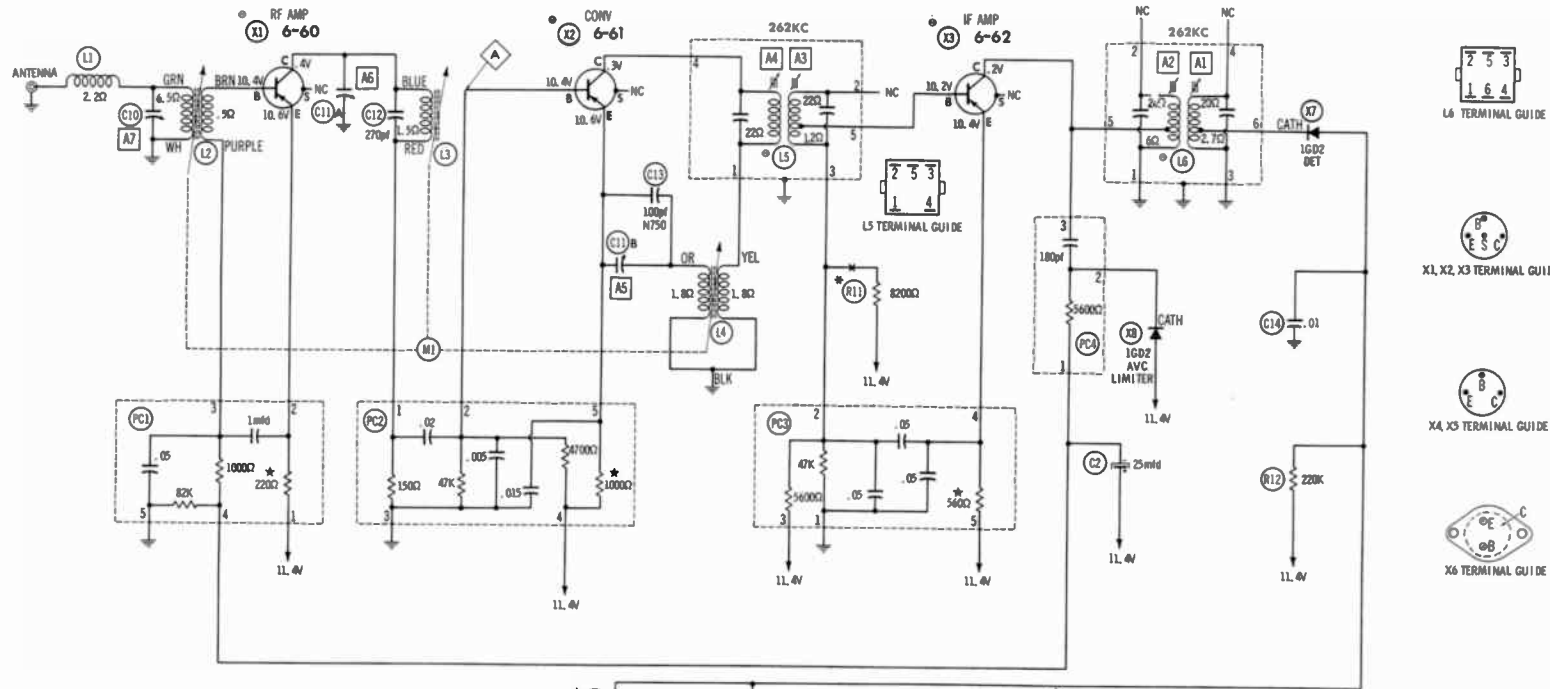
With radio installed in car and antenna fully extended, tune in a weak station near 1400KC and adjust A7 for maximum output.

Antenna Adjustment (A7) located, right side.

### PUSH-BUTTON ADJUSTMENT

1. Pull button out.
2. Tune manually to desired station.
3. Press button in firmly.
4. Repeat for remaining buttons.





Resistors are 1/2 watt or less and rated 10% or 20% unless otherwise indicated.

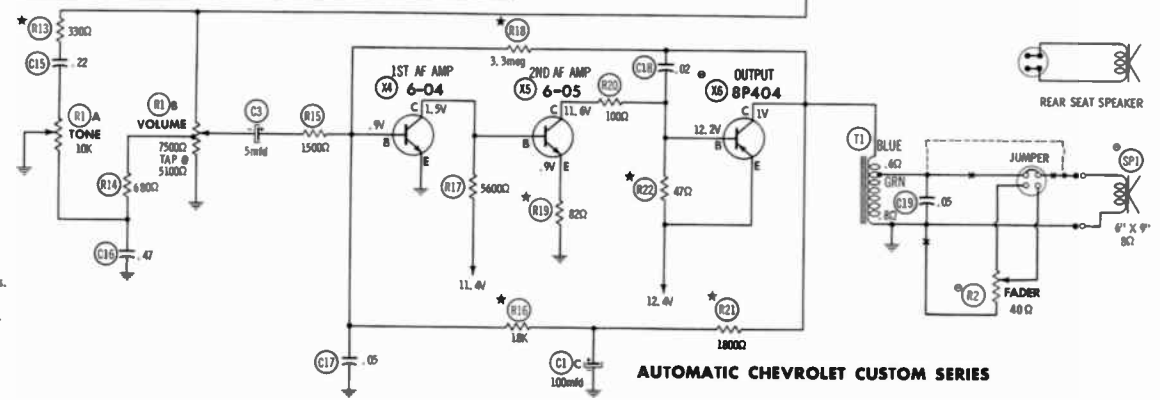
See parts list

1. Voltage measurements taken with vacuum tube voltmeter.
2. All controls set for normal operation, no signal applied.
3. Measured values are from socket pin or terminal to common ground.
4. All terminals viewed from bottom unless otherwise designated.
5. Numbers assigned to terminals may not be found on the unit.
6. Supply voltage maintained at rated value for voltage readings.
7. Resistance measurements not given because of the wide variation in internal resistance of transistor.

\* Not used in some versions.

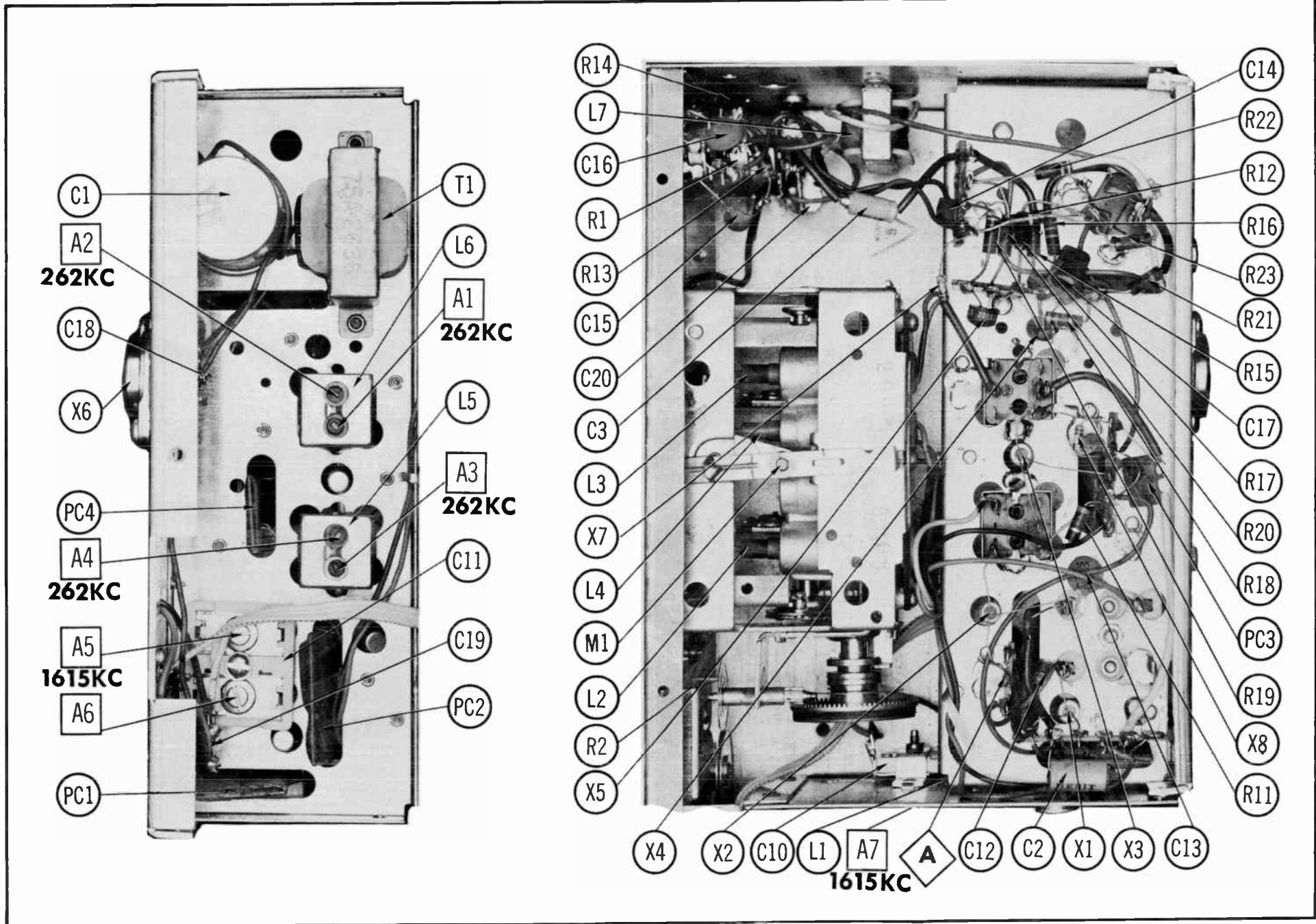
\* Nominal value, may vary.

NC No Connection



**AUTOMATIC CHEVROLET CUSTOM SERIES**

A PHOTOFAC STANDARD NOTATION SCHEMATIC  
© Howard W. Sams & Co., Inc. 1966



AUTOMATIC CHEVROLET CUSTOM SERIES  
World Radio History



# PARTS LIST AND DESCRIPTION

(When ordering parts, state Model, Part Number, and Description.)

Replacement parts shown may be superseded by the availability of newly introduced replacements. Have your local distributor check Sams COUNTER FACTS™ for the most up-to-date replacement.

## TRANSISTORS

ITEM No.	ORIG. TYPE	USE	REPLACEMENT DATA			NOTES
			DELCO PART No.	GENERAL ELECTRIC PART No.	RCA PART No.	
X1	6-60 (2N1637)	RF Amp.	D8-25	GE-9	SK-3008	PNP
X2	6-61 (2N1639)	Conv.	D8-25	GE-9	SK-3008	PNP
X3	6-62 (2N1638)	IF Amp.	D8-25	GE-9	SK-3008	PNP
X4	6-04	1st. AF Amp.	D8-86	GE-10	SK-3020	NPN
X5	6-05	2nd. AF Amp.	D8-86	GE-10	SK-3020	NPN
X6	8P404 (2N176)	Output	D8-520	GE-3	SK-3009	PNP*

\* When replacing, apply silicone grease to both sides of insulator. Tighten mounting screws securely.

## POWER RECTIFIERS & SIGNAL DIODES

ITEM No.	MEASURED CURRENT	ORIGINAL Part or Type No.	RECTIFIERS & DIODES		RECTIFIERS		
			GENERAL ELECTRIC PART No.	INTERNATIONAL RECTIFIER PART No.	MALLORY PART No.	RCA PART No.	SARKES TARZIAN PART No.
X7		1GD2 (1N295)	1N34AS	1N34A			
X8		1GD2 (1N295)	1N34AS	1N34A			

## ELECTROLYTIC CAPACITORS

ITEM No.	RATING		Automatic PART No.	REPLACEMENT DATA				
	CAP.	VOLT.		AEROVOX PART No.	CORNELL-DUBILIER PART No.	GENERAL ELECTRIC PART No.	MALLORY PART No.	SPRAGUE PART No.
C1A	500	16	20-2853	AFH3-00-94.5	CC0010	XC3-48.1	FP300.83	TVL -3026.14*
B	300	16						
C	100	16						
C2	25	15	20-256	PTT69	NLW25-15	MT1-10	TT15X25	TE-1157.1
C3	5	15	20-505	CRE454A	NLW5-15	MT1-3	TT25X5	TE-1152

\* Not normally in distributor's stock. Available thru distributor on order to manufacturer.

## CAPACITORS

ITEM No.	RATING	REMARKS	REPLACEMENT DATA					
			AEROVOX PART No.	CENTRALAB PART No.	CORNELL-DUBILIER PART No.	ELMENCO PART No.	MALLORY PART No.	SPRAGUE PART No.
C10		#28-800-2L						
C11A		#28A1332						
C12	270		DI-270	DD-271	RR05CW271K	CCD-271	GP327	5GA-T27
C13	100	N750	N750-DI100	DTN-100	CX601UJ101K	CCTN-101	CN7310	10TCU-T10
C14	.01		BPD-01	DD-103	BYV102ZU103M	CCD-103	B110	5HK-810
C15	.22			UK20-204			MAG25022	HY-325
C16	.47			UK10-404			MAG12047	HY-330
C17	.05		TTD-05	CK-503	HOV101ZV503Z		TA150	TG-850
C18	.02		BPD-02	DD-203	BYT801ZU203Z	CCD-203	B120	5HK-S20
C19	.05		TTD-05	CK-503	HOV101ZV503Z		TA150	TG-850
C20		#43-215						

# Automatic Part Number.

## CONTROLS

All wattages 1/2 watt, or less, unless otherwise listed.

ITEM No.	USE	RESIST-ANCE	REPLACEMENT DATA					
			Automatic PART No.	CENTRALAB PART No.	CLAROSTAT PART No.	CTS-IRC PART No.	MALLORY PART No.	
R1A	Tone	10K	80A2772A	F1-10K,R14-7500			†QJ-1821A	■UE44598
B	Volume/Switch	7500Ω Tap @ 5100Ω		FFS201,RFS209, BB114, KR-4				
R2	Fader	40Ω 2W	81A3916 ①				††QJ-1820A	

† "CONCENTRIK" Equivalent: K8 Kit with Base Elements and Shafts: B11-116, P13-200 (Panel)  
B21-115X, R26-215 (Rear)  
S9 (Bushing)  
76-1 (Switch)

"SNAPTROL" Equivalent: BU8, CF9, CR48T, SF18, SR53, GC.

■ "STA-LOC" Equivalent: FG14L, RU752T53, OS2000, IS2437, US41.

†† "SNAPTROL" Equivalent: BU9 ②, WF18, none, SF16, none.

① Not used in Models TAX-5513N, TAC-5514N, TCM-5014N, TCX-5013N.

② Alter bushing to meet requirements.

## COILS (RF-IF)

ITEM No.	USE	REPLACEMENT DATA					
		Automatic PART No.	MEISSNER PART No.	MERIT PART No.	MILLER PART No.	STANCOR PART No.	WORKMAN PART No.
L1	RF Choke (6.2uh)	14-6.2	19-1004	BC-565	4810	RTC-8520	T859
L2	Antenna	①					
L3	RF	①					
L4	Oscillator	①					
L5	Input IF	14-3233A	16-6718	BC-690	6570	RTC-9391	
		14-2654 ②	16-6718	BC-690	6570	RTC-9391	
		14-3234A	16-6719	BC-691	6571	RTC-9392	
L6	Output IF	14-2655 ②	16-6719	BC-691	6571	RTC-9392	TF606

① Part of M1.

② Alternate Part Number, used in some versions.

# PARTS LIST AND DESCRIPTION (CONTINUED)

(When ordering parts, state Model, Part Number, and Description.)

Replacement parts shown may be superseded by the availability of newly introduced replacements. Have your local distributor check Sams COUNTER FACTS<sup>®</sup> for the most up-to-date replacement.

## FILTER CHOKE

ITEM No.	RATINGS			REPLACEMENT DATA					NOTES
	CURRENT (Measured)	DC RES.	INDUCTANCE (0 CURRENT 1000~)	Automatic PART No.	MERIT PART No.	STANCOR PART No.	THORDARSON PART No.	TRIAD PART No.	
L7	.725A	.5Ω	10MH	75A1269	C-4095	TC-2	TR-155	TY17KT	

## TRANSFORMER (AUDIO OUTPUT)

ITEM No.	IMPEDANCE		REPLACEMENT DATA					NOTES
			Automatic PART No.	MERIT PART No.	STANCOR PART No.	THORDARSON PART No.	TRIAD PART No.	
	PRI.	SEC.						
T1	24Ω Tap	@ 8Ω	75A2636				TR-169	

## SPEAKER

ITEM No.	TYPE			REPLACEMENT DATA		NOTES
				Automatic PART No.	QUAM PART No.	
SP1	6" x 9"	PM	8Ω	73B3374	69A328	Models: CA-4549N, CAP-4550N, CP-4059N, CP-4050N. Models: CA-5503N, CAP-5504N, C-5003N, CP-5004N. Models: TAC-5514N, TAX-5513N, TCM-5014N, TCX-5013N.
	4" x 10"	PM	8Ω	73B2737	410A228	
	6" x 9"	PM	8Ω	73B2671	69A378	

## FUSE DEVICES

ITEM No.	TYPE	RATING	REPLACEMENT DATA					
			PART No.		LITTELFUSE PART No.		BUSS PART No.	
			FUSE	HOLDER	FUSE	HOLDER	FUSE	HOLDER
F1	AG3	3 Amp.	108-308	In Fuse Block	312003		AGC3	

## COMPONENT COMBINATIONS

ITEM No.	USE	DESCRIPTION	Automatic PART NO.	REPLACEMENT DATA
PC1	RF Network	220Ω, 1000Ω, 82K, .05mfd, 1mfd.	89A2582C	
PC2	Conv. Network	150Ω, 1000Ω, 4700Ω, 47K, .005mfd, .015mfd, .02mfd.	89A2583	
PC3	IF Network	560Ω, 5600Ω, 47K, .05mfd, .05mfd, .05mfd.	89A2584B	
PC4	AVC Network	5600Ω, 180pf	89A2701	

## MISCELLANEOUS

ITEM No.	PART NAME	Automatic PART No.	NOTES
M1	Tuner Tuner	78B3700/78B3800 78B3737/78B3837	Pushbutton Tuner. Manual Tuner.

## CABINETS & CABINET PARTS

(When Ordering Specify Model, Chassis & Color)

ITEM	PART No.	ITEM	PART No.
MODELS: CA-4549N, CAP-4550N, C-4059N, CP-4050N		MODELS: CA-5503N, CAP-5504N, C-5003N, CP-5004N	
Escutcheon (Pushbutton)	54C2644	Dial Glass	39-170
Escutcheon (Manual)	54C2644-1	Knob, Tuning or Volume	48A3921
Pushbutton	55A2682	Knob, Tone or Fader	48A3920
Dial Pointer	84A3746	MODELS: TAC-5514N, TAX-5513N, TCM-5014N, TCX-5013N	
Knob, Tuning or Volume	48A3340	Escutcheon (Pushbutton)	54C2644
Knob, Tone or Fader	48A2693	Escutcheon (Manual)	54C2644-1
Dial Glass	39-86	Pushbutton	55A2682
MODELS: CA-5503N, CAP-5504N, C-5003N, CP-5004N		Dial Pointer	84A3746
Escutcheon (Pushbutton)	54C3858	Dial Glass	39-86
Escutcheon (Manual)	54C3858-1	Knob, Tuning or Volume	47A3368
Pushbutton	55A1748B	Knob, Tone or Dummy	48A2692
Dial Pointer	84A3902		

## WIRING DATA

General-use Unshielded Hook-up Wire .....	Use BELDEN No. 8530 (Solid) Available in 12 Colors
Shielded Hook-up Wire .....	8524 (Stranded) Available in 12 Colors
Rear Seat Speaker Extension Cable .....	Use BELDEN No. 8685
Bonding Strap .....	Use BELDEN No. 8783 (Stranded) Coded Parallel Leads
	Use BELDEN No. 8661 (3/6 in.) or 8670 (3/4 in.)

AUTOMATIC CHEVROLET CUSTOM SERIES



# PHOTOFACT<sup>®</sup> with

# CIRCUITRACE<sup>®</sup>



TRADE NAME : Buick Models 7293634 (1966 Buick)  
 7293674 (1966 Riviera)  
 7293914 (981060) (1966 Special)  
 For Current Address, see Annual Index

SUPPLIER :

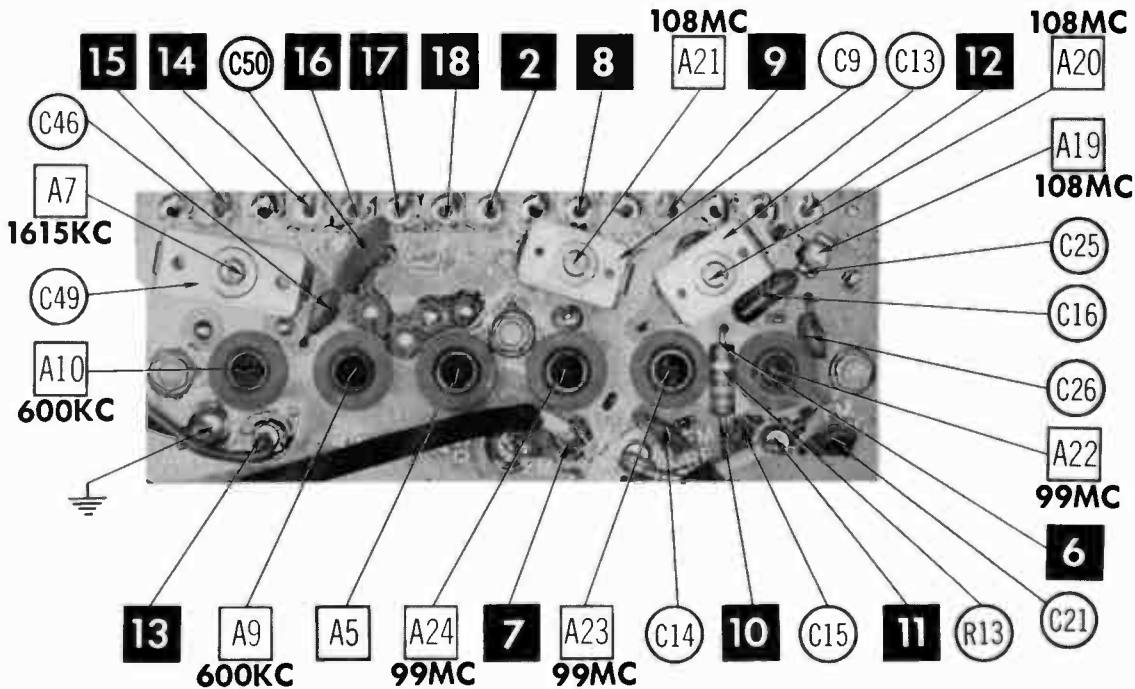
TYPE SET : 13-Transistor AM-FM Receiver

POWER SUPPLY : 12-Volt Storage Battery

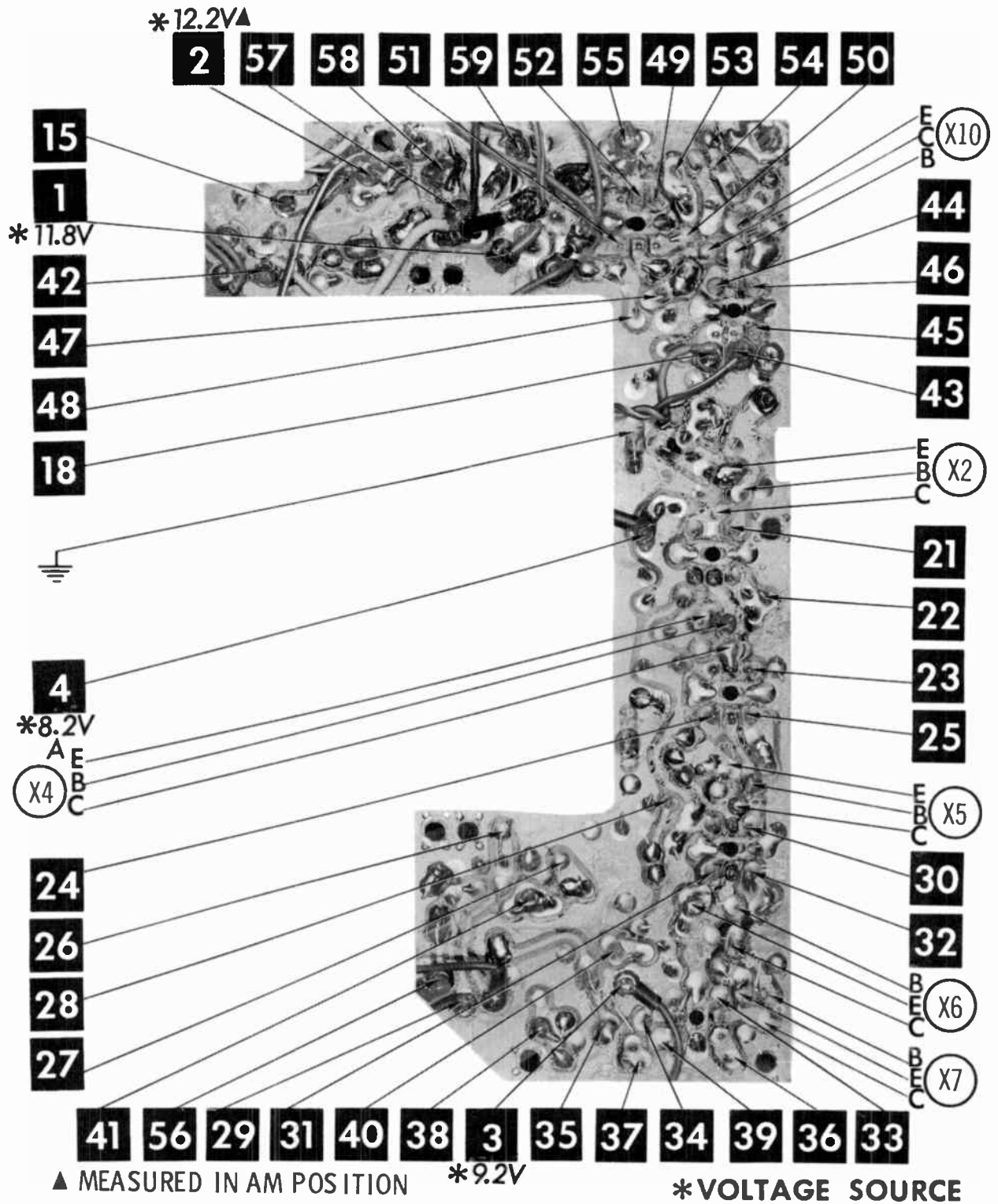
RATING : 1.3 Amp. @ 12.6 Volts DC

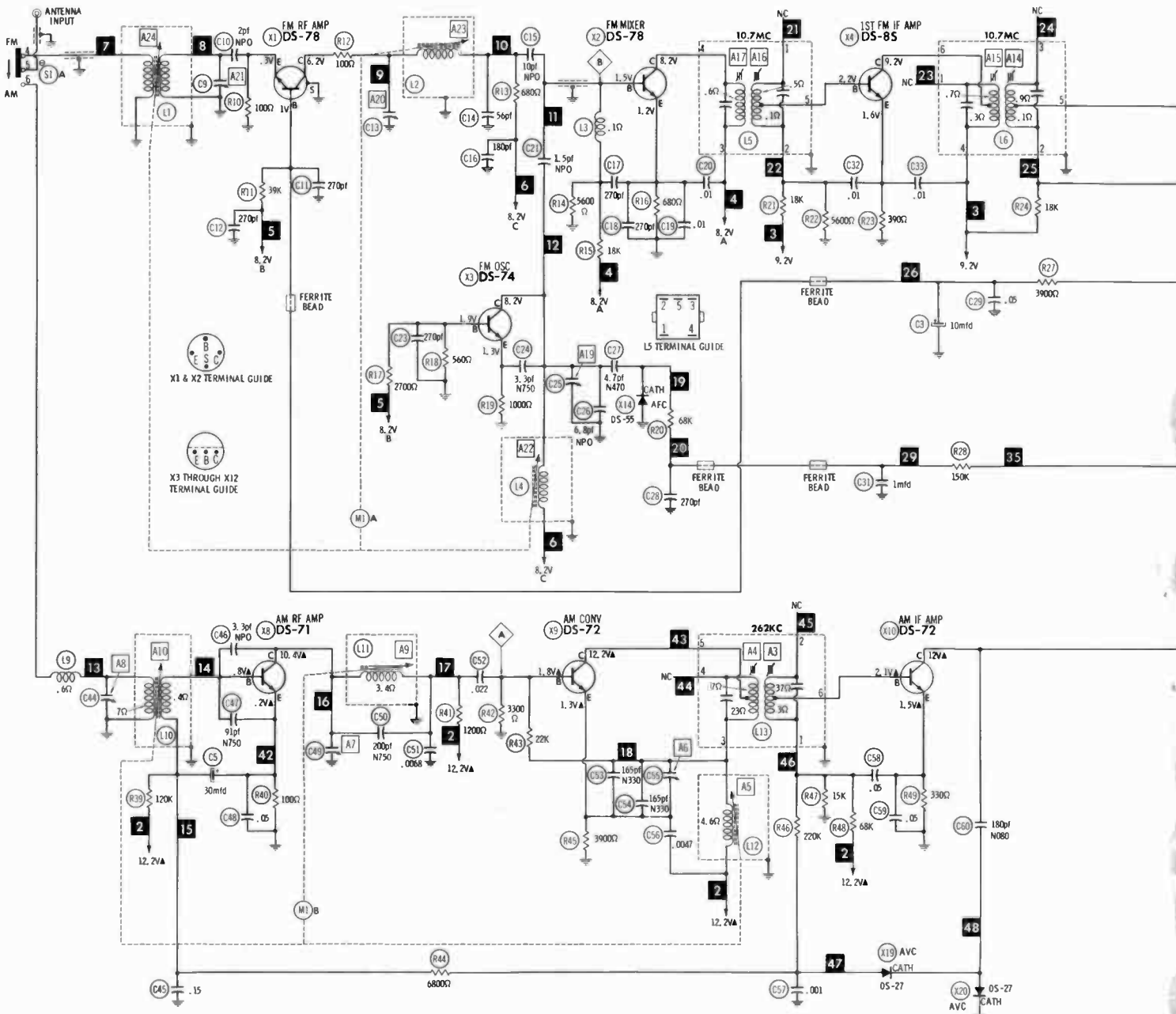
TUNING RANGE: BROADCAST 540 — 1615KC  
 FREQ. MOD. 88 — 108MC

BUICK MODELS 7293634, 7293674, 7293914



A Howard W. Sams CIRCUITRACE<sup>®</sup> Photo





All measurements taken in "FM" position unless otherwise designated.

Resistors are 1/2 watt or less and rated 10% or 20% unless otherwise indicated.

▲ Measured in "AM" position.

\* Not used in some versions.

NC No Connection

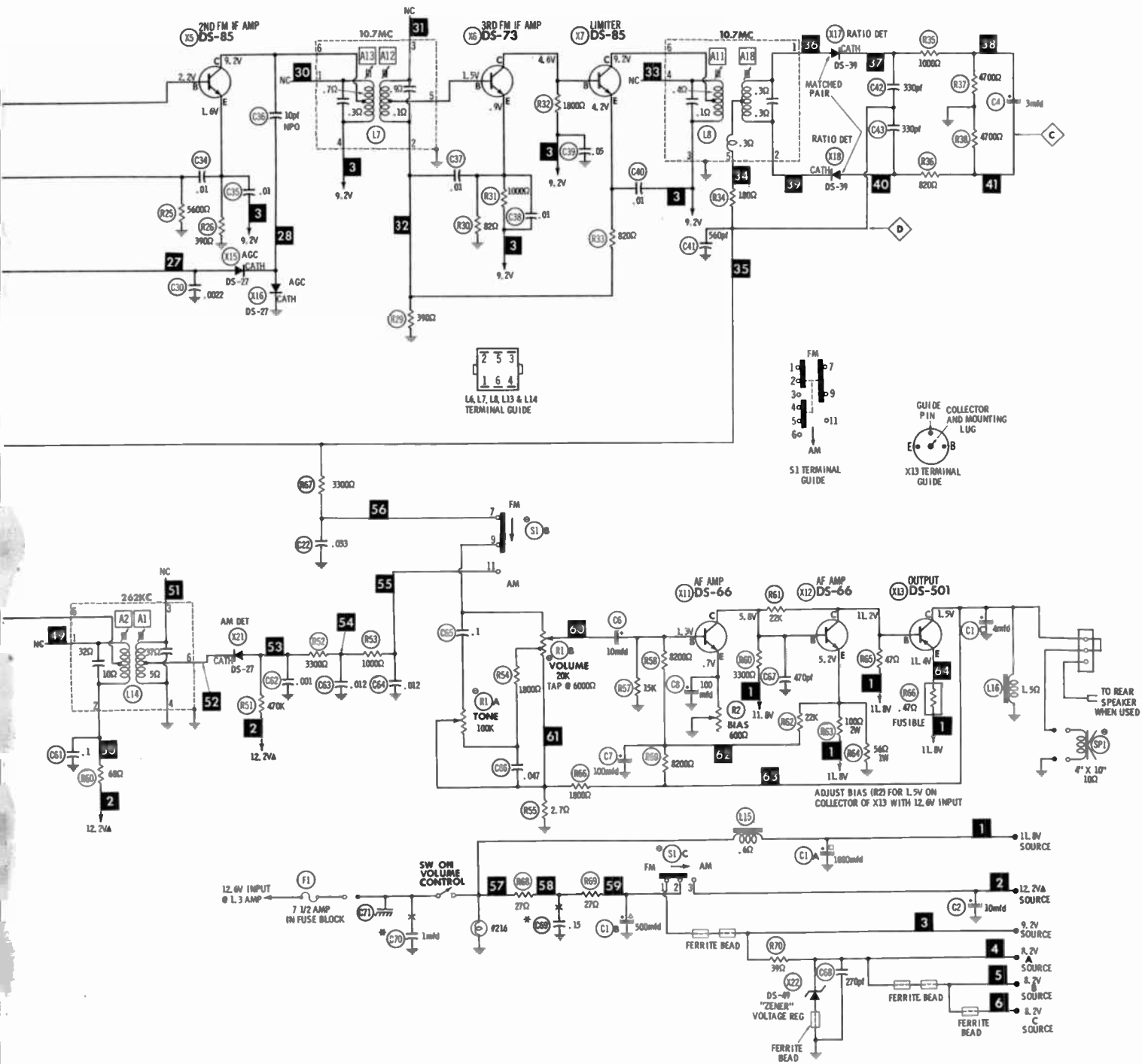
○ See parts list

1. Voltage measurements taken with vacuum tube voltmeter.
2. All controls set for normal operation, no signal applied.
3. Measured values are from socket pin or terminal to common ground.
4. All terminals viewed from bottom unless otherwise designated.
5. Numbers assigned to terminals may not be found on the unit.
6. Supply voltage maintained at rated value for voltage readings.
7. Resistance measurements not given because of the wide variation in internal resistance of transistor.

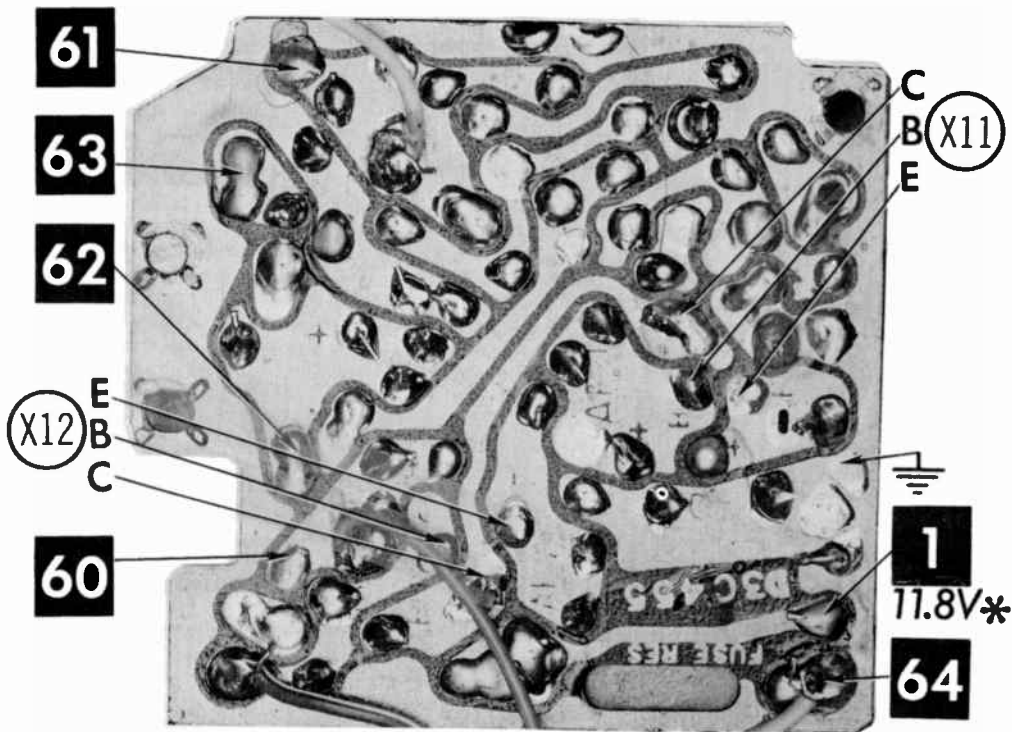
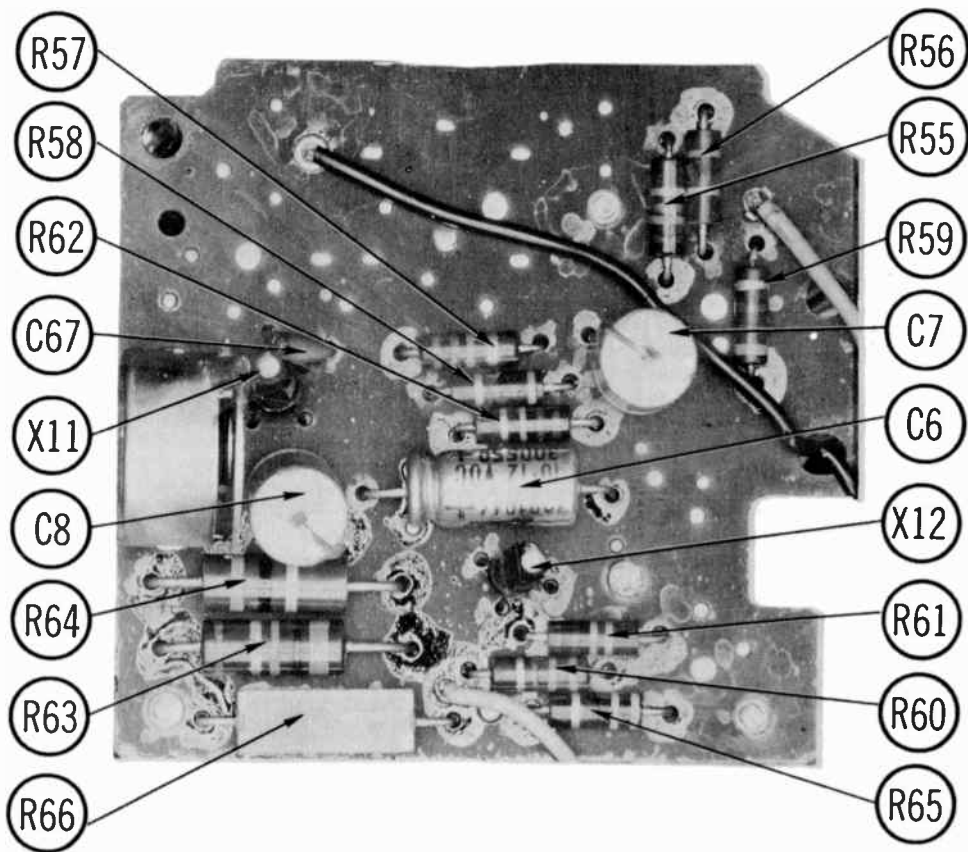
A PHOTOFAC STANDARD NOTATION SCHEMATIC

with **CIRCUITACE**

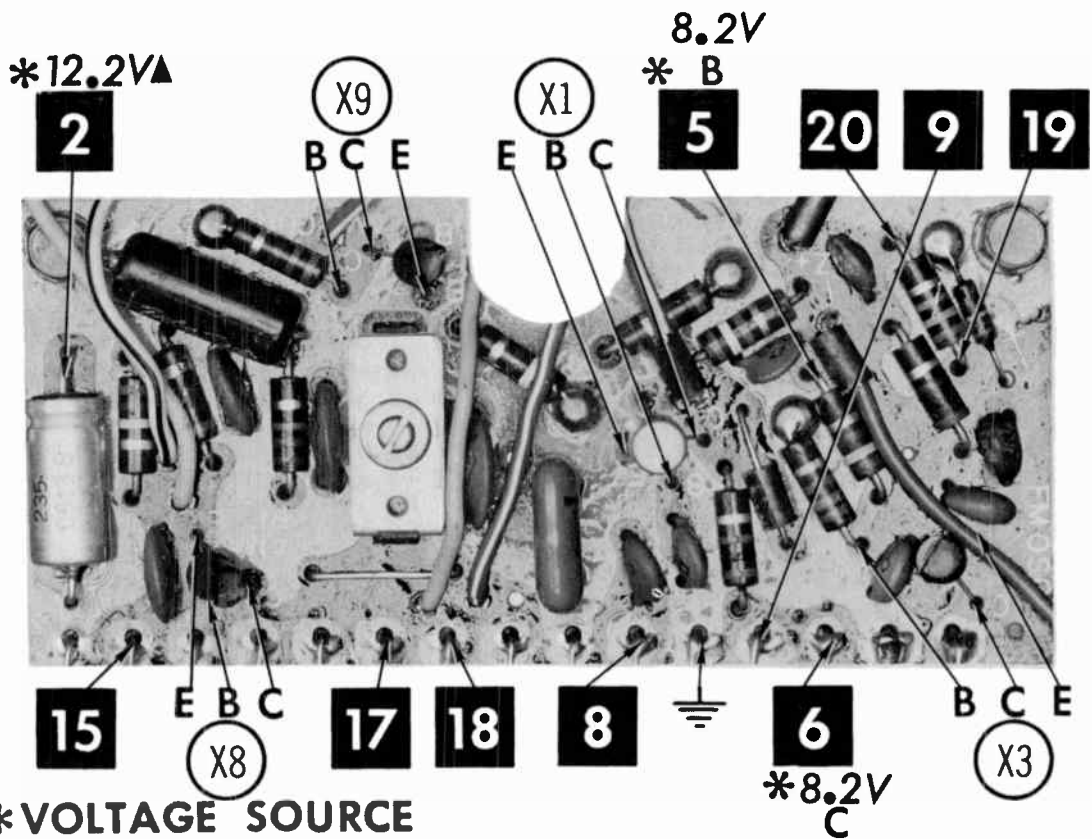
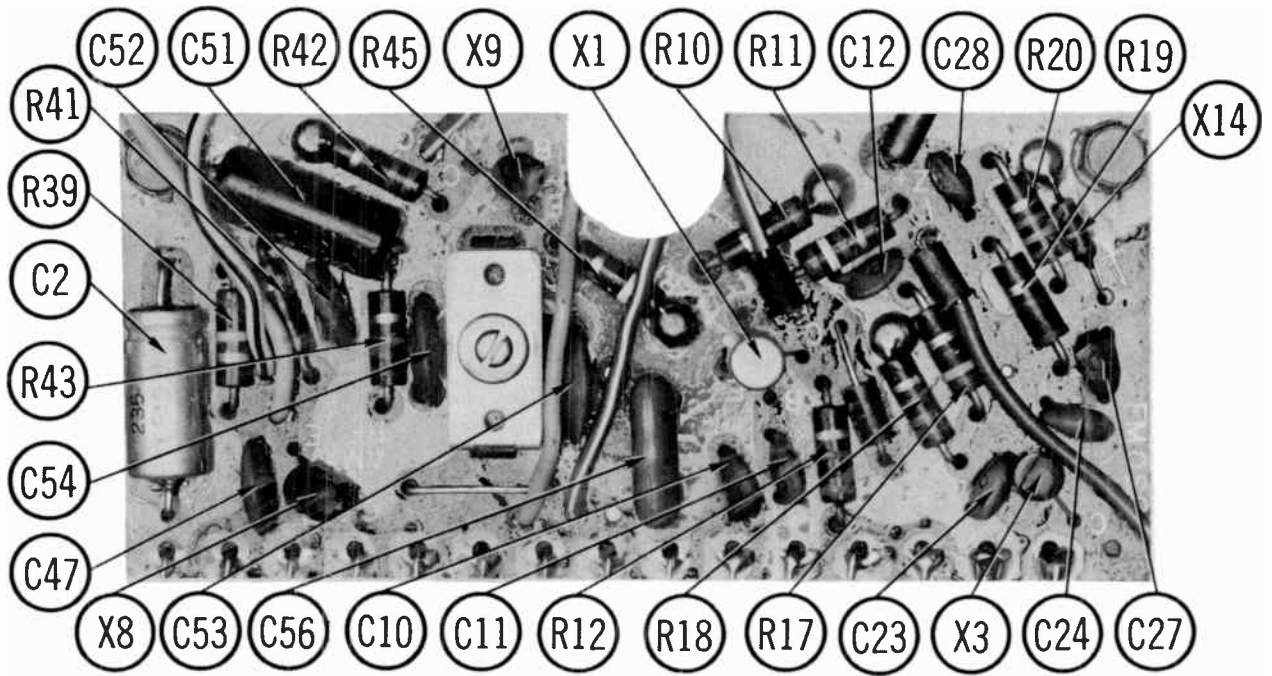
© Howard W. Sams & Co., Inc. 1966



BUICK MODELS 7293634, 7293674, 7293914

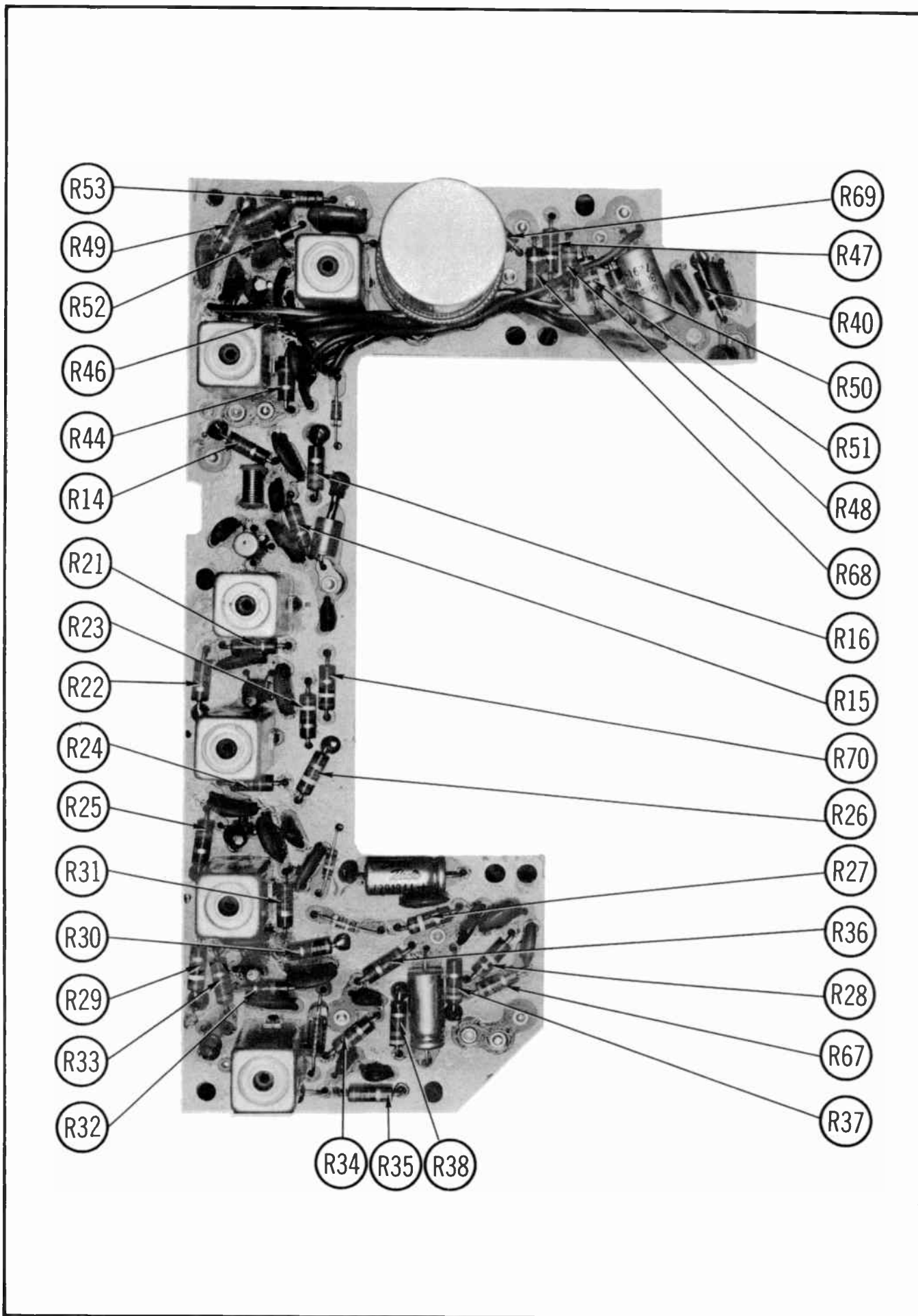


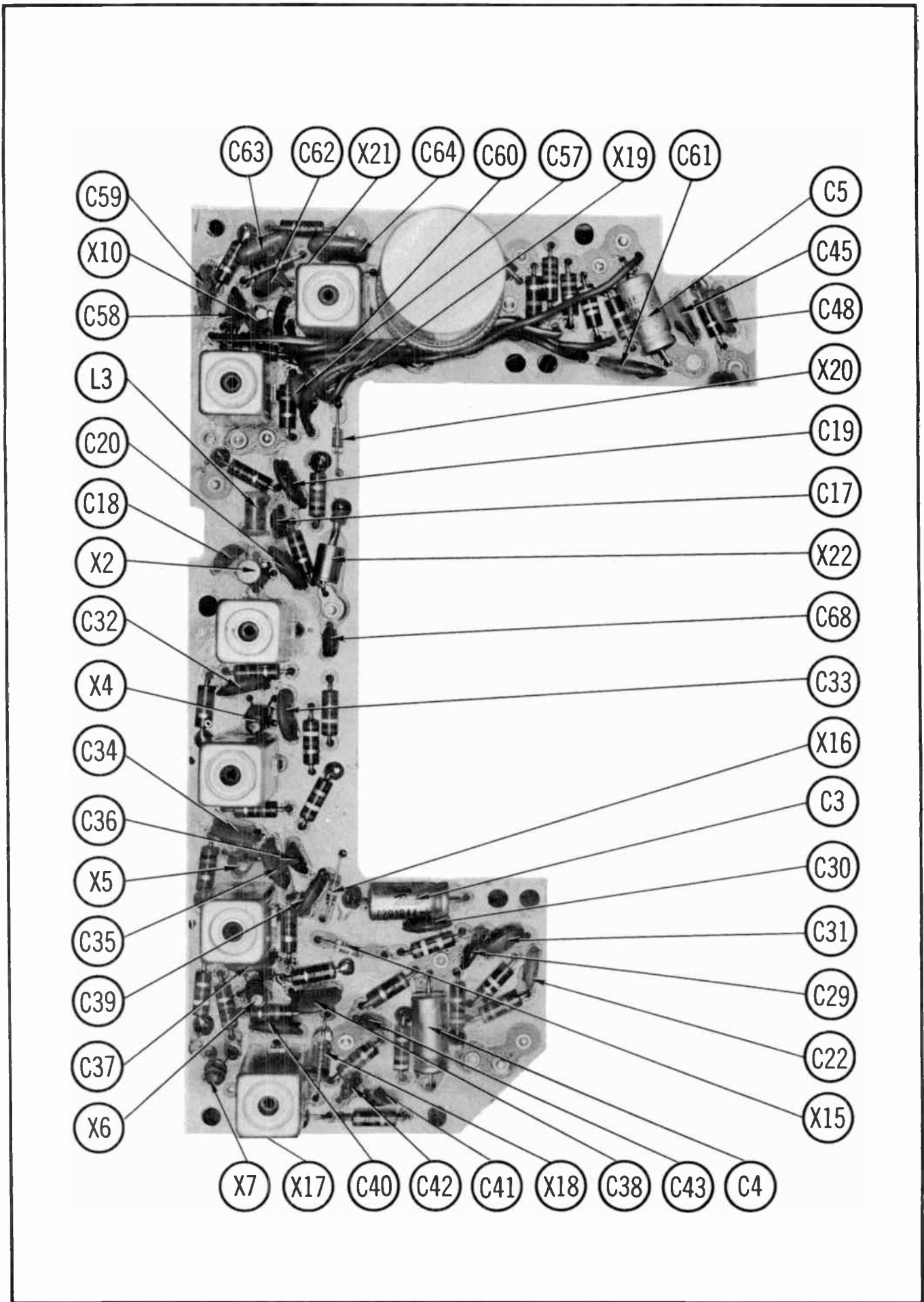
**\*VOLTAGE SOURCE**



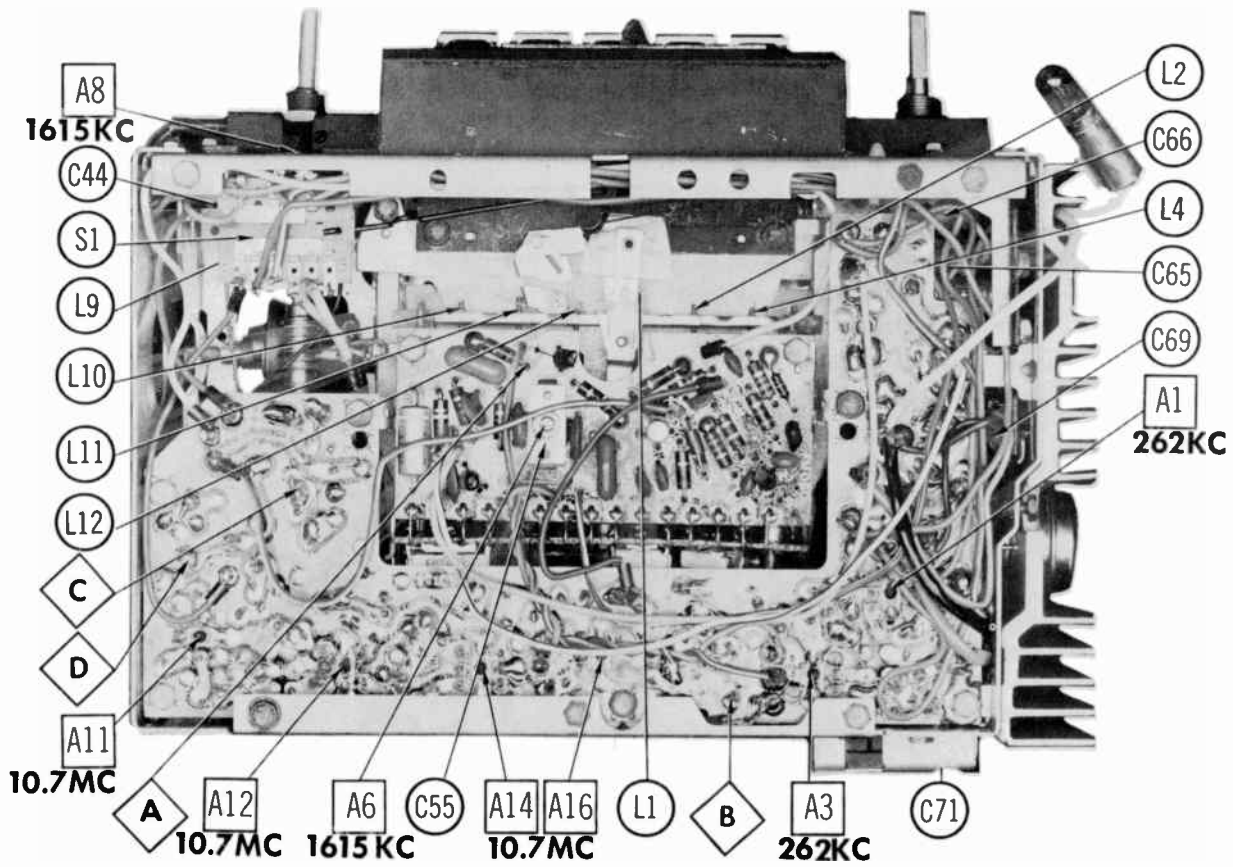
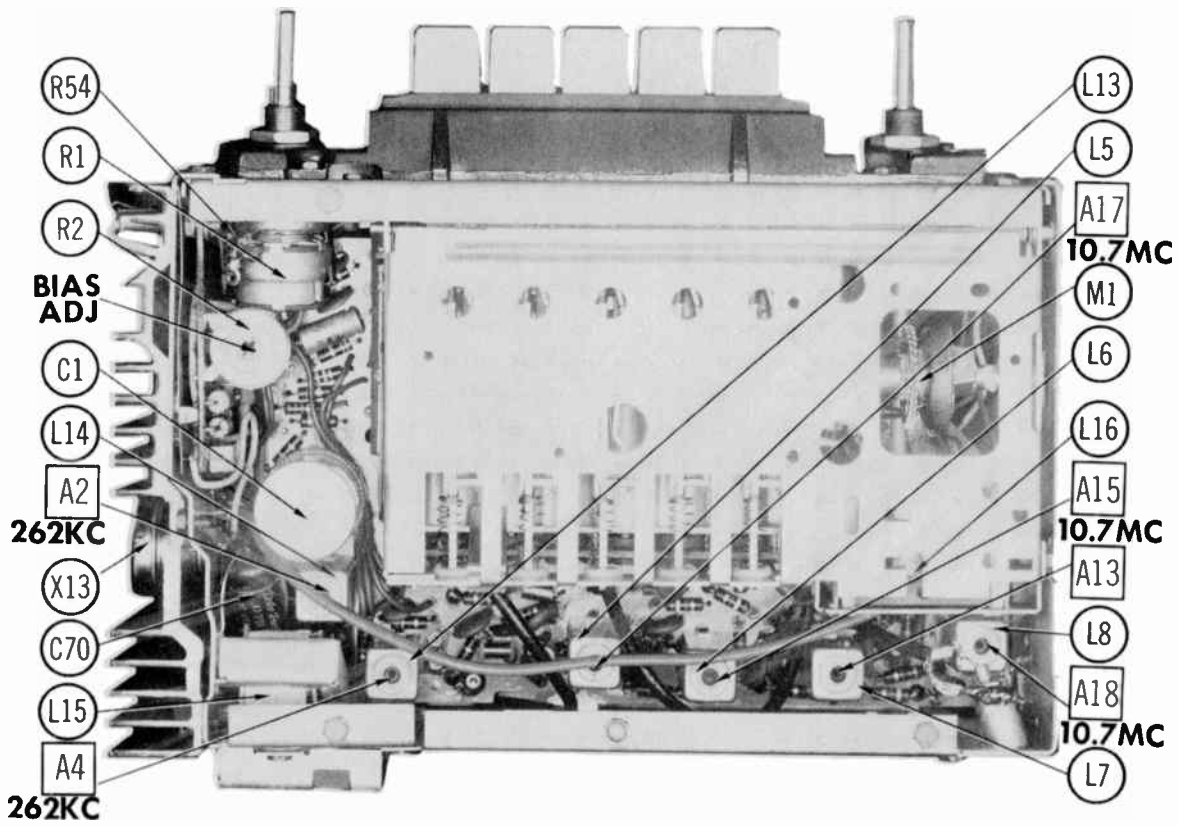
**\*VOLTAGE SOURCE**  
**▲ MEASURED IN AM POSITION**







BUICK MODELS 7293634, 7293674, 7293914



# ALIGNMENT INSTRUCTIONS

Check for specified source voltage. Use only enough generator output to provide a usable indication. Suggested Alignment Tools: A1 thru A4, A11 thru A18. A6, A7, A8, A20, A21, A22.		GENERAL CEMENT: 9296, 9297, 9300 WALSCO: 2510, 2546, 2547 GENERAL CEMENT: 8290, 8868, 9087 WALSCO: 2525, 2528, 2587		<b>PUSH-BUTTON ADJUSTMENT</b> 1. Pull button out. 2. Tune manually to desired station. 3. Press button in firmly. 4. Repeat for remaining buttons.	
SIGNAL GENERATOR COUPLING	SIGNAL GENERATOR FREQUENCY	RADIO DIAL SETTING	INDICATOR	ADJUST	REMARKS
1. High side thru .1mfd to point $\text{Ⓜ}$ , low side to ground.	282KC (400% Mod.)	High Freq. End Stop.	Output Meter across voice coil.	A1, A2, A3, A4	Adjust for maximum.
Check setting of AM Oscillator coil core (A5). Rear of core should be 1 3/8" from mounting end of coil form.					
2. High side thru 82mmf to antenna receptacle, low side to ground.	1615KC	High Freq. End Stop.	Output Meter across voice coil.	A6, A7, A8	Adjust for maximum.
3. " " "	600KC	600KC Signal	"	A9, A10	Adjust for maximum. Repeat step 2.
With radio installed in car and antenna extended 31", tune in a weak station near 1400KC and adjust A8 for maximum output.					

Remove tuning and dummy knobs for access to Antenna Trimmer (A8).

### FM ALIGNMENT USING AM SIGNAL GENERATOR - SELECTOR IN FM POSITION

High side thru .1mfd to point  $\text{Ⓜ}$ , low side to ground.

GENERATOR FREQUENCY	DIAL SETTING	INDICATOR	ADJUST	REMARKS
4. 10.7MC (Unmod.)	Point of non-interference.	DC probe of VTVM to point $\text{Ⓜ}$ ; common to ground.	A11, A12, A13, A14, A15, A16, A17.	Adjust for maximum.
5. " " "	" " "	DC probe to point $\text{Ⓜ}$ ; common to ground.	A18.	Adjust for zero reading. A positive or negative reading will be obtained on either side of the correct setting.

### FM IF ALIGNMENT USING FM SIGNAL GENERATOR - SELECTOR IN FM POSITION

High side thru .1mfd to point  $\text{Ⓜ}$ , low side to ground. Use 60% frequency modulated signal with 450KC sweep. Use 120v sawtooth voltage in scope for horizontal deflection.

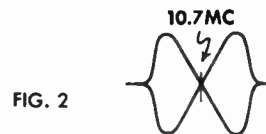
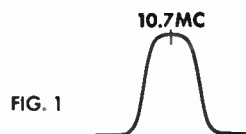
Use only enough marker signal to obtain indication.

GENERATOR FREQUENCY	DIAL SETTING	INDICATOR	ADJUST	REMARKS
4. 10.7MC (450KC Swp.)	Point of non-interference	Vert. amp. of Scope to point $\text{Ⓜ}$ ; low side to ground.	A11, A12, A13, A14, A15, A16, A17.	Disconnect stabilizing capacitor C4. Adjust for maximum gain and symmetry of response similar to Fig. 1 with marker as shown. Reconnect C4.
5. " " "	" " "	Vert. amp. to point $\text{Ⓜ}$ ; low side to ground.	A18.	Adjust A18 (Secondary) to place marker at center of crossover lines similar to Fig. 2. Adjust A11 (Primary) for maximum amplitude and straightness of crossover lines.

FM RF ALIGNMENT Check setting of FM Oscillator coil core (A19). Rear of core should be 1 3/8" from mounting end of coil form.

Connect generator across antenna terminals with 120Ω carbon resistors in series with each lead.

GENERATOR FREQUENCY	DIAL SETTING	INDICATOR	ADJUST	REMARKS
6. 108MC	Set at high end.	DC probe of VTVM to point $\text{Ⓜ}$ ; common to ground.	A20, A21, A22.	Ground Circuittrace Point 10. Adjust for maximum.
7. 99MC	Tune to signal.	"	A23, A24.	Rock tuning and adjust for maximum. Repeat steps 6 and 7 until no further improvement can be made.



BUICK MODELS 7293634, 7293674, 7293914

# PARTS LIST AND DESCRIPTION

(When ordering parts, state Model, Part Number, and Description.)

Replacement parts shown may be superseded by the availability of newly introduced replacements. Have your local distributor check Sams COUNTER FACTS® for the most up-to-date replacement.

## WIRING DATA

General-use Unshielded Hook-up Wire .....	Use BELDEN No. 8530 (Solid) Available in 12 Colors 8524 (Stranded) Available in 12 Colors
Shielded Hook-up Wire .....	Use BELDEN No. 8885
Rear Seat Speaker Extension Cable .....	Use BELDEN No. 8782 (Stranded) Coded Parallel Leads
Bonding Strap .....	Use BELDEN No. 8661 (3/8 in.) or 8670 (3/4 in.)

## TRANSISTORS

ITEM No.	ORIG. TYPE	USE	REPLACEMENT DATA			NOTES
			DELCO PART No.	GENERAL ELECTRIC PART No.	RCA PART No.	
X1	DS-78	FM RF Amp.	DS-81	GE-11	SK-3018	NPN
X2	DS-78	FM Mixer	DS-81	GE-11	SK-3018	NPN
X3	DS-74	FM Oscillator	DS-74	GE-11	SK-3018	NPN
X4	DS-86	1st. FM IF	DS-74	GE-11	SK-3020	NPN
X5	DS-85	2nd. FM IF	DS-74	GE-11	SK-3020	NPN
X6	DS-73	3rd. FM IF	DS-74	GE-11	SK-3020	NPN
X7	DS-85	FM Limiter	DS-74	GE-11	SK-3020	NPN
X8	DS-71	AM RF Amp.	DS-75	GE-11	SK-3020	NPN
X9	DS-72	AM Converter	DS-75	GE-11	SK-3020	NPN
X10	DS-72	AM IF	DS-75	GE-11	SK-3020	NPN
X11	DS-66	AF Amp.	DS-88	GE-10	SK-3020	NPN
X12	DS-66	AF Amp.	DS-66	GE-10	SK-3020	NPN
X13	DS-501	Output	DS-501	GE-4	SK-3012	PNP *

\* When replacing, apply silicone grease to both sides of insulator. Tighten mounting screws securely. Check bias adjustment.

## POWER RECTIFIERS & SIGNAL DIODES

ITEM No.	MEASURED CURRENT	ORIGINAL Part or Type No.	RECTIFIERS & DIODES		RECTIFIERS		
			GENERAL ELECTRIC PART No.	INTERNATIONAL RECTIFIER PART No.	MALLORY PART No.	RCA PART No.	SARKES TARZIAN PART No.
X14		DS-55	1N34AS	1N34A			
X15		DS-27	1N34AS	1N34A			
X16		DS-27	1N34AS	1N34A			
X17		DS-39 ①	1N34AS	1N34A			
X18		DS-39 ①	1N34AS	1N34A			
X19		DS-27	1N34AS	1N34A			
X20		DS-27	1N34AS	1N34A			
X21		DS-27	1N34AS	1N34A			
X22		DS-49 (Zener)					

① Matched Pair.

## ELECTROLYTIC CAPACITORS

ITEM No.	RATING		DELCO PART No.	REPLACEMENT DATA				
	CAP.	VOLT.		AEROVOX PART No.	CORNELL-DUBILIER PART No.	GENERAL ELECTRIC PART No.	MALLORY PART No.	SPRAGUE PART No.
C1A	1000	16	7283675	AFHS-54-41	CC0006		FPS-300, 91	PCLS-3021, 8*
B	500	16						
C	4	11.5vrm						
C2	10	12	7292738	PTT53	NLW10-15	MT1-5	TT12X10	TL-1128
C3	10	12	7292738	PTT53	NLW10-15	MT1-5	TT12X10	TL-1128
C4	3	12	7291860	PTT50	NLW3-15	MT1-3	TT12X3	TE-1122
C5	30	6	7279896	PTT27	NLW30-6	MT1-13	TT6X30	TE-1092
C6	10	12	7292738	PTT53	NLW10-15	MT1-5	TT12X10	TL-1128
C7	100	4	7291810	PTT30	NLW125-6	MT1-21	TT6X100	TE-1102
C8	100	4	7291810	PTT30	NLW125-6	MT1-21	TT6X100	TE-1102

\* Not normally in distributor's stock. Available thru distributor on order to manufacturer.

## CAPACITORS

ITEM No.	RATING	REMARKS	REPLACEMENT DATA					
			AEROVOX PART No.	CENTRALAB PART No.	CORNELL-DUBILIER PART No.	ELMenco PART No.	MALLORY PART No.	SPRAGUE PART No.
C9		#7293221						
C10	2	NPO	NPO-DI 2.2	DTZ-2R2	CZ601CJ2R2D	CCTO-2R2	CN0522	10TCC-V22
C11	270		DI-270	DD-271	RR05CW271K	CCD-271	GP327	5GA-T27
C12	270		DI-270	DD-271	RR05CW271K	CCD-271	GP327	5GA-T27
C13		#7291003						
C14	56			TCZ-58		CCTO-560	CN0456	10TCC-Q56
C15	10	NPO	NPO-DI 10	DTZ-10	CZ601CG100J	CCTO-100	CN0410	10TCC-Q10
C16	180		DD-180	DD-181	JBZ601YP181K	CCD-181	GP318	5GA-T18
C17	270		DI-270	DD-271	RR05CW271K	CCD-271	GP327	5GA-T27
C18	270		DI-270	DD-271	RR05CW271K	CCD-271	GP327	5GA-T27
C19	.01		BPD-01	DD-103	BYV102ZU103M	CCD-103	B110	5HK-810
C20	.01		BPD-01	DD-103	BYV102ZU103M	CCD-103	B110	5HK-810
C21	1.5	NPO	NPO-DI 1.0	TCZ-1			CN0510	10TCC-V10
C22	.033		TTD-03	CK-303				TG-830
C23	270		DI-270	DD-271	RR05CW271K	CCD-271	GP327	5GA-T27
C24	3.3	N750		TCN-3R3			CN7533	10TCU-V33
C25		#7292611						
C26	6.8	NPO	NPO-DI 6.8	DTZ-6R8	C7601CH6R8D	CCTO-6R8	CN0568	10TCC-V68
C27	4.7	N470						10TCT-V47
C28	270		DI-270	DD-271	RR05CW271K	CCD-271	GP327	5GA-T27
C29	.05		TTD-05		HOV101ZV0507		TA150	TH-850
C30	.0022		DI-2200	CF-222	JBX601YP222K	CCD-222	JF222	10T8-D22

# PARTS LIST AND DESCRIPTION (CONTINUED)

(When ordering parts, state Model, Part Number, and Description.)

Replacement parts shown may be superseded by the availability of newly introduced replacements. Have your local distributor check Sams COUNTER FACTS® for the most up-to-date replacement.

## CAPACITORS

ITEM No.	RATING	REMARKS	REPLACEMENT DATA						
			AEROVOX PART No.	CENTRALAB PART No.	CORNELL-DUBILIER PART No.	ELMENCOR PART No.	MALLORY PART No.	SPRAGUE PART No.	
C31	1mfd			UK-105	HXC3R0XR105P				
C32	.01		BPD-01	DD-103	BYV102ZU103M	CCD-103	B110	5HK-810	
C33	.01		BPD-01	DD-103	BYV102ZU103M	CCD-103	B110	5HK-810	
C34	.01		BPD-01	DD-103	BYV102ZU103M	CCD-103	B110	5HK-810	
C35	.01		BPD-01	DD-103	BYV102ZU103M	CCD-103	B110	5HK-810	
C36	10	NPO	NPO-DI 10	DTZ-10	CZ801CG100J	CCTO-100	CN0410	10TCC-Q10	
C37	.01		BPD-01	DD-103	BYV102ZU103M	CCD-103	B110	5HK-810	
C38	.01		BPD-01	DD-103	BYV102ZU103M	CCD-103	B110	5HK-810	
C39	.05		TTD-05		HOV101ZV503Z		TA150	TH-850	
C40	.01		BPD-01	DD-103	BYV102ZU103M	CCD-103	B110	5HK-810	
C41	560		DI-560	DD-581	JBY801YP581K	CCD-561	GP358	5GA-T56	
C42	330		DI-330	DD-331	JBZ801YP331K	CCD-331	JF333	10TS-T33	
C43	330		DI-330	DD-331	JBZ801YP331K	CCD-331	JF333	10TS-T33	
C44		#7294355							
C45	.15		TTD-1	CK-104	HOV101ZV104Z		TA010	TG-P10	
C46	3.3	NPO	NPO-DI 3.0	DTZ-3R3		CCTO-3R3	CN0533	10TCC-V30	
C47	.91	N750		TCN-91					
C48	.05		TTD-05		HOV101ZV503Z		TA150	TH-850	
C49		#7295193							
C50	200	N750	N750-DI 200	DTN-200		CCTN-201	CN7320	10TCU-T20	
C51	.0068	75V	DBE8D68	CPR-6800J	WMF1D68	1DP-1-682	PVC4288	6PS-D68	
C52	.022		BPD-02	DD-203	BYT801ZU203Z	CCD-203	B120	5HK-820	
C53	165	N330				*	*		
C54	165	N330				*	*		
C55		#7295192							
C56	.0047	75V	DBE8D47	CPR-4700J	WMF1S47	8DP-1-472	PVC6247	6PS-D47	
C57	.001		BPD-001	DD-102	HVX162XP102M	CCD-102	B210	5HK-D10	
C58	.05		TTD-05		HOV101ZV503Z		TA150	TH-850	
C59	.05		TTD-05		HOV101ZV503Z		TA150	TH-850	
C60	180	N880				*		10CTCN-T80	
C61	.1		TTD-1	CK-104	HOV101ZV104Z		TA010	TG-P10	
C62	.001		BPD-001	DD-102	HVX162XP102M	CCD-102	B210	5HK-D10	
C63	.012	75V	DBE8S12	CPR-10000J	DPMS8S12	8DP-2-123	PVC8112	8PS-S12	
C64	.012	75V	DBE8S12	CPR-10000J	DPMS8S12	8DP-2-123	PVC8112	8PS-S12	
C65	.1		TTD-1	CK-104	HOV101ZV104Z		TA010	TG-P10	
C66	.047	75V	DBE2S47		WMF2S47	1DP-2-473	PVC1147	2PS-S47	
C67	470		DI-470	DD-471	JBZ801YP471K	CCD-471	JF347	10TS-T47	
C68	270		DI-270	DD-271	RR05CW271K	CCD-271	GP327	5GA-T27	
C69	1mfd	75V		UK-105	HXC3R0XR105P		MAG31	HY-135	
C70	.15	75V			WMF1P15	1DP-1-154	PVC1015	2PS-P15	
C71		#7271564							

\* Not normally in distributor's stock. Available thru distributor on order to manufacturer.  
 # Delco Part Number. ① Not used in some versions.

## CONTROLS

All wattages 1/2 watt, or less, unless otherwise listed.

ITEM No.	USE	RESISTANCE	REPLACEMENT DATA				
			DELCO PART No.	CENTRALAB PART No.	CLAROSTAT PART No.	CTS-IRC PART No.	MALLORY PART No.
R1A B	Tone Volume/Switch	100K 20K Tap @ 8000Ω	7295177 ①	F1-100K, R14-25K FFS110, RFS205, BB106, SB004, KR-4		†QJ-2202A	
	Tone Volume/Switch	100K 20K Tap @ 8000Ω	7294649 ②	F1-100K, R14-25K FFS110, RFS212, BB106, SB004, KR-4		††QJ-2203A	
	Tone Volume/Switch	100K 20K Tap @ 8000Ω	7295837 ③	F1-100K, R14-25K FFS102, RFS114, BB100④, SB008, KR-4		†††QJ-2204A	
R2	Bias	600Ω 2W	7286601	V-600	U39-600	110-600	MR600P

† "CONCENTRIKIT" Equivalent: K8 Kit, with Base Elements and Shafts: B11-128, P22-121 (Panel), B19-119X, R9-208 (Rear) S8④ (Bushing), N4 (Spacer Nut), 76-1 (Switch)

"SNAPTROL" Equivalent: BU8④, CF13, CR50T, SF13, SR16, N4, GC.

†† "CONCENTRIKIT" Equivalent: K8 Kit, with Base Elements and Shafts: B11-128, P22-121 (Panel), B19-119X, R9-222 (Rear) S8④, (Bushing), N4 (Spacer Nut), 76-1 (Switch)

"SNAPTROL" Equivalent: BU8④, CF13, CR50T, SF13, SR20, N4, GC.

††† "CONCENTRIKIT" Equivalent: K8 Kit, with Base Elements and Shafts: B11-128, P17-105 (Panel), B19-119X, R26-124 (Rear) S8 (Bushing), N4 (Spacer Nut), 76-1 (Switch)

"SNAPTROL" Equivalent: BU8④, CF13, CR50T, SF7, SR10, N4, GC.

① Used in Model: 7293634.

② Used in Model: 7293674.

③ Used in Model: 7293914.

④ Alter bushing to meet requirements.

## RESISTORS (Power and Special)

ITEM No.	RATING	REPLACEMENT DATA			ITEM No.	RATING	REPLACEMENT DATA		
		IRC PART No.	WORKMAN PART No.	DELCO PART No.			IRC PART No.	WORKMAN PART No.	DELCO PART No.
R66	.47Ω (Fusible)			7281890					

BUICK MODELS 7293634, 7293674, 7293914

## PARTS LIST AND DESCRIPTION (CONTINUED)

(When ordering parts, state Model, Part Number, and Description.)

Replacement parts shown may be superseded by the availability of newly introduced replacements. Have your local distributor check Sams COUNTER FACTS for the most up-to-date replacement.

### COILS (RF-IF)

ITEM No.	USE	REPLACEMENT DATA				
		DELCO PART No.	MEISSNER Part No.	MERIT PART No.	MILLER PART No.	WORKMAN PART No.
L1	FM Antenna	①				
L2	FM RF	①				
L3	FM IF Trap (.18uh)	7291800				
L4	FM Oscillator	①				
L5	1st. FM IF	7298100				
L6	2nd. FM IF	7298101				
L7	3rd. FM IF	7298102				
L8	Ratio Detector	7298108				
L9	RF Choke (8uh)	7255738	19-1009	BC-585	4811	T822
L10	AM Antenna	①				
L11	AM RF	①				
L12	AM Oscillator	①				
L13	1st. AM IF	7295169				
L14	2nd. AM IF	7295170				
	① Part of M1.					

### SPEAKER

ITEM No.	TYPE	REPLACEMENT DATA		NOTES
		DELCO PART No.	QUAM PART No.	
SP1	4" x 10" PM 10Ω	7289354	410A2710	Model: 7293634.
	4" x 10" PM 10Ω	7295154	410A2710	Model: 7293674.
	4" x 10" PM 10Ω	7294843	410A2210	Model: 7293914.

### FILTER CHOKE

ITEM No.	RATINGS			REPLACEMENT DATA					NOTES
	CURRENT (Measured)	DC RES.	INDUCTANCE (0 CURRENT 1000~)	DELCO PART No.	MERIT PART No.	STANCOR PART No.	THORDARSON PART No.	TRIAD PART No.	
L15	1.3 Amp.	.6Ω	8MH	1221823	C-4095	TC-2	TR-154	TY17XT	

### CHOKE (AUDIO OUTPUT)

ITEM No.	INDUCTANCE	REPLACEMENT DATA					NOTES
		DELCO PART No.	MERIT PART No.	STANCOR PART No.	THORDARSON PART No.	TRIAD PART No.	
L18	30MH	1222297					

### FUSE DEVICES

ITEM No.	TYPE	RATING	REPLACEMENT DATA							
			PART No.		LITTELFUSE PART No.		BUSS PART No.			
			FUSE	HOLDER	FUSE	HOLDER	FUSE	HOLDER		
F1	AGC	7 1/2Amp.		In Fuse Block		31107.5			AGC 7 1/2	

### MISCELLANEOUS

ITEM No.	PART NAME	DELCO PART No.	NOTES
M1	Tuner Coil Assembly	1222504	
S1	AM-FM Selector Sw.	7284009	Models: 7293634, 7293874.
	AM-FM Selector Sw.	7295253	Model: 7293914.

### CABINETS & CABINET PARTS

(When Ordering Specify Model, Chassis & Color)

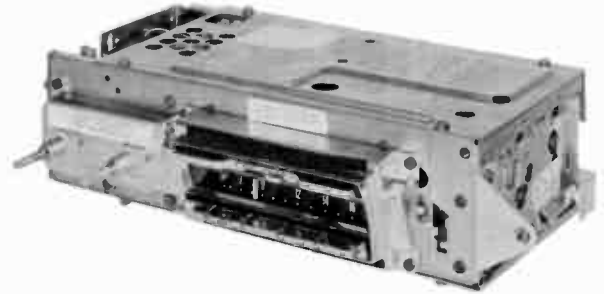
ITEM	PART No.	ITEM	PART No.
MODEL: 7293634		MODEL: 7293674	
Dial Drum	7295882	Pushbutton	7293939
Escutcheon	7295885	Knob, Tuning or Volume	1374934
Dial Pointer	7295884	Knob, Tone or Dummy	1374935
Pushbutton	7294695		
Knob, Tuning or Volume	1376892	MODEL: 7293914	
Knob, Tone	1378884	Dial Drum	7295882
Knob, Dummy	1378883	Escutcheon	1222358
		Dial Pointer	7298073
MODEL: 7293674		Pushbutton	7294510
Dial Drum	7295818	Knob, Tuning or Volume	1378892
Escutcheon	7297566	Knob, Tone or Dummy	1378900
Dial Pointer	7295820		



PHOTOFACT<sup>®</sup> with

CIRCUITRACE<sup>®</sup>

TRADE NAME : Cadillac Model 7293915 (990552) 1966  
 SUPPLIER : For Current Address, See Annual Index.  
 TYPE SET : 9 Transistor AM Receiver W/Wonder  
 Bar Tuning  
 POWER SUPPLY : 12 Volt Storage Battery  
 RATING : 1.2 Amp. @ 12.6 Volts DC  
 TUNING RANGE : BROADCAST 540-1615KC



## ALIGNMENT INSTRUCTIONS

Check for specified source voltage.  
 Use only enough generator output to provide a usable indication.  
 Suggested Alignment Tools:  
 A1 thru A5, A9, A10. GENERAL CEMENT: 5009, 8728A, 8987  
 WALSCO: 2531-X, 2536  
 A6, A7, A8. GENERAL CEMENT: 8290, 8868, 9087  
 WALSCO: 2525, 2528, 2587

	SIGNAL GENERATOR COUPLING	SIGNAL GENERATOR FREQUENCY	RADIO DIAL SETTING	INDICATOR	ADJUST	REMARKS
1.	High side thru .1mf to point $\Delta$ , low side to ground.	262KC (400% Mod.)	High Freq. End Stop.	Output Meter across voice coil.	A1, A2, A3, A4	Adjust for maximum.
Check setting of oscillator coil core (A5). Rear of core should be 1 5/8" from mounting end of coil form.						
2.	High side thru 82mmf to antenna receptacle, low side to ground.	1615KC	High Freq. End Stop.	Output Meter across voice coil.	A6, A7, A8	Adjust for maximum.
3.	"	600KC	600KC Signal	"	A9, A10	Adjust for maximum. Repeat step 2.
With radio installed in car and antenna fully extended, tune in a weak station near 1400KC and adjust A8 for maximum output.						

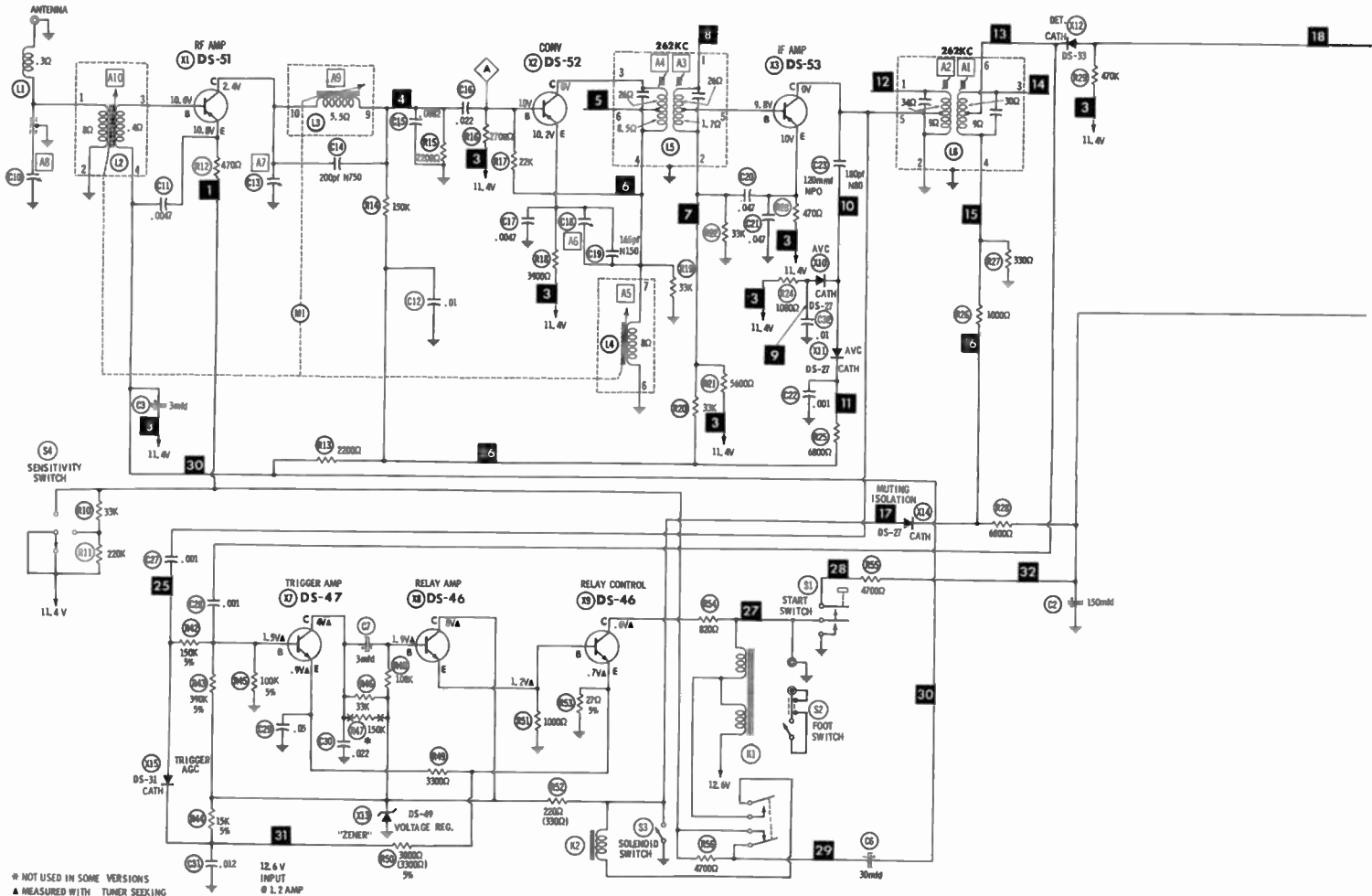
Pull out left hand pushbutton for Antenna Trimmer Adjustment (A8).

### PUSH-BUTTON ADJUSTMENT

1. Pull button out.
2. Tune manually to desired station.
3. Press button in firmly.
4. Repeat for remaining buttons.

CADILLAC MODEL 7293915

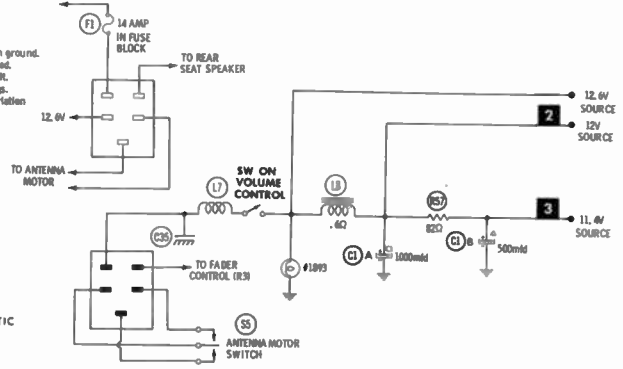




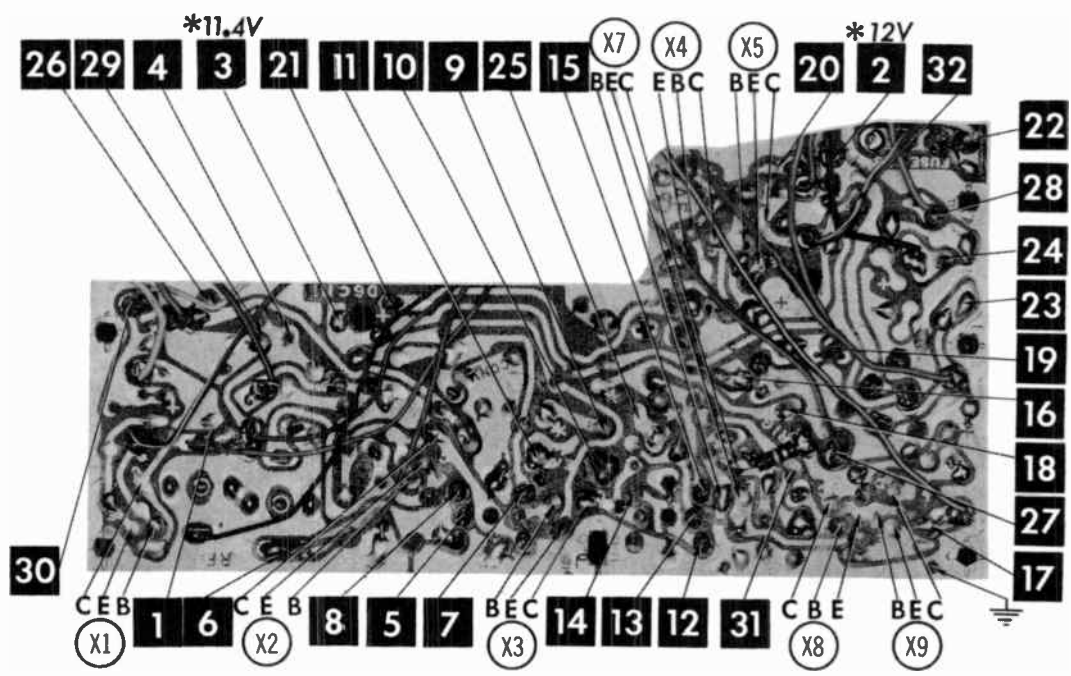
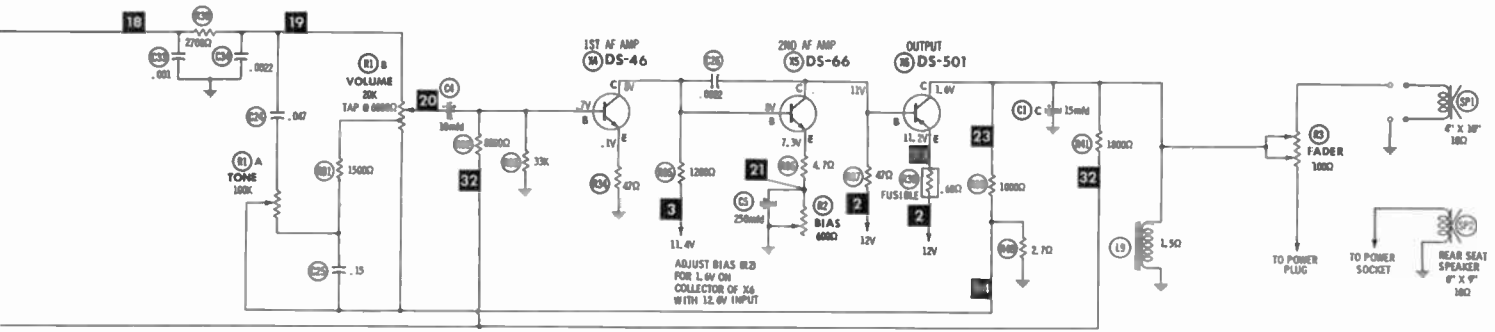
\* NOT USED IN SOME VERSIONS  
 ▲ MEASURED WITH TUNER SEEKING

1. Voltage measurements taken with vacuum tube voltmeter.
2. All controls set for normal operation, no signal applied.
3. Measured values are from socket pin or terminal to common ground.
4. All terminals viewed from bottom unless otherwise designated.
5. Numbers assigned to terminals may not be found on the unit.
6. Supply voltage maintained at rated value for voltage readings.
7. Resistance measurements not given because of the wide variation in internal resistance of transistor.

Resistors are 1/2 watt or less and rated 10% or 20% unless otherwise indicated.

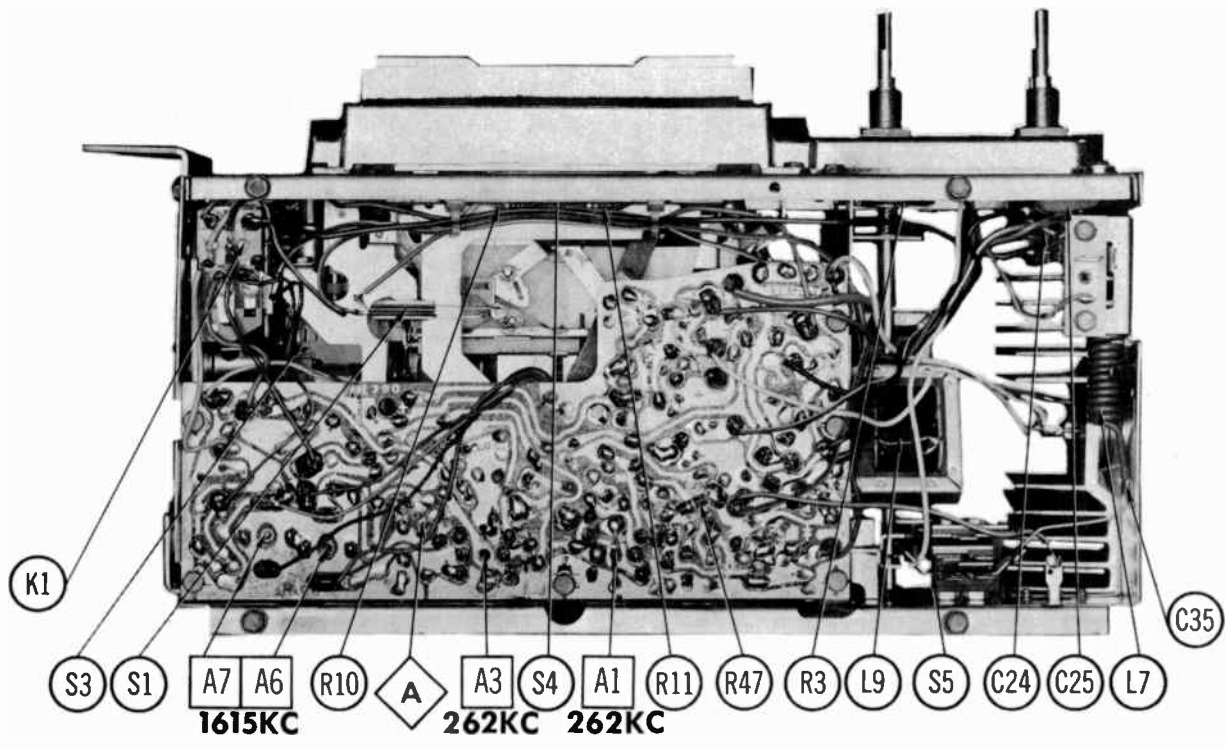
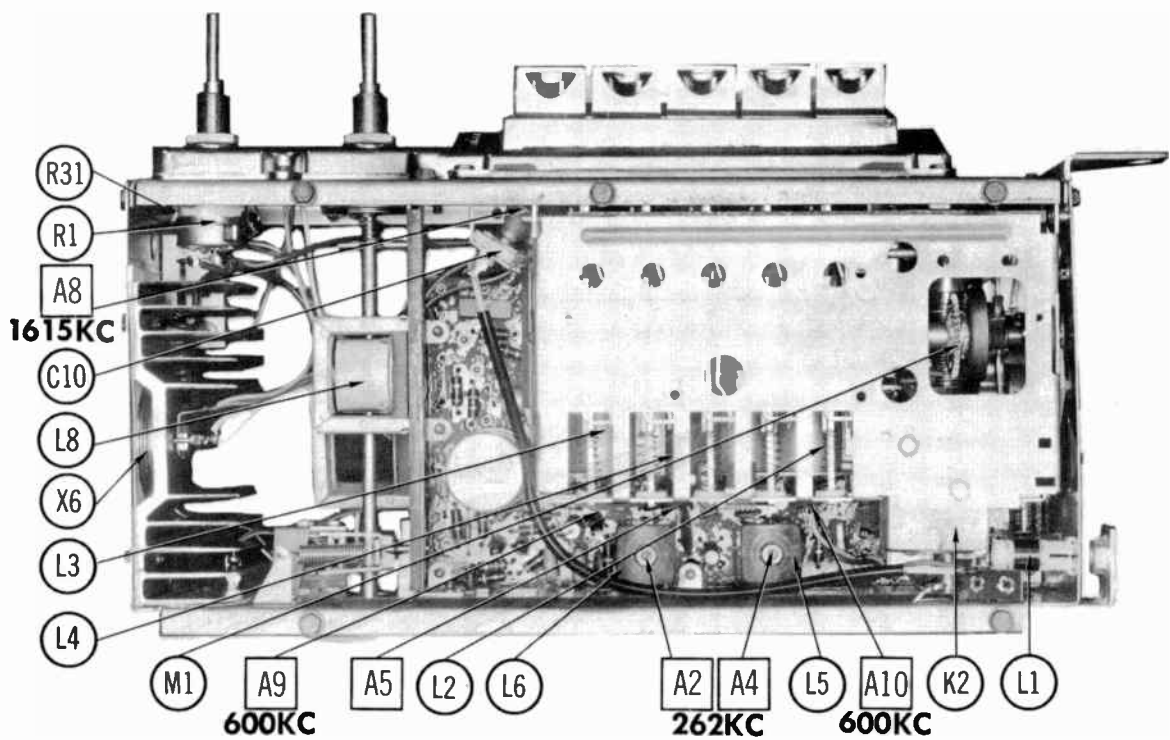


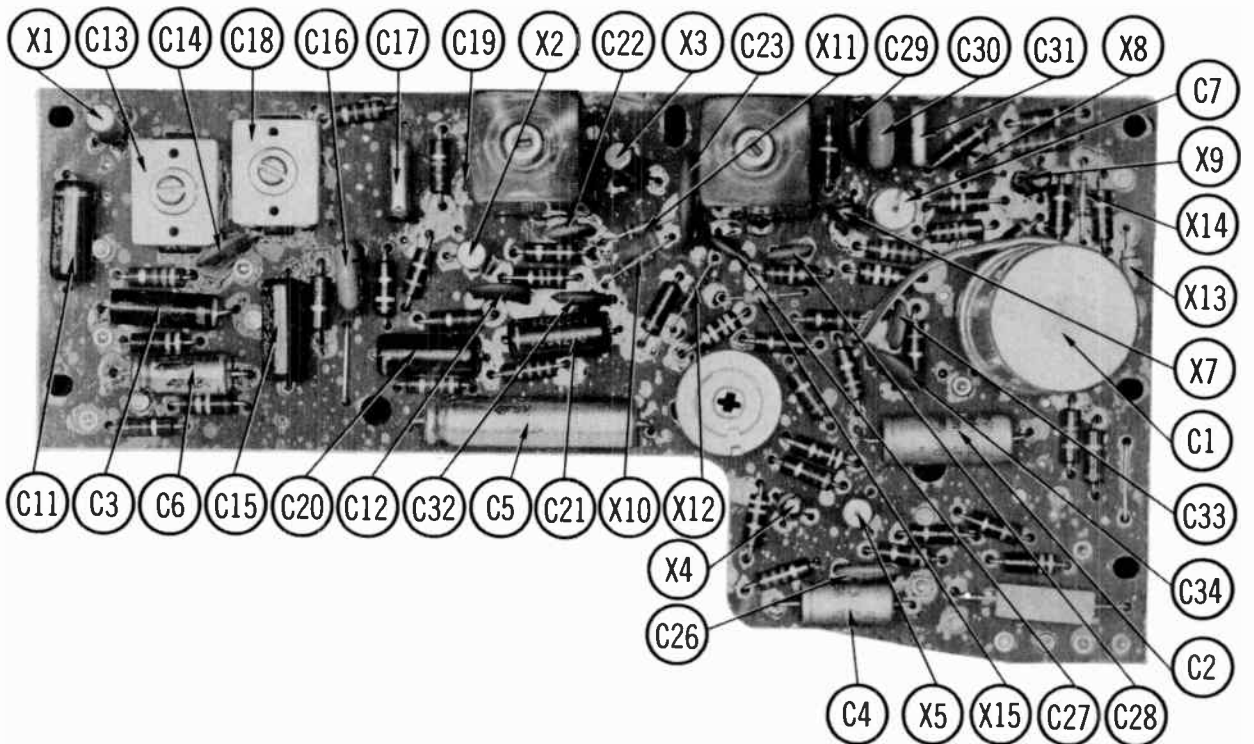
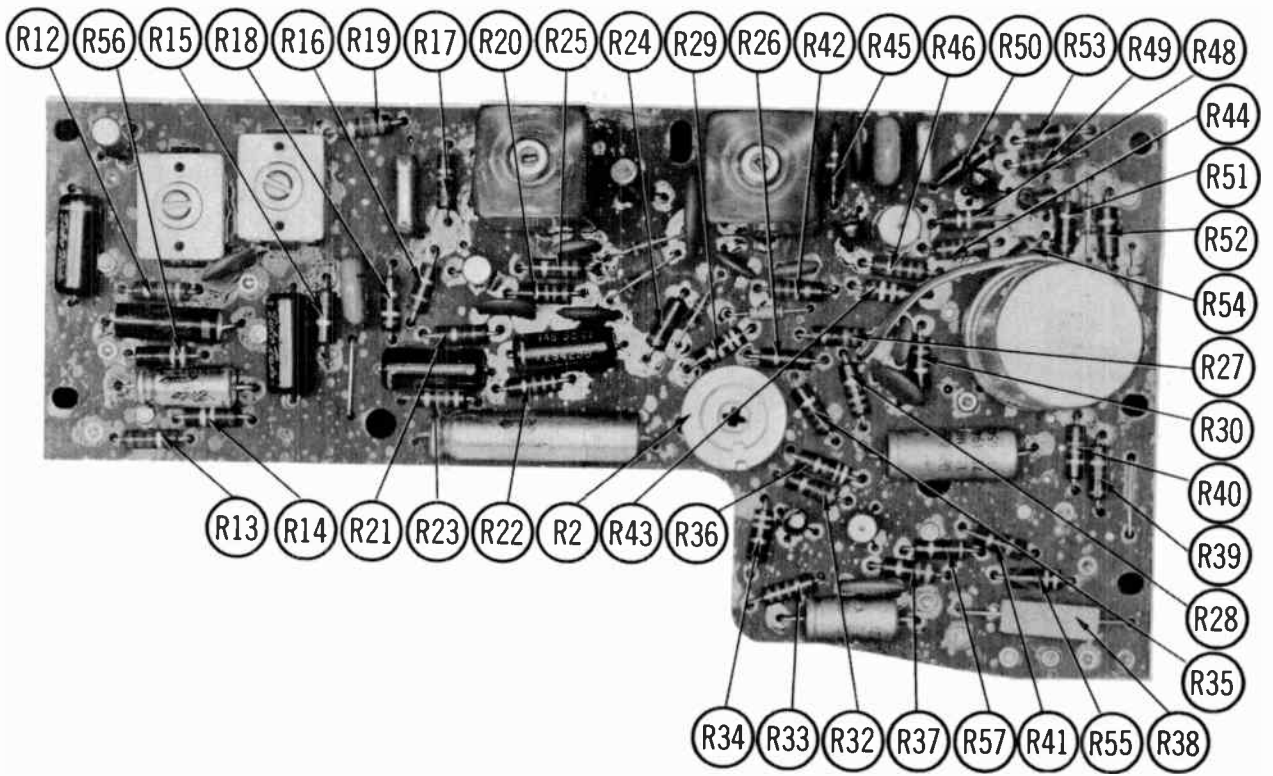
A PHOTOFAC STANDARD NOTATION SCHEMATIC  
 with CIRCUITACE  
 © Howard W. Sams & Co., Inc. 1966



\*VOLTAGE SOURCE

A Howard W. Sams CIRCUITRACE Photo





# PARTS LIST AND DESCRIPTION

(When ordering parts, state Model, Part Number, and Description.)

Replacement parts shown may be superseded by the availability of newly introduced replacements.  
Have your local distributor check Sams COUNTER FACTS<sup>®</sup> for the most up-to-date replacement.

## WIRING DATA

General-use Unshielded Hook-up Wire .....	Use BELDEN No. 6530 (Solid) Available in 12 Colors 8524 (Stranded) Available in 12 Colors
Shielded Hook-up Wire .....	Use BELDEN No. 8885
Rear Seat Speaker Extension Cable .....	Use BELDEN No. 8782 (Stranded) Coded Parallel Leads
Boarding Strap .....	Use BELDEN No. 6661 (3/8 In.) or 8670 (3/4 In.)

## TRANSISTORS

ITEM No.	ORIG. TYPE	USE	REPLACEMENT DATA			NOTES
			DELCO PART No.	GENERAL ELECTRIC PART No.	RCA PART No.	
X1	DS-51	RF Amp.	DS-25	GE-1	8K-3008	PNP
X2	DS-52	Converter	DS-25	GE-1	8K-3008	PNP
X3	DS-53	IF Amp.	DS-25	GE-1	8K-3006	PNP
X4	DS-46	AF Amp.	DS-66	GE-10	8K-3020	NPN
X5	DS-66	AF Amp.	DS-66	GE-10	8K-3020	NPN
X6	DS-501	Output	DS-501	GE-4	8K-3012	PNP
X7	DS-47	Trigger Amp.	DS-47	GE-10	8K-3020	NPN
X8	DS-46	Relay Amp.	DS-66	GE-10	8K-3020	NPN
X9	DS-46	Relay Control	DS-66	GE-10	8K-3020	NPN

\* When replacing, apply silicone grease to both sides of insulator. Tighten mounting screws securely. Check bias adjustment.

## POWER RECTIFIERS & SIGNAL DIODES

ITEM No.	MEASURED CURRENT	ORIGINAL Part or Type No.	RECTIFIERS & DIODES		RECTIFIERS		
			GENERAL ELECTRIC PART No.	INTERNATIONAL RECTIFIER PART No.	MALLORY PART No.	RCA PART No.	SARKES TARZIAN PART No.
X10		DS-27	1N34AS	1N34			
X11		DS-27	1N34AS	1N34			
X12		DS-33	1N34AS	1N34			
X13		DS-49 (Zener)					
X14		DS-27	1N34AS	1N34			

## ELECTROLYTIC CAPACITORS

ITEM No.	RATING		DELCO PART No.	REPLACEMENT DATA				
	CAP.	VOLT.		AEROVOX PART No.	CORNELL-DUBILIER PART No.	GENERAL ELECTRIC PART No.	MALLORY PART No.	SPRAGUE PART No.
C1A	1000	16	7291355	PWH3-54-45	CC0006		FPS300.93	PCL -3021.9*
B	500	16						
C	15	11.5rma						
C2	150	4	7290896	CRE328A	NLW150-6	MT1-23	TT6X150	TE-1103
C3	3	12	7291660	PTT50	NLW3-15	MT1-3	TT12X3	TE-1122
C4	10	12	7292736	PTT53	NLW10-15	MT1-5	TT12X10	TL-1126
C5	250	16	7291945	PRS1280	BR250-25	QT1-26	TC50025	TVA-1208
C6	30	6	7279696	PTT27	NLW30-15	MT1-13	TT6X30	TE-1092
C7	3	12	7291660	PTT50	NLW3-15	MT1-3	TT12X3	TE-1122

\* Not normally in distributor's stock. Available thru distributor on order to manufacturer.

## CAPACITORS

ITEM No.	RATING	REMARKS	REPLACEMENT DATA						
			AEROVOX PART No.	CENTRALAB PART No.	CORNELL-DUBILIER PART No.	ELMENCO PART No.	MALLORY PART No.	SPRAGUE PART No.	
C10	.0047	75V	#7290345	DBE6D47	CPR-4700J	WMF1847	6DP-1-472	PVC6247	6PS-D47
C11	.01			BPD-01	DD-103	BYV102ZU103M	CCD-103	B110	5HK-810
C13			#7296946						
C14	200	N750		N750-DI 200	DTN-200	CV601UJ201K	CCTN-201	CN7320	10TCU-T20
C15	.0082	75V		DBE6D62	CPR-8200J	WMF1D82	6DP-2-622	PVC626	6PS-D82
C16	.022	75V		DBE2S22		WMF1S22	1DP-1-223	PVC1122	2PS-S22
C17	.0047	75V		DBE6D47	CPR-4700J	WMF1847	6DP-1-472	PVC6247	6PS-D47
C18			#7282185						
C19	165	N150							10TCP-T175
C20	.047	75V		DBE2S47		WMF2S47	1DP-2-473	PVC1147	2PS-S47
C21	.047	75V		DBE2S47		WMF2S47	1DP-2-473	PVC1147	2PS-S47
C22	.001			BPD-001	DD-102	HVX162XP102M	CCD-102	B210	5HK-D10
C23	160	N60							10TCN-T60
C24	.047	75V		DBE2S47		WMF2S47	1DP-2-473	PVC1147	2PS-S47
C25	.15	75V		DBE2P15		WMF1P15	1DP-1-154	PVC1015	2PS-P15
C26	.0022			DI-2200	CF-222	JBX601YP222K	CCD-222	JF222	10TS-D22
C27	.001			BPD-001	DD-102	HVX162XP102M	CCD-102	B210	5HK-D10
C28	.001			BPD-001	DD-102	HVX162XP102M	CCD-102	B210	5HK-D10
C29	.05			TTD-05		HOV101ZV503%		TA150	TH-850
C30	.022	75V		DBE2S22		WMF1S22	1DP-1-223	PVC1122	2PS-S22
C31	.012	75V		DBE6S12	CPR-10000J	DPMS6S12	6DP-2-123	PVC6112	6PS-812
C32	.01			BPD-01	DD-103	BYV102ZU103M	CCD-103	B110	5HK-S10
C33	.001			BPD-001	DD-102	HVX162XP102M	CCD-102	B210	5HK-D10
C34	.0022			DI-2200	CF-222	JBX601YP222K	CCD-222	JF222	10TS-D22
C35			#7271564						

\* Not normally in distributor's stock. Available thru distributor on order to manufacturer.

# Delco Part Number.

# PARTS LIST AND DESCRIPTION (CONTINUED)

(When ordering parts, state Model, Part Number, and Description.)

Replacement parts shown may be superseded by the availability of newly introduced replacements. Have your local distributor check Sams COUNTER FACTS® for the most up-to-date replacement.

## CONTROLS

All wattages 1/2 watt, or less, unless otherwise listed.

ITEM No.	USE	RESISTANCE	REPLACEMENT DATA					
			DELCO PART No.	CENTRALAB PART No.	CLAROSTAT PART No.	CTS-IRC PART No.	MALLORY PART No.	
R1A B	Tone Volume/Switch	100K 20K Tap @ 6000Ω	7290347	F1-100K, R14-25K, F8S104,RFS202 BB100,SC004, KR-4			† QJ-1898A	
R2 R3	Bias Fader	600Ω 100Ω 2W	7286601 7282410	V-600	U39-600		110-600	MR600P

† "CONCENTRIKIT" Equivalent: K8 Kit, with Base Elements and Shafts: B11-128, P22-100 (Panel)  
B19-119X, R16-127 (Rear)  
S6 (Bushing)  
N4 (Spacer Nut)  
76-1 (Switch)

"SNAPTROL" Equivalent: BU8 ①, CF13, CR50T, SF7, SR11, N4, GC.  
① Alter bushing to meet requirements.

## COILS (RF-IF)

ITEM No.	USE	REPLACEMENT DATA					
		DELCO PART No.	MEISSNER Part No.	MERIT PART No.	MILLER PART No.	WORKMAN PART No.	
L1	RF Choke (6.2uh)	7281946	19-1004		BC-565	4610	T859
L2	Antenna	7296939					
L3	RF	7296943					
L4	Oscillator	1221616					
L5	Input IF	1221856	16-6704			6542	TA653
L6	Output IF	1221857	16-6705			6543	TA653
L7	Hash Choke (1.4uh)	7241708	19-4215		BC-537	5230	T963

## FILTER CHOKE

ITEM No.	RATINGS			REPLACEMENT DATA					NOTES
	CURRENT (Measured)	DC RES.	INDUCTANCE (0 CURRENT 1000~)	DELCO PART No.	MERIT PART No.	STANCOR PART No.	THORDARSON PART No.	TRIAD PART No.	
L8	1.2 Amp.	.6Ω	8M	1221623	C-4095	TC-2	TR-154	TY17XT	

## CHOKE (AUDIO OUTPUT)

ITEM No.	INDUCTANCE	REPLACEMENT DATA					NOTES
		DELCO PART No.	MERIT PART No.	STANCOR PART No.	THORDARSON PART No.	TRIAD PART No.	
L9	30MH	1222297					

## SPEAKER

ITEM No.	TYPE			REPLACEMENT DATA		NOTES
				DELCO PART No.	QUAM PART No.	
SP1	4" x 10"	PM	10Ω	7290505	410A2Z10	Front.
SP2	6" x 9"	PM	10Ω	7282511	69A2Z10	Rear.

## FUSE DEVICES

ITEM No.	TYPE	RATING	REPLACEMENT DATA						
			PART No.		LITTELFUSE PART No.		BUSS PART No.		
			FUSE	HOLDER	FUSE	HOLDER	FUSE	HOLDER	
F1	SFE	14 Amp.		In Fuse Block		307014		SFE 14	

## MISCELLANEOUS

ITEM No.	PART NAME	DELCO PART No.	NOTES
K1	Relay	7295713	
K2	Solenoid	1221409	
M1	Tuner Coil Assembly	1222394	
S1	Start Switch	1222068	
S2	Foot Switch	7280776	
S3	Solenoid Switch	7288030	
S4	Sensitivity Switch	7296425	
S5	Antenna Switch	7290366	

## CABINETS & CABINET PARTS

(When Ordering Specify Model, Chassis & Color)

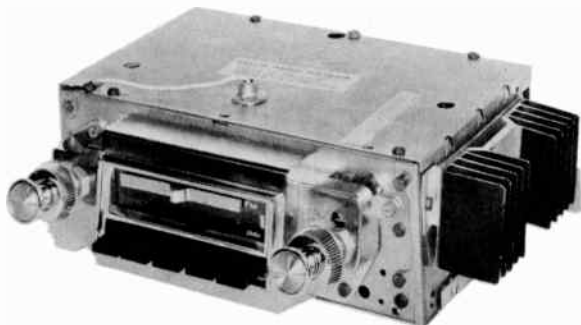
ITEM	PART No.	ITEM	PART No.
Ecutcheon	7282580	Dial Tuning Belt	7269454
Dial Glass	7282406	Knob-Tuning or Volume	1485454
Dial Pointer	1221801	Knob-Tone or Fader	1485456
Pushbutton	1221802	Knob-Escutcheon	1485455

CADILLAC MODEL 7293915



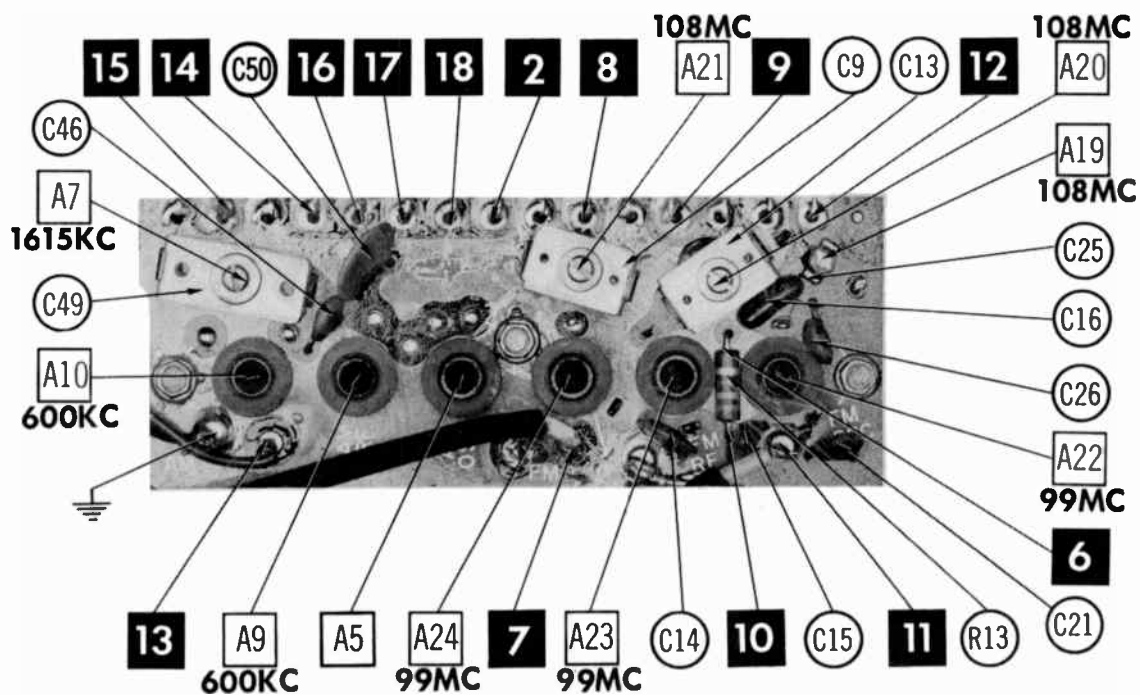
# PHOTOFACT<sup>®</sup> with

# CIRCUITRACE<sup>®</sup>



TRADE NAME : Chevrolet Model 986546 (1966)  
 SUPPLIER : For Current Address, See Annual Index.  
 TYPE SET : 13 Transistor AM-FM Receiver  
 POWER SUPPLY : 12 Volt Storage Battery  
 RATING : 1.3 Amp. @ 12.6 Volts DC  
 TUNING RANGE : BROADCAST 540-1615KC  
 FREQ. MOD: 88-108MC

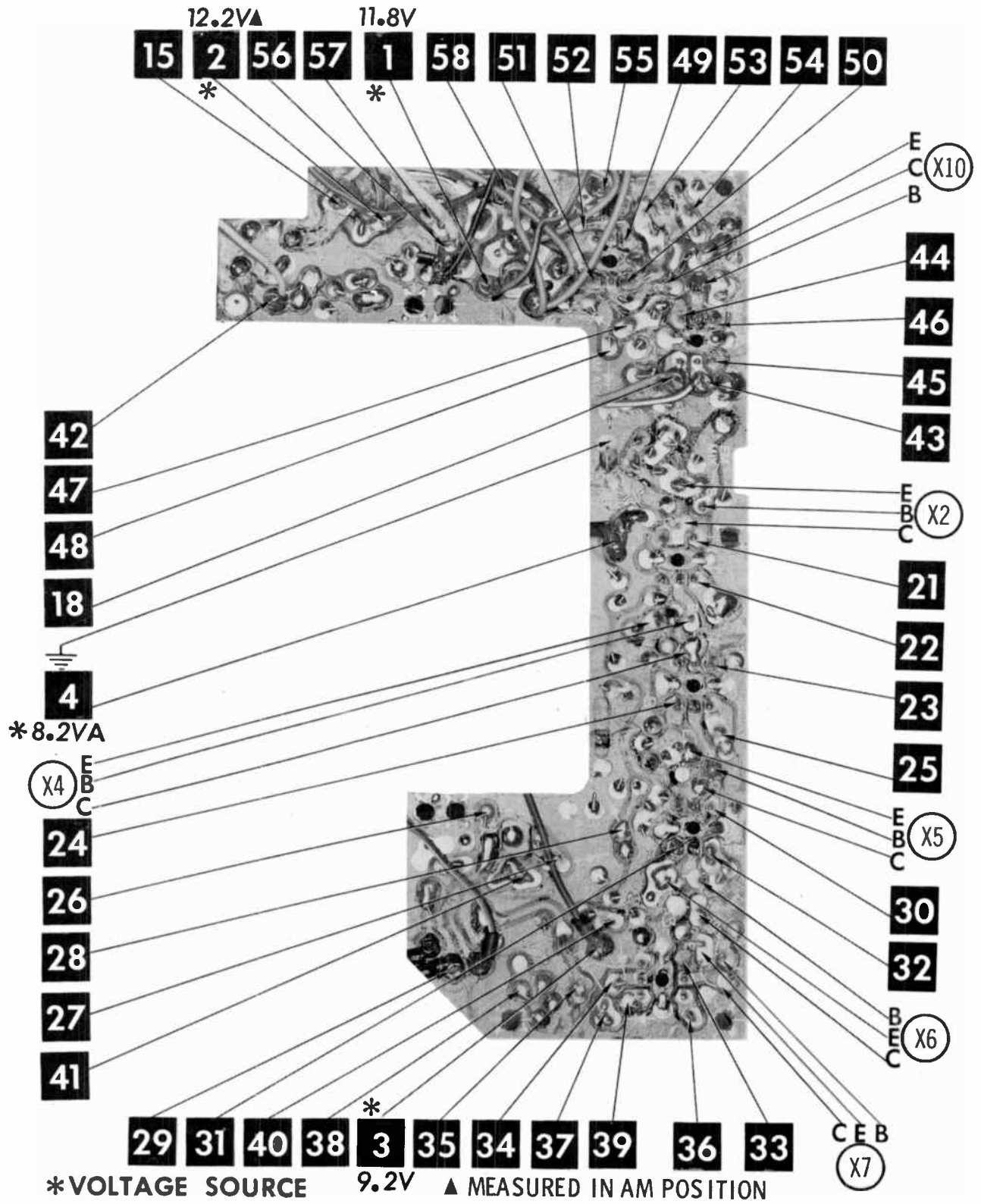
CHEVROLET MODEL 986546



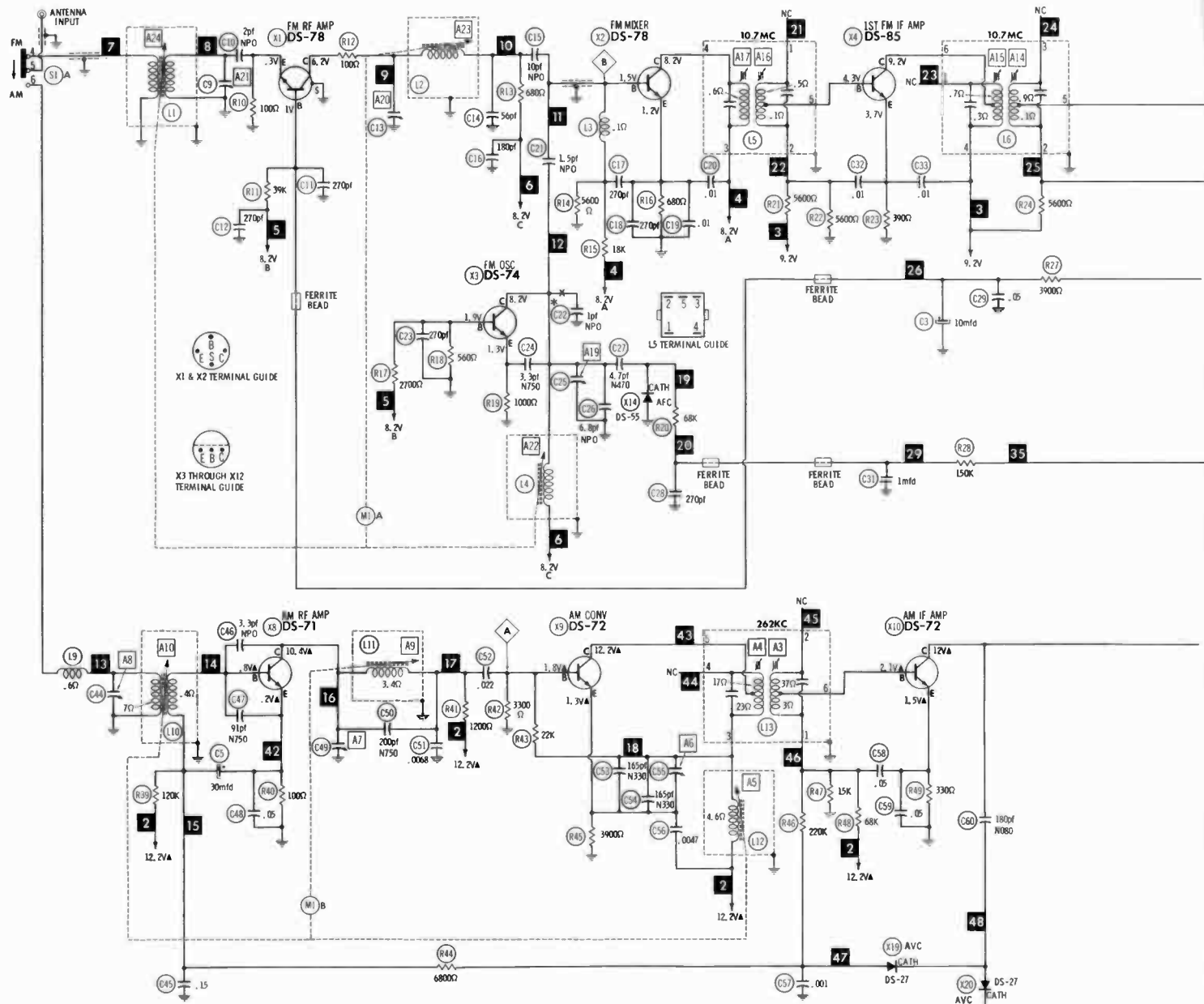
A Howard W. Sams CIRCUITRACE Photo

**HOWARD W. SAMS & CO., INC.** Indianapolis, Indiana 46206

© 1966 Howard W. Sams & Co., Inc. Printed in U. S. of America RD595







All measurements taken in "FM" position unless otherwise designated.

Resistors are 1/2 watt or less and rated 10% or 20% unless otherwise indicated.

▲ Measured in "AM" position.

\* Not used in some versions.

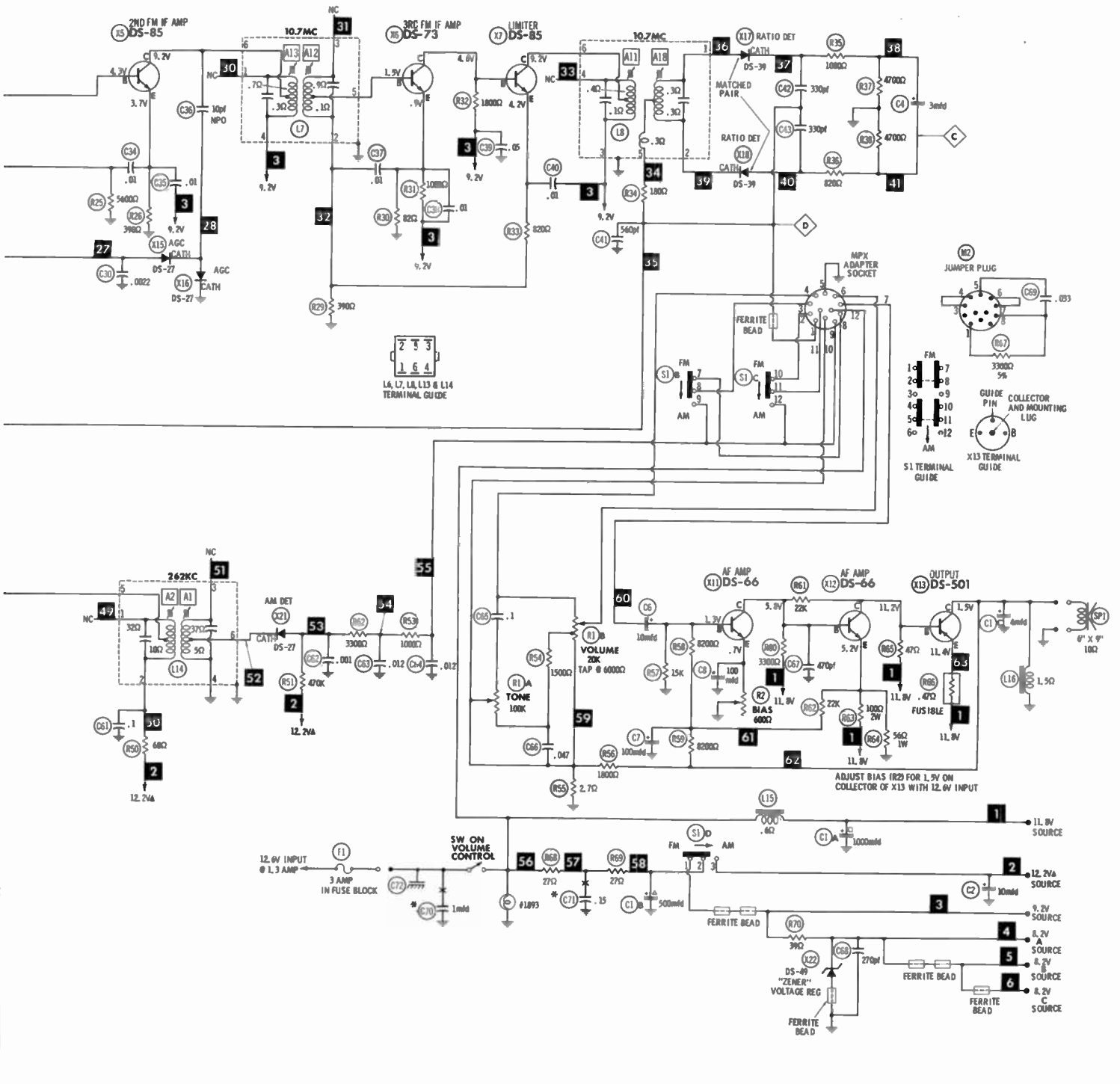
NC No Connection

○ See parts list

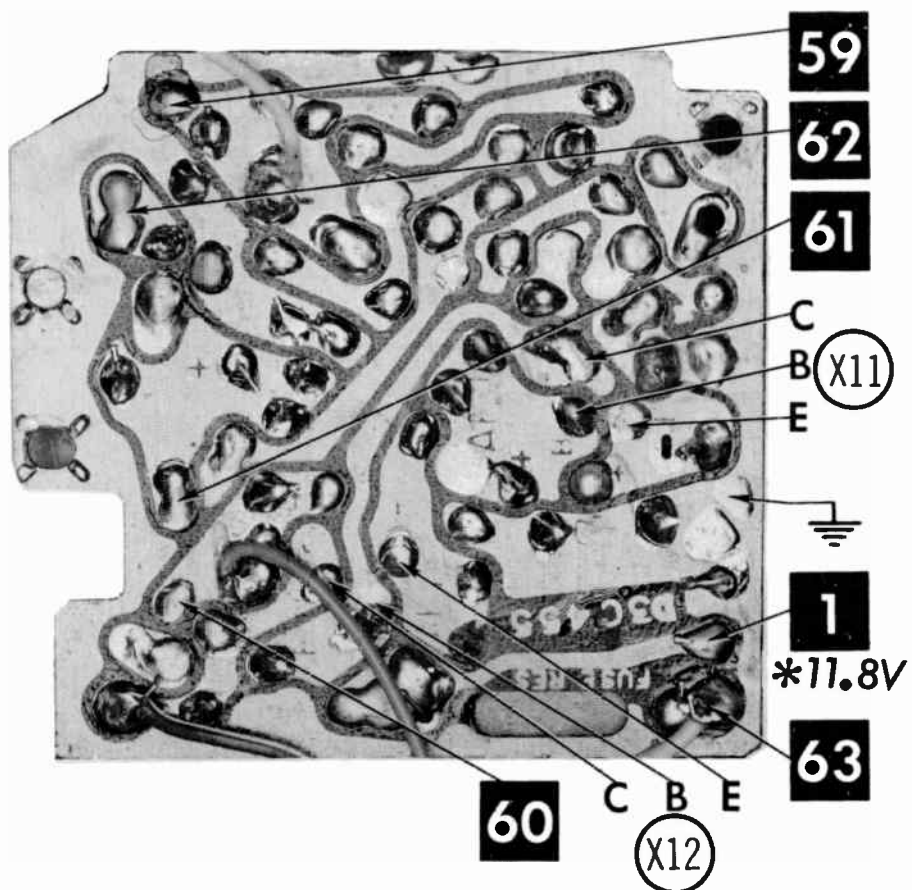
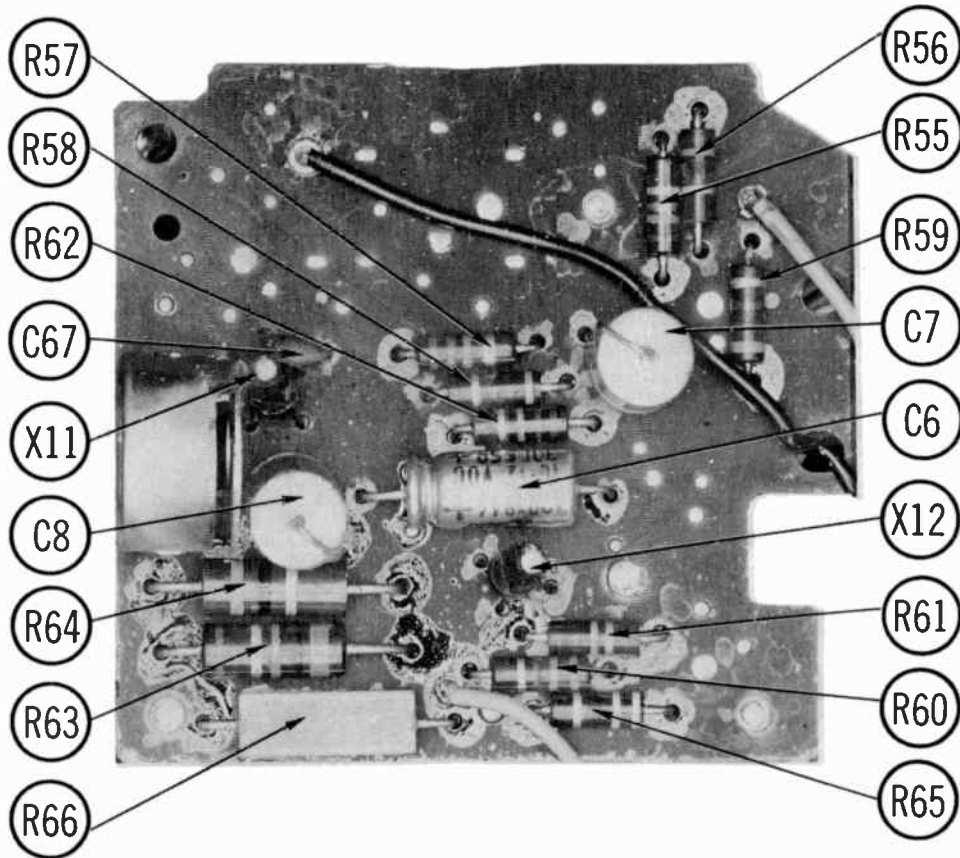
1. Voltage measurements taken with vacuum tube voltmeter.
2. All controls set for normal operation, no signal applied.
3. Measured values are from socket pin or terminal to common ground.
4. All terminals viewed from bottom unless otherwise designated.
5. Numbers assigned to terminals may not be found on the unit.
6. Supply voltage maintained at rated value for voltage readings.
7. Resistance measurements not given because of the wide variation in internal resistance of transistor.

A PHOTOFAC STANDARD NOTATION SCHEMATIC with **CircuitTrace**

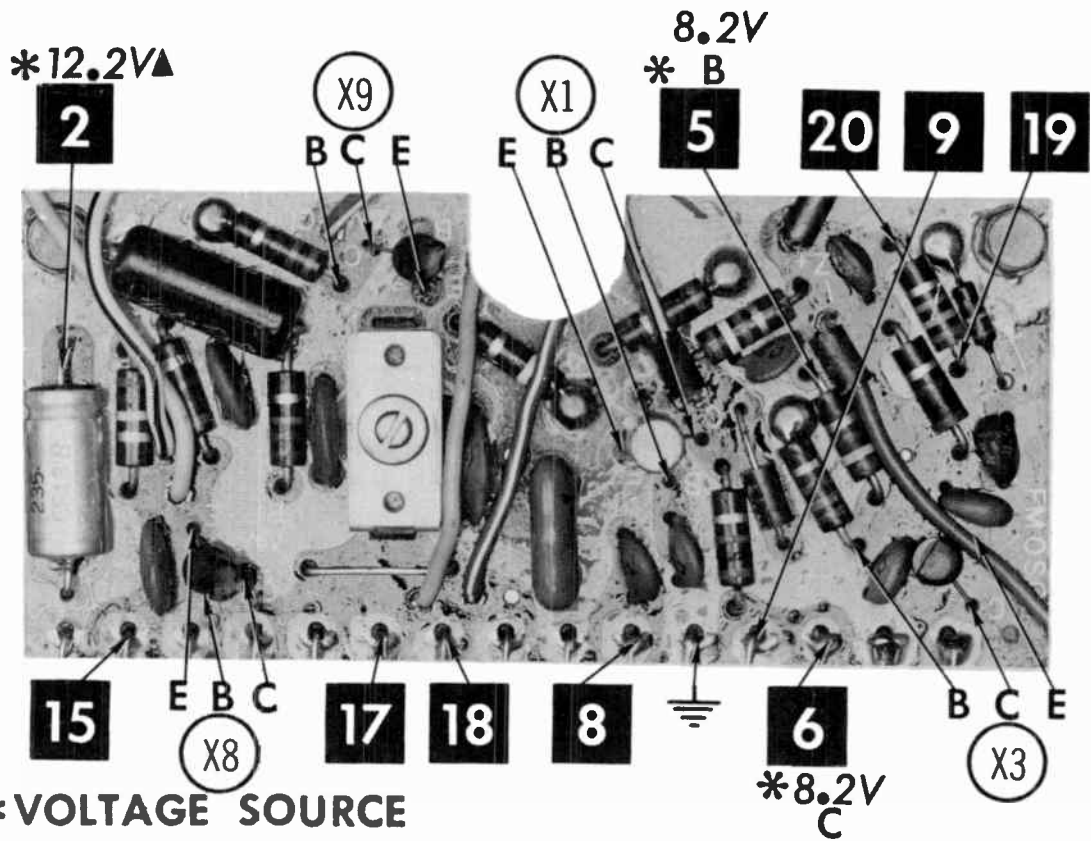
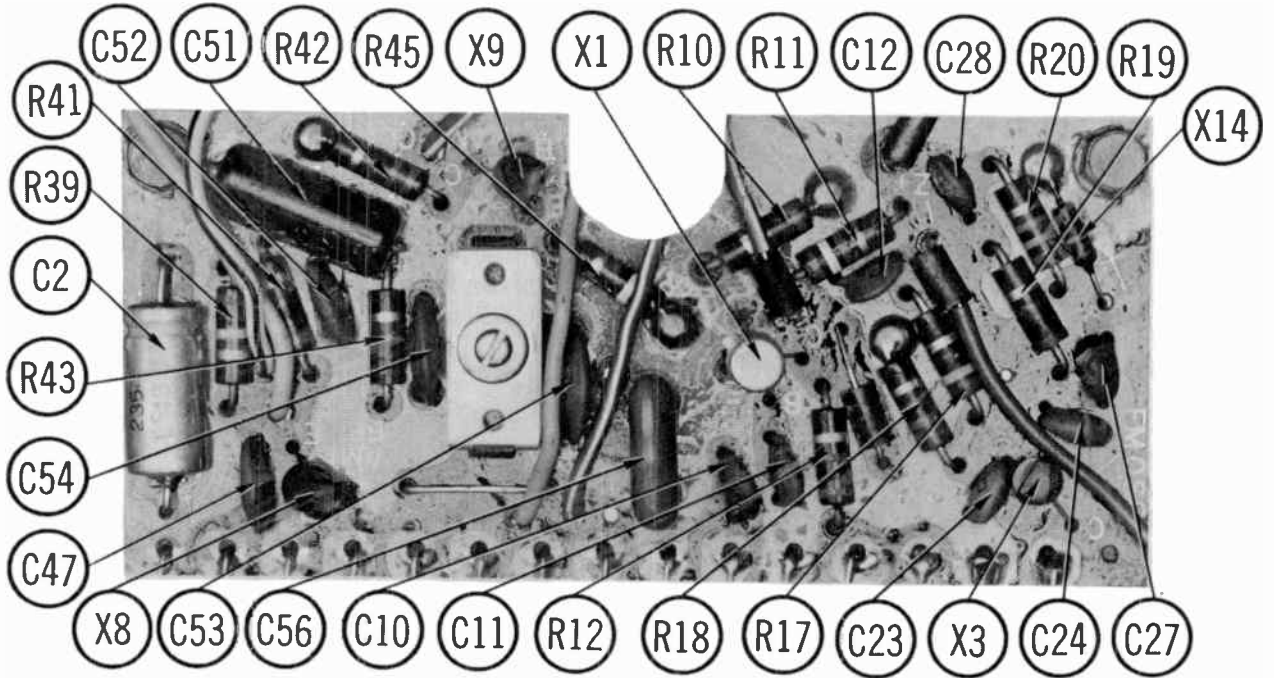
© Howard W. Sams & Co., Inc. 1966



CHEVROLET MODEL 986546

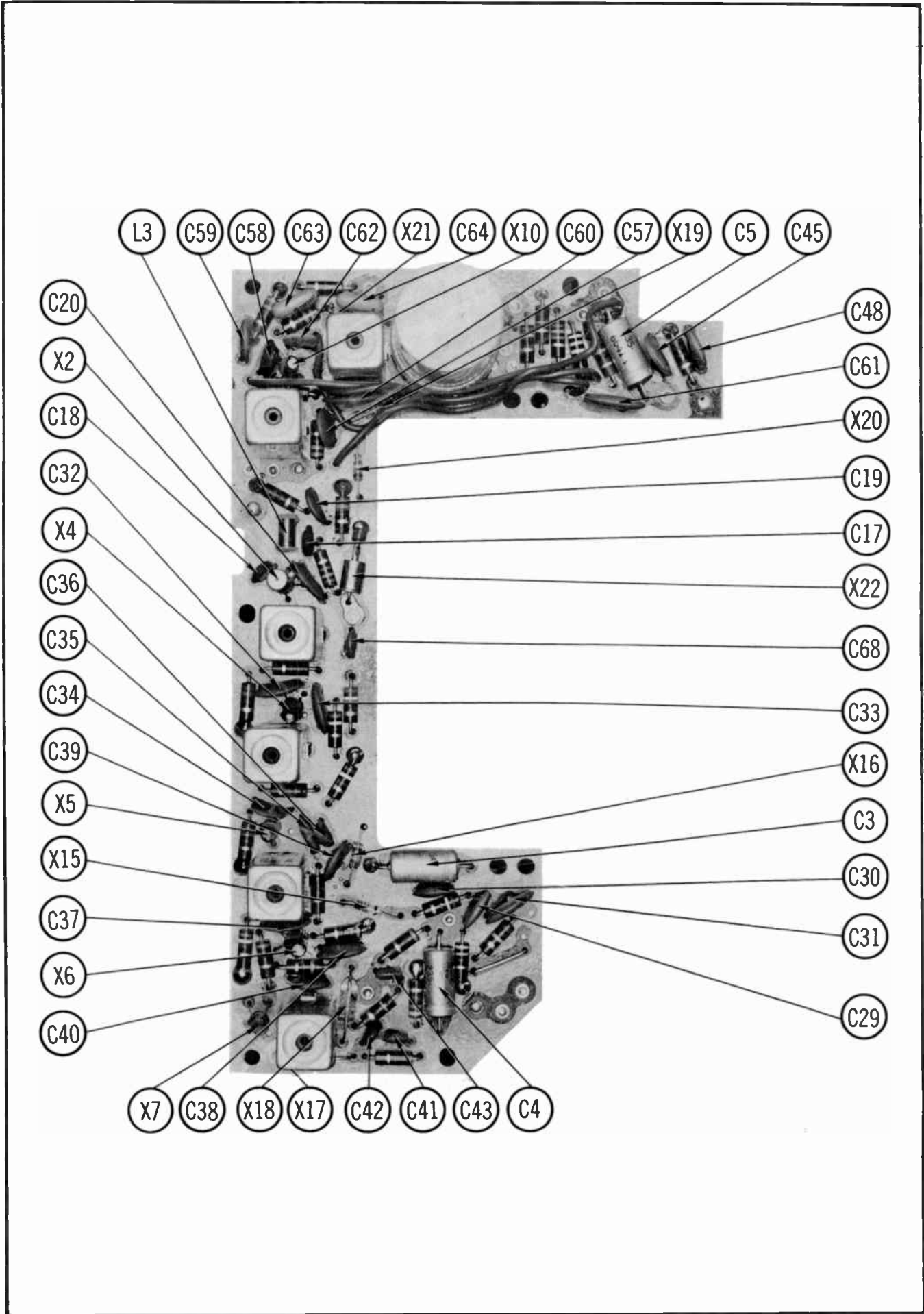


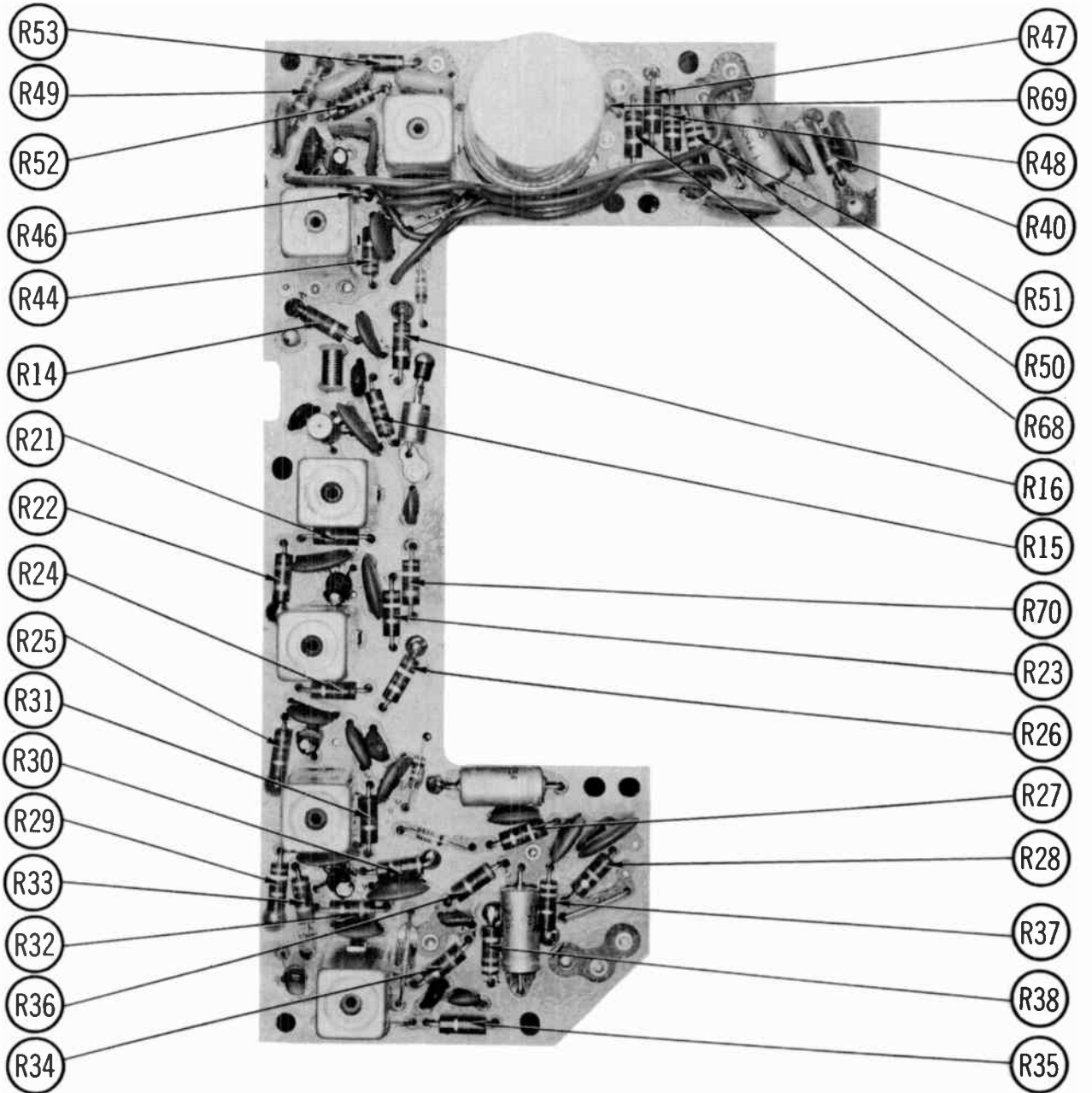
**\*VOLTAGE SOURCE**

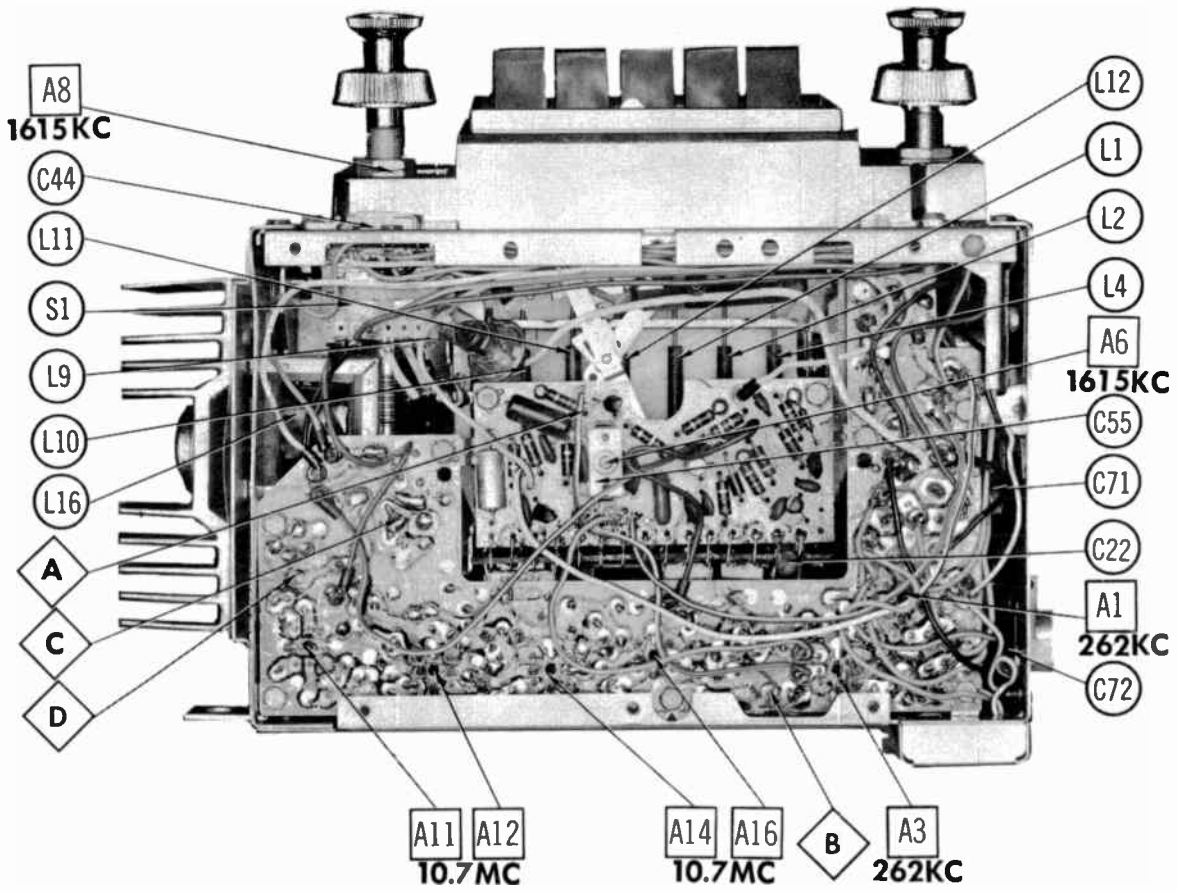
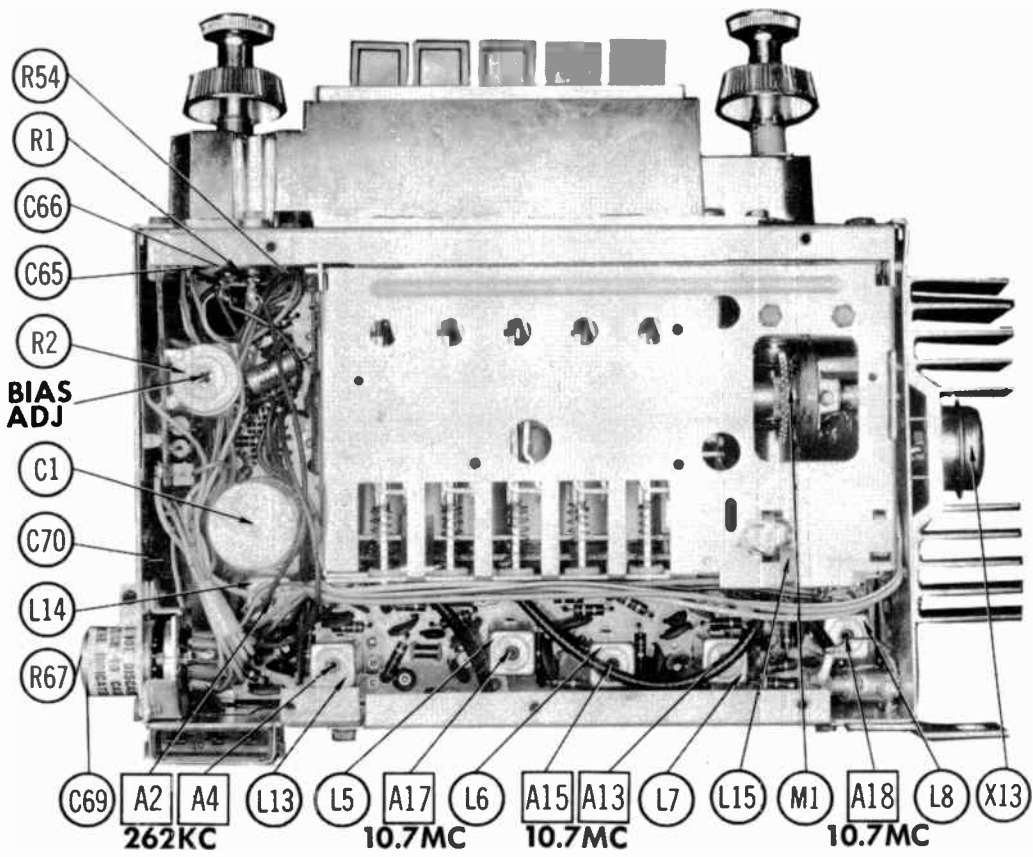


**\*VOLTAGE SOURCE**

**▲ MEASURED IN AM POSITION**







# ALIGNMENT INSTRUCTIONS

Check for specified source voltage.

Use only enough generator output to provide a usable indication.

Suggested Alignment Tools:

A1 thru A4, A11 thru A18.

A6, A7, A8, A20, A21, A22.

GENERAL CEMENT: 9296, 9297, 9300

WALSCO: 2510, 2546, 2547

GENERAL CEMENT: 8290, 8868, 9087

WALSCO: 2525, 2528, 2587

### PUSH-BUTTON ADJUSTMENT

1. Pull button out.
2. Tune manually to desired station.
3. Press button in firmly.
4. Repeat for remaining buttons.

SIGNAL GENERATOR COUPLING	SIGNAL GENERATOR FREQUENCY	RADIO DIAL SETTING	INDICATOR	ADJUST	REMARKS
1. High side thru .1mfd to point $\Delta$ , low side to ground.	262KC (40% Mod.)	High Freq. End Stop.	Output Meter across voice coil.	A1, A2, A3, A4	Adjust for maximum.
Check setting of AM Oscillator coil core (A5). Rear of core should be 1 3/8" from mounting end of coil form.					
2. High side thru 82mmf to antenna receptacle, low side to ground.	1615KC	High Freq. End Stop.	Output Meter across voice coil.	A6, A7, A8	Adjust for maximum.
3. " "	600KC	600KC Signal	"	A9, A10	Adjust for maximum. Repeat step 2.
With radio installed in car and antenna extended 31", tune in a weak station near 1400KC and adjust A8 for maximum output.					

### FM ALIGNMENT USING AM SIGNAL GENERATOR — SELECTOR IN FM POSITION

High side thru .1mfd to point B, low side to ground.

GENERATOR FREQUENCY	DIAL SETTING	INDICATOR	ADJUST	REMARKS
4. 10.7MC (Unmod.)	Point of non-interference.	DC probe of VTVM to point $\diamond$ ; common to ground.	A11, A12, A13, A14, A15, A16, A17.	Adjust for maximum.
5. " "	" "	DC probe to point $\diamond$ ; common to ground.	A18.	Adjust for zero reading. A positive or negative reading will be obtained on either side of the correct setting.

### FM IF ALIGNMENT USING FM SIGNAL GENERATOR — SELECTOR IN FM POSITION

High side thru .1mfd to point B, low side to ground.

Use only enough marker signal to obtain indication.

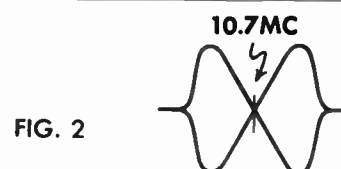
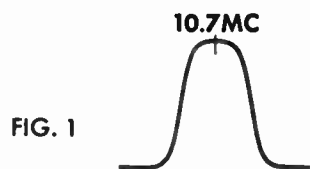
Use 60% frequency modulated signal with 450KC sweep. Use 120% sawtooth voltage in scope for horizontal deflection.

GENERATOR FREQUENCY	DIAL SETTING	INDICATOR	ADJUST	REMARKS
4. 10.7MC (450KC Swp.)	Point of non-interference	Vert. amp. of Scope to point $\diamond$ ; low side to ground.	A11, A12, A13, A14, A15, A16, A17.	Disconnect stabilizing capacitor C4. Adjust for maximum gain and symmetry of response similar to Fig. 1 with marker as shown. Reconnect C4.
5. " "	" "	Vert. amp. to point $\diamond$ ; low side to ground.	A18.	Adjust A18 (Secondary) to place marker at center of crossover lines similar to Fig. 2. Adjust A11 (Primary) for maximum amplitude and straightness of crossover lines.

FM RF ALIGNMENT Check setting of FM Oscillator coil core (A19). Rear of core should be 1 3/8" from mounting end of coil form.

Connect generator across antenna terminals with 120 $\Omega$  carbon resistors in series with each lead.

GENERATOR FREQUENCY	DIAL SETTING	INDICATOR	ADJUST	REMARKS
6. 108MC	Set at high end.	DC probe of VTVM to point $\diamond$ ; common to ground.	A20, A21, A22.	Ground Circuittrace Point 10. Adjust for maximum.
7. 99MC	Tune to signal.	"	A23, A24.	Rock tuning and adjust for maximum. Repeat steps 6 and 7 until no further improvement can be made.





# PARTS LIST AND DESCRIPTION

(When ordering parts, state Model, Part Number, and Description.)

Replacement parts shown may be superseded by the availability of newly introduced replacements. Have your local distributor check Sams COUNTER FACTS for the most up-to-date replacement.

## TRANSISTORS

ITEM No.	ORIG. TYPE	USE	REPLACEMENT DATA			NOTES
			DELCO PART No.	GENERAL ELECTRIC PART No.	RCA PART No.	
X1	D8-78	FM RF Amp.	D8-81	GE-11	SK-3018	NPN
X2	D8-78	FM Mixer	D8-81	GE-11	SK-3018	NPN
X3	D8-74	FM Oscillator	D8-74	GE-11	SK-3018	NPN
X4	D8-85	1st. FM IF	D8-74	GE-11	SK-3018	NPN
X5	D8-85	2nd. FM IF	D8-74	GE-11	SK-3018	NPN
X6	D8-73	3rd. FM IF	D8-74	GE-11	SK-3018	NPN
X7	D8-85	FM Limiter	D8-74	GE-11	SK-3018	NPN
X8	D8-71	AM RF Amp.	D8-75	GE-11	SK-3020	NPN
X9	D8-72	AM Converter	D8-75	GE-11	SK-3020	NPN
X10	D8-72	AM IF	D8-75	GE-11	SK-3020	NPN
X11	D8-66	AF Amp.	D8-66	GE-10	SK-3020	NPN
X12	D8-66	AF Amp.	D8-66	GE-10	SK-3020	NPN
X13	D8-501	Output	D8-501	GE-4	SK-3012	PNP *

\* When replacing, apply silicone grease to both sides of insulator. Tighten mounting screws securely. Check bias adjustment.

## POWER RECTIFIERS & SIGNAL DIODES

ITEM No.	MEASURED CURRENT	ORIGINAL Part or Type No.	RECTIFIERS & DIODES		RECTIFIERS		
			GENERAL ELECTRIC PART No.	INTERNATIONAL RECTIFIER PART No.	MALLORY PART No.	RCA PART No.	SARKES TARZIAN PART No.
X14		D8-55	1N34AS	1N34A			
X15		D8-27	1N34AS	1N34A			
X16		DS-27	1N34AS	1N34A			
X17		D8-39 ①	1N34AS	1N34A			
X18		D8-39 ①	1N34AS	1N34A			
X19		D8-27	1N34AS	1N34A			
X20		D8-27	1N34AS	1N34A			
X21		D8-27	1N34AS	1N34A			
X22		DS-49 (Zener)					

① Matched Pair.

## ELECTROLYTIC CAPACITORS

ITEM No.	RATING		REPLACEMENT DATA					
	CAP.	VOLT.	DELCO PART No.	AEROVOX PART No.	CORNELL-DUBILIER PART No.	GENERAL ELECTRIC PART No.	MALLORY PART No.	SPRAGUE PART No.
C1A	1000	16	7283675	AFH3-54-41	CC0006		FPS300.91	PCL-3021.8*
B	500	16						
C	4	115rms						
C2	10	12	7292738	PTT53	NLW10-15	MT1-5	TT12X10	TL-1128
C3	10	12	7292738	PTT53	NLW10-15	MT1-5	TT12X10	TL-1128
C4	3	12	7291860	PTT50	NLW3-15	MT1-3	TT12X3	TE-1122
C5	30	6	7279896	PTT27	NLW30-6	MT1-13	TT6X30	TE-1092
C6	10	12	7292738	PTT53	NLW10-15	MT1-5	TT12X10	TL-1128
C7	100	4	7291810	PTT30	NLW125-6	MT1-21	TT6X100	TE-1102
C8	100	4	7291810	PTT30	NLW125-6	MT1-21	TT6X100	TE-1102

\* Not normally in distributor's stock. Available thru distributor on order to manufacturer.

## CAPACITORS

ITEM No.	RATING	REMARKS	REPLACEMENT DATA					
			AEROVOX PART No.	CENTRALAB PART No.	CORNELL-DUBILIER PART No.	ELMENCO PART No.	MALLORY PART No.	SPRAGUE PART No.
C9		#7293221						
C10	2	NPO	NPO-DI 2.2	DTZ-2R2	CZ601CJ2R2D	CCTO-2R2	CN0512	10TCC-V22
C11	270		DI-270	DD-271	RR05CW271K	CCD-271	GP327	5GA-T27
C12	270		DI-270	DD-271	RR05CW271K	CCD-271	GP327	5GA-T27
C13		#7291003						
C14	56			TCZ-58		CCTO-560	CN0456	10TCC-Q56
C15	10	NPO	NPO-DI 10	DTZ-10	CZ601CG100J	CCTO-100	CN0410	10TCC-Q10
C16	180		DI-180	DD-181	JBZ601YP181K	CCD-181	GP318	5GA-T18
C17	270		DI-270	DD-271	RR05CW271K	CCD-271	GP327	5GA-T27
C18	270		DI-270	DD-271	RR05CW271K	CCD-271	GP327	5GA-T27
C19	.01		BPD-01	DD-103	BYV102ZU103M	CCD-103	B110	5HK-S10
C20	.01		BPD-01	DD-103	BYV102ZU103M	CCD-103	B110	5HK-S10
C21	1.5	NPO	NPO-DI 1.0	TCZ-1			CN0510	10TCC-V10
C22	1	NPO	NPO-DI 1.0	TCZ-1			CN0510	10TCC-V10
C23	270		DI-270	DD-271	RR05CW271K	CCD-271	GP327	5GA-T27
C24	3.3	N750		TCN-3R3			CN7533	10TCU-V33
C25		#7292611						

# PARTS LIST AND DESCRIPTION (CONTINUED)

(When ordering parts, state Model, Part Number, and Description.)

Replacement parts shown may be superseded by the availability of newly introduced replacements. Have your local distributor check Sams COUNTER FACTS for the most up-to-date replacement.

## CAPACITORS

ITEM No.	RATING	REMARKS	REPLACEMENT DATA					
			AEROVOX PART No.	CENTRALAB PART No.	CORNELL-DUBILIER PART No.	ELMENCO PART No.	MALLORY PART No.	SPRAGUE PART No.
C26	6.8 NPO		NPO-DI 6.8	DTZ-6R8	CZ601CH6R8D	CCTO-6R8	CN0568	10TCC-V68
C27	4.7 N470		DI-270	DD-271	RR05CW271K	CCD-271	GP327	10TCT-V47
C28	270		TTD-05		HOV101ZV503Z		TA150	5GA-T27
C29	.05		DI-2200	CF-222	JBX601YP222K	CCD-222	JF222	TH-S50
C30	.0022			UK-105	HXC3R0XR105P		MAG31	10TS-D22
C31	1mfd		BPD-01	DD-103	BYV102ZU103M	CCD-103	B110	HY-135
C32	.01		BPD-01	DD-103	BYV102ZU103M	CCD-103	B110	5HK-810
C33	.01		BPD-01	DD-103	BYV102ZU103M	CCD-103	B110	5HK-810
C34	.01		BPD-01	DD-103	BYV102ZU103M	CCD-103	B110	5HK-810
C35	.01		BPD-01	DD-103	BYV102ZU103M	CCD-103	B110	5HK-810
C36	10 NPO		NPO-DI 10	DTZ-10	CZ601CG100J	CCTO-100	CN0410	10TCC-Q10
C37	.01		BPD-01	DD-103	BYV102ZU103M	CCD-103	B110	5HK-810
C38	.01		BPD-01	DD-103	BYV102ZU103M	CCD-103	B110	5HK-810
C39	.05		TTD-05		HOV101ZV503Z		TA150	TH-S50
C40	.01		BPD-01	DD-103	BYV102ZU103M	CCD-103	B110	5HK-810
C41	560		DI-560	DD-561	JBY601YP561K	CCD-561	GP356	5GA-T56
C42	330		DI-330	DD-331	JBZ601YP331K	CCD-331	JF333	10TS-T33
C43	330		DI-330	DD-331	JBZ601YP331K	CCD-331	JF333	10TS-T33
C44		#7294355						
C45	.15		TTD-1	CK-104	HOV101ZV104Z		TA010	TG-P10
C46	3.3 NPO		NPO-DI 3.0	DTZ-3R3		CCTO-3R3	CN0533	10TCC-V30
C47	91 N750			TCN-91				
C48	.05		TTD-05		HOV101ZV503Z		TA150	TH-S50
C49		#7295193						
C50	200 N750		N750-DI 200	DTN-200		CCTN-201	CN7320	10TCU-T20
C51	.0068 75V		DBE6D68	CPR-6800J	WMF1D68	1DP-1-682	PVC4268	6PS-D68
C52	.022		BPD-02	DD-203	BYT601ZU203Z	CCD-203	B120	5HK-S20
C53	165 N330							
C54	165 N330							
C55		#7295192						
C56	.0047 75V		DBE6D47	CPR-4700J	WMF1847	6DP-1-472	PVC6247	6PS-D47
C57	.001		BPD-001	DD-102	HVX162XP102M	CCD-102	B210	5HK-D10
C58	.05		TTD-05		HOV101ZV503Z		TA150	TH-S50
C59	.05		TTD-05		HOV101ZV503Z		TA150	TH-S50
C60	180 N080							10CTCN-T60
C61	.1		TTD-1	CK-104	HOV101ZV104Z		TA010	TG-P10
C62	.001		BPD-001	DD-102	HVX162XP102M	CCD-102	B210	5HK-D10
C63	.012 75V		DBE6S12	CPR-10000J	DPMS6S12	6DP-2-123	PVC6112	6PS-S12
C64	.012 75V		DBE6S12	CPR-10000J	DPMS6S12	6DP-2-123	PVC6112	6PS-S12
C65	.1		TTD-1	CK-104	HOV101ZV104Z		TA010	TG-P10
C66	.047 75V		DBE2S47		WMF2S47	1DP-2-473	PVC1147	2PS-S47
C67	470		DI-470	DD-471	JBZ601YP471K	CCD-471	JF347	10TS-T47
C68	270		DI-270	DD-271	RR05CW271K	CCD-271	GP327	5GA-T27
C69	.033		TTD-03	CK-303				
C70	1mfd 75V	①		UK-105	HXC3R0XR105P		MAG31	HY-135
C71	.15 75V	①			WMF1P15	1DP-1-154	PVC1015	2PS-P15
C72		#7271564	DBE2P15					

\* Not normally in distributor's stock. Available thru distributor on order to manufacturer.  
 # Delco Part Number. ① Not used in some versions.

## CONTROLS

All wattages 1/2 watt, or less, unless otherwise listed.

ITEM No.	USE	RESIST-ANCE	REPLACEMENT DATA					
			DELCO PART No.	CENTRALAB PART No.	CLAROSTAT PART No.	CTS-IRC PART No.	MALLORY PART No.	
R1A B	Tone Volume/Switch	100K 20K Tap @ 6000Ω	7296281	F1-100K, R14-25K, FFS102, RFS114, BB012, SB004, K4			† QJ-2171A	
R2	Bias	600Ω 2W	7286601	V-600	US9-600	110-600		MR600P

† "CONCENTRIKIT" Equivalent: K8 Kit, with Base Elements and Shafts: B11-128, P22-103 (Panel) B19-119X, R26-121 (Rear) S6 (Bushing) N4 (Spacer Nut) 76-1 (Switch)

"SNAPTROL" Equivalent: BU8 ①, CF13, CR50T, SF7, SR9, N4, GC.  
 ① Alter Bushing to meet requirements.

## RESISTORS (Power and Special)

ITEM No.	RATING	REPLACEMENT DATA			ITEM No.	RATING	REPLACEMENT DATA		
		IRC PART No.	WORKMAN PART No.	DELCO PART No.			IRC PART No.	WORKMAN PART No.	DELCO PART No.
R66	.47Ω (Fusible)			7281890					

CHEVROLET MODEL 986546

# PARTS LIST AND DESCRIPTION (CONTINUED)

(When ordering parts, state Model, Part Number, and Description.)

Replacement parts shown may be superseded by the availability of newly introduced replacements.  
Have your local distributor check Sams COUNTER FACTS for the most up-to-date replacement.

## COILS (RF-IF)

ITEM No.	USE	REPLACEMENT DATA				
		DELCO PART No.	MEISSNER Part No.	MERIT PART No.	MILLER PART No.	WORKMAN PART No.
L1	FM Antenna	①				
L2	FM RF	①				
L3	FM IF Trap (.18uh)	7291800				
L4	FM Oscillator	①				
L5	1st. FM IF	7296100				
L6	2nd. FM IF	7296101				
L7	3rd. FM IF	7296102				
L8	Ratio Detector	7296103				
L9	RF Choke (8uh)	7255738	19-1009	BC-565	4611	T822
L10	AM Antenna	①				
L11	AM RF	①				
L12	AM Oscillator	①				
L13	1st. AM IF	7295169				
L14	2nd. AM IF	7295170				

① Part of M1.

## FILTER CHOKE

ITEM No.	RATINGS			REPLACEMENT DATA					NOTES
	CURRENT (Measured)	DC RES.	INDUCTANCE (0 CURRENT 1000~)	DELCO PART No.	MERIT PART No.	STANCOR PART No.	THORDARSON PART No.	TRIAD PART No.	
L15	1.3 Amp.	.8Ω	8MH	1221623					

## CHOKE (AUDIO OUTPUT)

ITEM No.	INDUCTANCE	REPLACEMENT DATA					NOTES
		DELCO PART No.	MERIT PART No.	STANCOR PART No.	THORDARSON PART No.	TRIAD PART No.	
L16	30MH	1222297					

## SPEAKER

ITEM No.	TYPE	REPLACEMENT DATA		NOTES
		DELCO PART No.	QUAM PART No.	
SP1	6" x 9" PM 10Ω	7291711		

## FUSE DEVICES

ITEM No.	TYPE	RATING	REPLACEMENT DATA						
			PART No.		LITTELFUSE PART No.		BUSS PART No.		
			FUSE	HOLDER	FUSE	HOLDER	FUSE	HOLDER	
F1	3AG	3 Amp.		In Fuse Block	312003			AGC 3	

## MISCELLANEOUS

ITEM No.	PART NAME	DELCO PART No.	NOTES
M1	Tuning Coil Assy.	1222504	
M2	Jumper Plug	7296020	
S1	AM-FM Selector Switch	7295917	

## CABINETS & CABINET PARTS

(When Ordering Specify Model, Chassis & Color)

ITEM	PART No.	ITEM	PART No.
Dial Drum	7296383	Knob-Tuning or Volume	3860189
Escutcheon	7296386	Knob-Tone	3860187
Dial Pointer	7296385	Knob-Dummy	3860188
Pushbutton	7295249		

## WIRING DATA

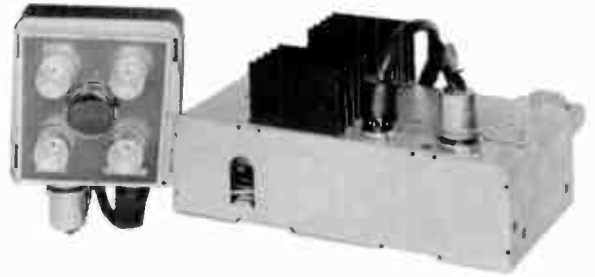
General-use Unshielded Hook-up Wire .....	Use BELDEN No. 8530 (Solid) Available in 12 Colors
	8524 (Stranded) Available in 12 Colors
Shielded Hook-up Wire .....	Use BELDEN No. 8885
Rear Seat Speaker Extension Cable .....	Use BELDEN No. 8782 (Stranded) Coded Parallel Leads
Bonding Strap .....	Use BELDEN No. 8861 (3/8 in.) or 8670 (3/4 in.)



PHOTOFACT<sup>®</sup> with

CIRCUITRACE<sup>®</sup>

TRADE NAME: Chevrolet Models 7296341 (986731),  
7299561 (1966 Caprice)  
SUPPLIER: For Current Address, See Annual Index.  
TYPE SET: 11 Transistor FM Stereo Adapter  
POWER SUPPLY: 12 Volt Storage Battery  
RATING: 1.2 Amp. @ 12.6 Volts DC  
TUNING RANGE:



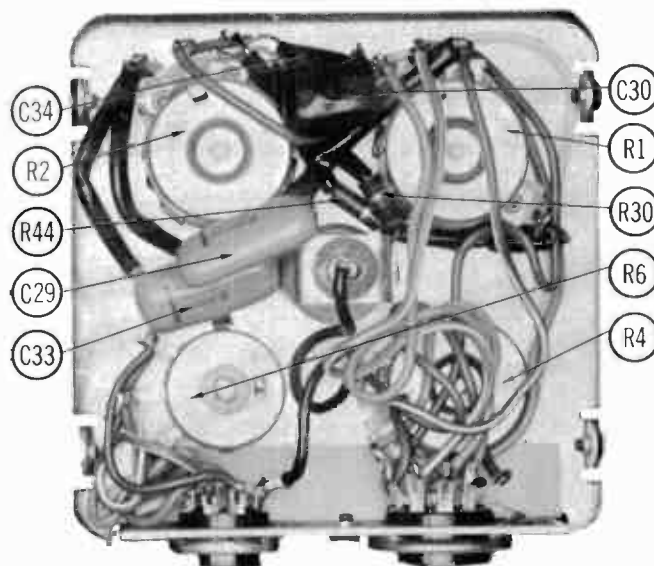
## ALIGNMENT INSTRUCTIONS

FM STEREO MULTIPLEX ALIGNMENT USING FM STEREO SIGNAL GENERATOR ( $\pm .0001\%$ ) ACCURACY)

Connect high side of generator to point A , low side to Chassis.

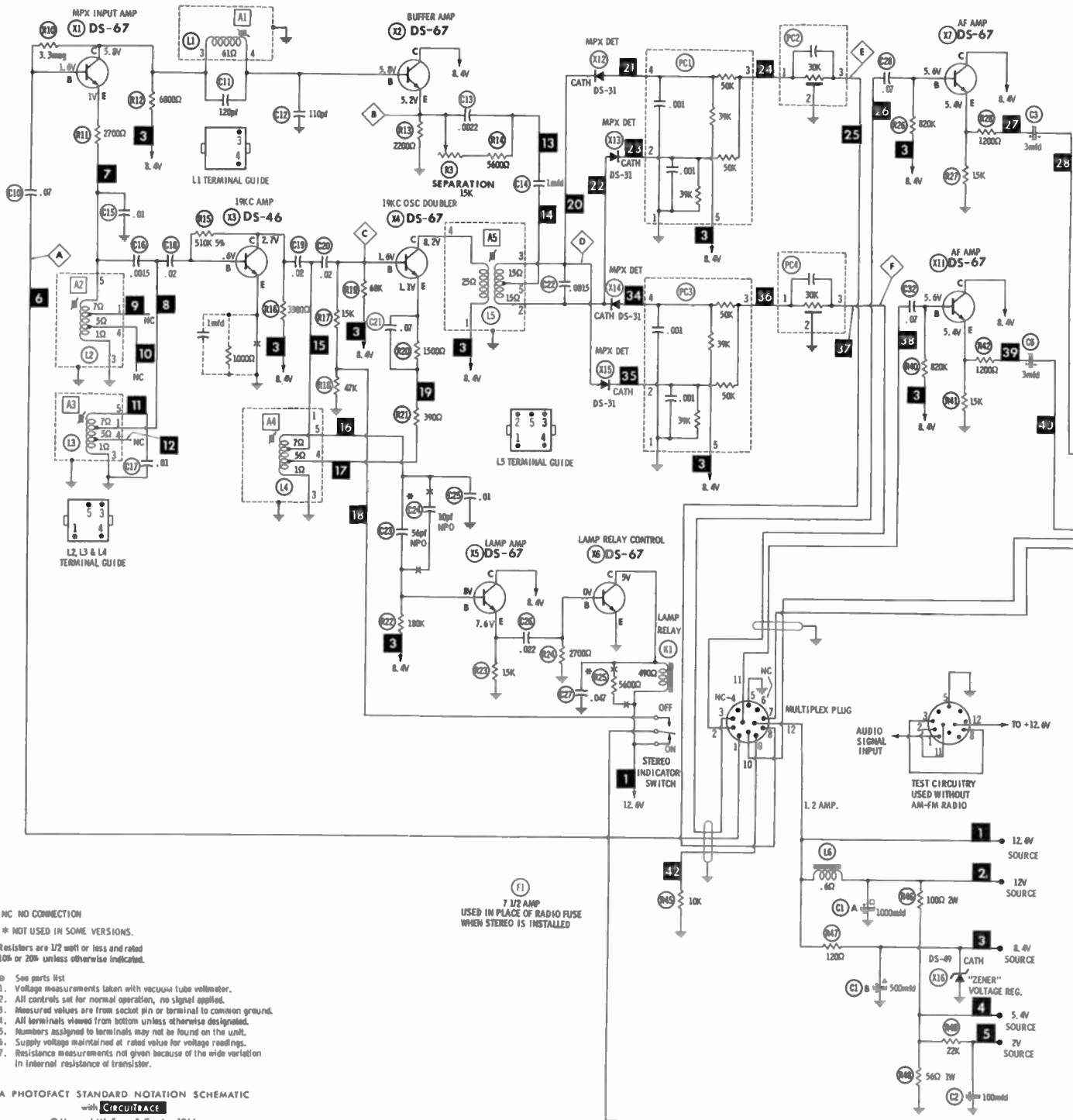
GENERATOR FREQUENCY	INDICATOR	ADJUST	REMARKS
1. 67KC	Vert. amp. of Scope thru a 1 meg to point B ; low side to ground.	A1	Adjust for MINIMUM.
2. 19KC	Vert. amp. thru 47K to point C ; low side to ground.	A2, A3, A4.	Adjust for maximum.
3. "	Vert. amp. thru 47K to point D ; low side to ground.	A5.	Adjust maximum for 38KC response.
4. Modulated Left Channel	Vert. amp. to point E ; low side to ground.	A2, A3, A4, A5 & R3.	Adjust for MINIMUM. Should require only a slight adjustment.
5. Modulated Right Channel	Vert. amp. to point F ; low side to ground.		Check for MINIMUM. Make compromise adjustments, if necessary, by adjusting A2, A3, A4, A5 & R3.

To align multiplex section using an air signal, first make sure FM section is properly aligned. Tune in a strong FM stereo signal. Follow steps 1 thru 5 above except in step 1 adjust to eliminate whistle or interference.



HOWARD W. SAMS & CO., INC. Indianapolis, Indiana 46206

© 1966 Howard W. Sams & Co., Inc. Printed in U. S. of America RE601



NC NO CONNECTION

\* NOT USED IN SOME VERSIONS.

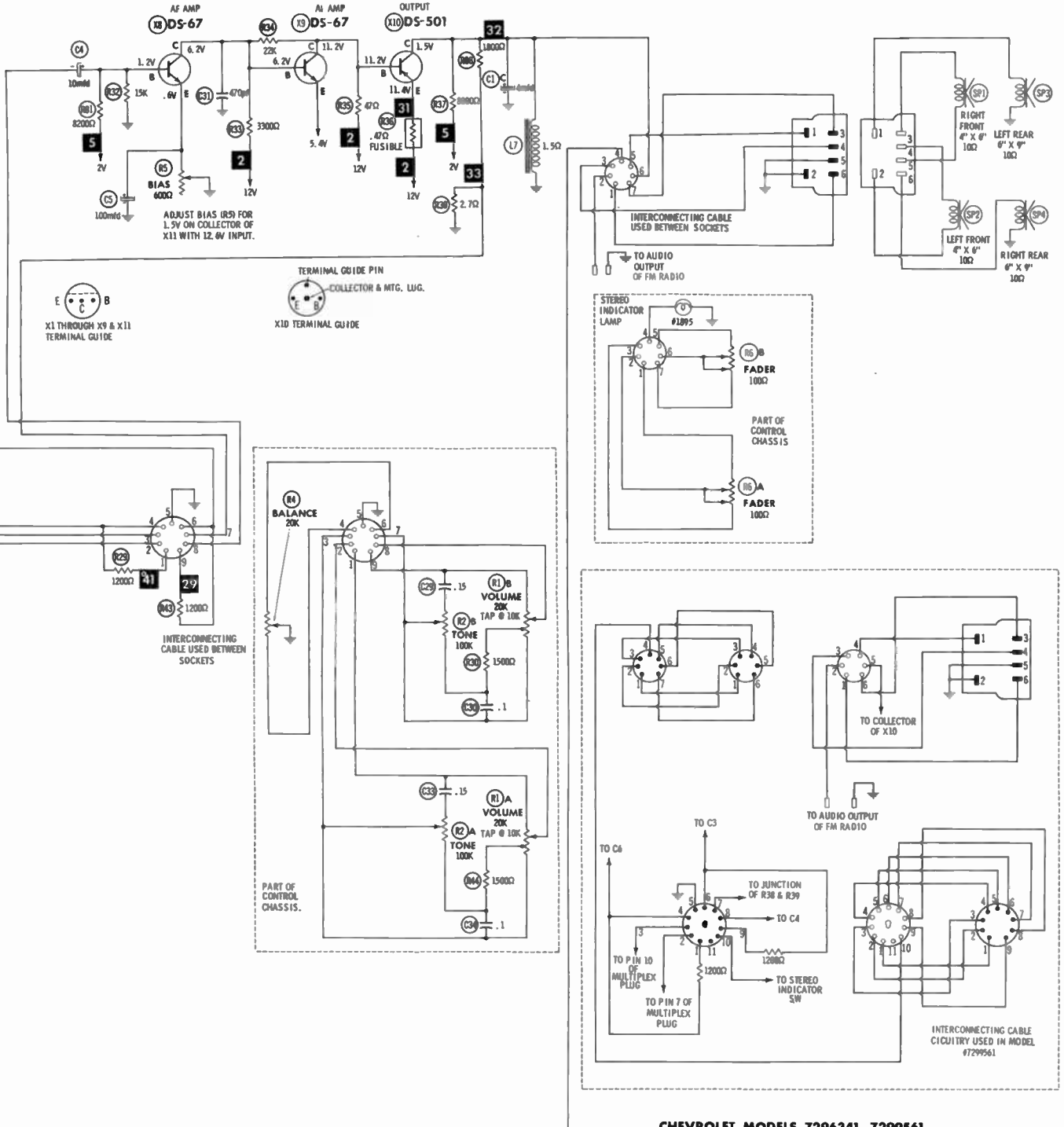
Resistors are 1/2 watt or less and rated 10% or 20% unless otherwise indicated.

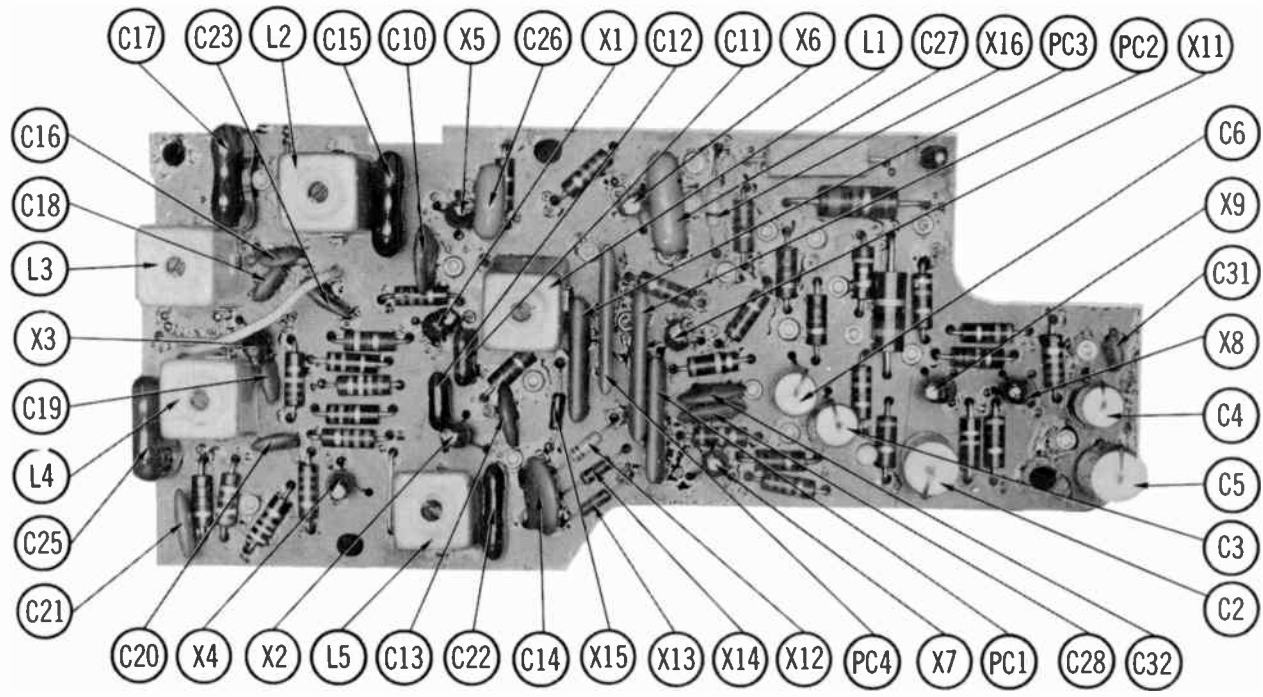
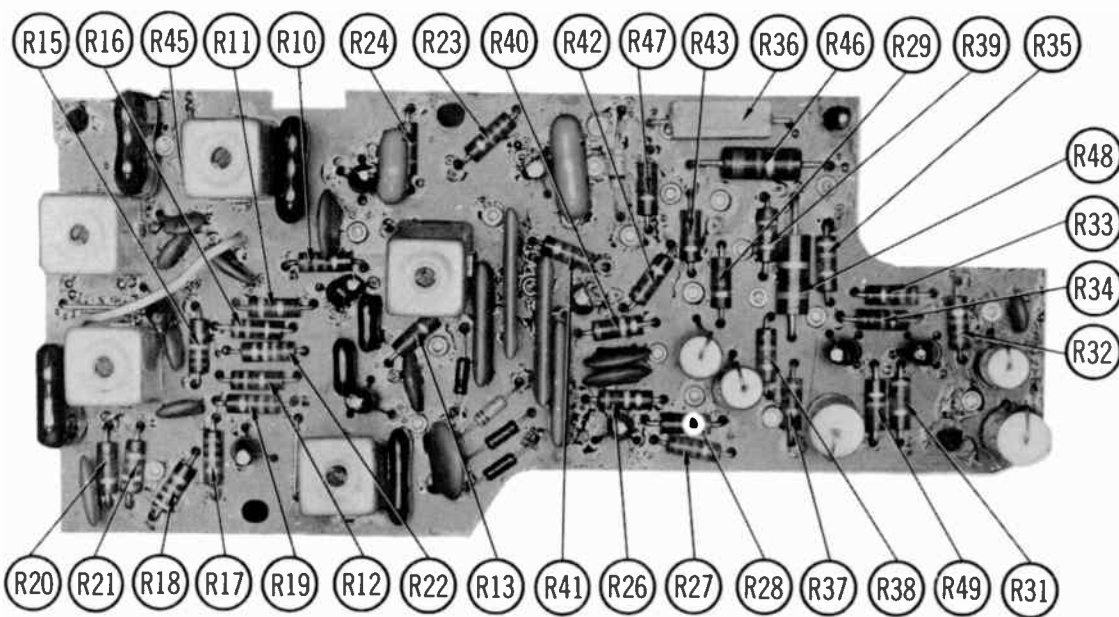
- ⑤ See parts list
- 1. Voltage measurements taken with vacuum tube voltmeter.
- 2. All controls set for normal operation, no signal applied.
- 3. Measured values are from socket pin or terminal to common ground.
- 4. All terminals viewed from bottom unless otherwise designated.
- 5. Numbers assigned to terminals may not be found on the unit.
- 6. Supply voltage maintained at rated value for voltage readings.
- 7. Resistance measurements not given because of the wide variation in internal resistance of transistor.

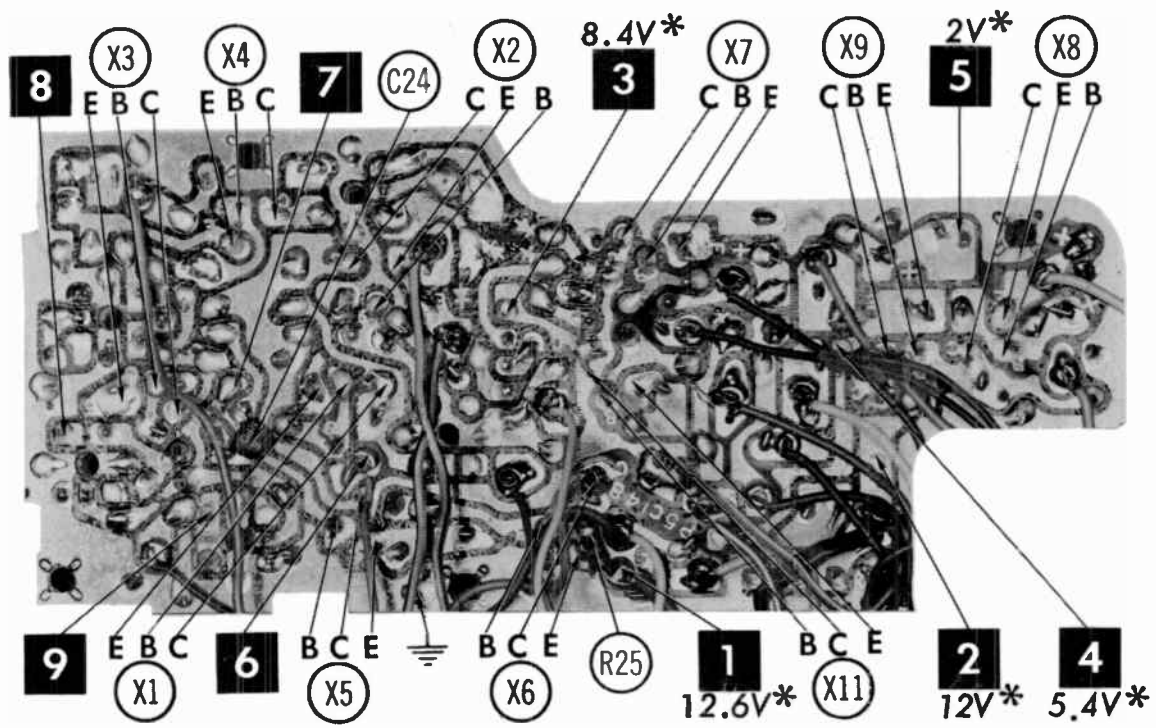
A PHOTOFACT STANDARD NOTATION SCHEMATIC  
with **CIRCUITRACE**

© Howard W. Sams & Co., Inc. 1966

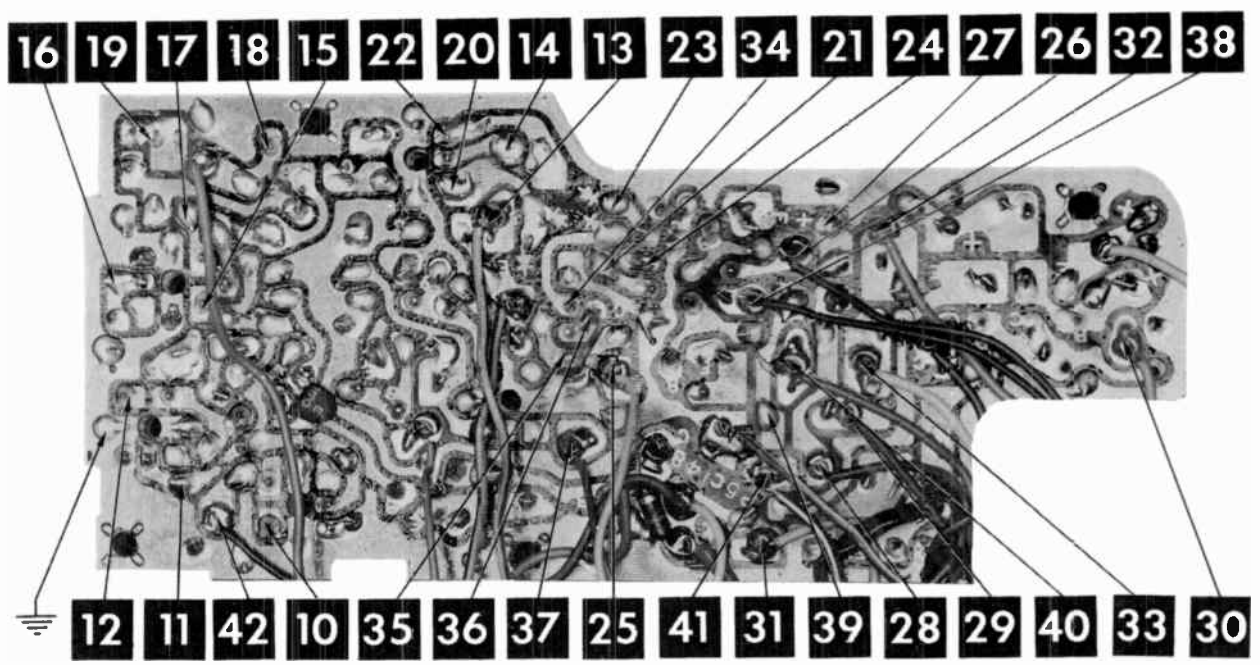
(F1) 7 1/2 AMP  
USED IN PLACE OF RADIO FUSE  
WHEN STEREO IS INSTALLED



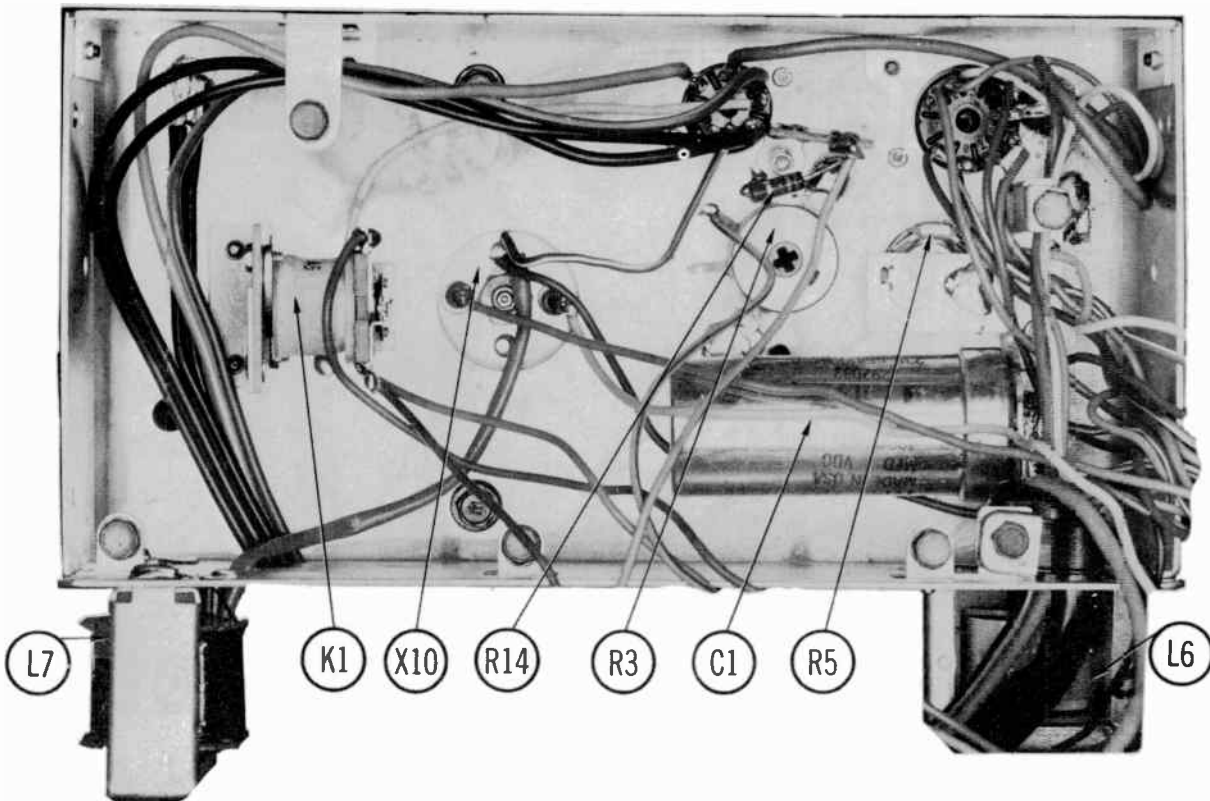
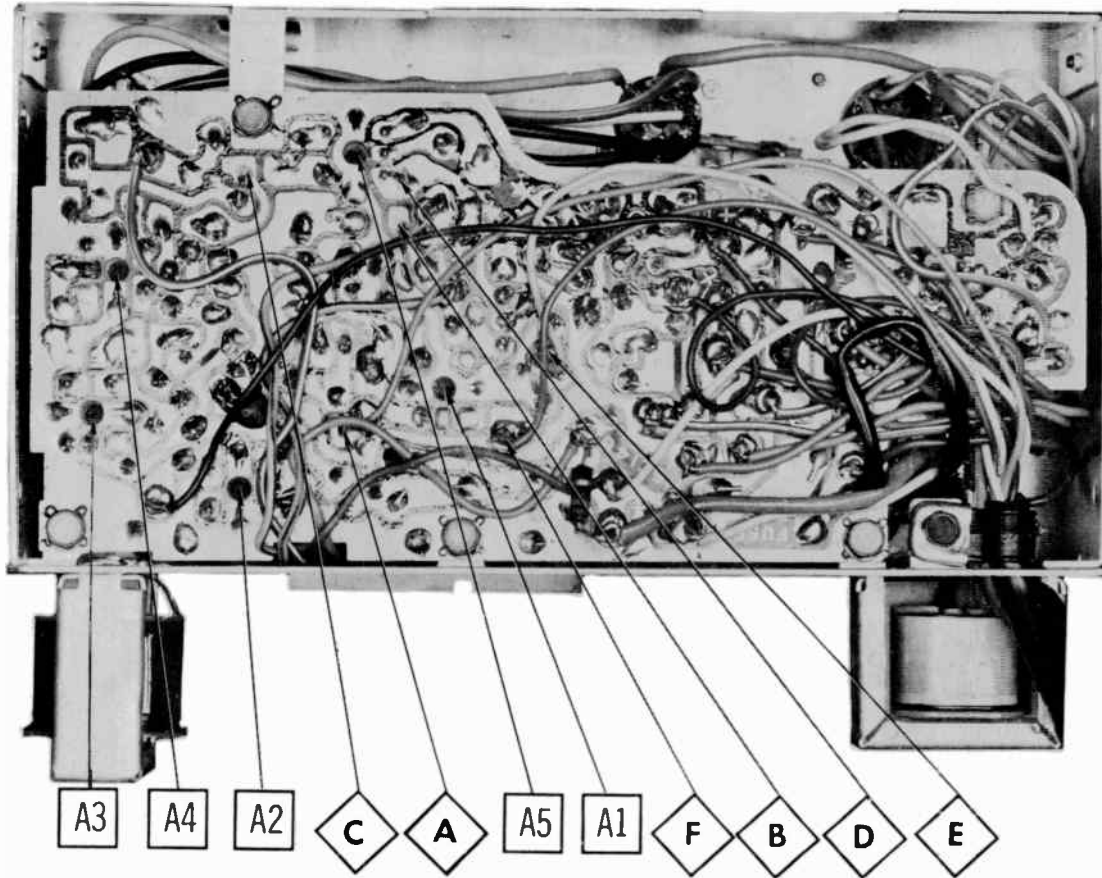




\*VOLTAGE SOURCE







# PARTS LIST AND DESCRIPTION

(When ordering parts, state Model, Part Number, and Description.)

Replacement parts shown may be superseded by the availability of newly introduced replacements. Have your local distributor check Sams COUNTER FACTS® for the most up-to-date replacement.

## TRANSISTORS

ITEM No.	ORIG. TYPE	USE	REPLACEMENT DATA			NOTES
			DELCO PART No.	GENERAL ELECTRIC PART No.	RCA PART No.	
X1	D8-87	MPX Input Amp.	D8-86	GE-10	SK-3020	NPN
X2	D8-87	Buffer Amp.	D8-86	GE-10	SK-3020	NPN
X3	D8-46	19KC Amp.	D8-86	GE-10	SK-3020	NPN
X4	D8-87	19KC Oscillator Doubler	D8-86	GE-10	SK-3020	NPN
X5	D8-87	Lamp Amp.	D8-86	GE-10	SK-3020	NPN
X6	D8-87	Lamp Relay Control	D8-86	GE-10	SK-3020	NPN
X7	D8-87	AF Amp.	D8-86	GE-10	SK-3020	NPN
X8	D8-87	AF Amp.	D8-86	GE-10	SK-3020	NPN
X9	D8-87	AF Amp.	D8-86	GE-10	SK-3020	NPN
X10	D8-501	Output	D8-501	GE-4	SK-3012	PNP *
X11	D8-87	AF Amp.	D8-86	GE-10	SK-3020	NPN

\* When replacing, apply silicone grease to both sides of insulator. Tighten mounting screws securely. Check bias adjustment.

## POWER RECTIFIERS & SIGNAL DIODES

ITEM No.	MEASURED CURRENT	ORIGINAL Part or Type No.	RECTIFIERS & DIODES		RECTIFIERS		
			GENERAL ELECTRIC PART No.	INTERNATIONAL RECTIFIER PART No.	MALLORY PART No.	RCA PART No.	SARKES TARZIAN PART No.
X12		D8-31	1N34AS	1N34A			
X13		D8-31	1N34AS	1N34A			
X14		D8-31	1N34AS	1N34A			
X15		D8-31	1N34AS	1N34A			
X16		D8-49 (Zener)					

## ELECTROLYTIC CAPACITORS

ITEM No.	RATING		REPLACEMENT DATA					
	CAP.	VOLT.	DELCO PART No.	AEROVOX PART No.	CORNELL-DUBILIER PART No.	GENERAL ELECTRIC PART No.	MALLORY PART No.	SPRAGUE PART No.
C1A	1000	16	7292083	AFH3-54-41	CC0006		FPS300.91	PCL-3021.8
B	500	16						
C	4	11.5rma						
C2	100	4	7291810	PTT30	NLW125-6	MT1-21	TT6X100	TE-1102
C3	3	12	7291860	PTT50	NLW3-15	MT1-3	TT12X3	TE-1122
C4	10	12	7292738	PTT53	NLW10-15	MT1-5	TT12X10	TL-1128
C5	100	4	7291810	PTT30	NLW125-6	MT1-21	TT6X100	TE-1102
C6	3	12	7291860	PTT50	NLW3-15	MT1-3	TT12X3	TE-1122

## CAPACITORS

ITEM No.	RATING	REMARKS	REPLACEMENT DATA					
			AEROVOX PART No.	CENTRALAB PART No.	CORNELL-DUBILIER PART No.	ELMENC0 PART No.	MALLORY PART No.	SPRAGUE PART No.
C10	.07	#7288631						
C11	120		DI-120	DD-121	JBZ601YP121K	CCD-121	GP312	5GA-T12
C12	110		DI-100	DD-101	JBZ601YP101K	CCD-101	GP310	5CA-T10
C13	.0022		DI-2200	CF-222	JBX601YP222K	CCD-222	JF222	10TS-D22
C14	1mfd			UK-105	HXC3R0XR105P		MAG31	HY-135
C15	.01		BPD-01	DD-103	BYV1027 U103M	CCD-103	B110	5HK-810
C16	.0015		BPD-0015	DD-152		CCD-152	B215	5HK-D15
C17	.01		BPD-01	DD-103	BYV1027 U103M	CCD-103	B110	5HK-S10
C18	.02		BPD-02	DD-203	BYT6017 U203Z	CCD-203	B120	5HK-S20
C19	.02		BPD-02	DD-203	BYT6017 U203Z	CCD-203	B120	5HK-S20
C20	.02		BPD-02	DD-203	BYT6017 U203Z	CCD-203	B120	5HK-S20
C21	.07	#7288631						
C22	.0015		BPD-0015	DD-152		CCD-152	B215	5HK-D15
C23	56 NPO			TCZ-56		CCTO-560	CN0456	10TCC-Q56
C24	10 NPO	①	NPO-DI10	DTZ-10	C7601CG100J	CCTO-100	CN0410	10TCC-Q10
C25	.01		BPD-01	DD-103	BYV1027 U103M	CCD-103	B110	5HK-S10
C26	.022 75V		DBE2S22		WMF1S22	1DP-1-223	PVC1122	2PS-S22
C27	.047 75V		DBE2S47		WMF2S47	1DP-2-473	PVC1147	2PS-S47
C28	.07	#7288631						
C29	.15 75V		DBE2P15		WMF1P15	1DP-1-154	PVC1015	2PS-P15
C30	.1 75V		DBE2P1		WMF1P1	1DP-2-104	PVC101	2PS-P10
C31	470		DI-470	DD-471	JBZ601YP471K	CCD-471	JF347	10TS-T47
C32	.07	#7288631						
C33	.15 75V		DBE2P15		WMF1P15	1DP-1-154	PVC1015	2PS-P15
C34	.1 75V		DBE2P1		WMF1P1	1DP-1-104	PVC101	2PS-P10

① Delco Part Number.

① Not used in some versions.

# PARTS LIST AND DESCRIPTION (CONTINUED)

(When ordering parts, state Model, Part Number, and Description.)

Replacement parts shown may be superseded by the availability of newly introduced replacements. Have your local distributor check Sams COUNTER FACTS™ for the most up-to-date replacement.

## CONTROLS

All wattages 1/2 watt, or less, unless otherwise listed.

ITEM No.	USE	RESIST-ANCE	REPLACEMENT DATA				
			DELCO PART No.	CENTRALAB PART No.	CLAROSTAT PART No.	CTS-IRC PART No.	MALLORY PART No.
R1A	Volume	20K Tap @ 10K	7296891			QCB4 ① ②, B19-119X, B19-119X, TM8, QCM	
B	Volume	20K Tap @ 10K					
R2A	Tone	100K	7296889	F2-100K, R2-100K		QCB4 ① ②, B13-128, B13-128, TM8, QCM or (BU14 ①, CF13, CR8, SS7A, DC1)*	
B	Tone	100K		TFS212, BA010, CA005			
R3	Separation	15K 2W	7293376			QCB4 ① ②, B11-119, TM8 or (BU14 ①, CF62, SS4, DC1)*	
R4	Balance	20K	7296888	F1-25K, SFS212, BA010, CA005			
R5	Bias	600Ω 2W	7286864	V-600	U39-600	110-600	MR850T
R6A	Fader	100Ω 2W	7296890				
B	Fader	100Ω 2W					

① Alter bushing to meet requirements.

\* "SNAPTROL"

② Use QCB4 instead of Tab mount plate in TM8.

## RESISTORS (Power and Special)

ITEM No.	RATING	REPLACEMENT DATA			ITEM No.	RATING	REPLACEMENT DATA		
		IRC PART No.	WORKMAN PART No.	DELCO PART No.			IRC PART No.	WORKMAN PART No.	DELCO PART No.
R36	.47Ω (Fusible)			7281890					

## COILS (RF-IF)

ITEM No.	USE	REPLACEMENT DATA				
		DELCO PART No.	MEISSNER Part No.	MERIT PART No.	MILLER PART No.	WORKMAN PART No.
L1	67KC Trap	7291023				
L2	19KC Input	7291019				
L3	19KC Input	7291019				
L4	19KC Oscillator	7291019				
L5	19KC Doubler	7201020				

## FILTER CHOKE

ITEM No.	RATINGS			REPLACEMENT DATA					NOTES
	CURRENT (Measured)	DC RES.	INDUCTANCE (0 CURRENT 1000~)	DELCO PART No.	MERIT PART No.	STANCOR PART No.	THORDARSON PART No.	TRIAD PART No.	
L6	1.2 Amp	.6Ω	8MH	1221623	C-4095	TC-2	TR-154	TY17XT	

## CHOKE (AUDIO OUTPUT)

ITEM No.	INDUCTANCE	REPLACEMENT DATA					NOTES
		DELCO PART No.	MERIT PART No.	STANCOR PART No.	THORDARSON PART No.	TRIAD PART No.	
L7	30MH	1222297					

## PARTS LIST AND DESCRIPTION (CONTINUED)

*(When ordering parts, state Model, Part Number, and Description.)*

Replacement parts shown may be superseded by the availability of newly introduced replacements.  
Have your local distributor check Sams COUNTER FACTS<sup>®</sup> for the most up-to-date replacement.

### SPEAKER

ITEM No.	TYPE	REPLACEMENT DATA		NOTES
		DELCO PART No.	QUAM PART No.	
SP1	4" x 6" PM 10Ω	7292488	46A07Z10	Right Front.
SP2	4" x 6" PM 10Ω	7292488	48A07Z10	Left Front.
SP3	6" x 9" PM 10Ω	7294892	89A2Z10	Left Rear.
SP4	6" x 9" PM 10Ω	7294892	89A2Z10	Right Rear.

### COMPONENT COMBINATIONS

ITEM No.	USE	DESCRIPTION	DELCO PART No.	REPLACEMENT DATA
PC1	Stereo Det. Comp.	39K, 39K, 50K, 50K, .001mfd, .001mfd	7291090	
PC2	38KC Notch Filter	30K	7291089	Centralab PC-410
PC3	Stereo Det. Comp.	39K, 39K, 50K, 50K, .001mfd, .001mfd	7291090	
PC4	38KC Notch Filter	30K	7291089	Centralab PC-410

### FUSE DEVICES

ITEM No.	TYPE	RATING	REPLACEMENT DATA						
			PART No.		LITTELFUSE PART No.		BUSS PART No.		
			FUSE	HOLDER	FUSE	HOLDER	FUSE	HOLDER	
F1	AGC	7 1/2		In Fuse Block	31107.5			AGC 7 1/2	

### MISCELLANEOUS

ITEM No.	PART NAME	DELCO PART No.	NOTES
K1	Relay, Lamp	1221457	

### CABINETS & CABINET PARTS

(When Ordering Specify Model, Chassis & Color)

ITEM	PART No.	ITEM	PART No.
Stereo Indicator Applique	7296827	Knob	3883772

### WIRING DATA

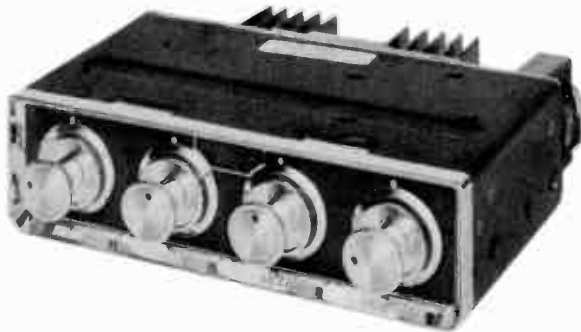
General-use Unshielded Hook-up Wire .....	Use BELDEN No. 8530 (Solid) Available in 12 Colors 8524 (Stranded) Available in 12 Colors
Shielded Hook-up Wire .....	Use BELDEN No. 8885
Rear Seat Speaker Extension Cable .....	Use BELDEN No. 8782 (Stranded) Coded Parallel Leads
Bonding Strap .....	Use BELDEN No. 8661 (3/8 In.) or 8670 (3/4 In.)

CHEVROLET MODELS 7296341, 7299561



# PHOTOFACT<sup>®</sup> with

# CIRCUITRACE<sup>®</sup>



TRADE NAME : Chevrolet Model 7296351 (986644)  
 1966 Chevrolet  
 SUPPLIER : For Current Address, See Annual Index.  
 TYPE SET : 11 Transistor FM Stereo Adapter  
 POWER SUPPLY : 12 Volt Storage Battery  
 RATING : 1.2 Amp. @ 12.6 Volts DC

CHEVROLET MODEL 7296351

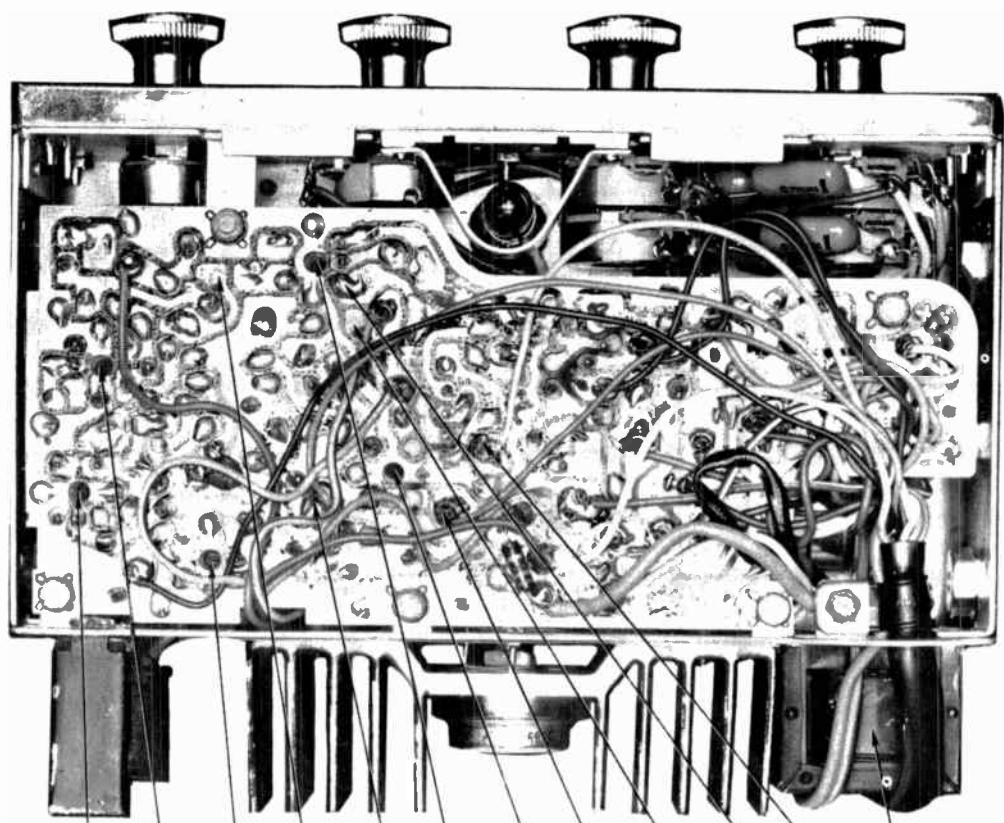
## ALIGNMENT INSTRUCTIONS

FM STEREO MULTIPLEX ALIGNMENT USING FM STEREO SIGNAL GENERATOR ( $\pm .0001\%$ ) ACCURACY

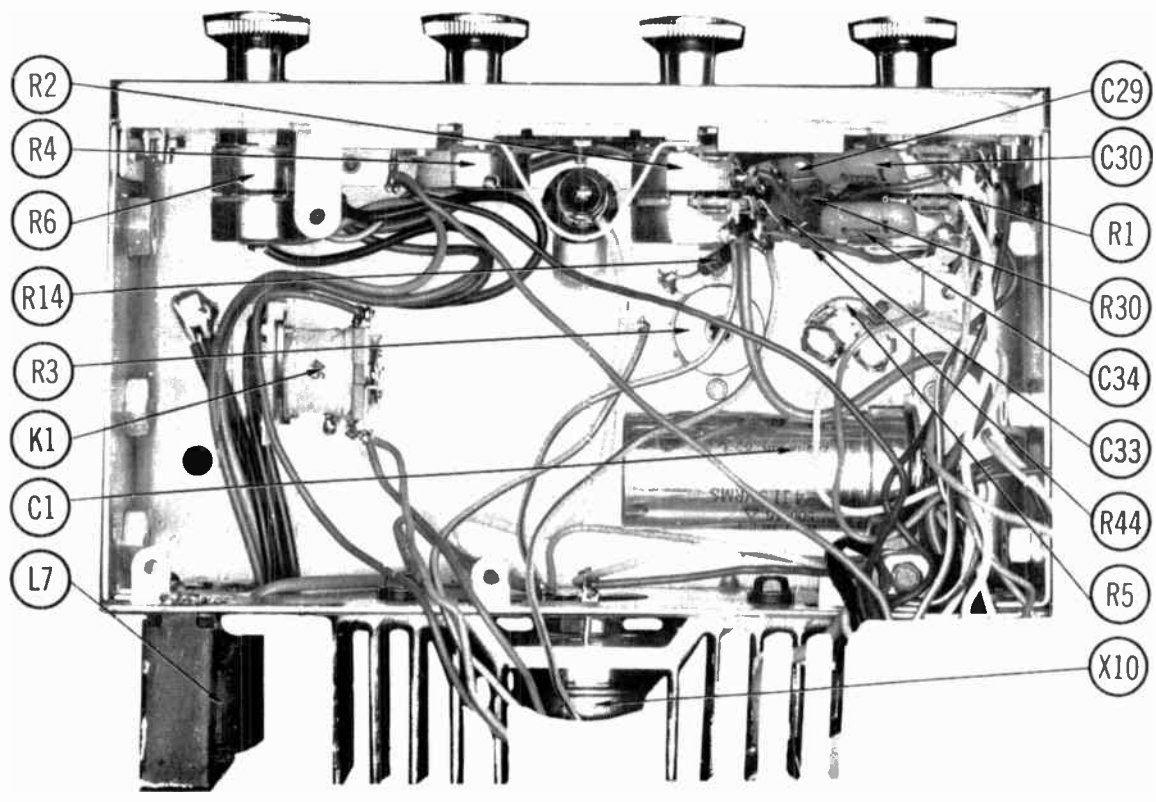
Connect high side of generator to Point **A**, low side to Chassis.

GENERATOR FREQUENCY	INDICATOR	ADJUST	REMARKS
1. 67KC	Vert. amp. of Scope thru a 1 meg to point <b>B</b> ; low side to ground.	A1	Adjust for MINIMUM.
2. 19KC	Vert. amp. thru 47K to point <b>C</b> ; low side to ground.	A2, A3, A4.	Adjust for maximum.
3. "	Vert. amp. thru 47K to point <b>D</b> ; low side to ground.	A5.	Adjust maximum for 38KC response.
4. Modulated Left Channel	Vert. amp. to point <b>E</b> ; low side to ground.	A2, A3, A4, A5 & R3	Adjust for MINIMUM. Should require only a slight adjustment.
5. Modulated Right Channel	Vert. amp. to point <b>F</b> ; low side to ground.		Check for minimum. Make compromise adjustment, if necessary, by adjusting A2, A3, A4, A5 & R3.

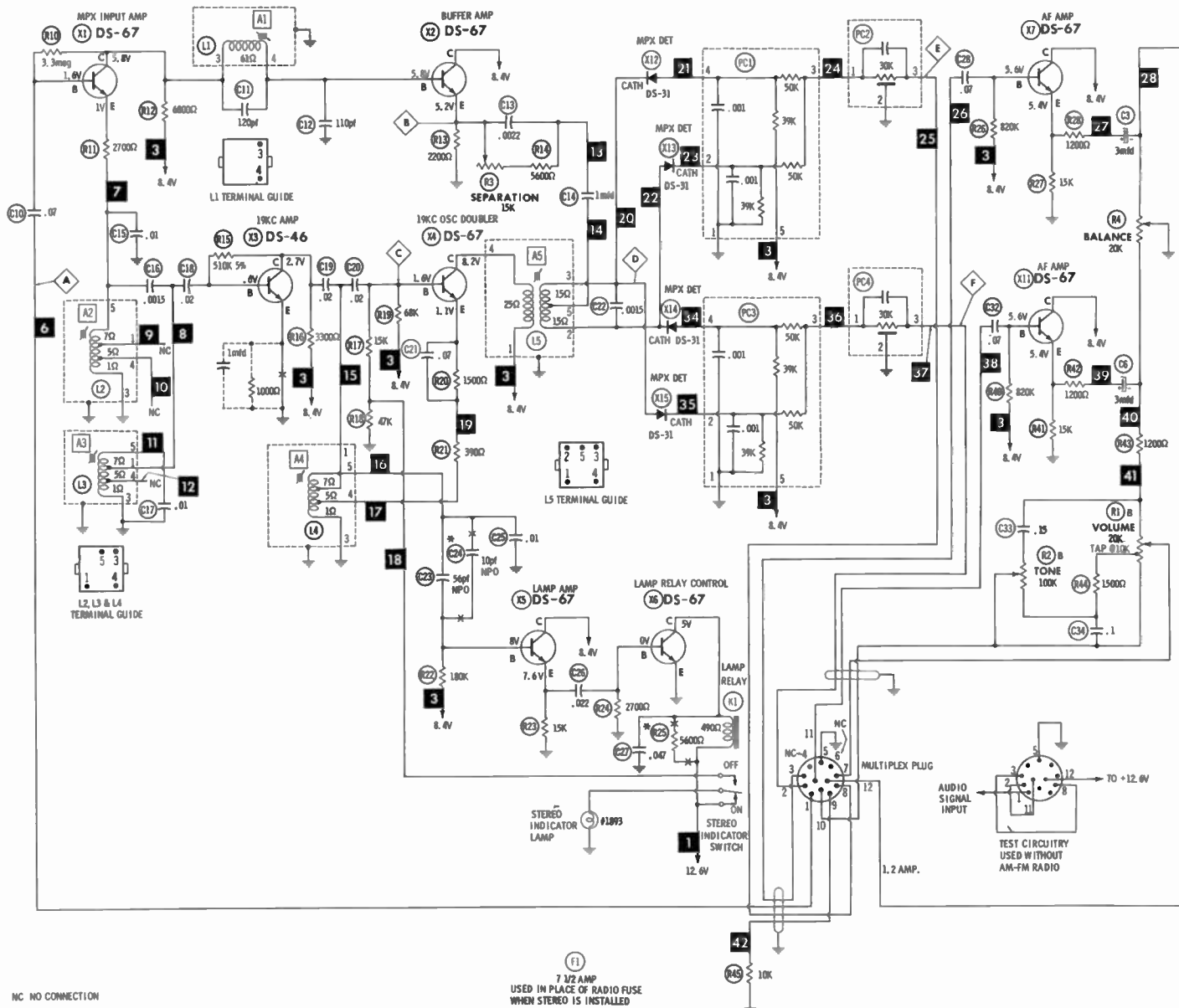
To align multiplex section using an air signal, first make sure FM section is properly aligned. Tune in a strong FM stereo signal. Follow steps 1 thru 5 above except in step 1 adjust to eliminate whistle or interference.



- A3
- A4
- A2
- C
- A
- A5
- A1
- F
- B
- D
- E
- L6



- R2
- C29
- R4
- C30
- R6
- R1
- R14
- R30
- R3
- C34
- K1
- C33
- C1
- R44
- L7
- R5
- X10



NC NO CONNECTION

\* NOT USED IN SOME VERSIONS.

Resistors are 1/2 watt or less and rated 10% or 20% unless otherwise indicated.

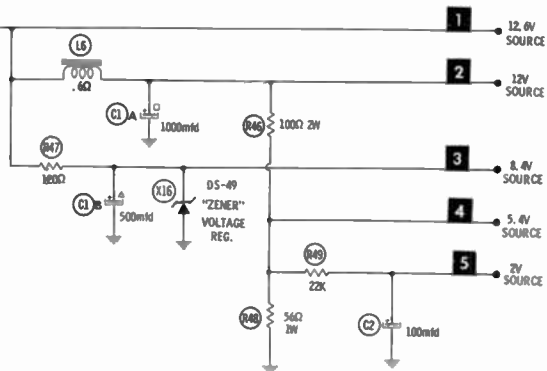
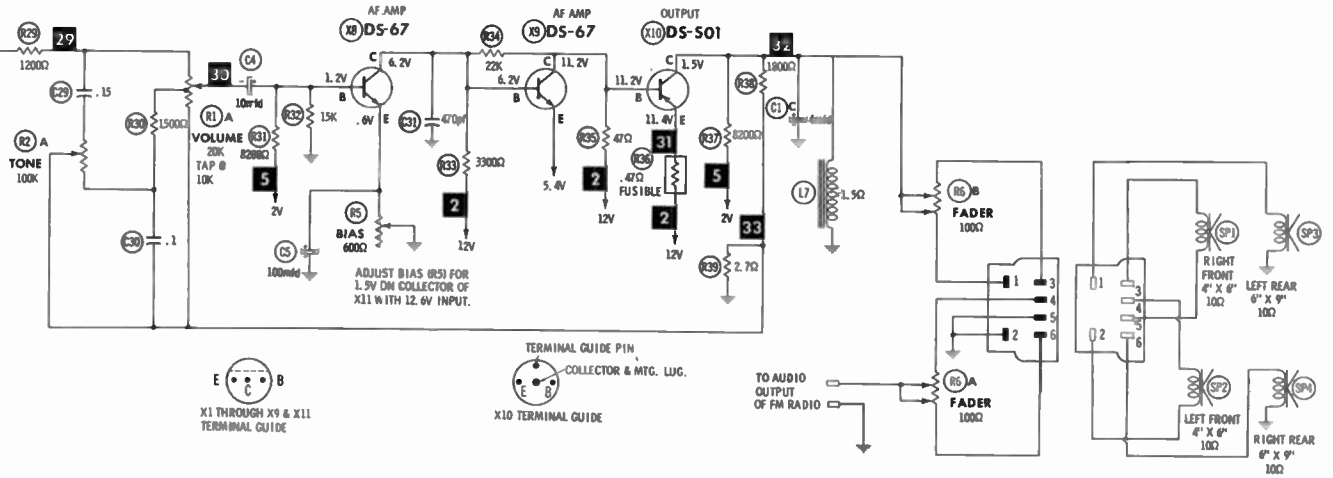
⊙ See parts list

1. Voltage measurements taken with vacuum tube voltmeter.
2. All controls set for normal operation, no signal applied.
3. Measured values are from socket pin or terminal to common ground.
4. All terminals viewed from bottom unless otherwise designated.
5. Numbers assigned to terminals may not be found on the unit.
6. Supply voltage maintained at rated value for voltage readings.
7. Resistance measurements not given because of the wide variation in internal resistance of transistor.

A PHOTOFAC STANDARD NOTATION SCHEMATIC  
with **CIRCUITACE**

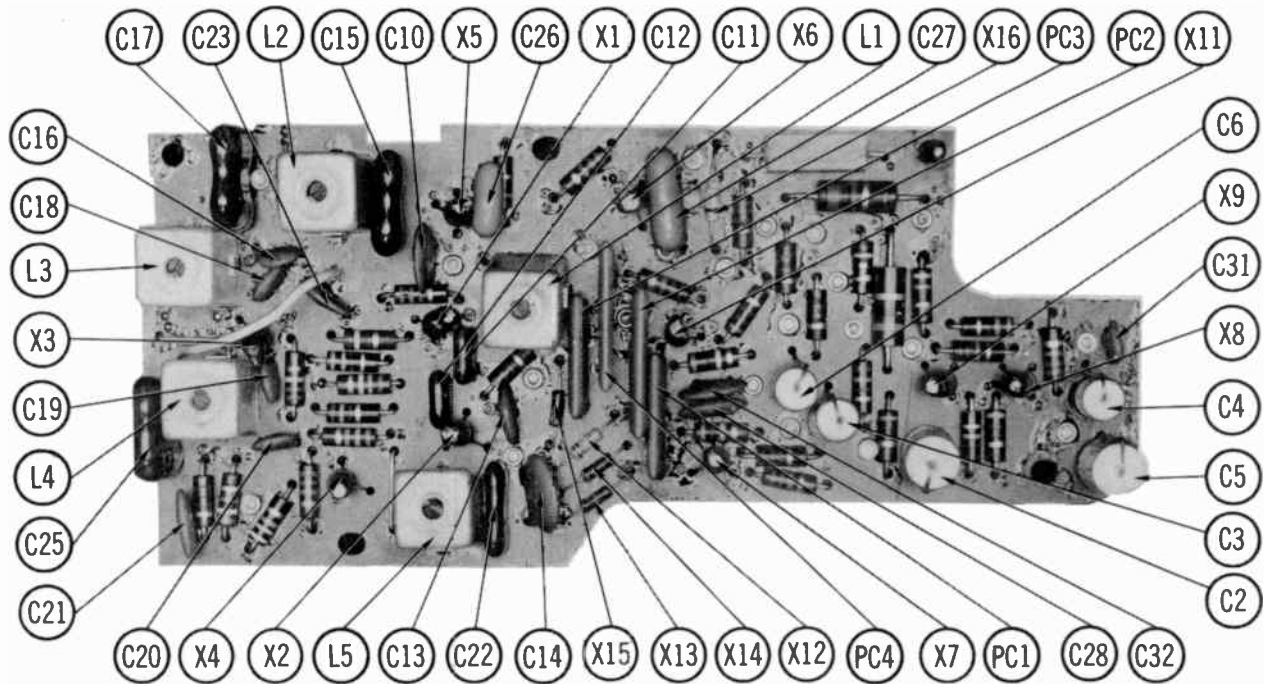
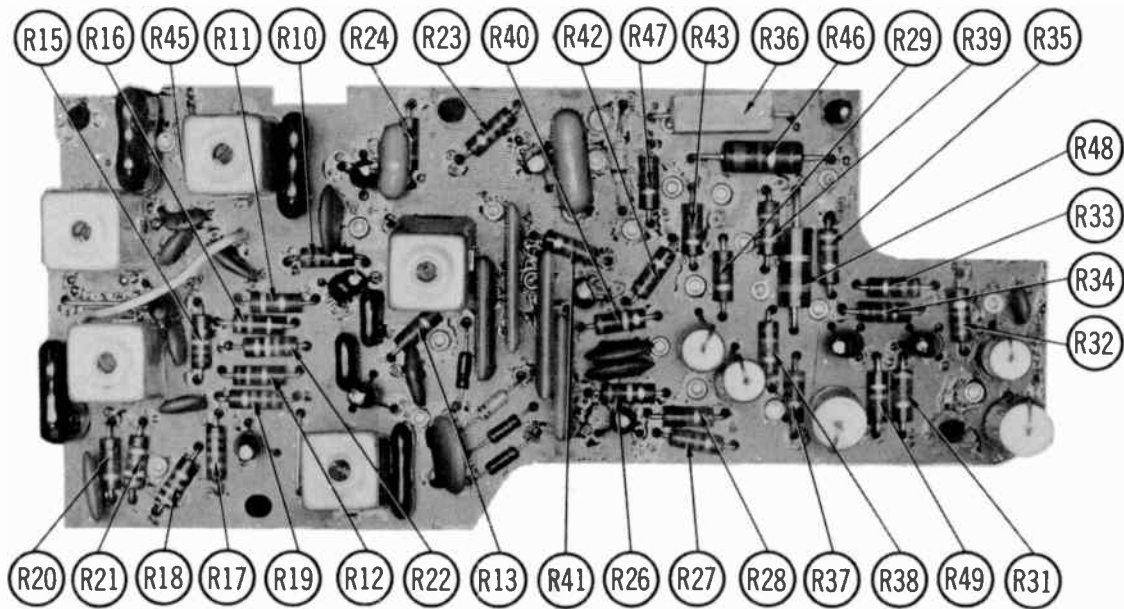
© Howard W. Sams & Co., Inc. 1966

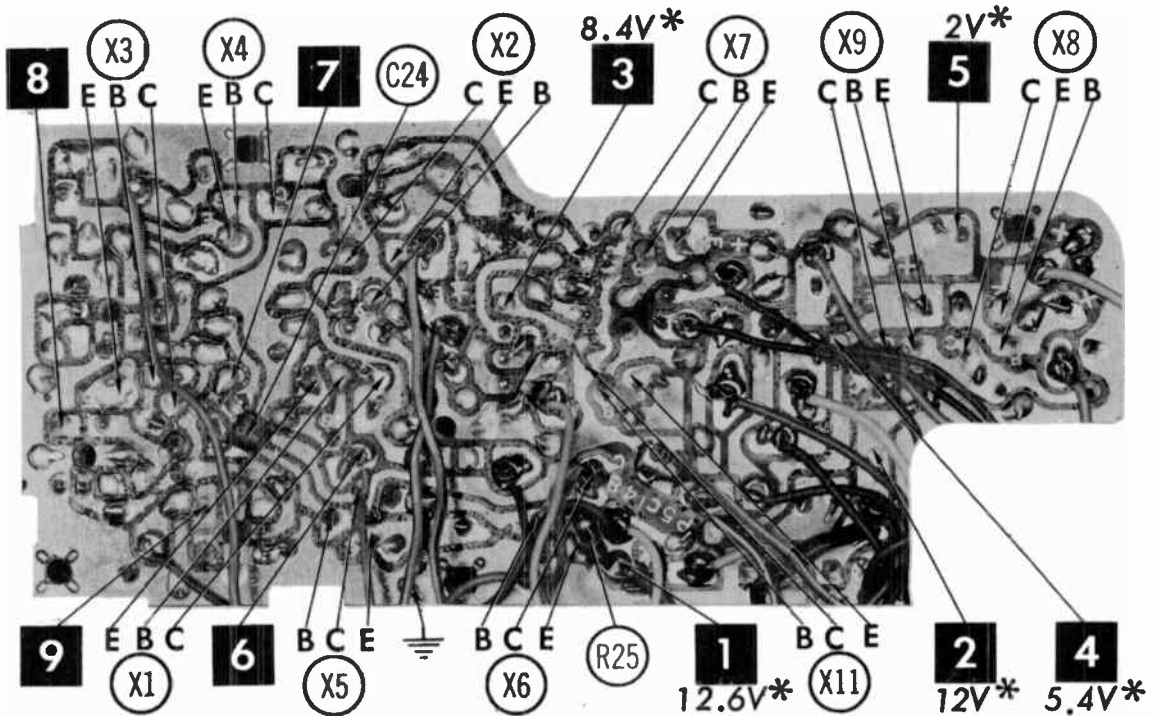
(F1)  
7 1/2 AMP  
USED IN PLACE OF RADIO FUSE  
WHEN STEREO IS INSTALLED



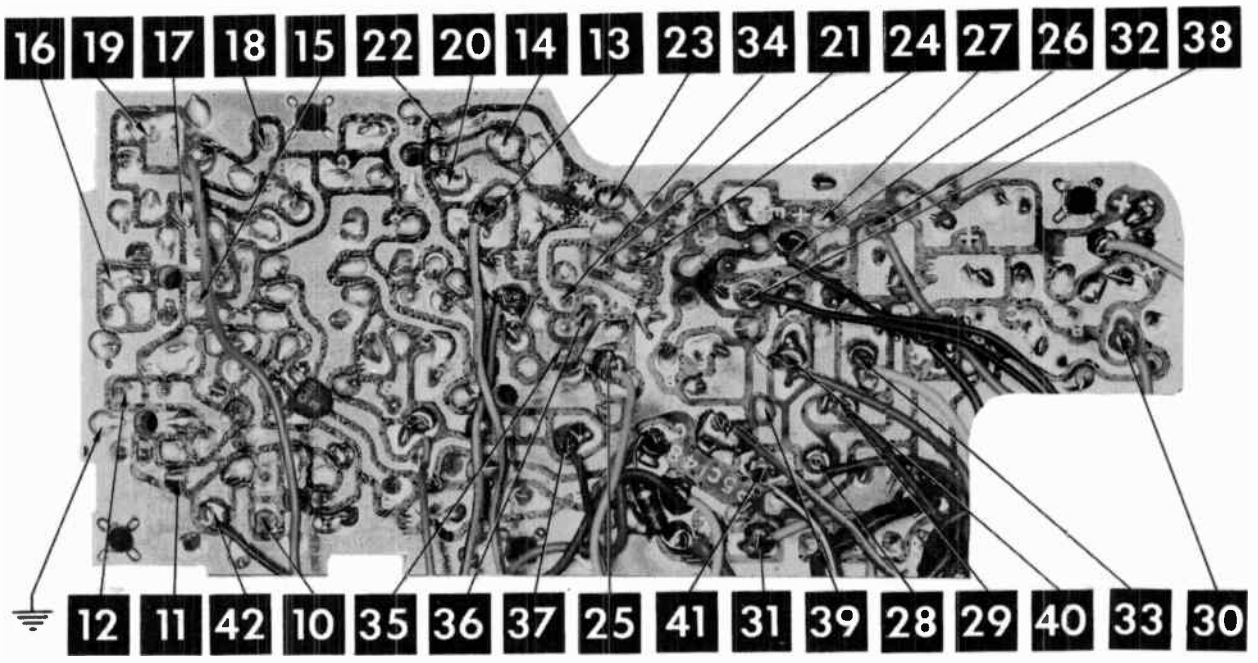
CHEVROLET MODEL 7296351







**\*VOLTAGE SOURCE**



# PARTS LIST AND DESCRIPTION

(When ordering parts, state Model, Part Number, and Description.)

Replacement parts shown may be superseded by the availability of newly introduced replacements.  
Have your local distributor check Sams COUNTER FACTS for the most up-to-date replacement.

## WIRING DATA

General-use Unshielded Hook-up Wire .....	Use BELDEN No. 8530 (Solid) Available in 12 Colors 8524 (Stranded) Available in 12 Colors
Shielded Hook-up Wire .....	Use BELDEN No. 8885
Rear Seat Speaker Extension Cable .....	Use BELDEN No. 8782 (Stranded) Coded Parallel Leads
Bonding Strap .....	Use BELDEN No. 8661 (3/8 In.) or 8670 (3/4 In.)

## TRANSISTORS

ITEM No.	ORIG. TYPE	USE	REPLACEMENT DATA			NOTES
			DELCO PART No.	GENERAL ELECTRIC PART No.	RCA PART No.	
X1	DS-67	MPX Input Amp.	DS-66	GE-10		NPN
X2	DS-67	Buffer Amp.	DS-66	GE-10		NPN
X3	DS-66	19KC Amp.	DS-66	GE-10		NPN
X4	DS-67	19KC Osc. Doubler	DS-66	GE-10		NPN
X5	DS-67	Lamp Amp.	DS-66	GE-10		NPN
X6	DS-67	Lamp Relay Control	DS-66	GE-10		NPN
X7	DS-67	AF Amp.	DS-66	GE-10		NPN
X8	DS-67	AF Amp.	DS-66	GE-10		NPN
X9	DS-67	AF Amp.	DS-66	GE-10		NPN
X10	DS-501	Output	DS-501	GE-4	SK-3012	PNP*
X11	DS-67	AF Amp.	DS-66	GE-10		NPN

\* When replacing, apply silicone grease to both sides of insulator. Tighten mounting screws securely. Check bias adjustment.

## POWER RECTIFIERS & SIGNAL DIODES

ITEM No.	MEASURED CURRENT	ORIGINAL Part or Type No.	RECTIFIERS & DIODES		RECTIFIERS		
			GENERAL ELECTRIC PART No.	INTERNATIONAL RECTIFIER PART No.	MALLORY PART No.	RCA PART No.	SARKES TARZIAN PART No.
X12		DS-31	1N34AS	1N34A			
X13		DS-31	1N34AS	1N34A			
X14		DS-31	1N34AS	1N34A			
X15		DS-31	1N34AS	1N34A			
X16		DS-49 (Zener)					

## ELECTROLYTIC CAPACITORS

ITEM No.	RATING		DELCO PART No.	REPLACEMENT DATA				
	CAP.	VOLT.		AEROVOX PART No.	CORNELL-DUBILIER PART No.	GENERAL ELECTRIC PART No.	MALLORY PART No.	SPRAGUE PART No.
C1A	1000	16	7292083	AFH3-54-41	CC0006		FPS300.91	PCL-3021.8
B	500	16						
C	4	11.5rms						
C2	100	4	7291810	PTT30	NLW125-6	MT1-21	TT6X100	TE-1102
C3	3	12	7291860	PTT50	NLW3-15	MT1-3	TT12X3	TE-1122
C4	10	12	7292738	PTT53	NLW10-15	MT1-5	TT12X100	TL-1128
C5	100	4	7291810	PTT30	NLW125-6	MT1-21	TT6X100	TE-1102
C6	3	12	7291860	PTT50	NLW3-15	MT1-3	TT12X3	TE-1122

## CAPACITORS

ITEM No.	RATING	REMARKS	REPLACEMENT DATA					
			AEROVOX PART No.	CENTRALAB PART No.	CORNELL-DUBILIER PART No.	ELMENCO PART No.	MALLORY PART No.	SPRAGUE PART No.
C10	.07	#7288631						
C11	120		DI-120	DD-121	JBZ601YP121K	CCD-121	GP312	5GA-T12
C12	110		DI-100	DD-101	JBC601YP101K	CCD-101	GP310	5GA-T10
C13	.0022		DI-2200	CF-222	JBX601YP222K	CCD-222	JF222	10TS-D22
C14	1mfd			UK-105	HXC3R0XR105P		MAG31	HY-135
C15	.01		BPD-01	DD-103	BYV1027U103M	CCD-103	B110	5HK-S10
C16	.0015		BPD-0015	DD-152		CCD-152	B215	5HK-D15
C17	.01		BPD-01	DD-103	BYV1027U103M	CCD-103	B110	5HK-S10
C18	.02		BPD-02	DD-203	BYT6017U2037	CCD-203	B120	5HK-S20
C19	.02		BPD-02	DD-203	BYT6017U2037	CCD-203	B120	5HK-S20
C20	.02		BPD-02	DD-203	BYT6017U2037	CCD-203	B120	5HK-S20
C21	.07	#7288631						
C22	.0015		BPD-0015	DD-152		CCD-152	B215	5HK-D15
C23	56	NPO		TCZ-56		CCO-560	CN0456	10TCC-Q56
C24	10	NPO	①	DTZ-10	CZ601CG100J	CCO-100	CN0410	10TCC-Q10
C25	.01		NPO-DI 10	DD-103	BYV1027U103M	CCD-103	B110	5HK-S10
C26	.022	75V		DBE2S22	WMF1S22	1DP-1-223	PVC1122	2PS-S22
C27	.047	75V		DBE2S47	WMF2S47	1DP-2-473	PVC1147	2PS-S47
C28	.07		#7288631					
C29	.15	75V		DBE2P15	WMF1P15	1DP-1-154	PVC1015	2PS-P15
C30	.1	75V		DBE2P1	WMF1P1	1DP-2-104	PVC101	2PS-P10
C31	470			DI-470	JBZ601YP471K	CCD-471	JF347	10TS-T47
C32	.07		#7288631					
C33	.15	75V		DBE2P15	WMF1P15	1DP-1-154	PVC1015	2PS-P15
C34	.1	75V		DBE2P1	WMF1P1	1DP-1-104	PVC101	2PS-P10

① Delco Part Number.

① Not used in some versions.

# PARTS LIST AND DESCRIPTION (CONTINUED)

(When ordering parts, state Model, Part Number, and Description.)

Replacement parts shown may be superseded by the availability of newly introduced replacements.  
Have your local distributor check Sams COUNTER FACTS for the most up-to-date replacement.

## CONTROLS

All wattages 1/2 watt, or less, unless otherwise listed.

ITEM No.	USE	RESIST-ANCE	REPLACEMENT DATA				
			DELCO PART No.	CENTRALAB PART No.	CLAROSTAT PART No.	CTS-IRC PART No.	MALLORY PART No.
R1A	Volume	20K Tap @ 10K	7291461			QCB1①, B19-119X	FA24T14, RU24T14, SL45
B	Volume	20K Tap @ 10K				B19-119X, TM8, QCM	
R2A	Tone	100K	7291468	F2-100K, R2-100K		QCB1①, B13-128, B13-128, TM8, QCM or (BU2, CF13, CR8, SS4, SS7A, DC1)	FA15A, RUI5A, SL45
B	Tone	100K		TFS212			
R3	Separation	15K	7293376				
R4	Balance	20K	7291062	F1-25K, SFS212	A47-20K-S, RS-3/16	B11-119, SK9 or (BU2, CF62, SS4, DC1)	UA24L, SD3500 or (RU253L, SL35, IS937) or (U26, DS37)
R5	Bias	600Ω ZW	7286864	V-600	U39-600	110-600	MR850T
R6A	Fader	100Ω ZW	7292302				
B	Fader	100Ω ZW					

① Use QCB1 mounting plate instead of Tab Mount Plate in TM Kit.

## RESISTORS (Power and Special)

ITEM No.	RATING	REPLACEMENT DATA			ITEM No.	RATING	REPLACEMENT DATA		
		IRC PART No.	WORKMAN PART No.	DELCO PART No.			IRC PART No.	WORKMAN PART No.	DELCO PART No.
R36	.47Ω (Fusible)			7281890					

## COILS (RF-IF)

ITEM No.	USE	REPLACEMENT DATA				
		DELCO PART No.	MEISSNER Part No.	MERIT PART No.	MILLER PART No.	WORKMAN PART No.
L1	67KC Trap	7291023				
L2	19KC Input	7291019				
L3	19KC Input	7291019				
L4	19KC Oscillator	7291019				
L5	19KC Doubler	7201020				

## CHOKE (AUDIO OUTPUT)

ITEM No.	INDUCTANCE	REPLACEMENT DATA					NOTES
		DELCO PART No.	MERIT PART No.	STANCOR PART No.	THORDARSON PART No.	TRIAD PART No.	
L7	30MH	1222297					

## FILTER CHOKE

ITEM No.	RATINGS			REPLACEMENT DATA					NOTES
	CURRENT (Measured)	DC RES.	INDUCTANCE (0 CURRENT 1000~)	DELCO PART No.	MERIT PART No.	STANCOR PART No.	THORDARSON PART No.	TRIAD PART No.	
L6	1.2 Amp.	.6Ω	8MH	1221623	C-4095	TC-2	TR-154	TY17XT	

## PARTS LIST AND DESCRIPTION (CONTINUED)

(When ordering parts, state Model, Part Number, and Description.)

Replacement parts shown may be superseded by the availability of newly introduced replacements. Have your local distributor check Sams COUNTER FACTS<sup>®</sup> for the most up-to-date replacement.

### SPEAKER

ITEM No.	TYPE	REPLACEMENT DATA		NOTES
		DELCO PART No.	QUAM PART No.	
SP1	4" x 6" PM 10Ω	7292488	46A07Z10	Right Front
SP2	4" x 6" PM 10Ω	7292488	46A07Z10	Left Front
SP3	6" x 9" PM 10Ω	7294892	69A2Z10	Left Rear
SP4	6" x 9" PM 10Ω	7294892	69A2Z10	Right Rear.

### COMPONENT COMBINATIONS

ITEM No.	USE	DESCRIPTION	DELCO PART NO.	REPLACEMENT DATA
PC1	Stereo Det. Comp.	39K, 39K, 50K, 50K, .001mfd, .001mfd	7291090	
PC2	38KC Notch Filter	30K	7291089	Centralab PC-410
PC3	Stereo Det. Comp.	39K, 39K, 50K, 50K, .001mfd, .001mfd	7291090	
PC4	38KC Notch Filter	30K	7291089	Centralab PC-410

### FUSE DEVICES

ITEM No.	TYPE	RATING	REPLACEMENT DATA						
			PART No.		LITTELFUSE PART No.		BUSS PART No.		
			FUSE	HOLDER	FUSE	HOLDER	FUSE	HOLDER	
F1	AGC	7 1/2 Amp.		In Fuse Block	31107.5			AGC 7 1/2	

### MISCELLANEOUS

ITEM No.	PART NAME	DELCO PART No.	NOTES
K1	Relay Lamp	1221457	

### CABINETS & CABINET PARTS

(When Ordering Specify Model, Chassis & Color)

ITEM	PART No.	ITEM	PART No.
Escutcheon	7292321	Knob	7292599



**PHOTOFACT<sup>®</sup>** with

**CIRCUITRACE<sup>®</sup>**

TRADE NAME : Duo Vox Model AM-8  
 SUPPLIER : For Current Address, see Annual Index  
 TYPE SET : 8-Transistor AM Receiver  
 POWER SUPPLY : 12-Volt Storage Battery  
 RATING : .120 Amp. @ 12.6 Volts DC  
 TUNING RANGE: BROADCAST 540 - 1615KC



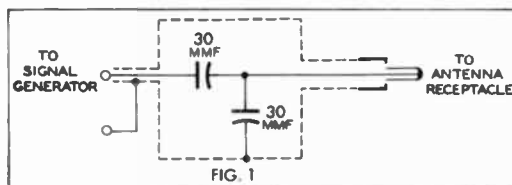
## ALIGNMENT INSTRUCTIONS

Check for specified source voltage.  
 Use only enough generator output to provide a usable indication.  
 Suggested Alignment Tools:

A1 thru A7..... GENERAL CEMENT #9440..... WALSCO #2501

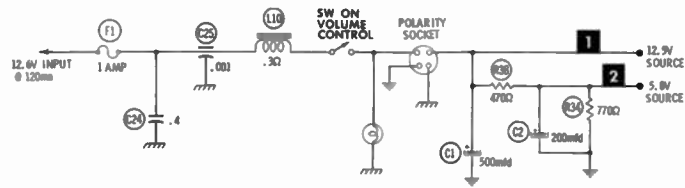
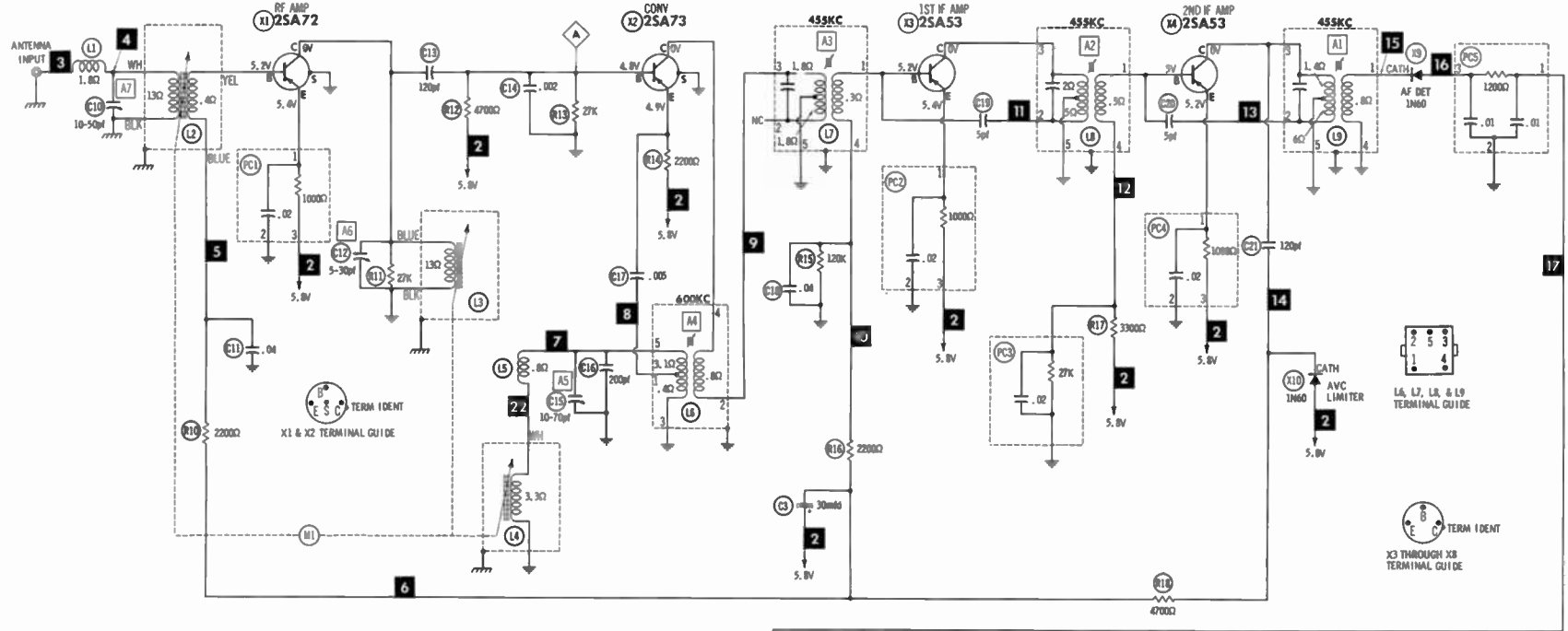
	SIGNAL GENERATOR COUPLING	SIGNAL GENERATOR FREQUENCY	RADIO DIAL SETTING	INDICATOR	ADJUST	REMARKS
1.	High side thru .1mfd to point $\Delta$ , low side to ground.	455KC (400% Mod.)	High Freq. End Stop.	Output Meter across voice coil.	A1, A2, A3	Adjust for maximum.
2.	Thru dummy (Fig. 1) to antenna receptacle.	600KC	"	"	A4	"
Step 3 is not necessary unless tuner has been tampered with or associated components have been replaced. IF necessary, back tuning cores (A8, A9, A10) out of coils but not out of forms. Repeat step 2.						
3.	Thru dummy (Fig. 1) to antenna receptacle.	1615KC	Tune to Signal.	Output Meter across voice coil.	A5, A6, A7	Adjust for maximum. Repeat steps 2 & 3 until no further improvement is noted.
With radio installed in car and antenna fully extended, tune in a weak station near 1400KC and adjust A7 for maximum output.						

Antenna Adjustment (A7) located left side of radio, above antenna receptacle.



**HOWARD W. SAMS & CO., INC.** Indianapolis, Indiana 46206

© 1966 Howard W. Sams & Co., Inc. Printed in U. S. of America RD678



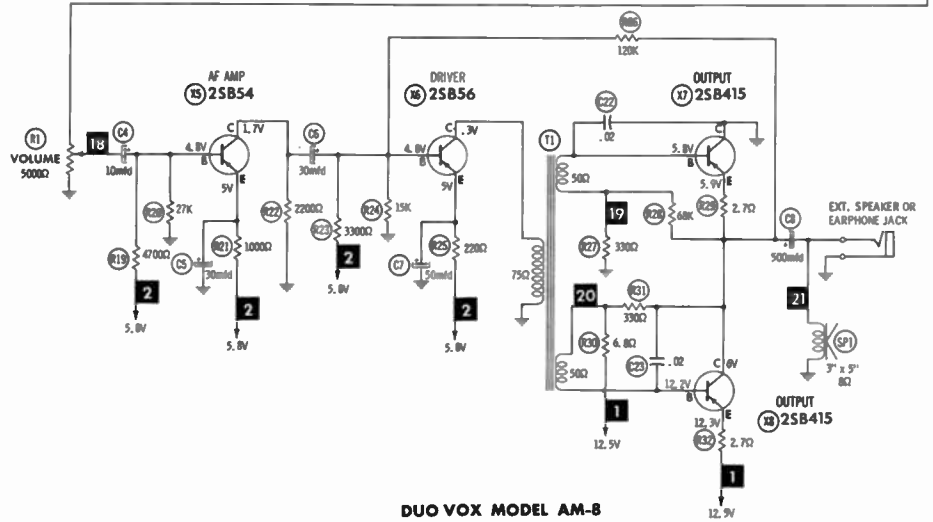
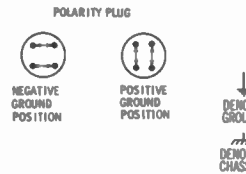
Resistors are 1/2 watt or less and rated 10% or 20% unless otherwise indicated.

NC NO CONNECTION

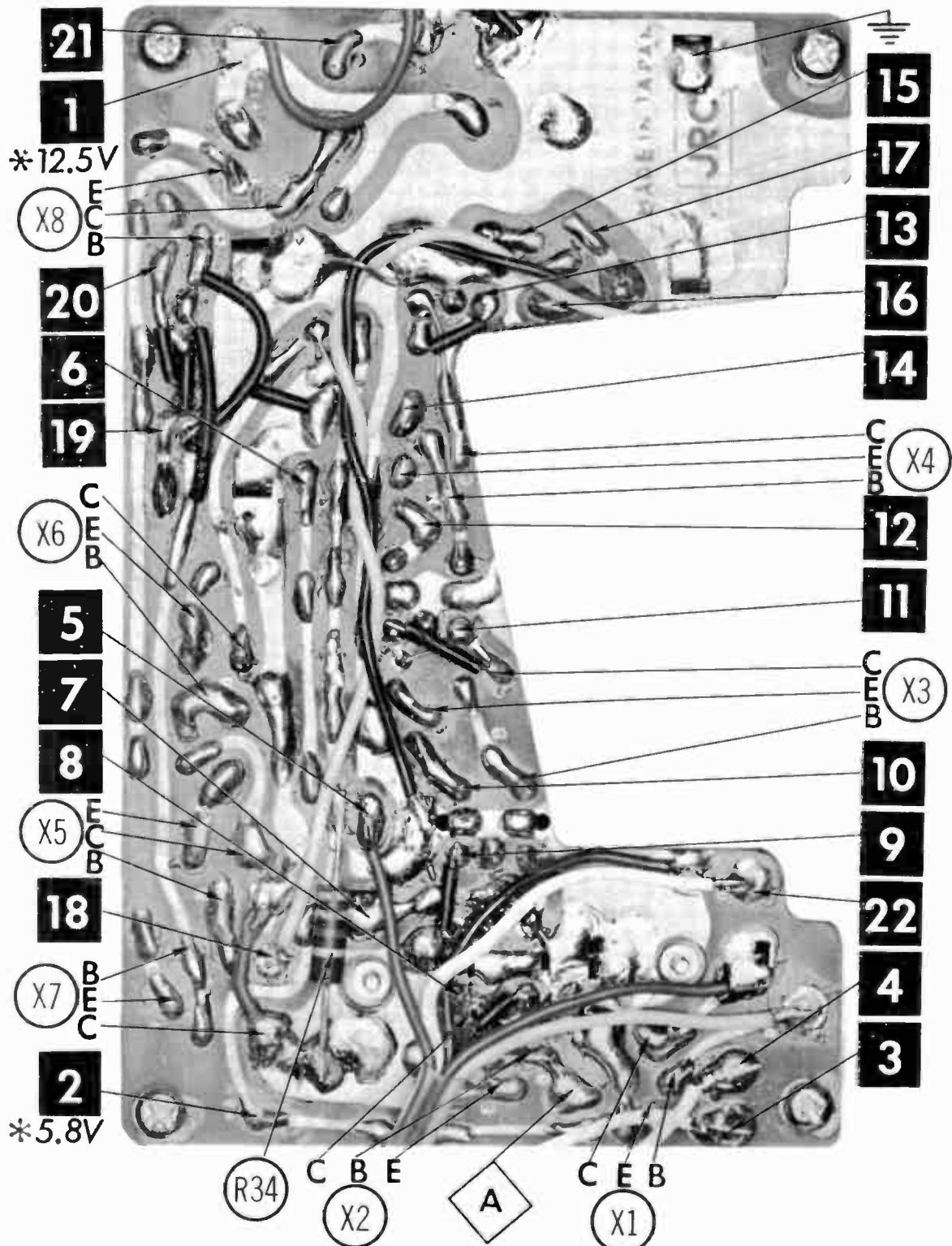
1. Voltage measurements taken with vacuum tube voltmeter.
2. All controls set for normal operation, no signal applied.
3. Measured values are from socket pin or terminal to common ground.
4. All terminals viewed from bottom unless otherwise designated.
5. Numbers assigned to terminals may not be found on the unit.
6. Supply voltage maintained at rated value for voltage readings.
7. Resistance measurements not given because of the wide variation in internal resistance of transistor.

A PHOTOFAC STANDARD NOTATION SCHEMATIC  
with **CIRCUITRACE**

© Howard W. Sams & Co., Inc. 1966

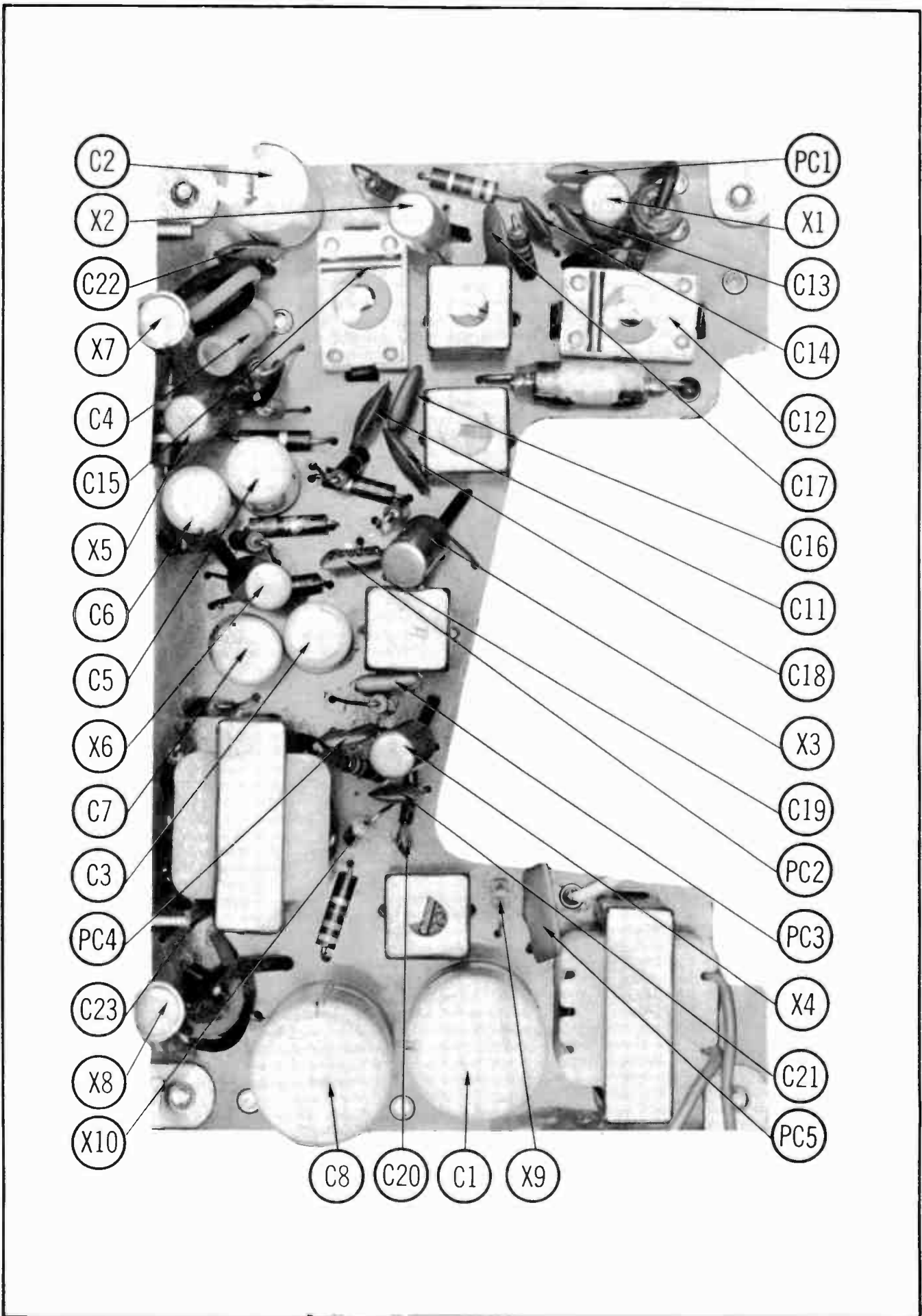


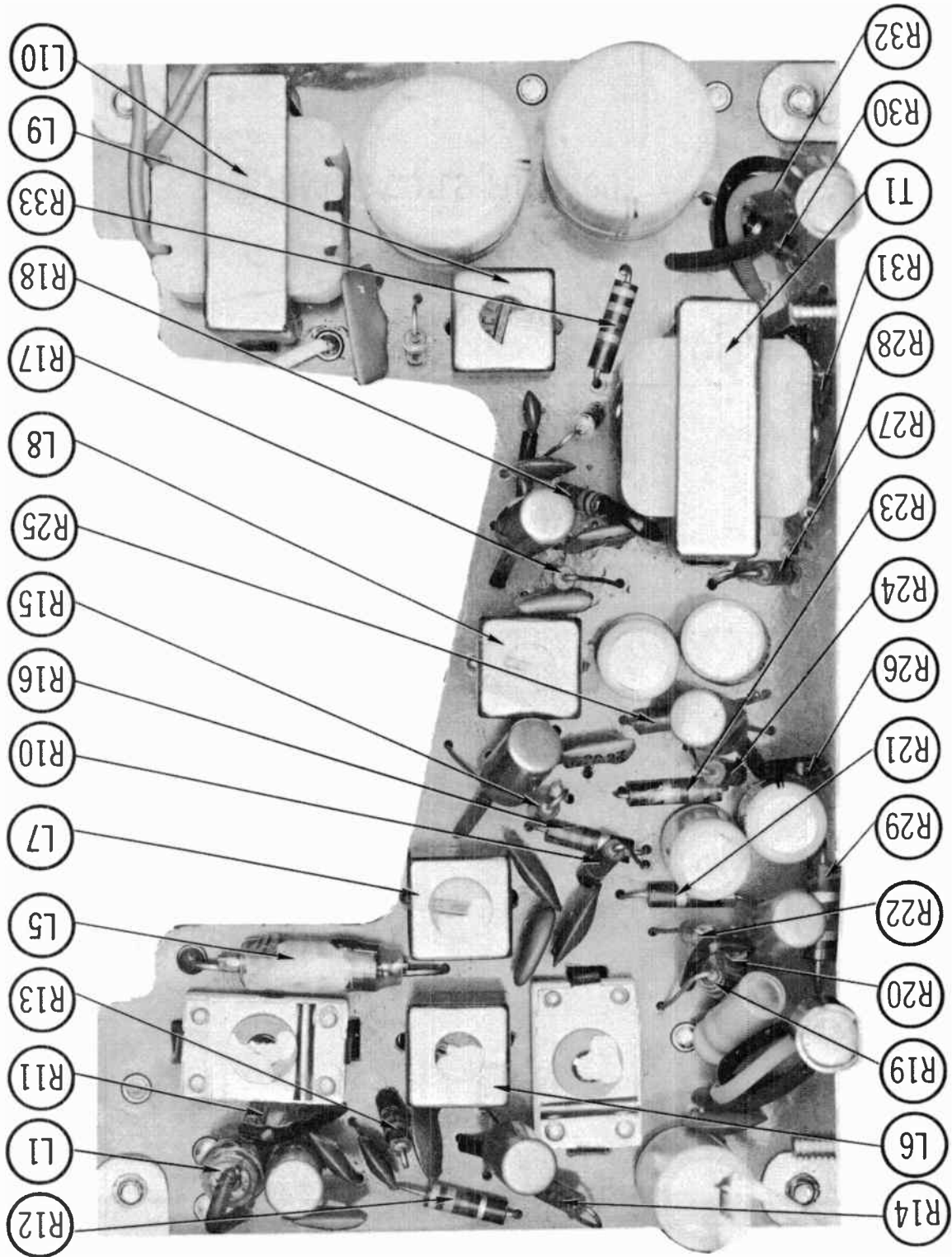
**DUO VOX MODEL AM-8**

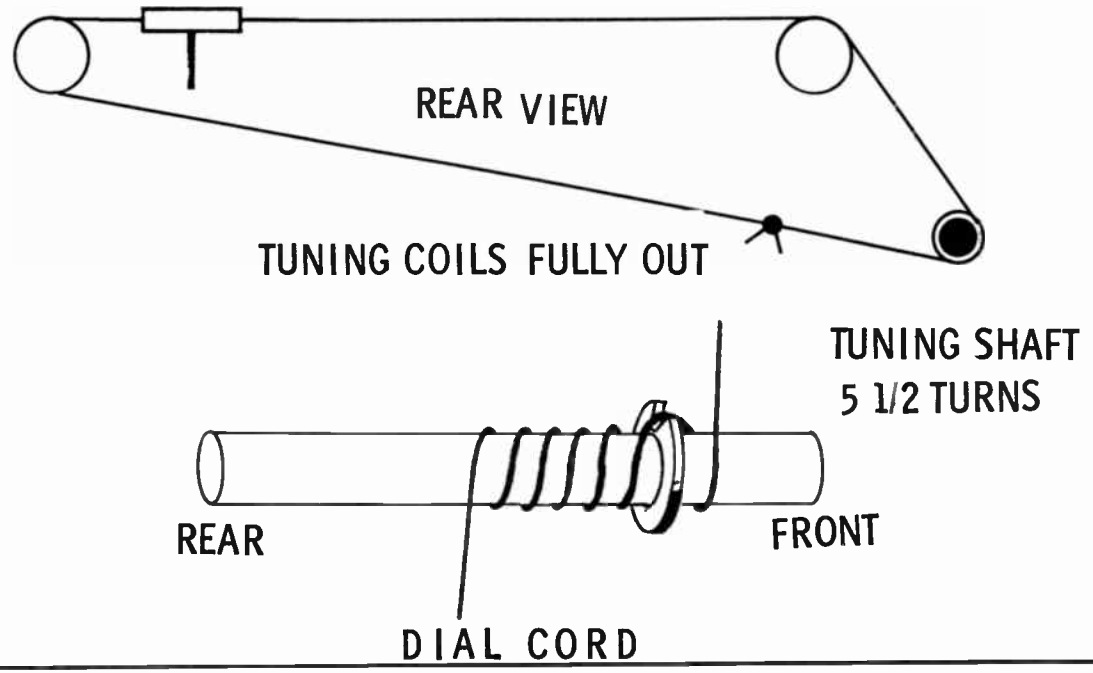
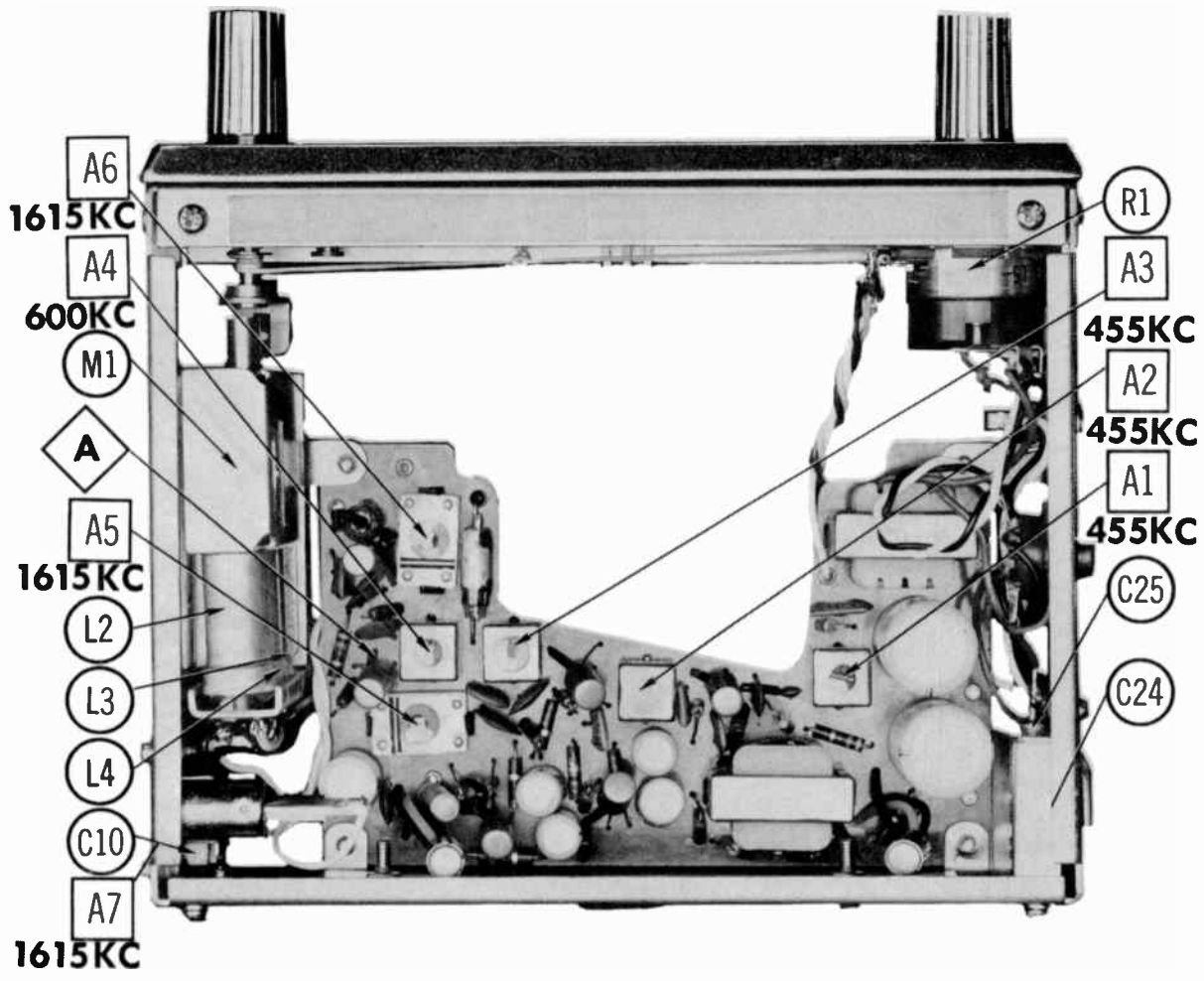


\* VOLTAGE SOURCE









# PARTS LIST AND DESCRIPTION

(When ordering parts, state Model, Part Number, and Description.)

Replacement parts shown may be superseded by the availability of newly introduced replacements.  
Have your local distributor check Sams COUNTER FACTS™ for the most up-to-date replacement.

## TRANSISTORS

ITEM No.	ORIG. TYPE	USE	REPLACEMENT DATA			NOTES
			DELCO PART No.	GENERAL ELECTRIC PART No.	RCA PART No.	
X1	2SA72	RF Amp.	D8-25	GE-9	SK-3008	PNP
X2	2SA73	Converter	D8-25	GE-9	SK-3008	PNP
X3	2SA53	IF Amp.	D8-25	GE-9	SK-3005	PNP
X4	2SA53	IF Amp.	D8-25	GE-9	SK-3005	PNP
X5	2B54	AF Amp.	D8-26	GE-2	SK-3004	PNP
X6	2B56	Driver	D8-26	GE-2	SK-3004	PNP
X7	2B415	Output	D8-26	GE-2	SK-3004	PNP
X8	2B415	Output	D8-26	GE-2	SK-3004	PNP

## POWER RECTIFIERS & SIGNAL DIODES

ITEM No.	MEASURED CURRENT	ORIGINAL Part or Type No.	RECTIFIERS & DIODES		RECTIFIERS		
			GENERAL ELECTRIC PART No.	INTERNATIONAL RECTIFIER PART No.	MALLORY PART No.	RCA PART No.	SARKES TARZIAN PART No.
X9		1N60	1N60	1N60			
X10		1N60	1N60	1N60			

## ELECTROLYTIC CAPACITORS

ITEM No.	RATING		DUOVOX PART No.	REPLACEMENT DATA				
	CAP.	VOLT.		AEROVOX PART No.	CORNELL-DUBILIER PART No.	GENERAL ELECTRIC PART No.	MALLORY PART No.	SPRAGUE PART No.
C1	500	15		PRS1220	BR500-15	QT1-30	TC1505	TVA-1162
C2	200	10		BCD10190	NLW200-12	MT1-25	TT10K200	TE-1119.6
C3	30	10		BCD12035	NLW30-15	MT1-16	TT15X30	VL-1132
C4	10	6		BCD6010	NLW10-15	MT1-5	PET1340	VL-1087
C5	30	10		BCD12035	NLW30-15	MT1-16	TT15X30	VL-1132
C6	30	10		BCD12035	NLW30-15	MT1-16	TT15X30	VL-1132
C7	50	10		BCD10050	NLW50-10	MT1-19	PET1375	VL-1134
C8	500	15		PRS1220	BR500-15	QT1-30	TC1505	TVA-1162

## CAPACITORS

ITEM No.	RATING	REMARKS	REPLACEMENT DATA					
			AEROVOX PART No.	CENTRALAB PART No.	CORNELL-DUBILIER PART No.	ELMENCO PART No.	MALLORY PART No.	SPRAGUE PART No.
C10	10-50							
C11	.04		TTD-05		HOV101ZV503Z			TA150 TH-850
C12	5-30		DI-120	DD-121	JBZ601YP121K	CCD-121	GP312	5GA-T12
C13	120		BPD-002	DD-202	BYX601ZU202P	CCD-202	B220	5HK-D20
C14	.002							
C15	10-70							
C16	200		DI-200	DD-201	JBZ601YP201K	CCD-201	GP320	5GA-T20
C17	.005		BPD-005	DD-502	BYX601ZU502P	CCD-502	B250	5HK-D50
C18	.04		TTD-05		HOV101ZV503Z		TA150	TH-850
C19	5		NPO-DI 5.0	DTZ-4R7	CZ601CH5R0D	CCTO-050	CNO547	10TCC-V50
C20	5		NPO-DI 5.0	DTZ-4R7	CZ601CH5R0D	CCTO-050	CNO547	10TCC-V50
C21	120		DI-120	DD-121	JBZ601YP121K	CCD-121	GP312	5GA-T12
C22	.02		TTD-02	CK-303	HOR101ZV203P		TA120	TC-820
C23	.02		TTD-02	CK-303	HOR101ZV203P		TA120	TC-820
C24	.4			UK10-404			MAG12047	HY-330
C25	.001		EF-001	MFT-1000		CCF-102	CT280A	

## CONTROLS

All wattages 1/2 watt, or less, unless otherwise listed.

ITEM No.	USE	RESISTANCE	REPLACEMENT DATA				
			DUO-VOX PART No.	CENTRALAB PART No.	CLAROSTAT PART No.	CTS-IRC PART No.	MALLORY PART No.
R1	Volume & Switch	5000Ω					

DUOVOX MODEL AM-8

## PARTS LIST AND DESCRIPTION (CONTINUED)

(When ordering parts, state Model, Part Number, and Description.)

Replacement parts shown may be superseded by the availability of newly introduced replacements. Have your local distributor check Sams COUNTER FACTS™ for the most up-to-date replacement.

### COILS (RF-IF)

ITEM No.	USE	REPLACEMENT DATA				
		DUO VOX PART No.	MEISSNER Part No.	MERIT PART No.	MILLER PART No.	WORKMAN PART No.
L1	RF Choke (5uh)	① ① ①	19-1008	SW-631	4609	T959
L2	Ant.					
L3	RF					
L4	Osc. Tuning		19-1008	SW-631	4609	T959
L5	RF Choke (5uh)					
L6	Osc.					
L7	1st IF					
L8	2nd IF					
L9	3rd IF					

① Part of M1

### FILTER CHOKE

ITEM No.	RATINGS			REPLACEMENT DATA					NOTES
	CURRENT (Measured)	DC RES.	INDUCTANCE (0 CURRENT 1000~)	DUO-VOX PART No.	MERIT PART No.	STANCOR PART No.	THORDARSON PART No.	TRIAD PART No.	
L10	120ma	.3Ω	1mh						

### TRANSFORMER (DRIVER)

ITEM No.	TURNS RATIO		REPLACEMENT DATA					NOTES
	PRI.	SEC.	DUO VOX PART No.	MERIT PART No.	STANCOR PART No.	THORDARSON PART No.	TRIAD PART No.	
T1	1	.7						

### SPEAKER

ITEM No.	TYPE	REPLACEMENT DATA		NOTES
		DUO VOX PART No.	QUAM PART No.	
SP1	3" x 5" PM 8Ω		35A05Z8	

### COMPONENT COMBINATIONS

ITEM No.	USE	DESCRIPTION	DUO-VOX PART NO.	REPLACEMENT DATA
K1	RF Network	1000Ω, .02mfd		
K2	IF Network	1000Ω, .02mfd		
K3	IF Network	27K, .02mfd		
K4	IF Network	1000Ω, .02mfd		
K5	Det. Network	1200Ω, .01mfd, .01mfd		

### FUSE DEVICES

ITEM No.	TYPE	RATING	REPLACEMENT DATA					
			PART No.		LITTELFUSE PART No.		BUSS PART No.	
			FUSE	HOLDER	FUSE	HOLDER	FUSE	HOLDER
F1		1A			312001	155020	AGC 1	HDJ

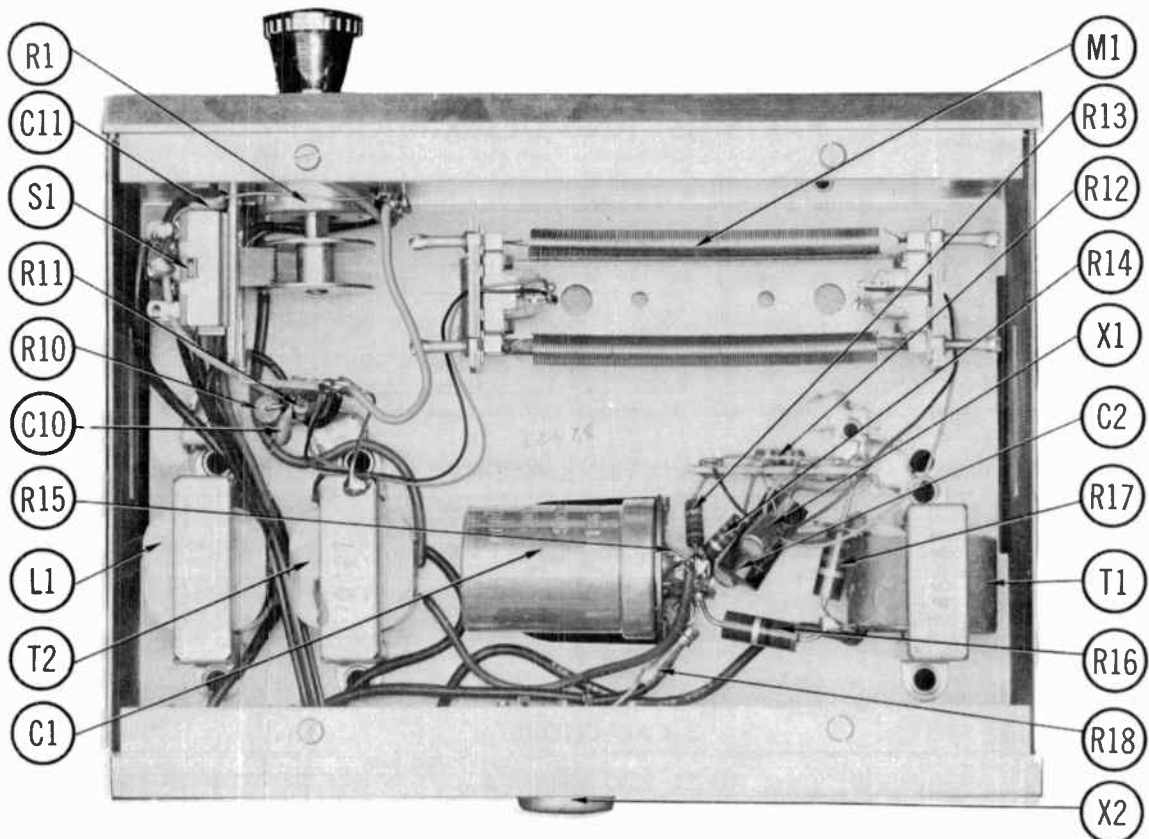
### WIRING DATA

General-use Unshielded Hook-up Wire .....	Use BELDEN No. 8530 (Solid) Available in 12 Colors 8524 (Stranded) Available in 12 Colors
Shielded Hook-up Wire .....	Use BELDEN No. 8885
Rear Seat Speaker Extension Cable .....	Use BELDEN No. 8782 (Stranded) Coded Parallel Leads
Bonding Strap .....	Use BELDEN No. 8661 (3/8 in.) or 8670 (3/4 in.)



# PHOTOFACT<sup>®</sup>

TRADE NAME : Gibbs Models 550, 551, 551-6  
SUPPLIER : For Current Address, See Annual Index.  
TYPE SET : 2 Transistor Reverberation Unit  
POWER SUPPLY : 12 Volt Storage Battery  
RATING : .6 Amp. @ 12.6 Volts DC

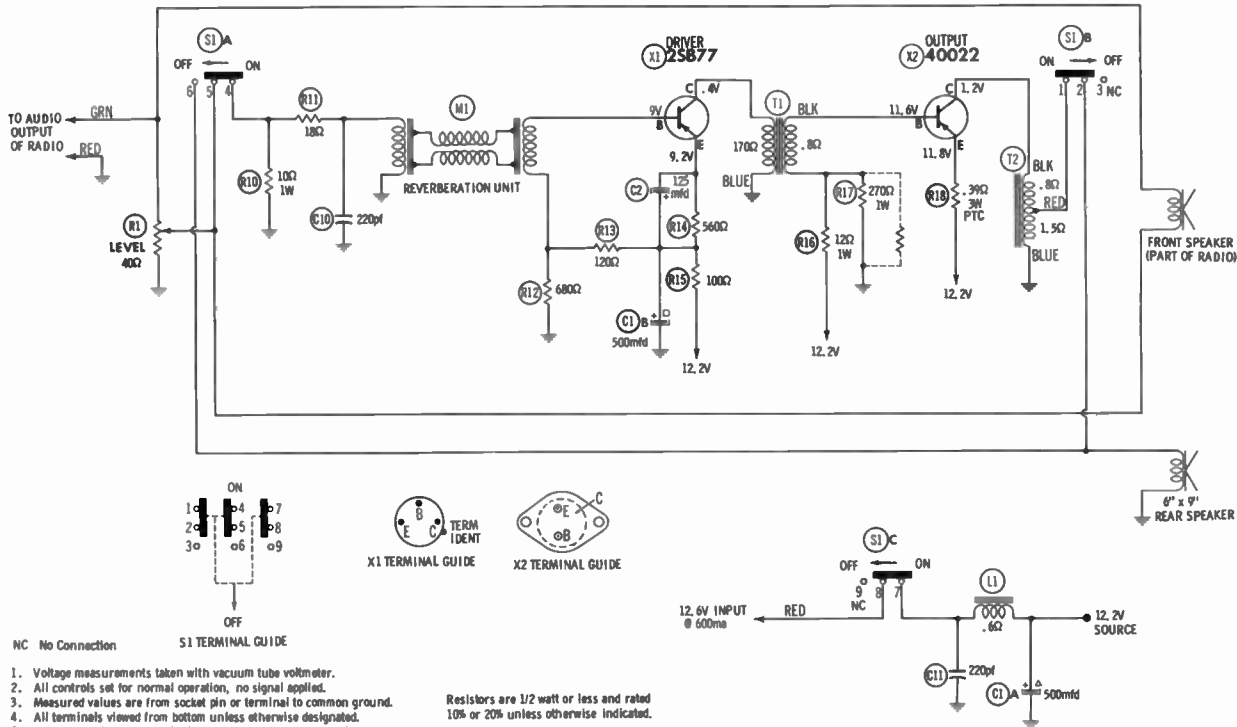


GIBBS MODELS 550, 551, 551-6

**HOWARD W. SAMS & CO., INC.** Indianapolis, Indiana 46206

© 1966 Howard W. Sams & Co., Inc. Printed in U. S. of America RZ609

World Radio History



1. Voltage measurements taken with vacuum tube voltmeter.
2. All controls set for normal operation, no signal applied.
3. Measured values are from socket pin or terminal to common ground.
4. All terminals viewed from bottom unless otherwise designated.
5. Numbers assigned to terminals may not be found on the unit.
6. Supply voltage maintained at rated value for voltage readings.
7. Resistance measurements not given because of the wide variation in internal resistance of transistor.

Resistors are 1/2 watt or less and rated 10% or 20% unless otherwise indicated.

### GIBBS MODELS 550, 551, 551-6

A PHOTOFAC STANDARD NOTATION SCHEMATIC  
© Howard W. Sams & Co., Inc. 1966

## PARTS LIST AND DESCRIPTION

(When ordering parts, state Model, Part Number, and Description.)

Replacement parts shown may be superseded by the availability of newly introduced replacements. Have your local distributor check Sams COUNTER FACTS for the most up-to-date replacement.

### TRANSISTORS

ITEM No.	ORIG. TYPE	USE	REPLACEMENT DATA			NOTES
			DELCO PART No.	GENERAL ELECTRIC PART No.	RCA PART No.	
X1	2SB77	Driver	DS-26	GE-2	SK-3003	PNP
X2	40022	Output	DS-520	GE-3	SK-3009	PNP ♦

♦ When replacing, apply silicone grease to both sides of insulator. Tighten mounting screws securely.

### ELECTROLYTIC CAPACITORS

ITEM No.	RATING		REPLACEMENT DATA					
	CAP.	VOLT.	GIBBS PART No.	AEROVOX PART No.	CORNELL-DUBILIER PART No.	GENERAL ELECTRIC PART No.	MALLORY PART No.	SPRAGUE PART No.
C1A	500	16	70436	AFH2-02-40	CC0013	KC3-43.05	PFP200.64	PCLS-2177*
B	500	16						
C2	125	10	70277	CRE426A	NLW125-15	MT1-23	TT12X150	TE-1136

\* Not normally in distributor's stock. Available thru distributor on order to manufacturer.

### CAPACITORS

ITEM No.	RATING	REMARKS	REPLACEMENT DATA					
			AEROVOX PART No.	CENTRALAB PART No.	CORNELL-DUBILIER PART No.	ELMENCO PART No.	MALLORY PART No.	SPRAGUE PART No.
C10	220		DI-220	DD-221	JBZ601YP221K	CCD-221	JF220	10TS-T22
C11	220		DI-220	DD-221	JBZ601YP221K	CCD-221	JF220	10TS-T22

### CONTROLS

All wattages 1/2 watt, or less, unless otherwise listed.

ITEM No.	USE	RESISTANCE	REPLACEMENT DATA				
			GIBBS PART No.	CENTRALAB PART No.	CLAROSTAT PART No.	CTS-IRC PART No.	MALLORY PART No.
R1	Level	40Ω 5W	70480				

# PARTS LIST AND DESCRIPTION (CONTINUED)

(When ordering parts, state Model, Part Number, and Description.)

Replacement parts shown may be superseded by the availability of newly introduced replacements. Have your local distributor check Sams COUNTER FACTS® for the most up-to-date replacement.

## RESISTORS (Power and Special)

ITEM No.	RATING	REPLACEMENT DATA			ITEM No.	RATING	REPLACEMENT DATA		
		IRC PART No.	WORKMAN PART No.	GIBBS PART No.			IRC PART No.	WORKMAN PART No.	GIBBS PART No.
R18	.39Ω 3W (PTC)			70406-3					

## FILTER CHOKE

ITEM No.	RATINGS			REPLACEMENT DATA					NOTES
	CURRENT (Measured)	DC RES.	INDUCTANCE (0 CURRENT 1000~)	GIBBS PART No.	MERIT PART No.	STANCOR PART No.	THORDARSON PART No.	TRIAD PART No.	
L1	600ma	.6Ω	11MH	70429	C-4095	TC-2	TR-154	TY17XT	

## TRANSFORMER (DRIVER)

ITEM No.	TURNS RATIO		REPLACEMENT DATA					NOTES
	PRI.	SEC.	GIBBS PART No.	MERIT PART No.	STANCOR PART No.	THORDARSON PART No.	TRIAD PART No.	
T1	12	1	70428					

## TRANSFORMER (AUDIO OUTPUT)

ITEM No.	IMPEDANCE		REPLACEMENT DATA					NOTES
	PRI.	SEC.	GIBBS PART No.	MERIT PART No.	STANCOR PART No.	THORDARSON PART No.	TRIAD PART No.	
T2	20Ω Tap	8Ω	70427					

## SPEAKER

ITEM No.	TYPE	REPLACEMENT DATA		NOTES
		GIBBS PART No.	QUAM PART No.	
SP1	8" x 9" 8"	PM PM	8Ω 8Ω	70356 Model 551. Model 551-6.

## MISCELLANEOUS

ITEM No.	PART NAME	GIBBS PART No.	NOTES
M1	Reverb Unit	43191	
S1	Selector Switch	70431	

## CABINETS & CABINET PARTS

(When Ordering Specify Model, Chassis & Color)

ITEM	PART No.	ITEM	PART No.
Knob	70432		

## WIRING DATA

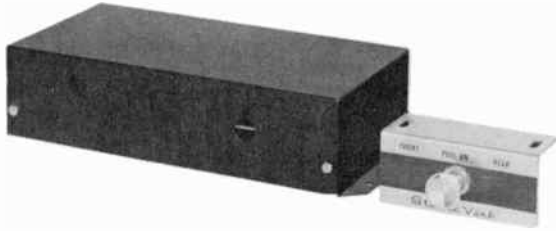
General-use Unshielded Hook-up Wire .....	Use BELDEN No. 8530 (Solid) Available in 12 Colors 8524 (Stranded) Available in 12 Colors
Shielded Hook-up Wire .....	Use BELDEN No. 8885
Rear Seat Speaker Extension Cable .....	Use BELDEN No. 8782 (Stranded) Coded Parallel Leads
Bonding Strap .....	Use BELDEN No. 8601 (3/8 In.) or 8670 (3/4 In.)

GIBBS MODELS 550, 551, 551-6



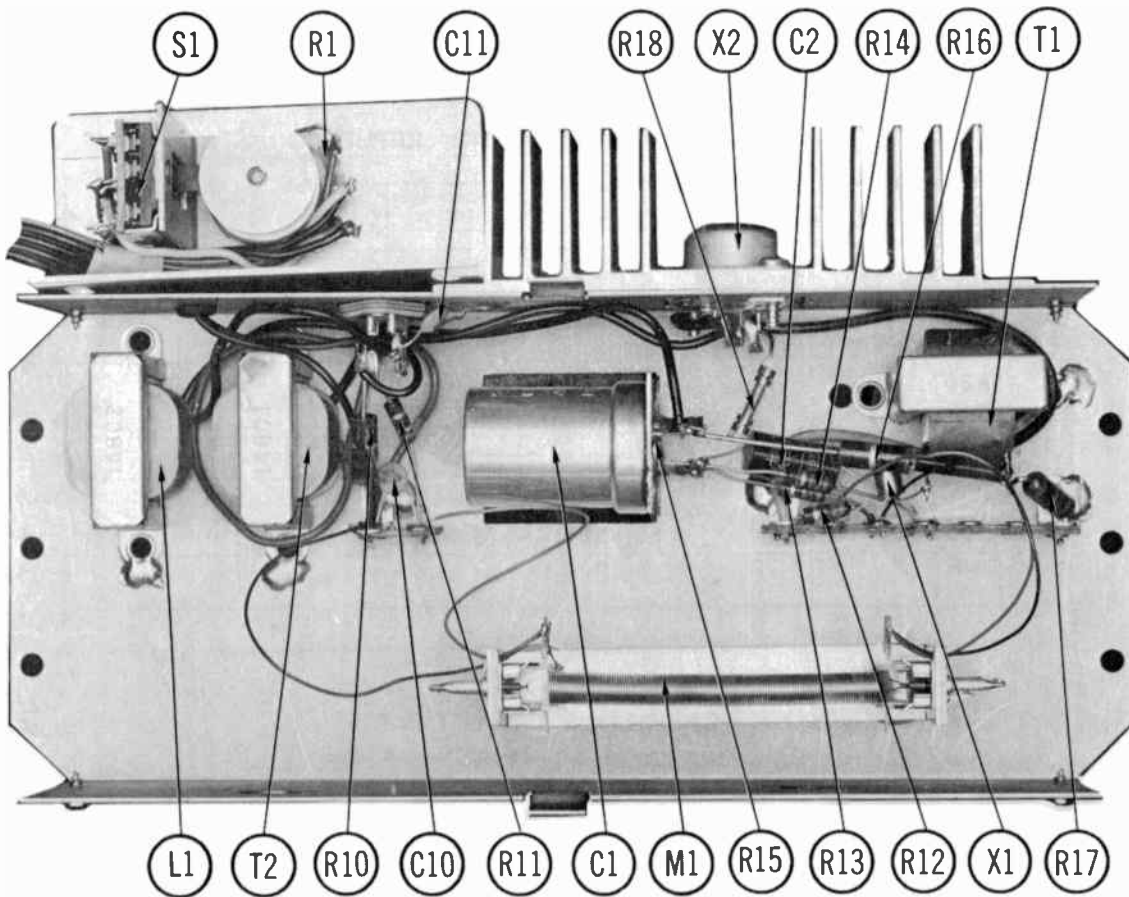


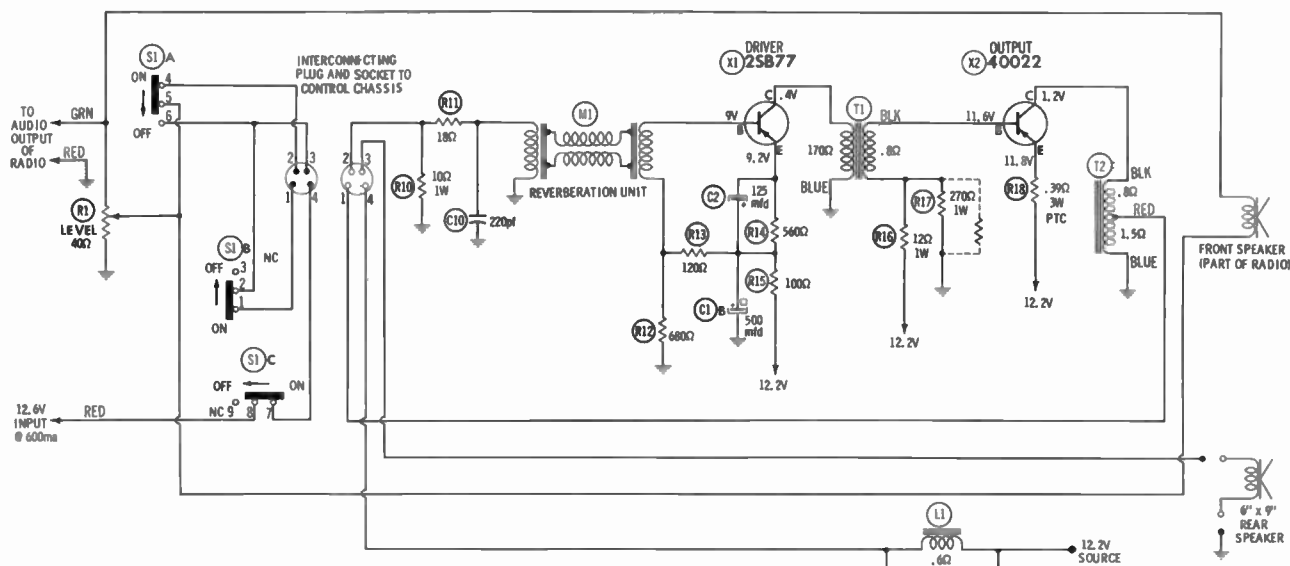
# PHOTOFACT®



TRADE NAME : Gibbs Models 552, 553  
 SUPPLIER : For Current Address, See Annual Index.  
 TYPE SET : 2 Transistor Reverberation Unit  
 POWER SUPPLY : 12 Volt Storage Battery  
 RATING : .6 Amp. @ 12.6 Volts DC

GIBBS MODELS 552, 553





Resistors are 1/2 watt or less and rated 10% or 20% unless otherwise indicated.

NC No Connection

1. Voltage measurements taken with vacuum tube voltmeter.
2. All controls set for normal operation, no signal applied.
3. Measured values are from socket pin or terminal to common ground.
4. All terminals viewed from bottom unless otherwise designated.
5. Numbers assigned to terminals may not be found on the unit.
6. Supply voltage maintained at rated value for voltage readings.
7. Resistance measurements not given because of the wide variation in internal resistance of transistor.

A PHOTOFAC STANDARD NOTATION SCHEMATIC  
© Howard W. Sams & Co., Inc. 1966



S1 TERMINAL GUIDE

GIBBS MODELS 552, 553

## PARTS LIST AND DESCRIPTION

(When ordering parts, state Model, Part Number, and Description.)

Replacement parts shown may be superseded by the availability of newly introduced replacements. Have your local distributor check Sams COUNTER FACTS for the most up-to-date replacement.

### TRANSISTORS

ITEM No.	ORIG. TYPE	USE	REPLACEMENT DATA			NOTES
			DELCO PART No.	GENERAL ELECTRIC PART No.	RCA PART No.	
X1	25B77	Driver	DS-26	GE-2	SK-3003	PNP
X2	40022	Output	DS-520	GE-3	SK-3009	PNP *

\* When replacing, apply silicone grease to both sides of insulator. Tighten mounting screws securely.

### ELECTROLYTIC CAPACITORS

ITEM No.	RATING		REPLACEMENT DATA					
	CAP.	VOLT.	GIBBS PART No.	AEROVOX PART No.	CORNELL-DUBILIER PART No.	GENERAL ELECTRIC PART No.	MALLORY PART No.	SPRAGUE PART No.
C1A	500	16	70436	AFH2-02-40	CC0013	XCS-43.05	PFP200.64	PCLS-2177*
B	500	16						
C2	125	10	70277	CRE426A	NLW125-15	MT1-23	TT12X150	TE-1136

\* Not normally in distributor's stock. Available thru distributor on order to manufacturer.

### CAPACITORS

ITEM No.	RATING	REMARKS	REPLACEMENT DATA					
			AEROVOX PART No.	CENTRALAB PART No.	CORNELL-DUBILIER PART No.	ELMENCO PART No.	MALLORY PART No.	SPRAGUE PART No.
C10	220		DI-220	DD-221	JBZ601YP221K	CCD-221	JF220	10TS-T22
C11	220		DI-220	DD-221	JBZ601YP221K	CCD-221	JF220	10TS-T22

### CONTROLS

All wattages 1/2 watt, or less, unless otherwise listed.

ITEM No.	USE	RESISTANCE	REPLACEMENT DATA				
			GIBBS PART No.	CENTRALAB PART No.	CLAROSTAT PART No.	CTS-IRC PART No.	MALLORY PART No.
R1	Level	40Ω 5W	70430				

## PARTS LIST AND DESCRIPTION (CONTINUED)

(When ordering parts, state Model, Part Number, and Description.)

Replacement parts shown may be superseded by the availability of newly introduced replacements.  
Have your local distributor check Sams COUNTER FACTS® for the most up-to-date replacement.

### RESISTORS (Power and Special)

ITEM No.	RATING	REPLACEMENT DATA			ITEM No.	RATING	REPLACEMENT DATA		
		IRC PART No.	WORKMAN PART No.	GIBBS PART No.			IRC PART No.	WORKMAN PART No.	GIBBS PART No.
R18	.39Ω 3W (PTC)			70406-3					

### FILTER CHOKE

ITEM No.	RATINGS			REPLACEMENT DATA					NOTES
	CURRENT (Measured)	DC RES.	INDUCTANCE (0 CURRENT 1000~)	GIBBS PART No.	MERIT PART No.	STANCOR PART No.	THORDARSON PART No.	TRIAD PART No.	
L1	600ma	.6Ω	11MH	70429	C-4085	TC-2	TR-154	TY17XT	

### TRANSFORMER (DRIVER)

ITEM No.	TURNS RATIO		REPLACEMENT DATA					NOTES
	PRI.	SEC.	GIBBS PART No.	MERIT PART No.	STANCOR PART No.	THORDARSON PART No.	TRIAD PART No.	
T1	12	1	70428					

### TRANSFORMER (AUDIO OUTPUT)

ITEM No.	IMPEDANCE		REPLACEMENT DATA					NOTES
	PRI.	SEC.	GIBBS PART No.	MERIT PART No.	STANCOR PART No.	THORDARSON PART No.	TRIAD PART No.	
T2	20Ω Tap	@ 8Ω	70427					

### SPEAKER

ITEM No.	TYPE	REPLACEMENT DATA		NOTES
		GIBBS PART No.	QUAM PART No.	
SP1	6" PM 8Ω	70389		Model 553.

### MISCELLANEOUS

ITEM No.	PART NAME	GIBBS PART No.	NOTES
M1	Reverb Unit	43191	
81	Selector Switch	70431	

### CABINETS & CABINET PARTS

(When Ordering Specify Model, Chassis & Color)

ITEM	PART No.	ITEM	PART No.
Knob	70432		

### WIRING DATA

General-use Unshielded Hook-up Wire .....	Use BELDEN No. 8530 (Solid) Available in 12 Colors 8524 (Stranded) Available in 12 Colors
Shielded Hook-up Wire .....	Use BELDEN No. 8885
Rear Seat Speaker Extension Cable .....	Use BELDEN No. 8782 (Stranded) Coded Parallel Leads
Bonding Strap .....	Use BELDEN No. 8661 (3/8 In.) or 8670 (3/4 In.)



# PHOTOFACT<sup>®</sup> with

# CIRCUITRACE<sup>®</sup>

TRADE NAME : Hitachi Model TM-816U  
 SUPPLIER : For Current Address, See Annual Index.  
 TYPE SET : 9 Transistor AM Auto-Portable Receiver  
 POWER SUPPLY : 12 Volt Storage Battery  
 (4 Penlite Cells)  
 RATING : .2 Amp. @ 12.6 Volts DC  
 .008 Amp. @ 8 Volts DC  
 TUNING RANGE : BROADCAST 535-1605KC



## ALIGNMENT INSTRUCTIONS

Use isolation transformer, if available, and maintain line voltage at 117 volts. Set Volume control at maximum. Fashion loop of several turns of wire and connect generator across loop. Adjust output of generator to radiate only enough signal into receiver to obtain a suitable indication.

Suggested Alignment Tools:

A1 thru A11.

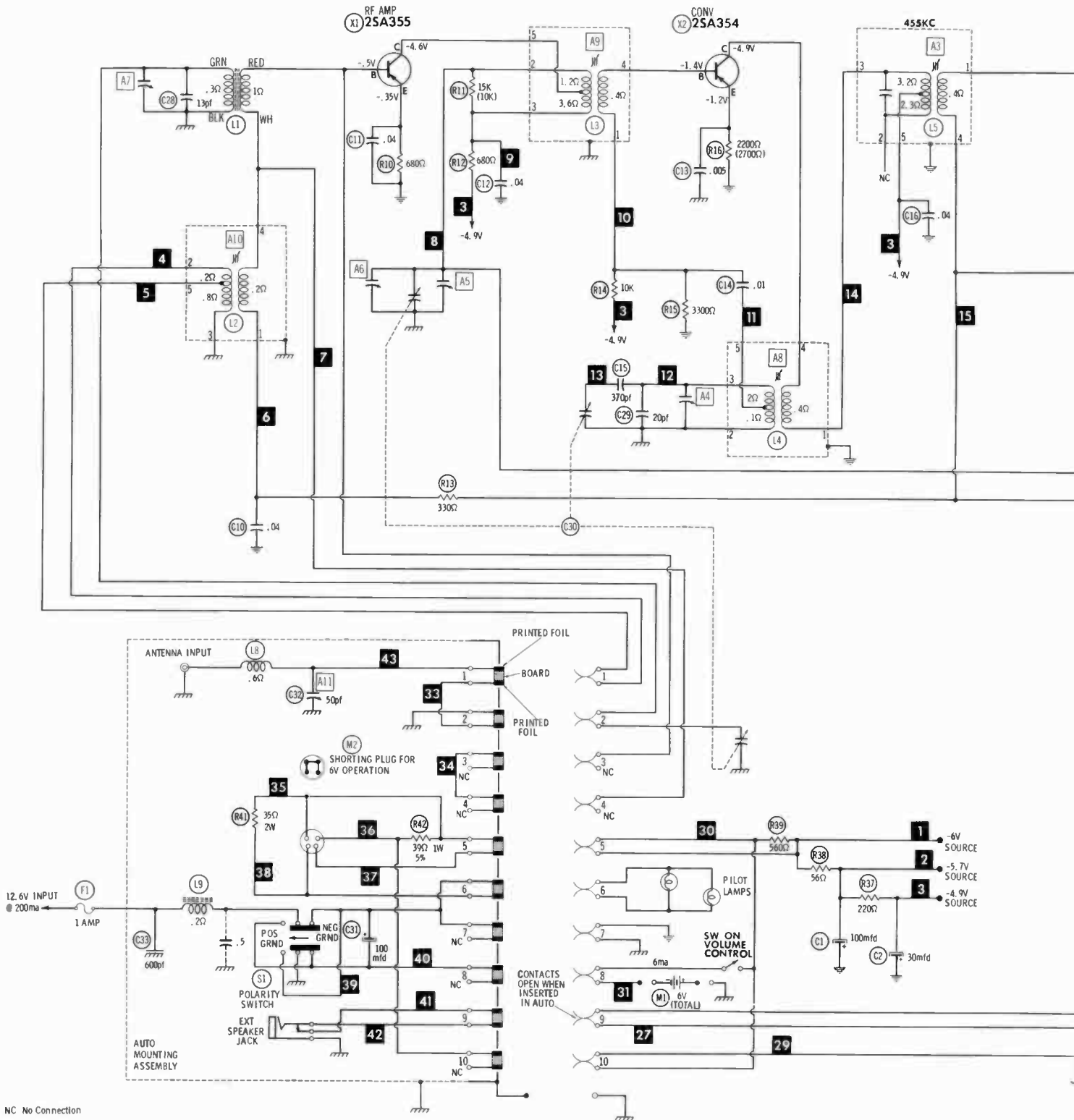
GENERAL CEMENT: 9440

WALSCO: 2501

GENERATOR FREQUENCY	DIAL SETTING	INDICATOR	ADJUST	REMARKS
1. 455KC (400% Mod.)	Tuning gang fully open.	Output Meter across Voice coil.	A1, A2, A3.	Adjust for maximum. Repeat until no further improvement can be made.
2. 1615KC	"	"	A4.	Adjust for maximum.
3. 1400KC	Tune to signal.	"	A5, A6, A7.	Adjust for maximum.
4. 600KC	"	"	A8, A9, A10.	Rock tuning gang and adjust for maximum. Repeat steps 2 thru 4 until no further improvement can be made.

With radio installed in car and antenna fully extended, tune in a weak station near 1400KC and adjust A11 for maximum output.

HITACHI MODEL TM-816U



NC No Connection

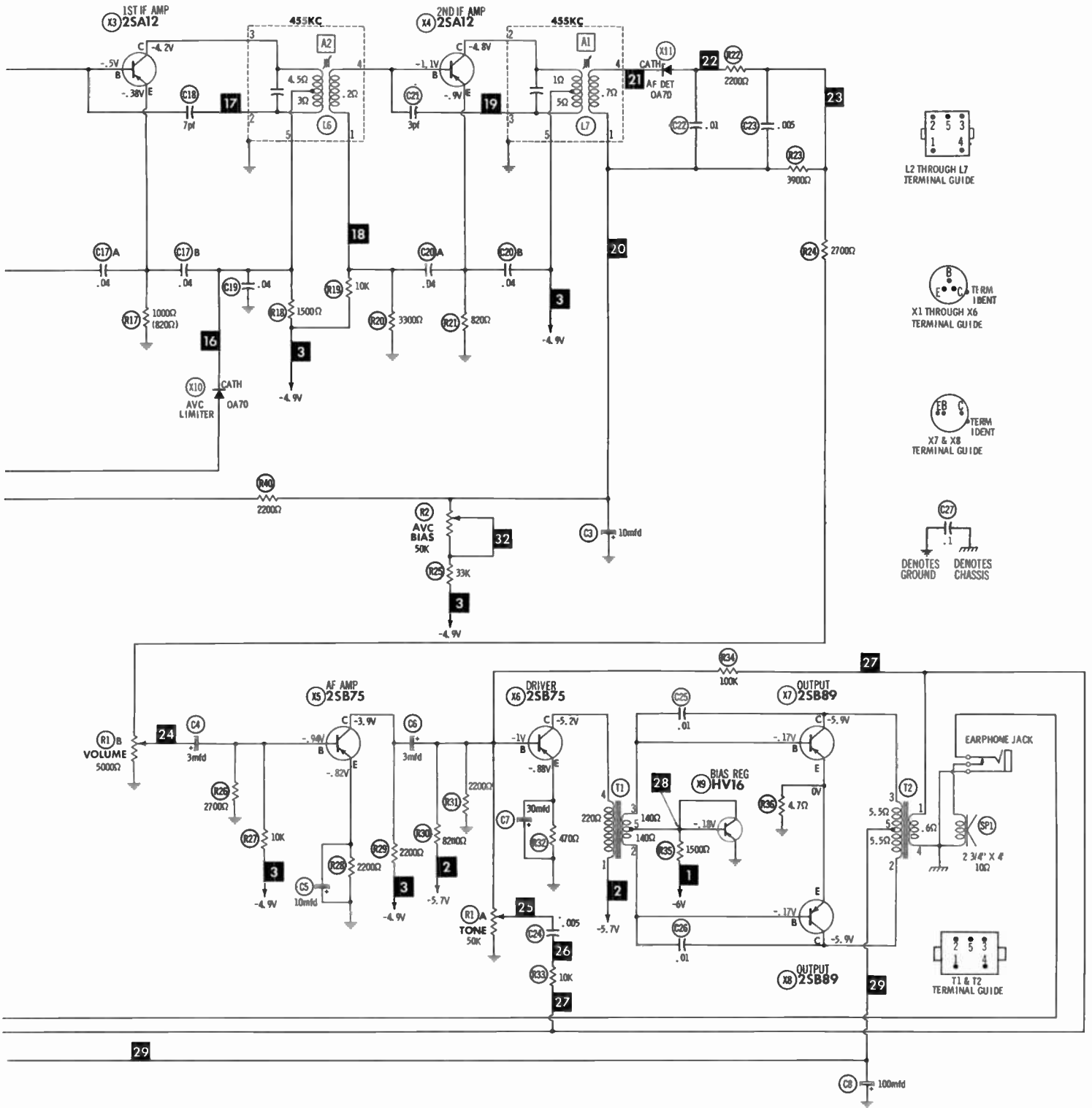
All measurements taken using internal battery for voltage source.

1. Voltage measurements taken with vacuum tube voltmeter.
2. All controls set for normal operation, no signal applied.
3. Measured values are from socket pin or terminal to common ground.
4. All terminals viewed from bottom unless otherwise designated.
5. Numbers assigned to terminals may not be found on the unit.
6. Supply voltage maintained at rated value for voltage readings.
7. Resistance measurements not given because of the wide variation in internal resistance of transistor.

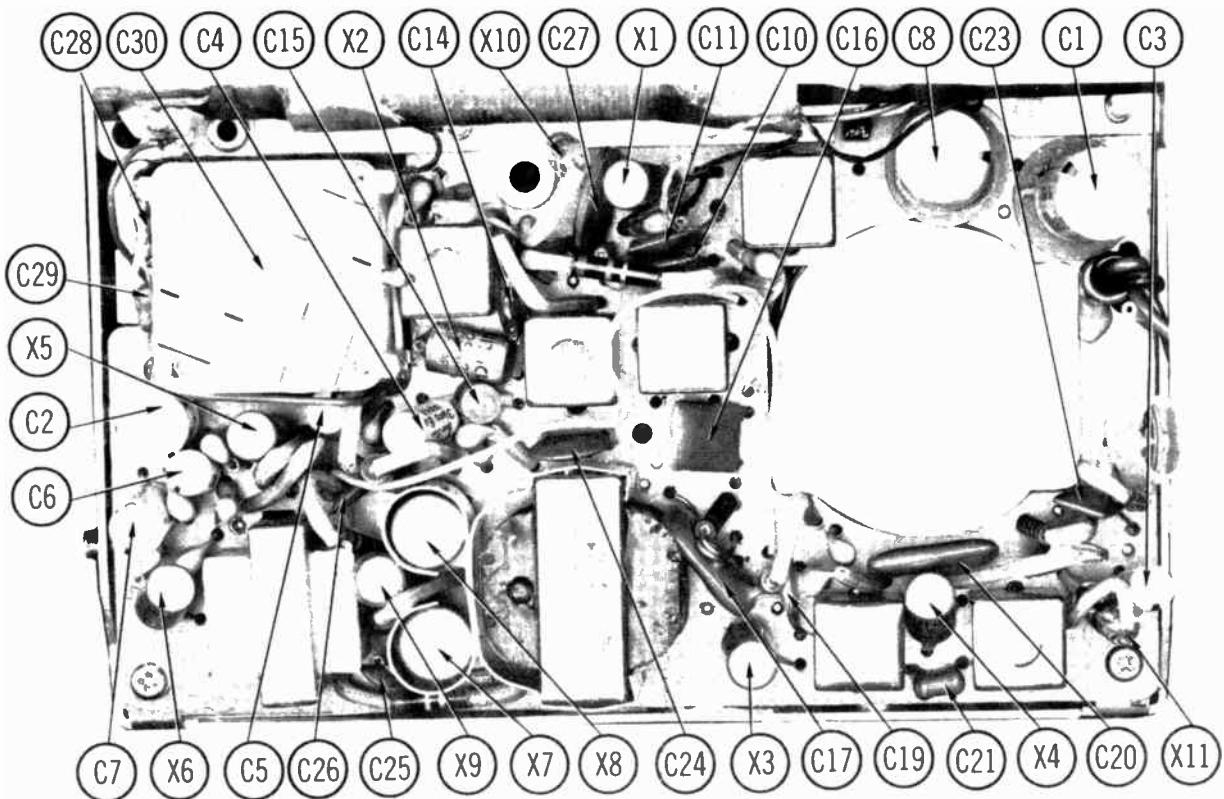
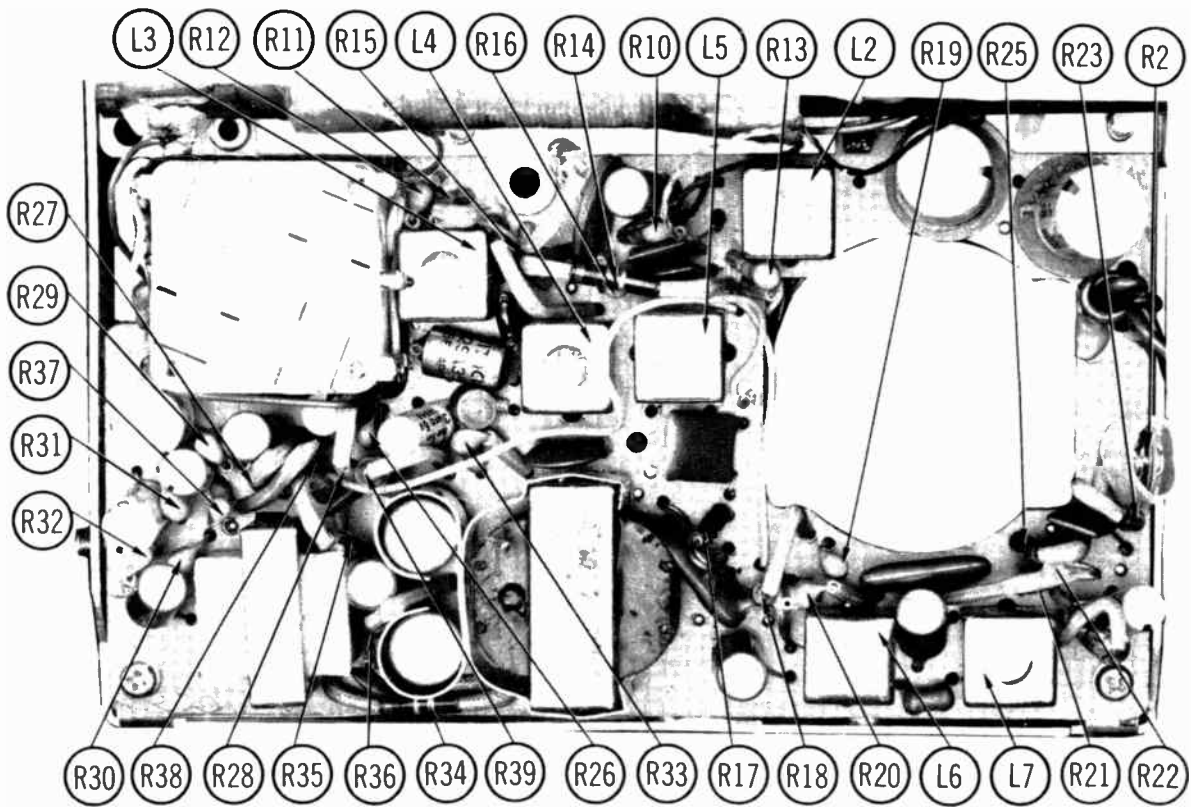
Resistors are 1/2 watt or less and rated 10% or 20% unless otherwise indicated.

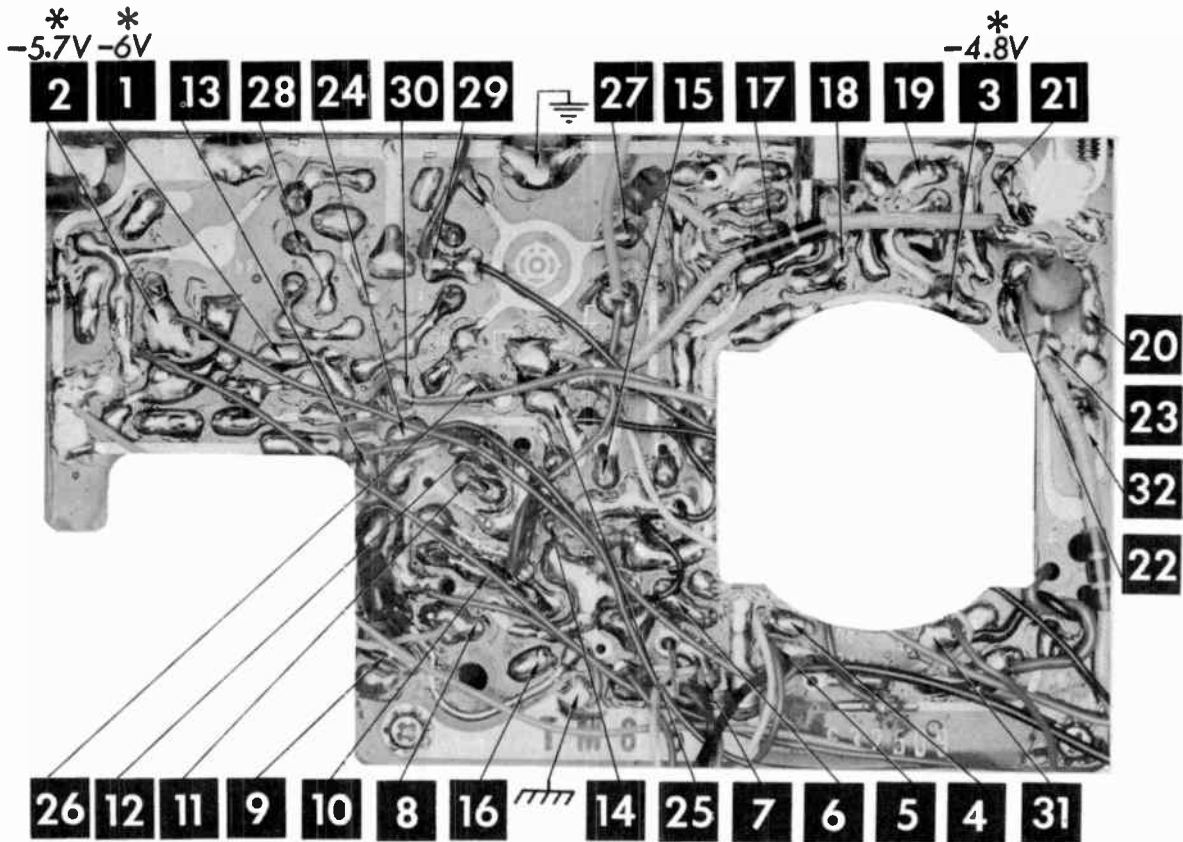
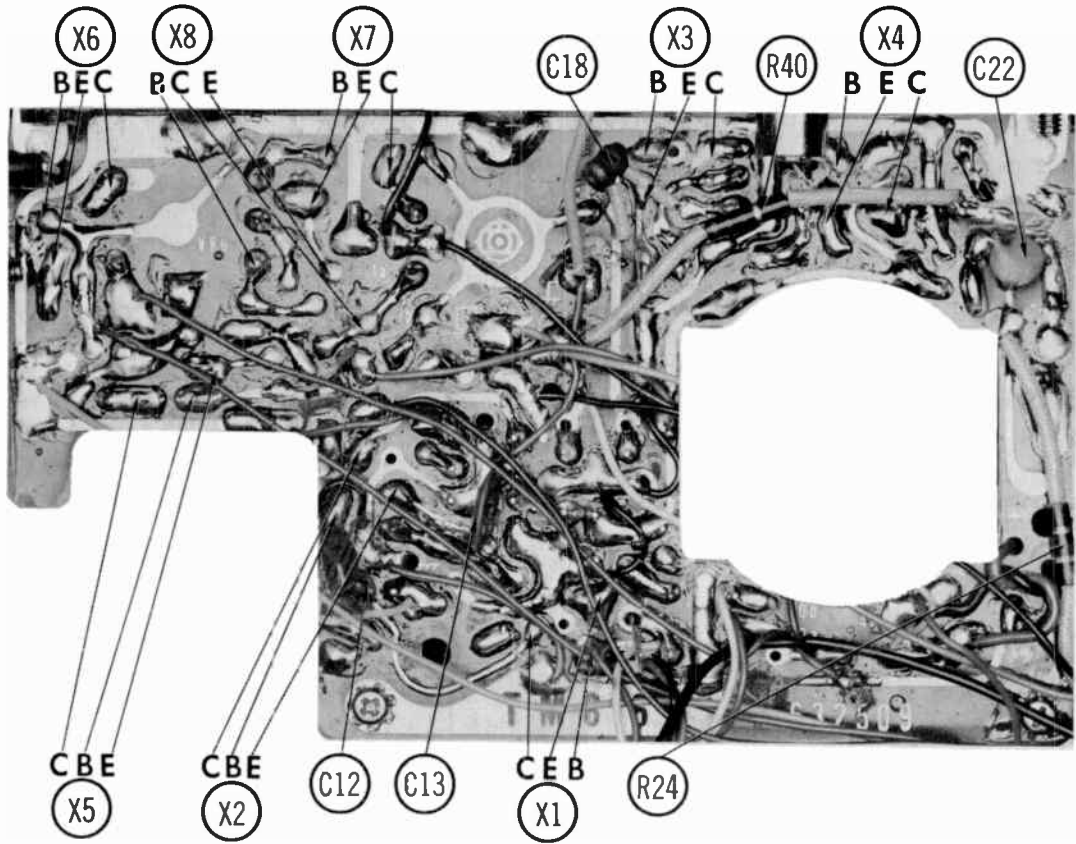
A PHOTOFAC STANDARD NOTATION SCHEMATIC  
with **CIRCUITRACE**

© Howard W. Sams & Co., Inc. 1966



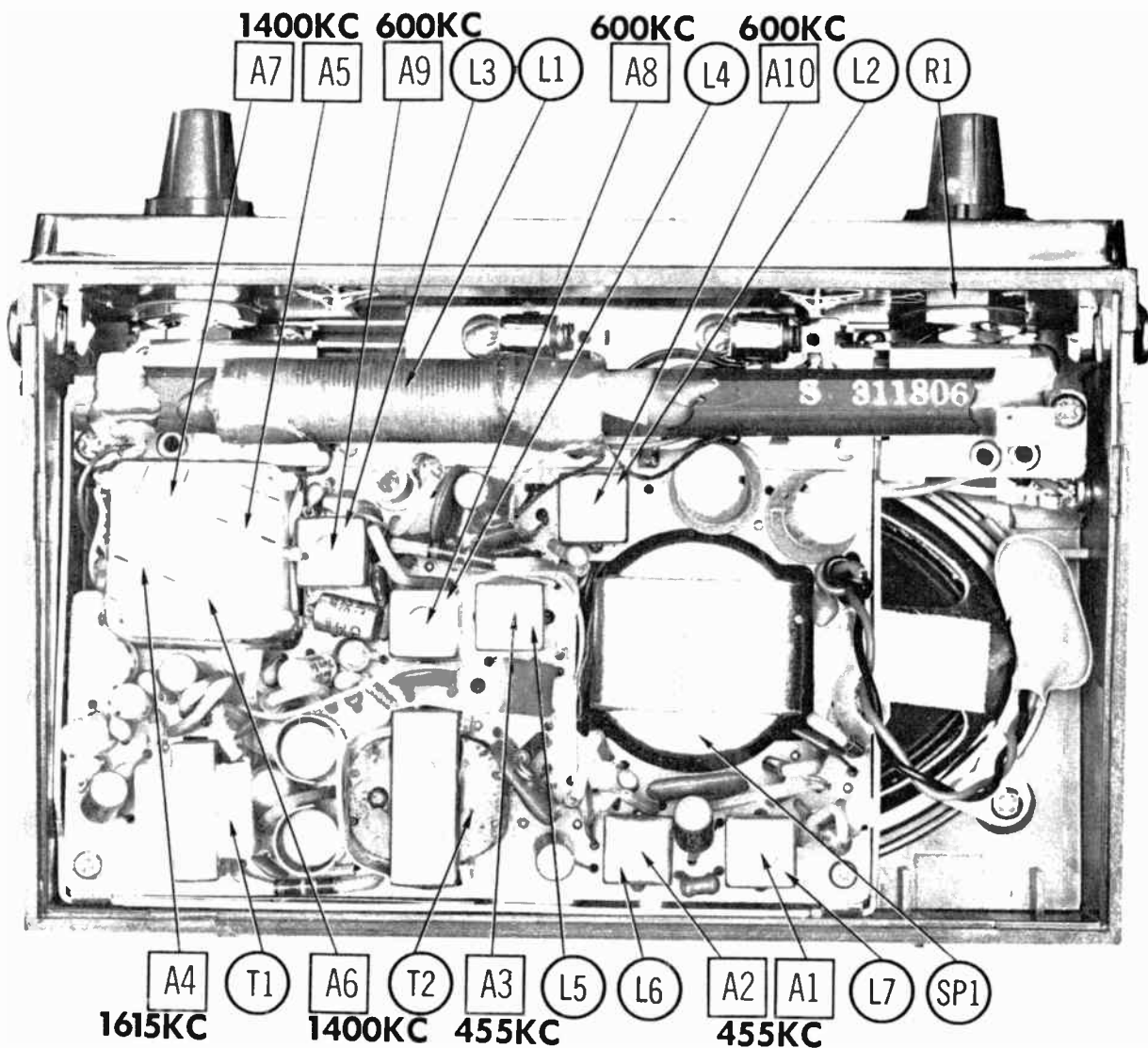
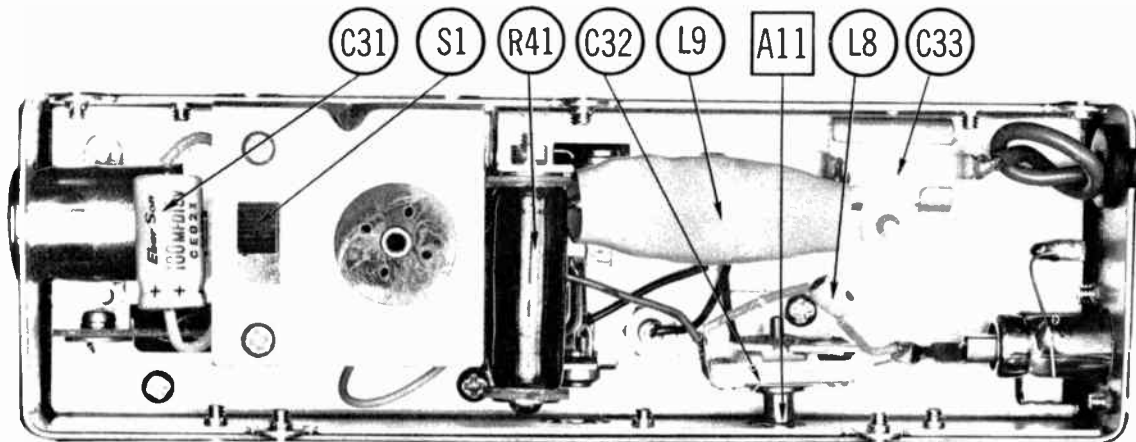
HITACHI MODEL TM-816U

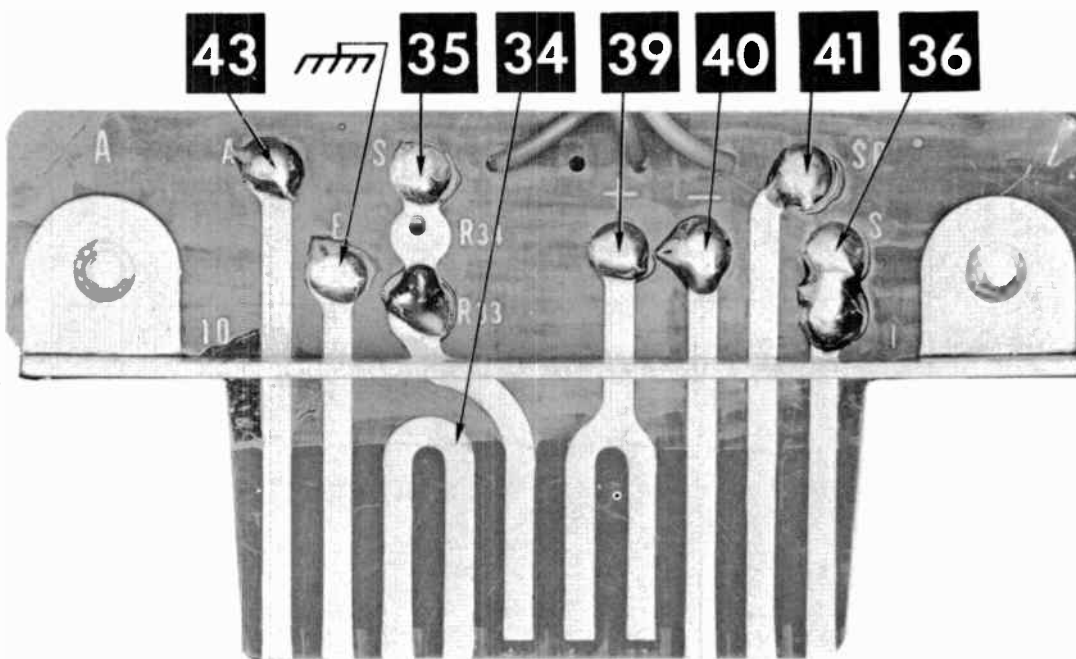
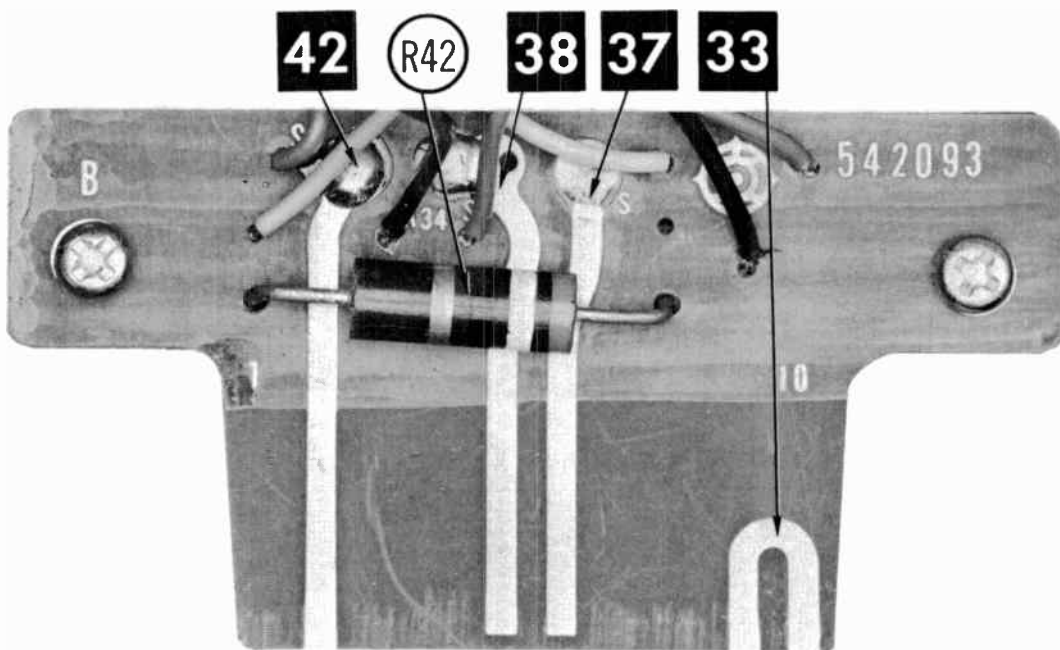




\*VOLTAGE SOURCE







HITACHI MODEL TM-816U

A Howard W. Sams **CIRCUITRACE** Photo

# RECEIVER PARTS LIST AND DESCRIPTION

(When ordering parts, state Model, Part Number, and Description.)

Replacement parts shown may be superseded by the availability of newly introduced replacements.  
Have your local distributor check Sams COUNTER FACTS for the most up-to-date replacement.

## TRANSISTORS

ITEM No.	ORIG. TYPE	USE	REPLACEMENT DATA			NOTES
			DELCO PART No.	GENERAL ELECTRIC PART No.	RCA PART No.	
X1	2SA355	RF Amp.	D8-25	GE-9	SK-3008	PNP
X2	2SA354	Converter	D8-25	GE-1	SK-3008	PNP
X3	2SA12	1st. IF Amp.	D8-25	GE-1	SK-3005	PNP
X4	2SA12	2nd. IF Amp.	D8-25	GE-1	SK-3005	PNP
X5	2SB75	AF Amp.	D8-26	GE-2	SK-3004	PNP
X6	2SB75	Driver	D8-26	GE-2	SK-3004	PNP
X7	2SB89	AF Output	D8-26	GE-2	SK-3004	PNP
X8	2SB89	AF Output	D8-26	GE-2	SK-3004	PNP
X9	HV16	Bias Regulator	D8-26	GE-2	SK-3004	PNP

## POWER RECTIFIERS & SIGNAL DIODES

ITEM No.	MEASURED CURRENT	ORIGINAL Part or Type No.	RECTIFIERS & DIODES		RECTIFIERS		
			GENERAL ELECTRIC PART No.	INTERNATIONAL RECTIFIER PART No.	MALLORY PART No.	RCA PART No.	SARKS TARZIAN PART No.
X10		OA70	1N34AS	1N34A			
X11		OA70	1N34AS	1N34A			

## ELECTROLYTIC CAPACITORS

ITEM No.	RATING		REPLACEMENT DATA					
	CAP.	VOLT.	HITACHI PART No.	AEROVOX PART No.	CORNELL-DUBILIER PART No.	GENERAL ELECTRIC PART No.	MALLORY PART No.	SPRAGUE PART No.
C1	100	15	259564	BCD15100	NLW100-15	MT1-19	TT15X100	TE-1162
C2	30	10	258534	BCD10025	NLW30-15	MT1-14	TT10X30	VL-1130
C3	10	6	258517	BCD6010	NLW10-6	MT1-6	PET1340	VL-1087
C4	3	6	257031	BCD8003	NLW3-15	MT1-3	TT6X3	VL-1082
C5	10	3	258516	BCD8010	NLW10-3	MT1-6	PET1340	VL-1038
C6	3	6	257031	BCD8003	NLW3-15	MT1-3	TT6X3	VL-1082
C7	30	3	258515	BCD8025	NLW30-6	MT1-13	PET130	VL-1041
C8	100	15	259564	BCD15100	NLW100-15	MT1-19	TT15X100	TE-1162

## CAPACITORS

ITEM No.	RATING	REMARKS	REPLACEMENT DATA						
			AEROVOX PART No.	CENTRALAB PART No.	CORNELL-DUBILIER PART No.	ELMENCO PART No.	MALLORY PART No.	SPRAGUE PART No.	
C10	.04		TTD-05		HOV101ZV503Z			TA150	TH-850
C11	.04		TTD-05		HOV101ZV503Z			TA150	TH-850
C12	.04		TTD-05		HOV101ZV503Z			TA150	TH-850
C13	.005		TTD-005	CK-503	HOY101ZV502P			TA250	TG-D50
C14	.01		BPD-01	DD-103	BYV102ZU103M	CCD-103		B110	5HK-S10
C15	370			CPR-360J	CD15F361K500	DM-10-361		SX336	M8336
C16	.04		TTD-05		HOV101ZV503Z			TA150	TH-850
C17A	.04			DF-503					
B	.04								
C18	7		NPO-DI 6.8	DTZ-6R8	CZ801CH6R8D	CCTO-6R8		CN0568	10TCC-V68
C19	.04		TTD-05		HOV101ZV503Z			TA150	TH-850
C20A	.04			DF-503					
B	.04								
C21	3		NPO-DI 3.0	DTZ-3R3				CN0533	10TCC-V30
C22	.01		BPD-01	DD-103	BYV102ZU103M	CCD-103		B110	5HK-S10
C23	.005		BPD-005	DD-502	BYX601ZU502P	CCD-502		B250	5HK-D50
C24	.005		BPD-005	DD-502	BYX601ZU502P	CCD-502		B250	5HK-D50
C25	.01		BPD-01	DD-103	BYV102ZU103M	CCD-103		B110	5HK-S10
C26	.01		BPD-01	DD-103	BYV102ZU103M	CCD-103		B110	5HK-S10
C27	.1		TTD-1	CK-104	HOV101ZV104Z			TA010	TG-F10
C28	13			TCZ-12	CZ601CG120J	CCTO-120		CN0412	10TCC-Q12
C29	20		NPO-DI 20	DTZ-20		CCTO-200		CN0422	10TCC-Q20
C30									

# PARTS LIST AND DESCRIPTION (CONTINUED)

(When ordering parts, state Model, Part Number, and Description.)

Replacement parts shown may be superseded by the availability of newly introduced replacements. Have your local distributor check Sams COUNTER FACTS\* for the most up-to-date replacement.

## CONTROLS

All wattages 1/2 watt, or less, unless otherwise listed.

ITEM No.	USE	RESIST-ANCE	REPLACEMENT DATA				
			HITACHI PART No.	CENTRALAB PART No.	CLAROSTAT PART No.	CTS-IRC PART No.	MALLORY PART No.
R1A	Tone Volume/Switch AVC Bias	50K	152511				
B R2		5000Ω 50K	151041				

## COILS (RF-IF)

ITEM No.	USE	REPLACEMENT DATA				
		HITACHI PART No.	MEISSNER Part No.	MERIT PART No.	MILLER PART No.	WORKMAN PART No.
L1	Loopstick	311218				
L2	Antenna Input	316077				
L3	RF Amp.	316056				
L4	Oscillator	316073				
L5	1st. IF Amp.	322216	16-9028	BC-574	2068	
L6	2nd. IF Amp.	322221	16-9027	BC-575	2067	
L7	3rd. IF Amp.	322222	16-9028	BC-576	8518	

## TRANSFORMER (DRIVER)

ITEM No.	TURNS RATIO		REPLACEMENT DATA					NOTES
			HITACHI PART No.	MERIT PART No.	STANCOR PART No.	THORDARSON PART No.	TRIAD PART No.	
	PRI.	SEC.						
T1	1	1	441033					

## TRANSFORMER (AUDIO OUTPUT)

ITEM No.	IMPEDANCE		REPLACEMENT DATA					NOTES
			HITACHI PART No.	MERIT PART No.	STANCOR PART No.	THORDARSON PART No.	TRIAD PART No.	
	PRI.	SEC.						
T2	108Ω CT	10Ω	452002					

## SPEAKER

ITEM No.	TYPE			REPLACEMENT DATA		NOTES
				HITACHI PART No.	QUAM PART No.	
SP1	2 3/4" x 4"	PM	10Ω	526056		

## FUSE DEVICES

ITEM No.	TYPE	RATING	REPLACEMENT DATA					
			PART No.		LITTELFUSE PART No.		BUSS PART No.	
			FUSE	HOLDER	FUSE	HOLDER	FUSE	HOLDER
F1		1 Amp.	591005	593148	312001	155020	AGC 1	HHJ

## BATTERIES

ITEM No.	VOLTAGE	HITACHI PART No.	REPLACEMENT DATA			NOTES
			BURGESS	EVEREADY	MALLORY	
M1	6 Volt (Total)	599400	930 or AL9 or Hg9	1015 or E91 or E9	M15R or Mn1500 or ZM9	4 Required.

## PARTS LIST AND DESCRIPTION (CONTINUED)

(When ordering parts, state Model, Part Number, and Description.)

Replacement parts shown may be superseded by the availability of newly introduced replacements.  
Have your local distributor check Sams COUNTER FACTS® for the most up-to-date replacement.

### CABINETS & CABINET PARTS

(When Ordering Specify Model, Chassis & Color)

ITEM	PART No.	ITEM	PART No.
Cabinet Back	612466	Dial Drum	661703
Circuit Board	632109	Handle	853D17
Cabinet	612474	Dial Glass	667D71
Battery Case	595D71	Knob (Tuning, Rear & Front)	614841
		Knob (Volume & Tone)	614842

## AUTO MOUNTING ASSEMBLY

### ELECTROLYTIC CAPACITORS

ITEM No.	RATING		REPLACEMENT DATA					
	CAP.	VOLT.	HITACHI PART No.	AEROVOX PART No.	CORNELL-DUBILIER PART No.	GENERAL ELECTRIC PART No.	MALLORY PART No.	SPRAGUE PART No.
C31	100	15	2575D6	CRE473A	NLW100-15	MT1-19	TT15X100	TE-1162

### CAPACITORS

ITEM No.	RATING	REMARKS	REPLACEMENT DATA					
			AEROVOX PART No.	CENTRALAB PART No.	CORNELL-DUBILIER PART No.	ELMENCO PART No.	MALLORY PART No.	SPRAGUE PART No.
C32	50			823-BZ		424		
C33	600							

### COILS (RF-IF)

ITEM No.	USE	REPLACEMENT DATA				
		HITACHI PART No.	MEISSNER Part No.	MERIT PART No.	MILLER PART No.	WORKMAN PART No.
L8	RF Choke (15uh)	316071	19-10D6		4624	TA825

### MISCELLANEOUS

ITEM No.	PART NAME	HITACHI PART No.	NOTES
M2	6 Volt Shorting Plug	542094	
S1	Polarity Switch	532001	

### FILTER CHOKE

ITEM No.	RATINGS			REPLACEMENT DATA					NOTES
	CURRENT (Measured)	DC RES.	INDUCTANCE (0 CURRENT 1000~)	HITACHI PART No.	MERIT PART No.	STANCOR PART No.	THORDARSON PART No.	TRIAD PART No.	
L9	.2A DC	.2Ω	27DMH						

### WIRING DATA

General-use Unshielded Hook-up Wire .....	Use BELDEN No. 853D (Solid) Available in 12 Colors 8524 (Stranded) Available in 12 Colors
Shielded Hook-up Wire .....	Use BELDEN No. 8885
Rear Seat Speaker Extension Cable .....	Use BELDEN No. 8782 (Stranded) Coded Parallel Leads
Bonding Strap .....	Use BELDEN No. 8661 (3/8 in.) or 8670 (3/4 in.)



TRADE NAME: Lincoln Model 6TDC (1966)  
 SUPPLIER: For Current Address, See Annual Index.  
 TYPE SET: 6 Transistor AM Receiver  
 POWER SUPPLY: 12 Volt Storage Battery  
 RATING: 1.2 Amp. @ 12.6 Volts DC  
 TUNING RANGE: BROADCAST 540-1615KC



LINCOLN MODEL 6TDC

## ALIGNMENT INSTRUCTIONS

Check for specified source voltage.  
 Use only enough generator output to provide a usable indication.  
 Suggested Alignment Tools:

A1 thru A5, A9, A10.

GENERAL CEMENT: 5009, 8782A, 8987

WALSCO: 2531-X, 2536

A6, A7, A8.

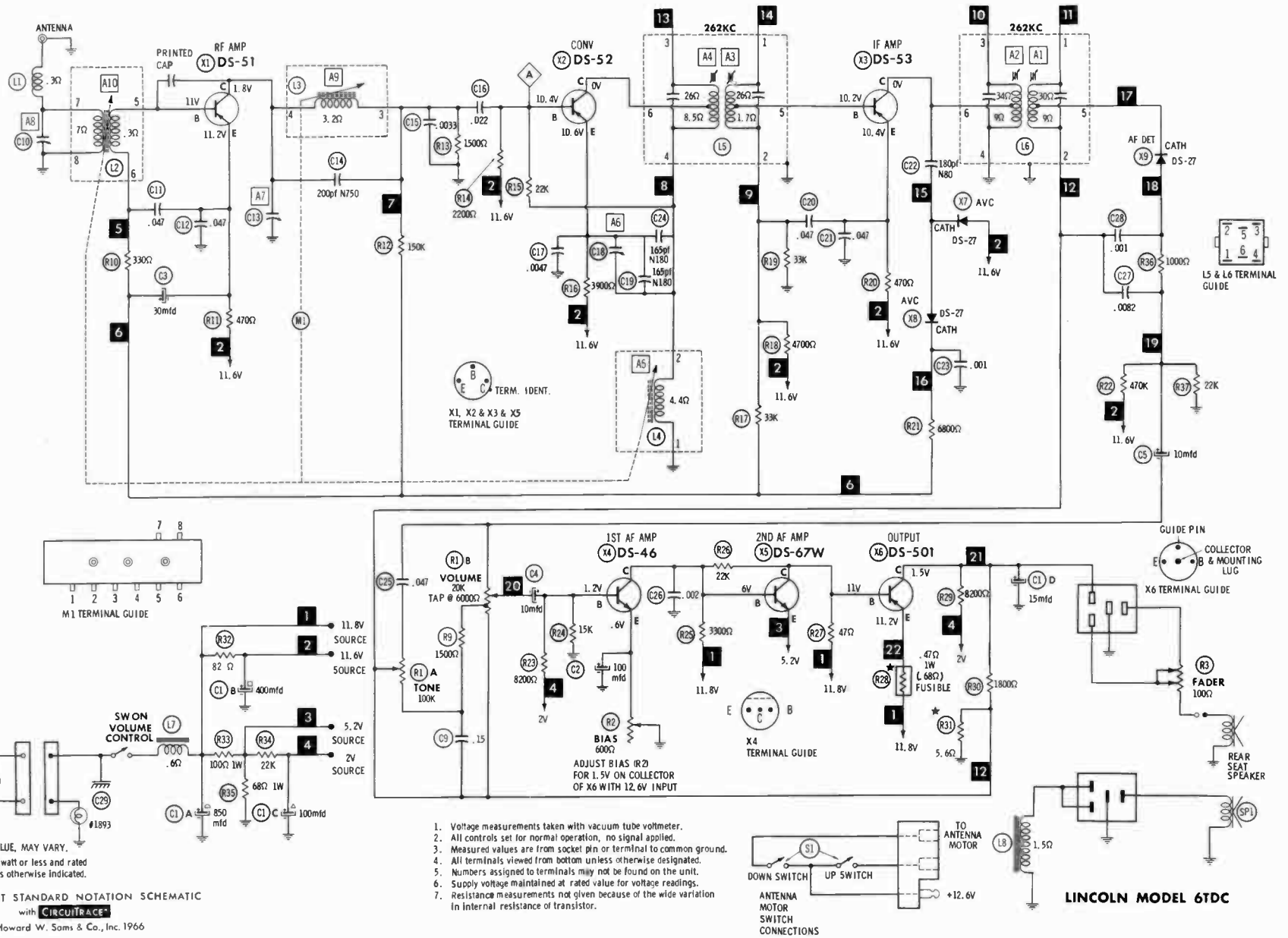
GENERAL CEMENT: 8290, 8868, 9087

WALSCO: 2525, 2528, 2587

	SIGNAL GENERATOR COUPLING	SIGNAL GENERATOR FREQUENCY	RADIO DIAL SETTING	INDICATOR	ADJUST	REMARKS
1.	High side thru .1mfd to point $\Delta$ , low side to ground.	262KC (400 $\nu$ Mod.)	High Freq. End Stop.	Output Meter across voice coil.	A1, A2, A3, A4	Adjust for maximum.
Check setting of oscillator coil core (A5). Rear of core should be 1 3/8" from mounting end of coil form.						
2.	High side thru 82mmf to antenna receptacle, low side to ground.	1615KC	High Freq. End Stop.	Output Meter across voice coil.	A6, A7, A8	Adjust for maximum.
3.	"	600KC	600KC Signal	"	A9, A10	Adjust for maximum. Repeat step 2.
With radio installed in car and antenna fully extended, tune in a weak station near 1400KC and adjust A8 for maximum output.						

### PUSH-BUTTON ADJUSTMENT

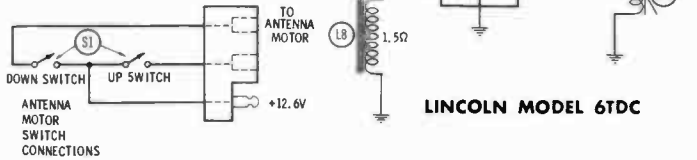
1. Pull button out.
2. Tune manually to desired station.
3. Press button in firmly.
4. Repeat for remaining buttons.



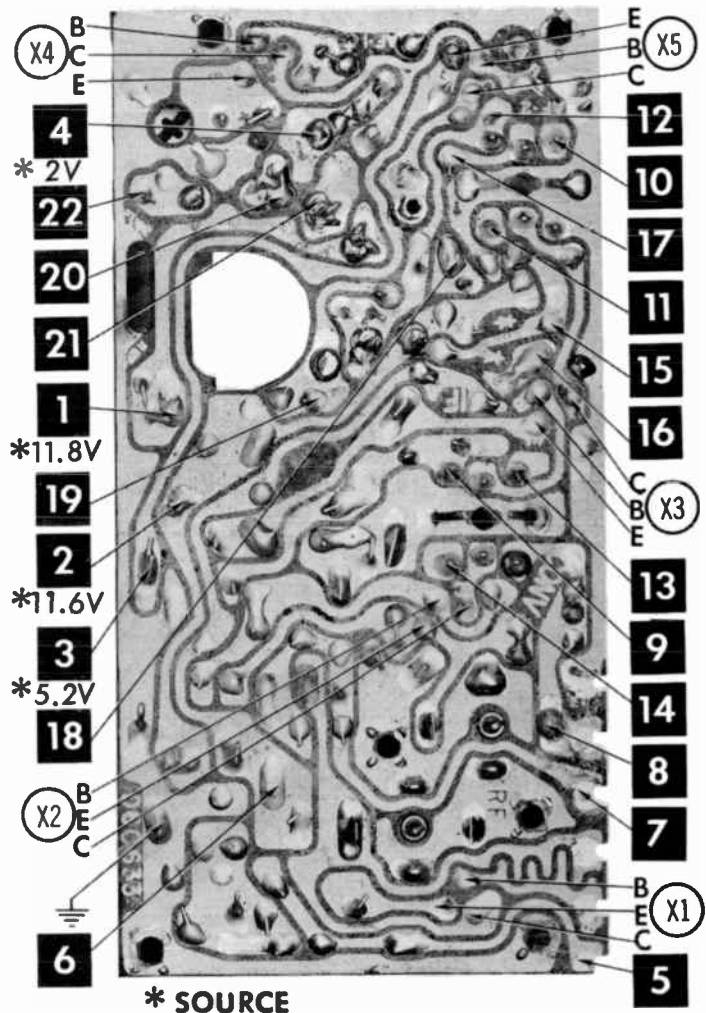
★ NOMINAL VALUE, MAY VARY.  
Resistors are 1/2 watt or less and rated 10% or 20% unless otherwise indicated.

A PHOTOFAC T STANDARD NOTATION SCHEMATIC  
with CIRCUITRACE<sup>™</sup>  
© Howard W. Sams & Co., Inc. 1966

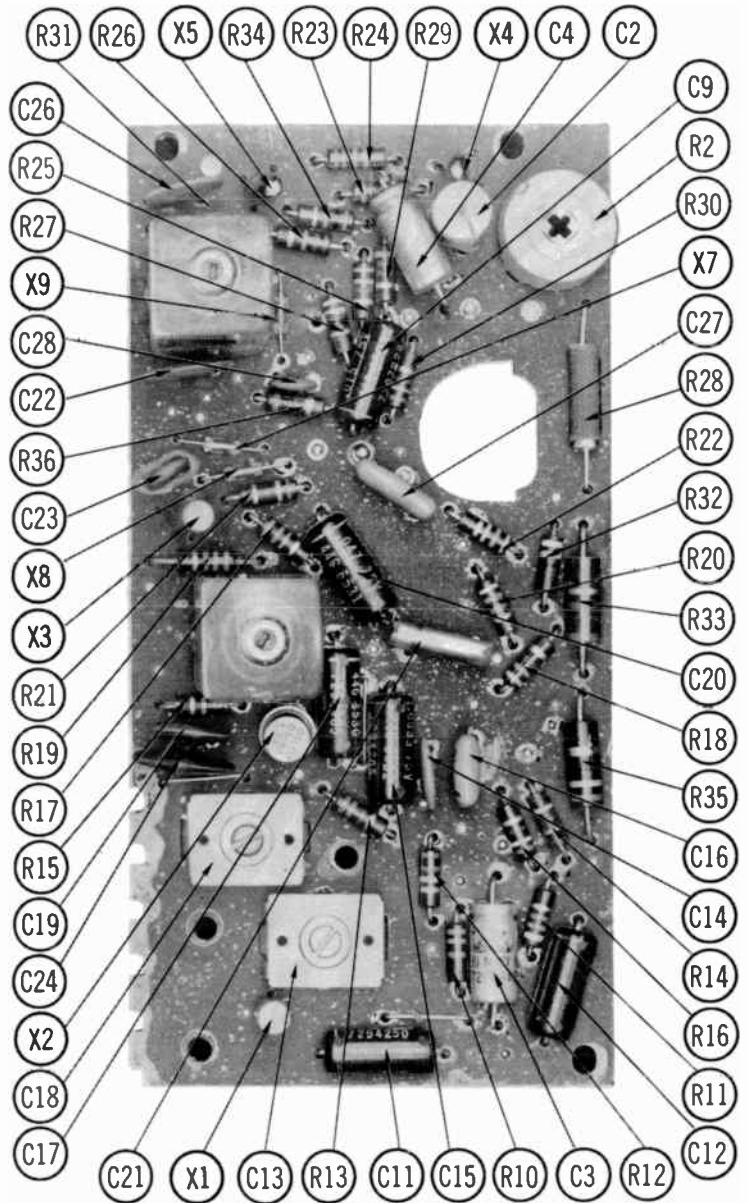
1. Voltage measurements taken with vacuum tube voltmeter.
2. All controls set for normal operation, no signal applied.
3. Measured values are from socket pin or terminal to common ground.
4. All terminals viewed from bottom unless otherwise designated.
5. Numbers assigned to terminals may not be found on the unit.
6. Supply voltage maintained at rated value for voltage readings.
7. Resistance measurements not given because of the wide variation in internal resistance of transistor.



LINCOLN MODEL 6TDC

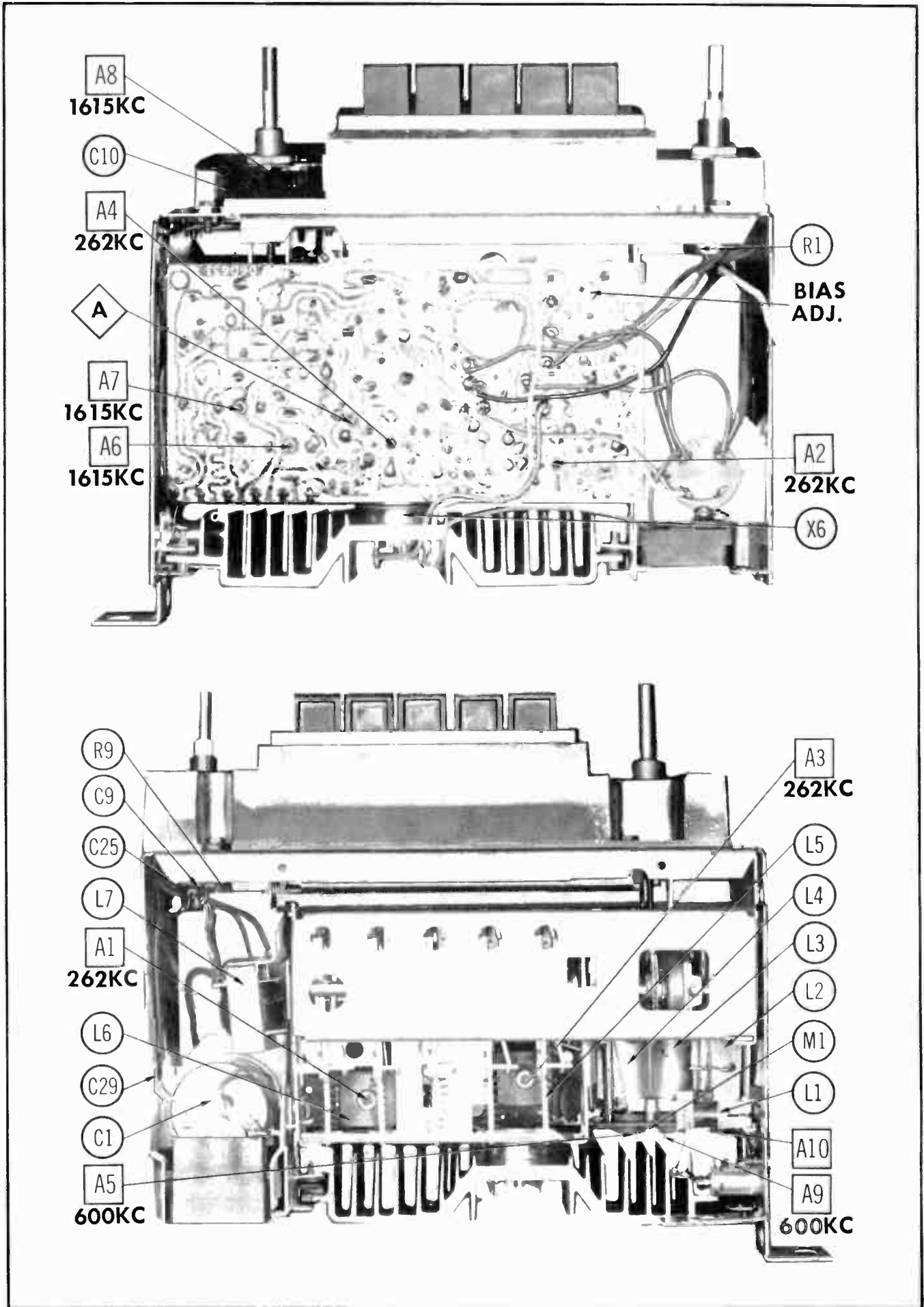


\* SOURCE



LINCOLN MODEL 6TDC





# PARTS LIST AND DESCRIPTION

(When ordering parts, state Model, Part Number, and Description.)

Replacement parts shown may be superseded by the availability of newly introduced replacements.  
Have your local distributor check Sams COUNTER FACTS for the most up-to-date replacement.

## TRANSISTORS

ITEM No.	ORIG. TYPE	USE	REPLACEMENT DATA			NOTES
			DELCO PART No.	GENERAL ELECTRIC PART No.	RCA PART No.	
X1	DS-51	RF Amp.	DS-25	GE-1	SK-3006	PNP
X2	DS-52	Conv.	DS-25	GE-1	SK-3006	PNP
X3	DS-53	IF Amp.	DS-25	GE-1	SK-3006	PNP
X4	DS-46	1st. AF Amp.	DS-46	GE-10	SK-3020	NPN
X5	DS-66)† DS-67W (DS-66)†	2nd. AF Amp.	DS-66	GE-10	SK-3020	NPN
X6	DS-501	Output	DS-501	GE-4	SK-3012	PNP *

\* When replacing, apply silicone grease to both sides of insulator. Tighten mounting screws securely.  
Check bias adjustment. † Alternate Type.

## POWER RECTIFIERS & SIGNAL DIODES

ITEM No.	MEASURED CURRENT	ORIGINAL Part or Type No.	RECTIFIERS & DIODES		RECTIFIERS		
			GENERAL ELECTRIC PART No.	INTERNATIONAL RECTIFIER PART No.	MALLORY PART No.	RCA PART No.	SARKES TARZIAN PART No.
X7		DS-27	1N34AS	1N34A			
X8		DS-27	1N34AS	1N34A			
X9		DS-27	1N34AS	1N34A			

## ELECTROLYTIC CAPACITORS

ITEM No.	RATING		DELCO PART No.	REPLACEMENT DATA				
	CAP.	VOLT.		AEROVOX PART No.	CORNELL-DUBILIER PART No.	GENERAL ELECTRIC PART No.	MALLORY PART No.	SPRAGUE PART No.
C1A	650	16	7291766	AFH4-96-10			FP401.9	TVLS-4206*
B	400	16						
C	100	16						
D	15	11.5RMS						
C2	100	4	7291610	PTT30	NLW125-6	MT1-21	TT6X100	TE-1102
C3	30	6	7279696	PTT27	NLW30-15	MT1-13	TT6X30	TE-1092
C4	10	12	7292736	PTT53	NLW10-15	MT1-5	TT12X10	TL-1126
C5	10	12	7292736	PTT53	NLW10-15	MT1-5	TT12X10	TL-1126

\* Not normally in distributor's stock. Available thru distributor on order to manufacturer.

## CAPACITORS

ITEM No.	RATING		REMARKS	REPLACEMENT DATA					
				AEROVOX PART No.	CENTRALAB PART No.	CORNELL-DUBILIER PART No.	ELMENCO PART No.	MALLORY PART No.	SPRAGUE PART No.
C9	.15	75V	#7294766	DBE2P15		WMF1P15	1DP-1-154	PVC1015	2PS-P15
C10									
C11	.047	75V		DBE2S47		WMF2S47	1DP-2-473	PVC1147	2PS-S47
C12	.047	75V	#7267935	DBE2S47		WMF2S47	1DP-2-473	PVC1147	2PS-S47
C13									
C14	200	N75#		N750-DI200	DTN-200	CV601UJ201K	CCTN-201	CN7320	10TCU-T20
C15	.0033	75V		DBE6D33	CPR-3300J	WMF1D33	6DP-1-332	PVC4233	6PS-D33
C16	.022	75V		DBE2S22		WMF1S22	1DP-1-223	PVC1122	2PS-S22
C17	.0047	75V	#7262165	DBE6D47	CPR-4700J	WMF1S47	6DP-1-472	PVC6247	6PS-D47
C18									
C19	165	N15#					*	*	10TCP-T175
C20	.047	75V		DBE2S47		WMF2S47	1DP-2-473	PVC1147	2PS-S47
C21	.047	75V		DBE2S47		WMF2S47	1DP-2-473	PVC1147	2PS-S47
C22	160	N60					*	*	10TCN-T60
C23	.001			BPD-001	DD-102	HVX162XP102M	CCD-102	B210	5HK-D10
C24	165	N220					*	*	10TCR-T175
C25	.047	75V		DBE2S47		WMF2S47	1DP-2-473	PVC1147	2PS-S47
C26	.002			BPD-002	DD-202	BY601ZU202P	CCD-202	B220	5HK-D20
C27	.0062	75V		DBE6D62	CPR-6200J	WMF1S62	6DP-2-622	PVC626	6PS-D62
C28	.001		#7271564	BPD-001	DD-102	HVX162XP102M	CCD-102	B210	5HK-D10

\* Not normally in distributor's stock. Available thru distributor on order to manufacturer.  
# Delco Part Number.

## CONTROLS

All wattages 1/2 watt, or less, unless otherwise listed.

ITEM No.	USE	RESISTANCE	REPLACEMENT DATA					
			DELCO PART No.	CENTRALAB PART No.	CLAROSTAT PART No.	CTS-IRC PART No.	MALLORY PART No.	
R1A B	Tone Volume/Switch	100K 20K Tap @ 6000Ω	7294635	F1-100K,R14-25K F5S204,RFS213, BB202,SB004, KR-4			† QJ-2207A	
R2 R3	Bias Fader	600Ω 2W 100Ω 2W	7266601 7294456	V-600	U39-600		110-600	MR600P

† "SNAPTROL" Equivalent: BU9, CF13, CR50T, SF20, SR21, N4, GC.  
Ⓢ Alter bushing to meet requirements.

LINCOLN MODEL 6TDC

## PARTS LIST AND DESCRIPTION (CONTINUED)

(When ordering parts, state Model, Part Number, and Description.)

Replacement parts shown may be superseded by the availability of newly introduced replacements. Have your local distributor check Sams COUNTER FACTS for the most up-to-date replacement.

### RESISTORS (Power and Special)

ITEM No.	RATING	REPLACEMENT DATA			ITEM No.	RATING	REPLACEMENT DATA		
		IRC PART No.	WORKMAN PART No.	DELCO PART No.			IRC PART No.	WORKMAN PART No.	DELCO PART No.
R28	.47Ω (Fusible)			7281800					

### COILS (RF-IF)

ITEM No.	USE	REPLACEMENT DATA					
		DELCO PART No.	MEISSNER PART No.	MERIT PART No.	MILLER PART No.	STANCOR PART No.	WORKMAN PART No.
L1	RF Choke (6.2uh)	7281946	19-1004	BC-565	4610	RTC-8520	T859
L2	Antenna	①					
L3	RF	①					
L4	Oscillator	①					
L5	Input IF	1221856	16-8704		6542	RTC-9399	TA653
L6	Output IF	1221857	16-8705		6543	RTC-9400	TA653

① Coil Assembly #7287957.

### FILTER CHOKE

ITEM No.	RATINGS			REPLACEMENT DATA					NOTES
	CURRENT (Measured)	DC RES.	INDUCTANCE (0 CURRENT 1000~)	DELCO PART No.	MERIT PART No.	STANCOR PART No.	THORDARSON PART No.	TRIAD PART No.	
L7	1.2 Amp.	.60	8MH		C-4095	TC-2	TR-154	TY17XT	

### CHOKE (AUDIO OUTPUT)

ITEM No.	INDUCTANCE	REPLACEMENT DATA					NOTES
		DELCO PART No.	MERIT PART No.	STANCOR PART No.	THORDARSON PART No.	TRIAD PART No.	
L8	30MH	①					① Part of Speaker.

### SPEAKER

ITEM No.	TYPE	RATINGS			REPLACEMENT DATA			NOTES
		DC RES.	INDUCTANCE	IMPEDANCE	DELCO PART No.	QUAM PART No.		
SP1	4" x 10" PM	10Ω			7293908①	410A2710	① Includes Output Choke.	

### FUSE DEVICES

ITEM No.	TYPE	RATING	REPLACEMENT DATA							
			PART No.		LITTELFUSE PART No.		BUSS PART No.			
			FUSE	HOLDER	FUSE	HOLDER	FUSE	HOLDER		
F1	AGW	2 1/2A		In Fuse Block		30302.5			AGW 2 1/2	

### MISCELLANEOUS

ITEM No.	PART NAME	DELCO PART No.	NOTES
M1	Tuner		
S1	Antenna Switch	1222404	

### CABINETS & CABINET PARTS

(When Ordering Specify Model, Chassis & Color)

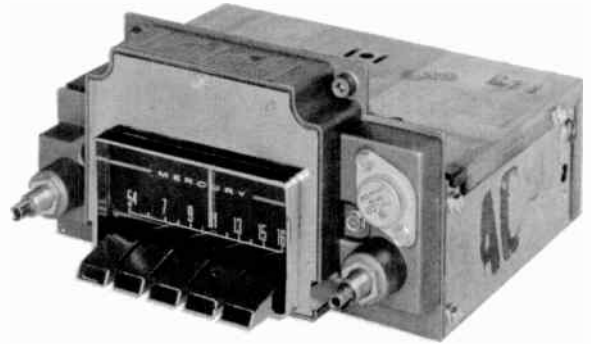
ITEM	PART No.	ITEM	PART No.
Escutcheon	1222450	Pushbutton (#2, #3, #4)	7294416
Dial Glass	7295174	Pushbutton (#5)	7294419
Pushbutton (#1)	7294413	Dial Pointer	7295224

### WIRING DATA

General-use Unshielded Hook-up Wire	Use BELDEN No. 8530 (Solid) Available in 12 Colors 8524 (Stranded) Available in 12 Colors
Shielded Hook-up Wire	Use BELDEN No. 8885
Rear Seat Speaker Extension Cable	Use BELDEN No. 8782 (Stranded) Coded Parallel Leads
Bonding Strap	Use BELDEN No. 8661 (3/8 In.) or 8670 (3/4 In.)



**TRADE NAME :** Mercury Model 6TPG (1966)  
**SUPPLIER :** For Current Address, See Annual Index.  
**TYPE SET :** 6 Transistor AM Receiver  
**POWER SUPPLY :** 12 Volt Storage Battery  
**RATING :** .55 Amp. @ 12.6 Volts DC  
  
**TUNING RANGE :** BROADCAST 535-1615KC



MERCURY MODEL 6TPG

## ALIGNMENT INSTRUCTIONS

Check for specified source voltage.  
Use only enough generator output to provide a usable indication.  
Suggested Alignment Tools:

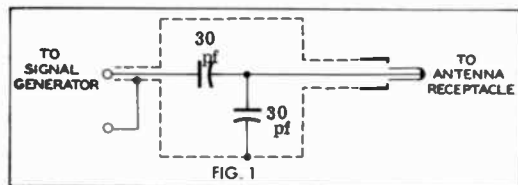
A1 thru A4.	GENERAL CEMENT: 9440 WALSICO: 2501
A5 thru A7.	GENERAL CEMENT: 8290, 8868, 9087 WALSICO: 2525, 2528, 2587

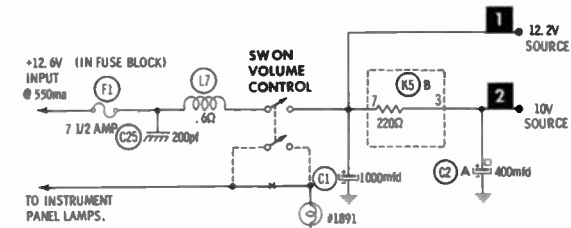
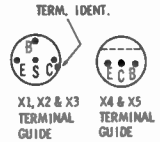
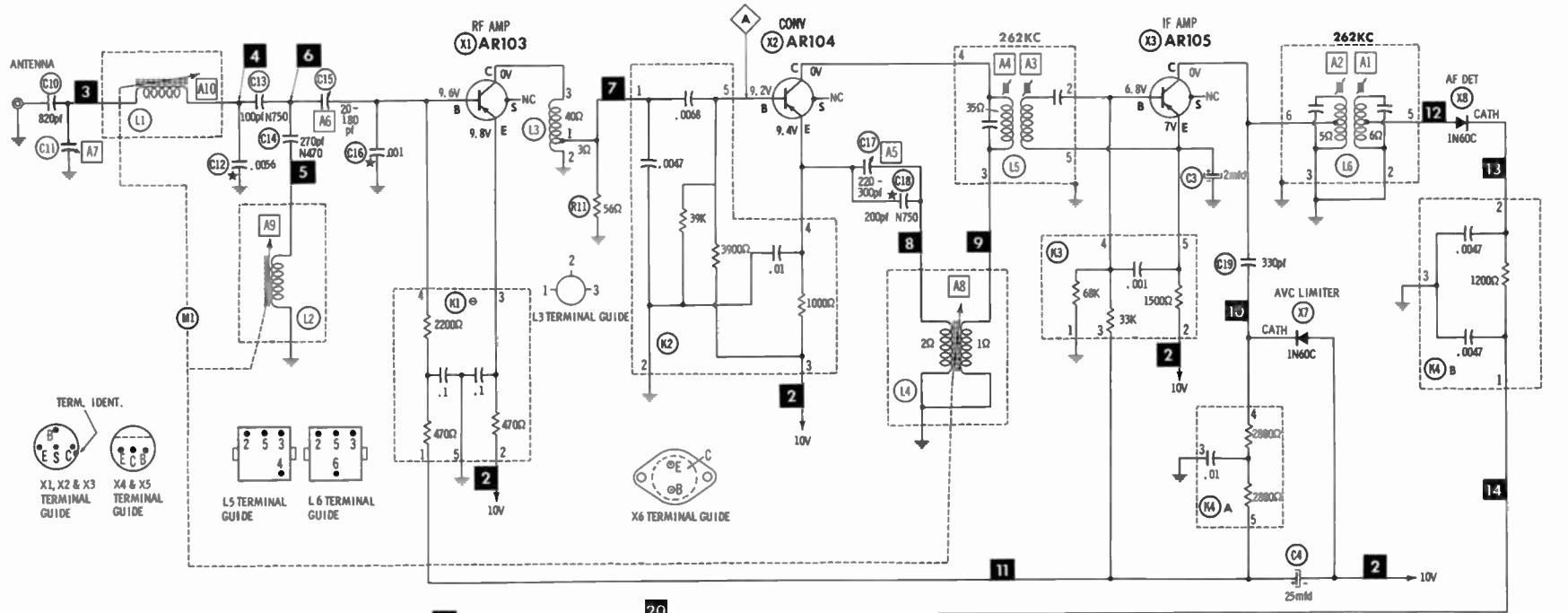
	SIGNAL GENERATOR COUPLING	SIGNAL GENERATOR FREQUENCY	RADIO DIAL SETTING	INDICATOR	ADJUST	REMARKS
1.	High side thru .1mfd to point $\Delta$ , low side to ground.	262KC (400% Mod.)	High Freq. End Stop.	Output Meter across voice coil.	A1, A2, A3, A4	Adjust for maximum. Remove top slug to adjust A1 and A3.
2.	Thru dummy (Fig. 1) to antenna receptacle.	1615KC	"	"	A5, A6, A7	"
Step 3 is not necessary unless tuner has been tampered with or associated components have been replaced. IF necessary, back tuning cores (A8, A9, A10) out of coils but not out of forms. Repeat step 2.						
3.	Thru dummy (Fig. 1) to antenna receptacle.	1000KC	Tune to Signal.	Output Meter across voice coil.	A8, A9, A10	Adjust for maximum. Repeat steps 2 & 3 until no further improvement is noted.
With radio installed in car and antenna fully extended, tune in a weak station near 1400KC and adjust A7 for maximum output.						

Antenna Adjustment (A7) located on right side, rear, below Antenna Input.

### PUSH-BUTTON ADJUSTMENT

1. Pull button out.
2. Tune manually to desired station.
3. Press button in firmly.
4. Repeat for remaining buttons.



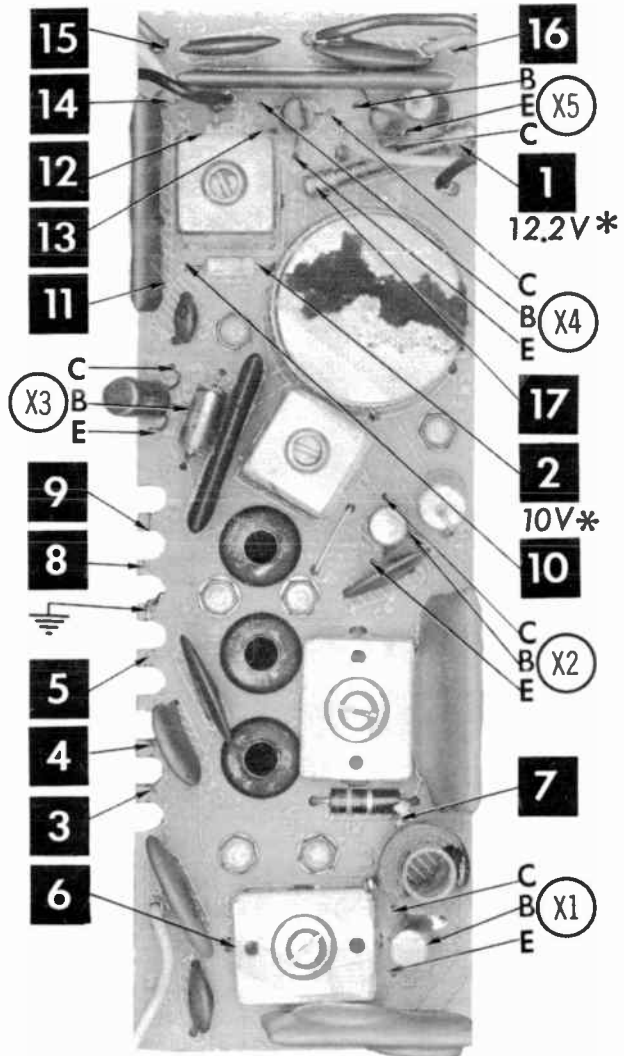


- \* NOMINAL VALUE. MAY VARY.
- \* NOT USED IN SOME VERSIONS.
- Resistors are 1/2 watt or less and rated 5% unless otherwise indicated.
- ⊖ See parts list
- 1. Voltage measurements taken with vacuum tube voltmeter.
- 2. All controls set for normal operation, no signal applied.
- 3. Measured values are from socket pin or terminal to common ground.
- 4. All terminals viewed from bottom unless otherwise designated.
- 5. Numbers assigned to terminals may not be found on the unit.
- 6. Supply voltage maintained at rated value for voltage readings.
- 7. Resistance measurements not given because of the wide variation in internal resistance of transistor.

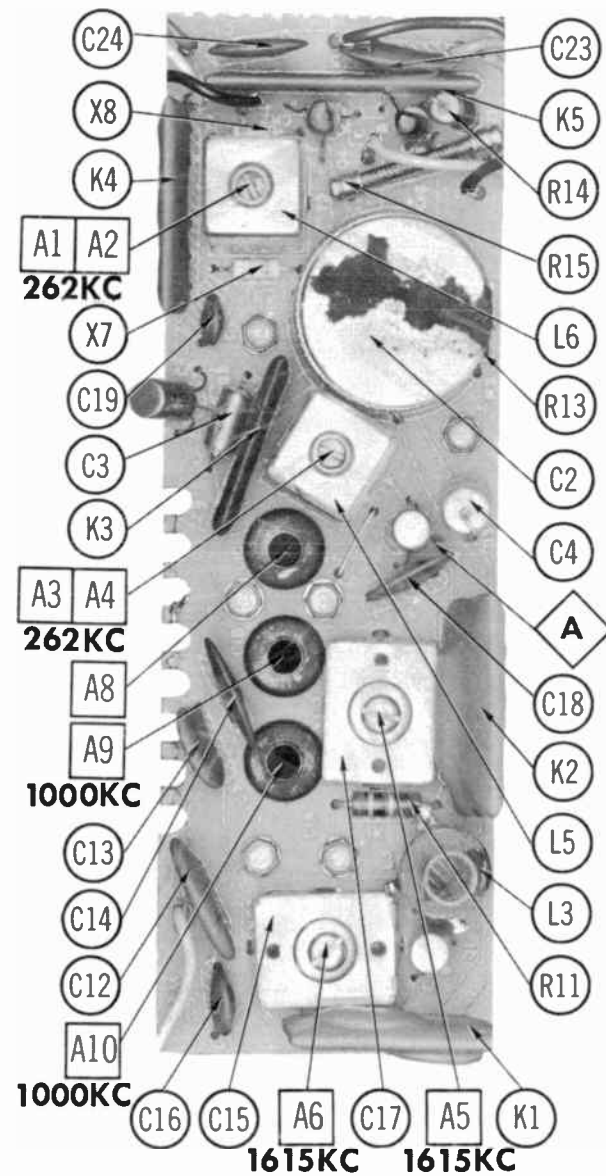
A PHOTOFAC STANDARD NOTATION SCHEMATIC with CIRCUITRACE

© Howard W. Sams & Co., Inc. 1966

MERCURY MODEL 6TPG



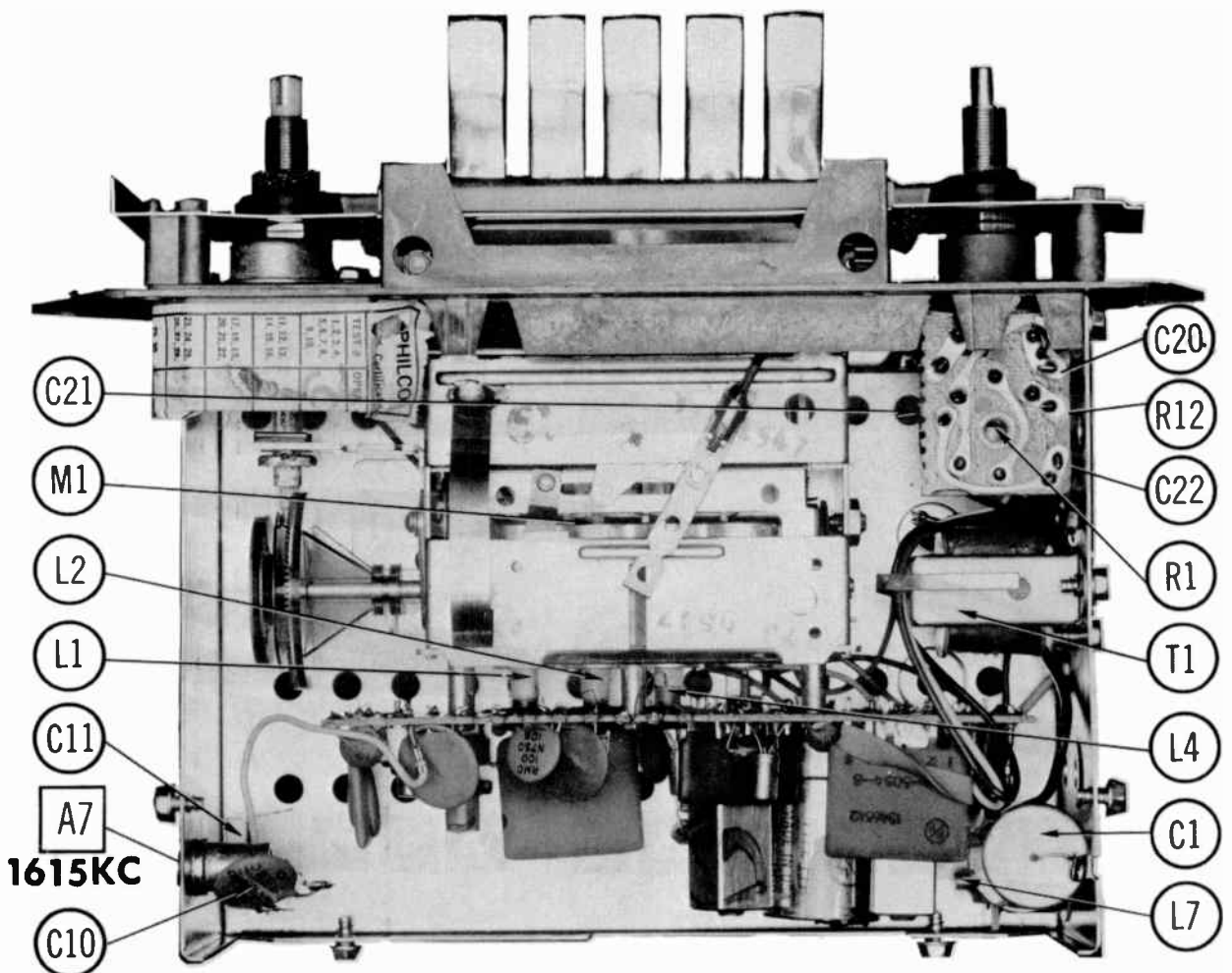
\* SOURCE



18 15 19



14 20



# PARTS LIST AND DESCRIPTION

(When ordering parts, state Model, Part Number, and Description.)

Replacement parts shown may be superseded by the availability of newly introduced replacements. Have your local distributor check Sams COUNTER FACTS® for the most up-to-date replacement.

## TRANSISTORS

ITEM No.	ORIG. TYPE	USE	REPLACEMENT DATA			NOTES
			DELCO PART No.	GENERAL ELECTRIC PART No.	RCA PART No.	
X1	AR103	RF Amp.	DS-25	GE-1	SK-3006	PNP
X2	AR104	Conv.	DS-25	GE-1	SK-3006	PNP
X3	AR105	IF Amp.	DS-25	GE-1	SK-3006	PNP
X4	AR107	1st. AF Amp.	DS-46	GE-10	SK-3020	NPN
X5	AR108	2nd. AF Amp.	DS-46	GE-10	SK-3020	NPN
X6	AR14	Output	DS-520	GE-3	SK-3009	PNP *

\* When replacing, apply silicone grease to both sides if insulator. Tighten mounting screws securely.

## POWER RECTIFIERS & SIGNAL DIODES

ITEM No.	MEASURED CURRENT	ORIGINAL Part or Type No.	RECTIFIERS & DIODES		RECTIFIERS		
			GENERAL ELECTRIC PART No.	INTERNATIONAL RECTIFIER PART No.	MALLORY PART No.	RCA PART No.	SARKES TARZIAN PART No.
X7		1N60C	1N60	1N60			
X8		1N60C	1N60	1N60			

## ELECTROLYTIC CAPACITORS

ITEM No.	RATING		REPLACEMENT DATA					
	CAP.	VOLT.	PHILCO PART No.	AEROVOX PART No.	CORNELL-DUBILIER PART No.	GENERAL ELECTRIC PART No.	MALLORY PART No.	SPRAGUE PART No.
C1	1000	16	3L0-0009-05	PRS1295	BR1000-15	QT1-32	TC1501	TVA-1163
C2A B C	250	16	30-2608-3 ①	PTT106	BR250-15	QT1-26	TC1502	TVA-1161
	400	16	3L0-0005-02	PWH3-00-95				PCL3020.7
	800	3						
	100	16						
	400	16	30-2594-9 ①	PWH3-54-14				PCL3-3020.2*
C3 C4	400	3						
	100	16						
	2	15	3L0-0011-01	CRE451A	NLW3-15	MT1-1	TT50X2	TL-1149
	25	6	30-2608-2	CRE312A	NLW30-6	MT1-13	TTEX25	TL-1091

\* Not normally in distributor's stock. Available thru distributor on order to manufacturer.

① Used in some versions.

## CAPACITORS

ITEM No.	RATING	REMARKS	REPLACEMENT DATA					
			AEROVOX PART No.	CENTRALAB PART No.	CORNELL-DUBILIER PART No.	ELMENDO PART No.	MALLORY PART No.	SPRAGUE PART No.
C10	620	N3300				*	*	
C11			#3L1-0001-04					
C12	.0056			DI-5600	DD-562	RR06CW562K	CCD-562	GP256
C13	100	N750		N750-DI 100	DTN-100	CK601UJ101K	CCTN-101	CN7310
C14	270	N470					*	
C15	20-160		#61-6534-7					
C16	.001			BPD-001	DD-102	HVX162XP102M	CCD-102	B210
C17	220-300		#6L1-0001-05					
C18	200	N750		N750-DI 200	DTN-200		CCTN-201	CN7320
C19	330			DI-330	DD-331	JBZ601YP331K	CCD-331	JF333
C20	.47				UK10-404			MAG12047
C21	.1			TTD-1	CK-104	HOV101ZV104Z		TA010
C22	.47				UK10-404			MAG12047
C23	.02			BPD-02	DD-203	BYT601ZU203Z	CCD-203	B120
C24	.1			TTD-1	CK-104	HOV101ZV104Z		TA010
C25	200		#30-1254-1					

\* Not normally in distributor's stock. Available thru distributor on order to manufacturer.

# Philco Part Number.

## CONTROLS

All wattages 1/2 watt, or less, unless otherwise listed.

ITEM No.	USE	RESISTANCE	REPLACEMENT DATA				
			PHILCO PART No.	CENTRALAB PART No.	CLAROSTAT PART No.	CTS-IRC PART No.	MALLORY PART No.
R1A B	Tone Volume/Switch	40K 10K Tap @ 4000Ω	3L3-0003-04				



# PARTS LIST AND DESCRIPTION (CONTINUED)

(When ordering parts, state Model, Part Number, and Description.)

Replacement parts shown may be superseded by the availability of newly introduced replacements.  
Have your local distributor check Sams COUNTER FACTS® for the most up-to-date replacement.

## RESISTORS (Power and Special)

ITEM No.	RATING	REPLACEMENT DATA			ITEM No.	RATING	REPLACEMENT DATA		
		IRC PART No.	WORKMAN PART No.	PHILCO PART No.			IRC PART No.	WORKMAN PART No.	PHILCO PART No.
R14	100Ω (Cold) Thermistor			33-1378-1	R15	.68Ω ZW (PTC)			33-1377-1

## COILS (RF-IF)

ITEM No.	USE	REPLACEMENT DATA					
		PHILCO PART No.	MEISSNER PART No.	MERIT PART No.	MILLER PART No.	STANCOR PART No.	WORKMAN PART No.
L1	1st. Antenna	32-4843-2					
L2	2nd. Antenna	32-4843-2					
L3	RF	32-4843-2					
L4	Oscillator	32-4843-3					
L5	Input IF	32-4882-1			8013		
L6	Output IF	32-4882-2			8014		

## FILTER CHOKE

ITEM No.	RATINGS			REPLACEMENT DATA					NOTES
	CURRENT (Measured)	DC RES.	INDUCTANCE (0 CURRENT 1000~)	PHILCO PART No.	MERIT PART No.	STANCOR PART No.	THORDARSON PART No.	TRIAD PART No.	
L7	.55 Amp.	.6Ω	.5MH	32-4842-2	C-4142	TC-1	TR-159	TY16XT	

## TRANSFORMER (AUDIO OUTPUT)

ITEM No.	IMPEDANCE		REPLACEMENT DATA					NOTES
	PRI.	SEC.	PHILCO PART No.	MERIT PART No.	STANCOR PART No.	THORDARSON PART No.	TRIAD PART No.	
	T1	18Ω Tapped @ 8Ω		32-10021-2			TR-169	

## FUSE DEVICES

ITEM No.	TYPE	RATING	REPLACEMENT DATA							
			PART No.		LITTELFUSE PART No.		BUSS PART No.			
			FUSE	HOLDER	FUSE	HOLDER	FUSE	HOLDER		
F1	SFE	7 1/2A		In Fuse Block		30707.5			SFE 7 1/2	

## MISCELLANEOUS

ITEM No.	PART NAME	PHILCO PART No.	NOTES
M1	Tuner	7L6-0021-02	

## COMPONENT COMBINATIONS

ITEM No.	USE	DESCRIPTION	PHILCO PART No.	REPLACEMENT DATA
PC1	RF Network	470Ω, 470Ω, 2200Ω, .1mfd, .1mfd.	30-8054-6	
PC2	Conv. Network	1000Ω, 3900Ω, 39K, .0047mfd, .0068mfd, .01mfd.	30-8054-2	
PC3	IF Network	1500Ω, 33K, 68K, .001mfd.	30-8054-3	
PC4	AVC Det Networks	1200Ω, 2800Ω, 2800Ω, .0047mfd, .0047mfd, .01mfd.	30-8054-8	
PC5	Audio & B Plus Networks	220Ω, 1000Ω, 1000Ω, 4500Ω, 4500Ω, 47K, 2.2meg, 33pf.	30-8054-11	

## CABINETS & CABINET PARTS

(When Ordering Specify Model, Chassis & Color)

ITEM	PART No.	ITEM	PART No.
Escutcheon	2L8-0026-01	Dial Pointer	7L6-0056-2
Pushbutton	2L8-0022-01		

## WIRING DATA

General-use Unshielded Hook-up Wire .....	Use BELDEN No. 8530 (Solid) Available in 12 Colors
	8524 (Stranded) Available in 12 Colors
Shielded Hook-up Wire .....	Use BELDEN No. 8885
Bonding Strap .....	Use BELDEN No. 8661 (3/8 In.) or 8670 (3/4 In.)



# PHOTOFACT<sup>®</sup> with

# CIRCUITRACE<sup>®</sup>

TRADE NAME : Mopar Models:  
 228 (6BVE) 1966 Valiant  
 229 (6BL) 1966 Dart  
 230 (6BP) 1966 Plymouth  
 231 (6BPD) 1966 Fury  
 234 (6BVS) 1966 Valiant Sports  
 For Current Address, See Annual Index.

SUPPLIER :

TYPE SET : 6 Transistor AM Receiver

POWER SUPPLY : 12 Volt Storage Battery

RATING : .6 Amp. @ 12.6 Volts DC

TUNING RANGE : BROADCAST 540-1605KC



## ALIGNMENT INSTRUCTIONS

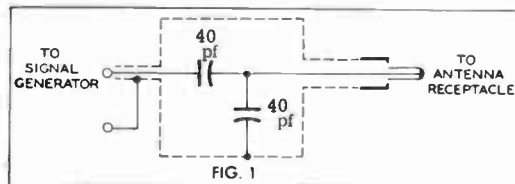
Check for specified source voltage.  
 Use only enough generator output to provide a usable indication.  
 Suggested Alignment Tools:

A1 thru A4.	GENERAL CEMENT: 9440 WALSCO: 2501
A5, A6, A7.	GENERAL CEMENT: 8290, 8868, 9087 WALSCO: 2525, 2528, 2587

	SIGNAL GENERATOR COUPLING	SIGNAL GENERATOR FREQUENCY	RADIO DIAL SETTING	INDICATOR	ADJUST	REMARKS
1.	High side thru .1mf to point $\Delta$ , low side to ground.	262.5KC (400v Mod.)	High Freq. End Stop.	Output Meter across voice coil.	A1, A2, A3, A4	Adjust for maximum.
2.	Thru dummy (Fig. 1) to antenna receptacle.	1605KC	"	"	A5, A6, A7	"
Step 3 is not necessary unless tuner has been tampered with or associated components have been replaced. IF necessary, back tuning cores (A8, A9, A10) out of coils but not out of forms. Repeat step 2.						
3.	Thru dummy (Fig. 1) to antenna receptacle.	1000KC	Tune to Signal.	Output Meter across voice coil.	A8, A9, A10	Adjust for maximum. Repeat steps 2 & 3 until no further improvement is noted.

With radio installed in car and antenna fully extended, tune in a weak station near 1400KC and adjust A7 for maximum output.

Remove tuning and dummy knobs for access to Antenna Trimmer (A7).



### PUSH-BUTTON ADJUSTMENT

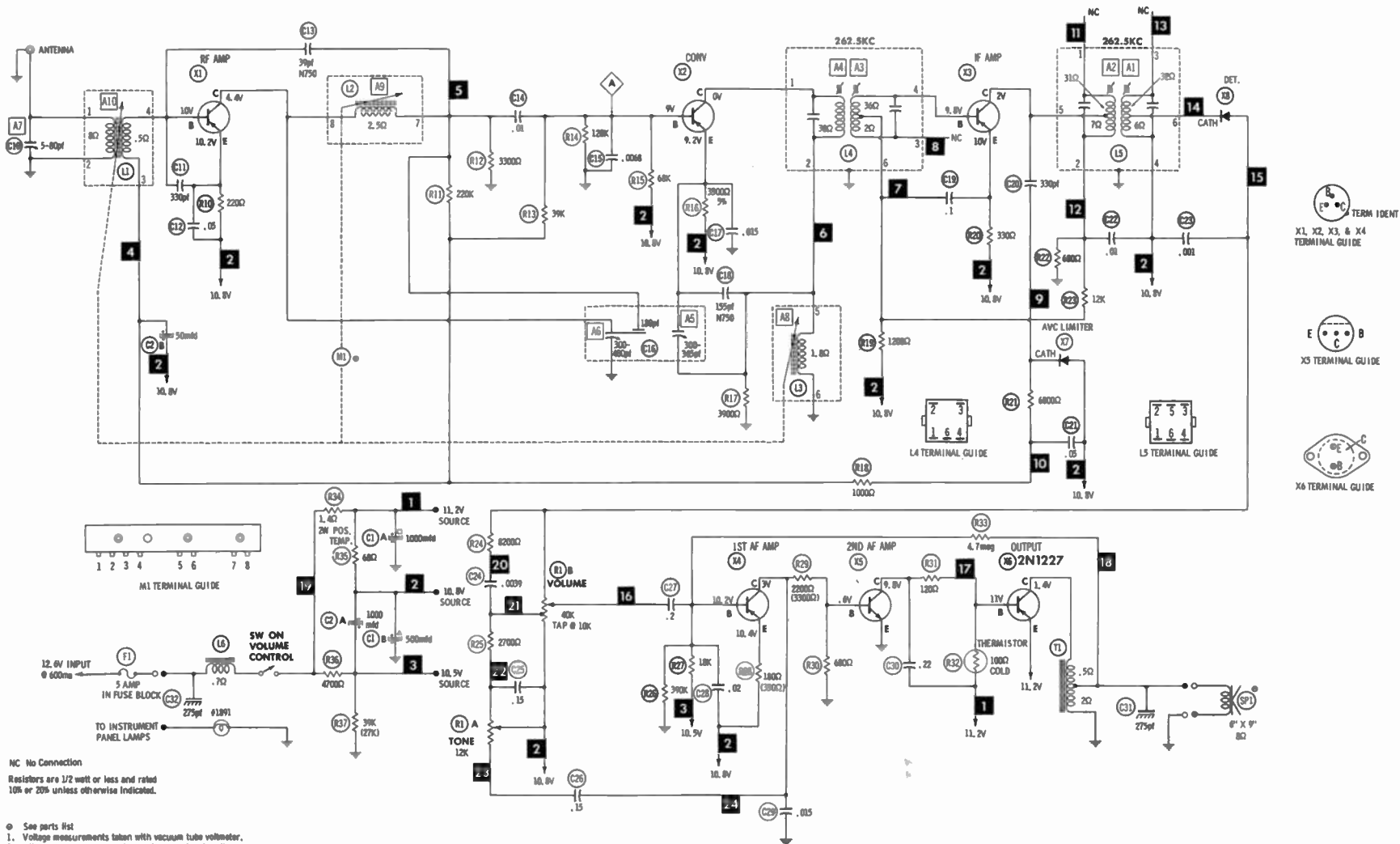
1. Pull button out.
2. Tune manually to desired station.
3. Press button in firmly.
4. Repeat for remaining buttons.

**HOWARD W. SAMS & CO., INC.** Indianapolis, Indiana 46206

© 1966 Howard W. Sams & Co., Inc. Printed in U. S. of America RD598

World Radio History

MOPAR MODELS 228, 229, 230, 231, 234



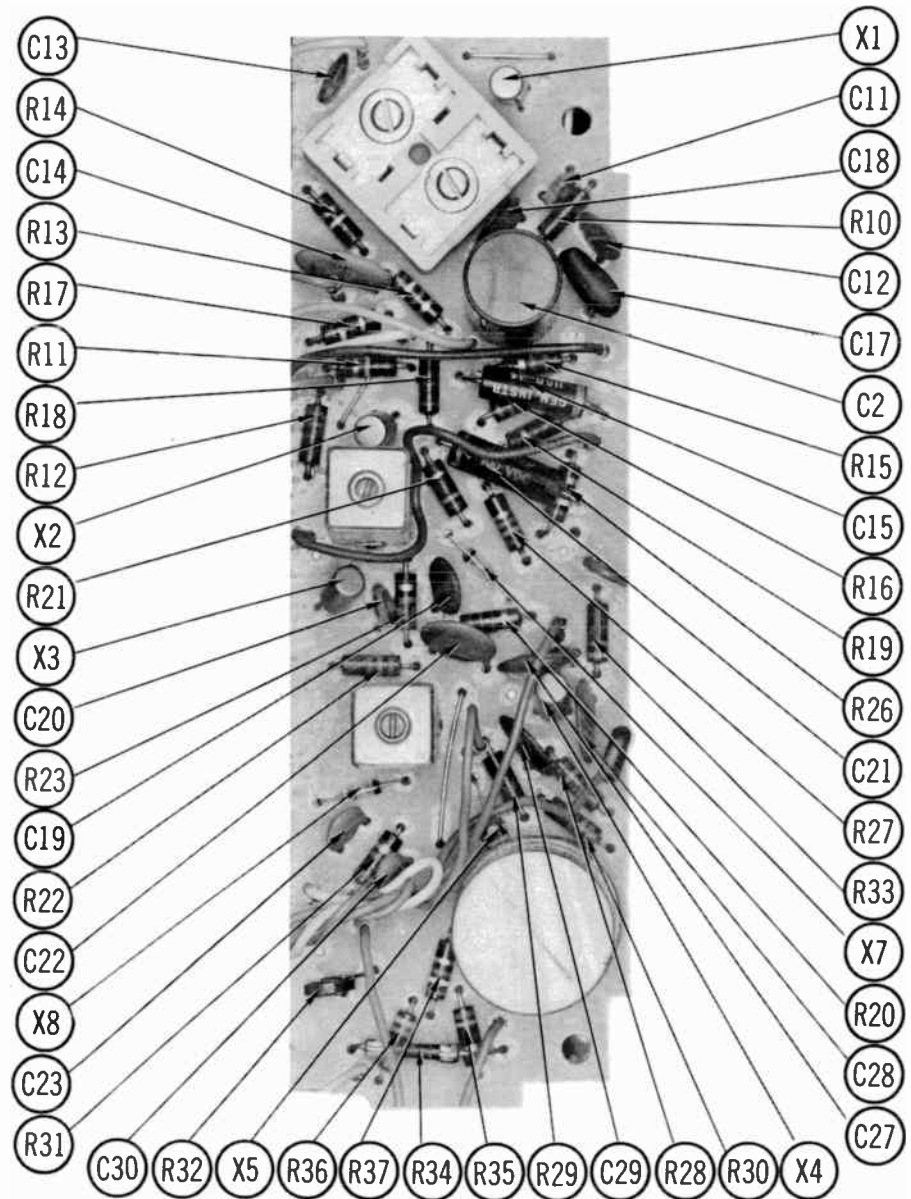
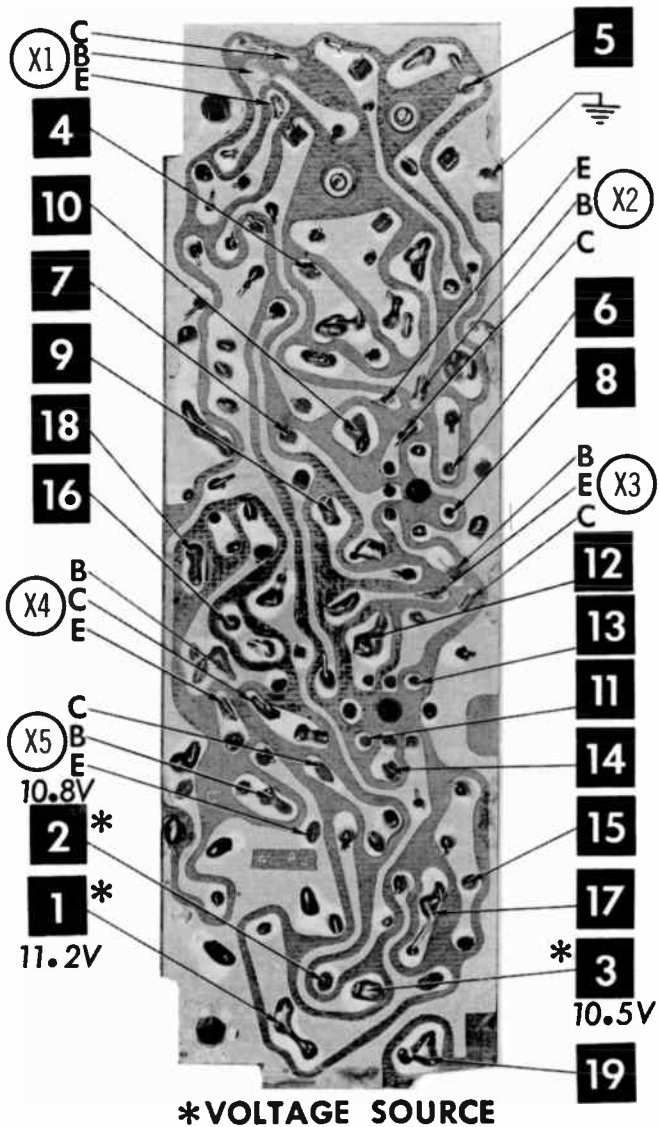
NC No Connection  
 Resistors are 1/2 watt or less and rated 10% or 20% unless otherwise indicated.

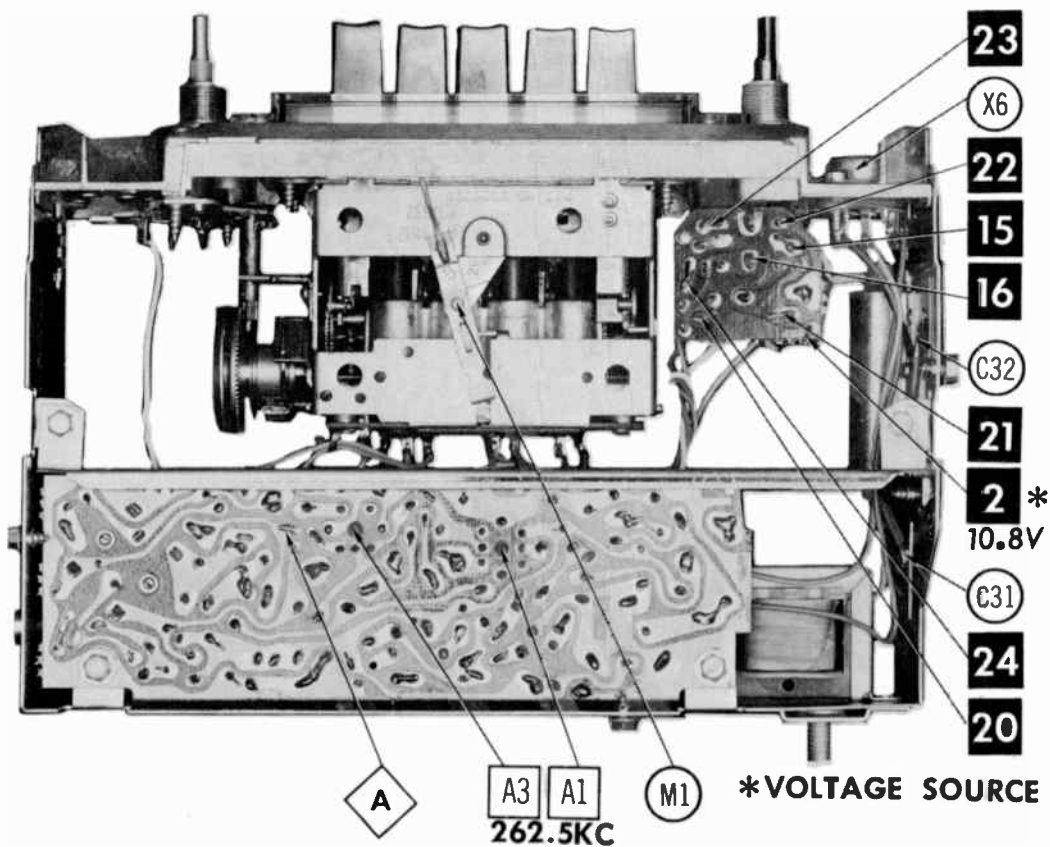
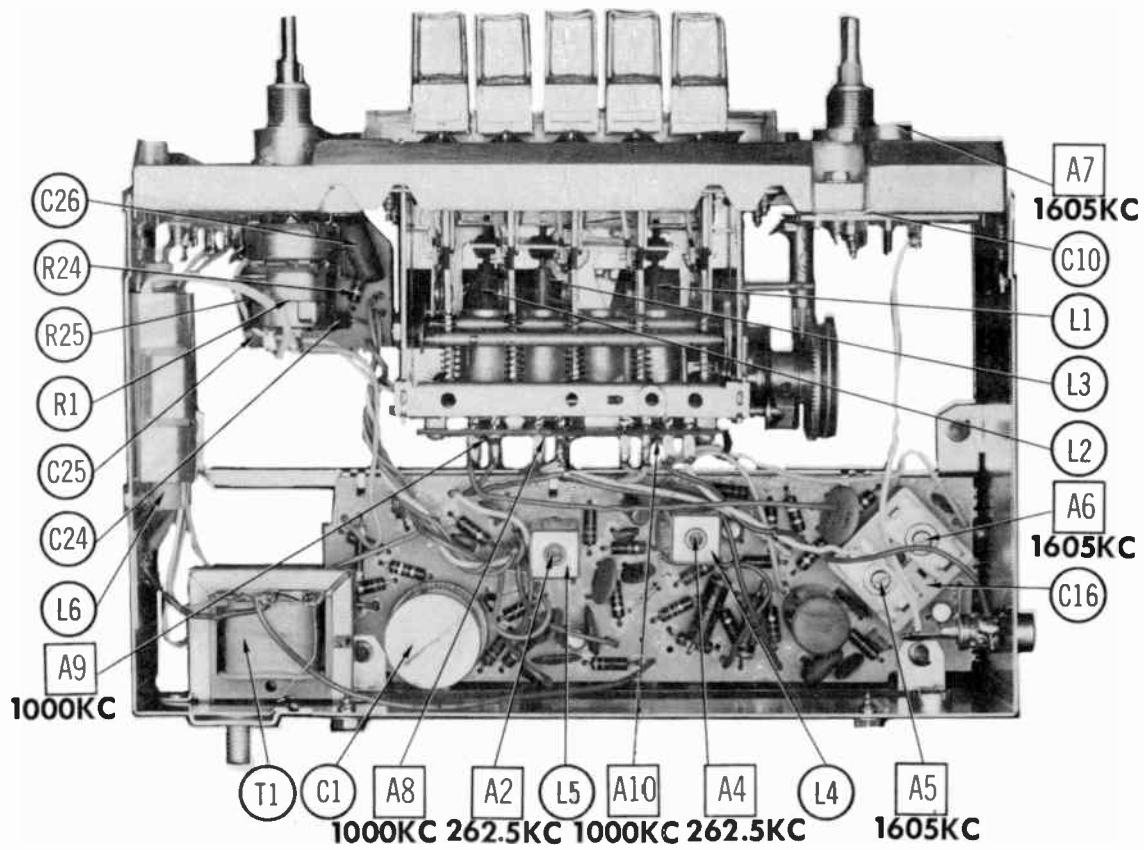
• See parts list  
 1. Voltage measurements taken with vacuum tube voltmeter.  
 2. All controls set for normal operation, no signal applied.  
 3. Measured values are from socket pin or terminal to common ground.  
 4. All terminals viewed from bottom unless otherwise designated.  
 5. Numbers assigned to terminals may not be found on the unit.  
 6. Supply voltage maintained at rated value for voltage readings.  
 7. Resistance measurements not given because of the wide variation in internal resistance of transistor.

A PHOTOFAC STANDARD NOTATION SCHEMATIC  
 with **CIRCUITRAC**

© Howard W. Sams & Co., Inc. 1966

MOPAR MODELS 228, 229, 230, 231, 234





# PARTS LIST AND DESCRIPTION

(When ordering parts, state Model, Part Number, and Description.)

Replacement parts shown may be superseded by the availability of newly introduced replacements.  
Have your local distributor check Sams COUNTER FACTS for the most up-to-date replacement.

## WIRING DATA

General-use Unshielded Hook-up Wire .....	Use BELDEN No. 8530 (Solid) Available in 12 Colors 8524 (Stranded) Available in 12 Colors
Shielded Hook-up Wire .....	Use BELDEN No. 8885
Rear Seat Speaker Extension Cable .....	Use BELDEN No. 8782 (Stranded) Coded Parallel Leads
Boarding Strap .....	Use BELDEN No. 8661 (3/8 in.) or 8670 (3/4 in.)

## TRANSISTORS

ITEM No.	ORIG. TYPE	USE	REPLACEMENT DATA			NOTES	BENDIX PART No.
			DELCO PART No.	GENERAL ELECTRIC PART No.	RCA PART No.		
X1		RF Amp.	DS-25	GE-9	SK-3005	PNP	2091241-0015
X2		Converter	DS-25	GE-9	SK-3005	PNP	2091241-0013
X3		IF Amp.	DS-25	GE-9	SK-3005	PNP	2091241-0014
X4		AF Amp.	DS-26	GE-2	SK-3004	PNP	2090924-0008
X5		AF Amp.	DS-66	GE-10	SK-3020	PNP	2092609-0713
X6	2N1227	Output	DS-520	GE-3	SK-3009	PNP	2091859-0718

\* When replacing, apply silicone grease to both sides of insulator. Tighten mounting screws securely.

## POWER RECTIFIERS & SIGNAL DIODES

ITEM No.	MEASURED CURRENT	ORIGINAL Part or Type No.	RECTIFIERS & DIODES		RECTIFIERS		
			GENERAL ELECTRIC PART No.	INTERNATIONAL RECTIFIER PART No.	MALLORY PART No.	RCA PART No.	SARKES TARZIAN PART No.
X7		2092055-0001	1N34AS	1N34A			
X8		2092055-0001	1N34AS	1N34A			

## ELECTROLYTIC CAPACITORS

ITEM No.	RATING		BENDIX PART No.	REPLACEMENT DATA				
	CAP.	VOLT.		AEROVOX PART No.	CORNELL-DUBILIER PART No.	GENERAL ELECTRIC PART No.	MALLORY PART No.	SPRAGUE PART No.
C1A	1000	16	2092983-0706			CC0006		PCL-2185.2
B	500	16						
C2A	1000	1.5	2092246-0702	BCD1.53X100050			PET295	
B	50	3						

## CAPACITORS

ITEM No.	RATING	REMARKS	REPLACEMENT DATA					
			AEROVOX PART No.	CENTRALAB PART No.	CORNELL-DUBILIER PART No.	ELMENCO PART No.	MALLORY PART No.	SPRAGUE PART No.
C10	5-80	#2093466-0702						
C11	330		DI-330	DD-331	JBZ601YP331K	CCD-331	JF333	10TS-T33
C12	.05		TTD-05		HOV101ZV503Z		TA150	TH-S50
C13	.39	N750		TCN-39		CCTN-390	CN7459	10TCU-Q39
C14	.01		BPD-01	DD-103	BYV1027U103M	CCD-103	B110	5HK-S10
C15	.0068	100V	DBE6D68	CPR-6800J	WMF1D68	IDP-1-682	PVC4266	6PS-D66
C16A	300-400	#219092-0036						
E	180							
C	300-365							
C17	.015	100V	DBE4815	CPR-10000J	DPMS4815	IDP-1-153	PVC2115	4PS-815
C18	155	N750	N750-DI150	DTN-150		CCTN-151	CN7315	10TCU-T15
C19	.1		TTD-1	CK-104	HOV101ZV104Z		TA010	TG-P10
C20	330		DI-330	DD-331	JBZ601YP331K	CCD-331	JF333	10TS-T33
C21	.05	100V	DBE685		DPMS285	IDP-2-503	PVC215	2PS-850
C22	.01		BPD-01	DD-103	BYV1027U103M	CCD-103	B110	5HK-S10
C23	.001		BPD-001	DD-102	HVX162XP102M	CCD-102	B210	5HK-D10
C24	.0039	100V	DBE6D39	CPR-8900J	DPMS6D39	6DP-1-392	PVC6236	6PS-D39
C25	.15	100V	DBE2P15		WMF1P15	IDP-1-154	PVC1015	2PS-P15
C26	.15	100V	DBE2P15		WMF1P15	IDP-1-154	PVC1015	2PS-P15
C27	.2			UK20-204			MAG25022	HY-325
C28	.02		BPD-02	DD-203	BYT601ZU2037	CCD-203	B120	5HK-S20
C29	.015		BPD-015	DD-153	BYT601ZU1537	CCD-153	GP115	5GA-S15
C30	.22			UK20-204			MAG25022	HY-325
C31	275	#2093050-0705						
C32	275	#093050-0705						

# Bendix Part Number.

## CONTROLS

All wattages 1/2 watt, or less, unless otherwise listed.

ITEM No.	USE	RESIST-ANCE	REPLACEMENT DATA					
			BENDIX PART No.	CENTRALAB PART No.	CLAROSTAT PART No.	CTS-IRC PART No.	MALLORY PART No.	
RIA	Tone	12K	2092528-0709	F2-10K①, R14-50K, FFS111,RFS202, KR-4				FA14A①, RU44T14,OS1687, IS2187, US41
B	Volume/Switch	40K Tap @ 10K						

① Use original spring mounting clips.

MOPAR MODELS 228, 229, 230, 231, 234

# PARTS LIST AND DESCRIPTION (CONTINUED)

(When ordering parts, state Model, Part Number, and Description.)

Replacement parts shown may be superseded by the availability of newly introduced replacements. Have your local distributor check Sams COUNTER FACTS for the most up-to-date replacement.

## RESISTORS (Power and Special)

ITEM No.	RATING	REPLACEMENT DATA			ITEM No.	RATING	REPLACEMENT DATA		
		IRC PART No.	WORKMAN PART No.	BENDIX PART No.			IRC PART No.	WORKMAN PART No.	BENDIX PART No.
R32	100Ω (Cold)			220829-0012	R34	1.4Ω 2W (PTC)			2090846-0025

## COILS (RF-IF)

ITEM No.	USE	REPLACEMENT DATA				
		BENDIX PART No.	MEISSNER Part No.	MERIT PART No.	MILLER PART No.	WORKMAN PART No.
L1	Antenna	①				
L2	RF	①				
L3	Oscillator	①				
L4	Input IF	2094080-0701				
L5	Output IF	2094080-0702				
	① Part of M1.					

## FILTER CHOKE

ITEM No.	RATINGS			REPLACEMENT DATA					NOTES
	CURRENT (Measured)	DC RES.	INDUCTANCE (0 CURRENT 1000~)	BENDIX PART No.	MERIT PART No.	STANCOR PART No.	THORDARSON PART No.	TRIAD PART No.	
L8	600ma	.7Ω	1.9MH	2092050-0723	C-4124 ①	TC-1 ①	TR-159 ①	TY16XT ①	① Fabricate Mounting.

## TRANSFORMER (AUDIO OUTPUT)

ITEM No.	IMPEDANCE		REPLACEMENT DATA					NOTES
	PRI.	SEC.	BENDIX PART No.	MERIT PART No.	STANCOR PART No.	THORDARSON PART No.	TRIAD PART No.	
T1	25Ω Tap	@ 8Ω	2094057-0701			TR-189		

## SPEAKER

ITEM No.	TYPE			REPLACEMENT DATA		NOTES
				BENDIX PART No.	QUAM PART No.	
SP1	6' x 9"	PM	8Ω	2093154-0001	89A2Z8	Used in Models: 228, 229, 234.
	4' x 10"	PM	8Ω	2093913-0701	410A2Z8	Used in Models: 230, 231.

## FUSE DEVICES

ITEM No.	TYPE	RATING	REPLACEMENT DATA						
			PART No.		LITTELFUSE PART No.		BUSS PART No.		
			FUSE	HOLDER	FUSE	HOLDER	FUSE	HOLDER	
F1	SAG	5 Amp.	2091811-0018	In Fuse Block	311005			AGC 5	

## MISCELLANEOUS

ITEM No.	PART NAME	BENDIX PART No.	NOTES
M1	Tuner (Tuner Coil Assembly)	2093402-0703 2090131-0076	GIC
	Tuner	2093402-0704	GIC Model 229.
	Tuner (Tuner Coil Assembly)	2093402-0703 2090131-0077	TRW
	Tuner	2093402-0704	TRW Model 229.

## CABINETS & CABINET PARTS

(When Ordering Specify Model, Chassis & Color)

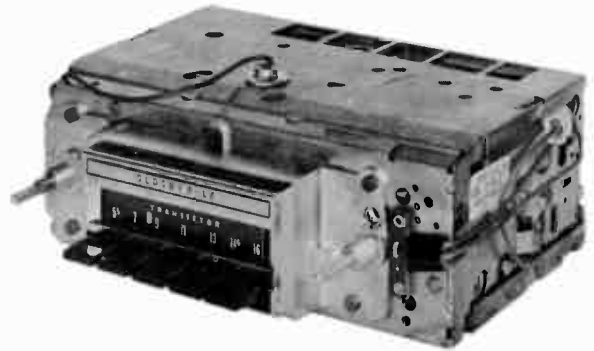
ITEM	MODELS	PART No.	ITEM	MODELS	PART No.
Escutcheon	228, 229, 230, 234	2093412-0501	Knob-Tuning or Volume	229	2094340-0001
Escutcheon	231	2093412-0502	Knob-Tuning or Volume	230	2094333-0001
Dial Glass	228, 229, 230, 234	2093513-0001	Knob-Tone or Dummy	228, 231, 234	2093494-0501
Dial Glass	231	2093514-0001	Knob-Tone or Dummy	229	2094341-0001
Pushbutton	228, 229, 230, 234	2093512-0001	Knob-Tone or Dummy	230	2094334-0001
Pushbutton	229	2094285-0001	Dial Pointer (GIC Tuner)		2090129-0077
Knob-Tuning or Volume	228, 231, 234	2093493-0501	Dial Pointer (TRW Tuner)		2090129-0081



PHOTOFACT<sup>®</sup> with

CIRCUITRACE<sup>®</sup>

TRADE NAME : Oldsmobile Models:  
7292643 (1966 Toronado)  
7294743 (982688)(1966 Oldsmobile)  
SUPPLIER : For Current Address, See Annual Index.  
TYPE SET : 6 Transistor AM Receiver  
POWER SUPPLY : 12 Volt Storage Battery  
RATING : 1.2 Amp. @ 12.6 Volts DC  
TUNING RANGE : BROADCAST 540-1615KC



## ALIGNMENT INSTRUCTIONS

Check for specified source voltage.

Use only enough generator output to provide a usable indication.

Suggested Alignment Tools:

A1 thru A5, A9, A10.

A6, A7, A8.

GENERAL CEMENT: 5009, 8782A, 8987

WALSCO: 2531-X, 2536

GENERAL CEMENT: 8290, 8868, 9087

WALSCO: 2525, 2528, 2587

### PUSH-BUTTON ADJUSTMENT

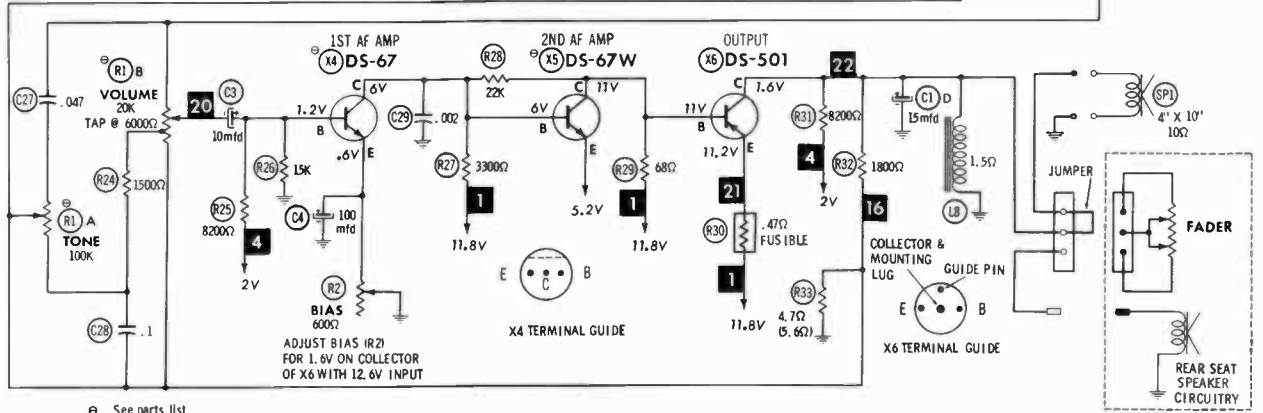
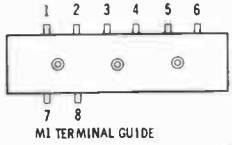
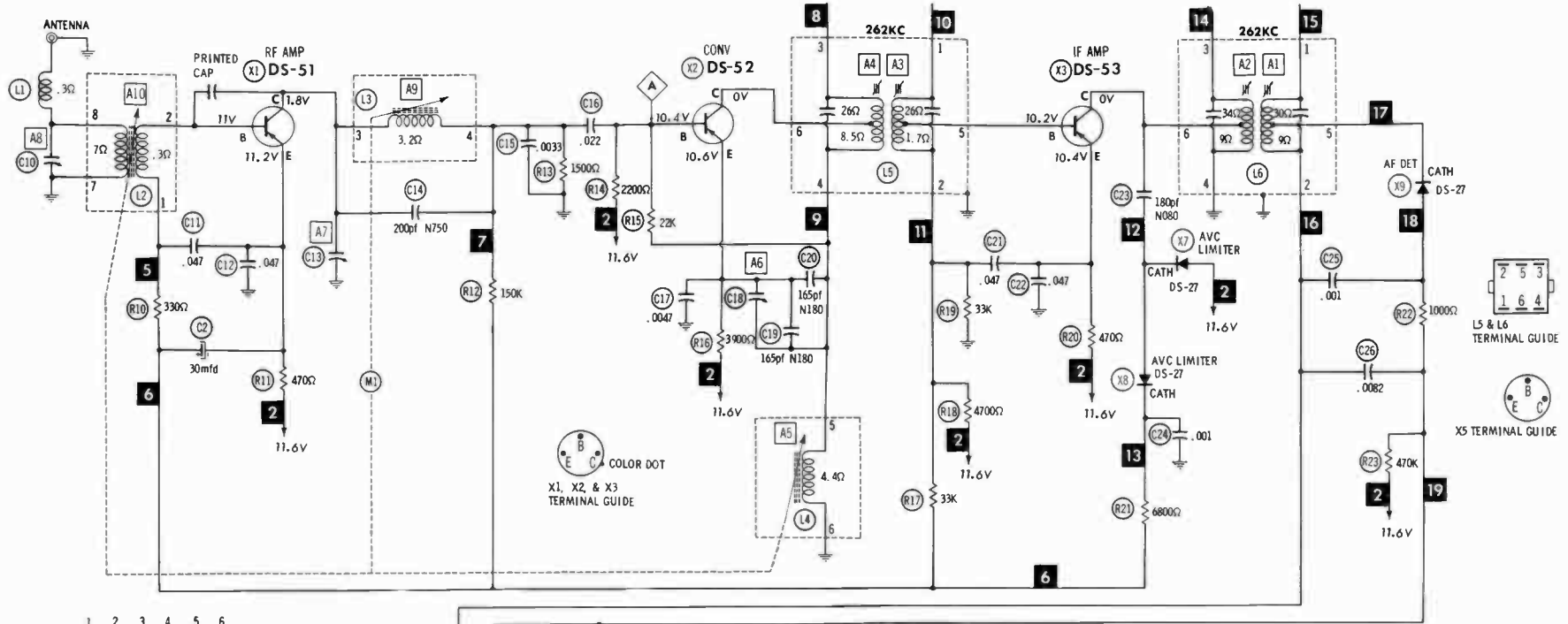
1. Pull button out.
2. Tune manually to desired station.
3. Press button in firmly.
4. Repeat for remaining buttons.

	SIGNAL GENERATOR COUPLING	SIGNAL GENERATOR FREQUENCY	RADIO DIAL SETTING	INDICATOR	ADJUST	REMARKS
1.	High side thru .1mfd to point $\Delta$ , low side to ground.	262KC (400% Mod.)	High Freq. End Stop.	Output Meter across voice coil.	A1, A2, A3, A4	Adjust for maximum.
Check setting of oscillator coil core (A5). Rear of core should be 1 3/8" from mounting end of coil form.						
2.	High side thru 82mmf to antenna receptacle, low side to ground.	1615KC	High Freq. End Stop.	Output Meter across voice coil.	A6, A7, A8	Adjust for maximum.
3.	"	600KC	600KC Signal	"	A9, A10	Adjust for maximum. Repeat step 2.
With radio installed in car and antenna fully extended, tune in a weak station near 1400KC and adjust A8 for maximum output.						

Remove tuning and dummy knobs for access to Antenna Trimmer (A8).

OLDSMOBILE MODELS 7292643, 7294743



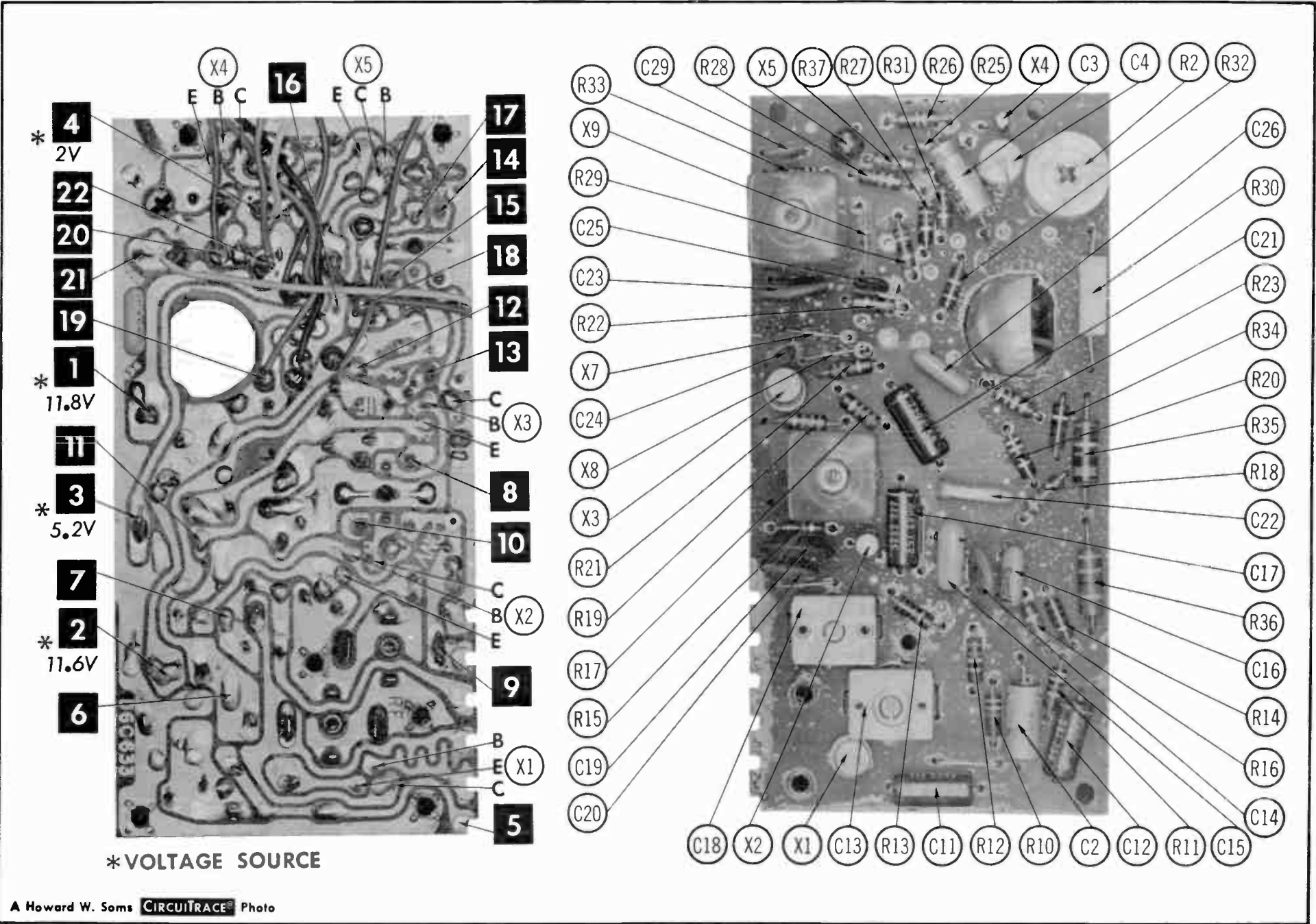


- See parts list
1. Voltage measurements taken with vacuum tube voltmeter.
  2. All controls set for normal operation, no signal applied.
  3. Measured values are from socket pin or terminal to common ground.
  4. All terminals viewed from bottom unless otherwise designated.
  5. Numbers assigned to terminals may not be found on the unit.
  6. Supply voltage maintained at rated value for voltage readings.
  7. Resistance measurements not given because of the wide variation in internal resistance of transistor.

Resistors are 1/2 watt or less and rated 10% or 20% unless otherwise indicated.

OLDSMOBILE MODELS 7292643, 7294743

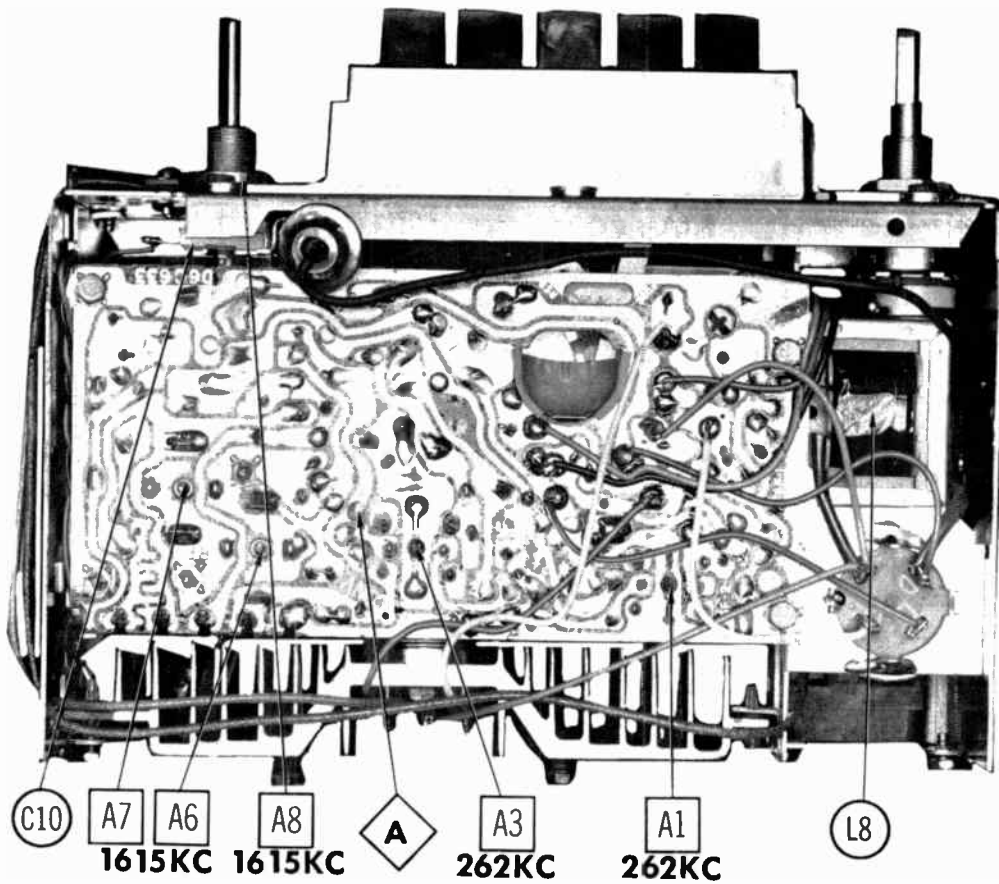
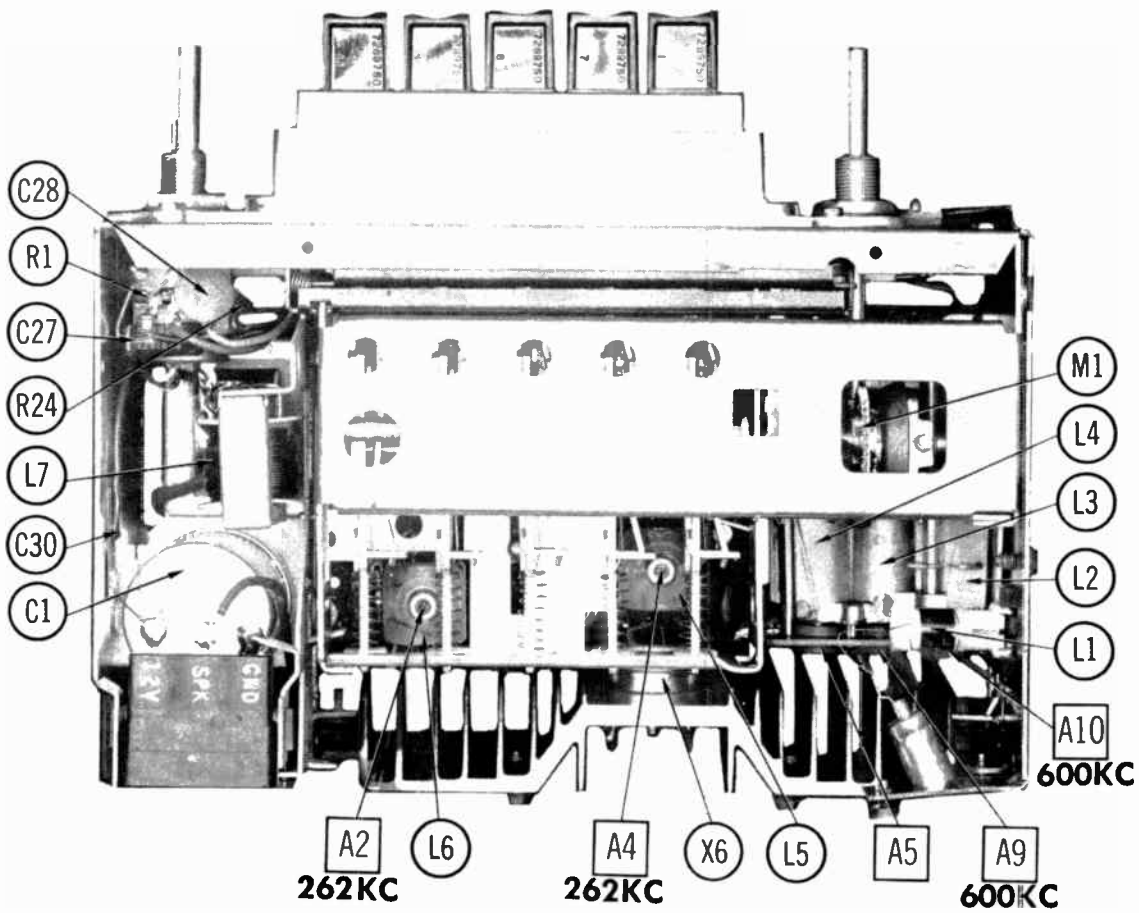
A PHOTOFAC STANDARD NOTATION SCHEMATIC  
with **CIRCUITRACE**  
© Howard W. Sams & Co., Inc. 1966



\*VOLTAGE SOURCE

A Howard W. Soms CIRCUITRACE® Photo

OLDSMOBILE MODELS 7292643, 7294743  
World Radio History



# PARTS LIST AND DESCRIPTION

(When ordering parts, state Model, Part Number, and Description.)

Replacement parts shown may be superseded by the availability of newly introduced replacements.  
Have your local distributor check Sams COUNTER FACTS' for the most up-to-date replacement.

## WIRING DATA

General-use Unshielded Hook-up Wire .....	Use BELDEN No. 8530 (Solid) Available in 12 Colors 8524 (Stranded) Available in 12 Colors
Shielded Hook-up Wire .....	Use BELDEN No. 8885
Rear Seat Speaker Extension Cable .....	Use BELDEN No. 8782 (Stranded) Coded Parallel Leads
Bonding Strap .....	Use BELDEN No. 8661 (3/8 In.) or 8670 (3/4 In.)

## TRANSISTORS

ITEM No.	ORIG. TYPE	USE	REPLACEMENT DATA			NOTES
			DELCO PART No.	GENERAL ELECTRIC PART No.	RCA PART No.	
X1	DS-51	RF Amp	DS-25	GE-1	SK-3006	PNP
X2	DS-52	Converter	DS-25	GE-1	SK-3006	PNP
X3	DS-53	IF Amp.	DS-25	GE-1	SK-3006	PNP
X4	DS-46	1st. AF Amp.	DS-66	GE-10	SK-3020	NPN
X5	(DS-66)† DS-67W (DS-66)†	2nd. AF Amp.	DS-66	GE-10	SK-3020	NPN
X6	DS-601	Output	DS-501	GE-4	SK-3012	PNP *

\* When replacing, apply silicone grease to both sides of insulator. Tighten mounting screws securely.  
Check Bias Adjustment. † Alternate Type.

## POWER RECTIFIERS & SIGNAL DIODES

ITEM No.	MEASURED CURRENT	ORIGINAL Part or Type No.	RECTIFIERS & DIODES		RECTIFIERS		
			GENERAL ELECTRIC PART No.	INTERNATIONAL RECTIFIER PART No.	MALLORY PART No.	RCA PART No.	SARKES TARZIAN PART No.
X7		DS-27	1N34AS	1N34A			
X8		DS-27	1N34AS	1N34A			
X9		DS-27	1N34AS	1N34A			

## ELECTROLYTIC CAPACITORS

ITEM No.	RATING		REPLACEMENT DATA					
	CAP.	VOLT.	DELCO PART No.	AEROVOX PART No.	CORNELL-DUBILIER PART No.	GENERAL ELECTRIC PART No.	MALLORY PART No.	SPRAGUE PART No.
C1A	850		7291786	AFH4-96-10			FP401.9	TVLS-4206*
B	400							
C	100							
D	15	11.5rms						
C2	30	6	7279896	PTT27	NLW30-15	MT1-13	TT6X30	TE-1092
C3	10	12	7292738	PTT53	NLW10-15	MT1-5	TT12X10	TL-1128
C4	100	4	7291810	PTT30	NLW125-6	MT1-21	TT6X100	TE-1102

\* Not normally in distributor's stock. Available thru distributor on order to manufacturer.

## CAPACITORS

ITEM No.	RATING		REMARKS	REPLACEMENT DATA					
				AEROVOX PART No.	CENTRALAB PART No.	CORNELL-DUBILIER PART No.	ELMENCO PART No.	MALLORY PART No.	SPRAGUE PART No.
C10			#7281971						
C11	.047	75V		DBE2847		WMF2847	1DP-2-473	PVC1147	2PS-847
C12	.047	75V		DBE2847		WMF2847	1DP-2-473	PVC1147	2PS-847
C13			#7287935						
C14	200	N750		N750-DI 200	DTN-200	CV601UJ201K	CCTN-201	CN7320	10TCU-T20
C15	.0033	75V		DBE6D33	CPR-3300J	WMF1D33	6DP-1-332	PVC4233	6PS-D33
C16	.022	75V		DBE2S22		WMF1S22	1DP-1-223	PVC1122	2PS-S22
C17	.0047	75V		DBE6D47	CPR-4700J	WMF1S47	6DP-1-473	PVC6247	6PS-D47
C18			#7282165						
C19	165	N180					*	*	10TCP-T175
C20	165	N180					*	*	10TCP-T175
C21	.047	75V		DBE2847		WMF2847	1DP-2-473	PVC1147	2PS-847
C22	.047	75V		DBE2847		WMF2847	1DP-2-473	PVC1147	2PS-847
C23	180	N080					*	*	10TCN-T18
C24	.001			BPD-001	DD-102	HVX162XP102M	CCD-102	B210	5HK-D10
C25	.001			BPD-001	DD-102	HVX162XP102M	CCD-102	B210	5HK-D10
C26	.0082	75V		DBE6D82	CPR-8200J	WMF1S82	6DP-2-822	PVC682	6PS-D82
C27	.047	75V		DBE2847		WMF2847	1DP-2-473	PVC1147	2PS-847
C28	.1			TTD-1	CK-104	HOV101ZV104Z		TA010	TG-P10
C29	.002			BPD-002	DD-202	BYV601ZU202P	CCD-202	B220	5HK-D20
C30			#7271564						

\* Not normally in distributor's stock. Available thru distributor on order to manufacturer.  
# Delco Part Number.

OLDSMOBILE MODELS 7292643, 7294743

# PARTS LIST AND DESCRIPTION (CONTINUED)

(When ordering parts, state Model, Part Number, and Description.)

Replacement parts shown may be superseded by the availability of newly introduced replacements.  
Have your local distributor check Sams COUNTER FACTS for the most up-to-date replacement.

## CONTROLS

All wattages 1/2 watt, or less, unless otherwise listed.

ITEM No.	USE	RESIST-ANCE	REPLACEMENT DATA					
			DELCO PART No.	CENTRALAB PART No.	CLAROSTAT PART No.	CTS-IRC PART No.	MALLORY PART No.	
R1A B	Tone Volume/Switch	100K 20K Tap @ 8000Ω	7292735①	F1-100K,R14-25K, FFS104,RFS202, BB100,SB004, KR-4			†QJ-2206A	
	Tone Volume/Switch	100K 20K Tap @ 8000Ω	7289769②	F1-100K,R14-25K, FFS104,RFS115, BB100③,SB004, KR-4			††QJ-1890A	FN15L,RU253T53, OS1250A,IS1937, US41
R2	Bias	600Ω 2W	7286801	V-600	U39-600		110-600	MR600P

① Used in Model: 7292643.

② Used in Model: 7294743.

③ Alter bushing to meet requirements.

† "CONCENTRIKIT" Equivalent: K8 Kit, with Base Elements and Shafts: B11-128, P22-109 (Panel), B19-119X, R9-202 (Rear) S6 (Bushing), N4 (Spacer Nut), 76-1 (Switch)

"SNAPTROL" Equivalent: BU8③, CF13, CR50T, SF9, SR13, N4, GC.

†† "CONCENTRIKIT" Equivalent: K8 Kit, with Base Elements and Shafts: B11-128, P22-109 (Panel), B19-119X, R16-127 (Rear) S6 (Bushing), N4 (Spacer Nut), 76-1 (Switch)

"SNAPTROL" Equivalent: BU8③, CF13, CR50T, SF9, SR11, N4, GC.

## RESISTORS (Power and Special)

ITEM No.	RATING	REPLACEMENT DATA			ITEM No.	RATING	REPLACEMENT DATA		
		IRC PART No.	WORKMAN PART No.	DELCO PART No.			IRC PART No.	WORKMAN PART No.	DELCO PART No.
R30	.47Ω (Fusible)			7281899					

## COILS (RF-IF)

ITEM No.	USE	REPLACEMENT DATA				
		DELCO PART No.	MEISSNER Part No.	MERIT PART No.	MILLER PART No.	WORKMAN PART No.
L1	RF Choke (6.2uH)	7281948	19-1004	BC-585	4610	T859
L2	Antenna	①				
L3	RF	①				
L4	Oscillator	①				
L5	Input IF	1221858	16-6704		6542	TA653
L8	Output IF	1221857	16-6705		6543	TA653

① Coil Assembly #7287957.

## FILTER CHOKE

ITEM No.	RATINGS			REPLACEMENT DATA					NOTES
	CURRENT (Measured)	DC RES.	INDUCTANCE (0 CURRENT 1000~)	DELCO PART No.	MERIT PART No.	STANCOR PART No.	THORDARSON PART No.	TRIAD PART No.	
L7	1.2 Amp	.6Ω	8MH	1221623	C-4095	TC-2	TR-154	TY17XT	

## CHOKE (AUDIO OUTPUT)

ITEM No.	INDUCTANCE	REPLACEMENT DATA					NOTES
		DELCO PART No.	MERIT PART No.	STANCOR PART No.	THORDARSON PART No.	TRIAD PART No.	
L8	30MH	1222297					

## SPEAKER

ITEM No.	TYPE	REPLACEMENT DATA		NOTES
		DELCO PART No.	QUAM PART No.	
SP1	4" x 10" PM 10Ω	7289969	410A2Z10	

## FUSE DEVICES

ITEM No.	TYPE	RATING	REPLACEMENT DATA							
			PART No.		LITTELFUSE PART No.		BUSS PART No.			
			FUSE	HOLDER	FUSE	HOLDER	FUSE	HOLDER		
F1	SFE	9 Amp.		In Fuse Block		307009			SFE9	

## MISCELLANEOUS

ITEM No.	PART NAME	DELCO PART No.	NOTES
M1	Tuner Coil Assembly	7287957	

## CABINETS & CABINET PARTS

(When Ordering Specify Model, Chassis & Color)

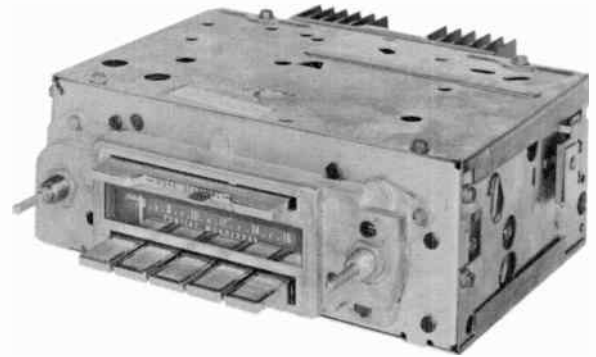
ITEM	MODEL	PART No.	ITEM	MODEL	PART No.
Escutcheon	7292843	7292881	Knob, Tuning or Volume	7292643	389892
Escutcheon	7294743	7289761	Knob, Tuning or Volume	7294743	589822
Dial Pointer	7292643	7292860	Knob, Tone	7292643	389893
Dial Pointer	7294743	7289753	Knob, Tone	7294743	387513
Pushbutton	7292643	7292895	Knob, Dummy	7292643	389894
Pushbutton	7294743	7289750	Knob, Dummy	7294743	387513



**PHOTOFACT<sup>®</sup> with**

**CIRCUITRACE<sup>®</sup>**

TRADE NAME : Pontiac Model: 7294332 (984587) (1966)  
 SUPPLIER : For Current Address, See Annual Index.  
 TYPE SET : 9 Transistor AM Receiver W/Wonder  
 Bar Tuning  
 POWER SUPPLY : 12 Volt Storage Battery  
 RATING : 1.2 Amp. @ 12.6 Volts DC  
 TUNING RANGE : BROADCAST 540-1615KC



## ALIGNMENT INSTRUCTIONS

Check for specified source voltage.  
 Use only enough generator output to provide a usable indication.  
 Suggested Alignment Tools:

A1 thru A5, A9, A10.

A6, A7, A8.

GENERAL CEMENT: 5009, 8782A, 8987

WALSCO: 2531-X, 2536

GENERAL CEMENT: 8290, 8868, 9087

WALSCO: 2525, 2528, 2587

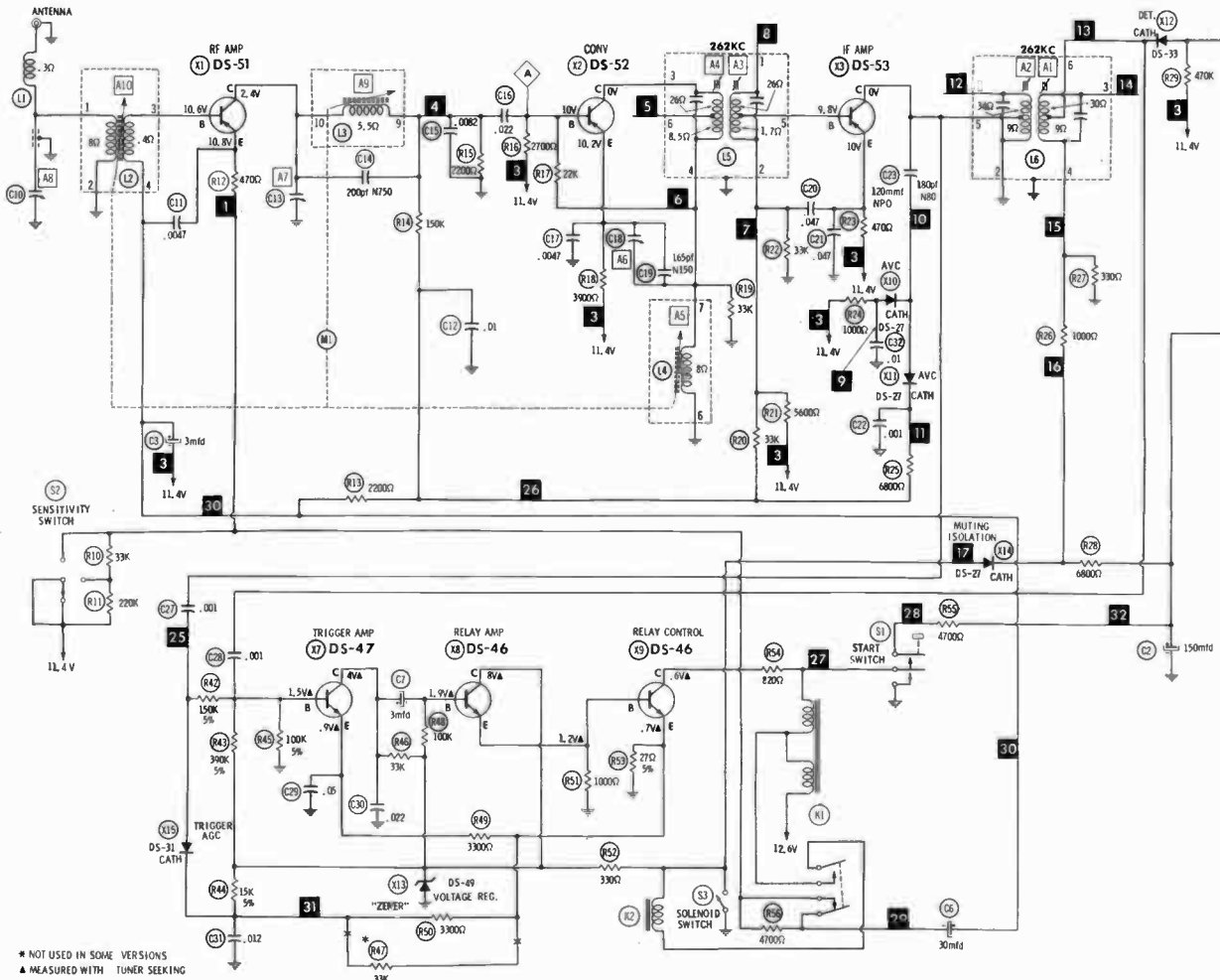
### PUSH-BUTTON ADJUSTMENT

1. Pull button out.
2. Tune manually to desired station.
3. Press button in firmly.
4. Repeat for remaining buttons.

	SIGNAL GENERATOR COUPLING	SIGNAL GENERATOR FREQUENCY	RADIO DIAL SETTING	INDICATOR	ADJUST	REMARKS
1.	High side thru .1mf to point <b>A</b> , low side to ground.	262KC (400% Mod.)	High Freq. End Stop.	Output Meter across voice coll.	A1, A2, A3, A4	Adjust for maximum.
Check setting of oscillator coil core (A5). Rear of core should be 1 5/8" from mounting end of coil form.						
2.	High side thru 82mmf to antenna receptacle, low side to ground.	1615KC	High Freq. End Stop.	Output Meter across voice coll.	A6, A7, A8	Adjust for maximum.
3.	"	600KC	600KC Signal	"	A9, A10	Adjust for maximum. Repeat step 2.
With radio installed in car and antenna fully extended, tune in a weak station near 1400KC and adjust A8 for maximum output.						

Remove tuning and dummy knobs for access to Antenna Trimmer (A8).

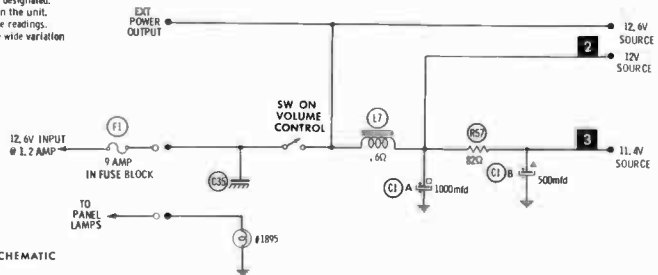
PONTIAC MODEL 7294332



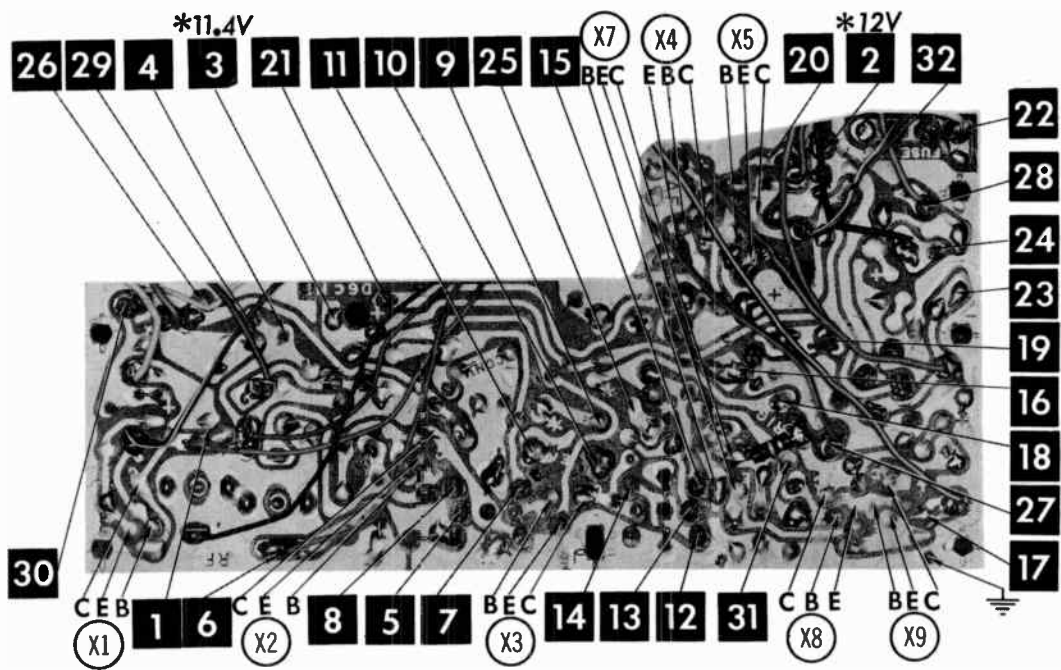
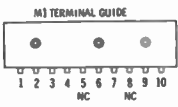
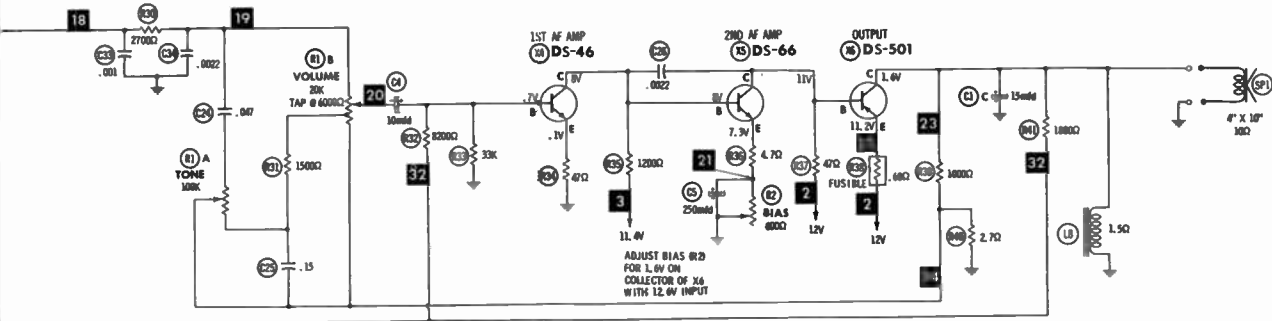
\* NOT USED IN SOME VERSIONS  
 ▲ MEASURED WITH TUNER SEEKING

1. Voltage measurements taken with vacuum tube voltmeter.
2. All controls set for normal operation, no signal applied.
3. Measured values are from socket pin or terminal to common ground.
4. All terminals viewed from bottom unless otherwise designated.
5. Numbers assigned to terminals may not be found on the unit.
6. Supply voltage maintained at rated value for voltage readings.
7. Resistance measurements not given because of the wide variation in internal resistance of transistor.

Resistors are 1/2 watt or less and rated 10% or 20% unless otherwise indicated.



A PHOTOFACT STANDARD NOTATION SCHEMATIC  
 with **Circuitrace**  
 © Howard W. Sams & Co., Inc. 1966

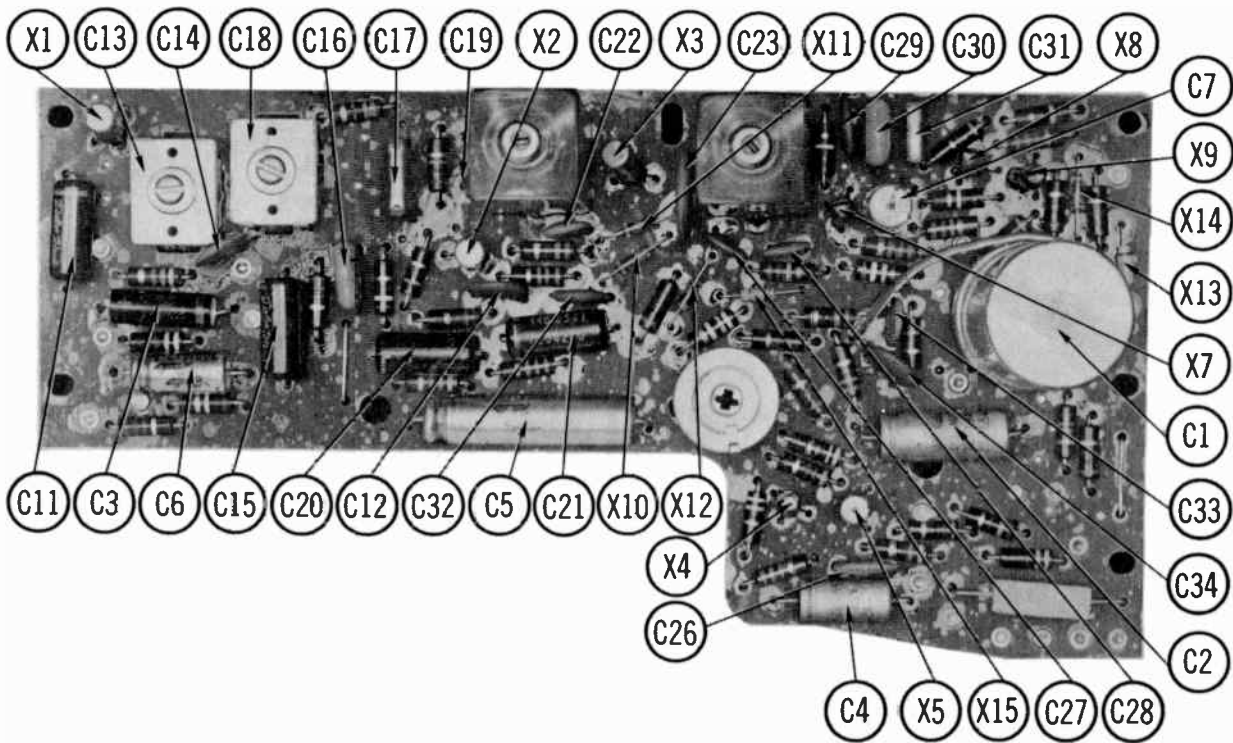
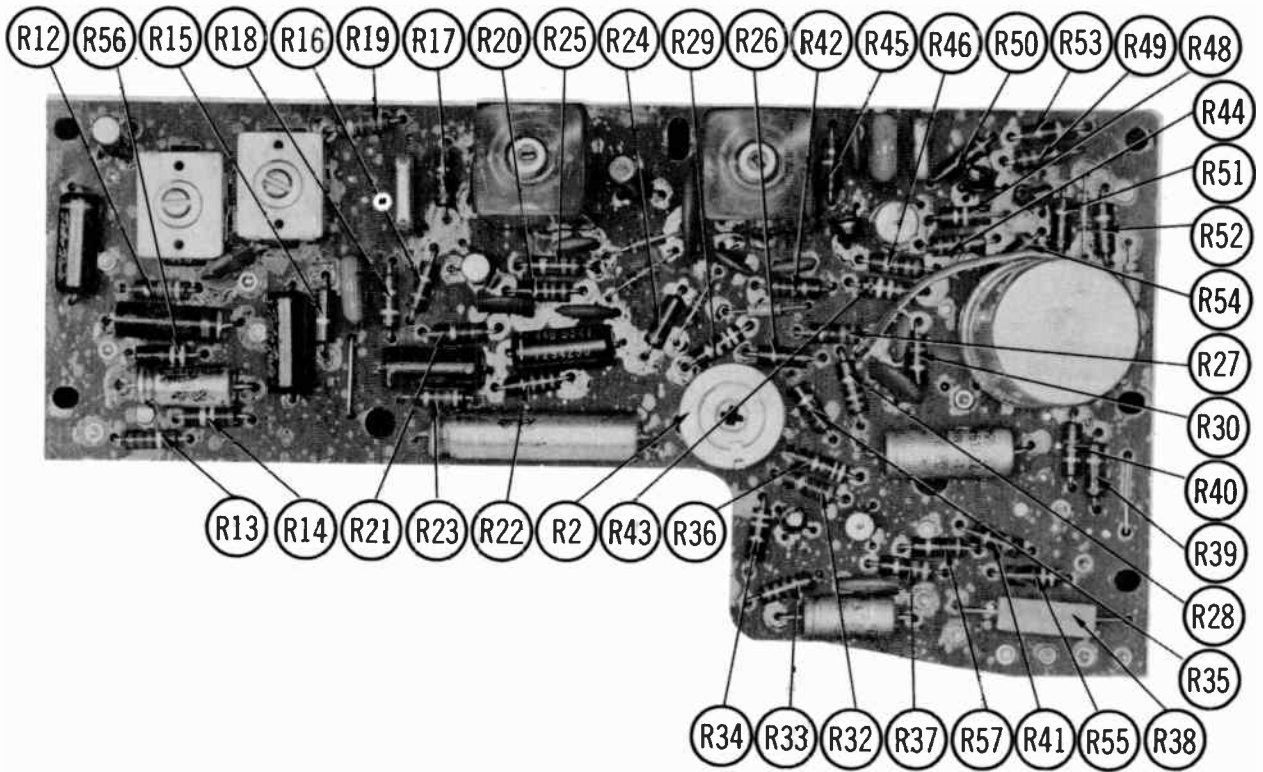


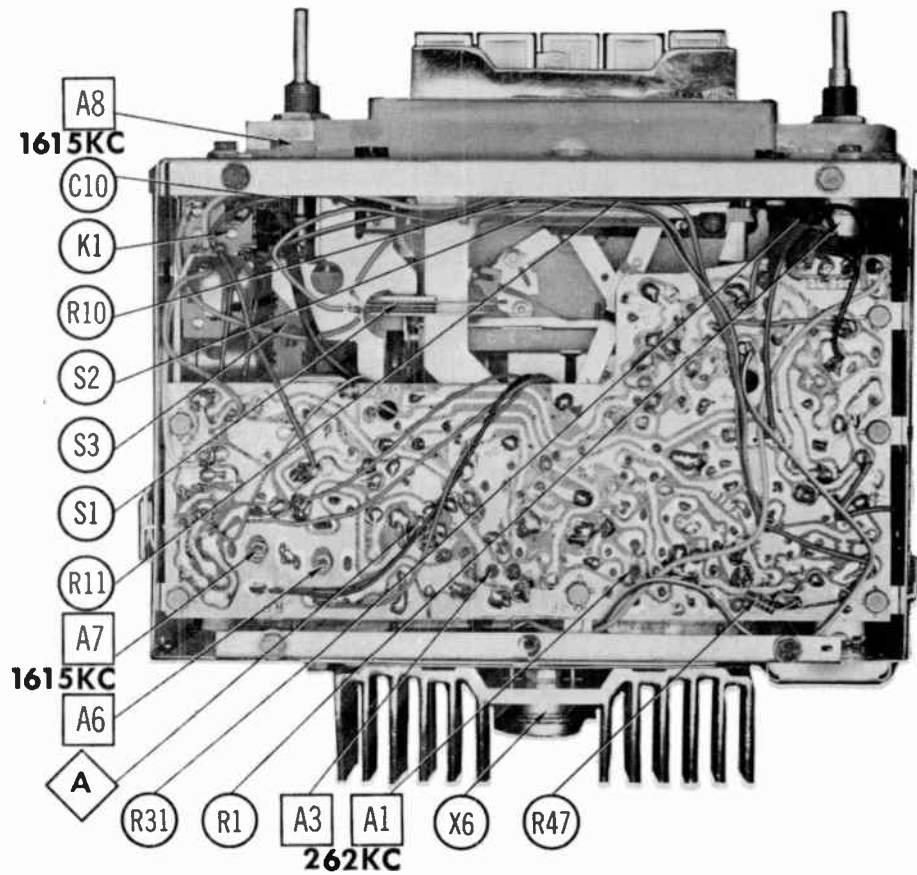
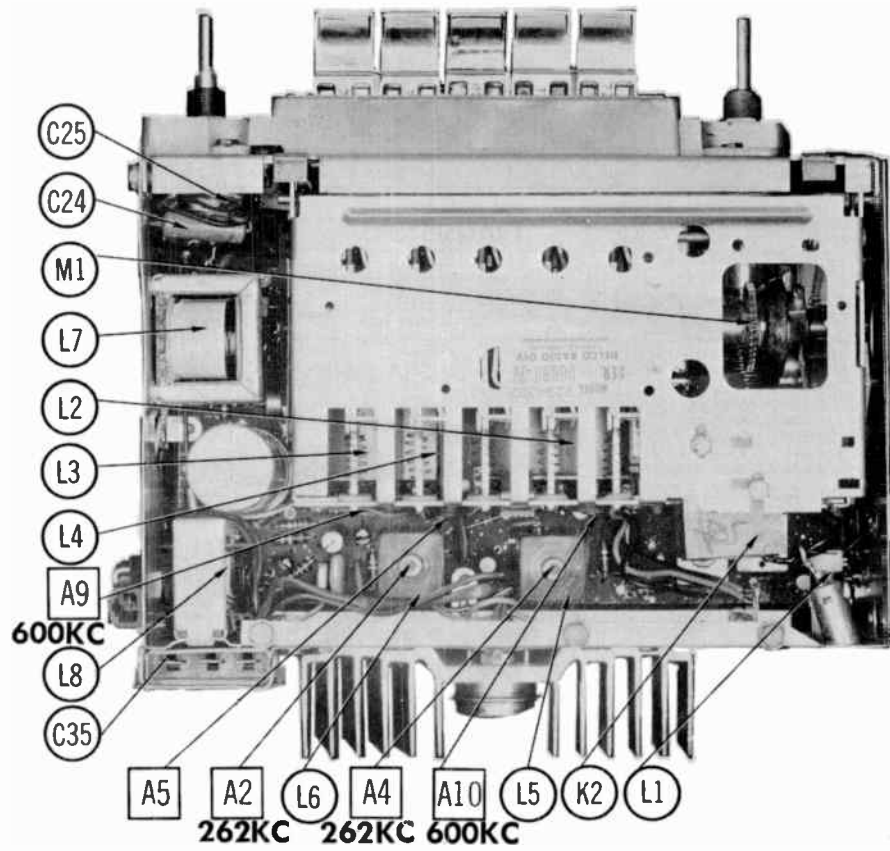
\*VOLTAGE SOURCE

PONTIAC MODEL 7294332

A Howard W. Sams **CIRCUITRACE** Photo







PONTIAC MODEL 7294332

# PARTS LIST AND DESCRIPTION

(When ordering parts, state Model, Part Number, and Description.)

Replacement parts shown may be superseded by the availability of newly introduced replacements.  
Have your local distributor check Sams COUNTER FACTS for the most up-to-date replacement.

## WIRING DATA

General-use Unshielded Hook-up Wire .....	Use BELDEN No. 6530 (Solid) Available in 12 Colors 8524 (Stranded) Available in 12 Colors
Shielded Hook-up Wire .....	Use BELDEN No. 6885
Rear Seat Speaker Extension Cable .....	Use BELDEN No. 6762 (Stranded) Coded Parallel Leads
Bonding Strap .....	Use BELDEN No. 6661 (3/8 In.) or 8670 (3/4 In.)

## TRANSISTORS

ITEM No.	ORIG. TYPE	USE	REPLACEMENT DATA			NOTES
			DELCO PART No.	GENERAL ELECTRIC PART No.	RCA PART No.	
X1	DS-51	RF Amp.	DS-25	GE-1	SK-3006	PNP
X2	DS-52	Converter	DS-25	GE-1	SK-3006	PNP
X3	DS-53	IF Amp.	DS-25	GE-1	SK-3006	PNP
X4	DS-46	AF Amp.	DS-66	GE-10	SK-3020	NPN
X5	DS-66	AF Amp.	DS-66	GE-10	SK-3020	NPN
X6	DS-501	Output	DS-501	GE-4	SK-3012	PNP
X7	DS-47	Trigger Amp.	DS-47	GE-10	SK-3020	NPN
X8	DS-46	Relay Amp.	DS-66	GE-10	SK-3020	NPN
X9	DS-46	Relay Control	DS-66	GE-10	SK-3020	NPN

\* When replacing, Apply silicone grease to both sides of insulator. Tighten mounting screws securely.  
Check bias adjustment.

## POWER RECTIFIERS & SIGNAL DIODES

ITEM No.	MEASURED CURRENT	ORIGINAL Part or Type No.	RECTIFIERS & DIODES		RECTIFIERS		
			GENERAL ELECTRIC PART No.	INTERNATIONAL RECTIFIER PART No.	MALLORY PART No.	RCA PART No.	SARKES TARZIAN PART No.
X10		DS-27	1N34AS	1N34			
X11		DS-27	1N34AS	1N34			
X12		DS-33	1N34AS	1N34			
X13		DS-40 (Zener)					
X14		DS-27	1N34AS	1N34			

## ELECTROLYTIC CAPACITORS

ITEM No.	RATING		DELCO PART No.	REPLACEMENT DATA				
	CAP.	VOLT.		AEROVOX PART No.	CORNELL-DUBILIER PART No.	GENERAL ELECTRIC PART No.	MALLORY PART No.	SPRAGUE PART No.
C1A	1000	16	7291356	PWH3-54-45	CC0006		FPS300.93	PCL8-3021.9*
B	500	16						
C	15	115rms						
C2	150	4	7290898	CRE328A	NLW150-6	MT1-23	TT6X150	TE-1103
C3	3	12	7291860	PTT50	NLW3-15	MT1-3	TT12X3	TE-1122
C4	10	12	7292738	PTT53	NLW10-15	MT1-5	TT12X10	TL-1126
C5	250	16	7291945	PRS1280	BR250-25	QT1-26	TC50025	TVA-1208
C6	30	6	7279696	PTT27	NLW30-15	MT1-13	TT6X30	TE-1092
C7	3	12	7291860	PTT50	NLW3-15	MT1-3	TT12X3	TE-1122

\* Not normally in distributor's stock. Available thru distributor on order to manufacturer.

## CAPACITORS

ITEM No.	RATING	REMARKS	REPLACEMENT DATA						
			AEROVOX PART No.	CENTRALAB PART No.	CORNELL-DUBILIER PART No.	ELMENCO PART No.	MALLORY PART No.	SPRAGUE PART No.	
C10		#7284971	DBE6D47	CPR-4700J	WMF1S47	6DP-1-472	PVC6247	6PS-D47	
C11	.0047	75V	BPD-01	DD-103	BYV102ZU103M	CCD-103	B110	5HK-810	
C12	.01								
C13		#7296946							
C14	200	N750	N750-DI 200	DTN-200	CV601UJ201K	CCTN-201	CN7320	10TCU-T20	
C15	.0082	75V	DBE6D82	CPR-8200J	WMF1D82	6DP-2-622	PVC628	6PS-D82	
C16	.022	75V	DBE2S22		WMF1S22	1DP-1-223	PVC1123	2PS-S22	
C17	.0047	75V	DBE6D47	CPR-4700J	WMF1S47	6DP-1-472	PVC6247	6PS-D47	
C18		#7282165							
C19	165	N150				*	*	10TCP-T175	
C20	.047	75V	DBE2S47		WMF2S47	1DP-2-473	PVC1147	2PS-S47	
C21	.047	75V	DBE2S47		WMF2S47	1DP-2-473	PVC1147	2PS-S47	
C22	.001		BPD-001	DD-102	HVX162XP102M	CCD-102	B210	5HK-D10	
C23	160	N80				*	*	10TCN-T60	
C24	.047	75V	DBE2S47		WMF2S47	1DP-2-473	PVC1147	2PS-S47	
C25	.15	75V	DBE2P15		WMF1P15	1DP-1-154	PVC1015	2PS-P15	
C26	.0022		DI-2200	CF-222	JBX601YP222K	CCD-222	JF222	10TS-D22	
C27	.001		BPD-001	DD-102	HVX162XP102M	CCD-102	B210	5HK-D10	
C28	.001		BPD-001	DD-102	HVX162XP102M	CCD-102	B210	5HK-D10	
C29	.05		TTD-05		HOV101ZV503Z		TA150	TH-850	
C30	.022	75V	DBE2S22		WMF1S22	1DP-1-223	PVC1122	2PS-S22	
C31	.012	75V	DBE6S12	CPR-10000J	DPMS6S12	6DP-2-123	PVC6112	6PS-S12	
C32	.01		BPD-01	DD-103	BYV102ZU103M	CCD-103	B110	5HK-S10	
C33	.001		BPD-001	DD-102	HVX162XP102M	CCD-102	B210	5HK-D10	
C34	.0022		DI-2200	CF-222	JBX601YP222K	CCD-222	JF222	10TS-D22	
C35		#7271564							

\* Not normally in distributor's stock. Available thru distributor on order to manufacturer.  
# Delco Part Number.

# PARTS LIST AND DESCRIPTION (CONTINUED)

(When ordering parts, state Model, Part Number, and Description.)

Replacement parts shown may be superseded by the availability of newly introduced replacements. Have your local distributor check Sams COUNTER FACTS for the most up-to-date replacement.

## CONTROLS

All wattages 1/2 watt, or less, unless otherwise listed.

ITEM No.	USE	RESIST-ANCE	REPLACEMENT DATA					
			DELCO PART No.	CENTRALAB PART No.	CLAROSTAT PART No.	CTS-IRC PART No.	MALLORY PART No.	
R1A B	Tone Volume/Switch	100K 20K Tap @ 6000Ω	7289887	F1-100K,R14-25K FFS100,RFS110, BB012,SB004, KR-4			† QJ-1872A	■ UE4506S
R2	Bias	600Ω 2W	7286601	V-600	U39-600		110-600	MR600P

† "CONCENTRIKIT" Equivalent: K8 Kit, with Base Elements and Shafts: B11-128, P22-027 (Panel)  
 "SNAPTROL" Equivalent: BU8Ⓛ, CF13, CR50T, SF5, SR7, N4, GC.  
 ■ "STA-LOC" Equivalent: FO15L, RU253T53, OS937, IS1562, US41.  
 Ⓛ Alter bushing to meet requirements.  
 N4 (Spacer Nut)  
 76-1 (Switch)

## RESISTORS (Power and Special)

ITEM No.	RATING	REPLACEMENT DATA			ITEM No.	RATING	REPLACEMENT DATA		
		IRC PART No.	WORKMAN PART No.	DELCO PART No.			IRC PART No.	WORKMAN PART No.	DELCO PART No.
R38	.68Ω (Fusible)			7286602					

## COILS (RF-IF)

ITEM No.	USE	REPLACEMENT DATA				
		DELCO PART No.	MEISSNER Part No.	MERIT PART No.	MILLER PART No.	WORKMAN PART No.
L1	RF Choke (6.2uh)	7281946	19-1004	BC-565	4610	T859
L2	Antenna	7290939				
L3	RF	7290943				
L4	Oscillator	1221616				
L5	Input IF	1221856	16-6704		6542	TA653
L6	Output IF	1221857	16-6705		6543	TA653

## FILTER CHOKE

ITEM No.	RATINGS			REPLACEMENT DATA					NOTES
	CURRENT (Measured)	DC RES.	INDUCTANCE (0 CURRENT 1000~)	DELCO PART No.	MERIT PART No.	STANCOR PART No.	THORDARSON PART No.	TRIAD PART No.	
L7	1.2 Amp.	.6Ω	8uh	1221623	C-4095	TC-2	TR-154	TY17XT	

## CHOKE (AUDIO OUTPUT)

ITEM No.	INDUCTANCE	REPLACEMENT DATA					NOTES
		DELCO PART No.	MERIT PART No.	STANCOR PART No.	THORDARSON PART No.	TRIAD PART No.	
L8	30MH	1222297					

## SPEAKER

ITEM No.	TYPE	REPLACEMENT DATA		NOTES
		DELCO PART No.	QUAM PART No.	
SP1	4" x 10" PM 10Ω	7291442	410A2Z10	

## FUSE DEVICES

ITEM No.	TYPE	RATING	REPLACEMENT DATA						
			PART No.		LITTELFUSE PART No.		BUSS PART No.		
			FUSE	HOLDER	FUSE	HOLDER	FUSE	HOLDER	
F1	SFE	9 Amp.		In Fuse Block		307009		SFE 9	

## MISCELLANEOUS

ITEM No.	PART NAME	DELCO PART No.	NOTES
K1	Relay	7295713	
K2	Solenoid	1221409	
M1	Tuner Coil Assembly	1222394	
S1	Start Switch	1222068	
S2	Sensitivity Switch	7297315	
S3	Solenoid Switch	7268030	

## CABINETS & CABINET PARTS

(When Ordering Specify Model, Chassis & Color)

ITEM	PART No.	ITEM	PART No.
Escutcheon	7294605	Knob, Tuning or Volume	9783650
Dial Pointer	1222249	Knob, Tone	9872421
Pushbutton	7290577	Knob, Dummy	9782420

PONTIAC MODEL 7294332



# PHOTOFACT<sup>®</sup> with

# CIRCUITRACE<sup>®</sup>



TRADE NAME : Sears Model 833.62830  
 SUPPLIER : For Current Address, See Annual Index.  
 TYPE SET : 14 Transistor AM-FM Auto-Portable Receiver  
 POWER SUPPLY : 12 Volt Storage Battery or (6" C" Cells)  
 RATING : .300 Amp. @ 12.6 Volts DC  
 (.026 Amp. @ 9 Volts DC)  
 TUNING RANGE : BROADCAST: 535-1615KC  
 FREQ. MOD: 87.5-108.5MC

1400KC

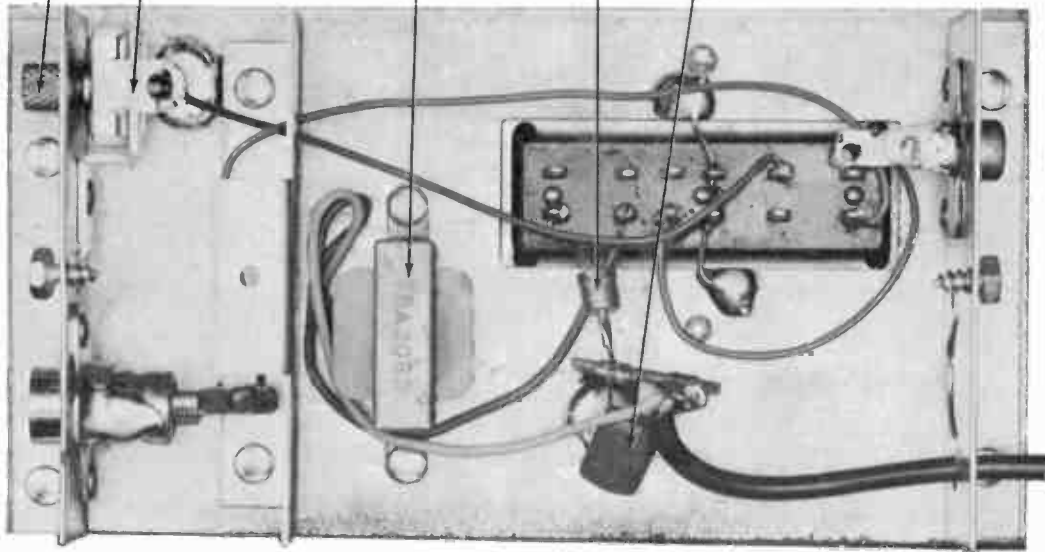
A8

C49

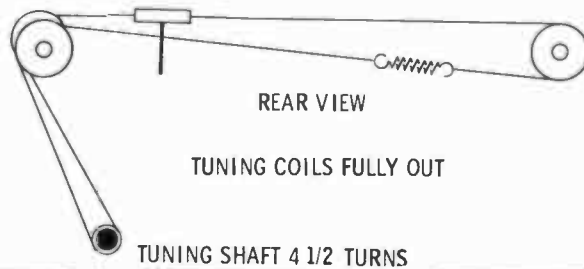
L17

X20

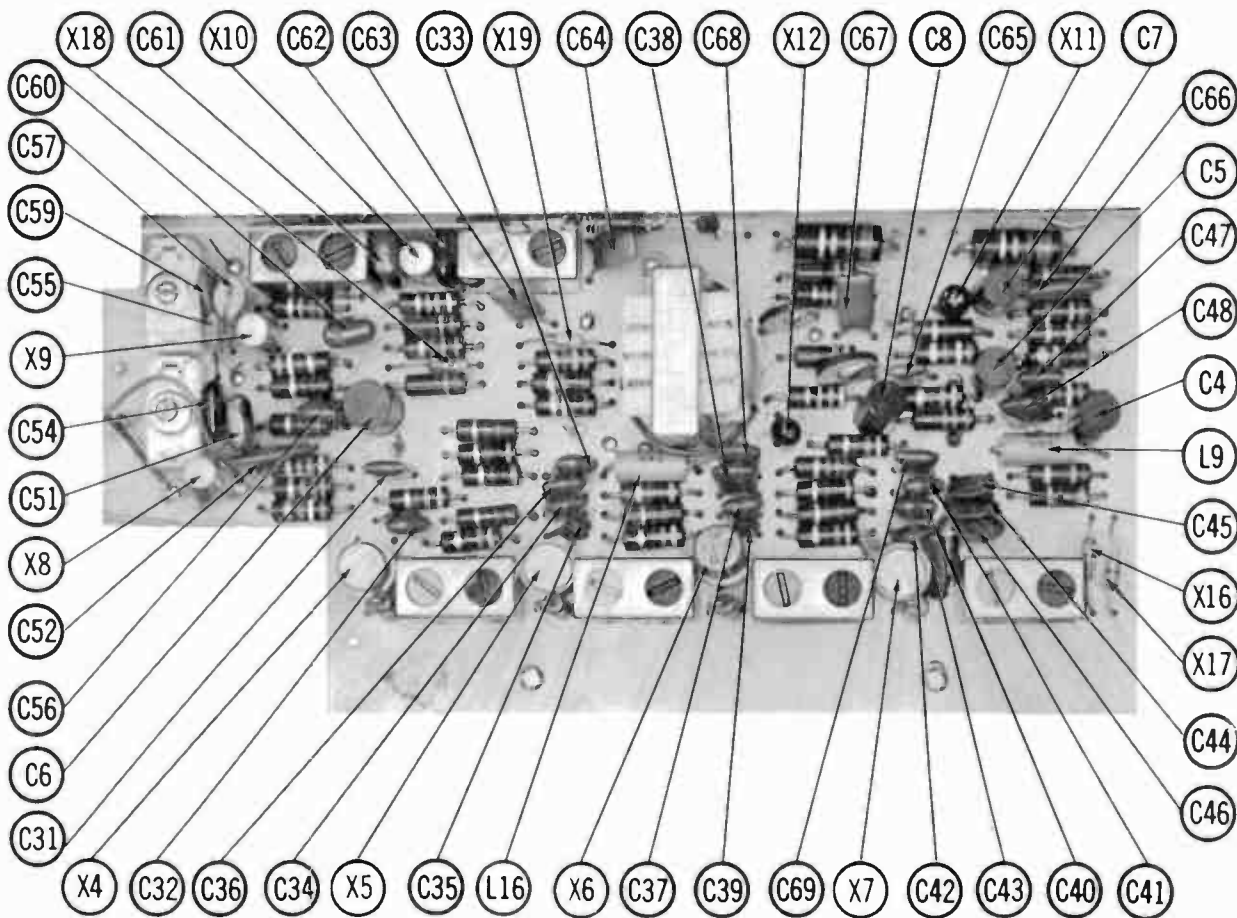
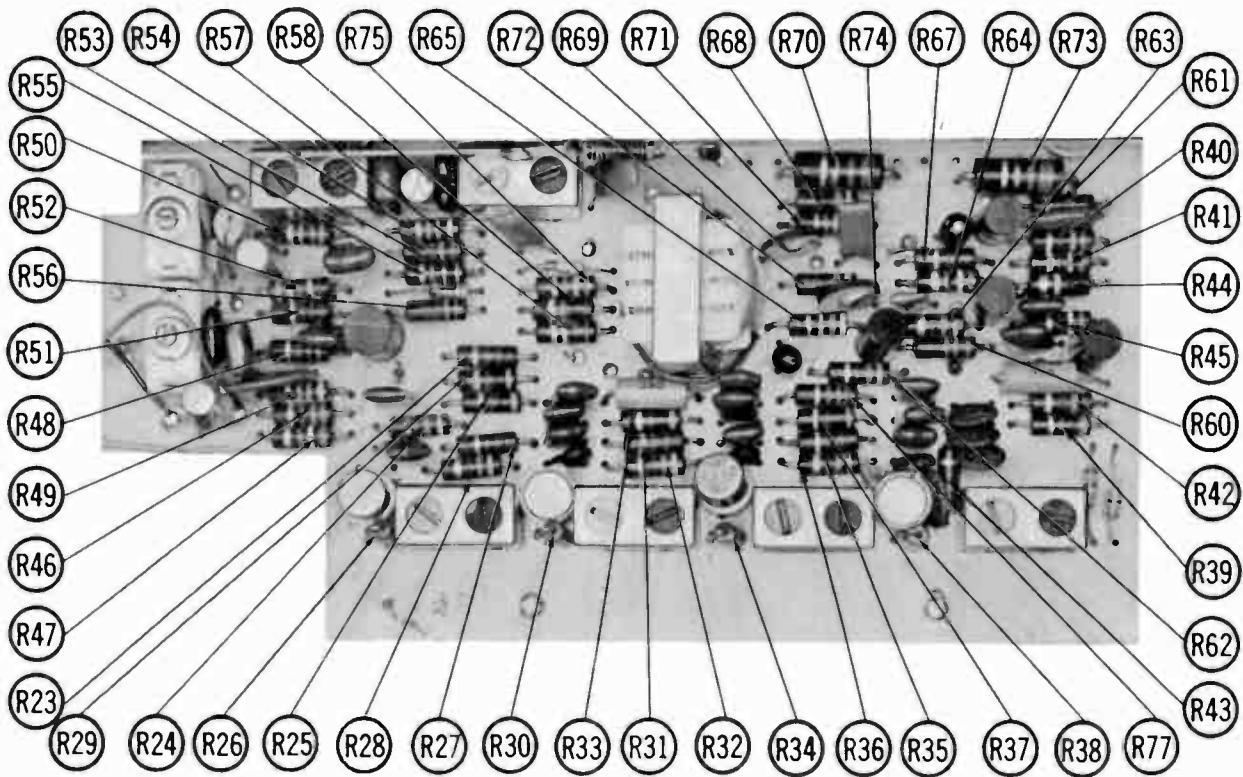
C70

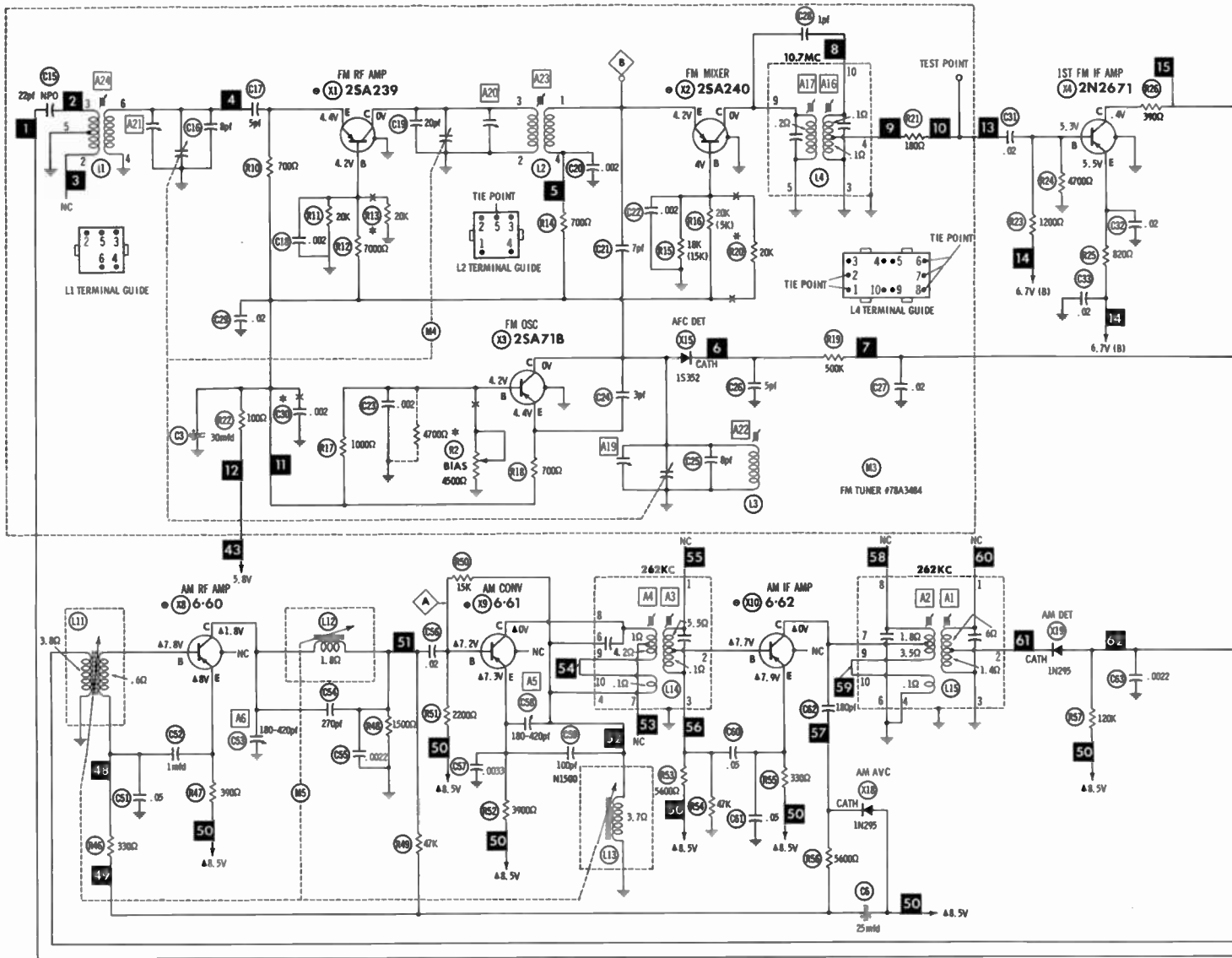


## DIAL CORD STRINGING



SEARS MODEL 833.62830





MEASUREMENTS TAKEN IN "FM" POSITION UNLESS OTHERWISE DESIGNATED.

Δ MEASURED IN "AM" POSITION.

• MEASURED WITH 12.6V INPUT.

\* NOT USED IN SOME VERSIONS.

Resistors are 1/2 watt or less and rated 10% or 20% unless otherwise indicated.

⊙ See parts list for alternate value or application.

1. Voltage measurements taken with vacuum tube voltmeter.

2. All controls set for normal operation, no signal applied.

3. Measured values are from socket pin or terminal to common ground.

4. All terminals viewed from bottom unless otherwise designated.

5. Numbers assigned to terminals may not be found on the unit.

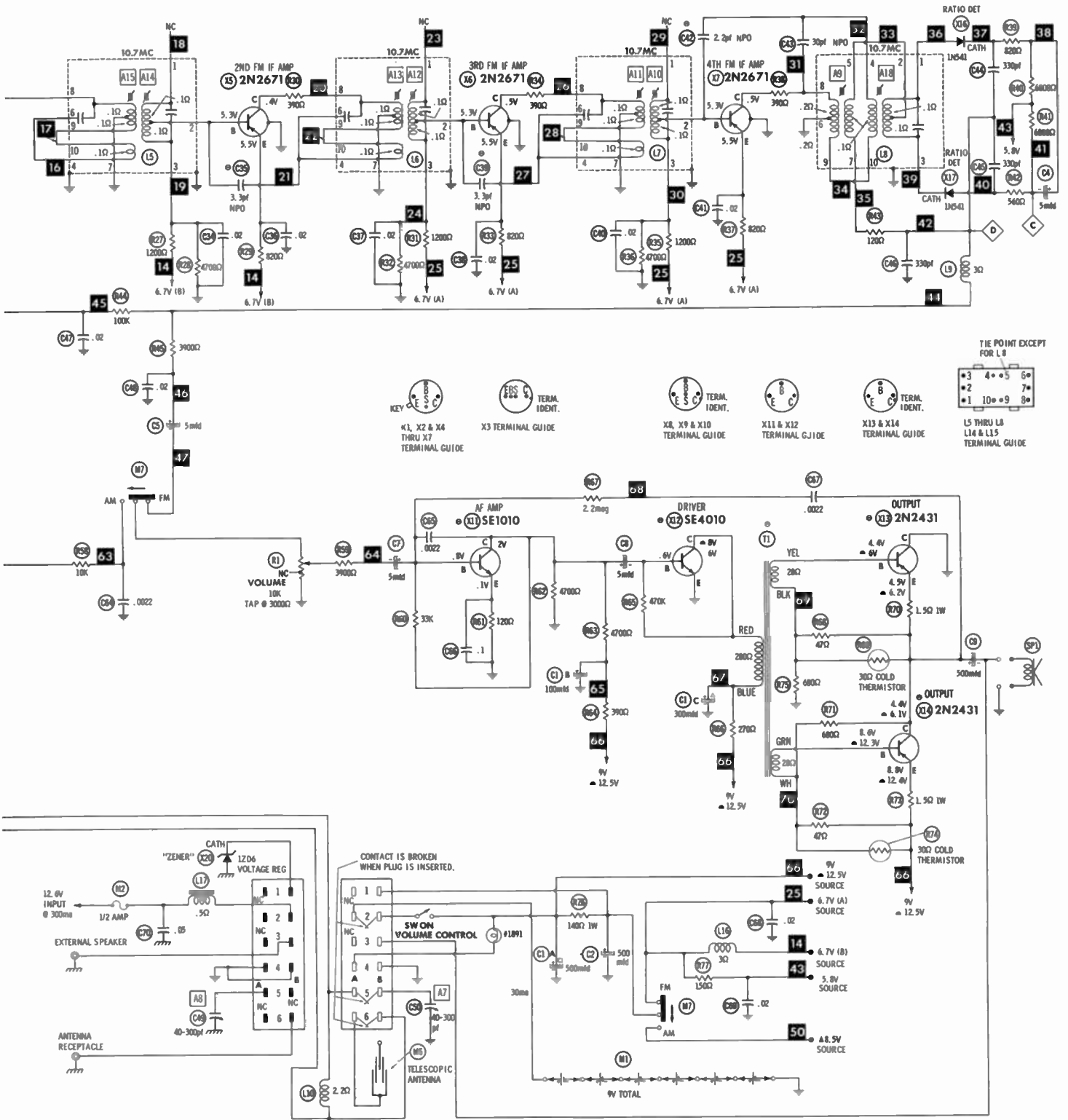
6. Supply voltage maintained at rated value for voltage readings.

7. Resistance measurements not given because of the wide variation in internal resistance of transistor.

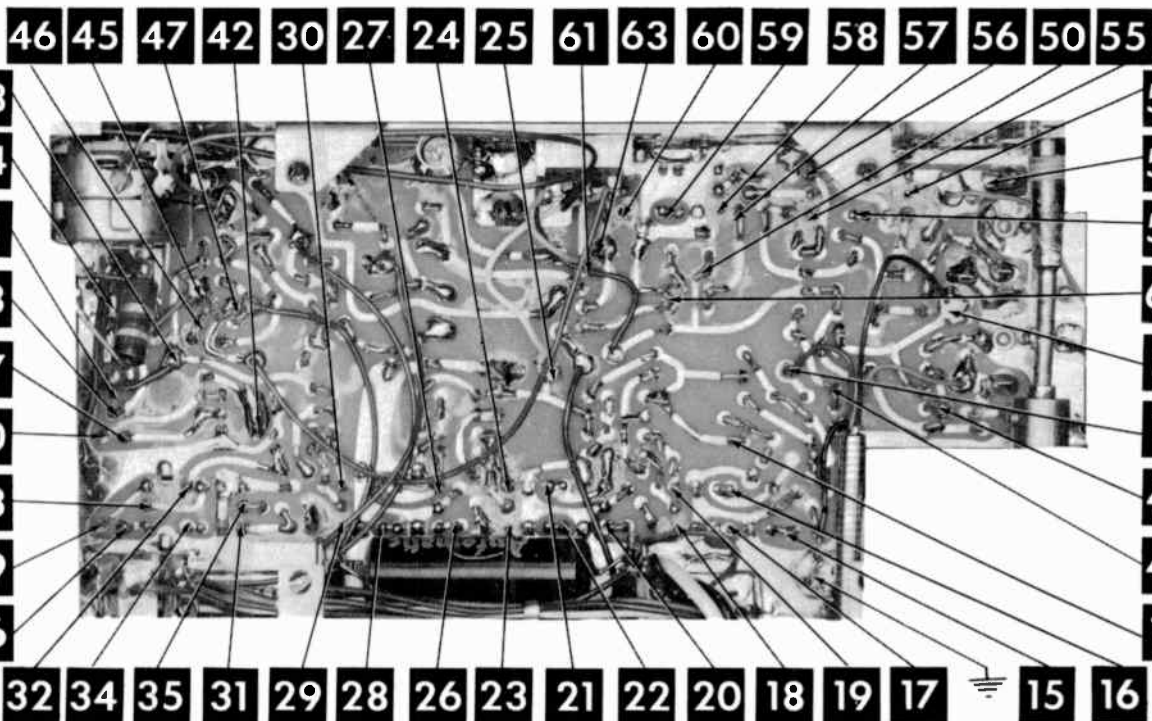
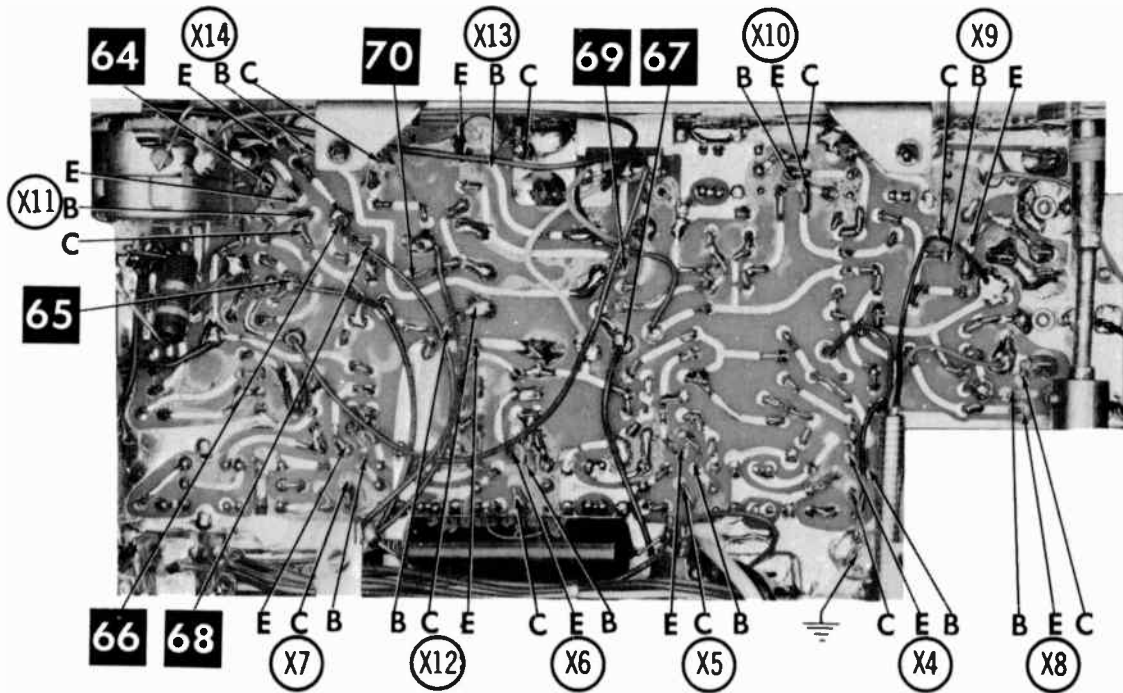
A PHOTOFAC STANDARD NOTATION SCHEMATIC  
with CIRCUITRACE

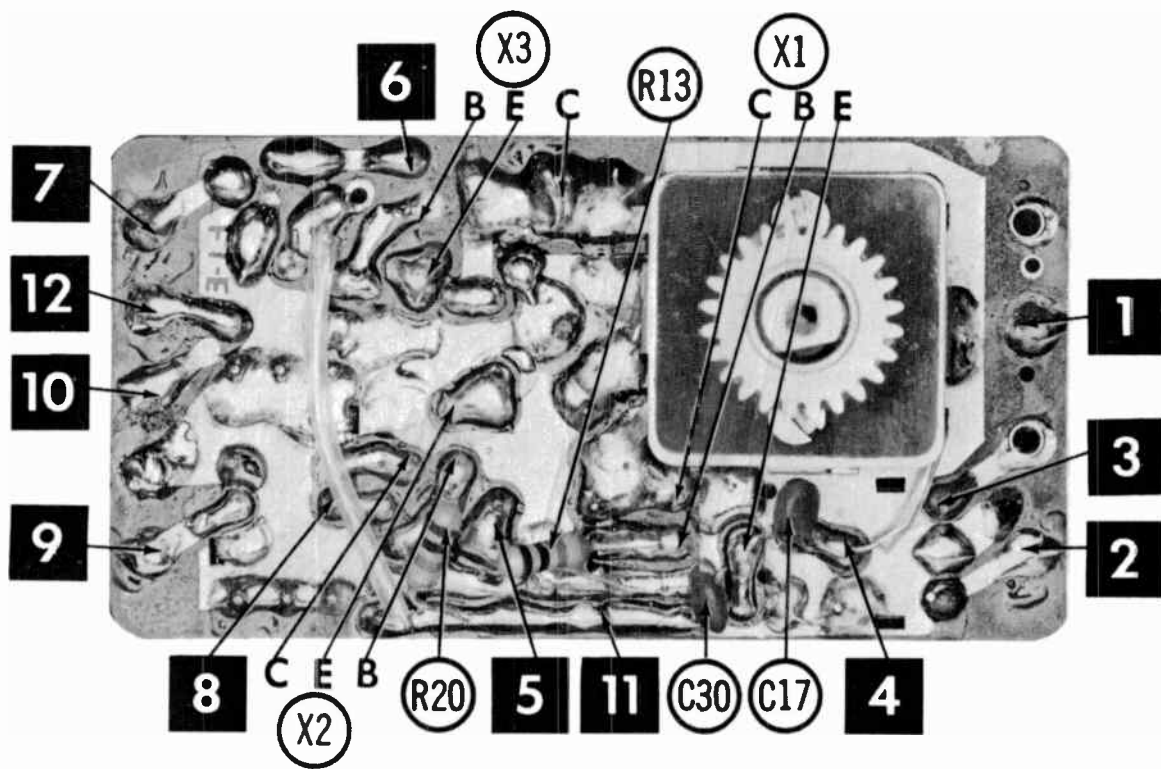
© Howard W. Sams & Co., Inc. 1965

SEARS MODEL 833.62830

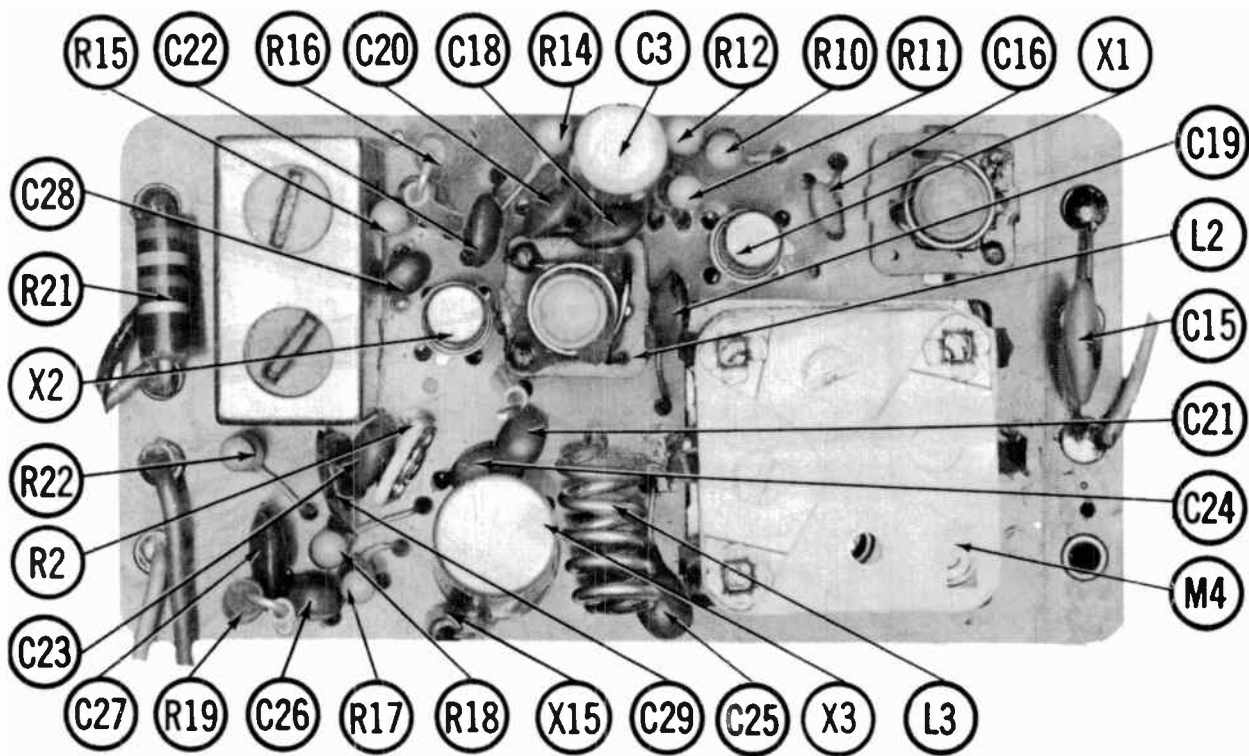


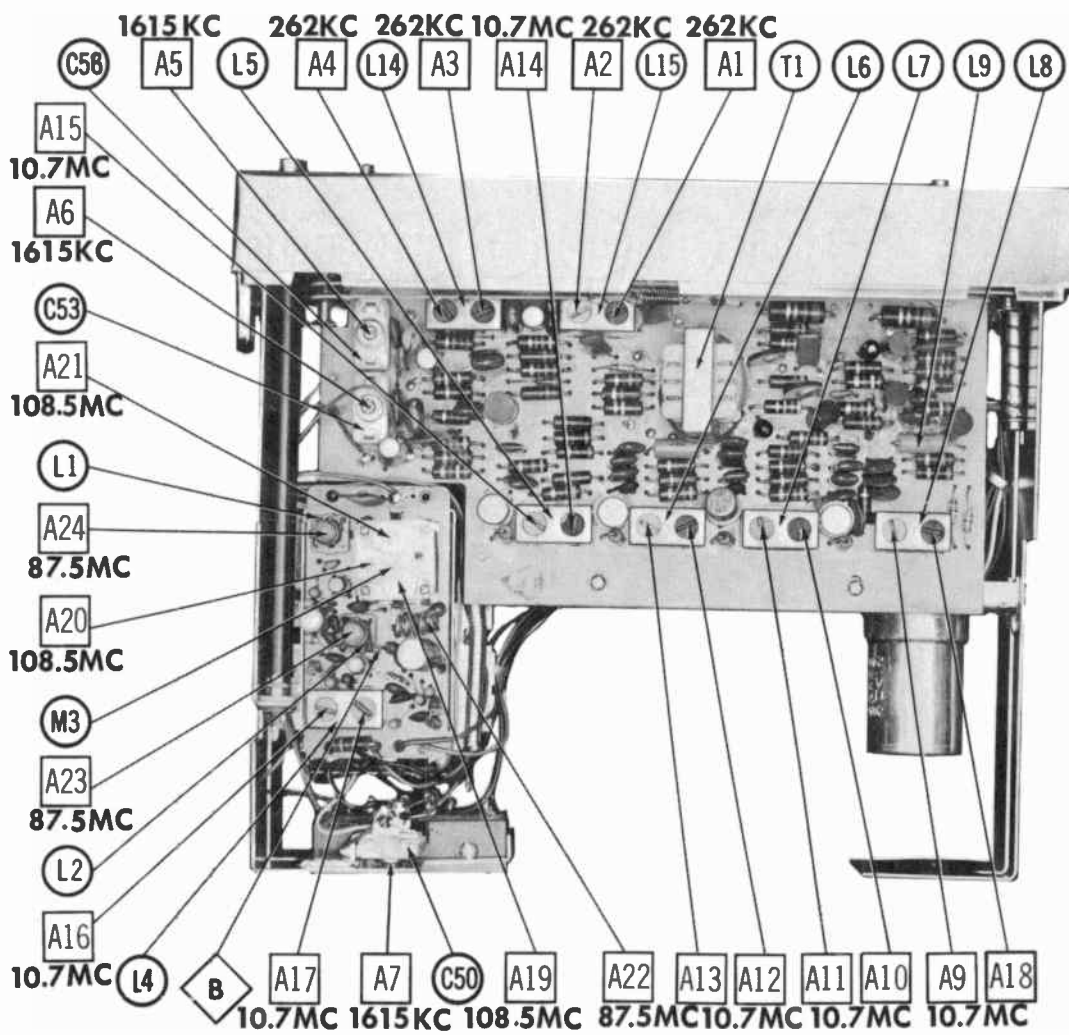
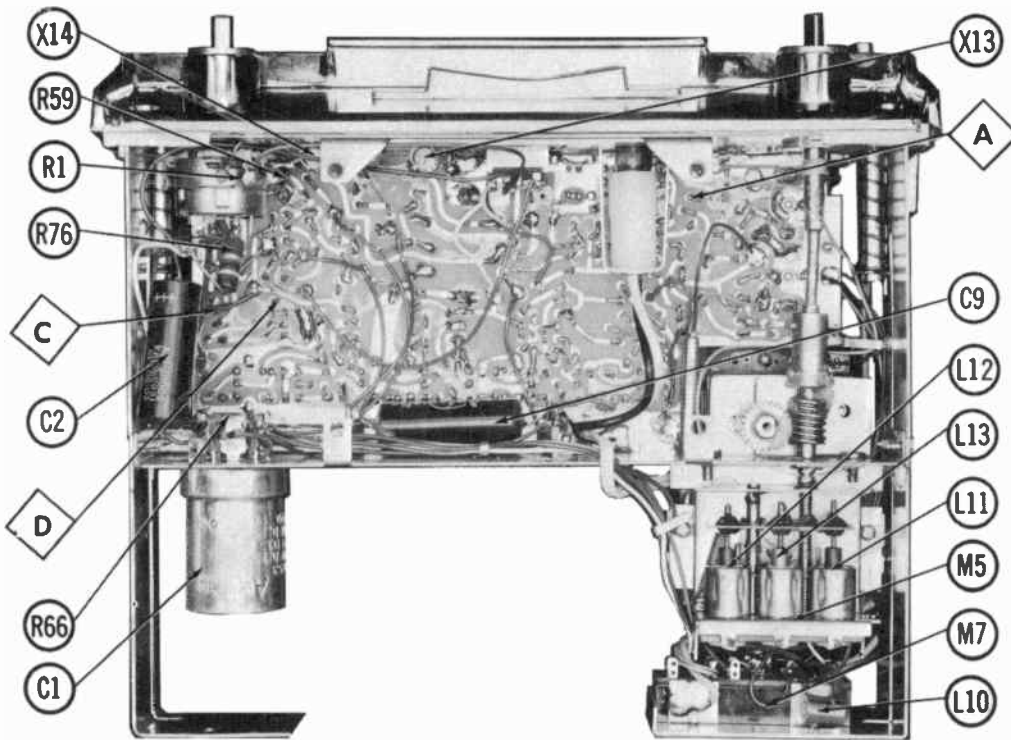






A Howard W. Sams **CIRCUITRACE** Photo





# ALIGNMENT INSTRUCTIONS

Check for specified source voltage.  
Use only enough generator output to provide a usable indication.  
Suggested Alignment Tools:  
A1 thru A24      GENERAL CEMENT: 9087      WALSCO: 2528

	SIGNAL GENERATOR COUPLING	SIGNAL GENERATOR FREQUENCY	RADIO DIAL SETTING	INDICATOR	ADJUST	REMARKS
1.	High side thru .1mf to point $\diamond$ , low side to ground.	262KC (400v Mod.)	High Freq. End Stop.	Output Meter across voice coil.	A1, A2, A3, A4	Adjust for maximum.
2.	High side thru -51pf to antenna receptacle, low side to ground.	1615KC	"	"	A5, A6, A7	"

### FM ALIGNMENT USING AM SIGNAL GENERATOR -- SELECTOR IN FM POSITION

High side thru .02 to Point  $\diamond$ , low side to ground.

	GENERATOR FREQUENCY	DIAL SETTING	INDICATOR	ADJUST	REMARKS
3.	10.7MC (Unmod.)	Point of non-interference.	DC probe of VTVM to point $\diamond$ ; common to ground.	A9 thru A17	Adjust for maximum.
4.	"	"	DC probe to point $\diamond$ ; common to	A18	Adjust for zero reading. A positive or negative reading will be obtained on either side of the correct setting.

### FM IF ALIGNMENT USING FM SIGNAL GENERATOR -- SELECTOR IN FM POSITION

High side thru .02 to Point  $\diamond$ , low side to ground. Use only enough marker signal to obtain indication. Use 60v frequency modulated signal with 450KC sweep. Use 120v sawtooth voltage in scope for horizontal deflection.

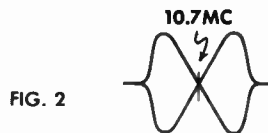
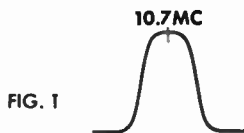
	GENERATOR FREQUENCY	DIAL SETTING	INDICATOR	ADJUST	REMARKS
3.	10.7MC (450KC Swp.)	Point of non-interference	Vert. amp. of Scope to point $\diamond$ ; low side to ground.	A9 thru A17	Disconnect stabilizing capacitor C 4. Adjust for maximum gain and symmetry of response similar to Fig. 1 with marker as shown. Reconnect C 4.
4.	"	"	Vert. amp. to point $\diamond$ ; low side to	A18	Adjust A18 (Secondary) to place marker at center of crossover lines similar to Fig. 2. Adjust A 9 (Primary) for maximum amplitude and straightness of crossover lines.

### FM RF ALIGNMENT

Connect generator thru .02 to antenna, low side to ground.

	GENERATOR FREQUENCY	DIAL SETTING	INDICATOR	ADJUST	REMARKS
5.	108.5MC	Set at high end.	DC probe of VTVM to point $\diamond$ ; common to ground.	A19, A20, A21	Adjust for maximum.
6.	87.5MC	Set at low end.	"	A22, A23, A24	Rock tuning and adjust for maximum. Repeat steps 5 and 6 until no further improvement can be made.

With radio installed in car and antenna fully extended, tune in a weak station near 1400KC and adjust A8 for maximum output.



SEARS MODEL 833.62830

# PARTS LIST AND DESCRIPTION

(When ordering parts, state Model, Part Number, and Description.)

Replacement parts shown may be superseded by the availability of newly introduced replacements.  
Have your local distributor check Sams COUNTER FACTS\* for the most up-to-date replacement.

## TRANSISTORS

ITEM No.	ORIG. TYPE	USE	REPLACEMENT DATA			NOTES	SEARS PART No.
			DELCO PART No.	GENERAL ELECTRIC PART No.	RCA PART No.		
X1	2SA239	FM RF Amp.	D6-41		2N1177	PNP	2SA71A Alt.
X2	2SA240	FM Mixer	D6-42		2N1179	PNP	2SA71B Alt.
X3	2SA71B	FM Osc.	D6-42		2N1179	PNP	
X4	2N2671	1st FM IF	D6-34		2N1180	PNP	
X5	2N2671	2nd FM IF	D6-34		2N1180	PNP	
X6	2N2671	3rd FM IF	D6-34		2N1180	PNP	
X7	2N2671	4th FM IF	D6-34	2N1180	PNP		
X8	6-60	AM RF Amp.	D6-25	GE-1	2N1637	PNP	2N1637 Alt.
X9	6-61	AM Conv.	D6-25	GE-1	2N1639	PNP	2N1639 Alt.
X10	6-62	AM IF Amp.	D6-25	GE-1	2N1638	PNP	2N1638 Alt.
X11	SE1010	AF Amp.	D6-46	GE-10	2N649	NPN	6-90 Alt.
X12	SE4010	Driver	D6-46	GE-10	2N649	NPN	6-93 Alt.
X13	2N2431	Output	D6-26	GE-2	2N408	PNP	6-31 Alt.
X14	2N2431	Output	D6-26	GE-2	2N408	PNP	6-31 Alt.

## POWER RECTIFIERS & SIGNAL DIODES

ITEM No.	MEASURED CURRENT	ORIGINAL Part or Type No.	RECTIFIERS				DIODES
			GENERAL ELECTRIC PART No.	MALLORY PART No.	RCA PART No.	SARKES TARZIAN PART No.	
X15		1S352					1N34AS
X16		1N541					1N34AS
X17		1N541					1N34AS
X18		1N295					1N34AS
X19		1N295					1N34AS
X20		1ZD6					1N34AS

## ELECTROLYTIC CAPACITORS

ITEM No.	RATING		SEARS PART No.	REPLACEMENT DATA					SPRAGUE PART No.
	CAP.	VOLT.		AEROVOX PART No.	CORNELL-DUBILIER PART No.	GENERAL ELECTRIC PART No.	GENERAL INSTRUMENT PART No.	MALLORY PART No.	
C1A	500	16	20-2653	AFH3-00-94	CCOO12	XC3-48.1	TMT3002	FP300.83	TVLS-3025.14*
B	100	16							
C	300	16							
C2	500	15	20-507-15	PRS1220	BR500-15	QT1-30	BL2342	TC1505	TVA-1162
C3	30	6		BCD6035	NLW30-6	MT1-13	BL1321	TT6K30	VL-1092
C4	5	15	20-505P	BCD15005	ECSP5-15	MT1-3	BL1141	PET1535	VL-1164
C5	5	15	20-505P	BCD15005	ECSP5-15	MT1-3	BL1141	PET1535	VL-1164
C6	25	10	20-256P	BCD10025	ECSP25-15	MT1-16	BL1331	TT10K25	VL-1130
C7	5	15	20-505P	BCD15005	ECSP5-15	MT1-3	BL1141	PET1535	VL-1164
C8	5	15	20-505P	BCD15005	ECSP5-15	MT1-3	BL1141	PET1535	VL-1164
C9	500	15	20-507-15	PRS1220	BR500-15	QT1-30	BL2342	TC1505	TVA-1162

\* Not normally in distributor's stock. Available thru distributor on order to manufacturer.

## FIXED CAPACITORS

ITEM No.	RATING	REMARKS	REPLACEMENT DATA					
			AEROVOX PART No.	CENTRALAB PART No.	CORNELL-DUBILIER PART No.	ELMENCO PART No.	MALLORY PART No.	SPRAGUE PART No.
C15	22	NPO	NPO-DI 20	DTZ-20	C10Q2C	CCTO-200	CNO422	10TCC-Q20
C16	8		NPO-DI 8.2					10TCC-V82
C17	5		NPO-DI 5.0	DTZ-4R7	C10V47C	CCTO-050	CNO547	10TCC-V50
C18	.002		BPD-002	DD-202	BYA10D2	CCD-202	B220	5HK-D20
C19	20		NPO-DI 20	DTZ-20	C10Q2C	CCTO-200	CNO422	10TCC-Q20
C20	.002		BPD-002	DD-202	BYA10D2	CCD-202	B220	5HK-D20
C21	7		NPO-DI 6.8	DTZ-6R8	C10V68C	CCTO-6R8	CNO568	10TCC-V68
C22	.002		BPD-002	DD-202	BYA10D2	CCD-202	B220	5HK-D20
C23	.002		BPD-002	DD-202	BYA10D2	CCD-202	B220	5HK-D20
C28	3		NPO-DI 3.0	DTZ-3R3	C10V33C	CCTO-3R3	CNO533	10TCC-V30
C25	8		NPO-DI 8.2					10TCC-V82
C26	5		NPO-DI 5.0	DTZ-4R7	C10V47C	CCTO-050	CNO547	10TCC-V50
C27	.02		BPD-02	DD-203	BYA682	CCD-203	B120	5HK-820
C28	1		NPO-DI 1.0	TCZ-1			CNO510	10TCC-V10
C29	.02		BPD-02	DD-203	BYA682	CCD-203	B120	5HK-820
C30	.002	①	BPD-002	DD-202	BYA10D2	CCD-202	B220	5HK-D20
C31	.02		BPD-02	DD-203	BYA682	CCD-203	B120	5HK-820
C32	.02		BPD-02	DD-203	BYA682	CCD-203	B120	5HK-820
C33	.02		BPD-02	DD-203	BYA682	CCD-203	B120	5HK-820
C34	.02		BPD-02	DD-203	BYA682	CCD-203	B120	5HK-820
C35	3.3	NPO	NPO-DI 3.0	DTZ-3R3	C10V33C	CCTO-3R3	CNO533	10TCC-V30
C36	.02		BPD-02	DD-203	BYA682	CCD-203	B120	5HK-820
C37	.02		BPD-02	DD-203	BYA682	CCD-203	B120	5HK-820
C38	.02		BPD-02	DD-203	BYA682	CCD-203	B120	5HK-820
C39	3.3	NPO	NPO-DI 3.0	DTZ-3R3	C10V33C	CCTO-3R3	CNO533	10TCC-V30
C40	.02		BPD-02	DD-203	BYA682	CCD-203	B120	5HK-820
C41	.02		BPD-02	DD-203	BYA682	CCD-203	B120	5HK-820
C42	2.2	NPO	NPO-DI 2.2	DTZ-2R2	C10V22C	CCTO-2R2	CNO522	10TCC-V22
C43	30	NPO	NPO-DI 33	DTZ-33	C10Q33C	CCTO-300	CNO433	10TCC-Q30
C44	330		DI-330	DD-331	LA10T33-C4	CCD-331	GP333	10TS-T33
C45	330		DI-330	DD-331	LA10T33-C4	CCD-331	GP333	10TS-T33
C46	330		DI-330	DD-331	LA10T33-C4	CCD-331	GP333	10TS-T33
C47	.02		BPD-02	DD-203	BYA682	CCD-203	B120	5HK-820
C48	.02		BPD-02	DD-203	BYA682	CCD-203	B120	5HK-820
C49	40-300		#28A3044					
C50	40-300		#28A3044-1					
C51	.05		TTD-05	CK-503	H5		TA150	TG-850
C52	1mfd 3V			UK-105	HCC3105P			HY-135
C53	180-420		#28A2547					
C54	270		DI-270	DD-271	LA10T27-C4	CCD-271	GP327	5GA-T270

# PARTS LIST AND DESCRIPTION (CONTINUED)

(When ordering parts, state Model, Part Number, and Description.)

Replacement parts shown may be superseded by the availability of newly introduced replacements.  
Have your local distributor check Sams COUNTER FACTS<sup>SM</sup> for the most up-to-date replacement.

## FIXED CAPACITORS (cont)

ITEM No.	RATING	REMARKS	REPLACEMENT DATA						
			AEROVOX PART No.	CENTRALAB PART No.	CORNELL-DUBILIER PART No.	ELMENCO PART No.	MALLORY PART No.	SPRAGUE PART No.	
C55	.0022	#28A2547	DI-2200	CF-222	JB8D22	CCD-222	GP222	10T8-D22	
C56	.02		BPD-02	DD-202	BYA10D2	CCD-202	B220	B220	5HK-D20
C57	.0033 400V		BPD-0033	DD-332	BYA10D33	CCD-332	B233	B233	5HK-D33
C58	180-420								
C59	100 N1500								
C60	.05			TTD-05	TCL-100			TA150	TG-850
C61	.05			TTD-05	CK-503	H5		TA150	TG-850
C62	180			DI-180	DD-181	LA10T18-83	CCD-181	GP318	5GA-T18
C63	.0022			DI-2200	CF-222	JB8D22	CCD-222	GP222	10T8-D22
C64	.0022			DI-2200	CF-222	JB8D22	CCD-222	GP222	10T8-D22
C65	.0022			DI-2200	CF-222	JB8D22	CCD-222	GP222	10T8-D22
C66	.1 16V			TTD-1	CK-104	H6		TA010	TG-P10
C67	.0022			DI-2200	CF-222	JB8D22	CCD-222	GP222	10T8-D22
C68	.02			BPD-02	DD-202	BYA10D2	CCD-202	B220	5HK-D20
C69	.02			BPD-02	DD-202	BYA10D2	CCD-202	B220	5HK-D20
C70	.05			TTD-05	CK-503	H5		TA150	TG-850

① Not used in some versions.      • Nominal value.  
# Sears Part Number.

## CONTROLS

All wattages 1/2 watt, or less, unless otherwise listed.

ITEM No.	USE	RESISTANCE	REPLACEMENT DATA				
			PART No.	CENTRALAB PART No.	CLAROSTAT PART No.	CTS-IRC PART No.	MALLORY PART No.
R1	Volume/Switch	10K Tap @3000Ω	80A3849			QCB5A① B19-116X, TM8, 76-2	
R2	Bias	4500Ω					

① Use instead of TM Plate in TM8.

## RESISTORS (Power and Special)

ITEM No.	RATING	REPLACEMENT DATA			ITEM No.	RATING	REPLACEMENT DATA		
		IRC PART No.	WORKMAN PART No.	SEARS PART No.			IRC PART No.	WORKMAN PART No.	SEARS PART No.
R69	30Ω Cold			5T91	R74	30Ω Cold			5T91

## COILS (RF-IF)

ITEM No.	USE	REPLACEMENT DATA						NOTES
		SEARS PART No.	MERIT PART No.	MILLER PART No.	STANCOR PART No.	WORKMAN PART No.		
L1	FM Ant	①					① Part of M3. ② Part of M5.	
L2	FM RF	①						
L3	FM Osc.	①						
L4	1st FM IF	①						
L5	2nd FM IF	14A3432						
L6	3rd FM IF	14A3433						
L7	4th FM IF	14A3434						
L8	Ratio Det.	14A3435						
L9	RF Choke (50uh)	14-590	TV-193	6110	RTC-8573	T302		
L10	RF Choke (6.2uh)	14-6.2	BC-565	4610	RTC-8520	T859		
L11	AM Ant.	②						
L12	AM RF	②						
L13	AM Osc.	②						
L14	1st AM IF	14A3436						
L15	2nd AM IF	14A3437						
L16	RF Choke (50uh)	14-590	TV-193	6110	RTC-8573	T302		

## FILTER CHOKE

ITEM No.	CURRENT (Measured)	RATINGS			REPLACEMENT DATA				NOTES
		DC RES.	INDUCTANCE (0 CURRENT 1000~)	SEARS PART No.	MERIT PART No.	STANCOR PART No.	THORDARSON PART No.	TRIAD PART No.	
L17	300ma	.5Ω	10MH	75A3082	C-4095	TC-2	TR-155	TY17XT	

## TRANSFORMER (DRIVER)

ITEM No.	TURNS RATIO		REPLACEMENT DATA					NOTES
	PRI.	SEC.	SEARS PART No.	MERIT PART No.	STANCOR PART No.	THORDARSON PART No.	TRIAD PART No.	
T1	5:	1	75A1954 ①					① 75A3885A Alternate Part Number.
		SEC 2						
		1						

## BATTERIES

ITEM No.	VOLTAGE	SEARS PART No.	REPLACEMENT DATA			NOTES
			BURGESS	EVEREADY	MALLORY	
M1	9V		130 or AL1	1035 or E93	M14R or Mn1400	6 Required.

## FUSES

ITEM No.	TYPE	RATING	REPLACEMENT DATA					
			SEARS PART No.		LITTELFUSE PART No.		BUSS PART No.	
			FUSE	HOLDER	FUSE	HOLDER	FUSE	HOLDER
M2	AGX	1/4	361.500	12-1912B	362.500	155014	AGX 1/4	HDI

## MISCELLANEOUS

ITEM No.	PART NAME	SEARS PART No.
M3	FM Tuner	78A3484
M4	FM Tuning Gang	
M5	AM Tuner	78A3994
M6	Telescopic Antenna	10A3558
M7	Selector Switch	

## SPEAKER

ITEM No.	TYPE	REPLACEMENT DATA	
		SEARS PART No.	QUAM PART No.
SP1	3" X 5" PM 8Ω	73B4001	35A05Z8

## CABINETS & CABINET PARTS

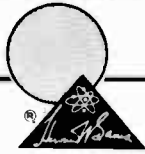
(When Ordering Specify Model, Chassis & Color)

ITEM	PART No.	ITEM	PART No.
Knobs, Tuning or Volume	47A3996	Dial Pointer	84A3405

## WIRING DATA

General-use Unshielded Hook-up Wire ..... Use BELDEN No. 8530 (Solid) Available in 12 Colors  
8524 (Stranded) Available in 12 Colors  
Shielded Hook-up Wire ..... Use BELDEN No. 8885  
Rear Seat Speaker Extension Cable ..... Use BELDEN No. 8782 (Stranded) Coded Parallel Leads  
Bonding Strap ..... Use BELDEN No. 8661 (3/8 in.) or 8670 (3/4 in.)

SEARS MODEL 833.62830



PHOTOFACT<sup>®</sup> with

CIRCUTRACE<sup>®</sup>



TRADE NAME : Tenatronics Models UM701, UA702  
 SUPPLIER : For Current Address, See Annual Index.  
 TYPE SET : 6 Transistor AM Receiver  
 POWER SUPPLY : 12 Volt Storage Battery  
 RATING : .850 Amp. @ 12.6 Volts DC  
 TUNING RANGE: BROADCAST 540-1615KC

TENATRONICS MODELS UA702, UM701

## ALIGNMENT INSTRUCTIONS

Check for specified source voltage.  
 Use only enough generator output to provide a usable indication.  
 Suggested Alignment Tools:

A1 thru A7.

GENERAL CEMENT: 8290, 8868, 9087  
 WALSCO: 2525, 2528, 2587

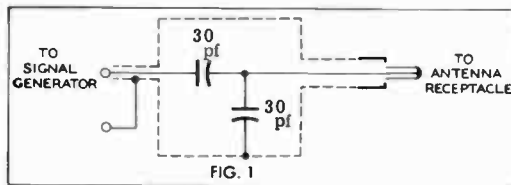
	SIGNAL GENERATOR COUPLING	SIGNAL GENERATOR FREQUENCY	RADIO DIAL SETTING	INDICATOR	ADJUST	REMARKS
1.	High side thru .1mfd to point $\Delta$ , low side to ground.	262KC (400v Mod.)	High Freq. End Stop.	Output Meter across voice coil.	A1, A2, A3, A4	Adjust for maximum.
2.	Thru dummy (Fig. 1) to antenna receptacle.	1615KC	"	"	A5, A6, A7	"

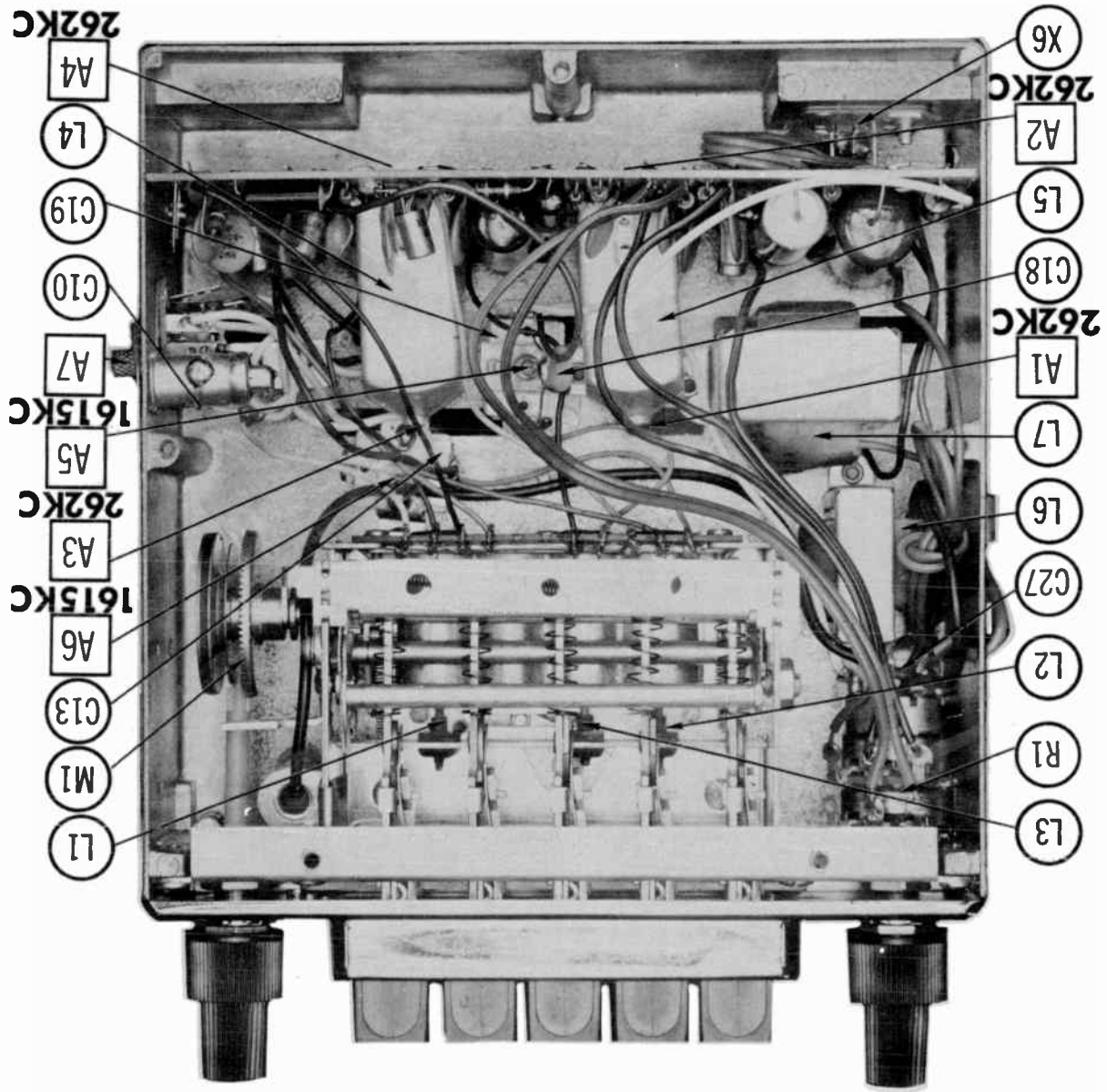
With radio installed in car and antenna fully extended, tune in a weak station near 1400KC and adjust A7 for maximum output.

Antenna Adjustment (A7) located rear center.

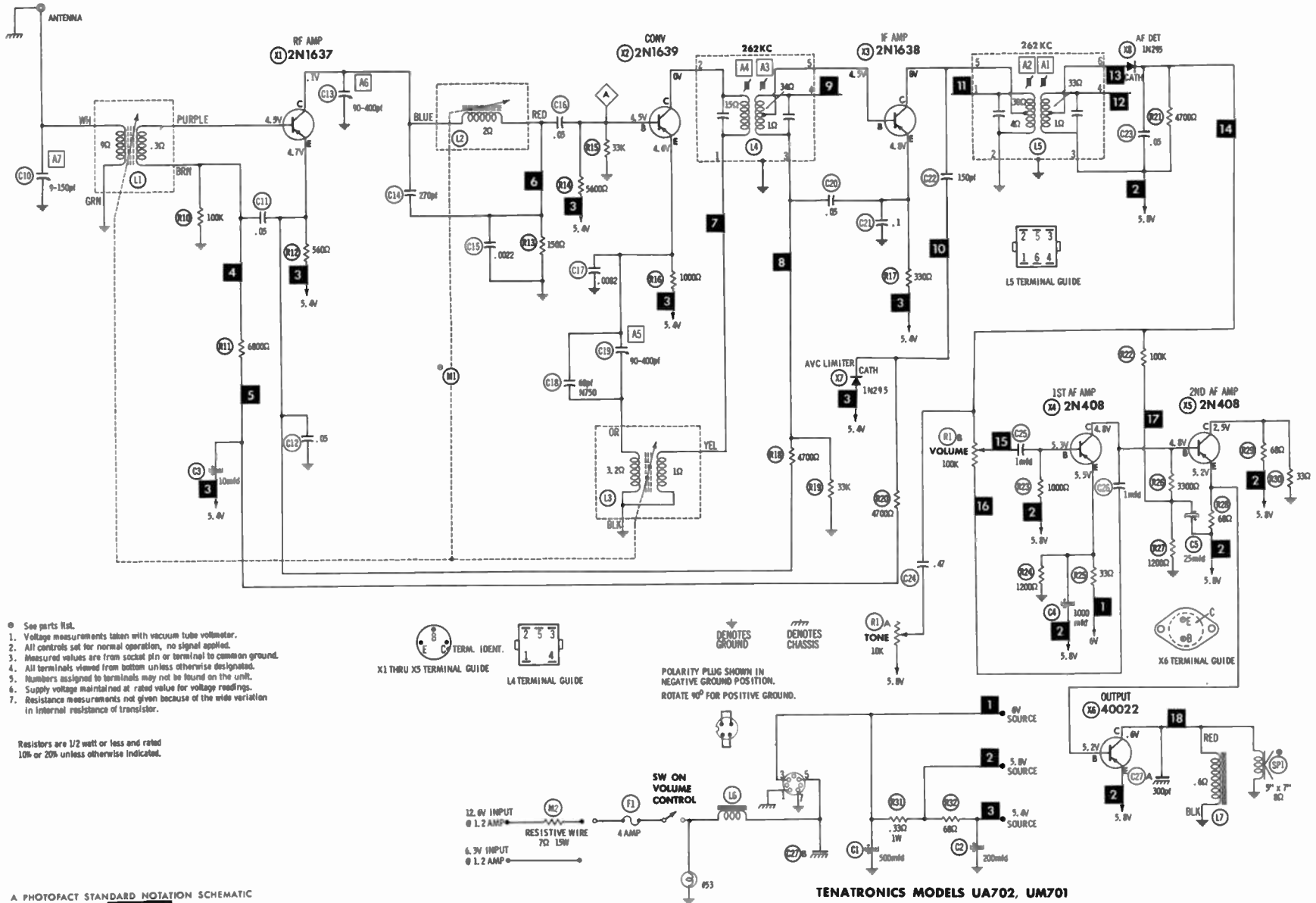
### PUSH-BUTTON ADJUSTMENT

1. Pull button out.
2. Tune manually to desired station.
3. Press button in firmly.
4. Repeat for remaining buttons.









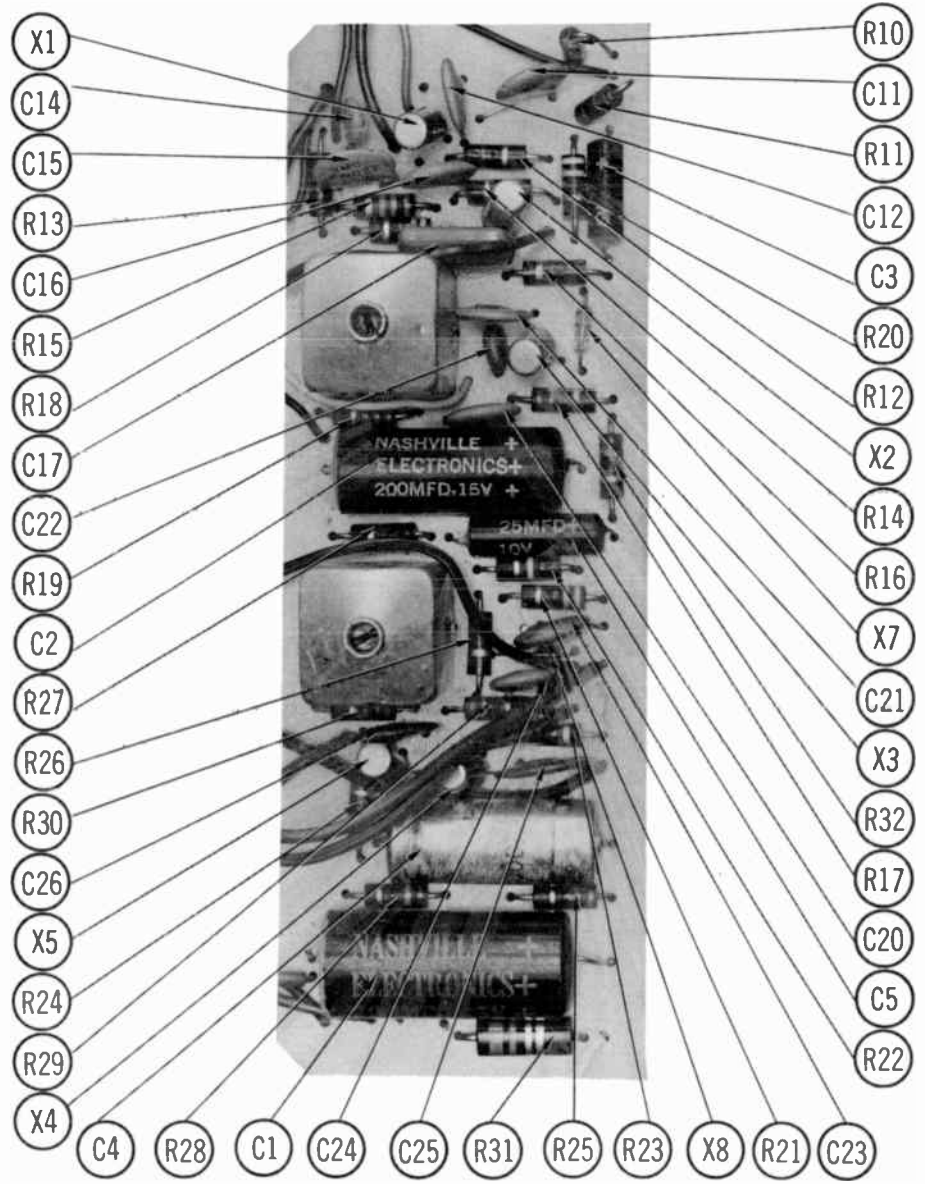
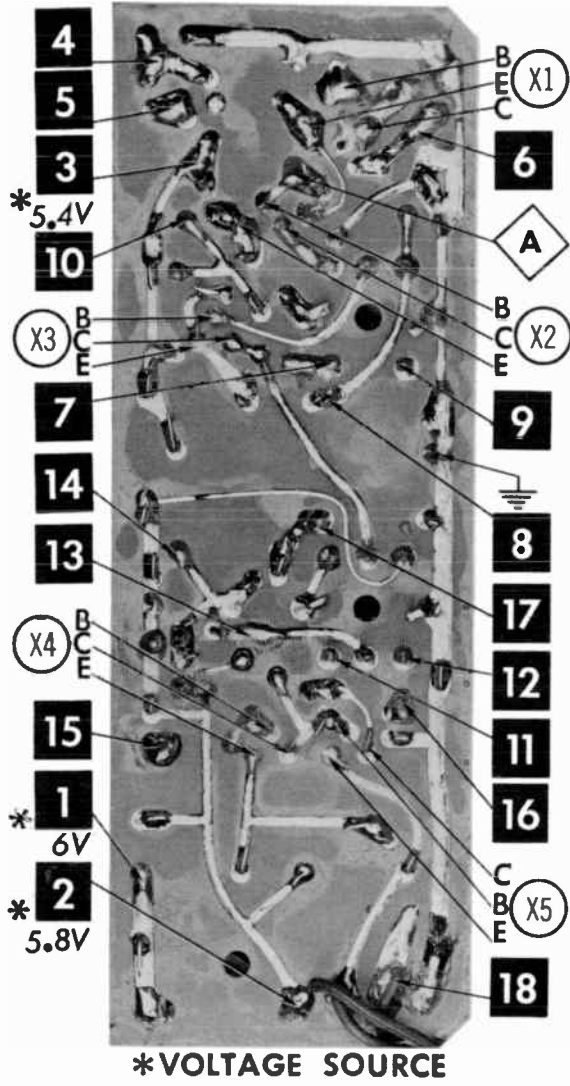
- © See parts list.
- 1. Voltage measurements taken with vacuum tube voltmeter.
- 2. All controls set for normal operation, no signal applied.
- 3. Measured values are from socket pin or terminal to common ground.
- 4. All terminals viewed from bottom unless otherwise designated.
- 5. Numbers assigned to terminals may not be found on the unit.
- 6. Supply voltage maintained at rated value for voltage readings.
- 7. Resistance measurements not given because of the wide variation in internal resistance of transistor.

Resistors are 1/2 watt or less and rated 10% or 20% unless otherwise indicated.

A PHOTOFAC STANDARD NOTATION SCHEMATIC with **CIRCUITRACE**

© Howard W. Sams & Co., Inc. 1966

TENATRONICS MODELS UA702, UM701



# PARTS LIST AND DESCRIPTION

(When ordering parts, state Model, Part Number, and Description.)

Replacement parts shown may be superseded by the availability of newly introduced replacements.  
Have your local distributor check Sams COUNTER FACTS<sup>®</sup> for the most up-to-date replacement.

## TRANSISTORS

ITEM No.	ORIG. TYPE	USE	REPLACEMENT DATA			NOTES
			DELCO PART No.	GENERAL ELECTRIC PART No.	RCA PART No.	
X1	2N1637	RF Amp.	D8-25	GE-9	SK-3008	PNP
X2	2N1639	Converter	D8-25	GE-9	SK-3008	PNP
X3	2N1638	IF Amp.	D8-25	GE-9	SK-3008	PNP
X4	2N408	1st. AF Amp.	D8-26	GE-2	SK-3004	PNP
X5	2N408	2nd. AF Amp.	D8-26	GE-2	SK-3004	PNP
X6	40022	Output	D8-520	GE-3	SK-3009	PNP *

\* When replacing, apply silicone grease to both sides of insulator. Tighten mounting screws securely.

## POWER RECTIFIERS & SIGNAL DIODES

ITEM No.	MEASURED CURRENT	ORIGINAL Part or Type No.	RECTIFIERS & DIODES		RECTIFIERS		
			GENERAL ELECTRIC PART No.	INTERNATIONAL RECTIFIER PART No.	MALLORY PART No.	RCA PART No.	SARKES TARZIAN PART No.
X7		1N295	1N295	1N295			
X8		1N295	1N295	1N295			

## ELECTROLYTIC CAPACITORS

ITEM No.	RATING		REPLACEMENT DATA					
	CAP.	VOLT.	Tenatronics PART No.	AEROVOX PART No.	CORNELL-DUBILIER PART No.	GENERAL ELECTRIC PART No.	MALLORY PART No.	SPRAGUE PART No.
C1	500	15	T700-417	PRS1220	BR500-15	QT1-30	TC1505	TVA-1162
C2	200	15	T700-411	CRE481A	NLW200-15	MT1-25	TT15X200	TE-1164
C3	10	6	T700-435	CRE307A	NLW10-6	MT1-6	TT6X10	TE-1087
C4	1000	3	T800-440	PRS1130	BR1000-6	QT1-32	TC310	TVA-1104
C5	25	25	T700-414	CRE612A	NLW25-25	MT1-14	TT25X25	TE-1207

## CAPACITORS

ITEM No.	RATING	REMARKS	REPLACEMENT DATA					
			AEROVOX PART No.	CENTRALAB PART No.	CORNELL-DUBILIER PART No.	ELMENCO PART No.	MALLORY PART No.	SPRAGUE PART No.
C10	9-150	#T700-401						
C11	.05		TTD-05		HOV101ZV503Z		TA150	TH-850
C12	.05		TTD-05		HOV101ZV503Z		TA150	TH-850
C13	9-400	#T700-422						
C14	270		DI-270	DD-271	RR05CW271K	CCD-271	GP327	5GA-T27
C15	.0022		DI-2200	CF-222	JBX601YP222K	CCD-222	JF222	10TS-D22
C16	.05		TTD-05		HOV101ZV503Z		TA150	TH-850
C17	.0082	200V	DBE6D82	CPR-8200	DPMS6D82	6DP-2-822	PVC682	6PS-D82
C18	68	N750	N750-D168	DTN-68	CS601UJ680K	CCTN-680	CN7468	10TCU-Q68
C19	90-400	#T700-422						
C20	.05		TTD-05		HOV101ZV503Z		TA150	TH-850
C21	.1		TTD-1	CK-104	HOV101ZV104Z		TA010	TG-P10
C22	150		NPO-DI 150	DTZ-150		CCTO-151	CN0315	10TCC-T15
C23	.05		TTD-05		HOV101ZV503Z		TA150	TH-850
C24	.47			UK10-404			MAG12047	HY-330
C25	1mfd			UK-105	HCX3R0XR105P		MAG31	HY-135
C26	1mfd			UK-105	HCX3R0XR105P		MAG31	HY-135
C27A	300	#T700-418						
B	300							

# Tenatronics Part Number.

# PARTS LIST AND DESCRIPTION (CONTINUED)

(When ordering parts, state Model, Part Number, and Description.)

Replacement parts shown may be superseded by the availability of newly introduced replacements.  
Have your local distributor check Sams COUNTER FACTS' for the most up-to-date replacement.

## CONTROLS

All wattages 1/2 watt, or less, unless otherwise listed.

ITEM No.	USE	RESIST-ANCE	REPLACEMENT DATA				
			Tenatronics PART No.	CENTRALAB PART No.	CLAROSTAT PART No.	CTS-IRC PART No.	MALLORY PART No.
R1A	Tone	10K	T700-525				
B	Volume/Switch	100K					
R2	Volume/Switch	100K	T700-524				

① Used in Model: UA701.

## COILS (RF-IF)

ITEM No.	USE	REPLACEMENT DATA					
		Tenatronics PART No.	MEISSNER PART No.	MERIT PART No.	MILLER PART No.	STANCOR PART No.	WORKMAN PART No.
L1	Antenna	①					
L2	RF	①					
L3	Oscillator	①					
L4	Input IF	T700-310	16-6714	BC-638	6555	RTC-9406	
L5	Output IF	T700-311					

① Part of M1.

## FILTER CHOKE

ITEM No.	RATINGS			REPLACEMENT DATA					NOTES
	CURRENT (Measured)	DC RES.	INDUCTANCE (0 CURRENT 1000~)	Tenatronics PART No.	MERIT PART No.	STANCOR PART No.	THORDARSON PART No.	TRIAD PART No.	
L6	850ma	.3Ω	3MH	T700-305	C-4124	TC-1	TR-158	TY16XT	

## CHOKE (AUDIO OUTPUT)

ITEM No.	INDUCTANCE	REPLACEMENT DATA					NOTES
		Tenatronics PART No.	MERIT PART No.	STANCOR PART No.	THORDARSON PART No.	TRIAD PART No.	
L7	20MH	T700-301					

## SPEAKER

ITEM No.	TYPE	REPLACEMENT DATA			NOTES
		Tenatronics PART No.	QUAM PART No.		
SP1	5" x 7" PM	8Ω	T700-139	57A1Z8	
	5" PM	8Ω	T700-138	5A07Z8	

## FUSE DEVICES

ITEM No.	TYPE	RATING	REPLACEMENT DATA					
			PART No.		LITTELFUSE PART No.		BUSS PART No.	
			FUSE	HOLDER	FUSE	HOLDER	FUSE	HOLDER
F1	SFE	4A	T700-65	T700-64	307004	155004A	SFE 4	HAF

## MISCELLANEOUS

ITEM No.	PART NAME	Tenatronics PART No.	NOTES
M1	Tuner (Pushbutton)	T700-85C	
	Tuner (Manual)	T700-80C	
M2	12.6V "A" Lead	T700-530	Resistor Wire (7Ω 15W)

## CABINETS & CABINET PARTS

(When Ordering Specify Model, Chassis & Color)

ITEM	PART No.	ITEM	PART No.
Knob, Tuning or Volume	T700-35	Knob, Dummy	T700-36
Knob, Tone	T700-37	Pushbutton	T700-77

## WIRING DATA

General-use Unshielded Hook-up Wire .....	Use BELDEN No. 8530 (Solid) Available in 12 Colors 8524 (Stranded) Available in 12 Colors
Shielded Hook-up Wire .....	Use BELDEN No. 8885
Rear Seat Speaker Extension Cable .....	Use BELDEN No. 8782 (Stranded) Coded Parallel Leads
Bonding Strap .....	Use BELDEN No. 8661 (3/8 in.) or 8670 (3/4 in.)

TENATRONICS MODELS UA702, UM701



# PHOTOFACT<sup>®</sup> with

# CIRCUITRACE<sup>®</sup>



**TRADE NAME :** Tenna Models:  
 BU-66PB 1966 Buick  
 CII-66PB 1966 Chevy II  
 CH-66M, PB 1966 Chevrolet  
 CHT-66M, PB 1966 Chevrolet Truck  
 CL-66PB 1966 Chevelle  
 CO-66PB 1966 Corvair  
 OF-66PB 1966 Oldsmobile F-85  
 OL-66PB 1966 Oldsmobile  
 SP-66PB 1966 Buick Special  
 TE-66PB 1966 Pontiac Tempest

**SUPPLIER :** For Current Address, See Annual Index.

**TYPE SET :** 5 Transistor AM Receiver

**POWER SUPPLY :** 12 Volt Storage Battery

**RATING :** .620 Amp. @ 12.6 Volts DC

**TUNING RANGE :** BROADCAST 540-1615KC

TENNA MODELS BU/CII/CL/CO/OF/OL/SP/ TE-66PB, CH/CHT-66M/PB

## ALIGNMENT INSTRUCTIONS

Check for specified source voltage.  
 Use only enough generator output to provide a usable indication.  
 Suggested Alignment Tools:

A1 thru A4. GENERAL CEMENT: 8606, 8606L, 8869  
 WALSCO: 2543, 2544, 2588  
 A5, A6, A7. GENERAL CEMENT: 8290, 8868, 9087  
 WALSCO: 2525, 2528, 2587

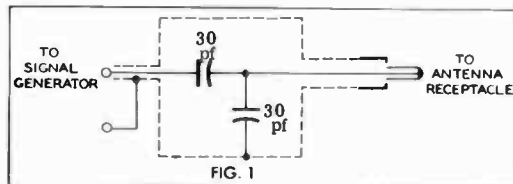
### PUSH-BUTTON ADJUSTMENT

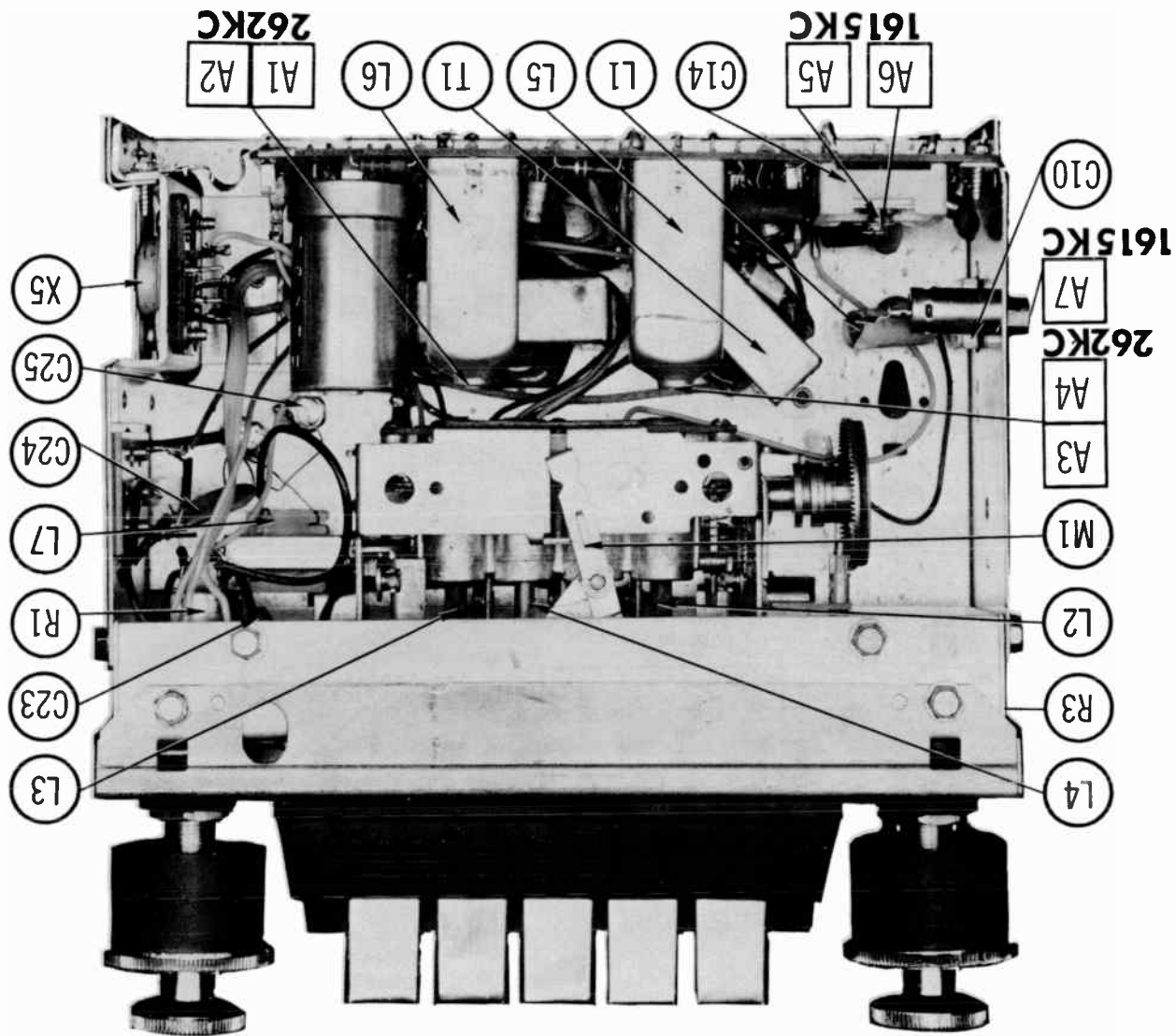
1. Pull button out.
2. Tune manually to desired station.
3. Press button in firmly.
4. Repeat for remaining buttons.

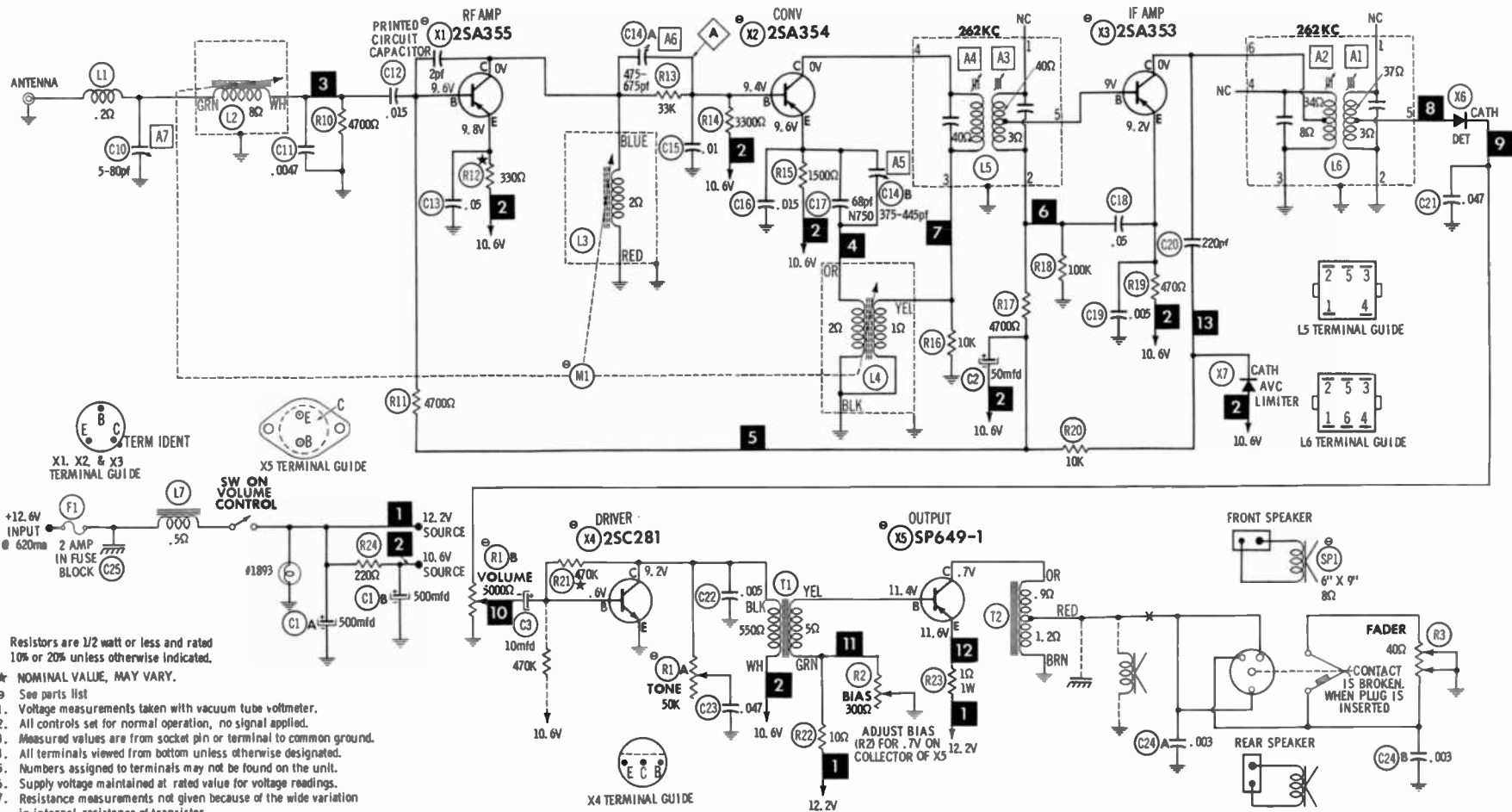
	SIGNAL GENERATOR COUPLING	SIGNAL GENERATOR FREQUENCY	RADIO DIAL SETTING	INDICATOR	ADJUST	REMARKS
1.	High side thru .1mfd to point $\Delta$ , low side to ground.	262KC (400% Mod.)	High Freq. End Stop.	Output Meter across voice coil.	A1, A2, A3, A4	Adjust for maximum.
2.	Thru dummy (Fig. 1) to antenna receptacle.	1615KC	"	"	A5, A6, A7	"

Antenna Adjustment (A7) located right side of radio, below antenna receptacle.

With radio installed in car and antenna fully extended, tune in a weak station near 1400KC and adjust A7 for maximum output.







Resistors are 1/2 watt or less and rated 10% or 20% unless otherwise indicated.

★ NOMINAL VALUE, MAY VARY.

⊗ See parts list

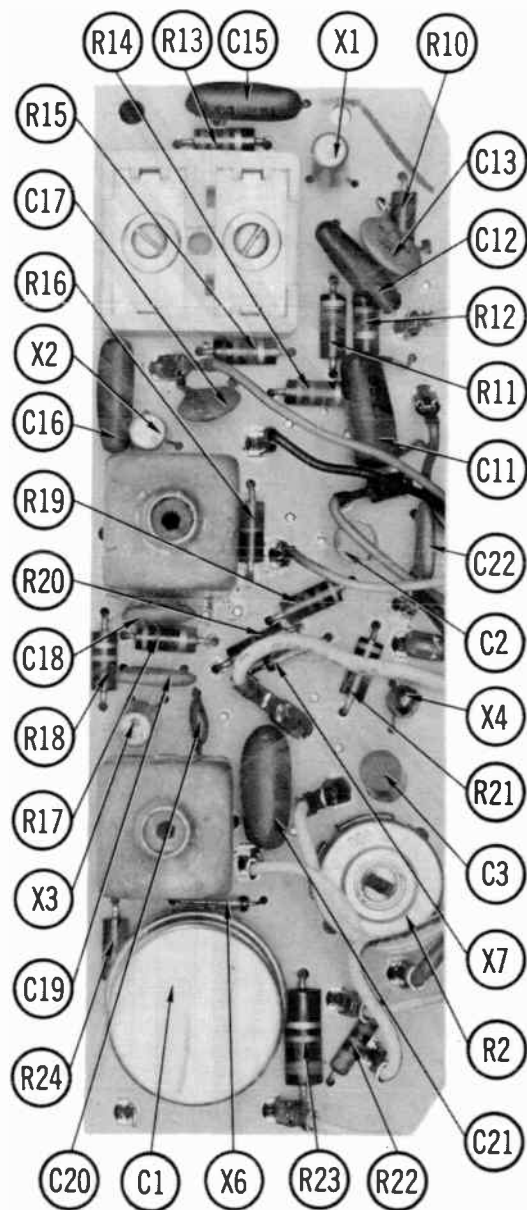
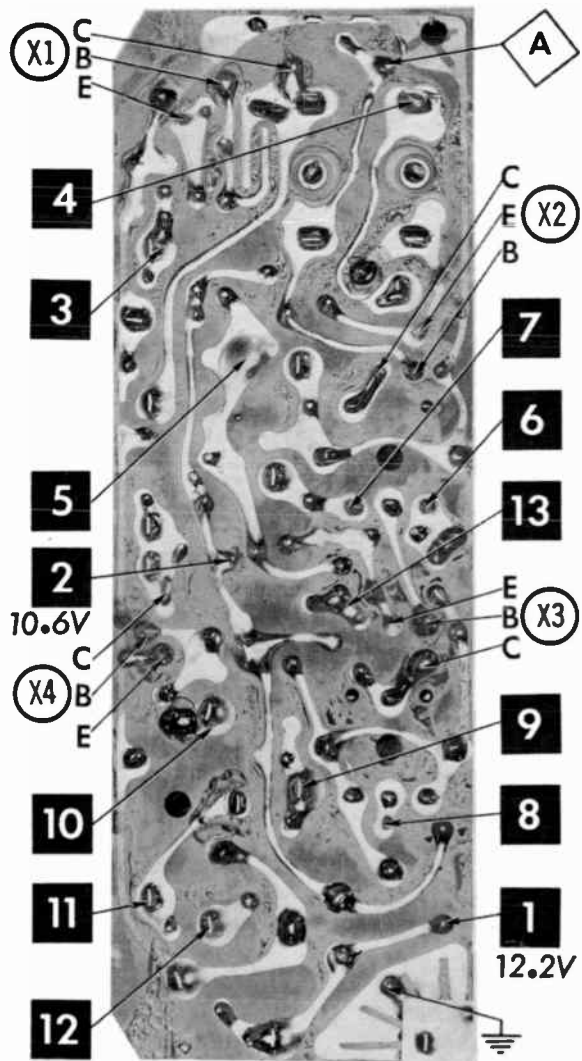
1. Voltage measurements taken with vacuum tube voltmeter.
2. All controls set for normal operation, no signal applied.
3. Measured values are from socket pin or terminal to common ground.
4. All terminals viewed from bottom unless otherwise designated.
5. Numbers assigned to terminals may not be found on the unit.
6. Supply voltage maintained at rated value for voltage readings.
7. Resistance measurements not given because of the wide variation in internal resistance of transistor.

A PHOTOFAC STANDARD NOTATION SCHEMATIC

with **CIRCUITRACE**

© Howard W. Sams & Co., Inc. 1966

**TENNA MODELS BU/CI/CL/CO/OF/OL/SP/  
TE-66PB, CH/CHT-66M/PB**



A Howard W. Sams **CIRCUITRACE** Photo

TENNA MODELS BU/CII/CL/CO/O/OL/SP/TE-66PB, CH/CHT-66M/PB



# PARTS LIST AND DESCRIPTION

(When ordering parts, state Model, Part Number, and Description.)

Replacement parts shown may be superseded by the availability of newly introduced replacements.  
Have your local distributor check Sams COUNTER FACTS for the most up-to-date replacement.

## TRANSISTORS

ITEM No.	ORIG. TYPE	USE	REPLACEMENT DATA			NOTES
			DELCO PART No.	GENERAL ELECTRIC PART No.	RCA PART No.	
X1	2SA355 2N1637†	RF Amp.	D6-25	GE-9	SK-3008	PNP
X2	2SA354 2N1639†	Conv.	D6-25	GE-9	SK-3008	PNP
X3	2SA353 2N1638†	IF Amp.	D6-25	GE-9	SK-3008	PNP
X4	2BC281 2N2712†	Driver	D6-46	GE-10	SK-3020	NPN
X5	2F-649-1 2N176†	Output	D6-520	GE-3	SK-3009	PNP *

\* When replacing, apply silicone grease to both sides of insulator. Tighten mounting screws securely.  
Check bias adjustment. † Alternate.

## POWER RECTIFIERS & SIGNAL DIODES

ITEM No.	MEASURED CURRENT	ORIGINAL Part or Type No.	RECTIFIERS				DIODES
			GENERAL ELECTRIC PART No.	MALLORY PART No.	RCA PART No.	SARKES TARZIAN PART No.	GENERAL ELECTRIC PART No.
X6		1N295A					1N295
X7		1N295A					1N295

## ELECTROLYTIC CAPACITORS

ITEM No.	RATING		TENNA PART No.	REPLACEMENT DATA				
	CAP.	VOLT.		AEROVOX PART No.	CORNELL-DUBILIER PART No.	GENERAL ELECTRIC PART No.	MALLORY PART No.	SPRAGUE PART No.
C1A	500	16	111001-512	PWH2-02-40	BPC010	XC2-45	PPF200.84	PCL8-2177 *
B	4500	16						
C2	50	3	111002-104	BCD03050	ECSP50-3	MT1-15	PET1575	VL-1045
C3	10	15	111002-103	BCD15010	ECSP10-15	MT1-5	PET1760	VL-1167

\* Not normally in distributor's stock. Available thru distributor on order to manufacturer.

## CAPACITORS

ITEM No.	RATING	REMARKS	REPLACEMENT DATA					
			AEROVOX PART No.	CENTRALAB PART No.	CORNELL-DUBILIER PART No.	ELMENCO PART No.	MALLORY PART No.	SPRAGUE PART No.
C10	5-80	#110000-087						
C11	.0047 200V		BPD-0047	DD-472	BYX601ZU472P	CCD-472	B247	5HK-D47
C12	.015 200V		DBE4815		DPMS4815	1DP-1-153	PVC2115	4PS-S15
C13	.05		TTD-05		HOV101ZV503Z		TA150	TH-S50
C14A	475-675	#110000-080						
B	375-445							
C15	.01 200V		DBE481	CPR-10000J	WMF181	1DP-1-103	PVC211	4PS-S10
C16	.015 200V		DBE4815		DPMS4815	1DP-1-153	PVC2115	4PS-S15
C17	68 N750		N750-DI 68		C8601UJ880K	CCTN-680	CN7468	10TCU-Q68
C18	.05		TTD-05	DTN-68	HOV101ZV503Z		TA150	TH-S50
C19	.005		BPD-005	DD-502	BYX601ZU502P	CCD-502	B250	5HK-D50
C20	220		DI-220	DD-221	JB601YP221K	CCD-221	JF220	10TS-T22
C21	.047 200V		P288N-05	DF-503	PM285	4DP-3-503	PVC215	2TM-S50
C22	.005		BPD-005	DD-502	BYX601ZU502P	CCD-502	B250	5HK-D50
C23	.047 200V		P288N-05	DF-503	PM285	4DP-3-503	PVC215	2TM-S50
C24A	.003							
B	.003							
C25		#110000-021						

# Tenna Part Number.

## CONTROLS

All wattages 1/2 watt, or less, unless otherwise listed.

ITEM No.	USE	RESISTANCE	REPLACEMENT DATA					
			TENNA PART No.	CENTRALAB PART No.	CLAROSTAT PART No.	CTS-IRC PART No.	MALLORY PART No.	
R1A	Tone	50K	145006-013 ①	F1-50K,R2-5000, FFS108,RFS205, BB104, KR-4			† QJ-2208A	
B	Volume/Switch	5000Ω						
	Tone	50K	145006-022 ②	F1-50K,R2-5000, FFS109,RFS200, BB108, KR-4			†† QJ-2209A	
	Volume/Switch	5000Ω						
	Tone	50K	145006-012 ③	F1-50K,R2-5000, FFS101,RFS109, BB010, KR-4			††† QJ-2210A	
	Volume/Switch	5000Ω						
	Tone	50K	145000-194 ④	F1-50K,R2-5000, FFS011,RFS103, BB008, KR-4			▲ QJ-1642A	■UE4515S
	Volume/Switch	5000Ω						
	Tone	50K	145006-020 ⑤	F1-50K,R2-5000, FFS202,RFS208, BB114, KR-4			▲▲ QJ-1847A	
	Volume/Switch	5000Ω						
	Tone	50K	145005-028 ⑥	F1-50K,R2-5000, FFS201,RFS209, BB114, KR-4			▲▲ QJ-1847A	
	Volume/Switch	5000Ω						
	Tone	50K	145006-025 ⑦	F1-50K,R2-5000, FFS107,RFS115, BB104, KR-4			▲▲▲ QJ-2211A	
	Volume/Switch	5000Ω						
	Tone	50K	145005-025 ⑧	F1-50K,R2-5000, FFS110,RFS202, BB104, KR-4			● QJ-1846A	
	Volume/Switch	5000Ω						
	Tone	50K	145006-014 ⑨	F1-50K,R2-5000, FFS105,RFS115,			●● QJ-2212A	
	Volume/Switch	5000Ω						

# PARTS LIST AND DESCRIPTION (CONTINUED)

(When ordering parts, state Model, Part Number, and Description.)

Replacement parts shown may be superseded by the availability of newly introduced replacements. Have your local distributor check Sams COUNTER FACTS for the most up-to-date replacement.

## CONTROLS

All wattages 1/2 watt, or less, unless otherwise listed.

ITEM No.	USE	RESISTANCE	REPLACEMENT DATA					
			TENNA PART No.	CENTRALAB PART No.	CLAROSTAT PART No.	CTS-IRC PART No.	MALLORY PART No.	
R2	Tone Volume/Switch	50K 5000Ω	145006-011 ①	BB104, KR-4 F1-50K, R2-5000, FFS113, RFS205, BB110, KR-4			... QJ-2213A	
R3	Bias Fader Fader Fader Fader	300Ω 2W 40Ω 2W 40Ω 2W 40Ω 2W 40Ω 2W	145000-207 145006-002 ① 145006-001 ① 145005-007 ② 145006-008 ⑦	V-300	U39-300		110-300	

- ① Used in Model BU-86PB.      ② Used in Model: CII-86PB.      ③ Used in Models: CH-86M/PB.  
 ④ Used in Models: CHT-86M/PB.      ⑤ Used in Model: CL-86PB.      ⑥ Used in Model: CO-86PB.  
 ⑦ Used in Model: OF-86PB.      ⑧ Used in Model: OL-86PB.      ⑨ Used in Model: SP-86PB.  
 ⑩ Used in Model: TE-86PB.      ⑪ Used in Model: CH-86PB.      ⑫ Alter bushing to meet requirements.
- † "CONCENTRIKIT" Equivalent: K8 Kit, with Base Elements and Shafts: B11-123, P22-115 (Panel), B13-114, R26-206 (Rear) S51 (Bushings), 76-1 (Switch)
- "SNAPTROL" Equivalent: BU8 ②, CF12, CR51, SF11, SR50, GC.
- †† "CONCENTRIKIT" Equivalent: K8 Kit, with Base Elements and Shafts: B11-123, P17-116 (Panel), B13-114, R1-130 (Rear) S8 ② (Bushings), 76-1 (Switch)
- "SNAPTROL" Equivalent: BU8 ②, CF12, CR51, SF12, SR47, GC.
- ††† "CONCENTRIKIT" Equivalent: K8 Kit, with Base Elements and Shafts: B11-123, P23-103 (Panel), B13-114, R9-115 (Rear) S46 (Bushings), 76-1 (Switch)
- "SNAPTROL" Equivalent: BU8 ②, CF12, CR51, SF7, SR42, GC.
- ▲ "CONCENTRIKIT" Equivalent: K8 Kit, with Base Elements and Shafts: B11-123, P22-021 (Panel), B13-114, R1-100 (Rear) S47 (Bushings), 76-1 (Switch)
- "SNAPTROL" Equivalent: BU8 ②, CF12, CR51, SF2, SR39, GC.
- "STA-LOC" Equivalent: FG15L, RU53L, OS825, IS1125, US41.
- ▲▲ "CONCENTRIKIT" Equivalent: K8 Kit, with Base Elements and Shafts: B11-123, P22-203 (Panel), B13-114, R26-215 (Rear) S9 (Bushings), 76-1 (Switch)
- "SNAPTROL" Equivalent: BU8, CF12, CR51, SF18, SR53, GC.
- ▲▲▲ "CONCENTRIKIT" Equivalent: K8 Kit, with Base Elements and Shafts: B11-123, P22-115 (Panel), B13-114, R16-127 (Rear) S51 (Bushings), 76-1 (Switch)
- "SNAPTROL" Equivalent: BU8 ②, CF12, CR51, SF11, SR46, GC.
- "CONCENTRIKIT" Equivalent: K8 Kit, with Base Elements and Shafts: B11-123, P22-121 (Panel), B13-114, R9-202 (Rear) S51 (Bushings), 76-1 (Switch)
- "SNAPTROL" Equivalent: BU8 ②, CF12, CR51, SF13, SR49, GC.
- "CONCENTRIKIT" Equivalent: K8 Kit, with Base Elements and Shafts: B11-123, P22-109 (Panel), B13-114, R26-124 (Rear) S51 (Bushings), 76-1 (Switch)
- "SNAPTROL" Equivalent: BU8 ②, CF12, CR51, SF9, SR45, GC.
- "CONCENTRIKIT" Equivalent: K8 Kit, with Base Elements and Shafts: B11-123, P17-126 (Panel), B13-114, R26-206 (Rear) S8 (Bushings), 76-1 (Switch)
- "SNAPTROL" Equivalent: BU8 ②, CF12, CR51, SF14, SR50, GC.

## COILS (RF-IF)

ITEM No.	USE	REPLACEMENT DATA					
		TENNA PART No.	MEISSNER PART No.	MERIT PART No.	MILLER PART No.	STANCOR PART No.	WORKMAN PART No.
L1	RF Choke (5.0uh)	114000-282	19-1008	SW-631	4809	RTC-8519	T959
L2	Antenna	①					
L3	RF	①					
L4	Oscillator	①					
L5	Input IF	114000-217	16-8712		8522	RTC-9397	
L6	Output IF	114000-218	16-8719				

① Part of M1.

## FILTER CHOKE

ITEM No.	RATINGS			REPLACEMENT DATA					NOTES
	CURRENT (Measured)	DC RES.	INDUCTANCE (0 CURRENT 1000~)	TENNA PART No.	MERIT PART No.	STANCOR PART No.	THORDARSON PART No.	TRIAD PART No.	
L7	.820A	.5Ω	3MH	181000-148	C-4124	TC-1	TR-159	TY18XT	

## TRANSFORMER (DRIVER)

ITEM No.	TURNS RATIO		REPLACEMENT DATA					NOTES
	PRI.	SEC.	TENNA PART No.	MERIT PART No.	STANCOR PART No.	THORDARSON PART No.	TRIAD PART No.	
T1	10	1	181005-003					

## TRANSFORMER (AUDIO OUTPUT)

ITEM No.	IMPEDANCE		REPLACEMENT DATA					NOTES
	PRI.	SEC.	TENNA PART No.	MERIT PART No.	STANCOR PART No.	THORDARSON PART No.	TRIAD PART No.	
T2	25Ω Tap @ 8Ω		181005-001			TR-169		

## SPEAKER

ITEM No.	TYPE		REPLACEMENT DATA		NOTES
			TENNA PART No.	QUAM PART No.	
SP1	4" x 10"	PM 8Ω	155009-178	410A228	Models: BU-86PB, OL-86PB, SP-86PB. Models: CII-86PB, CH-86M/PB, CL-86PB. Models: CHT-86M/PB. Model: CO-86PB. Models: OF-86PB, TE-86PB.
	4" x 10"	PM 8Ω	155009-188	410A228	
	6" x 9"	PM 8Ω	155009-171	89A228	
	6" x 9"	PM 8Ω	155009-160	89A228	
	4" x 10"	PM 8Ω	155009-148	410A228	

TENNA MODELS BU/CII/CL/CO/OFF/OL/SP/TE-86PB, CH/CHT-86M/PB

## PARTS LIST AND DESCRIPTION (CONTINUED)

(When ordering parts, state Model, Part Number, and Description.)

Replacement parts shown may be superseded by the availability of newly introduced replacements.  
Have your local distributor check Sams COUNTER FACTS for the most up-to-date replacement.

### FUSE DEVICES

ITEM No.	TYPE	RATING	REPLACEMENT DATA					
			PART No.		LITTELFUSE PART No.		BUSS PART No.	
			FUSE	HOLDER	FUSE	HOLDER	FUSE	HOLDER
F1	AGC	2 Amp.	128000-012 <sup>①</sup>	In Fuse Block	312002		AGC 2	
	AGW	2 1/2 Amp.	128000-014 <sup>②</sup>	In Fuse Block	30302.5		AGW 2 1/2	

① Used in Models: BU-66PB, CII-66PB, CH-66M/PB, CHT-66M/PB, CL-66PB, CO-66PB, SP-66PB.

② Used in Models: OF-66PB, OL-66PB, TE-66PB.

### MISCELLANEOUS

ITEM No.	PART NAME	TENNA PART No.	NOTES
M1	Tuner	164005-006	Models: BU-66PB, CII-66PB, CL-66PB, CO-66PB, OF-66PB, OL-66PB, SP-66PB, TE-66PB.
	Tuner	164006-003	Model: CH-66PB.
	Tuner	164006-001	Model: CH-66M.
	Tuner	164004-001	Model: CHT-66PB.
	Tuner	164004-002	Model: CHT-66M.

### CABINETS & CABINET PARTS

(When Ordering Specify Model, Chassis & Color)

ITEM	PART No.	ITEM	PART No.
<b>MODEL: BU-66PB</b>		<b>MODEL: CO-66PB</b>	
Dial Glass	122006-010	Dial Glass	122005-022
Knob, Tuning or Volume	134006-016	Knob, Tuning or Volume	134005-026
Knob, Tone or Fader	134006-014	Knob, Tone or Dummy	134005-030
Pushbutton #1	107006-005	Pushbutton	107005-018
Pushbutton #2	107006-006	<b>MODEL: OF-66PB</b>	
Pushbutton #3	107006-007	Dial Glass	122006-024
Pushbutton #4	107006-008	Knob, Tuning or Volume	134005-036
Pushbutton #5	107006-009	Knob, Tone or Dummy	134006-035
<b>MODEL: CII-66PB</b>		Pushbutton #1	107000-079
Knob, Tuning or Volume	134005-026	Pushbutton #2	107000-080
Knob, Tone or Dummy	134000-229	Pushbutton #3	107000-081
Pushbutton	107006-004	Pushbutton #4	107000-082
<b>MODELS: CH-66M/PB</b>		Pushbutton #5	107000-083
Dial Glass	122005-022	<b>MODEL: OL-66PB</b>	
Knob, Tuning or Volume	134005-026	Dial Glass	122005-012
Knob, Tone or Fader	134005-028	Knob, Tuning or Volume	134005-036
Pushbutton	107006-002	Knob, Tone or Fader	134005-038
<b>MODELS: CHT-66M/PB</b>		Pushbutton	107000-106
Dial Glass	122000-135	<b>MODEL: SP-66PB</b>	
Knob, Tuning or Volume	134004-029	Dial Glass	122000-133
Knob, Tone or Dummy	134000-084	Knob, Tuning or Volume	134006-016
Pushbutton #1	107000-087	Knob, Tone or Dummy	134000-226
Pushbutton #2	107000-088	Pushbutton	107006-010
Pushbutton #3	107000-089	<b>MODEL: TE-66PB</b>	
Pushbutton #4	107000-090	Dial Glass	122006-006
Pushbutton #5	107000-091	Knob, Tuning or Volume	134006-010
<b>MODEL: CL-66PB</b>		Knob, Tone or Dummy	134006-008
Dial Glass	122006-008	Pushbutton	107000-106
Knob, Tuning or Volume	134005-026		
Knob, Tone or Dummy	134006-012		
Pushbutton	107006-002		

### WIRING DATA

General-use Unshielded Hook-up Wire .....	Use BELDEN No. 8530 (Solid) Available in 12 Colors 8524 (Stranded) Available in 12 Colors
Shielded Hook-up Wire .....	Use BELDEN No. 8885
Rear Seat Speaker Extension Cable .....	Use BELDEN No. 8782 (Stranded) Coded Parallel Leads
Bonding Strap .....	Use BELDEN No. 8661 (3/8 In.) or 8670 (3/4 In.)



# PHOTOFACT<sup>®</sup> with

# CIRCUITRACE<sup>®</sup>

**TRADE NAME :** Tenna Model RA-66PB  
 (1966 Rambler American)  
**SUPPLIER :** For Current Address, See Annual Index.  
**TYPE SET :** 5 Transistor AM Receiver  
**POWER SUPPLY :** 12 Volt Storage Battery  
**RATING :** .620 Amp. @ 12.6 Volts DC  
  
**TUNING RANGE :** BROADCAST 540-1615KC



## ALIGNMENT INSTRUCTIONS

Check for specified source voltage.  
 Use only enough generator output to provide a usable indication.  
 Suggested Alignment Tools:

A1 thru A4.	GENERAL CEMENT: 8606, 8606L, 8869 WALSCO: 2543, 2544, 2588
A5, A6, A7.	GENERAL CEMENT: 8290, 8868, 9087 WALSCO: 2525, 2528, 2587

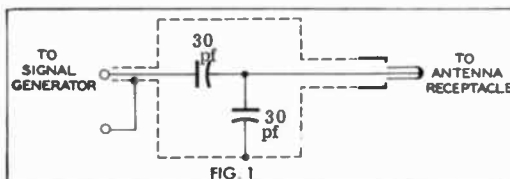
	SIGNAL GENERATOR COUPLING	SIGNAL GENERATOR FREQUENCY	RADIO DIAL SETTING	INDICATOR	ADJUST	REMARKS
1.	High side thru .1mfd to point $\Delta$ , low side to ground.	262KC (400v Mod.)	High Freq. End Stop.	Output Meter across voice coll.	A1, A2, A3, A4	Adjust for maximum.
2.	Thru dummy (Fig. 1) to antenna receptacle.	1615KC	"	"	A5, A6, A7	"

With radio installed in car and antenna fully extended, tune in a weak station near 1400KC and adjust A7 for maximum output.

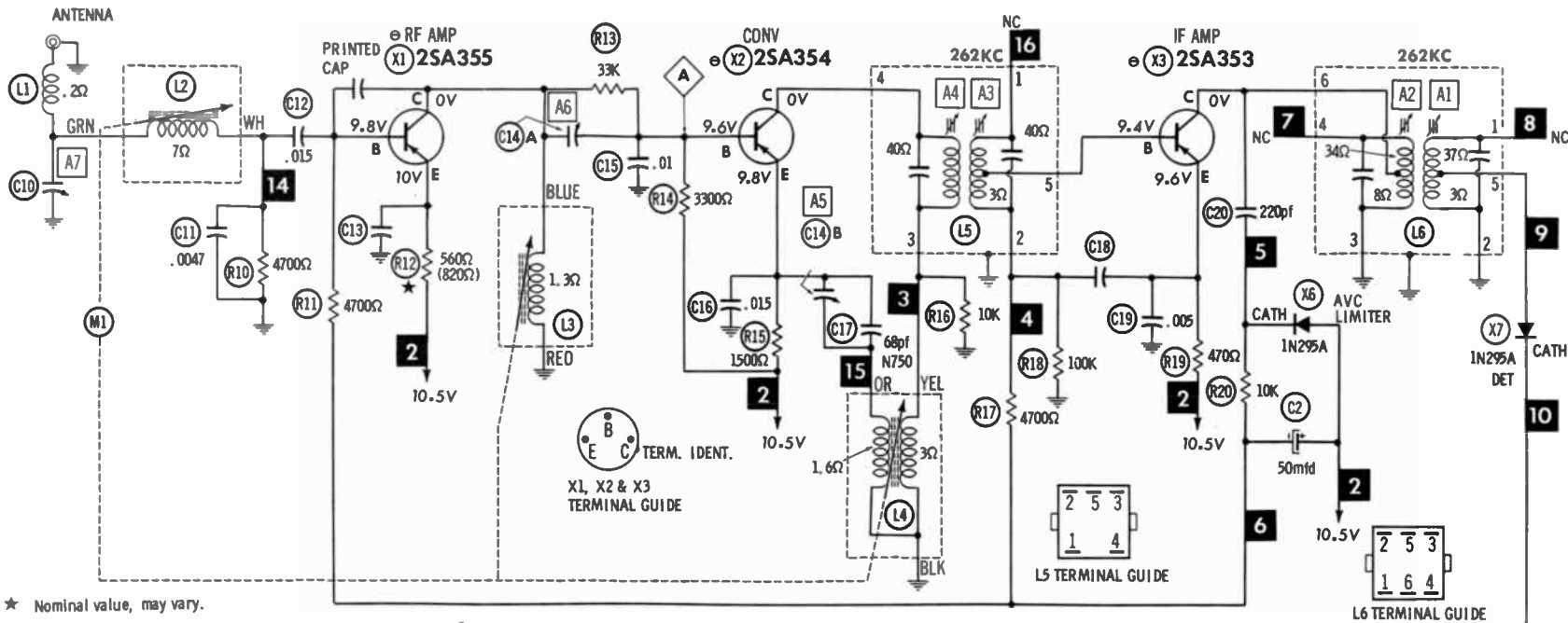
Antenna Adjustment (A7) located right side.

### PUSH-BUTTON ADJUSTMENT

1. Pull button out.
2. Tune manually to desired station.
3. Press button in firmly.
4. Repeat for remaining buttons.



TENNA MODEL RA-66PB

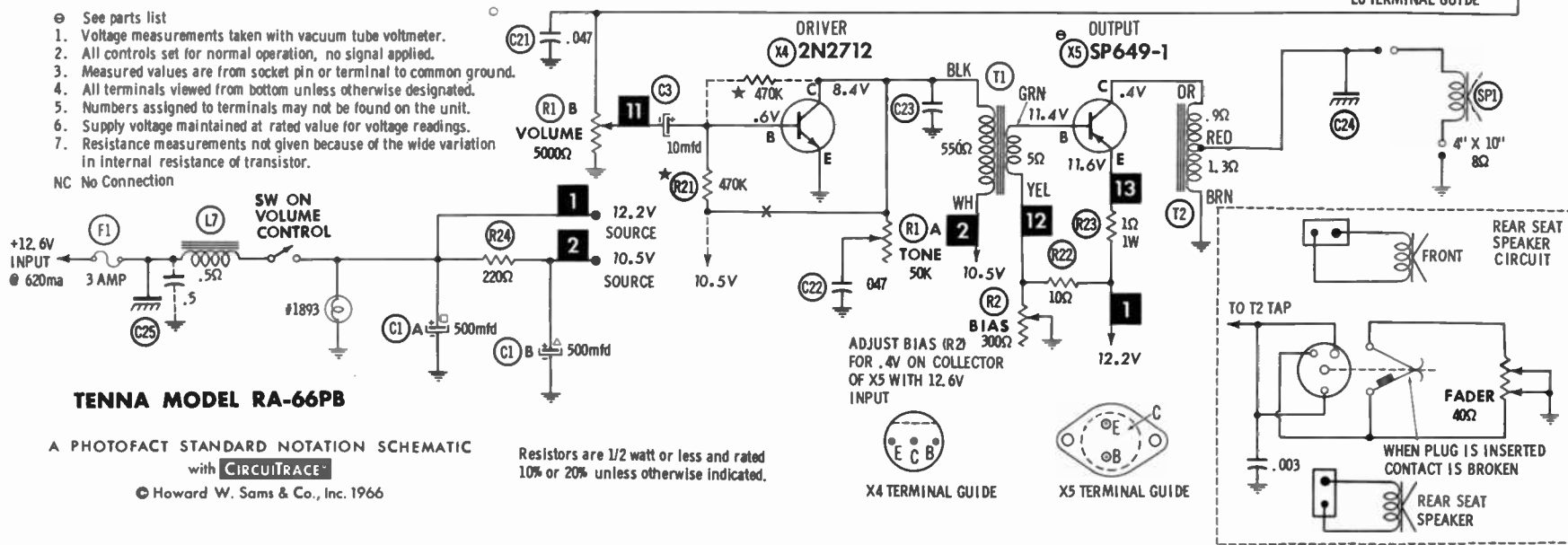


★ Nominal value, may vary.

⊙ See parts list

1. Voltage measurements taken with vacuum tube voltmeter.
2. All controls set for normal operation, no signal applied.
3. Measured values are from socket pin or terminal to common ground.
4. All terminals viewed from bottom unless otherwise designated.
5. Numbers assigned to terminals may not be found on the unit.
6. Supply voltage maintained at rated value for voltage readings.
7. Resistance measurements not given because of the wide variation in internal resistance of transistor.

NC No Connection

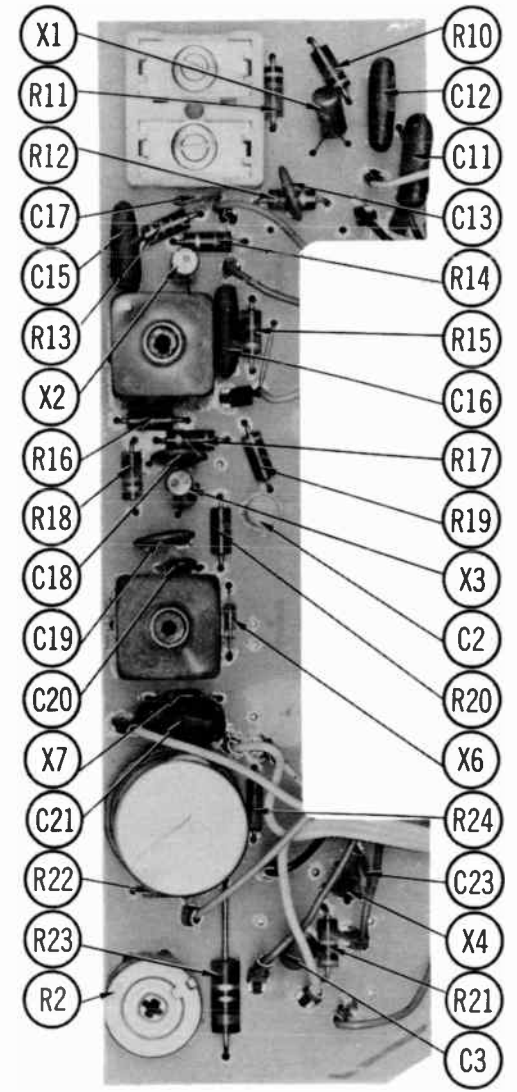
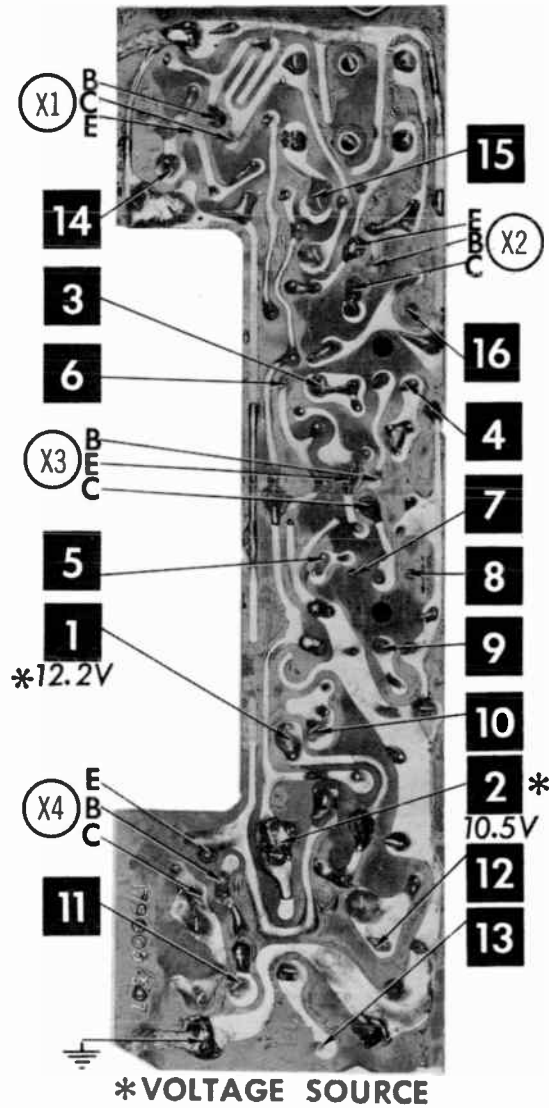


**TENNA MODEL RA-66PB**

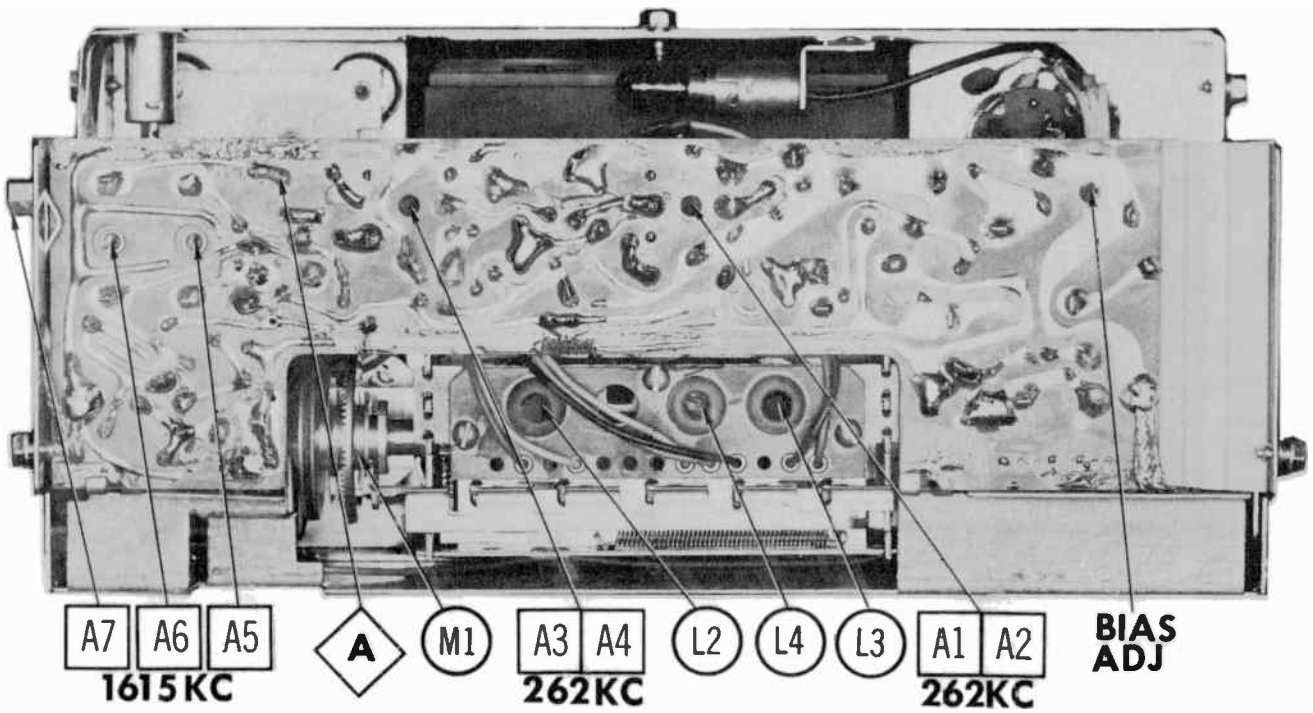
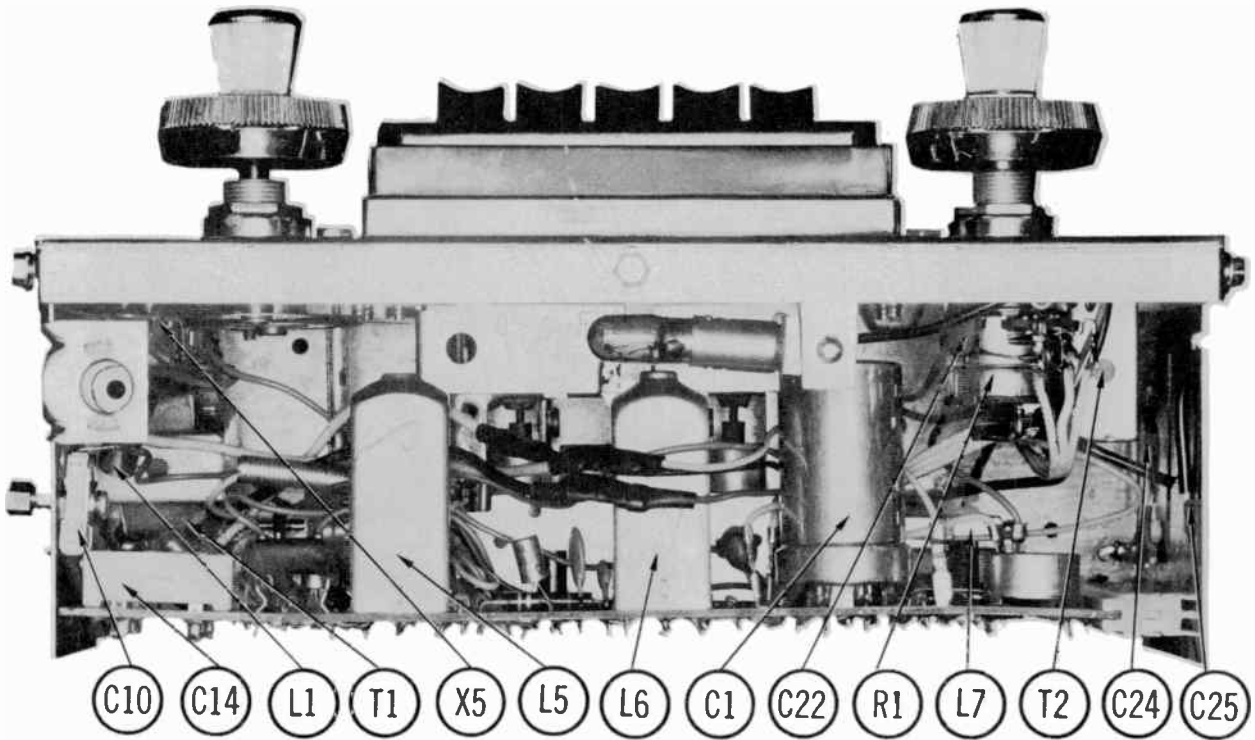
A PHOTOFAC STANDARD NOTATION SCHEMATIC with CIRCUITRACE

© Howard W. Sams & Co., Inc. 1966

Resistors are 1/2 watt or less and rated 10% or 20% unless otherwise indicated.



TENNA MODEL RA-66PB



# PARTS LIST AND DESCRIPTION

(When ordering parts, state Model, Part Number, and Description.)

Replacement parts shown may be superseded by the availability of newly introduced replacements. Have your local distributor check Sams COUNTER FACTS® for the most up-to-date replacement.

## TRANSISTORS

ITEM No.	ORIG. TYPE	USE	REPLACEMENT DATA			NOTES
			DELCO PART No.	GENERAL ELECTRIC PART No.	RCA PART No.	
X4	2N2712	Driver	DS-66	GE-10	SK-3020	NPN
X5	SP649-1	Output	DS-520	GE-3	SK-3009	

\* When replacing, apply silicone grease to both sides of insulator. Tighten mounting screws securely. Check bias adjustment.

## POWER RECTIFIERS & SIGNAL DIODES

ITEM No.	MEASURED CURRENT	ORIGINAL Part or Type No.	RECTIFIERS & DIODES		RECTIFIERS		
			GENERAL ELECTRIC PART No.	INTERNATIONAL RECTIFIER PART No.	MALLORY PART No.	RCA PART No.	SARKES TARZIAN PART No.
X6		1N295A	1N295A	1N295			
X7		1N295A	1N295A	1N295			

## ELECTROLYTIC CAPACITORS

ITEM No.	RATING		TENNA PART No.	REPLACEMENT DATA				
	CAP.	VOLT.		AEROVOX PART No.	CORNELL-DUBILIER PART No.	GENERAL ELECTRIC PART No.	MALLORY PART No.	SPRAGUE PART No.
C1A	500	16	111001-512	PWH2-02-40	BPC010	XC2-45	PFP200.84	PCLS-2177*
B	500	16						
C2	50	3	111002-104	BCD8050	NLW50-3	MTI-15	PET1575	VL-1045
C3	10	15	111002-103	BCD15010	NLW10-15	MTI-5	PET1760	VL-1167

\* Not normally in distributor's stock. Available thru distributor on order to manufacturer.

## CAPACITORS

ITEM No.	RATING	REMARKS	REPLACEMENT DATA					
			AEROVOX PART No.	CENTRALAB PART No.	CORNELL-DUBILIER PART No.	ELMENCO PART No.	MALLORY PART No.	SPRAGUE PART No.
C10	5-60	#110000-013						
C11	.0047 200V		DBE8D47	CPR-4700J	WMF2D47	8DP-1-472	PVC4247	8PS-D47
C12	.015 200V		DBE4S15		WMF2S15	4DP-1-153	PVC2115	4PS-S15
C13	.05	#110000-080	TTD-05		HOV101ZV503Z		TA150	TH-850
C14A	475-875							
B	375-445							
C15	.01 200V		DBE4S1	CPR-10000J	WMF1S1	1DP-1-103	PVC211	4PS-S10
C16	.015 200V		DBE4S15		WMF2S15	4DP-1-153A	PVC2115	4PS-S15
C17	.68 N750		N750-DI 68	DTN-68	CS801UJ880K	CCTN-680	CN7468	10TCU-Q88
C18	.05		TTD-05		HOV101ZV503Z		TA150	TH-850
C19	.005		BPD-005	DD-502	BYX801ZU502P	CCD-502	B250	5HK-D50
C20	.220		DI-220	DD-221	JB801YP221K	CCD-221	JF220	10TS-T22
C21	.047 100V		DBE2S47		WMF2S47	1DP-2-473	PVC1147	2PS-S47
C22	.047 100V	DBE2S47		WMF2S47	1DP-2-473	PVC1147	2PS-S47	
C23	.005	BPD-005	DD-502	BYX801ZU502P	CCD-502	B250	5HK-D50	
C24		#110000-021						
C25		#110000-021						

# Tenna Part Number.

## CONTROLS

All wattages 1/2 watt, or less, unless otherwise listed.

ITEM No.	USE	RESISTANCE	REPLACEMENT DATA					
			TENNA PART No.	CENTRALAB PART No.	CLAROSTAT PART No.	CTS-IRC PART No.	MALLORY PART No.	
R1A	Tone	50K	145005-027	F1-50K, R2-5000,			† QJ-1907A	
B	Volume/Switch	5000Ω		FFS105, RFS112, BC012, KR-4				
R2	Bias	300Ω ZW	145000-207	V-300	US9-300		110-300	

† "CONCENTRIKIT" Equivalent: K8 Kit, with Base Elements and Shafts: B11-123, P17-105 (Panel)  
B13-114, R16-116 (Rear)  
S40 (Bushing)  
S40 (Bushing)  
76-1 (Switch)

"SNAPTROL" Equivalent: BU10 ①, CF12, CR51, SF9, SR43, GC.

① Alter bushing to meet requirements.

TENNA MODEL RA-66PB



## PARTS LIST AND DESCRIPTION (CONTINUED)

(When ordering parts, state Model, Part Number, and Description.)

Replacement parts shown may be superseded by the availability of newly introduced replacements. Have your local distributor check Sams COUNTER FACTS® for the most up-to-date replacement.

### COILS (RF-IF)

ITEM No.	USE	REPLACEMENT DATA					
		TENNA PART No.	MEISSNER PART No.	MERIT PART No.	MILLER PART No.	STANCOR PART No.	WORKMAN PART No.
L1	RF Choke (5.6uh)	114000-282	19-1008	8W-631	4609	RTC-8519	T959
L2	Antenna	①					
L3	RF	①					
L4	Oscillator	①					
L5	Input IF	114000-217	16-6712		8011	RTC-9397	
L6	Output IF	114000-218	16-6719		8012		

① Part of M1.

### TRANSFORMER (DRIVER)

ITEM No.	TURNS RATIO		REPLACEMENT DATA					NOTES
			TENNA PART No.	MERIT PART No.	STANCOR PART No.	THORDARSON PART No.	TRIAD PART No.	
	PRI.	SEC.						
T1	10	1	161005-007					

### FILTER CHOKE

ITEM No.	RATINGS			REPLACEMENT DATA					NOTES
	CURRENT (Measured)	DC RES.	INDUCTANCE (0 CURRENT 1000~)	TENNA PART No.	MERIT PART No.	STANCOR PART No.	THORDARSON PART No.	TRIAD PART No.	
L7	.820A	.1Ω	3MH	161000-141	C-4095	TC-1	TR-159	TY16XT	

### TRANSFORMER (AUDIO OUTPUT)

ITEM No.	IMPEDANCE		REPLACEMENT DATA					NOTES
			TENNA PART No.	MERIT PART No.	STANCOR PART No.	THORDARSON PART No.	TRIAD PART No.	
	PRI.	SEC.						
T2	25Ω Tap	@ 8Ω	161005-002			TR-169		

### SPEAKER

ITEM No.	TYPE	REPLACEMENT DATA		NOTES
		TENNA PART No.	QUAM PART No.	
SP1	8" x 9" PM 8Ω	155009-151	89A228	

### FUSE DEVICES

ITEM No.	TYPE	RATING	REPLACEMENT DATA					
			PART No.		LITTELFUSE PART No.		BUSS PART No.	
			FUSE	HOLDER	FUSE	HOLDER	FUSE	HOLDER
F1	AGW	2 1/2 A	128000-013	128006-017	30302.5	155009	AGW 2 1/2	HDH

### MISCELLANEOUS

ITEM No.	PART NAME	TENNA PART No.	NOTES
M1	Tuner	164005-004	

### CABINETS & CABINET PARTS

(When Ordering Specify Model, Chassis & Color)

ITEM	PART No.	ITEM	PART No.
Dial Glass	122005-020	Knob, Tone or Dummy Pushbutton	134005-048
Knob, Tuning or Volume	134004-011		107005-017

### WIRING DATA

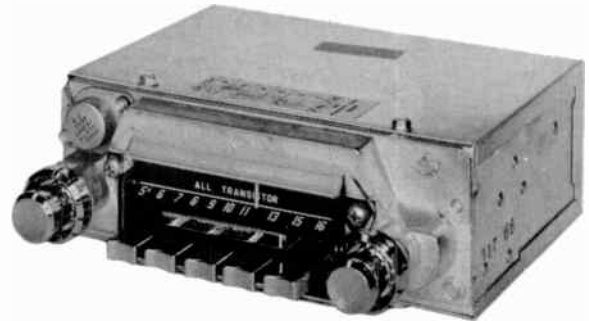
General-use Unshielded Hook-up Wire .....	Use BELDEN No. 8530 (Solid) Available in 12 Colors 8524 (Stranded) Available in 12 Colors
Shielded Hook-up Wire .....	Use BELDEN No. 8885
Rear Seat Speaker Extension Cable .....	Use BELDEN No. 8782 (Stranded) Coded Parallel Leads
Bonding Strap .....	Use BELDEN No. 8661 (3/8 In.) or 8670 (3/4 In.)



# PHOTOFACT<sup>®</sup> with

# CIRCUITRACE<sup>®</sup>

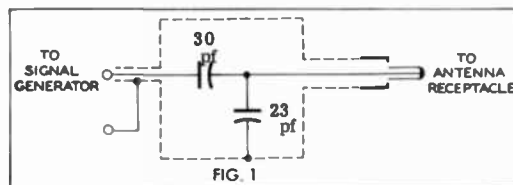
TRADE NAME : Volkswagen Models:  
 6BVG (1966 Karmann Ghia)  
 6BVT (1966 Transporter)  
 6BVW (1966 Sedan)  
 6BV3 (1966 Type 3 Vehicles)  
 SUPPLIER : For Current Address, See Annual Index.  
 TYPE SET : 6 Transistor AM Receiver  
 POWER SUPPLY : 6 Volt Storage Battery  
 RATING : .720 Amp. @ 6.3 Volts DC  
 TUNING RANGE: BROADCAST 540-1805KC



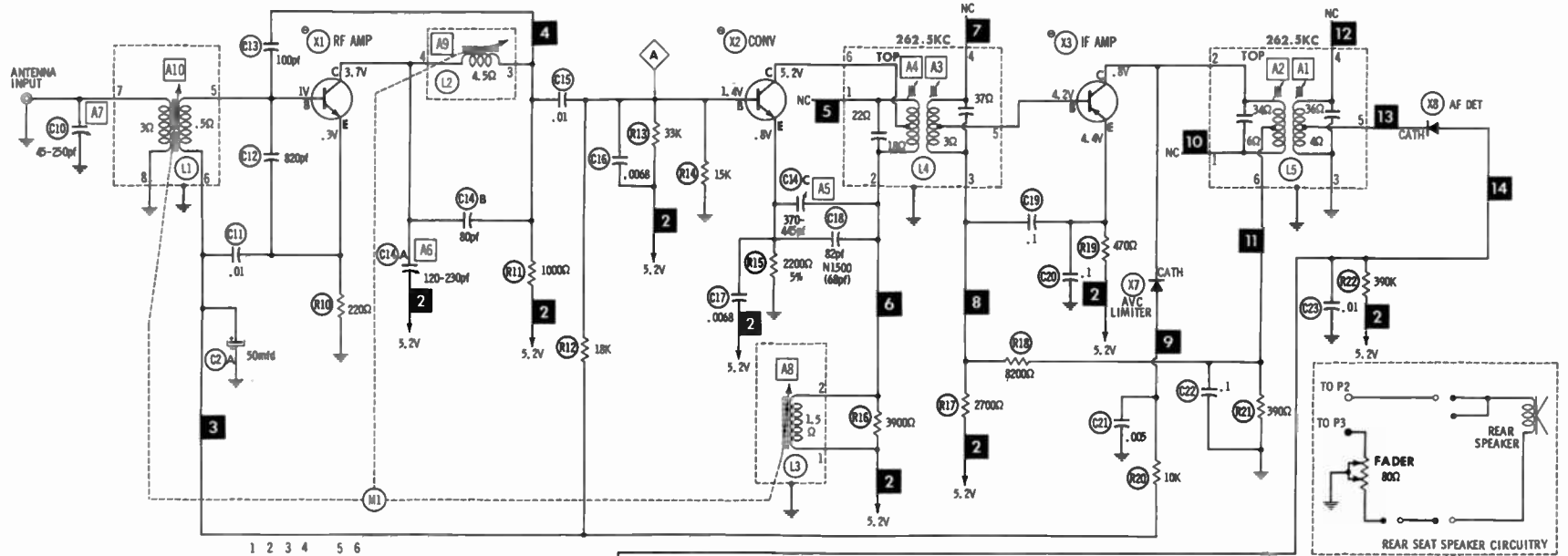
## ALIGNMENT INSTRUCTIONS

Check for specified source voltage. Use only enough generator output to provide a usable indication. Suggested Alignment Tools:				<b>PUSH-BUTTON ADJUSTMENT</b> 1. Pull button out. 2. Tune manually to desired station. 3. Press button in firmly. 4. Repeat for remaining buttons.	
A1 thru A7.	GENERAL CEMENT: 9440 WALSCO: 2501				
SIGNAL GENERATOR COUPLING	SIGNAL GENERATOR FREQUENCY	RADIO DIAL SETTING	INDICATOR	ADJUST	REMARKS
1. High side thru .1mf to point $\Delta$ , low side to ground.	282.5KC (400% Mod.)	High Freq. End Stop.	Output Meter across voice coil.	A1, A2, A3, A4	Adjust for maximum.
2. Thru dummy (Fig. 1) to antenna receptacle.	1805KC	"	"	A5, A6, A7	"
Step 3 is not necessary unless tuner has been tampered with or associated components have been replaced. IF necessary, back tuning cores (A8, A9, A10) out of coils but not out of forms. Repeat step 2.					
3. Thru dummy (Fig. 1) to antenna receptacle.	1000KC	Tune to Signal.	Output Meter across voice coil.	A8, A9, A10	Adjust for maximum. Repeat steps 2 & 3 until no further improvement is noted.
With radio installed in car and antenna fully extended, tune in a weak station near 1400KC and adjust A7 for maximum output.					

Antenna Adjustment (A7) located on right side of radio next to Antenna Input.



VOLKSWAGEN MODELS 6BVG, 6BVT, 6BVW, 6BV3



M1 TERMINAL GUIDE



X1, X2, & X4 TERMINAL GUIDE



X6 TERMINAL GUIDE



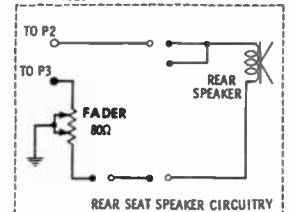
L4 & L5 TERMINAL GUIDE



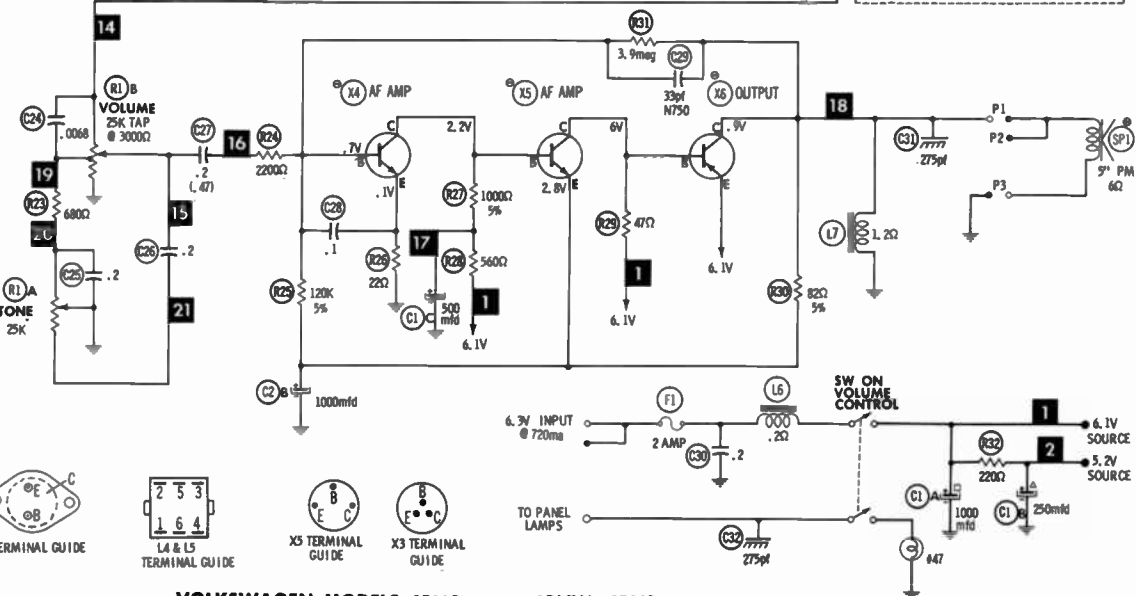
X5 TERMINAL GUIDE



X3 TERMINAL GUIDE



REAR SEAT SPEAKER CIRCUITRY



Resistors are 1/2 watt or less and rated 10% or 20% unless otherwise indicated.

NC No Connection.

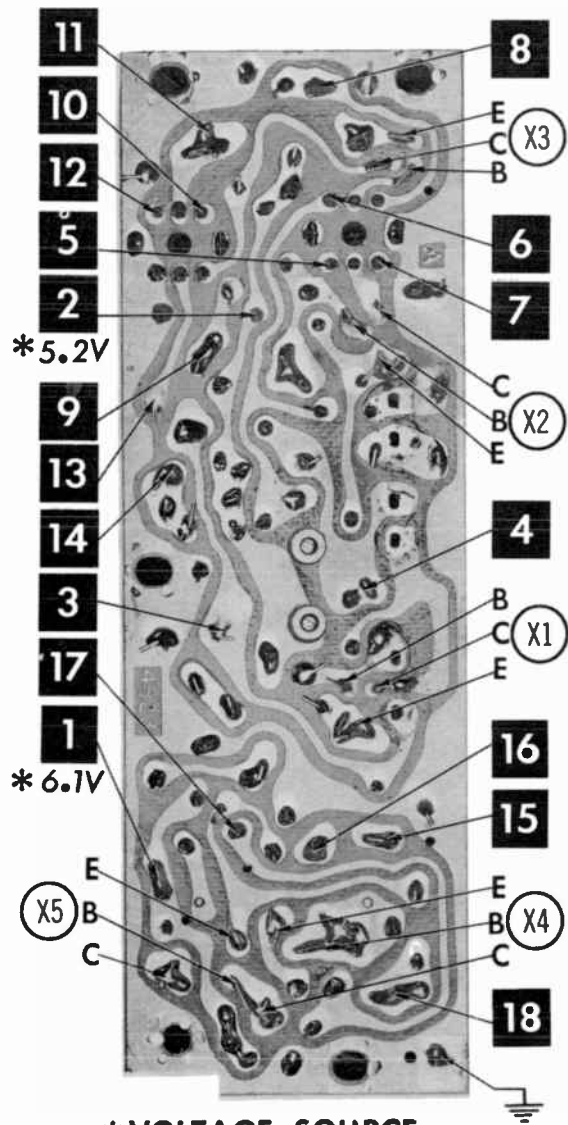
- © See parts list
- 1. Voltage measurements taken with vacuum tube voltmeter.
- 2. All controls set for normal operation, no signal applied.
- 3. Measured values are from socket pin or terminal to common ground.
- 4. All terminals viewed from bottom unless otherwise designated.
- 5. Numbers assigned to terminals may not be found on the unit.
- 6. Supply voltage maintained at rated value for voltage readings.
- 7. Resistance measurements not given because of the wide variation in internal resistance of transistor.

A PHOTOFAC STANDARD NOTATION SCHEMATIC

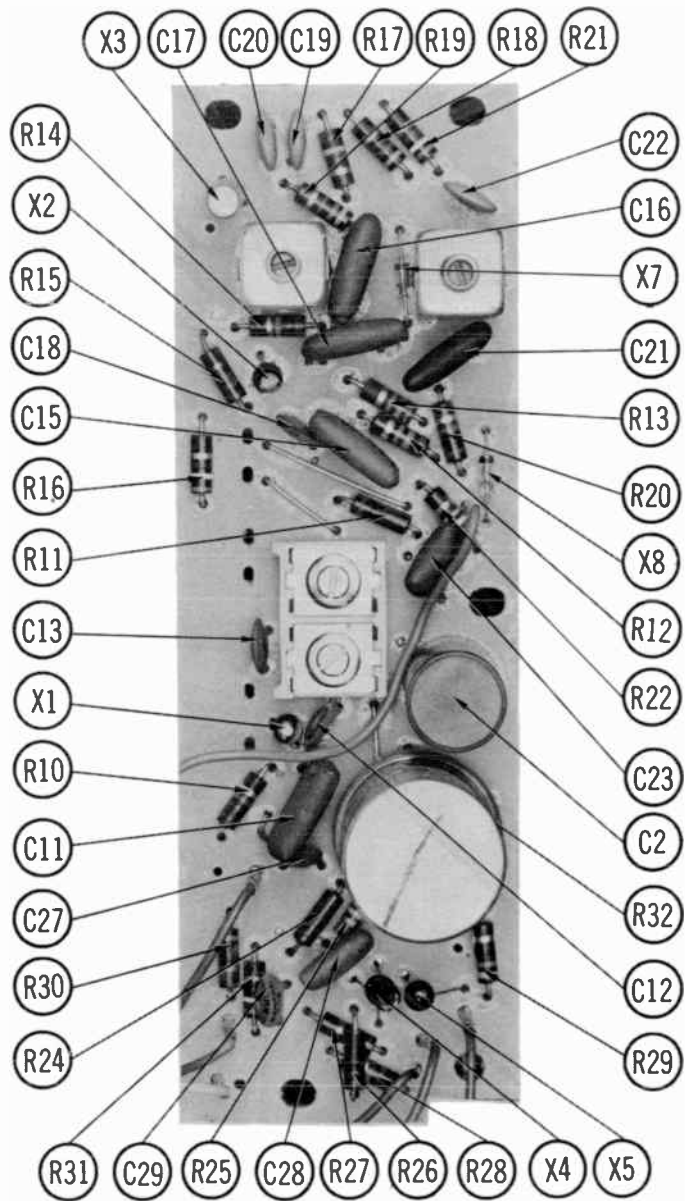
with **CIRCUITRACE**

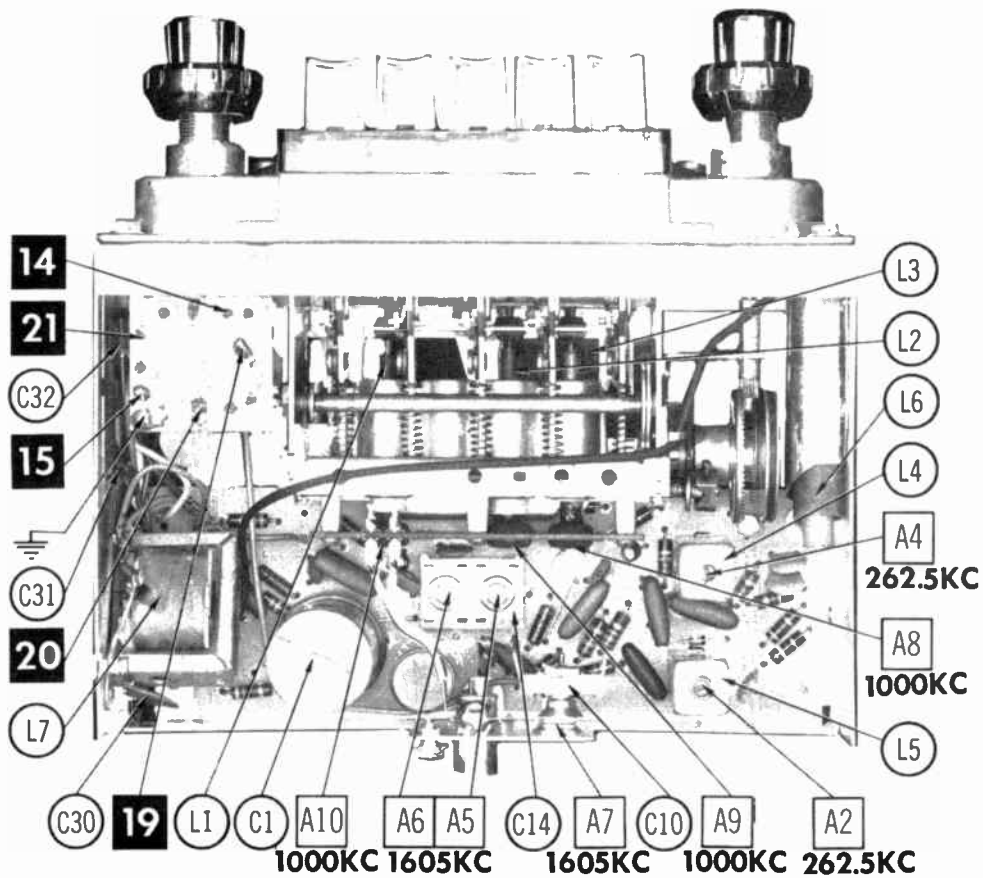
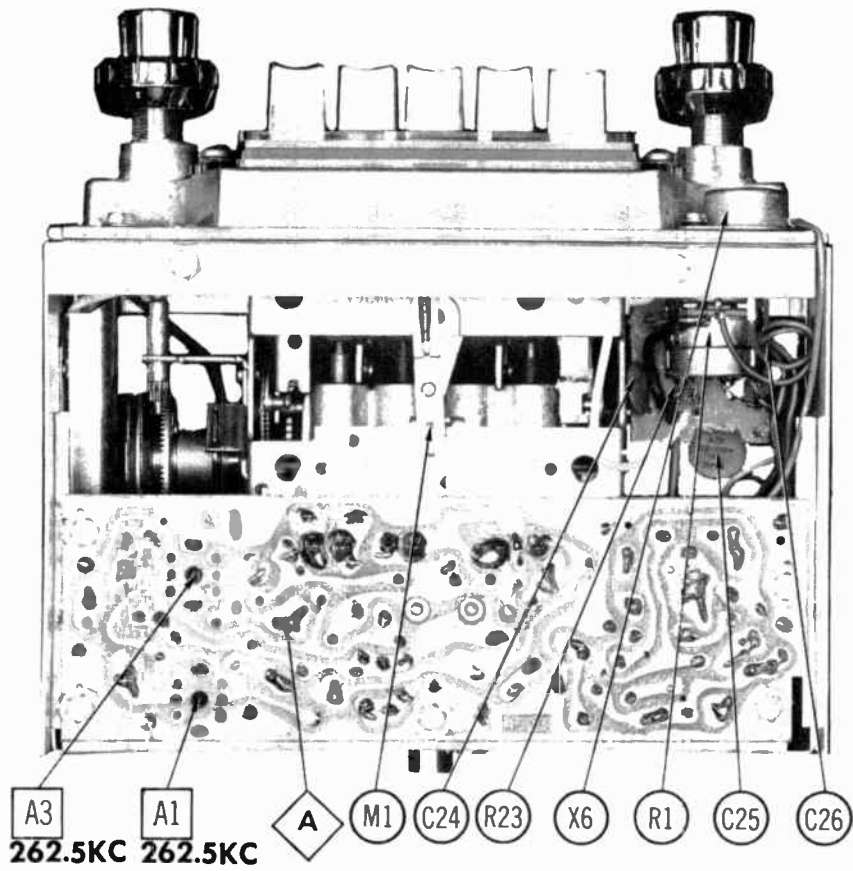
© Howard W. Sams & Co., Inc. 1966

**VOLKSWAGEN MODELS 6BVG, 6BVT, 6BVW, 6BV3**



\*VOLTAGE SOURCE





A Howard W. Sams **CIRCUITRACE** Photo

# PARTS LIST AND DESCRIPTION

(When ordering parts, state Model, Part Number, and Description.)

Replacement parts shown may be superseded by the availability of newly introduced replacements.  
Have your local distributor check Sams COUNTER FACTS™ for the most up-to-date replacement.

## TRANSISTORS

ITEM No.	ORIG. TYPE	USE	REPLACEMENT DATA			NOTES	BENDIX PART No.
			DELCO PART No.	GENERAL ELECTRIC PART No.	RCA PART No.		
X1		RF Amp.	D8-75	GE-11	SK-3020	NPN	2093308-0701
X2		Converter	D8-75	GE-11	SK-3020	NPN	2093308-0702
X3		IF Amp.	D8-25	GE-9	SK-3008	PNP	2091241-0719
X4		1st. AF Amp.	D8-48	GE-10	SK-3020	NPN	2092609-0715
X5		2nd. AF Amp.	D8-48	GE-10	SK-3020	NPN	2092609-0713
X8		Output	DS-520	GE-3	SK-3009	NPN	2091859-0718

## POWER RECTIFIERS & SIGNAL DIODES

ITEM No.	MEASURED CURRENT	ORIGINAL Part or Type No.	RECTIFIERS & DIODES		RECTIFIERS		
			GENERAL ELECTRIC PART No.	INTERNATIONAL RECTIFIER PART No.	MALLORY PART No.	RCA PART No.	SARKES TARZIAN PART No.
X7		2092055-0001	1N34AS	1N34A			
X8		2092055-0001	1N34AS	1N34A			

## ELECTROLYTIC CAPACITORS

ITEM No.	RATING		BENDIX PART No.	REPLACEMENT DATA				
	CAP.	VOLT.		AEROVOX PART No.	CORNELL-DUBILIER PART No.	GENERAL ELECTRIC PART No.	MALLORY PART No.	SPRAGUE PART No.
C1A	1000	8	2091503-0713		CC0004			PCL3018.4
B	250	8						
C	500	8						
C2A	50	3	2092246-0704					
B	1000	3						

## CAPACITORS

ITEM No.	RATING		REMARKS	REPLACEMENT DATA					
				AEROVOX PART No.	CENTRALAB PART No.	CORNELL-DUBILIER PART No.	ELMENCO PART No.	MALLORY PART No.	SPRAGUE PART No.
C10	45-250		2091504-0007						
C11	.01	100V		DBE481	CPR-10000J	WMF1S1	1DP-1-103	PVC211	4PS-810
C12	820			DI-820	DD-821	BYZ801ZU821P	CCD-821	B382	8PS-D68
C13	100			DI-100	DD-101	JBZ801YP101K	CCD-101	GP310	5GA-T82
C14A	120-230		2092422-0712						5GA-T10
B	80								
C	370-445								
C15	.01	100V		DBE481	CPR-10000J	WMF1S1	1DP-1-103	PVC211	4PS-810
C18	.0068	100V		DBE8D68	CPR-6800J	WMF1D68	1DP-1-682	PVC4288	8PS-D68
C17	.0068	100V		DBE8D68	CPR-6800J	WMF1D68	1DP-1-682	PVC4288	8PS-D68
C18	82	N1500	(68)†				*	*	*
C19	.1			TTD-1	CK-104	HOV101ZV104Z		TA010	TG-P10
C20	.1			TTD-1	CK-104	HOV101ZV104Z		TA010	TG-P10
C21	.005	100V		DBE8D5	CPR-5000J	DPMS8D5	1DP-1-502	PVC825	8PS-D60
C22	.1			TTD-1	CK-104	HOV101ZV104Z		TA010	TG-P10
C23	.01	25V		DBE481	CPR-10000J	WMF1S1	1DP-1-103	PVC211	4PS-810
C24	.0068			DI-6800	DD-682	BYX801ZU682P	CCD-882	GP288	30GA-D68
C25	.2				UK20-204			MAG25022	HY-325
C26	.2				UK20-204			MAG25022	HY-325
C27	.2		(.47)†		UK20-204			MAG25022	HY-325
C28	.1	25V		DBE2P1		WMF1P1	1DP-2-104	PVC101	2PS-P10
C29	33	N750		N750-D133	DTN-33	CZ801UJ330K	CCTN-330	CN7433	10TCU-Q33
C30	.2				UK20-204			MAG25022	HY-325
C31	275		2093060-0705						
C32	275		2093060-0705						

\* Not normally in distributor's stock. Available thru distributor on order to manufacturer.  
† Bendix Part Number. † Alternate Value.

## CONTROLS

All wattages 1/2 watt, or less, unless otherwise listed.

ITEM No.	USE	RESIST-ANCE	REPLACEMENT DATA					
			BENDIX PART No.	CENTRALAB PART No.	CLAROSTAT PART No.	CTS-HRC PART No.	MALLORY PART No.	
R1A	Tone	25K	2094545-0701	F2-25K, R14-25K			† QJ-2199A	
B	Volume/Switch	25K Tap @ 3000Ω		FFS200, RFS208, KR-7, AK-38				

† "CONCENTRIKIT" Equivalent: K8 Kit, with Base Elements and Shafts: B13-120, P17-123 (Panel)  
B19-119X, R26-206 (Rear)  
R5 (Tab Mount)  
76-2 (Switch)

"SNAPTROL" Equivalent: BU7, CF11, CR50T, SF14, SR50, WF.

VOLKSWAGEN MODELS 6BVG, 6BVT, 6BWW, 6BV3

## PARTS LIST AND DESCRIPTION (CONTINUED)

(When ordering parts, state Model, Part Number, and Description.)

Replacement parts shown may be superseded by the availability of newly introduced replacements. Have your local distributor check Sams COUNTER FACTS® for the most up-to-date replacement.

### COILS (RF-IF)

ITEM No.	USE	REPLACEMENT DATA				
		BENDIX PART No.	MEISSNER Part No.	MERIT PART No.	MILLER PART No.	WORKMAN PART No.
L1	Antenna	①				
L2	RF	①				
L3	Oscillator	①				
L4	Input IF	2094080-0705				
L5	Output IF	2094080-0706				

① Part of M1.

### FILTER CHOKE

ITEM No.	RATINGS			REPLACEMENT DATA					NOTES
	CURRENT (Measured)	DC RES.	INDUCTANCE (0 CURRENT 1000~)	BENDIX PART No.	MERIT PART No.	STANCOR PART No.	THORDARSON PART No.	TRIAD PART No.	
L6	.720A	.2Ω	240uh	2092050-0724					

### CHOKE (AUDIO OUTPUT)

ITEM No.	INDUCTANCE	REPLACEMENT DATA					NOTES
		BENDIX PART No.	MERIT PART No.	STANCOR PART No.	THORDARSON PART No.	TRIAD PART No.	
L7	20MH	2092245-0706					

### SPEAKER

ITEM No.	TYPE			REPLACEMENT DATA		NOTES
				BENDIX PART No.	QUAM PART No.	
SP1	5"	PM	6Ω	2093455-0701	5A15Z6	Model: 6BVG, 6BVW.
	6"	PM	6Ω	2093006-0701		Model: 6BVT.
	4" x 8"	PM	6Ω	2094561-0701		Model: 6BV3.

### FUSE DEVICES

ITEM No.	TYPE	RATING	REPLACEMENT DATA					
			PART No.		LITTELFUSE PART No.		BUSS PART No.	
			FUSE	HOLDER	FUSE	HOLDER	FUSE	HOLDER
F1	AGA	2 Amp.	2091811-0007	2094348-0508	301002	155004A	AGA 2	HAF

### MISCELLANEOUS

ITEM No.	PART NAME	BENDIX PART No.	NOTES
M1	Tuner Coil Assembly	2094066-0505 2090131-0094	

### CABINETS & CABINET PARTS

(When Ordering Specify Model, Chassis & Color)

ITEM	PART No.	ITEM	PART No.
Escutcheon	2094551-0501	Knob, Tone or Dummy	2094480-0001
Dial Glass	2094549-0501	Dial Pointer	2090129-0078
Knob, Tuning or Volume	2091420-0502	Pushbutton	2094440-0001

### WIRING DATA

General-use Unshielded Hook-up Wire .....	Use BELDEN No. 8530 (Solid) Available in 12 Colors 8524 (Stranded) Available in 12 Colors
Shielded Hook-up Wire .....	Use BELDEN No. 8885
Rear Seat Speaker Extension Cable .....	Use BELDEN No. 8782 (Stranded) Coded Parallel Leads
Bonding Strap .....	Use BELDEN No. 8661 (3/8 In.) or 8670 (3/4 In.)





CPA-4533 (1964 Corvair)..... AR-28
CPV-4048 (1964 Chevelle)..... AR-28
CPV-5007 (1965 Chevelle)..... AR-29
CR-3006 (1963 Corvair)..... AR-23
CR-4034 (1964 Corvair)..... AR-26
CRA-3046 (1963 Corvair)..... AR-23
CRA-4534 (1964 Corvair)..... AR-28
CRP-442A/AT (1963 Corvair)..... AR-23
CRP-3007 (1963 Corvair)..... AR-23
CRP-4033 (1964 Corvair)..... AR-28
CRP-5009 (1965 Corvair)..... AR-29
CT-356 (1955-56 Chevrolet)..... AR-13
CT-387 (1957 Chevrolet)..... AR-12
CT-4058 (1964 Comet)..... AR-27
CTP-792AT (1962 Comet)..... AR-23
CTP-3004 (1963 Comet)..... AR-23
CTP4059 (1964 Comet)..... AR-27
CTP-5071 (1965 Comet)..... AR-29
CTR-6A (1955-56 Chevrolet)..... AR-12
CTR-6B (1955-56 Chevrolet)..... AR-13
CTR-77A (1957 Chevrolet)..... AR-9
CU-39 ..... AR-12
CY-3010 (1963 Chevy II)..... AR-23
CY-4025 (1964 Chevy II)..... AR-28
CY-5005 (1965 Chevy II)..... AR-29
CYP-3009 (1963 Chevy II)..... AR-23
CYP-4032 (1964 Chevy II)..... AR-28
CYP-5006 (1965 Chevy II)..... AR-29
D-2 (1959 Renault Dauphine)..... AR-12
D-8 (1959 Renault Dauphine)..... AR-12
DAP-39 (1959 Dodge)..... AR-13
DD-5125 (1965 Dart)..... AR-30
DD-5125N (1965 Dart 270)..... AR-35
DE-300 (1960 DeSoto)..... AR-14
DE-3077 (1963 Dodge-Dart)..... AR-22
DE-3078 (1963 Dodge-Dart)..... AR-22
DEP-4154 ..... AR-27
DEP-4654 ..... AR-27
DET-28 (1957-58 DeSoto)..... AR-9
DFM-3095 ..... AR-26
DM-132 (1953 Dodge)..... AR-5
DP-6 (1957-59 Renault Dauphine)..... AR-12
DP-11 (1957-59 Renault Dauphine)..... AR-12
DP-3082 (1964 Dodge 880)..... AR-26
DP-4107 (1964 Dodge 880)..... AR-26
DP-5127N (1965 Dodge 880, Polara, Monarc)..... AR-35
DTX-67A (1957-58 Dodge)..... AR-12
DTX-68 (1957-58 Dodge)..... AR-12
DUP-42 ..... AR-20
DUP-4151 ..... AR-27
DUP-4651 ..... AR-27
DX-410 (1960 Dart, DeSoto, Dodge)..... AR-14
DX-619 (1959 Dodge)..... AR-13
DX-3013 (1963 Dodge)..... AR-22
DX-5121 (1965 Coronet)..... AR-30
DX-5121N (1965 Coronet)..... AR-35
DXA-50 (1960 Dart, DeSoto, Dodge)..... AR-14
DXA-3053 (1963 Dodge)..... AR-22
EM-29 ..... AR-21
EP-108 (1958 Edsel)..... AR-12
F-100 (Revised)(1949-50 Ford)..... AR-6
F-128 (1958 Ford)..... AR-12
F-128C (1958 Ford)..... AR-12
F-139 (1959 Ford)..... AR-6
F-151 (Revised)(1951 Ford)..... AR-6
F-152 (1952 Ford)..... AR-6
F-241 (1954 Ford)..... AR-6
F-322A ..... AR-19
F-3016 (1963 Ford)..... AR-23
F-4055 (1964 Ford)..... AR-27
F-5058N (1965 Galaxie)..... AR-36
FA-219 (1959 Ford)..... AR-11
FA-3056 (1963 Ford)..... AR-23
FA-4555 (1964 Ford)..... AR-27
FAL-4554 ..... AR-27
FAN-3058 (1963 Fairlane)..... AR-23
FAN-4551 (1964 Falcon)..... AR-27
FAP-70 (1960 Ford)..... AR-14
FAP-4556 (1964 Ford)..... AR-27
FAR-762AT (1962 Fairlane)..... AR-24
FAR-3018 (1963 Fairlane)..... AR-23
FAR-4054 (1964 Fairlane)..... AR-27
FFM-3091A (1963 Ford)..... AR-22
FM-61 ..... AR-14
FM-731 ..... AR-22
FM-3083 ..... AR-6
FM-3083A ..... AR-27
FM-5099 ..... AR-32
FN-4051 (1964 Falcon)..... AR-27
FNP-430 (1960 Falcon)..... AR-14
FNP-452AT (1962 Falcon)..... AR-23
FNP-3015 (1963 Falcon)..... AR-23
FNP-3015A (1963 Falcon)..... AR-23
FNP-4052 (1964 Falcon)..... AR-27
FNP-5051N (1965 Falcon)..... AR-36
FOP-4528 (1964 F-85)..... AR-28
FP-238 (1958 Ford)..... AR-12
FP-238C (1958 Ford)..... AR-12
FP-260 (1960 Ford)..... AR-14
FP-271AT (1960-61 Ford)..... AR-16

FP-278TR (1959 Ford)..... AR-11
FP-3017 (1963 Ford)..... AR-23
FP-4056 (1964 Ford)..... AR-27
FP-5057N (1965 Galaxie)..... AR-36
FPA-220 (1960 Falcon)..... AR-14
FPA-3055 (1963 Falcon)..... AR-23
FPA-3057 (1963 Ford)..... AR-23
FPA-4552 (1964 Falcon)..... AR-27
FPP-4557 (1964 Falcon)..... AR-27
FPO-4028 (1964 F-85)..... AR-28
FPO-5033 (1965 Olds F-85)..... AR-29
FT-227 (1957 Ford)..... AR-12
FTP-37A (1957 Ford)..... AR-9
FUP-3080 (1963 Falcon Futura)..... AR-23
FUP-4057 (1964 Falcon)..... AR-27
H-4 (1958 Hillman)..... AR-12
H-9 (1958 Hillman)..... AR-12
H-400 (1949-50-51 Hudson)..... AR-6
HP-10 (1958 Hillman)..... AR-12
HP-15 (1958 Hillman)..... AR-12
K-700 (1951 Henry J)..... AR-6
L-390 (1959-60 Studebaker Lark)..... AR-14
L-559 (Early)(1959 Studebaker Lark)..... AR-11
L-559 (Late)(1959-60 Studebaker Lark)..... AR-14
LA-449 (1959 Studebaker Lark)..... AR-11
LAP-29 (1959 Studebaker Lark)..... AR-11
LAP-40 (1959-60 Studebaker Lark)..... AR-14
LP-929 (1959 Studebaker Lark)..... AR-11
MAP-99 (Early)(1959 Mercury)..... AR-11
MAP-99 (Late)(1959-60 Mercury)..... AR-14
MAP-3063 (1963 Mercury)..... AR-23
MAP-4561 (1964 Mercury)..... AR-27
MB-72 ..... AR-30
MM-430 (1953 Mercury)..... AR-4
MP-69 ..... AR-6
MP-126 ..... AR-6
MT-47C (1957 Mercury)..... AR-12
MT-419 (Early)(1959 Mercury)..... AR-11
MT-419 (Late)(1959-60 Mercury)..... AR-14
MT-530 (1959-60 Mercury)..... AR-14
MT-3023 (1963 Mercury)..... AR-23
MT-4061 (1964 Mercury)..... AR-27
MT-5073 (1965 Mercury)..... AR-29
MTR-602AT (1962 Meteor)..... AR-24
MU-34 ..... AR-6
MUS-4067 (1964 Mustang)..... AR-27
MUS-5059 (1965 Mustang)..... AR-29
MUS-5059N (1965 Mustang)..... AR-36
N-638 (1958-59 Rambler American)..... AR-13
N-639 (1958-59 Rambler American)..... AR-13
N-3028 (1963 Rambler American)..... AR-23
NA-749 (1958-59 Rambler American)..... AR-13
NA-3068 (1963 Rambler American)..... AR-23
NAP-3069 (1963 Rambler American)..... AR-23
NAY-3052 (1963 Chrysler)..... AR-23
NP-3029 (1963 Rambler American)..... AR-23
NP-5153 (1965 Rambler American)..... AR-29
NU-63-AT ..... AR-23
NU-3107 ..... AR-23
NU-3107A ..... AR-28
NY-400 (1960 Chrysler)..... AR-14
NY-598A (1958 Chrysler)..... AR-10
NY-3012 (1963 Chrysler)..... AR-23
NY-3100 (1963 Chrysler New Yorker)..... AR-26
NY-5101N (1965 Chrysler)..... AR-35
OAE-10 (1960 Oldsmobile)..... AR-14
OAE-4531 (1964 Oldsmobile)..... AR-28
OE-160 (1960 Oldsmobile)..... AR-14
OE-171AT (1961 Oldsmobile)..... AR-16
OE-3024 (1963 Oldsmobile)..... AR-23
OE-4031 (1964 Oldsmobile)..... AR-28
OE-5031 (1965 Oldsmobile)..... AR-29
P-69 ..... AR-20
P-651 (Revised)(1951 Plymouth)..... AR-6
P-4152 ..... AR-27
P-4652 ..... AR-27
P-5040 (1965 Pontiac)..... AR-29
PA-74R ..... AR-30
PA-85 ..... AR-23
PA-3065 (1963 Plymouth)..... AR-26
PA-3285 ..... AR-23
PAC-90 (1960 Pontiac)..... AR-14
PAC-3067 (1963 Pontiac)..... AR-23
PAC-4529 (1964 Pontiac)..... AR-28
PAF-4340 ..... AR-29
PAP-69 (1959 Plymouth)..... AR-15
PAP-80 (1960 Plymouth)..... AR-15
PAP-3066 (1963 Plymouth)..... AR-22
PC-350 (1960 Oldsmobile)..... AR-14
PC-361AT (1961 Pontiac)..... AR-16
PC-3027 (1963 Pontiac)..... AR-23
PC-4029 (1964 Pontiac)..... AR-28
PC-5041 (1965 Pontiac)..... AR-29
PFM-3092A (1963 Pontiac)..... AR-22
PFM-3094 (1963 Plymouth)..... AR-22
PFX-5109 (1965 Fury)..... AR-30
PFX-5109N (1965 Fury)..... AR-35
PM-236 (1953 Plymouth)..... AR-5
PP-330 (1960 Plymouth)..... AR-15
PP-341AT (1961 Plymouth)..... AR-16

PP-819 (1959 Plymouth)..... AR-15
PP-3026 (1963 Plymouth)..... AR-22
PP-5105 (1965 Belvedere)..... AR-30
PP-5105N (1965 Belvedere)..... AR-35
PS-4153 ..... AR-27
PS-4653 ..... AR-27
PT-3025 (1963 Plymouth)..... AR-26
PUT-3108 ..... AR-23
PUT-3108A ..... AR-28
R-54, B ..... AR-11
R-61 ..... AR-20
RAP-89 (1959 Rambler)..... AR-13
RAP-100 (1960 Rambler)..... AR-13
RAP-3070 (1963 Rambler)..... AR-26
RG-59 ..... AR-14
RG-59C ..... AR-14
RP-470 (1960 Rambler)..... AR-13
RP-481AT (1960-61 Rambler)..... AR-16
RP-519 (1959 Rambler)..... AR-13
RP-3030 (1963 Rambler)..... AR-26
RP-3097 (1963 Rambler)..... AR-23
RP-5151 (1965 Rambler)..... AR-29
RT-7B ..... AR-13
RT-7D ..... AR-11
S-91 (1958-59 Simca Aronde)..... AR-11
S-500 (1950-51 Studebaker)..... AR-6
S-551 (Revised)(1950-51 Studebaker)..... AR-6
SA-529 (1958-59 Simca Aronde)..... AR-11
SAB-3071 (1963 Special)..... AR-23
SB-3032 (1963 Special)..... AR-23
SBP-3033 (1963 Special)..... AR-23
SBP-4027 (1964 Buick Special)..... AR-28
SP-1 (1958-59 Simca Aronde)..... AR-11
SPA-209 (1958-59 Simca Aronde)..... AR-11
SPA-3072 (1963 Special)..... AR-23
SPA-4527 (1964 Buick Special)..... AR-28
TA-3073 (1963 F-85, Tempest)..... AR-23
TAC-3051 (1963 Chev. Truck)..... AR-22
TAC-4541 (1964 Chevrolet Truck)..... AR-28
TAC-5514N (1965 Chevrolet Truck)..... AR-37
TAP-3074 (1963 F-85, Tempest)..... AR-23
TAP-4526 (1964 Tempest)..... AR-28
TAX-4542 (1964 Chevrolet Truck)..... AR-28
TAX-5513N (1965 Chevrolet Truck)..... AR-37
TC-3035 (1963 F-85, Tempest)..... AR-23
TCM-3011 (1963 Chev. Truck)..... AR-22
TCM-4041 (1964 Chevrolet Truck)..... AR-28
TCM-5014 (1965 Chevrolet Truck)..... AR-29
TCM-5014N (1965 Chevrolet Truck)..... AR-37
TCX-4042 (1964 Chevrolet Truck)..... AR-28
TCX-5013 (1965 Chevrolet Truck)..... AR-29
TCX-5013N (1965 Chevrolet Truck)..... AR-37
TPC-31 (1961 Buick Special, Oldsmobile F-85, Pontiac Tempest)..... AR-16
TPC-31AT (1963 F-85, Tempest)..... AR-23
TPC-42AT (1963 F-85, Tempest)..... AR-23
TPC-3036 (1963 F-85, Tempest)..... AR-23
TPC-4026 (1964 Tempest)..... AR-28
TPP-87A (1957 Plymouth)..... AR-13
TPP-88 (1957-58 Plymouth)..... AR-13
TPP-88C (1957-58 Plymouth)..... AR-13
TR-12 (Tractor)..... AR-4
TR-13B ..... AR-25
TR-48AT ..... AR-25
TR-0048 ..... AR-25
TUN-5 ..... AR-15
UE-4155A ..... AR-28
UE-4171A ..... AR-28
UE-4655A ..... AR-28
UE-4671A ..... AR-28
UFM-3089 ..... AR-22
UFP-3098 ..... AR-22
UN-40 ..... AR-12
VP-12 ..... AR-12
VPA-280 (1960 Valiant)..... AR-15
VPA-3076 (1963 Valiant)..... AR-22
VT-5108 (1965 Valiant)..... AR-30
VTP-440 (1960 Valiant)..... AR-15
VTP-3038 (1963 Valiant)..... AR-22
VTP-5107 (1965 Valiant)..... AR-30
W-76 (Thru 1957 Volkswagen)..... AR-12
W-84 (1958-63 Volkswagen)..... AR-23
W-89 (1958-59 Volkswagen)..... AR-12
W-3040 (1958-63 Volkswagen)..... AR-23
W-3040A (1964 Volkswagen)..... AR-28
W-5204 (See Page 41) (1965 Volkswagen)..... AR-28
WP-4 (1958-59 Volkswagen)..... AR-12
WP-7 (Thru 1957 Volkswagen)..... AR-12
WP-7G (Karmann-Ghia)..... AR-12
WP-19 (1958-59 Volkswagen)..... AR-12
WP-21 (1958-63 Volkswagen)..... AR-23
WP-167 ..... AR-15
WP-3039 (1958-63 Volkswagen)..... AR-23
WP-3093A (1964 Volkswagen)..... AR-28
WP-5203 (See Page 41) (1965 Volkswagen)..... AR-28
WPC-8 (Thru 1957 Volkswagen)..... AR-12
YAM-3050 (1963 Chevy II)..... AR-23
YAM-4525 (1964 Chevy II)..... AR-28
YP-3049 (1963 Chevy II)..... AR-23
YP-4532 (1964 Chevy II)..... AR-28



CORONADO	Vol.	FORD	Vol.	FORD (Continued)	Vol.
35RA2-43-5101A .....	AR- 5	F3TBF (C3AA-18806)(1963 Galaxie) .....	AR-20	94BT (B9C-18805-A1)(1959 Truck) .....	AR-11
		F3TBS (C3SA-18806)(1963 Thunderbird) ..	AR-20	94MF (B9FA-18806-C)(1959) .....	AR-10
		F4TBF (1964 Galaxie) .....	AR-24	94MFM (B9FA-18805-E)(1959) .....	AR-10
		F4TBS (1964 Thunderbird) .....	AR-24	94MS (B9SF-18805-B)(1959 Thunderbird) ..	AR-11
		F5TBF (1965 Galaxie) .....	AR-32	95MF (B9FA-18806-B)(1959) .....	AR-10
		RV2F (C2OZ-18875-C) .....	AR-19		
		RV4D (1965 Ford) .....	AR-30	<b>GIBBS</b>	
		RV4D-NS (1965 Ford) .....	AR-30	440 .....	AR-27
		RV4F (1964 Ford) .....	AR-24	441 .....	AR-27
		RV6F (See page 75)(Reverb unit for		442 .....	AR-27
		1965/66 Ford) .....	AR-30	445 .....	AR-28
		T6SMF (C6AA-19A049-C)(1966 Galaxie) ..	AR-35	446 .....	AR-28
		T6SMS (C6SA-18806-C)(1966 Thunderbird)	AR-35	550 .....	AR-37
		T6SMZ (C6ZA-18806-E)(1966 Mustang) ...	AR-35	551 .....	AR-37
		TOB5TBS (1965 Thunderbird) .....	AR-32	551-6 .....	AR-37
		04BF (COAZ-18805, COAF-18806)		552 .....	AR-37
		(1960)(Early version only.) .....	AR-12	553 .....	AR-37
		04BF (Late Prod.)(1960 Ford) .....	AR-30		
		04BT (COTF-18805-F)(1960 Truck) .....	AR-12	<b>GMC</b>	
		04MD (CODF-18805-D)(1960 Falcon) .....	AR-12	2233398 (12V Truck) .....	AR- 9
		04MF (COAF-18805-U)(1960) .....	AR-12	2233850 (1960 GMC) .....	AR-13
		04MFM (COAF-18805-T)(1960) .....	AR-12	2233944 (1961 GMC) .....	AR-16
		1TMC (C1V-18810-C)(1961 Continental) ..	AR-15	2233984 (1962 GMC) .....	AR-18
		1TMS (C1SF-18810-B)(1961 Thunderbird) ..	AR-15	2234003 (1963 Truck) .....	AR-20
		2TBO (C2OZ-18805-B)(1962 Fairlane) .....	AR-19	2234040 (1964 Truck) .....	AR-24
		2TMF (C2AA-18806-M)(1962) .....	AR-18	2234086 (1964 Truck) .....	AR-24
		2TMX (C2AA-18806-N)(1962) .....	AR-18	7291556 (1965 Truck) .....	AR-29
		3MF (FAD-18805-C)(1953) .....	AR- 4	7291576 (1965 Truck) .....	AR-29
		3MFT (FAE-18805-A)(1953 Truck) .....	AR- 4	7293806 (1966 GMC Truck) .....	AR-36
		3BF755 (FAD-18805-D)(1953) .....	AR- 4	7293816 (1966 GMC Truck) .....	AR-36
		3TBD (C3DZ-18805)(1963 Falcon) .....	AR-19	7297526 (1966 GMC Truck) .....	AR-36
		3TBO (C3OZ-18805)(1963 Fairlane) .....	AR-19		
		3TMF (C3AA-18806)(1963 Galaxie) .....	AR-23		
		4BF (FDA-18805-C)(1954)(See Model M4B)	AR- 4	<b>GONSET</b>	
		4MF (FDA-18805-B-2)(1954) .....	AR- 4		
		4SF765 (FDA-18805-A)(1954) .....	AR- 5		
		4TBD (C4DA-18805)(1964 Falcon) .....	AR-23		
		4TBO (C4OA-18805)(1964 Fairlane) .....	AR-23		
		4TBT (1964 Ford Truck) .....	AR-26	3239 .....	AR- 9
		4TBU (1964 Ford Econoline) .....	AR-26		
		4TBZ (1964/65 Mustang) .....	AR-32		
		4TMF (C4GA-18806)(1964 Galaxie) .....	AR-23	<b>GRANCO</b>	
		4TMS (C4SA-18806-J) .....	AR-23		
		4TMS(F)(C4SA-18806-H)(1964 Thunderbird) .	AR-23	ARC-60 .....	AR-15
		5BF (FDH-18805-B1)(1955) .....	AR- 5		
		5MF (FDH-18805-B2)(1955) .....	AR- 5	<b>HEATH</b>	
		5MFS, 5MFS8 (FDH-18805-B)			
		(1955 Thunderbird) .....	AR- 5		
		5MF8 (FDH-18805-A2)(1955) .....	AR- 5	GR-41 .....	AR-22
		5TBF (1965 Galaxie) .....	AR-28	GRW-41 .....	AR-22
		5TBO (1965 Fairlane) .....	AR-28		
		5TBT (1965 Ford Truck) .....	AR-33		
		5TBU (1965 Ford Econoline) .....	AR-33		
		5TMF (C5AA-18806-G1)(1965 Galaxie) .....	AR-28		
		5TMZ (C5Z1-18806-B)(1965 Mustang) .....	AR-28	<b>HITACHI</b>	
		5TMS (C5SA-18806-B), 5TMSF (C5SA-18806-			
		A)(1965 Thunderbird) .....	AR-28	TM-816U .....	AR-37
		5TPD (1965 Falcon) .....	AR-28		
		5TPO (1965 Fairlane) .....	AR-28		
		5TPZ (1965 Mustang) .....	AR-28		
		6BF (FDR-18805-B)(1956) .....	AR- 6		
		6BFT (FDV-18805-A)(1956 Truck) .....	AR- 6	<b>HOFFMAN</b>	
		6TBB (1966 Bronco) .....	AR-36		
		6TBF (1966 Galaxie) .....	AR-34	769 .....	AR-28
		6TBT (1966 Ford Truck) .....	AR-36	769 (Revised) .....	AR-31
		6TBU (1966 Econoline) .....	AR-36		
		6TMF (C6AA-18806-C1) (1966 Galaxie) ..	AR-36		
		6TPD (1966 Falcon) .....	AR-36		
		6TPF (1966 Galaxie) .....	AR-36		
		6TPO (1966 Fairlane) .....	AR-36		
		6TPZ (1966 Mustang) .....	AR-36		
		12BD (CODF-18805-E2, CODF-18806-D)			
		(1961 Falcon) .....	AR-14		
		12BF (CIAF-18805-C2, CIAF-18806-K)(1961)	AR-14	236476 (SH759)(1953) .....	AR- 4
		12BT (C1TF-18805)(1961 Truck) .....	AR-14	236486, 238060 (SH758) .....	AR- 4
		12BU (C1UF-18805)(1961 Econoline Truck)	AR-14	4389027 (HN5AC-8)(1955) .....	AR- 6
		14BF (1961 Ford) .....	AR-30		
		14BM (1961 Mercury) .....	AR-30	<b>INLAND</b>	
		22BD (C2DZ-18805-A)(1962 Falcon) .....	AR-18		
		22BO (C2OZ-18805-A)(1962 Fairlane) .....	AR-18	X100 .....	AR-27
		24MF (C2AZ-18805-A)(1962) .....	AR-17		
		66MF (FDR-18805-B1)(1956) .....	AR- 6	<b>INTERNATIONAL</b>	
		66MFP (FDR-18805-B1)(1956) .....	AR- 6		
		69MF (FDR-18806-F)(1956) .....	AR- 6	IL5TCA, IL5TCA-12(88065-R96)	
		69MS (FEF-18805-B)(1956) .....	AR- 6	(1955 "R" Line Truck) .....	AR- 6
		74BF (FEG-18805)(1957) .....	AR- 8	IL7TC, IL7TC-12(1957 "R" Line Truck) ..	AR- 7
		74BT (FEM-18805-A)(1957 Truck) .....	AR- 9	04MI (1961 Scout and "C" Line Truck) .....	AR-16
		74MF (B7A-18805-A1)(1957) .....	AR- 8	04MI-RV (1961 "R" & "DC" Line Truck) ..	AR-16
		75BF (FEG-18805-B)(1957) .....	AR- 7	3TMI (242224-R91) .....	AR-24
		75MF (FEG-18805-H)(1957) .....	AR- 7	58MI (244-261-R92)(1965 Truck) .....	AR-34
		76MF (FR)(B7A-18805-B1)(1957) .....	AR- 8	58MI-RV (244-262-R92)(1965 Truck) .....	AR-34
		78MF (FEG-18805-G)(1957) .....	AR- 7	58MI/T (244-224-R91)(1965 Truck) .....	AR-34
		79MS (FEJ-18806-C)(1957 Thunderbird) ..	AR- 7	86MI (1958 "A" Line Truck) .....	AR- 8
		84BF (B8A-18805-B)(1958) .....	AR- 8	94MI (1959 "R" & "V" Line Truck) .....	AR-11
		84BT (FEM-18805-B)(1958 Truck) .....	AR- 9	94MIM (1959 "A" Line Truck) .....	AR-10
		84MF (B8A-18805-B)(1958) .....	AR- 8		
		84MS (FRV-18805-F)(1958 Thunderbird) ..	AR- 9		
		86MF (B8A-18805-A)(1958) .....	AR- 8		
		94BF (B9A-18805-A, B9A-18806-D)(1959) ..	AR-10		

KARADIO	Vol.	METEOR (Also See Mercury)	Vol.	MOPAR (Continued)	Vol.
M80B.....	AR-4	77BM (FEK-18805-C)(1957) .....	AR-7	314V (Export Version of Model 113).....	AR-16
KARMANN GHIA (See Volkswagen)		78BM (FEK-18805-D)(1957) .....	AR-7	317 (13BC 1961 Chrysler).....	AR-15
KINEMATIX		84BM (FEW-18805-U)(1958) .....	AR-8	322 (SP1, SP2, 1962 Plymouth) .....	AR-17
Verba-Matix.....	AR-27	85BM (FEW-18805-T)(1958) .....	AR-9	323 (SD1, SD2 1962 Dodge Dart).....	AR-17
LAFAYETTE		94PM (B9MF-18805-B)(1959) .....	AR-12	324 (Export SP1, SP2, 1962 Plymouth)....	AR-17
SP-172 (FM-100).....	AR-14	95PM (B9FM-18805-A)(1959) .....	AR-11	327 (SC1, SC2, SC3 1962 Chrysler).....	AR-17
LANCER (See MoPar)				330 (1963 Plymouth).....	AR-21
LARK (See Studebaker)				331 (1963 Dodge).....	AR-21
LINCOLN				332 (1963 Dodge 880) .....	AR-21
05BH (COLF-18810, COLY-18805)(1960) ..	AR-12			333 (1963 Chrysler) .....	AR-21
3SH756 (FAG-18805-A)(1953).....	AR-4			334 (4TBQ)(1964 Dodge 880).....	AR-24
4SH764 (FDD-18805-B)(1954).....	AR-4			335 (1964 Plymouth).....	AR-25
4SH766 (FDD-18805-A)(1954).....	AR-4			336 (1964 Dodge).....	AR-25
5BH (FDL-18805-C,-D)(1955).....	AR-5			337 (1963 Valiant).....	AR-22
6BH (FDU-18805-C)(1956).....	AR-6			339 (1963 Dodge Dart) .....	AR-22
78BL (HHD-18805-A)(1957).....	AR-7			343 (R3BC)(1963 Chrysler TC1, TC2, TC3)	AR-19
85BH (FFC-18805-C,-D)(1958).....	AR-9			344 (1963 Dodge).....	AR-22
85BHP (FFC-18805-C,-D)(Above Serial				345 (1963 Plymouth).....	AR-22
#5000)(1958).....	AR-9			347 (R23BDQ)(1962 Dodge 880, SD3).....	AR-19
88BH (FFC-15491-B)(1958).....	AR-8			348 (4TBC)(1964 Chrysler).....	AR-24
95BH (B9FL-15801-A,-B,FFC-19061-B)				350 (R3BD)(1963 Dodge 880).....	AR-19
(1959).....	AR-9			351 (1964 Chrysler).....	AR-25
6TDC (1966 Lincoln).....	AR-37			352 (1964 Chrysler Imperial).....	AR-25
T69MC (C6VA-18806-J)(1966 Lincoln				353 (1964 Dodge 880).....	AR-25
Continental).....	AR-36			354 (1964 Dodge).....	AR-24
MACK				360 (5FBP)(1965 Plymouth).....	AR-30
USMMT (Truck).....	AR-32			361 (5FBPD)(1965 Plymouth).....	AR-30
MERCURY				361 (5FBPD)(1966 Plymouth Deluxe).....	AR-36
E5TBM (1965 Mercury).....	AR-28			362 (5FBD)(1965 Dodge).....	AR-30
E6TMM (C6MA-18806-E2)(1966 Mercury).	AR-35			363 (1965 Dodge 880).....	AR-28
EF5TBM (1965 Mercury).....	AR-34			365B (1966 Polara, Custom 880,	
F3TBM (1963).....	AR-21			Monaco BD2).....	AR-35
F4TBE (1964 Comet).....	AR-24			364 (5FBDD)(1965 Dodge) .....	AR-30
F5TBE (1965 Comet).....	AR-34			364 (5FBDD)(1966 Dodge Deluxe).....	AR-36
F4TBM (1964 Mercury).....	AR-24			365 (1965 Chrysler).....	AR-28
F5TBM (1965 Mercury).....	AR-34			365S (1966 Chrysler BC1, BC2, BC3).....	AR-35
M-5841 (1958).....	AR-9			366 (5FBC)(1965 Chrysler).....	AR-30
T69MM (C6AA-19A049-D)(1966 Mercury).	AR-35			366 (5FBC)(1966 Chrysler).....	AR-36
04BM-1 (COMF-18805)(1960).....	AR-13			367 (5FBI)(1965 Imperial).....	AR-30
04BM-2 (COMF-18806)(1960).....	AR-13			369 (6FBP, 6FBVE)(1966 Plymouth	
2TBM (R2TBM)(C2MY-18805-B)(1962)....	AR-20			Standard).....	AR-36
2TMY (C2YA-18806-E)(1962 Meteor).....	AR-18			372 (5FBVE)(See page 86)(1965 Plymouth).	AR-30
3SMY757 (FAF-18805-A)(1953)(See				373 (5FBL)(See page 86)(1965 Dodge Dart).	AR-30
Lincoln Model 35H756).....	AR-4			379 (6FBL)(1966 Dart).....	AR-36
3TBM (C3MY-18805)(1963).....	AR-21			402 (04BC)(1960 Chrysler).....	AR-13
3TME (C3GA-18806)(1963 Comet).....	AR-23			403 (04BI)(1960 Imperial).....	AR-13
3TMY (C3YA-18806)(1963 Meteor).....	AR-23			404 (14BI)(1961 Imperial).....	AR-15
4SM767 (FDC-18805-A)(1954)(See				407 (14BC)(1961 Chrysler).....	AR-15
Lincoln Model 4SH764).....	AR-4			409 (24BI)(1962 Imperial SY1).....	AR-18
4TBM (C4MA-18805)(1964 Mercury).....	AR-23			410 (24BC)(1962 Chrysler SC1, SC2, SC3)...	AR-18
4TME (C4AA-18806)(1964 Comet).....	AR-23			411 (34BCS)(1963 Chrysler).....	AR-20
5BM (1955)(See Lincoln Model 5BH).....	AR-5			413 (34BI)(1963 Imperial TY1).....	AR-20
5TBM (1965 Mercury).....	AR-28			414 (44BI)(1964 Imperial).....	AR-24
5TPE (1965 Comet).....	AR-28			415 (44BCS)(1964 Chrysler).....	AR-24
6BM (FDT-18805-C)(1956).....	AR-6			416 (1965 Chrysler).....	AR-31
6BMS (FDT-18805-D)(1956).....	AR-6			417 (1965 Imperial).....	AR-31
6TMM (C6MA-18806-A2)(1966 Mercury) ..	AR-35			608 (1953 Plymouth P24).....	AR-4
6TPG (1966 Mercury).....	AR-37			609 (1953 Dodge Model D-44, D-46, D-47,	
22BM (C2MY-18805-A)(1962).....	AR-18			and D-48).....	AR-4
24ME (C2GY-18805-A)(1962 Comet)(See				610T (1953 Dodge Truck, Series B-3, B-4).	AR-4
Ford 24ME).....	AR-17			611T (1954 Dodge Truck, Series C)(See	
24MY (C2YY-18805-A2)(1962 Meteor)(See				Model 610T).....	AR-4
Ford 24ME).....	AR-17			612 (1954 Dodge Models D-40, D-51, D-52,	
				and D-53)(See Model 609).....	AR-4
				613 (1955 Plymouth Models P-26, P-27)...	AR-5
				614 (1955 Dodge Models D-55, D-56).....	AR-5
				620 (1956 Plymouth Models P-28, P-29)...	AR-7
				621 (1956 Dodge Models D-62, D-63).....	AR-7
				624 (1957 Dodge Models D-66, D-67, D-70,	
				D-71, D-72).....	AR-8
				700 (1958 Dodge Truck).....	AR-8
				700 (Revised)(1960 Dodge Truck).....	AR-14
				701 (1959 Simca).....	AR-12
				703 (R12BDT)(1961 Dodge Truck).....	AR-16
				706 (1964 Dodge Truck).....	AR-26
				706 (5TBDT)(Similar to page 64)(1965	
				Dodge Truck).....	AR-26
				819 (1953 Plymouth).....	AR-4
				820 (1953 Dodge).....	AR-4
				821 (Desoto Models S-16, S-18).....	AR-4
				824 (1953 Chrysler)(See Model 819).....	AR-4
				828 (1954 Dodge Models D-50, D-51, D-52,	
				D-53)(See Model 820).....	AR-4
				829 (Desoto Models S-19 and S-20).....	AR-4
				830 (1954 Chrysler Models C-62, C-63, C-64).	AR-4
				831 (See Model 830).....	AR-4
				832 (1955 Plymouth).....	AR-5
				833 (1955 Dodge Models D-55, D-56).....	AR-5
				834 (1955 Desoto Models S-21, S-22).....	AR-5
				835 (1955 Chrysler).....	AR-5
				836 (1955 Plymouth Models P-25, P-27)....	AR-5
				840 (1956 Plymouth).....	AR-6
				841 (1956 Plymouth Models P-28, P-29)....	AR-6
				842, 842HR (1956 Dodge Models D-62, D-63)	AR-6
				843 (1956 Desoto Models S-23, S-24).....	AR-6
				844, 844HR (1956 Chrysler).....	AR-6
				845 (1957 Dodge Models D-66, D-67, D-70,	
				D-71, D-72).....	AR-8

MOPAR (Continued)	Vol.	MOTOROLA (Continued)	Vol.	MOTOROLA (Continued)	Vol.
846 (1957 Desoto Models S-25, S-26, S-27) ..	AR- 8	CTM4, CTM4A (1954 Chevrolet).....	AR- 6	2TMY (See Mercury Model 2TMY).....	AR-18
847 (1957 Chrysler).....	AR- 8	CTM6 (1955-56 Chevrolet).....	AR- 6	3AT.....	AR-22
848 (1957 Plymouth).....	AR- 8	CTM7X (1957 Chevrolet).....	AR- 7	3MT.....	AR-22
849 (1957 Plymouth Models P-30, P-31).....	AR- 8	CTM8X (1958 Chevrolet).....	AR- 9	4AT.....	AR-25
851 (84BC)(1958 Chrysler).....	AR- 8	CTM9X (1959 Chevrolet).....	AR-10	4MT.....	AR-25
852 (1958 Dodge Models LD-1, LD-2, LD-3) ..	AR- 8	CTM57K (1957 Chevrolet).....	AR- 9	5M, 5M-12.....	AR- 5
854 (1958 Plymouth Models LP-1, LP-2) ..	AR- 9	CTM61K, CTM61KA (1961 Chevrolet) .....	AR-16	6M.....	AR- 6
855 (P-5901)(1959 Plymouth).....	AR-11	CTM62 (1961-62 Chevrolet).....	AR-19	6M-12.....	AR- 6
856 (1959 Dodge Models MD1, MD2, MD3) ..	AR-10	CTM63 (1963 Chevrolet).....	AR-22	6MA (1959 Hudson & Nash)(See American	
857 (1959 Desoto Models MS1, MS2, MS3) ..	AR-10	CTM64 (1964 Chevrolet).....	AR-25	Motors Model 8990376).....	AR- 6
858 (94BC)(1959 Chrysler).....	AR-10	CY65A (1962-65 Chev II).....	AR-32	6MR (1956 Rambler)(See American Motors	
860 (1959 Plymouth, MP1, MP2).....	AR-12	CY65M (1962-65 Chev II).....	AR-33	Model 8990377).....	AR- 6
861 (1959 Chrysler Export).....	AR-12	CYA62 (1962 Chevy II).....	AR-20	6TAS8.....	AR- 6
900 (1955 Dodge Models D-55, D-56).....	AR- 8	CYA63 (1961-63 Chev II).....	AR-22	7M (See Model 6M).....	AR- 6
901 (1955 Desoto Models S-21, S-22).....	AR- 5	CYA64 (1962-64 Chev II).....	AR-25	7MR (1957 Rambler)(See American Motors	
902 (1955 Chrysler).....	AR- 5	CYM62 (1962 Chev II).....	AR-19	Model 8990455).....	AR- 6
903 (1955 Chrysler).....	AR- 5	CYM63 (1962-63 Chev II).....	AR-22	7MX.....	AR- 7
910, 910HR (1956 Dodge Models D-62, D-63) ..	AR- 6	CYM64 (1962-64 Chev II).....	AR-25	8M.....	AR- 8
911 (1965 Desoto Models S-23, S-24).....	AR- 6	FM65M.....	AR-35	8MX.....	AR- 9
912, 912HR (1956 Chrysler).....	AR- 7	FM200A.....	AR-34	9AX.....	AR-10
916, 916HR (1956 Plymouth Models P-28,		FM-900.....	AR-14	10AX.....	AR-15
P-29).....	AR- 7	FMA-100.....	AR-26	10M.....	AR-13
917HR (1957 Plymouth).....	AR- 6	FMC62.....	AR-19	10MX.....	AR-12
918 (1957 Dodge Models D-66, D-67, D-70,		GMT3A6 (1948-53 Chevrolet & GMC Truck)	AR- 5	11MX.....	AR-16
D-71, D-72).....	AR- 7	GMT53A6(1948-53 Chevrolet & GMC Truck)	AR- 5	12AT-1/-2/-3.....	AR-21
919, 919HR (1957 Desoto Models S-25, S-26,		GV-701.....	AR-11	13MA (1960 Rambler American)(See	
S-27).....	AR- 7	GV-800.....	AR-11	American Motors Model 8990832).....	AR-14
920HR (1957 Chrysler).....	AR- 6	HF3A6 (1951-53 Henry J).....	AR- 5	13MAM (1960 Rambler American)(See	
921HR (1957 Imperial).....	AR- 8	HN2A6 (1951-52 Hudson).....	AR- 5	American Motors Model 8990831).....	AR-14
922 (85BC)(1958 Chrysler).....	AR- 9	HN3A6 (1951-53 Hudson except Hudson Jet)	AR- 5	14AT.....	AR-25
923 (1958 Desoto Models L-51, L-52, L-53) ..	AR- 9	HN4A6 (1954 Hudson).....	AR- 5	14MR (1961 Rambler)(See American	
924HR.....	AR- 9	HN4M6 (1954 Hudson).....	AR- 5	Motors Model 8990833).....	AR-15
925 (1958 Plymouth Models LP-1, LP-2) ..	AR- 9	HN53M6 (1951-53 Hudson).....	AR- 5	24ME, 24MF, 24MY(See Ford Model 24ME) ..	AR-17
927 (1959 Desoto Models MS-1, MS-2, MS-3)		HT3A6 (1955 Hudson Jet).....	AR- 5	76MA (1957 Hudson & Nash)(See American	
928 (R95BC-S)(1959 Chrysler).....	AR-10	IL5TCA, -12 (1955 International)(See		Motors Model 8990378).....	AR- 6
929 (C-5909)(1959 Imperial Model MY-1) ..	AR-11	International IL5TCA).....	AR- 6	93MR (1959 Rambler)(See American	
		KR3A6 (1951-53 Kaiser).....	AR- 5	Motors Model 8990582).....	AR-10
		NH3C (1953 Nash Rambler)(See Nash,		94MIM (1959 International)(See	
		Model NH3C).....	AR- 4	International Model 94MIM).....	AR-10
		NH4AC (1954 Nash)(See Nash, Model		94MF (See Ford Model 94MF).....	AR-10
		AC-154).....	AR- 5	95MF (See Ford Model 95MF).....	AR-10
		NH5AC (1955 Nash)(See Nash, Model		94MFM (See Ford Model 94MFM).....	AR-10
		AC-154).....	AR- 5	94MI (1959 "R" and "V" Line International	
		OE4FMC (1964 Oldsmobile).....	AR-34	Truck)(See International Model 94MI).....	AR-11
		OE65A (1965 Oldsmobile).....	AR-32	94MS (1959 Thunderbird)(See Ford Model	
		OEATX (1957 Oldsmobile).....	AR- 7	94MS).....	AR-11
		OEAPX (1959 Oldsmobile).....	AR-12	101 (See MoPar Model 101).....	AR-13
		OEAOX (1960 Oldsmobile).....	AR-14	102 (See MoPar Model 102).....	AR-13
		OE61X (1961 Oldsmobile).....	AR-17	104 (See MoPar Model 104).....	AR-13
		OE63 (1963 Oldsmobile).....	AR-22	110 (See MoPar Model 110).....	AR-13
		OE64 (1964 Oldsmobile).....	AR-24	250X.....	AR-20
		OE2A6 (1951-52 Oldsmobile "Super 88"		290T.....	AR-22
		and "98").....	AR- 5	294.....	AR-25
		OE4FM (1964 Oldsmobile).....	AR-26	300X.....	AR-11
		PCATX (1957 Pontiac).....	AR- 7	301X.....	AR- 7
		PCA9X (1959 Pontiac).....	AR-10	302 (See MoPar Model 302).....	AR-13
		PCA60X (1960 Pontiac).....	AR-15	310X (Negative Ground).....	AR-13
		PCA61X (1961 Pontiac).....	AR-17	311X (Positive Ground).....	AR-13
		PCA62 (1962 Pontiac).....	AR-20	320T.....	AR-21
		PCA63 (1963 Pontiac).....	AR-22	323T.....	AR-22
		PCA64 (1964 Pontiac).....	AR-24	324.....	AR-25
		PCA2A6 (1949-52 Pontiac).....	AR- 5	395, 395-12.....	AR- 5
		PC4FM (1964 Pontiac).....	AR-26	396, 396-12.....	AR- 6
		PC4FMC (1964 Pontiac).....	AR-34	397.....	AR- 7
		PC65A (1965 Pontiac).....	AR-32	397X.....	AR- 7
		PD3A6 (1951-53 Packard).....	AR- 5	398X.....	AR- 9
		R200.....	AR-19	403.....	AR- 4
		SR2A6 (1950-52 Studebaker).....	AR- 5	404.....	AR- 5
		SR3A6 (1952 Studebaker).....	AR- 5	406.....	AR-11
		SR52A6 (1950-52 Studebaker).....	AR- 5	412.....	AR- 4
		SR52M6 (1950-52 Studebaker).....	AR- 5	414.....	AR-25
		TM5A.....	AR-33	424.....	AR-25
		TM5M.....	AR-32	500X.....	AR-13
		TM15A.....	AR-32	503.....	AR- 4
		TM295M.....	AR-33	504.....	AR- 5
		TM315M.....	AR-33	506, 506-12.....	AR- 7
		TM415M.....	AR-32	520T.....	AR-21
		TM525A.....	AR-33	524.....	AR-26
		U3MW (Autocar, Diamond T, Reo, White		553.....	AR- 4
		Trucks 891600).....	AR-24	555, 555-12.....	AR- 6
		VWA7 (1953-57 Volkswagen).....	AR- 7	556.....	AR- 6
		VWA8 (1958 Volkswagen).....	AR-12	595, 595-12.....	AR- 6
		VWA80 (1960 Volkswagen).....	AR-13	596, 596-12.....	AR- 6
		VWA63 (1963 Volkswagen).....	AR-22	597X.....	AR- 7
		VWA64 (1958-64 Volkswagen).....	AR-25	601X.....	AR-13
		VWM80 (1960 Volkswagen).....	AR-22	611T (See MoPar Model 610T).....	AR- 4
		VWM63 (1958-63 Volkswagen).....	AR-22	612 (See MoPar Model 609).....	AR- 4
		VWM64 (1958-64 Volkswagen).....	AR-25	624 (See MoPar Model 624).....	AR- 8
		03AR (See American Motors Model		701 (See MoPar Model 701).....	AR-12
		8990811).....	AR-12	829 (See MoPar Model 829).....	AR- 4
		04MA (1960 Rambler)(See American Motors		845 (See MoPar Model 845).....	AR- 8
		Model 8990706).....	AR-11	846 (See MoPar Model 846).....	AR- 8
		04MD, 04MF, 04MFM (See Ford Model		849 (See MoPar Model 849).....	AR- 8
		04MD).....	AR-12	852 (See MoPar Model 852).....	AR- 8
		2AT-1.....	AR-21	853 (See MoPar Model 853).....	AR- 8
		2MT.....	AR-20	854 (See MoPar Model 854).....	AR- 9
		2TMF (See Ford Model 2TMF).....	AR-18	856 (See MoPar Model 856).....	AR-10
		2TMX (See Ford Model 2TMX).....	AR-18	857 (See MoPar Model 857).....	AR-10
		2TMXD (See Renault Model 55555).....	AR-17	860 (See MoPar Model 860).....	AR-12

MOTOROLA (Continued)	Vol.	PENNYS	Vol.	PONTIAC (Continued)	Vol.
861 (See MoPar Model 861).....	AR-12	3104 (984-8227).....	AR-29	984961 (1955).....	AR-5
923 (See MoPar Model 923).....	AR-9	3108 (984-8219)(1958-63 Volkswagen).....	AR-29	988568 (1956)(See Model 984961).....	AR-5
927 (See MoPar Model 927).....	AR-11	3114 (984-1993)(1963 Ford).....	AR-29	988569 (1956).....	AR-6
980886 (1964 Opel Kadett).....	AR-26	3118 (982-0093).....	AR-30	988671 (1957).....	AR-7
<b>Chassis</b>		3120 (982-1992)(1958-63 Volkswagen).....	AR-29	988672 (1957).....	AR-7
R15A6.....	AR-5	3121 (981-4021).....	AR-30	988822 (1958).....	AR-8
R16M6.....	AR-5	3122 (981-4031).....	AR-30	988823 (1958).....	AR-8
R17A6.....	AR-5	3129 (985-6816).....	AR-30	988837 (1958).....	AR-8
<b>NASH (Also see American Motors)</b>		3138 (984-8243).....	AR-29	988976 (1959).....	AR-10
AC-154 (1954-55).....	AR-5	3143 (985-8358).....	AR-29	988977 (1959).....	AR-11
NH3C (1953 Nash Rambler).....	AR-4	3144 (985-8374).....	AR-30	988978 (1959).....	AR-11
NH5AC (1955)(See Model AC-154).....	AR-5	3146 (985-8390).....	AR-30	989614 (1960).....	AR-12
<b>NORDIC</b>		3151 (985-8341).....	AR-30	989615 (1960).....	AR-13
501F55 (1955 Ford).....	AR-5	3160 (985-8408)(1964 Chevelle).....	AR-29	989692 (1961).....	AR-14
<b>NORDMENDE</b>		3161 (985-8416)(1963-64 Chevrolet).....	AR-29	989693 (1961).....	AR-15
Transita-Royal K-C (4/608K-C).....	AR-34	3162 (985-8424)(1963-64 Chevy II).....	AR-29	989792 (1961 Tempest).....	AR-15
<b>OLDSMOBILE</b>		3163 (1964 Comet).....	AR-30	989831 (1961 Tempest).....	AR-15
982029 (1962).....	AR-17	3168 (1964 Ford).....	AR-30	7284742.....	AR-22
982030 (1962).....	AR-18	3169 (1964 Falcon).....	AR-30	7284742A (1966 Pontiac)(Reverb. Unit)...	AR-36
982136 (1963).....	AR-19	3170 (1964 Falcon).....	AR-30	7289752 (1965 Pontiac).....	AR-29
982137 (1963).....	AR-20	3171 (985-8515)(1964 F-85).....	AR-29	7289772 (1965 Pontiac).....	AR-29
982149 (1963 F-85).....	AR-20	3172 (1964 Fairlane).....	AR-30	7291562 (1965 Tempest).....	AR-30
982212 (1963).....	AR-21	3173 (1964 Mercury).....	AR-30	7291582 (1965 Tempest).....	AR-29
982249 (1964).....	AR-25	3174 (985-8549)(1964 Oldsmobile).....	AR-29	7292112 (1965 Tempest).....	AR-29
982250 (1964).....	AR-25	3176 (985-8564)(1963-64 Pontiac).....	AR-29	7293492 (984595)(1966 Pontiac).....	AR-36
982251 (1964).....	AR-25	3179 (985-8275)(1964 Tempest).....	AR-29	7293512 (984596)(1966 Pontiac).....	AR-35
982252 (1964 F-85).....	AR-25	3180 (985-8291)(1964 Chevrolet).....	AR-29	7293632A (1966 Pontiac)(Reverb. Unit)...	AR-36
982990 (1953).....	AR-4	3181 (985-8309)(1960-64 Corvair).....	AR-29	7294322 (1965 Pontiac).....	AR-33
983004 (1953).....	AR-4	3182 (985-8317)(1963-64 Chevy II).....	AR-29	7294332 (984587)(1966 Pontiac).....	AR-37
983090 (1954).....	AR-5			<b>RAMBLER (Also see American Motors)</b>	
983091 (1954).....	AR-5			AF4TMR (1964 Rambler).....	AR-26
983204 (1955).....	AR-5	<b>PHILCO</b>		AF5TMR (1965 Rambler).....	AR-28
983205 (1955).....	AR-5	C-5209 (See MoPar Model 824).....	AR-4	D4TMR (1964 Rambler).....	AR-24
983334 (1956).....	AR-6	C-5409 (See MoPar Model 830).....	AR-4	RA-66PB (1966 Rambler).....	AR-37
983336 (1956).....	AR-6	C-5509 (See MoPar Model 835).....	AR-5	RV5R (1965).....	AR-31
989001 (1957).....	AR-7	C-5595 (See MoPar Model 902).....	AR-5	RV5RY (1965).....	AR-31
989002 (1957).....	AR-7	C-5596 (See MoPar Model 903).....	AR-5	3TBA (1963 Rambler American).....	AR-19
989127 (1958).....	AR-8	C-5609 (See MoPar Model 644).....	AR-6	3TBAM (1963 Rambler American).....	AR-19
989129 (1958).....	AR-8	C-5609HR (See MoPar Model 844HR).....	AR-6	3TBAX (1963 Rambler American).....	AR-19
989131 (1958).....	AR-8	C-5705 (See MoPar Model 847).....	AR-8	3TMR (8991142)(1963).....	AR-25
989170 (1959).....	AR-10	C-5707 (See MoPar Model 920HR).....	AR-8	4TBA (8991321)(1964).....	AR-25
989171 (1959).....	AR-11	C-5709 (See MoPar Model 921HR).....	AR-8	4TBAM (8991320)(1964).....	AR-25
989172 (1959).....	AR-11	C-5809 (See MoPar Model 924HR).....	AR-9	4TMR (1964 Rambler).....	AR-24
989276 (1960).....	AR-13	D-5207 (See MoPar Model 819).....	AR-4	5BA (8991562)(1965 Rambler American) ..	AR-29
989277 (1960).....	AR-12	D-5407 (See MoPar Model 820).....	AR-4	5BAM (8991561)(1965 Rambler American).....	AR-29
989387 (1961 F-85).....	AR-15	P-5206 (See MoPar Model 819).....	AR-4	5TMR (1965 Rambler).....	AR-29
989392 (1961).....	AR-15	P-5506 (See MoPar Model 832).....	AR-5	6SMA (1966 Rambler American).....	AR-35
989393.....	AR-14	P-5606 (See MoPar Model 840).....	AR-6	6SMAM (1966 Rambler American).....	AR-35
7284893.....	AR-22	P-5701 (See MoPar Model 848).....	AR-8	<b>RANGER</b>	
7289313 (1965 Oldsmobile).....	AR-30	P-5703 (See MoPar Model 917HR).....	AR-8	R-500.....	AR-31
7289333 (1965).....	AR-31	P-5801 (See MoPar Model 848).....	AR-8	RR-3M.....	AR-35
7289353 (1965).....	AR-31	P-5803 (See MoPar Model 925).....	AR-9	RR-4PB (5-045).....	AR-36
7289373 (982687)(1966 Oldsmobile F-85) ..	AR-35	P-5901 (See MoPar Model 855).....	AR-11	RU-101-T.....	AR-24
7291063 (1965 F-85).....	AR-30	P-6234.....	AR-20	TC-100M.....	AR-23
7292643 (1966 Toronado).....	AR-37	S-5323 (See Studebaker Model AC-2301).....	AR-4	TC-100-M.....	AR-32
7294743 (982688) (1966 Oldsmobile).....	AR-37	S-5327 (See Studebaker Model AC-2300).....	AR-4	TC-100-MD.....	AR-32
7294753 (982689)(1966 Oldsmobile).....	AR-36	S-5524 (See Studebaker Model AC-2301).....	AR-4	TC-200PB.....	AR-23
7297564 (1966 Oldsmobile)(Reverb. Unit) ..	AR-36	S-5528 (See Studebaker Model AC-2300).....	AR-4	TC-200-PB.....	AR-23
		TAR-58 (See MoPar Model 700).....	AR-8	TC-300M (1964 Volkswagen).....	AR-23
		94PM (See Mercury Model 94PM).....	AR-12	TC-300M, MD (1965 Prod.)(Similar to Page 144).....	AR-23
		929 (See MoPar Model 929).....	AR-11	TC-300M (5-041).....	AR-36
				TC-400PB (1964 Volkswagen).....	AR-23
				TC-400PB (1965 Prod.)(Similar to page 144).....	AR-23
				TRM-64M.....	AR-23
				VW-64PB (1964 Volkswagen).....	AR-23
<b>OPEL-REKORD</b>				<b>REALISTIC</b>	
980886 (1964 Kadett).....	AR-26			90LK697.....	AR-16
981946 (1958).....	AR-14			<b>REGAL</b>	
981981 (1959-60).....	AR-14			CR-871.....	AR-4
<b>PACKARD</b>				<b>RENAULT</b>	
AC-2906 (1958).....	AR-8			55555 (2TMKD).....	AR-17
AC-2907 (1958).....	AR-8			55556 (3TMKD)(1963).....	AR-21
439338, 439339 (1953 Series 26).....	AR-4				
439663 (1954)(See Model 439338).....	AR-4				
439666 (1954)(See Model 439338).....	AR-4				
472046 (1955).....	AR-5				
472047, 472048 (1955).....	AR-5				
480487 (1956 Packard Clipper).....	AR-6				
484649 (1957).....	AR-7				
484652 (1957)(See Model 7267427).....	AR-6				
7267427 (480487)(1956 Packard Clipper).....	AR-6				



TENNA	Vol.
AM-63M/PB (1960-63 Rambler) .....	AR-26
AM-64PB (1964 American) .....	AR-23
AM-66PB (1966 Rambler American) .....	AR-36
BU-63PB (1963 Buick) .....	AR-26
BU-64PB (1963-64 Buick) .....	AR-23
BU-66PB (1966 Buick) .....	AR-37
CH-63M/PB (1963 Chevrolet) .....	AR-26
CH-64M (See page 138)(1963-64 Chevrolet) .....	AR-23
CH-64PB/RS (1963-64 Chevrolet) .....	AR-23
CH-65M (1965 Chevrolet) .....	AR-34
CH-65PB (1965 Chevrolet) .....	AR-34
CH-66M/PB (1968 Chevrolet) .....	AR-37
CHT-63M (1963 Chevrolet Truck) .....	AR-26
CHT-64M (See page 138)(1964 Chevrolet Truck) .....	AR-23
CHT-65M (1965 Chevrolet Truck) .....	AR-35
CHT-65PB (1965 Chevrolet Truck) .....	AR-35
CHT-66M/PB (1966 Chevrolet Truck) .....	AR-37
CL-64PB (1964 Chevelle) .....	AR-23
CL-65PB (1965 Chevelle) .....	AR-35
CL-66PB (1966 Chevelle) .....	AR-37
CM-63PB (1963 Comet) .....	AR-26
CM-64PB (1964 Comet) .....	AR-23
CM-65-PB (1965 Comet) .....	AR-31
CM-66PB (1966 Comet) .....	AR-36
CO-63M/PB (1960-63 Corvair) .....	AR-26
CO-64PB (1960-64 Corvair) .....	AR-23
CO-65PB (1965 Corvair) .....	AR-34
CO-66PB (1966 Corvair) .....	AR-37
CR-63PB (1963 Chrysler) .....	AR-28
CR-64PB (1963-64 Chrysler) .....	AR-23
CR-65PB (1965 Chrysler) .....	AR-34
CR-66PB (1966 Chrysler) .....	AR-36
CIU-63M/PB (1962-63 Chevy II) .....	AR-26
CIU-64PB (1962-64 Chevy II) .....	AR-23
CIU-65M (1965 Chevy II) .....	AR-35
CIU-65PB (1965 Chevy II) .....	AR-35
CIU-66PB (1966 Chevy II) .....	AR-37
DA-63PB (1963 Dodge Dart) .....	AR-26
DA-64PB (1964 Dodge Dart) .....	AR-23
DA-65PB (1965 Dart) .....	AR-34
DA-66PB (1966 Dart) .....	AR-36
DD-65PB (1965 Dodge) .....	AR-34
DD-66PB (1966 Polara, Monaco) .....	AR-36
DE-66PB (1966 Dodge) .....	AR-36
DO-63PB (1963 Dodge) .....	AR-26
DO-64PB (1964 Dodge) .....	AR-23
DO-65PB (1965 Dodge) .....	AR-34
DO-66PB (1966 Dodge) .....	AR-36
DT-85M (1965 Dodge Truck) .....	AR-34
EC-65M (1965 Econoline Truck) .....	AR-35
EC-66M (1966 Econoline) .....	AR-36
FA-63M/PB (1960-63 Falcon) .....	AR-26
FA-64M/PB (1964 Falcon) .....	AR-23
FA-65PB (1965 Falcon) .....	AR-35
FA-66PB (1966 Falcon) .....	AR-36
FL-63M/PB (1962-63 Fairlane) .....	AR-26
FL-64PB (1964 Fairlane) .....	AR-23
FL-65PB (1965 Fairlane 500) .....	AR-35
FL-66PB (1966 Fairlane) .....	AR-36
FO-63M/PB (1963 Ford) .....	AR-26
FO-64M (See page 136)(1963-64 Ford) .....	AR-23
FO-64PB (1964 Ford) .....	AR-23
FO-65PB (1965 Ford) .....	AR-35
FO-65PB/RS (1965 Ford) .....	AR-35
FO-66PB (1966 Ford) .....	AR-36
FO-66PB/RS (1966 Ford) .....	AR-36
FT-65M (1965 Ford) .....	AR-36
FT-66M (1966 Ford) .....	AR-36
IM-65-M .....	AR-32
IM-65-PB .....	AR-32
ME-63PB (1963 Mercury) .....	AR-26
ME-64PB (1963-64 Mercury) .....	AR-23
ME-65PB (1965 Mercury) .....	AR-35
ME-66PB (1966 Mercury) .....	AR-36
MR-63PB (1962-63 Meteor) .....	AR-26
MU-66PB (1965/66 Mustang) .....	AR-36
OF-64PB (1964 F-85) .....	AR-23
OF-63PB (1961-63 F-85) .....	AR-26
OF-65PB (1965 Oldsmobile) .....	AR-35
OF-66PB (1966 F-85) .....	AR-37
OL-63PB (1963 Oldsmobile) .....	AR-26
OL-64PB (1963-64 Oldsmobile) .....	AR-23
OL-65PB (1965 Oldsmobile) .....	AR-34
OL-66PB (1966 Oldsmobile) .....	AR-37
PD-65PB (1965 Fury) .....	AR-34
PD-66PB (1966 Fury) .....	AR-36
PL-63PB (1962-63 Plymouth) .....	AR-26
PL-64PB (1964 Plymouth) .....	AR-23
PL-65PB (1965 Plymouth) .....	AR-34
PL-66PB (1966 Plymouth) .....	AR-36
PO-63PB (1963 Pontiac) .....	AR-28
PO-64PB (1963-64 Pontiac) .....	AR-23
PO-65PB (1965 Pontiac) .....	AR-35
PO-65PB/A (1965 Pontiac W/Air Conditioning) .....	AR-35
RA-63PB (1963 Rambler) .....	AR-28
RA-64PB (1964 Rambler) .....	AR-23
RA-65-PB (1965 Rambler) .....	AR-32

TENNA (Continued)	Vol.
RU-101-T .....	AR-24
SP-63PB (1963 Buick Special) .....	AR-26
SP-66PB (1966 Buick Special) .....	AR-37
TC-100M .....	AR-23
TC-110-M .....	AR-32
TC-110-MD .....	AR-32
TC-200PB .....	AR-23
TC-210-PB .....	AR-32
TC-300M (1964 Volkswagen) .....	AR-23
TC-300M (5-041)(1965 Prod.) .....	AR-38
TC-300MD (5-072) .....	AR-36
TC-310M/MD .....	AR-35
TC-400PB (1964 Volkswagen) .....	AR-23
TC-400PB (5-045)(1985 Prod.) .....	AR-36
TC-410PB (Similar to page 144) .....	AR-23
TC-410PB (5-045) .....	AR-38
TE-63PB (1963 Pontiac Tempest) .....	AR-26
TE-64PB (1964 Tempest) .....	AR-23
TE-65-PB (1965 Pontiac Tempest) .....	AR-31
TE-66PB (1966 Pontiac) .....	AR-37
TRM-64M .....	AR-23
VA-63PB (1961-63 Valiant) .....	AR-26
VA-64PB (1964 Valiant) .....	AR-23
VA-65PB (1965 Valiant) .....	AR-34
VA-66PB (1966 Valiant) .....	AR-36
VW-64PB (1964 Volkswagen) .....	AR-23
VW-65PB (1965 Volkswagen) .....	AR-35
VW-65PB/15 (1965 Volkswagen) .....	AR-35
VW-66PB (1966 Volkswagen) .....	AR-38
170-64PB(See page 136)(1964 Dart) .....	AR-23
880-63PB (1962-63 Dodge 880) .....	AR-26
880-64PB (1963-64 Dodge 880) .....	AR-23

TITAN	
FMC-4 .....	AR-27
SP-22 .....	AR-28
TMA-39 .....	AR-28
TMA-40 .....	AR-28
TPB-60 .....	AR-28

TOKAI	
CR-105 .....	AR-33
MR-65 .....	AR-34

TRIUMPH	
R2BT4 (0-01000)(1962) .....	AR-19
4TBTR (V-350) .....	AR-26
5BTR (V-350)(1965 Triumph) .....	AR-33
5BTRP (V-350DP)(1965 Triumph) .....	AR-33
5SMTR (V-350)(1965 Triumph) .....	AR-34

TRUETONE	
D4118, B .....	AR-4
D4320 .....	AR-4
D4320B .....	AR-4
D4321, A .....	AR-4
D4425B .....	AR-5
D4426A .....	AR-5
D4623A .....	AR-7
D4624A .....	AR-7
D4625A .....	AR-7
D4626A .....	AR-7
D4626A .....	AR-7
DC4200 .....	AR-18
DC4203 .....	AR-26
DC4203B .....	AR-31
DC4203C .....	AR-35
DC4205B .....	AR-18
DC4206B .....	AR-18
DC4208 .....	AR-23

VALIANT (See MoPar)	
---------------------	--

VAUXHALL	
988946 (1958) .....	AR-10

VISTA	
875 .....	AR-36

VOLKSWAGEN	
R2BT (1962 Transporter) .....	AR-18
R2BV (1962 Sedan) .....	AR-18
OBG .....	AR-13
OBT (1960 Transporter) .....	AR-13
OBV (1960 Sedan) .....	AR-13
1BG (1961) .....	AR-16
1BT (1961 Transporter) .....	AR-16
1BV (1961 Sedan) .....	AR-16
2BG (R2BG) .....	AR-18
2BT (1962 Transporter) .....	AR-18

VOLKSWAGEN (Continued)	Vol.
2BV (1982 Sedan) .....	AR-18
2FMBG (1962 Karmann Ghia) .....	AR-22
2FMBT (1962 Transporter) .....	AR-22
2FMBV (1962 Sedan) .....	AR-22
3TBV (1963 Sedan) .....	AR-20
3TBVG .....	AR-20
3TBVT (1963 Transporter) .....	AR-20
4FMBG (1964 Karmann Ghia) .....	AR-27
4FMBT (1964 Transporter) .....	AR-27
4FMBV (1964 Sedan) .....	AR-27
4TBV (1964 Sedan) .....	AR-27
4TBVG (1964 Karmann Ghia) .....	AR-27
4TBVT (1964 Transporter) .....	AR-27
4TMVG (1964 Karmann Ghia) .....	AR-26
4TMVG (1964 Karmann Ghia)(Serial #50, 001 and Higher) .....	AR-29
4TMVT (1964 Transporter) .....	AR-26
4TMVT (1964 Transporter)(Serial #50, 001 and Higher) .....	AR-29
4TMVW (1964 Sedan) .....	AR-26
4TMVW (1964 Sedan)(Serial #50, 001 and Higher) .....	AR-29
5FMBG (1965 Karmann Ghia) .....	AR-30
5FMBT (1965 Volkswagen Transporter) .....	AR-30
5FMBV (1965 Volkswagen Sedan) .....	AR-30
6BVG (1966 Karmann Ghia) .....	AR-37
6BVT (1966 Transporter) .....	AR-37
6BVV (1966 Sedan) .....	AR-37
6BV3 (1966 Type 3 Vehicles) .....	AR-37

VOLVO	
3BN (1963) .....	AR-20
4TBN (279958/959/3061)(1964 Volvo) .....	AR-23

VOXMOBILE	
TR-241 .....	AR-27

VOXSON	
Vanguard 736 .....	AR-15

WHITE	
W-6234 (Truck) .....	AR-20

WILLYS	
3TBW (1963 Jeep) .....	AR-22
12BW .....	AR-16
815395 .....	AR-9







HOWARD W. SAMS

# PHOTOFACT® SPECIALIZED SERIES

## TAPE RECORDER SERIES



Complete PHOTOFACT® coverage of all important, late-model Tape Recorders now in easy-to-use volumes. Regular price, \$4.95 per volume—only \$4.65 when purchased on a Standing Order Subscription! Sign up and save 30¢ per volume!

## CB RADIO SERIES



Two to three volumes issued yearly for complete PHOTOFACT® coverage of all popular CB Radio models. Regular price, \$2.95 per volume—only \$2.65 when purchased on a Standing Order Subscription! Sign up and save 30¢ per volume!

## TRANSISTOR RADIO SERIES



Twelve to fifteen volumes issued each year provide complete PHOTOFACT® coverage of Transistor Radios. Each volume covers 40 to 50 popular late models. Regular price per volume, \$2.95—only \$2.65 when purchased on a Standing Order Subscription! Sign up and save 30¢ per volume!



**HOWARD W. SAMS & CO., INC.**

**PHOTOFACT® SPECIALIZED SERIES**

are available from your local parts distributor

\$2.95  
\$3.75 IN CANADA  
AR-37