

ELEKTOR **ELECTRONICS** **USA**

THE INTERNATIONAL JOURNAL
FOR RECREATIONAL ELECTRONICS

JANUARY 1992

\$3.00 US
CANADA \$4.00

Build a compact-disk player

Mini Z80 System

NE602 Primer

Cochlear Implants

PC Connectors Wall Chart

Master Product List of 1991



NOW THAT YOU'VE SEEN OUR NEWEST TREASURE . . .

WHY NOT HAVE A LOOK AT THE REST?

GLASS AUDIO

The newest publication from the folks who bring you *Audio Amateur* and *Speaker Builder*

Glass Audio features the best vacuum tube designs for audio reproduction—past and contemporary. The new designs take advantage of improved components and control techniques that make the end results far superior to anything possible during the early days of audio's rebirth after World War II.

That's why tubes are having such a renaissance of interest as a perfectionist approach to good sound. And that's why tubes are reappearing in original equipment, in high end consumer and professional audio systems.

Published quarterly, *Glass Audio* will inform you about new innovations in the field and about parts sources. We'll also include modification projects, reviews of technical basics and regular columns such as Tube Troubles, Tube Tips and much more.

Subscribe today!



Audio Amateur

THE JOURNAL FOR AUDIOPHILE CRAFTS

The innovative, independent audiophile journal for the thoughtful and capable music lover

Audio Amateur's articles deal with how audio equipment works, as well as how to build or modify it. Construction and modification articles are plentiful, supplying all needed parts, performance and assembly details. Exceptionally high quality designs.

Audio Amateur offers a number of features in each issue that abound with useful ideas. The *Letters* column is an open forum for problem solving and information interchange; *Classic Circuitry* reprints schematics of state-of-the-art gear—old and new; *Audio Aids* relates readers' experience with simple modifications to equipment and construction techniques. We also feature many useful and practical hi-fi accessories you can build to further your audio enjoyment.

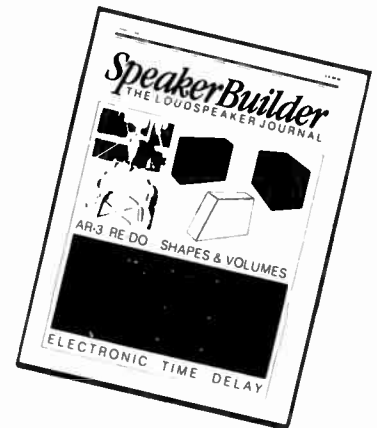
For a small investment you can make your music system sound better—very probably a lot better.

Speaker Builder

THE LOUDSPEAKER JOURNAL

The magazine that finally deals seriously with the art and craft of speaker building

The *Art* of building a speaker is to optimize that mixture of design and engineering to balance all the parameters for the most beautiful sound possible. The *Craft* is knowing how and why. *Speaker Builder* gives you knowledge—from driver parameters and crossovers to woodworking—to develop and refine your techniques, and to get the most out of your system.



Speaker Builder helps you explore new designs with how-to construction articles, and can show you how to modify your old speakers and make them sound better than ever. Learn from our writers who turn abstract theory into practical approaches, and from the experience of other readers who have been down the road before you. *Speaker Builder* is the best investment you can make in your system—six issues per year filled with stimulating and exciting ideas.

GLASS AUDIO

- Two years, (8 issues)
- One year, (4 issues)

Canada add \$4 per year postage

\$35
\$20

AUDIO AMATEUR

- Two years, (8 issues)
- One year, (4 issues)

Canada add \$4 per year postage

\$35
\$20

SPEAKER BUILDER

- Two years, (12 issues)
- One year, (6 issues)

Canada add \$6 per year postage

\$45
\$25

NAME _____

STREET & NO _____

CITY _____

STATE _____

ZIP _____

MC OR VISA NUMBER _____

EXPIRE _____

AUDIO AMATEUR PUBLICATIONS

PO Box 576, Dept. E92, Peterborough, NH 03458-0576 • (603) 924-9464 • FAX: (603) 924-9467

Answering machine for credit card orders only: before 9:00 a.m., after 4:00 p.m. and weekends. Have all information plus MC/VISA available.

Front cover

Building a record player, cassette or tape recorder, or compact-disk player, is often hampered by the mechanical construction and the availability of certain parts, particularly the deck. In the past, manufacturers have generally tended to be reluctant to make tape or CD decks available to the retail trade, but Philips has recently decided to break away from this policy. A kit, containing its CDM-4 deck and associated mother board, can now be obtained from certain retailers at an affordable price.

We regret that owing to circumstances beyond our control, the article 'PWM temperature controller' has had to be held over till the February issue.

In next month's issue:

Among others:

- Improving portable radio performance
- I2C interface for PCs
- Mini square-wave generator
- RAM extension for mini Z80 system
- Audio/video switching unit
- PWM temperature controller
- Why lithium cells?
- Direct digital synthesis - DDS

ELEKTOR ELECTRONICS USA (US ISSN 1051-5690) is published monthly except August at \$28 per year; \$50 for two years by Audio Amateur Publications, Inc., 305 Union St, Peterborough NH 03458 USA. Second class postage paid at Peterborough NH and an additional mailing office.

POSTMASTER: Send address changes to Elektor Electronics USA, Caller Box 876, Peterborough NH 03458-0876.

A PC CONNECTORS WALL CHART, pp. 35, 36
GUEST EDITORIAL

- 11 **Off Our Duffs**
by Joseph J. Carr

AUDIO & HI-FI

- 36 **PROJECT: Build a Compact Disk Player**
by T. Giffard

COMPUTERS & MICROPROCESSORS

- 14 **PROJECT: Mini Z80 System**
by A. Rigby
56 **PROJECT: Prototyping Board for IBM PCs**
by A. Rigby

DESIGN IDEAS

- 54 **Exploring Negative Resistance: The Lambda Diode**
by Samuel Dick

GENERAL INTEREST

- 26 **PROJECT: Computer-controlled Weather Station, Part 3: Windspeed and Direction Meter**
by J. Ruffell

RADIO, TELEVISION & COMMUNICATIONS

- 20 **NE602 Primer**
by Joseph J. Carr
48 **PROJECT: A Direct Conversion Radio**
by David J. Silvester, G4TJG
60 **PROJECT: Universal RC5-code Infra-red Receiver**
by A. Rigby

SCIENCE & TECHNOLOGY

- 46 **Cochlear Implants**
by Douglas Clarkson

TEST & MEASUREMENT

- 31 **PROJECT: Fast, Precise Thermometer**
by J. Ruffell
42 **PROJECT: Low Frequency Counter**
by F. Hueber

MISCELLANEOUS INFORMATION

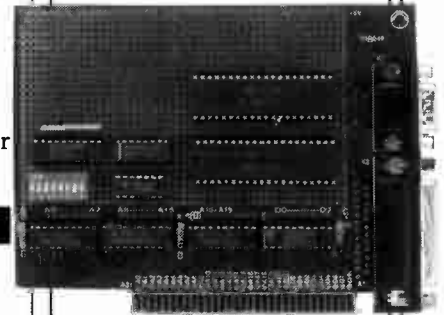
Master Product List 8, 9; Electronics Scene 12, 13, 35; Letters 65; New Books 66; Advertiser's Index 68; Classifieds 68; Readers' Services 69; Terms of Business 70.



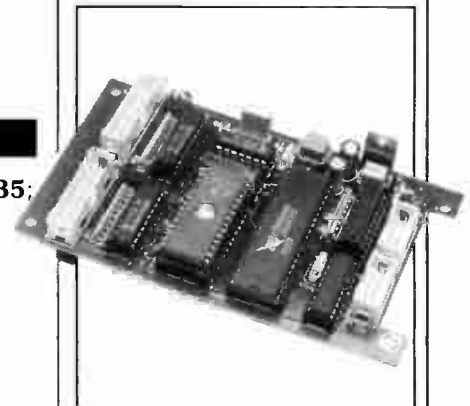
Computer-controlled weather station - Part 3 - windspeed and direction meter - p. 26



Fast, precise thermometer, p. 31



Prototyping board for IBM PCs, p. 56



Mini Z80 system - p. 14

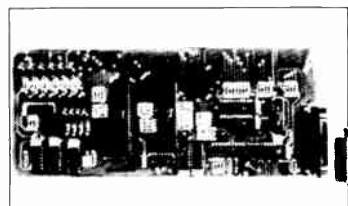


IBM PC SERVICE CARD

This card was developed for assistance in the field of service, development and test. The card is used as a bus-extension to reach the measurement points very easy. It is also possible to change cards without having a "hanging computer".

Ready Assembled Module

\$145

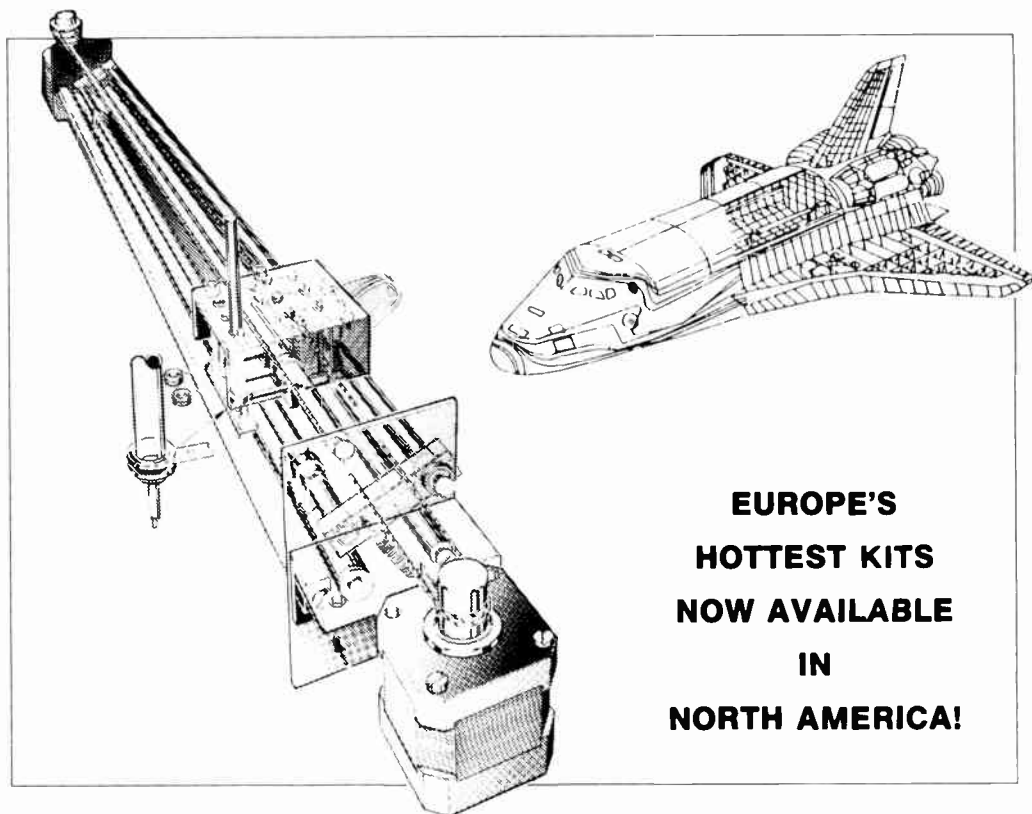


IC TESTER FOR IBM-PC-XT/AT

With the ELV IC tester logic function tests can be carried out on nearly all CMOS and TTL standard components, accommodated in DIL packages up to 20 pin. The tester is designed as an insertion card for IBM-PC-XT/AT and compatibles. A small ZIF test socket PCB is connected via a flat band cable. Over 500 standard components can be tested using the accompanying comprehensive test software. Complete Kit including Textool socket, connectors, sockets, Flat band cable, PCB, Software.

Ready Assembled Module

\$200



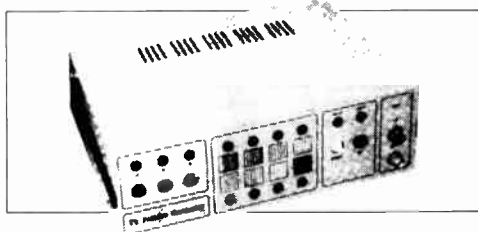
**EUROPE'S
HOTTEST KITS
NOW AVAILABLE
IN
NORTH AMERICA!**

PLOTTER MARK-II

completely reworked version: see Elektor Electronics March 1990.

- Max. width 50 cm.
- All mechanical parts supplied ready-drilled, filed and tapped, so get going at once.
- Complete kit, including 2 stepper motors, 3 pen lift solenoids, HPGL software on disk (IBM), stepper motor control board

100.100 **\$275**



COLOUR TEST PATTERN GENERATOR

A PAL-compatible colour video source that supplies a number of test patterns for aligning television sets.

A test pattern generator is virtually indispensable for troubleshooting in television sets because it supplies a video signal that is known to be stable, and thus easily displayed and synchronized on an oscilloscope.

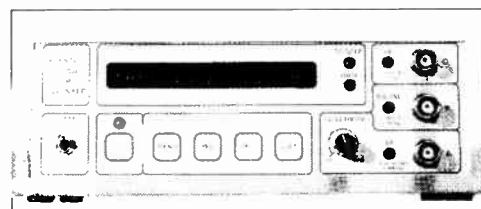
Inc. case and front

100.111 **\$175**



ELEKTOR P.C. i/o card

• 220.007 **\$175**



MICROPROCESSOR-CONTROLLED FREQUENCY METER

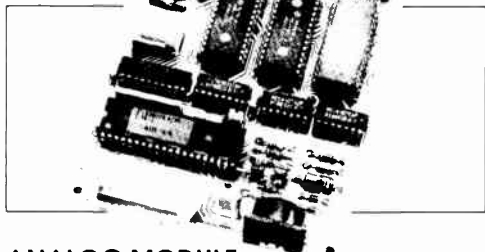
A professional grade multi-purpose frequency meter, designed by Elektor Electronics, that can be built by many at affordable cost. Described in Elektor Electronics December 1984, January & February 1985. U665B-based prescaler.

- Frequency meter: 0.01 Hz to 1.2 Ghz.
- Pulse duration meter: 0.1 to 100 s.
- Pulse counter: 0 to 10⁹ pulses
- Period meter: 10 ns to 100 ns
- Sensitivity: Input A: 10 mV_{rms} (Z_{in} = 2 MΩ); Input B: TTL or CMOS compatible (Z_{in} = 25 kΩ); Input C: prescaler input: 10 mV_{rms} (Z_{in} = 50 Ω).
- Auto-ranging and completely menu-driven.
- 6 or 7 digit accuracy.

Kit includes power supply, prescaler and enclosure.....100.112 **\$300**

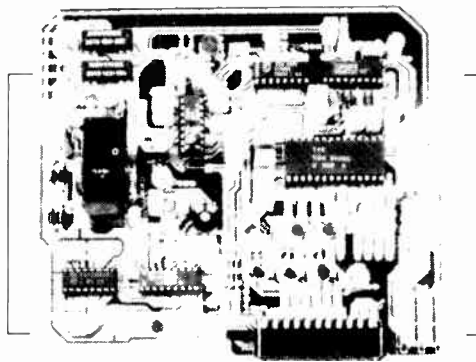
BASIC COMPUTER
With Intel 8052AH-BASIC

100.117
\$160



- ANALOG MODULE**
eps 880162 100.113 **\$80**
- DIGITAL MODULE**
eps 880163 100.114 **\$55**
- ADRESDECODER**
eps 880159 100.115 **\$45**

S-VHS/CVBS-TO-RGB CONVERTER



Following last month's introduction into the main characteristics of the Super-VHS system, we close off the article with details of a practical converter circuit that allows an S-VHS-VRC or camcorder to be connected to the RGB inputs of a colour TV or monitor. The circuit presented here forms a state-of-the-art approach to all-analogue picture standard conversion, and is based on the latest in IC technology available for this purpose.

220.039 **\$150**

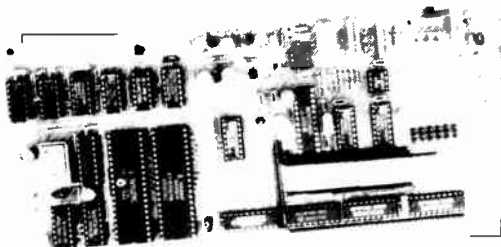


THE HAGUE HOLLAND

AVAILABLE FROM:
OLD COLONY SOUND LAB

PO Box 243, Dept E92
Peterborough, NH 03458 USA
24-Hour Lines:
Tel. (603) 924-6371 FAX (603) 924-9467

- Check, money order, MC/VISA accepted.
- Please allow 6-8 weeks for delivery.
- **SHIPPING:** Airmail shipping to USA included in price. Others: Please inquire.
- **CUSTOMS:** USA residents may be required to pay 5-10% customs duty. Others may vary.



MULTIFUNCTION MEASUREMENT CARDS FOR PCs

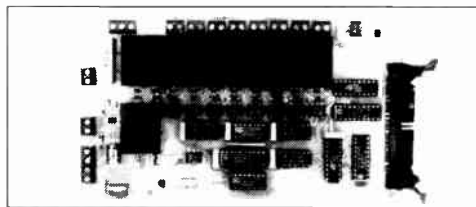
The high-performance insertion card described in this article allows your IBM PC-XT, PC-AT or 100% compatible to measure direct voltage at 12-bit accuracy, as well as frequency and a host of other parameters related to pulse-shaped signals. The accuracy and versatility afforded by the card are of a level associated with much more expensive, industrially rated products. The menu-driven control software developed for this exciting project allows you to keep tabs on up to eight voltages quasi-simultaneously, while up to eight remaining inputs can be used for time-related measurements including frequency, duty factor and pulse duration, not forgetting the event counter. Connected to the sensors and timing devices of your choice, this card turns a PC into a powerful central controller in a complex measurement and control system.

220.040 **\$225**

SPECIAL PARTS SERVICE

We are the no. 1 suppliers of hard-to-find components for Elektor Electronics projects. Always contact us first if you see an unfamiliar component. Items include analogue & digital ICs (HCT, SMD), precision resistors (1%, 0.1%), capacitors (MKT/styroflex), inductors (Neosid, Toko), transducers, enclosures (Telet, OKW) and quartz crystals.

FOR FURTHER INFORMATION,
PLEASE SEND A BUSINESS-SIZE
SASE TO OLD COLONY SOUND LAB
(ADDRESS ABOVE), ATTN: MEEK IT.



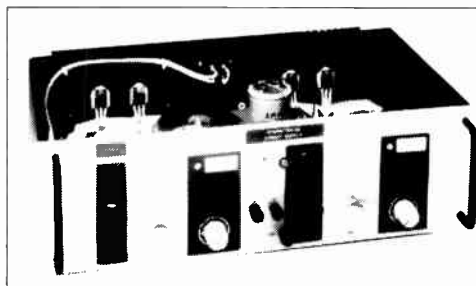
MICROPROCESSOR-CONTROLLED TELEPHONE EXCHANGE

The telephone exchange presented here allows up to eight pulse-dialling telephone sets to be connected, and has an option for connecting calls to or from an external (trunk) telephone line. The unit is controlled by the popular 8052-based BASIC computer we introduced a few years ago.

220.057 **\$190**

MAIN FEATURES

- 8 internal lines
- 1 external line
- memory for 10 numbers
- internal through connections
- versatile computer control
- automatic hold for external line
- simple-to-extend
- can be interfaced to a PC
- selective external call acceptance
- shortcut dial codes for external number
- works with pulse-dialling telephone sets
- one optional relay for extra switching function



400-WATT LABORATORY POWER SUPPLY

Here is an all-purpose d.c. power supply for symmetrical as well as asymmetrical use, and capable of supplying high output currents and voltages. An all-analogue design based on discrete parts only, this 400-watt PSU deserves a prominent place on your work bench.

ex. case 220.036 **\$525**

MAIN SPECIFICATIONS

- **Mode: Single**
 - one adjustable power supply with current and voltage controls
 - Output 0 - 40 V at 0 - 5 A
- **Mode: independent**
 - two identical, electrically separated, power supplies
 - Outputs 2 x 0 - 40 V at 2 x 0 - 5 A
- **Mode: Tracking**
 - two identical, series connected, power supplies
 - Outputs 0 - 40 V at 0 - 5 A
 - 0 - 80 V at 0 - 5 A
 - Voltage and current of slave follow master
- **Mode: parallel**
 - two identical, parallel connected, power supplies
 - Outputs 0.6 - 39.4 V at 0 - 10 A
- **Maximum output voltage:**
 - 0 - 40 V (at full load)
 - 48 V (no load)
- **Maximum output current:** 5 A
- **Ripple:**
 - 10 mV (no load)
 - 50 mV (at full load)
- **Voltage difference in tracking mode:** 50 mV

ELEKTOR ELECTRONICS USA

Subscriber Services

Complete the applicable
section(s) below and
mail to:
Elektor Electronics USA
PO Box 876
Peterborough, NH
03458-0876



WOULD YOU LIKE TO . . . SUBSCRIBE?

YES! Just check the appropriate boxes in the
"renew" section and fill in name and address.

RENEW?

Fill in the appropriate sections below. For
faster service use your mailing label and
subscriber number.

- 1 year at \$28 Check/MO enclosed
 2 years at \$50 Charge MC/VISA

Canada add \$8 per year postage.
Remit in US \$ only.

SUBSCRIBER NUMBER

NAME

STREET & NO

CITY

ST

ZIP

MC/VISA

EXP.

CHANGE YOUR ADDRESS?

Fill in your new address to the
right and old address and subscriber
number above.



MY NEW ADDRESS:

NAME

STREET & NO

CITY

ST

ZIP

GIVE A GIFT?

What a thoughtful idea! Fill out your name and
address above, the recipient's name and address
to the right. We'll even send a gift card
announcing your gift.



NAME

STREET & NO

CITY

ST

ZIP

TELL YOUR FRIENDS ABOUT US?

Print their names and addresses below or photocopy this form for them.
We'll take care of the rest.

NAME

NAME

STREET & NO

STREET & NO

CITY

ST

ZIP

CITY

ST

ZIP

COMPLAIN ABOUT YOUR SUBSCRIPTION?

Yes, it sometimes happens. We try to avoid it at
all costs, but if you have a problem, we want to
know. Call or write with all pertinent information.



YOU CAN CALL US

(603) 924-9464

Subscription Department
9-4 Business Days

Answering Machine

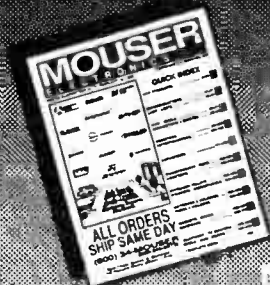
All Other Hours

FAX: (603) 924-9467

24 Hours

36,284 ELECTRONIC COMPONENTS

Whether you order 1 part or all 36,284...MOUSER stocks and...can ship today!!
MOUSER also makes it easy to do business.



CALL...
(800) 992-9943
for your
FREE CATALOG
2401 Hwy 287 N.
Mansfield, TX 76063

MOUSER ELECTRONICS
Sales & Stocking Locations Nationwide

Cross-Assemblers from \$50.00

Simulators from \$100.00

Cross-Disassemblers from \$100.00

Developer Packages
from \$200.00 (a \$50.00 Savings)

Make Programming Easy

Our Macro Cross-assemblers are easy to use. With powerful conditional assembly and unlimited include files.

Get It Debugged--FAST

Don't wait until the hardware is finished. Debug your software with our Simulators.

Recover Lost Source!

Our line of disassemblers can help you re-create the original assembly language source.

Thousands Of Satisfied Customers

Worldwide

PseudoCorp has been providing quality solutions for microprocessor problems since 1985.

Processors

Intel 8048	RCA 1802.05	Intel 8051	Intel 8096,196kc
Motorola 6800	Motorola 6801	Motorola 68HC11	Motorola 6805
Hitachi 6301	Motorola 6809	MOS Tech 6502	WDC 65C02
Rockwell 65C02	Intel 8080,85	Zilog Z80	NSC 800
Hitachi HD64180	Mot. 68K,8,10	Zilog Z8	Zilog Super 8

• All products require an IBM PC or compatible.

For Information Or To Order Call:

PseudoCorp

716 Thimble Shoals Blvd, Suite E
Newport News, VA 23606


(804) 873-1947

FAX:(804)873-2154

BATTERIES

REPLACEMENT BATTERIES (ALL NEW—MADE IN USA)

ICOM

7S 13.2v 1200 mah	\$54.00
8S 9.6v 1200 mah	\$52.00
BP7 13.2v 600 mah	\$59.00
BP8 8.4v 1200 mah	\$59.00
SA/SAT	
BP82, BP83	
BP83A 7.2v 750 mah	
BP84 7.2v 1000 mah 3"	\$40.00
BP85A 9.6v 600 mah 3"	\$69.00
BP85B 12v 600 mah 3"	\$69.00

KENWOOD



PB1 12v 1000 mah	\$59.00
KNB4 7.2v 2200 mah	\$59.00
PB6 7.2v 750 mah	\$46.00
PB7 7.2v 1500 mah	\$55.00
PB8 12v 800 mah	\$49.00

MOTOROLA

HT300 7.2v 1600 mah	\$45.00
HT90 12v 600 mah	\$34.00
HT440 12v 600 mah	\$39.00
MT500 15v 500 mah	\$39.00

RADIUS

P-10 500 mah	\$28.00
--------------	---------

SABER

7.2v 1100 mah	\$59.00
---------------	---------

NEW

ALINCO


10N 7.2v 700 mah	\$32.00
12N 12v 700 mah	\$47.00

YAESU

FNB4 12v 750 mah 4"	\$41.00
FNB4A 12v 1000 mah 4"	\$55.00*
FNB3A 9.6v 1200 mah 4"	\$45.00

*BASE CHARGE ONLY

YAESU

FNB-2 v 500 mah	
FNB-2 v 600 mah	
FNB-4A 12V 1000mah	\$55.00
FNB-17 7.2V 600mah	\$30.00
FNB-10S 7.2v 1000 mah	\$42.00
	
FNB-12S 12v 600 mah	\$45.00
290 charger	\$65.00
(For FNB 17,10S, 12S)	

SPECIALS

ICOM

AA Holder 8 NiCad or ALK AA	\$19.00
Side, top or base charge with 8AA Sa-ryo 600 NiCads	\$25.00

YAESU

FNB-2 10.8V 600 mah	\$19.00
---------------------	---------

SANYO

AA 600 mah	\$ 1.35
------------	---------

INSERTS

CALL FOR LOWEST PRICES

ALINCO 10N, 12N
AZDEN 3000, 4000
ICOM BP-2, 3, 5, 7, 8, 7S, 8S
KENWOOD PB-21, 21H, 25, 26
REGENCY MT1000, HX1200
SANTEC 142, 144
STANDARD BP-1
TEMPO S-1, 2, 4, 5, BP-15, S-15
TEN TEC 2991, 2591
UNIDEN (BEARCAT)

CAMCORDER

JVC

PANASONIC

PVBP80/88 12v 2.3 amps*	\$36.00
-------------------------	---------

RCA/HITACHI

Full size VHS-C

SONY

NP22	
NP55/77 2400 mah	\$39.00

ALL BRANDS AVAILABLE

*original Panasonic

* ALL BATTERY PACKS—GUARANTEED TO HAVE THE ADVERTISED CAPACITY

SEND FOR
FREE CATALOG

DEALER INQUIRIES
WELCOME

BATTERY-TECH, INC.

28-25 215 PLACE, BAYSIDE, N.Y. 11360 FAX 718-461-1978

800-442-4275 — N.Y.S. 718-631-4275



VISA



MASTER CARD



DISCOVER

1992 MASTER PRODUCT LIST

ELEKTOR ELECTRONICS USA

A number of the projects (through December 1991) carried in the British *Elektor Electronics* and in *Elektor Electronics USA* are supported by ready-made printed circuit boards (PCBs), self-adhesive front panel foils, ROMs, EPROMs, PALs, microcontrollers and diskettes, which may be ordered from Old Colony Sound Lab through our Readers Services using the order form printed every month on the Readers Services page. Items not listed here or on this month's Readers Services page are not available.

Old Colony is happy to accept orders by mail, or by phone or FAX 24 hours/day. Customers may use check or money order (US funds drawn on a US bank) or Mastercard/VISA.

Shipping: Please add \$2.00 for first item, 75¢ each additional. Outside the US, please add \$4.50 for first item, 75¢ each additional.

OLD COLONY SOUND LAB

PO Box 243, Dept. E92

Peterborough, NH 03458-0243 USA

(603) 924-6371/924-6526 FAX (603) 924-9467



Answering machine for credit card orders only:
(603) 924-6371 before 9:00 a.m., after 4:00 p.m. and weekends
Have information plus MC/VISA available.

Simple AC millivoltmeter	900004	13.00	1
Initialization aid for printers	900007	28.50	2
Digital model train (11)	87291-8	9.00	2
Reflex MW AM receiver	UPBS-1	3.90	2
Video mixer (2)	87304-2	32.50	2
Capacitance meter	900012	14.50	2
Digital model train (12)	87291-9	7.00	2
IC monitor	896140	15.00	3
Power line monitor	900025	9.50	3
Video mixer (3)	87304-3	71.00	3
BBD sound effects unit	900010	15.50	4
Digital model train (13)	87291-10	8.00	4
Q meter	900031	12.00	4
RS-232 splitter	900017-1	14.50	4
	900017-2	9.00	4
Video line selector	900032	13.00	4
Acoustic temperature monitor	UPBS-1	3.90	5
Budget sweep function generator	900040	14.00	5
Centronics ADC/DAC	900037D	30.50	5
Transistor characteristic plotting	900058	9.50	5
Electronic load simulator	900042	24.00	6
Mini EPROM viewer	900030	36.00	6
Power zener diode	UPBS-1	3.90	6
Compact 10A power supply	900045	23.00	7/8
Intermediate projects	UPBS-1	4.00	7/8
Mini FM transmitter	896118	8.50	7/8
Sound demodulator for satellite-TV receivers	900057	7.50	7/8
Audio power indicator	904004	7.50	7/8
Four-monitor driver for PCs	904067	10.50	7/8
SMT prototyping board	904035	7.00	7/8
High-current h _v e tester	900078	11.00	9
Infrared remote control	904085/86	3.50	9
µP-controlled telephone exchange	900081	36.00	10
S-VHS/CVBS-to-RGB converter	900055	24.50	10
400W lab power supply	900082	22.00	11
Active mini subwoofer	900122-1	12.00	11
Medium power audio amplifier	900098	18.00	11
Programmer for 8751	900100	14.00	11
PT100 thermometer	900106	10.00	11
Active mini subwoofer	900122-2	10.50	12
Millicammeter	910004	10.00	12
Phase check for audio systems	900114-1/2	16.00	12
Signal suppressor for all-solid-state preamp	904024	7.50	12
Audio input selector	904039	12.50	12
Search time monitor	904052	8.00	12

PRINTED CIRCUIT BOARDS

1984

Item	No.	Price (\$)	Issue
Echo sounder	81105-1	10.00	6

1986

Item	No.	Price (\$)	Issue
Computerscope	9968-5	4.10	10
Top-of-the-range preamplifier	86111-3A	13.80	11
	86111-1	20.80	11

1987

Item	No.	Price (\$)	Issue
BASIC computer	87192	40.50	11

1988

Item	No.	Price (\$)	Issue
I/O extension card for IBM PCs	880038	57.20	7/8
Peripheral module for BASIC computer	880163	10.80	10
Autonomous I/O controller	880163	10.80	12

1989

Item	No.	Price (\$)	Issue
FAX interface for Atari ST and Archimedes	880109	14.70	1
MIDI control unit	880178-1	18.10	1
	880178-2	13.30	1
Low-budget capacitance meter	UPBS-1	3.90	1
Digital model train	87291-1	8.40	2
Touch key organ	886077	20.10	2
VHF receiver	886127	14.90	2
Power line modem	880189	12.20	3
Centronics buffer	890007-1	39.20	3
	890007-2	4.30	3
	890007-3	16.70	3
Digital model train	87291-2/3	8.60	4
Function generator	UPBS-1	3.90	4
Triplet	890013-1	13.30	4
	890013-2	13.60	4
Multi-point IR control	890019-1	6.90	4
	890019-2	8.10	4
RDS decoder	880209	9.00	5
Digital model train (4)	87291-4	10.50	5
Analog multimeter	890035	25.00	5
DTMF system decoder	890060	13.00	5
Sine-wave converter	UPBS-1	3.90	5
8-digit frequency meter	880126	23.00	6
MIDI keyboard interface decoder board	890105-1	14.00	7/8
controller board	890105-2	10.50	7/8
Floppy disk monitor driver board	890078	8.50	7/8
Function generator	UPBS-1	3.90	7/8
Digital model train	87291-4	13.40	9

Stereo viewer	890044	11.20	9
Centronics monitor	890123	11.00	9
Resonance meter	886071	7.80	9
Inductance meter	890119	14.50	10
Logic analyzer for Atari ST	890126	10.50	10
CD error detector	890131	12.00	10
Digital model train (8)	87291-5	87.00	11
Extension card for Archimedes	890108	36.00	11
Extension card for Archimedes incl. PAL and diskette	890108-9	58.50	11
3 1/2-digit LED SMD voltmeter	890117	7.50	11
Digital model train	87291-7	17.50	12
EPROM simulator	890166	20.00	12
Hard disk monitor	890186	22.00	12
LF/HF signal tracer	890183	16.00	12
Solid-state preamplifier	890170-1*	23.50	12
	890170-3*	18.50	12
Transistor curve tracer	890177	11.50	12

1990

Item	No.	Price (\$)	Issue
Video mixer (1)	87304-1	54.50	1
Mini EPROM programmer	890164	14.00	1
All-solid-state preamplifier	890179-2*	31.50	1

* The four PCBs required for the preamplifier (2 x 890170-1; 1 x 890170-2; and 1 x 890170-3) are available as a package, ref. 890170-9, at a discounted price of \$85, a savings of \$11.50.

1991 cont

Item	No.	Price (\$)	Issue
2m band converter	900006-1	8.50	3
Logic analyzer (3) control board	900094-5	31.50	4
MIDI program changer	900138	11.50	4
8-bit I/O for Atari	910005	21.00	4
6m band transverter			
Wattmeter meter board	910010	19.50	4
Wattmeter display board	910011-1	11.00	4
	910011-2	7.00	4
MC preamplifier	910018	18.00	4
Dimmer for halogen lights transmitter	910032-1	7.00	4
Dimmer for halogen lights receiver	910032-2	7.50	4
8032/8052 computer	910042	20.50	5
Battery tester	906056	7.00	5
Moving-magnet (MM) preamplifier	900111	11.50	5
Universal I/O interface for IBM PCs	910046	18.50	5
Universal battery charger	900134	18.00	6
Logic analyzer (4) power supply board	900094-7	15.00	6
Atari interface	900094-6	21.50	6
IBM interface	900094-1	24.50	6
Digital phase meter (set of 3 PCBs)	910045-1/2/3	44.50	6
Light transceiver	UPBS-1	3.90	6
Variable AC PSU	900104	10.50	6
Light switch w/ TV IR r/c	910048	9.50	6
RTC for Atari ST	910006	10.50	6
Stepper motor board (1) PC insertion card	910054	49.50	6
Multifunction I/O for PCs	910029	41.50	7/8
B/W video digitizer	910053	38.50	7/8
Stepper motor board (2) power driver board	910054-2	48.50	7/8
LED voltmeter	914005	9.50	7/8
Wien bridge	914007	7.00	7/8
Angled bus extension card for PCs	914030	20.50	7/8
Sync separator	914077	7.50	7/8
Time code interface for slide controller main board	910055	41.50	9
Time code interface for slide controller display board	87291-9A	7.00	9

Asymm-symm converter	910072	9.50	9
PC-controlled weather station (2)	900124-2	6.50	10
Digital function generator main board	910077-1	37.00	10
Digital function generator display board	910077-2	21.50	10
Audio spectrum shift encoder/decoder	910105	17.50	10
Relay card for universal I/O interface	910038	22.00	11
Dissipation limiter	910071	7.50	11
Digital function generator sine converter	910077-3	25.50	11
Digital function generator R/T converter	910077-4	23.00	11
Class-A power amplifier	880092-1	18.90	11
	880092-2	15.40	11
Timer for CH systems	UPBS-2	6.50	11
Class-A power amplifier (2)			
	880092-3	12.80	12
	880092-4	12.90	12
Economy power supply	910111	18.00	12
μP programmable filters	910125	11.50	12
Amiga mouse/joystick switch	914078	7.00	12
A musical Christmas present	910157	5.50	12
Safe solid-state relay	914008	6.50	12
Slave mains on/off control Mark-2	914072	11.00	12

ELEKTOR ELECTRONICS USA

Pitch control for CD players	12/88	568	1 x 2784	20.00
MIDI control unit	1/89	570	1 x 27C84	20.00
The digital model train Series		572	1 x 2784	20.00
Darkroom clock	2/90	583	1 x 27128	18.50
Slave indication unit for I.T.S.	3/88	700	1 x 8748H	30.00
EPROM emulator	9/87	701	1 x 8748H	30.00
Microcontroller-driven power supply	9/88	702	1 x 8751	95.00
Autonomous I/O controller	12/88	704	1 x 8751	95.00
Video mixer	3/90	5861	1 x 2784	20.00
Four-sensor sunshine recorder	6/90	5821	1 x 27128	20.00
μP-controlled telephone exchange	10/90	5941	1 x 27128	26.00
RDS decoder	2/91	5851	1 x 2784	26.00
MIDI program changer	4/91	5861	1 x 2784	26.00
Logic analyzer (IBM interface)	6/91	5973	1 x PAL 16L8	14.00
MIDI-to-CV interface	2/91	5981	1 x 2784	26.00
Multifunction I/O card for PCs	7-8/91	5991	1 x PAL 16L8	14.00
Amiga mouse/joystick switch	12/91	6001	1 x GAL18V8	14.00
Stepper motor board	6/91	6011	1 x PAL 16L8	14.00
Connect 4	12/91	6081	1 x 27C84	26.00
8751 programmer	11/90	7061	1 x 8751	95.00
*Out of print				

DISKETTES

Article/Project	Issue	No.	Description	Price (\$)
Digital model train Series		109	5 1/4"	11.50
Logic analyzer for Atari ST (for monochrome systems only)	10/89	111	3 1/2"	20.00
Computer-controlled Teletext decoder	10/89	113	5 1/4"	20.00
FAX interface for IBM PCs	6/90	119	(2) 5 1/4"	14.00
RAM extension for BBC-B	7-8/89	123	5 1/4"	10.00
EPROM simulator	12/89	129	5 1/4"	11.50
RS-232 splitter	4/90	1411	5 1/4"	11.50
Centronics ADC/DAC	5/90	1421	5 1/4"	11.50
Transistor characteristic plotting for Atari ST (for monochrome systems only)	5/90	1431	3 1/2"	13.00
ROM-copy for BASIC computer	9/90	1441	5 1/4"	13.00
Multifunction measurement card for PCs	2/91	1461	5 1/4"	13.00
8751 programmer	11/90	1471	5 1/4"	13.00
PT100 thermometer	11/90	1481	5 1/4"	13.00
Logic analyzer: IBM software, GAL IC	7-8/91	1491	5 1/4"	33.00
Logic analyzer: Atari software, GAL IC	7-8/91	1501	3 1/2"	33.00
Plotter driver (D. Sijama)	9/91	1541	5 1/4"	19.00
PC-controlled weather station (1)	3/91	1551	5 1/4"	13.00
PC-controlled weather station (2)	10/91	1561	5 1/4"	13.00
8-bit I/O interface for Atari ST	4/91	1571	3 1/2"	13.00
Tektronix/Intel file converter	4/91	1581	5 1/4"	13.00
B/W video digitizer/Archimedes	7-8/91	1591	3 1/2"	19.00
Timecode interface for slide controller	9/91	1811	5 1/4"	13.00
Real-time clock for Atari ST	6/91	1621	3 1/2"	13.00
24-bit color extension for video digitizer	11/91	1631	3 1/2"	19.00

ROMS—EPROM—PALS—MICROCONTROLLERS

Article/Project	Issue	No.	Description	Price (\$)
Universal terminal	11/83	525	1 x 2732	18.00
Wind direction Indicator	1/84	526	1 x 2716	14.60
Elabyrinth	3/84	527	1 x 2716	14.60
EPROM copier	5/84	528	1 x 2716	14.60
Analytical video display	5/84	529	1 x 82S23	9.60
Typewriter interface	6/84	530	2 x 2716	29.20
P-controlled frequency meter	12/84	531	1 x 2732	18.00
X-Y plotter	4/85	532	1 x 2732	18.00
Programmable timer	5/85	535	1 x 2732	18.00
GHz prescaler	7/85	536	1 x 2732	18.00
Automate your model railway	Book*	537	1 x 2716	14.60
Marine computer	10/85	538	1 x 2716	14.60
Jumbo clock	12/85	539	1 x 2716	29.20
Graphics card	3/86	543	2 x 82S123	19.60
Printer buffer	5/86	545	1 x 2716	14.60
EPROM programmer for MSX computers	4/87	552UK	1 x 27128	20.00
Bus interface for high-res LCD screens	12/88	560	1 x 2764	20.00
Intelligent time standard (I.T.S.)	2/88	553	1 x 2764	20.00
I/O extension card for IBM PCs and compatibles	7-8/88	561	1 x 16L8	17.50
Multifunction measurement card for PCs	2/91	561	1 x 16L8	17.50
Centronics interface for slide fader	10/88	562	1 x 18R4	17.50
μP-controlled radio synthesizer	9/88	564	1 x 27C64	20.00
Portable MIDI keyboard	11/88	567	1 x 2784	20.00

SELF-ADHESIVE FRONT PANEL FOILS

Article/Project	Issue	No.	Price (\$)
Analog multimeter	5/89	880035-F	15.80
All-solid-state preamplifier	1/90	890170-F1	33.50
		890170-F2	18.50
LF/HF signal tracer	12/89	890183-F	17.00
Video mixer	3/90	87304-F	33.00
Q meter	4/90	900031-F	23.00
Budget sweep/function generator	5/90	900040-F	20.00
High-current h _{FE} tester	9/90	900078-F	28.00
400-watt laboratory PSU	11/90	900082-F	35.00
Milliohmeter	12/90	910004-F	28.00
The complete preamp	3/91	8980168-F	15.00
Wattmeter	4/91	910011-F	16.50
Universal nicad battery charger	6/91	900134-F	11.00
Logic analyzer Series		900094-F	17.50
Digital phase meter	6/91	910045-F	20.00
Variable AC power supply	6/91	900104-F	28.00
Timecode interface for slide controller	9/91	910055-F	15.00
Digital function generator	10/91	910077-F	18.00
Economy PSU	12/91	910111-F	18.00

EASYTECH

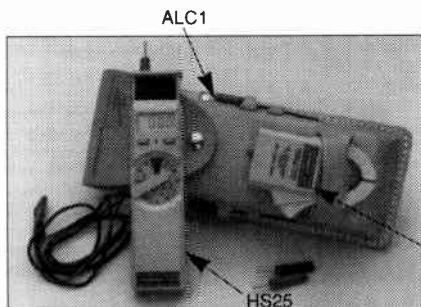
THE ELECTRONICS SOURCE

EASY FAX
1-800-582-1255

EASY ORDER
1-800-582-4044

TEST INSTRUMENTS

Fieldpiece.



ALC1

HS25

Full Featured DMM's For The Test Bench Or On The Go



ADK10

***SPECIAL FEATURES - Dangerous voltage warning (HS23 and HS25):** At >28V, meter beeps & red LED blinks. Logic Indicator (HS25): Up/down arrows in LCD indicate logic states "hi" (>2.8V - .8V) or "lo" (<0.8V - .5V). AC coupled. Frequency response: 20MHz, 25ns min. pulse width. Input impedance 120K+ .10KΩ shunted by 100pF. Pulse rise time (max) 10 uSec. Pulse rep rate (max) 1Mpps. Overvoltage protection 500Vdc or ac RMS. Capacitance (HS23 and HS25): 1 range: 200uF; accuracy 3%+5. Tested at 3V/40Hz. Overload protection to 500Vdc or RMS. Auto-power off after 1 hour.

***GENERAL SPECIFICATIONS - Display hold:** Press "HOLD" button, display "locks" reading. Any range, any function. Heavy duty case design of hi-impact, fire retardant yellow Valox, fully "O" ring sealed. Meets MIL-T-28800 class II type A. Size (not including probes): 7.2"x1.9"x1.0". Indicators: Continuity (<150Ω) indicated by a continuous "beep" within 100 msec. Low battery indicator in the LCD with 100 hours of battery life left. Environmental: Operating temperature -15° to 55°C, storage -40°C to 60°C with batteries removed, RH<80% from 0°C to 50°C. Tempco <10% of applicable accuracy spec per °C (-15°C to 20°C, 30°C to 55°C).

Order #	Price	Description	Weight
HS21	79.95	Stick-Style DMM	1.06 lbs.
HS23	99.95	Stick-Style, Capac. to 200uF	1.06 lbs.
HS25	119.95	Stick-Style, Capac., Logic Probe	1.07 lbs.
ACH	24.95	Optional Clamp Head	4.6 oz.
ALC1	24.95	Leather Pouch to Hold HS21/23/25	1.11 oz.
ADK10	26.95	Deluxe Test Lead Kit	9.3 oz.

2.25" SPEAKER

"STAR"

Model SF575D

- Output: 0.2 Watt
- Impedance: 32Ω
- Diameter: 2.25"
- Terminals: Solder Lugs



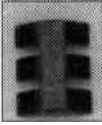
Order #	Price	Description	Diam.
SP232	.95	32Ω Speaker	2.25"

HEAT SINK

"THERMALLOY"

Model THM6010

- Suit 14 & 16 Pin Dip ICs
- Can be added after assy
- Dimensions: 0.75" x 0.604"



Order #	Price	Description	Style
THM6010	.35	Heat Sink	DIP

TERMINAL BLOCK

"KULKA"

Model 599



- Connection: Spade Tabs
- Mounting Holes: 5/32"

Order #	Price	Description	Pos.
TB5	.75	Terminal Block	5

WALL TRANSFORMER

"ELECTRONICS CORPORATION"

Model AD135-700

- UL Listed: 74BI
- Input: 120 Vac @ 60 Hz
- Output: 13.5 Vac @ 700mA



Order #	Price	Description	Weight
AD135	2.95	Wall Transformer	11.4 oz

NICAD BATTERIES

SUNRISE - HITACHI - VARTA



Order #	1-9	10+	Volt.	Current	Type
NRAAA	1.85	1.45	1.2V	185mA	AAA
N500AA	1.85	1.45	1.2V	500mA	AAA
N1200C	3.65	3.25	1.2V	1.2 Amp	C
N1800C	3.95	3.55	1.2V	1.8 Amp	C
V5022	9.95	8.95	7.2V	100mA	216

ZIF SOCKETS

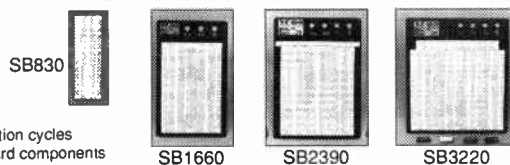
"Lo-Pro" Zero Insertion Force Socket

- CAM: Cast Metal
- Contacts: Spring Temper Beryllium Copper, Tin Plated
- Housing: Glass Filled Polyester, UL94V-0



Order #	Price	Description	Pins
SZ24	5.95	ZIF Socket	24
SZ28	6.25	ZIF Socket	28
SZ40	6.95	ZIF Socket	40

SOLDERLESS PROTOTYPING BOARDS



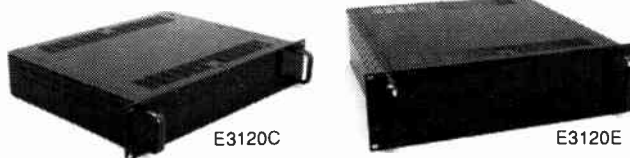
Features

- Over 10,000 insertion cycles
- Accepts all standard components
- Color coordinates for easy recognition
- Insertion wire: 20-29 AWG (0.3 - 0.8 mm)

Order #	Price 1-9	Price 10+	Dimensions (in.) L x W x H	Dist. Strips	Dist. Points	Terminal Strips	Terminal Points	Binding Posts
SB200	2.99	2.49	6.5 x 0.37 x 0.4	2	100 x 2	0	0	0
SB400	4.89	4.39	3.3 x 2.2 x 0.4	2	100	1	300	0
SB630	5.45	4.95	6.5 x 1.4 x 0.4	0	0	1	630	0
SB830	6.49	5.99	6.5 x 2.2 x 0.4	2	200	1	630	0
SB1360	12.49	11.99	8.5 x 3.9 x 1.2	1	100	2	1,260	2
SB1660	17.45	16.95	8.5 x 5.1 x 1.2	4	400	2	1,260	3
SB2390	22.49	21.49	9.1 x 6.9 x 1.2	5	500	3	1,890	4
SB3220	31.49	30.49	9.5 x 8.3 x 1.2	7	700	4	2,520	4

RACK MOUNT CABINETS

*Ventilation holes on top, bottom and both sides



A range of ventilated 19" rack mount cabinets, manufactured in 0.9 mm plate steel. The front, rear and display panels are aluminum, allowing for ease of use during final construction of your project. Classic and contemporary styling, black matte finish, together with innovative techniques result in a ruggedly built stylish enclosure. The cases are flat packed and very easy to assemble.

Order #	1-9	10+	Panel (WxH)	Cabinet (HxWxD)	Weight
E3120A	36.95	34.95	19" x 1.6875"1.5" x 16.625" x 9.625" (483 x 42mm)1.5" x 16.625" x 9.625" (38 x 422 x 244mm)7.0 lbs.
E3120B	44.95	42.95	19" x 3.4375"3.3125" x 16.625" x 9.625" (483 x 87mm)3.3125" x 16.625" x 9.625" (84 x 422 x 244mm)7.8 lbs.
E3120C	49.95	47.95	19" x 3.4375"3.3125" x 16.625" x 13.1875" (483 x 87mm)3.3125" x 16.625" x 13.1875" (84 x 422 x 335mm)9.0 lbs.
E3120D	54.95	52.95	19" x 5.1875"5.0" x 16.625" x 13.1875" (483 x 132mm)5.0" x 16.625" x 13.1875" (127 x 422 x 335mm)12.0 lbs.
E3120E	59.95	57.95	19" x 5.1875"5.0" x 16.625" x 16.6875" (483 x 132mm)5.0" x 16.625" x 16.6875" (127 x 422 x 424mm)13.2 lbs.

EASYTECH

THE ELECTRONICS SOURCE



2917 Bayview Drive
Fremont, CA 94538



Easy Order: 1-800-582-4044
Easy Fax: 1-800-582-1255
International Fax: 1-510-770-2346
Customer Service: 1-510-770-2345

Monday-Friday, 7am - 5pm (PST) / 10am-8pm (EST)

- COD-No personal checks, US funds (\$5.00 Surcharge)
- USPS
- UPS
- Federal Express
- Airborne

In U.S., add approx 5% of total for shipping UPS Ground (\$3.00 min.). Actual shipping charges based on weight.

Call or write today for your free copy of our catalog.

California residents, add appropriate sales tax.
12 month warranty on all EasyTech products.
30 day money back guarantee.
We reserve the right to substitute manufacturers.
Prices subject to change without notice.

OFF OUR DUFFS

By Joseph J. Carr

McIvor L. Parker ("Mac" a.k.a. W4II to his ham buddies) was a man who loved calling at square dances, operating his ham radio set, building electronic gear (which he did for 40 years), learning about electronics, and sharing his knowledge with others. Many are the hams, shortwave listeners (SWLs), and electronic hobbyists who got their start from Mac's influence.

I first met Mac, a neighbor a few blocks away, in 1958 when I spotted him in his yard spritzing with some antenna wire. From that first conversation ("whadya doin' Mr. Parker?"—*he told me in great detail*), I gained three hobbies (including electronic building) and two professions.

It wasn't long before I met others—youngsters like myself and older guys as well—who had been infected with the soldering iron-in-hand affliction because of Mac. Some of us remained in the hobby, or took it up as a profession; some are still in touch thirty-something years later—all because of Mac and his willingness to share with others the hobby he loved.

In the past several issues of *EE USA*, editor Ed Dell has lamented the declining interest in electronic constructing in the USA and Canada. He seemed interested in possible solutions, so I decided to share Mac with him... or more specifically, the life lesson that Mac taught a snotty-nosed teenager more than three decades ago.

Why was Mac so effective at recruiting hams, SWLs, and electronic hobbyists? I believe it's because he was a natural mentor (or "Elmer" as hams call it), as well as being very generous toward others. He communicated enthusiasm, intelligence, integrity, and no small amount of wisdom and knowledge.

He helped me in material ways too: a tube here, a capacitor there (one time, he even lent me a communications receiver!). As a kid growing up on aid to dependent children ("ADC"), with a widowed mother, I deeply appreciated those little gifts from Mac's personal junk box; his generosity still moistens my eyes even though he is long departed this life.

We can generate interest in electronics, especially among youngsters, by emulating Mac Parker: be generous with your hobby, communicate an infectious enthusiasm, and help, help, help others. Develop an unselfish mentoring mindset, and expose others to the electronics-building hobby. Be especially eager to help school kids. If you are reasonably well qualified, then volunteer through the local school to judge the science fair in the engineering, computer, or electronics categories.

Now here's a radical suggestion: get off your duff and put your \$\$\$ where your heart is: give a one-year or two-year gift subscription to *EE USA* to at least one kid who seems interested in electronics, and another similar subscription to at least one junior or senior high school library. [Student rates are \$15 per year.]

You might also give subscriptions to *Radio Electronics*, *Popular Electronics*,* or one of the amateur radio** or SWL publications. Now why would *EE USA* print a recommendation to donate subscriptions of competing magazines? Well, there's two kinds of competition. The old-fashioned, unhealthy kind basically carves up the pie; increasing your amount of pie takes it out of the hide of the competition.

An enlightened competition strives to make the pie bigger. One doesn't need to increase shares of the pie to get more pie. We all need a bigger electronic-construction hobby pie.

Or to put it another way: a rising tide raises all boats—let's float all our boats higher on a cresting tide. Do it now!

**Radio Electronics*, PO Box 51866, Dept. EE, Boulder, CO 80321-1866; \$17.97 per year.

Popular Electronics, PO Box 338, Mt. Morris, IL 61054-9935; \$18.95 per year.

***CQ Amateur Radio*, 76 No. Broadway, Hicksville, NY 11801-2953; \$22.95 per year.

Published by Audio Amateur Publications, Inc.

Editor/publisher: Edward T. Dell, Jr.

Editorial Offices:

305 Union St., P.O. Box 876
Peterborough, NH 03458-0876 USA

Telephone: 603-924-9464 (National)

or +1 (603) 924-9464 (International)

FAX: (603) 924-9467 (National)

or +1 (603) 924-9467 (International)

Advertising: Donald B. Kennedy

Telephone: (617) 383-9059

FAX: (603) 924-9467

Subscriptions: Katharine Gadwah

Elektor Electronics USA

Post Office Box 876,

Peterborough, New Hampshire 03458

Subscriptions to *Elektor Electronics USA* are

available **ONLY** in the fifty United States,

Canada, Puerto Rico, the Virgin Islands and

those Pacific territories administered by the

United States of America.

European Offices:

Elektuur BV

Postbus 75

6190 AB BEEK

The Netherlands

Telephone: 011 31 4638 9444

Telex: 56617 (elekt nl)

FAX: 011 31 4637 0161

Managing Director: M.M.J. Landman

Overseas Editions:

FRANCE

Elektor sarl

Les Trois Tilleuls

B.P. 59; 59850 NIEPPE

Editors: D.R.S. Meyer

G.C.P. Raedersdorf

GERMANY

Elektor Verlag GmbH

Susterfeld Strasse 25

5100 AACHEN

Editor: E.J.A. Krampelsauer

GREECE

Elektor EPE

Kariskaki 14

16673 Voula—Athens

Editor: E. Xanthoulis

HUNGARY

Elektor Elektronikai folyoirat

1015 Budapest

Batthyany U. 13.

Editor: Lakatos Andras

INDIA

Elektor Electronics PVT Ltd

Chhotani Building

52C, Proctor Road, Grant Road (E)

BOMBAY 400 007

Editor: Surendra Iyer

ISRAEL

Elektorcal

P O Box 41096

TEL AVIV 61410

Publisher: M. Avraham

NETHERLANDS

Elektuur BV

Peter Treckpoelstraat 2-4

6191 VK BEEK

Editor: P.E.L. Kersemakers

PAKISTAN

Electro-shop

35 Naseem Plaza

Lasbella Chawk

KARACHI 5

Editor: Zain Ahmed

PORTUGAL

Ferreira & Bento Lda.

R.D. Estef-83-ni, 32-1°

1000 LISBOA

Editor: Jeremias Sequeira

SPAIN

Resistor Electronica Aplicada

Calle Maudes 15 Entio C.

28003 MADRID

Editor: Agustin Gonzales Buelta

SWEDEN

Electronic Press AB

Box 5505

14105 HUDDINGE

Editor: Bill Cedrum

UNITED KINGDOM

Down House

Broomhill Road

LONDON SW18 4JQ

England UK

Editor/Publisher: Len Seymour

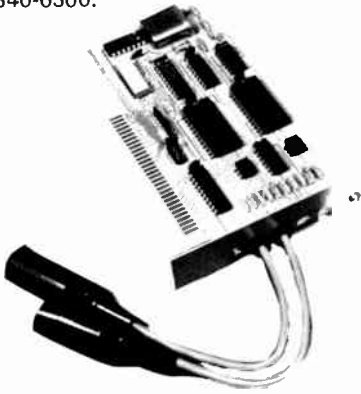
Printed in the United States of America.

ISSN: 1051-5690

LOW-COST MINI STARTER SET

The PCM68 MIDI interface for PC computers and compatibles from **PAIA Electronics** is bundled, in an introductory offer, with Voyetra's Sequencer Plus Jr. software. It is designed in UART style which is supported by MIDI software publishers. It also has a second MIDI port expansion option.

The PCM68 is available as an easy-to-build kit for (\$49.95) or completely assembled for (\$59.95). Add \$15 to either price if requesting the second MIDI port. The MIDI Starter Set, which includes the PCM68 kit and Voyetra's Sequencer Plus Jr. costs \$99, plus \$3 for shipping. Contact PAIA Electronics Inc., 3200 Teakwood Ln., Edmond, OK 73012, (405) 340-6300.



CONTROLLER DESIGN KIT

The CDK-52 from T.E.S. is a Controller Design Kit for designing, building, and programming computer interface circuits. At an introductory cost of \$249, hobbyists can apply computer control technology to a variety of interests including robotics, speech synthesis, and energy management.

It includes an Intel 8052, EPROM for 8- and 16K-bit counter timers, 5V operation, 6 interrupts, 24 programmable I/O lines, RS-232 serial port and B-BUS, with three card slots for custom circuit development.

Contact T.E.S., PO Box 7721, Vallejo, CA 94590, (707) 554-0859.

AUDIO POWER METER

Harbin Test System's HTS-83C Audio Power Meter from **Harbin Electronics** is designed to test and troubleshoot power amplifiers, oscillators, transformers, and low frequency lines. You can measure audio power output from 0.1mW-200W over the frequency response range of 20Hz-40Hz. It offers 12 impedance ranges with precision measurement accuracy and it provides an internal temperature sensor that continuously monitors the unit. Cost is \$1,995.

Contact Harbin Electronics Co., 3826 Old Getwell Rd., Memphis, TN 38118, (901) 794-1667, FAX (901) 794-2515.

ELECTRONICS SCENE

PROGRAMMABLE COUNTER

StarPC Instruments is offering a programmable oscillator/frequency counter for PCs called the OscPC. It can automatically test and qualify speakers and amplifiers using its a function generator with analog (sine wave) or pulse output, which are independent and may be set to different frequencies.

It features programmable burst mode, variable pulse with output, and programmable base I/O address.

Contact StarPC Instruments, PO Box 64418, Sunnyvale, CA 94086, (408) 739-5117.

CATALOG FROM R&D ELECTRONICS

The Autumn 1991 catalog from **R&D Electronics** offers such items as magnets, transformers, transmitter/receivers, sweep generators, switches, locks, keypads, transformers, chokes, toroids, fuses, circuit breakers, cables, ribbons and connectors, steppers, motors, and more, in great variety.

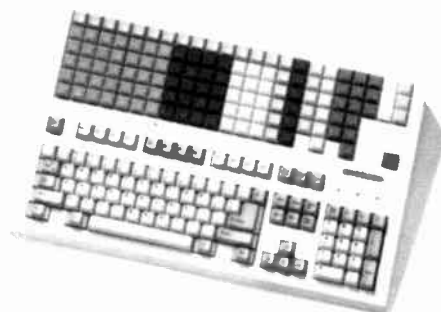
Also available through this one source are electronic enclosures, project boxes, semiconductors, rheostats, scanners, relays, timers, digitizers, fans, and wire.

Write for a catalog from R&D Electronics, 1224 Prospect Ave., Cleveland, OH 44115, (216) 621-1121.

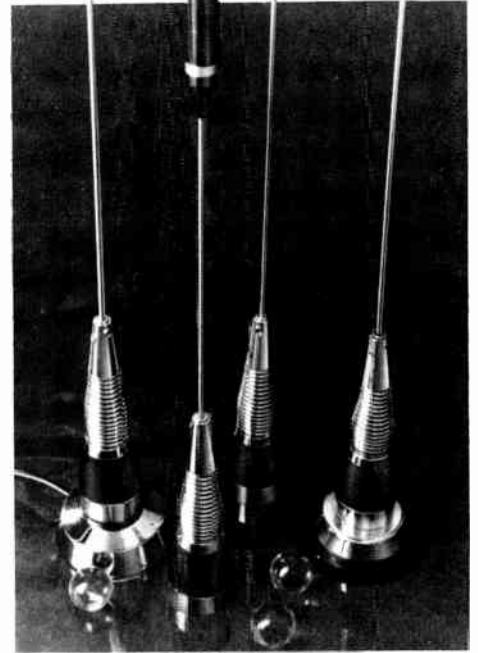
GENOVATION KEYBOARDS

Genovation introduces a family of intelligent keyboards designed using the erector-set concept whereby you can construct sophisticated structures from modules, and build upon them to meet your changing needs. They interface to MS-DOS through any available port, and offer an RS-232 serial port and a parallel port. Interface to a computer terminal or workstations, allowing for programming of the LEDs, video, or sound. Prices range between \$200 to \$500.

Contact Genovation, 17741 Mitchell North, Irvine, CA 92714, (714) 833-3355, FAX (714) 833-0322.



WorldRadioHistory



MOBILE ANTENNAS

The Antenna Specialists offer the PRO-5000 Series of mobile antennas, both UHF and VHF, which are highly durable with three O-rings, all mounting applications, and various splits in both the 138-174MHz and 406-512MHz bands.

These conversion, magnet-mounted, trunk lid, and roof-mounted models come in 22 varieties offering 100% hand-tuned-and-tested conical coil with stable soldered connections for noise-free operation. The PRO-5000 VHF antennas are rated for 3dB gain; the UHF antennas include both 3dB and 5dB gain models.

For information, contact The Antenna Specialists Co., 30500 Bruce Industrial Parkway, Cleveland, OH 44139-3996, (216) 349-8400, FAX (216) 349-8407.

GATED SWEEP SINWAVE ANALYZER SYSTEM

The **ATI LMS** (Loudspeaker Measurement System) is a PC-based, software-driven data-acquisition/analysis tool that includes a precision-calibrated reference microphone (greater than 20kHz bandwidth) and an IBM PC/AT 8-bit I/O slot card with on-board programmable oscillator, dual-tracking programmable filters, and line and microphone level inputs (allowing both acoustical and electrical measurements). You also have complete software control. The included 8mm-diameter calibrated condenser microphone is 100mm in length, maximum input level is 125dB SPL, 10Hz to 20kHz bandwidth, and has a calibrated accuracy of [1dB or better. The line input allows comprehensive electrical testing.

For further details, contact ATI Inc., 7556 SW Bridgeport Rd., Durham, OR 97224, (503) 624-0405, FAX (503) 624-0194.

ASTRONOMY DIRECTORY

The Astronomy, Space Sciences, and Related Organizations of the World publishes an international directory that lists data concerning organizations involved in astronomy and space sciences, but includes related fields such as electronics, optics, and physics.

The 1991 version lists 6,000 entries from 95 countries. Copies of the publications are \$72 prepaid, not including 15% additional air mail costs, made payable to M. l'Agent Comptable—Universite de Strasbourg—Compte de l'Observatoire.

Contact Dr. A. Heck, Observatoire Astronomique, 11, rue de l'Universite, F-67000 Strasbourg, France.

TROUBLESHOOT MIXED-SIGNAL BOARDS

You can trace circuit problems to their component level source with **Maxtec International's** PRO-LINE Model 5030 Autotracer. When interfaced to a PC-compatible computer, you can digitize and store information about a known-good board or component.

Test devices both in-circuit and out, examine up to eight signatures for a single node. Use features including Autorange and Append, or test diodes, transistors, resistors, capacitors, inductors, regulators, and IC nodes without power to the circuit.

The PRO-LINE by B&K Model PL 5030 AUTOTRACER PC Board Analyzer is available for \$4,500 from Maxtec International Corp., 6470 W. Cortland St., Chicago, IL 60635, (312) 889-1448.



IMAGING CONFERENCE

The 26th Annual SMPTE (Society of Motion Picture and Television Engineers) Conference on Advanced Television and Electronic Imaging will occur February 7 and 8 at San Francisco's St. Francis Hotel, preceded by an all-day tutorial February 6.

The Conference is scheduled to focus on digital video and computer technologies. The program will address discord between the media: data compression, mass storage, video/audio workstations, and fiber-optic and satellite transmission of digital bit streams.

The tutorial beforehand can bring you up to speed on current digital video and computer technology. For further information, contact Nancy T. Engel, SMPTE, 595 West Hartsdale Ave., White Plains, NY 10607, (914) 761-1100.

ELECTRONICS SCENE

HANDHELD TRANSCEIVERS FROM ICOM

New transceivers from **Icom** include the IC-2SRA 144MHz and the IC-4SRA 440MHz handheld transceivers. They feature a built-in wideband receiver, good from 25-905MHz, both in VHF and UHF plus simultaneous dual frequency capabilities. You can connect an external 13.5V power supply for 5W of output. Change settings in each band separately and monitor up to 96 memory channels or use personalized communications without installing optional units. They include a clock, tuning steps, and code squelch unit.

The IC-2SRA and IC-4SRA are \$599 each. For the dealer nearest you, contact Icom America, Inc., 2380 116th Ave. NE, Bellevue, WA 98004, (206) 454-8155, FAX (206) 454-1509.

PORTABLE DIGITAL SOUND LEVEL METERS

Scantek Inc. offers two sound-level meters from RION. The NL-14 is a Type 1 (precision with impulse) and weighs 600g. Type NL-04 has the same capabilities with Type 2 accuracy. Suited for HVAC measurements, noise control, and diagnostics, and building acoustics, their features include removable octave-, third-octave, octave filter sets, memory card, and printer.

The meters can store up to 9000 data points, compute L_{EQ} , L_{MAX} , and L_N with selectable measurement times. Also included are an RS-232 interface, memory back-up, 70dB dynamic range, and more.

Contact Scantek Inc., 916 Gist Ave., Silver Spring, MD 20910, (301) 495-7738, FAX (301) 495-7739.

IBM SOFTWARE FOR HOME MEDICAL USES

"The Home Medical Advisor" from **Pixel Perfect** provides interactive medical information right from your computer for self-care and preventative medicine. While it is not intended to replace face-to-face treatment, it is prepared by a physician's board certified in emergency medicine.

Seven files includes Symptoms and treatments for more than 450 Diseases, Injuries, Poisons, descriptions of more than 800 prescription and nonprescription Drugs, Tests, and Referrals.

The program will be updated every year to registered users. It is available at an introductory offer of \$69.95 from Pixel Perfect: call (800) 788-2099.

LOW-NOISE PS FROM H-P

Hewlett-Packard has introduced the HP E3610A and E3611A benchtop DC power supplies for use by design, testing, and service engineers. They have high performance plus ripple and noise less than 200 microV RMS (root mean square). The PSs feature dual-range outputs and CV/CC operation: CV for constant voltage and CC for devices requiring constant current. Crossover occurs naturally. They cost \$300 each.

H-P also offers the 54600 series of oscilloscopes with the advantages of digital and analog scopes in one box. Prices start at \$2,395 for the two-channel 100MHz model.

Address your queries to Hewlett-Packard Co. Inquiries, 19310 Pruneridge Ave., Cupertino, CA 95014.



TECHRON'S TEF-20HI

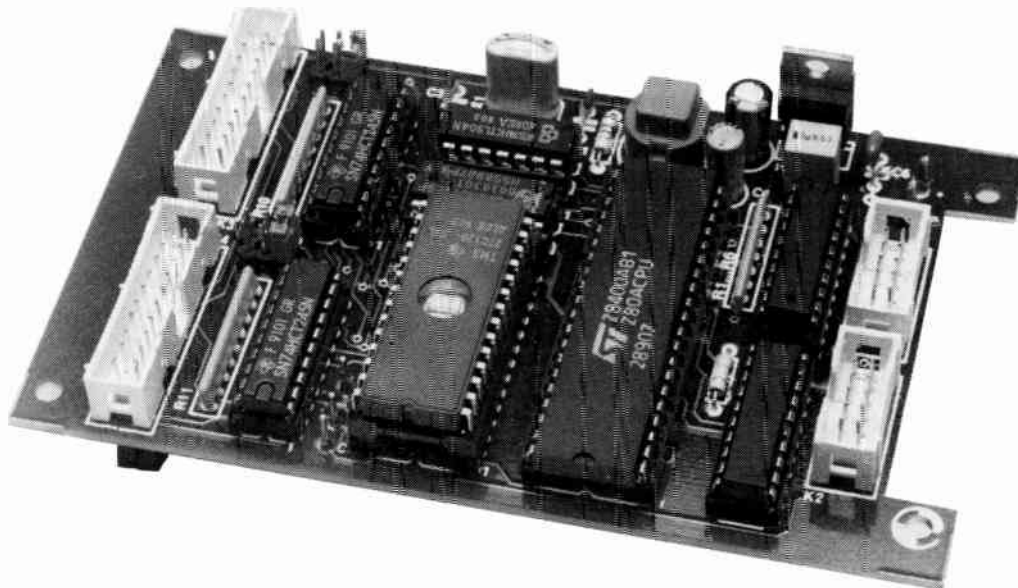
Techron's TEF-20HI adds a high speed interface to the TEF-20, allowing uses as a digital audio recorder, oscilloscope, real-time analyzer, filter generating unit, and data capture and display/analysis device. The TEF-20HI also allows third party software programs such as Hypersignal to use the DSP chip to control the entire system via the same HI interface.

In addition to Hypersignal's convolution capabilities are on-screen two- and three-dimensional spectrograph viewing of signals; select one and listen to what's on-screen. Cost is \$5,000. Two versions of Hypersignal range between \$989 and \$1489, and are available from Hyperception based in Dallas, TX.

Contact Techron, PO Box 1000, Elkhart, IN 46515, (219) 294-8300.



MINI Z80 SYSTEM



Call it what you like: an all-time favourite, an evergreen in computer land, or just a die-hard electronic component: the Z80 8-bit microprocessor enjoys tremendous popularity because it is inexpensive, widely available and easy to program. Furthermore, a massive amount of software and paperware is available for this powerful CPU. Here, we present a no-frills miniature computer system based on the Z80 CPU, with I/O and ROM. No RAM, no, because that is not strictly necessary for small applications if your programming is up to scratch (but we have a RAM extension up our sleeve).

by A. Rigby

PROBABLY the most remarkable feature of the present computer board is the absence of RAM (random access memory). This is unusual, but in many cases the internal registers of the Z80 can function as RAM equally well. Omitting a RAMIC then allows us to cut down on components (cost), and save board space.

The block diagram of the Z80 system is shown in Fig. 1. Remarkably, the arrangement of the functions corresponds closely to that of the associated ICs on the circuit board. In fact, Fig. 1 shows the classic setup of a microprocessor system. The Z80 CPU (central processing unit) uses I/O-mapped input-output operations, which means that the CPU works with different addresses for the memory and the I/O blocks. The present system has four I/O addresses, although two further blocks of four addresses may be selected via the two I/O ports.

The I/O ports available in the system are compatible with the universal I/O interface for IBM PCs (Ref. 1), which allows the extensions originally developed for this to be connected without problems (for instance, the

relay card discussed in Ref. 2).

From the block diagram it may appear that the memory address decoder is a superfluous luxury: there is only one EPROM, and

that could have been connected direct to the CPU without a decoder. The decoder, however, divides the memory range into four blocks of 16 Kbyte each, and so allows RAM

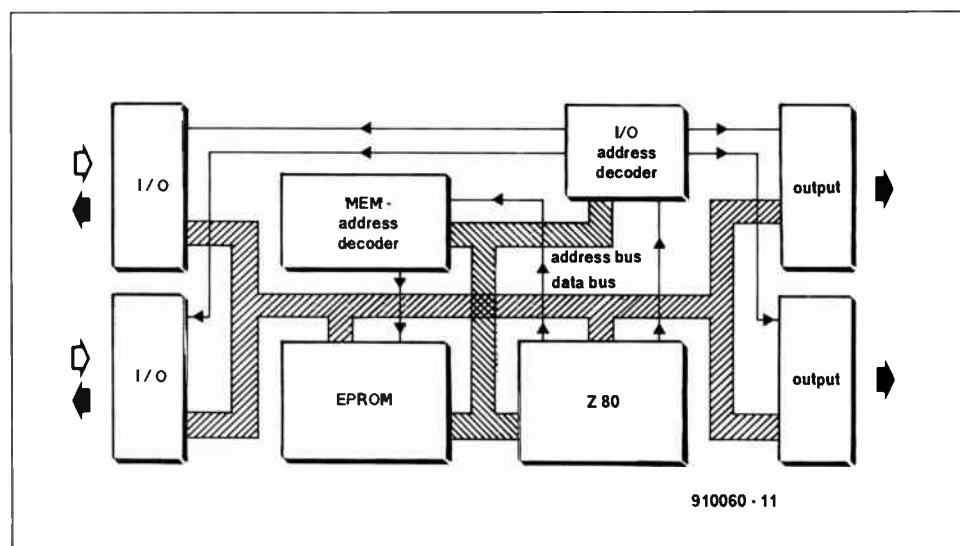


Fig. 1. Block diagram of the Z80 microprocessor system. Note the absence of RAM.

to be added (more about this next month), or more EPROMs. Moreover, the memory address decoder is formed by the remaining two 1-of-4 decoders contained in the IC used for the I/O address decoder. This means that although it may not be used in many cases, the memory decoder does not require additional hardware anyway.

Circuit description

The circuit diagram shown in Fig. 2 closely resembles the block diagram. Only two ICs

have been added: a voltage regulator and a hex inverter. Three inverters in the latter IC (IC8), are used to implement the 2-MHz clock oscillator. The unused control inputs of the Z80 (IC1) are held at +5 V via a pull-up resistor array. The reset input of the CPU is connected to an R-C network and a switch to ground (S1) that allows the system to be reset. The control, address and data lines of the Z80 are connected to the I/O and memory sections in the usual way.

Address decoder IC7a divides the 64-KByte memory range into four sections of

MAIN SPECIFICATIONS

CPU:	Z80
Clock:	2 MHz
Memory:	8 K ROM (EPROM 2764) or 16 K ROM (EPROM 27128)
I/O:	2x8 bit input/output; 2x8 bit output
Option:	8 K RAM extension

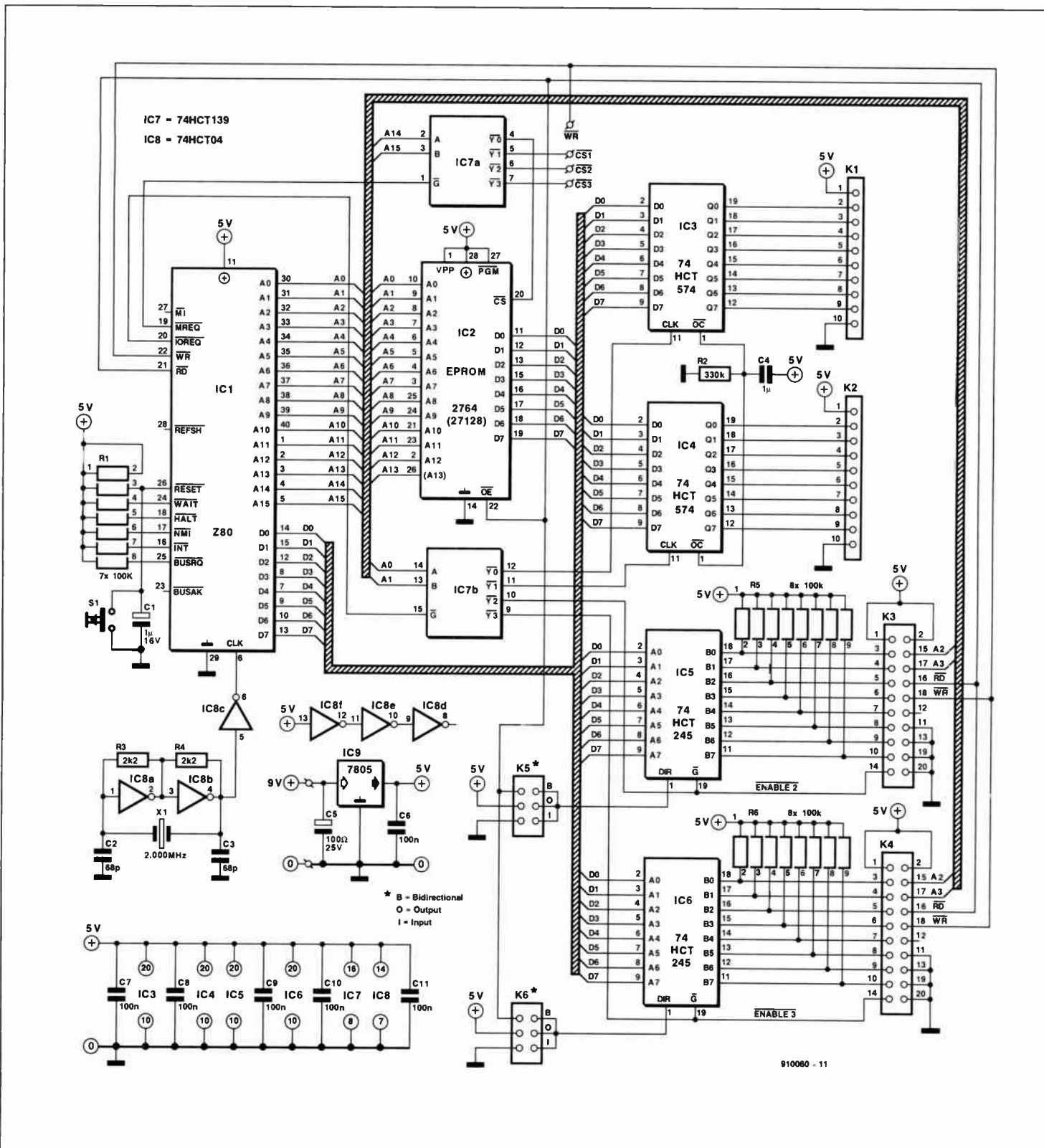


Fig. 2. Circuit diagram of the mini Z80 system.

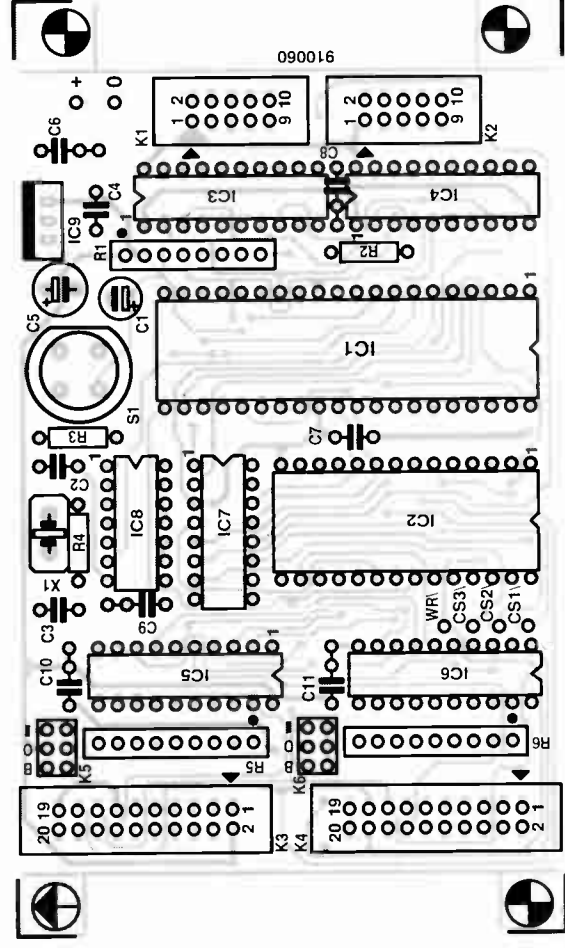
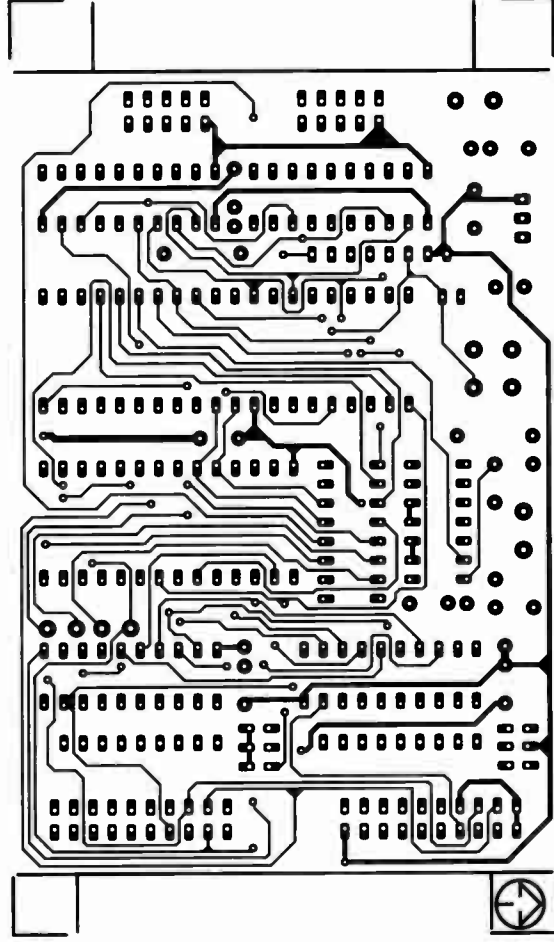
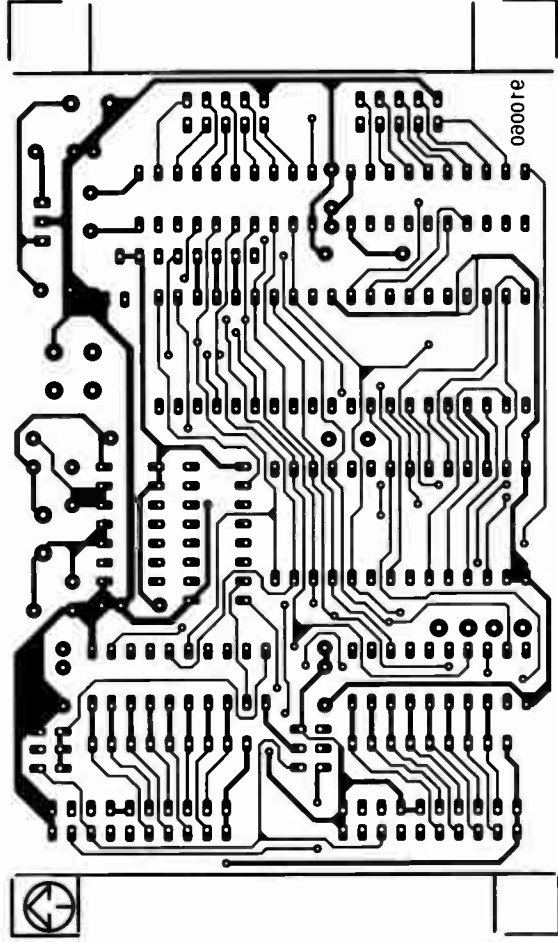


Fig. 3. Track layouts (mirror images) and component mounting plan of the PCB for the mini Z80 system.

COMPONENTS LIST

Resistors:

- 1 7-way SIL array 100kΩ R1
- 1 330kΩ R2
- 2 2kΩ R3;R4
- 2 8-way SIL array 100kΩ R5;R6

Capacitors:

- 1 1μF 16V radial C1
- 2 68pF C2;C3
- 1 1μF solid MKT C4
- 1 100μF 25V radial C5
- 6 100nF C6-C11

Semiconductors:

- 1 Z80 CPU IC1
- 1 2764 or 27128 IC2
- 2 74HCT574 IC3;IC4
- 2 74HCT245 IC5;IC6
- 1 74HCT139 IC7
- 1 74HCT04 IC8
- 1 7805 IC9

Miscellaneous:

- 2 10-way box header K1;K2
- 2 20-way box header K3;K4
- 2 6-way box header K5;K6
- 1 push-button S1
- 1 quartz crystal 2.00MHz X1
- 1 Enclosure 150x80x55mm, e.g. Bopla E440VL
- 1 printed circuit board 910060

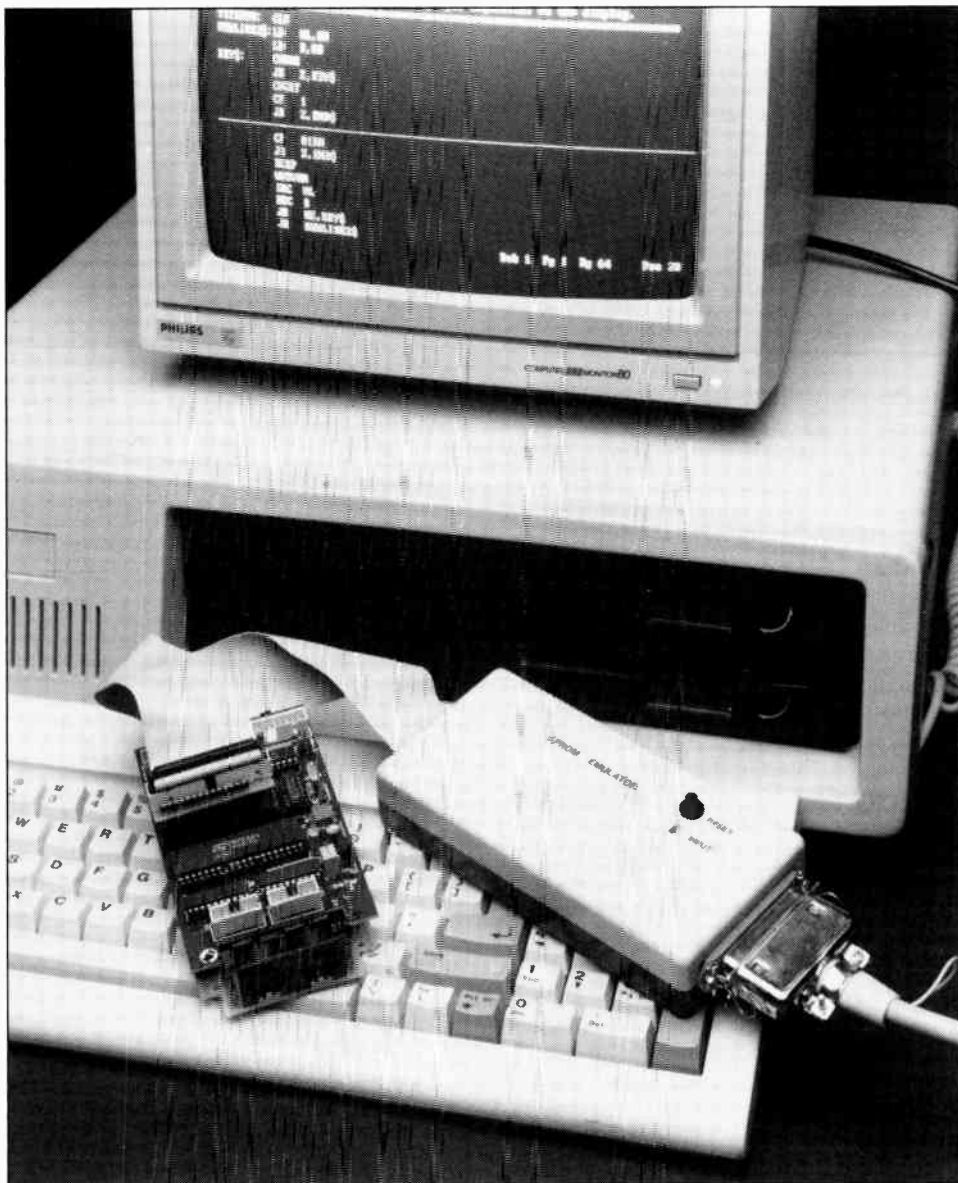


Fig. 4. Undoubtedly the most flexible way of developing software for the Z80 board is by means of an EPROM emulator and a PC running a Z80 assembler.

16 kByte, so that so-called mirror areas are avoided. Only if an 8-KByte EPROM is used, its contents are duplicated in the upper half of the 16-KByte area reserved for it. The EPROM on the mini Z80 card is located in the range that starts at address 0000, where the CPU starts after a reset. The other signals supplied by the MEM address decoder, and the write signal (WR), are available on the PCB for use by external circuits, such as a RAM or EPROM extension.

I/O address decoder IC7b makes use of address lines A0 and A1 only. This means that the I/O addresses do have 'mirror locations': the same IC is selected every four addresses. Since the read and write lines are not used in the I/O address decoder, you must take care not to write to input devices, or read from output devices, on penalty of destroying the CPU. Note, however, that addresses 0 and 1, at which the two 8-bit outputs, IC3 and IC4, reside, can be read without problems.

The next two addresses, 2 and 3, are occupied by two bidirectional ports, IC5 and IC6, and must be used more carefully. These ports can be set to function as an input, an output, or a bidirectional device with the aid of jumpers. When IC5 or IC6 are used as input devices, a write operation to them may damage the CPU or the addressed IC, since in that case two outputs are interconnected, which results in a virtual short-circuit. When used as output devices, a read operation to IC5 or IC6 is not harmful. In bidirectional mode, the CPU is protected reasonably well against output conflicts, and it then depends

```

; *****
;           SIMPLE TEST PROGRAM FOR MINIZ80 BOARD
; *****
;           IC5 and IC6 jumpers set for input only
;           Be careful, a write can be destructive
; *****
output1: equ 0           ;address for K1
output2: equ 1           ;address for K2
input1:  equ 2           ;address for K3
input2:  equ 3           ;address for K4

                org 00h           ;program start address

begin:         ld  a,0           ;initialize outputs
                out (output1),a
                out (output2),a

loop:         in  a,(input1)      ;read input from K3
                cpl                ;invert each bit
                out (output1),a   ;output to K1
                in  a,(input2)    ;read input from K4
                cpl                ;invert each bit
                out (output2),a   ;output to K2
                jr  loop          ;loop to check inputs

910060-13
    
```

Fig. 5. A simple test program that presents input data in inverted form at the output.

Table 1. I/O address overview

Port	I/O address	Connector
IC3	0	K1
IC4	1	K3
IC5	2+4n	K3
IC6	3+4n	K4

(n = 0 - 3)

on the level supplied by the circuit connected to connector K3 or K4 whether or not a dangerous situation can arise from reading from, or writing to, IC5 or IC6. In addition to the eight datalines, connectors K3 and K4 therefore also carry the RD and WR signals, which indicate read and write operations respectively, and so enable an external circuit to disable its inputs or outputs accordingly. There are more signals on K3 and K4: one enable signal, and two address lines, A2 and A3. These allow the Z80 card to work with extensions originally developed for the universal I/O interface for PCs.

The enable signal on the extension connectors indicates that the I/O lines are addressed, so that the circuit connected can start reading or writing data. Address lines A2 and A3 give us access to a total of eight external addresses: four each via each extension connector, as shown in Table 1.

To prevent the output ports being left in an undesired state after switching on the system, the outputs of IC3 and IC4 are briefly switched to high impedance with the aid of network R2-C4, whose R-C constant is about three times greater than that of the CPU reset network. Provided the relevant instructions are placed right at the start of the program (i.e., from 0000 onwards), network R2-C4 affords sufficient time for the CPU to initialize the outputs properly and prevent output-to-output conflicts.

The system is completed by a voltage regulator, IC9. This allows a mains adaptor with an output rating of 9 V to 15 V d.c. at 300 mA to be used, which is a safe as well as inexpensive way of powering the computer.

Construction

The design of the double-sided through-plated board used for building the Z80 system is shown in Fig. 3. This board is available ready-made through our Readers Services.

Construction is straightforward work, and merits no further discussion. Application circuits can be connected to the Z80 board either via short lengths of flatcable, or direct via the connectors. In the latter case, the Z80 card is best fitted on top of the application circuit. This ensures that the EPROM socket remains accessible for a new EPROM, an EPROM emulator, or a RAM extension. As shown in one of the photographs, such an assembly is obtained by fitting sockets to the underside of the Z80 card (see Fig. 8).

The fixing holes in the PCB are located such that the completed board is easily fitted

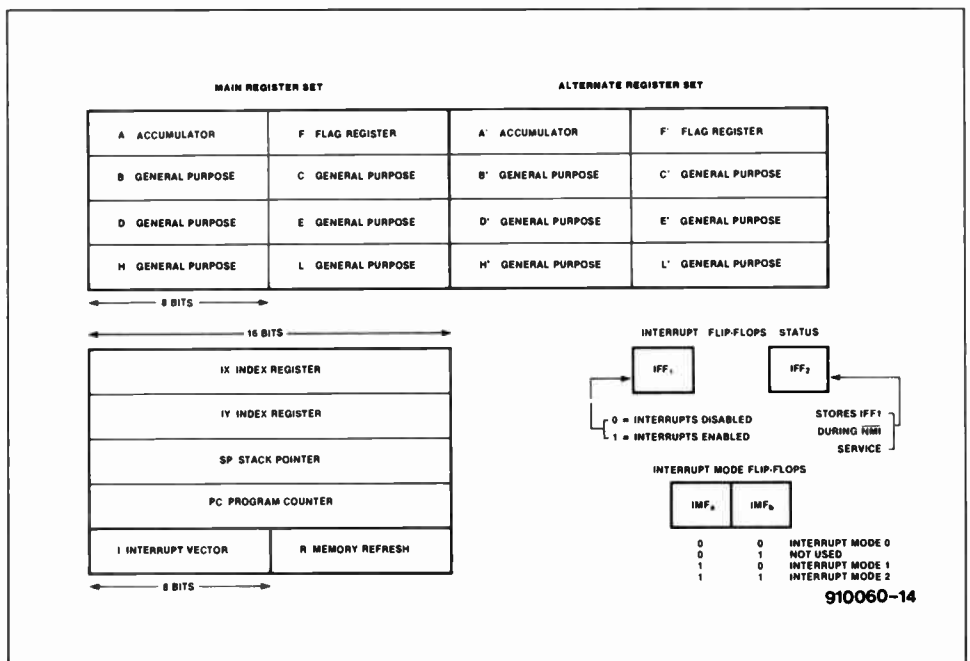


Fig. 6. Z80 register overview.

```

*****
;
;   SIMPLE TEST PROGRAM FOR MINIZ80 BOARD
;   USING MACRO'S
;
;   IC5 and IC6 jumpers set for input only
;
*****

output1: equ 0           ;address for K1
output2: equ 1           ;address for K2
input1:  equ 2           ;address for K3
input2:  equ 3           ;address for K4

;
;   MACRO DEFINITION
;
*****

init_to_zero:
.MACRO
ld a,0           ;load initial value
out (output1),a ;set output to zero
out (output2),a ;set output to zero
.MACEND

A_to_output:
.MACRO output    ;define variable: output
cpl              ;invert each bit
out (output),a  ;output contents of A
.MACEND

input_to_A:
.MACRO input     ;define variable: input
in a,(input)    ;read input into A
.MACEND

;
;   MAIN PROGRAM
;
*****

org 0h          ;program start address

begin: init_to_zero ;initialize outputs

loop: input_to_A input1
A_to_output output1
input_to_A input2
A_to_output output2
jr loop        ;loop to check inputs

```

910060-15

Fig. 7. Because of the absence of RAM, subroutines are best replaced by macros during the assembly phase.

Table 2. Non-executable instructions (without RAM)

CALL cc,nn	;conditional subroutine call
CALL nn	;direct subroutine call
IM 1	;interrupt mode
IM 2	;interrupt mode
POP IX	;get data from stack
POP IY	;get data from stack
POP qq	;get data from stack
PUSH IX	;put data onto stack
PUSH IY	;put data onto stack
PUSH qq	;put data onto stack
RET	;return from subroutine
RETI	;return from interrupt
RETN	;return from non-maskable interrupt

qq = AF, BC, DE or HL
 cc = condition to execute instruction
 nn = address

into the enclosure mentioned in the parts list. Where the board is used as a controller for one application only (as discussed above), the sections with the fixing holes in them may be cut off to reduce the board size even further.

Writing programs

As already mentioned, a massive amount of literature exists on programming the Z80. In addition, assemblers and cross-assemblers for the Z80 are widely available. Lacking these, you may still program the Z80 purely

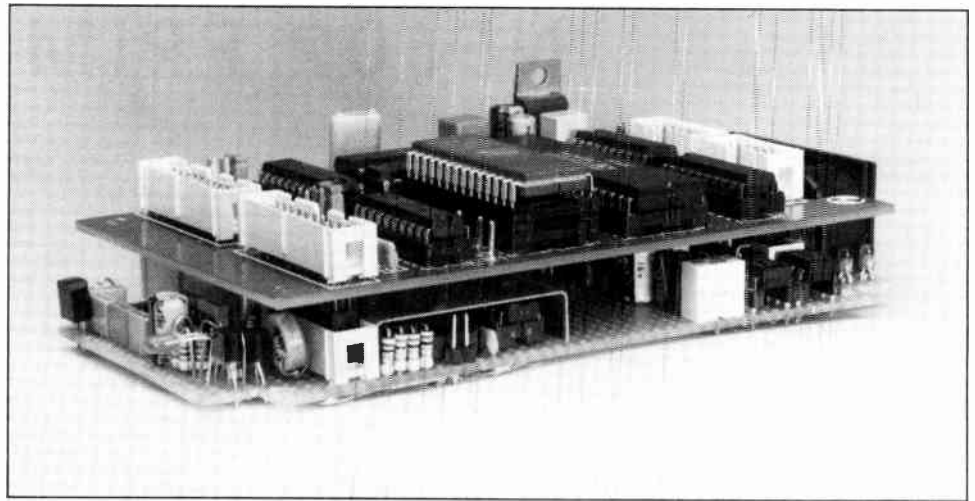


Fig. 8. Z80 board fitted 'piggy back' on to a prototype of the RC5-code infra-red receiver described elsewhere in this issue.

by hand, i.e., by writing a machine code program, looking up the opcodes, and loading them into an EPROM. A far more flexible way of developing software is afforded by an EPROM emulator (Fig. 4), which goes round the problem of having to erase and re-program an EPROM every time a change is required (and debugging, as you probably know, almost invariably involves a lot of changes).

For now, you probably want to know if the card works. Well, that can be found out quite easily with the aid of the test program listed in Fig. 5. Set the two jumpers on the board to input before running the program (from EPROM). The program turns the Z80 card essentially into an input data operator. As you can see, this can be achieved without RAM, since the (many) registers of the Z80 can be used for the 'scratch' functions. Figure 6 shows a register overview of the Z80.

The absence of RAM means that a num-

ber of Z80 instructions can not be used. These instructions, listed in Table 2, are essentially those related to stack operations. As you can see, it is not possible to call interrupt and subroutines if you do not have RAM. Fortunately, this need not result in 'spaghetti software', because most assemblers support the use of macros. Macros are small pieces of machine code that are used frequently in a program, and which need to be written in source code only once. In most cases, it is possible to use variables in macros, for instance, to indicate the register or address the macro is to make use of. An example of a piece of source code containing macros is given in Fig. 7.

References:

1. "Universal I/O interface for IBM PCs". *Elektronik* May 1991.
2. "Relay card for universal I/O interface". *Elektronik* November 1991.



KELVIN PRO 400
\$69.95

FREQUENCY COUNTER TO 20MHz IDEAL FOR TROUBLE SHOOTING ACDC VOLTAGE RANGES ACDC CURRENT RANGES 5 FREQUENCY RANGES 5 CAPACITANCE RANGES

30 DAY MONEY BACK GUARANTEE!

LOGIC TEST CONTINUITY TESTER/HEATER DIODE CHECK TRANSISTOR hFE TEST LED TEST VERIFY GOOD/NO DISPLAY - 3 1/2 DIGIT LCD ACCURACY - 0.5% IMPEDANCE - 11 Mega Ohm

PROTECTIVE CARRY CASE for PRO 400 Stock No. 990094 \$8.95 ea

2 YEAR WARRANTY

BEST BUY NEW Series II

FLUKE 79 with Capacitance \$169

FLUKE 87 True RMS \$269

NEW! SCOPEMETER™ 90 SERIES

FLUKE 93 ScopeMeter \$1095

FLUKE 95 ScopeMeter \$1395

FLUKE 97 FULLY LOADED \$1695



97



KELVIN Electronics VISA M/C

AUTHORIZED DEALER

10 Hub Drive, Melville, NY 11747
 (516) 756-1750 • 1 (800) 643-9212 • FAX (516) 756-1763

HEAR EVERY SOUND OVER 1 MILE AWAY!




Simply attach the **VT-75** microtransmitter to any 3V to 12V battery and you can hear every sound in an entire house over 1 mile away! Super-sensitive circuit on a single chip even picks up footsteps from across a large room. Tunable from 80 to 130 MHz. Hear everything on any FM radio or wideband scanner tuned to the "secret" frequency you select. Unlimited uses for security, baby monitor, remote mic, etc. **Not a toy.** The **VT-75** meets many U.S. Gov't Military Specs and with 100mW RF output, it is the smallest, most powerful miniature transmitter you can buy. Easily assembled even by a youngster in only 5 minutes and performs so well that it is the only miniature transmitter available *anywhere* that comes with a **full unconditional moneyback guarantee!** Complete kit includes **VT-75** microtransmitter chip, miniature microphone, 9V battery connector and instructions - **\$49.95 + \$1.50 S&H** or save- buy 2 for \$45.00 each with free S&H! Call toll free or send money order, Visa, or MC acc't number for immediate shipping by U.S. Mail. COD's add \$4. Checks allow 21 days.




DECO INDUSTRIES*

BOX 607
BEDFORD HILLS, NY
10507

1-800-759-5553 (U.S. ONLY) ALL OTHER 914-232-3878

NE602 PRIMER

by Joseph J. Carr

THE Signetics (Philips Components) NE602/SA602 is a monolithic integrated circuit containing a double balanced mixer (DBM), an oscillator, and an internal voltage regulator in a single eight-pin package (Fig. 1). The DBM operates to 500 MHz, while the internal oscillator works to 200 MHz. The primary uses of the NE602/SA602 are in HF and VHF receivers, frequency converters and frequency translators. The device can also be used as a signal generator in many popular inductor-capacitor (L-C) based variable frequency oscillator (VFO), piezoelectric crystal (XTAL), or swept-frequency, configurations. In this article we will explore the various configurations for the d.c. power supply, the RF input, the local oscillator and the output circuits. We will also examine certain applications of the device.

Versions

The NE602 version of the device operates over a temperature range of 0 to +70 °C, while the SA602 operates over the extended temperature range of -40 to +85 °C. The most common form of the device is probably the NE602N, which is an eight-pin mini-DIP package. Eight-lead SO Surface mount (D-suffix) packages are also available. In this article the NE602N is featured, although the circuits also work with the other packages and configurations, including the improved follow-up types NE602AN and NE602AD which are now available.

Because the NE602 contains both a mixer and a local oscillator, it can operate as a radio receiver 'front-end' circuit. It provides very good noise and third-order intermodulation performance. The noise figure is typically 5 dB at a frequency of 45 MHz. The NE602 has a third-order intercept point of about -15 dBm referenced to a matched input, although it is recommended that a maximum signal level of -25 dBm (approx. 3.16 mW) be observed. This signal level corresponds to about 12.6 mV into a 50-Ω load, or 68 mV into the 1,500-Ω input impedance of the NE602. The NE602 is capable of providing 0.2-μV sensitivity in receiver circuits without external RF amplification. One criticism of the NE602 is that it appears to sacrifice some dynamic range for high sensitivity — a problem said to be solved in the A-series (e.g., NE602AN).

Frequency conversion/translation

The process of frequency conversion is

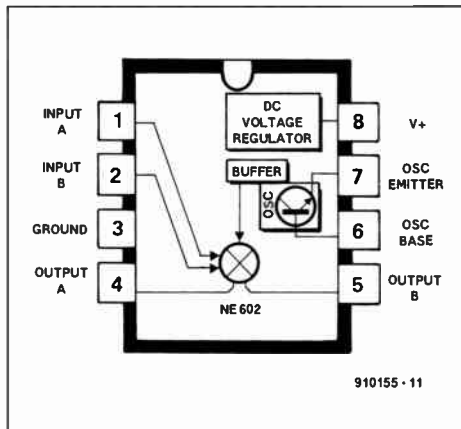


Fig. 1. Block diagram of the NE602 showing pinouts.

called heterodyning. When two signals at different frequencies (f_1 and f_2) are mixed in a non-linear circuit, a collection of different frequencies will appear at the output of the circuit. These are characterized as f_1 , f_2 and $nf_1 \pm mf_2$, where n and m are integers. In most practical situations, n and m are 1, so the total output spectrum will consist at least of f_1 , f_2 , $f_1 + f_2$ and $f_1 - f_2$. Of course, if the two input cir-

cuits contain harmonics, additional products are found in the output. In superheterodyne radio receivers, either the sum or difference frequency is selected as the intermediate frequency (IF). In order to make the frequency conversion possible, a circuit needs a local oscillator (LO) and a mixer circuit (both of which are provided in the NE602).

The local oscillator consists of a VHF n-p-n transistor with the base connected to pin 6 of the NE602, and the emitter to pin 7; the collector of the oscillator transistor is not available on an external pin. There is also an internal buffer amplifier which connects the oscillator transistor to the DBM circuit. Any of the standard oscillator circuit configurations can be used with the internal oscillator, provided that access to the collector terminal is not required. Thus, Colpitts, Clapp, Hartley, Butler and other oscillator circuits can be used with the NE602 device, while the Pierce and Miller oscillator circuits can not.

The double balanced mixer (DBM) circuit is shown in Fig. 2; it consists of a pair of cross-connected differential amplifiers (T1-T2 with T5 as a current source; similarly T3/T4 with T6 working as a current source).

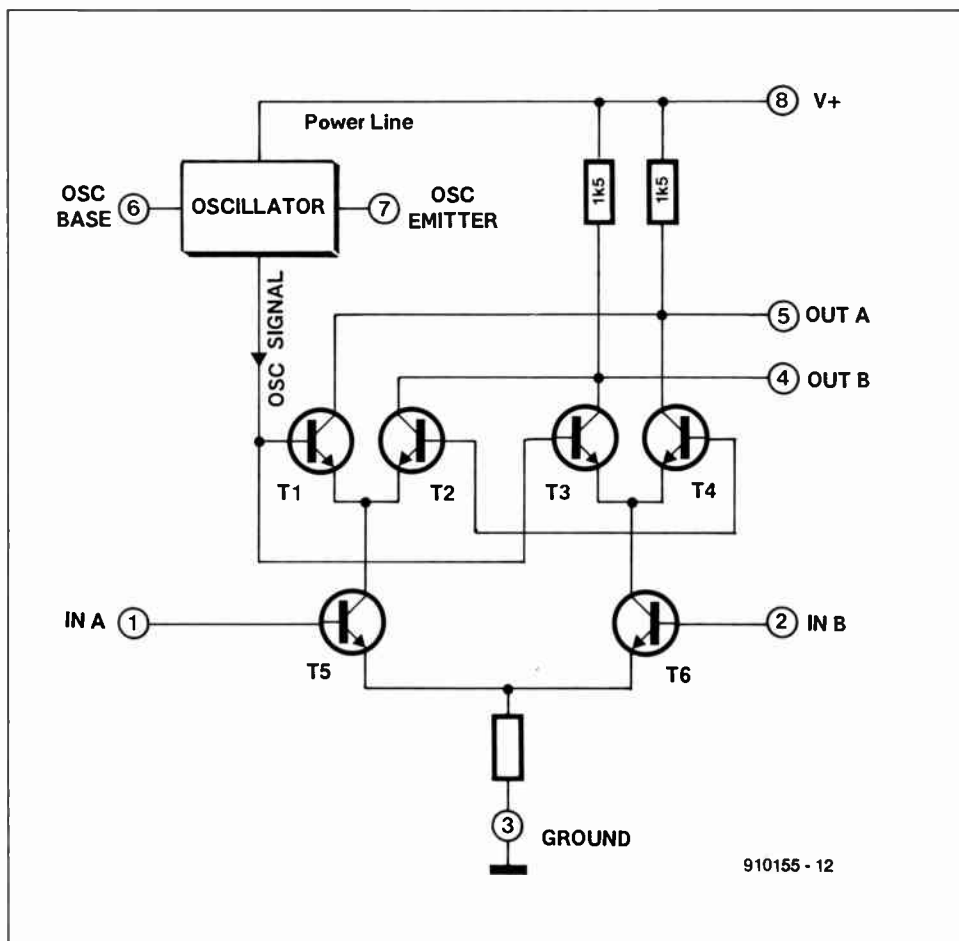


Fig. 2. Partial internal schematic showing the Gilbert Transconductance Cell.

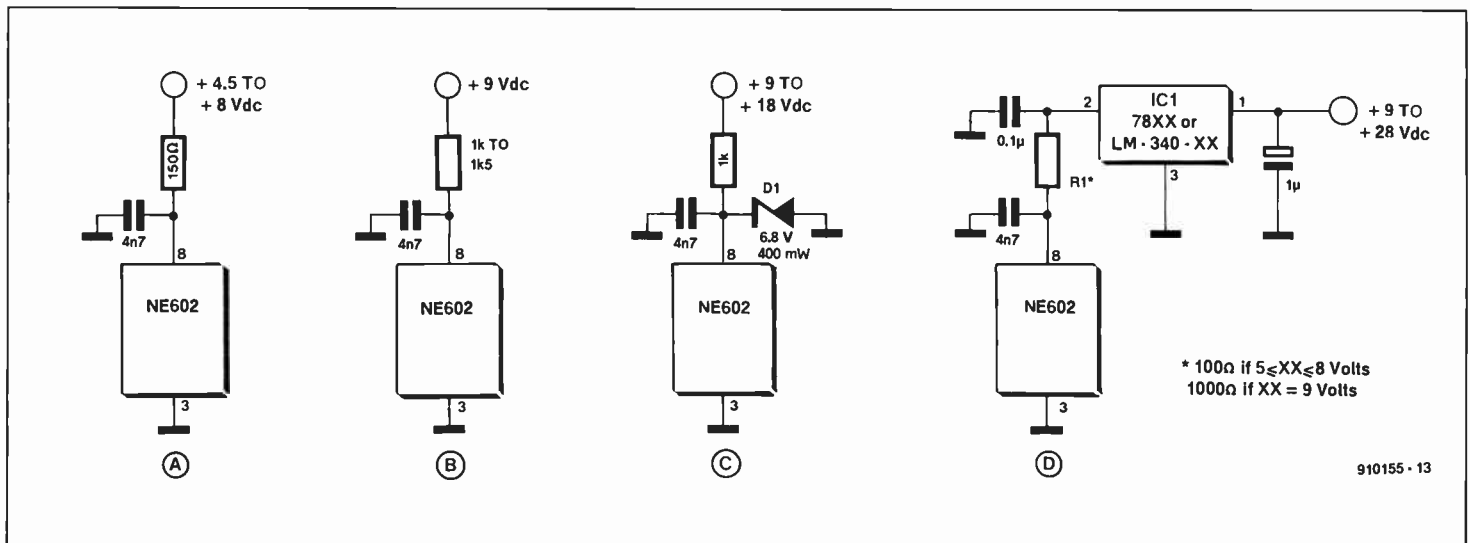


Fig. 3. DC power supply configurations for the NE602: a) for supplies $+4.5 \leq V \leq +8$ V; b) for +9-V supplies; c) zener diode regulator for +9 to +18 V supplies; d) 3-terminal IC voltage regulator for supplies from +8 to +28 V.

This configuration is called a Gilbert Transconductance Cell. The cross-coupled collectors form a push-pull output (pins 4 and 5) in which each output pin is connected to the V+ power supply terminal through 1,500- Ω resistors. The input is also push-pull, and similarly is cross-coupled between the two halves of the cell. The local oscillator signal is injected into each cell-half at the base of one of the transistors.

Because the mixer is double-balanced, it has a key attribute that makes it ideal for use as a frequency converter or receiver front-end: suppression of the LO and RF input signals in the outputs. In the NE602 chip, the output signals are $f_1 + f_2$, and $f_1 - f_2$. Although some harmonic products appear, many are also suppressed because of the DBM action.

DC power supply connections

The V+ power supply terminal of the NE602 is pin 8, and the ground connection is pin 3; both must be used for the d.c. power connections. The d.c. power supply range is to be +4.5 V to +8 V d.c., with a current drain ranging from 2.4 to 2.8 mA.

It is highly recommended that the V+ power supply terminal (pin 8) be bypassed to ground with a capacitor of 10 nF to 100 nF. The capacitor should be mounted as close to the body of the NE602 as is practical; short leads are required in radio frequency (RF) circuits.

Figure 3a shows the recommended power supply configuration for situations where the supply voltage is +4.5 to +8 V. For best results, the supply voltage should be regulated. Otherwise, the local oscillator frequency may not be stable, which leads to problems. A series resistor (100 to 180 Ω) is placed between the V+ power supply rail and the V+ terminal on the NE602. If the power supply voltage is raised to +9 V, increase the value of the series resistance an order of magnitude to 1,000 to 1,500 Ω (Fig. 3b).

If the d.c. power supply voltage is either

unstable, or above +9 V, it is highly recommended that a means of voltage regulation be provided. In Fig. 3c a zener diode is used to regulate the NE602 V+ voltage to 6.8 V, even though the supply voltage ranges from +9 V to +18 V (a situation found in automotive applications). An alternative voltage regulator circuit is shown in Fig. 3d. This circuit uses a three-terminal voltage regulator to provide V+ voltage to the NE602. Because the NE602 is a very low current drain device, the lower power versions of the regulators (e.g., 78Lxx) can be used. The low-power versions also permit the NE602 to have its own regulated power supply, even though the rest of the radio receiver uses a common d.c. power supply. Input voltages of +9 V to more than +28 V, depending on the regulator device selected, can be used for this purpose. The version of Fig. 3d uses a 78L09 to provide +9 V to the NE602, although the 78L05 and 78L06 can also be used to good effect.

NE602 input circuits

The RF input port of the NE602 uses pins 1 and 2 to form a balanced input. As is often the case in differential amplifier RF mixers, the RF input signals are applied to the base terminals of the two current sources (T5 and T6 in Fig. 2). The input impedance of the NE602 is 1,500 Ω shunted by 3 pF at lower frequencies, but drops to about 1,000 Ω in the VHF region.

Several different RF input configurations are shown in Fig. 4; both single-ended (unbalanced) and differential (balanced) input circuits can be used with the NE602. In Fig. 4a a capacitively coupled, untuned, unbalanced input scheme is shown. The signal is applied to pin 1 (although pin 2 could have been used instead) through a capacitor, C1, that has a low impedance at the operating frequency. The signal level should be less than -25 dBm, or about 68 mV into 1,500 Ω (180 mV_{pp}). Whichever input is used, the alternative input is unused, and should be bypassed to ground through a low-value capacitor (1 nF to 100 nF depend-

ing on frequency).

A wideband transformer-coupled RF input circuit is shown in Fig. 4b. In this configuration, a wideband RF transformer is connected such that the secondary is applied across pins 1 and 2 of the NE602, with the primary of the transformer connected to the signal source or aerial. The turns ratio of the transformer can be used to raise the source impedance to 1,500 Ω (the NE602 input impedance). Either conventional or toroidal transformers can be used for Tr1. As in the previous circuit, one input is bypassed to ground through a low reactance capacitor.

Tuned RF input circuits are shown in Figs. 4c, 4d, 4e and 5. Each of these circuits performs two functions: a) it selects the desired RF frequency while rejecting others, and b) it matches the 1.5-k Ω input impedance of the NE602 to the source or aerial system impedance (e.g., 50 Ω). The circuit shown in Fig. 4c uses an inductor (L1) and capacitor (C1) tuned to the input frequency, as do the other circuits, but the impedance matching function is done by tapping the inductor; a d.c. blocking capacitor is used between the aerial connection and the coil. A third capacitor, C3, is used to bypass one of the inputs (pin 2) to ground.

Another version of the circuit is shown in Fig. 4d. It is similar in concept to the previous one, but uses a tapped capacitor voltage divider (C2-C3) for the impedance matching function. Resonance with the inductor is established by the combination of C1, the main tuning capacitor, in parallel with the series combination of C2 and C3:

$$C_{\text{tune}} = C_1 + (C_2 C_3) / (C_2 + C_3) \quad [1]$$

The previous two circuits are designed for use when the source or aerial system impedance is smaller than 1.5 k Ω (the input impedance of the NE602). The circuit of Fig. 4e can be used in all three situations: input impedance lower than, higher than, or equal to, the NE602 input impedance, depending on the ratio of the number of turns in the primary

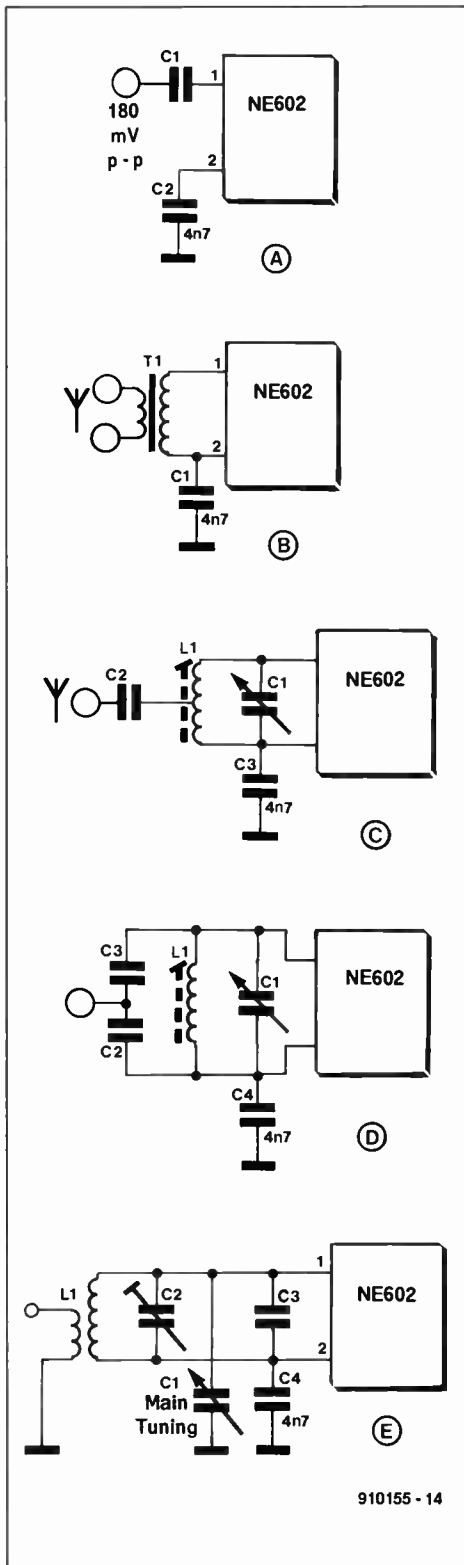


Fig. 4. NE602 input circuit configurations: a) direct, untuned input ($V_{in} \leq 180$ mV_{pp}); b) broadbanded RF transformer couples signal and transform aerial impedance to 1500 Ω ; c) tuned input uses a tap on the inductor for impedance matching; d) tuned input uses a tapped capacitor voltage divider for impedance matching; e) tuned transformer input that uses a grounded frame variable capacitor.

winding (L_2) to the number of turns in the secondary winding (L_1). The situation shown schematically in Fig. 4e is for the case where the source impedance is smaller than the input impedance of the NE602.

The secondary of the RF transformer (L_1)

resonates with a capacitance made up of C_1 (main tuning), C_2 (trimmer tuning or bandspread), and a fixed capacitor, C_3 . An advantage of this circuit is that the frame of the main tuning capacitor is grounded. This feature is an advantage because most tuning capacitors are designed for grounded frame operation, so construction is easier. In addition, most of the variable frequency oscillator circuits (discussed shortly) used with the NE602 also have a grounded frame capacitor. The input circuit of Fig. 4e can therefore use a single dual-section capacitor for single knob tuning of both RF input and local oscillator.

Figure 5 shows a tuned input circuit that relies, at least in part, on a voltage variable capacitance (varactor or varicap) diode for the tuning function. The total tuning capacitance that resonates transformer secondary L_2 is the parallel combination of C_1 (trimmer), C_2 (a fixed capacitor), and the junction capacitance of varactor diode D_1 . The value of capacitor C_3 is normally chosen large compared with the diode capacitance so that it will have little effect on the total capacitance of the series combination C_3/CD_1 . In other cases, however, the capacitance of C_3 is chosen close to the capacitance of the diode so it becomes part of the resonant circuit capacitance.

A varactor diode is tuned by varying the reverse bias voltage applied to it. Tuning voltage V_t is set by a voltage divider consisting of R_1 , R_2 and R_3 . The main tuning potentiometer (R_1) can be a single-turn model, but for best resolution of the tuning control use a multiturn potentiometer. The fine tuning potentiometer can be a panel mounted model for use as a bandspread control, or a trimmer model for use as a fine adjustment of the tuning circuit (a function also shared by trimmer capacitor C_1).

The voltage used for the tuning circuit (V_A) must be well regulated, or the tuning will shift with variations of the voltage. Some designers use a separate three-terminal IC regulator for V_A , but that is not strictly necessary. A more common solution is to use a single low-power 9-V three-terminal IC voltage regulator for both the NE602 and the tuning network. However, it will only work when the diode needs no more than +9 V for correct tuning of the desired frequency range. Unfortunately, many varactor diodes require a voltage range of about +1 V to +37 V to cover the entire range of available capacitance.

When oscillator circuits are discussed, we will also see a version of the Fig. 5 circuit that is tuned by a sawtooth waveform (for swept-frequency operation) or a digital-to-analogue converter (for computer-controlled frequency selection).

NE602 output circuits

The NE602 output circuit consists of the cross-coupled collectors of the two halves of the Gilbert transconductance cell (Fig. 2), and are available on pins 4 and 5. In general, it makes no difference which of these pins is

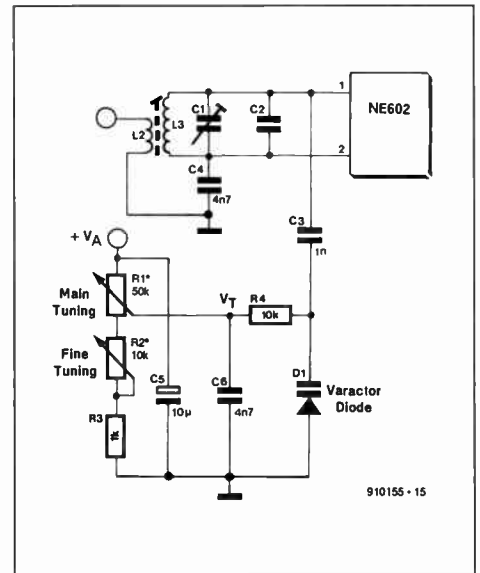


Fig. 5. Voltage-tuned RF input circuit.

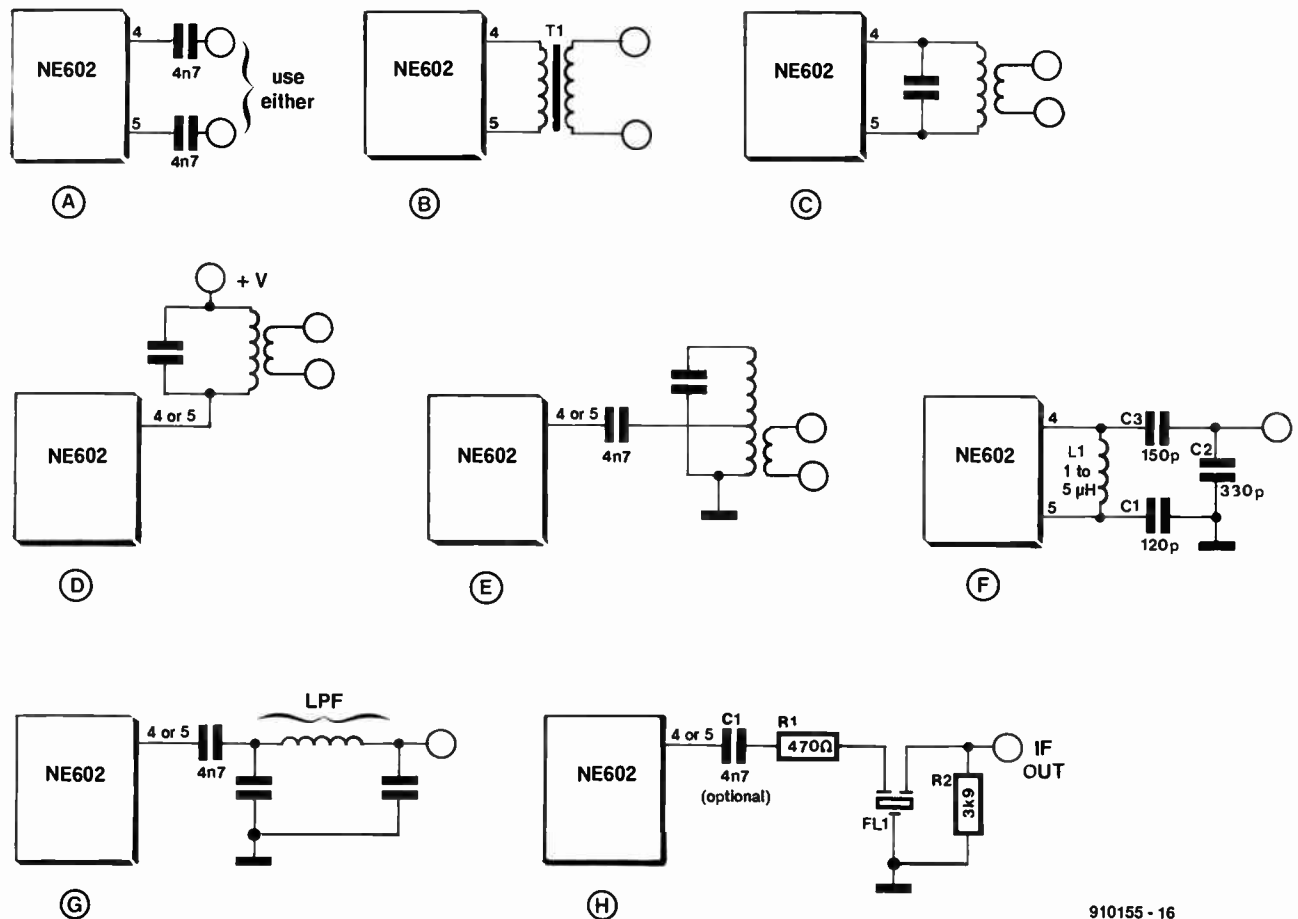
used for the output — in single-ended output configurations only one terminal is used, and the other one is ignored. Each output terminal is connected internally to the NE602 to $V+$ through separate 1.5-k Ω resistors.

Figure 6a shows the wideband, high impedance (1.5-k Ω) output configuration. Either pin 4 or 5 (or both) can be used. A capacitor is used to provide d.c. blocking. This capacitor should have a low reactance at the frequency of operation, so values between 1 nF and 100 nF are generally selected.

Transformer output coupling is shown in Fig. 6b. In this circuit, the primary of a transformer is connected between pins 4 and 5 of the NE602. For frequency converter or translator applications, the transformer could be a broadband RF transformer wound on either a conventional slug-tuned form or a toroid form. For direct conversion autodyne receivers the transformer would be an audio transformer. The standard 1:1 transformers used for audio coupling can be used. These transformers are sometimes marked with impedance ratio rather than turns ratio (e.g. 600 Ω :600 Ω , or 1.5k Ω :1.5k Ω).

Frequency converters and translators are the same thing, except that the 'converter' terminology generally refers to a stage in a superhet receiver, while 'translator' is more generic. For these circuits, the broadband transformer will work, but it is probably better to use a tuned RF/IF transformer for the output of the NE602. The resonant circuit will reject all but the desired frequency product; e.g., the sum or difference (IF) frequency. Figure 6c shows a common form of resonant output circuit for the NE602. The tuned primary of the transformer is connected across pins 4 and 5 of the NE602, while a secondary winding (which could be tuned or untuned) is used to couple the signal to the following stages.

A single-ended RF tuned transformer output network for the NE602 is shown in Fig. 6d. In this coupling scheme, the output terminal of the IC is coupled to the $V+$ supply rail through a tuned transformer. Perhaps a better solution to the single-ended problem is the circuit of Fig. 6e. In this cir-



910155 - 16

Fig. 6. Output circuit configurations: a) direct capacitor coupled output (untuned); b) broadband transformer coupled output; c) tuned transformer output; d) tuned transformer to $V+$; e) grounded tuned transformer output; f) tapped capacitor tuned output (VHF circuits); g) low-pass filter output; h) filter output.

circuit, the transformer primary is tapped for a low impedance, and the tap is connected to the NE602 output terminal through a d.c. blocking capacitor. These transformers are easily available as either 455 KHz or 10.7 MHz versions, and may also be made relatively easily.

Still another single-ended tuned output circuit is shown in Fig. 6f. In this circuit, one of the outputs is grounded for RF frequencies through a capacitor. Tuning is a function of the inductance of $L1$ and the combined series capacitance of $C1$, $C2$ and $C3$. By tapping the capacitance of the resonant circuit, at the junction of $C2$ - $C3$, it is possible to match a lower impedance (e.g., 50 Ω) to the 1.5-k Ω output impedance of the NE602.

The single-ended output network of Fig. 6g uses a low-pass filter as the frequency selective element. This type of circuit can be used for applications such as a heterodyne signal generator in which the local oscillator frequency of the NE602 is heterodyned with the signal from another source applied to the RF input pins of the IC. The difference frequency is selected at the output when the low-pass filter is designed such that its cut-off frequency is between the sum and difference frequencies.

In Fig. 6h an IF filter is used to select the

desired output frequency. These filters are available in a variety of different frequencies and configurations, including the Collins mechanical filters that were once used extensively in high-grade communications receivers (260 kHz, 455 kHz and 500 kHz centre frequencies). Current high-grade communications receivers typically use crystal IF filters centred on 8.83 MHz, 9 MHz, 10.7 MHz or 455 KHz (with bandwidths of 100 Hz to 30 kHz). Even broadcast radio receivers can be found using IF filters. Such filters are made of piezoceramic material, and are usually centred on either 260 or 262.5 kHz (AM auto radios), 455 or 460 kHz (other AM radios) or 10.7 MHz (FM radios). The lower frequency versions are typically made with 4-, 6- or 12-kHz bandwidths, while the 10.7-MHz versions have bandwidths of 150 to 300 kHz (200 kHz being most common).

In the circuit of Fig. 6h it is assumed that the low-cost (typically US\$ 3) ceramic AM or FM filters are used (for other types, compatible resistances or capacitances are needed to make the filter work properly). The input side of the filter (FL1) in Fig. 6h is connected to the NE602 through a 470- Ω resistor and an optional d.c. blocking capacitor ($C1$). The output of the filter is terminated

into a 3.9-k Ω resistor. The difference IF frequency resulting from the conversion process appears at this point.

One of the delights of the NE602 chip is that it contains an internal oscillator circuit that is already coupled to the internal double balanced mixer. The base and emitter connections to the oscillator transistor inside the NE602 are available through pins 6 and 7, respectively. The internal oscillator can be operated at frequencies up to 200 MHz. The internal mixer works to 500 MHz. If higher oscillator frequencies are needed, use an external local oscillator. An external signal can be coupled to the NE602 through pin 6, but must be limited to no more than about -13.8 dBm, or 250 mV across 1,500 Ω .

NE602 local oscillator circuits

There are two general methods for controlling the frequency of a local oscillator circuit: inductor-capacitor (LC) resonant circuits or piezoelectric crystal resonators. We will consider both forms, but first the crystal oscillators.

Figure 7a shows the basic Colpitts crystal oscillator. It will operate with fundamental

mode crystals on frequencies up to about 20 MHz. The feedback network consists of a capacitor voltage divider (C1-C2). The values of these capacitors are critical, and may be calculated from:

$$C_1 = 100 / \sqrt{F} \quad [2]$$

$$C_2 = 1000 / F \quad [3]$$

Where the capacitor values are in pF and the frequency in MHz. The values resulting from these equations are approximate, but work well under circumstances where external stray capacitance does not dominate the total. However, the practical truth is that capacitors come in standard values and these may not be exactly the values required by Eqs. [2] and [3].

When the capacitor values are correct, the oscillation will be consistent. If you pull the crystal out, and then reinsert it, the oscillation will restart immediately. Also, if the power is turned off and then back on again, the oscillator will always restart. If the capacitor values are incorrect, the oscillator will either fail to run at all, or will operate intermittently. Generally, an increase in the capacitances will suffice to make operation consistent.

A problem with the circuit of Fig. 7a is that the crystal frequency is not controllable. The actual operating frequency of any crystal depends, in part, on the circuit capacitance seen by the crystal. The calibrated frequency is typically valid when the load capacitance is 20 pF or 32 pF, but this can be specified to the crystal manufacturer at the time of ordering. In Fig. 7b a variable capacitor is placed in series with the crystal in order to set the frequency. This trimmer can be adjusted to set the oscillation frequency to the desired frequency.

The two previous crystal oscillators operate in the fundamental mode. The resonant frequency in the fundamental mode is set by the dimensions of the slab (wafer) of quartz used for the crystal—the thinner the slab, the higher the frequency. Fundamental mode crystals work reliably up to about 20 MHz, but above 20 MHz the slabs become too thin for safe operation. Above about 20 MHz, the thinness of the slabs of fundamental mode crystal causes them to fracture easily. An alternative is to use overtone crystals. The overtone frequency of a crystal is not necessarily an exact harmonic of the fundamental frequency, but is close to it. The overtones tend to be close to odd integer multiples of

the fundamental (3rd, 5th, 7th). Overtone crystals are marked with the appropriate overtone frequency, rather than the fundamental.

Figures 7c and 7d are overtone mode crystal oscillator circuits. The circuit in Fig. 7c is the Butler oscillator. The overtone crystal is connected between the oscillator emitter of the NE602 (pin 7) and a capacitive voltage divider that is connected between the oscillator base (pin 6) and ground. There is also an inductor in the circuit (L1), and this must resonate with C1 to the overtone frequency of crystal X1. Figure 7c can use either 3rd or 5th overtone crystals up to about 80 MHz. The circuit in Fig. 7d is a third-overtone crystal oscillator that works from 25 MHz to about 50 MHz, and is simpler than Fig. 7c.

A pair of variable frequency oscillator (VFO) circuits are shown in Figs. 7e and 7f. The circuit in Fig. 7e is the Colpitts oscillator, while Fig. 7f is the Hartley oscillator. In both oscillators, the resonating element is an LC tuned resonant circuit. In Fig. 7e, however, the feedback network is a tapped capacitive voltage divider, while in Fig. 7f it is a tap on the resonating inductor. In both cases, a d.c. blocking capacitor to pin 6 is needed to pre-

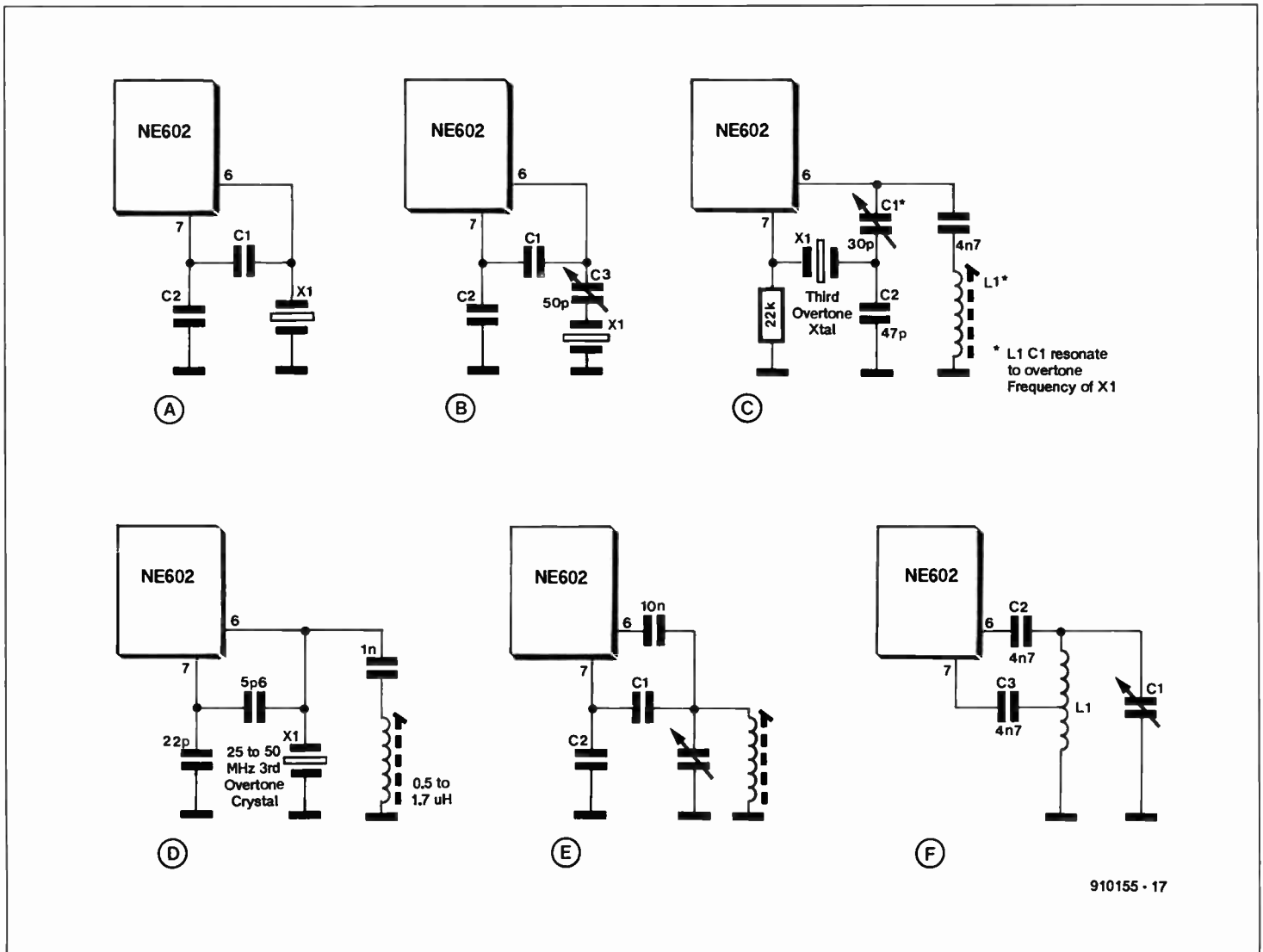


Fig. 7. Local oscillator circuits for the NE602: a) simple Colpitts crystal oscillator; b) Colpitts crystal oscillator with adjustable frequency control; c) Butler overtone oscillator for low-band VHF; d) additional overtone oscillator; e) Colpitts VFO; f) Hartley VFO.

vent the oscillator from being d.c.-grounded through the resistance of the inductor.

Voltage-tuned NE602 oscillator circuits

Figure 8 shows a pair of VFO circuits in which the capacitor element of the tuned circuit is a variable capacitance diode, or varactor (D_1 in Figs. 8a and 8b). These diodes exhibit a junction capacitance that is a function of the reverse bias potential applied across the diode. Thus, the oscillating frequency of these circuits is a function of tuning voltage V_t . The version shown in Fig. 8a is the parallel-resonant Colpitts oscillator, while that in Fig. 8b is the series-tuned Clapp oscillator.

Figure 9 shows an application of the voltage-tuned oscillator (in this example, the Clapp oscillator). Two tuning modes are provided in Fig. 9. When switch S_1 is in position 'A', the tuning voltage is manually set with a potentiometer, R_2 . If a d.c. level is applied to the top end of the potentiometer, the oscillator will operate on a discrete frequency that is a function of V_{TA} . If a sinusoidal waveform is applied to the potentiometer, however, the oscillator frequency will deviate back and forth in frequency modulation (FM). Or, if a sawtooth waveform is applied, the circuit becomes a sweep oscillator: the frequency will increase as the applied voltage increases, and then snap back to the lowest frequency in its

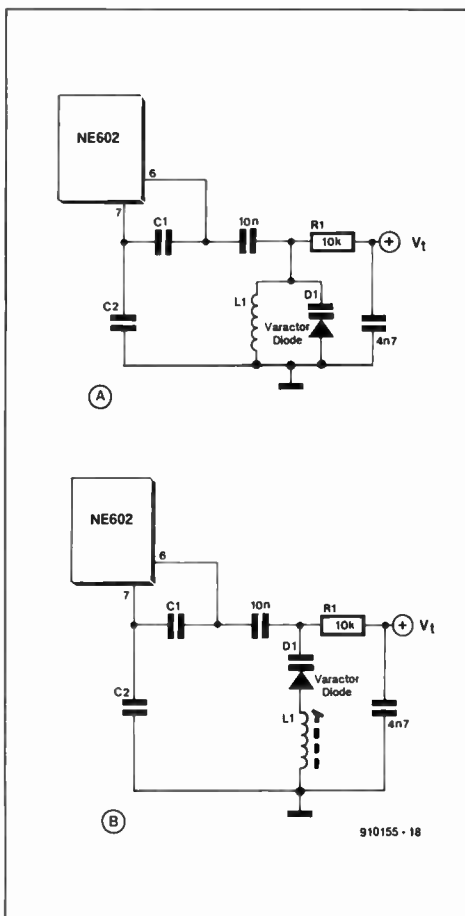


Fig. 8. Voltage-tuned (varactor) VFO circuits: a) Colpitts; b) Clapp.

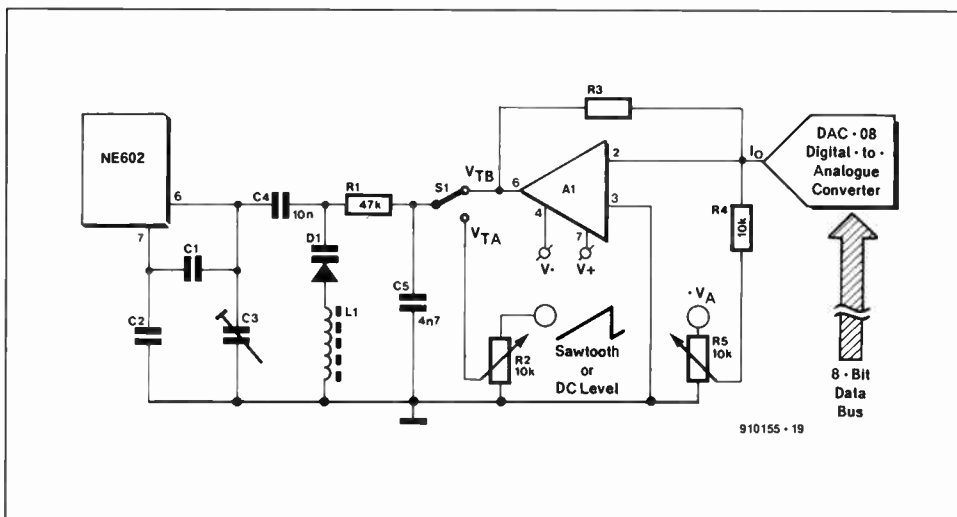


Fig. 9. LO frequency control by either manual or digital means, according to the setting of switch S_1 . This circuit can be swept for FM or sweep generator use, or computer controlled by applying a binary word to the DAC input corresponding to the desired drive voltage for a specified frequency.

range when the sawtooth drops back to zero.

When switch S_1 is in position 'B', the frequency is controlled by a digital-to-analogue converter (DAC). In this case, a current output device (DAC-08 or its relatives) is shown. The output of the DAC is a current between 0 and 2 mA, which is converted into a voltage by operational amplifier A_1 . The tuning voltage V_{TB} is the product $I_0 R_3$. A d.c. offset, for trimming the actual frequency, is provided by potentiometer R_5 and a negative reference d.c. source, V_A .

There are several advantages to the DAC-driven version of this circuit. One is to digitally control the sweep in a manner similar to the analogue sawtooth waveform. If the digital inputs of the DAC are cycled through the binary numbers 00 to FF hex (i.e., 255 decimal) in sequence, the analogue output rises as a sawtooth.

Another application is to let the computer set the frequency of the oscillator. When the circuit is calibrated, you can set one of 256 discrete frequencies by sending the correct binary number to the DAC (which, of course, corresponds to a discrete voltage).

Finally, the digitally driven voltage-controlled oscillator can be programmed for a more linear frequency characteristic. Varactor diodes have a non-linear voltage vs. frequency characteristic, and therefore a non-linear frequency characteristic in a resonant circuit. A linearized look-up table stored in the computer can be used to generate the voltage that produces a series of equal discrete frequency steps for each 1-LSB change of the applied binary word.

NE602 as an oscillator

The NE602 is usually thought to be a receiver or frequency converter, but it can also be used as an oscillator or signal generator. Normally, the LO signal and the RF signal are suppressed in the output. Figure 10 shows a generic circuit that will allow the LO signal to appear at the output (no RF or IF signal appears). In this circuit, one RF input (pin 2) is bypassed to ground for RF, while

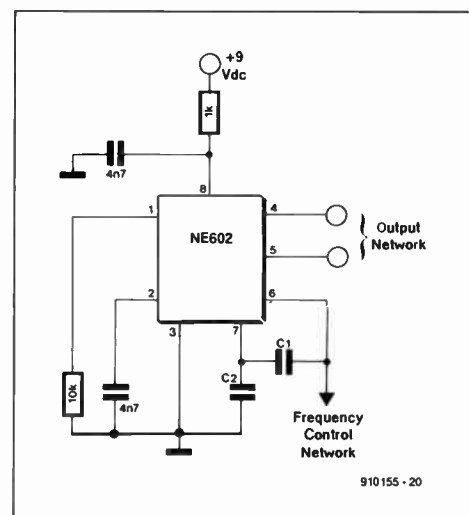


Fig. 10. Method for using the NE602 as a signal generator.

the other input (pin 1) is grounded for d.c. through a 10-k Ω resistance.

Conclusion

The NE602 is a well-behaved RF chip that will function in a variety of applications from receivers, to converters, to oscillators, to signal generators. Good luck. ■

PREVIEW GLASS AUDIO

Issue 2, 1991

- A line level preamp for the transformerless amp
- A low-power VT amp with electronic crossovers
- Designing a preamp tube tester
- Highlights of the Hi-Fi show in London
- World Directory
- Three *Audio Anthologies* reviews

COMPUTER-CONTROLLED WEATHER STATION

PART 3: WINDSPEED AND DIRECTION METER

Having dealt with sensor interfaces that measure temperature and relative humidity, we now tackle two other important meteorological parameters: the speed and direction of that eternal friend or foe of ours, the wind.

by J. Ruffell

Of all factors that determine the weather, wind and precipitation are the ones that matter most to us. Since the wind brings us cold or warm air, it contributes greatly to our feeling comfortable or not, out of doors. Particularly on a cold winter's day, the wind force and wind direction have a considerable effect on the perceived temperature: when the air temperature is, say, a few degrees below zero, a stiff breeze can make it feel as cold as minus 20 degrees. This is the so-called chill factor. Of all living creatures, only mammals have this impression because their blood circulation, skin and body liquid evaporation system work in such a way that the body temperature is held constant.

Apart from having an effect on the perceived temperature, the wind can also cause problems and become a tremendous danger when its force increases from a breeze to a storm (wind force 10 or greater on the Beaufort scale).

The wind direction is measured because it is often an indication of the type of weather and related temperature we can expect. In areas close to, or surrounded by, the sea, wind from the sea has a cooling effect, while wind from the inland usually brings relatively warm air. This situation exists in the summer months, when the sea water is 'colder' than the land. In the winter months, the sea works as a thermal buffer because it forms a large source of residual heat, built up during the summer. Hence, coastal regions are often warmer in the winter. Also note that air carried over land is much drier than air carried over sea. In conclusion, wind speed and wind direction are important parameters to meteorologists, and play a significant role in weather forecasting.

The sensors

Because repeatable, accurate measurements of the wind speed and wind direction require standardized sensors, we propose the

use of a ready-made unit for this. The combined sensor is shown in Fig. 1. Its output signals are fed to the PC measurement card (Ref. 1) at the heart of our weather station. The PC runs a program that converts the sensor signals into information that is meaningful to us.

The wind direction meter consists of a vane secured to a spindle. The spindle is attached to a transparent disk with a Gray code on it. The advantage of the Gray code is that one bit changes between two successive positions of the vane, which allows us to implement a basic error checking procedure. The sensor proper consists of four slotted opto-couplers that 'read' the code on the disk. This means that the wind direction is fed to the PC in the form of a 4-bit code. Hence, the sensor is capable of indicating 16 wind directions. This is sufficient for most purposes, and meteorologists never seem to use a more accurate scale anyway.

The connection of the wind direction sensor output to the PC measurement card involves more precautions than one would expect, and this matter is taken up in detail further on.

The wind speed, which is later converted into a corresponding value that indicates the wind force, is measured with the aid of an anemometer. As you can see from Fig. 1, this consists of three small arms secured at angles of 120° to a vertical spindle. Each full spindle revolution results in 12 output pulses. Hence, the computer need only measure the frequency of the output signal of the wind speed sensor, and convert this into a normalized value (see Table 1).

Lightning protection

Since the wind speed and direction sensor assembly is usually fitted on the roof or in another elevated location, fairly long cables may be required to bring the output signals to the computer. As far as the digital signals are concerned that travel along this cable, there are no difficulties. A problem, though, is formed by the voltages induced in the

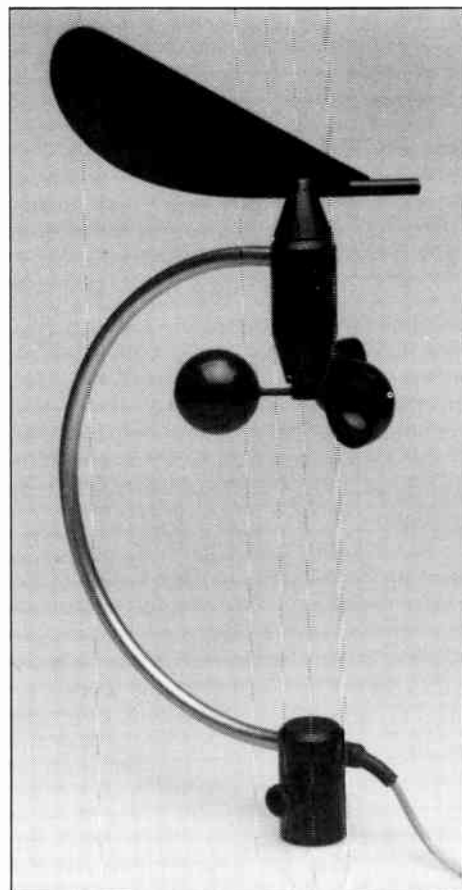


Fig. 1. This ready-made unit contains all the mechanical parts needed to measure wind speed and wind direction.

MAIN SPECIFICATIONS

Wind speed

Values:	peak; current; average
Range:	0–30 m/s
Resolution:	0.1 m/s
Sampling rate:	2 per minute
Recording:	continuous (interval: 10 minutes)

Wind direction

Values:	16 wind directions
Wind dial:	N; NNE, NE, E, ...
Angle:	0–360 degrees
Resolution:	22.5 degrees
Sampling rate:	18.2 Hz
Recording:	continuous (interval: 10 minutes)

Software

Memory-resident (TSR) data logger plus full-colour graph display program

cable by lightning. Without suitable precautions, lightning that strikes close to your home can turn your costly PC into scrap metal and electronics. It is for this reason that we have to make sure that induced voltages are shunted off in the safest possible manner.

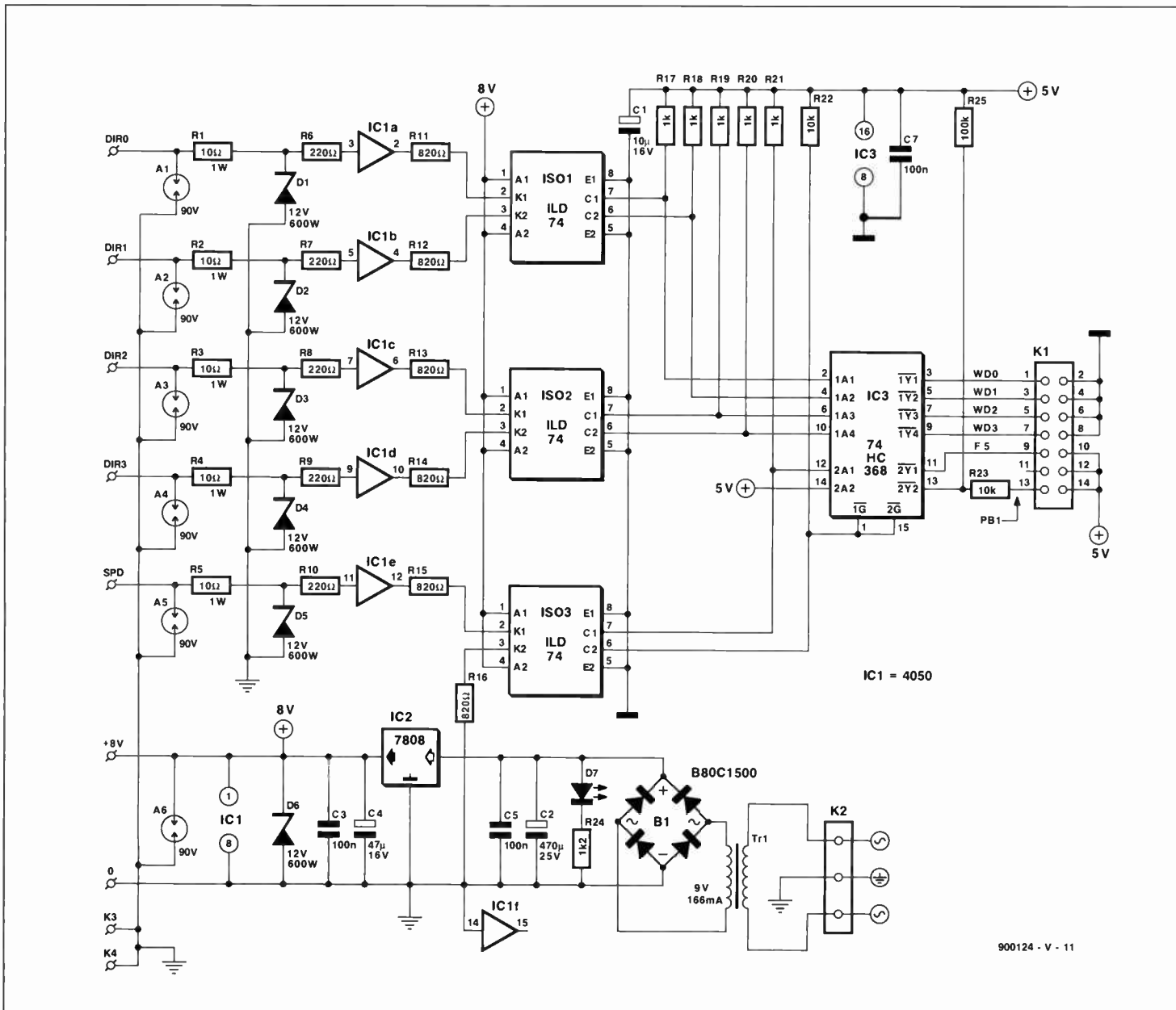


Fig. 2. Circuit diagram of the sensor interface.

Table 1. Wind force measures

Beaufort	m/s	km/h	mph	knots	Description
0	0-0.4	1.6	1	1	calm
1	0.4-1.4	1.6-6	1-3	1-3	light air
2	1.4-3	6-11	4-7	4-6	slight breeze
3	3-5	12-19	8-12	7-10	gentle breeze
4	5-8	20-29	13-18	11-16	moderate breeze
5	8-11	30-39	19-24	17-21	fresh breeze
6	11-14	40-50	25-31	22-27	strong breeze
7	14-17	51-61	32-38	38-33	high wind
8	17-20	62-74	39-46	34-40	gale
9	20-24	75-87	47-54	41-47	strong gale
10	24-28	88-101	55-63	48-55	whole gale
11	28-32	102-115	64-72	56-63	storm
12	32-36	116-131	73-82	64-71	hurricane
13	37-41	133-147	83-92	72-80	—
14	42-46	148-165	93-103	91-89	—
15	47-50	165-182	104-114	90-99	—
16	51-56	183-200	115-125	100-108	—
17	57-60	201-217	126-136	109-118	—

Note, however, that the measures taken here to achieve this do not afford protection against direct 'hits' on the sensor, the cable or the PC itself, or even the mains wiring via which the system is powered. Remember, the proposed protection is effective and adequate for induced voltages only. Electrical systems are very difficult to protect against direct lightning hits, and you may want to consider having a lightning conductor fitted to your home to deal with this problem.

The interface

The main function of the circuit shown in Fig. 2 is to feed the sensor output signals to the computer whilst affording protection against voltages induced on the (long) download cable. Every sensor input is connected to ground via a surge arrester (A1-A6) with a spark-over voltage of 90 V. The surge arrester is a glass tube filled with a noble gas, and is capable of suppressing voltage peaks within 1 μs at peak currents up to 10 kA, or continuous currents of 20 A. Although these arresters are pretty fast-acting

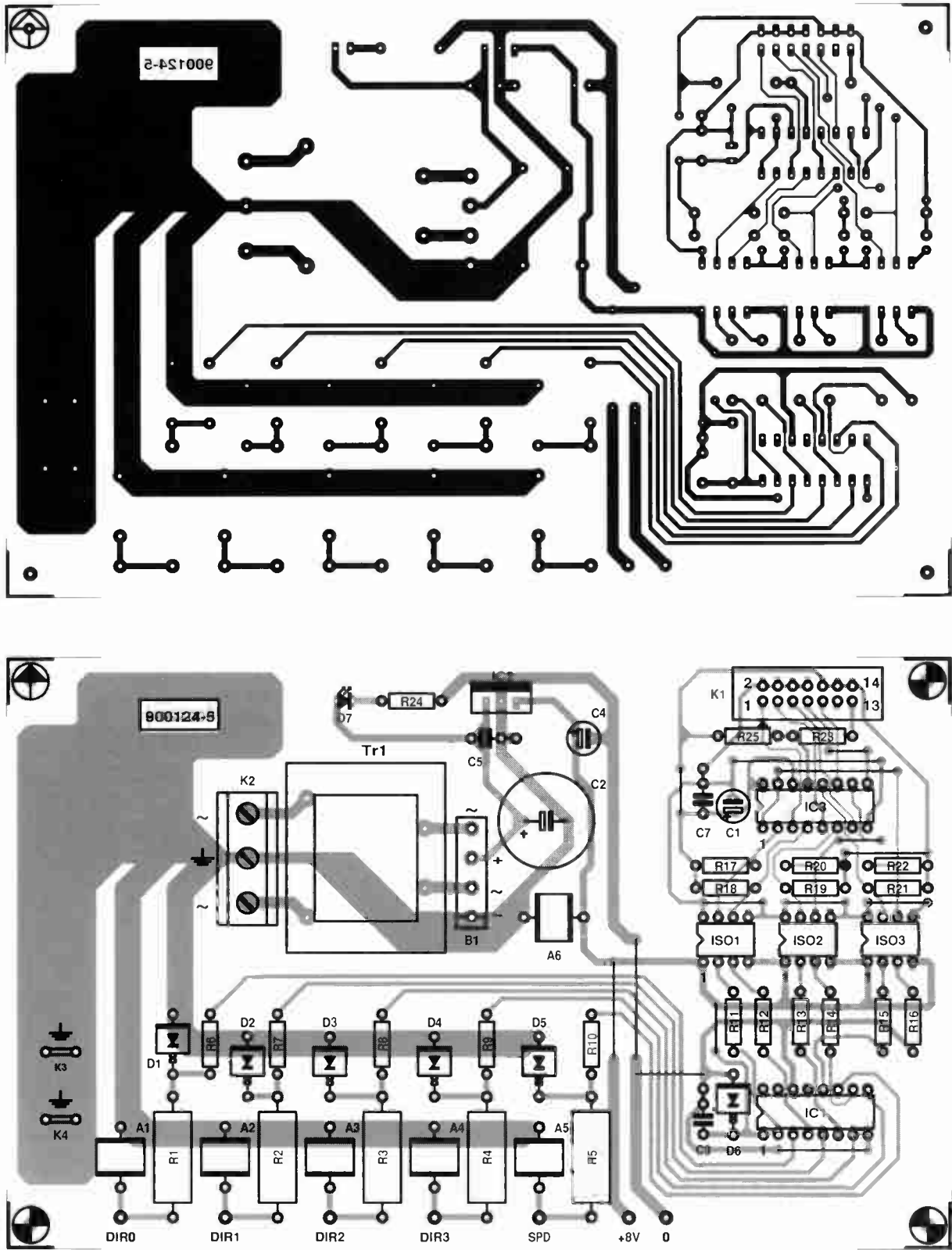


Fig. 3. Track layout (mirror image) and component mounting plan of the PCB designed for the interface.

devices, they are not sufficient to protect the sensitive electronics in the circuit. Therefore, each input has additional protection in the form of a very fast 12-V zener diode (D1–D6). The response time of these devices is 1 ps (typically), which is fast enough for adequ-

ate protection against overvoltages. As soon as the zener diode starts to conduct, the overvoltage is turned into heat by the associated series resistor (R1–R5).

The buffers used here are Types 4050 which are capable of handling signals levels

up to 20 V at a supply voltage of 8 V. This means that the zener voltage is low enough for the buffers to operate safely at all times. Resistors R6–R10 protect the buffers against negative input voltages. The buffer outputs are capable of sinking relatively high cur-

COMPONENTS LIST

Resistors:

5	10Ω 1W	R1-R5
5	220Ω	R6-R10
5	820Ω	R11-R16
5	1kΩ	R17-R21
2	10kΩ	R22;R23
1	1kΩ2	R24
1	100kΩ	R25

Capacitors:

1	10μF 16V radial	C1
1	470μF 25V radial	C2
3	100nF	C3;C5;C7
1	47μF 16V radial	C4

Semiconductors:

6	BZT03C12 (12V/800W; Philips) or 1N5634 (8V9/1500W; General Semiconductor Industries)	D1-D6
1	LED red dia. 3mm	D7
1	CD4050	IC1
1	7808	IC2
1	74HC368	IC3
3	ILD74 dual optocoupler (Siemens)	ISO1;ISO2;ISO3
1	B80C1500	B1

Miscellaneous:

1	14-way male box header	K1
1	3-way PCB terminal block; pitch 7.5mm	K2
2	PCB-mount straight spade terminal	K3;K4
6	A81-C90X surge arrester (90V; Siemens)	A1-A6
1	9V/166mA (e.g. Monacor/Monarch VTR1109)	Tr1
1	Printed circuit board	900124-5
1	Control software on disk	ESS1641
1	8-way DIN socket: 180°+2×41° (B81S)	
1	Mains appliance socket with earth connection	
1	Metal enclosure 185×119×51mm (Hammond 1590D)	
1	Miniature wind speed and wind direction sensor assembly. Type 455, with bracket and mounting hardware. Supplied via: Mierij Metec, Tuinstraat 1-3, 3732 VJ De Bilt, Holland. Telephone: +31 30 200064.	

Hence, output C2 of ISO3 is used to enable IC3, a 74HC368. This HCMOS line driver squares up the signal edges, and so increases the noise margin with respect to ground. Note that IC3 is powered by the PC—this part of the circuit is, therefore, completely insulated from the rest of the interface.

The interface is connected to the PC measurement card via connector K1. The wind direction code is sent via datalines WD0-WD3, while frequency meter input, F5, is used for the wind speed signal.

When the power supply of the interface is switched off, the outputs of the line drivers are automatically switched to a high-impedance state. This condition is signalled to the PC by the POWER GOOD line, PB1, going high. Resistor R23 prevents the I/O port on the PC measurement card being damaged when it is set to output.

The remainder of the circuit is formed by the power supply and the associated decoupling capacitors. LED D7 is the on/off indicator. The circuit diagram shows clearly that the protective earth at the mains socket is connected to the ground of the electronics ahead of the optocouplers. This connection is absolutely necessary for the surge arresters to get rid of the induced currents. An even better solution is to connect K3 to an earthing pin—this enables the energy to bypass the rest of the electrical system.

Construction

The construction of the interface should not pose problems because the circuit is compact, and a PCB design is available. Figure 3 shows the component mounting plan and the track layout (mirror image) of the PCB designed for the interface. To reduce stray inductance to a minimum, the surge arrester must be mounted as close as possible to the PCB. The same goes for diodes D1-D6.

On completion of the solder work, the PCB is fitted into a water-proof metal enclosure, which is earthed via connector K4. The copper track between the earth terminal on the PCB and connectors K3 and K4, and the earth tracks of the surge arresters, must be strengthened by soldering pieces of 2.5-mm (cross-sectional area) solid copper wire on them.

The sensor is connected to the sensor interface via a short flexible cable terminated into an 8-way DIN plug. The pinout of this plug is given in Fig. 4.

The software

Once again this part of the computer-controlled weather station requires a powerful piece of software, which you can obtain through our Readers Services. As with the previous two publications on the weather station, an IBM PC or compatible is used to collect the measured data, and convert these into easily interpreted graphics images.

Procedures have been added to the latest version of Xlogger (1.2) that enable the wind speed and wind direction to be measured and recorded. A new graphics program,

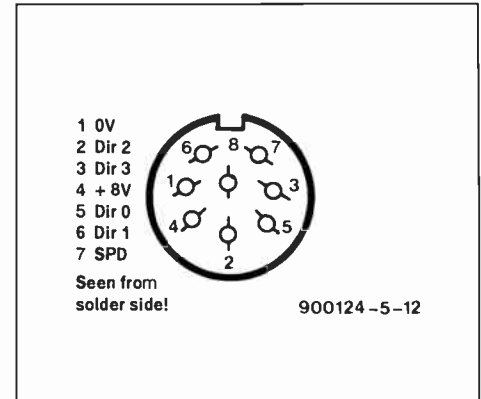


Fig. 4. Pinout of the 8-way DIN socket, seen from the solder side.

WIND.EXE, has been developed, and is included on the disk. In the left-hand bottom corner of the screen three coloured bars are displayed that indicate the current, the average and the peak wind speed. The scale is in m/s with a range of 0 to 30, and has a numerical readout at the extreme right.

As usual in meteorology, the average wind speed is computed progressively over the last ten minutes. The peak indicator al-

Table 2a. Wind speed as a function of sensor output frequency

Speed (m/s)	Frequency (Hz)
30	465
27	415
24	365
21	315
18	265
15	215
12	170
9	120
6	75
3	30

Table 2b. Sensor codes as a function of wind direction

Direction	Code
N	0000
NNE	0001
NE	0011
ENE	0010
E	0110
ESE	0111
SE	0101
SSE	0100
S	1100
SSW	1101
SW	1111
WSW	1110
W	1010
WNW	1011
NW	1001
NNW	1000

rents, which is useful for the driving of optocouplers ISO1, ISO2 and ISO3.

Although the above safety measures should be adequate for most situations, a further protection has been added: the entire sensor interface is electrically insulated from the computer with the aid of optocouplers. The outputs of these devices (ISO1, ISO2 and ISO3) supply the digital signals the computer needs to interpret the data related to the wind speed and direction. The first parameter is supplied by ISO3, the second by ISO1 and ISO2.

Since the ILD74 used here is a dual optocoupler, and the wind speed sensor requires one output only, the remaining output is used to indicate that the circuit is powered.

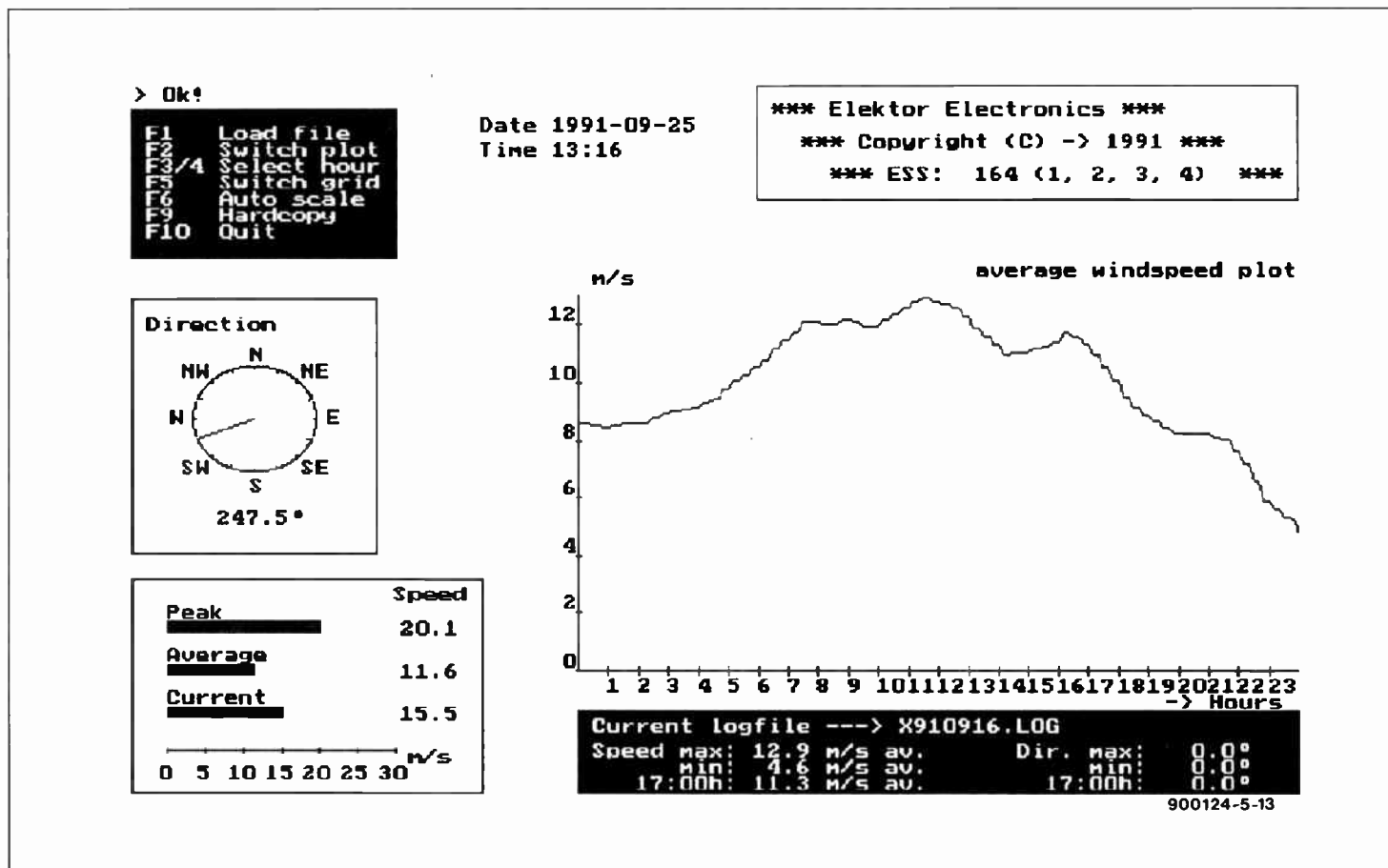


Fig. 5. Screenshot of the WIND.EXE program. The calibration is very simple.

ways shows the highest current value (useful to measure the top wind speed during blasts), and is automatically reset at midnight.

The wind dial shown on the computer screen has the usual N, NNE, NE, etc., marks. In addition, the wind direction is indicated numerically as an angle between 0 and 360 degrees: nought degrees being North, and counting positive to the South via the East.

The wind direction is read as a single 4-bit code, and therefore takes very little processor time. Xlogger has no problems reading a wind direction code each INT-\$1C interval, that is, 18.2 times per second. The wind speed and relative humidity measurement are much more complex, so that two measurements per minute are realistic. Every progressive average wind speed value is, therefore, based on the last 20 measurements.

WIND.EXE offers a graph procedure to visualize the recorded data. The by now familiar function-key menu allows you to select between a 24-hour graph for the wind direction, or one for the wind speed. The graph displayed on the screen is automatically updated after Xlogger adds a new value to the log file. A window below the graph shows the highest and lowest values recorded during the measurement. Other options of the program include: producing hard copy of the graph on a printer (Epson FX-80 compatible), retrieving measurement data at a preset time, and loading previously made log files. The diskette supplied for the present project also contains an update for the

relative humidity meter and the thermometer.

Adjustment

The function of the combined wind speed and direction sensor assembly is well documented in the form of two tables (2a and 2b) supplied by the manufacturer. These two tables are stored in the text files WSTrans.CFG (for the wind speed) and WDTrans (for the wind direction). The first file consists of the origin, 0 Hz; 0 m/s, plus ten known co-ordinates from Table 2a. WIND.EXE uses this information to interpolate the wind speed that belongs with a certain measured frequency.

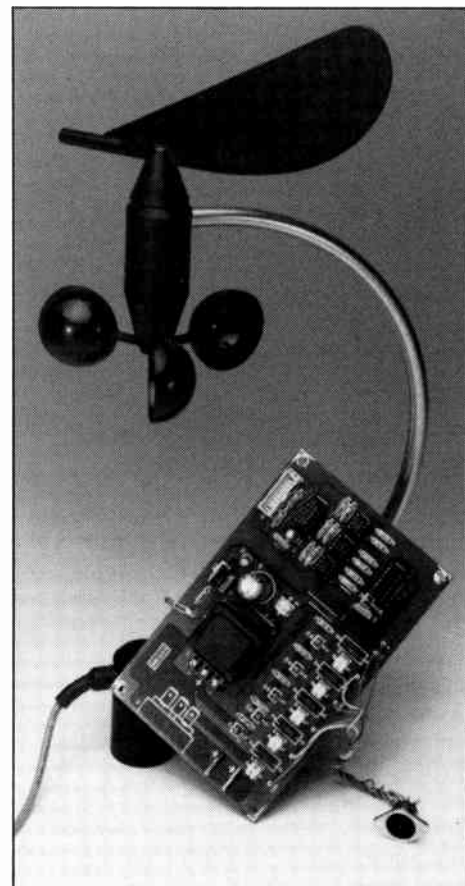
When WIND.EXE is started, a look-up table is created (in RAM) on the basis of the information contained in WDTrans.CFG. The Gray code functions as an index, and the entries are the associated wind direction in degrees. Since the hardware inverts all logic levels, the codes stored in WDTrans.CFG are inverted with respect to the table entries. The references N, NNE, NE, etc., are comment only—remember, the location (i.e., the line number) in the text file determines the associated wind direction. Taking this structure into account, only the configuration (.CFG) files need to be modified to enable other sensors to be used. ■

Reference:

1. "Multifunction measurement card for PCs", *Elektor Electronics* January and February 1991.

Previous instalments in this series:

1. Indoor/outdoor thermometer. *Elektor Electronics* March 1991.
2. Electronic hygrometer. *Elektor Electronics* October 1991.



FAST, PRECISE THERMOMETER

by J. Ruffell



Thermometers that depend on the Seebeck (thermoelectric) effect have been in use for many years. The thermocouples (sensors) used in these instruments are formed by two wires of dissimilar metal joined either at each end (two-terminal) or at one end (three-terminal) to form an electrical circuit. If the junctions are at different temperatures, a current will flow in the circuit. The magnitude of the current is proportional to the characteristics of the materials and the difference between the two end temperatures. These sensors are robust, inexpensive, available in a variety of shapes and sizes, and suitable for use over a wide range of temperatures.

ALTHOUGH the PT100 thermometer published in our November 1990 issue was, by all accounts, very popular, it suffered from a serious drawback as far as many constructors were concerned: the sensor was quite expensive. The thermometer presented in this article uses a thermocouple that is much more reasonably priced. Moreover, the electronics has been kept as straightforward as possible: apart from the sensor, the ther-

meter requires a simple amplifier, an analogue-to-digital converter, a linearization circuit and a display. If good precision is not a serious requirement, the linearization circuit may be omitted.

The outstanding feature of the thermometer is, undoubtedly, the speed at which the temperature is measured and displayed. Whereas, for instance, a resistance-based (say, PT-100) thermometer requires up to 15 seconds to

indicate the measurand, a thermoelectric thermometer does so in just one or two seconds.

The e.m.f., U_{tc} , developed across the junctions of the thermocouple is given by

$$U_{tc} = a + b\theta + c\theta^2,$$

where a , b , and c are constants and θ is the temperature difference between the junctions. If the reference (or 'cold') junction(s) is maintained at 0°C (the usual case),

$$U_{tc} = \alpha T^2 + \beta T,$$

where α and β are constants dependent on the metals used and T is the temperature of the sensing (or 'hot') junction. At temperatures below the neutral temperature ($T_N = -\beta/2\alpha$), and if α is small (the usual case), U_{tc} is directly proportional to the temperature of the hot junction. Therefore, in a practical thermometer, the e.m.f. is

$$U_{tc} = E (T_s - T_r),$$

where T_r is the reference temperature (cold junction), T_s is the sensed temperature (hot junction), and E is the voltage-temperature gradient of the thermocouple (mV K^{-1}). As already stated, the cold junction is traditionally held at the *ice point* (the equilibrium temperature between ice and air-saturated water

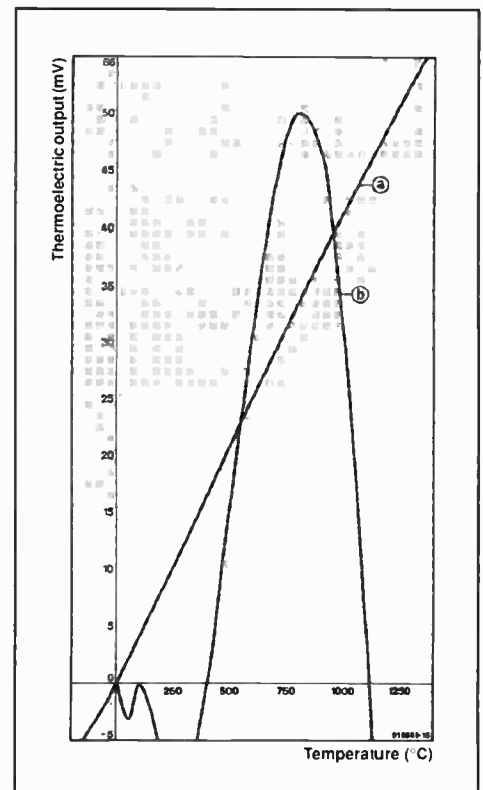


Fig. 1. The voltage-temperature gradient of Type K thermocouples (a) is fairly linear; the deviation from linearity at a $\times 100$ larger scale is represented by (b).

at standard atmospheric pressure); for practical purposes, this is 0 °C. That makes the measurement independent of the ambient temperature. In electronic thermometers, once calibration has taken place, a compensating voltage, directly proportional to the ambient temperature, is added to the e.m.f., so that, electronically speaking, the cold junction is always at 0 °C.

The temperature at the hot junction, referred to 0 °C, is multiplied by the voltage-temperature gradient E to give the thermoelectric e.m.f., U_{tc} . The gradient can be deduced from a table of thermoelectric materials by adding the gradients of the two metals together and dividing by two. Unfortunately, not only are the tables valid for only one temperature, but the gradients are not linear, so that for precise temperature measurements a correcting network must be inserted between the thermocouple and the display circuit.

However, there are thermocouples that have a reasonably linear gradient, combined with a wide temperature range, which are not too expensive. For the present design, a Type K sensor was chosen: this consists of a chromel (NiCr) and nickel (Ni) or alumel (NiAl) combination. The gradient of this thermocouple—see Fig. 1 (a)—is fairly linear so that a linearization network is not required. The deviation from true linearity is shown in (b) on a scale $\times 100$ that of (a). It is seen that the maximum deviation is 0.5 mV at 800 °C, which is just 1.5%.

Type T (copper-constantan) thermocouples, which are very accurate, or Type J (iron-constantan) sensors, which are more sensitive, less expensive, and slightly more accurate than Type K devices, could also have been used, but their maximum temperature—500 °C and 760 °C respectively—would not have been acceptable for the present design.

From sensor to circuit

It is clear that the output voltage of the sensor must be magnified to an appreciable extent. The basic setup of a suitable amplifier is shown in Fig. 2. The thermo-emf, U_{tc} and the compensating voltage, U_c (which, remember, is a function of the ambient temperature) are added and the resulting potential, U_s , is amplified by a factor A in an operational amplifier. The voltage-temperature gradient is $40.44 \mu\text{V K}^{-1}$ at 25 °C, so that, if the signal at the output of the opamp is required to have a rate of change of 1 mV K^{-1} , E must be amplified $\times 23.728$.

The process may be considered in more detail with reference to Fig. 3, which shows the input stage of the thermometer. The compensating voltage is provided by a small-signal transistor whose base-emitter potential has been set at 0.6 V by R_5 . The temperature coefficient, γ , of the base-emitter junction is -2 mV K^{-1} . This means that for every degree the temperature rises, the base-emitter potential drops by 2 mV. The compensating voltage thus consists of a fixed component, U_f , and a variable component, γT_r . The fixed component is, of course, not wanted and

is, therefore, negated by a temperature-independent offset voltage, U_{os} .

The currents flowing through R_1 , R_2 , and R_3 into the inverting input of the opamp are:

$$I_1 = -U_{tc}/R_1;$$

$$I_2 = (U_f + \gamma T_r)/R_2;$$

$$I_3 = U_{os}/R_3.$$

Their sum is the current, I_4 , through R_4 :

$$I_4 = I_1 + I_2 + I_3.$$

The output voltage, U_o , of the opamp is

$$U_o = -I_4 R_4 = -R_4[-U_{tc}/R_1 + (U_f + \gamma T_r)/R_2 + U_{os}/R_3].$$

When the fixed component is negated, that is,

$$U_f/R_2 + U_{os}/R_3 = 0,$$

it follows that

$$U_{os} = U_f(-R_3/R_2),$$

whence

$$R_3 = U_f(-R_2/U_{os}). \tag{1}$$

Since U_f is positive, U_{os} must be negative. When full compensation is applied, the output voltage is

$$U_o = U_{tc}R_4/R_1 - \gamma T_r R_4/R_2.$$

When U_{tc} is replaced by $E(T_s - T_r)$, this becomes:

$$U_o = ET_s R_4/R_1 - T_r(ER_4/R_1 + \gamma R_4/R_2) \tag{2}$$

When this equation is differentiated with respect to T_s , R_4 can be calculated:

$$dU_o/dT_s = ER_4/R_1 = 1 \text{ mV K}^{-1}$$

from which, if E is given the value 1,

$$R_4 = 24.728R_1. \tag{3}$$

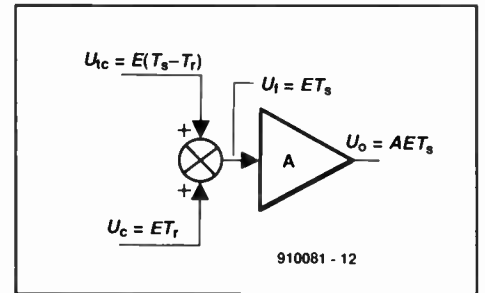


Fig. 2. A compensating voltage that simulates the ice point is added to the thermo e.m.f.

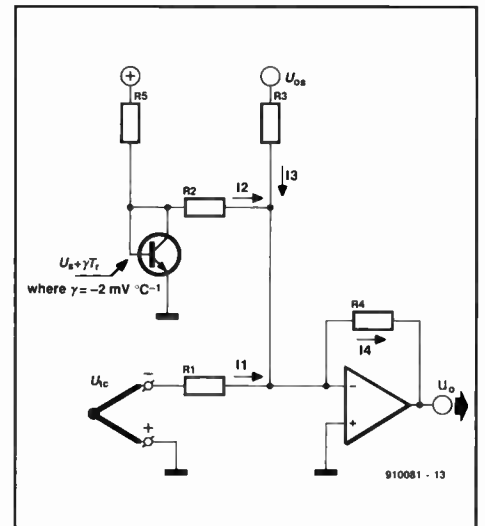


Fig. 3. Input stage of the thermometer.

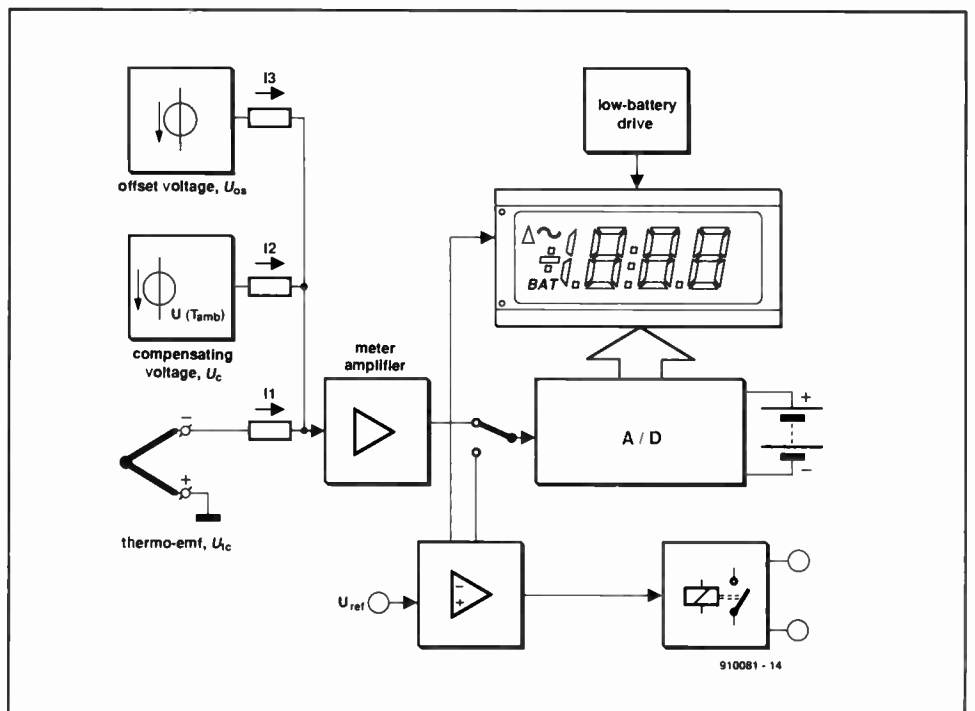


Fig. 4. Block diagram of the thermometer.

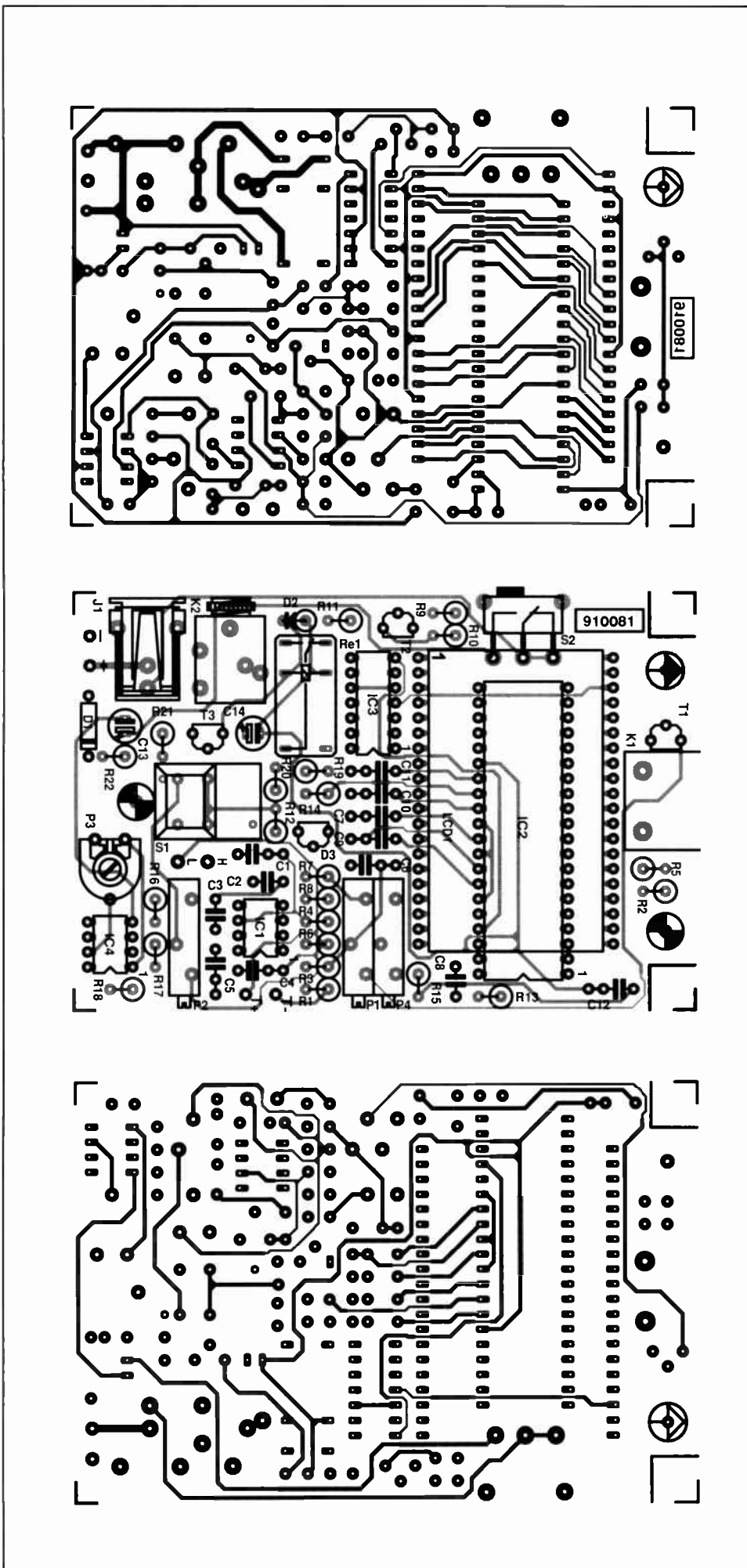


Fig. 5. The double-sided printed-circuit board for the thermometer.

PARTS LIST

Resistors:

R1 = 6.81 k Ω , 1%
 R2, R3 = 340 k Ω , 1%
 R4 = 169 k Ω
 R5 = 1.5 k Ω
 R6 = 10 Ω
 R7, R12, R17 = 10 k Ω
 R8 = 2.7 k Ω
 R9, R10 = 1 M Ω
 R11 = 330 k Ω
 R13, R20, R21 = 100 k Ω
 R14 = 475 k Ω , 1%
 R15 = 22.1 k Ω , 1%
 R16 = 3.3 k Ω
 R18 = 10 M Ω
 R19 = 220 k Ω
 R22 = 220 Ω
 P1 = 10 k Ω multiturn preset
 P2 = 5 k Ω multiturn preset
 P3 = 25 k Ω preset
 P4 = 20 k Ω multiturn preset

Capacitors:

C1, C6, C12 = 100 nF
 C2, C3 = 470 nF, 63 V, MKT*
 C4, C5 = 10 nF
 C7 = 330 nF
 C8 = 100 pF
 C9 = 330 nF, 63 V, MKT*
 C10 = 47 nF, 63 V, MKT*
 C11 = 220 nF, 63 V, MKT*
 C13, C14 = 47 μ F, 16 V, radial
 * MKT = metal-plated polyterephthalate (polyester)

Semiconductors:

D1 = 1N4007
 D2 = 1N4148
 D3 = LM336Z-2.5V (National Semiconductor)
 T1, T2 = BC547B
 T3 = BC516
 IC1 = TLC2652
 IC2 = 7106
 IC3 = 4030
 IC4 = LF356

Miscellaneous:

K1 = special socket to be obtained with the thermocouple
 K2 = 3.5 mm stereo jack socket for PCB mounting
 S1 = spring-loaded push-button switch
 S2 = change-over slide switch for PCB mounting
 9 V battery with clip
 LCD1 = 3 $\frac{1}{2}$ digit display
 J1 = low-voltage socket with change-over switch for PCB mounting
 Re1 = relay with change-over contact, 5 V, 320 Ω
 Enclosure, 145x80x36.5/29.5 mm (5 $\frac{3}{4}$ x 3 $\frac{1}{8}$ x 1 $\frac{7}{16}$ / 1 $\frac{3}{16}$ in)
 Thermocouple Type K
 PCB Type 910081

Equation [2] can also be differentiated with respect to T_r :

$$dU_o/dT_r = -(E R_4/R_1 + \gamma R_4/R_2) = 0,$$

from which

$$R_2 = -\gamma R_1/E. \quad [4]$$

Resistor R_1 is given an arbitrary value of 6.81 k Ω , so that, according to Eq. [3],

$$R_4 = 24.728 \times 6.81 \times 10^3 = 168.4 \text{ k}\Omega.$$

The nearest standard value in the E96 series is 169 k Ω .

From Eq. [4],

$$R_2 = -2 \times 10^{-3} \times 6.81 \times 10^3 / 40.44 \times 10^{-6} = 337 \text{ k}\Omega.$$

The nearest standard value in the E96 series is 340 k Ω .

Since, for correct compensation, the levels of U_f and U_{os} must be equal, it follows that

$$R_3 = R_2 = 340 \text{ k}\Omega.$$

The output of the opamp is peak-limited and the device is thus very stable. This means

that only a potentiometer is required to calibrate the input stage.

The remainder of the circuit consists of a straightforward analogue-to-digital (A-D) converter that drives the LC display directly. This enables the temperature sensed by the thermocouple to be displayed within a few seconds. A comparator with a relay output is connected in parallel with the display. The relay output can be used for indication or control purposes. Whether the relay is active or not can be seen on the display.

The offset-voltage source provides a constant current through R_7 , P_1 , and R_3 . The preset serves to set the current to a specific value; more about this later. Transistor T_1 and the reference ('cold') terminal of the thermocouple must be located close to the offset-voltage source, since they must be thermally coupled. Resistor R_6 improves the thermal symmetry of IC₁. The output of this opamp is a signal with a voltage-temperature gradient of 1 mV K⁻¹.

The A-D converter and the display are straightforward applications. Apart from the 3 1/2 digits, only the low BAT(tery) and the triangle at the top left-hand corner are used: the decimal point, colon, and a.c. sign are disabled. When the supply voltage drops below 7.6 V, the BAT input is actuated.

The A-D converter may be powered by a

(9 V) battery or regulated mains adapter. If an unregulated adapter is used, the measurement error will increase. The supply should not exceed 15 V under any circumstances, since that will badly affect the operation of the converter. To enable both types of supply to be used, the adapter is connected via a low-voltage socket with change-over contact, J₁. On/off switching is effected by S₂. Protection against polarity reversal is provided by D₁. The reference voltage is determined by potential divider P₄-R₁₅. When the comparator is inoperative (P₂ set to maximum resistance), the circuit draws a current of only a few milliamperes. Note that circuit earth must not be connected to the negative supply line, since the A-D converter needs a small negative auxiliary voltage.

The comparator is based on a Type LF356, which is inexpensive and gives excellent performance even at high synchronous input voltages. When switch S₁ is pressed, the inverting input of the comparator is no longer connected to the thermocouple, but to the reference voltage: the display then shows the reference temperature, T_r .

The output of the comparator is low when the sensed temperature is higher than that set by potential divider P₂-R₁₆: the relay is then actuated. The hysteresis of the comparator is set to about 5 k Ω with R₁₇ and R₁₈.

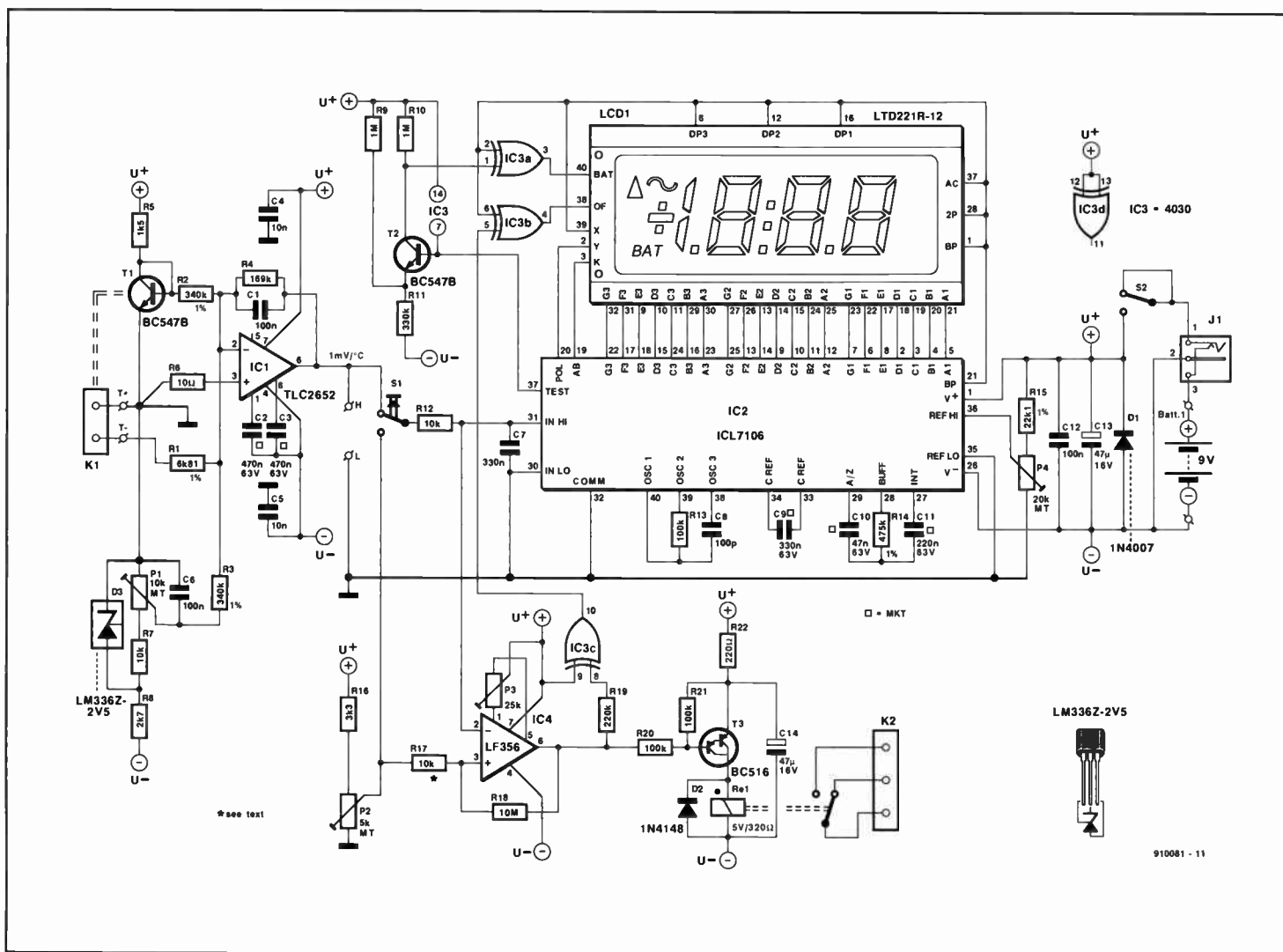


Fig. 6. Circuit diagram of the thermometer, excluding the thermocouple.



Fig. 7. The completed thermometer, excluding thermocouple.

If the value of R_{17} is lowered to about $1\text{ k}\Omega$, the hysteresis also becomes about $1\text{ k}\Omega$.

A darlington transistor at the output of the comparator controls a polarized relay that

is suitable for switching currents of up to 2 A , d.c. voltages of up to 150 V and a.c. voltages of up to 125 V .

When the output of the comparator is low,

the output of XOR gate IC_{3c} is high; the output of gate IC_{3b} , and thus the OF input of the display, then carries an inverted rectangular signal that causes the triangle on the display to light.

Construction and calibration

Provided the thermometer is built on the double-sided printed-circuit board shown in Fig. 5, no difficulties should be encountered, in spite of the dense population of the board.

Socket K_1 should be purchased together with the thermocouple. Other types, even those for different thermocouples, must not be used, since these will almost certainly cause serious measurement errors.

The finished board and 9 V battery fit in a $140 \times 80 \times 36.5\text{ mm}$ ($5\frac{1}{2} \times 3\frac{1}{8} \times 1\frac{7}{16}\text{ in}$) instrument case. This type of enclosure may be available with ready-made cut-outs for the display and slide switch (S_2).

Calibration is commenced by connecting a good-quality mV meter across test points H and L. Then, insert at least $\frac{3}{4}$ of the length of the thermocouple into boiling water and turn P_1 until the meter indicates 100 mV . Next, turn P_4 until the display shows 100. Subsequently, press S_1 and turn P_2 till the meter reads 100 mV and the display shows 100.

Finally, turn P_3 (which compensates for the offset voltage of IC_4) until the relay is just actuated and the triangle on the display lights. When that is done, the desired change-over temperature is set with P_2 when S_1 is pressed.

PUBLICATIONS CATALOG

Baylin Publications offers its new catalog of books, videos, and software for the home satellite and private cable television industries. Each book is listed and described in full as to contents and prices. For a free catalog, contact Baylin Publications, 1905 Mariposa, Boulder, CO 80302, (303) 449-4551.

GUIDE ON AMPS FROM ANALOG DEVICES

The *Instrumentation Amplifier Application Guide* from Analog Devices explains the benefits of using instrumentation amplifiers in applications such as medical instrumentation, audio, data acquisition, and high-speed signal conditioning.

The guide is divided into three sections, one covering basic in-amp theory, another on design considerations, and a third on applications. It is complete with charts, diagrams, and selection guide. Two appendices contains reviews and an information section to help you determine which IC will fulfill your design requirements.

Contact Analog Devices Literature Center, 70 Shawmut Rd., Canton, MA 02021, FAX (617) 821-4273.

ELECTRONICS SCENE

CONVERT TO WINDOWS FROM PANEL PLUS II

Users of *PANEL Plus II* release 2.20 from Roundhill Computer Systems Limited can convert their programs to Windows applications without recoding. *PANEL Plus II* applications running under Windows can use both mouse and keyboard input, supporting all features that include multiple-line scrollable fields, menus, pop-ups, scrolling regions, CUA compatibility, and custom validation by character or field.

The *PANEL Plus II* package, priced at \$495 per development user, includes text-mode and Windows versions of an interactive screen design editor and a C code generator for screen layouts. Upgrades are available for registered users.

Contact Roundhill Computer Systems Limited, Orchard House, Ogbourne St. George, Marlborough, Wiltshire SN8 1SU, England; in USA, call (708) 690-3737 or FAX (708) 665-9841.

CARVER ANNOUNCEMENT

Carver Corporation has signed on as a participant in Digital Compact Cassette technology and expects to show a prototype of a home DCC recorder at the January Consumer Electronics Show, at which time delivery and prices will be publicized.

Carver caters to audio specialist dealers who will benefit from DCC ability to produce quality digital sound, compatible with conventional audio cassettes.

VERSATILE ENCLOSURES

AZ-USA, manufacturer of AZ Pyramids acoustical foam, offers custom enclosures to the company's line of noise control products. Built to isolate in-plant noise common in work settings, these enclosures can create a meeting place within the very environment. The modular designed parts are made of steel and can be quickly constructed to include walls, doors, windows, and a complete set of lighting and ventilation system to meet every requirement.

Contact AZ-USA Inc., 1401 W. 76th St., Suite #250, Minneapolis, MN 55423, (612) 861-2290, FAX (612) 861-2103.

BUILD A COMPACT-DISK PLAYER

by T. Giffard

FRONT COVER PROJECT

Building a record player, cassette or tape recorder, or compact-disk player, is often hampered by the mechanical construction and the availability of certain parts, particularly the deck. In the past, manufacturers have generally tended to be reluctant to make tape or CD decks available to the retail trade, but Philips has recently decided to break away from this policy. A kit, containing its CDM-4 deck and associated (populated) mother board, can now be obtained from certain retailers at an affordable price.

PHILIPS's CDM-4 deck, used in a great variety of domestic compact-disk players, has recently become available in the retail trade to enable audio enthusiasts to build their own CD player. The deck comes in a kit complete with a finished mother board, which contains the analogue and digital circuits, and a display board as shown in Fig. 2.

The kit can be used in two ways. The simpler is to build the various items into a suitable enclosure and connect it to a stereo audio system. The second is rather more ambitious and entails the construction of a digital CD driver, that is, a CD player without digital-to-analogue (D-A) converter and other analogue sections. A separate D-A converter can then be used to process the digital output. It is assumed that most audio enthusiasts do not need extensive programming facilities and that good sound reproduction does not require a de-luxe display (the quality of the display is not on a par with that of the deck and the mother board). Since the mother board does not provide a digital output signal, a suitable ancillary circuit and board will be published in a few months' time.



Construction

When opening the kit, treat the laser unit with respect and care: do not remove the paper clip at end of the packing foil until the laser is required. The unit is very sensitive to static electricity. Also, do not touch its lens, because that may damage the focusing unit.

Mount the disk compartment holder on the board in such a way that the end of the protruding light grey spring-loaded lever is located exactly above the switch at the centre of the board—see Fig. 8. Use only three self-tapping screws at this stage; the fourth, near the compartment switch, is a longer one (to ensure correct operation of the compartment switch) and is not inserted until the assembly is fitted in the enclosure.

Next, fit and solder the transformer on to the board.

Remove the mains (power) socket, fuse holder and on-off switch from the mother board and replace the fuse holder and on/off switch by wire links and the mains (power) socket by a two-way PCB type terminal block. At a later stage, a new mains (power) entry

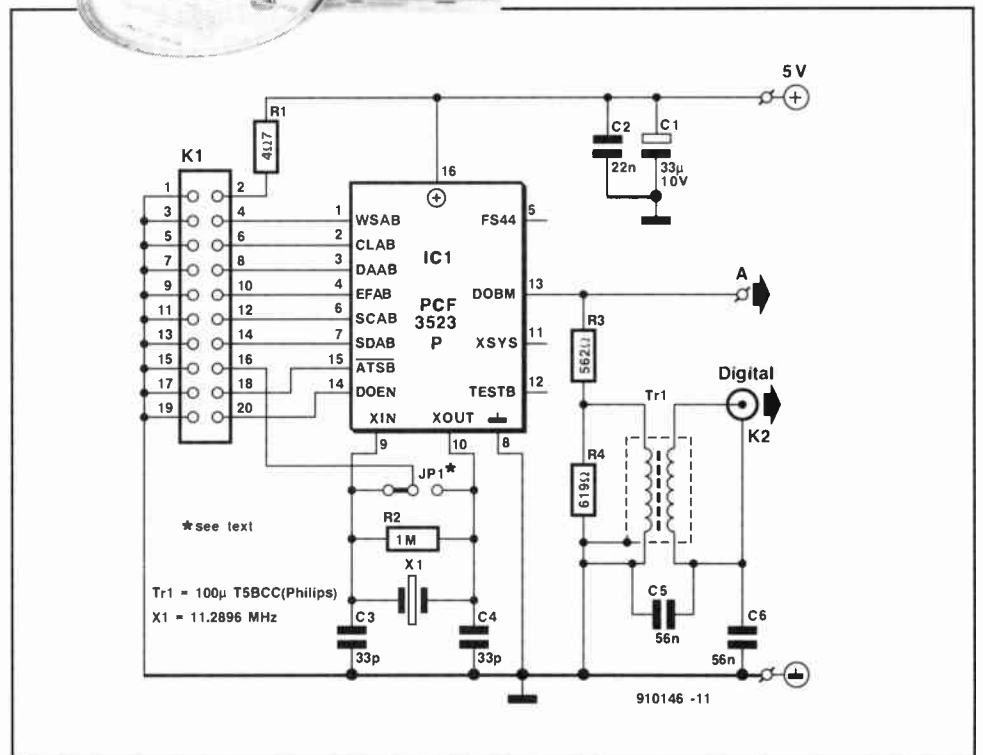
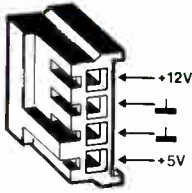


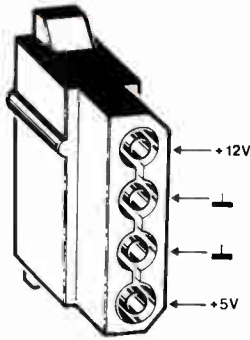
Fig. 1. Diagram of the auxiliary digital output circuit.

Power

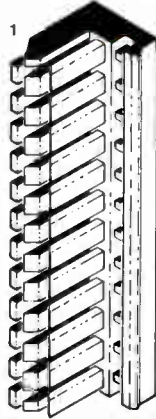
3 1/2" - DRIVE



5 1/4" - DRIVE



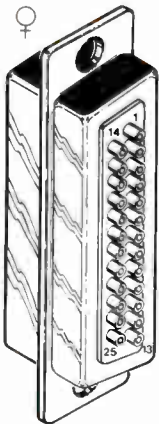
12-pin PSU connector on motherboard



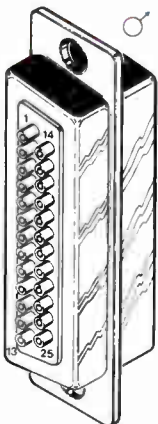
- 1 POWER GOOD (orange)
- 2 N.C.
- 3 + 12 V (yellow)
- 4 - 12 V (blue)
- 5 GND (black)
- 6 GND (black)
- 7 GND (black)
- 8 GND (black)
- 9 - 5 V (white)
- 10 + 5 V (red)
- 11 + 5 V (red)
- 12 + 5 V (red)

RS-232

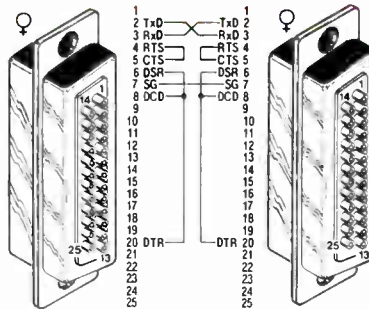
25-pin sub-D DCE



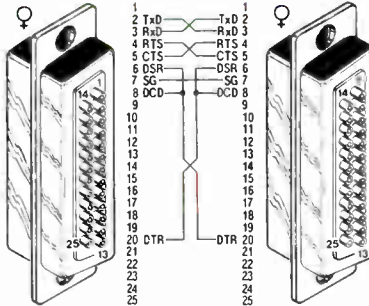
25-pin sub-D DTE



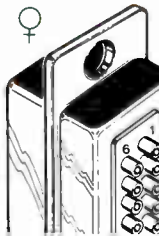
3-wire connection DTE-DTE



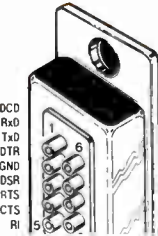
full connection DTE-DTE



9-pin sub-D DCE



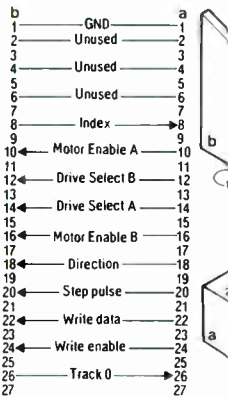
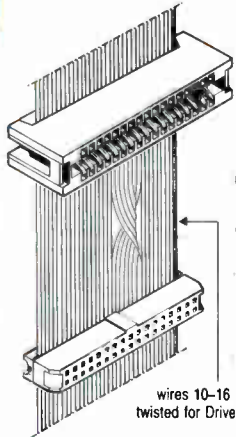
9-pin sub-D DTE



3-wire DTE-DCE link

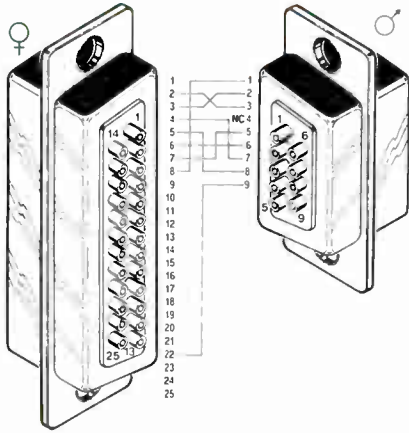


Floppy

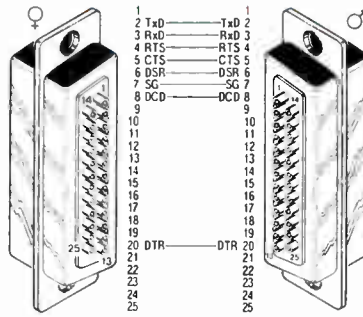


29 — Read data —> 29
 30 — —————> 30
 31 — Select head —> 31
 32 — —————> 32
 33 — —————> 33
 34 — Unused ———> 34
 all odd numbers are ground

25/9 pin adaptor cable

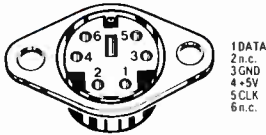


full connection DTE-DCE



Miscellaneous

Keyboard 5-pin DIN



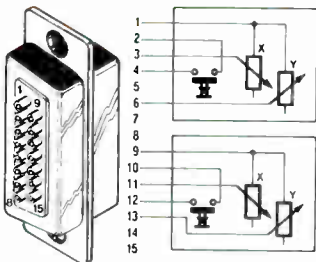
1 DATA
 2 n.c.
 3 GND
 4 +5V
 5 CLK
 6 n.c.

PS2 keyboard 6-way socket

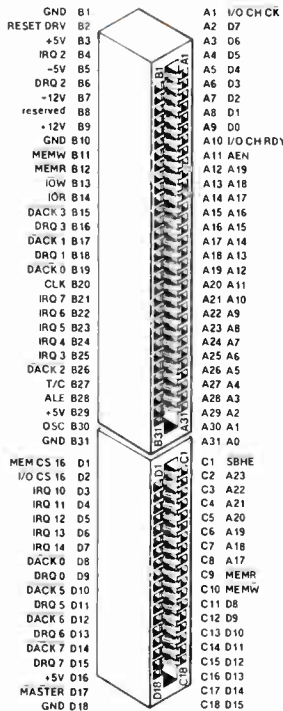


1 CLK
 2 DATA
 3 RESET
 4 GND
 5 +5V

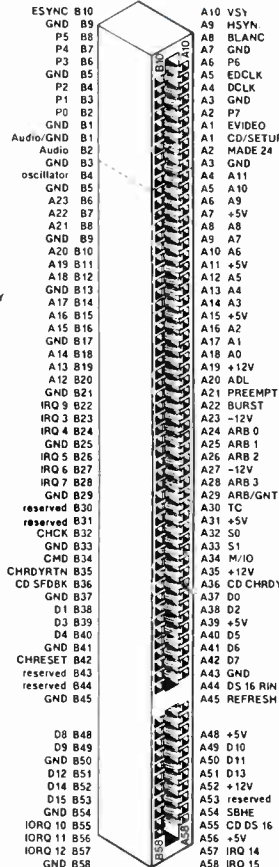
joystick plug 15-pin sub-D



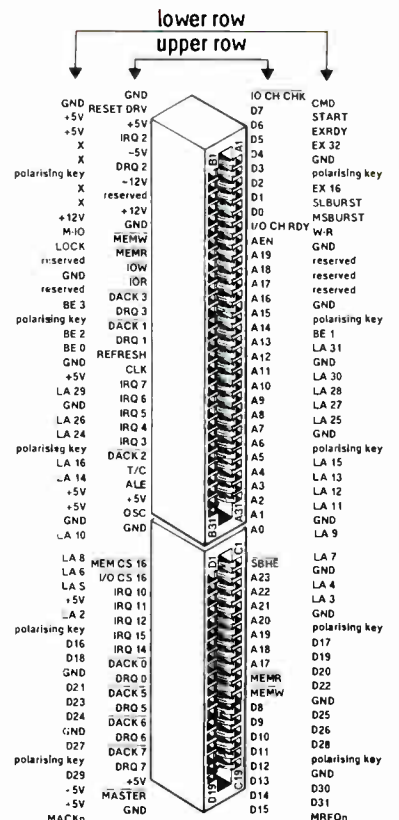
IBM bus extension slot



MCA



EISA

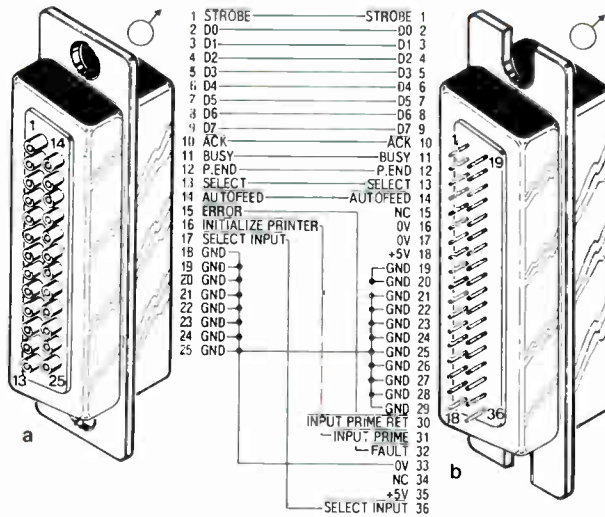


29
30 ← Drive Select 3 → 30
31 ← Drive Select 4 → 31
32 ← Direction In → 32
33
34
all odd numbers are ground

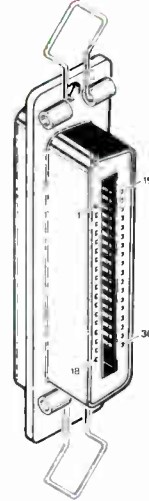
MSG 42 41 Gnd
SEL 44 43 Gnd
C/D 46 45 Gnd
REQ 48 47 Gnd
I/O 50 49 Gnd

Centronics

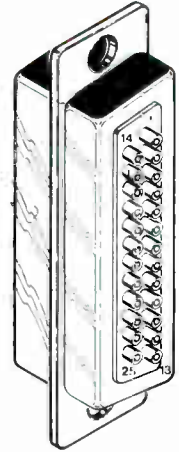
Centronics printer cable connections



36-pin Centronics socket



25-pin sub-D plug

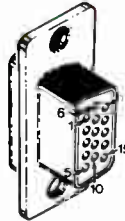


Video

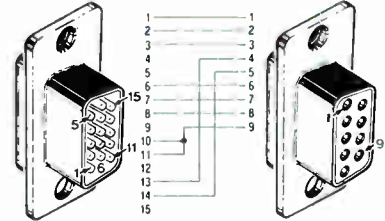
① 9-pin sub-D



② 15-pin sub-D



15/9-pin connection



③ 8-pin



	MDA (Hercules) ①	CGA dig. RGBI ①	EGA dig. RGBI ③	NEC dig. RGBI ①	VGA an. RGB ②
1	ground	ground	ground	intensity	R - out
2	ground	ground	R'	F	G - out
3	n.c.	R	R	G	B - out
4	n.c.	G	G	B	mon. ID bit 2
5	n.c.	B	B	ground	ground
6	intensity	intensity	G'	ground	R - return
7	video	n.c.	B'	h - sync (+)	G - return
8	h - sync (+)	h - sync (+)	h - sync (+)	v - sync (-)	B - return
9	v - sync (-)	v - sync (-)	v - sync (-)		(no pin)
10					sync - return
11					mon. ID bit 0
12					mon. ID bit 1
13					h - sync
14					v - sync
15					reserved

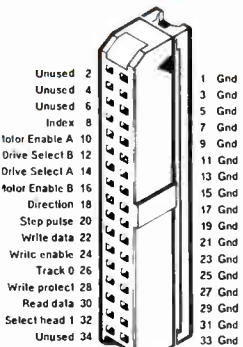
ELEKTOR ELECTRONICS

PC CONNECTORS

5.25" floppy disk / Hard disk

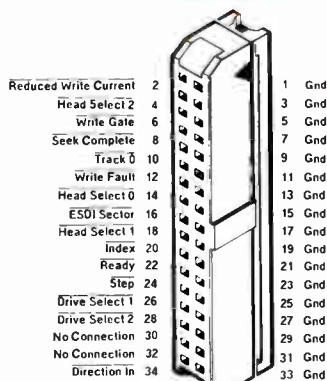
5.25" floppy disk

Shugart interface XT and AT

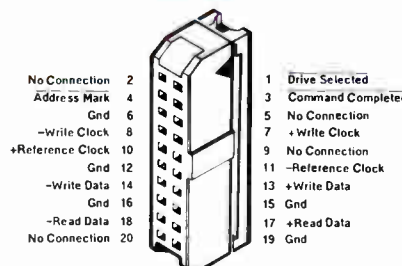


Hard disk ST506 interface

Drive control

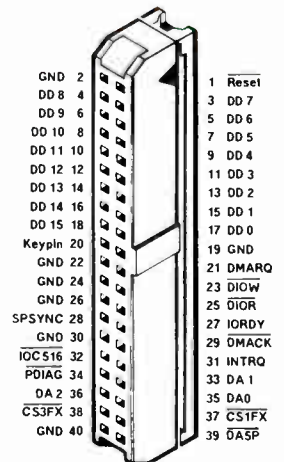


Drive data

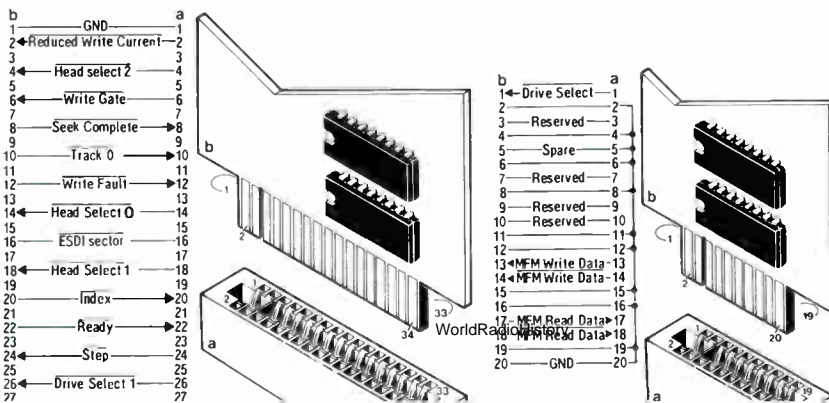
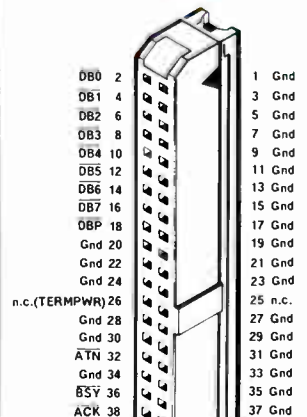


In a few 80386 ATs, to install 2 drives, wires 25-29 must be twisted in the Drive Control cable, between the end connector and the second one.

Hard disk IDE interface



Hard disk SCSI interface



with integral fuse holder will be fitted at the rear panel of the enclosure.

If you want to use the player as a digital driver only, remove the output (phono) sockets, the D-A converter and the diodes numbered 6580, 6581, 6586 and 6587 (near the left of the heat sink), which disables the entire analogue section.

Digital output

Some Philips ICs, for instance, the SAA7220B, have a digital output in the filter section, but others, like the SAA7210 used on the present mother board, have not. Therefore, an IC has to be added for converting the digital data into the Philips/Sony format. Suitable for this purpose is the Type PCF3523P Audio Digital Output Circuit. The necessary clock and a number of signals emanating from the SAA7210 are taken from the motherboard via a short length of 20-core flatcable to an auxiliary board, which houses the additional

circuitry--see Fig. 16.

Furthermore, a matching transformer is required at the output of the PCF3523P to provide the correct level of output (1 V p-p) and output impedance (75 Ω). The transformer also prevents any earth loops arising between the digital connections of the various pieces of equipment. Capacitors C₅ and C₆ ensure that the circuit is connected to earth only as far as high-frequency signals are concerned.

Although the auxiliary board has provision for a crystal oscillator, X₁, R₂, C₃ and C₄, this is not used in the present application: the clock for IC₁ is derived from the mother board via wire link JP₁. This proved to give the best results in the present set-up: with other CD players it may be preferable to transfer the crystal from the mother board to the auxiliary board.

The top of the board has an earth plane that serves as screen for high-frequency signals (bandwidth of a couple of megahertz). All

components are soldered directly to the board. The housing of the transformer, as well as the -terminal of C₁, must be soldered to the earth plane.

The board contains three solder pins that are not used (as yet): these are intended for an optical output (a so-called TOSLINK). It is hoped to publish the details of this addition in a few months' time.

The link between the mother board and the auxiliary board consists of a 30 cm (12 in) length of 20-core flatcable. The cores are soldered to the underside of the mother board as shown in Fig. 14. The details of the various connections are summarized in Table 1.

As far as power is concerned, the +5 V rail is taken from the top of the coil to the left of the SAA7210P. This coil looks like a resistor and is colour-coded yellow-mauve-gold-silver. The earth line is taken from the fairly broad copper track at the underside just beside the +5 V take-off. The two connecting points are indicated by arrows in Fig. 14.

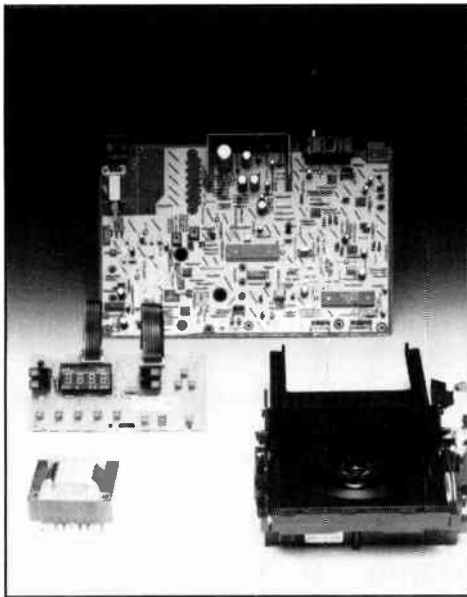


Fig. 2. The kit for the CD player.

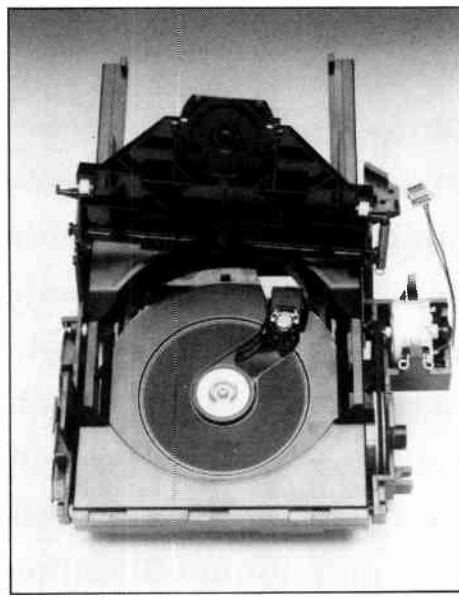


Fig. 3. The assembled CD deck.

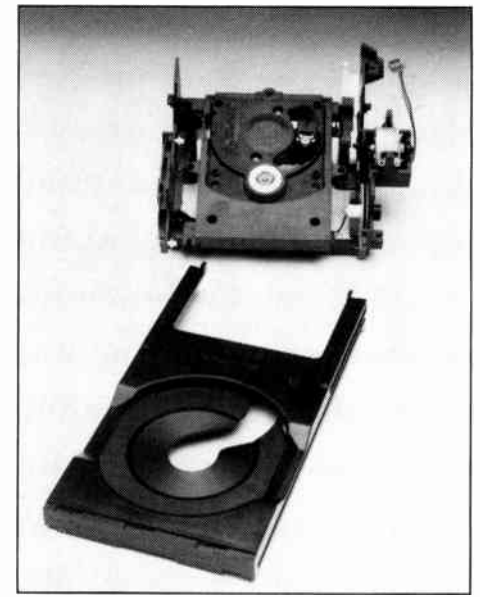


Fig. 4. Disk compartment removed from deck.

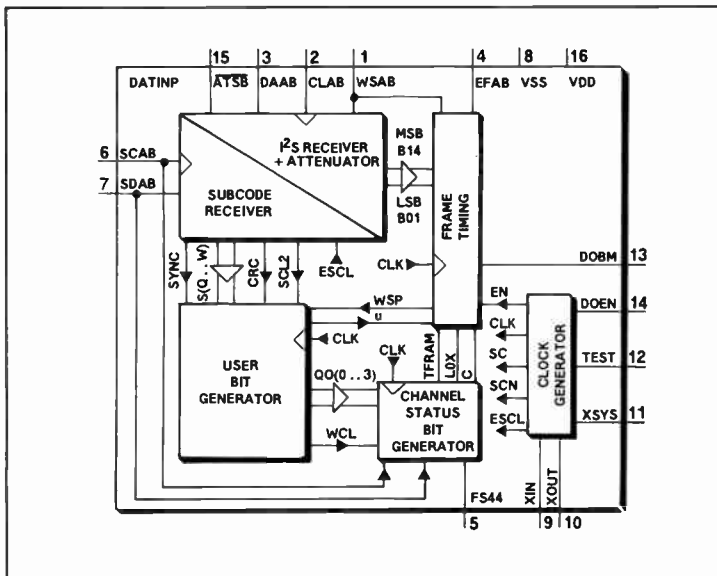


Fig. 5. Pinout and diagram of the PCF3523P.

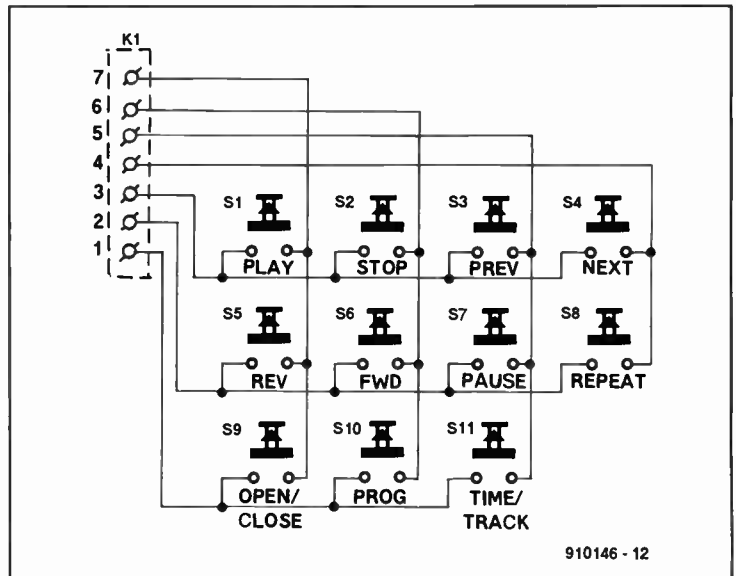


Fig. 6. Diagram of the new key board circuit.

All odd-numbered cable cores, except 1, are cut off at the motherboard: they serve as screen between the various signals.

The other end of the cable is terminated in a crimp-on socket that mates with a plug on the auxiliary board.

Note that the DMUTE signal at pin 17 of the Type XC99659P control processor ensures that the digital output signal is switched off when the player is not revolving or is in the PAUSE position. Some D-A converters do not work properly with this arrangement owing to the time they require to relock on

to the signal when this reappears. It may, therefore, be better not to use the DMUTE signal by leaving core 20 unconnected.

Display and operating keys

The display board, part of the board shown in Fig. 16, is linked to the motherboard by two flatcables: the six-core one carries the data from the control processor to the display and the four indicator LEDs, and the seven-core one connects the matrix to the keys. Since the keys provided in the kit are not suitable

for a DIY apparatus, they have been replaced by miniature key switches that are mounted on to the key board.

Note that the board in Fig. 16 can be easily separated into two as shown in Fig. 15 after it has been scored at the separation line with a sharp knife. Drill an additional fixing hole in the display board.

Desolder the seven-core cable from the board: at a later stage it will be connected to the new key board. Also, remove the four LEDs and their square holders: these will be replaced by high-efficiency LEDs.

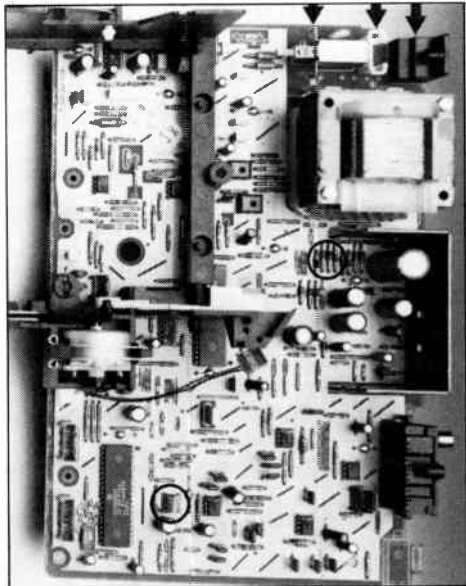


Fig. 7. Some items must be removed from the motherboard.

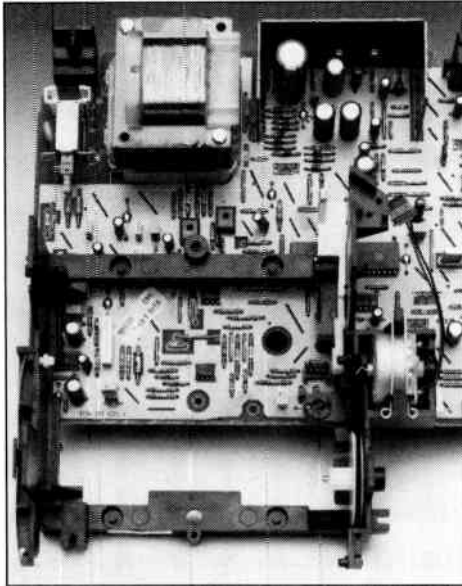


Fig. 8. Disk compartment holder and mains transformer on motherboard.



Fig. 9. Laser unit connected to motherboard.

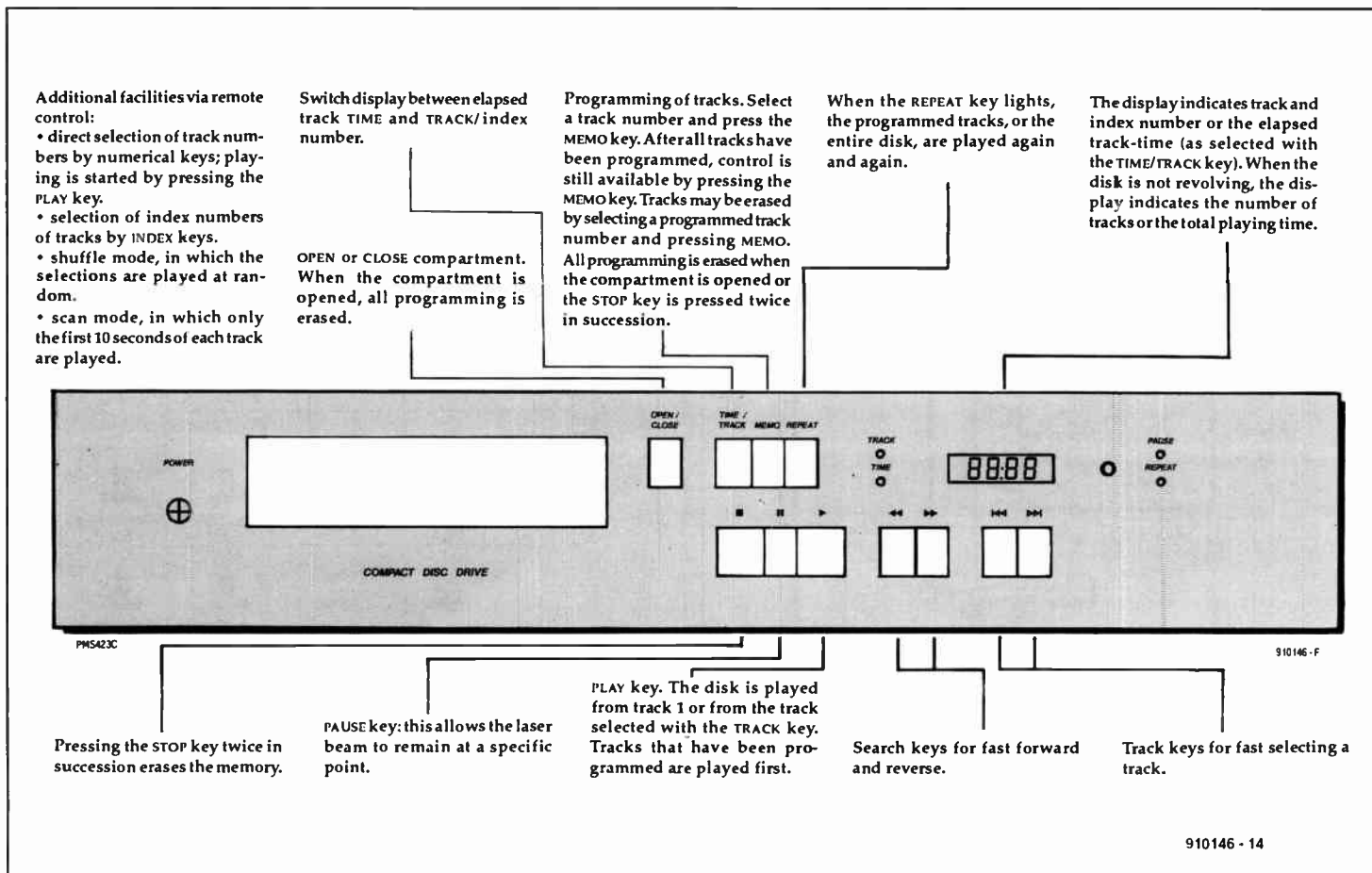


Fig. 10. Front panel and concise operating instructions.

The display board has space (to the right of the display) for an infra-red (IR) remote control receiver: an option that is strongly recommended. Sony's Type BX1407 is particularly suitable; Sharp's GP1U5 can also be used, but this has slightly different connections. Finally, two resistors, 22 k Ω and 3.3 Ω respectively, must be added as shown in Fig. 17. This arrangement will allow remote control of the player by any Philips IR trans-

mitter intended for CD players (such as the Type RD5861).

Completion of the key board, whose 'circuit diagram' is given in Fig. 6, is straightforward. Keys of varying width have been used to make operation unambiguous.

Lastly, solder the seven-core cable removed from the display board to the key board: keep the white line on the cable at the side of pin 7 on the board.

Assembly

First, drill, saw and file the necessary holes in the enclosure: use the front panel foil and the front panel of the disk compartment for accurate location of the holes in the front panel and Fig. 13 for those in the bottom panel. Do not forget the holes in the back panel: mains (power) socket with integral fuse holder (at the left seen from the front panel); digital output (at the right); and phono sock-

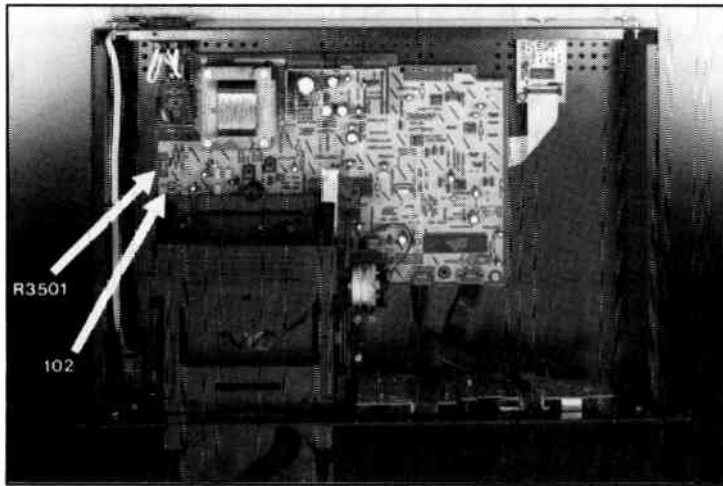


Fig. 11. The completed CD player.

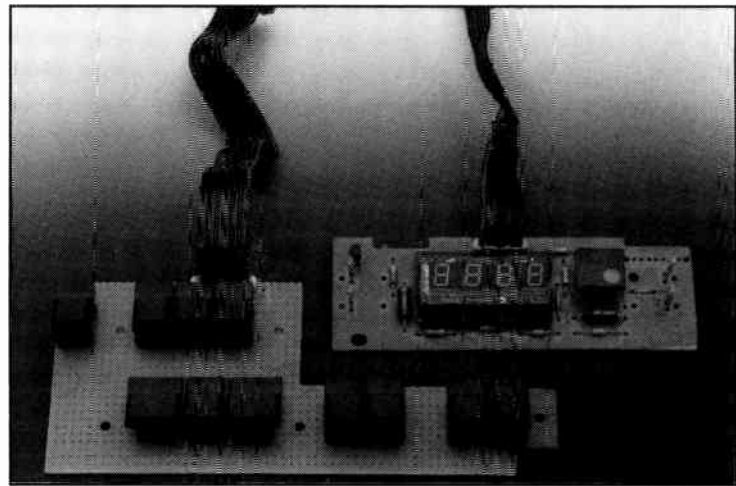


Fig. 12. Completed display and key boards.

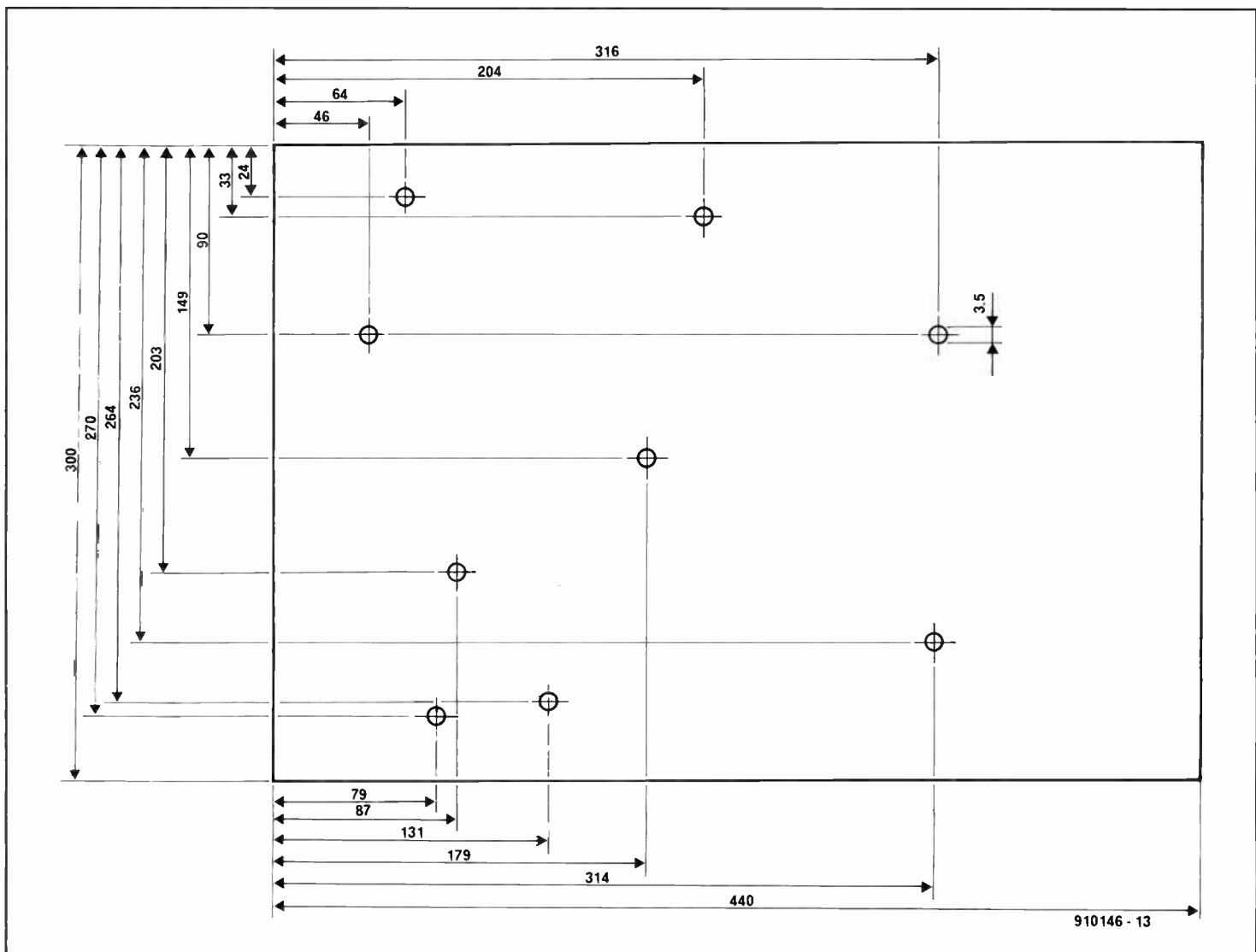


Fig. 13. Drilling diagram for the bottom panel of the enclosure. All dimensions are in mm.

ets if you want to use analogue outputs.

Mount the key board and the display board to the front panel with, respectively, five and two 25 mm (1 in) long M3 (=6BA=3 mm dia.) countersunk screws, nuts and washers. The

key board should be located so that the keys protrude just far enough through the front panel. Next, fasten the self-adhesive front panel foil to the front panel.

Fix the mother board to the bottom panel

on 10 mm (3/8 in) long non-metallic spacers: the location of the fixing holes is shown in Fig. 13. Do not omit the central fixing screw, because that ensures correct operation of the disk compartment switch. Fit two M3 screws

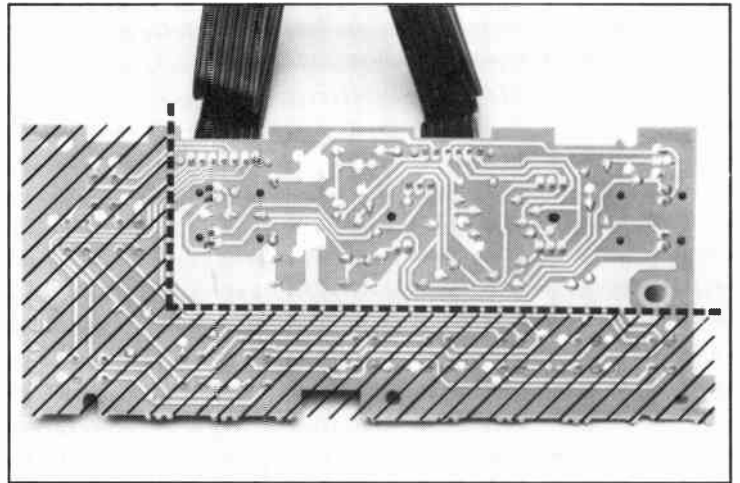
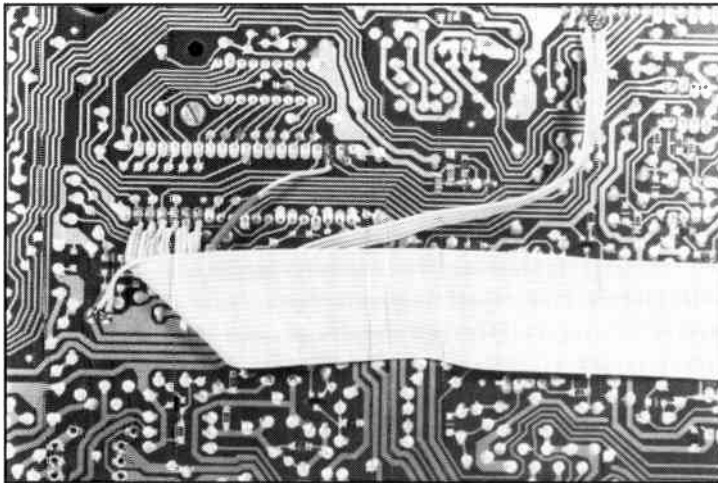


Fig. 14. How to connect the flat cable to the underside of the mother board.

Fig. 15. How to separate the board shown in Fig. 16 into two.

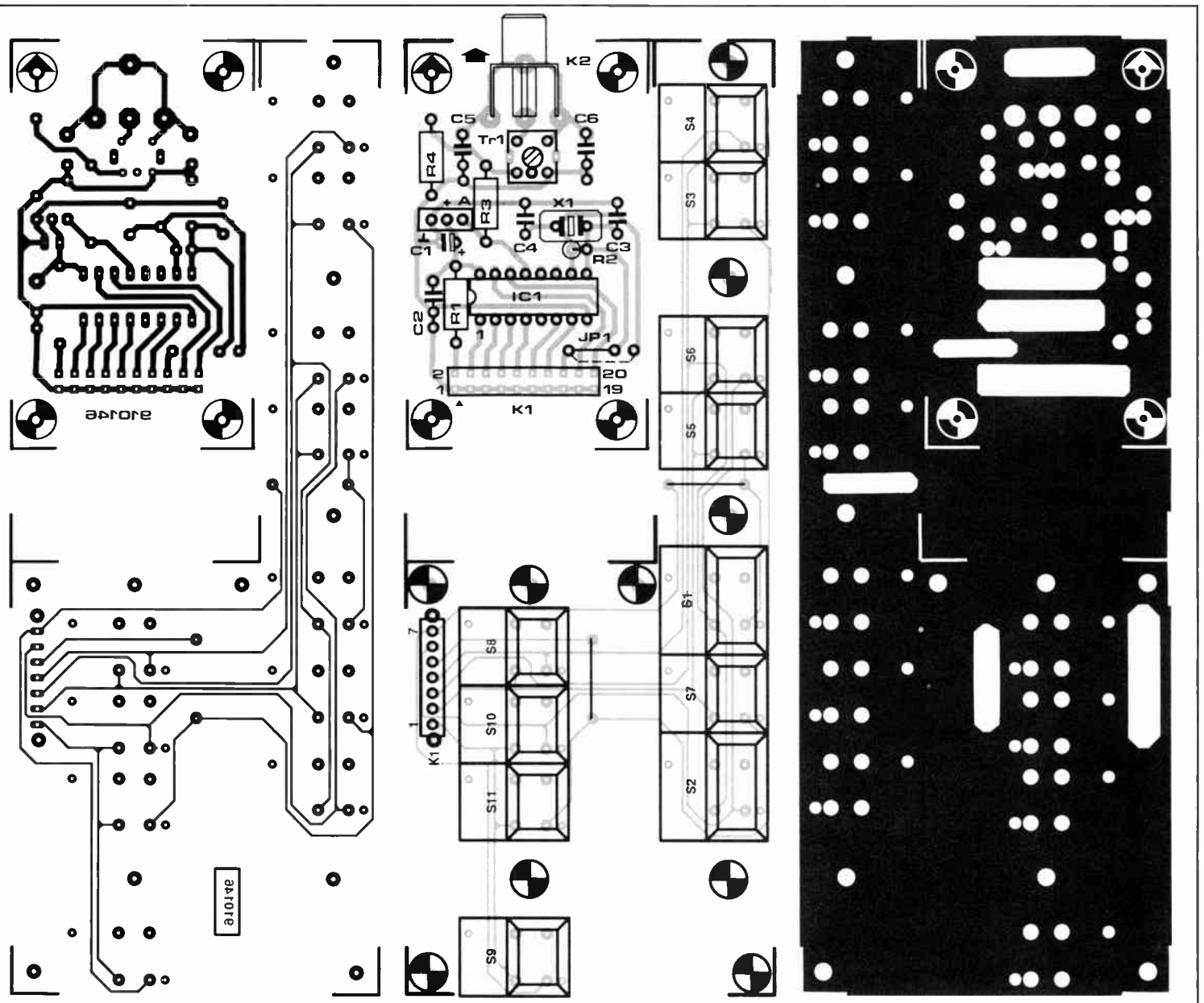


Fig. 16. The combined auxiliary (digital output) and key boards.

with 35 mm (1 3/8 in) non-metallic spacers to the left and right of the disk compartment. The transformer is fastened with two M4

(=4BA=4 mm dia.) screws that pass through the board, two non-metallic spacers, and the bottom panel, where nuts and washers are attached.

Mount the auxiliary board at the right-hand side of the enclosure on non-metallic spacers so that the output socket protrudes through the back panel.

Wire up the mains (power) section. Solder the flatcables from the display board and the key board to the mother board.

Fit the new three-way connector to the two wires from the CD motor: black to pin 1, and brown to pin 2.

Unlatch the flexfoil connector on the mother board by pulling it up slightly and place the laser unit at right angles to it so that the flexfoil is immediately above it. Carefully remove the paperclip from the end, place the flexfoil into the connector, and press the latch down to fasten the two together.

Place the springs and rubber grommets as shown in Fig. 9, hook the two left-hand clips of the laser unit into the deck and carefully press down and inwards the clip at the right-hand back of the unit.

Insert the motor connector to the associated connector on the mother board (immediately adjacent to the light-grey lever of the compartment switch. Link the three-way motor connector to the three-way connector to the right of the deck.

Finally, place the pressure plate and associated spring on to the disk-compartment and push the whole into the deck. Clip the lid of the compartment into place at the front.

The kit also contains a headphone socket that may be connected, if desired, to the free connector at the right-hand side of the mother board. If this is used, the entire analogue section must be left intact. The socket is linked to the board by three wires: centre pin to centre pin, the terminal closest to the front of the socket to the right-hand pin of the connector on the board, and so on. Note that there is no volume control for the headphone output.

DO NOT YET connect the mains (power) supply.

Calibrating the deck

To prevent too high a current through the laser,

set the 4.7 kΩ preset on the mother board behind the deck to a value of about 800 Ω, measured with a multimeter connected between its centre and right-hand terminals. Set the adjacent 22 kΩ preset to the centre of its travel.

Connect the mains (power) supply to the unit.

Warning: DO NOT LOOK into the laser, after the mains (power) has been switched on, because that could cause permanent eye damage.

Lift the pressure plate of the deck and switch on the mains (power) supply. If all is in order, the laser arm should move inwards, and the laser lens should briefly move up and down. Also, the CD motor should move briefly and slightly. If these do not happen, switch off and check that the flexfoil is fastened securely in the appropriate connector. Laser operation can also be checked visually. Standing in front of the player, look at the laser lens at an angle of 20–30°. When the mains (power) is switched on, a red reflection should be visible at the edge of the lens for a few seconds.

Connect a multimeter (100 mV range) across R₃₅₀₁ (4.7 kΩ at the left behind the deck at the edge of the board, just in front where the mains switch used to be). Adjust the 4.7 kΩ preset on the mother board behind the deck for a meter reading of 50 mV. Take care not to turn the preset too far to prevent too high a current through the laser.

Connect the multimeter (1 V d.c. range) between wire link 102 and the earth plane. Insert a CD, preferably one with standardized reflection, and switch on the player. While selection 1 is played, adjust the 22 kΩ preset (immediately adjacent to the 4.7 kΩ preset) for a meter reading of 400 mV d.c.

This completes the calibration.

Finally

It is advisable to stick some self-adhesive bituminous felt to the inside of the top panel of the player to prevent any vibrations arising in the panel.

Concise operating instructions, incl. those with a remote control unit, are given in Fig. 10.

PARTS LIST

Auxiliary board

Resistors:

- R1 = 4.7 Ω
- R2 = 1 MΩ
- R3 = 562 Ω, 1%
- R4 = 619 Ω, 1%

Capacitors:

- C1 = 33 μF, 10 V, tantalum
- C2 = 22 nF, ceramic
- C3, C4 = not used
- C5, C6 = 56 nF

Semiconductors:

- IC1 = PCF3523P

Miscellaneous:

- K1 = 20-way header, male
- K2 = right-angled phono socket
- X1 = not used
- Tr1 = matching transformer (Philips Type T5BCC)

Key board

- S1, S2 = keyboard switch, 17 mm wide, with keytop
- S3–S12 = keyboard switch, 12 mm wide, with keytop

Miscellaneous

- 4× LED, yellow, 3 mm (high efficiency)
- DPDT mains (power) switch
- Mains (power) plug, panel mounting, with integral fuse holder
- Fuse, 50 mA, delayed action
- Enclosure, 19 in (483 mm) wide, 2 units high, 12 in (30 cm) deep
- PCB 910146
- Front panel foil 910146F

Remote control

- 1× resistor, 3.3 Ω
- 1× resistor, 22 kΩ
- 1× IR receiver, Sony BX1407

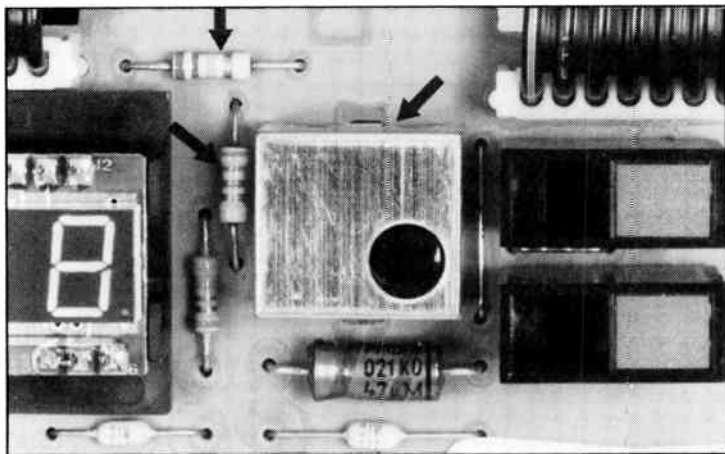


Fig. 17. Where to fit the IR receiver and extra resistors (arrowed).

Table of connections

Core no.	Connected to on mother board
1	earth (beside +5 V connection)
2	+5 V (top of inductor 5501)
4	pin 39 of SAA7210P (WSAB)
6	pin 38 of SAA7210P (CLAB)
8	pin 37 of SAA7210P (DAAB)
10	pin 36 of SAA7210P (EFAB)
12	pin 35 of SAA7210P (SCAB)
14	pin 34 of SAA7210P (SDAB)
16	pin 8 of SAA7210P (XOUT)
18	pin 18 of XC99659P (ATSB)
20	pin 17 of XC99659P (DMUTE)

LOW-FREQUENCY COUNTER

by F. Hueber

A FREQUENCY counter is indispensable in the design, repair and test of audio and hi-fi equipment. The counter presented here can either be built into a sine wave or function generator or, by the addition of a preamplifier, power supply and a suitable enclosure, be made into a stand-alone unit. Its display has only four digits, since three or four of the usual seven or eight display digits are not used in audio work. Three switched measuring ranges are provided: 0–1000 Hz; 0–10 kHz; and 0–100 kHz.

Counter circuit

The heart of the circuit—see Fig. 4—is IC₁, a TTL-compatible CMOS IC Type 74C925 from National Semiconductor. Housed in a 16-pin DIL package, this device contains four decade counters, a status memory, a multiplexer, and a seven-segment decoder for a four-digit display. The common-cathode, seven-segment display, LD₁–LD₄, is driven by transistors T₁–T₄. The segments of the four digits are fed in parallel via limiting resistors R₁–R₇.

Transistor T₅ ensures that the decimal point is switched in tandem with the metering ranges. It is cut off by the display drivers via D₁ when S_{1B} is in the relevant position: the decimal point then lights. To make certain that the transistor switches off promptly, it must be a germanium or Schottky type: the base-emitter potential of a standard silicon diode remains too high.

To prevent any problems with the calibration of the time base, it was decided to clock it by a Type SPG8650B (IC₃) from Seiko-Epson. This standard pulse generator, whose pinout is given in Fig. 1, contains a hybrid circuit consisting of a quartz oscillator and two programmable dividers that, depending on the bit sample at input pins 2–7, provides 57 discrete output frequencies. The fundamental frequency is 100 kHz, and the frequency tol-



The frequency counter described in this article may be built into an existing apparatus or be used as a stand-alone unit. It obviates the problem of every frequency counter – the accurate calibration of the time base – by ingenious circuit design.

erance is 50 p.p.m.

The necessary pull-down resistors for the programming inputs have been integrated in the IC, so that all open input pins are automatically at earth potential (logic 0). Apart from programming switch S_{1A}, no other external parts are required.

When pins 3 and 7 are high (logic 1), out-

put pin 9 provides a signal of 5 Hz; when pin 5 is high at the same time, the frequency of the signal is 0.5 Hz; when pins 3, 6 and 7 are high, the frequency of the signal is 0.05 Hz. The corresponding gate times of the counter are 100 ms (0–99.99 kHz range); 1 s (0–9.999 kHz range); and 10 s (0–999.9 Hz range). All available combinations are given in Fig. 2.

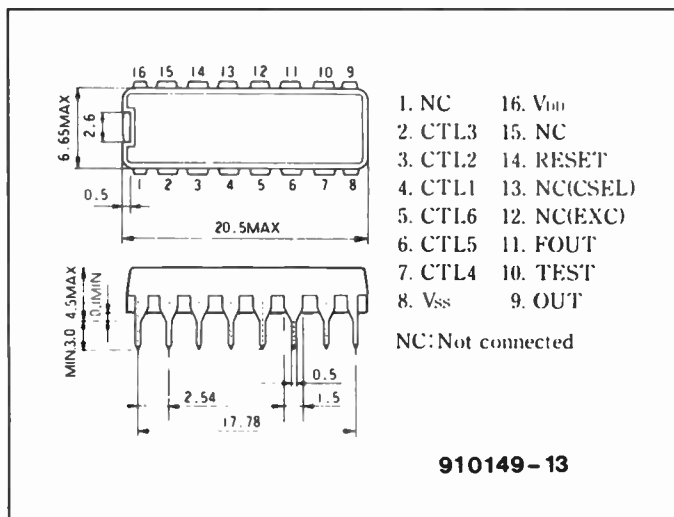


Fig. 1. Pinout of the SPG8650B.

■ 8650B 8651B

SETTING		CTL4	CTL5	CTL6	CTL3	0	1	1	1	1
CTL1	CTL2	0	1	0	1	0	1	0	1	0
0	0	0	100K	10 K	1K	100	10	1	1/10	1/100
0	0	1	10K	1 K	100	10	1	1/10	1/100	1/1000
0	1	0	50K	5 K	500	50	5	1/2	1/20	1/200
0	1	1	33.3K	3.3K	333.3	33.3	3.33	1/3	1/30	1/300
1	0	0	25K	2.5K	250	25	2.5	1/4	1/40	1/400
1	0	1	20K	2 K	200	20	2	1/5	1/50	1/500
1	1	0	16.6K	1.6K	166.6	16.6	1.6	1/6	1/60	1/600
1	1	1	8.3K	833.3	83.3	8.3	0.83	1/12	1/120	1/1200

910149-14

Fig. 2. Programming possibilities of the SPG8650B.

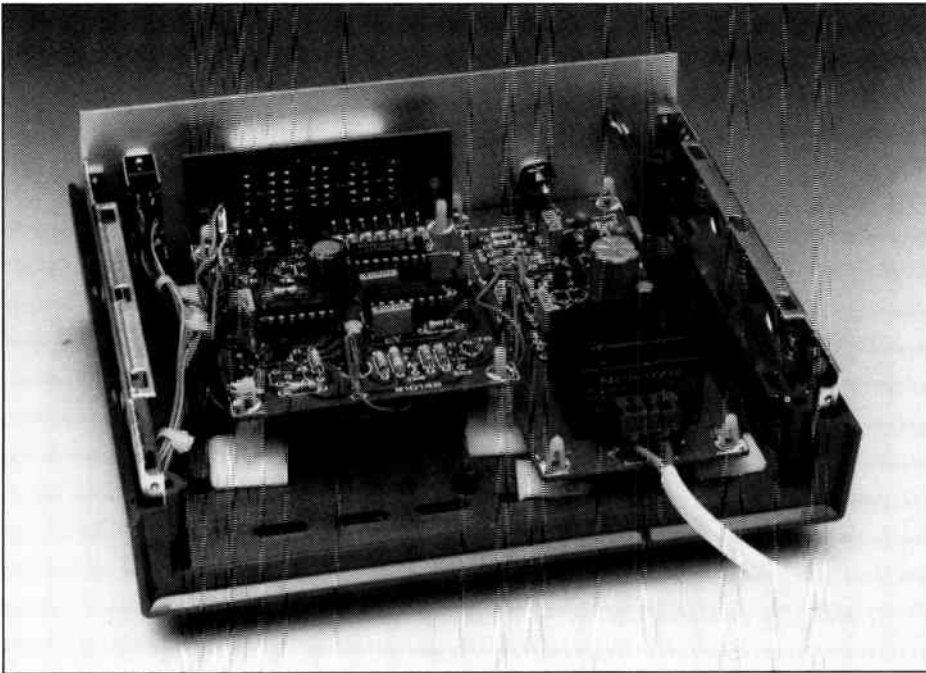


Fig. 3. Rear view of the counter with top panel removed.

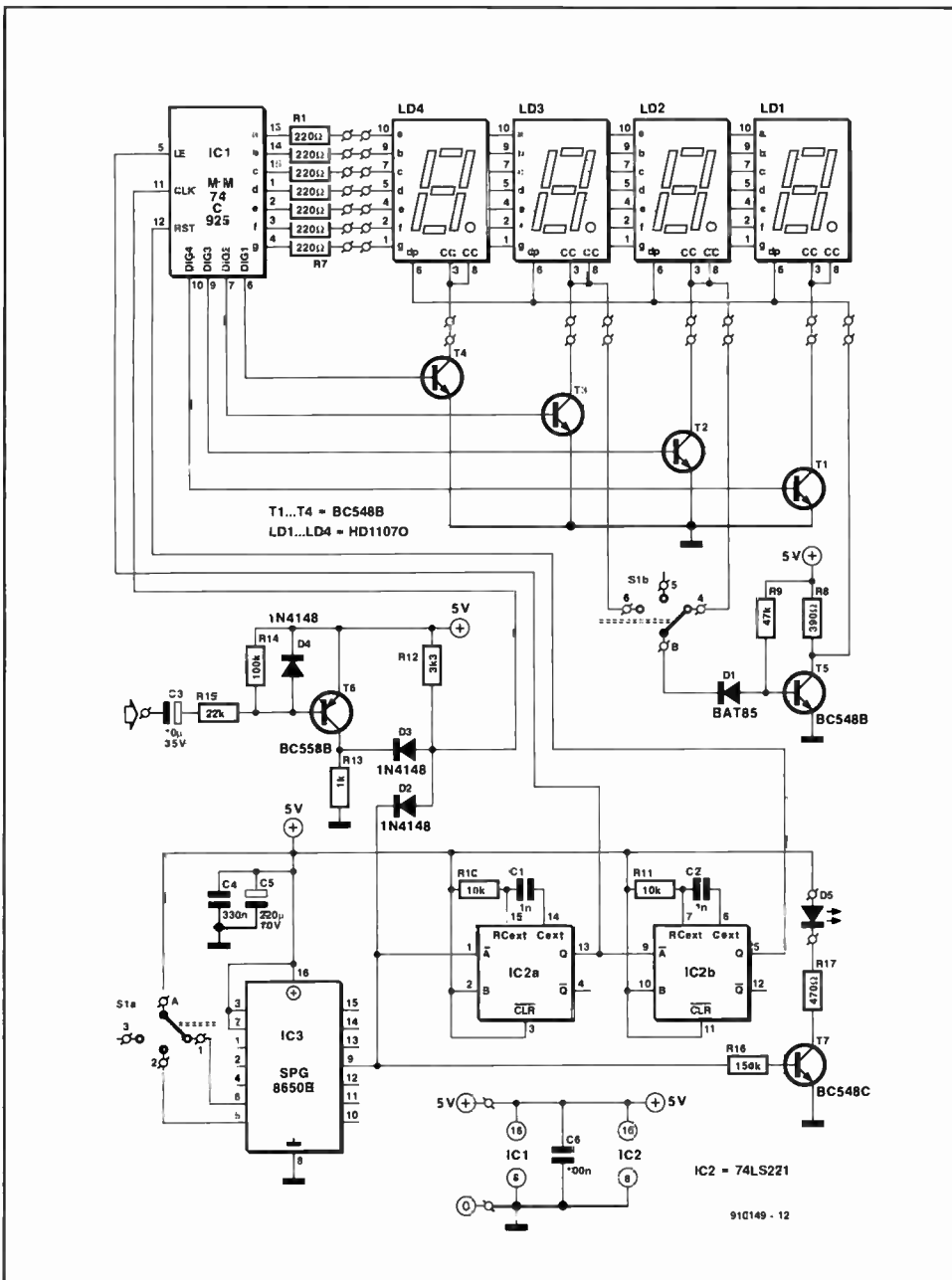


Fig. 4. Diagram of the counter circuit.

Since IC₃ provides an output pulse with a duty factor of 1:1, and IC₁ counts only when that output is high, a count period is twice as long as the pulse duration. With 100 ms and 1 s gate times, that does not matter much, but when the gate time is 10 s, there is a delay of 20 s between two consecutive displays. A little patience is, therefore, required during measurements, but that is rewarded by a resolution of 0.5 Hz, which, particularly at low frequencies, is extremely useful.

The exact state of the counter is indicated by a gate display consisting of T₇ and D₅. Owing to the tiny base current through R₁₆, transistor T₇ must be a type with high current amplification. The value of R₁₆ cannot be reduced, since the maximum permissible current drawn from pin 9 of IC₃ is 40 μA. If the high resolution is of no interest, the gate display can be omitted and S₁ can be a simple 2-pole change-over switch.

To function correctly, IC₁ needs a latch pulse and a reset pulse, which are provided by monostables IC_{2a} and IC_{2b} respectively. The last transition (trailing edge) of the gate-time pulses triggers IC_{2a}, which causes a pulse of about 7 μs at the latch input (LE) of IC₁, whereupon the counter content is shifted into the display memory. The last transition of the 7 μs pulse triggers IC_{2b}, whose output resets the counter.

Buffer T₆ prevents the clock input of the counter accepting too high values.

The input pulses and gate-time pulses are combined by 'OR gate' D₂-D₃-R₁₂.

The level of the input signal to the counter should be not lower than 2 V r.m.s.: for lower levels, a simple preamplifier—see Fig. 5—is needed. The level may be as high as 100 V, provided that the working voltage of C₃ allows this.

The +5 V power supply must be regulated; the maximum current drawn from it is only 80 mA.

Preamplifier and power supply

The preamplifier, needed when input levels <2 V are processed, and the power supply, whose circuits are shown in Fig. 5, are built on to a small PCB (Fig. 8).

The preamplifier is designed around discrete components. FET T₁₀ functions as impedance converter to provide the necessary high input impedance. Resistor R₂₁ and anti-parallel connected diodes D₁₀ and D₁₁ form a protection network that limits the gate voltage of T₁₀ to about 700 mV, although the input level may be as high as 100 V.

The input impedance for input levels <600 mV r.m.s. is about 1 MΩ, that is, the value of R₂₀. At higher inputs, the impedance drops, because D₁₀ and D₁₁ then conduct, thereby shunting R₂₀ with R₂₁. At inputs of 1 V r.m.s., the input impedance is about 400 kΩ and at 2 V r.m.s. it is about 150 kΩ. If that is too low, the value of R₂₁ can be increased up to 1 MΩ. Unfortunately, owing to the unavoidable capacitance of the diodes and the FET, the input sensitivity for frequencies >10 kHz then deteriorates by up to 14 dB.

PARTS LIST

Resistors:

R1–R7 = 220 Ω
 R8 = 390 Ω
 R9, R27 = 47 k Ω
 R10, R11 = 10 k Ω
 R12 = 3.3 k Ω
 R13, R22 = 1 k Ω
 R14, R23 = 100 k Ω
 R15 = 22 k Ω
 R16, R21 = 150 k Ω
 R17 = 470 Ω
 R20 = 1 M Ω
 R24, R30 = 5.6 k Ω
 R25, R26 = 1.8 k Ω
 R28 = 560 Ω
 R29 = 8.2 k Ω
 P1 = 100 k Ω multiterminal
 preset, vertical

Capacitors:

C1, C2 = 1 nF
 C3 = 10 μ F, 35 V, vertical
 C4 = 330 nF
 C5 = 220 μ F, 10 V, vertical
 C6, C14 = 100 nF, ceramic
 C10 = 150 nF, 250 V
 C11, C12 = 4.7 μ F, 35 V,
 tantalum
 C13 = 270 pF
 C15 = 10 μ F, 10 V, vertical
 C16 = 470 μ F, 25 V, vertical

Semiconductors:

D1 = BAT85
 D2–D4, D10, D11 =
 1N4148
 D5 = LED, 3 mm
 D12–D15 = 1N4001
 T1–T5, T11–T13 = BC548B
 T6 = BC558B
 T7 = BC548C
 T10 = BF245C
 IC1 = MM74C925
 IC2 = 74LS221
 IC4 = 7805

Miscellaneous:

S1 = 2 pole, 3 position slide
 switch
 K1 = phono socket
 K2 = 2-way terminal block
 (mains) for PCB
 mounting
 LD1–LD4 = 4-digit,
 7-segment display
 Tr1 = mains transformer,
 9 V, 1.5 VA rating
 Enclosure 60x150x132 mm
 (2 $\frac{3}{8}$ x 5 $\frac{7}{8}$ x 5 $\frac{3}{16}$ in)
 PCB 910149-1
 PCB 910149-2

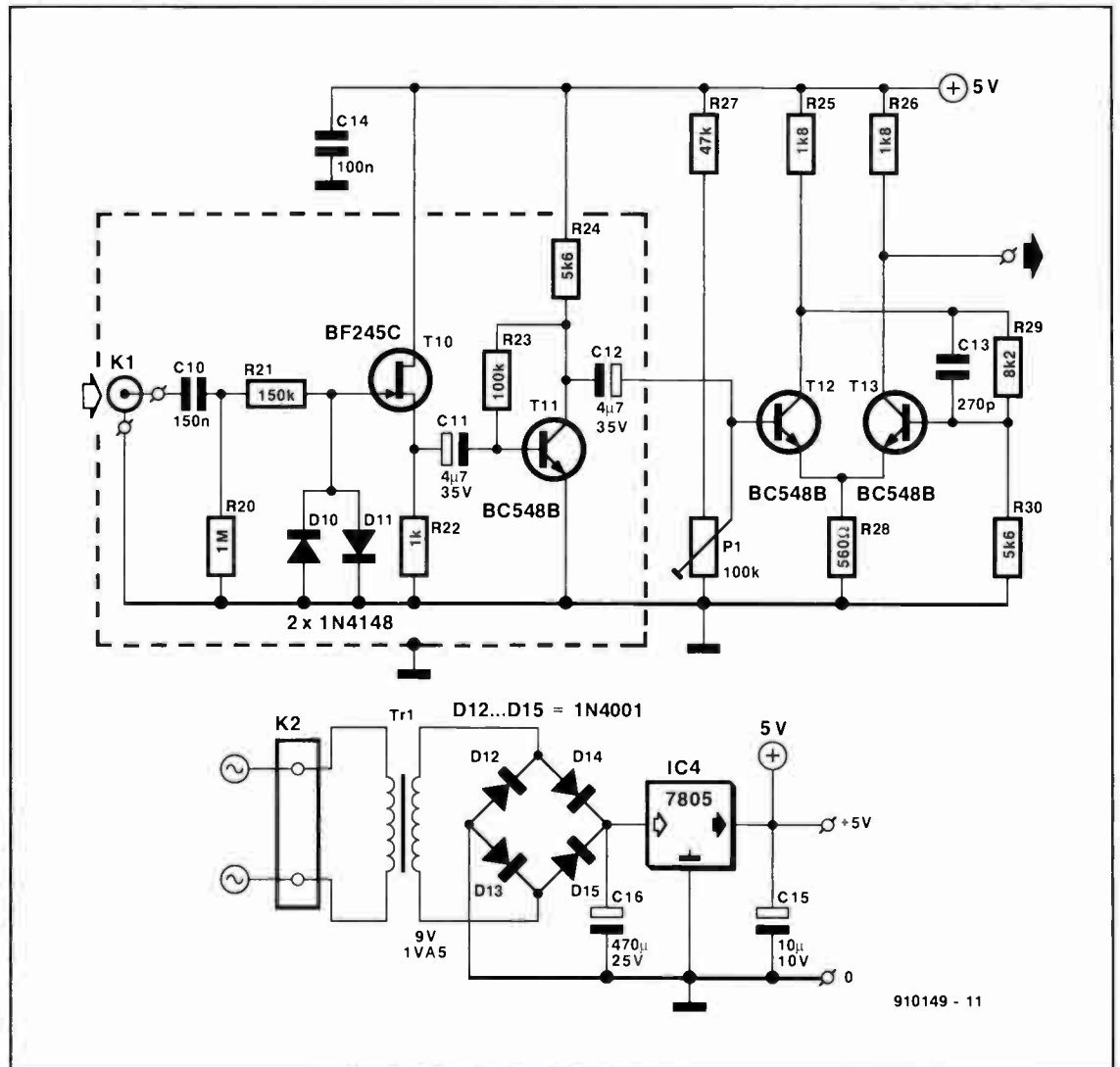


Fig. 5. Circuit diagram of the preamplifier and power supply.

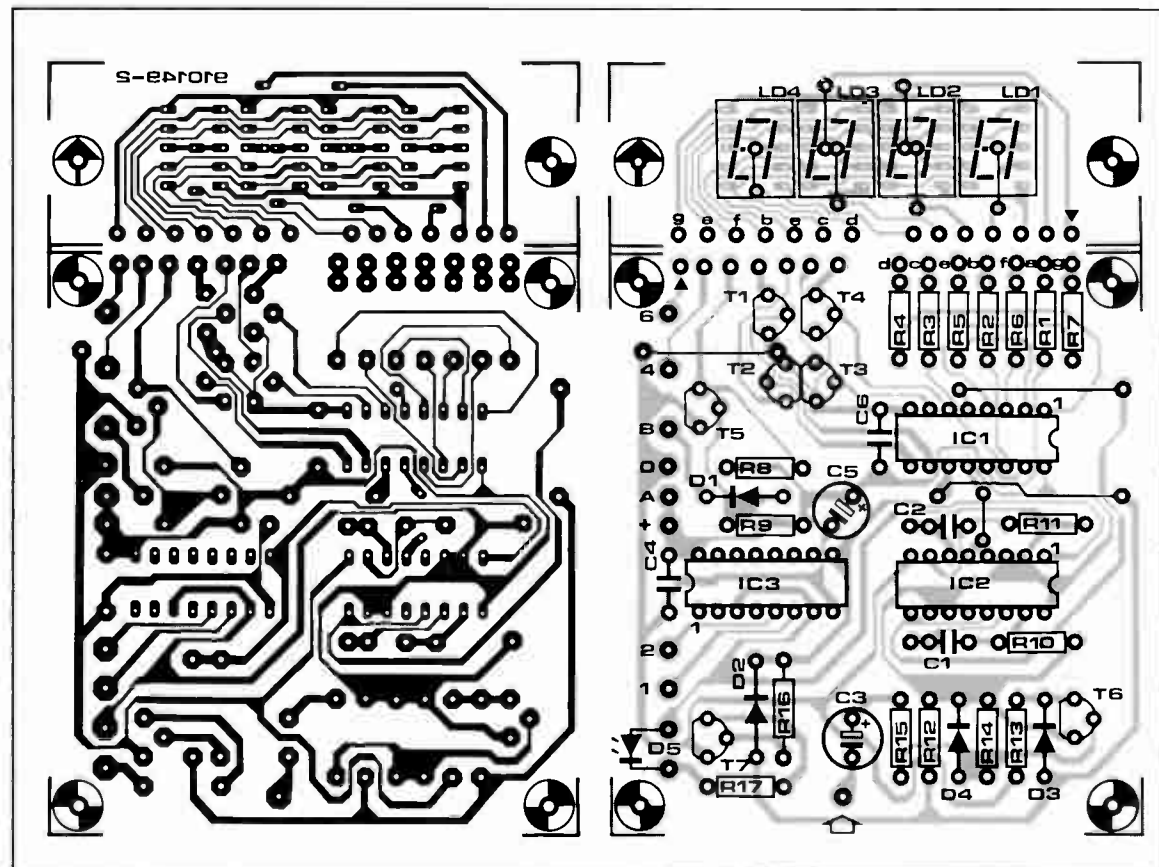


Fig. 6. The printed-circuit board for the counter and the display sections must be cut into two.

Coupling capacitor C_{10} blocks any d.c. component in the input signal; it should, therefore, have a working voltage of ≥ 250 V.

The signal is applied to amplifier T_{11} via C_{11} . The operating point of this stage has been chosen so that not only does T_{11} magnify the signal to a high degree, but, because of its low collector potential, it also acts as a

signal limiter. With the value of collector resistor R_{24} as shown, the collector potential with respect to earth is about 0.9 V.

The output of T_{11} is fed via C_{12} to transistors T_{12} and T_{13} that form a Schmitt trigger. When P_1 is in a position where the base potential of T_{12} is just insufficient to switch on the transistor, even tiny changes in the base

potential suffice to drive T_{12} into conduction. When P_1 is set correctly, a sinusoidal input signal of only 10 mV results in a clean rectangular output signal.

A capacitor to couple the preamplifier output to the counter is not required. In fact, when the counter operates with the preamplifier, C_3 in its input circuit may be short-circuited or replaced by a wire link.

The power supply for both the counter and the preamplifier needs a transformer rated at 1.5 VA only. Full-wave rectification is provided by diodes D_{12} – D_{15} . Filtering and regulation by C_{16} , C_{15} , and IC_4 , respectively, is standard for this type of supply. Note that the transformer specified is protected against short circuits: the primary circuit, therefore, does not need a fuse.

Construction

Commence the construction of the counter by cutting off the display section from the board in Fig. 6. After both sections have been completed, they must be soldered together at right angles with the aid of a number of short lengths of bare wire that provide electrical connections between the display board and the counter board at the same time. This construction can be seen clearly in Fig. 7.

No difficulties should be encountered in completing the preamplifier-power supply board.

The modular design enables the counter to be housed in a variety of instrument cases. That of the prototype measured $60 \times 150 \times 132$ mm ($2 \frac{3}{8} \times 5 \frac{7}{8} \times 5 \frac{3}{16}$ in) (HxWxD). The counter and display boards are fitted to the front panel, while the preamplifier and power supply boards are fixed to the bottom panel. If a metal case is used, the earth plane of the preamplifier-power supply board must be connected to the earth of the input socket only.

Part of the preamplifier, indicated by the dashed line in Fig. 5 and Fig. 8 should be screened from the power supply by a 15 mm high strip of tinplate. It may also prove useful to put a 5 mm screen around these parts at the underside of the board.

The connection between the input socket and C_{10} must be single screened cable.

Voltage regulator IC_4 should be fitted on a small heat sink.

Calibration

Connect an oscilloscope to the output of the Schmitt trigger and inject a 10 mV sinusoidal signal of about 20 kHz into the input socket. Adjust P_1 until the waveform on the oscilloscope is a true square wave. If no oscilloscope is available, adjust P_1 so that the counter reading remains the same for sinusoidal and rectangular signal inputs (at a level of 10 mV).

The counter has no overflow indication, so that, if, for instance, the 10 kHz range is selected, and the input signal has a frequency of 10.234 kHz, it is displayed as 0.234 kHz. It is, therefore, advisable when an unknown frequency is being measured, to select the highest range first and then go down as required.

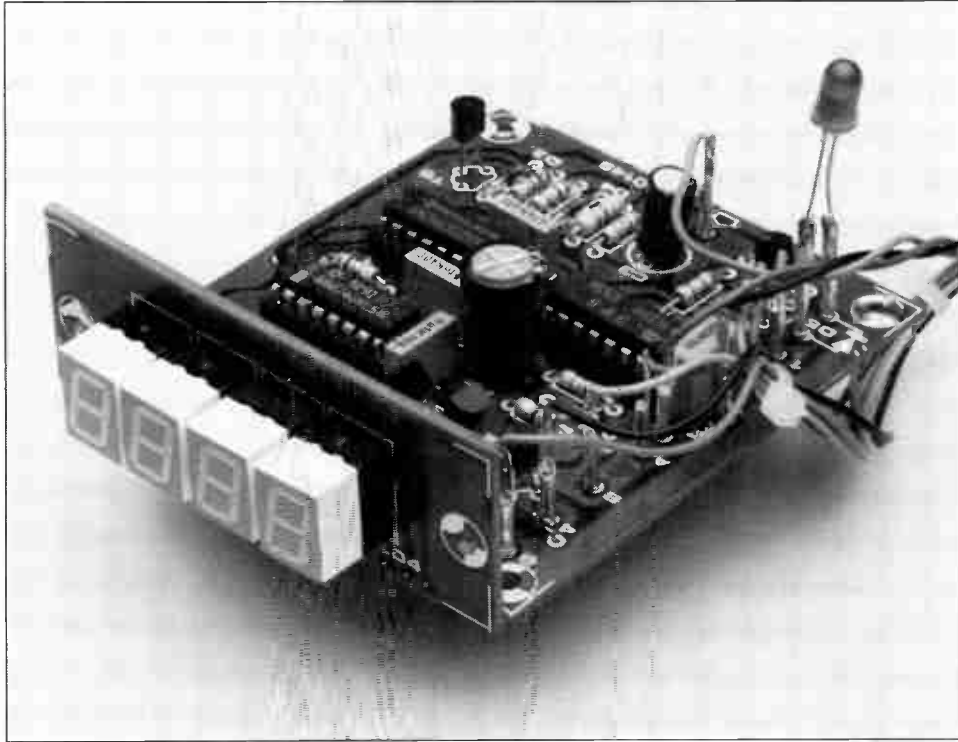


Fig. 7. The display and counter boards must be fitted together at right angles.

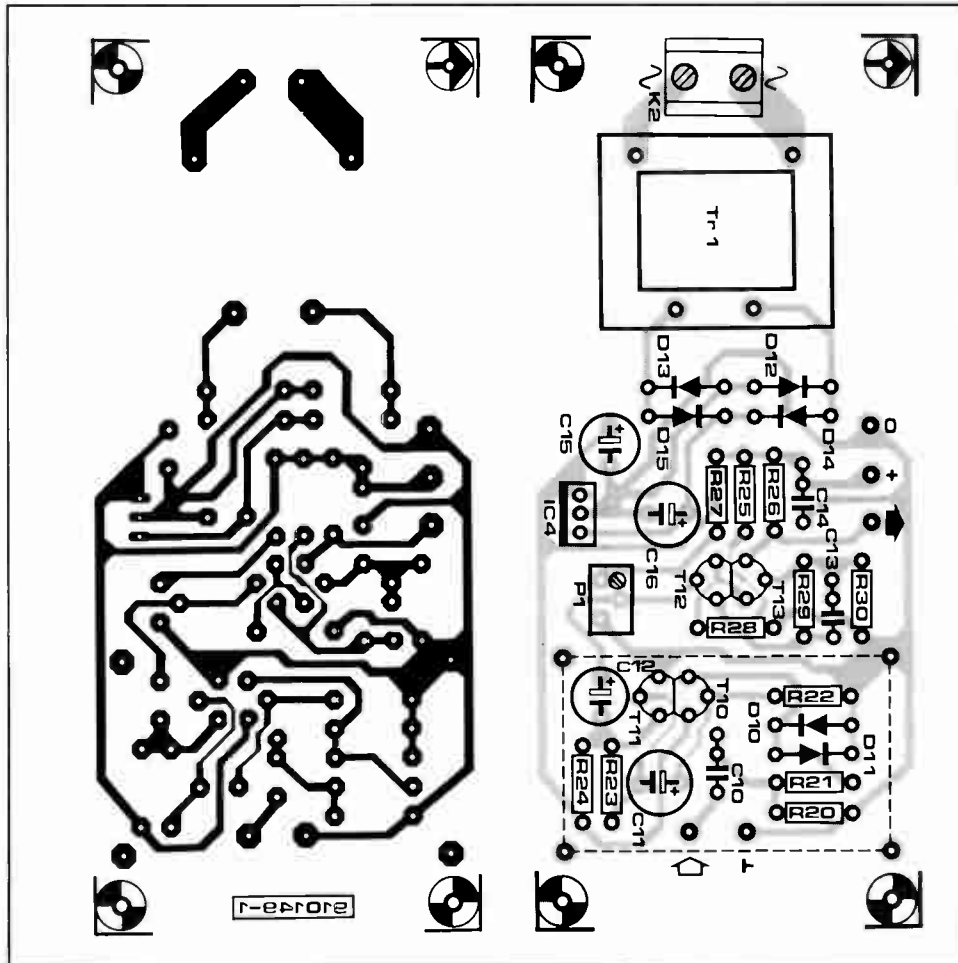


Fig. 8. Printed-circuit board for the preamplifier and power supply.

Cochlear implants

by Douglas Clarkson

THE array of human sensory apparatus is without question a marvel of adaptive evolution. In particular, Nature has evolved masterful systems for vision and hearing. In both these sensory systems, physical stimuli are translated into nerve impulses, which are in turn processed by the brain. Most of the successes in preserving such sensory systems relate to improving the receptive stages before the nerve stimuli are generated. Thus, restoration of sight can, for example, be achieved by extraction of cataracts. In the improvement of hearing, benefit can come from the use of a hearing aid to amplify the stimulus of the incident pressure waves.

Often, in instances of blindness or deafness, the sensing system has become inoperative, while the nerve pathway to the brain has remained intact. If simulated nerve impulses of appropriate type could be injected into the nerve pathways, some element of sensory perception could, in theory, be retained. While this principle awaits to be developed in visual systems, the use of cochlear implants in hearing research has been successful in providing a means of greatly improving the hearing perception of many thousands of individuals around the world. (The cochlea is the spirally coiled part of the inner ear that translates mechanical vibrations into nerve impulses).

About the cochlea

A cochlear implant can be described as a specialized hearing aid device that translates patterns of sound into a series of electrical signals which are channelled directly to the auditory nerve for onward transmission to the brain. In so-called single channel systems, the output is attached directly to the auditory nerve. In so-called multi-channel systems, a series of individual electrodes are attached along the interior of the cochlea where, in the normal ear, sound vibrations excite hair cells to generate nerve impulses. This is a more complex surgical procedure but provides better resolution of frequency content of sounds.

The cochlea's highly specialized design causes hair cells within its structure to respond selectively to input signals of various frequencies, so that the pitch of sounds can be finely differentiated. The mechanical properties of the cochlea change from the basal portion (widest) to the apex (narrowest). The stiffness is greatest at the basal end, but its mass per cross section is least, while at

the apex the stiffness is least, but its mass per cross section is the greatest. If a range of sounds is coupled into the cochlea at the wide, basal face, specific sections of hair cells within the cochlea will vibrate. Higher fre-

quency sounds will stimulate closer to the wide basal face, while lower frequencies will stimulate areas closer to the apex.

In total, there are about 15 000 hair cells along the cochlea, which are connected to about 30 000 nerve fibres in the cochlear nerve. The interconnection pattern can be imagined to be very complex. A particular nerve bundle may be connected to several hair cells or a specific hair cell may be connected to several nerve fibres. The 'design' of the cochlea, however, does allow excellent pitch or frequency discrimination to take place.

Early work on the structure of the cochlea was undertaken by Marchese Alfonso Corti, who first described it in 1851. The theory of the selective resonance of the cochlea was described by Hermann von Helmholtz. A more comprehensive investigation of the cochlea was undertaken by Georg von Békésy, which involved determining the vibrational characteristics of human post-mortem specimens.

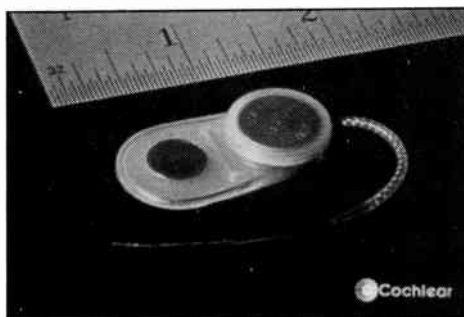


Fig. 1. Cochlear implant unit of the 'Nucleus' system.

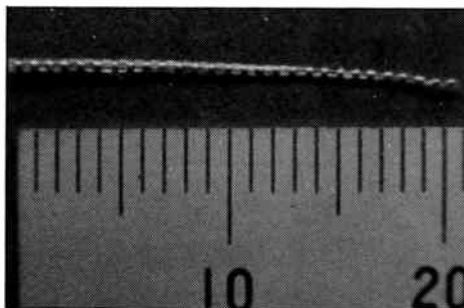


Fig. 2. Close-up on set of electrodes implanted directly in the cochlea.

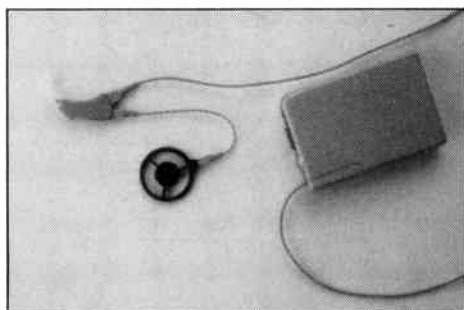


Fig. 3. Speech processor, external microphone and coupler/locator.

Real time listening

The mechanism of hearing can be imagined to be a real time superposition of electrical signals from all the various sections of the line of hair cells in the cochlea. Any 'artificial' cochlea would have to simulate such a sensing pattern. In particular in terms of frequency response, higher frequency signals require to be injected at the basilar (wide) end and low frequency signals at the apex. This requires an appropriate means of decoding sound into its frequency components and generating appropriate electrical stimuli.

Design of modern cochlear implants

One type of cochlear implant has a total of 22 electrode sections in order to provide as much pitch discrimination as possible. The degree of such pitch discrimination attained is not sufficiently good, however, to allow normal speech to be understood without the aid of lip reading. Only in very exceptional cases can a cochlear implant provide near-normal hearing discrimination. It must be made clear, however, that the cochlear implant can introduce a totally deaf individual to a world of sounds that puts him or her in touch again with society.

In the design of cochlear implants, there is a major division between analogue and digital systems. Analogue systems tend to have direct connection by wire between the cochlear

electrode and the sound analyser/stimulus unit. Digital systems tend to couple stimulation signals using radio frequency linkage. In one sense, the direct coupled analogue system provides the advantage of simplified drive/excitation circuitry, while the digital system minimizes the problem of infection, since the cochlear implant is inserted during sterile procedure and subsequently there is minimum risk of site infection.

The 'cochlear' system

Figure 1 shows the implanted unit of the 'cochlear' implant developed by the Nucleus Group. Original work on the unit design was undertaken by professor G.B. Clark and his colleagues at the University of Melbourne, Australia, during the early 1970s. The implanted unit consists of a magnet to localize the external radio linkage system and microelectronics to pick up power and signals in order to drive the array of 22 electrodes.

Figure 2 shows the array of electrodes that is inserted into the cochlea. The 22 electrodes are bands of pure platinum 0.3 mm wide and spaced at 0.75 mm intervals along a silicone elastomer carrier. The array tapers smoothly from a diameter of 0.6 mm at its widest part to about 0.4 mm at the tip.

In the driving of the individual electrodes, current can be driven between specific pairs of electrodes or between a specific electrode and all the remainder acting as a common ground. It can be appreciated that some de-

gree of customizing of each system is required to optimize performance. This is typically undertaken by testing hearing responses with a so-called implant centre system, where current driving patterns can be tailored on a master system before being incorporated in the patient's own device. Specific performance of, for example, consonant recognition can be evaluated for a range of electrode driving configurations.

Figure 3 shows the microphone, external sound processor and magnetic locator/stimulator unit. The external sound processor is usually worn on a carrying pouch.

Speech processing mechanisms

Speech elements can be identified as those involving vocal chords such as 'eeee' or 'ah' and those which do not, such as 's', 't' and 'k'. These are the so-called 'voiced' and 'unvoiced' sounds. If the speech processor firstly identifies that 'voiced' sounds are present, it then determines the peaks in the frequency analysis of the sound and their relative signal amplitude. Subsequently, it identifies from look-up tables what is the appropriate electrode pattern to stimulate. The required information is coupled via a 2.5 MHz RF link to the implant electronics in order to drive the electrode configuration.

For unvoiced speech elements, the speech processor stimulates electrodes towards the basal, high frequency end of the cochlea.

The speech processor is, therefore, implementing a first level of speech recognition for voiced sounds.

Developments in performance of such speech processors are primarily being derived from increasing the processing speed of the microprocessor circuit elements. This allows for both faster decoding of speech patterns and more complex algorithms to be implemented. In the longer term, it is possible that systems will include more general word recognition features, though this is not a feature of current systems.

Driving patterns of current

It is known that direct current flowing in sensory nerve channels can result in damage to sensitivities. The stimulus waveforms in the Nucleus system are biphasic or charge balanced so that the averaged current flow across the electrodes is close to zero ($< 1 \mu\text{A}$).

The typical duration of a phase is 200 μs with pulse amplitudes of 100–800 μA . It is appreciated that there is a danger in overdriving neural circuits that are connected to the main central nervous system. Current driving amplitudes that can be readily tolerated in most patients can result in facial pain or facial muscle spasm in a small number of cases.

Uptake of cochlear implant technology

To date, there have been over 5 000 cochlear implants undertaken world-wide using a variety of designs. The group of patients who typically receive such treatment are those with total loss of hearing in both ears and where conventional devices such as hearing aids and inner ear surgery can provide no benefit. It is vital, of course, that the appropriate auditory nerve is still functional.

Owing to the nature of both the technology of the implant system and the range of professional skills required in the 'implant' team, such treatments are relatively expensive. However, in assessing costs and benefits, individuals can usually achieve a higher level of participation in society. In recent years, children have become a major group to receive such implants, This is natural, since their development is critically dependent on communicating effectively with those around them.

In the United Kingdom, a set of seven centres has been established where cochlear implants can be undertaken. There has been disappointment, however, at the limited resources provided to undertake such a programme. The demand for such services far outstrips present levels of funding.

'Looking' ahead

On a more distant horizon, probably in the mid to late 1990s, artificial retinas may well be introduced in their prototype forms. The groundwork with artificial cochleas will, no doubt, serve as useful experience in this much more challenging development. ■

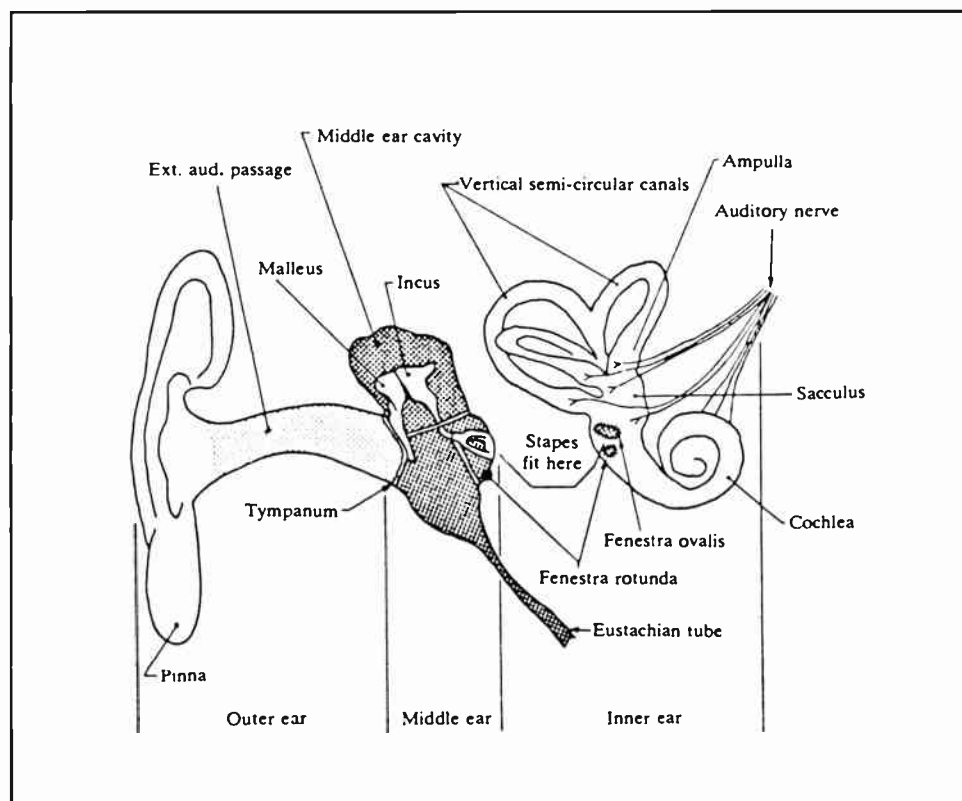


Fig. 4. The ear consists of three sections: the external, the middle and the inner ear. The external ear extends from the external ear lobe (pinna) to the ear drum (tympanum). The middle ear acts as an amplifier with a gain of about 25 dB. The inner ear consists primarily of the fluid-filled cochlea. Electron microscopy has shown that exposure to high levels of noise results in irreparable damage to the hair cells mounted on the basilar membrane, which then appear to be 'bent over' and no longer capable of generating a nerve signal for the brain to interpret.

A DIRECT CONVERSION RADIO



Amateur radio is expensive, or should I say it is if you buy all of your equipment. This cost deters many from a hobby that once investigated niches where low cost home built equipment can be used to the full. Equally, others may have become tired of just using a purchased rig and the chance to build and use a simple radio may put life back into the hobby.

by David J. Silvester G4TJG

THE author wanted to build a low cost transceiver as an experiment to see just what can be achieved. For simplicity, this means the radio is built for a single band and that many of the complications that make a communications transceiver so costly can be dispensed with. As to the frequency, it was decided that the 14-MHz (20-m) band would be best. I prefer that band to the more familiar option of 3.5 MHz (80-m), because I could get a reasonable dipole antenna into my back garden because of its smaller size.

It was felt that owing to the experimental nature of a transceiver I set out to design that it would be a reasonable idea to construct the receiver section as a separate project to iron out any technical problems, and to see what sort of signals could be heard from such a low cost unit. The most successful of the designs forms the basis of this article.

Direct conversion, how it works

Communication receivers tend to use the double conversion superheterodyne techniques. By contrast, the much simpler direct conversion technique is based on one stable

oscillator which actually runs at the same frequency as the signal being received and all of the filtering is carried out at AF where an inductor-capacitor bandpass filter is easy to design and build. Direct conversion receivers are for use with single sideband and CW transmissions, but with care the receiver will demodulate AM signals, although the carrier causes a problem as detuning leaves a loud whistle in the headphones, and the receiver will need to be set accurately to null this out.

To examine direct conversion, consider an incoming upper sideband signal that would have had a 14.200-MHz carrier if this were not removed prior to transmission. In the direct conversion receiver, the band of signal frequencies that have been transmitted is mixed with a stable signal of 14.200 MHz generated within the receiver. In the mixer, the sum and difference frequencies are generated and the difference, which is an audio signal, is filtered out from the remaining frequencies which are all RF. If the internal oscillator is only slightly away from the correct frequency, the signal will still be resolved, but the audio tone will be higher or lower depending on the difference. However, if the receiver's oscillator is set,

say, 3 kHz above the correct missing carrier frequency of an upper sideband signal, the signal is treated as lower sideband and a characteristic direct conversion tuning sound results.

Circuit description

The mixer

The mixer is the heart of the direct conversion receiver, and whilst any type can be used for the receiver, it was felt that one of the balanced mixers available as a complete package would be the most suitable to use when the transceiver option was considered. By using one of these balanced mixers, the oscillator can be left running all of the time into one of the mixer's input ports, so that this tends to stabilize its frequency. Also, local oscillator radiation is a serious problem in direct conversion receivers and the balanced nature of the mixer chosen assists in preventing unwanted signal leakage. Unlike the situation in the superhet receiver, the antenna and input bandpass filter are tuned to the local oscillator frequency and any leakage will be transmitted. An isolator stage can be added to try to prevent this and good screening needs to be placed between the

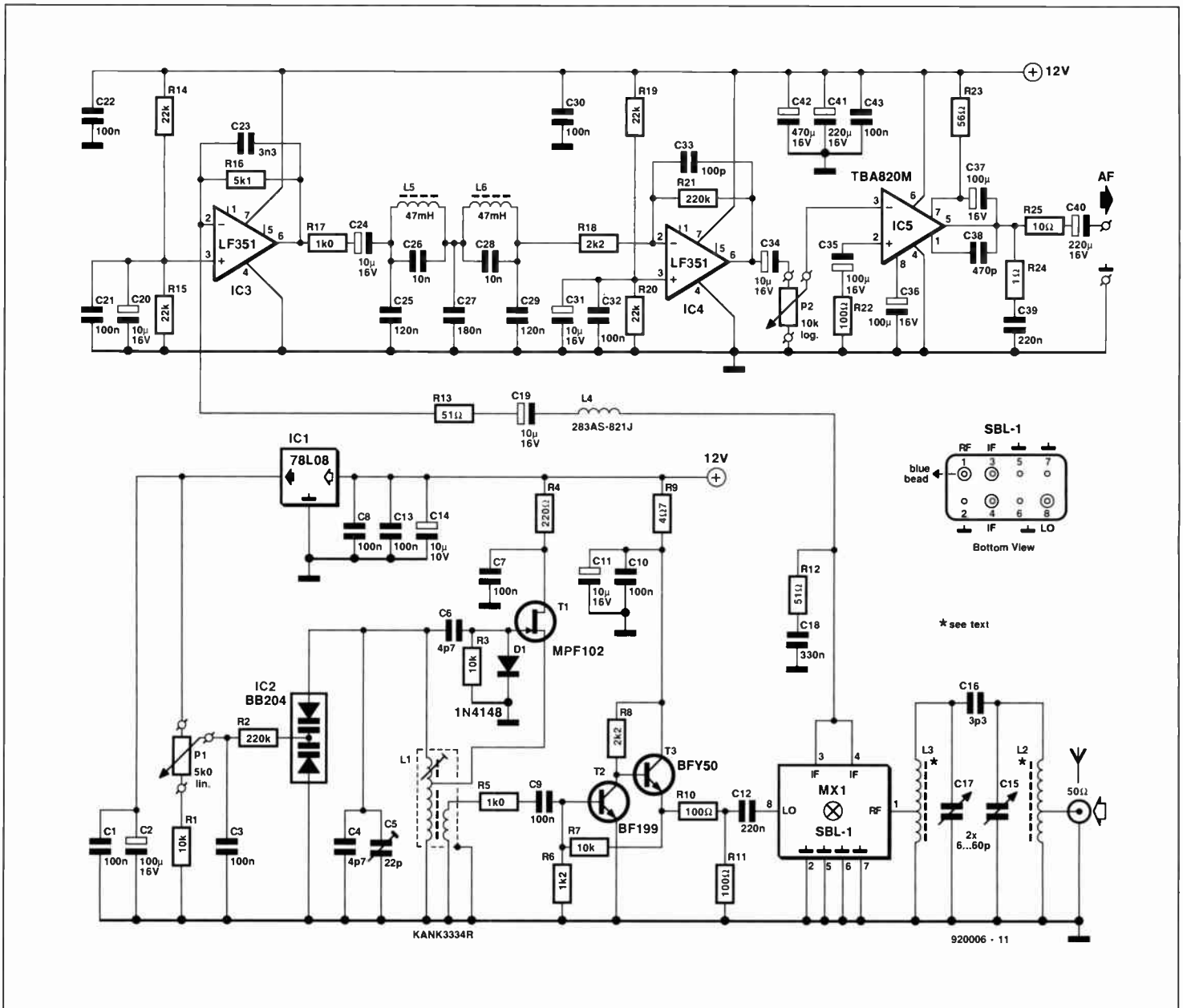


Fig. 1. Circuit diagram of the direct conversion receiver. This version is designed to work on the 20m amateur radio band.

local oscillator and RF circuits.

The oscillator

Essential for the design is the stability of the single oscillator that in this case runs from 13.950 MHz to 14.400 MHz. This oscillator must be stable to within a few hertz after a short warm-up period, or the user will forever be retuning the radio. Also, the oscillator needs to be resettable so that the oscillator control can be calibrated, and a conversion chart drawn up. In fact, the tuning capacitance has to change by only a very small amount to obtain the tuning range we need, and it was decided that the simplest option was to use a variable capacitance diode pair as the frequency controlling element in the design. Here, the varicap control is carried out by voltage derived from a 10-turn potentiometer.

Figure 1 shows the full circuit diagram for the radio. The oscillator is a well-proven type using a FET as the active device. Diode D1 and resistor R3 provide gate bias for FET T1. The tuned circuit consists of the inductance of L1 and the parallel capacitance of C5

and the varicap diode pair, IC2. C4 was not needed for the 20-m band but since the receiver can be made to tune to other frequency bands it is included for completeness. Feedback to maintain oscillation is taken from a tap on the primary winding of the inductor, and the output from the oscillator is from a small secondary winding (tank) so that the following buffer only lightly loads the oscillator.

During development an MPF102, a BF245 and a 2SK55 were tried in the position T1. In all cases the output was identical, so any of these and possibly many other FETs may be used, although some care will need to be taken to assure that the FET leads are connected correctly as the pinouts do vary between types.

If a single varicap diode is used, a problem occurs because its capacitance changes as the oscillator operates (since its bias then varies). To overcome this, the oscillator uses a back-to-back common cathode varicap pair in a single TO92 package, in which as one diode loses bias, the other receives extra bias and the capacitance across the anodes re-

mains approximately stable. This raises another problem in that both diodes must be held in reverse bias even though the anode voltage at the upper end connected to the winding will be varying at the 14-MHz frequency. This is overcome by making the minimum central bias voltage higher than the peak RF voltage at the top end of the coil. The bias voltage is derived from the portion of the output voltage of the 8-V regulator, IC1, that is selected by the potential divider consisting of the 10-turn potentiometer P1 and resistor R1. This voltage can never be less than 5.3 V and allows a 6-V peak RF voltage at the top of the tuned circuit. A 10-turn pot, although costly, was chosen because an indicating dial can be used with this type of pot and the dial reading can be directly related to the receiver frequency.

Capacitors C1, C2 and C3 provide stability for the tuning voltage and prevent the oscillator signal feeding back into voltage regulator IC1. During operation, no current flows out of the varicap except for leakage currents, so resistor R2 provides an RF block whilst passing the DC voltage needed to bias

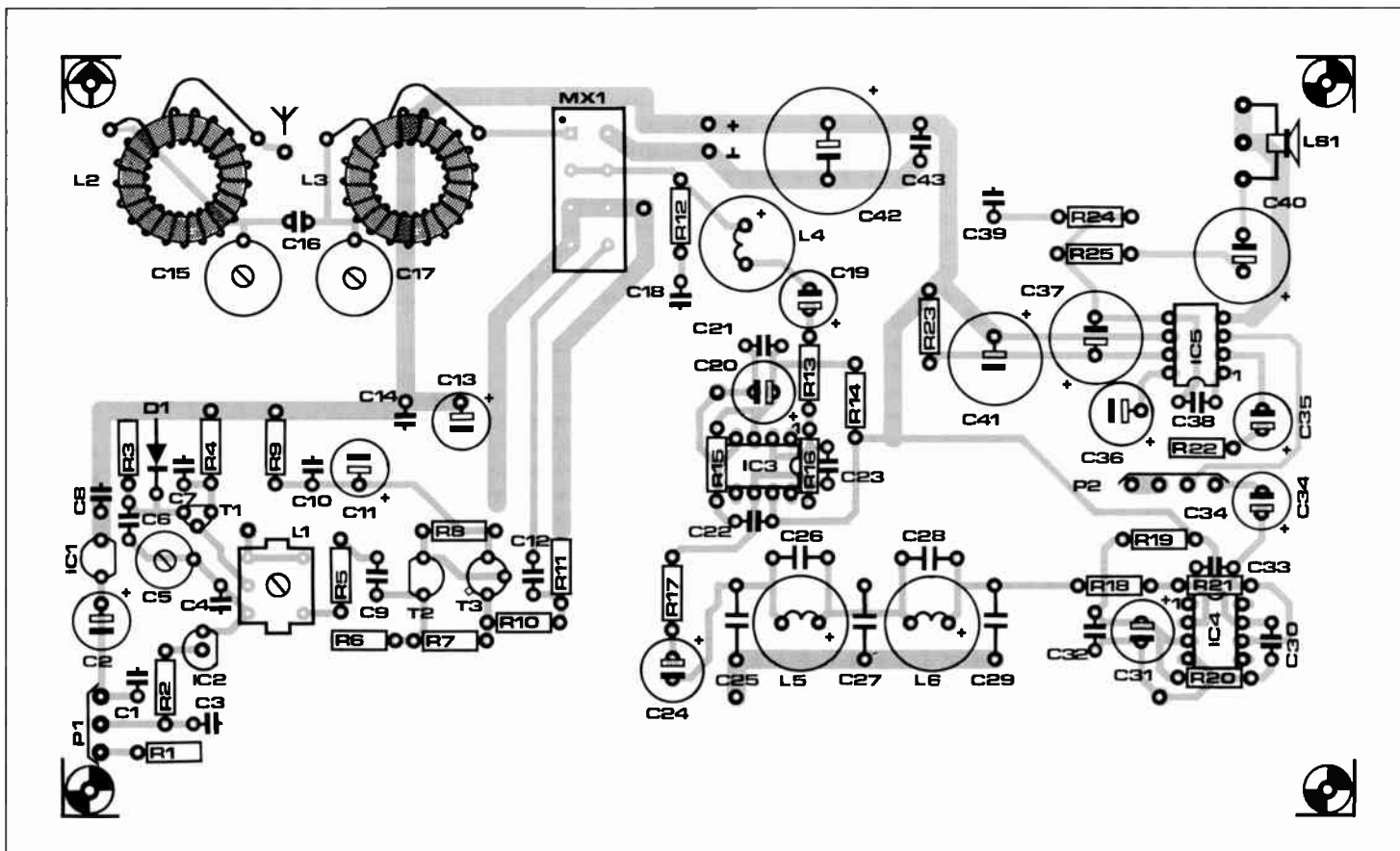


Fig. 2a. Component mounting plan of the PCB designed for the radio.

the varicap. R4 and C7 isolate the FET's drain from the power supply at 12 V, as feedback of RF may affect the other RF circuits.

The second stage, the circuit around T2 and T3, is a buffer amplifier to raise the signal available at the transformer tap to about 1.5 V_{pp} into a 50-Ω load to drive the balanced mixer correctly.

The RF circuit and mixer

The input circuit is extremely simple. Two identical tuned circuits with a top connecting capacitor act as a bandpass filter for the incoming signal. They have a Q of 10 with the 50-Ω impedance presented by the antenna and the mixer's input. The top loading capacitor, C16, couples the signal between them. The SBL-1 mixer has a single-ended 50-Ω input at pin 1, a 50-Ω local oscillator input at pin 8, and the output is available at pins 3 and 4. The output consists of the sum and difference frequencies as well as any signal that leaks through the mixer. Of these, the difference is the audio signal we select and amplify—all the others are RF signals.

AF filter and amplifiers

Initial RF rejection is provided by R12-C18 with L4, C19 and the 50-Ω input impedance of the first opamp stage. This presents a constant impedance of 50 Ω to the mixer. At AF, the signal passes to the 50-Ω amplifier input impedance through L4, whilst at RF R12 and C18 maintain the 50-Ω impedance.

The main audio filter consists of L5, L6 and C25 to C29. This is a low-pass filter with a high cut-off rate above 3 kHz to attenuate signals outside the normal SSB range. This does lead to the possibility of receiving more

COMPONENTS LIST

Resistors:

(all 250mW 5% carbon or metal film)

3	10kΩ	R1;R3;R7
2	220kΩ	R2;R21
1	220Ω	R4
2	1kΩ	R5;R17
1	1kΩ2	R6
2	2kΩ2	R8;R18
1	4Ω7	R9
3	100Ω	R10;R11;R22
2	51Ω	R12;R13
4	22kΩ	R14;R15;R19;R20
1	5kΩ1	R16
1	56Ω	R23
1	1Ω	R24
1	10Ω	R25
1	4kΩ7 lin. 10-turn	P1
1	10kΩ log.	P2

Capacitors:

(all 16V or greater voltage rating)

12	100nF ceramic	C1;C3;C7;C8;C9; C10;C14;C21;C22; C30;C32;C42
8	10μF radial	C2;C11;C13;C19; C20;C24;C31;C34

C4 space made for optional frequency use; not needed for 20-m receiver

1	22pF trimmer	C5
1	4pF7 ceramic	C6
2	220nF ceramic	C12;C39
2	60pF trimmer	C15;C17
1	3pF3 ceramic	C16
1	330nF ceramic	C18
1	3nF3 polyester	C23
2	120nF polyester	C25;C29
2	10nF polyester	C26;C28

1	180nF polyester	C27
1	100pF ceramic	C33
3	100μF radial	C35;C36;C37
1	470pF ceramic	C38
1	220μF radial	C40
1	470μF radial	C41

Semiconductors:

1	78L08	IC1
1	BB204	IC2
2	LF351 or TL071	IC3;IC4
1	TBA820M	IC5
1	MPF102	T1
1	BF199	T2
1	BFY50/51/52; 2N3053	T3
1	1N4148	D1

Inductors:

1	Toko KANK3334R	L1
2	T68-2 core (Micrometals).	L2;L3
1	Toko 283AS-821J	L4
2	Toko 181LY473	L5;L6

Miscellaneous:

1	SBL-1	Mx1
1	10-turn indicator.	
1	Knob for AF volume control.	
1	Diecast aluminium box 190×110×60mm.	
1	RF input socket BNC or SO239.	
1	Walkman type headphones	
1	Power input socket	

Short lengths of UR43 RF coax for balun connection, some audio coax for the headphones adapter, hookup wire, stand-offs, 26SWG (0.45-mm) enamelled copper wire.

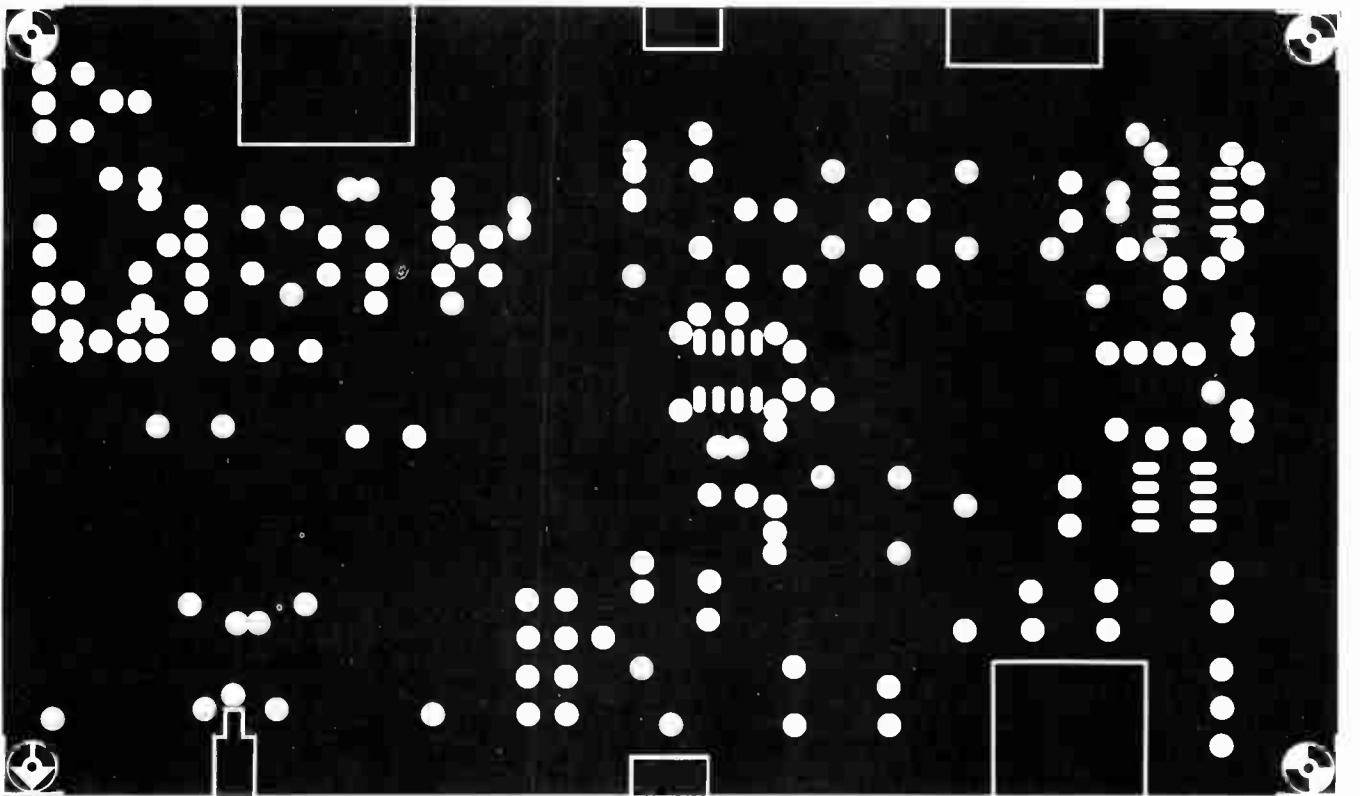
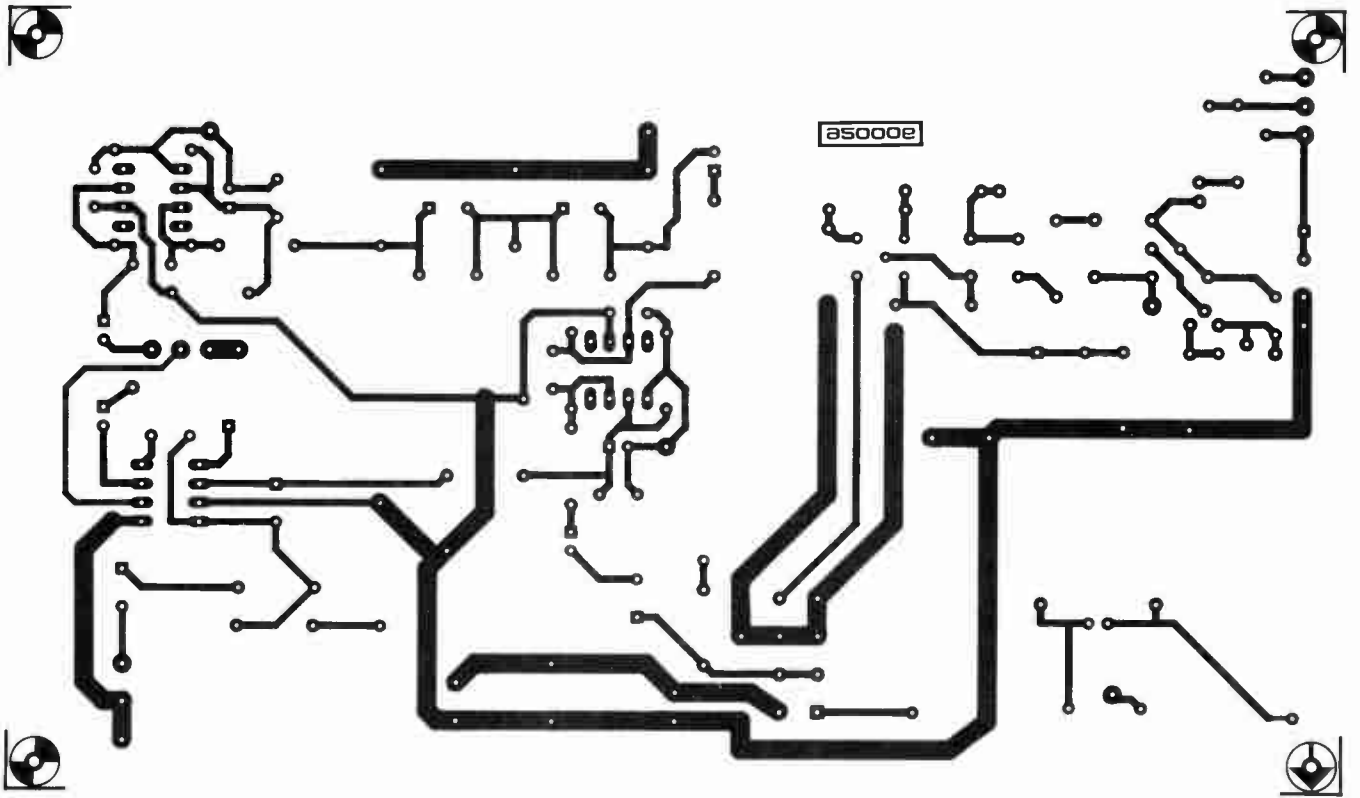


Fig. 2b. Track side and component side copper layout. The component side need not be etched as shown here; see the text for details.

than one CW signal if they are closely spaced, but it was felt that most users would be listening to SSB transmissions. If required, a narrow band select filter at AF could be added for CW listening.

The AF amplifier has three stages: two simple inverting opamps biased for use with a single power supply, and a dedicated low power amplifier. The first stage around IC3 has an input impedance of 50 Ω defined by R13, and a voltage gain of 100 (equivalent to 40 dB) set by feedback resistor R16. R16 is also shunted with a capacitor, C23, to cut down on the high frequency gain of the amplifier, the cut-off being set at about 10 kHz.

As the receiver has a single power supply of 12 V only, the non-inverting input to the opamp has to be held at about 6 V to put the opamp into its linear operating region. This voltage is provided by R14 and R15 with C20 and C21 to remove any a.c. from the opamp input. Capacitor C24 removes the d.c. off-set at the output of IC3, passes the AF signal to the main filter, and provides low frequency attenuation of the AF signal. The second opamp stage around IC4 provides another 40 dB of gain before the signal is passed to the volume control, P2, and on to the power amplifier, IC5.

The AF power amplifier has a gain of about 35 dB, so the whole receiver has a voltage gain of about 75 dB, which is lower than normal but allows for an RF buffer amplifier, and in fact seems adequate for the job anyway.

The output audio is to stereo headphones with the two earpieces connected in parallel. An adaptor was built to do this, and to allow

two sets of headphones to be used at once. C40 isolates the d.c. on the output of the power amplifier IC from the headphones.

To ensure stability, the two ICs in the AF amplifier have capacitors across their supply pins.

Construction

The whole circuit, except for the two potentiometers, is mounted on a single PCB, shown in Fig. 2. This board has its lower surface etched to form the track pattern and the upper surface either left unetched as a solid ground plane, or etched as shown.

In the first case, the lower surface of the board will be exposed, developed and etched as usual, but the upper surface will need to be kept covered to prevent any removal of the copper layer. In the final stage of board production, holes are drilled through all of the pads on the lower surface. A 1-mm drill seems to be the best size for this operation. There are eight through board connections where the upper ground plane must be left close to the holes. Where the component wires must pass through the PCB without shorting to ground, a 2-mm ring of the copper is removed from around the holes on the upper surface. The author uses a 1/8-inch (3-mm) drill mounted in a handle for this. In many cases, the components have one terminal bent and soldered to the upper surface of the board.

If the component side of the board is etched as shown, it is not necessary to clear the holes where component wires pass through to the track side. However,

Parts for Balun:

Potting box 23mm; cubical type.

Potting compound: 50g will do two baluns with a little over.

Coax connector BNC type.

Spade terminals.

Ferrite core Micrometals T72-26.

26SWG enamelled copper wire.

Parts Sources

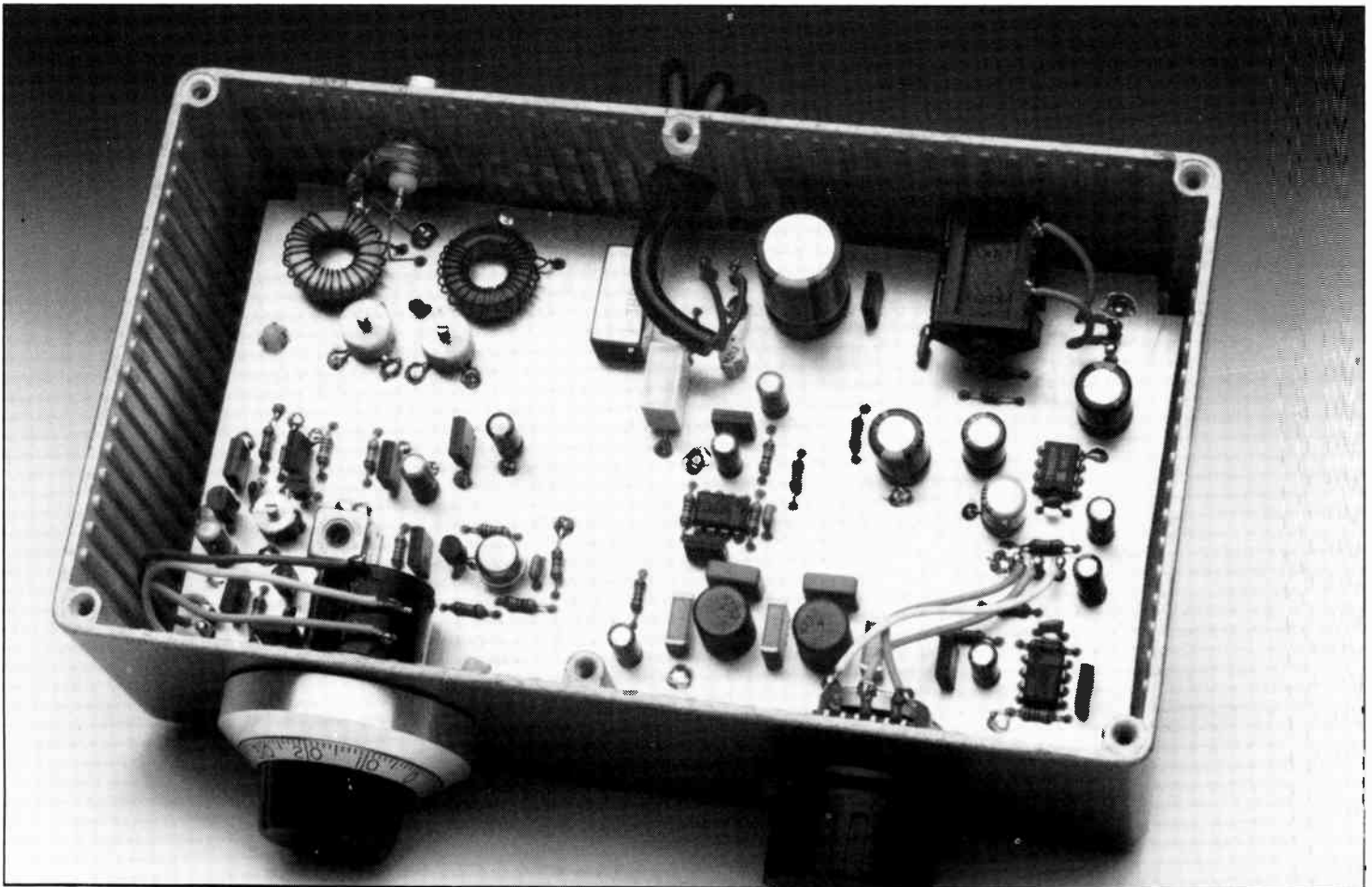
Circuit Distribution Ltd. at Broxbourne supply all of the Toko coils and the Micrometals cores as well as many of the other items. Maplin Electronics supply the potting boxes and

grounded component wires must also be bent and soldered flush on to the ground plane.

The can tabs of inductor L1 are also connected to the ground plane by bending them out to the side and soldering to the upper surface. The ground plane is a good conductor of heat as well as electricity, and a fairly large soldering iron bit needs to be used if joints to the ground plane are to be successful. If a large soldering iron is used to solder the small pads on the lower surface, great care must be taken to avoid damaging them, or damaging the components by overheating.

To fit into the recommended box, the corners of the PCB and a section at the centre will need to be removed to allow the PCB to pass the screw mountings. These should be cut out at an early stage of PCB construction.

Construction is best carried out in the fol-



lowing order. Firstly, locate the position for the inductor and the two ICs, as they are easy to find due to the distinctive pin layouts. Fold back the tabs on the inductor cans and tin them. Insert the inductor, solder the pins, and solder the tabs to the ground plane. Locate the position for the eight through-board connections, push track pins or short pieces of wire through to make the connections, and solder to both the upper ground plane and the lower track.

Care needs to be exercised when building the PCB as the components are tightly packed in some areas. Construction should cause no problems but the usual care should be taken especially over the connections to the ground plane, as there is no indication of the orientation for these components from the holes alone. It is easier to build outward from the centre, but make sure that the resistors and capacitors associated with an active component are in place before fitting the semiconductor itself.

In the prototype, the three ICs were soldered into the board instead of fitted into sockets, as board mounting is advantageous with inexpensive ICs like these.

The only components not on the board are the two potentiometers. The 10-turn pot, P1, carries d.c. signals only, and the RF pickup that may occur is shorted to ground on the board itself. The second pot, P2, carries AF signals at fairly high amplitude. Hence both pots are connected to the PCB by single strand hookup wire.

The antenna connection is made through two toroidal inductors that have to be wound by hand. Take a 2-ft (approx. 60-cm) long piece of 26SWG (0.45-mm dia.) enamelled copper wire, scratch away the insulation about 6 inches (15 cm) from one end, bend in the middle of the bared section and twist together for about 1 inch (2.5 cm). This will form the tap connection. Place the wire against one of the toroidal cores and wind the short end of the wire through the core for 5 turns. This tail forms the ground connection. Next, wind the longer wire in the opposite direction for 20 turns. This is the connection to the two tuning capacitors and the link capacitor. Repeat with a second core and piece of wire. You will now have two 25-turn coils with taps at 5 turns suitable for use with a 50- Ω antenna and the 50- Ω input to the mixer. Should you find that you would like to use a 75- Ω antenna impedance (see the section on antennas later) then the antenna toroidal winding needs to have the tap at 6 turns instead of 5. Solder the input coils onto the board. Then solder in wires for the off board connections.

The choice of audio socket will depend on the plug fitted to the headphones. Rather than replace this plug, a mating socket of the correct size can be used, or an adapter made, but the two terminals that carry the different signals in stereo operation need to be connected together at the socket. The authors radio has a standard jack socket in the box and an adapter to two paralleled 3.5-mm stereo headphone sockets so that two can listen in comfort. The 12-V power input may be

either by way of wires and a grommet or by one of the power plugs, depending on the constructor's preference.

Two types of dial for the 10-turn pot are suitable: round dial types have large control knobs which ease the tuning but are more complicated to read.

The board is a close fit into the box to allow the ground plane to sandwich the tracks between it and the box. This serves to keep down spurious radiation. Locate suitable positions for the pots and input sockets for the antenna, the 12-V power supply, and the headphone socket, preferably very close to the connection points on the PCB. Use PCB stand-offs to hold the board away from the box. Drill holes for these in the board, but try to ensure that they do not interfere with the pots or connections. The radio is used with the box inverted, so that there were no ugly holes in the top of the box. The stand-offs were stuck into the box rather than screwed down. Drill the holes in the box for the pots and connectors and fit any lugs that are necessary to locate the 10 turn pot indicator. Next, fit the pots and connectors and carry out the final wiring.

The pots are connected so that a clockwise rotation of the knob increases frequency or audio output. The clockwise end of P1 connects to the pad going to C1 and C2. The clockwise end of P2 is connected to the pad to C34, otherwise the controls will not work in the expected manner, and the rig will be difficult to use.

Aligning the rig

The ease of setting up the rig depends on the amount of equipment available. The receiver is designed to work from a 12-V power pack normally intended for powering CB equipment with an actual output voltage of around 13.6 V. Although the aluminium box used to house the receiver is a good electrical screen, it does not give any magnetic shielding. Unfortunately, the magnetic field of the mains transformer in the power supply can couple to the inductors L4, L5 and L6, giving a very distorted audio output. The separation only needs to be about a foot (30 cm) or so to stop the pickup.

All three of the variable capacitors C5, C15 and C17 are initially set to a central position, and the tuning control, P1, is set so that the voltage at the end of R2 is 8 V. This should be at the fully clockwise position if the pot has been installed correctly, and equates to an oscillator frequency of 14.4 MHz.

If an oscilloscope is available, connect this to the emitter of T3. Next, adjust the core of L1 until the peak to peak voltage at the emitter is 3 V or greater. Ignore frequency at this stage. Alternatively, a digital voltmeter with an RF probe accessory can be used, and the reading set to 3 V as before.

A digital frequency meter is helpful in setting the frequency range of the oscillator and thus calibrating the receiver, but this can be carried out using another receiver or by using a calibration signal from a crystal oscillator. Check that the oscillator can be set to

cover the range 14.0 MHz to 14.4 MHz which covers the 20-m amateur band, and calibrate the read-out with the dial on the ten turn pot.

If no scope or DVM is available, the core of L1 can be set to the correct frequency with C5 left in the central position. The oscillator output will be sufficiently close for most users.

Once the oscillator is set, the rest of tuning amounts to adjusting the other variable capacitors for the maximum audio output from a weak input to the antenna socket. This may be an off air signal or from a signal generator or grid dip oscillator.

True alignment and calibration needs a digital frequency meter, a crystal calibrator or the loan of a communications receiver. If you are a member of a radio club, this equipment will probably be available, and members may be willing to help for the few minutes that calibration takes.

Setting up the antenna

Anyone new to radio listening will need to set up an outdoor antenna of some type if any reasonable reception is to be achieved. Fortunately, this does not need to be elaborate, although a dipole antenna works much better than a long wire. The author's favourite is made from 300- Ω ribbon cable. Take a piece of ribbon cable 28 ft long (approx. 8.4 m) and join the two conductors at both ends. Fold the antenna to find the centre, and cut one of the conductors at the centre. Take another length of 300- Ω ribbon cable to form the feeder, this can be of any length; because it is thin and flexible it can be brought into the house through a window. Suspend the antenna in the open air and lead the feeder into the house. Cut this ribbon cable off a short distance inside the house.

The radio is designed for a 50- Ω or 75- Ω single-ended (unbalanced) input, but up to now our antenna is of a balanced type. To convert the 300- Ω balanced to 75- Ω single ended we need to make a balun. In practice, the balun is wound on a ferrite core. Take two pieces of 26SWG (0.45-mm dia.) enamelled copper wire about 2 ft (60 cm) long, twist them lightly together, and wind as a pair for 15 times through the core. Cut the ends off to about 3 to 4 inches (7.5 to 10 cm) and scrape away the insulation on all of the wires. Use an ohmmeter to find the start of one wire and the end of the other, and twist them together to give the central tap. Wire the ribbon cable antenna feeder across the full winding, and a 75- Ω coax with the core to one of the ribbon wires and the screen to the central tap. The other end of the coax connects to the radio through a plug and socket on the aluminium case. In this form, the balun is rather rough and ready although fully operational. If you want the thing to look nicer, the balun can be potted in a small box made for that purpose and having a coax connector at one end and two spade terminals for the ribbon cable connections. ■

DESIGN IDEAS

The contents of this column are based solely on information supplied by the author and do not imply practical experience by *Elektor Electronics*

Exploring negative resistance: the lambda diode

by Samuel Dick

RESISTANCE is omnipresent in electronics. A few materials (super conductors) lose their resistance at fairly low temperatures, and all materials lose it completely at absolute zero. However, at normal temperatures, most (conducting) materials obey Ohm's law, but some show characteristics of negative resistance. Are these breaking Ohm's law? And what good is negative resistance?

Dynamics

Ohm's law must be one of the simplest (and most remembered?) equations of elementary electricity. To determine the resistance of a component, apply a voltage across it and measure how much current flows through it. The resistance equals the voltage divided by the current:

$$R=U/I,$$

where R is in ohms, U in volts and I in amperes.

For many objects, their resistance may be thought of as constant. If a resistance is plotted over a wide range of voltages as in Fig. 1, it will be seen to be pretty linear: the resistance is the reciprocal of the gradient. But this situation is true only under certain conditions. If the temperature at which the measurements are made is varied, (slightly) different values of resistance will be obtained. For instance, the value of most carbon film resistors changes by $0.03\% \text{ } ^\circ\text{C}^{-1}$. However, for most purposes, the humble carbon resistor is regarded as being 'linear': the current through it is directly proportional to the voltage applied across it.

Not all devices are so well behaved and we need not look at exotic devices to find an example. The wire-filament light bulb is non-linear! As the voltage applied across it is increased, the filament heats up and its resistance increases. The bulb will pass a lower current at higher voltages see Fig. 2. A similar effect is seen with a diode: it passes little current as long as the applied voltage is below 700 mV (at least, in case of a silicon diode).

A device may, therefore, have different values of resistance, depending on the level of voltage applied across it. The application of Ohm's law is always correct, because its answer is the resistance at the instant the mea-

surement was made, that is, with constant circuit parameters. When the resistance of the light bulb or diode was measured, the voltage was kept constant when the current was measured. Because the resistance was measured in this way, it is referred to as static resistance.

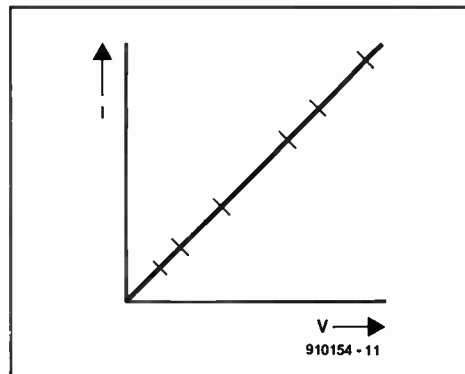


Fig. 1. V-I curve of simple resistor.

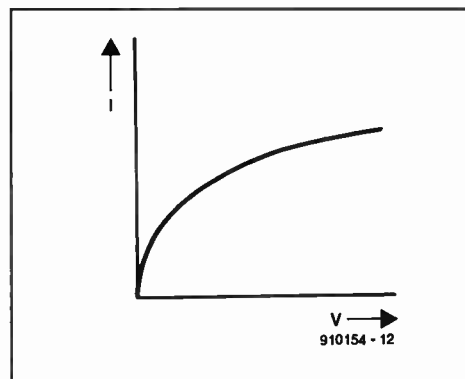


Fig. 2. V-I curve of electric light bulb.

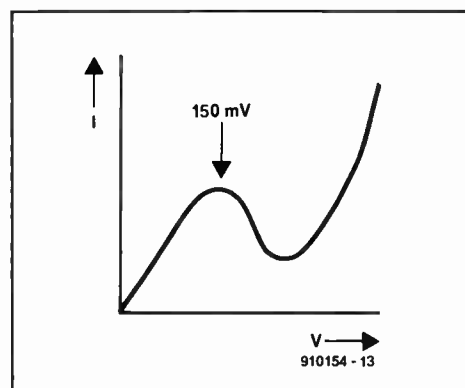


Fig. 3. V-I curve of tunnel diode.

A more interesting notion is that of dynamic resistance. If Figures 1 and 2 were plotted with the current rather than the voltage along the x -axis, the resistance at any point would be merely the gradient of the curve. This is referred to as the dynamic resistance because it is measured as a resultant of changing circuit parameters.

While the static resistance is the voltage divided by the current, the dynamic resistance is defined as a change in voltage divided by the (resultant) change in current. In this definition, it should also be noted at what voltage the dynamic resistance was measured. In the case of a resistor, the dynamic resistance is constant and equal to the static resistance. But for the light bulb or the diode, the gradient, that is, the dynamic resistance, of their curves is a function of the applied voltage.

If the gradient of most devices is plotted, it will be found to be invariably positive. But for a few devices, part of the curve has a negative gradient, and thus a negative dynamic resistance. For instance, Fig. 3 shows the behaviour of a tunnel diode: at a voltage of 150 mV, the current stops increasing and decreases instead. The tunnel diode, in this region, has negative resistance. Of course, if you applied a voltage of, say, 200 mV (in the negative slope region) and measured the current, it would have a sensible, positive value. It is not the static resistance that is negative, but the change in current is in the opposite sense (it decreases) compared with normal positive resistance devices when the voltage is increased.

But how is negative resistance used? Tunnel diodes are used in oscillators, monostable and

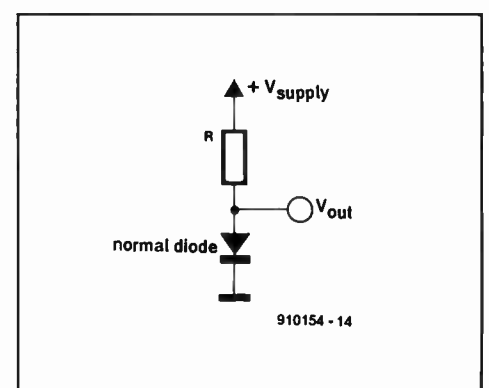


Fig. 4. Series resistor-diode network.

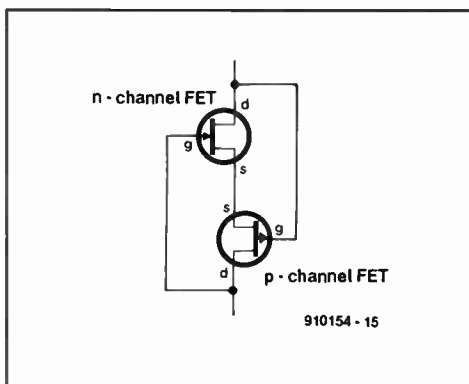


Fig. 5. The lambda diode.

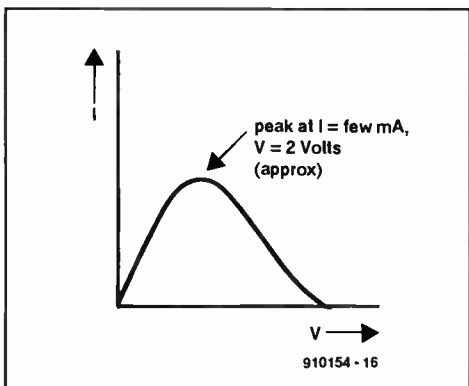


Fig. 6. V-I curve of the lambda diode.

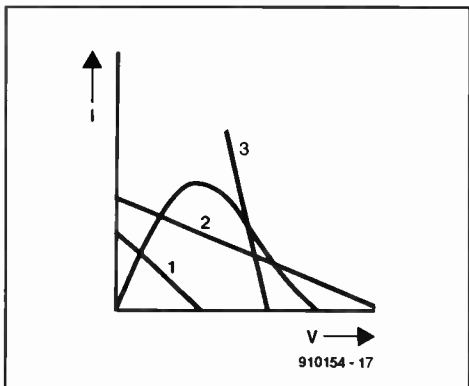


Fig. 7. Three possible load lines for the lambda diode: (1) monostable; (2) bistable; (3) oscillator.

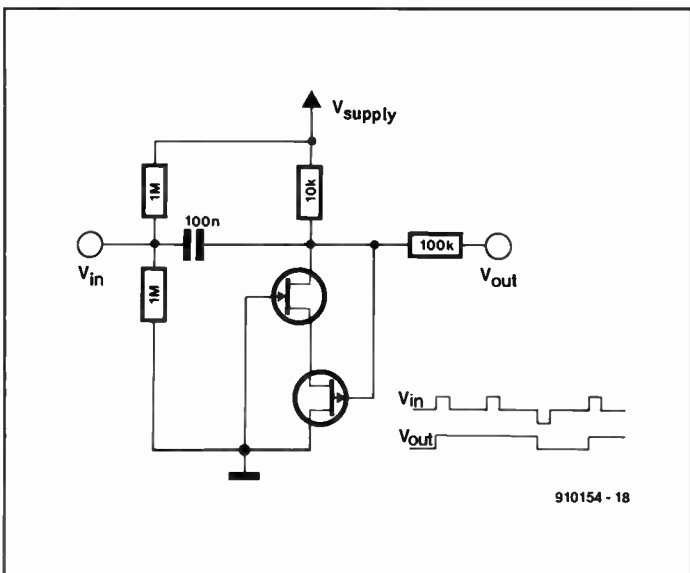


Fig. 8. Bistable circuit.

bistable circuits. Which type of behaviour is exhibited depends on how the device is biased. Biasing is merely the term for setting up the circuit around a component so that it operates correctly, but note that negative dynamic resistance devices have several correct operating modes.

Load lines

To determine how to bias a device, a simple graphical approach may be used. Take the example of a resistor and diode in Fig. 4. How can we calculate at what voltage the anode of the diode will run? If we plot the current-voltage behaviour of the diode, a curve like that in Fig. 6 would be obtained. If the diode were not in the circuit, the maximum voltage that could be present at the diode end of the resistor would be the supply voltage, V_s . If the diode were short-circuited, the maximum current that would flow would be V_s/R . These two values may be taken as the two ends of a line on the same graph. That line represents all the possible solutions to our problem. Since the diode must operate on its characteristic curve, too, the point at which the two curves intersect tells us (a) at what voltage and (b) at what current the anode of the diode will be. These lines are known as load lines.

So, by drawing the load lines, we may determine what are the operating points of any circuit. This is very simple in the case of the diode. Regardless of where we draw the load line of the resistor, it will intersect the characteristic curve of the diode in only one place. Note, however, that in the case of a tunnel diode or other device demonstrating negative resistance, there are several possible characteristics.

The lambda diode

While tunnel diodes are relatively rare, n-channel and p-channel FETs are common. By combining an n-channel and a p-channel FETs as shown in Fig. 5, a negative resistance device is formed. It is called the lambda diode, because its characteristic curve—see Fig. 6—looks like the Greek upper case lambda, Λ .

Figure 7 shows three possible biasing schemes for the lambda diode. In the first, the device has only one intersection or operating point. Despite any perturbations, the simple resistor and lambda diode combination will settle down to operate around this point: its point of stability.

In the second case, there are two points of stability: that is, the combination will work as a bistable. If it is at the lower-voltage point, momentarily increasing the voltage (for

instance, by a pulse fed via a capacitor—see Fig. 8) will cause the circuit to stabilize at a higher voltage point. By applying a pulse in the opposite sense, the circuit will switch back to the first operating point: it is a bistable.

In the third case, there is only one operating point again but it is situated on the negative slope region of the characteristic curve. Here, given the right circumstances, the circuit may be made to oscillate. If a pulse is applied to the resonant LC circuit, the circuit will ring at a frequency given by

$$f = 1/2\pi\sqrt{LC},$$

where f is in Hz, L in H and C in F.

In an ordinary circuit, the resistance in the circuit causes the energy of the oscillations to be lost and the circuit ceases to oscillate. But if the resistance is countered by a negative resistance, the circuit will resonate indefinitely.

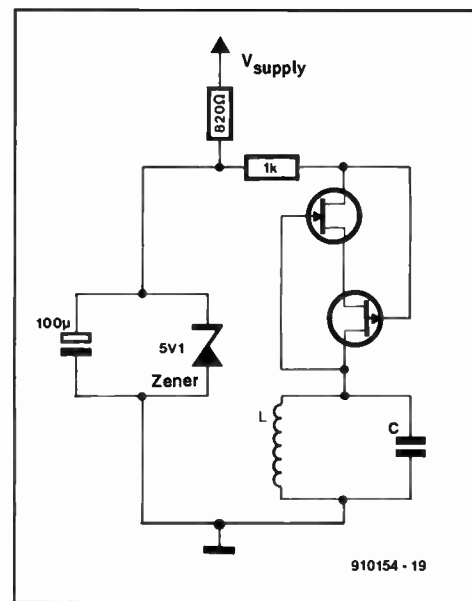


Fig. 9. Simple LC oscillator.

Figure 9 shows a suitable circuit for experimentation: $V_{s(upply)}$ is in all cases 12 V. The circuit tends to be very stable: typically, the drift is ≤ 100 p.p.m. per hour. The amplitude of the oscillations is about ± 2 V. The output of the oscillator in any practical applications must be buffered, otherwise the load caused by the following circuitry represents additional resistance. As the power of the circuit is limited by the peak current that the lambda can draw (typically a few mA), a buffer stage is invariably required.

When the tuning capacitor is shunted by a varactor diode, the circuit may be tuned electronically. Note that the circuit is simplified by having only one tuning capacitor and a single, tap-less inductor, unlike the classical Hartley and Colpitts oscillators.

PROTOTYPING BOARD FOR IBM PCs

The insertion card described here enables you to build, quickly and easily, extension circuits intended to stay inside an IBM PC or compatible.

by A. Rigby

A prototyping card is an essential item if you want to equip your PC with a new feature, say, a sound generator, a voice synthesizer, or a relay driver card, which is as yet in the development phase. Although prototyping cards for the PC are available ready-made from PC hardware suppliers, they are pretty expensive. As regards the choice of the interface to which the prototyping board is connected, the extension bus of the PC is the only viable alternative. Adequate as they are for their specific applications, the other interfaces, the parallel printer ports and the serial ports, are not really suitable for prototyping purposes, if at all they are 'free'. The prototyping card described here is, therefore, designed as an insertion card for the internal bus of the PC.

The circuit

The circuit diagram of the prototyping board, Fig. 1, is really not more than a couple of buffer devices that serve to protect both the PC hardware and the circuit under development. Address decoding is not im-

plemented here—this function has been provided by the circuit you wish to develop. In most cases, the address area reserved for prototyping boards will be used. According to the address assignment drawn up by IBM (see Table 2), prototyping cards must be located between 300_H and 31F_H in PC XTs and ATs.

Returning to the circuit diagram, the contact fingers on the board that connect to the PC bus extension slot are shown at the left as rows A and B. The card is equally suitable for 8-bit and 16-bit slots.

At the top of the diagram we find the databus buffer, IC₄, whose direction (DIR) input is controlled by the buffered IORD signal supplied via buffer IC₃. The logic level of the IORD line indicates whether the PC performs a read or a write operation. The enable (\overline{G}) input of the databus buffer is pulled to +5 V by resistor R₁, and may be driven by the prototype circuit.

The address bus of the PC is buffered by IC₁ and IC₂, and four buffers contained in IC₃. These three ICs are Type 74HCT541 octal non-inverting buffers with three-state

outputs. Their outputs may be used to drive an address decoder in the prototype circuit. All three ICs have their enable inputs, $\overline{G1}$ and $\overline{G2}$, tied to ground, so that they are permanently enabled.

Bus signals

The pin functions of the 8-bit extension slot connector in IBM PCs and compatibles are given in Table 1. A number of the signals available on this connector are of special interest, and described below.

OSC (pin B30) carries the clock signal of the I/O bus. The standard frequencies are 4.77 MHz in XTs, and 14.318 MHz in ATs. The mark/space ratio of this clock signal is 1:1.

CLK (pin B20) carries the system clock signal, which in the standard IBM PC is one third of the oscillator frequency, i.e., 1.59 MHz (4.77 MHz/3). The mark/space ratio of this signal is 1:2. It should be noted that the OSC and CLK frequencies used in today's PCs are much higher than those in the original IBM PC XT.

RESET (pin B02) serves to initialize the system when the power is switched on, or after a 'hang up' or hardware reset.

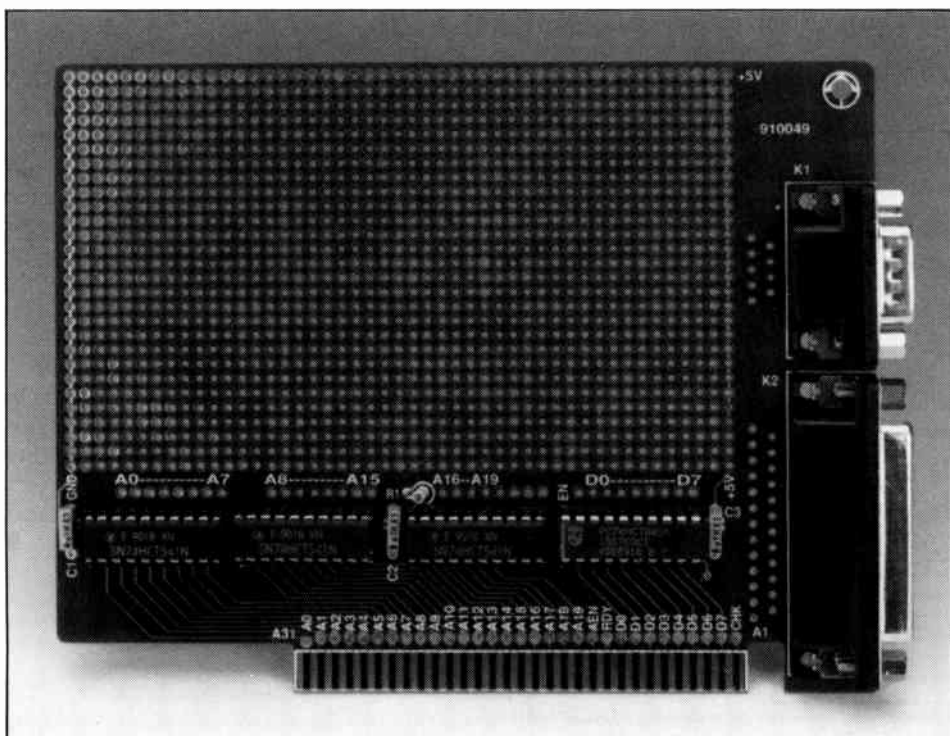
IOWR (pin B13) is supplied by the bus controller, usually a Type 8288, and serves to indicate memory write operations.

IORD (pin B14) is also supplied by the bus controller, and serves to indicate memory read operations.

MEMRD (pin B12) indicates read operations by the processor or the DMA controller.

MEMWR (pin B11) indicates that the data on the databus can be written to the location addressed by address lines A0 to A19.

The first thing to design into any circuit to be built on the prototyping card is a decoder that ensures proper addressing in the range reserved for the application. Figure 2 shows



a simple address decoder based on a word comparator IC, the 74HCT688. All that is required to actually use this circuit is to set the switches in the DIL switch block to the required address, and connect the SELECT output to the EN input of the databus buffer in the PC interface, IC4. The address comparator uses 'full' I/O access decoding by making use of a logic combination (in an AND and an OR gate) of the AEN (address enable), IORD and IOWR signals, the latter two being supplied via buffers in IC3. The SELECT input goes low when the address preset on the switch block matches that supplied by the PC.

Finally, note that the memory area reserved for prototype card is relatively

Signal name	Pin designation		Signal name
	track side	component side	
GND	B01	A01	I/O CHCK
RESET	B02	A02	D7
+5V	B03	A03	D6
IRQ2	B04	A04	D5
-5V	B05	A05	D4
DREQ2	B06	A06	D3
+12V	B07	A07	D2
reserved	B08	A08	D1
+12V	B09	A09	D0
GND	B10	A10	I/O CHRDY
MEMW	B11	A11	AEN
MEMR	B12	A12	A19
IOWC	B13	A13	A18
IORC	B14	A14	A17
DACK3	B15	A15	A16
DREQ3	B16	A16	A15
DACK1	B17	A17	A14
DREQ1	B18	A18	A13
DACK0	B19	A19	A12
CLK	B20	A20	A11
IRQ7	B21	A21	A10
IRQ6	B22	A22	A9
IRQ5	B23	A23	A8
IRQ4	B24	A24	A7
IRQ3	B25	A25	A6
DACK2	B26	A26	A5
TC	B27	A27	A6
ALE	B28	A28	A3
+5V	B29	A29	A2
OSC	B30	A30	A1
GND	B31	A31	A0

Table 1. Pinning of 8-bit bus extension slot.

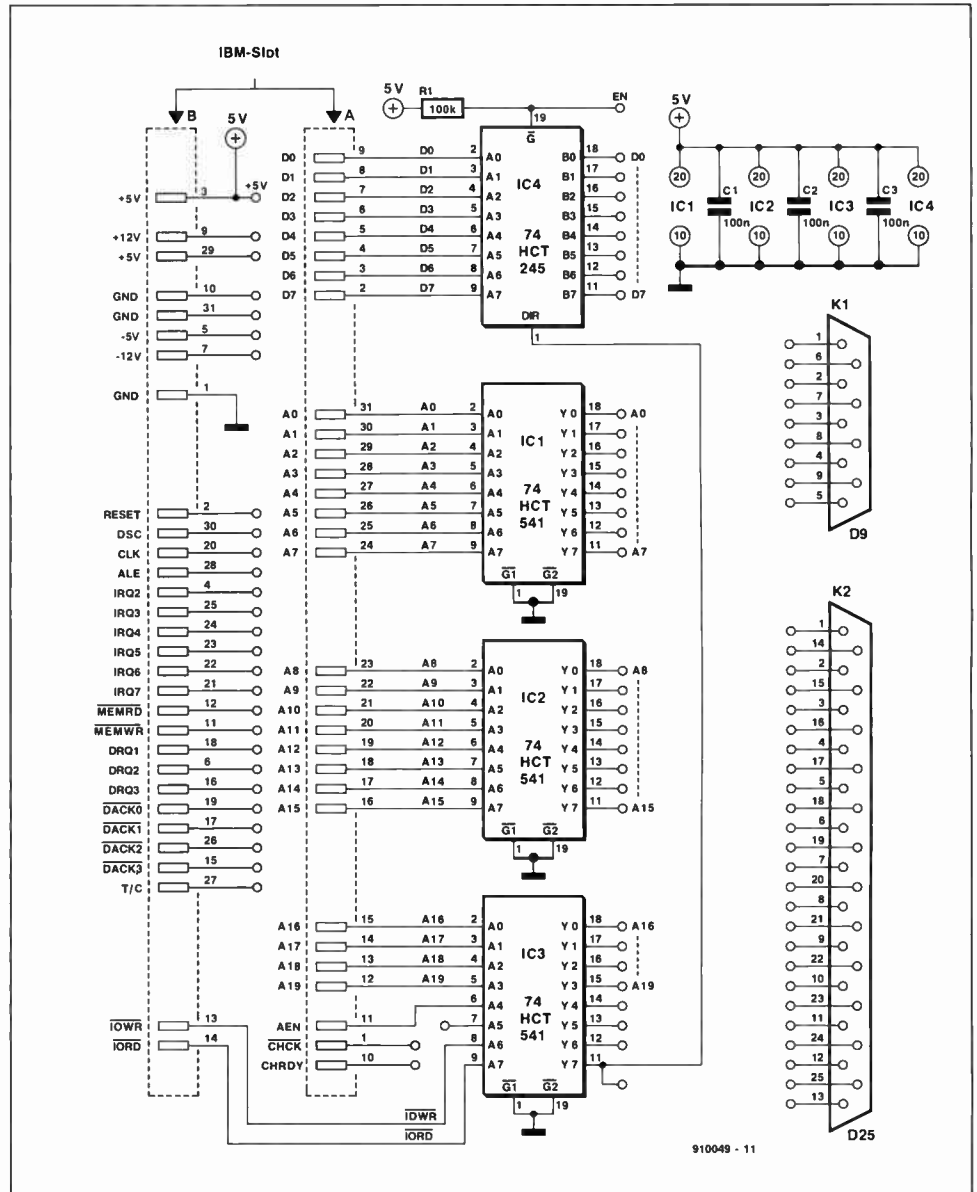


Fig. 1. Circuit diagram of the prototyping card. The ICs serve to prevent overloading of the PC's data lines, address lines, and a number of control lines.

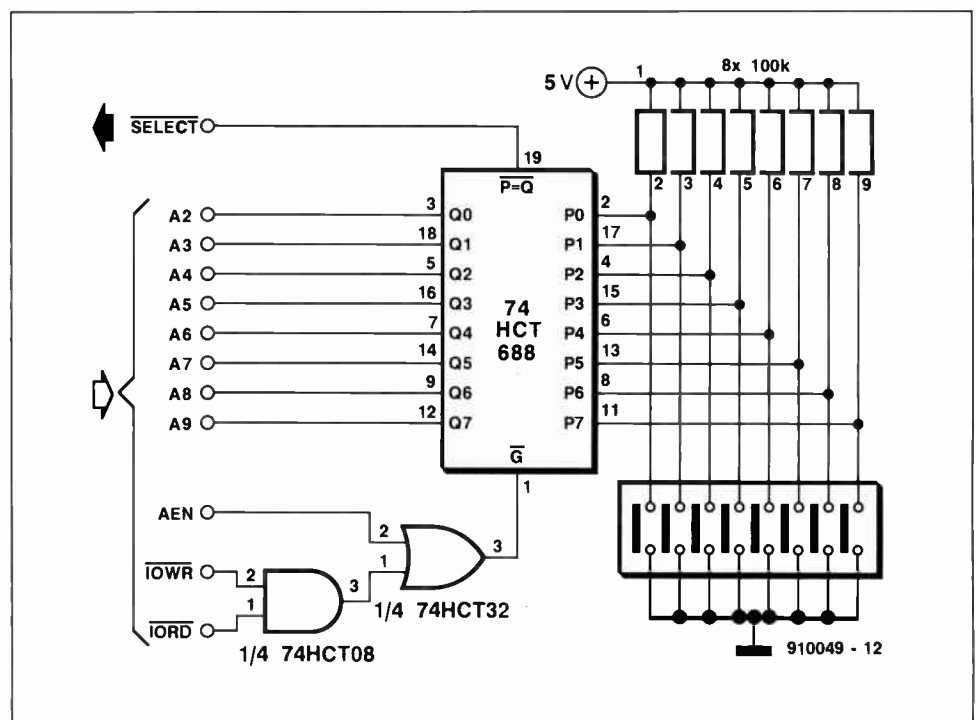


Fig. 2. A 'classic' address decoder based on an 8-bit magnitude comparator IC. The base address assigned to the prototyping card is set as an 8-bit word on the switch block.

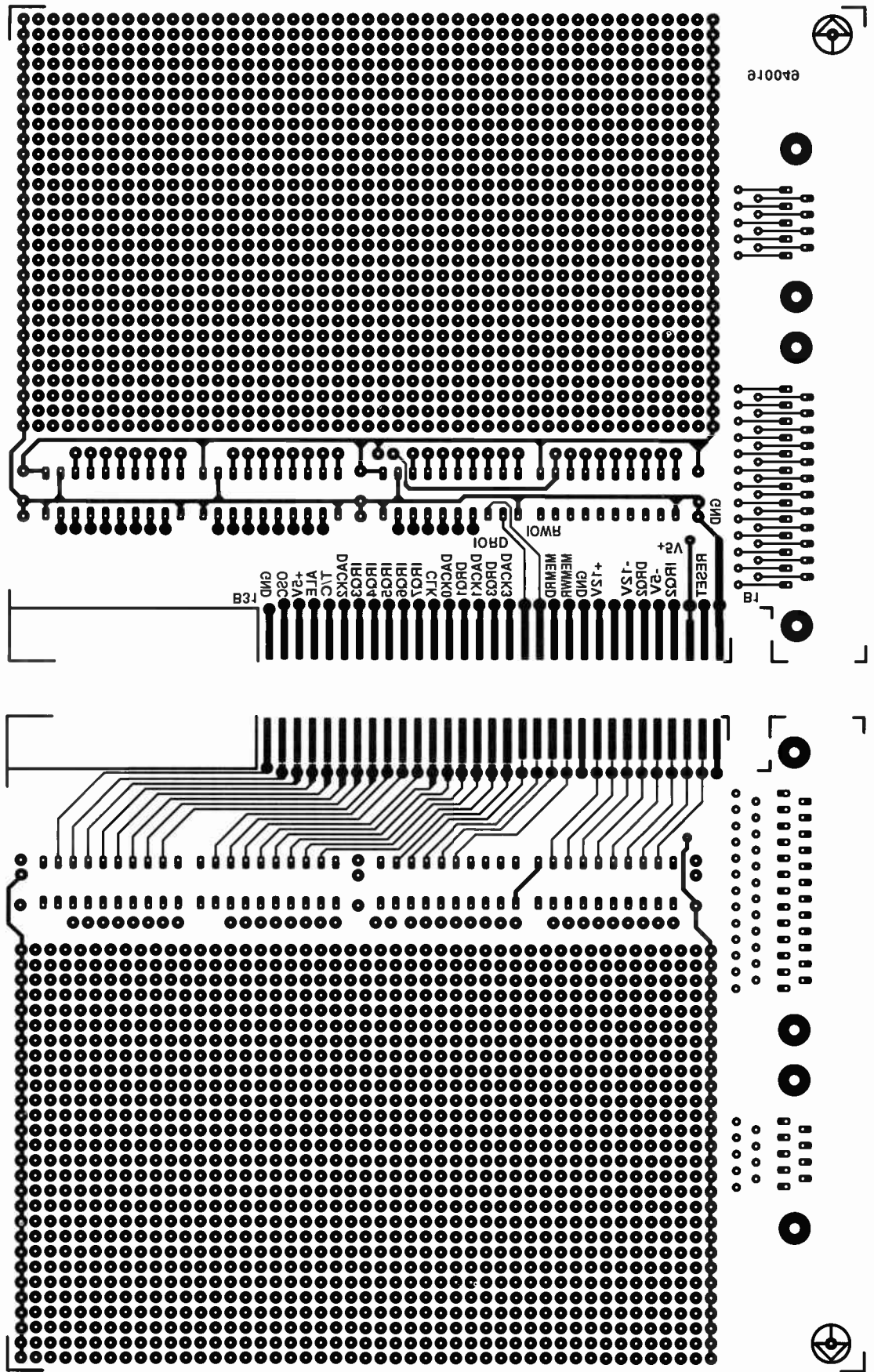
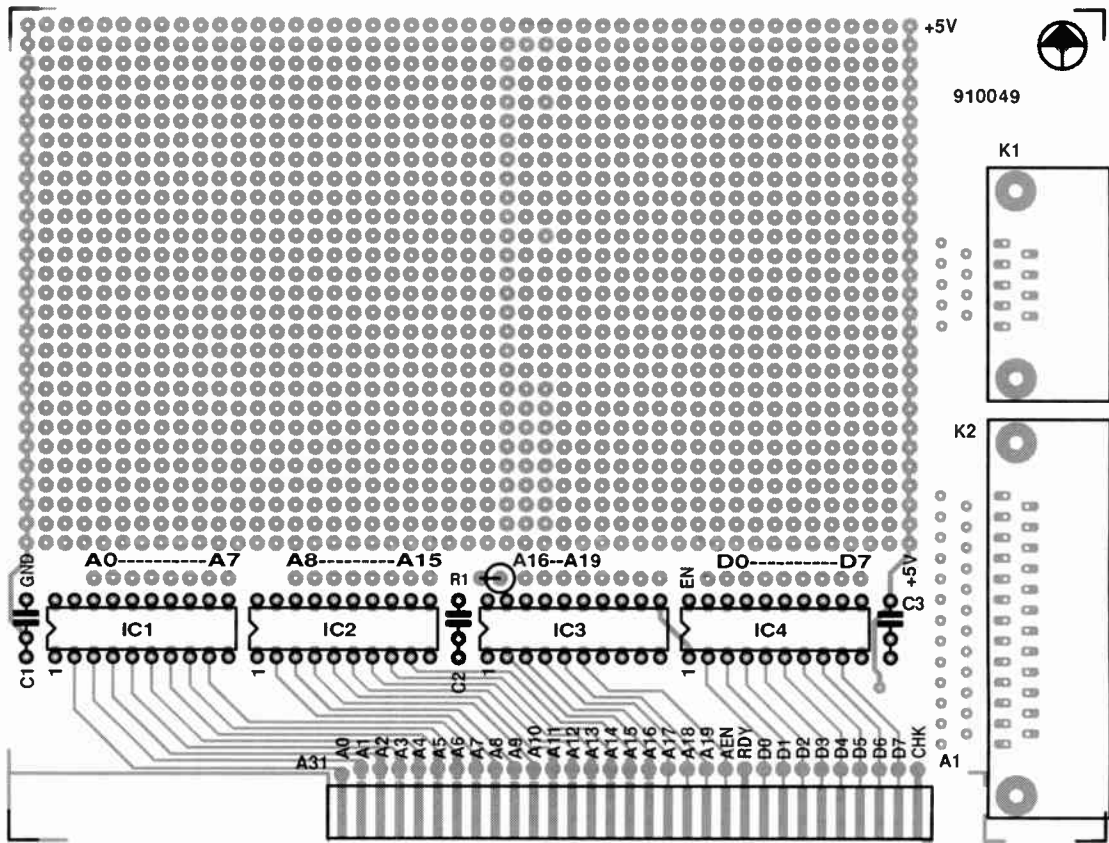


Fig. 3. Track layouts (mirror images) of the double-sided PCB.



I/O Address	Function
000H-00FH	DMA-Controller (8237A-5)
020H-021H	Interrupt-Controller (8259-5)
040H-043H	Timer/Counter (8253-5)
060H-063H	System Register (8255A-5)
080H-083H	DMA-Side Register (74LS670)
0A0H-0BFH	NMI-Interrupt Register
0C0H-0FFH	Reserved
100H-1FFH	Front Panel Controller
200H-20FH	For Computer Games (Game Port)
210H-217H	Additional Unit
220H-24FH	Reserved
278H-27FH	Second Printer
2F8H-2FFH	Second Serial Interface
300H-31FH	Prototype Card
320H-32FH	Hard Disk-Controller
378H-37FH	Printer Interface (parallel)
380H-38FH	SDLC-Interface
3A0H-3AFH	Reserved
3B0H-3BFH	Monochrome Adaptor and printer
3C0H-3CFH	Reserved
3D0H-3DFH	Colour Graphics Card
3E0H-3E7H	Reserved
3F0H-3F7H	Floppy Controller
3F8H-3FFH	Serial Interface

Table 2. I/O address assignment in IBM PCs (source: IBM).

COMPONENTS LIST	
Resistors:	
1 100kΩ	R1
Capacitors:	
3 100nF	C1;C2;C3
Semiconductors:	
3 74HCT541	IC1;IC2;IC3
1 74HCT245	IC4
Miscellaneous:	
1 PCB-mount 25-way male sub-D connector	K1
1 PCB-mount 9-way male sub-D connector	K2
1 Printed circuit board	910049

small, and located between 300H and 31FH, which provides only 16 addresses.

The printed circuit board

This consists of three sections:

- a section containing the address and data bus buffers;
- a section for prototyping;
- a section containing the output connectors.

The buffers are located close to the contact fingers on the board that plug into the PC extension slot. Provision is made for a number of tracks that carry the address lines A0 to A16 to be 'broken'. This option is provided because it will seldom be necessary to use all address lines. Where some of these are not

required, the buffers associated with them are thus made available for other uses.

The prototyping area contains no fewer than 1316 solder pads arranged in 28 'columns' of 47 pads each. The pads in the left-hand column are interconnected and form a ground line. They are connected to pin B01, the system ground, on the extension slot. The right-hand column similarly forms the +5 V rail for prototype circuits, and is connected to extension slot pin B03.

The prototyping card provides two output plugs: a 25-pin and a 9-pin sub-D type, K2 and K1 respectively. These PCB-style plugs allow the circuit built in the prototyping area to be connected to the outside world. Each plug has a staggered row of solder pads to facilitate the soldering of wires.

Construction

The prototyping board is simple to build, and the PCB (Fig. 3) is available ready-made through the Readers Services. As regards construction, all you have to do is consult the parts list and fit the components by reference number on to the card. Whether or not the sub-D plugs are mounted will depend on your application.

Now it is your turn to develop circuits that can be built in the prototyping area of the card. Suggestions abound: a speech synthesizer, a sound generator, a signal processor, etc.

Finally, when in doubt about the pinning of whatever connector, slot, cable or plug in your PC, consult the 'PC Connectors' wall chart supplied with the September 1991 issue of *Elektronika*.

UNIVERSAL RC5-CODE INFRA-RED RECEIVER

This compact receiver is compatible with all infra-red remote controls that transmit RC5 codes. The RC5 set comprises 2,048 possible codes, all of which can be decoded and output by the present receiver. At the transmitter side, it is best to use a ready-made RC5 compatible infra-red remote control, an item that is available in many different versions as a spare part.

by A. Rigby

REMOTE control these days seems commonplace for domestic audio/video equipment, and not a few electronics enthusiasts rightly wonder why it seems so difficult to implement on home-made projects.

The RC5 code is one of many systems developed by manufacturers of consumer electronics to standardize the control of their audio/video equipment. Most equipment produced with infra-red remote control uses a subset of RC5 codes. The universal charac-

ter of the RC5 code set makes it particularly suited to home-made equipment.

Since the transmitter must be small, easy to operate, and its constituent parts cost about as much as the manufactured unit, it is best to buy one ready made.

The circuit

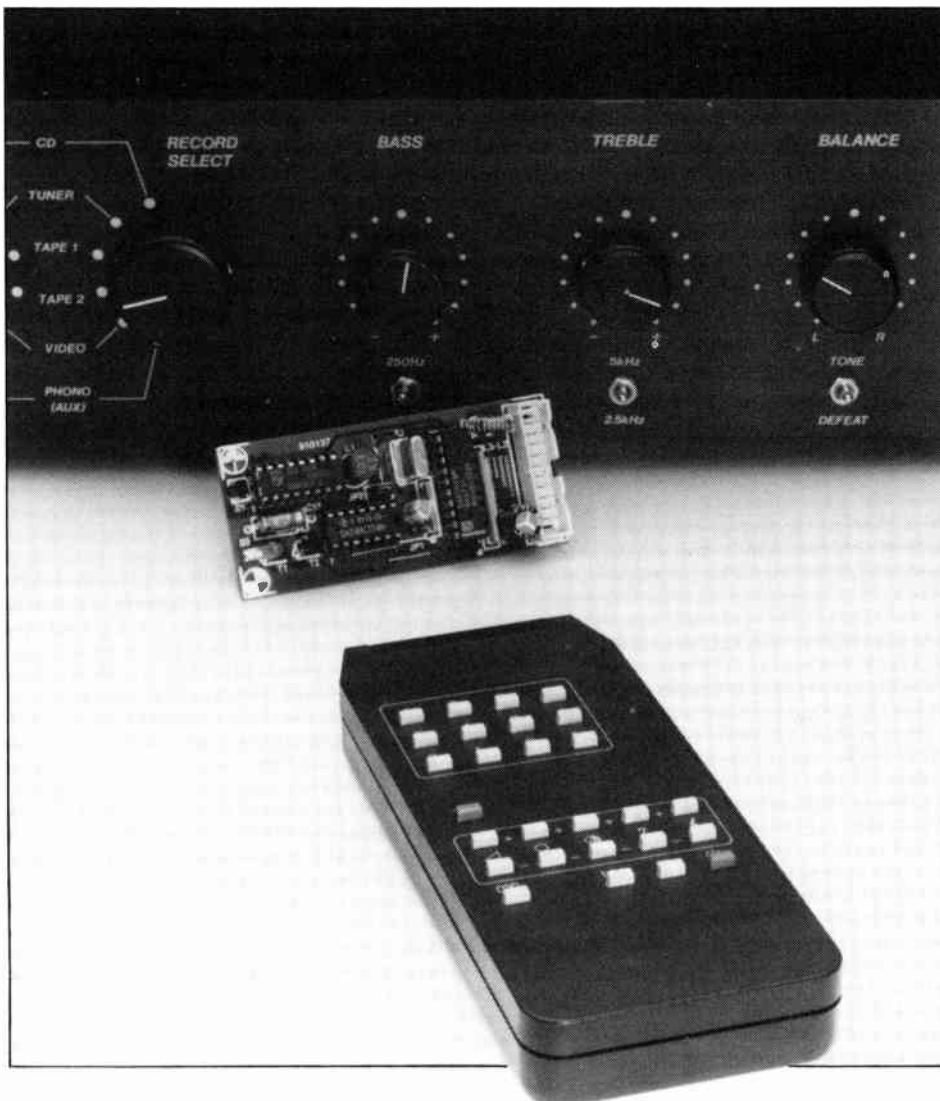
The RC5 receiver is a relatively simple circuit—see Fig. 1. The functions of receiving

and decoding the infra-red signal are handled separately by two integrated circuits. IC1 receives the infra-red signal via diode D1, and converts it into a TTL-compatible pulse train. The response of IC2 to this pulse train depends on the setting of the jumpers S and A are fitted, the reception of an RC5 code will cause a command code to appear on lines D0–D5, and a system address on lines A0–A4. Also, the TO (toggle) line, pin 18, changes state. Testing this bit allows the receiver to detect the reception of a new code. Decoded data remains 'frozen' on the output lines until TO toggles.

If jumper A is removed, IC2 sees lines A0–A4 as inputs, on which the system address may be set. In this mode, the decoder will only accept command codes and feed these to outputs D0–D5 if the received code contains the set system address. This address is set with the aid of wire links on the printed-circuit board. A closed wire link represents a logic 0; an open wire link a logic 1. When all wire links are fitted, the system address is set to 'TV-set', or address 0. When no wire link is fitted, the address is within the range reserved for future extensions.

In both of the modes described above, the toggle bit changes once only, when the code is received correctly for the first time. This means that we do not know how long a key has been pressed on the transmitter. However, when jumper R (repeat) is fitted instead of jumper S (single), and jumper A is not fitted, bistable IC3b will change the toggle bit at a rate of 0.5 s while a transmitter key is pressed.

IC3b is wired as a monostable multivibrator (MMV), and clocked repeatedly by the RECVD output of IC2. Unlike the TO output, the RECVD output supplies a pulse train while a transmitter key is pressed. When the clock pulse is received at pin 3, the Q output of IC3b goes high. This in turn clocks IC3a which divides by two and serves as the toggle bistable. If more pulses follow after the first clock pulse, nothing changes during the first 0.5 s. After that, IC3b is reset because



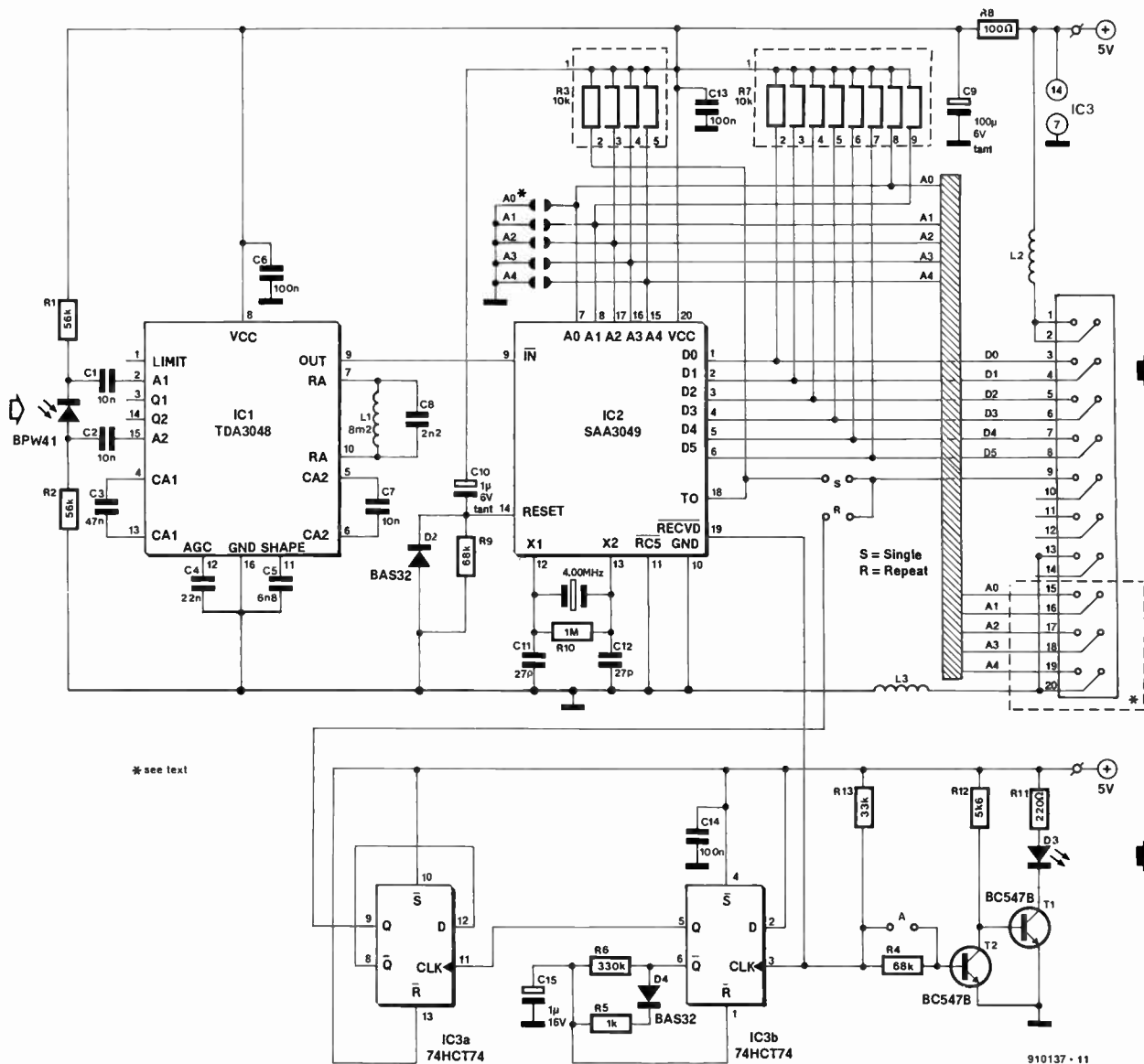


Fig. 1. A sensitive RC5 code infra-red receiver built from a minimum number of components.

C15 is discharged via R6. Consequently, the Q output goes high again, and C15 is charged rapidly via D4 and R5, which ends the reset state. At the next RECVD pulse, the Q output of IC3b changes to high again and clocks IC3a, which toggles. In this way, the toggle bit changes state every 0.5 s, as long as the receiver receives the code.

The above is possible only when the sub address is set via solder links A0–A4, which will be the most frequently used option. When it is desired to read the address also (jumper A fitted), the 'repeat' option may still be implemented if a small modification is made to the board: connect pin 3 of IC3 directly to the cathode of D3 (do not insert pin 3 of IC3 into the PCB hole while fitting the IC, and connect it to D3 via a short piece of wire).

The system address and the command code are fed to external equipment via connector K1. When the fixed system address option is used, a 14-way connector may be used for K1. If the system address is not

fixed, the address lines must be brought out also, so that a 20-way connector is required.

The receiver is powered via connector K1. The circuit draws about 5 mA in the standby state. This current increases a little when an RC5 code is received, since LED D3 then lights. Inductors L2 and L3 are wound on a single core, and serve to suppress interference on the power supply rails. A clean supply voltage is necessary because the receiver operates with very low signal levels at its input. Hence, the cleaner the supply, the greater the maximum distance that can be covered by the remote control system.

Construction

Figure 2 shows the printed-circuit designed for the RC5 receiver. The board holds a combination of SMA (surface-mount assembly) and traditional components. SMA components are used here for two reasons: first, to keep the size of the receiver as small as

possible; and second, to ensure the shortest possible signal routes in the circuit, which helps to give the remote control the largest possible range. The PCB design shows clearly that IC1 is tailored to work with SMA components—nearly all components associated with this IC are conveniently fitted between its two pin rows.

Start the construction by placing, aligning and soldering all SMA parts. Always pre-tin one pad, solder the SMA part to it, and then solder the other side. It is best to use solder tin of a diameter of 0.8 mm (0.3 in) and a solder iron with a fine tip. The remainder of the components are fitted in the usual manner, starting with the low-profile parts.

Inductors L2 and L3 are home made as illustrated in Fig. 3: put two windings of 10 turns of 0.5-mm diameter (SWG18; AWG19) enamelled copper wire on to the ring core. Both inductors are wound in the same direction.

To isolate it completely from external

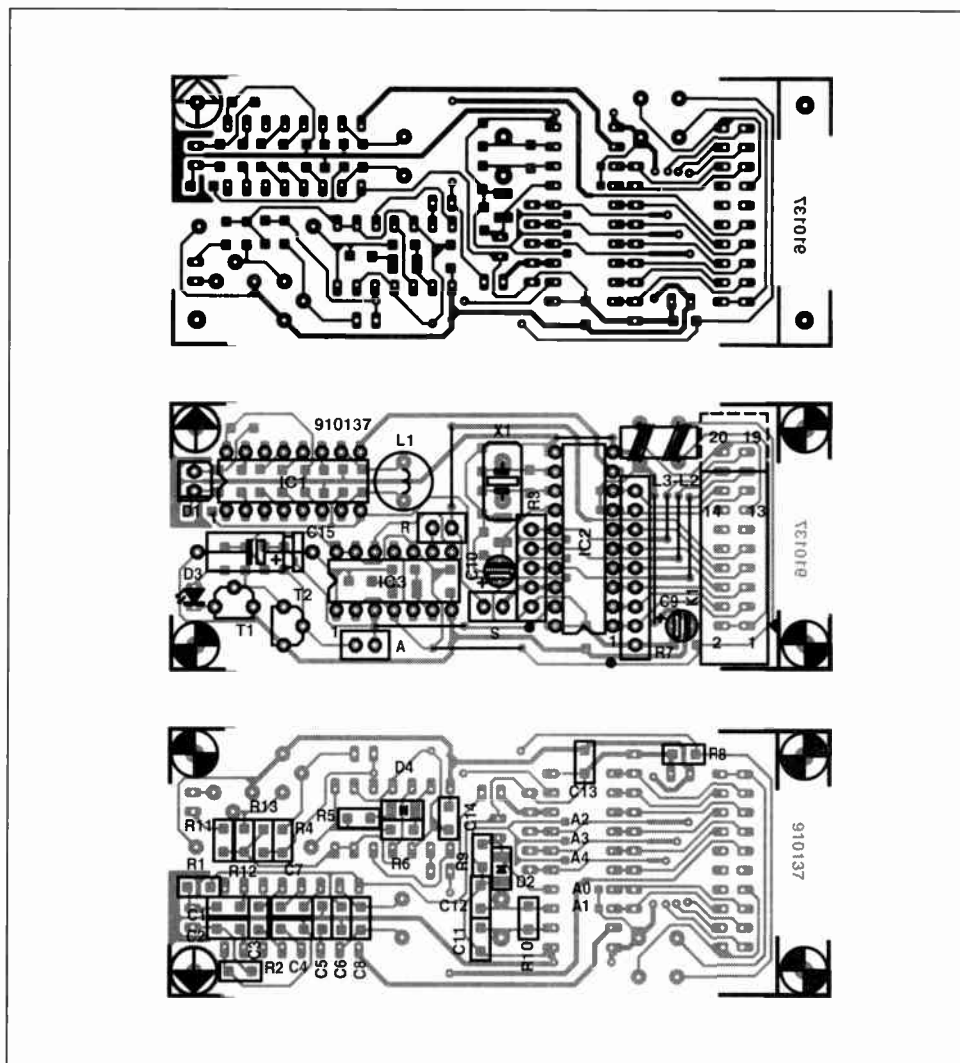


Fig. 2. This single-sided printed circuit board has components at both sides—the SMA parts go to track side of the board.

Table 1. Jumper settings

A open:	single-system mode; a single address is hardwired to terminals A0–A4.
A closed:	combined-system mode; received system address is supplied via terminals A0–A4.
S closed; R open:	single mode; toggle output changes state on receipt of a new code only;
S open; R closed:	repeat mode; toggle output changes state every 0.5 s as long as a code is received.

(stray) radiation, the receiver may be enclosed in a box made of thin sheet metal. The metal is fixed to solder pins at the corners of the board. This construction provides a ground connection where the IR diode is fitted.

The transmitter

Although this article is not concerned with the building of an IR transmitter, it is, none the less, useful to understand its operation. In most cases, the system address sent by the transmitter will have to be changed. A logical choice for the system address is one of the addresses reserved for experimental purposes: 7 or 19.

Most infra-red remote control transmit-

ters are downright simple circuits, as illustrated in Fig. 4. One IC does all the work, and this is usually one of three SAA or SAF types that are pin-compatible with very small differences.

Here, only pin 2 (SSM) and the two keyboard matrices are of interest. The X/DR-matrix contains the push-buttons that serve to transmit certain command codes. The number with a push-button indicates the corresponding code.

The Z/DR matrix serves to indicate the system address to be transmitted along with the command code. The numbers adjacent to the keys are the corresponding system addresses. The logic level applied to pin 2 of the IR transmitter IC determines whether the Z/DR-matrix actually consists of keys, or is

COMPONENTS LIST

Resistors:

(all SMA except R3 and R7)		
2	56k Ω	R1;R2
1	4-way 10k Ω SIL (normal size)	R3
2	68k Ω	R4;R9
1	1k Ω	R5
1	330k Ω	R6
1	8-way 10k Ω SIL (normal size)	R7
1	100 Ω	R8
1	1M Ω	R10
1	220 Ω	R11
1	5k Ω	R12
1	33k Ω	R13

Capacitors:

(all SMA, except electrolytic caps)		
3	10nF	C1;C2;C7
1	47nF	C3
1	22nF	C4
1	6nF	C5
3	100nF	C6;C13;C14
1	2nF	C8
1	100 μ F 6V tantalum	C9
1	1 μ F 6V tantalum	C10
2	27pF	C11;C12
1	1 μ F 16V axial	C15

Inductors:

1	choke 8mH2	L1
1	1-cm dia. ferrite ring core e.g., T37-6 (see text)	L2;L3
0.5-mm dia (18SWG; 19AWG) enamelled copper wire		

Semiconductors:

1	BPW41	D1
2	BAS32 (SMA)	D2;D4
1	LED	D3
2	BC547B	T1;T2
1	TDA3048	IC1
1	SAA3049	IC2
1	74HCT74	IC3

Miscellaneous:

3	2-way pin header and jumper A;S;R
1	14-way or 20-way box header K1
1	4-MHz quartz crystal X1
1	Printed circuit board 910137

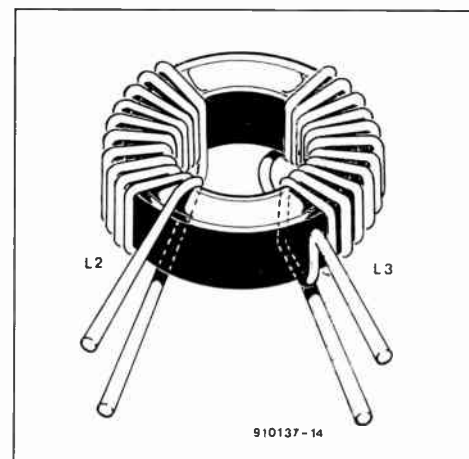
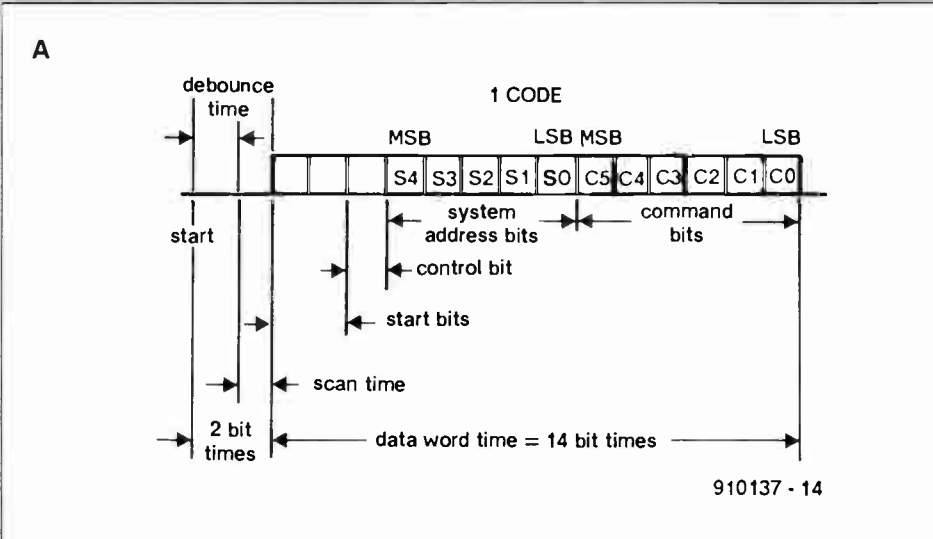


Fig. 3. Construction details of inductors L2 and L3.

BACKGROUND TO THE RC5 CODE



The RC5 code set developed by Philips allows 2,048 commands to be transmitted, divided into 32 addressable groups of 64 commands each. In this system, each piece of equipment is assigned its own address, so that, for example, a volume setting command is not processed by a TV set and a preamplifier at the same time. The RC5 code set is extended and updated as new equipment is introduced, for instance, the new DCC (digital compact cassette) recorder. The transmitted code consists of a 14-bit

dataword of the following structure:

- 2 run-in bits to adjust the AGC (automatic gain control) level in the receiver IC;
- 1 check bit that indicates a new data transfer (order: MSB first);
- 6 bits that indicate the command (MSB first).

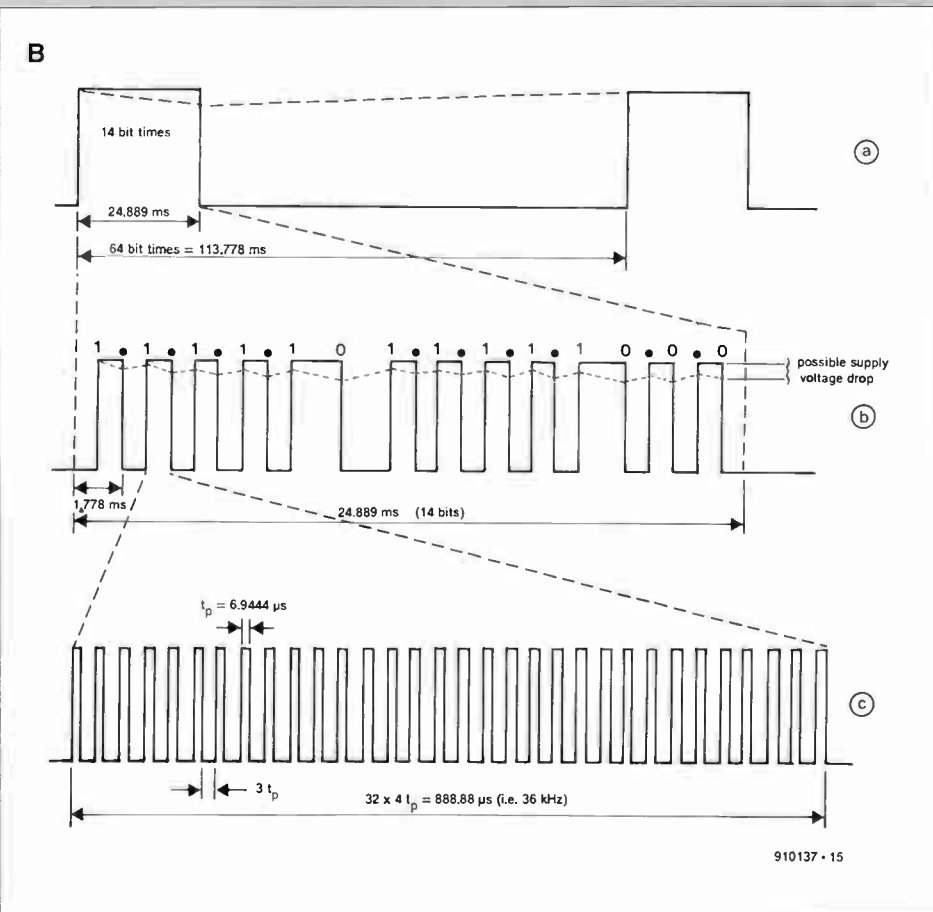
This structure is illustrated in Fig. A. To prevent interference from other infra-red sources (e.g., incandescent lamps), the code is transmitted in biphase format. In this system, a logic 1 is transmitted as a

half bit time without signal, followed by a half bit time with signal. A logic 0 has exactly the opposite structure: a half bit time with signal followed by a half bit time without signal. Figure B shows the structure. Each half bit consists of 32 shorter pulses.

Each transmitted bit has a length of 1.778 ms—this time is derived from a 36-kHz oscillator. The frequency is chosen to prevent interference with, among other sources, wireless headphones and horizontal deflection circuits in TVs.

A complete dataword has a length of 24.889 ms, and is always transmitted complete, even if the relevant key is released within this period. If the key is held pressed, the associated dataword is repeated in intervals of 64 bit times (i.e., 113.778 ms).

The tables provide the most essential information to enable home-made equipment to be controlled via an existing RC5-compatible remote control. The two addresses reserved for experimental applications are of particular interest. In all cases, the IR transmitter must be set to the address assigned to the equipment to be controlled.



RC5 code address/command overview

System address	Equipment
0	TV set
2	Teletext
5	video recorder
7	experimental
16	preamplifier
17	receiver/tuner
18	tape/cassette recorder
19	experimental

Command code	Function
0-9	0-9
12	stand-by
13	mute
14	presets
16	volume +
17	volume -
18	brightness +
19	brightness -
20	c. saturation +
21	c. saturation -
22	bass +
23	bass -
24	treble +
25	treble -
26	balance right
27	balance left
48	pause
50	fast reverse
52	fast forward
53	play
54	stop
55	record

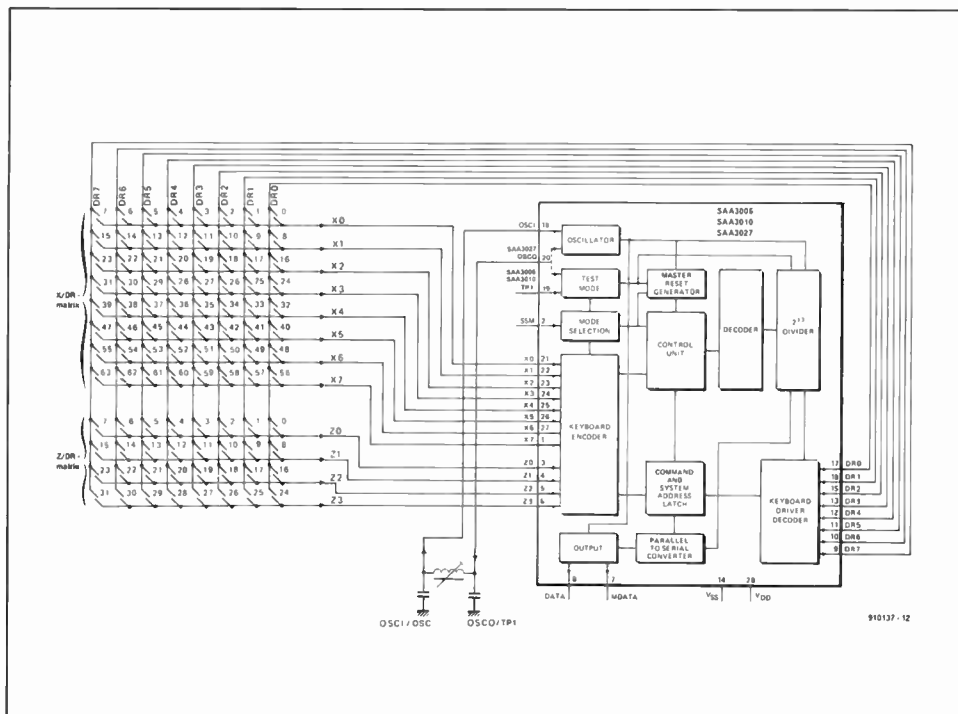


Fig. 4. Typical keyboard/IC configuration in an RC5-compatible infra-red remote control transmitter.

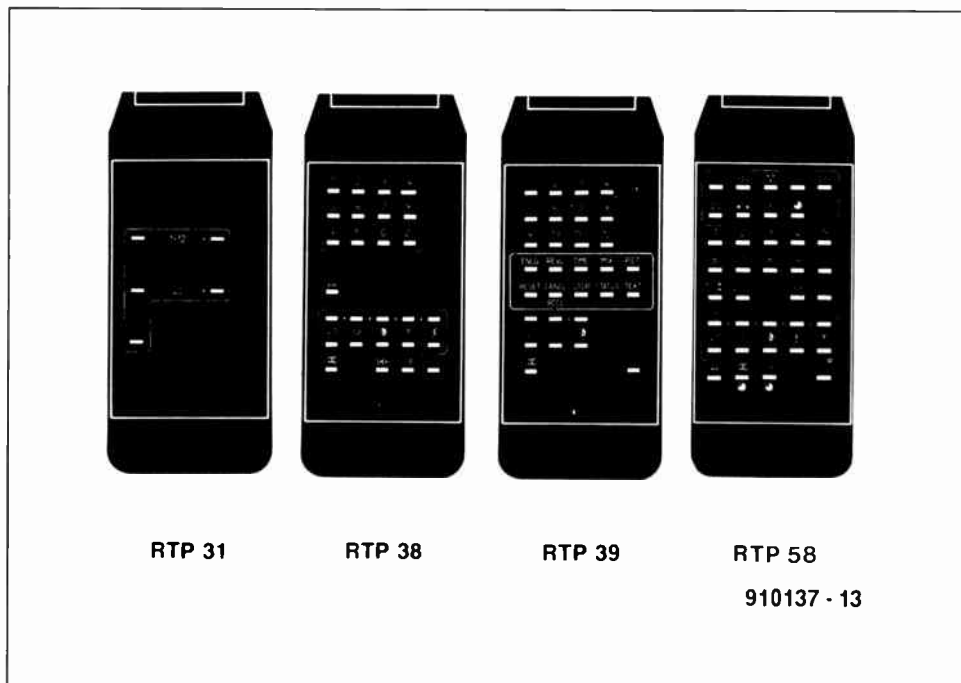


Fig. 5. A selection of particularly suitable Policom infra-red remote control boxes.

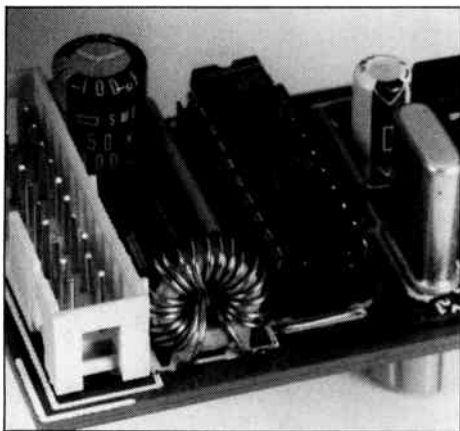


Fig. 6. Close-up of the connector side of the board.

formed by a single wire link. This option indicates whether the remote control is used in single system mode or in combined system mode.

When pin 2 is low, the transmitter operates in combined system mode, which means that the keys in the Z-matrix may be used to indicate the system address to be sent before the commands. This address is latched internally, so that the system key need not be kept pressed all the time. If a new system address is selected with the aid of a key in the Z-matrix, the transmitter will send this address together with command 63 (111111₂; system select). On receipt of this command, the selected (addressed) system 'wakes up'.

The operation of the transmitter IC in

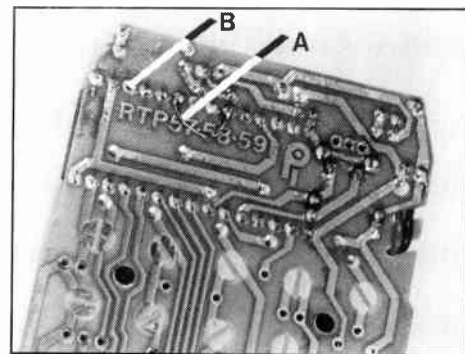


Fig. 7. Setting a new system address in a remote control transmitter.

single-system mode (SSM) is practically the same as described above. In this mode, the Z-matrix consists of one fixed connection between a DR line and a Z line. Hence, the system address transmitted by the remote control box can be changed by removing this connection, and fitting another. This connection effectively forms a pressed key in the Z-matrix. Incidentally, there are also remote control boxes in which the IC is permanently wired to SSM mode, and still capable of addressing two different systems (e.g., a TV set and a video recorder) with the aid of a switch (or a set of electronic switches).

Infra-red remote control transmitters using the RC5 code are available in various versions from a number of manufacturers and distributors of radio/TV spare parts. Figure 5 shows a number of types from the range produced by Policom. The choice between these types depends on the application you have in mind. In most cases, it is desirable that the functions available on the box correspond, or correspond largely, to those required for your particular application. All Policom transmitters have the advantage of being modified easily. For instance, you may want to design your own front panel lettering and key symbols, and stick this over the existing template on the flat controls panel.

In all cases, the box must be opened to change the system address. This is done by removing the screw in the battery compartment. The two halves of the case can then be separated by shifting them lengthwise. While doing this, keep the push-buttons down to prevent them dropping from the front panel. To change the system address, remove the connection between one of the Z lines and one of the DR lines. Note that this connection may not always be visible because of a double-sided printed circuit board. The connection may be broken by desoldering the pin of the relevant Z connection from the board. Next, the new address is set by fitting a wire. Figure 7 shows how the modification was carried out on the transmitter used for developing the receiver. ■

MAGNETIC FIELD

I need to be able to sense if there is a magnetic field around a conducting element, most particularly, an insulated water pipe. I wish to use a Hall-effect sensor, but do not know who manufactures such devices, where to buy them, and, above all, what the component designations are. Could you help me with the appropriate data?

Perhaps in some future issue, you might care to give us a circuit for a Gaussmeter. I would enjoy building such an instrument and adding it to my electronic equipment.

Harold Willis Milnes
Lubbock, TX 79410

A WATCHDOG ERROR

In my article "A Simple Watchdog Circuit" (November 1991, p. 45), a mistake crept into the circuit diagram. Pin 1 of gate IC_{1a} is shown connected to the supply voltage. This is not correct, because the output of the circuit would remain high forever. The simple remedy is, of course, to disconnect pin 1 from the +5V supply line.

Akbar Afsoos
Isfahan, Iran

WISH LIST

I have to compliment you for the fine job you people have done. I like the sequential arrangement of the articles with no advertisements between the pages to disrupt my reading. The front cover is nice and eye catching.

I would like to see more articles about test instruments on PC cards. The major advantage is one can store information on the hard disk for later reference. I would like to see projects like the O'scope card, component tester card, etc. They should be able to operate simultaneously. Last but not least, they must be economic to build. A cost summary should be provided along with the article.

I would also like to see an article about building a simple scope using a Sony Watchman.

Thank you for your time and consideration.

Pichit Sakul Tanapanich
San Francisco, CA 94116

LETTERS

SOPHISTICATION PREFERRED

We almost didn't renew our subscription until we saw the article on the logic analyzer. Please have more articles on sophisticated test equipment. Stay away from rudimentary stuff.

R. Beveridge
Costa Mesa, CA 92627

OUR APOLOGIES

In the November 1991 issue, the word "biro" was used a general term for a ballpen. We have been advised that this is an infringement of a registered trademark: the name "Biro" should be used only for pens made under that mark by Biro Bic Limited. We apologize for this oversight.

ELECTRONICS MAIL ORDER

I am a subscriber to *EE USA*, and would like to offer the following service to readers in the US. I operate a mail order electronics business, and carry the electronic components listed below. They are hard-to-find components for the audio amplifier construction project ("Medium Power AF Amplifier" by T. Giffard: Part 1, p. 54; Part 2, p. 44) that appeared in October and November 1990.

SSM2210—dual matched NPN transistor
SSM2220—dual matched PNP transistor
Write to Douglas Wirth, Innovative Power Products Inc., PO Box 302, Middlesex, NJ 08846.

FUTURE ARTICLES

I would like to see the following articles in *Elektor Electronics USA*:

1. Plans on assembly of a small home/office personal phone system (using present phones; 8-20 lines; and conference, transfer, ringing, and other features). Also I wish to know how to connect a cordless phone to the system above to call. Each phone should have a separate number.

2. FM stereo radio transmitters with inputs for R/L at both transmitter and receiver (plans).

3. Antenna wireless remote switch to allow several antennas to be used.

N. Edin
APO, AP 96546

8032/8052 SB FIX

Regarding the "8032/8052 Single-Board Computer" (May 1991, p. 17), here is a tip that may interest many readers.

The EPROM, a 27(C)256, which is a 32K by 8-bit device, is mapped in this particular circuit, dependent on the setting of jumper "A," both at 0000H for 16K and 8000H for the other 16K of the memory. If the ROM is programmed or burned with a program or even the BASIC interpreter, the 8052 will only address and program the EPROM from address 8000H. This puts the program in EPROM right in the middle of the EPROM's address space, or at EPROM address 4000H.

If it is required to dump the interpreter and program the EPROM, that should be done at its address 0000H so that the MPU can find the interpreter. In other words, if the lower address space in the EPROM is to be used, the EPROM's ability to be programmed on the system board at 8000H must be enabled, so that the programming will be written to the memory's address location 0000H, not 4000H.

Also, I note that the basic program listing in its byline states: "...type in this listing if you want to unload the BASIC interpreter from the 8052AH-BASIC CPU...". The program disallows any address below 512 decimal. The interpreter and start-up code is located at address 0000H. The 8052 will not allow an EPROM address below 8000H, at least for EPROM programming (burning) purposes.

Name and address withheld at the writer's request.

NEW MEASUREMENT FORMULA

In "Measurement Techniques—Part 7: High Frequency Measurements (October 1991, p. 32), the formula for calculating C (on p. 33, first column) is given as:

$$C = 25,400/Ff \text{ [pF]}$$

This should, of course, have read:

$$C = 25,400/Lf \text{ [pF]}$$

CLOCK ERROR

In "Build the Opticalock—Part I" (September 1991, p. 42), Diode D₁₀ is drawn with the wrong polarity in the circuit diagram (Fig. 3, p. 44) and on the PCB component side (Fig. 4, p. 45).

THE ILLUSTRATED DICTIONARY OF ELECTRONICS, 5th ed.

By Rufus P. Turner and Stan Gibilisco

ISBN 0-8306-334-56

Price *

The Illustrated Dictionary of Electronics is an alphanumeric list of words and terms used in electronics, including audio and hi-fi engineering, computing, communications, electrical engineering, radio and television, and allied disciplines. It is lavishly illustrated: this edition contains some 500 detailed drawings and diagrams. Total entries exceed 27,000.

This fifth edition has been brought up to date by the addition of hundreds of new definitions and updates of existing entries. Also, illustrations and tables have been updated, and new ones added.

Three very useful appendices offer detailed information on schematic symbols, data used in chemistry, mathematics, and physics, and abbreviations used in electronic engineering.

Students, teachers, technicians, engineers, and hobbyists will find this new edition of an indispensable reference work invaluable as a source of authoritative descriptions.

* Available as BKT9 (\$26.95 plus \$2 S/H) from Old Colony Sound Lab (see their advertisements on pp. 4, 5 in this issue for address).

ELECTRONIC PACKAGING AND INTERCONNECTION HANDBOOK

Edited by Charles A. Harper

ISBN 0-07-0266-840

Price \$79.50

With today's high-density, high-performance systems, packaging is now *the* crucial limiting factor to product success.

Because of the interdisciplinary nature of packaging, engineers specializing in materials science, electronics, or mechanical design are now asked to have a basic understanding of all three of these areas. Meeting this growing need, this comprehensive handbook provides a solid understanding of every aspect of today's packaging technologies.

Written by a score of experts in the field, it provides vital information on: materials—how to select the right plastics, ceramics and metals; thermal management—how to minimize heat in increasingly dense electronic assemblies; rigid and flexible printed wiring boards—design, manufacture and application of all types of PWB; packaging and interconnecting ICs and semiconductors—complete guidelines, including electrical, mechanical, thermal and material parameters.

TAB Books

Blue Ridge Summit, PA 17294-0850

(800) 822-8138

NEW BOOKS**SOLID STATE PHYSICS**

by Harald Ibach and Hans Luth

ISBN 3-540-52193-3

Price \$34.70

This work, subtitled *An Introduction to Theory and Experiment*, is intended as an introductory textbook, for undergraduate physics courses.

At the same time, the authors wanted it to convey an understanding of the exciting topics in modern research. Consequently, experimental and theoretical aspects of solid-state physics are treated with equal emphasis and, in addition to the traditional fundamentals, particular attention is devoted to the subjects of superconductivity, magnetism, and semiconductor physics.

A novel feature of the book is the concise treatment of modern experimental techniques in a series of self-contained panels. The carefully selected exercises relating to each chapter enhance the value of the book for both student and teacher.

Springer-Verlag New York Inc.

175 Fifth Ave.

New York, NY 10010

(800) 777-4643

ELECTRONIC PROJECTS FOR HOME SECURITY

By Owen Bishop

ISBN 1-870775-12-0

Price £ 6.95

Suitable for beginners, the book deals with many aspects of home security (intruder, fire and flood protection) with an emphasis on how to make the best use of electronic devices that you can build yourself.

There are 25 construction projects, ranging in complexity from a single-door protection circuit than can be built in an hour or two, to a sophisticated multi-channel security system that most intruders will find difficult to beat.

Much use is made of the latest in technology to combine simplicity of construction with reliability of operation. Each project is described in detail, with circuit diagrams, full explanations as to how it works, com-

plete instructions for building and testing, and often includes suggestions for adapting it to special requirements.

The projects can readily be undertaken by a beginner. Even the multi-channel system starts at a simple level and is expandable later as the constructor's experience grows. Since all the projects are powered by battery or from an inexpensive ready-made TL adaptor, they are entirely safe.

PC Publishing

4 Brook St.

Tonbridge TN9 2PJ UK

ELECTRONIC SIGNALS AND SYSTEMS

By Stan Prentiss

ISBN 0-8306-8557X

Price \$29.95

Interpreting modern electronic signals is considerably more thorough and expansive than simply illustrating waveforms from selective sources and describing them. This book takes you back to their origins, the equipment, detailed theories of operation, as well as the information they produce. Consequently, the results are understandable, but you will also gain considerable insight into commercial and consumer electronics not normally contained in a single volume.

The book also covers test equipment, including spectrum analyzers, digital storage oscilloscopes and high-end multimeters; transmission media, including fiber optics, and a study of today's major television antennas; satellite earth terminals, monophonic and stereophonic audio; and multiple and satellite master antenna systems.

TAB Books

Blue Ridge Summit, PA 17294-0850

(800) 822-8138

Mail Call

When writing to AAP, please indicate on the **outside of your envelope** the appropriate department to which the letter should be directed—circulation, advertising, editorial, graphics, Old Colony. Or if it should go to a specific person—the publisher or one of the contributing editors. Or indicate if it is an article submission, a letter, an order . . . something to help us determine who should receive the letter. Also, please indicate the appropriate magazine on the envelope—*Speaker Builder*, *Audio Amateur*, *Glass Audio*, or *Elektor Electronics USA*.

Please also include an SASE if you expect a reply or two international postal reply coupons (available at your post office) if your correspondence must be sent overseas. Your cooperation will help ensure that your order is processed quickly, your manuscript is reviewed in a timely fashion, your letter is forwarded to the appropriate person, and so forth. We thank you.

REMOTE-CONSOLE

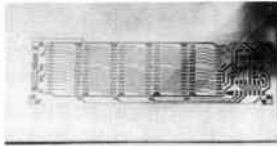
Remote control software with fast file transfer. Both features in one easy to use package. Lets you run programs on a second PC from wherever - home, another office, even Acapulco. Fast, compact, simple to install, easy to operate, with all the right features:

- Complete remote control.
- High-speed file transfer.
- Password protection.
- Only 22K bytes overhead.

New version needs less memory to run more applications. Complete system only \$99. VISA/MC Accepted. Shipping \$7 USA

P. O. Box 888, Oceano, CA 93445
(805) 481-5687

MAKE CIRCUIT BOARDS THE NEW, EASY WAY



WITH TEC-200 FILM

JUST 3 EASY STEPS:

- Copy circuit on TEC-200 film using any plain paper copier or laser printer
- Iron film on to copper clad board
- Peel off film and etch

SATISFACTION GUARANTEED

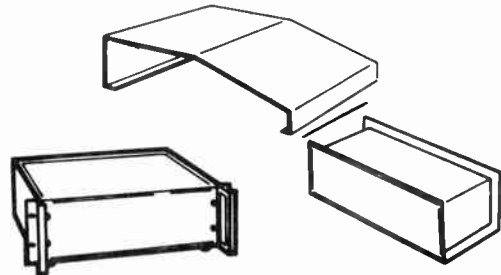
convenient 8½ x 11 size
5-Sheets for \$3.95 10-Sheets only \$5.95
add \$1.50 postage NY res. add sales tax

The MEADOWLAKE Corp.
Dept K, P.O. Box 497, Northport, NY 11768

Project Pro

Call For FREE Catalog
Call (800) 800-3321 or (216) 425-8888

Project Pro brings a complete line of electronic enclosures, hardware, and tools to both the professional project engineer and the hobbyist. Everything you need to bring ANY project from development to finished product.



- | | | |
|------------------------------|------------------------|------------------|
| <u>Electronic Enclosures</u> | <u>Custom Services</u> | <u>Fasteners</u> |
| * Aluminum | * Fabricating | * Nickel Plated |
| * Steel | * Screening | * Black Zinc |
| * Plastic (ABS) | * 72 hour-turnaround | |
| <u>Racks</u> | <u>Chassis</u> | <u>Tools</u> |

1710 Enterprise Pky. Twinsburg, Ohio 44087

THE LATEST ISSUE OF



IS NOT FAR OFF!

IT CAN BE FOUND AT THESE LOCATIONS:

- | | | |
|-------------------------------------------------------------------|-------------------------------------------------------------------|----------------------------------------------------------------------|
| Tri-Tek
9014 N 23rd Ave 11
Phoenix, AZ | HSC Electronic Supply
4837 Amber Lane
Sacramento, CA | Tapco Engineering
1639 47th St NE
Cedar Rapids, IA |
| Gateway Electronics
9222 Chesapeake Dr
San Diego, CA | HSC Electronic Supply
3500 Ryder St
Santa Clara, CA | RJM Electronics
4204 Overland Rd
Boise, ID |
| Henry Radio
2050 S Bundy Dr
Los Angeles, CA | Gateway Electronics
2525 N Federal Blvd
Denver, CO | Gateway Electronics
8123 Page Blvd
St Louis, MO |
| | Powell's Technical Books
33 NW Park
Portland, OR | Cody Books Ltd.
1122 Fir Ave
Blaine, WA |
| | | RP Electronic Co
2113 W 4th Ave
Vancouver, BC
CANADA |



If you prefer home delivery use the handy subscription card enclosed.

ELEKTOR BINDERS

Keep your valuable copies in perfect condition in these Elektor Binders. Each binder holds 11 issues with wires so you don't have to punch holes in your magazines. High quality, book binder cloth construction. The logo is stamped in gold on a dark green background.



each \$12
three or more, \$10 each

Shipping: Postpaid in US.
Canada and Caribbean, please add \$4 for one, \$2 for each additional binder.
Overseas, please add \$4 per binder.

TRADE

GET YOUR "FCC COMMERCIAL GENERAL RADIO-TELEPHONE LICENSE." Electronics home study. Fast, inexpensive! Free Details! **COMMAND PRODUCTIONS**, D-266, Box 2824, San Francisco, CA 94126-2824. T1/92

RADIO-TV RECEIVING, TRANSMITTING, C.R.T. TUBES, SAM'S FOTOFACTS AND MORE. P.E.M. TUBES, 8005 Florin Road, #10, Sacramento, CA 95828, (916) 383-9107. T3/92

CLUBS

THE ATLANTA AUDIO SOCIETY is dedicated to furnish pleasure and education for people with a common interest in fine music and audio equipment. Monthly meetings often feature guest speakers from the audio manufacturing and recording industry. Members receive a monthly newsletter. Call: Chuck Bruce, (404) 876-5659, or Denny Meeker, (404) 872-0428, or write: PO Box 361, Marietta, GA 30061.

AUDIOPHILES IN THE DAYTON/SPRINGFIELD, OHIO AREA: We are forming an audio club. Please contact me if you're interested in construction, modifications, testing, recording or just plain listening to music. Ken Beers, 1756 Hilt Rd., Yellow Springs, OH 45387, (513) 767-1457.

AUDIO SOCIETY OF MINNESOTA. Audiophiles, music lovers, scratch builders, record collectors, tube freaks, digital freaks—we've got 'em all! Monthly meeting, tours, audiophile concerts, special guests, etc. Now in our 13th consecutive year! Write ASM, PO Box 32293, Fridley, MN 55432.

PIEDMONT AUDIO SOCIETY Audio club in the Raleigh-Durham-Chapel Hill area is meeting monthly to listen to music, demonstrate owner-built and modified equipment, and exchange views and ideas on electronics and speaker construction. Tube and solid state electronics are of interest and all levels of experience are welcome. Kevin Carter, 1004 Olive Chapel Rd., Apex, NC 27502, (919) 387-0911.

SOUTHEASTERN MICHIGAN WOOFER AND TWEETER MARCHING SOCIETY (SMWTMS). Detroit area audio construction club. Meetings every two months featuring serious lectures, design analyses, digital audio, A/B listening tests, equipment clinics, recording studio visits, and audio fun. The club journal is *LC, The SMWTMS Network*. Corresponding member's subscription available. Call (313) 477-6502 (days) or write David Carlstrom, SMWTMS, PO Box 721464, Berkley, MI 48072-0464.

CLASSIFIEDS

THE COLORADO AUDIO SOCIETY is a group of audio enthusiasts dedicated to the pursuit of music and audiophile arts in the Rocky Mountain region. We offer a comprehensive annual journal, five bi-monthly newsletters, plus participation in meetings and lectures. For more information, send SASE to: CAS, 4506 Osceola St., Denver, CO 80212, or call Art Tedeschi, (303) 477-5223.

ELECTROSTATIC LOUDSPEAKER USERS GROUP is now a world-wide network for those interested in sharing valuable theory, design, construction, and parts source information. If you are interested in building, or have built, your own SOTA ESL we invite you to join our loose-knit organization. For information, send an SASE to: Barry Waldron, 1847 Country Club Dr., Placerville, CA 95667.

THE HI-FI CLUB of Cape Town in South Africa sends a monthly newsletter to its members and world-wide subscribers. To receive an evaluation copy of our current newsletter, write to: PO Box 18262, Wynberg 7824, South Africa. We'll be very pleased to hear from you.

INDEX OF ADVERTISERS

AIE Corporation	68
All Electronics Corporation	CV IV
Battery Tech, Inc.	7
Computer System Architects	68
Deco Industries	19
Easy Tech	10
Kelvin Electronics	19
Meadowlake Corp	67
Mondo-tronics	CV III
Mouser Electronics	7
OLD COLONY SOUND LAB	
Books	69, 70
EPROMS, Etc	69
Front Panel Foils	69
Master Products List	8, 9
Meek It Kits	4, 5
Parts Sources	CV III
Printed Circuit Boards	69
Software	69
PC Boards	CV III
Project Pro	67
Remote Corporation	7
Remote Console	67

LONDON LIVE D.I.Y. HI-FI CIRCLE meets quarterly in London, England. Our overall agenda is a broad one, having anything to do with any aspect of audio design and construction. We welcome everyone, from novice to expert. For information contact Dick Bowman, 081 520 6334.

MEMPHIS AREA AUDIO SOCIETY being formed. Serious audiophiles contact J.J. McBride, 8182 Wind Valley Cove, Memphis, TN 38125, (901) 756-6831.

NEW JERSEY AUDIO SOCIETY meets monthly. Emphasis is on construction and modification of electronics and speakers. Dues includes monthly newsletter with high-end news, construction articles, analysis of commercial circuits, etc. Meetings are devoted to listening to records and CDs, comparing and A-B-ing equipment. New members welcome. Contact Bill Donnelly, (201) 334-9412, RD2, Box 69D, Miller Dr., Boonton, NJ 07005; or contact Bob Young, (201) 381-6269.

PACIFICNORTHWEST AUDIO SOCIETY (PAS) consists of 60 audio enthusiasts meeting monthly, second Wednesdays, 7:30 to 9:30 p.m. at 4545 Island Crest Way, Mercer Island, Washington. Be our guest, write Box 435, Mercer Island, WA 98040 or call Bob McDonald, (206) 232-8130.

ELECTRONICS SCENE/NEW PRODUCTS

Analog Devices Literature Center	35
The Antenna Specialists Co.	12
ATI, Inc.	12
AZ-USA, Inc.	35
Baylin Publications	35
Carver Corp.	35
Genovation	12
Harbin Electronics Co.	12
Hewlett-Packard Co.	13
Icom America, Inc.	13
Maxtec International Corp.	13
Observatoire Astronomique	13
PAIA Electronics, Inc.	12
Pixel Perfect	13
R&D Electronics	12
Round Hill Computer Systems Ltd.	35
Scantek, Inc.	13
SMPTÉ	13
StarPC Instruments	12
Techron	13
T.E.S.	12

Tone and Code Finder



Pricing	
Tone Only	\$189.95
Tone & Digital	\$299.95
Tone w/Memory	\$239.95
Tone & Digital w/Memory	\$339.95

The Tone/Code Finder is composed of a high speed display unit mounted to a scanning receiver. Its purpose is to instantly find and display all CTCSS and DIGITAL codes, including split channel and inverted codes.

On board memory retains all hit and time information which is then transferred to a printer via a RS 232 port upon command. Time is stored in seconds and hits in units. In the event of power loss, the FINDER will maintain memory for up to three weeks.

Signal processing is accomplished by an eight pole filter configured as a low pass with a cutoff of 234 Hz. The superior filter characteristics eliminates chopping and false reading.

Measurements Division

AUTOMATED INDUSTRIAL ELECTRONICS CORP.

141 GRANITE ST. P O BOX 70
BATESBURG, S.C. 29006
(803)532-9256 FAX(803)532-9258

We Enjoy Hearing From You.

Elektor Electronics USA is a place for readers to meet and discuss ideas, projects, and challenges. When you write, please include a self-addressed envelope with stamp attached with a clip if you expect a reply. If the author lives outside of the US, please include two International Postal Reply coupons (available at your post office) instead of stamps on your envelope. Because of space limitations, we do reserve the right to edit all letters. Although we read and note all letters, only those of general interest are selected for publication. When responding to an article, please cite the name of the magazine, article, letter, department, and the page number. Address all correspondence to the **Letters Department, Elektor Electronics, Box 576, Peterborough, NH 03458.**

Learn about Parallel Processing

The Transputer Education Kit \$396

- Ready-to-use PC add-in board
- 20-MHz 32-bit T400 transputer
- 1 Mbyte of no-wait-state memory
- C and Occam2 compilers
- 1500 pages of documentation
- Board schematics
- Example and demonstration programs
- External interfacing experiments



Computer System Architects
950 North University Avenue • Provo, Utah 84604
(801)374-2300 • 1-800-753-4CSA

TERMS OF BUSINESS

PRICING

Prices, except as noted, include shipping in the continental USA. The minimum order is \$10. A \$2 service charge will be added to orders of less than \$10. Prices are subject to change as our costs change. WE RESERVE THE RIGHT TO MAKE PRICE CHANGES WITHOUT NOTICE.

TELEPHONE ORDERS

Telephone orders are welcome between the hours of 9:00 a.m. and 4:00 p.m. EDT, Monday-Friday. Orders for parts are to be made on the ORDER FORM provided. Payment for telephone orders is by MC/VISA only. Our TELEPHONE ORDER NUMBER IS (603) 924-6371 or 924-6526. Our answering machine for MC/VISA orders during non-business hours is (603) 924-6371. FAX: (603) 924-9467 (24 hours).

PAYMENT

All remittances **MUST BE IN US FUNDS DRAWN ON A US BANK**. Payment for telephone orders must be made by MasterCard or VISA. Mail order payment may be made by MC/VISA, money order, cashier's check or personal check. If payment is made by personal check, allow up to 2 weeks for clearance before order is shipped. Should check be returned for any reason, there will be a \$10 charge.

SHIPPING

Unless noted, freight is prepaid by Old Colony. All orders shipped USPS first class mail or by UPS.

Allow two to three weeks for delivery. Please inquire about appropriate funds for special handling (UPS next day or second day). UPS requires a street address. If you cannot receive UPS delivery, please include an extra \$2 for insured service via Parcel Post. We cannot accept responsibility for safety or delivery of uninsured Parcel Post shipments. **Absolutely no COD shipments.**

BOOKS, RECORDINGS, CDs, and SOFTWARE

The shipping/handling charge for the US is \$2.00, plus 75¢ each additional item. In Canada, please add \$4.50 for the first item, 75¢ each additional. **No returns.** According to the Connecticut Dept. of Revenue Services, Regulation #27, Section 12-426-27, in order to sell software to residents of Connecticut, we must register with the department as well as collect taxes for the state from the purchaser. We regret to inform our customers that we will not sell software to anyone from Connecticut, as it will prove to be too costly and burdensome.

OVERSEAS ORDERS

For orders to be shipped outside North America, add 20% to the total order to cover shipping.

RETURNS

If you wish to return all or part of an order for any reason, please call or write first. If we are in error, correction will be made promptly, without charge.

WARRANTY

We warrant that all items sold conform to the qual-

ity and specifications set forth. We make no representations. We accept no responsibility whatever for further use by the customer. We accept no monetary liability in excess of the original cost or replacement of the material if originally defective or damaged in transit.

COPYRIGHT

All drawings, photographs, articles, printed circuit boards, EPROMs, software, and cassettes published in our books or magazines (other than in third-party advertisements) are copyright and may not be reproduced or transmitted in any form or by any means, including photocopying and recording, in whole or in part, without the prior permission of *Elektor Electronics USA* in writing. Such written permission must also be obtained before any part of these publications is stored in a retrieval system of any nature.

Notwithstanding the above, printed circuit boards may be produced for private and personal use without prior permission.

LIMITATION OF LIABILITY

Elektor Electronics USA shall not be liable in contract, tort, or otherwise, for any loss or damage suffered by the purchaser whatsoever or howsoever arising out of, or in connection with, the supply of goods or services by *Elektor Electronics USA* other than to supply goods as described, or at the option of *Elektor Electronics USA*, to refund the purchaser any money paid in respect of the goods. ■

BOOKS FROM ELEKTOR ELECTRONICS USA

301 CIRCUITS

This book follows the theme of the first in this series, *300 Circuits* (now out of print). It contains over 300 assorted circuits first published in the 1979, 1980, 1981 summer issues of *Elektor Electronics*.

The circuits range from the simple to the more complex and are described and explained in straightforward language. The book is a comprehensive source of ideas and construction projects for anyone interested in electronics.

ISBN 0-905705-12-2

BKAA11 Price \$12.50

302 CIRCUITS

The popularity of this book is shown by its having been reprinted no fewer than three times. It offers a selection of the most interesting articles from the 1982, 1983, 1984 summer issues of *Elektor Electronics*.

In it you will find circuits for audio and video; car, cycle, and motorcycle; home and garden; receivers and aeriels; hobbies and games; measuring and testing; oscillators and generators; current sources and power supplies; microcomputers and music electronics; and a miscellany of other interesting subjects.

ISBN 0-905705-25-4

BKAA12 Price \$12.50

303 CIRCUITS

Like its predecessors, *303 CIRCUITS* offers a comprehensive collection of practical ideas, concepts, and developments in the gamut of electronics. Unlike its predecessors, the book is arranged in 11 subject sections to make it easier for the reader to find that long-sought circuit.

In well over 300 pages, the book offers 32 Audio and Hi-Fi projects; 14 circuits for Car and Bicycles; 43 Computer & Microprocessor circuits; 11 Electrographic projects; 24 HF and VHF circuits; 16 circuits for a number of hobbies and pastimes; 54 projects for Home and Garden; 29 Power Supply circuits; 29 circuits for Test and Measurement equipment; nine TV and Video projects; as well as 42 Design Ideas.

ISBN 0-905705-62-2

BKAA13 Price \$15.90

DATA SHEET BOOK 2

Like its predecessor (now out of print), this book offers concise, relevant, and rapidly accessible information, which is both practical (e.g., the pin-out of a device) and informative.

The book contains data on integrated circuits as well as on discrete transistors and diodes. Moreover, it gives an introduction to fast (HCMOS) devices and a review of the new symbolic logic as laid down in British Standard BS3939:Section 21 (IEC Standard 617-12).

The final part of the book deals with a number of computer chips, such as memory devices (including programming information for these) and I/O circuits. This section also includes data on a number of non-digital discrete and integrated devices, such as op amps, as well as on some microprocessor peripherals (e.g., the 6522 VIA, the 6580 ACIA, and the 8355A PPI).

ISBN 0-905705-27-0

BKAA14 Price \$16.50

DATABOOK 3: PERIPHERAL CHIPS

This book lists the most important design data of peripheral chips whose type numbers and functions relate them unambiguously to a microprocessor in the same family. All listed devices form part of families based on widely used microprocessors or microcontrollers. Their most evident application will therefore be in conjunction with the associated microprocessor. This should, however, not be taken to mean that a peripheral cannot be used in another ap-

plication. Far from it, as witness the familiar type MC146818A real-time clock and the type MC6845 cathode-ray tube controller. It deserves a place on the bookshelf of anyone concerned with the design, maintenance and servicing of microprocessor-controlled electronic equipment.

ISBN 0-905705-30-0

BKAA15 Price \$17.95

MICROPROCESSOR DATA BOOK

This book has come about because of a need by *Elektor Electronics* engineers, technicians, and editorial staff of a ready reference work on the most important microprocessors. This implies that it does not only contain information on the latest devices, such as the transputer, but also on older, well-established types, such as the Z80 and the 6800.

A general description, hardware block schematic, software structure, DC characteristics, and instruction sets are given for over 70 microprocessors. To prevent the book from becoming unwieldy (and to keep costs down), timing diagrams and AC characteristics have, however, been omitted. The detailed information on all manufacturers mentioned will, however, enable any additional information to be obtained quite readily.

Included in the book are, among others, the 68000 series; the 6502 family; the Z80, 8080, and 8085; Intel's 8086, 80186, 80188, 80286, and 80386; the NS32XXX series, and the INMOS transputers.

ISBN 0-905705-28-9

BKAA16 Price \$17.90

DATABOOK 4: PERIPHERAL CHIPS II

This final volume in *Elektor Electronics' Microprocessor Data Book* series deals with general peripheral chips that, at least as far as their type-coding is concerned, do not belong to a specific family of microprocessors. There are so many of these, however, that only a portion of them can be dealt with in one book. Those contained in this collection have been chosen carefully on the basis of their practical application and frequency of use. Complete data are given for coprocessors from the 80 series (AMD, Cyrix, ITT, Intel, Weitek); real-time clocks from MEM, OKI, Statek, National Semiconductor, and Dallas Semiconductor; transmitters and receivers of serial interfaces RS232, 422, 423, 485 from Motorola, Newport Components, Maxim, Texas Instruments, National Semiconductor, Dallas Semiconductor, and Linear Technology; UARTS, DUARTS, and QUARTS (i.e., programmable ICs intended for data transfer); and the CS8221 set of ICs from Chips & Technology that are used in a great number of PC mother boards (also included is the data sheet of associated software LIM 4.0 for the management of the Extended Memory System).

Apart from the actual data, the book contains much other useful information, such as comparisons between and second sources for all important IC families; addresses of manufacturers and their representatives; and overviews of all peripheral chips (including many that could not be included in this book) that are available from various manufacturers.

ISBN 0-905705-32-7

BKAA17 Price \$17.95

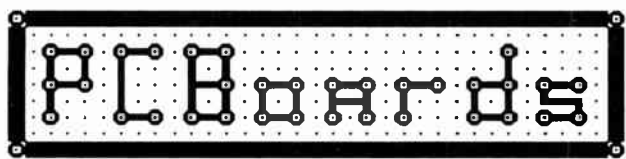
SPECIALS!

BKAAZ/1 BKAA11, 12, 13: all 3 for \$35 (Save \$5.95!)

BKAAZ/2 BKAA14, 15, 16, or 17: ANY THREE for \$45 (Save \$7.35!)
(BE SURE TO SPECIFY!)

BKAAZ/S Complete *Elektor* library: all 7 for \$85 (Save \$26.20!)

These books are all available direct from *Elektor Electronics USA* through the Readers Services, from a number of bookshops and electronics retailers in the US and Canada, and from selected bookshops throughout the world. Special prices are those of *EEUSA* only.



P-C-B ARTWORK MADE EASY !
Create and Revise PCB Art in a Flash

- * For IBM's & COMPATIBLES
- * HERC, CGA, EGA, VGA, SUPER-VGA
- * AUTO GROUND PLANES
- * DOT- MATRIX, LASER and PLOTTER ART
- * GERBER and EXCELLON OUTPUT
- * CREATE YOUR OWN FILMS with 1X ART
- * LIBRARIES * HELP SCREENS * MENUS
- * DOWNLOAD DEMOS from 24 hr. BBS!

PCBoards - layout program 99.00

PCBoards HP or HI PEN PLOTTER DRIVER 49.00

PCBoards GERBER & EXCELLON Disk 49.00

PCRoute - autorouter 99.00

SuperCAD - schematic ...starts at 99.00

Demo Pkg. - (demos of all 3 programs) 10.00

Call or write for more information

PCBoards

2110 14th Ave. South, Birmingham, AL 35205

1(800)473-PCBS / (205)933-1122

BBS / FAX (205)933-2954



**RECOMMENDED SOURCES FOR
ELEKTOR ELECTRONICS USA
EUROPEAN PARTS**

Borbely Audio

Erno Borbely

Melchior Fanger Strasse 34A

8031 Neu-Gilching

Germany

Tel 49-8105-8291

Fax 49-8105-24605 (24H)

ELV France

BP 40

F-57480 Sierck-les-Bains

France

Tel 33-82-83-72-13

Fax 33-82-83-81-80

Technomatic

Technohouse

486 Church Lane

London NW9 8UF

United Kingdom

Tel 44-081-205-9558

Fax 44-081-205-0190

Meek It Electronics

Rob Planken

Paveljoensgracht 35A

2515 BL Den Haag

The Netherlands

Tel 31-70-609554

Fax 31-70-597-9707

Bull Electrical

250 Portland Road

Hove

Sussex BN3 5QT

United Kingdom

Tel 44-0273-203600

Fax 44-0273-25077

C-I Electronics

PO Box 22089

6360 AB Nuth

The Netherlands

Fax 31-45-241877

Note: Although some numbers above may seem to be too long/short, they are correct as shown. USA residents need to preface calls with "011".

Q&A

What Are Muscle Wires?

Muscle Wires are highly processed strands of a nickel-titanium alloy called *nitinol*. At room temperature they are easily stretched by up to 5% of their length. When conducting an electric current they heat and return to their original "unstretched" shape with a force thousands of times their own weight.

How strong are Muscle Wires?

The force a wire pulls with varies with size, from 35 to 330 grams. For more strength, use several wires in parallel.

How fast can Muscle Wires activate?

They contract as fast as they are heated - as quickly as 1/1000 of a second. To relax, the wire must cool again. Rates up to several cycles per second are possible with active cooling.

Flexinol Muscle Wire Specifications

Wire Diameter	50 μ m	100 μ m	150 μ m
Resistance	510 Ω /m	150 Ω /m	50 Ω /m
Contract Force	35 grams	150 grams	330 grams
Typical Current	50 mA	180 mA	400 mA

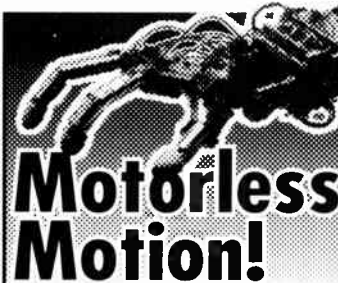
How much power do Muscle Wires need?

Power varies with wire diameter, length, and surrounding conditions. At room temperature typical currents range from 50 to 400 mA. Power levels can be higher, but once the wire has fully shortened, power should be reduced to prevent overheating.

What are the advantages of Muscle Wires?

Muscle Wires have many advantages over motors or solenoids including small size, light weight, low power, very high strength-to-weight ratio, precise control, AC or DC activation, long life and direct linear action.

These topics and dozens more are covered in detail in our new 96 page book, *Working With Shape Memory Wires*.



Connect Muscle Wires™ to a battery or other power source and watch them contract in length up to five percent! Remove power, and they relax and are ready for millions more cycles.

Create direct linear action without heavy gears, coils, or motors. Use Muscle Wires in robots, models, planes, railroads - anywhere you need small, strong all-electric motion.

Get our new 96 page Book and moving Muscle Wire Sample Kit. It includes 20 cm of 50 μ m, and 40 cm each of 100 and 150 μ m diameter Muscle Wire (1 meter total), crimps and complete instructions - everything you need to get moving today!

Order Toll Free, 24 hours:

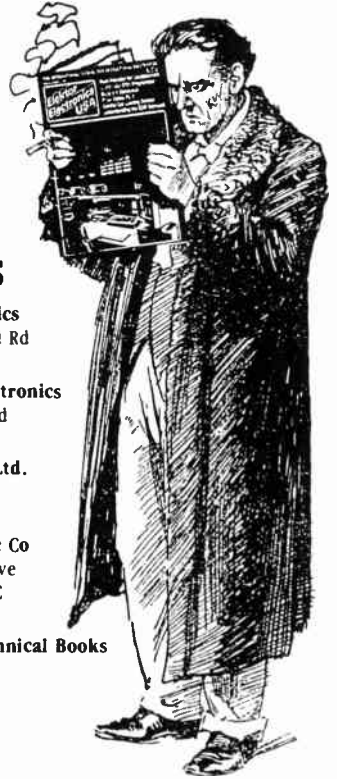
Mondo•tronics

800-374-5764

2476 Verna Court Phone: 510-351-5930
San Leandro, CA 94577 Fax: 510-351-6955

Book and Sample Kit only \$29.90
Plus \$4.00 P&H
CA orders add tax

FIND THE LATEST ISSUE OF



AT THESE LOCATIONS

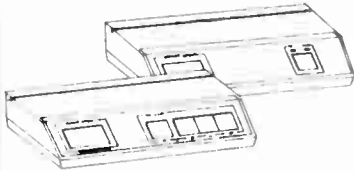
- | | |
|-------------------------------------------------------------------|----------------------------------------------------------------------|
| Tri-Tek
9014 N 23rd Ave 11
Phoenix, AZ | RJM Electronics
4204 Overland Rd
Boise, ID |
| Gateway Electronics
9222 Chesapeake Dr
San Diego, CA | Gateway Electronics
8123 Page Blvd
St Louis, MO |
| Henry Radio
2050 S Bundy Dr
Los Angeles, CA | Cody Books Ltd.
1122 Fir Ave
Blaine, WA |
| HSC Electronic Supply
4837 Amber Lane
Sacramento, CA | RP Electronic Co
2113 W 4th Ave
Vancouver, BC
CANADA |
| HSC Electronic Supply
3500 Ryder St
Santa Clara, CA | Powell's Technical Books
33 NW Park
Portland, OR |
| Gateway Electronics
2525 N Federal Blvd
Denver, CO | |
| Tapco Engineering
1639 47th St NE
Cedar Rapids, IA | |

If you prefer home delivery use the handy subscription card enclosed.

COURTEOUS SERVICE • QUALITY PARTS • DISCOUNT PRICES • FAST SHIPPING

ALL ELECTRONICS CORP.

"MAX" The Remote VCR Controller

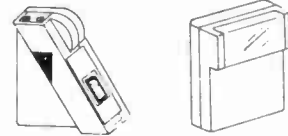


"MAX" allows you to watch and control a single VCR from other locations in the house. Transmits audio, video and IR signals up to 100 feet through mini-cable. Works on up to 4 televisions at a time, but a separate "MAX" receiver is required for each TV. Can also be used with other infrared controller devices such as CD players or stereos. Because it is hardwired, signal transmission is clearer than more expensive non-hardwired

units. Includes transmitter, receiver, 100' cable, hook-up cables and wall transformer. These new units originally sold for over \$100.00.
CAT# MAX \$40.00 each 4 or more \$35.00 each

WIRELESS REMOTE CONTROL FOR NINTENDO™

ATTENTION
**NINTENDO™
 USERS!!!**

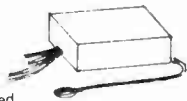


CAMERICA "Freedom Connection"™ Turns your wired Nintendo™ control paddle into a remote control unit. Infrared remote like those used on TV's and VCR's eliminates messy wires. Allows players more mobility. Two players can use one remote unit except on games where they play simultaneously. In those games two "Freedom Connections" units are required. A well-known national discount toy chain sells these for more than twice our price. Operates on 4 AAA batteries (not included).
CAT# IR-1 \$9.95 each

Set of 4 AAA batteries **CAT# BAT-4AAA \$2.40 per set**

TOUCH DIMMER

The "brain" part of the "LITE TOUCH" touch dimmer,



when connected to any lamp, will turn it on and off and change the brightness level when any metal part is touched. We don't have the wiring harness that originally connected this to the lamp, but we can provide a simple hook-up diagram and instruction sheet. The solid-state circuitry is contained in a thermo-plastic box 1.91" X 3.11" X 0.835".
CAT# DMR-1 \$3.50 each

OPTO-SENSORS

GE H1381

U-shaped opto with 0.125" gap between emitter and sensor. 0.75" mounting centers.
CAT# OSU-11 2 for \$1.00



TRW/Optron # OPB5447-2 IR emitter/sensor pair in rectangular package with 28" color coded leads.
CAT# OSR-4 2 for \$1.00



4 AMP Full Wave BRIDGE

#RS405L

4 Amp 500 piv Epoxy package. In-Line leads
CAT# FWB-405 85¢ each



Rechargeable Batteries SUB-C 2 PACK

2 Sub-C nickel-cadmium batteries with solder tabs.



Connected in series. This size battery is typically found in power tools, remote control models, electric shavers and other home appliances. Each battery measures 0.87" diameter X 1.66" long.
CAT# NCB-2C \$3.50 per pack

L.E.D.'s

Standard JUMBO
 Diffused T 1-3/4 size (5 mm)

RED CAT# LED-1
 10 for \$1.50 • 100 for \$13.00
GREEN CAT# LED-2
 10 for \$2.00 • 100 for \$17.00
YELLOW CAT# LED-3
 10 for \$2.00 • 100 for \$17.00

FLASHING LED

W/ built in flashing circuit 5 volt operation. T 1-3/4 (5mm)

RED CAT# LED-4 10 for \$9.50
GREEN CAT# LED-4G 10 for \$9.50
YELLOW CAT# LED-4Y 10 for \$9.50

LED HOLDER

Two piece holder.
CAT# HLED 10 for 65¢

RECHARGEABLE BATTERIES

Nickel-Cad



AAA SIZE \$1.50 each
 1.2 volts 180 mAh
CAT# NCB-AAA

AA SIZE \$2.00 each
 1.25 volts 500 mAh
CAT# NCB-AA

AA SIZE \$2.20 each
 WITH SOLDER TABS
CAT# NCB-SAA

C SIZE \$4.25 each
 1.2 volts 1200 mAh
CAT# NCB-C

D SIZE \$4.50 each
 1.2 volts 1200 mAh
CAT# NCB-D

14/3 LINE CORD

8' BLACK SJT 14/3



Heavy duty A.C. power cord. Standard 3 prong grounded plug one end, bare wire the opposite end. Blue, brown, green w/stripes wire color code. 0.37" nom. o.d.
CAT# RDAC-HD8 \$4.50 each

WALL TRANSFORMERS

12 Vdc 500 ma.

2.1mm D.C. power plug with center negative. White case.
CAT# DCTX-125W \$4.50 each

12 Vdc 200 ma.

2.1 mm D.C. power plug with center negative. **CAT# DCTX-122 \$3.00 each**



HEAT SINK COMPOUND



G C Electronics # 10-8109 - For effective transfer of heat between components and heat sinks. Z9 silicone heat sink compound.
CAT# HSC-1 \$2.00 per 1 oz tube

PHOTORESISTOR

1,000 ohms bright light.
 16K ohms dark.
 0.182" dia. X .08" high. 0.18" long leads.
CAT# PRE-7 2 for \$1.00
 100 for \$45.00 • 1000 for \$400.00

DIP RELAYS

Miniature Relays With Pin Configuration To Fit 14 DIP.



5 Vdc - S.P.S.T.

GI Clare # PRMA-1A05B. Normally open reed relay. 500 ohm coil. U.L. listed. Diode protected.
CAT# DRLY-57 \$1.50 each

12 Vdc - S.P.S.T.

Gordost # 846A-412 575 ohm coil. Sealed. Internal clamping diode.
CAT# DRLY-12 \$1.25 each

24 Vdc - S.P.D.T.

GI Clare # PRMA 1C24 2,150 ohm coil. 10 vA switching power.
CAT# DRLY-1C24 \$1.00 ea.

48Vdc - S.P.D.T.

Aromat # DS1E-A-DC48V 5,750 ohm coil. 2 amp contacts.
CAT# RLY-788 \$1.00 each

SWITCHES

Pushbutton Switch

SMK Manufacturing 0.47" square black pushbutton. SPST normally open. 4 p.c. pins for mounting. Ideal for low current switching applications.
CAT# PB-29 5 for \$1.00 • 100 for \$15.00



RFI/EMI LINE FILTER

Corcom# 20B6 20 amp RFI/EMI general purpose common-mode filter. Controls line-to-ground noise. Small size, low leakage. 3.46" X 1.16" X 2.81". UL and CSA listed.
CAT# RFI-201 \$8.50 each



HALL EFFECT SENSORS

Microswitch #SS41 Tiny, solid state switch reacts instantly to proximity of magnetic field. Operates at extremely high speeds, up to 100 khz. Case size: 0.12" X 0.17" X 0.06" thick. 4.5 Vdc to 24 Vdc supply voltage. 10 ma. sink type digital output. Operating gauss - 15 to 40. P.C. leads.
CAT# HESW-2 75¢ each
 10 for \$6.50 • 100 for \$60.00



SURFACE MOUNT STYLE

Sprague # UGN3075LT Operates on 4.5 - 24 Volts Can sink 10 ma. With suitable output pull up, can be used directly with bi-polar or CMOS logic circuits. Especially suited for electronic commutation in brushless D.C. motors using multiple ring magnets. Very tiny surface mount package 0.175" X 0.09" X 0.06" thick.
CAT# HESW-5 2 for \$1.00
 100 for \$45.00
LARGE QUANTITIES AVAILABLE



Highest Quality METAL CASSETTES

Premium quality metal tape in C-60 style cassettes (30 or more per side). One of the finest "brand-name" tapes on the market, in durable, clear plastic transport mechanisms. Recorded and bulk erased, the record-protect tabs have been removed and therefore, need to be taped over to re-record. Audiophiles will appreciate the wide dynamic range of this tape. If your cassette deck has a "metal" setting you will hear the difference. A real bargain!
 60 min. tape - **CAT# C-600M \$1.25 each • 10 for \$10.00**



CASSETTE STORAGE CASE

Black, unbreakable plastic audio cassette storage case.
CAT# CBOX 5 for \$1.00 • 100 for \$15.00



ORDER TOLL FREE 1-800-826-5432

FAX (818) 781-2653 • INFORMATION (818) 904-0524

Call Or Write For Our
Free 64 Page Catalog
 Outside the U.S.A. send \$2.00
 postage for a catalog.

Minimum Order \$10.00 • All Orders Can Be Charged To Visa, Mastercard
 Or Discovercard • Checks and Money Orders Accepted By Mail • California, Add
 Sales Tax • Shipping And Handling \$3.50 for the 48 Continental United States •
 All Others Including Alaska, Hawaii, P.R. And Canada Must Pay Full Shipping •
 Quantities Limited • No C.O.D. • Prices Subject to change without notice.

DISCOVER

VISA

MasterCard

MAIL ORDERS TO: ALL ELECTRONICS CORP • P.O. BOX 567 • VAN NUYS, CA 91408