

SAMS PHOTOFACT[®]

AUTO RADIO SERIES



AR-79
79
JULY 1970



CONTENTS

REMOVAL INFORMATION PAGE 4

CADILLAC

Cadillac (70)
05CFW1

FORD

Fairlane (70) OFBO
(DOOA-19A241)
Mustang (70) OFBZ
(DOZA-19A241)

IMPERIAL

Imperial (70)
2884 875

PLYMOUTH

Fury (70)
2884 755 (2PF1007)

PONTIAC

Firebird (70½)
02FFM2
Grand Prix (69)
92GFM3
Grand Prix (70)
02GFM1
Tempest (70½)
02AFM2

UNIVERSAL

Automatic
SFB-6802

Dynatronics
S-808

Motorola
TM270M

Ranger
RR-47-T0
RR-47-T2
RR-47-T4

\$3.25

\$4.10 IN CANADA

Cat. No. AR-79



SAMS PHOTOFAC[®]

AUTO RADIO SERIES



VOLUME

79



by the



ENGINEERING STAFF



HOWARD W. SAMS & CO., INC.

INDIANAPOLIS, INDIANA

**FIRST EDITION
FIRST PRINTING—JULY 1970**

**PHOTOFACT®
AUTO RADIO SERIES
VOLUME 79**

Copyright © 1970 by Howard W. Sams & Co., Inc.
Indianapolis, Indiana 46206. Printed in the United States of America

All rights reserved. Reproduction or use, without express permission, of editorial or pictorial content, in any manner, is prohibited. No patent liability is assumed with respect to the use of the information contained herein.

The listing of any available replacement part herein does not constitute in any case a recommendation, warranty or guaranty by Howard W. Sams & Co., Inc., as to the quality and suitability of such replacement part. The numbers of these parts have been compiled from information furnished to Howard W. Sams & Co., Inc., by the manufacturers of the particular type of replacement part listed.

Library of Congress Catalog Card Number: 49-11493



TABLE OF CONTENTS

TRADE NAME AND MODEL	PAGE
Automatic Model SFB-6802	5
Cadillac Model 05CFW1	15
Dynatronics Model S-808	31
Ford Models OFBO (DOOA-19A241), OFBZ (DOZA-19A241)	43
Imperial Model 2884 875	65
Motorola Model TM270M	73
Plymouth Model 2884 755 (2PF1007)	81
Pontiac Models 92GFM3, 02GFM1, 02AFM2, 02FFM2	89
Ranger Models RR-47-T0, RR-47-T2, RR-47-T4	107

Cumulative Index to Prior Volumes 120

REMOVAL INSTRUCTIONS

GENERAL REMOVAL INFORMATION

Most radios and speakers can be removed for service by following the steps shown in this block of information. Check the Make, Model, and Year of car listed below. If more specific instructions are required, they are shown.

Step 1. Disconnect power, speaker and antenna leads.

Step 2. Remove knobs.

Step 3. Remove nuts from control bushings and cabinet braces.

Step 4. Remove radio from under dash.

Step 5. Remove nuts holding speaker and remove speaker from under dash.

CADILLAC - 1970 CADILLAC

Step 1. Remove screws from steering column cover. Remove panel.

Step 2. Remove knobs and nuts from control bushings.

Step 3. Disconnect antenna lead and speaker connector.

Step 4. Remove screws from bottom brace.

Step 5. Lower radio and remove.

SPEAKER REMOVAL

Step 1. Remove screws from garnish moldings and remove.

Step 2. Remove screws from lower instrument panel cover and screws from upper glove box.

Step 3. Lift instrument panel cover.

Step 4. Remove screws from speaker mounting and remove speaker.

FORD - 1970 FAIRLANE

See General Removal Information.

FORD - 1970 MUSTANG

Step 1. Remove knobs.

Step 2. Remove 2 screws from top of radio-heater control trim plate.

Step 3. Pull trim plate off.

Step 4. Remove screw from bottom vinyl trim moulding from radio opening and remove moulding.

Step 5. Remove screw from heater control mounting.

Step 6. Slide radio out of front of instrument panel.

Step 7. Disconnect antenna, "A" lead and speaker lead.

SPEAKER REMOVAL

Step 1. Remove radio.

Step 2. Remove nuts from speaker mounting.

Step 3. Remove speaker from radio opening.

CHRYSLER - 1970 IMPERIAL

Step 1. Remove Phillips screw from Face Plate and remove.

Step 2. Remove nut from rear brace.

Step 3. Disconnect "A" lead, speaker leads, and antenna.

Step 4. Remove screws from front mounting.

Step 5. Remove radio from under dash.

SPEAKER REMOVAL

Step 1. Remove radio.

Step 2. Remove screws from speaker mounting.

Step 3. Remove speaker.

PLYMOUTH - 1970 FURY

Step 1. Remove Phillips screw from Face Plate and remove.

Step 2. Remove nut from rear brace.

Step 3. Disconnect "A" lead, speaker leads, and antenna.

Step 4. Remove screws from front mounting.

Step 5. Remove radio from under dash.

PONTIAC - 1970 EXECUTIVE, GRAND PRIX

Step 1. Remove screw from lower air-conditioning duct and remove duct.

Step 2. See General Removal Information.

PONTIAC - 1970½ FIREBIRD, TEMPEST

Step 1. Remove ashtray and ashtray housing.

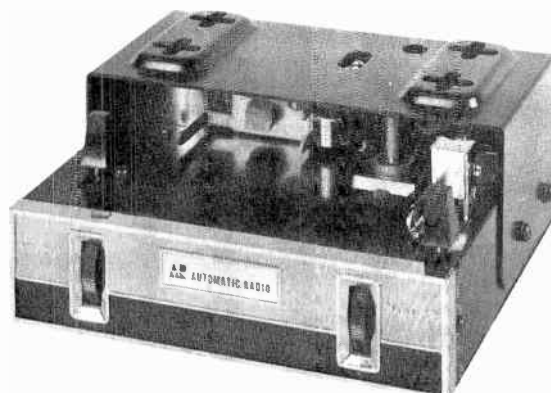
Step 2. See General Removal Information.



PHOTOFACT[®] with

CIRCUITRACE[®]

For Supplier Address See PHOTOFACT Index



AUTOMATIC MODEL SFB-6802
(4-Track Stereo Player)

OPERATING INSTRUCTIONS

Insert cartridge, push Drive knob forward, and adjust operating controls as desired. Select the desired tracks with the Track Change knob.

Pull Drive knob back to remove cartridge and turn the unit off.

CLEANING

Clean all tape contact surfaces with a soft, lint-free material and head cleaner or methyl alcohol. Use alcohol to remove oil and grease from all driving surfaces.

CAUTION: Avoid getting head cleaner on any plastic surface.

LUBRICATING

Lubricate bearings and bushings lightly with #20 machine oil. Use a light film of non-hardening grease on cam surfaces.

HEAD DEMAGNETIZING

Demagnetize head when unit is serviced. Avoid using magnetic materials near head.

AUTOMATIC MODEL SFB-6802

HOWARD W. SAMS & CO., INC. Indianapolis, Indiana 46206

© 1970 Howard W. Sams & Co., Inc. Printed in U. S. of America

TQ804

TROUBLE CHART

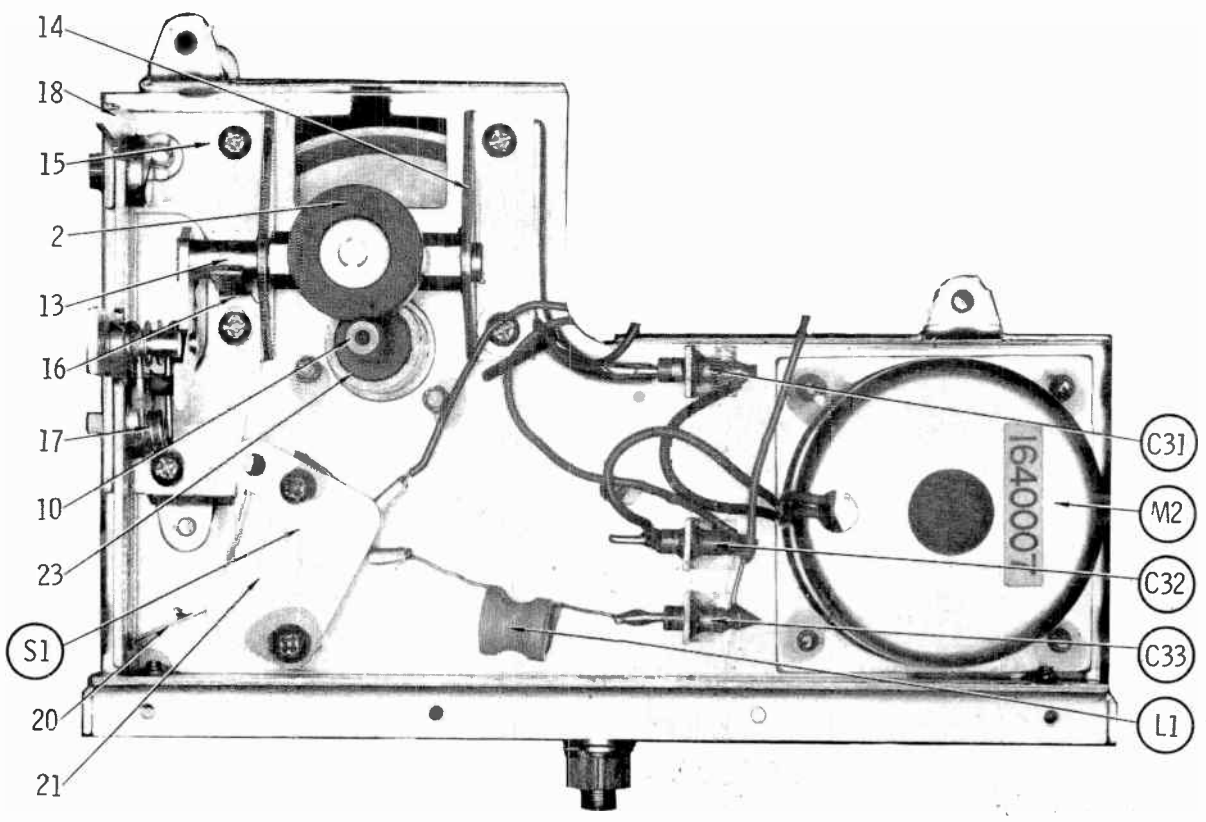
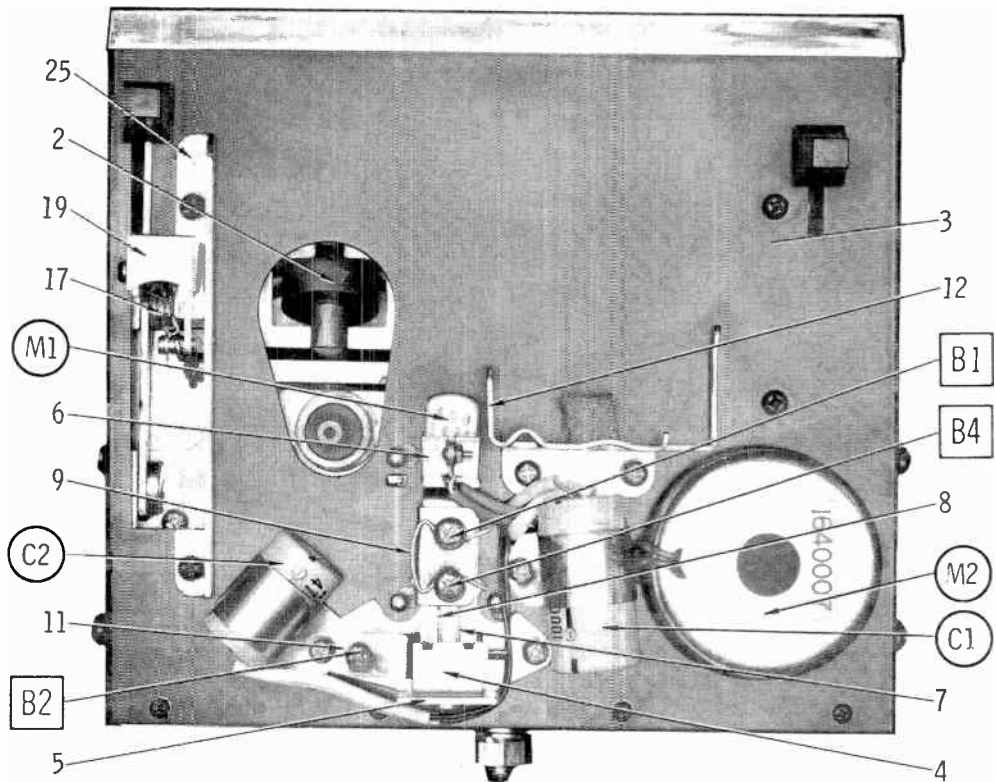
SYMPTOM	REMARKS
Capstan does not rotate.	Belt (1) dirty, worn, or broken. Assembly (10) binding. Motor defective or not supplied with power.
Wow or Flutter.	Belt (1) dirty or worn. Capstan dirty or binding. Cartridge defective. Motor defective.
Sound weak or distorted.	Head dirty, misaligned, or defective. Cartridge defective. Amplifiers defective.
Tape is pulled from cartridge.	Cartridge defective. Capstan dirty or scored.

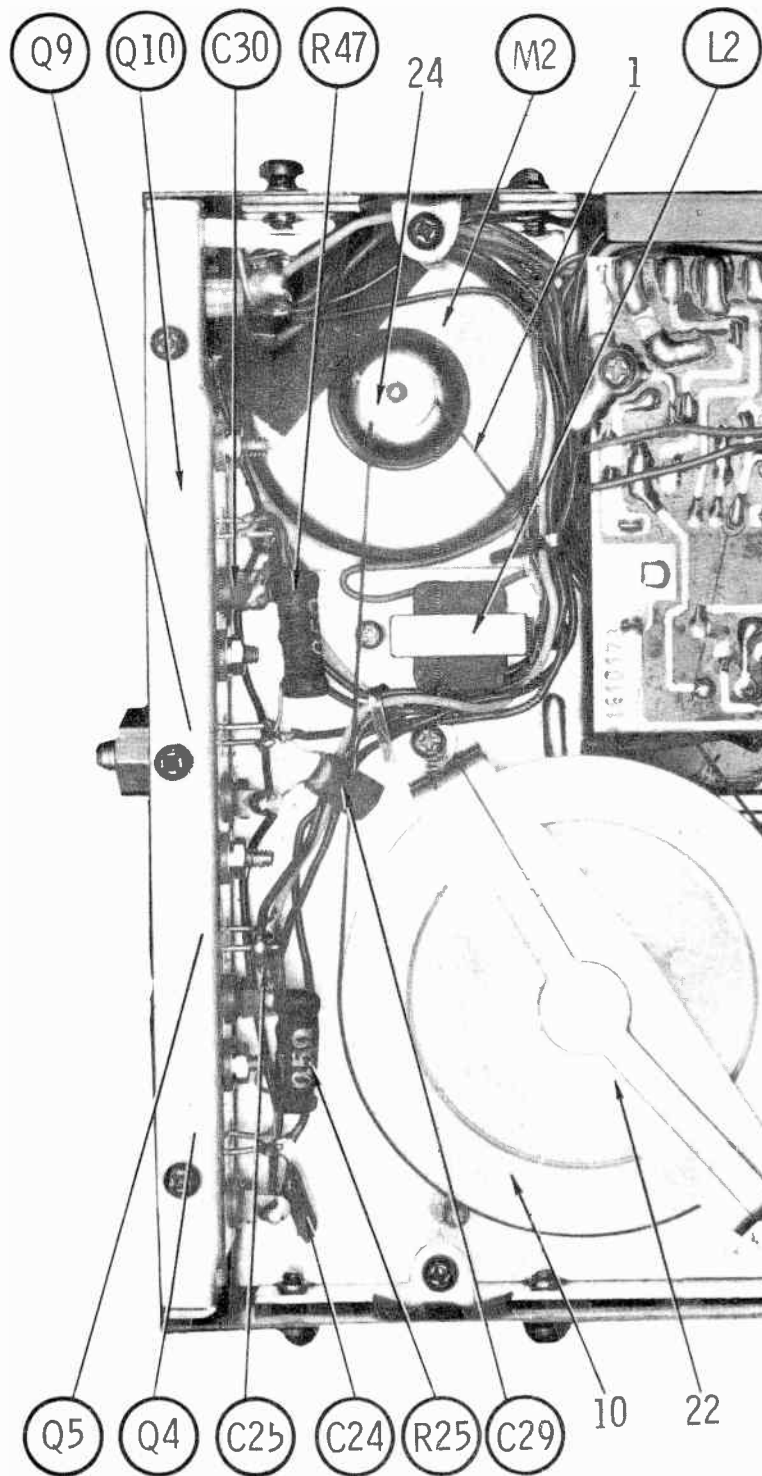
ADJUSTMENTS

ADJUST	REMARKS
Head Height	Play a test cartridge following instructions supplied with cartridge. Adjust B1 for proper response on upper tracks, and adjust B4 for proper response on lower tracks; or play a cartridge and adjust B1 for MINIMUM crosstalk on upper tracks and adjust B4 for MINIMUM crosstalk on lower tracks.
Head Azimuth	Connect an AC VTVM across right output. Play a test cartridge and adjust B2 for maximum.

MECHANICAL PARTS LIST

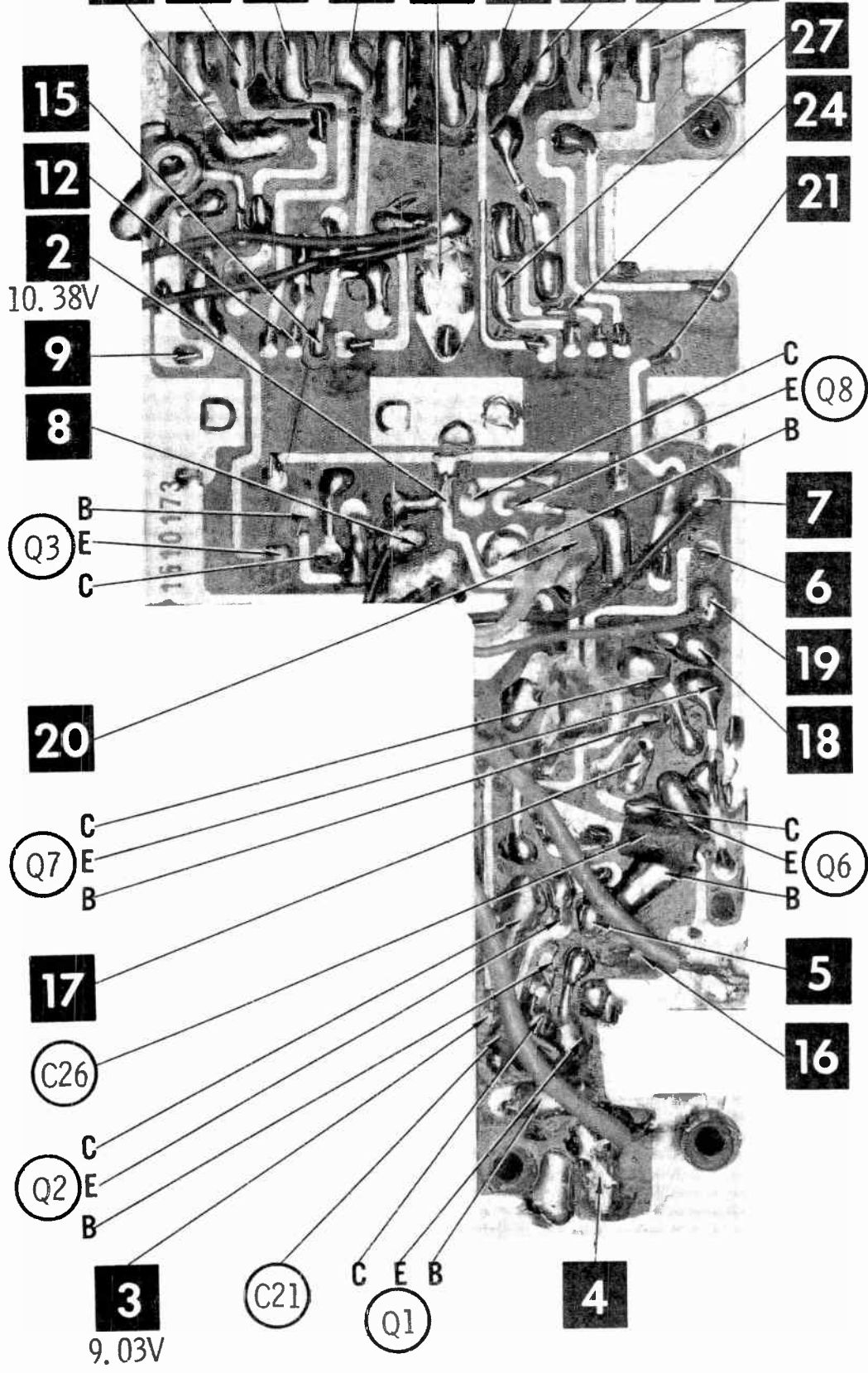
REF. NO.	PART NO.	DESCRIPTION	REF. NO.	PART NO.	DESCRIPTION
1	67A10493	Drive Belt	13	135A10467	Pinch Roller Arm Assembly
2	67A10464	Pinch Roller (Pressure Roller)	14	52A10465	Pinch Roller Arm Bracket
3	52A10456	Track Change Arm	15	52A10455	Drive Lever Bracket
4	52A10458	Head Arm Mounting Bracket	16	52A10502	Roller Arm Leaf Spring
5	52A10457	Head Arm Swivel Bracket	17	45A10482	Roller Latch Spring
6	52A10459	Head Arm	18	52A10462	Drive Lever
7	45A10475	Head Arm Tension Spring (A)	19	52A10448	Spring Cover
8	45A10476	Head Arm Tension Spring (B)	20	52A10466	Switch Lever
9	45A10479	Screw Lock Spring	21	52A10469	Switch Support Plate
10	54A10454	Flywheel and Capstan Shaft Assembly	22	52A10460	Flywheel Support Bracket
11	45A10489	Azimuth Adjust Spring	23	135A10461	Capstan Shaft Housing
12	52A10463	Tape Guide	24	69A10477	Motor Pulley
			25	52A10447	Cartridge Guide





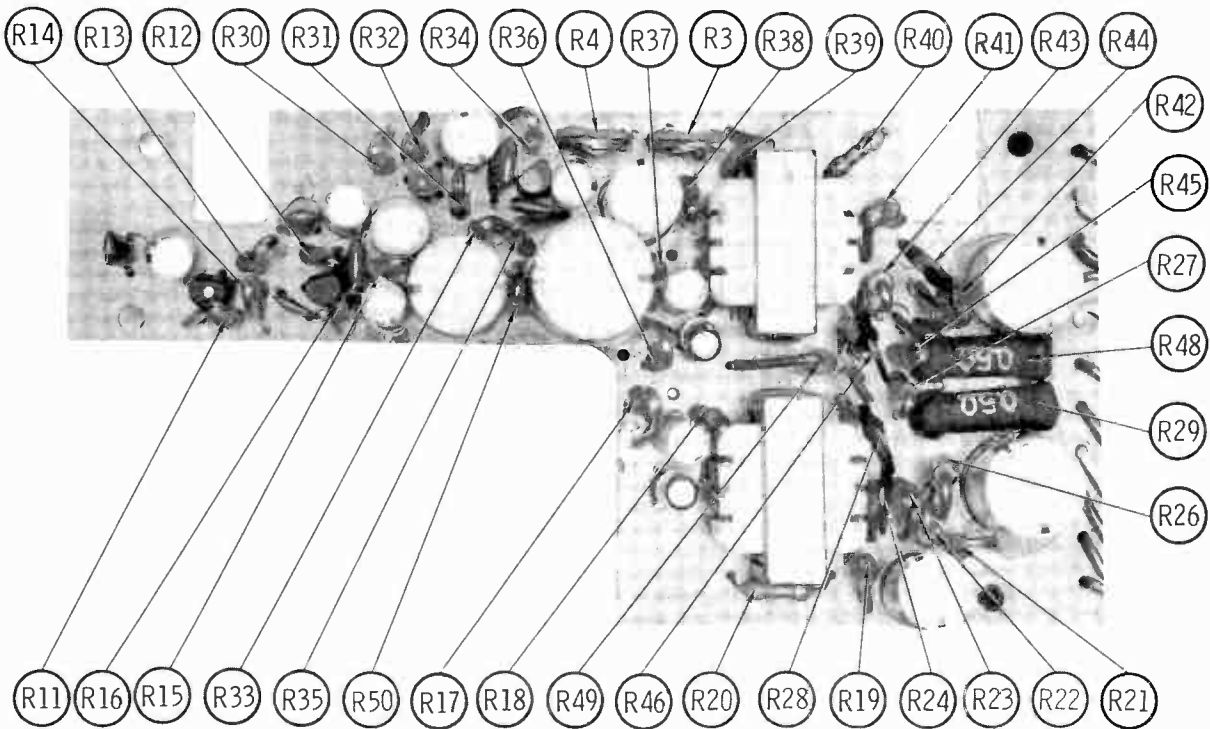
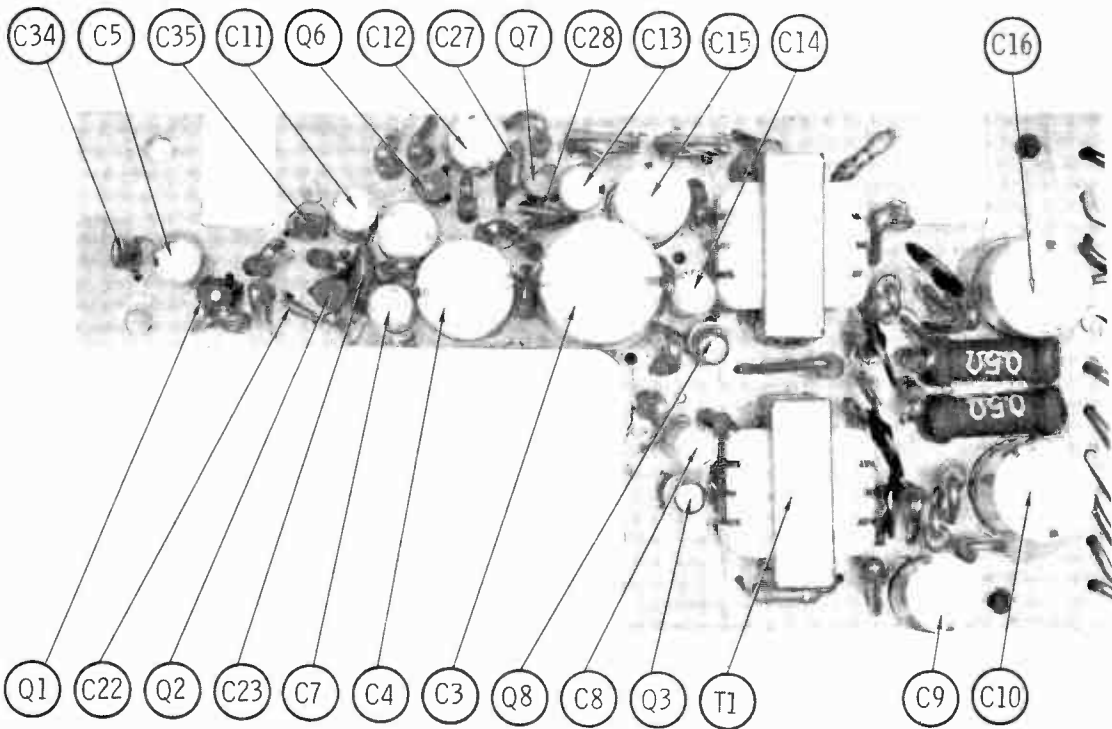
12.55V

10 13 11 14 1 26 25 23 22



AUTOMATIC MODEL SFB-6802

A Howard W. Sams CIRCUITRACE Photo



PARTS LIST AND DESCRIPTION

(When ordering parts, state Model, Part Number, and Description.)

Replacement parts shown may be superseded by the availability of newly introduced replacements.
Have your local distributor check Sams COUNTER FACTS[®] for the most up-to-date replacement.

TRANSISTORS

ITEM No.	TYPE No.	FUNCTION	REPLACEMENT DATA					
			MFRG. PART No.	GENERAL ELECTRIC PART No.	INTERNATIONAL RECTIFIER PART No.	MOTOROLA PART No.	RCA PART No.	SYLVANIA PART No.
Q1	25C828	Preamp	6A10227	GE-10	TR-21	HEP55	SK3020	ECG 123A
Q2	25C828	AF Amp	6A10227	GE-10	TR-21	HEP55	SK3020	ECG 123A
Q3	25C538	Driver	6A10228	GE-17	TR-24	HEP54	SK3020	ECG 123
Q4	25B481	Output (1)	8A10521			HEP642		
Q5	25B481	Output (1)	8A10521			HEP642		ECG 131MP*
Q6	25C828	Preamp	6A10227	GE-10	TR-21	HEP55	SK3020	ECG 123A
Q7	25C828	AF Amp	6A10227	GE-10	TR-21	HEP55	SK3020	ECG 123A
Q8	25C538	Driver	6A10228	GE-17	TR-24	HEP54	SK3020	ECG 123
Q9	25B481	Output (1)	8A10521			HEP642		
Q10	25B481	Output (1)	8A10521			HEP642		ECG 131MP*

(1) When replacing, apply silicone grease to both sides of insulator. Tighten mounting screws securely.

* Matched Pair.

ELECTROLYTIC CAPACITORS

ITEM No.	RATING	PART No.	REPLACEMENT DATA					
			AEROVOX PART No.	CENTRALAB PART No.	CORNELL-DUBILIER PART No.	GENERAL ELECTRIC PART No.	MALLORY PART No.	SPRAGUE PART No.
C1	1000 16V	20A10532	PRS1230	EA15-1000	WBR1000-16	QT1-32	TC1501A	TL-1166.5
C2	470 16V	20A10236	BCD15500	EA15-500	PC500-16	QT1-30A	MTV500DN15	TL-1166
C3	470 16V	20A10236	BCD15500	EA15-500	PC500-16	QT1-30A	MTV500DN15	TL-1166
C4	220 16V	20A10235	BCD20200	EA15-250	PC200-16	MT1-23	MTV200CK15	TE-1164
C5	10 10V	20A10232	BCD2501D	EP15-10	PC10-50	MT1-5	MTV10CB50	TE-1128
C6	47 6.3V	20A10233	BCD6050	EP6-50	PC50-16	MT1-15	MTV50CB15	TE-1133
C7	10 10V	20A10232	BCD2501D	EP15-10	PC10-50	MT1-5	MTV10CB50	TE-1128
C8	10 10V	20A10232	BCD2501D	EP15-10	PC10-50	MT1-5	MTV10CB50	TE-1128
C9	220 6.3V	20A10234	BCD6200	EA6-250	PC200-16	MT1-23	MTV200CK10	TE-1104
C10	470 10V	20A10529	PRS1230	EA15-1000	WBR1000-16	QT1-32	TC1501A	TL-1166.5
C11	10 10V	20A10232	BCD2501D	EP15-10	PC10-50	MT1-5	MTV10CB50	TE-1128
C12	47 6.3V	20A10233	BCD6050	EP6-50	PC50-16	MT1-15	MTV50CB15	TE-1133
C13	10 10V	20A10232	BCD2501D	EP15-10	PC10-50	MT1-5	MTV10CB50	TE-1128
C14	10 10V	2AA10232	BCD2501D	EP15-10	PC10-50	MT1-5	MTV10CB50	TE-1128
C15	220 6.3V	20A10234	BC06200	EA6-250	PC200-16	MT1-23	MTV200CK10	TE-1104
C16	470 10V	20A10529	PRS1230	EA15-1000	WBR1000-16	QT1-32	TC1501A	TL-1166.5

AUTOMATIC MODEL SFB-6802

CAPACITORS

ITEM No.	RATING	REMARKS	REPLACEMENT DATA					
			AEROVOX PART No.	CENTRALAB PART No.	CORNELL-DUBILIER PART No.	ELMENCO PART No.	MALLORY PART No.	SPRAGUE PART No.
C21	.0022		GPD X5F222K	DD-222	GP2200	CCD-222	GP222	10TS-D22
C22	100		NPO-DI 100	DTZ-100	NPO100	CCTO-101	CN0310	10TCC-T10
C23	.022		TTP-02	CK-203	MGP02	CCD-203	TA120	TG-S20
C24	.022		TTP-02	CK-203	MGP02	CCD-203	TA120	TG-S20
C25	.022		TTP-02	CK-203	MGP02	CCD-203	TA120	TG-S20
C26	.0022		GPD X5F222K	DD-222	GP2200	CCD-222	GP222	10TS-D22
C27	.022		TTP-02	CK-203	MGP02	CCD-203	TA120	TG-S20
C28	100		NPO-DI 100	DTZ-100	NPO100	CCTO-101	CN0310	10TCC-T10
C29	.022		TTP-02	CK-203	MGP02	CCD-203	TA120	TG-S20
C30	.022		TTP-02	CK-203	MGP02	CCD-203	TA120	TG-S20
C31		#23A10533						
C32		#23A10533						
C33		#23A10533						
C34	.001		GPD X5F102K	DM-102	GP1000	CCD-102	SM210	2SS-D10
C35	.001		GPD X5F102K	DM-102	GP1000	CCD-102	SM210	2SS-D10

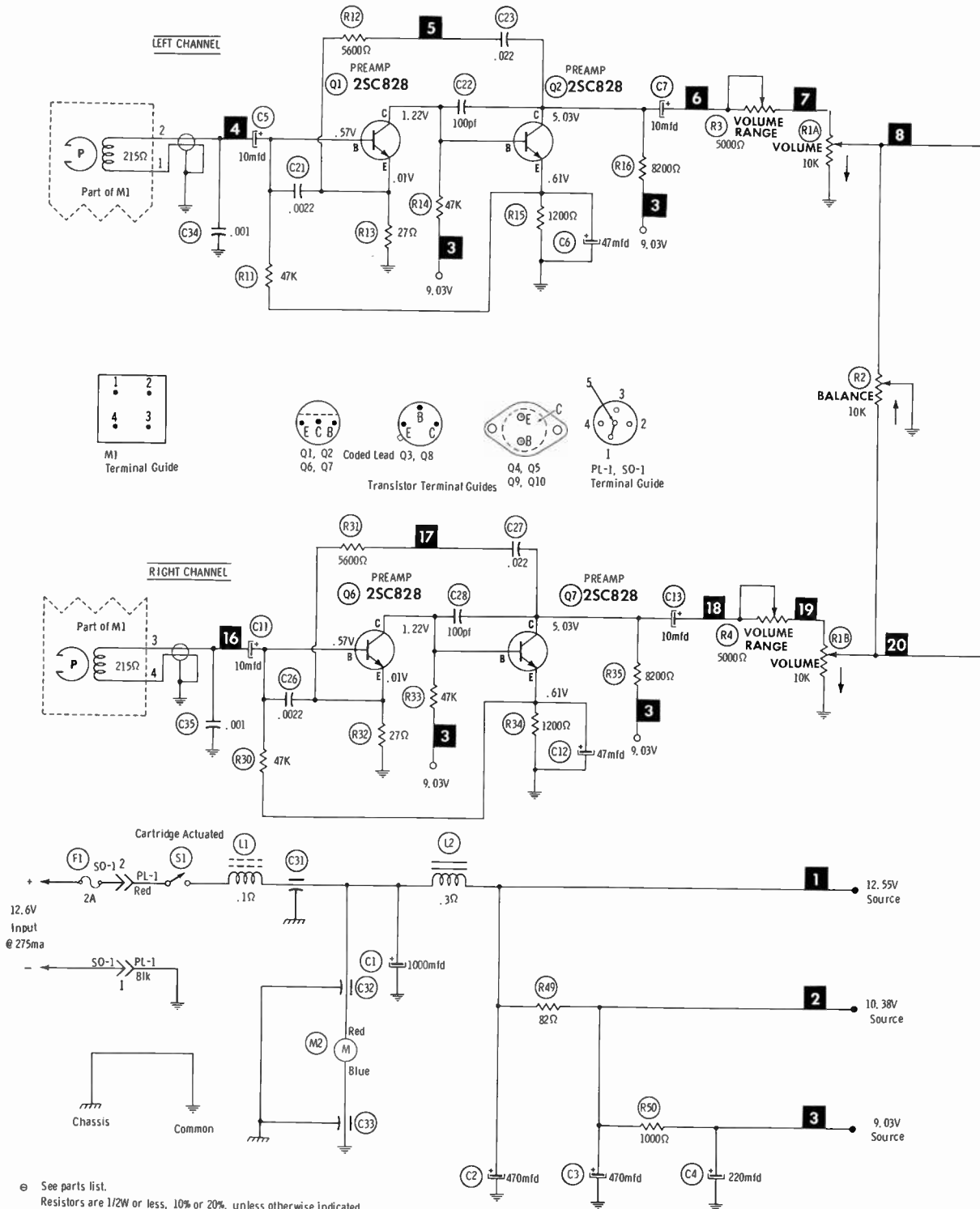
Automatic Part Number

CONTROLS (All wattages 1/2 watt, or less, unless listed)

ITEM No.	FUNCTION	RESISTANCE	REPLACEMENT DATA				
			MFRG. PART No.	CENTRALAB PART No.	CLAROSTAT PART No.	CTS-IRC PART No.	MALLORY PART No.
R1A	Volume, Left	10K	8GA10508				
B	Volume, Right	10K					
R2	Balance	10K	8GA10507				
R3	Volume Limit, Left	5000	62A10208				
R4	Volume Limit, Right	5000	62A10208				

(CONTINUED ON PAGE 14)

NOTE: DEMAGNETIZE HEADS AFTER SERVICING

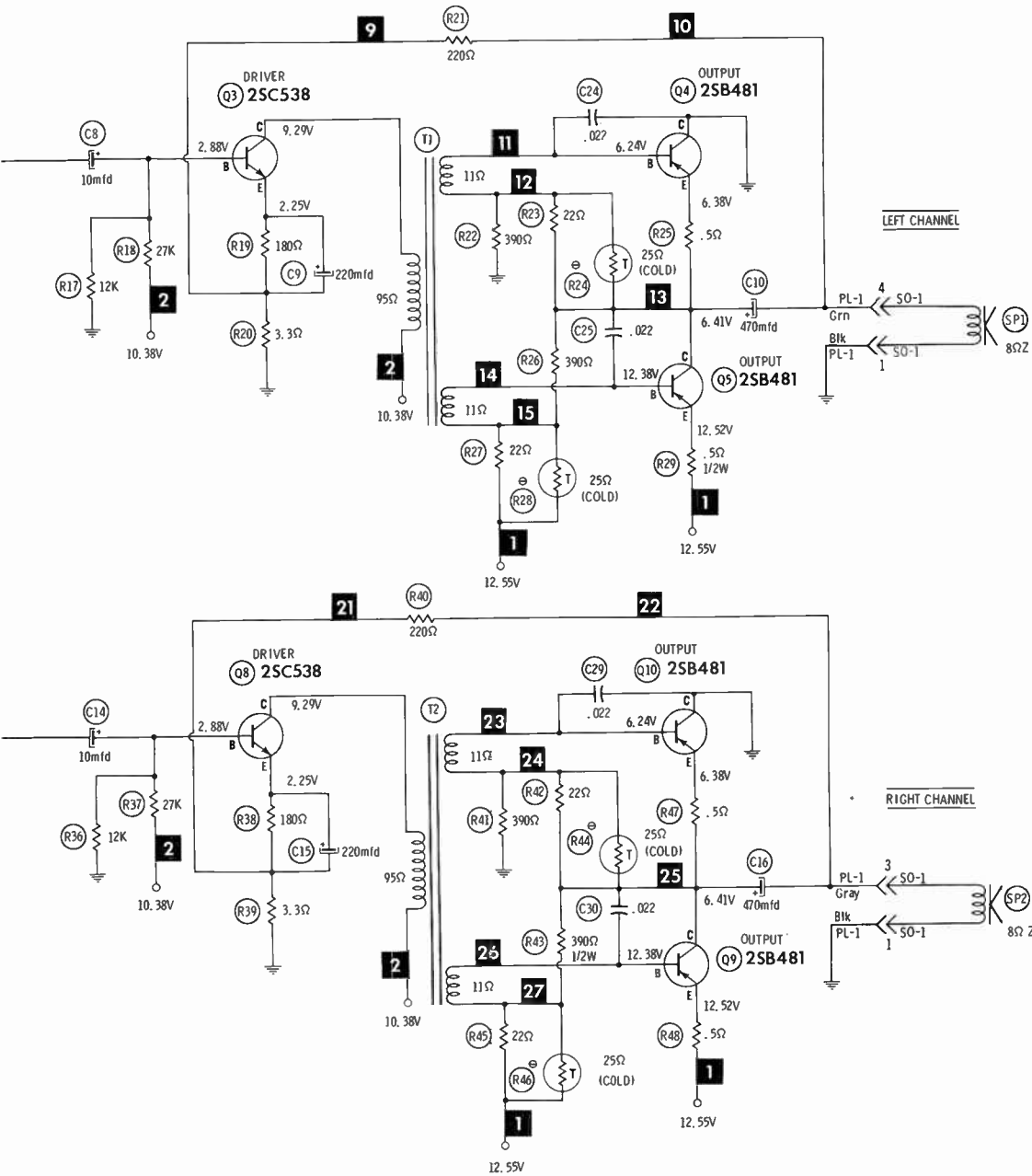


See parts list.
 Resistors are 1/2W or less, 10% or 20%, unless otherwise indicated.
 Supply voltage maintained at rated value for measurements.
 Voltage and resistance measured with VTVM or equivalent meter,
 no signal applied and controls adjusted for normal operation.
 Controls viewed from actuator end. Arrow indicates clockwise rotation.
 Numbers assigned to terminals may not be found on the unit.
 Transistor resistances vary widely. No resistance measurements taken.

A PHOTOFAC STANDARD NOTATION SCHEMATIC

with **CIRCUITRACE**

© Howard W. Soms & Co., Inc. 1970



AUTOMATIC MODEL SFB-6802

PARTS LIST AND DESCRIPTION (CONTINUED)

(When ordering parts, state Model, Part Number, and Description.)

Replacement parts shown may be superseded by the availability of newly introduced replacements.
Have your local distributor check Sams COUNTER FACTS* for the most up-to-date replacement.

RESISTORS (Power and Special)

ITEM No.	RATING	REPLACEMENT DATA	
		WORKMAN PART No.	MFGR. PART No.
R24	25 (Cold)		5A1D23D
R28	25 (Cold)		5A1D23D

ITEM No.	RATING	REPLACEMENT DATA	
		WORKMAN PART No.	MFGR. PART No.
R44	25 (Cold)		5A1D23D
R46	25 (Cold)		5A1D23D

FILTER CHOKE

ITEM No.	RATINGS			REPLACEMENT DATA					NOTES
	CURRENT (Measured)	DC RES.	INDUCTANCE (0 CURRENT 1000~)	PART No.	MERIT PART No.	STANCOR PART No.	THORDARSON PART No.	TRIAD PART No.	
L1	275ma	.1	1Duh	14A1D517					
L2	2DDma	.3	1.5mh	14A1D512					

TRANSFORMER (Driver)

ITEM No.	TURNS RATIO			REPLACEMENT DATA					NOTES
	PRI.	SEC. 1	SEC. 2	PART No.	MERIT PART No.	STANCOR PART No.	THORDARSON PART No.	TRIAD Part No.	
T1	4	1	1	75A1D411					
T2	4	1	1	75A1D411					

FUSE DEVICES

ITEM No.	DESCRIPTION	REPLACEMENT DATA							
		PART No.		BUSS PART No.		LITTELFUSE PART No.		WORKMAN PART No.	
		DEVICE	HOLDER	DEVICE	HOLDER	DEVICE	HOLDER	DEVICE	
F1	2 Amp			AGC 2	HDJ	312D02	15D145		

TAPE HEADS

ITEM No.	MEASURED			PART No.	NORTRONICS PART No.	DESCRIPTION
	INDUCTANCE	BIAS/ERASE VOLTS (RMS)	BIAS FREQ.			
M1	165mh			13DA1D5D5		4-Track Stereo

MISCELLANEOUS

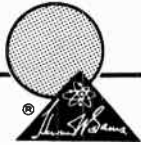
ITEM No.	PART NAME	PART No.	NOTES
M2	Motor	13DA1D5D4	
S1	Switch, Power	94A1D511	

CABINETS & CABINET PARTS (When ordering specify model, chassis & color)

ITEM	PART No.	ITEM	PART No.
Escutcheon	54A10442	Knob, Power	47A1D446
Knob, Volume or Balance	47A10444		

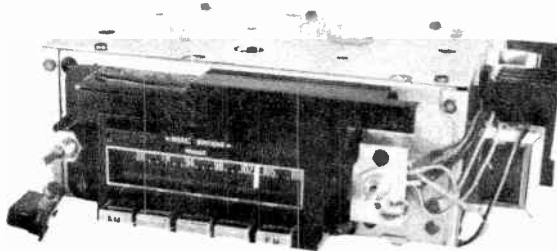
WIRING DATA

General-use Unshielded Hook-up Wire	Use BELDEN No. 853D (Solid) Available in 12 Colors
	8524 (Stranded) Available in 12 Colors
Shielded Hook-up Wire	Use BELDEN No. 8885
Rear Seat Speaker Extension Cable	Use BELDEN No. 8782 (Stranded) Coded Parallel Leads
Bonding Strap	Use BELDEN No. 8661 (3/8 In.) or 867D (3/4 In.)



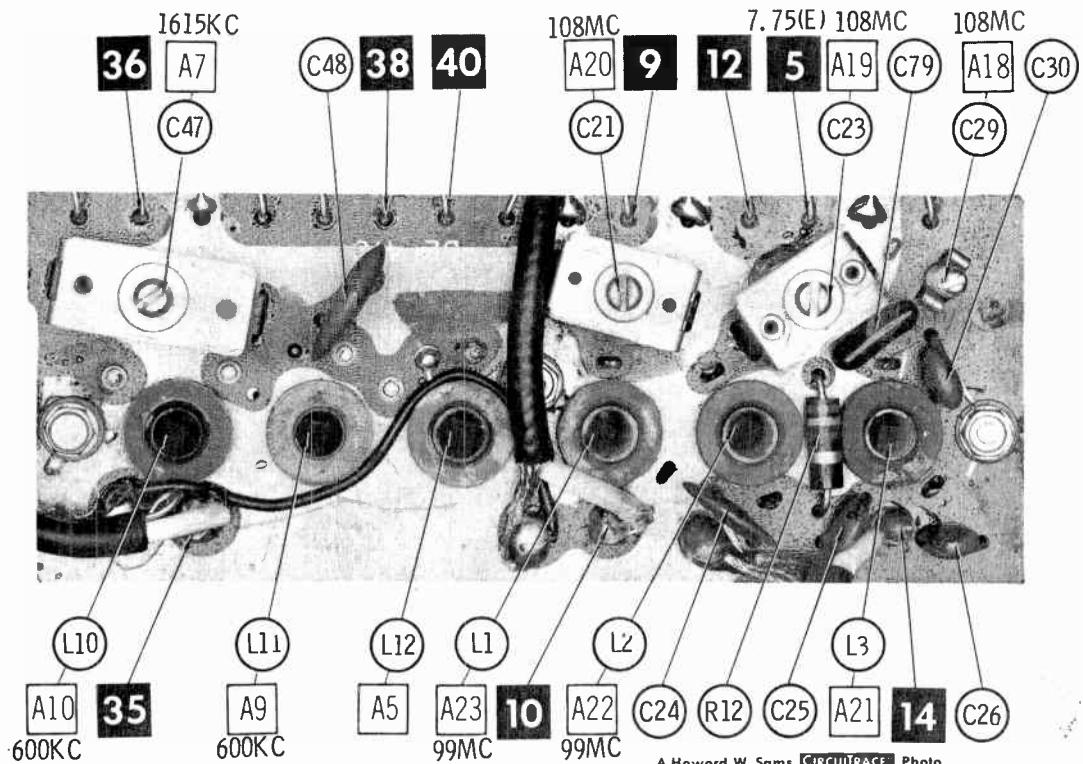
For Supplier Address See PHOTOFACT Index

NOTE: Manufacturer Part Numbers Shown Are UNITED DELCO



CADILLAC MODEL 05CFW1
(70 Cadillac)

CADILLAC MODEL 05CFW1

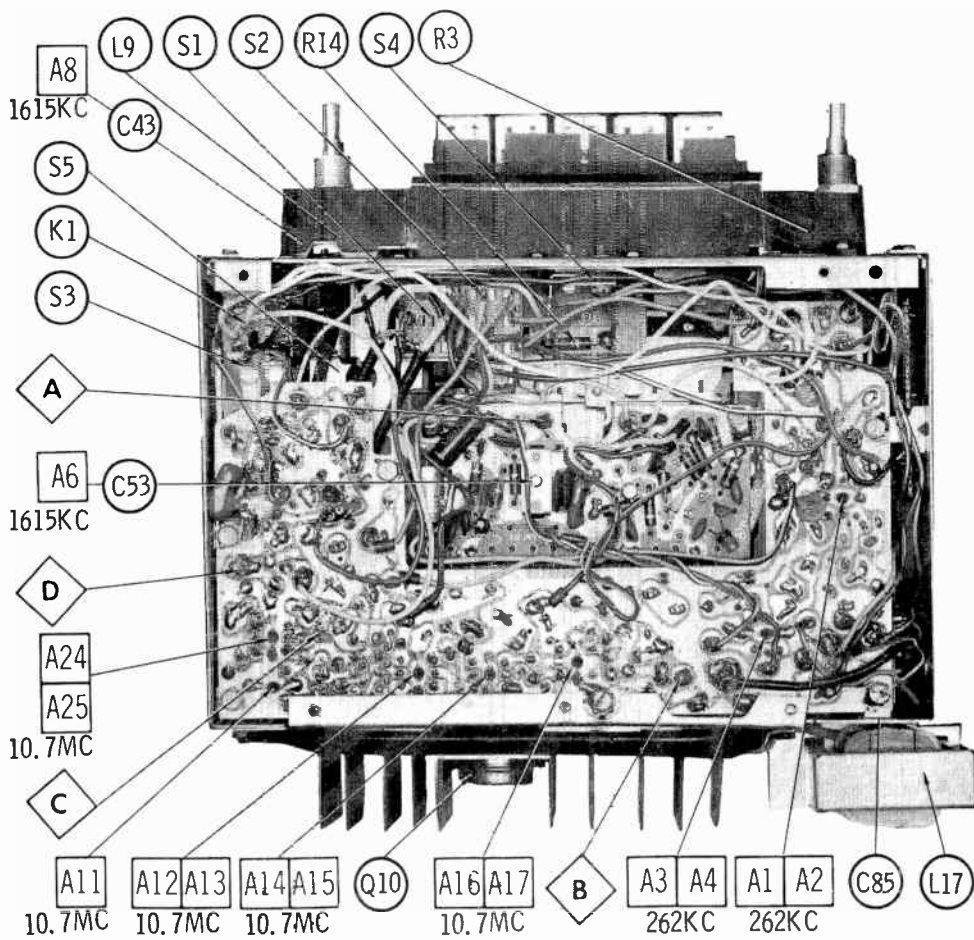
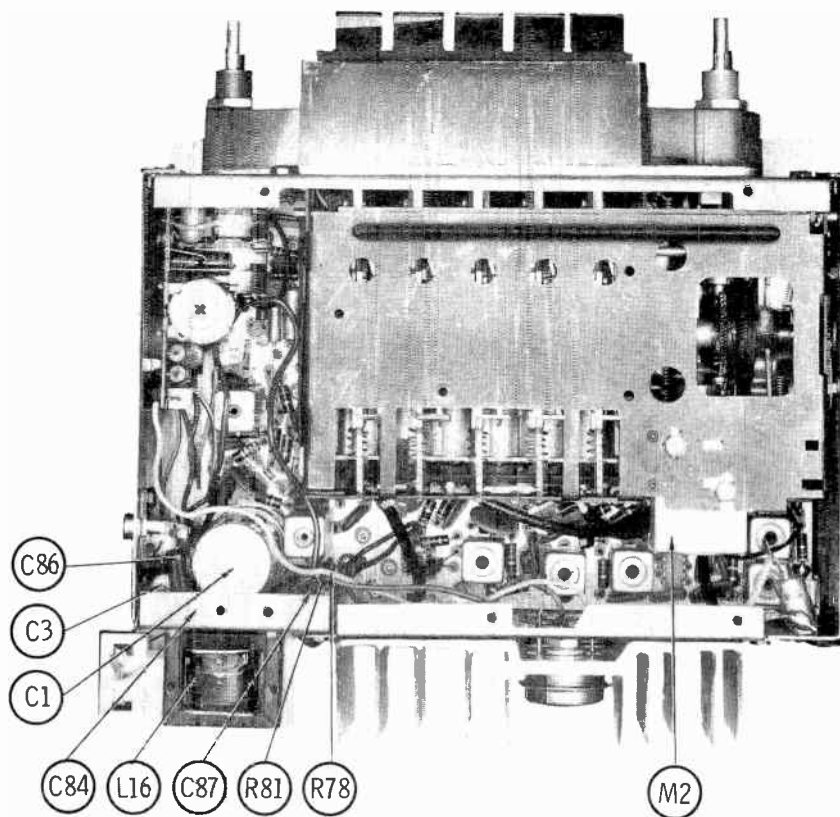


A Howard W. Sams CIRCUITRACE Photo

HOWARD W. SAMS & CO., INC. Indianapolis, Indiana 46206

© 1970 Howard W. Sams & Co., Inc. Printed in U. S. of America

TD795R



ALIGNMENT INSTRUCTIONS

Check for specified source voltage. Use only enough generator output to provide a usable indication. Suggested Alignment Tools: A1 thru A4, A11 thru A17...:GENERAL CEMENT #9300,9296,9297 WALSCO #2510,2546,2547 A6, A7, A8, A19, A20, A21... GENERAL CEMENT #8290, 8868, 9087 WALSCO #2525. 2528, 2587				PUSH-BUTTON ADJUSTMENT 1. Pull button out. 2. Tune manually to desired station. 3. Press button in firmly. 4. Repeat for remaining buttons.	
GENERATOR COUPLING	GENERATOR FREQUENCY	RADIO DIAL SETTING	INDICATOR	ADJUST	REMARKS
1. High side thru .1mfd to point $\diamond A$, low side to ground.	262KC 400 cycle modulation	High freq. end stop.	Output meter across voice coil.	A1,A2, A3,A4	Adjust for maximum.
Check setting of oscillator coil core (A5). Rear of core should be 1 3/8" from mounting end of coil form.					
2. High side thru 82pf to antenna input, low side to ground.	1615KC	High freq. end stop.	Output meter across voice coil.	A6,A7, A8	Adjust for maximum.
3. " "	600KC	600KC signal	"	A9,A10	Adjust for maximum. Repeat Step 2.
With radio installed in car and antenna extended to desired height, tune in a weak station near 1400KC and adjust A8 for maximum output. Antenna adjustment (A8) is located behind tuning & Dummy Knob.					

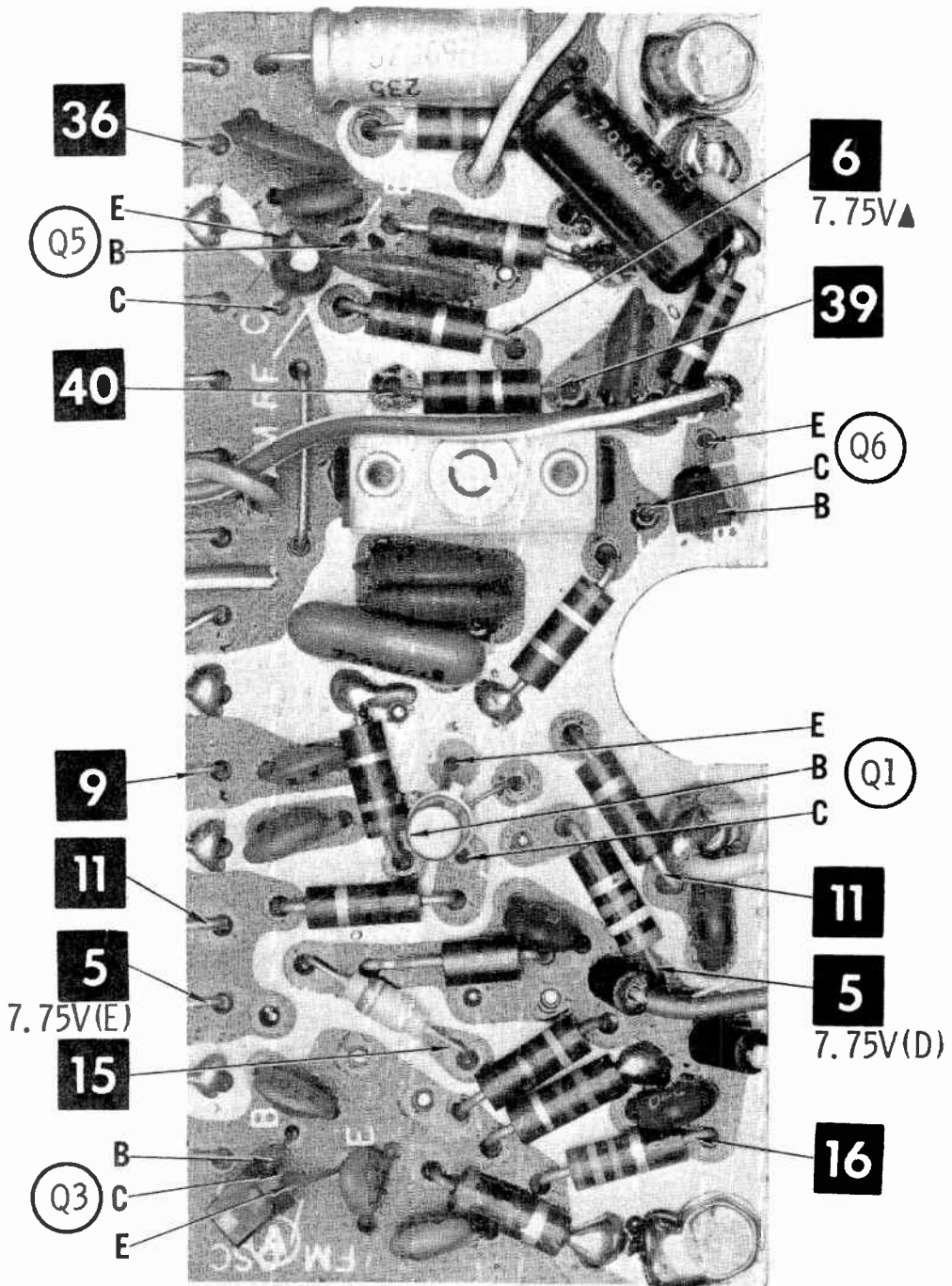
CADILLAC MODEL 05CFW1

FM IF ALIGNMENT USING AM SIGNAL GENERATOR—SELECTOR IN FM POSITION

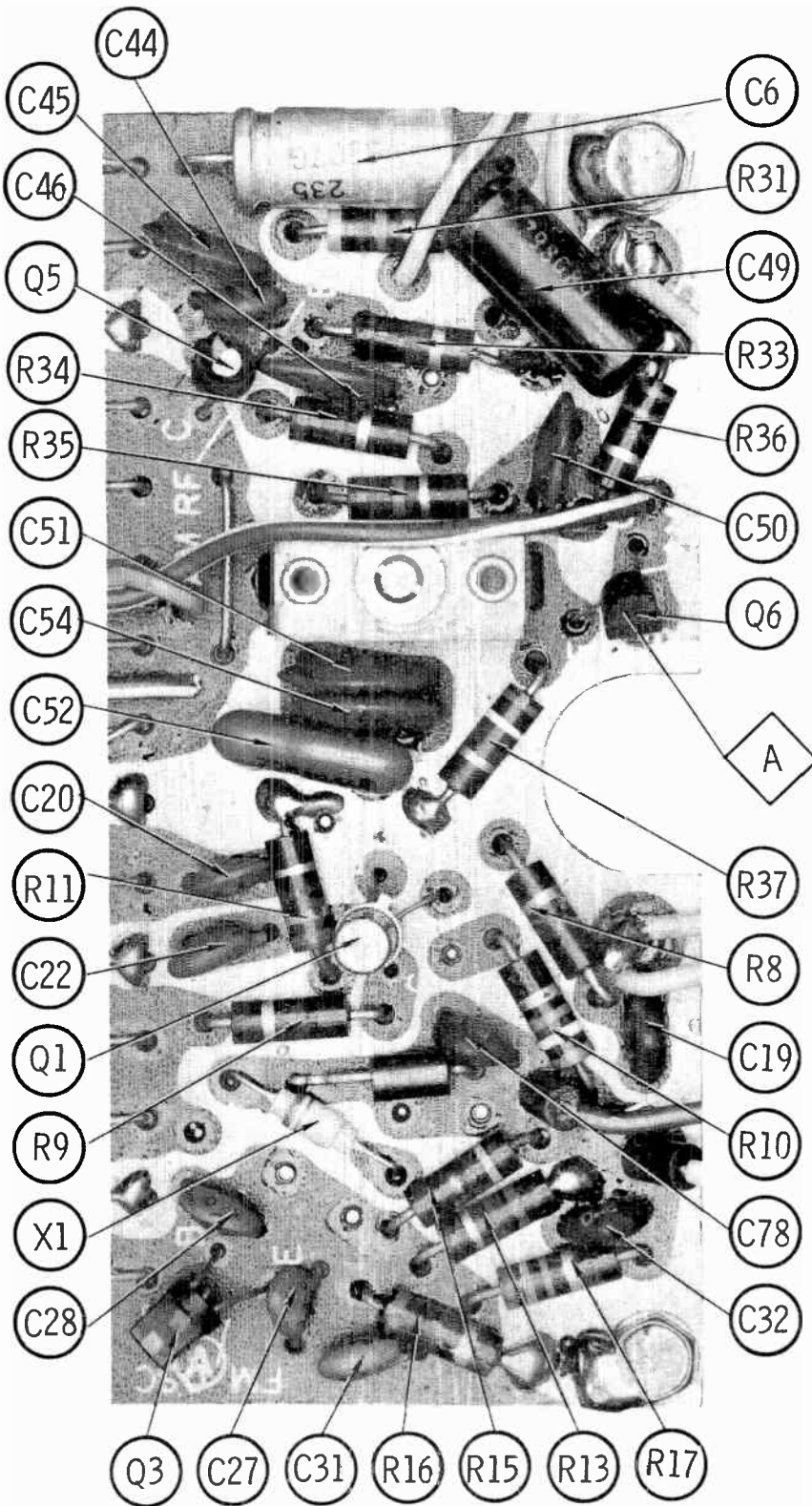
High side of generator thru .001mfd to point $\diamond B$, low side to ground.				
GENERATOR FREQUENCY	RADIO DIAL SETTING	INDICATOR	ADJUST	REMARKS
4. 10.7MC (Unmodulated)		Output Meter across voice coil.	A11	Adjust for MINIMUM between two noise peaks.
5. 10.7MC (400 cycles Mod.)	"	"	A12 thru A17	Adjust for maximum.
6. " "	"	DC Probe of VTVM to point $\diamond D$.	A24 A25	"

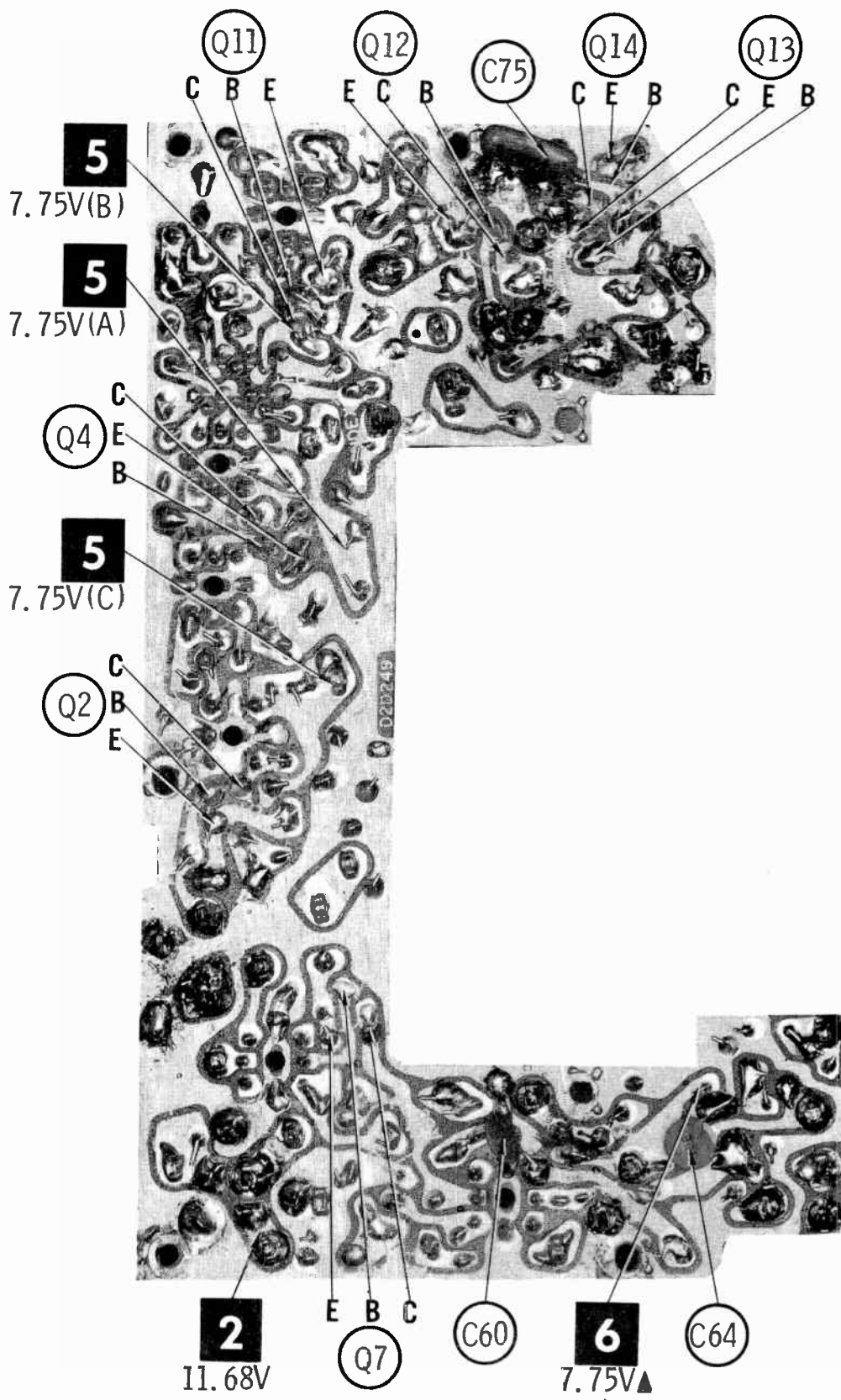
FM RF ALIGNMENT—SELECTOR IN FM POSITION

Connect generator across antenna terminals with 120-ohm carbon resistor in series with each lead.				
GENERATOR FREQUENCY	RADIO DIAL SETTING	INDICATOR	ADJUST	REMARKS
7. 108MC	High freq. end	DC probe of VTVM to point $\diamond C$, common to ground.	A18,A19, A20	Adjust for maximum.
8. 99MC Unmodulated	Tune to signal.	"	A22, A23	Rock tuning and adjust for maximum. Repeat steps 7 and 8 until no further improvement can be made.

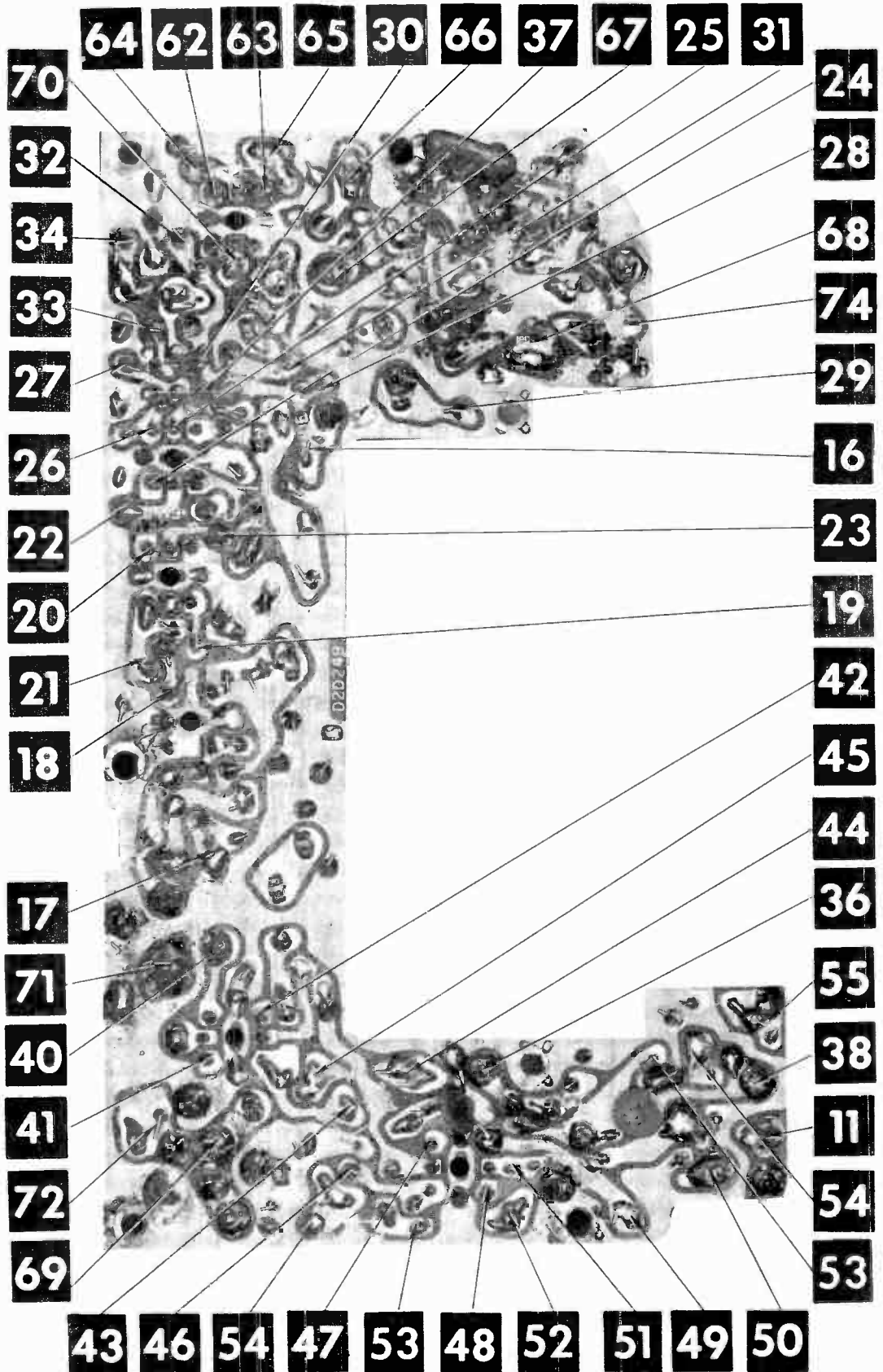


A Howard W. Sams **CIRCUITRACE** Photo

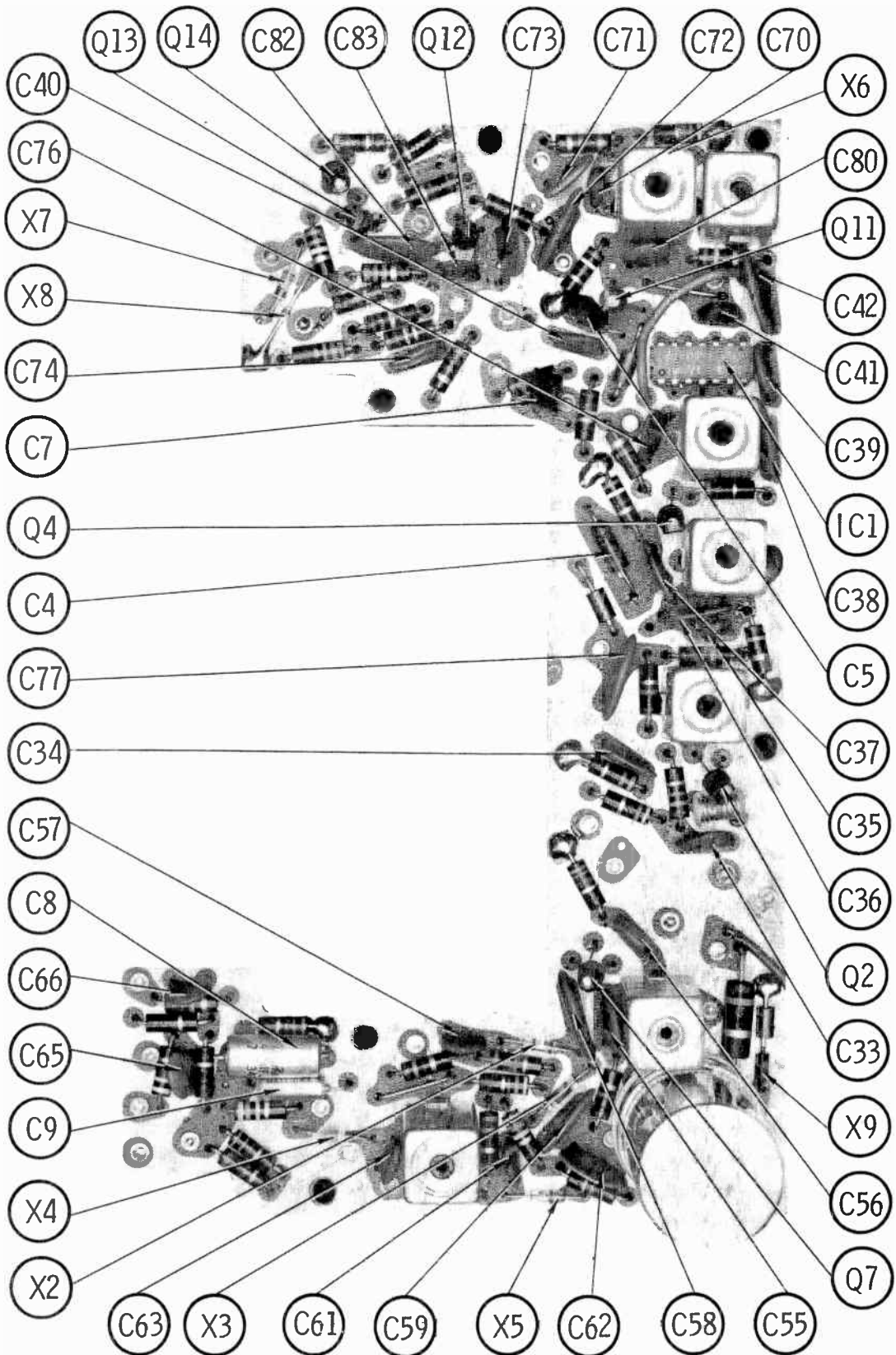


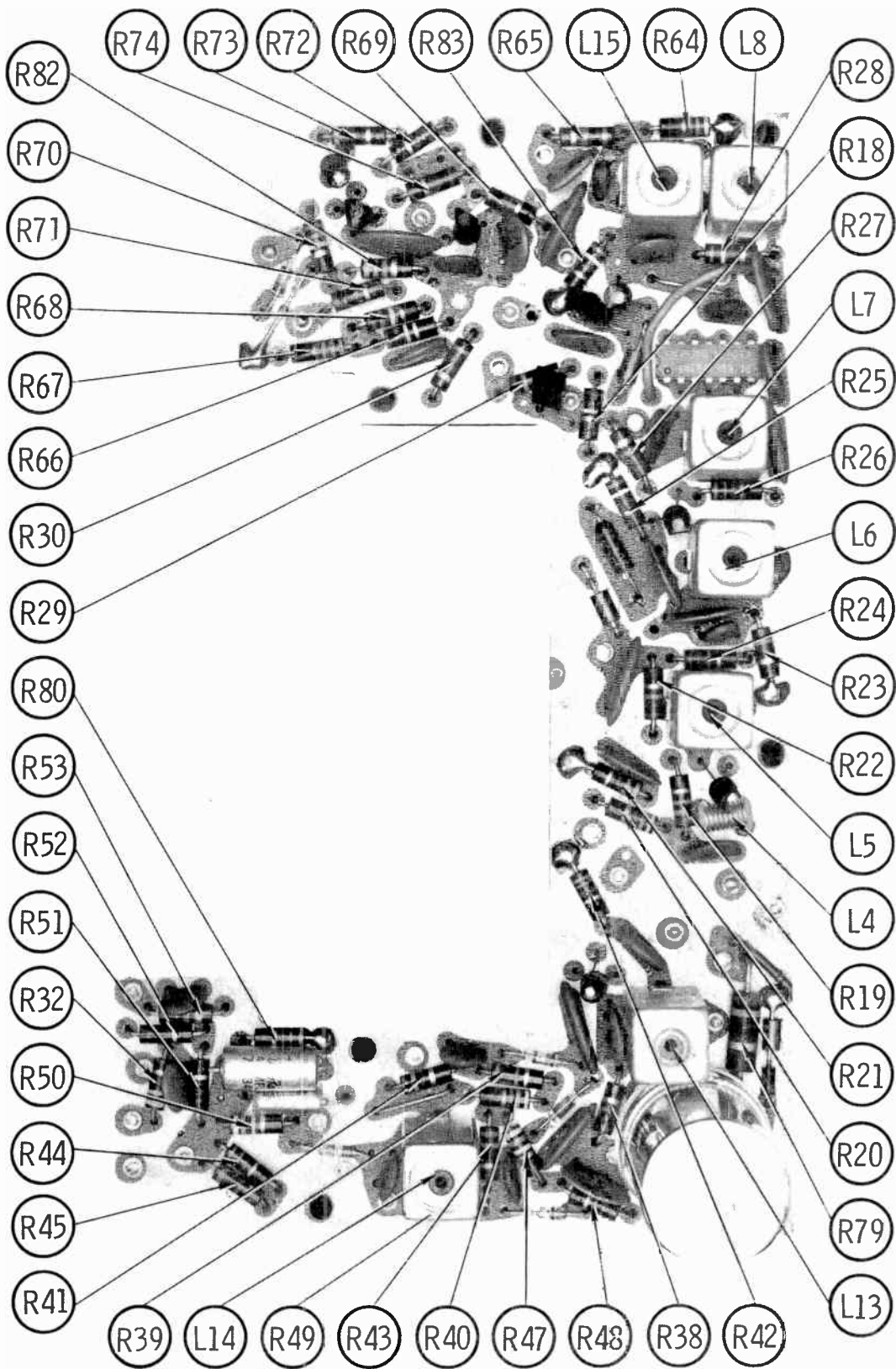


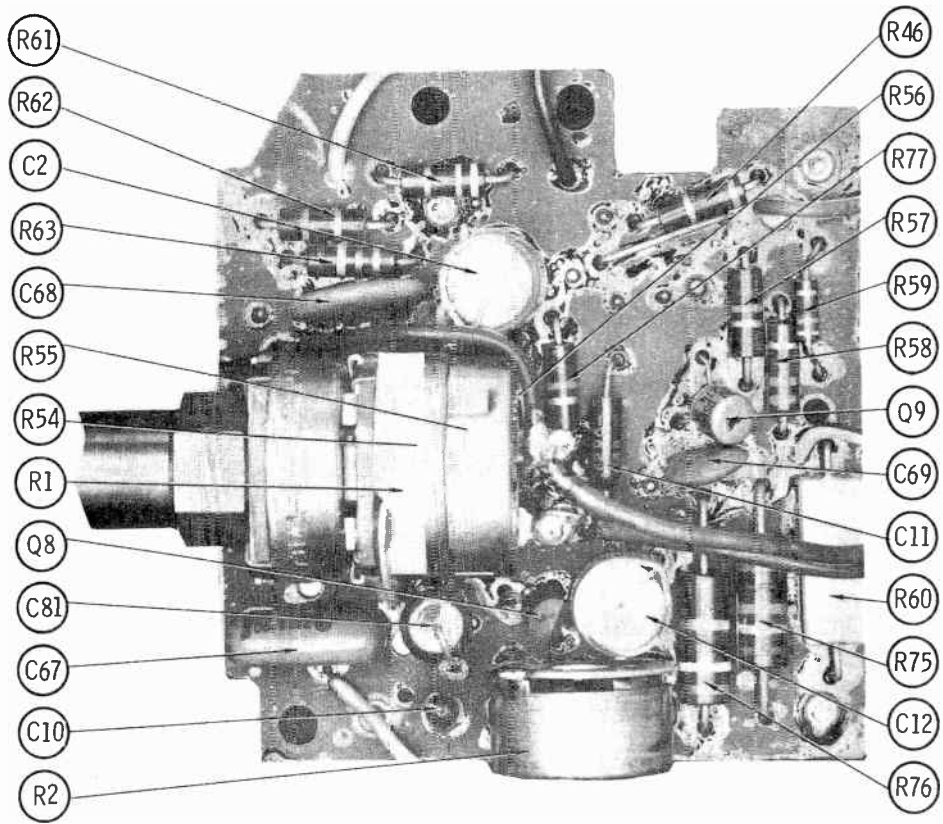
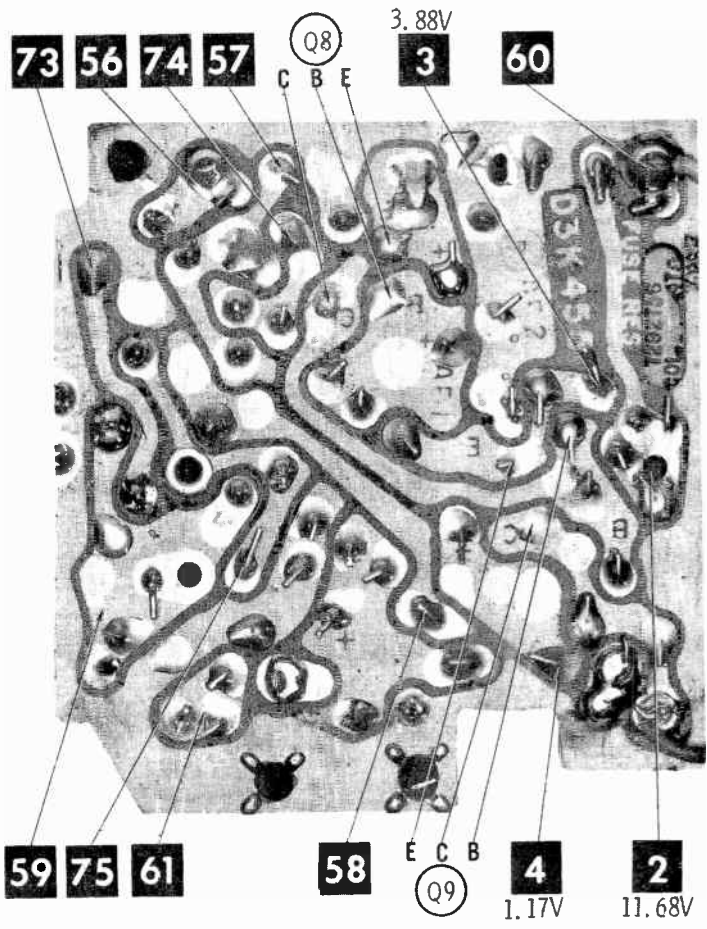
A Howard W. Sams **CIRCUITRACE** Photo



A Howard W. Sams **CIRCUITRACE** Photo







PARTS LIST AND DESCRIPTION

(When ordering parts, state Model, Part Number, and Description.)

Replacement parts shown may be superseded by the availability of newly introduced replacements.
Have your local distributor check Sams COUNTER FACTS[®] for the most up-to-date replacement.

WIRING DATA

General-use Unshielded Hook-up Wire	Use BELDEN No. 8530 (Solid) Available in 12 Colors 8524 (Stranded) Available in 12 Colors
Shielded Hook-up Wire	Use BELDEN No. 8885
Rear Seat Speaker Extension Cable	Use BELDEN No. 8782 (Stranded) Coded Parallel Leads
Bonding Strap	Use BELDEN No. 8661 (3/8 In.) or 8670 (3/4 In.)

TRANSISTORS

ITEM No.	TYPE No.	FUNCTION	REPLACEMENT DATA					
			MFGR. PART No.	GENERAL ELECTRIC PART No.	INTERNATIONAL RECTIFIER PART No.	MOTOROLA PART No.	RCA PART No.	SYLVANIA PART No.
Q1	DS-78	FM RF Amp	DS-81	GE-17	TR-22	HEP50	SK3018	ECG 108
Q2	DS-74	FM Mixer	DS-74	GE-11	TR-21	HEP56	SK3018	ECG 108
Q3	DS-74	FM Oscillator	DS-74	GE-11	TR-21	HEP56	SK3018	ECG 108
Q4	DS-85	FM IF Amp	DS-74	GE-17	TR-21	HEP53	SK3018	ECG 108
Q5	DS-71	AM RF Amp	DS-71	GE-20	TR-21	HEP53	SK3018	ECG 108
Q6	DS-72	AM Converter	DS-72	GE-20	TR-21	HEP53	SK3018	ECG 108
Q7	DS-72	AM IF Amp	DS-72	GE-20	TR-21	HEP53	SK3018	ECG 108
Q8	DS-76	AF Amp	DS-66	GE-10	TR-21	HEP54	SK3020	ECG 123
Q9	DS-66	AF Amp	DS-66	GE-10	TR-21	HEP50	SK3020	ECG 123
Q10	DS-501	Outout (1)	DS-501	GE-4	TR-03	HEP233	SK3012	ECG 105
Q11	DS-85	FM Trigger Preamp	DS-74	GE-17	TR-21	HEP53	SK3018	ECG 108
Q12	DS-47	Trigger Amp	DS-47	GE-10	TR-21	HEP54	SK3020	ECG 123
Q13	DS-67	Relay Amp	DS-66	GE-10	TR-21	HEP54	SK3020	ECG 123
Q14	DS-67	Relay Control	DS-66	GE-10	TR-21	HEP54	SK3020	ECG 123

(1) When replacing, apply silicone grease to both sides of insulator. Tighten mounting screws securely.

INTEGRATED CIRCUITS

ITEM No.	FUNCTION	MFGR. PART No.	REMARKS
IC-1	FM Limiter & Quadrature Detector	DM-11	

CADILLAC MODEL 05CFW1

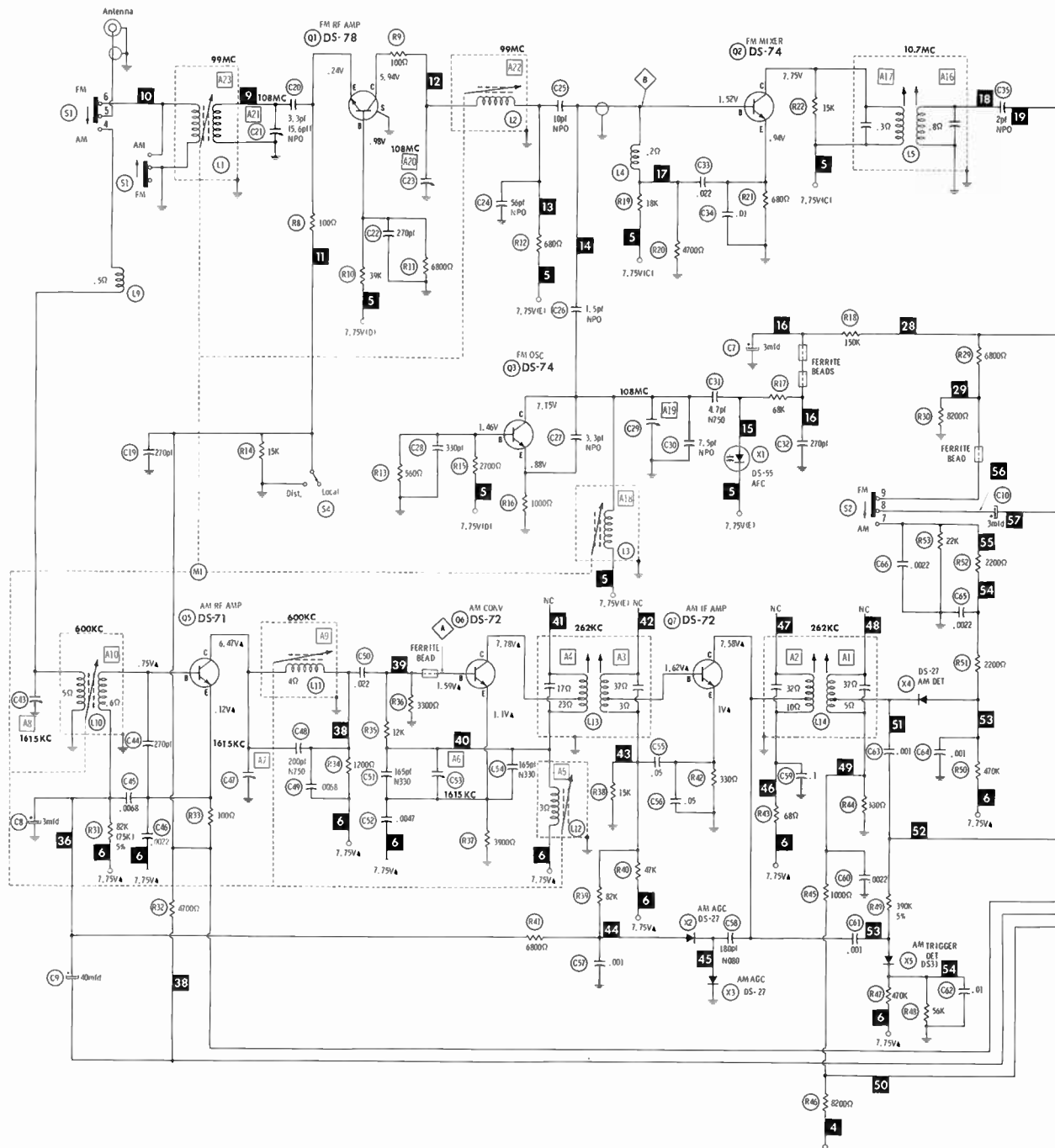
POWER RECTIFIERS & SIGNAL DIODES

ITEM No.	MFGR. PART OR TYPE No.	REPLACEMENT RECTIFIERS & DIODES			REPLACEMENT RECTIFIERS	NOTES
		GENERAL ELECTRIC PART No.	INTERNATIONAL RECTIFIER PART No.	SYLVANIA PART No.	RCA PART No.	
X1	DS-55			ECG 109		Varactor
X2	DS-27	1N34AS	1N34A	ECG 109		
X3	DS-27	1N34AS	1N34A	ECG 109		
X4	DS-27	1N34AS	1N34A	ECG 109		
X5	DS-31	1N34AS	1N34A	ECG 109		
X6	DS-27	1N34AS	1N34A	ECG 109		
X7	DS-27	1N34AS	1N34A	ECG 109		
X8	DS-149	GE-X1	12M-8.2		Zener	
X9	DS-149	GE-X1	12M-8.2		Zener	

ELECTROLYTIC CAPACITORS

ITEM No.	RATING	REPLACEMENT DATA						
		PART No.	AEROVOX PART No.	CENTRALAB PART No.	CORNELL-DUBILIER PART No.	GENERAL ELECTRIC PART No.	MALLORY PART No.	SPRAGUE PART No.
C1A	1500 16V	7314039						
B	500 16V							
C	15 11.5V rms							
C2	100 4V	7291810	PTT30	EA6-100	AL100-16	MT1-21	MTA100E10	TE-1102
C3	250 16V	7307357	PRS1210	EA15-250	WBR250-50	QT1-28	MTA250F15	TE-1165
C4	4.7 10V	7310782	CRE604A	EA15-5	WBR5-150	MT1-3	MTA5D50	TE-1127
C5	3 10V	7296348	PTT127	EA15-2	AL3-150	MT1-3	MTA3D50	TE-1127
C6	10 12V	7292738	PTT114	EA15-10	AL10-25	MT1-5	MTA10D35	TL-1128
C7	3 10V	7296348	PTT127	EA15-2	AL3-150	MT1-3	MTA3D50	TE-1127

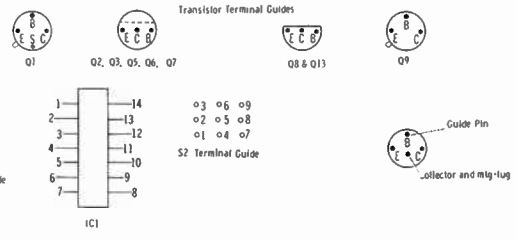
(CONTINUED ON PAGE 28)

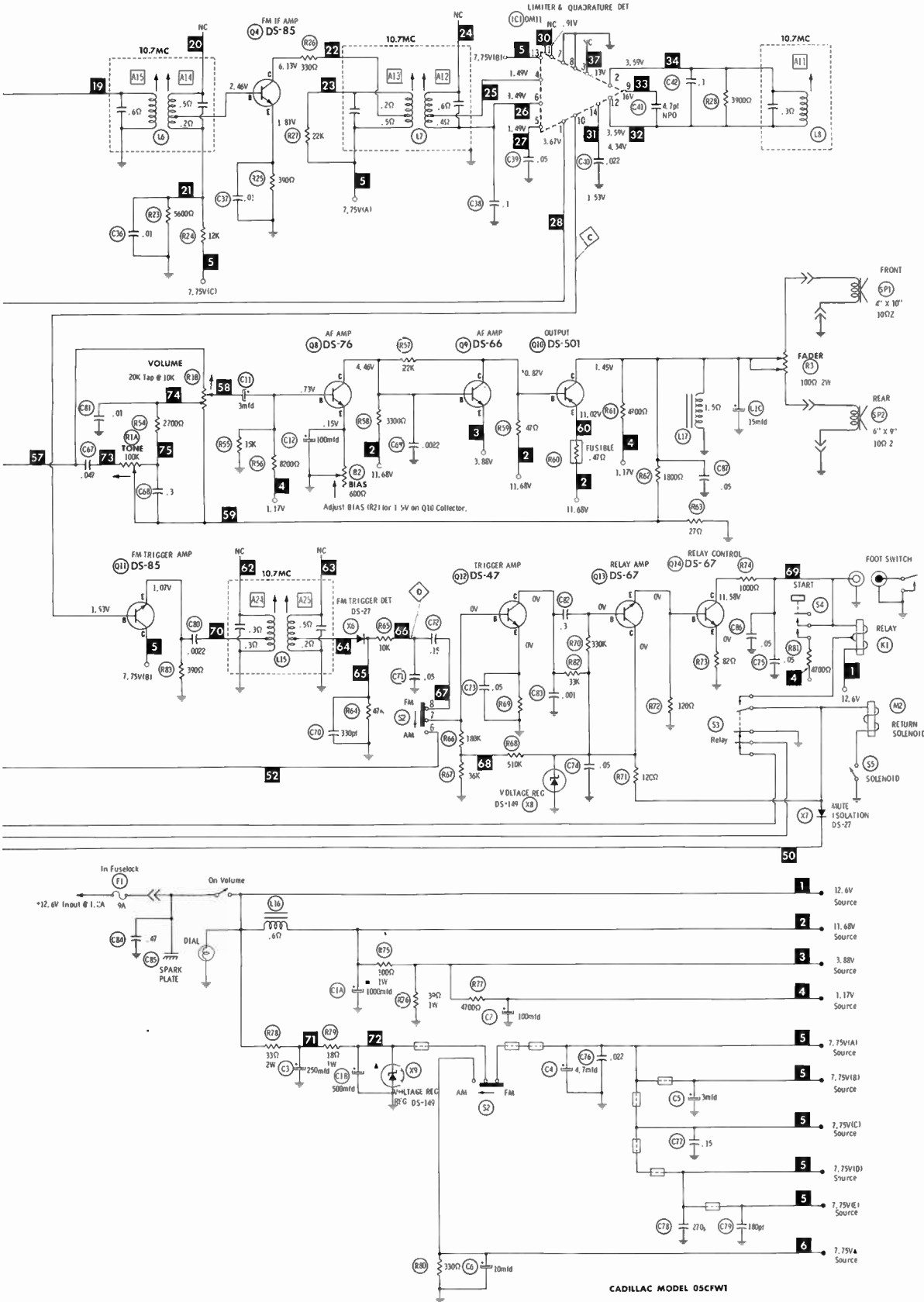


* Omitted in some versions.
 ○ See parts list.
 □ Denotes chassis
 ⊕ Denotes ground

Measurements taken with switching in position shown unless otherwise indicated.
 ▲ Measured with switching in "AM" position.
 Resistors are 1/2W or less, 10% or 20%, unless otherwise indicated. Supply voltage maintained at rated value for measurements. Voltage and resistance measured with VTVM or equivalent meter. No signal applied and controls adjusted for normal operation. Controls viewed from actuator end. Arrow indicates clockwise rotation. Numbers assigned to terminals may not be found on the unit. Transistor resistances vary widely. No resistance measurements taken.

A PHOTOFACIT STANDARD NOTATION SCHEMATIC
 with **CIRCUITRACE**[®]
 © Howard W. Sams & Co., Inc 1970





PARTS LIST AND DESCRIPTION (CONTINUED)

(When ordering parts, state Model, Part Number, and Description.)

Replacement parts shown may be superseded by the availability of newly introduced replacements.
Have your local distributor check Sams COUNTER FACTS for the most up-to-date replacement.

ELECTROLYTIC CAPACITORS (cont)

ITEM No.	RATING		REPLACEMENT DATA						
			PART No.	AEROVOX PART No.	CENTRALAB PART No.	CORNELL-DUBILIER PART No.	GENERAL ELECTRIC PART No.	MALLORY PART No.	SPRAGUE PART No.
C8	3	10V	7296348	PTT127	EA15-2	AL3-150	MT1-3	MTA3D50	TE-1127
C9	40	6V	7298555	CRE315A	EA6-50	AL50-15	MT1-15	TAC396K006POA	TE-1095
C10	3	10V	7296348	PTT127	EA15-2	AL3-150	MT1-3	MTA3D50	TE-1127
C11	3	10V	7296348	PTT127	EA15-2	AL3-150	MT1-3	MTA3D50	TE-1127
C12	100	4V	7291810	PTT30	EA6-100	AL100-16	MT1-21	MTA100E10	TE-1102

CAPACITORS

ITEM No.	RATING		REMARKS	REPLACEMENT DATA					
				AEROVOX PART No.	CENTRALAB PART No.	CORNELL-DUBILIER PART No.	ELMENCO PART No.	MALLORY PART No.	SPRAGUE PART No.
C19	270			GPD X5F271K	DD-271	GP270	CCD-271	GP327	56A-T27
C20	3.3	NPO		NPO-DI 3.3	DTZ-3R3	NP03P3		CN0533	10TCC-V33
C21			#7293221						
C22	270			GPD X5F271K	DD-271	GP270	CCD-271	GP327	56A-T27
C23			#7291003						
C24	56	NPO			TCZ-56		CCT0-560	CN0456	10TCC-Q56
C25	10	NPO		NPO-DI 10	DTZ-10	NP010	CCT0-100	CN0410	10TCC-Q10
C26	1.5	NPO		NPO-DI 1.5	DTZ-1R5	NP01P5		CN0515	10TCC-V15
C27	3.3	NPO		NPO-DI 3.3	DTZ-3R3	NP03P3		CN0533	10TCC-V33
C28	330			GPD X5F331K	DD-331	GP330	CCD-331	GP333	10TS-T33
C29			#7292611						
C30	7.5	NPO	#7300236						
C31	4.7	N750			DTN-5	N5	CCTN-050	CN754	10TCU-V47
C32	270			GPD X5F271K	DD-271	GP270	CCD-271	GP327	56A-T27
C33	.022			TTP-02	CK-203	MGP02	CCD-203	TA120	TG-S20
C34	.01			TTP-01	CK-103	MGP01	CCD-103	TA110	TG-S10
C35	2	NPO		NPO-DI 2.2	DTZ-2R2	NP02P2		CN0522	10TCC-V22
C36	.01			TTP-01	CK-103	MGP01	CCD-103	TA110	TG-S10
C37	.01			TTP-01	CK-103	MGP01	CCD-103	TA110	TG-S10
C38	.1			TTP-1	CK-104			TA010	TG-P10
C39	.05			TTP-05	CK-503	MGP05	CCD-503	TA150	TGL-S50
C40	.022			TTP-02	CK-203	MGP02	CCD-203	TA120	TG-S20
C41	4.7	NPO		NPO-DI 4.7	DTZ-4R7	NP04P7		CN0547	10TCC-V47
C42	.1			TTP-1	CK-104			TA010	TG-P10
C43			#7313794						
C44	270			GPD X5F271K	DD-271	GP270	CCD-271	GP327	56A-T27
C45	.0068			GPD X5R682K	DD-682	GP6800	CCD-682	GP268	56A-D68
C46	.0022			GPD X5F222K	DD-222	GP2200	CCD-222	GP222	10TS-D22
C47			#7312933						
C48	200	N760		N750-DI 200	DTN-200	N220	CCTN-201	CN7201	10TCU-T20
C49	.0068	75V		DBE6D68	CPR-6800J	WMF1D68	1DP-1-682	PVC4268	6PS-D68
C50	.022			TTP-02	CK-203	MGP02	CCD-203	TA120	TG-S20
C51	165	N330					*	*	*
C52	.0047	75V		DBE6D5	CPR-5000J	DPMS6D5	1DP-1-502	PVC625	6PS-D50
C53			#7295192						
C54	165	N330					*	*	*
C55	.05			TTP-05	CK-503	MGP05	CCD-503	TA150	TGL-S50
C56	.05			TTP-05	CK-503	MGP05	CCD-503	TA150	TGL-S50
C57	.001			GPD X5F102K	DM-102	GP1000	CCD-102	SM210	2SS-D10
C58	180	N080					*	*	10TCN-T18
C59	.1			TTP-1	CK-104			TA010	TG-P10
C60	.0022			GPD X5F222K	DD-222	GP2200	CCD-222	GP222	10TS-D22
C61	.001			GPD X5F102K	DM-102	GP1000	CCD-102	SM210	2SS-D10
C62	.01			TTP-01	CK-103	MGP01	CCD-103	TA110	TG-S10
C63	.001			GPD X5F102K	DM-102	GP1000	CCD-102	SM210	2SS-D10
C64	.001			GPD X5F102K	DM-102	GP1000	CCD-102	SM210	2SS-D10
C65	.0022			GPD X5F222K	DD-222	GP2200	CCD-222	GP222	10TS-D22
C66	.0022			GPD X5F222K	DD-222	GP2200	CCD-222	GP222	10TS-D22
C67	.047	75V		V1612S47		DPMS6S47	1DP-2-473	PVC1147	225P47391WD3
C68	.3				UK16-304			HY-327	
C69	.0022			GPD X5F222K	DD-222	GP2200	CCD-222	GP222	10TS-D22
C70	330			GPD X5F331K	DD-331	GP330	CCD-331	GP333	10TS-T33
C71	.05			TTP-05	CK-503	MGP05	CCD-503	TA150	TGL-S50
C72	.15			TTP-1	CK-104			TA010	TG-P10
C73	.05			TTP-05	CK-503	MGP05	CCD-503	TA150	TGL-S50
C74	.05			TTP-05	CK-503	MGP05	CCD-503	TA150	TGL-S50
C75	.05	75V		DBE6S5		DPMS6S5	6DP-3-503	PVC615	6PS-S50
C76	.022			TTP-02	C-203	MGP02	CCD-203	TA120	TG-S20
C77	.15			TTP-1	CK-104			TA010	TG-P10
C78	270			GPD X5F271K	DD-271	GP270	CCD271	GP327	56A-T27
C79	180			ADM-10-181	CPR-180J	CD15FD181J03	DM-10-181J	SX318	MS-318
C80	.0022			GPD X5F222K	DD-222	GP2200	CCD-222	GP222	10TS-D22
C81	.01	75V		V1612S1	CPR-10000J	DPMS6S1	1DP-1 103	PVC211	225P10391WD3
C82	.3				UK16-304			HY-327	
C83	.001			GPD X5F102K	DM-102	GP1000	CCD-102	SM210	2SS-D10
C84	.47	75V		DBE2P47		DPMS2P47	1DP-4-504	PVC105	2PS-P50
C85			#7271564						
C86	.05	75V		DBE6S5		DPMS6S5	6DP-3-503	PVC615	6PS-S50
C87	.05	75V		DBE6S5		DPMS6S5	6DP-3-503	PVC615	6PS-S50

Delco Part Number.

PARTS LIST AND DESCRIPTION (CONTINUED)

(When ordering parts, state Model, Part Number, and Description.)

Replacement parts shown may be superseded by the availability of newly introduced replacements.

Have your local distributor check Sams COUNTER FACTS for the most up-to-date replacement.

CONTROLS (All wattages 1/2 watt, or less, unless listed)

ITEM No.	FUNCTION	RESISTANCE	REPLACEMENT DATA				
			MFGR. PART No.	CENTRALAB PART No.	CLAROSTAT PART No.	CTS-IRC PART No.	MALLORY PART No.
R1A	Tone	100K	7309257	F1-100K, R14-25K, FFS114,RFS206, SB006,BB104, KR-4		* QJ-2653A	P15L,4112, SH4375, RU253T53, OX1750,IS2250, US41
B	Volume/Switch	20K Tap @ 6500					MR850T
R2	Bias Adjust	600 2 Watt	7294878	WT-850 or V-600	U39-600	110-600	
R3	Fader	100 2 Watt	7313975				

* "Concentrik" Equivalent: K-8 Kit with base elements & shafts; B11-128, P17-123 (Panel)
B19-119X, R26-206 (Rear)
(1) Alter bushing & adjust spacer nut (N4) to meet requirements. X8 (1) (Bushing)
N4 (Nut)
76-1 (Switch)

"Snaprol" Equivalent: BU8 (1), CF13, CR50T, SF14, SR15, N4, GC.

RESISTORS (Power and Special)

ITEM No.	RATING	REPLACEMENT DATA	
		WORKMAN PART No.	MFGR. PART No.
R60	.47 (Fusible)		7281890

ITEM No.	RATING	REPLACEMENT DATA	
		WORKMAN PART No.	MFGR. PART No.

COILS (RF-IF)

ITEM No.	USE	REPLACEMENT DATA			
		PART No.	MEISSNER PART No.	MILLER PART No.	WORKMAN PART No.
L1	FM Antenna	(1)			
L2	FM RF	(1)			
L3	FM Oscillator	(1)			
L4	10.7MC Trap (1uh)	7296856	19-1000	4602	T855
L5	FM Input IF	7305472			
L6	FM Interstage IF	7305473			
L7	FM Interstage IF	7305474			
L8	Quadrature	7311554			
L9	RF Choke (8uh)	7309299	19-1009	4611	T822
L10	AM Antenna	(1)			
L11	AM RF	(1)			
L12	AM Oscillator	(1)			
L13	AM Input IF	7295169			
L14	AM output IF	7295170			
L15	FM Trigger IF	7312954			

(1) Part of M1.

FILTER CHOKE

ITEM No.	RATINGS			REPLACEMENT DATA					NOTES
	CURRENT (Measured)	DC RES.	INDUCTANCE (0 CURRENT 1000~)	PART No.	MERIT PART No.	STANCOR PART No.	THORDARSON PART No.	TRIAD PART No.	
L16	1.2 Amp	.6	8mh	1221623	C-4095	TC-2	TR-154	TY17XT	

CADILLAC MODEL 05CFW1

PARTS LIST AND DESCRIPTION (CONTINUED)

(When ordering parts, state Model, Part Number, and Description.)

Replacement parts shown may be superseded by the availability of newly introduced replacements.
Have your local distributor check Sams COUNTER FACTS for the most up-to-date replacement.

CHOKE (Audio Output)

ITEM No.	INDUCTANCE	REPLACEMENT DATA					NOTES
		PART No.	MERIT PART No.	STANCOR PART No.	THORDARSON PART No.	TRIAD PART No.	
L17	30mh	1222297					

SPEAKER

ITEM No.	TYPE	REPLACEMENT DATA		NOTES
		PART No.	QUAM PART No.	
SP1	4" X 10" PM 10 ohms	7311275	410A2Z10	Front
SP2	6" X 9" PM 10 ohms	7301803	69A2Z10	Rear

FUSE DEVICES

ITEM No.	DESCRIPTION	REPLACEMENT DATA						
		PART No.		BUSS PART No.		LITTELFUSE PART No.		WORKMAN PART No.
		DEVICE	HOLDER	DEVICE	HOLDER	DEVICE	HOLDER	DEVICE
F1	SFE 9 Amp		In Fuse Block	SFE9		307009		

MISCELLANEOUS

ITEM No.	PART NAME	PART No.	NOTES
M1	Tuning Coil Ass'y.	1222504	
M2	Soleoid	1221409	
K1	Relay	7295713	
S1	Switch, Selector	7300444	
S2	Switch, Selector	7300444	
S3	Switch, Relay	7295713	
S4	Switch, Start	1223053	
S5	Switch, Solenoid	7268030	

CABINETS & CABINET PARTS (When ordering specify model, chassis & color)

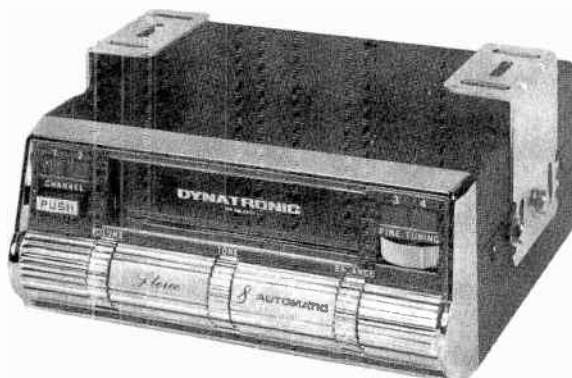
ITEM	PART No.	ITEM	PART No.
Escutcheon	7313666	Dial Pointer	7309435
Dial Glass	7307796	Knob, Tuning or Volume	1495175
Dial Drum	7309997	Knob, Tone or Fader	1495171



PHOTOFACT[®] with

CIRCUITRACE[®]

For Supplier Address See PHOTOFACT Index



DYNATRONICS MODEL S-808
(8-Track Stereo Player)

OPERATING INSTRUCTIONS

Insert cartridge until it locks and turns unit on.

Set operating controls as desired.

Press program selector to play desired tracks, or allow unit to select tracks automatically.

Remove cartridge to turn unit off.

CLEANING

Clean all tape contact surfaces with a soft, lint-free material and head cleaner or methyl alcohol. Use alcohol to remove oil and grease from all driving surfaces.

CAUTION: Avoid getting head cleaner on any plastic surface.

LUBRICATING

Lubricate bearings and bushings lightly with #20 machine oil. Use a light film of non-hardening grease on cam surfaces.

HEAD DEMAGNETIZING

Demagnetize head when unit is serviced. Avoid using magnetic materials near head.

DYNATRONICS MODEL S-808

HOWARD W. SAMS & CO., INC. Indianapolis, Indiana 46206

© 1970 Howard W. Sams & Co., Inc. Printed in U. S. of America

TQ801R

TROUBLE CHART

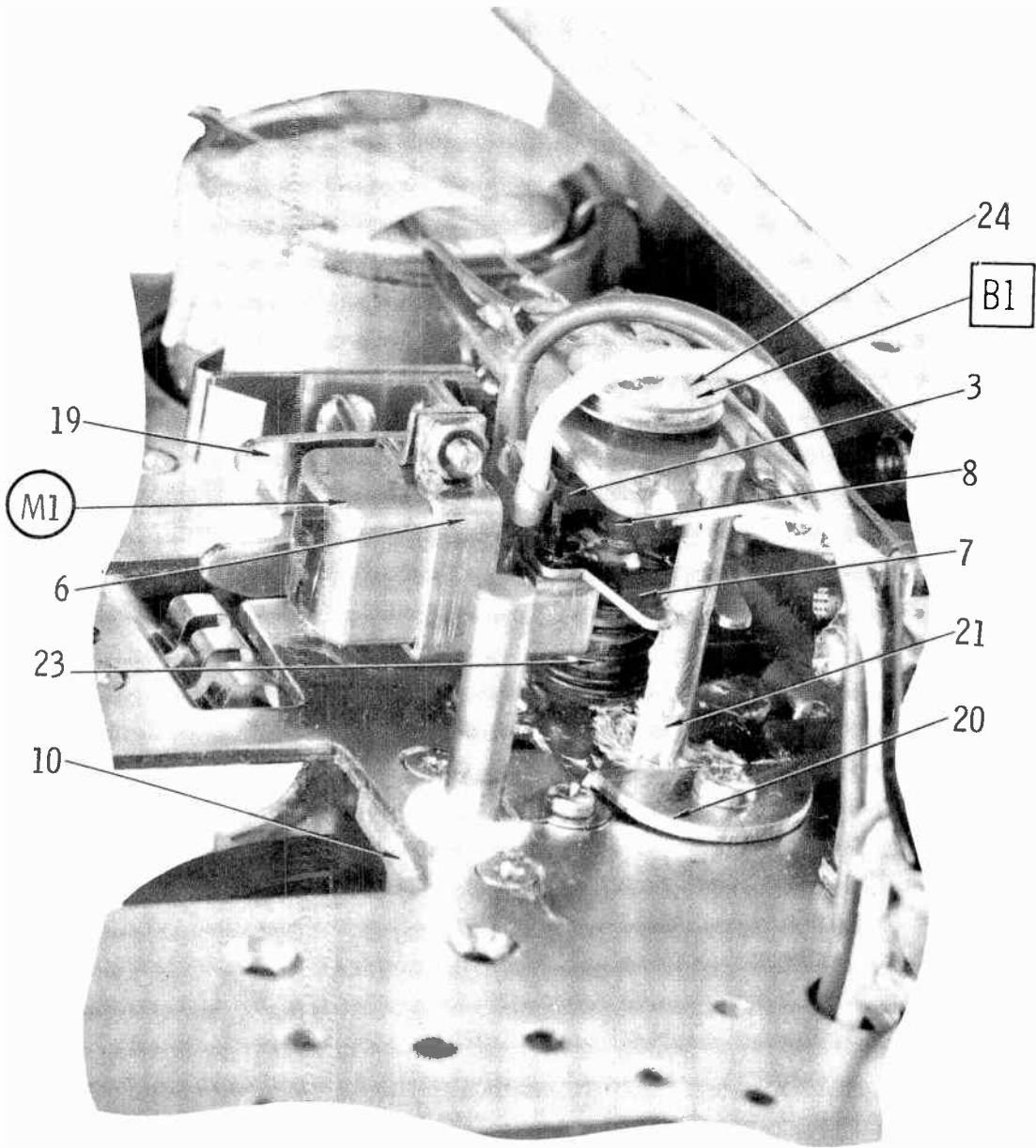
SYMPTOM	REMARKS
Capstan does not rotate.	Belt (1) dirty, worn, or broken. Assembly (10) binding. Motor defective or not supplied with power.
Track-shift mechanism inoperative.	Switch (S2) dirty. Cam (3) binding or worn. Lever (4) binding. Spring (5) broken. Assembly (7) binding. Spring (23) weak or missing. Solenoid (M3) defective or not supplied with power. Cartridge defective.
Wow or Flutter.	Belt (1) dirty or worn. Capstan dirty or binding. Cartridge defective. Motor defective.
Sound weak or distorted.	Head dirty, misaligned, or defective. Cartridge defective. Amplifiers defective.
Tape is pulled from cartridge.	Cartridge defective. Capstan dirty or scored.

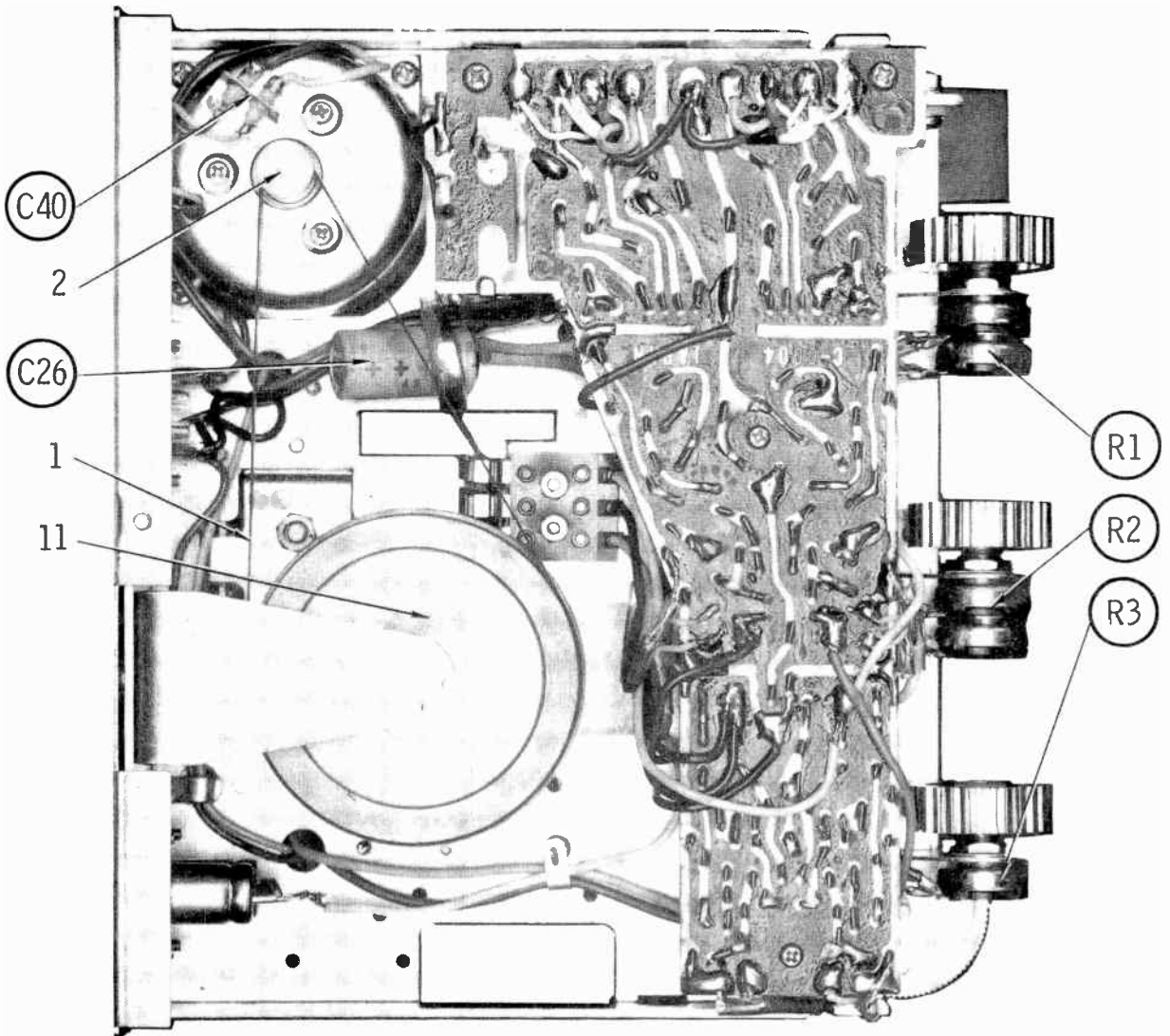
ADJUSTMENTS

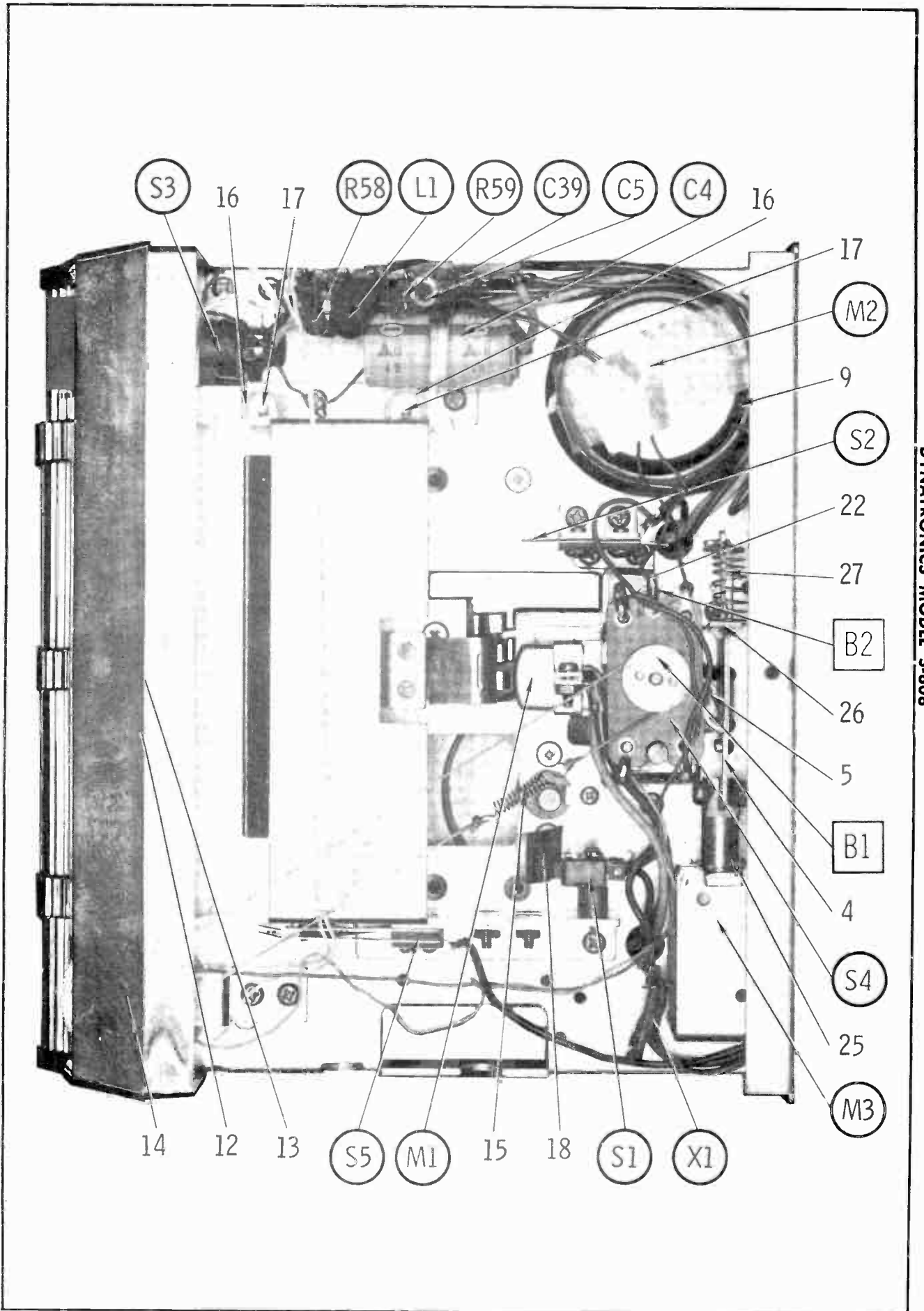
ADJUST	REMARKS
Head Height	Center Fine Tuning knob with red mark to the front of the unit, play a test cartridge, follow instructions with cartridge, hold fine tuning string, and adjust Pulley B1 for proper response.
Head Azimuth	Connect an AC VTVM across right output. Play a test cartridge and adjust B2 for maximum.

MECHANICAL PARTS LIST

REF. NO.	PART NO.	DESCRIPTION	REF. NO.	PART NO.	DESCRIPTION
1	808157	Drive Belt	15	808042	String Tension Spring
2	808080	Motor Pulley	16	808046	Guide Roller (2 used)
3	808131	Track Change (Ratchet) Cam	17	808047	Roller Shaft (2 used)
4	808143	Solenoid Joint Lever	18	808058	Switch Spring
5	808144	Joint Lever Ratchet Spring	19	808107	Tape Guide
6	808126	Head Mounting Arm	20	808111	Head Base
7	808125	Head Shifter Assembly	21	808117	Guide Shaft
8	808114	Head Shifter Shaft	22	808122	Head Spring
9	808086	Motor Shield	23	808124	Shifter Spring
10	808094	Capstan Housing Assembly	24	808135	Fine Tuning Pulley
11	808099	Flywheel	25	808138	Solenoid Plunger
12	808013	Door Shaft	26	808141	Lever Guide
13	808014	Door Spring	27	808146	Lever, Spring
14	808040	Tuning Pulley			

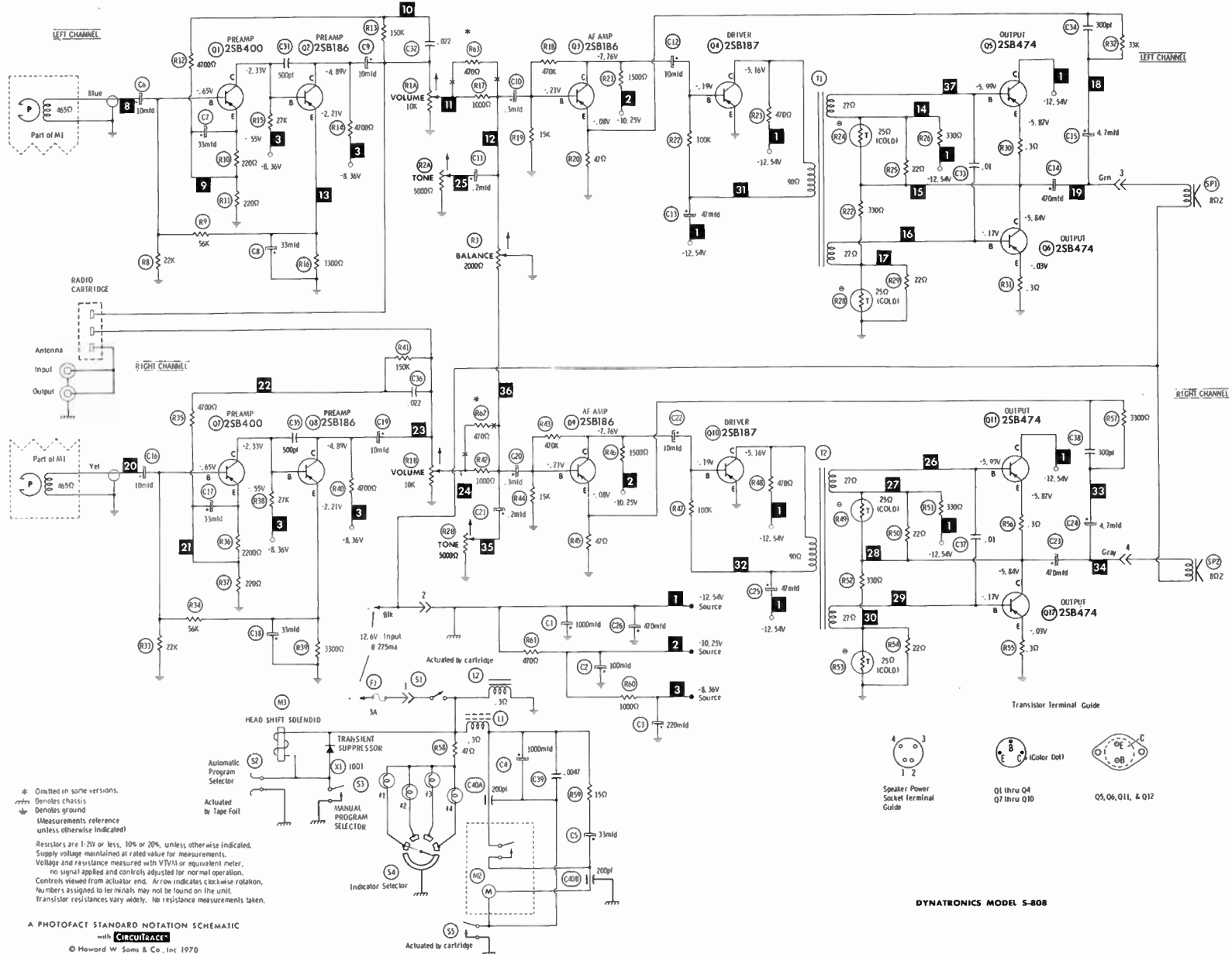






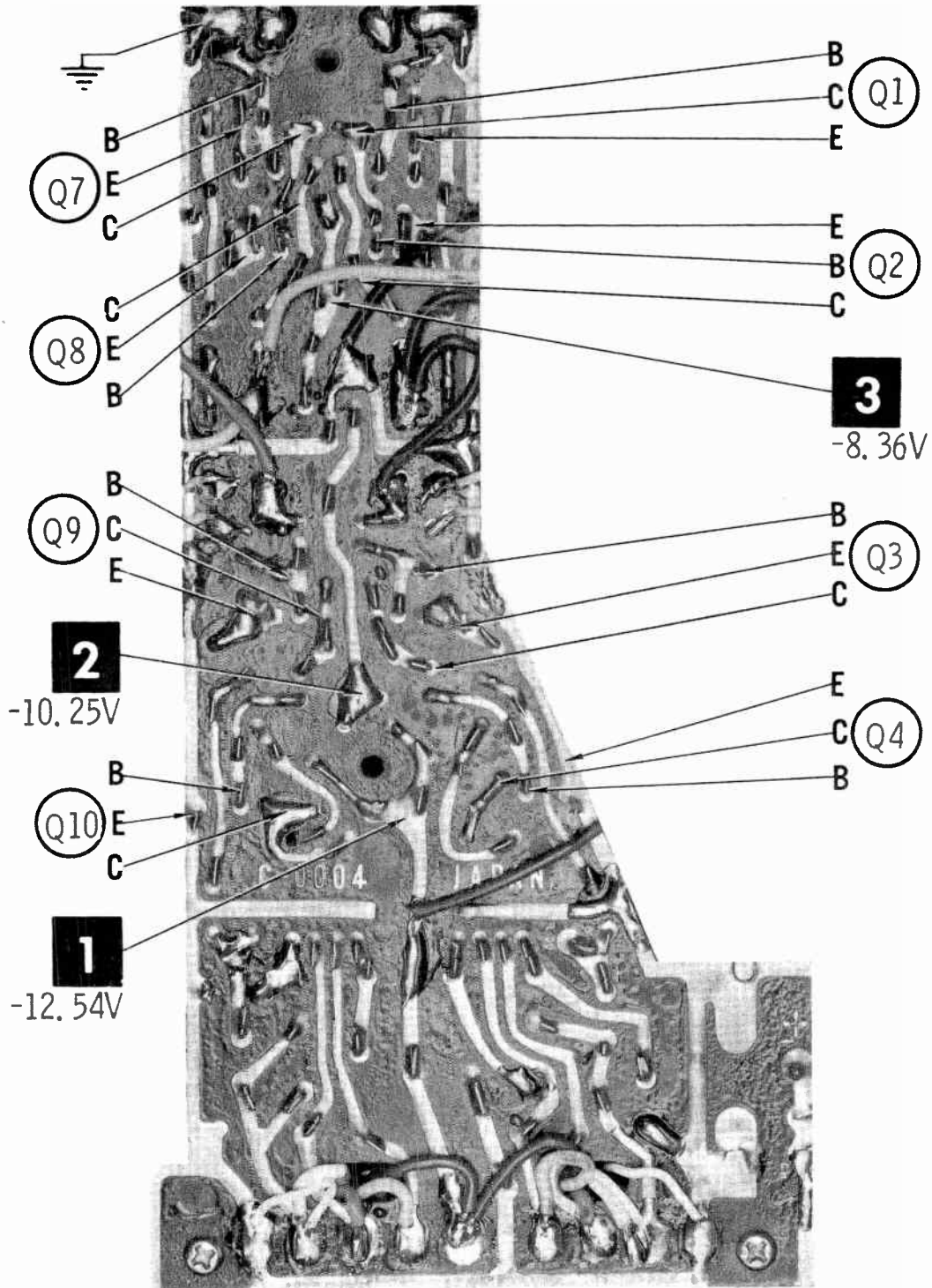
DYNATRONICS MODEL S-808

NOTE: DEMAGNETIZE HEADS AFTER SERVICING

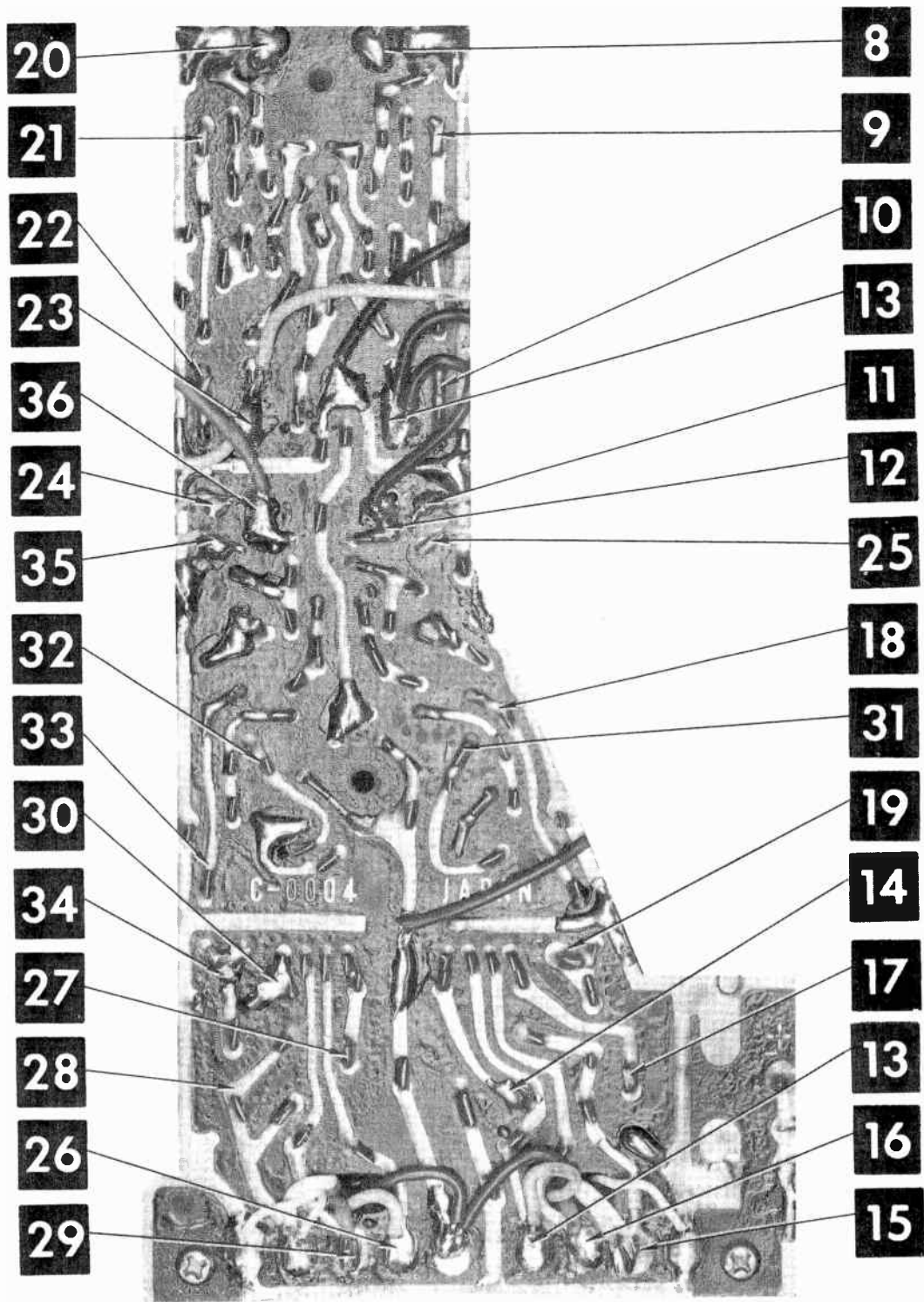


* Omitted in some versions.
 ⏏ Denotes chassis
 ⏏ Denotes ground
 ⏏ Measurements reference unless otherwise indicated.
 Resistors are 1/2W or less, 10% or 20%, unless otherwise indicated.
 Supply voltage maintained at rated value for measurements.
 Voltage and resistance measured with VET-1 or equivalent meter,
 no signal applied and controls adjusted for normal operation.
 Controls viewed from actuator end. Arrow indicates clockwise rotation.
 Numbers assigned to terminals may not be found on the unit.
 Transistor resistances vary widely. No resistance measurements taken.

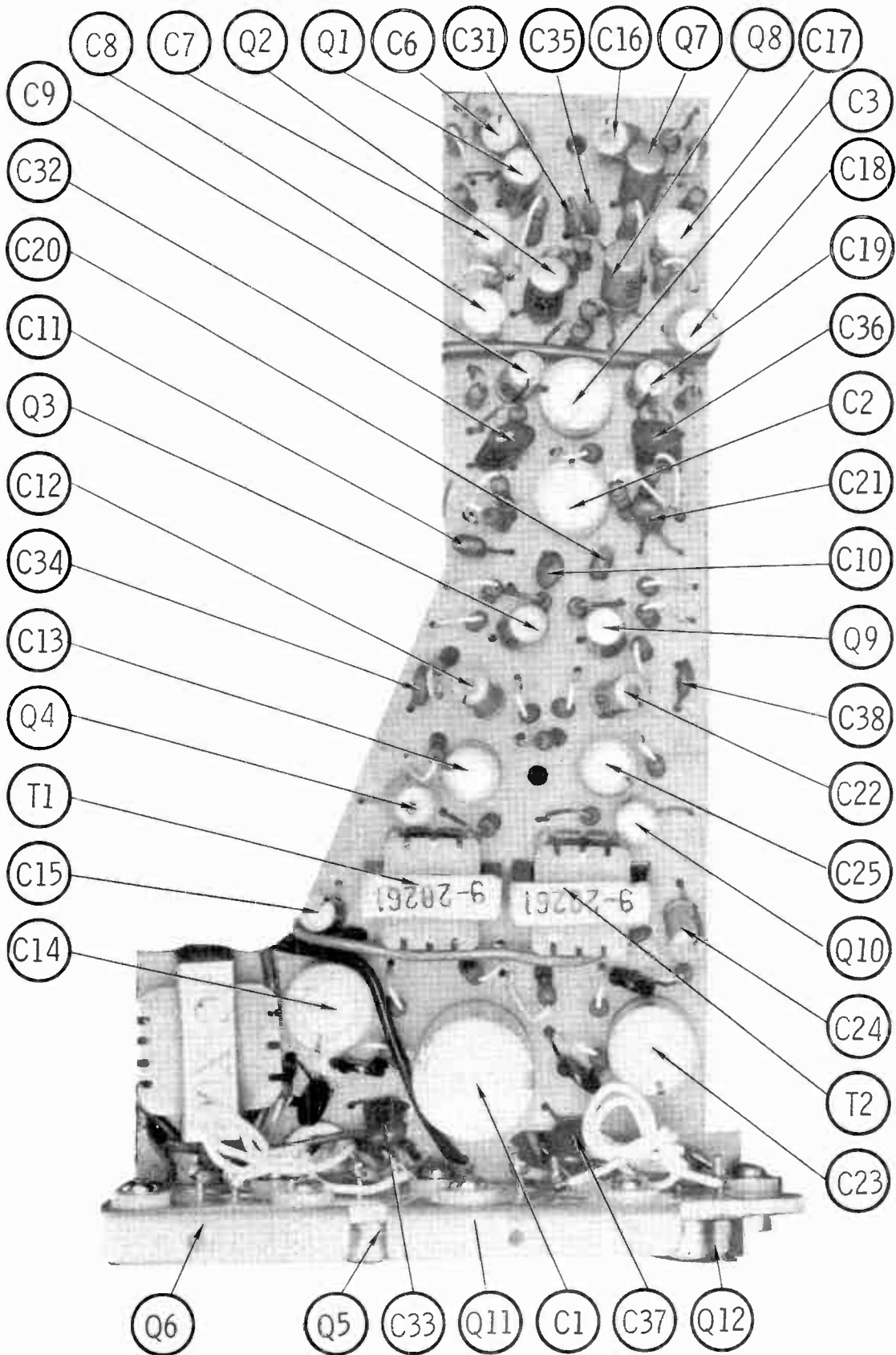
A PHOTOFAC STANDARD NOTATION SCHEMATIC
 with **Circuitrace**
 © Howard W. Sams & Co., Inc. 1970

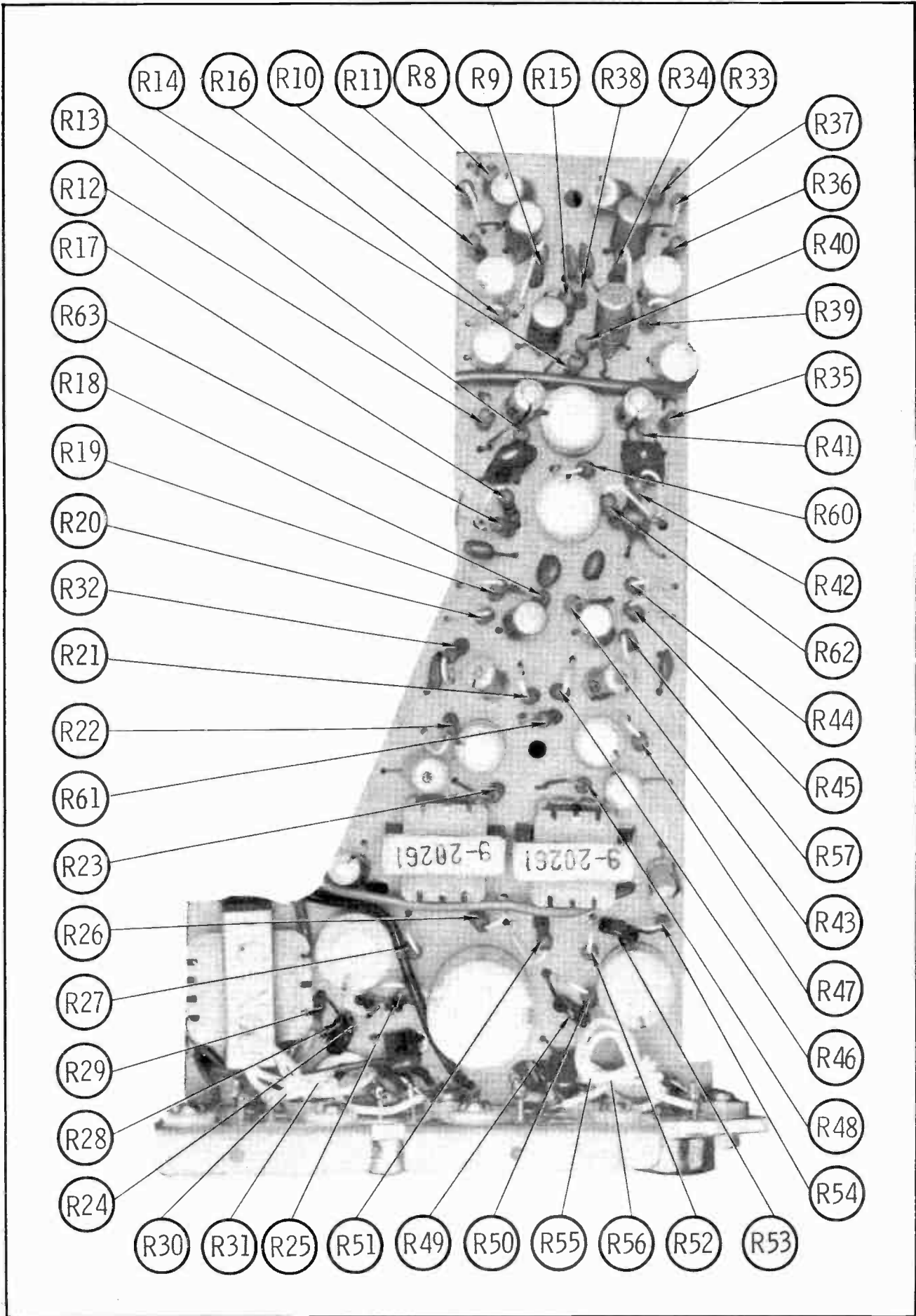


A Howard W. Sams **CIRCUITRACE** Photo



A Howard W. Sams **CIRCUITRACE** Photo





PARTS LIST AND DESCRIPTION

(When ordering parts, state Model, Part Number, and Description.)

Replacement parts shown may be superseded by the availability of newly introduced replacements.

Have your local distributor check Sams COUNTER FACTS* for the most up-to-date replacement.

TRANSISTORS

ITEM No.	TYPE No.	FUNCTION	REPLACEMENT DATA					
			MFGR. PART No.	GENERAL ELECTRIC PART No.	INTERNATIONAL RECTIFIER PART No.	MOTOROLA PART No.	RCA PART No.	SYLVANIA PART No.
Q1	2SB400	Preamp		GE-2	TR-05	HEP254	SK3004	ECG 126
Q2	2SB186	Preamp		GE-2	TR-14	HEP633	SK3004	ECG 102
Q3	2SB186	AF Amp		GE-2	TR-14	HEP633	SK3004	ECG 102
Q4	2SB187	Driver		GE-2	TR-14	HEP632	SK3004	ECG 102
Q5	2SB474	Output (1)				HEP643		ECG 131MP*
Q6	2SB474	Output (1)				HEP643		
Q7	2SB400	Preamp		GE-2	TR-05	HEP254	SK3004	ECG 126
Q8	2SB186	Preamp		GE-2	TR-14	HEP633	SK3004	ECG 102
Q9	2SB186	AF Amp		GE-2	TR-14	HEP633	SK3004	ECG 102
Q10	2SB187	Driver		GE-2	TR-14	HEP632	SK3004	ECG 102
Q11	2SB474	Output (1)				HEP643		ECG 131MP*
Q12	2SB474	Output (1)				HEP643		

(1) When replacing, apply silicone grease to both sides of insulator. Tighten mounting screws securely.
* Matched Pair.

POWER RECTIFIERS & SIGNAL DIODES

ITEM No.	MFGR. PART OR TYPE No.	REPLACEMENT RECTIFIERS & DIODES			REPLACEMENT RECTIFIERS	NOTES
		GENERAL ELECTRIC PART No.	INTERNATIONAL RECTIFIER PART No.	SYLVANIA PART No.	RCA PART No.	
X1	1001	GE-504A	5A40	ECG 116	SK3016A	

ELECTROLYTIC CAPACITORS

ITEM No.	RATING	REPLACEMENT DATA						
		PART No.	AEROVOX PART No.	CENTRALAB PART No.	CORNELL-DUBILIER PART No.	GENERAL ELECTRIC PART No.	MALLORY PART No.	SPRAGUE PART No.
C1	1000 16		BC015100	EP15-100	PC100-16	MT1-19	MTV100CF15	TE-1162
C2	100 16		BC012250	EA15-250	PC250-10	MT1-25	MTV200CK10	TL-1137
C3	220 10							
C4	1000 16							
C5	33 10		BCD15035	EP15-50	PC50-16	MT1-16	MTV30CB25	TE-1132.1
C6	10 6		BCD25010	EP6-10	PC10-50	MT1-5	MTV10CB50	TE-1087
C7	33 6		BC012035	EP15-50	PC50-16	MT1-16	MTV30CB25	TE-1093
C8	33 6		BC012035	EP15-50	PC50-16	MT1-16	MTV30CB25	TE-1093
C9	10 6		BC025010	EP6-10	PC10-50	MT1-5	MTV10CB50	TE-1087
C10	.3 10			UK16-304				
C11	.2 10			UK10-204				
C12	10 6		BC025010	EP6-10	PC10-50	MT1-5	MTV10CB50	TE-1087
C13	47 10		BC015050	EP15-50	PC50-16	MT1-16	MTV50CB15	TE-1133
C14	470 10		BC015500		PC500-16		TC1205	
C15	4.7 10		BC025005	EP15-5	PC5-100	MT1-3	MTV5CB50	TE-1127
C16	10 6		BCD25010	EP6-10	PC10-50	MT1-5	MTV10CB50	TE-1087
C17	33 6		BCD12035	EP15-50	PC50-16	MT1-16	MTV30CB25	TE-1093
C18	33 6		BC012035	EP15-50	PC50-16	MT1-16	MTV30CB25	TE-1093
C19	10 6		BC025010	EP6-10	PC10-50	MT1-5	MTV10CB50	TE-1087
C20	.3 10			UK16-304				
C21	.2 10			UK10-204				
C22	10 6		BCD25010	EP6-10	PC10-50	MT1-5	MTV10CB50	TE-1087
C23	470 10		BC015500		PC500-16		TC1205	
C24	4.7 10		BCD25005	EP15-5	PC5-100	MT1-3	MTV5CB50	TE-1127
C25	47 10		BC015050	EP15-50	PC50-16	MT1-16	MTV50CB15	TE-1133
C26	470 16		BCD15500	EA15-500	PC500-16	QT1-30A	MTV5000N15	TL-1166

CAPACITORS

ITEM No.	RATING	REMARKS	REPLACEMENT DATA					
			AEROVOX PART No.	CENTRALAB PART No.	CORNELL-DUBILIER PART No.	ELMENCO PART No.	MALLORY PART No.	SPRAGUE PART No.
C31	500		GP0 X5F501K	DM-501	GP500	CC0-501	GP350	10TS-T50
C32	.022		TTP-02	CK-203	MGP02	CC0-203	TA120	TG-S20
C33	.01		GP0 X5S103K	00-103	GP10000	CC0-103	JF110	10TS-S10
C34	300		GP0 X5F301K	DM-301	GP300	CC0-301	GP330	10TS-T30
C35	500		GP0 X5F501K	DM-501	GP500	CC0-501	GP350	10TS-T50
C36	.022		TTP-02	CK-203	MGP02	CC0-203	TA120	TG-S20
C37	.01		GP0 X5S103K	00-103	GP10000	CC0-103	JF110	10TS-S10
C38	300		GP0 X5F301K	DM-301	GP300	CC0-301	GP330	10TS-T30
C39	.0047		TTP-005	CK-502	MGP005	CC0-502	TA250	TG-050
C40A	.002							
B	.002							

CONTROLS (All wattages 1/2 watt, or less, unless listed)

ITEM No.	FUNCTION	RESISTANCE	REPLACEMENT DATA				
			MFGR. PART No.	CENTRALAB PART No.	CLAROSTAT PART No.	CTS-IRC PART No.	MALLORY PART No.
R1A	Volume (Left)	10K	808024				
B	Volume (Right)	10K					
2A	Tone (Left)	5000	808025				
B	Tone (Right)	5000					
R3	Balance	2000	808026				

DYNATRONICS MODEL S-808

PARTS LIST AND DESCRIPTION (CONTINUED)

(When ordering parts, state Model, Part Number, and Description.)

Replacement parts shown may be superseded by the availability of newly introduced replacements.
Have your local distributor check Sams COUNTER FACTS for the most up-to-date replacement.

RESISTORS (Power and Special)

ITEM No.	RATING	REPLACEMENT DATA		ITEM No.	RATING	REPLACEMENT DATA	
		WORKMAN PART No.	MFGR. PART No.			WORKMAN PART No.	MFGR. PART No.
R24	25 (Cold)		SOT-02	R49	25 (Cold)		SOT-02
R28	25 (Cold)		SOT-02	R53	25 (Cold)		SOT-02

COILS (RF-IF)

ITEM No.	USE	REPLACEMENT DATA			
		PART No.	MEISSNER PART No.	MILLER PART No.	WORKMAN PART No.
L1	RF Choke (200uh)				

FILTER CHOKE

ITEM No.	RATINGS			REPLACEMENT DATA					NOTES
	CURRENT (Measured)	DC RES.	INDUCTANCE (0 CURRENT 1000~)	PART No.	MERIT PART No.	STANCOR PART No.	THORDARSON PART No.	TRIAD PART No.	
L2	275ma	.3	4mh						

TRANSFORMER (Driver)

ITEM No.	TURNS RATIO			REPLACEMENT DATA					NOTES
	PRI.	SEC. 1	SEC. 2	PART No.	MERIT PART No.	STANCOR PART No.	THORDARSON PART No.	TRIAD Part No.	
T1	2:	1	1						
T2	2:	1	1						

FUSE DEVICES

ITEM No.	DESCRIPTION	REPLACEMENT DATA							
		PART No.		BUSS PART No.		LITTELFUSE PART No.		WORKMAN PART No.	
		DEVICE	HOLDER	DEVICE	HOLDER	DEVICE	HOLDER	DEVICE	
F1	3 Amp			AGC3	H0J	311005	150145		

TAPE HEADS

ITEM No.	MEASURED			PART No.	NORTRONICS PART No.	DESCRIPTION
	INDUCTANCE	BIAS/ERASE VOLTS (RMS)	BIAS FREQ.			
M1	360mh			808128	5800 (1)	8-Track Stereo Play (1) Use original mounting.

MISCELLANEOUS

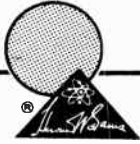
ITEM No.	PART NAME	PART No.	NOTES
M2	Motor	808079	
M3	Solenoid	808136	
S1	Switch, Power	808059	
S2	Switch, Automatic Program	808109	
S3	Switch, Manual Program	808030	
S4	Switch, Program Indicator	808134	
S5	Switch, Motor Power Program Indicator Lamp	808055 808017	

CABINETS & CABINET PARTS (When ordering specify model, chassis & color)

ITEM	PART No.	ITEM	PART No.
Escutcheon	808007	Knob, Fine Tuning	808039
Door	808012	Knob, Program	808033
Knob, Volume or Tone or Balance	808019		

WIRING DATA

General-use Unshielded Hook-up Wire	Use BELOEN No. 8530 (Solid) Available in 12 Colors
	8524 (Stranded) Available in 12 Colors
Shielded Hook-up Wire	Use BELOEN No. 8885
Rear Seat Speaker Extension Cable	Use BELOEN No. 8782 (Stranded) Coded Parallel Leads
Bonding Strap	Use BELOEN No. 8661 (3/8 In.) or 8670 (3/4 In.)

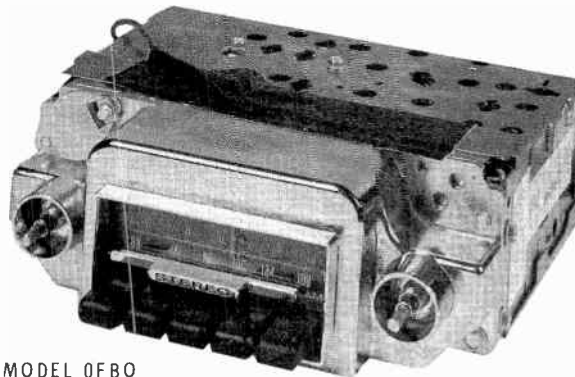


PHOTOFACT[®] with

CIRCUTRACE[®]

For Supplier Address See PHOTOFACT Index

NOTE: Manufacturer Part Numbers Shown Are BENDIX



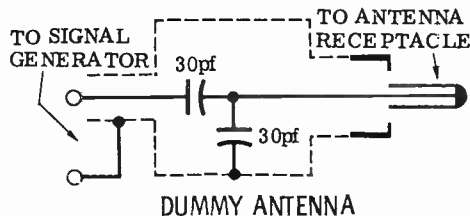
MODEL OFBO

FORD MODELS OFBO
 (DOVA-19A241)
 (70 Fairlane)
 OFBZ
 (DOZA-19A241)
 (70 Mustang)

FORD MODELS OFBO, OFBZ

ALIGNMENT INSTRUCTIONS

Check for specified source voltage. Use only enough generator output to provide a usable indication. Suggested Alignment Tools:				PUSH-BUTTON ADJUSTMENT	
		GENERAL CEMENT #	WALSCO #	1. Pull button out. 2. Tune manually to desired station. 3. Press button in firmly. 4. Repeat for remaining buttons.	
A1 thru A4, A11 thru A22	9300,9296,9297...	2510,2546,2547		
A5, A6, A7, A23,A24, A25	8290,8868,9087...	2525,2528,2587		
GENERATOR COUPLING	GENERATOR FREQUENCY	RADIO DIAL SETTING	INDICATOR	ADJUST	REMARKS
1. High side thru .1mfd to point A , low side to ground.	262KC 400 cycle modulation	High freq. end stop.	Output meter across voice coil.	A1,A2, A3,A4	Adjust for maximum.
2. Thru dummy antenna to antenna input.	1605KC	"	"	A5,A6, A7	"
Step 3 is not necessary unless tuner or associated components have been disturbed. If necessary, back tuning cores (A8,A9,A10) out of coils but not out of forms. Repeat Step 2.					
3. Thru dummy antenna to antenna input.	1000KC	Tune to signal	Output meter across voice coil	A8,A9, A10	Adjust for maximum. Repeat Steps 2 and 3 until no further improvement is noted
With radio installed in car and antenna extended to desired height, tune in a weak station near 1400KC and adjust A7 for maximum output. Antenna adjustment (A7) is located lower Front Right Corner.					



HOWARD W. SAMS & CO., INC. Indianapolis, Indiana 46206

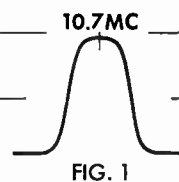
© 1970 Howard W. Sams & Co., Inc. Printed in U. S. of America

TD824

ALIGNMENT INSTRUCTIONS (Continued)

FM IF ALIGNMENT USING AM SIGNAL GENERATOR—SELECTOR IN FM POSITION

High side of generator thru .001mfd to point $\diamond B$, low side to ground.				
GENERATOR FREQUENCY	RADIO DIAL SETTING	INDICATOR	ADJUST	REMARKS
4.	10.7MC Unmodulated	Point of non-interference	DC probe of VTVM to point $\diamond C$, common to ground.	All Thru A20 Adjust for maximum.
5.	"	"	DC probe of VTVM to point $\diamond D$, common to ground.	A21 Adjust for zero reading. A positive or negative reading will be obtained on either side of the correct setting.

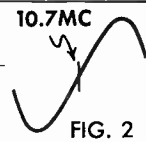


FM IF ALIGNMENT USING FM SIGNAL GENERATOR—SELECTOR IN FM POSITION

High side of generator thru .001mfd to point $\diamond B$, low side to ground. Use only enough marker signal for indication. Use 60 cycle frequency modulated signal with 450KC sweep. Use 60 cycle sawtooth voltage in scope for horizontal deflection.				
GENERATOR FREQUENCY	RADIO DIAL SETTING	INDICATOR	ADJUST	REMARKS
4.	10.7MC 450KC Sweep	Point of non-interference	Vert. amp of scope to point $\diamond C$, low side to ground.	All Thru A20 Adjust for maximum gain and symmetry of response similar to Fig. 1 with marker as shown.
5.	"	"	Vert. amp of scope to point $\diamond D$, low side to ground.	A21 Adjust A21 (secondary) to place marker at center of "S" curve similar to Fig. 2. Readjust All (primary) for maximum amplitude and straightness of line.

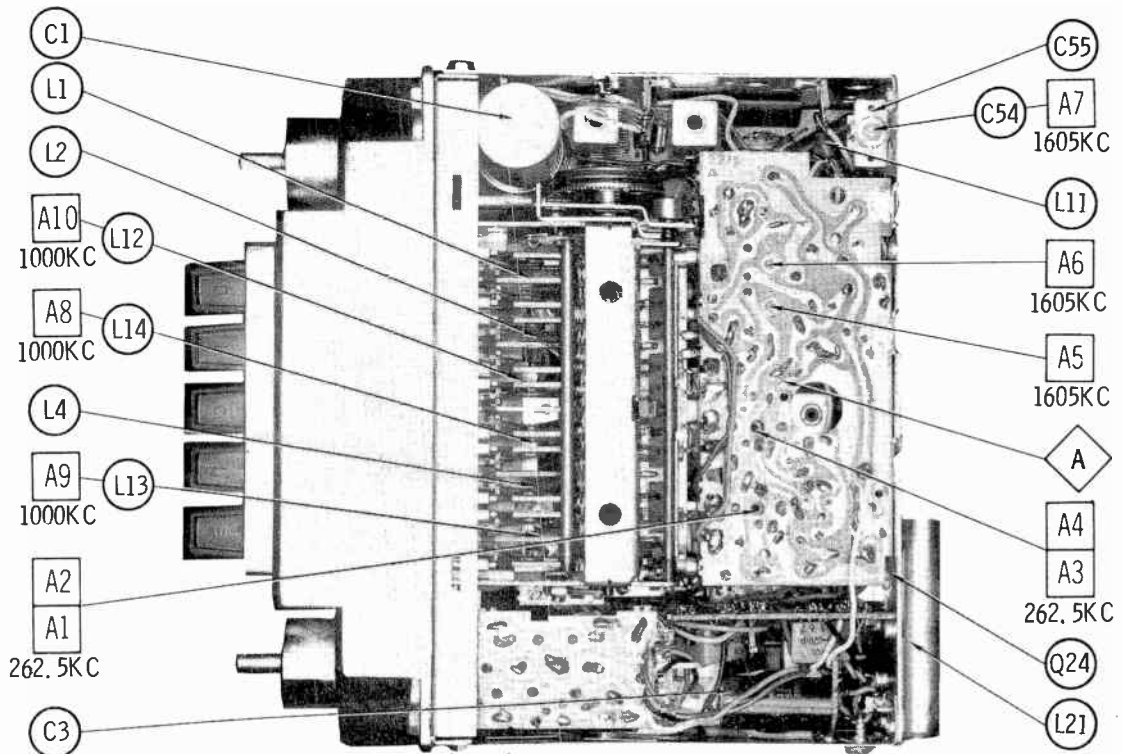
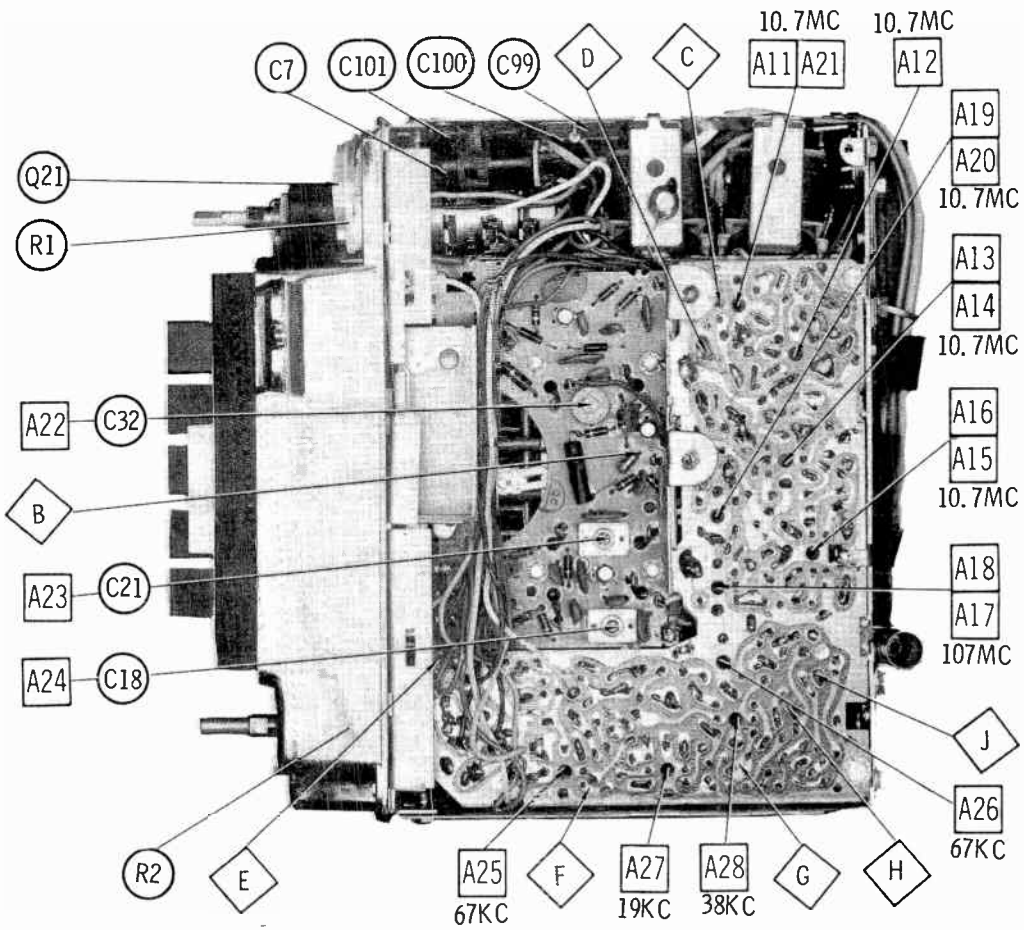
FM RF ALIGNMENT—SELECTOR IN FM POSITION

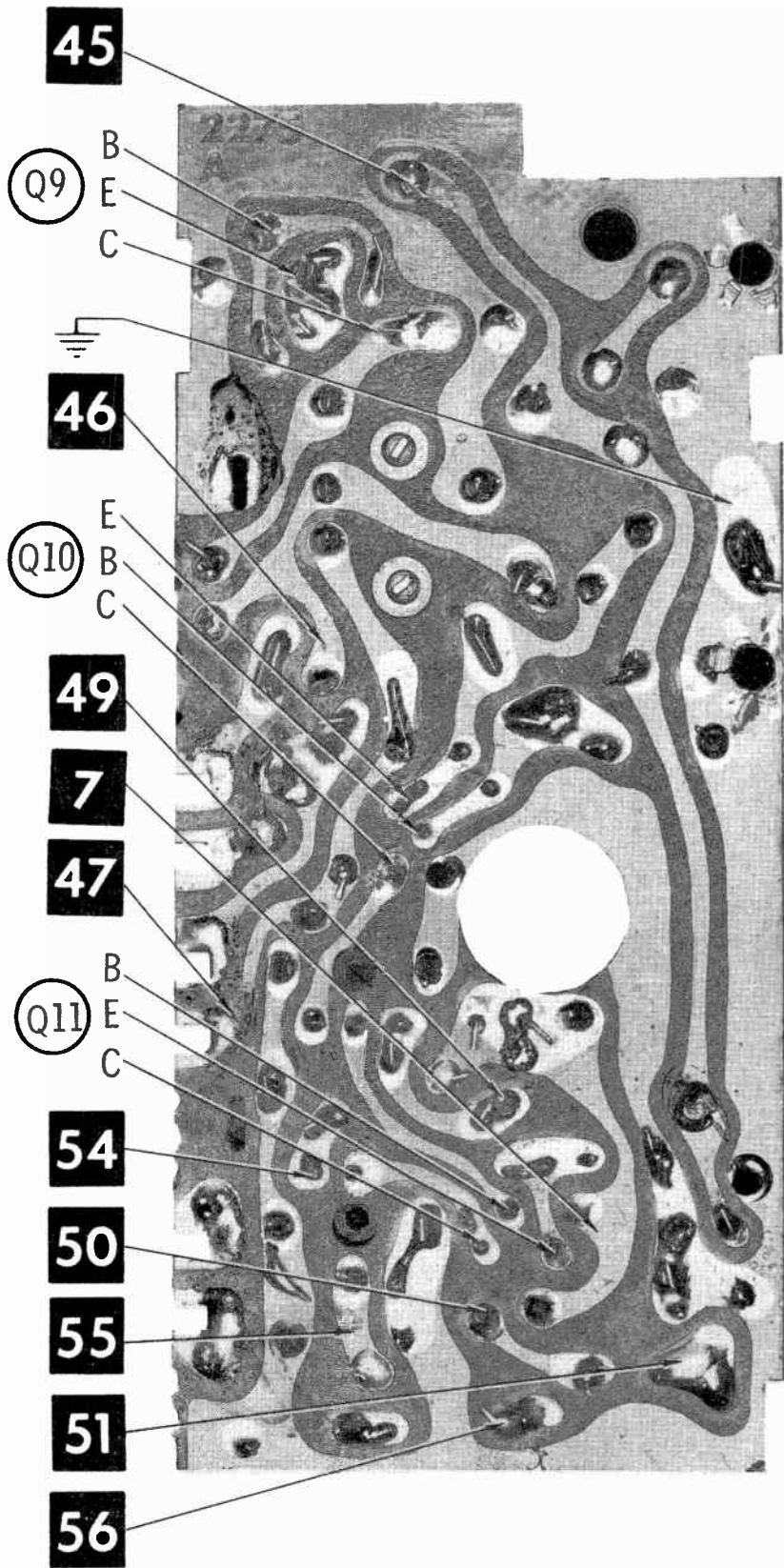
Connect generator across antenna terminals with 120-ohm carbon resistor in series with each lead.				
GENERATOR FREQUENCY	RADIO DIAL SETTING	INDICATOR	ADJUST	REMARKS
6.	108.5MC	High freq. end	DC probe of VTVM to point $\diamond C$, common to ground.	A22 A23 A24 Adjust for maximum.



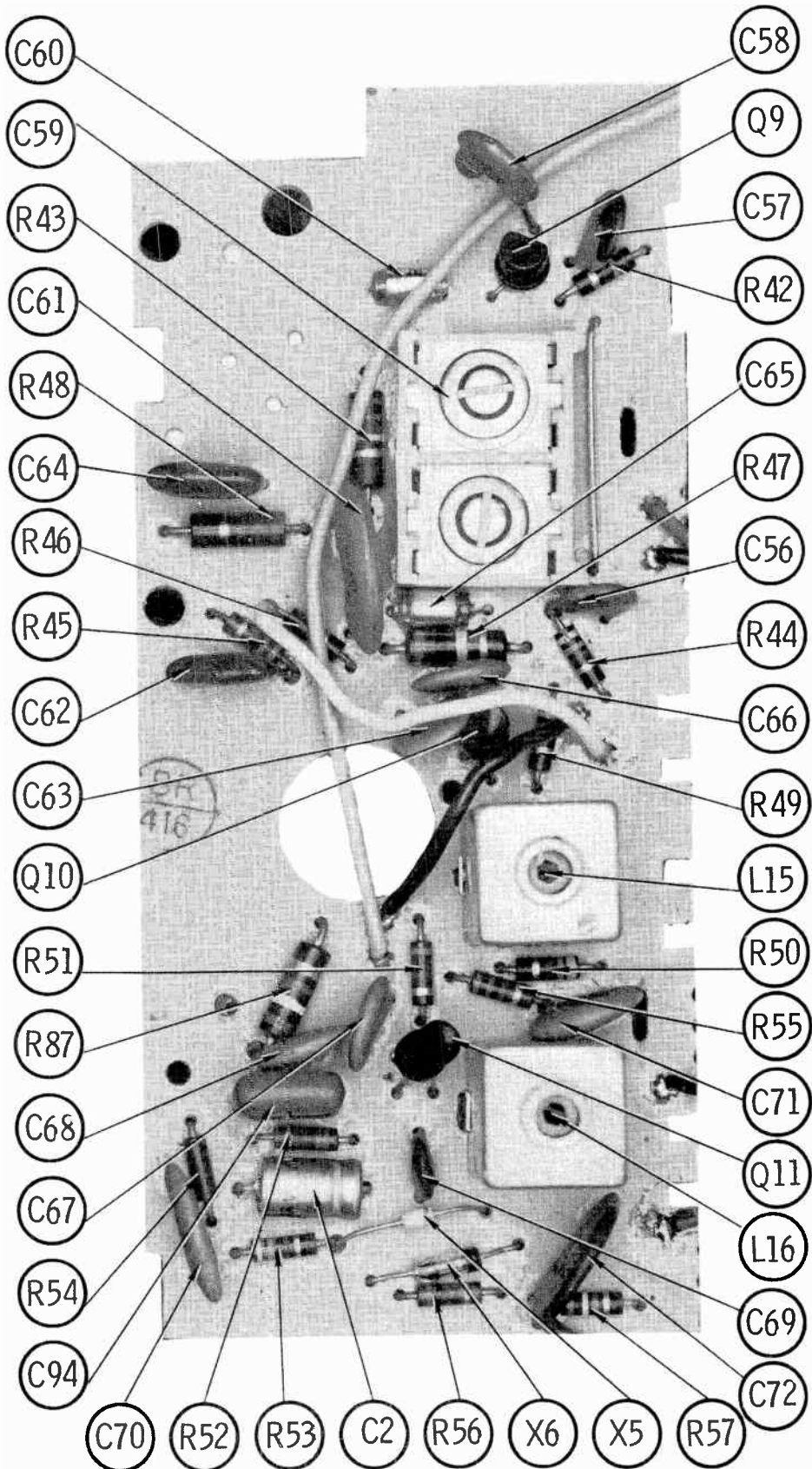
FM STEREO MULTIPLEX ALIGNMENT USING FM STEREO SIGNAL GENERATOR ($\pm .0001\%$ ACCURACY)

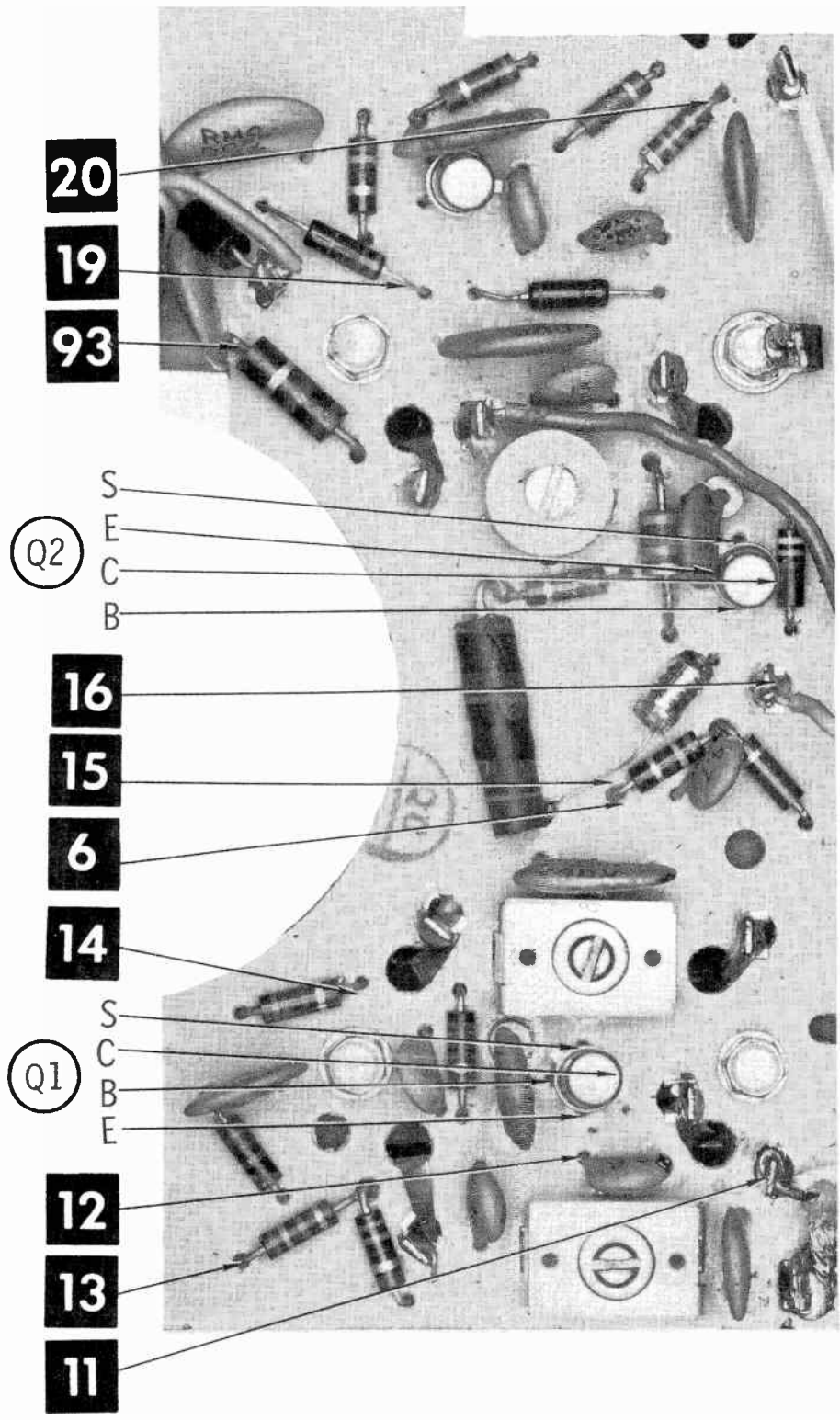
High side of generator thru 47K to point $\diamond E$, low side to ground.			
GENERATOR FREQUENCY	INDICATOR	ADJUST	REMARKS
7.	72KC	Vert. amp of scope thru 47K to point $\diamond F$, low side to ground.	A25 Adjust for MINIMUM
8.	19KC	Vert. amp of scope thru 47K to point $\diamond G$, low side to ground.	A26, A27,A28 Adjust for maximum.
9.	Modulated Left Channel	Vert. amp of scope to point $\diamond H$, low side to ground.	A26,A27 A28,R3 Adjust for MINIMUM. This step should require only slight adjustment.
10.	Modulated Right Channel	Vert. amp of scope to point $\diamond J$, low side to ground	Check for MINIMUM. If necessary make compromise adjustment of A26,A27,A28,R3.





A Howard W. Sams **CIRCUITRACE** Photo





20

19

93

Q2

S
E
C
B

16

15

6

14

Q1

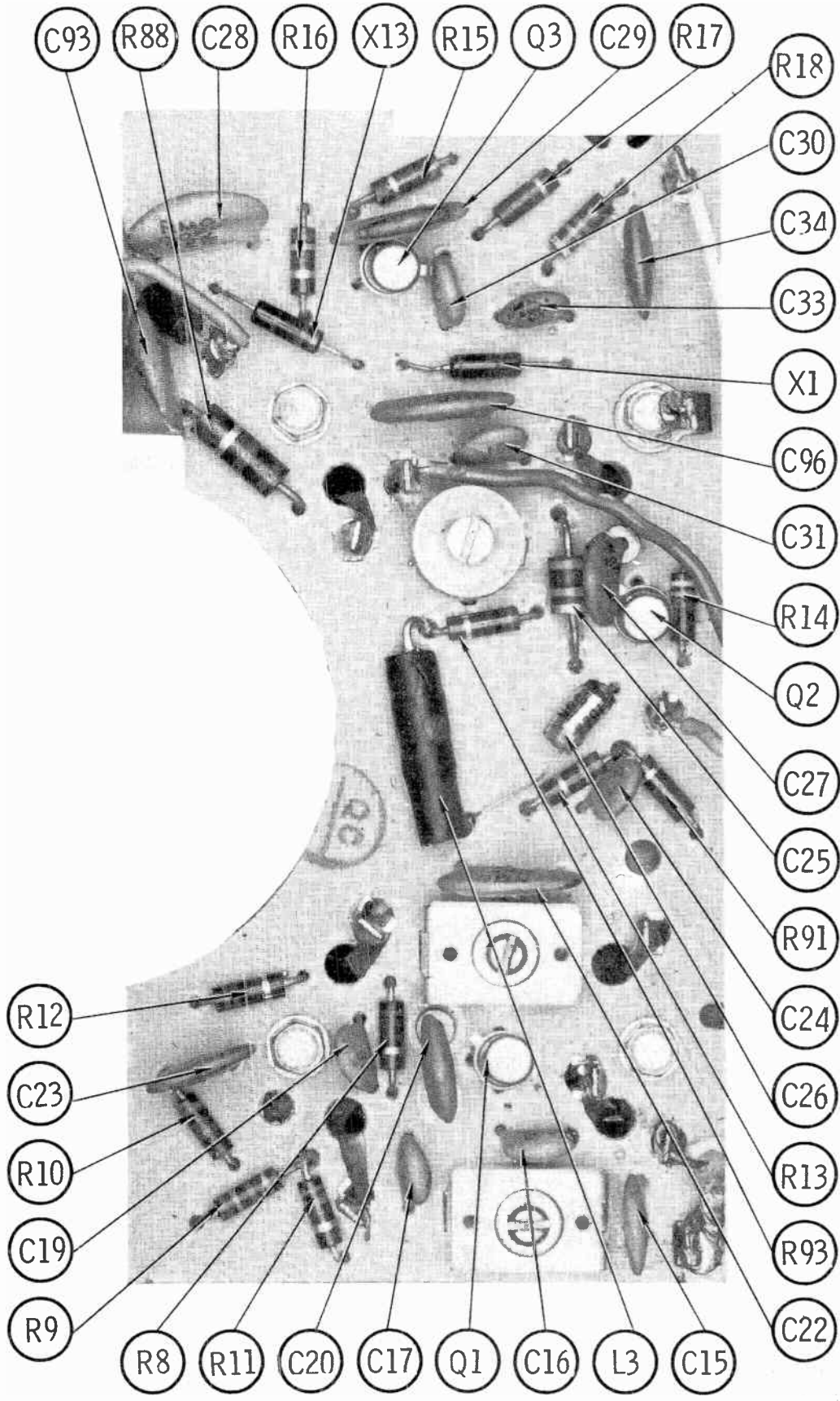
S
C
B
E

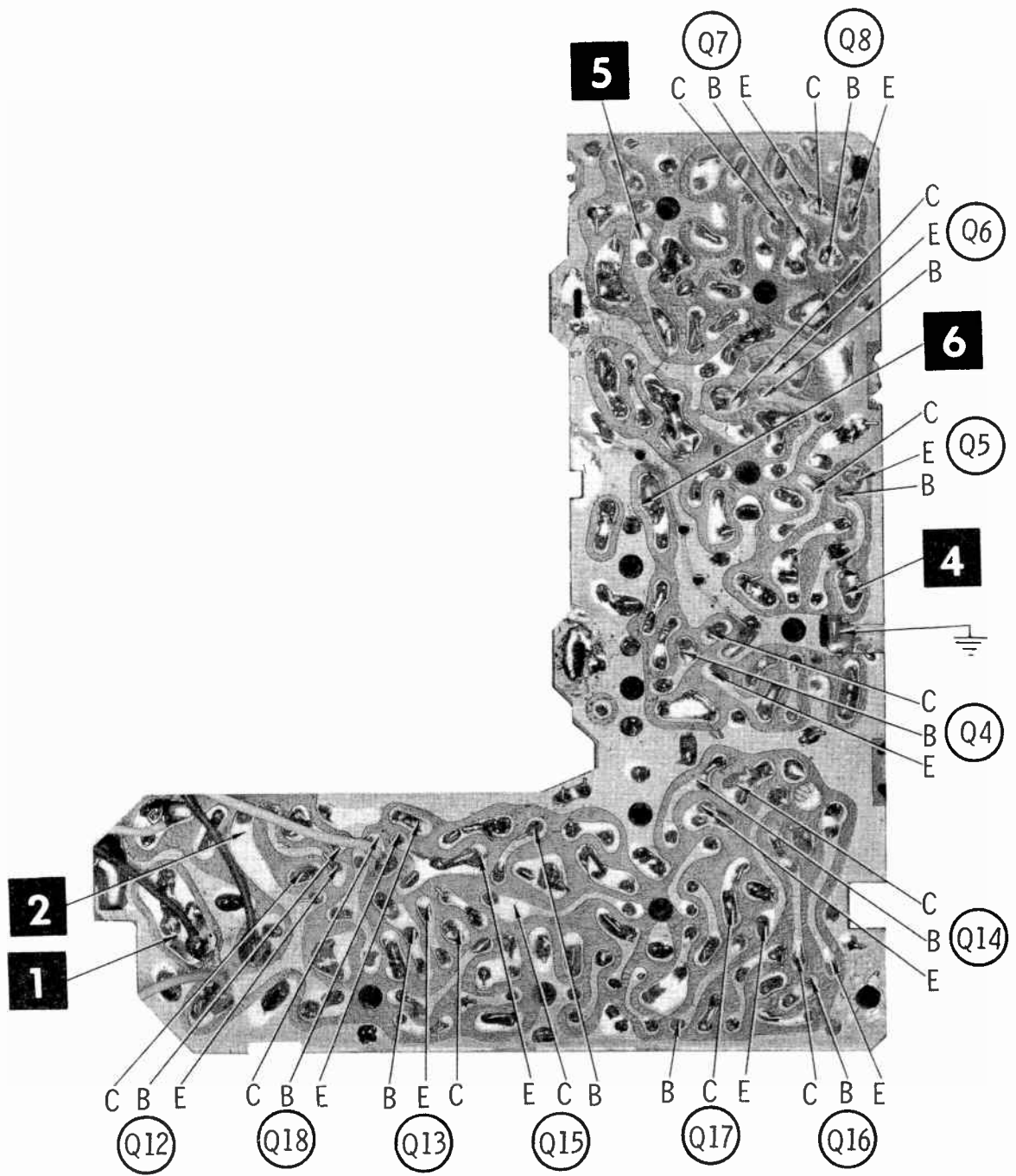
12

13

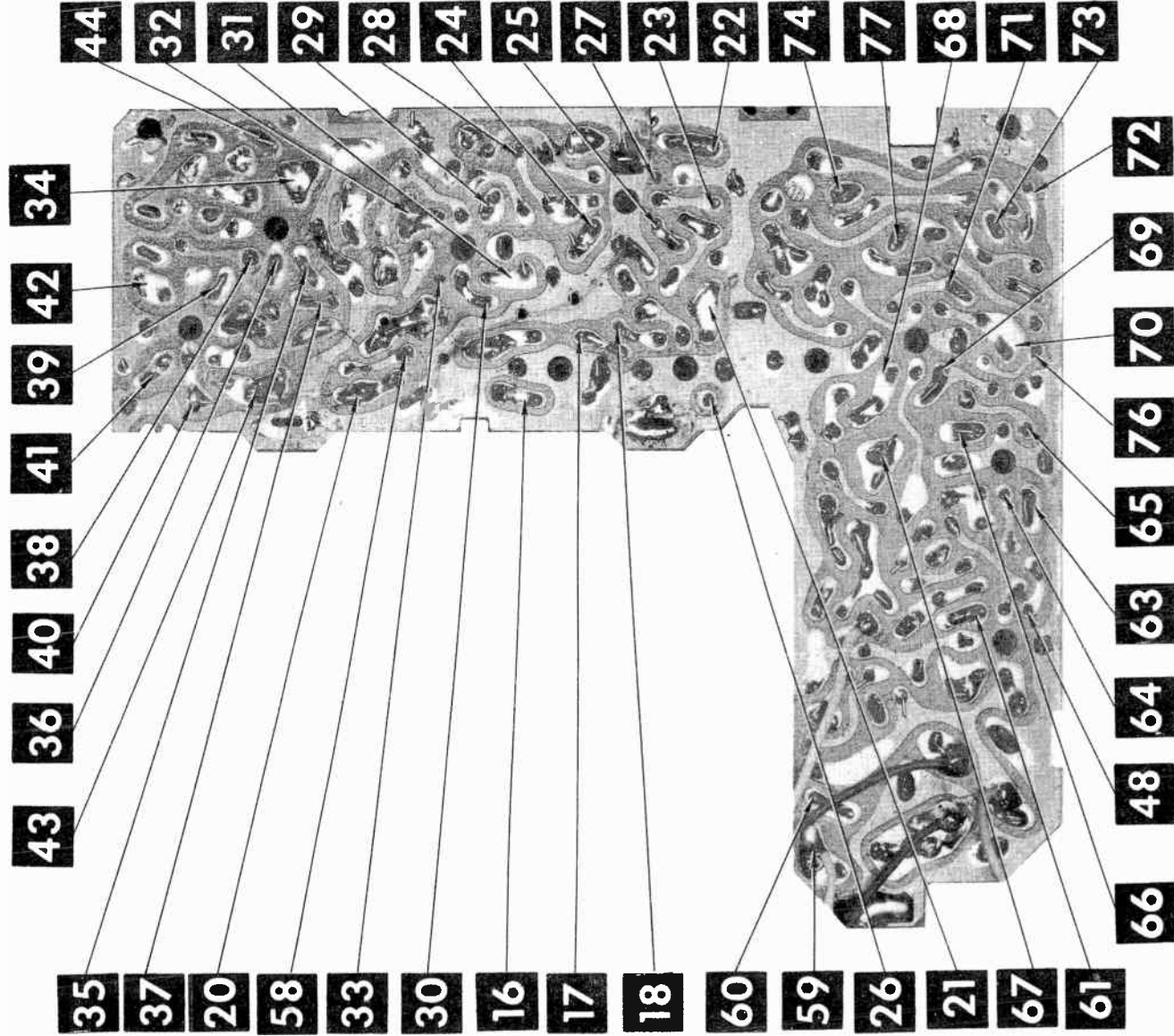
11

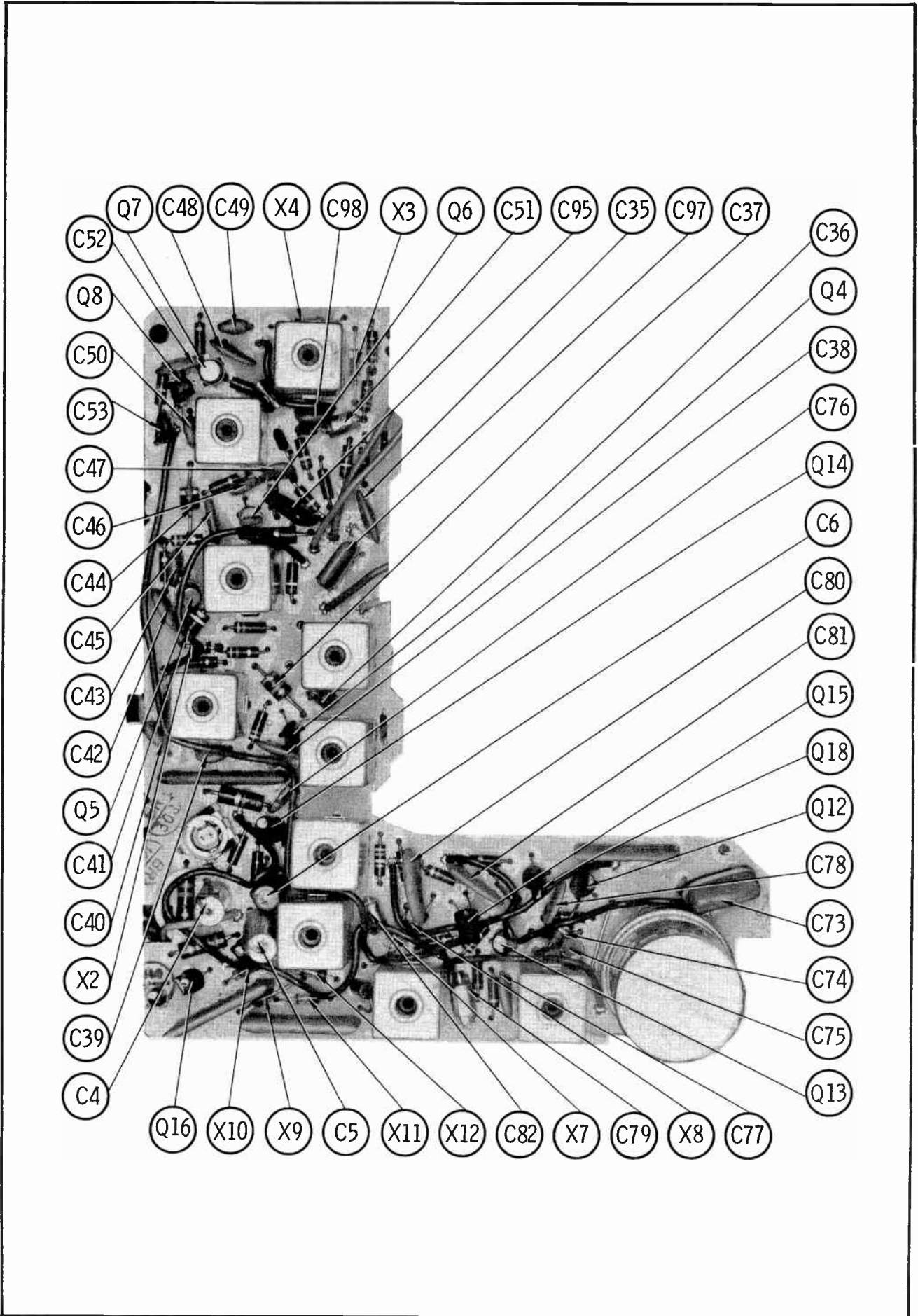
A Howard W. Sams **CIRCUITRACE** Photo

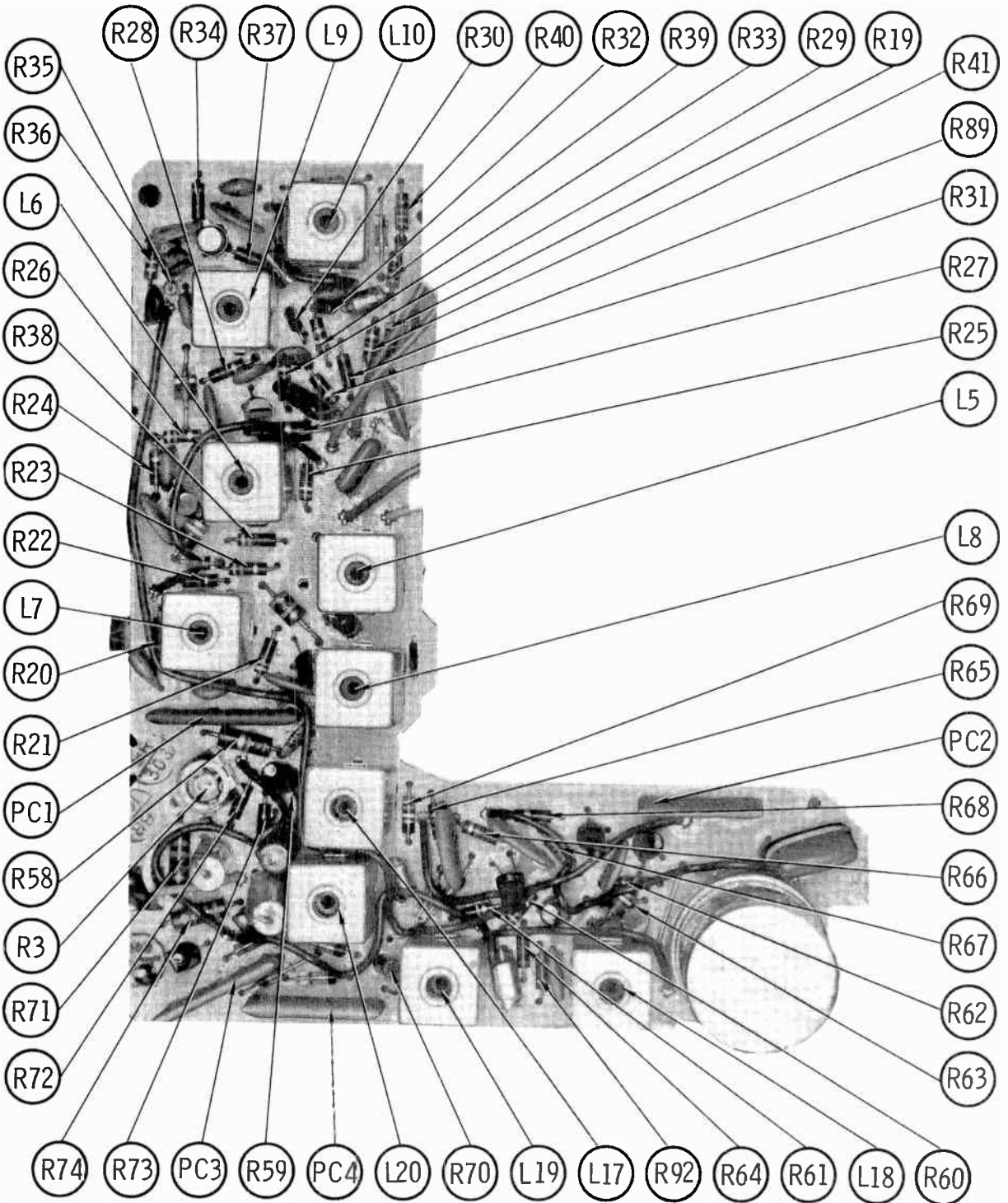


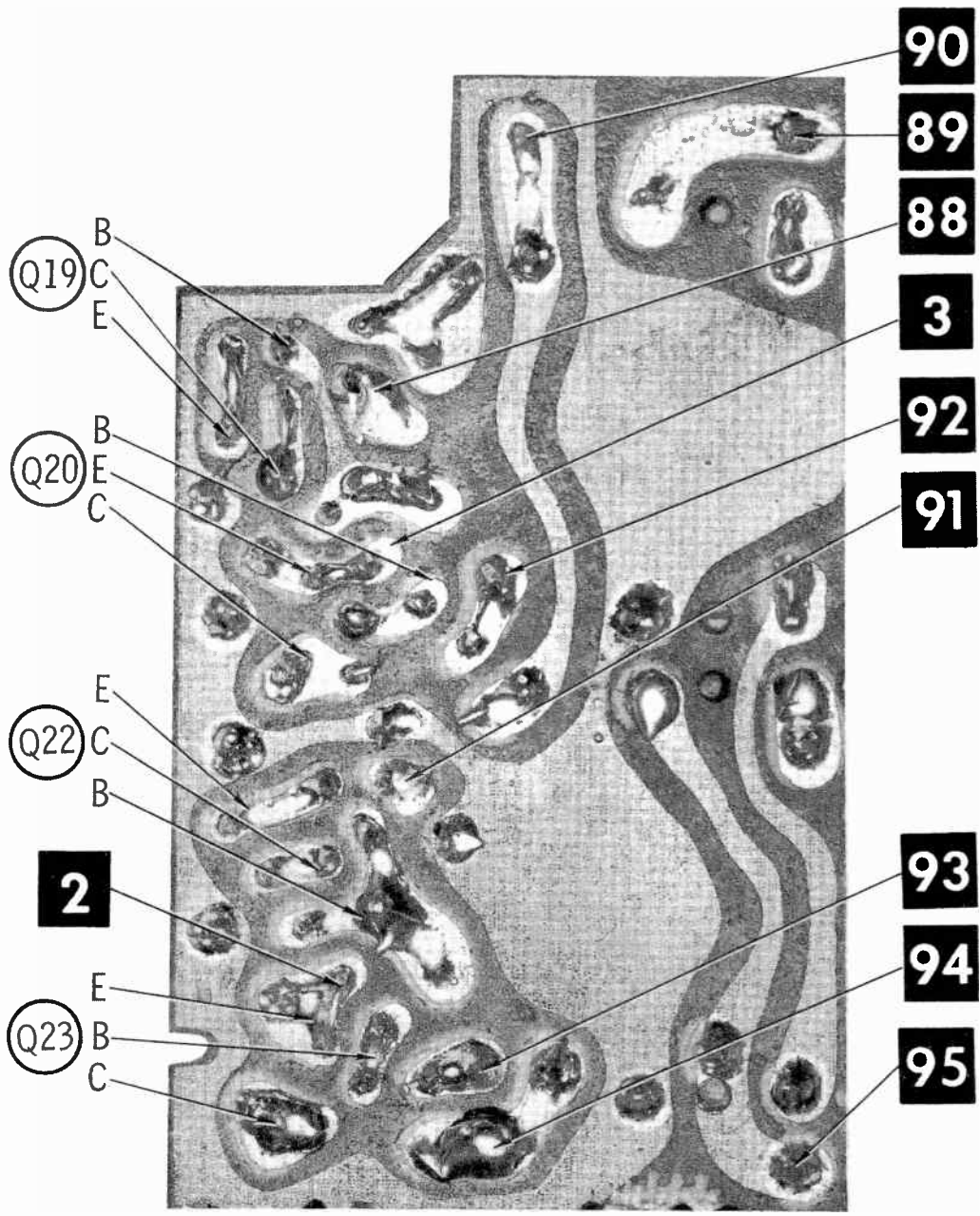


A Howard W. Sams **CIRCUITRACE** Photo

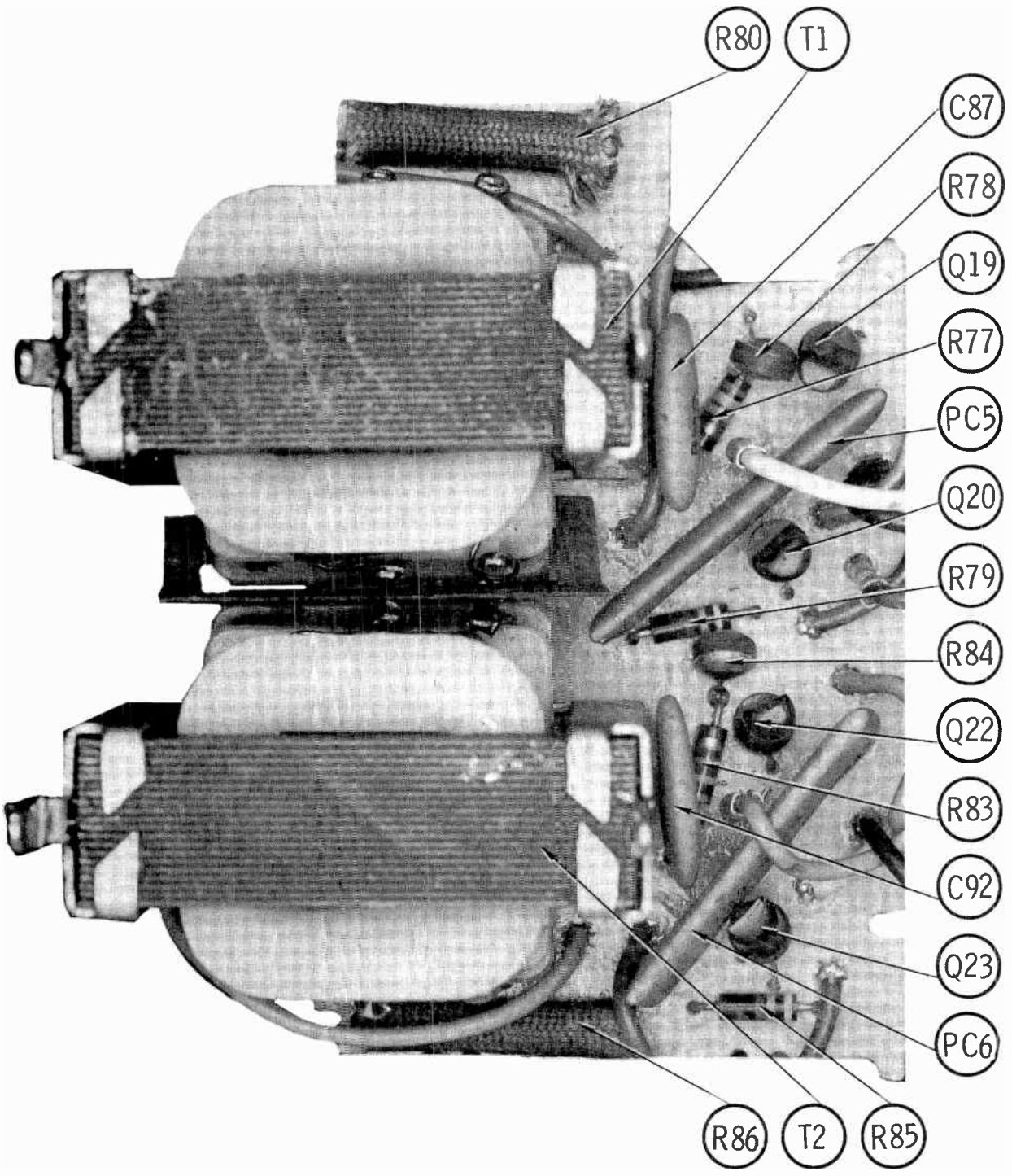


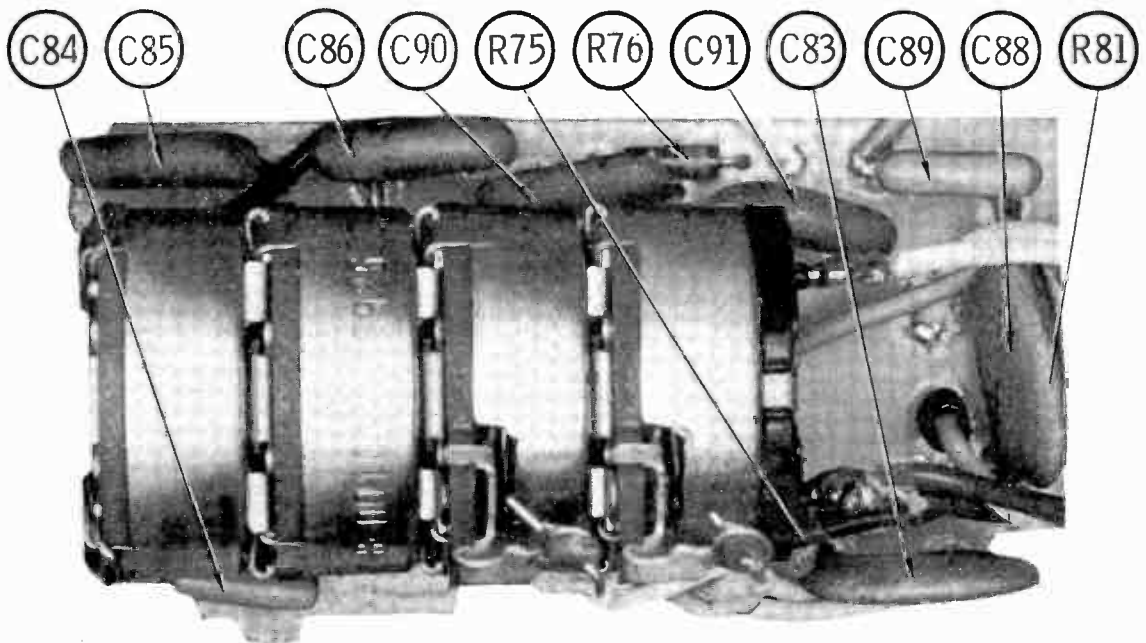
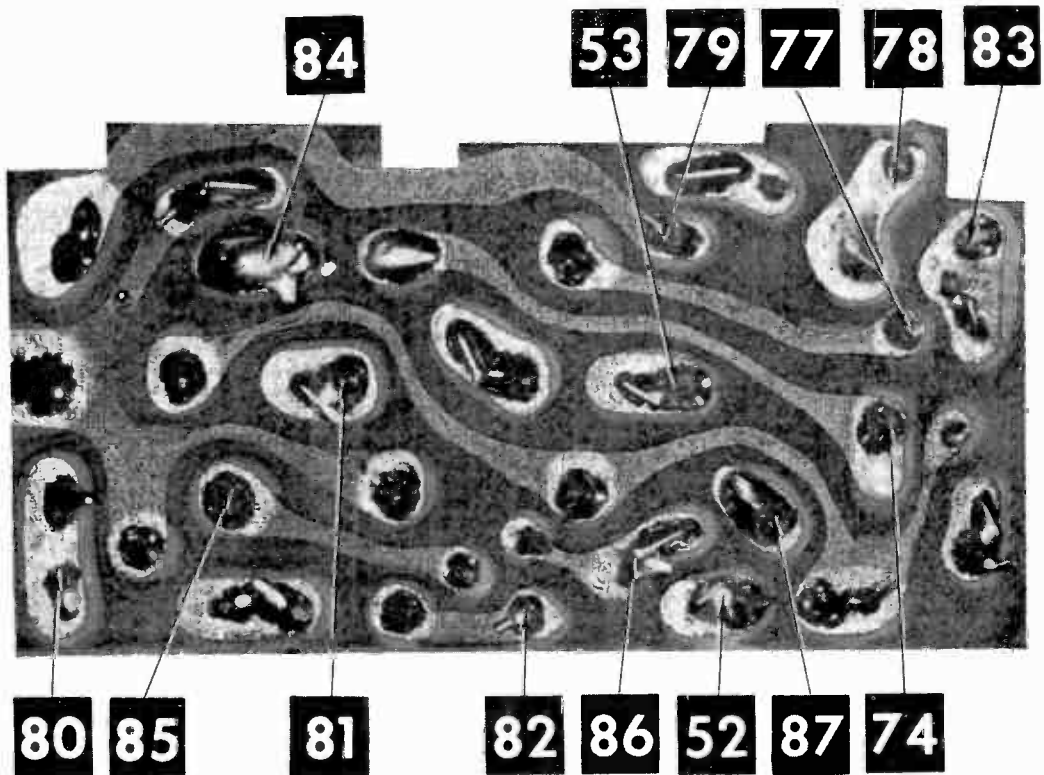






A Howard W. Sams **CIRCUITRACE** Photo





PARTS LIST AND DESCRIPTION

(When ordering parts, state Model, Part Number, and Description.)

Replacement parts shown may be superseded by the availability of newly introduced replacements.

Have your local distributor check Sams COUNTER FACTS for the most up-to-date replacement.

TRANSISTORS

ITEM No.	TYPE No.	FUNCTION	REPLACEMENT DATA					
			MFGR. PART No.	GENERAL ELECTRIC PART No.	INTERNATIONAL RECTIFIER PART No.	MOTOROLA PART No.	RCA PART No.	SYLVANIA PART No.
Q1		FM RF Amp	2092417-0711	GE-17	TR-22	HEP55	SK3018	ECG 108
Q2		FM Mixer	2092417-0712	GE-17	TR-22	HEP55	SK3018	ECG 108
Q3		FM Oscillator	2092417-0713	GE-17	TR-22	HEP55	SK3018	ECG 108
Q4		1ST FM IF Amp	2092418-0022	GE-17	TR-22	HEP55	SK3018	ECG 108
Q5		2ND FM IF Amp	2092418-0023	GE-17	TR-22	HEP55	SK3018	ECG 108
Q6		3RD FM IF Amp	2092418-0022	GE-17	TR-22	HEP55	SK3018	ECG 108
Q7		Limiter	2092418-0023	GE-17	TR-22	HEP55	SK3018	ECG 108
Q8		MPX Switch	2092418-0024	GE-20	TR-22	HEP55	SK3018	ECG 108
Q9		AM RF Amp	2093308-0704	GE-20	TR-22	HEP54	SK3018	ECG 107
Q10		AM Converter	2093308-0705	GE-20	TR-22	HEP54	SK3018	ECG 107
Q11		AM IF Amp	2093308-0706	GE-20	TR-22	HEP54	SK3018	ECG 107
Q12		MPX Input Amp	2092609-0705	GE-10	TR-21	HEP54	SK3020	ECG 123
Q13		19KC Amp	2092609-0707	GE-10	TR-21	HEP54	SK3020	ECG 123
Q14		Composite Amp	2092609-0707	GE-10	TR-21	HEP54	SK3020	ECG 123
Q15		38KC Amp	2057013-0004	GE-21	TR-19	HEP51	SK3025	ECG 106
Q16		Preamp	2092609-0707	GE-10	TR-21	HEP54	SK3020	ECG 123
Q17		Preamp	2092609-0707	GE-10	TR-21	HEP54	SK3020	ECG 123
Q18		Stereo Lamp Switch	2057013-0701	GE-21	TR-19	HEP51	SK3025	ECG 106
Q19		AF Amp	2092609-0705	GE-10	TR-21	HEP54	SK3020	ECG 123
Q20		AF Amp	2057013-0004	GE-21	TR-19	HEP51	SK3025	ECG 106
Q21		Output	4080879-0001	GE-28		HEP7001	SK3041	ECG 152
Q22		AF Amp	2092609-0705	GE-10	TR-21	HEP54	SK3020	ECG 123
Q23		AF Amp	2057013-0004	GE-21	TR-19	HEP51	SK3025	ECG 106
Q24		Output	4080879-0001	GE-28		HEP7001	SK3041	ECG 152

FORD MODELS OFBO, OFBZ

POWER RECTIFIERS & SIGNAL DIODES

ITEM No.	MFGR. PART OR TYPE No.	REPLACEMENT RECTIFIERS & DIODES			REPLACEMENT RECTIFIERS	NOTES
		GENERAL ELECTRIC PART No.	INTERNATIONAL RECTIFIER PART No.	SYLVANIA PART No.	RCA PART No.	
X1	2092055-0003					Varactor
X2	2092055-0001	1N34AS	1N34A	ECG 109		
X3	2092055-0007	1N34AS	1N34A	ECG 109		
X4	2092055-0007	1N34AS	1N34A	ECG 109		
X5	2092055-0708	1N82A	1N82A	ECG 112		
X6	2092055-0001	1N34AS	1N34A	ECG 109		
X7	2092055-0001	1N34AS	1N34A	ECG 109		
X8	2092055-0001	1N34AS	1N34A	ECG 109		
X9	2092055-0001	1N34AS	1N34A	ECG 109		
X10	2092055-0001	1N34AS	1N34A	ECG 109		
X11	2092055-0001	1N34AS	1N34A	ECG 109		
X12	2092055-0001	1N34AS	1N34A	ECG 109		
X13	2092055-0710		12M7.5	ECG 138	Zener	

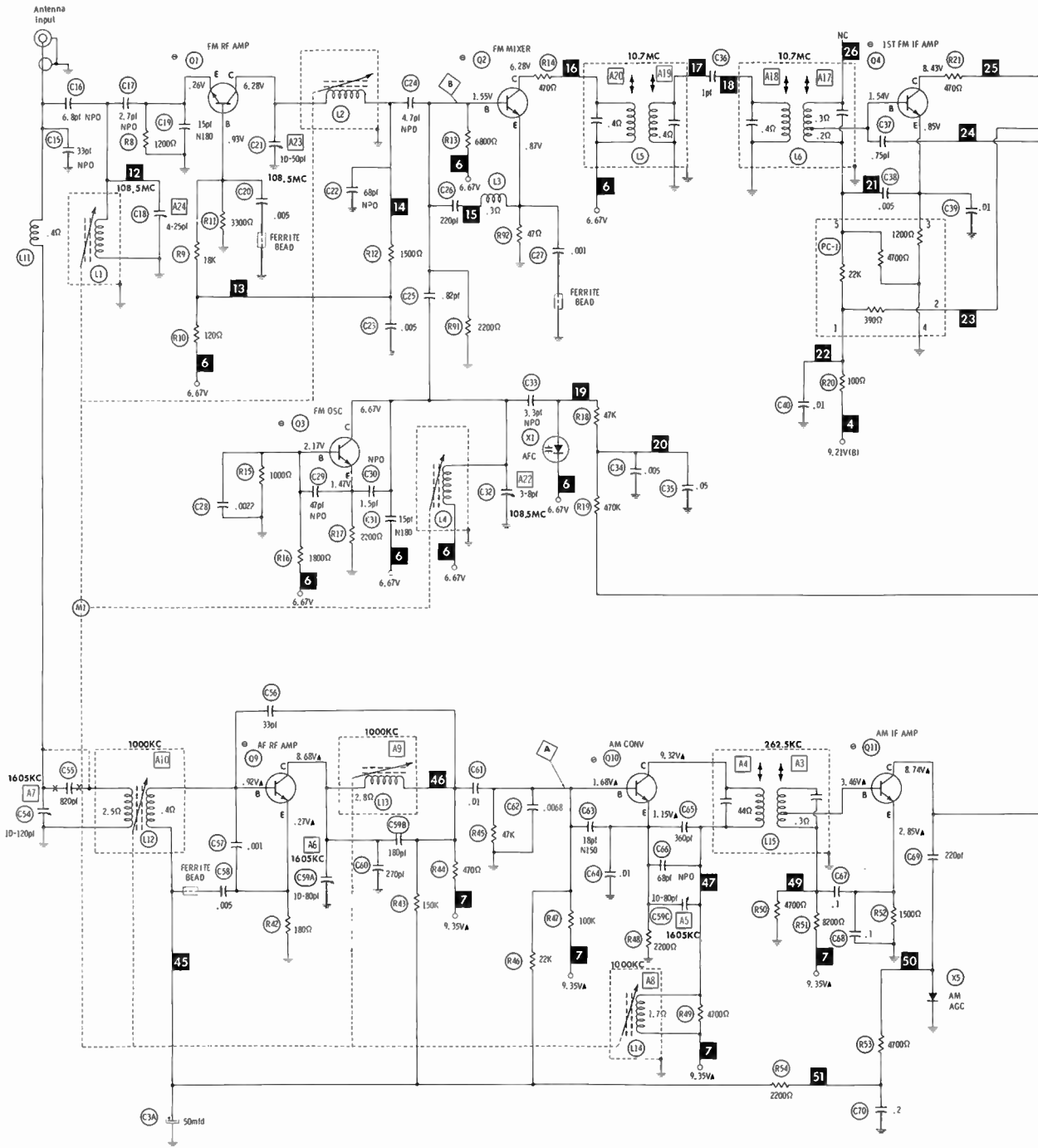
ELECTROLYTIC CAPACITORS

ITEM No.	RATING	REPLACEMENT DATA						
		PART No.	AEROVOX PART No.	CENTRALAB PART No.	CORNELL-DUBILIER PART No.	GENERAL ELECTRIC PART No.	MALLORY PART No.	SPRAGUE PART No.
C1A	500 16V	2092983-0709	PWH3-00-95.1		CC0018A			
B	500 16V							
C	500 16V							
C2	20 16V	2090480-0718	CRE461A	EA15-25	AL25-16	MT1-10	MTA25D20	TL-1157
C3A	50 4V	2092246-0710						
B	1000 4V							
C4	.47 63V	2093367-0021			TANH31CNOR5MP3		TAS474K075P0A	
C5	.47 63V	2093367-0021			TANH31CNOR5MP3		TAS474K075P0A	
C6	20 16V	2090480-0718	CRE467A	EA15-25	AL25-16	MT1-10	MTA25D20	TL-1157
C7	1000 6V	2090480-0720	PRS123D	EA6-1000	WBR1000-16		TC601A	TL-1111

CAPACITORS

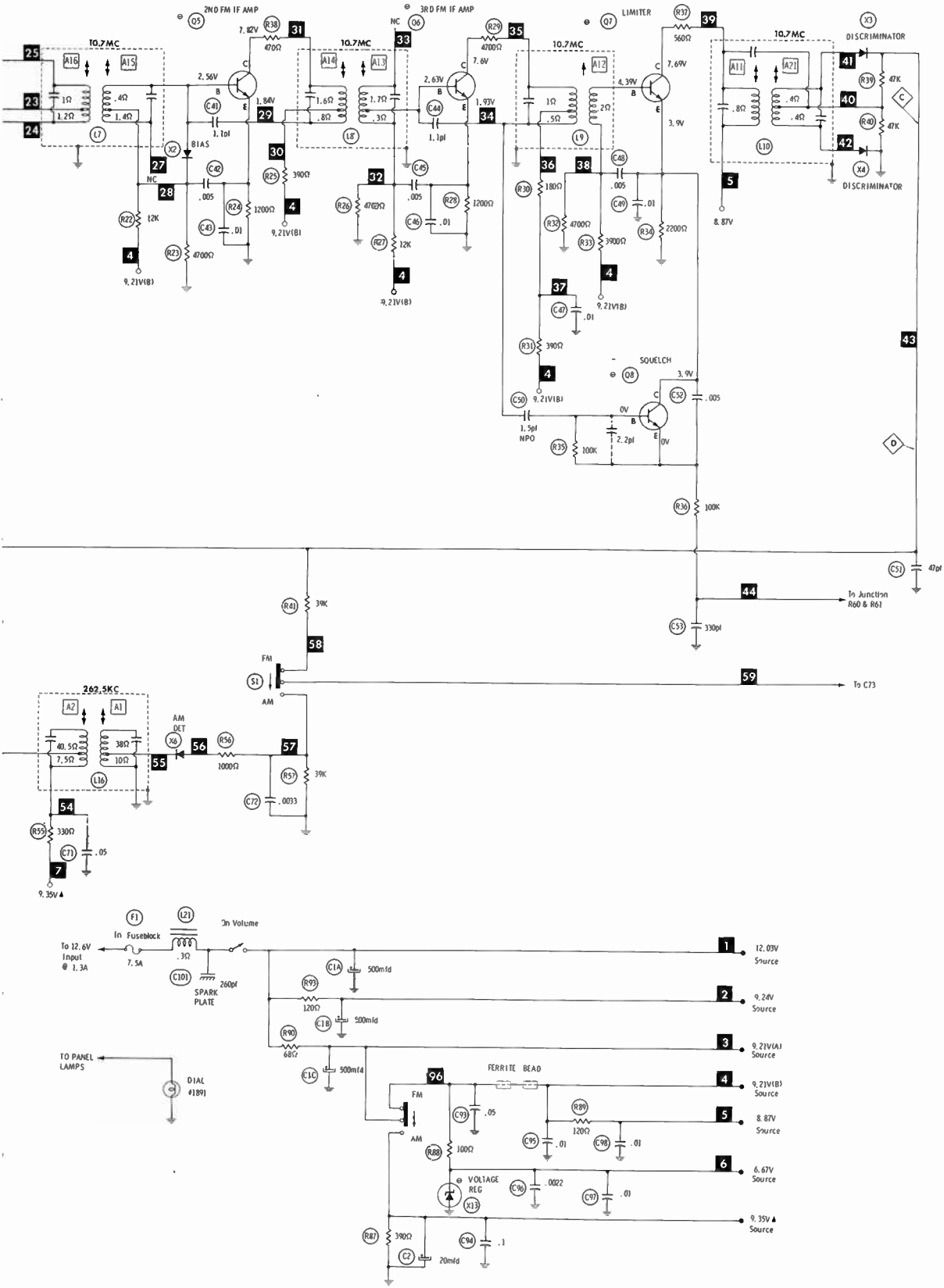
ITEM No.	RATING	REMARKS	REPLACEMENT DATA					
			AEROVOX PART No.	CENTRALAB PART No.	CORNELL-DUBILIER PART No.	ELMENCO PART No.	MALLORY PART No.	SPRAGUE PART No.
C15	33	NPO	NPC-DI 33	DTZ-33	NP033	CCT0-330	CN0433	10TCC-Q33
C16	6.8	NPO	NPC-DI 6.8	DTZ-6R8	NP06P8		CN0568	10TCC-V68
C17	2.7	NPO	NPC-DI 3.0					10TCC-V30
C18	4-25		#2093115-0707					
C19	15	N180				*	*	
C20	.005		TTP-0C5	CK-502	MGP005	CCD-502	TA250	TG-D50

(CONTINUED ON PAGE 62)



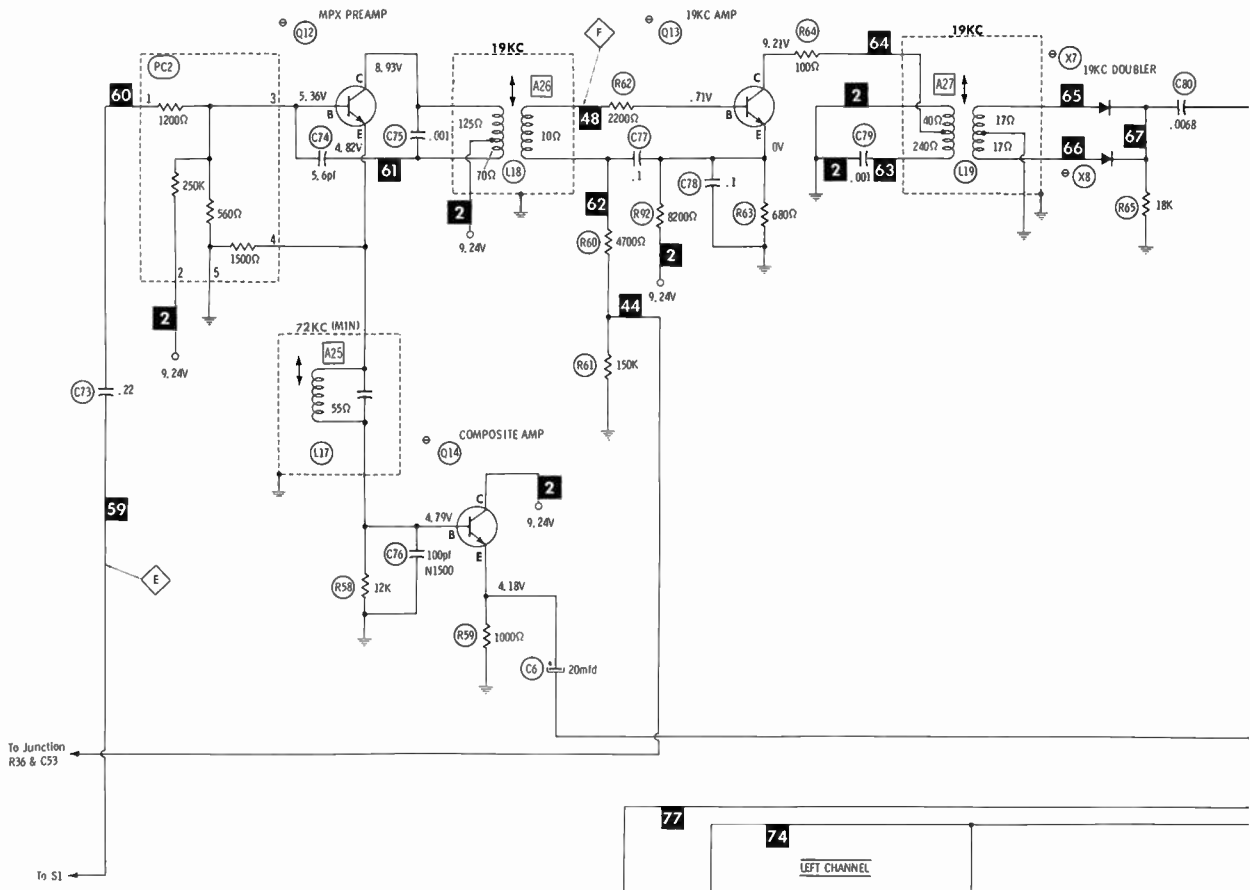
○ See parts list.
 Measurements taken with switching in position shown unless otherwise indicated.
 ▲ Measured with switching in "AM" position.
 Resistors are 1/2W or less, 10% or 20%, unless otherwise indicated. Supply voltage maintained at rated value for measurements. Voltage and resistance measured with VTVM or equivalent meter. No signal applied and controls adjusted for normal operation. Controls viewed from actuator end. Arrow indicates clockwise rotation. Numbers assigned to terminals may not be found on the unit. Transistor resistances vary widely. No resistance measurements taken.

A PHOTOFAC STANDARD NOTATION SCHEMATIC
 with **CIRCUITRACE**
 © Howard W. Sams & Co., Inc. 197D



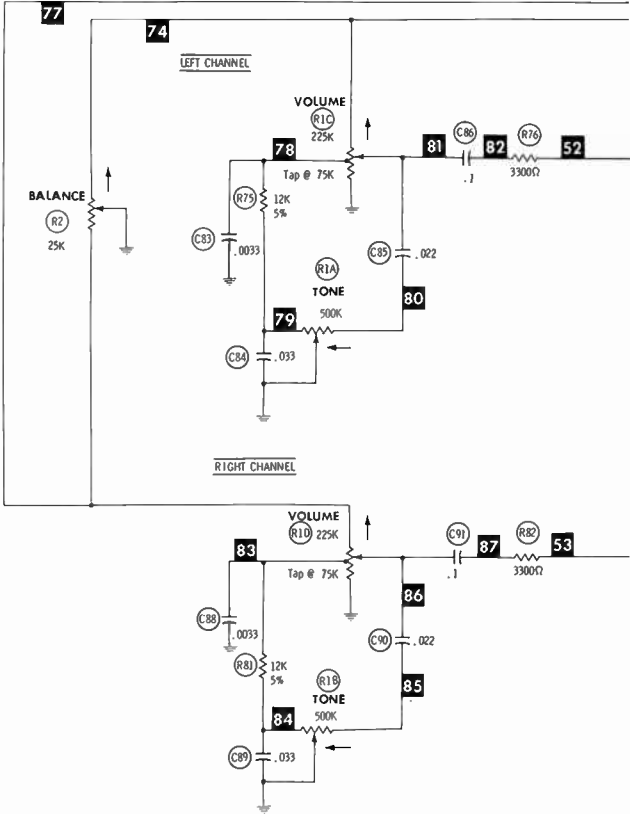
FORD MODELS OFB0, OFBZ

REFER TO PAGES 60 & 61 FOR MPX



To Junction R36 & C53

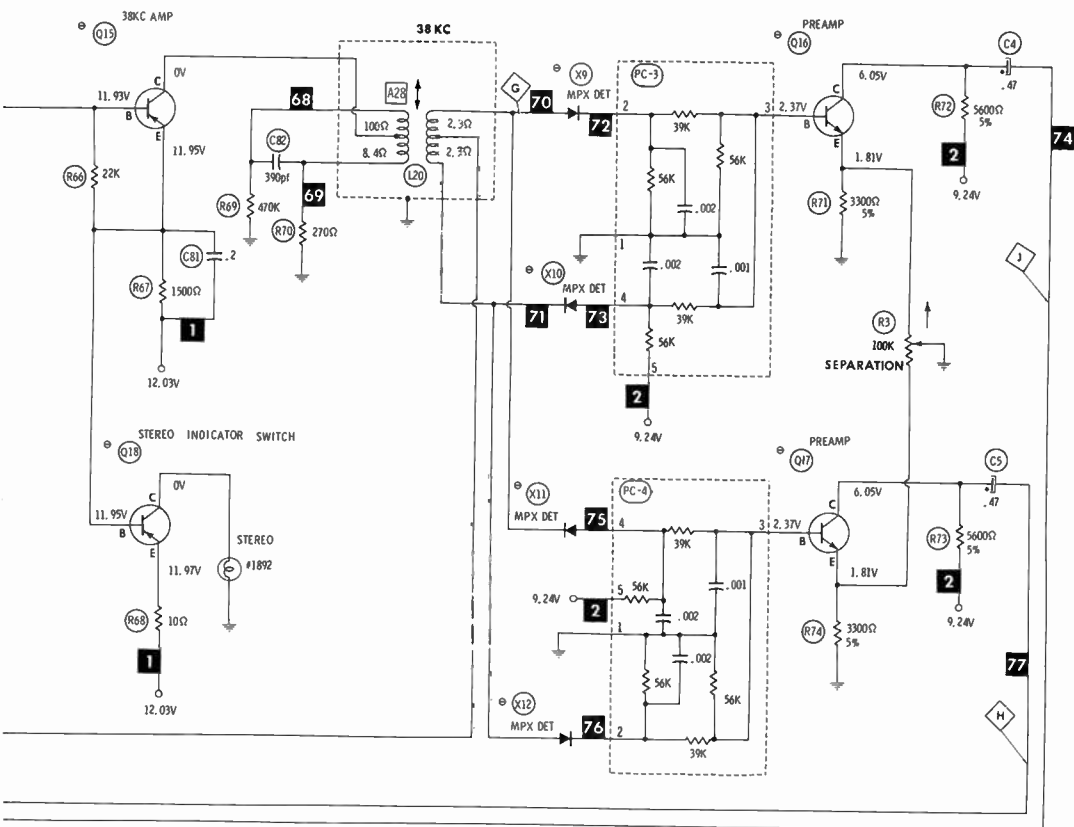
To S1



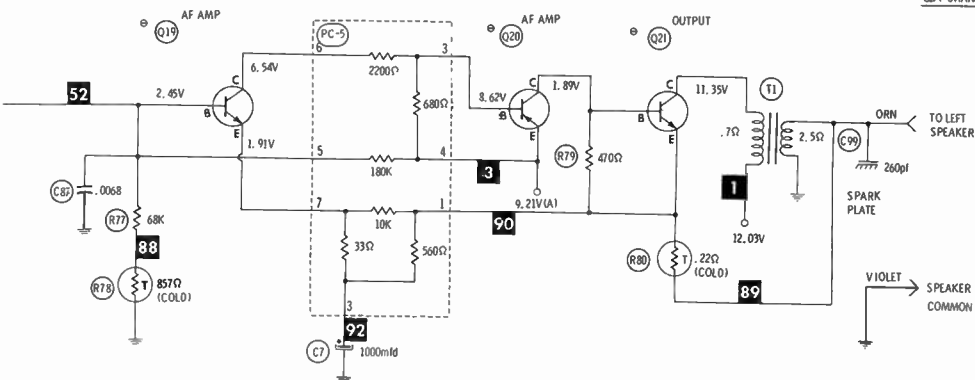
⊙ See parts list.
 Measurements taken with switching in position shown unless otherwise indicated.
 Resistors are 1/2W or less, 10% or 20%, unless otherwise indicated.
 Supply voltage maintained at rated value for measurements.
 Voltage and resistance measured with VTVM or equivalent meter, no signal applied and controls adjusted for normal operation.
 Controls viewed from actual end. Arrow indicates clockwise rotation.
 Numbers assigned to terminals may not be found on the unit.
 Transistor resistances vary widely. No resistance measurements taken.

A PHOTOFACIT STANDARD NOTATION SCHEMATIC
 with **CIRCUITRACE**
 © Howard W. Sams & Co., Inc. 1970

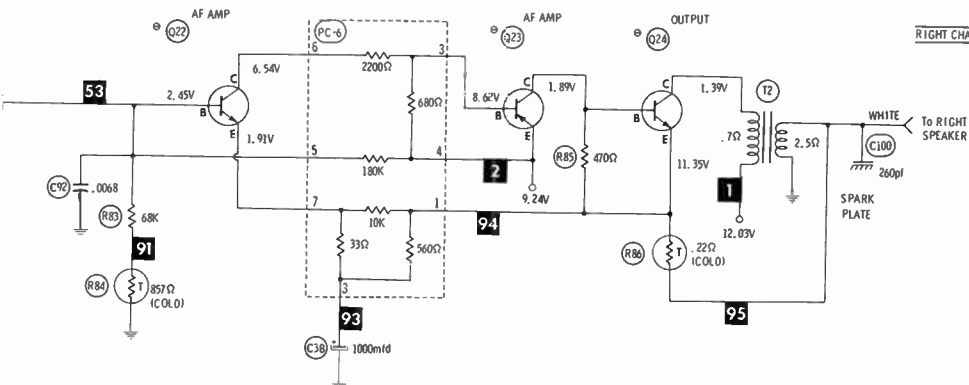
REFER TO PAGES 58 & 59 FOR AM-FM



LEFT CHANNEL



RIGHT CHANNEL



FORD MODELS OFB0, OFBZ

PARTS LIST AND DESCRIPTION (CONTINUED)

(When ordering parts, state Model, Part Number, and Description.)

Replacement parts shown may be superseded by the availability of newly introduced replacements.
Have your local distributor check Sams COUNTER FACTS for the most up-to-date replacement.

CONTROLS (All wattages 1/2 watt, or less, unless listed)

ITEM No.	FUNCTION	RESIST-ANCE	REPLACEMENT DATA				
			MFGR. PART No.	CENTRALAB PART No.	CLAROSTAT PART No.	CTS-IRC PART No.	MALLORY PART No.
R1A	Tone (Left)	500K	2057638-0703 (1)				
8	Tone (Right)	500K					
C	Volume (Left)	225K Tap @ 75K					
D	Volume (Right)	225K Tap @ 75K					
A	Switch Tone	500K	2057638-0709 (2)				
B	Tone	500K					
C	Volume	225K Tap @ 75K					
D	Volume/Switch	225K Tap @ 75K					
R2	Balance	25K	2057639-0702 (1)				P253L, 3058, SH31, 0X875A
	Balance	25K	2057639-0701 (2)				P253L, 3058, SH31, 0X1375
R3	Separation	100K	4C82435-0005				

(1) Used in Model 0FB0.

(2) Used in Model 0FBZ.

RESISTORS (Power and Special)

ITEM No.	RATING	REPLACEMENT DATA	
		WORKMAN PART No.	MFGR. PART No.
R78	857 (Cold)		220629-0021
R80	.22 (PTC)		2090948-0020

ITEM No.	RATING	REPLACEMENT DATA	
		WORKMAN PART No.	MFGR. PART No.
R84	857 (Cold)		220629-0021
R86	.22 (PTC)		2090948-0020

COILS (RF-IF)

ITEM No.	USE	REPLACEMENT DATA			
		PART No.	MEISSNER PART No.	MILLER PART No.	WORKMAN PART No.
L1	FM Antenna	(1)			
L2	FM RF	(1)			
L3	10.7MC Trap (1uh)	2092210-0005	19-1000	4602	T855
L4	FM Oscillator	(1)			
L5	FM Input IF	2057713-0701			
L6	FM Interstage IF	2057713-0702			
L7	FM Interstage IF	2057713-0703			
L8	FM Interstage IF	2057713-0704			
L9	FM Interstage IF	2057713-0705			
L10	Discriminator	2057714-0701			
L11	RF Choke (2uh)	2092210-0007	19-1002	74F226AP	TAB12
L12	AM Antenna	(1)			
L13	AM RF	(1)			
L14	AM Oscillator	(1)			
L15	AM Input IF	2057715-0701			
L16	AM Output IF	2057715-0702			
L17	67KC Trap	2057742-0701			
L18	19KC	2057742-0702			
L19	19KC	2057742-0703			
L20	38KC	2057742-0704			

(1) Part of M1.

FILTER CHOKE

ITEM No.	RATINGS			REPLACEMENT DATA					NOTES
	CURRENT (Measured)	DC RES.	INDUCTANCE (0 CURRENT 1000~)	PART No.	MERIT PART No.	STANCOR PART No.	THORDARSON PART No.	TRIAD PART No.	
L21	1.3 Amp	.3	1.5mh	4080072-0501	C-4124 (1)	TC-1 (1)	TR-159 (1)	TY16XT (1)	(1) Fabricate mounting.

FORD MODELS 0FB0, 0FBZ

PARTS LIST AND DESCRIPTION (CONTINUED)

(When ordering parts, state Model, Part Number, and Description.)

Replacement parts shown may be superseded by the availability of newly introduced replacements.
Have your local distributor check Sams COUNTER FACTS for the most up-to-date replacement.

TRANSFORMER (Audio Output)

ITEM No.	IMPEDANCE		REPLACEMENT DATA					NOTES
	PRI.	SEC.	MFGR. PART No.	MERIT PART No.	STANCOR PART No.	THORDARSON PART No.	TRIAD PART No.	
T1	17	8	2092823-0704					
T2	17	8	2092823-0704					

SPEAKER

ITEM No.	TYPE	REPLACEMENT DATA		NOTES
		PART No.	QUAM PART No.	
				Obtain Speakers from Lincoln Dealer.

FUSE DEVICES

ITEM No.	DESCRIPTION	REPLACEMENT DATA						
		PART No.		BUSS PART No.		LITTELFUSE PART No.		WORKMAN PART No.
		DEVICE	HOLDER	DEVICE	HOLDER	DEVICE	HOLDER	DEVICE
F1	SFE 7 1/2 AM		In Fuse block	SFE 7 1/2		30707.5		

MISCELLANEOUS

ITEM No.	PART NAME	PART No.	NOTES
M1	Tuner	2094851-0544	GIC Model OFB0
	Tuner	2094851-0534	GIC Model OFBZ
	Coil Assembly	2090131-0114	
PC1	FM IF Network	2057721-0701	
PC2	MPX Input Network	2057719-0702	
PC3	MPX Detector Network	4080681-0002	
PC4	MPX Detector Network	4080681-0002	
PC5	AF Network	2057720-0701	
PC6	AF Network	2057720-0701	
S1	Switch, Selector	2092719-0710	

CABINETS & CABINET PARTS (When ordering specify model, chassis & color)

ITEM	MODEL	PART No.	ITEM	MODEL	PART No.
Escutcheon	OFB0	4080200-0513	Push Button	OFBZ	2057402-0003
Escutcheon	OFBZ	4080200-0516	Dial Pointer	OFB0	2090129-0109
Dial Glass	OFB0	4082380-0001	Dial Pointer	OFBZ	2090129-0110
Dial Glass	OFBZ	4080251-0002	Knob, Tuning or Volume	OFB0	4082399-0001
Stereo Indicator Lens	OFB0	2093760-0003	Knob, Tuning or Volume	OFBZ	4080959-0001
Stereo Indicator Lens	OFBZ	2093760-0005	Knob, Tone or Balance	OFB0	4082476-0001
Push Button #1 or #5	OFB0	2057383-0003	Knob, Tone or Balance	OFBZ	4080958-0001
Push Button #2 or #3 or #4	OFB0	2057383-0004			

WIRING DATA

General-use Unshielded Hook-up Wire	Use BELDEN No. 8530 (Solid) Available in 12 Colors 8524 (Stranded) Available in 12 Colors
Shielded Hook-up Wire	Use BELDEN No. 8885
Rear Seat Speaker Extension Cable	Use BELDEN No. 8782 (Stranded) Coded Parallel Leads
Bonding Strap	Use BELDEN No. 8661 (3/8 in.) or 8670 (3/4 in.)



PHOTOFACT® with

CIRCUTRACE®

For Supplier Address See PHOTOFACT Index

NOTE: Manufacturer Part Numbers Shown Are UNITED DELCO



IMPERIAL MODEL 2884 875
(70 Imperial)

IMPERIAL MODEL 2884 875

ALIGNMENT INSTRUCTIONS

Check for specified source voltage.
Use only enough generator output
to provide a usable indication.
Suggested Alignment Tools:

- A1 thru A4....GENERAL CEMENT #9296,9297,9300
WALSCO #2510, 2546, 2547
- A6,A7,A8.....GENERAL CEMENT #8290,8868,9087
WALSCO #2525, 2528, 2587

PUSH-BUTTON ADJUSTMENT

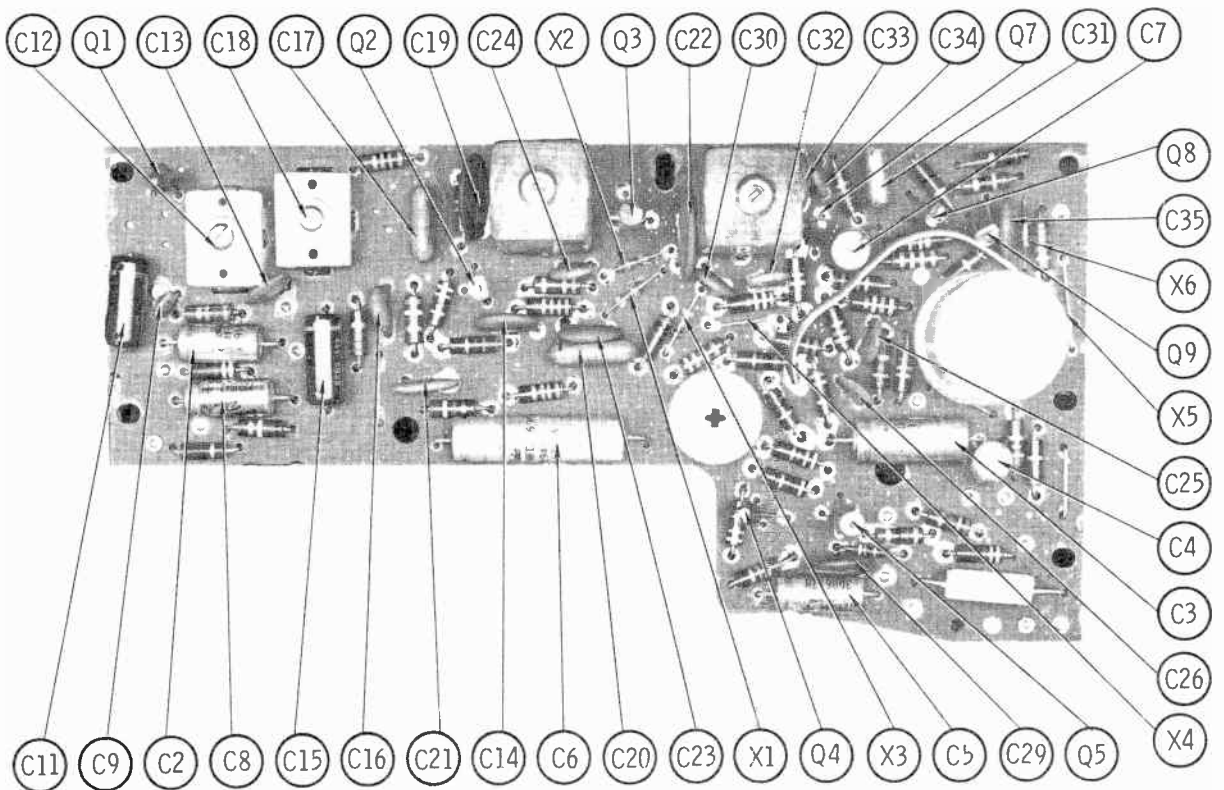
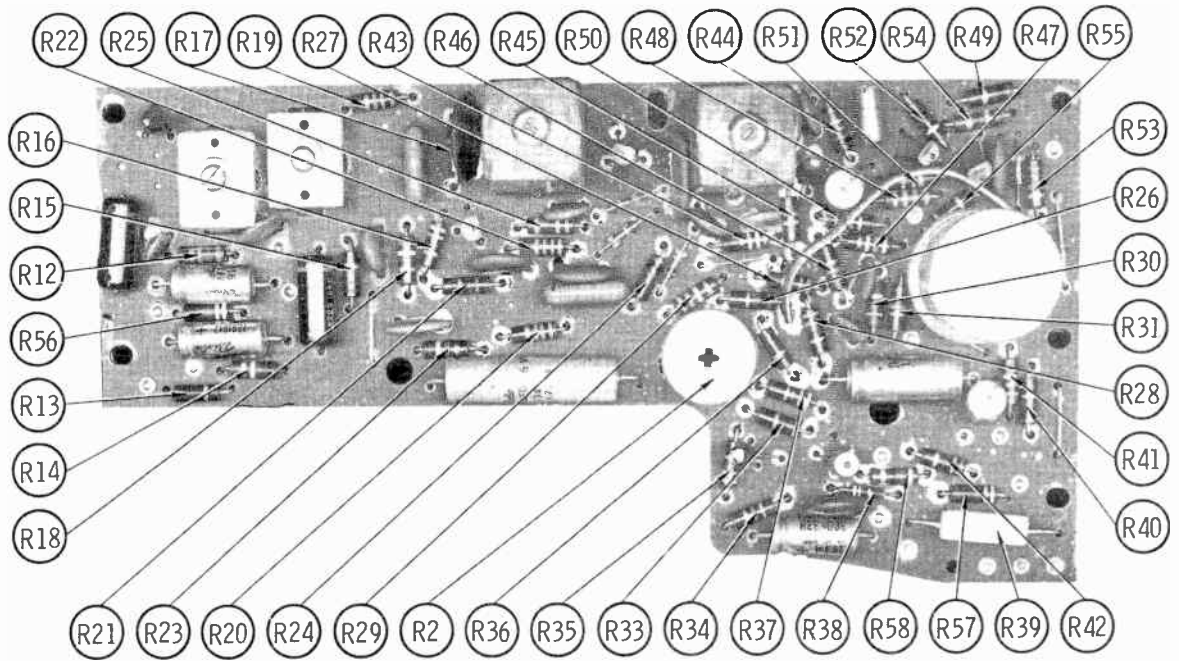
1. Pull button out.
2. Tune manually to desired station.
3. Press button in firmly.
4. Repeat for remaining buttons.

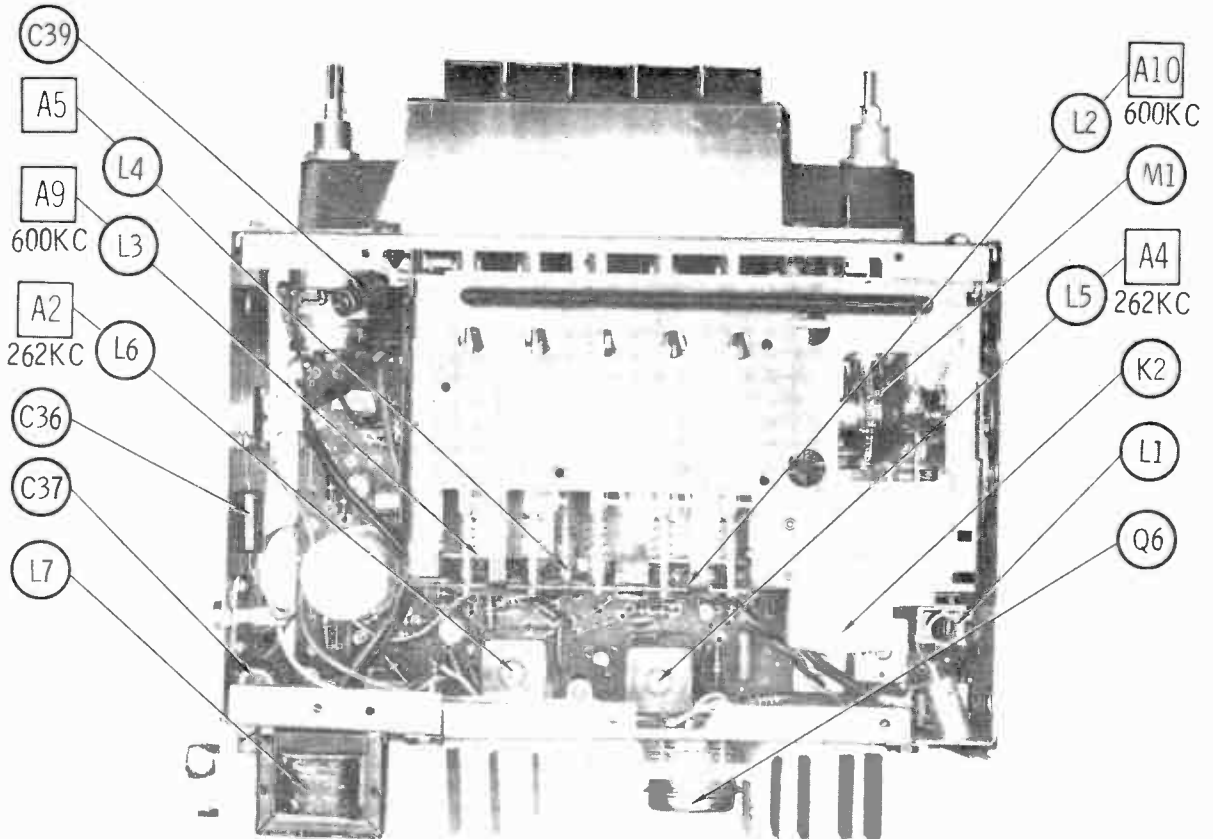
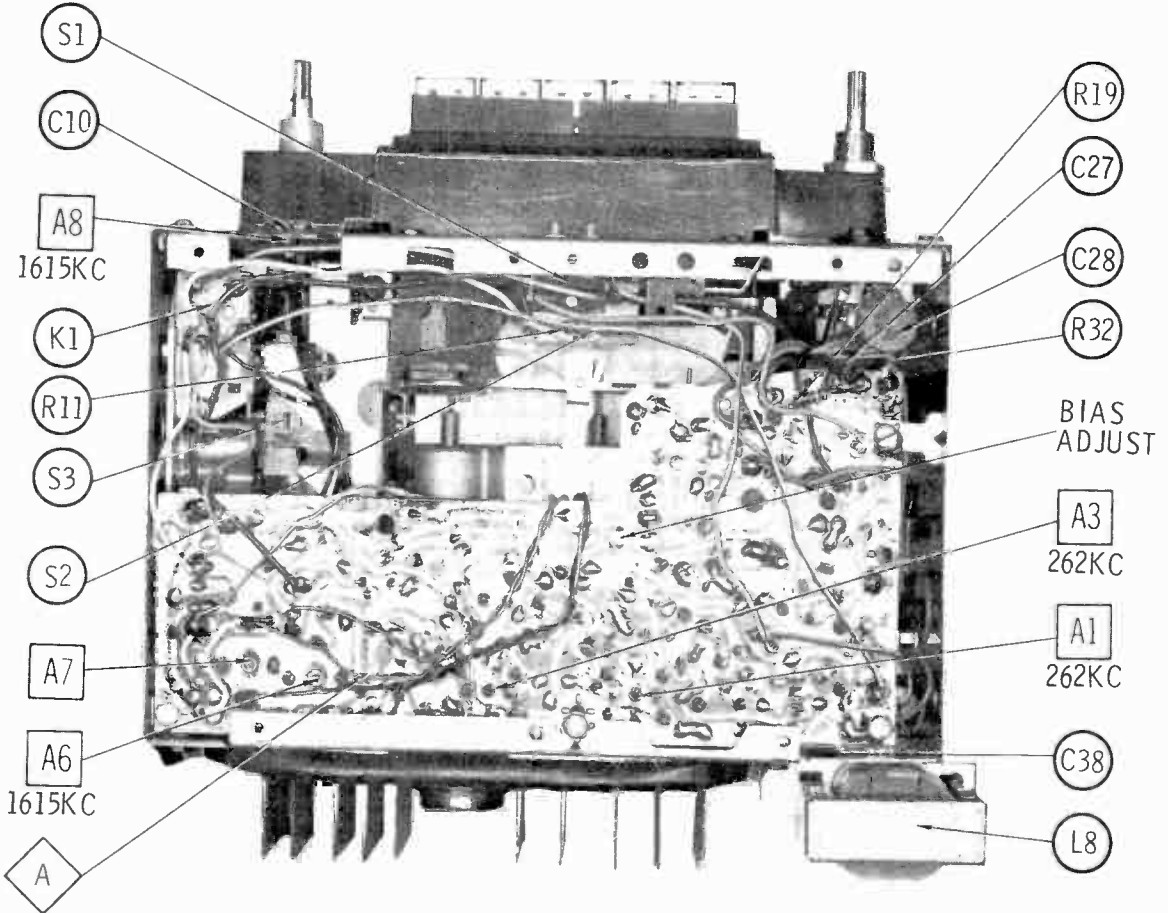
	GENERATOR COUPLING	GENERATOR FREQUENCY	RADIO DIAL SETTING	INDICATOR	ADJUST	REMARKS
1.	High side thru .1mfd to point Δ , low side to ground.	262KC 400 cycle modulation	High freq. end stop.	Output meter across voice coil.	A1,A2, A3,A4	Adjust for maximum.
Check setting of oscillator coil core (A5). Rear of core should be 1 5/8" from mounting end of coil form.						
2.	High side thru 82pf to antenna input, low side to ground.	1615KC	High freq. end stop.	Output meter across voice coil.	A6,A7, A8	Adjust for maximum.
3.	"	600KC	600KC signal	"	A9,A10	Adjust for maximum. Repeat Step 2.
With radio installed in car and antenna extended to desired height, tune in a weak station near 1400KC and adjust A8 for maximum output. Antenna adjustment (A8) is located behind Tuning & Dummy Knob.						

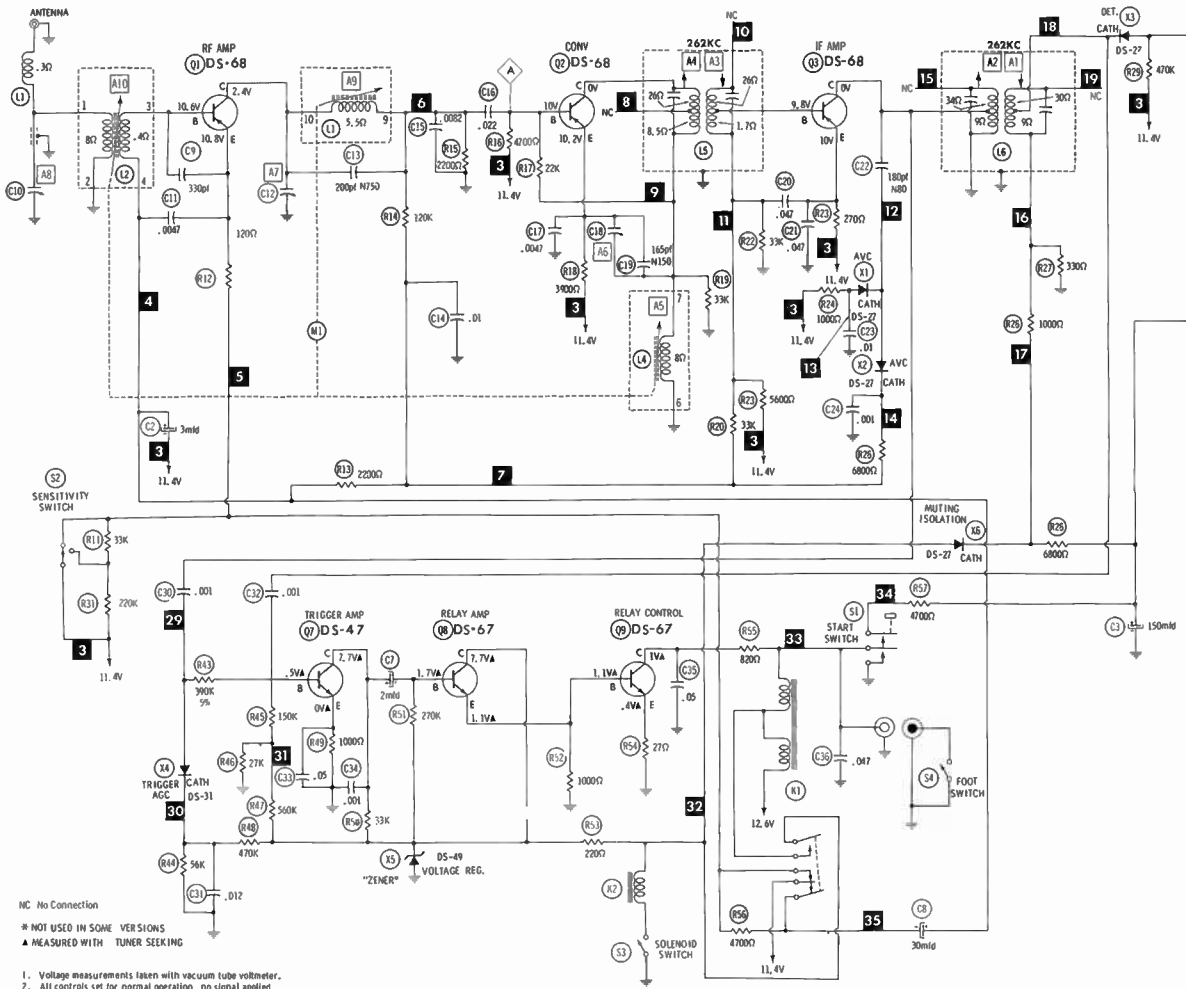
HOWARD W. SAMS & CO., INC. Indianapolis, Indiana 46206

© 1970 Howard W. Sams & Co., Inc. Printed in U. S. of America

TD823





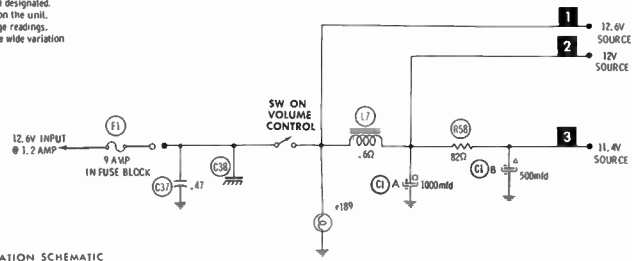


NC No Connection

* NOT USED IN SOME VERSIONS
 ▲ MEASURED WITH TUNER SEEKING

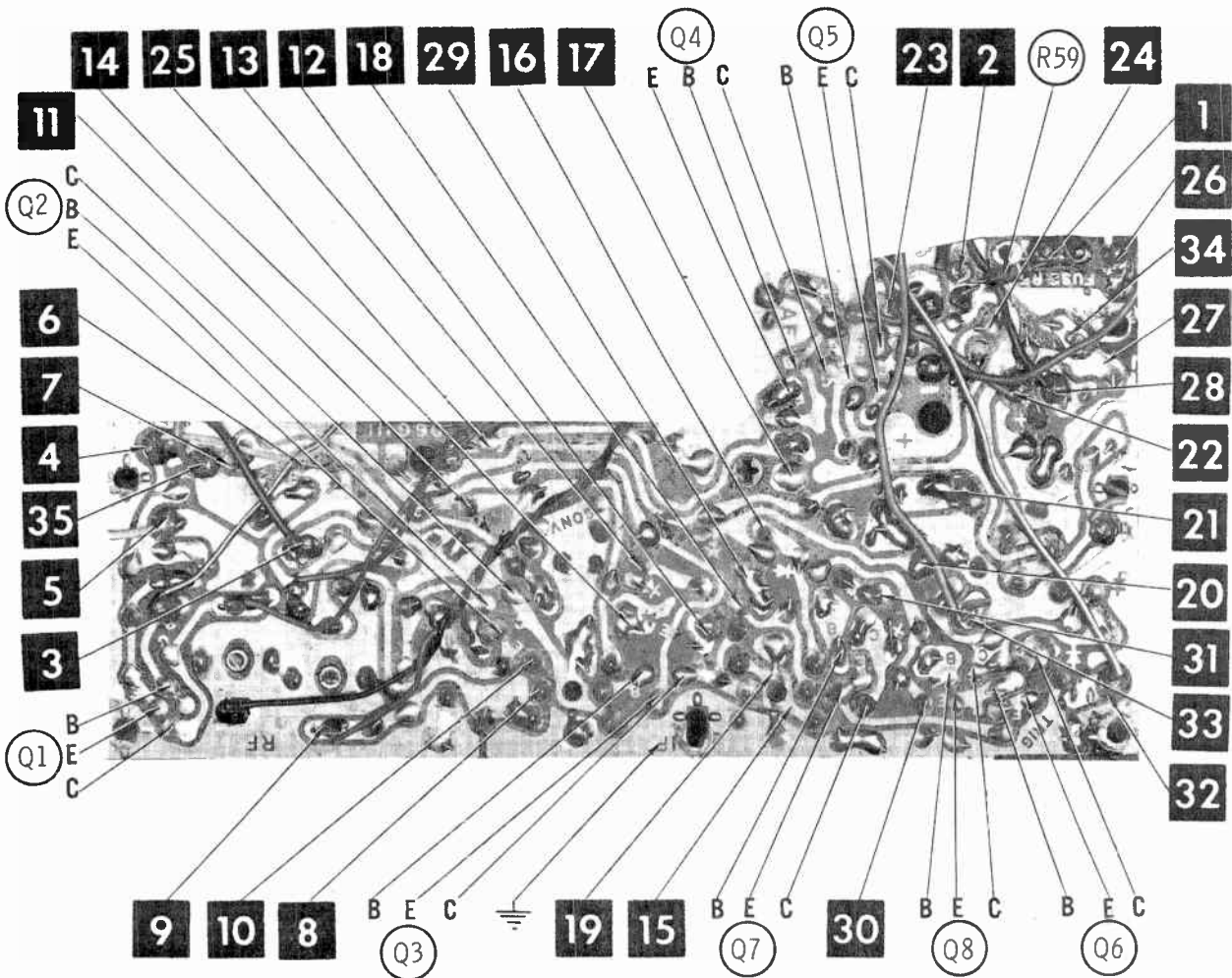
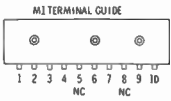
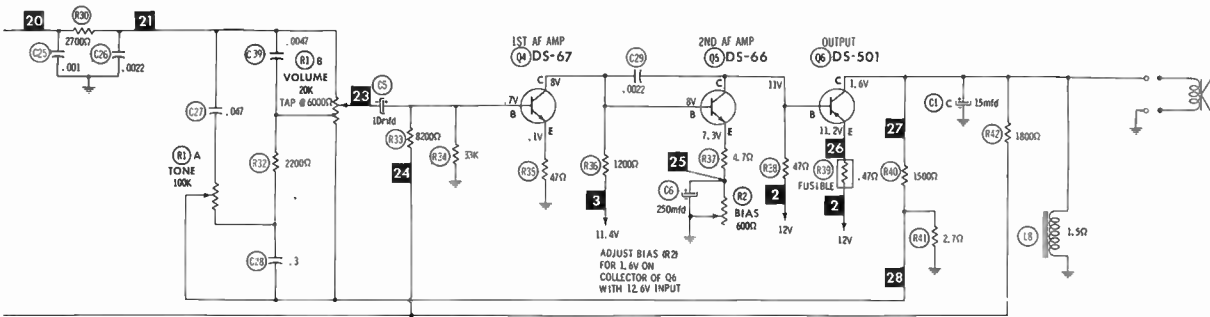
1. Voltage measurements taken with vacuum tube voltmeter.
2. All controls set for normal operation, no signal applied.
3. Measured values are from socket pin or terminal to common ground.
4. All terminals viewed from bottom unless otherwise designated.
5. Numbers assigned to terminals may not be found on the unit.
6. Supply voltage maintained at rated value for voltage readings.
7. Resistance measurements not given because of the wide variation in internal resistance of transistor.

Resistors are 1/2 watt or less and rated 10% or 20% unless otherwise indicated.



A PHOTOFAC STANDARD NOTATION SCHEMATIC with **Circuitrace**
 © Howard W. Sams & Co., Inc 1970

IMPERIAL MODEL 2884 875



A Howard W. Sams CIRCUITRACE Photo

PARTS LIST AND DESCRIPTION

(When ordering parts, state Model, Part Number, and Description.)

Replacement parts shown may be superseded by the availability of newly introduced replacements. Have your local distributor check Sams COUNTER FACTS[®] for the most up-to-date replacement.

WIRING DATA

General-use Unshielded Hook-up Wire	Use BELDEN No. 8530 (Solid) Available in 12 Colors 8524 (Stranded) Available in 12 Colors
Shielded Hook-up Wire	Use BELDEN No. 8885
Rear Seat Speaker Extension Cable	Use BELDEN No. 8782 (Stranded) Coded Parallel Leads
Bonding Strap	Use BELDEN No. 8661 (3/8 In.) or 8670 (3/4 In.)

TRANSISTORS

ITEM No.	TYPE No.	FUNCTION	REPLACEMENT DATA					
			MFGR. PART No.	GENERAL ELECTRIC PART No.	INTERNATIONAL RECTIFIER PART No.	MOTOROLA PART No.	RCA PART No.	SYLVANIA PART No.
Q1	DS-68	RF Amp	DS-68	GE-22	TR-28	HEP52		ECG 106
Q2	DS-68	Converter	DS-68	GE-22	TR-28	HEP52		ECG 106
Q3	DS-68	IF Amp	DS-68	GE-22	TR-28	HEP52		ECG 106
Q4	DS-67	AF Amp	DS-66	GE-10	TR-21	HEP54	SK3020	ECG 123
Q5	DS-66	AF Amp	DS-66	GE-10	TR-21	HEP54	SK3020	ECG 123
Q6	DS-501	Output (1)	DS-501	GE-4	TR-03	HEP233	SK3012	ECG 105
Q7	DS-47	Trigger Amp	DS-47	GE-10	TR-21	HEP54	SK3020	ECG 123
Q8	DS-67	Relay Amp	DS-66	GE-10	TR-21	HEP54	SK3020	ECG 123
Q9	DS-67	Relay Control	DS-66	GE-10	TR-21	HEP54	SK3020	ECG 123

(1) When replacing, apply silicone grease to both sides of insulator. Tighten mounting screws securely.

POWER RECTIFIERS & SIGNAL DIODES

ITEM No.	MFGR. PART OR TYPE No.	REPLACEMENT RECTIFIERS & DIODES			REPLACEMENT RECTIFIERS	NOTES
		GENERAL ELECTRIC PART No.	INTERNATIONAL RECTIFIER PART No.	SYLVANIA PART No.	RCA PART No.	
X1	DS-27	1N34AS	1N34A	ECG 109		Zener 8.2V
X2	DS-27	1N34AS	1N34A	ECG 109		
X3	DS-27	1N34AS	1N34A	ECG 109		
X4	DS-31	1N34AS	1N34A	ECG 109		
X5	DS-149	GE-X11	1ZM8.2			
X6	DS-27	1N34AS	1N34A	ECG 109		

ELECTROLYTIC CAPACITORS

ITEM No.	RATING	REPLACEMENT DATA						
		PART No.	AEROVOX PART No.	CENTRALLAB PART No.	CORNELL-DUBILIER PART No.	GENERAL ELECTRIC PART No.	MALLORY PART No.	SPRAGUE PART No.
C1A	1000 16V	7291356	PWH3-54-45 (1)		CC00D7A		FPS300.93	PCL-3021.9
B	500 16V							
C	15 11.5V							
C2	3 12V	7291860	PTT50	EA15-5	AL3-150	MT1-3	MTA3D50	TE-1122
C3	150 4V	7290898	CRE328A	EA6-150	WBR150-35	MT1-23	MTA150E6	TE-1103
C4	10 12V	7292738	PTT53	EA15-10	AL10-25	MT1-5	MTA10035	TL-1128
C5	10 12V	7292738	PTT53	EA15-10	AL10-25	MT1-5	MTA10035	TL-1128
C6	250 16V	7307357	PRS1210	EA15-250	WBR250-50	QT1-28	MTA250F15	TE-1165
C7	2 12V	7292529	PTT88	EA15-2	AL2-50	MT1-1	MTA2D50	TE-1121
C8	30 6V	7296313	PTT27	EA6-25	AL30-6	MT1-13	MTA30D15	TE-1132.1

(1) Part #7314039 may be used in some versions.

PARTS LIST AND DESCRIPTION (CONTINUED)

(When ordering parts, state Model, Part Number, and Description.)

Replacement parts shown may be superseded by the availability of newly introduced replacements.
Have your local distributor check Sams COUNTER FACTS* for the most up-to-date replacement.

CAPACITORS

ITEM No.	RATING	REMARKS	REPLACEMENT DATA					
			AEROVOX PART No.	CENTRALAB PART No.	CORNELL-DUBILIER PART No.	ELMENCO PART No.	MALLORY PART No.	SPRAGUE PART No.
C9	330	#7283618	GPD X5F331K	DD-331	GP330	CCD-331	GP333	10TS-T33
C10								
C11	.0047 75V	#7296946	DBE6D5	CPR-5000J	WMF1D5	1DP-1-502	PVC625	6PS-D50
C12								
C13	200 N750	#7282165	N750-D1 200	DTN-200		CCTN-201	CN7320	10TCU-T20
C14	.01			TTP-01	CK-103	HOY101ZV103P	CCD-103	TA110
C15	.0082 75V	#7297355	DBE6D82	CPR-8200J	WMF1S82	6DP-2-822	PVC6282	6PS-D82
C16	.022 75V			V1612S22		DMF1S22	1DP-1-223	PVC1122
C17	.0047 75V	#7279821	DBE6D5	CPR-5000J	WMF1D5	1DP-1-502	PVC625	6PS-D50
C18								
C19	165 N15D					*	*	
C20	.047 75V		V1612S47		DMF1S47	1DP-2-473	PVC1147	225P47391WD3
C21	.047 75V		V1612S47		DMF1S47	1DP-2-473	PVC1147	225P47391WD3
C22	180 N080					*	*	10TCN-T18
C23	.01		TTP-01	CK-103	HOY101ZV103P	CCD-103	TA110	TG-S10
C24	.001		GPD X5F102K	DM-102	JBS601YP102K	CCD-102	SM210	2SS-D10
C25	.001		GPD X5F102K	DM-102	JBS601YP102K	CCD-102	SM210	2SS-D10
C26	.0D22		GPD X5F222K	DD-222	JBX601YP222K	CCD-222	GP222	10TS-D22
C27	.047 75V		V1612S47		DMF1S47	1DP-2-473	PVC1147	225P47391WD3
C28	.3							HY-327
C29	.0D22		GPD X5F222K	DD-222	JBX601YP222K	CCD-222	GP222	10TS-D22
C30	.001		GPD X5F102K	DM-102	JBS601YP102K	CCD-102	SM210	2SS-D10
C31	.012 75V		V1612S15	DD-153	DMF1S15	1DP-1-153	PVC2115	225P15391WD3
C32	.001		GPD X5F102K	DM-102	JBS601YP102K	CCD-102	SM210	2SS-D10
C33	.05		TTP-05	CK-503	HOY101ZV503Z	CCD-503	TA150	TGL-S50
C34	.001		GPD X5F102K	DM-102	JBS601YP102K	CCD-102	SM210	2SS-D10
C35	.05		TTP-05	CK-503	HOY101ZV503Z	CCD-503	TA150	TGL-S50
C36	.047 75V		V1612S47		DMF1S47	1DP-2-473	PVC1147	225P47391WD3
C37	.47 75V	#7271564	DBE2P47		DMF2P47	2DP-5-474	PVC2047	2PS-P47
C38								
C39	.0047		DBE6D5	CPR-5000J	DPMS6D5	1DP-1-502	PVC625	6PS-D50

* Not normally in distributor's stock. Available thru distributor on order to manufacturer.
Delco Part Number.

IMPERIAL MODEL 2884 875

CONTROLS (All wattages 1/2 watt, or less, unless listed)

ITEM No.	FUNCTION	RESISTANCE	REPLACEMENT DATA					
			MFR. PART No.	CENTRALAB PART No.	CLAROSTAT PART No.	CTS-IRC PART No.	MALLORY PART No.	
R1A	Tone	100K	7314324	F1-100K, R16-25K, SC004, BC110, FFS114, RFS205, KR-4			* QJ-2663A	P15L, SH51, 515B, RU253T53, OX1750, IS2250, US41
B	Volume/Switch	20K Tap @						
R2	Bias Adjust	10K 600 2 Watt	7286601	WP-600 or (V-600)	U39-600	110-600		MR600P

* "Concentrikit" Equivalent: K-8 Kit with base elements & shafts; B11-128, P17-126 (Panel)
B19-119X, R9-202 (Rear)
S42 (Bushing)
N3 (Nut)
76-1 (Switch)

"Snaptrol" Equivalent: 8U10 (1), CF13, CR68TT (2), SF15, SR50, N3, GC.

(1) Alter bushing and adjust spacer nut (N3) to meet requirements. (2) Disregard 5000 ohms Tap.

RESISTORS (Power and Special)

ITEM No.	RATING	REPLACEMENT DATA		
		IRC PART No.	WORKMAN PART No.	MFR. PART No.
R39	.47 (Fusible)			7281890

ITEM No.	RATING	REPLACEMENT DATA		
		IRC PART No.	WORKMAN PART No.	MFR. PART No.

PARTS LIST AND DESCRIPTION (CONTINUED)

(When ordering parts, state Model, Part Number, and Description.)

Replacement parts shown may be superseded by the availability of newly introduced replacements.
Have your local distributor check Sams COUNTER FACTS[®] for the most up-to-date replacement.

COILS (RF-IF)

ITEM No.	USE	REPLACEMENT DATA			
		PART No.	MEISSNER PART No.	MILLER PART No.	WORKMAN PART No.
L1	RF Choke (6.2uh)	7291946	19-1004	4610	T859
L2	Antenna	7296939 (1)			
L3	RF	7296943 (1)			
L4	Oscillator	1221616 (1)			
L5	Input IF	1221856	16-6704	6542	TA653
L6	Output IF	1221857	16-6705	6543	TA653

(1) Part of M1.

FILTER CHOKE

ITEM No.	RATINGS			REPLACEMENT DATA					NOTES
	CURRENT (Measured)	DC RES.	INDUCTANCE (0 CURRENT 1000~)	PART No.	MERIT PART No.	STANCOR PART No.	THORDARSON PART No.	TRIAD PART No.	
L7	1.2 Amp	.6	8mh	1221623	C-4095	TC-2	TR-154	TY17XT	

CHOKE (Audio Output)

ITEM No.	INDUCTANCE	REPLACEMENT DATA					NOTES
		PART No.	MERIT PART No.	STANCOR PART No.	THORDARSON PART No.	TRIAD PART No.	
L8	35mh	7296712					

SPEAKER

ITEM No.	TYPE	REPLACEMENT DATA		NOTES
		PART No.	QUAM PART No.	
				Obtain Speaker from Chrysler Dealer

FUSE DEVICES

ITEM No.	DESCRIPTION	REPLACEMENT DATA						
		PART No.		BUSS PART No.		LITTELFUSE PART No.		WORKMAN PART No.
		DEVICE	HOLDER	DEVICE	HOLDER	DEVICE	HOLDER	DEVICE
F1	3AG 7 1/2A		In Fuse Block	AGC 7 1/2		31107.5		

MISCELLANEOUS

ITEM No.	PART NAME	PART No.	NOTES
M1	Tuner Coil Assembly	1222394	
K1	Relay	7295713	
K2	Solenoid	1221409	
S1	Switch, Start	7293447	
S2	Switch, Sensitivity	7308209	
S3	Switch, Solenoid	7268030	
S4	Switch, Foot		

CABINETS & CABINET PARTS (When ordering specify model, chassis & color)

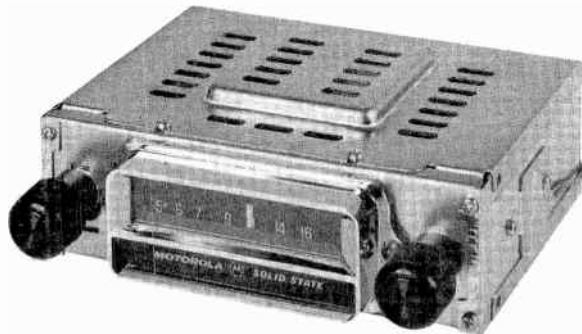
ITEM	PART No.	ITEM	PART No.
Escutcheon	7308205	Push Button	7306688
Dial Glass	7306959	Dial Pointer	7306972



PHOTOFACT[®] with

CIRCUITRACE[®]

For Supplier Address See PHOTOFACT Index



MOTOROLA MODEL TM270M

MOTOROLA MODEL TM270M

ALIGNMENT INSTRUCTIONS

Check for specified source voltage.
Use only enough generator output to provide a usable indication.
Suggested Alignment Tools:

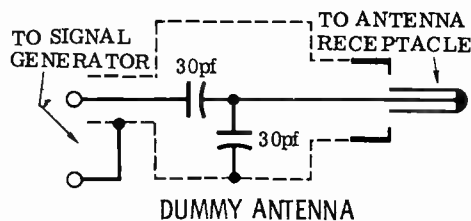
GENERAL CEMENT # WALSCO #
A1 Thru A79440 2501

PUSH-BUTTON ADJUSTMENT

1. Pull button out.
2. Tune manually to desired station.
3. Press button in firmly.
4. Repeat for remaining buttons.

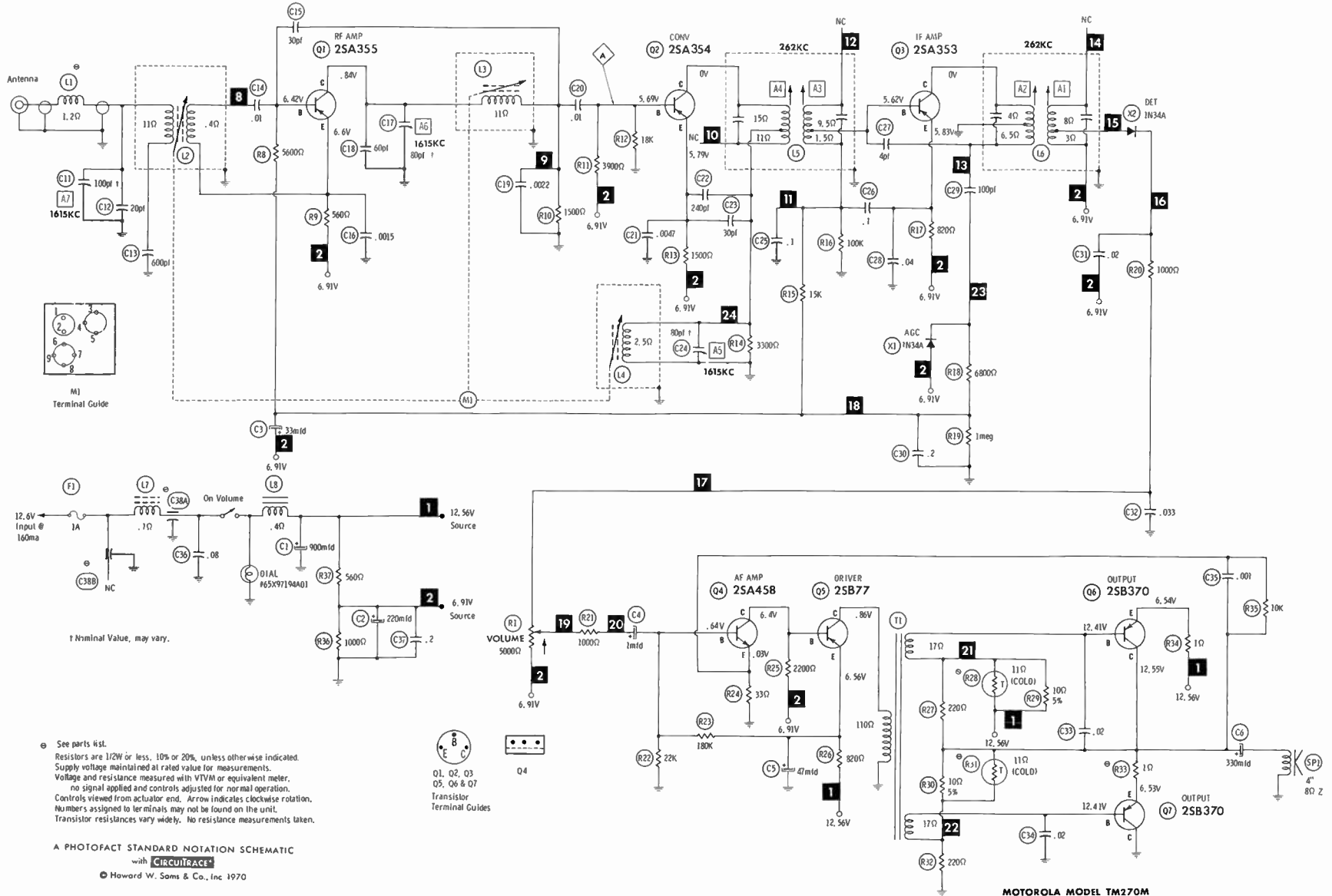
	GENERATOR COUPLING	GENERATOR FREQUENCY	RADIO DIAL SETTING	INDICATOR	ADJUST	REMARKS
1.	High side thru .1mfd to point A , low side to ground.	262KC 400 cycle modulation	High freq. end stop.	Output meter across voice coil.	A1,A2, A3,A4	Adjust for maximum.
2.	Thru dummy antenna to antenna input.	1615KC	"	"	A5,A6, A7	"

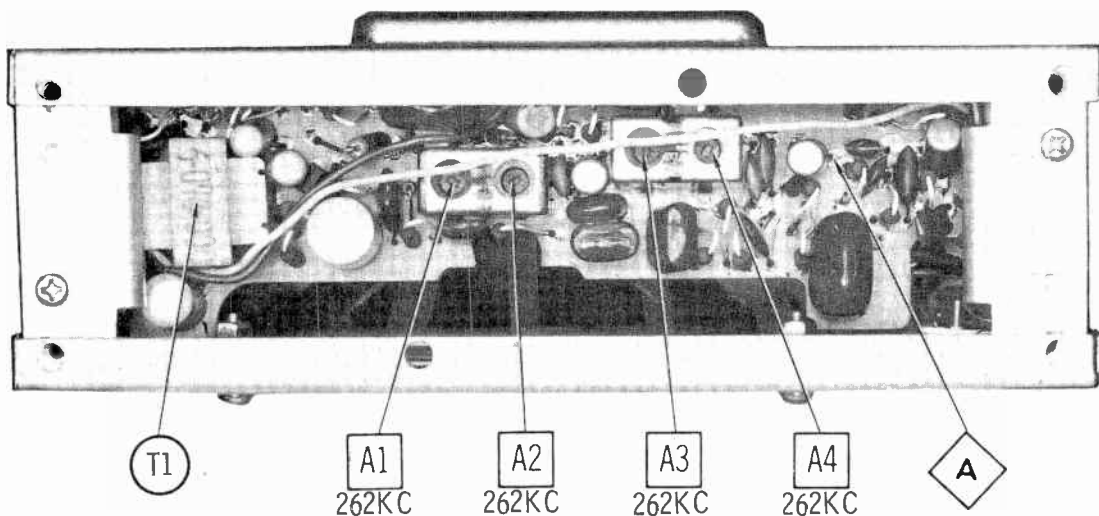
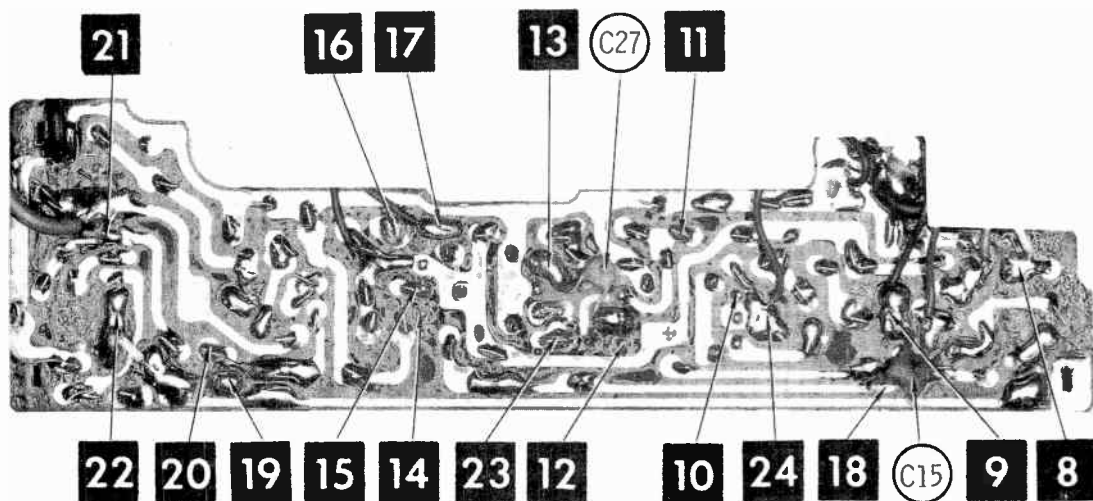
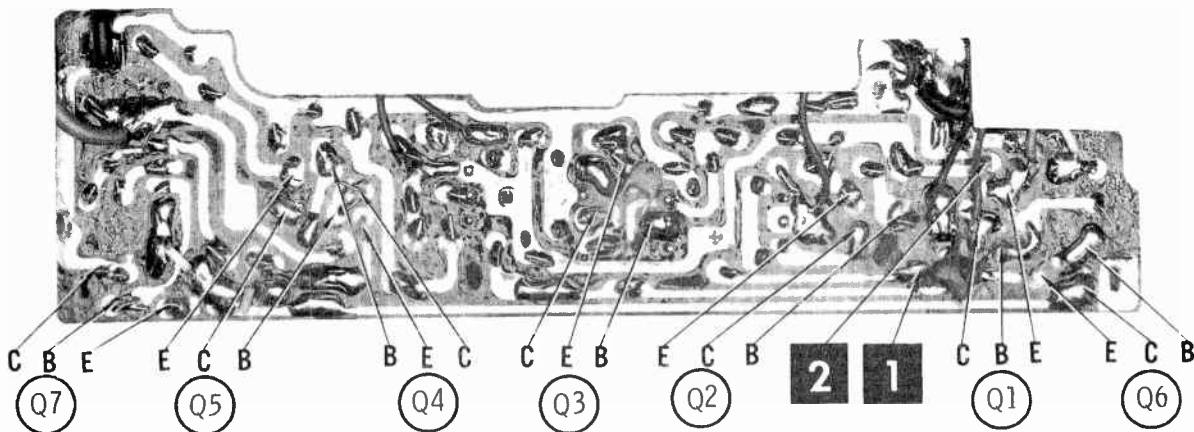
With radio installed in car and antenna extended to desired height, tune in a weak station near 1400KC and adjust A7 for maximum output. Antenna adjustment (A7) is located left rear bottom corner.



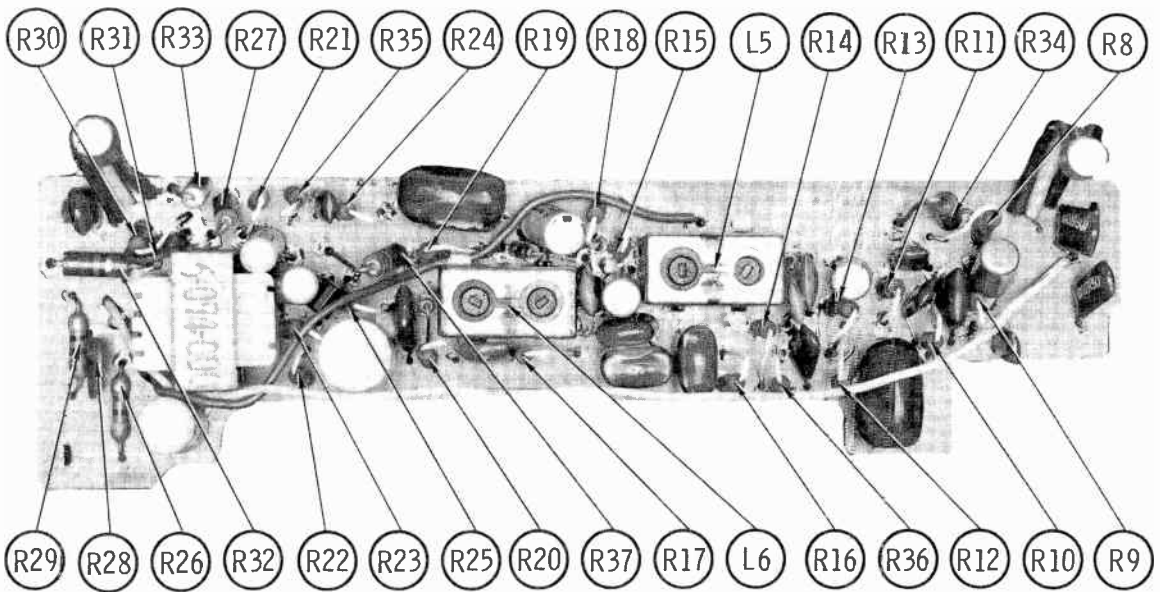
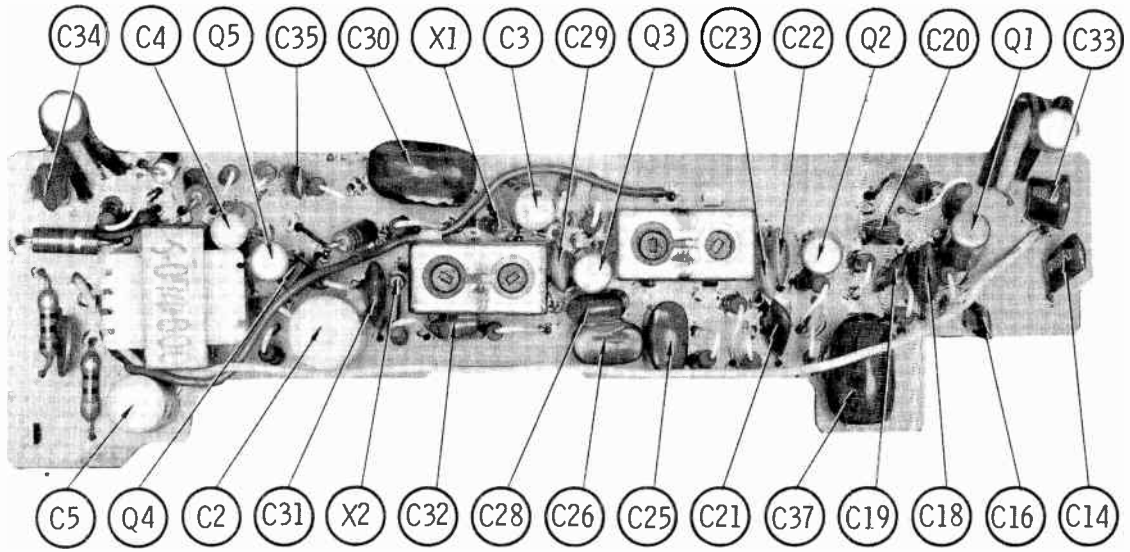
HOWARD W. SAMS & CO., INC. Indianapolis, Indiana 46206

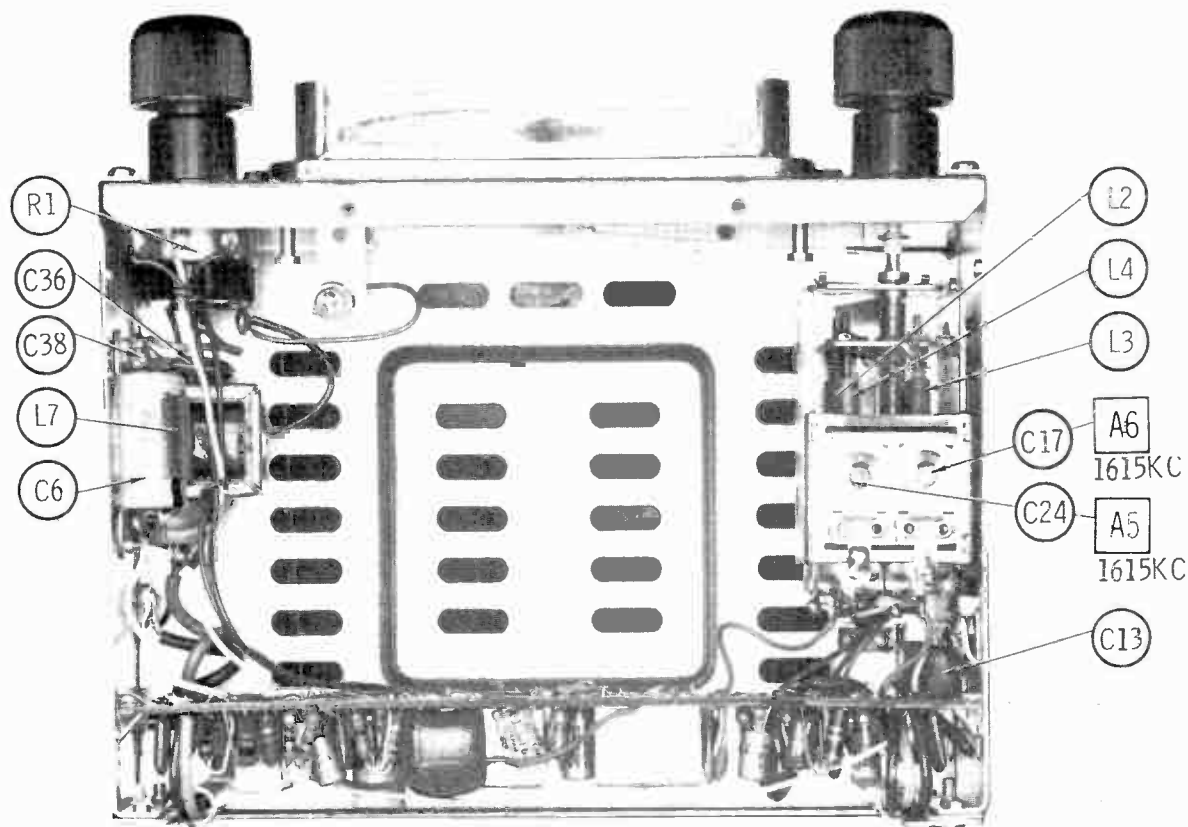
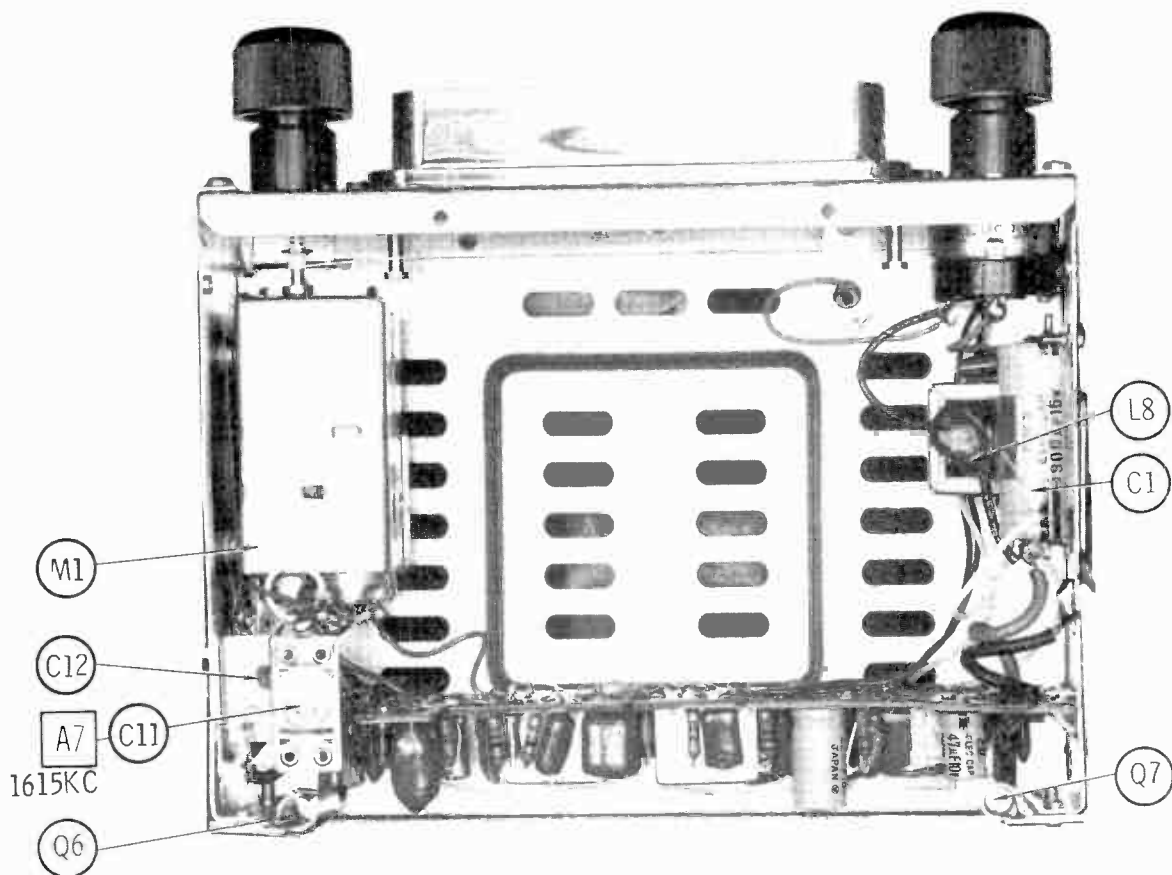
© 1970 Howard W. Sams & Co., Inc. Printed in U. S. of America TD806





MOTOROLA MODEL TM270M





PARTS LIST AND DESCRIPTION

(When ordering parts, state Model, Part Number, and Description.)

Replacement parts shown may be superseded by the availability of newly introduced replacements.
Have your local distributor check Sams CO¹ R. FACTS for the most up-to-date replacement.

TRANSISTORS

ITEM No.	TYPE No.	FUNCTION	REPLACEMENT DATA					
			MFGR. PART No.	GENERAL ELECTRIC PART No.	INTERNATIONAL RECTIFIER PART No.	MOTOROLA PART No.	RCA PART No.	SYLVANIA PART No.
Q1	2SA355	RF Amp	48X97238A01	GE-9	TR-12	HEP640	SK3008	ECG 126
Q2	2SA354	Converter	48X97238A02	GE-9	TR-12	HEP640	SK3008	ECG 126
Q3	2SA353	IF Amp	48X97238A03	GE-9	TR-12	HEP639	SK3008	ECG 126
Q4	2SC458	AF Amp	48X97238A04	GE-20	TR-21	HEP53	SK3020	ECG 123
Q5	2SB77	Driver	48X97238A05	GE-2	TR-05	HEP250	SK3004	ECG 102
Q6	2SB370	Output	48X97238A07	GE-2	TR-05	HEP630	SK3004	ECG 102
Q7	2SB370	Output	48X97238A07	GE-2	TR-05	HEP630	SK3004	ECG 102

POWER RECTIFIERS & SIGNAL DIODES

ITEM No.	MFGR. PART OR TYPE No.	REPLACEMENT RECTIFIERS & DIODES			REPLACEMENT RECTIFIERS	NOTES
		GENERAL ELECTRIC PART No.	INTERNATIONAL RECTIFIER PART No.	SYLVANIA PART No.	RCA PART No.	
X1	1N34A	1N34AS	1N34A	ECG 109		
X2	1N34A	1N34AS	1N34A	ECG 109		

ELECTROLYTIC CAPACITORS

ITEM No.	RATING	REPLACEMENT DATA						
		PART No.	AEROVOX PART No.	CENTRALAB PART No.	CORNELL-DUBILIER PART No.	GENERAL ELECTRIC PART No.	MALLORY PART No.	SPRAGUE PART No.
C1	900 15V	23X97253A03	PRS1230	EA15-1000	WBR100D-16	QT1-32	TC1501A	TL-1166.5
C2	220 10V	23X97253AD4	BCD10190	EA15-250	PC200-16	MT1-23	MTV200CK10	TL-1137
C3	33 6V	23X97253A06	BCD15025	EP6-25	PC30-35	MT1-13	MTV30CB25	TE-1132.1
C4	1 50V	23X97253A01	BCD0500D1		PC1-100	MT1-1	MTV1CB50	TE-1200
C5	47 10V	23X97253A05	BCD15050	EP15-50	PC50-16	MT1-16	MTV50CB15	TE-1133
C6	330 16V	23X97253A02	PRS1280	EA30-250	PC250-25	OT1-28	MTV250DN25	TL-1214

CAPACITORS

ITEM No.	RATING	REMARKS	REPLACEMENT DATA						
			AEROVOX PART No.	CENTRALAB PART No.	CORNELL-DUBILIER PART No.	ELMENC0 PART No.	MALLORY PART No.	SPRAGUE PART No.	
C11	100	#20X97195Z02							
C12	20	(1)	NPO-DI 20	DTZ-20	NP020	CCT0-200	CND420	10TCC-Q20	
C13	600			DD-601			GP360		
C14	.01		TTP-01	CK-103	MGP01		TA110	TG-S10	
C15	30			TCZ-30				10TCC-Q30	
C16	.0015		GPD X5F152K	DD-152			CCD-152	10TS-D15	
C17	80								
C18	60			TCN-62					
C19	.0022		GPD X5F222K	DD-222	GP2200	CCTN-620	CCD-222	10TS-D22C20	
C20	.01		TTP-01	CK-103	MGP01		GP222	TG-S10	
C21	.0047		TTP-005	CK-502	MGP005		TA110	TG-D50	
C22	240		DD-241			TA250			
C23	30	(1)		TCZ-30			GP324	10TCC-Q30	
C24	80					CCT0-300			
C25	.1		TTP-1	CK-104					
C26	.1		TTP-1	CK-104			TA010	TG-P10	
C27	4						TA010	TG-P10	
C28	.04				NP03P9			10TCC-V39	
C29	100			DD-403			GP140		
C30	.2		NPO-DI 100	DTZ-100	NP0100		CCT0-101	CNO310	10TCC-T10
C31	.02			UK10-204				MAG3022	HY-125
C32	.033		TTP-02	CK-203	MGP02		CCD-203	TA120	TG-S20
C33	.02	TTP-03	CK-303			CCD-303	GP130	TG-S30	
C34	.02	TTP-02	CK-203	MGP02		CCD-203	TA120	TG-S20	
C35	.001	TTP-02	CK-203	MGP02		CCD-203	TA120	TG-S20	
C36	.08	GPD X5F102K	DM-102	MGP02		CCD-203	SM210	2SS-D10	
C37	.2	TTP-1	CK-104	GP1000		CCD-102	TA010	TG-P10	
C38A		#8X97187A02					MAG3022	HY-125	

Motorola Part Number.

(1) Part of M1.

PARTS LIST AND DESCRIPTION (CONTINUED)

(When ordering parts, state Model, Part Number, and Description.)

Replacement parts shown may be superseded by the availability of newly introduced replacements.
Have your local distributor check Sams COUNTER FACTS[®] for the most up-to-date replacement.

CONTROLS (All wattages 1/2 watt, or less, unless listed)

ITEM No.	FUNCTION	RESIST-ANCE	REPLACEMENT DATA				
			MFGR. PART No.	CENTRALAB PART No.	CLAROSTAT PART No.	CTS-IRC PART No.	MALLORY PART No.
R1	Volume/Switch	5000	18X97191A02	F2-5000, CA005, 8A012, SFS212, KR-4		QCB4 (1), (2) 813-114, TMB, 76-1 or [BU14(1) CF60, SS4, GC] *	RU53A, SL41 (1), SD3500, US41

(1) Alter bushing to meet requirements. * "Snaprol".
(2) Use QCB4 bushing instead of Tab Mount in TMB Kit.

RESISTORS (Power and Special)

ITEM No.	RATING	REPLACEMENT DATA	
		WORKMAN PART No.	MFGR. PART No.
R2B	11 (Cold)		6X97243A02 (TD-11)

ITEM No.	RATING	REPLACEMENT DATA	
		WORKMAN PART No.	MFGR. PART No.
R31	11 (Cold)		6X97243A02 (TD-11)

COILS (RF-IF)

ITEM No.	USE	REPLACEMENT DATA			
		PART No.	MEISSNER PART No.	MILLER PART No.	WORKMAN PART No.
L1	RF Choke	(1)			
L2	Antenna	(2)			
L3	RF	(2)			
L4	Oscillator	(2)			
L5	Input IF	24X97242A01			
L6	Output IF	24X97242A02			

(1) Part of Antenna Receptacle. (2) Part of M1.

FILTER CHOKE

ITEM No.	RATINGS			REPLACEMENT DATA					NOTES
	CURRENT (Measured)	DC RES.	INDUCTANCE (0 CURRENT 1000~)	PART No.	MERIT PART No.	STANCOR PART No.	THORDARSON PART No.	TRIAD PART No.	
L7	160ma	.1	470uh	24X97242A03					
L8	50ma	.4	1.5mh	24X97242A04					

TRANSFORMER (Driver)

ITEM No.	TURNS RATIO			REPLACEMENT DATA					NOTES
	PRI.	SEC. 1	SEC. 2	PART No.	MERIT PART No.	STANCOR PART No.	THORDARSON PART No.	TRIAD Part No.	
T1	6	1	1	24X97241A01					

MOTOROLA MODEL TM270M

PARTS LIST AND DESCRIPTION (CONTINUED)

(When ordering parts, state Model, Part Number, and Description.)

Replacement parts shown may be superseded by the availability of newly introduced replacements.
Have your local distributor check Sams COUNTER FACTS[®] for the most up-to-date replacement.

SPEAKER

ITEM No.	TYPE	REPLACEMENT DATA		NOTES
		PART No.	QUAM PART No.	
SP1	4" PM 8 ohms	50X97245A02		

FUSE DEVICES

ITEM No.	DESCRIPTION	REPLACEMENT DATA						
		PART No.		BUSS PART No.		LITTELFUSE PART No.		WORKMAN PART No.
		DEVICE	HOLDER	DEVICE	HOLDER	DEVICE	HOLDER	DEVICE
F1	1 Amp	65X97175A02		AGC1	HOJ	312001	150145	

MISCELLANEOUS

ITEM No.	PART NAME	PART No.	NOTES
M1	Tuner	77X97190A02	

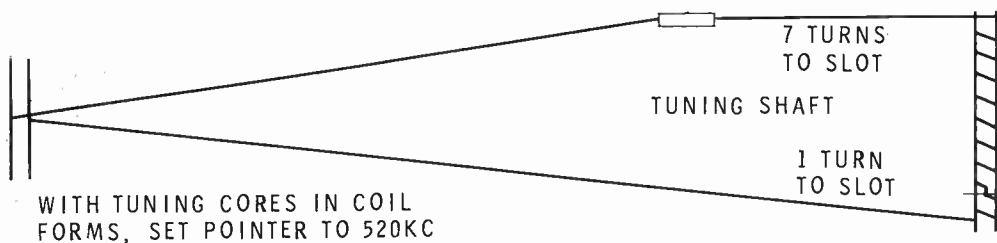
CABINETS & CABINET PARTS (When ordering specify model, chassis & color)

ITEM	PART No.	ITEM	PART No.
Dial Glass	61X97166A02	Dial Pointer	52X97189A02
Escutcheon	13X97165A02	Antenna Receptacle (Includes L1)	9X97196A01
Knob, Tuning or Volume	36X97163A01		

WIRING DATA

General-use Unshielded Hook-up Wire	Use BELDEN No. 8530 (Solid) Available in 12 Colors
	8524 (Stranded) Available in 12 Colors
Shielded Hook-up Wire	Use BELDEN No. 8885
Rear Seat Speaker Extension Cable	Use BELDEN No. 8782 (Stranded) Coded Parallel Leads
Bonding Strap	Use BELDEN No. 8661 (3/8 In.) or 8670 (3/4 In.)

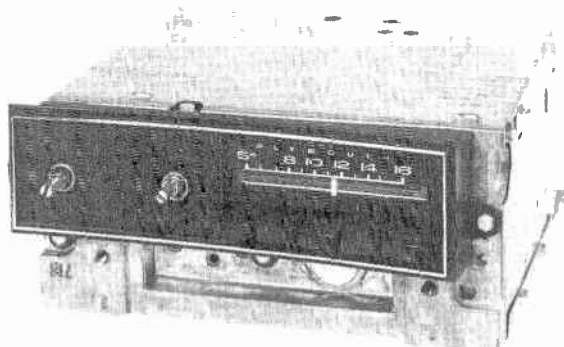
DIAL CORD STRINGING—TOP VIEW





For Supplier Address See PHOTOFACT Index

NOTE: Manufacturer Part Numbers Shown Are MOTOROLA



PLYMOUTH MODEL 2884 755
(2PF1007)
(70 Fury)

ALIGNMENT INSTRUCTIONS

Check for specified source voltage.
Use only enough generator output
to provide a usable indication.
Suggested Alignment Tools:

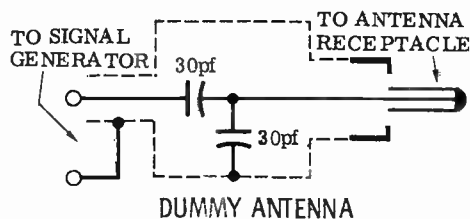
A1 thru A4.....GENERAL CEMENT #9296,9297,9300
 WALSCO #2510,2546,2547
A5,A6,A7.....GENERAL CEMENT #8290,8868,9087
 WALSCO #2525,2528,2587

PUSH-BUTTON ADJUSTMENT

1. Pull button out.
2. Tune manually to desired station.
3. Press button in firmly.
4. Repeat for remaining buttons.

	GENERATOR COUPLING	GENERATOR FREQUENCY	RADIO DIAL SETTING	INDICATOR	ADJUST	REMARKS
1.	High side thru .lmfd to point \diamond , low side to ground.	262KC 400 cycle modulation	High freq. end stop.	Output meter across voice coil.	A1,A2, A3,A4	Adjust for maximum.
2.	Thru dummy antenna to antenna input.	1615KC	"	"	A5,A6, A7	"
Step 3 is not necessary unless tuner or associated components have been disturbed. If necessary, back tuning cores (A8,A9,A10) out of coils but not out of forms. Repeat Step 2.						
3.	Thru dummy antenna to antenna input.	1000KC	Tune to signal	Output meter across voice coil	A8,A9, A10	Adjust for maximum. Repeat Steps 2 and 3 until no further improvement is noted

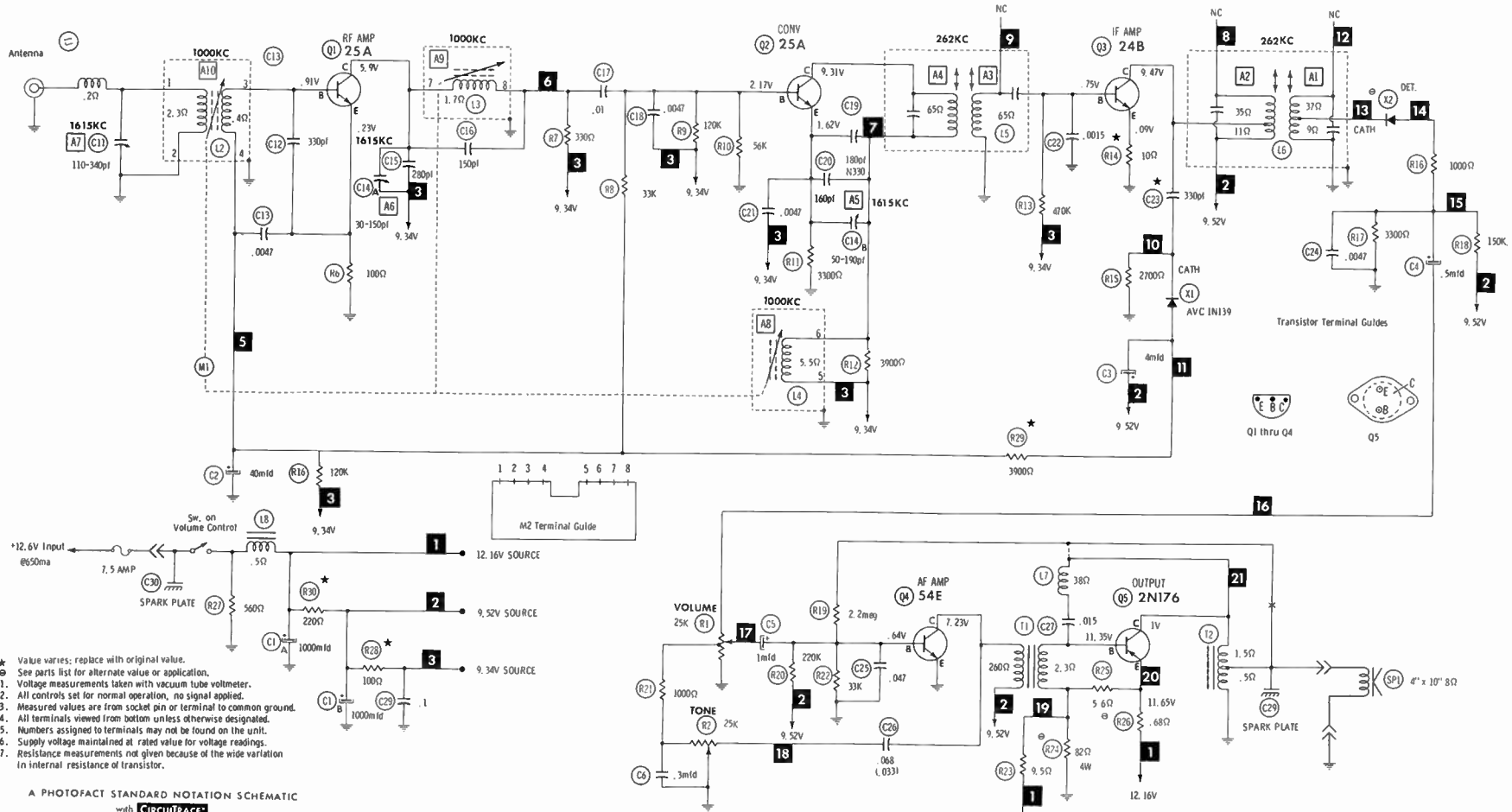
With radio installed in car and antenna extended to desired height, tune in a weak station near 1400KC and adjust A7 for maximum output. Antenna adjustment (A7) is located on right side in front of antenna input.



HOWARD W. SAMS & CO., INC. Indianapolis, Indiana 46206

© 1970 Howard W. Sams & Co., Inc. Printed in U. S. of America TD828

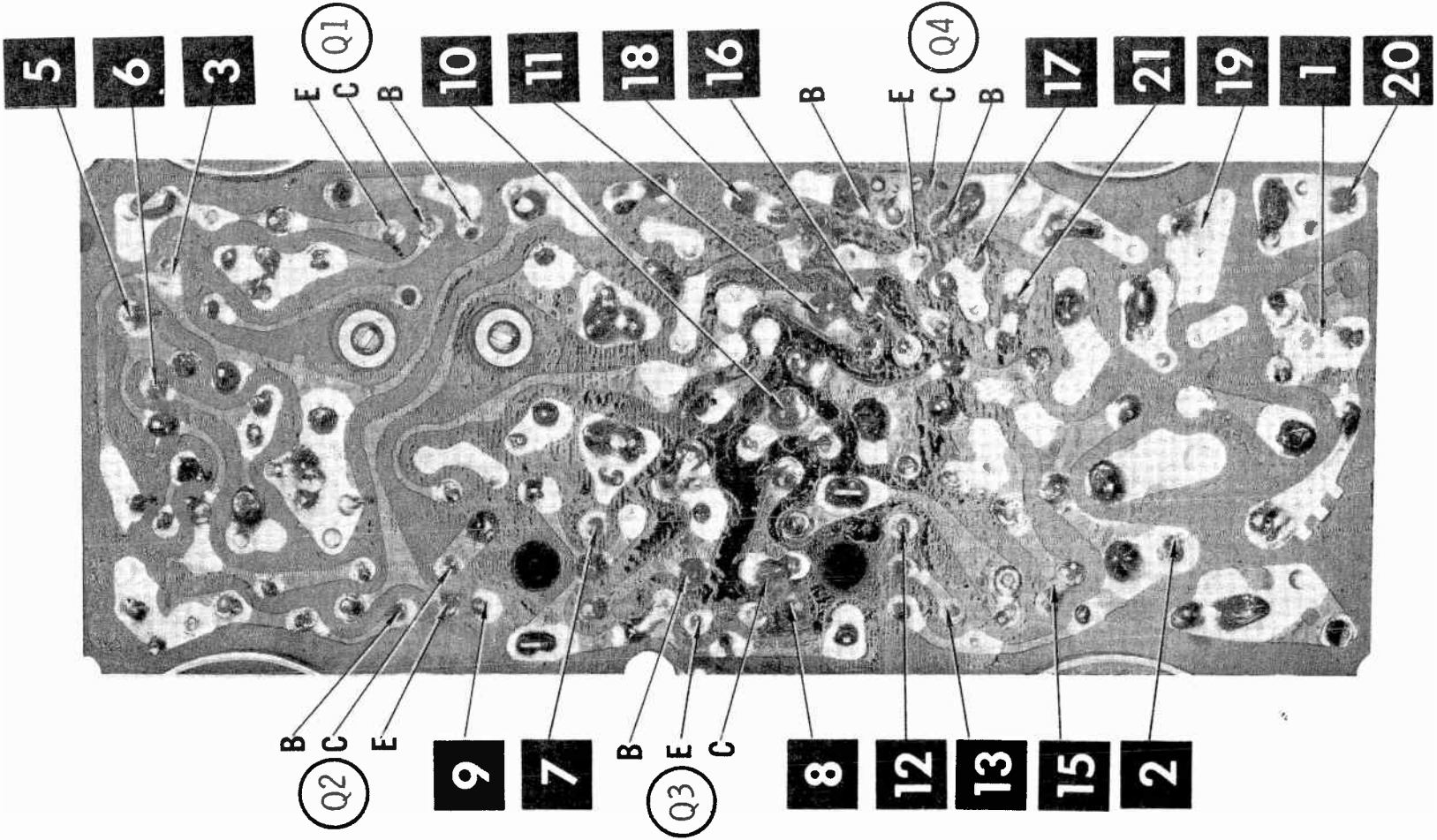
PLYMOUTH MODEL 2884 755

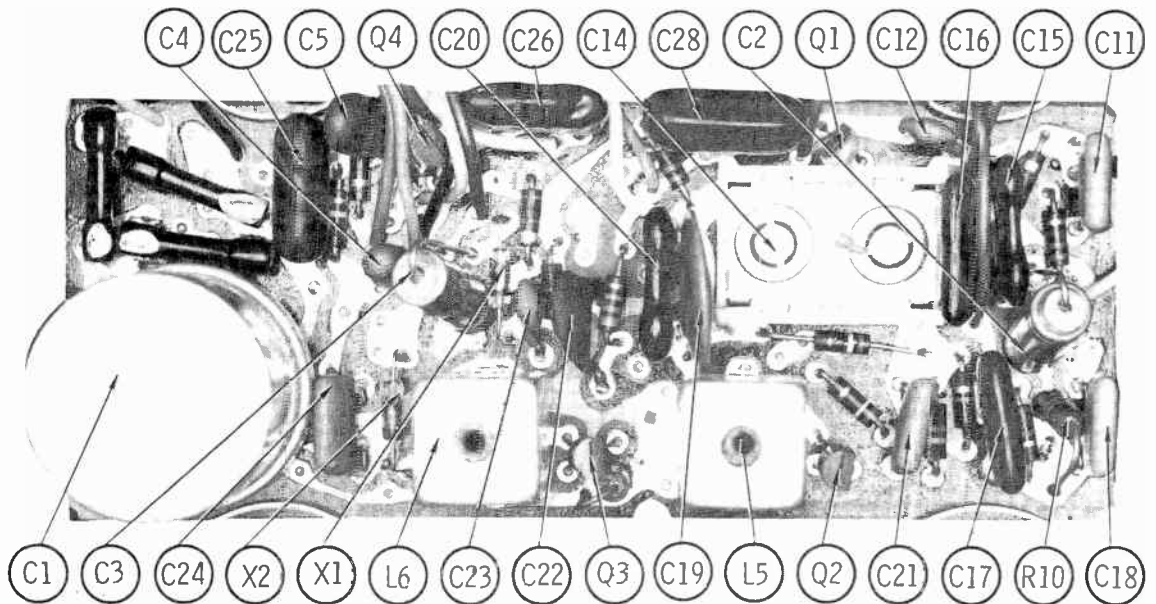
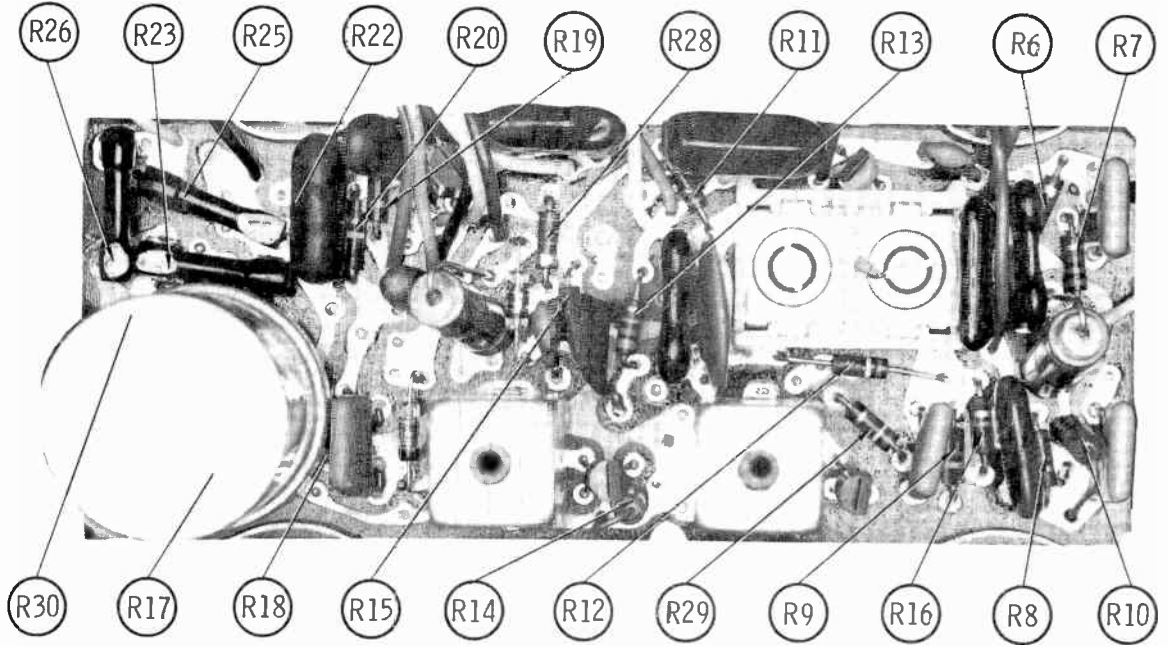


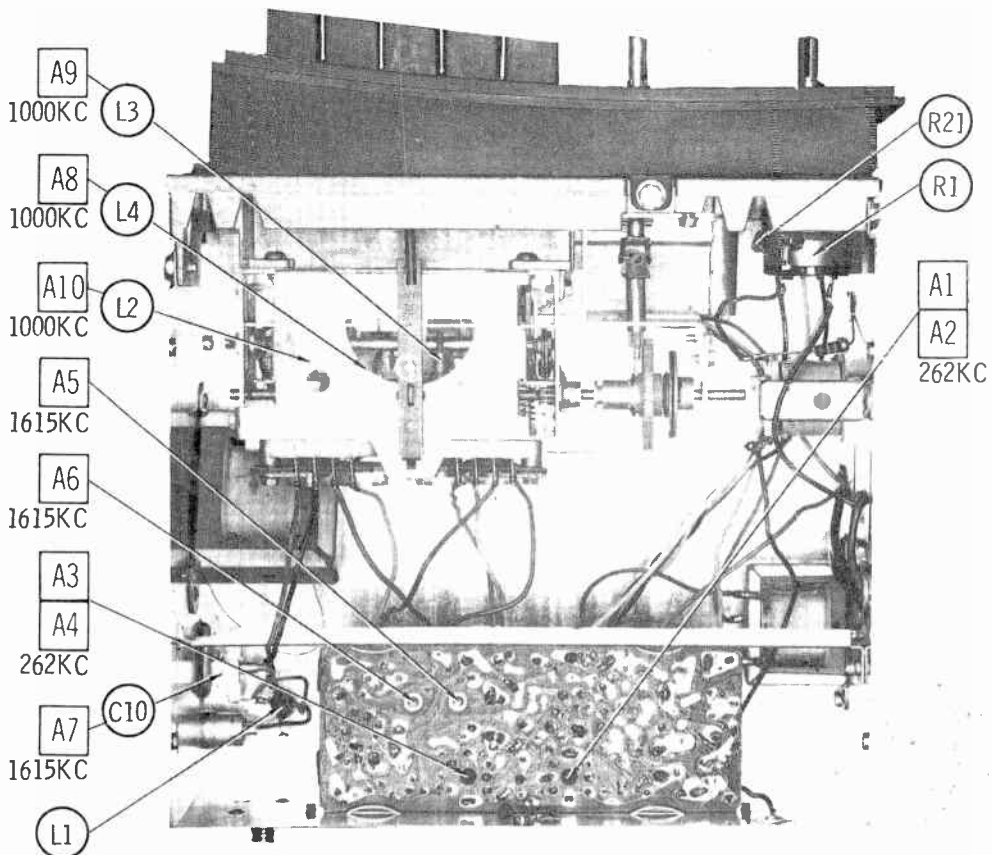
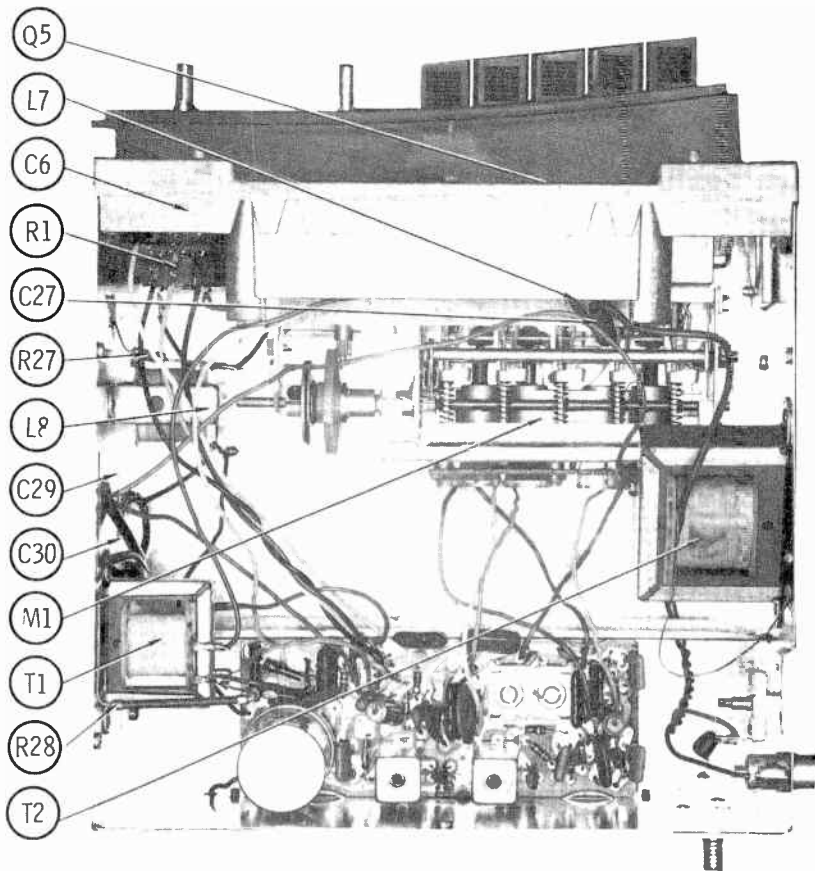
- * Value varies; replace with original value.
- ⊙ See parts list for alternate value or application.
- 1. Voltage measurements taken with vacuum tube voltmeter.
- 2. All controls set for normal operation, no signal applied.
- 3. Measured values are from socket pin or terminal to common ground.
- 4. All terminals viewed from bottom unless otherwise designated.
- 5. Numbers assigned to terminals may not be found on the unit.
- 6. Supply voltage maintained at rated value for voltage readings.
- 7. Resistance measurements not given because of the wide variation in internal resistance of transistor.

A PHOTOFAC STANDARD NOTATION SCHEMATIC
with **CIRCUTRACE**
© Howard W. Sams & Co., Inc. 1970

PLYMOUTH MODEL 2884 755







PARTS LIST AND DESCRIPTION

(When ordering parts, state Model, Part Number, and Description.)

Replacement parts shown may be superseded by the availability of newly introduced replacements.
Have your local distributor check Sams COUNTER FACTS[®] for the most up-to-date replacement.

TRANSISTORS

ITEM No.	TYPE No.	FUNCTION	REPLACEMENT DATA					
			MFGR. PART No.	GENERAL ELECTRIC PART No.	INTERNATIONAL RECTIFIER PART No.	MOTOROLA PART No.	RCA PART No.	SYLVANIA PART No.
Q1	25A	RF Amp	48-134804	GE-17	TR-21	HEP722	SK3018	ECG 108
Q2	25A	Converter	48-134804	GE-17	TR-21	HEP722	SK3018	ECG 108
Q3	24B	IF Amp	48-134807	GE-17	TR-21	HEP725	SK3018	ECG 108
Q4	54E	Driver	48-134846	GE-20	TR-21	HEP724	SK3020	ECG 123
Q5	2N176	Output	48-134747	GE-3	TR-01	HEP623	SK3009	ECG 104

POWER RECTIFIERS & SIGNAL DIODES

ITEM No.	MFGR. PART OR TYPE No.	REPLACEMENT RECTIFIERS & DIODES			REPLACEMENT RECTIFIERS	NOTES
		GENERAL ELECTRIC PART No.	INTERNATIONAL RECTIFIER PART No.	SYLVANIA PART No.	RCA PART No.	
X1	1N139	1N295	1N295	ECG 109		
X2	1N139	1N295	1N295	ECG 109		

ELECTROLYTIC CAPACITORS

ITEM No.	RATING	REPLACEMENT DATA						
		PART No.	AEROVOX PART No.	CENTRALAB PART No.	CORNELL-DUBILIER PART No.	GENERAL ELECTRIC PART No.	MALLORY PART No.	SPRAGUE PART No.
C1A	1000 16V	23C40516R08	PWH2-02-73		BPC0012			PCL-2185.3
B	1000 16V							
C2	40 16V	23C41928A20	CRE615A	EA30-50	NLW40-25	MT1-17	MTA40E30	TE-1209
C3	4 64V	23C41928A37	CRE903A	EA50-5	NLW4-150	MT1-4	TT100X4	TE-1403
C4	.5 15V	23C43280A25		UK10-474	TYR138D474K		TAS474K015P0A	196D474X0035 DB
C5	1 15V	23C43280A17	BCD50001		PC1-100	MT1-1	MTV1CB50	TE-1148
C6	.3 6V	23C4328A030		UK10-474	TYR138B334K		TAS334K006P0A	196D334X0035 DB

CAPACITORS

ITEM No.	RATING	REMARKS	REPLACEMENT DATA					
			AEROVOX PART No.	CENTRALAB PART No.	CORNELL-DUBILIER PART No.	ELMENCO PART No.	MALLORY PART No.	SPRAGUE PART No.
C11	110-340	#20-40746A13						
C12	330							
C13	.0047	100V	GPD X5F331K DBE6D5	DD-331 CPR-5000J	GP330 DPMS6D5	CCD-331 1DP-1-502	GP333 PVC625	10TS-T33 6PS-D50
C14A	30-150	#20-40254A21						
C14B	50-190							
C15	280							
C16	150		ADM-15-271	CPR-270J	CD15F271J500	DM-15-271	SX327	MS-327
C17	.01	100V	ADM-15-151	CPR-150J	CD15F151J500	DM-15-151	SX315	MS-315
C18	.0047	100V	V1612S1	CPR-10000J	DPMS6S1	1DP-1-103	PVC211	225P10391WD3
C19	180	N330	DBE6D5	CPR-5000J	DPMS6D5	1DP-1-502	PVC625	6PS-D50
C20	160					*	*	10TCS-T18
C21	.0047	100V	ADM-15-161	CPR-160J	DPMS6D5	DM-15-161	SX316	MS-316
C22	.0015		DBE6D5	CPR-5000J	DPMS6D5	1DP-1-502	PVC625	6PS-D50
C23	330		GPD X5F152K	DD-152		CCD-152	GP215	10TS-D15
C24	.0047	100V	GPD X5F331K	DD-331	GP330	CCD-331	GP333	10TS-T33
C25	.047	100V	DBE6D5	CPR-5000J	DPMS6D5	1DP-1-502	PVC625	6PS-D50
C26	.068	100V	V1612S47		DPMS6S47	1DP-2-473	PVC1147	225P47391WD3
C27	.015	100V	DBE4S68		DPMS6S68	4DP-3-683	PVC6168	4PS-S68
C28	.1	100V	V1612S15	DD-153	DPMS6S15	1DP-1-153	PVC2115	225P15391WD3
C29		#64-561877	DBE2P1		DPMS2P1	1DP-2-104	PVC101	225P10491WD3
C30		#64-561877						

Motorola Part Number

* Not normally in distributor's stock. Available thru distributor on order to manufacturer.

PARTS LIST AND DESCRIPTION (CONTINUED)

(When ordering parts, state Model, Part Number, and Description.)

Replacement parts shown may be superseded by the availability of newly introduced replacements.
Have your local distributor check Sams COUNTER FACTS[®] for the most up-to-date replacement.

CONTROLS (All wattages 1/2 watt, or less, unless listed)

ITEM No.	FUNCTION	RESIST-ANCE	REPLACEMENT DATA				
			MFRG. PART No.	CENTRALAB PART No.	CLAROSTAT PART No.	CTS-IRC PART No.	MALLORY PART No.
R1A	Tone	100K	18C43217B03	F2-100K (2), R16-25K, FFS104, RFS112, KR-4		*QJ-2664A	P15A (2), RU24T14, OX1250A, IS1750, US41
B	Volume/Switch	25K Tap @ 15K					

* "Concentrikit" Equivalent: K-8 Kit with base elements & shafts; B13-12B, P22-109 (Panel)
B19-119X, R26-121 (Rear)
R5 (1) (Retainer)
76-1 (Switch)

- (1) Cut off tab ears (R5) and use original spring mounting clips.
(2) Use original spring mounting clips.

RESISTORS (Power and Special)

ITEM No.	RATING	REPLACEMENT DATA	
		WORKMAN PART No.	MFRG. PART No.
R24	82 (PTC)		17-40259A13

ITEM No.	RATING	REPLACEMENT DATA	
		WORKMAN PART No.	MFRG. PART No.
R26	.68 (PTC)		17-40756A05

COILS (RF-IF)

ITEM No.	USE	REPLACEMENT DATA			
		PART No.	MEISSNER PART No.	MILLER PART No.	WORKMAN PART No.
L1	RF Choke (1.5uh)	24C40788A12	19-1001	4604	T856
L2	Antenna	(1)			
L3	RF	(1)			
L4	Oscillator	(1)			
L5	Input IF	24D42711B06			
L6	Output IF	24D42711B07		8010	
L7	10KC Trap (5mh)	24-41605B01	19-1051	6304	T881

(1) Part of M1

FILTER CHOKE

ITEM No.	RATINGS			REPLACEMENT DATA					NOTES
	CURRENT (Measured)	DC RES.	INDUCTANCE (0 CURRENT 1000~)	PART No.	MERIT PART No.	STANCOR PART No.	THORDARSON PART No.	TRIAD PART No.	
L8	650ma	.5	10mh	25D41894B07	C-4095	TC-2	TR-152	TY17XT	

TRANSFORMER (Driver)

ITEM No.	TURNS RATIO			REPLACEMENT DATA					NOTES
	PRI.	SEC. 1	SEC. 2	PART No.	MERIT PART No.	STANCOR PART No.	THORDARSON PART No.	TRIAD Part No.	
T1	16	1		25D44634B05					

PLYMOUTH MODEL 2884 755

PARTS LIST AND DESCRIPTION (CONTINUED)

(When ordering parts, state Model, Part Number, and Description.)

Replacement parts shown may be superseded by the availability of newly introduced replacements.
Have your local distributor check Sams COUNTER FACTS[®] for the most up-to-date replacement.

TRANSFORMER (Audio Output)

ITEM No.	IMPEDANCE		REPLACEMENT DATA					NOTES
	PRI.	SEC.	MFGR. PART No.	MERIT PART No.	STANCOR PART No.	THORDARSON PART No.	TRIAD PART No.	
T2	18 Tap	@ 8	25D41307B15					

SPEAKER

ITEM No.	TYPE	REPLACEMENT DATA		NOTES
		PART No.	QUAM PART No.	
SP1	4" X 10" PM 8 ohms	50042859A04	410A2Z10	

FUSE DEVICES

ITEM No.	DESCRIPTION	REPLACEMENT DATA						
		PART No.		BUSS PART No.		LITTELFUSE PART No.		WORKMAN PART No.
		DEVICE	HOLDER	DEVICE	HOLDER	DEVICE	HOLDER	DEVICE
F1	SFE 7-1/2		In Fuse Block	SFE 7-1/2		30707.5		

MISCELLANEOUS

ITEM No.	PART NAME	PART No.	NOTES
M1	Tuner Coil Assembly	77-42901B25 1-42902B13	ATS-718

CABINETS & CABINET PARTS (When ordering specify model, chassis & color)

ITEM	PART No.	ITEM	PART No.
Dial Glass	61-43530B01	Pushbutton: Left Hand	38-42506B01
Escutcheon	1-40005F98	Pushbutton: Left Hand Center	38-42506B02
Knob, Tuning or Volume	36-43909B01	Pushbutton: Center	38-42506B03
Knob, Tone or Dummy	36-43908B01	Pushbutton: Right Hand Center	38-42506B04
Dial Pointer	52-42479B25	Pushbutton: Right Hand	38-42506B05

WIRING DATA

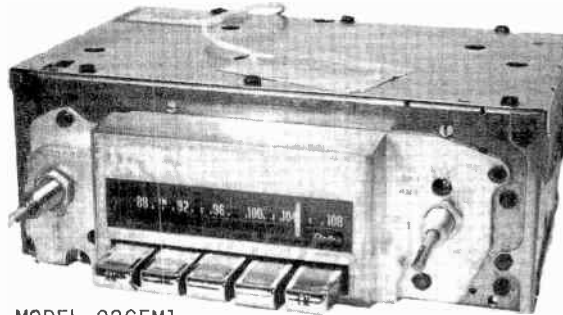
General-use Unshielded Hook-up Wire	Use BELDEN No. 8530 (Solid) Available in 12 Colors 8524 (Stranded) Available in 12 Colors
Shielded Hook-up Wire	Use BELDEN No. 8885
Rear Seat Speaker Extension Cable	Use BELDEN No. 8782 (Stranded) Coded Parallel Leads
Bonding Strap	Use BELDEN No. 8661 (3/8 In.) or 8670 (3/4 In.)



PHOTOFACT[®] with

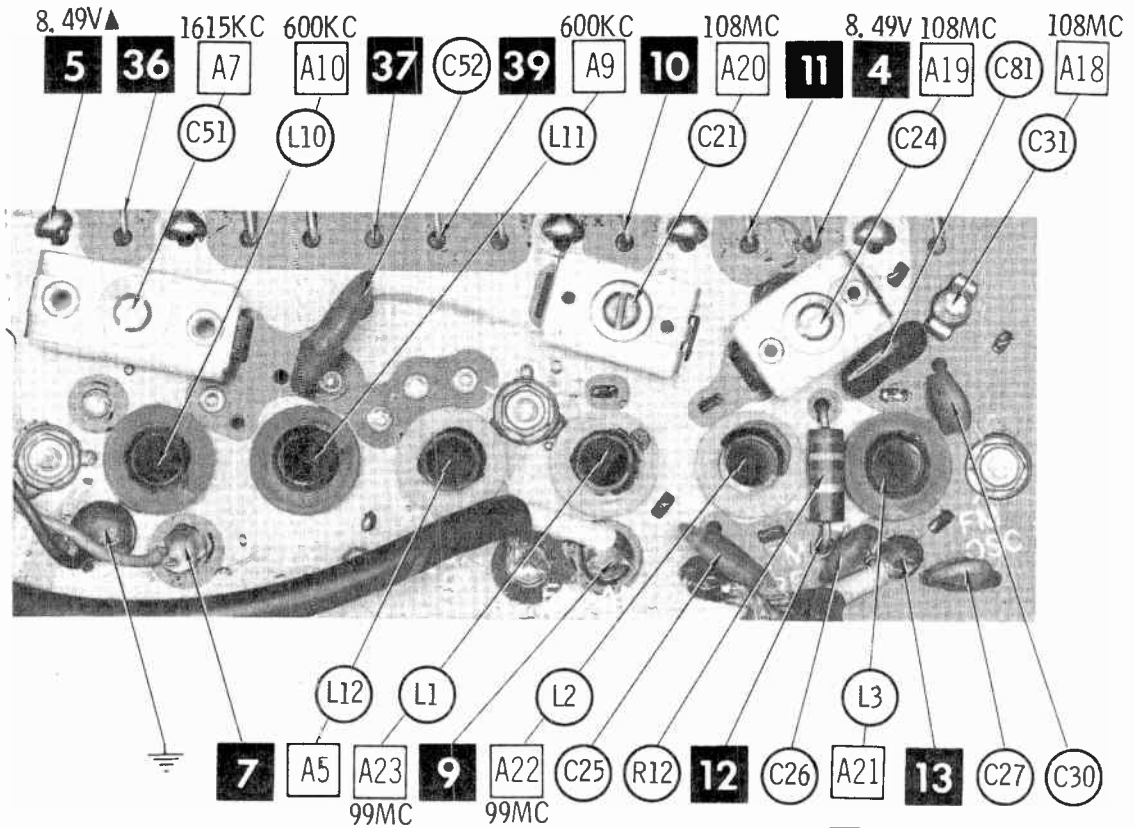
CIRCUITRACE[®]

For Supplier Address See PHOTOFACT Index



MODEL 02GFM1

PONTIAC MODELS 92GFM3
 (69 Grand Prix)
 02GFM1
 (70 Grand Prix)
 02AFM2
 (70½ Tempest)
 02FFM2
 (70½ Firebird)

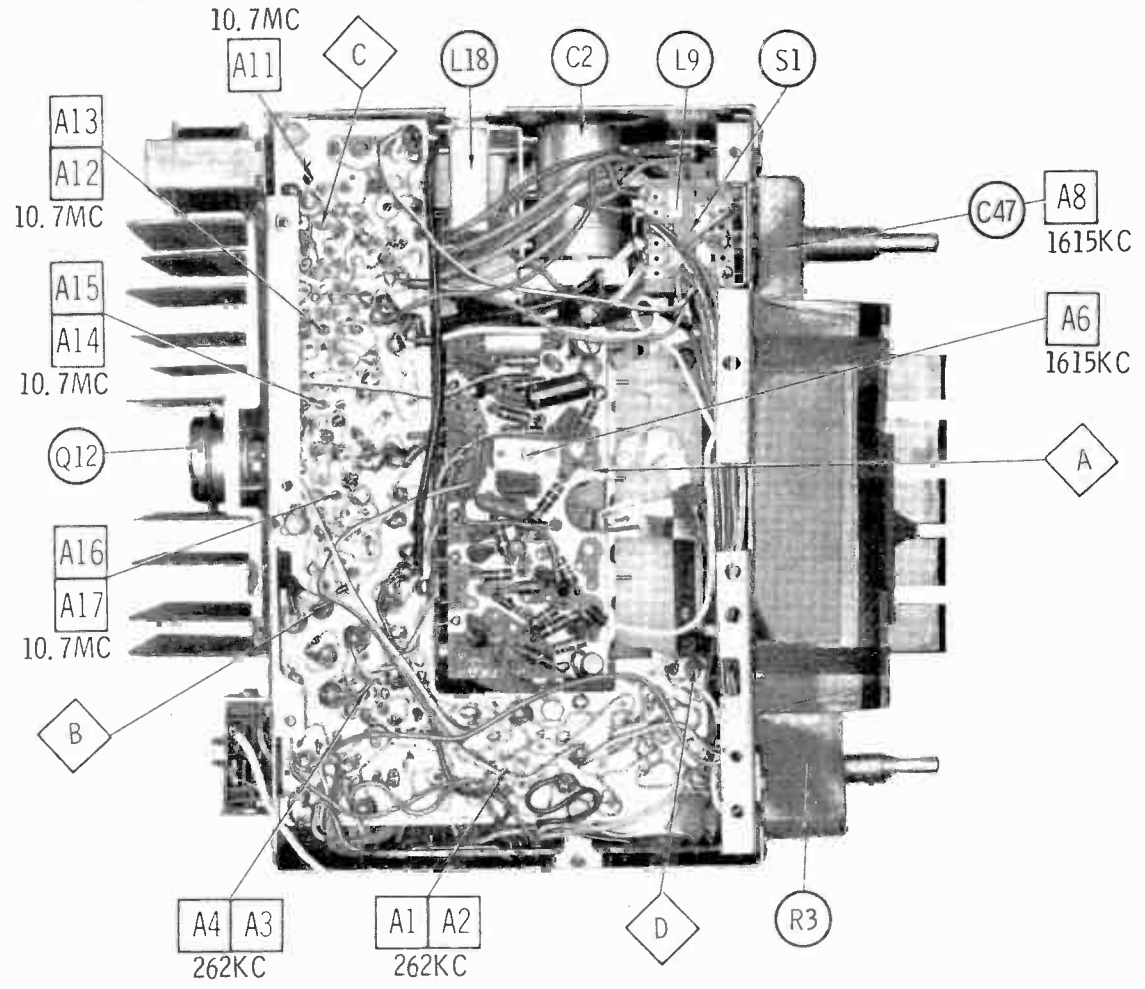
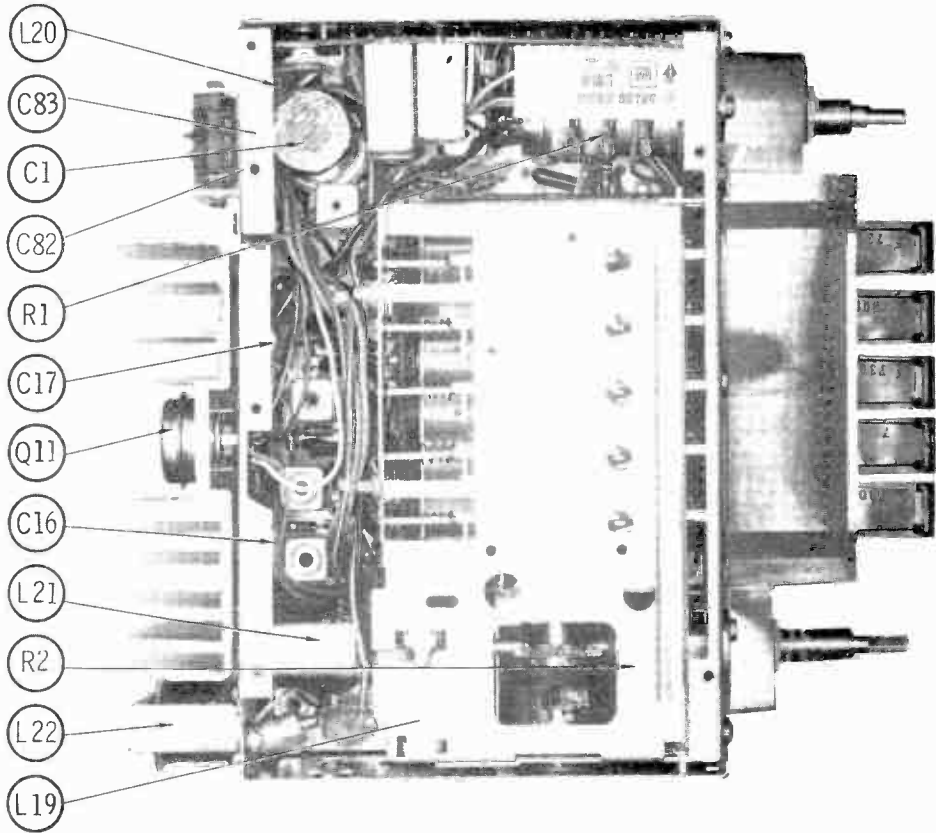


PONTIAC MODELS 92GFM3, 02GFM1/2AFM2/2FFM2

HOWARD W. SAMS & CO., INC. Indianapolis, Indiana 46206

© 1970 Howard W. Sams & Co., Inc. Printed in U. S. of America

TD794R



ALIGNMENT INSTRUCTIONS

Check for specified source voltage.
 Use only enough generator output to provide a usable indication.
 Suggested Alignment Tools: GENERAL CEMENT # WALSCO #
 A1 thru A4, A11 thru A17
 A24, A25, A26 9300,9296,9297....2520,2546,2547
 A6, A7, A8, A19, A20, A21.. 8290,8868,9087....2525,2528,2587

PUSH-BUTTON ADJUSTMENT
 1. Pull button out.
 2. Tune manually to desired station.
 3. Press button in firmly
 4. Repeat for remaining buttons.

	GENERATOR COUPLING	GENERATOR FREQUENCY	RADIO DIAL SETTING	INDICATOR	ADJUST	REMARKS
1.	High side thru .1mfd to point \diamond , low side to ground.	262KC 400 cycle modulation	High freq. end stop.	Output meter across voice coil.	A1,A2, A3,A4	Adjust for maximum.

Check setting of oscillator coil core (A5). Rear of core should be 1 3/8" from mounting end of coil form.

2.	High side thru 82pf to antenna input, low side to ground.	1615KC	High freq. end stop.	Output meter across voice coil.	A6,A7, A8	Adjust for maximum.
3.	"	600KC	600KC signal	"	A9,A10	Adjust for maximum. Repeat Step 2.

With radio installed in car and antenna extended 31", tune in a weak station near 1400KC and adjust A8 for maximum output. Antenna adjustment (A8) is located behind Balance and Tuning Knob.

BALANCE ADJUSTMENT

4.	High side of audio generator to point \diamond , low side to ground.	400 cycle	any	AC Volt-meter from collector of Q12 to collector of Q11.	R3 (Balance)	Adjust for minimum.
----	--	-----------	-----	--	-----------------	---------------------

FM IF ALIGNMENT USING AM SIGNAL GENERATOR—SELECTOR IN FM POSITION

High side of generator thru .001mfd to point \diamond , low side to ground.

5.	10.7MC Unmodulated	Point of non-interference	Output Meter across voice coil.	A11	Adjust for MINIMUM between two noise peaks.
6.	10.7MC (400 cycles Mod.)	"	DC probe of VTVM to point \diamond , Common to ground.	A12 thru A17	Adjust for maximum.

FM RF ALIGNMENT—SELECTOR IN FM POSITION

Connect generator across antenna terminals with 120-ohm carbon resistor in series with each lead. Osc. Coil Core (A21) should be 1 3/8" from mtg. end with Dial Point set @ 108MC.

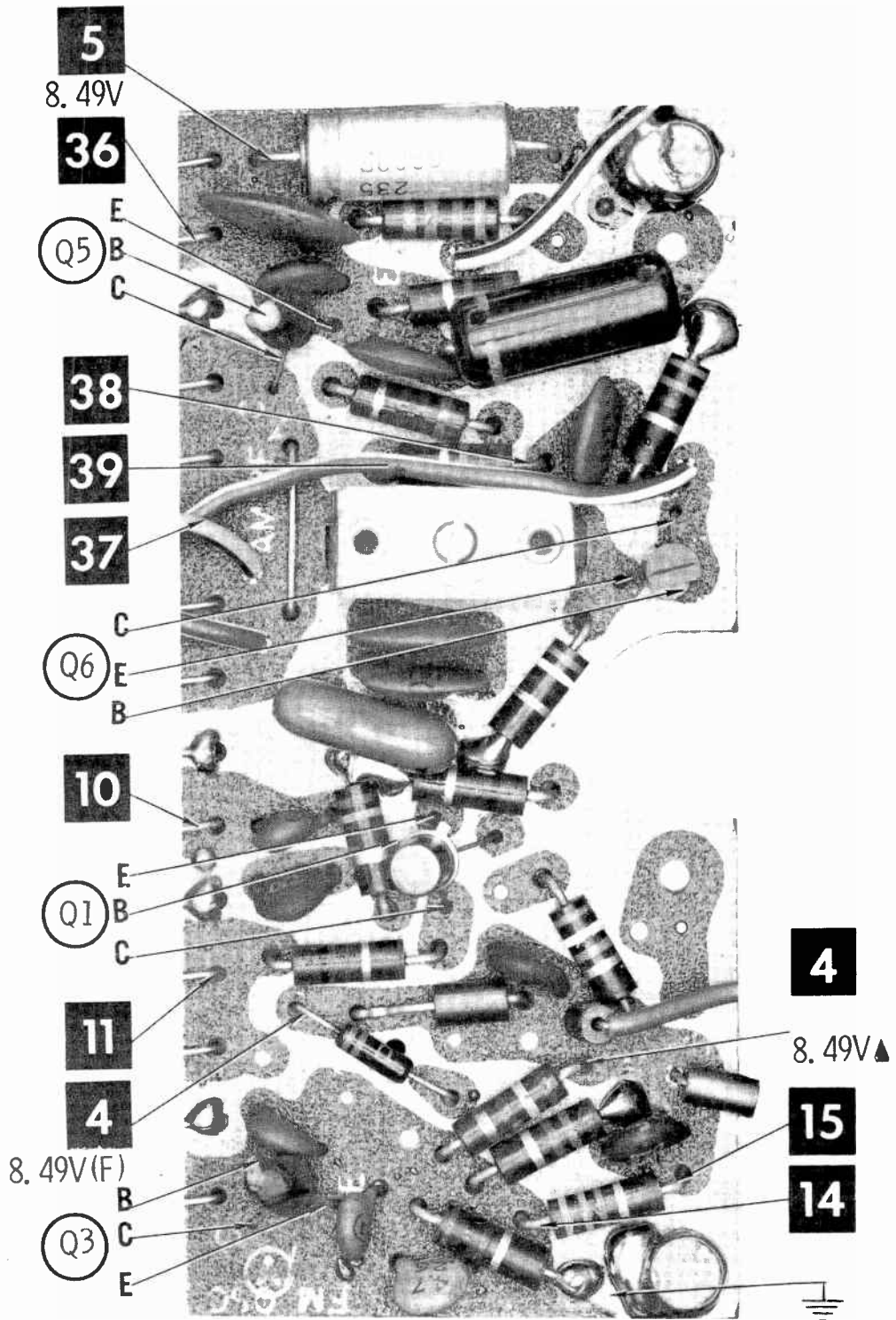
7.	108MC	High freq. end	DC probe of VTVM to point \diamond , common to ground.	A18,A19 A20	Adjust for maximum.
8.	99MC Unmodulated	Tune to signal.	"	A22 A23	Rock tuning and adjust for maximum. Repeat steps 7 and 8 until no further improvement can be made.

FM STEREO MULTIPLEX ALIGNMENT USING FM STEREO SIGNAL GENERATOR ($\pm .0001\%$ ACCURACY)

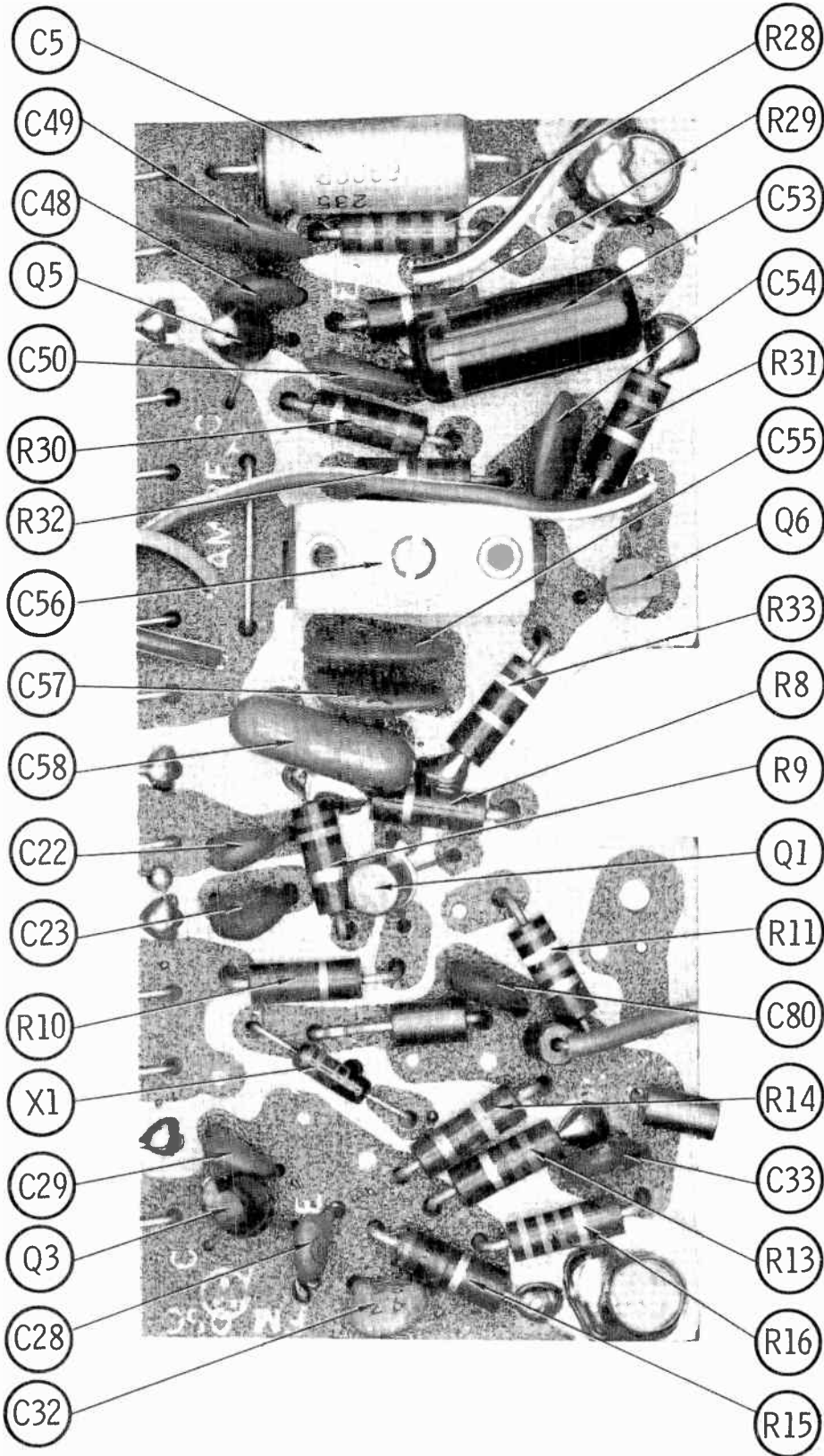
Connect generator across antenna terminals with 120-ohm carbon resistor in series with each lead. Set Separation Control (R5) at mid range.

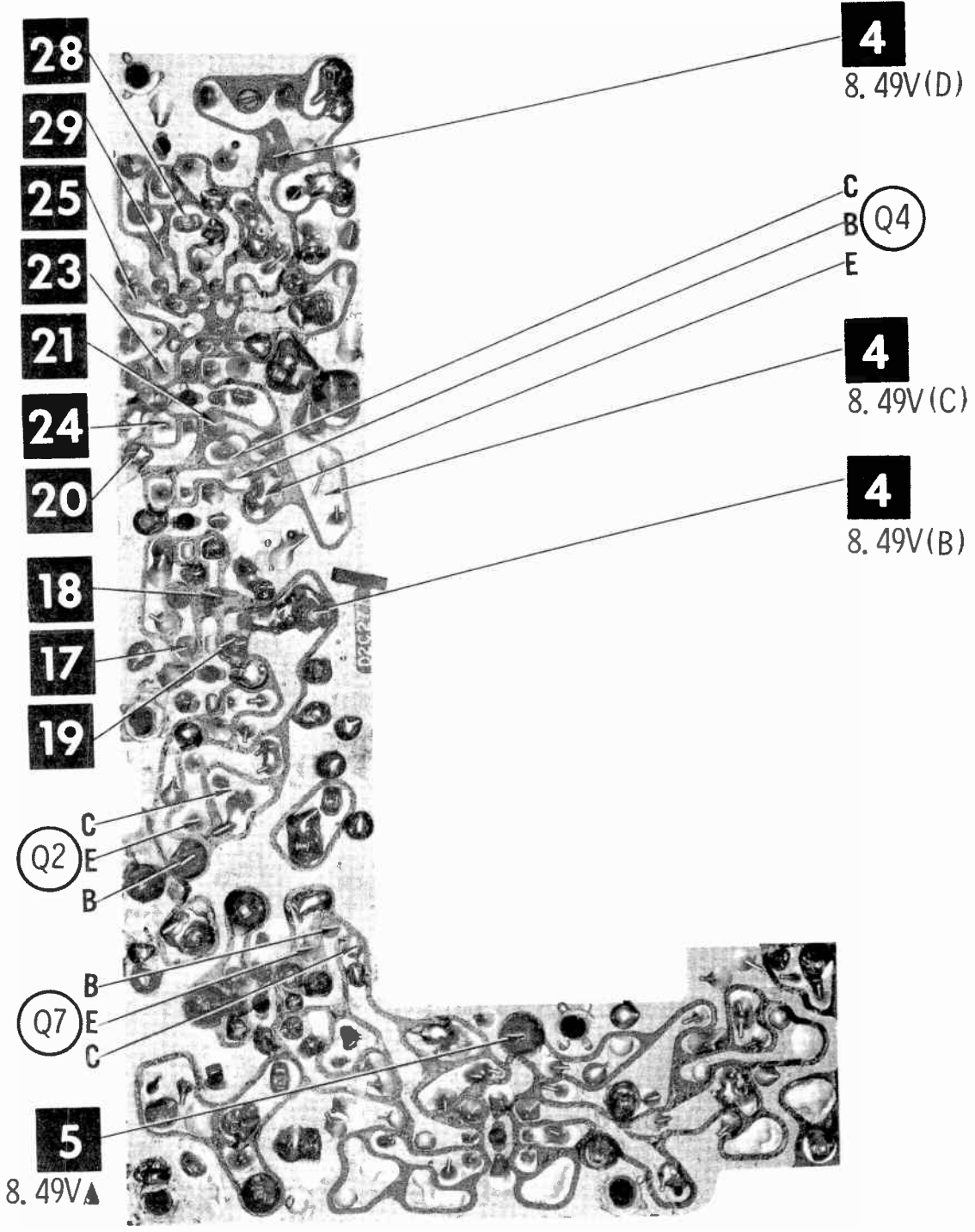
	GENERATOR FREQUENCY	RADIO DIAL SETTING	INDICATOR	ADJUST	REMARKS
9.	100MC Modulated Left Channel	100MC	Output meter across voice coil of right speaker.	A24,A25 A26	Adjust for MINIMUM
10.	"	"	"	R5 (Separation)	Adjust for MINIMUM.

PONTIAC MODELS 92GFM3, 02GFM1/2AFM2/2FFM2

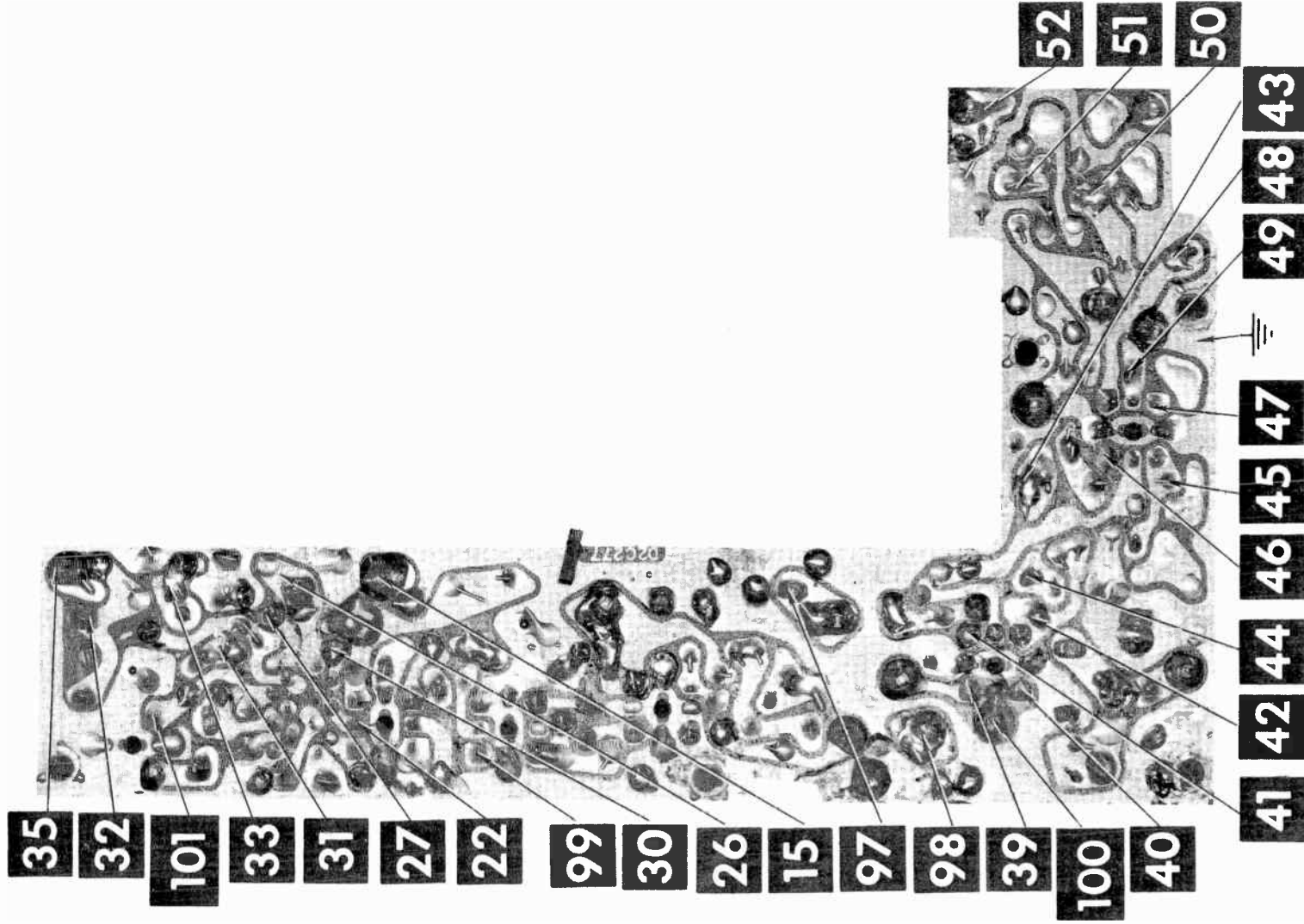


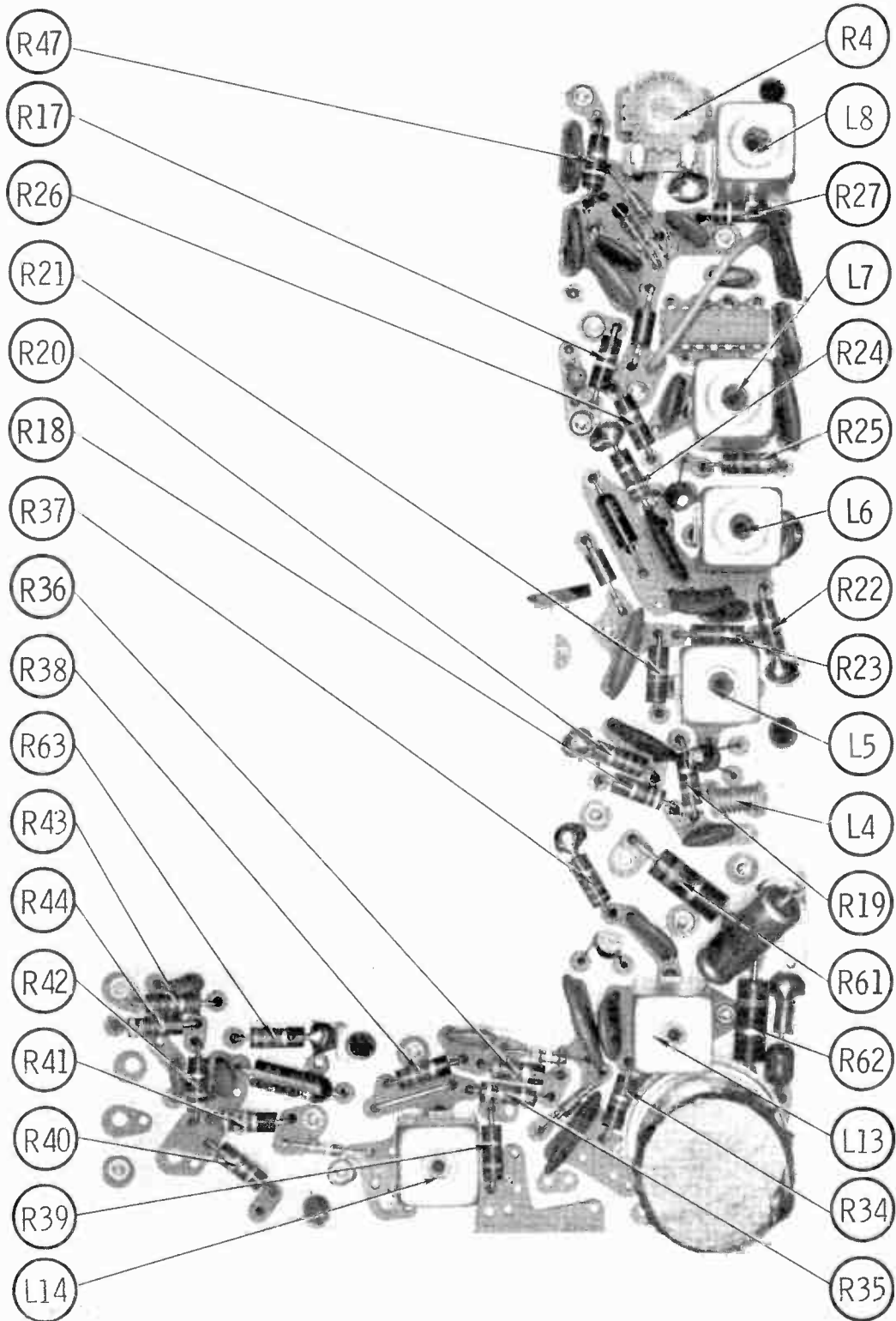
A Howard W. Sams **CIRCUITRACE** Photo

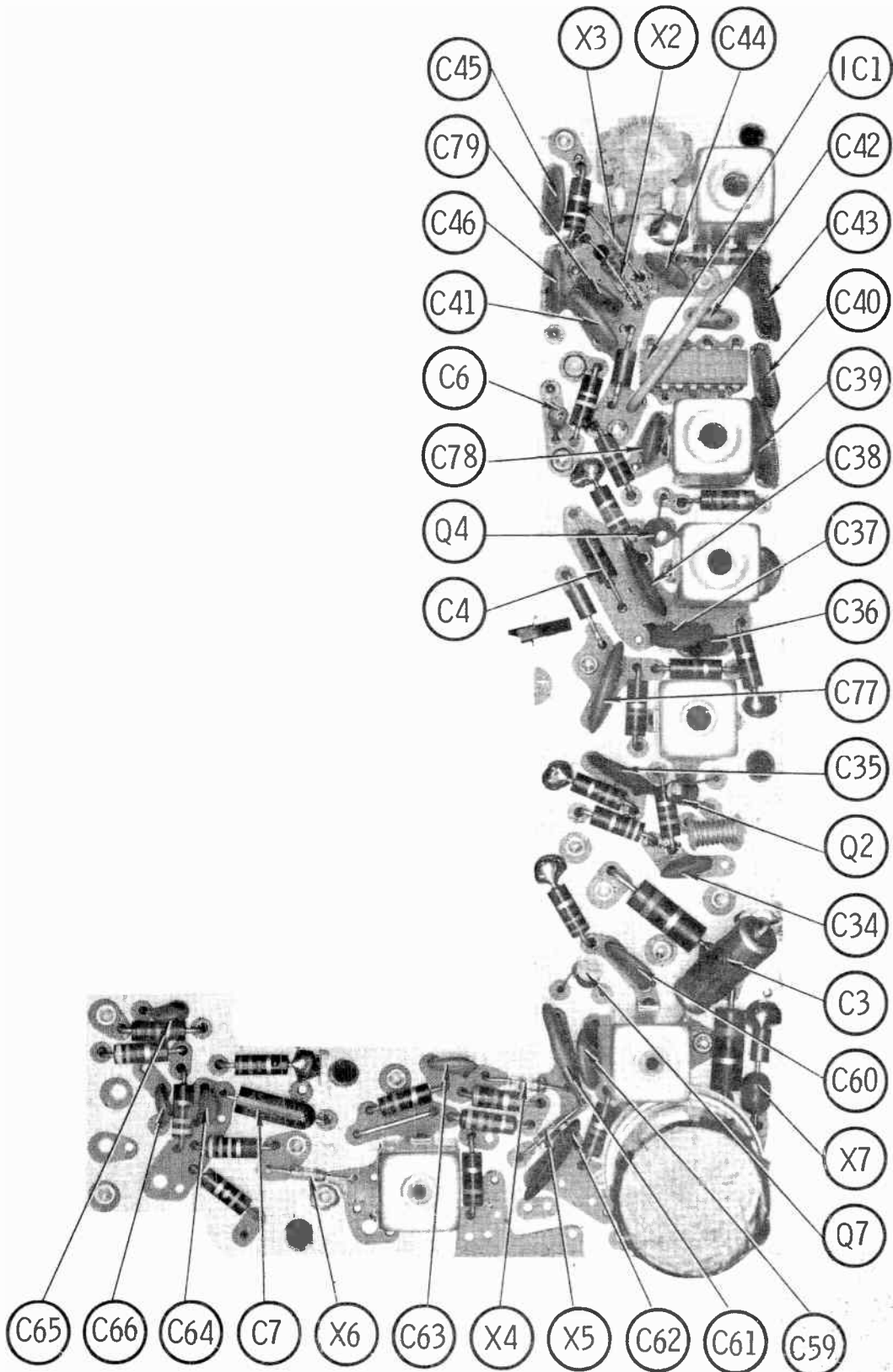


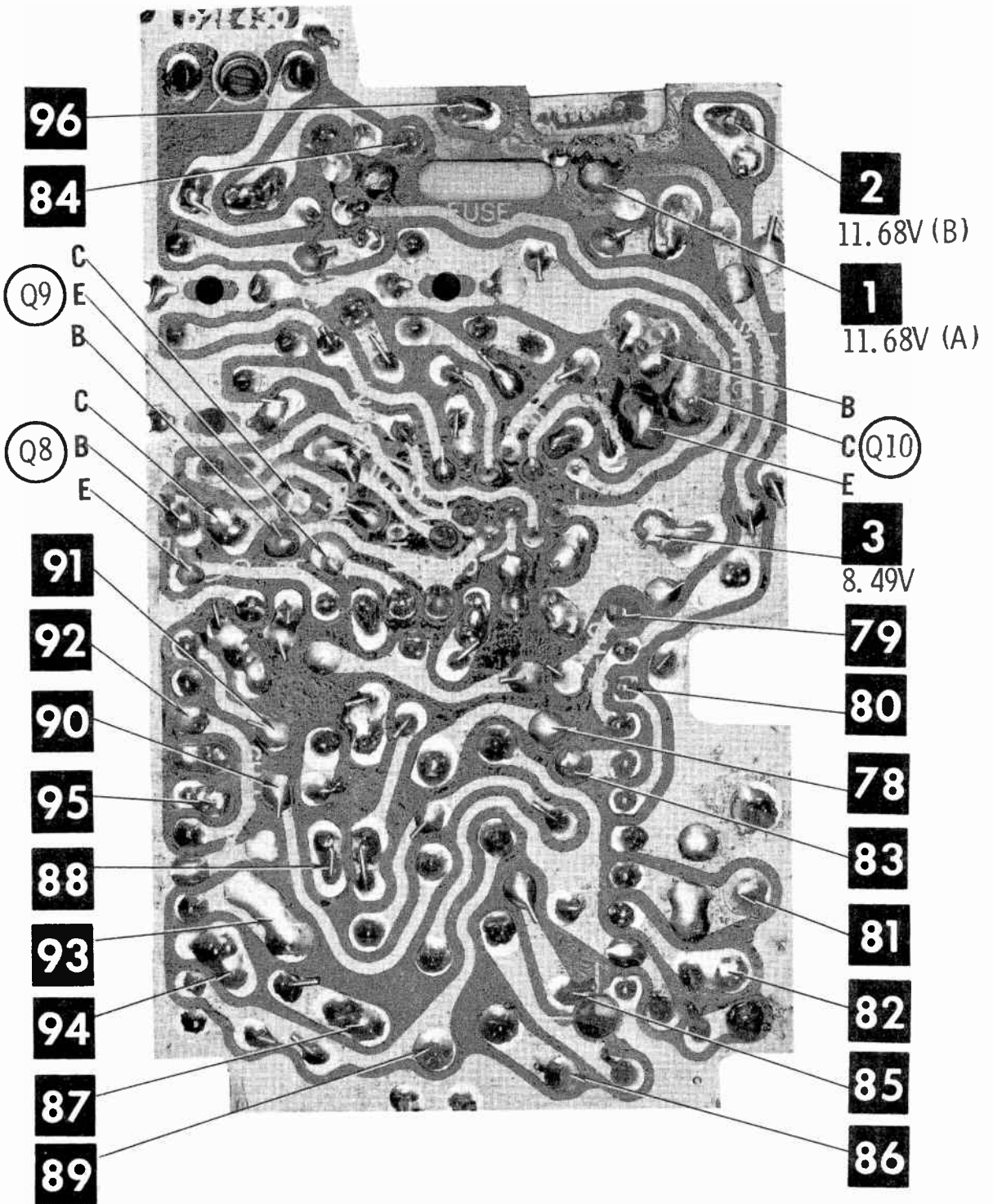


A Howard W. Sams **CIRCUITRACE** Photo

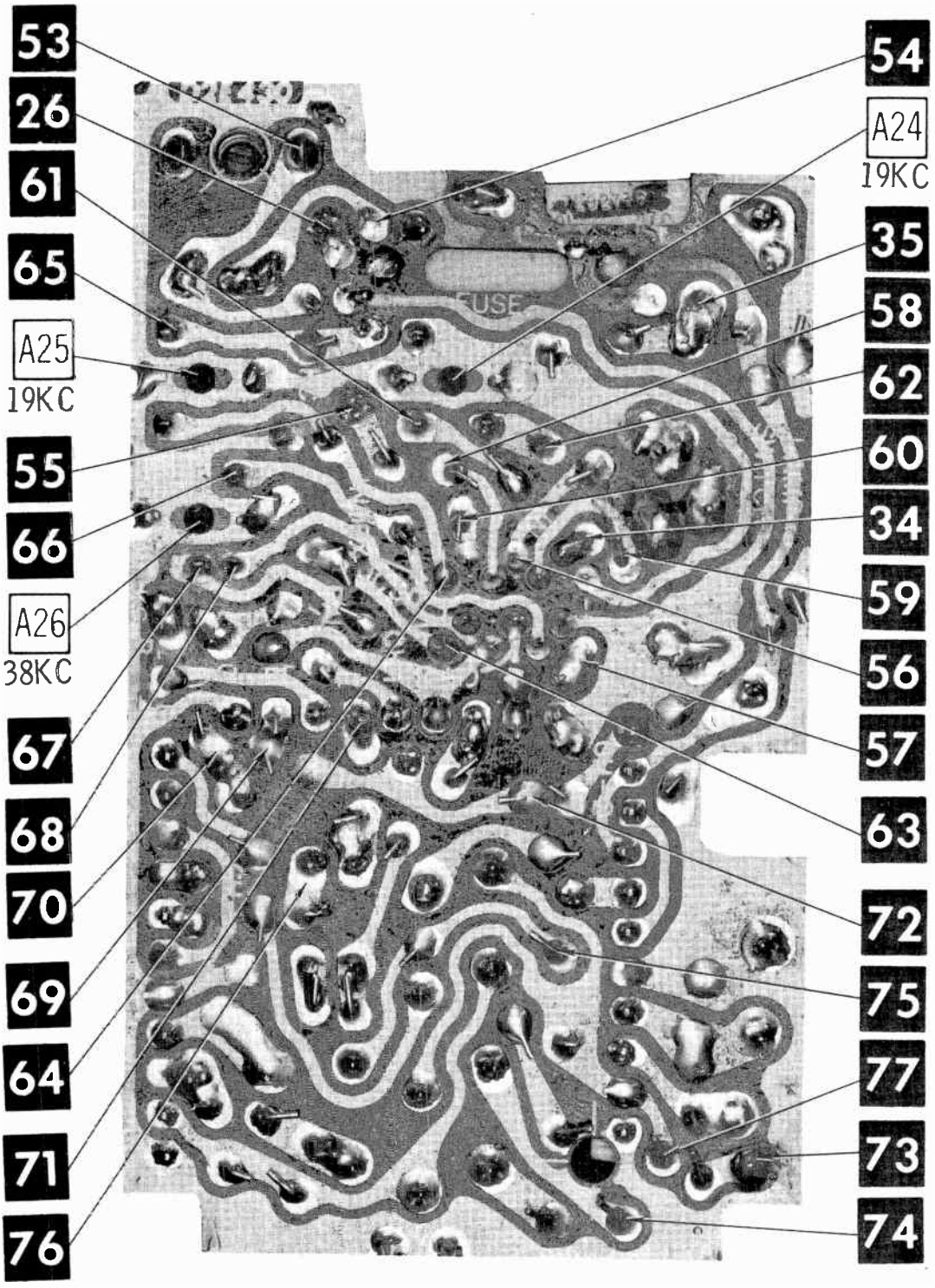








A Howard W. Sams **CIRCUITRACE** Photo



53

26

61

65

A25

19KC

55

66

A26

38KC

67

68

70

69

64

71

76

54

A24

19KC

35

58

62

60

34

59

56

57

63

72

75

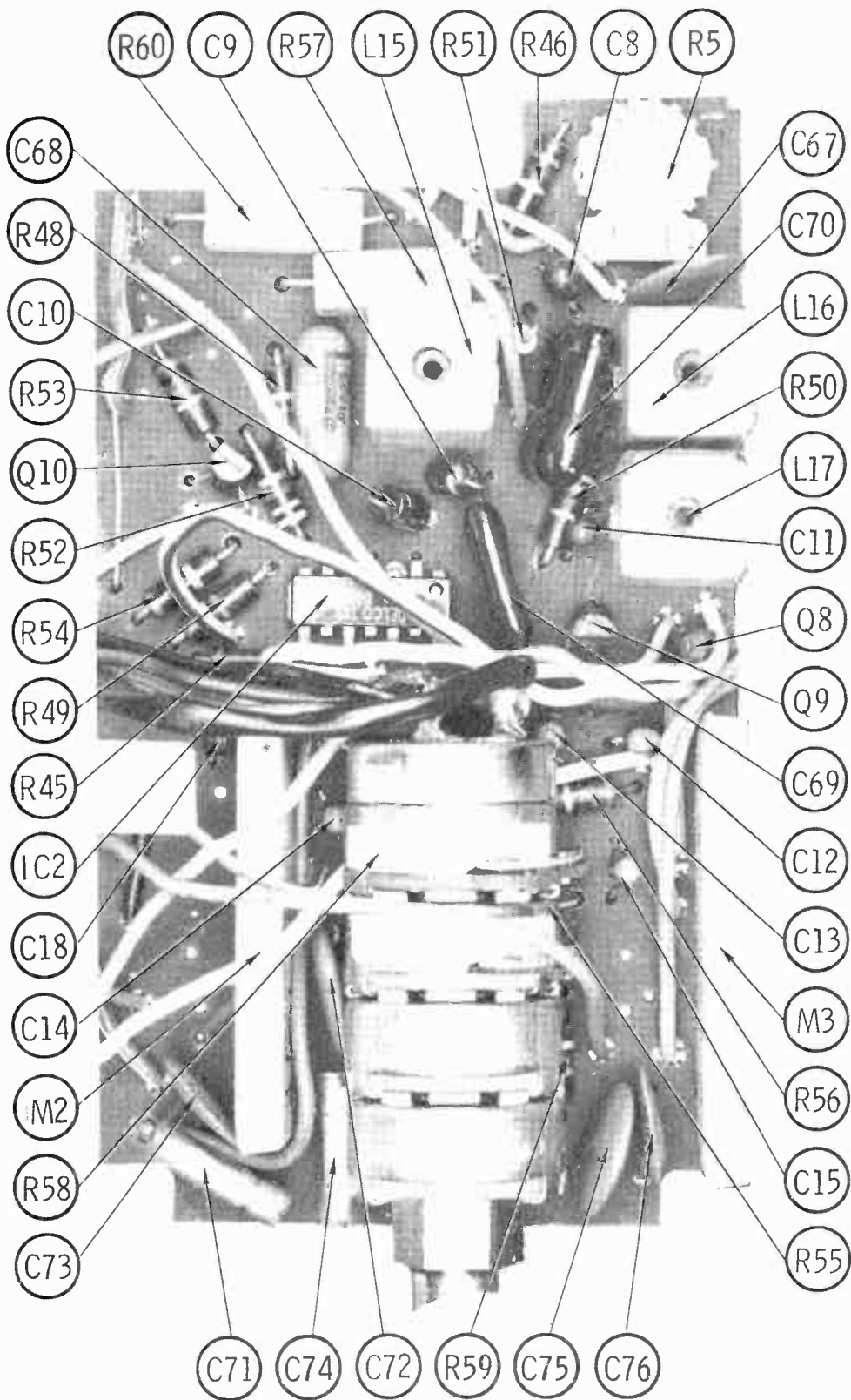
77

73

74

PONTIAC MODELS 92GFM3, 02GFM1/2AFM2/2FFM2

A Howard W. Sams CIRCUITRACE® Photo



PARTS LIST AND DESCRIPTION

(When ordering parts, state Model, Part Number, and Description.)

Replacement parts shown may be superseded by the availability of newly introduced replacements.
Have your local distributor check Sams COUNTER FACTS[®] for the most up-to-date replacement.

TRANSISTORS

ITEM No.	TYPE No.	FUNCTION	REPLACEMENT DATA					
			MFGR. PART No.	GENERAL ELECTRIC PART No.	INTERNATIONAL RECTIFIER PART No.	MOTOROLA PART No.	RCA PART No.	SYLVANIA PART No.
Q1	DS-78	FM RF Amp	DS-81	GE-17	TR-22			
Q2	DS-74	FM Mixer	DS-74	GE-17	TR-22			
Q3	DS-74	FM Oscillator	DS-74	GE-17	TR-22	HEP56	SK3018	ECG 108
Q4	DS-85	FM IF Amp	DS-74	GE-17	TR-21	HEP54	SK3018	ECG 108
Q5	DS-71	AM RF Amp	DS-71	GE-20	TR-21	HEP54	SK3018	ECG 108
Q6	DS-72	AM Converter	DS-72	GE-20	TR-21	HEP54	SK3018	ECG 108
Q7	DS-72	AM IF Amp	DS-72	GE-20	TR-21	HEP54	SK3018	ECG 108
Q8	DS-67	Preamp	DS-66	GE-10	TR-21	HEP54	SK3020	ECG 123
Q9	DS-67	Preamp	DS-66	GE-10	TR-21	HEP54	SK3020	ECG 123
Q10	DS-83	Lamp Switch	DS-83	GE-22	TR-19	HEP51	SK3025	ECG 129
Q11	DS-501	Output (1)	DS-501	GE-4	TR-03	HEP233	SK3012	ECG 105
Q12	DS-501	Output (1)	DS-501	GE-4	TR-03	HEP233	SK3012	ECG 105

* Not normally in distributor's stock. Available thru distributor on order to manufacturer.

INTEGRATED CIRCUITS

ITEM No.	FUNCTION	MFGR. PART No.	REMARKS
IC1	FM Limiter & Quadrature Detector	DM-11	
IC2	Multiplex Detector	DM-14	
IC3	AF Amp	DM-8	
IC4	AF Amp	DM-8	

POWER RECTIFIERS & SIGNAL DIODES

ITEM No.	MFGR. PART OR TYPE No.	REPLACEMENT RECTIFIERS & DIODES			REPLACEMENT RECTIFIERS	NOTES
		GENERAL ELECTRIC PART No.	INTERNATIONAL RECTIFIER PART No.	SYLVANIA PART No.	RCA PART No.	
X1	DS-55					Varactor
X2	DS-27	1N34AS	1N34A	ECG 109		
X3	DS-27	1N34AS	1N34A	ECG 109		
X4	DS-27	1N34AS	1N34A	ECG 109		
X5	DS-27	1N34AS	1N34A	ECG 109		
X6	DS-27	1N34AS	1N34A	ECG 109		
X7	DS-149	GE-X11	1ZM8.2			Zener

ELECTROLYTIC CAPACITORS

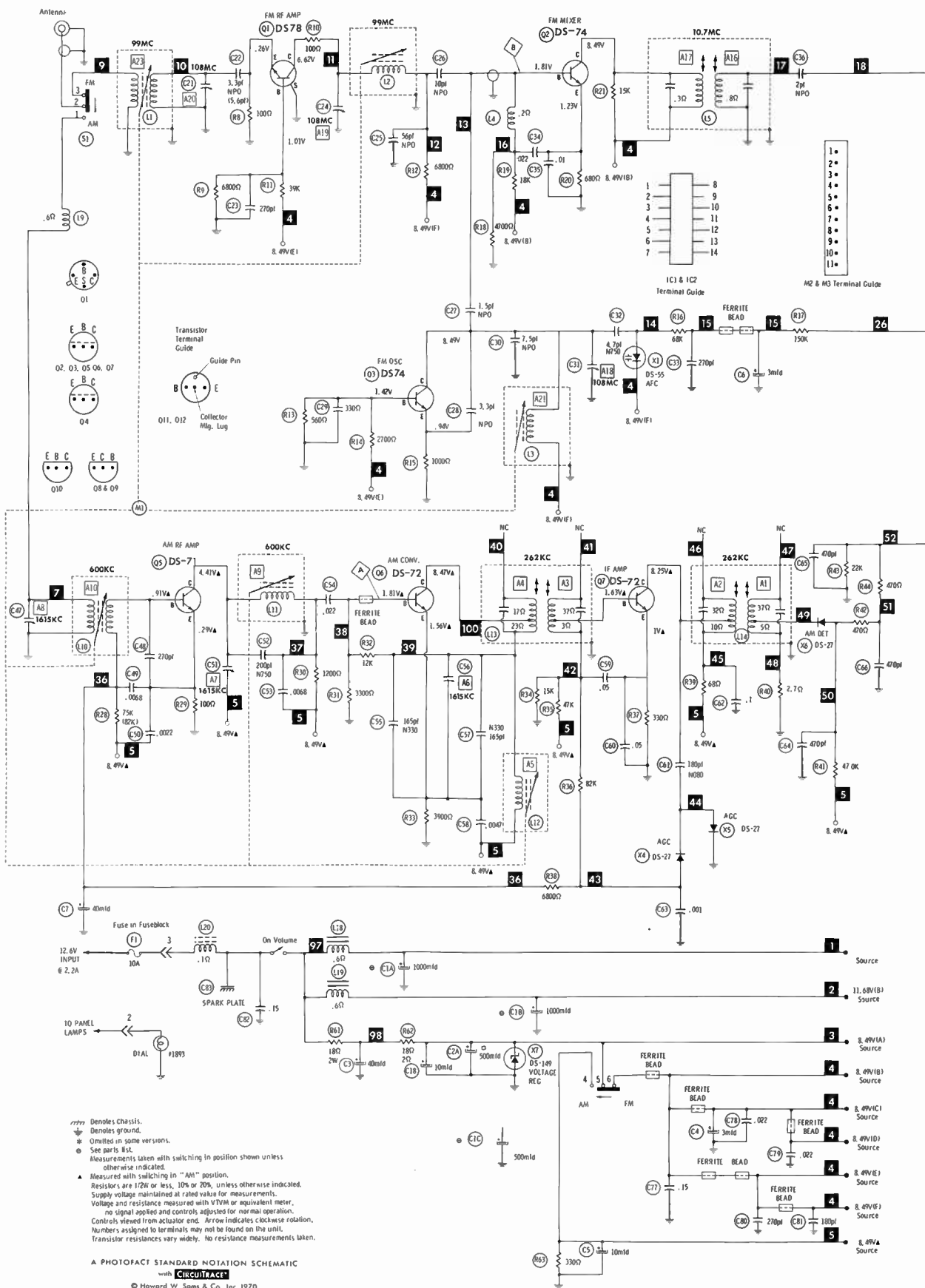
ITEM No.	RATING	REPLACEMENT DATA						
		PART No.	AEROVOX PART No.	CENTRALAB PART No.	CORNELL-DUBILIER PART No.	GENERAL ELECTRIC PART No.	MALLORY PART No.	SPRAGUE PART No.
C1A	1000 16V	7313569 (1)						
B	1000 16V							
C	500 10V							
A	1000 16V	7313084 (2)						
B	1000 16V							
C2A	500 16V	7312739						
B	250 3V							
C	250 33V							
C3	40 16V	7313475	CRE615A	EA15-50	AL50-16	MT1-16	MTA40E30	TE-1160
C4	3 10V	7296348	PTT127	EA15-2	AL3-150	MT1-3	MTA3D50	TE-1122
C5	10 12V	7292738	PTT114	EA15-10	AL10-15	MT1-5	MTA10D35	TL-1128
C6	3 10V	7312286	PTT127	EA15-2	AL3-150	MT1-3	MTA3D50	TE-1122
C7	40 10V	7298555	CRE315A	EA6-50	AL50-15	MT1-15	TAC396K006POA	TE-1095
C8	15 6V	7314501	BCD25015	EP6-25	PC20-50	MT1-10	MTV15CD50	TE-1089
C9	4.7 10V	7310782	CRE604A	EA15-5	WBR5-150	MT1-3	MTA5D50	TE-1127
C10	1 10V	7312297	BCD50001		PC1-100	MT1-1	MTV1CB50	TE-1120
C11	2 10V	7313127	BCD50002		PC2-100	MT1-1	MTV2CB50	TE-1121
C12	1 10V	7312297	BCD50001	EP15-2	PC1-100	MT1-1	MTV1CB50	TE-1120
C13	1 10V	7312297	BCD50001		PC1-100	MT1-1	MTV1CB50	TE-1120
C14	3 10V	7312286	PTT127	EA15-2	AL3-150	MT1-3	MTA3D50	TE-1122
C15	3 10V	7312286	PTT127	EA15-2	AL3-150	MT1-3	MTA3D50	TE-1122
C16	4 11.5V rms	7313126	CRE753A	EA15-5	AL5-150	MT1-3	MTA4D50	TE-1151
C17	4 11.5V rms	7313126	CRE753A	EA15-5	AL5-150	MT1-3	MTA4D50	TE-1151
C18	10 10V	7312285	BCD25010	EP15-10	PC10-50	MT1-5	MTV10CB50	TE-1128

(1) Sect "C" not used.

(2) Alternate Part Number used in some versions.

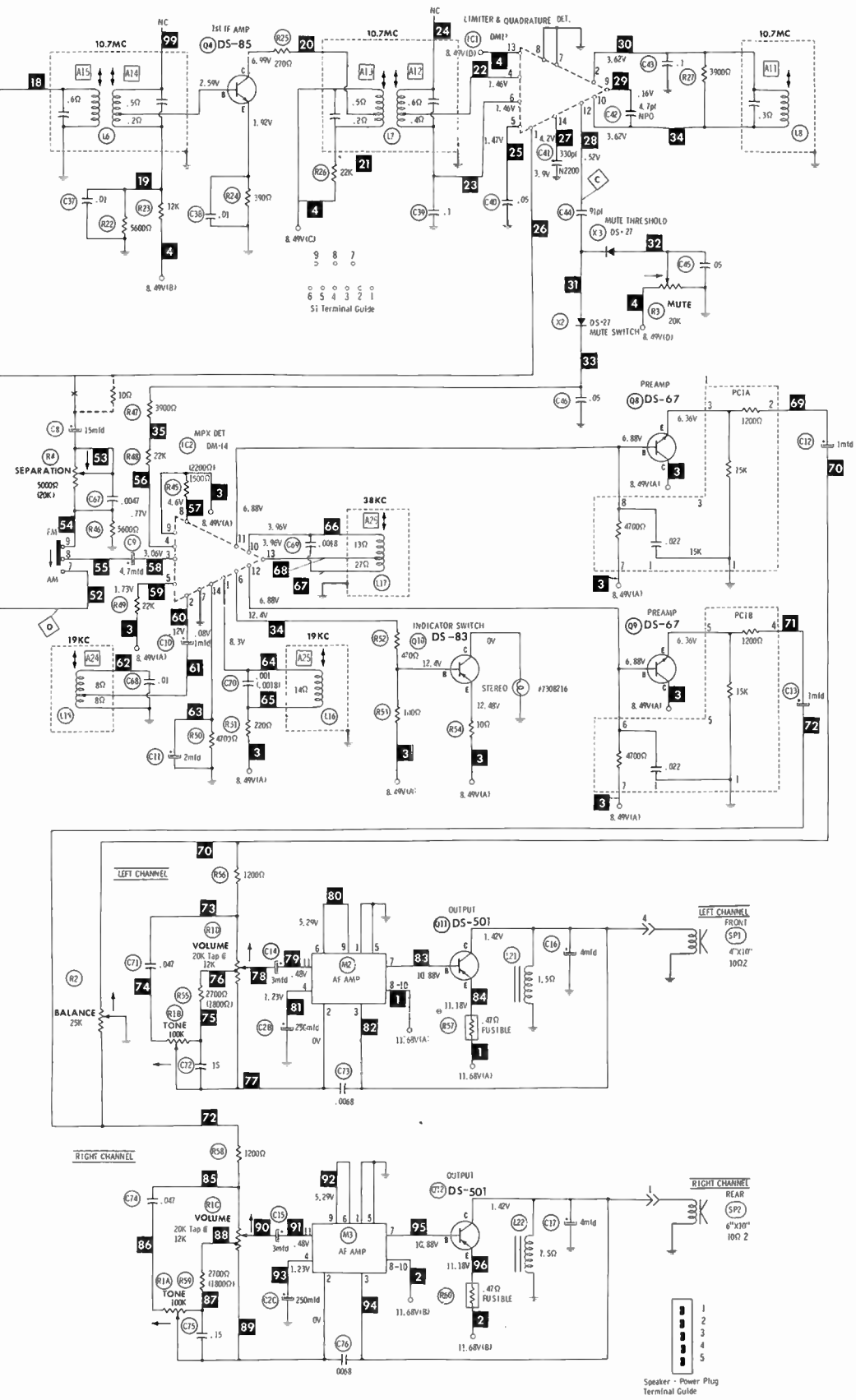
(CONTINUED ON PAGE 104)

PONTIAC MODELS 92GFMS, 02GFMI/2AFM2/2FFM2



⏏ Denotes Chassis.
 ⏏ Denotes ground.
 ⏏ Omitted in some versions.
 ⦿ See parts list.
 Measurements taken with switching in position shown unless otherwise indicated.
 ▲ Measured with switching in "AM" position.
 Resistors are 1/2W or less, 10% or 20%, unless otherwise indicated.
 Supply voltage maintained at rated value for measurements.
 Voltage and resistance measured with VTVM or equivalent meter.
 No signal applied and controls adjusted for normal operation.
 Controls viewed from actuator end. Arrow indicates clockwise rotation.
 Numbers assigned to terminals may not be found on the unit.
 Transistor resistances vary widely. No resistance measurements taken.

A PHOTOFAC STANDARD NOTATION SCHEMATIC
 with **CIRCUITRACE**
 © Howard W. Sams & Co., Inc. 1970



PONTIAC MODELS 92GM3, 02GFM1/2AFM2/2FFM2

PARTS LIST AND DESCRIPTION (CONTINUED)

(When ordering parts, state Model, Part Number, and Description.)

Replacement parts shown may be superseded by the availability of newly introduced replacements.

Have your local distributor check **SOME COUNTER FACTS** for the most up-to-date replacement.

CAPACITORS

ITEM No.	RATING		REMARKS	REPLACEMENT DATA					
				AEROVOX PART No.	CENTRALAB PART No.	CORNELL-DUBILIER PART No.	ELMENCO PART No.	MALLORY PART No.	SPRAGUE PART No.
C21			#7293221						
C22	3.3	NPO		NPO-DI 3.3	DTZ-3R3	NPO3P3		CN0533	10TCC-V33
C23	270			GPD X5F271K	DD-271	GP270	CCD-271	GP327	5GA-T27
C24			#7291003						
C25	56	NPO			TCZ-56		CCT0-560	CN0456	10TCC-Q56
C26	10	NPO		NPO-DI 10	DTZ-10	NPO10	CCT0-100	CN0410	10TCC-Q10
C27	1.5	NPO		NPO-DI 1.5	DTZ-1R5	NPO1P5		CN0515	10TCC-V15
C28	3.3	NPO		NPO-DI 3.3	DTZ-3R3	NPO3P3		CN0533	10TCC-V33
C29	330			GPD X5F331K	DD-331	GP330	CCD-331	GP333	10TS-T33
C30	7.5	NPO	#7300236						
C31			#7292611						
C32	4.7	N750			DTN-5	N5	CCTN-050	CN747	10TCU-V47
C33	270			GPD X5F271K	DD-271	GP270	CCD-270	GP327	5GA-T27
C34	.022			TTP-02	CK-203	MGP02	CCD-203	TA120	TG-S20
C35	.01			TTP-01	CK-103	MGP01	CCD-103	TA110	TG-S10
C36	2	NPO		NPO-DI 2.2	DTZ-2R2	NPO2P2		CN0522	10TCC-V22
C37	.01			TTP-01	CK-103	MGP01	CCD-103	TA110	TG-S10
C38	.01			TTP-01	CK-103	MGP01	CCD-103	TA110	TG-S10
C39	.1			TTP-1	CK-104			TA010	TG-P10
C40	.05			TTP-05	CK-503	MGP05	CCD-503	TA150	TGL-S50
C41	330	N2200					*	*	10TCY-T33
C42	4.7	NPO		NPO-DI 4.7	DTZ-4R7	NP04P7		CN0547	10TCC-V47
C43	.1			TTP-1	CK-104			TA010	TG-P10
C44	91				TCN-91				
C45	.05			TTP-05	CK-503	MGP05	CCD-503	TA150	TGL-S50
C46	.05			TTP-05	CK-503	MGP05	CCD-503	TA150	TGL-S50
C47			#7283618						
C48	270			GPD X5F271K	DD-271	GP270	CCD-271	GP327	5GA-T27
C49	.0068			GPD X5R682K	DD-682	GP6800	CCD-682	GP268	5GA-D68
C50	.0022			GPD X5F222K	DD-222	GP2200	CCD-222	GP222	10TS-022
C51			#7312933						
C52	200	N750		N750-DI 200	DTN-200	N220	CCTN-201	CN7201	10TCU-T20
C53	.0068	75V		DBE6D68	CPR-6800J	WMF1D68	1DP-1-682	PVC4268	6PS-D68
C54	.022			TTP-02	CK-203	MGP02	CCD-203	TA120	TG-S20
C55	165	N330					*	*	10TCS-T33
C56			#7295192						
C57	165	N330					*	*	10TCS-T33
C58	.0047	75V		DBE605	CPR-5000J	OPMS6D5	1DP-1-502	PVC625	6PS-050
C59	.05			TTP-05	CK-503	MGP05	CCD-503	TA150	TGL-S50
C60	.05			TTP-05	CK-503	MGP05	CCD-503	TA150	TGL-S50
C61	180	N080					*	*	10TCN-T18
C62	.1			TTP-1	CK-104			TA010	TG-P10
C63	.001			GPD X5F102K	OM-102	GP1000	CCD-102	SM210	2SS-D10
C64	470			GPD X5F471K	DD-471	GP470	CCD-471	GP347	10TS-T47
C65	470			GPD X5F471K	DD-471	GP470	CCD-471	GP347	10TS-T47
C66	470			GPD X5F471K	DD-471	GP470	CCD-471	GP347	10TS-T47
C67	.0047			TTP-005	CK-502	MGP005	CCD-502	TA250	TG-050
C68	.01	75V		V1612S1	CPR-10000J	DPMS6S1	1DP-1-103	PVC211	225P10391W03
C69	.0018			AOM-19-182	CPR-1800J	CD19F0182J03	OM-19-182	SX218	MS-218
C70	.001				CPR-1000J	CD19F102J500	DM-19-102J	SX210	424ME1001J501
C71	.047	75V		V1612S47		DPMS6S47	1DP-2-473	PVC1147	225P47391W03
C72	.15			TTP-1	CK-104			TA010	TG-P10
C73	.0068			GPD X5R682K	DD-682	GP6800	CCD-682	GP268	5GA-D68
C74	.047	75V		V1612S47		DPMS6S47	1DP-2-473	PVC1147	225P47391W03
C75	.15			TTP-1	CK-104			TA010	TG-P10
C76	.0068			GPD X5R682K	DD-682	GP6800	CCD-682	GP268	5GA-D68
C77	.15			TTP-1	CK-104			TA010	TG-P10
C78	.022			TTP-02	CK-203	MGP02	CCD-203	TA120	TG-S20
C79	.022			TTP-02	CK-203	MGP02	CCD-203	TA120	TG-S20
C80	270			GPD X5F271K	DD-271	GP270	CCD-271	GP327	5GA-T27
C81	180			AOM-10-181	CPR-180J	CD15FD181J03	OM-10-181	SX318	MS-318
C82	.15	75V		DBE6P15		DPMS4P15	4DP-4-154	PVC6015	4PS-P15
C83			#7271564						

DELCO Part Number.

* Not normally in distributor's stock. Available thru distributor on order to manufacturer.

CONTROLS (All wattages 1/2 watt, or less, unless listed)

ITEM No.	FUNCTION	RESISTANCE	REPLACEMENT DATA				
			MFGR. PART No.	CENTRALAB PART No.	CLAROSTAT PART No.	CTS-IRC PART No.	MALLORY PART No.
R1A	Tone	100K	7308965 (3)				
B	Tone	100K					
C	Volume	20K					
D	Volume/Switch	Tap @ 12K 20K	7309092 (4)				
A	Tone	100K					
B	Tone	100K					
C	Volume	20K					
D	Volume/Switch	Tap @ 12K 20K					

PARTS LIST AND DESCRIPTION (CONTINUED)

(When ordering parts, state Model, Part Number, and Description.)

Replacement parts shown may be superseded by the availability of newly introduced replacements.

Have your local distributor check Sams COUNTER FACTS' for the most up-to-date replacement.

CONTROLS (All wattages 1/2 watt, or less, unless listed) (cont)

ITEM No.	FUNCTION	RESIST-ANCE	REPLACEMENT DATA					
			MFGR. PART No.	CENTRALAB PART No.	CLAROSTAT PART No.	CTS-IRC PART No.	MALLORY PART No.	
R2	Balance	25K	7309051 (3)	F1-25K (2), BB202,SB008, SB006,FFS206			* QJ-2613A	P253L (2), 4218 SH4375, SH4375 OX2375
	Balance	25K	7309050 (5)	F1-25K (2), BB202,SB008, SB006,FFS206			* QJ-2613A	P253L (2), 4218, SH4375, SH4375, OX2375
R3	Balance Mute	25K 20K	7313794 (6) 7304970	TSV-25K (7) or T-20K (7)			U201R253B	MTC24L4
R4	Separation	5000	7310442	TSV-5K (7) or T-5000 (7)			U201R502B	MTC53L1

* "Snaptrol" Equivalent BU9 (1), CF11, (2), None, SF21, None, N4
 (1) Alter bushing and adjust spacer nut (N4) to meet requirements. (4) Used in Models 02AFM2 and 02FFM2.
 (2) Ground center terminal. (5) Used in Model 02AFM2.
 (3) Used in Models 92GFM3 and 02GFM1. (6) Used in Model 02FFM2.
 (7) For horizontal mount, bend the two outside terminals to fit "PC" board. Use jumper to connect center terminal to "PC" board.

RESISTORS (Power and Special)

ITEM No.	RATING	REPLACEMENT DATA	
		WORKMAN PART No.	MFGR. PART No.
R57	.47 (Fusible)		7281890

ITEM No.	RATING	REPLACEMENT DATA	
		WORKMAN PART No.	MFGR. PART No.
R60	.47 (Fusible)		7281890

COILS (RF-IF)

ITEM No.	USE	REPLACEMENT DATA			
		PART No.	MEISSNER PART No.	MILLER PART No.	WORKMAN PART No.
L1	FM Antenna	(1)			
L2	FM RF	(1)			
L3	FM Oscillator	(1)			
L4	10.7MC Trap (1uh)	7296856	19-1000	4602	T855
L5	FM Input IF	7305472			
L6	FM Interstage IF	7305473			
L7	FM Interstage IF	7305474			
L8	Quadrature	7311554			
L9	RF Choke (8uh)	7255738	19-1009	4611	T822
L10	AM Antenna	(1)			
L11	AM RF	(1)			
L12	AM Input IF	7295169			
L14	AM Output IF	7295170		8006	
L15	19KC	7312849			
L16	19KC	7312289			
L17	38KC	7312288			

(1) Part of M1.

FILTER CHOKE

ITEM No.	RATINGS			REPLACEMENT DATA					NOTES
	CURRENT (Measured)	DC RES.	INDUCTANCE (0 CURRENT 1000~)	PART No.	MERIT PART No.	STANCOR PART No.	THORDARSON PART No.	TRIAD PART No.	
L18		.1	300uh	7302543					
L19	1 Amp	.6	8mh	1221623	C-4095	TC-2	TR-154	TY17XT	
L20	1 Amp	.6	8mh	1221623	C-4095	TC-2	TR-154	TY17XT	

CHOKE (Audio Output)

ITEM No.	INDUCTANCE	REPLACEMENT DATA					NOTES
		PART No.	MERIT PART No.	STANCOR PART No.	THORDARSON PART No.	TRIAD PART No.	
L21	30mh	1222297					
L22	30mh	1222297					

PONTIAC MODELS 92GFM3, 02GFM1/2AFM2/2FFM2

PARTS LIST AND DESCRIPTION (CONTINUED)

(When ordering parts, state Model, Part Number, and Description.)

Replacement parts shown may be superseded by the availability of newly introduced replacements.
Have your local distributor check Sams COUNTER FACTS for the most up-to-date replacement.

SPEAKER

ITEM No.	TYPE	REPLACEMENT DATA		NOTES
		MFGR. PART No.	QUAM PART No.	
SP1	4" X 10" PM 10 ohms	7310082	410A2Z10	Front 1969 Grand Prix. Front 1970 Grand Prix. Front 1970 Firebird. Front 1970 Tempest.
	4" X 10" PM 10 ohms	7312972	410A2Z10	
	4" X 10" PM 10 ohms	7932772		
	4" X 10" PM 10 ohms	7312982		
SP2	6" X 9" PM 10 ohms	7294892	69A2Z10	Rear 1969, 1970 Grand Prix, 1970 Tempest. Rear 1970 Tempest Station Wagon Rear 1970 Firebird.
	4" X 10" PM 10 ohms	7303361	410A2Z10	
	6" X 9" PM 10 ohms	7301803	69A1Z10	

FUSE DEVICES

ITEM No.	DESCRIPTION	REPLACEMENT DATA						
		PART No.		BUSS PART No.		LITTELFUSE PART No.		WORKMAN PART No.
		DEVICE	HOLDER	DEVICE	HOLDER	DEVICE	HOLDER	DEVICE
F1	3AG 10 Amp		In Fuse Block	AGC10		311010		

MISCELLANEOUS

ITEM No.	PART NAME	PART No.	NOTES
M1	Tuning Coil Assembly	1223073	
PC1	Preamp Network	7930678	
S1	Switch, Selector	7300444	
	Stereo Indicator Lamp	7296866	

CABINETS & CABINET PARTS (When ordering specify model, chassis & color)

ITEM	PART No.	ITEM	PART No.
MODEL 92GFM3		MODELS 02AFM2, 02GFM1 (Cont'd)	
Escutcheon	7309040	Push Button "FM"	7307453
Dial Glass	7309405	Push Button	7307451
Dial Drum	7309116	Knob, Tuning or Volume	9794856
Dial Pointer	7307461	Knob, Tone	9791115
Push Button "AM"	7307452	Knob, Balance	9791117
Push Button "FM"	7307453	MODEL 02FFM2	
Push Button	7307451	Escutcheon	7313954
Knob, Tuning or Volume	9796901	Dial Glass	7307457
Knob, Tone	9791115	Dial Drum	7309414
Knob, Balance	9791117	Dial Pointer	7307461
MODELS 02AFM2, 02GFM1		Push Button "AM"	7307887
Escutcheon	7311549	Push Button "FM"	7307888
Dial Glass	7307457	Push Button	7307886
Dial Drum	7309414	Knob, Tuning or Volume	479772
Dial Pointer	7307461	Knob, Tone or Balance	479768
Push Button "AM"	7307452		

WIRING DATA

General-use Unshielded Hook-up Wire	Use BELDEN No. 8530 (Solid) Available in 12 Colors
	8524 (Stranded) Available in 12 Colors
Shielded Hook-up Wire	Use BELOEN No. 8885
Rear Seat Speaker Extension Cable	Use BELDEN No. 8782 (Stranded) Coded Parallel Leads
Bonding Strap	Use BELDEN No. 8661 (3/8 In.) or 8670 (3/4 In.)



PHOTOFACT[®] with

CIRCUITRACE[®]

For Supplier Address See PHOTOFACT Index



RANGER MODELS RR-47-T0
RR-47-T2
RR-47-T4
(8-Track Stereo Player)

OPERATING INSTRUCTIONS

Insert cartridge until it locks and turns unit on.

Set operating controls as desired.

Press program selector to play desired tracks, or allow unit to select tracks automatically.

Remove cartridge to turn unit off.

CLEANING

Clean all tape contact surfaces with a soft, lint-free material and head cleaner or methyl alcohol. Use alcohol to remove oil and grease from all driving surfaces.

CAUTION: Avoid getting head cleaner on any plastic surface.

LUBRICATING

Lubricate bearings and bushings lightly with #20 machine oil. Use a light film of non-hardening grease on cam surfaces.

HEAD DEMAGNETIZING

Demagnetize head when unit is serviced. Avoid using magnetic materials near head.

RANGER MODELS RR-47-T0/-T2/-T4

HOWARD W. SAMS & CO., INC. Indianapolis, Indiana 46206

© 1970 Howard W. Sams & Co., Inc. Printed in U. S. of America TQ807

TROUBLE CHART

SYMPTOM	REMARKS
Capstan does not rotate.	Belt (1) dirty, worn, or broken. Assembly (10) binding. Motor defective or not supplied with power.
Track-shift mechanism inoperative.	Switch (S2) dirty Cam (3) binding or worn. Pawl (4) worn. Arm (6) binding. Solenoid (M2) defective or not supplied with power. Cartridge defective. Spring missing or B6 misadjusted.
Wow or Flutter.	Belt (1) dirty or worn. Capstan dirty or binding. Cartridge defective. Motor defective.
Sound weak or distorted.	Head dirty, misaligned, or defective. Cartridge defective. Amplifiers defective.
Tape is pulled from cartridge.	Cartridge defective. Capstan dirty or scored.

ADJUSTMENTS

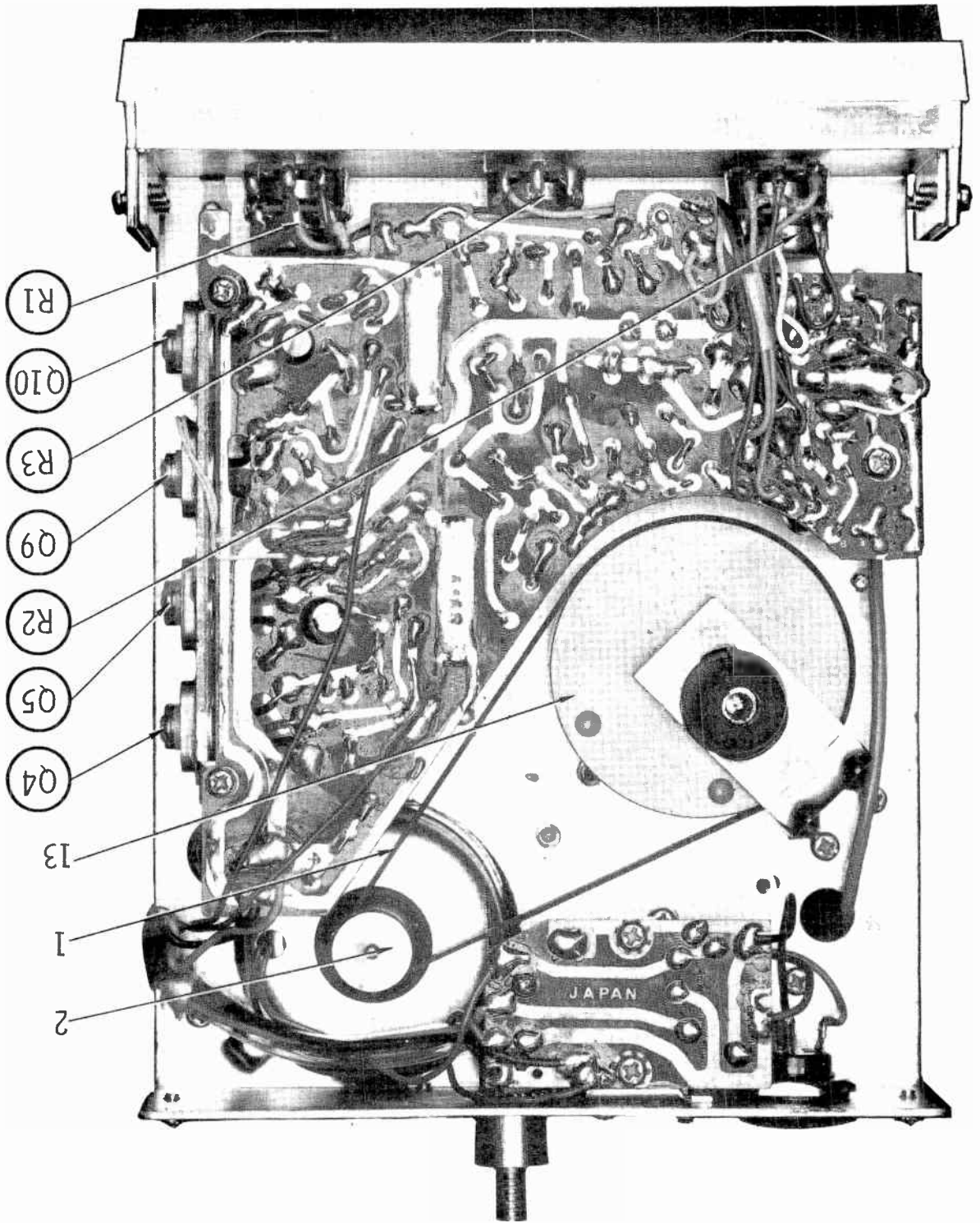
ADJUST	REMARKS
Head Height	Play a test cartridge, follow instructions with cartridge, and adjust B1 for proper response.
Head Azimuth	Connect an AC VTVM across right output. Play a test cartridge and adjust B2 for maximum.
Head Tension	Adjust B6 for 3 oz. measured at the head clamping screw.

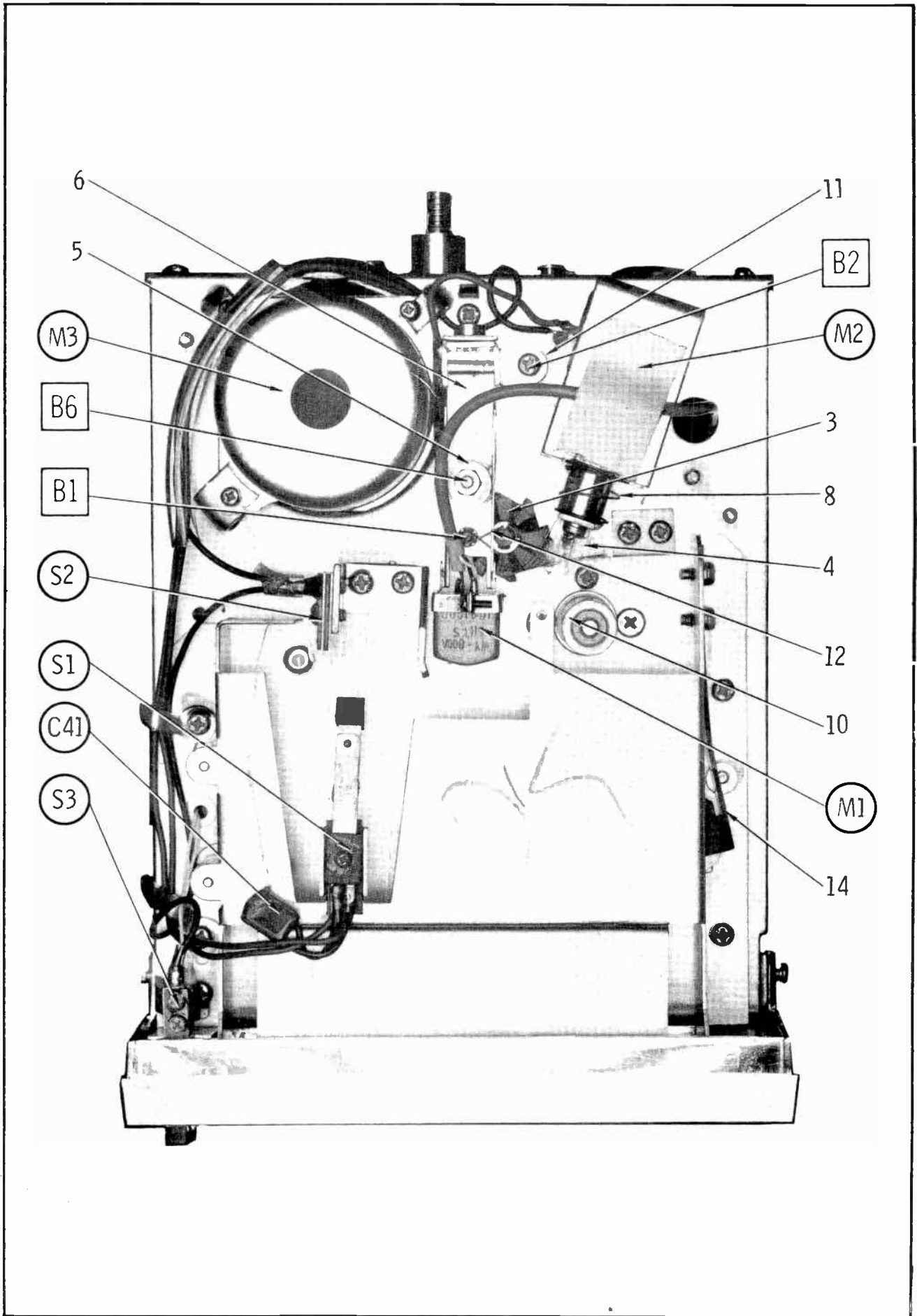
MECHANICAL PARTS LIST

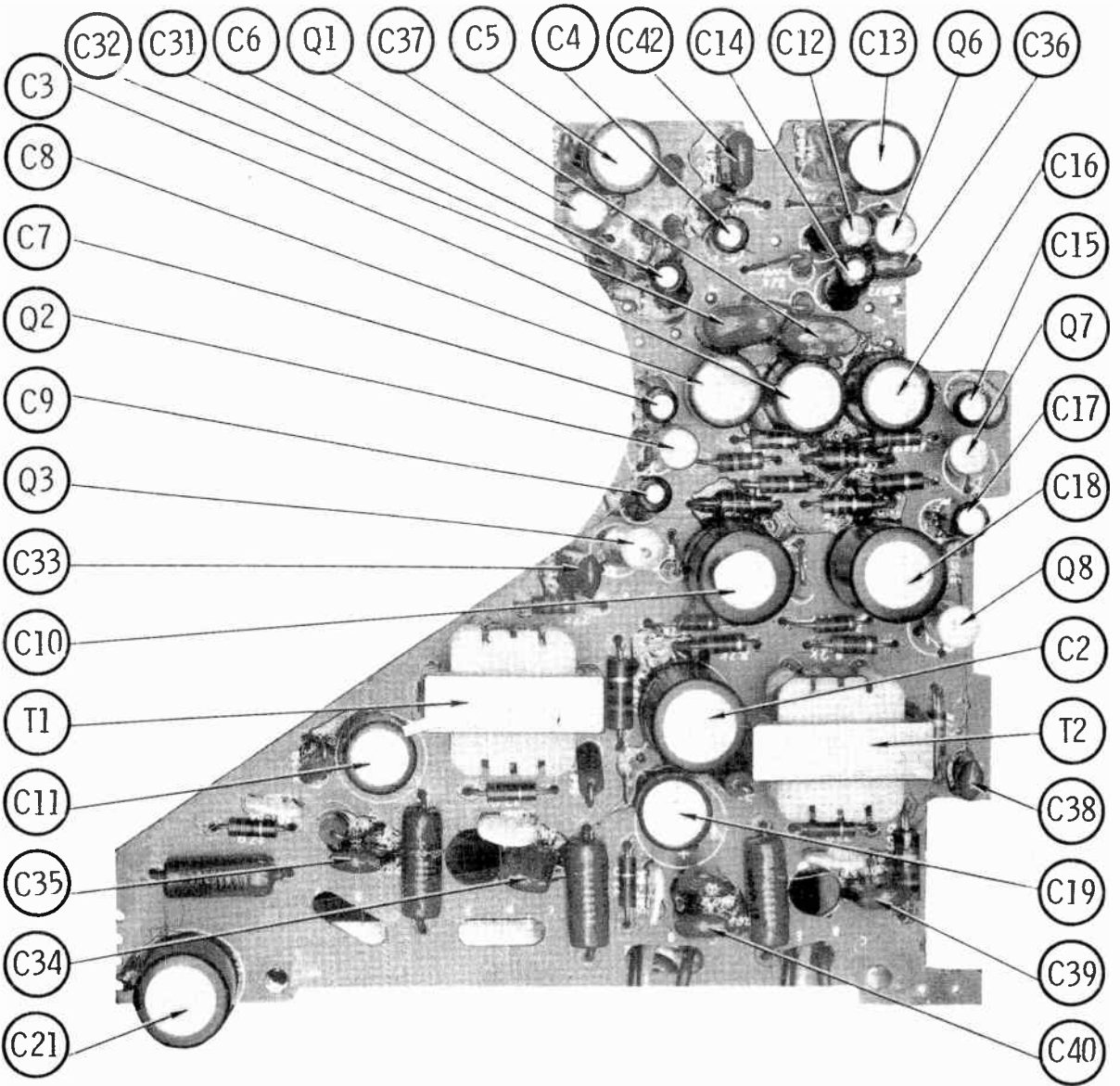
REF. NO.	PART NO.	DESCRIPTION	REF. NO.	PART NO.	DESCRIPTION
1	171131-010	Drive Belt	9	171156-042	Selector Button Spring
2	171147-006	Motor Pulley	10	171126-014	Capstan Housing Assembly
3	171117-003	Channel Selector Cam	11	171156-043	Head Assembly Spring "C"
4	171103-009	Ratchet Acutator (Pawl)	12	171156-044	Head Assembly Spring "A"
5	171156-041	Head Assembly Spring "B"	13	171147-021	Flywheel
6		Head Arm	14	171117-004	Cartridge Roller
7	171156-002	Door Spring (2 used)	15	171119-058	Door Assembly
8	(1)	Ratchet Spring			

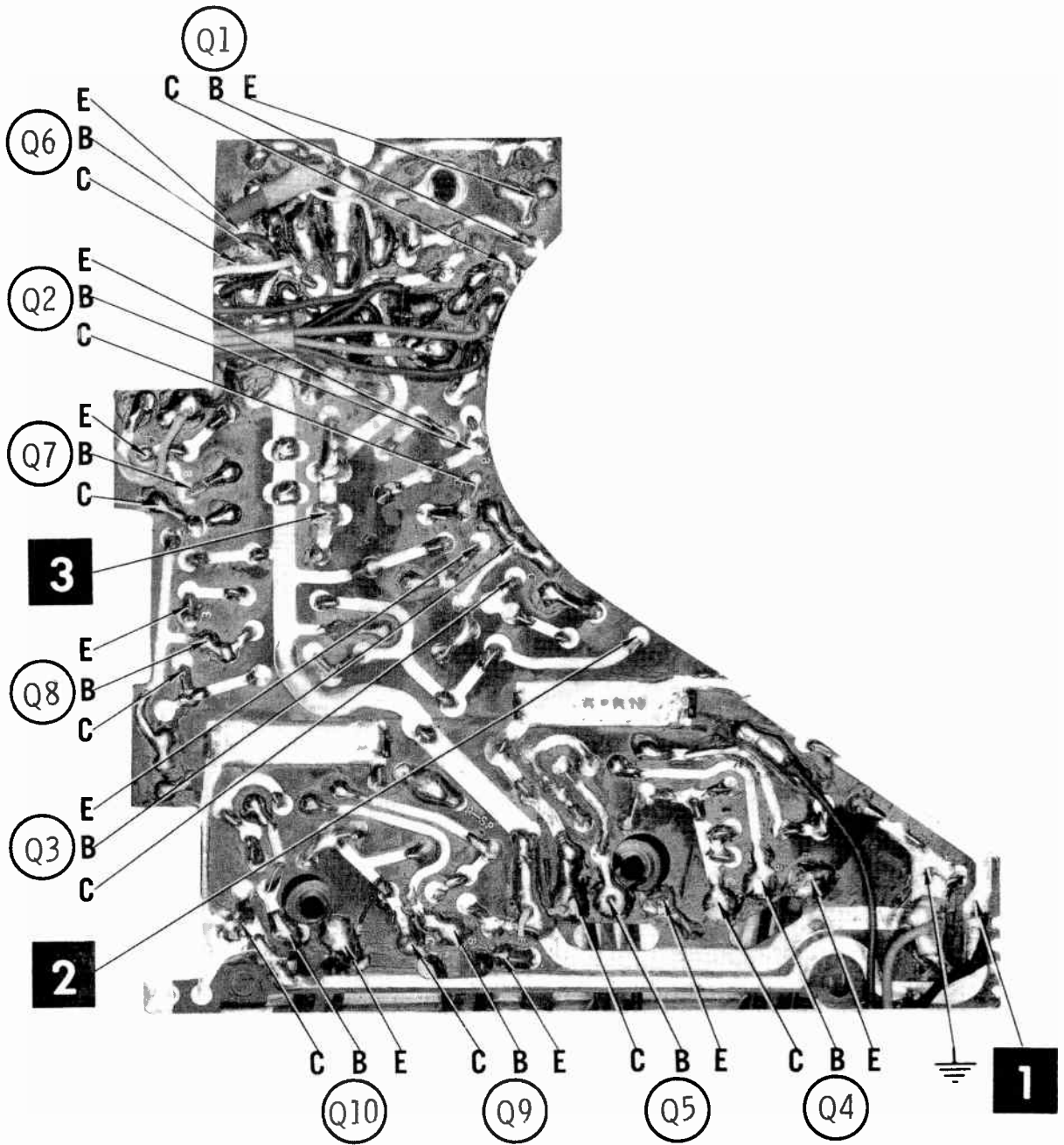
(1) Part of Ref. No. 4.

RANGER MODELS RR-47-TO/-T2/-T4

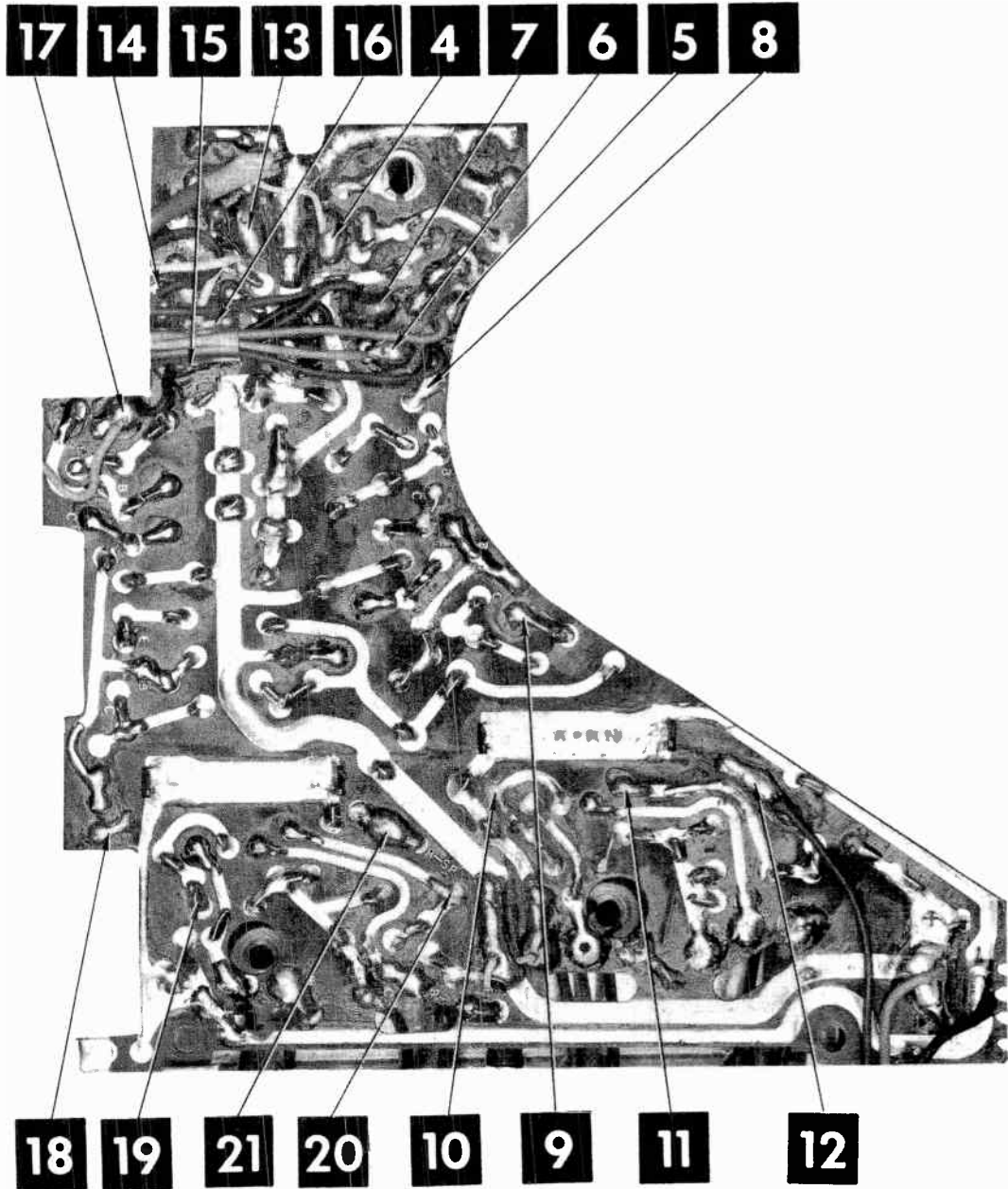




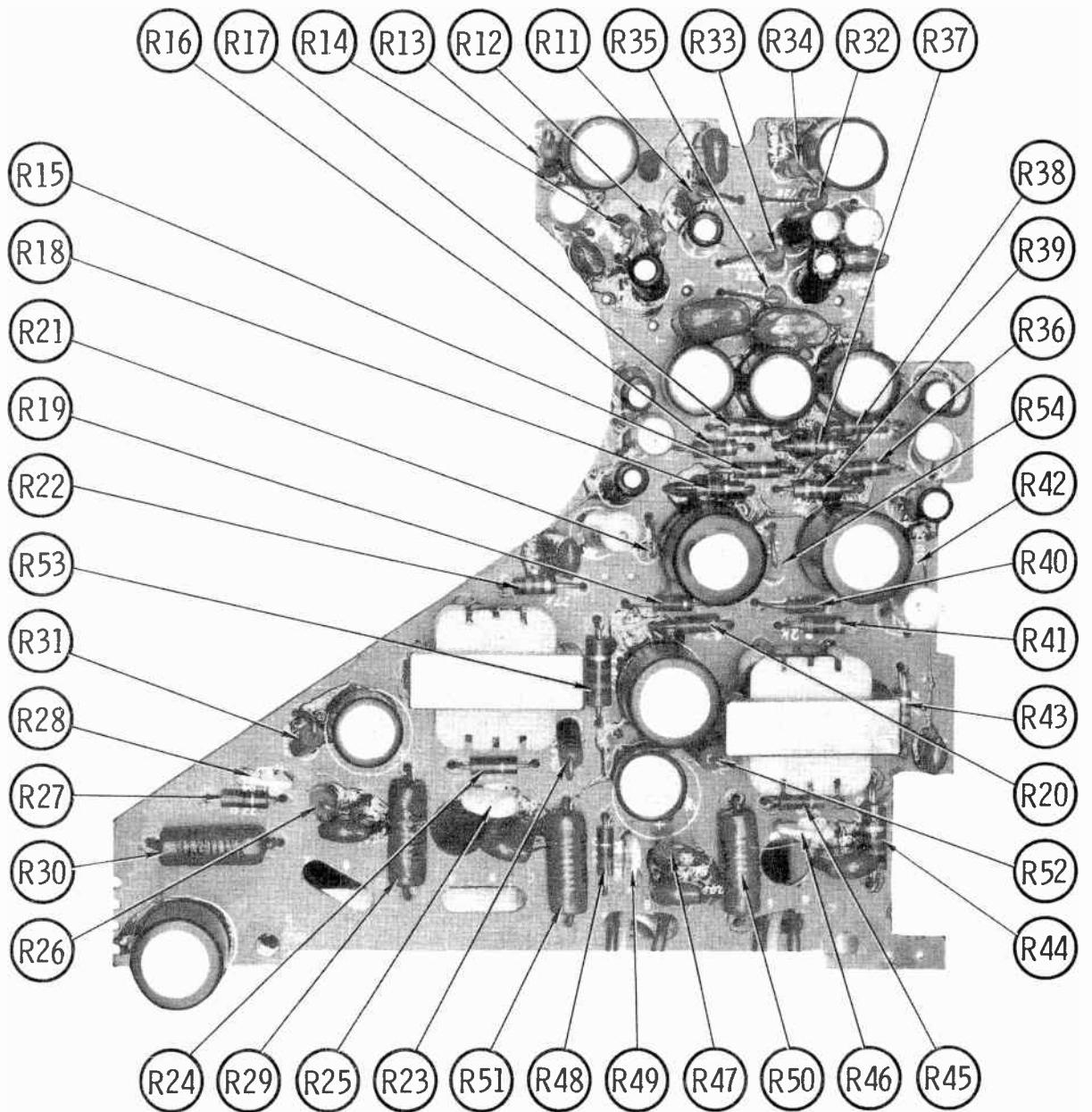




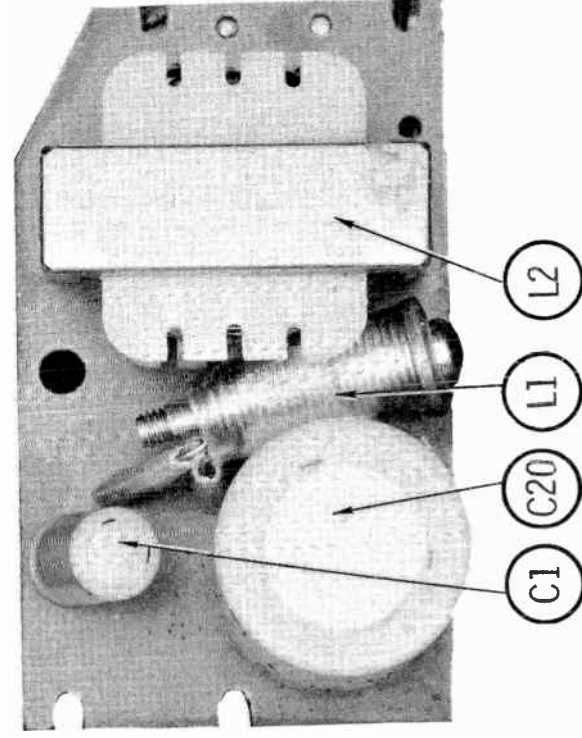
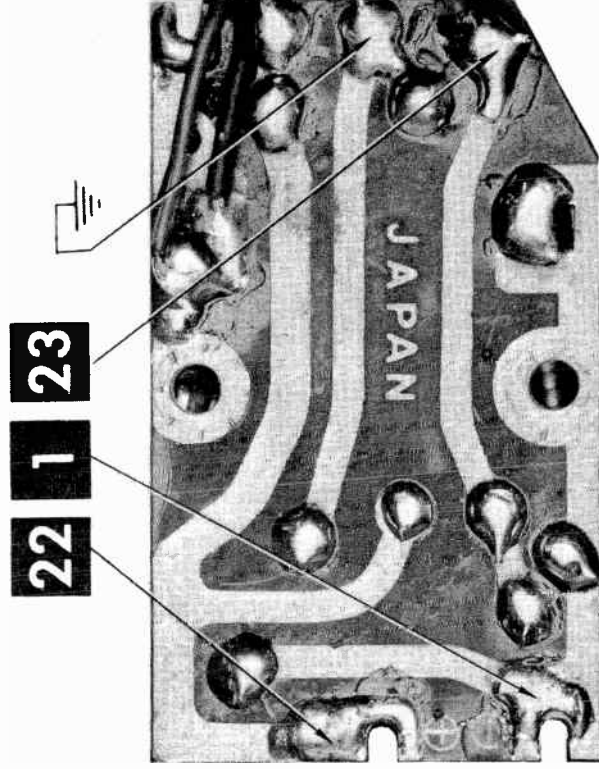
A Howard W. Sams **CIRCUITRACE** Photo



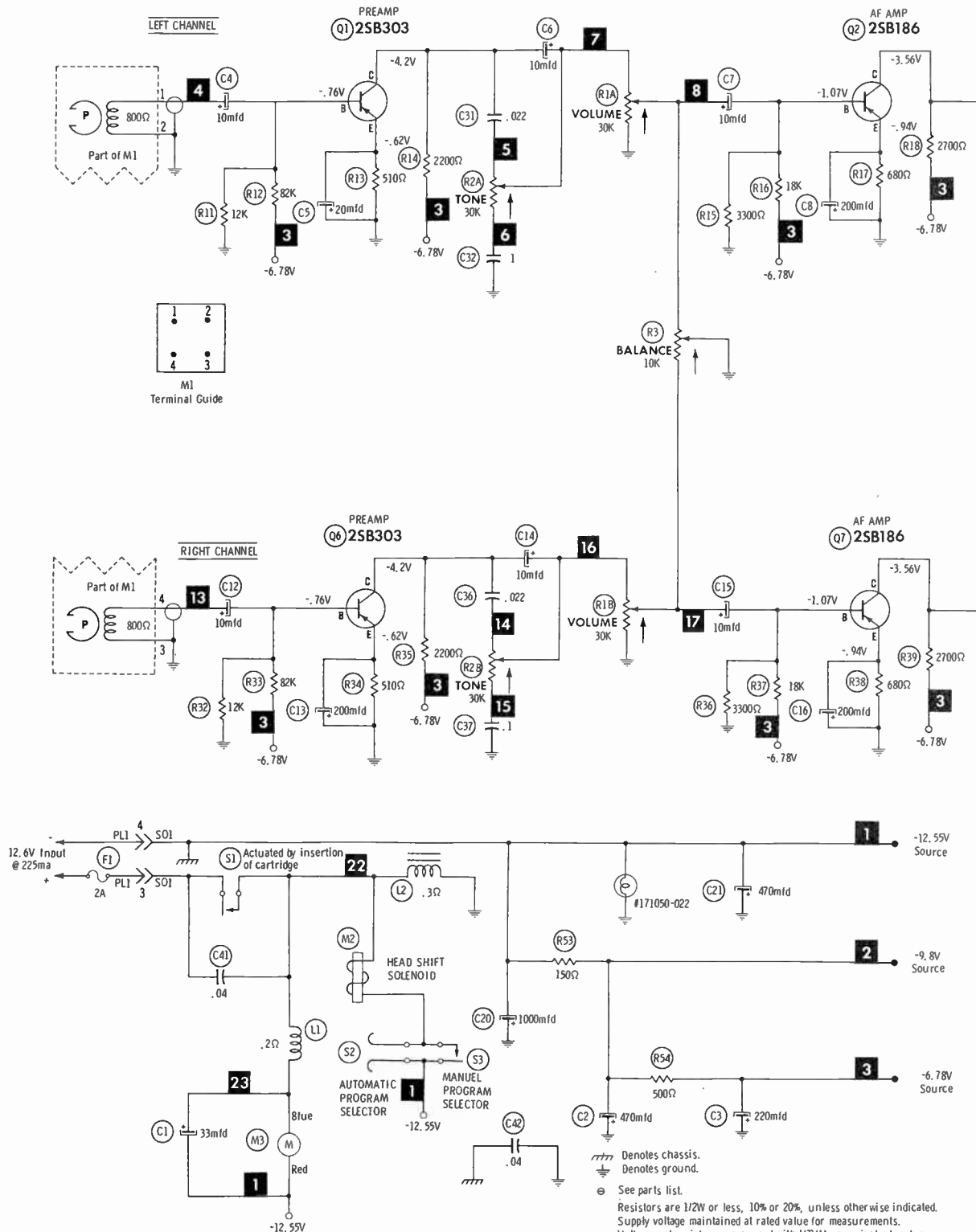
A Howard W. Sams **CIRCUITRACE** Photo



RANGER MODELS RR-47-TO/-T2/-T4

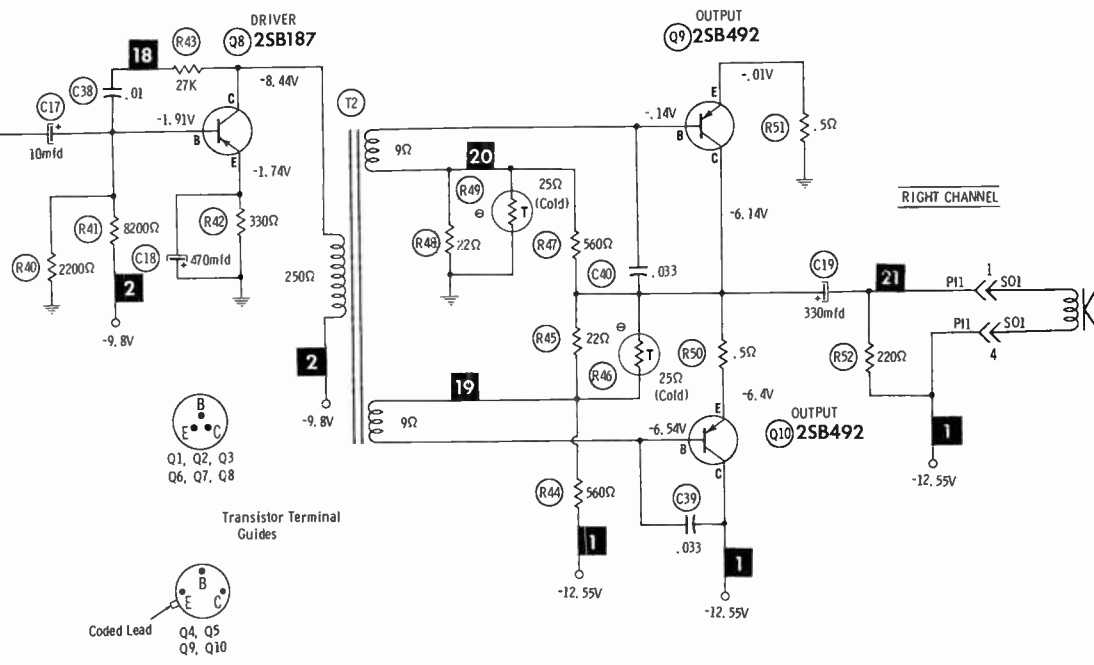
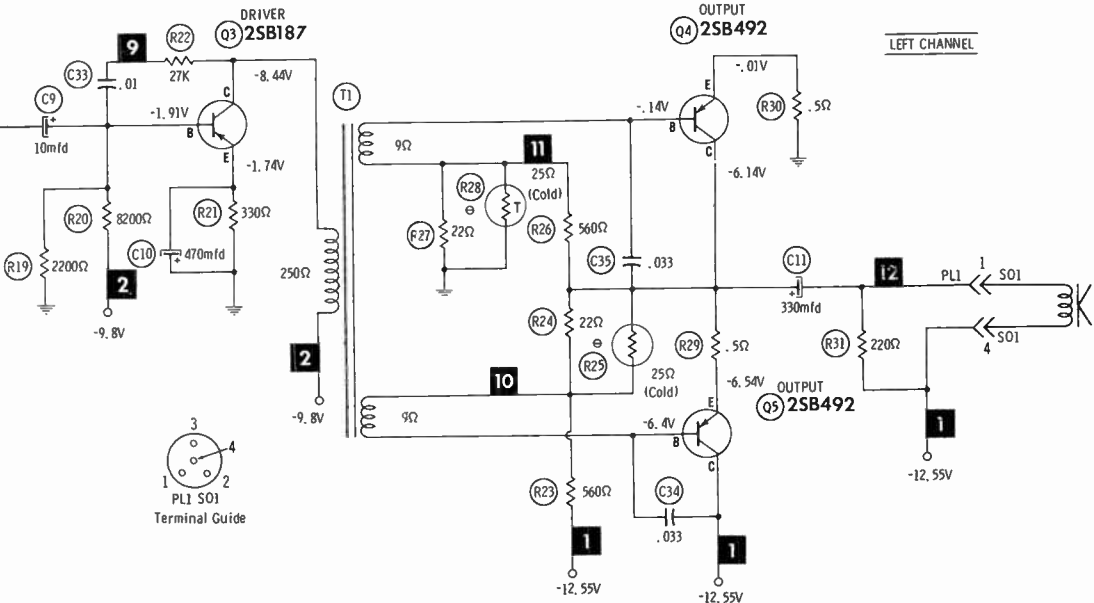


NOTE: DEMAGNETIZE HEADS AFTER SERVICING



A PHOTOFAC STANDARD NOTATION SCHEMATIC
with **CIRCUITRACE**

© Howard W. Sams & Co., Inc. 1970



RANGER MODELS RR-47-T0/-T2/-T4

PARTS LIST AND DESCRIPTION

(When ordering parts, state Model, Part Number, and Description.)

Replacement parts shown may be superseded by the availability of newly introduced replacements.

Have your local distributor check Sams COUNTER FACTS for the most up-to-date replacement.

WIRING DATA

General-use Unshielded Hook-up Wire	Use BELDEN No. 8530 (Solid) Available in 12 Colors 8524 (Stranded) Available in 12 Colors
Shielded Hook-up Wire	Use BELDEN No. 8885
Rear Seat Speaker Extension Cable	Use BELDEN No. 8782 (Stranded) Coded Parallel Leads
Bonding Strap	Use BELDEN No. 8661 (3/8 In.) or 8670 (3/4 In.)

TRANSISTORS

ITEM No.	TYPE No.	FUNCTION	REPLACEMENT DATA					
			MFGR. PART No.	GENERAL ELECTRIC PART No.	INTERNATIONAL RECTIFIER PART No.	MOTOROLA PART No.	RCA PART No.	SYLVANIA PART No.
Q1	2SB303	Preamp	171162-080	GE-2	TR-05	HEP632	SK3004	ECG 102A
Q2	2SB186	AF Amp	171162-075	GE-2	TR-14	HEP633	SK3004	ECG 102A
Q3	2SB187	Driver	171162-076	GE-2	TR-14	HEP632	SK3004	ECG 102A
Q4	2SB492	Output	171162-108	GE-2	TR-05	HEP238	SK3004	ECG 158
Q5	2SB492	Output	171162-108	GE-2	TR-05	HEP238	SK3004	ECG 158
Q6	2SB303	Preamp	171162-080	GE-2	TR-05	HEP632	SK3004	ECG 102A
Q7	2SB186	AF Amp	171162-075	GE-2	TR-14	HEP633	SK3004	ECG 102A
Q8	2SB187	Driver	171162-076	GE-2	TR-14	HEP632	SK3004	ECG 102A
Q9	2SB492	Output	171162-108	GE-2	TR-05	HEP238	SK3004	ECG 158
Q10	2SB492	Output	171162-108	GE-2	TR-05	HEP238	SK3004	ECG 158

ELECTROLYTIC CAPACITORS

ITEM No.	RATING	REPLACEMENT DATA						
		PART No.	AEROVOX PART No.	CENTRALAB PART No.	CORNELL-DUBILIER PART No.	GENERAL ELECTRIC PART No.	MALLORY PART No.	SPRAGUE PART No.
C1	33 16V		BCD15025	EP15-25	PC30-35	MT1-13.5	MTV30CB25	TE-1158
C2	470 16V		BCD15500	EA15-500	PC500-16	QT1-30A	MTV500DN15	TL-1166
C3	220 16V		BCD20200	EA15-250	PC200-16	MT1-23	MTV200CK15	TE-1164
C4	10 16V		BCD25010	EP15-10	PC10-50	MT1-5	MTV10CB50	TE-1155
C5	220 63V		BCD6200	EA6-250	PC200-16	MT1-23	MTV200CK10	TE-1104
C6	10 16V		BCD25010	EP15-10	PC10-50	MT1-5	MTV10CB50	TE-1155
C7	10 16V		BCD25010	EP15-10	PC10-50	MT1-5	MTV10CB50	TE-1155
C8	200 6.3V		BCD6200	EA6-250	PC200-16	MT1-23	MTV200CK10	TE-1104
C9	10 16V		BCD25010	EP15-10	PC10-50	MT1-5	MTV10CB50	TE-1155
C10	470 6.3V		BCD15500	EA15-500	PC500-16	QT1-30A	MTV500DN15	TL-1141
C11	330 16V		PRS1280	EA30-250	PC250-25	QT1-28	MTV250DN25	TL-1214
C12	10 16V		BCD25010	EP15-10	PC10-50	MT1-5	MTV10CB50	TE-1155
C13	220 6.3V		BCD6200	EA6-250	PC200-16	MT1-23	MTV200CK10	TE-1104
C14	10 16V		BCD25010	EP15-10	PC10-50	MT1-5	MTV10CB50	TE-1155
C15	10 16V		BCD25010	EP15-10	PC10-50	MT1-5	MTV10CB50	TE-1155
C16	200 6.3V		BCD6200	EA6-250	PC200-16	MT1-23	MTV200CK10	TE-1104
C17	10 16V		BCD25010	EP15-10	PC10-50	MT1-5	MTV10CB50	TE-1155
C18	470 6.3V		BCD15500	EA15-500	PC500-16	QT1-30A	MTV500DN15	TL-1141
C19	330 16V		PRS1280	EA30-250	PC250-25	QT1-28	MTV250DN25	TL-1214
C20	1000 16V		PRS1230	EA15-1000	WBR1000-16	QT1-32	TC1501A	TL-1166.5
C21	470 16V		BCD15500	EA15-500	PC500-16	QT1-30A	MTV500DN15	TL-1166

CAPACITORS

ITEM No.	RATING	REMARKS	REPLACEMENT DATA					
			AEROVOX PART No.	CENTRALAB PART No.	CORNELL-DUBILIER PART No.	ELMENC0 PART No.	MALLORY PART No.	SPRAGUE PART No.
C31	.022		TTP-02	CK-203	MGP02	CCD-203	TA120	TG-S20
C32	.1		TTP-1	CK-104			TA010	TG-P10
C33	.01		TTP-01	CK-103	MGP01	CCD-103	TA110	TG-S10
C34	.033		TTP-03	CK-303		CCD-303	GP130	TG-S30
C35	.033		TTP-03	CK-303		CCD-303	GP130	TG-S30
C36	.022		TTP-02	CK-203	MGP02	CCD-203	TA120	TG-S20
C37	.1		TTP-1	CK-104			TA010	TG-P10
C38	.01		TTP-01	CK-103	MGP01	CCD-103	TA110	TG-S10
C39	.033		TTP-03	CK-303		CCD-303	GP130	TG-S30
C40	.033		TTP-03	CK-303		CCD-303	GP130	TG-S30
C41	.04			DD-403			GP140	TG-S30
C42	.04			DD-403			GP140	TG-S30

CONTROLS (All wattages 1/2 watt, or less, unless listed)

ITEM No.	FUNCTION	RESISTANCE	REPLACEMENT DATA				
			MFGR. PART No.	CENTRALAB PART No.	CLAROSTAT PART No.	CTS-IRC PART No.	MALLORY PART No.
R1A	Volume, Left	30K	171145-049				
B	Volume, Right	30K					
R2	Balance	10K	171145-050				
R3A	Tone, Left	30K	171145-048				
B	Tone, Right	30K					

PARTS LIST AND DESCRIPTION (CONTINUED)

(When ordering parts, state Model, Part Number, and Description.)

Replacement parts shown may be superseded by the availability of newly introduced replacements.

Have your local distributor check Sams COUNTER FACTS[®] for the most up-to-date replacement.

RESISTORS (Power and Special)

ITEM No.	RATING	REPLACEMENT DATA	
		WORKMAN PART No.	MFR. PART No.
R25	25 (Co1d)		171162-109
R28	25 (Co1d)		171162-109

ITEM No.	RATING	REPLACEMENT DATA	
		WORKMAN PART No.	MFR. PART No.
R46	25 (Co1d)		171162-109
R49	25 (Co1d)		171162-109

COILS (RF-IF)

ITEM No.	USE	REPLACEMENT DATA			
		PART No.	MEISSNER PART No.	MILLER PART No.	WORKMAN PART No.
L1	RF Choke (10uh)		19-1005	4612	T860

FILTER CHOKE

ITEM No.	RATINGS			REPLACEMENT DATA					NOTES
	CURRENT (Measured)	DC RES.	INDUCTANCE (0 CURRENT 1000~)	PART No.	MERIT PART No.	STANCOR PART No.	THORDARSON PART No.	TRIAD PART No.	
L2	225ma	.3	5mh	171161-044					

TRANSFORMER (Driver)

ITEM No.	TURNS RATIO			REPLACEMENT DATA					NOTES
	PRI.	SEC. 1	SEC. 2	PART No.	MERIT PART No.	STANCOR PART No.	THORDARSON PART No.	TRIAD Part No.	
T1	8	1	1	171161-019					
T2	8	1	1	171161-019					

FUSE DEVICES

ITEM No.	DESCRIPTION	REPLACEMENT DATA							
		PART No.		BUSS PART No.		LITTELFUSE PART No.		WORKMAN PART No.	
		DEVICE	HOLDER	DEVICE	HOLDER	DEVICE	HOLDER	DEVICE	
F1	2 Amp			AGC 2	HDJ	312002	150145		

MISCELLANEOUS

ITEM No.	PART NAME	PART No.	NOTES
M2	Solenoid	171161-012	
M3	Motor	171115-007	
S1	Switch, Power	171158-040	
S2	Switch, Automatic Program	171158-041	
S3	Switch, Manual Program		

CABINETS & CABINET PARTS (When ordering specify model, chassis & color)

ITEM	PART No.	ITEM	PART No.
Bezel	171125-040	Knob, Program Selector	171107-011
Door	171119-058	Indicator Lamp	171050-022
Knob, Control	171134-041		

TAPE HEADS

ITEM No.	MEASURED			PART No.	NORTRONICS PART No.	DESCRIPTION
	INDUCTANCE	BIAS/ERASE VOLTS (RMS)	BIAS FREQ.			
M1	440mh			171115-002	5800 (1)	8-Track Stereo Play (1) Use original mounting.

RANGER MODELS RR-47-T0/-T2/-T4

INDEX

This index lists all radios appearing in
"Auto Radio Manuals" and "PHOTOFACT Auto Radio Series"

KEY	(EP) Early Productions	(LP) Late Productions	(REV) Revised
AIRCATTLE VOL.	ALLIED VOL.	AMERICAN MOTORS VOL.	AUDIO/STEREO VOL.
610.A67 4	19B4191 60	(CONT.)	A-12 53
610.FE-153 52-53	19B4192 62	P8MA 68 Ambassador,	A-30 52
Ford 4	ALLIS CHALMERS	Rebel 62	A-40 57
610.W-100 5	7BT 249523 44	RV4R 64 Rambler 24	A-45 64
AIR CHIEF (See Firestone)	7BTX 50	6SMR 66 Ambassador,	A-50 60
AIRLINE (Also See	ALLSTATE	Classic,Marlin 35	A-90 50
Riverside)	5018 22	7SMR 67 Ambassador,	A-100 50
FJB-6590A 55 Ford 6	5028 Ch.528.50280/	Marlin,Rebel 50	AUSTIN HEALEY
35BR-6796A 5	50281 7	8SMG (8992251)	HAC700 4TMB 30
61-6787 52 Ford 5	5033 Ch.528.50330/	68 Javelin 68	AUTOMATIC
61-6788 52-53 Ford 5	50331 7	B5MR 68 Ambassador,	AC-4558 64 Comet 27
61-6789 51-52 Chev. 5	5050 30	Marlin,Rebel 50	ACP-3044 63 Comet 23
61-6792 53 Dodge 4	5066 26	22BA R22BA 62 Rambler	ACP-4559 64 Comet 27
61-6793 53 Chev. 5	5098 Ch.833.50980 9	American 18	ACS-6000 73
61-6794 53 Plym. 5	5099 Ch.833.50990 9	22BAM R22BAM 62	ATC-60 59-60 Chev. 15
61-6795 53 Merc. 5	6225 Ch.528.55040/	Rambler American 18	BAP-9 59 Buick 13
61-12601 Tractor 5	55041 11	8990377 6MR 56	BAP-20 60 Buick 14
AIWA	6231 Ch.528.62310 9	Rambler 6	BAP-4530 64 Buick 28
TP-718 48	6232 Ch.528.62320 9	8990378 6MA 56 Hudson	BAR-8209 68 Barracuda,
ALL AMERICAN	6240 Ch.528.62400 5	& Nash 6	Plymouth 60
CEP-764T 64	6256 Ch.528.55040/	8990455 7MR 57	BP-340 60 Buick 14
Chevelle 31	55041 11	Rambler 6	BP-668 57-58 Buick 12
CHP-164T 64 Chev. 31	6263 Ch.528.6263 5	8990494 84MA 58	BP-679 59 Buick 13
CHP-165T 65 Chev. 33	6263-2 Ch.528.6263-2 5	Hudson,Nash & 8	BP-3081 63 Buick 23
CHP-564T 64	6264 Ch.528.6264 5	8990543 83MR 58	BP-4030 64 Buick 28
Chevy II 31	6264-1 Ch.528.6264-1 5	Rambler 8	BP-7160 66-67 Buick 62
CTP-264T 64 Comet 31	6266 Ch.528.6266 5	8990576 94MA 59	C-12 11
CYP-465T 64 Chrysler. 33	6268 Ch.62680/81 7	Rambler 9	C-300 2
DAP-864T 64 Dart 31	6269 Ch.62690/91 7	8990582 93MA 59	C-300 Rev. 40-50
DAP-865T 64 Dart 33	6284 Ch.528.6284 4	Rambler 10	Chevy 6
DOP-864T 64 Dodge 31	6286-4 Ch.528.6286-4 4	8990706 04MA 60	C-349 59 Chev. 11
DOP-865T 65 Dodge 33	6287-4 Ch.528.6287-4 4	Rambler 11	C-382AT 19
FAP-264T 64 Falcon 31	6295-6 Ch.528.6295-6 4	8990811 03AR 60	C-382AT 62 Chev L.P. 24
FLP-264T 64 Fairlane. 31	6330 Ch.528.63300 5	Rambler 12	C-338-C 58 Chev. 12
FOP-264T 64 Ford 31	750.62890 25	8990831 13MAM 60	C-3001 63 Chev. 23
FOP-265T 65 Ford 33	833.5049 30	8990832 13MA 60	C-4049 64 Chev. 28
MEP-264T 63-64 Merc 31	833.50180B 31	Rambler 14	C-4049N 64 Chev. 37
MEP-265T 65 Merc. 33	833.50181 27	8990833 14MR 61	C-5003 65 Chev. 29
PLP-464T 64 Plym. 31	833.50202 27	Rambler 15	C-5003N 65 Chev. 37
PLP-465T 65 Plym. 33	833.50490 28	8990981 21MR 62	C-6051 66 Chev. 39
RAAP-1065T 65	833.50930 28	Rambler 29	CA-109 59 Chev. 11
Rambler American 33	833.50931 64 VW 28	ANGLIA	CA-3041 63 Chev. 23
RAP-364T 64 Rambler 26	833.62741 28	6BEF 66 39	CA-4549 64 Chev. 28
RAP-365T 65 Rambler 33	833.62743 32	A.R.C.	CA-4549N 64 Chev. 37
SM-130RPE 26	833.62800 30	2500 33	CA-5503N 65 Chev. 37
UP-220RPT 26	833.63070 28	ARVIN	CAE-3064 63 Olds. 23
VAP-464T 64 Valiant 31	833.500510 65 Chev. 32	60Y53-19 Ch.1.45701 .. 67	CAP-49 59 Chev. 14
VAP-465T 65 Valiant 33	833.503060 65	ATR KARADIO	CAP-60 59-60 Chev. 14
VWP-19T 58-64 VW 26	833.501220 30	BKS410 61-62 Buick	CAP-3042 63 Chev. 23
VWP-19T 65 Prod VW 34	833.501230 65 Dart 30	Special 27	CAP-4550 64 Chev. 28
ALLCAR	833.501920 65 Comet 30	CT412 61-62 Chev. 27	CAP-4550N 64 Chev. 37
R-1 65 Plym. 34	833.503050 65 Fury 30	CR414 60-62 Corvair 27	CAP-5504N 65 Chev. 37
R-2 65 Fury 34	833.503060 65	COT416 60-62 Comet 27	CAP-6552 66 Chev. 39
R-3 65 Valiant 34	Belvedere 30	DED418 62 Dart 27	CAV-4548 64 Chevelle. 28
R-4 65 Coronet 34	833.623690 30	FD4420 60-62 Falcon 27	CEF-119 English Ford
R-5 65 Dart 34	833.624211 64 VW 28	FL422 60-62 Ford 27	Consuls 15
R-6 65 Polara 34	833.624630 30	LR424 62 Lancer 27	CET-6750 58
R-7A 65 Newport 34	833.625510 65 Chev. 30	MY426 62 Merc. 27	CFE-6745 59
R-7B 65 Chrysler 300. 34	833.627420 28	OEF428 61-62 F-85 27	CFM-3090 22
R-7C 65 New Yorker 34	833.628000 30	PH430 62 Plym. 27	CFM-6255 66 Chev. 66
R-9 65 Chev. 34	834.50480 32	PCT432 61-62 Tempest.. 27	CM-333 53 Chev. 4
R-10 65 Chevelle 34	835.62460 29	TR720N 29	CMP-7217 67 Cougar 60
R-11 65 Chevy II 34	856.62450 27	TR1279-6V 11	CMR-7151 67 Camaro 60
R-12 65 Chevy II 34	856.62470 52	TR1279-12V 11	CMR-8252 67-68 Camaro 60
R-16 65 Corvair 34	AMERICAN MOTORS	TT-727 Tractor Radio. 29	CP-478-C 58 Chev. 12
R-18 65 Pontiac 34	(See Hudson,Nash &	VT434 62 Valiant 27	CP-489-F 59 Chev. 14
R-19 65 Olds. 34	Rambler)	401 27	CP-500 59-60 Chev. 14
R-20 65 Tempest 34	A8MG (8992290)	PH430 62 Plym. 27	CP-511AT 61 Chev. 16
R-21 65 Olds. F-85 34	68 Javelin 65	PCT432 61-62 Tempest.. 27	CP-522AT 19
R-22 65 Buick 34	AF6TMR page 120 66	TR720N 29	CP-522AT 62 Chev L.P. 24
R-23 65 Galaxie 34	Ambassador,Classic, 28	TR1279-6V 11	CP-3002 63 Chev. 23
R-24 65 Fairlane 34	Marlin 28	TR1279-12V 11	CP-4050 64 Chev. 28
R-25 65 Mustang 34	AF7SMR 67 Ambassador,	TT-727 Tractor Radio. 29	CP-4050N 64 Chev. 37
R-26 65 Falcon 34	Marlin,Rebel 44	VT434 62 Valiant 27	CP-5004 65 Chev. 29
R-28 65 Comet 34	F8SMG (8992252)	401 27	CP-5004N 65 Chev. 37
R-29 65 Merc. 34	68 Javelin 68	606 19	CP-6052 66 Chev. 39
R-32 65 Buick Spl. 34	FBSMR 68 Ambassador,	612 19	CP-8254T 68 Chev. 60
	Rebel 63	707 22	CPA-3047 63 Corvair 23
	P7MA 67 Ambassador,	1279-6V 11	CPA-4533 64 Corvair 28
	Marlin,Rebel 47	1279-12V 11	CPV-4048 64 Chevelle. 28
			CPV-5007 65 Chevelle. 29
			CPV-7154 67-68
			Chevelle 71

AUTOMATIC (CONT.)	VOL.	AUTOMATIC (CONT.)	VOL.	AUTOMATIC (CONT.)	VOL.	AUTOMATIC (CONT.)	VOL.	BENDIX	VOL.
F-100 Rev. 49-50		MAP-3063 63 Merc.	23	PP-3026 63 Plym.	22	TMA-1550	69	R2BG See Karmann Ghia	
Ford	6	MAP-4561 64 Merc.	27	PP-5105 65 Belvedere.	30	TPC-31 61 Buick Spl.,		2 BG	18
F-128/C 58 Ford	12	MB-72	30	PP-5105N 65		Olds., F-85, Pontiac		R2BT See VW ZBT	18
F-139 59 Ford	11	MEL-6740	69	Belvedere	35	Tempest	16	R2BV See VW ZBV	18
F-151 Rev. 51 Ford	6	MM-430 53 Merc.	4	PP-7103 66-67		TPC-31AT 63 F-85,		R12BP 61 Chev.	16
F-152 52 Ford	6	MNE-6725	68	Belvedere, Satellite	60	Tempest	23	R12BPC 61 Corvaire	16
F-241 54 Ford	6	MP-69	6	PP-8202 68 Belvedere,		TPC-42AT 63 F-85,		R22BA See American	
F-322A	19	MP-126	6	Satellite	60	Tempest	23	Motors 22BA	18
F-3016 63 Ford	23	MT-47C 57 Merc.	12	PPM-7366 67 Plymouth.	61	TPC-3036 63 F-85,		R22BAM See American	
F-4055 64 Ford	27	MT-419 E.P. 59 Merc.	11	PS-4153	27	Tempest	23	Motors 22BAM	18
F-5058N 65 Galaxie	36	MT-419 L.P. 59-60		PS-4653	27	TPC-4026 64 Tempest	28	R22BAX See American	
F-6105P 65/66	40	Merc.	14	PT-3025 63 Plym.	26	TPC-7170 66-67 Pontiac		Motors 22BAX	18
Galaxie	40	MT-530 59-60 Merc.	14	PUT-3108	23	Tempest	62	X2BB Shipmate III	19
FA-219 59 Ford	11	MT-3023 63 Merc.	23	PUT-3108A	28	TR-87A 57 Plym.	13	2BC R2BC 62 Chev.	19
FA-3056 63 Ford	23	MT-4061 64 Merc.	27	R-54, B.	11	TR-88 57-58 Plym.	13	2BCT R2BCT 62	
FA-4555 64 Ford	27	MT-5073 65 Merc.	29	R-61	20	TR-88C 57-58 Plym.	13	Corvaire	19
FA-6605P 65/66	40	MTR-602AT 62 Meteor	24	RAP-89 59 Rambler	13	TR-12 Tractor	4	3BCH 63 Chev.	21
Galaxie	40	MU-34	6	RAP-100 60 Rambler	13	TR-13B	25	3BCH2 63 Chevy II	21
FAL-4554	27	MUS-4067 64 Mustang	27	RAP-3070 63 Rambler	26	TR-48AT	25	3BCT 63 Corvaire	21
FAN-3058 63 Fairlane	23	MUS-5059 65 Mustang	29	RAV-5403A/AB	57	TR-0048	25	4TBCC 64 Chevy II	32
FAN-4551 64 Falcon	27	MUS-5059N 65 Mustang	36	RG-59	14	TR-7281 Tractor	59	4TBCC 64 Corvaire	32
FAP-70 60 Ford	14	MUS-7209 67 Mustang	60	RG-59C	14	TR-7390 Tractor	59	4TBCH 64 Chev.	32
FAP-4556 64 Ford	27	N-638 58-59 Rambler		RMR-7280	63	TUN-5	15	4TBCL 64 Chevelle	32
FAP-6606P 65/66	40	American	13	RP-470 60 Rambler	13	TU-6217	58	4TBCT 64 Chev. Truck	32
Galaxie	40	N-639 58-59 Rambler		RP-481AT 60-61		UAF-6224	64	5BCC 65 Corvaire	31
FAR-762AT 62		American	13	Rambler	16	UE-4155A	28	5BCH 65 Chev.	31
Fairlane	24	N-3028 63 Rambler		RP-519 59 Rambler	13	UE-4171A	28	5BCL 65 Chevelle	31
FAR-3018 63 Fairlane	23	American	23	RP-3030 63 Rambler	26	UE-4655A	28	5TBCT 65 Chev. Truck	32
FAR-4054 64 Fairlane	27	NA-749 58-59 Rambler		RP-3097 63 Rambler	23	UE-4671A	28	6BCC 66 Corvaire	38
FAR-7205 67 Fairlane	60	American	13	RP-5151 65 Rambler	29	UFM-3089	22	6BCH 66 Chev.	38
FFM-3091A 63 Ford	22	NA-3068 63 Rambler		RP-8332M 67 Ambassador,		UFM-6305	59	6BCL 66 Chevelle	38
FFM-6251 65-66	66	American	23	Marlin, Rebel	55	UFP-3098	22	6BCT 66 Chev. Truck	38
Galaxie	66	NAP-3069 63 Rambler		RT-7B	13	UN-40	12	6BC2 66 Chevy II	38
FM-61	14	American	23	RT-7D	11	UP-6222	60	7BCC 67 Corvaire	45
FM-731	6	NAY-3052 63 Chrysler	23	RTR-7284A	76	VP-12	12	7BCL 67 Chevelle	45
FM-3083	22	ND-8224 68 Chrysler		RUV-5406	58	VP-6228 58 thru 67		7BCT 67 Chev. Truck	45
FM-3083A	27	00	60	RVB-6782(Echomate II)	71	Volkswagen 1300	74	7BCT 67 Chevy II	45
FM-5099	32	NP-3029 63 Rambler		S-91 58-59 Simca		VPA-280 60 Valiant	15	7BCH 67 Chev.	45
FM-5099B	65	American	23	Aronde	11	VPA-3076 63 Valiant	22	7BCX 67 Camaro	45
FN-4051 64 Falcon	27	NP-5153 65 Rambler		S-500 50-51		VSC-6767 67 VW	70	7FBCHX 67 Chev.	47
FNP-430 60 Falcon	14	American	29	Studebaker	6	VT-5108 65 Valiant	30	7FBCCX 67 Camaro	47
FNP-452AT 62 Falcon	23	NT-8222 68 Chrysler		S-551 Rev. 50-51		VTP-440 60 Valiant	15	8BDD 68 Dodge Truck	60
FNP-3015 63 Falcon	23	Newport	60	Studebaker	6	VTP-3038 63 Valiant	22	22B See MoPar 805	17
FNP-3015A 63 Falcon	23	NU-63-AT	23	SA-529 58-59 Simca		VTP-5107 65 Valiant	30	23BC See MoPar 327	17
FNP-4052 64 Falcon	27	NU-3107	23	Aronde	11	VTP-8208 68 Valiant	60	23BD, 23BP, 23BPX	
FNP-5051N 65 Falcon	36	NU-3107A	28	SAB-3071 63 Special	23	W-76 Thru 57 VW	12	See MoPar 322	17
FNP-7203 67 Falcon	60	NVW-6238 65-67 VW 1600	54	SB-3032 63 Special	23	W-84 58-63 VW	23	24BC See MoPar 410	18
FOP-4528 64 F-85	28	NY-400 60 Chrysler	14	SBP-3033 63 Special	23	W-89 58-59 VW	12	24BI See MoPar 409	18
FP-238 58 Ford	12	NY-598A 58 Chrysler	10	SBP-4027 64 Buick		W-3040 58-63 VW	23		
FP-238C 58 Ford	12	NY-3012 63 Chrysler	23	Spl.	28	W-3040A 64 VW	28		
FP-260 60 Ford	14	NY-3100 63 Chrysler		SBP-7168A 66-67 Buick		W-5204 See Page 41			
FP-271AT 60-61 Ford	16	New Yorker	26	Special	62	65 VW	28	BLAUPUNKT	
FP-276TR 59 Ford	11	NY-5101N 65 Chrysler	35	SCE-6804	77	WFM-5387 58-67 VW	54	Bremen Above Serial	
FP-3017 63 Ford	23	NY-8220 68 Chrysler		SEA-6801	72	WP-4 58-59 VW	12	#G14001	9
FP-4056 64 Ford	27	New Yorker	60	SEL-9606	74	WP-7 Thru 57 VW	12	Derby 94770 Serial	
FP-5057N 65 Galaxie	36	OAE-10 60 Olds.	14	SPB-6802	79	WP-7G Karmann-Ghia	12	#V710001, Etc.	32
FP-6106P 65/66	40	OAE-4531 64 Olds.	28	SP-1 58-59 Simca		WP-19 58-59 VW	12	Exportsuper 33070	
Galaxie	40	OE-160 60 Olds.	14	Aronde	11	WP-21 58-63 VW	23	From Serial #U170001..	33
FP-7207 67 Galaxie	60	OE-171AT 61 Olds.	16	SPA-209 58-59 Simca		WP-167	15	Exportsuper 33080 From	
FPA-220 60 Falcon	14	OE-3024 63 Olds.	23	Aronde	11	WP-3039 58-63 VW	23	Serial #U50001	33
FPA-3055 63 Falcon	23	OE-4031 64 Olds.	28	SPA-3072 63 Special	23	WP-3093A 64 VW	28	Exportsuper 34150	
FPA-3057 63 Ford	23	OE-5031 65 Olds.	29	SPA-4527 64 Buick		WP-5203 See Page 41		Serial #V450001	26
FPA-4552 64 Falcon	27	OE-7162 67 Oldsmobile	60	Spl.	28	65 VW	28	Exportsuper 34750 From	
FPF-4557 64 Falcon	27	P-69	6	TA-3073 63 F-85,		WP-6237 (58-67 VW		Serial #V765001	34
FPO-4028 64 F-85	28	P-651 Rev. 51 Plym.	20	Tempest	23	1300	57	Exportsuper 36350	
FPO-5033 65 F-85	29	P-4152	27	Truck	22	WPC-8 Thru 57 VW	12	Vienna Series X From	
FT-227 57 Ford	12	P-4652	27	TAC-3051 63 Chev.		YAM-3050 63 Chevy II.	23	Serial #X870001	42
FTM-7218 64-67		P-5040 65 Pontiac	29	Truck	22	YAM-4525 64 Chevy II.	28	Exportsuper 91220	
Econoline, Bronco	64	PA-74R	30	TAC-4541 64 Chev.		YP-3049 63 Chevy II.	23	Above Serial	
FTP-37A 57 Ford	9	PA-85	23	Truck	28	YP-4532 64 Chevy II.	28	#E160001	18
FUP-3080 63 Falcon		PA-3065 63 Plym.	26	Truck	37			Frankfurt	8
Futura	23	PA-3285	23	TAP-3074 63 F-85,		AUTO-SONIC		Frankfurt US From	
FUP-4057 64 Falcon	27	PAC-90 60 Pontiac	14	Tempest	23	KS-830	59	Serial #V510001	27
GES-6394-PAK/-T.	71	PAC-3067 63 Pontiac	23	TAP-4526 64 Tempest	28	ST-300	55	Frankfurt 3798 Above	
GES-8111-1-PAK	71	PAC-4529 64 Pontiac	28	TAX-4542 64 Chev.		ST-308	53	Serial #Q553083	14
H-4 58 Hillman	12	PAF-4340	29	Truck	28	ST-400	60	Frankfurt 9798 Above	
H-9 58 Hillman	12	PAP-69 59 Plym.	15	TAX-5513N 65 Chev.		ST-408	63	Serial #890001	15
H-400 49-50-51		PAP-80 60 Plym.	15	Truck	37	ST-808	53	Frankfurt US 36650	
Hudson	6	PAP-3066 63 Plym.	22	TC-3035 63 F-85,		603M/48	63	Series X	43
HP-10 58 Hillman	12	PC-350 60 Olds.	14	Tempest	23	AUTOVOX		Hamburg	8
HP-15 58 Hillman	12	PC-361AT 61 Pontiac	16	TCM-3011 63 Chev.		OC-401	27	Koln	8
K-700 51 Henry J	6	PC-3027 63 Pontiac	23	Truck	22	RA-107	17	Koln 3898 Above Serial	
L-390 59-60		PC-4029 64 Pontiac	28	TCM-4041 64 Chev.		RA-115	17	#Q310001	16
Studebaker Lark	14	PC-5041 65 Pontiac	29	Truck	28	RA-164	17	KV810	17
L-559 E.P. 59		PC-7165 67 Pontiac	62	TCM-5014 65 Chev.		RA-441	27	Manhattan 35150	
Studebaker Lark	11	PFM-3092A 63 Pontiac	22	Truck	29	RA-443	27	Series W	43
L-559 L.P. 59-60		PFM-3094 63 Plym.	22	TCM-5014N 65 Chev.		TR-222 Auto/Portable	16	Manhattan 34150	
Studebaker Lark	14	PFM-6257 66 Pontiac	66	Truck	37	TR-231 Transmobile 3.	19	Serial #V450001	26
LA-449 59 Studebaker		PFX-5109 65 Fury	30	TCX-4042 64 Chev.		Europa MU	8	Manhattan 90220	17
Lark	11	PFX-5109N 65 Fury	35	Truck	28	Europa MUK	8	Serial #V765001	34
LAP-29 59 Studebaker		PFX-7105 67 Plymouth		TCX-5013 65 Chev.		Europa TG/MU	20	New Yorker 34750 From	
Lark	11	Fury	62	Truck	29	Mexico TG	17	Serial #V765001	34
LAP-40 59-60 Studebaker		PFX-8206 68 Plymouth		TCX-5013N 65 Chev.		Monte Carlo	17	New Yorker-Series X	
Lark	14	Fury	62	Truck	37	Monte Carlo M	18	From Serial	
LP-929 59 Studebaker		PM-236 53 Plym.	5	TCX-8274 67-68 Chev.	60			#X1485001	46
Lark	11	PP-330 60 Plym.	15	TDM-1257 64-69				Vienna	26
LAP-99 E.P. 59 Merc.	11	PP-341AT 61 Plym.	16	Dodge Truck	64			Wolfsburg 9160 Above	
MAP-99 L.P. 60 Merc.	14	PP-819 59 Plym.	15	TLU-1590	74			Serial #G450001	9
								3598	13
								9280	13

CORONADO	VOL.	FIRESTONE (CONT.)	VOL.	FORD (CONT.)	VOL.	GIBBS (CONT.)	VOL.	INLAND (CONT.)	VOL.
35RA2-43-5101A	5	4-B-71 53 Plym.	4	4TMS	23	442	27	X101	41
CORTINA		4-B-72 53 Chev.	4	4TMS F 64 T-Bird	23	445	28	X102	41
6BEF 66	39	4-B-74 54 Ford	5	5BF 55	5	446	28	X-103	48
7BEFX 67 Cortina	50	4-B-76 55 Ford	6	5MF 55	5	550	37	X302	41
CORVAIR (See Chevrolet)		4-B-77 55 Chev.	5	5MFS,5MFS8 55 T-Bird	5	551	37	XFM-400	41
CORVETTE (See Chevrolet)		4-B-78 55 Plym.	6	5MF8 55	5	551-6	37	INTERNATIONAL	
CRAIG		FO-MO-CO (See Ford, Lincoln, Mercury)		5TBF 65 Galaxie	28	552	37	OBTIH 70 Tractor	76
3104	54	FORD (Also See Philco-Ford)		5TBO 65 Fairlane	28	553	37	IL5TCA-12 55 "R"	
3110/A	55	D8MF 68 Falcon,		5TBT 65 Truck	33	GM (See GMC or Chevrolet)		Line Truck	6
DART (See Mopar or Dodge)		Fairlane	53	5TBU 65 Econoline	33	GMC		Line Truck	7
DELRAY		D9MF (C9AA-19A237-B)		5TMF 65 Galaxie	28	01TPB1, 01TPB2		P6MH 1000A,1500A,CO-4000,Fleetstar,Load-Star,Metro,RGV Line	
SM-711	22	69 Galaxie, LTD	65	5TMZ 65 Mustang	28	70 GM Truck	76	Scout	47
SM-751	22	F3TBF 63 Galaxie	20	5TMS,5TMSF 65 T-Bird	28	06TTCPI 70 Tilt Cab	74	04NI 61 Scout & "C"	16
TRM-701	22	F4TBF 64 Galaxie	24	5TPD 65 Falcon	28	86TT431 (7308166)		Line Truck	16
UA-702	22	F4TBS 64 T-Bird	24	5TPO 65 Fairlane	28	91TPB1 69 Truck	59	04NI-RV 61 "R" & "V"	
UM-701	22	F5TBF 65 Galaxie	32	5TPZ 65 Mustang	28	96TT411 (7308166)		Line Truck	16
VWA-702	22	F6TBD 66 Fairlane	39	6BF 56	6	69 Truck	73	3TMI	24
VWM-701	22	F6TBF 66 Galaxie	39	6BFT 56 Truck	6	96TT412 (7308166)		SSM1 65 Truck	34
DESOTO (See MoPar)		F6TBF 66 Fairlane	39	6TBB 66 Bronco	36	69 1/2 GM Truck	73	SSM1-RV 65 Truck	34
DODGE (Also See Mopar)		F6TBF 66 Galaxie	39	6TBB 66 L.P.,67	36	96TTCPI (7305516)		SSM1/T 65 Truck	34
248 (8BDA) (9BDA)		F6TBD 66 Mustang	39	6TBB 67 1/2 & 69	41	69 Truck	69	7BT Tractor	42
68/69 Dart	57	F7TBF 67 Galaxie	46	Bronco	59	223398 12V Truck	9	78T Tractor	51
252 (8BCC) (9BBCC)		F7TBS 67 T-Bird	46	6TBF 66 Galaxie	34	2233850 60 GMC	13	86MI 58 "A" Line	8
68/69 Coronet	57	F7TBF 67 Mustang	46	6TBT 66 Truck	36	2233944 61 GMC	16	Truck	8
256 (8BDC) (9BBCC)		F8TBF 68 Galaxie	54	6TBT 66 L.P.,67	36	2233944 62 GMC	18	94MI 59 "R" & "V"	11
68/69 Charger	57	F8TBO 68 Fairlane,	54	Truck	41	2234003 63 Truck	20	Line Truck	11
388 (8FBCO) 68 Coronet,		Falcon	54	6TBT 67 1/2 & 69	59	2234040 64 Truck	24	94NIM 59 "A" Line	10
Charger	58	F8TBS 68 T-Bird	58	6TBU 66 Econoline	36	2234086 64 Truck	24	Truck	
397 (8FBDA) 68 Dart	58	F8TBS 68 Mustang	54	6TBU 66 L.P.,67	36	7291556 65 Truck	29	JACOBSEN	
706A 68 Dodge Truck	60	F9BZ 69 Mustang	64	Econoline	41	7291576 65 Truck	29	7BT	45
8FBDD 68 Dodge	58	M7TB 67 Galaxie,	46	6TBW 66 L.P.,67 "M"	41	7293806 66 GMC Truck	36	7BTX	52
2864766 (394) 68		Mustang	46	Series	41	7293806 67 Truck	44	JEEP	
Monaco, Polara	54	M7TBS 67 T-Bird	46	W Series	59	7293816 66 Truck	36	U7MK (978238) 68	65
2864796 (392) 68		RV2F	19	6TMF 66 Galaxie	36	7297526 66 Truck	36	3TBW 63 Jeep	22
Charger, Coronet	54	RV4D 65 Ford	30	6T2D 66 Falcon	36	7297526 66 Truck	36	6BKJ 66 Jeep	39
2884064 (389) 68		RV4D-NS 65 Ford	30	6TPF 66 Galaxie	36	7297526 67 GM Truck	44	5BW 65	44
Charger	51	RV4F 64 Ford	24	6TPO 66 Fairlane	36	7298501 67 GM Truck	44	7BKJ Similar to P.32.	45
2884067 (253) 68		RV6F 75 65/66 Ford	30	6T2Z 66 Mustang	36	7305516 69 Truck	69	7BKJ 67 Wagoneer,	
Monaco, Polara	52	TOB6TBS 65 T-Bird	32	7TBT 67 Truck	42	7305849 68 GM Truck	51	Jeepster	56
2884068 (395) 68		TOB6TBS 66 T-Bird	39	7TMF 67 Galaxie	43	7306686 68 GMC Truck	51	8BKJ 68	69
Monaco, Polara	51	T6SMF 66 Galaxie	35	7T2D 67 Ford	41	7306696 68 GMC Truck	51	12BW	16
2884128 (255)		T6SMS 66 T-Bird	35	7T2P 67 Ford	41	7308166 68,69,69 1/2	73	815395	9
69 Monaco, Polara	68	T6SMZ 66 Mustang	35	7TPO 67 Fairlane	41	GM Truck		JOHN DEERE	
2884285 (327) 69		T7SMF 67 Galaxie	45	7T2P 67 Mustang	41	GONSET		ARC-60	15
Monaco, Polara	63	T7SMH/A 67 Fairlane,	45	8TBT 68 Truck	56	HEATH		GR-41	22
3420559 (1DP2902)		Falcon	45	8TBTLM 68 Truck	56	GRW-41	22	HITACHI	
69 Polara	67	T7SMH/F 67 Mustang	45	8TBTU 68 Econoline	56	TM-816U	37	TM-816U	37
DUO-VOX		T7SMH/N 67 Fairlane,	45	8TMF 68 Galaxie	52	KN1001	38	KN1001	38
AM-8	37	Falcon	45	9FBF 69 Galaxie	73	HOFFMAN		HOFFMAN	
AM10	33	T7SMS 67 T-Bird	45	9FBO 69 Fairlane,	64	769	28	769	28
AMF-16B	28	T7SMZ 67 Mustang	45	Falcon	64	769 Revised	31	HUDSON	
DYNATRONIC		T8MF 68 Galaxie	51	9FBS(C9SA-19A241)	76	(Also See American Motors)		236476 SH759 53	4
S-808	79	T8MS 68	53	70 Thunderbird	76	236486,238060 SH758	4	236486,238060 SH758	4
EDSEL		T8M2 68 Mustang	51	9FBZ 69 Mustang	64	4389027 IINSAC-8 55	6	4389027 IINSAC-8 55	6
04BE COKF-18805,		T9MS (69 Thunderbird)	62	12BD 61 Falcon	14	HUSKEE		TM104M (60-299)	77
COKF-18806	12	(C9SA-19A242-B)		12BF 61	14	IMPERIAL (See Chrysler or MoPar)		INLAND	
85SE 58	8	T9MZ 69 Mustang	79	12BT 61 Truck	14	AFM-602	41	AFM-602	41
87SE 58	8	(C9ZA-19A242-B)		12BU 61 Econoline	14	AFM-603	52	AFM-603	52
94BE B9KF-18805-D/		(C9Z2-18805-B)	66	14BF 61 Ford	30	PA-700	49	PA-700	49
18806-C 59	10	0BTM/TP/TP 70 Truck	77	14BM 61 Merc.	30	V102	41	V102	41
ERIC		0BTU 70 Econoline	77	22BD 62 Falcon	18	V302	41	V302	41
FM-100	18	0FBD (DODA-19A241)		22BO 62 Fairlane	18	VWX101	41	VWX101	41
F-85 (See Oldsmobile)		70 Maverick	75	24MF 62	17	VWX502	42	VWX502	42
FALCON (See Ford)		0FBF (EP) 70 Galaxie	75	66MFP 56	6	WVX101	41	WVX101	41
FIRESTONE		See Page 59	75	69MF 56	6	WVX103	48	WVX103	48
3-D-5 Code 120-MJ-	19	0FBO (DOOA-19A241)		69MS 56	6	WVX502	42	WVX502	42
3-D-6 Code 120-1-R61	21	Fairlane 70	79	74BF 57	8	X100	27	X100	27
3-B-6 Code 120-3-P69	21	0FBZ (DOZA-19A241)		74BT 57 Truck	9				
3-D-6A	27	Mustang 70	79	74MF 57	8				
3-D-7 Code 120-3-DUP-	21	04BF L.P. 60 Ford	30	75BF 57	7				
42		04BT 60 Truck	30	75MF 57	7				
3-D-8	23	04MD 60 Falcon	12	76MF SR 57	8				
3-D-15	27	04MF 60	12	78MF 57	7				
4-B-69 Tractor	5	04MFM 60	12	79MS 57 T-Bird	7				
		1TMC 61 Continental	15	84BF 58	8				
		1TMS 61 T-Bird	15	84BT 58 Truck	9				
		2TBO 62 Fairlane	19	84NF 58	8				
		2TMF 62	18	84MS 58 T-Bird	9				
		2TMX 62	18	86MF 58	8				
		3MF 53	4	94BF 59	10				
		3MFT 53 Truck	4	94BT 59 Truck	11				
		3SF755 53	4	94MF 59	10				
		3TBD 63 Falcon	19	94MFM 59	10				
		3TBO 63 Fairlane	19	94MS 59 T-Bird	11				
		3TMF 63 Galaxie	23	95MF 59	10				
		4BF 54 See Model M4B	4	GIBBS					
		4MF 54	4	CR-332A/B/C	71				
		4SF765 54	5	CR-335B/337B	71				
		4TBD 64 Falcon	23	CR-627	70				
		4TBO 64 Fairlane	23	CR-630	70				
		4TBT 64 Truck	26	440	27				
		4TBU 64 Econoline	26	441	27				
		4TBT 64/65 Mustang	32						
		4TMF 64 Galaxie	23						

LEAR JET (CONT.)	VOL.	MERCURY (CONT.)	VOL.	MOPAR (CONT.)	VOL.	MOPAR (CONT.)	VOL.	MOPAR (CONT.)	VOL.
ASFM-871	56	3SMY757 53 See Lincoln		113 RV1 61 Valiant	15	367 5FBI 65 Imperial	30	849 57 Plym. P-30/-31	8
ASR-830-H	44	Model 35H756	4	114 RW1 61 Lancer	15	369 6FBP,6FBVE 66		851 84BC 58 Chrysler	8
ASR-851	55	3TBM 63	21	202 62 Lancer S11	18	Plymouth Standard	36	852 58 Dodge LD-1/-2/	
LINCOLN		3TME 63 Comet	23	203 62 Valiant SV1	18	369 7FBP 67 Plym.	48	-3	8
D8ML 68 Lincoln	56	3TMY 63 Meteor	23	204 62 Plym. SP1/2	18	370 7FBD 67 Dodge	48	854 58 Plym. LP-1/-2	9
F3TBC 63	21	4SM767 54 See Lincoln		205 62 Dart SD1/2	17	372 5FBVE See Page 86		855 P-5901 59 Plym	11
F4TBC 64	25	Model 4SH764	4	206 4TBL 64 Dart	24	65 Plymouth	30	856 59 Dodge MD1/2/3	10
F6TDC 66 Lincoln	40	4TBM 64 Merc.	23	214 3BVD 63 Valiant		373 5FBL See Page 86		857 59 Desoto MS1/2/3	10
F8TBC (C8VY-18805B5) 68	71	4TME 64 Comet	23	TV1	19	65 Dart	30	858 94BC 59 Chrysler	10
F8TBM 68 Mark X	61	5BM 55 See Lincoln		215 3BLE 63 Dart T11	19	374 7FBPD 67 Plym.	48	860 59 Plym. MP1/2	12
F14TBC 64	25	Model 5BH	5	216 63 Plym.	22	375 7BC 67 Chrysler	48	861 59 Chrysler Export	12
TOB5TBC 65	33	5TBM 65 Merc.	28	217 63 Dodge	22	376 7BC 67 Chrysler	42	900 55 Dodge D-55/-56	5
T6SMC 66 Continental	36	STPE 65 Comet	28	218 4TBVE 64 Valiant	24	377 7BDD 67 Dodge		901 55 Desoto S-21/-22	5
T7SMC 67 Lincoln	45	6BM 56	6	219 64 Dodge VD1/2	23	DeLuxe	42	902 55 Chrysler	5
T7SMK/C 67 Lincoln	45	6BMS 56	6	220 64 Plym. VP1/2	23	378 7BDD 67 Dodge	48	903 55 Chrysler	5
T8ML 68 Lincoln	52	6TMM 66 Merc.	35	221 4TBLH 64 Dart	24	379 6FBL 66 Dart	36	910/HR 56 Dodge D-62/	
T8MX 68	54	6TPG 66 Merc.	37	222 5BVE 65 Valiant	28	381 67 Charger	43	-63	6
T9ML 69 Lincoln	64	7TBM	42	223 65 Dodge Dart	28	385 7F8VA 67 Barracuda,		911 65 Desoto S-23/-24	6
T9MX 69 Mark III		7TPG 67 Comet/Cougar	41	224 5BP 65 Plym. Std	28	Dart, Valiant	48	912/HR 56 Chrysler	7
(C9LA-19A242-B)		8TBM 68	55	225 5BPD 65 Plym.		402 04BC 60 Chrysler	13	916/HR 56 Plym. P-28/	
(C9LY-18805-B)	66	9BM 69	68	Deluxe	28	403 04BI 60 Imperial	13	-29	7
0FBL(DOVA-19A241)		9FBM (C9MA-19A241)		226 65 Dodge Coronet	28	404 14BI 61 Imperial	15	917HR 57 Plymouth	8
70 Lincoln	75	69 Mercury	78	228 6BVE 66 Valiant	37	407 14BC 61 Chrysler	15	918 57 Dodge D-66/-67/	
05BH 60	12	9FBO 69 Montego	64	229 6BL 66 Dart	37	409 24BI 62 Imperial		-70/-71/-72	7
35H756 53	4	9FBZ 69 Cougar	64	230 6BP 66 Plym.	37	SY1	18	919/HR 57 Desoto S-25/	
4SH764 54	4	22BM 62	18	230 7BP 67 Plym.	42	410 24BC 62 Chrysler		-26/-27	7
4SH766 54	4	MERCURY RECORDS		231 6BPD 66 Fury	37	SC1/2/3	18	920HR 57 Chrysler	8
4TMC F 64 Continental	23	AP-8300	57	232 66 Coronet BW1/2	35	411 34BCS 63		921HR 57 Imperial	8
5BH 55	5	METEOR (Also See Mercury)		233 66 Charger BW29	35	Chrysler	20	922 85BC 58 Chrysler	9
5TMC F 65 Continental	28	24ME 62 Comet See		234 6BVS 66 Valiant	37	413 34BI 63 Imperial		923 58 Desoto L-51/	
6BC 56	6	Ford 24ME	17	2355 66 Polara, Custom		TY1	20	-52/-53	9
6BH 56	6	24MY 62 Meteor See		880, Monaco BD2	35	414 44BI 64 Imperial	24	924HR 57 Chrysler	9
6TDC 66 Lincoln	37	Ford 24ME	17	236 7BVE 67 Valiant	42	415 44BCS 64		925 58 Plym. LP-1/-2	9
8TBC 68	60	77BM 57	7	237 67 Dart	43	Chrysler	24	927 59 Desoto MS-1/-2/	
8TPX 68 Mark III	59	78BM 57	7	240 67 Fury	43	416 65 Chrysler	31	-3	11
9BL 69	60	78BM 57	7	241 7BD 67 Dodge	42	416B 66 Chrysler	39	928 R95BC-S 59	
9FBL (C9VA-19A241) 69	71	78BM 57	7	301 PP1/2 60 Plym.	14	417 65 Imperial	31	Chrysler	10
9FBLU (C9VA-19A246) 69	71	78BM 57	7	302 PD1/2/3/4 60 Dodge	13	417B 66 Imperial	39	929 C-5909 59 Imperial	11
9MABL (C9VA-19A099)		84BM 58	8	303 03BC 60 Chrysler	13	418 67 Imperial	47	MY-1	11
68-69	71	84BM 58	8	304 03BS 60 Desoto	13	419 67 Imperial	43	MOTOROLA	
78BL 57	7	85BM 58	9	305 03BD 60 Dodge	13	420 66 Imperial	40	AF4TMR 64 Rambler	26
85BH 58	9	94PM 59	12	306 13BD 61 Dodge	16	421 67 Chrysler	43	BK3A6 49-53 Buick Spl	
85BHP Above Serial		95PM 59	11	309 RPI/2 61 Plym.	16	608 53 Plym. P24	4	42/46-52 Buick Super &	
#5000 58	9	METRAVOX		310 Export Version of		609 53 Dodge Model		Roadmaster	5
88BH 58 Merc.	8	Sutton RA144	20	Model 301	14	D-44/-46/-47/-48	4	BK4FM 64 Buick	26
95BH 59	9	Sutton RA155	21	311 Export Versions		610T 53 Dodge Truck,		BK4FMC 64 Buick	34
MACK		MG		of Model 309	16	Series C See Model		BK53A6 49-53 Buick Spl	
U3MMT Truck	32	HAC700 4TMB	30	312 13BS 1961 Desoto	16	611T 54 Dodge Truck,		42/46-52 Buick Super &	
U5MMT 204SX28	47	MIDLAND		313 60 Valiant	14	610T	4	Roadmaster	5
MASTERWORK		65-200	40	314L Export Version of		612 54 Dodge D-40/-51/		BK6A6T 56 Buick	7
M8200	72	65-210 12 Transistor		Model 114	16	52/-53 See Model 609	4	BK6A6X 56 Buick	7
MERCURY		Version	40	314V Export Version of		613 55 Plym. P-26/-2	5	BK6A7X 57 Buick	7
(Also See Philco-Ford)		65-210	34	Model 113	16	614 55 Dodge D-55/-56	5	BK6A9X 59 Buick	10
D8MF 68 Comet	53	65-230	78	317 13BC 61 Chrysler	15	620 56 Plym. P-28/-29	7	BKA60X 60 Buick	15
5TBM 65 Merc.	28	65-400	57	322 SP1/2 62 Plym.	17	621 56 Dodge D-62/-63		BKA61 61 Buick	15
E6TMM 66 Merc.	35	65-404	59	323 SD1/2 62 Dart	17	624 57 Dodge D-66/-67/		BKA62 62 Buick	20
EF5TBM 65 Merc.	34	65-408	63	324 Export SP1/2 62		-70/-71/-72	8	BKA63 63 Buick	22
EF6TBM 66 Merc.	38			Plym.	17	700 58 Dodge Truck	8	BKA64 64 Buick	24
F3TBM 63	21			327 SC1/2/3 62		700 Rev. 60 Dodge		CA61X 61 Buick Spl.,	
F4TBE 64 Comet	24			Chrysler	17	Truck	14	Olds, F-85, Pontiac	
F4TBM 64 Merc.	24			330 63 Plym.	21	701 59 Simca	12	Tempest	16
F5TBE 65 Comet	34			331 63 Dodge	21	703 R12BDT 61 Dodge		CA62 62 Buick Spl.,	
F5TBM 65 Merc.	34			332 63 Dodge 880	21	Truck	16	F-85, Tempest	20
F6TBC 66 Comet	38			333 63 Chrysler	21	706 64 Dodge Truck	26	CA63 61-63 Buick Spl.,	
F6TBM 66 Merc.	38			334 4TBQ 64 Dodge880	24	706 64 Dodge Truck	26	F-85, Tempest	22
F7TBC 67 Comet	47			335 64 Plym.	25	706 5TBDT Similar to		CE65A 65 Chevelle	32
F7TBM 67 Merc.	47			336 64 Dodge	25	page 64 65 Dodge Truck	26	CE65M 65 Chevelle	32
F8TBM 68 Merc.	56			337 63 Valiant	22	706 7BTD 67 Dodge		CE66A 66 Chevelle	38
F8TBD 68 Cougar	56			339 63 Dodge Dart	22	Truck	44	CE66M 66 Chevelle	38
F9BZ 69 Cougar	64			343 R3BC 63 Chrysler		819 53 Plymouth	4	CE66M 66 Chevelle	39
M7TB 67 Comet, Cougar,				TC1/2/3	19	821 Desoto S-16/-18	4	CE67A 67 Chevelle	44
Merc.	47			344 63 Dodge	22	824 53 Chrysler	4	CE68A 68 Chevelle	56
M-5841 58	9			345 63 Plym.	22	828 54 Dodge D-50/-51/		CE69A 69 Chevelle	69
T6SMC 66 Merc.	35			347 R23BQ 62 Dodge		-52/-53	4	CE70A 70 Chevelle	77
T7SMH/A 67 Comet	45			880, SD3	19	829 Desoto S-19/-20	4	CEA64 64 Chevelle	24
T7SMH/F 67 Cougar,				348 4TBC 64 Chrysler	24	830 54 Chrysler C-62/		CEM64 64 Chevelle	25
Merc.	45			350 R3BD 63 Dodge880	19	-63/-64		CK65M 65 Chev.Truck	32
T7SMH/N 67 Comet	45			351 64 Chrysler	25	831 See Model 830		CK66M 65/66 Chev.Truck	39
T7SMW 67 Cougar	45			352 64 Imperial	25	832 55 Plymouth	5	CK67A 67 Chev.GMC	
T8MM 68 Merc.	54			353 64 Dodge 880	25	833 55 Dodge D-55/-56	5	Truck	52
T8MZW 68 Cougar	54			354 64 Dodge	24	834 55 Desoto S-21/		CK70A 70 Chev.Truck	77
0BM(DOMA-18806)				360 5FBP 65 Plym.	30	-22	5	CO67A 67 Camaro	44
70 Mercury	77			361 5FBPD 65 Plym.	30	835 55 Chrysler	5	CO68A 68 Camaro	56
04BM-1 60	13			362 5FBPD 66 Plymouth	36	836 55 Plym. P-25/-27	5	CO69A 69 Camaro	69
04BM-2 60	13			Deluxe	36	840 56 Plymouth	6	CR65A 65 Corvair	32
2TBM R2TBM 62	20			362 5FBD 65 Dodge	30	841 56 Plym. P-28/-29	6	CR65M 65 Corvair	32
2TMY 62 Meteor	18			363 65 Dodge 880	28	842 842HR 56 Dodge		CR66A 66 Corvair	38
				363S 66 Polara, Custom		D-62/-63	6	CR66M 66 Corvair	39
				880, Monaco BD2	35	843 56 Desoto S-23/-24	6	CR67A 67 Corvair	44
				364 5FBDD 65 Dodge	30	844/HR 56 Chrysler	6	CRA60X 60 Corvair	15
				364 6FBDD 66 Dodge		845 57 Dodge D-66/-67/		CRA62 60-62 Corvair	20
				Deluxe	36	-70/-71/-72	8	CRA63 61-63 Corvair	22
				365 65 Chrysler	28	846 57 Desoto S-25/-26/		CRA64 60-64 Corvair	25
				365S 66 Chrysler BCI/		-27	8	CRM60X 60 Corvair	14
				2/3	35	847 57 Chrysler	8	CRM62 60-62 Corvair	19
				366 5FBC 65 Chrysler	30	848 57 Plymouth	8	CRM63 61-63 Corvair	22
				366 6FBC 66 Chrysler	36				

MOTOROLA (CONT.)	VOL.	MOTOROLA (CONT.)	VOL.	MOTOROLA (CONT.)	VOL.	MUNTZ/STEREO (CONT.)	VOL.	OLDSMOBILE (CONT.)	VOL.
CRM64 60-64 Corvair ..	25	OE67A 67 Oldsmobile ..	45	6TAS8	6	C-100	50	7292643 66 Toronado ..	37
CT2A6 51-52 Chev.	5	PCA7X 57 Pontiac 7		7M See Model 6M	6	M-12	53	7292663 66 Oldsmobile	39
CT4FM 64 Chev.	26	PCA9X 59 Pontiac 10		7MR 57 Rambler See		M-30	52	7293653 982690 66 Olds	38
CT4FMC 64 Chev.	34	PCA60X 60 Pontiac 15		page 5	6	M-40	57	7294743 982688 66 Olds	37
CT52M6 51-52 Chev.	5	PCA61X 61 Pontiac 17		7MX	7	M-45	64	7294753 982689 66 Olds	36
CT65A 65 Chevrolet ...	32	PCA62 62 Pontiac 20		8M	8	M-50	60	7297564 66 Olds	
CT65M 65 Chevrolet ...	32	PCA63 63 Pontiac 22		8MX	9	NASH		Reverb. Unit	36
CT66A 66 Chevrolet ...	38	PCA64 64 Pontiac 24		9AX	10	(Also See American		7298413 67 Oldsmobile	45
CT66M 66 Chevrolet ...	39	PC2A6 49-52 Pontiac ... 5		10AX	15	Motors)		7299563 67 F-85	43
CT67A 67 Chevrolet ...	44	PC4FM 64 Pontiac 26		10M	13	AC-154 54-55	5	7299573 67 Toronado ..	45
CT68A 68 Chevrolet ...	56	PC4FMC 64 Pontiac 34		10MX	12	NH3C 53 Nash Rambler .	4	7299583 67 Toronado ..	42
CT69A 69 Chevrolet ...	69	PC65A 65 Pontiac 32		11MX	16	NH5AC 55 See Model AC-	5	7300083 67 Toronado ..	44
CT70A 70 Chevrolet ...	77	PC66A 66 Pontiac 40		12AT-1/-2/-3	21	154	5	7300093 67 Oldsmobile	44
CTA3 53 Chevrolet 4		PC67A 67 Pontiac 45		13MA/MAM 60 Rambler		AMERICAN See page 13		7300103 67 Oldsmobile	42
CTA4 54 Chevrolet 6		PC69A 69 Bonneville,		American see page 13 ..	14	14AT	25	7300113 67 F-85	46
CTA5 55 Chevrolet 6		Catalina,Executive	69	14MR 61 Rambler See		14MT	10	7300753 67 Toronado ..	44
CTA6T 55-56 Chevrolet 6		PC70A 70 Tempest	77	page 13	15	24ME,24MF,24MY See		7301703 67 Oldsmobile	46
CTA6X 55-56 Chevrolet 7		PD3A6 51-53 Packard .. 5		24ME Model 24ME	17	Ford Model 24ME	17	7302013 68 F-85	52
CTA7X 57 Chevrolet ... 7		PD69A 69 Firebird 69		76MA 57 Hudson & Nash		See page 9	6	7302023 68 Olds,F-85 ..	50
CTA8X 58 Chevrolet ... 9		PT67A 67 Tempest 44		See page 9	6	93MR 59 Rambler See		7302503 67 Toronado ..	46
CTA9X 59 Chevrolet ... 10		PT68A 68 Pontiac 56		page 9	10	94MF See page 71	10	7303143 68 Oldsmobile	51
CTA61 61 Chevrolet 15		PT69A 69 Tempest 69		94NF See page 71	10	94MFM See page 71	10	7303153 68 Oldsmobile	49
CTA62 62 Chevrolet 18		PT70A 70 Pontiac 77		94MI 59 "R" & "W" Intl.		Truck See page 61	11	7303203 68 Toronado ..	49
CTA63 63 Chevrolet 22		R200	19	94MIM 59 International		See page 91	10	7303223 68 Toronado ..	49
CTA64 64 Chevrolet 24		SR2A6 50-52 Studebaker 5		94MS 59 T-Bird See		page 55	11	7303253 68 Toronado ..	51
CTM3 53 Chevrolet 5		SR3A6 52 Studebaker .. 5		95MF See page 77	10	95M See page 77	10	7305203 68 Oldsmobile,	
CTM4/A 54 Chevrolet ... 6		SRS2A6 50-52		101 See MoPar 101	13	102 See MoPar 102	13	Toronado	50
CTM6 55-56 Chevrolet 6		Studebaker	5	104 See MoPar 104	13	110 See MoPar 110	13	7305933 68 Olds, F-85	50
CTM7X 57 Chevrolet ... 7		SR52M6 50-52		250X	20	290T	22	7307313 69, 69 1/2	
CTM8X 58 Chevrolet ... 9		Studebaker	5	294	25	300X	11	Oldsmobile	74
CTM9X 59 Chevrolet ... 10		TMSA	33	301X	11	302 See MoPar 302	13	7307813 69 69 1/2	
CTM57X 57 Chevrolet ... 9		TMSM	32	302 See MoPar 302	13	310X Negative Ground ..	13	Toronado	74
CTM61X/A 61 Chevrolet 16		TM6M	39	311X Positive Ground ..	13	320T	21	Oldsmobile	74
CTM62 61-62 Chevrolet 19		TM6A	38	323T	22	324	25	7307813 69 69 1/2	
CTM63 63 Chevrolet ... 22		TM7A	44	395, 395-12	5	396, 396-12	6	7307813 69 69 1/2	
CTM64 64 Chevrolet ... 25		TM8A	71	397	7	397X	7	7307813 69 69 1/2	
CY65A 62-65 Chevy II .. 32		TM15A	32	398X	9	403	4	7307813 69 69 1/2	
CY65M 62-65 Chevy II .. 33		TM16A	41	404	5	406	11	7307813 69 69 1/2	
CY66A 66 Chevy II ... 38		TM17A	45	412	4	414	25	7307813 69 69 1/2	
CY67A 67 Chevy II ... 44		TM18A	73	424	25	500X	13	7307813 69 69 1/2	
CY68A 68 Chevy II ... 56		TM105M	75	503	4	504	4	7307813 69 69 1/2	
CY69A 69 Chevy II ... 69		TM270M	79	506, 506-12	7	520T	21	7307813 69 69 1/2	
CY70A 70 Chevy II ... 77		TM295M	33	524	26	524	26	7307813 69 69 1/2	
CYA62 62 Chevy II ... 20		TM296M	33	553	4	555, 555-12	6	7307813 69 69 1/2	
CYA63 61-63 Chevy II .. 22		TM297M	48	556	6	595, 595-12	6	7307813 69 69 1/2	
CYA64 62-64 Chevy II .. 25		TM299M	71	596, 596-12	6	597X	7	7307813 69 69 1/2	
CYM62 62 Chevy II ... 19		TM315M	33	601X	13	611T See MoPar 610T ..	4	7307813 69 69 1/2	
CYM63 62-63 Chevy II .. 22		TM316M	41	612 See MoPar 609	4	624 See MoPar 624	8	7307813 69 69 1/2	
CYM64 62-64 Chevy II .. 25		TM318M	54	701 See MoPar 701	12	829 See MoPar 829	4	7307813 69 69 1/2	
FM65M	35	TM326M	40	845 See MoPar 845	8	846 See MoPar 846	8	7307813 69 69 1/2	
FM67M	45	TM327M	46	849 See MoPar 849	8	852 See MoPar 852	8	7307813 69 69 1/2	
FM68M	59	TM329M	77	853 See MoPar 853	8	854 See MoPar 854	9	7307813 69 69 1/2	
FM106M	40	TM336M	40	856 See MoPar 856	10	857 See MoPar 857	10	7307813 69 69 1/2	
FM108M	55	TM415M	32	860 See MoPar 860	12	861 See MoPar 861	12	7307813 69 69 1/2	
FM200A	34	TM416M	41	923 See MoPar 923	9	927 See MoPar 927	11	7307813 69 69 1/2	
FM210A	72	TM525A	35	980886 64 Opel Kadette	26	Chassis			
FM-900	14	TM526A	41			R15A6	5		
FM990X	47	TM527A	46			R16M	5		
FM991X	60	TM529A	75			R17A6	5		
FMA-100	26	TM626A	41			MUNTZ/STEREO			
FMC62	19	TM706S	47			C-90	50		
GMT3A6 48-53 Chev/GMC		TM707S/-1,708S/-1,							
Truck	5	TM709S	65						
GMT53A6 48-53 Chev/GMC		TM711S	68						
Truck	5	TM713S	72						
GV-701	11	U3MW Autocar, Diamond							
GV-800	9	T, Reo, White Trucks							
HF3A6 51-53 Henry J ...	5	89160M	24						
HN2A6 51-52 Hudson ...	5	VNA7 53-57 VW	7						
HN3A6 51-53 Hudson		VNA8 58 VW	12						
except Hudson Jet ...	5	VNA60 VW	13						
HN4A6 54 Hudson	5	VNA63 63 VW	22						
HN4M6 54 Hudson	5	VNA64 58-64 VW	25						
HN53M6 51-53 Hudson		VNM60 60 VW	22						
Jet	5	VNM63 58-63 VW	22						
HT3A6 53 Hudson Jet ..	6	VNM64 58-64 VW	25						
ILSTCA,-12 55 Intl. ...	6	O3AR See American							
KM201R	41	Motors Model 8990811 .	12						
KM202R	41	04MA 60 Rambler See							
KM203R	66	page 19	11						
KM204R	64	04MD/MF/MFM See page							
KR3A6 51-53 Kaiser ...	5	77	12						
NH3C 53 Nash Rambler .	4	2AT-1	21						
NH4AC 54 Nash See Nash		2MT	20						
Model AC-154	5	2TMF See page 71	18						
NH5AC 55 Nash See Nash		2TMX See page 71	17						
Model AC-154	5	2TMXD See page 131 ..	18						
GEA7X 57 Oldsmobile ...	7	2TMY See page 71	18						
OEAX9 59 Oldsmobile ...	12	3AT	22						
OEAX0 60 Oldsmobile ...	14	3MT	22						
OEAG1X 61 Oldsmobile ..	17	4AT	25						
OEAG3 63 Oldsmobile ...	22	4MT	25						
OEAG4 64 Oldsmobile ...	24	SM, SM-12	5						
OEAG5 65 Oldsmobile ...	24	6M	6						
OEAG6 51-52 Oldsmobile		6M-12	6						
OE2A6 "Super 88" & "98" ..	5	6MA 59 Hudson & Nash							
OE47M 64 Oldsmobile ...	26	See page 9	6						
OE4FMC 64 Oldsmobile ...	34	GMR 56 Rambler See							
OE57A 65 Oldsmobile ...	32	page 5	6						
OE66A 65/66 Oldsmobile	40								

PENNEYS (CONT.)	VOL.	PLYMOUTH (CONT.)	VOL.	PONTIAC (CONT.)	VOL.	RANGER (CONT.)	VOL.	RIVERSIDE (CONT.)	VOL.
3162 63-64 Chevy II	29	388 (8FBCO) 68		7291562 65 Tempest	30	RR-41-T	46	FJB-6618A 61 Rambler	17
3163 64 Comet	30	Belvedere	58	7291582 65 Tempest	29	RR-43-FMT	62	FJB-6619A	21
3168 64 Ford	30	390 68 Fury	55	7292112 65 Tempest	29	RR-44-T/-2	57	FJB-6643A 60-62 Comet,	
3169 64 Falcon	30	398 (8FBBA) 68		7293472 66 Tempest	38	RR-45-T-0 Mini-8	51	Falcon	19
3170 64 Falcon	30	Barracuda	58	7293492 66 Pontiac	36	RR-45-T-2 Mini-8	51	FJB-6649A Tractor	20
3171 985-8515 64 F-85	29	399 (8FBVA) 68 Valiant	58	7293502 66 Tempest	38	RR-47-T0/-T2/-T4	79	FJB-6658	21
3172 64 Fairlane	30	2864963 (390) 68		7293512 66 Pontiac	35	RR-59-FM0	66	FJB-6679A	10
3173 64 Mercury	30	Belvedere, Fury	55	7293632A 66 Pontiac	36	RR-60-FMT	69	FJB-6681A 58 Plym.	10
3174 64 Oldsmobile	29	2884044 (400) 68		7294322 65 Pontiac	35	RU-101-T	24	FJB-6682A,B	10
3176 63-64 Pontiac	29	Belvedere, Fury	55	7294332 66 Pontiac	37	TC-100M	23	FJB-6684 59 Ford	11
3179 64 Tempest	29	2884065 (250) 68 Fury	51	7294342 66 Pontiac	38	TC-100-M	32	FJB-6686A 59 Plym.	12
3180 64 Chevrolet	29	2884103 (254) 69 Fury	67	7298802 67 Tempest	41	TC-100-MD	32	FJB-6687 59 Ford	11
3181 60-64 Corvair	29	2884 755 (2PF1007)		7298812 67 Tempest	42	TC-200PB	23	FJB-6688 59 Chev.	11
3182 63-64 Chevy II	29	Fury 70	79	7298822 67 Pontiac	43	TC-200-PB	32	FJB-6689A 59 Plym.	12
		3420558 (1PF2903)		7298822 68 Pontiac	49	TC-300M 64 VW	23	FJB-6690A 59 Buick	13
		69 Fury	65	7298832 67 Pontiac	42	TC-300M,MD 65 Prod.		FJB-6691B Renault	
				7298832-A 67 1/2		Similar to page 144	23	Dauphine	12
PHILCO				Pontiac	73	TC-300M 5-041	36	FJB-6693B Renault	
(Also See Philco-Ford)				7298842 68 Prod. 68		TC-400PB 64 VW	23	Dauphine	12
C-5209 See MoPar 824	4			Pontiac	49	TC-400PB 65 Prod.	23	FJB-16509C	33
C-5409 See MoPar 830	4			7298842 67 Pontiac	45	Similar to page 144	23	FJB-16512A 64 VW	28
C-5509 See MoPar 835	5			7298842 67 Pontiac	45	TP-803	24	FJB-16513A 64 VW	28
C-5595 See MoPar 902	5			7300682 67 Pontiac	45	TRM-64M	23	FJB-16520A 63	
C-5596 See MoPar 903	5			7302322 67 1/2		TRT	52	FJB-16520A 63	
C-5609 See MoPar 844	6			Firebird	47	VW-64PB 64 VW	23	Chrysler	
C-5609HR See MoPar				7302332 67 1/2				FJB-16521A 63 Chev.	23
844HR	6			Firebird	47			FJB-16522A 63 Dodge	23
C-5705 See MoPar 847	8			7302762 68 Tempest	49	REALISTIC		FJB-16523A 63 Ford	23
C-5707 See MoPar 920HR	8			7303302 68 Pontiac	49			FJB-16524A 63 Merc.	23
C-5709 See MoPar 921HR	8			7303302-A 68 Pontiac	73	SM-711 12-1320E	41	FJB-16525A 63 Olds.	23
C-5809 See MoPar 924HR	9			7302752 68 Tempest	50	UM-701 12-1321E	41	FJB-16526A 63 Plym.	23
D-5207 See MoPar 819	4			7303262 68 Tempest	50	12-1319 (Similar to		FJB-16527A 63	
D-5407 See MoPar 820	4			7303362 68 Pontiac	50	page 113)	60	Pontiac	23
P-5206 See MoPar 819	4			7304342 (984888)		90LX697	16	FJB-16563A	32
P-5606 See MoPar 840	6			68 Pontiac	57			FJB-16566A	20
P-5701 See MoPar 848	8			7305572 68 Firebird	50	REGAL		FJB-16567A	21
P-5703 See MoPar				7305582 68 Firebird	49			FJB-16569A	28
917HR	8			7305592 68 Firebird	59	CR-871	4	FJB-16574A 63 Buick	23
P-5801 See MoPar 848	8			7305602 68 Firebird	49			FJB-16576A 63	
P-5803 See MoPar 925	9			7307312 69 Pontiac	72	RENAULT		Corvair	23
P-5901 See MoPar 855	11			7307332 69 Grand Prix	72			FJB-16577A 63 Dart	22
P-6234	20			7307402 69 Beaumont,		2TMXD 55555	17	FJB-16578A 63 Ford	23
				Tempest	69	3TMXD 55556 63	21	FJB-16579A 63 Falcon	23
S-5323 See Studebaker				7307412 69 Pontiac	73	SSMDX 55566 66	40	FJB-16580A 63 F-85	23
Model AC-2301	4			7307422 69 Firebird	69	6SMXD 66 Caravelle,		FJB-16581A 63 Merc.	23
S-5327 See Studebaker				7307432 69 Grand Prix	69	Dauphine	50	FJB-16582A 62-63	
Model AC-2300	4			RAMBLER		7SMXD 67 Caravelle,		Plymouth	23
S-5524 See Studebaker				(Also See American		Dauphine	50	FJB-16583A 63Tempest	23
Model AC-2301	4			Motors)				FJB-16584A 63Rambler	26
S-5528 See Studebaker				AF4TMR 64 Rambler	26	RIVERSIDE		FJB-16585A 63 Chev.	23
Model AC-2300	4			AF5TMR 65 Rambler	28	(Also See Airline)		FJB-16586A 63Corvair	23
S-5529 See Studebaker				D4TMR 64 Rambler	24			FJB-16587A 63 Falcon	23
Model AC-2300	4			RA-66PB 66 Rambler	37	FGJ16511A	27	FJB-16588A 63 Ford	23
TAR-58 See MoPar 700	8			RVR5 75	31	FJB-6471A 62 Chevy II	19	FJB-16589A	23
94PM See Merc. 94PM	12			RVSR 65	31	FJB-6472A 62 Chevy II	19	FJB-16607A	32
929 See MoPar 929	11			RVSR 65	31	FJB-6537A 58-59 VW	14	FLH-16518A 64-65 Chev.	
				3TBA 63 Rambler	19	FJB-6538A 58-59 VW	14	& GMC Truck	35
PHILCO-FORD				3TBA 63 Rambler	19	FJB-6540A	19	FLH-16519A 60-64 Dodge	
C9AA-19A243				3TBA 63 Rambler	19	FJB-6540C	27	880	34
69 Galaxie, LTD	65			3TBA 63 Rambler	19	FJB-6550A	24	FLH-16528A 63-64Chev.	34
C9AA-18806-F				3TMR 8991142 63	25	FJB-6551A	22	FLH-16529A 65 Chev.	35
69 Galaxie, LTD	66			4TBA 8991321 64	25	FJB-6551B	27	FLH-16530A 60-64	
C90A-18806-B 69				4TBA 8991320 64	25	FJB-6551C	34	Corvair	34
Fairlane, Falcon,				4TMR 64 Rambler	24	FJB-6560A 62 Merc.	19	FLH-16531A 65Corvair	35
Montego	65			5BA 8991562 65 Rambler	29	FJB-6561A 62 Fairlane	19	FLH-16533A 62-65	
C9SA-18806-C				5BAM 65 Rambler	29	FJB-6562A 61-62 Chev.	19	Chevy II	35
69 Thunderbird	67			5TMR 65 Rambler	29	FJB-6567M 59 Plym.	13	FLH-16534A 64	
C9ZA-18806-E				6MSA 66 Rambler	35	FJB-6571 60-61 Dart	19	Chevelle	34
69 Cougar, Mustang	65			6SMAM 66 Rambler	35	FJB-6572A 61-62 F-85,		FLH-16535A 65	
8TPF 68 Ford	48			75MA 67 Rambler	45	Special, Tempest	19	Chevelle	35
8TPO 68 Falcon,				75MA/RHD 67 Export	45	FJB-6576A	32	FLH-16536A 63-64	
Fairlane, Comet	48			75SMAM 67 Rambler	45	FJB-6577A	32	Galaxie	34
8TPS 68 T-Bird	50			85MA 68 American	61	FJB-6579A 61-62 F-85,		FLH-16537A 65Galaxie	35
8TPZ L.P. 68 Cougar,				RANGER		Special, Tempest	19	FLH-16538A 64	
Mustang	48			R62-MPX0 (TP-803)	74	FJB-6580A 61-62 F-85,		Fairlane	34
8TPZ E.P. 68 Cougar,				R62-MPX2	74	Special, Tempest	19	FLH-16539A 65	
Mustang	48			R62-MPX4	74	FJB-6581 60-62		Fairlane 500	35
				R-100-C	75	Corvair	19	FLH-16541A 64/65	
				R-100-C2	75	FJB-6583A 60-62Ford	19	Falcon, 64 Comet	35
				R-100-C4	75	FJB-6584A 60-61		FLH-16543A 65 Comet	35
				R-500	31	Valiant	18	FLH-16544A 63/64Merc.	34
				RR-3M	35	FJB-6587	20	FLH-16545A 65 Merc.	35
				RR-4P 5-045	36	FJB-6591	16	FLH-16546A 63/64	
				RR-10R 5-004	40	FJB-6592	16	Ambassador,Classic	34
				RR-11R 5-014	40	FJB-6593	16	FLH-16547A 65	
				RR-12R 5-016	40	FJB-6604B 60-62		Ambassador,Classic	34
				RR-13R 5-008	39	Corvair	19	FLH-16549A 64 Plym.	34
				RR-14R 5-010	39	FJB-6608A 61 Lancer	18	FJB-16550A 65	
				RR-15R 5-012	39	FJB-6609	19	Belvedere	39
				RR-18-M	43	FJB-6609A	19	FLH-16551A 65 Fury	39
				RR-19-FM	42	FJB-6611 60-61		FLH-16552A 64Valiant	34
				RR-21-FC	44	Rambler	22	FLH-16553A 65Valiant	39
				RR-22-C	78	FJB-6612 61-6612 62		FLH-16554A 64 Polara	34
				RR-23-MX-2	62	Chevrolet	18	FLH-16555A 65Coronet	39
				RR-30-MC	43	FJB-6612A 61-62 Chev.	19	FLH-16556A 64 Dart	34
				RR-35-MPX/-2/-4	72	FJB-6613A 60-61		FLH-16557A 65 Dart	39
						Falcon or Comet	18	FLH-16558A 64 Dart	34
						FJB-6615A	27	FLH-16598A	31

RIVERSIDE (CONT.)	VOL.	SOUNDEX (CONT.)	VOL.	STUDEBAKER (CONT.)	VOL.	TENNA (CONT.)	VOL.	TENNA (CONT.)	VOL.
FLH-16650A 65 Dodge Deluxe, Polara, Monaco, 880	35	PLPF-465T 65 Fury	32	AC-3256 62	17	CL-66PB 66 Chevelle	37	PL-65PB 65 Plymouth	34
FLH-16651A 63/65	35	PLPF-466T 66 Fury	39	AC-3351 63	19	CL-67PB 66/67	46	PL-66PB 66 Plymouth	36
Econoline	35	POP-666T 66 Pontiac	40	AC-3352 63	21	Chevelle	26	PO-67PB 66/67 Plym.	46
FLH-16652A 64 Buick	35	RAAP-1065T 65	27	AC-3353 63	19	CM-63PB 63 Comet	26	PO-63PB 63 Pontiac	46
Special	34	Rambler American	32	AC-3354 63	21	CM-64PB 64 Comet	23	PO-64PB 63/64 Pontiac	23
FLH-16653A 65 Olds	35	RAP-364T	27	AC-3377 63	21	CM-65PB 65 Comet	31	PO-65PB 65 Pontiac	35
FLH-16654A 64 F-85	34	RAP-365T 65 Rambler	32	AC-3423 SR2T	22	CM-66PB 66 Comet	36	PO-65PB/A 65 Pontiac	35
FLH-16658A 64/65	35	RAP-366T	39	AC-3473 64 Studebaker	24	CM-67PB 67 Comet, 202,	46	W/Air Conditioning	35
Tempest	35	SM-13ORPE	27	AC-3474 64 Hawk	24	Capri	26	PO-67PB 67 Pontiac	46
FLH-16662A 65	34	STM-059 59 Lark	16	AC-3498 64 Studebaker	24	CO-63M/PB 60/63	26	RA-63PB 63 Rambler	26
FLH-16663A 60/63 Chev & GMC Trucks	34	STP-059 59 Lark	16	AC-3499 64 Hawk	24	Corvaire	26	RA-64PB 64 Rambler	23
FLH-16665A 64/65 Dodge	35	UN-12ORPT	39	AC-3500 64 Avanti	24	CO-64PB 60/64 Corvaire	23	RA-65PB 65 Rambler	32
Truck	35	UP-22ORPT	27	AC-3506 64 Avanti	24	CO-65PB 65 Corvaire	34	RA-66PB 66 Rambler	37
61-16509C	33	VAP-464T 64 Valiant	26	AC-3506 64 Avanti	24	CO-66PB 66 Corvaire	37	Ambassador	37
61-16584A 63 Rambler	26	VAP-465T 65 Valiant	32	SUNBEAM		CO-67PB 66/67 Corvaire	46	RA-67PB 67 Rambler	46
		VAP-466T 66 Valiant	39	7BSU 67 Sunbeam	46	CR-63PB 63 Chrysler	26	RU-101T	24
		VMP-19T	27	7BSUX 67 Sunbeam	58	CR-64PB 63/64	26	RU-111TC 5-004	40
		VMP-19T 65 Prod.	33	8BSU 68	65	Chrysler	23	RU-112TC 5-014	40
		VMP-19T 66 Prod.	41			CR-65PB 65 Chrysler	34	RU-113TC 5-016	40
		4TBTR V-350 64	26	TEMPEST (See Pontiac)		CR-66PB 66 Chrysler	36	RU-114TC 5-008	39
		Triumph	26	TEN		CR-67PB 67 Chrysler	46	RU-115TC 5-010	39
				AT-96-1 AR-96EX	49	DA-63PB 63 Dart	26	RU-116TC 5-012	39
		SPECIAL (See Buick)		AT-96-2 AR-96EX-S	49	DA-64PB 64 Dart	23	SA-65M 65 Simca	39
		STERLING		AT-96-3 AR-96VW	49	DA-65PB 65 Dart	34	SA-65PB 65 Simca	39
		FM-200	60	AT-96-4 AR-96VW-S	49	DA-66PB 66 Dart	36	SP-63PB 63 Buick Spl.	26
		SM-704	50	AT-2010 AT-2110	52	DA-67PB 67 Dart	46	SP-66PB 66 Buick Spl.	37
		SM-751	42	FA-205/EX, FT-250-2,		DAX-67PB 67 Dart 270	46	SP-67PB 66/67 Buick	46
		UA-702	41	13, 12	57	DD-65PB 65 Dodge	34	Special	69
		UDR-100	46	618VW/6 Volt	49	DD-66PB 66 Polara,	36	TC-FMC-8	63
		UDR-102	46	618/12 Volt	49	Monaco	36	TC-MPX-1	69
		VMM751	48	TENATRONICS		DD-67PB 67 Monaco,	46	TC-MXC-8-0	69
		12-1319	61	SA-712	40	Polaris	36	TC-48-T	50
				SA-822	36	DE-66PB 66 Dodge	26	TC-48-T-FM	63
				SM-711	22	DO-63PB 63 Dodge	36	TC-100M	23
				SM-711 Revised	40	DO-64PB 64 Dodge	23	TC-110M	32
				SM-751	22	DO-65PB 65 Dodge	34	TC-110MD	32
				SM-751 Revised	40	DO-66PB 66 Dodge	36	TC-200PB	23
				SM-821	36	DO-67PB 66/67 Dodge	46	TC-210PB	32
				TRM-701	22	DS-67M 67 Sportsman,	46	TC-300M 64 VW	23
				UA-702	22	A-100	46	TC-300M 5-041 65Prod.	36
				UM-701	22	DT-67M 67 Dodge Truck	34	TC-300MD 5-072	36
				UA-702 L.P.	37	EC-65M 65 Econoline	35	TC-310M/MD	35
				UM-701 L.P.	37	Truck	35	TC-400PB 64 VW	23
				VHM-751	40	EC-66M 66 Econoline	36	TC-400PB 5-045 65	36
				VWA-702	22	Truck	36	Prod.	36
				VWM-701	22	EC-67M 67 Econoline	46	TC-410PB Similar to	23
						Falcon	26	page 144	23
						FA-64M/PB 64 Falcon	23	TC-410PB 5-045	36
						FA-65PB 65 Falcon	35	TE-63PB 63 Tempest	26
						FA-66PB 66 Falcon	36	TE-64PB 64 Tempest	23
						FA-67PB 67 Falcon	46	TE-65PB 65 Tempest	31
						FL-63M/PB 62/63	26	TE-66PB 66 Pontiac	37
						Fairlane	26	TE-67PB 66/67 Pontiac	46
						FL-64PB 64 Fairlane	23	Tempest	46
						FL-65PB 65 Fairlane	36	TRM-64M	23
						500	35	VA-63PB 61/63Valiant	26
						FL-66PB 66 Fairlane	36	VA-64PB 64 Valiant	33
						FL-67PB 67 Fairlane	46	VA-65PB 65 Valiant	34
						FO-63M/PB 63 Ford	26	VA-66PB 66 Valiant	36
						FO-64M See page 136	23	VA-67PB 67 Valiant	46
						63/64 Ford	23	VW-64PB 64 VW	23
						FO-64PB 64 Ford	23	VW-65PB/PB15 65 VW	35
						FO-65PB 65 Ford	35	VW-66PB 58-66 VW	36
						FO-65PB/RS 65 Ford	35	VW-67PB 67 VW	44
						FO-66PB 66 Ford	36	64 Dart	23
						FO-66PB/RS 66 Ford	36	880-63PB 62/63 Dodge	26
						FO-67PB 67 Ford	46	880	26
						FT-65M 65 Ford	36	880-64PB 63/64 Dodge	23
						FT-66M 66 Ford	36	880	23
						FT-67M 67 Ford Truck	46	TITAN	
						IM-65M	32	ETB-1600	40
						IM-65PB	32	FMC-4	27
						ME-63PB 63 Mercury	26	RV-66	40
						ME-64PB 63/64 Merc.	23	RV-66A	41
						ME-65PB 65 Mercury	35	RV-67A	41
						ME-66PB 66 Mercury	36	RV-68A	41
						MR-63PB 62/63 Meteor	26	SP-22	28
						MJ-66PB 65/66 Mustang	36	TMA-39	28
						MJ-67PB 67 Mustang	46	TMA-40	28
						OF-63PB 61/63 F-85	26	TMA-1500	40
						OF-64PB 64 F-85	23	TPB-60	28
						OF-65PB 65 Olds	35		
						OF-66PB 66 F-85	37	TOKAI	
						OF-67PB 67 F-85	46	CR-105	33
						OL-63PB 63 Olds	26	NR-65	34
						OL-64PB 63/64 Olds	23	TOYOTA	
						OL-65PB 65 Olds	34	Corona 08600-20010	41
						OL-66PB 66 Olds	37	Crown 08600-30010	41
						OL-67PB 67 Olds	46	Landcruiser 08600-	41
						OP-67PB 67 Opel	44	60010	41
						PD-65PB 65 Fury	34	SS-90 Series Ten	41
						PD-66PB 66 Fury	36	SS-90A	41
						PD-67PB 67 Fury	46		
						PL-63PB 62/63 Plym.	26		
						PL-64PB 64 Plymouth	23		

TOYOTA (CONT.)	VOL.	TRUETONE (CONT.)	VOL.	VOLKSWAGEN (CONT.)	VOL.	VOLKSWAGEN (CONT.)	VOL.	VOLVO	VOL.
Stout 08600-35010	41	DC4208	23	R2BT 62 Transporter ..	18	6FBVG 66 Karmann		3BN 63	20
08690-00010		DC4603	39	R2BV 62 Sedan	18	Ghia	40	4TBN 279958/959/960/	
(CSL1102/TM2)	57	DC4606	39	OBG	13	6FBVT 66 Transporter..	40	961 64 Volvo	33
TRIUMPH		DF4870	62	OBT 60 Transporter ...	13	6FBVW 66 Sedan	40	SBN 279958 65	44
R2BT4 0-01000 62	19	ITC4850A-86 DC4850 ...	48	OBV 60 Sedan	13	6FBV3 Type 3	40	6BVO 66 Volvo	39
4TBTR V-350	26	ITC4851A-86 DC4851 ...	48	1BG 61	16	6TMVG 66 Karmann		7BVO Similar to page	
5BTR V-350 65Triumph..	33	ITC4852A-86	53	1BT 61 Transporter ...	16	Ghia	39	146	39
5BTRP V-350DP 65		ITC4852A-86 DC1852 ..	52	1BV 61 Sedan	16	6TMVT 66 Transporter..	39	7BVOX 67 Volvo (EP) ..	54
Triumph	33	ITC4860A-86 DC4860 ...	56	2BG R2BG	18	6TMVW 66 Sedan	39	7FBVOX 67 Volvo	50
5SMTR V-350 65		ITC7008A-07(S808) ...	77	2BT 62 Transporter ...	18	7BVG 67 Karmann		8BVO 68	67
Triumph	34	ITC7804A-86 4DC7804 ..	59	2BV 62 Sedan	18	Ghia	46		
6BTR 66 Triumph	39	MIC4050A-07	72	2FMBG 62 Karmann		7BVT 67 Transporter ..	46	VOXMOBILE	
6SMTR 66 TR-4,Herald		MIC4055A-07	76	Ghia	22	7BVW 67 Sedan	46		
200 and Spitfire 4 ...	51	MIC5056A-96 (DC5056) ..	71	2FMBT 62 Transporter..	22	7BV3 67 Type 3	46	S-4 (Similar to page	
7BTR Similar to page		MID4055A-07	76	2FMBV 62 Sedan	22	7BVXG 67 Karmann		112)	59
125	39	MID5056A-07 (DC5056) ..	71	3TBV 63 Sedan	20	Ghia	44	TR-241	27
7BTRX 67 Triumph	49	SJB7808A-76 4DC7808 ...	62	3TBVG	20	7BVXT 67 Transporter..	44		
7FBTRX 67	53	SJB7810A-76 4DC7810 ..	62	3TBVT 63 Transporter..	20	7BWXW 67 Sedan	44		
7SMTR 67 TR-4, Herald		4DC7008(S-808)	77	4FMBG 64 Karmann		7BVX3 67 Type 3	44		
1200 and Spitfire 4 ..	51	VALIANT (See MoPar)		Ghia	27	7FBVG 67 Karmann			
8BTR 68 GT-6,		VAUXHALL		4FMBT 64 Transporter..	27	Ghia	43	VOXSON	
Spitfire 4, TR-250 ...	64	988946 58	10	4FMBV 64 Sedan	27	7FBVT 67 Transporter..	43		
TRUETONE		VISTA		4TBV 64 Sedan	27	7FBVW 67 Sedan	43	Vanguard 736	15
D4118,B	4	875	36	4TBVG 64 Karmann		7FBV3 67 1600, Type3..	43		
D4320	4	VOLKSWAGEN		Ghia	27	7FBVX(G) Karmann		WARDS RIVERSIDE	
D4320B	4	A7MVF 67 Fastback	47	4TBTVT 64 Transporter..	27	Ghia	49	EMV-16630A	56
D4321,A	4	A7MVG 67 Karmann		4TMVG 64 Karmann		7FBVX(T) Transporter..	49	FMV-16631A	58
D4425B	5	Ghia	47	Ghia	26	7FBVX(W) Sedan	49	FMV-16639A	61
D4426A	5	A7MVS 67 Squareback ..	47	4TMVG 64 Karmann		7FBVX(3) 1600 Type 3..	49		
D4623A	7	A7MVT 67 Transporter..	47	Ghia Serial #50,001		7SMVF 67 Fastback			
D4624A	7	A7MVW 67 Sedan	47	and Higher	29	and Squareback	46		
D4625A	7	PA8MVF 68 Fastback,	47	4TMVT 64 Transporter..	26	7SMVG 67 Karmann			
D4626A	7	Squareback,		4TMVT 64 Transporter		Ghia	46		
D4826A	7	PA8MVG 68 Karmann Ghia,	47	Serial #50,001		7SMVT 67 Transporter..	46		
DC4050	72	PA8MVT 68 Transporter,	47	and Higher	29	7SMWV 67 Sedan	46		
DC4055	76	PA8MVW 68 Sedan,	47	4TMVW 64 Sedan	26	8BVG 68 Karmann Ghia .	58		
DC4200	18	PP8MVF 68 Fastback,	47	4TMVW 64 Sedan Serial		8BVT 68 Type 2	58		
DC4203	26	Squareback,		#50,001 and Higher ...	29	8BVW 68 Sedan	58		
DC4203B	31	PA8MVF 68 Fastback,	47	5FMBG 65 Karmann		8BV3 68 Type 3	58		
DC4203C	35	Squareback,		Ghia	30	8SMVF 68 Fastback,		WHITE	
DC4205B	18	PP8MVG 68 Karmann Ghia,	47	5FMBT 65 VW		Squareback	61		
DC4206B	18	PP8MVT 68 Transporter,	47	Transporter	30	8SMVG 68 Karmann Ghia	61	U6MW, U7MW (891600A)	
		PP8MVW 68 Sedan	67	5FMBV 65 VW Sedan ...	30	8SMVT 68 Transporter .	61	68 Diamond T, Reo,	
				6BVG 66 Karmann		8SMVW 68 Sedan	61	White	67
				Ghia	37	9SMVF/-6 69 Fastback,		W-6234 Truck	20
				6BVT 66 Transporter ..	37	Squareback		USMW 891600 Reo,	
				6BVW 66 Sedan	37	9SMVG/-6 69 Karmann		Diamond T, Autocar	48
				6BV3 66 Type 3		Ghia			
				Vehicles	37	9SMVT/-6 69 Transporter			
						9SMVW/-6 69 Sedan	64		

HOWARD W. SAMS

PHOTOFACT[®] SPECIALIZED SERIES

TAPE RECORDER SERIES



Complete PHOTOFACT[®] coverage of all important late-model Tape Recorders now in easy-to-use volumes. Regular price, \$4.95 per volume—only \$4.65 when purchased on a Standing Order Subscription! Sign up and save 30¢ per volume!

HOME TAPE PLAYER SERIES



Complete PHOTOFACT[®] coverage of all important, late-model Home Tape Players now in easy-to-use volumes. Regular price, \$3.95 per volume—only \$3.65 when purchased on a Standing Order Subscription! Sign up and save 30¢ per volume!

CB RADIO SERIES



Five to six volumes issued yearly for complete PHOTOFACT[®] coverage of all popular CB Radio models. Regular price, \$3.25 per volume—only \$2.95 when purchased on a Standing Order Subscription! Sign up and save 30¢ per volume!

TRANSISTOR RADIO SERIES



Twelve to fifteen volumes issued each year provide complete PHOTOFACT[®] coverage of Transistor Radios. Each volume covers 30 to 40 popular late models. Regular price per volume, \$3.25—only \$2.95 when purchased on a Standing Order Subscription! Sign up and save 30¢ per volume!

MODULAR HI-FI SERIES



Ten to twelve volumes per year brings you complete and up-to-date PHOTOFACT[®] coverage of Modular Hi-Fi and compact stereo equipment. Each volume covers 10 to 15 popular late models. Regular price, \$3.95 per volume—only \$3.65 when purchased on a Standing Order Subscription! Sign up and save 30¢ per volume!



\$3.25
\$4.10 IN CANADA
AR-79

HOWARD W. SAMS & CO., INC.

PHOTOFACT[®] SPECIALIZED SERIES

parts distributor