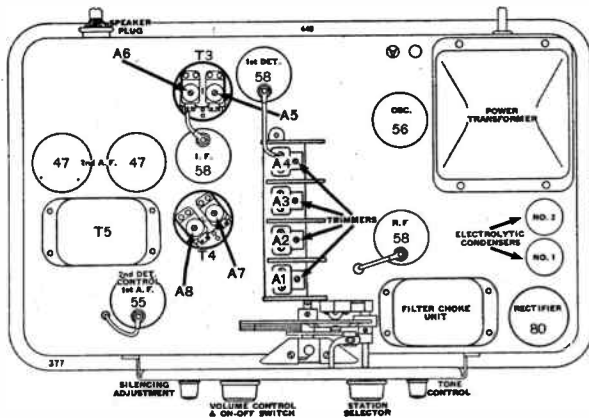


ATWATER KENT RADIO

SERVICE DATA WITH PARTS AND PRICE LISTS FOR

MODELS 155 (1st Type), 246 (2nd. Type), 266, 448, and 555

In Models 155, 246, 266, and 555, the intermediate frequency is 262½ kilocycles.
In Model 448, the intermediate frequency is 130 kilocycles.



TOP VIEW, MODEL 448

GENERAL NOTE

Voltage Readings. In this supplement we have printed the tube voltages on the diagram of each set. These voltage readings were made with the 250-volt scale of a 1000-ohm-per-volt D. C. volt-meter, and with a line supply of 110-volts. The plate, screen and grid voltages are made from the cathode of their respective tube.

Dial Lamps. In early Models 93, 188, 246, 260, 266, 555, 558 469, 480, 612, 627 and 812, the dial lamp voltage is 3.2-V. (No. 19644). In later types of these models, the dial lamp voltage is 2.5-V. (No. 15404), and a No. 31860 1-ohm flexible yellow resistor is connected in series with the lamp.

TABULATED DATA

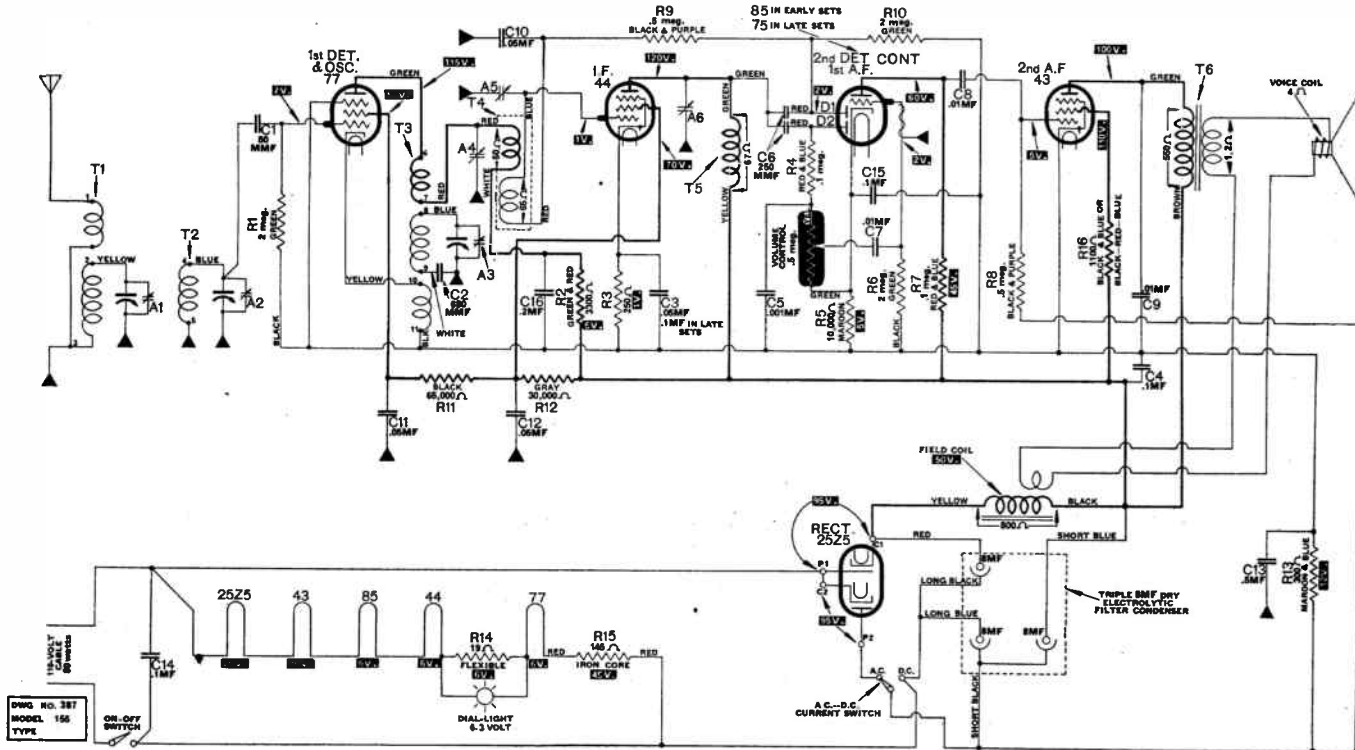
MODEL NUMBER	POWER SUPPLY	PART NO. COMPLETE	PART NO. SPEAKER	TUBES						
				R.F.	1ST DET.	OSC.	I.F.	2nd-DET., A.V.C. AND 1st-A.F.	*2nd-A.F.	RECT.
155	110-V., 25-60 C. 110-V., D. C.	32800	24568	—	77*		44	75*	43	2525
246	110-V., 60 C.	32000	**32300	—	57	56	58	55	47	80
246-W	110-V., 60 C.	33200	**32300							
266	110-V., 60 C.	33300	33400							
448	110-V., 60 C.	32400	28800	58	58	56	58	55	47 (2)	80
448-F	110-V., 25 C.	32500	28800							
555	110-V., 60 C.	32900	24408	—	57		58	55	47	80
636	6-V.	32100	32600	39	36		39	85	41 (2)	—
756	6-V.	32200	32700							
756-B	6-V.	33600	33700							

* In early Model 155, the 1st detector and oscillator tube is type 36., and the 2nd-det.—A.V.C.—1st-A.F. is type '85.
** In late 246, with output transformer mounted on speaker, the speaker is part No 33800.

ATWATER KENT RADIO

MODEL 155, 1st TYPE, Below Serial No. 7086900

For top view, see Page 8



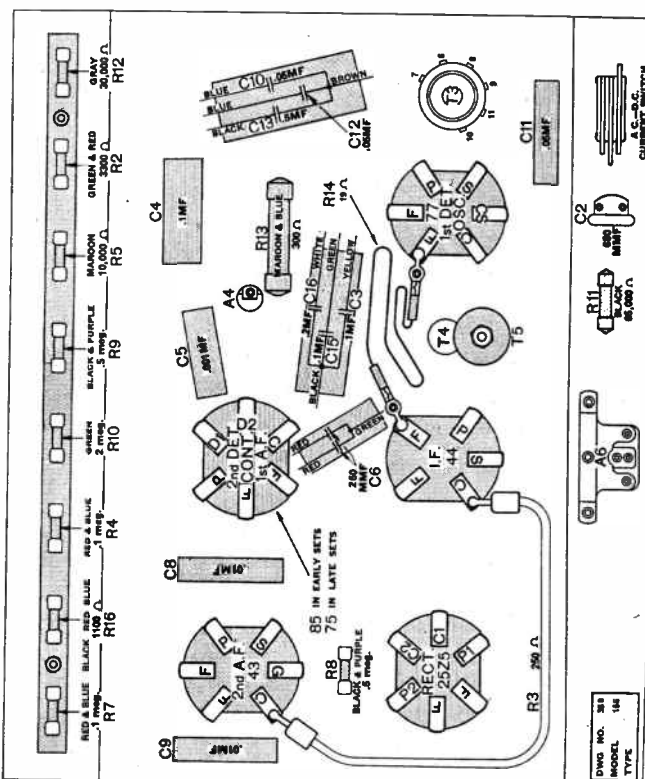
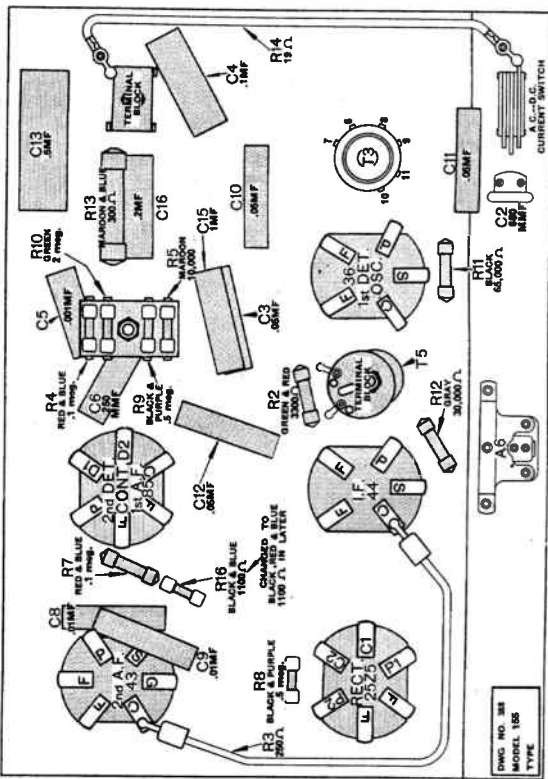
The type 75 tube is not used in any 1st-type Model 155. The 2nd-type 155, which uses the 75 tube, will be described in a later supplement.

The 1st-type of Model 155 was made with three different arrangements of parts under the chassis. The first and third arrangements are shown in the charts below. The second arrangement is similar to the third except that in the second arrangement, condensers C3, C10, C12, C13, C15 and C16 are separate units.

In early 1st-type Model 155, the 1st-detector and oscillator is a type '36 tube.

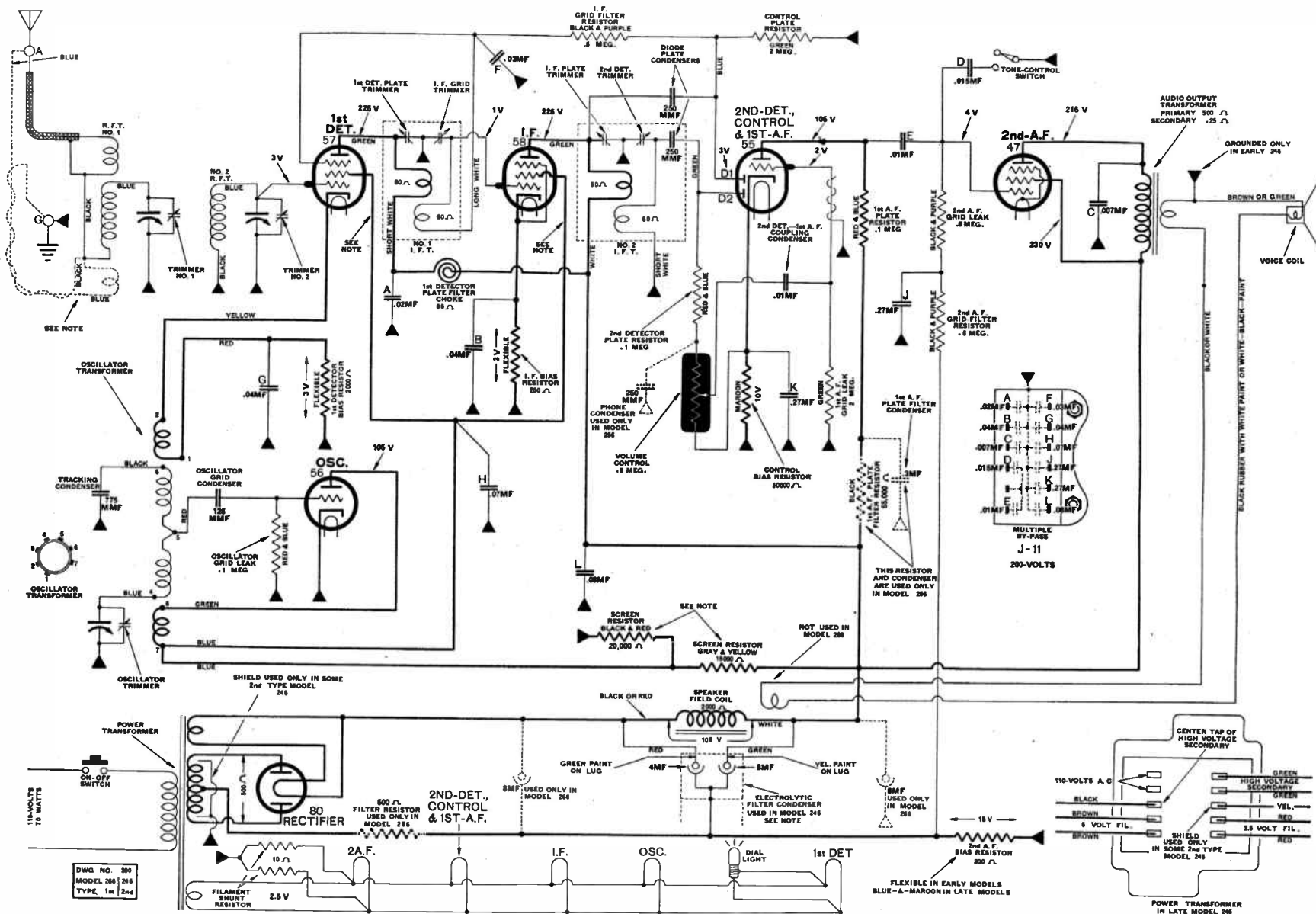
The voltages shown above are for a line supply of 110-volts A.C.

Resistor R1 in the above diagram should be 1 meg, blue and gray.



First arrangement of parts under chassis in 1st-type Model 155.

Third arrangement of parts under chassis in 1st-type Model 155.



MODEL 246 (2nd Type) and MODEL 266

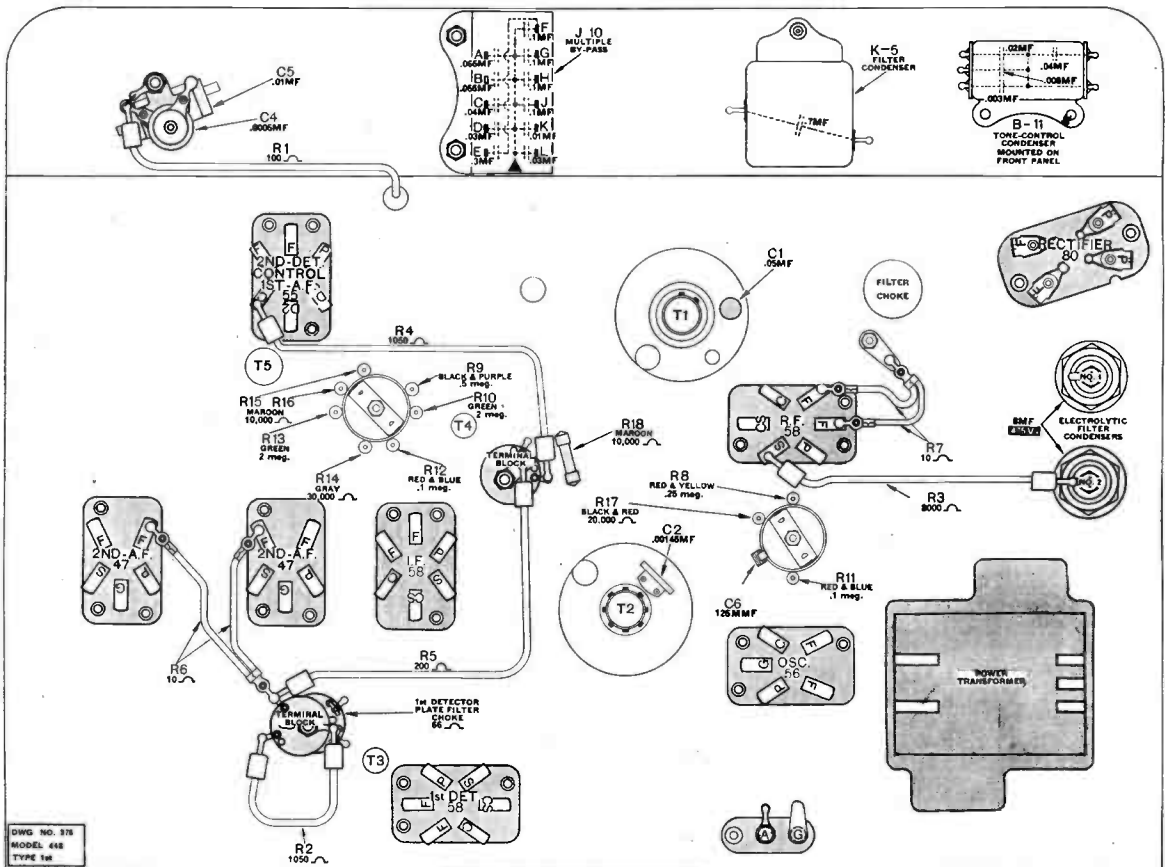
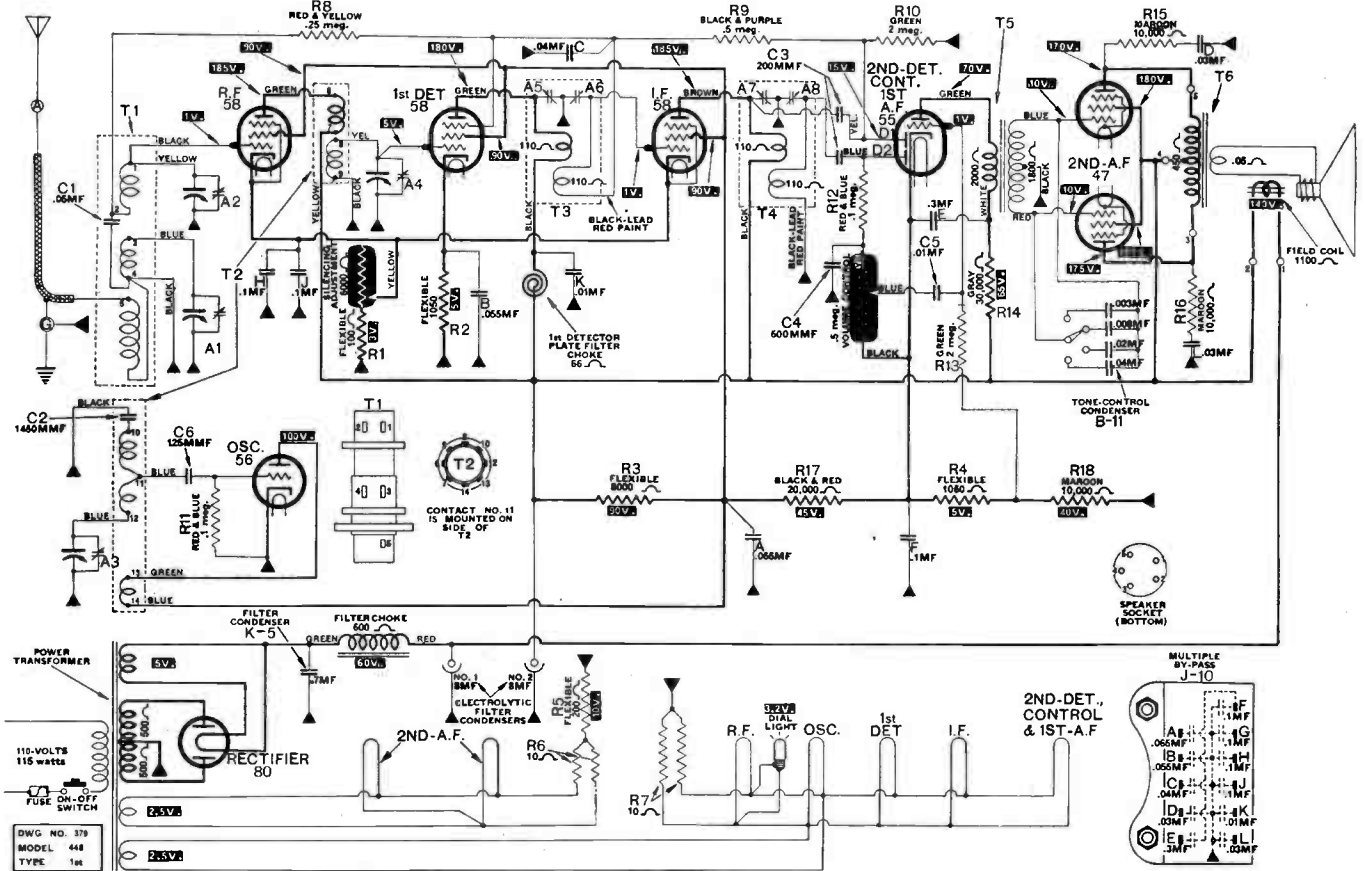
ATWATER KENT RADIO

The black and red screen resistor is used only in late Model 246. In early 246, which does not use the black and red screen resistor, the voltage on the plate of the oscillator and on the screens of the 57 and 58 tubes is about 100 volts, and the drop across the gray and yellow screen resistor is about 145 volts, and the voltage across the gray and yellow screen resistor is about 125 volts. In late 246, the oscillator plate and the 57 and 58 screens about 80 volts also.

The additional primary that is shown in dotted lines on No. 1 R.F.T. is used in some Model 246 and 266 receivers. In all Model 266, and in late Model 246, the output transformer is mounted on the speaker housing, and the connections are slightly different than shown above.

ATWATER KENT RADIO

MODEL 448



ATWATER KENT RADIO

PARTS AND PRICE LIST FOR MODEL 246 No. 32000

For parts not listed below, please order by description or name of part and model number of set.

This parts list for Model 246 supersedes the parts list printed in January, 1933, supplement.

Part No.	Name of Part	List Price	Part No.	Name of Part	List Price
24079	VOLUME CONTROL, complete, less leads (1/2 meg.)	\$.75		FLEXIBLE RESISTORS	
30650	POWER TRANSFORMER	3.75	21030	1st. Detector bias resistor (2000 ohms)	\$.16
*30480	No. 1 R.F. Transformer	1.00	21420	I.F. Bias resistor (250 ohms)	.16
30490	No. 2 R.F. Transformer	1.00	**25840	2nd. A.F. Bias resistor (300 ohms)	.20
30410	No. 1 I.F. Transformer, less trimmers	.75	17077	Filament shunt resistor (10 ohms)	.12
30420	No. 2 I.F. Transformer, less trimmers	.75	31860	Dial Light Resistor (1 ohm)	.17
30440	Oscillator transformer	.70		TUBULAR RESISTORS	
†30660	Output transformer	1.40	20980	Red and blue (1/2 watt) 100,000 Ohms	\$.10
19210	1st. DETECTOR PLATE FILTER CHOKE	.15	20930	Black and purple (1/2 watt) 500,000 Ohms	.10
24099	ELECTROLYTIC FILTER CONDENSER	1.25	20940	Green (1/2 watt) 2,000,000 Ohms	.10
30430	MULTIPLE BY-PASS CONDENSER (J-9) (Used in early models)	1.25	20950	Maroon (1/2 watt) 10,000 Ohms	.10
31340	MULTIPLE BY-PASS CONDENSER (J-11) (Used in late models)	1.25	27220	Gray and yellow (1 1/2 watt) 15,000 Ohms	.20
	SMALL FIXED CONDENSERS		**31490	Blue and maroon (1 1/2 watt) 300 Ohms	.20
26670	Oscillator grid condenser (125MMF)	.25	15891	Black and red (1 watt) 20,000 Ohms	.15
30240	Diode plate condenser (250MMF)	.15		MISCELLANEOUS PARTS	
27630	2nd. Det.-1st. A.F. Coupling condenser (.01 MF)	.20	24135	Instruction and log card F-1040	Net .01
30580	Tracking condenser (775 MMF)	.35	24227	Shipping container	Net .25
				SPEAKER PARTS	
			21161	Diaphragm	1.05
			18870	Field coil	1.25

†In Model 246 sets, above Serial No. 4901041, the output transformer is mounted on the speaker. The part number of this transformer is 21672, list price \$1.25.

*In some Model 246 and 266 sets, the No. 1 R.F. Transformer has an extra antenna winding. The part number of this transformer is 31820. List price \$1.00.

**No. 25840 Flexible resistor is used in early Model 246. In the late Model 246 it is replaced by No. 31490 Tubular resistor.

PARTS AND PRICE LIST FOR MODEL 448 No. 32400

Part No.	Name of Part	List Price	Dia. Code No.	Part No.	Value	List Price
23228	VOLUME CONTROL, complete less leads	\$.75		C-1	26820 .05 MF	\$.20
21530	TONE CONTROL CONDENSER (B-11)	.65		C-2	26690 1450 MMF	.35
24711	SILENCING ADJUSTMENT	.85		C-3	30240 250 MMF (2 used)	.15
28680	POWER TRANSFORMER	4.75		C-4	17440 .0005 MF	.15
30910	FILTER CHOKE UNIT	1.55		C-5	23250 .01 MF	.31
19210	1st. DETECTOR PLATE FILTER CHOKE	.15		R-1	20040 100 Ohms	.17
22538	ELECTROLYTIC FILTER CONDENSER NO. 1	1.00		R-2	16320 1050 Ohms	.15
22538	ELECTROLYTIC FILTER CONDENSER NO. 2	1.00		R-3	24340 8000 Ohms	.21
26620	FILTER CONDENSER (K-5) paper and foil	.75		R-4	16320 1050 Ohms	.15
30720	MULTIPLE BY-PASS CONDENSER (J-10)	1.25		R-5	25950 200 Ohms	.17
18534	LINE FUSE	.03		R-6	17077 10 Ohms	.12
24211	INSTRUCTION AND LOG CARD F-1041	Net .01		R-7	17077 10 Ohms	.12
24712	PANEL CARD F-1055	Net .02			31860 1 Ohm, dial light resistor (late sets)	.17
	TUBULAR RESISTORS (1/2 Watt)					
Dia. Code No.	Part No.	Color	Value	List Price		
R-8	20920	Red-yellow	250,000 Ohms	\$.10		
R-9	20930	Black-purple	500,000 Ohms	.10		
R-10	20940	Green	2,000,000 Ohms	.10		
R-11	20980	Red-blue	100,000 Ohms	.10		
R-12	20980	Red-blue	100,000 Ohms	.10		
R-13	20940	Green	2,000,000 Ohms	.10		
R-14	20970	Gray	30,000 Ohms	.10		
R-15	20950	Maroon	10,000 Ohms	.10		
R-16	20950	Maroon	10,000 Ohms	.10		
R-17	23120	Red-black	20,000 Ohms	.10		
R-18	20950	Maroon	10,000 Ohms	.10		
					TRANSFORMERS	
Dia. Code No.	Part No.	Description	List Price			
T-1	28480	No. 1 R.F. Transformer	\$.100			
T-2	30810	No. 2 R.F. Transformer and oscillator	1.00			
T-3	23356	No. 1 I.F. Transformer, less trimmers	.75			
T-4	22059	No. 2 I.F. Transformer, less trimmers	.75			
T-5	30920	Audio transformer unit	1.85			
T-6	21693	Output transformer, less case	1.50			

No. 2880 TYPE 380 SPEAKER USED IN MODEL 448

Part No.	Name of Part	List Price	Part No.	Name of Part	List Price
20737	Diaphragm	\$ 1.25	20657	Cable and plug assembly	\$.65
21260	Field coil	1.25			

THESE PRICES SUPERSEDE ALL PREVIOUS PRICES AND ARE SUBJECT TO CHANGE WITHOUT NOTICE.

ATWATER KENT RADIO

PARTS AND PRICE LIST FOR MODEL 266 No. 33300

NOTE: All parts not listed below are the same as used on Model 246.

Part No.	Name of Part	List Price	Part No.	Name of Part	List Price
31740*	POWER TRANSFORMER.....	\$ 3.85			
21672	OUTPUT TRANSFORMER, less case.....	1.25			
22538	ELECTROLYTIC FILTER CONDENSER (8 MF).....	1.00	30240	Phone condenser (250 MMF).....	\$.15
31340	MULTIPLE BY-PASS CONDENSER (J-11).....	1.25	31150	1st-A.F. Plate filter condenser (.3 MF).....	.25
27930	FILTER RESISTOR (500 ohms).....	.30			
24695	INSTRUCTION AND LOG CARD F-1053.....	Net .01			
				TUBULAR RESISTORS	
			31490	Blue and maroon (1½ watts).....	300 Ohms..... .20
			21040	Black (½ watt).....	65,000 Ohms..... .10

*In late type 266, the power transformer is mounted vertically. The part number of the late-type power transformer, less covers, is 24972, list price, \$3.85.

No. 33400 SPEAKER USED IN MODEL 266

Part No.	Name of Part	List Price	Part No.	Name of Part	List Price
19465	Diaphragm.....	\$ 1.05	21672	Output transformer.....	\$ 1.25
18870	Field coil.....	1.25	19789	Cable and plug assembly.....	.65

PARTS AND PRICE LIST FOR 1st TYPE, MODEL 155, No. 32800

Below Serial No. 7086900

For parts not listed below, please order by description or name of part and model number of set.

Part No.	Name of Part	List Price	Part No.	Name of Part	List Price
24293	Volume control, complete, less leads, .5 meg.....	\$.75			
24722	Cabinet, complete.....	3.50			
24602	Triple dry electrolytic condenser 8, 8, 8 MF, 150 V.....	1.50			

Dia. Code No.	Part No.	Description	List Price
T-1	31460	No. 1 R.F. Transformer.....	\$ 1.00
T-2	31470	No. 2 R.F. Transformer.....	1.00
T-3	31450	Oscillator Transformer.....	.70
T-4	31790	No. 1 I.F. Transformer.....	.65
T-5	31780	No. 2 I.F. Transformer.....	.35
T-6	24897	Output transformer.....	.85

Dia. Code No.	Part No.	Value	List Price
R-3	31830	250 Ohms (Flexible).....	\$.17
R-14	16610	19 Ohms (Flexible).....	.15
R-15	31690	145 Ohms (Wire-wound).....	.30

Dia. Code No.	Part No.	Color	Value	List Price
R-1	30360	Blue-gray.....	1,000,000 Ohms—1/3 watt.....	\$.10
R-2	30380	Red-green.....	3,300 Ohms—1/3 watt.....	.10
R-4	30340	Red-blue.....	100,000 Ohms—1/3 watt.....	.10
R-5	30320	Maroon.....	10,000 Ohms—1/3 watt.....	.10
R-6	30370	Green.....	2,000,000 Ohms—1/3 watt.....	.10
R-7	30340	Red-blue.....	100,000 Ohms—1/3 watt.....	.10
R-8	30350	Black-purple.....	500,000 Ohms—1/3 watt.....	.10
R-9	30350	Black-purple.....	500,000 Ohms—1/3 watt.....	.10
R-10	30370	Green.....	2,000,000 Ohms—1/3 watt.....	.10
R-11	21040	Black.....	65,000 Ohms—½ watt.....	.10
R-12	31840	Gray.....	30,000 Ohms—1/3 watt.....	.10
R-13	31490	Maroon-blue.....	300 Ohms—1½ watt.....	.20
R-16	31480	Blue-red-black.....	1,100 Ohms—1/3 watt.....	.10

Part No.	Name of Part	List Price
	No. 24568 SPEAKER USED IN MODEL 155	
24568	Speaker, complete.....	\$ 3.25
24897	Output transformer (T-6).....	.85
24896	Field coil.....	.85
24895	Cone assembly.....	1.30

Part No.	Name of Part	List Price
	MISCELLANEOUS PARTS*	
24665	Instruction and log card, F-1052.....	Net .01
24733	110 V. cable and plug.....	.60
24727	Antenna lead (30 feet).....	.75
24278	Knob for volume control or station selector.....	.10

Dia. Code No.	Part No.	Value	List Price
C-1	30260	50 MMF, letter E stamped on washer.....	\$.15
C-2	31180	680 MMF, 100 Volts.....	.35
C-3*	31160	.05 MF, 100 Volts.....	.25
C-4	26660	.1 MF, 200 Volts.....	.25
C-5	31540	.001 MF, 200 Volts.....	.22
C-6	31140	250 MMF (double) 200 Volts.....	.20
C-7	23250	.01 MF, 450 Volts.....	.31
C-8	27630	.01 MF, 200 Volts.....	.20
C-9	27630	.01 MF, 200 Volts.....	.20
C-10**	31160	.05 MF, 100 Volts.....	.25
C-11	31160	.05 MF, 100 Volts.....	.25
C-12**	31160	.05 MF, 100 Volts.....	.25
C-13**	31510	.5 MF, 100 Volts.....	.32
C-14	26660	.1 MF, 200 Volts.....	.25
C-15*	31530	.1 MF, 100 Volts.....	.22
C-16*	31520	.2 MF, 100 Volts.....	.25

*In late 155, C-3, C-15 and C-16, are incorporated in a three-condenser unit, Part No. 31910, List Price, \$.40.

**In late 155, C-10, C-12 and C-13, are incorporated in a three-condenser unit, Part No. 31890, List Price, \$.45.

THESE PRICES SUPERSEDE ALL PREVIOUS PRICES AND ARE SUBJECT TO CHANGE WITHOUT NOTICE.

PARTS AND PRICE LIST FOR MODEL 555, No. 32900

For parts not listed below, please order by description or name of part and model number of set.

Part No.	Name of Part	List Price
24293	Volume control, complete, less leads, .5 meg.	\$.75
24403	Electrolytic filter condenser (4 and 8 MF), 450 V.	1.25
24558	Cabinet, complete.	6.50

Dia. Code No.	Part No.	Description	List Price
TRANSFORMERS			
—	24438	Power transformer	\$ 2.95
T-1	31090	R.F. transformer	1.00
T-2	31110	Oscillator transformer	1.00
T-3	31390	No. 1 I.F. transformer	.75
T-4	31380	No. 2 I.F. transformer	.45
T-5	24901	Output transformer	1.00

FLEXIBLE RESISTORS			
R-2	28950	160 ohms	.17
R-12	17077	10 ohms	.12
R-13*	25840	300 ohms	.20
	31860	1 ohm dial light resistor (late sets)	.17
*(In late 555, R-13 is No. 31490, maroon and blue, 300 ohms).			

TUBULAR RESISTORS			
R-1	30350	Black and purple, .5 meg., 1/3 watt.	.10
R-3	30350	Black and purple, .5 meg., 1/3 watt.	.10
R-4	16724	White, 40,000 ohms, 1 watt.	.15
R-5	30320	Maroon, 10,000 ohms, 1/3 watt.	.10
R-6	30370	Green, 2 meg., 1/3 watt.	.10
R-7	30340	Red and blue, .1 meg., 1/3 watt.	.10
R-8	30340	Red and blue, .1 meg., 1/3 watt.	.10
R-9	30370	Green, 2 meg., 1/3 watt.	.10
R-10	30350	Black and purple, .5 meg., 1/3 watt.	.10
R-11	30350	Black and purple, .5 meg., 1/3 watt.	.10
R-14	30380	Red and green, 3300 ohms, 1/3 watt.	.10
(R-14 not used in early 555.)			

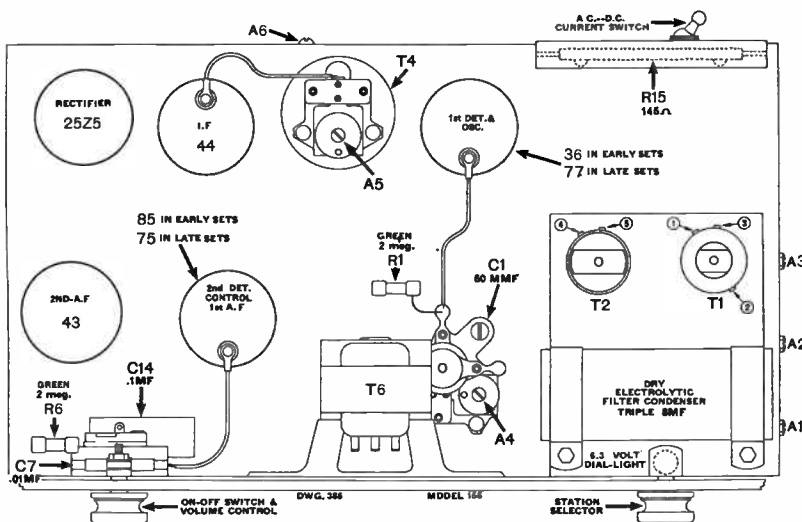
Dia. Code No.	Part No.	Description	List Price
FIXED CONDENSERS			
C-1	30260	50 MMF, 450-volts.	\$.15
C-2	31180	680 MMF, 100-volts.	.35
C-3	29530	.03 MF, 200-volts.	.20
C-4	26820	.05 MF, 200-volts.	.20
C-5	26670	125 MMF, 500-volts.	.25
C-6	31160	.05 MF, 100-volts.	.25
C-7	31150	.3 MF, 100-volts.	.25
C-8	27630	.01 MF, 200-volts.	.20
C-9	30240	250 MMF, 200 volts.	.15
(C-9 is not used in late Model 555.)			
C-10	31140	250 MMF (double), 200-volts.	.20
C-11	27630	.01 MF, 200-volts.	.20
C-12	31150	.3 MF, 100-volts.	.25
C-13	29530	.03 MF, 200-volts.	.20
(In late 555, C-13 is No. 27630, .01 MF, 200-volts, list price, \$.20.)			
C-14	26660	.1 MF, 200-volts.	.25
C-15	28040	.005 MF, 200-volts.	.20
(C-14 and C-15 are not used in late 555.)			
C-16	29030	.02 MF, 450-volts.	.20
(C-16 is not used in early 555.)			

MISCELLANEOUS PARTS		
Part No.	Description	List Price
24457	Instruction and log card (F-1045)	Net \$.01
24656	Antenna lead (20 feet)	.60
24651	Ground lead (8 feet)	.15
24649	110-volt cable	.60
24278	Knob for volume control or station selector	.10

NO. 24408 SPEAKER USED IN MODEL 555

24408	Speaker, complete, less dial light assembly	4.25
24901	Output transformer (T-5)	1.00
24899	Field coil	1.00
24898	Cone assembly	2.00

TOP VIEW OF MODEL 155



Resistor R1 in the above diagram should be 1 meg, blue and gray.

THESE PRICES SUPERSEDE ALL PREVIOUS PRICES AND ARE SUBJECT TO CHANGE WITHOUT NOTICE.