

HOBBIES WEEKLY

IN THIS ISSUE

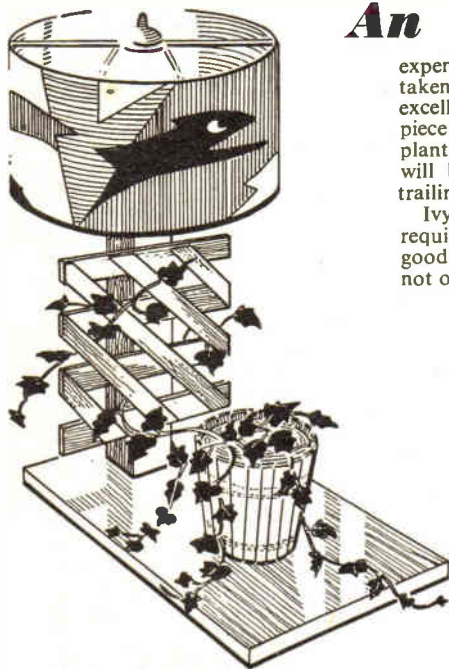
	Page
Electric Lamp Plant Stand	145
A Beam Scale for Chemicals	146
Father Christmas Money Box	147
An Occasional Table	148
Keeping Mice as a Hobby	148
Supplementary Lenses, Filters and Lens Hoods	149
Money Box Patterns	150
Using the Tenon Saw	150
A Frying-Pan Clock	151
A High-performance Sledge-Ship Modeller's Corner	152
Contemporary Coffee Table	153
Stamp Collector's Corner	154
Replies to Readers	156
Try These Joints	159



DECEMBER 14th 1955

VOL. 121

NUMBER 317



An idea with a twin appeal

expensive one. A piece of common ivy taken from the garden will make an excellent trailing plant in time. Find a piece with a few roots attached and plant it in a 3½ins. pot. In the spring it will branch out to form a neat little trailing plant.

Ivy plants are easy to manage, but require fairly frequent watering. One good point about them is that they do not object to partial shade. They can be

Secure the column to the base by means of screws driven from under the base. The top, in which is bored the hole for the nipple, is glued in place and secured by fretpins.

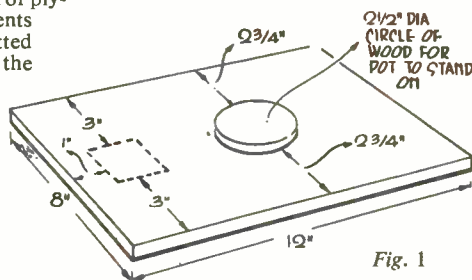
To the front of the column is glued and pinned the trellis which is made up as shown in Fig. 3 from ½in. by ½in. stripwood. The stripwood should be pinned together and the ends of the pins turned over. ●Continued overleaf

ELECTRIC LAMP PLANT STAND

kept in the same pot for several years if an occasional dose of liquid manure is given.

Commence by making the base from a piece of ½in. wood or plywood to the measurements shown in Fig. 1. The dotted lines show the position of the lamp support.

Fig. 2 shows how to make up the column which supports the lampshade. Make it from four pieces of ½in. wood to the measurements indicated. Cut a slot in the bottom of one piece to allow the flex to pass through to the lamp holder.



THIS novelty electric lamp has lots of appeal. The plant will revel in the extra light provided and the leaves of the plant will look particularly attractive on the little trellis support.

There are several kinds which can be used in conjunction with the plant stand, but there is no need to buy an

Fig. 1

All correspondence should be addressed to The Editor, Hobbies Weekly, Dereham, Norfolk

For Modellers, Fretworkers
and Home Craftsmen



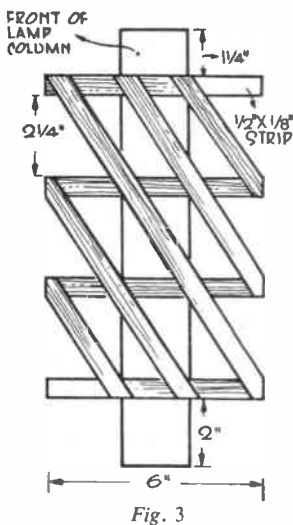
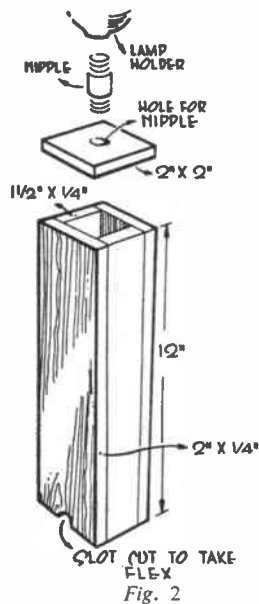


Fig. 3

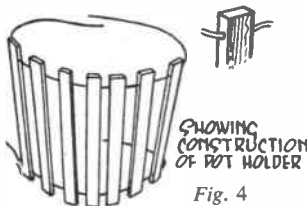


Fig. 4

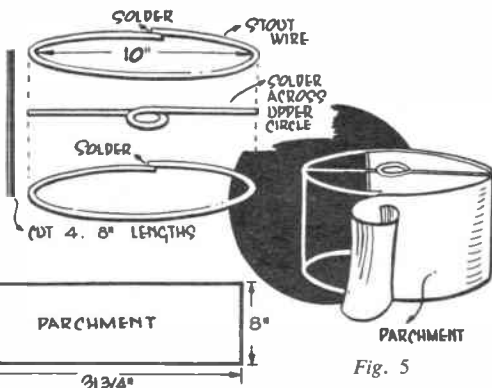


Fig. 5

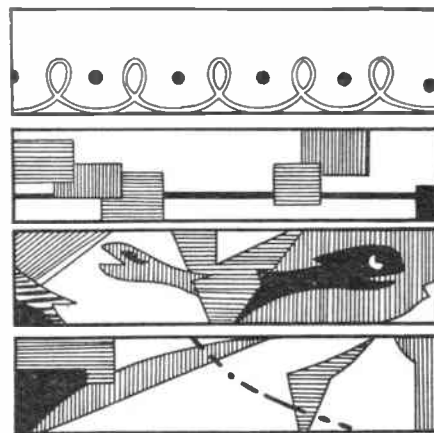


Fig. 6

The flower pot holder is made from $\frac{1}{2}$ in. by $\frac{1}{8}$ in. stripwood, cut into equal lengths slightly longer than the pot. Bore holes in the pieces of stripwood and thread them together as shown in Fig. 4.

The shade is made up from wire and parchment (Fig. 5). Solder the pieces of wire together and wrap the parchment round. It is secured by plastic thonging.

Contemporary or orthodox designs may be chosen for decorating the shade. A selection of designs can be seen in Fig. 6.

If you prefer to use Crinothene you

can obtain this from Hobbies Ltd., Dereham, Norfolk. Remember that it is not so easy to paint as the parchment.

The bulb holder and support should be purchased locally. It would be wise

to obtain these first before making the framework for the shade. Any adjustments to the frame can then be made.

(M.h.)

A Beam Scale for Weighing Chemicals

A SIMPLE balance for weighing chemicals to make up your own printing developers is easy to construct.

Here a piece of $\frac{1}{2}$ in. square section 9 ins. long is half jointed at the centre with a piece 2 ins. long (Fig. 2). A cocoa tin lid is fastened at each end of the beam

by S. H. Longbottom

first arc. The point of intersection gives the centre.

The beam is balanced on two gramophone needles fitted through the hardboard baseboard measuring 10 ins. by

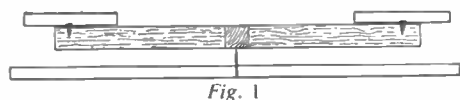


Fig. 1

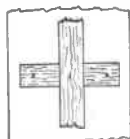


Fig. 2

by means of a centre screw.

To find the centre of the lids measure the diameter with a pair of dividers. Divide this measurement by 2, adjust the dividers to this measurement, place one leg on the circumference and make an arc. At another point on the circumference (approximately a quarter of the way round) repeat, bisecting the

3 ins. (Fig. 1). Small holes should be drilled to fix the needles to coincide with the cross-piece which pivots on the points. The cross-piece should have a fine centre line scored with a marking gauge to determine the correct centre.

Use ordinary coins as weights.

The following table shows how ordinary coins may be used for weights:

Half Crown	$\frac{1}{2}$ oz.	Florin	176 grains
Shilling	88 grains	Sixpence	44 grains
Threepenny piece (silver)			22 grains
Penny			145.8 grains
Halfpenny			87.5 grains
Farthing			43.75 grains

Any adjustment to the balance after assembly is remedied by either filing away a little wood from the heavy end or adding a little solder to the lighter pan.

A watch glass should be used in each pan for holding the chemicals and weights.

For the Kiddies

Father Christmas Money Box

By

T. S. Richmond Jnr.



Fig. 1

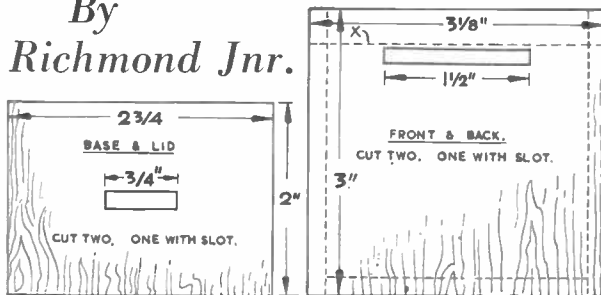


Fig. 2

THIS novel money box will make a pleasing Christmas gift for any youngster. Fig. 1 shows the finished article, while the inset picture shows how Santa is raised from his chimney before inserting a coin in the slot provided at the front.

Cut out all the parts shown in Figs. 2 and 3 from $\frac{1}{8}$ in. wood, with the exception of the two blocks (A) and (B), which are $\frac{3}{8}$ in. thick. The front, back, and sides of the box are glued and nailed together around the base. Glue the figure into the slot cut in the lid. The edges of the lid are glasspapered down, so that it just fits inside the box.

Fig. 3 shows how block B is glued to the hand of the figure. It has a hole through it, so that it may slide freely up and down a dowel rod. This rod is $5\frac{1}{2}$ ins. long and is glued firmly through a hole in block A, the latter then being screwed to the outside of the box.

A simple X-shape television aerial is

made from bits of wire, and bound securely with strong thread or thin wire to the top of the rod. When the hand of the figure is brought up to this, the slot in the front of the box should be clear for the insertion of coins.

See other patterns on page 150

The figure should be painted with enamels, and the box covered with red brick paper, obtainable from Hobbies Ltd., Dereham, at 6d. per sheet. Strips of thin wood are glued around the top edge of the box (X), and painted white. The aerial and rod may be painted silver. To protect the brick paper, the sides should be varnished. It will be obvious to the maker that to empty the box when full, simply means unscrewing block A, but don't tell the child that!

Make Leisure a Pleasure with



THE POPULAR A1
In great demand
A real bargain **35/-**

Hobbies 1956 Handbook is the answer to those who are looking for ideas and inspiration. Get it NOW!

If you are a practical man yourself, you will know the value of a good set of tools—such as the fretwork outfits made by Hobbies Ltd. And if you have a youngster whom you would like to start on the road towards enjoying the thrill and pleasure to be obtained from "Do-it-yourself" jobs—then a Hobbies Fretwork Outfit will make the IDEAL GIFT AT CHRISTMAS.

Man or boy, you cannot go wrong with a Hobbies Outfit. Obtainable at stockists, branches or direct (see coupon). Prices range from 13/6 to 62/6. Details in free booklet.

To: HOBBIES LTD., DEPT. 993, DEREHAM, NORFOLK
Please send free 20-page booklet, name of nearest stockist and items marked thus *

Crown Outfit 21/- (post free) A1 Outfit 35/- (post free)
 1956 Handbook 2/3 (post free)

NAME

ADDRESS

.....



THE CROWN
Excellent Value A "Gift" at **21/-**

AN OCCASIONAL TABLE

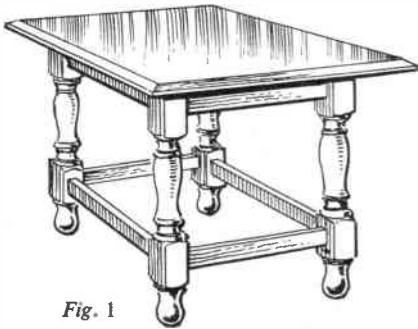


Fig. 1

THE little table described here would be ideal for tea round the fireside, or for use when playing card games, etc.

The wood for the table should be carefully chosen, and that and the legs (No. 507) which may be obtained from Hobbies should be stained to match other articles of furniture in the room. The table top may be perfectly square or, if preferred, the corners may be taken off as the half-plan in Fig. 2 shows.

The legs are 18ins. long and 1½ins. square, they should be trimmed square at the top if it is found that they are not accurate when placed squarely together on bench or table. A tenon saw will do this work admirably. Fig. 3 shows the table in outline with all necessary

measurements given, and showing how the eight rails are tenoned into the legs.

There are four rails 14ins. by 2½ins., and four 14ins. by 1½ins., and all are ¾in. thick. The mortises are cut in as in Fig. 4. They enter the legs to a depth of ¼in. Each set of four rails should be accurately cut to length, then laid side by side and the tenons marked with a try square across all four. This should assure an accurate fitting and a square leg frame.

There are two helpful details of both top and bottom set of rails in Fig. 5. Note how the rails are shouldered to the

legs (see Fig. 2 and the large detail Fig. 4). The work should be cramped up tightly while the glue is hardening.

The table top is 20ins. square and the edges may be improved by planing a ¼in. wide chamfer all round as shown. Carefully space the top on the legs and fix it to the rails by means of eight wood blocks about 3ins. long and ¼in. square glued and screwed on inside. Finally clean up all the woodwork and lightly glasspaper again after the stain has been applied, and before the wax polishing is carried out.

(S.W.C.)

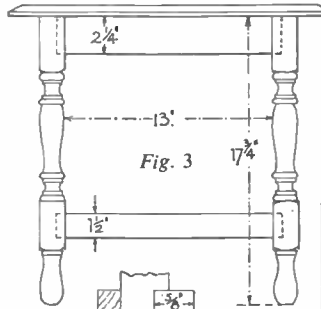


Fig. 3

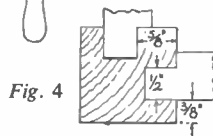


Fig. 4

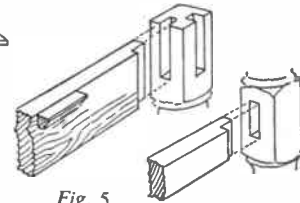


Fig. 5

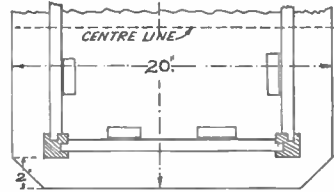


Fig. 2

KEEPING MICE AS A HOBBY

FANCY mice make very interesting pets. They are inexpensive and are easy to manage. For young folk with limited cash or who have not much accommodation for housing pets, mice provide an outlet for their interest at small cost. It is also possible for the hobbyist to make a yearly profit out of mice keeping, after he has had some experience.

Several points should be borne in mind. Buy good stock to start with; provide suitable housing and correct feeding for your pets; be ready and willing to expend care upon them. You cannot expect to do well with pets of any kind unless you are prepared to spend some time daily over their welfare. A certain amount of thought and attention is called for; there must be no neglect.

Even if your pets are not intended for exhibition, they still require proper attention. You can, if you have the ground available, build a mousery—a proper shed made of suitable timber,

about 6ft. by 4ft. 6ins. or 5ft., and some 6ft. high, with a door at one end and a window that will open at the other. It should be built on bricks, or otherwise raised from the ground, in order to ensure good ventilation and to keep it free from wet and damp. The boxes or cages for your pets are arranged around the interior of the building on shelves, well spaced. Use your own judgment, but don't overcrowd. The roof should be felted and made rainproof.

General Management

Such a shed is very useful, for you can store in it bags of hay and sawdust, for bedding, and tins or other suitable receptacles for holding food. An old table or a large box turned upside down, placed under the window, is useful when feeding your pets, cleaning out cages, etc.

Damp and draughts are fatal to fancy mice; house them in dry places free from all draughts, or at least as free as possible. Cleanliness is another factor to bear in mind if you would keep your

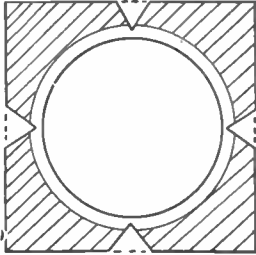
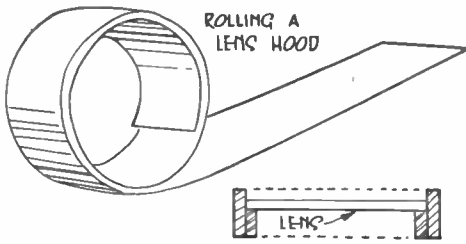
pets healthy. Occasionally wash out each cage and disinfect it. You can have a spare cage by you to accommodate the mice while their regular house is being dealt with. See that it is thoroughly dry before returning the mice to it.

Sawdust is good for bedding, also hay, provided it is clean and not damp. Sawdust in the run, and nice sweet hay in the sleeping compartment, ensure healthy conditions. By keeping the cage or cages perfectly clean by attending to them regularly, there will be little or no smell. Regular cleaning-out is the key to the elimination of any nuisance of this kind.

Some people feed them once a day, chiefly at evening; some feed morning and evening. Whichever you do, try and stick to a regular time. For adult stock give whole oats and a little wheat, with seeds such as white millet and a little linseed. For soft food give soaked stale bread and milk. Young mice do well on oatmeal, Quaker Oats and similar food. Keep all feeding-pots clean.

(A.S.)

SUPPLEMENTARY LENSES, FILTERS AND LENS HOODS



FILTERS aid colour interpretation; lens hoods produce brighter pictures, while supplementary lenses allow close-ups to be taken. Although these can be purchased, it is much cheaper and just as effective to make one's own lens or hoods and holders. They are easily made by using pliable cardboard of similar gauge to postcards. The only tools required are scissors and glue.

To make a filter holder cut a few long strips of cardboard about $\frac{1}{2}$ in. wide, fitting one of these round the lens barrel to determine the circumference. Mark the point of overlap. The strip is then coated with glue from this point, joined and rolled from the inside until a

complete circle is made. Add another strip to form a reasonably solid component. A bottle of similar diameter may be helpful as a former whilst rolling.

The inside should be treated with dead black paint or a piece of black passe-partout binding. When dry the shallow tube is rubbed on a piece of fine glasspaper laid on a level surface to smooth the edges. To attach a gelatine filter proceed as follows. Lay the filter on a flat clean surface, placing the holder on top. Scribe round the holder lightly with a pencil, cutting out V shapes at four points as shown in the diagram. This allows for any expansion. Smear nail varnish, chinafix, or amyl acetate on one of the levelled edges of the holder, place on the filter again with a heavy weight on top to apply pressure while drying.

A hood is made in a similar manner, but by using strips slightly wider, approximately 1 in. Add as many strips as required to give a fairly rigid holder. Note that a tight fitting may be remedied by making one or two incisions on the edge to fit on the lens; or a slack fitting remedied by an additional strip inside.

A supplementary lens holder is made in the same fashion, but an additional narrow strip should be fixed inside as a rim for the lens. Usually a friendly optician will cut a lens to fit the mount you make. Ask for a lens of 1 or 2 diopter, according to your wishes. The 1 diopter will prove the most useful, but the 2 diopter allows closer approach to the subject. The following list gives details of the various distances in relation to the focusing scale on your camera. Note that your measurements must be exact to produce sharp pictures, and they are made from the subject to the supplementary lens itself.

Distance on camera focusing scale	Distance between subject and lens	
	Diopters	
	1	2
3ft.	1" 7s	12 $\frac{1}{2}$ s
4ft.	1" 9 $\frac{1}{2}$ s	1' 2s
5ft.	1" 11 $\frac{1}{2}$ s	1' 2 $\frac{1}{2}$ s
6ft.	2" 1 $\frac{1}{2}$ s	1' 3 $\frac{1}{2}$ s
8ft.	2" 4s	1' 4 $\frac{1}{2}$ s
10ft.	2" 5 $\frac{1}{2}$ s	1' 5s
25ft.	2" 11s	1' 6 $\frac{1}{2}$ s
Infinity	3" 3 $\frac{1}{2}$ s	1' 7 $\frac{1}{2}$ s

... and details to make a Lighting Standard

SOME form of lighting standard is essential for use in conjunction with photoflood lamps for indoor photography. These may be of simple construction, but to avoid overbalancing a solid base is necessary.

Fitting Shoulder

In the arrangement shown a piece of 1 in. shelving 9 ins. square forms the base with 6 ft. of $\frac{3}{4}$ in. square strip wood for the stem. The latter may be fitted direct to the base, but a firmer way is to drill a round hole into the base shaping the square hole to fit, the shoulder thus made fitting on to the base. The stem may be pinned and glued as necessary. Rubber buffers at each corner complete this part.

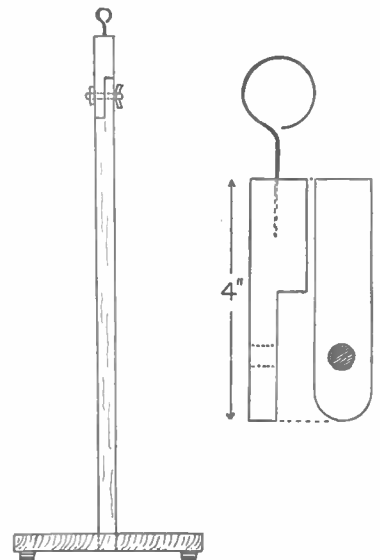
A half joint is made at the head of the stem and rounded off. The accompany-

ing part is similarly jointed and rounded to give free movement to the knuckle. To the latter a piece of stiff flexible wire is shaped to take the lampholder, one end being filed to a point and fixed into the wood which has been pierced with a gimlet. A lampholder should be used to form the correct size of this wire and the straight part should be 2 ins. long to allow for the reflector.

Angle Adjustment

A hole is drilled through the completed joint to take a $\frac{3}{4}$ in. bolt and wing nut, allowing the light to be adjusted to any required angle.

If twin lights are required a horizontal piece may be fitted to the top of the knuckle joint, wires being fixed at each end of this cross-piece.



MONEY BOX PATTERNS

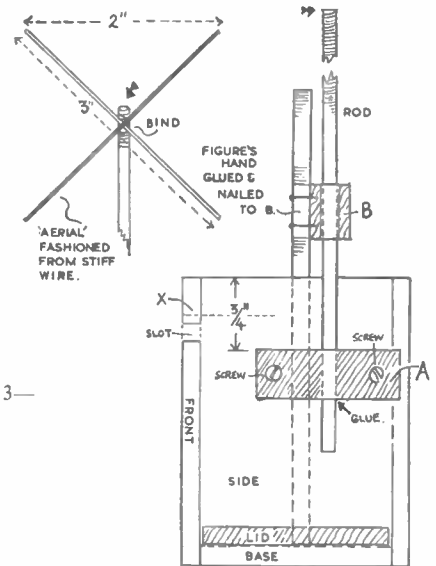
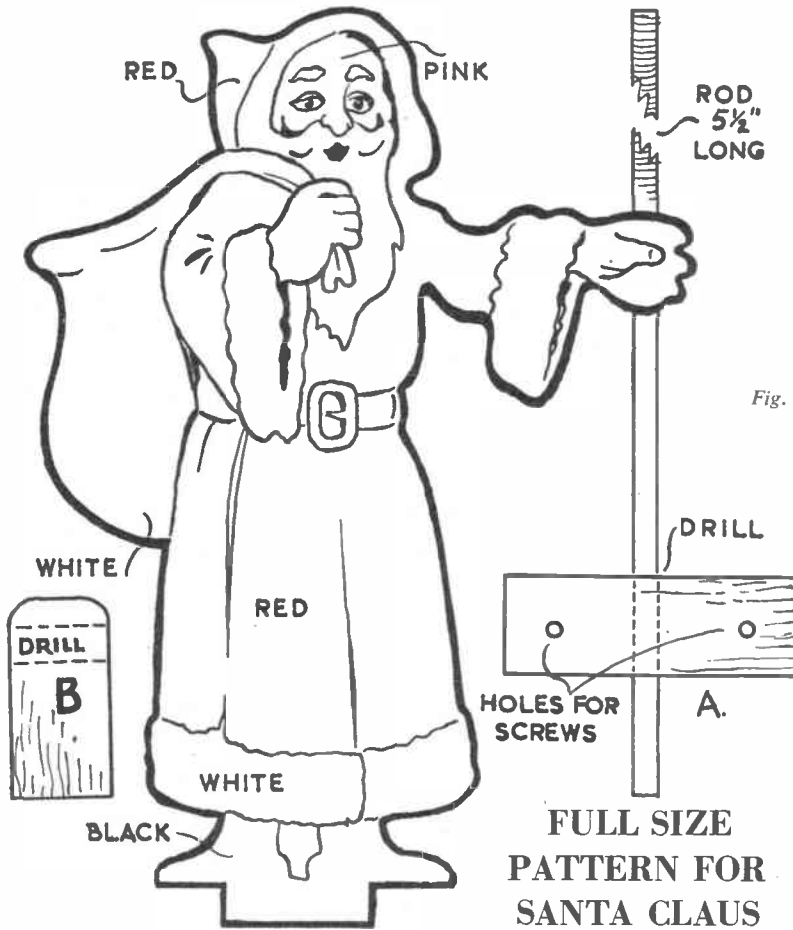
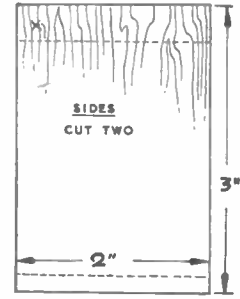


Fig. 3—



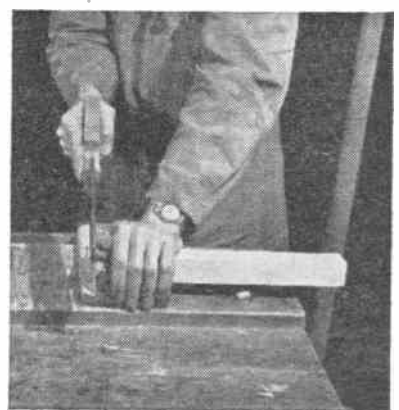
Using the Tenon Saw

IT is necessary to have a sawing-board such as is shown on the photograph if much sawing is to be carried out. It simplifies the holding of the wood and protects the bench. The wood is not held with the hand. It is pushed hard with the ball of the hand against the back of the sawing board, with the thumb held in the air. In this way no harm will result if the saw jumps. Hold the saw as shown with the wrist 'locked' and with the forearm in a straight line with the saw. Take two or three backward strokes on the far corner of the wood with the point of the saw sloping downwards to

start the saw-cut. Then start sawing with long slow strokes, gradually lowering the handle of the saw until the

By K. Blackburn

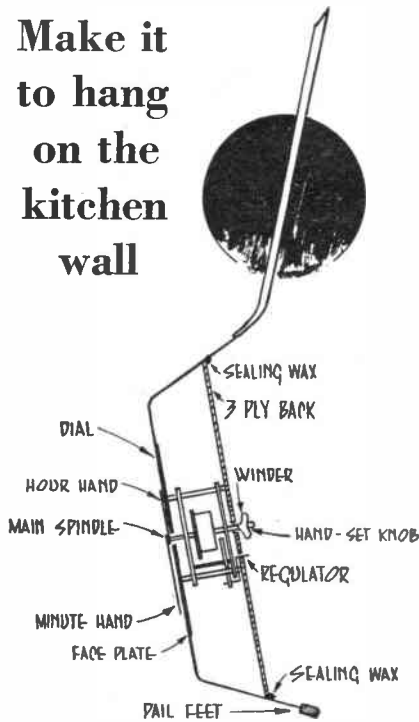
horizontal position is reached. Only very slight pressure is needed: the saw will stick or jump if too much pressure is used. Don't attempt to turn the wood and saw from another side: this usually results in an uneven cut.



Novel and practical . . .

A FRYING-PAN CLOCK

Make it
to hang
on the
kitchen
wall



put to one side. It will be required later on for use as a stencil. At all stages, great care must be taken to avoid damaging the escapement.

Drill a $\frac{1}{4}$ in. hole through the centre of the frying-pan and remove any burr with emery paper. Place the frying-pan on two wooden blocks, about 2ins. apart and smear the face-plate lightly with Vaseline to prevent rusting. Place the mechanism in the frying-pan, with the main spindle projecting through the hole. Attach the face-plate to the bottom of the frying-pan with four 'blobs' of sealing-wax.

By L. Hancock

Turn the frying-pan over and examine the main spindle. If it is centred correctly, solder the face-plate securely to the frying-pan.

The painting of the clock and fitting of the plywood back may be carried out simultaneously in order to save time. Cut a circular cardboard 'pattern' for the back. When dropped into the frying-pan, this should rest against the sloping sides and just clear the clock mechanism. Punch two $\frac{1}{4}$ in. holes and cut a semi-circular slit to take the

winding and hand-setting spindles and the regulator.

Paint the underside of the frying-pan with white Chinese lacquer and the sides and handle with black enamel. While these are drying, cut out a 3-ply back, using the cardboard pattern for marking-out. Finish with fine glass-paper and varnish.

The Assembly

Now take the alarm clock dial and punch a hole through the centre of each hour with a $\frac{1}{4}$ in. saddler's punch. Smear the interior of the frying-pan lightly with Vaseline, fit the plywood back and secure it with four small 'blobs' of sealing-wax. Fit the winder and handsetting knob.

Slip the prepared cardboard dial over the main spindle. One of the punch-holes must be in line with the handle of the frying-pan. Stencil the hour marks with black enamel. Replace the hour and minute-hands to read '12 o'clock'. They will then be correctly co-ordinated.

Fit two rubber 'pail-feet' on to the rim of the frying-pan. They should be about 2ins. apart and directly opposite the handle. They will prevent the edge of the frying-pan from marking the wall. They are obtainable from most ironmongers at about 6d. a set of four.

THIS novel type of wall clock is made out of a cheap iron frying-pan and an old alarm clock mechanism. The frying-pan, which forms the clock 'case', should be of plain metal. The most suitable dimensions are as follows:—bottom—6ins.; top—8ins.; depth—2 $\frac{1}{2}$ ins.; and handle—7ins.

Different makes of alarm clock vary in details of construction, but the basic principles are much the same. The mechanism is held together between two brass plates, about $\frac{1}{4}$ in. apart. Attached to the front plate by short struts or brackets, is a circular metal plate or ring, about 4ins. in diameter. This carries the cardboard dial, and will, in future, be referred to as the 'face-plate'.

Stripping down

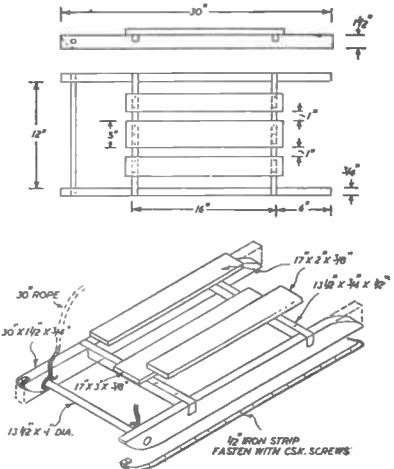
Remove the alarm clock mechanism from its case and strip it of hands and dial. The hour and minute hands should pull off quite easily. The alarm-set-indicator and second-hand are usually fixtures. These will not be required, and may be nipped off with a pair of pincers.

The cardboard dial should be carefully removed from the face-plate and

Be ready for Snow with a High-performance Sledge

BE prepared for the next fall of snow. You can assemble this straightforward sledge design in an evening. Only 'critical' material is 6ft. of $\frac{1}{2}$ in. wide, or near size, flat iron strip (in two 3ft. lengths, for convenience). Your nearest junk yard should be able to help out with this.

Cut the two sides first. These are 30ins. by 1 $\frac{1}{2}$ ins. by $\frac{1}{4}$ in. notched to take the two cross-members and drilled for the 1in. diameter steering bar. Cut cross-members and steering bar (1in. diameter dowel stock, or a broomstick) to exact length and assemble the basic frame truly square and parallel over a flat surface. Screw and glue the cross-members in place. Three deck panels of $\frac{3}{4}$ in. thick stock—two 2ins. wide and the centre one 3ins. wide—then complete the sledge, apart from fitting the iron strips to the underside of each runner with countersunk head screws and tying the 30ins. length of rope in place. Staple rope ends, as well as tying, to keep from slipping towards the centre of the steering bar. The rope serves for steering and towing.



A coat or two of bright paint will add that finishing touch to your winter sports project!
(R.H.W.)



The SHIPMODELLER'S Corner



IN continuing the series on deck houses, etc., let us consider the various types of deck erections we meet with and how best to model the various items at different scales.

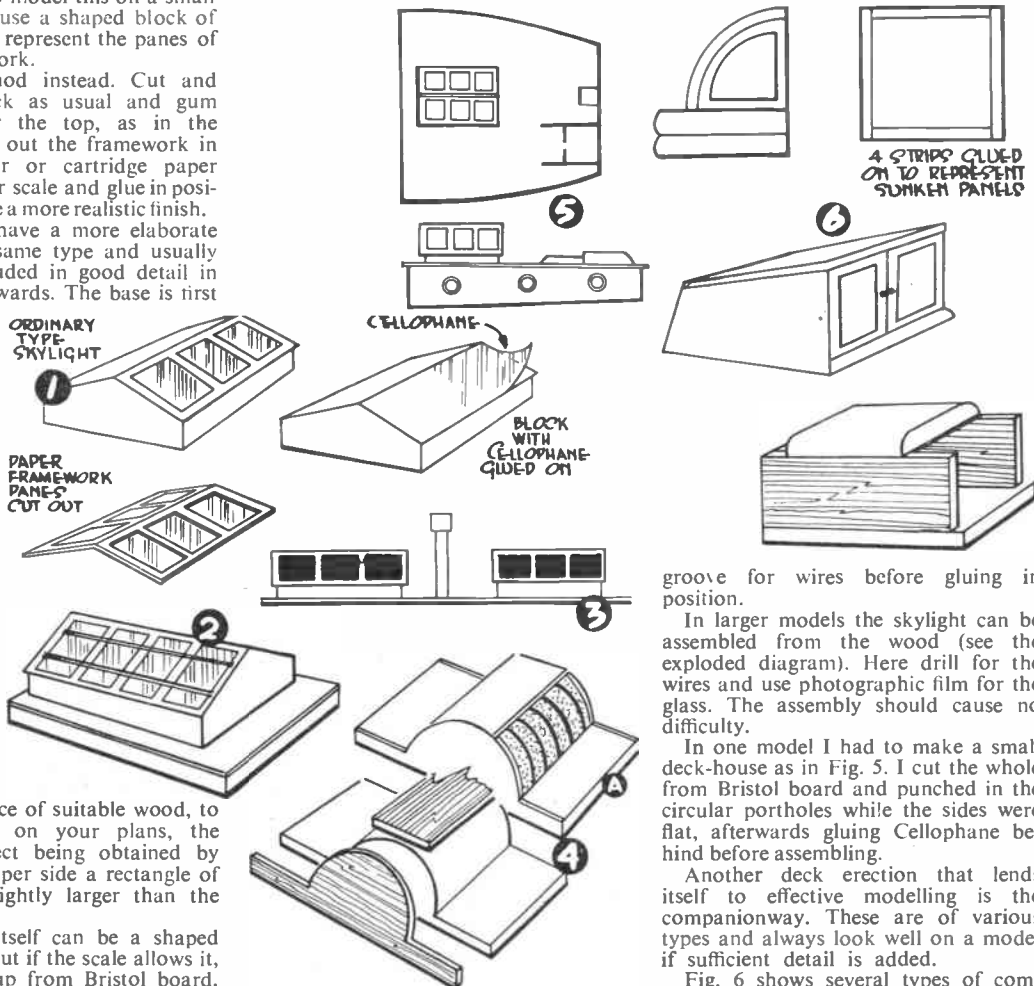
Let us consider skylights of various kinds. In Fig. 1 we have the more common type. To model this on a small scale we usually use a shaped block of wood, painted to represent the panes of glass and framework.

Try this method instead. Cut and shape your block as usual and gum Cellophane over the top, as in the sketch. Next cut out the framework in either note-paper or cartridge paper according to your scale and glue in position. This will give a more realistic finish.

In Fig. 2 we have a more elaborate skylight of the same type and usually this can be included in good detail in scales of $\frac{1}{4}$ in. upwards. The base is first

DECK FITTINGS By 'Whipstaff'

The distinctly modern type shown in Fig. 4 really looks well if modelled on the following plan. For small models shape from a block of wood as at (A). Drill for wires, glue Cellophane over the circular portion and put wires in position. Cut a centre top bar and



made from a piece of suitable wood, to the size shown on your plans, the overhanging effect being obtained by gluing on the upper side a rectangle of Bristol board slightly larger than the base itself.

The skylight itself can be a shaped block of wood, but if the scale allows it, build the sides up from Bristol board. Cut out the window openings and glue Cellophane behind them. Better still are old photographic films if available. The roof is cut from Bristol board. The actual pane openings are cut out with a razor blade or stencil knife and old photographic film is glued to the underside of the resulting framework. The whole roof is then glued into

position and the whole unit painted.

The guard rails are added in thin wire in accordance with the scale of your model. Fuse wire is good for small scale work and piano wire for larger models.

Fig. 3 shows a modern form sometimes needed when making present day models, it can be assembled in exactly the same way as the previous one.

groove for wires before gluing in position.

In larger models the skylight can be assembled from the wood (see the exploded diagram). Here drill for the wires and use photographic film for the glass. The assembly should cause no difficulty.

In one model I had to make a small deck-house as in Fig. 5. I cut the whole from Bristol board and punched in the circular portholes while the sides were flat, afterwards gluing Cellophane behind before assembling.

Another deck erection that lends itself to effective modelling is the companionway. These are of various types and always look well on a model if sufficient detail is added.

Fig. 6 shows several types of companionway housing and the form of modelling is again dependent on the scale. For small scale model them from wood blocks merely painted with the details. In slightly larger scales model in thin wood or Bristol board, the panelling being simulated by cutting out the framework in thin card or paper according to scale and gluing in position.

Costs Less than £1

Contemporary Coffee Table

By Gordon Allen

CONTEMPORARY in design, and cheap in materials, this rugged little table is also very simple to construct. A few hours spent on the preparation and assembly of the woodwork, and an equal time on its finish will result in a piece of furniture suitable for any modern room.

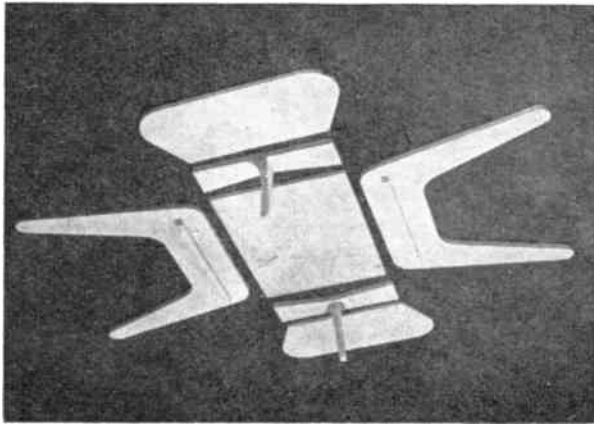
Amateur 'Reward' french polish was used on the original table, after staining, and yielded excellent results; so good in fact that you need not have any doubts about using a superior quality plywood throughout. Other hard timber can, of course, be used if desired.

Begin by marking out the shape of the two sides of the table on the pieces of ply measuring 20ins. by 14ins., which must first be divided into accurate lin.

polish are included with each bottle. Alternatively the woodwork can be wax polished or varnished. The runners are left in their stained condition, and the outside faces of the table sides are polished after assembly.

Next the table-top measuring 14ins. by 10ins. is cut, trimmed and polished on one face. To this are hinged two table leaves each cut to the shape shown in Fig. 1. These are polished on both surfaces. Place these components edge to edge, face down, when screwing the hinges in place.

On the $\frac{1}{2}$ in. pieces left over after cutting out the table sides mark out the



All the parts ready for assembly

squares as shown in Fig. 1. Cut them out with a coarse fretsaw, or Hobbies toymaker's saw, trim the edges first with a file and then glasspaper. Mark the positions of the $\frac{1}{2}$ in. square runners and the cross members (A) which carry the leaf supports (B). Now cut the runners from $\frac{1}{2}$ in. ply, true them up, and glue them in place. Be sure that no glue is left on the surfaces of the runners that are to carry the table-top.

When the glue is set, drill $\frac{1}{8}$ in. diameter 'pilot' holes, equally spaced, within the area marked (A) in Fig. 1. These are for countersunk woodscrews 1in. long, which help to support the cross members (A). The sides are now stained with a rich oak dye, and when dry their inside faces are finished with the even application of successive coats of polish contained in a wad wrapped round with a piece of clean cotton fabric to form a pad. Full instructions for the use of this Amateur french

shapes of (A) and (B) (Fig. 2). Cut them out and hinge them together as shown. After staining glue them in place on the underside of the table-top in the appropriate positions 11 $\frac{1}{2}$ ins. apart.

To assemble the table let one side of the table-top and leaves overhang the bench by 1in. or so and then apply glue to the top edge of the runner on one of the table sides and to the ends of items (A). Fit the runner between (A), and press the table side into position, making sure that it is at right angles to the table-top. When set, drive home the woodscrews so that they are below the surface of the timber. Do the same with the other side, fill in the screw holes with plastic wood, stain them and polish the entire outsides

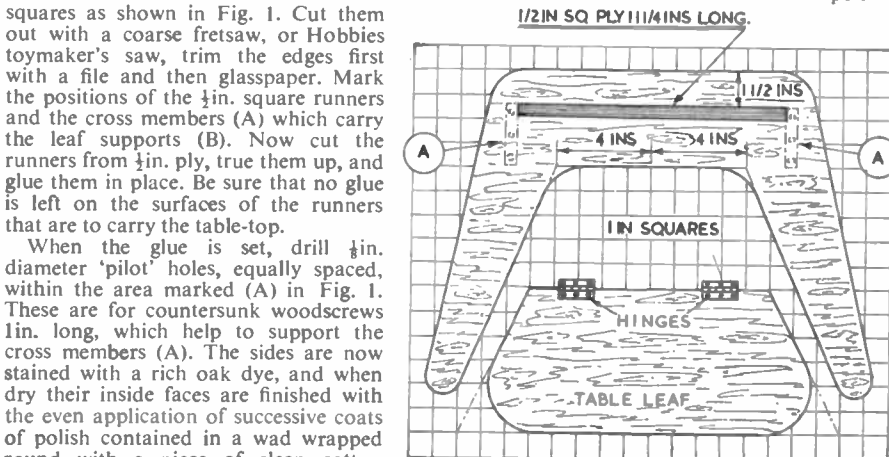


Fig. 1

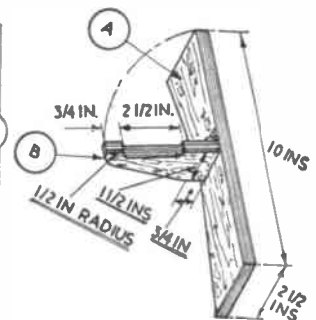


Fig. 2



NEW ZEALAND CENTENARY

By L. P. V. Veale

THOSE of you who follow these pages on stamp collecting will have noted already that Mr. Donaldson of North Island, New Zealand has on many occasions sent items of interest for discussion, and now he has again very kindly sent us a first day cover, showing the stamps issued in New Zealand to commemorate the centenary of postage stamps in that country.

As you will know the first adhesive stamps came out in 1840. At that time New Zealand was administered by New South Wales and another year elapsed before it was proclaimed a separate colony, and then another ten years went by before New Zealand did anything officially in connection with the postal system; so, as the F.D.C. has only recently appeared, it shows that it was not until 1855 that stamps were issued.

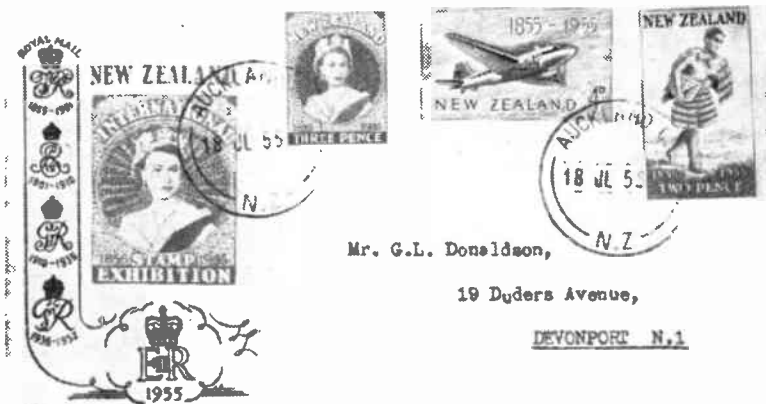
If you look at the illustration of the first day cover which Mr Donaldson has sent, you see three stamps, and each of these is issued with a very definite reason. The 2d. value shows how the mail would have been carried one hundred years ago, by a Maori runner. The middle stamp, the 4d. value, shows the present day method of sending letters and parcels, and the 3d. value gives a very good idea of what the first New Zealand stamp looked like.

The portrait on the original stamp was different, of course; it showed Queen Victoria. It was taken from a famous portrait painted by an artist named Chalou, and as his painting was used for a great many stamps, we will

This set lasted until 1874, and then New Zealand had two rather uninteresting sets till 1898, when a set of birds and views was issued. New Zealand has continued to give us pretty and interesting stamps ever since, except for the sets of 1909 and 1920; but, even so, some of the portrait stamps have been beautiful. Look, for example, at one of the King George V stamps, or

swordfish, a lizard, three views, four Maori subjects, harvesting, and the Landing of Capt. Cook at Poverty Bay. This set has appreciated in value very considerably.

The five Chamber of Commerce stamps of 1936 just fail to satisfy. In each case the picture has been kept small in order to allow space for the information that the Empire Con-



Mr Donaldson's first day covers

rather at two of them. First study a single figure value, such as the 2d. or the 3d.; then a similar design, but with a double value, say, 1½d. or 2½d. Notice that in the first case the design is

ference of the Chambers of Commerce took place at Wellington in 1936. It is a pity, but the pictures could have been so much more interesting.

Now consider the Centenary of Proclamation of British Sovereignty set of 1940, a really interesting set with one or two outstanding stamps. Everyone has his or her choice of designs, but look at the 6d. stamp of this set—a map of the World, the picture of a boat 'The Dunedin', the route this boat took when she brought the first cargo of frozen mutton to London on 15th February, 1882. (The distance to London we are told is 12,030 miles). The 1d. value is also an appropriately designed stamp. We see a map of New Zealand, a portrait of Capt. Cook, and a view of the ship 'Endeavour'. There are two stamps in this set which are of the same design, yet one of them is worth many times that of the other. The 7d. is the valuable one, and the 8d. the cheaper.

The Peace issue of 1946 is another striking set, and one of the best stamps

● Continued on page 156



One cannot always admire the design of the 1882 issue

Compare the two. Note how the value tablet changes the appearance

A natural reredos

leave this to be discussed later on, together with another portrait painted by Von Angeli. There was no date on the early stamps; above the value there appeared the word 'postage'. Most of these early stamps are quite valuable. They vary greatly in price from £1 to £600.

beautifully balanced, but where the tablet has had to be enlarged in order to take the longer value, then the whole balance seems to have been upset.

The designs for the 1935 stamps were selected as a result of a competition, and there are in consequence fourteen interesting examples, three birds, a



IF SAMSON could have tried his strength on a CASCO-glued joint...

... he would have torn out his hair in desperation. However hard the wrench, the glued joint stands firm, whereas the wood gives way. The photograph shows the result. No matter which CASCO glue is used, a properly made joint is given the same amazing strength. CASCO glues (available in a range of sizes) cover all individual requirements — from ordinary household gluing jobs to the speciality work of the expert handyman

and model maker. Ask your local Ironmonger or Builder's Merchant for the free leaflets which describe in full detail the products listed below.



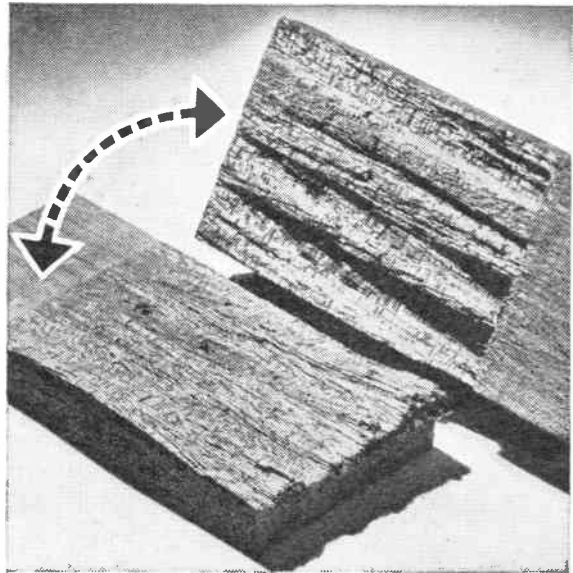
For **QUICK** Gluing Jobs
use **CASCO P.V.A. Glue**

- The new "family" glue
- All ready for use
- Clean and strong

For **HEAVY-DUTY** Gluing

use **CASCO Cold Water Casein Glue**

- Easy to mix and use
- Very economical
- Glues almost everything



A hardwood lap joint, forcibly separated, showing how the glue has proved stronger than the wood. The joint was glued with CASCAMITE "One Shot" Resin Glue, but the same results are obtained with both CASCO P.V.A. and CASCO Cold Water Casein Glue.



For **SPECIALITY** Wood Gluing
use **CASCAMITE "ONE SHOT" Resin Glue**

- Mixed and used cold
- Gap-filling and non-staining
- Water-proof type



CASCO GLUES are recommended for

"Build-it-Yourself" with **Easi-Bild** Patterns

63

SYNTHETIC RESIN AND CASEIN GLUES

Manufactured by LEICESTER, LOVELL & CO. LTD · NORTH BADDESLEY · SOUTHAMPTON
Main Distributors: CHARLES CLEEVE & CO. LTD · 45 Great Peter Street · LONDON · S.W.1

Replies to Readers

Is this YOUR Problem?

Motorising Sewing Machine

I WISH to convert a treadle sewing machine to electric operation, and intend doing away with the metal stand and using the machine as a table model. Please advise how this can be done. (G.R.—Edinburgh).

MOTOR drive units for the purpose may be obtained, with fittings for attaching. If you wish to make the drive yourself, you can employ a belt running on the flywheel pulley, or a rubber roller bearing upon the flywheel rim, according to the type of machine. A speed of up to about 240 r.p.m. will usually be required. This would require a ratio of roughly 8:1 from the motor, and the pulley there should be chosen with this in view, if the motor runs at about 2,000 r.p.m. With other speeds, adjust the ratio to suit. A speed-control resistance is frequently fitted, operated by a foot pedal. This can be arranged by employing a resistance which will return to maximum position, under the influence of a spring, when pressure is taken from the pedal. A small fractional H.P. motor will be of sufficient power. A small shielded bulb is often fitted to illuminate the work. The motor could be fixed to the back of the machine, upon brackets.

T.V. Aerial

I HAD in mind to build my own T.V. aerial for Commercial. Will you help me out with details on this subject? (W.S.—Reading).

THE commercial T.V. programmes are radiated on a very short wavelength. This reduces their range, and makes results more susceptible to local conditions. In general, the power is much smaller than that of the B.B.C. transmissions. As a result, localities in which a simple aerial has proved suitable for the B.B.C. station, a complex aerial is almost certainly necessary. These in general consist of three metal director elements, a folded dipole, and a reflector. It is suggested you wait until it is known what reception is had in your locality. When the service is properly established it may be possible to give aerial constructional details.

WORTH KNOWING

☆☆ **Scratched Glass** ☆☆
☆☆ If not too deep, the scratches on ☆☆
☆☆ plate glass windows, such as ☆☆
☆☆ those caused by a dog's claws, may ☆☆
☆☆ be removed by rubbing with ☆☆
☆☆ pumice powder on a felt pad, the ☆☆
☆☆ felt itself being glued to a wood ☆☆
☆☆ block for easy handling. It is likely ☆☆
☆☆ to prove a tedious job and will ☆☆
☆☆ need patience, but there is no ☆☆
☆☆ alternative. ☆☆
☆☆☆☆☆☆☆☆☆☆☆☆☆☆☆☆☆☆☆☆

Re-dressing a Fly-line

I HAVE a fishing line which has lost its water-proofing, and consequently becomes very heavy and sodden when used for fly fishing. What treatment would restore its proofing? (J.I.—Hawick).

RE-DRESSING a fly-line is a rather long job. The best stuff to use is good linseed oil, which should be well rubbed into the line. It takes a long time to dry thoroughly before use again; however, if you cannot wait for a few days, but require the line almost at once, remove any tacky old dressing and then rub the line down with any good brand of line grease, working the grease in very thoroughly when the line is perfectly dry. 'Linflot', obtainable at most tackle dealers, or a similar preparation, will keep the line floating satisfactorily. Another tip to keep a line from becoming sodden and sinking when dry-fly fishing, is to stretch the

line and rub it well down with Amadou or other suitable absorbent material, and afterwards re-grease it.

Fixative for Drawings

I DO a number of drawings in chalk or pastel, and find the cost of fixative to be considerable. Can you suggest a cheaper method than the buying of made-up solutions? Would Cox's gelatine if sufficiently diluted and sprayed on, be efficient? (T.C.—Belfast).

A DILUTE solution of gelatine could be used for fixing the drawings, but it would have to be used warm, owing to its setting on cooling. Because of this, a stock solution would be inconvenient, and in any case a preservative would be needed. The following is a standard formula for a drawing fixative. The preparation keeps indefinitely and is always ready for use.

Solution A.

Mastic 24 grains
Amyl acetate 3 fluid ounces
Place in a corked bottle and shake occasionally until dissolved. Allow to stand for a day.

Solution B.

Celluloid 7 grains
Amyl acetate 3 fluid ounces
Place in a corked bottle and shake occasionally until dissolved.

Mix A and B and store in a well-closed bottle to prevent evaporation—a soft cork or screw cap is better than a glass stopper. Apply the fixative with a spray. As it is inflammable, this should be done in absence of flames.

● Continued from page 154

New Zealand Stamp Centenary

of that year appeared in it. The 9d. is described well by its title—'The Southern Alps and Franz Josef Glacier seen through the chapel window'. But this does not tell the whole story. This little chapel is in such wonderful scenery, that instead of there being a reredos behind the altar, there is a plate glass window—so that a worshipper in the chapel is reminded the whole time of the beauty of nature. Then look at the 6d. value carefully, and you will see the illustration of Isaiah Ch. 2 V. 4. 'They

shall beat their swords into ploughshares and their spears into pruning hooks'—What could be more appropriate for a 'peace' issue?

The Health Stamps should not give any trouble when mounting except, perhaps, the three years 1939, 1940 and 1941. These are all of the same design—boys playing with a beach ball. The 1939 was surcharged before it was issued, the 1940 had no extra surcharge, while the 1941 was the same as the 1940 with the date 1941 overprinted.

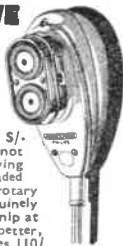
YOURS for only
15/-
down!



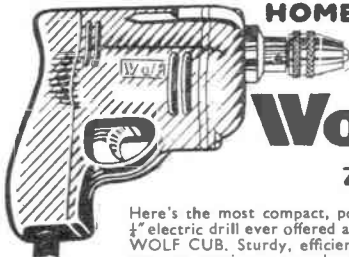
Save time and work on sewing jobs with this excellent 'Essex' Miniature Sewing Machine. Beautifully finished with chromium plate. Supplied with clamp for fixing firmly to table. 6 months' guarantee. Cash £4.17.6 or 16/- deposit and 6 monthly payments of 16/6. Electric model available A.C./D.C. with foot control £10.3.4 or 31/- down and 6 monthly payments of 32/- . Protective carrying case 18/4 extra. Send for leaflet today.

PHILISHAVE
14 DAYS'
FREE TRIAL

Try the wonderful Philishave Electric Dry Shaver FREE for 14 days. Send only 5/- deposit (returnable if not satisfied). Two shaving heads with two 6-bladed cutters have unique rotary action which genuinely shaves - doesn't just snip at the hairs. Result - better, quicker shave. Operates 110/250 volts. A.C. D.C. £7.14.2 cash less your deposit. Or 5/- deposit can be first payment, followed by 8 monthly paym'ts of £1.0.6. 12 m'chs' guarantee. Brochure of this & other shavers free.



LOOK! THE BASIS OF
A MAGNIFICENT
HOME WORKSHOP
for only
6/- deposit
Wolf Cub
1" DRILL



Here's the most compact, powerful and fully guaranteed 1/2" electric drill ever offered at such a popular price — the WOLF CUB. Sturdy, efficient and reliable, it's the first step to owning a complete home workshop, and the power unit for all Wolf Cub Sets. Drilling capacity: Mild Steel 3/4"; Hard Wood 1/2"; with 210 watts input on full load. Complete with 1/2" three-jaw chuck and Allen key and 5ft. of cable. T.V. suppressed. State voltage. Cash price for Drill is £5.9.6 or only 6/- deposit and 6 monthly payments of 19/6. **ALSO** Sanding and Polishing Kit (drill, discs, etc.): £6.10.6 or 19/- deposit and 6 monthly payments of 21/- . **Saw Kit (including drill):** £9.17.0 or 20/- deposit and 8 monthly payments of 25/- . **Fretwork Kit (including drill):** £10.10.6 or 21/- deposit and 8 monthly payments of 26/6. **Lathe Kit (Drill and Tools):** £10.10.6 or 21/- deposit and 8 monthly payments of 26/6. **Home Workshop Outfit (drill, saw, lathe, sanding and polishing kits):** £16.17.6 or 40/- deposit and 8 monthly payments of 41/6. **No. 5 Saw Set:** £3.1.6 or 4/- deposit and 6 monthly payments of 10/6. **No. 10 Bench Planer Set:** £3.13.6 or 6/- deposit and 6 monthly payments of 12/6. **No. 8 Fretsaw Set:** £3.15.0 or 10/- deposit and 6 monthly payments of 12/6. Send at once for full details, including a profusely illustrated and informative leaflet.

ELECTRIC PAINT SPRAYER

For **4/-**
deposit



Cash 75/-. Or 4/- deposit and 6 monthly payments of 13/6

Paint easily, evenly, twice as fast with the Burgess Electric Sprayer. Sprays paint, varnish, etc. Complete with sturdy glass container, flex, nozzles for ceiling spraying and extra nozzle discs for different liquids. A.C. mains - state your actual voltage. Fully guaranteed. Also Howvell Electric Paint Stripper 30/- cash, or 4/- deposit and 3 monthly payments of 10/-. Leaflets free



BATHROOM SCALE BARGAIN
★FOR 5/- ONLY

★ and 6 monthly payments of 13/4 (or Cash Price £3.11.6)

WATCH your WEIGHT every day with this streamlined Bathroom Scale. Magnified dial easy to read. Weighs accurately from 1lb. to 20st. Lovely white enamel finish. Non-slip plastic mat. All mechanism enclosed. 2 years' guarantee. Cash £3.11.6, or 5/- dep. and 6 monthly payments of 13/4.

BARGAIN DISTRIBUTORS (Dept. I24), 5 Silver Street, Luton



DECRA-LED LEADED WINDOWS are worth looking into...

so much better than net curtains and so distinctive in appearance. Improve your home with charming Leaded Lights - you can transform all your plain windows with DECRA-LED and you really can Do-It-Yourself as demonstrated on T.V.

A 10/- DECRA-LED kit will do 3 panes 30" by 18" in attractive diamond design.

Obtainable from your local dealer - ask to see our range of New Full Scale Motif Designs.

If unobtainable, direct from Trade enquiries invited
T. BROWN & CO. LTD., Dept. 1,
50 WOOD STREET, ASHTON-UNDER-LYNE
LANCASHIRE



NEW! EXPERIMENTAL KITS

LEARN THE PRACTICAL WAY

Here is home study of the most effective kind under expert tutors. There is no better way of studying for an examination, starting a new hobby or for a career in industry. These special courses comprise the most modern methods of postal tuition, combined with a Practical Kit of parts (which remains your property).



COURSES FROM 15/- A MONTH

COURSES WITH PRACTICAL EQUIPMENT INCLUDE: Radio, Television, Mechanics, Electricity, Chemistry, Photography, Carpentry; also Draughtsmanship, Commercial Art, Amateur S.W. Radio, Languages, etc.

POST THIS COUPON TODAY

For FREE brochure write: E.M.I. INSTITUTES, Dept. 31X, Grove Park Road, London, W.4.
SUBJECT(S) OF INTEREST _____
NAME _____
ADDRESS _____
14/12/55 _____ IC51A

E.M.I. INSTITUTES
The only Postal College which is part of a world-wide Industrial Organisation



HARD HITTING ACCURATE
Webley AIR PISTOLS
AIR RIFLES · ACCESSORIES
Write for Catalogue
WEBLEY & SCOTT Ltd., 166 WEAMAN ST., BIRMINGHAM, ENGLAND

THE 'ROYAL CHARLES'
is the latest design in Hobbies wide range of models of famous old-time galleons. Obtain your design FREE with **HOBBIES 1956 HANDBOOK**
Now on sale (2/-) at newsagents, etc., or 2/3 post free from **Hobbies Ltd., Dept. 993, Dereham, Norfolk**



**PURE PLATINUM PLATED
FILM STAR WATCH
SIMULATION DIAMOND SET**

Setting closely resembles fine White Diamonds. Set on the four quarters is a choice of sapphire, ruby or emerald coloured stones. Accurate pin-lever jewelled movement.

Comp. guar. £4.19.6 on cordette, 21/- extra for dainty bracelet. Luminous dial 6/6 extra. Sent for 3/6 dep. If satis. pay 18 fortnightly payts. 6/- Offered for the first time in England.

**Pure Platinum Plated
GENTS CALENDAR WATCH**

SENT FOR ONLY
3/6 DEPOSIT
CASH PRICE £4 19 6



For the first time you can own this wrist watch, genuinely plated with pure unadulterated Platinum. With calendar dial that keeps you informed of date. Automatic action changes date every 24 hours. Real pin-lever movement, shock and dust resistant. Neat flat case. Comp. guar. £4.19.6 on strap, or 21/- ex. for bracelet. Luminous dial 6/6 ext. 3/6 dep. If satisfactory, 18 fortnightly payments 6/-. LISTS. TERMS. Open Sat. 1 p.m. Wed.

H EADQUARTER & G ENERAL SUPPLIES LTD.

(HOBW/84), 196-200 Coldharbour Lane, Loughborough Junc., London, S.E.5.

FREE—50 different stamps plus 10 San Marino M mint, on requesting approvals.—P. E. Bentham, 40 Little Glen Road, Nr. Leicester.

9.5 M.M. Hire Service. List 3d.—Wayland, 219 Longley Rd., Tooting, London.

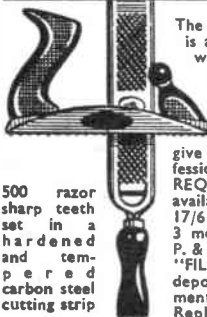
100 DIFFERENT stamps free! Request 1d. upwards discount approvals.—Bush, 53 Newlyn Way, Parkstone, Dorset.

FRANCE 1954 inventors. Interesting complete set sent free to approval applicants enclosing postage.—Yulwontmor Stamps (Dept. H5), 29 Layton Avenue, Mansfield, Notts.

50 STAMPS free to all approval applicants enclosing 2½d. stamp.—Cliffe West (H8), 61 Wynyard Road, Sheffield, 6.

TRY the approval service which offers free gift and bonus scheme. Details and sample selection by return.—Paragon Stamp Co., 138 Oakley Rd., Shirley, Southampton.

**THIS IS THE TOOL YOU
HAVE BEEN WAITING FOR**



The revolutionary Surform is an absolutely new tool working on a new principle. It files, forms, spokeshaves and planes. Ideal for a hundred and one jobs around the house and will give you that smooth professional finish **NO SKILL IS REQUIRED**. Two types are available:—"PLANE" type 17/6 cash or 5/- deposit and 3 monthly payments of 5/-. P. & P. 1/-." "FILE" type. 12/6 cash or 5/- deposit and 2 monthly payments of 5/-. P. & P. 9d. Replacement blades 3/6 each

500 razor sharp teeth set in a hardened and tempered carbon steel cutting strip

John Rysdale, Colyton, Devon (Dept. H.5)

COIN Collectors! S.A.E. for list of inexpensive coins.—Box No. 15, Hobbies Weekly, Dereham, Norfolk.

ALL model makers requisites. Plans for doll's houses, forts, galleons, garages, etc. Model aircraft, marquetry, fretwork, plywood. Hobbies stockist. S.A.E. for enquiries.—Handicrafts, 441 Seven Sisters Road, London, N.15.

STAMPS—500 different 5/-. Sample 100, 1/3.—Tom Clarke, 46 Carysfort Ave., Blackrock, Dublin.

STAMPS—Choose some **FREE** from our Approval books of colonials, modern sports, trains, animals and many others you need. Send today.—MacStamps, 19 Crowell Road, Cowley, Oxford.

WOODEN WHEELS, stock clearance bargains, 2½"—32/-. 1" recessed 5/- gross. Recessed round tread, 1½"—10/-. 2"—15/-. 4"—70/- gross. Doll's house fittings and papers. Brochure S.A.E.—Jasons, 135 Nags Head Road, Enfield, Middlesex.

**HOBBIES BRANCHES
LONDON**

- 78a New Oxford Street, W.C.1 (Phone MUSEUM 2975)
- 87 Old Broad Street, E.C.2 (LONDON WALL 4375)
- 81 Streatham Hill, S.W.2 (TULSE HILL 8796)

GLASGOW—326 Argyle Street (Phone CENTRAL 5042)

MANCHESTER—10 Piccadilly (Phone CENTRAL 1787)

BIRMINGHAM—100a Dale End

SHEFFIELD—4 St. Paul's Parade (Phone 26071)

LEEDS—10 Queen Victoria Street (Phone 28639)

HULL—10 Paragon Square (Phone 32959)

SOUTHAMPTON—134 High St. (Below Bar)

BRISTOL—30 Narrow Wine Street (Phone 23447)

KUKLOS ANNUAL. Indispensable cyclist's handbook. Tours, resthouses, money-saving hints, 2/10, post free.—Burrow, Publishers, 2 Imperial House, Cheltenham.

PLYWOOD — HARDBOARD — at amazing low prices. Send S.A.E. for samples and prices to —N. Gerver, 10 Mare Street, Hackney, London, E.8.

'PAINTSPRAYING' HANDBOOK (1954 Ed.). Covers Car, Industrial & Flock Spraying. 3/6, post free, including catalogue of our Cellulose and Synthetic Paints and all Allied Sundries and Plant Hire.—Leonard Brooks Ltd., 81 Oak Road, Harold Wood, Essex.

STAMPS FREE—Empire Packet including SPictorials and Veterans with approvals.—Robert J. Peck, 7A Kemp Road, Bournemouth.

***OUR LADS
BRITAIN'S FIRST
ROCKET*
SPACE SHIP**



Actually holds 4 boys A romantic ten thousand miles an hour trip to the Moon. Adventure for brave young pioneers to be first there. Attractive coloured wind, rain, and element resisting material, definitely not plastic. Silver tipped. With Aerial. Large enough for four boys. Stands indoors or out-doors. Height 5' 3". Sent for 2/6 dep. Bal. 6 mthly. payts. 5/4. Cash 29/11, post etc., 1/6.

**SENT FOR
2/6 Deposit**

**THE NEW INTERPLANETARY
SPACE SUIT Only 12/11**



Be an interplanetary Commando Officer. Wear this metallic blue Space Suit and pressure helmet. Be the first Earth Man to Jupiter. Can also be worn over outdoor clothing, guaranteed waterproof. For boys aged 4 to 12. Waisted and adjustable, visor on helmet. Lightning flashes on breast panel. State age for size. 12/11 post 1/6. LISTS, TERMS. Open Saturday 1 p.m. Wednesday.

H EADQUARTER & G ENERAL SUPPLIES LTD.
Dept. HOBW/83, 196/200, Coldharbour Lane, Loughborough Junction, London, S.E.5.

SWISS MUSICAL Mechanisms for cigarette boxes, etc., 16/6 post free. S.A.E. for illustration and list of tunes available.—Dept. HW, Metwoods Accessories, Church St., Wolverton, Bucks. (Trade supplied.)

BUILD your own T/V and learn about its operation, maintenance and servicing. Qualified engineer-tutor available whilst you are learning and building. Free Brochure from—E.M.I. Institutes, Dept. HW.58, London, W.4. (Associated with H.M.V.)

GENUINE Swiss Musical Movements. Owing to large purchase now reduced to 14/6 each. Genuine Thorens Movements, all guaranteed, 19/3 each. P. & P. 9d. extra on all orders.—Richardson & Forder, 5 Chapel Place, White Hart Lane, London, N.17.

200 STAMPS free. Genuine. S.A.E. for approvals. Details—W. H. Seif, 36 Fairfield, Boro Green, Kent.

A GRAND BOOK FOR ALL THE FAMILY. The "Kaylee Year Book of Bright Ideas". A really helpful guide to home planning, decoration, Hobbies, toys, etc. Showing famous Kaylee Transfers in brilliant colours, and most effective uses. From "Hobbies" stockists 1/- or direct. **KAYLEE TRANSFERS** Postage 3d. **LTD. (HW), Long Eaton, Nottingham.**

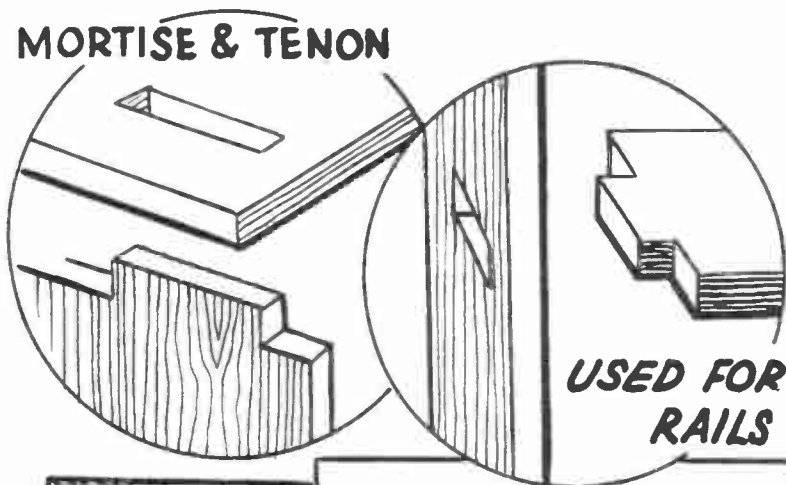
EVERY CAR THAT PASSES—YOU WILL FIND THE INDEX MARK ALPHABETICALLY ARRANGED IN WHERE'S THAT CAR FROM?

Price 9d.
from all Booksellers or from the Publishers (1½d. postage)
RALEIGH PRESS, EXMOUTH

For small articles . . .

TRY THESE JOINTS

MORTISE & TENON

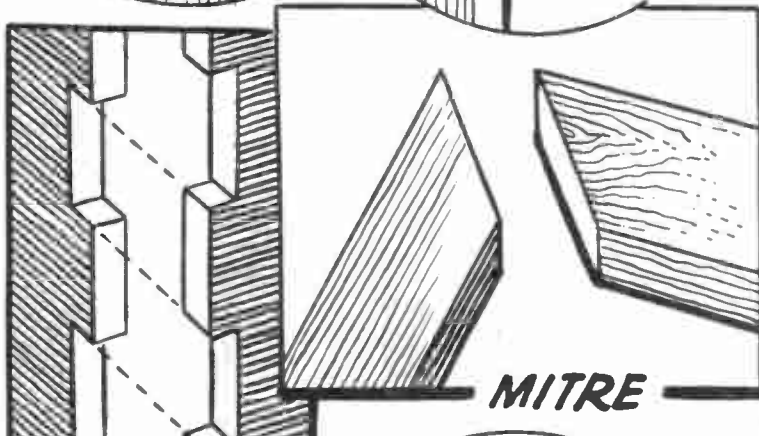


**USED FOR
RAILS**

**ALL
THESE ARE
CUT WITH A
FRETSAW**

WHEN making small articles such as trinket boxes, plant stands and small pieces of furniture it is not necessary to use tools for jointing other than a fretsaw. The diagrams on this page show four different joints that can be marked out and cut straight away with a handframe or fretmachine.

The main essential in all the joints is to mark out accurately. Of course, the saw must be held perfectly upright; this is necessary in all the cutting. Try them out on pieces of waste wood and you will have no difficulty next time you want to make the joint. (M.p.)

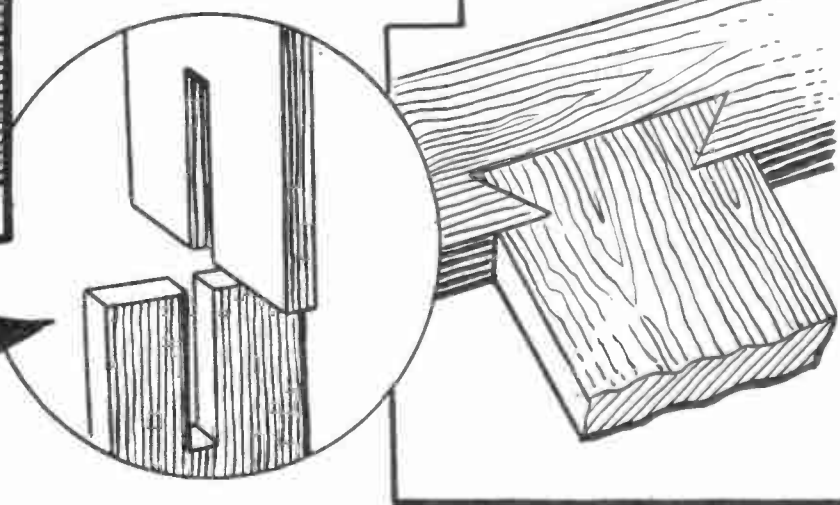


MITRE

DOVETAIL

**HALVING
JOINTS**

**ALWAYS
CHECK
MEASUREMENTS**



Make extra
prints of
your summer
snapshots

It's so
amazingly easy!



Even if you've never before printed snapshots, you can do so now with the Print-A-Snap Pack. A printing frame for exposing the paper and negative by ordinary electric light, powders to make up the developing and fixing solutions are all provided. Wash and dry your prints and there you are. You would never have thought that making prints could be so easy. No darkroom, no equipment is needed.

PRICE 3/- COMPLETE

For films taking 8 exposures, 16 sheets of Contact Paper (2½×3½) are supplied, and for films taking 12 exposures there are packs containing 24 sheets of Contact Paper (2½×2½). Further supplies of chemicals and Contact Paper are available from your local photographic dealer.

Ask your chemist or photographic dealer for
THE JOHNSON PRINT-A-SNAP PACK

Made by Johnsons of Hendon, world famous manufacturers of
Photographic Chemicals, Apparatus and Accessories

Croid

The finest glues for every handicraft

Whatever your handicraft or hobby, use the Croid Glue recommended for it, and you will obtain completely satisfactory results. Croid—the strongest glue in the world—is obtainable everywhere.

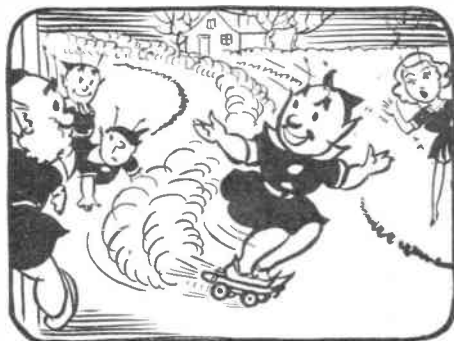
<p>POLYSTIK</p> <p><i>The new P.V.A. adhesive for joinery, cabinet making and also light work where cleanliness is essential. Very quick grip. In Polythene bottle with spreader nozzle 2/6d.</i></p>	<p>AERO GLUE</p> <p><i>A pure hot glue of great strength in tins from 1/3d. (4 oz.) to 46/-, and the Home Outfit 4/- complete.</i></p>
--	---

Obtainable at all Hobbies Branches.

Croid GLUES OF QUALITY
THE BEST NAME IN ADHESIVES

CROID LIMITED, Imperial House, KINGSWAY, LONDON, W.C.2

THE "FLUXITE QUINS" AT WORK



"You can scrap all your cars! They're just crates! Thousand miles to the pint is here, mates.

Thanks to FLUID FLUXITE
We've won fame in a night

Behold! The first jet-propelled skates!

FLUXITE

**SOLDERING
FLUID**



and its famous equal
**THE
SOLDERING PASTE**

*Simplify all
Soldering!*

The standard sizes of
FLUXITE FLUID are:

4 Fluid Ounces	8 Fluid Ounces
20 Fluid Ounces	½ & 1 Gallon Cans

FLUXITE LTD BERMONDSEY ST. LONDON S.E.1

Telephone : HOP 2632

EXPORT ENQUIRIES INVITED

G.M.22

Printed by BALDING & MANSELL, LTD., London and Wisbech, and Published for the Proprietors, HOBBIES LTD., by HORACE MARSHALL & SON, LTD., Temple House, Tallis Street, E.C.4. Sole Agents for Australia and New Zealand: Gordon & Gotch (A'sia) Ltd. For South Africa: Central News Agency Ltd. Registered for transmission by Canadian Magazine Post.