

HEWLETT-PACKARD £4000 WRITER'S COMPETITION!

ELECTRONICS WORLD

Denmark DKr. 70.00
Germany DM 15.00
Greece Dra. 760
Holland Dfl. 14
Italy L 7300
IR £3.30
Spain Pts. 780
Singapore S\$ 12.60
USA \$6.70

A REED BUSINESS PUBLICATION
SOR DISTRIBUTION

+ WIRELESS WORLD

NOVEMBER 1994 £1.95

SPECIAL OFFER
Digital multimeter

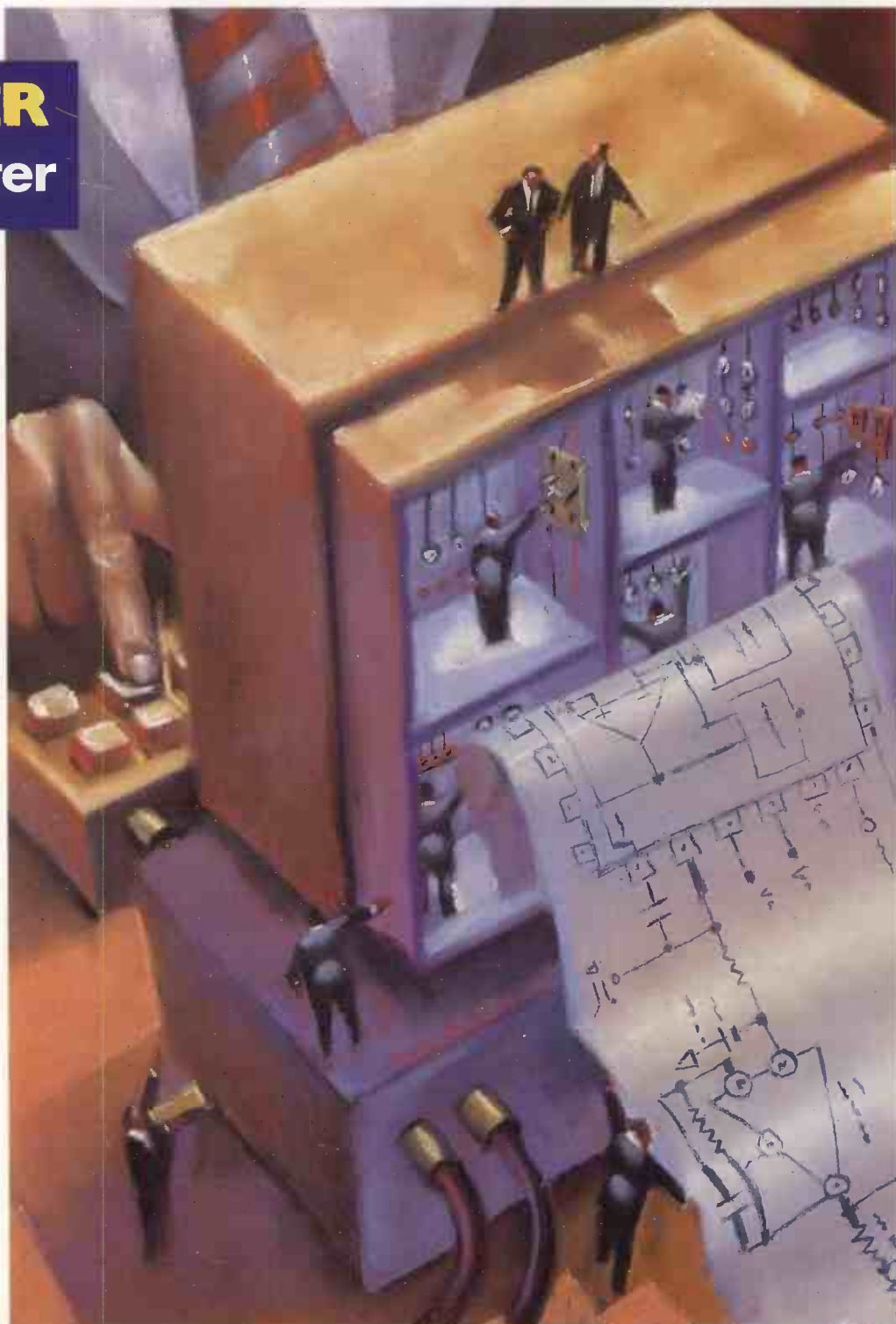
MEASUREMENT
Transformerless
LCR bridge

RF ENGINEERING
Superconductor
evolution

CIRCUIT DESIGN
Poles & zeroes:
a route to
better filters

SENSING
Micro-power
infra-red receiver

TECHNOLOGY
New magnets for
storage and
switching



9 770959 833004

SPICE - CIRCUITS BY DESIGN

NEW!

FROM THE MAKERS OF THE WORLDS BEST SELLING UNIVERSAL PROGRAMMING AND TESTING SYSTEM

- * Ability to program 3 volt devices.
- * Calibration software to comply with ISO9000.
- * Batch software for production programming.
- * High quality 42 pin Textool zero insertion force sockets.
- * Rugged metal housing and heavy duty screened cable.
- * Ground control circuitry using relay switching.
- * Protection circuitry to protect against wrong insertion of devices.
- * Speed optimised range of programming algorithms.
- * Supplied with MICROTEC disassemblers for Z8, 8085, 8048, 8051, 6809 & 68HC11.

- * Programs PIC16 series without adaptor.
- * Software supplied to write own test vectors for custom ICs and ASICs etc.
- * One model covers the widest range of devices, at the lowest cost.
- * Over 2000 different devices (including several hundred MPU's) supported.
- * Tests and or identifies a wide range of logic devices.
- * High speed PC interface card designed for use with all types of PC.
- * No need to tie up a slow parallel port.
- * More Sunshine programmers sold worldwide than any other of its type.
- * UK users include BT, IBM, MOD, THORN EMI, MOTOROLA, SANYO, RACAL.
- * Two year free software update.
- * Free demo disk with device list available.

The Sunshine Expro-80 Universal Programmer and Tester is the 42 pin version of the immensely popular Expro-60/PC-82. Following that success, the Expro-80 is a PC-based development tool designed to program and test more than 2000 ICs. The culmination of over 8 years production experience has resulted in perfecting this rugged, classically designed programmers' programmer.

Volume production has now enabled us to offer this powerful programmer at a very competitive price for a product of such high quality. The Expro-80 has undergone extensive testing and inspection by various major IC manufacturers and has won their professional approval and support. Many do in fact use the Expro-80 for their own use!

The Expro-80 can program E/EPROM, Serial PROM, BPROM, DSP, PLD, EPLD, PEEL, GAL, FPL, MACH, MAX and MPU. It comes with a 42 pin DIP/SDIP socket capable of programming devices with 8 to 42 pins. It even supports EPROMs to 16Mbit, the PIC16 series of MPUs and many many more without the need of an adaptor. Adding special adaptors, the Expro-80 can program devices up to 84 pins in DIP, PLCC, LCC, QFP, SOP and PGA packages.

The unit can also test digital ICs such as the TTL 74/54 series, CMOS 40/45 series, DRAM (even SIMM/SIP modules) and SRAM. Furthermore it can perform functional vector testing of PLDs using the JEDEC standard test vectors created by PLD compilers such as PALASM, OPALjr, ABLE, CUPL etc. or by the user. The Expro-80 can even check and identify unmarked devices.

The Expro-80's hardware circuits are composed of 42 set pin-driver circuits each with control of TTL I/O and "active pull up", D/A voltage output, ground, noise filter circuit and OSC crystal frequency.

New features include negative programming voltages, 3 volt programming ability, protective circuitry for ICs incorrectly inserted, calibration software to comply with ISO9000, new six layer PCB and voltage clamping to banish noise and spikes.

A dedicated plug in card with rugged connecting cable ensures fast transfer of data to the programmer without tying up a standard parallel or serial port. Will work in all types of PC. In addition, there is now the Link-P1 enabling the programmer to be driven through the printer port. Ideal for portables and PC's without expansion capability.

The pull-down menus of the software makes the Expro-80 one of the easiest and most user-friendly programmers available. A full library of file conversion utilities is supplied as standard.

Sunshine's team of over 20 engineers are continually developing the software, enabling the customer to immediately program newly released ICs.

Citadel, a 33 year old company are the UK agents and service centre for the Sunshine range of programmers, testers and in circuit emulators and have a team of engineers trained to give local support in Europe.

NOW ONLY £469



EXPRO-80

ORDERING INFORMATION

Expro-80 complete with interface card, cable, software and manual **only £469**

Please add £8 carriage (by overnight courier) for UK orders, £30 for export orders and VAT where applicable.

ACCESS, MASTERCARD, VISA or CWO. Official orders are welcome from Government bodies and local authorities.



CITADEL PRODUCTS LTD
DEPT. WW, 50 HIGH ST.,
EDGWARE, MIDDX. HA8 7EP.

Phone now on: 081 951 1848/9



CIRCLE NO. 160 ON REPLY CARD

Our stocked range of own manufactured and imported Sunshine products include:

- * Super fast EPROM Erasers.
- * 8Mbit EPROM Programmers:
ie: 1 gang £149
4 gang £229
8 gang £399
- * Battery operated portable EPROM programmers.
- * "In circuit" Emulators.
- * Handy pocket IC testers.



CONTENTS

FEATURES



Cover: Jamel Akib

CIRCUITS BY DESIGN.....896

Easier-to-use spice software means that designers can spend more time developing circuits and less time programming. Owen Bishop discusses modern circuit analysis and simulation techniques, using an electronic thermometer as a design example.

MICROPOWER INFRA-RED RECEIVER902

Looking for a low-cost, battery-operated receiver capable of reliable operation over a fair distance, Simon Bateson failed to find a suitable IC for the task. His solution is a discrete circuit consuming just 60µA at 4.5V.

A NEW ERA IN MAGNETICS.....904

Magnetic films only a few atoms deep show exciting properties that could result in significantly denser magnetic media and integrated circuits. John Gregg and Sarah Thompson describe the fruits of their research.

NEW WAVE MICROWAVES.....911

Judging by recent advances in superconductor technology and cooling systems, it may not be long before superconducting devices are commonplace. Mike Hosking looks at the state-of-the-art in superconductors for microwave frequencies.

DMM FRONT END – A NEW LOOK.....917

In the traditional multimeter input circuit, attenuation and protection circuits limit bandwidth while increasing drift. Involving overload sensing op-amps and power-mosfet switches, this new approach overcomes these problems.

LCR MEASURING TRANSFORMED.....931

By turning a transformer ratio-arm bridge back to front and discarding the transformer, Ian Hickman has produced an unusual but accurate measuring bridge for inductors, capacitors and resistors.

POLES & ZEROES.....937

S-plane poles and zeroes are a useful tool for helping designers choose better frequency-dependent circuit solutions. Steve Winder looks at the theory.

WEAPON OF PEACE.....959

Winston Churchill posed five ideas on the future of war. Four of these have become reality. And the fifth? Nigel Cook reports.

RF TRANSISTORS – SCATTERING PARAMETERS.....961

When designing small-signal rf amplifiers, scattering parameters are an invaluable tool for expressing impedance matching, gain, input or output vswr and stability – as Norm Dye and Helge Granberg explain.

£4000 WRITING EXCELLENCE AWARD

By writing the best rf design article of 1995, you could win a Hewlett-Packard HP8647A signal generator worth £4000. Details on page 889.



REGULARS

COMMENT.....883

Abuse of the licence fee.

NEWS.....884

Live '94, Automobile navigation, Optical ICs, New coating for higher floppy densities, 3D television, Chip technology supersedes cmos.

RESEARCH NOTES.....892

Deducing acceleration by induction, Buried technology widens market for lcds, Pinpointing power line damage, Camera catches sleepy drivers, Astronomers find planets-to-be, Colour-spectrum leds.

CIRCUIT IDEAS.....920

Bidirectional I²C isolator, Interfacing a signal riding high, Serial-word test generator, Diodeless rectifier, Switch-mode constant-current charging, Biquad filter, Power bridge driver, Liquid-feed timer.

DESIGN BRIEF.....926

Cautionary tales for circuit designers. Ian Hickman presents a few puzzlers and bloomers.

NEW PRODUCTS.....943

Classified run-down of a wide selection of new electronic products presented in easy-to-scan format.

LETTERS.....949

Proof of the pudding... is in the heating. Linear thinking, Remember the ZX, Ins and outs of informality, Lodge-ing a protest, Intellectual property.

APPLICATIONS.....952

Measuring true power via rms conversion, PWM output pressure sensors, LC oscillator features 1% distortion, Evaluation for H.261 video i/o chips.

In next month's issue:

Underground communication – Mike Bedford looks at methods of making wireless links in caves, and presents a working transceiver design.

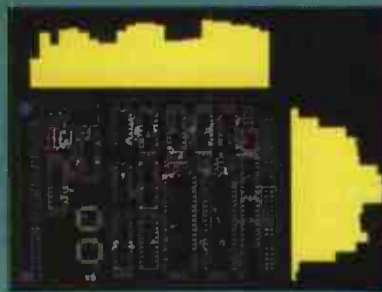
A new class of mosfet power amplifier – Bengt Olsson challenges the 30-year-old complementary output stage.

THE DECEMBER ISSUE IS ON SALE FROM November 24

FROM CONCEPT TO ARTWORK IN 1 DAY



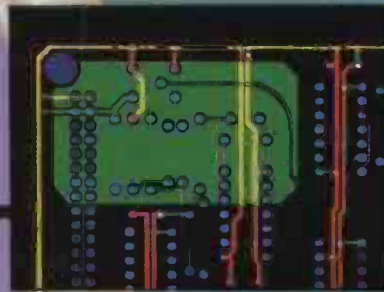
Your design ideas are quickly captured using the ULTIcap schematic design Tool. ULTIcap uses REAL-TIME checks to prevent logic errors. Schematic editing is painless; simply click your start and end points and ULTIcap automatically wires them for you. ULTIcap's auto snap to pin and auto junction features ensure your netlist is complete, thereby relieving you of tedious netlist checking.



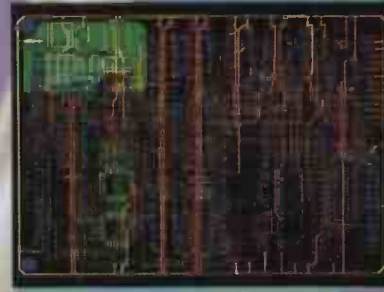
ULTIshell, the integrated user interface, makes sure all your design information is transferred correctly from ULTIcap to ULTIboard. Good manual placement tools are vital to the progress of your design, therefore ULTIboard gives you a powerful suite of REAL-TIME functions such as, FORCE VECTORS, RATS NEST RECONNECT and DENSITY HISTOGRAMS. Pin and gate swapping allows you to further optimise your layout.



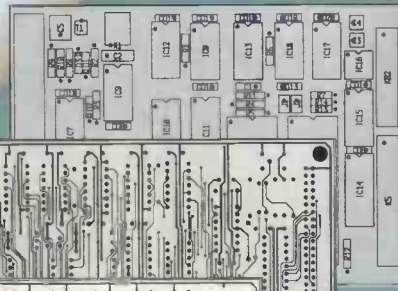
Now you can quickly route your critical tracks. ULTIboard's REAL-TIME DESIGN RULE CHECK will not allow you to make illegal connections or violate your design rules. ULTIboard's powerful TRACE SHOVE, and REROUTE-WHILE-MOVE algorithms guarantee that any manual track editing is flawless. Blind and buried vias and surface mount designs are fully supported.



If you need partial ground planes, then with the Dos extended board systems you can automatically create copper polygons simply by drawing the outline. The polygon is then filled with copper of the desired net, all correct pins are connected to the polygon with thermal relief connections and user defined gaps are respected around all other pads and tracks.



ULTIboard's autorouter allows you to control which parts of your board are autorouted, either selected nets, or a component, or a window of the board, or the whole board. ULTIboard's intelligent router uses copper sharing techniques to minimise route lengths. Automatic via minimisation reduces the number of vias to decrease production costs. The autorouter will handle up to 32 layers, as well as single sided routing.



ULTIboard's backannotation automatically updates your ULTIcap schematic with any pin and gate swaps or component renumbering. Finally, your design is post processed to generate pen / photo plots, dot matrix/laser or postscript prints and custom drill files.

CIRCLE NO. 104 ON REPLY CARD

NEW

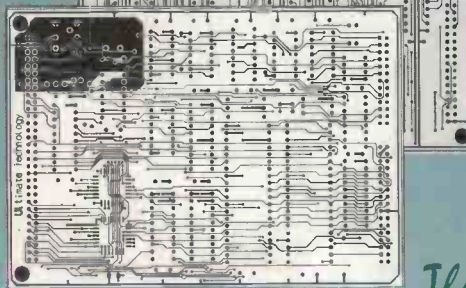
ULTIboard/ULTIcap evaluation system:

- all features of the bigger versions
- full set of manuals
- design capacity 500 pins

Price incl. S & H, excl. VAT:

£95

Purchase price is 100% credited when upgrading to a bigger version. • Also suitable for study & hobby



ULTIboard PCB Design/ULTIcap Schematic Design Systems are available in low-cost DOS versions, fully compatible with and upgradable to the 16 and 32 bit DOS-extended and UNIX versions, featuring unlimited design capacity.

The European quality alternative

ULTICAP + ULTIBOARD = MAXIMUM PRODUCTIVITY

ULTimate Technology UK Ltd. • 2 Bacchus House, Calleva Park, Aldermaston Berkshire RG7 4QW • Fax: 0734 - 815323 • Phone: 0734 - 812030

EDITOR

Martin Eccles
081-652 3128

CONSULTANT

Frank Ogden

DESIGN & PRODUCTION

Alan Kerr

EDITORIAL ADMINISTRATION

Jackie Lowe
081-652 3614

ADVERTISEMENT MANAGER

Richard Napier
081-652 3620

DISPLAY SALES EXECUTIVE

Malcolm Wells
081-652 3620

ADVERTISING PRODUCTION

Christina Budd
081-652 8355

PUBLISHER

Mick Elliott

EDITORIAL FAX

081-652 8956

CLASSIFIED FAX

081-652 8956

SUBSCRIPTION HOTLINE

0622 721666
Quote ref INJ

SUBSCRIPTION QUERIES

0444 445566

NEWSTRADE DISTRIBUTION

Martin Parr
081 652 8171

BACK ISSUES

Available at £2.50
081 652 3614

ISSN 0959-8332



Abuse of the licence fee

Nobody doubts for a moment the ingenuity and technical excellence of the BBC's digital audio broadcast system – DAB. Demonstrations show it to offer an improvement on standard fm, particularly for mobile reception. Why then should we think very carefully before endorsing the new broadcasting system, now scheduled to start about a year from now?

It is simply this. The technology, while feasible, takes little account of broadcasting requirements. It has been tailored too closely to the needs of the BBC's national network with little account of local broadcasting.

The precise details of the technology are involved; this will be borne out by the price of receiving equipment if it ever becomes available. The essence of the DAB system is this. Each DAB transmitter broadcasts six separate programmes simultaneously using subcarrier interleave. The frequency spreading inherent in the DAB system reduces the individual data rate per unit carrier frequency to the point where multipath interference is no longer a problem. However, it requires that six programmes are transmitted simultaneously from a single site.

Where used for local broadcasting, it implies that six stations are locked together in an inflexible bundle. Six franchises would have to be offered to serve a local area since DAB only represents efficient use of frequency and financial resource when fully occupied.

While this arrangement clearly suits Radios 1 to 5 plus another, it leaves local radio out in the cold.

The EC, which sponsored BBC DAB research, feels compelled to push the system to take advantage over emerging US technology in setting world standards. American digital sound broadcast technology takes as its starting point the elimination of transmission shortcomings from individual stations. And most broadcasting systems around the world operate like the Americans.

One cannot argue with the sense of promoting an home grown broadcast standard

but it has to be something in tune with a market requirement. We don't get too many letters complaining about the difficulty in retuning car radios to national networks as drivers cross the country. In any case, autotuning RDS radios were going to cure that, weren't they? We do however receive complaints about the lack of stereo coverage on the BBC television network.

Nicam has to be the most undersold broadcasting benefit ever offered to the public. The sound engineering on most television programmes is simply stunning. Indeed, it puts many straight radio productions to shame. To start putting money into something which offers no tangible benefit to the average listener, which requires high priced receiving apparatus, which will be unusable for most local radio, is an abuse of the BBC's licence fee.

The BBC's plan is to update tv transmitters to stereo only when the existing installed equipment comes to the end of its normal service life. This means that great swathes of the country will have to wait up to 20 years or more to get stereo sound on BBC tv channels.

We should not accept further developments from the BBC until it has fully implemented its television stereo sound service.

Hello, hello

From my new post as editor of *EW+WW*, I would like to reaffirm Frank's belief, expressed in the final words of his parting comment last month. I do share his ambition to develop *EW+WW* towards applied electronic design and I would like to thank him for the excellent work he has already carried out to this end.

One small change I will be making is to open up this comment page to a wider audience from time to time. I will be inviting leading figures in the industry to make their contribution, an example of which is the above guest editorial from Frank. But I will also be considering thought-provoking, stimulating ideas and statements from you – the readers.

Martin Eccles

Electronics World + Wireless World is published monthly. By post, current issue £2.25, back issues (if available) £2.50. Orders, payments and general correspondence to L333, *Electronics World + Wireless World, Quadrant House, The Quadrant, Sutton, Surrey SM2 5AS*. Tlx:892984 REED BP G. Cheques should be made payable to Reed Business Publishing Group.

Newstrade: Distributed by Marketforce (UK) Ltd, 247 Tottenham Court Road London W1P 0AU 071 261-5108. Subscriptions: Quadrant Subscription Services, Oakfield House, Perrymount Road, Haywards Heath, Sussex RH16 3DH. Telephone 0444 445566. Please notify change of address. Subscription rates 1 year (normal rate) £30 UK and £43 outside UK.

USA: \$52.00 airmail. Reed Business Publishing (USA), Subscriptions office, 205 E. 42nd Street, NY 10117.

Overseas advertising agents: France and Belgium: Pierre Mussard, 18-20 Place de la Madeleine, Paris 75008. United States of America: Ray Barnes, Reed Business Publishing Ltd, 205 E. 42nd Street, NY 10117. Telephone (212) 867-2080. Tlx 23827.

USA mailing agents: Mercury Airfreight International Ltd Inc, 10(b) Englehard Ave, Avenel NJ 07001. 2nd class postage paid at Rahway NJ Postmaster. Send address changes to above.

Printed by BPCC Magazines (Carlisle) Ltd, Newtown Trading Estate, Carlisle, Cumbria, CA2 7NR

Typeset by Marlin Graphics 2-4 Powerscroft Road, Sidcup, Kent DA14 5DT

©Reed Business Publishing Ltd 1992 ISSN 0959 8332

Live '94 – surround sound to Internet

Watch tv through a window. Apple's new Performa 630 TV Plus includes a TV tuner for its Multimedia environment.



In the forecourt at Earls Court, where they usually park a yacht during the Boat Show, or a tank during the Royal Tournament, Live 94 had a large articulated-lorry trailer, its black canvas side used as a billboard for the show. Unimaginative, perhaps, but as a

symbol of the show within, it couldn't have been more appropriate.

The key concept at Live 94 was the Black Box – it delivers marvels of technology, but no need to ask how. This was perhaps to be expected, since it was more of a punters' show than one for techies, but it made for an experience that was often curiously contentless or elusive. After all, we've all seen a television picture. So what, if there are lots of them together? Or if they're a different shape? The images and the programmes on the screen remain much the same. It became hard to work out what you were supposed to be looking at, or for. Surround-sound demonstrations were particularly frustrating, unable as they were to compete with the ambient cacophony.

Nevertheless, there were some

notable debuts. Home cinema – hitherto shorthand for surround-sound – took two decisive steps towards fully replicating the real thing. Channel 4 and Nokia organised the first live PALPlus widescreen transmission at the show.

Using processors newly brought back from the International Broadcasting Convention at Amsterdam and hastily connected-up, history was made on the Thursday with a 1963 CinemaScope film called *Bye Bye Birdie*. The Widescreen TV Forum, a DTI-led consortium of British broadcasters and manufacturers, went one better with a live demonstration, transmitted from Croydon, of MPEG2 digital compression, to 8 megabit/s, the equivalent of four channels into one. As for sheer size,

Continued over page

Car navigation systems are on course

For drivers who find it difficult to glance at a map and navigate while keeping both hands firmly on the steering wheel, there's good news around the corner.

Driving through cities may never be the same again as more and different types of dynamic route guidance systems are being mass-produced and implemented even in the most basic car models.

According to BIS Strategic Decisions, the international consultancy group, by the year 2002 automotive manufacturers will be fitting more than 6 million vehicles a year with navigation systems as they leave the factory. Route guidance is becoming a vital

part of an integrated traffic management system. Well-coordinated traffic management improves fuel efficiency, reduces pollution and eases congestion on the roads – and lightens the workload on the driver.

During 1996 and 1997, more European and North American car manufacturers will start to offer stand-alone navigation systems as options on their models.

Such systems are Renault's Carminat and Ford's Route Guidance System which use, Radio Data Systems, RDS.

Renault's Carminat consists of an on-board computer that connects to a Radio Data System - Traffic Message Channel (RDS-TMC) broadcast on fm. The information is displayed on an lcd screen on the dashboard.

Ford's system will also navigate the driver through the shortest or fastest route to a given destination. The advice will be given visually or audibly.

By 1995, Mercedes-Benz will equip its S-class models with a GPS-based system called AutoPilot System, APS. The vehicle's position will be determined by

consulting digitised maps of the city roads and road network on CD-rom.

But probably the most interesting type of route guidance is coming from CellPort Labs in the US, called C/P Connect. The system is an in-vehicle local area network which interfaces with around 23 different devices in the car including the cellular phone.

The biggest difference is the wireless connectivity of this system. A vehicle's problems and accidents can be automatically relayed to the appropriate party like the police, ambulances or the rescue services.

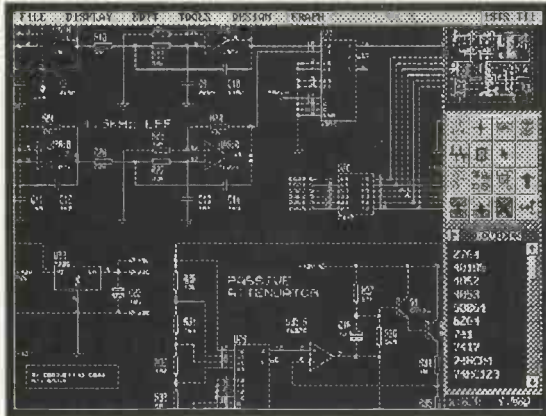
In Europe, similar systems are already taking off, one is the German Copilot system.

Copilot is a vehicle guidance system which literally leads a vehicle from traffic light to traffic light after the vehicle destination has been typed in by the driver. It can book parking spaces on request and give information on public transport links and timetables. Trials are scheduled – or have already begun – in many German cities, among which are Stuttgart, Frankfurt, Bremen and Dusseldorf. Svetlana Josifovska, *Electronics Weekly*.



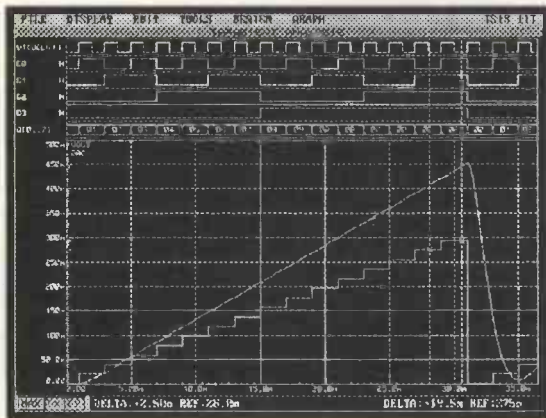
PROTEUS

The Complete Electronics Design System



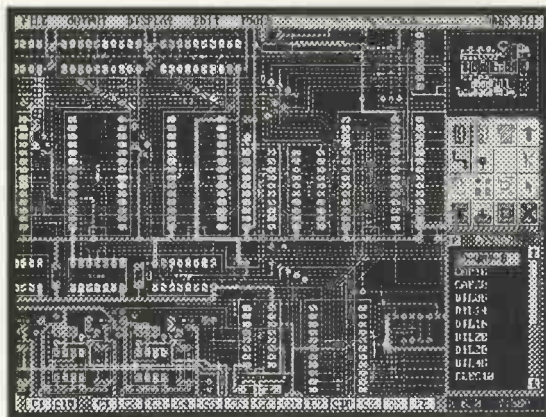
Schematic Capture

- Easy to Use Graphical Interface.
- Netlist, Parts List & ERC reports.
- Hierarchical Design.
- Extensive component/model libraries.
- Advanced Property Management.
- Seamless integration with simulation and PCB design.



Simulation

- SPICE compatible Analogue Simulation.
- Event driven Digital Simulation with modelling language & PLD support.
- Partitioned simulation of large designs with multiple analogue & digital sections.
- Graphs displayed directly on the schematic.



PCB Design

- Multi-Layer and SMT support.
- Unlimited Design Capacity.
- Full DRC and Connectivity Checking.
- Advanced Multi-Strategy Autorouting.
- Output to printers, plotters, Postscript, Gerber, DXF and DTP bitmaps.
- Gerber View and Import capability.

Labcenter
Electronics

Write, phone or fax for your free demo disk, or ask about our full evaluation kit. Tel: 0756 753440. Fax: 0756 752857. 53-55 Main St, Grassington. BD23 5AA.

Proteus software is for PC 386 compatibles and runs under MS-DOS. Prices start from £475 ex VAT; full system costs £1495. Call for information about our budget, educational & Windows products. All manufacturers' trademarks acknowledged.

CIRCLE NO. 105 ON REPLY CARD

Sharp was demonstrating two lcd projectors which produced impressively... er... sharp images on the big screen.

On the interactive front, attention has switched from games machines to more powerful and versatile CD-based systems. Panasonic was pitting its new 3DO against Philips' more established CDi.

But both are having to reckon with an aggressive contender from another sphere. Two of the largest stands on the main floor were those of Apple and Microsoft. Both majored on the same themes: education, entertainment and the home office – a triple whammy that searches out the weak spots of consoles marketed as tv add-ons. CD-rom in conjunction with a pc or Mac is beginning to develop a bandwagon momentum that could lift the computer from being the prerogative of the minority (now a very large minority) to being as

natural an item of home technology as the telephone or the television.

Indeed it may well end up swallowing both. Apple chose the show to unveil its new Performa 630 TV Plus, a multimedia bag of tricks with built-in tuner that allows you to watch television, either as background desktop or in a small window, while working on something else. It may seem like a gimmick now, but it makes better sense as an interface for serious interactive tv shopping than the sofa, the widescreen and a remote control.

Compaq launched its new pc-based Presario. Also aimed at home users, its package includes fax, answering machine and access, via CompuServe, to Internet. The Internet was still an unofficial item on this year's Live agenda. Not for much longer, one suspects, with BT launching its own service in October.

Outside the home, the most significant pointer to the future was

an inconspicuous display on the stand of in-car specialist Alpine. It consisted mainly of a small, bright lcd screen about inches (100mm) square, showing a road map, and formed part of a car navigation system, already in use in Japan. Much development work, by others as well as Alpine, is going into these at present. The aim is to combine location data from GPS with traffic information on RDS to guide motorists not only to their destinations, but around any hold-ups that may occur. Most of the elements for this are already available – the only one lacking for the UK being digital mapping, expected by 1996.

Live is by no means comparable with the Berlin Funkausstellung, but it does give one a sense of being at, or somewhere near, the leading edge of consumer electronics technology. These days, that is a pretty exciting and multi-faceted place to be.

Peter Willis

Cmos superseded by Leaps?

A new chip technology has been developed that significantly outperforms cmos and which is believed will eventually replace cmos for all logic circuits.

Called Leap – an acronym for lean integration with pass transistors – the technology is based on a type of transistor, developed by Hitachi. Unlike cmos circuits, where one transistor charges the output of a logic element and another discharges it, in Leap circuits a single 'pass transistor' both charges and discharges the output. Benchmark tests carried out by Hitachi show that Leap circuits beat cmos circuits on

speed, silicon area and power consumption by factors of between 30 and 50 per cent.

Hitachi is already planning to use Leap in its next-but-one low-power microprocessor, due in 1996 and called the SH4. The 32-bit device is expected to deliver 300Mips and consume just over one watt.

Dr Tsugio Makimoto, Hitachi's main board director responsible for semiconductors, believes that future performance will increase by a factor of two every three years, without increasing power consumption.

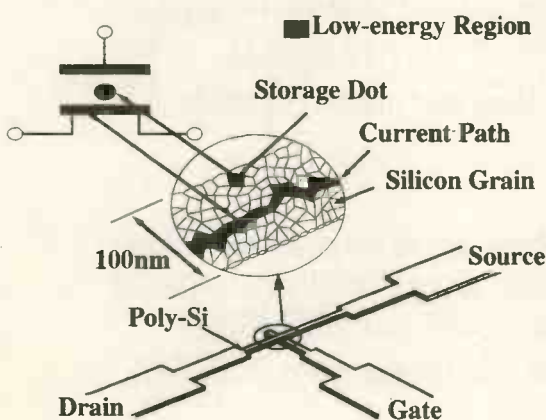
The building blocks of Leap

circuits are not traditional logic gates such as nand and nor gates but more complex units with more inputs. They require different design methods and new libraries of standard functions.

Cmos technology for logic circuits has been around for the past 15 years. The concept of using a single mos transistor to pass on a charge state has also been around for some time. But it is only in the past year or so that researchers at Hitachi's labs have built pass transistor circuits and shown just how well they perform. Hitachi has applied for a patent on the technology.

Single electron switch using polysilicon

Structure of Poly-Silicon Single-Electron Memory

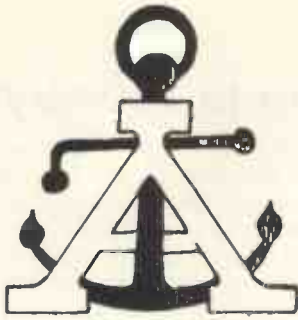


Hitachi is investigating the use of polysilicon to build single electron devices such as switches and memory elements based on quantum mechanical effects. Last year the company unveiled early results from small conducting islands separated by very thin insulators, which electrons can cross by quantum mechanical tunnelling. Recently, devices have been built using the jigsaw-like structure of polysilicon to form the islands. Hitachi has demonstrated memory operation using polysilicon, in which one of the polysilicon islands acts as the floating gate in a non-volatile memory element.

Solid state recording for camcorder

A camcorder is being developed which will use 256Mbit flash chips to store video sequences. Hitachi says the device will be the world's smallest and lightest camcorder and will fit into the palm of the hand.

Using video compression technology, Hitachi believes it will be able to store 30 minutes of digitised video in 400Mbyte of memory. The company says it hopes to launch a commercial chip-based camcorder within five years, at a price of around \$1,000.



**ANCHOR SURPLUS LTD
THE CATTLE MARKET
NOTTINGHAM
NG2 3GY**



**TEL: (0115) 9864902 & 9864041
FAX: (0115) 9864667**

**HP 141T SPECTRUM
ANALYSER SYSTEMS**

141T+8552B+8553
(1Khz-110Mhz) **£525**

141T+8552B+8554
(100Khz-1250Mhz)..... **£750**

141T+8552B+8555A
(10Mhz-18Ghz) **£995**

PLUG IN's Available as Separates

8552B IF.....**£250** 8553 RF.....**£175**

8554 RF.....**£395** 8555A RF.....**£595**

141T Storage Mainframes **£250**

ACCESSORIES

8443A Tracking Generator Counter
(110Mhz)..... **£300**

8445B Tracking Pre-Selector... **£450**

8445B Tracking Pre Selector with
Digital Readout (opt 002-003) **£750**

**MARCONI TF2120/PROSSER A100
PRECISION WAVEFORM GENERATORS**

Sine, Square, Triangle, \pm Ramp Waveforms
0.001Hz - 100KHz
0 - 10V Output 50r/600r **Only £325**

**SCHLUMBERGER STABILOK 4010A
Radiotelephony Test Sets**

10KHz-200Mhz/420-480Mhz
Measures: Modulation 0-20Khz..AF Level 0-3v
Distortion..Sinad..TX Freq (Digital)..0-25W TX Pwr
with Synthesised RF Sig Gen 0-38mV and
Modulation generator 30Hz-20KHz

**Only
£745**

WAYNE KERR AMS1 AUDIO MEASURING SET

AUDIO GENERATOR - VARIABLE ATTENUATOR
DIGITAL DISPLAY - MILLIVOLTMETER
DISTORTION - WOW/FLUTTER - RUMBLE
PHASE MEASUREMENTS

**One Only
£245**

**ROHDE-SCHWARTZ Model ESU
VHF/UHF Test Receiver**

25-900Mhz Complete Test System incl..
Mast..Winch..Log Periodic ant..Dipole Ant
Cables..Manual.. Cases etc
For Field/Lab Tests
Field Strength..Propagation
Radiation Patterns..Ant Specs etc

**One Only
£950**

**WANGEL & GOLTERMANN LDS-3/LDE-3
GROUP DELAY - ATTENUATION TEST SET
One Only in Good Condition..£450**

NOW OPEN SEVEN DAYS A WEEK

**Monday to Friday: 9.00 am to 6.00 pm Saturday: 8.00 am to 4.00 pm
SUNDAY: 10.00 am to 4.00 pm**

ALL EQUIPMENT TESTED WITH VERIFIED CALIBRATION



All prices excluding VAT & carriage.



New coating technique boosts floppies to 100Mbyte

Japanese photographic film maker Fuji Photo Film has developed a manufacturing technique which it claims will revolutionise floppy disks. By using a new metallic coating technique, Fuji claims it is possible to store between 100 and 200Mbyte of data – nearly 100 times more than the 2Mbytes for conventional disks.

The key feature is in the coating technique. "We coat the discs with very thin layer of material but we do it simultaneously with the undercoat," said Yasuhiro Abe, manager of the technical department

of magnetic products at Fuji Film.

The thin, top layer is 0.1µm to 0.5µm thick, compared with the 2µm of conventional coatings. It consists of ultra-thin ferrite particles and is applied using a new process technology. The new double layer coating enables more information to be stored per unit area and data can also be read more quickly. Discs using the new coating can revolve at between 3000 and 5000rev/min and hold up to 2000 tracks per inch.

The new metal-particle (MP) process is a less expensive technique than the traditional metal evaporated

(ME) coating currently used to prepare floppy disks. It has evolved from manufacturing photographic films for the last 30 years.

Two years ago Fuji used the technique on the 8mm and VHS camcorder market and produced camcorder tapes coated with MP 'super-double' layer.

Currently Fuji is co-working with a disk drive manufacturer to make the hardware needed for the high capacity disks. Fuji expects to find a manufacturer which will produce disk drives that read data ten times faster than current disk drives.

UK takes lead in optical IC production

A British start-up has cracked the problem of building integrated optical circuits and is about to set up the world's first production plant.

Bookham Technology has developed what founder Dr Andrew Rickman calls the cmos of optical circuits.

"We are already in prototype production," Rickman said, "and we are now investing in an assembly line. Investment in a clean room will probably come six months to a year after the assembly line has proved itself."

The chips are based on two fundamental breakthroughs: a way of building optical structures such as switches and amplifiers in silicon, enabling conventional IC production techniques to be used, and a way of coupling optical fibres to silicon waveguides on chips.

3D television nearer to reality

Researchers at De Montford University in Leicester believe they may have found a practical way to deliver three dimensional tv pictures.

Experimental work carried out by the team suggests that it could be much easier than previously thought to build a system which can capture, transmit and display full-parallax 3D tv pictures. It could mean that pictures in which the viewer can look round the image by moving his or her head will not now need special glasses.

According to a paper delivered by the team at an International Broadcasting Convention recently it should be possible to build a full

colour 3D display using receivers with horizontal resolution of 2048 pixels and a vertical resolution of 1536 lines, requiring a transmission rate only about 1.5 times higher than that needed for 2D high definition tv (HDTV) pictures. To send this using current transmission methods, the data would need to be compressed by a modest factor of 16:1.

The work is based on a theoretical three-dimensional imaging system which uses a single integrated imaging device made up of arrays of large and small lenses to capture the picture, rather than multiple cameras.

The theory behind such devices has been known for some time, but

it has only recently become possible to make planar arrays of micro lenses with a fine enough pitch. In the De Montford system, the finest micro-lens arrays have a lens spacing of 125µm.

The team used printed images to model the pictures which would be produced by such a system on a liquid crystal display. Using a viewing micro lens array with a lens pitch of 1.25mm the team found that the parallax information in the images was preserved even with a single pixel behind each lens in the array.

Karl Schneider
Electronics Weekly

Optical fibres have terahertz bandwidth potential

Optical fibres open up the possibility of networks with virtually unlimited bandwidth – in principle. The transmission range of optical fibres, covering wavelengths between 1.3 and 1.6µm, represents a bandwidth of some 50THz.

While 50THz would never be achievable down any significant length of fibre, today's networks still only make use of a tiny fraction of the bandwidth potential.

New all-optical devices being developed could make better use of fibre capacity. Most attention has focused on generating and decoding optical signals and it is now possible to generate optical pulse streams with repetition rates of a few Gbit/s and pulse widths of around a picosecond. This is achieved using mode-locked semiconductor lasers, which emit narrow band light.

In future bit rates of several hundred Gbit/s could be possible using post-connected passive optical multiplexers.

A semiconductor laser generates interleaved pulses to multiply the bit rate before being fed into the fibre.

It has only recently become possible to build fast optical demultiplexers based on optical amplifiers using intra-band effects. An optical control signal pulls out the relevant pulses from the 'multiplexed' input stream. Researchers at the Heinrich Hertz Institut in Germany believe such devices could handle signals to 100Gbit/s.

In principle, higher capacities could be achieved by combining tdm with optical frequency division multiplexing.

Several carriers of different wavelengths can give very high bit rates. Dr Alan Hill at BT's Martlesham laboratories says, "You may even be able to use thousands of carriers at distances of perhaps 1000km."

Switching signals in the optical domain is a thornier problem. Three types of switch are required for space, frequency

and time switching.

Spatial switches are needed to correctly route a signal. Researchers from British Telecom's Martlesham labs, Cambridge University and University College London are developing 2x2 optical spatial switches that can switch the output from each of two input fibres into the correct output fibre, using liquid crystal shutters.

Optical frequency switches take an input signal on one carrier wave-length and translate it to a different wavelength. Such devices have been built in the lab using four-wave mixing, where the input signal is combined with control signals in a non-linear optical medium to generate the desired output wavelength through non-linear combination.

At the Heinrich Hertz Institut, intra-band effects in 'optically pumped' amplifiers have been used to shift an optical carrier by a few THz while carrying a modulated 18Gbit/s signal. ■
Karl Schneider
Electronics Weekly

Best rf article '95

Following the success of 1994's Writers Award, **Electronics World** and **Hewlett-Packard** are launching a new scheme to run from January to December 1995.

Only articles which have an element of rf design will be eligible for consideration by the judging panel. It is hoped that this year's award will focus writer interest on rf engineering in line with the growing importance of radio frequency systems to an increasingly cordless world.

The aim of the award scheme is to locate freelance authors who can bring applied electronics design alive for other people.

Qualifying topics might include direct digital synthesis, microstrip design, application engineering for commercially available rf ICs and modules, receiver design, PLL, frequency generation and rf measurement, wideband circuit design, spread spectrum systems, microstrip and planer aerials... The list will hopefully be endless.

All articles accepted for publication will be paid for – in the region of several hundred pounds for a typical design feature.

Win a £4000
programmable signal
generator from
Hewlett-Packard



The prize for the coming year's award is a £4000 Hewlett-Packard HP8647A 1GHz programmable signal generator. It features GPIB interface, solid state programmable attenuator and built in AM-FM modulation capability.

For further details about our quest for the best, call or write to:
**Martin Eccles, Editor, Electronics World,
Quadrant House, The Quadrant, Sutton,
Surrey, SM2 5AS
Tel 081-652 3128**



T400 Evaluation and Development Kit

SGS-THOMSON
MICROCONTROLLERS

Discover the World Without Paying

You want to get into the world of real 32-bit embedded processing but you don't want to pay the earth?

Now you can with SGS-THOMSON's STEK400. Following the successful starter kit format used for the ST6 and ST9 microcontrollers, the kit contains everything you need to evaluate and start development of your own 32-bit embedded system, including an ANSI C compiler with full documentation and target board. In addition the STEK400 includes a quick start manual to get you working straight away, plus the T400 family databook.

T400 Power Performance Price

The T400 offers the optimum mix of power, performance and price for all high-end embedded

processor applications. **Power** from a RISC-based 32-bit architecture with 4Gbyte memory address space. **Performance** with a 20MHz CPU giving up to 20MIPS, and benchmarks of 704k Whetstones and 8193 Dhrystones per second. **Price** that puts the T400 well within the reach of your applications budget - under \$20 in volume, or, in other words, less than \$1/MIPS.

Simply Better for High-End Applications

The T400 makes it easy to develop systems and applications software even for demanding applications like fax machines, laser printers, GPS handsets and wherever else price and performance are the major parameters for success.

The T400 microprocessor contains many facilities for simplifying both hardware and software design.

Distributors: Arrow - MMD (0734) 313232,

Avnet - Access (0462) 480888,

Anzac (0628) 604411,



World of Embedded Processing Opening the Earth

- In-built programmable interface
- Data transfer port for in-line programming, diagnostics and I/O
- Programmable memory interface
- Single external 5MHz clock
- High code density so your application code occupies less memory
- Comprehensive library and hardware support for multitasking, intertask communication and the use of timers and interrupts

If you want to know more on better microprocessing for demanding applications, fill in the coupon - you'll find the world of 32-bit embedded processing won't cost you the earth.

I want to open up the world of 32-bit embedded processing, please rush me:

- The STEK400 Evaluation and Development Kit for under £400
- Information on the T400 32-bit microprocessor

Name _____
 Company _____
 Street _____

City _____ Postcode _____
 Tel _____ Fax _____

Offer continues while stocks last

SGS-THOMSON Microelectronics, Planar House, Parkway Globe Park, Marlow, Bucks, SL7 1YL. Tel: 0628 890800 Fax: 0628 890391

ST **SGS-THOMSON**
MICROELECTRONICS

Service and Technology

CIRCLE NO. 106 ON REPLY CARD

RESEARCH NOTES

Jonathan Campbell

Deducing acceleration by induction

Aircraft navigation, to impact testing, to automotive safety systems – the range of uses for accelerometers is growing daily and there are already several technologies from which to choose. But researchers in the Department of Electronics, University of New South Wales, have just added a new one – a micro-accelerator fabricated from silicon wafers that uses electromagnetic field induction (*IEEE Electron Device Letters*, Vol 15, No 8, pp.272-273).

In addition to being minuscule, newly developed silicon inductive acceleration sensors are much easier to interface than their capacitive counterparts.



Measurements of acceleration ranging from 0-50g have already been demonstrated by the device, making it ideal for applications such as air-bag sensors in cars. The great benefit is that the associated electronics are much simpler than with conventional systems such as capacitive accelerometers.

In structure, the device developed by Ebrahim Abbaspour-Sani and colleagues, has much in common with an ordinary transformer, having primary and secondary windings of 12 turns each.

The lower section of its three part silicon construction contains the primary square coil, patterned from an evaporated aluminium layer using photolithography onto a thermally oxidised *p*-type silicon wafer. The 2.2x2.2mm seismic mass that senses the acceleration is suspended from the upper layer by two cantilever beams 600µm long. It is micromachined from *p*-type silicon and has the secondary planar coil sputtered onto it. Separating the two layers is a middle section providing the required spacing between the two coils and also

assisting in the alignment process.

The three parts are assembled after fabrication, and signal conditioning circuitry, comprising a preamplifier, a precision rectifier and a dc amplifier, is added. In use, output voltage is related to the distance between the upper and lower coils, which will vary in response to acceleration.

Overall size is 4.2x4.2mm and the amplified voltage varies linearly between 0-9V, at a rate of 0.175V/g and a power consumption of less than 2.5mW. The range of detectable acceleration may be varied by selecting different designs in length, width and thickness of the cantilever beams. As the researchers point out, since no micro-machining of the lower part is required, the electronic circuitry for signal processing can be included on it using standard cmos technology.

The main drawback of the device is currently its large temperature drift. At room temperature, without temperature compensation circuitry, the amplified voltage drifts by ±0.2V/°C.

Buried technology widens market for lcds

Brighter, cheaper lcds: the buried indium-tin-oxide structure, ITO, allows the busline/electrode spacing X_s to be reduced so widening the electrode size X_p . Result is improved aperture ratio.

As information systems shrink, the demand continues to expand for thin-film transistor-addressed liquid-crystal displays (tft-lcds). Unfortunately, traditional devices are expensive to produce and, in portable equipment where power consumption is so important, brightness can suffer. But a new design of tft-lcd emerging from the laboratories of Hitachi in Japan (*IEEE Transactions on Electron Devices*, Vol 41, No 7, pp.1120-1124) promises to tackle both those problems. A buried ito electrode (bi) structure helps reduce device cost by hugely improving the production yield. Power consumption for a particular brightness is cut by boosting the aperture ratio by almost a half.

Conventional technology has already put 10in diagonal 480 line panels in production, with 700 line displays under development. But production defects cause poor yields,

intra-layer short circuits, resulting primarily from etching residues, are the main problem causing most pixel defects in lcd panels. Combined with aperture-ratio limitation, which has so far been a constricting factor in optimising the trade-off between power saving and brightness, the pixel defect problem continues to test the minds of display engineers.

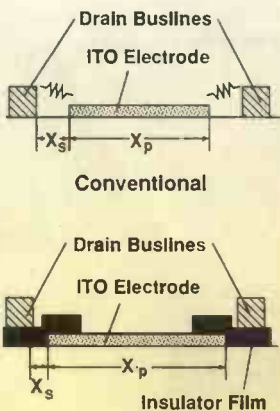
The Hitachi design improves the aperture ratio while simultaneously reducing pixel defects, using the novel pixel structure with its buried electrode and an anodic oxidised Al-gate electrode.

In conventional designs, the pixel electrodes and the drain buslines are installed on the same plane and so are easily shorted by electrode etching residues. The Hitachi design buries the pixel electrodes under an insulator film, isolating them from the drain buslines. So, short circuits are almost completely eliminated

and pixel defects are significantly reduced.

Normally it is also impossible to reduce the spacing between the pixel electrode and drain busline without risking short circuits. So the width of the pixel electrode is restricted and the aperture ratio limited. But in the new structure, since the pixel electrodes are isolated from the drain buslines, the spacing can be reduced to the resolution limit of the photolithographic process, and the pixel electrode can then be widened.

The Hitachi researchers used a 10in diagonal high-resolution lcd and 780 lines to evaluate their design. Their buried-ito-structure improvement, added to a reduced storage capacitance which also boosts the aperture ratio, showed a ratio increase from around 20% for the conventional device up to 29% for the tft lcd.



OLSON®

For all your Power Distribution Olson offer a varied choice

OLSON Distribution Units

OLSON ELECTRONICS LIMITED

OLSON DISTRIBUTION PANELS FUSED, WITH R.F. FILTER AND R.C.D. PROTECTION

OLSON ELECTRONICS LIMITED

OLSON FUSED WITH RCD PROTECTION AND DOUBLE POLE SWITCHED SOCKETS

OLSON ELECTRONICS LIMITED

OLSON "The Rack Range" mains distribution panels for 19" rack mounting

OLSON ELECTRONICS LIMITED

OLSON Office Furniture Cable Management Manufactured to BS 6396

OLSON ELECTRONICS LIMITED

OLSON Mains Distribution Panels with Non Standard Sockets

OLSON ELECTRONICS LIMITED

OLSON

OLSON ELECTRONICS LIMITED

OLSON Earth Leakage Distribution Units

PORTABLE UNIT Type PEL 3

WALL MOUNTED UNIT Type VES 2

BENCH UNIT Type BLS 200

OLSON ELECTRONICS LIMITED

OLSON Distribution Units

OLSON ELECTRONICS LIMITED

OLSON PANELS WITH 10AMP CEE22/IEC SHUTTERED SOCKETS FUSED DOUBLE POLE WITH R.F. FILTER AND RCD PROTECTION

OLSON ELECTRONICS LIMITED

OLSON The Rack Range WITH AMERICAN SOCKETS 125V 15A

OLSON ELECTRONICS LIMITED

OLSON Mains Distribution Panels INTERNATIONAL RANGE

OLSON ELECTRONICS LIMITED

OLSON FUSED SUPER SLIM WITH ELECTRAK PLUG CONDUIT AND DOUBLE POLE SWITCHED SOCKETS

OLSON ELECTRONICS LIMITED

OLSON DATA PROTECTOR

OLSON ELECTRONICS LIMITED

OLSON INDUSTRIAL RANGE 16 AMP 110V AND 240V TO BS 4343/IEC 309

OLSON ELECTRONICS LIMITED

OLSON Distribution Units

OLSON ELECTRONICS LIMITED

OLSON 19" FAN TRAYS

OLSON ELECTRONICS LIMITED

OLSON The Rack Range CEE22/IEC SOCKETS

OLSON ELECTRONICS LIMITED

OLSON SERVICE PILLAR FOR THE OPEN-PLAN OFFICE

OLSON ELECTRONICS LIMITED

OLSON Distribution Units

OLSON ELECTRONICS LIMITED

Sorting through signals to pinpoint power line damage

The US Navy, the Star Wars missile programme, and the humble bat have all had a role in a monitoring system being developed at the University of Rochester to help electricity companies locate



In the US, detecting power-line damage relies largely on reports from consumers but a new electronic detection system could be used to pinpoint problems automatically.

power lines damaged after natural upheavals.

The work follows catastrophes such as an ice storm that hit the Rochester area in March 1991, or the earthquakes that regularly rock Southern California. Utilities currently depend on customer complaints to find downed power lines and this slows repairs since company personnel must piece together scattered bits of information to track down faults. But University faculty students, working with engineers from Rochester Gas and Electric Corp., are close to perfecting an automated process that would allow engineers to find immediately which lines are down.

The idea is to outfit each power line with a transmitter that every so often transmits a distinct signal back to the utility signifying that the line is working. A missing signal would indicate that a line is down. The clever part has been to separate out all the signals coming from hundreds of power lines.

Several years ago the Navy turned to Edward Titlebaum, professor of electrical engineering, to solve the similar problem of how to ensure that signals from sonar-guided torpedoes remained distinct and could not become crossed.

Titlebaum, who admits to a fascination for bats and their own

sonar systems, began studying ways to classify signals so that a particular one could always be identified, analogous to picking out a familiar voice in room crowded with people talking.

His solution was to develop a family of codes known as frequency hop codes, where a signal hops across several frequencies per second. Last year he showed how the codes could accommodate a virtually infinite number of users on networks of computers, cellular phones, radar and other applications where multiple users are drawing on the same resource.

Now Titlebaum's codes have been incorporated into a computer chip designed by students working with faculty members Alexander Albicki and Edwin Kinnen. In recent tests with RG&E, the team successfully inserted and then extracted distinct signals from the sea of electricity that surges along a utility's power grid.

The team has sent and received signals between engineers' homes and offices in the university's computer studies building just by plugging in their computer to wall outlets.

So far RG&E has not implemented the system because it is currently too costly. But University engineers are confident they can bring the cost down.

Camera catches the sleepy driver

In a few years from now, if the driver in the car in front of you suddenly jerks upright and you hear a distant buzzing and wonder where that distinct scent of peppermint is coming from, you could be seeing in action the next stage of an anti-sleep system being developed at Nissan. According to a paper from the 14th Enhanced Safety of Vehicles conference (*Automotive Engineer*, Aug/Sept), the company has been experimenting with a camera-based system that can trigger an alarm if a driver falls asleep.

In addition to an immediate sounding of a loud buzzer, Nissan has also been assessing the effects of filling the car with the smell of scented oils to keep the driver awake for long enough to find a service station.

A small 512x432 pixel ccd camera aimed at the driver's face is at the heart of the system, linked to a pc to allow measurement of the openness of the driver's eyes. What has made the use of a camera possible is that, instead of electrodes or other brain-monitoring equipment, the

researchers have correlated eye openness directly with fatigue. There is an alertness index that points directly to the number and amplitude of $\alpha 2$ brain waves.

In a related study, stimulation with the smell of peppermint was found to keep a driver refreshed for up to six minutes, and when used with a buzzer could keep stave off sleep for 15 minutes.

There's plainly some way to go before such a system finds its way into a car, but in the meantime, it won't do sales of Polos (the mint not the car) any harm.

Pancake-like disks have been sighted in the Orion Nebula: are they proplyds?

Space discs shorten odds on Aliens

The probability of finding life elsewhere in the Universe may have been raised slightly by a recent discovery made by the Hubble Space Telescope. Astronomers using Hubble to scan the Orion Nebula found over half the stars (*J Br Astron Assoc*, 104, 4, 1994) showed pancake-like discs around them rather than shells.

The presence of discs indicates that the dust has too much spin to be drawn into the collapsing star, but instead will eventually agglomerate to make planets.

Dr Robert O'Dell of Rice University – who has christened these discs of

planets-to-be 'proplyds' – and Zheng Wen at the University of Kentucky have measured the mass at the edge of one of the discs and found it to be several times that of the Earth. But at less than a million years old, The Orion Nebula discs have not had time to form into planets.

However, astronomers believe that finding so many proplyds amongst the young stars, indicates that planetary systems are even more numerous than we thought. The result is that the odds of finding a planet with life have just been reduced.



Colour-spectrum led technology for display panels

Leds that change colour in response to variations in applied voltage have been announced by Scientists at Lawrence Berkeley Laboratory, California. The devices, made from cadmium selenide nanocrystal and a semiconducting polymer, can change from red or yellow at low voltages to a distinct green at higher levels. The researchers believe such devices could become the basis for colour displays made up of multi-coloured pixels, using voltage control to dictate colour.

Key to the colour control is the Berkeley team's new approach to led design using a hybrid organic/inorganic nanocrystal composite structure built up by assembly of individual components. The colour change effect stems from the led's combination of two radically different materials with disparate dielectric constants and transport mechanisms, that support two different luminescent mechanisms (*Nature*, Vol 370, pp.354-356).

Layers of CdSe nanocrystals (<10,000 atoms) are built up on a substrate, up to a thickness of a few hundred Ångstroms, while the organic component is a layer of *p*-paraphenylene vinylene. This layer is chosen to ensure electrical stability and enhance carrier

injection and confinement.

Light emission arises from the recombination of holes injected into the layer of the semi-conducting ppv with electrons injected into the multi-layer film of cadmium selenide. Starting-point luminescent colour of the CdSe layer can itself be altered from yellow to red by changing the nanocrystal diameter

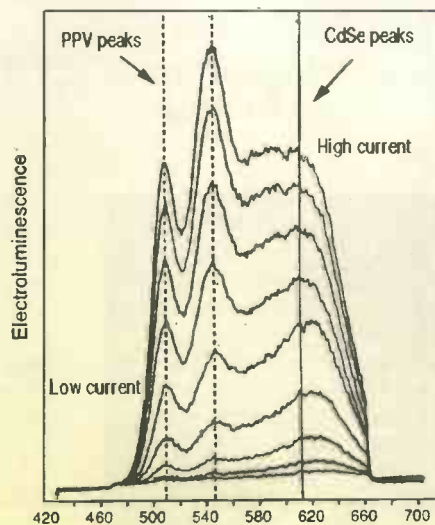
In samples with a very thin CdSe layer (one or two monolayers) significant ppv signal can be seen in addition to the CdSe luminescence. At lower voltages, the red or yellow CdSe emission predominates. But as the voltage increases, ppv luminescence becomes more intense. The researchers report that the phenomenon is reproducible over many scans, though if the bias is maintained for more than ten minutes, the ppv signal begins to fall off compared with the CdSe.

The Berkeley scientists are not completely sure of the explanation for the effect, but speculate that if the forms of the field dependencies of either charge migration or exciton (electron/hole pair) diffusion are different in two materials, then the recombination zone could move with voltage. Another possibility, says the team, is that the nanocrystals are behaving as typical bulk inorganic diodes, with falling emission intensities at high currents

due to heating of the sample.

Electrical stability and efficiency problems still need to be overcome. But the devices do seem to offer the traditional advantages of bulk inorganic semiconductor diodes while combining the advantages of different colour emissions. By capitalising on the established advantages of organic polymers such as efficient hole transport and high breakdown voltages, the heterostructures should easily make larger areas.

Leds with voltage-dependent colour could form the basis of future flat-panel displays. At low voltages, CdSe predominates, in this case producing a yellow colour. At higher voltages, green luminescence of the ppv can be seen.





Circuits by design

Now that simulating and analysing circuitry by computer no longer needs the specialist skills it used to, engineers can spend more time on designing and less time on programming. Owen Bishop looks at the steps involved in taking a thermometer from concept to final design.

Spiceage for Windows

Launched in 1992 in response to the rapidly growing popularity of the PC's GUI, *Spiceage for Windows 1* was an extension of a GEM version of the package adopted by the OU and in other educational establishments world wide.

Now in its fourth version *Spiceage for Windows* is capable of handling up to 60 nodes. The most recent version, just announced, has had noise and reflection coefficient analyses added to its list of functions.

One of the best ways to learn about computer-aided circuit design and its benefits is to look at a specific example. The following charts the design of a small, hand-held thermometer incorporating a thermistor for sensing.

Over the range 0 to 100°C, the unit needs to be capable of reading temperature to the nearest degree. Whether or not a bridge is the best way of obtaining a readout is a matter of opinion, but a purely resistive circuit is most appropriate for an introduction to the software.

In the initial schematic, Fig. 1, an ntc thermistor reading 47kΩ at 25°C forms one arm of a conventional bridge. The thermistor is mounted on the case of the instrument, so its

leads are short and there is no need for a compensating lead in the bridge.

Bridge excitement is carried out by a stable 2.5V dc source, the exact nature of which is irrelevant. The meter is a readily-available and inexpensive type with a coil resistance 650Ω, centre-zero indication, and a full scale deflection ±125μA.

Preset resistor R_{bal} is for balancing the bridge, so as to make the response symmetrical, and preset R_{scale} allows adjustment for full deflection at the ends of the range. To demonstrate how the circuit operates and how its design can be refined, I have chosen a circuit simulation package called *SpiceAge for Windows*.

Behind Spice

Spice is an acronym for simulation program with integrated circuit emphasis. The original Spice program was developed at the University of California in Berkeley in the late 1960s. It has been through several stages of development since then and a number of variants, including *SpiceAge* have been produced by various authors.

All versions of Spice require the circuit to be presented as a netlist – a list of the components, their characteristics and their interconnections. The circuit can then be subjected to a number of different forms of analysis with results expressed numerically or graphically.

Versions of Spice differ in the syntax of the netlist and in the range of analyses that can be performed. As might be expected, the recent versions such as *SpiceAge* simulate a wider range of components than the original Spice and allow more kinds of analysis to be undertaken, and with greater precision. Although the input to these programs is essentially a netlist, associated software is available for several versions of Spice – including *SpiceAge* – for generating the netlist from a schematic diagram.

Although Spice was developed specifically for simulating the action of integrated circuits, it is able to handle the full range of electronic components from resistors and capacitors to triacs and timers.

Netlist

When simulating, the first task is to compose the netlist. On schematic Fig. 1, number or name the nodes of the circuit. Names usually make the tables and graphs easier to interpret, but sometimes it is quicker to refer to numbered nodes.

In Fig. 1, two of the nodes have names – ‘pos’ for the positive rail and ‘gnd’ for the 0V rail) – and the rest have numbers. Key the netlist, Table 1, into the computer after clicking on File and then New. The netlist has an explanatory title, preceded by an asterisk so that it is not taken by the computer to be part of the netlist. Next come the statements of the netlist, which may be entered in any order. The basic format for a statement is:

Component type	Component name	Connection p1	Connection p2	Value
----------------	----------------	---------------	---------------	-------

Component type is specified by one or more capital letters. In this netlist, ‘V’ represents a voltage generator, and ‘R’ a resistor. The component name is used to distinguish between components of the same type, such as ‘R_{sens}’ for the sensing thermistor, and ‘R_{bal}’ for the balancing preset. These names are helpful when interpreting graphs and tables, but meaningless to the analysing program. To the program, a resistor is just a resistor and, unless specified otherwise, all resistors are treated in the same way, no matter what their names.

Pins of a two-terminal device such as a resistor are identified by p₁ and p₂. We use these numbers to specify to which nodes the two terminals are connected. With non-polar devices, it does not matter which pin is p₁ and which is p₂. In the analyses, conventional current is taken to flow through the resistor from pin 1 to pin 2. A current flowing from pin 2 to pin 1 is represented by a negative value.

Components such as transistors have three connections in the netlist, and integrated circuits may have more. The final entry in the statement is specified by typing ‘v=’ followed by the numerical value. It is not necessary to specify units; the program knows that resistors are valued in ohms and voltage generators in volts. But the software recognises symbols for multiples and sub-multiples, such as ‘k’ for ‘kilo’, ‘M’ for ‘mega’, ‘m’ for ‘milli’ and ‘u’ for ‘micro’.

The second statement of the netlist specifies a resistor – the thermistor – named R_{sens}. Its pin 1 connects to the ‘pos’ node, pin 2 connects to node 1, and its value is 42.890kΩ. This non-standard value is the resistance of the thermistor at 27°C, which is taken as the usual operating temperature for circuits simulated by SpiceAge. This value is calculated from the customary formula, as described in the panel.

Resistance of the thermistor at 0°C is 165174Ω and at 100°C it is 2975.65Ω – values needed later. Tolerance of inexpensive thermistors is only ±5%, so most of the figures in these values are not significant. But there is no harm in keeping them for the present and discarding them at the end of the analysis.

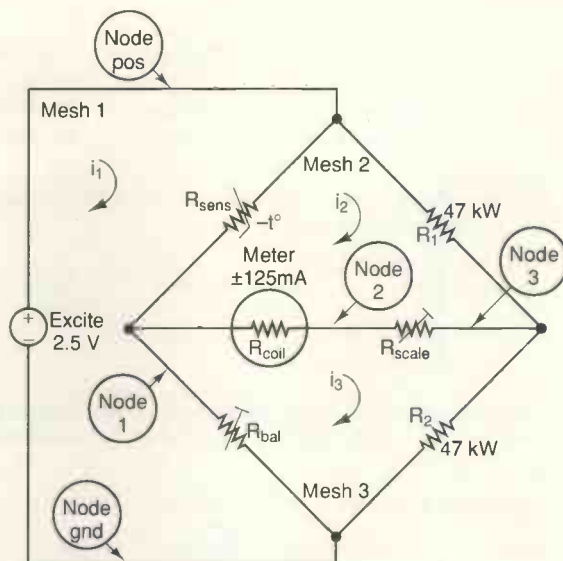


Fig. 1. Temperature measurement bridge used to illustrate the workings of Spice. Because the thermistor leads are kept short, there is no need for bridge compensation.

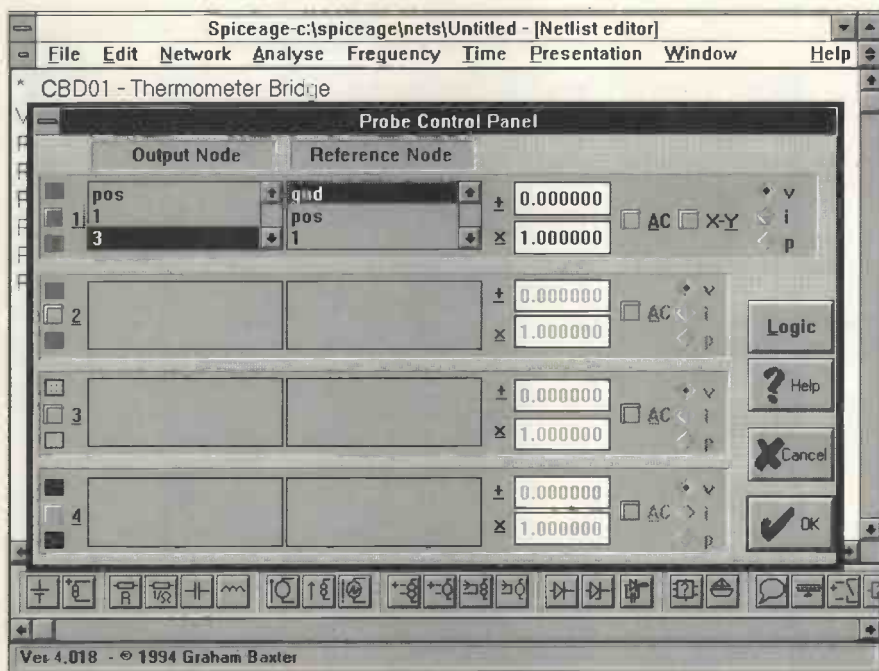


Fig. 2. Up to four probes can be attached by keying in the details in a dialogue box, called up by clicking on Time and then on Probes.

Table 1. In simulation, the first stage is to compile a netlist describing values of the various components in the circuit and how they interconnect.

CBD1 – Thermometer Bridge				Of=2.50000
V Excite	-out:gnd	+out:pos	Ex=None	
R Rsens	p1:pos	p2:1	v=42.8900k	
R Rbal	p1:1	p2:gnd	v=42.8900k	
R R1	p1:pos	p2:3	v=47.0000k	
R R2	p1:3	p2:gnd	v=47.0000k	
R Rcoil	p1:1	p2:2	v=650.0000	
R Rscale	p1:2	p2:3	v=100.0000	

Resistance of a thermistor
 At any given temperature T, resistance R is given by:

$$R = R_{ref} e^{B(1/T - 1/T_{ref})}$$
 where R_{ref} is its resistance at T_{ref}, and temperatures are in kelvin.

Two of the resistors are presets; for these, type in any value between a very small one such as 0.001Ω and the full-scale value; the program does not accept zero resistance values. Here we choose 42.890kΩ for R_{bal} so as to begin with a balanced bridge, and 100Ω for R_{scale} – a convenient setting to start with.

The first statement of the netlist specifies the voltage generator, called ‘Excite’, with its negative output connected to ‘gnd’ and its positive output to ‘pos’. Use ‘-out’ and ‘+out’ instead of ‘p₁’ and ‘p₂’ as pin designations for

voltage and current sources. Since the voltage is a constant dc value, characterise it by stating that 'Ex=none', interpreted as 'no excitation', i.e. no waveform such as 'sine' or 'ramp'.

Constant dc voltage is provided by setting the offset to 2.5V.

Analysis

An analysis of dc quiescent voltages is

obtained after 'attaching' probes to the circuit. Up to four probes can be attached by keying in the details in a dialogue box, called up by clicking on Time and then on Probes, Fig. 2. Attach Probe 1 to node 3, with its reference terminal connected to 'Gnd'.

Clicking on Analysis followed by DC quiescent, obtains Table 2. This shows the voltage at each node, with reference to 'Gnd'; the results are as expected in a balanced bridge. Node 'pos' is at 2.5V, nodes 1 and 3 are at half that voltage; node 2 is also at 1.25V because no current is flowing through the meter. An analysis of currents is rather more to the point, and is obtained by setting Probe 1 to measure current through R_{coil} . The table of results Table 3 shows the currents; there is no current through R_{coil} and R_{scale} , because the bridge is balanced. All other currents are small, of the order of tens of microamps.

Much of the design of the bridge has already been done - this is widely used circuit. Use the simulation to find suitable full-scale values for R_{bal} and R_{scale} . The first step is to put the bridge out of balance by editing the netlist so that R_{sens} takes the value 2.976k Ω , its resistance at 0°C. Repeat the current analysis, which takes only a fraction of a second; it shows a current of -12.6 μ A through R_{coil} . Edit the netlist again, to make R_{sens} equal to 165.174k Ω , its resistance at 100°C; the current becomes +40.24 μ A.

At this stage it is apparent that the current for a full-scale deflection of 125 μ A is unobtainable, even if R_{scale} is reduced to zero. To increase currents in the circuit, increase the offset of the voltage generator to 10V by editing the netlist. This is far easier than soldering in a different bandgap voltage reference.

These alterations have the desired effect but the response of the meter is still not symmetrical; it does not swing equally in the negative and positive directions when R_{sens} is given its 0°C and 100°C values.

The next step is to adjust R_{bal} by keying in a series of different values and checking the magnitude and direction of the current through R_{coil} . This is the equivalent of adjusting the preset and observing the behaviour of the meter. You will soon home on a value of 13k Ω , giving $\pm 117\mu$ A through R_{coil} .

Symmetry has been obtained but full-scale deflection is still not possible - even with R_{scale} reduced to 1 Ω . Increasing the voltage to 12V, and subsequently increasing R_{scale} to 4.2k Ω gives a full-scale output, but this throws the response slightly out of symmetry. Increasing R_{bal} to 13.6k Ω produces a response of $\pm 125\mu$ A almost exactly. This process of adjusting one preset, then the other, and gradually aligning the simulated circuit is analogous to similar operations performed on a real circuit with a screwdriver. The netlist now looks as in Table 4.

Using a simulator provides a valuable insight into the workings of the circuit, with practical implications. For example, when you try to make the scale response symmetrical, it you will find that altering R_{bal} by only 0.01k Ω makes an appreciable difference to the sym-

Table 2. Direct-current quiescent analysis of the thermometer shows the results you would expect from a balanced bridge.

Node name	Volts	Node name	Volts	Node name	Volts
pos	2.5000000	1	1.2500000	3	1.2500000
2	1.2500000				

Table 3. Analysis of currents through the various elements of the thermometer bridge. Because the bridge is balanced, there is no current through R_{coil} or R_{scale} .

Component name	amps	Component name	amps	Component name	amps
VExcite	55.74007u	R Rsens	29.14432u	R Rbal	29.14432u
R R1	26.59574u	R R2	26.59574u	R Rcoil	0.0000000
R Rscale	0.0000000				

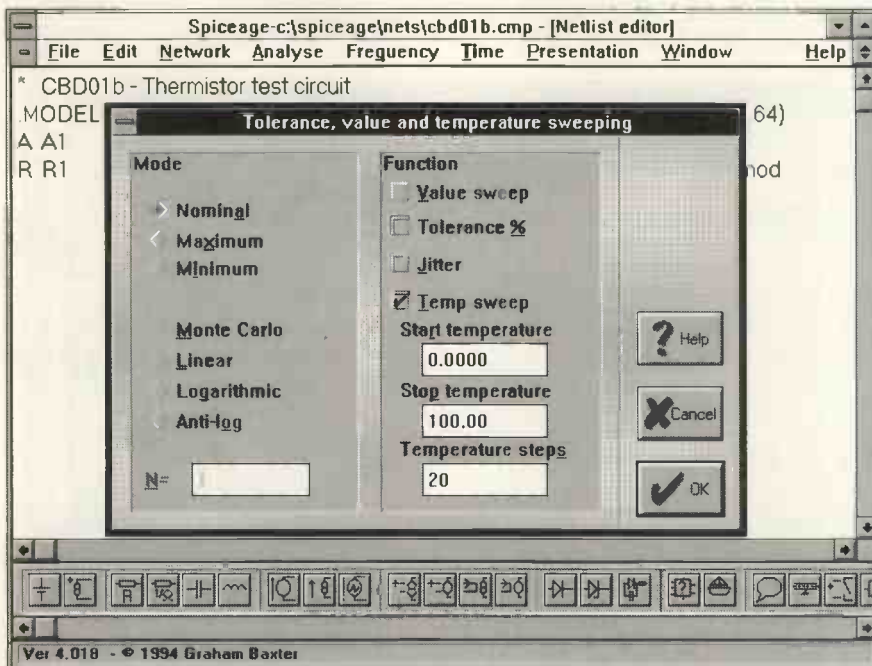


Fig. 3. Via the Analyse menu, it is possible to sweep the temperature of the circuit over a wide range and in incremental resolutions.

A complementary approach

A circuit simulator has many facilities for examining and analysing circuit behaviour. In essence, it simulates actual components joined together with real wires and powered by real voltage or current sources.

Building the circuit involves typing in the netlist and testing it involves attaching probes to it at key points. The simulator comprises the functions of soldering iron, component box, breadboard, power pack, signal generator, multimeter, oscilloscope, frequency meter, spectrum analyser and other instruments.

Overall, the approach is a practical one, a simulation of operations on the workbench. This appeals to many engineers who may, to begin with, regard cad with suspicion. Those of a more theoretical turn of mind may well prefer to use a more purely analytical approach. They may rather set down some equations and work on them mathematically.

But the problem is that, even for a simple circuit of only half a dozen components, the maths rapidly gets out of hand. This is where the computer helps, for computers are good at maths. They work very fast and they make no mistakes.

The difference between the two approaches is illustrated by tackling the thermistor circuit design problem, using the *Mathematica* package. This software is described by its author as 'A system for doing maths on a computer'. It is applicable to any field of study in which maths plays a significant part.

metry. This indicates that R_{bal} is best realised as a fixed 13kΩ resistor in series with a 1kΩ, 22-turn preset. Scale adjustment is not as critical; a 4.7kΩ preset is satisfactory for R_{scale} .

Before leaving the circuit, set Probe 1 to read power dissipation and repeat the analysis. In the thermistor, power dissipation is only 550μW, so the self-heating effect may be disregarded. Most power dissipation is in R_1 , but is only 1.7mW so low wattage resistors may be used throughout.

Mesh analysis

In the complementary approach, consider Fig. 1 as a network with three meshes. Using Kirchhoff's Voltage Law, write the three mesh equations, following the standard procedure:

Mesh 1: $(R_b+165174)i_1-165174i_2-R_b i_3=12$
 Mesh 2: $-165174i_1+(212824+R_s)i_2-(650+R_s)i_3=0$
 Mesh 3: $-R_b i_1-(650+R_s)i_2+(47650+R_b+R_s)=0$

These are the equations at 0°C, when the resistance of the thermistor is 165.174kΩ. Resistance R_{bal} is abbreviated to R_b , and R_{scale} to R_s . The set of equations is similar at 100°C, when the resistor of the thermistor is 2.976kΩ, but using i_4, i_5 , and i_6 to represent the currents:

Mesh 1: $(R_b+2976)i_4-2976i_5-R_b i_6=12$
 Mesh 2: $-2976i_4+(50626+R_s)i_5-(650+R_s)i_6=0$
 Mesh 3: $-R_b i_4-(650+R_s)i_5+(47650+R_b+R_s)=0$

There are two more equations to write, representing the deflections of the meter at 0°C and 100°C. At 0°C, the meter reads -125μA:

$i_2-i_3=0.000125$
 Similarly, at 100°C:
 $i_6-i_5=0.00125$

There are now eight equations and eight unknowns – the six currents and the two resistances – so it is simply a matter of solving the eight simultaneous equations. Perhaps it is not so simple in practice, as an 8th-order determinant needs to be evaluated. This is where *Mathematica* comes to the rescue.

In Table 5, $\ln(2) :=$ is followed by the input command, in *Mathematica* syntax. The command 'NSolve' instructs the computer to solve the following equations and produce numerical solutions. The first pair of curly brackets contains the eight equations.

Subscripts are placed in square brackets, for example $r[b]$ for R_{bal} , $i[3]$ for i_3 . The asterisk represents 'multiply', though it is permissible to leave a space instead. The '==' is *Mathematica*'s symbol for equality. The second pair of curly brackets encloses a list of the variables to be evaluated.

A few seconds after $\text{Out}(2) :=$, the result of the calculation is displayed. The first four statements list solutions for the currents and resistances. These are very close to the values obtained using *SpiceAge* – but not identical. This is because adjusting of the presets ceased once the result was within the required goal.

Return to *SpiceAge* and amend R_{bal} and R_{scale} to the values found with *Mathematica*;

the currents displayed are the same as those in Table 3 to several significant figures.

The last four statements of Table 5 list another set of solutions. For this set, R_{bal} has to have a negative resistance of 13.5kΩ, which is not a practicable proposition. This emphasises that *Mathematica* is solving maths equations, not working with a simulated circuit. Always bear in mind the practical applicability – or otherwise – of the maths.

Non-linearity

The response of a thermistor is decidedly non-linear, especially over a range as wide as 0°C to 100°C. Return to *SpiceAge* to investigate this aspect of the circuit. The technique is to specify the way in which the resistance of R_{sens} changes with temperature. For ordinary resistors in the netlist, state the temperature coefficient. For example, the statement 'Te=0.00005' indicates a temperature coefficient

Table 4. After adjustments to the software – the equivalent of tweaking with a screwdriver – the netlist looks like this.

*CBD1a – Thermometer Bridge, final version					
V Excite	-out:gn	+out:pos	Ex=None	Of=12.00000	
R Rsens	p1:pos	p2:1	v=165.174k		
R Rbal	p1:1	p2:gn	v=13.6000k		
R R1	p1:pos	p2:3	v=47.0000k		
R R2	p1:3	p2:gn	v=47.0000k		
R Rcoil	p1:1	p2:2	v=650.0000		
R Rscale	p1:2	p2:3	v=4.20000k		

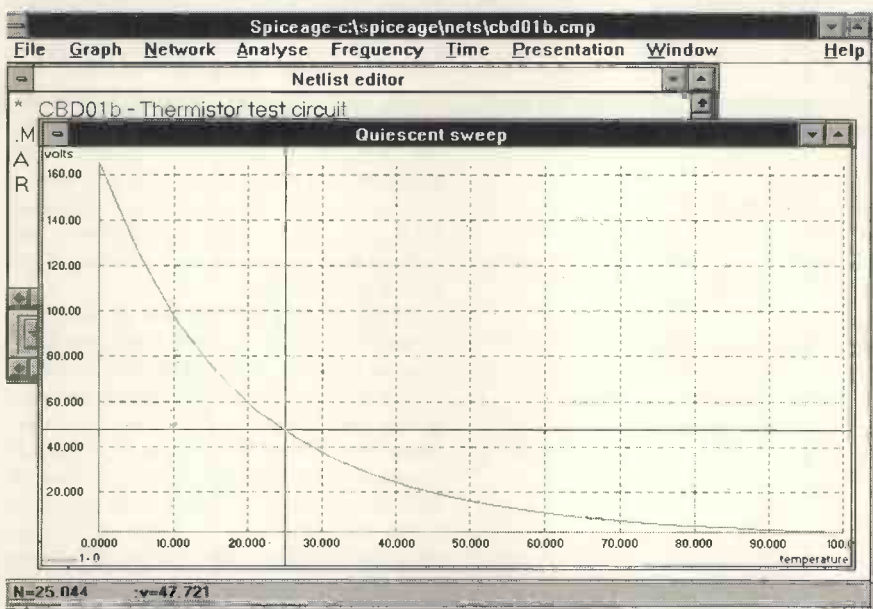


Fig. 4. Once the operating temperature sweep has been carried out, results can be displayed in graphical form.

```
In[2] :=
NSolve[{(r[b]+165174)*i[1]-165174*i[2]-r[b]*i[3]==12,
-165174*i[1]+(212824+r[s])*i[2]-(650+r[s])*i[3]==0,
-r[b]*i[1]-(650+r[s])*i[2]+(47650+r[s]+r[b])*i[3]==0,
(r[b]+2976)*i[4]-2976*i[5]-r[b]*i[6]==12,
-2976*i[4]+(50626+r[s])*i[5]-(650+r[s])*i[6]==0,
-r[b]*i[4]-(650+r[s])*i[5]+(47650+r[s]+r[b])*i[6]==0,
i[2]-i[3]==0.000125, i[6]-i[5]==0.000125}, {r[b], r[s], i[1],
i[2], i[3], i[4], i[5], i[6]}]

Out[2] =
{{i[1] -> 0.000247858, i[4] -> 0.000895195,
i[2] -> 0.00019016, i[5] -> 0.0000651684,
i[3] -> 0.0000651596, i[6] -> 0.000190168,
r[s] -> 4092.04, r[b] -> 13518.2},
{i[1] -> 0.000280428, i[4] -> -0.00091281,
i[2] -> 0.00019016, i[5] -> 0.0000651492,
i[3] -> 0.0000651596, i[6] -> 0.000190149,
r[s] -> 47129.3, r[b] -> -13517.7}}
```

Table 5. Solving an eighth-order determinant is made easy by *SpiceAge*'s assistant – *Mathematica*.

Cdb01

Table 6. In this test-circuit representation, a constant-current of 1mA connects directly across resistor R₁.

```
*CBD1b - Thermometer test circuit
MODEL resmod res (TC1=0 TC2=0.00015 TCE=-4.64)
A A1 -out:0 +out:1 v=1.00000m
R R1 p1:p p2:0 v=42.8900k Mo=resmod
```

Table 7. Netlist with the separately evaluated thermistor model added.

```
*CBD1c - Thermometer Bridge with model thermistor
V Excite -output:gnd +output:pos Ex=None Of=2.500000
R Rsens p1:pos p2:1 v=42.8900k Mo=resmod
R Rbal p1:1 p2:gnd v=13.6000k
R R1 p1:pos p2:3 v=47.0000k
R R2 p1:3 p2:gnd v=47.0000k
R Rcoil p1:1 p2:2 v=650.0000
R Rscale p1:2 p2:3 v=4.20000k
.MODEL resmod res (TC1=0 TC2=0.00015 TCE=-4.64)
```

cient of 50ppm/°C. Assume that tempco can be ignored for all resistors except Rsens in the present example. For Rsens, the relationship between temperature and resistance is not linear. Substituting the calculated resistance at 27°C into the formula (see box), making 27°C the reference temperature, and assuming that b has the data sheet value of 4090, the relationship is:

$$r = 0.05146e^{4090/(t+273)}$$

SpiceAge allows for an exponential response of the form:

$$r = R[1 + TC1(t - t_{27}) + TC2(t - t_{27})^2]e^{TCE(t - t_{27})/100}$$

where R is the nominal resistance at 27°C, or other reference temperature, and TC1, TC2 and TCE are coefficients to be specified by the user.

Models

Special types of components are describable in

Spice as models. Transistors and other devices with complicated patterns of behaviour are usually described in this way. In the first statement in Table 6, the description for the model of the thermistor is set out as a separate statement, beginning '.MODEL'. This has the model name 'resmod'. Suitable values are entered for TC1, TC2 and TCE. The test circuit of Table 6 shows a constant current source ('A') of 1mA connected directly across resistor R₁, which has the nominal resistance of R_{sens} at 27°C. This netlist models the behaviour of the thermistor according to the second equation for r.

Setting the program the task of modelling thermistors, which all have a peculiar temperature response, is somewhat unfair. Earlier versions of Spice do not even include an exponential coefficient. In particular, the exponential coefficient (TCE) in the second equation for r requires the temperature variable to be in the numerator of the index, whereas it is in the denominator of the index in the first equation. In spite of this, it is not difficult to

find a set of coefficients that model the thermistor with reasonable precision.

There appear to be no easy mathematical routines for fitting the coefficients to the known response of the thermistor. The best approach is by trial and error, using the test circuit.

Using the first of the equations for r, calculate the resistance at, say, ten temperatures between 0°C and 100°C. The task is to fit the model to these values. Begin by making TC1 zero, give TC2 a very small positive value of about 0.0002, and give TCE a small negative value of about -4.

Next, set up a temperature sweep on the test circuit. From the Analyse menu, click on Tolerance & Temperature... This brings up a dialogue box, Fig. 3, in which you select Nominal mode, using the nominal value of the resistor, (taken from the netlist), and key in the details of the temperature sweep. Select 0 as the starting temperature, 100 as the stop temperature, and 20 temperature steps.

Returning to Analyse, click on Quiescent Sweep. The graph displayed, which will be similar to Fig. 4, shows how the voltage across the model varies with temperature. With a current of 1mA, the corresponding resistance is 1kΩ/V; read the scale on the y-axis as kΩ.

Compare the graph obtained with the calculated values. This is easily done using the cross-hair cursor and reading the values from the panel at the bottom of the screen. Next edit the netlist to correct any discrepancies and repeat the analysis. Gradually the quiescent sweep gives a graph approximating very closely to the calculated values. Fig. 4 shows the curve finally obtained. The curve indicates that the resistance of the model departs less than 2% from the actual value over the range 0°C to 50°C, and is reasonably close to it above this range.

Testing linearity

Edit the netlist, Table 4, to replace R_{sens} with a thermistor model by adding the model description and by adding Mo=resmod to the specification of R_{sens}, Table 7. With probe 1 set to monitor current through Rcoil, running a temperature sweep as described above gives Fig. 5. As it happens, response is very close to linear and the meter needle lies at zero when the temperature is about 54°. At 0°, the current is almost exactly -125µA, as required. It slightly exceeds 125µA at 100°, which is due to the departure of the model from the ideal at the upper end of the scale. However, we now know enough to be able to build the thermometer with the confidence that it will work. Any slight discrepancies at the ends of the scale can be corrected by adjusting the real R_{bal} and R_{scale}. For low precision readings, with an accuracy of about 5%, we could use an evenly divided scale, but a slightly non-linear scale is to be preferred. ■

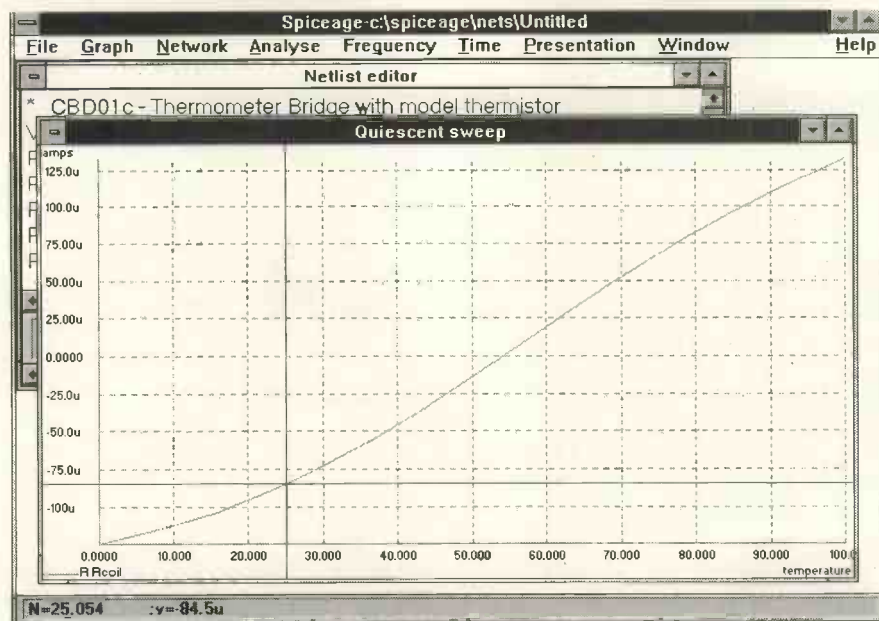


Fig. 5. Sweeping over the operating temperature range indicates that the thermometer is reasonably linear.



PROGRAM 8 CHIPS IN THE TIME IT TAKES FOR ONE!

At £645 costing around half the price of slower gang programmers, the Speedmaster 8000 gang programmer uses a simple 2 button operation in stand-alone mode. PC operation gives comprehensive file handling and editing functions. Capable of gang and set programming it supports 32 pin EPROMs to 8M with no adaptors required. Programming cycle times of only 23 seconds for 8 27C010's mean your throughput can now be faster than ever before.

CIRCLE NO. 108 ON REPLY CARD

ROM/RAM EMULATOR PLUG IN CARDS

Using these expansion cards your programmer can run as if there's an EPROM or RAM plugged into the target socket. Available as 8 bit wide 128k x 8, as standard, upgradable to 512k x 8, and 16 bit capable of emulating 40 pin EPROMs. They can emulate both 5V and 3.3V devices.

CIRCLE NO. 109 ON REPLY CARD

PACKAGE ADAPTORS

A full range of package adaptors is available for non DIL devices and parts with more than 40 pins. Prices from £65.

CIRCLE NO. 110 ON REPLY CARD

DISTRIBUTORS

BENELUX: +3255313737;
 CYPRUS: 02485378;
 DENMARK: 048141885;
 FINLAND: 070039000;
 FRANCE: 0139899622;
 GERMANY: 060827421615;
 GREECE: 019020115;
 ITALY: 02457841;
 JAPAN: 053865501;
 NORWAY: 063840007;
 SINGAPORE: 04831691;
 SOUTH AFRICA: 0119741211/1521;
 SPAIN: 013270614
 USA: Distributors required.

FREE SOFTWARE UPGRADES! - KEEP UP TO DATE WITH NEW DEVICES

Before you choose your programmer, check out the cost of ownership. While other manufacturers charge for every update or require expensive libraries and modules, ICE Technology programmers

support the whole range of devices at no extra charge*. And keeping up to date is FREE for life at no charge on our BBS service.

Just dial on: +44(0) 1226761181, and download the latest version.

Disk based upgrades are available free in the first year, and a small administration charge made for each subsequent disk.

* for DIL up to 40 pins.

CIRCLE NO. 111 ON REPLY CARD

AT LAST, AN AFFORDABLE 3V AND 5V UNIVERSAL PROGRAMMER!



The latest universal programmers from ICE Technology, the Micromaster LV and Speedmaster LV, now support programming and verification of 3.3V devices, now you can test devices at their actual operating voltage.

They offer wider device support than ever before, the majority requiring no adaptor. They will operate from battery or mains power,

making them flexible enough whatever your programming needs.

Not only that, as new devices come onto the market we give free software upgrades and the units' modular design, with easy upgrade path, protects your investment.

Available now and priced from £495 they are everything you'll need for programming, chiptesting and ROM emulation.

FEATURES

- ◆ Widest ever device support including: EPROMs, EEPROMs, Flash, SPROMs, BPROMs, PALs, MACH, MAX, MAPL, PEELs, EPLDs Microcontrollers, etc.
- ◆ High speed, programmes a PIC16C54 in 0.5 secs (Micromaster LV).
- ◆ Up to 84 pin device support with adaptors.
- ◆ Connects directly to parallel port - no PC cards needed
- ◆ Built in chiptester for 7400, 4000, DRAM, SRAM.
- ◆ Lightweight and operates from mains or battery.
- ◆ Optional 8 or 16 bit wide ROM/RAM emulator.
- ◆ Designed, built and supported in the UK.
- ◆ FREE software device support upgrades via bulletin board.
- ◆ Next day delivery.

CIRCLE NO. 112 ON REPLY CARD

Speedmaster LV

Programmes 3 and 5V devices including memory, programmable logic and 8748/51 series micros. Complete with parallel port cable, software, recharger and documentation.

£495

MicromasterLV

As above plus support for over 90 different micro controllers without adaptors, including PICs, 89C51, 87C751, MC68HC705, ST6, Z86 etc.

£625

8 bit Emulator card

Expansion card containing 8 bit wide ROM RAM emulator, includes cable and software. 128K x 8.

£125

16 bit Emulator card

Expansion card containing 16 bit wide ROM RAM emulator, includes cable and software. 128K x 16.

£195



Call now to place your order, for more details or a free demo disk, or call our bulletin board to download the latest demo. Alternatively clip the coupon or circle the reply number.

Name:

Position:

Company:

Address:

Tel:

Fax:

EWV NOV

All major credit cards accepted



ICE Technology Ltd. Penistone Court, Station Buildings, Penistone, South Yorkshire, S30 6HG, UK.
 Tel +44(0)1226767404, Fax +44(0)1226370434, BBS +44(0) 1226 761181

Micropower infra-red receiver

Unable to find a high performance infra-red receiver at the right price, **Simon Bateson** set about developing this circuit. Designed to provide long battery life, it consumes just 60µA at 4.5V.

Photodiodes are often required to detect relatively low-powered pulses in the presence of intense continuous sunlight or 100Hz illumination. This was described recently in *EW+WW* May 1994 on page 367. Loading the diode with a gyrator is better than using a resistor but there are still two problems. Firstly, although the gyrator exhibits a high ac impedance, there is no actual power gain from the transistor. Secondly, the considerable photocurrent induced by sunlight, of the order of several milliamps, must come from the power supply. Such a circuit is unsuitable for low power battery operation.

The photodiode load – a gyrating common-base circuit?

The circuit shows that the photodiode operates in photovoltaic mode into a 1kΩ resistive load. Transistor Q₁ saturates at a very low cur-

rent and the collector sits around 0.3V. To signals with a fast rise time, such as those generated by remote control transmitters, Q₁ emitter appears as a low impedance and the photodiode current is diverted into it. Thus, Q₁ acts as a common-base amplifier and the collector current cuts off rapidly. Even at low collector currents the response is fast because of the lack of Miller and storage effects.

Amplifier/comparator system

The amplifier is a series-feedback pair operated at a low current, adapted from *The Art of Electronics* by Horowitz & Hill. It has a good gain-bandwidth product considering the power consumption, but the usual narrow positive-going output spikes can 'hang up' and develop long tails when the circuit is heavily overloaded. This happens when the infra-red transmitter is brought in contact with the photodiode. To overcome this, Q₄ rectifies the amplifier output to provide a variable threshold for the LinCMOS micropower comparator. Q₅ acts as a buffer, matched and thermally linked to Q₄ to avoid degrading the comparator's offset specification.

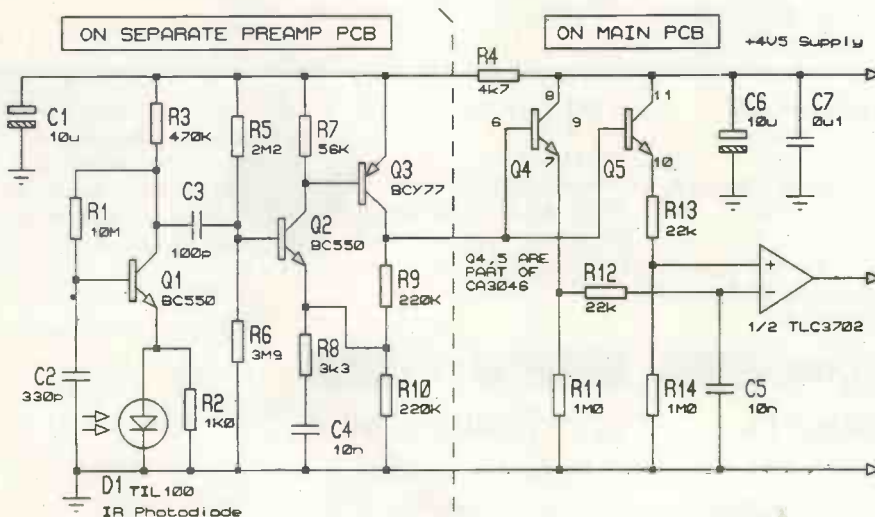
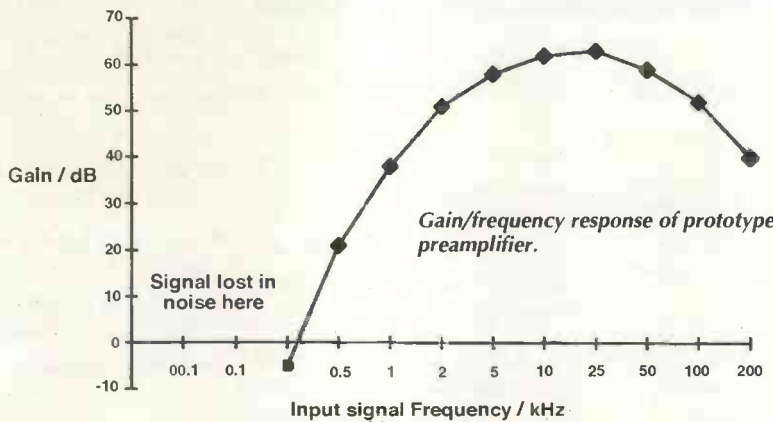
Using typical keyring-type transmitters with MC145028 type decoders, reception is reliable at all distances between direct contact and about eight metres. It can also be greatly improved by using a simple lens.

With a standard TIL38 emitter pulsed at 1A (50µs on and 25ms off time) at a distance of 25 metres in daylight, the output at Q₃ collector reached 140mV peak against a background noise of 3.6mV rms (1MHz noise measuring bandwidth). A considerable data transmission range is possible but would depend on individual circumstances.

Gain/frequency response of the prototype preamplifier is shown here. For high speed data transmission, a better frequency response can be achieved at the expense of current consumption by scaling components appropriately. With this level of gain, layout is important and the preamp must be built on its own pcb. The supply decoupling resistor should be on the main board, otherwise power supply noise can couple into the high impedance output.

The entire circuit consumes less than 60µA at 4.5V, including 22µA for the spare comparator in the TLC3702. Reception is barely affected by sunlight; direct fluorescent or incandescent light.

Speed of the receiver is restricted if pcb layout is poor. Readers wanting a photocopy of the author's prototype layout should send an sae marked 'IR receiver' to EW+WW's editorial offices.



Low-power, infra-red preamplifier. For higher supply voltages, adjust the bias chain to produce 1.6V at Q₂ base.

KESTREL ELECTRONIC COMPONENTS LTD

- ☆ All items guaranteed to manufacturers' spec.
- ☆ Many other items available.

'Exclusive of V.A.T. and post and package'

	1+	100+		1+	100+
EPROMS			STATIC RAMS		
27C64-15	2.00	1.45	62256LP-10	3.00	2.15
27C128-15	2.40	1.80	6264LP-10	2.10	1.40
27C256-15	2.20	1.65	MM58274CN	4.90	3.75
27C512-15	2.20	1.65	ULN2003A	0.45	0.28
27C010-15	4.00	2.75	LM311N	0.30	0.18
27C020-15	6.00	3.99	LM555	0.30	0.18
27C040-15	8.60	6.45	MAX232	1.35	0.88
80C31-12	2.10	1.65	7406	0.35	0.23
80C32	3.00	2.40	7407	0.35	0.23
80C85ARS	2.90	2.30	74LS244	0.35	0.22
82C55-5	2.40	1.55	74LS245	0.35	0.22
D8748H	4.30	3.35	74LS373	0.35	0.22
D8749H	4.40	3.45	74LS374	0.35	0.22

74LS, 74HC, 74HCT Series available

Phone for full price list

All memory prices are fluctuating daily, please phone to confirm prices

**178 Brighton Road,
Purley, Surrey CR8 4HA**

Tel: 081-668 7522. Fax: 081-668 4190.

CIRCLE NO. 113 ON REPLY CARD

SYSTEM 200 DEVICE PROGRAMMER



SYSTEM: Programs 24,28,32 pin EPROMS, EEPROMS, FLASH and Emulators as standard, quickly, reliably and at low cost.

Expandable to cover virtually any programmable part including serial EEPROMs, PALs, GALs, EPLDs and microcontrollers, in many different packages.

DESIGN: Not a plug in card but connecting to the PC serial or parallel port; it comes complete with powerful yet easy to control software, cable and manual.

SUPPORT: UK design, manufacture and support. Same day dispatch, 12 month warranty. 10 day money back guarantee.



MQP ELECTRONICS Ltd.

Park Road Centre

Malmesbury, Wiltshire. SN16 0BX. UK

TEL. 0666 825146 FAX. 0666 825141



**ASK FOR FREE
INFORMATION
PACK**

IRELAND 1-2800395
GERMANY 089/4602071
NORWAY 0702-17890
ITALY 02 92 10 35 54
FRANCE 1 69 30 13 79
SWEDEN 08 590 32185
Also from ELECTROSPEED UK

CIRCLE NO. 114 ON REPLY CARD

Programming Solutions



Multi-Device Programmer

- ✓ EPROMs, E²PROMs, Flash EPROMs, Serial E²PROMs PLDs, GALs, PEELs and MACHs
- Micros - Intel, Motorola, Microchip, Zilog, Atmel
- ✓ Fast Programming Algorithms
- ✓ Connects direct to pc printer port
- ✓ Simple full colour menu software
- ✓ No expensive adapters

only **£325**

Universal Programmer

- ✓ Uses standard pc printer port
works with notebook and handbook pc's
- ✓ Pin-driver expansion can drive up to 256 pins
- ✓ Supports over 2000 ICs - 3 and 5 volt devices:-
EPROMs, E²PROMs, Bipolars, Flash, serial PROMs
over 150 microcontrollers, WSI/Philips PSD's
PLDs, EPLDs, PEELs, PALs, GALs, FPGAs
including MACH, MAX and MAPL parts
- ✓ Powerful full colour menu driven software
- ✓ Latest programming algorithms
- ✓ Tests TTL, CMOS and SRAM Devices

EPROM Programmer

- ✓ EPROMs E²PROMs Flash EPROMs 8748/51 micros
- ✓ Fast programming algorithms
- ✓ Simple colour menu operation

only **£139**

EMULATORS - SIMULATORS - COMPILERS - ASSEMBLERS - PROGRAMMERS

8051 8085 Z8 68020 77C82 80C552 320C25 68HC11 6301 6502 87C751 65816 Z80 6809 PIC 7720 MIPS etc.

2 Field End, Arkley, Barnet, Herts EN5 3EZ Tel: 0181-441 3890 Fax: 0181-441 1843

SMART
COMMUNICATIONS

CIRCLE NO. 115 ON REPLY CARD

A new era in magnetics

Magnetism is a familiar, everyday concept that provides us with magnetic bearings, computer disk technology and audio tapes, among other necessities of modern life. So what remains to be discovered or explored in this seemingly very mature and well-understood scientific field?

The answer lies in the technological ability to make very small magnetic systems that paradoxically show spectacularly different physical properties to those of everyday materials.

These small magnetic systems are new materials which nature never intended us to see. So how are they made? One possibility is to squeeze one spatial dimension by making very thin films of a magnetic material. The term 'very thin' needs some qualifying here: magnetic tapes and disks already use thin films, but these are thousands of atoms thick and

behave very much like ordinary magnets. What we mean by thin in this instance are films just a few atoms deep, produced using state-of-the-art high vacuum technologies such

as sputtering and molecular beam epitaxy, as outlined in the first and second panels.

These films are quasi two-dimensional in behaviour and exhibit new physical properties that reflect this reduced dimensionality.

More interesting still is the idea of multi layer sandwiches built up of many such layers – engineering the magnetism on a quantum scale. By careful choice of magnetic metals and geometry of the device, unusual magnetic spin configurations can be designed in which the spins associated with the atoms point in different directions in different magnetic layers, or even in the same layer. In some extreme cases the magnetic moments can even be made to adopt modulated spiral structures along the film's growth direction.

The way in which a sample magnetises is sensitive to the symmetry of its crystal structure. If you take a single crystal and apply a magnetic field along different directions, it will be easier to magnetise the sample for some orientations than for others. This preference for the magnetisation to lie in certain orientations is called the anisotropy, and is dependent on factors such as the strain on the crystal, or on macroscopic considerations such as the shape of the sample. In the particular case of thin films, the shape anisotropy tries to make the magnetism lie in the plane of the film to avoid the magnetic flux lines from

Engineering magnetic films to only a few atoms deep can have profound effects on the magnetism. John Gregg and Sarah Thompson examine these effects, and how we can tailor them for practical use.

Magneto-optic recording

The greatest density of magnetic information can be stored when the magnetic moments lie perpendicular to the plane of the film. Thin film technology provided the ability to create such materials, but a new solution was required to read and write the information at such high density. The result is a combination of optical and magnetic effects using lasers.

Old information is first erased by shining a high intensity laser beam onto the magnetic bit that is to be erased. Locally, the bit is heated up above its Curie temperature (the temperature at which the material becomes non-magnetic). The film is then placed under a small coil which can be magnetised either up or down, and as the region cools and becomes magnetic again it orients itself in the direction of the field in the coil. The magnetic bit has been written.

A laser is also used to read the information, but this time it is lower powered and so does not heat and destroy the magnetism. The polarisation direction of linearly polarised light is rotated by reflection from magnetic material by the so-called Kerr effect. So the polarisation rotation of the reflected laser beam is analysed and used to determine the magnetic information that is written on the disk. The magnetic bit has now been read. Although this process allows information to be stored at very great density, the complexity of the read/write process means that it is more suited to data storage and retrieval than to fast access hard disks.

* Sarah Thompson is an EPSRC Research Fellow at the University of York, and John Gregg is a Royal Society Research Fellow at the University of Oxford.

Molecular beam epitaxy (mbe)

MBE is the state-of-the-art technique for making thin film crystals one atomic layer at a time. It was developed to its present high level of sophistication over the past two decades in response to demand from the semiconductor industry. Now its immense power and versatility is being exploited to make new magnetic materials by selectively layering different elements and encouraging the atoms to arrange themselves in a different way to that in which nature intended.

The technique works by evaporating the film material (in our case these are magnetic metals) very slowly (roughly two atomic layers per minute). This gives the atoms plenty of time once they have 'landed' on the growing surface to wander round and find their correct 'crystalline home' before they get buried by the next atomic layer.

Because the deposition rate is so slow, bombardment of the growing surface by impurity gases in the evaporation chamber can cause serious levels of impurity in the films. So to overcome this, the process must be conducted in an ultra-high vacuum (uhv) at background pressures so low that a freshly prepared and atomically clean surface would, if left to itself, stay clean for about twenty minutes or longer.

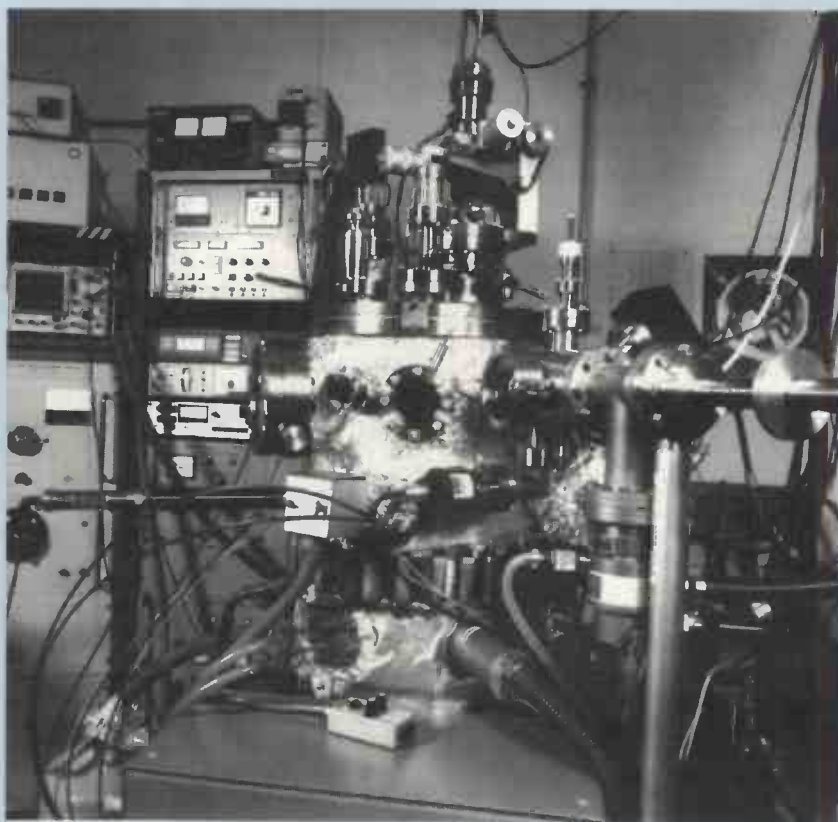
Low melting point metals are evaporated from Knudsen cells (a tall heated crucible) which have the advantage of excellent thermal stability and hence good control of the emerging atomic flux.

Knudsen cells have an upper working temperature limit determined by the crucible materials and are hence not suitable for evaporating all metals. Higher temperature metals are evaporated by using a focused electron beam incident on a slug of the metal. The beam is rastered to produce a molten puddle on the metal surface, the metal thus effectively acting as its own crucible so as to minimise contamination. Electron beam sources require more sophisticated control electronics to maintain stable film growth conditions.

The thickness of the growing film is monitored by presenting a quartz crystal to the flux of atoms. This quartz is as close as possible to the growing film position and is the frequency determining element in an oscillatory circuit. As atoms deposit on the quartz surface, the extra mass loading causes the crystal resonant frequency to drop in proportion to the film thickness.

In addition to monitoring the quantity of material deposited, we can also measure its crystal quality. This can be done as the film is being made by using a technique called reflection high energy electron diffraction (rheed) in which high energy electrons are bounced off the growing surface at a glancing angle and then examined using a fluorescent screen. Just as light diffracts from the surface of a compact disk to give rainbow patterns by virtue of the closely spaced fine lines on the disk, so the way in which the electrons diffract from the rows of atoms on the growing surface tells us in great detail about the atomic scale character of the film.

The picture shows a typical rheed pattern. The slight spottiness of the streaks gives us information about surface roughness, while the streak spacing tells us the spacing of the atoms.



The York molecular beam epitaxy plant (mbe) which is used to make magnetic trilayers and multilayers. Visible on the right is the sample transfer arm and loadlock used to pretreat and install the substrates without breaking vacuum in the main chamber. On the left is the fluorescent rheed screen and above is the sample manipulator.

The other parameter we need to monitor closely is the chemical composition. In particular we are especially interested to know if the interfaces are sharp or if the two materials in successive layers are chemically interdiffused since the properties of sharp and diffuse interfaces are quite different. Again, we are able to use electrons to probe this information.

Not all of the electron beam is reflected and diffracted, but some of the electrons penetrate two or three atomic layers into the surface. The disturbance they create ejects other electrons which are closely bound to atoms. We capture these and measure their energy. These so-called 'Auger' electrons have very distinct energies that are different for each element; by measuring the energies of all the ejected electrons we can determine which elements are present in the top few layers and their relative concentrations. Moreover, the electron energies characteristic of a particular element are slightly shifted depending on the state of chemical bonding of the atom, so we can even deduce the chemical environment of our atoms and hence get a very comprehensive picture of the chemical structure.

A reflection high energy electron diffraction pattern from a growing magnetic film. The pattern is obtained by bouncing a collimated electron beam off the film at grazing incidence and examining the resulting diffraction spread on a fluorescent screen. The separation and intensity of the vertical stripes provides information on the quality of epitaxy and the atomic separation. The spottiness of the stripes (intensity variations along the stripes) tells us about the surface roughness.



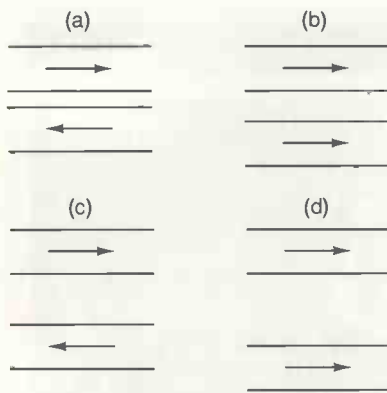


Fig. 1. Oscillatory exchange coupling: Magnetic sandwiches of cobalt, copper and cobalt in (a) to (d) are identical in construction, except for thickness of the copper layer which gradually increases from (a)-(d). The sign of the exchange coupling between the magnetic layers oscillates as a function of this thickness. It is positive for (b) and (d) which are thus ferromagnetically coupled, and it is negative for (a) and (c) which are antiferromagnetically coupled.

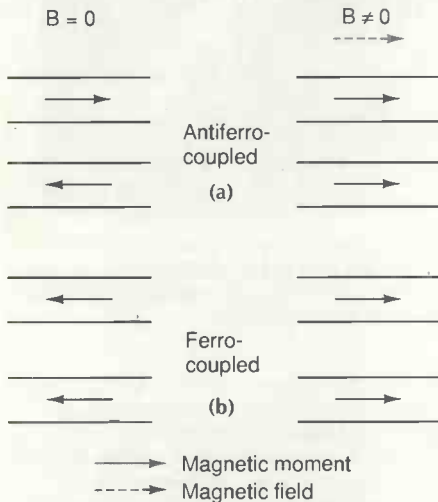


Fig. 2. Behaviour of ferromagnetically and antiferromagnetically coupled magnetic sandwiches with magnetic field applied. For both sandwiches, all magnetic moments have rotated to point along the field. However, in case (b), although both layers are turned by the field, relative orientation of the magnetic moments in the sandwich (and hence its other related physical properties such as electrical resistance) is unchanged. This shows why antiferromagnetic coupling (case a) is more useful for device applications.

The realisation of magnetic transistors

A ferromagnetic thin film may be regarded as an electron spin polariser which, when in contact with another metal and when a battery is connected, emits predominantly a current of minority electrons (ie electrons with their spins antiparallel to the magnetic moment direction in the film) in rather the same way as a piece of Polaroid passes only one polarisation of light. This then disturbs the balance of spin-up to spin-down electrons in the normal metal film. A second magnetic film connected to the other side of the normal film and through which the current also flows also acts as a spin polariser and can pass only spin up or spin down electrons depending on the orientation of its magnetisation. But since the concentrations of the two carrier types are different in the intermediate layer, the potential at which the second magnetic layer sits varies depending on which type of carrier is carrying the current, that is on whether the second magnetic layer is parallel or antiparallel to the first.

spreading into the surrounding space, since this would cost magnetic energy.

Engineering the magnetism

The ability to alter chemical and structural properties on an atomic scale, to control what elements are inserted and where, and to control their crystal structure and physical shape, allows us to create entirely new materials with new magnetic properties. With some insight into the underlying physics, we can tailor these properties to our requirements.

A classic example of the potential of carefully engineered multi-layer magnetic materials is the development of the latest magneto-optic high density data storage discs (third panel). To get high information packing density, and to enable the 'read' process to work, magneto-optic storage relies on all the magnetic moments lying perpendicular to the surface - exactly the opposite to what is normally expected of a thin film since this implies the maximum amount of costly flux leakage out of the surface.

When very thin layers, no more than a few atoms thick, of certain materials such as cobalt and platinum are layered alternately, something very unusual occurs at the interface of the two materials. The interaction between these two metals introduces a new interface anisotropy which is bigger than the shape anisotropy and encourages the moments to lie perpendicular to the plane. Provided there is enough of the interface compared to the bulk of the film (i.e. very thin layers) then this new anisotropy wins and we have perpendicular magnetic moments as desired. A major triumph of the new magnetic engineering.

Layering magnetic and non magnetic materials in this way, we see interesting phenomena which result from the interactions between the magnetic layers across the non-magnetic spacers. In general we would expect the magnetic layers to act relatively independently of one another and just to respond individually to externally applied magnetic fields. In the absence of such a field they would be randomly oriented while in the presence of a strong field they would be aligned parallel to it.

However, an entirely new type of magnetic layered structure was discovered in the late 1980s in which the situation is quite different. These multilayers consist of alternate layers of a ferromagnet and a non-magnetic metal such

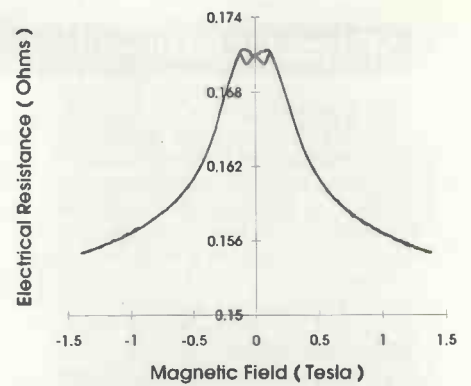


Fig. 3. Giant magnetoresistance. The thin film that produced these curves was prepared by co-sputtering cobalt and silver onto a glass substrate in the presence of rf bias. The film consists of tiny islands of magnetic cobalt in a sea of silver. Because the size of these islands is of the same order as the electron spin correlation length in metal, the electrical resistance is unusually sensitive to the application of external magnetic fields. For the example shown, resistance varies by about 10% in a field of 1 tesla. This factor is at least ten times higher than that observed in normal metals.

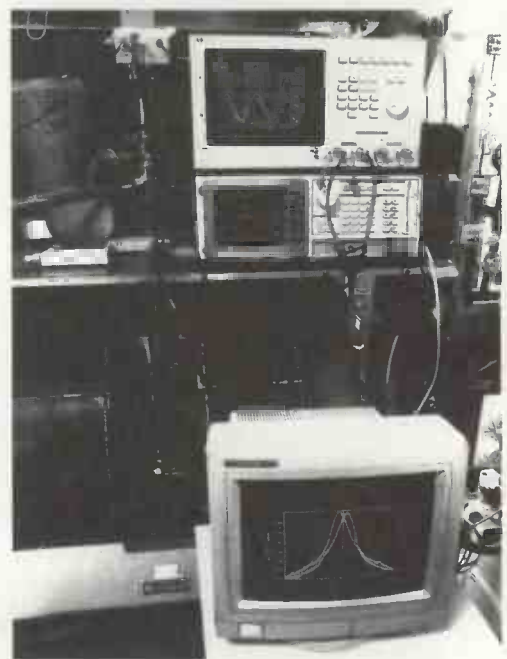


Fig. 4. The thermal conductivity of a giant magnetoresistive material is also tunable by applying a magnetic field. Here, the sample in the continuous flow liquid helium cryostat is being measured at temperatures between 4 and 400K and at fields up to 1.4T supplied by the iron cored nmr electromagnet. The measurement technique involves injecting an ac thermal wave and monitoring the thermal phase-shift across the sample with a germanium diode chip thermometer and a Stanford SR850 digital lock-in detector. The thermal resistance as a function of magnetic field is seen on the computer screen. Like the electrical resistance, the thermal resistance is high in zero field and low in high field, thus indicating that both properties of the material are determined by very similar carrier scattering processes.

Measuring the magnetism

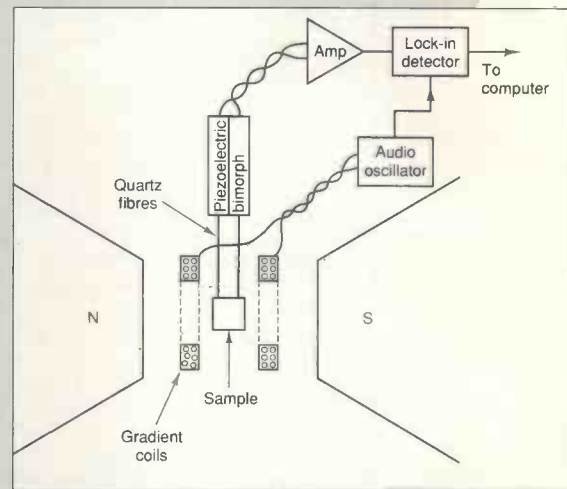
A magnetic film just one atom thick contains a very small number of atoms compared to most everyday magnetic objects, so how to measure its magnetism is not immediately obvious. Fortunately an ingenious instrument has been developed for the job called an alternating gradient force magnetometer, or afgm.

Its operation is simple but sensitivity is high: the sample is placed between pole-faces of an electromagnet. A magnetic field is applied to generate a magnetic moment in the sample. The interest is in seeing how this moment varies with the strength of field applied, with sample history and with time or temperature.

How is the moment measured? Superimposed on the steady field from the electromagnet is an oscillating field gradient which applies to the sample an oscillating force that is proportional to the magnetic moment. The sample is mounted on a quartz fibre attached to a piezoelectric 'bimorph'. When the sample wobbles in response to the alternating gradient, the bimorph generates an electrical signal at the same frequency which is then processed by phase sensitive detection.

Size of this signal is directly proportional to the film's magnetic moment. Considerable sensitivity enhancement can be obtained by making the oscillating gradient frequency coincide with a mechanical resonance of the sample assembly. A Princeton Measurement Corporation magnetometer for making such magnetic measurements exists in the University College of North Wales at Bangor under the management of Dr Kevin O'Grady.

Alternating gradient force magnetometer (Princeton Measurements Corporation). The sample sits between magnet polefaces on a quartz fibre assembly attached to a piezoelectric bimorph which converts sample motion into an electrical signal. An ac current in the gradient coils causes the sample to oscillate in harmony with amplitude proportional to its magnetic moment. Phenomenal sensitivity of the instrument derives from lock-in detection of the electrical signal, combined with operating the instrument at a mechanical resonance of the sample assembly.



as copper. Contrary to expectation, very strong coupling was observed between adjacent magnetic layers.

Moreover the sign of this coupling was an oscillatory function of the thickness of the intervening copper layer (Fig. 1). For one thickness of copper (say three atoms thick), the layers want their magnetism antiparallel, while for a larger thickness (say five atoms) the magnetisations are parallel. For a further increase in thickness they are again antiparal-

lel, and so on. So with no external field applied the magnetism of the layers is not at all random as for the case of an uncoupled magnetic stack. Instead the moments are well aligned (or antialigned).

The forces which cause this alignment are due to a quantum mechanical effect known as 'exchange interaction' which takes place between electrons in adjacent magnetic layers. The resultant coupling is thus known as 'oscillatory exchange coupling'. Its discovery

opened up a wide field of research into layered systems in which the orientations of the respective magnetic layers could be controlled.

The most interesting exchange coupled magnetic sandwiches are those in which the coupling favours antiparallel alignment of the magnetic layer moments since this can then be upset by applying a large enough external magnetic field (Fig. 2). When the magnetism flips from antiparallel to parallel under the influence of the applied field, other properties

Giant magnetoresistance

In a multilayer the thicknesses of the individual layers are small enough to be on the same scale as the electron correlation length, so the current path will take in all the layers in a typical stack of magnetic layers, not just the top one.

The current carrying electrons have themselves a magnetic 'spin' and in a ferromagnet this interacts with the magnetism of the material. The electrons then split into two different populations, those with their spins pointing parallel to the magnetism (called the majority carriers because there are more of them) and those with spins antiparallel to the magnetic layer moment (the minority carriers). The minority carriers are heavily scattered, while the majority carriers are barely scattered at all.

If all the magnetic layers are aligned then the electrons consist of two classes: a privileged class which are majority carriers in all the layers and hence travel through the entire structure with little scattering and hence low electrical resistance; and a permanent minority class who are scattered wherever they go. The low resistance of the majority class shunts out the high resistance of the minority class, so the overall device resistance is low. If, on the other hand, adjacent magnetic layers are antiparallel or even if the layer orientations are random, none of the electrons is privileged and all spend equal amounts of time as majority and minority carriers. So the electrical resistance of the device is high, since it is dominated by the scattering which the carriers undergo in their 'minority capacity'.

Thus changing the magnetic configuration from antiparallel to parallel layers by applying a large field lowers the electrical resistance of the multilayer (Figure 5). In theory, changes of about a factor of two in resistance are obtainable and devices have been made which are not far off this performance. Hence giant magnetoresistance.

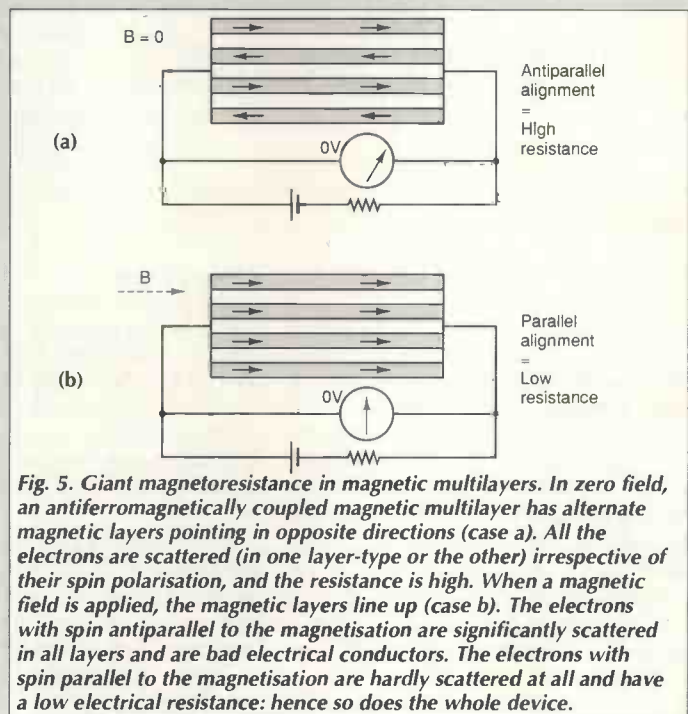


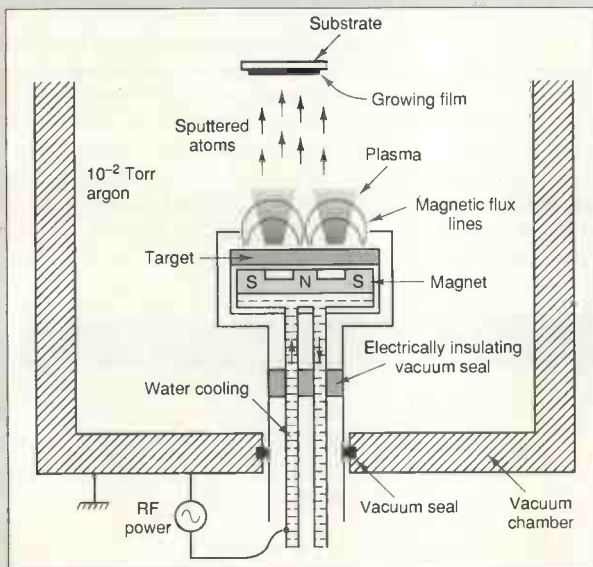
Fig. 5. Giant magnetoresistance in magnetic multilayers. In zero field, an antiferromagnetically coupled magnetic multilayer has alternate magnetic layers pointing in opposite directions (case a). All the electrons are scattered (in one layer-type or the other) irrespective of their spin polarisation, and the resistance is high. When a magnetic field is applied, the magnetic layers line up (case b). The electrons with spin antiparallel to the magnetisation are significantly scattered in all layers and are bad electrical conductors. The electrons with spin parallel to the magnetisation are hardly scattered at all and have a low electrical resistance: hence so does the whole device.

Making magnetic films by sputtering

Sputtering is a fast and effective way of making thin films where high crystalline quality is unimportant. Good single crystal thin films (such as may be grown epitaxially on single crystal substrates by mbe) are often necessary for unravelling and understanding the fundamental phenomena which determine the properties of new thin film materials, thus making it possible to 'engineer' the film structure to enhance particularly desirable features of the material's behaviour. However, for many practical purposes, such epitaxy is unnecessary and this is where sputtering comes into its own. Its speed and ability to work in cruder vacuums than mbe are not only attractive in a laboratory environment but also make it ideal for industrial manufacturing processes where high throughput is important. A typical industrial application of sputtering is in the aluminisation of compact disks.

The physics of sputtering is more complex than mbe: a disk of the metal to be sputtered (the 'target') is mounted onto a magnetron sputter-gun (so-called because its magnetic field profile closely resembles that of the rf generator of that name!). To operate the magnetron, the chamber is backfilled with a noble gas like argon to a pressure of about 10^{-5} atmospheres. Radiofrequency power is then applied to the magnetron which strikes an electrical discharge in the gas. This discharge is confined by a doughnut shaped magnetic field to the region near the target, and positive argon ions from the discharge bombard the target metal (hence its name!) and knock off metal atoms which fly across the chamber and coat onto the substrate. Because they are generated by an electrical discharge, these atoms are highly energetic compared to their thermally evaporated counterparts and so, despite the speed of deposition, they tend to give high quality microcrystalline films.

Sputtering systems need to operate at relatively good vacuum but with a high sputtering gas throughput. These conflicting vacuum requirements are best met by using a turbo-molecular pump, which is essentially a multi-stage turbine whose rotational speed is so fast that the turbine blades have a speed comparable with the speed of the gas molecules being pumped. The turbopump running the plant was provided by Leybold UK who specialise in vacuum equipment for such applications.



Cross-section through a magnetron sputter-gun. Radio frequency (or high dc voltage) is applied to the water-cooled target assembly. This strikes a discharge in the argon with which the chamber has been backfilled. The plasma is confined to the region close to the target which then gets bombarded by positive ions and releases metal atoms which fly across the chamber and coat onto the substrate to form a thin film.

of the sandwich change, and it is here that their potential for application lies.

In our thin film structures, the thicknesses of the individual layers are now comparable with the free path travelled between collisions by electrons carrying electrical current, so the behaviour of the electrical carriers is simultaneously influenced by the electronic band structure of the various metals used and also by the way in which the magnetism behaves. This magnetic behaviour has interesting knock-on effects on useful properties of the films such as optical refractive index, electrical resistance or thermal conductivity, and this is potentially exploitable to make novel magnetic devices.

As the drive towards automation and minia-

turisation continues, there is an increasing demand for a wide range of sensors that are themselves in miniature. What better starting point than a thin film? In addition, where such sensors are to be incorporated into an electronic component, they could be efficiently deposited in the same process. One can envisage many markets for such sensors, including the automobile or the aircraft industries.

The industry which is leading the way in the application of these films, though, is – once again – the magnetic recording industry. This is due to the dramatic discovery in the new exchange-coupled films of 'giant magnetoresistance'.

In most metals, the electrical resistivity

increases by less than 1% when a strong magnetic field is applied. Even so, this magnetoresistance has been extensively employed to sense magnetic fields using such alloys as nickel-iron in which the effect is particularly pronounced. Figure 3 shows how different is the behaviour of a giant-magnetoresistive material when a magnetic field is applied. The change in electrical resistivity is around ten times greater, at about 10%, and the resistance decreases with applied field. An entirely different mechanism is responsible for this effect, which is made possible by our ability to engineer the sample on a scale comparable with the electron correlation length which is a few nanometres or greater. The same novel quantum mechanical effects give rise to other strange properties. For example the thermal conductivity in a silver/cobalt film is tunable by applying a magnetic field, Fig. 4.

The recording industry has good reason to be interested in materials with a high magnetoresistance. The most common method of reading the magnetic information on a computer hard disk is with a small coil in which a voltage is induced as the disk spins past the head. Unfortunately all induction heads are by definition speed dependent, and hence information cannot be written at the same density right across the disk, so limiting its capacity. If, instead, a magnetoresistive element were used to read magnetic bits, then this would not be speed dependent at all. The greater the sensitivity of the element, the smaller the magnetic bits can be, and the greater the storage potential of the disk.

Since the discovery of giant magnetoresistance (gmr) there has been an enormous amount of international research activity to produce a gmr material that gives a large resistance change over a small field range, this being the requirement for making a sensitive read head. In June, IBM announced that it had succeeded, and that such a read head would be in production by the end of the century.

With its trial head, the company has been able to increase the storage capacity of a disk by 20 times, and to decipher information which was written at high density to disk some years ago, but which until now was impossible to read.

The fundamental mechanisms which underlie this so-called giant magnetoresistance are subtle but are explored in more detail in the fourth panel. The effect, though, in a multilayer material is that when all the layers are aligned, the overall device resistance is low, and when adjacent magnetic layers are antiparallel – or even if the layer orientations are random – the electrical resistance of the device is high.

The mechanism responsible for the gmr depends on the fact that regions of the material are pointing in different directions, and not on the existence of the exchange coupling. Consequently we can think up other ways in which to tailor a multilayer so that at some point in the magnetising process there is a switch from the state where the layers are antiparallel to the state where they are parallel,

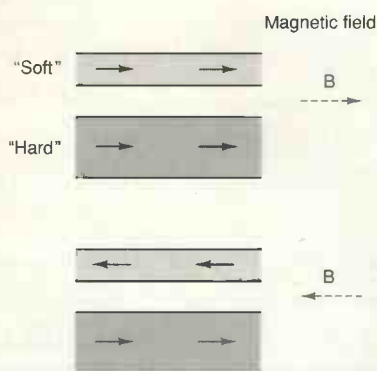


Fig. 6. Spin valves: A spin valve is very similar in structure to the device of Fig. 2 with the exception that the top and bottom magnetic layers are now made of different materials: the bottom layer is 'hard' and its magnetisation remains fixed even when a large magnetic field is applied. In contrast, the top layer is 'soft' and can be flipped in very small fields, thus giving a magnetic sensor that works in a lower magnetic field regime than those previously discussed. IBM has recently selected a system of this general type for developing a giant-magneto-resistive magnetic read head.

and hence a switch from the high resistance to the low resistance state.

A wide variety of structures called spin valves have been designed to do just this. In a spin valve, layers of magnetic material with very different magnetic properties are separated by thicker layers of non-magnetic metal so that they are sufficiently far apart to be uncoupled and hence to respond independently to externally applied magnetic fields. One of the layers is 'soft' – that is, its magnetism can be reversed by a small applied field. The other is 'hard', so its magnetic moment remains fixed unless a very large field is applied (Fig. 6). The electrical resistance of the device can then be changed by magnetically switching the soft layer parallel or antiparallel to the fixed hard layer.

The field at which the soft layer flips can be chosen to be very small, so such systems have the ability to produce a large resistance change in very small applied magnetic fields such as those generated by a magnetic bit on a hard disk. It is a material of this type that IBM has selected for its magneto-resistive head.

Giant magneto-resistive films do not need to be multilayers at all. We can achieve the same effects in alloys and this possibility lends even more scope and versatility to the range of magnetic devices which may be constructed. The example of Fig 3 was not itself a multilayer but a thin film alloy of silver containing little clusters of cobalt atoms which are about 3nm diameter on average. These small single domain ferromagnetic cobalt particles act like the layers in the multilayer film.

Materials like cobalt and silver are immiscible, so we have to force the two metals to mix in this way by co-evaporating or co-sputtering. However, there are many different ways that can be used to produce mixtures of immiscible materials, some of them, such as

ball-milling and melt spinning, being very well suited to industrial production.

Magnetic Transistors

The mechanism behind giant magneto-resistance described under Giant magneto-resistance, page 897 is tantalisingly similar to the semiconductor picture, where devices essentially operate by manipulating two different families of charge, the holes and electrons. This suggests that analogous magnetic transistors might be feasible.

By choosing two different magnetic materials, one hard and one soft as in the spin-valve device discussed above, the magnetic layers may be switched from parallel to antiparallel with an external field. Thus the device generates an electrical voltage that depends on the magnetisation direction of one of the constituent films (Fig. 7).

Moreover, the device 'remembers' its magnetic history, and hence can be used as a non-volatile magnetic switch memory device. The magnetic fields that cause the layer magnetisation reversals can be generated by pulses in small adjacent current-carrying wires, so a current amplifier configuration is possible, or indeed an assembly of several such devices can be used to make a processor.

The great promise of this technology lies in the fact that, unlike conventional semiconductor devices, fabrication of metal spin transistors becomes easier the smaller they are made. Indeed, device performance actually improves with miniaturisation. Packing density improvements of 100 are being forecast over semiconductors. This is enabled by the comparatively low power needed to run metal film devices and the ease with which the power may be dissipated, since the component materials are metallic.

Where else could the exploration of thin film technology lead? So far we have only discussed 'squeezing' nature in one dimension. This still leaves us with two dimensions to 'engineer', and we can do this with new developments in nanolithography. We can take a thin film or a multilayer, and with current techniques we can etch it into arrays of magnetic dots as small as 50nm in diameter.

With a careful choice of film material, we can make these dots single magnetic domains which behave like 'giant' magnetic atoms, with a single 'giant' spin. These 'giant' atoms can then be given special symmetries by appropriate choice of the dot shapes, and arrays of chosen symmetry of such atoms may be formed to create yet another class of new 'materials' whose interactions are established and whose properties are pre-programmable. This is a new and very unexplored field with great potential for finding and exploiting novel magnetic devices. ■

This author wished to acknowledge the support of the Magnetic Materials Initiative of the EPSRC, The Royal Society, The Worshipful Society of Fishmongers and the European Community.

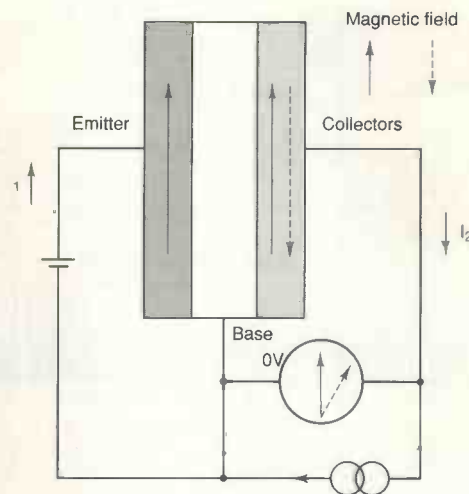


Fig. 7. Magnetic transistors: The geometry of the magnetic transistor is again like that of Fig. 2, except that this time there is an electrical connection to the non-magnetic interlayer to create a three terminal device. The battery creates a current I_1 which flows from the first magnetic layer (the emitter) to the non-magnetic layer (the base). This current is spin polarised because of the magnetism of the emitter and causes an excess of spin-down electrons in the base. If a current I_2 is now drawn out of the second magnetic layer (the collector) and returned to the base, the collector-base potential varies depending on whether the collector and emitter magnetisations are parallel or antiparallel; this is because the direction of the collector magnetisation determines whether I_2 will be carried across the base/collector interface by spin-up or spin-down electrons and different voltages are required to drive each electron type across the interface because of their different concentrations in the base layer.

Surplus always wanted for cash!

THE ORIGINAL SURPLUS WONDERLAND!

THIS MONTH'S SELECTION FROM OUR VAST EVER CHANGING STOCKS

Surplus always wanted for cash!

LOW COST PC's - ALL EXPANDABLE - ALL PC COMPATIBLE

THE OFFER OF 1994!

SPECIAL BUY

AT 286

40Mb HD + 3Mb Ram

LIMITED QUANTITY only of these 12Mhz HI GRADE 286 systems made in the USA to an industrial specification, the system was designed for reliability. The compact case houses the motherboard, PSU and EGA video card with single 5 1/4" 1.2 Mb floppy disk drive & integral 40Mb hard disk drive to the front. Real time clock with battery backup is provided as standard. Supplied in good used condition complete with enhanced keyboard, 640k + 2Mb RAM, DOS 4.01 and 90 DAY Full Guarantee. Ready to Run!

Order as HIGRADE 286 **ONLY £149.00 (E)**

Optional Fitted extras: VGA graphics card	£29.00
1.4Mb 3 1/2" floppy disk drive (instead of 1.2 Mb)	£32.95
NE2000 Ethernet (thick, thin or twisted) network card	£49.00

PC SCOOP

COMPLETE COLOUR SYSTEM

ONLY £99.00



A massive bulk purchase enables us to bring you a COMPLETE ready to run colour PC system at an unheard of price! The Display Electronics PC99 system comprises of fully compatible and expandable XT PC with 256k of RAM, 5 1/4" 360k floppy disk drive, 12" CGA colour monitor, standard 84 key keyboard, MS DOS and all connecting cables - just plug in and go! Ideal students, schools or anybody wishing to learn the world of PC's on an ultra low budget. Don't miss this opportunity. Fully guaranteed for 90 Days.

Order as PC99COL **£99.00 (E)**

Optional Fitted extras: 640k RAM	£29.00
2nd floppy drive, specify 5 1/4" 360k or 3 1/2" 720k	£29.95

Above prices for PC99 offer ONLY.

Computer Controlled Laser Video Disk Player

One of the most amazing surplus deals that we ever been able to offer you! The Philips VP410 LaserVision player, in as new condition, unit features full computer control, Plays standard 12" LaserVision disks with startling visual and audio quality in two channel stereo or mono. When controlled by a computer, it may also be used as a versatile high quality storage / retrieval medium. It will play back either LaserVision CAV (active play) or CLV (Long Play) discs (which covers most types of commercially available video discs). Some of the many features of this incredible machine are:

- RS-232 INTERFACE
- RGB / COMPOSITE VIDEO OUTPUT
- BNC+SCART INTERFACE
- PAL / RGB DECODER
- IR+WIRED REMOTE CONTROL
- FAST RANDOM ACCESS

SPECIAL PURCHASE Only **£399.00 (F)**

BBC Model B APM Board



WIN £100 CASH!
£100 CASH FOR THE MOST NOVEL DEMONSTRABLE APPLICATION

BBC Model B type computer on a board. A major purchase allows us to offer you the PROFESSIONAL version of the BBC computer at a parts only price. Used as a front end graphics system on large networked systems the architecture of the BBC board has so many similarities to the regular BBC model B that we are sure that with a bit of experimentation and ingenuity many useful applications will be found for this board!! It is supplied complete with a connector panel which brings all the I/O's to 'D' and BNC type connectors - all you have to do is provide +5 and +12 V DC. The APM consists of a single PCB with most major IC's socketed. The IC's are too numerous to list but include a 6502 / 6512 CPU, RAM and an SAA5050 teletext chip.

Three 27128 EPROMS contain the custom operating system on which we have no data. On application of DC power the system boots and provides diagnostic information to the video output. On board DIP switches and jumpers select the ECONET address and enable the four extra EPROM sockets for user software. Appx. dims: main board 13" x 10". I/O board 14" x 3". Supplied tested with circuit diagram, data and competition entry form.

Only **£29.95**

2 for £53 (B)

19" RACK CABINETS

Superb quality 6 foot 40U Virtually New, Ultra Smart Less than Half Price!



Top quality 19" rack cabinets made in UK by Optima Enclosures Ltd. Units feature designer, smoked acrylic lockable front door, full height lockable half louvered back door and removable side panels. Fully adjustable internal fixing struts, ready punched for any configuration of equipment mounting plus ready mounted integral 12 way 13 amp socket switched mains distribution strip make these racks some of the most versatile we have ever sold. Racks may be stacked side by side and therefore require only two side panels to stand singly or in bays.

Overall dimensions are: 77-1/2" H x 32-1/2" D x 22" W. Order as:
Rack 1 Complete with removable side panels. **£295.00 (G)**
Rack 2 Rack, Less side panels **£175.00 (G)**

Over 1000 racks in all sizes from stock!
Call with your requirements.

LOW COST RAM UPGRADES

INTEL 'ABOVE' Memory Expansion Board. Full length PC-XT and PC-AT compatible card with 2 Mbytes of memory on board. Card is fully selectable for Expanded or Extended (286 processor and above) memory. Full data and driver disk supplied. In good used condition fully tested and guaranteed. Windows compatible. Order as: ABOVE CARD **£59.95 (A1)**
Half length 8 bit memory upgrade cards for PC AT XT expands memory either 256k or 512k in 64k steps. May also be used to fill in RAM above 640k DOS limit. Complete with data. Order as: XT RAM EG. 256k **£32.95 (A1)**
512k **£38.95 (A1)**
1 MEG x 9 SIMM 9 chip 120ns only **£29.95 (A1)**

No Break Uninterruptible PSU's

Brand new and boxed 230 volts 1 KVA uninterruptible power supply from system from Densel. Model MUD 1085-AHBH. Complete with sealed lead acid batteries in matching case. Approx time from interrupt is 15 minutes. Complete with full manual.

Order as: MUD 1 **£575.00 (G)**
EMERSON ACCUCARD UPS, brand new 8 Bit half length PC compatible card for all IBM XT/AT compatibles. Card provides DC power to all internal system components in the event of power supply failure. The Accusaver software provided uses only 6k of base RAM and automatically copies all system, expanded and video memory to the hard disk in the event of loss of power. When power is returned the machine is returned to the exact status when the power failed! The unit features full self diagnostics on boot and is supplied with full fitting instructions and manual. Normal price **£189.00**

Only **£99.00 (B)** or **2 for £195 (C)**

FLOPPY DISK DRIVES 3.5"- 8"

5.25" from **£22.95** - 3.5" from **£24.95**

Massive purchases of standard 5.25" and 3.5" drives enables us to present prime product at industry beating low prices! All units (unless stated) are BRAND NEW or removed from often brand new equipment and are fully tested, aligned and shipped to you with a 90 day guarantee and operate from standard voltages and are of standard size. All are IBM-PC compatible (if 3.5" supported on your PC).

3.5" Panasonic JU363/4 720K or equivalent	£24.95 (B)
3.5" Mitsubishi MF355C-L. 1.4 Meg. Laptops only *	£36.95 (B)
3.5" Mitsubishi MF355C-D. 1.4 Meg. Non laptop	£29.95 (B)
5.25" Teac FD-55GFR 1.2 Meg	£29.95 (B)
5.25" BRAND NEW Mitsubishi MF501B 360K	£22.95 (B)

* Data cable included in price.
Shugart 800/801 8" SS refurbished & tested **£195.00 (E)**
Shugart 851 8" double sided refurbished & tested **£250.00 (E)**
Mitsubishi M2894-63 8" sided switchable NEW **£250.00 (E)**
Mitsubishi M2896-63-02U 8" DS slimline NEW **£285.00 (E)**

Dual 8" drives with 2 mbyte capacity housed in a smart case with built in power supply. Ideal as exterior drives! **£499.00 (F)**

HARD DISK DRIVES

End of line purchase scoop! Brand new NEC D2246 8" 85 Mbyte of hard disk storage! Full industry standard SMD interface. Ultra hi speed data transfer and access time, replaces Fujitsu equivalent model. complete with manual. Only **£299.00 (E)**

3.5" FUJII FK-309-26 20mb MFM I/F RFE	£59.95 (C)
3.5" CONNER CP3024 20 mb IDE I/F (or equiv.) RFE	£69.95 (C)
3.5" CONNER CP3044 40mb IDE I/F (or equiv.) RFE	£99.00 (C)
3.5" RODIME R03057S 45mb SCSI I/F (Mac & Acorn)	£99.00 (C)
5.25" MINISCRIBE 3425 20mb MFM I/F (or equiv.) RFE	£49.95 (C)
5.25" SEAGATE ST-238R 30 mb RLL I/F Refurb	£69.95 (C)
5.25" CDC 94205-51 40mb HH MFM I/F RFE tested	£89.95 (C)
8" FUJITSU M2322K 160Mb SMD I/F RFE tested	£195.00 (E)

Hard disc controllers for MFM, IDE, SCSI, RLL etc. from **£16.95**

THE AMAZING TELEBOX

Converts your colour monitor into a QUALITY COLOUR TV!!



TV SOUND & VIDEO TUNER!

The TELEBOX consists of an attractive fully cased mains powered unit, containing all electronics ready to plug into a host of video monitors made by manufacturers such as MICROVITEC, ATARI, SANYO, SONY, COMMODORE, PHILIPS, TATUNG, AMSTRAD and many more. The composite video output will also plug directly into most video recorders, allowing reception of TV channels not normally receivable on most television receivers* (TELEBOX MB). Push button controls on the front panel allow reception of 8 fully tuneable 'off air' UHF colour television channels. TELEBOX MB covers virtually all television frequencies VHF and UHF including the HYPERBAND as used by most cable TV operators. A composite video output is located on the rear panel for direct connection to most makes of monitor. For complete compatibility - even for monitors without sound - an integral 4 watt audio amplifier and low level Hi Fi audio output are provided as standard.

TELEBOX ST for composite video input type monitors	£32.95
TELEBOX STL as ST but with integral speaker	£36.50
TELEBOX MB Multiband VHF-UHF-Cable-Hyperband tuner	£69.95

For overseas PAL versions state 5.5 or 6mhz sound specification.
*For cable / hyperband reception Telebox MB should be connected to cable type socket. Shipping code on all Teleboxes is (B)

FANS & BLOWERS

MITSUBUSHI MMF-D6D12DL 60 x 25 mm 12v DC	£4.95 10 / £42
MITSUBUSHI MMF-09B12DH 92 x 25 mm 12v DC	£5.95 10 / £53
PANCAKE 12-3.5 92 x 18 mm 12v DC	£7.95 10 / £69
EX-EQUIP 120 x 38mm AC fans - tested specify 110 or 240 v	£6.95
EX-EQUIP 80 x 38mm AC fans - tested specify 110 or 240 v	£5.95
VERO rack mount 1U x 19" fan tray specify 110 or 240v	£45.95
IMHOF B26 1900 rack mount 3U x 19" Blower 110/240V New	£79.95

Shipping on all fans (A), Blowers (B), **5,000 Fans Ex Stock CALL**

IC's TRANSISTORS DIODES

OBSOLETE - SHORT SUPPLY - BULK

5,000,000 items EX STOCK

For MAJOR SAVINGS - SAE or CALL FOR LATEST LIST

Issue 12 of Display News now available - send large SAE - PACKED with bargains!



LONDON SHOP
Open Mon-Sat 9:00-5:30
215 Whitehorse Lane
South Norwood
LONDON SE25

DISTEL © The Original
FREE On line Database
Info on 1000's of items
V21, V22, V22 BIS
081 679 1888

ALL MAIL & OFFICES
Open Mon-Fri 9.00-5.30
Dept EWW. 32 Biggin Way
Upper Norwood
LONDON SE19 3XF

ALL ENQUIRIES
081 679 4414
FAX 081 679 1927

All prices for UK Mainland. UK customers add 17.5% VAT to TOTAL order amount. Minimum order £10. Bona Fide account orders accepted from Government, Schools, Universities and Local Authorities - minimum account order £50. Carriage charges (A)=£3, (A1)=£4.00, (B)=£5.50, (C)=£8.50, (D)=£12.00, (E)=£15.00, (F)=£18.00, (G)=CALL. Allow approx 6 days for shipping - faster CALL. Scotland surcharge CALL. All goods supplied to our Standard Conditions of Sale and unless stated guaranteed for 90 days. All guarantees on a return to base basis. All rights reserved to change prices / specifications without prior notice. Orders subject to stock. Discounts for volume. Top CASH prices paid for surplus goods. All trademarks etc acknowledged. © Display Electronics 1994. E & O E.

NEW WAVE MICROWAVES

8: High- T_C superconductor circuits

Superconductor operating temperatures have risen phenomenally over the past decade, and in the race for useful devices, cooling systems are becoming ever cheaper and more efficient.

Mike Hosking describes current superconductor technology from the microwave engineer's viewpoint.

In 1911, H Kamerlingh Onnes, the first person to liquify helium, demonstrated superconductivity in mercury at the University of Leiden and started what is a continuing quest for new superconductor materials and a theoretical understanding of them. However, in the ensuing 75 years up to 1986, the critical temperature T_C at which superconducting behaviour starts, was only increased from that of 4.2K for mercury to about 23K for the widely-used niobium-tin alloy and marginally higher for niobium-germanium. Liquid helium, with its associated costs, was still required as the cryogen.

But in 1986 two scientists JG Bednorz and KA Müller of IBM discovered repeatable superconductivity, at about 33K, in a new type of compound consisting of barium, lanthanum, copper and oxygen. A year later they were both awarded the Nobel Prize for this work. The material discovered is a type of ceramic, called a perovskite and one technique of investigating new forms has been to systematically substitute other elements for the lanthanum and barium. Thus began a race, which is still continuing, between teams of researchers around the world, to find materials with higher values of T_C ; the exciting question has been raised, but not answered, as to whether room temperature superconductivity will be possible?

Early in 1987, another milestone was reached by MK Wu and his research team at the University of Alabama, who produced a compound: yttrium-barium-copper oxide (YBCO) which had a critical temperature of 93K. This has turned out to be one of the most widely-used materials and is relatively easy to produce; furthermore, it exceeds the liquid

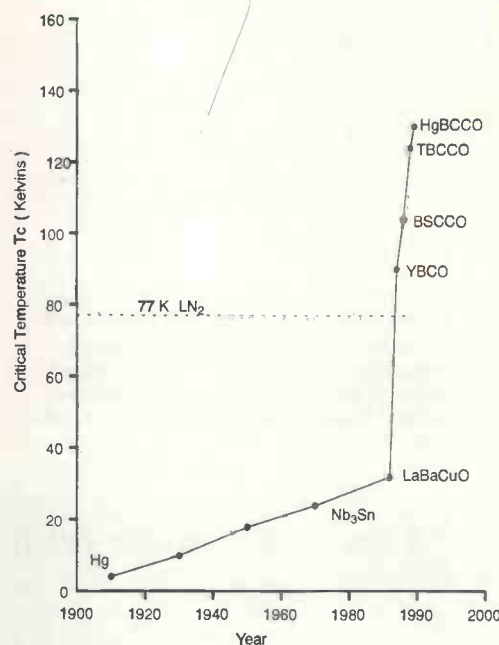


Fig. 1. Since the discovery of superconductivity in 1911, the progress made in increasing the critical temperature was relatively modest until the discovery of the new high- T_C materials in 1987.

nitrogen (LN₂) barrier of 77K, opening the way for more efficient and convenient cooling at lower cost.

Although many other compounds are under investigation, the most widely used, in addition to YBCO, is BSCCO (bismuth-strontium-calcium-copper oxide) with a T_C of 105K and another material, using thallium and barium, with a T_C of 125 to 128K (TBCCO).

Considerable work is also in progress using mercury as the replacement element (HgBCCO) giving a T_C of about 135K. Although higher critical temperatures, even approaching room temperature, have been observed in other materials, they have so far been short-lived events and have not been reproducible. Fig. 1 shows the progress made in raising the value of T_C over the past 83 years and serves to demonstrate just how recent is the new high- T_C technology.

Kelvin versus centigrade

Absolute zero temperature, measured in kelvin, is approximately -273°C and the boiling point of liquid helium is 4.2K at an atmosphere; the corresponding temperature for liquid nitrogen is 77.4K, i.e. about -196°C . However, there is a great cost and energy-saving advantage in being able to use liquid nitrogen as the cryogen: not only is it about $1/20$ th the price of liquid helium, but its latent heat of vaporisation is about 60 times higher, so that LN₂ overall is considerably more cost-effective.

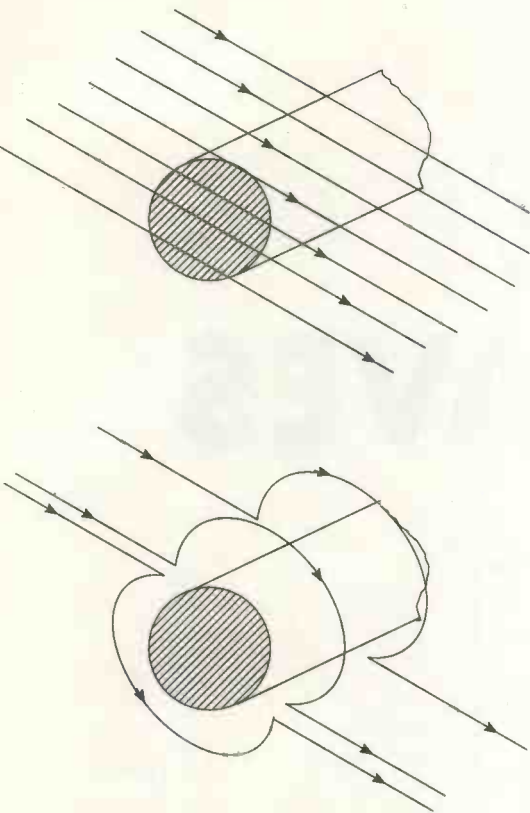


Fig. 2. The true test of superconductivity is the expulsion of magnetic field from the interior of the conductor as well as a zero dc resistance. If the conductor was just a 'perfect' one, the magnetic flux would become trapped inside at the transition to the 'perfect' state.

High- T_C superconductor characteristics

As with all superconductors, these new materials exhibit an abrupt change in resistivity when cooled to their critical temperature and below. At dc, the resistance of the conductor falls to zero: attempts to measure resistance in the earlier materials have revealed none down to levels of 10 to 23 Ω cm and dc currents set up in superconducting rings have continued to flow for years without measurable change. However, just this phenomenon alone would also be present in a 'perfect' conductor and so a further characteristic, called the Meissner effect, must also be present in the test for a true superconductor.

As shown in Fig. 2, if an external magnetic field is applied to a conductor, it will penetrate throughout the material at all temperatures. However, a superconductor cooled below T_C will suddenly expel all of the internal magnetic flux, causing the field to flow around the surface. This is diamagnetism and, in a superconductor, is called the Meissner effect: most often demonstrated at science fairs by a levitating magnet.

In fact, the magnetic field is not completely expelled from the material, but decays exponentially into the surface and leads to an important superconductor parameter: the (London) penetration depth, (not to be confused with wavelength) which is analogous to the skin depth and is the distance at which the field has decayed to $1/e$ of its value at the surface. Unlike the skin depth, it is not a function of frequency; it is an intrinsic property of the material and varies with temperature below T_C . Typical values are from about 1500 \AA to

10 μm depending upon type and quality of material (1 angstrom unit, $1\text{\AA}=10^{-8}\text{cm}$ and 1 micron, $1\mu\text{m}=10^{-6}\text{m}$). If $\lambda(T)$ is penetration depth at temperature T and $\lambda(0)$ the value at 0K, the variation with temperature is given by:

$$\lambda(T) = \frac{\lambda(0)}{\left\{1 - \left(\frac{T}{T_C}\right)^4\right\}^{0.5}}$$

which thus increases rapidly with increasing temperature and approaches infinity as $T \rightarrow T_C$.

Surface resistance

So far, the above comments have applied to dc currents and fields under which conditions the superconductor does have zero resistivity. However, this is not the case with time-varying fields and, in an analogous way to normal conductors, the superconductor develops a surface resistance, R_S . At microwave and millimetre wave frequencies (depending on type and quality of material) this surface resistance determines the limit at which the superconductor has no loss advantage over that of a normal conductor and is one of the most important properties of the material to be specified.

Figure 3, for example, shows a plot of R_S against temperature for a melt processed thick film of YBCO on a YSZ substrate and demonstrates the dramatic reduction in resistivity at the critical temperature. However, at the measurement frequency of 13.4GHz, the resistivity does not decrease to zero but reaches a finite value depending on temperature; thin films would exhibit even lower resistance.

Forms of superconductor

One of the reasons why microwave applications are an area of great potential interest for these new high- T_C superconductors is that the highest quality materials and lowest losses are achieved for thin films, deposited on a suitable substrate. They are thus in a form compatible with other types of integrated or monolithic circuit. Such films are normally produced by laser ablation or by sputtering. In the former, a pulsed laser is focused onto a quantity of the material which evaporates and condenses onto a nearby substrate to form a thin film. Sputtering causes the target material to be bombarded by energised ions and transfers the material atom by atom to the substrate, as opposed to droplet or vapour form. An early restriction was the area of substrate which could be coated (1 cm^2 or so) but this has increased to wafer sizes in excess of 3in diameter. In each case, a vital stage of the manufacturing process is a high temperature oxygen annealing cycle.

Not all of the conventional range of substrate materials is suitable for use with the high- T_C superconductors: either for reasons of 'poisoning' the films due to atom migration or because of an unacceptable electrical performance at microwave frequencies. At present, the main substrate materials used for microwave circuits are lanthanum aluminate (LaAlO_3) which has a dielectric constant, ϵ_r of about 24; magnesium oxide (MgO) with $\epsilon_r=10$; yttria-stabilised zirconia (YSZ) with $\epsilon_r=30$; and, more recently, crystals of neodymium gallate having $\epsilon_r=22$. With reference to the earlier article on microstrip circuits: the above values of ϵ_r are generally much larger than those found in normal

circuitry. So, as the track width required for a particular characteristic impedance of the transmission line decreases with increasing dielectric constant, finer lines and good definition are required from these superconducting circuits. A further consideration on choice and development of substrate materials is that of their loss tangents, which generally lie around 10^{-4} to 10^{-5} . Reduction of the surface resistance results in lower conductor losses and hence higher Q-factors, but a poor value of $\tan\delta$ is often the limiting factor on overall performance due to the low dielectric Q-factor ($1/\tan\delta$).

Thick films of YBCO have also been produced by normal screen-printing techniques on YSZ substrates, followed by a firing and sintering stage at about 950 $^\circ\text{C}$ and then a highly controlled oxygen annealing cycle. Such films have a higher surface resistance than thin films, restricting their present operating frequencies to the lower microwave bands. However, there is an advantage in that much larger area circuits can be readily manufactured and these are not confined to planar forms. Coaxial and cylindrical resonators, together with long wires have been successfully produced from thick films of YBCO: two examples being shown in Fig. 6. The cylindrical resonator operated in the TE_{011} mode and had a Q-factor of 715,000 at 77K; a similar copper resonator at the same temperature had a Q of 70,000. The coils were for a helical resonator which gave a Q-factor of 20,000 at 20K and 300MHz. It is also possible to produce the superconductors in bulk form, starting with a finely ground powder of the chemical constituents, moulding them to the required shape and then firing and annealing.

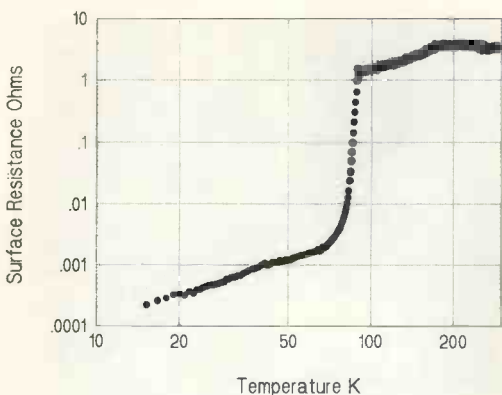


Fig. 3. To illustrate the abrupt transition to the superconducting state, the graph shows the variation of surface resistance with temperature for a melt-processed thick film of YBCO on a yttria-stabilised zirconia substrate. The onset of T_C is about 90K and the frequency of measurement is 13.4GHz. Courtesy of Bryan Tonkin, Physics Dept., University of Portsmouth.

Earlier in this series I pointed out that the microwave current in a conductor was confined to a surface layer of a thickness called the skin depth δ_s where:

$$\delta_s = \sqrt{\frac{2}{\omega\mu\sigma}}$$

and ω , μ , σ are the radial frequency, permeability and conductivity of the conductor respectively.

The surface resistance is given by $R_s = 1/\sigma\delta_s\Omega$ per square and thus it can be seen that this property is proportional to the square root of frequency.

However, for a superconductor, the surface resistance is found to be proportional to the square of the frequency and so is increasing much more rapidly. This is shown in Fig. 4, where copper is compared with various forms of YBCO at 77K. Even though the superconductor loss may be several orders of magnitude lower than that of copper at low frequencies, a cross-over frequency is eventually reached where the two are equal. Such a consideration is important when considering specific applications and is an area of materials science wherein the quest for improvements in quality is being continuously pursued.

Paired electrons

The theory describing the superconducting state, referred to as the BCS (Bardeen, Cooper and Schrieffer) theory, was another Nobel prize-winning milestone and forms the basis

of today's physical understanding. In this theory, as the superconductor is cooled to below T_C , electrons start to combine into what are referred to as Cooper pairs: each pair consisting of electrons with opposite spins and opposite and equal momenta, so that the net energy is zero.

Coupling force keeping the electrons together is provided by phonon interaction with the crystal lattice. However, above absolute zero, not all of the electrons are in pairs and this gives rise to two-fluid models of the material behaviour. At 0K, all of the electrons are in these superconducting pairs and above T_C all electrons are normal; between these two temperatures there exists a mixed state of normal conduction electrons and the Cooper pairs.

When dc current flows, the least energetic path is via the paired electrons, which effectively 'short out' the normal ones and offer no resistance. The electrons do, however, possess mass and the inertial effect of this gives rise to an inductive component. Under ac conditions, there will be an out of phase 'voltage' developed across this inductance leading to dissipative losses in the normal electrons.

Critical current and magnetic field

In addition to raising the temperature above T_C , the superconducting state can also be destroyed by increasing the current density in the material above a critical value J_C , or by increasing the external magnetic field above a critical value H_C ; or by a combination of all parameters. The lower the material temperature below T_C the higher the values of current and magnetic field which the material can tolerate. Thus, there exists a three-dimensional operating region for a superconductor, as indicated in Fig. 5.

Apart from the power applications of superconductors (not considered here) current density and magnetic field can be important factors in microwave applications, particularly in the planar types of integrated circuit. In these, such as the microstrip form discussed in this series, current is flowing in a thin film of, say, 10^{-5}cm^2 cross section and so high concentra-

tions of current can occur for modest levels of microwave power. To a large extent, H_C and J_C depend on the material quality and, in thin films of BSCCO, currents well in excess of 10^6A/cm^2 at magnetic field strengths in excess of 20T can be achieved.

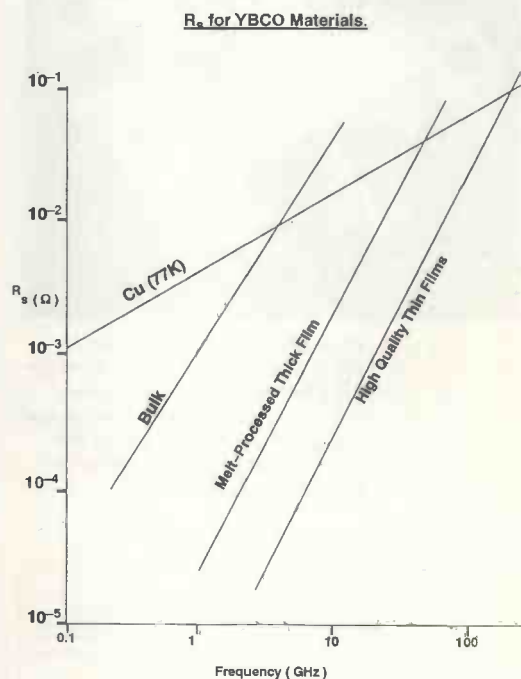


Fig. 4. The resistivity of a normal conductor increases as the square root of frequency, whereas that of a superconductor increases as the square. Thus there comes a cross-over point at which the superconductor no longer has an advantage in this respect. (N McN Alford and TW Button, Adv. Mat. 3 1991).

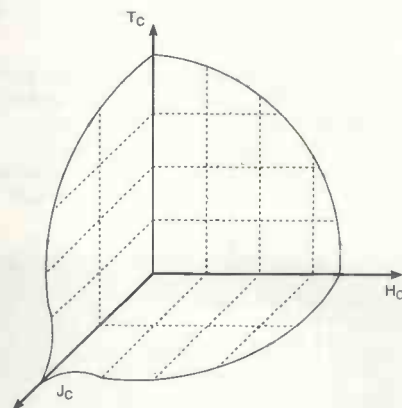


Fig. 5. The critical temperature for the onset of superconductivity is reduced by the presence of any external magnetic field or current flowing in the material. Each of these quantities has a critical value and the superconducting state can be destroyed by exceeding these values, or by a combination of current and field.

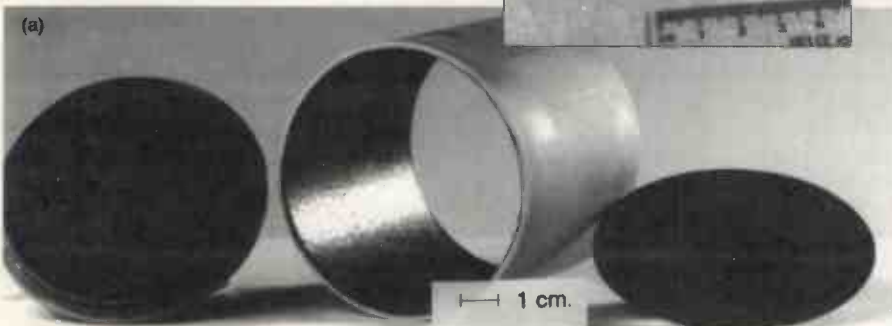


Fig. 6. (a) A cylindrical resonator of YBCO on YSZ having a Q-factor of 715,000 at 77K and (b) coils for a helical resonator operating at 300MHz. These components serve to illustrate the capability of thick films and bulk material to produce three-dimensional shapes. Courtesy of ICI Tiioxide.

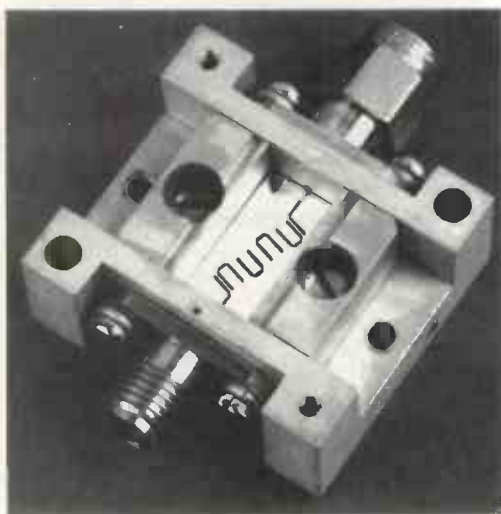


Fig. 7. Example of a thin film circuit for a four-pole filter, using gadolinium-barium-copper oxide on a lanthanum aluminate substrate. Insertion loss and selectivity far exceed that which would be obtainable with a normal microstrip circuit. Courtesy GEC-Hirst and GEC-Marconi Research Centres.

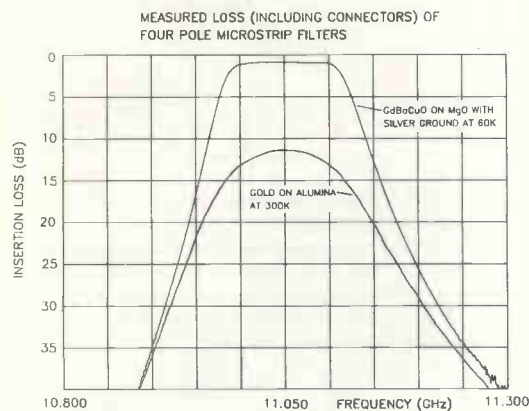


Fig. 8. Comparative performance of the four-pole filter of Fig. 7 with a normally conducting circuit. The measured insertion loss includes the connector losses and the fact that the superconducting circuit had a normal ground plane. Courtesy GEC-Hirst and GEC-Marconi Research Centres.

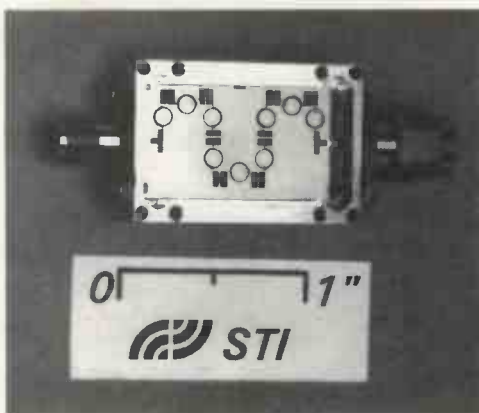


Fig. 9. The first high-T_c filter for a cellular base station replaced a large waveguide coupled resonator. This is a lumped element, nine-pole design in microstrip operating at 867MHz. Courtesy of Superconducting Technologies.

Microwave applications

Resonators: Due to the skin effect, the loss of a normal conductor increases with frequency and becomes significant at microwave and millimetre wave frequencies. This affects not just the transmission line attenuation, but also the achievable Q-factor of resonant structures.

If, by the use of superconductors, such losses can be reduced, then this technology offers improved performance to such devices as filters and resonators. Most microwave bandpass filters consist of coupled resonant structures, with the passband amplitude and phase response determined by the nature and weighting of the coupling and the stop band rejection by the number of resonators.

The use of superconducting resonators with lower insertion losses and high Q-factors would allow channelising filters to be designed with steeper skirts and thus afford systems performance advantages to satellite communications channels and to base stations for mobile communications.

An example of the design of a microstrip filter designed, developed and measured at GEC-Marconi Research Centre and fabricated at GEC-Hirst Research Centre using superconductor is shown in Fig. 7. The substrate is 0.25mm thick MgO, 7 by 14mm in size and the superconductor circuit is a four-pole, equi-ripple bandpass design with a 1% bandwidth centred at 11GHz. The superconductor material is gadolinium-barium-copper oxide (GdBaCuO), but the ground plane is normal silver.

Even though limited in performance by having a normal conductor ground plane and including the connector losses, the insertion loss of the filter at 60K was only 0.82dB; allowing for connector loss, the insertion loss was 0.48dB. An identical filter design using conventional gold conductors on alumina substrate had a room temperature insertion loss of 11.72dB and, even when cooled to 77K, still showed a loss of 6.5dB. Figure 8 compares amplitude responses of the two filters.

Another promising filter application is that in cellular base stations for mobile communication systems where adjacent channel interference is a problem. As many of these stations operate below 1GHz, normal filters can be bulky and lossy; cavity waveguide filters are often used to obtain the low losses required to maximise the out-of-band cut-off and selectivity. High Q-factors obtainable with superconductors allow multi-pole bandpass filters to be designed with resulting improvements in skirt selectivity and insertion loss.

Claimed to be the world's first of such filters is the Superconducting Technologies example shown in Fig. 9. This is a ninth order, equi-ripple Chebychev design centred at 867MHz and replaced an existing waveguide filter more than three feet long. Each resonator section of the filter consists of a lumped element inductor (the ring shapes) and a capacitor: a lumped element being a component much smaller in size than the guide wavelength. At the input and output, tracks can just be seen a series interdigital filter. Such resonators had Q-fac-

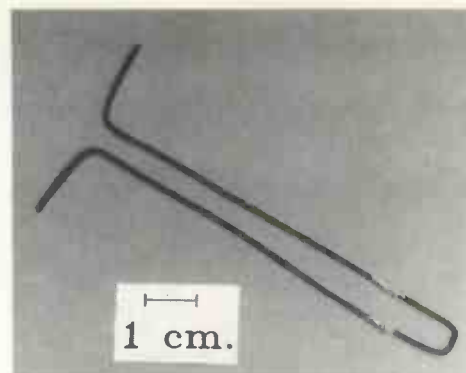


Fig. 10. The first microwave component in bulk YBCO was this short dipole, made by ICI and designed and tested by Birmingham University which demonstrated greatly reduced losses in the feed network compared with an equivalent copper antenna.

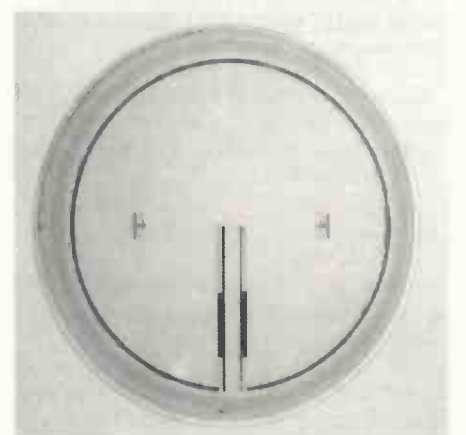


Fig. 11. The very sensitive pick-up coils used in medical MRI can benefit from high-T_c technology. This resonant antenna shown here is the first such thin film circuit. Courtesy of Superconducting Technologies.

tors of between 20,000 and 25,000 resulting in an insertion loss of below 0.3dB and an unmeasurable second harmonic rejection greater than 60dB.

Antennas: The half wavelength dipole is a widely-used form of antenna, either in its own right for low frequency communications or, at microwave frequencies as an element in phased arrays. Its directivity is 1.64 (or 2.15dB), with a lesser value of power gain depending upon the internal losses. Its radiation resistance is 73.1Ω.

Decreasing the length of the dipole does not greatly affect its directivity but gain decreases and the radiation resistance becomes small. For example, when the dipole length, l, is less than about 1/20th of a wavelength λ such that a linear current distribution can be assumed, the radiation resistance is given by:

$$R_{rad} = 80\pi^2 \left(\frac{l}{\lambda}\right)^2$$

So a dipole length of 0.05 would have a radiation resistance of about 0.4Ω; hence a high Q-factor. In addition, the reactance of the dipole becomes capacitive and, depending on the conductor diameter, can be very large. The

overall result is that the small antenna becomes impractical to match to the normal transmission line impedances and any such matching network would be lossy and would require very critical tolerances, thereby negating the initial size advantage. However, if the matching network was made superconducting, then the losses could be regained and a single short dipole has been shown (by a team from ICI and Birmingham University) to improve gain by 6dB over that of a similar copper one.

Shown in Fig. 10, this is the very first microwave device to be made from bulk YBCO wire and is an electrically short dipole in a parallel-wire transmission line, with signal connection contacts shown in silver. The length of short-circuited transmission line behind the contact points appears as an inductance to match the capacitive reactance of the dipole. Since this first demonstration, much further work has been done internationally to develop many other forms of printed antenna using films of superconductor.

When many dipoles, or other resonant shapes, form an antenna array, the signal distribution feed network can contribute very large losses. So that this is another area where the use of superconductors could prove of significant advantage, perhaps as the feed array to a satellite communications antenna dish.

Signal Processing: High speed analogue signal processing devices use single and tapped

delay lines to perform such time domain functions such as up-chirp and down-chirp for matched filtering, correlation and Fourier transformation. Long delay lines with very low insertion loss are thus possible instead of the sometimes tens of decibels with conventional transmission lines.

Furthermore, by suitable choice of conductor and dielectric thickness of microstrip or coplanar lines, it is possible to slow the phase velocity over and above that already afforded by normal propagation in the dielectric, thereby achieving longer delays.

As penetration depth is independent of frequency in the microwave range, as opposed to skin depth which is strongly dependant, superconducting circuits can show dispersionless behaviour up to about 1THz, although geometry-related modal dispersion may occur. This makes them eminently suitable for high-speed computer interconnects and fast signal processors operating at picosecond rates. Conventional transmission lines as interconnects are too lossy and produce pulse distortion due to dispersion at well below these rates.

Medical: Cryogenic magnets are already in use, with conventional niobium superconductors requiring liquid helium cooling, for body scanning magnetic resonance imaging (MRI). But sensitive pick-up coils are required to detect the small resonances from the atoms of the body. Once again, the high- T_C materials

have been successfully employed to produce these coils, typically operating at rf frequencies. Such a coil is shown in Fig. 11 and is in the form of a TBCCO fine spiral on a 3in wafer of lanthanum aluminate, with central contacts, requiring cooling only with liquid nitrogen.

Conclusion

There are many more electronic applications for these high- T_C materials, let alone the high-power side: presented here are some of the main microwave ones. Many researchers and developers are working with Josephson junctions and superconducting quantum interference devices (squids).

There is also a rapidly-growing technology in active devices operating up to microwave frequencies called flux-flow transistors and the integration of Josephson devices with CMOS circuits, but these would require a further article to do them justice. And do not forget cryostat technology which, with the added impetus given by the prospect of wider applications, is aimed at miniaturisation and economy.

We are at an exciting and very fast moving period in the discovery, development and exploitation of these new high- T_C superconductors and I am sure that the next few years will witness their consolidation into many commercial systems.



**8 CAVANS WAY,
BINLEY INDUSTRIAL ESTATE,
COVENTRY CV3 2SF**
Tel: 0203 650702
Fax: 0203 650773
Mobile: 0860 400683

(Premises situated close to Eastern-by-pass In Coventry with easy access to M1, M6, M40, M42, M45 and M69)

OSCILLOSCOPES

Gould OS4000, OS4200, OS4020, OS245	from £125
Hewlett Packard 053000 - 40MHz, dual ch.	£250
Gould 4035 - 20MHz digital storage	£600
Gould 4050 - 35MHz digital storage	£750
Gould 5110 - 100MHz intelligent oscilloscope	£950
Hewlett Packard 1707A, 1707B - 75MHz dual ch.	from £275
Hewlett Packard 1740A, 1741A, 1744A, 100MHz dual ch.	from £350
Hewlett Packard 182C - 100MHz 4 ch.	£350
Hewlett Packard 54201A - 300MHz digitizing	£2550
Hiltech V-212 - 20MHz dual trace	£175
Hiltech V-422 - 40MHz dual ch.	£300
Nicolet 3091 - Low freq D.S.O.	£1100
Philips 3070 - 100MHz, 2+1 channel and cursors (as new)	£900
Philips 3315 - 60MHz D.S.O.	£950
Tektronix 468 - 100MHz D.S.O.	£800
Tektronix 2213 - 60MHz dual ch.	£425
Tektronix 2215 - 60MHz dual ch.	£450
Tektronix 2235 - 100MHz dual ch. (portable)	£800
Tektronix 2246 - 100MHz 4 channel (as new)	£995
Tektronix 2335 - 100MHz dual ch. (portable)	£750
Tektronix 465/465B - 100MHz dual ch.	from £350
Tektronix 7313, 7603, 7613, 7623, 7633, 100MHz 4 ch.	from £300
Tektronix 7704 - 250MHz 4 ch.	from £650
Tektronix 7834/7844 - 400MHz 4 ch.	from £750
Tektronix 7904 - 500MHz	from £850
Philips 3206, 3211, 3212, 3217, 3226, 3240, 3243, 3244, 3261, 3262 (2ch + 4 ch.)	from £125 to £350

SPECTRUM ANALYSERS

Alltech 727 - 20GHz	£1250
Hewlett Packard 3580A - 5Hz - 50KHz	£995
Hewlett Packard 3582A - 25KHz analyser, dual channel	£2500
Hewlett Packard 8590A - 10MHz - 1.5GHz (as new)	£4500
Hewlett Packard 8590B - 9KHz - 1.8GHz	£4750
Hewlett Packard 8754A - Network Analyser 4 - 1300MHz	£3500
Hewlett Packard 182T with 8559A (10MHz - 21GHz)	£3750
Hewlett Packard 4953 Protocol analyser	£2500
Marconi 2370 - 110MHz	£995
Rohde & Schwarz - SWOB 5 Polyskop 0.1 - 1300MHz	£2750
Tektronix 7L18 with 7603 mainframe (1.5-18GHz)	£3500
Texscan AL51A - 1GHz	£995

MISCELLANEOUS

Anritsu ME538C Microwave system analyser (Rx + Tx)	£3500
Anritsu MG642A Pulse pattern generator	£1500
Anritsu ML33B/ML32B Optical power meter with sensor	£2000
Ballantine 323 True RMS voltmeter	£350
Datadab DL 1080 - Programmable Transient Recorder	£350
E.I.P. 331 18GHz frequency counter	£850
Farnell RB 1030-35 Electronic load 1Kw	£450

Farnell 2081 R/F Power meter	£350
Farnell SSG520 Sig. Gen. 10 - 520MHz	£850
Farnell TTS20 Transmitter test set	£850
Farnell SG18 Sig. Gen. interface	£225
Farnell TSV70 MkII - Power Supply (70V-5A or 35V-10A)	£500
Ferrogaph RTS2 Audio test set with ATU1	£500
Gay Milano FTMIC/FTMAC - FTM - Fast transient monitor	£250
General Rad 1658 LCR Digbridge	£250
Hewlett Packard 436A Power meter + 8481A sensor	£950
Hewlett Packard 1630G - Logic Analyser (65 channel)	£850
Hewlett Packard 3403C True RMS Voltmeter	£250
Hewlett Packard 3437A System Voltmeter	£350
Hewlett Packard 3438A Digital multimeter	£200
Hewlett Packard 3478A Digital voltmeter, 4 wire system, 1EEE	£650
Hewlett Packard 3490A Digital multimeter	£250
Hewlett Packard 3702B/3705A/3710A/3716A Microwave link analyser	£1500
Hewlett Packard 3711A/3712A/3791B/3793B Microwave link analyser	£3500
Hewlett Packard 3760/3761 Data gen + error detector	each £300
Hewlett Packard 3762/3763 Data gen + error detector	each £350
Hewlett Packard 3777A Channel selector	£250
Hewlett Packard 3779A Primary multiplex analyser	£600
Hewlett Packard 4193A Vector Impedance meter	£3250
Hewlett Packard 5150A Thermal printer	£275
Hewlett Packard 5316A - Universal counter HP1B	£550
Hewlett Packard 5316B - Universal counter HP1B	£750
Hewlett Packard 5385A - Frequency counter 1GHz (HP1B) with Opts 001/003/004/005	£995
Hewlett Packard 59501 B HP 1B isolated D/A power supply programmer	£150
Hewlett Packard 6181C D.C. current source	£150
Hewlett Packard 7402 Recorder with 17401A x 2 plug-ins	£300
Hewlett Packard 8005B Pulse generator	£250
Hewlett Packard 8011A Pulse gen. 0.1Hz - 20MHz	£500
Hewlett Packard 8406A Frequency comb. generator	£400
Hewlett Packard 8443A Tracking gen/counter with 1EEE	£300/£400
Hewlett Packard 8445B Automatic presetter	£400/£600
Hewlett Packard 8620C Sweep oscillator mainframe	£400
Hewlett Packard 8654B 10 - 520MHz Sig. Gen.	£650
Hewlett Packard 8750A Storage normaliser	£375
Hewlett Packard 8901A - Modulation Analyser AM/FM 150KHz - 1300MHz	£3750
Hewlett Packard 3456A Digital voltmeter	£750
Hewlett Packard 8903B - Audio Analyser (20Hz - 100KHz)	£2750
International Light - IL 1700 research radiometer with Erythral sensor head	£1250
J.J. Instruments CR700 - Recorder (in carrying case)	£300
Lyons PG73N/PG75/PG2B/PG Pulse generator	from £225
Marconi 2019A 80KHz - 1040MHz sig. gen.	£1650
Marconi 2022A 10KHz - 1GHz sig. gen.	£1850
Marconi 2306 Programmable interface	£500
Marconi 2337A Automatic dist. meter	£150
Marconi 2356 20MHz level oscillator	£300
Marconi 2432A 500MHz digital freq. meter	£200
Marconi 2830 Multiplex tester	£1000
Marconi 2831 Channel access switch	£400
Multicore "Vapourrette" bench top vapour phase SMD soldering machine (new and unused) (£1100 + new)	£650
Philips 5518 Colour TV pattern generator	£750
Philips PM 5167 10MHz function gen.	£400
Philips PM 5190 LF synthesizer with GP1B	£800
Philips 5390 1GHz signal gen.	£1250
Philips PM 5519 Colour TV pattern gen.	£400

Philips PM 5716 Pulse generator high freq. mos	£600
Philips PM 6672 1GHz timer/counter WF 1EEE	£650
Philips PM 8272 XY1 chart recorder	£500
Racal 9301A True RMS RF millivoltmeter	£300
Racal Dana 202 Logic analyser + 68000 disassembler	£250
Racal Dana 3100 40 - 130MHz synthesiser	£750
Racal Dana 5002 Wideband level meter	£650
Racal Dana 5003 Digital m/meter	£150
Racal Dana 9000 Microprocessing timer/count. 52MHz	£250
Racal Dana 9009 Modulation meter	£225
Racal Dana 9081 Synth. sig. gen. 520MHz	£550
Racal Dana 9084 Synth. sig. gen. 104MHz	£450
Racal Dana 92420 Programmable PSU 25V-2A	£300
Racal Dana 92465 Programmable PSU 25V-10A	£400
Racal Dana 9303 True RMS/RF level meter	£650
Racal Dana 9341 LCR databridge	£250
Racal Dana 9500 Universal timer/counter 100MHz	£200
Racal Dana 9921 3GHz frequency counter	£450
Rohde & Schwarz BN36711 Digital G meter	£400
Rohde & Schwarz LF12 Sweep generator 0.02 - 60MHz	£1500
Rohde & Schwarz SCUD Radio code test set	£1500
Rohde & Schwarz SMPF2 Mobile tester	£4000
Rohde & Schwarz ZPV Vector analyser	£1500
Schlumberger S.L. 4040 - Stablock - High accuracy 1GHz Radio Test Set	£9995
Schlumberger 4923 - Radio Code Test Set	£2000
Schlumberger 2720 - 1250MHz Freq. Counter	£600
Schlumberger Schlumb 1170 Freq. response analyser	£250
Systems Video 1258 Waveform analyser + 1255 video monitor + 1407 differential phase & gain module + 1270 remote control panel	£2250
Tektronix TM503, SG503, PG506, TG501 Scope calibrator	£2200
Tektronix 1411 PAL/NTSC/PAL-M signal gen. with SPG12, TSG11, TSG13, TSG15, TSG16 & SP11	£2000
Tektronix 1480 Waveform monitor	£600
Time 9811 Programmable resistance	£600
Time 9814 Voltage calibrator	£750
W&G M13 Test point scanner	£500
W&G PCM3 Auto measuring set for telephone channels	£950
W&G PS12 Level generator 200Hz-6MHz	£500
W&G SPM12 Level meter 200Hz-6MHz	£500
Watanabe WTR211 3 pen plotter	£250
Weller D800/D801 Desoldering station	£175
Weller D900 Desoldering station	£150
Wiltron 352 Low freq. differential input phase meter	£350

SPECIAL OFFERS - Phoenix 5500A Telecoms analyser, ex. demo. as new with 12 months calibration + 12 months guarantee fitted with V24 interface. A variety of interface options available - Ring/Fax for details. Navtel 9440 Protocol analyser, ex. demo. as new £8000 new - cost now £3500. Navtel 9410 PCB based protocol analyser ex. demo. as new £3000 new - cost now £1500.

MANY MORE ITEMS AVAILABLE - SEND LARGE S.A.E. FOR LIST OF EQUIPMENT ALL EQUIPMENT IS USED - WITH 30 DAYS GUARANTEE. PLEASE CHECK FOR AVAILABILITY BEFORE ORDERING - CARRIAGE & VAT TO BE ADDED TO ALL GOODS

CIRCLE NO. 117 ON REPLY CARD

£1 BARGAIN PACKS

1,000 Items appear in our Bargain Packs List - request one of these when you next order.

- 1 x 12v Stepper Motor, 7.5 degree. Order Ref: 910.
- 1 x 10 pack Screwdrivers. Order Ref: 909.
- 2 x 5 amp Pull Cord Ceiling Switches. Brown. Order Ref: 921.
- 5 x reels Insulation Tape. Order Ref: 911.
- 4 x 14mm Ball-races. Order Ref: 912.
- 2 x Cord Grip Switch lamp Holders. Order Ref: 913.
- 1 x DC Voltage Reducer. 12v-6v. Order Ref: 916.
- 1 x 10 amp 40v Bridge Rectifier. Order Ref: 889.
- Lightweight Stereo Headphones. Moving coil so superior sound. Order Ref: 896.
- 2 x 25W Crossovers. For 4ohm loudspeakers. Order Ref: 22.
- 2 x Nicad Constant Current Chargers. Easily adaptable to charge almost any nicad battery. Order Ref: 30.
- 18v-0-18v 10va Mains Transformer. Order Ref: 813.
- 2 x White Plastic Boxes. With lids, approx. 3" cube. Lid has square hole through the centre so these are ideal for light operated switch. Order Ref: 132.
- 2 x Reed Relay Kits. You get 8 reed switches and 2 coil sets. Order Ref: 148.
- 12v-0-12v 6va Mains Transformer. PCB mounting. Order Ref: 938.
- 1 x Big Pull Solenoid. Mains operated. Has 1/2" pull. Order Ref: 871.
- 1 x Big Push Solenoid. Mains operated. Has 1/2" push. Order Ref: 872.
- 1 x Mini Mono Amp. 3W into 4 ohm speaker or 1W into 8 ohm. Order Ref: 495.
- 1 x Mini Stereo 1W Amp. Order Ref: 870.
- 15v DC 150ma PSU. Nicely cased. Order Ref: 942.
- 1 x In-Flight Stereo Unit is a stereo amp. Has two most useful mini moving coil speakers. Made for BOAC passengers. Order Ref: 29.
- 1 x 0-1mA Panel Meter. Full vision fact 70mm square. Scaled 0-100. Order Ref: 756.
- 2 x Lithium Batteries. 2.5V penlight size. Order Ref: 874.
- 2 x 3m Telephone Leads. With BT flat plug. Ideal for phone extensions, fax, etc. Order Ref: 552.
- 1 x 12V Solenoid. Has good 1/2" pull or could push if modified. Order Ref: 232.
- 4 x In-Flex Switches. With neon on/off lights, saves leaving things switched on. Order Ref: 7.
- 2 x 6V 1A Mains Transformers. Upright mounting with fixing clamps. Order Ref: 9.
- 2 x Humidity Switches. As the air becomes damper, the membrane stretches and operates a micro switch. Order Ref: 32.
- 5 x 13A Rocker Switch. Three tags so on/off, or changeover with centre off. Order Ref: 42.
- Mini Cassette Motor. 9v. Order Ref: 944.
- 1 x Suck or Blow-Operated Pressure Switch. Or it can be operated by any low pressure variation such as water level in tanks. Order Ref: 67.
- 1 x 6V 750mA Power Supply. Nicely cased with mains input and 6V output lead. Order Ref: 103A.
- 2 x Stripper Boards. Each contains a 400V 2A bridge rectifier and 14 other diodes and rectifiers as well as dozens of condensers, etc. Order Ref: 120.
- 12 Very Fine Drills. For PCB boards etc. Normal cost about 80p each. Order Ref: 128.
- 5 x Motors for Model Aeroplanes. Spin to start so needs no switch. Order Ref: 134.
- 6 x Microphone Inserts. Magnetic 400 ohm, also act as speakers. Order Ref: 139.
- 6 x Neon Indicators. In panel mounting holders with lens. Order Ref: 180.
- 1 x In-Flex Solderstat. Keeps your soldering iron etc always at the ready. Order Ref: 196.
- 1 x Mains Solenoid. Very powerful as 1/2" pull, or could push if modified. Order Ref: 199.
- 1 x Electric Clock. Mains operated. Put this in a box and you need never be late. Order Ref: 211.
- 4 x 12V Alarms. Makes a noise about as loud as a car horn. All brand new. Order Ref: 221.
- 2 x (6"x4") Speakers. 16 ohm 5 watts, so can be joined in parallel to make a high wattage column. Order Ref: 243.
- 1 x Panostat. Controls output of boiling ring from simmer up to boil. Order Ref: 252.
- 2 x Oblong Push Switches. For bell or chimes, these can switch mains up to 5A so could be foot switch if fitted in patdress. Order Ref: 263.
- 50 x Mixed Silicon Diodes. Order Ref: 293.
- 1 x 6 Digit Mains Operated Counter. Standard size but counts in even numbers. Order Ref: 28.
- 2 x 6V Operated Reed Relays. One normally on, other normally closed. Order Ref: 48.
- 1 x Cabinet Lock. With two keys. Order Ref: 55.
- 6 1/2" 8 ohm 5 watt Speaker. Order Ref: 824.
- 1 x Shaded Pole Mains Motor. 3/4" stack, so quite powerful. Order Ref: 85.
- 2 x 5 Aluminium Fan Blades. Could be fitted to the above motor. Order Ref: 86.
- 1 x Case. 3 1/2"x2 1/4"x1 1/4" with 13A socket pins. Order Ref: 845.
- 2 x Cases. 2 1/2"x2 1/4"x1 1/4" with 13A pins. Order Ref: 565.
- 4 x Luminous Rocker Switches. 10A mains. Order Ref: 793.
- 4 x Different Standard V3 Micro Switches. Order Ref: 340.
- 4 x Different Sub Min Micro Switches. Order Ref: 313.

BARGAINS GALORE

Insulation Tester with Multimeter. Internally generates voltages which enable you to read insulation directly in megohms. The multimeter has four ranges, AC/DC volts, 3 ranges milliamperes, 3 ranges resistance and 5 amp range. These instruments are ex-British Telecom but in very good condition, tested and guaranteed OK, probably cost at least £50, yours for only £7.50 with leads, carrying case £2 extra. Order Ref: 75P4. This instrument but slightly faulty - you should be able to repair it. We supply circuit diagram and notes. £3. Order Ref: 3P176.

12V 10A Switch Mode Power Supply. For only £9.50 and a little bit of work because you have to convert our 135W PSU. Modifications are relatively simple - we supply instructions. Simply order PSU Ref: 9.5P2 and request modification details. Price still £9.50.

Medicine Cupboard Alarm. Or it could be used to warn when any cupboard door is opened. The light shining on the unit makes the bell ring. Completely built and neatly cased, requires only a battery. £3. Order Ref: 3P155.

Don't Let It Overflow! Be it bath, sink, cellar, sump or any other thing that could flood. This device will tell you when the water has risen to the pre-set level. Adjustable over quite a useful range. Neatly cased for wall mounting, ready to work when battery fitted. £3. Order Ref: 3P156.

Very Powerful Mains Motor. With extra long (2 1/2") shafts extending out each side. Makes it ideal for a reversing arrangement for, as you know, shaded pole motors are not reversible. £3. Order Ref: 3P157.

Solar Panel Bargain. Gives 3V at 200mA. £2. Order Ref: 2P324.

£1 Super Bargain

12V axial fan for only £1, ideal for equipment cooling, brand new, made by West German company. Brushless so virtually everlasting. Needs simple transistor drive circuit, we include diagram. Only £1, Order Ref: 919. When we supply this we will include a list of approximately 800 of our other £1 bargains.

Light Dimmers On standard plate to put directly in place of flush switch. Available in colours, green, red, blue and yellow. £2.50. Order Ref: 2.5P9.

45A Double Pole Mains Switch. Mounted on a 6x3 1/2" aluminium plate, beautifully finished in gold, with pilot light. Top quality, made by MEM, £2. Order Ref: 2P316.

Touch Dimmers 40W-250W, no knob to turn, just finger on front plate, will give more, or less light, or off. Silver plate on white background, right side to replace normal switch £5. Order Ref: 5P230.

Don't Stand Out In The Cold. Our 12m telephone extension lead has a flat BT socket one end and flat BT plug other end. £2. Order Ref: 2P338.

20W 5" 4 OHM Speaker. £3. Order Ref: 3P145. Matching 4 ohm 20W Tweeter on separate baffle. £1.50. Order Ref: 1.5P9.

LCD 3 1/2 Digit Panel Meter

This is a multi range voltmeter/ammeter using the A-D converter chip 7106 to provide 5 ranges each of volts and amps. Supplied with full data sheet. Special snip price of £12. Order Ref: 12P19.

Telephone Extension Wire 4 core correctly colour coded, intended for permanent extensions, 25m coil, £2. Order Ref: 2P339.

Philips 9" High Resolution Monitor. Black and white in metal frame for easy mounting. Brand new, still in maker's packing, offered at less than price of tube alone, only £15. Order Ref: 15P1.

High Current AC Mains Relay This has a 230V coil and changeover switch rated at 15A with PCB mounting with clear plastic cover. £1. Order Ref: 965.

Ultra Thin Drills, actually 0.3mm. To buy these regular costs a fortune. However, these are packed in half dozens and the price to you is £1 per pack. Order Ref: 797B.

You Can Stand On It! Made to house GPO telephone equipment, this box is extremely tough and would be ideal for keeping your small tools in, internal size approx. 10 1/2"x4 1/2"x6" high. Complete with carrying strap, price £2. Order Ref: 2P283B.

Ultra Sonic Transducers. Two metal cased units, one transmits, one receives. Built to operate around 40kHz. Price £1.50 the pair. Order Ref: 1.5P4.

Power Supply with Extras. Mains input is fused and filtered and the 12V DC output is voltage regulated. Intended for high class equipment, this is mounted on a PCB and, also mounted on the board but easily removed, are two 12V relays and Piezo sounder. Price £3. Order Ref: 3P80B.

Mains Isolation Transformer. Stops you getting "to earth" shocks, 230V in and 230V out, 150W. Order Ref: 7.5P5. And a 250W version is £10. Order Ref: 10P97.

Mains 230V Fan. Best make "PAPST", 4 1/2" square, metal blades, £8. Order Ref: 8P8.

2MW Laser. Helium neon by Philips, full spec., £30. Order Ref: 30P1. Power supply for this in kit form with case is £15. Order Ref: 15P16, or in larger case to house tube as well, £18. Order Ref: 18P2. The larger unit, made up, tested and ready to use, complete with laser tube, £89. Order Ref: 89P1.

Air Spaced Trimmer Caps. 2-20pf, ideal for precision tuning UHF circuits, 4 for £1. Order Ref: 818B.

Modem Amstrad FM240. As new condition but customer return so you may need to fault find, £6. Order Ref: 6P34.

Amstrad Power Unit. 13.5V at 1.9A or 12V at 2A enclosed and with leads and output plug, normal mains input, £6. Order Ref: 6P23.

80W Mains Transformer. Two available, good quality, both with normal primaries and upright mounting, one is 20V 4A. Order Ref: 3P106, the other 40V 2A. Order Ref: 3P107.

Project Box. Size approx. 8x4x4 1/2" metal, sprayed grey, louvred ends for ventilation otherwise unbraked. Made for GPO so best quality, only £3 each. Order Ref: 3P74.

Sentinel Component Board. Amongst hundred of other parts, this has 15 ICs, all plug in so do not need soldering. Cost well over £100. Yours for £4. Order Ref: 4P67.

Sinclair 9V 2.1A Power Supply. Made to operate the 138K Spectrum Plus 2, cased with input and output leads. Originally listed at around £15, are brand new, our price is only £3. Order Ref: 3P151.

15W 8 ohm 8" Speaker & 3" Tweeter. Made for a discontinued high quality music centre, gives real hi-fi and only £4 per pair. Order Ref: 4P57.

Water Pump. Very powerful, mains operated, £10. Order Ref: 10P74.

0-1mA Full Vision Panel Meter. 2 3/4" square, scaled 0-100 but scale easily removed for re-writing, £1 each. Order Ref: 756.

Amstrad Keyboard Model KB. This is a most comprehensive keyboard, having over 100 keys including, of course, full numerical and qwerty. Brand new, still in maker's packing, £5. Order Ref: 5P202.

1 RPM Motor This is only 2W so will not cost much to run. Speed is ideal for revolving mirrors or lights. £2. Order Ref: 2P328.

Unusual Solenoids. Solenoids normally have to be energised to pull in and hold the core, this is a disadvantage where the appliance is left on for most of the time. We now have magnetic solenoids which hold the core until a voltage is applied to release it. £2. Order Ref: 2P327.

Mains Filter. Resin impregnated nicely cased, pcb mounting, £2. Order Ref: 2P315.

£1 BARGAIN PACK

This is the £1 Bargain Packs List 2 - watch out for lists 3 and 4 next month.

- 3 x Battery Model Motors, tiny, medium and large. Order Ref: 35.
- 2 x Tuning Condensers for medium wave radios. Order Ref: 36.
- Miniature 12V Relay with low current consuming coil, 2 x 3A changeover contacts. Order Ref: 51.
- 2 x Ferrite Slab Aerials with medium wave coils. Ideal for building small radio. Order Ref: 61.
- 2 x 25W 8 OHM Variable Resistors. Ideal for loud speaker volume control. Order Ref: 69.
- 2 x Wire Wound Variable Resistors in any of the following values, 18, 35, 50, 100 ohms, your choice. Order Ref: 71.
- 4 x 30A Porcelain Fuse Holders. Make your own fuse board. Order Ref: 82.
- 2 x 6 1/2" Metal Fan Blades for 5/16" shaft. Order Ref: 86/6 1/2.
- Mains Motor to suit the 6 1/2" blades. Order Ref: 88.
- 1 x 4.5V 150mA DC Power Supply. Fully enclosed so quite safe. Order Ref: 104.
- 10 each red and black small size Crocodile Clips. Order Ref: 116.
- 15mm Twin Wire, screened. Order Ref: 122A.
- 100 Plastic Headed Cable Clips, nail in type, several sizes. Order Ref: 123.
- 4 x MES Batten Holders Order Ref: 126.
- Complete Pocket Size MW Radio, believed OK but not tested. Order Ref: 133R.
- 4 x 2 Circuit Micro Switches (Licon). Order Ref: 157.
- 1 x 13A Switch Socket, quite standard but coloured. Order Ref: 164.
- 1 x 30A Panel Mounting Toggle Switch, double pole. Order Ref: 166.
- 2 x Neon Numicator Tubes. Order Ref: 170.
- 100 x 3/8 Rubber Grommets. Order Ref: 181.
- 6 x BC Lamp Holder Adaptors. Order Ref: 191.
- 8 x Superior Type Push Switches. Make your own keyboard. Order Ref: 201.
- Mains Transformer 8V-0-8V 1/2A. Order Ref: 212.
- 2 x Sub Min Toggle Switches. Order Ref: 214.
- High Power 3" Speaker (11W Bohm). Order Ref: 246.
- Medium Wave Permeability Tuner. Its almost a complete radio with circuit. Order Ref: 247.
- 6 x Screwdown Terminals with through panel insulators. Order Ref: 264.
- LCD Clock Display. 1/2" figures. Order Ref: 329.
- 10 x Push On Long Shafted Knobs for 1/4" spindle. Order Ref: 339.
- 2 x ex-GPO Speaker Inserts, ref 4T. Order Ref: 352.
- 100 x Sub Min 1F Transformers. Just right if you want coil formers. Order Ref: 360.
- 1 x 24V 200mA PSU. Order Ref: 393.
- 1 x Heating Element, mains voltage 100W, brass encased. Order Ref: 8.
- 1 x Mains Interference Suppressor. Order Ref: 21.
- 3 x Rocker Switches, 13A mains voltage. Order Ref: 41.
- 1 x Mini Uni Selector with diagram for electronic jig-saw. Order Ref: 56.
- 2 x Appliance Thermostats, adjustable up to 15A. Order Ref: 65.
- 1 x Mains Motor with gearbox giving 1 rev per 24 hrs. Order Ref: 89.
- 10 x Round Pointer Knobs for flatted 1/4" spindles. Order Ref: 295.
- 1 x Ceramic Wave Change Switch, 12 pole, 3 way with 1/4" spindle. Order Ref: 303.
- 1 x Tubular Hand Mike, suits cassette recorders, etc. Order Ref: 305.
- 2 x Plastic Stethosets, take crystal or magnetic inserts. Order Ref: 331.
- 20 x Pre-set Resistors, various types and values. Order Ref: 332.
- 6 x Car Type Rocker Switches, assorted. Order Ref: 333.
- 10 x Long Shafted Knobs for 1/4" flatted spindles. Order Ref: 339.
- 1 x Reversing Switch, 20A double pole or 40A single pole. Order Ref: 343.
- 4 x Skirted Control Knobs, engraved 0-10. Order Ref: 355.
- 3 x Luminous Rocker Switches. Order Ref: 373.
- 2 x 1000W Tubular Heating Elements with terminal ends. Order Ref: 376.
- 1 x Mains Transformer Operated Nicad Charger, cased with leads. Order Ref: 385.
- 2 x Clockwork Motors, run for one hour. Order Ref: 389.

Prices include VAT. Send cheque/postal order or ring and quote credit card number. Add £3 post and packing. Orders over £25 post free.

**M&B ELECTRICAL
SUPPLIES LTD**
Pilgrim Works (Dept. WW),
Stairbridge Lane, Bolney,
Sussex RH17 5PA

Telephone (0444) 881965 -
phone for Fax
Callers to 12 Boundary Road,
Hove, Sussex

CIRCLE NO. 118 ON REPLY CARD

DMM front-end *a new look*

To solve the bandwidth and drift problems associated with traditional dmm input conditioning stages, Keithley has completely redesigned the front end of its latest 6½-digit instrument.

Almost all digital multimeter input stages operate in the same way. They have an input attenuator followed by protection circuits and switches for routing the signal depending on which range is selected.

Although tried and tested, this configuration has a number of inherent disadvantages. Involving a high resistance value, the input attenuator has a relatively high parasitic capacitance, which can limit high frequency performance of the meter. The routing switches can couple stored charge at their output back to the input, possibly affecting the circuit under test. In addition, the traditional zener method of protecting against overload causes heating in the limiting resistor. As a result, overload recovery is slow.

In the new model 2000 dmm, all these problems have been minimised by adopting an entirely new approach to dmm input circuitry. This patented solid-state front end eliminates the common attenuator and involves power mosfet switches together with overload sensing op-amps. In addition, input resistance is specified at over 10GΩ for ranges to 10V and 10MΩ for ranges above.

A common shared protection circuit covers dc volts, ac volts and ohms. This solid-state protection provides low offset error and drift, fast response and recovery to overloads to 1kV, flat frequency response and low impedance.

Traditional methods for protecting up to 1000 volts require three separate circuits, which increase cost and complexity. Within the 2000, error-sensing op-amps turn off the power-mosfet switches rapidly to isolate the input. On removal of the over voltage, the switch is turned on equally rapidly. In fact overload recovery is within milliseconds.

High-performance dmm's incorporate zero and gain correction of the front end to minimise errors. This slows down reading rates. With many instruments, the user has to remove the input leads so that the meter can self calibrate itself prior to use. The 2000's dc circuit has an inherently low offset drift front end. It requires no autozeroing or autocali-

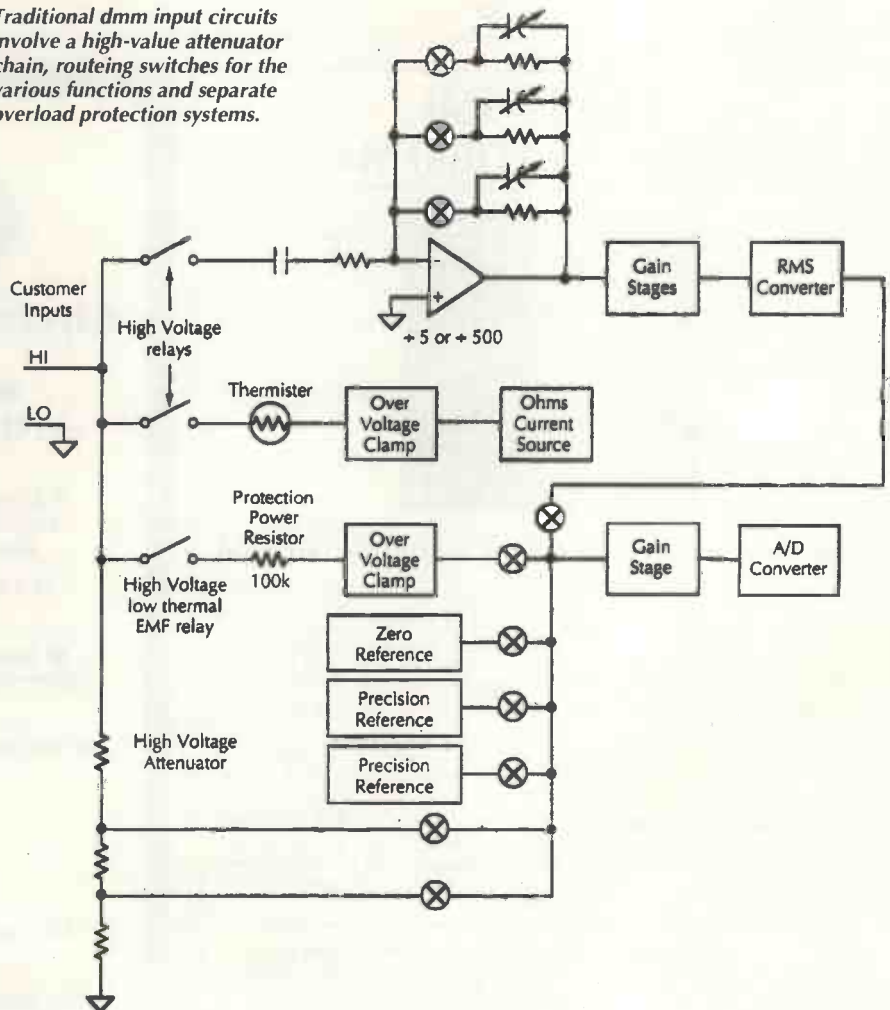
bration to achieve its electrical performance.

The ac front end of the 2000 is unique for two reasons. The traditional ac front end takes the applied signal and divides it down by at least a factor of five. This simplifies the protection circuitry. However it has the disadvantage that low-level performance and frequency response are degraded. Frequency response degrades due to the complexity

around the front end summing node, which is due to having to switch gains.

The new front end is configurable for unity gain or divide by 100. The unity-gain buffer is protected by the solid-state overload circuitry while the divide-by-100 circuit is protected in the traditional way. This results in better low level performance and a divide-by-100 circuit with a flatter frequency response.

Traditional dmm input circuits involve a high-value attenuator chain, routing switches for the various functions and separate overload protection systems.



INSTRUMENTATION

The second unique aspect of the front end is the divide-by-100 circuit. The classic problem with this type of circuit is that parasitic capacitances around the high-value input resistor cause frequency flatness errors. The classic solution is to add larger capacitors to dominate the parasitic capacitors. These capacitors are tweaked, resulting in a flatter response.

Due to the large capacitors combined with the 1MΩ input impedance however, the effect of the tweak is in the 1 to 10kHz region. In the new meter, these parasitic capacitances are reduced so the effect is raised to the 900kHz region. This results in a front end with an inherently flat frequency response.

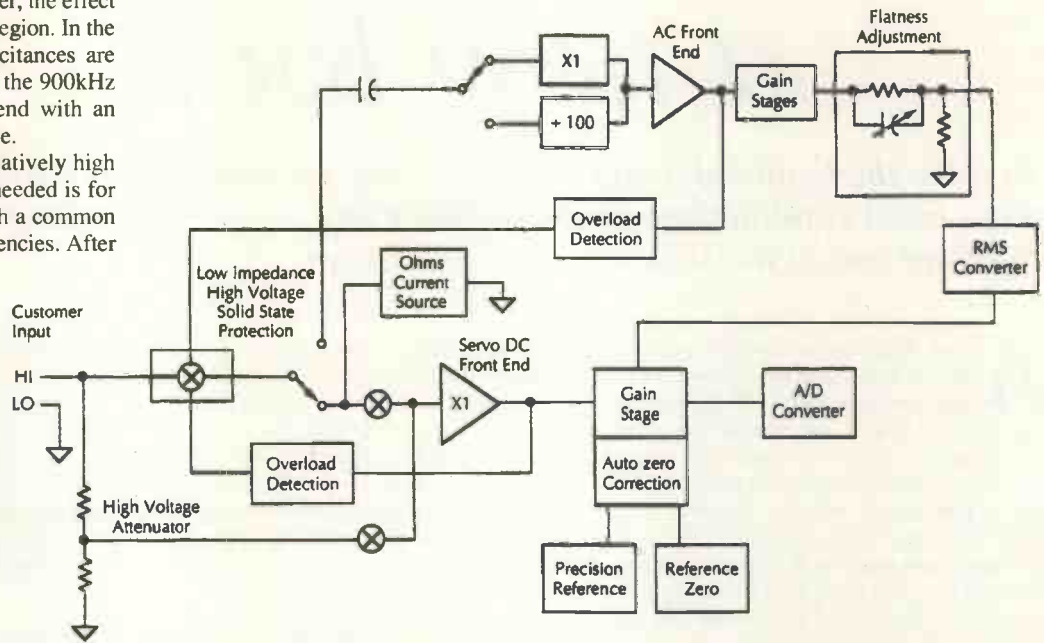
Since the front end is flat to relatively high frequencies, the only trimming needed is for high frequency. This is done with a common rf circuit adapted for lower frequencies. After

the front end conditioning and gain have been applied, the signal is attenuated by 2% with a resistive divider. Then, with a series of switches and capacitors, the high frequency gain is tweaked.

Traditionally, ac tweaks have been at lower frequencies and have had to be highly accurate. The 2000 tweak is a coarse 50kHz

adjustment. Due to its location, every range can be compensated, resulting in a flatter overall instrument response. This again is an important improvement to the traditional method; one digitally-controlled circuit is used to tweak all ac ranges. The outcome is an ac bandwidth of around 900kHz as opposed to the common figure of 10kHz. ■

Claimed to be five times faster than its nearest competitor, Keithley's new 2000 dmm incorporates radically different input circuitry involving overload sensing op-amps and power mosfet switches.

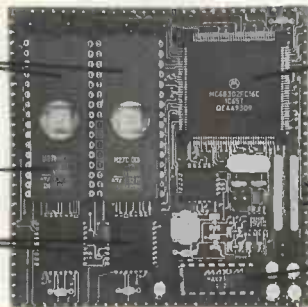


The EM68 68000 Embedded OEM Module

From 32k × 16 to 512k × 16 EPROM

32k × 16 Static RAM under EPROMs

128k × 16 or 512k × 16 5v FLASH



MC68302 Super Integrated 68000 CPU

Multilayer PCB with full Ground and 5v Planes

111 Pins Connect to Target PCB

RS232 for Serial Port 1

Powerful, Practical and Sensibly Priced

The CPU is Motorola's 16 bit 68302, a highly integrated 68000 processor running at 16Mhz. This processor has 3 full high speed serial ports operating in UART, HDLC/SDLC, BISYNC or DDCMP modes. It also has DMA channels. Interrupt controller, 28 parallel I/O lines 2 16 bit timers with compare and capture, Watchdog timer and low power (standby) modes. (We can supply the MC68302 Data Book.)

The Memory Up to 1M byte of EPROMs - 1M byte of FLASH EPROM and 64k Bytes of static RAM.

The EM68 Expandable to 16M byte, the EM68 is constructed on a Multilayer PCB with full power and ground planes and has a small 7.62cm² footprint.

Prices range from £255.50 (1 off - 1M Byte FLASH) down to £95.00 (100+ No FLASH) Our Catalogue lists products based on the 64180, 80C31, Dallas 80C320, 80C552, 80C188 processors, and a wide range of peripheral modules, A/D, D/A, Serial, Opto, Relay, Transistor drive, Stepper drive, Thermocouple etc. with power supplies, backplanes and cases. Request a copy today.

Devantech Ltd
INDUSTRIAL ELECTRONIC CONTROLS

Units 2B-2C, Gilray Road,
Vinces Road Industrial Est,
Diss, Norfolk IP22 3EU, UK.
Tel: +44 379 644285
Fax: +44 379 650482

CIRCLE NO. 119 ON REPLY CARD

CVC Chelmer Valve Company

Worldwide supplier
with 30 years experience

- **Electron tubes: Transmitting, Industrial, Microwave, Audio, Receiving, Display, etc, etc.**
- **For Maintenance, Spares or Production.**
- **Semiconductors: Transistors, Thyristors, Diodes, RF, Power I/C's, etc.**
- **We have one of the largest stocks in the U.K.**

★ TRY US! ★

FAX, PHONE, POST OR TELEX YOUR REQUIREMENTS
130 NEW LONDON ROAD, CHELMSFORD,
ESSEX CM2 0RG, ENGLAND

Telephone: (0245) 355296/265865
Telex: 995398 SEEVEE G Fax: (0245) 490064

CIRCLE NO. 120 ON REPLY CARD

'OFF-AIR' FREQUENCY STANDARD



Still Only
£195+VAT
carriage extra

- * Provides 10MHz, 5MHz & 1MHz
- * Use it for calibrating equipment that relies on quartz crystals, TCXOs, VXCOs, oven crystals
- * Phase locks to DROITWICH (rubidium controlled and traceable to NPL)
- * For ADDED VALUE also phase locks to ALLOUIS (cesium controlled and traceable to OP - French eq to NPL)
- * British designed and British manufactured
- * Options available include enhanced receiver, sine wave outputs and 13MHz output for GSM. Prices on application.

Output frequencies —
10MHz, 5MHz, 1MHz
Short term stability — better than 1×10^{-8} (1 sec)
Typical — 4×10^{-9} (1 sec)
Long term — tends to 2×10^{-12} (1000 sec)

SUPERB DUAL TRACE SCOPES, TELEQUIPMENT D61A, 10mV SENSITIVITY, 10uS-500mS/DIV (& x5), X-Y INPUTS, Z-MOD, INT/EXT/TV TRIGS, ETC. FROM £99

T74 (VHF BC221) MET FREQ METER	£45	HP 3701A/3702B TX GENERATOR & BB RX	POA
AMPHO LAV3X V-METER RECORDERS	POA	AVO VALVE TESTERS MK2, 4 & CT160	From £49
19x20uX3" D DEEP INSTRUMENT RACKS	£99	"GIBSON GILI" EMERGENCY RADIO SET 500KCS	£65
P.E. GENERATOR 12V 17A BATT CHARGE	£95	ELECTRONIC VISUAL SW4020A NTSC/WSC/PC	£395
JANKE & KUNKEL HI-SPEED MINI MIXER	£20	FERROGRAPH RTS2 TEST SET/UX TEST UNIT	£295
COMMODORE PETS, PRINTERS, DRIVERS, ETC	£15 ea	PHILIPS PM5134 FUNCTION GEN 1Hz-20MHz	£1495
CAMBRIDGE SCHEURING BRIDGE	£35	PHILIPS PM5326 RF SIG GEN 0.1-125MHz	£395
TIME 2004 DC VOLTAGE STANDARD 0.005%	£750	PHILIPS PM5716 PULSE GENERATOR 1Hz-50MHz	£595
FLUKE 760A MULTIMETER CALIBRATOR	£249	BRADLEY 144 DC MULTIPLIER UNIT	£149
BRADLEY 171B MULTIMETER CALIBRATOR	£249	'XT' AT & COMPAQ COMPUTERS	From £55
BRADLEY 191 DISTRIBUTION UNIT	£149	LEVELL TM3B MICRO V-METER 3MHz	£85
HONEYWELL COLOUR GRAPHIC RECORDER	£295	HP4951C PROTOCOL ANAL 1.8179A RS232C/V24	£995
TEKTRONIX 545 PLUG-INS, VARIOUS	£10 TO £25	HP6131C DIGITAL VOLTAGE SOURCE	POA
PLESSEY TGT10 SIG GEN/ANAL 50-300 BDS	£95	HP6140A DIGITAL CURRENT SOURCE	POA
PRECISION STD CELL MURRHEAD K231A TEMP CONT	£195	LING DYN VIB GEN 406 & PA300 PWR OSC	£995
MARCONI TF2212 X-Y DISPLAY	£59	UD1026 SONAR SCANNER, SURFACE UNIT	£975
QUAD 303 STEREO POWER AMPS	£95	CITOH CX8000 8-PEN 44 ROTARY CENT/RS232	£135
DRAKE MW2700 MATCHING NETWORK & PS7 PSU	£195 ea	GOULD 2400 4-PEN CHART RECORDER	£149
SCOPEX 456 6MHz SINGLE TRACE	£95	PHILIPS PM6456 FM STEREO GENERATOR	£95
SCOPEX 4010BL S. 10MHz WITH EXTENDED LF TB	£149	MARCONI TF2300 FM/AM MODULATION METER	£149
LEADER LBO-9C ALIGNMENT SCOPE	£195	WKENZIE 7DAY TEMP/HUMIDITY RECORDER	£95
IWATSUI SS5116 DUAL TRACE 10MHz	£175	FEEDBACK SS6003 1MHz SINE/SQ OSC	£125
TELEQUIPMENT D1011 10MHz DUAL TRACE	£165	LCR BRIDGE WAYNE KERR CT432	£79
H.P. 8405A VECTOR VOLTAGE 1GHz	£395	LCRQ BRIDGE AVO B151	£195
TELEQUIPMENT D67A 25MHz, 2T, DEL T/B	£215	LCR BRIDGE MARCONI TF2700	£145
HITACHI VC 6015 10MHz DIGITAL STORAGE	£295	LCR BRIDGE MARCONI TF2701	£145
HP1340A X-Y DISPLAYS	£99	LCR MARCONI TF1313 0.25%	£95
LEVELL TM6B MICRO V-METER 450MHz	£95	LCR COMPONENT COMPARATOR AVO CZ457/S	£95

LIST AVAILABLE BUT 1000'S OF UNLISTED BARGAINS FOR CALLERS. ALL PRICES EXC. OF P&P AND VAT
QUALITY ELECTRONIC EQUIPMENT ALWAYS WANTED



HALCYON ELECTRONICS



423, KINGSTON ROAD, WIMBLEDON CHASE, LONDON SW20 8JR
SHOP HOURS 9-5.30 MON-SAT. TEL 081-542 6383. FAX 081-542 0340

CIRCLE NO. 121 ON REPLY CARD

KENWOOD

TEST & MEASURING INSTRUMENTS
A SUPERB RANGE OF OVER 100
QUALITY INSTRUMENTS.

Available from
B.K. ELECTRONICS



- FM-AM Signal Generators
- Colour Pattern Generators
- Video Signal Analyser
- Video Timing Analyser
- Video Noise Meter
- Distortion Meter
- Waveform Monitors
- Vectorscopes
- Audio Generators
- Wow and Flutter Meters
- Electronic Voltmeters
- Digital Multimeters
- Function Generators
- Frequency Counters
- Bus Analyser
- Resistance Attenuator
- Oscilloscopes
- Fully Programmable Digital Storage Oscilloscopes
- Regulated D.C. Power Supplies

A free, 50 page colour brochure, including price list, is available on request. Please make your request on company headed notepaper, by post or by fax, to:

B.K. ELECTRONICS
Unit 1 Comet Way,
SOUTHEND-ON-SEA,
Essex, SS2 6TR.
Tel: 0702-527572
Fax: 0702-420243



CIRCLE NO. 122 ON REPLY CARD

M & B RADIO (LEEDS)

THE NORTH'S LEADING USED TEST/EQUIPMENT DEALER

SIGNAL GENERATORS

MARCONI 2018 80KHZ TO 520MHZ SYNTHESIZED	£750
MARCONI 2008 10KHZ TO 520MHZ INC RF PROBE KIT	£300
MARCONI 2015/171 SYNCRONIZER 10MHZ TO 520MHZ	£325
MARCONI 2016 10KHZ TO 20MHZ AM/FM	£200
MARCONI 2015 10MHZ TO 520MHZ AM/FM	£195
HP6833D 2.3GHZ TO 13GHZ OPT001/003 SOLID STATE GENERATOR	£4750
HP3336A SYNTHESIZER	£450
HP6840A 500KHZ TO 512MHZ OPT001	£550
HP6820C SWEEPER MAINFRAMES (AS NEW)	£300
HP6820C/68290B RF PLUG-IN 2GHZ TO 18.6GHZ	£2750
HP4204A 10KHZ TO 10MHZ OSCILLATOR	£250
FARNELL SSG520 10MHZ TO 520KHZ SYNTHESIZED	£400
POLRAD 1166ET 1.8GHZ TO 4.6GHZ WITH MODULATOR	£400
GIGA GR101A 12GHZ TO 18GHZ PULSE GENERATOR (AS NEW)	£750
SAYROSA MA30 FREQUENCY OSCILLATOR 10HZ TO 0KHZ	£200
RHODE & SCHWARZ SMC1 4.8GHZ TO 12.6GHZ	£450
ADRET 2033A 1PHZ SYNTHESIZED SOURCE	£195
HP6872A SYNTHESIZED SIGNAL GENERATOR 2GHZ TO 18GHZ	£6200
HP3586A SELECTIVE LEVEL METER 50HZ TO 32.5MHZ	£1850

SPECTRUM ANALYSERS

HP8903A 20HZ TO 100KHZ AUDIO ANALYSER	£3000
HP8563A 10MHZ TO 22GHZ SPECTRUM ANALYSER	£4250
B&K 2033 1HZ TO 20KHZ AUDIO ANALYSER	£3750
HP3581A WAVE ANALYSER 15HZ TO 50KHZ (AS NEW)	£850
HP3582A 0.02HZ TO 25.5KHZ DUAL CHANNEL AUDIO ANALYSER	£2000
HP8558B 10MHZ TO 1500KHZ WITH 182T MAINFRAME	£2000
HP141T 8552A/8554B 100KHZ TO 1250MHz + 8553B 110MHz UNIT	£1000
HP141T 8554A/8552B 10MHz TO 18GHz + 8553B 110MHz UNIT	£1700
HP182T/8557A 10KHZ TO 350MHz	£950
HP182T/8558B 10KHZ TO 350MHz	£1400
HP141T 8552B/8553B 110MHz WITH 8443A TRACKING GENERATOR	£2000
HP8553B 1HZ TO 110MHz LATE MODEL ANALYSER PLUG-INS	£200
HP3580A 5KHZ TO 50KHZ AUDIO ANALYSER	£1500
HP3581C SELECTIVE VOLTMETER 15HZ TO 50KHZ	£750
TEKSCAN ALS1 4MHz TO 1000MHz ANALYSER	£750
EATON 2075B NOISE GAIN ANALYSER 10MHz TO 2GHz	£2000
TEKTRONIX 7L12 10KHZ TO 1800MHz (supplied with scope mainframe)	£2500

OSCILLOSCOPES

TEKTRONIX 2445A 150MHz 4 CHANNEL	£1550
TEKTRONIX 2415 150MHz 2 CHANNEL	£1200
TEKTRONIX 2213 60MHz 2 CHANNEL	£325
TEKTRONIX 2215 60MHz 2 CHANNEL	£400
PHILIPS 3305 35MHz DIGITAL STORAGE	£550
PHILIPS PM3317 50MHz 2 CHANNEL	£300
PHILIPS PM3244 50MHz 4 CHANNEL	£650
PHILIPS PM3055 50MHz 2 CHANNEL	£350
GOULD 5110 100MHz INTELLIGENT OSCILLOSCOPE	£750
GOULD OS800 20MHz 2 CHANNEL	£175
LEADER LBO524L 40MHz DELAYED SWEEP	£225
TEKTRONIX SC504T/MS03/DM501 PORTABLE 80MHz SCOPE/DVM	£400
TEKTRONIX 475 200MHz DUAL TRACE	£400
TEKTRONIX 465 100MHz DUAL TRACE	£345
TEKTRONIX 465B 100MHz OSCILLOSCOPE	£400
TEKTRONIX 466 100MHz STORAGE	£395

HP1722B 275MHz MICROPROCESSOR CAL MEASUREMENTS (AS NEW)	£700
HP180 50MHz 2 CHANNEL (with manuals & 50MHz probes)	£150
TEKTRONIX 713 7.377A/7.377B/7.377C 200MHz 4 CHANNEL STORAGE	£600
TEKTRONIX 7603/7A/7A2/7A3/7B53A 1GHZ OSCILLOSCOPE	£2500
IWATSUI S56 122 100MHz 4 CHANNEL CURSOR READOUT	£290
RJKUSUI C06 100 100MHz 2 CHANNEL	£500
NICOLET 4074A DIGITAL OSCILLOSCOPE (TO CLEAR)	£250
GOULD OS400 10MHz DIGITAL STORAGE	£195
HP5005A SIGNATURE MULTIMETER	£95
BRUEL & KJAER 2811 VIBRATION METER	£500
TEKTRONIX 7704/7A 137A2/67B 57B53AN 4 CHANNEL	£500
TEKTRONIX 5103N/5B110N/5A20N/5A20N OSCILLOSCOPE	£250
TEST EQUIPMENT	
TEKTRONIX 521A PAL VECTOR SCOPE	£750
TEKTRONIX 1411 PAL GENERATOR SPT11 (TSG1)	£1750
SYSTEMS VIDEO 2360 COMPONENT VIDEO GENERATOR	£1500
PHILIPS PM5567 PAL VECTOR SCOPE	£750
HP5005A SIGNATURE MULTIMETER	£495
BRUEL & KJAER 2811 VIBRATION METER	£500
BRUEL & KJAER 2203 PRECISION SOUND LEVEL METER/VB0812	£450
FILTER	
BRUEL & KJAER 4079 FREQUENCY OSCILLATOR	£400
BRUEL & KJAER 4709 FREQUENCY RESPONSE ANALYSER	£250
HP3779A PIPERARY MULTIFUNCTION ANALYSER	£600
HP3782A PATTERN GENERATOR/ANALOGUE DETECTOR	£350
HP3762A DATA GENERATOR	£350
HP3468D DIGITAL MULTIMETER LCD	£200
HP3468A DIGITAL MULTIMETER LED	£200
HP8750A STORAGE NORMALISER	£495
HP8405A VECTOR VOLTMETER & ACCESSORIES 1000MHz	£650
HP3400A TRUE RMS VOLTAGE ANALOGUE	£145
HP3403C TRUE RMS VOLT/METER DIGITAL	£150
HP3406A BROADBAND SAMPLING VOLTMETER	£225
HP14683A RANGE CALIBRATOR	£300
HP14667A POWER SPLITTER 18GHz (NEW)	£500
HP10529A LOGIC COMPARATOR	£85
HP394A VARIABLE ATTENUATOR 1GHz TO 2GHz	£285
HP8444A TRACKING GENERATOR	£250
HP5382A 25MHz FREQUENCY COUNTER	£175
HP5342A MICROWAVE FREQUENCY COUNTER (OTP 001/003)	£1250
HP8444A TRACKING GENERATOR	£1000
MARCONI 2300B MODULATION METER 1200MHz	£300
MARCONI 2311A DISTORTION FACTOR METER	£200
MARCONI 2432 50MHz FREQUENCY COUNTER	£150
MARCONI 2432A 50MHz FREQUENCY COUNTER	£200
MARCONI 2604 ELECTRONIC VOLTMETER 1500MHz	£45
MARCONI 2603 RF MILLIVOLTMETER 1500MHz	£95
MARCONI 2910/4 TV LINEAR DISTORTION ANALYSER	£600
MARCONI 2913 TEST LINE GENERATOR + INSERTOR	£600
MARCONI 2914A INSERTION SIGNAL GENERATOR	£600
MARCONI 2306 PROGRAMMABLE INTERFACE UNIT	£450
MARCONI 2700 LCR BRIDGE BATTERY	£200
FARNELL RB103/35 ELECTRONIC LOAD	£495
FARNELL TOPS 3D TRIPLE OUTPUT DIGITAL PSU	£225
FARNELL 03015 POWER SUPPLY 0-30 VOLT 5 AMP	£100
FARNELL B3070 POWER SUPPLY 0-30 VOLT 20 AMP	£100
FARNELL LAS20 RF AMPLIFIER 1.5MHz TO 520MHz	£155
FARNELL TMB TRUE RMS SAMPLING RF METER (AS NEW) 1 GHz	£350
FLUKE 3310B PROC CONST CURRENT/VOLTAGE CALIBRATOR	£750
FLUKE 103A FREQUENCY CALIBRATOR	£295
EXACT 334 PRECISION CURRENT CALIBRATOR	£195

BALLANTINE 6125C PROC TIME/AMPLITUDE TESTSET	£500
HALCYON 500B/521A UNIVERSAL TEST SYSTEM	£500
AVO RM125 L2 AC/DC BREAKDOWN/IONISATION TESTER	£300
AILTECH 5332-11 CALIBRATOR 1HP355C/HP355D ATTENUATORS	£500
IPC	£400
BIRD TUNELINE 8143 100W 6DB ATTENUATORS (NEW)	£100
BIRD TERMINLINE 818 80W COAXIAL RESISTOR	£85
BIRD 4729 COAXIAL ATTENUATOR 30dB 2000Watt core	£500
NARDA 769/6 150W 6DB ATTENUATORS	£65
NARDA 3001-30 DIRECTIONAL COUPLER 40MHz TO 950MHz	£100
NARDA 3022 BI-DIRECTIONAL COUPLER 1GHz TO 4GHz	£250
KEMO DP1 PHASE METER 1Hz TO 100KHz (NEW)	£150
IWATSUI SC7104 10Hz TO 1000MHz FREQUENCY COUNTER	£325
RACAL 9009 MODULATION METER 30MHz TO 1500MHz	£275
RACAL 9903 50MHz TIMER COUNTER	£95
RACAL 9904M 50MHz TIMER COUNTER	£145
RACAL 9915 10Hz TO 520MHz FREQUENCY COUNTER	£150
RACAL 378 910Hz TO 1100MHz FREQUENCY COUNTER	£300
RACAL DANA 1998 10Hz TO 1300MHz FREQ/TIMER COUNTER	£500
RACAL DANA 900 520MHz MICROPROCESSING TIMER COUNTER	£250
RACAL DANA 6000 MICROPROCESSING DVM	£200
RACAL DANA 9303 TRUE RMS RF LEVEL METER	£700
RACAL DANA 488 IEEE-STD BUS ANALYSER	£200
RACAL DANA 9302 RF MILLIVOLTMETER 10KHZ TO 1500MHz	£400
RACAL DANA 1002 THERMAL PRINTER	£250
RACAL 9063 TWO TONE GENERATOR SYNTHESIZED	£250
WAYNE KERR CT496 LCR BRIDGE BATTERY PORTABLE	£95
PHILIPS PM852A DUAL PEN RECORDER	£295
DYMAR 2085 AF POWER METER	£200
TEKTRONIX 528A VIDEO WAVEFORM MONITOR	£300
BIRD 43 THRU 10Hz TO 1100MHz FREQUENCY COUNTER	£400
TEKTRONIX 318 LOGIC ANALYSER 16 CHANNEL 50MHz	£450
SIEMENS U2233 PSOPHOMETER (NEW)	£500
SIEMENS D2108 LEVEL METER 200Hz TO 30MHz	£650
SIEMENS W2108 LEVEL OSCILLATOR 30MHz	£450
WANDEL & GOLTERMAN PSS19 LEVEL GENERATOR 25MHz	£650
SAYROSA AHM AUTOMATIC MODULATION METER 2GHZ	£200
BRUEL & KJAER 4248 ELECTRONIC VOLTMETER 0.5Hz TO 500kHz	£195
DRANETZ 626A MAINS DISTURBANCE ANALYSER FITTED WITH 6036 interface/6002A dc monitor/6001 line analyzer/6006 ac monitor/6020 broadband rf monitor	£1250
SCHULMBERGER 7702 DIGITAL TRANSMISSION ANALYSER	£1250
BIRD 43 THRU 10Hz TO 1100MHz FREQUENCY COUNTER	£400
MARCONI 6593A VSWR INDICATOR	£495
HP432A/478A RF POWER METER 10MHz TO 10GHz	£400
HP435A/8482H RF POWER METER TO KHZ TO 4.2GHz	£650
HP447D AMPLIFIER 0.1MHz TO 1300MHz	£500
HP435B/8481A RF POWER METER 10MHz TO 18GHz	£1000
HP436A DIGITAL POWER METER	£650
HP447D AMPLIFIER 0.1MHz TO 1300MHz	£500
HP432A CRYSTAL DETECTOR	£150
SCD RF AMPLIFIER 10MHz TO 1000MHz 10 WATT 46dB	£1000
BIRD COAXIAL ATTENUATOR 500W 30dB	£200

BULK PURCHASE SPECIALS

BECKMAN DM110 DIGITAL MULTIMETERS WITH CASE/PROBES	£50
SOLARTON 7045 HIGH SPECIFICATION BENCH DVM	£60
AVO 8 MKV MULTIMETERS	£60
BIRD 43 THRU 10Hz TO 1100MHz FREQUENCY COUNTER	£400
SIEMENS PDR482 PORTABLE LCD RADIATION METER (NEW)	£45
EX GERMAN ARMY PORTABLE RADIATION METERS	£35
LEADER LF2Z AUDIO OSCILLATORS SINE/SQUARE	£50
HP431C RF POWER METERS TO 12GHz HP ATTENUATOR	£50

ALL PRICES PLUS VAT AND CARRIAGE - ALL EQUIPMENT SUPPLIED WITH 30-DAYS WARRANTY

86 Bishopgate Street, Leeds LS1 4BB
Tel: (0532) 435649 Fax: (0532) 426881

CIRCLE NO. 123 ON REPLY CARD

Do you have an original circuit idea for publication? We are giving **£100** cash for the month's top design. Other authors will receive **£25** cash for each circuit idea published. We are looking for ingenuity in the use of modern components.

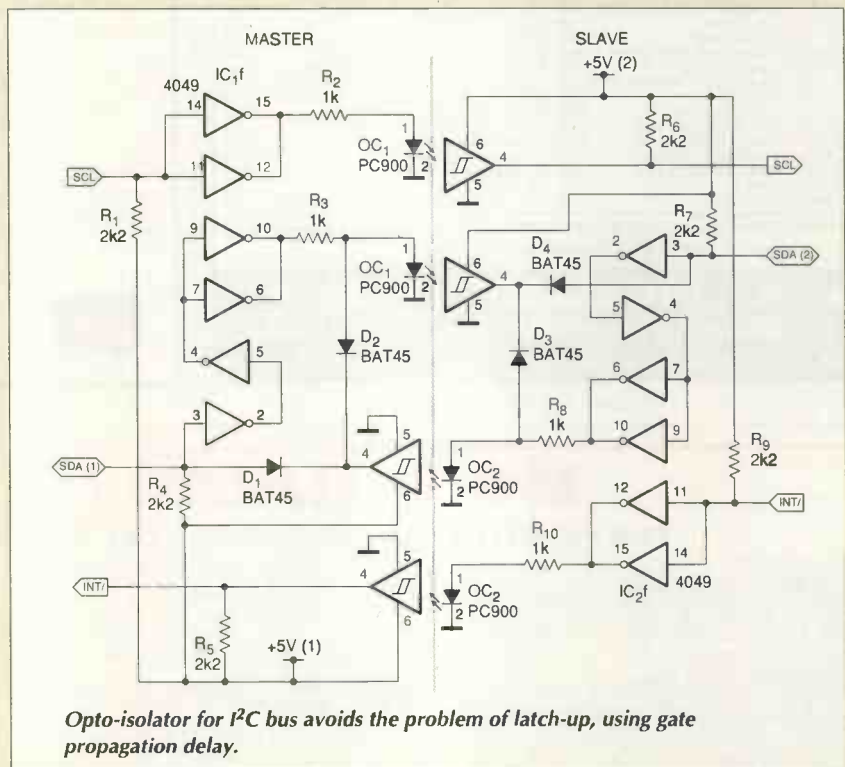
£100 WINNER

Bidirectional I²C bus isolator

On occasion, it is desirable to isolate the lines of an I²C bus to expand it or simply to separate earthing, particularly when high-resolution a-to-d converters are in use. Without precautions, simple buffers or opto-isolators in a ring do not work, since the circuit latches in one state or the other. This solution avoids that problem.

Delay in gates and opto-isolators is the core of the circuit. Suppose the SDA₍₁₎ input is high; pins 6 and 10 of IC₁ are low, isolator OC₁ pin 4 is off and its output, which is SDA₍₂₎ is high. When SDA₍₁₎ is low, the isolator conducts, as does D₄, and SDA₍₂₎ is also low. This level goes through the inverters of IC₂ and, were it not for D₃, would activate OC₂ and latch the circuit up. However, the signal through the IC₂ inverters is delayed, D₃ conducts and prevents OC₂ conducting. Diode D₁ is reverse-biased and prevents latch-up. Since the circuit is symmetrical, it is bidirectional. It works up to 100kHz, providing a swing of 0.8-5V due to the action of D₁ and D₄. Lines SCL and INT are the clock and interrupt lines and are unidirectional.

Falko K Kuhnke
Braunschweig, Germany



Opto-isolator for I²C bus avoids the problem of latch-up, using gate propagation delay.



YOU COULD BE USING A 1GHz SPECTRUM ANALYSER ADAPTOR!

Got a good idea? Then this Thurlby-Thandar Instruments TSA1000 spectrum analyser adaptor could be yours.

Covering the frequency range 400kHz to over 1GHz with a logarithmic display range of 70dB ±1.5dB, it turns a basic oscilloscope into a precision spectrum analyser with digital readout calibration.

Recognising the importance of good design, TTI will be giving away one of these excellent instruments every six months to the best circuit idea published in the preceding period until further notice. This incentive will be in addition to our £100 monthly star author's fee together with £25 for all other ideas published.

Our judging criteria are ingenuity and originality in the use of modern components with simplicity particularly valued.

The winner of the Thurlby-Thandar Instruments Spectrum Analyser shown opposite will be announced next month

Interfacing a signal riding high

The use of a 'rail-to-rail' dual op-amp, the TLC2272, was the answer to the problem of interfacing a signal superimposed on a 240V ac mains live wire to a costly a-to-d converter, only a +5V supply being present.

Series resistors R_{1-4} isolate and protect the op-amp input, even when the 5V supply is off since, with R_{5-8} , there is 245:1 attenuation of the input to ensure that the signal stays within the common-mode range of the first stage. Resistors $R_{9,10}$ lower the impedance of the negative input to below that of the positive one, the difference being compensated by the trimmer R_{16} . This takes account of errors in the 1% tolerance resistors and allows adjustment for common-mode rejection. Capacitors C_{1-4} improve noise immunity, as do R_{12} and C_5 . This first stage has a gain of 13.5 for differential signals.

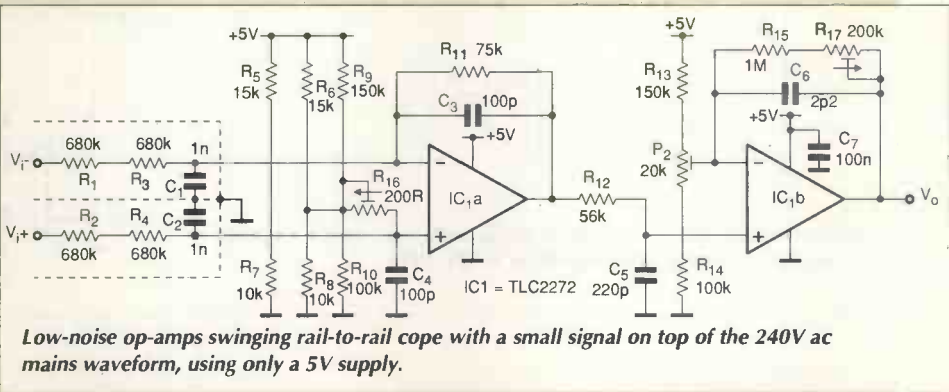
In the second stage, gain is 18, trimmed

by R_{17} , to give an overall gain for the whole amplifier of unity at a bandwidth of 0-8kHz. Trimmer R_{17} sets the output to 2V with no input.

First-stage input screening is needed, as shown, and R_{16} must be adjusted to reduce the 50Hz component to an acceptable

20mV at the output – a cm rejection ratio of about 90dB. Low-noise, high-impedance op-amps are necessary; the LMC6482 is a possible alternative.

CJD Catto
Cambridge



Serial word generator aids testing

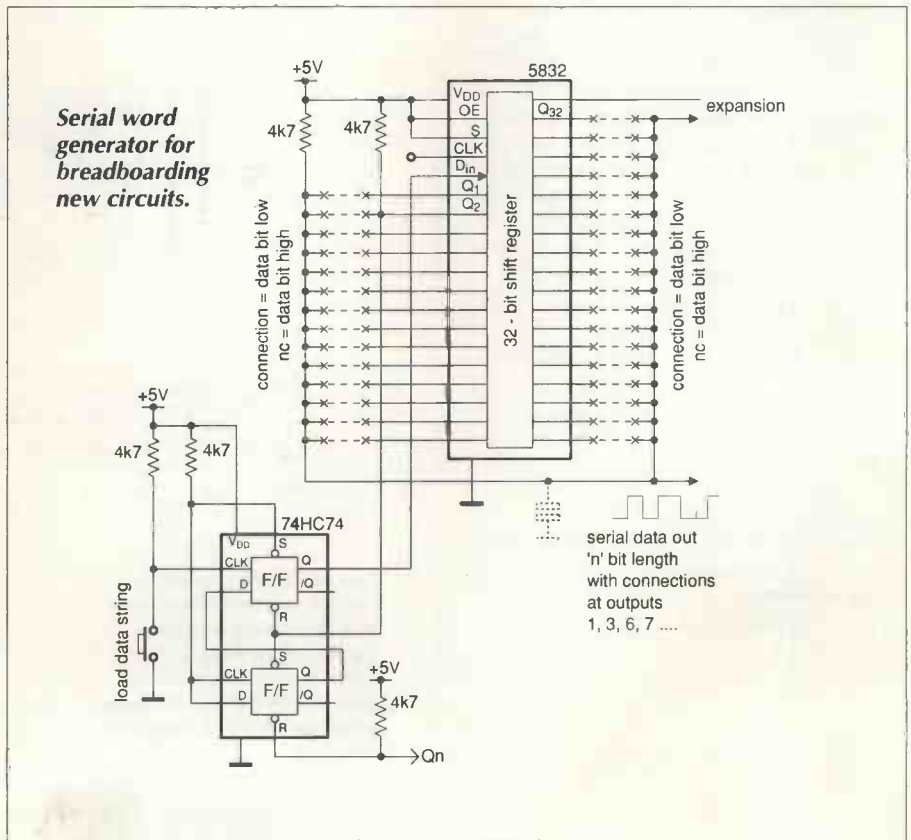
When breadboarding a new circuit designed to work under microprocessor control, it can be difficult to generate the serial word needed for programming or control. This circuit uses a serial-to-parallel converter to generate up to a 32-bit word or more, which can be changed.

Setting the top flip-flop of the 74HC74 by the push-button causes it to insert a 1 into the shift register. The pulse is clocked through the register, each open-collector output to the data line being pulled low when its link is in place. When the pulse is at the Q_2 output, i.e. Q_2 goes low, resets the top flip-flop and sets the bottom one to prevent the loading of more data until the end of the load cycle — when the pulse has reached whichever output is made Q_n .

Since the circuit produces a random pattern at switch-on, at least 32 clock cycle should be allowed to clear the register before using the outputs or loading data. A low-value capacitor might be needed to prevent spikes between a series of 0s at the output. The 5832 bipolar outputs will sink over 100mA.

The circuit is a development of an idea by Noor Singh Khalsa.

Raymond Dewey
Allegro Microsystems Inc.



Full-wave rectifier needs no diodes

Ordinary silicon diodes do not conduct at less than 0.6V and will not, therefore, rectify lower voltages than that. The full-wave rectifier circuit shown here uses no diodes.

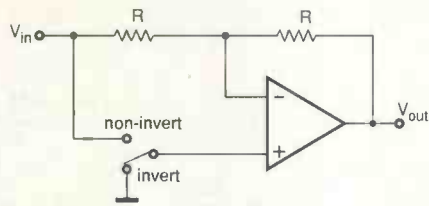
In the basic arrangement, left, the switch is in the lower position and, the circuit is an inverter with a gain of -1 . With the switch up, both inputs are driven and, since the gain

of the non-inverter is $1+R/R$, the gain is now $+2-1=+1$. It remains to effect the switch changeover such that gain is -1 on negative half-cycles of an alternating input and $+1$ for the positive halves.

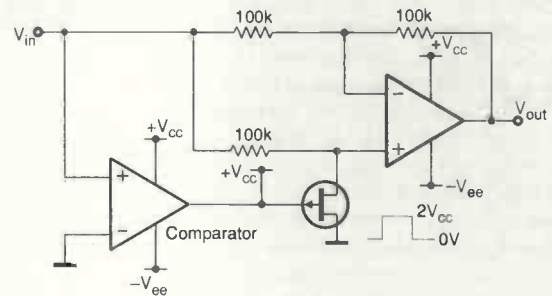
In the practical circuit on the right, a fet acts as the switch, taking its drive from the input via the op-amp comparator. Since it is a p-channel device, when its gate is at 0V, it

is cut off and the circuit is an inverter, the reverse being the case when the gate drive is at or above cut-off. The value of R should be a hundred times $R_{DS(on)}$.

K N Sunil Kumar
Visakhapatnam
India



Full-wave rectifier avoids problem of low-voltage diode characteristic – concept on the left, working circuit on the right.



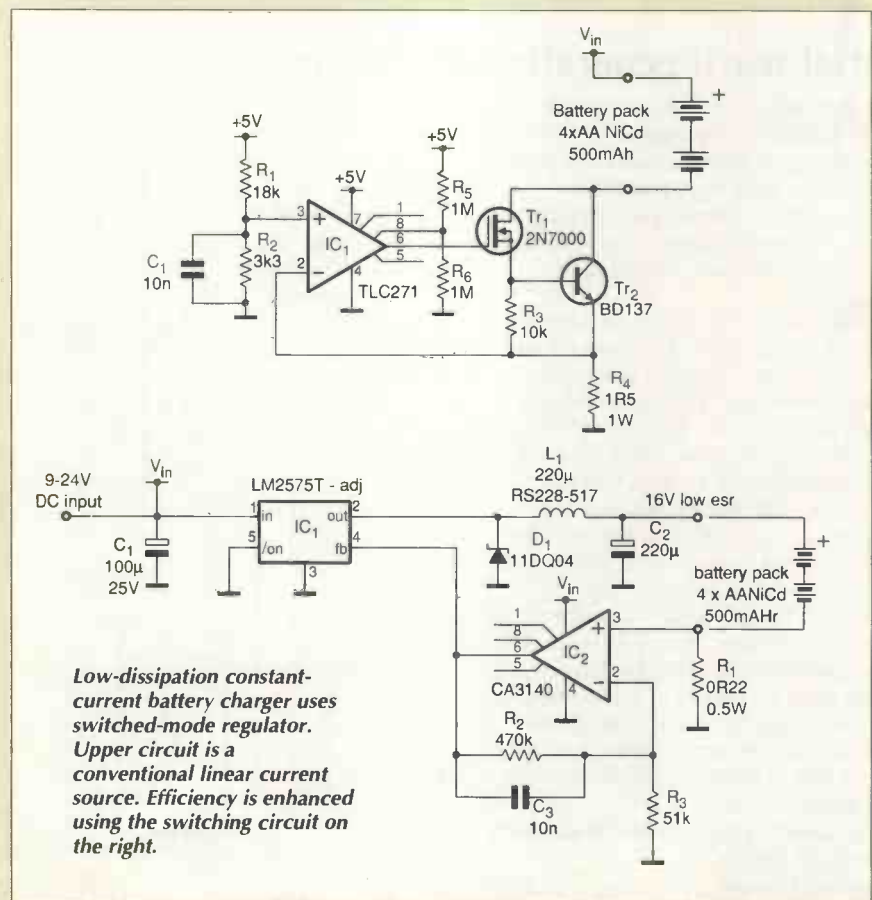
Switched-mode, constant-current charging

This switched-mode, constant-current battery charger eliminates the problem of power dissipation in the series element often associated with constant-current charging circuits of the linear variety.

The National Semiconductor LM2575T-ADJ, IC₁, is an adjustable 1A voltage regulator, configured here as a current regulator. Voltage generated across C₂ varies as the battery charges to maintain around 1.2V across R₁, which is fed back to the regulator. Gain in op-amp IC₂ allows a low value of R₁ to further reduce total power dissipation the circuit, C₃ being necessary to slow down the response of IC₁'s internal control loop.

With these values, charging current is constant at 520mA, easily changeable to a different value by altering R₃. For much higher rates of charge, the 3A version of IC₁, the LM2576-ADJ, can be used with up-graded D₁ and L₁. No heat sink is needed for IC₁ with these values, dissipation being a constant 0.35W, with a conversion efficiency of over 85%.

Huw Jones
Gyrus Medical Ltd
Cardiff



Low-dissipation constant-current battery charger uses switched-mode regulator. Upper circuit is a conventional linear current source. Efficiency is enhanced using the switching circuit on the right.

Two ICs make biquad filter

A pair of current-conveyor ICs, PA630 from Phototronics*, form a single-input filter giving low-pass, band-pass, all-pass and band-stop characteristics. Each chip contains the conveyor and a buffer.

Advantages of the circuit shown are: the use of only two ICs, against up to seven in earlier designs; very high input

impedance; very low output impedance; and operating frequency up to several hundred kilohertz.

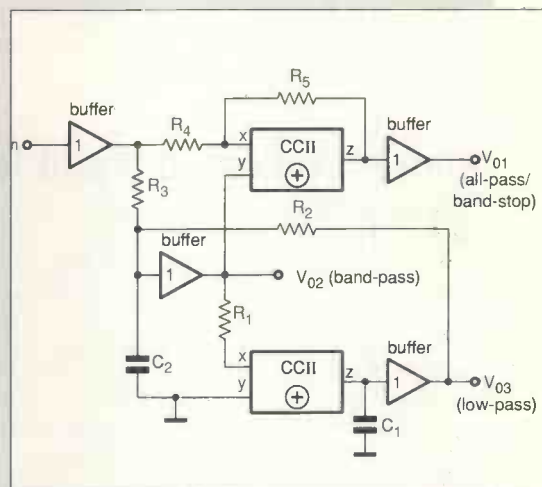
The table gives conditions and characteristics for each filter type.

R Senani
Delhi Institute of Technology
India

*Phototronics, PO Box 977, Manotick, Ontario, K4M 1A8 Canada, Tel. 010 613 692 2247, fax 010 613 692 2605.

Using only two chips, this biquad filter produces all four characteristics at frequencies up to several hundred kilohertz.

Pole frequency :		$\omega_o = \sqrt{\frac{1}{R_1 R_2 C_1 C_2}}$	
Type of filter	Condition for realisation	Gain factor H_o	Other parameters : (pole Q, bandwidth)
Low-pass	—	$-\frac{R_2}{R_3}$	$Q_o = \frac{R_3}{R_2 + R_3} \sqrt{\frac{R_2 C_2}{R_1 C_1}}$
All-pass	$\frac{2R_4}{R_5} = 1 + \frac{2R_3}{R_2}$	$-\frac{R_5}{2R_4}$	
Band-pass	—	$\frac{R_2}{R_2 + R_3}$	$BW = \frac{R_2 + R_3}{R_2 R_3 C_1}$
Band-stop	$\frac{R_3}{R_2} = \frac{2R_4}{R_5}$	$-\frac{R_5}{2R_4}$	



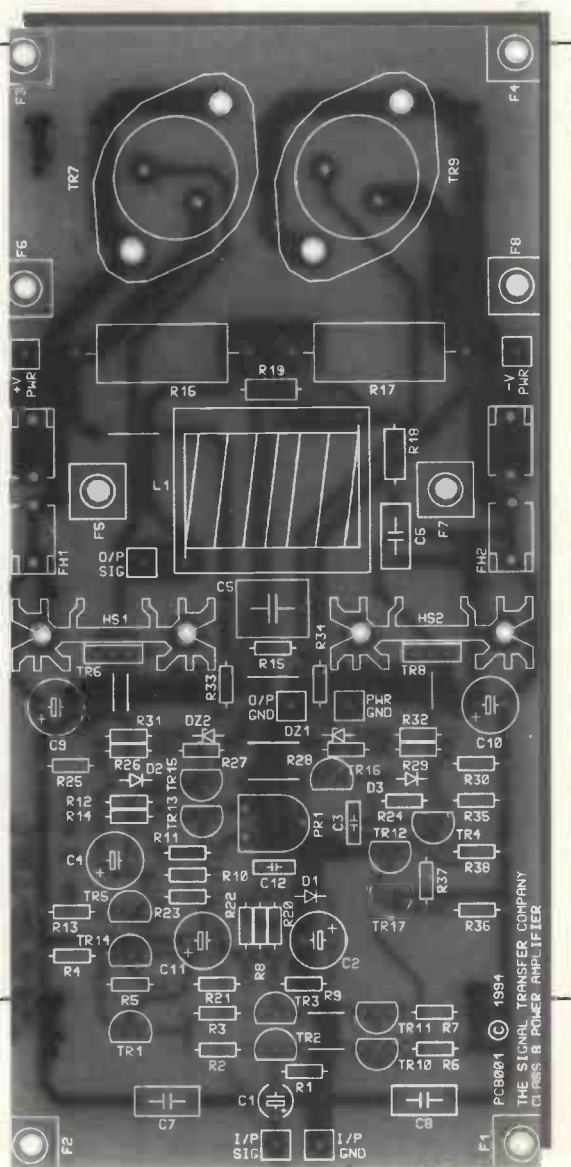
PCBs for Douglas Self's power amplifier series

Circuit boards for Douglas Self's high-performance power amplifier are now available via EW+WW.

Detailed on page 139 of the February issue, Douglas Self's state-of-the-art power amplifier is the culmination of ideas from one of the most detailed studies of power amplifier design ever published in a monthly magazine. Capable of delivering up to 100W into 8Ω, the amplifier features a distortion figure of 0.0015% at 50W and is designed around a new approach to feedback.

Designed by Douglas himself, the fibreglass boards have silk-screened component IDs and solder masking to minimise the possibility of shorts. Sold in pairs, the boards are supplied with additional detailed constructional notes.

Each board pair costs £45, which includes VAT and postage, UK and overseas. Credit card orders can be placed 24 hours on 081-652 8956. Alternatively, send a postal order or cheque made payable to Reed Business Publishing to EW+WW, The Quadrant, Sutton, Surrey SM2 5AS.



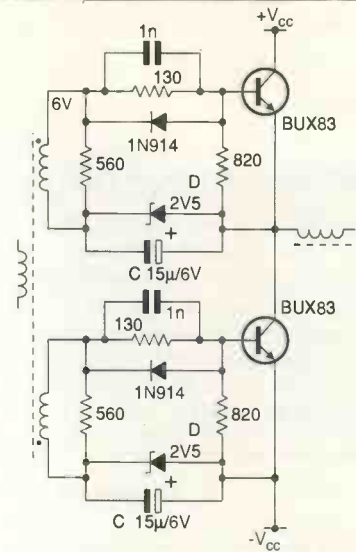
Safe-switching bridge power stage

Long life for transistors in a bridge or half-bridge power stage depends on rapid switch-off during the dead time. In this circuit, switch-off is achieved by a stabiliser diode and a capacitor for each transistor and forces switch-off at any mark:space ratio. When, say, Tr_2 switches on, current from the transformer cause voltage drop across reference-diode D (not a zener), which charges C quickly, since its impedance is low. During the dead time, applied voltage is zero and the volts across C , less the $IN914$ voltage, forces a reverse current in Tr_2 , switching it off. When the negative cycle

starts, what is left of the voltage across C reinforces it and ensures Tr_2 switch-off. Transistors having a reverse breakdown of 10V provide best results. A zener must not be used, since reverse-bias conduction is not permitted.

*G Mirsky
Moscow
Russia*

Adding a reference diode and a capacitor to each device in a bridge ensures fast switch-off during the dead time.



Battery-powered liquid feed timer

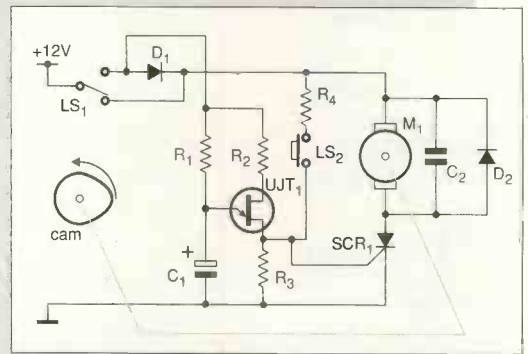
Electromechanical switching allows the flow of liquid (water, in this case) for five minutes when activated by a coin. The device is battery-powered, since there was no mains supply.

As seen in the diagram, the circuit is at rest, D_2 and SCR_1 passing only leakage current. When the coin closes LS_2 , SCR_1 switches the motor on and the cam rotates 180°, opening the liquid valve. As the cam turns, it switches LS_1 , momentarily interrupting the motor supply and turning SCR_1 off. Timing circuit R_1C_1 now

receives voltage and UJT_1 eventually fires and restarts the motor, which drives the cam back to the start and turns off the water valve. The motor stops as LS_1 is again switched and the motor supply interrupted.

*M J Nicholas
Bournemouth
Dorset*

Timing circuit operates valve to supply liquid for a given time when operated by a coin.



Exclusive to Electronics World readers 3.5 digit DMM for £17

Maxcom's MX170B is a compact 3.5-digit instrument featuring six measurement functions plus over-range and high-voltage indicators.

In addition to reading dc and ac voltage, dc current and resistance, the MX170B also has a diode-test function and three battery-test-under-load ranges. Weighing only 150g and measuring just 70 by 116 by 24mm, this is a truly pocket-sized instrument.

The MX170B has a liquid-crystal readout and is accurate to ±0.5%, ±2 digits on its 2V range.

Maxcom MX170B DMM – specifications

Function	Range	Resolution	Function	Range	Resolution
DC voltage	2V	1mV	Resistance	2kΩ	1Ω
	20V	10mV		20kΩ	10Ω
	200V	100mV		200kΩ	100Ω
	1000V	1V		2MΩ	1kΩ
AC voltage	200V	100mV	Battery test	1.5V button	
	750V	1V		1.5V AA	
DC current	200µA	100nA		9V	
	2mA	1µA	Diode	Test current 1mA	
	200mA	100µA			



To order simply fill in reply card between pages 936 and 937.

PC PAL VGA TO TV CONVERTER Converts a colour TV into a basic VGA screen. Complete with built in psu, lead and s/ware. £49.95. Ideal for laptops or a cheap upgrade.

EMERGENCY LIGHTING UNIT Complete unit with 2 double bulb floodlights, built in charger and auto switch. Fully cased. 6v 8AH lead acid req'd. (secondhand) £4 ref MAG4P11.

GUIDED MISSILE WIRE 4,200 metre reel of ultra thin 4 core insulated cable, 28lbs breaking strain, less than 1mm thick! Ideal alarms, intercoms, fishing, dolls house's etc. £14.99 ref MAG15P5

SINCLAIR C5 13" WHEELS Complete with centre bearing (cycle type), tyre and inner tube. £6 ea ref MAG 6P10. Ideal go kart

300v PANEL METER 70x60x50mm, AC, 90 degree scale. Good quality meter. £5.99 ref MAG 6P14. Ideal for monitoring mains etc.

ASTEK SWITCHED MODE PSU BM41012 Gives +5 @ 3.75A, +12 @ 1.5A, -12 @ 4A. 230/110, cased, BM41012 £5.99 ref AUG6P3.

TORRODIAL TX 30-0-30 480VA, Perfect for Mosfet amplifiers etc. 120mm dia 55mm thick. £18.99 ref APR19.

AUTO SUNCHARGER 155x300mm solar panel with diode and 3 metre lead fitted with a digar plug. 12v 2watt. £9.99 ea ref AUG10P3.

FLOPPY DISCS 5.25" Top quality 5.25" discs, these have been written to once and are unused. Pack of 20 is £4 ref AUG4P1.

MOD WIRE Perfect for repairing PCB's, wire wrap etc. Thin insulated wire on 500m reels. Our price just £9.99 ref APR10P8.

12v MOVING LIGHT Controller, Made by Hella, 6 channels rated at 90watts each. Speed control, cased. £34.99 ref APR35.

ECLATRON FLASH TUBE As used in police car flashing lights etc, full spec supplied, 60-100 flashes a min. £9.99 ref APR10P5.

24v AC 96WATT Cased power supply. New. £13.99 ref APR14.

MILITARY SPEC GEIGER COUNTERS Unused and straight from Her majesty's forces. £50 ref MAG 50P3.

STETHOSCOPE Fully functioning stethoscope, ideal for listening to hearts, pipes, motors etc. £6 ref MAR6P6.

OUTDOOR SOLAR PATH LIGHT Captures sunlight during the day and automatically switches on a built in lamp at dusk. Complete with sealed lead acid battery etc. £19.99 ref MAR20P1.

ALARM VERSION Of above unit comes with built in alarm and pir to detect intruders. Good value at just £24.99 ref MAR25P4.

CLOCKMAKER KIT Hours of fun making your own clock, complete instructions and everything you need. £7.99 ref MAR8P2.

CARETAKER VOLUMETRIC Alarm, will cover the whole of the ground floor against forced entry. Includes mains power supply and integral battery backup. Powerful internal sander, will take external bell if req'd. Retail £150+, ours? £49.99 ref MAR50P1.

TELEPHONE CABLE White 6 core 100m reel complete with a pack of 100 clips. Ideal 'phone extns etc. £7.99 ref MAR8P3.

IBM PC CASE AND PSU Ideal base for building your own PC. Ex equipment but OK. £9.99 each REF: JUN10P2.

MICRODRIVE STRIPPER Small cased tape drives ideal for stripping, lots of useful goodies including a smart case, and lots of components. £2 each ref JUN2P3.

SOLAR POWER LAB SPECIAL You get TWO 6"x6" 6v 130mA solar cells, 4 LED's, wire, buzzer, switch plus 1 relay motor. Superb value kit just £5.99 REF: MAG6P8

SOLID STATE RELAYS Will switch 25A mains. Input 3.5-26v DC 57x43x21mm with terminal screws £3.99 REF: MAG4P10

300DPI A4 DTP MONITOR Brand new but shop soiled so hence bargain price! TTL/ECL inputs, 15" landscape, 1200x1664 pixel complete with circuit diag to help you interface with your projects. JUST £14.99. REF JUN15P2.

MULTICORE CABLE 300 metre reel of grey 8 core cable ideal for 'phones, intercoms, computers, alarms etc. Comes in special dispensing container to avoid tangles. £15 ref AUG15.

BUGGING TAPE RECORDER Small voice activated recorder, uses micro cassette complete with headphones. £28.99 ref MAR29P1.

ULTRAMINI BUG MIC 6mmx3.5mm made by AKG, 5-12v electret condenser. Cost £12 ea, Our? four for £9.99 REF: MAG10P2.

RGB/CGA/EGA/TTL COLOUR MONITORS 12" in good condition. Back anodised metal case. £79 each REF: JUN79

GX4000 GAMES MACHINES returns so ok for spares or repair £9 each (no games). REF: MAG9P1

C64 COMPUTERS Returns, so ok for spares etc £9 ref MAG9P2

FUSELAGE LIGHTS 3 foot by 4" panel 1/8" thick with 3 panels that glow green when a voltage is applied. Good for night lights, front panels, signs, disco etc. 50-100v per strip. £25 ref MAG25P2

ANSWER PHONES Returns with 2 faults, we give you the bits for 1 fault, you have to find the other yourself. BT Response 200's £18 ea REF: MAG18P1. PSU £5 ref MAG5P12.

SWITCHED MODE PSU ex equip, 60w +5v @ 5A, -5v @ 5A, +12v @ 2A, -12v @ 5A 120/220v cased 245x88x55mm IEC input socket £6.99 REF: MAG7P1

PLUG IN PSU 9V 200mA DC £2.99 each REF: MAG3P9

PLUG IN ACORN PSU 19v AC 14w, £2.99 REF: MAG3P10

POWER SUPPLY fully cased with mains and o/p leads 17v DC 900mA output. Bargain price £5.99 ref MAG6P9

ACORN ARCHMEDES PSU +5v @ 4.4A, on/off sw uncased, selectable mains input, 145x100x45mm £7 REF: MAG7P2

GEIGER COUNTER KIT Low cost professional twin tube, complete with PCB and components. Now only £19 REF: AUG19.

9v DC POWER SUPPLY Standard plug in type 150ma 9v DC with lead and DC power plug, priced for two is £2.99 ref AUG3P4.

AA NICAD PACK encapsulated pack of 8 AA nicad batteries (tagged) ex equip, 55x32x32mm. £3 a pack. REF: MAG3P11

13.8V 1.9A psu cased with leads. Just £9.99 REF: MAG10P3

360K 6.25 brand new half height floppy drives IBM compatible industry standard. Just £6.99 REF: MAG7P3

PPC MODEM CARDS, These are high spec plug in cards made for the Amstrad laptop computers, 2400 baud dial up unit complete with leads. Clearance price is £5 REF: MAG5P1

INFRA RED REMOTE CONTROLLERS Originally made for hi spec satellite equipment but perfect for all sorts of remote control projects. Our clearance price is just £2 REF: MAG2

TOWERS INTERNATIONAL TRANSISTOR GUIDE, A very useful book for finding equivalent transistors, leadouts, specs etc. £20 REF: MAG20P1

SINCLAIR C6 MOTORS We have a few left without gearboxes.

NEW BULL ELECTRONICS STORE IN WOLVERHAMPTON

55A WORCESTER ST TEL 0902 22039

Spec is 12v DC 3,300rpm £25 ref MAG25.

*****NEW PRODUCT*****

200 WATT INVERTER Converts 10-15v DC into either 110v or 240v AC. Fully cased 115x36x156mm, complete with heavy duty power lead, cigar plug, AC outlet socket. Auto overload shutdown, auto short circuit shut down, auto input over voltage shutdown, auto input under voltage shut down (with audible alarm), auto temp control, unit shuts down if overheated and sounds audible alarm. Fused reversed polarity protected, output frequency within 2%, voltage within 10%. A extremely well built unit at a very advantageous price!!! Price is £64.99 ref AUG65.

UNIVERSAL SPEED CONTROLLER KIT Designed by us for the C5 motor but ok for any 12v motor up to 30A. Complete with PCB etc. A heat sink may be required. £17.00 REF: MAG17

MAINCABLE Precut black 2 core 2 metre lengths ideal for repairs, projects etc. 50 metres for £1.99 ref AUG2P7.

COMPUTER COMMUNICATIONS PACK Kit contains 100m of 6 core cable, 100 cable clips, 2 line drivers with RS232 interfaces and all connectors etc. Ideal low cost method of communicating between PCs over long distance. Complete kit £15.99 Ref: MAR16P2.

MINI OYCOLOS PIR 52x62x40mm runs on PP3 battery complete with shrill sander. Cheap protection at only £5.99 ref MAR6P4.

ELECTRIC MOTOR KIT Comprehensive educational kit includes all you need to build an electric motor. £9.99 ref MAR10P4.

VIDEO SENDER UNIT, Transmits both audio and video signals from either a video camera, video recorder, TV or Computer etc to any standard TV set in a 100' range! (tune TV to a spare channel) 12v DC op. Price is £15 REF: MAG15 12v psu is £5 extra REF: MAG5P2

***FM CORDLESS MICROPHONE** Small hand held unit with a 500' range! 2 transmit power levels. Reqs PP3 9v battery. Tuneable to any FM receiver. Price is £15 REF: MAG15P1

LOW COST WALKIE TALKIES Pair of battery operated units with a range of about 200'. Ideal for garden use or as an educational toy. Price is £8 a pair REF: MAG 8P1 2 x PP3 req'd.

***MINIATURE RADIO TRANSCEIVERS** A pair of walkie talkies with a range of up to 2 kilometres in open country. Units measure 22x52x155mm. Complete with cases and earpieces. 2xPP3 req'd. £30.00 pair REF: MAG30

COMPOSITE VIDEO KIT, Converts composite video into separate H sync, V sync, and video. 12v DC. £8.00 REF: MAG8P2.

LQ3500 PRINTER ASSEMBLIES Made by Amstrad they are entire mechanical printer assemblies including printhead, stepper motors etc etc in fact everything bar the case and electronics, a good stripper! £5 REF: MAG5P3 or 2 for £8 REF: MAG8P3

SPEAKER WIRE Brown 2 core 100 foot hank £2 REF: MAG2P1

LED PACK of 100 standard red 5m leds £5 REF: MAG5P4

UNIVERSAL PC POWER SUPPLY complete with flyleads, switch, fan etc. Two types available 150w at £15 REF: MAG15P2 (23x23x23mm) and 200w at £20 REF: MAG20P3 (23x23x23mm)

***FM TRANSMITTER** housed in a standard working 13A adapter! the bug runs directly off the mains so lasts forever why pay £700? or price is £26 REF: MAG26 Transmits to any FM radio.

***FM BUG KIT** New design with PCB embedded coil for extra stability. Works in any FM radio. 9v battery req'd. £5 REF: MAG5P5

***FM BUG BUILT AND TESTED** superior design to kit. Supplied to detective agencies. 9v battery req'd. £14 REF: MAG14

TALKING COINBOX STRIPPER originally made to retail at £79 each, these units are designed to convert an ordinary phone into a payphone. The units have the locks missing and sometimes broken hinges. However they can be adapted for their original use or used for something else?? Price is just £3 REF: MAG3P1

100 WATT MOSFET PAIR same spec as 2SK343 and 2SJ413 (8A, 140v, 100w) 1 N channel, 1 P channel, £3 a pair REF: MAG3P2

TOP QUALITY SPEAKERS Made for Hi Fi televisions these are 10 watt 4R Jap made 4" round with large shielded magnets. Good quality. £2 each REF: MAG2P4 or 4 for £8 REF: MAG6P2

TWEETERS 2" diameter good quality tweeter 140R (ok with the above speaker) 2 for £2 REF: MAG2P5 or 4 for £3 REF: MAG3P4

AT KEYBOARDS Made by Apricot these quality keyboards need just a small mod to run on any AT, they work perfectly but you will have to put up with 1 or 2 foreign keycaps! Price £6 REF: MAG6P3

PC CASES Again mixed types so you take a chance next one off the pile. £12 REF: MAG12 or two the same for £20 REF: MAG20P4

HEADPHONES Ex Virgin Atlantic. 8 pairs for £2 REF: MAG2P8

PROXIMITY SENSORS These are small PCB's with what look like a source and sensor LED on one end and lots of components on the rest of the PCB. Complete with fly leads. Pack of 5 £3 REF: MAG: 3P5 or 20 for £8 REF: MAG8P4


***SOME OF OUR PRODUCTS MAY BE UNLICENSEABLE IN THE UK**

BULL ELECTRICAL
250 PORTLAND ROAD HOVE SUSSEX
BN3 5QT

MAIL ORDER TERMS: CASH PO OR CHEQUE WITH ORDER PLUS £3.00 POST PLUS VAT.

PLEASE ALLOW 7 - 10 DAYS FOR DELIVERY
TELEPHONE ORDERS WELCOME

TEL: 0273 203500
FAX: 0273 323077



SNOOPERS EAR? Original made to clip over the earpiece of telephone to amplify the sound-it also works quite well on the cable running along the wall! Price is £5 REF: MAG5P7

DOS PACKS Microsoft version 3.3 or higher complete with all manuals or price just £5 REF: MAG5P8 Worth it just for the very comprehensive manual! 5.25" only.

DOS PACK Microsoft version 5 Original software but no manuals hence only £3 REF: MAG3P8 5.25" only.

PIR DETECTOR Made by famous UK alarm manufacturer these are hi spec, long range internal units. 12v operation. Slight marks on case and unboxed (although brand new) £8 REF: MAG8P5

WINDUP SOLAR POWERED RADIO AM/FM radio complete with hand charger and solar panel! £14 REF: MAG14P1

MOBILE CARPHONE £5.99 Well almost! complete in car phone excluding the box of electronics normally hidden under seat. Can be made to illuminate with 12v also has built in light sensor so display only illuminates when dark. Totally convincing! REF: MAG6P6

ALARM BEACONS Zenon strobe made to mount on an external bell box but could be used for caravans etc. 12v operation. Just connect up and it flashes regularly! £5 REF: MAG5P11

FIRE ALARM CONTROL PANEL High quality metal cased alarm panel 350x165x30mm. With key. Comes with electronics but no information, sale price 7.99 REF: MAG8P6

REMOTE CONTROL PCB These are receiver boards for garage door opening systems. Another use? £4 ea REF: MAG4P5

6"x12" AMORPHOUS SOLAR PANEL 12v 155x310mm 130mA. Bargain price just £5.99 ea REF: MAG6P12.

FIBRE OPTIC CABLE POWER PACK 10 metres for £4.99 ref MAG5P13 Ideal for experimenters! 30m for £12.99 ref MAG13P1

LOPTX Line output transformers believed to be for IBM hi res colour monitors but useful for getting high voltages from low ones! £2 each REF: MAG2P12 bumper pack of 10 for £12 REF: MAG12P3.

HEATSINKS (finned) TO220, designed to mount vertically on a pcb 50x40x25mm you can have a pack of 4 for £1 ref JUN1P11.

WATERPROOF JUNCTION BOX 65mm dia 33mm deep. Four cable entry exit points (adjustable for any size cable) snap fit lid. Ideal for TV, satellite use. £2 ea ref APR2 or 6 for £10 ref APR10P7.

BOTH SHOPS OPEN 9-5.30 SIX DAYS A WEEK

INFRARED LASER NIGHT SCOPES

Second generation image intensifier complete with hand grip attachment with built in adjustable laser lamp for zero light conditions. Supplied with Pentax 42mm camera mount and normal eye piece. 1.6kg, uses 1xPP3, 3xAA's (all supplied) £245+Vat

NEW HIGH POWER LASERS

15mW, Helium neon, 3 switchable wave lengths .63um, 1.15um, 3.39um (2 of them are infrared) 500:1 polarizer built in so good for holography. Supplied complete with mains power supply. 790x65mm. Use with EXTREME CAUTION AND UNDER QUALIFIED GUIDANCE. £349+Vat

*******WE BUY SURPLUS STOCK*******
TURN YOUR SURPLUS STOCK INTO CASH.

IMMEDIATE SETTLEMENT. WE WILL ALSO QUOTE FOR COMPLETE FACTORY CLEARANCE.

1994 CATALOGUE.

MINIMUM GOODS ORDER £5.00. TRADE ORDERS FROM GOVERNMENT, SCHOOLS, UNIVERSITIES, & LOCAL AUTHORITIES WELCOME. ALL GOODS SUPPLIED SUBJECT TO OUR CONDITIONS OF SALE AND UNLESS OTHERWISE STATED GUARANTEE FOR 30 DAYS. RIGHTS RESERVED TO CHANGE PRICES & SPECIFICATIONS WITHOUT PRIOR NOTICE. ORDERS SUBJECT TO STOCK. QUOTATIONS WILLINGLY GIVEN FOR QUANTITIES HIGHER THAN THOSE STATED.

3FT X 1FT 10WATT SOLAR PANELS
14.5v/700mA
£33.95

(PLUS £2.00 SPECIAL PACKAGING CHARGE)

TOP QUALITY AMORPHOUS SILICON CELLS HAVE ALMOST A TIMELESS LIFESPAN WITH AN INFINITE NUMBER OF POSSIBLE APPLICATIONS, SOME OF WHICH MAY BE CAR BATTERY CHARGING, FOR USE ON BOATS OR CARAVANS, OR ANYWHERE A PORTABLE 12V SUPPLY IS REQUIRED. REF: MAG34

PORTABLE RADIATION DETECTOR £49.99

A Hand held personal Gamma and X Ray detector. This unit contains two Geiger Tubes, has a 4 digit LCD display with a Piezo speaker, giving an audio visual indication. The unit detects high energy electromagnetic quanta with an energy from 30K eV to over 1.2M eV and a measuring range of 5-9999 UR/h or 10-99990 Nr/h. Supplied complete with handbook. Ref MAG50.

Cautionary tales for circuit designers

Some circuits look plausible and are disastrous, some work in spite of appearances and some could work with a following wind. Ian Hickman tells of his sufferings.

Often, a quick glance at a circuit diagram is enough to tell what it is supposed to do, and a little longer one will usually enable one to judge whether it will actually do it. Sometimes, though, there is a hidden catch, and the circuit won't work; at other times, it turns out that a seemingly unlikely circuit will work. Here is a selection of circuits for you to ponder, most but not all falling into the former category, which I have collected over the years.

Garbage in – garbage out

Firstly, a scheme for deriving an equal mark/space ratio square-wave from one with an unequal ratio. Everyone knows that if you divide a frequency by two you get an equal mark/space ratio. But Fig.1 (a) contains a howler that anyone can see through almost immediately. At least, almost anyone, as it was submitted by someone who presumably thought it would work (although he obviously hadn't tried it) to the readers' design ideas section of one of the controlled circulation magazines (now defunct). It was not the April issue!

Many readers wrote in to say it didn't work, one submitting two alternative circuits that do, also shown in Fig. 1. The circuit of Fig. 1 (b) operates over at least a 10:1 frequency range, given the appropriate component values, delivering a 50:50 ratio output. That of Fig. 1(c) also operates over a range of 10:1 or more, with the further advantage that one edge of the output square-wave is coincident with that of the asymmetrical input waveform.

Re-inventing the wheel

Next, a circuit from the early sixties – when logic circuitry still used discrete components. We were working on missile test equipment, which was the first to make extensive use of digital measurement techniques. All measurement results, whether volts, frequency, period, dV/dt or whatever it was, were read out on a purpose designed-dvm – also part of the project.

A colleague charged with designing part of the digital circuitry had an arrangement of gates which I don't recall exactly but which was something like that shown in Fig. 2(a), using various diode logic gates of the type illustrated in Fig. 2(b). It incorporated the bright idea of feeding back a gate output to an earlier gate, to which was applied a short 'take measurement' command pulse. This neatly ensured that the output gate was held open for the duration of the measurement, however long that took. Unfortunately, it didn't; even substituting a transistor And gate at gate B didn't help, and a discussion ensued among us all as to why not.

I pointed out that the 'gain' through a diode gate or even an emitter follower gate was just a little less than unity, so that when the signal was fed back to an earlier one after passing through a couple of gates, it was impossible for it to hold itself on. Our colleague went away to think about it and decided that the answer was to include an inverting transistor gate as shown in Fig. 2(c). These were only used where essential on cost grounds, but here it would serve to include the necessary gain in the loop and so was justified. Unfortunately, it had the incidental property of inverting the logic signal, so that didn't work either.

Finally he came up with the solution: the input logic was allowed to be an inverting transistor gate (requiring an inverted 'end of measurement' signal)

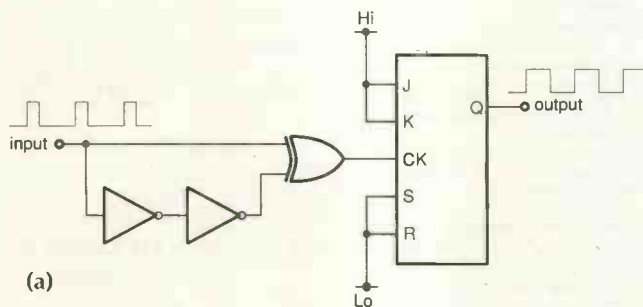
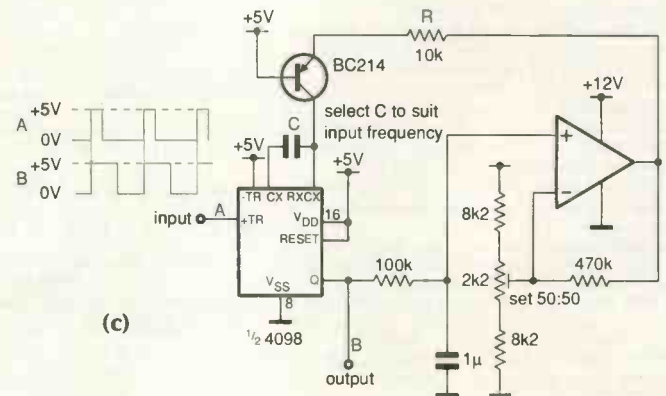
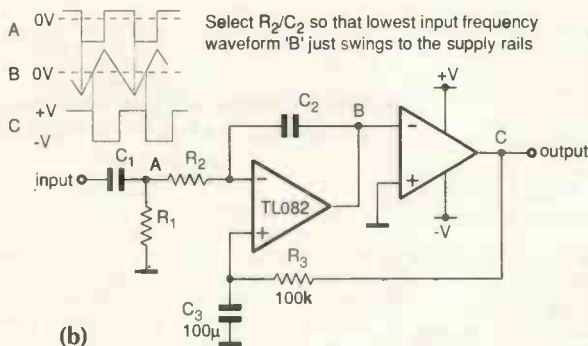


Fig.1. (a) Flawed circuit for deriving an equal mark/space ratio squarewave from an asymmetrical one. Alternative circuit at (b) works, as does that at (c), which also has an edge that is coincident with the input waveform.



while gate B would be similar. It worked a treat. "Congratulations", said someone, "you've just re-invented the Eccles-Jordan flip-flop!"

A bootstrap too far

Now for another lame-duck circuit; one which was actually proposed (in an article about bootstrapping by someone who should have known better) in the august pages of this very magazine, quite a few years ago now when op-amps were less common and discrete transistor circuitry still the norm. The scheme for bootstrapping the base bias circuit in Fig. 3(a) is well known and very effective, particularly if the load on the emitter follower's output is light and it is provided with a constant-current long tail so that its gain is very close to unity. The input resistance still includes a shunt contribution from the transistor's collector/base resistance, but if the collector voltage were to follow the emitter voltage (and hence the input signal voltage), this component would also be bootstrapped out of sight. Fig. 3(b) shows the arrangement, which is elegant and also impossible.

It cannot work, for if the base current is negligible and the load on the circuit's output likewise, then the collector current must at

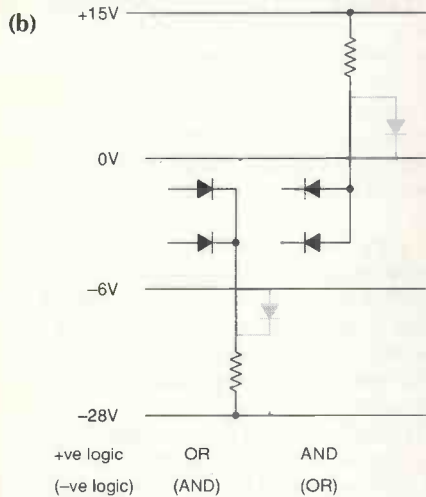
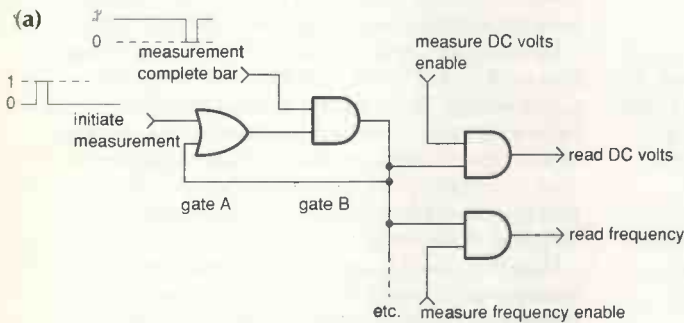
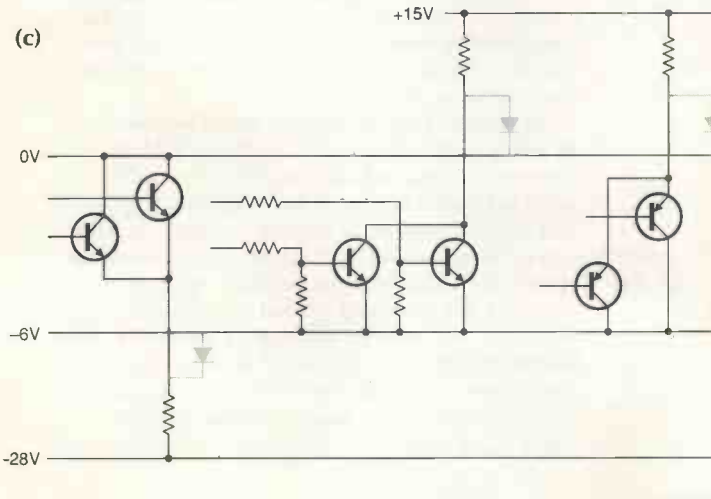


Fig.2. This logic gate arrangement in part of an early DVM would work with any modern logic family but not with diode logic gates (b) which have a voltage gain of not quite unity, or (c) transistor gates; this 2-input Or gate also has a gain of just less than unity but the Nor gate has internal gain.



LEARN FROM THE EXPERTS

Digital signal processing is one of today's most important electronic technologies and one in which Texas Instruments is acknowledged as a world leader. Tomorrow DSP will be even more significant. No electronics engineer can afford to be without an understanding of its fundamental principles. Already there are many excellent books on the subject but they can be very daunting if you are starting from scratch or your maths is rusty.

A Simple Approach to Digital Signal Processing is just what it claims to be. Written in simple, understandable English, this is a book by today's experts for those who need to become tomorrow's.



CIRCLE NO. 125 ON REPLY CARD

AVAILABLE NOW
IN LEADING BOOK STORE

For more information, just clip the coupon and return it to
Texas Instruments
Technical library MS83
P.O. Box 5 - 06271 Villeneuve-Loubet cedex FRANCE

Name _____
Title _____
Company _____
Address _____
Postal Code _____ City _____ **927**

DESIGN BRIEF

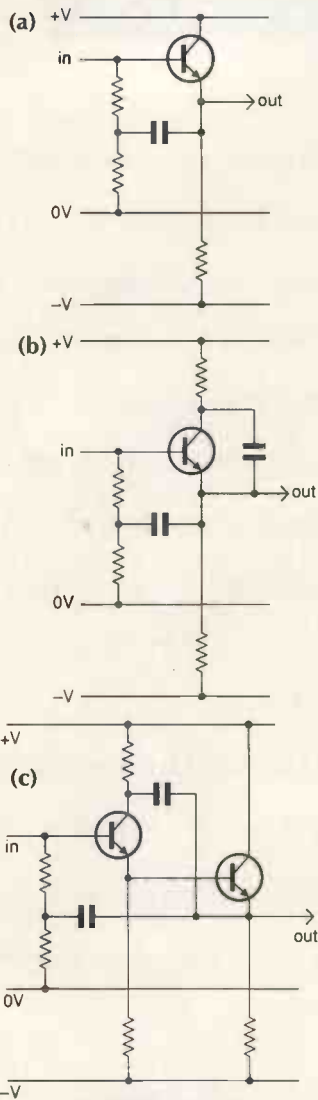


Fig. 3. Bootstrapping an emitter follower's bias circuit, as in (a), to raise its input impedance works, but bootstrapping its own collector (b) for the same purpose doesn't, unless there is additional current gain in the loop, as at (c).

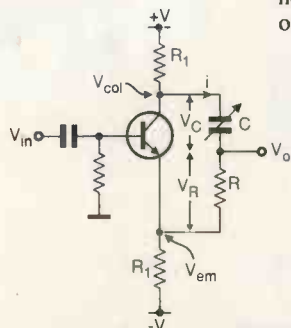


Fig. 4. Simple all-pass filter stage with unity gain at all frequencies and a phaseshift varying from 0 to -180° as C varies from zero to infinity, or as the frequency varies from zero to infinity for a fixed value of C . Differing emitter and collector impedances are unimportant.

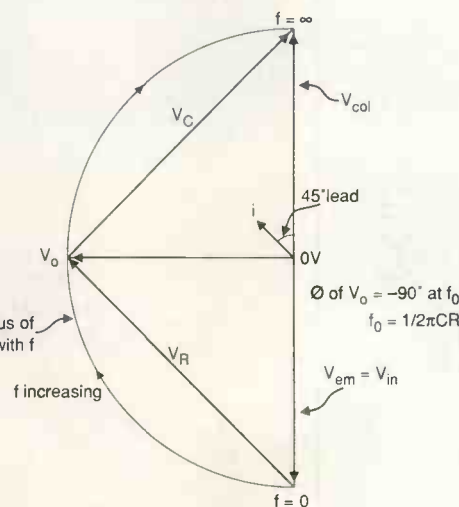
every instant equal the emitter current. So when the drop across the emitter resistor increases, so must the drop across the collector resistance; there is nowhere else for the extra emitter current to go. Ergo, the collector voltage must fall.

What if the emitter follower has a constant-current tail? In this case, the collector current cannot change and so neither can the voltage drop across the collector resistor, but the current through the transistor can change. The emitter can only follow a positive-going input by discharging the collector bootstrap capacitor. On a negative-going edge, the transistor will cut off and the constant tail-current will transfer to the capacitor, charging its bottom plate negative-wards until the transistor cuts on again while the collector voltage remains undisturbed.

Collector bootstrapping to get rid of the reduction of input impedance due to r_{cb} is however useful and effective; it just requires some extra current gain, to allow the input emitter follower's collector current to differ from its emitter current as in Fig. 3(c).

Impedances and currents

This point about the equality of an emitter-follower's emitter and collector currents is often overlooked. At one time I was required to design a calibrated variable phase-shift circuit. Having been impressed by an article called *The selectoject*, a circuit providing a tunable audio frequency band-pass or notch characteristic, as required, in the (then) *Wireless World*, I borrowed the basic idea and used the circuit shown in Fig. 4. Since the emitter and collector resistors are equal, the signal voltages at those electrodes must be equal in amplitude and in antiphase. When the reactance of C numerically equals R , the current in the branch RC leads the voltage across it by 45° . Thus the output voltage is variable over the range -180° , through -90° to 0° as C is varied from infinity down to zero. Its range was, of course, less than that, but the circuit worked very well, considering the performance of the transistors then available and given that the operating frequency was well above the audio range. But naturally its performance wasn't quite perfect. Said a colleague "I don't see how you can expect it to be, given the unbalanced source impedances driving the ends of the series CR . The bottom end is driven by the low output impedance of an emitter follower and the top end by the voltage across R_1 , which is high". So here is a circuit that works, even though at first glance one might think it wouldn't.



Same – but different

Some circuits work at times but not at others, that is to say one example works but another build of the same design does not. Figure 5 looks like a 'spot-the-difference' puzzle, the only difference in fact being the addition in (b) of D_3 . Figure 5(a), which appeared in the readers' design ideas section of one of the controlled circulation magazines, is a stabiliser circuit designed for use with a bank of NiCd cells. Although these have a fairly constant voltage during the discharge cycle, there is some voltage sag, especially if the operating temperature range is wide. This is undesirable if the battery pack is powering sensitive measuring equipment, so the stabiliser circuit shown was developed.

Error amplifier Tr_1 controls the compound pass transistor stage Tr_3/Tr_4 , comparing the fraction of the output voltage across R_4 and part of R_5 with the reference voltage across zener diode D_1 . Regulation is good, and so is stabilisation, since the reference voltage across D_1 (which should be a type with a sharp knee, suitable for use at low current) is derived from the stabilised output rather than the raw supply.

However, the circuit is bistable; if no output voltage, then no drive to Tr_3 and if no drive to Tr_3 then no output voltage. So R_2 ensures start-up when the batteries are first connected, or following the removal of an extended short circuit at the output, and provides short-circuit protection by limiting the drive to the pass transistor when the output current reaches a level sufficient to drop about 600mV across R_1 .

Diode D_2 provides a path for recharging the cells, since it was envisaged that the circuit might be incorporated within the battery pack. This prevents the danger of damage or even fire if the battery were accidentally short-circuited, since with large cells there is a lot of stored energy and, on short-circuit, this can be released in a very short time. Housekeeping current on no-load is a miserly 55μA, but when the battery pack is not in use this can be reduced even further to a negligible 4μA or so (via R_2) if the battery pack be stored with the terminals short-circuited.

Capacitor C_1 is the clever part of the circuit. As explained, on extended short-circuit, the drain on the battery falls to a few microamps but, when the battery pack is connected to an instrument, it may find itself suddenly in parallel with a large decoupling electrolytic. This will cause the output terminal voltage initially to drop to zero. After this the capacitor will rapidly be charged up at the short-circuit current determined by R_1 , if and only if Tr_1 is still supplying collector current for Tr_3 . To fulfil this condition, C_1 maintains the voltage at Tr_1 base long enough for the terminal voltage to recover to a level (a volt or two) from which it would then build up to the rated output anyway.

The prototype circuits reliably turned on into a load including a 2000μF capacitor, so all seemed well. Some years later I had occasion to use this circuit again and built it up exactly as in Fig. 5(a), only to find that on connecting a capacitor greater than a few tens of microfarads at most, output voltage would not recover; the circuit remained sullenly switched off.

Solving this teaser took several cups of coffee before the light dawned. The stated purpose of C_1 is to hold up the voltage at the base of Tr_1 while the short-circuit current set by R_1 (not the short-circuit current via R_2) starts to charge up any external capacitance which might be connected. But, unfortunately, there is

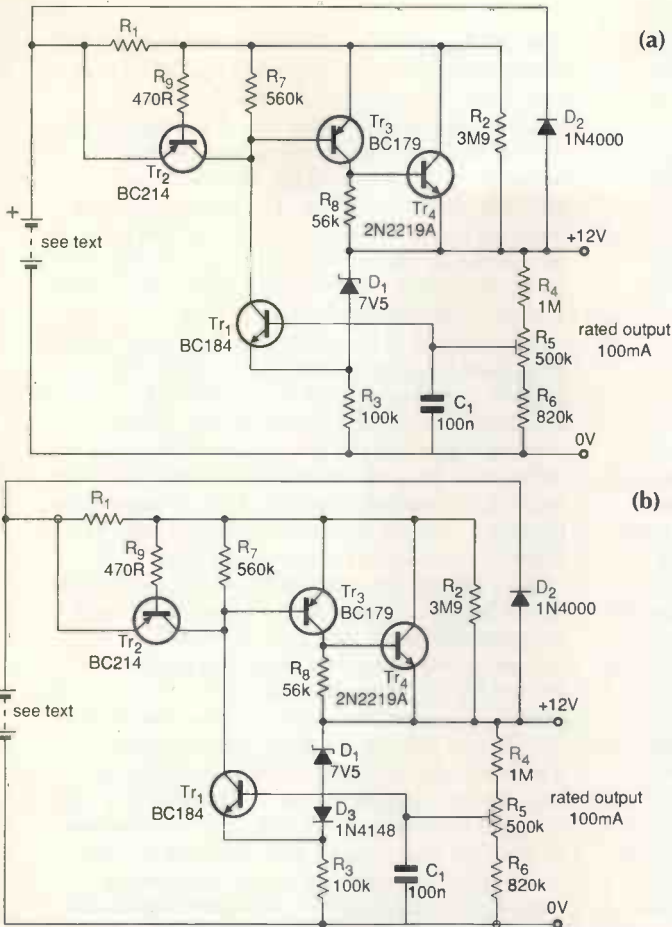


Fig. 5. Circuit of a current-limited power supply (a) whose output voltage may fail to recover when connected to a load including a large electrolytic. Adding D_3 cures the problem.

a discharge path for C_1 via the base emitter junction of Tr_1 in series with D_1 working as a normal diode in forward conduction), on by way of the momentary short across the output terminals due to the external electrolytic, back to the other terminal of C_1 . Adding D_3 , as in Fig. 5(b), cleared the fault entirely.

It is still not clear to me why the first prototypes worked, with as much external capacitance as one cared to throw at them, while the later ones would only stand a few tens of microfarads. Clearly, a case of minor differences between characteristics in devices which are nonetheless all individually within specification. Would the problem have shown up on a CAD simulation package such as Touchstone or Mathcad or Spice? I wonder. It depends on what limit values are built into the library models for the various parameters of the devices used, such as the extrinsic base resistance r_{bb} of Tr_1 , etc.

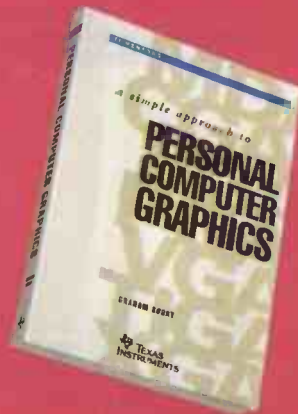
Differentiate and oscillate

Now for the real peach of a circuit shown in Fig. 6(a) which, if it really worked would be extremely useful. By way of introduction, remember that if you want to make a high-Q filter, be it low-pass, band-pass or high-pass, you need at least two poles. And if we are talking about an RC active filter and want it tunable, that usually means a two-gang potentiometer or variable capacitor. Thus the CR product of the frequency determining sections can be varied in step, providing, say, a 10:1 tuning range for a 10:1 variation of the variable elements.

This is not to say that you can't make a variable-frequency filter or sinewave oscillator using a single variable element; on the contrary you certainly can and Ref. 1 gives an example, while Ref. 2 describes no less than five such circuits. But the price you pay includes among other things, a reduced tuning range; an $n:1$ variation of the tuning element R gives only a $n:1$ tuning range. The circuit of Fig. 6 seems to break through this limitation. And it should

Personal computing is one of today's most exciting and rapidly changing technologies. Much of this change is due to the dramatic developments of hardware and software for graphics processing. Texas Instruments introduced the first graphics processor to the marketplace and is now widely recognised as a world leader in this field.

A Simple Approach to Personal Computer Graphics is a brand new book written in simple, understandable English for the engineer who is new to this fascinating branch of electronics. It is extensively illustrated and treats its subject as non-mathematically as possible. This is a book by today's experts which could help you to become tomorrow's.



CIRCLE NO. 126 ON REPLY CARD

AVAILABLE NOW IN LEADING BOOK STORE

For more information, just clip the coupon and return it to

Texas Instruments
 Technical library MS83
 P.O. Box 5 - 06271 Villeneuve-Loubet cedex FRANCE

Name _____
 Title _____
 Company _____
 Address _____
 Postal Code _____ City _____ 929

DESIGN BRIEF

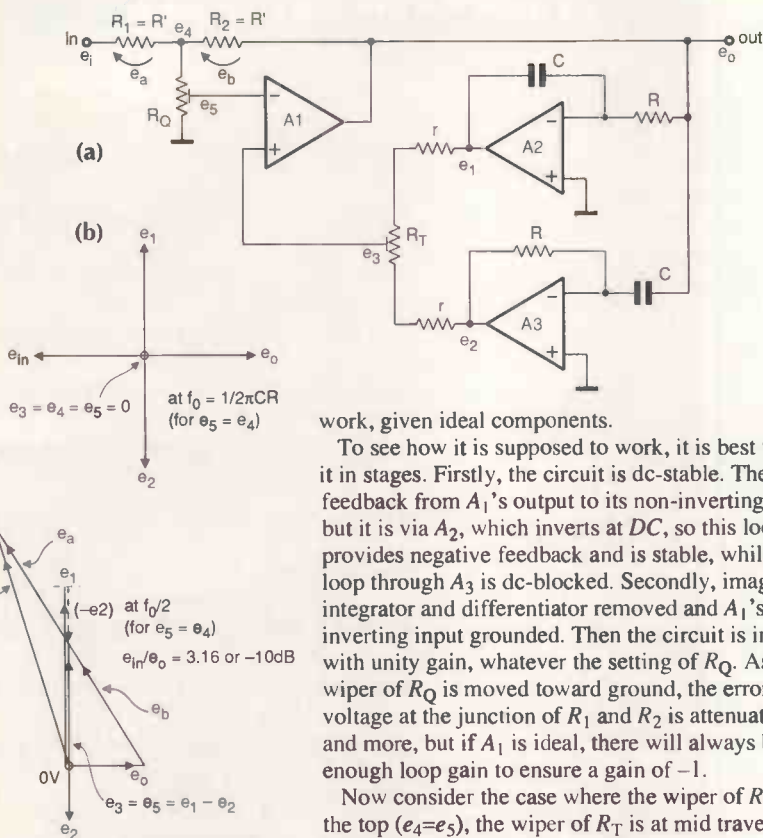


Fig.6. Variable-Q band-pass filter with constant centre frequency gain of unity (a) and its vector diagram (b) showing operation at the centre frequency, at minimum Q. Vector diagram at (c) shows operation at one octave below the centre frequency, at minimum Q. If you can stop it oscillating, it could be useful.

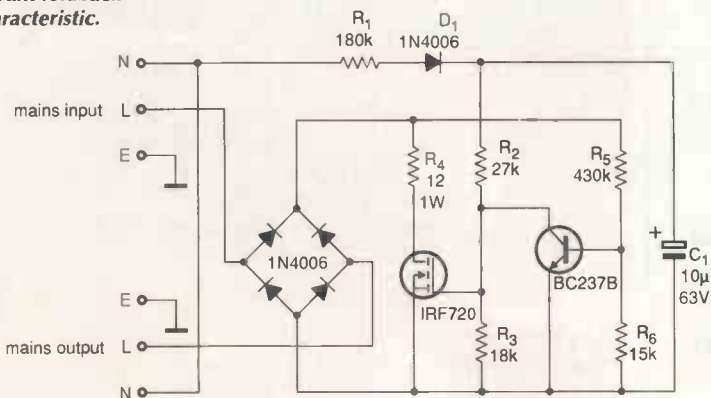
work, given ideal components.

To see how it is supposed to work, it is best to take it in stages. Firstly, the circuit is dc-stable. There is feedback from A_1 's output to its non-inverting input, but it is via A_2 , which inverts at DC, so this loop provides negative feedback and is stable, whilst the loop through A_3 is dc-blocked. Secondly, imagine the integrator and differentiator removed and A_1 's non-inverting input grounded. Then the circuit is inverting with unity gain, whatever the setting of R_Q . As the wiper of R_Q is moved toward ground, the error voltage at the junction of R_1 and R_2 is attenuated more and more, but if A_1 is ideal, there will always be enough loop gain to ensure a gain of -1 .

Now consider the case where the wiper of R_Q is at the top ($e_4=e_5$), the wiper of R_T is at mid travel, and the input signal is a sine wave of frequency of $f_0=1/(2\pi CR)$. At this frequency, both the integrator and the differentiator have a gain of unity, the integrator output e_1 leading e_0 by 90° (it is an inverting integrator) and the differentiator output e_2 lagging by 90° . Net voltage at the wiper of the tuning control R_T , e_3 , is zero and $e_0=-e_1$. If the wiper of R_T moves towards the integrator output, e_3 is zero at a somewhat higher frequency, or at a lower frequency if moved towards the differentiator output. In the limit, at the end of R_T 's travel, for zero output at the wiper one output must be $(R_T+r)/r=N$ times the other, i.e. at \sqrt{N} times f_0 . So the tuning range is from f_0/\sqrt{N} to $f_0\sqrt{N}$, or $N:1$. As r is made smaller relative to R_T , the tuning range becomes larger and larger.

Figure 6(b) shows the situation at the band-pass centre frequency and Fig. 6(c) at a frequency one octave lower, for the case where $e_5=e_4$ (minimum Q). Clearly, as e_3 increases off tune, so e_0 becomes smaller relative to e_1 , so e_4 is no longer zero. Still, off-tune the output will not be far below unity so long as e_3 is small compared to e_5 . The allowable detuning while still meeting this condition gets smaller as e_5 becomes a smaller proportion of e_4 . Finally, as the

Fig.7. Fast-acting limiter allowing a maximum output of 100W, beyond which it exhibits a re-entrant foldback characteristic.



wiper of R_Q approaches ground and e_5 tends to zero, any departure whatever from exact equality of e_1 and e_2 (i.e. any departure from the exactly on-tune condition) will result in a fall in e_0 . Put another way, in these circumstances, A_1 will produce whatever output is necessary to keep the signal at its non-inverting input equal to that at its I input. If e_1 does not equal e_2 , the only way it can arrange this is if e_0 is near zero. The circuit provides a range of Q variable up to infinity, but with the on-tune response remaining at unity independently of the value of Q.

In principle all is fine; in practice the circuit is likely to oscillate – it certainly did when I tried it. The problem is the loop through A_1 , A_3 and back to A_1 . Integrators are splendid, docile circuits, since the demanded (closed-loop) gain falls with frequency at 6dB/octave, the same rate as the open-loop gain of an internally compensated op-amp. Thus the gain within the loop is constant until well beyond the unity-gain frequency and stability is therefore assured.

Differentiators are a very different kettle of fish: the demanded gain rises at 6dB/octave, while the open-loop gain falls at the same rate. Eventually, the demanded gain exceeds the open loop gain and all bets are off. A_1 output then effectively connects directly to A_3 input, with both op-amps contributing 90° of phase shift. At a high enough frequency, additional poles appear in the op-amps open-loop responses and oscillation results. Perhaps with a very high performance A_3 with a little capacitance across its feedback resistor and a little resistance in series with its input capacitor, one could turn it into an integrator at some frequency well above the band of interest, ensuring the stability of the circuit as a whole.

Fast fuse – if it works

Finally, another very useful circuit. I have had it on file for some time but have not made it up myself. However, at a recent gathering of engineers I fell into conversation with someone who had, and he claimed it didn't work. Did he substitute different components or values, or just get the wiring wrong? Or is there really a problem? I can't see any reason why it shouldn't work in principle (though a tolerance exercise on the component values might not come amiss) so in my book it remains a definite maybe.

The circuit, Fig. 7, is an electronic mains fuse, but faster than a fuse, a thermal trip or a magnetic breaker. In fact, it is not so much a fuse as a limiter since, if the load tries to draw more than the rated 100W, the circuit exhibits a re-entrant foldback characteristic; circuit operation should be clear from Fig. 7. Such a device is clearly a must for the lab bench, so at the first opportunity I shall try it out. In the meantime, evaluating the viability of this circuit is (as it says in so many text books) 'left as an exercise for the reader'. (Hint: what voltage will the peak current through, say, a 125W resistive load drop across R_4 plus the power mosfet, and is this enough to turn on the n-p-n transistor?)

References

1. Dean, A P. *Easily tuned bandpass filter*. *New Electronics*, 19 February 1985, p. 24.
2. Williams, P. *RC oscillators: single-element frequency control*. *Wireless World*, December 1980, pp 82-84.

LCR measuring transformed

Turning a transformer ratio-arm bridge back-to-front and discarding the transformers may seem perverse, to say the least, but Ian Hickman does just that to make an accurate component bridge.

One can design a general-purpose component bridge to cover a wide range of values of resistance, capacitance and inductance using a few close tolerance resistors as standards, some op-amps and a little ingenuity. Furthermore, basing the design on the principle of the transformer ratio arm bridge allows digital readout of the measured values. Figure 1 shows the principle.

Oscillator

Using fixed-frequency operation at $\omega=10^4$ (1.5915kHz) simplifies matters. The oscillator is a state-variable filter, since it makes three outputs in quadrature available. As Fig. 2 shows, it is simply a filter with zero damping, not a conventional oscillator, but there is no practical difference between an oscillator and a filter with infinite Q. An integrator produces a 90° phase lag (the integral of a cosine wave is a sine wave), but each of the two integrators

in the loop apparently produces a 90° lead. This is because they operate in the inverting connection, and the relative phases are therefore as shown in Fig. 2. The bandpass output is labelled 0° because at the filter's resonant frequency $\omega=1/CR$, it would be in phase with an external input applied via a resistor at the inverting input of A₁. If R is 100kΩ and C is 1nF, then the nominal resonant frequency is 1.5915kHz.

Using a TL084 quad op-amp, the circuit oscillates at the required frequency – in fact at 1.5914kHz, which is surely good enough. With the ±12.5V rails used, the amplitude is ±11V peak, amplitude stabilisation being provided by slight clipping of the peaks in each op-amp. Evidently, excess phase shift in the op-amps, which must be minimal at this frequency, together with layout strays, ensures that the overall loop phase-shift does not fall short of the 360° needed for oscillation, but the very small degree of clipping indicates that it barely exceeds what was necessary. Had it not performed, a few picofarads in parallel with R₄ would have persuaded it.

Figure 3(a) shows the Lissajous figure, produced by the bp and lp outputs applied to an oscilloscope in X/Y mode, the clipping appearing as the slight flat tyres at the bottom and left-hand side of the circle; both outputs measured

0.4% thd. Although all three amplifiers were clipping, the bp and lp outputs each show only the clipping occurring in that particular stage, because the harmonics making up the dent in the input waveform to each integrator are attenuated much more than the

fundamental at the output. However, the hp output from A₁ does not benefit from this, so both its own clipping and that fed back from A₃ can be seen in Fig. 3(b), which shows the distortion meter residual output when measuring the hp output thd, which was 0.12%. Here, the time base speed has been adjusted to 157μs per division, corresponding to 90°. That the clipping in A₁ and A₃ occurs in quadrature is clearly evident.

Nulling the minor terms. While the arrangement of Fig. 4 operates very like a transformer ratio-arm bridge, it has a number of drawbacks for use as a general-purpose component bridge. For example, it works well for pure resistors, capacitors and inductors, but there is no provision for nulling out the self-capacitance or self-inductance of a resistor, or the loss component of an inductor or capacitor. Also, although R_v can be calibrated directly in terms of conductance, giving a linear scale, a direct-reading resistance scale would be more useful; while a reciprocal scale could be used to read resistance directly, it would be very open at low values and very cramped at high values. On the other hand, the circuit of Fig. 4 reads capacitance values directly. As the capacitance at Y_x is increased, R_v must be advanced pro-rata, not pro-reciprocal, to maintain balance. Thus, apart from some provision for nulling the "minor term", that is the quadrature or loss component, Fig. 4 is basically what is required for capacitance measurements.

For resistance and inductance, the variable facility, R_v and A₆, need moving to a position

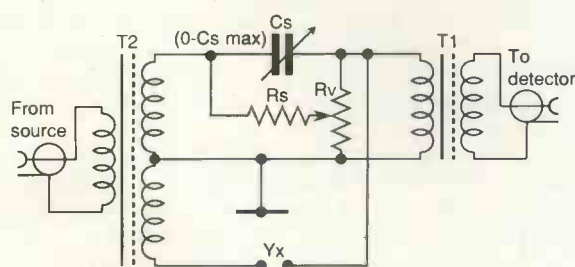


Fig. 1. Reversing the connections to a conventional transformer ratio-arm bridge paves the way for a transformerless circuit arrangement.

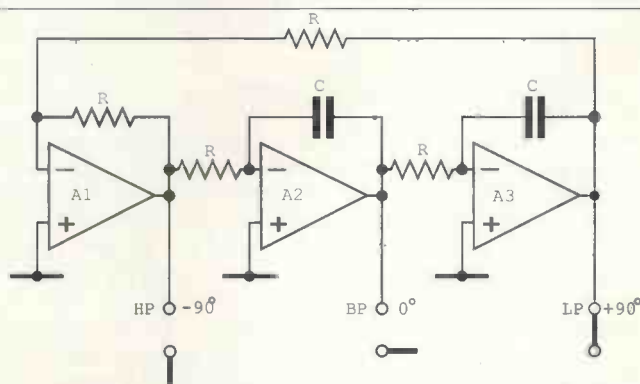


Fig. 2. State-variable filter with zero damping and no input functions as an oscillator, but only just.

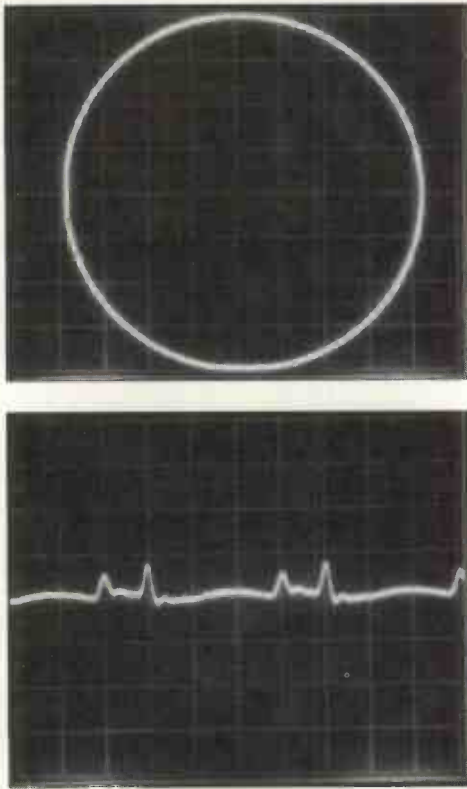


Fig.3a,b. Signals from oscillator 0° and +90° outputs, shown driving X and Y plates of an oscilloscope to display Lissajous figure, which indicates some clipping at left and bottom.

between S₁ and A₄, along with the ×10 step attenuator. Now, when R_v is set to zero, zero voltage is applied to Y_x, and so resistance and inductance read directly on a linear scale fitted to R_v.

At the expense of slightly more complicated switching, all of the foregoing can be arranged, as shown in Figs 5, 6. In Fig. 5, note that an 11Vpk-pk inverted (-180°) version of the 22Vpk-pk 0° output of A_{1b} is always provided by the inverting amplifier A₃, and that a quadrature component, leading or

lagging as selected by S₃, can be added to it as required. In the resistance position of S₁, this waveform is applied to R₁₅, the 1MΩ resistance standard STR, which is connected to the virtual earth at the input of A₅. Meanwhile, a 0° 11Vpk-pk sinewave appears at the top of R₁₃ and a proportion of this goes via A₄, the ×10 step attenuator S₂ and A₂ to the unknown resistor at the test terminals Y_x. With S₂ in position 1, resistors from 1MΩ down to zero can be measured with good resolution, since R_v is a ten-turn potentiometer fitted with a digital dial.

Nevertheless, the resolution would be too limited accurately to measure resistors in the low kilohms and ohms range, so S₂ selects other ranges down to 0-10Ω max in position 6. In the event that the 'resistor' under test has a significant reactive component, adjusting R_v alone does not produce a deep null to indicate complete balance. In this case, adding a cancelling quadrature component, by advancing R₁₂ clockwise, i.e. in the direction indicated in Fig. 5, nulls the minor or quadrature term. Since, at maximum, this quadrature component can equal the in-phase component at the output of A₃, the instrument can measure 'resistors' with a phase angle up to 45° – and of course the output from A₃ will then be 3dB greater than 11Vpk-pk.

Inductance measurement is the same as that for resistors, with two differences. To allow for the 90° phase lag of the current relative to the applied voltage, when measuring inductors S_{1c} selects the output of A_{1c}, which is advanced by 90° relative to the A_{1b} output which was used for resistive unknowns. As before, S₃ and R₁₂ allow for phase angles up to 45° from the ideal, i.e. for an inductor Q of down to unity – or even an inductance with a shunt negative resistance component! The other difference concerns the inductance standard STL (R₁₄); Fig. 5 shows a value of 10kΩ, which provides inductance ranges of 0-1H down to 0-10μH.

Capacitance measurements are made rather differently. Whereas for both R and L, the voltage applied to the unknown was adjustable

both in steps (S₂) and continuously (R_v) with a fixed voltage applied to the standard, for C measurements the variable voltage is applied to the standard STC (R₁₆) while the voltage applied to the unknown capacitor is varied only in ×10 steps. To allow for the leading nature of the current through a capacitor, S_{1a} selects the lagging voltage from A_{1a} in place of an in-phase voltage. The result of this rearrangement is that again the digital read-out dial of R_v reads the value of the unknown C directly, as it did for R and L. Resistor R₁₂ provides for balancing the capacitor's loss component, down to a tanδ of unity, or of course a capacitive susceptance including a negative conductance component.

Amplifier A₂ must be a special breed of op-amp, capable of driving capacitances up to 10μF. Many op-amps get very unhappy when faced with large capacitive loads – in this context, 'large' meaning a few hundreds or even a few tens of picofarads – and may oscillate unless special precautions are taken. Here however there are no problems, since A₂ is that remarkable op-amp the TLE2027. This was described in an earlier Design Brief², where it was shown driving 23Vpk-pk into 1μF at 318Hz. Here, it is required to drive up to 10μF at 1591Hz, but only at 110μVpk-pk in position 6 of S₁, or up to 11Vpk-pk in position 1 where the maximum capacitance load is only 100pF.

Indication

Any unbalance of the bridge results in current flowing in the virtual earth of amplifier A₅, which thus provides a signal to the detector stage, shown in Fig. 6. A 1MΩ log. potentiometer precedes a 40dB amplifier A₇, driving the loudspeaker, a 3Ω type with output transformer being used as it was to hand; a reasonably sensitive 64Ω speaker would do as well. The 2000μF capacitor C₆ provides additional smoothing for the 25V dc power supply, which is split into ±12.5V supplies for the op-amps by the TLE2426 'rail splitter'. Diode D₁ is a led 'On' indicator.

With the bridge measuring unknowns of

Transformer ratio-arm bridge without transformers

The transformer ratio arm bridge was described in an earlier Design Brief¹, where its use in the conventional manner was described, i.e. with the detector connected to the centre-tapped balance transformer. Being a passive linear network, however, it can also be used 'back to front', with the source connected to the centre-tapped balance transformer instead, as seen in Fig. 1, although this simplified circuit will only measure resistors and capacitors (lossy or otherwise). It measures inductors either by arranging switching to connect C_s to the other end of the centre-tapped winding, or by connecting a fixed capacitor of value C_{smax}/2 in parallel with the unknown susceptance Y_x: the shunt inductive component of Y_x is then measured as an equivalent negative capacitance. Similar arrangements for R_s enable negative conductance components of Y_x to be measured.

At balance, there is no current through the lefthand winding of T₁, and so no voltage across it. Thus this winding repre-

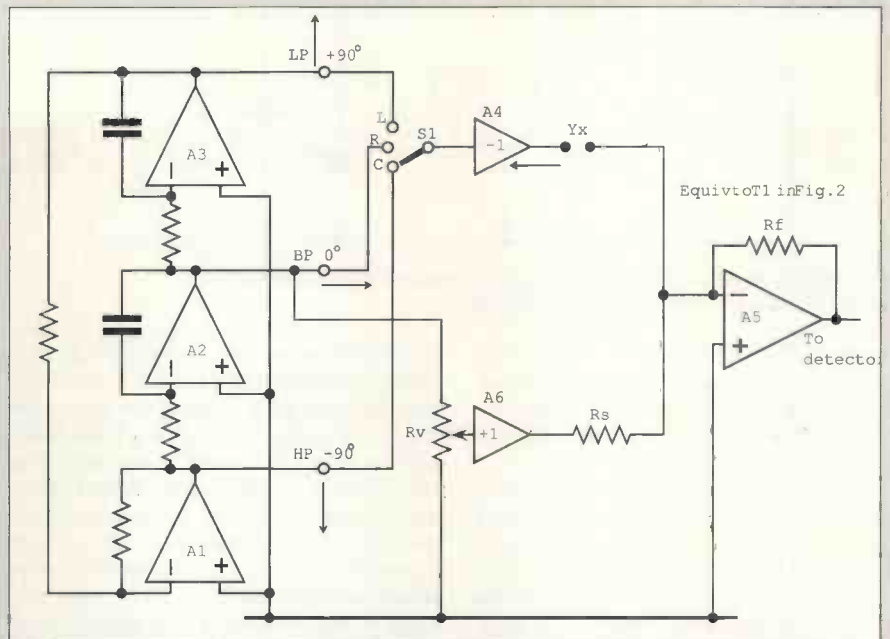
sents a virtual earth and T₁ could nowadays be replaced by the virtual earth at the input of a suitably fast inverting op-amp; it would be nice to be able to eliminate T₂ also. It turns out that not only is this possible, but one can actually eliminate C_s as well.

Note that with the voltage applied to C_s in the phase shown in Fig. 1, balance can be achieved with a capacitive Y_x, while with a voltage in the opposite phase applied to C_s (from the other end of the centre-tapped winding of T₂, the two halves of which are perfectly coupled), inductive unknowns are catered for. If a voltage in quadrature were available, it would be possible to balance a resistive Y_x against C_s, or alternatively (much more useful) a reactive unknown could be balanced using a resistive standard. It was this thought that gave me the basic idea for the design of a universal laboratory LCR bridge, something I had been promising myself for some time.

Bridge operation

In basic principle, the circuit is simple, as illustrated in Fig. 4. A 0° phase signal is applied to the standard resistance R_s via R_v and A_6 and thence to the virtual earth at the input of A_5 . Thus the effective value of R_s is adjustable over the range infinity down to $R_{smin}=R_s$, i.e. from zero conductance up to G_{smax} . In the resistance position of S_1 , a 180° signal is applied to the unknown terminals Y_x , from the unity gain inverting amplifier A_4 . When R_x is a resistance equal to the effective value of R_s (a conductance Y_x equal to $1/G_{s(effective)}$), the bridge is balanced, all of the current via R_s is just swallowed via Y_x by A_4 , and no current flows in or out of the virtual earth of A_5 . Therefore the detector registers no signal, indicating the point of balance. As R_s is effectively variable from infinity down to $R_{smin}=R_s$, unknown resistors down to the same value can be measured. If an attenuator with steps of $\times 1$, $\times 10$, $\times 100\dots$ is fitted between S_1 and A_4 , resistors down to $R_{smin}/10$, $R_{smin}/100$ etc can be measured, extending the range of the bridge to much lower values of resistance, whilst at the same time, keeping down the output current demanded from A_4 .

If the output of A_4 is made to lag by 90°



on that shown, by selecting the C position of S_1 , then the (leading) current through the capacitor will again be in antiphase with that via R_s , enabling capacitive susceptances to be measured. Similarly, in the L position of S_1 , inductors can be measured.

Fig. 4. Basic, but flawed, circuit of new bridge. Good for pure resistance or reactance, but offers no facility for nulling reactance of a resistor or losses in capacitors and inductors.

both high and low impedance, it was desirable to keep both electrostatic and magnetic hum fields out of the instrument's metal case, so I used one of the very inexpensive dc supplies built into a 13A plugtop case. As supplied, the circuit was as in Fig. 7(a), but this was modified by removing the output voltage switch

and just making room for an additional $470\mu\text{F}$ capacitor. After modification, the supply was as in Fig. 7(b), its output permanently connected to the case of the bridge by a length of audio screened lead.

This pseudo-ratio-arm-bridge proved easy to use, providing a resolution of 0.1% of full

scale on any range, thanks to the ten-turn digital dial on R_v . When measuring resistors, the setting of the quadrature control R_{12} is at or very near zero. The null obtained is deep and complete, with no sound audible in the loud-speaker other than a very slight trace of mains hum, due to the absence of stabilised supplies, which are, as it turns out, superfluous.

Measuring capacitors or inductors gives just as deep and complete a null as far as the fundamental is concerned, once the loss component has been nulled out with R_{12} , S_3 being in the C or L position as appropriate. However, as the reactance of a capacitor at harmonics of the drive waveform differs from that at the fundamental, whereas that of the capacitive

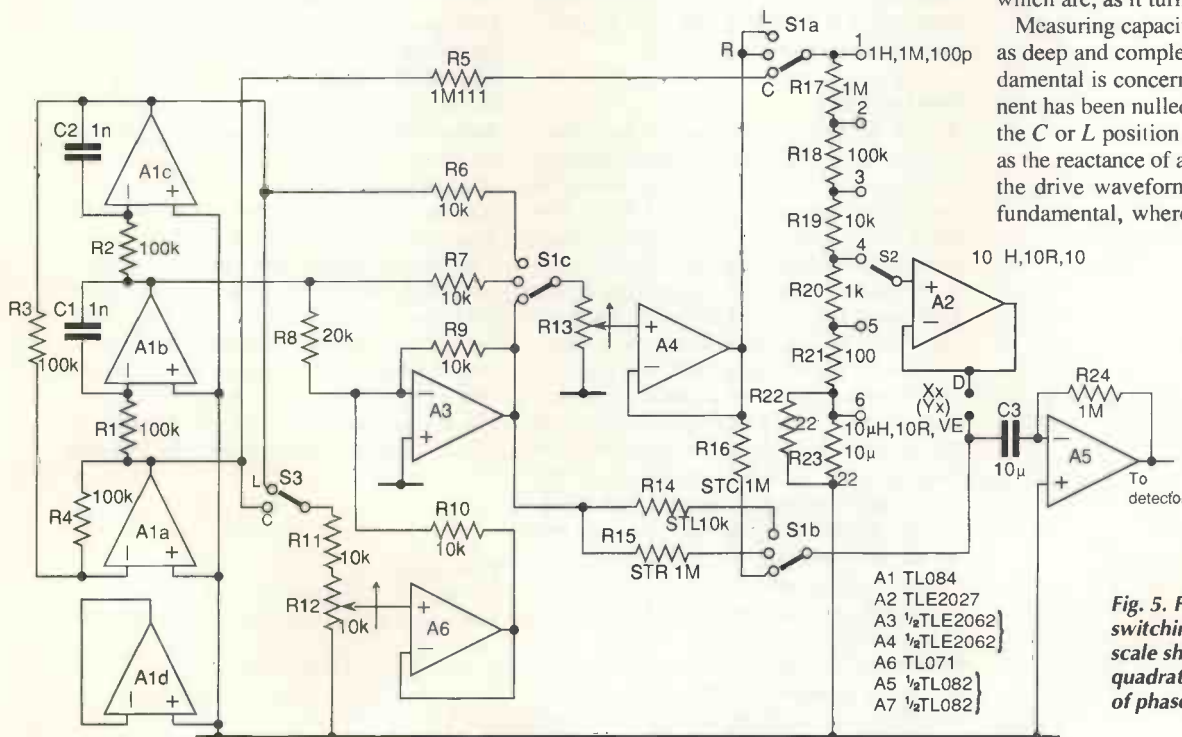


Fig. 5. Final bridge circuit, with switching to give a reasonable scale shape and to provide a quadrature term to take account of phase angles.

INSTRUMENTATION

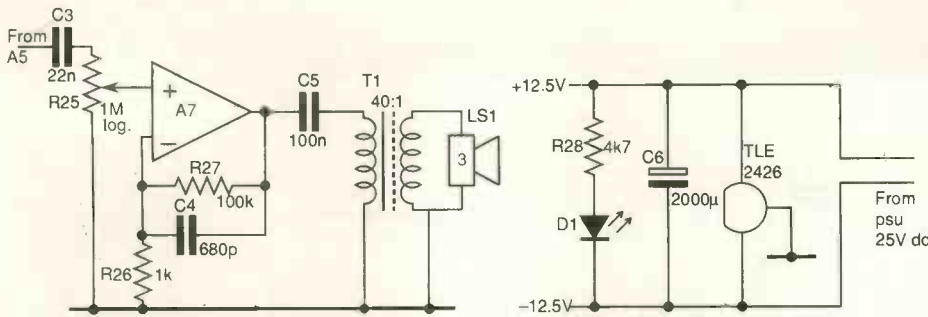


Fig. 6. Bridge detector (a) and power supply (b), modified from a commercial plug-top dc supply to provide more smoothing.

standard *STC* (R_{16}) does not, some audio output at harmonic frequencies remains at balance. The ear easily distinguishes between the fundamental and the harmonic tone and thus a true balance is readily achieved.

When measuring an inductor, as its reactance rises with frequency, harmonics are not accentuated and, as with resistors, are inaudible at balance. Setting *STL* (R_{14}) at 10kΩ, rather than 1MΩ as for *STR* and *STC*, limits the maximum capacitance that can be measured to 1H, but provides ranges down to 10μH maximum, permitting in principle measurements down in the nanohenry range. To test low-inductance measurements, four turns were wound on a two-hole balun core type *FX2754*, which uses 3C85 material; the expected inductance, given the core's A_L of around 3500nH/turn, was 56μH.

On range 5 of S_2 , the measured value was 52μH with the dissipation or quadrature control R_{12} set near to zero, indicating a high value of Q . Reducing the number of turns to one gave a measured value of 3.9μH with R_{12} set at about 30%, indicating a Q of 3, against an expected value of 3.5μH. Ideally, the measured value would have been one sixteenth of 52μH or 3.24μH, but the measured value includes the inductor's leads and the bridge's terminals and internal test circuit wiring.

Remember also that this bridge, like the transformer ratio-arm bridge from which it is derived, measures an unknown as a parallel

combination of susceptance and conductance. When the Q is low, the inductor is effectively an inductance and a resistance in series; the impedance is higher than the reactance of the inductor alone. Measured in parallel terms, this appears as a rather higher value of inductance in parallel with an even higher value of resistance. If the quadrature control R_{12} were calibrated, a series/parallel conversion could be applied to the results, to obtain the actual value of inductance and its effective series resistance – and thence its Q .

This does, however, point up a limitation of inductance measurements carried out at such a low frequency as 1.59kHz. At this frequency, the Q of an air-cored inductor, or one with a slug but a return path in air, such as an rf choke, will be so low that balance will not be obtained in the L position of S_1 , but only in the R position. On the other hand, small mains transformers may have a primary inductance of many tens of henrys. This being so, one might find it more convenient to use the 1MΩ *STR* also as the inductance standard *STL*, giving inductance ranges from 0-1mH up to 0-100H. An even better scheme would be two 'L' positions on S_1 , providing inductance ranges all the way from 0-10μH to 0-100H. Extending the idea even further, an alternative value of 10kΩ for *STC* would extend capacitance measurements up to 1000μF.

Practicalities

A little attention to construction pays dividends in bridge performance. Recommended precautions are few, but necessary. Firstly, all the earth returns shown in Fig. 5, other than those associated with A_1 , must go to a single star earth point, which can conveniently be the N (neutral) terminal; this was situated on the front panel, between and slightly below the D and VE (drive and virtual earth) terminals.

Secondly, resistors associated with S_1 and S_2 should be on the switches themselves and, untidy though it may look, connections from the switches and R_{12} , R_{13} routed directly in fresh air to the appropriate points on the circuit board – definitely no neat cableforms. Thirdly, the board layout should be such that A_2 output is as close as possible to the rear spill of the D terminal, say less than an inch of stout wire, and S_{1B} wiper should be returned direct to the rear of the VE terminal, from whence the lead to C_2 . As far as accuracy is concerned, all resistors should be 1% or better, but more importantly R_6 and R_7 should both

equal R_{13} , R_{11} should equal R_{12} , R_9 and R_{10} should each be half of R_8 , and R_5 should equal the resistance from S_{1a} wiper to ground. The *SVF* oscillator frequency should of course be as close to $\omega=10^4$ as possible.

Performance

I intended the bridge for use as a general-purpose lab. component bridge. Nevertheless, the instrument shares the same attribute as the transformer ratio-arm bridge – the ability to measure without error the series component of a pi network whose shunt arms are grounded. To verify this, a 56pF capacitor was measured, the value reading 56.5pF. After connecting 100pF capacitors from D and VE to N , repeating the measurement gave 56.4pF; so much for high impedance circuits.

Repeating the test on an 8.2Ω resistor gave 8.35Ω, and 8.3Ω after connecting 4.7Ω resistors between D and VE to ground. Sensitivity was noticeably reduced, but interpolating between the points at which the tone just reappeared each side of the null gave the reading.

This verifies that for both high and low impedances, the instrument can measure the series element of a pi network, even when the shunt arms present a lower impedance than that being measured. Thus for example, a component on a pcb can be accurately measured without disconnecting it, if the far ends of other components connected to it are grounded.

As a lab. instrument in occasional use, the bridge has proved very satisfactory. For more concentrated use, especially by unqualified personnel, an automated version would be preferable. Such a scheme could be readily implemented using voltage-controlled amplifiers, as follows. Detector stage R_{25} and A_7 would be replaced by two synchronous detectors, one driven from the 0° degree phase and one from the 90° phase. The dc outputs of the synchronous detectors would be filtered and amplified, and fed back to control two vcas, fed with the said 0° and 90° degree signals. Given that the vca output was linearly proportional to the control voltage, as is the case for a four-quadrant multiplier, the two control voltages represent the real and imaginary components of the unknown directly, and could be indicated on digital panel meters.

It is true that the results will be the components of the equivalent shunt representation of the unknown, but often this will not matter. For resistive components with a phase angle at the test frequency of less than 5.3°, capacitors with a $\tan\delta$ of less than 0.1 and inductors with a Q greater than 10, the error in the value of the component as indicated will be less than 1%. ■

References

- Hickman, I. The transformer ratio arm bridge. *Electronics World+Wireless World*, August 1994, pp 670-672.
- Hickman, I. Differentiating op-amps. *Electronics World+Wireless World*, April 1994, pp 322-325.

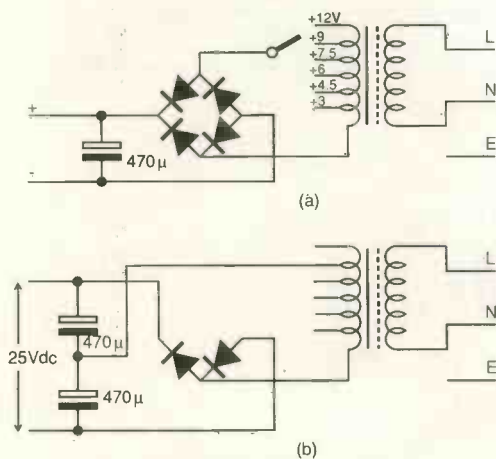


Fig. 7. Circuit of a commercial plug-top power supply, a), modified for voltage doubling, b).

Look what's new in version 4 of SpiceAge for Windows™

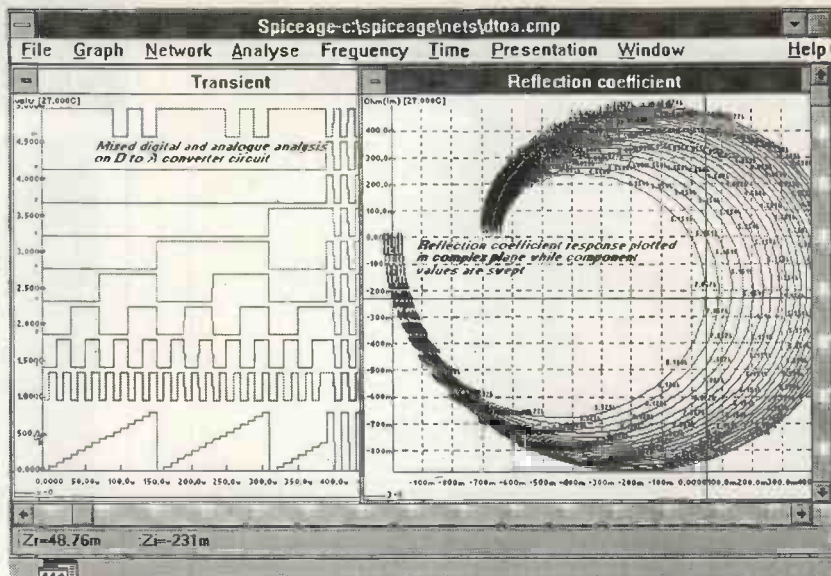
- DDE link with Modelmaker, the utility that synthesizes opamps, transformers, attenuators and transistor library models
- Reflection coefficient analysis
- Noise analysis
- Improvements to digital displays
- Auto-time interval setting option
- Time optimisation in relaxed circuits
- Faster quiescent calculations
- SPICE repertoire enhancements for ASICs

- Better screen & paper presentation
- Windows™ wave (.wav) file compatibility. Multi-media users can listen to their waveforms or capture sound samples for Fourier analysis or filtering. Binary output option makes ROM programming easy.
- PWL non-linear enhancements saves calculating polynomial coefficients for those awkward functions.

Make sure you know what you are missing by asking us for a copy of the demonstration program and booklet. Subscribers to the SpiceAge maintenance service will be receiving their new version along with a copy of the new manual.

Please contact:

**Those Engineers Ltd., 31 Birkbeck Road,
London NW7 4BP**
Tel: 0181-906 0155, Fax: 0181-906 0969



Those Engineers Ltd



CIRCLE NO. 130 ON REPLY CARD

LANGREX SUPPLIES LTD

DISTRIBUTORS OF ELECTRONIC VALVES
TUBES OF SEMICONDUCTORS AND I.C.S.

PHONE 081 684 1166 1 MAYO ROAD • CROYDON • SURREY CR0 2QP 24 HOUR EXPRESS MAIL ORDER SERVICE ON STOCK ITEMS

FAX 081 684 3056

AZ31	£ p	EL91	3.00	PY800	1.50	6B6E	1.50	6SL7GT	4.50
CL13	5.00	EL95	2.00	PY801	1.50	6B6H	2.50	6SN7GT	4.50
DB66/7	1.50	EL360	18.50	QV02-6	12.00	6B6J	2.25	6SS7	3.00
EB8CC Mull	8.50	EM34	15.00	QV03-10	5.00	6B6N	2.00	6UR8	1.25
EL180F	3.50	EM81	4.00	QV03-20A	15.00	6B6P	3.50	6V6GT	4.50
EB10F	22.00	EM84	4.00	QV06-40A	17.50	6B6R	6.00	6XA	3.00
EABC80	1.95	EM87	4.00	QV03-12	10.00	6B6R8A	4.00	6XSCT	2.50
EB91	1.50	EN91 Mull	7.50	U19	10.00	6B6T	6.00	12AT7	3.00
EBF80	1.50	EY51	2.50	UABC80	1.50	6B6W	4.50	12AU7	3.00
EBF89	1.50	EY86	1.75	UBC41	4.00	6B6W7	1.50	12AK7	3.50
EBF31	15.00	EY88	1.75	UCH42	4.00	6B6Z	2.50	12AX7A GE	7.00
ECC33	7.50	EZ80	3.50	UCH81	2.50	6C6	5.00	12BE6	6.50
ECC35	7.50	EZ81	3.50	UCL82	2.00	6C6A	3.00	12BH7A GE	2.50
ECC81	3.00	GY501	3.00	UCL83	3.00	6C6D6A	5.00	12BY7A GE	7.00
ECC82	3.00	Z32 Mull	8.50	UFR9	3.00	6CL6	3.75	12E1	15.00
ECC83	3.50	GZ33	6.00	UL41	12.00	6CG7	7.50	12HG7/12GN7	6.50
ECC85	3.50	GZ34 GE	7.50	UR84	2.00	6CH6	6.00	30PL1/2	1.50
ECC88 Mull	6.00	GZ37	6.00	UY41	4.00	6CN4	8.00	30P19	2.50
ECC91	2.00	KT61	10.00	UY85	2.25	6D6	5.00	300B(PR)	110.00
ECC98	1.50	KT66	10.00	VR105/30	2.50	6DQ5 GE	17.50	5Y2B	70.00
ECM35	3.50	KT88	12.00	VR150/30	2.50	6DQ6B	12.50	805	50.00
ECM42	3.50	NJ8	8.00	Z759	25.00	6E4B	3.50	807	5.75
ECM81	3.00	OA2	2.70	Z803A	25.00	6E4H	1.85	811A	18.50
ECL80	1.50	OB2	2.70	Z021	3.50	6F6	3.50	812A	65.00
ECL82	3.00	OC3	2.50	3B28	20.00	6G6	4.00	813	27.50
ECL83	3.00	OD3	2.50	AC2506 STC	45.00	6H6	3.00	833A	65.00
ECL86 Mull	3.50	PCF80	2.00	GRACY	6.00	6H6C	4.95	866A	25.00
ECL880	25.00	PCF82	1.50	SU4G	5.25	6J5	3.00	872A	20.00
EF37A	3.50	PCF86	2.50	SU4G	4.00	6J6	3.00	931A	25.00
EF39	2.75	PCF801	2.50	SY3GT	2.50	6J7	4.00	2050A GE	10.00
EF40	5.00	PCF802	2.50	5Z3	4.00	6J86A GE	19.00	5751	6.00
EF41	3.50	PCL82	2.00	5Z4GT	2.50	6J86C	20.00	5763	10.00
EF42	4.50	PCL83	3.00	6AH6	4.00	6J86G GE	17.50	5814A	5.00
EF80	1.50	PC184	2.00	6AK6	4.50	6K6GT	3.00	5842	5.00
EF85	1.50	PCL85	2.50	6AL5	1.00	6K7	4.00	6080	7.50
EF86	7.50	PCL86	2.50	6AM6	1.95	6K8	4.00	6146B GE	15.00
EF91	1.95	PCL805	2.50	6AN5	5.00	6KD6 GE	22.50	6550A GE	17.50
EF42	2.15	PD500	6.00	6AN8A	4.50	6L6G	8.50	6883B GE	15.00
EF183	2.00	PL36	2.50	6A05	3.25	6L6GCSYL	12.50	7025 GE	7.00
EF184	2.00	PL81	1.75	6AR5	25.00	6L6G Siemens	7.50	7027A GE	17.50
EL32	2.50	PL82	1.50	6AS6	3.50	6L6G GE	12.50	7199	10.00
EL33	10.00	PL83	2.50	6AS7G	9.50	6L7	3.50	7360	25.00
EL34 Siemens	8.00	PL84	2.00	6AT6	2.00	6L06	20.00	7581A	15.00
EL36	4.00	PL504	2.50	6AUSGT	5.00	607	4.00	7586	15.00
EL41	3.50	PL508	5.50	6AU6	2.50	6RH8B/6KN6	12.00	7587	23.00
EL80	25.00	PL509/PL519	6.00	6AW8A	4.00	6SA7	3.00	7668	12.00
EL81	5.00	PL802	6.00	6B7	4.00	6SC7	3.00	8417 GE	17.50
EL84	2.25	PY81	1.50	6B8	4.00	6SC7	2.50		
EL84 Mull	6.00	PY88	2.00	6BA6	1.50	6S7	2.00		
EL86	2.75	PY500A	4.00	6B47	5.00	6SK7	3.00		

Prices correct when going to press

OPEN TO CALLERS MON-FRI 9AM-4PM, CLOSED SATURDAY. OVER 6,000 TYPES AVAILABLE FROM STOCK. OBSOLETE ITEMS A SPECIALITY. QUOTATIONS FOR ANY TYPES NOT LISTED. TERMS: CWO/VISA/ACCESS. POST & PACKING: 1-3 VALVES £1.00, 4-6 VALVES £2.00. ADD 17.5% VAT TO TOTAL INC. P&P.

CIRCLE NO. 131 ON REPLY CARD

FANTASTIC SAVINGS ON METERS AND MORE !!!

ALL PRICES INCLUDE VAT

TEST METERS

- Satellite Finder £29.95
- Easy to use kit Professional Satellite £29.95
- F/S meter £89.95
- LCR Meter ■ 3 1/2 Digit ■ 7 Cap ■ 6 Inductance ■ 7 resistance ranges £67.95
- Capacitance Meter ■ 3 1/2 Digit ■ 9 ranges ■ 18mm LCD display £62.95
- Digital Lux Meter ■ 3 ranges ■ 3 1/2 Digit LCD ■ Data hold output terminal £62.95
- Sound Level Meter ■ 40 to 120 db ■ Two ranges £46.95
- Analogue Clamp Meter ■ 0/300 amps ■ AC 5 ranges ■ 0/750 VAC 0/75v DC ■ 0/200 K OHM £32.95
- Digital Clamp Meter ■ 3 1/2 Digit ■ 11 ranges incl temperature ■ Data hold etc. £56.95
- AC/DC Current Clamp ■ 0/2000 amps AC/DC two ranges for use with Dmm's £51.95
- Temperature Measurement ■ Dual input 3 1/2 Digit °C/°F with thermocouple (X) £41.95

BENCH INSTRUMENTS

- Digital LED Capacitance autorange bench meter 0.1% £93.00
- LCR bridge £126.00
- 7 Digit frequency counter 10HZ to 200MHZ £87.00

POWER SUPPLIES

- single meter *twin meter
- 0/24v dc 0/3amps £174.00
- 0/24v dc 0/5amps £188.00
- 0/30v dc 0/3amps *£140.00
- Twin version *£260.00
- 5-15v dc 0/4 amps £152.95
- 0/30v DC 0/2Amps digital display £99.95

SIGNAL SOURCES 220/240v AC

- 6 Range RF Gen 100 KHZ to 150 MHZ (350MHZ Harmonics) £122.00
- 5-range Audio Gen 10HZ to 1 MHz Sine/Square £119.00
- 0.5HZ to 500KHZ Function Gen Sine/Sq/Triang £124.00

METEX 4 1/2 DIGIT DMM M4630

- 30 Range 4 1/2 Digit Display 17mm ■ 0.05% Accuracy.
- Features: ■ 5 range capacitance test ■ 5 ohms ranges to 20M ■ Transistor and Diode test ■ Continuity LED and buzzer ■ Data hold switch ■ 5-ranges AC/DC Volts ■ AC/DC current to 20 Amps ■ With leads, battery, instructions and hard case

£49.95

TL34

- 33 Range ■ 3 1/2 digit 24mm Large Display
- Features: ■ 5 Capacitance ranges ■ 6 - resistance ranges to 20M ohm ■ Diode and transistor test ■ 5 AC/DC volts ranges Basic 0.5% accuracy. ■ 5 ranges AC/DC current to 20 Amps ■ With leads, battery and instructions

£27.95

MX190

- 19 Range 3 1/2 Digit
- Features: ■ AC/DC Volts (0.7%) ■ 0-10 ADC current ■ 0/2K/2MEG ohmresistance ■ Diode test ■ Signal injector function ■ With leads, battery and instructions

£13.95

Full details send for Instruments info pack (SAE 36P UK) Ref: TG

HENRY'S AUDIO ELECTRONICS

(Reg. Prop. Cubegate Ltd)

404 Edgware Rd, London W2 1ED
Tel: 071-724 3564/071-258 1831
Fax: 071-724 0322

Discounts for quantity and education

CIRCLE NO. 132 ON REPLY CARD

poles & ZEROES

Looking at s-plane poles and zeroes can help circuit designers choose the best – and cheapest – solution, as Steve Winder explains.

Poles and zeroes are often used to describe certain analogue functions. These include filters, phase-locked loops and control systems. The concept of poles and zeroes has not always been very well explained and this article is an attempt at an introduction to the subject.

Even the most simple of circuits can be described in terms of its output response to a certain stimulus at the input. The output voltage divided by the input voltage is called the transfer function; it is a mathematical expression that describes how the input is transferred to the output.

The transfer function can be used to describe the time response; this is usually described in terms of the response to a short impulse at the input. Alternatively, the transfer function can be expressed in terms of its response to the frequency of the input signal, and is usually described in terms of a sine wave applied at the input. The time domain and the frequency domain responses are inter-related, and one can be transformed into the other using a Laplace transform.

Poles and zeroes do not exist. They are just a mathematical concept associated with the Laplace equations that describe a circuit's response in terms of the 's plane', which will be discussed later. Unfortunately for the beginner trying to understand the subject, engineers often think of poles and zeroes as having an entity of their own. For example, when a text says that 'a pole has been created by adding a capacitor at the input...' it is hard to imagine what this pole is. However, if the text read 'the frequency response has been changed by adding a capacitor at the input...' and this can be modelled by creating a pole at position x in the s plane', it would require more words, but it may be clearer.

Suppose that the transfer function of a circuit is $1/(1+s)$. Do not worry about what s is for now. If there was a chance that s equals -1 , the denominator $(1+s)$ would be equal to zero and the transfer function would be infinity. The s plane model of the transfer function would say that there is a pole at $s=-1$. More

complex transfer functions may have an $(s+1)$ in the numerator (above the divide line) and s^2 , or higher, in the denominator of the equation. In this case the transfer function would be equal to zero when s equals -1 . It is hardly surprising, then, that the s plane model of the transfer function would say that there was a zero at $s=-1$. To find the poles and zeroes you have to factorise the equations in terms of $s+x$ or $s-x$ as appropriate. As with any equation, if the numerator and denominator (top and bottom, respectively) of the transfer function have factors that are equal, these can be cancelled. In other words a pole and a zero at the same location cancel each other.

Now, you may be thinking why use poles and zeroes at all. Poles and zeroes do have their uses when more complicated circuit responses are described. In the case of a filter, pole positions are often used to calculate component values. The design of transitional filters is based wholly on pole positions; by looking at the positions of poles in Bessel and Butterworth designs it was possible to place poles to produce a hybrid design that had features of both 'parents'. Poles are also very useful in describing the impulse response of a circuit. In control systems the position of a pole can indicate the degree of stability that the system has. Some engineers design circuits in terms of the poles and zeroes in the s plane, then select the components and circuit configuration that can be modelled by them.

The important step is to describe the s plane, the home of poles and zeroes. Before that, let's have a review of complex numbers and how they work.

Complex numbers

Complex numbers have real and imaginary parts. One way to think about complex numbers is by using a graph. Imagine a graph having two axes crossing at the centre, the point where the axis cross is known as the origin. The horizontal axis represents real numbers, positive to the right and negative to the left. So a point at $+5$ on this axis would be some way to the right of the origin. The vertical axis rep-

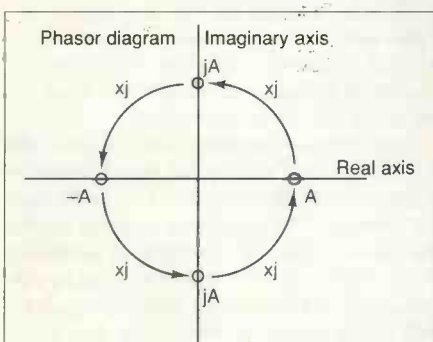


Fig. 1. Phasor diagram. Zero is at the centre. The horizontal axis is real while the vertical is imaginary.

resents imaginary numbers which have a label *j*. This axis is positive above the origin and negative below it. The number *j5* represents a point some distance above the origin.

Movement of points along the real and imaginary axis are 90° apart. A complex number with real and imaginary parts can be represented by, say, 3+*j4*. To plot the point represented by this number move along the real axis three units to the right of the origin, then move vertically by four units. The final point is five units from the origin, by Pythagoras, and about 53° from horizontal using the tangent rule ($\tan\theta = \text{opposite/adjacent}$).

Let's now do some mathematics using the graph. If we subtract 3 from the point at +5 it moves left towards the origin and ends up at +2. This is a simple concept that is easy to grasp. Simple mathematics can also be used to add and subtract imaginary numbers, eg $j5 + j2 = j7$; the point moves further from the origin, along the imaginary axis. A complex number is formed when an imaginary number is added to a real number; doing so moves the point representing the real number vertically above its position on the real axis.

A real number can be converted into an imaginary number by multiplication. Although

j was described as a label, it is actually multiplied by the real number to make it imaginary (*j* is used by electrical engineers: mathematicians use *i* for imaginary). When a number is multiplied by *j* this is the same as introducing a 90° rotation about the origin. To understand this notation consider the phasor diagram given in Fig. 1, which is a graph with zero at the centre, a horizontal real axis and a vertical imaginary axis. Place a point on the positive real axis to represent a real number then, keeping the same radius from the centre, rotate 90° anti-clockwise until it is above the imaginary axis: this action is the same as multiplying the real number by *j*. If this action is repeated the real number is multiplied by *j* squared and the point ends up above the negative real axis, or -1 times the original real number. Since *j* squared was equal to -1, *j* must be the square root of -1. This is important; but is also a difficult concept to grasp, because one of the first things learnt at school is that you cannot take the square root of a negative number.

Practical use of complex numbers

Consider what happens when a sinusoidal voltage is applied across a passive component. In terms of the resultant current flow through the component, a real current is one that is in phase with the applied voltage. If the current through a circuit is entirely real, then the impedance must also be real, since $Z = V/I$, and the impedance is resistive. Power dissipation is given by $P = V \times I$.

Now consider an imaginary current. Impossible? No, this current does exist; only it is 90° out of phase with the applied voltage. This occurs when the component is an inductor or capacitor. In the case of the inductor, the applied voltage is 90° leading the current flow, and since $Z = V/I$ the impedance is $+j\omega L$, where ω is $2\pi F$; the frequency of the applied voltage. A capacitor is just the opposite. Applied voltage lags the current flow and the impedance is $j/\omega C$. If the current is imaginary, no power is dissipated in the component (hence the imaginary impedance) but energy is stored.

The storage of energy in reactive components can be seen in two ways. The first way is a dc effect. This is illustrated by the fact that a capacitor stores charge and is used to smooth power supply ripple. The magnetic energy stored in an inductor results in the sometimes dangerous back emf that is produced when the current path is broken. A safe way to demonstrate this is to connect a mains neon indicator across a high value inductor, say 1H, then briefly connect a carbon battery across the terminals; when the circuit breaks, the neon flashes. This is also the

basis of car ignition systems.

Another illustration and application of the stored energy in inductors and capacitors, but one that is harder to visualise, is resonance. This is an ac effect. Resonance can occur when inductors and capacitors are connected in series or in parallel. High current flows or voltages are produced, depending whether the circuit is series or parallel connected. Stored energy is transferred from one component to the other and resonance occurs when the energy stored in the capacitor is equal to that in the inductor. In other words, resonance occurs when the magnitude of their reactances are equal; in a series connected circuit the $+j\omega L$ of the inductor cancels out the $-j1/\omega C$ of the capacitor and allows a large current to flow. Any circuit resistances (such as winding resistance) cause the oscillations to be damped, reducing the current flow. This illustrates an important feature of complex numbers; when they are added, the real parts and imaginary parts are added together separately. The imaginary parts cancel each other out if they are equal in magnitude but are of opposite sign.

A complex number can be converted into a number with magnitude and phase. Some calculators have this process, and its inverse, built into a function key operation. The magnitude of a complex number is the square root of (the real part squared added to the imaginary part squared); the phase angle is the arctan of (the imaginary part divided by the real part). To see where this may be useful consider some calculations involving an inductor. Inductors are never pure inductance (superconductors excepted) because the windings have some resistance, so the measured phase difference between the applied voltage and the current flow is never 90°.

To find the power dissipated in this inductor when a certain ac voltage is applied across it, we must find the magnitude of the impedance so that the current, and hence power dissipated, can be calculated. If the values of inductance and resistance are known, the impedance is complex and is given by: $Z = R + j\omega L$. The magnitude and phase angle of the inductor's impedance can be calculated: the magnitude of impedance is the square root of $(R^2 + \omega L^2)$; the phase angle is $\arctan(\omega L/R)$. The smaller *R* becomes, the more the inductor behaves like a pure inductance. The power dissipated in the winding resistance is given by $P = I^2 R$, the current being found by dividing the voltage by the magnitude of the impedance.

If the values of inductance and resistance are not known, they can be calculated from the magnitude and phase angle of current through the inductor. The resistance is given by the impedance magnitude multiplied by the cosine of the phase angle. The inductance can be calculated by multiplying the impedance magnitude by the sine of the phase angle, then dividing by $(2\pi$ multiplied by the frequency of the applied voltage).

The s plane

The s plane is a complex frequency diagram with two axes. Real numbers are on the hori-

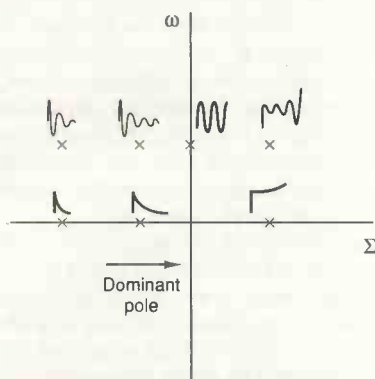
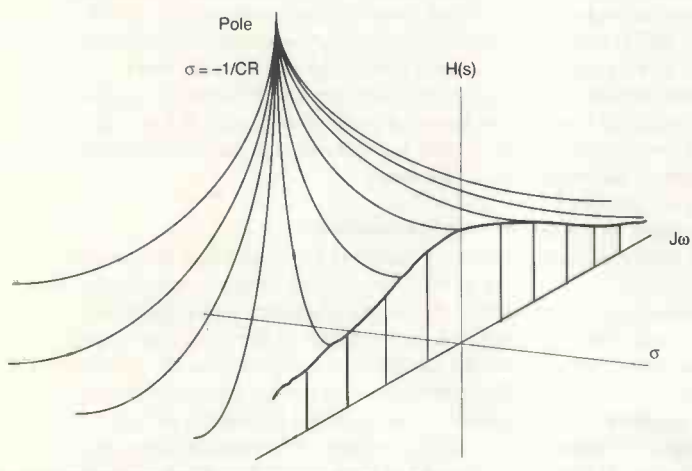


Fig. 2. S-plane complex frequency diagram with two axes. Real numbers are on the horizontal Σ axis and imaginary numbers on the vertical ω axis.

Fig. 3. In this description of a first order filter, the s plane is three dimensional and the pole can be imagined as the pole of a tent.



zontal axis which is labelled Σ . Imaginary numbers are on the vertical axis that is labelled $j\omega$. The signals represented by various points in the s plane are shown in Fig. 2. A signal represented by a point far to the left of the imaginary $j\omega$ axis quickly decays. As the points approach the imaginary $j\omega$ axis the signals they represent approach a steady state response. Any point to the right of the $j\omega$ axis represents an exponentially increasing signal, hence instability. If the point lies on the real Σ axis there is no oscillation associated with the signal. Signals with some oscillation in their waveform are represented by points in the s plane above and below the real axis. As the frequency of the oscillation increases, so the points on the s plane are further from the real axis.

If any signal can be represented by the sum of a number of exponentially decaying sinusoids then any signal can also be represented by the sum of a number of points in the s plane. The s plane, then, is a graphical way of describing a complex signal.

The s plane arises from the use of the Laplace transform, which is similar to the Fourier transform. The purpose of both transforms is to take a time domain signal and convert it into the frequency domain. The Fourier transform works for repetitive signals, which is useful for calculating the harmonic content because it sums an infinite number of sinusoidal signals. The Laplace transform is slightly different in that the signals being summed are exponentially decaying sinusoids. This allows for signals that are not continuous and have zero amplitude before the interval being considered.

An exponentially decaying sinusoid can be expressed as e^{-st} . The s is a complex frequency given by $\Sigma + j\omega$. If this equation is expanded we get $e^{-(\Sigma + j\omega)t} = e^{-\Sigma t} e^{-j\omega t}$. The $e^{-\Sigma t}$ part is the exponential decay while the $e^{-j\omega t}$ part is the steady state oscillation. If $\Sigma = 0$, the result is that the signal expression is $e^{-j\omega t}$ which is a continuous sinusoid and the Fourier and Laplace transforms are equivalent.

Describing components in the s plane

One reason why the s plane representation of signals is used, is the ease of describing components in the s domain. When a steady sinusoidal signal is applied across a capacitor or inductor the current that flows is 90° out of phase with the voltage and the reactances are said to be imaginary. A purely imaginary point in the s plane is when $s = j\omega$. An inductor's reactance, $j\omega L$, becomes sL and a capacitor's reactance, $1/j\omega C$ becomes $1/sC$.

Real poles

Consider a simple RC filter. A resistor is in series between the signal source and the load; a capacitor is connected across the load. There is a common connection from one side of the signal source to the load, and this is the reference for measurements. The resistor and capacitor form a potential divider. As the frequency of an applied signal increases, its amplitude across the load reduces. If the load

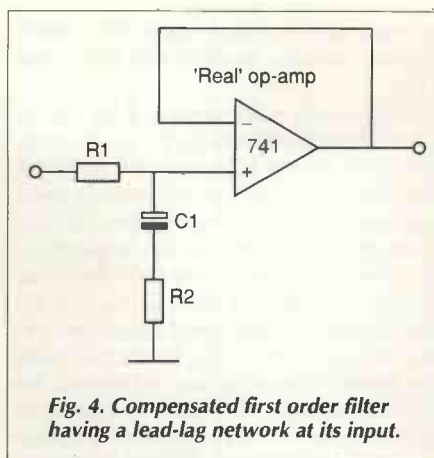


Fig. 4. Compensated first order filter having a lead-lag network at its input.

has a high impedance, so that changes to the circuit currents are insignificant, the transfer function that describes the circuit is: $(1/sC)/(1/sC+R)$, which simplifies to $1/(s+1/CR)$. Now, CR is the time constant of an RC network, sometimes described by τ . The denominator becomes equal to zero when $s = -1/CR$ and this makes the transfer function equal to infinity; a pole is said to have been created. The pole is entirely real because there are no oscillatory components in the circuit.

Now if an impulse is applied to this circuit we can intuitively see that the output will be stepped with an exponential decay. The decay rate depends on the time constant of the circuit, given by $\tau = CR$, as the charge stored in the capacitor C drains away through the resistor R .

If a sinusoidal signal is applied to the RC filter circuit, the half power (-3dB) frequency occurs when the capacitor's reactance is equal in magnitude to the resistance. This is when ω , or $2\pi f$, is equal to $1/CR$. The frequency f is known as the cut-off frequency. It is, at the moment, hard to see the relationship between the pole position and the frequency response. The pole is on the negative real axis in the s plane while the frequency axis is vertical.

The key to visualising the effect of the pole position on the frequency response is to imagine a canvas tent. The pole behaves like the pole in a tent, it holds up the enveloping canvas. This is where the s plane becomes three dimensional, see Fig. 3. Consider the height of the canvas at points along the imaginary $j\omega$ axis. It is highest at the zero frequency point, where it crosses the real Σ axis. It falls slowly in amplitude to start with and then by greater amounts until its rate of fall is proportional to the distance moved along the $j\omega$ axis. The height of the canvas at the Σ axis is the dc attenuation which is zero; the attenuation at other points along the $j\omega$ axis is relative to this. At high frequencies, attenuation increases by 6dB/octave , or in other words, doubling the frequency halves the output voltage.

Increasing the circuit's time constant makes it slower in response to impulses. It also has a lower half power frequency. You may have noticed that the distance of the half power frequency along the imaginary axis was the same as the distance of the pole from the origin, along the real axis. This was not coincidence,

but by Pythagoras Theorem the distance from pole to half power frequency is $\sqrt{2}$ times the distance to zero frequency. The amplitude falls in proportion to distance, hence falls by $1/\sqrt{2}$, or 3dB .

So now we have a way of converting a single real pole into a frequency response. A scale drawing of the s plane can be used, by measuring the distance from pole to origin and pole to frequency. The amplitude at any frequency is the input signal multiplied by the ratio of the pole to origin distance divided by the pole to frequency axis distance. Alternatively the ratio can be calculated.

Complex poles

An LC lowpass filter comprises a series inductor and a shunt capacitor, with resistive source and load. The combination of the two networks gives a potential divider. The transfer function, $V_{\text{out}}/V_{\text{in}}$, has a quadratic equation (of the form as^2+bs+c) in the denominator. This has two solutions for s which make the denominator equal to zero. Both solutions are complex, so the two poles do not lie on the real axis in the s plane but they are symmetrically placed about it. Each pole position is described by real and imaginary parts. The real part is the same for both poles and describes the amount of damping in the circuit. The magnitude of the imaginary part is the same for both poles, but one has a positive sign and the other is negative, and describes the frequency of oscillations produced if the circuit is excited by an impulse. Remember that it is the component values which determine the poles in the equation and the response of the circuit. The pole positions in the s plane are just another way of describing the circuit's transfer function.

Not surprising then, that the simple LC circuit described above is known as a two-pole filter. Filters using more reactive components are known as three-pole, four-pole, etc, as the number of components increases. The number of poles describes the filter 'order'. Odd order filters have one real pole and a number of complex poles depending on the filter order. Even order filters have only complex poles.

Active two-pole filters use feedback from the output to create a resonant circuit which is modelled by complex poles. Care has to be taken with active filters because their operation depends upon the response of an operational amplifier. Filter design is based on the amplifier having a perfect response; an output with constant amplitude and in-phase with the input. Peaking and ripple in the passband can occur if the op-amp response is poor.

To find the frequency response of a circuit that has complex poles, follow the same procedure as with the real pole. The response at frequency ω is given by the product of all the pole to the origin distances divided by the product of all the pole to $j\omega$ axis distances. If the poles are equally spaced and lie on a semicircle, the product of distances to points along the imaginary axis remains almost constant, up to the point where the semicircle crosses the imaginary axis. A circuit represented by

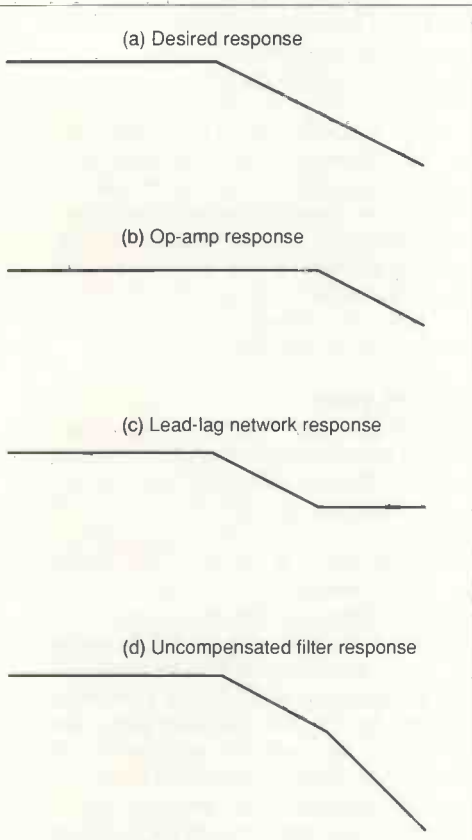


Fig. 5. Bode plots illustrating frequency compensation.

this arrangement of poles is known as a Butterworth filter and has a response that is maximally flat in its pass-band.

Zeroes

Simple CR circuits, which are described as having a real pole, also have a zero. The zero is never drawn on an s plane diagram because it is located at minus infinity on the real axis. Consider the transfer function $1/(s+1/CR)$. The pole is at $s=-1/CR$, because this makes the transfer function equal to infinity. However, as

the value of s becomes larger, the transfer function becomes smaller and approaches zero.

Now consider what happens if the zero is moved closer to the pole on the negative real axis. The frequency response of the circuit that is represented by this arrangement of poles and zeroes will show a decay to start with, due to the pole; and then, as the frequency is increased further, the response will flatten out because the effect of the zero cancels the effect of the pole. Moving the zero closer to the pole can be achieved by inserting a resistor between the shunt capacitor and ground, this will be explained in detail later. Ultimately, by placing a zero at the same point in the s plane as an existing pole, the effect of the pole is removed.

Zeroes are also produced when the equation that describes a circuit response has a frequency dependent element in the numerator. Take the case of an elliptic lowpass filter, this has parallel LC elements in series with the source and load. When the resonance frequency of the LC circuit is reached it presents a high impedance so the signal is severely attenuated. There is said to be a zero at the resonant frequency; in the s plane this zero is on the positive and negative imaginary axis. Choosing the zeroes carefully lets harmonics of certain passband signals be removed.

Just as it was possible to calculate the circuit's frequency response from measurements of the pole positions in the s plane relative to the frequency axis, it is also possible to determine the effect of zeroes in this way. The frequency response is a constant, multiplied by the zero to frequency distance and divided by the pole to frequency distance. In the case of the real pole and real zero being close together, the response at high frequencies is flat; this is because the distances from the pole, and from the zero, to the frequency axis are approximately equal and the transfer equation equals a constant.

A pole-zero application

A previous article¹ described how lowpass filters were dependant upon the type of op-amp

used. The article showed how the performance of a Sallen and Key low-pass filter was very dependent on the gain-bandwidth product of the op-amp used and on the order of the filter. It was also shown that the filter type has a bearing on the performance; Butterworth and Chebyshev (0.5dB ripple) types were used as examples. The Chebyshev filter has a steeper skirt response than the Butterworth type and is more demanding on the op-amp. The criterion used was for an accurate cut-off frequency and for no more than 2dB attenuation in the pass-band. There are times when a more demanding specification is required, e.g. the phase may be important.

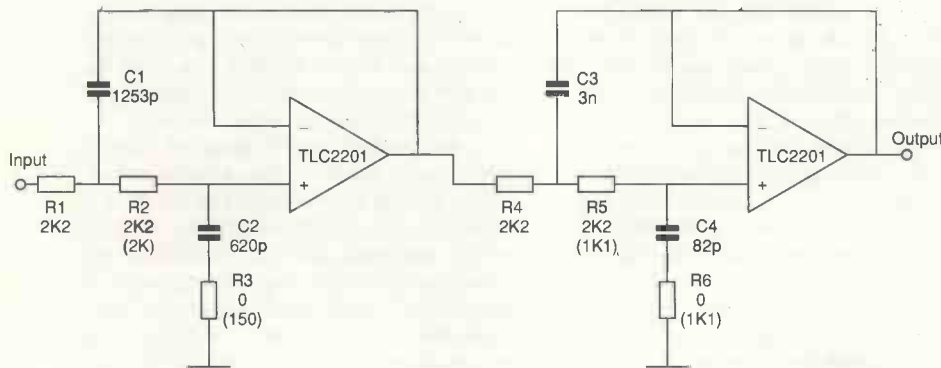
If two circuits are connected in series the overall frequency response is the product of the two individual responses. The frequency response of a first order low-pass active filter will therefore be a product of the RC network response and the op-amp's response. This is valid since the high input impedance of the op-amp will not affect the response of the RC network. If the op-amp has a perfect response within the filter pass-band then the final product will behave correctly. If the op-amp's response produces a change of amplitude or phase within the filter's pass-band, then the filter produced will have an incorrect cut-off frequency or, in the case of higher order filters that use feedback, will have ripple in the pass-band.

Using op-amps with a very high gain-bandwidth product may provide the solution to obtaining a near perfect response. There may be several disadvantages of this approach: the circuit's physical layout may be critical to avoid oscillation; the device may draw a higher than desired supply current; the device may be too noisy; or it may cost too much. High speed devices are often expensive and power hungry, and many have a minimum gain for stability.

It is much harder to design circuits when power sources are limited, such as when circuits have to run off batteries. If low-cost, low-power or other op-amp devices with insufficient gain-bandwidth product have to be used there are a few options that could be considered. One option is to design the filter with a cut-off frequency that is higher than required, hoping that the finished circuit will perform closer to the actual requirement. This is not an ideal solution and may be time consuming to develop. This solution may be made easier by the use of an analogue circuit simulator, such as ECA2² or Analyser III³, allowing many designs to be tried before buying components. Another option, which will now be explained, is to modify the filter design by adding components that compensate for the op-amp's frequency response.

Operational amplifiers have an in-built feedback capacitor, for stability, and that causes the frequency response to be limited. A modern op-amp suitable for a filter is the TLC2201 which has a gain-bandwidth product of 1.8MHz. This op-amp is a low-noise device and operates on single or dual 5V supplies. The effect of the in-built feedback capacitor

Fig. 6. 150kHz 0.5dB Chebyshev lowpass filter. Resistors R_{3,6} are zero ohms in the uncompensated filter, otherwise, R_{2,5} are reduced by the value of R_{3,6}, respectively.



Number One Systems Limited ANALYSER III Print Date: 4.1.94 8:39 pm.
 File: UNCOMP.NET Begin: 50.000 KHz End: 250.000 KHz Steps: 50 X-Scale: Lin.
 Gain (dB) UNCOMP / COMPS Phase (°)

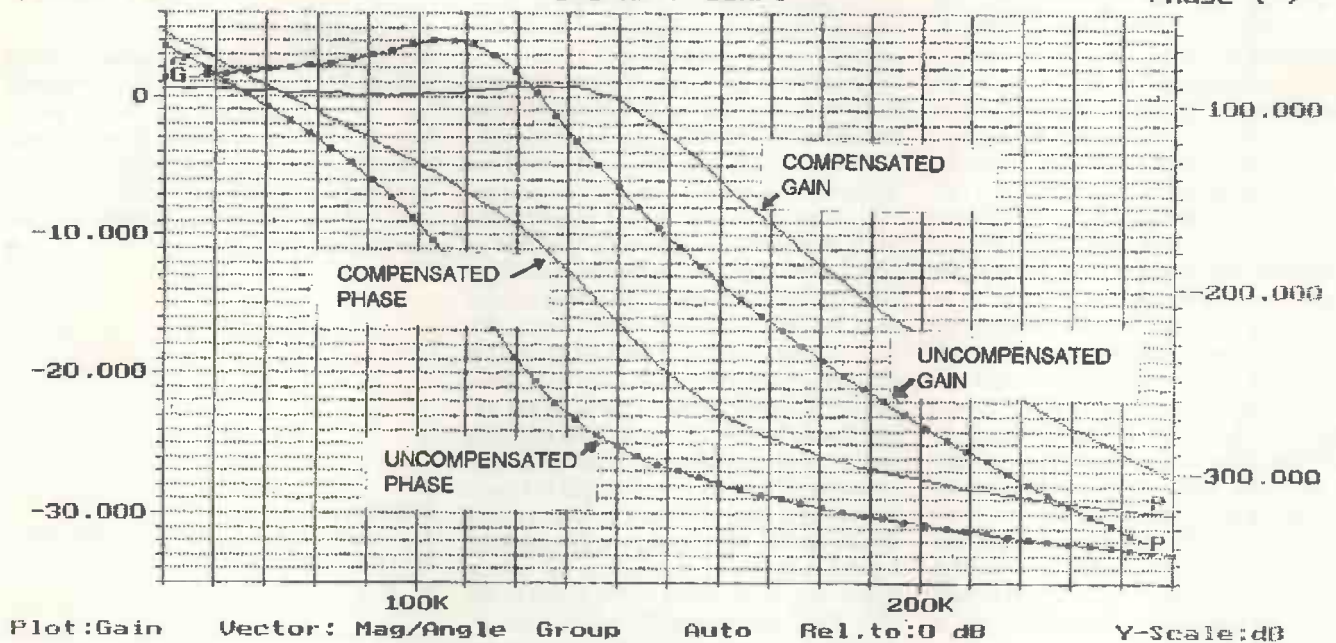


Fig. 7. Simulated responses of compensated and uncompensated circuits.

can be modelled by a pole in the s plane, placed on the negative real axis at $-2\pi(1.8^\circ)$, the same distance from the origin as the bandwidth. To remove the effect of this pole, it is necessary to place a zero at the same frequency. In other words, the filter roll-off must be stopped where the op-amp roll-off starts.

To overcome the effect of the op-amp's internal lowpass filter, it is necessary to modify the response of the RC network. What is required is a circuit having a falling response above the desired cut-off frequency, but a flat response beyond the amplifier's own cut-off point. This can be done by adding a resistor in series with the shunt capacitor at the amplifier's input, as shown in Fig. 4. This is known as a lead-lag network, because of its phase response, and is often used in control engineering or in phase locked loops. In terms of the pole-zero explanation, the extra resistor causes the zero to be moved from infinity and placed on top of the op-amp's pole; this effectively cancels the pole. The transfer function of the modified RC network is

$$(R_2 + 1/sC) / (R_1 + R_2 + 1/sC)$$

By cross-multiplying, this can be re-written as

$$(s + 1/R_2C) / \{s + 1/(R_1 + R_2)C\}$$

Examination of this transfer function shows that there is a real pole at $s = -1/(R_1 + R_2)C$ and a real zero at $s = -1/R_2C$.

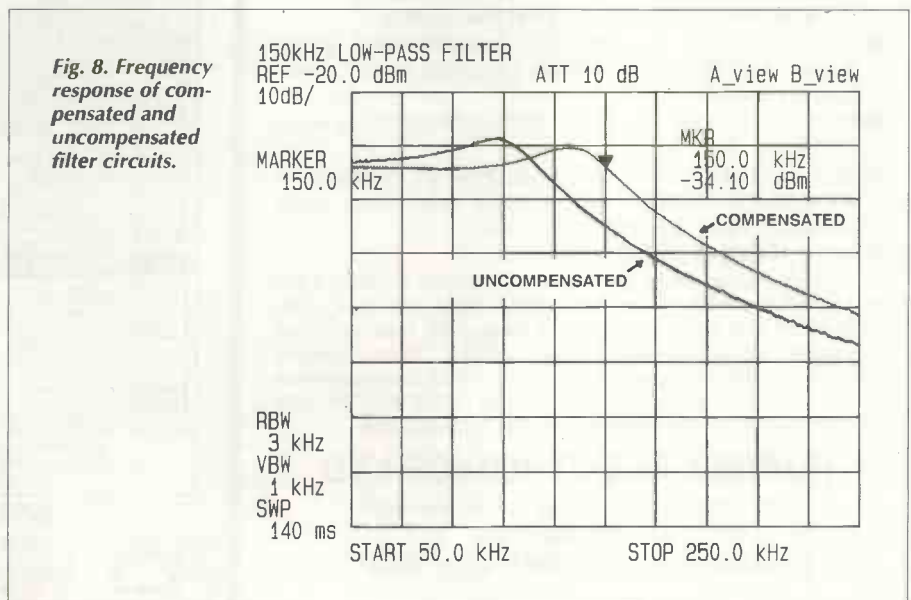
Instead of the input signal decreasing indefinitely, as the capacitors reactance falls, the signal's minimum level is limited by the potential divider action of the two resistors. In effect, with this modified circuit, the RC net-

work provides part of the overall filter response and the op-amp provides the rest. This is illustrated in Fig. 5, using Bode plots (straight line approximation to a frequency response). This is rather a simplistic diagram because it does not show the phase response, which is also important. In the compensated network, shown in Fig. 4, resistor R_2 is given by the formula: $R = 0.5\pi FC$. Frequency F is the unity gain bandwidth of the amplifier.

The value of R_1 , found earlier, must be reduced by the value of R_2 because it has been shown that the pole position in the compensated circuit depends on the sum of R_1 and R_2 . With no compensating resistor the pole position was just dependant on the value of R_1 .

Since the unity gain bandwidth has a high tolerance, 20% or more, R_1 and R_2 may need to be trimmed if the application is critical.

In a simple phase locked loop filter, comprising a CR network, the phase shift through the circuit increases to a maximum of 90° at high frequencies. This can cause oscillations if other circuits in the loop also introduce phase shifts, since a 180° phase shift in a negative feedback circuit is equivalent to positive feedback. The compensated filter (or lead-lag network) has a phase shift which increases to about 45° at the cut-off frequency, then decreases to 0° at high frequencies. By this action, the chance of loop instability is reduced.



The compensation idea may be extended: as a more complex example, a fourth order Chebychev lowpass filter (with 0.5dB ripple) using the TLC2201 op-amp was designed to have a 150kHz cut-off frequency, see Fig. 6. A fourth order filter has two pairs of complex poles, but the real part of these is set by the combination of R_2 and C_2 for one pair of poles, and R_5 and C_4 for the other pair. Compensation can be carried out in exactly the same way as before; by changing the values of R_2 and R_5 , and by introducing resistors R_3 and R_6 in series with capacitors C_2 and C_4 .

This filter was simulated using the Analyser III electronic circuit analysis program³. The uncompensated circuit showed peaking in the frequency response, just below the cut-off frequency. The values of the compensating resistors, R_3 and R_6 , were then calculated and added into the netlist. Resistors R_2 and R_5 were reduced by an equivalent value, to maintain the correct filter cut-off frequency. In both cases, the nearest preferred values were used. The result of adding this compensation was that a correct filter response was obtained. A graph showing the simulated response of both compensated and uncompensated circuits is given in Fig. 7.

The graph in Fig. 7 also shows the phase response. Compensation has improved the

phase response, which is linear with frequency up to about 100kHz. Previously the rate of phase change began to increase at frequencies above about 75kHz. A linear rate of phase change indicates a constant delay for all frequencies passing through the circuit. The effect of a non-linear rate of phase change is to cause the broadening of impulses passing through the circuit, which may be undesirable.

Having simulated the circuit and proved that the compensated filter would give a satisfactory response, the circuit was breadboarded using Veroboard. A frequency response of both compensated and uncompensated filter circuits is given in Fig. 8. The compensated filter has an accurate cut-off frequency, but shows a slight peaking in the pass band. This peaking did not show up in the circuit simulation and is due to the tolerance in the op-amp's gain-bandwidth product. This tolerance may be as high as 50% and its effect can be counteracted by fine adjustment of the compensating resistors. Another important point is that a practical filter must have its calculated input resistor value reduced by the source impedance, because this becomes part of the filter. The 2.2k Ω resistor, R_1 , shown in the circuit diagram was actually a 600 Ω impedance signal generator and a 1.6k Ω resistor, connected in series.

There are some good books that cover this subject in greater detail^{4,5} for those of you who want to find out more.

Conclusions

The s plane description of a circuit is useful because the positions of poles and zeroes indicate both the impulse and the frequency response. The practical application is a useful one because it allows low-power or low-cost operational amplifiers to be used in filter circuits that would otherwise demand high performance devices.

References

1. S Winder, *The Real Choice for Active Filters*, EW+WW (September 1993)
2. Those Engineers Ltd, ECA2.
3. Number One Systems Ltd, *Analyser III*.
4. R J Maddock, *Poles and Zeroes*, Holt, Rinehart & Winston.
5. P Lynn, *An Introduction to the Analysis and Processing of Signals*.

10 OUTLET DISTRIBUTION AMPLIFIER 4



A compact mains powered unit with one balanced input and ten AC and DC isolated floating line outputs.

- Exemplary RF breakthrough specifications giving trouble-free operation in close proximity to radio telephones and links.
- Excellent figures for noise, THD, static and dynamic IMD.
- Any desired number of outlets may be provided at microphone level to suit certain video and audio recorders used at press conferences.
- Meets IEC65-2, BS415 safety.

*Advanced Active Aerial 4kHz-30MHz *PPM10 in-vision PPM and chart recorder *Twin Twin PPM Rack and Box Units *Stabilizers and Fixed Shift Circuit Boards for howl reduction *Broadcast Monitor Receiver 150kHz-30MHz *Stereo Variable Emphasis Limiter 3 *Stereo Disc Amplifier *Peak Deviation Meter *PPM5 hybrid, PPM9 microprocessor and PPM8 IEC/DIN -50/+6dB drives and movements *Broadcast Stereo Coders.

SURREY ELECTRONICS LTD

The Forge, Lucks Green, Cranleigh, Surrey GU6 7BG

Telephone: 0483-275997 · Fax: 276477

WE HAVE THE WIDEST CHOICE OF USED OSCILLOSCOPES IN THE COUNTRY

TEKTRONIX 7000 SERIES OSCILLOSCOPES AVAILABLE FROM £200. PLUG-INS SOLD SEPARATELY

TEKTRONIX 2455 4 Channel 300MHz Delay Sweep Cursors	£1750
TEKTRONIX 2238 Dual Trace 200MHz Delay Sweep Counter/Timer/DMM	£850
TEKTRONIX 475 Dual Trace 200MHz Delay Sweep	£500
TEKTRONIX 465 Dual Trace 100MHz Delay Sweep	£400
TEKTRONIX 8520A Dual Trace 80MHz in TMS03B kit new	£1925
IWATSU SS571C 4 Channel 100MHz Delay Sweep with DMM	£500
TRIO CS2070 4 Channel 70MHz Delay Sweep	£450
MITSUBI 9650F Dual Trace 60MHz Delay Sweep	£350
PHILIPS PM2171 Dual Trace 50MHz Delay Sweep	£400
TELEQUIPMENT 083 Dual Trace 50MHz Delay Sweep	£200
GOULD OS1100 Dual Trace 30MHz	£180
GOULD OS300 Dual Trace 20MHz	£200
TEKTRONIX 7922 Dual Trace 15MHz	£200
GOULD OS250B Dual Trace 15MHz	£125
IWATSU SS5702 Dual Trace 20MHz	£200
TRIO CS1566A Dual Trace 20MHz	£200
GOULD CS4000 Dual Trace 10MHz Digital Storage	£200
H.P. 1741A Dual Trace 100MHz Delay Sweep Antiquig Storage	£350

THIS IS JUST A SAMPLE. MANY OTHERS AVAILABLE

NEWLETT PACKARD 1740A Oscilloscopes 100MHz Dual Trace Delay Sweep	only £350
MARCONI 2018 Synthesized AM/FM Sig Gen 80kHz - 520MHz	£700
H.P. 8640B Sig Gen 20Hz - 1024MHz	£1000
H.P. 8620C Sweep Oscillator with 8625A S 9 - 12.4GHz	£400
SYSTEM DONNER 1702 Syn AM/FM Sig Gen 100Hz - 1GHz	£600
RACAL 9081 Synthesized AM/FM Sig Gen 5 - 520MHz	£500
FARNELL SS6520 Synthesized AM/FM Sig Gen 10 - 520MHz	£200
MARCONI T2208 AM/FM Sig Gen 10kHz - 510MHz Sweep Facility	£200
MARCONI T22015 AM/FM Sig Gen 10 - 520MHz	£200
MARCONI T22015 with Synchronizer TF2171 (Lock box)	£350
PHILIPS PM5226 AM/FM Sig Gen 100kHz - 100MHz	£300
MARCONI T22020B AM/FM Sig Gen 10kHz - 88MHz with Dig Sync	£150
MARCONI SANDERS 6600A Microwave Sweep Disc 26.5-40GHz	£300
H.P. 8650B Microwave Sweep Disc 26.5-40GHz	£300
H.P. SM7 ANTENNA with 17-602-4	£2000
MARCONI 6500 Automatic Amplitude Analyser	£1500
H.P. 436A Power Meter with sensor	£1000
RACAL INSTRUMENTATION RECORDER type Store 40N	£500
H.P. 3575A Chain Phase Meter 1Hz - 13MHz	£400
MARCONI T2237 Automatic Distortion Meter	£200
SAYROSA Automatic Modulation Meter type 252B	£125
RADFORD LD04 Low Distortion Oscillator	£300
RADFORD DMS2 Low Distortion Measuring Set	£300

SPECTRUM ANALYSERS

H.P. 8555A 0.1 - 22GHz	£5000
H.P. 853 with 8559A 0.01 - 21GHz	£4500
H.P. 3580A LED 5Hz - 50MHz	£1000
POLARAD 641-1 10MHz - 18GHz	£1500
ANDU AC8281 with AC8211 1700MHz	£1500
H.P. 182 with 8558B 130kHz - 1500MHz	£1500
H.P. 141T with 8554B & 8552B 500kHz - 1250MHz	£1200
H.P. 141T with 8553B & 8552A 10kHz - 110MHz	£800
MARCONI T2730 30Hz - 110MHz	£1000
H.P. 8444 & 8443 Tracking Generators Available from	£300
H.P. 141T Main Frames only. Good Tubes	£225

B & K VIBRATION SYSTEM (LARGE) P.O.A.
Other B & K Equipment available

NEW EQUIPMENT

HAMEE OSCILLOSCOPE HM11035 Triple Trace 130MHz Delay Timebase	£447
HAMEE OSCILLOSCOPE HM600 Dual Trace 60MHz Delay Sweep	£653
HAMEE OSCILLOSCOPE HM203 7 Dual Trace 20MHz Component Tester	£362
HAMEE OSCILLOSCOPE HM205 3 Dual Trace 20MHz Digital Storage	£653
All other models available - all oscilloscopes supplied with 2 probes	
APOLLO 10-100MHz Counter/Timer Ratio/Period/Time Interval etc	£222
APOLLO 100-100MHz (AS above with more functions)	£325
METRO 100 FREQUENCY COUNTER 100MHz	£119
METRO 600 FREQUENCY COUNTER 600MHz	£145
METRO 1300 FREQUENCY COUNTER 130Hz	£149
ORION 500 FUNCTION GEN 0.1Hz-500kHz Sine/Sq/Tri	£119
JUPITER COLOUR BAR GENERATOR Pal/TV/Video	£229
All other Black Star Equipment available	
OSCILLOSCOPE PROBES Switchable x1 x10 (P&P £3)	£12

Used Equipment - GUARANTEED. Manuals supplied if possible.
This is a VERY SMALL SAMPLE OF STOCK. SAE or Telephone for lists. Please check availability before ordering.
CARRIAGE all units £16. VAT to be added to Total of Goods and Carriage.

STEWART OF READING
110 WYKEHAM ROAD, READING, BERKS RG6 1PL
Telephone: (0734) 268041. Fax: (0734) 351696
Callers Welcome 9am-5.30pm Monday to Friday (until 8pm Thursday)

CIRCLE NO. 133 ON REPLY CARD

NEW PRODUCTS CLASSIFIED

Please quote "Electronics World + Wireless World" when seeking further information

ACTIVE

A-to-d and d-to-a converters

Fast, low-power a-to-d. *TDA8760* is a 10-bit analogue-to-digital converter, claimed by Philips to be the first commercial a-to-d to sample at 50Msample/s while dissipating only 850mW from 5V. It will digitise analogue signals with components up to 20MHz and, when sampling a 4.43MHz full-scale input at 40Msample/s, signal-to-noise ratio is better than 56dB with a THD better than -65dB. Since input capacitance is only 4.5pF, no input buffer is needed. The ttl-compatible outputs are tri-state, and can be programmed to give two's-complement coding. Philips Semiconductors (Eindhoven). Tel., 01031 40 722091; fax, 01031 40 724825.

Discrete active devices

High-power mosfets. Motorola's high-voltage TO-264 family of n-channel TMOS power mosfets dissipate 300W internally and control loads up to 5kW, 500V, 600V and 1000V devices now being available. The higher power reduces the need to parallel devices for high current and low $R_{DS(on)}$ avoids the need for series gate resistors. On resistance for the 1kV version, *MTY10N50E*, is 1300m Ω at 10A, that of the 600V *MTY25N60E* 210m Ω at 25A and of the *MTY20N50E* 240m Ω at 20A. Motorola Inc. Tel., 0908 614614; fax, 0908 618650.

Digital signal processors

PAL/NTSC genlock. Raytheon's *RC6100* horizontal line genlock chip is meant for digital video signal processing and conferencing, supporting both PAL and NTSC formats. It provides a high-speed tracking sync separator, a glitch filter and pixel clock generation and forms the timing reference for analogue acquisition and reconstruction. Input composite video can be in a choice of eight pixel-clock frequencies, since the chip supports CCIR601, 4F_{sc}, square pixels and VGA in both formats. Ambar Components Ltd. Tel., 0844 261144; fax, 0844 261789.

Small, high-voltage mosfet. A TO-215AA mosfet by Ixys, the *IXTU01N80* has a blocking voltage of 800V, drain current of 100mA and on resistance of 80 Ω . It is claimed to be the smallest available at 800V. IXYS Corporation. Tel., 0101 408 982 0700; fax, 0101 408 496 0670.

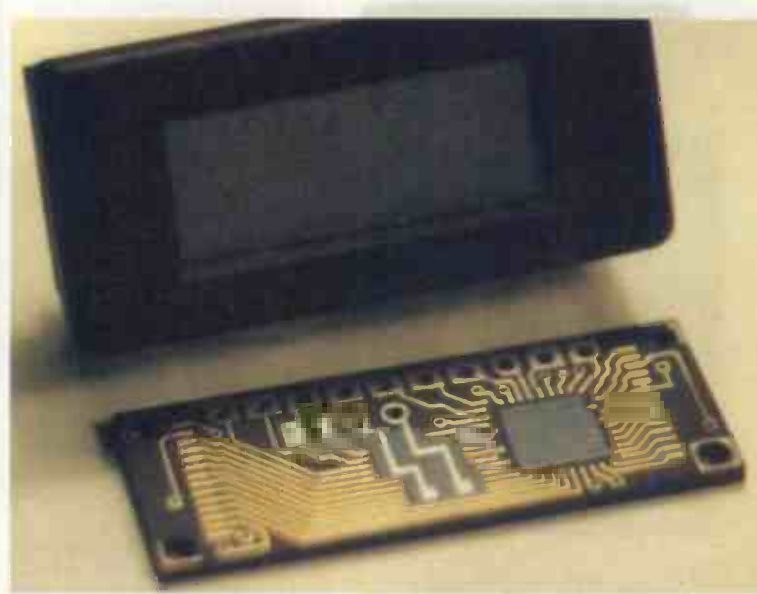
Medium-power mosfet. *ZVP4424* by Zetex is a TO92 p-channel power mosfet rated at 240V, 200mA and exhibiting an on resistance of 11 Ω for a gate/source voltage of -3.5V. The range of gate/source voltage is $\pm 40V$ and, since pulsed-current handling is up to 1A, the device is suitable for use as a telephone hook-switch or other interfaces where transients are to be expected. Its 1.4V threshold for a -1mA drain current makes the device a good interface between high voltage circuitry and standard logic. Turn-on and turn-off delays are 1ns and 26ns. Zetex plc. Tel., 061-627 5105; fax, 061-627 5467.

Low-noise jfet. Claiming it to be the lowest-noise dual jfet available, Linear announces the *LT1169*, which generates a noise voltage of 6nV/Hz and a maximum input bias current of 10pA held over the -11V to 13.5V common-mode range. Input impedance is 10¹³ Ω ; input capacitance 1.5pF. This device is unconditionally stable with capacitive loads of up to 1000pF; it has a 0.5mV input offset, a gain of 4 million, slew rate 2.4V/ μ s and gain/bandwidth product of 3.3MHz. Linear Technology (UK) Ltd. Tel., 0276 677676; fax, 0276 64851.

RF, n-p-n power. Six new power transistors by Motorola provide rf power in the 800-960MHz frequency range of 2-36W. *MRF857* is a 2.1W cw type with 3.3pF output capacitance in a stud package and *MRF862* the 36W device showing 75pF at the output. Between the two are *MRF857S*, *858*, *860* and *861* in various packages. Motorola Inc. Tel., 0908 614614; fax, 0908 618650.

Linear integrated circuits

3.3V low dropout regulators. A second family of 3.3V low dropout regulators from National is now available. *LP2952-3.3* and *LP2953-3.3* deliver 250mA and show a 470mV dropout at full load, quiescent current at a load of 1mA being 130 μ A. Both devices have a 3.3V tap, eliminating external resistors. National Semiconductor GmbH. Tel., 01049 814110382; fax, 01049 814103515.



High-speed op-amps. True voltage-feedback op-amps from Linear, *LT1361/2* and *LT1364/5* are dual/quad types offering high speed while maintaining good dc accuracy. *LT1361/2* have 50MHz gain/bandwidth and slew at 800V/ μ s with a 1mV input offset and 1 μ A input bias, while *LT1364/5* are 70MHz types slewing at 1000V/ μ s with 1.5mV and 2 μ A. Differential gain for the 1364/5 into 150 Ω is 0.06%; diff. phase is 0.04%. Linear Technology (UK) Ltd. Tel., 0276 677676; fax, 0276 64851.

SM voltage regulators. *ZMR250* and *ZMR500* fixed voltage regulators by Zetex provide 2.5V and 5V respectively, with thermal shutdown and current limiting, both types being in SOT23 SM packages. In standby, the devices take 25 μ A and 50 μ A, are unconditionally stable and need no external components. Both types supply 50mA and input stabilisation is 10mV worst case for voltages between 4.5V and 20V (*ZMR250*) or down to 7V for the *ZMR500*. Zetex plc. Tel., 061-627 5105; fax, 061-627 5467.

Low dropout regulators. Low-dropout voltage regulators from Semtech in the *EZ108X* range are pin-compatible with Linear's *LT1083/4/5/6* devices. Input/output differential is low; input is up to 6V and the output is either 3.3V fixed or 1.3-4V adjustable at currents between 1.5A and 7.5A. Regulation and stabilisation are 0.1% and 0.015%.

Smallest DPM. Using a thick-film hybrid microcircuit manufactured by CorinTech, the *Lasca DPM 1* digital panel meter measures 30 by 14 by 13mm and is claimed to be the world's smallest. All the circuitry is on the thick-film hybrid, which is on ceramic and uses very fine tracks, all the resistors being printed onto the substrate and automatically laser trimmed as the circuit is powered-up, replacing trimming potentiometers. Instead of a surface-mounted IC the device is a bare die bonded to the substrate and connected to the rear side through printed-through holes in the ceramic. CorinTech Ltd. Tel., 0425 655655; fax, 0425 652756.

Current limiting and thermal shutdown are provided. Semtech Ltd. Tel., 0592 773520; fax, 0592 774781.

600V high-side driver. *IR2117* from IR is a high-side driver IC with a floating channel designed for bootstrap operation. It copes with offset voltages up to 600V, has a maximum offset supply voltage transient of 50V/ns and has an undervoltage lockout. On and off times are 125ns and 105ns and the device drives mosfets and igbts with a gate drive of 10-20V. It is also compatible with cmos outputs. International Rectifier. Tel., 0883 713215; fax, 0883 714234.

NEW PRODUCTS CLASSIFIED

Please quote "Electronics World + Wireless World" when seeking further information



Datacoms dc-to-dc converter. Designed for the dc-input modem market, Gardners's new converter takes a 40-60V dc supply and provides three outputs: 5V, 1A and $\pm 12V, 0.2A$. All outputs stay within 5% of nominal in all conditions of line, load, temperature or cross-regulation and are overcurrent-protected. Ripple and noise are under 50mV and 100mV for 5V and 12V outputs. Gardners Ltd. Tel., 0202 482284; fax, 0202 470805.

Logic building blocks

16-bit ALU. Logic Devices's *L4C381* arithmetic and logic unit performs 16-bit addition, subtraction and logic operations including and, or and exclusive-or in under 15ns. Clock-to-result delay is 11ns, the overflow, zero detect, propagate, generate and carry flags coming in less than 15ns. Input and output registers provide pipe-lined operation and can be bypassed to allow flow-through working. Ambar Cascom Ltd. Tel., 0296 434141; fax, 0296 29670.

Microprocessors and controllers

OTP microcontroller. Toshiba has a one-time-programmable, 4-bit chip which can be programmed on a standard eeprom programmer by using the appropriate pin adaptor. Features of the *TMP47P443VN* include an 8-channel, 8-bit a-to-d converter, three timers and a watchdog, an 8-bit serial port, zero-crossing detector, eight 20mA outputs and a pulse output. There are 4Kbyte of program memory and 256nibble of ram. Working at 5V and 6MHz, instruction cycle time is 1.3 μ s. Toshiba Electronics (UK) Ltd. Tel., 0276 694600; fax, 0276 691583.

More memory for H8/300. Hitachi's *H8/300* family of 8-bit microcontrollers now has two new members provided with more memory: the *H8/3256* and *H8/3247* are upgrades of, and compatible with the *H8/325* series, having 2K-byte of ram and 48K-byte (3256) or 60K-byte (3257) of rom. Further, the devices now operate at

voltages down to 2.7V at 5MHz. Hitachi Europe Ltd. Tel., 0628 585000; fax, 0628 585200.

Mixed-signal ICs

Video conferencing ICs. AT&T has a second generation of its *AVP* video codec chipset. The chipset is for desktop and group videoconferencing to H.320 standard compression and decompression. Each set in the series includes system controller, video decoder and video encoder, the new chipsets being software-compatible with the original *AVP* chips. New features include interpolation for better quality, higher data rates up to 1.92Mb/s and 30frames/s video encoding. AT&T Microelectronics. Tel., 0734 324299; fax, 0734 328148.

3V RS232 serial port. *MAX3241* by Maxim is an RS232 interface IC that allows true RS232 performance from a 3-5.5V supply taking only 1mA (1 μ A when shut down). It is a complete three-driver, five-receiver port using four small capacitors as the only external components and running at data rates of up to 120kb/s while maintaining 5V outputs. Maxim Integrated Products UK Ltd. Tel., 0734 845255; fax, 0734 843863.

CT1 transceiver. Fujitsu's *MB15A31* is a dual serial-input PLL frequency synthesiser for CT1 transceivers which incorporates digital blocks and analogue rf functions for both receive and transmit paths, all in the one chip. Both paths have 19-bit latches, programmable divider, phase detector with polarity change, 1GHz dual modulus prescaler, charge pump and vco, an analogue switch being used in the transmit block. A receive mixer has a gain of 21dB (-3dBm). Power consumption is 52.5mA at 3V and there is a power-down facility for the transmit PLL and vco. Fujitsu Microelectronics Ltd. Tel., 0628 76100; fax, 0628 781484.

Optical devices

Laser inspection. Optics by *Lasiris* generate a range of light patterns such as single or multiple lines, dot arrays and concentric circles from the output of helium-neon lasers or laser diodes, although they can be used with other types of laser. Viewed by a camera, the patterns allow inspection of parts, ranging in size from pcb components to car bodies, for alignment or edge detection. Gaussian distribution along the length of the stripes produced is eliminated. Laser Lines Ltd. Tel., 0295 267755; fax, 0295 269651.

Optical sensors. *Isocom Components* has a range of slotted interrupter and reflective sensors using infrared leds and photosensors in single or dual packages, the dual type being intended for direction sensing and, with an interface, speed measurement. A transistor detector is standard, but a Darlington can be supplied, as can logic-compatible output. Isocom Components Ltd. Tel., 0429 863609; fax, 0429 863581.

Optical sensors. Slotted optical switches in the *QVA* and *QVB* series by Quality Technologies use an infrared led facing an n-p-n phototransistor over a 3.18mm gap. Internal apertures of 1.27mm or 0.25mm confer the high resolution needed for use in encoders and position sensors. Various combinations of aperture size, lead spacing and output current are available and the devices come in board-mounting or panel-mounting form. Quality Technologies UK Ltd. Tel., 0296 394499; fax, 0296 392432.

Oscillators. Providing ecl square-wave output with transition times of less than 4ns, ACT's *HEV1500 AA* series of voltage-controlled crystal oscillators operates in the 10-180MHz frequency range. Stability options range from ± 15 ppm to ± 100 ppm and temperature ranges are 0-70°C to -55-105°C. Advanced Crystal Technology. Tel., 0635 528520; fax, 0635 528443.

Programmable logic arrays

Mixed-logic plds. Lattice Semiconductor *GAL16LV8ZD* and *GAL20LV8ZD* re-programmable logic devices interface with both 3.3V and 5V logic and consume only 45mA at 62.5MHz while operating from 3.3V. A power-down facility reduces current to 50 μ A. Erasure time is under 100ms. Micro Call Ltd. Tel., 0844 261939; fax, 0844 261678.

Power semiconductors

600V bridge driver. *IR2132* from IR is a three-phase, floating-channel bridge driver IC providing 10-20V gate drive for igbts or mosfets at offsets up to +600V. The device has three independent high-side and low-side referenced output channels for three-phase use. Inputs are compatible with 5V cmos or LSTTL and a ground-referred op-amp gives analogue feedback of bridge current by an external sense resistor, a current-trip facility also coming from this resistor. On and off times are 120ns and 94ns and dead time is 0.8 μ s. International Rectifier. Tel., 0883 713215; fax, 0883 714234.

2W dc-to-dc converter. Packaged in 24-pin dips, Semtech's *MP9000* series of 2W converters have a regulated output, 500V dc isolation and short and thermal protection. Acceptable input in 5V and 12V to give outputs of single 5V-24V and dual 12V and 15V at up to 200mA. Output ripple is 100mV pk-pk, the single unit having a pi filter at the output and the dual type at both input and output. Semtech Ltd. Tel., 0592 773520; fax, 0592 774781.

1.25A switcher. Cherry's *CS-3972* 1.25A, 60V current-mode switching regulator can be configured as a buck, boost, flyback, forward, isolated and non-isolated type, using a single-ended switch. Output switch, band-gap reference, voltage regulator, error amplifier, 40kHz oscillator, control and

protection circuits are all integrated. The output transistor is quasi-saturated in the on condition, so that turn-off delay is lessened, as is power dissipation. Minimum input voltage is 3V at 6mA. Clere Electronics Ltd. Tel., 0635 298574; fax, 0635 297717.

PASSIVE

Trimmer capacitors. Murata's *TZCX3* miniature trimmers are made with an alumina stator instead of polymer to obtain better stability; capacitance setting drifts by less than $\pm 1\%$ after passing a solder bath. Values cover the 1.5-20pF range at temperature coefficients of 200ppm-500ppm, depending on value, Q lying between 300 and 500. Murata Electronics (UK) Ltd. Tel., 0252 811666; fax, 0252 811777.

Surface-mounted resistors. Low-value chip resistors by Dale Electronics are made from a solid metal strip instead of the film normally used, conferring high stability, low inductance and good power handling in these *WSL Series* resistors, whose values lie in the 0.01 Ω to 1 Ω range at 1W or 0.5W. Tolerance is $\pm 1\%$ and temperature coefficient ± 75 ppm/°C. Vishay Components (UK) Ltd. Tel., 0915 144155; fax, 0915 678262.

Shielded coils. Miniature surface-mounted chip coils in a new range from Murata measure 2 by 1.25mm and 0.9mm to 1.25mm high, depending on value. They are externally shielded by ferrite to eliminate emi. The *LQG21N* range comes in values from 0.1 μ H to 4.7 μ H, the 4.7 μ H type having a Q of 60 at 10MHz. Self-resonance occurs at 340MHz for the 0.1 μ H coil and 47MHz for the 4.7 μ H one. The smaller values possess 0.17 Ω dc resistance and are rated at 250mA. Surtech Interconnection Ltd. Tel., 0256 51221; fax, 0256 471180.

Linear potentiometer. Model *L7M/LT* miniature linear potentiometer by Control Transducers is only 9.5mm in diameter and is designed for use in hostile conditions. It is made in extruded aluminium with guide rails for element and wiper assembly and has two wipers to assist in reducing the effect of vibration. MystIR is the element material, which confers low noise and an expected life of 10^9 operations. Stroke lengths available are 13-255mm in 10 ranges at an independent linearity better than $\pm 0.1\%$. Resistance is 1k Ω nominal. Control Transducers. Tel., 0234 217704; fax, 0234 217083.

Flatpack relay. A PCMCIA-compatible solid-state relay from CP Clare, the *TS series* is half the height of a standard relay at 2.3mm and will fit in a 'credit-card' modem, which can therefore house the Data Access Arrangement circuit with hookswitch, pulse dial relay and ring detect. CP Clare International nv. Tel., 01032 12/39 04 00; fax, 01032 12/23 57 54.

Please quote "Electronics World + Wireless World" when seeking further information

Chip capacitors. Kyocera has the 0402 surface-mounted chip capacitor in the MLC range, now available in NPO, SL, X7R and Y5V dielectrics. In NPO, the range is 0.5-120pF at 50V; in SL 82-220pF at 50V; in X7R 220pF-10nF at 16-50V; and in Y5V 2200pF-47nF at 16-50V. Insulation resistance is greater than 10GΩ or 500MΩ minimum. AVX Ltd. Tel., 0252 336868; fax, 0252 346643.

Connectors and cabling

Filtered BNCs. Two ceramic chip capacitors in Genalog's BNC connectors provide filtering to reduce emi/rfi leakage. Contacts are gold-plated phosphor bronze and the inner insulator is polypropylene. The glass-fibre outer has a UL94V-0 rating. There are vertical and right-angled versions in standard die-cast and lower-cost plastic types available. Genalog Ltd. Tel., 0580 753754; fax, 0580 752979.

Displays

Colour lcd. A single edge light on NEC's new 9.4in colour lcd module is responsible for a power reduction to 4.8W from the 8W of the earlier unit. NL6448AC30-10 is an active-matrix, thin-film-transistor colour lcd resolving 640 by 480 pixels and displaying 4096 colours at a contrast ratio of 110:1 and with a response time of 40ms. The single light still provides a luminance of, typically, 90cd/m². Circuitry for driving the light and the crystals is integrated. Horizontal viewing angle is 45° and in the vertical direction 30°. Weight is 680g, and thickness 12.5mm. NEC Electronics (UK) Ltd. Tel., 0908 691133; fax, 0908 670290.

"Largest" colour lcd. Sharp claims a world size record for its 21in thin-film transistor colour lcd, which is just over an inch thick. Dot configuration is 640 by 480 and pixels are in rgb vertical stripes. Sharp Electronics GmbH. Tel., 01049 40 23760; fax, 01049 40 23762510.

Monochrome LCD. The Orion OEM-6448 is a monochrome 9.5in liquid-crystal display to the VGA graphics standard, only 7mm thick and weighing 315g. Its contrast ratio is 18:1 and there are up to 64 grey-scale levels. Hardware available includes a range of PC cards to provide fluorescent back lighting and variable contrast. Options are brightness control and contrast temperature compensation. EAO-Highland Electronics Ltd. Tel., 0444 236000; fax, 0444 236641.

Filters

Chip filters. Murata announces two-pole and three-pole chip band-pass filters for mobile, portable and cordless telephones. They are surface-mounted and designed to work in the 500MHz-3GHz range to customers' specification. The three-pole type have an insertion loss of 4dB maximum and, as an example, an 836.5MHz centre-frequency filter



Sealed switch. The Grayhill series 39 family of miniature pushbutton switches are now available in a sealed version, which has an O-ring seal to protect the switch during flux cleaning, since the switch is meant for board mounting. Configuration is spot break-before-make, but the switch is usable as dpst. Contacts are rated at 0.125A at 220V ac, contact resistance 25mΩ and insulation resistance 1GΩ. EAO-Highland Electronics Ltd. Tel., 0444 236000; fax, 0444 236641.

with a bandwidth of ± 12.5 MHz will give at least 30dB attenuation at ± 77.5 MHz. The two-pole version at the same frequency has a 2.8dB insertion loss and 20dB at the same offset. Murata Electronics (UK) Ltd. Tel., 0252 811666; fax, 0252 811777.

Hardware

Custom boxes. If one's interest as a design engineer stops dead when the circuit performs as intended, reality can be restored by Bafbox, who can supply a range of enclosures which can be tailored for size and drilled with the required holes in a week, for short runs. Larger numbers will be handled later, including modifications from the smaller pre-production batch. Bafbox Ltd. Tel., 0280 705777; fax, 0280 706320.

Instrumentation

Sound-level meter. B&K's Type 2260 sound-level meter is intended for use in environmental monitoring and product testing. It is a hand-held instrument, but also incorporates the features of a PC. This instrument is a digital filter analyser giving 1/1 octave analysis with centre frequencies from 31.5Hz to 8kHz, software providing level distribution and cumulative distribution on broadband channels and in individual octave bands, together with a 15s graphical level v. time profile. It is expandable by means of standard interfaces and programmable by PCMCIA program cards. Two phase-matched channels have 80dB dynamic range, an unweighted output being provided for taping, and results are down-loaded via the RS232 interface. Bruel & Kjaer

LDM178, uses a high-pass filter with three spot frequencies at 315Hz, 1kHz and a user-set frequency to eliminate wow and flutter, an automatic level control assisting distortion measurement in tape equipment. Two panel meters show output level alongside distortion in dB. Thurlby Thandar Instruments Ltd. Tel., 0480 412451; fax, 0480 450409.

Radio clock. ADC-60 provides standard time in ascii or bcd to any computer serial port to the accuracy of the 60kHz MSF transmissions. Its internal clock locks to MSF or to the German DCF at 77.5kHz when MSF is down for maintenance, the internal source free-running if no transmission is received. Two software packages are supplied: one a TSR to run under Dos and the other to run minimised under Windows. Amdat. Tel., 0272 699352; fax, 0272 236088.

Communicative counter. A 1.3GHz counter-timer by Thurlby-Thandar, the TF830-ARC is provided with an RS232 serial interface for control by and reading to an external controller. Measurements may be made on frequency, period, frequency ratio, pulse width and event counting. A technique of reciprocal counting is used which results in a high resolution at all frequencies and eliminates the normal ± 1 count error. Resolution is at least seven digits and frequencies down to 0.001MHz can be measured. Thurlby Thandar Instruments Ltd. Tel., 0480 412451; fax, 0480 450409.

(UK) Ltd. Tel., 081 954 2366; fax, 081 954 9504.

Cable-tv signal-level meter. A 48-861MHz signal-level meter by Alban Electronics, the Promax MC-560 is designed to cope with present and future cable systems, automatically measuring ratios of video-to-audio, and carrier-to-noise and carrier-to-Nicam, results being presented on a backlit lcd. Its microprocessor holds the CCIR frequency plan, but the user is allowed to make his own with the help of a PC, or Alban will do it. Alban Electronics Ltd. Tel., 0727 832266; fax, 0727 810546.

Distortion meter. Leader's new automatic distortion meter, the

Crystals

Low-profile crystals. ACT's 4EX series of leaded crystals measure under 4mm in height and have an HC-49/U footprint. They are in a metal can and cover the frequency range 3.2-50MHz in preferred values or in specified frequencies to order. Stability is ± 100 ppm and ageing ± 5 ppm/year. Temperature range is -40°C to 125°C . Advanced Crystal Technology. Tel., 0635 528520; fax, 0635 528443.



NEW PRODUCTS CLASSIFIED

Please quote "Electronics World + Wireless World" when seeking further information

Smart DPMs. 'Intelligent' digital panel meters in the *DPM* range from ITT can be configured for various measurement and data acquisition requirements, basic instruments each having 34 ranges of voltage, alternating and direct current and temperature measurement. Extra functions include data-logging memory, thermocouple linearisation, alarm monitoring and interfaces for printers, message displays, recorders, PCs and PLCs. Resolution is 40,000 to +999999. ITT Instruments. Tel., 0256 311877; fax, 0256 23659.

Navigation systems

Compact GPS receiver. Rockwell's new *MicroTracker GPS Receiver* is a five-channel unit with differential GPS for accuracy in positioning down to less than 5m. The differential working eliminates the effect of selective availability which, being translated, means a reduced accuracy of up to 100m, errors having been introduced by the US during the Gulf War. *MicroTracker* also has 30s time to first fix and works accurately at altitudes from -1000ft to 45000ft. Telecom Design Communications Ltd. Tel., 0256 332800; fax 0256 332810.

Power supplies

Small converters. Maxim claims its *MAX860/861* to be the world's smallest charge-pump dc-to-dc converters. They use no inductors and the only externals are two capacitors that either invert or double the input. Switching frequency is selectable in six ranges between 6kHz and 250kHz. Inputs of 1.5-5.5V are inverted or doubled to 2.5-5.5V into an output impedance of 12 Ω . Logic-controlled shutdown is provided. Package is 8-pin SO. Maxim Integrated Products UK Ltd. Tel., 0734 845255; fax, 0734 843863.

High-voltage supply. Applied Kilovolts has a floating, variable high-voltage power supply, the *HP3F*, intended to power imaging electron detectors, supplying 0-3.5kV at up to 100 μ A. Ripple and noise are less than 20mVpk-pk and injected ripple on the accelerating 2.5kV supply less than 10mV pk-pk. Power required is 24V from earth, with controls and monitor signals also earthed. Applied Kilovolts Ltd. Tel., 0273 439440; fax, 0273 439449.

Radio communications products

Quadrature modulator. *RF2412* by Anglia is a low-cost universal modulation chip to generate AM, FM, PM or compound carriers at vhf/uhf. Modulating IF at 50-150MHz, it offers an rf output at 200-1000MHz. The chip includes all components including diff. amplifiers for baseband input, a 90° hybrid phase splitter, limiting local oscillator amplifiers, two balanced mixers, a combining diff. amplifier and an rf amplifier driving into 50 Ω . A single 5V supply is needed. Anglia Microwaves Ltd. Tel., 0277 630000; fax, 0277 631111.

Transducers and sensors

Temperature sensors. *Elmwood's* range of temperature sensors are flexible, wire-wound or etched-foil types either in flexible dielectric layers or on film dielectrics, designed to conform to uneven surfaces and to measure the temperature of a surface rather than a point; maximum thickness is 0.04in. They are provided with pressure-sensitive adhesive backing and cover the range -200°C to 235°C. Radiatron Components Ltd. Tel., 01784 439393; fax, 01784 477333.

Peak rf power sensor. Rohde & Schwarz introduce the *NRV-Z31* peak power sensor, which will find application in the measurement of transmit power of cellular radio equipment, sync. pulse power for television, emc test signal peak power and peak power of line-frequency modulated signals such as microwave ovens and diathermy equipment. The unit is effectively a probe for the R&S range of power meters and covers the frequency range of 30MHz-6GHz. Three models exist: model 02 handles rf bursts down to 2 μ s wide; 03 does the same for prfs from 100Hz, giving up to seven readouts per second; and 04 is meant for use with GSM, PCN and DECT radio. Rohde & Schwarz UK Ltd. Tel., 0252 811377; fax, 0252 811447.

Accelerometer. TI has a new acceleration sensor for the ± 0.4 to

$\pm 10g$ range at up to 50Hz, designed for use in measuring vehicle acceleration in anti-lock braking, traction control and suspension systems. It uses a metal beam in a capacitive circuit and IC circuitry, a technique claimed by Texas to be more durable than micromachined silicon. Texas Instruments. Tel., 0234 270111; fax, 0234 223459.

Vision systems

Colour ccd camera. Sony's *XC-777P* is the company's smallest and lightest colour camera, being based on the 440kpixel 1/3in imager, all associated circuits being contained in the one housing, which measures 22 by 22 by 89mm, weighing 75g. Resolution is 460TVL and minimum sensitivity 4.5lux. There is an electronic shutter speed as well as a flickerless mode to overcome beating under fluorescent lights. Power consumption is 2.3W. Sony Computer Peripherals & Components. Tel., 0932 816000; fax, 0932 817001.

PCMCIA video camera. *PC Card Camera* by VVL is claimed to be the first integrated PCMCIA video camera. It is palm-sized and may be integrated into notebook and pen-based PCs, being controlled through the Windows VVL Snap package interfacing to the PCMCIA port through Card and Socket Services. It will display motion video in real time on the PC screen at five frames per second, the resulting images being

External data acquisition. As a more convenient alternative to plug-in, internal boards, Strawberry Tree's *DATAShuttle* is a small external unit taking inputs directly from sensors, its output going to a PC parallel port. Eight analogue inputs and eight digital i/o lines interface to the PC, there being no need to open up the PC or adjust calibration; sensors connect directly to the *DATAShuttle*. *Quicklog PC* is supplied with the system and the unit works with *WorkBench* for Windows. There is a high-speed parallel pass-through interface to provide a port for other devices, avoiding the need to disconnect them to use the port for data acquisition, and up to 15 *DATAShuttles* can be linked in series to give 120 analogue inputs and 120 digital i/os. Inputs are automatically calibrated for thermocouples and rtd compensation and gain, resolution and acquisition rates are software selectable on all channels. Adept Scientific Micro Systems Ltd. Tel., 0462 480055; fax, 0462 480213.

captured and saved as .TIF files, if required. VLSI Vision Ltd. Tel., 031-539 7111; fax, 031-539 7140.

Compact cameras. Henderson's new range of board cameras includes pin-hole versions and types designed to take a range of interchangeable lenses from 3.6mm to 16mm. The cameras are on a single printed board measuring 42mm square and are sensitive down to 0.5lux. There are several enclosures, including an ABS case, a spherical globe and smoke-detector types. A 12V power supply can be fitted up to 15m from the camera. Henderson Security Electronics Ltd. Tel., 0684 274874; fax, 0684 294845.

COMPUTER

Computer board-level products

100MHz backplane cpu card. The *Blue Inferno* single-board computer by HM Systems uses IBM's 66MHz and 100MHz processors. The board takes up to 62M-byte of ram, has a fast IDE local bus and video, full i/o facilities, 1Mb of dram and a video cache. There are two serial ports, a 16-byte fifo buffer and an enhanced parallel port. H.M Systems plc. Tel., 081-209 0911; fax., 081-209 0912.

Two-Pentium motherboard. SPC has the *ASUSTeK PC1E-P5NP4*, a PC motherboard using two Dual Pentium P54C processors on one board, which is intended for multiprocessing on desktop workstations and low-level servers. It is compatible with PCIbus and EISA bus and its zif sockets take 90MHz or 100MHz P54Cs. The motherboard uses Intel's Neptune 82430N PCIset chipset, up to



LabView/HIQ bundle. *LabView* graphical instrumentation software and *HiQ* numerical analysis and data visualisation software, both for the Mac, are now combined by National into a package called *LabSuite* at a considerable saving in cost. *LabSuite* now provides laboratory automation, automatic testing, process monitoring and control, physiological monitoring, personal instrumentation, numerical analysis, data visualisation and reporting. National Instruments UK. Tel., 0635 523545; fax, 0635 523154.

512Kbyte of 3.3V write-back memory and a 1M-bit flash eeprom containing P54C PCI bios. SPD Ltd. Tel., 0420 563588; fax, 0420 562206.

Computer systems

People-proof computer. The Dynapro *ErgoTouch* computer appears to be proof against most of the disasters a hostile world has to offer. It is completely sealed and operated by a touch screen, the whole being impervious to the public at large and most chemicals. Non-technical, novice or casual users can use it to get information or control things. It provides vga graphics and all the features including "plenty" of ram and a large hard disk needed to run as a stand-alone computer or in a network. Standard PC tools can be used for development of applications. Enclosures are custom-designed in any colour and the touch surround can be provided with any arrangement of buttons or function keys. An optical port allows software input or output. The computer can be mounted almost anywhere, since it is light in weight. Advanced Modular Computers Ltd. Tel., 0753 580660; fax, 0753 580653.

Development and evaluation

8-bit development kit. Toshiba has introduced a development kit to provide a low-cost method of

developing applications for 8-bit microcontrollers. *TLCS-90* contains the *TDB90* development board based on the TMP90C141N controller, terminal software, a monitor and a full-feature assembler, the kit being connected to a PC by a printer cable. The *TDB90* board has 1Kb ram, 6-channel, 8-bit resolution a-to-d conversion, up to 54 i/o pins, stepper-motor control, timers and counters, a serial i/o channel and a prototyping area. Purchasers can buy 10 *TMP91P640N-10* one-time programmable devices at a special rate. Toshiba Electronics (UK) Ltd. Tel., 0276 694600; fax, 0276 691583.

Computer peripherals

GPIB instrument control. For *H-P 9000* series 700 workstations with EISA slots, National announces the *GPIB-HP700-EISA* interface kit which features 5.5Mbyte/s data transfer rate for both read and write using HS488 and 1.3Mbyte/s with three-wire GPIB. The kit includes the EISA-GPIB board and NI-488.2M software for HP-UX v.9, which has over 50 GPIB-related routines and functions. National Instruments UK. Tel., 0635 523545; fax, 0635 523154.

Port expander. Technology Concepts uses IDT's *R3051* risc processor in its *SUPERport* snap-together modular system which supports up to 256 RS232 or RS422/485 serial ports on a PC, for

use in multi-user systems running UnixWare, SCO Unix or Multiuser DOS. The ISA bus controller card with the R3051 drives the whole stack of ports simultaneously at up to 115.2Kb/s. IDT's 3051 family includes four devices with on-chip cache sizes of 2.5, 6, 10 and 20K-byte and frequencies of 16-40MHz. Integrated Device Technology. Tel., 0372 363734; fax, 0372 378851. Technology Concepts Ltd. Tel., 0633 872611; fax, 0633 879329.

Programming hardware

Universal programmer. Ice Technology's *Speedmaster LV* low-cost universal programmer operates at both 3.3V and 5V. Without the use of adaptors, the instrument will program devices with up to 40 pins, adaptors being available for unusual packages. Optional 16-bit and 8-bit 3.3/5V emulator cards plug into the unit to provide a rom/ram emulator to test code in the system before programming. Ice Technology Ltd. Tel., 0226 767404; fax, 0226 370434.

Software

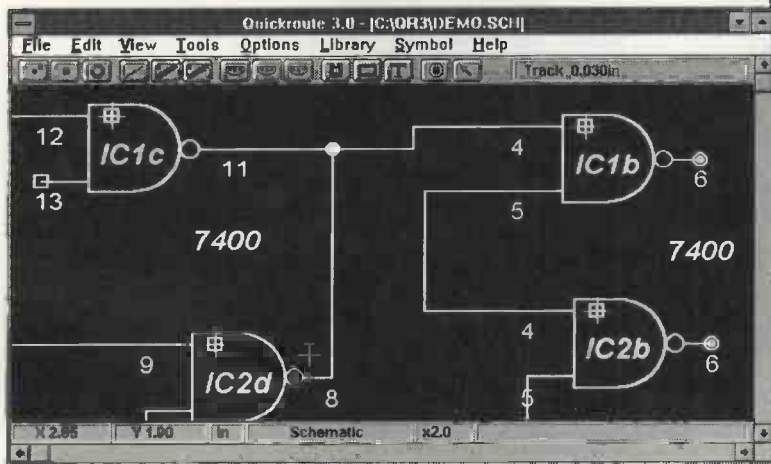
Analogue filter design. Information on ripple and attenuation levels, pass-band and stop-band limits and termination impedances given to *Filtech*, a new filter synthesis package from Number One Systems, are the only inputs an engineer must provide to obtain a completed design. Filtech

analyses synthesised filter circuits independently and displays a plot of the calculated frequency response superimposed on specified limits. It will handle both active and passive filters of up to sixth-order at frequencies of less than 1Hz to more than 1GHz. It is interactive, in that its recommendations can be overridden, so that filter type or order can be altered and the effects shown on screen. A further feature is that Filtech will, if required, force all or some components to fit one of the preferred-value sequences and show the effect on response. Number One Systems Ltd. Tel., 0480 461778; fax, 0480 494042.

Visualising numerical data. *PV-WAVE Advantage* by Visual Numerics combines graphics and numerical analysis to provide easier assimilation of large amounts of data, enabling patterns and trends to be observed and analysed. The package runs under Unix and a new version under Windows, while the *PV-WAVE Point & Click* is a Unix-only version. Workstation Source Ltd. Tel., 0734 759292; fax, 0734 757522.

Quickroute 3.0

PCB & Schematic Design System for Windows 3.1



Announcing a new range of affordable, powerful Windows based PCB and schematic design packages from **POWERware**.

DESIGNER £99 *

PCB and schematic design with all the new 'Easy-Edit' features and an Auto router!

DESIGNER+ £149 *

For larger PCB and schematic designs, adds Gerber and NC-Drill support.

PRO £199 *

Schematic capture, with integrated rats-nest generation and auto-router. Export net-lists for design checking.

PRO+ £299 *

Advanced schematic capture for management of larger schematics. Gerber Import facility for file exchanging.

For more details, contact **POWERware**, 14 Ley Lane, Marple Bridge, Stockport, SK6 5DD, UK.

* Prices exclude VAT, post & packing

Tel/Fax 061 449 7101

from

£99*

CIRCLE NO. 134 ON REPLY CARD

NEW LOW PRICE - NEW COLOUR HP141T SPECTRUM ANALYSERS TESTED

- HP141T + 8552A or B IF - 8553B RF - 1kHz - 110Mc/s - A IF £600 or B IF - £700.**
HP141T + 8552A or B IF - 8554B RF - 100kHz - 1250Mc/s - A IF £800 or B IF - £900.
HP141T + 8552A or B IF - 8555A RF - 10Mc/s - 18GHz - A IF £1400 or B IF - £1600. The mixer in this unit costs £1000, we test every one for correct gain before despatch.
HP141T + 8552A or B IF - 8556A RF - 20Hz - 300kHz - A IF £600 or B IF - £700.

HP ANZ UNITS AVAILABLE SEPARATELY NEW COLOUR - TESTED

- HP141T Mainframe - £350 - 8552A IF - £200 - 8552B IF - £300 - 8553B RF - 1kHz - 110Mc/s - £200 - 8554B RF - 100kHz - 1250Mc/s - £400. 8555A RF - 10Mc/s - 18GHz - £1000. 8556A RF - 20Hz - 300kHz - £250.**
HP8443A Tracking Generator Counter - 100kHz - 110Mc/s - £300 - £400.
HP8445B Tracking Pre-selector DC - 18GHz - £400 - £600 or HP8445A - £250.
HP8444A Tracking Generator - £750 - 1300Mc/s.
HP8444A Opt 059 Tracking Generator - £1000 - 1500Mc/s.

SPECIAL OFFER - 14 ONLY HP140T (NON-STORAGE)

Mainframe Plus 8552A IF Plug-In Plus 8556A RF Plug-In 20Hz - 300kHz Plus 8553B RF Plug-In 1kHz - 110Mc/s. Tested with instructions - £700.

Marconi TF2008 - AM-FM signal generator - also sweeper - 10Kc/s - 510Mc/s - from £250 - tested to £400 as new with manual - probe kit in wooden carrying box.
 HP Frequency comb generator type 8406 - £400.
 HP Vector Voltmeter type 8405A - £400 to £600 - old or new colour.
 HP Sweep Oscillators type 8690 A & B + plug-ins from 10Mc/s to 18GHz also 18-40GHz. P.O.R..
 HP Network Analyzer type 8407A + 8412A + 8501A - 100Kc/s - 110Mc/s - £500 - £1000.
 HP Amplifier type 8447A - 1-400Mc/s £200 - HP8447F. 1-1300Mc/s £400.
 HP Frequency Counter type 5340A - 18GHz £1000 - rear output £800.
 HP 8410 - A - B - C Network Analyzer 110Mc/s to 12GHz or 18GHz - plus most other units and displays used in this set-up - 8411a - 8412 - 8413 - 8414 - 8418 - 8740 - 8741 - 8742 - 8743 - 8746 - 8650. From £1000.
 Racal/Dana 9301A - 9302 RF Millivoltmeter - 1.5-2GHz - £250-£400.
 Racal/Dana Counters 9915M - 9916 - 9917 - 9921 - £150 to £450. Fitted FX standards.
 Racal/Dana Modulation Meter type 9009 - 8Mc/s - 1.5GHz - £250.
 Marconi RCL Bridge type TF2700 - £150.
 Marconi/Saunders Signal Sources type - 6058B - 6070A - 6055A - 6059A - 6057A - 6056 - £250-£350. 400Mc/s to 18GHz.
 Marconi TF1245 Circuit Magnification meter + 1246 & 1247 Oscillators - £100-£300.
 Marconi microwave 6600A sweep osc., mainframe with 6650 PI - 18-26.5GHz or 6651 PI - 26.5-40GHz - £1000 or PI only £600. MF only £250.
 Marconi distortion meter type TF2331 - £150. TF2331A - 200.
 Tektronix Plug-ins 7A13 - 7A14 - 7A17 - 7A24 - 7A26 - 7A11 - 7M11 - 7S11 - 7D10 - 7S12 - S1 - S2 - S6 - S52 - PG506 - SC504 - SG502 - SG603 - SG504 - DC503 - DC508 - DD501 - WR501 - DM501A - FG501A - TG501 - PG502 - DC505A - FG504 - 7880 + 85-7892A
 Gould J3B test oscillator + manual - £200.
 Tektronix Mainframes - 7603 - 7623A - 7613 - 7704A - 7844 - 7904 - TM501 - TM503 - TM506 - 7904 - 7834 - 7104 - 7623 - 7633.
 Alltech 757 Spectrum Analyser - 001 22GHz - Digital storage + readout - £2000.
 Marconi 6155A Signal Source - 1 to 2GHz - LED readout - £400.
 Barr & Stroud Variable filter EF3 0.1Hz - 100kc/s + high pass + low pass - £150.
 Marconi TF2163S attenuator - 1GHz. £200.
 Farnell power unit H60/50 - £400 tested. H60/25 - £250.
 Racal/Dana 9300 RMS voltmeter - £250.
 HP 8750A storage normalizer - £400 with lead + S.A. or N.A. Interface.
 Marconi TF2330 - or TF2330A wave analysers - £100-£150.
 Racal/Dana signal generator 9082 - 1.5-520Mc/s - £500.
 Racal/Dana signal generator 9082H - 1.5-520Mc/s - £600.
 Tektronix - 7S14 - 7T11 - 7S11 - 7S12 - S1 - S2 - S39 - S47 - S51 - S52 - S53 - 7M11.
 Marconi mod meters type TF2304 - £250.
 HP 5065A rubidium vapour FX standard - £2.5k.
 Syston Donner counter type 6054B - 20Mc/s - 24GHz - LED readout - £1k.
 Racal/Dana 9083 signal source - two tone - £250.
 Syston Donner - signal generator 1702 - synthesized to 1GHz - AM/FM - £600.
 Tektronix TM515 mainframe + TM5006 mainframe - £450 - £850.
 Rhodes & Schwartz power signal generator SLRD-280 - 2750Mc/s - £250-£600.
 Ball Efratom rubidium standard PT256B-FRKL - £1000.
 Farnell electronic load type RB1030-35 - £350.
 Racal/Dana counters - 9904 - 9905 - 9906 - 9915 - 9916 - 9917 - 9921 - 50Mc/s - 3GHz - £100-£450 - all fitted with FX standards.
 HP4815A RF vector impedance meter c/w probe - £500-£600.
 Marconi TF2092 noise receiver. A, B or C plus filters - £100-£350.

Marconi TF2091 noise generator. A, B or C plus filters - £100-£350.
 HP180TR, HP182T mainframes £300-£500.
 Fluke 8506A thermal RMS digital multimeter. £400.
 Philips panoramic receiver type PM7900 - 1 to 20GHz - £400.
 Marconi 6700A sweep oscillator + 6730A - 1 to 2GHz - £500.
 HP8505A network ANZ + 8503A S parameter test set + 8501A normalizer - £4k.
 Racal/Dana VLF frequency standard equipment. Tracer receiver type 900A + difference meter type 527E + rubidium standard type 9475 - £2750.
 HP signal generators type 626 - 628 - frequency 10GHz - 21GHz.
 HP 432A - 435A or B - 436A - power meters + powerheads - Mc/s - 40GHz - £200-£1000.
 Bradley oscilloscope calibrator type 192 - £600.
 Barr & Stroud variable filter EF3 0.1Hz - 100Kc/s + high pass + low pass - £150.
 Marconi TF2370 spectrum ANZ - 110Mc/s - £900.
 Marconi TF2370 spectrum ANZ + TK2375 FX extender 1250Mc/s + 1st gen - £1.5k.
 HP8614A signal generator 800Mc/s - 2.4GHz, new colour £400.
 HP8616A signal gen 1.8GHz - 4.5GHz, new colour £400.
 HP 3325A syn function gen 20Mc/s - £1500.
 HP 3336A or B syn level generator - £500-£600.
 HP 3586B or C selective level meter - £750-£1000.
 HP 3575A gain phase meter 1Hz - 13Mc/s - £400.
 HP 8671A syn microwave 2 - 6.2GHz - £2k.
 HP 8683D S/G microwave 2.3 - 13GHz - opt 001 - 003 - £4.5k.
 HP 8660 A-B-C syn S/G. AM + FM + 10Kc/s to 110Mc/s PI - 1Mc/s to 1300Mc/s - 1Mc/s to 2500Mc/s - £750-£2800.
 HP 8640B S/G AM-FM 512Mc/s or 1024Mc/s. Opt 001 or 002 or 003 - £800-£1250.
 HP 8656A S/G AM-FM 0.1 - 990Mc/s - £1500.
 HP 8622B Sweep PI - 01 - 2.4GHz + ATT - £1750.
 HP 8629A Sweep PI - 2 - 18GHz - £1000.
 HP 86290B Sweep PI - 2 - 18GHz - £1250.
 HP 86 Series PI's in stock - splitband from 10Mc/s - 18.6GHz - £250-£1k.
 HP 8620C Mainframe - £250. IEEE - £500.
 HP 8615A Programmable signal source - 1MHz - 50Mc/s - opt 002 - £1k.
 HP 8601A Sweep generator. 1 - 110Mc/s - £300.
 HP 4261A LCR meter + 16038A test leads - £400.
 HP 4271B LCR meter 1MHz digital meter + 16063A test adaptor - £850.
 HP 4342A Q meter 22kHz - 70Mc/s 16462A + qty of 10 inductors - £850.
 HP 3488A HP - IB switch control unit - £500 + control modules various - £175 each.
 HP 3561A Dynamic signal ANZ - £3k.
 HP 8160A 50Mc/s programmable pulse generator - £1400.
 HP 853A MF ANZ + 8558B - 0.1 - 1500Mc/s - £2500.
 HP 8349A Microwave Amp 2 - 20GHz Solid state - £1500
 HP 3585A Analyser 20Hz - 40Mc/s - £4k.
 HP 8569B Analyser. 01 - 22GHz - £5k.
 HP 3580A Analyser 5Hz - 50kHz - £1k.
 HP 1980B Oscilloscope measurement system - £600.
 HP 3455A Digital voltmeter - £500.
 HP 3437A System voltmeter - £300.
 HP 3581C Selective voltmeter - £500.
 HP 5370A Universal time interval counter - £450.
 HP 5335A Universal counter - 200Mc/s - £500.
 HP 5328A Universal counter - 500Mc/s - £250.
 HP 6034A System power supply - 0 - 60V - 0 - 10 amps - £500.
 HP 3960A 3964A Instrumentation tape recorders - £300-£500.
 HP 5150A Thermal printer - £250.
 HP 1645A Data error analyser - £150.
 HP 4437A Attenuator - £150.
 HP 3717A 70Mc/s modulator - £400.
 HP 3710A - 3715A - 3716A - 3702B - 3703B - 3705A - 3711A - 3791B - 3712A - 3793B microwave link analyser - P.O.R.
 HP 3730A + B RF down converter - P.O.R.
 HP 3552A Transmission test set - £400.
 HP 3783A Error detector - £500.
 HP 3764A Digital transmission analyser - £600.
 HP 3770A Amp delay distortion analyser - £400.
 HP 3780A Pattern generator detector - £400.
 HP 3781A Pattern generator - £400.
 HP 3781B Pattern generator (bell) - £300.
 HP 3782A Error detector - £400.
 HP 3782B Error detector (bell) - £300.
 HP 3785A Jitter generator + receiver - £750-£1k.
 HP 8006A Word generator - £100-£150.
 HP 8016A Word generator - £250.
 HP 8170A Logic pattern generator - £500.
 HP 59401A Bus system analyser - £350.
 HP 59500A Multiprogrammer HP - IB - £300.
 Philips PM5390 RF syn - 0.1 - 1GHz - AM + FM - £1250.
 Philips PM5519 Colour T.V. pattern generator - £250.
 S.A. Spectral Dynamics SD345 spectrascope 111 - LF ANZ - £2500.
 Tektronix R7912 Transient waveform digitizer - programmable - £400.
 Tektronix 496 Analyzer 1kHz - 1.8GHz - £3.5k.
 Tektronix TR503 + TM503 tracking generator 0.1 - 1.8GHz - £1k - or TR502.
 Tektronix 576 Curve tracer + adaptors - £900.
 Tektronix 577 Curve tracer + adaptors - £900.
 Tektronix 1502/1503 TDR cable test set - £1000.
 Tektronix 175 LF analyser - 0 - 5Mc/s - £800. OPT 25 - £1000.
 Tektronix AN503 Current probe + TM501 m/frame - £1000.
 Tektronix SC501 - SC502 - SC503 - SC504 oscilloscopes - £75-£350.
 Tektronix 465 - 465B - 475 - 2213A - 2215 - 2225 - 2235 - 2245 - £250-£1000.
 Kikusui 100Mc/s Oscilloscope COS6100M - £350.
 Farnell PSG520 Signal generator - £400.
 Nicolet 3091 LF oscilloscope - £1000.
 Racal 1991 - 1992 - 1988 - 1300Mc/s counters - £500-£900.
 Tek 2445 150Mc/s oscilloscope - £1400.
 Fluke 80K-40 High voltage probe in case - BN - £100.
 Racal Recorders - Store 4 - 4D - 7 - 14 channels in stock - £250 - £500.
 Racal Store Horse Recorder & control - £400-£750 Tested.
 EIP 545 microwave 18GHz counter - £1200.
 Fluke 510A AC ref standard - 400Hz - £200.
 Fluke 355A DC voltage standard - £300.
 Schlumberger 5229 Oscilloscope - 500Mc/s - £500.
 Solartron 1170 FX response ANZ - LED display - £280.
 Wiltron 610D Sweep Generator + 6124C PI - 4 - 8GHz - £400.
 Wiltron 610D Sweep Generator + 61084D PI - 1Mc/s - 1500Mc/s - £500.
 Time Electronics 9814 Voltage calibrator - £750.
 Time Electronics 9811 Programmable resistance - £600.
 Time Electronics 2004 D.C. voltage standard - £1000.
 HP 8699B Sweep PI YIG oscillator. 01 - 4GHz - £300. 8690B MF - £250. Both £500.
 Schlumberger 1250 Frequency response ANZ - £2500.
 Dummy Loads & power att up to 2.5 kilowatts FX up to 18GHz - microwave parts new and ex equip - relays - attenuators - switches - waveguides - Yigs - SMA - APC7 plugs - adaptors, etc.
 B&K items in stock - ask for list.
 W&G items in stock - ask for list.
 Power Supplies Heavy duty + bench in stock - Farnell - HP - Weir - Thurlby - Racal etc. Ask for list.

ITEMS BOUGHT FROM HM GOVERNMENT BEING SURPLUS. PRICE IS EX WORKS. SAE FOR ENQUIRIES. PHONE FOR APPOINTMENT OR FOR DEMONSTRATION OF ANY ITEMS. AVAILABILITY OR PRICE CHANGE. VAT AND CARRIAGE EXTRA
 ITEMS MARKED TESTED HAVE 30 DAY WARRANTY. WANTED: TEST EQUIPMENT-VALVES-PLUGS AND SOCKETS-SYNCHROS-TRANSMITTING AND RECEIVING EQUIPMENT ETC.

Johns Radio, Whitehall Works, 84 Whitehall Road East, Birkenshaw, Bradford BD11 2ER. Tel. No: (0274) 684007. Fax: 651160

LETTERS

Letters to "Electronics World + Wireless World" Quadrant House, The Quadrant, Sutton, Surrey, SM2 5AS

Proof of the pudding...

Peter Barnes is quite right to apply all his critical faculties to features in the media which put forward new scientific ideas, and sometimes challenge orthodoxy.

As the purveyor of a "rubbishy theory" suggesting how power system electrodynamic fields and natural ionising radiation might cause disease, I would remind him that yesterday's heresy often becomes today's dogma, and that proof takes time.

An excellent example of how scientific truth will out, was the way Marconi had to demonstrate ('The man who started ripples in the ether', *EW+WW*, September) that radio waves could reach over the horizon before his armchair critics – who included many eminent physicists of the day – were silenced.

In my own case, I hope Mr Barnes noticed the report in *Research Notes* (*EW+WW*, September) which also linked production of gamma radiation with intense electric fields in thunderstorms – fields which also exist near high voltage lines!

All I can say at this stage is that others have confirmed that there is an ionising radiation anomaly near power lines, and that reports of the death of the idea at the hands of a

well known body may be exaggerated. Serious shortcomings have recently become apparent in the radiation measuring techniques used to test the idea.

Anthony Hopwood
Worcester

...is in the heating

In his comments (*Letters*, September) R L Tuft uses the words "sham" and "hoax" in reference to the article "Electricity without Magnetism" (*EW+WW*, July, 1992, pp. 540-542). He said the hypothesis seemed to be of "monumental importance" but asks "where is the power?"

As author and co-inventor, I had been intent on saying no more on the subject until I had built my own prototype version advancing on the three prototypes built by J S Strachan. But I am now forced to comment.

First, may I say that the title of the *EW+WW* article was an editorial change that reflected more the opinion of my colleague Strachan who suspected that the special properties of the polymer dielectric used in the capacitor stack were responsible for the heat-to-electricity conversion. My belief is that the nickel film forming the capacitor

plate electrodes is the seat of an action enhanced by the magnetic polarisation in the nickel. Magnetism seems to be essential as a magnetic field deflects electron heat flow to confront an opposing electric potential. I see the polymer with its electric polarisation as serving only as if it gives the device the character of an electrolytic capacitor, so enhancing the current in the oscillations in the transverse-to-heat-flow direction.

So, two years on, where do we stand? Well, the *EW+WW* article attracted research interest and within a short period Strachan had a new working prototype, the performance of which I captured on a video recorder which has not failed to arouse interest by those in academia and corporate research who have seen it. As a result the primary research effort at this time is being undertaken by a group at MIT in the USA.

Strachan has been unable to pursue the project owing to priority research on a DTI-funded Smart I and Smart II award concerning his laser technology developments. Recently I, in my retirement, have begun my own experiments. But I too have now won a Smart I award to research another project only marginally related to the

thermoelectric converter. So much of the forward progress now depends upon the initiative of others.

As to the "hoax" aspect, was mhd a hoax back in the 1960s? MHD was the technology of seeding ions into the flow of hot gas in passage through a magnetic field to develop an electrical output in the mutually orthogonal direction. Our thermoelectric invention is simply a solid-state version of that technology. Heat carried by electrons in passage through thin nickel film is deflected laterally by the domain magnetism in the nickel and by activating transverse current flow which always takes the path of forward emf (least resistance – in fact negative resistance) so the electrons cool as heat converts into electrical output.

Note that in the August 1994 issue of *Physics World* an article entitled 'Metals blow hot and cold' reported that electrons activated by laser-generated sound pulses in metals (nickel being mentioned specifically) exhibit unexpectedly very high temperatures indicating a non-equilibrium state in the electron-phonon interaction. Our thermoelectric invention was a spin-off discovery from research by Strachan aimed at setting up

Linear thinking

The articles on audio amplifier design by Doug Self have been fascinating, and easy to read. Particularly interesting for me was the article concerning output stage linearity ('Common-emitter power amplifiers: A different perception?', July 1994, pp. 548-552).

If an amplifier output stage consists of complementary mosfets in a common source arrangement, and the gate is driven by a current source, then do we not have perfect dc linearity in the output? The high output impedance from connecting the load to the mosfet drains will cause no problems with output impedance, as discussed in the article.

Also, the output drive capability of the current source directly limits the slew rate of the mosfet stage. According to some rather simplified *Spice* simulations, the speed of the stage can be higher than that of a voltage-driven mosfet because the current drive is less likely to cause oscillations.

One method of achieving current drive is to use a differential pair with a current mirror, the tail current of the differential pair being the maximum possible gate current, also

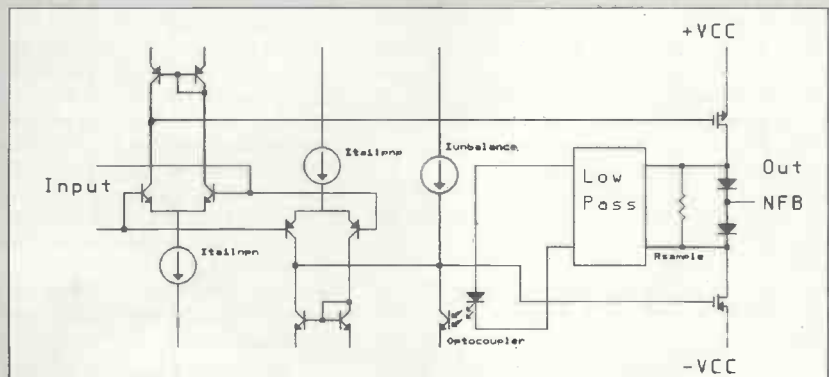
determining the slew rate. A complementary differential pair, also with a current mirror, can be used to drive the other mosfet.

Biasing the stage seems to be tricky. A solution is to sample the output current with a resistor, and unbalance the gate currents with a current bias. The output current signal is clipped and severely low-pass filtered, so that audio signals do not affect quiescent current. This signal is then applied to an optocoupler that

restores dc gate balance and proper quiescent current, while maximising gate drive impedance.

I am no expert in audio amplifier design. My main interests are in the medical side of electronics and amplifier design is one of my several hobbies. I welcome any comments on this method of linearising power output stages.

Doug Eleveld
Groningen
The Netherlands



acoustic oscillations in a pdf stack of nickel-aluminium coated laminations.

Harold Aspden
Southampton

Remember the ZX!

The Government asks what we should do to interest young people in technology. Sir Clive Sinclair knew, didn't he! Remember the ZX Spectrum?

Playing games was never enough in those days. Any ZX Spectrum owner could create their own protection from the death rays of Zargon if they were prepared to learn Z80 machine language – and many were.

Z80 machine-code programming manuals were commonly seen alongside pop-music counters in those days. Articles written by teenagers for teenagers appeared in magazines like *Your Spectrum*, displaying a knowledge of machine code programming that certainly exceeded my own. The competition between school boffins to crack the latest game equalled anything to be found on the rugby field. A couple of Christmas and birthday presents could provide a full development system small enough to carry in a cycle saddlebag but powerful enough to act as host to develop Z80-based microsystems. I doubt if many adults could have afforded a BBC-B system to do this?

Granted, a 286 can now be bought

for about one third of a week's wages here in the UK. But it's not the same. 'The Complete Commented IBM rom disassembly' is not a title you are likely to see. Such information is available, but you have to search it out and know what you are looking for. It certainly won't be easily accessible for teenage programmers, who no longer display their hacking skills in PC magazines. I can imagine the looks of horror if they did! These are business machines: Spectrums were for fun.

So what have we got now? Sega and Nintendo and a coming generation whose idea of computer literacy is to know the latest buzz-words and run custom software under Windows – about as close as you can get to playing 'Nintendo' without actually doing it.

I say: 'Come back uncle Clive. All is forgiven – even that dreadful car'.

Stephen Dyke
Bedfordshire

Lodge-ing a protest

Marconi's first transatlantic experiment of December 1901, backed up by the recordings on-board SS Philadelphia, clearly rates as the most significant event in the history of radio. Furthermore, no-one would wish to deny Marconi's place of pre-eminence in bringing radio into a practical and commercial reality.

But there has always been a dichotomy between the public

perception of these events and the more informed judgement of scientists and engineers. So it is a pity that John Powell Riley, in his article on Marconi (*EW+WW*, 'The man who started ripples in the ether', pp. 778-782) seems to be perpetuating the popular misconceptions and is gratuitously critical of British scientists and engineers. In particular, notwithstanding the experiments of Hertz, it was the 'Maxwellians' – FitzGerald, Heaviside and Lodge – who understood electromagnetic radiation better than anyone else in the world at that time. Marconi was initially secretive as his early experiments contained nothing novel.

Riley's otherwise interesting article is also quite misleading in that Oliver Lodge was granted the first patent for tuning (11,575 May 10, 1897). The later 7777 Marconi patent should not have been granted, and was also subsequent to that of K F Braun (1862, January 26, 1899). For this reason, it was not recognised elsewhere in the world.

In 1911 that fact was also accepted in this country when Lodge's patent was extended for seven years so that the Marconi Company was effectively forced to purchase it for a large but undisclosed sum of money. Much later, in 1943, the US Supreme Court decided that Lodge's 1897 patent was the only valid tuning patent.

The year 1894 was, of course, not

only the start of Marconi's experiments but also the year in which Oliver Lodge gave the first public demonstration of signalling by radio at the British Association on 14 August. This demonstration involved both the single-point and iron-borings coherers he invented on the basis of Branly's scientific experiments. Readers looking for more information should see our recently published book (*Oliver Lodge and the Invention of Radio*, eds P Rowlands and J P Wilson, PD Publications, Liverpool, 1994).

J P Wilson
Keele University
P Rowlands
Liverpool University

Intellectual property is right

I have been surprised by the strong feelings aroused by my article 'Patently unclear' (*EW+WW*, May 1994, pp. 433-436). I imagined that reactions would range from indifference, to enlightened avidity, but to be taken to task by callers and respondents for daring to imply that there is such a thing as "intellectual property", and that it is right and proper for inventive creativity to be protected, is a sign that some people don't live in the real world.

Anyone who has sweated out an innovative technical solution, or by dint of intellectual prowess and ingenuity created a new approach, has every right to protect the effort involved. Inventive steps may be inspirational. But often as not they emanate from sheer hard work.

Why should this effort be rewarded by immediate plagiarism, which is what happens in practice when no mechanism exists to protect or exploit the idea. Creative technology is seldom a passive, neutral process. Anyone who doubts this is clearly naive.

Try pacing around your living room at 3.00am with the umpteenth cup of coffee, your head reeling with a jumble of seemingly uncorrelatable data, knowing that if you don't crack the creative technical impasse occupying your mind every waking and sleeping hour, three years of hard work is down the drain. The elation in creating a pathway forward really drives home what intellectual property is all about.

Barrie Blake-Coleman
Salisbury

References

- 'Oscillator tails off lamely?', Ian Hickman, *EW+WW*, Feb, 1992.
- 'Design principles and test methods for low phase noise rf and microwave sources' Dieter Scherer, Hewlett-Packard RF and Microwave Symposium.
- 'Phase noise in signal sources'. P Robins, IEE Telecommunications Series, No 9, Peter Peregrinus, 1984.

In and outs of informality

I am sorry my article 'The ins and outs of oscillator action' (*EW+WW*, July, 1994, pp. 586-589) proved un congenial to Mr Dawe (*Letters*, August).

Dealing with the points he raised, let me start with the one of least consequence, that the language in which it was couched did not "strictly belong to the science of electronics". It was not meant to. I would be the first to agree that the expressions to which he takes exception would be out of place in the *Proceedings* of one of the learned Institutions or even in the less formal ambience of *Electronics Letters*. But a magazine with such a wide circulation and range of readers as *EW+WW* aims to interest, inform, stimulate and even – dare I say it – entertain its readers? Had the Editor thought the language used too inappropriate he was quite capable of amending it.

Perhaps Mr Dawe comes from a generation which does not remember the symmetrical transistor. This was developed as a cross point switch and worked equally well (perhaps 'equally badly' would be a better expression) in the normal and inverted modes, since the emitter and collector are identical structures.

The modern rf npn epitaxial planar transistor is designed for optimum operation in the normal mode and performance with the collector and emitter interchanged is "much worse". How much worse I cannot say as it is not specified for such use and I have not measured it. I am surprised, though, that Mr Dawe wonders what $1/f$ noise is.

Although "what the article explains is not at all clear" to Mr Dawe, the basic message was that when the anode voltage of a valve swings below the cathode voltage, anode current does *not* flow, whereas when the

collector voltage of a transistor swings below that of the emitter, collector current *does* flow. Thus the amplitude stabilisation action of the two circuits is fundamentally different and the removal of forward conduction of the base-collector junction removes one possible source of close-in noise.

Another transistor circuit, which avoids bottoming of the collector (as typically found in a single-transistor Hartley circuit) by a different arrangement, is the current switching or class D oscillator, a single transistor version of which has been described¹.

The pseudo-valve circuit could certainly be considered for use at higher frequencies, and this is in no way contradicted by the choice of 2.5MHz for the operating frequency of my Fig. 4. Such a low operating frequency was deliberately chosen because of the attendant arrangements for monitoring the circuit action. For example recording the emitter current waveform required intrusions into the circuit which would not normally be required.

Figure 5 shows spikes of emitter current just a few nanoseconds wide, stretching the 250MHz capability of my oscilloscope to the limits. Yes, certainly there are "practical problems in making measurements" which must be addressed seriously. Regarding oscillator close-in noise: from being 'flat' (varying as $f(0)$) with frequency offset f from carrier) in the 'far out' region, the spectral noise density rises as $f[-n]$ as the carrier frequency is approached, n increasing from 1 (flicker phase) through to 4 (random walk fm) as the offset decreases – though not all of these regions will appear separately identifiable in a typical oscillator^{2,3}.

Ian Hickman
Hampshire

The MICRO MODULE

A NEW LOW COST controller that gives you customisation for as little as **£95** one off +VAT

For users of
PCs, 8051 &
68000

and that's just

the half of it!..

SAVE TIME... REAL TIME!

The Micro Module is a very low cost micro controller which is easily adapted to your exact requirements getting that job done quicker.

FEATURES

- 16/32 bit 68307 CPU for fast operation
- Up to 1 Mbyte of EPROM space onboard
- Up to 512Kbyte SRAM space onboard
- 32 Kbyte SRAM fitted as standard
- RS232 serial with RS485 option
- MODBUS & other protocols supported
- Up to 22 digital I/O channels
- 2 timer/counter/match registers
- I²C port or Mbus & Watch dog facilities
- Large Proto-typing area for user circuits
- Up to 5 chip selects available
- Program in C, C++, Modula-2 & Assembler
- Real Time multitasking Operating System
- OS9 or MINOS with free run time license option
- A full range of other Controllers available

ADDITIONAL FUNCTIONS

Additional functions are supported including: Analogue I/O, Digital I/O Serial ports, LCDs, Keyboards, Video, also a comprehensive range of signal conditioning including relays, AC & DC power switching, contact detectors, opto isolation, 4-20mA, thermocouples etc.

STARTER PACK AT ONLY £295+VAT

The Micro Module will reduce development time for quick turnaround products/projects and with the P.C. 'C' Starter pack allow you to start coding your application immediately, all drivers and libraries are supplied as standard along with MINOS the real time operating system all ready to run from power on.

The 'C' Starter pack includes: A Micro Module with 128 Kbyte SRAM, PSU, Cables, Manuals, C compiler, Debug monitor ROM, Terminal program, Downloader, a single copy of MINOS, extensive example software, and free unlimited technical support all for £295.

CUSTOM USE

The Micro Module is ideal for those one off jobs where you can add the special hardware interfacing required for your project, keeping costs down and making the final product unique to your company.

MANUFACTURE

CMS offer a full manufacturing facility to manufacture the Micro Module to your exact requirements even in low volumes.

CMS

Cambridge Microprocessor
Systems Limited

Unit 17-18 Zone 'D',
Chelmsford Rd. Ind. Est.,
Great Dunmow, Essex. U.K. CM6 1XG
Phone 0371 875644 Fax 0371 876077

APPLICATIONS

Please mention *Electronics World + Wireless World* when seeking further information.

Measuring true power via rms conversion

In power measurement, problems arise – and much confusion persists when the load is not a pure resistance. Inductive and/or capacitive circuit components introduce a phase shift between the voltage across, and the current through, a given load.

This phase shift becomes more pronounced as the reactance of these components rises, with increasing frequency. They then become a greater portion of the total impedance of the load. In a purely inductive circuit, the voltage leads the current by 90°. Conversely, the voltage lags current in a purely capacitive circuit.

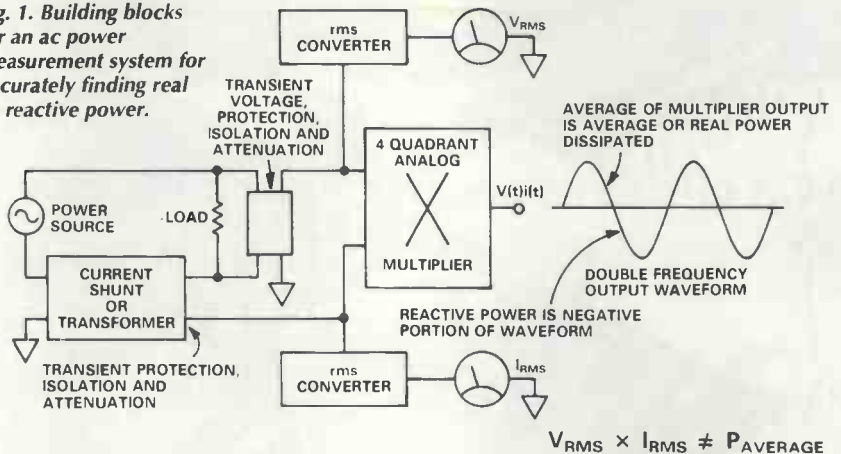
There are three primary ways of defining and measuring the sine-wave power dissipated in a given load impedance – apparent power, P_a , average power, P , and reactive power, P_r .

Apparent power, measured in volt-amperes, is simply the product of the rms value of the voltage across a given load times the rms value of the current through the load. That is:

$$P_a = V_{rms} \times I$$

where V is in volts and I is in amperes. The volt-ampere rating is often used in specifying electrical equipment since volt-amperes may be used to directly compute the current requirements of individual pieces

Fig. 1. Building blocks for an ac power measurement system for accurately finding real or reactive power.



of equipment.

Average or real power, measured in watts, is equivalent to the apparent power multiplied by the cosine of the phase angle separating the voltage and current waveforms. That is:

$$P = P_a \cos\theta = V_{rms} I_{rms} \cos\theta$$

where V is in volts, I is in amperes and θ is in degrees.

Most commonly used, average power specifies the overall power consumption of a particular circuit. This is regardless of the

dissipation of its individual components – some of which may be reactive. The cosine of the phase angle, θ , is also referred to as the power factor and is the ratio of a circuit's average power to its apparent power. A highly reactive load exhibits a low power factor with a correspondingly low power consumption.

Because of the importance of defining power consumption within individual reactive components in a circuit, a third power specification, reactive power was created. Reactive power, in VAR. (volt-amp reactive), is used to directly measure the peak power consumption of individual inductive components in a circuit, even though their average power consumption (ideally) is zero.

Reactive power is very important to electrical power companies since they must still supply this energy during a portion of every cycle, even though (on the average) no energy is actually dissipated.

Reactive power is given by:

$$P_r = P_a \sin\theta = V_{rms} I_{rms} \sin\theta$$

where V is in volts, I is in amperes and θ is in degrees.

Practical power measurement

The fact that averaging is carried out in performing rms computation means that whatever phase information existed in the original signal will be lost after rms computation. This fact precludes the use of rms converters for measuring power into non-resistive loads. Measurement of

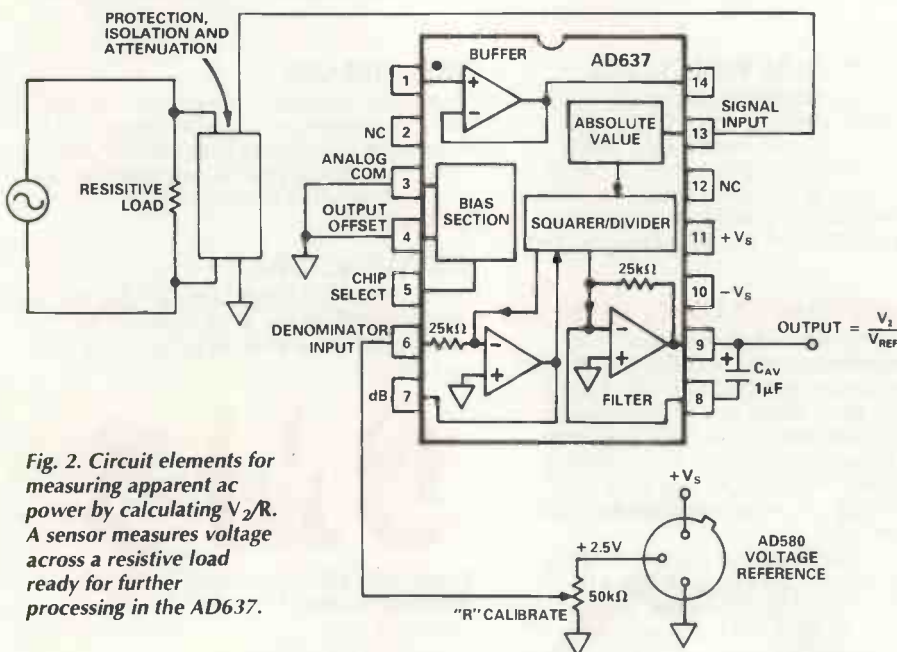


Fig. 2. Circuit elements for measuring apparent ac power by calculating V/R . A sensor measures voltage across a resistive load ready for further processing in the AD637.

complex power is normally carried out using analogue multipliers, since they will preserve the voltage/current phase information.

Figure 1 shows the building blocks for a practical power measurement system which can accurately measure both real and reactive power. As shown, rms converters are used for real-time monitoring of the rms value of the voltage and current waveforms being processed. With their dc outputs, the converters can directly drive either analogue panel meters or dvm chips.

Output of the analogue multiplier is $V\cos\phi$. At this point, unfiltered multiplier output equals instantaneous power dissipation through the load. As shown, if

the output is low-pass filtered, it will then equal the average or real power dissipated.

Likewise, if only the negative half cycle of the output waveform is detected and filtered, this output will respond to the reactive power dissipated in the load.

Figure 2 shows a practical circuit for measuring apparent power by calculation of V_2/R . A voltage sensor measures the voltage across a resistive load. The AD637 rms converter then squares this voltage ready for scaling by the denominator input voltage at pin 6. Denominator voltage must be set to give the required output voltage scaling for each particular load resistance.

Since VR varies with the value of R , the circuit must be recalibrated each time the

value of load resistance is changed. One volt per milliwatt or one volt per watt would be practical scale factors for this circuit. Because a squaring operation is being performed by the AD637, the scaling voltage must be carefully chosen to provide sufficient headroom to allow the rms converter to process the maximum full-scale input level without clipping. Thus, there will be a tradeoff between maximum input level and low-level sensitivity.

This information is extracted from AD's book *RMS-to-DC Conversion Application Guide*.

Analog Devices, Station Avenue, Walton-on Thames, Surrey KT12 1PF. Tel. 0932 247401, fax 232222.

PWM output from semiconductor pressure sensors

For remote sensing and noisy environment applications, frequency modulated or pulse width modulated output is more desirable than an analogue voltage. Both fm and pwm outputs inherently have better noise immunity in these types of applications.

Generally, fm outputs are more widely accepted than pwm outputs, because pwm outputs are restricted to a fixed frequency. According to Motorola application note AN1518 however, obtaining a stable fm output is difficult to achieve without expensive, complex circuitry.

With either an fm or pwm output, a microcontroller can be used to detect edge transitions to translate the time-domain signal into a digital representation of the analogue voltage signal. In conventional voltage-to-frequency conversions, a voltage-controlled oscillator may be used in conjunction with a microcontroller. This use of two time bases, one analogue and one digital, can create additional inaccuracies.

For either fm or pwm outputs, the microcontroller is only concerned with detecting edge transitions. If a programmable frequency-stable pwm output could be obtained with simple, inexpensive circuitry, a pwm output would be a cost-effective solution for noisy environment/remote sensing applications while incorporating the advantages of frequency output.

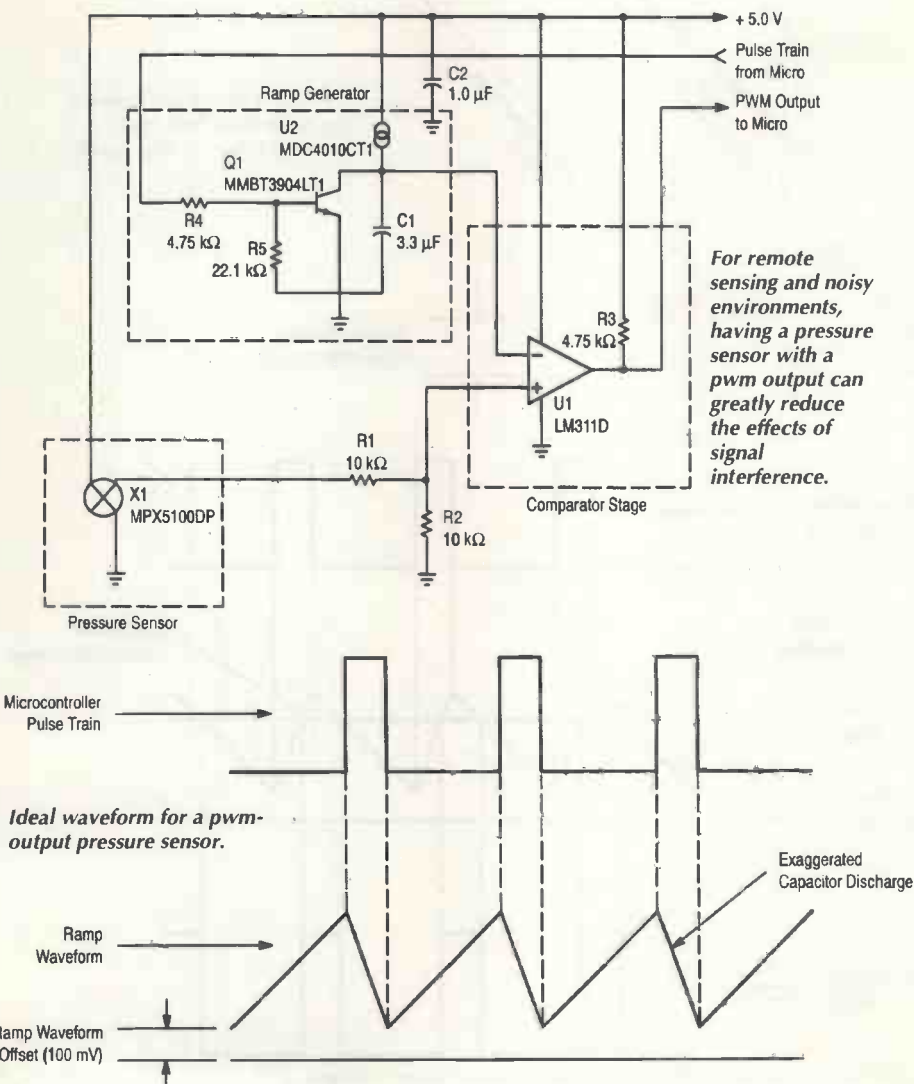
In the pulse width modulated output pressure sensor design shown, simple, inexpensive circuitry creates an output waveform with a duty cycle that is linear to the applied pressure. Combining this circuitry with a single digital time base to create and measure the pwm signal, results in a stable, accurate output.

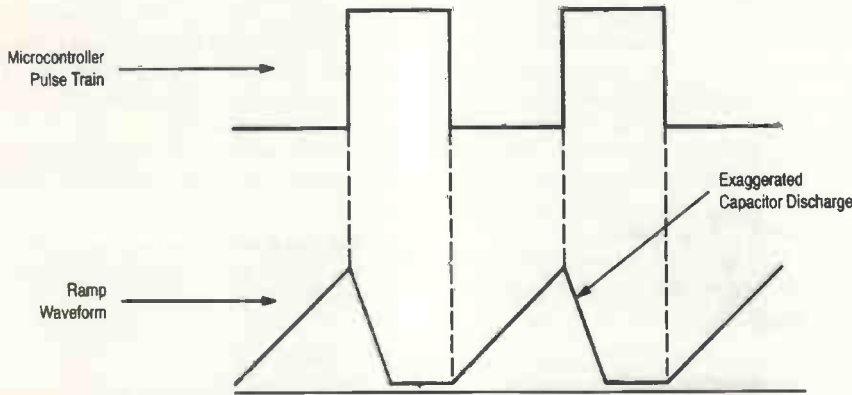
Two additional advantages of this design are that an a-to-d converter is not required, and since the pwm output calibration is controlled entirely by software, circuit-to-circuit variations due to component tolerances can be nulled.

Circuit elements

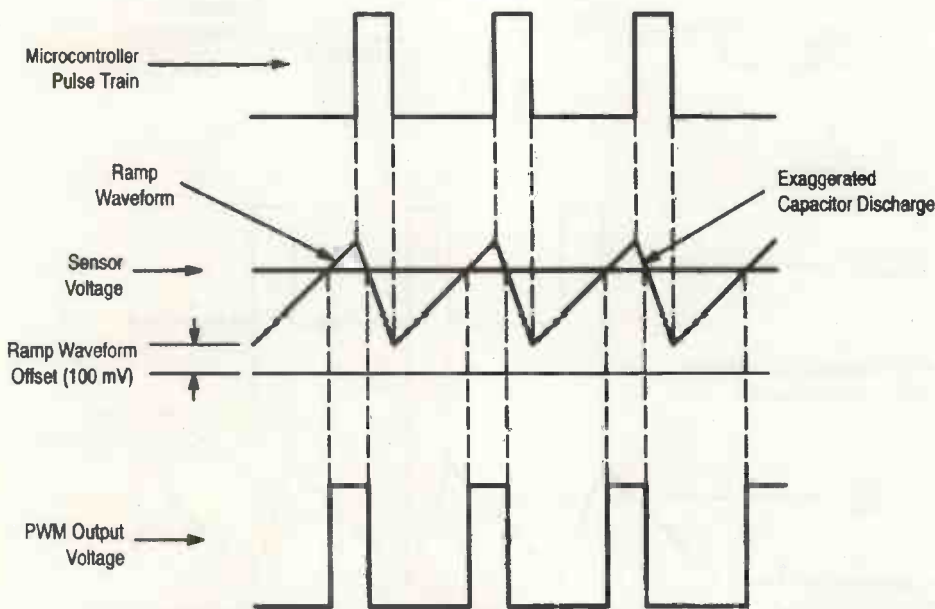
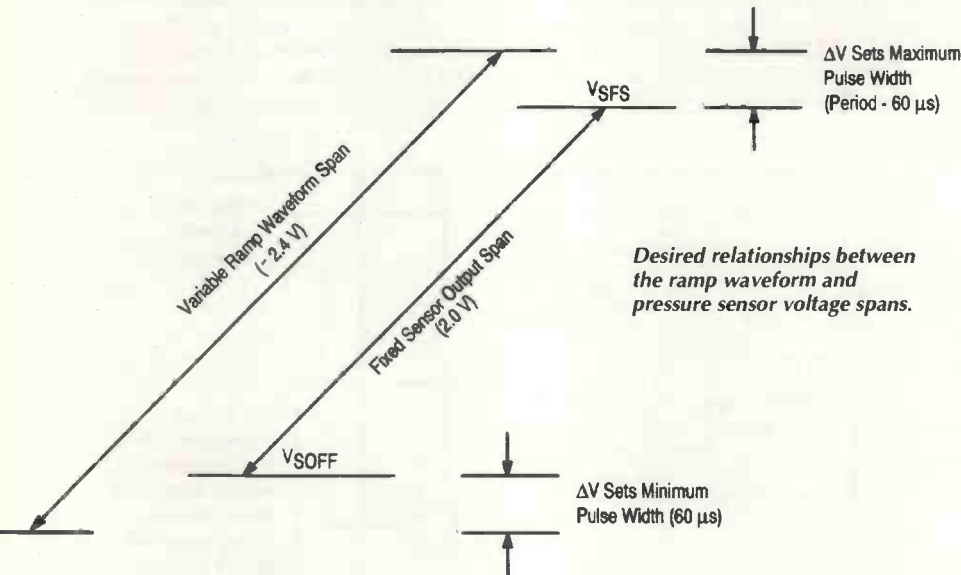
Main elements of the pwm sensor system are the pressure sensor, a ramp generator, a comparator, and a microcontroller. Ramping is produced by a transistor switch, constant current source, and capacitor.

Pressure transducers in the MPX5000 series are temperature compensated and calibrated. They are available in full-scale pressure ranges of 50kPa (7.31b/in²) and 100kPa (14.71b/in²). With the recommended 5.0V supply, the transducer produces an





In this non-ideal pwm output, flats in the ramp valleys are caused by allowing the ramp capacitor to discharge completely. Best waveforms are produced when one ramp cycle begins immediately after its predecessor ends.



Relationships between pwm output and pressure sensor voltages.

output of 0.5V at zero pressure to 4.5V at full scale pressure.

Note that output of the pressure sensor is attenuated by $R_{1,2}$. This yields a span of 2.0V ranging from 0.25V to 2.25V at the non-inverting terminal of the comparator.

A pulse train output from the microcontroller drives the ramp generator transistor base. This pulse can be accurately controlled in frequency as well as pulse duration via software.

The ramp generator uses a constant current source to charge the capacitor. It is imperative to remember that this current source generates a stable current only when it has approximately 2.5V or more across it. With less voltage across the current source, insufficient voltage causes the current to fluctuate more than desired; thus, a design constraint for the ramp generator will dictate that the capacitor can be charged to only about 2.5V, when using a 5.0V supply.

Constant current charges the capacitor linearly by:

$$\Delta V = \Delta t / C$$

where t is the capacitor's charging time and C is the capacitance.

As shown in the ideal ramp waveform diagram, when the pulse train sent by the microcontroller is low, the transistor is off and the current source charges the capacitor linearly. When the pulse sent by the microcontroller is high, the transistor turns on into saturation, discharging the capacitor.

Duration of the high part of the pulse train determines how long the capacitor discharges, and thus to what voltage it discharges. This is how the dc offset of the ramp waveform may be accurately controlled. Since the transistor saturates at approximately 60mV, very little offset is needed to keep the capacitor from discharging completely.

Pulse-width modulated output is most linear when the ramp waveform period consists mostly of the rising voltage edge. If the capacitor were allowed to completely discharge, a flat line at approximately 60mV would separate the ramps, as indicated in the diagram showing the non-ideal ramp.

These 'flats' may result in non-linearities of the resulting pwm output (after comparing it to the sensor voltage). Thus, the best ramp waveform is produced when one ramp cycle begins immediately after another, and a slight dc offset stops the capacitor from discharging completely.

Flexibility of frequency control of the ramp waveform via the pulse train sent from the microcontroller allows a programmable-frequency pwm output. Using the previous equation, the frequency - or inverse of period - can be calculated with a given

capacitor so that the capacitor charges to a maximum ΔV of about 2.5V. Remember that the current source needs around 2.5V across it to output a stable current.

Importance of software control becomes evident here since the selected capacitor may have a tolerance of +20%. By adjusting the frequency and positive width of the pulse train, the desired ramp requirements are readily obtainable and the effects of component variances can be nulled.

For this design, the ramp spans approximately 2.4V from 0.1V to 2.5V. At this voltage span, the current source is stable and results in a linear ramp. To summarise, increasing frequency and/or pulse width reduces the span of the ramp and dc offset.

In the comparator stage, the LM311 is designed specifically for use as a comparator and thus has short delay times, high slew rate, and an open-collector output. A pull-up resistor at the output is all that is needed to obtain a rail-to-rail output.

As the circuit shows, the pressure sensor output voltage is input to the non-inverting terminal of the op amp and the ramp is input to the inverting terminal. When the pressure sensor voltage is higher than a given ramp voltage, the output is high; likewise, when the pressure sensor voltage is lower than a given ramp voltage, the output is low. Relationships are shown in the diagram.

Since pressure sensor voltage is attenuated and does not reach the ramp's minimum and maximum voltages, there will be a finite minimum and maximum pulse width for the pwm output. These widths are design constraints dictated by the comparator slew rate.

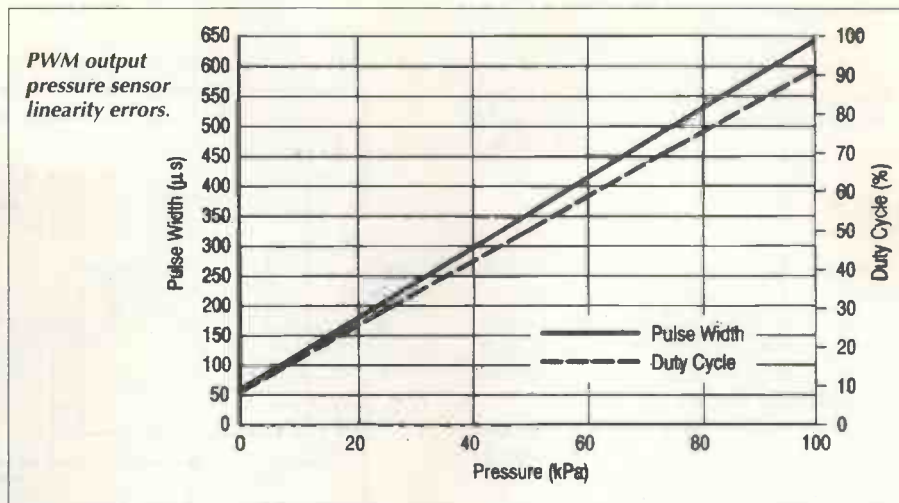
Minimum positive and negative pulse widths are kept at 20 μ s to avoid nonlinearities at the high and low pressures where the positive duty cycle of the pwm output is at its extremes. Depending on the speed of the microcontroller used in the system, the minimum required pulse width may be larger.

Microcontroller details

For this application, the microcontroller requires input capture and output compare timer channels. The output capture pin is programmed to output the pulse train that drives the ramp generator, and the input capture pin detects edge transitions to measure the pwm output pulse width.

Since software controls the entire system, a calibration routine may be implemented that allows an adjustment of the frequency and pulse width of the pulse train until the desired ramp waveform is obtained.

Depending on the speed of the microcontroller, additional constraints on the minimum and maximum pwm output pulse widths may apply. For this design, the



software latency incurred to create the pulse train at the output compare pin is approximately 40 μ s.

Consequently, the microcontroller cannot create a pulse train with a positive pulse width of less than 40 μ s. Also, the software that measures the pwm output pulse width at the input capture pin requires approximately 20 μ s to execute.

Referring to the relationship diagram, the software interrupt that manipulates the pulse train always occurs near an edge detection on the input capture pin (additional software interrupt). Therefore, the minimum pwm output pulse width that can be accurately detected is approximately 20 μ s+40 μ s, or 60 μ s. This constrains the minimum and maximum pulse widths more than the slew rate of the comparator mentioned earlier.

An additional consideration is resolution of the pwm output. It is directly related to the maximum frequency of the pulse train. In this design, 512 μ s are required to obtain at least 8-bit resolution. This is determined by the fact that a 4MHz crystal yields a 2MHz clock speed in the microcontroller. In turn, this translates to 0.5 μ s per clock tick.

There are four clock cycles per timer count. This results in 2 μ s per timer count. Thus, to obtain 8-bit resolution, the difference between the zero pressure and full scale pressure pwm output pulse widths must be at least 2 μ s \times 256. But since an additional 60 μ s is needed at both pressure extremes of the output waveform, the total period must be at least 632 μ s. This translates to a maximum frequency for the

pulse train of approximately 1.6kHz.

With this frequency, voltage span of the ramp generator, and value of current charging the capacitor, the minimum capacitor value may be calculated with the earlier equation.

Calibration

Start with a pulse train that has a pulse width and frequency that creates a ramp with about 100mV dc offset and a span smaller than required. In this example the initial pulse width is 84 μ s and the initial frequency is 1.85kHz.

Decrease frequency of the pulse train until the ramp span increases to approximately 2.4V. The ramp span of 2.4V ensures that the maximum pulse width at full scale pressure will be at least 60 μ s less than the total period. Note that by decreasing the frequency of the pulse train, a dc offset will begin to appear. This may result in the ramp looking nonlinear at the top. If the ramp begins to become nonlinear, increase the pulse width to decrease the dc offset.

Repeat the steps in the previous paragraph until the ramp spans 2.4V and has a dc offset of approximately 100mV. The dc offset value is not critical, but the bottom of the ramp should have a 'crisp' point at which the capacitor stops discharging and begins charging. Simply make sure that the minimum pulse width at zero pressure is at least 60 μ s.

Motorola, 8 Tanners Drive, Blakelands, Milton Keynes MK14 5BP. Tel. 0908 614614, fax 618 650.

LC oscillator features 1% distortion

At the heart of many oscillators is a parallel-resonant LC tank circuit whose impedance is infinite at the resonant frequency of $1/(2\pi\sqrt{LC})$ Hz. Infinite impedance implies an absence of parallel damping resistance, so once it starts, an ideal tank circuit should continue oscillating indefinitely.

The actual tank circuit has parasitic resistances that dissipate energy, causing the oscillations to die out. You can counteract this effect by adding a 'negative' resistance, which

cancels the net parallel parasitic resistance. Negative resistance is easily synthesized with a wideband transconductance amplifier.

Connect the transconductance amplifier's positive input to its output and its negative input to ground as shown. Now, a positive voltage applied to the output causes current to flow out of the amplifier, in proportion to the applied voltage. The circuit acts like a resistor whose current flows in the opposite direction; hence the negative value.

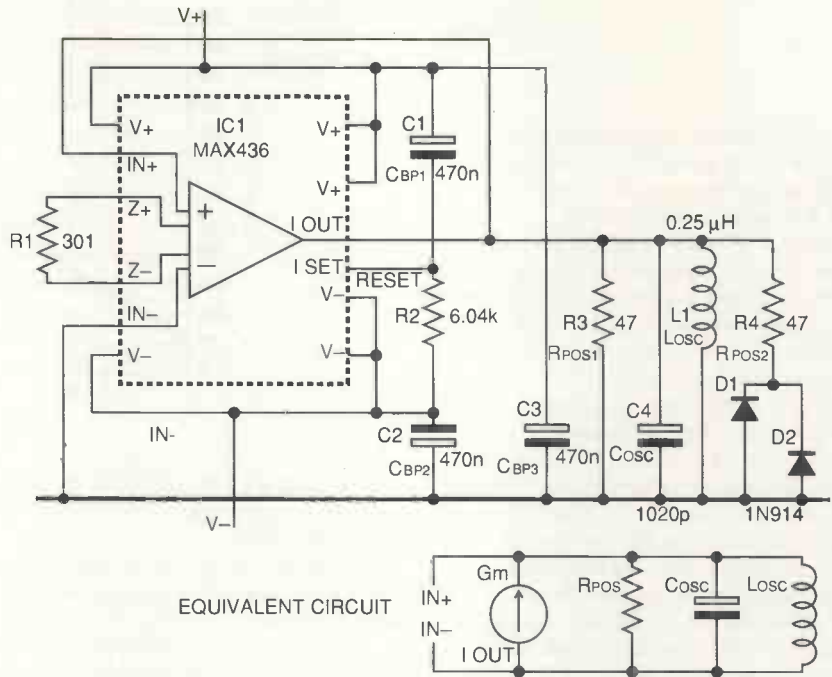
Negative resistance – easily simulated using a transconductance op-amp – produces an LC oscillator with 1% thd.

Source impedance of the IC's current-source output – at 2.5kΩ minimum – is compatible with the 50 to 300Ω load resistance in applications for which the IC is intended. Load resistance, in this circuit R_3 , also resembles that in a typical application.

Load resistance R_3 should be much smaller than the tank-circuit parasitics, yet larger in absolute value than the transconductance amplifier's negative resistance. Resistor R_1 sets the negative resistance in terms of the amplifier's transconductance: $g_m=8/R_1$, where the factor of eight is inherent in the IC.

Negative resistance is therefore $(R_1)/8$, which must be less than R_3 . Choosing 47Ω for R_3 yields $R_1<8R_3=376Ω$. A reasonable value for R_1 , therefore, is 301Ω. As intended, the parallel combination of negative resistance $(-R_1)/8=-37.6Ω$ and positive $R_3(47Ω)$ yields a negative resistance of $-189Ω$ that shifts the oscillator's complex-conjugate pole pair to the right half plane.

By itself, the combination of tank circuit and regenerative element – negative resistance – simply drives the output amplitude to saturation. To achieve steady oscillation the circuit



needs an amplitude limiter. Resistor R_4 serves that purpose; it appears, in parallel with R_3 , only when the amplitude is sufficient to turn on one of the diodes D_1 or D_2 .
 Maxim, 21C Horseshoe Park,
 Pangbourne, Reading RG8 7JW. Tel.
 0734 845 255, Fax 0734 843 863.

Evaluation for PC colour H.261 video i/o chips

An evaluation and prototyping system produced for GEC Plessey's H.261 video compression and decompression chipset is described in *Application Note AN146*.

The system is a software configurable IBM PCIXT/AT compatible expansion card supporting coding/decoding of CIF and QCIF images at data rates up to 2Mbits/s and frame rates up to 30Hz. It incorporates three 8-bit video a-to-d converters, provide 24-bit colour accuracy, and triple 8-bit video d-to-a converters for rgb display. All ram requirements are fully localised.

Video, in rgb format, is input to the board

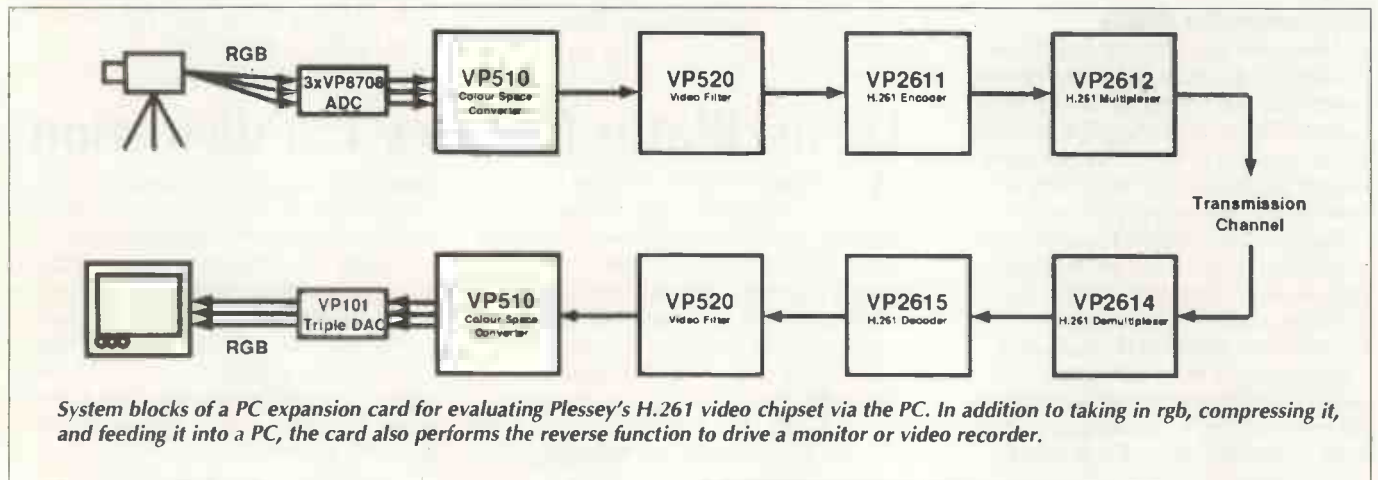
from a source which can be gen-locked to the composite sync signal provided by the VP520 video filter in the decode path. Red green and blue data is sampled at the system clock frequency of 27MHz using an individual a-to-d converter for each channel. This data is colour space converted, filtered and coded to H.261 specification and passed to the transmission channel.

Normally, the transmission channel is a simple link to the decoder section of the board. However this can be intercepted and output to another evaluation board, a network/isdn terminal adaptor or a different

H.261 decoder if desired. It is also possible to input H.261 data from another system and decode and display using the VPB261.

There is also the option of alternative video i/o formats via two headers on the pcb. Further information in the note covers software, PC interfacing and control signals. Each of the components shown is described in a separate paragraph.

GEC Plessey Semiconductors, Cheney Manor, Swindon, Wiltshire SN2 2QW. Tel. 0793 518000, fax 518411.



System blocks of a PC expansion card for evaluating Plessey's H.261 video chipset via the PC. In addition to taking in rgb, compressing it, and feeding it into a PC, the card also performs the reverse function to drive a monitor or video recorder.

COMPUTER ICs

TMS900NL-40 PULLS	£20 ea
S9900 NEW AMD EQUIVALENT	£30 ea
TMS900NL-40 PULLS	£20 ea
MC6802 PROCESSOR	£2 ea
8742 1 SHOT	£8
8742 WIPED	£5
TMS320	£5
TMS320 1 SHOT	£3
AM27C020-125L1 SURFACE MOUNT EPROM USED/WIPED	£1.50
MM16450 UART CHIP	£5 ea
P8271 BBC DISC CONTROLLER CHIP EX EQPT	£25
SA4050 TELETEXT CHIP EX EQPT	£5
2817A-20 (2Kx8) EEPROM ex eqpt.	£2
41256C-15 256Kx1 PULLS	9 FOR £5
80C31 MICRO	£2
P8749H MICRO	£5
HD751-8 NEW	£10
NK4820-20 ZERO POWER RAM EQUIV 6116LP	£4
NEW 4164-15	£1
USED 41256-15	£1
USED 4164-15	60p
BBC VIDEO ULA	£10
8051 MICRO	£1.25
8 x 4164 SIP MODULE NEW	£8
FLOPPY DISC CONTROLLER CHIPS 1771	£16
FLOPPY DISC CONTROLLER CHIPS 1772	£17.50
68000-8 PROCESSOR NEW	£6
HD6384-8	£5
ALL USED EPROMS ERASED AND BLANK CHECKED	
2716-45 USED	£2 100/£1
2732-45 USED	£2 100/£1
2764-30 USED	£2 100/£1.60
27C256-30 USED	£2
27C512 USED	£3.50
1702 EPROM EX EQPT	£5
2114 EX EQPT 50p 4116 EX EQPT	70p
6264-15 6K STATIC RAM	£2
GR261 NON VOLATILE RAM EQUIV 6116	£16
280A SIO-CO.	£1.25
90387-16 CO PROCESSOR (OK WITH 25MHz 386)	£35
7126 3 1/2 DIGIT LCD DRIVER CHIP	£2 ea
2816A-30 HOUSE MARKED	£2
USED TMS2532JL	£2.50
2708 USED	£2
TMS77C82 USED/WIPED	£5
HM6167L-P-8	65p
M27C4001-15	£8
68000-10 PROCESSOR	£6
8255-5	£1
2114 CMOS (RCA 5114)	£1.60

REGULATORS

LM338K	£6
LM323K 5V 3A PLASTIC	£2
LM323K 5VA METAL	£3
SANKEN STR451 USED IN AMSTRAD MONITORS	£5
78H12ASC 12V 5A	£5
LM317H T05 CAN	£1
LM317T PLASTIC TO220 variable	£1
LM317 METAL	£2.20
7812 METAL 12V 1A	£1
7805/12/15/24	30p
7905/12/15/24	30p
CA3085 T099 variable reg	£3
78HGASC+79HGASC REGULATORS	2/£0 ea
LM123 ST93 5V 3A T03 REGS.	£3 ea
UC3524AN SWITCHING REGULATOR IC	60p
78S12 12V 2A TO220 REG.	£1

CRYSTAL OSCILLATORS

2M4576 3M6864 5M0 5M76 6M144 7M000 7M3728 8M000	
12M000 14M3181 17M6256 16M257 18M000 20M000 23M587	
24M000 25M175 27M000 27M036 28M322 32M000 33M330	
35M4816 40M000 44M4444 44M900 48M000 64M000 1M000	
1M8432 4M000 10M000 16M000 18M432000 19M0500	
20M0500 38M10000 56M6092 76M1 84M0	£1.50 ea

CRYSTALS

4M0256 10M368 17M6256 18M432 25M000 28M4694 31M4696	
48M000 55M500 11M180 112M80 114M318 114M80 1M0	
1M8432 2M000 2M4576 2M77 3M000 3M2768 3M579545	
3M58564 3M93216 4M000 4M19304 4M433619 4M608 4M9152	
5M000 5M0688 6M000 6M400 8M000 8M488 9M8304 10M240	
10M245 10M70000 11M000 12M000 13M000 13M270 14M000	
14M381818 15M000 16M000 16M5888 17M000 20M000	
21M300 21M855 22M1184 24M000 34M368 36M75625	
36M76875 36M78125 36M79375 36M80625 36M81675	
36M83125 36M84375 38M900 49M504 54M19166 54M7416	
57M75833 60M000 69M545 69M550 BN 26M995 RD27M045	
OR27M095 YW27M145 GN27M195 BL27M245 3M225	£1 ea

TRANSISTORS

MPSA92	10/£1
2N2907A	10/£1
BC477 BC486	10/£1
BC107 BCY70 PREFORMED LEADS	
full spec	£1 £4/100 £30/1000
BC557 BC238C BC308B	£1/30 £3.50/100
2N3819 FETS short leads	4/£1

POWER TRANSISTORS

OC29	£1.35 ea
P POWER FET IRF9531 8A 60V	3/£1
N POWER FET IRF531 8A 60V	2/£1
2SC1520 sim BF259	3/£1 100/£22
TIP 141/2 £1 ea TIP 112/42B	2/£1
SE9301 100V 1DA DARL SIM TIP121	2/£1
PLASTIC 3055 OR 2955 equiv 50p	100/£35
BUZ31 POWER FET TO-220 200V 12.5A	2/£1

TEXTOL ZIF SOCKETS

28 PIN USED	£3
40 PIN NEW	£10
SINGLE IN LINE 32 WAY CAN BE GANGED FOR USE WITH ANY DUAL IN LINE DEVICES... COUPLING SUPPLIED	2/£1.50

QUARTZ HALOGEN LAMPS

12V 50Watt LAMP TYPE M312	£1 ea
HOLDERS 60p ea	
24V 150 WATTS LAMP TYPE A1/215	£2.50 ea

MISCELLANEOUS

MINIATURE FERRITE MAGNETS 4x4x3mm	10/£1
ALPS MOTORISED DUAL 47K LOG pots with spindle, works on 6v-12v	£1.50 ea
TL071 LO NOISE OP AMP	5 for £1
TL081 OP AMP	4 for £1
47000u 25v SPRAGUE 36D	£3.50 (£2)
12 way dil sw	
10NF 63V X7R PHILIPS SURFACE MOUNT 160K available	£30/4000 box
SWITCHED MODE PSU 40 WATT UNCASED QTY. AVAILABLE +5v 5A, +12V 2A, 12V 500mA FLOATING	£9.95 (£2)
330nF 10% 250V X2 AC RATED PHILIPS	£20/100
220R 2.5W WIREWOUND RESISTOR 60K AVAILABLE	£50/1000
CMOS 555 TIMERS	2/£1
2/3 AA LITHIUM cells as used in compact cameras	2/£1.50
ICM7126PL CMOS 3 1/2 DIGIT LCD DRIVER CHIP	£2 ea
36 CORE 7/0.2mm OVERALL SCREENED	£50/100m
LITHIUM CELL 1/2 AA SIZE	2 FOR £1
PASSIVE INFRA RED SENSOR CHIP + MIRROR + CIRCUIT	£2 ea
EUROCARD 21-SLOT BACK PLANE 96/96-WAY	£25 ea
"PROTONIC 24 VARIBUS" 16.7"x5" FIBREGLASS MULTILAYER PRH PCB	
EUROCARD 96-WAY EXTENDER BOARD 290x100mm	£10 ea
"PROTONIC 24" c/w 2 SUPPORT ARMS/EJECTORS	
DIN 41612 96-WAY A/B/C SOCKET PCB RIGHT ANGLE	£1.30
DIN 41612 96-WAY A/B/C SOCKET WIRE WRAP PINS	£1.30
DIN 41612 64-WAY A/C SOCKET WIRE WRAP PINS	£1
DIN 41612 64-WAY A/C PLUG PCB RIGHT ANGLE	£1
DIN 41612 64-WAY A/B SOCKET WIRE WRAP (2-ROW BODY)	£1
BT PLUG+LEAD	3/£1
13A MOULDED PLUG+2m lead	£1
MIN. TOGGLE SWITCH 1 POLE c/o PCB type	5/£1
LCD MODULE sim LM1018 but needs 150 to 250V AC for display	
40x2 characters 182x95x13mm	£10
TL431 2.5 to 36V TO92 ADJ. SHUNT REG	2/£1
6-32 UNC 5/16 POZI PAN SCREWS	£1/100
NUTS	£1.25/100
PUSH SWITCH CHANGEOVER	2/£1
RS232 SERIAL CABLE D25 WAY MALE CONNECTORS	
£5.90 ea (£1.30)	
25 FEET LONG, 15 PINS WIRED BRAID + FOIL SCREENS	
INMAC LIST PRICE £30	
AMERICAN 2/3 PIN CHASSIS SOCKET	2/£1
WIRE ENDED FUSES 0.25A	30/£1
NEW ULTRASONIC TRANSDUCERS 32kHz	£2/pr
Also available 28 slot vari-bus backplane same size + price	
POWERFUL SMALL CYLINDRICAL MAGNETS	NEW
BNC 500HM SCREENED CHASSIS SOCKET	2/£1
SMALL MICROWAVE DIODES AE1 OC1026A	2/£1
D.I.L. SWITCHES 10-WAY £1 8-WAY 80p 4/5/6-WAY	80p
180VOLT 1WATT ZENERS also 12V & 75V	20/£1
MIN GLASS NEONS	10/£1
RELAY 5V 2-pole changeover looks like RS 355-741 marked	
STC 47W8ost	£1 ea
MINIATURE CO-AX FREE PLUG RS 456-071	2/£1
MINIATURE CO-AX PCB SKT RS 456-093	2/£1
PCB WITH 2N2646 UNIJUNCTION WITH 12V 4-POLE RELAY	£1
400 MEGOHM THICK FILM RESISTORS	4/£1
STRAIN GAUGES 40 ohm Foil type polyester backed balco grid alloy	£1.50 ea 10+
ELECTRET MICROPHONE INSERT	£0.90
Linear Hall effect IC Micro Switch no 613 SS4 sim RS 304-267	£2.50 100+ £1.50
HALL EFFECT IC UGS3040 + magnet	£1
OSCILLOSCOPE PROBE SWITCHED x1 x10	£12
1 pole 12-way rotary switch	4/£1
AUDIO ICS LM380 LM386	£1 ea
555 TIMERS £1 741 OP AMP	6/£1
2N414 AM RADIO CHIP	80p
COAX PLUGS nice ones	4/£1
COAX BACK TO BACK JOINERS	3/£1
4x4 MEMBRANE KEYBOARD	£1.50
INDUCTOR 20µH 1.5A	5/£1
1 1/2" PANEL FUSEHOLDERS	3/£1
CHROMED STEEL HINGES 14.5"x1" OPEN	£1 ea
12V 1.2w small w/e lamps fit most modern cars	10/£1
STEREO CASSETTE HEAD	£2
MONO CASS. HEAD £1 ERASE HEAD	50p
THERMAL CUT OUTS 50 77 85 120°C	£1 ea
THERMAL FUSES 220°C/121°C 240V 15A	5/£1
TRANSISTOR MOUNTING PADS TO-5/TO-18	£3/1000
TO-3 TRANSISTOR COVERS	10/£1
PCB PINS FIT 0.1" VERO	200/£1
TO-220 micas + bushes	10/50p 100/£2
TO-3 micas + bushes	15/£1
Large heat shrink sleeving pack	£2
IEC chassis plug filter 10A	£3
POTS SHORT SPINDLES 2K5 10K 25K 1M 2M5	4/£1
40K U/S TRANSDUCERS EX-EQPT NO DATA	£1/pr
LM3352 10M V/degree C	£1
LM2342 CONST. CURRENT I.C.	£1
BNC TO 4MM BINDING POST SIM RS 455-961	£1
MIN PCB POWER RELAYS 10.5v COIL 6A CONTACTS 1 pole c/o	£1
AVEL-LINDBERG MOULDED TRANSFORMER TYPE OB10	
15+15V 10VA QTY. AVAILABLE	£2 ea
BANDOLIERED COMPONENTS ASSORTED Rs, Cs, ZENERS	£5/1000
LCD MODULE 16 CHAR. X 1 LINE (SIMILAR TO HITACHI LM10)	£5
KYNAR WIRE WRAP WIRE	£1/REEL
OP11264A 10kV OPTO ISOLATOR	£1.35 ea 100+ £1 ea
"LOVE STORY" CLOCKWORK MUSICAL BOX MECHANISM MADE BY SANKYO	£1 ea
Telephone cable clips with hardened pins	500/£2
10,000V 16V PCB TYPE 30mm DIAx31mm	2/£1
EC CHASSIS FUSED PLUG-B-LEE L2728	3/£1
2A CERAMIC FUSE 1.25" QB	10/£1
40 WAY IDC RIBBON CABLE 100 FOOT REEL	£5+CARR
20mm PCB FUSEHOLDER	5/£1
IEC CHASSIS FUSED PLUG-B-LEE L2728	3/£1
ASTEC MODULATOR VIDEO + SOUND UM1287	£2.25
BARGRAPH DISPLAY 8 RED LEDS	£1.50
NE567 PHASE LOCKED LOOP	2/£1

DIODES AND RECTIFIERS

A115M 3A 600V FAST RECOVERY DIODE	4/£1
1N5407 3A 1000V	8/£1
1N4148	100/£1.50
1N4004 SD4 1A 300V	100/£3
1N5401 3A 100V	10/£1
BA158 1A 400V fast recovery	100/£3
BY127 1200V 1.2A	10/£1
BY251 300V 3A	8/£1
6A 100V SIMILAR MR751	4/£1
1A 600V BRIDGE RECTIFIER	4/£1
4A 100V BRIDGE	3/£1
6A 100V BRIDGE	2/£1
10A 200V BRIDGE	£1.50
25A 200 V BRIDGE £2	10/£18
25A 400V BRIDGE £2.50	10/£22
2KBP02 IN LINE 2A 200V BRIDGE REC	8/£1

SCRS

PULSE TRANSFORMERS 1:1+1	£1.25
TU1016D 800mA 400V SCR 3/£1	100/£15
MEU21 PROG. UNIJUNCTION	3/£1

TRIACS

NEC TRIAC AC08F 8A 600V TO220	5/£2 100/£30
TXAL225 8A 500V 5mA GATE	2/£1 100/£35
BTA 08-400 ISO TAB 400V 5mA GATE	90p
TRAL2230D 30A 400V ISOLATED STUD	£5 ea
TRIAC 1A 800V TL381T 16k AVAILABLE	5 FOR £1 £15/100

CONNECTORS

D25 IDC PLUG OR SOCKET	£1
34-way card edge IDCCONNECTOR (disk drive type)	£1.25
CENTRONICS 36 WAY IDC PLUG	£2.50
CENTRONICS 36 WAY IDC SKT	£4.00
BBC TO CENTRONICS PRINTER LEAD 1.5M	£3
CENTRONICS 36 WAY PLUG SOLDER TYPE	£4
USED CENTRONICS 36W PLUG+SKT	£3
14 WAY IDC BLOCK HEADER SKT	5/£1

PHOTO DEVICES

HI BRIGHTNESS LEDS CQX24 RED	5/£1
SLITTED OPTO-SWITCH OFCOA OPB815	£1.30
2N5777	50p
TIL81 PHOTO TRANSISTOR	£1
TIL38 INFRA RED LED	5/£1
4N25, OP12252 OPTO ISOLATOR	50p
PHOTO DIODE 50P	6/£2
MEL12 (PHOTO DARLINGTON BASE n/c)	50p
LED'S RED 3 or 5mm 12/£1	100/£6
LED'S GREEN OR YELLOW 10/£1	100/£6
FLASHING RED OR GREEN LED 5mm 50p	100/£40
HIGH SPEED MEDIUM AREA PHOTODIODE RS651-995	£10 ea

STC NTC BEAD THERMISTORS

G22 220R, G13 1K, G23 2K, G24 20K, G54 50K, G25 200K, RES 20°C DIRECTLY HEATED TYPE	£1 ea
FS22W NTC BEAD INSIDE END OF 1" GLASS PROBE RES 20°C	£1 ea
A13 DIRECTLY HEATED BEAD THERMISTOR 1k res. ideal for audio Wien Bridge Oscillator	£2 ea

CERMET MULTI TURN PRESETS 3/4"

10R 20R 100R 200R 250R 500R 2K 2K2 2K5 5K 10K 47K 50K 100K 200K 500K 2M	50p ea
---	--------

IC SOCKETS

14/16/18/20/24/28/40-WAY DIL SKTS	£1 per TUBE
8-WAY DIL SKTS	£2 per TUBE
32-WAY TURNED PIN SKTS. 7k available	3 for £1
SIM M SOCKET FOR 2x30-way SIMMS.	£1

POLYESTER/POLYCARB CAPS

330nF 10% 250V AC X2 RATED PHILIPS TYPE 330	£20/100
100n, 220n 63V 5mm	20/£1 100/£3
1n/3n/5n/6n/2/10n 1v 63V 10mm	100/£5
10n/15n/22n/33n/47n/66n 10mm rad	100/£3.50
100n 250V radial 10mm	100/£3
100n 600V Sprague axial 10/£1	100/£6 (£1)
2u2 160V rad 22mm, 2u2 100V rad 15mm	100/£10
10n/33n/47n 250V AC x rated 15mm	10/£1
1µ 60V MIXED DIELECTRIC	50p ea
1µ 100V rad 15mm, 1µ 22mm rad	100/£6

RF FITS

SAW FILTERS SW662/SW661 PLESSEY SIGNAL TECHNOLOGY 379.5 MHz	£1.50 ea
FX3286 FERRITE RING ID 5mm OD 10mm	10 for £1
ASTEC UM1233 UHF VIDEO MODULATORS (NO SOUND)	1250 STOCK
MARCONI MICROWAVE DIODES TYPES DC2929, DC2962, DC4229/F1/2	£1 EA
XTAL FILTERS 21M4 55M0	£2 ea
ALL TRIMMERS	3 for 50p
VIOLET	5-105pF
YELLOW 5-65pF RED 10-110pF GREY 5-25pF	
SMALL MULLARD 2 to 220pF	3 FOR 50p £10/100
TRANSISTORS 2N4427, 2N3866	80p ea
CERAMIC FILTERS 4M5/6M/9M/10M7	60p ea
FEED THRU CERAMIC CAPS 1000pF	10/£1
SL610	£5
6 VOLT TELETYPE RELAYS 2 POLE CHANGEOVER	£2
(BFY51 TRANSISTOR CAN SIZE)	
2N2222 METAL	5/£1
P2N2222A PLASTIC	10/£1
2N2369A	5/£1
VN10KM	4/£1

PLESSEY ICS EX-STOCK

SL350G SL360G SL362C SL403D SL423A	
SL521B SL523C SL541B SL850C SL1021A	
SP8655 SP8719DG	

MONOLITHIC CERAMIC CAPACITORS

10n 50V 2.5mm	100/£4.50
100n 50V 2.5mm or 5mm	100/£6
100n ax short leads	100/£3
100n ax long leads	100/£5
100n 50V dil package 0.3" rad.	100/£8
1µF 50V 5mm	£6/100

KEYTRONICS

TEL. 0279-505543
FAX. 0279-757656

P O BOX 634
BISHOPS STORTFORD
HERTFORDSHIRE CM23 2RX

SEND £1 STAMPS FOR CURRENT IC+SEMI STOCK LIST - ALSO AVAILABLE ON 3 1/2" FLOPPY



Field Electric Ltd.

Tel: 0438-353781 Fax: 0438 359397

Mobile: 0836-640328/0860-213370

Unit 2, Marymead Workshops,

Willows Link, Stevenage, Herts, SG2 8AB.



1.44Mb Laptop floppy disk drives £15 C/P £3.50
 360/720K 5.25" TEAC BBC compat. disk drives £9.50 C/P £3.50
 Sony 9" colour monitor Trinitron super fine pitch model KTM 1000UB with data for RGB £85
 Toshiba external 5.25" disk drive new boxed PA7225E £40 C/P £7.50
 SCSI hard disk drives, Micropolis 382Mb new boxed £350 C/P £12
 SCSI hard disk drives, Seagate 426Mb new boxed £425 C/P £12
 SCSI hard disk drives, Maxtor 760Mb new boxed £550 C/P £12
 SCSI hard disk drives, IBM 160Mb surplus tested £105 C/P £10
 IBM 3363 optical disk drive new boxed £90 C/P £9
 102 key AT enhanced keyboard with PS2 type plug £10 C/P £4
 Compaq AT enhanced keyboard no cable £19 C/P £4
 486 DX 2/25/33 CPUs from £110
 16 bit ram cards takes Simms from £25
 286/386 complete computers in stock from £250
 Intel flash memory cards 1Mb to 4Mb from £80
 MCA buss VGA cards for PS2 etc £29
 MCA buss SCSI Interface cards for PS2 etc from £59
 MCA buss ram cards takes Simms for PS2 etc from £25
 Test equipment; please ring for C/P details
 HP X532B frequency meter £165
 HP 1740A 100MHz oscilloscope dual chn: with 3rd chn £325
 HP 1332 X-Y display with options 215/300/315/570/631 £150
 HP 7221A plotter £150
 HP 1900A pulse gen: cwith 1915A: 1908A: 1905A £175
 HP 693D sweep oscillator 4-8 GHz £145
 HP 10013A probe £24.50 C/P £3.50
 HP 62605 PSU 5v 100A £75
 Tektronix 453 o'scope 50MHz dual beam £75
 TEK: 067-502 standard amplitude calibrator £250
 TEK: swept frequency converter 015-0107-00 £100
 TEK: 7012 A/D converter plug in £59
 TEK: 2213 o'scope 60MHz dual beam etc £115
 TEK: 455 o'scope 50MHz dual beam etc £290
 Fluke 8010A digital multimeter £105
 AEI Gauss meter FB22 form with probe £117
 AS Etek switch mode variable PSU bench type 250 VAC input 0-60 VDC 25A max metered 17x12.5x5
 + Data £325
 Farnell B30/20 0-30 VDC 20A linear switched £250
 Astec SA301306 new & boxed PSU 240 VAC input +5 2A +15 1.8A -15 0.3A £12.50
 Sorensen SRL 40-12 0-4 VDC 0-12 metered 115 VAC input £95
 Donner pulse gen: 100C £95
 EH microwave swept oscillator 574-1 7-12.4GHz £450
 Hydrostatic stability IND: HSM 400 PI £800
 Hughes Model 639 scan conversion memory £300
 Complot series 7000 digitizer tablet with Complot series 7000 digitizer £450
 Wyse 60A terminals new & boxed with keyboards £190
 Philips PM 8940 isolation amp etc £85
 Wayne Kerr VHF admittance bndge B801 £85
 Advance inst: low distortion LF oscillator SG68A £90
 DLJ delay gen: DG100 £80
 Marconi TF 2602 drift: DC voltmeter £65
 Bromma LKB 2210 recorder 1-channel £85
 9 chipp 256K Sipps New £4.50 C/P £1.25
 SLO-SYN HS25 stepper motor new & boxed 45oz In torque £8.95 C/P £4.00
 High quality 750HM video cable 100 metres+ reel £22.00 C/P £8.00

PLEASE ADD VAT. RING FOR CARRIAGE UNLESS STATED

CIRCLE NO. 137 ON REPLY CARD

PIC ICE II. In-Circuit Emulator for PIC16C54-55-56-57-71-84. Replaces all 18 or 28 pin PICs. All ports Bi-directional. OSC2 output. RTCC input.

On board A/D converter for PIC16C71.

Supplied with PICDEV54 and PICDEV71 software. connecting leads and headers. ASM examples, and hardware circuit projects. £159.95

PIC ICE 18P (In-Circuit Emulator). 18 pin PICs only no A/D.

Plugs into the printer port and runs in conjunction with the PIC development simulator software.

Appears to the target system as a normal Pic device including OSC2 and RTCC in/out.

Runs in real time from the IBM PC changes made to File registers reflected on target.

Supplied with Software of your choice Pic54-57 or Pic71/84 £89.95

PICPROG. Programs Pic 16C54-55-56-57-71-84. Centronics port interface.

Powerful editing software to Read, Write & Copy Pic devices including data memory in Pic16C84.

Top quality components used throughout including production ZIF socket.

Requires external power 15-20v AC or DC @ 250ma. (optional extra £6.50). £69.95

MEGAPROM programmer. EPROMS, E2PROMS, and FLASH memories from 2k (2716) to 8 Meg (27C080). Runs on IBM PC via the centronics port using standard printer cable.

Works on all PC compatibles, laptops, and notebooks. No special port requirements.

Uses approved programming algorithms. Very fast program & verify 27C512 = 45 seconds.

Full screen editor software supports Bin, Intel Hex, Motorola S and Asc formats.

Top quality components used throughout including production ZIF socket.

Requires external power supply 18-25v AC or DC @ 250ma. (optional extra £6.50) £99.95

EPROM EMULATOR Works on ANY computer with centronics printer port. Data sent to the printer appears in the target board Eprom socket. Emulates from 1k to 32k Byte (27C256) roms, board switchable.

Very fast download. Works with or without our Development software. £49.95

PC SCOPE. Convert your IBM PC into a Storage Oscilloscope with our A/D converter.

Simply plug into the printer port (no power required). Sample rate 10k to 30k per second.

Software supplied for Scope and Voltmeter. A/D source to write your own programs. £29.95

DEVELOPMENT SOFTWARE.

Develop software on your IBM PC for other Microprocessors, Controllers, Pic's etc.

Software has fully integrated Text Editor, Assembler, Disassembler, and Simulator.

The Simulator displays all registers along with disassembled code program counter, Condition code register. The user can single-step, go with breakpoints, watch memory, etc.

change any/all registers/memory locations at any time (on the fly).

Code can be Saved to disk and/or downloaded directly to our EPROM Emulator. All software supplied with sample. ASM files, and user documentation/manual.

Very powerful software as supplied to universities, colleges ITECS and Industry.

Available for the following:-

MCS8051/52/552 £19.95 MCS8048/49 £19.95 PIC16C54/56/7 £29.95

PIC16C71/84 £29.95 HD63/6809 £39.95 R6502 £29.95

All hardware carries a 12 months parts and labour Guarantee. No Vat payable. Please add £1.50 for Carriage.

CREDIT CARD ORDERS SAME DAY DESPATCH

JOHN MORRISON DEPT WW

4 REIN GARDENS, TINGLEY,

WEST YORKSHIRE WF3 1JR

TEL (or FAX) 0532 537507



CIRCLE NO. 138 ON REPLY CARD

FREE TO SUBSCRIBERS

Electronics World offers you the chance to advertise

ABSOLUTELY FREE OF CHARGE!

Simply write your ad in the form below, using one word per box, up to a maximum of twenty words (remember to include your telephone number as one word). You must include your latest mailing label with your form, as this **free** offer applies to private subscribers only. Your ad will be placed in the first available issue.

This offer applies to private sales of electrical and electronic equipment only.

Trade advertisers should call **Malcolm Wells on 081-652 3620**

All adverts will be placed as soon as possible. However, we are unable to guarantee insertion dates. We regret that we are unable to enter into correspondence with readers using this service, we also reserve the right to reject adverts which do not fulfil the terms of this offer.

Please send your completed forms to:

Free Classified Offer: Electronics World, L329, Quadrant House, The Quadrant, Sutton, Surrey SM2 5AS

THE WEAPON OF PEACE

As Nigel Cook reports, four out of five ideas of Winston Churchill on the future of war, published in 1925, have become reality. And the fifth? Read on...

In an article published in 1925, Winston Churchill posed five ideas on the future of war. The first four have all become reality. The first is nuclear weapons; "Might not a bomb no bigger than an orange be found to possess a secret power – nay, to concentrate the force of a thousand tons of cordite and blast a township at a stroke?" Next is guided missiles and rockets; "Could not explosives even of the existing type be guided automatically in flying machines by wireless or other rays, without a human pilot, in ceaseless procession upon a hostile city?" Thirdly, poison gas and chemical warfare; "only the first chapter has been written in this terrible book." And finally, biological warfare; "Blight to destroy crops, Anthrax to slay horses and cattle, plague to poison not armies but whole districts".

The US Department of Defense has just undertaken the development of the fifth and final suggestion. Churchill's article entitled *Shall We All Commit Suicide?*, offered as the last word on the technology of war a suggestion which previously seemed pseudo-scientific fantasy. But, just like his other ideas, science has finally caught up. Churchill's fifth idea; "It might have been hoped that the electromagnetic waves would in certain scales [frequencies] be found capable of detonating explosives of all kinds from a great distance."

A need has recently arisen for a new weapon which could stop nuclear reactor plutonium production in threatening countries seeking nuclear weapons. According to Pentagon sources, it could also be used to effectively halt conventional warfare without killing or injuring anyone (by destroying the electronic components of weapons), or, indeed, actually detonate all the explosives as Churchill imaginatively suggested 69 years ago. Nuclear reactors cannot be attacked with conventional explosive weapons without the risk of releasing radioactivity which could

injure civilians.

Harold Smith, assistant to US defence secretary Les Asin, summarised the requirements in December 1993: "We need a weapon today that will bring a reactor to a standstill, that would not contaminate the surrounding atmosphere." Ashton Carter, assistant US secretary of defence in charge of counter-proliferation, added during the same interview: "We're talking about a new mission." To accomplish this, they have authorised the development of a new bomb which releases an electromagnetic pulse powerful enough to destroy all electronic equipment targeted, without producing early fallout.

The EMP weapon is not an essentially secret invention and can therefore be discussed here in some detail. Like the neutron bomb, the weapon itself is a very fundamental concept to nuclear design, and the special features pertain only to the yield, height of burst, and an outer radiation shield. To optimise the EMP, the fraction of the bomb's total yield which appears in prompt gamma rays must be maximised. Prompt gamma rays are the only source of gamma radiation emitted at a high enough rate (or power) to create a charge separation in the atmosphere sufficient to produce a damaging EMP. About 3.5% of the energy of nuclear fission is released in this form. The shorter the interval of time over which the fission reaction occurs, the greater the rate of prompt gamma emission, the larger the electric field, and the greater the frequency of EMP. Research recently declassified shows that the tamper of a low yield fission bomb absorbs over 85% of the prompt gamma rays.

To meet these objectives the EMP weapon deploys a pure fission implosion bomb with no heavy uranium tamper. This is conventionally used to reflect neutrons back into the fission reaction and to protract the explosion process by inertia, thereby increasing the per-

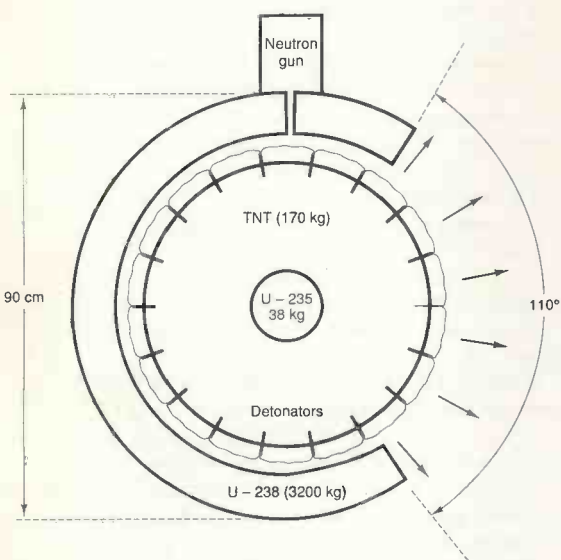


Fig. 1. Vertical cross section through the directed EMP weapon. Prompt gamma rays are radiated horizontally from a circular aperture to maximise the net (asymmetrical) Compton current parallel to the ground. The bomb weighs 3.4 metric tons and is 90cm across. (The bomb dropped on Hiroshima was 3m long and has a mass of 4.1 metric tons)

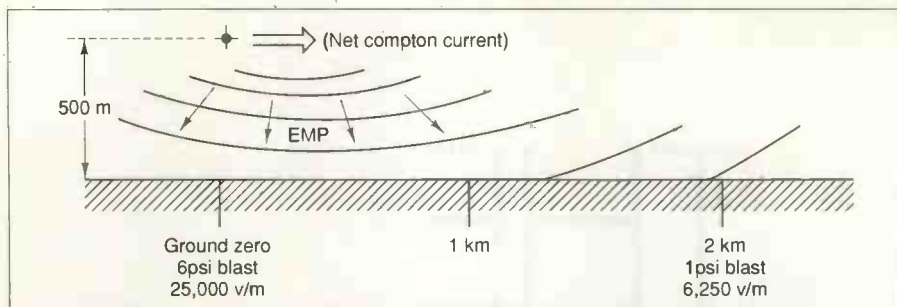


Fig. 2. Directed EMP weapon is used operationally like the neutron bomb. However, the EMP weapon minimises the dangerous effects to people and maximises the high-power microwave (100MHz) electromagnetic pulse emission. This couples immense currents in cables, aeriels and power lines which rise faster than lightning and burn out electromagnetic components.

centage of mass fissioned and with it the total yield. The absence of a tamper therefore lets the core expand and the reaction be quenched after only a kiloton of TNT equivalent energy has been generated.

The resulting one kiloton burst at 500m altitude is identical to the neutron bomb; in that the blast, fallout and thermal effects are virtually negligible on the ground. The difference is that the neutron bomb is a complex thermonuclear device to maximise the neutron radiation yield; the EMP weapon is basically a simple pure fission device maximising the relative yield of prompt gamma rays.

For the purpose of countering nuclear reactors, it is anticipated that EMP bombs will use highly enriched uranium-235 rather than plutonium, since it is too expensive for making a great stockpile of bombs and is many thousands of times safer than plutonium. In fact, the concentration of U-235 needed to cause a radiation injury when ingested is more important for chemical poisoning to the kidneys.

With the source of gamma radiation known, the problem is then using it to produce a directed EMP. The principle is simple: the prompt gamma rays are scattered on average every 300m in the air surrounding the bomb. The scattering mechanism is the Compton effect, whereby an electron in the air is ejected from its atom, leaving the latter ionised.

Since the electron has a far smaller inertia than the ion, it travels outward faster. This separation of charges creates an electric field which, according to Maxwell's equations, is greatest perpendicular to the direction of the so-called 'Compton current'. An ordinary nuclear explosion in the air produces an EMP due to the variation of the air density with altitude, because a vertical asymmetry in the otherwise spherical Compton current is produced. An asymmetry in the radial current is essential for EMP or any radio emission: a radio aerial can be almost any shape except a sphere.

The problem with the natural vertical EMP (which has been understood since the 1960s) is that, if the weapon is air burst (to avoid fallout), the minimum fields occur directly below the detonation, and the maximum fields occur at a long distance in a circular region around ground zero. This effect again occurs in radio transmission: the minimum reception occurs directly above or below a vertical aerial, while the maximum fields are radiated horizontally.

The EMP weapon creates an artificial horizontal asymmetry in the Compton current by absorbing the gamma radiation travelling upwards and downwards from the bomb in a natural outer shield. The prompt gamma rays are all emitted within 10ns (for a one kiloton bomb), which is well before the bomb has destroyed the shield by heat and hydrodynamics. The idea of introducing such artificial asymmetry into nuclear weapons was first put into practice in the successful Ming Blade underground nuclear test at the Nevada Test Site in 1974. This was done to confirm the theoretical model used for surface burst nuclear weapon EMP, so that cold war missile silo equipment could be protected. Of greater interest today are the data from Dining Car, a 1975 nuclear test at Nevada where military hardware was for the first time deliberately subjected to an EMP from a real nuclear explosion. Since the end of the cold war, the Defense Nuclear Agency in America has classified the results of such tests, and even its secret manual entitled *Capabilities of Nuclear Weapons*.

The design of the EMP weapon is shown in Figs. 1 and 2. It is a simple and yet highly controllable invention. The heavy radiation shield, while maximising the radiation flash environment high in the air, absorbs most of the downward directed radiations and thus avoids producing casualties on the ground. The exact variation of EMP around ground zero is precisely determined by the solid angle through which radiation is allowed to escape from the bomb, and by height of burst. As the emission angle is increased, a greater amount of prompt gamma radiation escapes. However the symmetry of the radiation field also increases with the emission angle, which means that a smaller fraction of the gamma radiation is then radiated as EMP. On balance, the optimum angle is 110°, for which about one sixth of the prompt gamma radiation is emitted into the air.

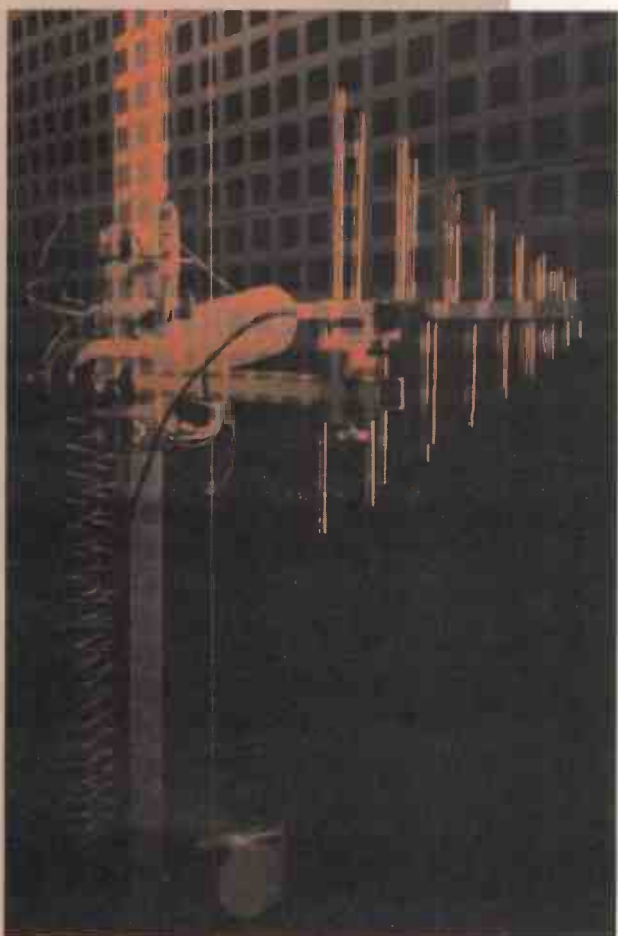
Burst at an altitude of 500m to avoid early radioactive fallout and to achieve a merged and uniform EMP on the surface below, this bomb would blanket a square kilometre with a peak EMP of 25kV/m. At greater distances, e.g., outside the radius of radiation absorption high in the air, the field decays inversely with distance. Therefore, the EMP falls to 6.25V/m at 2km ground radius, and to 2kV/m at 6km.

Experience in 1962 on Hawaii, 1,300km from the 1.4 megaton Starfish Prime nuclear test (detonated over Johnston Island), showed that an EMP of just a few kV/m can cause marked effects even on old electronic systems. For example, 300 street lights were fused in 30 series connected loops, dozens of burglar alarms were set off, and circuit breakers initiated power cuts in different circuits. Except for fuses, electronic equipment was not permanently affected since it takes about 1 to 2J to burn out a valve. However, microelectronics are a crucial component of nuclear reactors and modern weaponry, and they are thousands to millions of times more vulnerable than valve technology. For example, an MC17 silicon chip (data input gate) is burned out, according to the previously secret *Capabilities of Nuclear Weapons*, by an EMP of just 0.08mJ. Furthermore, promising to fulfil Churchill's prediction exactly, we find that various kinds of explosive detonators are fired off by an EMP of between 0.02 and 0.6mJ.

These effects would readily occur out to a distance of between 2 and 6km from ground zero. For comparison, serious skin burns, caused for a one kiloton bomb by a thermal exposure of 5cal/cm², occur only to a ground radius of 500m; and the blast wave effect even at ground zero, where the peak overpressure would be 40kPa or 6lb/in², would not be sufficient to structurally damage concrete buildings (for instance a nuclear reactor), owing to the very short duration of the blast from a one kiloton bomb. The Pentagon will therefore soon have at its disposal the first true weapon of peace. ■

References

1. Winston Churchill's 1925 article is reprinted in his book *Thoughts and Adventures* (Butterworth, 1932).
2. Assistants to US Secretary of Defense are quoted on the EMP bomb project in various American newspaper reports, e.g., Steve Komarow, *Technology: Pentagon's Driving Force*, USA Today, International Edition, Tuesday 28 December 1993.
3. Secret Pentagon manual recently released under the US Freedom of Information Act: Philip J. Dolan (ed.), *Capabilities of Nuclear Weapons*, Defense Nuclear Agency of the US Department of Defense, 1972. Revised 1978 and 1981.
4. The declassified figure of "over 85%" in the text of the article is based on Chapters 1 and 7 of *Capabilities of Nuclear Weapons*. These state that although thermonuclear weapons release only 0.1% of their total energy as prompt gamma rays, small fission bombs of one kiloton release 0.5%. Since the book states that 3.5% of the total energy of the explosion is in prompt gamma rays, the tamper obviously absorbs the other 3%, which is 85.7% of the total.
5. References to the nuclear test EMP are from Chapter XI of Samuel Glasstone and Philip J. Dolan, *The Effects of Nuclear Weapons*, US Departments of Energy and Defense, 3rd ed., 1977.



Scattering knowledge for low-power amps

Put simply, design of low power rf amplifiers means selecting a bias point then making use of scattering and noise parameters. Here, Norm Dye and Helge Granberg analyse both noise and scatter, then deal with bias considerations and power gain. From the book RF Transistors: principles and practical applications.

Scattering parameters tell "everything" there is to know about small signal amplifier design with one exception – noise. Impedance matching, gain, input and output vswr, and stability can all be expressed by mathematical equations involving S -parameters. They are basically a means for characterising n -port networks using the concept of travelling waves.

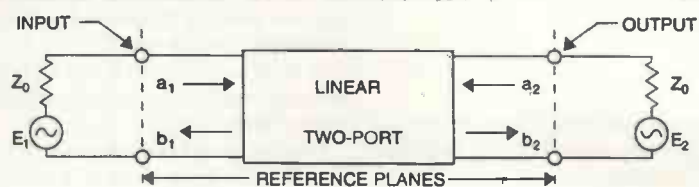
A travelling wave created by a generator (source) and launched on a transmission line toward a load is referred to as an incident wave. Any mis-matches encountered by the incident wave will result in a reflected wave which travels back down the transmission line toward the generator.

For a two-port network such as a transistor, if the network is embedded in a 50Ω measuring system, the S -parameters become simply the coefficients of the incident and reflected voltage waves (Fig. 1).

S_{11} and S_{22} in a 50Ω system are the input and output voltage reflection coefficients, related to input and output vswr by the formula

$$\text{vswr} = \frac{1+|\Gamma|}{1-|\Gamma|}$$

where $|\Gamma|$ is the magnitude of the voltage reflection coefficient. The quantity $|S_{21}|^2$ is the power gain of the transistor at the specified bias conditions and frequency – and, of



$$\text{vswr} = \frac{1+|\Gamma|}{1-|\Gamma|}$$

Fig 1 Two-port S -parameter definitions

course, with 50Ω source and load terminations.

Noise parameters

Three basic noise parameters completely describe the noise characteristics of a low power transistor. These are the minimum possible noise figure obtainable from the transistor NF_{min} , the equivalent noise resistance of the transistor – called R_n , and the optimum source reflection coefficient Γ_{opt} . Sometimes four basic noise parameters are referred to, because the quantity Γ_{opt} is a complex number and is often referenced by stating its magnitude and angle. Also the quantity R_n is sometimes normalised to a specific characteristic line impedance by dividing the quantity by Z_0 . In this case, the normalised noise resistance is always specified using the lower case letter r : $r_n = R_n/Z_0$

A given value of noise figure, NF , can be determined:

$$NF = NF_{min} + 4r_n \frac{|\Gamma_s - \Gamma_{opt}|^2}{(1 - |\Gamma_s|^2)(1 + |\Gamma_{opt}|^2)}$$

Once the three noise parameters are known, this shows that the noise figure of a transistor amplifier for a specific bias condition and frequency is entirely dependent on the source impedance seen by the transistor – Γ_s . If the value of NF is specified, the locus of points representing possible values of Γ_s are circles on the Smith chart. The radius of a noise circle will increase with increasing values of NF , with the circle having zero radius being located at the point of Γ_{opt} . The centres of all the NF circles will lie along the Γ_{opt} vector which originates at the centre of the Smith chart and terminates at the location of Γ_{opt} .

Finally, the centres of the noise figure circles are located at the points determined by:

$$C_{Fi} = \frac{\Gamma_{opt}}{1 + Ni}$$

where Ni is a noise figure parameter defined by:

$$Ni = \frac{NF_i - NF_{min}}{4r_n} \bullet |1 + \Gamma_{opt}|^2$$

and NF_i is the value of the desired noise figure circle. Likewise, the radii of the circles are given by:

$$R_{Fi} = \frac{1}{1 + Ni} \left[Ni^2 + Ni (1 - |\Gamma_{opt}|)^2 \right]^{0.5}$$

Optimum source reflection coefficient (Γ_{opt}), noise resistance (r_n), and minimum noise figure (NF_{min}) remain the same as described.

Plotting noise figure circles is a tedious operation best left to computers with programs that work in conjunction with Smith chart displays.

Most rf low power transistor manufacturers have automated equipment and computer programs for generating noise (and gain) circles and will provide users with the required information as part of the job of selling their transistors. But if the manufacturer does not supply circles for particular conditions, the

alternatives for systematic design of a low noise amplifier are few.

Biasing considerations

Choosing the bias point is less difficult than designing a suitable bias network. First, the manufacturer supplies a curve showing f_t versus collector current for a bipolar transistor. For good gain characteristics, the transistor should be biased at a collector current that results in maximum or near-maximum f_t while for best noise characteristics a low current is generally most desirable.

Finally, the maximum signal level expected at the input of the transistor should be considered. The bias point must be at sufficiently high current (and voltage) to prevent the input signal from swinging the collector current out of the "linear" region of operation. The transistor should have been chosen to have sufficient operating current to prevent the input signal from driving the transistor into the saturated region of operation – also an operating condition that would prevent class A (or linear) operation.

If the amplifier needs to work over a range of temperature, a bias network must be designed that maintains the dc bias point as operating temperature changes.

Two basic internal transistor characteristics have a significant effect on the dc bias point – ΔV_{BE} and $\Delta\beta$.

The base-emitter voltage of a bipolar transistor decreases with increasing temperature at the rate of about 2.5mV/°C. Emitter voltage V_E tends to minimise the effect because as base current increases (as V_{BE} decreases), collector current increases causing V_E to increase too.

But as V_E increases, collector current tends to decrease, according to $\Delta I_C = \Delta V_{BE} I_C / V_E$, where ΔI_C is the change in I_C , ΔV_{BE} is the change in base-to-emitter voltage, and V_E is the quiescent emitter voltage.

Similarly, the transistor's dc current gain typically rises with increasing temperature at the rate of about 0.5%/°C. Further bias circuit complications arise from the fact that most semiconductor manufacturers give β the least control of any major dc specification. It is not uncommon to have a bipolar transistor with a range of β that exceeds 5 or 6 to 1. That is to say, the ratio of guaranteed maximum β to minimum β is 5 or 6 to 1.

A more normal range is 4:1. Only by special selection can the manufacturer achieve a guaranteed range of 2:1.

Change in collector current for a corresponding change in β can be approximated by:

$$\Delta I_c = I_{c1} \left(\frac{\Delta\beta}{\beta_1\beta_2} \right) \left(1 + \frac{R_B}{R_E} \right)$$

where I_{c1} is the collector current at $\beta = \beta_1$, β_1 is the lowest value of β , β_2 is the highest value of β , $\Delta\beta$ is $\beta_2 - \beta_1$, R_B is the parallel combination of the resistors R_1 and R_2 in a bias network, and R_E is the emitter resistor.

The equation shows the advantages of minimum spread in dc current gain: the smaller the value of $\Delta\beta$ (both with temperature, and

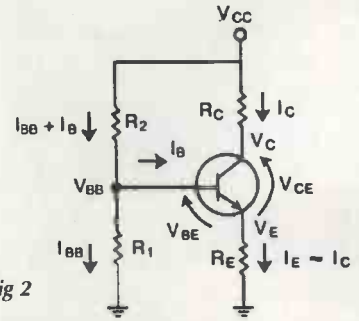


Fig 2

Choose the operating point for the transistor:

$$I_C = 10\text{mA}, V_C = 10\text{V}, V_{CC} = 20\text{V}, \beta = 50$$

Assume a value for V_E that considers base stability:

$$V_E = 2.5\text{V}$$

Assume $I_E = I_C$ for high-beta transistors.

Knowing I_E and V_E , calculate R_E

$$R_E = \frac{V_E}{I_E} = \frac{2.5}{10 \times 10^{-3}} = 250\Omega$$

Knowing V_{CC} , V_C and I_C , calculate R_C :

$$R_C = \frac{V_{CC} - V_C}{I_C} = \frac{20 - 10}{10 \times 10^{-3}} = 1000\Omega$$

Knowing I_C and β , calculate I_E :

$$I_B = \frac{I_C}{\beta} = 0.2\text{mA}$$

Knowing V_E , V_{BE} , calculate V_{BB} :

$$V_{BB} = V_E + V_{BE} = 2.5 + 0.7 = 3.2\text{V}$$

Assume a value for I_{BB} , the larger the better, see text:

$$I_{BB} = 1.5\text{mA}$$

Knowing I_{BB} and V_{BB} , calculate R_1 :

$$R_1 = \frac{V_{BB}}{I_{BB}} = \frac{3.2}{1.5 \times 10^{-3}} = 2133\Omega$$

Knowing V_{CC} , V_{BB} , I_{BB} and I_B , calculate R_2 :

$$R_2 = \frac{V_{CC} - V_{BB}}{I_{BB} + I_B} = \frac{20 - 3.2}{1.7 \times 10^{-3}} = 9882\Omega$$

from transistor to transistor), the lower will be the resulting change in collector current.

Once a transistor is specified, the only control left for the designer is resistance ratio R_B/R_E – unless a more complicated bias network, such as a constant current source, is chosen. Obviously, the smaller this ratio, the

less the collector current will vary. However, the lower the value of R_B/R_E , the lower is the current gain of the amplifier. A practical rule of thumb is to keep the ratio less than, but close to, 10.

Figure 2 shows a typical bias circuit together with a simple guide to the necessary calculations (see Chris Bowick's *RF Circuit Design*, Indianapolis, Howard Sams & Co, 1982)

Power gain

Transducer power gain, G_t , is defined as the power delivered to the load, divided by the power available from the source, and is given by:

$$G_t = \frac{|S_{21}|^2 (1 - |\Gamma_s|^2) (1 - |\Gamma_L|^2)}{[(1 - S_{11}\Gamma_s)(1 - S_{22}\Gamma_L) - S_{12}S_{21}\Gamma_s\Gamma_L]^2}$$

which can be manipulated to give

$$G_t = \frac{1 - |\Gamma_s|^2}{(1 - \Gamma_{IN}\Gamma_s)^2} \cdot |S_{21}|^2 \cdot \frac{1 - |\Gamma_L|^2}{(1 - S_{22}\Gamma_L)^2}$$

where,

$$\Gamma_{IN} = S_{11} + \frac{S_{12}S_{21}\Gamma_L}{1 - S_{22}\Gamma_L}$$

or,

$$G_t = \frac{1 - |\Gamma_s|^2}{(1 - S_{11}\Gamma_s)^2} \cdot |S_{21}|^2 \cdot \frac{1 - |\Gamma_L|^2}{(1 - \Gamma_{OUT}\Gamma_L)^2}$$

where,

$$\Gamma_{OUT} = S_{22} + \frac{S_{12}S_{21}\Gamma_s}{1 - S_{11}\Gamma_s}$$

Comparing the two equations for G_t , the first relates it to input term $\{1 - |\Gamma_s|^2\}/1 - \Gamma_{IN}\Gamma_s$, device term $|S_{21}|$ and output term $\{1 - |\Gamma_L|^2\}/1 - S_{22}\Gamma_L$, where the input term is dependent on output quantities.

The second equation shows a similar expression except that the output term depends on input quantities. If source reflection coefficient Γ_s is made equal to the conjugate of the transistor input reflection coefficient Γ_{IN} - ie the transistor input is conjugately matched - we can obtain operating power gain G_p . The importance of G_p is that it is independent of the source impedance because Γ_s was forced to equal S_{11}^* . Operating power gain is:

$$G_p = \frac{1 - |\Gamma_s|^2}{1 - |\Gamma_{IN}|^2} \cdot |S_{21}|^2 \cdot \frac{1 - |\Gamma_L|^2}{(1 - S_{22}\Gamma_L)^2}$$

The above equations for G_t can be solved for known values of load and source reflection coefficients. But the complication is that the load reflection coefficient depends on the source reflection coefficient, and vice versa. So the equation can be solved, but only through an iterative process. At the root of our problem is the term S_{12} - the cause of the interaction of input and output. In some cases, S_{12} is small enough to be considered as zero: such a network is called a unilateral network. But it can not always be neglected.

To obtain an exact solution ($S_{12} \neq 0$), we

Impedance or admittance coordinates

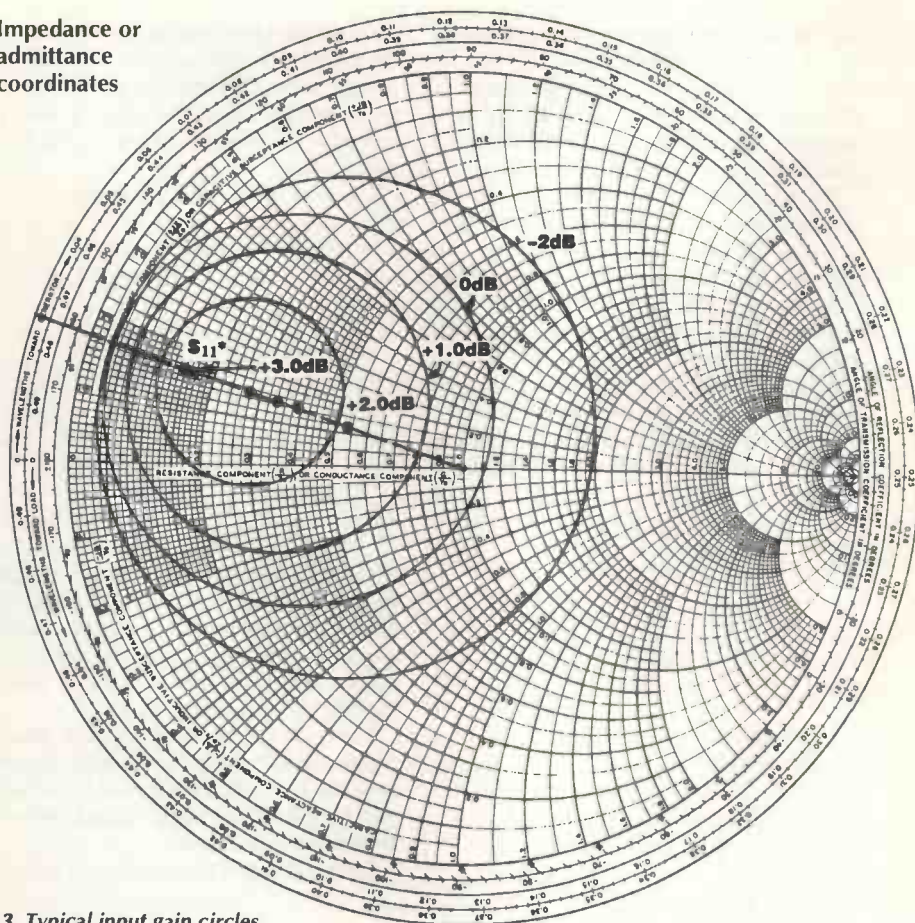


Fig. 3. Typical input gain circles.

could use the above equation for G_p and develop a process for determining the load reflection coefficient. But for now, we will assume the network is unilateral, and will work with the simpler equations while developing a technique for determining source and load impedances to obtain desired amplifier performance. Later we can return to the situation when S_{12} is not 0, which is generally the fact in real life.

One way to verify if a network can be considered unilateral is to calculate a term called the "unilateral figure of merit". This quantity, U , is defined by:

$$U = \frac{|S_{11}||S_{21}||S_{12}||S_{22}|}{(1 - |S_{11}|^2)(1 - |S_{22}|^2)}$$

Defining G_{tu} as the transistor power gain with $S_{12} = 0$ and G_t as the actual transistor power gain, the maximum error introduced by using G_{tu} instead of G_t is given by:

$$\frac{1}{(1+U)^2} < \frac{G_t}{G_{tu}} < \frac{1}{(1-U)^2}$$

To illustrate the use of this equation, take the MRF571 at 1GHz and a bias condition of 6V and 50mA. From the data sheet $|S_{11}| = 0.60$, $|S_{12}| = 0.09$, $|S_{21}| = 4.4$ and $|S_{22}| = 0.11$. So:

$$U = \frac{(0.60)(0.09)(4.4)(0.11)}{[1 - (0.60)^2][1 - (0.11)^2]} = \frac{0.0261}{(0.64)(0.988)} = 0.0413$$

with the minimum and maximum errors being calculated as -0.35dB and $+0.37\text{dB}$.

Frequently, the errors are less than 0.25dB and, as such, are sufficiently small to justify using G_{tu} .

Returning to the expression for G_t and assuming $S_{12} = 0$, the equation becomes:

$$G_{tu} = \frac{1 - |\Gamma_s|^2}{(1 - S_{11}\Gamma_s)^2} \cdot |S_{21}|^2 \cdot \frac{1 - |\Gamma_L|^2}{(1 - S_{22}\Gamma_L)^2}$$

and can be broken into three sources of gain; $G_0 = |S_{21}|^2$ which is the contribution of the transistor itself, $G_S = (1 - |\Gamma_s|^2)/1 - S_{11}\Gamma_s$ which is the "gain" achieved by the input circuit; and $G_L = (1 - |\Gamma_L|^2)/1 - S_{22}\Gamma_L$ which is the "gain" achieved by the output circuit.

If the circuit design is narrow-band and maximum gain is wanted, all that is required is to set $\Gamma_s = S_{11}^*$ and $\Gamma_L = S_{22}^*$.

For broad-band, with a certain amount of gain across a band of frequencies, then circuits must compensate for the variations in gain with frequency of the device itself. Two ways can achieve this: feedback, or selective mismatching.

In selective mismatching, the input and output "gains" are varied (by matching) to compensate for the gain variations with frequency of the transistor, represented by $|S_{21}|^2$.

As Γ_s is varied to other values - thereby causing gain G_S created by the input matching network to vary between 0 and $G_{s,max}$, for a given value of G_S the locus of points representing values of Γ_s is a circle. And in a manner similar to noise circles, the centre of the

circle having zero radius is located at the point S_{11}^* . Radius of the gain circles will increase with rising values of G_s . Again the centres of all the gain circles will lie along the S_{11}^* vector which originates at the centre of the Smith chart and terminates at the location of S_{11}^* .

The situation is identical for the output matching network. Another set of "gain" circles (G_L) can be drawn whose centres lie along the S_{22}^* vector which originates at the centre of the Smith chart and terminates at the location of S_{22}^* . Typical gain circles are shown in Fig. 3.

In a manner similar to noise circles, the gain circles for either the input network or the output network can be drawn on a Smith chart using the following formulas (for the input network):

$$d_s = \frac{g_s |S_{11}|}{1 - |S_{11}|^2 (1 - g_s)}$$

$$R_s = \frac{(1 - g_s)^{\frac{1}{2}} (1 - |S_{11}|^2)}{1 - |S_{11}|^2 (1 - g_s)}$$

where

$$g_s = \frac{G_s}{G_{s,max}}$$

and

$$G_s = \frac{1 - |\Gamma_s|^2}{|1 - \Gamma_s S_{11}|^2}$$

G_s is the gain represented by the circle, d_s is the distance from the centre of the Smith chart to the centre of the constant gain circle along the vector S_{11}^* , R_s is the radius of the circle and g_s is the normalised gain value for the gain circle G_s .

Likewise, for the output network:

$$d_L = \frac{g_L |S_{22}|}{1 - |S_{22}|^2 (1 - g_L)}$$

$$R_L = \frac{(1 - g_L)^{\frac{1}{2}} (1 - |S_{22}|^2)}{1 - |S_{22}|^2 (1 - g_L)}$$

and

$$g_L = \frac{G_L}{G_{L,max}}$$

$$G_L = \frac{1 - |\Gamma_L|^2}{|1 - \Gamma_L S_{22}|^2}$$

where G_L is the gain represented by the circle, d_L is the distance from the centre of the Smith chart to the centre of the constant gain circle along the vector S_{22}^* , R_L is the radius of the circle and g_L is the normalised gain value for the gain circle G_L .

These circles represent different values of G_s , the gain created by the input matching network, or G_L the gain created by the output matching network. Negative gain circles can be drawn for both cases.

Input and output gain circles can be used in

two kinds of amplifier designs: designing an amplifier with a specified amount of gain; and designing a broad-band amplifier having a specified gain over a band of frequencies. In either case, gain or loss from the input and/or output matching networks can be allocated in whatever manner desired provided the gains (or losses) are actually realisable. The maximum available gain can be determined at any frequency by conjugate matching. Obviously, more gain than this value at a specified frequency can not be achieved.

Half the loss (or gain) is often assigned to both input and output circuits, although this is not essential.

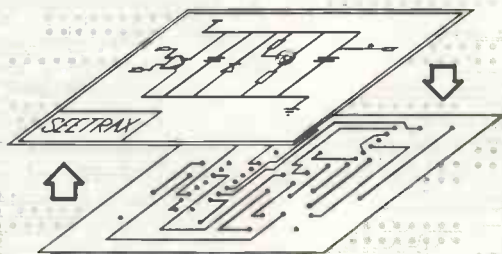
Next article - practical examples.

RF Transistors: Principles and practical applications is available by postal application to room L333 EW+WW, **Quadrant House, The Quadrant, Sutton, Surrey, SM2 5AS.** Cheques made payable to Reed Books Services. Credit card orders accepted by phone (081 652 3614). **288pp Hardback 07506 9059 3 Cost £19.95 + Postage £2.50**

SEETRAX CAE - RANGER - PCB DESIGN

Ranger1 £100

- * Schematic capture linked to PCB
- * Parts and wiring list entry
- * Outline (footprint) library editor
- * Manual board layout
- * Full design rule checker
- * Back annotation (linked to schematic)
- * Power, memory and signal autorouter - £50



All systems upward compatible. Trade-in deals available.

Call **Seetrax CAE** for further information/demo packs.

Tel 0705 591037

Fax 0705 599036

Seetrax CAE, Hinton Daubnay House, Broadway Lane, Lovedean, Hampshire, PO8 0SG

All trademarks acknowledged.

Ranger2 £599

- All the features of Ranger1 plus**
- * Gate & pin swapping (linked to schematic)
- * Track highlighting
- * Auto track necking
- * Copper flood fill
- * Power planes (heat-relief & anti-pads)
- * Rip-up & retry autorouter

Ranger3 £3500

- All the features of Ranger2 plus**
- * UNIX or DOS versions
- * 1 Micron resolution and angles to 1/10th degree
- * Hierarchical or flat schematic
- * Unlimited design size
- * Any-shaped pad
- * Split power planes
- * Optional on-line DRC
- * 100% rip-up & retry, push & shove autorouter

Outputs to:

- * 8/9 and 24 pin dot-matrix printers
- * HP Desk/Laser Jet, Canon BJet, Postscript-(R3 only)
- * HP-GL, Houston Instruments plotters
- * Gerber photoplotters
- * NC Drill Excellon, Sieb & Meyer
- * AutoCAD DXF

CIRCLE NO. 139 ON REPLY CARD

CLASSIFIED

TEL 081 652 3620

FAX 081 652 8956

ARTICLES FOR SALE

19" Rack Mounting Switch Mode Power Supply
By FARNELL INSTRUMENTS F2667

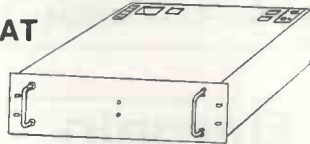
P.O. [B.T.] 164

MONARCH 250C SYSTEM

990 WATTS MODULAR CONSTRUCTION

- +5 volt 48 Amp
 - +12 volt 8 Amp + Ringer Module Capable of Ringing 12 Telephone Bell Loads
 - 12 volt 5 Amp
 - 50 volt 8 Amp
- Dimensions H125 D500 W485mm Weight 13.5KG
BRAND NEW IN ORIGINAL PACKING

PRICE £199.00 + VAT
UK Mainland
Carriage £12 +VAT



R. Henson Ltd.

21 LODGE LANE
LONDON N12 8JG
TEL: 081-445 2713/0749
FAX: 081-445 5702

ARTICLES WANTED

WE WANT TO BUY !!

**IN VIEW OF THE EXREMELY
RAPID CHANGE TAKING PLACE
IN THE ELECTRONICS
INDUSTRY, LARGE QUANTITIES
OF COMPONENTS BECOME
REDUNDANT. WE ARE CASH
PURCHASERS OF SUCH
MATERIALS AND WOULD
APPRECIATE A TELEPHONE
CALL OR A LIST IF AVAILABLE.
WE PAY TOP PRICES AND
COLLECT.**

R.HENSON LTD.

**21 Lodge Lane, N.Finchley,
London N12 8JG.
5 Mins, from Tally Ho Corner.
TELEPHONE
081-445-2713/0749
FAX 081-445-5702.**

VALVES AND CRTs

ONE MILLION ITEMS IN STOCK INCLUDING MAGNETRONS, KYLSTRONS, VALVE SOCKETS FOR AUDIO RECEIVING TRANSMITTING, OBSOLETE BRANDS SUCH AS MULLARD, GEC A SPECIALITY. ALSO HUGE STOCKS OF RUSSIAN AND SOVTEK ITEMS. ASK FOR OUR 40-PAGE VALVE CATALOGUE OR CRT CATALOGUE.

VALVES WANTED FOR CASH

ESPECIALLY KT66, KT77, KT88, PX4, PX25, VALVE HI-FIs e.g. QUAD, LEAK, GARRARD 301. IF POSSIBLE SEND WRITTEN LIST.

BILLINGTON EXPORT LTD

1E GILLMANS IND EST, BILLINGSHURST, SUSSEX RH14 9EZ
CALLERS STRICTLY BY APPOINTMENT ONLY
TEL: 0403 784961 FAX: 0403 783519
MINIMUM ORDER £50.00 PLUS VAT

TOP PRICES PAID

For all your valves, tubes, semi conductors and IC's.

Langrex Supplies Ltd,
1, Mayo Road, Croydon, Surrey
CR0 2QP
TEL: 081-684 1166
FAX: 081-684 3056

TURN YOUR SURPLUS TRANSISTORS, ICS ETC, INTO CASH

Immediate settlement.
We also welcome the opportunity to quote for complete factory clearance.

Contact:
COLES-HARDING & CO, Unit 58,
Queens Road, Wisbech, Cambs. PE13 2PQ
ESTABLISHED OVER 15 YEARS
Buyers of Surplus Inventory
Tel: 01945 584188 Fax: 01945 475216.

WANTED SCRAP Printed Circuit Boards

We are by far the best buyers of PCB's
CASH OR CHEQUE AVAILABLE

Computer Salvage OPERATORS
Specialists Est 1985 OF THE UK'S
TEL: 0635 552666 NATIONAL
FAX: 0635 582990 PCB BANK

WANTED

Receivers, Transmitters, Test Equipment, Components, Cable and Electronic, Scrap, Boxes, PCB's, Plugs and Sockets, Computers, Edge Connectors.
TOP PRICES PAID FOR ALL TYPES OF ELECTRONICS EQUIPMENT

A.R. Sinclair, Electronics, Stockholders,
2 Normans Lane, Rabley Heath, Welwyn,
Herts AL6 9TQ. Telephone: 0438 812 193.
Mobile: 0860 214302. Fax: 0438 812 387
Telephone: 0763 246939

WANTED Mk328 "Spy" RX Clandestine sets from W.W.2, ex-Soviet Agents sets etc. 028RO R. Otterstad, Hosterkobvej Road, DK-3460 Birkerod, Denmark. Tel: 010-45 4281 5205.

WANTED: "Micro Professor" teaching aid made by Acer. Your price paid. Tel: 0838 200304.

HEWLETT PACKARD MANUALS WANTED HP5300B, HP5306A, HP5307A. Also HP test gear. Call 0703 813844.

WANTED

High-end Test, Communication & Computer Equipment. Top prices paid.

Please send or fax your offer to:

Steigerwald GmbH
Neusserstrasse 9, 80807 Munich
South Germany
Tel: 01049 89 3615833
Fax: 01049 89 3615899

WANTED

High-end Test Equipment, only brand names as Hewlett-Packard, Tektronix, Rhode & Schwarz, Marconi etc. Top prices paid.
Please send or fax your offer to:

HTB ELEKTRONIK
Alter Apeler Weg 5,
27619 Schiffdorf, West Germany
TEL: 01049 4706 7044
FAX: 01049 4706 7049

WANTED

Test equipment, receivers, valves, transmitters, components, cable and electronic scrap and quantity.
Prompt service and cash.

M & B RADIO
86 Bishopgate Street,
Leeds LS1 4BB
Tel: 0532 435649
Fax: 0532 426881

FREE CLASSIFIED

WIRELESS WORLD: Every issue 1943 to 1985. Offers: Tel: 081-691 3491.
FOR SALE HP7908 Mainframe with three 64000 terminals. Offers: Tel: 031 333 2468.

SWAP FOR RF Vector Impedance Meter? TF868, TF1313A LCR Bridges, TEK 551, TEK555 (+ Plug ins), + HP185C 'scopes. HP165 Oscillator, R210 receiver, 074632-479.

CLASSIFIED

TEL 081 652 3620

FAX 081 652 8956

ARTICLES FOR SALE



Cooke International SUPPLIER OF QUALITY USED TEST INSTRUMENTS

ANALYSERS, BRIDGES, CALIBRATORS,
VOLTMETERS, GENERATORS, OSCILLOSCOPES,
POWER METERS, ETC. **ALWAYS AVAILABLE**

ORIGINAL SERVICE MANUALS FOR SALE
COPIES ALSO AVAILABLE

EXPORT, TRADE AND U.K. ENQUIRIES WELCOME,
SEND LARGE "A3" S.A.E. + 50P POSTAGE FOR LISTS
OF EQUIPMENT AND MANUALS.

ALL PRICES EXCLUDE VAT AND CARRIAGE
DISCOUNT FOR BULK ORDERS SHIPPING ARRANGED

OPEN MONDAY-FRIDAY 9AM-5PM

Cooke International

ELECTRONIC TEST & MEASURING INSTRUMENTS
Unit Four, Fordingbridge Site, Main Road, Barnham,
Bognor Regis, West Sussex, PO22 0EB

Tel: (+44) 0243 545111/2

Fax: (+44) 0243 542457

EQUIPMENT & ACCESSORIES PURCHASED
CIRCLE NO. 160 ON REPLY CARD

ARTICLES WANTED

PURCHASE FOR CASH

SURPLUS - OBSOLETE - REDUNDANT - EXCESS stocks of
electronic, electrical components/accessories, part processed and/or
finished products. Please submit preliminary information or lists for
immediate response to:

**K.B. COMPONENTS, 21 Playle Chase, Gt Totham,
Maldon, Essex CM9 8UT
Telephone 0621-893204. Facsimile 0621-893180.**

ARTICLES FOR SALE

Used Test & Measurement Equipment

We buy and sell and service
For further information phone:

081-813 9946.

Fax: 081-574 2339

Mobile: 0374 759984

Bargain

Infra-red Image Converter
Tubes - Type B 80 S
Telefunken origin

Wallfass, P.O. Box 101524,
D-41015, Mönchengladbach,
Germany, Fax: 010 49 88558

RECRUITMENT

Are you a keen electronics graduate?

Leading electronics
publication needs an
enthusiastic editorial
assistant. No experience
needed. Hard work but
rewarding - a unique
opportunity to learn
about magazine
publishing with Britain's
best.

Based in Sutton, Surrey
Ring 081 652 8638
for more details.

INDEX TO ADVERTISERS

	PAGE		PAGE
Anchor Surplus Ltd	887	Lab Center	885
BK Electronics	919	Langrex Supplies Ltd	936
Bull Electrical	925	M&B Electrical	916
Chelmer Valve Company	918	M&B Radio (Leeds)	919
Citadel Products Ltd	IFC	MQP Electronics	903
CMS	951	Number One Systems	935
Dataman Designs	BC	Olson Electronics Ltd	893
Devantech Ltd	918	Powerware	947
Display Electronics	910	Ralfe Electronics	968
Field Electric Ltd	958	Seetrex Ltd	964
Halcyon Electronics	919	SGS Thomson	890/891
Henry's Audio Electronics	936	Smart Communications	903
ICE Technology Ltd	901	Stag Programmers	IBC
IOSIS	935	Stewart of Reading	942
John Morrison	958	Surrey Electronics	942
Johns Radio	948	Telnet	915
JPG Electronics	935	Texas Instruments	927/929
Kestral Electronic Components	903	Those Engineers Ltd	936
Keytronics	957	Ultimate Technology Ltd	882



RF & MICROWAVE

Permanent and contract opportunities for engineers and technicians in Cellular, Civil, Military, Satellite, Communications, Radio and Microwave Engineering.

Individual specialists or large teams supplied.

Cliveden Consultancy Services plc
UK Head Office
Bracknell, Berks, RG12 1AR.
Tel 01 344 489 489. Fax 01 344 489 505.

Offices in London, Manchester, Southampton, Stevenage, Crawley, Brussels

CLIVEDEN
Technical Recruitment
Cliveden Consultancy Services plc



Established 1977.

FRES MEMBER.

Managing Director: Roger Howard C. Eng. M.I.E.E.

SPECTRUM ANALYSERS



ANRITSU TR4133A 100kHz-20GHz synthesized spectrum analyser	
IFR A7550 1GHz portable analyser w tracking gen opt	£4500
IFR A8000 2.6GHz version of above	£6250
HP3580A 5Hz-50kHz audio spectrum analyser	£1500
HP3582A dual-channel 25kHz analyser	£3500
HP8568B 1.5GHz High-performance	£10000
ANRITSU MS62D 1700MHz	£1750
HP1827/857A.01-350MHz	£1000

MARCONI INSTRUMENTS

2019 AM/FM synthesized signal generator 80kHz-1GHz	£1750
2019A as above, improved spec	£1950



2022D synthesized signal generator	£1950
2438 520MHz universal counter/timer	£200
2828A/2829 digital simulator/analyser	£1000
2955 mobile radio test set	£3000
2955A + 2960 cellular adapters... various configurations...	call
6059A signal source 12-18GHz	£750
6460/6420 power meter 10MHz - 12.4GHz 0.3uW - 10mW	£350
893B audio power meter	£350
OA2805A PCM regenerator test set	£750
TF2910/4 non-linear distortion (video) analyser	£1000
TF2914A TV insertion signal analyser	£1250
TF2910 TV interval timer	£500

RALFE ELECTRONICS

36 EASTCOTE LANE, S. HARROW, MIDDLESEX HA2 8DB
TEL: 081-422 3593. FAX: 081-423 4009

NOW
IN
40th
YEAR



DISTRIBUZIONE E ASSISTENZA, ITALY: TLC RADIO, ROMA, (06)871 90254

TEST EQUIPMENT

ANRITSU ME518A pcm portable error rate test set	£2500
BRUEL & KJAER 2511 vibration meter set/1621 filter	£2250
BRUEL & KJAER 2307 level recorder	£1000
BRUEL & KJAER 2317 portable level recorder	£1850
BRUEL & KJAER 1618 band pass filter	£750
BRUEL & KJAER 3513 portable vibration analyser	£3500
BRUEL & KJAER 2515 vibration analyser	£5000
AVO RM215L-2 insulation & breakdown tester	£650
DATRON 1065 digital multimeter	£750
DRANETZ 626 mains disturbance analyser/2 x PA-6001	£750
DRANETZ 606-3 line disturbance analyser	£275
FLUKE 1720A TEEE-instrument controller	£500

• **ralfe electronics** • exclusively professional T&M

FARNELL 2081 100W RF power meters
DC-500MHz (useable to 1GHz) Measures RF power from 30mW to 100W in 8 ranges. Incorporates 100W load (20db attenuator to 1GHz). List price over £1500, ours **£325** each.

TEKTRONIX 2465B 400MHz oscilloscope with Video Measurement System option 05. As new, 1 only. £5000. (LP £8K)

RACAL 9082 synthesized AM/FM sig' gen' 5-520MHz	£600
RACAL 9300 RMS voltmeter - 80dB to +50db	£325
RACAL V-STORE 16, 16-chan instrumentation recorder	£9000
RACAL-DANA 9302 RF milli-voltmeter 1.5GHz	£450
RACAL-DANA 9303 level meter, digital	£1000
ROBERTS & ARMSTRONG 40-cable end-cut measure unit	£500
TEKTRONIX 216 digital photometer	£250
TEKTRONIX 1503C/03/04/05/06 TDR cable tester	£3250
WAYNE KERR 3245 precision inductance analyser	£3000
WAYNE KERR B905 automatic precision bridge	£950

HEWLETT PACKARD



331A distortion meter	£200
339A distortion meter	£1500
3400A voltmeter 10Hz-10MHz	£250
3335A synthesizer/level generator with option 01	£2500
3336A level generator	£2000
3552A transmission test set	£1000
3586A selective level meter	£2500
415E swr meter	£350
4274A multi-frequency (100Hz-100kHz) LCR component meter	£4000
4275A multi-frequency LCR component meter	£5000
432A/478A microwave power meter 10MHz-10GHz	£400
432A/R486A uwave power meter 26.5-40GHz (waveguide)	£600
5370B universal time-interval counter	£2500
6253A dual power supply 0-20V 0-3A twice	£225
6825A bipolar power supply/lamp -20 to +20vdc 0-1A	£350
70300A tracking generator plug-in unit	£2000
70907A external mixer for 70000-ser spectrum analyser	£1750
7035B X-Y single pen analogue chart recorder	£350
8011A pulse generator 0.1Hz-20MHz	£500
8112A pulse generator	£2500
816A slotted line 1.8-18GHz with carriage 809C & 447B	£500
8350B sweep generator main-frame	£2250
8405A vector voltmeter, voltage & phase to 1000MHz	£950
8620C sweep generator, many plug-in units available	£call
8671A synthesized signal generator 2-6.2GHz	£2500

URGENTLY REQUIRED - HIGHEST CASH PRICES PAID FOR 8566B, 8753A/B/C, Spectrum/network analysers. 8590/1/2/3 portable analysers. Please call us if you have high-end capital equipment being under-utilised.

PLEASE NOTE: ALL OUR EQUIPMENT IS NOW OPERATION-VERIFICATION TESTED BEFORE DESPATCH BY INDEPENDENT LABORATORY

We would be pleased to handle all grades of calibration or NAMAS certification by same laboratory at cost price. All items covered by our 90-day parts and labour guarantee and 7-day 'Right to Refuse' (money back) warranty.

ALL PRICES SUBJECT TO ADDITIONAL VAT AND CARRIAGE

CIRCLE NO. 140 ON REPLY CARD

ELECTRONIC UPDATE

Contact Malcolm Wells on
081-652 3620

A regular advertising feature enabling
readers to obtain more information
on companies' products or services.

Models 82200 and 82400

Gang and Bit Programmers for 24, 28 & 32 pin EPROMs, EEPROMs, FLASH, Emulators and OTPs up to 4M bit.

MQP ELECTRONICS LTD.
Tel: 0666 825146
Fax: 0666 825141
CIRCLE NO. 152 ON REPLY CARD

The system 2000 is an ideal programmer for the production environment. Fast programming results in high throughput and rigorous verification leads to improved quality control. Single key functions and checks against misoperation facilitates its use by unskilled staff.

LabWindows/CVI Brochure

The Programmer's Choice for Instrumentation

The LabWindows/CVI Brochure, from National Instruments, explains how users can build instrumentation applications on Windows PCs and Sun SPARCstations using the ANSI C programming language and LabWindows/CVI data acquisition, analysis, and presentation libraries.

NATIONAL INSTRUMENTS
For further information
FREEPHONE 0800 289877
CIRCLE NO. 153 ON REPLY CARD

OLSON ELECTRONICS LIMITED is a leading manufacturer in the field of mains distribution panels of every shape and size to suit a variety of needs. For use in Broadcasting, Computing, Data Communications, Defence, Education, Finance, Health etc. All panels are manufactured to BS5733. BRITISH AMERICAN, FRENCH, GERMAN CEE22/IEC and many other sockets. Most countries catered for.

All panels are available ex-stock and can be bought direct from OLSON.

Olson Electronics Limited
Tel: 081 885 2884
Fax: 081 885 2496
CIRCLE NO. 154 ON REPLY CARD

OLSON ELECTRONICS LIMITED is a leading manufacturer in the field of mains distribution panels of every shape and size to suit a variety of needs. For use in Broadcasting, Computing, Data Communications, Defence, Education, Finance, Health etc. All panels are manufactured to BS5733. BRITISH AMERICAN, FRENCH, GERMAN CEE22/IEC and many other sockets. Most countries catered for.

Olson Electronics Limited
Tel: 081 885 2884
Fax: 081 885 2496
CIRCLE NO. 154 ON REPLY CARD

COMPACT AND LOW COST EPROM ERASER

- Capacity for up to five 24/28/32-pin DIP devices or four 40-pin DIP devices
- Adjustable timer: 0-60 mins
- Anti-static foam lined device drawer
- Power indicator lamp
- Safety interlock on drawer - prevents accidental exposure to U-V light

Stag Programmers Limited
Martinfild, Welwyn Garden City,
Hertfordshire AL7 1JT, UK
Tel: 0707-332148
Fax: 0707-371503
CIRCLE NO. 155 ON REPLY CARD

COMPACT AND LOW COST EPROM ERASER

- Capacity for up to five 24/28/32-pin DIP devices or four 40-pin DIP devices
- Adjustable timer: 0-60 mins
- Anti-static foam lined device drawer
- Power indicator lamp
- Safety interlock on drawer - prevents accidental exposure to U-V light

Stag Programmers Limited
Martinfild, Welwyn Garden City,
Hertfordshire AL7 1JT, UK
Tel: 0707-332148
Fax: 0707-371503
CIRCLE NO. 155 ON REPLY CARD

stag is the power in the palm of your hand

actual size 180 x 100mm



Own the latest in hand held programmers today

- The most cost-effective solution available
- User friendly with operational simplicity
- 4MBit RAM as standard
- 8 pin serial EEPROM support as standard
- Unique 'Edit while you Emulate' using Buffered Cable option*
- Smallest hand held Programmer
- Stag Com Windows application software*
- Stag Com DOS application software*
- 32 pin wide blade ZIF for 0.3" and 0.6" pitch devices
- 8, 16 & 32 bit programming modes
- Battery will save user data in RAM for up to 7 months
- Serial Port up to 115K baud

Programs 0.3" and 0.6" pitch, EPROMs, EEPROMs, FLASH and CMOS PROM devices up to 8Mbits with no additional modules. It is easily hand held and very user friendly with remote operation under MS-DOS or Windows.

Emulation time saving

The most advanced emulation system available using the Stag pioneered 'Edit While you Run' technique. This means that you can not only run your target system in RAM but you can Edit the RAM while you Emulate without having to switch from Emulate to Edit or even turn off the target system. For example, this feature, in one particular instance, saved 80% of an engineer's time in de-bugging an engine management unit for a car manufacturer.

They love it.

* price on application

£475 including 4Mbit RAM
(8Mbit capability) ex-stock delivery

call Stag today on 01707 332148



STAG
PROGRAMMERS

Stag Programmers Limited • Silver Court • Watchmead • Welwyn Garden City • Hertfordshire AL7 1LT • United Kingdom
Tel: 01707 332148 • Fax: 01707 371503



CIRCLE NO. 101 ON REPLY CARD

STAG for PROGRAMMING POWER

I want it. What does it do?

- ✓ **8-BIT EPROM**
- ✓ **16-BIT EPROM***
- ✓ **EEPROM**
- ✓ **SERIAL EEPROM***
- ✓ **FLASH**
- ✓ **PIC***
- ✓ **8751***
- ✓ **EMULATION**
- ✓ **FREE UPGRADES**
- ✓ **TOTALLY HANDHELD**
- ✓ **3 YEAR GUARANTEE**
- ✓ **AVAILABLE TODAY!**

*Requires optional modules.

A 32 pin ZIF socket programs a huge library of EPROMs, EEPROMs and FLASH devices up to 8Mbit. And our unique user loadable Library means that new parts can be added quickly, and at no cost. All software upgrades are free and available for 24hr download from our high speed bulletin boards.

Emulation

See your code running before committing yourself to an EPROM. With S4's powerful and easy-to-use internal emulation system, download your code to S4, press 'EMULATE', and your target system runs in real time as if an EPROM was plugged in to the socket. Use S4's 'EDIT' command to make minor alterations to your code and see the changes happen *immediately* - just one reason why S4 is used by the world's car manufacturers to develop advanced engine management systems in real time! With S4 emulation there's no need for trailing cables or external power sources; earth loop problems are a thing of the past. S4 even emulates RAM.

Remote Control

As well as being totally stand alone and self contained, S4 can be operated remotely via it's serial port at speeds up to 115,200 Baud. We supply you with a FREE disk containing custom terminal software and a pop-up TSR communications utility.

The Company

Dataman has been designing and selling innovative programmers world-wide for over 15

years. As well as having sales and support offices in both the UK and the USA, we supply the world demand for our products via a network of approved dealers stretching from Norway to Australia.

The Package

S4 comes complete with mains charger, emulation leads, comprehensive manual, PC software and a spare library ROM; there are no hidden extras to buy. Upgrading S4's device library is free, does not involve costly internal ROM upgrades and technical support is free for life. Only S4 comes with a three year guarantee.

Availability

S4 is always in stock and we ship worldwide on a daily basis. Call now for delivery TOMORROW. Bona-fide UK customers can try S4 for thirty days without risk. 16,000 users can't be wrong!

Only
£495
plus VAT
4 Mbit upgrade £39
plus VAT
Full 30 day money
back guarantee!

Size:
186 x 111 x 46mm
Weight: 515g

Dataman
Dataman Programmers Ltd

Credit card hotline:
0300 320719
for same-day dispatch

