

# ELECTRONICS WORLD

**+ WIRELESS WORLD**

Denmark Dkr. 70.00  
Germany DM 15.00  
Greece Dra. 760  
Holland Dfl. 14  
Italy L 7.800  
IR £3.80  
Spain Ptas. 780  
Singapore S\$ 12.60  
USA \$6.70

FEBRUARY 1992 £1.95

## AUDIO

**Opto-bias for  
output  
transistors**

## COMPUTING

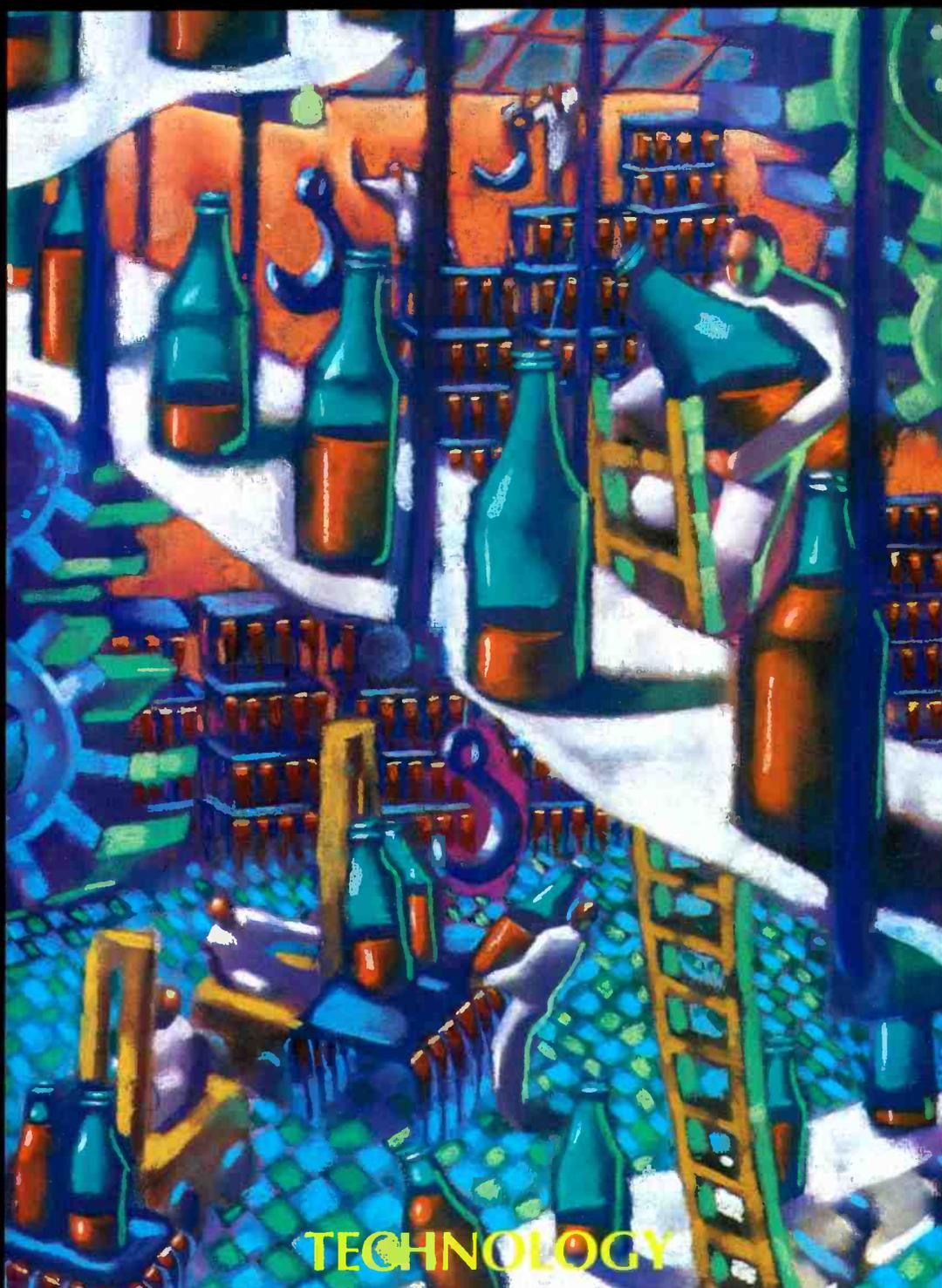
**Decoding  
teletext on  
the PC**

## HISTORY

**Wireless and  
the Titanic**

## CIRCUITRY

**Designing a  
better sweep  
generator**



**TECHNOLOGY**

**Analogue storage on silicon**



# Omni-Pro II - The Next Generation

When you get a new product, what are your main concerns? Freedom from frustration is certainly one important consideration, for your time is valuable. You will want a product which is reliable and sophisticated, yet simple to use, with clearly written documentation. You will be looking for a high standard of technical support and regular upgrades for the product.

We at Dataman recognise how difficult it can be to choose between programmers which look and cost much the same. So, instead, why not concentrate your effort into choosing a reliable vendor. Dataman has been the leading vendor of low-cost programmers for as long as the

market has existed. Any of our customers will tell you that Dataman has always supplied excellent well-supported products. That's why we're still here! We take technical support seriously. We give you your money back, if you're not satisfied. These are important points to consider. But now let's take a look at some of the special benefits of owning Omni-Pro II.

## What Benefits?

Well, for instance, the interface is not via the computer's parallel port, which is speed-limited, and probably connected to your printer. A dedicated plug-in half card performs fast data transfers.

The software is a professional package in full colour that will run in only 400K of RAM. What's more it will run on any PC/AT or compatible - even the latest 486 machines. That's because Omni-Pro II has its own independent clock - some programmers rely on the computer for timing, and won't work with faster machines.

Ground pins are connected by relays - not by logic outputs. Some vendors won't approve programmers which don't ground pins in this way.

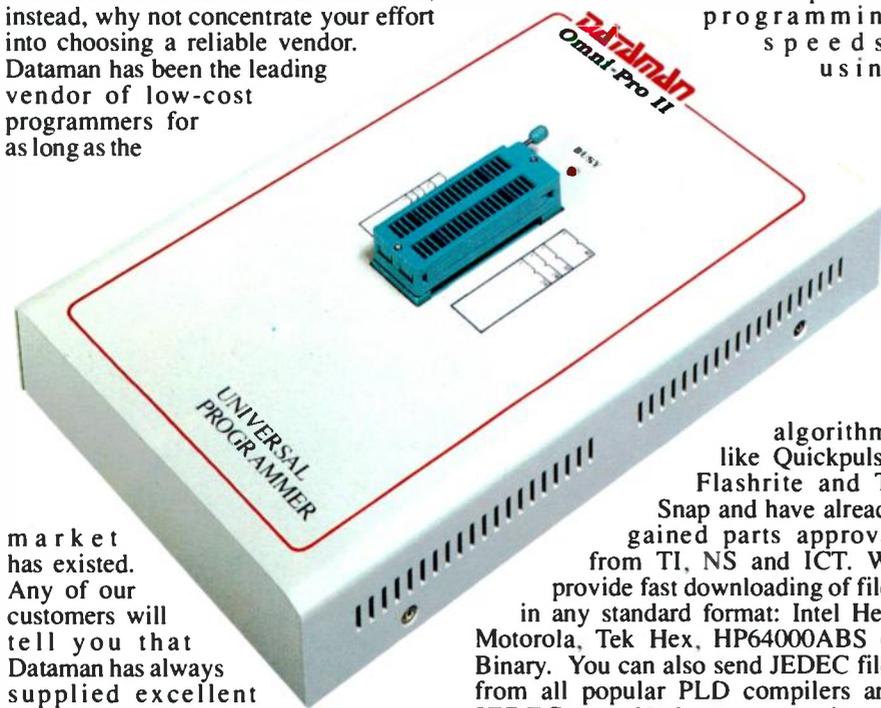
The 40-pin Textool socket can be changed without even having to remove the cover. A complete range of PLCC adapters is available.

## Truly Universal

Omni-Pro II has universal pin-drivers which will accommodate a very wide selection of parts. You can program BIPOLARS, PROMS, E/EEPROMS, PALS, GALS, FPLAS, PEELS, E/EEPROMS and MICRO-CONTROLLERS. The latest FLASH EPROMS are supported too. The list has 1250 devices already and substantial numbers of new devices will be added

FREE every quarter.

We have optimised programming speeds using



algorithms like Quickpulse, Flashrite and TI Snap and have already gained parts approval from TI, NS and ICT. We provide fast downloading of files in any standard format: Intel Hex, Motorola, Tek Hex, HP64000ABS or Binary. You can also send JEDEC files from all popular PLD compilers and JEDEC standard vector testing is supported: a full array of test condition codes can be generated.

*Remember - you get a 30 day money-back guarantee, FREE quarterly software updates and FREE technical support - as much as you need. Phone now for a free Demo Disk and up-to-date Device-List.*

Omni-Pro II comes with a FREE copy of NS's superb Open Programmable Architecture Language - OPAL Junior.

**Omni-Pro II - complete ..... £495**

## Gang-of-eight Programmer.....£395

This production programmer from Dataman can handle all 25 and 27 pin EPROMs up to 512K bits. Programs eight copies from a master EPROM, or from an object file. The G8 offers fast programming methods and three, user-selectable programming voltages. G8 is clearly designed for the busy workshop being supplied, as standard, in a high quality steel case.

## Software Development from £195

Dataman's Software Development Environment, SDE, comprises a two-window Editor, Macro Assembler, Linker, Librarian, Serial Comms and intelligent Make facility. The latter reassembles selectively just those files you have edited, links them and downloads the object-code to your Emulator or Programmer. It's quick and painless. If the assembler finds a mistake it puts you back in the Editor at the right place to fix it.

The Multi-Processor version supports all common micros - please ask for list. The Disassembler makes source files out of object code - from a ROM, for example. SDE is not copy-protected.

SDE Multi-processors & Disassemblers.....£695

SDE Multi-processors (includes 82 micros) ..£395

SDE Single-processor.....£195

## OPAL from NS .....£297

Are you looking for a PLD design tool? Then OPAL could be just what you need. It supports state machine, truth table and Boolean equation entry, also optimisation, verification and implementation, for a great many PLDs.

## Erase an EPROM in ten seconds!

Simply hold the gun right over the EPROM's window and squeeze the trigger. The strobe eraser puts out intense UV light at the right wavelength (253.7nm). Erase EPROMS on the bench, in the PCB or in the programmer.



**Strobe Eraser.....£175**

*UK customers please add VAT. Major credit cards accepted. UK delivery available next working day.*

**DATAMAN**  tools for microengineering

Station Road, MAIDEN NEWTON, Dorset DT2 0AE, England

Phone .....0300-20719

Fax .....0300-21012

Telex .....418442

Bulletin Board.....0300-21095

(300/1200/2400/9600 V. 32)

CIRCLE NO. 101 ON REPLY CARD

# CONTENTS

## FEATURES

Illustration Jamel Akib



### COVER: ANALOGUE DATA STORAGE: SPEAKING OF THE FUTURE? .....110

Imagine the usefulness of a semiconductor device which can store high quality audio on chip without prior digitisation. Andy Wright looks at a new class of analogue silicon storage.

### A BETTER SWEEP GENERATOR .....102

Frustrated by problems with the 8038's sine wave purity, David Bridgen has arrived at a better design using the XR-2206.

### OPTO-BIAS FOR AUDIO .....107

Ivor Brown describes how opto-isolation can be used to set the DC bias in quality class AB audio power amplifiers.

### RECEIVING TELETEXT ON THE PC .....114

The teletext broadcast service provides a wealth of

information digital form. Importing selected pages into a desktop computer system opens up all sorts of possibilities for information management. Laurence Cook explains how to go about it.

### FOLLOW THE ASIC ROUTE .....120

Whether to go, when to go and how to go: the three questions which the small size company must ask itself when thinking about transferring its designs to asic. By Julia King.

### PC ENGINEERING .....135

Hard decision by fuzzy computing: Neural Desk from Neural Computer Sciences makes neural network technology less daunting. Stephen Franks reviews the software. Also Allen Brown on turbocharging your PC with a DSP expansion card.

### FERRO-RESONANT STABILISERS .....162

Microprocessor based computer systems are sensitive to power line disturbances. While internal supplies can accommodate much of the mains irregularity, ferro-resonant devices provide an elegant means of stabilising power line AC at source.

### GOING BEHIND BARS .....164

Bars are all around us, from supermarket checkouts to security systems. Nic Burkinshaw looks behind the bars to decode the stripes.

## REGULARS

### COMMENT .....91

Designers and the human condition

### UPDATE .....92

Interfering satellites, new EC directive on HDTV, new euro-electronics initiative and other news from around the industry.

### RESEARCH NOTES .....96

Cheaper solar cells, the physics of beer, magnetic world record, Venus unveiled, hot fusion getting hotter and microwave power monitoring.

### LETTERS .....124

Common base transistors, delayed credit, If only, magnetometer on line, synchrotron star, scattering arguments, ether drift, very 8-bitter, dual qualities and mind games.

### CIRCUITS, SYSTEMS AND DESIGNS .....130

From the best of EDN: adding range to DPMs, amplitude locked loops, clippers analysed.

### APPLICATIONS .....146

Floating mos gate driver, 1GHz integrated front end chip, power regulators.

### NEW PRODUCTS .....150

**In next month's issue:** Spectrum analysis on the cheap.

The best electronics engineers don't need the most expensive test equipment. It is possible to conduct useful RF spectral analysis using little more than a low cost oscilloscope and a few scrap TV components proving that necessity is the mother of invention.

### CIRCUIT IDEAS .....156

Electronic balance for differential inputs, diode protection for cmos, precision full wave rectifier, single pin resistance measurement using the 8051, phased locked function generator, higher power op-amp, parallel to serial conversion for RS232 without a microprocessor, coming off the electric fence.

### PICTURES FROM THE PAST .....160

Wireless at sea and the Titanic disaster.

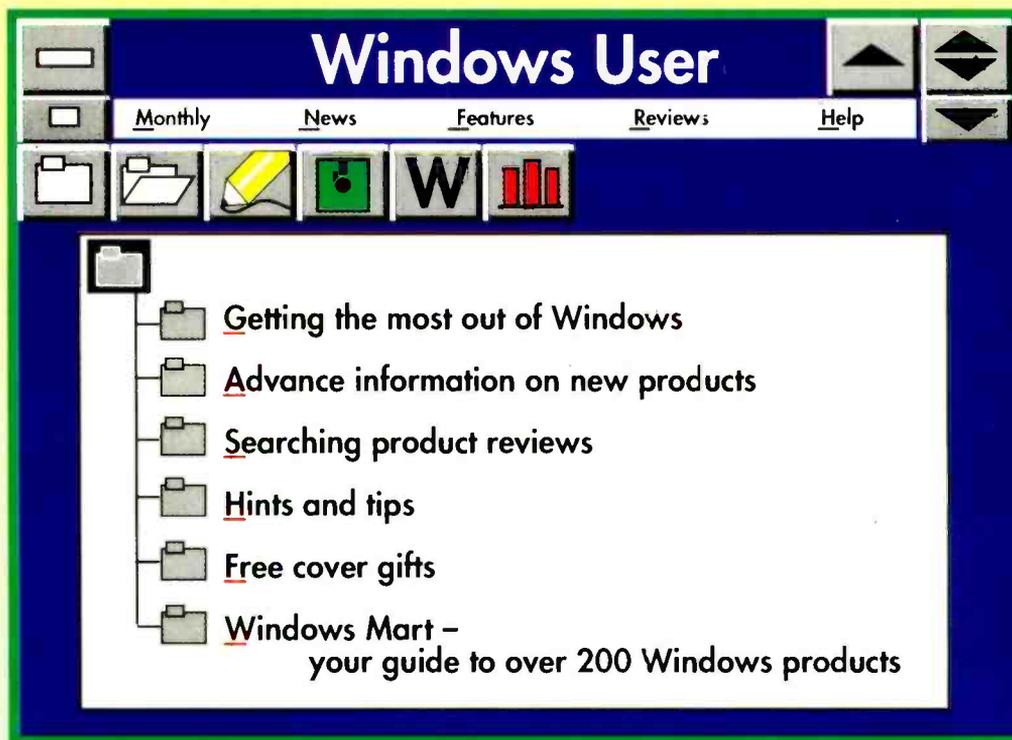
### DESIGN BRIEF .....168

Ian Hickman examines the long tailed transistor pair and its use as an oscillator.

### RF CONNECTIONS .....171

Everything Yagi: Microstrip yagi for mobile satellite service, giant yagi for 14MHz and the story behind the invention of the yagi.

AVAILABLE  
JANUARY 24TH



# A new menu for Windows Users

Windows User is the brand new practical guide to help you get the most out of your Windows environment.

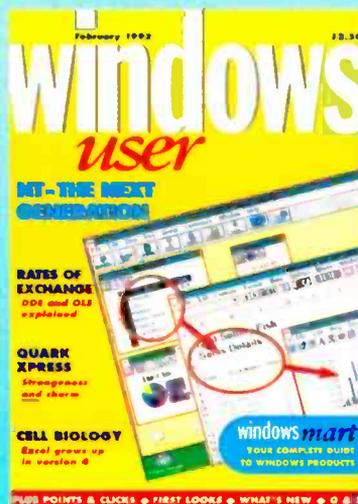
Every month you'll enjoy a varied menu of news updates, features and reviews, making Windows User the essential reference for the computing environment of the 90's.

We'll show you how to exploit your Windows software to the full with time and money saving tips that will make a dramatic difference to your productivity.

And with 'The Windows User Pocket Guide to Windows Secrets,' the brand new 100-page book by Windows guru Mike Hardaker FREE with the first issue

it's bound to sell as fast as... well, Windows itself!

Make sure of your copy by ordering from your local newsagent NOW. Alternatively call our Credit Card Hotline on 0789 200 255 (24hr operator service - calls charged at local rate) or ring us on 0444 445566 for our discount subscription offer.



CIRCLE NO. 104 ON REPLY CARD

# For humans... by design

## EDITOR

Frank Ogden  
081-661 3128

## DEPUTY EDITOR

Jonathan Campbell  
081-661 8638

## DESIGN & PRODUCTION

Alan Kerr

## EDITORIAL ADMINISTRATION

Lorraine Spindler  
081-661 3614

## ADVERTISEMENT MANAGER

Jan Thorpe  
081-661 3130

## SALES MANAGER

Shona Finnie  
081-661 8640

## CLASSIFIED SALES EXECUTIVE

Pat Bunce  
081-661 8339

## ADVERTISING ADMINISTRATION

Kathy Lambart  
081-661 3139

## ADVERTISING PRODUCTION

Shirley Lawrence  
081-661 8659

## PUBLISHER

Robert Marcus

## FACSIMILE

081-661 8956

## CLASSIFIED FACSIMILE

081-661 8931

### Change of telephone numbers

From Monday February 24th our exchange number will change from 661 to 652. So, for example, a telephone number that is currently 081 661 1234 will become 081 652 1234.



The inability of ordinary, intelligent people to master the complexities of consumer electronics has become a cliché. How can it be that thousands of pounds spent on market research followed by billions of yen poured into product development result in products which are virtually unusable.

One can unravel much of what passes through the mind of the designer by looking at the almost unlimited power which the typical video remote control gives to the unfortunate user. Who else but an electronics engineer would require that the viewer adjusts fine frequency tuning, tracking adjustment, sharpness and hue? Who else but a cryptographer would have the user counting fingers and toes in order to record a programme for the third day of next week bearing in mind that: the programme actually starts just after midnight which makes it four days into next week, not three; that the time to be set should be AM not PM; that the channel selection for the recorded event has been correctly adjusted (see above) and allocated; that February of this year has 29 days requiring that the event to be recorded is actually five days into next week rather than four... or was it three?

Once upon a time medical schools selected students on a combination of entry examination results coupled with the opinion of an interview board. The function of the interview was to determine the applicant's perceived suitability for a caring, sympathetic profession. This largely resulted in a generation of doctors who, apart from being technicians, listened to and dealt with the needs of the patients.

Medical schools now select almost entirely on academic achievement: their graduates often fall short of the communication skills required for the job.

This shortcoming in medical training illustrates the way in which professionals can lose touch with their consumers. The stupidity of Japanese designers – I mention "Japanese" because I suspect that the

Europeans are better, although not immune in this respect – derives from their insistence that technology is the goal rather than the means. What might be satisfying by design to a bunch of engineers who feel the need to adjust chrominance phase angle, tracking sync, luma bandwidth and IF centre frequency, etc is just a pain in the posterior to everyone else. How much better to harness the undoubted ingenuity of the design department towards making products which are intuitive and certain of their purpose?

The best example of design with ordinary people in mind comes from the computer world. Until Xerox developed the X-Windows interface for business computers, their machines, like everybody else's, required a cryptographic insight on the part of the operator. Apple quickly followed the Xerox example with a user presentation on a desktop computer so simple that its users boast of being able to use application software without ever reading the manuals.

A successful design takes the human factor into account. This is as important to computer installations as it is to domestic videos. After all, if technology can't be harnessed effortlessly and to real purpose, it loses purpose which eventually costs both you and me our jobs.

Frank Ogden

## ARE WE HARD TO GET?

**Just one phone call to our Circulation Action line brings instant assistance.**

Some readers have experienced problems in finding copies of *EW+WW* on newstrade shelves - so we've decided to do something about it.. If you have any difficulty purchasing your copy, call our Circulation Actionline. We will follow up your complaint and, more importantly, make sure you can obtain your copy.

**Call Olive Kahn on 081-661 8620 and let us tackle your supply problems**

*Electronics World + Wireless World* is published monthly By post, current issue £2.25, back issues (if available) £2.50. Orders, payments and general correspondence to L333, **Electronics World + Wireless World, Quadrant House, The Quadrant, Sutton, Surrey SM2 5AS.** Telex: 892984 REED BP G Cheques should be made payable to Reed Business Publishing Group.

**Newstrade:** IPC Marketforce, 071 261-6745.

**Subscriptions:** Quadrant Subscription Services, Oakfield House, Perrymount Road, Haywards Heath, Sussex RH16 3DH. Telephone 0444 441212. Please notify a change of address. Subscription rates 1 year (normal rate) £30 UK and £35 outside UK.

**USA:** \$116.00 airmail. Reed Business Publishing (USA), Subscriptions office, 205 E. 42nd Street, NY 10117.

**Overseas advertising agents:** France and Belgium: Pierre Mussard, 18-20 Place de la Madeleine, Paris 75008. United States of America: Ray Barnes, Reed Business Publishing Ltd, 205 E. 42nd Street, NY 10117. Telephone (212) 867-2080. Telex 23827.

**USA mailing agents:** Mercury Airfreight International Ltd Inc, 10(b) Englehard Ave, Avenel NJ 07001. 2nd class postage paid at Rahway NJ Postmaster. Send address changes to above.

©Reed Business Publishing Ltd 1992 ISSN 0266-3244

# REGULARS

## UPDATE

### EC backpedalling on the big screen

Wide screen D2MAC will not become a compulsory satellite TV standard until 1995, according to a last-minute revision of the EC's draft directive. However, the standard – which offers consumers the benefit of wide-screen pictures – is expected to be widely adopted on a voluntary basis before then. One broadcaster, Filmnet, has already started using it.

The directive, which technically came into force at the beginning of this year, is considerably watered-down from the draft proposed earlier in 1991. New broadcasters will still be able to use PAL up until the beginning of 1995, and PAL services existing at that date will be able to continue indefinitely. There is no reference to compulsory D2MAC compatibility for sets.

The draft, which was unanimously adopted by telecommunications ministers after 15 hours of negotiations on December 18<sup>th</sup>, also omits direct mention of EC subsidies to start-up D2MAC services. These, amounting to a possible £700m (Ecu 1bn), will be the subject of separate proposals to be tabled by the end of April.

The new directive, which runs until 1998, provides for regular reviews, and for the possibility of adopting a digital approach to a European HDTV standard, as an alternative to D2MAC.

Although the element of compulsion has diminished, the industry is confident that D2MAC will take off quickly, driven by demand for wide-screen movies. "By the end of this year there should be at least one channel for each territory in Europe," a Philips spokesman said, "We expect 15 to 20 broadcasters to be doing D2MAC in the next two years."

First in the field was Filmnet, which transmits movies to the Benelux countries and Scandinavia. It is now transmitting on Astra in D2MAC/EuroCrypt, with receivers provided under contract by Philips, in addition to existing PAL services. Part of Filmnet's impetus may derive from its existing encryption which, unlike Sky's, is notoriously insecure.

BSkyB, with over two million PAL receivers in the UK, has welcomed the directive and expressed cautious interest in



*No laughing matter for Europe's setmakers who hoped for less PAL and more compulsion towards HDTV*

D-MAC's "market opportunity". It too is understood to be in discussions with Philips.

Viewers with 16:9 TV sets, plus D2MAC receivers and suitable aerials (90cm aimed at the Olympus satellite, 18.8°W) will be able to enjoy the wide-screen ratio (but not the 1250-line definition) of HDTV transmissions of this year's Olympic Games.

**Peter Willis**



*The engineering model of satellite-borne microwave radiometer AMSU-B – Advanced Microwave Sounding Unit – is pictured at Bristol prior to initial radio frequency testing at Queen Mary & Westfield College, London. The instrument is being developed by British Aerospace Space Systems Limited, Earth Observation and Science Division as prime contractor to the UK Meteorological Office.*

*AMSU-B, which will initially fly on future NOAA series weather satellites, is principally designed to monitor temperature and humidity profiles in the upper atmosphere. It will help weather forecasters to greatly improve the accuracy and detail of their weather predictions. Since 183.31GHz is a water vapour absorption line, outdoor testing of AMSU-B was ruled out.*

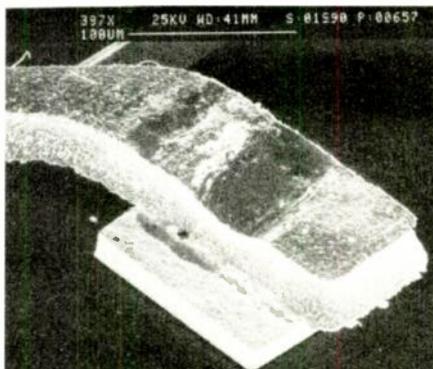
## New packages for euro-technology

Work is beginning in a pan-European Eureka project to develop advanced design and manufacturing techniques for multi-chip modules (MCMs).

MCMs, incorporating a number of VLSI and other less complex chips, may be the only feasible solution for future complex system integration. The project, called Pepite, has been costed at about £11 million over three years.

Consumer and telecom electronics rely on the compactness of silicon chips to make them light and portable. But with the way chips are packaged at the moment, only one tenth of the package is actually taken up by the chip. Simply by changing the way devices are connected together, the amount of space they need could shrink up to fivefold within the next three years.

Several European electronic companies



**Performance Packaging and Interconnection Technology:** scanning electron micrograph of copper tab interconnect bonded to aluminium pad

durability at reasonable cost for applications such as automotive engine management systems. This requires a greater understanding of heat dissipation and the high frequency behaviour of the interconnections.

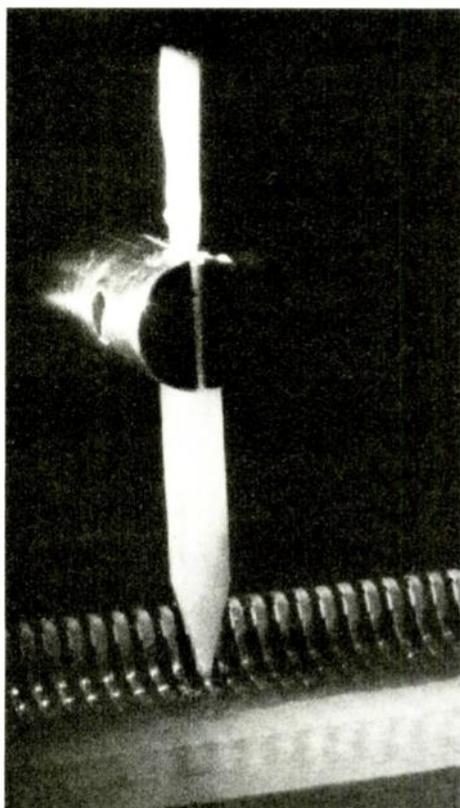
Most aspects of MCM technology are already used in conventional hybrid manufacture. The task behind the Pepite programme is to do what is already being done but at a fraction of the cost.

Dave Pedder, a researcher at GEC Plessey Semiconductors says that they are seen as an alternative to the ultimate in chips – wafer-scale integration – in which all the circuitry for something like a laptop computer is made on a single chip.

The collaborators have already shown two new ways of making ceramic substrates.

Martin Lockyer a researcher at the University of Warwick, has developed a machine similar to a crepe maker, called a tap caster. He pours a mixture of glass particles which look like a mixture of icing sugar and an oily solvent onto a plastic sheet on a platform, making a thin sheet of ceramic which hardens as the solvent evaporates. The ceramic is known as green tap. It can be cut and punched, and connections printed on it, before it goes into the kiln for firing at up to 900°C.

Researchers at the Welding Institute have developed a device which spray-coats ceramic onto metal plates with a gun rather like an oxyacetylene cutter. Acetylene, oxygen and powdered ceramic are mixed in a combustion chamber and ignited, shooting a white-hot flame out of the end of the gun. The particles melt at about 2000°C in the flame, where they stay for a microsecond. The design of the gun is 35 years old although it has never been used to deposit ceramic on metal.



**Lasers for bonding:** detail of a light guide used as part of ultrasonic solder reflow process

already have experience with MCMs but effective exploitation of the devices depends on developments to overcome performance and price barriers inherent in current interconnection and packaging technologies.

MCMs need to be made smaller and to have guaranteed high reliability and

## Meteor showers go commercial

Bouncing radio signals off meteor showers is one of the 16 telecommunications proposals being considered by Peter Lilley, the secretary of state, for a new UK service licence.

Meteor Communications plans to offer telemetry services to remote stations and moving vehicles throughout the UK.

US company Broadcom developed the system called *Meteorburst* where 30MHz to 70MHz radio waves are reflected from the ionised dust created by meteors in the earth's atmosphere. Data rates of 1Mbit/s are achievable says the company.

Another licence application, which is creating some interest, is the proposal by a small unknown Cambridge company to create a national a public switched telephone service in competition to BT and Mercury Communications. The company called Ionica L3 plans to use radio technology.

The other applications are dominated by existing mobile licence holders wishing to offer fixed and international services. Three of the UK's four mobile data licence holders, Hutchison Mobile Data, Cognito and RAM Mobile Data want licences to offer fixed services.

National Transcommunications has applied for a licence to offer broadband voice, data and video services on its national network. Vodafone and United wish to offer fixed services.  
**Richard Wilson, Electronics Weekly**

## Capacitor keyboard

A new keyboard switch system uses membrane capacitance change rather than membrane contact for its action. When a key is pressed, its associated charge changes. By measuring the level of charge on each switch, a drive circuit can then detect not only that a switch has been pressed, but precisely when it was pressed during the cycle. Simultaneous key-presses can be distinguished from several keys pressed in quick sequence during a single scan. The technology was developed by UK company NFI Electronics located in Newport, Isle of Wight.

# Dishing out high level interference

**E**utelsat II-F3 is the first satellite to be located so close in orbit to an existing craft that trouble-free reception with small dishes cannot be guaranteed. This might happen because Eutelsat and Astra share frequencies. Up until now, physical separation coupled with highly directional receiving aeriels have ensured enough isolation for frequency reuse. When Eutelsat switches on alongside Astra, satellite broadcasters will find out whether engineers were right to warn that environmentally friendly 60cm dishes will mean that viewers will suffer interference from adjacent satellites. The marketing people maintain that larger dishes would slow sales.

Initially Eutelsat II-F3 won't cause interference. Broadcasters will use the craft to relay high definition TV signals from the Winter Olympic games in Albertville, France. Prototype widescreen HDTV receivers, made for the Eureka HD-mac project and installed in shops and public places round Europe, will screen the pictures.

Jean Grenier, Director General of Eutelsat, the consortium which operates satellites on behalf of 28 European countries, warns that interference between some channels of Eutelsat II-F3 and Luxembourg's Astra satellite is now inevitable if viewers of either satellite try to use 60cm dishes. The two satellites share some of the same channel frequencies, transmit at the same power (50W) and are located only 3° apart in orbit (II-F3 at 16° East, Astra at 19° East). The 60cm dishes already sold to two million British viewers, and as many again elsewhere in Europe, need a separation in orbit of 6° to guarantee freedom from mutual interference.

Viewers with small, badly made or poorly aligned dishes will receive pictures from different satellites or fuzzy images whenever the two satellites are working on the same frequency.

Eutelsat is advising all viewers to use a minimum dish size of 80cm. Astra advises 55 or 60cm. The Department of the Environment has set a limit for UK homes of 70cm.

## Physics, not politics

Astra says that people in the UK who currently watch BSKyB's programmes should not be affected. There is now some doubt about this. In any case, there can be no guarantee of a trouble-free future.

All the channels on Astra's first satellite,

1A, are safe because Eutelsat does not use these frequencies (11.2-11.45GHz). Astra's second satellite 1B operates on a higher band (11.45-11.7GHz) and the lower third of 1B's channels are safe because Eutelsat's working band starts at 11.536GHz (between channels 21 and 22 on Astra). This puts the other two thirds of channels on 1B, up to 11.685GHz (Channel 32), at risk.

The current risk band includes BSKyB's Comedy Channel, and the Children's and Japanese Satellite TV Channels. The risk band also includes all the channels at the top end of 1B which are not yet being used for broadcasting. It is now easy to see why these channels remain unused. Astra has been nervous about leasing them and potential broadcasters have been worried about hiring them.

Astra's next satellite, 1C, will operate on the band below 1A (10.95-11.2GHz). By the time 1C is launched, in a year or so, Eutelsat will be working on the same frequencies. So there will be a role reversal. Whereas Eutelsat's F3 is currently cast as the intruder in 1B's territory, Astra's 1C will be cast as the trespasser on F3's patch.

Astra cannot afford to play safe permanently, leaving channels on 1B, and later 1C, unused. Each is worth several million pounds a year in rent and broadcasters want them. Broadcasters will need them too, because the European Commission is planning a Directive which will pay broadcasters up to £750 million of taxpayers' money to transmit the same satellite programmes in both the old PAL system and new MAC, thereby creating a shortage of channels.

Eutelsat is no more happy about the clash than Astra. Interference works both ways. Eutelsat has already sold channels on II-F3 to six countries, the UK and Netherlands, Spain, Finland, Italy and Yugoslavia, for TV transmission. If Eutelsat's viewers use small dishes, they will suffer from interference from Astra.

But whereas Eutelsat can specify a minimum dish size of 80cm from Day One, Astra has already built its marketing strategy on 60cm dishes.

Eutelsat cannot co-locate several satellites in the same orbital position as Astra is doing. To allow co-location, Astra ordered satellites which operate on different frequencies. When Eutelsat ordered its satellites, the monopoly consortium of 28 European Postal and Telecommunications authorities asked for extra orbital slots for

single satellites instead of planning for co-location of several satellites at the same location. So Eutelsat ordered six, virtually identical satellites from maker Aerospatiale. Because these all operate on the same fixed frequencies, they would interfere with each other if co-located at the same orbital positions.

Eutelsat says that the orders were placed before Astra's plans became clear. But Eutelsat was far less flexible in those days and would probably have ordered identical satellites anyway. Certainly Eutelsat seems to have made no effort to modify the order even after it became clear that Astra would be a viable commercial competitor.

Because some of Eutelsat's transponders work over a 72MHz FM bandwidth instead of the usual 36MHz (for a 27MHz signal), Eutelsat can offset the carrier frequencies of at least some channels to reduce interference risks – provided that ground users are willing and able to tune onto shifted frequencies. The practical result will depend on the accuracy of the dishes used on the ground and their ability to reject signals of one polarisation in favour of signals of opposite polarisation. It is also likely that MAC signals will cause only noise interference on PAL signals, whereas PAL on PAL will give double images.

There are so many variables that engineers at both Astra and Eutelsat agree that no-one will know until services begin.

Barry Fox

## Solid state to match hard discs

Solid state discs containing 40Mbytes of memory – the same density as the average PC hard disc – are on the way from Hitachi within the next two years.

"When we have 16Mbit, flash device out in 1993, SSDs will take the disk market by storm", reckons Hitachi's Nick Jeffries.

With Hitachi's memory cards holding ten chips per side – 20 chips in all – a card offering 320Mbits of memory becomes useful. Until then, "1 and 4Mbit flash will develop the market. That's why we're not offering sector erase... we're going to drive down chip size and cost so we can replace UV eeprom."

**SMALL SELECTION ONLY LISTED - EXPORT TRADE AND QUANTITY DISCOUNTS - RING US FOR YOUR REQUIREMENTS WHICH MAY BE IN STOCK**

**Tektronix 475** - 200Mc/s oscilloscopes - tested from £400 less attachments to £500 C/W manual probes.

**Marconi TF2008** - AM-FM signal generator - Also sweeper - 10Kc/s - 510Mc/s - from £350 tested to £500 as new with manual - probe kill in wooden carrying box.

**HP DC Current source** type 6177C - £200.

**HP Frequency comb generator** type 8406A - £400.

**HP Sampling Voltmeter** (Broadband) type 3406A - £200.

**HP Vector Voltmeter** type 8405A - £400 to £600.

**HP Synthesiser/signal generator** type 8672A - 2 to 18GHz/s old or new colour £4000.

**HP Oscillographic recorder** type 7404A - 4 track - £350.

**HP Plotter** type 9872B - 4 pen - £300.

**HP Sweep Oscillators** type 8690 A & B + plug-ins from 10Mc/s to 18GHz also 18-40GHz. P.O.R.

**HP Signal Generators** type 612 - 614 - 618 - 620 - 628 - frequency from 450Mc/s to 21GHz.

**HP Network Analyser** type 8407A + 8412A + 8601A - 100Kc/s - 110Mc/s - £500 - £1000.

**HP 432A-435A or B Power Meters** + Powerheads - 10Mc/s-40GHz - £200-£650.

**HP Down Converter** type 11710B - .01-11Mc/s - £450.

**HP Pulse Modulator** type 11720A - 2-18GHz - £1000.

**HP Modulator** type 8403A - £100-£200.

**HP Pin Modulators** for above-many different frequencies - £150.

**HP Counter** type 5342A - 18GHz - LED readout - £1500.

**HP Signal Generator** type 8640B - Opt001 + 003 - 5-512Mc/s AM/FM - £1200.

**HP Spectrum Display** type 3720A £200 - HP Correlator type 3721A £150.

**HP 37555 + 3756A** - 90Mc/s Switch - £500.

**HP Amplifier** type 8447A - 1-400Mc/s £400 - HP8447F 1-1300Mc/s £800.

**HP Frequency Counter** type 5340A - 18GHz £1000 - rear output £800.

**HP 8410 - A - B - C Network Analyser** 110Mc/s to 12GHz or 18GHz - plus most other units and displays used in this set-up - 8411A - 8412 - 8413 - 8414 - 8418 - 8740 - 8741 - 8742 - 8743 - 8746 - 8650. From £1000.

**HP Signal Generator** type 8660C - 1-2600Mc/s. AM/FM - £3000. 1300Mc/s £2000.

**HP Signal Generator** type 8656A - 0.1-990Mc/s. AM/FM - £2250.

**HP 3730B Mainframe** £200.

**HP 8699B Sweep PI** - 0.1-4GHz £750 - HP8690B Mainframe £250.

**HP Digital Voltmeter** type 3456A - £900.

**Racal/Dana digital multimeter** type 5001 - £250.

**Racal/Dana Interface** type 9932 - £150.

**Racal/Dana GPIB Interface** type 9934A - £100.

**Racal/Dana 9301A-9303 RF Millivoltmeter** - 1.5-2GHz - £350-£750.

**Racal/Dana Counters** 9915M - 9916 - 9917 - 9921 - £150 to £450. Fitted FX standards.

**Racal/Dana Modulation Meter** type 9009 - 8Mc/s - 1.5GHz - £250.

**Racal - SG Brown Comprehensive Headset Tester** (with artificial head) Z1A200/1 - £450.

**EIN 310L RF Power Amp** - 250KHz - 110Mc/s - 50DBs - £250.

**Marconi AF Power Meter** type 893B - £300.

**Marconi Bridge** type TF2700 - £150.

**Marconi/Saunders Signal Sources** type - 6058B - 6070A - 6055B - 6059A - 6057B - 6056 - P.O.R. 400Mc/s to 18GHz.

**Marconi TF1245 Circuit magnification meter** + 1246 & 1247 Oscillators - £100-£300.

**Marconi microwave** 6600A sweep osc., mainframe with 6650 PI - 18-26.5GHz or 6651 PI - 26.5-40GHz - £1000 or PI only £600.

**Marconi distortion meter** type TF2331 - £150, TF2331A - £200.

**Thurby converter** 19 - GP - IEEE - 488 - £150.

**Philips logic multimeter** type PM2544 - £100.

**Microwave Systems MOS/3600 Microwave frequency stabilizer** - 1 to 18GHz & 18 to 40GHz - £1000.

**Bradley Oscilloscope calibrator** type 156 - £150.

**Tektronix Plug-Ins** 7A13 - 7A14 - 7A18 - 7A24 - 7A26 - 7A11 - 7M11 - 7S11 - 7D10 - 7S12 - S1 - S2 - S6 - S52 - PG506 - SC504 - SG502 - SG503 - SG504 - DC503 - DC508 - DD501 - WR501 - DM501A - FG501A - TG501 - PG501 - DC505A - FG504 - P.O.R.

**Alltech Stoddart receiver** type 1727A - .01-32Mc/s - £2500.

**Alltech Stoddart receiver** type 3757 - 30-1000Mc/s - £2500.

**Alltech Stoddart receiver** type NM65T - 1 to 10GHz - £1500.

**Gould J3B Test oscillator** + manual - £200.

**Image Intensifiers** - ex MOD - tripod fitting for long range night viewing - as new - £1500-£2000.

**Don 10 Telephone Cable** - 1/2 mile canvas containers or wooden drum - new - MK2-3 or 4.

**Intra-red Binoculars** in fibre-glass carrying case - tested - £100. Intra-red AFV sights £100.

**ACL Field Intensity meter** receiver type SR - 209 - 6. Plug-ins from 5Mc/s to 4GHz - P.O.R.

**Syston Donner Counter Model 6057** - 18GHz - £800.

**Tektronix 491 spectrum analyser** - 1.5GHz-40GHz - as new - £1200 or 10Mc/s 40GHz.

**Tektronix Mainframes** - 7603 - 7623A - 7633 - 7704A - 7844 - 7904 - TM501 - TM503 - TM506 - 7904 - 7834 - 7104.

**Knott Polyskanner WM1001 + WM5001 + WM3002 + WM4001** - £500.

**Alltech 136 Precision test RX** + 13505 head 2 - 4GHz - £350.

**SE Lab Eight Four** - FM 4 Channel recorder - £200.

**Alltech 757 Spectrum Analyser** - 001 22GHz - Digital Storage + Readout - £5000.

**Dranetz 606** Power line disturbance analyser - £250.

**Precision Aneroid barometers** - 900-1050Mb - mechanical digit readout with electronic indicator - battery powered. Housed in polished wood carrying box - tested - £100-£200-£250. 1, 2 or 3.

**B & K Sound Level Meter** type 2206 - small - lightweight - precision - 1/2" microphone - in foam protected filled brief type carrying case with windshield & battery + books + pistol grip handle - tested - £170. Carr. £8. - B & K 2206 Meter + Mike + Book - less carrying case etc. - £145. Carr. £8. DISCOUNT ON QUANTITY.

**HP 141T Spectrum Analysers.** All new colours supplied with instruction manuals.

**HP 141T-8552B** - 8556A - 20Hz to 300kHz £2000.

**HP 141T-8552B** - 8553B - 1kHz to 110Mc/s £1750.

**HP 141T-8552B** - 8554B - 100kHz to 1250Mc/s £2250.

**HP 141T-8552B** - 8555A - 10Mc/s to 18GHz £3000.

**HP 141T** - old colour mainframe + 8552A, 8553B - 1kHz to 110Mc/s. Instruction manuals - £1250 or 8552B £1500.

**HP 3580A LF** - spectrum analyser - 5kHz to 50kHz - LED readout - digital storage - £1600 with instruction manual - internal rechargeable battery.

**Spectrascope 11 SD335 (S.A.)** realtime LF analyser - 20Hz to 50kHz - LED readout with manual - £500 tested.

**Tektronix 7D20 plug-in 2-channel programmable digitizer** - 70 Mc/s - for 7000 mainframes - £500 - manual - £50.

**Datron 1065 Auto Cal digital multimeter** with instruction manual - £500.

**Racal MA 259 FX** standard. Output 100Kc/s-1Mc/s-5Mc/s - internal NiCad battery - £150.

**Tektronix TR503 tracking generator** - 10Mc/s to 1800Mc/s + manual - £1500.

**Aerial array on metal plate 9"x9"** containing 4 aeriels plus Narda detector - 100-11GHz Using N type and SMA plugs & sockets - ex eopt - £100.

**EIP 451 microwave pulse counter** 18GHz - £1500.

**Marconi RF Power Amplifier** TF2175 - 1.5Mc/s to 520Mc/s with book - £100.

**HP 8614A Signal Generator** 800Mc/s to 2.4GHz - old colour - £300. New colour - £600.

**HP 8616A Signal Generator** 1.8GHz to 4.5GHz - old colour - £200. New colour - £400.

**HP 8620A or 8620C Sweep Generators** - £400 or £900.

**Marconi 6155A Signal Source** - 1 to 2 GHz - LED readout - £600.

**Schlumberger 2741 Programmable Microwave Counter** - 10Hz to 7.1GHz - £750.

**Schlumberger 2720 Programmable Universal Counter** 0 to 1250Mc/s - £600.

**HP 37203A HP-IB Extender** - £150.

**PPM 411F Current Reference** - £150.

**HP 5363B Time Interval Probes** - £150.

**HP 8900B Peak Power Callibrator** - £100.

**HP 59313A A/D Converter** - £150.

**HP 59306A Relay Actuator** - £150.

**HP 2225CR Thinkjet Printer** - £100.

**TEK 178 Linear IC Test Fixture** - £150.

**TEK 576 Calibration Fixture** - 067-0597-99 - £250.

**HP 4437A 600 Ohm Attenuator** - £100.

**HP 8006A Word Generator** - £150.

**HP 1645A Data Error Analyser** - £150.

**Texscan Rotary Attenuators** - BNC/SMA 0.1C-60-100DBS - £50-£150.

**HP 809C Slotted Line Carriages** - various frequencies to 18GHz - £100 to £300.

**HP 532-536-537 Frequency Meters** - various frequencies - £150-£250.

**HP 3200B VHF Oscillator** - 10MC/S-500MC/S - £200.

**Barr & Stroud variable filter EF3.0.1Hz-100Kc/s** + high pass + low pass - mains - battery - £150.

**Krohn-Hite Model 3202R filter** - low pass, high pass.

**Krohn-Hite 4100 oscillator**.

**Krohn-Hite 4141R oscillator** - .1Hz-10,000kHz

**Krohn-Hite 6880 programmable distortion ANZ IEEE-488**

**Krohn-Hite 3750 filter**, low pass, high pass - .02Hz-20kHz.

**Parametron D150 variable active filter**, low pass - high pass - 1.5Hz-10kHz, £100.

**S.E. Lab SM215 Mk11 transfer standard voltmeter** - 1000 volts.

**Fluke 4210A programmable voltage source.**

**Alltech Stoddart P7 programmer** - £200.

**Fluke 8500A digital multimeter.**

**H.P. 3490A multimeter.**

**H.P. 6941B multiprogrammer extender.** £100.

**Fluke Y2000 RTD selector** + Fluke 1120A IEEE-488-translator + Fluke 2180 RTD digital thermometer + 9 probes. £350 all three items.

**H.P. 6181 DC current source.** £150.

**H.P. 59501A** - HP-IB Isolated D/A/power supply programmer.

**H.P. 3438A digital multimeter.**

**H.P. 61775 DC current source**

**H.P. 6207B DC power supply.**

**H.P. 741B AC/DC differential voltmeter standard (old colour)** £100.

**H.P. 6209B DC power unit.**

**Fluke 80 high voltage divider.**

**Fluke 887AB AC+DC differential voltmeter.**

**Fluke 431C high voltage DC supply.**

**H.P. 1104A trigger countdown unit.**

**Tektronix M2 gated delay calibration fixture.** 067-0712-00.

**Tektronix precision DC divider calibration fixture.** 067-0503-00.

**Tektronix overdrive recovery calibration fixture.** 067-0608-00.

**Avo VCM163 valve tester** + book £300.

**H.P. 5011T logic trouble shooting kit.** £150.

**Marconi TF2163S attenuator** - 1GHz. £200.

**PPM 8000 programmable scanner**

**H.P. 9133 disk drive** + 7907A + 9121 twin disk.

**Fluke 730A DC transfer standard.**

**B&K level recorder 2307** - £500.

**B&K 2113 audio frequency spectrometer** - £150.

**B&K 4815 calibrator head.**

**B&K 4812 calibrator head.**

**B&K 4142 microphone calibrator** - £100.

**B&K 1022 band FX oscillator** - £100.

**B&K 1612 band pass filter set** - £150.

**B&K 2107 frequency analyser** - £150.

**B&K 1013 BFO** - £100.

**B&K 1014 BFO** - £150.

**B&K 4712 FX response tracer** - £250.

**B&K 2603 microphone amp** - £150.

**B&K 2604 microphone amp** - £200.

**B&K 2019 analyser** - £350.

**Farnell power unit H60/50** - £400 tested.

**H.P. FX doubler 938A**, also 940A - £300.

**Racal/Dana 9300 RMS voltmeter** - £250.

**A.B. noise figure meter 117B** - £400.

**Alltech 360D11 + 3601 + 3602 FX synthesizer** 1Mc/s-2000Mc/s. £500.

**H.P. sweeper plug-ins** - 86240A - 2-3.4GHz - 86260A - 12-14.8GHz - 86260AH03 - 10-15GHz - 86290B - 2-18.6GHz 86245A 5.9-12.4GHz.

**Tequipment CT71 curve tracer** - £200.

**H.P. 461A amplifier** - 1Kc-150Mc/s - old colour - £100.

**H.P. 8750A storage normalizer.**

**Tektronix oscilloscopes** type 2215A - 60Mc/s - c/w book & probe - £400.

**Tektronix monitor** type 604 - £100.

**Wiltron 560 network scaler** + 2 heads + book - £1000.

**Marconi TF2330 or TF2330A wave analysers** - £100-£150.

**HP5006A Signature Analyser** £250 + book.

**HP10783A numeric display.** £150.

**HP239A oscillator** - £250.

**Alltech 7009 hot-cold standard noise generator.**

**HP 3763A error detector.** £250.

**Cushman CE-15 spectrum analyser** - LED Readout - 1000Mc/s £650.

**Tektronix 5L4N spectrum analyser** - 0-100Kc/s £500.

**HP1742A 100Mc/s oscilloscope.** £250.

**HP1741A 100Mc/s oscilloscope.** £250.

**Tektronix 7104-7A29-7A24-7B15-7B10** - £2K.

**Racal/Dana signal generator 9082** - 1.5-520Mc/s - £800.

**Racal/Dana signal generator 9082M** - 1.5-520Mc/s - £900.

**Claude Lyons Compuline** - line condition monitor - in case - LMP1+LCM1 £500.

**HP1815B T.D.R. sampler** + 1817A head - 1104A trigger + 1106B TD mount £500.

**Texscan AL-51A spectrum analyser** - 4-1000Mc/s - £750.

**Efratom Atomic FX standard FRT** - FRK - 1-1.5-10Mc/s. £3K.

**Muirhead fax receivers K649** - TR4 - solid state - speed - 60-90-120-240-auto - IC 288-576 - auto. £250 with book.

**Racal 4D recorder** - £350.

**HP8350A sweep oscilloscope mainframe** + HP 11869A RF PI adaptor - £2.5K.

**Alltech** - precision automatic noise figure indicator type 75 - £250.

**Adret FX synthesizer** 2230A - 1 Mc/s. £250.

**Tektronix** - 7S12-7S14-7T11-7S11-S1-S52-S53.

**Rotek 610 AC/DC calibrator.** £2K + book.

**Tektronix 7L12 analyser** - 1Mc/s-1.8GHz. £1500.

**Clark Scam Heavy Duty 40 Telescopic Pneumatic Masts** - retracted 7'8" - head load 40lbs - with or without supporting legs & erection kit - in bag + handbook - £200-£500.

**Clark Scam Heavy Duty 70 Telescopic Pneumatic Masts** - retracted 13'5" - head load 90lbs - with or without legs + erection kit + handbook - £500-£800.

ITEMS BOUGHT FROM HM GOVERNMENT BEING SURPLUS. PRICE IS EX WORKS. S.A.E. FOR ENQUIRIES. PHONE FOR APPOINTMENT OR FOR DEMONSTRATION OF ANY ITEMS. AVAILABILITY OR PRICE CHANGE. VAT AND CARR. EXTRA.

Johns Radio, Whitehall Works, 84 Whitehall Road East, Birkenshaw, Bradford BD11 2ER. Tel. No. (0274) 684007. Fax 651160.

CIRCLE NO. 105 ON REPLY CARD

# REGULARS

## RESEARCH NOTES

### Cheaper solar cells mimic nature

Reports of unlimited "green" energy from sunlight, using a process looking remarkably like photosynthesis, are how the media has greeted one recent scientific announcement. The scientists themselves prefer to describe it as a low-cost, high-efficiency solar cell based on dye-sensitised colloidal TiO<sub>2</sub> films (Nature, Vol 353, No 6346) and its significance is demonstration of the practicality of a low-cost alternative to silicon cells.

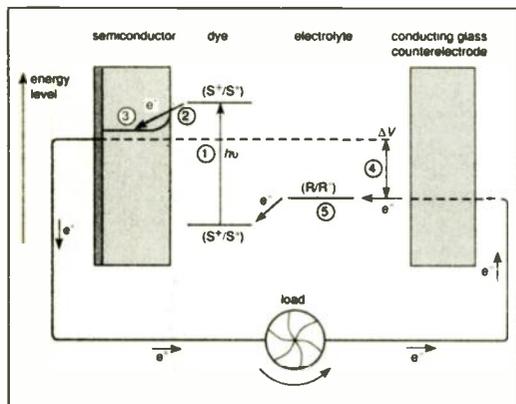
What Brian O'Regan, currently at the University of Washington in Seattle, and

semiconductor. At a conducting glass counter-electrode a chemical reaction occurs in the electrolyte which then regenerates the dye.

The physical chemistry may be complex, but Grätzel says these cells could almost be made in the kitchen, given the right kind of oven. They are also, potentially, much

cheaper and more efficient than amorphous silicon cells with which they are designed to compete. Already the overall light-to-electricity conversion yield is around 8% in simulated sunlight.

Dye-sensitised photocells are not a new idea, but without the latest developments in dye chemistry and the effective increase in semiconductor surface area by roughening, most researchers had written them off as hopelessly inefficient. The work of O'Regan and Grätzel, together with the acknowledged long-term stability of these cells, demonstrates clearly the potential for further development.



Schematic representation of the principle of the dye-sensitised photovoltaic cell.

Michael Grätzel of the Swiss Federal Institute of Technology in Lausanne have done is to separate the light-collecting process from the energy conversion process. In a normal silicon photocell these two are combined. The new cell uses a monolayer of a charge-transfer dye – a complex ruthenium compound – deposited on a microscopically roughened 10µm layer of transparent titanium dioxide. Current is generated when photons absorbed by the dye inject electrons into the conduction band of the TiO<sub>2</sub>

### Physics through a beer glass, darkly

Pour a pint of beer and watch the bubbles stream up from the bottom. Notice that they get larger and are spaced farther apart as they rise. What's going on? When Stanford University chemistry professor Richard Zare and post-doctoral researcher Neil Shafer asked themselves that question, it led to a whole series of investigations into the interplay among gases, liquids, solids, temperature, pressure and gravity.

It seems that beer bubbles begin as tiny clusters of molecules that grow on rough spots called nucleation sites – usually scratches on the glass. The bubbles form from carbon dioxide, which is dissolved in the beer.

Zare and Shafer debunk a theory that bubbles double in size as they rise because of a change in hydrostatic pressure. This would require a pressure difference of two atmospheres from the bottom to the top of the glass – a rise of nearly 30 feet. Not even EW&WW staff at Hogmanay could manage a beer that big.

Zare and Shafer have shown instead that the bubbles act as nucleation centres for themselves, accumulating more carbon dioxide as they rise through the beer.

As the bubbles get bigger, their buoyancy becomes greater relative to the beer. A simple application of Archimedes' principle:

$$F_{bubble} = V_{bubble} (p_{beer} - p_{bubble}) \cdot g$$

( $F$  is the force on the bubble;  $V$  is its volume,  $p$  is density,  $g$  is the gravitational constant.)

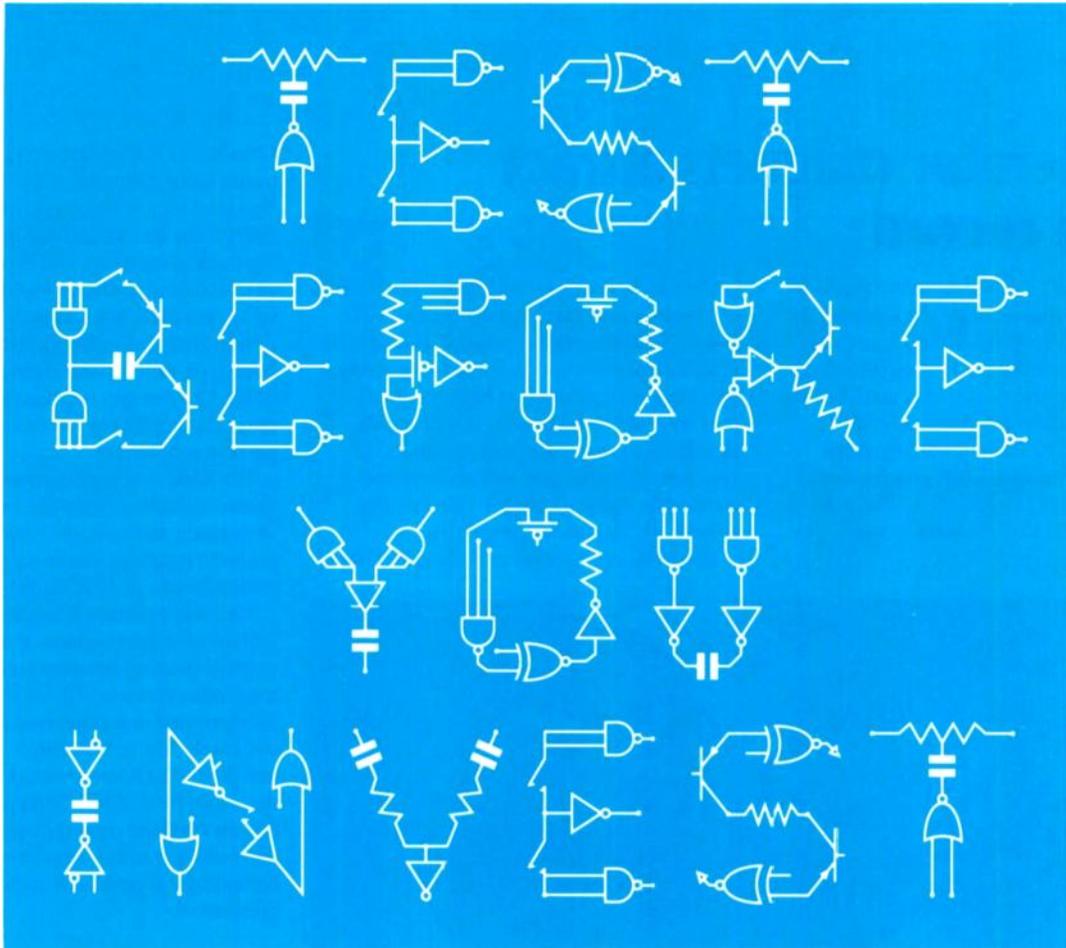
Drag on the surface holds the bubble back from rising, but drag increases less rapidly than buoyancy. So, the bigger the bubble, the faster it rises. Thus, higher bubbles race away from lower ones in the stream, spacing bubbles farther apart at the top of the glass.

Zare says that the fluid dynamics of this process turn out to be much more complicated than they seem.

For example, there is no simple method to predict the drag on a particle moving in a viscous medium, and when Zare and Shafer tested the two most likely theories, their observations did not match either one.

Surfactants – the slippery substances that give staying power to the head of foam at the top of the glass – affect the ascent of the bubbles. If the bubbles rise in a tall enough glass, even their shape changes, from a sphere to an ellipse that oscillates and travels in a zigzag path.

The two chemists say that most of their insights into beer could also apply to other carbonated beverages such as mineral water or champagne – though add that a serious study of the latter might be beyond their budgets. Bottoms up!



A product can always benefit from being smaller, faster, cheaper or simply more efficient.

But the route to these improvements is often through new technology.

What worries engineers is the amount they have to invest on the way before their new design passes the test.

So we turned the tables by developing the Falcon Programme. It's a fast yet low-cost prototyping programme which works like this:

Firstly, we provide you with a software package. It allows you to design analog/digital arrays using 5 or 2 micron digital, or 3 micron mixed technologies, and, most important, verify the design/performance yourself.

Additionally, we can help you design at a

functional level by providing you with a range of components for bread boarding critical analog functions.

As a result, you'll end up with a high degree of confidence that your design is going to work before you commit yourself to a prototype.

When you are satisfied and send us your prototyping brief, we again keep costs down by manufacturing in batches with many customers sharing the expense.

Your prototype is then returned to you within 28 days.

Finally, once the design is proven, we can provide you with production parts in any volume from very low to very high, and to any screening level under BS9450 approval.

So if you want to get it right first time, make sure you talk to Mike Goodwin this time.

**MCE**  
Micro Circuit Engineering

**A Smiths Industries Company**

Micro Circuit Engineering, Alexandra Way, Ashchurch, Tewkesbury, Glos GL20 8TB. Telephone: (0684) 297277

CIRCLE NO. 106 ON REPLY CARD

ww8

## Accelerator magnets attract world record

An important step in development of the high field superconducting magnets for the proton collider proposed by Cern, the European Laboratory for Particle Physics, took place recently. A 1m-long model of the twin-dipole magnet produced a field of 10Tesla in its two beam apertures at the design temperature of 1.8K – a new world record for accelerator magnets. The peak field seen by the superconductor was 10.3Tesla.

Cern is carrying out an intense programme of research and development on the LHC (large Hadron collider) project. The LHC is a particle accelerator that will bring protons into head-on collisions at higher energies than ever achieved before. It will enable physicists to penetrate further into the structure of matter and will recreate the conditions that prevailed in the universe around  $10^{-12}$ s after the Big Bang.

The LHC is expected to be installed above

Cern's LEP (large electron-positron) collider in the same 27km tunnel. (The tunnel was designed to accommodate two rings.) To subject the quarks and gluons hidden deep inside protons to the 1TeV collision energy at which new physics should show up, the LHC designers have to plan for 16TeV proton beams. Confining these very high energy particles to the right track of the 27km LEP tunnel will require the strongest magnetic bending power ever used in a particle accelerator.

The LHC ring will consist of nearly 1800 superconducting magnets, each 9m long. To save space and cost, the plan is to install the separate magnetic channels for the twin proton beams of LHC in the same iron yoke.

The twin aperture is a special and novel feature of these magnets. It allows the two counter-rotating beams to travel in twin magnetic channels. The channels are incorporated in a single yoke kept at extremely low temperatures inside a cryostat and for the LHC to work correctly, a magnetic field of 9.5 Tesla is needed. The results from the prototype magnet thus represent a positive step in overcoming the technological problems such a machine presents.

*A mock-up of the Cern LEP (large electron-positron) tunnel with the LHC (large Hadron collider).*



## Venus unveiled

85% of the surface of Venus has now been mapped with a resolution approaching 150m – a higher percentage than Earth, whose southern oceans have not been observed in the same detail. Venus, moreover, is revealing a geological history that is stranger and more mysterious than anything previously seen.

Credit for all this work goes to the space probe, Magellan, which was launched on May 4, 1982 from the shuttle Atlantis. After a few initial nail-biting hitches, it has now produced pictures and data more complete but more puzzling than anything astronomers could have dreamed of.

That spectacular mission is ironic in view of the fact that Magellan is a mission that was cancelled in 1982 and then resurrected in a stripped-down form using second-hand parts. Its Synthetic Aperture Radar (SAR) was inherited from the inter-planetary Voyager project; other flight-qualified parts needed for testing were borrowed from the Smithsonian Institution's national air and

space museum in Washington!

Since August 10, 1990, Magellan has been hanging around in what amounts to an almost Venus-stationary orbit, while the planet revolves slowly beneath it. Mapping takes place for 37 minutes per orbit and can theoretically be completed in one Venus day (243 Earth days).

Magellan uses the same 4m high-gain antenna for radar mapping of the Venusian surface as it does for sending data back to Earth. The data is received at 268.8kbit/s by the Deep Space Tracking Network, which consists of 70m dishes at Goldstone, Madrid and Canberra. Power for the spacecraft – some 1.2kW – comes from two solar panels of around 6m<sup>2</sup> each.

To achieve its 150m resolution at the surface of Venus, the spacecraft makes use of multiple images taken on overlapping passes. These are combined on Earth using computer image-processing to synthesise the effect of an antenna very much bigger than 4m. A third dimension, that of height,

is added from an independent radar altimeter, pointing vertically downward towards the Venusian surface.

Now that Venus is all but mapped, geologists are trying desperately to make sense of the arrays of volcanos and craters that adorn her surface. These features, all in pristine condition, suggest that around 500 million years ago, all geological activity ceased abruptly. There have been no recent volcanic eruptions and no continental drift of the sort seen on Earth and other planets in the solar system.

We may never discover the reasons for Venus' differences from elsewhere in the solar system. Few spacecraft have ever withstood the crushing atmospheric clouds of boiling acid for more than a few moments, to study the surface in detail.

One possible theory for the planet's inhospitable atmosphere is that it represents the consequence of thermal runaway due to the greenhouse effect. Which might make us think still more seriously about the vapours we continue to pump into our own atmosphere.

Tick all the categories below for which you would like to view and compare all the available products and services – IN THE JK, AND IN ONE DAY.

- |   |  |  |  |
|---|--|--|--|
| <input type="checkbox"/> Alarm Systems                | <input type="checkbox"/> Cables – Optical Fibre      | <input type="checkbox"/> Key Systems           | <input type="checkbox"/> Radio Telephones          |
| <input type="checkbox"/> Answering/Recording Machines | <input type="checkbox"/> 'Cars' Communications       | <input type="checkbox"/> Local Area Networks   | <input type="checkbox"/> Security Systems          |
| <input type="checkbox"/> Antennas                     | <input type="checkbox"/> Components – Sub Assemblies | <input type="checkbox"/> Masts & Towers        | <input type="checkbox"/> Switching & Transmission  |
| <input type="checkbox"/> Automatic Test Equipment     | <input type="checkbox"/> Electronic Data Interchange | <input type="checkbox"/> Mobile Data Terminals | <input type="checkbox"/> Teleconferencing          |
| <input type="checkbox"/> Band III Radio Mobiles       | <input type="checkbox"/> Emergency Systems           | <input type="checkbox"/> Mobile Radio          | <input type="checkbox"/> Telex                     |
| <input type="checkbox"/> Cable Distribution Systems   | <input type="checkbox"/> Ethernet                    | <input type="checkbox"/> Network Management    | <input type="checkbox"/> Training Services         |
| <input type="checkbox"/> Call Information & Logging   | <input type="checkbox"/> Facsimile Machines          | <input type="checkbox"/> PABX Switchboards     | <input type="checkbox"/> Value Added Networks      |
|   | <input type="checkbox"/> Fibre Optics                | <input type="checkbox"/> Power Supplies        | <input type="checkbox"/> Voice Recognition Systems |
|   |  | <input type="checkbox"/> Private Mobile Radio  |  |
|   |  | <input type="checkbox"/> Public Address        |  |

Selected from a profile of nearly 200.

Tick all the reasons why COMMUNICATIONS Series events are known as the best in the UK.

- |  |  |
|--|--|
| <input type="checkbox"/> For their appeal as broad-based shows for all types of communications users                   | <input type="checkbox"/> For the continuing active support of leading trade and government bodies, including the DTI, Home Office, TIA, MRUA and TUA                       |
| <input type="checkbox"/> For offering unrivalled hands-on experience of communications products and systems since 1972 | <input type="checkbox"/> For providing all pre-show enquirers with full details of how to plan their visit early, and how to maximise the value of their time in the halls |
| <input type="checkbox"/> For their standing within the industry through the EEA's sponsorship.                         |  |

Tick all the features which would make COMMUNICATIONS 92 the ideal place to assess your future comms and IT requirements.

- |   |  |
|---|--|
| <input type="checkbox"/> An opportunity to meet the major suppliers in a business-like environment              | <input type="checkbox"/> A free, large-format catalogue with comprehensive details of hundreds of exhibits and exhibitors  |
| <input type="checkbox"/> A 'Quality and Information Centre' supported by the TIA                                | <input type="checkbox"/> The chance to fulfil your combined communications and computing needs by visiting the WHICH COMPUTER? SHOW 1992, also at the NEC on the same dates. |
| <input type="checkbox"/> A 'Mobile Area' to focus on this increasingly important range of products and services |  |

**NOW CHECK YOUR SCORE**

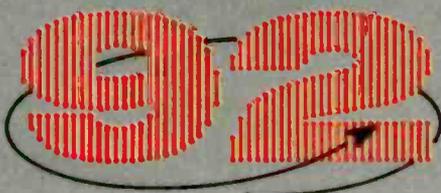
- One to 43** You only need one reason to make a visit to COMMUNICATIONS 92 highly worthwhile. For your free ticket, complete and return the coupon now.
- Less than 1** You never even use a telephone? For the future well-being of your organisation, find out more about COMMUNICATIONS 92. Return the coupon now, or phone the **TICKET HOTLINE** on ☎ 081-984 7733.



Sponsored by



**COMMUNICATIONS**



**THE EXHIBITION**

7-10 APRIL 1992  
 NATIONAL EXHIBITION CENTRE, BIRMINGHAM, ENGLAND  
 Telecommunications, radio, cable, satellite  
 and information technology

To receive the full VISITOR INFORMATION & PRE PLANNER PACK, including complimentary admission ticket to COMMUNICATIONS 92, make sure this box is ticked...or you could be cross you missed it.

Name \_\_\_\_\_

Position \_\_\_\_\_

Company Name \_\_\_\_\_

Address \_\_\_\_\_

Postcode \_\_\_\_\_

- Please send me information on the WHICH COMPUTER? SHOW 1992
- Please also forward me details of the TUA Annual Conference, held in London on 24-25 March 1992.
- Return to:  
 COMMUNICATIONS 92 PO Box 18, Barking IG11 0EA, England. Fax: 081-593 7890.

CIRCLE NO. 107 ON REPLY CARD

## HOT FUSION GETS HOTTER

Prospects for a workable fusion reactor took a significant step forward at the beginning of November following an experiment at Culham in Oxfordshire. Culham is the home of Jet, the Joint European Torus, where fusion research has been conducted ever since 1983 with an international team from the EC, Switzerland and Sweden.

To make hydrogen atoms fuse together in a controlled fashion would mean creating a mini-sun on Earth. However, the enormous pressures and temperatures of the sun are both difficult to create and even more difficult to contain.

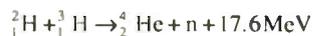
The fusion experiment used at Culham – similar to others in Japan, the USA and the USSR – makes use of a doughnut-shaped container, a torus, in which hydrogen is both heated and contained. Huge heating currents, up to 7million A, and huge magnetic fields take hundreds of Megawatts from inertial generators in the process of converting a few grams of gas into a plasma at over 10<sup>8</sup>°C. If the plasma can be kept in a stable, sufficiently dense state, away from the walls of the torus, a small number of light atoms will fuse to form heavier ones with a release of energy.

Until a few months ago, this type of experiment had only been conducted using deuterium, a form of hydrogen. However, deuterium has a low reaction rate and the fusion process is hard to ignite. This means that the energy produced has been virtually nil.

What the Jet team has now done is to use a reaction mixture containing 10% tritium.



This has a lower ignition temperature and fuses to form helium, neutrons and thermal energy. The reaction is:



Using this mixture of deuterium and tritium, Jet generated over a Megawatt for two seconds. Not huge by any means, but a significant step forward in understanding the behaviour of hydrogen plasmas. Experiments planned for 1996 will use a much more potent 50:50 mixture of the two isotopes.

Jet itself will never generate self-sustaining fusion power because it is too small and was not designed to do so. A practical reactor would require a means of

*The inside of the JET torus in which plasma is heated up to 300million°C and confined with magnetic fields.*

extracting and processing the thermal energy (from the neutrons which carry 80% of the output power) from the reaction.

Europe, Japan, the USSR and the USA have now agreed in principle to develop a \$5 billion successor to their fusion experiments. Known as ITER (international thermonuclear experimental reactor), this machine might possibly generate 1000MW for up to an hour at a time. Even if the technical challenges of ITER can be successfully overcome, most scientists believe that a successful commercial reactor is still at least 40 years away.

## Microwave power monitor

A team from the department of electrical and electronic engineering at the University of Newcastle-upon-Tyne has developed a novel method of detecting microwave power in free space using optical fibres. Unlike all-electronic methods, it is robust and capable of omnidirectional response.

Details of the technique (*Electronics Letters Vol 27 No 22*) indicate that suitably prepared fibres can detect power densities as low as 2mWcm<sup>-2</sup>, well below the permitted maximum for human exposure.

LJ Auchterlonic *et al* experimented initially with a continuous length of fibre configured as a planar grid structure within a 16 x 16cm window cut in a perspex

frame. This length of fibre formed one arm of a Mach-Zehnder interferometer designed to detect phase changes in the light from an He-Ne laser operating at 632.8nm.

Tests were conducted in an anechoic chamber using a 2.45GHz microwave source with the fibre grid orientated normally to the direction of propagation and with the fibres parallel to the electric field. Three different tests were undertaken: one with the fibre uncoated, one with the fibre coated with silver paint and the third with the fibre coated with a proprietary carbon-based microwave absorber.

Effects on the optical phase changes in the fibre – presumed to be thermal in origin – were shown to be significantly greater in

the silver painted fibre than in either of the other two experiments.

The Newcastle group went on to construct an isotopic detector consisting of three separate planar fibre grids, carefully coated to match each other within 2%. The unit, which consisted of 50-fibre windows measuring 50 x 100mm, was shown on test to have a uniform angular response with ±5%.

Given its ruggedness against burn-out, its useful sensitivity and its good polar response, the team expects this optical fibre microwave detector to form the basis of a robust protective monitor.

*Research Notes is written by John Wilson*

## B. BAMBER ELECTRONICS Manufacturers Surplus Stocks

Digital Computer Terminal, Type VT101 with Keyboard, Manuals, etc	£100
H.P. Instrumentation Recorder, Type 3960, 4 Channel	£350
H.P. Correlator, Type 3721A	£120
Philips Oscilloscope, Type PM3232, 0-10MHz	£150
Telequipment Oscilloscope, Type D61, 0-10MHz	£95
Marconi Signal Source, Type 6070A, 400-1200MHz	£300
Marconi RF Power Meter, Type 6460 with Power Head Type 6422	£400
Polarad Microwave Signal Generator, Model MSG-2A, 2000MHz-4600MHz	£75
Rohde & Schwarz Test Receiver, Type USVB-BN15241, 0.17-4.4GHz	£200
Rohde & Schwarz Decade Signal Generator, Type SMDH-BN41103, 0-50MHz	£200
Pye Mobile Radio, Type M293AM, Low Band/High Band, Complete & in Good Condition	£70
Pye Mobile Radio, Type M296, UHF, 'U' Band, Complete & Good Con.	£70

ALL PRICES EXCLUDE VAT & P.P.

CALLERS WELCOME BY APPOINTMENT ONLY, MON-FRI 9am-5pm

5 STATION ROAD, LITTLEPORT, CAMBS CB6 1QE

PHONE: ELY (0353) 860185

CIRCLE NO. 108 ON REPLY CARD

# EYS

**TOTAL ENVIRONMENT ASSEMBLERS  
AND EMULATORS TO SUIT ALL ROM'S  
AND MICROPROCESSORS**

- **Assemblers available for over 100 microprocessors**
- **Integral Editor, Linker and intelligent MAKE facility**
- **On-screen monitor, trace and source level debugging**
- **ROM Emulator up to 128 Kbytes or 1024 Kbytes as standard**
- **Add on Comms board**
- **Fully portable battery backed units**
- **Operating speed better than 100 ns**

SEND FOR  
FREE SOFTWARE  
EVALUATION  
PACK

21st Century Electronics  
56b Milton Park, Abingdon  
Oxon OX14 4RX  
Telephone: 0235 832939  
Fax: 0235 861039

ADVANCED ROM INTERFACE AND EMULATION SYSTEM  
**128 & 1024**

CIRCLE NO. 109 ON REPLY CARD

## HALF PRICE MEMORIES . . . GUARANTEED

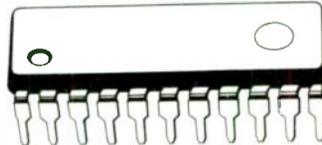
. . . Recycled, quality i.c.'s for next day delivery

WHY PAY MORE?

### ALL DEVICES SUPPLIED ARE

- ★ Ultrasonically cleaned
- ★ UV erased and tested
- ★ Handled in accordance with BS5783
- ★ Packed in antistatic tubes or boxes
- ★ Original OEM brands

We are major suppliers to colleges, Universities, R&D Departments and OEMs who recognise our commitment to quality. Export orders welcome.  
UK Orders please add £2 Carriage and VAT to total.



**Abacadabra** – for an environmentally friendly service!

### EXTENSIVE STOCKS

<b>*DRAMS</b>	1-25	25+	100+
41256-10	£0.95	0.80	0.70
4164-15	£0.55	0.45	0.35
<b>*SRAMS</b>			
62256LP-10	£1.90	1.70	1.50
6264LP-15	£0.79	0.69	0.59
6116LP-15	£0.55	0.45	0.39
<b>*EPROMS</b>			
27C1000-15	£3.50	3.10	2.90
27C512-15	£2.20	1.99	1.80
27C256-25	£1.20	1.10	1.00
27128-25	£1.00	0.90	0.80
2764-25	£0.90	0.80	0.70
2732-25	£0.80	0.70	0.60
2532-5v	£2.50	2.40	2.30
2716-45	£0.80	0.70	0.60

### 3 WAYS TO ORDER

- 1** By 'phone 0480 891119 (8am-7pm Mon-Fri)  
All major Credit Cards accepted
- 2** By Post – send cheque or Banker's Draft to:  
Abacadabra Electronics Ltd, 25 High Street, Ellington,  
HUNTINGDON, Cambs. PE18 0AB
- 3** By Fax: Official orders to 0480 890980 (24-Hour Service)



Many other items in stock, for FREE List use reader enquiry service or 'phone now.

CIRCLE NO. 110 ON REPLY CARD

Frustrated by problems with the 8038's sine purity David Bridgen builds an audio frequency sweep generator using the XR-2206.

# SWEEP GENERATOR

pure and simple

It was the 8038's inability to maintain sine purity over a 1000:1 sweep<sup>1</sup>, and encouraging results of tests with an XR-2206 that provided the driving forces behind this development of an audio frequency sweep generator.

Oscillation frequency of the XR-2206 is determined by the capacitor between pins five and six and the resistor, either on pin seven (if pin nine is high), or on pin eight (with pin nine low). Specifically it depends, linearly, on current drawn from pin seven.

Since pin seven is a low impedance point and internally biased at 3V with respect to pin 12, and as the maximum safe current which may be drawn is 3mA, the obvious action is to apply a voltage - ramping from nominally 3-0V - to the other end of a 1k resistor connected to pin seven.

### Obtaining a linear ramp?

Whatever means is used to generate the ramp, a glance at the oscilloscope can easily suggest that it is linear. But at lower sweep rates this assumption can be far from true, especially if tantalum capacitors are used; just measure the

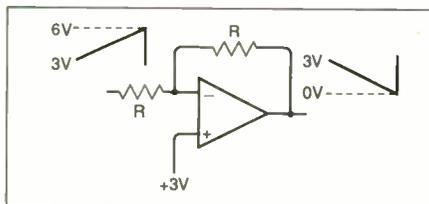


Fig. 2. Shifting the ramp level.

time to full amplitude and compare that with the time to half amplitude.

The problem lies in relatively high leakage. As voltage increases, leakage current follows suit and can approach, or even equal, the charging current - encapsulated metallised polyester film types are far superior in this respect.

Perhaps the easiest solution which comes to mind when a voltage ramp is required is to use the 555 timer with a constant current source in place of the normal timing. Given a 15V supply, the ramp from a 555 is 5-10V. This could be scaled and inverted (Fig. 1), the LF end of the sweep being adjusted with the 1k pre-set and the HF end with the 2k2.

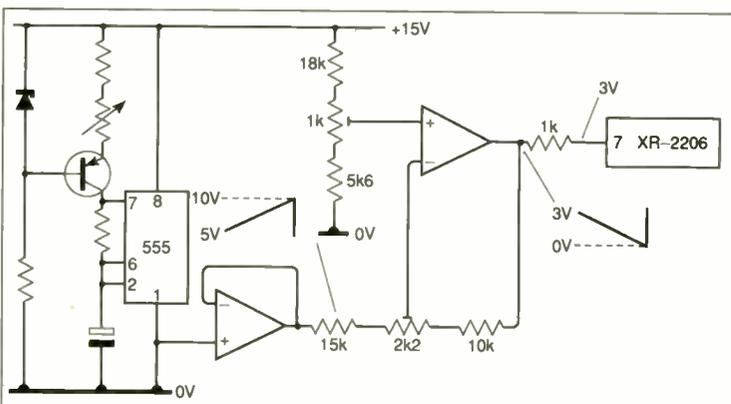


Fig. 1. Using the 555 timer with a constant current source in place of the normal timing to obtain a voltage ramp, scaled and inverted.

We want to supply only a 3V ramp, so we could run the timer from a 9V rail; the ramp would go from 3V to 6V. Its level could be shifted (Fig. 2), or, sticking to 15V supplies, we could use something like Fig. 3 where pin five is maintained at 3V and pin one at -3V with a resultant ramp of 0-3V. Better still would be to generate a -3 to 0V ramp and invert it (Fig. 4). All the approaches could be made to work but they each require that sweep limits be defined by pre-sets, and

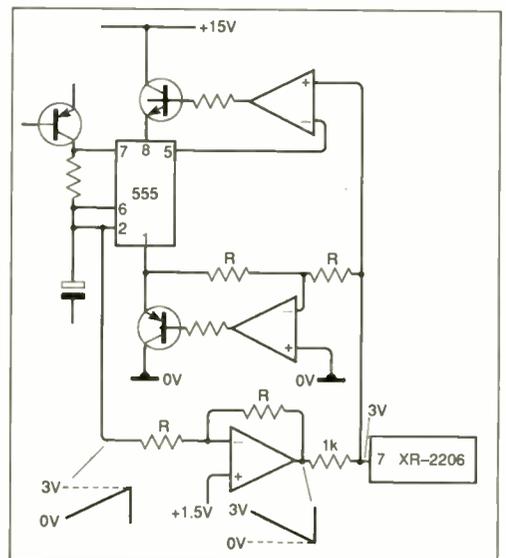


Fig. 3. Maintaining pin five at 3V and pin one at -3V to obtain a ramp of 0-3V.

none lends itself to easy changes in sweep ratio.

As design objectives included the avoidance of awkward level shifts and adjustments which inevitably interact, and the start





were to hand, and work satisfactorily. There must be many more which are equally suitable. Any off-set which would otherwise appear is compared with 0V in the integrator which drives pin three in the correct sense to null the output to zero.

Sine purity is adjusted by first setting the variable on pins 15 and 16 to its mid point, adjusting the variable on pins 13 and 14 for minimum distortion and finally trimming on pins 15 and 16.

Pin 11 is an open collector output from which a square wave may be obtained.

Frequency calibration is simple. With the START and STOP controls at their minimum and maximum positions respectively,  $S_2$  is set to read the stop frequency. With  $S_2$  then set to read the start frequency, the  $10k\Omega$  variable at  $IC_6$  output is adjusted to give the stop frequency divided by 1000.

Since the variable on pin seven serves to shift the whole frequency range up or down it is then used to set the start frequency to 20Hz. If range switching of the start frequency is incorporated, then the  $100R$  variable too would need to be set for 20Hz.

Other frequency sweep ranges may be added simply by switching in different values of C on pins five and six and a separate set of identical valued R on pin seven for each range required. A logarithmic sweep<sup>1</sup> was not a design requirement but it should be relatively easy to incorporate such a facility, switching it in after  $IC_6$ . A useful addition would be a peak hold circuit. That proposed by Wannamaker has a dynamic range of 40dB<sup>5</sup>.

### Alternative ramp generation

Finally, some thoughts on applying similar dimensioning techniques to a rather different

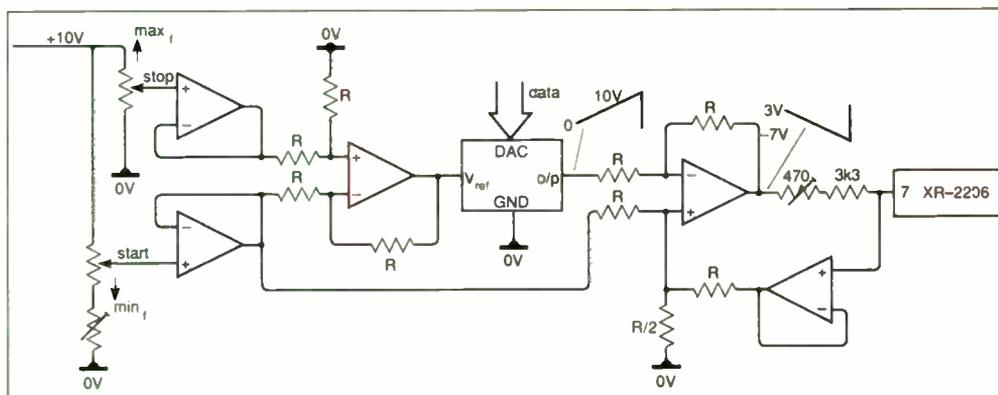


Fig. 11. Alternative method of ramp generation.

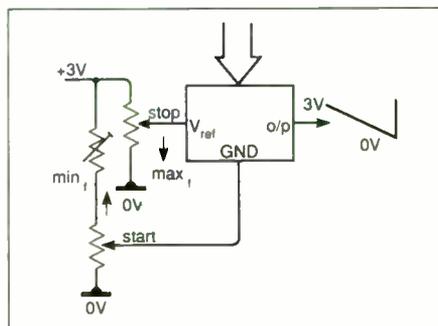


Fig. 12. Simplified circuit for alternative ramp generation given a D-to-A with a separate analogue ground pin.

method of ramp generation, suggested by Wannamaker, may be of interest. His method uses a 555 to clock a 12-bit counter whose outputs feed a D-to-A converter. The D-to-A converter output is the ramp which is scaled in subsequent stages, whose adjustments interact. Something on the lines of Fig. 11 would be easier.

Start voltage is subtracted from the stop

voltage and applied as  $V_{ref}$  to the D-to-A which produces a ramp whose absolute amplitude is the difference between them. The start voltage is then added, as is the voltage at pin seven, and inverted before being applied to the timing resistor. Given a D-to-A with a separate analogue ground pin it should be possible to simplify even further on the style of Fig. 12. ■

### References

1. AC Ainslie, *Wireless World*, September 1979, pp. 42-47.
2. DM Bridgen, *EW + WW*, March 1991, p. 240.
3. XR2206 Data Sheet, Exar Integrated Systems Inc, May 1977.
4. Exar Application note.
5. J Wannamaker, *Radio Electronics*, Feb 1991, pp. 43-49+70, Mar 1991, pp. 55-62.

## BOOK REVIEW

**Dished! The Rise and Fall of British Satellite Broadcasting: Who killed BSB?** Or, more accurately, what? Britain's "official" satellite TV station transmitted for little over six months, before being consigned by its shareholders to a "merger" in which it was all but obliterated by its supposedly-equal partner and former rival, Sky.

Dished! The Rise and Fall of British Satellite Broadcasting, chronicles the extraordinary events in which a massive capital project (second only in size to the Channel Tunnel), funded by some of Britain's bluest of blue-chip companies - Granada, Reed, Pearson - went horribly wrong.

Technology emerges at an early stage as the most likely culprit. Not so much the D-mac transmission system, required by the IBA, as the interface, which had to be designed to go between the D-mac chip in the receivers and the scrambling system. (Eurocypher, developed in America by General Instruments, in a bizarre sideline, was ruled "too secure" by Britain's GCHQ which claimed the right to hack it, but found it couldn't).

It was the endless "iterations" (ITT-speak for the process of development, and a word which BSB chief executive Anthony Simonds-Gooding was to say was written across his back) of the interface chip 2285 which forced the postponement of BSB's launch. Originally scheduled for September 1989, it had already been upstaged by Rupert Murdoch's launch of Sky in February. The move had been fairly disastrous, with low receiver availability and little consumer interest.

Had BSB been able to start on time, the situation might have been retrievable. As it was, it lost the first peak selling season.

But at least when it did start in April, it reasoned the four specially-chosen manufacturers would have plenty of sets ready in the shops. They didn't. Wary of BSB's financial situation, they had held fire, and then had been plagued by chip failures. It was the Sky launch all over again, only worse, because BSB had been hyping itself for so long.

The famous squarial, incidentally, was a red herring. Although only a wooden dummy

at its own launch, it could have been replaced at any stage, and eventually was - by an ordinary dish.

Surrounding all this was a management team whose conspicuous profligacy - both in programme deals, status and enhancing accoutrements (such as Marco Polo House itself) - was outshone only by a total ignorance of the technology it was dealing with. There is a school of thought which holds that BSB was just coming good in the autumn of 1990 when the shareholders threw in the towel and saw the chance of a merger with the cash-strapped Sky. Perhaps.

Dished! is long on detail, on this and most other matters - the history is inevitably in part one of Sky's development as well - but is short on analysis, and avoids drawing conclusions. The facts are there, conveyed with restrained humour, but this is a do-it-yourself whodunnit.

*Dished! The Rise and Fall of British Satellite Broadcasting* by Peter Chippindale and Suzanne Franks, pub Simon & Schuster, £16.99.



**AMSTRAD PORTABLE PC'S FROM £149 (PPC1512SD), £179 (PPC1512DD), £179 (PPC1640SD), £209 (PPC1640DD), MODEMS £30 EXTRA. NO MANUALS OR PSU.**

**HIGH POWER CAR SPEAKERS.** Stereo pair output 100w each, 4ohm impedance and consisting of 6 1/2" woofer 2" mid range and 1" tweeter. Ideal to work with the amplifier described above. Price per pair £30.00 Order ref 30P77R.

**2KV 500 WATT TRANSFORMERS** Suitable for high voltage experiments or as a spare for a microwave oven etc. 250v AC Input. £10.00 ref 10P93R

**MICROWAVE CONTROL PANEL.** Mains operated, with touch switches. Complete with 4 digit display, digital clock, and 2 relay outputs one for power and one for pulsed power (programmable). Ideal for all sorts of precision timer applications etc. £6.00 ref 6P18R

**FIBRE OPTIC CABLE.** Stranded optical fibres sheathed in black PVC. Five metre length £7.00 ref 7P29R

**12V SOLAR CELL.** 200mA output ideal for trickle charging etc. 300 mm square. Our price £15.00 ref 15P42R

**PASSIVE INFRA-RED MOTION SENSOR.** Complete with daylight sensor, adjustable lights on timer (8 secs -15 mins), 50' range with a 90 deg coverage. Manual override facility. Complete with wall brackets, bulb holders etc. Brand new and guaranteed £25.00 ref 25P24R. Pack of two PAR38 bulbs for above unit £12.00 ref 12P43R

**VIDEO SENDER UNIT** Transmits both audio and video signals from either a video camera, video recorder or computer to any standard TV set within a 100' range (tune TV to a spare channel). 12v DC op. £15.00 ref 15P39R Suitable mains adaptor £5.00 ref 5P191R

**FM TRANSMITTER** housed in a standard working 13A adapter (bug is mains driven) £26.00 ref 26P2R

**MINIATURE RADIO TRANSCEIVERS** A pair of walkie talkies with a range of up to 2 kilometres. Units measure 22x52x155mm. Complete with cases. £30.00 ref 30P12R

**FM CORDLESS MICROPHONE.** Small hand held unit with a 500' range! 2 transmit power levels reqs PP3 battery. Tuneable to any FM receiver. Our price £15 ref 15P42AR

**12 BAND COMMUNICATIONS RECEIVER.** 9 short bands, FM, AM and LW DX local switch, tuning 'eyes' mains or battery. Complete with shoulder strap and mains lead. **NOW ONLY £19.00!! REF 19P14R.**

**WHISPER 2000 LISTENING AID.** Enables you to hear sounds that would otherwise be inaudible. Complete with headphones. Cased. £5.00 ref 5P179R

**CAR STEREO AND FM RADIO.** Low cost stereo system giving 5 watts per channel. Signal to noise ratio better than 45db, wow and flutter less than .35%. Neg earth. £25.00 ref 25P21R.

**LOW COST WALKIE TALKIES.** Pair of battery operated units with a range of about 200'. Our price £8.00 a pair ref 8P50R

**7 CHANNEL GRAPHIC EQUALIZER.** plus a 60 watt power amp! 20-21KHZ 4-8R 12-14v DC negative earth. Cased. £25 ref 25P14R

**NICAD BATTERIES.** Brand new top quality. 4 x AA's £4.00 ref 4P44R. 2 x C's £4.00 ref 4P73R, 4 x D's £9.00 ref 9P12R, 1 x PP3 £6.00 ref 6P35R

**TOWERS INTERNATIONAL TRANSISTOR SELECTOR GUIDE.** The ultimate equivalents book. Latest edition £20.00 ref 20P32R

**CABLE TIES.** 142mm x 3.2mm white nylon pack of 100 £3.00 ref 3P104R. Bumper pack of 1,000 ties £14.00 ref 14P6R

**1992 CATALOGUE AVAILABLE NOW**  
**IF YOU DO NOT HAVE A COPY PLEASE REQUEST ONE**  
**WHEN ORDERING OR SEND US A 6"x9" SAE FOR A FREE COPY.**

**GEIGER COUNTER KIT.** Complete with tube, PCB and all components to build a battery operated geiger counter. £39.00 ref 39P1R

**FM BUG KIT.** New design with PCB embedded coil. Transmits to any FM radio. 9v battery req'd. £5.00 ref 5P158R

**FM BUG Built and tested superior 9v operation.** £14.00 ref 14P3R

**COMPOSITE VIDEO KITS.** These convert composite video into separate H sync, V sync and video. 12v DC. £8.00 ref 8P39R

**SINCLAIR C5 MOTORS** 12v 29A (full load) 3300 rpm 6"x4" 1/4" O/P shaft. New. £20.00 ref 20P22R

As above but with fitted 4 to 1 inline reduction box (800rpm) and toothed nylon belt drive cog £40.00 ref 40P8R

**SINCLAIR C5 WHEELS** 13" or 16" dia including treaded tyre and inner tube. Wheels are black, spoked one piece poly carbonate. 13" wheel £6.00 ref 6P20R. 16" wheel £6.00 ref 6P21R

**ELECTRONIC SPEED CONTROL KIT** For c5 motor. PCB and all components to build a speed controller (0-95% of speed). Uses pulse width modulation. £17.00 ref 17P3R

**SOLAR POWERED NICAD CHARGER.** Charges 4 AA nicads in 8 hours. Brand new and cased £6.00 ref 6P3R

**12 VOLT BRUSHLESS FAN.** 1/2" square brand new ideal for boat, car, caravan etc. £5.00 ref 5P206

**ACORN DATA RECORDER ALF503** Made for BBC computer but suitable for others. Includes mains adaptor, leads and book. £15.00 ref 15P43R

**VIDEO TAPES.** Three hour superior quality tapes made under licence from the famous JVC company. Pack of 10 tapes £20.00 ref 20P20R

**PHILIPS LASER. 2MW HELIUM NEON LASER TUBE.** BRAND NEW FULL SPEC £40.00 REF 40P10R. MAINS POWER SUPPLY KIT £20.00 REF 20P33R. READY BUILT AND TESTED LASER IN ONE CASE £75.00 REF 75P4R.

**6V 10AH LEAD ACID** sealed battery by yuasha ex equipment but in excellent condition now only 2 for £10.00 ref 10P95R

**12 TO 220V INVERTER KIT** As supplied it will handle up to about 15 w at 220v but with a larger transformer it will handle 80 watts. Basic kit £12.00 ref 12P17R. Larger transformer £12.00 ref 12P41R

**VERO EASI WIRE PROTOTYPING SYSTEM** Ideal for designing projects on etc. Complete with tools, wire and reusable board. Our price £6.00 ref 6P33R

**MICROWAVE TURNABLE MOTORS.** Ideal for window displays etc. £5.00 ref 5P165R

**STC SWITCHED MODE POWER SUPPLY** 220v or 110v input giving 5v at 2A, +24v at 0.25A, +12v at 0.15A and +9v at 0.4A £6.00 ref 6P59R

**HIGH RESOLUTION 12" AMBER MONITOR** 2v 1.5A Hercules compatible (TTL input) new and cased £22.00 ref 22P2R

**VGA PAPER WHITE MONO monitors** new and cased 240v AC. £59.00 ref 59P4R

**25 WATT STEREO AMPLIFIER** c. STK043. With the addition of a handful of components you can build a 25 watt amplifier. £4.00 ref 4P69R (Circuit dia included).

**LINEAR POWER SUPPLY** Brand new 220v input +5 at 3A, +12 at 1A, -12 at 1A. Short circuit protected. £12.00 ref 12P21R

**MINI RADIO MODULE** Only 2" square with ferrite aerial and tuner. Superhet. Req's PP3 battery. £1.00 ref BD716R.

**BARGAIN NICADS AAA SIZE 200MAH 1.2V PACK OF 10** £4.00 REF 4P92R, **PACK OF 100 £30.00 REF 30P16R**

**FRESNEL MAGNIFYING LENS** 83 x 52mm £1.00 ref BD827R

**ALARM TRANSMITTERS.** No data available but nicely made complex transmitters 9v operation. £4.00 each ref 4P81R

**UNIVERSAL BATTERY CHARGER.** Takes AA's, C's, D's and PP3 nicads. Holds up to 5 batteries at once. New and cased, mains operated. £6.00 ref 6P36R

**COLOUR MONITORS**

**AMSTRAD CTM644**

**RGB INPUT**

**£75.00 REF A75P1**

**RESISTOR PACK.** 10 x 50 values (500 resistors) all 1/4 watt 2% metal film. £5.00 ref 5P170R

**CAPACITOR PACK 1.** 100 assorted non electrolytic capacitors £2.00 ref 2P286R

**CAPACITOR PACK 2.** 40 assorted electrolytic capacitors £2.00 ref 2P287R

**QUICK CUPPA?** 12v immersion heater with lead and cigar lighter plug £3.00 ref 3P92R

**LED PACK.** .50 red leds, 50 green leds and 50 yellow leds all 5mm £8.00 ref 8P52R

**FERRARI TESTAROSSA.** A true 2 channel radio controlled car with forward, reverse, 2 gears plus turbo. Working headlights. £22.00 ref 22P6R

**MIRACOM WS4000 MODEMS**

**V21/23**

**AT COMAND SET**

**AUTODIAL/AUTOANSWER**

**FULL SOFTWARE CONTROL**

**STONE AND PULSE DIALLING**

**£29**

**PIR LIGHT SWITCH** Replaces a standard light switch in seconds light operates when anybody comes within detection range (4m) and stays on for an adjustable time (15 secs to 15 mins). Complete with daylight sensor. Unit also functions as a dimmer switch! 200 watt max. Not suitable for fluorescents. £14.00 ref 14P10R

**CUSTOMER RETURNED** 2 channel full function radio controlled cars only £8.00 ref 8P200R

**WINDUP SOLAR POWERED RADIO!** FM/AM radio takes rechargeable batteries complete with hand charger and solar panel 14P200R

**240 WATT RMS AMP KIT** Stereo 30-0-30 psu required £40.00 ref 40P200R

**300 WATT RMS MONO AMP KIT** £55.00 Psu required ref 55P200

**ALARM PIR SENSORS** Standard 12v alarm type sensor will interface to most alarm panels. £16.00 ref 16P200

**ALARM PANELS** 2 zone cased keypad entry, entry exit time delay etc. £18.00 ref 18P200

**MODEMS FOR THREE POUNDS!!** Fully cased UK modems designed for dial up system (PSTN) no data or info but only £3.00 ref 3P145R

**TELEPHONE HANDSETS** Bargain pack of 10 brand new handsets with mic and speaker only £3.00 ref 3P146R

**BARGAIN STRIPPERS** Computer keyboards. Loads of switches and components excellent value at £1.00 ref CD40R

**PC POWER SUPPLIES** These units are new but need attention complete with case, fan IEC

**BULL ELECTRICAL**

**250 PORTLAND ROAD HOVE SUSSEX**

**BN3 5QT TELEPHONE 0273 203500**

**MAIL ORDER TERMS: CASH PO OR CHEQUE**

**WITH ORDER PLUS £3.00 POST PLUS VAT.**

**PLEASE ALLOW 7 - 10 DAYS FOR DELIVERY**

**NEXT DAY DELIVERY £8.00**

**FAX 0273 23077**



Input plug disc drive and mother board fly leads. Our price is £5.00 (less than the fan alone would cost!) ref 5P208R

**HIGH VOLTAGE CAPACITORS**

A pack of 20 500PF 10KV capacitors ideal for ionizers TV repairs and high voltage experiments etc. Price is £2.00 ref 2P378R

**DATA RECORDERS**

Customer returned mains battery units built in mc die for Computer or general purpose audio use. Price is £4.00 ref 4P100R

**SPECTRUM JOYSTICK INTERFACE**

Plugs into 48K Spectrum to provide a standard Atan type joystick port. Our price £4.00 ref 4P101R

**ATARI JOYSTICKS**

Ok for use with the above interface, our price £4.00 ref 4P102R

**BENCH POWER SUPPLIES**

Superbly made fully cased (metal) giving 12v at 2A plus a 6V supply. Fused and short circuit protected. For sale at less than the cost of the case! Our price is £4.00 ref 4P103R

**SPEAKER WIRE**

Brown twin core insulated cable 100 feet for £2.00 REF 2P79R

**MAINS FANS**

Brand new 5" x 3" complete with mounting plate quite powerful and quiet. Our price £1.00 ref CD41R

**DISC DRIVES**

Customer returned units mixed capacities (up to 1.44M) We have not sorted these so you just get the next one on the shelf. Price is only £7.00 ref 7P1R (worth it even as a stripper)

**HEX KEYBOARDS**

Brand new units approx 5" x 3" only £1.00 each ref CD42R

**PROJECT BOX**

5 1/2" x 3 1/2" x 1" black ABS with screw on lid. £1.00 ref CD43R

**SCART TO SCART LEADS**

Bargain price leads at 2 for £3.00 ref 3P147R

**SCART TO D TYPE LEADS**

Standard Scart on one end, Hi density D type on the other. Pack of ten leads only £7.00 ref 7P2R

**OZONE FRIENDLY LATEX**

250ml bottle of liquid rubber sets in 2 hours. Ideal for mounting PCB's fixing wires etc. £2.00 each ref 2P379R

**QUICK SHOTS**

Standard Atan compatible hand controller (same as joysticks) our price is 2 for £2.00 ref 2P380R

**VIEWDATA SYSTEMS**

Brand new units made by TANDATA complete with 1200/75 built in modem infra red remote controlled qwerty keyboard BT approved Prestel compatible, Centronics printer port RGB colour and composite output (works with ordinary television) complete with power supply and fully cased. Our price is only £20.00 ref 20P1R

**3 INCH DISCS**

Ideal for Amstrad PCW and Spectrum +3 machines pack of 10 discs is £12.00 ref 12P1R

**AC STEPDOWN CONVERTOR**

Cased units that convert 240v to 110v 3" x 2" with mains input lead and 2 pin American output socket (suitable for resistive loads only) our price £2.00 ref 2P381R

**SPECTRUM +3 LIGHT GUN PACK**

complete with software and instructions £8.00 ref 8P58R

**CURLY CABLE**

Extends from 8" to 6 feet! D connector on one end, spade connectors on the other ideal for joysticks etc (6 core) £1.00 each ref CD44R

**COMPUTER JOYSTICK BARGAIN**

Pack of 2 joysticks only £2.00 ref 2P382R

**MINI MONO AMPLIFIER PACK**

4 amplifiers for £2.00! 3 watt units 9-12v operation ideal for experiments etc £2.00 ref 2P383R

**BUGGING TAPE RECORDER**

Small hand held cassette recorders that only operate when there is sound then turn off 6 seconds after so you could leave it in a room all day and just record anything that was said. Price is £20.00 ref 20P3R

**IEC MAINS LEADS**

Complete with 13A plug our price is only £3.00 for TWO! ref 3P148R

**COMPUTER SOFTWARE BARGAIN**

10 cassettes with games for commodore 64, Spectrum etc. Our bargain price one pound! ref CD44R

**NEW SOLAR ENERGY KIT**

Contains 8 solar cells, motor, tools, fan etc plus educational booklet. Ideal for the budding enthusiast! Price is £12.00 ref 12P2R

**FUSE PACK NO 1**

Fifty fuses 1 1/4" long (glass) quick blow 10 popular values £2.00 ref 2P384R

**FUSE PACK NO 2**

Fifty fuses 20mm long (glass) quick blow 10 popular values £2.00 ref 2P385R

**POTENTIOMETER PACK NO 1**

30 pots for £3.00! ideal for projects etc. Ref CD45R

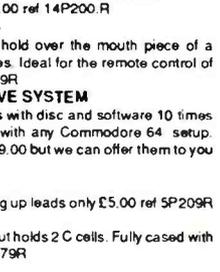
**286 AT PC**

286 MOTHER BOARD WITH 640K RAM FULL SIZE METAL CASE, TECHNICAL MANUAL, KEYBOARD AND POWER SUPPLY £139 REF 139P1 (no i/o cards or drives included)

**35MM CAMERAS** Customer returned units with built in flash and 28mm lens 2 for £8.00 ref 8P200

**STEAM ENGINE** Standard Mamod 1332 engine complete with boiler piston etc £30 ref 30P200

**TALKING CLOCK**  
LCD display, alarm, battery operated. Clock will announce the time at the push of a button and when the alarm is due. The alarm is switchable... from voice to a cock crowing! £14.00 ref 14P200R



SOME OF OUR PRODUCTS MAY BE UNLICENSABLE IN THE UK

CIRCLE NO. 111 ON REPLY CARD

# Opto-bias basis for better power amps

Operation in class AB retains advantages of both class A and class B systems. Techniques such as negative feedback are often used to attain linear operation, as assessed by harmonic distortion measurements. But for controlling DC biasing current  $I_q$ , near enough is usually felt to be good enough. Device tolerances mean it will probably have to be set up for each individual amplifier. Unfortunately inclusion of adjust-on-test components increases production costs as well as being a potential source of error.  $I_q$  also varies as devices heat up, so some "thermal compensation" is normally found in class AB circuits, using a sensing device operating at the same internal temperature as other transistors in the circuit. Typically changes in a forward junction voltage drop are used to reduce the variation in  $I_q$ , as in the well known  $V_{be}$  multiplier circuit. But owing to physical separation of the devices, thermal time constants etc there is no way that this process can be accurate.

Compared to class A, class AB designs do not require large heat sinks as  $I_q$  contributes little to the overall power dissipated in the devices. Obviously it is uneconomic to use larger heat sinks than necessary. But if  $I_q$  increases and its contribution becomes significant, the system may become thermally unstable and destroyed – not an unknown occurrence in my experience.

The need to keep  $I_q$  within bounds places restrictions on output stages. As each half of the circuit operates in a non-linear manner, local negative feedback cannot be applied.

In general, having a high gain in each half of the circuit – which could usefully be employed to improve signal performance – also indicates a sensitivity to temperature effects and a poor bias stability.

$I_q$  will also vary as the supply rail voltages alter with signal level, variations that can be rapid and introduce distortion products into the amplifier<sup>1</sup> so must be considered in the amplifier design process.

Long term stabilisation of  $I_q$  is unlikely to play a significant part in improving a design that suffers power supply related distortions.

*Ivor Brown describes how the opto-bias system can set DC biasing current to a predetermined level in the class AB stage of the amplifier*

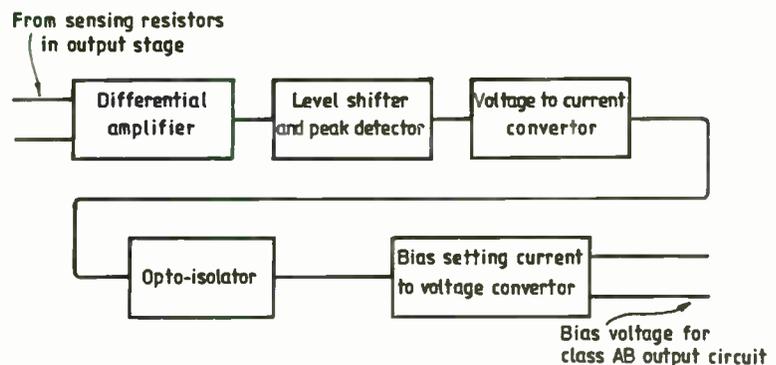
## Opto-bias capabilities

In the opto-bias system, Fig.1, a wide band differential amplifier is followed by a fast peak detector enabling  $I_q$  to be sensed independently of the signal. Current through the led in an opto-isolator is controlled by the resulting DC level and the photo-transistor current controls the bias of the class AB stage in the amplifier, setting  $I_q$  to a predetermined level.

The essential component is the isolator, providing a coupling into the amplifier down to zero frequency, without affecting voltage level at the coupling-in point. Some component values are specific to the amplifier being controlled, so a universal design is not possible. But given that the circuit is correctly designed for a given amplifier, there is no need for adjust-on-test components.

Immediately after switching on, the amplifier must have a low or zero  $I_q$ . After a suitable delay, allowing conditions in the amplifier to settle, the control circuit then increases  $I_q$  to the operating value. The circuit must not be affected by the audio signal

**Fig. 1. In the opto-bias system a wide band differential amplifier is followed by a fast peak detector enabling  $I_q$  to be sensed independently of the signal. Current through the led in an opto-isolator is controlled by the resulting DC level and the photo-transistor current controls the bias.**



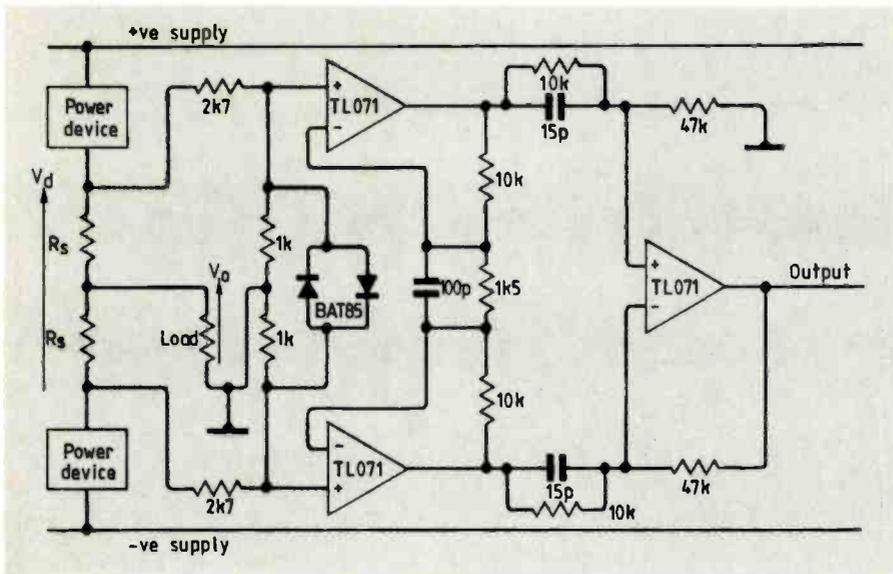


Fig. 2. The differential circuits fed from a typical amplifier output arrangement with resistors ( $R_s$ ) in series with each power device.

so it must incorporate a long time-constant and operate slowly. Systems reducing  $I_q$  to its working value from some higher value are most unlikely to be successful.

**Differential amplifier and attenuators**

All the operational amplifier integrated circuits used in the system operate from stabilised  $\pm 15V$  rails, limiting the peak signal that can be handled to about 13V.

Figure 2 shows the differential circuits fed from a typical amplifier output arrangement with resistors ( $R_s$ ) – small compared to the load – in series with each power device.

With no audio signal present the voltage across the two resistors ( $V_d$ ) is a DC level. When the output voltage ( $V_o$ ) is sinusoidal,  $V_d$  approximates to a full wave rectified sinusoid. But the troughs will not fall to zero, or be sharply pointed due to  $I_q$  flowing in the resistors at the zero crossings of the signal. If  $I_q$  remains the same, the troughs will be at the “no signal” DC level.

Common mode signal is virtually the same as amplifier output, so attenuation will be necessary between the power amplifier and the current sensing circuit – the amount depending on the amplifier’s maximum power output. (Gain equations for the basic amplifier circuit are derived in the appendix.)

The  $V_d$  waveform contains components well above the audio frequency range so wide bandwidth and high slew-rate are required. Low offsets and low noise are necessary because the system is DC coupled with a small differential input. But output of around a volt is required as the following circuit incorporates a fast op-amp – not a low noise and lowoffset device. The conflict makes compromise necessary.

With high frequency-boosting capacitors added to the basic circuit the components shown are satisfactory up to 100W in 8 $\Omega$ , with an  $R_s$  of 0.47 $\Omega$ . Assuming  $I_q$  remains the

same, increasing the power above this figure may require faster devices as the troughs of the  $V_d$  waveform will be sharper.

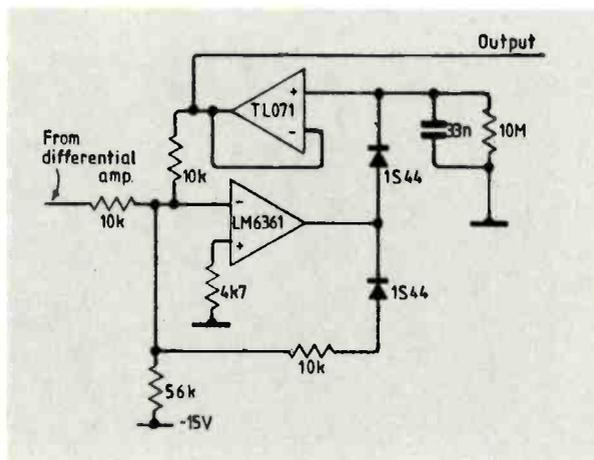
The wanted signal is much smaller than the unwanted common mode one, so a good common mode rejection is essential. To preserve the balance of the circuit, accurate components must be used and inexpensive 1% metal film resistors are now widely available. The resistive attenuators avoid overload by the common-mode-signal of the two input TL071s; the Schottky diodes between the attenuators avoid  $V_d$  saturating the third one for outputs approaching the maximum.

Differential gain of the system shown is 16.9. Neglecting offsets, a quiescent current of 50mA gives a trough and “no signal” output level of 796mV.

**Level shifting peak detector**

The detector is an inverting circuit built

Fig. 3. The detector is an inverting circuit built round an LM6361 fast op-amp.



round an LM6361 fast op-amp (Fig. 3). To appreciate its operation, suppose that it were simply connected as a unity gain inverting stage with a single 10K feedback resistor. It has two input currents, one the output of the differential stages and the other DC from the negative supply rail. The former by itself would give an output always below ground with the  $I_q$  sensing troughs appearing as the positive limit of the waveform. But the DC input raises the level of this waveform so that these peaks are above ground.

In the actual circuit, when the output is positive, feedback is via the upper diode, the TL071 buffer stage, and 10K resistor. The lower diode and 10K resistor ensure that the output cannot be driven into negative saturation. The circuit must respond to peaks of short duration, so the charge storage capacitor must be small; but these peaks may occur infrequently, so a long storage time constant is required.

The time constant plays a part in determining stability of the loop and it must be defined – values shown are suitable compromises. Output is taken from the buffer.

**Opto-isolator and biasing circuit.**

The opto-isolator and biasing circuits are shown in Fig 4. For the present ignore the components round  $T_1$ . Detector output feeds a TL071 voltage to current converter via the first order low-pass filter made up from  $R_{1a}$ ,  $R_{1b}$ , and  $C_1$  (why this has a pole and a zero in its response will be explained later). Resistor  $R_3$  defines the current in the isolator’s led and its phototransistor sets the current through transistor  $T_2$  and  $T_3$  and hence the voltage across  $R_2$  ( $V_b$ ), which is used to bias the amplifier.

$C_2$  is across  $R_2$  to avoid variations in  $V_b$  due to noise from the isolator. Note that  $R_2$  is between two collectors so its DC level can be defined by other parts of the amplifier circuit. No component values are given for this part of the circuit as they depend on the amplifier being controlled.

After switch-on, transistor  $T_1$  is saturated while the 33 $\mu F$  capacitor charges, and holds the input voltage to the isolator driving circuit close to zero. This allows amplifier conditions to settle before the biasing circuit slowly takes control. Rapid discharge of the capacitor after switch-on and that the circuit will work again or an immediate switch-on is ensured by the diode. After  $T_1$  has come out of saturation, rate of change of voltage across  $R_3$  can be used both to inhibit the input until the correct operating conditions have been established, and to indicate when the amplifier is ready for use.

**Loop time constants**

As previously discussed, the circuit must contain a long time-constant. But the one involving the storage capacitor in the detector is non-lin-

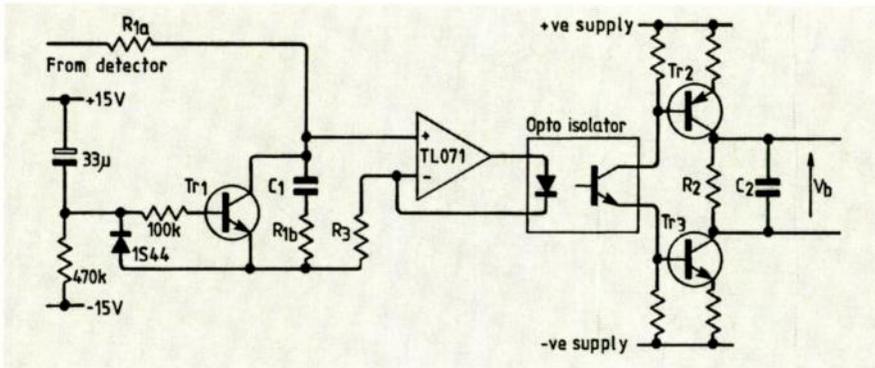


Fig. 4. Opto-isolator and biasing circuits. The detector output feeds a TL071 voltage to current converter via the first order low-pass filter made up from  $R_{1a}$ ,  $R_{1b}$  and  $C_1$

sink. The biasing control circuit has been designed with this in mind. Practical work confirms that the opto-bias system does not impair audio performance.

What is more, free from thermal constraints it is likely that even better, and higher power, output circuits can be designed.

Initial work suggests that wideband class AB output stages with distortion figures of around 0.1% are possible. As the distortion products are mainly low order, these power stages should form the basis of very high quality power amplifiers. ■

ear: when  $I_q$  falls the capacitor will quickly charge; when  $I_q$  rises the charge can only leak away slowly. If all the additional low-pass filtering were done by  $C_2$  and  $R_2$ , the capacitor would have to be very large. A better method is to do some filtering before the voltage to current converter at a higher impedance level. This  $R_{1a}$ - $R_{1b}$ - $C_1$  filter has a zero at about the same frequency as the pole of the  $R_2$ - $C_2$  filter, so obtaining an overall first order roll-off, with a time constant much greater than the discharging one in the detector.

The ratio necessary between these time constants depends on the amplifier being controlled.

**Test conditions.**

It is clear that the circuit can perform as intended for only a limited range of waveforms, so the choice of valid test signal is important. The time taken for signals to traverse the region where both power devices are conducting is a vital consideration. A full-power sinusoid at 20kHz has the fastest transitions likely to be encountered in practice. But the zero crossings are only 25µs apart and the signal will not test the low frequency capability of the circuit. A better choice is a maximum amplitude 50Hz square wave passed through a first order 20kHz low-pass filter. The zero-level rate of change of voltage is the same as that of the full-power 20kHz sinusoid, although the

zero-crossings are separated by 10ms.

Voltage across the storage capacitor will sag by about 3% with this waveform. However provided the sag is small, and that the fall can be assumed linear, the circuit is self compensating. First order filtering will reduce the variation of  $I_q$  to a very small amount and average  $I_q$  will be unaltered.

Opto-bias amplifiers operating successfully with this test waveform have given no problems when used to reproduce music. If a waveform is used with transitions that are too fast, the system is fail-safe; the output waveform of the differential amplifier will not fall far enough and the detector will sense that  $I_q$  is too large. The result is that  $I_q$  will be reduced and distortion will be present in the amplifier's output. Removal of the offending conditions will allow the opto-bias loop to recover.

**Further developments.**

As regular readers will know my research at Brunel University is concerned with the optimum use of mosfets in audio power amplifiers. An area where design<sup>2,3</sup> can be improved is the thermal compensation arrangement involving a secondary heat

**Amplifier basics**

Most audio power amplifiers operate in class AB, with two active devices, bipolar transistors or fets, connected in series between the symmetrical positive and negative power supply rails and the load taken from their common point to ground.

For large output voltages only one device is conducting, passing a controlled current into the load; polarity of the signal determines which device is conducting. When output approaches zero both devices conduct so that transfer of current between them is relatively gradual to reduce cross-over distortion.

Under quiescent conditions, ie no signal, a DC biasing current ( $I_q$ ) flows in both devices.

In class A amplifiers  $I_q$  is large so that both devices are always conducting, the difference between their currents appearing in the load. In class B circuits  $I_q$  is zero - so cross-over distortion is to be expected - but class B are more efficient than class A.

**References**

1. Ball. "Distorting Power Supplies", *Electronics World and Wireless World*, December 1990.
2. Brown. "Feedback and fets in Audio Power Amplifiers", *Electronics World and Wireless World*, February 1989.
3. Brown. "Audio Power, fets and Feedback". *Electronics World and Wireless World*, April 1990.

**Appendix**

The basic differential amplifier is given in Fig. 5 with voltages indicated at points in the circuit. When analysing linear op-amp circuits it is important to realise that the voltages between the inputs will tend to zero. (If the gain tends to infinity, and the output is infinite, then the input must tend to zero.)

Using the super-position theorem, consider the common ( $V_c$ ) and differential ( $V_d$ ) components of the inputs separately. With just  $V_c$  at the non-inverting inputs, there is no current in the  $R_a$ - $R_b$ - $R_c$  chain and all pins of  $A_1$  and  $A_2$  are at the same voltage. With  $+V_d/2$  at one input and  $-V_d/2$  at the other, there is a current of  $V_d/R_b$  in the chain. Hence the voltage across the chain is  $V_d(2R_a+R_b)/R_b$ , with equal and opposite components appearing at the outputs of  $A_1$  and  $A_2$ . Summing the  $V_c$  and  $V_d$  components gives the voltages shown.

Super-position can be used again for the rest of the circuit. Call the previous outputs  $V_x$  and  $V_y$ . Let  $V_c = 0$ ;  $V_x$  is attenuated by  $R_d/(R_c+R_d)$  before being amplified by  $(R_c+R_d)/R_c$ , hence the output is  $V_x R_d/R_c$ . Now let  $V_c = 0$  so that the non-inverting input of  $A_3$  is at zero.

The circuit behaves as a simple inverting amplifier with an output of  $-V_y R_d/R_c$ . Summing these components gives an output of  $(V_x - V_y) R_d/R_c$ , and substituting for these voltages gives the output indicated.

The  $A_3$  part of the circuit is, in theory, a perfect differential stage by itself, but in reality its performance will suffer from the practical limitations of the amplifier and component mismatch.  $A_1$  and  $A_2$  provide appreciable differential mode gain but only unity common mode gain, thereby easing the task of the differential stage.

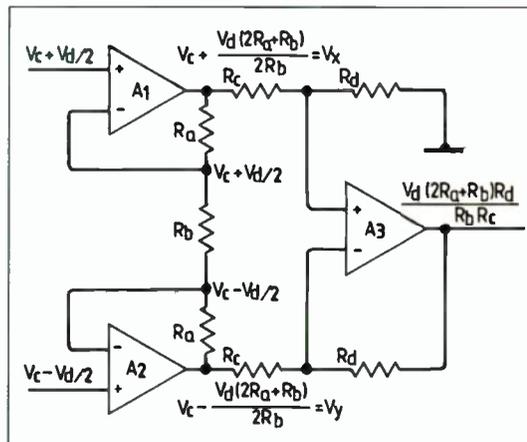
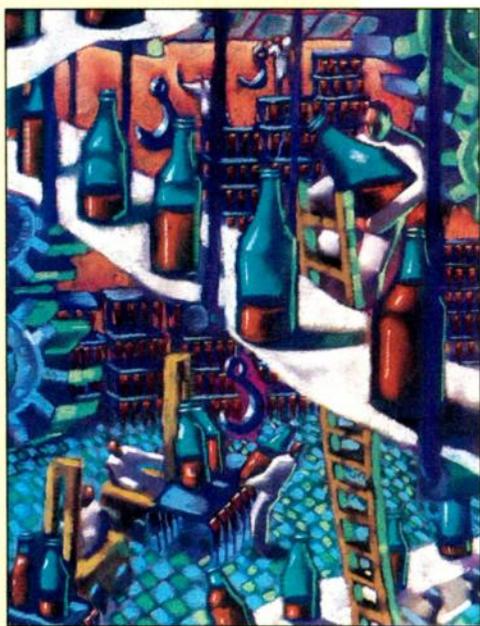


Fig. 5. Basic differential amplifier with voltages indicated at points in the circuit

# Analogue data storage – speaking of the future?



*Phone callers 'on hold' could be greeted with a real voice on the end of the line thanks to a new technique for storing analogue data. Andy Wright looks at a new type of silicon chip which provides long term storage of analogue signals in analogue form.*

**A**t the International Solid State Circuits Conference held last year in San Francisco, details were given of a new semiconductor process for storing analogue rather than digital data. The technology could open up a whole new generation of electronic products designed to store and play back natural voice data.

Analogue data storage has been around for a long time. The first programmable machines used metal templates to turn out products that were identical every time. The invention of the phonograph allowed analogue wax cylinders to store sound from a horn microphone; the cylinders were later replaced by shellac and vinyl discs (remember vinyl?) as the primary means of storing large amounts of audio data. Today the market is dominated by analogue audio tape and has been further

extended with the introduction of compact discs.

These examples all suffer the obvious disadvantage that they rely on mechanical parts, which break and wear out. Electronic components are less likely to. In the solid-state field, digital storage has dominated since the advent of the magnetic core device.

Audio data needs to be quantized in two dimensions - amplitude and time - before it

can be recorded or stored. This means that one storage cell is needed for each bit of the digital amplitude sample. Eight bits corresponds to a reasonable representation of voice amplitude, giving 256 levels and a minimum quantization error of around 0.4%.

Clearly, better signal quality could be gained if each sample were stored as one of an infinite number of levels. In the early 1960s there were unsuccessful attempts to do this with magnetic core memory. However it wasn't until February 1991 that the US company, Information Storage Devices, succeeded in making solid-state analogue storage a commercial reality.

ISD's first product is capable of recording and playing back a 16 second analogue signal, with signal-noise ratio of better than 35dB, a 3dB 3400Hz bandwidth and total harmonic distortion better than 2% at 1kHz. All this from a single IC.

In 1987, Richard Simko, a physicist and inventor of integrated circuits, had the idea that floating gate devices - the basic transistors of an eeprom - are inherently capable of analogue storage. Together with Michael Geilhufe, a long-time associate, who worked on manufacture of the technology, he formed Information Storage Devices in December 1987. It took more than two years of development before they could show working silicon for the first time.

Today there is a range of devices to suit various message lengths and bandwidths. The ISD1012, 1016 and 1020 handle various requirements by programming the sampling rate into silicon during manufacture. A 6.4kHz sample rate is used to give a recording duration of 20 seconds, providing the 1020 with a 2700Hz pass band.

With the 1012, an improved signal quality (4500Hz pass band) is gained at the expense of reducing recording time to 12 seconds. The ISD1016 is a compromise solution: 16 seconds of recording with a telephone-grade pass band of 3400Hz and a sampling rate of 8kHz.

**Theory**

What all three devices have in common is an array of 128,000 patented analogue storage cells. Where traditional eeproms use the floating gate to store a high or low value corresponding to a 0 or 1, the analogue storage cell applies the programming and erase voltages in a more controlled fashion so that floating gate charge values represent the true analogue level.

Using this process, the amount of charge on a floating gate can be retained for many years, and the cell's voltage can be sensed without disturbing the charge. By measuring the cell's conductivity, a reading can be taken that corresponds to the value of the analogue level stored.

While there are variations, especially over time (as charge decays), ISD's process ensures that these can be compensated for between different ICs and between different cells in the same IC. Variations caused by aging, process variables and thermal characteristics are all calibrated out.

The eeprom-based process brings the additional major advantage of non-volatility. Retention time is claimed to be 10 years, and the devices are specified for up to 10,000 read/write cycles. However, this is necessarily subjective. Failure of one or two cells will only show up as lower fidelity - unlike digital RAM where single bit errors can be catastrophic.

Techniques for monitoring the device's integrity are very different in comparison with those for digital alternatives. Failure of a digital storage cell can be detected by - for example - checksum errors, whereas the analogue cell lends itself to tests more closely allied to traditional audio methods. Factory testing makes use of methods such as signal-noise and SINAD (signal/noise + distortion).

**Architecture**

As the block diagram (Figure 1) shows, the inventors had many more engineering problems than the simple transformation of eeprom storage from digital to analogue. The technology involves a great deal more.

Incoming signals are first conditioned with an automatic gain control and anti-aliasing filter. An on-chip sampling clock then enables the input signal to be put through special transceivers into the analogue storage array. Playback is through an integral smoothing filter and amplifier, providing direct drive for loudspeakers with impedances down to 16Ω. Also on-chip is a smaller eeprom array - this time digital - for storing addresses and reconfiguring chip control functions. To keep silicon real estate to an acceptable level, address space is just 256 bits, catering for 160 analogue addresses. External pins allow the user to access

control functions such as power down, play-back/record, chip enable and end of message. There is also a test pin reserved for factory operations.

**Solid-state tape recorder**

The simplest and most obvious application is as a solid state tape recorder with manual operation. The only external parts required are a microphone, loudspeaker, and switches (see diagram, Fig. 2).

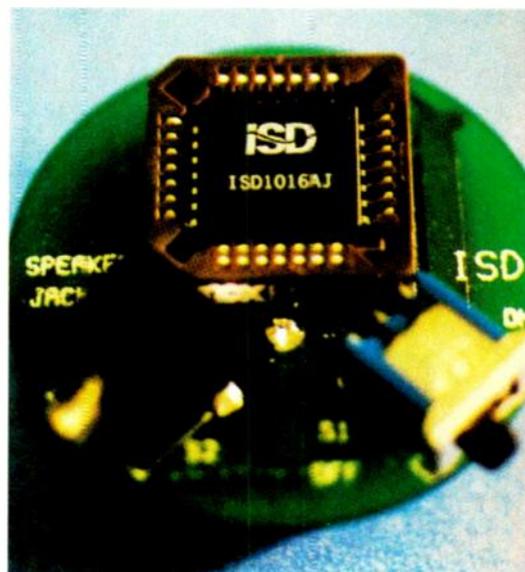
For practical applications some more thought and circuitry is required, to reduce noise and distortion. For example, it is necessary to decouple the microphone power supply from the chip, bias the microphone and set the audio attack and release time constants. A typical circuit design is shown in Figure 3.

Pulling pin PD low powers-up the chip, which requires a single 5V supply. To record, pin P/R is set high and then, when the CHIP NOT ENABLE pin is made low, recording begins. It is ended by pulling that pin high. Playback is essentially the same procedure, this time setting the device into play back mode by setting pin P/R low.

This type of implementation gives a good demonstration of the chip's capabilities, and it can have practical real applications. For example, it could be used to record and play back outgoing messages on an answering machine, although it will have to provide more than 16 seconds of telephone-quality speech before it can handle incoming messages.

Part of the solution to this limit is a simple facility for cascading two or more analogue storage devices. No complex circuitry is required. To record, all designers need to do is connect the analogue out pin of the first ISD chip to the analogue in pins of the others via a capacitor (see Fig.4).

The speaker output pin of each device is connected to the Aux In pin of the previous one in the chain - except in the case of the first chip, which drives the speaker. During



A practical solid-state tape recorder that incorporates ISD analogue storage devices (photo courtesy of Sequoia Technology).

both recording and play-back, the END OF MESSAGE output is connected to the chip enable pin of the next device in the chain.

As one device reaches its analogue storage capacity, the voltage on the end-of-message pin goes low, selecting the next chip auto-

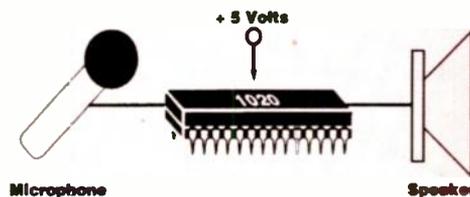


Figure 2. A simple solid-state tape recorder represents the most obvious application for the technology.

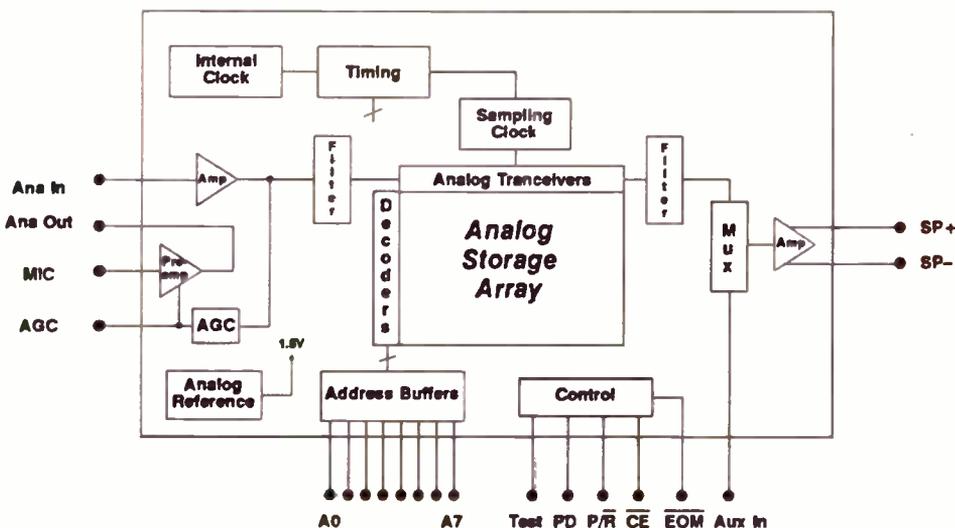


Figure 1. Schematic of the ISD1016 architecture - a compromise device that gives 16 seconds of recording at an 8kHz sampling rate.

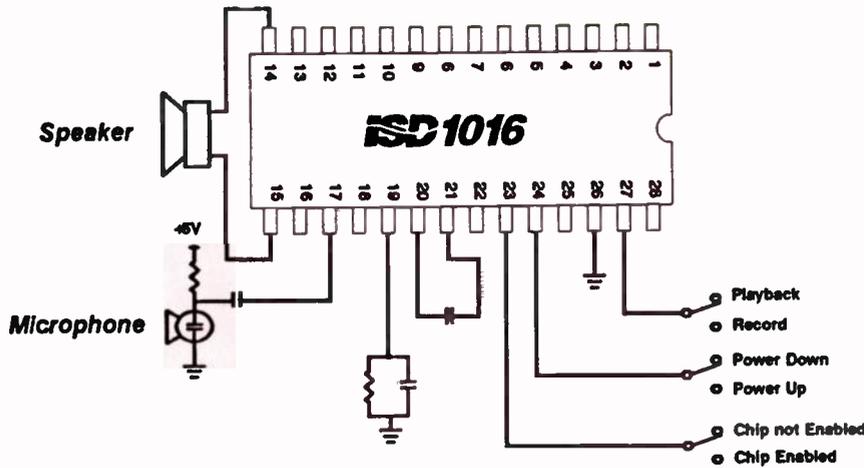


Figure 3. Using the solid-state tape recorder under manual control requires a little more thought and circuitry to reduce noise and distortion.

matically. This digital handshaking is immediate and prevents noise and message gaps during chip-to-chip transitions. ISD reckons that up to 10 devices can be daisy-chained in this way without analogue buffering. This gives around three minutes of speech with the 20-second ISD1020.

A further feature to widen the applications of this technology is the ability to loop the 'tape' continuously. This makes it suitable for applications such as music- or message-on-hold machines. The advantages to the end-user - the caller waiting for someone to answer - are obvious: he or she hears real music or a natural voice instead of synthesized 'musak'.

The compact size and low power consumption of the device are already creating wide interest with designers of portable equipment such as mobile phones or pagers. One application that has already benefitted is the hand-held line-of-sight FM transceivers being built by a US company for civil defence and emergency services. Here it serves as a cache in voice store-and-forward systems.

Another way in which the new device really scores over conventional magnetic tape systems is that its designers have made

it truly random access. This allows the recording to be divided into chunks, each instantly and individually replayable.

**Random access**

The ISD1016 divides its 128,000 cell array into 160 segments, each storing a 100ms signal. The start address of a recording is set via eight external pins. When the recording is stopped, an end-of-message marker is written to mark the final location in the analogue array. Play-back begins from the relevant addressed location and normally continues until end-of-message is detected.

This means that several short messages can be stored in the same chip and accessed instantly. The technique could therefore be used for playing back single word commands or alarms. For example, in a tele-

Figure 4. The analogue storage devices can be easily cascaded by connecting the analogue in and out pins of separate devices to one another.

phone it could give verbal feedback of the number dialled.

An obvious development from this is to store the appropriate DTMF dialling tones as audio signals alongside each digit. Being able to store short phrases or words suggests that these could be combined under software control to provide simple messages such as instructions or directions. Messages like: 'take the Central line to Oxford Circus then change to Bakerloo' or: 'phone the office' could be constructed from basic words stored in the device.

**Sampling clock**

It is perhaps worth mentioning how important it is for the on-chip sampling clock to be accurate. A difference as small as 2% between the sampling frequency during playback and recording can be perceived as a change in the speaker's mood, which is particularly important when the device is used to convey critical voice messages.

Speech researchers and psychologists tell us that frequency is important in conveying urgency, alarm or reassurance, so an alarm message played back too slowly may not have the desired effect. Not surprisingly therefore, ISD's on-chip clock - accurate to  $\pm 1\%$  - is the subject of a number of patents.

Such accuracy is one of the keys to overcoming consumer resistance. Early attempts at building synthetic speech, for example into automotive applications, were dogged by accusations that the 'voice' sounded too patronising or nagging. Better solid-state reproduction could make voice output much more acceptable.

As the public gets used to machines that talk, they could soon be everywhere - from microwave ovens and TVs, ECG machines and vending machines, to hand-held computers and toys.

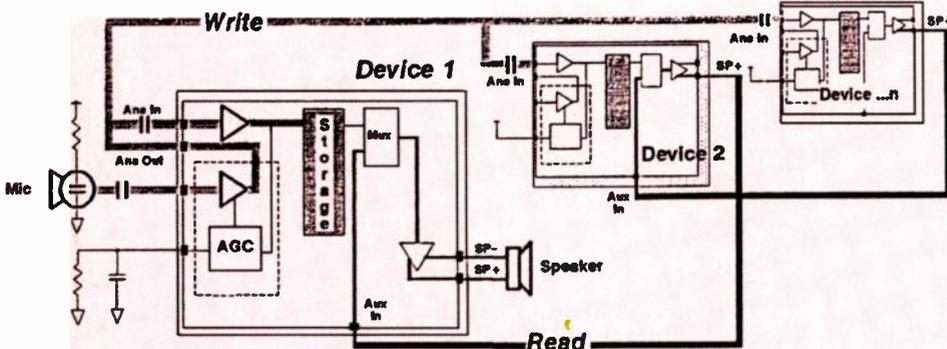
**Alternatives**

The demand for speech input and synthesis technology has been so great that several alternative solutions were developed before the advent of analogue signal storage. One of them is from Texas Instruments, which has developed a single-chip speech synthesizer using conventional memory technology.

To overcome the problem of storage density, it compresses the data by a technique known as linear predictive coding. The result is that up to 1.5 minutes of speech can be stored on-chip. Where larger amounts of speech data are required, they can be stored in adjacent speech memory.

As to speech quality: that is in the ear of the beholder. The only test is to try it for yourself. For my money, give me the analogue sound any time.

Moving on from the myriad voice applications, the uses of this new technology spill over into a huge market for analogue, audio frequency data storage and playback. In industry, the chips could be used as local storage for data loggers, monitoring or



acquisition systems. Remote geophysical stations could use the device to record transient seismic events, or electricity distributors could use them to store voltage fluctuations. They could even be used in analogue storage oscilloscopes!

As playback devices, they could find their way into waveform generators and signal sources. By storing DC instead of AC signals, such devices could become the heart of a new programmable voltage source, with up to 160 DC levels available instantly.

Even wider possibilities can be envisaged for systems based on multiple devices. By synchronizing the record/playback start time, there are potential applications in X-Y positioning systems, robot controllers and CNC machines. The list is so long that the phrase 'only limited by the imagination' is no longer a mere cliché.

#### Future developments

Looking to the future, the growth and development of this technology depends to a large extent on where the market takes it. It may be that most people want to use the devices as annunciators - a kind of worm (write once read many) device. For them, the front-end AGC circuitry, designed to accommodate microphone input, would be superfluous. Direct analogue input appropriately condi-

tioned would provide a better quality signal.

Others may see their application as solid-state tape recorders, with no requirement for sophisticated addressing. Yet another group would be looking for alternative sampling rates, and multi-chip modules for longer recording times. Emerging refinements could therefore include cut-down parts with fewer addresses, one-time programmable or read-only devices and other application-specific devices. All these are options; which of them reach fruition will be dictated by market economics, rather than technology.

One thing is certain, however. The current offerings from ISD are based on conservative manufacturing processes, leaving plenty of room to meet demand for higher storage density, without breaking new ground.

A 2µm cmos process is currently being used but it will not be long before the process is scaled to quadruple the recording time. This next generation of analogue storage devices should be able to store around a minute of speech. Improvements in the existing process could quickly bring sampling rates as high as 100kHz and improve signal-noise ratios to around 48dB.

Even further ahead, chips with four million storage cells, sampling at 10MHz and with signal-noise ratios better than 60dB are on the horizon. ISD's Richard Simko

believes that his invention will make many multi-chip systems with digital memory obsolete. If he's right, talking systems based on analogue storage will be commonplace by the end of this century.

Crystal ball gazing aside, it's clear that there are plenty of uncharted applications for this embryonic technology. According to ISD, the most interesting - and profitable - uses for analogue storage have yet to be discovered. Designers with imagination: over to you!

#### References

'IC holds 16 seconds of audio without power.' *Electronic Design*, Jan 31 1991.

#### Acknowledgements

This article was prepared with the gratefully-acknowledged help of John Culver, Applications Engineer at Sequoia Technology, and Raj Gunawardana of Texas Instruments.

ISD analogue storage devices are distributed in the UK by Sequoia Technology; phone 0734-311882, fax 0734-312676.

Texas Instruments can be contacted on 0234-270111.

# ALL VALVES AND TRANSISTORS

We are one of the largest stockists of valves etc in the U.K.

## CALL OR PHONE

for a most courteous quotation.

# 081 743 0899

## COLOMOR ELECTRONICS LTD

170, Goldhawk Road, London, W12 8HJ

# FAX 081-749 3934

CIRCLE NO. 112 ON REPLY CARD



**Chelmer Valve Company**

**Worldwide supplier with 30 year's experience**

- **Electron tubes: Transmitting, Industrial, Microwave, Audio, Receiving, Display, etc, etc.**
- **For Maintenance, Spares or Production.**
- **Semiconductors: Transistors, Thyristors, Diodes, RF, Power I/C's, etc.**
- **We have one of the largest stocks in the U.K.**

★ TRY US! ★

FAX, PHONE, POST OR TELEX YOUR REQUIREMENTS  
130 NEW LONDON ROAD, CHELMSFORD,  
ESSEX CM2 0RG, ENGLAND

Telephone: (0245) 355296/265865  
Telex: 995398 SEEVEE G Fax: (0245) 490064

CIRCLE NO. 113 ON REPLY CARD

# RECEIVING TELETEXT ON THE PC

*The teletext broadcast service provides a wealth of information in digital form. Importing selected pages into a desktop computer system opens up all sorts of possibilities for information management. Laurence Cook explains how to go about it.*

It seems like a lifetime ago that, while adjusting a colour television built from a magazine article, I saw a couple of lines of twinkling dots at the top of the screen and wondered what these signals were. A few phone calls later and I was hooked. Some 120 TTL chips and many late nights later there emerged a monstrous box full of veroboard and rats' nests which eventually burst into life as a set-top teletext adaptor.

Since nothing can stop an idea whose time has come, there were soon many such designs in existence, all using similar techniques.

Advances in technology render earlier designs obsolete and the hot box (all those chips produced more heat than processing power) was subsequently replaced by a neater construction using a patented technique. In this, a 6800 microprocessor examined each data line, which had been DMA'd into memory while the processor was halted during TV frame blanking. A boardful of LSTTL and CMOS logic generated the display.

Many readers will be familiar with using PCs to access Viewdata services such as Prestel. The display is handled by standard graphics adaptor cards and appropriate terminal emulation software; the link to the chosen database is provided by a modem.

The teletext adaptor to be described connects to the PC via a serial port. Terminal software on the PC handles teletext style displays and passes page requests from the keyboard to the adaptor itself.

Most households will have one or more devices with a video output (eg. a scart socket on a TV or video recorder) and so the cost and complexity of a tuner can be dispensed with. The adaptor therefore has a video input, RS-232 output, and low voltage AC power input to make a simple design which can be sited near the source of video and linked to the PC using data cable. The circuit board measures

around 6 x 4in and has only ten chips on it, making it quick to build.

The task facing a designer of such equipment is essentially simple. Data must be extracted from off-air video, examined to see if it is required by the host PC, and if so captured for onward transmission over a serial link. In hardware terms, the task is fairly simple:

i) Data is transmitted on a row-by-row basis at 6.9375Mbit/s, with one display row per TV data line, on up to 16 lines per frame. Logic 0 is roughly equivalent to black level, and logic 1 to approximately 66% of white level.

ii) The fastest serial port supported on a PC is 9600 baud, which sets the speed between the adaptor and PC and equates to roughly 1 page per second (four times faster than V.22bis). Buffering in the adaptor is suggested so as not to lose wanted pages.

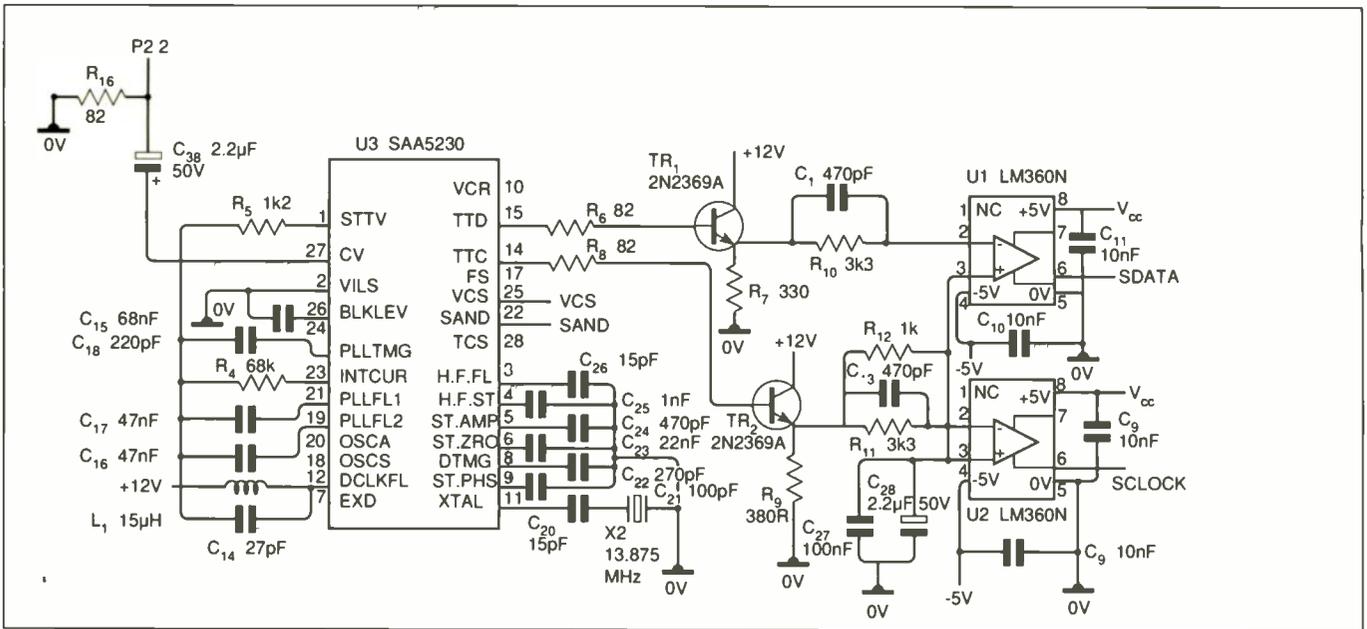
iii) Each data line starts with a 'framing code' to define byte synchronisation; this is a simple 8-bit pattern which is fixed. This suggests that a high speed SCC could be used to detect framing code and thus achieve byte synchronization, instead of the more usual sipo shift register and pattern detecting logic.

This means that we need a microprocessor, rom, ram, uart (to the PC) and some means of turning off-air video into data and then into ram for later processing. In fact the processing has to be over before the next TV frame arrives with more data since there is no hand-shaking off an aerial.

One way of doing this might be to halt the processor and use external DMA hardware to do the processing. This design does neither, yet achieves the same result.

The heart of the design is the extraordinary HD64180S Network Processing Unit from Hitachi which contains a 64180 CPU core (running Z80 code). It also includes a two-channel DMA controller capable of cycle-





**This part of the circuit takes raw video, strips out the teletext data which it retimes and delivers to U6, the network processing unit.**

are responsible for taking off-air video and producing data at pin 15, clock at pin 14 and sync at pin 25. This circuit is taken almost directly from the Philips data sheet on the SAA5231; the only quirk is that, every line sync, the chip expects an 8.5µsec pulse on pin 22 from other members of the chipset. This is provided by U10, a precision monostable, triggered from sync itself.

R<sub>3</sub> and C<sub>4</sub> integrate the composite sync signal to give a frame sync pulse every 20msec. This is fed to the INTO pin on the MPU to give an interrupt as well as to CTSM, an MSC1 handshake line, which is used here as a general purpose input so the firmware can sample this pulse. U<sub>4B</sub> cleans up the pulse before it is fed to the NPU.

U<sub>1</sub> and U<sub>2</sub> are high performance comparators which serve to produce TTL-compatible data and clock signals to the MSC1 in the NPU. Their inputs are buffered by Tr<sub>1</sub> and Tr<sub>2</sub> respectively, C<sub>12</sub> and C<sub>13</sub> providing correction for slight HF losses therein. It is essential not to degrade the phase relationship between data and clock as the MSC1 requires a clock edge to be nominally central to the data bit period. The comparators should therefore not be substituted unless you know what you are doing!

R<sub>12</sub> and C<sub>28</sub> set the DC reference for the comparators at the mid-point of the clock from U<sub>3</sub>, so compensating for any DC drift here. This means that any distortion of the data and clock mark/space ratios are avoided. The latter should of course be 1:1.

U<sub>4D</sub>, E and F were essentially spare inverters, pressed into service as led drivers to aid in firmware development, but now retained, as the leds give a useful indication of signal

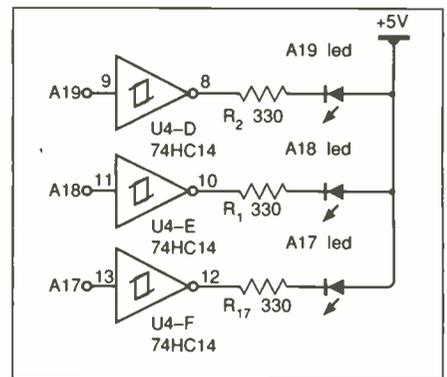
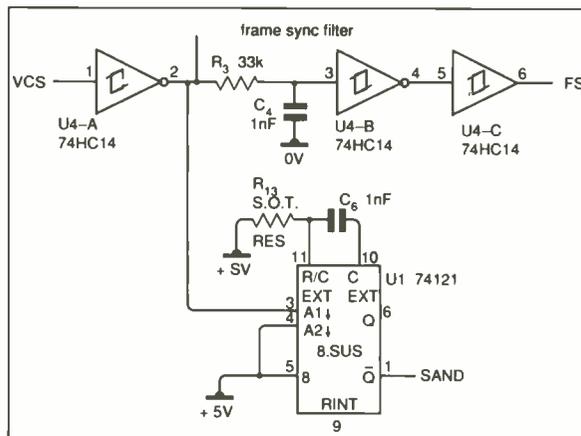
presence, data quality and PC traffic.

In a real sense this facility 'fell out' of the design; the only trick here was to use high order address lines as parallel output pins by using the MMU in the chip to remap the memory as required. This may seem an odd use of the MMU but it is cheaper than an external latch in I/O space, and the MMU would have been markedly under-used otherwise.

U<sub>11</sub> provides signal level translation between the logic on board and the real world of RS-232 links to the host PC. The MC145406 is a nice chip for this job and although slightly dearer than the more usual 1488/89 pair it is only one chip and requires no external response-shaping capacitors, unlike its forebears. The ASCII uses TxD, RxD and RTS/CTS handshaking to the PC to avoid loss of characters in either direction.

The only other part of the circuitry that remains to be described is the power supply, although there is little to mention here. The 12V regulator gets quite warm and requires a small heatsink; the 5V regulator also gets

**The Frame synchronisation filter takes composite sync from the video signal and feeds a conditioned pulse to the main processor**



**These leds provide indication of signal presence, data quality and PC traffic.**

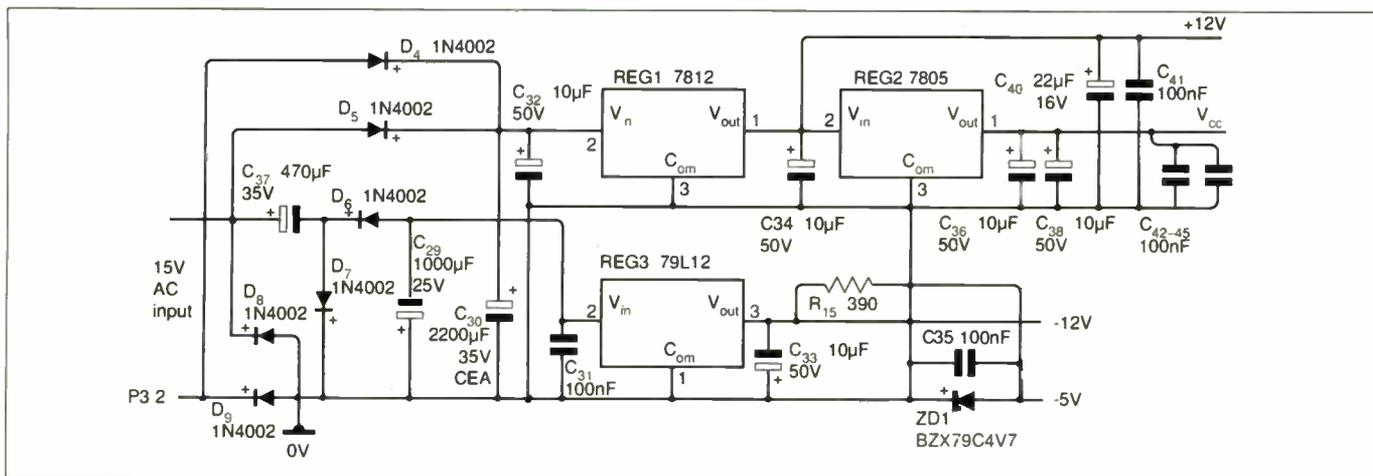
warm but runs quite happily within its ratings without a heatsink.

External power requirements are just 15V AC at 200mA max. This can readily be supplied by a plug-top type transformer. Alternatively a small chassis type transformer could be fitted with the circuit board in a small box.

A circuit board has been designed to accommodate the entire circuit. At the time this was being produced the author decided to make provision for an alternative clock source for the microprocessor. This was in case the crystal proved to be erratic if an emulator were to be used to debug firmware.

Note that the NPU is socketed. Anyone who has ever tried to hand-solder such a big PLCC chip will appreciate this luxury, although it also makes it possible to use an emulator pod. X1A is a footprint of a 19.6608MHz crystal oscillator module which need not be fitted unless X<sub>1</sub>, C<sub>1</sub> and C<sub>2</sub> are omitted.

Test point TP<sub>1</sub> was provided to monitor whether the SCC was detecting framing code; it too can be omitted



when building the unit. This circuit board is available, along with a ready programmed eeprom and plug-top power supply from the address at the end of this article. A copy of the PC software can be provided if a formatted blank disc (5.25in) is supplied too.

**Firmware considerations**

The protocol between the adaptor and the PC has been chosen so that it is compatible with proprietary terminal software for an earlier range of adaptors. These used a different processor and a gate array to implement external DMAing of data into memory. This software is available to run the adaptor from a PC with CGA, EGA and Hercules graphics adaptors or 100% emulation.

The teletext data is transferred from the MSC1, which is mapped into I/O space, into memory by the DMA controller within the NPU. This can occur on up to 16 TV lines per frame. The NPU creates a window, during which data can be received by counting TV lines after frame sync.

The presence of off-air syncs is indicated by a steady flashing of led A17: if this led is off then you should check your video feed to the adaptor. The MSC1 is set up with the teletext framing code (27hex) as its sync byte, and the DMA controller set up for transfer of 42bytes, which it does on a cycle-stealing basis. This means that the processor is not halted during DMA transfer, only slowed down somewhat.

This data is stored on a row by row basis, then examined to see if any rows are required for transmission to the PC. The adaptor maintains several data buffers for this purpose; the main ones are six 'page' buffers and a global output buffer.

The page buffers are used to assemble incoming rows on a page basis until either a timeout (4s) occurs or the page is terminated properly. The timeout is to prevent endless waiting for a page to complete if the terminating row is absent - for example, due to noise.

The teletext transmissions consist of data on a row by row basis; each display row is transmitted in a single TV line of data. The rows are essentially similar, the exception being Row 0, known as the header row. This row has just 32 displayable characters instead of 40. The extra 8 bytes are used to convey infor-

**Power supply circuit. The 15V mains transformer, which has to deliver around 200mA, isn't shown.**

mation about the relevant page. The magazine (= page hundreds) and row addresses are heavily protected by Hamming codes; using this scheme allows single errors to be detected and corrected, and even errors to be detected and rejected. Odd numbers of bit errors correspond to such severe noise that the data is likely to be unreadable in any event.

The presence of noise, or indeed bad data for any reason (more usually 'ghosting' caused by aerial problems), is indicated by the illumination of led A18. This led is pulsed whenever a 'hamming error' is detected at the start of a data line.

Once filled, the buffers are loaded into the global output buffer to make room for more incoming pages. There is a special buffer area set aside for 'headers'. These are simply the top row (row zero) of teletext pages.

This adaptor behaves in the same way as

**Fig.6. Synchronisation and Hamming codes at the start of the page header and row transmissions.**

teletext TVs, which 'roll' headers while any given page is awaited, in that it sends headers to the PC. In this way the time is kept updated in the top right corner of the screen.

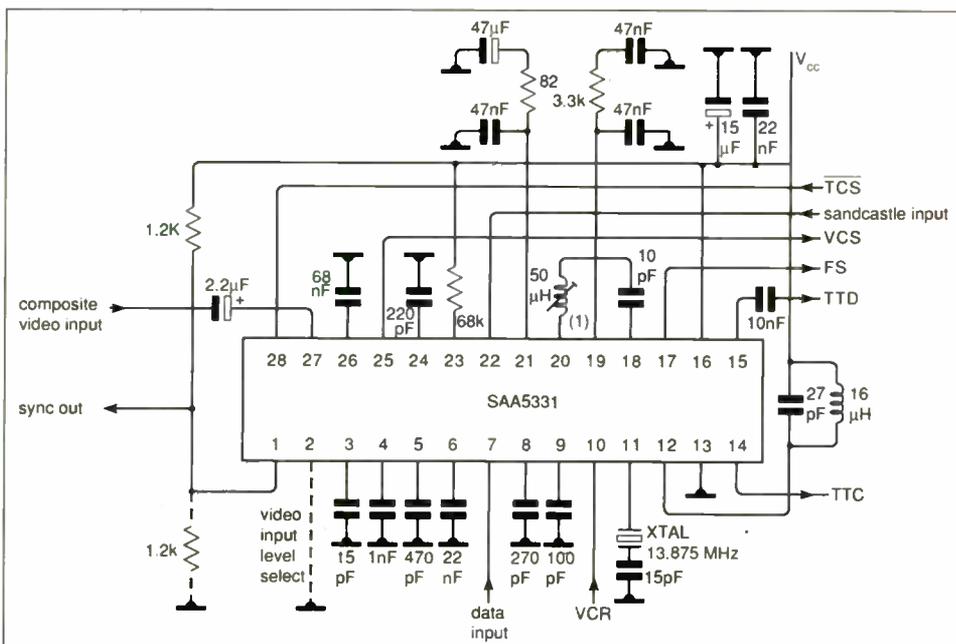
Incoming data from the PC is handled under interrupts and commands are processed to amend the list of required pages in an orderly fashion. Each data transmission from the PC causes led A19 to flash.

*Laurence Cook is a design consultant with a number of patents relating to teletext decoding to his credit.*

**References**

Figs.1, 2,3 and 6 are taken from the September 1976 Broadcast Teletext specification published jointly by the BBC, IBA and BREMA. ISBN 0 563 17261 4.

PCB, ROM, PSU and PC software from Citifax Ltd, 9 Goose Cote Hill Bolton BL7 9UQ Lancashire at £25 per set. Phone 0204 57293 Please enclose blank disc!



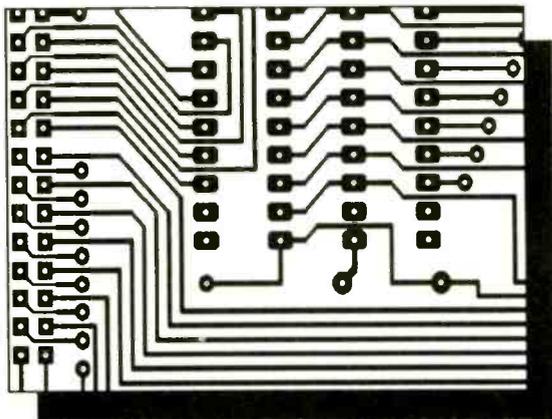
# PSST...

## Powerful Software Saves Time!

### ANNOUNCING ARES VERSION II AND ARES 386

Our high performance PCB design products have been enhanced with time saving features such as Auto Track Necking - ARES will automatically replace sections of a wide track with narrow segments where design rules dictate. Other new features include further support for netlist driven design modification, improved package editing, multiple package libraries, multi user (network) operation and curved tracking with full connectivity support.

ARES 386 is a full 32 bit version of ARES AUTOROUTE offering much faster operation and, for practical purposes, unlimited design capacity.



ARES.....	£275
ARES AUTOROUTE.....	£475
ARES 386.....	£675

- Topological Route Editor (another Labcenter innovation)
- Unlimited user configurable pad, track and via styles.
- Full surface mount and metric support.
- 10 copper + 2 silk layers.
- 1 thou resolution.
- 30x30 inch max board size.
- Object oriented 2D drawing for silk screen graphics.
- Full connectivity and design rule check functions.
- Drivers for dot matrix, pen plotters, lasers, POSTSCRIPT, Photoplot (Gerber), NC drill (Excellon).
- Graphics export in IMG, BMP or EPS formats.

### ISIS - Intelligent Schematics

ISIS DESIGNER..... £275

An exceptionally easy to use schematic capture package designed for use with ARES or other EDA software. Provides facilities for single button integration to any DOS application.

ISIS DESIGNER+ ..... £475

Adds advanced design management features including hierarchical design, fully automatic annotation/packaging, Design Global Annotation and ASCII Data Import for handling component stock codes, prices etc.

- Auto wire routing, dot placement and label generation.
- Powerful editing facilities.
- Object oriented 2D drawing with symbol library.
- Comprehensive device libraries provided.
- Device editor integral to main program.
- Output to dot matrix, pen plotters, lasers, POSTSCRIPT.
- Export to DTP packages in IMG, BMP, DXF or EPS formats.
- Multi-sheet and hierarchical designs held in one file.
- Netlist output to most popular EDA software.
- Bill of Materials and Electrical Rules Check reports.

### Budget Price CAD Software

ISIS SUPERSKETCH.....from only £69

Our highly popular schematic drawing program has all the editing features of ISIS DESIGNER and our Graphical User Interface makes it exceptionally easy to learn and use.

Diagrams produced with SUPERSKETCH can be rendered on all common printers/plotters including POSTSCRIPT and graphics export to most DTP and Wordprocessing packages is also possible

An extended device library containing TTL, CMOS, Memory, Microprocessor and Analogue ICs is available for £30.

PCB II .....only £69

An exceptionally easy to use manual PCB drafting package offering most of the features of ARES (including Auto Track Necking) but without the netlisting capabilities.

PCB II shares the same user interface as ISIS SUPERSKETCH and both packages plus the extended device library are available for just £149.

**Labcenter**  
Electronics

#### COMBINATION PRICES

ISIS DESIGNER & ARES .....	£495
ISIS DESIGNER & ARES AR .....	£675
ISIS DESIGNER+ & ARES .....	£675
ISIS DESIGNER+ & ARES AR .....	£850
ISIS DESIGNER+ & ARES 386 .....	£995

Prices exclude p&p (£2.50) and VAT.

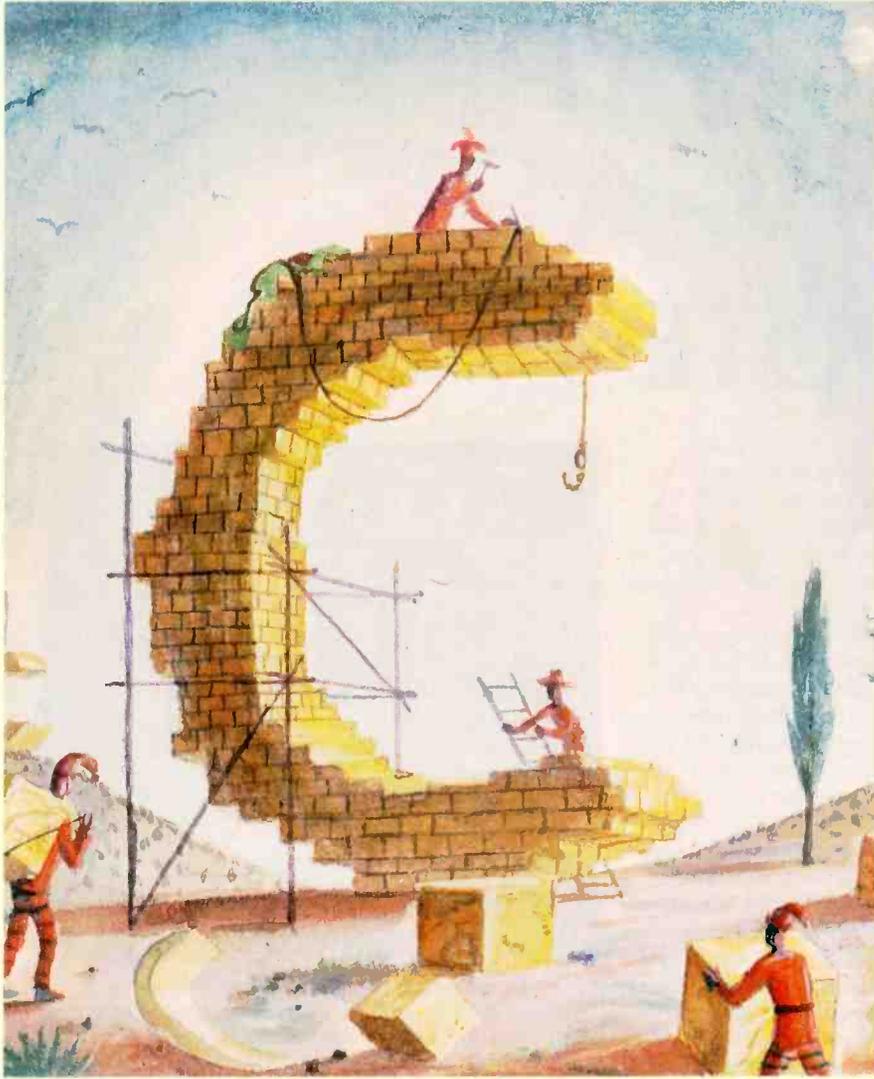


Call for demo packs  
Tel: 0274 542868  
Fax: 0274 481078



14 Mariner's Drive, Bradford. BD9 4JT

CIRCLE NO. 114 ON REPLY CARD



# INTERFACING WITH C

by  
HOWARD HUTCHINGS

Interfacing with C can be obtained from Lorraine Spindler, Room L333, Quadrant House, The Quadrant, Sutton, Surrey SM5 2AS.

Please make cheques for £14.95 (which includes postage and packing) payable to Reed Business Publishing Group.

Alternatively, you can telephone your order, quoting a credit card number. Telephone 081-661 3614.

A disk containing all the example listings used in this book is available at £25.50 + VAT. Please specify size required.

## C HERE!

If you have followed our series on the use of the C programming language, then you will recognise its value to the practising engineer.

But, rather than turning up old issues of the journal to check your design for a digital filter, why not have all the articles collected together in one book, *Interfacing with C*?

The book is a storehouse of information that will be of lasting value to anyone involved in the design of filters, A-to-D conversion, convolution, Fourier and many other applications, with not a soldering iron in sight.

To complement the published series, Howard Hutchings has written additional chapters on D-to-A and A-to-D conversion, waveform synthesis and audio special effects, including echo and reverberation. An appendix provides a "getting started" introduction to the running of the many programs scattered throughout the book.

This is a practical guide to real-time programming, the programs provided having been tested and proved. It is a distillation of the teaching of computer-assisted engineering at Humberside Polytechnic, at which Dr Hutchings is a senior lecturer.

Source code listings for the programs described in the book are available on disk.

# FOLLOW THE ASIC ROUTE

**F**or companies considering using an asic in their next design, there are two main approaches to take. One is to entrust the full design to a company that specialises in designing in silicon; the other is to use a PC-based design toolset that does not lock them in to a particular silicon foundry. However, the choice of vendor does need to be made at the gate level.

(Asic vendors fall into one of two camps: there are those that also act as a silicon foundry (such as ES2) and those that select their silicon vendor according to the design that is to be implemented (eg. MCE). Given the costs of setting up a silicon foundry (around \$500,000, according to Chris Butler of Mogul Electronics' field applications group) it is easy to see why the number of 'silicon jobbing shops' exceeds that of asic vendors with foundries attached.

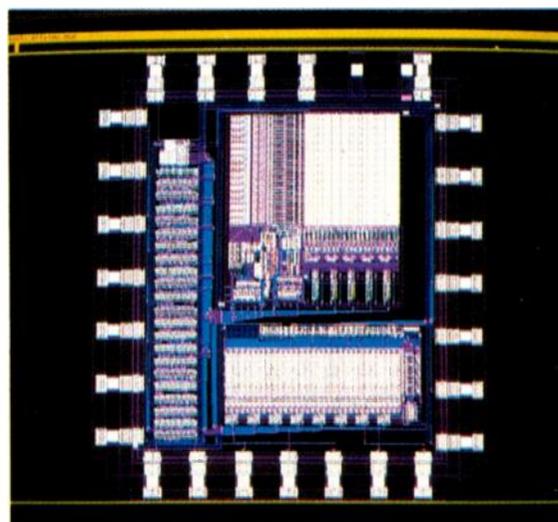
"Asics should be considered by any engineer starting a new design", says Alistair Dalrymple of Micro Circuit Engineering. "although not many companies would wish to commit to a standard cell approach". Standard cells, which typically require 13 or 14 mask levels to be fully implemented only start to be practical around the 20-25,000 gate level.

Below this number of gates, the gate array approach (which uses a mas-

ter wafer with a matrix of pre-ordained logic devices, with customisation only completed during the final stages of production) should be considered. Although designs with as few as 20 gates can be economically viable, says Gareth Jones of European Silicon Structures (ES2), particularly for a part that is obsolete, MCE's experience is that it is unusual to follow the asic route with so few gates.

"Most people start from around 1000 gates", says Dalrymple. "We do a lot of pin-compatible replacements," he says, "but we don't do many at a few hundred gates." Industrial, military and aerospace designs that become obsolete are obvious candidates for going the gate array route, even though they may not use many gates. In the USA, the DoD has funded Hughes to found a department concerned solely with the production of obsolete parts.

Obviously the gate array approach is less efficient in terms of silicon usage than the standard cell approach.



*ES2's 1400 design package is aimed specifically at the inexperienced asic user. The easy to use package offers him design integrity checking, sequencing, checks for correctness of manufacturing and documentation, provides test vectors, checks that the package selected is large enough for the end product, etc.*

**Whether to go, when to go and how to go: the three questions that the small size company needs to ask itself when thinking about going down the asic route.**  
by Julia King

## One approach

**A**s a repping agent, Mogul Electronics offers customers a variety of strategic alliances with third party design houses such as MCE and Walmsley. It is currently expanding these relationships to include foundry agreements with companies such as Harris and Philips.

Customers can buy standard cell or analogue array design kits for £50. After schematic capture and simulation, MCE will carry out a post-layout design review before generating GDS II tapes which are shipped to the foundry.

The foundry carries out customisation of the wafer and parametric probe testing; MCE carries out die probing, packaging and testing. Mogul says that the service is viable down to 5,000 pieces per annum. It is likely to be enhanced shortly with a "fast turnaround prototyping service with the option of multi-project wafers".

Primarily it represents a trade-off in terms of cost and of time. "A gate array is quicker to market", says Dalrymple. He quotes a typical time of three months development time for a gate array and six months for a standard cell - although complexity of the design obviously affects this.

Tim Ellis, marketing manager for northern Europe with ES2, believes that asics have shifted the whole focus of silicon over the last five years. Originally, asics were used to 'board crunch' - reducing whole PCBs to one asic, while silicon 'gurus' dealt with more complex systems design.

Now, board crunching is more the realm of FPGAs (field programmable gate arrays). Typically these are used for quantities of 5 - 10,000 parts with 2 - 3000 gates that the designer "can blow on his desk". Asics, on the other hand, are now used to do more complex systems design. NRE and piece part count tend to be the deciding factors on asic - particularly NRE.

"People need to be more original with their designs", says Ellis, to provide them with adequate market thrust. Asics can help them achieve this market differentiation.

There is a problem with smaller companies going down

## Triangle's path

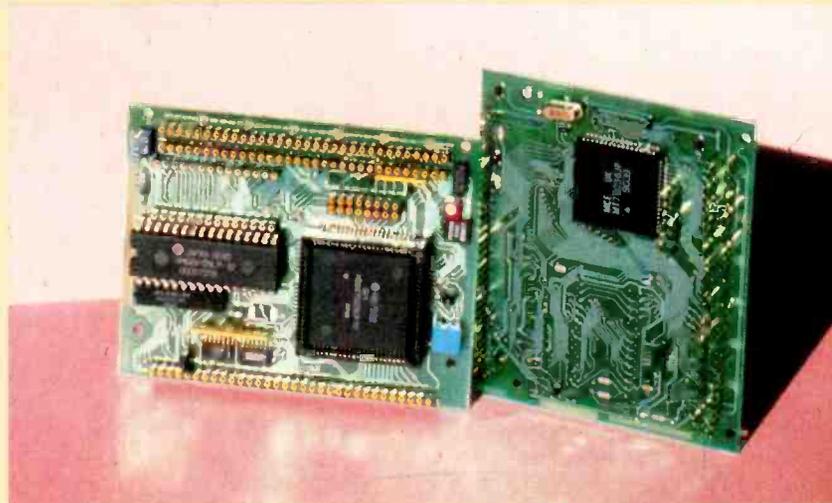
**T**riangle Digital Services manufactures a Eurocard-based control computer based on the Hitachi H8 microprocessor and using the high level language, FORTH.

Four or five years ago, the company was looking to reduce the size of its computer while keeping it low-powered enough for use in hand-held general purpose applications. Triangle opted to go down the asic route: "we couldn't have done it any other way", says Triangle's MD, Peter Rush.

The only other way that the problem could have been solved would have been to have used a multilayer board, which "would have pushed the price up", says Rush. "and there's great pressure on price".

Going the asic route enabled Triangle to reduce the length of its TDS 2020 control computer from 160mm to 80mm while leaving it as a fairly simple two-sided board.

Rush points out that asics are difficult to test: "you have to simulate in software", he says. That includes parameters such as "timing analyses and tolerancing". However he says that the board worked first time having gone through all the simulation processes offered by Micro-Circuit Engineering. "My background was in custom silicon", he says, "but if you're prepared to put in enough time and



effort, you can probably get it right first time".

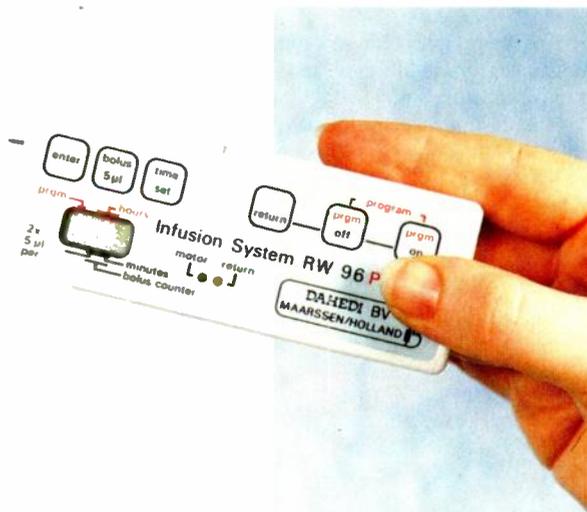
Rush warns against going the field programmable gate array route "it's very expensive except for small numbers", he says. He also points out that some designs might be better served by the use of masked microprocessors. "You can put inputs in and get outputs out, which is all that is required for some asics", he says "and relatively cheaply".

For Triangle, the ASIC route worked to perfection. As well as helping it to offer small size and low power, "we built some protection into the asic so

*The TDS2020 16-bit control computer from Triangle Digital Services shows the two sides of the board. The asic is housed on the board's underside.*

that the board won't work without the asic features", says Rush. The asic also deals with address decoding for features such as the keyboard and an LCD and incorporates a watchdog timer, satisfying applications where users want a timer to be separate from the microprocessor.

The Triangle asic consists of around 2,000 gates and is implemented using a 5µm process.



*ES2 worked with Dutch medical equipment manufacturer, Dahedi to develop a portable medical infuser capable of delivering a measured dose of a drug. An ASIC helped provide redundancy and added self-test features.*

the ASIC route, however desirable it is, Ellis believes. "There is no true low cost route to silicon", he says, "but the payback can be quite vast."

First time users are asked to pay a lot of money up front to do prototyping, Ellis believes. Their natural reaction is to look around and select their vendor on the basis of price. The problem with this approach may be that going for the lowest price may mean that the small ASIC user is not supported adequately.

A better introduction to ASICs, Ellis believes, would be to offer companies a minimum-cost access route. These companies want vendors to participate in the risk with them: they're not venture capitalists, says Ellis.

Instead, they tend to find that the bigger vendors subject them to a minimum order in terms either of value or of quantity. "The problem is that the cost of supporting 1000 little customers is not economically viable", says Ellis.

Small users always want vendor independence, Ellis believes, because they believe, erroneously, that this will give them maximum flexibility. "ASICs are not like standard products", he says. ASIC means sole sourcing and requires design support.

Nevertheless, "process portability is a goal that everyone's been running after for years", he says. The risks are high, however: if the end product doesn't work, they will lose market share. "The best solution is to take the vendor's software", he says. That means that the vendor has to take responsibility for the end results.

PC platforms are adequate for doing schematic capture, says Ellis, but are not good enough for simulation. As Triangle's Peter Rush says, "the simulator is the most important tool in gate array design. Only 10% of the time is spent in drawing the pretty coloured pictures - ie, entering the circuit design - and 90% poring laboriously over yard after yard of simulator output".

In the final analysis, ASICs do not represent a cheap path to production but their use can pay handsome dividends. Where FPGAs offer inherent problems of large die size and architectural restriction, ASICs enable the designer to achieve what he sets out to achieve - without having to compromise too much along the way.

Unless users have significant analogue expertise, however, it is probably inadvisable to attempt complex linear circuit designs in ASICs. Mixed technologies are too complex for most small customers, Ellis believes, although "simple analogue is capable of being done". The moral is to keep analogue elements to a minimum. ■

## Government incentive

The government is trying to encourage the use of ASICs with incentives such as that offered by the DTI's Link project. Essentially this acts as a 3-way agreement, says ES2's Jones, between the end user, a university and the silicon vendor. Funding of up to 50% is available if developments fulfil all the criteria set out by the DTI. Tim Ellis of ES2 believes that

1992 will see the start of a European programme designed to encourage the use of silicon by smaller companies. Such programmes exist already in a number of European countries; the European single market will ensure that no project can be funded locally and that participation will be more widespread. The Eurochip project for universities, which provides funding at

the level of around 20 ecus per square millimetre of design, has been highly successful in raising universities' awareness and use of ASICs, says Ellis. Eurochip was originally planned to last one year and was extended; it is now in its third year. The consensus on Eurochip is that "price should be no barrier", says Ellis. Industry would be well-served by the same type of approach.

## Micro AMPS

ICE 751	An emulator/programmer for the Philips 24-pin skinny DIP 8051; the 87C751. The ICE751 provides the cheapest way to emulate and program these devices.
ICE51™	A low-cost emulator for the industry standard 8051. This product is also available in kit form.
PEB552	The official Philips 80C552 evaluation board for this highly integrated 8051 variant. Optional debug monitor and 87C552 programming adapter are available.
BASIC COMPILER	A PC-based cross-compiler that enables code written for the 8052AH-BASIC processor to be compiled for the standard 8051 or 8052. Interpreted Basic is also available on the ICE51.
8051 BOOK	8051 Architecture, Programming and Applications. A recommended book for readers who require a text on the 8051 and interfacing techniques. This book is supplied with a PC-based cross-assembler and simulator for personal or educational use only.
OTHER	Contact us for information on these and many other related products such as 'C' compilers, I <sup>2</sup> C tools and drivers.

ICE51 is a trademark of Intel.

Micro AMPS Ltd  
66 Smithbrook Kilns, Cranleigh,  
Surrey, GU6 8JJ  
Tel: +44(0)483-268999 Fax: +44(0)483-268397

CIRCLE NO. 115 ON REPLY CARD

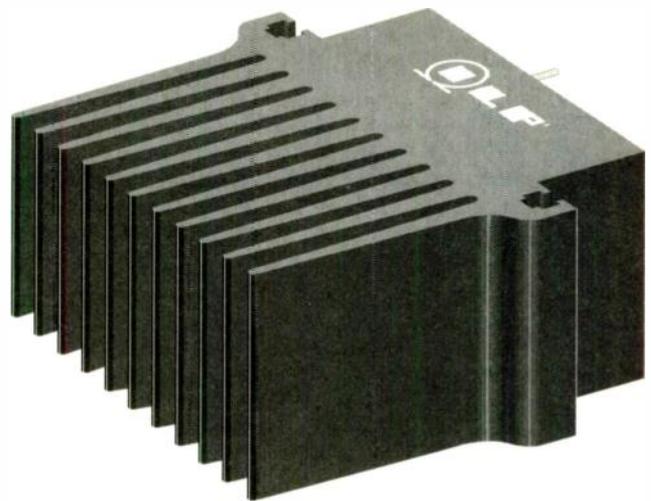
**IN VIEW OF THE EXTREMELY  
RAPID CHANGE TAKING PLACE  
IN THE ELECTRONICS  
INDUSTRY, LARGE QUANTITIES  
OF COMPONENTS BECOME  
REDUNDANT. WE ARE CASH  
PURCHASERS OF SUCH  
MATERIALS AND WOULD  
APPRECIATE A TELEPHONE  
CALL OR A LIST IF AVAILABLE.  
WE PAY TOP PRICES AND  
COLLECT.**

## R. Henson Ltd.

21 Lodge Lane, N. Finchley,  
London, N12 8JG.  
5 mins from Tally Ho Corner

**Telephone:  
081-445 2713/0749**

CIRCLE NO. 116 ON REPLY CARD



# S R E I F I T P A M P L I F I E R S

- Fully encapsulated audio amplifier modules with integral heatsinks.
- Output powers from 15 to 180 watts.
- Cost effective for professional and hobby/enthusiast applications.
- New, latest designs available incorporating BIPOLAR, MOSFET and CLASS A technology.
- New range of pre-amplifiers now available.

UK and overseas distributorships  
are available

Telephone or fax for details

**OLP<sup>®</sup>**  
**ELECTRONICS LTD.**

COTTON ROAD · WINCHEAP  
CANTERBURY · KENT CT1 3RB

Telephone: (0227) 454778  
Facsimile: (0227) 450507

CIRCLE NO. 117 ON REPLY CARD

# REGULARS

## LETTERS

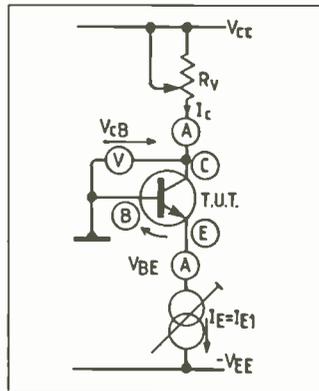
### Common basic reply

Replying to the queries raised by Frank Smith's letter (*EW* + *WW*, November, 1991), an explanation of the origin of any set of bipolar junction transistor (BJT) DC characteristics presents few difficulties if we resort to an appropriate device model, for example Ebers-Moll or Gummel-Poon. However, such a model is inappropriate at a basic electronics level.

The following approach (which does not appear in any text book) is suggested. Figure A shows a convenient practical test set-up.

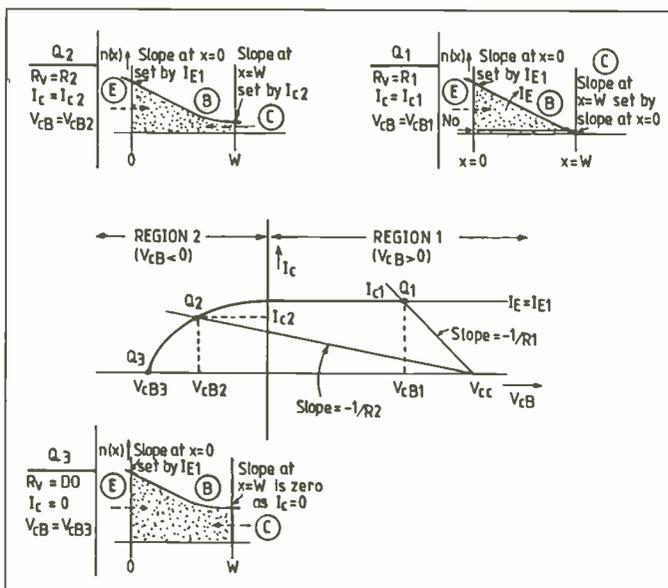
Figure B shows a common-base (CB) characteristic for one value of  $I_E$  and the associated base electron density profiles for a uniformly-doped base npn BJT in which base-region recombination is neglected. These make clear the minimum physical-electronics background and first-order approximations required for an intelligent qualitative appreciation of device operation.

In Region 1 (active), at a quiescent point such as  $Q_1$ , the condition  $V_{CB} = V_{CB1} > 0$  causes  $n(w) < n_0$ . All electrons diffusing across the base to the collector are extracted at the



**Fig. A. Common-base characteristics test set-up for NPN BJT.**  $R_V$  can be a resistance box. For a fixed  $I_E$ , vary  $R_V$ , measure pairs of values  $I_C$ ,  $V_{CB}$  and plot curve in Fig. B. For  $I_C < 0$  reverse the polarity of  $V_{CC}$ .

**Fig. B. Common-base characteristics and associated base charge patterns for a uniformly-doped base npn BJT.**  $n(x)$ =base electron density;  $nx(w)=nC$  for  $V_{BE}=0$ ,  $V_{CB}=0$ . Dots show electron charge in blue region, extending from  $x=0$  to  $x=w$ . Horizontal dashed lines, with arrow heads, show electron injection at a junction



### Delayed credit

Reading once again Arthur Clarke's remarkable 1945 prediction of satellite communications (Extra-terrestrial relays, reprinted *EW* + *WW*, November) I came across the statement: "We have as yet no direct evidence of radio waves passing between the surface of the earth and outer space", and later: "Given sufficient transmitting power, we might obtain the necessary evidence by exploring for echoes from the moon".

But I recall that shortly afterwards, I think it was the Spring of 1946, the American magazine *Electronics* carried an article detailing how they had adapted a high power dish radar to do just that.

A year or so ago I bought David Pritchard's fascinating book "The Radar War", subtitled "Germany's Pioneering Achievement 1904-45". On page 118 he describes a Telefunken radar known as the Wurzburg, which was "erected on the island of Rugen in the Baltic, and during tests, ranges of 200km against aircraft were easily achieved. Air battles over Berlin could also be easily observed. But these distances pale into insignificance when compared to the 385,000km distance to the moon which the system covered easily.

By switching off the power to the transmitter the echo returned two and a half seconds later, and this 'party trick' was often demonstrated to astonished visitors". This, one gathers, was as early as 1941-42.

The book comes as something of a revelation to people like myself who had always regarded "radio location" as a British idea of the 30s. Here we learn that a German demonstrated centimetric radar at sea in 1904; it was used by Germany in the First World War; Yagi type aerials were developed decades before Yagi "invented" them; their wartime long range Wassermann M4 could observe Allied aircraft taking off well beyond the Midlands; over-the-horizon radar was locating convoys at ranges of 2000 to 4000km by August 1944... Post war attempts to get some of this work recognised, including letters to Winston Churchill, fell on stony ground - even the book seems to have received surprisingly little recognition.

**Geoffrey Horn**  
Oxford

collector-base junction. There is no bottleneck. The magnitude of the diffusive current flow is proportional to the carrier density gradient and electrons flow down the gradient.  $I_{E1}$ , fixed externally, controls  $I_{C1}$  and  $n(0) > 0$  corresponding to  $V_{CB} > 0$ .

In Region 2 (saturation) at quiescent point  $Q_2$ , all the carriers injected into the base at the emitter cannot be extracted at the collector. This is because  $I_{C2}$  is effectively circuit-determined; thus  $I_{C2} \approx V_{CB1}/R_2$ . Balance is only restored at the collector-base junction by carriers being injected back from the collector into the base. This necessitates a forward bias:  $n(w) > n_0$  corresponding to  $V_{CB} < 0$ .

Note that the CB junction is acting simultaneously as a carrier injector and extractor. This accounts for the ability of the junction to pass significant current the wrong way when forward biased. With respect to the base resistance,  $r_b$  (typically 100Ω), this is something of a red herring in the explanation of CB curves.

$r_b$  is a parasitic element, not necessary for essential BJT operation, and arguably best ignored in a basic study. Its effect can be assessed by a simple theoretical argument and practical test.

If  $I_{E1} = 0.1 \text{mA}$ , then the PD across  $r_b$  is only some 10mV for  $I_C = 0$ . This is negligible compared with the PD across a forward-biased PN junction.

For a practical demonstration simulate the effect of  $r_s$  by inserting a  $100\Omega$  resistor in the base lead of the TUT, in the circuit of Fig A, and compare the resulting characteristics with the  $100\Omega$  in-circuit and then shorted-out.

Finally, Mr Smith's Fig 2 shows the correct general relationship for a set of characteristics. Fig 3 is incorrect: the curves do not coalesce.

The reason for this may be appreciated by referring to my Fig B. There is a separate point  $Q_3$  for each  $I_E$  because  $n(w)$  changes with  $I_E$  and is related to  $I_{CB}^{-1}$ .

**Bryan Hart**  
Essex

## Magnetometer on line

Constructors building the magnetometer (Fluxgate magnetometry, *EW + WW*, September) should not rush to recalibrate their instruments as a consequence of the letter from Terry Arnold and George Pickworth (December).

The Helmholtz equation is fairly easy to derive from first principles using the Biot-Savart law. The first step is to find the flux density at a distance  $x$  along the axis of a single coil of  $N$  turns. Integration around the coil circle of radius  $r$  will readily yield, for a current, the formula:

$$B = \frac{\mu_0 N I r^2}{2(r^2 + x^2)^{3/2}}$$

where  $\mu_0 = 4 \times 10^{-7}$ , the permeability of a vacuum.

The field at the centre of two such coils at separation  $r$  is simply the sum of two identical contributions from this formula for  $x = r/2$ , one from each of the  $N$ -turn coils.

This makes the Helmholtz equation:

$$B = (4/5)^{3/2} \mu_0 N I / r \text{ or } B = 0.716 \mu_0 N I / r$$

It is clear, however, that  $N$  is still the number of turns in each coil and not the total number of turns.

The approximate value of the earth's field which I quoted as 47,000 gamma is the magnitude of the total vector, which is inclined at around  $67^\circ$  to the horizontal in the UK.

The field affecting a compass needle is only the horizontal component of this which differs by a multiplying factor of  $\cos(67^\circ)$ .

## If only

We (engineers) have done it again. I read, sit back and wonder in amazement how so much can be missed by so many in such a short space of time. I am referring to the recent crop of letters on software quality and the confusion over IF...ENDIF, IF-THEN-ELSE and IF...GOTO etc.

I would like to suggest that we are missing the obvious. It is not the if statement that causes problems, rather the IF ONLY statement; if only the requirements specification were more detailed, if only the functional specification was realistic, if only users did not keep changing their minds – if only things were different!

A recent survey published in *Computer Weekly* indicated that 99% of software failed. In an earlier survey (USAF GAD 1979 FGMSD) it was stated that 2% of software was usable as delivered, and a massive 47% was delivered but never used.

All of which indicates something is very wrong. But when talking of software quality, are we not in danger of not seeing the wood for the trees?

I am not suggesting that we should ignore software quality issues, far from it; they are very important. However, I would like to change our perspective. For every one line of text concerning software quality should we not have ten lines considering the broader issues, specification issues and the methods of generating those specifications?

This is not a subject that has gone unnoticed and there are several papers and other documents that address the point. It has even been taken up by the DTI under the banner of their "Usability Now" programme. (a copy of a particularly relevant case study is available from HCS Limited, Tel: 0442 210191) and by the IEE (Colloquium on Human and Organisation aspects, January 12, 1990) amongst others and has, of course, been mentioned in *EW + WW* (July 1990 p.602).

I feel that if a broader view is taken great strides in the quality area can be made and great benefits achieved at both a personal level as well as a commercial level. If only we (engineers) would not concentrate on the detail, IF ONLY ...!

**Andrew Ainger**  
Herts

giving a value of around 18,400 gamma. Using the coil constant quoted in the original article requires 125mA for 50,000 gamma or 46mA for 18,400 gamma.

The apparent "times two" error does not really exist but there now seems to be a discrepancy of some 30% in the current required to balance the earth's field and the error is in the opposite direction to that suggested. I would consider this to be much too large an error to result from such simple and straightforward equipment and it warrants further investigation. (Perhaps my figure of 47,000 gamma which I confess is based on ten year old information is now wildly out.)

The reference to core permeability affecting calibration seems irrelevant since, in the experiment being conducted, there is no permeable core in the coil system to influence the Helmholtz equation.

I am also unable to understand the reference to a misplaced decimal point and the correction of the coil factor to 0.395 gauss/ampere since I calculate

$$9.1/1000 \times 24/0.055$$

to be definitely greater than one. In passing I should say that I am a great enthusiast for simple equipment and agree wholeheartedly that the instrument constructed would make an excellent educational project, with the added benefit of being low cost, with hands-on experience and the satisfaction of personally building something.

**Richard Noble**  
Gwent

## Synchrotron star

Every schoolboy knows that a neutron star is so called because it is like a soup of neutrons held up only

by a degenerating pressure, due to the law which forbids any two particles to occupy exactly the same state.

The matter in the star actually consists of an equal number of protons and electrons. Because of the sharing of energy levels the electrons are highly mobile and the star is highly conductive.

Currents in the star collect and maintain the magnetic field of the original star of which the neutron star is the remnant. The field is concentrated to such an intensity that charged particles falling towards the star spiral fast enough to generate radiation (synchrotron radiation) directly.

**Nicholas Taylor**  
Berks

## Scattering arguments

The Doppler effect can be seen as a special case of Compton scattering. Let  $c = \lambda f$  be the velocity of the outward pulse of light toward a reflective target where  $f$  is proportional to the signal's energy content with respect to an inertial frame.

Now consider the return pulse of light from the target, where the target is stationary in the same inertial frame:

$$c_r = \lambda_r f_r = c = \lambda f$$

Because the target is stationary, no change occurs and the wavelength of the return pulse equals the wavelength of the outward pulse. However, if the target now moves with velocity  $v$  toward the source of the pulse and assuming ideal reflectivity of the target material so that no dissipation of the wave's energy occurs, then the wave will absorb an amount of energy  $E$  from the electrons in the moving target, proportional to:

$$h\Delta f = mv^2/2$$

where  $h$  is Planck's constant and  $v$  the velocity of the target electrons.

According to SR the relative velocity  $v$  of the bound electrons on the target's surface must approach relativistic velocities before a detectable change in the wavelength occurs.

Doppler effect might be explained as a special case of Compton scattering via interaction of the surface electrons of the reflective

medium. Compton scattering differs from Doppler in that the scattered photons must interact a second time with the detector to register the change in  $hf$ : in Doppler the interaction occurs only once from the emission, at the source, to the interaction point where the change is registered and dependent on the relative velocity  $v$  between the source and detector. From this it can be seen how the Doppler effect appertains to the classical wave interpretation of electromagnetic interactions and the Compton effect clearly belongs to the quantum-mechanical interpretation.

Photons have a momentum expressed in quantum mechanical or wave-mechanical terms only by virtue of their lack of rest mass and their constant velocity  $v = c$ . Although fermions, ie electrons, protons, neutrons and their anti-particles can have a momentum expressible in terms of a wave function, this occurs only at relativistic energies or velocities and can also have a kinetic energy of momentum by virtue of their inertia or intrinsic rest mass.

Bosons always conserve  $v = c$  while fermions require energy, and never attain  $c$ . Furthermore, in their interaction with matter, photons acquire or relinquish energy of frequency or wavelength while, in contrast, fermions have a kinetic energy of mass which is interchangeable with their quantum energy of wavelength:  
 $E_0 = mc^2 = m(\lambda f)^2$   
**Frank La Tella**  
*Australia*

## Ether drift

It was encouraging to see from Paul Dunnet's letter (*EW + WW*, December) that, despite establishment hostility, the ether has not yet ceased to drift. There are two points that could be of interest in this connection. Firstly the reported values of drift velocity appear to increase linearly with time: in 1887 Michelson and Morley<sup>1</sup> showed a value of about  $10^3$  m/s, Dayton Miller<sup>2</sup> refined their experiment in 1933 getting a value of  $2 \times 10^5$  m/s while Silvertooth<sup>3</sup> in 1986 reported  $4 \times 10^5$  m/s, the three values apparently showing a steady increase of about 4000 m/s each year.

Secondly, the velocity of light is increased by an amount  $v$ ,  $(1-1/\mu^2)$  when the medium in which it is travelling is given a velocity  $v$ ;  $\mu$  being the refractive index.

This increase, which was demonstrated separately by Fizeau, Michelson, Fresnel and Airy, and subsequently by countless students, seems difficult to explain without

## 8 bitter

I'm sorry to say that Mr Balasubramanian's neat idea of simply extending the resolution of 8-bit convertors by analogue subtraction of partial conversions will not work with off-the-shelf parts (*EW + WW* Circuit Ideas, December). If it did we could all do fast 16-bit A-to-D conversions with cheapo 8-bit A-to-Ds like the Texas *TLC549* and save a lot of money compared to expensive "real" 16-biters like Crystal Semi's excellent products.

The idea is the basis of the half-flash convertors sold by many manufacturers, but it does require that the remainder from the first conversion process is as accurate as the whole final accuracy required. A manufacturer making conventional convertors will only guarantee his accuracy to 1/2 or 1/4 least significant bit (around 10-bit accuracy at best for an 8-bit convertor). Hence even with a "perfect" convertor turning this back to analogue the 2nd A-to-D has an extremely inaccurate value to convert when it is subtracted from the input and amplified up – the 8 bits from this stage would be near meaningless.

Pity – it would be nice if it worked.

**Allan Hurst**  
*Cambs*

invoking a medium having some of the properties of an "ether".

**HC Wright**  
*Northants*

### References

1. Michelson, AA and Morley, EW. *Phil. Mag.* 24, 449, 1887. More accessibly in *Source Book of Physics*, W.F. Magie, Harvard UP 1963.
2. Miller, DC *Rev. Mod. Phys.* 5, 203 1933.
3. Silvertooth, EW. *Nature*, 322, S90, 1986.

## Dual quantities

Wave-particle duality has been with us for a long time now. It is well established that emission and absorption of electromagnetic energy are quantised, but I have not seen any evidence showing that e-m propagation is a process that preserves the identity of individual energy packets between emission and absorption. That it is also supposed to be a wave surely suggests the opposite. Suppose atoms absorb quanta from the e-m field they find themselves in whenever it becomes strong enough and has the right frequency, direction, polarisation and phase, in relation to the momentary states of the orbiting electrons. Suppose also there is always e-m wave energy, or "noise" chaotically buzzing about everywhere. Where the level of this noise is too high atoms will apparently randomly absorb quanta until a residual e-m wave level is reached. Below the residual level absorptions will not occur, or at least will become extremely infrequent, so the background "noise" level

settles to just below absorption threshold.

Every quantum emitted will add to the background wave energy, so later the energy density at a receiver somewhere is more likely to be momentarily high enough for absorption to be triggered. It could then be said that a "photon" was passed, but the transfer happened by waves, and the energy packet absorbed was not exactly the same as the one emitted. Emission added to the residual wave energy and the absorption restored it back to its previous level, but the photon had no identity of its own during transmission.

The wave-like behaviour of individual photons demonstrated in interference experiments is then explained. Where waves, however small in energy, reinforce each other on top of the background noise, absorption of a quantum is more likely to happen. Where they cancel, there is only background noise present, so absorption is unlikely. The chaos of the system, however, makes events more or less likely, not certain, which is why wave-like probability distributions are shown by discrete events.

My conjecture is that emission and absorption of e-m energy are quantised, but the quanta themselves do not have an identity which is preserved during transmission. The quagmire (or whatever they call it) of "virtual" photons postulated by quantum mechanics is really just this background noise. The probability distributions of apparently "random" absorption of quanta do not result because God plays dice with the universe, but because the whole thing is so chaotic. The whole

problem of wave-particle duality is not so much solved, as ceases to exist, because light is not a particle.

The background noise exists at all frequencies. Like most noise it can produce occasional peaks far higher than the normal level. At the higher energies it can, on very rare occasions, even produce "random" peaks of energy big enough and in just the right time, place, frequency, polarisation etc to trigger the disintegration of large, marginally stable nuclei.

If this conjecture is wrong, I expect there will be a bag full of responses, some involving all sorts of mathematics I won't understand, but all explaining why it is wrong. If on the other hand the conjecture is right, I expect exactly the same kind of thing, except in much greater quantity.

**Alan Robinson**  
*York*

## Mind games

Putting words on paper, without many references to objects (in contrast to the sciences) has often been a hazardous or sometimes trivial procedure.

With reference to such words as universe, time and space I would suggest, for example, that we could quite reasonably say that: at the beginning of space and time, there was present in the universe everything necessary to produce the universe as it has evolved and as we know it today. We could conveniently give logical priority to calling this the "imagination" which we have subsequently found to consist of atoms: protons, electrons, neutrons and other pieces still to be identified.

In perception then, for example, the eye is used simply as a controlling seeing lens in conjunction with the rods and cones of the retina and neurons in the brain so that we may respond and control, aurally, tactually, and kinaesthetically, to the objects seen in the imagination outside us. This is in contrast to the camera, where the lens is only used to focus pictures on to photographic film. The apparent mystery about the process of seeing, therefore, has been due to a logical misuse of the concepts of mind and imagination, wrongly supposing that they refer to a kind of theatre or cinema inside the brain, where pictures of objects outside us are reproduced. It is my contention that it would be putting the cart before the horse if we say that the imagination is a part of the brain; fundamentally, the brain is a part of the imagination.

**Peter GM Dawe**  
*Botley*

# Microprocessor Development Tools

## EMULATORS - SIMULATORS - COMPILERS - ASSEMBLERS - PROGRAMMERS

77C82 8085 Z8 68000 8051 32010 68HC11 6301 6502 87C751 6805 Z80 6809 8096 740 Series 7720 MIPS R2000 etc . . .

### 8051 DEVELOPMENT

- ✓ New Version 4
- ✓ Pascal, C and Modula2 Compilers
- ✓ Simulator, Cross-Assembler, Linker and Editor
- ✓ Hardware Debug options
- ✓ Multitasking Support
- ✓ Integrated environment - or command line
- ✓ IEEE Floating Point Support
- ✓ Supports ALL 8051 variants
- including 80751, 80552 etc...

NEW

### SMAC UNIVERSAL ASSEMBLER

- ✓ Relocatable - fast assembly
- ✓ Caters for ALL Microprocessors and Controllers
- ✓ Instruction sets for many microprocessors included
- from Z80 to RISC 2000
- or add your own
- ✓ Iterative macros,
- ✓ Intelligent jump facilities
- ✓ Linker and MAKE facility

### UNIVERSAL PROGRAMMER

- ✓ Extensive device support
  - PALs, GALs, PEELs, FPGAs etc...
  - Serial PROMs, BPROMs, (E)EPROMs
  - and microcontrollers
- ✓ DIL, QFP and PLCC packages
- ✓ TI and NatSemi approved
- ✓ Gang adapters available

### ROM EMULATOR

from only **£99**

- ✓ ROM sizes from 16 kbit to 64 Mbit III
- ✓ Full bi-directional communications
- ✓ Emulates all 24, 28, 32 & 40 pin devices
- ✓ Fast download - loads 1 Meg in under 5 seconds
- ✓ Split and shuffle capability

### SIMULATORS

- ✓ Debug microprocessor and controller software on your pc
- ✓ Break points and trace
- ✓ Free run or single step

2 Field End, Arkley, Barnet, Herts, EN5 3EZ Telephone : 081-441 3890

**SMART**  
COMMUNICATIONS

CIRCLE NO. 118 ON REPLY CARD

### WE HAVE THE WIDEST CHOICE OF USED OSCILLOSCOPES IN THE COUNTRY

TEKTRONIX 2445B Four Channel 150MHz	£2000
TEKTRONIX 2445A Four Channel 150MHz	£1500
TEKTRONIX 2246 Four Channel 100MHz	£1000
TEKTRONIX 465 Dual Trace 350MHz Delay Sweep	£800
TEKTRONIX 475 Dual Trace 200MHz Delay Sweep	£550
SOULIMBERGER 5218 Three Trace 200MHz Delay Sweep with Trigger	£550
View	
HITACHI V6504 Dual Trace 60MHz Delay Sweep	£450
TEKTRONIX 2215 Dual Trace 60MHz Delay Sweep	£450
TEKTRONIX 2225 Dual Trace 50MHz Delay Sweep	£500
TEKTRONIX 465 Dual Trace 110MHz Delay Sweep	£450
PHILIPS PM3217 Dual Trace 50MHz Delay Sweep	£400
TELEQUIPMENT 083 Dual Trace 50MHz Delay Sweep (with V4 & S2A)	£250
TELEQUIPMENT V3 Differential Amplifier for above	£40
HAMEG 605 Dual Trace 100MHz Delay Sweep	£400
HAMEG 705 Dual Trace 70MHz Delay Sweep	£300
GOULD 05300 Dual Trace 70MHz Unused with 2 probes	£250
GOULD 05300 Dual Trace 20MHz	£200
HITACHI V212 Dual Trace 20MHz	£250
TRIO CS1022 Dual Trace 20MHz	£275
H.P. 1980B Measuring System 100MHz	£750

THIS IS JUST A SAMPLE - MANY OTHERS AVAILABLE

RACAL/DANA Wideband Level Meter 5002	£1000
H.P. 8620C with 86290C Sweep Generator 2-18.5GHz	£3000
TEKTRONIX 577 Curve Tracer with 177 Oscillator	£2250
WAYNE KERR LCR 4250 with Binning option	£1250
RACAL/DANA (AIM) LCR Databridge 9341	£600
WAYNE KERR LCR Meter 4210	£400
WAYNE KERR Automatic Component Bridge 8605	£450
WAYNE KERR Universal RT Bridge 8602	£150
FARWELL Synthesised Oscillator DSG1 - 0.0001Hz - 99.99MHz	£275
MARCONI TF2008 AM FM 10kHz-510MHz Sig Gen	£300
MARCONI TF2015 AM FM 10-520MHz Sig Gen with TF2171	£400
MARCONI TF2015 without Synchroniser TF2171	£250
MARCONI TF2016 AM FM 10kHz-120MHz with TF2173	£350
MARCONI TF2016 without Synchroniser TF2173	£175
MARCONI TF2356-2357 Level Dsc Meter 20MHz	the pair £950
AMBER Model 4100 Multipurpose Audio Test Set	£750
MARCONI SANDERS Sig Sources	
Various models from £300 covering 300MHz-8.5GHz	
RACAL 9009 Mod Meter 10MHz - 1.5GHz	£350
TEKTRONIX Waveform Monitor type 528	£300
RACAL Instrumentation Recorders Store 4D and Store 7D	from £500
KITHELEY 224 Programmable Current Source	£1000
FERROGRAPH RT52 Recorder Test Set	from £150

#### SPECTRUM ANALYSERS

TEKTRONIX 491 1.5-12.4GHz	£750
H.P. 1411 with 855A & IF Plug-in 10MHz-18GHz	£3000
H.P. 140 Series with 855A & IF Plug-in 500MHz-1250MHz	£1500
H.P. 140 Series with 8553 & IF Plug-in 1MHz-110MHz	£800
H.P. 180 Series with 8558 Q.I.-1500MHz	from £2000
POKARAD type 641/1 10MHz-18GHz	£3000

PHILIPS PM2525 multi-function DMM 4 1/2 digit with GPIB/IEEE 488	only £300
THURLBY PL320T GP Bench PSU 0-30V 2amp 1W/Cl with GPIB	only £350
HANDHELD MULTIMETERS - 3 1/2 digit	
DM105 - 14 ranges DC-2amp	only £18
N2355 - 32 ranges AC/DC, 10 amps, Diode/Transistor Tester, Freq Counter etc	only £32.50
MARCONI TF2410 20GHz Microwave Counter	£1500
MARCONI TF2610 True RMS Voltmeter	£800
FARWELL SSG1000 Sig Gen 10kHz-1GHz Synthesised	£1750
RACAL 1998 1.3GHz Freq Counter with IEEE	£700
SOULIMBERGER 7151 Computing Multimeter	£750
PHILIPS PM5131 Function Gen 0.1Hz-2MHz	from £700
FARWELL PSU 130-5, 30V 5Amp	£150

#### BRUEL & KJAER

Sound Level Meter 2206 - 1/2" mic. With carrying case	£150
Sound Level Meter 2203 with 1" Mic	from £225
Mics available - 1" 4117 & 4132, 1/2" 4134	
Pre Amps 2613, 2615, & 2630	

#### OTHER B & K EQUIPMENT AVAILABLE

THORN PSU 0-40V, 0-50Amps Metered	£300
FARWELL PSU H30-100 30V 100Amps	£750
FARWELL PSU H60-25 50V 25A	£400
TELEQUIPMENT 0771 Curve Tracer	£250
MARCONI TF2700 Universal LCR Bridge, Batteries	from £125
MARCONI TF2378 Auto-Diastor Meter 400Hz/1MHz 0.01%	£175
RACAL 9915 Freq Counter 10kHz-520MHz (Crystal Oven)	£150
MANNESMANN TALLY Play 3 XY Plotter RS232	£100

#### AVO MULTIMETERS

Model 8 or 9 (what's available)	£40 each
Test Set No.1, 8X, 95X	from £65
8 Ma's with Carrying Case	£80
8 Ma's with Carrying Case	£120

All Meters supplied with Batteries & Leads

KRUSJII AM73 AC Voltmeter Dual Ch 10Hz-500kHz 300V-100V	£75
SOLARTRON 7045 Multimeter 4.5-digit 30 Ranges, Auto-Man	£95
Large range of BENCH POWER SUPPLIES available	from £40
X-Y PLOTTERS Various models	from £5-400

#### NEW EQUIPMENT

HAMEG OSCILLOSCOPE HM1205 Triple Trace 100MHz Delay Limbbase	£797
HAMEG OSCILLOSCOPE HM604 Dual Trace 60MHz Delay Sweep	£610
HAMEG OSCILLOSCOPE HM203 7 Dual Trace 20MHz Component Tester	£338
HAMEG OSCILLOSCOPE HM205 3 Dual Trace 20MHz Digital Storage	£610
All other models available - all oscilloscopes supplied with 2 probes	
BLACK STAR EQUIPMENT (P&P all units £5)	
APOLLO 10 100MHz Ratio Period Time Interval etc	£227
APOLLO 100 100MHz (As above with more functions)	£295
METTEOR 100 FREQUENCY COUNTER 100MHz	£109
METTEOR 600 FREQUENCY COUNTER 600MHz	£135
METTEOR 1000 FREQUENCY COUNTER 1GHz	£178
JUPITOR 500 FUNCTION GEN 0.1Hz-500kHz Sine Sq In	£110
ORION COLOUR BAR GENERATOR Pal TV Video	£209
All other Black Star Equipment available	
OSCILLOSCOPE PROBES Switched 1X10 (P&P £3)	£11

## ALL-MODE WIDE-BAND IC-R7100 RECEIVER



#### THE IC-R7100 FEATURES:

- 25 to 2000 MHz continuous coverage allowing you to receive VHF, UHF, amateur, marine, CB, utility bands, FM and TV broadcasts
- All-mode capability.
- 900 memory channels in 9 banks.
- 20 Scan edge memory channels.
- Dual scan with over 40 combinations.
- High sensitivity and reliable frequency stability
- 0.1, 1, 5, 10, 12.5, 20, 25, 100 kHz and 1 MHz tuning steps available.
- Built-in 24-hour system clock with 5 ON/OFF timers.
- Effective 20dB attenuator for strong signals.

- Automatic recording so important programmes can be caught when away from receiver.
- Dial lock function.
- Noise blanker circuit for eliminating pulse noise.
- Noise squelch and S-meter squelch
- CI-V system for computer control through an optional CT-17.
- Frequency announcement in English with an optional UT-36.
- Large function display with selectable LCD backlighting brightness.
- Easy-to-read S-meter plus FM centre indicators.
- AC and DC power operation.

**ICOM**

Post to: Icom (UK) Ltd, Dept WW  
Sea Street Herne Bay Kent CT6 8LD  
Tel: 0227 741741 (24hr). Fax: 0227 360155

Name/address/postcode .....

Call sign: ..... Tel: ..... Dept: WW

CIRCLE NO. 119 ON REPLY CARD

CIRCLE NO. 120 ON REPLY CARD

# IT TAKES LESS THAN A WEEK TO FALL IN LOVE

■ **T**op quality test and instrumentation equipment is just a phone call away. Buy direct from *Electronics World + Wireless World* and we know that you won't be disappointed. And in the unlikely event that you are, simply return the goods and we will refund the purchase price.\*

1021 general purpose oscilloscope from Leader Electronics



\*These straightforward conditions apply:

The goods must be returned within seven days of receipt. The goods must be returned in their original packing. The goods must not be tampered with in any way. The goods must be returned in the condition they were received.



SC110A miniature portable oscilloscope

## ■ SC110A miniature portable oscilloscope

The SC110A from Thurlby-Thandar is a full feature, single trace analogue oscilloscope packaged into the size of a benchtop multimeter. Fitted with a 32mm x 26mm screen miniature CRT, the bright, sharp image provides resolution and detail associated with much larger instruments. UK designed and built, the internal switch mode power supply draws just 195mA from four C sized batteries (not supplied). The instrument will operate from 4 to 10V DC.

The specification includes a Y bandwidth of DC to 10MHz, 10mV/div sensitivity and an adjustable brightline trigger with AC/DC/TV coupling from both internal and external sources. The X timebase is adjustable from 500ms/div to 100ns/div in 24 steps. The case measures 25 x 5 x 15cm and the instrument weighs about 1kg. SC110A £249+VAT (£292.58).

## ■ 1021 general purpose 20MHz oscilloscope

The Model 1021 general purpose oscilloscope from Japanese instrument maker Leader Electronics more than meets its published specification and is of exceptional build quality. Features include 20MHz dual channel operation, 8cm x 10cm display area, 5mV/div Y1/Y2 sensitivity at 20MHz, DC to 500kHz X-amplifier response, variable trigger response, multiple sync conditioning and an overall accuracy better than 3%. 1021 £299+VAT (£351.33)



PL320K laboratory triple power supply

TS3022S laboratory dual power supply

**PL320K laboratory triple power supply**

This power supply from Thurlby-Thandar combines three, totally independent power supplies within a single unit: 0-30V at 2A, 0-30V at 1A and 4-6V at 7A for logic supply. The 30V supplies will operate in a bipolar tracking mode for  $\pm 30V$  operation or in a series mode to provide 0 to 60V output. Both supplies incorporate independent remote sensing and independent precision voltage/over-voltage/current-limit preset. Three 3 3/4 digit led panel meters indicate current and voltage to an accuracy of 0.05% fsd. Output stability is typically 0.01% for 90% load change. PL320K £359+VAT (£421.83).

**TS3022S laboratory dual power supply**

This laboratory quality power supply from Thurlby-Thandar provides two fully floating 0-30V 2A outputs for parallel, series or independent operation. Each supply has its own metering of voltage and current by LCD display; with the output switch to off, the display can be used to preset the voltage and current limits prior to connection of the load. Coarse and fine controls permit output voltage adjustment to within 5mV of a predetermined value. The current limit control employs a log law for precise adjustment down to 1mA. Load regulation is typically within 0.01%. Both supplies incorporate remote sensing. TS3022S £299+VAT (£351.33).

**TD201 digital storage adaptor**

The TD201 digital storage adaptor from Thurlby-Thandar is a low power, single channel digital storage unit which adds digital storage capability to ordinary analogue oscilloscopes. The maximum sampling rate of 200kHz permits fast transients to be captured while the lowest rate can extend the sampling period to over an hour. The unit stores over a thousand points on the X axis with 256 levels in the Y axis. The internal batteries (not supplied) allow data retention for up to four years. Other features include an AC/DC sensitivity down to 5mV, selectable pre-trigger, roll and refresh modes and a plot mode. The case measures 25 x 5 x 15cm and the unit weighs about 1kg. The TD201 provides the ideal solution for those wanting a well specified and easy-to-use DSO at the lowest possible cost. TD201 £195+VAT (£229.13)

TD201 digital storage adaptor



**How to order**

To order equipment with your credit card, phone Lorraine Spindler on 081-661 3614. Alternatively, to order by post, fill in the coupon on the right and send to: L333, Electronics World, Quadrant House, The Quadrant, Sutton, Surrey, SM2 5AS. All prices include postage, ing packing and delivery but exclude VAT. Inclusive price in brackets.

**ORDER FORM**

Please send model number(s).....

Total order price £..... (please include VAT)

Debit my credit card

Expiry date     VISA/MASTERCHARGE/AMEX/DINERS CLUB

or enclose cheque/PO made out for the total order price

Name (with initials) .....

Address .....

.....

.....

Signature .....

Contact phone number (if possible) .....

# Circuits, Systems & Standards

First published in the *US magazine EDN* and edited here by Ian Hickman.

## Voltage divider switch adds range to DPM

### Accuracy maintained

Here is another brilliantly simple idea. It lets you use solid state switches to select ranges on a DPM, without incurring inaccuracies due to switch resistance on the more extreme division ratios. IH

The range of many currently available digital panel meter (DPM) chips and modules can be extended by adding a voltage divider switch to the DPM's input (Fig. 1). If mechanical switches are used, the contacts' resistance won't affect the divider's ratio. However, if solid-state switches are used, the switch resistance needs to be included in the voltage-divider equations. Unfortunately, an analogue switch's exact resistance varies with temperature and power-supply voltage.

Fig. 1's circuit overcomes this problem by using the differential inputs of the DPM to remove the analogue switch's IR drop which is in series with the divider resistor.

The second analogue switch in each pair carries no current. This switch connects the INPUT LO pin to the

bottom of the precision voltage divider resistor, and causes the divider to ignore the voltage drop in the companion, current-carrying switch.

The analogue switch, in this case the DG509A analogue multiplexer, must be supplied with both a positive and negative voltage if it is to pass positive- and negative-going voltages. Fig. 1 generates the negative voltage using the Max138's internal charge-pump; the V pin can supply as much as 0.5mA. You can build the precision divider with discrete 1% resistors, or purchase a precision resistor network. As Fig. 1 shows, the voltage-divider switch can be controlled by using a microprocessor and the select pins of the multiplexer.

Don Sherman, Maxim, Sunnyvale, CA.

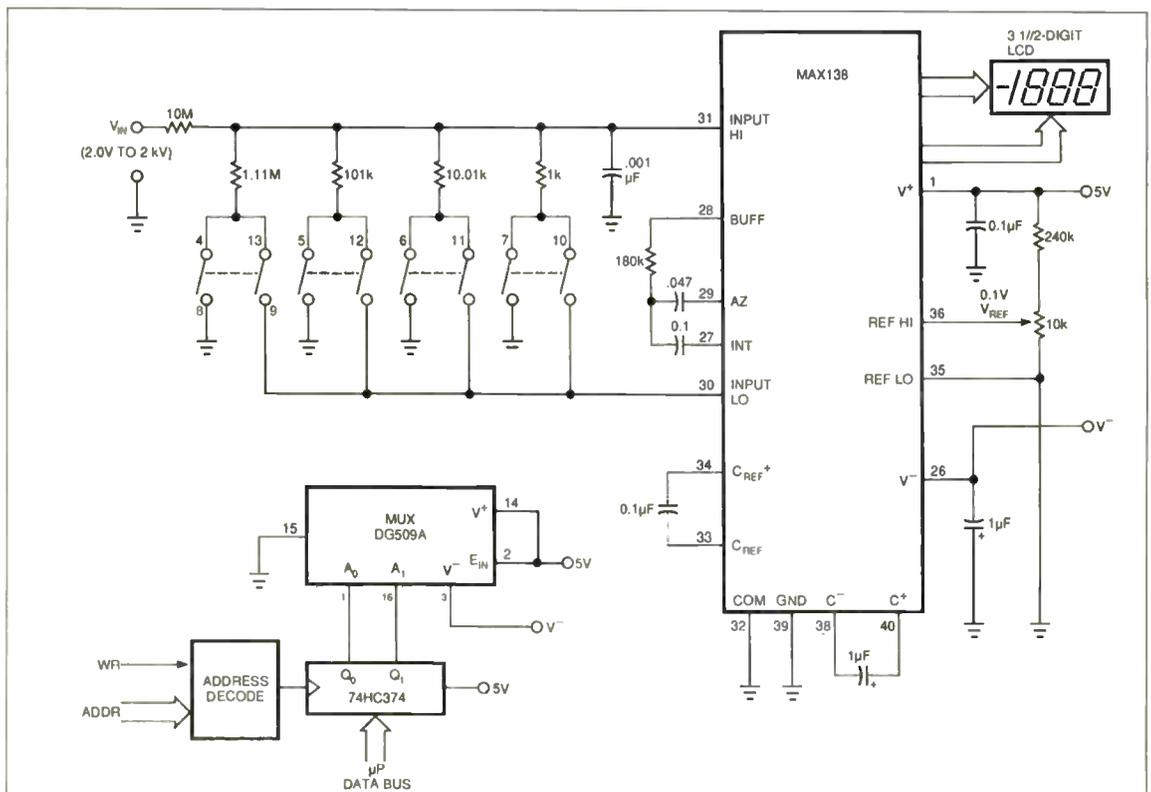


Fig. 1. To extend the range of a digital panel meter chip or module, you can add a precision voltage divider to the device's input.

## Amplitude-locked loop speeds filter test

The circuit shown in Fig. 1 finds, locks to, and displays the cut-off frequency of an audio-frequency low-pass filter. The circuit compares the RMS input to the filter under test with the filter's RMS output. Based on the results of this comparison, the circuit adjusts a VCO to achieve a null at the desired input-to-output attenuation of the filter. Hence, its operation is similar to that of a phase-locked loop.

The AD536 RMS-to-DC converter connected to the filter input acts as a reference to the LT1013 servo amplifier. You set the null-voltage potentiometer to the desired input-signal attenuation, such as -3dB. The servo loop adjusts the VCO's frequency until the output of the filter's RMS-DC converter equals the null voltage.

The ICL8038 waveform generator is connected as a sine-wave oscillator with a wide-sweep input-range of 1000 to 1.

The values given in Fig. 1 provide a sweep range of 2Hz to 20kHz. The LT1042 window comparator senses when the null voltage and the filter output voltage are within  $\pm 15\text{mV}$  of each other and causes the loop-locked led to turn on. When the loop reaches lock, the filter's cut-off frequency can be read from the frequency counter.

The loop's bandwidth is 16Hz, and it has  $50^\circ$  of phase margin. The circuit acquires lock in less than 1s with

### ALL tests filter cut-off frequency

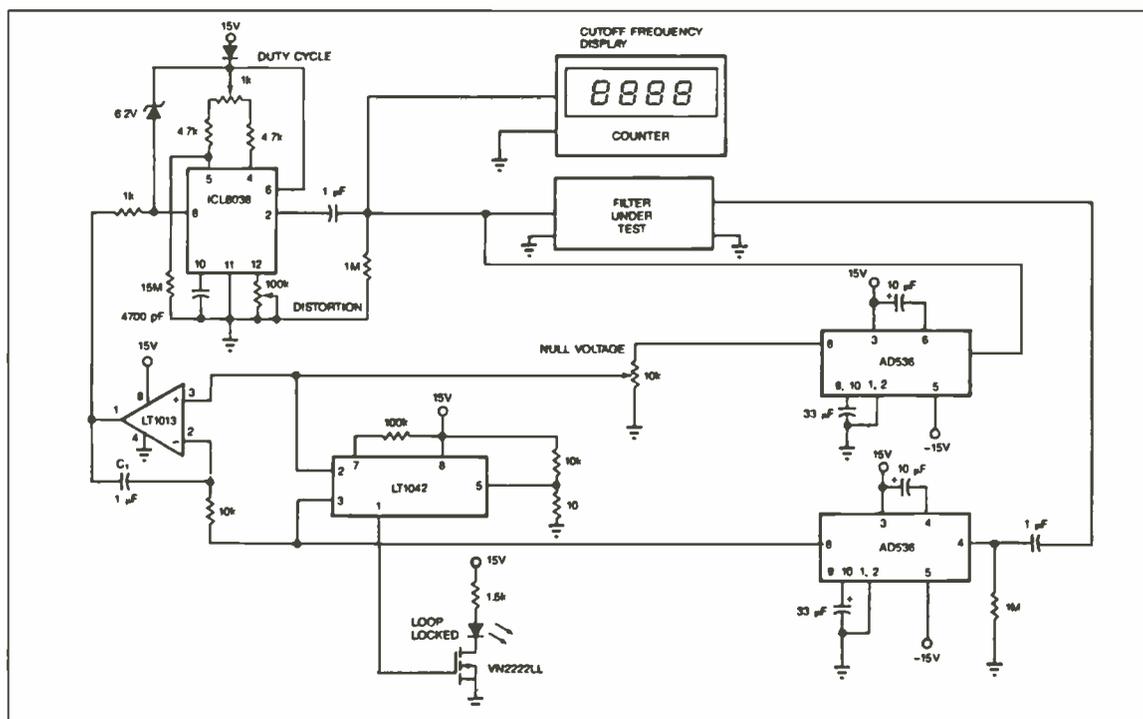
Before reading this article, I had never heard of an ALL - an amplitude logic loop - and I guess that goes for a lot of other people. Here it is used as the basis of a useful item of production test equipment, enabling a completely unskilled worker to check filter cut-off frequencies.

IH

frequency repeatability of better than 0.1%. You can increase the loop bandwidth - at the expense of accuracy - by reducing the value of the integration capacitor,  $C_1$ , and the values of the averaging capacitors around the RMS-DC converters.

Steven C Hageman, Calnex Manufacturing Co Inc,  
Pleasant Hill, CA

Fig. 1. This amplitude-locked-loop circuit can be used to find the cut-off frequency of a low-pass filter.



# Transistor clipper provides flat-top output

Using the diode clipper shown in Fig. 1a to clip a sine wave will not give a perfect flat-topped waveform because of the diode's forward characteristic. A simple transistor circuit (Fig. 1b) does a much better job because the transistor's base gets its signals from the circuit input and output.

The transistor circuit's operation can be understood by looking at the effect of each base signal separately.

Figure 2a shows the circuit with the base signal coming only from the output – a configuration that provides the same result as Fig. 1a's diode clipper.

On the other hand, Fig. 2b shows the circuit with the base signal coming only from the input. With this configuration, the output actually sags, because as the transistor's base gets driven harder as a result of the input pulse's rounded top, the collector saturates harder.

Combination of the two base signals thus provides the flat-top characteristic. For different transistor types, the optimum resistor values might vary.

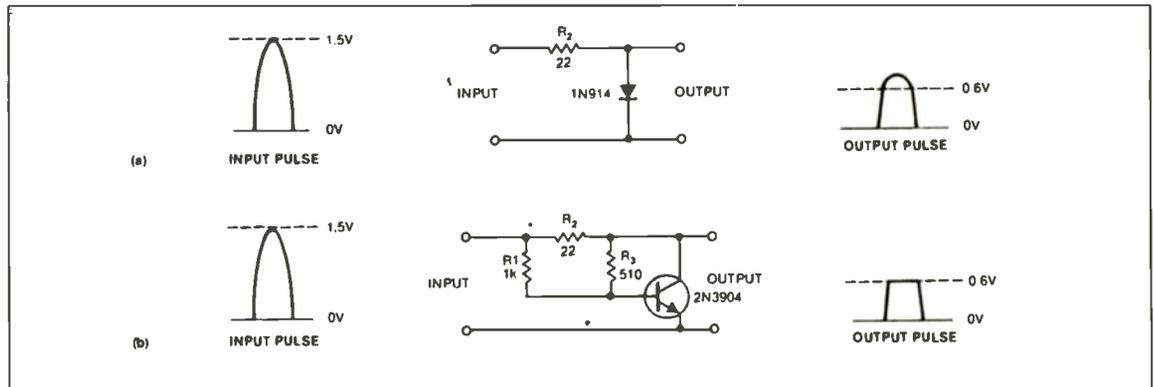
Add one component – another transistor – to Fig. 1b's circuit, and you have a symmetrical clipper, shown in Fig. 3a along with its diode counterpart. Add another resistor, and you can raise the clipping-voltage level (Fig. 3b). This latter circuit functions at levels into the tens of volts. However, at higher voltage levels, it's more efficient to use zener diodes.

## A waveform modifier

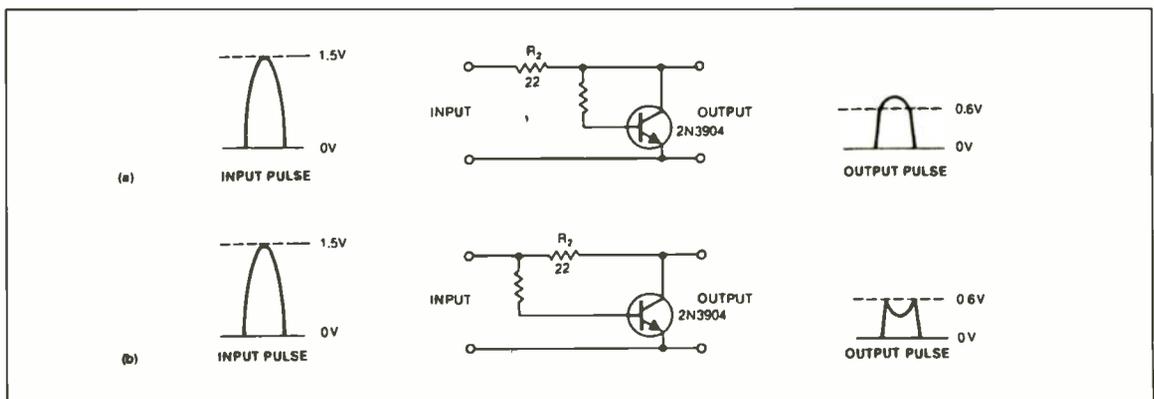
Here is an ingenious circuit in search of an application – can you think of one? I have used a version intermediate between Fig. 1(b) and Fig. 2(b) in experiments with electronic organs. This provided alternative outputs, containing even harmonics, to the primary outputs of sine-wave type tone-generators, on a per note basis, in a free phase organ.

**IH**

**Fig. 1. A simple diode clipper (a) provides a signal with a rounded top when driven by a sine wave. Substituting a transistor whose base accepts two input signals (b) results in a flat-top characteristic.**



**Fig. 2. Without the resistor from the input to the transistor base (a), action of the Fig. 1b circuit is the same as that of Fig. 1a's diode clipper. And with the resistor from the output to the base removed (b), a sag appears in the pulse's centre because the transistor is driven there.**



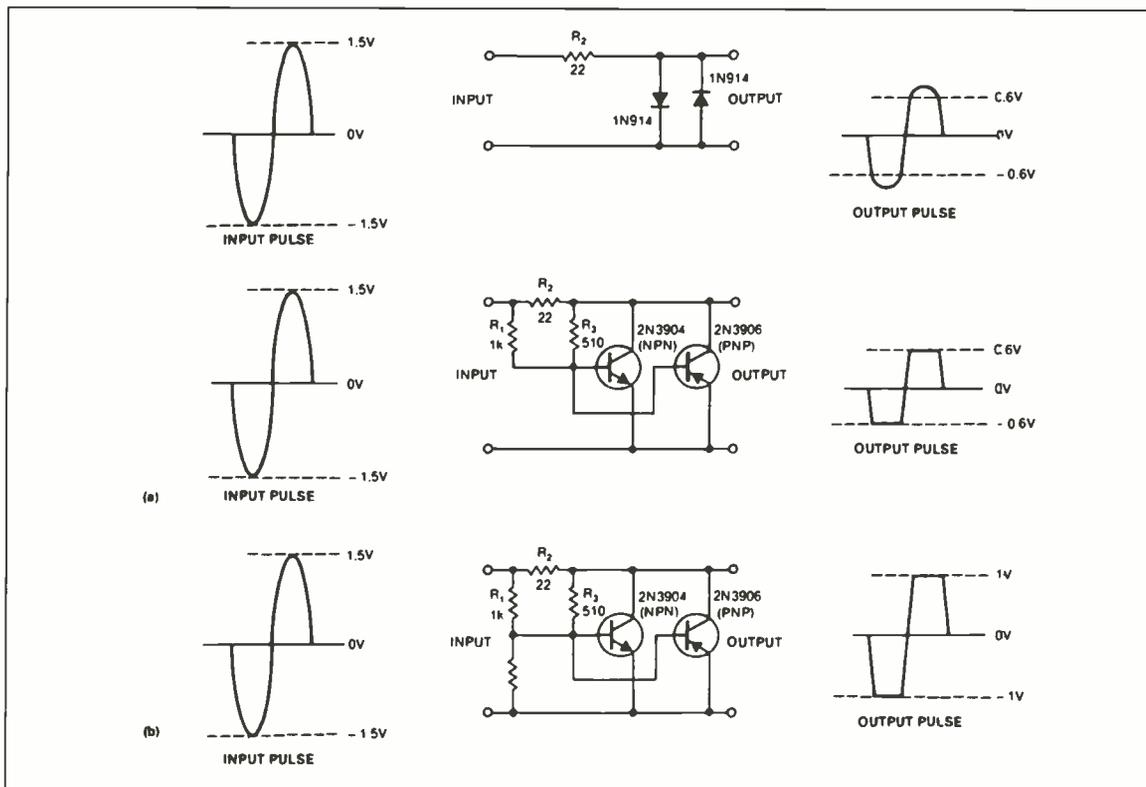
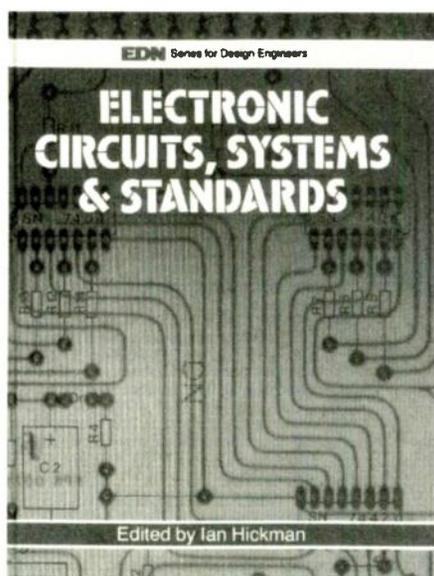


Fig. 3. Symmetrical action results when a complementary transistor is added to Fig. 1b's design (a). Adding a resistor (b) raises the complementary circuit's clipping level.



### Electronic Circuits, Systems & Standards

Edited by Ian Hickman, published by Butterworth Heinemann Newnes. ISBN 0 7506 0068 3. price £20.

Since its appearance in 1956 the US-based EDN has established itself as a leader in controlled circulation electronics magazines. Now this "best" of EDN - with useful information on components, equipment, circuits, systems and standards is available in a 216 page hardback publication

Available from bookshops, or direct by postal application to EW + WW, Quadrant House, The Quadrant, Sutton Surrey SM2 5AS. Cost £20 plus £1.50 post and packing. Cheques payable to Reed Business Publishing Group.

Surplus always wanted for cash!

# THE ORIGINAL SURPLUS WONDERLAND!

Surplus always wanted for cash!

## BBC Model B APM Board

£100 CASH FOR THE MOST NOVEL DEMONSTRATABLE APPLICATION!

WIN £100 CASH!

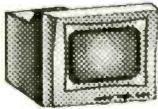
BBC Model B type computer on a board. A major purchase allows us to offer you the PROFESSIONAL version of the BBC computer at a parts only price. Used as a front end graphics system on large networked systems the architecture of the BBC board has so many similarities to the regular BBC model B that we are sure that with a bit of experimentation and ingenuity many useful applications will be found for this board!! It is supplied complete with a connector panel which brings all the I/O to 'D' and BNC type connectors - all you have to do is provide +5 and ±12v DC. The APM consists of a single PCB with most major IC's socketed. The IC's are too numerous to list but include a 6502, RAM and an SAA5050 teletext chip. Three 27128 EPROMS contain the custom operating system on which we have no data. On application of DC power the system boots and provides diagnostic information on the video output. On board DIP switches and jumpers select the ECONET address and enable the four extra EPROM sockets for user software. Approx. dims: main board 13" x 10". I/O board 14" x 3". Supplied tested with circuit diagram, data and competition entry form.

Only £29.95 or 2 for £53 (B)

## MONITORS

### MONOCHROME MONITORS

#### THIS MONTH'S SPECIAL!



There has never been a deal like this one! Brand spanking new & boxed monitors from NEC, normally selling at about £140! These are over-engineered for ultra reliability. 9" green screen composite input with etched non-glare screen plus switchable high/low impedance input and output for daisy-chaining. 3 front controls and 6 at rear. Standard BNC sockets. Beautiful high contrast screen and attractive case with carrying ledge. Perfect as a main or backup monitor and for quantity users! £39.95 each (D) or 5 for £185 (G)

CALL FOR DISCOUNTS ON HIGHER QUANTITIES!

### COLOUR MONITORS

Decca 16" 80 budget range colour monitor. Features a PIL tube, beautiful leak style case and guaranteed 80 colour resolution, features usually seen only on colour monitors costing 3 times our price! Ready to connect to most computers or video outputs. 754 composite input with integral audio amp & speaker. Fully tested surplus, sold in little or hardly used condition with 90 day full RTB guarantee. Ideal for use with video recorder or our Telebox ST, and other audio visual uses. £99 (E) 3/£275 (G)

### 20", 22" and 26" AV SPECIALS

Superbly made UK manufacture. PIL all solid state colour monitors, complete with composite video & sound inputs. Attractive leak style case. Perfect for Schools, Shops, Disco, Clubs. In EXCELLENT little used condition with full 90 day guarantee. 20"....£135 22"....£155 26"....£185 (F)

### HI-DEFINITION COLOUR MONITORS

Brand new 12" multiline high definition colour monitors by Microvitek. Nice tight 0.31" dot pitch for superb clarity and modern metal black box styling. Operates from any 15.625 khz sync RGB video source, with either individual H & V syncs such as CGA IBM PC's or RGB analog with composite sync such as Atari, Commodore Amiga, Acorn Archimedes & BBC. Measures only 14" x 12" square. Free data sheet including connection information. Will also function as quality TV with our RGB Telebox.



Only £145 (E)

Brand new Centronic 14" monitor for IBM PC and compatibles at a lower than ever price! Completely CGA equivalent. Hi-res Mitsubishi 0.42 dot pitch giving 669 x 507 pixels. Big 28 Mhz bandwidth. A super monitor in attractive style moulded case. Full 90 day guarantee. Only £129 (E)

NEC CGA IBM-PC compatible. High quality ex-equipment fully tested with a 90 day guarantee. In an attractive two tone ribbed grey plastic case measuring 15"L x 13"W x 12"H. A terrific purchase enables us to pass these on at only.... £79 (E)

## V22 1200 BAUD MODEMS

Master Systems 2/12 microprocessor controlled V22 full duplex 1200 baud modem. Fully BT approved unit, provides standard V22 high speed data comm, which at 120 cps, can save your phone bill and connect time by a staggering 75%! Ultra slim 45 mm high. Full featured with LED status indicators and remote error diagnostics. Sync or Async use; speech or data switching; built in 240v mains supply and 2 wire connection to BT. Units are in used but good condition. Fully tested prior despatch, with data and a full 90 day guarantee. What more can you ask for and at this price!! ONLY £69 (D)

## IBM KEYBOARD DEALS

A replacement or backup keyboard, switchable for IBM PC, PC-XT or PC-AT. LED's for Caps, Scroll & Num Locks. Standard 84 keyboard layout. Made by NCR for the English & US markets. Absolutely standard. Brand new & boxed with manual and key template for user slogans on the function keys. Attractive beige, grey and cream finish, with the usual retractable legs underneath. A generous length of curly cord, terminating in the standard 5 pin DIN plug. A beautiful clean piece of manufacturers surplus. What a deal! £39 (B) 5/£175 (D)

Brand new and boxed 84 key PC/XT type keyboards in standard IBM grey with very attractive mottled finish and "clacky" solid feel keys. 10 function keys on slide. English layout and E sign. Green LEDs for Caps, Scroll & Num locks. £29.95 (B) 5/£135 (D)

CALL FOR DISCOUNTS ON HIGHER QUANTITIES!

## FLOPPY DISK DRIVES BARGAINS GALORE!

NEW 5 1/4 inch from £29.95!

Massive purchases of standard 5 1/4" drives enables us to present prime product at industry beating low prices! All units (unless stated) are removed from often brand new equipment and are fully tested, aligned and shipped to you with a 90 day guarantee and operate from +5 & ±12vdc, are of standard size and accept the standard 34 way connector.

TANDON TM100-2A IBM compatible DS £39.95 (C)  
CANON, TEC etc. DS half height. State 40 or 80T £79.00 (C)  
TEAC FD-55-F. 40-80 DS half height. BRAND NEW £79.00 (C)

## Specials!

TEAC FD-55 half height series in your choice of 40 track double sided 360k or 80 track double sided 720k. Ex-equipment fully tested in excellent condition with 90 day warranty. Order TE-36 for 360k £29.95 (C) or TE-72 for 720k £39.95 (C)

### CHOOSE YOUR 8 INCH!

Shugart 800/801 SS refurbished & tested £150.00 (E)  
Shugart 851 double sided refurbished & tested £225.00 (E)  
Mitsubishi M2894-63 double sided switchable hard or soft sectors. BRAND NEW £250.00 (E)

### SPECIAL OFFERS!!

Dual 8" drives with 2 megabyte capacity housed in a smart case with built in power supply Only £499.00 (F)  
Ideal as extender drives!

End of line purchase scoop! Brand new NEC D2246 8" 85 megabyte of hard disk storage! Full CPU control and industry standard SMD interface. Ultra hi speed transfer and access time leaves the good old ST506 interface standing. In mint condition and comes complete with manual. Only £399 (E)

## AFFORDABLE 10 Mb WINCHESTERS

A fantastic deal - 10mb (formatted) Winchester for £39.95! Tandon TM502 full height ST506 interface. Use it as a second hard drive on your present driver card or as a starter into Winchester land - see the driver card listed below. In excellent used condition, guaranteed for 90 days. £39.95 (C)  
Hard disk driver card, complete with cables ready to plug into your PC or compatible. Supports two Winchesters. £29.95 (A)

## No Break Uninterruptible PSU's

Brand new and boxed 230 volts uninterrupted power supplies from Densel. Model MUK 0565-AUAF is 0.5 kva and MUD 1085-ABH is 1 kva. Both have sealed lead acid batteries. MUK are internal, MUD has them in a matching case. Times from interrupt are 5 and 15 minutes respectively. Complete with full operation manuals. MUK.....£249 (F) MUD.....£525 (G)

## RECHARGEABLE BATTERIES

### LEAD ACID

Maintenance free sealed long life. Type A300.  
12 volts 12 volts 3 amp/hours £13.95 (A)  
6 volts 6 volts 3 amp/hours £ 9.95 (A)  
12 volts Centre tapped 1.8 amp hours. RFE. £ 5.95 (A)  
12 volts 12 volts 38 amp hours 7-1/2" x 6" S. RFE £35.00 (B)

### EXTRA HI-CAPACITY NICKEL CADMIUM

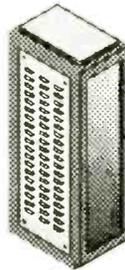
Super high capacity Chloride Alcad 12 volts rechargeable type XL1.5. Electrolyte is readily available Potassium Hydroxide. In banks of 10 cells per 8"H x 24"L x 5.5"D wooden case. Each cell measures 8"H x 1.75"L x 4"D. Can be easily separated. Ideal for all standby power applications. Ex MoD, like new. £49.95 (E)

### SPECIAL INTEREST

Newton Derby frequency changer 3 phase 50hz to 3 phase 400hz. 15 kva output. As new. £2900  
Trio 0-18 vdc bench PSU. 30 amps. New £ 470  
Fujitsu M3041 600 LPM band printer £2950  
DEC LS/02 CPU board £ 150  
Rhode & Schwarz SBUF TV test transmitter 25-100mhz. Complete with SBT2 Modulator  
Calcomp 1036 large drum 3 pen plotter  
Thurley LA 160B logic analyser  
1.5kw 115v 60hz power source  
Tektronix R140 NTSC TV test signal standard.  
Sony KTX 1000 Videotex system - brand new  
ADDS 2020 VDU terminals - brand new  
Sekonic SD 150H 18 channel hybrid recorder  
Trend 1-9-1 Data transmission test set £2000  
Kenwood DA-3501 CD tester, laser pickup simulator £ 350

## Superb Quality 6 foot 40u 19" Rack Cabinets

Massive Reductions Virtually New, Ultra Smart! Less Than Half Price!



Top quality 19" rack cabinets made in UK by Optima Enclosures Ltd. Units feature designer, smoked acrylic lockable front door, full height lockable half louvered back door and removable side panels. Fully adjustable internal fixing struts, ready punched for any configuration of equipment mounting plus ready mounted integral 12 way 13 amp socket switched mains distribution strip make these racks some of the most versatile we have ever sold. Racks may be stacked side by side and therefore require only two side panels or stand singly. Overall dimensions are 77-1/2"H x 32-1/2"D x 22"W. Order as:

Rack 1 Complete with removable side panels.....£275.00 (G)  
Rack 2 Less side panels.....£145.00 (G)

## POWER SUPPLIES

Power One SPL200-5200P 200 watt (250 w peak). Semi open frame giving +5v 35a, -5v 1.5a, +12v 4a (8a peak), -12v 1.5a, +24v 4a (6a peak). All outputs fully regulated with over voltage protection on the +5v output. AC input selectable for 110/240 vac. Dims 13" x 5" x 2.5". Fully guaranteed RFE. £85.00 (B)

Power One SPL130. 130 watts. Selectable for 12v (4A) or 24v (2A). 5v @ 20A, ±12v @ 1.5A. Switch mode. New. £59.95 (B)  
Ateck AC-8151 40 watts. Switch mode. +5v @ 2.5a. +12v @ 2a. -12v @ 0.1a. 6-1/4" x 4" x 1-3/4". New £19.95 (B)

Greendale 19A80E 60 watts switch mode. +5v @ 6a, ±12v @ 1a, +15v @ 1a. RFE and fully tested. 11 x 20 x 5.5cms. £24.95 (C)  
Conver AC130. 130 watt hi-grade VDE spec. Switch mode. +5v @ 15a, -5v @ 1a, ±12v @ 6a. 27 x 12.5 x 6.5cms. New. £49.95 (C)

Boshert 13090. Switch mode. Ideal for drives & system. +5v @ 6a, +12v @ 2.5a, -12v @ 0.5a, -5v @ 0.5a. £29.95 (B)  
Farnell G6/40A. Switch mode. 5v @ 40a. Encased £95.00 (C)

## COOLING FANS

Please specify 110 or 240 volts for AC fans.  
3 inch AC 11/2" thick £ 8.50 (B)  
3 1/2 inch AC ETRI silrline. Only 1" thick. £ 9.95 (B)  
3 1/2 inch AC 230 v 8 watts. Only 3/4" thick £12.95 (A)  
4 inch AC 110/240v 1 1/2" thick. £10.95 (B)  
10 inch AC round. 3 1/2" thick. Rotron 110v £10.95 (B)  
As above but 230 volts £24.95 (B)  
60 mm DC 1" thick. No. 812 for 6/12v. 814 24v. £15.95 (A)  
80 mm DC 5 v. Papst 8105G 4w. 38mm. RFE. £19.95 (A)  
92 mm DC 12v. 18 mm thick £14.95 (A)  
4 inch DC 12v. 12w 1 1/2" thick £12.50 (B)  
4 inch DC 24v 8w. 1" thick. £14.50 (B)

## THE AMAZING TELEBOX!

Converts your colour monitor into a QUALITY COLOUR TV!!



TV SOUND & VIDEO TUNER!

Brand new high quality, fully cased, 7 channel UHF PAL TV tuner system. Unit simply connects to your TV aerial socket and colour video monitor turning same into a fabulous colour TV. Dont worry if your monitor doesn't have sound, the TELEBOX even has an integral audio amp for driving a speaker plus an auxiliary output for headphones or Hi Fi system etc. Many other features: LED Status indicator, Smart moulded case, Mains powered, Built to BS safety specs. Many other uses for TV sound or video etc. Supplied BRAND NEW with full 1 year guarantee.  
Telebox ST for composite video input monitors.....£32.95 (B)  
Telebox STL as ST but with integral speaker.....£36.50 (B)  
Telebox RGB for analogue RGB monitors.....£68.95 (B)  
RGB Telebox also suitable for IBM multisync monitors with RGB analog and composite signal. Overseas versions VHF & UHF call. SECAM / NTSC not available.

## BRAND NEW PRINTERS

TEC Starwriter Model FP1500-25 daisywheel printer renowned for its reliability. Diablo type print mechanism gives superb registration and quality. On board microprocessor gives full Diablo/Orme command capability. Serial RS-232C with full handshake. Bidirectional 25 cps, switchable 10 or 12 pitch, 136l cpi in Pica, 16l in Elite. Friction or tractor feed. Full ASCII including E sign. Font and ribbon Diablo compatible.....£199 (E)  
DED DPG21 miniature ball point pen printer plotter mechanism with full 40 characters per line. Complete with data sheet which includes circuit diagrams for simple driver electronics.....£49 (B)  
Centronics 150 series. Always known for their reliability in continuous use - real workhorses in any environment. Fast 150 cps with 4 fonts and choice of interfaces at a fantastic price!  
£ 375  
159-4 Serial up to 9.5" paper, fan fold tractor.....£99.00 (E)  
£ 950  
150-4 Serial up to 9.5" paper, tractor, roll or sheet.....£129.00 (E)  
£ 875  
152-2 parallel up to 14.5" paper, tractor or sheet.....£149.00 (E)  
£ 650

CALL FOR THE MANY OTHERS IN STOCK.

VISIT OUR SHOP FOR BARGAINS

LARGE QUANTITIES OF OSCILLOSCOPES AND TEST GEAR ALWAYS AVAILABLE - CALL NOW!

# DISPLAY

MAIL ORDER & OFFICES  
Open Mon-Fri 9.00-5.30  
Dept WW, 32 Biggin Way,  
Upper Norwood,  
London SE19 3XF.

LONDON SHOP  
100's of bargains!  
Open Mon-Sat 9.5-5.30  
215 Whitehorse Lane,  
South Norwood,  
London, SE25.

DISTEL © The Original  
Free dial-up database!  
1000's of items into On Line  
V21, V22 & V22 bis  
081-679-1888

ALL ENQUIRIES  
081-679-4414  
Fax: 081-679-1927  
Telex: 894502



# -ELECTRONICS-

All prices for UK Mainland. UK customers add 17.5% VAT to TOTAL order amount. Minimum order £10. PO orders from Government, Universities, Schools & Local Authorities welcome - minimum account order £25. Carriage charges (A) = £2.00, (B) = £5.50, (C) = £8.50, (D) = £11.50, (E) = £14.00, (F) = £18.00, (G) = Call. All goods supplied subject to our standard Conditions of Sale and unless otherwise stated guaranteed for 90 days. All guarantees on a return to base basis. We reserve the right to change prices & specifications without prior notice. Orders accepted subject to stock. Quotations willingly given for higher quantities than those stated. Bulk surplus always required for cash.

CIRCLE NO. 134 ON REPLY CARD

# Hard decision by fuzzy computing

*Neural Desk from Neural Computer Sciences makes accessing neural network technology less daunting. Stephen Franks looks at the technology*

One of the drawbacks with neural networks has been the difficulty of applying them to real problems. There are many situations that might conveniently be addressed through a neural network, but the effort of creating a program has been too high. Neural Desk is designed to provide simple access to neural network technology. With it, you can create a suitable network, train it to solve your problem, and, if desired, provide a packaged solution that needs no special understanding on the part of the user.

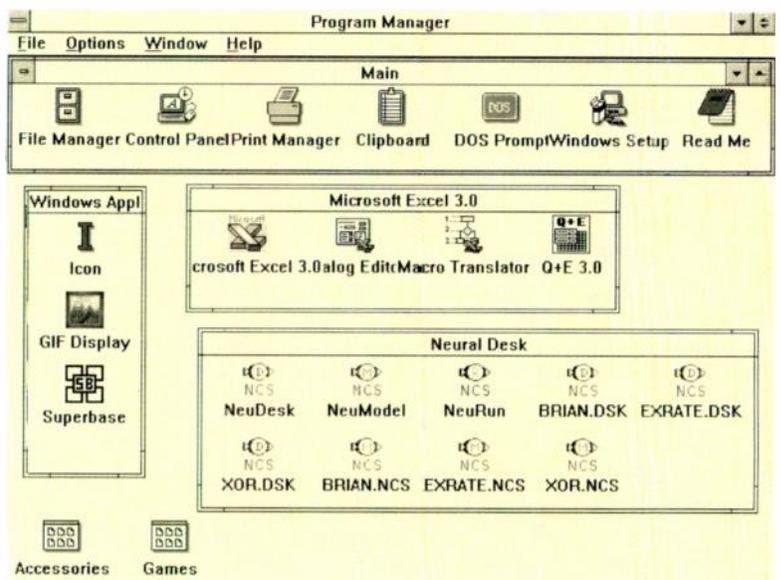
A good example of the sort of problem suited to neural networks lies in duplicating the skill of a mortgage loan assessor. By providing the results of a number of decisions already made, together with all the factors considered (eg income, age, amount requested, etc.) the network can learn to make similar decisions on future applications based on the history and outcome of previous ones.

The crucial point is that you do not need to know the exact connection between the input factors and the final result; the network creates a suitable algorithm during the training sessions. In fact, the algorithm the network develops is not readily accessible, and would be very difficult to discover.

Neural Desk can output the results of the training (the "weights"), but interpreting them for anything but trivial cases is very difficult. This is, of course, inherent in the way that neural networks operate, and does not detract from their usefulness in many applications.

The Neural Desk software is intended to bring the benefits of neural networks to the normal computer user (if such a creature exists!). The manual assumes no previous experience of neural networks, and all terms are explained as they occur. The software requires Microsoft Windows and is very easy to use. It would make a good learning tool in its own right, although is perhaps a little expensive for this purpose.

While Neural Desk can be used in isolation, one of its



most useful features is the ability to link to other Windows applications using DDE (Dynamic Data Exchange). This is Windows' mechanism to allow completely separate applications to share data, and is used to good effect by Neural Desk.

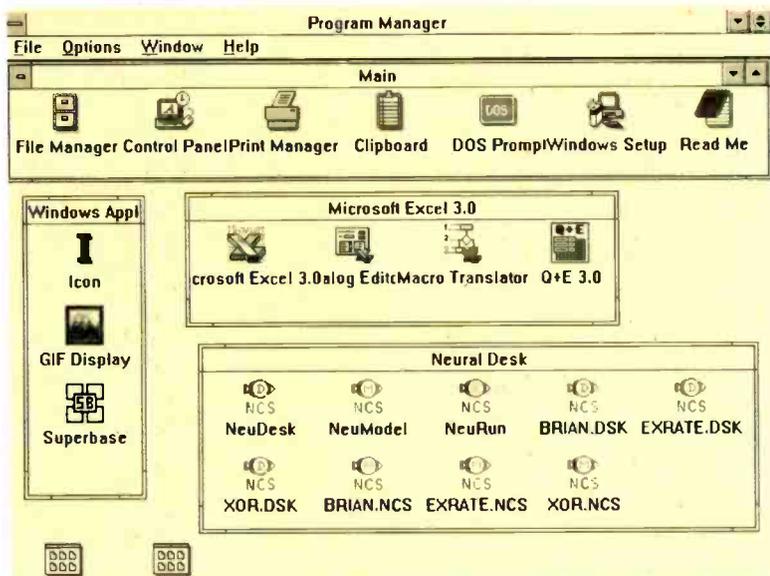
The user never needs to be aware that Neural Desk is being used if he so wants: all that is seen is the familiar Excel spreadsheet or Superbase database, with the network filling in some of the blank spaces as if by magic.

All this can be done without writing a single line of code, although setting up a DDE link comes very close to the definition. It also does not require a deep knowledge of neural network theory: the ability to experiment is a very useful substitute. However, a powerful PC is

*Using a Super-VGA card in 1024x768 mode makes the system easier to use, but make sure that your screen is up to it: the 14in screen I used was too small for lengthy sessions.*

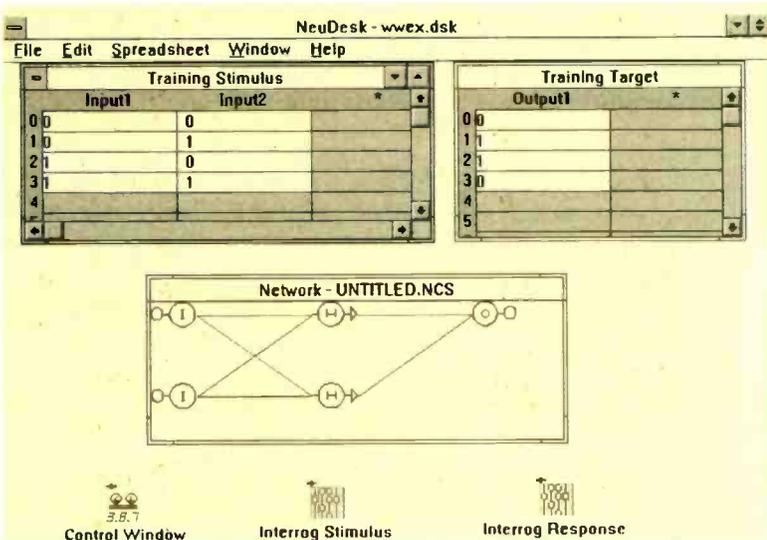
**System Requirements**

Absolute minimum hardware requirements are:  
 MS-dos or PC-dos 3.1 or later  
 Microsoft Windows 3.0 or later running in standard or enhanced mode  
 286 processor  
 1Mbyte ram  
 1.5Mbytes free hard disk space  
 One high density floppy drive (1.2 or 1.44Mbytes)  
 Windows-compatible graphics display  
 Windows-compatible mouse  
 Despite this, I would not like to use the software on anything less than a full 386 (not SX) with a Super-VGA display (Fig. 7), 4Mbytes ram and a co-processor.  
 NCS also have dedicated accelerator cards for the really serious user.



**Fig. 1. On installation, a Neural Desk group is created and some of the examples are given icons of their own.**

**Fig. 2. The XOR example shows training inputs, target outputs and the automatically-generated network.**



files (such as WIN.INI or SYSTEM.INI).

Once installed, you should repress your natural desire to get started straight away, and read the manual instead. Although this is standard advice, it is not always advisable: some manuals are so bad they confuse rather than help - not the case with this one.

The "Introduction to Neural Nets" that follows "Installation and Setup" provides a wealth of practical information on applying networks to actual problems. The next chapter, "Getting Started with NeuDesk" teaches all the controls available in the software very painlessly by walking through a couple of very simple practical examples.

Anyone who has followed the manual this far will probably not need the next section, which takes the form of a reference manual for each command available. However, anyone wishing to use Dynamic Data Exchange will probably wear out the DDE chapter - this is by far the hardest part of the system.

**Using Neural Desk**

Installation creates a Neural Desk group, (Fig.1) inside which are icons for NeuDesk, NeuModel and NeuRun, and four of the example networks (XOR, Exrate, Adder and MortApp).

The obvious place to start would be the network design tool, which allows you to design your network graphically. However, the system can generate the network automatically from the definition of the inputs and outputs, and I found that I could not improve on the designs thus generated.

A large and complex design might need to be optimised by hand, and hints are given in the manual on how to do this. However, I doubt that this would be required often. This is fortunate, for I found the graphical editor rather clumsy: despite the help of a grid, it was difficult to lay out the neurons neatly, and editing the individual connections was awkward.

Here again, the manual is vital: the editor makes use of both mouse buttons and its conventions for selecting and editing are not immediately obvious.

The real place to start is NeuDesk, which provides a workspace for the other parts of the system. These consist of spreadsheet-like windows for training stimulus, training target outputs, interrogation stimulus, and interrogation outputs. There is also a window for a diagram of the network, a control panel and (while training the net) a moving graph of the error value. Not all of these windows need to be visible at once, but I found the extra resolution gained from switching from a standard VGA screen to Super-VGA made the package significantly easier to use.

The input spreadsheets define the number of input neurons in the net and each column corresponds to one input. Columns can be named, created and deleted, and all changes are reflected in the rest of the system. The outputs are defined by the output spreadsheets in exactly the same way.

This makes the whole thing very easy to use, and allows changes to be made with the greatest simplicity.

Each row of the training spreadsheet represents a set of data to be presented to the network. So, for example, if you want to train your network with five example inputs with their required outputs, you would have five rows in your training stimulus spreadsheet. The required output would also have to have five rows. Adding or deleting a

**CONTINUED OVER PAGE**

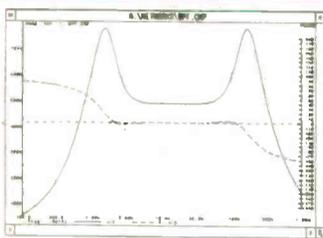
# SPICE•AGE

## Non-Linear Analogue Circuit Simulator £245 complete

Those Engineers have a reputation for supplying the best value-for-money in micro-computer-based circuit simulation software. Just look at what the latest fully-integrated SPICE Advanced Graphics Environment (AGE) package offers in ease-of-use, performance, and facilities:

SPICE•AGE performs four types of analysis simply, speedily, and accurately

- Module 1 – Frequency response ● Module 3 – Transient analysis
- Module 2 – DC quiescent analysis ● Module 4 – Fourier analysis



Impedance sweep

### 2 DC Quiescent analysis

SPICE•AGE analyses DC voltages in any network and is useful, for example, for setting transistor bias. Non-linear components such as transistors and diodes are catered for. (The disk library of network models contains many commonly-used components – see below). This type of analysis is ideal for confirming bias conditions and establishing clipping margin prior to performing a transient analysis. Tabular results are given for each node; the reference node is user-selectable.

### 1 Frequency response

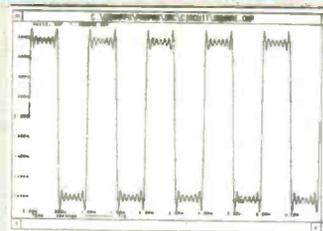
SPICE•AGE provides a clever hidden benefit. It first solves for circuit quiescence and only when the operating point is established does it release the correct small-signal results. This essential concept is featured in all Those Engineers' software. Numerical and graphical (log & lin) impedance, gain and phase results can be generated. A 'probe node' feature allows the output nodes to be changed. Output may be either dB or volts; the zero dB reference can be defined in six different ways.

NODE	DC VOLTS	NODE	DC VOLTS	NODE	DC VOLTS
0	0.000000	1	0.729000	2	0.729000
3	0.000000	4	0.729000	5	0.729000
6	0.000000	7	0.729000		

DC conditions within amplifier circuit

## NEW VERSION 3.00 JUST RELEASED

FEATURES: New manual with introductory text on Fourier analysis, Fourier Zoom window. **UPGRADES £65.**



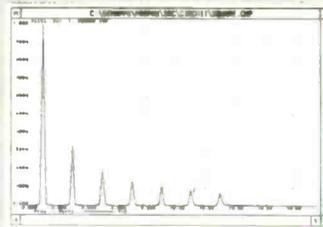
Square wave synthesis (transient analysis)

### 3 Transient analysis

The transient response arising from a wide range of inputs can be examined. 7 types of excitation are offered (Impulse, sine wave, step, triangle, ramp, square, and pulse train); the parameters of each are user-definable. Reactive components may be pre-charged to steady-state condition. Up to 13 voltage generators and current generators may be connected. Sweep time is adjustable. Up to 4 probe nodes are allowed, and simultaneous plots permit easy comparison of results.

### 4 Fourier analyses now with Hanning window option

SPICE•AGE performs Fourier transforms on transient analysis data. This allows users to examine transient analysis waveforms for the most prevalent frequency components (amplitude is plotted against frequency). Functions as a simple spectrum analyser for snapshot of transients. Automatically interpolates from transient analysis data and handles up to 512 data values. Allows examination of waveform through different windows. Powerful analytical function is extremely easy to use.



Spectrum of synthesised square wave (Fourier analysis)

If your work involves designing, developing or verifying analogue or digital circuits, you will wonder how you ever managed without Those Engineers circuit Simulation Software.

A good range of properly supported and proven programs is available and our expert staff are at your service.

Telephone: Charles Clark on 081-906-0155 for a demonstration disk.

# Those Engineers

LTD

WE HAVE MOVED TO

31 Birkbeck Rd · Mill Hill · London NW7 4BP  
Tel: 081-906 0155 · Fax: 081-906 0969

CIRCLE NO. 123 ON REPLY CARD

## MQP ELECTRONICS SYSTEM 200

### UNIVERSAL DEVICE PROGRAMMING SYSTEM

- Fast and reliable programming
- Low cost
- Expandable system – buy only what you need
- Virtually all programmable devices covered
- Easy to upgrade
- Manufacturer approved algorithms
- Efficient and attractive software interface
- Special batch mode for production



System 200 is one of the most versatile programming systems available. At the heart of the system is the award-winning Model 200A programmer. Designed to quickly connect to the serial or parallel port of any PC compatible, the Model 200A is controlled by PROMDRIVER, widely acclaimed as the best driver software available for any programmer.

- EPROMs, EEPROMs and FLASH memories up to 8Mbit and beyond
- Microcontrollers from most manufacturers including
  - 8748 Family
  - 8751 Family (including 87C751/2 and 87C552)
  - Z8 Family
  - PIC16C5X Family
- Emulators
- 8-pin Serial EEPROMs
- PALs, GALs, EPLDs etc
- Bipolar PROMs

Write or phone today for Free Information Pack:  
Phone: (0666) 825146 Fax: (0666) 825141



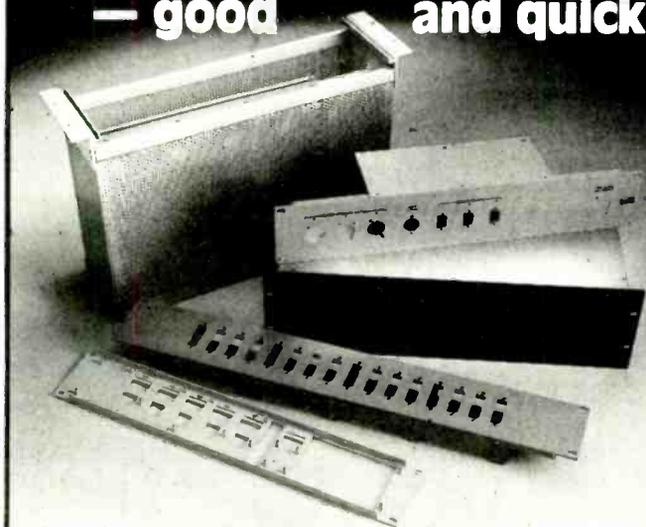
MQP ELECTRONICS LTD,  
PARK ROAD CENTRE,  
MALMESBURY,  
WILTSHIRE SN16 0BX UK

European Distributors: Digitron, Norway Tel 071-17 890;  
Synatron, Germany Tel 089/4602071; Logtek, Sweden Tel 08 770 1470  
Elexind, Italy Tel 02 92 10 35 54

CIRCLE NO. 124 ON REPLY CARD

## Custom metalwork

### – good and quick!



Plus a wide range of stock products including:

- Nine sizes of standard 19" rack cases
- New "clam" case in any depth
- Eight-card 1U Eurocard case
- Audio, video and data patch panels
- Rack blanking and ventilation panels

All use the unique IPK extrusion, giving strength and rigidity with no visible fixing screws. Rack mounting strips, cable trays etc. from stock.



IPK Broadcast Systems  
3 Darwin Close Reading Berks RG2 0TB  
Tel: (0734) 311030 Fax: (0734) 313836

CIRCLE NO. 125 ON REPLY CARD

# COLOURJET 132

## COLOUR INK JET PRINTER

Compatible with:-

IBM pc  
Archimedes  
Nimbus  
BBC Micro  
Amiga  
Apple Mac  
(serial version)

**LOW COST**  
**LIST PRICE**  
from £579 + VAT



Low  
Operating  
Cost

Windows 3  
Driver  
Available



EMULATES OTHER COLOUR PRINTERS EG. IBM 3852, Canon PJ1080A, Quadjet  
PRINTS OVERHEAD TRANSPARENCIES

EDUCATIONAL DISCOUNTS AVAILABLE

**INTEGREX LTD.**, CHURCH GRESLEY, SWADLINCOTE  
DERBYS. DE11 9PT  
Tel (0283) 551551  
Fax (0283) 550325  
T/x 341727 INTEGX



CIRCLE NO. 143 ON REPLY CARD

CONTINUED FROM PAGE 136

row in one spreadsheet automatically changes the other.

Neural Desk follows the common neural network convention that all numbers are between 0 and 1. The spreadsheets have automatic scaling options that makes this easy (but not automatic), and the outputs are always in that range. If you have numeric input, it is easy enough to scale it to the 0-1 range using the built-in scaling function, and logical or yes/no inputs can be coded as 0 and 1.

A suitable network can be generated by entering the training stimulus and target outputs (Fig. 2), or you can design it yourself. Once designed, using either method, it can be edited as often as you wish, although this is best not attempted until you have some experience.

The system is supplied with four training algorithms (standard back-propagation, quick-propagation, Haffner modified back propagation, and stochastic back-propagation), and is designed to allow others to be added at a later date. While training, a window pops up showing a cumulative graph of the error value versus iterations of the training algorithm. The error value represents how near the net is to being trained, and can be defined as either the average or maximum difference between the current network outputs and the target outputs.

The graph window is useful, as it shows very quickly if the net is not going to converge to give the required results (Fig. 4). The shape of the curve is also very useful when trying to optimise training, or find out why a net is not converging. The manual briefly covers the interpretation of this curve, and with a little experimentation most users would be able to do this without having to refer to more formal texts on the subject.

Training can continue indefinitely, or you can set either an acceptable error value, or a maximum number of iterations ("Epochs"), or both. It is also possible to randomise the network values to start again.

Selecting good sets of training and test data requires some skill. There is an optimum amount of training for any given net: too little and the net cannot derive the rules connecting the inputs and outputs; too much and the net is less able to handle unknown data. Again, the manual provides useful guidance.

Once trained, you can test the network using the interrogation stimulus and results spreadsheets. These are just like the training spreadsheets, except that the net fills in the answers (Fig. 5).

It is possible to save the entire state of NeuDesk, allowing you to pick up where you left off last time. The network itself is stored separately, which makes it possible to try out several training stimuli and algorithms while keeping the results of each for comparison.

One further capability of Neural Desk is its ability to bolt several pre-trained networks together to produce a much larger system. It is possible (but not required) to fix the state of the sub-networks so that final training can be done on the complete system. This should be done with care: it is inherent in neural networks that they do not provide an exact output, and it is better to train each sub-net using artificially precise values before several are connected together.

### Dynamic Data Exchange

Setting up a DDE link is probably harder than creating the model in the first place, although this is mainly due to the way that DDE was defined by Microsoft. At present,

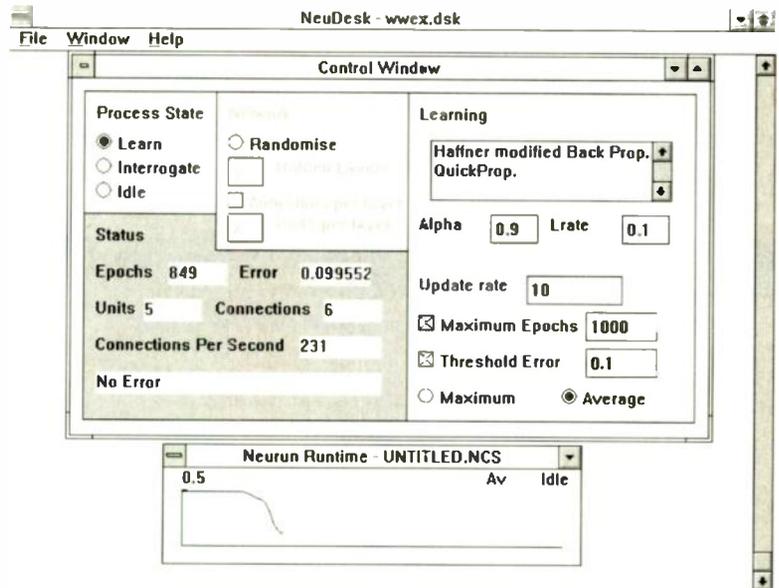


Fig. 3. XOR example: using the Control Window to train the network. Note the error value graph, which re-scales itself as necessary during training.

few applications support DDE, but many more are due to be released in the near future.

Two of the most popular applications that can use DDE are Superbase (Fig.5) and Excel (Fig.6), and examples for both are contained on disk and in the manual. With the aid of these examples anyone familiar with Excel or

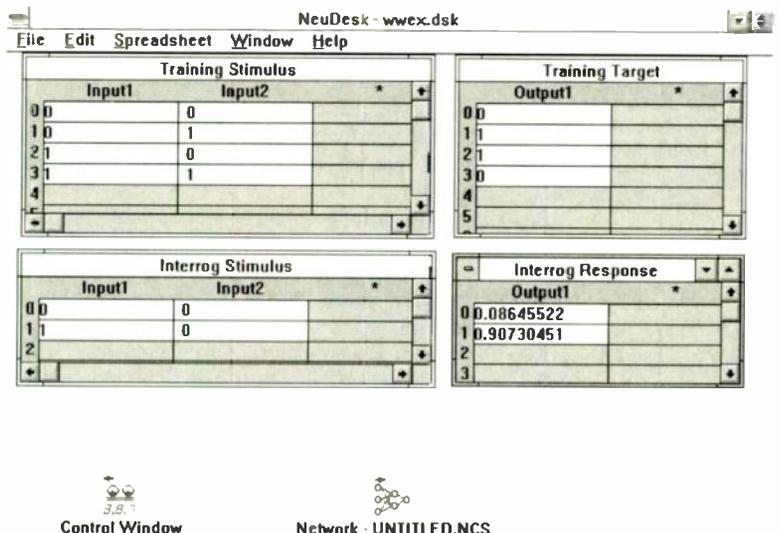


Fig. 4. Interrogation stimulus and results from the XOR example, showing the network implementing the learned function correctly.

Superbase could set up their own links, but you should be prepared to have to work at getting it right. Neural Desk can be very nearly completely controlled using the DDE link. This allows a working system to be created in such a way that the user never sees any of the Neural Desk screens.

### The examples

The first example is an extremely simple one, to produce an exclusive-OR function. This is the sequence shown in the figures.

The network is trained with all possible inputs: in a real situation this is unlikely to be possible, but it makes a good starting point. An output greater than 0.9 is considered to be 1, and similarly 0.1 or less is assumed to be 0. The network is thus considered to be trained when the error is 0.1 or less, and this is set as the threshold error. It

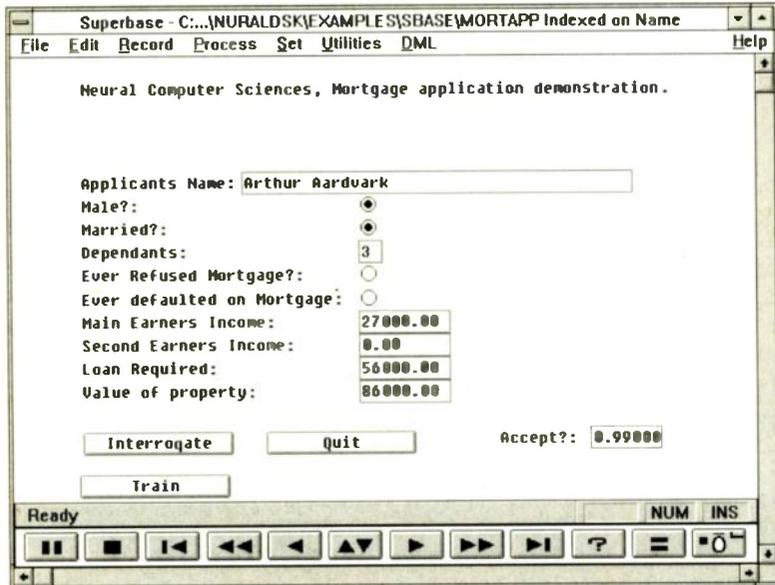


Fig. 5. The Superbase example. After the user has filled in the other information, the Decision box is filled in by the invisible network task.

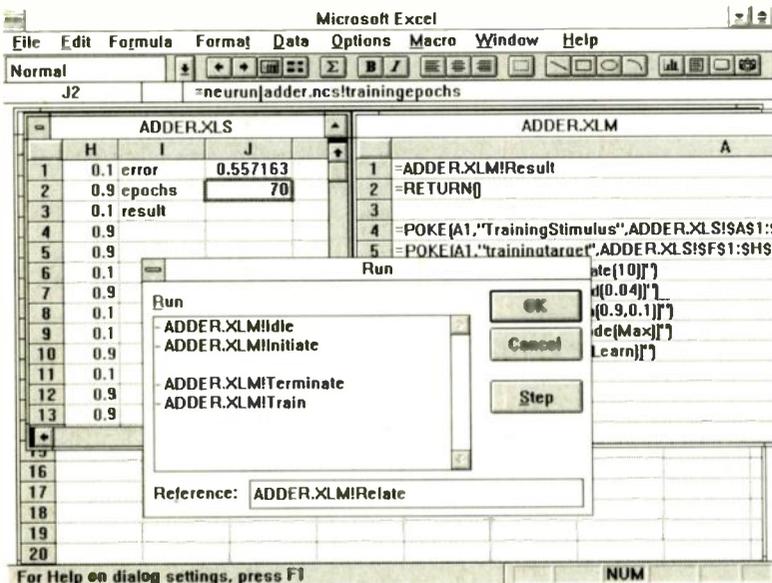
is then a simple matter of selecting the "learn" button on the control panel, and watching the error value drop to 0.1.

Once trained, you can apply whatever inputs you like, and see what the net produces. The outputs will never be precisely 0 or 1, but will be as near as you set the threshold error to be.

Perhaps surprisingly, you cannot set the threshold arbitrarily low; below a certain value, the network either loses generality (ie, it invents some peculiar connection between input and output that is not obvious), or never finishes training.

The other examples are designed to demonstrate DDE links to either Excel or Superbase. The Superbase example is the Mortgage Application Assessment described earlier. The single output is coded into NO (0.0-0.3).

Fig. 6. One of the Excel examples implements a binary adder.



MAYBE (0.3-0.7) or YES (0.7-1.0). The network is trained from an existing database presumed to have been created from the decisions of a skilled assessor, and new additions to the database get the decision of the network as soon as the details are filled into the Superbase database.

The Excel examples include a prediction of the exchange rate between the Pound and German Mark. This one is interesting because the only inputs are the rate for the previous nine weeks, and the net is expected to find a pattern in the way that the rate has varied over that period.

### Using the system

I found the software quite addictive; since there is never a perfect solution, it is very tempting to continue to fiddle with the various bits to improve the result. It is also very tempting to change things just to see what happens. However, it is time-consuming, particularly training.

To start with, a 20MHz 386DX computer with no co-processor was fast enough to go through the examples and start experimenting, and would be suitable for fairly simple applications. Once I had transferred to a 486, however, the software really began to show what it could do, and I would recommend this if at all possible. Note that this only applies to development: running a network is much less CPU-intensive than developing it, and even a 286 may be sufficient. In either case, a co-processor makes a significant difference.

The software is in general easy to learn and use. It follows all the Windows conventions, although there were a few areas where I would have preferred a slightly different approach. Overall, it is well-built and I found no "undocumented features" (ie bugs). The software provides excellent control over all stages of creating and using the networks.

Neural networks are the latest idea to be described as a solution looking for a problem. This software goes a long way toward making networks accessible: all that needs to be done is to provide the problem!

### SUPPLIER DETAILS

Price is £895 for the development system. Licences for run-time systems are £99 per site (unrestricted number of users per site). Educational discounts are available, as is a demonstration disk.

For further information, contact: Neural Computer Sciences, Unit 3, Lulworth Court, Westwood Business Park, Nutwood Way, Totton, Hampshire SO4 3WW. Tel: (0703) 667775 Fax: (0703) 663730

# Finally... an exceptional PCB and Schematic CAD system for every electronics engineer!

**B**oardMaker 1 is a powerful software tool which provides a convenient and professional method of drawing your schematics and designing your printed circuit boards, in one remarkably easy to use package. Engineers worldwide have discovered that it provides an unparalleled price performance advantage over other PC-based systems.

BoardMaker 1 is exceptionally easy to use - its sensible user interface allows you to use the cursor keys, mouse or direct keyboard commands to start designing a PCB or schematic within about half an hour of opening the box.

## HIGHLIGHTS

### Hardware:

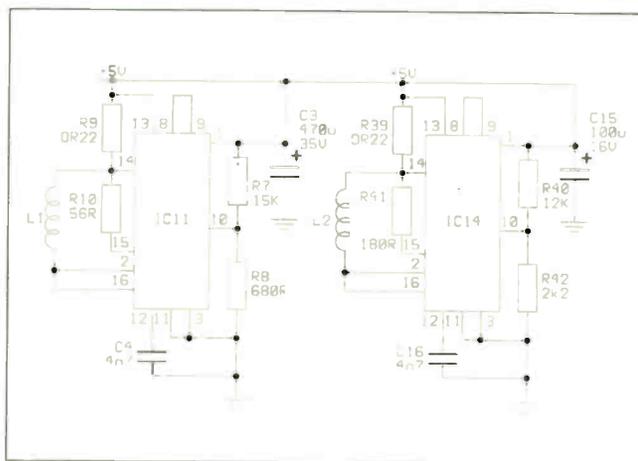
- IBM PC, XT, AT or 100% compatible.
- MSDOS 3.x.
- 640K bytes system memory.
- HGA, CGA, MCGA, EGA or VGA display.
- Microsoft or compatible mouse recommended.

### Capabilities:

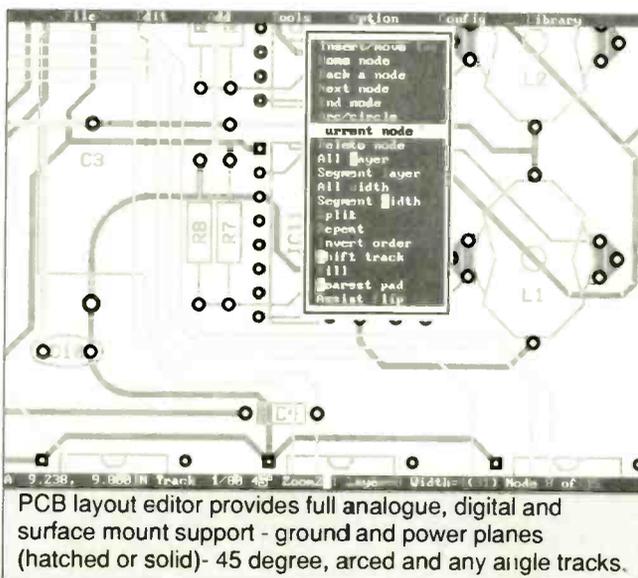
- Integrated PCB and schematic editor.
- 8 tracking layers, 2 silk screen layers.
- Maximum board or schematic size - 17 x 17 inches.
- 2000 components per layout. Symbols can be moved, rotated, repeated and mirrored.
- User definable symbol and macro library facilities including a symbol library editor.
- Graphical library browse facility.
- Design rule checking (DRC) - checks the clearances between items on the board.
- Real-time DRC display - when placing tracks you can see a continuous graphical display of the design rules set.
- Placement grid - Separate visible and snap grid - 7 placement grids in the range 2 thou to 0.1 inch.
- Auto via - vias are automatically placed when you switch layers - layer pairs can be assigned by the user.
- Blocks - groups of tracks, pads, symbols and text can be block manipulated using repeat, move, rotate and mirroring commands. Connectivity can be maintained if required.
- SMD - full surface mount components and facilities are catered for, including the use of the same SMD library symbols on both sides of the board.
- Circles - Arcs and circles up to the maximum board size can be drawn. These can be used to generate rounded track corners.
- Ground plane support - areas of copper can be filled to provide a ground plane or large copper area. This will automatically flow around any existing tracks and pads respecting design rules.

### Output drivers:

- Dot matrix printer.
- Compensated laser printer.
- PostScript output.
- Penplotter driver (HPGL or DMPL).
- Photoplot (Gerber) output.
- NC (ASCII Excellon) drill output.



Produce clear, professional schematics for inclusion in your technical documentation.



PCB layout editor provides full analogue, digital and surface mount support - ground and power planes (hatched or solid) - 45 degree, arced and any angle tracks.

**£95**

Despite its quality and performance, BoardMaker 1 only costs £95.00. Combine this with the 100% buy back discount if you upgrade to BoardMaker 2 or BoardRouter and your investment in Tsien products is assured.

**Don't take our word for it. Call us today for a FREE demonstration disk and judge for yourself.**



**tsien**

**Tsien (UK) Limited**  
 Cambridge Research Laboratories  
 181A Huntingdon Road  
 Cambridge CB3 0DJ  
 Tel 0223 277777  
 Fax 0223 277747

All trade marks acknowledged

CIRCLE NO. 126 ON REPLY CARD

# Run your PC on DSP power

*Allen Brown plugs two new TMS320C30 expansion cards into his PC and likes the result – but first-time users beware.*

As an established product with proven performance the C30 is becoming an attractive option for the many processing needs making use of its floating point facility.

Two PC expansion cards now available, hosting the Texas Instruments *TMS320C30* digital signal processor, are the *TMS320C30* evaluation module (*EVM30*) distributed by Quarndon Electronics of Derby and the *TMS320C30* system board from Loughborough Sound Images. Both cards host a 33MHz version of the *C30* and have analogue I/O features, and though they are quite different, a discussion of their respective merits is useful when assessing suitability for specific applications.

### TI TMS320C30 evaluation module

Texas Instruments has launched the low cost evaluation module (EVM), hosting a TMS320C30 with 16K words of zero wait state memory, in a clear attempt to promote acceptance of the *TMS320C30* floating point DSMP. Full details of its architecture can be found in references<sup>2</sup> but key features of the EVM are (Fig. 1):

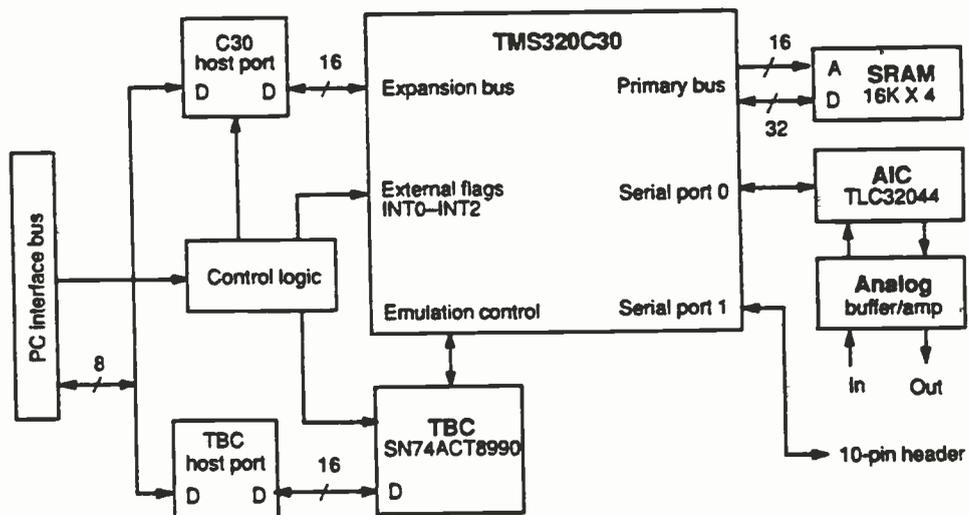
- 33Mflops TMS320C30 floating point processor

- 16K words of sram on the primary bus
- Analogue acquisition via a TLC32044
- 16-bit bidirectional PC host communications port
- Embedded emulation support via a 74ACT8990 test bus controller (TBC).

The TBC allows operation to be emulated from a high level language (HLL) – which happens to be C – and the user can monitor, line by line from the C language source, execution on the *TMS320C30*. To match the expansion board buses with the PC host, two bidirectional bus transceivers are used (*SN74ALS652*) converting the host 8-bit accesses to the TBC to 16-bit word accesses. 8-bit access is required because, surprisingly, the board is furnished with an 8-bit ISA edge connector to make it compatible with the expansion bus on 8086 based PCs.

The EVM in a host PC is intended to be a suitable environment for evaluating algorithms, and Texas Instruments supplies a range of application routines<sup>3</sup> – including a program for implementing linear predictive coding based on a lattice filter design. The analogue I/O facilities consist of a 14-bit A-to-D and a 14-bit D-to-A which operate at 8kHz. I/O channels can be loaded direct-

Fig. 1. Key features of TI's TMS320C30 EVM.



ly onto an audio system, but the limited frequency range offered by the I/O does an injustice to the TMS320C30 processor potential.

As part of the software support tools for the EVM, TI supplies an optimised C compiler<sup>4</sup>, a cross assembler, a linker and a debugger application program (EVM30.EXE) – all of which run under MS-dos. **Figure 2** shows a screen display of the debugger and, to the credit of TI, a separate user's manual is also provided<sup>5</sup>.

With the debugger, the user is able to monitor the register contents of the TMS320C30 while following progress of the program from the source code written in C. TI also supplies a number of short routines for initialising the EVM and downloading code and data to the board.

It is at this point that the product begins to fail. There are no easy-to-use routines to help a new user to transfer data between the EVM and the host PC memory – an all too common problem in complex products of this nature. It is all very well having a full technical specification, but no-one can learn a language from reading a dictionary – a fact often ignored by technical authors writing user manuals for advanced products.

### Loughborough Sound Images system board

LSI has been manufacturing PC expansion cards hosting DSP chips for a number of years and produces many good quality products. The TMS320C30 system board (**Fig. 3**) has two separate 16-bit I/O channels and is socketed to carry 256K words of sram. There are 192K words of zero wait state memory, with the remaining 64K words having one wait state and serving as dual ported memory, shared with the PC. 64K words are used as a post-box to transfer data between PC and card, so there is no compromise in performance when executing out of local memory. The card has an ISA 16-bit expansion bus (for AT and 386 PCs) and to enhance data transfer between other DSP expansion cards it is also furnished with the LSI DSPLink interface, negating the need for the PC expansion bus. The I/O components consist of two 16-bit A-to-Ds and two 16-bit D-to-As which have a maximum sampling performance of 200kHz. These are complemented by sample and hold amplifiers and fourth order filters on the analogue I/O to effect anti-aliasing and signal reconstruction (sync response) respectively. The sampling period is adjusted through software control by writing an appropriate word to a memory mapped address.

### Support software

An area where LSI excels is the quality of support software for its DSP expansion cards – often the make or break for many expansion board products. C is clearly an important aspect of the TMS320C30 system and LSI provides libraries for allowing Microsoft C programs (running on the PC) to interface with the expansion card. Functions (call routines) can also be used to great effect in operation of the expansion card.

Programming the C30 in C for real-time application has been made somewhat easier by introduction of spox (sig-

The screenshot shows a debugger window with the following content:

```

DISASSEMBLY
00000000 31ee2448      .word 031ee2440H
000100 0f2b0000  main:  PUSH  AR3
000102 08200631      LD1   SP, AR3
000104 080b0014      LD1   R0, #033631H, R0
000106 15200219      ST1   R0, #PCproceedFlag
000108 08210632      LD1   R0, #033632H, R1
00010a 1521062e      ST1   R1, #DSPproceedFlag
00010c 08220633      LD1   R0, #033633H, R2
00010e 15220002      ST1   R2, #030002H

FILE: levinson.c
000205 extern float *Conn2, *Conn3, *Conn4, *Conn5;
000206
000207 main()
000208 {
000209     PCproceedFlag = &Conn0;
00020a     DSPproceedFlag = &Conn1;
00020b
00020c }

CALLS
1: main()

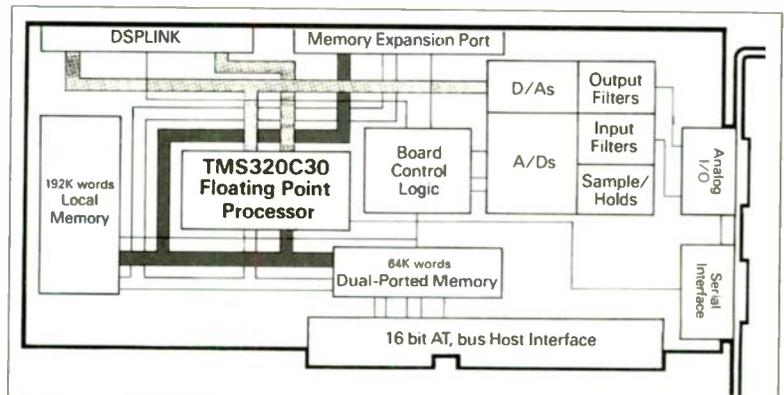
61 Symbols loaded
000000 000002f9 b3d44cfe b24adfcd c8730fe9
000004 43f89af6 04f44bbc b8f7bfcb eb726ff2
000008 72da1b40 e8d80fda 4e3127c4 f4b34bc5
00000c 4618dc0 1042d2d4 02ef4ffe 7ce72bb3
  
```

nal processing operating executive) and LSI has a version of spox which runs on its C30 system board (to be reviewed in greater detail in a future issue).

Two facilities for amending errors can be selected, the choice depending on whether the user works at assembler level or with a high level language (HLL).

For observing the architecture at assembler level an engineer can use C30MON – a mouse driven expansion board resident monitor offering considerable flexibility (**Fig. 4**).

**Fig. 2.** Screen display of the debugger allowing the user to monitor the register contents of the TMS320C30 while following progress of the program from the source code written in C.



nal processing operating executive) and LSI has a version of spox which runs on its C30 system board (to be reviewed in greater detail in a future issue).

The package comes with a few sample programs in C and in assembly language. But perhaps a little weakness

starts to show here – a first-time user learns much more from short easy programs than from long ones in the early learning stages of a new product.

If you are a first-time user this means that learning to use the product can be a bit of a struggle. The shortcoming is one which LSI would do well to address since DSP products are finding applications in other areas besides signal processing and the expertise is likely to be quite different in these other sectors.

**Fig. 3.** LSI's TMS320C30 system board has two separate 16-bit I/O channels and is socketed to carry 256K words of sram.

### System requirements

TI C30 EVM:  
PC  
Hard disk  
MS-dos 3.x or higher  
Microsoft mouse  
Text editor

LSI TMS320C30 system board:  
AT or 386-PC  
Hard disk  
Microsoft mouse  
Text editor  
TMS320C30 C compiler - optional

## TMS320C30 architecture

TMS320C30, from the third generation of TI's range of signal processors, is housed in a 180-pin grid array (PGA) package and is TI's first floating point design.

Parallel architecture<sup>1</sup> has enabled a high performance of 33Mflops to be achieved and the machine cycle duration is 60ns. DMA can be carried out concurrently with floating point operations.

Performance means the processor is quickly gaining the reputation as the floating point workhorse DSP chip – an appearance in future PC designs such as the Multimedia engine is quite likely.

There are two members of the TMS320C3x family, the C30 and C31 (C31 has a slightly reduced architecture and is available in a 132-pin plastic quad flat pack).

The package's pipeline architecture is made up of five main units: a fetch unit "fetches" instruction from memory; a decode unit decodes the instruction; and a read unit reads operands from memory if required. The execute unit reads operands from register file and executes, where necessary, and the DMA channel transfers data to and from memory.

The level of concurrency can be demonstrated by considering the structure of the package's assembly language coding. A single line of code can contain up to four sub-instructions – one for each of the first three units. During a single machine cycle the units will be working on four separate instructions according to pipeline operation. Main features are the CPU, memory organisation, bus structure, peripheral controller and the DMA facility.

Both 1K \* 32-bit ram blocks can be accessed in a single machine cycle. Instruction words are 32-bit wide and the processor has an address space of 16M locations. As expected an extensive instruction set reflects the

Low cost of the EVM (£600) certainly makes it appealing for investigating the potential of the C30, and when bundled with all the software support tools it can be regarded as a bargain.

But as a learning tool for the TMS320C30 the first-time user is likely to experience a tough climb and Texas Instruments would be well advised to add more easy-to-use-programs when it brings out the next edition of the EVM application book<sup>3</sup>.

The LSI board is a well engineered product and is eminently suitable for development and testing of TMS320C30 software whether at C level or at assembler. Documentation is detailed and well explained, but LSI could speed learning by providing easy examples of how to use the many library functions. The two channel I/O facilities allow the board to be used in real-time applications with a minimum degree of fuss.

The ever increasing catchment area for DSP processor applications now means that engineers and users with widely differing backgrounds will be looking to use PC expansion cards hosting DSP chips. Their ease of use for the first-time user will be a major selling point and this consideration must be accommodated when promoting the product.

### References

1. TMS320C3x User's Guide, Texas Instruments (1988)
2. TMS320C30 Evaluation Module, Technical Reference, TI (1990).
3. DSP Applications with the TMS320C30 Evaluation Module: Selected Application Notes, TI (1991).
4. TMS320C30 Optimised C Compiler, Reference Guide, TI (1990)
5. TMS320C30 C Source Debugger User's Guide, TI (1990).

EXTENDED PRECISION REGISTERS		AUXILIARY REGISTERS
R0=+5.877472452e-039	80FFFFFFFF	AR0 = 0003F6FF
R1=-2.000000000e+000	0080000000	AR1 = 00804005
R2=+5.877471754e-039	8000000000	AR2 = 00000000
R3=+1.000000000e+000	0000000000	AR3 = 00809800
R4=+1.000000000e+000	0000000000	AR4 = 00000001
R5=+1.000000000e+000	0000000000	AR5 = 00000000
R6=+1.000000000e+000	0000000000	AR6 = 00000000
R7=+1.000000000e+000	0000000000	AR7 = 00000000
SYSTEM REGISTERS		
DP = 00000003	BK = 00000000	IE = 00000000
IR0 = 00000000	SP = 0003F7C0	IF = 00000000
IR1 = 00000000	ST = 00000000	I0F = 00000080
RS = 0003F479	RE = 0003F479	RC = 00000000
	PC = <UNDEFINED>	

Fig. 4 For observing the architecture at assembler level, the C30MON mouse driven expansion board resident monitor offers considerable flexibility.

### Favourable impressions

Both products create favourable impressions and though their prices are quite different each has to be judged on its own merit.

### Availability

TI C30 EVM: Quarndon Electronics, Slack Lane, Derby. DE3 3ED. Tel: 0332 32651. £602.97 + VAT

LSI TMS320C30 system board: Loughborough Sound Images Ltd., The Technology Centre, Epinal Way, Loughborough, Leics. LE11 0QE. Tel: 0509 231843. Board £3295 + VAT. C30-SP high level C language development support package comprising MON30/SDS30 debug monitors and C interface library, TI assembler/linker and C compiler tools, spox application programming interface £1500 + VAT. Prices applicable from February 1.

architecture, and the high degree of parallelism in the device means instructions can be grouped together to be executed in the same machine cycle. Several sections compose the CPU and a wealth of buses services each one.

The multiplier performs either 24-bit integer or 32-bit floating point multiplications and the 40-bit result can be added to the contents of one of the extended precision registers (R0-R7) – all within a single 60ns clock cycle.

Working in parallel with the multiplier is the arithmetic logic unit which can act as a 32-bit barrel shifter. Normal arithmetic operations (add, subtract – fixed and floating point) are performed by the ALU along with the standard logical operations (And, Or Not and Eor). Two auxiliary register arithmetic units (ARAUs) in the CPU can generate two simultaneous addresses with the necessary displacement, indexing, circular or bit-reversal addressing options. Again these operate in parallel with the multiplier and ALU.

As part of the general architecture, a register file contains 28 registers scattered throughout the chip, with a number contained within the CPU. For example the eight extended precision registers will maintain extended floating point precision and these act as accumulators in the normal sense of a microprocessor. Eight auxiliary 32-bit registers (AR0-AR7) support a variety of addressing modes and can be used to generate a 24-bit address. To support other system functions, twelve more 32-bit registers cater for stack management, processor status, interrupts, block instruction repeats and more addressing modes. Components in the CPU are serviced by two 32-bit register buses, REG1 and REG2, and two 40-bit CPU buses, CPU1 and CPU2. Combined, these enable the CPU to achieve its high degree of parallelism – one of the principal attributes of the TMS320C30.

To service the rest of the chip's architecture there is a complex arrangement of separate buses; Program buses (PADDR and PDATA), data buses (DADDR1, DADDR2 and DDATA)

and DMA buses (DMAADDR and DMADATA). Two interface bus pairs, primary and expansion, are used for accessing external address areas. The primary address bus is 24-bits wide but the expansion address bus is only 13 bits wide; both data buses are 32-bits wide.

Slow memory devices are accommodated by a RDY pin used to insert wait states. Program memory, data memory and I/O locations are mapped within the 16M address space. Since the data bus is 32-bits wide all instructions are either 24-bit or 32-bit depending on whether fixed point or floating point precision is required.

Memory is organised in four separate memory elements. Two ram blocks, 0 and 1, both have a depth of 1K and can be accessed by the CPU simultaneously in the same machine cycle. A cache block, consisting of 64 words (long words) 32-bits wide, enables efficient repeat instructions to be performed – of course when instructions are being executed from the cache memory the external buses are free for the DMA.

The cache controller uses the least-recently-run algorithm for maintaining address segments. Peripherals are controlled through a set of memory mapped registers via a dedicated peripheral bus (address and data). The peripheral modules consist of two serial ports (0 and 1) and two timers.

The serial ports work quite independently of each other and can be used for 8-bit, 16-bit, 24-bit or 32-bit data transfer. The timers act as event counters for either internal or external clocking requirements. Every location in the address map of the processor can be accessed by the DMA controller without disrupting operation of the CPU. To support the DMA controller there are separate address (DMAADDR) and data (DMADATA) buses together with a set of sixteen dedicated registers. Certain specified registers in the C30 are used to configure the DMA and set the start and end addresses and the amount of data to be transferred during an DMA operation.

# FOR THE IN'S & OUT'S OF DATA ACQUISITION...

As one of Europe's largest manufacturers of data acquisition & control cards, Blue Chip Technology can provide a one stop solution to all your interfacing problems.

- \* Serial I/O
- \* Analogue I/O
- \* Digital I/O
- \* Combination cards
- \* Customised boards



## LATEST BOARD RELEASES

### IADC-56

56 channel, multi function conversion card which can achieve a resolution of +/- 17 bits.

### PIO-96

96 channel programmable input/output card

Call now on 0244 520222 for full details & the latest developments from Blue Chip Technology.



# ...BLUE CHIP TECHNOLOGY

**BLUE CHIP  
TECHNOLOGY**

A KEMITRON GROUP COMPANY

Hawarden Industrial Park, Manor Lane, Deeside, Clwyd CH5 3PP  
Telephone: (0244) 520222 Facsimile: (0244) 531043 Telex: 61471



# REGULARS

## APPLICATIONS

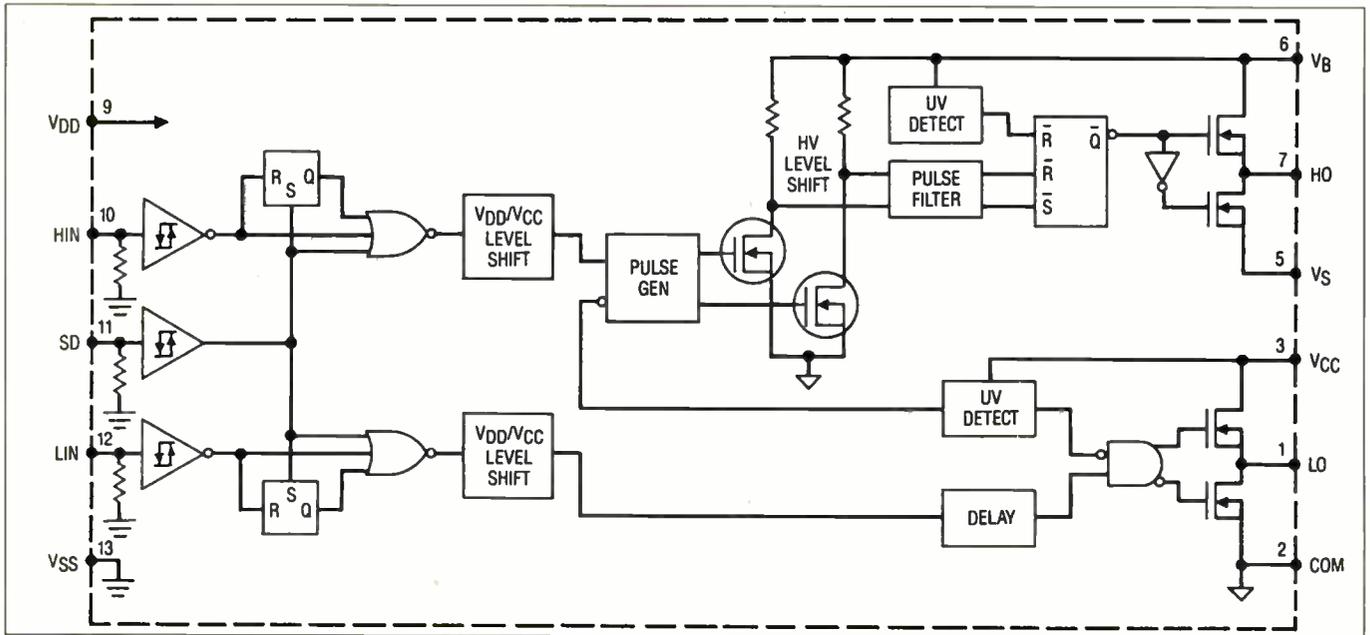


Fig. 1. Block diagram of International Rectifier IR2110 floating mos-gate driver IC for both high-side and low-side mosfet or insulated-gate bipolar power switches.

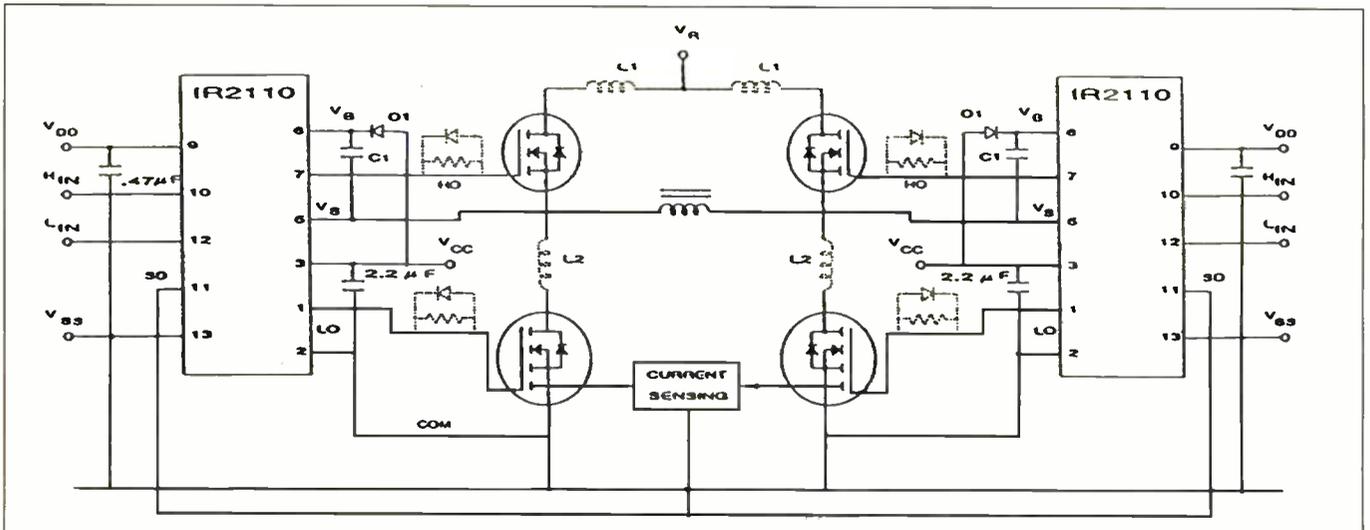
## Floating mos-gate driver

Power mosfets used as high-side switches pose a number of problems for the gate driver: the gate voltage has to be higher than the drain (rail) voltage, which is usually the highest voltage available; gate drive derived from logic signals must be level-shifted towards the source voltage, which lies somewhere between the rails; and power

taken by gate drive circuitry should not be high.

Figure 1 shows the principle adopted by International Rectifier in the IR2110 gate driver, operating in either the bootstrap mode or with a floating power supply up to several hundred kHz. It contains most of the circuitry needed for one high-side and one

Fig. 2. H bridge with current control on a cycle-by-cycle basis. Stray inductances shown dotted must be reduced by decoupling and good board layout to avoid erratic high-side operation.



low-side power mosfet or insulated-gate bipolar transistor; both drive circuits, level translators and input logic circuit.

Each channel can be driven independently, gate drive following input command within the propagation delay ( $t_{on} = 120\mu s$ ,  $t_{off} = 95\mu s$ ), although a dead-time requirement can be arranged simply. High noise-immunity level translators are used, an increased immunity being conferred by a pulse-width discriminator which eliminates very short pulses.

As regards the high-side channel, the isolation tub in which it is built will float from +500V to -5V with respect to power

ground. It floats at the potential of  $V_s$ , set by the voltage of  $V_b$ , which is normally connected to the high-side source, so that if an isolated supply is connected between these two, the channel switches the output between this supply positive and its ground.

Since a mosfet possesses a capacitive input characteristic, the isolated supply can be replaced by a capacitor, charged by the 15V supply through the bootstrap diode during the off time. Power consumed is quite small.

Figure 2 is the circuit of an H bridge with cycle-by-cycle current-mode control, provided by current sensing and the shutdown input. Shutdown is latched, so that

the power devices stay off while load current decays through their internal diodes, coming on again when the latch is reset at the next cycle. Turn-on and turn-off propagation delays are matched to within 10ns to ensure that no conduction overlap occurs, even if the on and off commands occur simultaneously. To further increase the safety margin, the diode/resistor networks delay turn-on without affecting turn-off to give even more dead time.

**International Rectifier, Hurst Green, Oxted, Surrey RH8 9BB. Telephone 0883 713215.**

## 1GHz receiver front end

Application AN117 from GEC Plessey describes the SL6442 in its role as amplifier/mixer working at 950MHz.

Figure 1 is a basic block diagram of the device, which contains a low-noise amplifier, gain controlled by a DC level, and two identical mixers for direct-conversion I and O receivers or image-cancelling superhets. Battery economy is provided and the SL6442 works from 5V at around 4mA.

Figure 2 gives details of the illustrative circuit, which is optimised for maximum gain and low input-reflection coefficient at 950MHz, and gives a printed-board layout.

RF input is matched by means of a shorted stub in stripline form, matching of amplifier to mixer being by series inductor and mixer to 50Ω output by a variable LC network. Quadrature phase shift at the local oscillator input is accomplished by RC lead and lag networks, the inductor  $L_3$  serving to resonate with the parasitic C between the two inputs and cancel it out. It is not easy to reconcile theory with practice in calculating the phase-shift component values in the presence of strays and these were found "empirically", according to the note — a very useful word, on occasion. At any rate, the values settled on give imbalances of around 1dB in amplitude and about 4° of phase.

Trimmers  $VC_1$  and  $VC_2$  give maximum output at an IF of 20MHz; other IFs will need a change in trimmer value or different inductors. Direct-conversion, zero-IF operation needs no change.

Overall power gain is 7dB; voltage gain 33dB into 100kΩ; overall double-sideband noise is 8.2dB; local oscillator drive is -5dBm and terminations are 50Ω.

**GEC Plessey Semiconductors, Cheney Manor, Swindon, Wiltshire SN2 2QW. Telephone 0793 518000.**

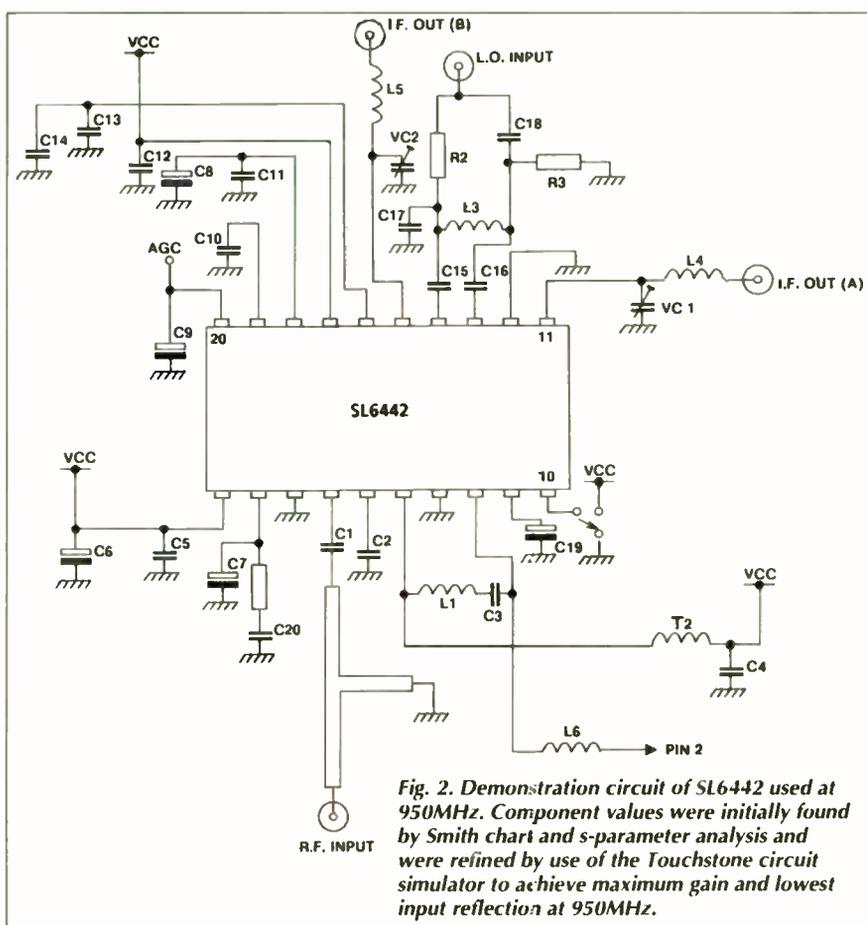


Fig. 2. Demonstration circuit of SL6442 used at 950MHz. Component values were initially found by Smith chart and s-parameter analysis and were refined by use of the Touchstone circuit simulator to achieve maximum gain and lowest input reflection at 950MHz.

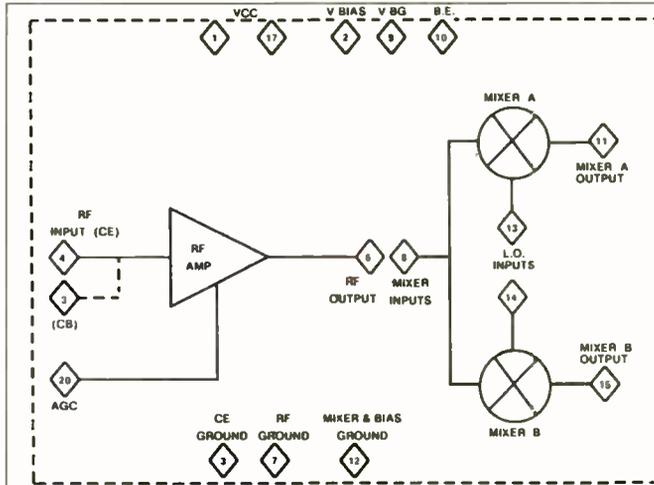


Fig. 1. SL6442 from GEC Plessey, a low-noise amplifier/mixer front end for use at 1GHz.

# Power regulators

Motorola's MC34165 switching regulators contain the main functions for DC-to-DC conversion and are intended for step-up, step-down and inverting use with only a very few external bits and pieces.

Figure 1 shows the internals which, in essence, are a pair of voltage feedback comparators, a temperature-compensated reference, oscillator, driver and a current output switch which will handle more than 1.5A. There is current limiting and thermal shutdown, and an output for use by associated microprocessor-based systems as a reset controller. A high-voltage process renders the devices suitable for telecomms application and the cost is low enough to make them interesting to makers of cars and domestic products.

As the waveforms in Fig.2 show, the MC34165 operates with a fixed on-time, its off-time being determined by a comparator output. When output voltage is far too low, the output switches on and off at a rate set by the oscillator to "pump" the output filter capacitor. As the output reaches its nominal value, feedback to the comparator causes a latch to be set and stop the output switch conducting; the cycle is terminated early, duty cycle now being controlled by both oscillator and output voltage. From then on, the output voltage decays to below nominal and pumps up again past nominal continually, although the ripple shown in Fig.2 is grossly exaggerated to show what is happening; in fact, ripple in step-up mode is 125mVp-p, 50mVp-p in the inverting configuration and 20mVp-p in step-down.

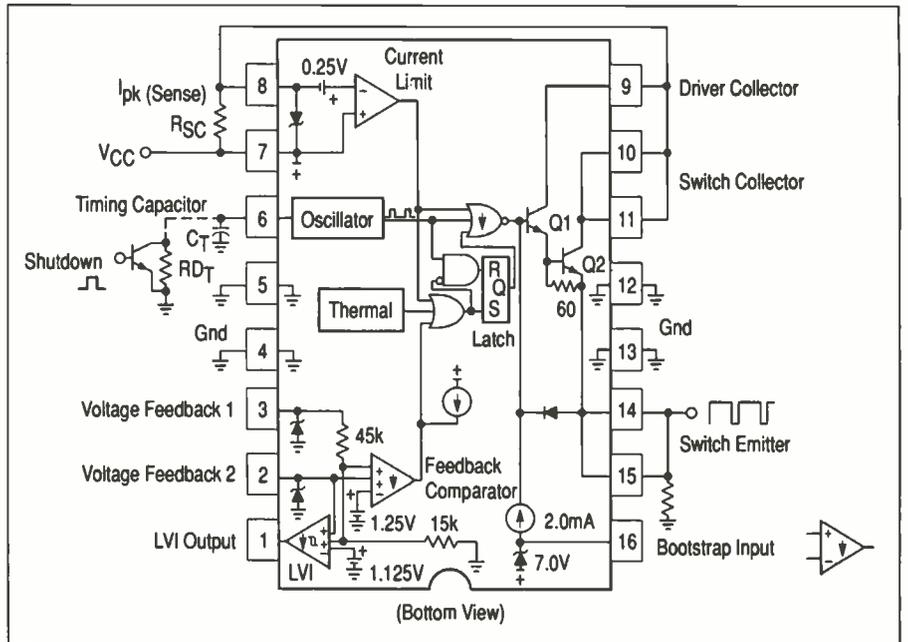


Fig.1. Internal block diagram of Motorola's MC34165 power switching regulator, which is capable of 1.5A with up to 65V output voltage.

Fig. 2. Waveforms of MC34165, showing ripple-current regulation. Oscillator determines switch-on time, while voltage feedback comparator sets switch-off, depending on voltage at output.

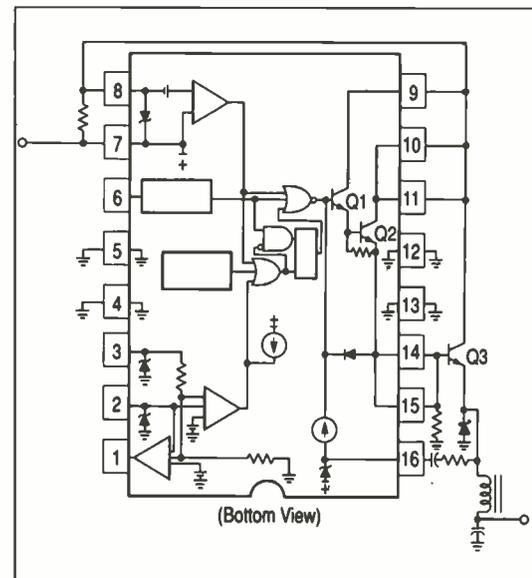
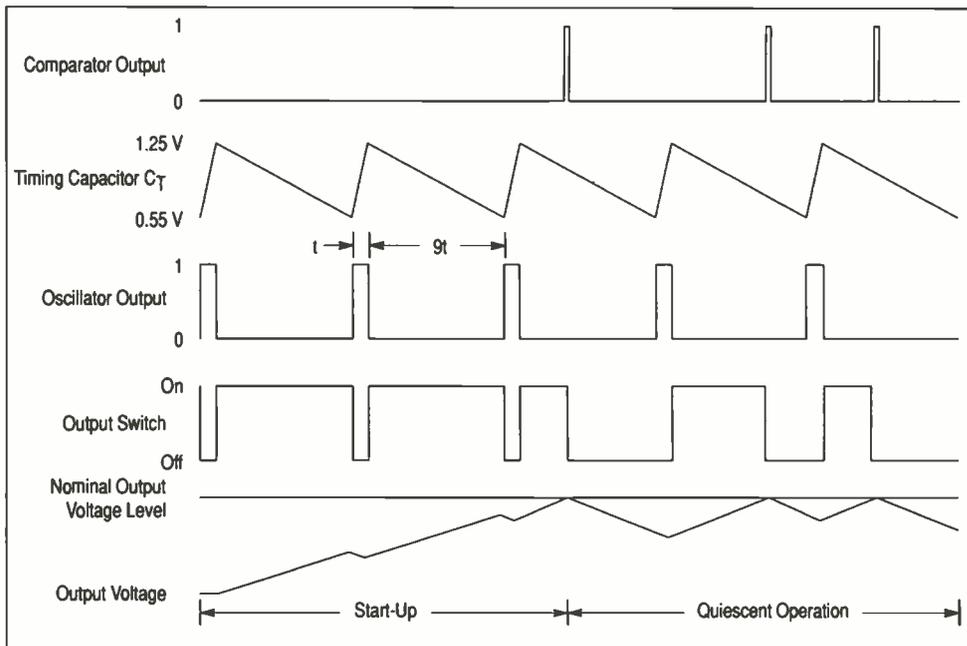


Fig. 3. If current requirement exceeds 1.5A, an external transistor can be used.

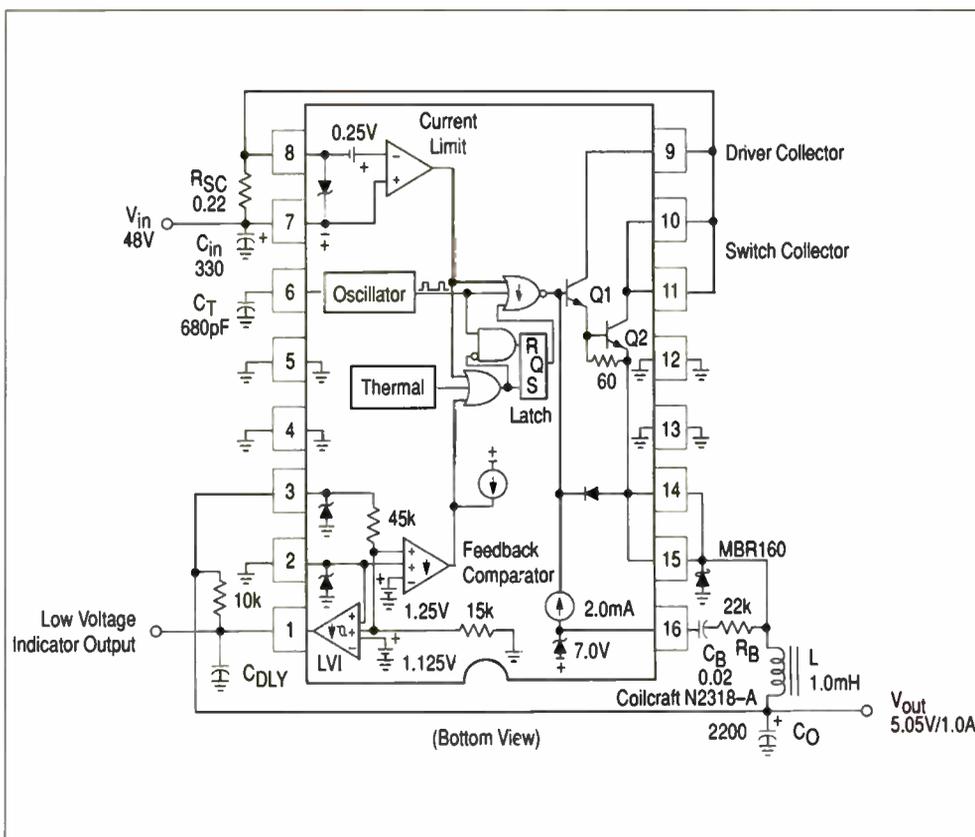
Capacitor  $C_T$  determines oscillator frequency and on time when output is below nominal. Current source and sink for  $C_T$  are internal and in a 9:1 ratio, the sawtooth shown being the result. Output is disabled during ramp-up by a pulse to the Nor gate from the oscillator. In some applications, a shorter discharging time to give a reduced duty cycle might be called for and the external  $R_T$  increases discharge current for this reason. A small transistor across  $C_T$  shuts the converter down.

**Fig. 4. Step-down application of regulator, providing 5V at 1A. Low-voltage indicator output is for reset control of associated microprocessors.**

A very low-value resistor  $R_{SC}$  from  $V_{CC}$  to the collector of the output transistor senses output current for the current limit circuit, needed if abnormal conditions such as overload or loss of feedback occur. Voltage across  $R_{SC}$  is monitored by the current limit comparator which, if voltage drop is more than 250mV, sets the latch and ends output switch conduction on each cycle.

Output driver current source and collector and output emitter and collector are taken out to separate pins, so that a choice of near-saturated darlington connection or saturation with a selected gain is offered. Collector-to-emitter maximum at the output transistor is 65V at 1.5A, but external current-boost transistors can be connected, as shown in Fig.3. Figure 4 is a step-down application of the device, giving 5V, 1A at a line regulation (stabilisation) and load regulation of 9mV at 75% efficiency.

**Motorola Literature Centre, 88 Tanners Drive, Blakelands, Milton Keynes MK14 5BP. Telephone 0908 614614.**



# HENRY'S

EXCITING

## SPECIAL OFFERS!!

### BIG, BIG SAVINGS

# HURRY LIMITED STOCKS

**32 Range 3 1/2 digit mm 12mm Display**

FEATURES: 5 Capacitance ranges, 6 - resistance ranges to 20M ohm Diode and transistor test AC/DC volts ranges, 5 ranges AC/DC current to 10 amps. Also continuity buzzer. With leads, battery and instructions.

**£23.95** UK post etc £2.00 Post free when you Buy Two!

Instrument stockists for: **Homeg Scopes**, **Black Star**, **Thurby**, **Thandar**, **Test Lab**. Always special offers for callers.

**19 range 3 1/2 digit mm**

FEATURES: Pocket Dmm with 12mm display AC/DC volts, 6 ranges DC current to 10 amps, 5 resistance ranges. Diode test. With leads, battery and instructions.

**ONLY £10.95**

UK post etc £2.00 Post free when you Buy Two!

Further Special Instruments Offers - while stocks last

ST300 AC Clamp meter with case 0/600v, 0/300A, 0 - 1K ohm **£29.95** M265 Add on Clamp meter for Dmm's 0/1000A **£12.95** DW6060, True power digital watt meter 0/6kw, 1000 VDC, 750 VAC **£35.95**

**SPEAKERS FOR PA, DISCO AND HIGH POWER CAR SYSTEMS**

All models available 4 ohms or 8 ohms Car/r/pack/ins extra 10" 150watt H/D Bass Speakers 34Hz Res. Ideal Bass or Subwoofer Huge magnet **£35.95** 8" 75 watt Boss/mid vented coil **£15.95** 12" 90/120 watt **£21.95** Bass/mid vented coil 15" 250 watt (400w max) H/D Bass Huge magnet 28Hz Res 102 dB **£81.95**

**LARGE RANGE OF AMPLIFIERS, GRAPHICS, SPEAKERS AND SYSTEMS IN STOCK FOR PA - DISCO AND IN-CAR**

**OPEN 6 DAYS A WEEK FOR CALLERS OR TELEPHONE ORDERS**

**ALL PRICES INCLUDE UK VAT**

**Brand new ASTEC SW mode power supply**

Three pin mains socket input, on/off switch. Output +5 volt 3.75 amp, +12 volt 1.5 amp, 12 volt 0.4 amp, 115-230 V A/C Input. Size 7.0 x 5.3 x 2.5 ins.

**ONLY £12.95** (UK Carr etc £2.05)

# HENRY'S

## AUDIO ELECTRONICS

404 EDGWARE ROAD, LONDON W2 1ED

Tel: 071-724 3564/071-258 1831 Fax: 071-724 0322

DISCOUNTS FOR QUANTITY AND EDUCATIONAL

COLOUR CATALOGUE WITH SUPPLEMENTS SEND £4 PO/CHK Callers £2.00 FREE to Trade/Education (Written Request)

# HALCYON ELECTRONICS

Test equipment, video monitors, amateur radio gear, printers, power supplies, communications, disk drives, multimeters, oscilloscopes, scientific instruments, connectors, component bridges, frequency counters, signal generators, computers.

H.P. 1340A X-Y CRT DISPLAYS	£145	MARCONI TF2337A AUTO DIST'N METER	£495
H.P. 1610A/B/1615A LOGIC ANALYSERS	£399	MARCONI TF2331 DIST'N FACTOR METER	£175
TEK 2210 DIGITAL STGE SCOPE LIKE NEW	£995	LIGHT BOXES 230V 10x12" area	£49
CALIBRATION STANDARDS C/V/L/R	POA	DECADE R/C/V BOXES	From £15
VALRADIO PCB230/200 50Hz TO 60Hz 200W	£95	KAYE DEE PNEUMO UV EXP UNIT 390x260mm	£175
WANDAL/GOLTERMAN SPM-2 SEL LEVEL METER	£169	VACUUM PUMPS TYP 100MBAR (28L/MIN)	£95
GAUGE BLOCKS (SLIP GAUGES) VARIOUS	From £5	ROHDE & SCHWARZ PZN PHASE METER	£25
SCR LEAD PTFE 19/15 SILVER PLTD. 50YDS	£2	R&S SDR UHF SIG GEN 290-1020MHz	£175
WAYNE KERR RA200-ADS1 DISP STORE	£1995	R&S SCR UHF SIG GEN 950-1900MHz	£195
HONEYWELL 612 HUMIDITY TEMP RECORDERS	£95	R&S SMLR POWER SIG GEN 30-300MHz	£165
TEK 5L4N 100kHz SPECT ANAL. 5110MF, ETC	£1750	R&S SMLR POWER SIG GEN 1-300MHz	£130
SIEMENS XTCW12 2PEN CHART RECORDER	£395	R&S ZBK ADMITTANCE BRIDGE 1.5-30MHz	£125
GOULD BRUSH 260 6CH CHART RECORDER	£395	R&S USVD UHF TEST RCVR 280-940MHz (4.6G)	£150
RUSH RT2 EN CU W/STRIPPER 28-45AWG	£245	COSSOR CRM533A VHF NAV/COM RF SIG GEN	POA
RUSH DCF4-VAR SPEED CONT 9-29AWG	£195	COSSOR CRM511 ILS/VOR AUDIO SIG GEN	POA
B&K 1013 BFO, 2305 LEVEL RECORDER	£195	TOPAZ 91007-11 7.5KVA 120/240-120/240	£249

**Visit our bargain corner in shop.**

**Many valuable items at knock-down prices.**

DATAB DL912 TRANSIENT RECORDER	POA	KINGSHILL NS1540 15V 40A PSU CASED	£295
BBC-B & MASTER COMPUTERS	From £139	HP 616B, 618C, 620B, 626A, 628A SIG GENS	£35 EA
RECHARGEABLE SEALED LEAD ACID BATT'S	POA	TEKTRONIX 7403N, DF1, 7D01 LOGIC ANAL	POA
6V 10AH LONG LIFE, EX NEW EQUIPT	£6.50 2/E10	OSCILLOSCOPES DUAL TRACE S/STATE	From £110
HAMEG HM408 40MHz DIGITAL STORAGE SCOPE	£245	MARCONI TF2303 AM/FM MOD METER 520MHz	£245
2 TRACE WITH HM8148-2 GRAPHIC PRINTER	£995	ROBIN 4112 PHASE EARTH LOOP TESTER	£75
FARNELL E350 PSU's 0-350V 100mA 6.3V's	£49	ROBIN 5402 DIGITAL RC/BC (ELCB) TESTER	£75
MARCONI TF2300 FM/AM MODULATION METER	£195	B&T LAB OVENS 12x13x14 INTERNAL 210°C	£195
TEK 545A, 545B, 585, 535A, 551, 535A	From £49	REDPOINT 6E-1, H/SINKS 1.5°C/W, (QTY POA)	£1.50
TEKTRONIX 834 PROG DATA/COMM TESTER	£395	STAG PP41 EPROM PROGRAMMER	£495
VARIABLE OUTPUT PSU's HV & LV	From £35	MARCONI TF2330 WAVE ANALYSER	£150
TEKTRONIX 520 521A PAL V/SCOPES	From £475	COHU 301 0-500V DC VOLTAGE STD INT REF	£125
WAYNE KERR CT492 UNIV LCR BRIDGES	£65	LEADER LBO-9C ALIGNMENT SCOPE	£249
RACAL DANA 9341 DIGITAL LCR BRIDGE	£295	SIGNAL GENERATORS AF TO 21GHz	From £15

LIST AVAILABLE, BUT 1000's OF UNLISTED BARGAINS FOR CALLERS QUALITY ELECTRONIC EQUIPMENT BOUGHT. ALL PRICE EXC. OF P&P AND VAT

**423, KINGSTON ROAD, WIMBLEDON CHASE, LONDON SW20 8JR**

**SHOP HOURS 9-5.30 MON-SAT. TEL 081-542 6383.**

# REGULARS

NEW PRODUCTS CLASSIFIED

## ACTIVE

### A-to-D & D-to-A converters

**16bit DAC.** The AD669 Dacport is a monolithic 16bit d-to-a converter which integrates an on-board reference, span-programmable output, and double buffered latches. The output amplifier is pin programmable for unipolar or bipolar settable spans of 0 to +10V or -10 to +10V. Applications include multichannel industrial and laboratory automation and control equipment, precision analogue signal general circuitry, and simultaneous sampling instrumentation. It has a 30ns bus access time and 40ns write time, 15nV/s glitch energy (impulse), and 10µs output voltage settling time to within 0.0008% of full scale. Analog Devices, 0932 253320.

**8bit ADC.** The HI5700 is a monolithic cmos 8bit a-to-d flash converter with a 20Msample/s conversion rate. Typical specification is  $\pm 0.75$  LSB integral and differential nonlinearity while consuming 550mW from a 5V supply. Typical differential phase and gain are 0.8° and 2% respectively at four times NTSC. Output latches coupled with an internal pipelined data bus structure lets the output data be updated every clock cycle after the initial conversion. Harris Semiconductor, 0276 686886.

**14bit ADC/DAC.** The Philips PCF5012 is a monolithic IC that implements full linear 14bit a-to-d and d-to-a conversion using delta-sigma conversion techniques. Designed for codec-type applications, this device is

suitable for use in G722 wideband speech codecs. Sampling rate is from 8 to 16kHz and it provide a bandwidth (analogue) of 7kHz when sampling at 16kHz. The 28-pin di version has serial I/O ports and the 44-pin QFP unit has parallel and serial ports. Macro, 0628 604383.

**12bit DACs.** The Max501 and 502 are 12bit four-quadrant d-to-a converters that combine a bicos output amplifier with  $\pm 10V$  drive capability, and a laser trimmed thin-film resistor DAC on a single chip. The Max507 and 508 are 12bit voltage output d-to-a converters that combine a laser trimmed DAC, a bicos output amplifier, and a 5V  $\pm 30ppm$  buried zener reference on a single IC. The 502 and 507 have 12bit wide interfaces and the 501 and 508 are in 8+4 formats. Maxim Integrated Products, 0734 845255.

### Discrete active devices

**HV mosfet.** The Supertex TN2540NS mosfet has a drain-to-source breakdown voltage of 400V minimum, on resistance of 12Ω, and gate threshold voltage of 1.8V maximum. It is TTL logic level compatible and comes in a SOT89 (TO243AA) package. Applications include solid-state relays, telecommunications, and medical equipment. Kudos Thame, 0734 351010.

**Power mosfets.** The 2SK1380 power mosfet has an on-state resistance of typically 6.5mΩ and is for high-current switching applications such as motor drives and DC-DC converters. It comes in a TO-3P package and has maximum continuous ratings of 60V and 60A with a low associated maximum leakage current of 100µA. It can operate from a gate drive as low as 4V. Toshiba Electronics, 0276 694600.

### Linear integrated circuits

**Comms controller.** The Zilog Z80C30 and Z85C30 serial communication controllers are cmos versions of the industry standard nmos units. The dual channel multi-protocol data communications controllers can be easily interfaced to CPUs with multiplexed or nonmultiplexed address and data buses. Each has a 10 by 19bit fifo and a 14bit byte counter to support high speed SDLC transfers using DMA controllers. Daisy chain interrupt hierarchy is supported. Celdis, 0734 585171.

**Charger IC.** The Teledyne TC675 battery charger control IC includes facilities for safely fast charging NiCd and Ni-hydrate batteries directly from AC mains supply. It is suitable for use in battery powered applications such as notebook computers and portable instruments as well as power tools and emergency lighting systems. It has automatic overcharge protection and temperature and time controlled shut offs. Hunter Electronic Components, 0628 75911

**Video amplifiers.** The LT1193 and 1194 are differential input single-ended output DC-coupled amplifiers. The inputs have common mode rejection of 50dB at 10MHz. Both slew at 450V/µs, have bandwidths more than 35MHz, and more than 50mA of output drive current. They are specified driving 100Ω loads while operating from a single 5V supply as well as  $\pm 5$  to  $\pm 8V$  supplies. Low offset voltage in 2mV, input bias current 50nA, and input impedance 100kΩ. The 1193 is optimised for a gain of two or more and the 1194 has a fixed gain of ten. Linear Technology, 0932 765688.

**Real-time clock.** The TC8521 real-time clock provides a low operational current drain of 250µA from a 5V supply. It comes in a 300mil 20-pin SO package. The 26 by 4bit on-chip RAM needs 5µA to retain its data. The device incorporates a crystal oscillation unit, counter for the clock and calendar, and an alarm function. Toshiba Electronics, 0276 694600.

**Video switch.** The TA8639P is a five-channel monolithic video switch for use in televisions and videocassette recorders. It comes in a 16-pin plastic dip and will accept any five full-bandwidth video inputs and switch between them with a guaranteed maximum -60dB crosstalk. Three further control inputs are provided for selecting between the channels and also for switching between low and high impedance drive output. There are output amplifiers on each of the low and high impedance drive outputs, providing a typical 6dB gain. Toshiba Electronics, 0276 694600.

**SCSI active terminator.** The Boss UC5601 is an active terminator with SCSI connection capabilities for the data processing and telecommunication industries. It terminates all 18 channels in an SCSI interconnecting bus through on-board thin-film resistors to an internal regulated voltage source. It has a disconnect feature which, on a single activation command, connects or isolates any terminators distributed

throughout the network. It also reduces the supply current to less than 150µA, effectively putting the circuit into sleep mode while the cable lines are open. Unitorde, 081-318 1431.

### Memory chips

**64Mbit sram.** The WS-XMxX comprises 64 1Mbit srams in a hermetically sealed 120-pin ceramic flatpack. It can retain data at voltages down to 2V and it can be configured as 8M by 8bit, 4M by 16 bit or 2M by 32bit. Because only an eighth of the memory is active during operation, the rest in stand-by mode, power consumption is 120mA at 5V. The stand-by current is 15mA. The read/write access time from address change or chip enable is between 100 and 150ns including buffer and decoding logic. Bowmar Instrument, 0932 851341.

**128Kbit vram.** The CXK1206M is a three-port (one write and two read) vram that can handle NTSC and Pal data. It is in a 960 column by 36 row by 4bit structure with asynchronous control of the three ports. The chip can be used in recursive mode for field display, TBC, noise reduction, and double scan, and in nonrecursive mode for picture-in-picture, zooming, multi-picture, and printer outputs. It runs on a 5V supply and comes in a 38-pin sop. Hakuto International, 0992 769090.

**1Mbit flash eproms.** The Intel 28F001BX-B and BX-T flash eproms use separately erasable blocks. They are organised as 128K by 8bit, and the architecture is divided into four blocks: one 8K boot block with lock out; two 4K parameter blocks; and one 112K main area. They use an integrated command port and state machine for simplified block erasure and byte reprogramming. They come in 32bit plastic dip, 32-lead PLCC, and 32-lead TSop packages. Jermyn Distribution, 0732 743743.

**1Mbit sram.** Sampling has begun for a 10 and 12ns 1Mbit sram. The unit can be an ECL I/O device organised as 1M by 1bit or 256K by 4bit, or it can be a TTL I/O device at 1M by 1bit, 256K by 4bit or 128K by 8bit. They are made with 0.8µm silicon gate bicos technology. The pinout has centred paired Vcc and Vss pins and centred I/O pins that provide reduced inductance due to shortened leadframe paths. The added pair of Vcc and Vss pins also shortens the internal power and ground busing. Motorola, 0908 614614.



Video star: the Sony video ram available from Hakuto

## Microprocessors and controllers

**30MHz transputer.** Production volumes are available of the 30MHz version of the IMS T805 transputer which gives 30Mips and 4.3Mflops peak performance, 50% more than the 20MHz version. The T805 is a 32bit chip with an interrupt response time of 630ns, average power consumption of 660mW, programmable external memory bus with dram control, and pin count of 84. An external 5MHz clock is all that is needed to drive the on-chip phase locked loop. Inmos, 0454 616616.

## Optical devices

**Plastic leds.** Three GaAs plastic leds provide a minimum radiant intensity of 45mW/Sr rising to 120mW/Sr at a forward current of 100mA. The OPE5594 and 5694 are available in T1.75 5mm plastic packages with respective half angles of  $\pm 10^\circ$  and  $\pm 17^\circ$ , and the OPE5794 comes in a T1.3mm package with a half angle of  $\pm 17^\circ$ . The 5594 and 5694 have a typical 1.4V forward voltage and an operating range from -30 to +70°C, and the 5794 has a typical 1.2V forward voltage and operates from -20 to +70°C. All have a peak wavelength of 940nm at a forward current of 40mA, a capacitance of 25pF, and a maximum reverse current of 10 $\mu$ A. Pacer Components, 0734 845280.

**Infra-red leds.** The SFH474, 475 and 476 infra-red led emitters have emission angles of  $\pm 11^\circ$ ,  $\pm 17^\circ$  and  $\pm 28^\circ$  respectively. Rise and fall time is 100ns at 100mA and the devices can be modulated at speeds up to 5MHz. Total radiated power is 10mW at 100mA with a peak wavelength of 830nm. The SFH414, 415 and 416 have the same respective emission half-angles as the figures above. Their total radiated power is 22mW which results in a minimum intensity of 63mW/Sr at 100mA. Siemens, 0932 752616.

**Fibre optic modules.** Toslink fibre-optic modules for digital audio applications include transmitters and receivers, as well as optically matched cables and connectors. The transmitters and receivers work from 5V power supplies and can be directly interfaced with standard TTL circuitry. Transmission distances up to 10m are possible and they can handle data rates up to 6Mbit/s and exhibit pulse width distortion figures down to  $\pm 20$ ns at full rated speed and distance. Toshiba Electronics, 0276 694600.

## Oscillators

**Clock oscillators.** The E500 Connor-Winfield ECL clock oscillators are

available in half-height packages in through-hole and surface mount versions. Frequency range is from 24 to 180MHz. Operating temperature is from 0 to 70°C but an industrial -40 to +85°C version can also be supplied. Frequency stabilities are available to 25ppm. Supply voltage can be -5.2, -4.5 or +5V DC. Litton Precision Products, 0628 486060.

## Programmable controllers

**Stripped controller.** The Microcontroller programmable controller is available in a stripped down version. It can handle monitoring or supervision functions from 16 to 192 inputs and outputs. It has built-in counters, timers and shift registers that give a processing speed of 4.25 $\mu$ s per instruction step. Programming is via a hand-held control or an IBM compatible PC. Its footprint is 200 by 130mm. Matsushita Automation Controls, 0908 231555.

## PASSIVE

### Passive components

**Chip capacitor.** A 50V multilayer ceramic chip capacitor is available in an 0603 package style. The dielectric can be either NPO (1 to 220pF) or X7R (270pF to 6.8nF). Terminations are of nickel barrier. Although it is more difficult to pick and place and is not so easily reworked as the larger 0805 size it replaces, it is more resistant to thermal and mechanical shocks. AVX, 0252 336868.

**Transformers.** The Avel PT short-circuit proof transformers have an internal thermal device which protects them from overload or short-circuit conditions. They automatically revert to normal use when the cause of the overloading is removed and normal operating temperature is achieved. They operate from a 240V 50 or 60Hz mains supply and have 4.5, 7.5 and 13VA ratings. Dual output windings can be operated in series or parallel with 6, 8, 9, 12, 15 and 18 secondary voltages (and times two) being available. ESD Distribution, 0279 626777.

**Tantalum caps.** Available taped and reeled for automatic placement, the SVH surface-mount tantalum capacitors can withstand soldering temperatures up to 260°C for 10s fully immersed. There are 30 devices in the series covering capacitances from 0.1 to 33 $\mu$ F in four moulded-resin package sizes. Temperature cycling tolerance is -55 to +125°C for 1000 cycles, and 1000h at 85°C with 85% relative humidity. Working voltages



*Palm reader: hand-held digital storage scope from Tektronix.*

are from 10 to 35V DC and standard capacitance tolerances are  $\pm 10$  and  $\pm 20\%$ . NEC Electronics, 0908 691133.

**Electrolytic caps.** The Panasonic SU radial and axial electrolytic capacitors are available from 1 to 4700 $\mu$ F. The axial versions have five voltage ratings from 10 to 450V and the radial types have four ratings from 16 to 63V. Operating range is from -40 to +85°C except for the 450V axials whose minimum temperature is -25°C. All have a minimum life of 2000h at 85°C. Capacitance tolerance is  $\pm 20\%$ . RS Components, 0536 201234.

**Chip capacitors.** High Q chip capacitors are for use between 20MHz and 1GHz in communications and alarm systems. Capacitances are from 0.47 to 680pF at rated voltages of 50, 63, 100 or 200V. Operating temperature is between -55 and +125°C. There is a choice of nickel barrier or silver palladium terminations. Environment classification is 55/125/56 and they are available on tape or reel or in bulk packaging. Vitramon, 06285 24933.

## Connectors and cabling

**Subminiature Ds.** Harting subminiature D connectors are MILC24308 and DIN41652 compliant and have a contact range of between 9 and 50 ways. Row spacings are 2.54 or 2.84mm. Ground continuity is via dimples on the body of the connectors. Terminations include solder buckets for discrete wiring, straight solder pins with or without grounding contacts, wrap posts for automated wiring techniques, and IDC. Contact ratings are 7.5A turned,

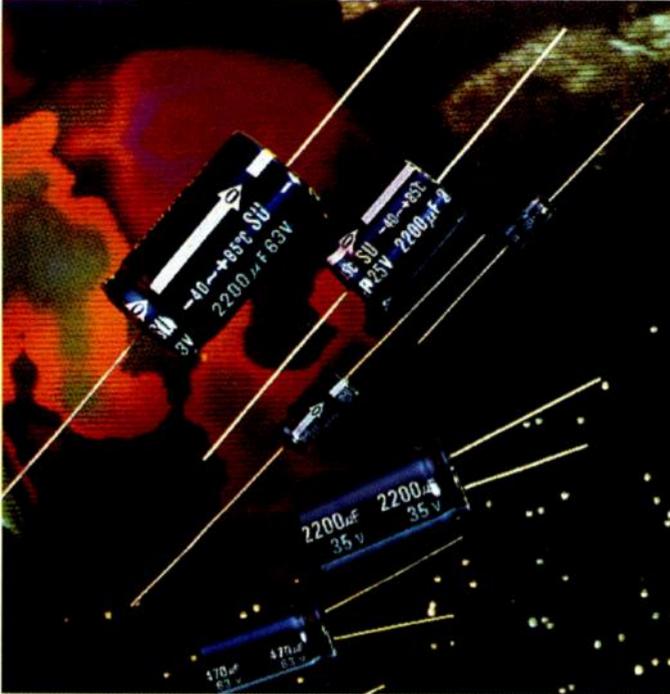
6.5A stamped, and 2A IDC. Gothic Crellon, 0734 788878.

**Wire connectors.** A range of P-Conn screw-on wire connectors is for use up to 600V and is available in nut and wing styles. Nut connections are for 12 and 20AWG wire sizes, have contoured ribs to improve grip, and a funnel entry that guides wires into the connector. Wing connectors have more torque and come in three sizes from 6 to 22AWG. Both come in industry standard colours although a green grounding wing style is available which allows a through wire between device and ground. Panduit, 0634 660811.

**IDC assemblies.** An IDC system has been introduced for mating with terminal strips on 1.27 by 2.54mm centres. The FCSD socket female strips have dual beam tuning fork style beryllium copper contacts for gas tight connections. The FCMD terminal male strips also have BeCu contacts and both can be specified from 5 to 40 positions per row. Assembled height of the male is 8mm and the female 11.05mm. Samtec Electronics, 0236 739292.

## Displays

**Led cluster.** China Semiconductor has introduced an led cluster display product for use in illuminated signs. Each device forms a single dot in the finished sign giving the constructor freedom to design his or her own matrix. The clusters are weather-proof and available in 1 or 2in diameters with 14 or 15 individual lamps respectively. They come in single colour red or green or dual colour each of which can be illuminated separately or in combination to give a



Lost is space: Panasonic electrolytic capacitors from RS Components.

three colour red, green and yellow palette. Clere Electronics, 0635 298574.

**Supertwist lcd.** A VGA compatible black-and-white supertwist LCD module, the LMG5160XUFC, is 8.5mm thick including CFL backlight and associated light guide. It uses an anti-glare upper polariser, a transmissive bottom polariser, and a plastic optical phase shift retardation film which cancels out less desirable colour effects. Resolution is 640 by 480 and the unit measures 255 by 172mm. Hitachi, 0628 585000.

## Hardware

**Quad flat pack.** A ceramic quad flat package for surface mount ASICs is claimed to dissipate heat better than plastic packs yet costs less than conventional ceramic packs. It measures 3 by 3.2mm and has a typical specification of 38°C/W for a 208-pin pack without heatsink. Fujitsu Microelectronics, 0628 76100.

**ABS enclosures.** PacTec enclosures can be customised with EMI and RFI shielding, flame retardant coating, and screen printed customer logos. They are made from impact resistant ABS in moulded-through colours. They have moulded-in bosses, card and panel guides, and the availability of customised panels. OK Industries, 0703 619841

**ABS boxes.** Hammond enclosures, instrument cases and die-cast boxes

are supplied in kit form and made from flame retardant ABS. The option of a nickel acrylic coating is available for EMI/RFI shielding. The enclosure kit contains base, lid, four M4 fixing screws, and four guide cards that accept horizontal or vertical 1.6mm PCBs on a 5mm grid. An IP65 sealing kit with gasket and four O rings is a further option. Radiatron Components, 081-891 1221.

## Instrumentation

**Multifunction generator.** The 2030 20MHz multifunction generator uses a direct digital synthesis technique and a phase-slip clock to generate waveforms with amplitude and frequency resolution of 0.01% and 0.1ppm respectively. Standard function waveforms include sine, square, triangle, pulse, ramp, and noise. Modulated waveforms include AM, FM, OM, exponential decay, sinX/X, and linear and log sweeps. Up to four waveforms can be combined. Analogic, 0344 860111.

**Coaxial cord tester.** A battery-powered coaxial cord tester can be used for continuity and vibration testing. Leads are checked for open or short circuits and for insecure connections. It checks that inner and outer conductors are fully connected without opens and shorts. The connections are continuously scanned using a pulse stretching technique. The vibration test reveals bad connections which have become microphonic but which still pass a

continuity test. An amplitude demodulator drives an audio amplifier and a loud speaker. Faults are perceived as crackles from the speaker as the cord is moved and flexed. Brantham Engineering, 0376 518384.

**Solderability tester.** The Must System II is a solderability tester with integral computer control for surface mounted and leaded through-hole components. It works on the wetting balance principle and its features include: storage and recall of component data, test parameters, and results; colour graphic display facilities; automatic components alignment; multi-lead component testing capability; and automatic pass or fail analysis. Multicore Solders, 0442 233233.

**Digital analysis.** The Palmoscope is an instrument that can convert an oscilloscope into a digital analysis tool. It has three instruments in a single probe - logic analyser, signal multiplexer, and trigger probe. It fits in the palm of a hand and will connect to any oscilloscope. It has eight channels which can be increased to 24 by connecting three instruments together. External clock frequency is DC to 20Mhz and internal is about 800kHz. Symmetron, Athens (1) 7751 488.

**60MHz scope.** The dual-channel 224 is a 60MHz hand-held digitising oscilloscope. It has a TV field trigger, weighs 4.4 lbs, and meets MILT28800D standards for shock and vibration. Its two rechargeable batteries provide 3h of operation. It has an isolated channel architecture for making safe floating measurements. It is programmable from the RS232C port. Tektronix, 0628 486000.

## Interfaces

**Instrument control.** Two interface kits can turn HP Apollo 9000 series 400 workstations into instrument controllers. e GPIB-A/AT and GPIB-A/PC kits include an IEEE488.2 controller board and the GPIB11 Domain/Os software. The AT board uses the Nat4882 and Turbo 488 custom chips and has data transfer rates of 1Mbyte/s for reads and writes. The PC kit is slower at 400Kbyte/s. Domain/Os includes a high speed driver, C interface, application debugger, and screen based configuration utility. National Instruments, 0635 523545.

**Sun gateway.** Etherbit is an interface between Sun workstations and industrial Bitbus I/O modules. Each Bitbus network can comprise up to 250 multi-tasking modules, each with multi-channel I/O capability, linked by a single twisted wire cable which can be up to 13.2km long. This means

clusters of I/O can be distributed over a wide area. Each module can run up to eight tasks such as concurrent scanning, local data storage, and Bitbus communication. Quin Systems, 0734 771077.

## Literature

**Surface mount devices.** The sixth edition of the Flint surface mount devices user guide has 132 pages including functional selection guides and technical specifications. For production engineers there are component outlines, footprints and tape and reel specifications. It is in full colour and costs nothing. Flint Distribution, 0530 510333.

## Production equipment

**Solder pack.** By using flexible sealed Flexpak pouches, singly or in various weight combinations, screens can be properly charged with fresh solder cream without pre-weighing from jars. The pouch design prevents worker contact with the solder cream improving safety in handling. The polypropylene aluminium nylon laminate package comes with a dispenser that empties the entire package with no solder waste. Stenciling and screening grade creams come in 50 and 150g packs. Various alloys and flux systems are also available. ESP, 0234 211582.

## Power supplies

**200W supply.** With a 86 by 140 by 150mm footprint, the SA201 200W power supply uses universal input technology to sense the applied input voltage level and automatically strap the unit for 115 or 230V AC operation. Outputs are +5V at 20A, +12V at 8A, -12V at 0.5A, and -5V at 0.5A. It operates in ambient temperatures up to 50°C and protection is provided for overvoltage, overload, and overtemperature conditions. Astec Standard Power, 0246 455946.

**Plug-in supply.** The Trivolt EC50 is a single fixed frequency 50W converter that accepts 93 to 262V AC input and gives 5V at 5A (9A peak), 12V at 0.8A (4A peak for disc drive start up), and -12V at 0.8A. Ripple and noise are less than 40mV peak-to-peak for all outputs. It measures 3U by 8HP by 160mm deep. Optional front panels are available. BICC-Vero Electronics, 0489 780078.

**Switch mode supplies.** The Omega range of switch-mode power supplies has been extended with the introduction of 1 and 1.5kW versions. Input voltage range is 85 to 265V AC. The footprint is 279 by 203mm for both and the 1kW is 80mm high and the 1.5kW 127mm. Power factor is

0.99. There can be single or multiple outputs of 5, 12, 24, or 48V all of which are adjustable. Coutant Lambda, 0271 863781.

**DC-DC converter.** The LT1109 is a 5 or 12V fixed output step-up DC-to-DC converter from Linear Technology. It needs a surface-mount inductor, diode and capacitor to construct a complete step-up converter. It has a 12V output at 60mA which can be generated from a 5V  $\pm 10\%$  supply. It can also be used for a 3 to 5V converter. There are eight pins including a shut-down pin which reduces supply current to 320 $\mu$ A. Micro Call, 0844 261939.

## Radio communications products

**HF-SSB radio.** The TW2000S is a HF radio with a programmable capability that eliminates the need for channel crystals. It has a ten channel capability over the 2 to 20MHz frequency range. Output power is 125W and it operates directly from standard 12V DC sources. A separate AC mains supply is available. All channel frequencies are phase-locked to a single high-stability reference oscillator. Channel programming and radio configuration can be done using the RS232 port of a PC. A password protected program ensures only authorised users can reconfigure the radio. Trans World Communications, 0101 619 747 1079.

## Programmiers

**Gang programmer.** The PL800 module is for gang programming waferscale integration programmable system devices such as the PSD301. The module is for use with the L9000 modular programmer. PSD301 provides eeprom, sram, and port expansion while catering for 8 or 16bit data buses and multiplexed or non-multiplexed address buses. Lloyd Research, 0489 574040.

## Switches and relays

**Keyswitch.** A three position keyswitch offers a choice of mounting configurations including flush mounting in a mosaic tile. Called Swisstac, it has three normally open, normally closed or changeover poles, with two poles selected in one position and one in the other. The centre position is off. A modular range of bezels is available including 18mm diameter, 18 by 18mm, 18 by 24mm, 24 by 24mm, and 24mm diameter. The 18 by 18mm version can be flush mounted in a 24 by 24mm mosaic tile with the aid of an adaptor. It can be supplied with IP40 or IP65 protection. Highland Switch, 0444 245021.

**Micro relay.** The TK micro relay has a footprint of 10.6 by 9mm and an off-the-board height of 4mm. It can withstand a shock of up to 50g and full load ambient temperature of 70°C. It is sealed to IP67 and has a mechanical life of more than 100 million operations. Surge voltage withstand between contacts and coil is 2.5kV for 20 $\mu$ s. It has a single changeover contact rated at 60W and consumes less than 140mW at nominal coil voltage. Matsushita Automation Controls, 0908 231555.

## Transducers and sensors

**Displacement transducer.** The D5/AW displacement transducers can be used fully submerged in liquid and are made from stainless steel, electron beam welded to give hermetic sealing up to pressures of 2000psi. Working ranges from  $\pm 12.5$  to  $\pm 50$ mm are available with either separable or spring return probes. They operate from a 6 to 12V DC supply and provide an output of typically 3.5V/25mm. RDP Electronics, 0902 457512.



On the circuit: Hitachi's PC based in-circuit emulator.

# COMPUTER

## Computer board level products

**DSP option.** A digital signal processor option, the 683DSP, has been added to the 6100 waveform analyser so that it can perform real-time signal processing and spectral analysis. The plug-in DSP board has a 25Mflop processor increasing the 6100's performance by a factor of 300. This makes real time processing possible in time and frequency domains on records up to 32k data points. Analogic, 0344 860111.

**Extender card.** This PC extender card raises a daughter board above the microcomputer case while maintaining electrical continuity with the backplane, facilitating calibration, development or testing of the board. Unlike the earlier version, it is a four layer board so it can operate at higher clock speeds. It has internal ground and power planes to minimise voltage drop and minimal track lengths to reduce signal skew and timing delays. All signal lines are protected by a guard tracking technique to minimise crosstalk between adjacent lines. BICC-Vero Electronics, 0489 780078.

**Ethernet controller.** The CL486/296 is a 486-based Multibus Ethernet controller board using the 82596 32bit lan coprocessor which supports data rates up to 57Mbit/s synchronous or

76.8Kbaud asynchronous communications. Further I/O expansion is achievable through the ISBX interface. On-board processing is performed by a 25MHz 486 CPU and a 32bit 82380 DMA controller. It has a choice of 2 or 8Mbyte of fast page mode dram and up to 4Mbyte of eeprom. The user's operating system can be either downloaded to the board via message passing or stored in local memory. Concurrent Technologies, 0206 752626.

**DMA link.** The CC386/11W Multibus II board with a DR11W interface provides a parallel DMA link between Multibus II systems and DEC computers at transfer rates up to 1.1Mbyte/s. It can also operate as a parallel communications link at transfer rates up to 4Mbyte/s. DMA with fifo support is provided on transmit and receive channels. Access to the interface is via two 40-way connectors on the front panel. The board has a 16MHz 386SX CPU supporting local data rates up to 16Mbyte/s with zero wait state memory access. Either 1 or 4Mbyte of fast page mode dram is provided and up to 2Mbyte of eeprom. Concurrent Technologies, 0206 752626.

**Bus extension.** The PCL757 is a switchable 16bit PC-bus extender with complete signal buffering as well as on-board power rail fuses. The extender has an on-board on/off

switch to let cards be plugged in and removed from the extender without disturbing PC operation or requiring the PC to be powered down. It is suitable for testing, repair and trouble shooting of PC add-on cards and can also be used as a development tool for prototype testing. Integrated Measurement Systems, 0703 771143.

**Digital I/O.** The MPV920 digital I/O board for the VMEbus has 64 input channels arranged in eight banks, the MPV921 has 16 input and 64 output channels, and the MPV922 has 40 inputs and 32 outputs. On each board interrupts can be asserted by any one of 16 input channels in response to a change of state. Each board has four 24bit counters. Anti-bounce protection is included on all inputs. Delays are jumper selectable to 70 $\mu$ s, 1ms or 7ms. Pentland Systems, 0506 464666.

## Computer systems

**Rack-mount PC.** A 48V version of the TMI3014 rack-mountable PC has been introduced. It uses a 19in rack mountable chassis and has a 14-slot passive backplane. It can be configured with an optional split backplane for dual processing. The steel chassis is 7in high and 22in deep, is nickel plated to reduce EMI and RFI susceptibility, and has a positive-pressure filtration system to

# RADIO REMOTE CONTROL . . .



## . . . wherever and whenever it's needed

Radio linking is the 1990's answer to the question of data transference and remote control . . . cutting out the need for fixed cables and direct connections. At Wood & Douglas we've developed this technology to a fine art with a range of compact, radio link modules capable of simple, highly efficient application across a wide spectrum of commercial and industrial uses. Where standard modules are not applicable we custom-build to precise requirements.

Over the past ten years we've successfully applied radio linking over such diverse areas as water leak detection, remote control of cranes and other industrial equipment, medical and veterinary monitoring, data logging, fuel and power control, automated warehousing . . . the list is endless.

In short, give us the problem . . . and we'll give you wireless control, wherever and whenever it's needed.



Lattice House, Baughurst, Basingstoke, Hampshire RG26 5LL England  
Telephone: 0734 811444. Fax: 0734 811567



CIRCLE NO. 131 ON REPLY CARD

## NEW PRODUCTS CLASSIFIED



**Beam me up:** Digltran's infra-red unit boldly takes keyboards where they have never gone before.

protect against dirt and dust. Four half-height peripheral slots are available. Crellon Microsystems, 0734 788878.

### Development and evaluation

**In-circuit emulator.** A PC based in-circuit emulator has been introduced for use with the H8/330 microcontroller. At its heart is the PCE8330 board which can be used for software development and for debugging user hardware when connected remotely to a target system. The software can control and interrogate the emulator hardware through a command line on the host PC. A complex breakpoint system, using dynamic, program counter and static breakpoints, allows various conditions that can stop real-time emulation. It also has a real-time trace facility. Hitachi, 0628 585000.

**PLD development.** PLDshell Plus from Intel is a complete development menu-driven environment for designs based on programmable logic devices. It will run on an IBM PC or compatible. The user can choose each of the steps in the design flow - text edit, compile, view, program, and so on - from the access screen. It has device libraries for popular PLD types. The PLDasm compiler is syntax compatible with Palsm-2 software. Jermyn Distribution, 0732 743743.

### Mass storage devices

**Optical drive.** Optistore 128 is a rewritable 3.5in optical storage subsystem that can store 128Mbyte on asingle removable ISO disk. Rotational speed is 3000rev/min and

average access time is 28ms. It can be supplied with interfacing hardware and software drivers for Apple Mac, PC AT, PS/2 or compatible computers. Other interface options are available. Each unit has two 50-pin SCSI sockets for chaining devices. With the aid of a 64Kbyte buffer, data is transferred over the SCSI-2 link at 4Mbyte/s synchronous or 1.5Mbyte/s asynchronous. Data Peripherals, 0785 57050.

**SCSI drives.** The CDR1750SY and 1750SZ SCSI drives are for multimedia CD-rom applications. Also available is the CI4000 two, three or four-drive subsystem using the CDR3600 and 3650 built-in CD-rom drives to provide more than 2.2Gbyte of integrated text, graphics and stereo sound storage. It has a built-in power supply, cables, software, and AT or MCA adapter cards. A dip switch lets two subsystems be interlinked side by side or one above the other. Hitachi New Media, 081-849 2092.

### Computer peripherals

**Infra-red control.** An infra-red interface option can be incorporated into custom keyboard designs. It can be used to connect keyboards with computers or host systems for example at a restaurant where the order is taken at a table and beamed to the computer. Output circuitry can be configured to provide PC-AT, PS/2, Apple Mac, DEC VT-220, RS232, RS242, or Ascii protocols. Digltran, 0763 261600.

**SCSI adapters.** AT and MCA SCSI adapters have been introduced that let the CDR1700S and 320ms 1750S SCSI drives be connected to PCs and Apple Macintoshes. Hitachi New Media, 081-849 2092.

## COMPUTER ICs

2817A-20 (2K x 8 EEPROM)	£2
AM7910 Modem chip ex. eqpt	£5
80C88A-2 used	£1.25
27C64-25 used/wiped	£1.50 100+ £1
27S191 PROM	£2
IMS1400P-45	£2
80C31 MICRO	£2
P8749H MICRO	£5
D875H	£10
NEW 4164-15	£1
USED 41256-15	£1
USED 4164-15	60p
BBC VIDEO ULA	£10
6845 CRT	£5
6522 PIA	£3
DM88LS120	£4.50
AY3-1015D UART	£2.50
9 x 41256-15 SIMM	£10
8 x 4164 SIP MODULE NEW	£8
HD 146818 CLOCK IC	£2
2864 EPROM	£3
27128A 250ns EPROM USED	£2 NEW £2.30
27C1001-202 NEW 1M EPROM	£6
FLOPPY DISC CONTROLLER CHIPS 1771	£10
FLOPPY DISC CONTROLLER CHIPS 1772	£17.50
68000-8 PROCESSOR NEW	£6
HD6384-8	£5
ALL USED EPROMS ERASED AND BLANK CHECKED CAN BE PROGRAMMED IF DESIRED	
2716-45 USED	£2 100£1
2732-45 USED	£2 100£1
2764-30 USED	£2 100/£1.60
27C256-30 USED	£2
27C512 USED	£3.50
1702 EPROM EX EQPT	£5
2114 EX EQPT 50p 4116 EX EQPT	70p
6264-15 8K STATIC RAM	£2
SN76489AN	£3
GR281 NON VOLATILE RAM EQUIV 6116	£5
Z80A SIO-O	£1.25
TMS27C256-25 ONE SHOT 27C256	£1 ea 100/£70
8085 PROCESSOR £2 MC6802 PROCESSOR	£2

## REGULATORS

78M05 5V 0.5A	7/£1
LM317H T05 CAN	£1
LM317T PLASTIC TO220 variable	£1
LM317 METAL	£2.20
7812 METAL 12V 1A	£1
7805/12/15/24V plastic	25p 100+ 20p 1000+ 15p
7905/12/15/24 plastic	25p 100+ 20p 1000+ 15p
CA3085 TO99 variable reg	2/£1
LM338 5A VARIABLE	£8
L387 5v 1/2A WITH RESET OUTPUT	£1ea £50/100

## CRYSTAL OSCILLATORS

1M000 1M8432 1M000 4M000 16M000 18M432000	
20M500 32M0000 56M6092	£1.50 each

## CRYSTALS

1M0 2M77 4M000 4M9152 5M0688 6M0000 8M0000	
12M000 14M31818 15M000 16M000 16M5888 17M000	
20M000 21M855 22M1184 49M50	£1 each

## TRANSISTORS

BC107 BCY70 PREFORMED LEADS	
full spec	£1 £4 100 £30 1000
BC557, BC546B, BC238C, BC308B	£1.30 £3.50 100
2N3819 FETS short leads	4/£1

## POWER TRANSISTORS

P POWER FET IRF9531 8A 60V	3/£1
N POWER FET IRF531 8A 60V	2/£1
25C1520 sim BF259	3/£1 100 £22
TIP 141/2 £1 ea TIP 112/125/42B	2/£1
TIP35B/TIP35C	£1.50
SE9301 100V 1DA DARL SIM TIP121	2/£1
PLASTIC 3055 OR 2955 equiv 50p	100 £35
2N3773 NPN 25A 160V £1.60	10/£14
2N3055H	4 for £2

## TEXTOL ZIF SOCKETS

28 WAY ZIF EX NEW EQUIPMENT	£2.50
40 WAY NEW	£5
SINGLE IN LINE 32 WAY CAN BE GANGED FOR USE WITH ANY DUAL IN LINE DEVICES... COUPLING SUPPLIED	2/£1.50

## CAPACITORS COMPUTER GRADE

2200µF 160V SIC SAFCO FELSIC C038	£4 (£1.20)
24,000µF 50V	£3 (£1.30)
10,000µF 100V SPRAGUE 36D	£6

## QUARTZ HALOGEN LAMPS

12V 50watt LAMP TYPE M312	£1 ea HOLDERS 60p ea
24V 150 WATTS LAMP TYPE A1/215	£2.50 each

## MISCELLANEOUS

13A MOULDED PLUG+2m lead	£1
MIN. TOGGLE SWITCH 1 POLE c/o PCB type	5/£1
LCD MODULE sim. LM018 but needs 150 to 250V AC for display 40x2 characters 182x35x13mm	£10
HITACHI LM016L LCD MODULE 16x2 CHARACTERS 84x44x12mm	£5
TL431 2.5 to 36V TO92 ADJ. SHUNT REG	2/£1
6-32 UNC 5/16 POZI PAN SCREWS	£1/100
NUTS	£1.25 100

PUSH SWITCH CHANGE OVER ..... 2/£1

RS232 SERIAL CABLE D25 WAY MALE CONNECTORS ..... £5.90 ea (£1.30)

25 FEET LONG, \*5 PINS WIRED BRAID + FOIL

SCREENS ..... INMAC LIST PRICE £30

STICK ON CABINET FEET RS NO 543-327 ..... 30 £1

LEMAG EARTH LEAKAGE TRIP 35A 35mA TRIP ..... £9

FANS 240V 120MM ..... £6 (£1.50)

(OTHER VOLTAGES/SIZES USUALLY AVAILABLE)

AMERICAN 2/3 PIN CHASSIS SOCKET ..... 2 £1

HUMIDITY SWITCH ADJUSTABLE ..... £2

WIRE ENDED FUSES 0.25A ..... 30 £1

NEW ULTRASONIC TRANSDUCERS 32kHz ..... £2 pr

12-CORE CABLE 7/0.2mm OVERALL SCREEN ..... 70p metre

POWERFUL SMALL CYLINDRICAL MAGNETS ..... 3 £1

BNC 500HM SCREENED CHASSIS SOCKET ..... 2 £1

SMALL MICROWAVE DIODES AE1 OC1026A ..... 2 £1

D.I.L. SWITCHES 10-WAY £1 8-WAY 80p 4/5/6-WAY

180VOLT 1WATT ZENERS also 12V & 75V ..... 20 £1

PLASTIC EQUIPMENT CASE 9x6x1.25 WITH FRONT  
AND REAR PANELS CONTAINING PCB WITH EPROM

2764-30 AND ICS 7417 LS30 LS32 LS367 7805 REG, 9-  
WAY D PLUG, PUSH BUTTON SWITCH, DIN SOCKET

VN 10LM 60V 1/2A 5 Ohm TO-92 mostlet ..... 4 £1 100 £20

MIN GLASS NEONS ..... 10 £1

RELAY 5V 2-pole changeover looks like RS 355-741  
marked STC 47Wbost ..... £1 ea

MINIATURE CO-AX FREE PLUG RS 456-071 ..... 2 £1

MINIATURE CO-AX FREE SKT RS 456-273 ..... 2 £1.50

DIL REED RELAY 2 POLE n/o CONTACTS ..... £2

PCB WITH 2N2646 UNIJUNCTION WITH 12V 4-POLE  
RELAY ..... £1

400m 0.5W thick film resistors (yes four hundred  
megohms) ..... 4 £1

STRAIN GAUGES 40 ohm Foil type polyester backed  
balco grid alloy ..... £1.50 ea 10+ £1

ELECTRET MICROPHONE INSERT ..... £0.90

Linear Hall effect IC Micro Switch no 613 SS4 sim RS 304-  
267 ..... £2.50 100+ £1.50

HALL EFFECT IC UGS3040 + magnet ..... £1

OSCILLOSCOPE PROBE SWITCHED x1 x10 ..... £12

CHEAP PHONO PLUGS ..... 50 £2 1000 £10

1 pole 12-way rotary switch ..... 4 £1

AUDIO ICS LM380 LM386 TDA 2003 ..... £1 ea

555 TIMERS £1 741 OP AMP ..... 6 £1

ZN414 AM RAIDO CHIP ..... 80p

COAX PLUGS nice ones ..... 4 £1

COAX BACK TO BACK JOINERS ..... 3 £1

4x4 MEMBRANE KEYBOARD ..... £1.50

INDUCTOR 20µH 1.5A ..... 5 £1

1.25" PANEL FUSEHOLDERS ..... 3 £1

CHROMED STEEL HINGES 14.5x1" OPEN ..... £1 each

12V 1.2W small wire ended lamps fit Audi VW Saab Volvo ..... 10 £1

STEREO CASSETTE HEAD ..... £2

MONO CASS. HEAD £1 ERASE HEAD ..... 50p

THERMAL CUT OUTS 50 77 85 120°C ..... £1 ea

THERMAL FUSES 220°C/121°C 240V 15A ..... 5 £1

TRANSISTOR MOUNTING PADS TO-5/TO-18 ..... £3 1000

TO-3 TRANSISTOR COVERS ..... 10 £1

PCB PINS FIT 0.1" VERO ..... 200 £1

TO-220 micas + bushes ..... 10/50p 100/£2

TO-3 micas + bushes ..... 15 £1

PTFE min screened cable ..... 10m £1

Large heat shrink sleeving pack ..... £2

CERAMIC FILTERS 6M/9M/10.7M ..... 60p 100 £20

IEC chassis plug filter 10A ..... £3

Potentiometers short spindles values 2k5 10k 25k 1m 2m5  
lin ..... 4 £1

500k lin 500k log ..... 4 £1

40kHz ULTRASONIC TRANSDUCERS EX-EQPT NO  
DATA ..... £1/pr

LM335Z TEMP SENSOR 10°C PER MV ..... £1

LM234Z CONST. CURRENT I.C. ..... £1

PAPST 18-24V FAN 120MM WORKS OK ON 12V ..... £5

BNC TO 4MM BINDING POST SIM RS 455-961 ..... £1

BUTTON CELLS/WATCH BATTERIES SIM AG10/AG12 ..... 4 £1

MIN PCB POWER RELAY 12V COIL 6V CONTACTS 2 P  
C/O ..... £1.25

AVEL LINDBERG MOULDED TRANSFORMER TYPE  
0B10 15+15V 10VA QTY. AVAILABLE ..... £2 ea

BANDOLIRED COMPONENTS ASSORTED Rs. Cs.  
ZENERS ..... £5/1000

## DIODES AND RECTIFIERS

A115M 3A 600V FAST RECOVERY DIODE ..... 4 £1

1N5407 3A 1000V ..... 8 £1

1N4148 ..... 100 £1.50

1N4004/SD4 1A 300V ..... 100 £3

1N5401 3A 100V ..... 10 £1

BA158 1A 400V fast recovery ..... 100 £3

BY127 1200V 1.2A ..... 10 £1

BY254 800V 3A ..... 8 £1

BY255 1300V 3A ..... 6 £1

6A 100V SIMILAR MR751 ..... 4 £1

1A 600V BRIDGE RECTIFIER ..... 4 £1

4A 100V BRIDGE ..... 3 £1

6A 100V BRIDGE ..... 2 £1

8A 200V BRIDGE ..... 2 £1.35

10A 200V BRIDGE ..... £1.50

25A 200V BRIDGE £2 ..... 10 £18

25A 400V BRIDGE £2.50 ..... 10 £22

## SCRs

PULSE TRANSFORMERS 1:1 + 1 ..... £1.25

2P4M EQUIV C106D ..... 3 £1

TICV106D 800mA 400C SCR 3 £1 ..... 100 £15

MEU21 PROG. UNIJUNCTION ..... 3 £1

TRIACS ..... DIACS 4/£1

NEC TRIAC AC08F 8A 600V TO220 ..... 5 £2 100 £30

TXAL225 8A 500V 5mA GATE ..... 2 £1 100 £35

BTA 08-400 ISO TAB 400V 5mA GATE ..... 90p

TRAL2230D 30A 400V ISOLATED STUD ..... £5 ea

## CONNECTORS

D25 IDC SOCKET FUJITSU ..... £2

34-way card edge IDCCONNECTOR (disk drive type) ..... £1.25

CENTRONICS 36 WAY IDC PLUG ..... £2.50

CENTRONICS 36 WAY IDC SKT ..... £4.00

BBC TO CENTRONICS PRINTER LEAD 1.5M ..... £3

CENTRONICS 36 WAY PLUG SOLDER TYPE ..... £4

USED CENTRONICS 36W PLUG+SKT ..... £3

USED D CONNECTORS price per pair

D9 60p, D15 £1.50, D25 £2, D37 £2, D50 £3.50, covers  
50p ea

## PHOTO DEVICES

HI BRIGHTNESS LEDS COX24 RED ..... 5 £1

SLOTTED OPTO-SWITCH OPCOA OPB815 ..... £1.30

2N5777 ..... 50p

TIL811 PHOTO TRANSISTOR ..... £1

TIL38 INFRA RED LED ..... 5/£1

4N25, OP12252 OPTO ISOLATOR ..... 50p

PHOTO DIODE 50P ..... 6/£2

VEL12 (PHOTO DARLINGTON BASE n/c) ..... 50p

LED's RED 3 or 5mm 12 £1 ..... 100 £6

LED's GREEN OR YELLOW 10 £1 ..... 100 £6

FLASHING RED OR GREEN LED 5mm 50p ..... 100 £40

HIGH SPEED MEDIUM AREA PHOTODIODE RS651-  
995 ..... £10 ea

## STC NTC BEAD THERMISTORS

G22 220R, G13 1K, G23 2K, G24 20K, G54 50K, G25  
200K, RES 20°C DIRECTLY HEATED TYPE ..... £1 ea

FS228W NTC BEAD INSIDE END OF 1" GLASS PROBE  
RES 20°C 200R ..... £1 ea

A13 DIRECTLY HEATED BEAD THERMISTOR 1k res.  
ideal for audio Wien Bridge Oscillator ..... £2 ea

## CERMET MULTI TURN PRESETS 3/4"

10R 20R 100R 200R 250R 500R 2K 2K2 2K5 5K 10K 47K  
50K 100K 200K 500K 2M ..... 50p ea

## IC SOCKETS

32-WAY TURNED PIN SOCKETS 7K AVAILABLE ..... 3/£1

6 pin 15 £1 8 pin 12 £1 14/16 pin 10/£1 18/20 pin 7/£1  
22/24/28 pin 4 £1 40 30p

SIMM SOCKET TAKES 2X30 WAY SIMMS ..... £1

## SOLID STATE RELAYS

40A 250V AC SOLID STATE RELAYS ..... £10

## POLYESTER/POLYCARB CAPS

100n, 220n 63V 5mm ..... 20/£1 100/£3

1n/3n/5n/6n/2/10n 1% 63V 10mm ..... 100 £5

10n/15n/22n/33n/47n/66n 10mm rad ..... 100 £3.50

100n 250V radial 10mm ..... 100 £3

100n 600V Sprague axial 10/£1 ..... 100 £6 (£1)

2µ2 160V rad 22mm, 2µ2 100V rad 15mm ..... 100/£10

10n/33n, 47n 250V AC x rated 15mm ..... 10 £1

1µ 600V MIXED DIELECTRIC ..... 50p ea

1µ0 100V rad 15mm, 1µ0 22mm rad ..... 100 £6

## RF BITS

CONHEX 50ohm PCB RIGHT ANGLE PLUG  
ITT/SEALCTRO 051 053 9029 22-0 4K AVAILABLE ..... 2/£1

TRW 50watt 50ohm DUMMY LOADS ..... £50

TRIMMER CAPS ..... ALL 4 50p

SMALL 3pF 2 pin mounting 5mm centres

SMALL MULLARD 2 to 22pF ..... 4 50p

Larger type grey 2 to 25pF, violet 5 to 105pF

TRANSISTORS 2N4427 ..... 70p

# REGULARS

## CIRCUIT IDEAS

### Electronic balance for differential inputs

A true instrumentation amplifier possesses truly differential input with good common-mode rejection and defined input impedance. Simpler op-amp differential inputs, however, exhibit an input impedance that is signal-dependent, affecting CMRR and output balance. While input impedance of the positive input is constant, the negative input has different input impedances for differential and common-mode inputs. For fully equal resistor values, impedances are:

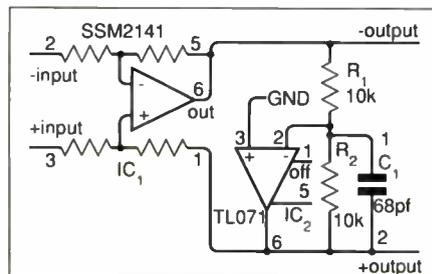
- +ve  $Z_{in}$  (balanced) 2R
- +ve  $Z_{in}$  (common-mode) 2R
- ve  $Z_{in}$  (balanced) 67R
- ve  $Z_{in}$  (common-mode) 2R.

In the "Superbal", invented by Ted Fletcher and myself in 1978, the impedance problem is solved by applying feedback to both inputs of the first op-amp, so that the circuit acts as an instrumentation amplifier, but uses fewer components. Results are

- +ve  $Z_{in}$  (balanced) R
- +ve  $Z_{in}$  (common-mode) 2R
- ve  $Z_{in}$  (balanced) R
- ve  $Z_{in}$  (common-mode) 2R.

Using the new PMI SSM2141, input CMRR is in excess of 80dB with no trimming. The tolerances of  $R_1, R_2$  and  $C_1$  affect input impedance but not CMRR.

**M Law**  
Acrone Ltd  
Windsor  
Berkshire



"Superbal" input stage, with feedback to both inputs to avoid input-impedance dependence on input signal.

#### FRESH IDEAS

While we are not short of Circuit Ideas to publish, it would be agreeable to see some fresh input from the vast, untapped bank of talent that our thousands of readers represent. We pay a moderate fee for all ideas published. So send them to Circuit Ideas, Quadrant House, The Quadrant, Sutton, Surrey, SM2 5AS. We will be happy to consider them.

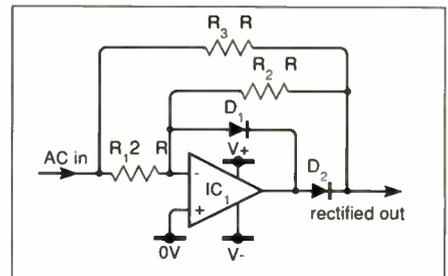
### Precision full-wave rectifier

Full-wave rectifiers usually need two op-amps; this circuit uses one.

Negative inputs force  $D_2$  to conduct and the op-amp acts as an inverter with a gain of  $0.5 (R_2/R_1)$ . On a positive input,  $D_2$  disconnects the op-amp from the output, which becomes the input multiplied by  $R_2/(R_2+R_3)$  – again, half the input.

Disadvantages are the high output impedance ( $R_2$ ) on positive inputs, and a varying input impedance. Choose the value  $R$  so that it is much higher than the source impedance and much lower than the load impedance.

**A H Millar**  
Witney  
Oxfordshire



This precision full-wave rectifier uses only one op-amp instead of the usual two.

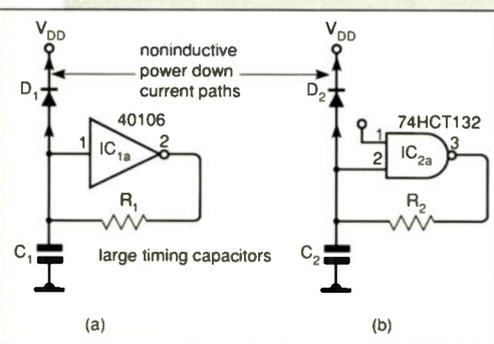
### Diode protection for cmos

Low-frequency oscillators using cmos logic gates commonly need a large timing capacitor and resistor. As a result, on switch-off, an excess voltage can exist on the input terminal, although it has no effect during operation. The oscillators

shown in the diagram incorporate the CD40106 and 74HCT132, which contain internal diodes on the input terminal to protect against overvoltage, but these diodes are only capable of passing a limited current. Permanent damage would be the result of too high a current through the diode.

To avoid such damage, diodes  $D_1$  and  $D_2$  are connected externally to increase current handling; low-leakage types must be used to avoid a parallel path to the timing capacitor during normal operation. On switch-off, voltage on the input pin will not exceed the safe rating for the majority of cmos circuits.

**Ms Railesha**  
World Friends Design Group  
Tamilnadu  
India



## One-pin interface for an 8051

You can interface a variable resistor to a microprocessor using one pin.

An RC network is connected to an i/o-configurable microprocessor port that has either a high-value internal pull-up resistor or none at all. When the port is configured as an output and driven to logic 0, a short delay allows the capacitor to discharge through the port line. If the port is now configured as an input and an internal timer started, the capacitor charges through  $R$ ; when the voltage on the port reaches logic 1, the timer is stopped.

Charge time is  $t = CR \log_e[V_{DD}/(V_{DD} - V_{th})]$ , so that timer contents are proportional to the value of  $R$ , assuming that the port takes negligible current, and if the cycle is allowed to repeat there is a sawtooth at the port pin of a frequency proportional to  $R$ .

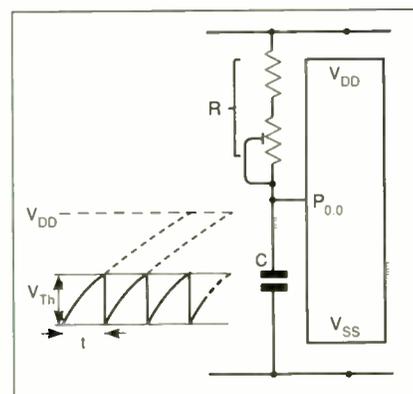
A program suitable for the Intel 8051 is given below.

**K Kirby**  
Burnley  
Lancashire

### 8051 program

```

START: CLR    P0.0      :SET PORT LINE LOW
      MOV    R7,#$40    :SET DELAY TIME TO ~180µs
DELAY: DJNZ  R7,DELAY   :ALLOW CAPACITOR TIME TO DISCHARGE
      SETB  TCON.6      :START HARDWARE TIMER
      SETB  P0.0        :CONFIGURE PORT AS INPUT (HIGH-Z)
READ:  JNB  P0.0,READ  :LOOP UNTIL INPUT = 1
      CLR   TCON.6      :STOP TIMER
      RTS/JMP START    :EXIT HERE OR LOOP BACK
  
```



The value of  $R$  is obtained using only one pin of the microprocessor. The resistor can take the form of a thermistor, constant-current source or any resistive device.

## Phase-locked function generator

Three MSI chips will form a synchronous square/sine waveform generator. Sine output is locked to the input signal with no phase error and the square is normally in anti-phase, but the circuit is adaptable to produce zero phase error for this too.

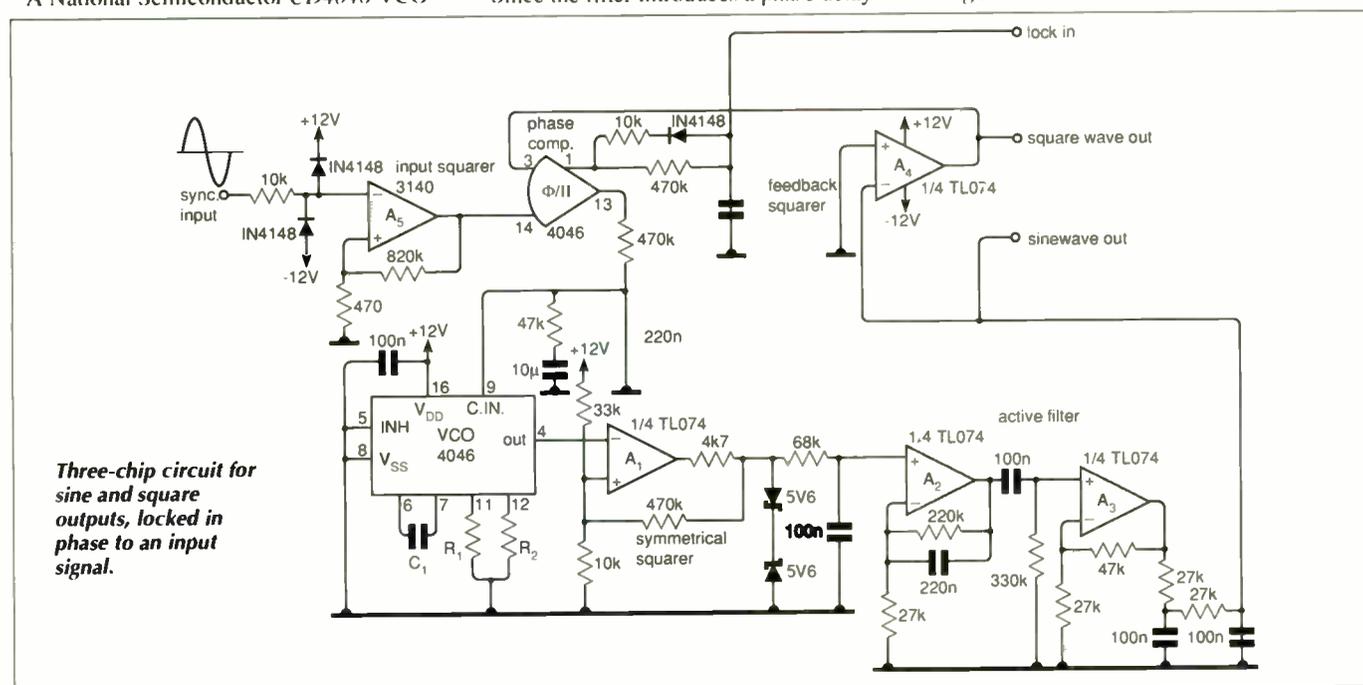
A National Semiconductor CD4046 VCO

chip, together with op-amp  $A_1$ , generates a symmetrical square wave at a frequency determined by  $C_1$ ,  $R_1$  and  $R_2$ , values for 50Hz operation being 100nF, 330kΩ and 1MΩ. Active filter  $A_2/A_3$  extracts the fundamental to give the sine output.

Since the filter introduces a phase delay

between VCO and sine output, a further squarer,  $A_4$ , is interposed in the feedback path to the phase comparator in the 4046 to give zero phase error. "Lock in" going high when lock is achieved. Op-amp  $A_5$ , a 3140 bifet type, functions as a squarer for untidy input sync signals.

**Hernán Tacca**  
University of Buenos Aires  
Argentina



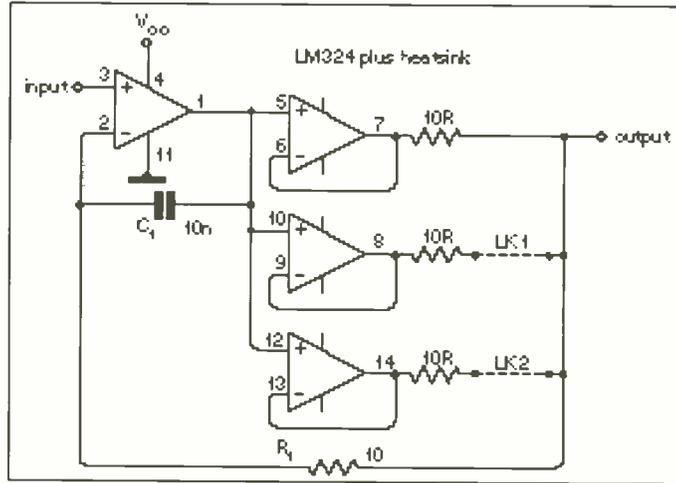
Three-chip circuit for sine and square outputs, locked in phase to an input signal.

## 85mA op-amp output

Output current from op-amps is commonly between 20 and 40 mA. In this LM324 quad op-amp circuit, a parallel connection of three amplifiers gives up to 85mA and retains short-circuit protection.

This is a unity-gain circuit providing a bandwidth of 200kHz,  $R_f$  and  $C_f$  taking care of loop stability. Current-sharing resistors of 10 $\Omega$  avoid the effect of inherent differing input offsets, which would otherwise cause different output currents from each op-amp. For long-term, high output current, a bonded heat sink will probably be needed.

**A M Wilkes**  
Brentwood  
Essex



*This parallel connection of the op-amps in one package will give up to 85mA output current. Bandwidth of this circuit is 200kHz at unity gain.*

## Eight-bit data sender with no micro

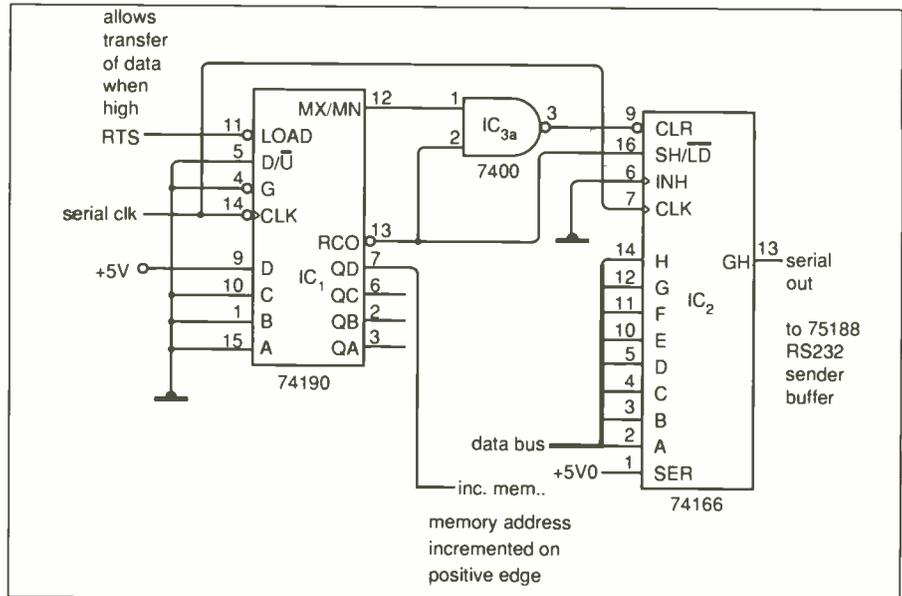
Transferring parallel data from a unit that uses no microprocessor to the RS-232C port of a PC in serial mode requires a little trickery, interface circuits such as the 8251 not being of much help. I needed to pass data from an external system's memories to a PC.

A 74190 up/down counter and a 74166 parallel-in/serial-out shift register, with a quarter 7400 Nand, will do the job, converting parallel data to serial 8 bits plus a stop bit, although there can be no handshake between transmitter and receiver.

I have successfully built the circuit using TTL, LS and AS devices, but have had no such luck with HC types.

**Arash Ayel**  
Tehran  
Iran

*Simple circuit for transference of data to a PC from a unit with no microprocessor on board.*



## Guard the vegetables without frying the cat

This electric fence generator is designed to keep out the squirrels without resorting to excessive violence.

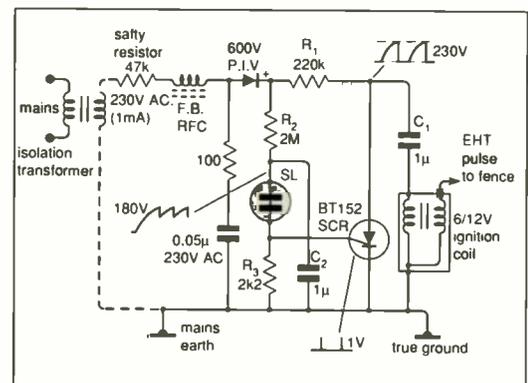
Capacitor  $C_1$  charges through the ignition coil primary and  $R_1$  in around 250ms,  $C_2$  charging through  $R_2$  in a longer time. Gas discharge tube  $SL$  strikes at 180V, develops a voltage across  $R_3$  and turns the SCR on. This discharges  $C_1$  through the coil primary and the SCR goes off.

In the original circuit, only mains live and earth were used, since current is tiny. It is possible that this may cause tripping of an ELCB and an isolating transformer might be better, as well as offering safer operation

– a 47k $\Omega$  resistor is used instead of a fuse to limit current to a safe value. The ferrite bead, 100 $\Omega$  resistor and 50nF capacitor are for RF suppression, the capacitor possibly being taken from the same source as the discharge tube – a fluorescent-lamp starter. Capacitors  $C_1$  and  $C_2$  should be rated for AC or 600V DC.

**J E Cronk**  
Prestatyn  
North Wales

*Generator for electric fences uses salvaged components and will leave the rabbits relatively intact.*



## BROADCAST MONITOR RECEIVER 2 150kHz-30MHz



We have taken the synthesised all mode FRG8800 communications receiver and made over 30 modifications to provide a receiver for rebroadcast purposes or checking transmitter performance as well as being suited to communications use and news gathering from international short wave stations.

The modifications include four additional circuit boards providing: \*Rechargeable memory and clock back-up \*Balanced Audio line output \*Reduced AM distortion \*Buffered IF output for monitoring transmitted modulation envelope on an oscilloscope \*Mains safety improvements.

The receiver is available in free standing or rack mounting form and all the original microprocessor features are retained. The new AM system achieves exceptionally low distortion: THD, 200Hz-6kHz at 90% modulation -44dB, 0.6% (originally -20dB, 10%).

\* Advanced Active Aerial 4kHz-30MHz \*PPM10 In-vision PPM and chart recorder \*Twin Twin PPM Rack and Box Units \*Stabilizers and Fixed Shift Circuit Boards for howl reduction \*10 Outlet Distribution Amplifier 4 \*Stereo Variable Emphasis Limiter 3 \*Stereo Disc Amplifier \*Peak Deviation Meter \*PPM5 hybrid, PPM9 microprocessor and PPM8 IEC/DIN -50/+6dB drives and movements \*Broadcast Stereo Coders \*Philips DC777 Short Wave Car Combination: discount £205 + VAT.

### SURREY ELECTRONICS LTD

The Forge, Lucks Green, Cranleigh,  
Surrey GU6 7BG. Tel: 0483 275997. Fax: 276477

# Low Cost Universal Development



**ECAL** can assemble over 170 different microprocessors, and with its monitor facility and parallel interface real time in-circuit emulator type facilities are provided at a fraction of the cost!

## KESTREL ELECTRONIC COMPONENTS LTD

- ☆ All items guaranteed to manufacturers' spec.
- ☆ Many other items available.

'Exclusive of V.A.T. and post and package'

	1+	100+		1+	100+
2764A-250	1.60	1.20	62256LP-10	3.60	2.40
27C64-150	1.65	1.25	6264LP-10	1.80	1.50
27C128-250	1.85	1.55	6116LP-120	1.00	0.65
27128A-200	1.65	1.25	D8742	9.60	8.90
27256-250	1.75	1.35	74HCT02	0.12	0.09
27C256-200	1.85	1.50	74HCT04	0.12	0.09
27C512-150	2.50	1.90	74HCT138	0.16	0.12
Z80A CPU	1.00	0.65	74HCT153	0.30	0.22
Z80A CTC	0.60	0.30	74HCT241	0.32	0.24
Z80A P10	0.60	0.40	74HCT244	0.30	0.23
Z80A S10/O	1.20	0.80	74HCT253	0.20	0.16
Z80A DMA	0.90	0.65	74HCT373	0.28	0.20
Z80B (CMOS) CTC	0.90	0.65	74HCT541	0.38	0.30
1488	0.16	0.12	74HC10	0.12	0.09
1489	0.16	0.12	74HC14	0.18	0.12
6502P	2.20	1.50	74HC86	0.18	0.12
6522AP	2.20	1.45	74HC138	0.20	0.16
6551P	2.00	1.40	74HC153	0.20	0.16
8031	2.00	1.40	74HC173	0.24	0.18
8251A	1.10	0.75	74HC194	0.24	0.18
8255-5	1.20	0.90	74HC244	0.24	0.18
8259A	1.00	0.70	74HC374	0.24	0.18

All memory prices are fluctuating daily, please phone to confirm prices

178 Brighton Road,  
Purley, Surrey CR8 4HA

Tel: 081-668 7522. Fax: 081-668 4190.

CIRCLE NO. 140 ON REPLY CARD

**HI-LO** is an advanced universal programmer - 1,000,000 users around the world can't be wrong! Like ECAL, it uses high speed parallel data transmission to support:

- microprocessors, EPROM, EEPROM,
- serial PROM, bi-polar PROM, PAL, PEEL, FPL, PLD and EPLD.

- proven reliability
- FREE software updates



## NOHAU



call  
**0962 733140**  
for full data pack

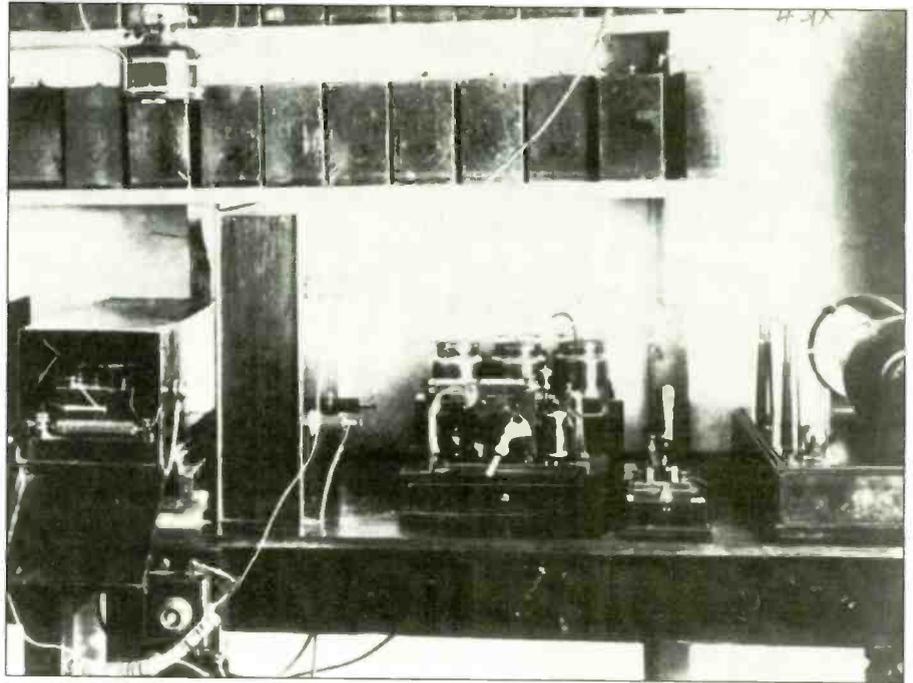


**Microprocessor development made easy**

Nohau UK Ltd The Station Mill Alesford Hants SO24 9JG Fax 0962 735408

CIRCLE NO. 141 ON REPLY CARD

*Interior at Holyhead, one of Marconi's first shore stations. The coherer (receiver) in a screened box is on the left; the ink writer and morse key in the centre, with Leyden jars behind, and on the far right the induction coil (spark generator). The shelves above carry rows of accumulator batteries for power.*

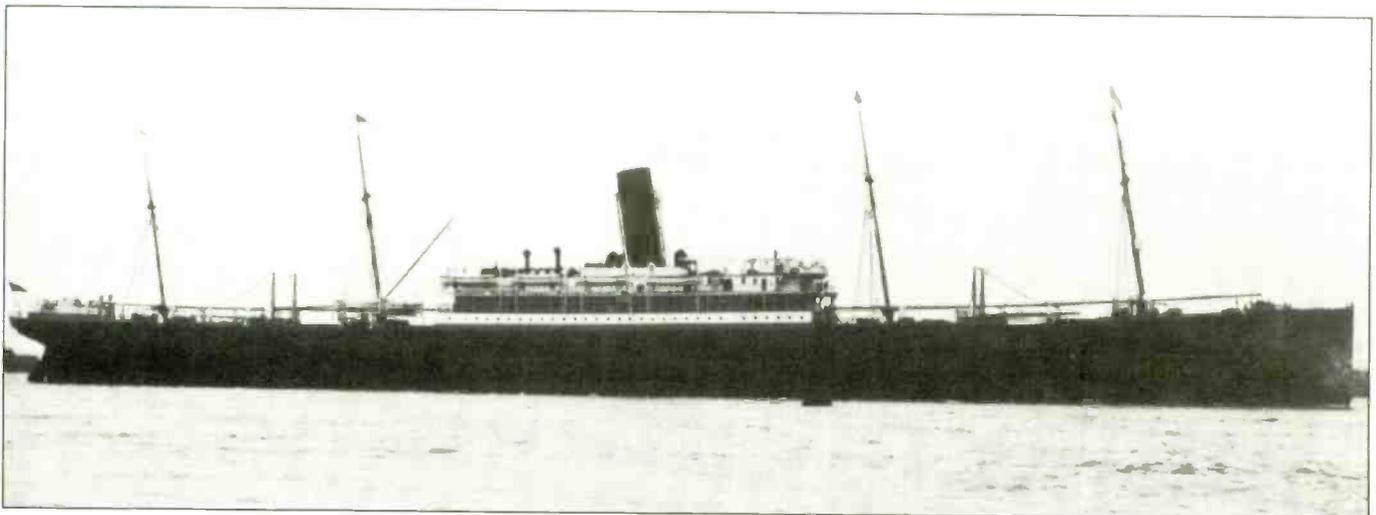


# Wireless at sea and the Titanic disaster

*By the end of 1902, seventy ships had been equipped with wireless, including the SS Minneapolis, below. Its deck-housed Marconi cabin is shown right.*

One of Marconi's primary intentions in developing wireless telegraphy was to end the isolation of ships at sea. His first commercially active company, founded in 1900, was the Marconi International Marine Communication Company, and the first Marconi-equipped vessel, the German transatlantic liner Kaiser Wilhelm der Grosse, sailed on February 28, 1900. By the end of the year, the company's seven coastal stations were being built, and by the close of 1902, seventy ships had been equipped with wireless.

Shipboard wireless installations were leased from Marconi as part of a service. The service also included wireless officers who were all Marconi employees – a stratagem necessary to circumvent the British Post Office's





**Training school for Wireless operators 1912 (94893)**

*Marconi provided ships' wireless operators as well as the installations. Training became a major part of the company's activities and several training schools were set up for operators. This photo, believed to be from Liverpool, dates from 1912.*

monopoly on paid messages. Several training schools were set up for operators.

Soon the use of ships' wireless spread rapidly. The 712 survivors of the Titanic disaster in 1912 owed their lives to it – though the loss of 1517 souls could to some extent be blamed on shortcomings in operating practices at the time. The nearest ship, within sight of the Titanic's lights all that night, failed to respond to wireless distress calls because her sole operator was asleep. Then, when rescue attempts eventually got underway, they were hampered through uncontrolled use of wavebands by well-meaning amateurs.

The resultant inquiry and an international conference led to international regulations which made wireless mandatory for all ships above a certain size, and stipulated more secure procedures. These included alarm systems, and continuous watch-keeping - if necessary by other than the Marconi-employed radio officers - and reserved emergency wavebands.

Use of wireless to report icebergs, and weather in general, was also increased as a result of the disaster.



*Inside the Minneapolis' Marconi cabin. The equipment is much as at Holyhead, above, but doubled-up, as a fail-safe measure. Two induction coils, for instance, can be seen, one on either side, with two coherer boxes on the left. On the wall is a jigger (transformer).*

*The successful rescue of passengers and crew from the burning liner Volturno in the year following the Titanic disaster made a great impression on the public and was commemorated in this famous Punch cartoon.*



# Stabilising the mains with ferro-resonant technology

**Microprocessor-based computer systems are very sensitive to power line disturbances. In almost every location, there is some form of power line irregularity; ferro-resonant devices can solve this problem. By Frantisek Michele.**

The ferro-resonant transformer has been around for years. Although this device has a number of characteristics that give it the potential for being an excellent power conditioner, it also has a number of characteristics that limit its application, especially for computer use.

However, it is possible to overcome these limitations and create a power conditioner that is suitable for a wide variety of micro-computer and other applications involving sensitive equipment.

The easiest way to describe a ferro-resonant transformer's operation is to compare it to an ordinary power transformer (Fig. 1). Applying voltage to the primary of transformer sets up a magnetising current that generates flux lines that link to the secondary which develop a voltage because of mutual inductance. The secondary voltage only remains constant if the flux and the primary current stay constant. The output voltage is therefore determined by the flux density, the primary current and the turns ratio.

If a typical transformer operates at a high enough primary current, its core becomes saturated with flux lines. Increasing the primary current will not then increase the secondary voltage. Consequently, operating an ordinary power transformer in saturation will create a voltage regulator, though such operation is impractical because primary saturation current is very close to a short circuit. Normal current in the  $I_1 - I_2$  region

shown in Fig. 2 causes a linear change in flux, but once the current reaches  $I_4 - I_5$  saturation region, the resulting flux changes are small. To the left of the point  $I_3$ , flux changes are in direct proportion to primary current; to the right of the  $I_3$ , the curve becomes non-linear and changes in current have less effect on flux.

The ferro-resonant transformer, on the other hand, is designed to operate in saturation (Fig. 3). However, since it is the secondary coil that operates in saturation, not the primary, more flux must be produced in the secondary core leg than in the primary. The core structure is modified by the addition of a magnetic shunt to loosen the coupling between primary and secondary. Because of the air gap in the shunt, the core section has a high reluctance and the main path for magnetising flux is through the outer core. As the input voltage increases, the magnetising flux through the core section increases, and with it, the inductance of the secondary winding. The addition of an output capacitor alters this. Once the reactance of the winding equals that of the capacitor, the two resonate, producing a higher output than the turns ratio voltage alone. This effect is similar to a series resonant circuit in that controlling the point of resonance increases the voltage across the capacitor substantially above the impressed voltage.

The output waveform of a basic ferro-resonant transformer looks like a square wave and is suitable for many loads, but it does not satisfactorily provide power for computer installations and their electronic loads without the addition of a harmonic filter choke (Fig. 4). With this filter, a large part of the output harmonic content is cancelled, producing a sine wave voltage that meets the requirements of microprocessor based equipment. When shopping for a line conditioner regulator, consider performance price, and reliability. A properly designed conditioner will regulate the output voltage to  $\pm 2\%$  or  $\pm 3\%$ . With the input varying as much as  $\pm 20\%$ , the output distortion should be no greater than 5% or 6% total harmonic distortion.

One of the advantages of ferro-resonant transformers is their ability to attenuate normal mode noise voltage transients. This attenuation is up to 10 times more than con-

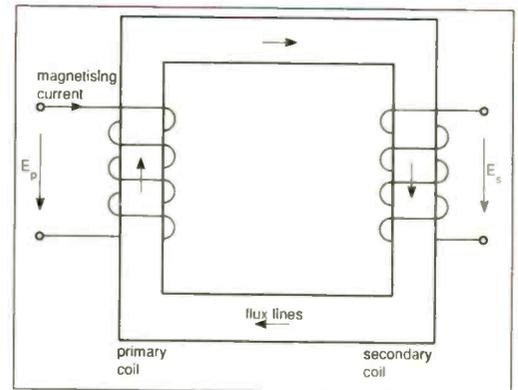


Fig. 1. In a conventional transformer, flux lines link the primary to the secondary; a voltage develops through mutual inductance.

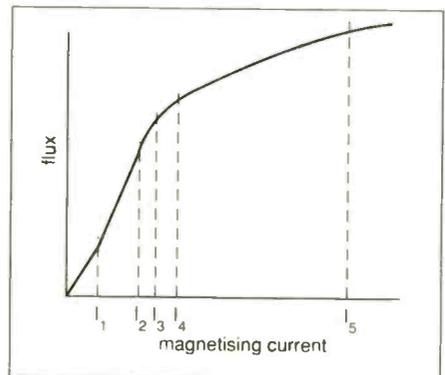


Fig. 2. Normal current between  $I_1$  and  $I_2$  causes a linear change in flux. A transformer has to operate in the saturation region  $I_4 - I_5$  to regulate voltages.

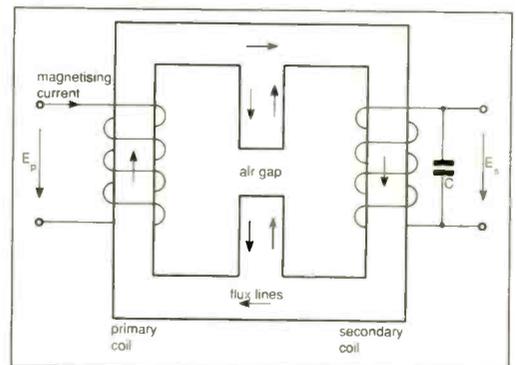


Fig. 3. A capacitor in parallel with output and a gapped magnetic shunt between the two cores improves transformer design.

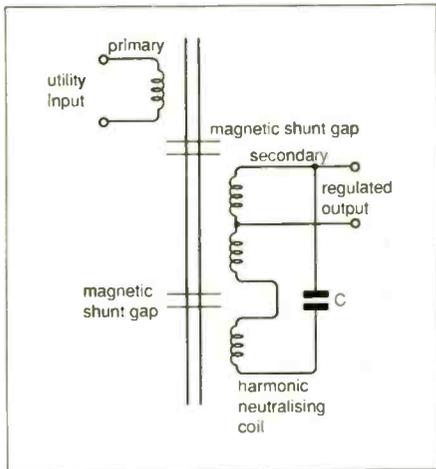


Fig. 4. Adding a harmonic neutralising coil reduces the transformer's distortion to 3-5%

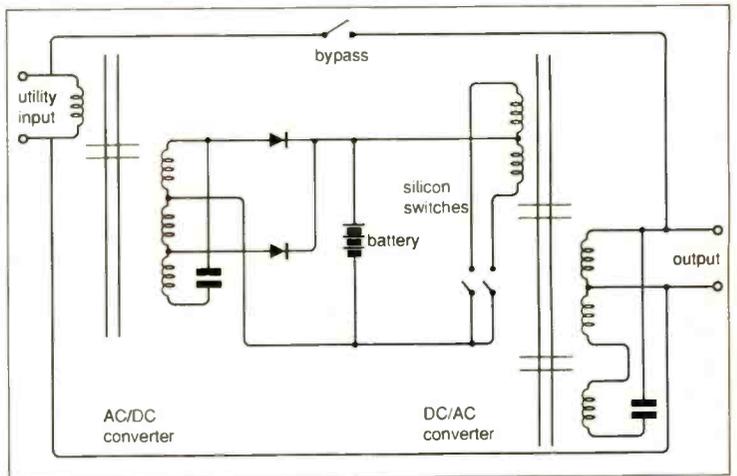


Fig. 5. Transformers in UPS provide a high degree of lightning immunity.

ventional tap changer regulators provide. Since the secondary winding operates in saturation, transients and spikes are clipped.

At 80dB, a transient with a peak of 10,000V will only generate 1V on the output. Ideally, 120dB of common mode noise protection should be available, which is noise common to both line and neutral and generated between those to lines and ground. Most of this type of noise can be eliminated by using proper grounding techniques. Note that the ferro-resonant transformer is a tuned circuit, frequency sensitive. Typically, a 1% change in frequency produces a 1.5% change in output voltage.

On the other hand, a ferro-resonant transformer has some very desirable overload characteristics. If the output is short circuited, the current increases by only about 80%. A well designed ferro-resonant transformer can maintain a short circuit indefinitely.

Line conditioners using amplifiers and feedback networks must add circuitry to protect the output from over-voltage failure modes. Most voltage regulators provide little

normal mode noise rejection, so a ferro-resonant line conditioner is likely to be the best solution for severe power line disturbance conditions where common mode noise rejection, normal mode noise rejection and output voltage regulation are all required.

Using a ferro-resonant transformer in the AC/DC conversion process provides many distinct advantages. Because its output, minus the filter choke, is squarewave, fewer filter capacitors are required after rectification. When converting an AC wave to a DC level, the DC is much easier to filter if the AC is a square wave instead of a sine wave. Since current flows through the diode rectifier at the peak of the cycle, the diode heating is also reduced.

The ferro-resonant transformer also has some important advantages in the front end stage of uninterruptible power systems (UPS). For example, when a battery is placed on the DC output, the only semiconductor used are the diode rectifiers. All the voltage regulation and the current limitation are designed in and accomplished at the

ferro-resonant transformer. Because of this low parts count, the MTBF is quite high, typically 250,000 hours or more. More important, the incorporated battery cannot be overcharged. In most cases, the battery is likely to be the most expensive part in the DC front end of the UPS. Another consideration is that with a ferro-resonant transformer, the harmonic feedback (noise coupled back into the utility power line) is quite low. Typically, only about 3% total harmonic distortion is fed back into the power line. This compares with anything from 10 to 30% harmonic feedback using phase controlled SCR type front ends. This feedback may affect other equipment operating on the same utility power line.

The ferro front end stage has a drawback: efficiency is usually 88-90%. However, the advantages far outweigh the disadvantages. In its most basic form, an UPS consists of three elements: the rectifier/charger, the battery, and the inverter. A UPS containing these elements is a true online continuous run system (Fig. 5).

## Uninterrupted benefits

The ferro-resonant transformer has become extremely popular for UPS systems. The active parts count is quite low, as it is in the DC/AC inverter. The ferro-resonant transformer's ability to regulate voltage means that feedback loops are not necessary in the inverter.

Because of the transformer's inherent current limit, output current sensing is not required either. As a result, the only control circuitry required is the oscillator that turns the silicon switches on and off. The oscillator operates at the line frequency, which in turn controls the flow of battery current through the silicon switches and into the primary of the ferro-resonant inverter transformer.

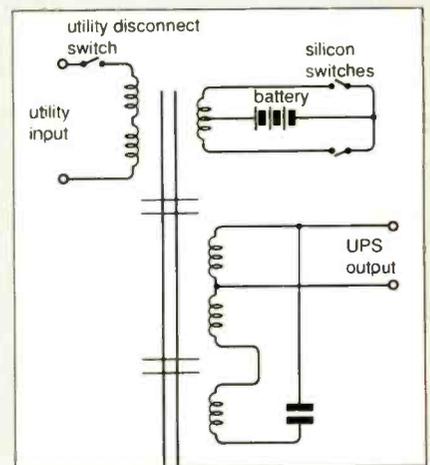
The square voltage waveform that is generated is filtered into a low distortion sine wave by the inverter transformer. This type of UPS design has long been a proven workhorse for the UPS industry. The 90% efficiency UPS

design has become popular over the last few years not only for its high efficiency, but because of its reduced size and weight (Fig. 6). In this design, the utility operates the primary of the ferro-resonant transformer through a switch. At this point, the inverter which drives another primary winding is off.

The instant the utility is sensed to be out of specification, the utility switch opens and the inverter is started in phase. It takes approximately 10ms to accomplish this. During that time, the energy storage filter capacitor supplies current to the load. If the utility returns within spec before the battery is fully discharged, the control circuit locks onto the utility phase and transfer takes place with the utility switch closing and the inverter simultaneously turning off. With this technique, the input to output efficiency of the UPS ferro-resonant transformer is approximately 90%.

This technique also provides all the filtering advantage described earlier because the ferro-resonant transformer acts as a line conditioner in the normal mode. Again, simplici-

ty plays a major part in this technique, with no need to incorporate complicated voltage and current feedback networking. Because of the reduced parts count on all the ferro-resonant techniques, this type of design is one of the most reliable.



# GOING BEHIND BARS

*Bars are all around us, from supermarket check-outs to security systems. Nic Burkinshaw looks behind the bars to decode barcodes.*

**B**arcodes have a number of obvious advantages for data recording, with two of the biggest being fast data entry and security.

To give an idea of speed, a 12 character code can be located and read in under 2s, while, for security, barcodes can be printed using infra-red reflective ink (appearing black in white light) on a black background to avoid duplication by photocopiers.

Barcodes used in security entry systems avoid the possibility of accidental erasure of the code and do not suffer wear of head and card, unlike magstripe readers which need the read head to be spring-loaded onto the card. Swipe barcode readers are able to read across an air-gap, having a focal length of 2-4mm. Also when a barcode is read characters cannot be transposed or missed - 0s and Os, 1s and 1s are not confused - and the data can be quickly recognised when inverted, at an angle, in reverse and at a distance.

Not to be forgotten at the practical level, barcodes can be covered in grease and grime and still be read (using infra red illumination).

#### Four main types of code

There are many ways to encode data using bars and spaces, but there are only four main types currently in use: Code39, EAN, Interleaved 2 of 5 and Codabar.

Code39, sometimes called 3 of 9, is found everywhere - with the exception of retailing - and can represent the upper case alphabet, digits 0-9 and eight special characters. It is most commonly seen as a stock or serial number on electrical items and automotive parts.

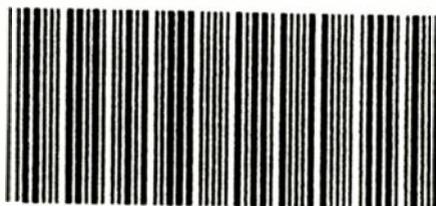
The code is two level, meaning that the bars and spaces can only be narrow or wide, and the ratio of narrow to wide is nominally 1:2.5.

Each character is represented by nine elements of five bars and four spaces. Three of these nine elements are wide; wide bars or spaces are equal to a binary 1 and narrow are equal to binary 0.

There is a narrow space between each character.

Although there are 512 combinations of nine binary bits, only 44 combinations are

*Code39 is the most widely used barcode - except for retailing.*



0123456789

valid - so the code is inherently self-checking.

For extra security a check character can be added to each message, the check-sum calculated by adding the check values of each character in the message and then dividing by 43 to give a remainder. Extended Code39 is an extra complication of the code, using certain characters to start a two character sequence allowing representation of the full ascii code set, including control codes. For example carriage return is \$M.

Table 1 shows the binary code for each character and its check character value. Note that '\*' has no check value because it is used to indicate the start and end of all Code39 messages.

To code the message 98PQ, with the check-sum, first sum the check-sum values of all characters in the message, 9 8 P Q (9 + 8 + 25 + 26 = 68). Divide the result by 43 (68/43) giving 1 remainder 25, then look up the character that has a check-sum value of 25 - the letter P. So, the message to code, including check-sum and start and stop characters is :

\*98PQP\*

```
0100101000001100100010010010000010
10010000000001110010010
100
```

Table 1. Code39 character set

Character	Binary word	Check-sum
0	000110100	0
1	100100001	1
2	001100001	2
3	101100000	3
4	000110001	4
5	100110000	5
6	001110000	6
7	000100101	7
8	100100100	8
9	001100100	9
A	100001001	10
B	001001001	11
C	101001000	12
D	000011001	13
E	100011000	14
F	001011000	15
G	000001101	16
H	100001100	17
I	001001100	18
J	000011100	19
K	100000011	20
L	001000011	21
M	101000010	22
N	000010011	23
O	100010010	24
P	001010010	25
Q	000000111	26
R	100000110	27
S	001000110	28
T	000010110	29
U	110000001	30
V	011000001	31
W	111000000	32
X	010010001	33
Y	110010000	34
Z	011010000	35
-	010000101	36
.	110000100	37
SPACE	011000100	38
*	010010100	
\$	010101000	39
/	010100010	40
+	010001010	41
%	000101010	42



EAN8 provides for a code length of five digits and...

each bar or space can be one, two, three or four elements wide. Bars represent binary 1 while spaces represent binary 0.

Every character is made up from a 7-bit word and all codes have start, centre and end guard bars. These sequences of narrow bars enable determination of nominal narrow bar width across each code. Characters to the left of the centre guard bars are encoded using either of the left hand columns of Table 2, those to the right use the right hand column. The difference between the two left hand columns is that A is encoded with odd parity and B with even parity.

Note that 00011 would be represented by a space three elements wide followed by a bar two elements wide.

EAN8 provides for a code length of five digits and EAN13 for ten. Each has start, middle and end guard bars, two flag characters and may also have a supplemental two or five digit code.

EAN8 barcodes have left hand guard bars, encoded as 101, two flag characters, encoded as left hand A, and first two data characters, encoded as left hand A. Centre guard bars are encoded as 01010. Last three data characters are encoded as right hand. Check character is encoded as right hand, and right hand guard bars are encoded as 101.

Table 2. EAN character set

Number	Left Hand A	Left Hand B	Right Hand
0	0001101	0100111	1110010
1	0011001	0110011	1100110
2	0010011	0011011	1101100
3	0111101	0100001	1000010
4	0100011	0011101	1011100
5	0110001	0111001	1001110
6	0101111	0000101	1010000
7	0111011	0010001	1000100
8	0110111	0001001	1001000
9	0001011	0010111	1110100

EAN13 barcode has left hand guard bars, encoded as 101 and a second flag character, encoded as left hand A or B. The first five data characters are encoded as left hand A or B. Centre guard bars are encoded as 01010 and the last five data characters are encoded

Table 3. Code for first flag character in EAN13

No.	Flag	Data 1	Data 2	Data 3	Data 4	Data 5
0	A	A	B	B	A	B
3	A	A	B	B	B	A
4	A	B	A	A	B	B
5	A	B	B	A	A	B
6	A	B	B	B	A	A
7	A	B	A	B	A	B
8	A	B	A	B	B	A
9	A	B	B	A	B	A

Printing barcodes

Every barcode is made up of the same components: a blank area of light colour (quiet zone); a set of bars and spaces that make up the data, and another quiet zone. Recommended width for the quiet zone is >10 x narrow bar width.

Currently, the practical minimum width for a bar or space used in any code is 0.13mm. The ratio of wide to narrow for two level codes is at least 2:1, more usually 2.5:1. Four level codes have bars and spaces that are simply 1, 2, 3 or 4 narrow units wide.

Care must be taken when printing barcodes, since ink spreading through the paper or faint lines in what should be a solid bar can produce a useless barcode.

Carbon-based inks give the best contrast between bars and spaces for both visible and infra-red readers. When dye-based inks have to be used, eg in the food industry, problems can be avoided by not using infra-red readers.

Barcodes may be printed in a variety of sizes, so there are a range of sensitivities of reader. Obviously, if the sensitivity (active area) of the reader is closer to a wide bar width than narrow then misreads will occur. For a barcode wand, there may be a choice of low, general purpose or high resolution referring to nominal narrow bar widths of 0.33mm, 0.19mm or 0.13mm.

Note that each character of the message is made up of nine elements and that characters are separated by a narrow space (0).

European code

The EAN (European article number) barcode comes in several styles to provide for stock codes of five and ten digits and a two or five digit supplement. Only digits 0-9 are represented, and being a four level code,

Table 4. EAN 2 digit supplement parity pattern

A - A	A - B	B - A	B - B
00	01	02	03
04	05	06	07
08	09	10	11
12	13	14	15
16	17	18	19
20	21	22	23
24	25	26	27
28	29	30	31
32	33	34	35
36	37	38	39
40	41	42	43
44	45	46	47
48	49	50	51
52	53	54	55
56	57	58	59
60	61	62	63
64	65	66	67
68	69	70	71
72	73	74	75
76	77	78	79
80	81	82	83
84	85	86	87
88	89	90	91
92	93	94	95
96	97	98	99



...EAN13 allows ten digits

posing that the right-most character is odd, adding all characters in odd positions and multiplying the result by 3. Then all the characters in even positions must be added together, and that total summed with the "odds" calculation.

The check character is the smallest number that, when added to the total, results in a multiple of ten.

The barcode on the front of every issue of *EW + WW* is one example of this coding.

Flag characters are 97 and the message characters are 7095983300. So characters to check are 9 7 7 0 9 5 9 8 3 3 0 0. Positioning (even/odd) is E O E O E O E O E O so the sum of all odds multiplied by 3 is 69 ((7 + 0 + 5 + 8 + 3 + 0) x 3). The sum of all evens is 37 (9 + 7 + 9 + 9 + 3 + 0); added to the above this gives a total of 106. Four added to 106 gives 110 as a multiple of 10. So the check character is 4, giving a full message of 9770959833004.

The barcode on the front cover also features a two digit supplement indicating the month number starting from 01 for January. The supplement is made up from guard bars encoded as 1011; first data character encoded as left hand A or B; character delineator encoded as 01, and second data character encoded as left hand A or B. The data characters are encoded using either of the left hand columns, according to the digits that are coded. (For example if the supplement is 13 then, referring to **Table 4**, the left hand A column is used for 1, and 3 is encoded from the left hand B column).

Five digit supplements are seen most often

as right hand. Check character is encoded as right hand, and right hand guard bars are encoded as 101.

The first flag character of an EAN13 code is encoded using the parity pattern of the second flag character and the first five data characters (**Table 3**).

Binary representation of an EAN 8 barcode of 80123453 would be:

```
1010110111000110100110010010011010
10100000101011100100111
01000010101
```

The check character can be created by sup-

Table 5. EAN five digit supplement parity pattern

No.	Data1	Data 2	Data 3	Data 4	Data 5
0	B	B	A	A	A
1	B	A	B	A	A
2	B	A	A	B	A
3	B	A	A	A	B
4	A	B	B	A	A
5	A	A	B	B	A
6	A	A	A	B	B
7	A	B	A	B	A
8	A	B	A	A	B
9	A	A	B	A	B

on books, as a machine readable version of the selling price. In a five digit supplement, guard bars are encoded as 1011, the first data character is encoded as left hand A or B and the character delineator is encoded as 1. Second data character is encoded as left hand A or B and the character delineator as 01; the third data character is left hand A or B and the character delineator, 1; fourth data character is left hand A or B and the character delineator, 01. Fifth data character is encoded as left hand A or B.

Once again, the characters are encoded using the left hand columns – the column to be used is decided from a check-sum arrangement similar to the check character of the main message. Assuming that the right most character is odd, then all of the characters in odd positions are added and the

Table 6. Interleaved 2 of 5 code character set

ASCII	binary word
1	10001
2	01001
3	11000
4	00101
5	10100
6	01100
7	00011
8	10010
9	01010
0	00110

result multiplied by 3. All of the characters in even positions are added and the result is multiplied by 9. The two totals are then added. (The units digit of the result is the number of the parity pattern in **Table 5**). For example, in the five digit supplement

**International equivalents UPC/EAN/JAN**

There is another group of codes similar to Code39 called UPC (universal product code) and EAN/JAN (European/Japan article number). UPC was developed first in the USA; the equivalent specifications in Europe and Japan are EAN and JAN, which are the ones seen on magazines, books, and every item in the supermarket.

To ensure that different items are not printed with the same barcode, companies must apply for a unique number to their Article Number Association (ANA) in their country.

UPC A is a 12 digit code split further by the first digit into :

0, basic codes, no specific use; 2, random weight items, marked in-store; 3, National Health items; 4, to indicate non-food items, and 5, used on coupons.

UPC E is a six digit code, used for marking small items.

EAN/JAN13 is a 13-digit code where the first two characters define the country of origin, eg 50 = U.K.

EAN/JAN8 is an eight-digit code for small items. When used on books and periodicals, the first two characters of the code are set to 97, regardless of country of origin, because the ISSN classification was developed before UPC/EAN/JAN.

12345, position (even/odd) is O E O E O, sum of all the odds x 3 is 27, and sum of all the evens x 9 = 54. Adding together both sums gives 81, so the number of parity pattern is units digit, 1.

**Code for packaging**

Interleaved 2 of 5 is used for coding transit packaging, such as Royal Mail Parcel's Trakback labels. It is also the same code that appears in *Radio Times* and is being used by Panasonic to allow setting of their VCRs for recording films.

The code is numeric only (Table 6), and two level, so that both bars and spaces in between are significant; each bar and space can only be narrow or wide. The wide to narrow ratio is between 2 and 3 to 1.

Characters are represented by two wide elements out of a total of five, and narrow bars and spaces are recognised as binary 0; wide as binary 1.

A bar/space pattern of 0000 starts the code and a pattern of 100 ends it. The message contained between these start and stop codes is interleaved, so that the first character is encoded as the five bars following the start code and the second character is encoded in the spaces.

Interleaved 2 of 5 is high density, due to the small number of elements per character. The fact that characters are interleaved also means that separators are not required (the code is said to be "continuous"). Characters are self-checking in that they must consist of 2 wide and 3 narrow elements.

The code has an optional modulus 10 check-sum character. For the example message of 57654823 the check-sum is calculated (similar to above) by assuming the right-hand-most character is even so the sum of the odd characters is 17. Summing the even characters and multiplying by 3 gives 69, and a total for both calculations of 86. The check-sum is 4 - the smallest number which added to the total results in a multiple of 10 (86 + 4 = 90).

So the message with check character is 576548234. However, because the characters are coded in pairs a non-significant leading zero must be added to leave an even number of characters in the message; the message to be coded is 0576548234.

To code the message 2345, with no check-sum, take the first pair of characters, 23. Code for 2 is 01001 and for 3 is 11000. Interleave these to give 0111000010.

For the second pair the code for 4 is 00101 and for 5 is 10100. Interleaving these gives 0100110010. Adding start code 0000 and stop code 100, gives:

000001110000100100110010100

**Codabar**

Codabar is a two level numeric code with six special characters and a choice of four

**Table 7. Codabar character set**  
ASCII binary word

0	0000011
1	0000110
2	0001001
3	1100000
4	0010010
5	1000010
6	0100001
7	0100100
8	0110000
9	1001000
-	0001100
\$	0011000
:	1000101
/	1010001
.	1010100
+	0011010
A	0011010
B	0101001
C	0001011
D	0001110

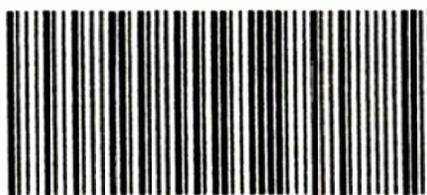
stop/start characters. There are seven elements in each character (Table 7) with only two or three wide elements. Each is separated from the next by a narrow space. Binary 1 is encoded as a wide bar or space and 0 as narrow.

Having only 20 valid combinations out of a possible 128 makes this code inherently self-checking and there is no provision for a check-sum.

The message can be coded with any of the four start and stop characters ( A, B, C or D), so for example 2345 with A as the start/stop character ( A2345A ) is coded as :

0011010000010010110000000010010010  
0001000011010

ABC Codabar is also known as NW7 and



1234567890

*Interleaved 2 of 5 is often found on transit packaging, and also in the Radio Times.*



01234567

*Codabar allows only 20 valid combinations out of a possible 128, so is self-checking.*

was probably the first barcode to be widely used. ABC is an acronym for American Blood Commission and the code is the internationally accepted standard for barcoding in the blood transfusion service and is mostly used in the medical field.

**Choosing the appropriate code**

Choice of code is usually constrained by what is already in use for the particular application.

If the application is new or unique then the codes to consider should really be Code39 for alphanumeric or Interleaved 2 of 5 for purely numeric data.

Interleaved 2 of 5 also gives the highest code density. Both are two level codes allowing a greater variation in size and print quality than four level codes such as EAN. Both are inherently self-checking, by virtue of having few valid combinations from a large set of possibles, and can also have a check-sum added.

Disadvantages are that Code39 is a long code - each character consists of nine elements - and that data for Interleaved 2 of 5 must have an even number of characters.

**Hardware**

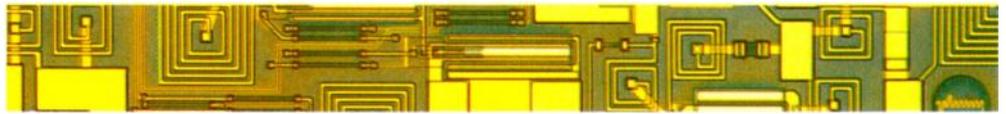
Barcode readers, like those used at supermarket check-outs, use oscillating visible red laser beams to cover the surface of a package with a wide angle scan pattern of approximately 40 lines at various angles rapidly repeated. The optics allow a depth of field of around 30cm and these features enable rapid reading of barcodes on all sorts of packages, at any orientation, without contact.

Contact CCD scanners, now seen in most high street shops, are read by flooding the barcode with light from a strip of visible red leds and detecting the bar-space pattern with a charge coupled line array sensor. Although termed "contact" these readers can recognise a barcode at a distance of up to 1cm, enabling the reading of codes through the clear plastic of cassettes and CD cases.

There are also laser scanners available in a pistol-type design to read barcodes at a distance (less than 200cm). These scan horizontally using a rotating polygon of mirrors to deflect the beam, and rely on the user to align correctly across the barcode.

Wand type readers rely on the user to scan the code and are used either on the basis of least cost or lowest power requirement. Most wands use a broad field emitter and a focused detector, but for even lower power consumption some swap this around and use a focused emitter and a wide area detector.

Wands can also create problems; scanners provide a fast, repetitive and constant speed data stream, while wand output is subject to variations such as the user moving the wand across the barcode in an arc and changes in speed due to the flick-of-the-wrist action. ■



# Oscillator tails off lamely?

*Ian Hickman looks at how a long-tailed transistor pair circuit can be used in conjunction with switching action to produce an effective oscillator*

**T**ransistor sinewave LC oscillators tend to exhibit a worse waveform than their valve forebears. The problem is particularly marked with single transistor versus single valve circuits for a number of interesting reasons.

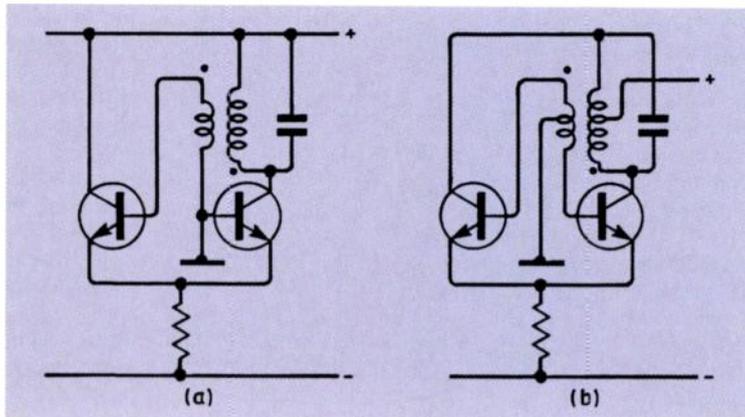
On the other hand, it has long been known that a very pure sinewave output can be obtained if one goes to the expense (not too serious nowadays) of using two transistors in a symmetrical arrangement. One of the first applications of this scheme appeared in a *Wireless World* article many years ago. A dredge through the cuttings file unearthed a host of interesting articles; the article I sought was one on a self-balancing push-pull circuit for use as an erase bias oscillator in a tape recorder.

Its great virtue was its low level of even harmonic distortion, an important point to consider for use in a tape recorder design. In this application, due to the non-linear magnetisation characteristic of the recording medium, even order harmonics can result in different levels of residual magnetisation on opposite half cycles of the bias or erase drive. This represents a residual DC component of magnetisation on the tape, with its attendant increase in no-signal noise level.

The circuit described itself as a class D (current-switching) oscillator and was based upon a long-tailed pair whose bases, driven by a feedback winding, steered the fixed tail current through each transistor alternately to one end or other of the centre-tapped 100kHz tuned tank circuits.

By setting the tail current to a value appropriate to the loaded Q of the tank circuit, the transistors (I used GET116s) operated as pure switches without bottoming at the collectors. The result was a bias/erase oscillator with very little distortion; what there was entirely odd harmonic.

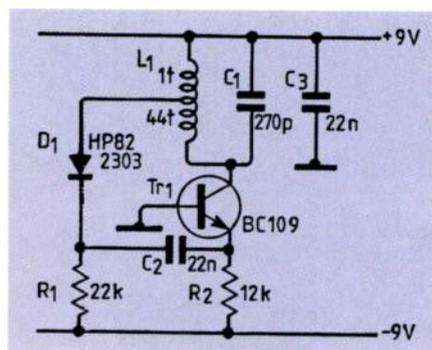
Since then, many push-pull oscillator circuits based upon the long-tailed pair have become popular, for both AF and RF applications. A good example of the latter is the Vakar oscillator popular with RF designers.



*Fig. 1. 1a differs from 1b only in its location of the ground and positive rail feed points although 1a is not obviously fully symmetrical.*

Many different feedback arrangements are possible and it is sometimes thought-provoking to decide whether a particular circuit is truly symmetrical, or whether it just uses a two transistor maintaining amplifier.

For example, an oscillator which used a cascode stage as the maintaining amplifier is definitely a single-ended design, the two transistor approach notwithstanding. **Figure 1a** looks very much like an oscillator with a maintaining amplifier that consists of a common collector stage driving a common base stage.



*Fig. 2. Long-tailed pair circuits share the current switching action to maintain good amplitude control without bottoming at the collectors.*

Apart from a minor relocation of the ground and positive rail feed points, it is the same as **Fig. 1b**, however, which is definitely a fully symmetrical oscillator. If the tail were infinitely long and the transistors had zero output admittance and no internal feedback, there would indeed be precious little difference between the circuits, but alas this is far from the case.

If one wants the purest possible output, then a fully symmetrical circuit is advisable;

for RF circuits, this symmetry should extend beyond the circuit diagram to the actual physical layout.

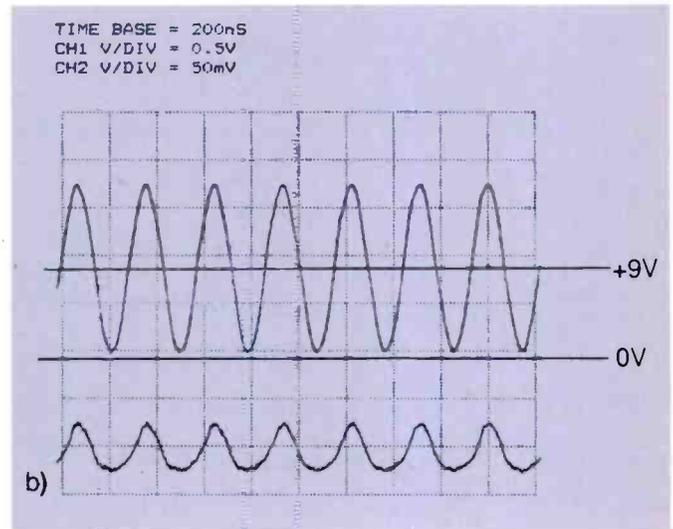
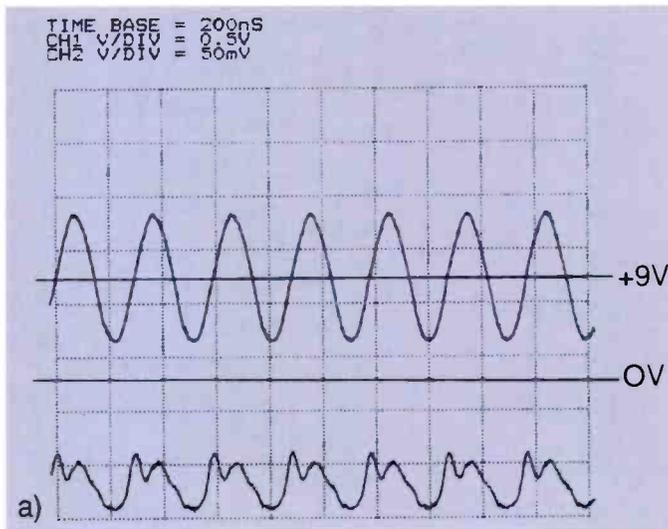
When it comes to oscillators, the long-tailed pair lends itself to many variations on a theme. For example, the feedback can be via a coupled winding as in **Fig. 1**, or by capacitive cross-coupling. Alternatively, the bases can be connected to the tuned circuit, with the collector(s) going to the coupled winding(s). Whatever the circuit arrangement selected, there is always the choice of bipolars or FETs for the active devices.

If an asymmetrical arrangement such as that in **Figure 1b** is acceptable, then an interesting variant on the circuit is possible, as shown in **Fig. 2**. If you don't mind a terribly mixed metaphor, it could be called a long-tailed pair with one lame leg.

Although there is more than enough gain available from a single transistor to maintain oscillation, the circuit shown shares the current-switching action with true long-tailed pair circuits. These maintain firm amplitude control without bottoming at the collector, which is very difficult to achieve in conventional single transistor oscillator circuits.

An approximation of the circuit can be designed with little more than mental arithmetic. Having decided the working Q of the tuned circuit, taking into account any loading imposed by coupling energy to the outside world via a take-off point, the dynamic resistance at resonance  $R_d$  will be known.

The feedback winding must provide enough voltage to force the necessary current into the emitter of the transistor. The



resistance to be overcome is the emitter slope resistance  $r_e = (25/I_e)\Omega$ , where  $I_e$  is in milliamps, plus a similar allowance for the diode (assuming it carries the same tail current as the transistor).

Assuming the common base current gain of the transistor to be unity, the ratio of the collector voltage to the voltage at the tap feeding the diode is thus simply  $R_d/(2r_e)$ . This fairly cavalier approach to circuit design gives a (somewhat optimistic) figure for the required tapping ratio.

In practice, the ratio should be less extreme by a factor of two or three, to provide a safe margin of overdrive. This will ensure that the combined total tail current is chopped up into something closely approaching a squarewave, from which the desired fundamental component is then sorted out by the tank circuit. Incidental variations in loop gain from device to device and over temperature etc will then have little effect on the amplitude, merely affecting marginally just how square the squarewave of collector current is.

Figure 3a shows the collector and emitter waveforms of the circuit shown in Figure 2. The collector waveform (CH1, 5V/division, allowing for a x10 probe) is DC-coupled, and the 0V level has been marked in. The emitter waveform - CH2, 0.5V/div - is AC-coupled, so the vertical position of the trace is immaterial.

A Schottky diode was used in the first instance, in the interests of fast switching; a 1N4148 was then substituted with no observable difference at all in the wave-

forms. The transistor, however, is another matter entirely. The BC109 is billed as an AF transistor, although with its 300MHz typical  $f_t$ , it is often useful as a small-signal RF transistor. It is used as a switching transistor in this circuit, and as such it performs very poorly as can be seen by the horrible emitter voltage waveform in Figure 3a).

A switching transistor like the 2S131 has a gold-doped base region. The gold doping results in a lowish  $h_{FE}$ , about a tenth that of the BC109, but provides recombination centres for the stored charge in the base region when the device is reverse-biased, resulting in a much more rapid turn-off.  $\pi$

The result is shown in Fig. 3b: not only is the emitter waveform much more like what we would hope for, but the output amplitude is increased, although still without bottoming.

With a suitable modern alternative to the 2S131, the circuit of Figure 2 can form the basis of a useful VCO. For operation over a wide frequency range, the tap must be chosen to ensure oscillation at the lowest output frequency, where  $R_d$  is lowest. As a further refinement, the tail current can then be varied inversely as the frequency, thus maintaining a constant output amplitude over the whole tuning range. ■

Fig. 3a. The collector and (horrible) emitter waveforms of the circuit shown in Fig. 2.

Fig. 3b. Substitution of the 2S131 by the BC109 results in a more rapid turn-off. The emitter waveform is more pleasing and the output amplitude is increased while still not bottoming.

## INTERFACING WITH C

Many readers have been disappointed that Howard Hutchings' practical guide to real-time programming and use of the C programming language for electronics engineers sold out so quickly.

As a result of this popular demand, we are reprinting "Interfacing with C" and new copies are now available.

To order, send a cheque for £14.95 to Lorraine Spindler, Room L333, Quadrant House, The Quadrant, Sutton, Surrey SM5 2AS. Make cheques payable to Reed Business Publishing Group or, for immediate response, you can telephone your order quoting your credit card number on 081 661 3614 (mornings only please).

The extensive source listings from the book are also available on disc at £25.50 + VAT from the above address.

# LOW COST RANGER1 PCB DESIGN FROM SEETRAX

- Circuit Schematic
  - Circuit Capture
  - PCB Design
  - Host Of Outputs
- All-In-One Design System**

**£100**

**Fully Integrated Auto Router**  
**£50**

**Ask Us About Trade-In Deals**

**Call Now For Demo Disk on 0705 591037**

Seetrax CAE • Hinton Daubnay House  
Broadway Lane • Lovedean • Hants • PO8 0SG  
Tel: 0705 591037 • Fax: 0705 599036

**REDUCED PRICE!**

**What The Press Said About RANGER1**  
For most small users, Seetrax Ranger1 provides a sophisticated system at an affordable price. It is better than EasyPC or Tsien's Boardmaker since it provides a lot more automation and takes the design all the way from schematic to PCB - other packages separate designs for both, that is, no schematic capture. It is more expensive but the ability to draw in the circuit diagram and quickly turn it into a board design easily makes up for this.  
**Source JUNE 1991 Practical Electronics**

Pay by Visa or Access



CIRCLE NO. 132 ON REPLY CARD

## YOUR PERSONAL UNIVERSAL PROGRAMMER

Superpro is a low cost programmer which can easily be attached to your PC for use in R & D. It comes with its own half card for high speed communication so you can still use your parallel port.

Superpro comes from California so you can be sure the latest devices will be supported. In fact the software is updated on an almost monthly basis. The extensive device list covers most popular logic and memory families such as Amd's Mach series as well as the popular Altera range EP310 to EP1810. Support is also included for popular gals such as 16V8 and 20V8 from a variety of manufacturers. Standard 24, 28, 32 and 40 pin e (e) proms are also catered for in the 40 pin universal ZIF socket. An added bonus is the ability to program a range of microcontrollers. PLCC devices can be programmed with special adaptors.



*So before spending thousands of pounds on a new stand alone programmer why not have a look at Superpro for a ten day trial period?*

**LLOYD RESEARCH LTD**

Tel: 0489 574040 for a device list

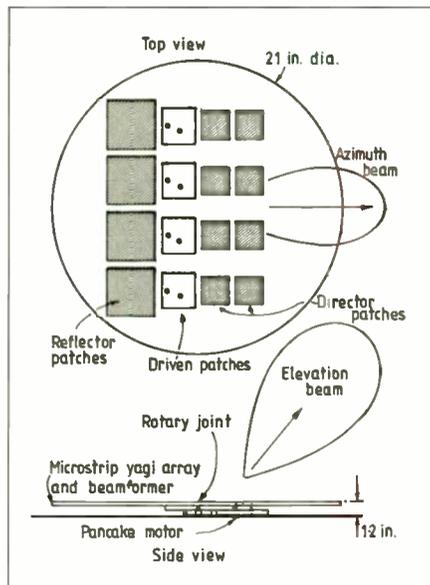
CIRCLE NO. 133 ON REPLY CARD

### Microstrip Yagi for mobile satellite service

A novel combination of Yagi-Uda and microstrip patch techniques, developed at the US Jet Propulsion Laboratory, California for Nasa could be used as a vehicle antenna for the 1.6GHz mobile satellite (MSAT) communications service. The array, described by John Huang and Arthur C Densmore in *IEEE Trans on Antennas and Propagation* (July 1991, pp.1024-1030), is claimed to provide a low-profile, relatively low-cost, medium-gain, land-vehicle mechanically-steered antenna. With four rows of microstrip patches, the antenna betters the MSAT required gain of 10dBi within the angular region between 20° and 60° elevations. The developers consider that the design overcomes the high costs and/or high profiles of both electronically steered phased arrays and mechanically-steered tilted microstrip patch arrays previously developed for MSAT for JPL.

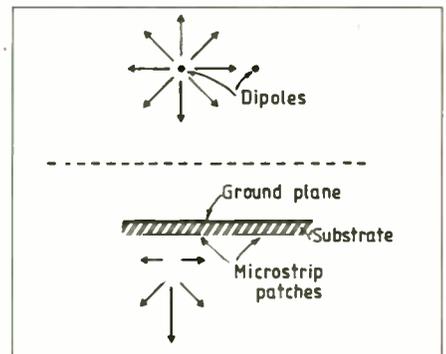
Since two of the major components of the system, the microstrip Yagi array and the beamformer, can be manufactured by simple etching processes, manufacturing cost based on a 10,000 units/year production is expected to be around \$450/unit. Major component costs are the dielectric circuit board material, open-loop angular rate sensor, pancake motor, rotary joint, and assembly labour costs.

The microstrip Yagi uses the same principles as a conventional Yagi-Uda

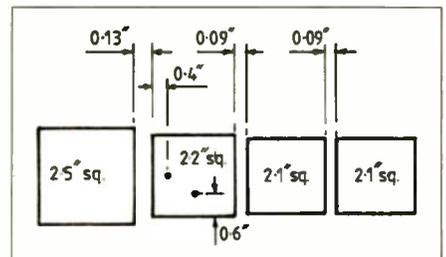


Using the planar microstrip Yagi for Msat.

dipole array, where the RF energy is coupled from the driven element dipole through space into the parasitic dipoles. But with microstrip patch elements, energy is coupled not only through space but also by surface waves in the substrate. The patch elements radiate primarily in a broadside direction and very little along the direction of the ground plane. This means that adjacent patches need to be placed very closely to

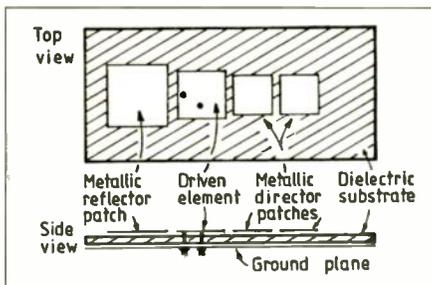


Adjacent patches need to be very close to achieve significant coupling through the surface waves.



Gap distance should be equal to or less than the dielectric substrate thickness.

achieve significant coupling through the surface waves. Experimentally, the gap distance between patch edges should be equal to or less than the dielectric substrate thickness.



Microstrip Yagi configuration – basis of a low-cost mechanically-steered antenna.

### Giant 14MHz Yagi-Uda fixed array

Three Californian amateurs have designed, constructed and demonstrated a giant 100m long, 25m high split-boom Yagi antenna, designed for a centre frequency of 14.150kHz and providing a free-space gain of 15.8dBi. Directivity at low-angle elevations (over low-conductivity earth) is over 21.5dBi.

For this ambitious project, Jack Hacten, Bud Ansley and Dan Bathker (W6TSW,

W6PH and K6BG) have drawn on their professional expertise and Mininec-type method of moments aerial design software in building this gain-optimised 13-element, divided-boom array mounted on six towers in an area 10 by 100 metres with a boresight at 15° East of true North. This gives a great circle bearing covering selected parts of Europe and Asia, with an azimuth beamwidth to -3dB points of slightly less

than plus and minus  $15^\circ$

The array elements have been designed for a considered balance between forward gain, sidelobe level, impedance level, bandwidth and structural wind survival and constructional economics, using the MN-software written by Brian Beezley, G6STI. Some 1000 machine-aided design iterations were made, backed up by "indispensable human judgement, experience and strategy." They consider that without NEC analysis such a complex array could not have been

approached with high confidence.

The design provides a  $30\Omega$  feed-point resistance with an impedance bandwidth (vswr = 1.5) rather more than 2%. Each element is built with heavy-wall aluminium tubing starting in the centre with 32mm diameter, stepped twice, and ending with 19mm diameter at the tips. Each of the six 75mm diameter boom segments measure 9m. The topmost tower guys are dielectric to assure EM field purity.

paper but recognized that the radar required a highly directional antenna and instituted a search for further information. The notes and manual had belonged to a Corporal Newmann, a radar operator. They traced him to Shinagawa POW Camp in Tokyo. Under interrogation, they discovered he had little knowledge of the design principles but he does seem to have shown surprise that his captors had not realised that "Yagi" was a Japanese name.

When Professor Yagi was contacted, he is reported to have remarked that it was a very lamentable and ironical fact that the Yagi array "was not used in his country where it had been invented, but found use as a weapon by the enemy accounting for many victims". This seems to have happened too late for use in wartime Japanese radar; apparently the Yagi array was only used by the Japanese before 1945 for two inter-island links.

It has taken some 60 years to come to grips with the Yagi, and there are prospects of still further developments arising from the discovery by F M Landstorfer in the late 1970s that properly-shaped wire antennas, longer than a wavelength, could yield a higher directivity than straight dipoles. He found that a 3-element Yagi-Uda array of shaped wires, each  $1.5\lambda$  long, could yield a maximum gain of 11.5dB.

David Cheng (Syracuse University) who has done much work on the optimization of gain of Yagi arrays has pointed out: "Although the geometrical arrangement of a Yagi-Uda array appears simple, its optimization is a difficult problem, mainly because there are many interdependent variables. Since all the elements are electromagnetically coupled, the adjustment of any one of these variables changes the current distribution on all the elements. Since the optimization process cannot follow a one-variable-at-a-time procedure, all variables must be adjusted at the same time..."

Many early studies of Yagi-Uda arrays made the basic assumption that the current distribution along all the array elements were sinusoidal. This assumption is not true, and the deviation from sinusoidal current distribution is critical in the calculation of the conditions for optimum gain.

## Aspects of the Yagi-Uda story

When Professor Hidetsugu Yagi died in 1976 at the age of 90 years, it was recognised that he had left his memorial on countless millions of rooftops in the form of TV receiving aeriels. But few of the millions of viewers could have had any idea of the involved story behind the development and use of the Yagi-Uda array.

The basic concept of directional antennas comprising a driven element with a number of parasitic elements: elements as reflectors slightly longer than a half-wave (single or trigonal) and a series of directors slightly less than a half wave in length was first described in English text by Professor Yagi of Tokoku Imperial University, Sendai, Japan in the June 1928 issue of Proc IRE (Beam Transmission of Ultra Short Waves).

There had been earlier papers and presentations from 1926 onwards by Shintaro Uda (1896-1976) who was then an assistant professor (Instructor) in the College of Engineering working under Professor Yagi, who in Part 1 of the IRE paper makes it clear that the experimental work on the 4m (75MHz) Yagi array was carried out by Uda. Indeed, the longer Part 2 of this paper is concerned with the use of early UHF magnetrons at wavelengths down to 10cm (3GHz). In this case the experimental work was carried out by E Okabe who continued to work with Yagi for many years.

The Proc IRE paper, based on an oral presentation, deals quite briefly with the principles of directional antennas using parasitic elements) with little or no mathematical analysis of the interactions between the elements. Nevertheless the value of such high gain arrays was recognized in the 1930s both in America and Europe.

An important contribution was made by Dr George Brown (RCA) in describing his work on directional medium wave broadcast antennas (monopole Yagi arrays) when he showed that a single close-spaced parasitic element could yield an array gain of over 5dBd, appreciably greater than with quarter-wave spacing. This led directly to the development of rotary flat-top HF Yagi antennas for Amateur Radio in 1937-38 (driven arrays by John Kraus, W8JK and Yagi arrays by Walter Van Roberts. The late Dr Brown once told me how his important section on Yagi close-spaced elements had originally been submitted to the IRE in the early 1930s but had been rejected by referees - only subsequently he had slipped it into his long paper "Directional Antennas" (Proc IRE, January 1937, p78 to 145) where referees passed it without comment!

By the early 1940s multi-element HF Yagi arrays were being adopted secretly for a number of radar systems including searchlight control (SIC) radars and gun-laying radars in the UK. Surprisingly, however, although Yagi and Okabe worked on early Japanese radar experiments in the 1930s, the Yagi-Uda array was overlooked in Japan.

Professor Sato (Sophia University, Tokyo) has recently published a detailed account of how the Japanese "rediscovered" the Yagi-Uda antenna in 1942 after the fall of Singapore. This was as a result of finding a copy of notes and a manual on the British searchlight control radar system in a wastepaper basket in Singapore barracks after the surrender. The notes included sketches of a 4-element 210MHz antenna (plus reflector screen) captioned as a "Yagi aerial array". The Japanese did not connect "Yagi" with Professor Yagi and his 1928

Pat Hawker

# M & B RADIO (LEEDS)

THE NORTH'S LEADING USED TEST/EQUIPMENT DEALER

## GENERAL TEST EQUIPMENT

Amber 4400A Multipurpose Audio Test Set	£750
Datalab DL1080 Programmable Transient Recorder	£750
Genrad 1658 RLC Digibridge	£750
EMT422 Audio Threshold Monitor	£250
Systron Donner Dual PSU 0 to 40 volts 1 amp	£115
Comark Insulation Meter	£95
Gravitron HD05/5S Digital Scales	£300
Schaffner NSG430 Static Discharge Simulator	£400
Woelke ME104C Wow and Flutter Meter	£150
Telonic TSM2 Rho Meter	£600
Texscan CS76 460 to 960 Hz Sweep Generator	£350
Tektronix 521A PAL Vectorscopes	£1000
Tektronix 1485 Video Waveform Monitor	£500
HP 5340A 10 Hz to 18 GHz Freq Counter	£1000
HP 5345A Timer Counter	£350
HP 5381 80 MHz Freq Counter	£75
Iwatsu SC7104 1 GHz Freq Counter	£400
Tektronix DC508 1 GHz Counter	£500
Racal 9904M Counter Timer	£125
Racal 9908 1.1 GHz Freq Counter	£375
Racal 9009 Mod Meters	£300
Sayrosa 252 Automatic Mod Meter 2 GHz	£225
Bird 8201 Terminal 500 Watt	£150
Farnell Amm Auto Mod Meter	£250
Marconi 2950 RT Test Set	£400
HP 5306 GPIB Multimeter/Counter	£235
HP 3465A DVM	£125
HP 3478A LCD Digital Multimeter	£450
HP 3455A Hi Stability Digital Voltmeter GPIB	£1450
HP 3400A True RMS Voltmeter	£145
HP 400E Voltmeters	£145
Gay Milano Fast Transient Recorder	£295
HP 461A Amplifiers	£100

HP 432A Power Meter with Mount	£495
Tektronix 576 Curve Tracer/172 Programmer	£1500
Rank Kalea 1742 Wow Flutter Meter	£195
RFL 5950A Crystal Impedance Meter	£150
HP 3556A Posphometer	£75
HP 8750A Storage Normalizer	£450
HP 6294A PSU 0 to 60 Volts 1 Amp	£100
HP 6453A PSU 0 to 15 Volts 200 Amps	£350
Racal Dana 211 Logic Analyser	£150

## SIGNAL GENERATORS

Farnell SSG 520 Synthesised 520 MHz Generator	£650
Farnell TTS 520 Transmitter Test Set	£750
Farnell TTS 1000 Transmitter Test Set	£895
Marconi TF2008 10 kHz to 520 MHz AM/FM complete with RF Kit Box RF Probe and Service Manual	£350
Marconi TF2015/2171 Synchronizer 520 MHz	£400
Marconi TF2016A 10 kHz to 120 MHz AM/FM	£200
Wavetek 1080 1 GHz Sweep Generator 1905 XY	£1300
Philips PM5234 100 kHz to 110 MHz AM/FM + Sweep	£200
Philips 6456 FM Stereo Generator	£150
Radiometer SMGI Stereo Generator	£150
Wavetek 143 20 MHz Function Generator	£245
Farnell LFM3 Sine Square Signal Generator	£145
Marconi TF2002B with 2170B Synchroniser	£195

## SPECTRUM ANALYSERS

HP 141T Complete with 8554B 1250 MHz Analyser	
8553B 1 kHz to 110 MHz Analyser and 8552B IF Section (as new)	£3000
HP 3580A 5 Hz to 50 kHz Analyser (as new)	£2750
HP 8406A Comb Generator	£500
HP 3582A Dynamic Signal Analyser	£4000
Marconi TF2371/1 110 MHz Spectrum Analyser	£1650

Wayne Kerr RA200 Audio Response Analyser	£450
Wayne Kerr 240A Audio Response Tracer	£195

## OSCILLOSCOPES

Tektronix 2455 250 MHz Portable Four Channel	£1600
Tektronix 2445A 150 MHz Four Channel	£1450
Tektronix 5223 Digitizing Oscilloscope	£950
Tektronix 454A 150 MHz Dual Trace (as new condition)	£325
Tektronix 466 Storage Oscilloscope	£400
Philips 3244 Four Channel	£325
Philips 3217 50 MHz Oscilloscope	£375
Gould OS3500 60 MHz Dual Channel	£295
Gould OS300 20 MHz Dual Trace	£185
Kikusui 100 MHz Four Trace	£450
Tequipment D83 50 MHz Dual Trace	£200
Tequipment D755 50 MHz Dual Trace	£250
HP 1707B 35 MHz Batt Portable Oscilloscope	£300
HP 1703A Dual Channel Storage	£195
HP 1727A 275 MHz Storage	£400
Nicolet 4094 Digital Oscilloscope	£1500
Farnell DTS12 Digital Storage Oscilloscope	£350
Tektronix 647 100 MHz Dual Trace	£100
HP 180 with 50 MHz Plug-ins	£250
Scopex 14D10 10 MHz	£140

## SPECIAL OFFERS

Cossor CDU150 35 MHz Dual Trace Scopes	£135
Western Towers 75ft Radio Mast with Fittings	£390
19' Racks 4ft, 5ft, 6ft as new with doors and sides	£75

## BRAND NEW AND BOXED

Gould OS300 20 MHz Oscilloscopes with Probes and Manual	£250
---	------

ALL PRICES PLUS VAT AND CARRIAGE

**86 Bishopsgate Street, Leeds LS1 4BB**  
**Tel: 0532 435649 Fax: (0532) 426881**

CIRCLE NO. 121 ON REPLY CARD

## Integrated Schematic Capture & Digital Simulation?

Its not as expensive as you think!

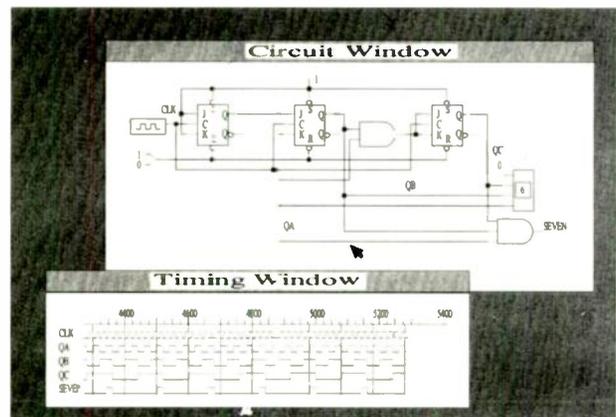
**DesignWorks and LogicWorks provide interactive Schematic Capture and Design Simulation from as little as £300!**

By using the friendliest user interface on the market to make schematic entry and simulation fast, easy and economical you will be doing productive work in hours or even minutes. Interactive means simulation continues while you design your circuit on screen using schematics, with waveforms displayed 'scope style in the timing window. No compiling, No typing in netlists!

Current device libraries include: Generic devices, basic gates, 7400 series, 10K series, 4000 and VLSI.

**LogicWorks** offers THE design environment for educational users. Features include: Creation of custom devices, support for simulation of PROMs, PALs and RAM, complete or partial circuit and timing diagrams can be easily included in DTP documents through image files.

**DesignWorks** offers a professional design environment with all the features of LogicWorks plus the powerful MEDA Developers kit enabling behavioural modelling using C, custom and Standard reports and netlists compatible with most of the major CAE packages and fully bi-directional access to circuit data.



Software is available for Apple, IBM Compatibles and Acorn Archimedes.  
 Educational discounts available. For more information and a demo disk, please contact:



**Calandown LTD. 96, High Road, Byfleet, Surrey, KT14 7QT TEL 0932 342137**

CIRCLE NO. 122 ON REPLY CARD



TEL.  
081  
661  
8339

# CLASSIFIED

FAX  
081  
661  
8931



## ARTICLES FOR SALE

**TO MANUFACTURERS, WHOLESALERS,  
BULK BUYERS, ETC.**

### LARGE QUANTITIES OF RADIO, TV AND ELECTRONIC COMPONENTS FOR DISPOSAL

SEMICONDUCTORS, all types, INTEGRATED CIRCUITS, TRANSISTORS, DIODES,  
RECTIFIERS, THYRISTORS, etc. RESISTORS, C/F, M/F, W/W, etc. CAPACITORS,  
SILVER MICA, POLYSTYRENE, C280, C296, DISC CERAMICS, PLATE CERAMICS, etc.  
ELECTROLYTIC CONDENSERS, SPEAKERS, CONNECTING WIRE, CABLES SCREENED  
WIRE, SCREWS, NUTS, CHOKES, TRANSFORMERS, ETC ALL AT KNOCKOUT PRICES

- Come and pay us a visit ALADDIN'S CAVE

TELEPHONE 081 445 0749/445 2713

R. HENSON LTD

21 Lodge Lane, North Finchley, London N12 8JG.  
(5 minutes from Tally Ho Corner)



VISA

### COOKE INTERNATIONAL

TELEQUIPMENT D83 Oscilloscopes DC-50 MHz Dual Trace with Delay from £195  
TELEQUIPMENT DM63 Oscilloscopes DC-15 MHz Dual Beam with Analogue  
Storage £250  
TEXTRONIX 654B Storage Oscilloscopes DC-10 MHz with Plug Ins £95  
MARCONI 2210 Oscilloscopes DC-100 MHz Dual Trace Dual Time Base £275  
H.P. 180A Oscilloscopes DC-50 MHz Dual Trace with Plug Ins £100  
SOLARTRON 4601 Programmable Synth. Signal Generators A.M. F.M. £350

MUCH MORE AVAILABLE, VISIT. PHONE OR S.A.E. FOR LISTS

### COOKE INTERNATIONAL

Unit 4 Fordingbridge Site, Main Road, Barnham, Bognor Regis. West Sussex PO22 0EB.  
TEL. 0243 545111 FAX 0243 542457

We are always looking to purchase good S/H stock

CIRCLE NO. 136 ON REPLY CARD

## TO ADVERTISE IN THIS SECTION PLEASE CALL PAT BUNCE ON 081 661 8339

### VALVES AND C.R.T.s (also Magnetrons, Klystrons, 4CX250/350) Minimum order charge of £50 + VAT

One million valves in stock. Obsolete types a speciality! Fax or phone for quote.

Special prices for wholesale quantities.

Orders from government departments, overseas etc. most welcome.

Many other types in stock. Please enquire re any type not listed.

CATHODE RAY TUBES 400 different types in stock.

Please enquire if your requirements are not listed below

3JP1	POA	D10 230GM	£45.00	E-723 (EEV)	POA	M31 182GV	£45.00
12CSP4	£35.00	D13 611GH	£59.00	F28-130LDS	POA	M31 184W	£55.00
1074H	£45.00	D13 630GH	£59.00	F31 12LD	£75.00	M31 190GR	£45.00
1396P	POA	D14 200GM	£75.00	LD708	£75.00	M31 191W	£55.00
8931 (W H)	POA	D16 100GH97	£65.00	M7 120W	£19.50	M31 325GH	£35.00
CME822W	£7.00	DG7-5	£45.00	M14 100GM	£35.00	M38 100W	POA
CME1523W	£9.50	DG7-6	£45.00	M17 151GVH	£175.00	M40 120W	£59.00
CRE1400	£29.50	DG7-32	£55.00	M23 112GV	£45.00	MV6-5 (MuJ)	£50.00
D9 110GH	£45.00	DG7-36	£55.00	M24 121GH	£55.00	SE5FP31	£45.00
CME1431W	POA	DH3-91	£50.00	M24 122WA	£55.00	VLS429AG	POA

Prices on application. Please enquire re any type not listed below.

A2426	ECC804 Maz	MB136 Mul	VL5631	6BJ6
A2521	ECC81	MB162 Mul	Z759	6BM6
C1149-1	ECC81 Spec Q	M513B	ZB03U	6CJ6
C1166	ECC82	Magnetrons	Y644	6CJ6
CC51	ECC82 Spec Q	FC900	1B35A	6F33
CV TYPES Many	ECC83	FC989	2K25	6L6GC
in stock. Not all	ECC83 Spec Q	FD500	3B28	6SL7GT
listed below.	ECC88	PI509	3C/800E	6SN7GT
Please	ECC88 Spec Q	QQV03-10	3J 160E	12BH7
enquire	ECC804	QQV03-10 Mul	4 65A	12E1
CV488	EF39	QQV03-20A	4-125A Eirmac	13E1
CV1881	EF73	QQV03-20A EEV	4-400A	19AQ5
CV2355	EF91	QQV06-40A	4C28	211
CV4014	EF92	QQV06-40A Mul	4CX250B	805
CV4024	EF86 Siemens	QY3-125	4CX250BC	807
CV6087	EF93	QY4-250	4CX350A	811A
CV7180	EL34	QV04-7	4CX1000A	811
CX11400	EL38	R10	4CX5000A	4635
DA42	ELB1	SL2150	5B 254M	5763
DET22	ELB1 Mul	TT21	5B-255M	6336A
DE123	EL84	S11E12	5B-257M	6973
DF91	EL5070	TD03-10E	5B 258M	8056
E80L	GY501	TY4-400A	5U4G	8122
E83F	Klystrons	U19	5V4G	Sockets:
E88CC	KT61	UBC41	6AK5W	B9A PCB
E180F	KT81	UCL82	6A56	B9A chassis
E810F	KT88 6550	UL41	6B4G	Octal chassis
EC158		UY85	6BH6	Many others
ECC35 Mul		VA222A		

Testing to special quality - Military/CV, low microphony etc available on request

### BILLINGTON EXPORT

Unit F2, Oakendene Industrial Estate, Near Horsham, Sussex RH13 8AZ.

Callers by appointment only.

Telephone: 0403 865105 Fax: 0403 865106

Min. UK order £50 + VAT. Min. Export order £50 + Carriage.

## LEN COOKE ENTERPRISES

179 Northolt Rd., South Harrow,  
Middx. HA2 0LY

Tel: 081 864 5551 Fax: 081 423 6678

Mobile: 0831 630820

### ELECTRONICS TEST INSTRUMENTS SUPPLY & SERVICE

WANTED All electronic test instruments  
working or not.

We offer a **RAPID REPAIR SERVICE** on all types of  
electronic instruments. ★★ free estimate ★★

### INSTRUMENT SALE

Datron 4000 DC AUTO CAL SYSTEM	£5,500
Tek 7313/7A26/7B53A Storage Scope	£570
Gould 4030 Digitising Storage Scope	£530
Tek Cal System TM503/SG503/TG501/DM501A	£1,750
Hameg Scope HM605 60MHz	£450
Gould OS1000 Scope	£175
Farnell DT12-5 12MHz Scope	£250
Racal 9008 Modulation Meter	£550
Wow & Flutter Meter	£275
Radford Distortion Measuring Set	£350
Radford Low Distortion Oscillator	£300
Tek Plug-ins 7A26/7B53A/7A13/7B71/DM501A	POA

Please ask for our FULL-RANGE Price List

# APPOINTMENTS

# ARTICLES WANTED

# ARTICLES FOR SALE

## CAREER CHANGE

Make it a milestone, not a millstone. If you are a qualified engineer of any discipline, wherever you want to be financially or geographically, let Cadmus put direction into your search. Send your typed C.V. to the address below or telephone 0603 761220 for an application form.



## CADMUS

PERSONNEL LIMITED  
Freeport, Sackville Place, 44-48 Magdalen Street,  
Norwich NR3 1BR

### UNIVERSITY OF READING

**ELECTRONICS WORKSHOP TECHNICIAN (Grade D)** required in Department of Psychology, to design and construct a wide range of specialised equipment. The Departmental research and teaching activities depend heavily on the use of computers. The ideal candidate will have had a recognised apprenticeship and at least 2 years varied experience in electronics. Knowledge of BBC and IBM micro-computers would be an advantage. Salary scale £10,385 — £12,400.

Application forms available from:

Personnel Office,  
University of Reading,  
Whiteknights, PO Box 217,  
READING, RG6 2AH.

Telephone (0734) 875123 Ext 7142.

Please quote reference number T9131.

### WANTED

Test equipment, receivers, valves, transmitters, components, cable and electronic scrap and quantity. Prompt service and cash.

M & B RADIO  
86 Blshopgate Street,  
Leeds LS1 4BB.  
Tel: 0532 435649  
Fax: 0532 426881

9966

### GOLLEDGE

ELECTRONICS  
**CRYSTALS OSCILLATORS FILTERS**  
Comprehensive stocks of standard items. Over 650 stock lines. Specials made to order.  
OEM support: design advice, prototype quantities, production schedules.  
Personal and export orders welcome.  
SAE for our latest product information sheets.  
**GOLLEDGE ELECTRONICS LTD** Tel: 0460 73718  
Merriott, Somerset, TA16 5NS Fax: 0460 76340

### WANTED

Receivers, Transmitters, Test Equipment, Components, Cable and Electronic, Scrap, Boxes, PCB's, Plugs and Sockets, Computers, Edge Connectors.  
**TOP PRICES PAID FOR ALL TYPES OF ELECTRONICS EQUIPMENT**

A.R. Sinclair, Electronics, Stockholders,  
2 Normans Lane, Rabley Heath, Welwyn,  
Herts AL6 9TQ. Telephone: 0438 812 193.  
Mobile: 0860 214302. Fax: 0438 812 387

780

### STEWART OF READING

110 WYKHAM ROAD,  
READING, RG6 1PL  
TEL: 0734 68041  
FAX: 0734 351696

**TOP PRICES PAID FOR ALL TYPES OF SURPLUS TEST EQUIPMENT, COMPUTER EQUIPMENT, COMPONENTS etc. ANY QUANTITY.**

103

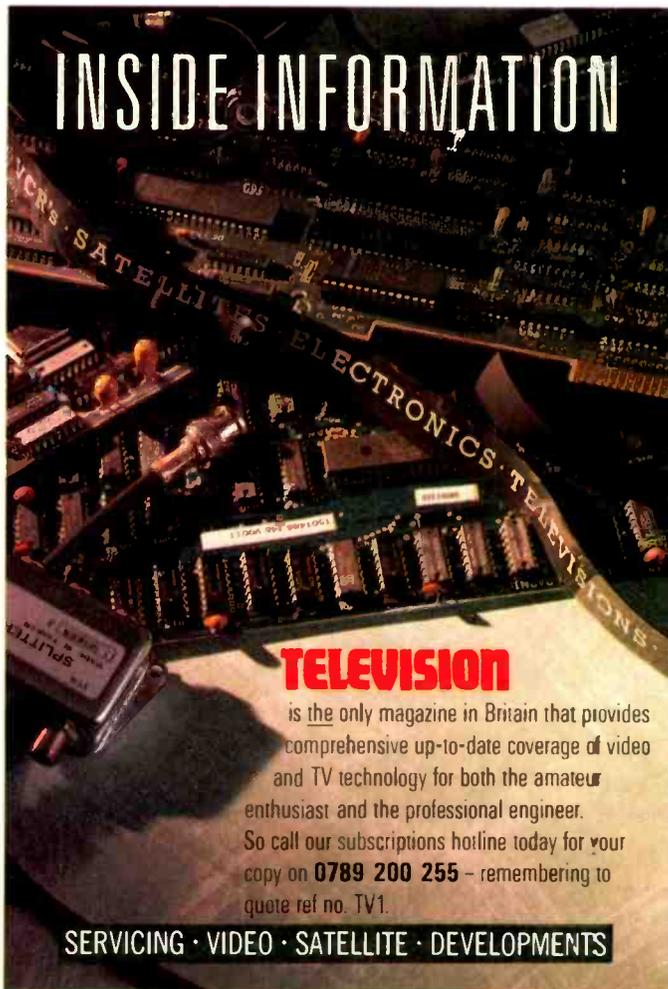
### Technical & Scientific Supplies

Data Analyser/programmer. Format for RS232, parallel, current loop, EPROM etc data transfer and monitoring, with user's reference and training manuals. £185  
Bench lights, adjustable heavy duty, enused £12  
UV Exposure unit, RS 556-238, little used, tested £85  
Computers Hewlett Packard 2100A  
A600 etc from £290  
PCM Decommulator, Decom 7103, general-purpose. £1900  
Mains disturbance analyser, Dranet, series 626 £2,100  
SHF Signal Generator HP6188 3.8 to 7.6GHz £350  
Fitted container, Air conditioning, power distribution, rack, bench, cupboards, Secure storage and/or workshop £900  
Pulse/Function Gen. Thandar TGS03, New, boxed, £395  
B & K height inch mike, 4138 with adaptor, Unused £300  
Some furniture still available at prices include carriage and VAT  
Please enquire - write/ask/phone (any time)  
Technical & Scientific Supplies, PO Box 19, Mythe,  
Southampton, Hampshire SO4 6AQ.  
Tel: (0783) 848 666 Fax: (0783) 897 879

**TO ADVERTISE IN THIS SECTION PLEASE CALL PAT BUNCE ON 081 661 8339**

**WANTED: VALVES, TRANSISTORS, I.Cs (especially types KT66, KT88, PX4, PX25). Also capacitors, antique radios, shop clearance considered. If possible, send written list for offer by return. Billington Valves, phone 0403 865105. Fax: 0403 865106. See adjoining advert.**

## INSIDE INFORMATION



### TELEVISION

is the only magazine in Britain that provides comprehensive up-to-date coverage of video and TV technology for both the amateur enthusiast and the professional engineer. So call our subscriptions hotline today for your copy on **0789 200 255** - remembering to quote ref no. TV1.

**SERVICING · VIDEO · SATELLITE · DEVELOPMENTS**

CIRCLE NO. 137 ON REPLY CARD

**Field Electric Ltd. Tel: 081-953 6009. 3 Shenley Road, Borehamwood, Herts. WD6 1AA. Fax: 081-207 6375, 0836 640328**

HT12 fully 286 compatible; half size mother board; Intel 286 CPU; running at 12/16/20MHz; zero wait state; 1Mb RAM supplied; up to 4Mb. AMI BIOS; set-up disk. New & boxed. £115+VAT c/p £6 00.  
386sx half size mother board same as above but expandable to 8Mb. New & boxed. Chloride Powersafe batteries. 12V DC 24Ah sealed lead acid. £19.95 c/p £9.00. New, marked cases.  
3.5" floppy disk drive Chinon BBC compatible, new £35 c/p £4.00.  
Astrolux Mono Headset New £15.95 c/p £3.50  
Astrolux Headset with boom mic £19.95 c/p £3.50  
Tektronix 7403N Mainframe only £80  
3.5" floppy disk drive NEC IBM compatible. Full height unit. £39.95 new & boxed, 1.6Mb, c/p £3.00.  
Switch mode power supplies 240V AC input 5V DC 40amp £29; 12V DC 10amp £46; 5V DC 40amp - 12V DC 4amp + 15V DC 11amp £48  
NEC 9" mono monitor composite video input, switchable high-low impedance input & output for daisy-chaining. BNC sockets. Built-in carry handle. £29.95 c/p £7.50.  
H.P. 4328A milliohm meter £450 c/p £11.00.  
H.P. 3400A RMS voltmeter £225 c/p £11.00.  
H.P. 333CB auto synthesizer £550 c/p please ring.  
Tektronix 191 constant amplitude sig.gen. £175 c/p £12.00.  
Tektronix 067-502 standard amplitude calibrator £120 c/p £12.00.  
Plantronics (Auralite) type headsets very lightweight new BT approved ideal for comms: £25 c/p £3.00.  
Panasonic TR125M9B 12" mono flat screen IBM compatible monitor new & boxed 115VAC input £18.00 c/p £8.00. 115VAC transformer to 240VAC ava

Apple II Europlus £75  
Apple II E £125 Disk drive extra  
Hewlett Packard 618B SHF signal generator £75.00.  
Hewlett Packard 606B signal generator £75.00.  
Hewlett Packard 612A UHF signal generator £75.00.  
Hewlett Packard 86A personal computer new £95.00.  
Hewlett Packard 5000A logic state analyser £60.00.  
Hewlett Packard 3450B multi-function meter £65.00.  
Hewlett Packard 693D sweep oscillator £175.00.  
Hewlett Packard 651B test oscillator £75.00.  
Hewlett Packard 9868 I/O expander £55.00.  
Iswatsu SS5705 40 MHz O'scope £295.  
Kikusui COS 5040 40MHz O'Scope Calto 1-92 £350.  
Hameg HM605 60MHz O'Scope £400.  
Hitachi V212 20MHz O'scope £230.  
Hitachi V202F 20MHz O'scope Calto 1-92 £230.  
Hitachi V509 50MHz O'Scope £400.  
Tektronix 455 O'scope £350.  
Tektronix 7B70 time base plug-in £100.00.  
Tektronix 7D01 logic analyser plug-in £100.00.  
Singer spectrum analyser 20Hz to 35kHz £275.00.  
Singer Alfred o'scope c/w sweep network analyser 7051 £175.00.  
Datron 1030A RMS voltmeter £65.00.  
Datron 1030 RMS voltmeter £65.00.  
Wavetek voltage controlled generator Model III £60.00.  
Paratronics Model 532 logic state analyser 32chn £165.00.  
All above prices + 17 1/2% VAT. Please ring for c/p rates.



We would like the opportunity to tender for surplus equipment  
**Official orders credit card telephone orders accepted with Access, Amex, Diners, Visa cards. Overseas enquiries welcome c/p rates U.K. mainland only.**  
Please ring for c/p rates not shown.  
All prices inc. V.A.T. unless stated. Stock list available.

CIRCLE NO. 138 ON REPLY CARD



### TATUNG TCS8000 386 COMPUTER SYSTEM at £359

Full 386DX system complete with 102 keyboard and manual. Includes 210 watt PSU, I/O card, hard and floppy controller (please state MFM, RLL, IDE or SCSI), 1.2 or 1.4 Mbyte floppy drive, 1 Mbyte RAM upgradable to 16 Mbyte on the motherboard, eight expansion slots, C and T "CHIPS" chipset, co-processor socket, MS-DOS 3.3, GW BASIC and manuals. 16 MHz clock £359, with 2 Mbytes RAM £379. 20 MHz version of above with 2 Mbytes RAM £469.

### MATMOS HIGH PERFORMANCE 286 SYSTEM at £299

A quality 286 system running at a landmark speed of 16 MHz, clock speed 12 MHz. 1 Mbyte RAM expandable to 4 Mbytes. Serial and parallel ports, 101 keyboard, mono card, 1.44 Mbyte 3.5-inch drive, IDE hard drive controller (add £20 for MFM or RLL unless purchased with Matmos hard drive), eight slots. AMI bios with setup and diagnostics, well-made stylish case, full manuals included £299. Fitted with 82 Mbyte hard drive £399.

### TOP SPEC. 386 AND 486 SYSTEMS

40 MHz 386 system, 64K cache RAM, 1 Mbyte RAM, 1.44 Mbyte floppy drive, V/C card etc. £679.

33 MHz 486 system, 64K cache RAM, with 2 Mbytes RAM £879.

Phone for details: carriage on systems £15. See below for add-ons and other stock items.

### 486 CAD/DTP SYSTEM WITH 1280x1024 MONITOR

486 33 MHz cache system with 91 Mbyte Seagate hard drive, 3.5-inch 1.44 floppy, 4 mega RAM (upgradable to 32 Mega), tower case, 102 keyboard, 2 serial, 1 parallel ports, OPTI chipset, AMI bios, Microfield Graphics T8 colour graphics controller with 2 Mbytes video RAM and 8 MIPS processor, Hitachi 15-inch ultra high resolution monitor to display 1280x1024 non-interlaced. Will drive Windows 3, ACAD etc. Cancelled defence order limited stocks £1995. Ask for colour leaflet!

386 20 CAD system, with 2 Mbytes RAM, 1024x768 colour monitor, 62 Mbytes hard drive, co-processor, will drive Windows 3, ACAD etc. £399. Phone for details and colour leaflet.

### HIGH SPEED FLATBED SCANNER

AVR-302 high-resolution flatbed scanner. Linear CCD element scans 300 DPI with 32 grey shade dithering. Supplied complete with Megascan high-speed card with 1.3 Mbyte of RAM on board and powerful image manipulation software. Will output to Page Maker, Ventura etc. or provide OCR function. £329 (original cost over £1500) (carr £8.50).

### FLOPPY DISK DRIVES

380K 5.25-inch IBM standard half-height drive £29.95 (carr £3.50).

720K 3.5-inch Citizen OSD third-height drive for XT (NOT Amstrad 1512/1640) £27.50 (carr £3).

720K 3.5-inch Citizen OSD45 third-height drive for AT/286/386 cream bezel £29.95 (carr £3).

1.44 Mbyte 3.5-inch Citizen OSD439C third-height drive for ATs, grey bezel £45.95 (carr £3).

Fitting kit for 5.25-inch space suitable for all Citizen 3.5-inch drives inc. cable adaptors £4.99 (carr free with drives). IBM standard floppy disk drive cable £3.

### HARD DISK DRIVES

10 Mbyte NEC 5.25-inch MFM £39.95 (carr £4).

20 Mbyte NEC 5.25-inch MFM £89.95 (carr £4).

20 Mbyte Minicircle 8225 3.5-inch in 5.25-inch chassis, 24 msec IDE with controller and all cabling - AT only - £69.95 (carr £5).

30 Mbyte NEC 5.25-inch RLL £109 (carr £5).

62 Mbyte NEC 5.25-inch RLL £149 (carr £4).

62 Mbyte Micropolis 1324A 5.25-inch, 28 msec MFM, full height £139 - £125 in systems - (carr £5).

91 Mbyte Seagate/Imprimus ST2106N 5.25-inch, 16.5 msec SCSI drive £229 (carr £5).

94 Mbyte Seagate/Imprimus ST2106E 5.25-inch, 16.5 msec ESDI drive with 16-bit high-speed controller card and cables £239 (carr £5).

200 Mbyte Maxtor 3.5-inch 16 msec SCSI drive £399 (carr £5).

ALL DRIVES HALF HEIGHT UNLESS STATED. HDD cable set £5.

### TAPE STREAMER

120 Mbyte Tandberg TDC3640 tape drive using standard quarter-inch cartridge, 5.25-inch half height, SCSI interface, with two tape cartridges £149 (carr £4).

### DISK DRIVE CONTROLLER CARDS (carr £2.50)

XT MFM £37.50, XT RLL £37.50, XT SCSI £29.50, AT RLL £37.50, AT MFM £39.95, AT IDE £12.95, AT SCSI £37.50. Multi SCSI card for hard drive, CD, WORM, tape etc. Future Domain firmware £59. High transfer rate intelligent SCSI card; supports all devices under MSDOS, Unix, OS/2 and Netware £169.

### HITACHI CD ROM DRIVE (ex dem.)

External cased AT bus CDR1503S, half height, 5.25-inch with card and cable £179 (carr £5). Limited stocks.

### IBM COMPATIBLE AT MOTHERBOARDS, CARDS etc.

33 MHz 486 Very latest 80486 baby size motherboard with extra 64K cache. Floating point co-processor built into CPU. Eight expansion slots, OPTI V85 chipset. £649 (carr £5).  
40 MHz 386 motherboard, 80386-40 cpu, up to 32 Mbytes SIMM RAM £419 (carr £3.50).  
20 MHz 386 motherboard, accepts up to 8 Mbytes SIMMS RAM £199 (carr £3.50).  
1 Mbyte RAM for 386/486 £34.  
12 MHz 286 motherboard, 8 slots, AMI BIOS. 80287 socket, Landmark 16 MHz, up to 4 Mbyte of SIPPS RAM on board £79 (carr £3.50).  
16 MHz 286 version of above £89 (carr £3.50). 20 MHz £125.  
AT multi I/O board with 1 parallel, 2 serial, 1 game, 2 floppy, IDE hard drive £25.95.  
AT I/O card, parallel, 2 serial, game £14.95.  
Mono graphics card £12.95 (carr £2).  
Ethernet card Novell NE-2000 compatible 16 bit £89 (carr £2).  
Mouse Microsoft compatible, serial with all software £19.95 (carr £4).  
Keyboard 102 key UK, top quality click action £29.95 (carr £4).

### AT/XT CASES WITH PSU

Desktop with 3x5.25-inch and 1x3.5-inch bays, latest styling £34.95. With 200W psu £69 (carr £6.50).  
Luxury desktop As above, with psu, but to accept full size motherboard, small footprint £89 (carr £6.50).  
Full size tower with 6x5.25-inch bays, 230W psu, digital speed display, suits all motherboards inc. 486 £129 (carr £10).

### INTEL 386 PROCESSOR AND 287 AND 387 CO-PROCESSORS

80287 maths co-processor £69.  
(386 and 387 processors extracted from new systems and guaranteed 1 year).  
20 MHz 386-20 DX cpu £89.  
25 MHz 386-25 DX cpu £109.

### MONITORS

MONO HERCULES: 12-inch green screen, high res. display, £59.95 (carr £6.50).  
MONO VGA 12-inch paper white high resolution POA (carr £6.50).  
COLOUR SUPER VGA 14-inch -yunda: 1024 by 768 multisync., 0.28 dot pitch, high-quality 1024x768 display £239 (carr £10).

### CAD COLOUR

20-inch fixed frequency monitors (1024 by 768 and 1280 by 1024) - phone for current stocks.  
15-inch fixed frequency Hitachi HM4115 with Microfield Graphics T8 driver card for Autocad and Windows 3 at £290 by 1024 (new) £559 - £459 in systems.  
14-inch fixed frequency 48kHz Serko 1024 by 768 non-interlaced, very high res. top-quality monitor, requires mod. to run from VGA card. Brand new but sold without technical support or guarantee £69.  
(p.o.a. for carriage for above)

### VGA CARDS

16-bit VGA card, 256K, all emulations, up to 800x600, with software to run all major packages. Oak chip set. Switchable for use in XT's £43.50.  
16-bit 1024x768 super VGA card. Very high resolution with 512K and drivers for Windows 3, Acad, VP etc. Full manuals and disks. Latest version of the industry standard Trident chip set £79; 1 Mbyte version £95 (carr on cards £2.00).

### FAX AND MODEM CARDS

PC Fax card. Giving powerful fax features: ATS Ophel. BT approved Group III intelligent receive/transmit, with multiple output and call scheduling. With disks, cables and full user manual £119 (carr £5).  
Hayes Compatible 2400BPS internal modem fully compatible with MNP error correction. Auto dial/answer and speed sensing. Works with Windows 3, Procom, Crosstalk etc. £79 (carr £4).

### POWER SUPPLIES

Astec BM140 IBM XT/AT compatible 150W: +5V at 15A, +12V at 5A, -5V at 0.3A, -12V at 0.5A; fan cooled, rear panel switch, good value at £19.50 (carr £4).  
STOP PRESS New in - Hitachi DIGITISERS, 15 inches by 15 up to 36 by 48 - from £119.

NB • VAT and carriage must be added to all items (quotes for carriage overseas).  
• Everything new, and guaranteed one year unless stated; ex-dem. products guaranteed 6 months.  
• Access and Visa telephone service.

**MATMOS LTD., UNIT 11, THE ENTERPRISE PARK, LEWES ROAD, LINDFIELD, WEST SUSSEX RH16 2LX.**  
**0444 482091 and 0444 483830 (Fax: 0444 484258).**  
Matmos Ltd. has been trading successfully since 1976.

CIRCLE NO. 135 ON REPLY CARD

## INDEX TO ADVERTISERS

	PAGE		PAGE		PAGE
21st Century Electronics	101	Field Electric Ltd	175	Micro Amps Ltd	123
Abracadabra Electronics Ltd	101	Halcyon Electronics	149	Micro Circuit Engineering	97
Bamber Electronics Ltd	101	Henrys Audio Electronics	149	Nohau UK Ltd	159
Blue Chip Technology	145	ICOM (UK) Limited	127	R. Henson Ltd	123
Bull Electrical	106	ILP Electronics	123	Reed Exhibitions	99
Calendown Ltd	173	Integrex Ltd	138	Seetrex Ltd	170
Chelmer Valve Company	113	IPK Broadcast Systems	137	Smart Communications	127
Citadel Products Ltd	OBC	Johns Radio	95	Stewart of Reading	127
Colomere Electronics Ltd	113	Kestral Electronic Components Ltd	159	Surrey Electronics Ltd	159
Dataman Designs	IFC	Keytronics	155	Taylor Bros (Oldham) Ltd	IBC
Display Electronics Ltd	134	Labcenter Electronics	118	TELEVISION	175
		Lloyd Research Ltd	170	Those Engineers Ltd	137
		M&B Radio (Leeds)	173	Tsien Ltd	141
		MQP Electronics	137	Windows User	90
		Matmos Ltd	176	Wood & Douglas	154

### OVERSEAS ADVERTISEMENT AGENTS

France and Belgium: Pierre Mussard, 18-20 Place de la Madeleine, Paris 75008.

United States of America: Jay Fenman, Reed Business Ltd., 205 East 42nd Street, New York, NY 10017 - Telephone (212) 867 2080 - Telex 23827.

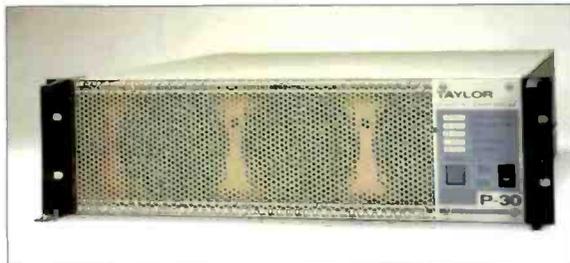
Printed in Great Britain by Riverside Press, Gillingham, Kent, and typeset by Marlin Graphics, Sidcup, Kent DA14 5DT, for the proprietors, Reed Business Publishing Ltd, Quadrant House, The Quadrant, Sutton, Surrey SM2 5AS. © Reed Publishing Ltd 1992. *Electronics and Wireless World* can be obtained from the following: AUSTRALIA and NEW ZEALAND: Gordon & Gotch Ltd, INDIA: A.H. Wheeler & Co, CANADA: The Wm Dawson Subscription Service Ltd.; Gordon & Gotch Ltd., SOUTH AFRICA: Central News Agency Ltd.; William Dawson & Sons (S.A.) Ltd.; UNITED STATES: Worldwide Media Services Inc., 115 East 23rd Street, NEW YORK, N.Y. 10010. USA. *Electronics & Wireless World* \$5.95 (74513).

# TAYLOR

## THE TRANSMITTER PEOPLE



### STEREO RADIO TRANSMITTERS & TRANSPOSERS



### ASK ABOUT

STEREO RADIO TRANSMITTERS AND TRANSPOSERS  
UP TO 4 KILOWATT

TV TRANSMITTERS AND TRANSPOSERS  
UP TO 100 WATTS

FM-AM-SSB RADIO TRANSMITTERS AND TRANSPOSERS  
3-400MHz UP TO 1 KILOWATT

FM RADIO MICROWAVE LINKS UP TO 4.2GHz

CIRCLE NO. 102 ON REPLY CARD

### P30 902P BAND 2 FM STEREO MODULATOR £540.00

19" Rack Mounting 2 $\mu$  350mm deep

Any specified frequency 88-110MHz  
Crystal controlled I.F. - R.F. frequency stability <5ppm  
Temp. controlled VCO, frequency stability  $\pm$  2.5KHz  
Audio input .7V 600 $\Omega$  Balanced (isolating transformer) XLR Sockets  
Audio Bandwidth 40Hz - 15KHz  
Crosstalk <40dB 1KHz  
Deviation level control with analogue deviation meter  
1KHz tone generator switchable L or R, L & R  
Voltage 220-240V AC 50Hz (110-120V AC no cost Option F)

Output level 63dBmV (1500V) 75 $\Omega$  (IEC Connector)

OPTION G 50 $\Omega$  no cost (N Connector)

OPTION A Output Level 1 Watt 50 $\Omega$  £190.00

OPTION B Output frequency 420-460MHz /900-920MHz Specify Frequency £80.00

### P30-30VF 30 WATT BAND 2 POWER AMP WITH A.G.C. £901.00

19" Rack Mounting 2 $\mu$  425mm deep

Gain 30dB +20dB A.G.C.  
Impedance 75 $\Omega$ . (IEC Connector)  
Output Power 30 Watts Into 50 $\Omega$  (N Connector)  
Voltage 220-240V AC 50Hz (110-120V no cost Option F)

### P30-30VFT 30 WATT BAND 2 TRANSPOSER £1261.00

Power: Specification as P30-30VF  
Input: 88-110MHz/420-460MHz/900-920MHz 50 $\Omega$   
(N Connector) Specify Frequency  
Crystal Controlled Frequency Stability <5ppm  
Gain 93dB  
A.G.C. 40dB ( $\pm$  20dB)

### P30-300VF 300 WATT BAND 2 POWER AMP WITH A.G.C. £1928.00

19" Rack Mounting 3 $\mu$  500mm deep

Gain 42dB +20dB A.G.C.  
Input Impedance 75 $\Omega$ . (IEC Connector)  
Output Power 300 Watts Into 50 $\Omega$  (N Connector)  
Voltage 220-240V AC 50Hz (110-120V no cost Option F)

### P30-300VFT 300 WATT BAND 2 TRANSPOSER £2528.00

Power: Specification as P30-300VF  
Input: 88-110MHz/420-460MHz/900-920MHz 50 $\Omega$   
(N Connector) Specify Frequency  
Crystal Controlled Frequency Stability <5ppm  
Gain 103dB  
A.G.C. 44dB ( $\pm$  22dB)

All Prices Exc VAT & Ex Works

Taylor Bros.(Oldham) Limited. Tel 061 652 3221 Fax:061 626 1736 Tlx:669911 Est 1965

# IC PROGRAMMING TESTING & ERASING SOLUTIONS

## PC82 UNIVERSAL PROGRAMMER & TESTER

£395



**UNIVERSAL PROGRAMMER.** The complete designer's kit. This will program EPROMS, FLASH EPROMS, EEROMS, BEPROMS, PALS, GALS, EPPLD's, and large range of microcontrollers. A unique feature is the testing of any TTL/CMOS logic chip, DRAM & SRAM. The software will also identify a logic chip.

### TTL, CMOS, DRAM & SRAM TESTING

PC82 can test and verify any TTL/CMOS logic chip, DRAM & SRAM. The software will also identify a TTL chip. Do you have a few TTL chips aside not knowing whether they are working?

### DEVICE GUIDE

Over 1500 types are now covered, with many more to be added shortly. Some require an adapter.

EPROM - Full range of 8/16 bit wide types from 16k to 16mBit. 2716 to THA 16P0100.

FLASH EPROM - Full range of AMD & Intel types. 28FXX ranges.

EEPROM - 17 manufacturers' full range of types from AMD to Xicor. 2816 etc.

SERIAL EEPROM - 12 manufacturers' full range of types. 9306/46 etc.

BEPROM 32x8 to 4096x8, incl. 63S080, 7C28X, 29X etc.

PAL - 18 manufacturers including Altera, Amd, AMI, Atmel, etc.

GAL 16V8, 18P8, 20V8, 20RA10, 22V10, 26V12, 26CV12, 6001.

EPPLD 20G10, 22V10, EP310/320/600/610/900/910, 5C031/32/60/90.

CMOS EPAL C16L8/R8/R6/R4, C18V8, C20G10/L8/R8/R6/R4, C22V10.

MPU Z8, 8741/44/49/50/51/95/96/97/98, C51, C52/54/58/75/196/252/451/521/528/552/528/652/654/751/752, 63705, 68701/705, 68HC705/711, 4074008 series, 77P008/25/108/116, PSD301, PIC16C54/55/56/57.

### ADAPTERS FOR PC82

A range of plug-in adapters to expand the capability of the PC82. Various PLCC convertors & 4-gang 28/32/40-pin Eprom, Gal & Pal. Popular CPU types include PIC16C54/5/6/7, 8796/7, 68705, 87C751/2, & TMS320E25.



### FEATURES ALL MODELS

For the IBM PC, install the interface card and programming socket, load the menu-driven software and you have a complete design system at your fingertips.

### EASY TO INSTALL

The programmer comes with an interface card that plugs into any free slot of your PC. There is no DMA channel to worry about and it occupies limited I/O space. The programmer socket box is connected via a ribbon cable to the back of the interface card so that the socket box is external. After the interface card is installed the PC never need be opened again.

### SUITS ALL PC's

The programmers will run on any compatible IBM machines such as XT's, AT's, '386 and '486. Whether it be AMSTRAD or COMPAQ the programmers will work. The software is text only monographic so is compatible with any machine.

### SOFTWARE DRIVEN

All software for the programmer is supplied on 5 1/4" low-density disks. The software can be copied onto hard disk using the DOS copy command. Programs are supplied for the various features and are menu-driven. All programming is done from the menu, no hardware switches are needed. Just select the type and manufacturer and the programming is done automatically.

Save to disk and load from disk allows full filing of patterns on disk, to be saved and recalled. Device blank check, checksum, program, verify, read and modify are all standard features. Hex to bin file conversions included for popular file formats including Intel Motorola etc. 2 ways/4 ways bin file splitter for 16/32-bit file data. Selection of speed algorithm for FAST, FLASH, INTELLIGENT, INTEL. Free software updates available for new devices.

## PC86 HANDY POCKET TESTER £99

Tests all popular TTL 74/54, CMOS 40/45 & DRAM types, can search and display type number of unknown/house marked types. Simple operation. 9 volt battery operated with LCD display.



## M1 FAST ERASER £99

NO MORE WAITING FOR EPROMs TO ERASE. New advanced UV source gives under 2 minute erasure time on most types of modern EPROM. Digital down counter & display plus added features for simple operation in use. Large capacity e.g. 13x28 pin devices. Small footprint. Designed for heavy industrial/workshop use. UK design & manufacture.



## PC84 EPROM PROGRAMMERS

1-GANG £139, 4-GANG £199 & 8-GANG £299

PC84 -1, -4, -8 Eprom programmers only. The variant is only gang size. The -4 and -8 gang will program multiple EPROMs simultaneously. Device are from 2716 to 271000 both C and NMOS & EEPROM from 2816 to 2864. ZIF (zero insertion force) sockets are used on all models



## ORDER INFORMATION

Please include £7 for carriage by courier, plus VAT on all UK orders. (£20 for exports.) All pricing for programmers includes software, interface card, socket box and full instructions. (Prices do not include VAT or carriage). ACCESS, VISA or CWO. Official orders welcome from Government bodies & local authorities.



## CITADEL PRODUCTS LTD

Dept. WW, 50 High St,  
Edgware, Middx. HA8 7EP  
Tel: 081-951 1848