

RADIO & ELECTRONICS CONSTRUCTOR

FEBRUARY 1979
Volume 32 No. 6

Published Monthly
(3rd of preceding Month)
First Published 1947

Incorporating The Radio Amateur

Editorial and Advertising Offices
57 MAIDA VALE LONDON W9 1SN

Telephone 01-286 6141 Telegrams
Databux, London

©Data Publications Ltd., 1979. Contents may only be reproduced after obtaining prior permission from the Editor. Short abstracts or references are allowable provided acknowledgement of source is given.

Annual Subscription: £7.50, Overseas £8.50 (U.S.A. and Canada \$15.00) including postage. Remittances should be made payable to "Data Publications Ltd". Overseas readers, please pay by cheque or International Money Order.

Technical Queries. We regret that we are unable to answer queries other than those arising from articles appearing in this magazine nor can we advise on modifications to equipment described. We regret that queries cannot be answered over the telephone; they must be submitted in writing and accompanied by a stamped addressed envelope for reply.

Correspondence should be addressed to the Editor, Advertising Manager, Subscription Manager or the Publishers as appropriate.

Opinions expressed by contributors are not necessarily those of the Editor or proprietors.

Production.—Web Offset.

2-TONE DOOR BUZZER — A distinctive replacement for the old fashioned doorbell by A. P. Roberts	342
NEWS AND COMMENT	346
SURE-FIRE CMOS LATCHES — Suggested Circuit by G. A. French	348
RUSSIAN AMATEUR RADIO SATELLITES LAUNCHED	350
OLD TIMERS FROM THE G.E.C. by Ron Ham	351
TUNE-IN TO PROGRAMS — Part 1 — Get to grips with programming the easy way by Ian Sinclair	352
3 BAND SHORT WAVE PRESELECTOR — Single f.e.t. design covering 1.6 to 30MHz by John Baker	355
ULTRASENSITIVE ULTRASONIC REMOTE CONTROL — This fairly simple design together with the unit to be described next month forms a Doppler intruder alarm by R. A. Penfold	360
AUDIO MIXER — Double Deccer Series No. 4 by Ian Sinclair	366
9v ELIMINATOR SPEAKER UNIT — Part 2 by R. A. Penfold	370
GETTING RID OF R.F. — Notes For Newcomers by R. Webber	372
PHASE LOCKED A.M. RECEIVER — Part 2 by M. V. Hastings	374
VIDEO OUTPUT STAGE FAULT — In Your Workshop	375
SHORT WAVE NEWS — For DX Listeners by Frank A. Baldwin	380
NEW L.F. SIGNAL ANALYZER by Michael Lorant	382
NEW PRODUCTS	384
THE MOVING-COIL SPEAKER — Electronics Data No. 42 — For The Beginner	iii

Published in Great Britain by the Proprietors and Publishers, Data Publications Ltd, 57 Maida Vale, London W9 1SN

The *Radio & Electronics Constructor* is printed by Swale Press Ltd.

**THE MARCH ISSUE
WILL BE PUBLISHED ON
9th FEBRUARY**

It's W-W-WINTER S-S-

74 SERIES TTL IC'S

Type	Price	Type	Price	Type	Price	Type	Price	Type	Price	Type	Price
7400	£0.07	7427	£0.21	7472	£0.13	74107	£0.22	74165	£0.86		
7401	£0.07	7428	£0.25	7473	£0.22	74110	£0.38	74166	£0.75		
7402	£0.09	7430	£0.08	7474	£0.22	74111	£0.55	74167	£2.00		
7403	£0.09	7432	£0.20	7475	£0.27	74118	£0.75	74174	£0.80		
7404	£0.09	7433	£0.28	7476	£0.22	74119	£1.10	74176	£0.80		
7405	£0.09	7437	£0.20	7480	£0.40	74121	£0.22	74176	£0.55		
7406	£0.22	7438	£0.20	7481	£0.80	74122	£0.35	74177	£0.55		
7407	£0.22	7440	£0.10	7482	£0.65	74123	£0.38	74180	£0.80		
7408	£0.12	7441	£0.45	7483	£0.55	74136	£0.50	74181	£1.25		
7409	£0.12	7442	£0.38	7484	£0.82	74141	£0.50	74182	£0.55		
7410	£0.09	7443	£0.68	7485	£0.86	74145	£0.64	74184	£1.00		
7411	£0.15	7444	£0.85	7486	£0.22	74150	£0.85	74190	£0.85		
7412	£0.14	7445	£0.84	7489	£1.50	74151	£0.45	74191	£0.85		
7413	£0.22	7446	£0.60	7490	£0.30	74153	£0.45	74192	£0.85		
7414	£0.45	7447	£0.45	7491	£0.60	74154	£0.80	74193	£0.80		
7416	£0.22	7448	£0.52	7492	£0.32	74155	£0.48	74194	£0.85		
7417	£0.22	7450	£0.09	7493	£0.28	74156	£0.48	74195	£0.55		
7420	£0.09	7451	£0.09	7494	£0.70	74157	£0.48	74196	£0.80		
7421	£0.19	7452	£0.09	7496	£0.45	74160	£0.55	74197	£0.55		
7422	£0.15	7453	£0.09	7498	£0.48	74161	£0.80	74198	£1.00		
7423	£0.20	7454	£0.09	74100	£0.80	74162	£0.80	74199	£1.00		
7425	£0.18	7456	£0.09	74104	£0.35	74163	£0.80	74279	£1.00		
7426	£0.21	7470	£0.24	74105	£0.35	74164	£0.85				

COMOS I.C.'s

Type	Price	Type	Price	Type	Price	Type	Price
CD4000	£0.12	CD4017	£0.85	CD4031	£1.80	CD4055	£1.00
CD4001	£0.13	CD4018	£0.70	CD4035	£0.80	CD4056	£1.15
CD4002	£0.13	CD4019	£0.35	CD4037	£0.78	CD4069	£0.15
CD4006	£0.80	CD4020	£0.80	CD4040	£0.78	CD4070	£0.15
CD4007	£0.14	CD4021	£0.78	CD4041	£0.88	CD4071	£0.15
CD4008	£0.80	CD4022	£0.75	CD4042	£0.88	CD4072	£0.15
CD4009	£0.40	CD4023	£0.13	CD4043	£0.78	CD4081	£0.15
CD4010	£0.42	CD4024	£0.55	CD4044	£0.78	CD4082	£0.18
CD4011	£0.33	CD4025	£0.13	CD4045	£1.18	CD4510	£0.80
CD4012	£0.14	CD4026	£1.00	CD4048	£0.98	CD4511	£0.80
CD4013	£0.35	CD4027	£0.45	CD4047	£0.75	CD4516	£0.85
CD4014	£0.70	CD4028	£0.80	CD4049	£0.35	CD4518	£0.85
CD4015	£0.70	CD4029	£0.75	CD4050	£0.35	CD4520	£0.85
CD4016	£0.30	CD4030	£0.48	CD4054	£0.95		

BOOKS BY BABANI

The following books are offered at 10% off their normal retail price

BP2	Handbook of Radio, TV and Industrial Transmitting Tube and Valve Equivalents	£0.54
BP8	Engineers and Machine Reference Tables	£0.38
BP7	Radio and Electronic Colour Codes and Data	£0.14
BP10	Modern Crystal and Transistor Set Circuits for Beginners	£0.32
BP14	Second Book of Transistor Equivalents and Substitutes	£0.99
BP15	Constructors Manual of Electronic Circuits for the Home	£0.45
BP22	79 Electronic Novelty Circuits	£0.68
BP23	First book of Practical Electronic Projects	£0.68
BP24	52 Projects Using IC741 (or equivalents)	£0.68
BP25	Radio Antenna Handbook for Long Distance Reception and Transmission	£0.77
BP27	Giant Chart of Radio Electronic Semi-conductor and Logic Symbols	£0.54
BP29	Major Solid State Radio Hi-Fi Construction Projects	£0.77
BP32	How to Build Your Own Metal and Treasure Locators	£0.88
BP34	Practical Repair and Renovation of Colour TVs	£0.88
BP35	Handbook of IC Audio Pre-amplifier and Power Amplifier Construction	£0.88
BP36	50 Circuits Using Germanium, Silicon and Zener Diodes	£0.88
BP37	50 Projects Using Relay, SCR's and Triacs	£1.13
BP39	50 FET Field Effect Transistor Projects	£1.13
BP43	How to make Walkie-Talkie	£1.13
BP44	IC 555 Timer Project	£1.22
BP47	Mobile Discotheque Handbook	£1.31
BP49	Popular Electronic Projects	£0.68
BP50	Call Design and Construction Manual	£0.14
BP195	AF-RF Reactance Frequency Chart for Constructors	£0.88
BP202	Handbook of Integrated Circuits (ICs) Equivalents and Substitutes	£0.88
BP205	First Book of Hi-Fi Loudspeaker Enclosures	£0.88
BP213	Electronic Circuits for Model Railways	£0.77
BP214	Audio Enthusiasts Handbook	£0.77
BP215	Shortwave Circuits and Gear for Experimenters and Radio Hams	£0.77
BP216	Electronic Gadgets and Games	£0.77
BP217	Solid State Power Supply Handbook	£0.77
BP219	Solid State Novelty Projects	£0.77
BP220	Build Your Own Solid State Hi-Fi and Audio Accessories	£0.88
BP222	Solid State Short Wave Receivers for Beginners	£0.88
BP223	50 Projects Using IC Ca3130	£0.88
BP224	50 CMOS IC Projects	£0.88
BP225	A Practical Introduction to Digital IC's	£0.88
BP226	How to Build Advanced Short Wave Receivers	£1.08

VPS30 VARIABLE REGULATED STABILISED POWER SUPPLY MODULE

Incorporating a short circuit protection and current limiting:
 Voltage Regulation 2-30v
 Regulated Current 0-2A
 AC Input Maximum 25v
 Eliminates the use of batteries and thus saves £'s — can be used time and time again

ONLY £7.50 plus V.A.T.

BRAND NEW

ITT 923 Silicon Diodes 200mA 200v
 100 off — £2.00
 500 off — £9.00
 1000 off — £15.00
 10,000 off — £130.00

Single-Sided

Fibre Glass Board

S143 12 in. x 3 1/2 in. approx. 2 pcs £0.60

THYRISTORS

No. THY1A/50	1 Amp.	50 volt	TO5	18p
No. THY1A/400	1 Amp.	400 volt	TO5	32p
No. THY3A/50	3 Amp.	50 volt	TO64	25p
No. THY3A/200	3 Amp.	200 volt	TO64	32p
No. THY3A/400	3 Amp.	400 volt	TO64	40p
No. THY5A/50	5 Amp.	50 volt	TO66	25p
No. THY5A/400	5 Amp.	400 volt	TO66	40p
No. THY5A/600	5 Amp.	600 volt	TO66	50p
No. C106/4	6 Amp.	400 volt	TO220	42p

TRIAC

SB4 8 Amp. 400 volt TO220 Plastic 80p

DIACS

ITT V413 eqvt 12p
 BR100 D32 each 12p

CAPACITOR PAKS

16201	18 Electrolytics	4.7uF-10uF
16202	18 Electrolytics	10uF-100uF
16203	18 Electrolytics	100uF-880uF

All at SPECIAL PRICE of £1.20*

16160	24 Ceramic Caps	22pF-82pF
16161	24 Ceramic Caps	100pF-390pF
16162	24 Ceramic Caps	470pF-3300pF
16163	21 Ceramic caps	4700pF-0.047uF

All 4 at SPECIAL PRICE of £1.60

RESISTOR PAKS

16213	60jW	100 ohm-820 ohm
16214	60jW	1K-2K
16215	60jW	10K-82K
16216	60jW	100K-820K

All 4 at SPECIAL PRICE of £1.60*

16217	40jW	100 ohm-820 ohm
16218	40jW	1W-8.2K
16219	40jW	1K-8.2K
16220	40jW	100K-820K

All 4 at SPECIAL PRICE of £1.60*

VOLTAGE REGULATORS

Positive				
No. MVR7805	uA7805	TO220	55p	
No. MVR7812	uA7812	TO220	55p	
No. MVR7815	uA7815	TO220	55p	
No. MVR7818	uA7818	TO220	55p	
No. MVR7824	uA7824	TO220	55p	
Negative				
No. MVR7905	uA7905	TO220	75p	
No. MVR7912	uA7912	TO220	75p	
No. MVR7915	uA7915	TO220	75p	
No. MVR7918	uA7918	TO220	75p	
No. MVR7924	uA7924	TO220	75p	
uA723C TO99	38p	72723 14 pin Dil	38p	
LM309K TO3	£1.20			

SWITCHES

No. 16178	5 x Mains Slide Switches	40p*
No. S17	5 x Miniature Slide Switches	40p*
No. S18	4 x Standard Slide Switches	40p*
No. S19	4 x Miniature Push to Make single hole mounting	40p*
No. S20	3 x Miniature Push to Break single hole mounting	40p*
No. S21	Push button Switch Pak 4 x Assorted types multi bank and singles Latching and non-Latching	£1.00*

AUDIO LEADS

127	4 Audio lead 5 pin DIN plug to 4 phono plugs	90p*
129	Audio lead 5 pin plug to 5 pin DIN plug-mirror image	70p*
130	5 metre lead 2 pin DIN plug to 2 pin DIN Inline socket	45p*

AUDIO PLUG AND SOCKET PAKS

Order No	Description	Price
S1	5 x 3.5 mm Plastic Jack Plugs	40p*
S2	5 x 2.5 mm Plastic Jack Plugs	40p*
S3	4 x Std. Plastic Jack Plugs	50p*
S4	2 x Stereo Jack Plugs	30p*
S5	5 x 5 Pin 180° DIN Plugs	50p*
S6	8 x 2 Pin Loudspeaker Plugs	50p*
S7	6 x Phono Plastic Plugs	50p*
S8	5 x 3.5 mm Chassis Sockets (Switched)	25p*
S9	5 x 2.5 mm Chassis Sockets (Switched)	25p*
S11	2 x Stereo Jack Sockets with instruction leaflet for H/Phone connection	50p*
S12	5 x 5 Pin 180° DIN Chassis Sockets	40p*
S13	8 x 2 Pin DIN Chassis Sockets	50p*
S14	6 x Single Phono Sockets	40p*

P.C. BOARD

S110 Mixed Bundle. P.C.B., Fibreglass/paper, single & double-sided. Fantastic value 75p

SPECIAL OFFER!

UNTESTED SEMICONDUCTOR PAKS

Corle No's shown below are given as a guide to the type of device. The devices themselves are normally unmarked.

No. 18130	100 Germ. Gold bonded diodes like OA47	40p
No. 18131	150 Germ. Point contact diodes like OA70/B1	40p
No. 18132	100 200mA sil. diodes like OA200	40p
No. 18133	150 76mA Sil. Fast switching diodes like 1N4148	40p
No. 18134	50 750mA Sil. top hat Rect.	40p
No. 18135	20 3 amp Sil. stud Rect.	40p
No. 18136	50 400mW Zeners DO7 case	40p
No. 18137	30 NPN Plastic trans. like BC107/B	40p*
No. 18138	30 PNP Plastic trans. like BC177/B	40p*
No. 18139	25 NPN trans. like 2N697/2N1171 TO39	40p
No. 18140	25 PNP trans. like 2N2905 TO39	40p
No. 18141	30 NPN trans. like 2N706 TO18	40p
No. 18142	30 NPN Plastic trans. like 2N3906	40p*
No. 18143	30 PNP Plastic trans. like 2N3906	40p*
No. 18145	30 NPN Germ. trans. like OC71	40p
No. 18147	10 PNP TQ3 Power trans. like 2N3055	80p

I.C. SOCKET PAKS

No. S66	11 x 8 pin DIL Sockets	£1.00
No. S67	10 x 14 pin DIL Sockets	£1.00
No. S68	9 x 16 pin DIL Sockets	£1.00
No. S69	4 x 24 pin DIL Sockets	£1.00
No. S70	3 x 28 pin DIL Sockets	£1.00

MAMMOTH I.C. PAK

Approx. 200 Pieces. Assorted fall-out integrated circuits including: Logic, 74 series, Linear, Audio and D.T.L. Many coded devices, but some unmarked — you to identify.
 Order No. 16223 £1.00

MATCHED PAIRS OF PNP GERMANIUM MED POWER TRANS

||
||
||

SALE T-T-TIME again!

SPECIAL OFFER! COMPONENT PAKS

Order No.	Quantity	Price
16168	5 pieces Assorted Ferrite rods	40p
16169	2 pieces Tuning gangs MW/LW	40p
16170	50 metres Single strand wire assorted wire	40p
16171	10 Reed switches	40p
16172	3 Micro switches	40p
16176	20 Assorted electrolytics Trans types	40p
16177	1 pack Assorted hardware nuts, bolts etc.	40p
16179	20 Assorted tag strips and panels	40p
16180	15 Assorted control knobs	40p
16184	15 Assorted Fuses 100mA-5 amp	40p
16188	60W resistors mixed values	40p
16187	30 metres stranded wire assorted colours	40p
S100	120 $\frac{1}{2}$ watt resistors. Pre-formed. 1978 Prod. Our mix	60p*
S101	120 $\frac{1}{2}$ watt resistors. Pre-formed. 1978 Prod. Mixed values	60p*
S102	250 $\frac{1}{2}$ watt resistors. Range 100ohms - 10 meg	£2.00*
S103	220 $\frac{1}{2}$ watt resistors. Range 100ohms - 10 meg	£2.00*
S104	60 Low ohms $\frac{1}{2}$ watts res. 10 - 100ohms	60p*
S105	40 Low ohms $\frac{1}{2}$ watt resistors 10-100ohms	60p*
S106	25 Mixed wirebound resistors	60p*
S107	20 Tanalum head caps 22 - 100Mf Our mix	£1.00*
S108	High quality electrolytics 10Mf - 500Mf voltage range 15-50V. Our mix	40 for £1.00*
16204	C280 Pak. Contains 50 metal foil caps	£1.00*

POTENTIOMETERS

Order No.	Quantity	Price
SLIDER 40mm TRAVEL		
16191	6 x 470ohm LIN Single	40p*
S24	6 x 1 K LIN Single	40p*
S25	6 x 5 K LIN Single	40p*
16193	6 x 22 K LIN Single	40p*
16195	6 x 47 K LOG Single	40p*
16194	6 x 47 K LIN Single	40p*
S27	6 x 100 K LIN Single	40p*
S28	6 x 100 K LOG Single	40p*
S29	6 x 500 K LOG Single	40p*
SLIDER 60mm TRAVEL		
S30	6 x 2.5 K LOG Single	40p*
S32	6 x 50 K LIN Single	40p*
S34	4 x 5 K LOG Dual	40p*
S36	4 x 100 K LOG Dual	40p*
S37	4 x 1.3 MEG LOG Dual	40p*
S94	6 x 220K LIN Single	40p*
S95	6 x 100 K LOG Single	40p*
S96	6 x 500 K LIN Single	40p*
S38	Mixed slider pots various values and sizes our mix	£1.00*
S39	6 x Chrome slider knobs	40p*

WIREWOUND

S90	Wirewound Pots. Linear 1W rating	
	Mixed useful values	5 for £1.00*

CARBON TYPES

S91	Car Radio type. Dual Switched Pot. PC mounting. 100K LIN Switched 2.5 K LIN	60p each*
-----	---	-----------

DUAL POTS PC MOUNTING

Order No.	Quantity	Price
S92	4 x 100 K LIN	£1.00*
S93	4 x 100 K LOG	£1.00*
16173	15 Rotary Pot Assorted	40p*
16186	25 Pre-sets Assorted Values	40p*

ZENER PAKS

No. S55	20 mixed values 400mW Zener diodes 3-10V	£1.00
No. S56	20 mixed values 400mW Zener diodes 11-33V	£1.00
No. S57	10 mixed values 1W Zener diodes 3-10V	£1.00
No. S58	10 mixed values 1W Zener diodes 11-33V	£1.00

SILICON POWER TRANS N.P.N.

S97	BD371 2amp 1.2w. 60Vceo Hfe 40-400. Case TO92 with heat tab 5 for 60p*	
S98	2N5293 R.C.A. 36w 4amps 75Vceo Hfe 30-120	5 for £1.00*

CRYSTAL EAR PIECES

S126	Less plug	£0.20
------	-----------	-------

PLUGS FOR ABOVE

No. 16106	2.5 plastic	£0.09
No. 1697	3.5 plastic	£0.11

Mono Crystal Cartridge

S127	GP91/15C	Special Offer £1.00
------	----------	---------------------

Nickel Cadmium Rechargeable Batteries 1.25v

S128	3500D Cell size - U2	£2.50
S129	900C Cell size - $\frac{1}{2}$ U11	£0.90
S130	Complete kit of parts to build nickel cadmium charger	£3.60

SUPER SAVE PAK

S124	6 x 741P	£1.00
S125	5 x 555	£1.00

Surplus/End of Manufacturers Line/Pre-amp. with Base, Treble, Volume Control and circuit diagram supplied.

ONCE ONLY OFFER £1.25

S137 20 Assorted Slider Knobs Chrome/Black

S137	20 Assorted Slider Knobs Chrome/Black	£1.00
------	---------------------------------------	-------

S131	2 x 12v Relays plastic case	£0.70
S132	2 x 24v Relays plastic case	£0.60
S133	1 switch bank 5 way incl. silver knob	£0.75
S134	2 x Magnets suitable for reed switches	£0.10
S135	45 sq. ins. appx. 1 Veroboard pak 2 pcs	£0.80
S136	60 sq. ins. appx. 1 Veroboard pak 2 pcs	£1.10
16199	1 Veroboard pak 30 sq. ins. appx.	£0.50
16200	15 Veroboard pak 30 sq. ins. appx.	£0.60

TOOLS

No. 2011	5 in. wire cutters	£1.55
No. 2012	5 in. long wire pleyer	£1.45

Super Duper Component Box

Min. 3 lbs in weight consisting of a fantastic assortment of Electronic Components - Pots, Resistors, Condensers, Switches, Relays, Board-Semiconductors, wire, hardware, Etc., etc., etc.
* This is a large box and is sent separate to your order *
S140 £2.50 Including p&p

TRANSFORMERS

SALE OFFER

S141	0235 240v primary 0-55v at 2amp secondary	£4.50* + £1.00 p&p
S142	0349 240v primary 0-20v at 2amp secondary	£3.60* + £0.86 p&p

Complete Amplifier Kits

STA15	15 watts per channel amplifier kit. Consists: 2 x AL60, 1 x PA100 1 x SPM80, 1 x 2034 transformer 2 x coupling capacitors	£37.70 inc. VAT + 85p p&p
STA25	25 watts per channel amplifier kit. Consists: 2 x AL60, 1 x PA100 1 x SPM120/45, 1 x 2040 transformer, 1 x reservoir cap, 2 x coupling capacitors	£41.45 inc. VAT + £1.16 p&p
STA35	35 watts per channel amplifier kit. Consists: 2 x AL80, 1 x PA100 1 x SPM120, 1 x 2041 transformer 1 reservoir capacitor, 2 x coupling capacitors	£48.45 inc. VAT + £1.16 p&p
STA50	50 watts per channel amplifier kit. Consists: 2 x AL120, 1 x PA200, 1 x SPM120/65, 1 x 2041 transformer 1 reservoir capacitor 2 x coupling capacitors	£58.20 inc. VAT + £1.16 p&p
STA125	125 watts per channel amplifier kit. Consists: 2 x AL250 1 x PA200, 2 x SPM120/65, 2 x 2041 Transformers, 1 x reservoir capacitors 2 x coupling capacitors	£72.85 inc. VAT + £1.25 p&p

TRANSISTORS

BRAND NEW - FULLY GUARANTEED

Tvne	Price	Type	Price	Type	Price	Type	Price	Type	Price
AC107	25p	BC177	12p	BF194	*9p	TIP32C	36p	2N1613	15p
AC126	14p	BC178	12p	BF195	*9p	TIP41A	34p	2N1711	15p
AC127	16p	BC179	12p	BF196	*12p	TIP41B	35p	2N1893	28p
AC128	16p	BC182	*9p	BF197	*12p	TIP41C	36p	2N2218	15p
AC128A	28p	BC182L	*9p	BF200	25p	TIP42A	36p	2N2218A	18p
AC176K	16p	BC183	*9p	BF209	22p	TIP42B	37p	2N2219	15p
AC187	16p	BC184	*9p	BF250	18p	TIP42C	38p	2N2219A	18p
AC187K	26p	BC184L	*9p	BFY50	12p	TIP2955	65p	2N2221	15p
AC188	16p	BC212	*10p	BFY52	12p	TIP3055	42p	2N2222	15p
AC188K	26p	BC212L	*10p	MPSA05	*22p	ZTX107	*6p	2N2222A	16p
AD161	6p	BC213	*10p	MPSA06	*22p	ZTX108	*6p	2N2369	10p
162MP	80p	BC213L	*10p	MPSA55	*22p	ZTX109	*7p	2N2904	14p
AF139	30p	BC214	*10p	MPSA56	*22p	ZTX300	*7p	2N2904A	16p
AF239	30p	BC214L	*10p	OC44	12p	ZTX301	*7p	2N2905	14p
BC107	6p	BC251	*10p	OC45	12p	ZTX302	*9p	2N2905A	15p
BC108	6p	BCY70	12p	OC71	9p	ZTX500	*8p	2N2906	12p
BC109	6p	BCY71	12p	OC72	10p	ZTX501	*10p	2N2906A	14p
BC118	*10p	BCY72	12p	OC75	10p	ZTX502	*12p	2N2907	12p
BC147	*8p	BD115	40p	OC81	14p			2N2907A	13p
BC148	*8p	BD131	*35p	TIP29A	35p	2N696	10p	2N2926G	*8p
BC149	*8p	BD132	*37p	TIP29B	38p	2N697	10p	2N2926Y	*7p
BC154	*16p	BF115	17p	TIP29C	38p	2N706	7p	2N3053	12p
BC157	*9p	BF167	19p	TIP30A	36p	2N706A	8p		
BC158	*9p	BF173	20p	TIP30B	37p	2N708	8p	2N3702	*7p
BC159	*9p	BF180	25p	TIP30C	38p	2N1302	12p	2N3703	*7p
BC169C	*10p	BF181	25p	TIP31A	32p	2N1303	15p	2N3704	*6p
BC170	6p	BF182	25p	TIP31B	33p	2N1304	15p	2N3903	*11p
BC171	*6p	BF183	25p	TIP31C	34p	2N1307	18p	2N3904	*11p
BC172	*6p	BF184	25p	TIP32A	34p	2N1308	22p	2N3905	*11p
BC173	7p	BF185	25p	TIP32B	35p	2N1309	22p	2N3906	*11p

DIODES

Type	Price	Type	Price	Type	Price	Type	Price
AA119	5p	BAX16/	4p	BYZ16	30p	OA85	7p
AAZ13	4p	OA202	5p	BYZ17	28p	OA90	6p
BA100	6p			BYZ18	28p	OA91	7p
BA115	5p	BY100	15p	BYZ19	28p	OA95	7p
BA144	5p	BY127	*10p				
BA148	10p	BYZ10	32p	OA47	5p	IN34	5p
BA173	10p	BYZ11	32p	OA70	5p	IN60	6p
BAX13/	5p	BYZ12	32p	OA79	7p	IN914	4p
OA200/		BYZ13	32p	OA81	7p	IN4148	4p

LINEAR I.C.'s

Type	Price	Type	Price	Type	Price
TBA800	*£0.75	uA711	£0.25	uA748	£0.28
TBA810	*£0.85	uA703	£0.20	72558	£0.46
TBA820	*£0.85	741P	£0.18	MC1310P	£1.25
LM380	*£0.80	72741	£0.20	76115	£1.25
LM381	*£1.25	uA741C	£0.20	NE555	£0.22
72709	£0.20	72747	£0.55	SL414A	£1.80
uA709	£0.20	748P	£0.28		

ZN 414 RADIO CHIP 75p*

OPTOELECTRONICS

Displays		
No. 1510	707 LED Display	£0.70
No. 1511	747 LED Display	£1.80
No. 1512	727 Dual LED Display	£1.55
LED's		
No. S120	125 Bright Red	£0.09
No. S121	2 Bright Red	£0.09
No. S102	125 Green	£0.12
No. S105	2 Green	£0.12
No. S103	125 Yellow	£0.12
No. S106	2 Yellow	£0.12
No. S82	Clear 2 illuminating Red	£0.10
2nd Quality LED Paks		
No. 1507	10 Assorted Colours and Size	£0.75
No. S122	10 x 125 Red, 10 x 2 Red	£0.60
No. S123	10 x 2 Red	£0.60
LED Clips		
No. 1508/125	125	5 for £0.12
No. 1508/2	2	5 for £0.15
No. S139	Infra Red Emitter Fairchild FP100	£0.50
SPECIAL REDUCTIONS		
No. 1514	NORP 12	45p each
No. S76	OCPT1	5 for £1.00
No. S83.5	NIXIE Tubes ITT 5870 ST (Including Data)	£2.00
No. S77	Neon Indicator Lamps 230V A.C. state Colour (Red, Amber and Green)	25p each

P.O. RELAYS

S85	2 Off Post Office relays	40p
-----	--------------------------	-----

BATTERY HOLDERS

to take 6 x HP7's
Order No. 202 10p each

EX. G.P.O. MICROSWITCHES

Order No. S51	4 for 60p
---------------	-----------

CABLE CLIPS

S84	50 2 in. round single pin fixing	30
-----	----------------------------------	----

ambit international [®]

Production of the new catalogue has been held up for a few weeks - since we have just been appointed as distributors for two of the most exciting ranges of radio components products yet - The Micrometals range of iron dust torroids cores and formers, and the OKI range of VLSI for digital frequency displays for receivers. We apologize for any inconvenience, but these two ranges are really worth the wait, and include some products you will find hard to believe, like the MSM5523 IC, an IC with less than ten external components that gives AM frequency readout to 1kHz from LW to 39.999MHz, FM frequency readout in 100kHz steps - (all usual IF offsets programmable by diodes), a 24 hour format clock with 12 hour display, independent on and off timers, time signals on the hours, stopwatch facility and a sleep timer. This costs £14 with its timebase crystal, and makes all that has gone before an expensive and time wasting exercise. Rather like the way the Intersil ICM7216 has revolutionized the instrument counter market. (See the OSTS ad.) And those of you familiar with Amidon and IG dust torroids, favoured in many new RF designs, will be pleased to know Ambit will be stocking a broad range of the Micrometals types for applications from EMI filters to RF PA stages.

OKI frequency counter ICs: details in cat2
MSM5523 for CA LEDs with RHOP such as FND507 £14 inc xtal
MSM5525 for 3 1/2 digit LCD AM/FM with direct segment drive, no clock or timers £11 inc xtal
Other types for fluorescent displays etc OA

Other new semiconductor additions:
KB4437 pilot cancel mpv decoder 4.35
KB4438 muting stereo preamp 2.22
HA1370 supercedes TDA2020 2.99
TOA1090 HiFi AM/FM 3.35
TDA1220 low cost AM/FM 1.45

PRICES DOWN ON VMOS: as expected, this new technology in power transistoris getting cheaper. 120v comp pairs /100W for £10.00
Price reduction on CA3189E ...now £2.20
New varicaps: to add to the biggest range....
KV1211 2.9v bias to tune MW, like the KV1210, but a double diode £1.75

New pilot tone filters from TOK.....
208BLR series, individual per channel with a 26/38kHz version for pilot cancel decoder applications. Flat to 1.4z £0.90
New crystal filter for amateur NBFM.....
TOYO 10M4B1 with over 90dB adjacent ch. rejection for 2m NBFM, 10.7MHz £14
New ceramic IF filters for 455kHz.....
CFM455H 6kHz/6dB, 15kHz max /60dB - ideal for MC3357 etc £10

A brief summary of some of our range of ICs:
TDA1062/1.95; TDA1083/1.95; HA1197/£1.40
CA3123E/£1.40; TBA651/£1.81; CA3089/1.94
HA1137/£2.20; MC1310/£2.20; HA1196/£3.95
KB4424/£2.75; KB4423/£2.53; SD6000/£3.75
KB4412/£2.55; KB4413/£2.75; KB4417/£2.55
MC1495L/£6.86; MC1496P/£1.25
LM381N/£1.81; LM1303/£0.99; ULN2283B/£1.00; LM380M/£1; TBA810AS/£1.09
TCA940E/£1.80; TDA2022/£1.95;
ICL8038CC/£4.50; NE566/£2.50; NE567/£2.50; NE560B/£3.50; NE5618/£3.50;
NE562B/£3.50; NE565A/£2.60

SEE THE OSTS ADVERT FOR CMOS/TTL REGULATORS, OPTO DISPLAYS, and other types of linear devices.
Some transistors for RF specifically:
BF256LB/0.34; 40822/0.43; 40823/0.51
40673/0.55; BF900/961/0.80; BF960/1.60
BF224/0.22; BF274/0.18; BF195/0.18;
BF240/0.22; BF241/0.22; BF362/0.70;
BF479/0.86; BF679S/0.70; BFY90/0.90

PIN and other Varicap diodes:
BA102/0.30; BA121/0.30; ITT210/0.30
BB104B/0.40; MVAM2/£1.48; MVAM115/£1.05; MVAM125/1.05; KV1210/£2.75
BA479/0.35; TDA1061/0.95; BA182/0.21
METER MADE low cost panel meters: 3 x 930 series with blanks and dry transfer sheet of scales and legends for £12.5

TERMS etc: CWO please, VAT on Ambit Items is generally 12 1/2%, except where marked (*). Catalogue part 1:45p, part 2 50p all inclusive. Postage 25p per order, carriage on tuner kits £3. Phone Brentwood (0277) 216029/227050 9am-7pm. Callers welcome inc. Saturdays.

At last, DIY HiFi which looks as if it isn't.

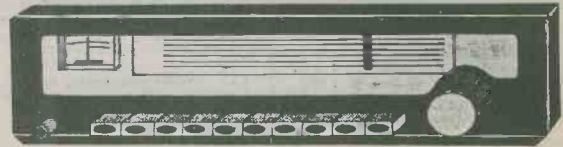
That's not to say it doesn't look like HiFi - just that it doesn't look like the usual sort of thing you have come to associate with DIY HiFi. The Mk3 outstrips and outperforms all British made HiFi tuners, and most imported ones too. Certainly at the price, there isn't one near it. But more than that, it looks superb. A small pic here would be an insult, so send an SAE for details on the kit that looks as if it isn't. It's something else.....

- * Exceptionally high performance - exceptionally straightforward assembly
- * Baseboard and plug-in construction. Future circuit developments will readily plug in, to keep the MkIII at the forefront of technical achievement
- * Various options and module line-ups possible to enable an installation approach to the system

and now previewing the matching 60W/channel VMOS amplifier:

- * Matching both the style and design concepts of the MkIII HiFi FM tuner
- * Hitachi VMOS power fets - characterized especially for HiFi applications
- * Power output readily multiplied by the addition of further MOSFETS
- * VU meters on the preamp - not simply dancing according to vol level
- * Backed with the usual Ambit expertise and technical capacity in audio

The PW Dorchester LW, MW, SW, & FM stereo tuner



In much the same way as we have swept away the 'old technology' in frequency/timer counters - with the OKI and Intersil single IC counters, we now offer a single IC "All Band" radio tuner. Don't confuse this one chip radio with things like the ZN414 - for this is a genuine superhet receiver with a mechanical AM IF filter, and ceramic IF filters for FM. The AM section employs a balanced input mixer section, covering all broadcast bands - plus a BFO and MOSFET product detector for SSB/CW - though at this price, the tuner is not intended as a "communications receiver" - although we know of many lesser designs that make that claim. The AM sensitivity is nevertheless better than 5uV, and FM sensitivity is 1.2uV for 30dB S/N. As a multiband broadcast superhet receiver, it is a unique constructor project that fulfills the requests we very frequently get for a general coverage circuit that isn't over complicated. The set has CA3089E FM performance, with mute etc., and a PLL stereo decoder with full pilot tone filtering. The tuner board - with "on board" PCB mounted switching, all components etc : £33.00
The case/cabinet with PSU, meter and mechanics etc £25.00
An SAE for full details please. See the feature article in Practical Wireless (Dec/Jan)

2 Gresham Road, Brentwood, Essex.

CHESTER ELECTRONICS

HI VOLTAGE TUBULAR CERAMIC CAPACITORS

1.1pf, 1.5pf, 1.8pf, 2.0pf, 2.25pf, 2.7pf, 3.9pf, 4.2pf, 4.7pf, 5pf, 5.6pf, 6.8pf, 9.1pf, 10pf, 12pf, 15pf, 18pf, 17.5pf, 18pf, 18.5pf, 20pf, 22pf, 22.6pf, 39pf, 60pf, 68pf, 70pf, 700pf, 820pf, 1200pf, 1300pf, 1800pf, 2000pf, 2200pf, 2500pf, 2800pf, 3300pf. All at 5p each, 50 for £2.00.

POLYESTER CAPACITORS

0.01u, 0.015u, 0.033u, 0.068u, 0.1u, all 250V @ 5p each
0.15u, 0.22u, 0.33u, all at 250V @ 7p each
1.0u, 2.2u, at 250V @ 15p each

MYLAR CAPACITORS

0.0015u/50V, 0.0068u/50V, 0.005u/100V, 0.02u/100V all at 5p each

SPECIAL OFFER: Hunts 300pf 600V, 0.0015u/400V at 5p each
Silver mica 39pf 2% only 8p each

Reversible Capacitors: 6.8u 40V, 5p each, 400u, 40V only 10p each

0.25W Pre-Sets available at 7p each, 50 for £3, 100 for £5

Vertical: 100, 220, 470, 500, 2K, 4K, 22K, 47K, 220K, 1M.

Horizontal: 100, 1K, 4K7, 10K, 15K, 470K, 1M, 3M3.

(Values of both styles may be mixed to obtain price breaks)

AC154	15p	BC125	10p	BD132	34p	BT106	£1.25
AC187K	25p	BC147	7p	BD135	32p	BU208	£2.00
AD142	65p	BC148	7p	BD136	32p	BFY50	15p
AD149	50p	BC153	10p	BD232	65p	BFY51	15p
AD161	35p	BC184C	7p	BD234	50p	BFY52	15p
AD162	35p	BC184LC	8p	BD238	45p	TIP32C	45p
AU110	£1.00	BC212	10p	BF262	30p	2N3055	35p
BC107	8p	BC213	10p	BF271	15p	2N3703	8p
BC108	8p	BC214	10p	BFX89	20p	2N29260	10p
BC109	8p	BD131	34p	BRY39	28p	2N3503	18p

(All the above transistors are fully branded, full spec devices)

Small slow motors (Smiths clocks) 50 @ 2W. New only £1 each

ROTARY POTS (Brand New)

LOG (Less Switch)
4K7, 10K, 22K, 47K, 100K, 470K, 1M 2Ms. 28p each

LIN (Less Switch)

470 @ 1K, 2K2, 4K7, 10K, 22K, 47K, 100K, 220K, 470K, 1M, 2M2. 28p each

PANEL METERS 2 1/8" x 1 1/8" x 1 1/8" (Brand New)

0-50UA	0-50MA	0-50Volts	500-0-500UA
0-100UA	0-100MA	0-300Volts	0-30VDC
0-500UA	0-500MA	"S" Strength Meter	
0-1MA	0-1Amp	V.U. Meter	
0-5MA	0-2Amp	50-0-50UA	ALL METERS ONLY
0-10MA	0-25Volts	100-0-100UA	£5.00 each

MINIATURE TOGGLE SWITCHES

Single Pole Single throw 75p each
Single Pole Double throw 77p each
Double Pole Double throw 83p each

SLIDE SWITCHES

Standard Double Pole Double Throw 15p each
Standard Double Pole Double Throw (Centre Off) 17p each

Banana Plugs Banana Sockets

Red 15p each
Black 15p each
Chassis type Red 15p each
Chassis type Black 15p each

SPECIAL OFFER: 741 8 pin DIL Brand
New full spec etc.
1 off 18p each, 50 for £8.100 for £15.00

MULTITESTERS

All of the multimeters listed below are brand new.

Type	Specification	Price Each		
LT101	Economy 1000 OPV	£9.00		
T1	Standard 1000 OPV	£12.00	Antex CCN	£5.00
PROE	20,000 OPV	£46.00	Antex C	£4.75
TMK500	20,000 OPV (Incl. case)	£31.00	Antex SK1 Kit	£8.00
			Antex CX	£4.75
			Antex X25	£4.75
			Antex SK3 Kit	£7.50

LEADS FOR THE ABOVE

Standard test leads £1.50 each
Curly lead with Banana Plug £2.10 each
Test Lead Kit £2.50 each (ideal for the beginner)
PROBE: 25KV High Voltage 1000 Meg. Ohms probe only £15.00
SPECIAL OFFER: VERO-BOARD 0.1" 18" long x 3 1/4" wide only £1.75 each

JACK PLUGS

1 Mono Plastic Unscreened 15p each
1 Mono Metal Screened 30p each
1 Stereo Plastic Unscreened 28p each
1 Stereo Metal Screened 38p each

JACK SOCKETS

1 Jack Line Mono Plastic 20p each
1 Jack Line Mono Metal 35p each
1 Jack Chassis Mono Plastic Closed 20p each
1 Jack Chassis Stereo Plastic Closed 30p each

Do not add VAT to the above prices. Only add 20p Post & Packing. No callers please as we have no retail facilities.

SEND YOUR ORDERS TO: **CHESTER ELECTRONICS**
6 Hunter Street Chester CH1 2 AU

OSTS

Since AMBIT introduced the "One Stop Technology Shop" to our service, we have been pleased to see just how many users of electronic components appreciate our guarantee to supply goods only from BS9000 approved sources. More than ever, professional and amateur electronics engineers cannot afford to waste time on anything less than perfect pedigree products.

SEE THE AMBIT AD TOO!

CD4000 CMOS

4000	17p	4059	563p	4522	149p
4001	17p	4060	115p	4527	157p
4002	17p	4063	109p	4528	102p
4006	103p	4066	53p	4529	141p
4007	18p	4067	400p	4530	90p
4008	80p	4068	25p	4531	141p
4009	58p	4069	20p	4532	152p
4010	58p	4070	20p	4534	614p
4011	17p	4071	20p	4536	380p
4012	17p	4072	20p	4538	150p
4013	55p	4073	20p	4539	110p
4016	52p	4075	20p	4541	141p
4017	80p	4076	90p	4543	174p
4018	80p	4077	20p	4549	399p
4019	60p	4078	20p	4553	440p
4020	93p	4081	20p	4554	153p
4021	82p	4082	20p	4556	77p
4022	90p	4085	82p	4557	386p
4023	17p	4086	82p	4558	117p
4024	76p	4089	150p	4559	388p
4026	17p	4093	50p	4560	218p
4026	120p	4094	190p	4561	65p
4027	55p	4096	105p	4562	530p
4028	72p	4097	372p	4566	159p
4029	100p	4098	110p	4568	281p
4030	58p	4099	122p	4569	303p
4031	250p	4160	90p	4572	25p
4032	100p	4161	90p	4580	600p
4033	145p	4162	90p	4581	319p
4034	200p	4163	90p	4582	164p
4035	120p	4174	104p	4583	84p
4036	250p	4175	95p	4584	63p
4037	100p	4194	95p	4585	100p
4038	105p	4501	23p		
4039	250p	4502	91p		
4040	83p	4503	69p		
4041	90p	4506	51p		
4042	85p	4507	55p		
4043	85p	4508	248p		
4044	80p	4510	99p		
4045	150p	4511	149p		
4046	130p	4512	98p		
4047	99p	4513	206p		
4048	60p	4514	260p		
4049	55p	4515	300p		
4050	55p	4516	125p		
4051	65p	4517	382p		
4052	65p	4518	103p		
4053	65p	4519	57p		
4054	120p	4520	109p		
4055	135p	4521	236p		

Micromarket

6800 series	8216	1.95	2114	£10
6800P	8224	3.50	2708	£10.55
6820P	8228	4.78		
6850P	8251	6.25		
6810P	8255	5.40		
6852				
8080 series	2102	£1.70		
8080	2513	£7.54		
8212	4027	£5.78		

PRICES SLASHED TTL: Standard AND LP Schottky

	'N'	'LSN'	'N'	'LSN'	'N'	'LSN'	'N'	'LSN'	LSN				
7400	13	20	7455	35	24	74126	57	44	74185	134	74377	124	
7401	13	20	7460	17		74128	74		74188	275	74378	93	
7402	14	20	7463			74132	73	78	74190	115	74379	130	
7403	14	20	7470	28		74133		29	74191		74386	37	
7404	14	24	7472	28		74136		40	74192	105	180	74390	140
7405	18	26	7473	32		74138		60	74193	105	180	74395	139
7406	38		7474	27	38	74139		60	74194	105	187	74396	133
7407	38		7475	38	40	74141	56		74195	95	137	74398	180
7408	17	24	7476	37		74142	265		74196	99	110	74399	150
7409	17	24	7478			74143	312		74197	85	110	74445	92
7410	15	24	7480	48		74144	312		74198	150		74447	90
7411	20	24	7481	86		74145	65		74199	160		74490	140
7412	17	24	7482	69		74147	175		74248		90	74668	110
7413	30	52	7483A			74148	109		74249		93	74670	249
7414	51	130	7484	97		74150	99		74251		90		
7415	24		7485	104	99	74151	64	84	74253		105		
7416	30		7486	104	40	74153	64	54	74257		108		
7417	30		7489	205		74154	96		74258		153		
7420	16	24	7490	33	90	74155	84	110	74259		420		
7421	29	24	7491	76	110	74156	80	110	74260		153		
7422	24	24	7492	38	78	74157	67	55	74261		353		
7423	27		7493	32	99	74158		60	74266		40		
7425	27		7494	78	99	74159	210		74273		124		
7426	36	27	7495A	65	99	74160	82	130	74275		312		
7427	27	29	7496	58	120	74161	92	78	74279		52		
7428	35	32	7497	185		74162	92	130	74283		120		
7430	17	24	74100	119		74163	92	78	74290		90		
7432	25	24	74104	63		74164	104		74293		95		
7433	40	32	74105	62		74165	105		74295		120		
7437	40	24	74107	32	38	74166			74298		100		
7438	33	24	74109	63	38	74167	20		74324		157		
7440	17	24	74110	54		74168			74325		242		
7441	74	99	74111	68		74169		200	74326		247		
7442	70	99	74112	88		74170	230	200	74327		237		
7443	115		74113		38	74172	625		74352		100		
7444	112		74114		38	74173	170		74353		100		
7445	94		74116	198		74174	87	120	74362		715		
7446	94		74118	83		74175	87	110	74365		49		
7447	82		74119	119		74176	75		74366		49		
7448	56	99	74120	115	28	74177	78		74367		43		
7449	17	99	74121	25		74180	85		74368		49		
7450	17		74122	48		74181	165	350	74373		77		
7451	17		74123	48		74182	160		74374		77		
7453	17		74124	24		74183		210	74375		60		
7454	17	24	74125	38	44	74184	135						

Voltage Regs

NEW LOW PRICES

7800 series UC TO220 package 1A all 95p

7900 series UC TO220 package 1A all £1

78MUC series TO220 package 1/2A all 90p

78LCP series TO92 100mA all 35p

1.200 up to 3A/adjustable V&A 195p

78MGT2C 1/2amp adjustable volts 175p

79MGT2C 1/2amp adjustable volts 175p

723C precision controller 65p

MAINS FILTERS FOR NOISE/RFI etc

1 amp in IEC connector £4.83

5 amp in 'wire in' case £3.87

NE550A 73p

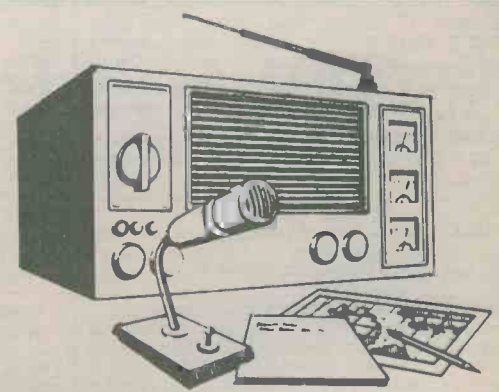
TERMS: CWO pos., VAT to be added at 8% (Inland), pp 25p per order. When ordering from the OSTs and Ambit - a single combined remittance and pp charge is sufficient. Account details OA.

2 Gresham Road, Brentwood, Essex.

The ICL7216BIP1 is still the cheapest way to make a full 8 digit/ 10MHz frequency counter/timer, and with 10 external components + display - it is also one of the simplest. For £19.82, it takes a lot of beating. The mains filters have been extended now to include a 6amp IEC version at £5.10, and with the amount of electronic noise on the average supply (next door's fridge, for instance) it is a really worthwhile addition to any sensitive equipment. LPSN TTL now includes many more of latest types, all - of course - are absolutely prime first quality types. And don't forget our range of OPTO displays includes Hewlett Package high efficiency 0.43" types in all colours - renowned as the finest quality in the market. For other types of component - discrete LEDs, radio and audio devices, tuner modules, kits etc., see our other advertisement for more details - or send for the AMBIT catalogue system. Part one (45p) includes details of our background 'standard' items, and the new part two includes all the latest introductions and developments, plus a rundown on OSTs.

Electronics. Make a job of it....

Enrol in the BNR & E School and you'll have an entertaining and fascinating hobby. Stick with it and the opportunities and the big money await you, if qualified, in every field of Electronics today. We offer the finest home study training for all subjects in radio, television, etc., especially for the CITY AND GUILDS EXAMS (Technicians' Certificates); the Grad. Brit. I.E.R. Exam; the RADIO AMATEUR'S LICENCE; P.M.G. Certificates; the R.T.E.B. Servicing Certificates; etc. Also courses in Television; Transistors; Radar; Computers; Servo-mechanisms; Mathematics and Practical Transistor Radio course with equipment. We have OVER 20 YEARS' experience in teaching radio subjects and an unbroken record of exam successes. We are the only privately run British home study College specialising in electronics subjects only. Full details will be gladly sent without any obligation.



Become a Radio Amateur.

Learn how to become a radio-amateur in contact with the whole world. We give skilled preparation for the G.P.O. licence.

Free!

Brochure without obligation to:

British National Radio & Electronic School

P.O. Box 156, Jersey, Channel Islands.

NAME _____

ADDRESS _____

Block caps please

TRADE COMPONENTS

NO LISTS: TOO MANY ITEMS. PAY A VISIT — THOUSANDS MORE ITEMS BELOW WHOLESALE PRICE. CALLERS PAY LESS AS PRICES INCLUDE POSTAGE AND VAT AND ADDITIONAL DISCOUNT IN LIEU OF GUARANTEE. GOODS SENT AT CUSTOMERS RISKS UNLESS SUFFICIENT ADDED FOR REGISTRATION OR COMPENSATION FEE POST.

OFFERS CORRECT AT 1/1/79 APPLICABLE TO ORDERS RECEIVED DURING JANUARY

VALVE BASES

Printed circuit B7G	7p	Car type panel lock and key	65p
Chassis B7-B7G	11p	Transformer 9V 4A	£3.78
Shrouded Chassis B7G-B8A	13p	Aluminium Knobs for 1/4" shaft. Approx. 5/8" x 7/8" with indicator	95p
B12A tube. Chassis B9A	13p	Pack of 5	
Speaker 6" x 4" 5 ohm ideal for car radio	£1.55		
4 1/2" diam. 30 Ω	£1.75		
2 1/2" diam. 32 or 8 Ω.	£1.07		
TAG STRIP—6 way 4p	5 x 50pF or 1000 + 300pF trimmers	35p	
9 way 6p Single 1 1/2p			

BOXES — Grey polystyrene 61 x 112 x 31mm, top secured by 4 self tapping screws 57p clear perspex sliding lid, 46 x 39 x 24 mm 15p.

ABS, ribbed inside 5mm centres for P.C.B., brass corner inserts, screw down lid, 50 x 100 x 25mm orange 65p; 80 x 150 x 50mm black 97p; 109 x 185 x 60mm black £1.52.

DIECAST ALL superior heavy gauge with sealing gasket, approx 6 1/2" x 2 3/8" x 1 1/8" £1.50; 3 1/2" x 2 3/8" x 1 1/8" £1.25.

VARIABLE CAMM PROGRAMMER 10, 12 or 15 pole 2 way, 50VAC motor — series with 1mfd, or 3k 10W or 15W pygmy bulb for mains operation. Ex equipment £4.32

SWITCHES

Pole	Way	Type	
1	2	Slide	15p
6	2	Slide	24p
2	1	Rotary Mains	28p
2	Alternating	Micro with roller	30p
2	3	Miniature Slide	20p
2	1	Toggle	32p
1	2	Sub-Min Toggle	75p
2	Alternating	2A Mains Push (3/4" hole)	43p
2	Alternating	Slide	15p

S.P.S.T. 10 amp 240v. white rocker switch with neon. 1" square flush panel fitting 38p; 1 pole 2 way 10 amp oblong clip in mains rocker appliance switch 38p

Standard thumb-wheel switch 0-9 in 1248N or B or Comp. 1242 also 2p co. £1.20 Standard Lever Key Switch D.P.D.T. locking plus D.P.D.T. and S.P.S.T. Heavy Duty non latching 82p

AUDIO LEADS

3 pin din to open end, 1 1/2yd, twin screened	45p
3 pole jack both ends 4ft	£1
3 pole jack plug to tag ends, 4ft	45p

COMPUTER & AUDIO BOARDS/ASSEMBLIES VARYING CONTENTS INCLUDE ZENER, GOLD BOND, SILICON, GERMANIUM, LOW AND HIGH POWER TRANSISTORS AND DIODES, HI STAB RESISTORS, CAPACITORS, ELECTROLYTICS, TRIMPOTS, POT CORES, CHOKES, INTEGRATED CIRCUITS, ETC.

3lb for £2 7lb for £3.70

1k horizontal preset with knob 10 for 40p	3" Tape Spools	5p
	1" Terry Clips	5p
	12 Volt Solenoid	40p

ENM Ltd. cased 7-digit counter 2 1/4 x 1 3/4 x 1 1/2" approx. 12V d.c. (48 a.c.) or mains £1.10

Auto charger for 12v Nicads, ex-new equipment £5.19

Miniature 0 to 5mA d.c. meter approx 1/4" diameter £1.25
RS Yellow Wander Plug Box of 12 40p
18 SWG multicore solder 3 1/2p foot
SAPPHIRE STYLII. 15 different; dual and single point, current and hard to get types. My mix £2.

RESISTORS

1/4-1/2 watt 1 1/2p
1 watt 3p
Up to 15w w/wound 10p
1 or 2% 4 times price

Cinch 8 way std 0.15 pitch edge connector 25p

RELAYS

RS/Alma reed relay, 3k Ω 18-30v d.c. coll, normally open 60p
12v d.p.c.o. heavy duty octal £1
700 ohm 11-31 volt miniature sealed d.p.c.o. £1

POTS

Wirewound 38p
Log. or Lin., carbon rotary or slide. Single 30p With switch 40p Dual 45p
Dual switch 55p 1.5m Edgetype 10 for 40p

Skeleton Presets

Slider, horizontal or vertical standard or submin 8p

THERMISTORS and V.D.R's

CZ1/2/6/11/14, KR22, KT150, VA1005/8/8/1010/1033/4/7/8/9 1040/1053/5 /1066/7/1074/6/7 / 1082/6/1091/6/7/8 / 1100/3/8/8602. Rod with spot blue/fawn/green.
E299DDP120 / 218 / 224 / 338 / 340 / 350 / 352
VF020 · E220Z002 · KR150 All 22p
E23 glass bead 85p
YG150-S534 bead, KB13, E299 DHP230, 116-121 401 (TH7, VA1104, OD10) 35p

JAP 4 gang min. sealed tuning condensers 40p

ELECTROLYTICS Many others in stock

Up to 10V	25V	50V	75V	100V	250V	350V	500V
MFD	63-	200-	300-	450-			
10	6p	7p	7p	10p	13p	15p	26p 32p
25	6p	7p	7p	10p	13p	18p	32p 37p
50	6p	7p	7p	12p	16p	23p	32p 37p
100	7p	8p	13p	15p	24p	26p	—
250	12p	13p	15p	22p	36p	—	£1.10 £1.30
500	13p	15p	22p	30p	55p	—	£1.60
1000	16p	27p	50p	60p	—	—	£1.05
2000	28p	47p	55p	93p	—	—	—

As total values are too numerous to list, use this price guide to work out your actual requirements 8/20, 10/20, 12/20, 22/50, 47/25. Tub. Tant 24p each 16-32/275V, 100/150V, 100-100/275V 40p 50-50/385V, 2+2/200V non polar, 32-32-50/300V, 20-20-20/350V 0.1+0.1/500V AC 80p 200V, 100-200-60/300V £1.30 100-300-100-16/300V £1.85

RS 100-0-100 micro amp null Indicator Approx. 2" x 1 1/2" x 1 1/2" £1.85

INDICATORS

Bulgin D676 red, takes M.E.S. bulb 38p
12 volt, or Mains neon, red pushfit 23p
R.S. Scale Print, pressure transfer sheet 12p

CAPACITOR GUIDE — maximum 500V

Up to .01 ceramic 4 1/2p. Up to .01 poly 6p .013 up to .1 poly etc. 7p. .12 up to .68 poly etc. 8p. Silver mica up to 360pF 10p, then to 2,200pF 13p; then to .01 mfd 21p.

1/750 13p. .01/1000, 8/20, .1/900, .22/900, 4/16, 25/250 AC (600v/DC). 15p. 5/150, 10/150, 40/150 50p.

Many others and high voltage in stock.

SONNENSCHNEIN/POWERSONIC DRI-FIT RECHARGEABLE SEALED GEL (Lead Antimony) BATTERY, 6V 1 amp.hr. (3 1/2" x 2" x 1 1/2") £3.70. 6 amp. hr. (4 1/2" x 2" x 3") £7.60 Ex-equipment, little used.

CONNECTOR STRIP

Belling Lee L1469, 4 way polythene. 9p each

1 1/2 glass fuses 250 m/a or 3 amp (box of 12)	20p
Bulgin 5mm Jack plug and switched socket (pair)	40p

Reed Switch 28mm, body length 11p

Aluminium circuit tape, 1/8 x 36 yards—self adhesive. For window alarms, circuits, etc. 95p

TV MAINS DROPPERS

5 assorted multiple units for 75p

100pF air-spaced tuning capacitor	£1.30
5 1/2" x 2 1/4" Speaker, ex-equipment 3 ohm	65p
2 Amp Suppression Choke	10p
3 x 2 1/2 x 1 1/2" PAXOLINE	5 for 35p
4 1/2 x 1 1/2 x 1 1/2" PVC or metal clip on MES bulb Holder	10 for 15p
VALVE RETAINER CLIP, adjustable	5 for 15p

Sub-miniature Transistor Transformer 35p
Valve type output transformer 90p

POT CORES with adjuster LA2508-LA2519 43p per pair

16 Watt Power Amp. Module 35v 1A power required, giving 16 watt RMS into 8 Ω £3.45

REGULATED TAPE MOTOR Grundig 6V approx., 3" x 1 1/2", inc. shock absorbing carrier, or Jap 9V, 1 1/2" diam. £1.05

3.5mm metal stereo plug 30p
Fane 8 ohm 3" sq. heavy duty communications speaker £1.60

RS neg. volt regulator 103, 306-099 (equiv. MPC900) 10A, 100 watt 4-30 volt. Adjustable short circuit protection. Normally £12.50+. £6.65

BRIAN J. REED

161 ST. JOHNS HILL, BATTERSEA, LONDON SW11 1TQ

Open 10 a.m. till 7 p.m. Tuesday to Saturday. VAT receipts on request.

Terms: Payment with order Telephone: 01-223 5016

Digital count unit. Counts in steps of 1, 2, 5 or 10 with total limit switch (2 x D.I.L. BCD), reed relay remote output. Mains power supply, relay and delay unit. UNUSED. £5.40

ACOS DUST JOCKEY Automatic record cleaner £1.30

Crouzet 30-minute timer-programmer, multi-variable contacts £7.56

ACOS DUST JOCKEY Automatic record cleaner £1.30

Mail Order Over £50 deduct 10% Over £100 deduct 20%

Burglar alarm, cord-powered for windows, doors, luggage and personal attack. Battery powered 86p

McMurdo 4 or 8 way plug and socket ex-equipment 50p

"Makaswitch" 1p 10-way wafer 15p Wood cased 8-12V buzzer £2.50

DEAC rechargeable NICAD 450K. Capacity 6V 450 m.a.h. at 10 hour rate. Ex-new equipment £4.11

2.5A r.f. thermo-couple and meter 2 1/2" square £3.80

100 Electrolytics £3.00
 100 Resistors 1W £2.00
 100 Wirewound Resistors £4.50
Well mixed values and voltages

100 Capacitors £2.50
 100 Resistors up to 1/2W £1.00
 100 Resistors 2-5W £3.00
 100 1% & 2% Resistors £3.50

Mullard 12-0-12V, 1.4A stabilized, regulated, power supply. Approx. 8 1/2" x 4 1/2" x 3 1/2" with handbook £14.50

27V 5A Double section bobbin transformer £4.32

UK & EIRE — Postal Orders for same day service. Cheques require 8 days from a Tuesday banking to ensure clearance: export — banker's draft (sterling) same day service. Foreign currency money orders etc. can lose value and take 4-6 weeks to clear.

SEMICONDUCTORS Full spec. by Mullard etc. Many others in stock

AC126/128/176	20p	BD113	57p	BFX84/88.89	20p
ACY29	22p	BD115	35p	BFY51	16p
AD161/2 match pr.	85p	BD116(BRC116T)	£1.15	BFY90	57p
AF116	20p	BD130Y	£1.50	BR101	34p
AF124/6/7	28p	BD131/2/3	40p	BRV39/56	29p
AF139	23p	BD135/6/7/8/9	35p	BSV64	36p
AF178/80/81	35p	BD137/138 match pr	82p	BSV79/80 F.E.T.s	90p
AF239	35p	BD140/142	35p	BSV81 Mosfet	£1.00
ASV27/73	35p	BD201/2/3/4	92p	BSX20/21	16p
AU110/113	£2.50	BD232/3/4/5/8	55p	BSY40	30p
BC107/8/9 + A/B/C	8p	BDX77	£1.15	BSY95A	14p
BC147/8/9 + A/B/C	8p	BDX77	£1.15	BU204+Mount Kit	£1.85
BC157/8/9 + A/B/C	8p	BF115/167/173	58p	BU208	£2.28
BC178A/8 179B	14p	BF178/9	23p	CV7042 (OC41/44 ASY63)	12p
BC184C/LC	11p	BF180/1/2/3/4/5	18p	GET111/1E12	45p
BC186/7	23p	BF194/5/6/7	8p	OC45(ME2)	13p
BC213L/214B/238	13p	BF194A, 195C	8p	ON222	23p
BC261B	10p	BF200 25B 324	23p	R2008B/2010B	£2.30
BC327/8 337/8	10p	BF262/3	35p	TIP30	50p
BC547/8+A/B/C	13p	BF336/274	31p	TIS43 (2N2646)	39p
BC556/7/8/8/9	11p	BFS28 Dual Mosfet	£1.15	uA7805	£1.85
BCX32/36	15p	BFW10/11 F.E.T	48p	ZT1486	£1.15
BCY31	90p	BFW30	£1.15	ZTX300/341	9p
BCY70/1/2	14p	BFW57/58	21p	2N393 (MA393)	35p
BCZ11	32p	BFX12/29/30	23p	2N456A	57p

BRIDGE RECTIFIERS

1/2	1,600	BYX10	34p
1	140	OSHO1-200	30p
5	100	Ex Equip	73p
0.6	110	EC433	20p
5	400	Texas	£1.10
2 1/2	100	I.R.	48p
3 1/2	100	B40C 3200	58p

RECTIFIERS

Amp	Volt		
M1	1/2	68	5p
1N4005/6	1	6/800	6p
1N4007/BYX94 1	1	1250	8p
BY103	1	1,500	21p
SR100	1.5	100	9p
SR400	1.5	400	10p
REC53A	1.5	1,250	18p
LT102	2	30	15p
BYX22-200	1 1/2	300	25p
BYX38-300R	2 1/2	300	48p
BYX38-600	2.5	600	52p
BYX38-900	2.5	900	60p
BYX38-1200	2.5	1,200	65p
BYX49-300R	3	300	35p
BYX49-600	3	600	42p
BYX49-900	3	900	47p
BYX49-1200	3	1,200	60p
BYX48-300R	6	300	47p
BYX48-600	6	600	60p
BYX48-900	6	900	70p
BYX48-1200R	6	1,200	92p
BYX72-150R	10	150	42p
BYX72-300R	10	300	52p
BYX72-500R	10	500	65p
BYX42-300	10	300	38p
1N5401	3	100	18p
1N5402	3	200	18p
MR856	3	600	24p
BYX42-900	10	900	92p
BYX42-1200	10	1,200	£1.07
BYX46-300R*	15	300	£1.19
BYX46-400R*	15	400	£1.75
BYX46-500R*	15	500	£2.00
BYX46-600*	15	600	£2.30
BYX20-200	25	200	72p
BYX52-300	40	300	£2.05
BYX52-1200	40	1,200	£2.90
RAS310AF*	1.25	1,250	48p

***Avalanche type**

Amp	Volt	TRIACS	
8	400	Plastic RCA	£1.40
25	900	BTX94-900	£4.50
25	1200	BTX49-1200	£6.75

Transistor equivalents and substitutes

Book 1	38p	Book 2	82p
Chrome Car Radio fascia	28p	Rubber Car Radio gasket	10p
DLI Pal Delayline	90p	Relay Socket miniature 2PCO	20p
28 pin d.i.l. socket low profile	38p	Colour EHT Tray 3000/3500	£6.50
Nylon self-locking, 3 1/2" tie clips	3p	1.5, 10, 22 or 750 ohm choke	12p
0-30, or 0-15, black pvc, 360° dial, silver digits, self adhesive 4 1/2" dia.	13p	Mullard Semiconductor, Valve & Component Data Book 1976-78	50p

OPTO ELECTRONICS

Diodes		Photo transistor	
TIL209 Red	14p	BPX29	92p
BPX40	57p	OC71	75p
BPX42	92p	BIG L.E.D. 0.2"	
BPY10	92p	2v 50mA max.	
(VOLIAC)		RED	16p
BPY68		Wire end neons	
BPY69	92p		9p
BPY77			

PHOTO SILICON CONTROLLED SWITCH

BPX66 PNP 10 amp	£1.15
------------------	-------

3" red 7 segment L.E.D. 14 D.I.L. 0-9 + D.P. display 1.9v 19mA segment, common anode 95p

RS 0.6in. green £2.25

Minitron 0.3in 3015F filament £1.25

CQY11B L.E.D. Infra red transmitter £1.15

One fifth of trade

R.S. Battery Holder for 4 x HP/SP 11 30p

McMurdo PP108 8 way edge plug 12p

Multicore Solder 1/2kg. 16 or 18 or 20 s.w.g. 60/40 £5.00

3 inch 8 ohm speaker £1.15

New unmarked, or marked ample lead ex new equipment

ACY17-20	10p	TIC44	28p
ASZ20	10p	2G240	£1.17
ASZ21	35p	2G302	6p
BC186	13p	2G401	6p
BCY30-34	24p	2N711	28p
BCY70/1/2	10p	2N2926	6p
BY126/7	5p	2N598/9	8p
HG1005	12p	2N1091	10p
HG5009	4p	2N1302	10p
HG5079	4p	1N1907	£1.17
L78/9	4p	Germ. diode	2p
M3	12p	2N3055	10p
OA81	4p	Motorola	36p
OA47	4p	GET120 (AC128	
OA200-2	4p	in 1" sq. heat	
OC23	27p	sink	22p
OC200-5	24p	GET872	15p
		2S3230	34p

MINIATURE EDGE METERS

100uA f.s.d., scaled 0.5. 12V illuminated blue perspex front, 35mm x 14mm	£3.45
200uA level meter, clear front. 10 x 18mm	£1.20

2N2412	80p
2N2483	28p
2N2904/5/6/7/7A	18p
2N3053	16p
2N3055 R.C.A.	60p
2N3133/4062	24p
2N3553/3866	58p
2N4037	39p
2N5484 FET	39p
2N5956	87p
2SA141/2/360	36p
2SB135/6/457	24p
2SC372/644/735	15p
2SC853	30p
40250(2N3054)	35p

NEW B. V.A. VALVES

E891	49p
ECL80	87p
PCC84	59p
6SN7/6K7	89p
6AT6	89p
EZ81	59p
OC3	£1.20
KT66	£6.00

TRANSFORMERS

Ferromag C core. Screens 95-105-115-125-200-220-240v

Input output 17v 1/2 A x 2 + 24-0-24v 1.04A-20v 1mA. These current ratings can be safely exceeded by 50%. £4.90

Cassette Dynamic Microphone with switch and twin. plug £1.80

Telephone Pickup, sucker with lead and 3.5 plug.70p

THRISTORS

Amp	Volt		
1	240	BTX18-200	35p
1	400	BTX18-300	41p
1	240	BTX30-200	35p
4	500	40506	80p
15	500	BT107	£1.14
6.5	500	BT101-500R	£1.05
6.5	500	BT109-500R/SCR957/BRC4444	£1.14
20	600	BTW92-600RM	£3.40
15	800	BTX95-800R Pulse Modulated	£8.75

PAPER BLOCK CONDENSER

0.25MFD 800 volt	87p
1MFD 250 volt	54p
1MFD 400 volt	65p

TV KNOB

Dark grey plastic for recessed shaft (quarter inch) with free shaft extension 8p

CHASSIS SOCKETS

Car Aerial 11p, Coax 8p, 5 pin 180° 11p, 5 or 6 pin 240° din 8p, speaker din switched 13p, 3.5 mm switched 7p, stereo 1/2" jack enclosed 20p.

SPECIAL OFFERS

2500 mfd. 40v	56p
0.1 mfd. 350/500v	10 for 50p
10000 mfd. 15v	3 for £1.16
6800 mfd. 10v 3 for 90p	
32+32/275v 3 for 90p	
16+32/350v 3 for 90p	
8+8 mfd. 375v 4 for 90p	
1 mfd. non-polar 350v 10 for £1.19	
25000 mfd. 25v	65p
12000/12v 3 for £1.16	
G.E.C. 5% HI-stab capacitors 0.13, 0.61, 0.66, 0.69, 0.75, 0.8, 10 for 65p	
AYS/8300 I.C.	10 for £8.00
BC548B .500 for £28.50	
BC556 500 for £28.50	
BCY71 500 for £43.50	
BD437 50 for £13.75	
BD133 100 for £16.60	
2N2906 500 for £43.50	
TBA920 10 for £11.50	
Ver0 card handle 10 for 65p	
62 ohm 1/2W Resistor 2,000 for £8.75	
ON222 (superior matched BF181) 10 for £1.20	

OTHER DIODES

1N916	8p
1N4009	9p
1N4148	4p
BA145	17p
Centercol	29p
BZY61/BA148/OA81 12p	
BB103/110 Varicap	24p
BB113 Triple Varicap	43p
BA182	15p
OA5/7/10	17p
BZY88 up to 43 volt	10p
BZK61 11 volt	17p
AA133	10p
BZY96C 10V	34p
BZY95C 33V	34p

RS Irraviv high temperature wire, 19/0.16, minus 55° to 105°C, 600V 3A, white, black or red. Half trade price at 54p 10M coil.

PVC QUALITY TAPE

Lasso 10m x 15mm grey 38p

33m x 33mm green £1.13p

Trimmer: Post stamp type 3-30pF 16p

10-80pF 19p

30-140pF 23p

GARRARD

GCS23T Crystal Stereo Cartridge £1.20

Mono (Stereo compatible) Ceramic or crystal £1

VAT & POST PAID NO MORE TO ADD — Prices INCLUDE UK VAT and Post/Packing

MINIMUM ORDER £3 OTHERWISE ADD 50% FOR SMALL ORDER HANDLING COSTS (UNDER £100 TOTAL ALSO INCLUDE 9p S.A.E.)

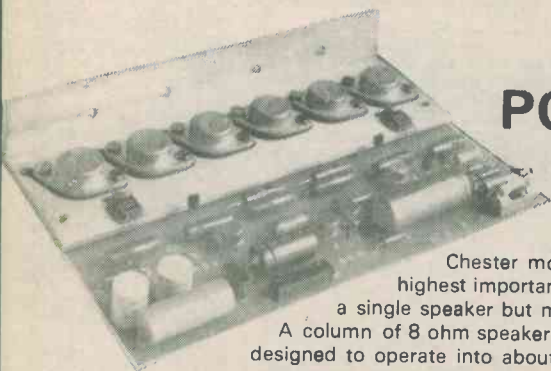
ALL ENQUIRIES, ETC., MUST BE ACCOMPANIED BY A STAMPED ADDRESSED ENVELOPE

QUALITY STUFF AT KNOCKDOWN PRICES

TRANSISTORS	8CV34 65p	TIP36A 165p	7420 12p	74153 50p	4043 54p	1N4004 6p	.125" & .2" LEDS
AC126 17p	BCY59 24p	TIP41A 54p	7421 22p	74154 85p	4044 50p	1N4005 7p	Red 9p
AC128 14p	BCY70 14p	TIP42A 60p	7422 18p	74155 52p	4047 35p	1N4006 8p	Green 13p
AC141 24p	BCY71 14p	TIP2955 65p	7427 24p	74156 51p	4048 63p	1N4007 9p	Yellow 13p
AC142 18p	BD115 30p	TIP3055 55p	7428 28p	74157 51p	4049 28p	1N5400 13p	Clear 3p
AC151 22p	BD121 70p	ZTX109 12p	7430 12p	74160 80p	4050 28p	1N5401 14p	
AC152 22p	BD124 77p	ZTX300 14p	7432 23p	74161 85p	4066 40p	1N5402 15p	
AC153 25p	BD131 35p	ZTX500 16p	7437 22p	74162 85p	4068 20p	1N5404 20p	
AC176 15p	BD132 30p	2N706 10p	7438 22p	74163 85p	4069 15p		DIL SOCKETS
AC187 23p	BD133 30p	2N1131 20p	7440 13p	74164 70p	4070 15p		8 pin 10p
AC188 20p	BD136 30p	2N1132 20p	7441 51p	74165 70p	4071 15p		14 pin 12p
AD149 65p	BD137 30p	2N1302 20p	7442 42p	74166 80p	4072 16p		16 pin 13p
AD161 35p	BD138 30p	2N1304 20p	7443 74p	74167 180p	4073 16p		
AD162 35p	BD139 30p	2N1305 20p	7444 74p	74173 94p	4077 25p		
AF114 23p	BD140 25p	2N1308 33p	7445 64p	74174 70p	4078 15p		
AF118 30p	BF115 25p	2N1309 19p	7446 55p	74175 65p	4081 15p		
AF125 25p	BF119 25p	2N1613 18p	7447 47p	74176 60p	4082 15p		
AF126 25p	BF173 20p	2N1711 20p	7448 57p	74177 60p	4086 53p		
AF127 25p	BF178 20p	2N1893 25p	7450 14p	74178 80p	4501 15p		
AF139 32p	BF179 25p	2N2217 24p	7451 14p	74180 80p	4507 40p		
AF186 54p	BF180 20p	2N2219 21p	7452 13p	74181 145p	4510 70p		
AF239 40p	BF181 20p	2N2369 15p	7453 14p	74182 60p	4516 64p		
ASV53 33p	BF182 20p	2N2483 26p	7454 14p	74183 110p	4518 70p		
ASV54 33p	BF183 20p	2N2484 18p	7460 14p	74184 50p	4519 72p		
AY555 33p	BF184 20p	2N2905 19p	7470 24p	74190 72p	4519 72p		
BC107 7p	BF185 20p	2N2906 19p	7472 24p	74191 72p	4520 65p		
BC108 7p	BF194 7p	2N2907 20p	7473 25p	74192 65p	4528 55p		
BC109 7p	BF196 7p	2N2926 10p	7474 25p	74193 64p	4578 27p		
BC111 12p	BF197 7p	2N3053 15p	7475 32p	74194 60p	4583 82p		
BC112 15p	BF198 7p	2N3054 44p	7476 28p	74195 55p	4585 105p		
BC119 25p	BF200 33p	2N3055 44p	7480 46p	74197 55p			
BC140 27p	BF224 16p	2N3702 8p	7485 59p	74198 110p			
BC142 20p	BF257 16p	2N3703 8p	7486 24p	74199 110p			
BC143 24p	BF258 28p	2N3704 8p	7490 32p				
BC147 7p	BF259 28p	2N3706 8p	7491 45p	CMOS			
BC149 7p	BF259 28p	2N3707 8p	7492 35p	4000 15p			
BC157 7p	BFR39 18p	2N3710 13p	7493 34p	4001 15p			
BC158 7p	BFR40 18p	2N3711 8p	7494 34p	4002 15p			
BC159 7p	BFR79 18p	2N3722 172p	7495 82p	4006 80p			
BC168 7p	RFX29 20p	2N3773 275p	7496 50p	4007 15p			
BC170 7p	RFX30 32p	2N3866 54p	7497 138p	4008 64p			
BC171 7p	RFX85 20p	2N3904 8p	74100 88p	4009 35p			
BC172 7p	RFX86 27p	2N4061 12p	74101 50p	4010 35p			
BC173 7p	RFX87 20p	2N4062 12p	74104 50p	4011 15p			
BC182 9p	BFY50 15p		74105 40p	4012 15p			
BC183 9p	BFY51 12p	TTL	74107 25p	4013 35p			
BC184 9p	BFY53 17p	7400 12p	74109 30p	4014 60p			
BC186 19p	BSX19 20p	7401 12p	74110 46p	4015 60p			
BC187 19p	BSX20 18p	7402 12p	74116 160p	4016 35p			
BC207 10p	BU205 130p	7403 12p	74118 82p	4017 55p			
BC212 10p	BU208 150p	7404 12p	74120 125p	4018 64p			
BC213 10p	OC25 76p	7405 12p	74121 25p	4019 40p			
BC214 10p	OC28 87p	7406 24p	74122 33p	4020 60p			
BC237 12p	OC35 76p	7407 24p	74123 40p	4021 80p			
BC238 14p	OC71 16p	7408 14p	74125 35p	4022 52p			
BC301 30p	OC72 25p	7409 14p	74126 35p	4023 15p			
BC303 13p	OC84 42p	7410 15p	74127 50p	4024 45p			
BC328 13p	TIP29 35p	7411 15p	74128 79p	4025 15p			
BC338 13p	TIP30 35p	7412 17p	74129 56p	4027 35p			
BC547 11p	TIP31 45p	7413 28p	74131 56p	4028 52p			
BC548 11p	TIP32 45p	7414 48p	74132 200p	4029 60p			
BC549 11p	TIP33 50p	7415 25p	74133 35p	4030 35p			
BC557 11p	TIP34 64p	7416 25p	74134 58p	4035 60p			
BCY30 60p	TIP35A 168p	7417 24p	74147 110p	4042 54p			
			74148 90p				
			74150 70p				
			74151 50p				

BRIDGE RECTIFIERS	1A/50V 22p	ZENER DIODES 400mW	2.7V to 33V 8p
1A/100V 24p	1A/200V 27p	VERO BOARDS 0.1" copper	2.5"x5" 51p
1A/400V 30p	2A/50V 36p	3.5"x5" 60p	
2A/100V 38p	2A/200V 38p	CERAMIC CAP 50V	22pF to 50,000pF 3p
2A/400V 40p		POLYESTER CAP 250V	.01, .015, .022, .033, .047, .068 and .1 uF at .15, .22, .33 uF at .47, .68 uF 12p
		1 uF 15p	2.2 uF 25p
		ELECTROLYTIC CAP 25V	1uF to 47 uF 6p
		220 uF 9p	68 uF, 100 uF 7p
		330 uF 11p	150 uF 8p
		470 uF 14p	
		RESISTORS	4.7 ohms to 1 Mohms 1p
		POTENTIOMETERS	1 Kohm to 2 Mohm Linear and Log 22p
			5 Kohm to 1 Mohm Log with switch 50p
		PRESETS Horizontal	100 ohm to 1 Mohm 5p

Please add 25p for p&p
DELTA TECH & CO
 Unit 4, 62 Naylor Road
 London N20 0HN



450 WATTS POWER AMPLIFICATION BY CHESTER LABORATORIES

Chester modules are designed for P.A. Disco or HiFi amplification. Reliability is of the highest importance in P.A. or Group amps, therefore the amplifier has to function into not only a single speaker but multiple speakers whose impedance varies very considerably with frequency. A column of 8 ohm speakers can go down to 3 ohms or less at some frequencies. Unless the amplifier is designed to operate into about 2 ohms, its reliability will be very much reduced.

Our approach is to use sufficient transistors in the output stage to provide a massive reserve capability for the amplifier to drive into about 2 ohms. Transistor protection is incorporated in the event of the output being shorted.

OUTPUT POWER The output is 32 volts into 2.5 ohms -450 Watts
 34 volts into 4 ohms -290 Watts
 36 volts into 8 ohms -170 Watts

These are RMS sine wave figures maintained for 30 mins. Or peaks or music much higher powers are possible.
 Supply required 90 to 140 volts
 Signal to noise (unweighted) 130dB ref 200 watts
 Power bandwidth + or - 1dB 30Hz to 25 KHz
 Input 0.7 volts at 40k input impedance.
 T.H.D. typically 0.1% at any frequency.
 The module features six 30 amp output transistors and 3 amp driver transistors. The output capacitor is too large to go on a circuit board and is supplied with the amp module.

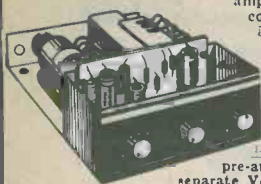
PA 450 £29.00
PA 250 £21.00
 250 Watts into 6 ohms
 (Other specs same as PA 450)
POWER SUPPLY FOR PA 450 £18.00

CHESTER LABORATORIES
 96 Glengall Road, London NW6

For 1 PA 450 or Two PA 250
 Prices include postage, tax etc.

Send cheque or P.O. for 30p for our catalogue of amps, preamps, tone controls etc.

SUPERSOUND 13 HI-FI MONO AMPLIFIER



A superb solid state audio amplifier. Brand new components throughout.
5 Silicon transistors plus 2 power out-pull transistors in push-pull. Full wave rectification. Output approx. 13 watts r.m.s. into 8 ohms. Frequency response 12Hz. 30KHz \pm 3db. Fully integrated pre-amplifier stage with separate Volume, Bass boost and Treble cut controls. Suitable for 8-15 ohm speakers. Input for ceramic or crystal cartridge. Sensitivity approx. 40mV for full output. Supplied ready built and tested, with knobs, escutcheon panel, input and output plugs. Overall size 5" high x 6" wide x 7 1/2" deep. AC 200/250V. PRICE £18.00, P. & P. £1.20.

Treble cut controls. Suitable for 8-15 ohm speakers. Input for ceramic or crystal cartridge. Sensitivity approx. 40mV for full output. Supplied ready built and tested, with knobs, escutcheon panel, input and output plugs. Overall size 5" high x 6" wide x 7 1/2" deep. AC 200/250V. PRICE £18.00, P. & P. £1.20.

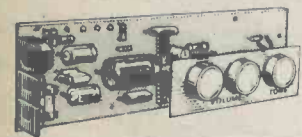
HARVERSONIC MODEL P.A. TWO ZERO

An advanced solid state general purpose mono amplifier suitable for Public Address system, Disco, Guitar, Gram., etc. Features 3 individually controlled inputs (each input has a separate 2 stage pre-amp). Input 1, 15mV into 47k. Input 2, 15mV into 47k. (suitable for use with mic. or guitar etc.) Input 3 200mV into 1 meg. suitable for gram, tuner, or tape etc. Full mixing facilities with full range bass & treble controls. All inputs plug into standard jack sockets on front panel. Output socket on rear of chassis for an 8 ohm or 16 ohm speaker. Output in excess of 20 watts R.M.S. Very attractively finished purpose built cabinet made from black vinyl covered steel, with a brushed anodised aluminium front escutcheon. For ac mains operation 200/240V. Size approx. 12 1/4" w. x 5" h. x 7 1/4" d.



Special introductory price £28.00 - £2.50 carr & pkg.

HARVERSONIC STEREO 44



A solid state stereo amplifier chassis, with an output of 3-4 watts per channel into 8 ohm speakers. Using the latest high technology integrated circuit amplifiers with built in short term thermal overload protection. All components including rectifier smoothing capacitor, fuse, tone control, volume controls, 2 pin din speaker sockets and 5 pin din tape rec./play socket are mounted on the printed circuit panel, size approx. 9 1/4" x 2 1/2" x 1" max. depth. Supplied brand new and tested, with knobs, brushed anodised aluminium 2 way escutcheon (to allow the amplifier to be mounted horizontally or vertically), at only £10.00 plus 50p P. & P. Mains transformer with an output of 17V \pm 5% at 300 mA can be supplied at £2.00 plus 40p P. & P. if required. Full connection details supplied.

BRAND NEW MULTI-RATIO MAINS TRANSFORMERS. Giving 13 alternatives. Primary: 0-210-240V. Secondary combinations 0-5-10-15-20-25-30-35-40-60v. half wave at 1 amp, 0-5-10, 20-0-20, 30-0-30v. at 2 amps full wave. Size 3in. long x 3 1/2in. wide x 3 1/2in. deep. Price £3.20, P. & P. £1.20.

MAINS TRANSFORMER. For power supplies. Pri. 200/240V. Sec. 9-0-9 at 500 mA. £1.80 P. & P. 65p. Pri. 200/240V. Sec. 12-0-12 at 1 amp. £2.00 P. & P. 65p. Pri. 200/240V. Sec. 10-0-10 at 2 amp. £2.70 P. & P. 90p. Pri. 200/240V. Sec. 23v. at 1.5 amp, 6v at .6 amp, 8v. at 50 mA. £2.25 + 60p P. & P.

MAINS TRANSFORMER. Pri. 0, 110 and 240 Sec. 25V at 1.8 amp. Also tapped at 12V 3 amp. Size 2 1/2in hx 3 1/2in w x 2 1/2 in d. £2.50 + 1p P. & P.

ALL PURPOSE POWER SUPPLY UNIT 200/240V. A.C. input. Four switched fully smoothed D.C. outputs giving 6v, and 7 1/2v, and 9v, and 12v, at 1 amp on load. Fitted insulated output terminals and pilot lamp indicator. Hammer finish metal case overall size 6" x 3 1/4" x 2 1/4". Ready built and tested. Price £6.75, P. & P. 95p

STEREO-DECODER SIZE 2" x 3" x 1 1/2"

Ready built. Pre-aligned and tested. Sens. 20-650mV for 9-16V neg. earth operation. Can be fitted to almost any FM VHF radio or tuner. Stereo beacon light can be fitted if required. Full details and instructions (inclusive of hints and tips) supplied. £8.00 plus 20p P. & P. Stereo beacon light if required 40p extra.



QUALITY RECORD PLAYER AMPLIFIER MK. II A top quality record player amplifier employing heavy duty double wound mains transformer, ECC83, EL84, and rectifier. Separate Bass, Treble and Volume controls. Complete with output transformer matched for 2 ohm speaker. Size 7 1/2in wide x 3 1/2in deep x 6 1/2in high. Ready built and tested. PRICE £7.00, P. & P. £1.25 ALSO AVAILABLE mounted on board with output transformer and speaker. PRICE £8.00, P. & P. £1.30.

MAINS OPERATED SOLID STATE AM/FM STEREO TUNER

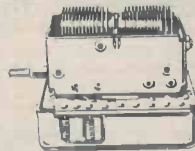


200/240V Mains operated Solid State A/M F/M Stereo Tuner. Covering M.W. A.M. 540-1605 KHZ, VHF/FM 88-108 MHz. Built-in Ferrite rod aerial for M.W. Full AFC and AGC on AM and FM. Stereo Beacon Lamp Indicator. Built-in Pre-amps with variable output voltage adjustable by pre-set control. Max o/p Voltage 600 mV RMS into 20K. Simulated teak finish cabinet. Will match almost any amplifier. Size 8 1/4" w. 4 1/2" h x 9 1/2" d. approx. LIMITED NUMBER ONLY at £28.00 + £1.50 P. & P.

SPECIAL OFFERS

Mullard LP1159 RF-IF Double Tuned Amplifier Module for nominal 470kHz. Size approx. 2 1/2" x 1 1/2" x 1 1/2" 7-6V + earth. Brand new pre-aligned. Full specification and connection details supplied. £2.25 + P. & P. 20p.

Pyc VHF/FM Tuner Head covering 88-108MHz/Hz. 10-7MHz IF output 7-5V + earth. Supplied pre-aligned, with full circuit diagram. Connection details supplied. Beautifully made with precision-gear FM Gang and 323 Pf + 323 Pf AM Tuning Gang only £3.15 + P. & P. 35p.



PRECISION MADE

Push Button Switch bank. 3 Buttons giving 16 B/P C/O interlocked switches plus 1 Cancel Button Plus 3 d/p c/o. Overall size 3 1/2" x 2 1/2" x 1". Supplied complete with chrome finished switch buttons 2 for £1.80 + 20p, P. & P.

SPECIAL OFFER Limited number only!

New but very slightly shop soiled transistor radios by well known manufacturer. Very smart and attractive. vinyl covered with carrying handle.

Two models available: AC mains or battery operated and covering VHF/FM and MW bands. £10.00 + £1.30 p&p

Similar to above but battery operation only. Five wavebands, MW, FM, SW and two VHF bands for reception of aircraft and some public service systems. £11.00 + £1.30 p&p

Size (either model), 7in.H x 9 1/2in.W x 4in. D approx. Both types have telescopic aerials for VHF/FM reception and internal ferrite aerials for AM bands, also earphone socket for personal listening. Either model uses four HP11 or 8P11 batteries (not supplied).

LOUDSPEAKER BARGAINS

5in. 4 ohm £2.20, P. & P. 35p. 7 x 4in. 3 ohm £2.80, P. & P. 45p. 10 x 6in. 3 or 15 ohm £3.85, P. & P. 75p. 8 x 6in. 2 ohm with high flux magnet £4.80, P. & P. 160p. Tweeter. Approx. 3 1/2". Available 3 or 8 or 15 ohms. £2.20, 30p P. & P.

2" PLASTIC CONE HF TWEETER 4 ohm, £3.50 per matched pair + 50p P. & P.

HIGH POWER HI-FI 8 ohm Dome Tweeter. 1" voice coil. Magnet size 3" dia. Suitable for use in up to 50 watt systems. £4.50 each + 60p P. & P.

VYNAP & REXINE SPEAKERS & CABINET FABRICS app. 54 in. wide. Our price £2.00 yd. length. P. & P. 50p per yd. (min. 1 yd.). S.A.E. for samples.

"POLY PLANAR" WAFER-TYPE, WIDE RANGE ELECTRO-DYNAMIC SPEAKER

Size 11 1/2" x 14 1/2" x 1 1/2" deep. Weight 19oz. Power handling 20W r.m.s. (40W peak). Impedance 8 ohm only. Response 40Hz-20kHz. Can be mounted on ceilings, walls, etc. and used with or without baffle. Send S.A.E. for details. Only £8.40 each. P. & P. 90p for one, £1.10 for two. Now available in either 8" round version or 4" x 8 1/2" rectangular. 10 watts R.M.S. 60Hz-20kHz £5.25 + P. & P. (one 65p, two 75p).

SONOTONE STANC COMPATIBLE STEREO CARTRIDGE

T/O strius Diamond Stereo LP and Sapphire 78. ONLY £2.50 P. & P. 20p. Also available fitted with twin. Diamond T/O stylus for Stereo LP. £3.00, P. & P. 20p. LATEST CRYSTAL T/O STEREO/COMPATIBLE CARTRIDGE for EP/LP/Stereo 78. £2.00 P. & P. 20p

LATEST T/O MONO COMPATIBLE CARTRIDGE for playing EP/LP/78 mono or stereo records on mono equipment. Only £2.00 P. & P. 20p

STEREO MAGNETIC PRE-AMP sens. 3mV in for 100mV out 15 to 35V neg earth. Equ. \pm 1db. From 20 Hz to 20 KHz. Input impedance 47k. Size 1 1/2in x 2 1/2in x 5 1/2in. £2.60 + 20p P. & P.

HARVERSONIC SUPER SOUND 10 + 10 STEREO AMPLIFIER KIT



A really first-class Hi-Fi Stereo Amplifier Kit. Uses 14 transistors including Silicon Transistors in the first five stages on each channel resulting in even lower noise level with improved sensitivity. Integrated pre-amp with Bass, Treble and two Volume Controls. Suitable for use with Ceramic or Crystal cartridges. Very simple to modify to suit magnetic cartridge—instructions included. Output stage for any speakers from 8 to 15 ohms. Compact design, all parts supplied including drilled metal work, high quality ready drilled printed circuit board with component identification clearly marked, smart brushed anodised aluminium front panel with matching knobs, wire, solder, nuts, bolts—no extras to buy. Simple step by step instructions enable any constructor to build an amplifier to be proud of. Brief specifications: Power output: 14 watts r.m.s. per channel into 8 ohms. Frequency response \pm 3dB 12-30,000 Hz Sensitivity: better than 80mV into 1M Ω . Full power bandwidth: \pm 3dB 12-15,000 Hz. Bass, boost approx. to \pm 12dB. Treble cut approx. to \pm 16dB. Negative feedback 18dB over main amp. Power requirements 35v. at 1-0 amp. Overall Size 12" w. x 8" d. x 2 1/2" h. Fully detailed 7 page construction manual and parts list free with kit or send 25p plus large S.A.E.

AMPLIFIER KIT £14.50 P. & P. 80p
(Magnetic input components 33p extra)
POWER PACK KIT £8.00 P. & P. 95p
CABINET £4.00 P. & P. 85p

Special offer — only £25.00 if all 3 units ordered at one time plus £1.25 P. & P.

Full after sales service
Also available ready built and tested £31.25, P. & P. £1.50.



3-VALVE AUDIO AMPLIFIER HA34 MK II.

Designed for Hi-Fi reproduction of records. A.C. Mains operation. Ready built on plated heavy gauge metal chassis, size 7 1/2" w. x 4 1/2" x 4 1/2" h. Incorporates ECC83, EL84, E280 valves. Heavy duty double wound mains transformer and output transformer matched for 3 ohm speaker. Separate volume control and now with improved wide range tone controls giving bass and treble lift and cut. Negative feedback line. Output 4 1/2 watts. Front panel can be detached and leads extended for remote mounting of controls. Complete with knobs, valves, etc., wired and tested for only £8.50, P. & P. £1.40.

HSL "FOUR" AMPLIFIER KIT. Similar in appearance to HA34 above but employs entirely different and advanced circuitry. Complete set of parts, etc. £8.00, P. & P. £1.40.

10/14 WATT HI-FI AMPLIFIER KIT

A stylishly finished monaural amplifier with an output of 14 watts from 2 EL84s in push-pull. Super reproduction of both music and speech, with negligible hum. Separate inputs for mike and gram. Flow records and announcements to follow each other.

Fully shrouded section wound output transformer to match 3-15 Ω speaker and 2 independent volume controls, and separate bass and treble controls are provided giving good lift and cut. Valve line-up 2 EL84s, ECC83, EF86 and EF50 rectifier. Simple instruction booklet 25p x SAE (Free with parts). All parts sold separately. ONLY £15.50, P. & P. £1.40. Also available ready built and tested tested £20.00, P. & P. £1.40.



SPECIAL LINES OFFERED SUBJECT TO STOCK AVAILABILITY

Limited number of British Manufacturer's Surplus professional 100 watt RMS slave amplifiers. Special features: 2 separate power modules, 1 for Bass response, and 1 for mid. range/tweeter, 5 stage LED display for power o/p indication. AC mains p/p switchable for 110 or 240V. Can easily be converted to stereo.

AVAILABLE TO PERSONAL CALLERS ONLY—PLEASE PHONE TO CONFIRM AVAILABILITY.
Brand new and tested only £33.75.

OUR PRICES INCLUDE VAT AT CURRENT RATES

Open 9.30-5.30 Monday to Friday, 9.30-5 Saturday
Closed Wednesday.
Prices and specifications correct at time of press. Subject to alteration without notice

HARVERSON SURPLUS CO. LTD.

(Dept. REC) 170 MERTON HIGH ST., MERTON, LONDON, SW.19. Tel: 01-540 3985

A few minutes from South Wimbledon Tube Station

SEND SAE WITH ALL ENQUIRIES. FOR PERSONAL CALLERS ONLY: WE CAN NOW OFFER A FULL REPAIR SERVICE ON ALL HI-FI EQUIPMENT, DISCO, CASSETTES, CAR RADIO, ETC.

(Please write clearly)

PLEASE NOTE: P. & P. CHARGE QUOTED APPLY TO U.K. ONLY. P. & P. ON OVERSEAS ORDERS CHARGED EXTRA.

NEW YEAR SPECIAL OFFERS ON CERTAIN COMPONENTS

(PRICES VALID UNTIL 1.3.79)

<p>POTS Carbon Rotary Modern Types</p> <p>680ohm lin 2K7 lin 4K lin 10K lin 250K lin 50K lin 100K lin 200K lin 500K lin Dual 100K lin Dual 250K lin 500K lin Slider 1K8</p> <p style="text-align: center;">★ STAR OFFER All pots only 12p each</p>	<p>EXTRA SPECIAL OFFER</p> <p>By demand we present a transistor inverter 12v dc input - 200/240v ac output 50Hz at 40 watts uncased but ready wired and assembled, transistors mounted on aluminium folded sheet, square wave output £4.80 plus 50p postage or alternative smoothed/filtered output waveform £5.80 plus 50p postage.</p>	<p>TESTED PAKS</p> <p>Ten mixed marked values electrolytics at 17p</p> <p>Eighteen mixed small resistors at 12p</p> <p>Fifteen assorted capacitors could be mylar, ceramic polyester etc. at 12p</p> <p>Twenty mixed transistors at 35p</p> <p>Ten mixed wirewound resistors at ★ Star offer 18p</p>	<table border="0"> <tr><td>AC128</td><td>5p</td><td>2N3866</td><td>40p</td></tr> <tr><td>BC107</td><td>4p</td><td>2N3553</td><td>55p</td></tr> <tr><td>BC108</td><td>4p</td><td>ASY51</td><td>12p</td></tr> <tr><td>BC109</td><td>4p</td><td>ASY66</td><td>12p</td></tr> <tr><td>2N456</td><td>25p</td><td>OC702</td><td>10p</td></tr> <tr><td>E5398</td><td>4p</td><td>2S302</td><td>15p</td></tr> <tr><td>T1P31B</td><td>20p</td><td>2SA49</td><td>5p</td></tr> <tr><td>T1P29</td><td>26p</td><td>2SB156A</td><td>5p</td></tr> <tr><td>T1P33</td><td>31p</td><td>AC169</td><td>8p</td></tr> <tr><td>2N3054</td><td>34p</td><td>OC57</td><td>7p</td></tr> <tr><td>2N3055</td><td>34p</td><td>OC140</td><td>25p</td></tr> <tr><td>SA496</td><td>8p</td><td>2N527</td><td>20p</td></tr> <tr><td>2G304</td><td>10p</td><td>2N215</td><td>8p</td></tr> <tr><td>2SA52</td><td>5p</td><td>U14708</td><td>6p</td></tr> <tr><td>MM2613</td><td>4p</td><td>2SA53</td><td>5p</td></tr> </table>	AC128	5p	2N3866	40p	BC107	4p	2N3553	55p	BC108	4p	ASY51	12p	BC109	4p	ASY66	12p	2N456	25p	OC702	10p	E5398	4p	2S302	15p	T1P31B	20p	2SA49	5p	T1P29	26p	2SB156A	5p	T1P33	31p	AC169	8p	2N3054	34p	OC57	7p	2N3055	34p	OC140	25p	SA496	8p	2N527	20p	2G304	10p	2N215	8p	2SA52	5p	U14708	6p	MM2613	4p	2SA53	5p
AC128	5p	2N3866	40p																																																												
BC107	4p	2N3553	55p																																																												
BC108	4p	ASY51	12p																																																												
BC109	4p	ASY66	12p																																																												
2N456	25p	OC702	10p																																																												
E5398	4p	2S302	15p																																																												
T1P31B	20p	2SA49	5p																																																												
T1P29	26p	2SB156A	5p																																																												
T1P33	31p	AC169	8p																																																												
2N3054	34p	OC57	7p																																																												
2N3055	34p	OC140	25p																																																												
SA496	8p	2N527	20p																																																												
2G304	10p	2N215	8p																																																												
2SA52	5p	U14708	6p																																																												
MM2613	4p	2SA53	5p																																																												
<p>I.C.'s</p> <p>'326' and '335' both are 16 pin dil packages, dual two input dual three input, 12v rail, full spec with data 7p</p> <p>'370' is a quad flip flop, 16 pin dil package, 12v rail full spec, with data 7p</p> <p>'332' dual two input with four invertors, 16 pin dil package, 12v rail full spec, with data 7p</p>	<p>BOLTS</p> <p>6BA plated 1/4" pk six 7p 1/2" pk of six 10p Nylon 6BA 1/2" six 14p 4BA plated 1/4" pk five 8p 3/4" five 12p Nuts 6BA or 4BA ten 8p</p>	<p>Eighteen mixed values ceramic capacitors at 12p</p> <p>Ten mixed 400mw zener diodes 18p</p> <p>Ten mixed 2w zener diodes at 24p</p> <p>Six mixed value pots rotary at ★ Star offer 40p</p>	<p>FET's</p> <p>P/channel 11p N/channel 12p Photo transistor 12p</p>																																																												
<p>HEATSINKS</p> <p>Single TO3 black anodised aluminium finned & ready drilled 2" x 1 1/2" x 1 1/2" 44p</p> <p>Double TO3 black anodised aluminium finned, ready drilled, 3 1/2" x 1 1/2" x 1 1/2" 82p</p> <p>TO3 transistor insulation covers, black nylon up to 30Kv 5p TO3 Power Skts 18p TO3 melinex/mica ins. washers 3p TO3 ins. bushes 2p</p>	<p>Dryfit sealed non-spillable lead acid rechargeable batteries. All types are ex-equipment but tested and in good condition. 6v 900ma £1.80 plus p/p 35p. 6v 2.6AH £3.50 plus p/p 45p. 6v 6AH £4.60 plus p/p 55p. 6v 7.5AH £6.75 plus p/p 55p.</p>	<p>Three mixed sizes of toroidal cores at 54p</p> <p>Three mixed sizes of transistor audio transformers 46p</p> <p>Twelve 7400 series IC's unmarked/untested at 24p</p> <p>Twenty silicon diodes mixed signal and power types at 10p</p> <p>Six FETs at 50p</p> <p>Six photo type transistors at ★ Star offer 40p</p>	<p>Rubber connecting block 2-way mains type 5p</p> <p>Coil formers 3/8" with core 7p</p> <p>Solder-in tubular trimmers, 3 pf 7p 6 pf 7p 8 pf 8p 12 pf 8p</p> <p>TBA120S FM I.C.'s untested but with data 12p</p> <p>Wideband Amplifier I.C.'s untested with data 12p</p> <p>Vari-Cap Diodes tested at two 6p</p>																																																												
<p>TOROIDAL CORES all round</p> <p>21mm 10p, 25mm 12p, 27mm 13p, 29mm 14p, 33mm 16p, 39mm 21p, 48mm 28p, 52mm 28p, 58mm 29p, 68mm 30p, 78mm 30p.</p>	<p>DISPLAYS</p> <p>0.3" economy seven segment displays, common anode, left hand decimal point. 14 pin dil package.</p> <p>Red 65p Yellow 70p Green 75p</p> <p>HP7750 display C.A. seven seg. red, 14 pin package, plus one displayed at full 0.3" 98p</p>	<p>Twenty mixed BC107/8/9 transistors at ★ Star offer 50p</p> <p>Twelve C280 capacitors asstd 10p</p>	<p>ELECTROLYTIC CAPACITORS</p> <table border="0"> <tr><th>Radial</th><th>Axial</th><th></th></tr> <tr><td>6.8uf/25v</td><td>16uf/30v</td><td>3p</td></tr> <tr><td>33uf/160v</td><td>25uf/12v</td><td>3p</td></tr> <tr><td>47uf/25v</td><td>40uf/16v</td><td>3p</td></tr> <tr><td>64uf/70v</td><td>400uf/10v</td><td>4p</td></tr> <tr><td>2mfd/40v</td><td>64uf/10v</td><td>3p</td></tr> <tr><td>100uf/40v</td><td>68uf/6.3v</td><td>3p</td></tr> <tr><td>140uf/100v</td><td>68uf/16v</td><td>3p</td></tr> <tr><td>150uf/16v</td><td>470uf/6.3v</td><td>5p</td></tr> <tr><td>150uf/18v</td><td>125uf/10v</td><td>3p</td></tr> <tr><td>.22/25v</td><td>150uf/6.3v</td><td>3p</td></tr> <tr><td>320uf/18v</td><td>250uf/16v</td><td>4p</td></tr> <tr><td>330uf/25v</td><td>1000uf/10v</td><td>8p</td></tr> <tr><td>400uf/25v</td><td></td><td></td></tr> <tr><td>470uf/16v</td><td></td><td></td></tr> <tr><td>1500uf/3v</td><td></td><td></td></tr> </table>	Radial	Axial		6.8uf/25v	16uf/30v	3p	33uf/160v	25uf/12v	3p	47uf/25v	40uf/16v	3p	64uf/70v	400uf/10v	4p	2mfd/40v	64uf/10v	3p	100uf/40v	68uf/6.3v	3p	140uf/100v	68uf/16v	3p	150uf/16v	470uf/6.3v	5p	150uf/18v	125uf/10v	3p	.22/25v	150uf/6.3v	3p	320uf/18v	250uf/16v	4p	330uf/25v	1000uf/10v	8p	400uf/25v			470uf/16v			1500uf/3v														
Radial	Axial																																																														
6.8uf/25v	16uf/30v	3p																																																													
33uf/160v	25uf/12v	3p																																																													
47uf/25v	40uf/16v	3p																																																													
64uf/70v	400uf/10v	4p																																																													
2mfd/40v	64uf/10v	3p																																																													
100uf/40v	68uf/6.3v	3p																																																													
140uf/100v	68uf/16v	3p																																																													
150uf/16v	470uf/6.3v	5p																																																													
150uf/18v	125uf/10v	3p																																																													
.22/25v	150uf/6.3v	3p																																																													
320uf/18v	250uf/16v	4p																																																													
330uf/25v	1000uf/10v	8p																																																													
400uf/25v																																																															
470uf/16v																																																															
1500uf/3v																																																															
<p>DESIGNED TO OPERATE RELIABLY IN CONTINUOUS OR INTERMITTENT USE, LOW STANDING CURRENT DRAIN, PROPORTIONAL CURRENT CONSUMPTION WITH REGARD TO THE CONNECTED LOAD, ASSEMBLED IN VINYL COVERED INSTRUMENT CASES WITH GRADE ONE SILICON POWER TRANSISTORS — GUARANTEED 2 YEARS — DC INPUT FUSED.</p> <p>12 volt dc inputs — 200/240V</p>	<p>I.C. SKTS</p> <p>Low profile dil 8 pin 9p 14 pin 12p 16 pin 13p</p>	<p>AUDIO TRANSFORMERS</p> <p>Miniature transistor output types, 3-pin Pri-types 20p 4-pin Pri-types 20p Interstage types 18p</p> <p>400mw Zener Diodes (new) 3.6v, 6.8v, 10v, 11v, 12v, 13v, 16v, 24v, 30v, 33v, all 3p each</p>	<p>OPTIONAL EXTRAS</p> <p>Smoothed and filtered waveform circuitry £2.50; Additional 13 amp mains output socket fitted £1.20; Panel fuse/holder 20mm for mains protection fitted £1.00. All inverters are ready assembled, DC input via heavy duty cables with attached battery clips, AC mains output via a 13 amp socket.</p>																																																												

NEW RANGE TRANSISTORISED INVERTER UNITS

AC outputs regulated at 50HZ square wave or optional smoothed and filtered wave form circuitry for sensitive equipment:

22/25 watts, cased 4 in x 3 in x 2 in **£6.80** postage **85p** extra;
38/40 watts, cased 4 in x 3 in x 2 in **£9.40** postage **85p** extra;
120/140 watts, cased 8 in x 7 in x 3 in **£18.70** postage **£1.40** extra;
180/200 watts, cased 8 in x

7 in x 3 in **£24.60** postage **£1.40** extra; 240/250 watts, cased 9 in x 8 in x 3 in **£28.80** postage **£1.80** extra; 350/360 watts, cased 10 in x 8 in x 3 1/2 in **£34.50** postage **£2.00** extra; 420/440 watts, cased 10 in x 8 in x 3 1/2 in **£40.00** postage **£2.00** extra; 480/500 watts, cased 10 in x 8 in x 3 1/2 in **£48.20** postage **£2.00** extra.

7 in x 3 in **£24.60** postage **£1.40** extra; 240/250 watts, cased 9 in x 8 in x 3 in **£28.80** postage **£1.80** extra; 350/360 watts, cased 10 in x 8 in x 3 1/2 in **£34.50** postage **£2.00** extra; 420/440 watts, cased 10 in x 8 in x 3 1/2 in **£40.00** postage **£2.00** extra; 480/500 watts, cased 10 in x 8 in x 3 1/2 in **£48.20** postage **£2.00** extra.

OPTIONAL EXTRAS

Smoothed and filtered waveform circuitry **£2.50**; Additional 13 amp mains output socket fitted **£1.20**; Panel fuse/holder 20mm for mains protection fitted **£1.00**. All inverters are ready assembled, DC input via heavy duty cables with attached battery clips, AC mains output via a 13 amp socket.

DO NOT ADD ANY EXTRAS UNLESS INDICATED

Some of the advertised components are offered below normal prices due to their being unmarked but identified and tested new and workable by ourselves, any unsatisfied customer may return goods purchased within 8 days for full refund as long as the goods are undamaged.

Overseas orders (including Ireland) add extra 10% towards postage.

ORDER DETAILS

It is helpful if you send a S.A.E. with all orders or enquiries, lists free on request.

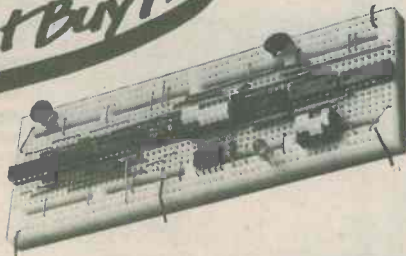
ELECTROVANCE Tel: 01-736 0685
MAIL ORDER ONLY

P.O. Box 191, London, SW6 2LS

FAST AND EASY FAST AND EASY FAST AND EASY FAST AND EASY

Britain's Best Breadboard Buys!

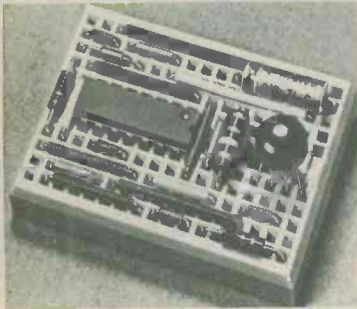
Best Buy 1.



Lektrokit Super Strip SS2

Only £11.05 inc. p & p and VAT

Super Strip accepts *all DIP's*—as many as nine 14-pin at a time—and/or TO-5's and discrete components. With interconnections of any solid wire up to 20 AWG. *And no soldering.* Super Strip has 840 contact points, combining a power/signal distribution system with a matrix of 640 contacts in groups of 5. Distribution system has 8 bus-bars, each with 25 contact points.



Best Buy 2-8

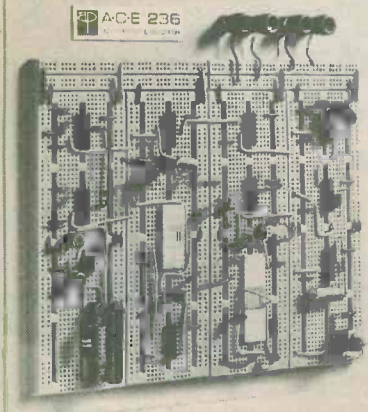
Lektrokit Breadboards and Bus Strips

From £3.25 inc p & p and VAT

The modular, solderless system! Breadboards that link together for any size, any configuration. With pitch of 0.1" to accept all IC's. Just take each component, choose its hole and push it in.

BREADBOARDS			BUS STRIPS	
Model	Contacts	Price, each	Model	Price
264L	640	£8.32	212R	£1.78
248L	480	£6.65	209R	£1.62
234L	340	£5.75	206R	£1.45
217L	170	£3.25		

(All prices include p & p and VAT)



Best Buy 9-15

Lektrokit All-Circuit Evaluators

Seven ACE models from £12.53
—all prices inc p & p and VAT

Just plug in components and make connections with ordinary 22-gauge solid wire. No soldering. Build any working project *complete* as fast as you could lay out a circuit diagram before.
ACE 200-K (728 contacts: £12.53) and ACE 201K (1,032 contacts: £16.75) come in kit form.

Lektrokit's policy is the right product, whatever the project, at the right price. And it's backed by a nationwide network of retailers. Send for the name of the dealer nearest you—plus a FREE full-colour catalogue.

Write to:- LEKTROKIT LTD., London Road, Reading, Berks. RG6 1AZ. Or send coupon.

To Lektrokit Limited, London Road, Reading, Berks, RG6 1AZ.
Tel. Reading (0734) 669116/7.
Please send me the name of my nearest Lektrokit dealer—plus FREE catalogue.
Please supply the following (list items required)

..... I enclose P.O./cheque for £

(Allow 28 days for delivery. All prices above include packing, postage and VAT).

Name

Address

REC 4

LEKTROKIT

COMPLETES THE CIRCUIT

SEMICONDUCTORS. ALL FULL SPEC. BC212, BC182, BC237, BF197, BC159, all 8p each. RCA 2015, TO3 POWER TRANSISTORS (SIM. 2N3055). 35p. MRD3051 PHOTO TRANSISTORS 35p. FET's SIMILAR TO 2N3819 17p. MOSFET SIMILAR 40673 35p. 3N140 MOSFETS 50p. M203 DUAL MATCHED PAIR MOSFETS, SINGLE GATE PER FET 40p. MIN. E.H.T. SIL. RECS. 15K.V.. 2.5mA, 30p. INTEL C1103 1024 BIT MOS RAMS 95p. 88 113 TRIPLE VARICAP DIODE 35p MC1310 STEREO DECODER IC £1.20. CD4051 IC's 50p. 741 8 PIN IC's 23p. DIODES: IN4002 4p. IN4005 7p. RED LED'S 0.2" or 0.125" 12p. NIXIES: ITT 5870ST 85p. GN9A 65p. MAN3A 3/mm 7 SEC. DISPLAYS 50p.

MICROPHONES: GRUNDIG ELECTRET MICROPHONE INSERTS WITH FET PREAMP £1.50. CRYSTAL MIKE INSERTS 37mm 45p. ELECTRET CONDENSER MIKES. 1K IMP. WITH STANDARD JACK PLUG £2.85. EM506 CONDENSER MIKES. UNI DIRECTIONAL, FET AMP DUAL IMPEDANCE 50K/600 OHMS ON OFF SWITCH 30-18KHz £11.00. EM104 MIN. TIE CLIP CONDENSER MIKES. OMNI. 1K IMP. USES DEAF AID BATTERY (SUPPLIED) £4.95.

MORSE KEYS: ALL METAL HI-SPEED TYPE £2.25 PLASTIC TYPE 95p.

HEADPHONES: 8 OHM STEREO PHONES PADDED EARPIECES AND HEADBAND, CURLY CORD, 30-18KHz ONLY £3.00.

OPTO-ISOLATORS, TYPE BX504. INFRA RED LED TO PHOTO CELL 4 LEAD 25p.

AEROSOL 'TOUCH UP' PAINT, 1 COLOUR, YELLOW/GREY, 35p 6oz can.

POT CORE UNIT, HAS 6 POT. CORES INCLUDING FX2243 (45mm) x 1, FX2242 (35 mm) x 2, 3 SILICON TO3 POWER TRANSISTORS ON HEAT SINK, 3 20mm PANEL FUSEHOLDERS, 5 amp PLASTIC S.C.R. AND PANEL WITH VARIOUS TRANSISTORS AND DIODES NEW. £1.75 (75p p&p).

SOLDER SUCKERS: PLUNGER TYPE. REPLACEABLE NOZZLE. EYE PROTECTION SHIELD. HIGH SUCTION £4.95.

CRYSTALS. 300KHz 40p.

EDGE CONNECTORS: 0.1 MATRIX 64 WAY 65p. 32 WAY 40p. 0.2" 18 WAY 15p.

RELAYS: 4 POLE CHANGEOVER, 700 OHM 55p. MIN SEALED 240v AC 2 POLE C/O RELAYS 40p. 4 POLE REED RELAYS, 12 volts 20p. 24 VOLT 2P C/O SEALED RELAYS. 3 AMP CONTACTS. NEW. 55p.

SPECIAL OFFER SGS TBA800 IC's...10 for £5.00.

NE555 I.C.'s 10 for £3.00.

AMPHENOL CONNECTORS
PL259 plugs 45p SO239 sockets. 40p Reducers. 12p

GLASS REED SWITCHES
28mm normally open .50p for 10

MULTIMETERS
LT101, 1000 ohms per volt
0-10-50-250-1000VAC, 0-10-50-250-1000VDC
0.1, 0-100MA DC CURRENT, 0-3K, 0-150K RESISTANCE
£5.00

Y206, 20,000 ohms per volt
0-10-50-250-1000VAC, 0-5-25-125-250-500-1000VDC
0.005 5-2500MA DC CURRENT, 0-3K, 300K, 3MEG RESISTANCE
£9.95

40 watt 240VAC Pencil tip SOLDERING IRONS, lightweight (spares in stock) £1.95
12VDC 15 watt PORTABLE SOLDERING IRON-£1.60

SPECIAL OFFER:
7" x 4" 15/20 Ohm SPEAKERS, new .75p each

POWER SUPPLIES
Cass/Radio/Calc power supply, plugs into 13 amp socket
3-4 1/2-6 1/4-9V D.C. out at 100 or 400MA (switchable)
£3.20

Cassette Power Supply, plugs into 13 amp socket, 6-7.5-9VDC outputs at 300mA £2.95
DC Car Adaptor, 12VDC input, 6VDC output, fully regulated, 1 amp max. £1.90

MOTORS
Small synchronous 240VAC Motors, with gearbox, 1/5th RPM or 1/24th RPM 70p each.
Crouzet 115 VAC 4 rpm Motors. New. 95p
Heavy duty 240V A.C. Solenoids, 2" pull, 25lbs. £3.95 + 54p p&p
Small side cutter, insulated handles £1.35
Small snub-nosed pliers, insulated handles. £1.35

9 VOLT BATTERY ELIMINATORS, stabilized output, at 120MA max... only £2.45

MOTORS: 1-5 TO 6v DC MODEL MOTORS 20p. SUB. MIN. 'BIG INCH' 115v AC 3RPM MOTORS 30p. 12 V.D.C. 5 POLE MOTOR 35p.

BOXES: BLACK ABS PLASTIC PROJECT BOXES, BRASS INSERTS AND LID 75 x 56 x 35mm 44p. 95 x 71 x 36mm 52p. 115 x 95 x 36mm 60p.

MAINS TRANSFORMERS. All 240VAC primary, postage shown in brackets per transformer.

6-0-6 100MA (9-0-9 75MA, 12-0-12 50MA 75p each (15p) 0-4-6-9 150MA NO MOUNTING BRACKET, 65p (20p) 12-0-12 100MA 95p (15p). 12V 500MA 95p (22p). 12V 2 AMP £2.25 (45p). 12VOLT 4 AMP 2-75p (54p) 15-0-15V 1 AMP 2-10p (45p). 30-0-30V 1 AMP 2-75p (54p). 0-12-15-20-24-30V TAPPED AT 2AMP 4-50p (54p). 20-0-20V 2AMP 3-50p (54p). 25V 1-5AMP 1-45p (54p). 18V 1-5AMP RECTIFIED 2-00P (45p). 35V 2A, 2-5V 2A TOROID 2-95p (54p). 20VOLTS 2-5A 2-20p (54p).

1 1 XENON/TRIAC PULSE TRANSFORMERS 30p.

BUZZERS: GPO TYPE 6-12 volts 30p. 12 volt LARGE PLASTIC DOMED BUZZERS (50mm) LOUD NOTE 50p. MIN. SOLID STATE BUZZERS. 6-9-12 OR 24 volt. ALL 15mA 75p each.

U.H.F. TUNERS: PUSH BUTTON T.V. TYPE (NOT VARICAP) NEW AND BOXED £2.50.

TAPE HEADS: STEREO CASSETTE £3.00. MN1330 DUAL IMPED. R/P HALF TRACK HEADS 50p. SRP90 1/2 TRACK R/P HEADS £1.95. STANDARD 8 TRACK STEREO £1.75. TD10 DUAL HEAD ASSEMBLIES 2 HEADS, BOTH 1/2 TRACK R/P WITH BUILT-IN ERASE, MOUNTED ON BRACKET £1.20.

SPECIAL OFFER: ZN414 RADIO CHIPS 75p. LM380 80p. LM381 95p. COLVERN 3K 5W wirebound pots 20p.

METERS: 200 MICRO AMP MIN. LEVEL METERS 75p. GRUNDIG IMA BATT. LEVEL METERS 40 x 40mm £1.10. DUBILIER 1MFD 600V D.C. MIXED DIELECTRIC CAPACITORS 15p.

50-VAC CAM UNITS, WITH 10 C/O MICRO SWITCHES, SUPPLIED WITH CAPACITOR FOR 240 VAC USE. EX EQUIPMENT. £1.95 (+35p p&p)

SWITCHES: MIN. TOGGLE SPST 8 x 5 x 7mm 45p. DPDT 8 x 7 x 7mm 50p. DPDT CENTRE OFF 12 x 11 x 9mm 75p. MIN. PUSH TO MAKE OR PUSH TO BREAK 16 x 16mm 15p EACH TYPE. SLIDER SWITCHES: DPDT MIN. 12p. DPDT C/OFF 20p. MICRO SWITCHES: STANDARD SIZE ROLLER ACTION 15p. MIN. 13 x 10 x 4mm 20p. PLESSEY WINKLER SWITCHES, 1 POLE 30 WAY 2 BANK ADJUSTABLE STOP 75p. 8-WAY RIBBON CABLE, MIN. SOLID CORE, 15p metre.

8-TRACK 12 volt motors, new £1.25

6v Cassette motors, new £1.35

ROSS SIREN ALARMS, operate on 6VDC 85p

ORP61, MULLARD NEW BOXED. 30p

10MFD 600VDC BLOCK PAPER CAPS, new 65p
EARPIECES, 8 Ohm with 2.5 or 3.5mm plug 14p. Crystal 3.5mm plug 32p
Russian type. 3mm plug 25p

MICRO SWITCHES
Standard size, SPCO roller operated 15p
Heavy duty, 15 amps, button operated.
SPCO, 65 x 15 x 15mm 25p

JUMPER TEST LEAD SETS
10 leads with insulated croc clips each end, different colours. 80p

STEREO HEADPHONE LEAD
Black curly, 10' approx with stereo jack plug 50p
741S (wide bandwidth) 8-pin DIL 35p

TIL305 ALPHA NUMERICAL DISPLAYS
full spec with data sheet £2.50

TAPE HEAD DEMAGNETISERS, 240-VAC with on/off switch £2.00

TELEPHONE PICK UP COIL, suction type with lead and 3.5mm plug 50p

2N5062 T092 S.C.R. 100V 800mA. 22p

MURATA MA401L 40kHz TRANSDUCERS, REC/SENDER, £3.25 pair

AMPLIFIERS
OTL410 10 watt module into 8 Ohms mono, 28VDC max £4.65
565S stereo amplifier module, 3 watts output into 8 Ohms, 12VDC £3.35

RELLING LEE L4305 MAST HEAD AMPLIFIER AND MAINS POWER SUPPLIES, Group 'A' UHF only £7.50

12 AMP RUBBER TRAILER EXTENSION SOCKETS. 38p.
LA1230 ADJ.CORE 15MM DIAM. 14MH. HI Q...6 for 50p.

TERMS: CASH WITH ORDER (OR OFFICIAL ORDER FROM COLLEGES ETC.)
POSTAGE 30p. OVERSEAS POST AT COST. V.A.T. INCLUDED IN ALL PRICES.
S.A.E. PLEASE FOR NEW ILLUSTRATED LISTS

PROGRESSIVE RADIO

31 CHEAPSIDE, LIVERPOOL 2.

STEVENSON

Electronic Components

KNOBS

Ideal for use on mixers, etc. Push on type with coloured cap in red, black, green, blue, yellow and grey.

Position line marked 14p each.



POTENTIOMETERS

5K-2M2 single 26p ea. 100Ω-2M2 horizontal or vertical preset 6p ea.
 5K-2M2 stereo (dual) 75p ea.
 5K-2M2 DP switched 60p ea.

BRIDGE RECTIFIERS

Type	PIV	I	Type	PIV	I
W005	50	1A	2KBB10	100	2A 39p
W01	100	1A	2KBB20	200	2A 45p
W02	200	1A	2KBB40	400	2A 50p
W04	400	1A	BY225	200	4.2A 100p

METAL FILM RESISTORS

A range of high precision, very high stability, low noise resistors. Rated at ¼W. 1% tolerance. Available from 51 ohms to 330K in E24 series. Any mix

each	100+	1000+
¼W 1% 4p	3.5p	3.2p

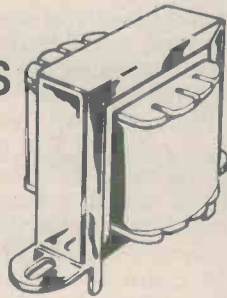
Special development pack consisting of 10 of every value from 51 ohms to 330K (a total of 930 resistors) £23.75

MINIATURE TRANSFORMERS

240 Volt Primary

Secondary rated at 100mA.

Available with secondaries of: 6-0-6, 9-0-9 and 12-0-12. 92p each



HEAT SINKS

T018	9p each	T03	20p each	T0220	20p each
T05	9p each	T0126	20p each		

Double T03 predrilled plain finish. 100mm x 124 x 27mm 90p each
 Mounting kits: T03, T066 and T0220 all 4p per kit.

We now have an express telephone order service. We guarantee that all orders received before 5pm. are shipped first class on that day. Contact our Sales Office now! Telephone: 01-464 2951/5770.

**ORDERS
 DESPATCHED
 BY RETURN
 POST**

Quantity discounts on any mix TTL, CMOS, 74LS and Linear circuits: 25+ 10%. 100+ 15%. Prices VAT inc. Please add 30p for carriage. All prices valid to 30th April 1979. Official orders welcome.

BARCLAYCARD AND ACCESS WELCOME.



TRANSISTORS

AC127	17p	BCY71	14p	ZTX109	14p
AC128	16p	BCY72	14p	ZTX300	16p
AC176	18p	BD131	35p	2N697	12p
AD161	38p	BD132	35p	3N1302	38p
AD162	38p	BD135	38p	2N2905	22p
BC107	8p	BD139	35p	2N2907	22p
BC108	8p	BD140	35p	2N3053	18p
BC109	8p	BF244B	36p	2N3055	50p
BC147	7p	BFY50	15p	2N3442	135p
BC148	7p	BFY51	15p	2N3702	8p
BC149	8p	BFY52	15p	2N3704	8p
BC158	9p	MJ2955	98p	2N3705	9p
BC177	14p	MPSA06	20p	2N3706	9p
BC178	14p	MPSA56	20p	2N3707	9p
BC179	14p	TIP29C	60p	2N3708	8p
BC182	10p	TIP30C	70p	2N3819	22p
BC182L	10p	TIP31C	65p	2N3904	8p
BC184	10p	TIP32C	80p	2N3905	8p
BC184L	10p	ZTX107	14p	2N3906	8p
BC212	10p	ZTX108	14p	2N4058	12p
BC212L	10p			2N5457	32p
BC214	10p			2N5458	30p
BC214	10p	1N914	4p	2N5459	32p
BC477	19p	1N4001	4p	2N5777	50p
BC478	19p	1N4002	4p		
BC479	19p	1N4004	5p		
BC548	10p	1N4006	6p		
BCY70	14p				

DIODES

1N914	4p	1N4148	3p
1N4001	4p	1N5401	13p
1N4002	4p	1N5402	15p
1N4004	5p	1N5404	16p
1N4006	6p	1N5406	18p

BZY88 series 2V7 to 33V 8p each.

LINEAR

A SELECTION ONLY! DETAILS IN CATALOGUE.

709	25p	LM324	50p	NE556	60p
741	22p	LM339	50p	NE565	120p
747	50p	LM380	75p	NE567	170p
748	30p	LM382	120p	SN76003	200p
CA3046	55p	LM1830	150p	SN76013	140p
CA3080	70p	LM3900	50p	SN76023	140p
CA3130	90p	LM3909	60p	SN76033	200p
CA3140	70p	MC1496	60p	TBA800	70p
LM301AN	28p	MC1458	35p	TDA1022	650p
LM318N	125p	NE555	25p	ZN414	75p

OPTO

LEDs	0.125in.	0.2in.	
Red	TIL209	TIL220	9p
Green	TIL211	TIL221	13p
Yellow	TIL213	TIL223	13p
Clips			3p

DISPLAYS

DL704	0.3 in CC	130p
DL707	0.3 in CA	130p
FND500	0.5 in CC	100p



RESISTORS

Carbon film resistors. High stability, low noise 5%.

E12 series. 4.7ohms to 10M. Any mix.

	each	100+	1000+
0.25W	1p	0.9p	0.8p
0.5W	1.5p	1.2p	1p

Special development packs consisting of 10 of each value from 4.7 ohms to 1 Megohm (650 res.) 0.5W £7.50. 0.25W £5.70

CAPACITORS

HERE ARE JUST A FEW OF THE CAPACITORS STOCKED

TANTALUM BEAD	each
0.1, 0.15, 0.22, 0.33, 0.47, 0.68, 1 & 2.2uF @ 35V	9p
4.7, 6.8, 10uF @ 25V	13p
22 @ 16V, 47 @ 6V, 100 @ 3V	16p

MYLAR FILM	3p
0.001, 0.01, 0.022, 0.033, 0.047	3p
0.068, 0.1	4p

RADIAL LEAD ELECTROLYTIC

63V	0.47	1.0	2.2	4.7	10	5p
			22	33	47	7p
						13p
			220			20p
25V	10	22	33	47		5p
						8p
						10p
						15p
						23p
10V		220		470		5p
						9p
						13p
						23p

74LS

LS00	16p	LS95	65p
LS01	16p	LS123	56p
LS02	16p	LS125	40p
LS03	16p	LS126	40p
LS04	16p	LS132	60p
LS08	16p	LS136	36p
LS10	16p	LS138	54p
LS13	30p	LS139	50p
LS14	70p	LS151	50p
LS20	16p	LS153	50p
LS30	16p	LS155	80p
LS32	24p	LS156	80p
LS37	26p	LS157	45p
LS40	22p	LS164	90p
LS42	53p	LS174	60p
LS47	70p	LS175	60p
LS48	48p	LS190	80p
LS54	16p	LS192	70p
LS73	29p	LS193	70p
LS74	29p	LS196	80p
LS75	44p	LS251	60p
LS76	35p	LS257	55p
LS78	35p	LS258	55p
LS83	60p	LS266	40p
LS85	70p	LS283	60p
LS86	33p	LS290	55p
LS90	45p	LS365	45p
LS93	45p	LS366	45p
		LS367	45p
		LS368	45p
		LS386	35p
		LS670	180p

TTL

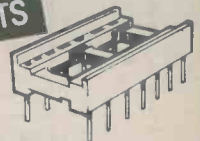
7493	34p
7494	52p
7495	52p
7496	50p
74121	25p
74122	33p
74123	40p
74125	35p
74126	35p
74132	50p
74141	56p
74148	90p
74150	70p
74151	50p
74156	52p
74157	52p
74164	70p
74165	70p
74170	125p
74174	68p
74177	58p
74190	72p
74191	72p
74192	64p
74193	64p
74196	55p
74197	55p

CMOS

FULL DETAILS IN CATALOGUE

4001	15p	4029	60p
4002	15p	4042	68p
4007	15p	4046	100p
4011	15p	4049	28p
4013	35p	4050	28p
4015	60p	4066	40p
4016	35p	4068	20p
4017	55p	4069	16p
4018	65p	4075	16p
4023	15p	4093	48p
4024	45p	4510	70p
4026	95p	4511	70p
4027	35p	451B	70p
4028	52p	4520	65p

SKTS



Low profile by Texas
 8 pin 10p 24 pin 24p
 14 pin 12p 28 pin 28p
 16 pin 13p 40 pin 40p
 Soldercon pins: 100: 50p
 1000: 370p

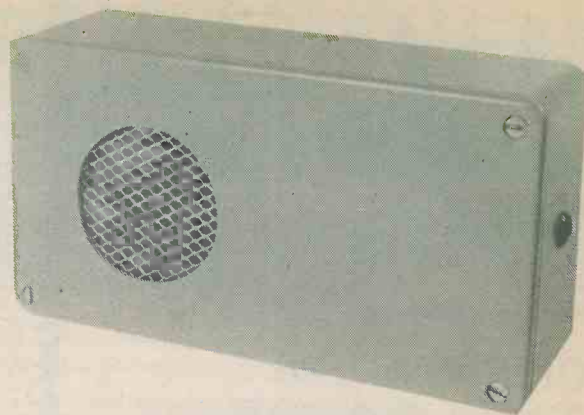
AT LAST! OUR NEW 40 PAGE CATALOGUE OF COMPONENTS IS AVAILABLE. SEND S.A.E.



Mail orders to: STEVENSON (Dept RE)

236 High St, Bromley, Kent, BR1 1PQ, England

2-TONE DOOR BUZZER



By A. P. Roberts

A DISTINCTIVE REPLACEMENT FOR THE OLD FASHIONED DOORBELL

This door buzzer circuit was designed to replace a 2-tone electric bell of the type which produces a single chime when the bell-push is pressed, and a second, lower, chime when the bell-push is released. It was decided to retain the same 2-tone approach in the electronic replacement unit, but in this case the bell-push would only trigger the circuit. Thus, when the bell-push has been pressed the circuit generates a high tone for about a second and then a low tone for a further second. This happens regardless of whether the push button is operated only momentarily or is depressed for several seconds.

METHOD OF OPERATION

The general arrangement of the unit is shown in block diagram form in Fig. 1. Two monostable multivibrators have their inputs normally tied to earth

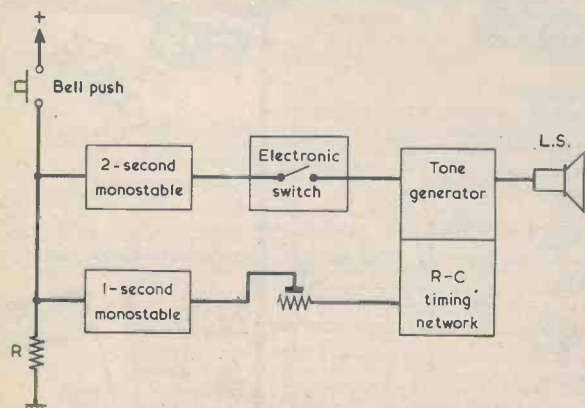


Fig. 1. The basic stages in the 2-tone door buzzer. Pressing the bell-push triggers both monostables. The upper monostable applies power to the tone generator for 2 seconds; after 1 second the pulse from the lower monostable ceases and the tone generator output frequency falls

via resistor R, the inputs being taken to the positive supply rail potential whenever the bell-push is operated. This causes both monostable circuits to be triggered.

Once triggered, a monostable of the type employed here gives an output pulse of fixed duration, and further operations of the push button during the output pulse have no effect. Neither does continuously pressing the bell-push, since the pulse will still finish at the end of the appropriate period of time. The circuit will not be retriggered until the bell-push is released and then pressed once again.

One of the monostable circuits produces an output pulse of about 2 seconds duration, and this pulse is used to turn on the tone generator by way of an electronic switch. The other monostable has an output pulse of approximately 1 second, and this pulse is coupled to the R-C timing network of the tone generator through a pre-set variable resistor. There is little effect on the tone generator while the pulse lasts, but when it ends the tone generator frequency is pulled lower. Therefore, a high tone is produced by the circuit for about 1 second, followed by a lower tone for about the same length of time.

The frequency of the lower tone can be adjusted by means of the variable resistor, and this feature is necessary since two tones of random frequency can sometimes produce rather discordant results. The variable resistor enables the unit to be adjusted to give a pleasant sounding output.

THE CIRCUIT

The circuit is shown in Fig. 2 and, as will be apparent from this, the unit incorporates just two integrated circuits and a single transistor.

Each monostable is made up of two of the gates contained in a CMOS CD4001 quad 2 input NOR gate i.c. The 2 second monostable employs gates 1 and 2, and has C2 and R3 as the timing components. Gates 3 and 4 are in the 1 second monostable, with C3 and R4 acting as the timing components. The inputs of the monostables are

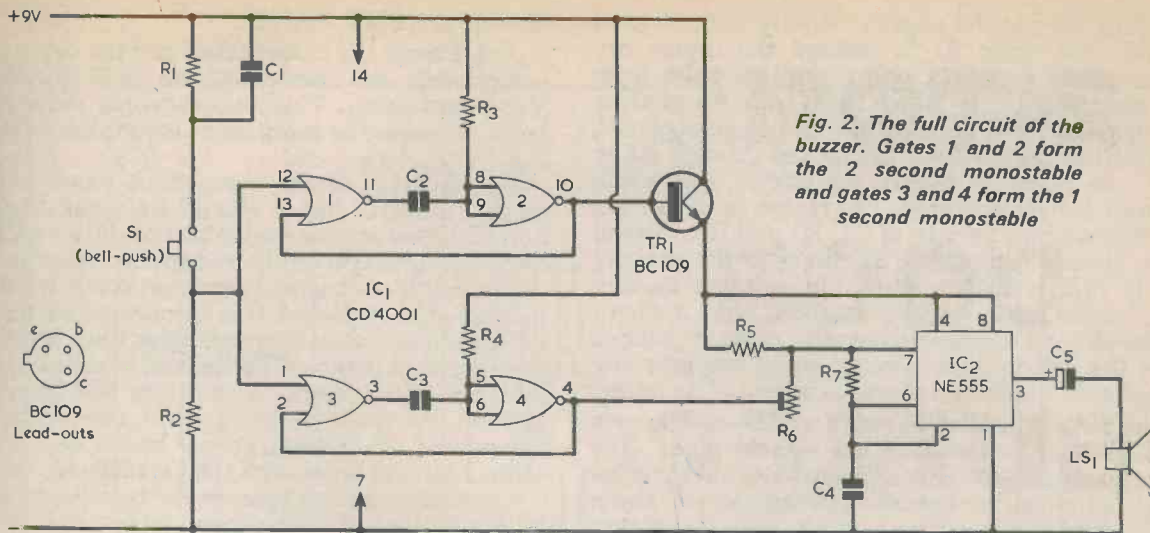


Fig. 2. The full circuit of the buzzer. Gates 1 and 2 form the 2 second monostable and gates 3 and 4 form the 1 second monostable

COMPONENTS

Resistors

(All fixed values $\frac{1}{4}$ watt 10% unless otherwise stated)

- R1 10M Ω
- R2 2.2k Ω 5%
- R3 8.2M Ω
- R4 3.9M Ω
- R5 1k Ω 5%
- R6 22k Ω pre-set potentiometer, 0.1 watt, horizontal
- R7 4.7k Ω 5%

Capacitors

- C1 0.1 μ F type C280
- C2 0.33 μ F type C280
- C3 0.33 μ F type C280
- C4 0.22 μ F type C280
- C5 100 μ F electrolytic, 10 V. Wkg.

Semiconductors

- IC1 CD4001
- IC2 NE555
- TR1 BC109

Switch

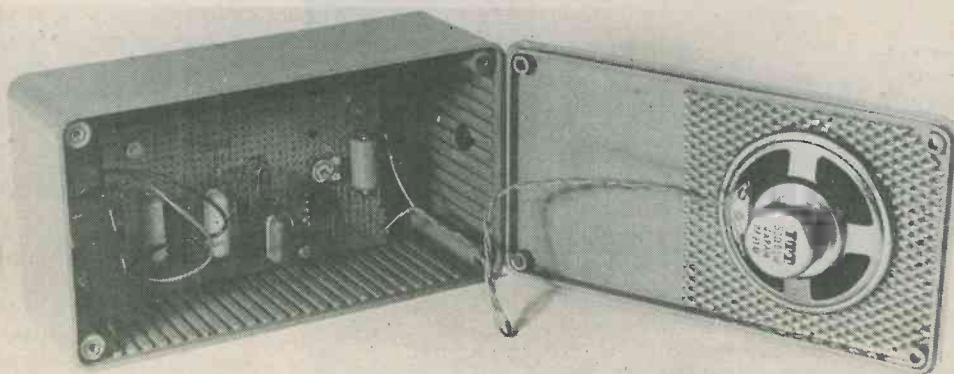
- S1 bell-push

Speaker

- LS1 miniature speaker, 40 Ω - 80 Ω

Miscellaneous

- Plastic case (see text)
- Veroboard, 0.1in. matrix
- Veropins (see text)
- 9 volt battery type PP3 (Ever Ready)
- Battery connector
- Speaker fabric or fret
- Wire, bolts, nuts, etc.



The plastic case which houses the buzzer components can be screwed to a convenient wall

normally held at the negative supply rail potential by R2, but when S1 is pressed the inputs are momentarily supplied with a positive pulse from the discharged C1, which then rapidly charges through R2. Both monostables are then triggered. When S1 is released, C1 discharges through R1 so that it is ready to trigger the circuit once again when S1 is next operated. The reason for triggering the monostables by way of C1, R1 and R2, instead of by simply connecting S1 direct to the positive supply rail, is that push-button switches usually suffer from heavy contact bounce. With a direct connection to the positive rail, contact bounce when the bell-push is released could retrigger any monostable which had come to the end of its pulse.

The tone generator is based on the well-known NE555 timer i.c. used in the astable mode. The timing components R5, R7 and C4 have values which produce an operating frequency of about 640Hz, and the lower tone, given when the output of gate 4 goes low, can be varied from fractionally less than this frequency to lower than half of it. The frequency of the lower tone is adjusted by means of R6. The output from the tone generator is coupled to the loudspeaker by d.c. blocking capacitor C5. The loudspeaker is a miniature type and can have any impedance between 40Ω and 80Ω.

Power for the tone generator is obtained via the emitter follower transistor, TR1. When the output from the 2 second monostable is low, TR1 is cut off and no power is supplied to the tone generator. During the period of the 2 second pulse, when the output of the monostable is virtually at the positive supply rail potential, TR1 is turned on and the tone generator receives the full supply voltage less about 0.7 volt dropped in TR1.

The circuit can be economically run from a small 9 volt battery such as a PP3, as the stand-by current is only a fraction of a microamp. In fact the quiescent current consumption is so low that it is difficult to measure it accurately with normal test equipment. This is partially because CMOS i.c.'s such as IC1 have extremely low static state current consumptions, and because under quiescent conditions only a very small leakage current flows through TR1 into the tone generator.

When operating, the current consumption of the circuit is approximately 35mA.

COMPONENT PANEL

Apart from the loudspeaker and the battery, the components are assembled on a 0.1in. matrix Veroboard panel. This has 20 copper strips by 38 holes and uses the component layout shown in Fig. 3.

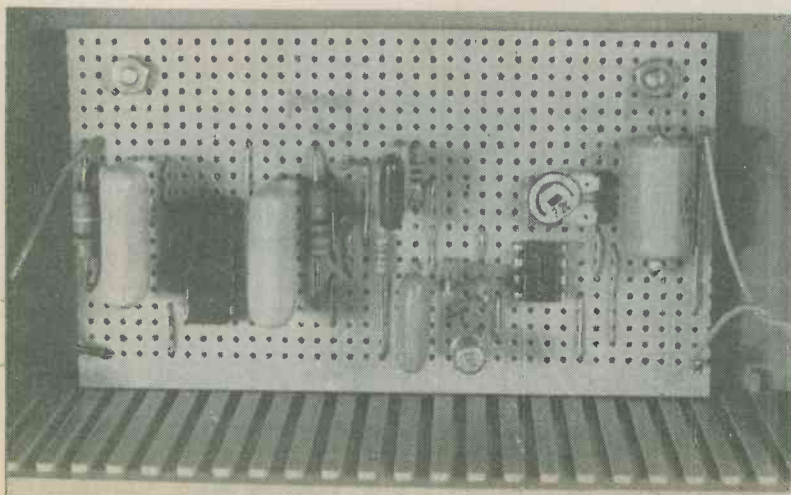
Construction of the component panel is quite straightforward, but it should be noted that IC1 and IC2 have opposite orientations. IC1 is a CMOS device and will probably be supplied in some form of protective packaging to prevent possible damage by high static voltages. It is recommended that the i.c. should be left in this packaging until it is fitted, and also that it should be the last component to be soldered to the board. A soldering iron having an earthed bit must be used when connecting this component. If desired, an i.c. holder can first be soldered to the board and the i.c. plugged into this.

The two mounting holes in the panel are 3.2mm. in diameter and will accept either M3 or 6BA mounting screws. Veropins suitable for 0.1in. Veroboard are fitted at the points where connections will be made to S1 and the loudspeaker.

HOUSING

The project may be housed in any plastic case capable of taking the component panel and the battery and loudspeaker, and that used by the author had outside dimensions of approximately 150 by 80 by 50mm. The lid is used as the front panel and a cut-out for the speaker is made in this. Some speaker fabric or fret is glued over the rear of the cut-out and the speaker is, in turn, glued to this. Care should be taken to ensure that no glue gets onto the speaker cone or surround. The component panel is mounted at the centre of the rear panel of the case by means of short M3 or 6BA countersunk screws. Spacing washers are required on the screws between the panel and the case to prevent strain on the panel when the screws and nuts are tightened up.

There should be small spaces on either side of the component panel which can accommodate mounting screws to fix the unit to a wall. A small hole is drilled in one side of the case and is fitted with a grommet. The wire from the bell-push is passed through this hole, and it connects to the component panel at the points indicated in Fig. 3.



The Veroboard layout. Due to i.c. interconnections this requires a number of tinned copper wire links

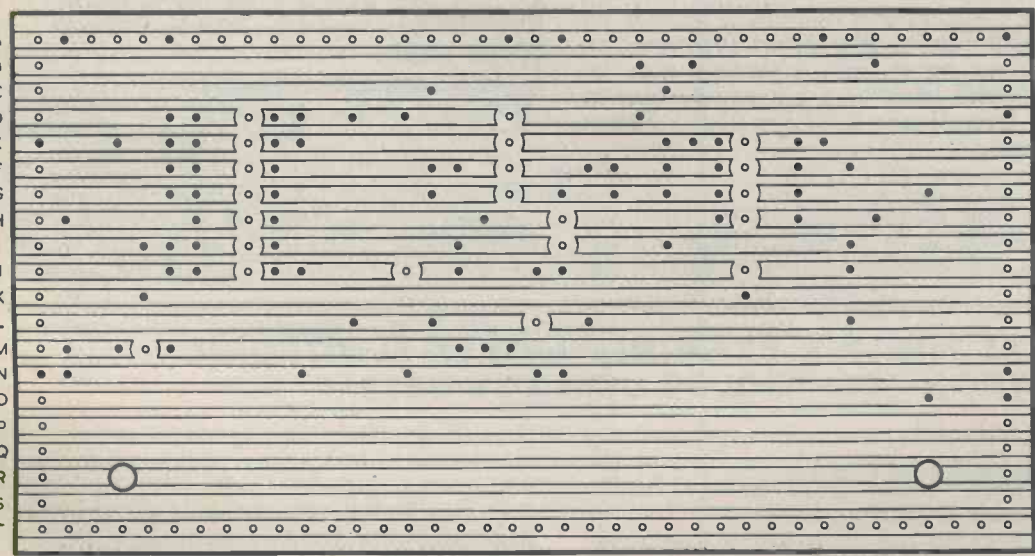
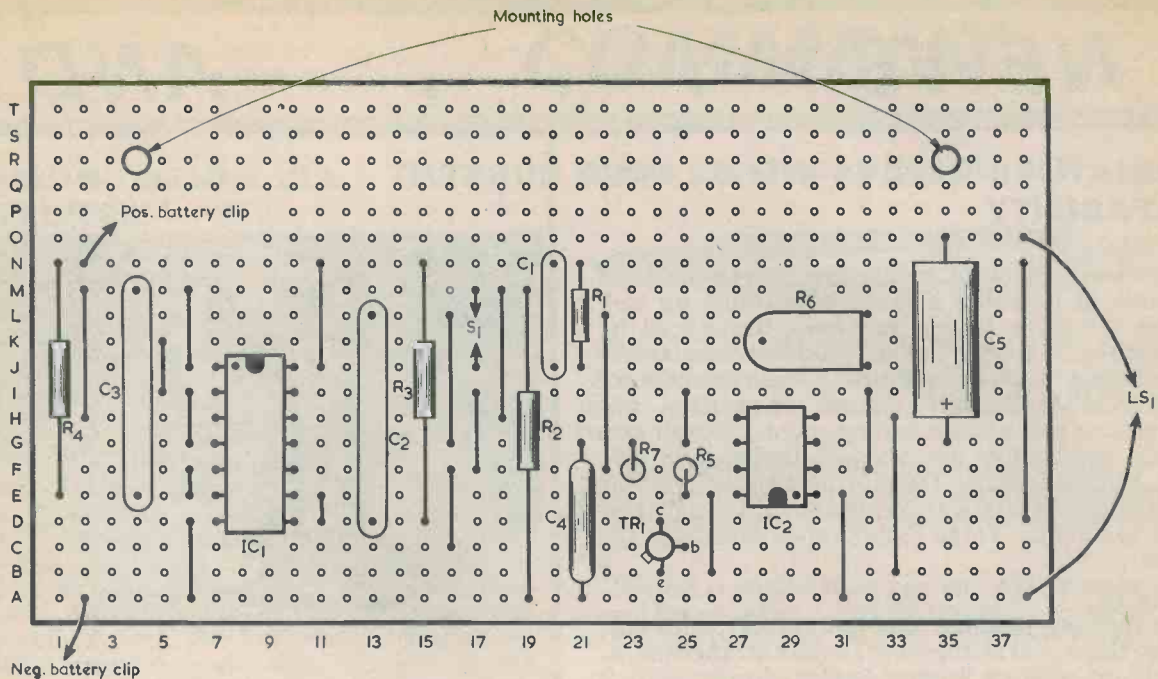


Fig. 3. All the small components are wired up on a Veroboard panel. The component and copper sides of this are shown here

Finally, two flexible wires connect the speaker to the component panel. The interior of the case is not cramped and there are plenty of suitable spaces for the battery. The general layout can be seen in the photographs.

ADJUSTMENT

R6 should be set so that its slider is at about the middle of its track, and the unit checked. Pressing the bell-push should cause the 2-tone output to be given. R6 is then adjusted to produce a lower tone frequency which relates pleasantly to the first, higher, tone. Suitable lower output tones will be found at several settings of R6 and the final selection then becomes a matter of personal preference.

The lower tone decreases in frequency as R6 is adjusted in a clockwise direction. The potentiometer must not be advanced to an extreme clockwise setting as this will block the operation of the tone generator and prevent an audio output from being obtained.

It is advisable to check that the stand-by current drawn from the 9 volt battery is, in fact, negligibly low. The test will confirm that a wiring error or a poor quality component is not causing the appearance of a significantly large quiescent current. The insulation of the wiring to the bell-push and at the bell-push itself should be of a high order to prevent unnecessary current drain.

MINIATURE RELAYS WITH LARGE CURRENT CAPABILITY

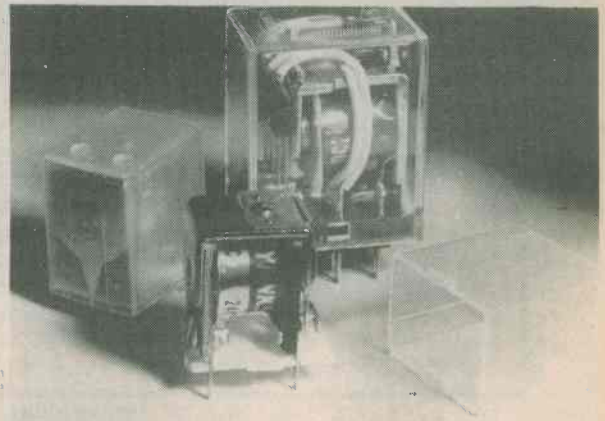
A new family of miniature low-cost relays, capable of handling a range of currents up to 9 Amps (resistive loads), has been introduced by Impetron Limited. The LYNNKS Series as the new family is called, features a wide selection of A.C. and D.C. coil voltages, mounting configurations and contact arrangements, as well as a sturdy mechanical construction designed to give long, trouble-free life. Despite their power handling capability, the relays are compact, light-weight and easy to handle. Three major types constitute the series:

Type P:

This type is a medium load power relay, with one, two or three pole changeover contact arrangements. Maximum current for the single pole version is 9 Amps (resistive load). Both A.C. and D.C. coils are available in 6, 12, 24, 48, 100 and 200 Volt ratings, and coil power consumption is about 1½ Volts in all cases. The coil and contacts are normally protected by a transparent cover, and mounting may be either via an Octal base, or 8 pin square plug-in arrangement. Overall size is 33.5 x 27.5 x 51mm (square socket).

Type S:

Featuring a lighter and smaller construction, the Type S can handle up to 6 Amps (resistive load) with the same coil and contact variations as the



Type P. Coil consumption is however about 1 Watt. Overall size for both types is 40 x 27.5 x 21mm maximum.

Type 103P:

This very light, low cost relay has an integral dust cover and is designed for PCB mounting. It is available in coil voltages of 6, 12, and 24V D.C. and 100V A.C., all below 500mW. Maximum load through the single pole changeover contacts is 3A (resistive load). Weighing only a few grams, this type measures 26 x 22 x 15.5mm overall and has 5 pins on a standard PCB mounting pattern.

TECHNICAL MISSION EXAMINES LATEST ELECTRONIC INFORMATION TECHNIQUES USING TV SETS

A teletext/viewdata teach-in organised by British Relay (Electronics) Ltd was held at the company's Crawley head office for the Esselte Technical Mission from Sweden.

The mission comprised nine senior executives from the Esselte AB group. The group is considering diversifying from publishing magazines to



Viewdata being demonstrated during the Esselte Technical Mission visit to the Crawley headquarters of British Relay (Electronics) Ltd

publishing electronic pages and the object of the visit was to examine the progress being made by the information industry in the UK.

British Relay demonstrated some of the latest electronic information techniques using television sets as the users' means of reading information. The company's demonstration included an on-line access of the Prestel database using a GEC viewdata television incorporating an autodialler and user identifier similar to the sets being supplied to the Post Office Prestel test service which has just commenced.

ITT also demonstrated its new development in multilingual viewdata to produce character variations suitable for more than 20 foreign languages. This will bridge the gap with those countries faced with only a British character set.

Finally the latest teletext add-on adaptor was demonstrated by connection to a normal domestic off-air television receiver. This unit will be available in early 1979 and the selling price will be considerably less than an existing add-on unit. The latest teletext adaptor is priced at less than £200, which will make it more acceptable to the domestic market. The unit is produced by Radofin and is expected to be available through British Relay shops and many other audio and photographic outlets.

COMMENT

COMMUNICATION VIA SATELLITES

As a magazine we have taken considerable interest in the use of satellites for radio communication particularly in the field of amateur radio, indeed we have a short article on the Russian amateur radio satellites in this issue.

We were therefore interested, but not surprised, to learn that the special subject chosen for the Marconi International Fellowship 1979 is: "Outstanding advances in satellite and space technologies — relevant to improving world communications".

The Fellowship — a \$25,000 grant — commemorates Guglielmo Marconi's creative contributions to scientific discovery, engineering and technology. Established in 1974 on the centenary of the inventor's birth, the Fellowship commissions significant creative works that will add to the knowledge and understanding of how communications, science and technology can be applied to the improvement of human life.

The first four Fellowships have been awarded in the fields of communication and electronics.

CHANGE IN SOURCES OF SUPPLY

As many readers will be aware, Doram Electronics Limited are leaving the component area of the electronics market, and are concentrating in future on the production of kits. These are now listed in the attractively produced Doram 1978/79 Electronic Hobbies & Equipment Catalogue.

To give assistance to potential users, the kits are designated One Star, Two Star and Three Star. A One Star kit is for beginners and the instructions explain the circuit operation so that the constructor learns as he builds. Two Star kits are for the more experienced and Three Star kits are for the accomplished constructor who has already successfully built a stereo amplifier or similarly advanced project. Yet a further category are N.S. Kits. These are No Soldering Kits which require no soldering at all.

The numerous kits cover a wide field ranging from a One Star darkroom exposure meter or a One Star bench amplifier to Three Star digital test equipment. Many of the kits are for use by the motorist. An Autumn Special Supplement to the catalogue describes further kits which are made up on perforated board without housings. The catalogue also includes audio equipment, technical books, tools and test gear, and is available from Doram Electronics Limited, P.O. Box TR8, Wellington Road Industrial Estate, Wellington Bridge, Leeds LS12 2UF.

Many of the projects featured in *R.&E.C.* employ parts which are produced by R.S. Components but these components, as explained above, are no longer obtainable direct from Doram Electronics Ltd. They are now only available through retailers including, of course, mail order houses which stock the parts. We are informed by Ace Mailtronix Limited, Tootal Street, Wakefield, West Yorkshire, WF1 5JR, that they will undertake to obtain for individual constructors any current R.S. Component item subject to a minimum order of £2. Price will be the current R.S. Component price plus 50% including VAT, postage and packing.

LONG LIFE SOLDERING BIT



S. & R. Brewster Limited of 86-88 Union Street, Plymouth, announce the introduction of their No. 1920L long life bit for the SRB type 1 Soldering Iron.

Designed for prolonged use in the workshop or production line, it gives considerably longer usage than the standard bit and therefore improves cost efficiency.

The bit is available in just one size because the coned tip gives you a very fine point for small joints and the side can be used for the larger joints.

It is available packed loose or carded.

21 YEARS' TRADING — FREE GIFT

Messrs. Brian J. Reed of 161 St. John's Hill, Battersea, London SW11 1TQ., will, on 23rd, March next, not only celebrate the personal birthday of Brian J. Reed but also the completion of 21 years of business serving the electrical and electronics world.

To mark this occasion, whoever includes a birthday card with their order will receive a surprise packet of components to the approximate value of 20% of their original order.

Radio 4 Converter

An almost identical design to that featured in our article above, featured last month, is being marketed by Ambit International Ltd., of 2 Gresham Road, Brentwood, Essex. As Ambit have filed a patent in respect of their converter it could be an infringement of it if Radio 4 converters based on our design were built and sold commercially. As has so often happened in the realms of radio and electronics two people working independently have come up with virtually the same answer.

The Ambit Radio 4 Converter, known as the 'Ambitune', has been approved by the BBC and was recently featured in the TV programme 'Tomorrow's World', readers can therefore build the design we published with their usual confidence. For those who missed our January issue we can still supply copies at 58p inclusive of postage.



SURE-FIRE CMOS LATCHES

By G. A. French

CMOS logic gates offer many interesting applications to the constructor and the experimenter, and have the major advantages of drawing virtually zero current from the supply when they are set to a quiescent state.

TWO INVERTERS

A typical example is given by the 2-way CMOS latch shown in Fig. 1(a). Here, there are two inverters with the output of one coupling to the input of the other by way of a 100k Ω current limiting resistor. If

the output of the upper inverter is high it causes the output of the lower inverter to be low. This low output, applied to the input of the upper inverter, makes the output of this inverter high, thus holding the latch firmly in the condition where the output of the upper inverter is high and the output of the lower inverter is low. The other stable state for the latch is given when the upper inverter output is low and the lower inverter output is high.

The latch can be tripped from one state to the other by momentarily touching the flying lead from the negative rail to either point X or

point Y. If the output of the upper inverter is low, a momentary connection to point X will trip the latch to the state where the upper inverter output is high. Touching the flying lead to point Y will have the opposite effect. The two 100k Ω resistors allow only a very low current to flow from the appropriate inverter output at the instant of making the connection to point X or point Y.

One of the 100k Ω resistors is omitted in the latch circuit of Fig. 1(b). If, in this case, the output from the upper inverter is low it can be made to latch to the high state by touching the flying lead from the negative rail to point X. The opposite state is selected by applying the flying lead from the positive rail to point X.

In practice, the two inverters can be true inverters in, say, the CD4007. They can just as conveniently be two NAND gates or two NOR gates with their inputs connected together. Again, the current limiting resistors shown as 100k Ω can have any value from 10k Ω to 10M Ω . In practical applications also, the latches are not triggered by flying lead connections but by an external logic circuit. A typical instance of a 2-way CMOS latch being employed in this manner was given in the "Door Bell Monitor" described in "In Your Workshop" in the September 1978 issue, and there is little doubt that the latch will appear again in future articles to be published in this magazine.

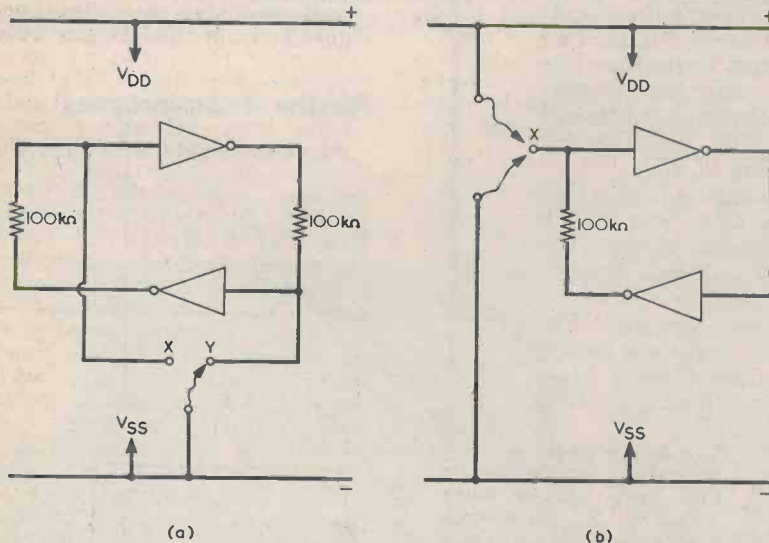


Fig. 1(a). A simple 2-way CMOS latch. It can be changed from one state to the other by a momentary application of the flying lead to point X or point Y, as applicable.

(b). An alternative version of the latch. In practical applications, the latch states are changed by external circuits and not by flying lead connections.

SWITCH-ON STATE

A shortcoming of the 2-way latch is that it can theoretically take up one of its two states in random fashion when power is initially switched on. However, it is usually

found that due to dissimilarities in characteristics between the two inverters the latch will favour one state at switch-on, but this point cannot be guaranteed and it certainly cannot be designed into the circuit without the provision of extra components. A very simple additional circuit which always ensures that the latch will take up a particular state at switch-on will now be described.

The additional circuitry is shown in Fig. 2, and it consists of R1, C1 and D1. At the instant of switch-on, C1 is discharged, whereupon pins 1 and 2 of the upper NAND gate are held low via diode D1. The latch then assumes the state where the input of the upper gate is low and remains in this condition until it is changed by whatever voltages are applied to that input. After having carried out its task of setting the latch, C1 charges very rapidly to the full supply voltage, whereupon D1 becomes reverse biased for all voltages applied to the input of the upper gate, and the added circuitry has no further effect upon the operation of the latch.

The author has checked out the circuit of Fig. 2, using a CD4011 quad NAND gate and the pin connections shown. It was found that C1 was still effective in setting the latch when it had a value of 1,000pF, and that R1 could have any value between 10k Ω and 1M Ω . The values of C1 and R1 are, therefore, not at all critical, and 0.01 μ F and 100k Ω merely represent values which are quite satisfactory in practice. With a time constant of 0.001 second, it is obvious that C1 will charge to the full supply voltage very soon after switch-on.

The component values in Fig. 2 assume that the supply is applied abruptly by closure of the on-off switch S1. Should the supply voltage rise relatively slowly at switch-on, as can occur with a mains power supply having the on-off switch in the mains input, it is desirable to select a value for C1 from a range of somewhat higher capacitances, and it could be given a value between 0.01 μ F and 0.2 μ F. A little experiment will determine a suitable value here, the minimum value required depending upon the switch-on characteristics of the particular mains power supply employed.

CAPACITOR DISCHARGE

It is necessary for C1 to discharge after switching off, so that it is ready to set the latch at the next switch-on. If there are any current consuming networks across the supply rails, such as bias potential dividers and the like, the capacitor will automatically discharge via R1 and these components after switching off, although the rate of

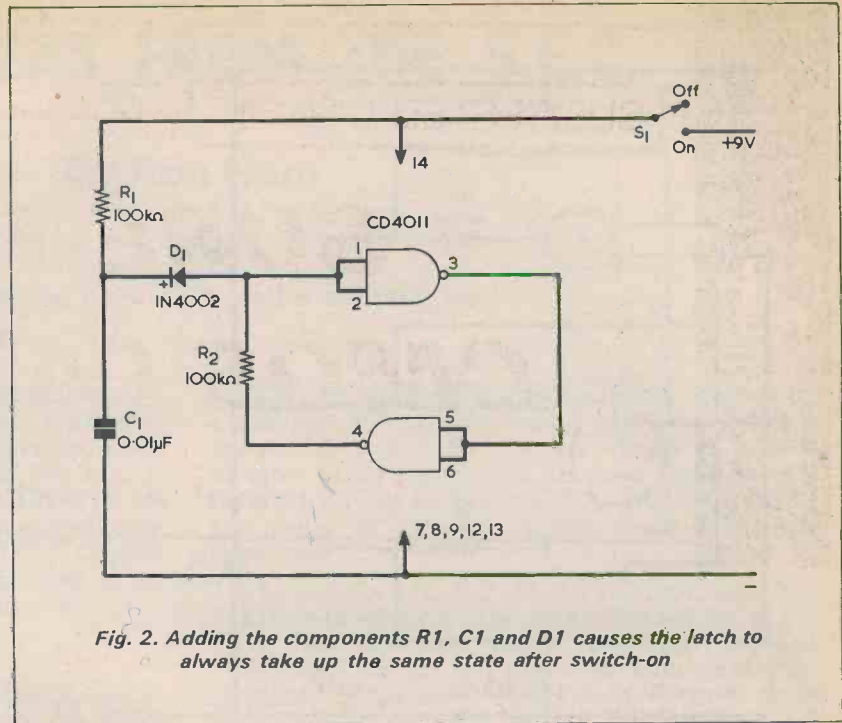


Fig. 2. Adding the components R1, C1 and D1 causes the latch to always take up the same state after switch-on

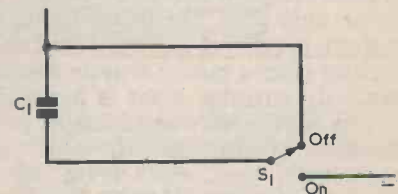
discharge could be significantly slower than the rate of charge at switch-on. In Fig. 2 it was found that, on nearly every occasion, the capacitor discharged sufficiently after switching off, via its own leakage resistance and the CD4011 gates themselves (whose outputs were coupled to the negative rail by monitoring voltmeters). To make quite certain that the capacitor is discharged the on-off switching circuit could be modified to that shown in Fig. 3, where switch S1 is transferred from the positive to the negative rail. In most practical instances, however, it should be adequate to simply allow C1 to discharge through the circuitry

between the positive and negative rails.

3-WAY LATCH

A 3-way CMOS latch is illustrated in Fig. 4, and this formed the basis of the author's article "3-Way Touch Buttons" in the July 1978 issue. Ignoring D1, R1 and C1 for the moment, it may be seen that this circuit has three stable states with two NAND gate outputs being high and one NAND gate output being low. If, for instance, the output of gate A is low, that low is taken to an input of gate B and an input of gate C, thereby causing their two outputs to be high. These

Fig. 3. Normally, C1 will discharge automatically after switch-off. To make certain that it is discharged, it can be short-circuited by a contact on the on-off switch in the manner illustrated here



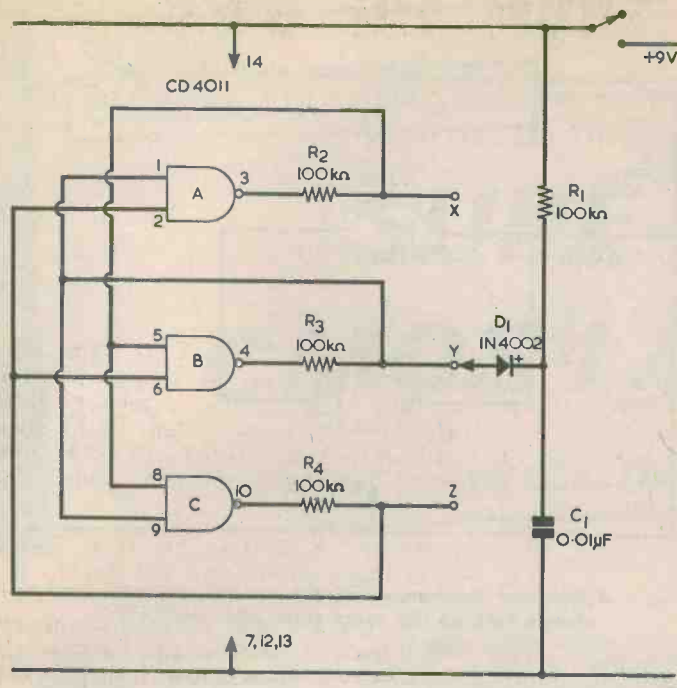


Fig. 4. A 3-way CMOS latch in which the outputs of two gates are high and the output of one gate is low. C1 and D1 ensure that it is the output of gate B which is always low after switch-on

high outputs are taken to the inputs of gate A, reinforcing the low at its output. The latch can be changed by a momentary connection between the negative rail and one of the points, X, Y or Z, as applicable. Taking the connection to point Z trips the latch so that the output of gate C is low and the outputs of the other two gates are high.

As with the 2-way latch, the current limiting resistors, R2, R3 and R4, can have any value between 10kΩ and 1MΩ. Also as with the 2-way latch (and without D1, R1 and C1 in circuit) the state taken up by the latch at switch-on cannot be guaranteed.

The situation is changed by the inclusion of D1, R1 and C1. If the anode of D1 is connected to point Y, as shown, the output of gate B will always be low after switch-on. The diode may alternatively be connected to point X, whereupon it is the output of gate A which will be low, or to point Z, causing the output of gate C to be low after switch-on.

The same comments concerning the values of R1 and C1 and the discharge after switching off of C1, which were given concerning the 2-way latch are equally applicable to the circuit of Fig. 4.

RUSSIAN AMATEUR RADIO SATELLITES LAUNCHED

Great excitement was raised at the beginning of November when it was realised that the long awaited Russian Amateur Radio Satellites had been launched.

Accurate news about these satellites has been difficult to obtain, but for months their launching has been anticipated. When at last, came the news that they were in fact in orbit, a great flurry of excitement spread around the satellite enthusiasts, not only in this country but throughout the world.

It is confidently assumed that there are two satellites. One signs itself "R.S." after its telemetry run and the other is thought to sign "R.S. R.S." They are thought to be quite close to each other. Whether both have been turned on or only one, the other being a 'back-up' system, is not yet known. Until definite information comes out of Russia about them, one can only surmise what is happening.

The parameters are thought to be:— 120.6 minutes orbital period. 30.05 degrees advancement west, each orbit. 82 degrees orbital inclination. Height 1050 miles. "Up" frequency 145.88 to 145.92 MHz. "Down" frequency 29.360 to 29.400 MHz. Telemetry is on 29.400 MHz. Unfortunately the telemetry is on the same frequency as a ten

metre Radio Moscow broadcast station, or its harmonic, and a commercial teleprinter station, so, as the ten metre band has been 'open' recently due to the current sunspot activity, it is at times badly jammed during the day. By evening, when the ten metre band has 'closed' down, it is in the clear and of good signal strength.

It is reported that the transponder is so constructed that if excessively strong signals are directed at the satellite, it closes down. It is designed to accept signals up to 5 watts e.r.p. only, as this is said to be the power limit for two metre transmissions in the amateur radio service in the USSR. If this is exceeded, the transponder cuts out. This may account for the few occasions on which the transponder has been heard to be on. Those amateurs who have already worked into it, report that QSO's can be maintained with very little transmitter power indeed — in the order of 5 watts e.r.p.

The telemetry is very different from that sent by earlier amateur radio satellites. It consists of a letter, followed by two numerals, followed by a letter. Until definite information comes from Russia, it has not been possible to decypher it yet.

A.C.G.

OLD TIMERS FROM THE G.E.C.

By Ron Ham

Two veterans from over half a century ago.

Two pleasant surprises for any collector!

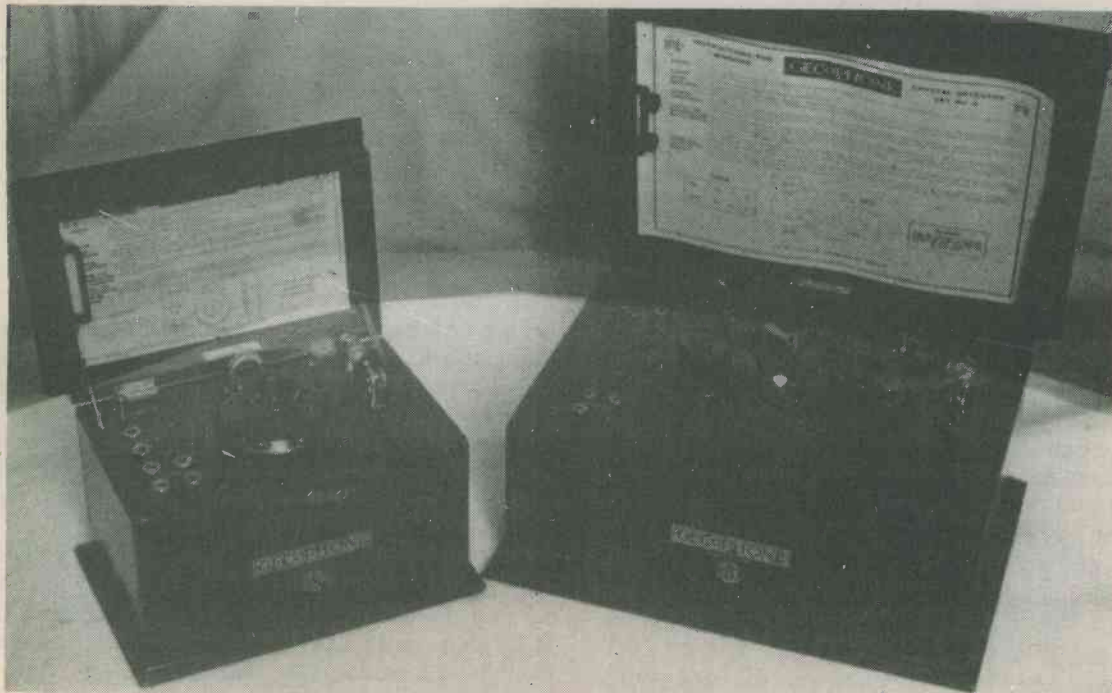
The first came from Mr. Burtenshaw, a member of the Brighton and District Radio Society, when he donated a GECOPHONE Crystal Set No. 1, which had been in his family since 1922, to the writer for his collection. And — what a coincidence — a Mr. Wildey left a GECOPHONE Crystal Detector Set No. 2 on the writer's doorstep in the hope that it would be of use in his museum.

55 YEARS OLD

Both sets, now more than 55 years old, are in remarkably good condition. Their cabinets, components and the comprehensive instructions inside

shaped link marked 'loading coil' and replace it by a loading coil for the particular range to which it is desired to tune." By another stroke of luck a member of the Mid-Sussex Amateur Radio Society donated, still in its box, a G.E.C. BC 1347, one of the range of genuine loading coils for these receivers.

The Set No. 1, G.E.C. Model BC 1001, Inst. No. 16112, is tuned by a variometer. The Set No. 2, BC 1501, Inst. No. 4556, has a variometer, labelled "Coupling" on the left and a variable capacitor, labelled "Condenser", on the right. Between these controls is a 7-way stud switch with the aerial terminal connected to its arm; six of the stud contacts



Two crystal receivers dating from the early 1920's. The set on the left is the G.E.C. Crystal Detector Set No. 1, and that on the right is the Crystal Detector Set No. 2. Basically intended for medium waves, they could tune to longer wavelengths by fitting additional loading coils

each lid are undamaged. Also surviving the passage of time are the maker's GECOPHONE trade mark, the registration numbers, 102 and 103 respectively, and the BBC labels surrounded by the words "Type approved by the Post Master General".

Basically, these are medium wave receivers but they could be made to tune to lower frequencies. Under the heading "Tuning for Wavelengths above 550 metres" the instructions state: "Remove the U-

are connected to tappings on the stationary coil of the variometer and the seventh, marked "Long", is coupled to the loading coil link.

These two sets use the same type of crystal detector unit and are designed to drive two pairs of headphones. Underneath their ebonite top panels are pencilled initials, which no doubt belong to the persons whose loving care assembled them.

EXCLUSIVE NEW SERIES...

TUNE-IN TO PROGRAMS

Part 1

By Ian Sinclair

GET TO GRIPS WITH PROGRAMMING THE EASY WAY.

This 9-part series will guide you through programming using nothing more complicated than a readily available programmable calculator.

Not so very long ago, it first became possible to buy a pocket electronic calculator. In those days, calculators were four-function machines, meaning that they were able to add, subtract, divide and multiply the numbers that were keyed into the display. As we were recovering from this miracle, improved versions appeared offering memory in addition to the standard four functions, so that an intermediate answer could be held until we were ready to use it, instead of having to write such an answer down.

Soon afterwards, scientific calculators started to appear, and the big price slide started. At first, a "scientific" calculator meant a square and a square-root key and little else at a price tag of around £40, but within a few months calculators with logarithms and trigonometrical functions (sine, cosine and tangent) came on the scene, and prices suddenly dropped again. A few more functions appeared with each new model, but the days of big improvements, either in functions or in price have passed. At the moment, the situation seems to have stabilised as far as the scientific calculator is concerned.

PROGRAMMABLES

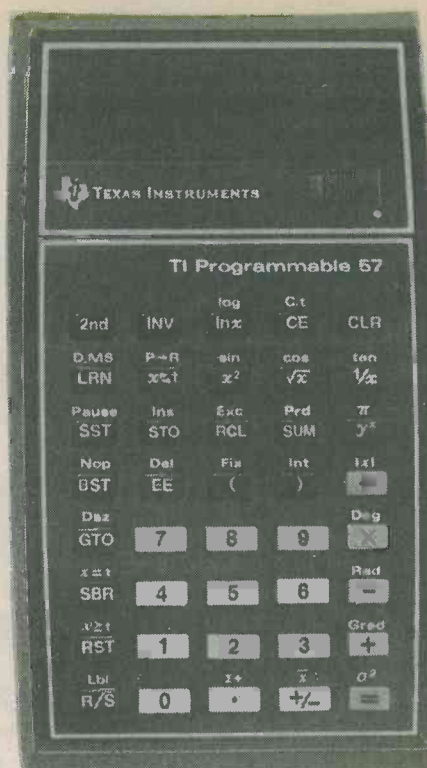
The new push forward, as far as pocket calculators are concerned, is in programmable calculators. Now, there's one snag here. Most people who could make use of a scientific calculator

had a pretty good idea of what they could use it for, and could learn to use it pretty quickly. The programmable calculator is a more useful device in many ways, but few potential users realise quite how useful it is or, more important, what is involved in its use. The purpose of this series of articles is to show how a calculator can be used, and what is involved in writing and using programs. The examples are taken as far as possible from electronics calculations on the reasonable assumption that anyone reading this magazine will have a keen interest in electronics, and the programs used to illustrate the series have been written for the TEXAS TI-57 but apply with little modification to similar machines, including the CBM PRO-100.

Another point worth mentioning, incidentally, is that with microprocessors rearing their heads all over the place these days, the skills of programming are now a necessary part of the electronic engineer's equipment. Programming languages vary, of course, but it's true to say that when you have learned how to program one device you can very quickly adapt to another. The skills of programming can be learned using microprocessors for a few hundred pounds, or by taking a course at a local Technical College for a few dozen pounds and a night each week, or you can do it the R&EC way. There's little doubt that you learn faster, and get much more out of it with your own programmable.

RADIO AND ELECTRONICS CONSTRUCTOR

The keyboard of the Texas Instruments TI-57 programmable calculator. Most keys have a second function, whereupon facilities are nearly double the number of keys provided



WHAT DOES IT DO?

Suppose that we want to calculate the reactance of capacitors at various frequencies. Looking up the books (or remembering it), we use the formula:

$$X_c = \frac{1}{2\pi fC}$$

where f means frequency in hertz and C is capacitance in farads.

On a scientific calculator, the procedure for a $0.1\mu\text{F}$ capacitor and a 15kHz signal would be something like this. We key in the value of C , remembering that microfarads are millionths of farads, so that $0.1\mu\text{F}$ is 0.1×10^{-6} farads (10^{-6} is one-millionth). This is entered as

[.] [1] [EE] [+/-] [6].

five key strokes. We then press [x] to multiply, and enter the frequency value, f . Here once again we have to remember that the formula calls for frequency in Hz, so that if the frequency is given in kHz we need to multiply by 1,000, which is 10^3 . This is keyed in as

[1] [5] [EE] [3].

another four key-strokes. Now we have to multiply by 2π , so that we enter

[X] [2] [π] [=]

The last "equals" gives the total value of $2\pi fC$. Now we have to invert this quantity, by pressing [1/X]. The number in the display is now the value of reactance that we need. The total number of key-strokes is sixteen for each calculation of reactance.

Now doing this once is no problem but, if we want to find the reactance of a couple of dozen capacitors at various frequencies, sixteen key-strokes each time is a lot of key pressing, and it gets tedious. This is where a programmable can come in. A program is a set of instructions to the calculator showing what is to be done with each number that is keyed in. After all, we go through exactly the same routine for each calculation of reactance, so there's nothing that really needs any thought. Once the program has been entered into the calculator (the calculator is *programmed*), the values of capacitance and frequency are entered into memories, and the program carries out the steps of multiplication and inversion that are needed, then displays the final result.

SCRATCHING THE SURFACE

This is, of course, very convenient, and it greatly speeds up the business of making routine calculations, but it is only scratching the surface of what can be done with a programmable calculator. Most ordinary scientific calculators have one, possibly two, memories in which numbers can be stored until they are needed. More memories could easily be provided but they are awkward to use, because you need some reminder of what is stored

in each memory. A programmable, on the other hand, can use a large number of memories efficiently, because the program fixes which memories are used and, provided that the program is correct, a number that is stored in memory No. 7 early in the program will be taken out of memory No. 7 later when it is needed.

A programmable can therefore juggle with more stored numbers than an ordinary scientific calculator, and with no risk of making mistakes. This comes in useful in electronics work, for example, if we want to calculate the impedance of a circuit containing capacitance, inductance and resistance. We can store the values of C, L, R and f in the memories, then leave the program to select the items as they are needed to calculate the impedance.

One of the most important features of a programmable, however, is its ability to repeat an action until instructed to stop. This action is so important that we shall devote one complete part of the series to it. Let's take a simple example. Suppose we have a 38kHz oscillator, and a set of dividers which divide by 3 in each stage. How many divider stages do we need to get a frequency which is just under 100Hz? It's easy to do on paper: simply divide repeatedly by 3 and keep going until what is left is just less than 100Hz. The program can be arranged to do this, dividing the number in the display by 3, comparing the result with 100, and dividing again if the result is greater than 100. The programmable can be instructed to keep going through this routine (called a loop) until the answer is just less than 100, and also to count each step. The number of steps is then displayed. It's a simple example, of course, but a good illustration of how a repetitive operation can be carried out automatically and arranged so that it stops when the right number of steps has been carried out. One valuable application of this sort of routine is to get the calculator working out the voltages at intervals along a sine wave, then adding in as many odd or even harmonics as you want and showing the final voltage. In this way, the waveshape of a wave rich in harmonics can be produced in a fraction of the time it would take with an ordinary scientific calculator. A program for this will be given later in the series.

MACHINES

At the moment of writing several programmable calculators are available. Some are considerably easier to use than others, some have instructions which are not particularly easy to follow, some have ready-made programs which cost as much as the calculator. In this series we shall ignore the more expensive type of programmable which uses magnetic cards to store programs, or which prints out answers. Our type of programmable is the key-programmable in which the steps of the program have to be entered before the calculator can begin. Typical of these are the Texas TI-57 and the CBM PRO-100, and it is around these machines, retailing at around the £30 mark in the discount shops and in some High Street retail outlets that these articles are written. You don't have to have a programmable calculator to follow the articles, however, only a large amount of paper. Writing programs is a paper exercise, and the programs can be tried out on paper as easily (but more slowly) as on the calculator. We hope, though, that by the time you have read to part 9 of this series the itch will have struck you and you will have decided to tune-in to programs.

FACILITIES

A good programmable calculator should be a good scientific calculator. Not all programmables have a wide range of scientific functions, and some cannot incorporate many scientific functions into a program. The illustration shows the keyboard of the Texas Instruments TI-57 to indicate the range of functions that can be included. To save keys, many functions are "upper functions", meaning that the key labelled [2nd] must be used first. The Texas TI-57 is, of course, rechargeable. By their nature programmables are left switched on for much longer times than ordinary calculators, so that dry battery use is very expensive and only mains or rechargeable batteries should be considered.

Just to whet your appetite now, how about a program to convert any 8-bit binary number into decimal? Or a decimal number into 8-bit binary? Or a decimal into BCD? Tune-in next month, and stay tuned.

(To be continued)

Mail Order Protection Scheme

The publishers of this magazine have given to the Director General of Fair Trading an undertaking to refund money sent by readers in response to mail order advertisements placed in this magazine by mail order traders who fail to supply goods or refund money and who have become the subject of liquidation or bankruptcy proceedings. These refunds are made voluntarily and are subject to proof that payment was made to the advertiser for goods ordered through an advertisement in this magazine. The arrangement does not apply to any failure to supply goods advertised in a catalogue or direct mail solicitation.

If a mail order trader fails, readers are advised to lodge a claim with the Advertisement Manager of this magazine within 3 months of the appearance of the advertisement.

For the purpose of this scheme mail order advertising is defined as:

"Direct response advertisements, display or postal bargains where cash has to be sent in advance of goods being delivered."

Classified and catalogue mail order advertising are excluded.

3

BAND SHORT

WAVE PRESELECTOR

By John Baker



Single f.e.t. design covering 1.6 to 30MHz increases receiver sensitivity and reduces image interference.

A simple short wave preselector such as the one described in this article will substantially improve the performance of most short wave receivers. A preselector is really just a tuned r.f. amplifier inserted between the aerial and the aerial input of the receiver with which it is used. Apart from giving increased sensitivity to the whole receiver installation it also reduces image, or second channel, interference when employed in conjunction with a superhet receiver.

The preselector has been designed for use with the 3 Band Short Wave Superhet which was featured in the September to December 1978 issues of this magazine, but is suitable for use with most other sets. However, it is necessary for the set to have an aerial coupling coil connecting directly to its aerial and earth terminals since this coil then provides the output load for the preselector f.e.t., and also provides a d.c. path for the f.e.t. supply. Fortunately, most short wave sets have a coupling coil of this nature at their inputs. In the 3 Band Short Wave Superhet the aerial and earth terminals connect to a 1k Ω potentiometer and

thence to the input coupling coil, whereupon the potentiometer track maintains the requisite d.c. path. (The circuit of the r.f. mixer and i.f. stages of the superhet was published in the September 1978 issue.)

Reception of the whole short wave frequency spectrum is provided in three switched ranges, the approximate coverage of each being: Range 3, 1.6 to 5.0MHz; Range 4, 5.0 to 14MHz; Range 5, 10 to 30MHz. The range numbers 3, 4 and 5 correspond to the manufacturer's range numbers for the three coils employed.

The gain of the preselector is quite high, and on the lower frequency bands it boosts signals by about four "S" points on the meter. In common with most equipment of this type the level of gain falls off slightly at higher frequencies, but even in the 20 to 30MHz region the unit still provides a considerable increase in sensitivity. The circuit incorporates a dual gate metal-oxide f.e.t. which provides a low noise level and good cross modulation performance.

THE CIRCUIT

The complete circuit of the preselector is shown in Fig. 1. S1(a)(b) is the wavechange switch, and S1(a) connects the aerial to the primary winding of whichever coil is in use. S1(b) connects the tuned secondary winding to the tuning capacitor, VC1, and to the gate 1 of TR1. The extremely high impedance at this gate permits direct connection to the tuned circuit. Each of the coils specified has a third winding which is intended to provide a low impedance coupling to the base of a bipolar transistor, but in the present circuit this winding is not required and no connection is made to it. Capacitor C3 across the tuning capacitor slightly reduces the high frequency coverage of each range and allows the ranges to correspond roughly with those switched in on the 3 Band Short Wave Superhet.

R2 is the source bias resistor for TR1, with C1 as its bypass capacitor. The tuned winding of whichever coil is switched into circuit provides a d.c. bias path to the negative rail for the transistor gate 1.

VR1 in company with R1 forms a potential divider across the supply rails, and the potentiometer slider connects to the gate 2 of TR1. The gate 2 voltage can be varied from zero to about 1.5 volts by means of VR1, and this permits the gain of TR1 to be varied. Gain increases with increasing gate 2 voltage, allowing VR1 to act as a simple r.f. gain control. C4 bypasses the gate 2 to the negative rail and thereby prevents pick-up of r.f. signal at this gate as well as possible instability.

The drain of TR1 couples via a coaxial socket SK3 to the input coupling coil of the receiver (or to the input potentiometer of the 3 Band Short Wave Superhet) which thereby allows drain current to flow from the positive supply rail. The preselector cannot be used with a receiver which has a capacitor in series with its aerial input circuit, since the capacitor would block the flow of drain current.

An unusual feature of the preselector circuit is that the input circuitry is negative earth while the output circuitry is positive earth. This does not

COMPONENTS

Resistors

(all fixed values $\frac{1}{4}$ watt 10%)

R1 27k Ω

R2 470 Ω

VR1 5k Ω potentiometer, log, with switch S2

Capacitors

C1 0.015 μ F type C280 (Mullard)

C2 0.1 μ F type C280 (Mullard)

C3 15pF polystyrene

C4 0.1 μ F type C280 (Mullard)

VC1 365pF air-spaced variable, type 01 (Jackson)

Inductors

L1 Miniature Dual-Purpose Coil, Blue, Transistor usage, Range 3T (Denco)

L2 Miniature Dual-Purpose Coil, Blue, Transistor usage, Range 4T (Denco)

L3 Miniature Dual-Purpose Coil, Blue, Transistor usage, Range 5T (Denco)

Semiconductor

TR1 40673

Switches

S1(a)(b) 4-pole 3-way miniature rotary, (see text)

S2 s.p.s.t. toggle, part of VR1

Sockets

SK1 Insulated wander plug socket

SK2 Insulated wander plug socket

SK3 Coaxial socket, flush mounting

Miscellaneous

Verobox type 75-1238-D

Large control knob

2 small control knobs

9-volt battery type PP3 (Ever Ready)

Battery connector

Nuts, bolts, wire, etc.

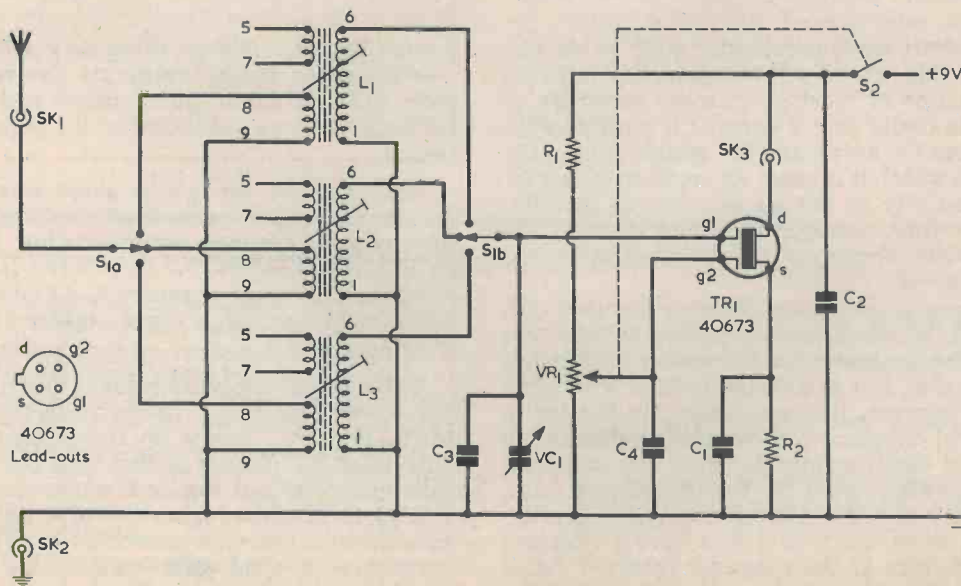
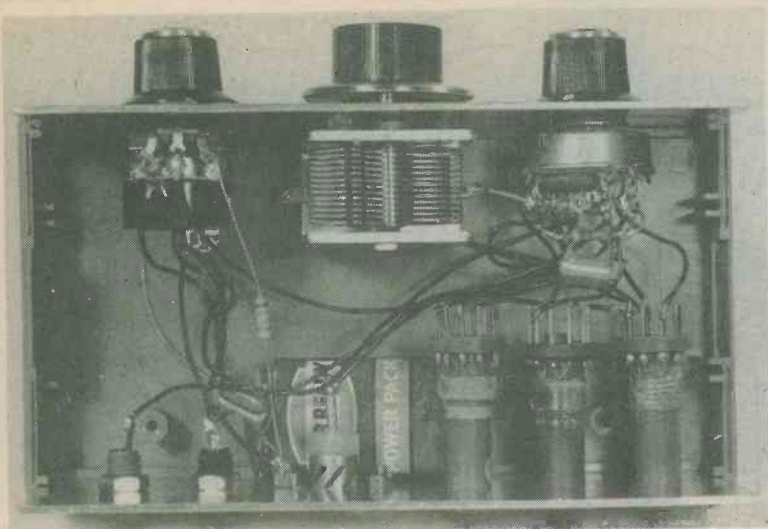


Fig. 1. The circuit diagram of the 3 band preselector. R.F. gain is controlled by VR1



The component layout inside the ready-made case. Normally, the battery is positioned upright behind the r.f. gain control

alter performance because the two supply rails are coupled together at r.f. by the low impedance path given by C2. In practice the arrangement works extremely well provided that the polarity difference is borne in mind when making an earth connection to the combination of preselector and receiver. This point is discussed more fully later.

The on-off switch is S2, and this is ganged with VR1.

PRESELECTOR CASE

The preselector is housed in a Verobox type 75-1238-D which measures approximately 152 by 60 by 84mm. This is of plastic construction with aluminium front and rear panels. The front panel is common with the negative supply rail by way of the mounting bolts of VC1, and the rear panel is common with the positive rail by way of the output socket mounting, and so it is obviously not possible to use an all-metal case.

Drilling details for the front and rear panels are given in Fig. 2, and matters here are mostly quite straightforward. VC1 is mounted by means of three short 4BA bolts passing into tapped holes in its front plate, and it is essential that the bolt ends do not pass more than fractionally past the front plate or they may damage the fixed or moving vanes. Spacing washers can be passed over the 4BA bolts, between the front panel and the capacitor front plate, to provide a satisfactory mounting and to reduce the penetration of the bolts to an acceptable amount.

SK1 and SK2 are insulated wander plug sockets. SK3 is a flush mounting coaxial socket and is secured by two short 6BA or M3 bolts, with nuts. A solder tag is fitted under the nut nearer SK2. The three coils are mounted using the 0BA plastic nuts with which they are supplied, and their pins should take up the orientation shown in the wiring diagram of Fig. 3. Be careful not to overtighten the plastic nuts as the threaded sections of the coils can easily be sheared off.

WIRING

Wiring is carried out as illustrated in Fig. 3. Note that S1(a)(b) consists of 2 poles of a 4-pole 3-way miniature rotary switch. Some of the outer tags of the unused poles are employed as anchor tags for

TR1 and the associated components. Before making connections to the switch, ascertain with the aid of a continuity tester or ohmmeter the three outer tags corresponding to the inner tag of one of the sections to be used as a switch. With some switches the relative positioning of the inner and outer tags may vary from that shown in Fig. 3.

All connections are by point-to-point wiring, and all wires should be kept as short and direct as is reasonably possible. In the diagram some wires are shown spaced out for reasons of clarity. It is strongly recommended that the general layout be exactly as shown in Fig. 3. Altering this, or using excessively long wiring, could easily lead to instability due to the fairly high levels of gain and frequency that are involved.

Connections are made directly to the pins of the coils, and the soldering iron must be applied and removed rapidly at each pin as the plastic material

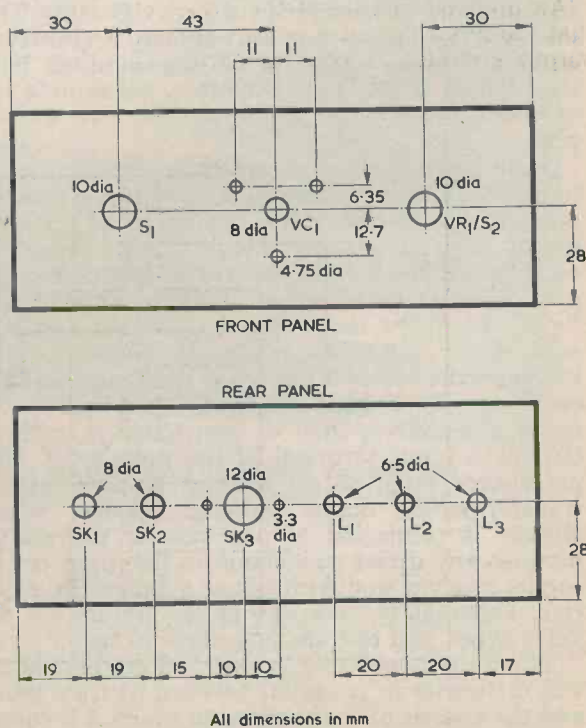


Fig. 2. Drilling details for the front and rear panels of the preselector

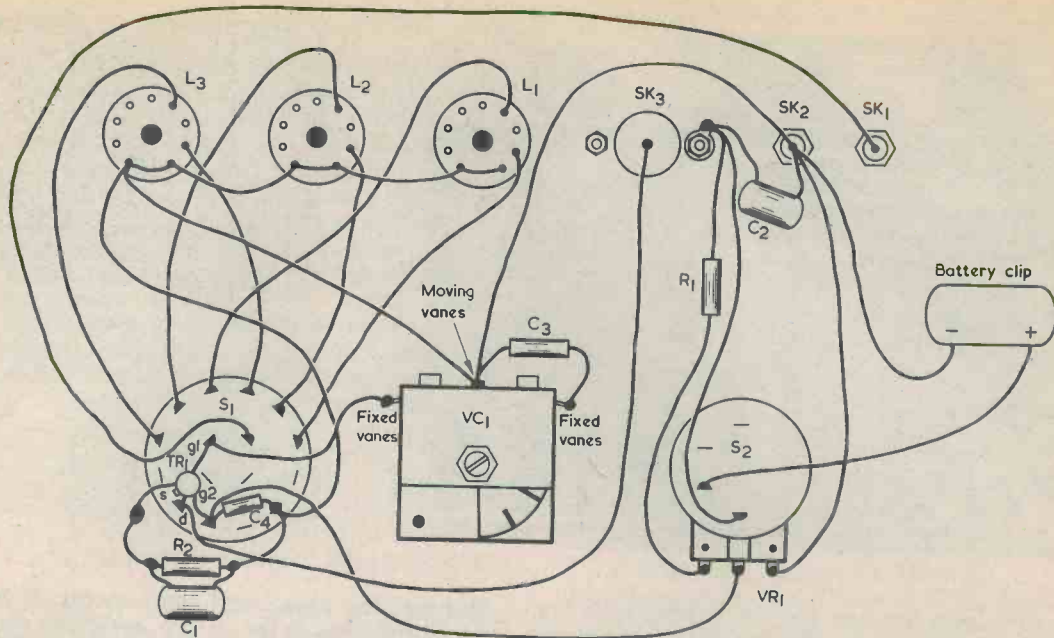


Fig. 3. The wiring of the preselector is not complicated, but it is necessary for all connections to be short and direct

in which the pins are mounted melts readily with heat. It helps to have the wire ends tinned initially with solder.

There is a space for the battery to stand vertically behind VR1/S1. It will be held firmly in position when the lid of the case is clipped into place.

NOTES ON USE

The preselector is coupled to the receiver aerial and earth input terminals via a coaxial cable. This should be no longer than is absolutely necessary in order that losses in the cable are minimised. With the 3 Band Short Wave Superhet, the remote end of the cable will be terminated in two wander plugs.

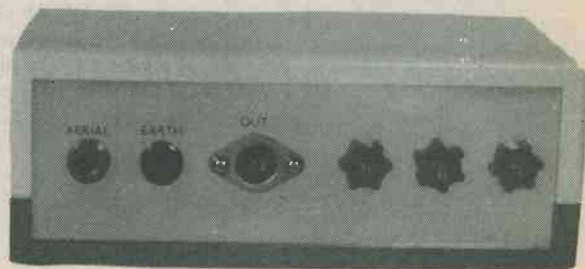
If an earth connection, which is not essential, is to be used, it may either be applied to the receiver or to the preselector. If it is applied to the preselector all the chassis metalwork of the associated receiver will be 9 volts positive of earth when the preselector is switched on. This presents no difficulty when the receiver and any other ancillary equipment is free of any earth connection. If, however, the receiver chassis is itself connected to earth, as is advisable for instance when the receiver is mains powered, then no connection is made to the earth input terminal of the preselector. The preselector must on no account be used with a transformerless mains powered receiver whose chassis is connected to one side of the mains, because any direct connection to the input coil of such a receiver would introduce a dangerous shock risk. Fortunately, receivers of this nature are old valve types and few are nowadays in use.

When the preselector is switched on there is a 9 volt difference in potential between its front panel and the chassis of the receiver to which it is coupled. Loose wires connected to the receiver chassis should not be allowed to accidentally contact the

preselector front panel since the preselector battery would then be short-circuited.

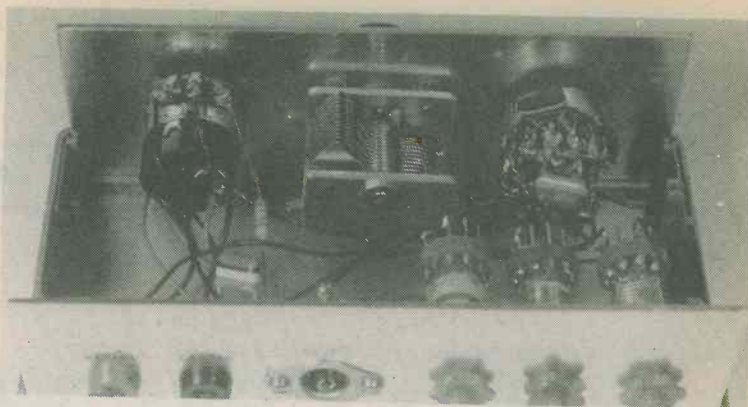
As supplied, the three preselector coils have their cores almost fully screwed in, so that virtually no metal screw thread protrudes beyond the end of the plastic former. For the preselector application the coil cores are left in this position.

Operation of the controls is very straightforward. The extreme anti-clockwise setting of S1 selects Range 3, its centre setting switches in Range 4, and its extreme clockwise setting selects Range 5. VC1 is the tuning control and this is adjusted to peak received signals. It will be necessary to re-peak VC1 each time the receiver tuning control is altered to any significant extent. When using the preselector with a superhet it will probably be found, particularly at the higher frequencies, that there are two settings of VC1 which produce peaks in output from the receiver, with different signals being given at each peak. The lower frequency peak (with VC1 vanes more fully enmeshed) is the correct one and corresponds with signal frequency being below oscillator frequency in the superhet. The other peak is the unwanted image channel. Indeed, one of the principal benefits of using a preselector with a superhet is that it enables the



The rear panel. This accommodates the input and output sockets and provides mounting for the three coils

Another look into the case. TR1 and some of the components directly connected to it are wired to unused tags of the rotary switch



desired response to be boosted and the image response to be attenuated. The tuning is quite sharp and the preselector provides a useful increase in front-end selectivity. There is, however, no need to fit a slow motion drive to VC1 provided that a control knob of adequate size is used.

VR1 is the r.f. gain control, but this should not simply be set for maximum gain and then left permanently at that setting. It might be thought that a continual maximum gain setting would always give maximum sensitivity and therefore optimum results, but such is not in fact the case. Even if a fairly modest aerial is used it is quite possible for the receiver to be overloaded for much of the time if VR1 is left at its maximum setting.

In the case of a superhet it is the mixer which is most prone to overloading, with a high level of cross modulation being produced in consequence. The result is a high background noise level which tends to drown weak signals. When this happens it is often possible to bring weak signals above the noise

largely upon the aerial to be used it will probably be found that this potentiometer can be given a setting which allows most of the r.f. gain control to be provided by VR1 in the preselector. However, the superhet aerial potentiometer may also be adjusted, if required, when receiving any strong signals or when resolving very weak signals surrounded by signals of considerably greater strength. Some experience with the two controls will enable optimum settings in both to be provided.

The preselector can also, of course, be used with a t.r.f. short wave receiver, provided that the receiver meets the aerial input coupling coil requirement. In this case it is the detector which is most easily overloaded, the effect resulting in an unusually high background noise level. The overloading normally results also in an apparent loss of selectivity, with several stations being received simultaneously and having a rather distorted output.



An impressive short wave receiving installation. Here are the 3 Band Short wave Superhet, the Eliminator-Speaker Unit which was described last month and this, and the 3 Band Preselector

level by turning back the r.f. gain control. Although such an adjustment results in a loss of sensitivity, the noise is reduced by a far greater amount than is the desired signal, and so better reception results.

The 3 Band Short Wave Superhet has its own effective r.f. gain control, this being the potentiometer in its aerial input circuit. Depending

With all receivers, therefore, VR1 in the preselector should be kept well backed off in most instances, being advanced only when propagation conditions are poor or when a very inefficient aerial is being used.

ULTRA SENSITIVE REMOTE CONTROL

**A HIGHLY SENSITIVE SIMPLE TO
BUILD DESIGN**

By R. A. Penfold

This fairly simple design together with unit to be described next month forms a Doppler intruder alarm.

Ultrasonic remote control systems are suitable for many applications where a remote control link over only a fairly short distance (usually up to about 10 metres or so) is required. They are commonly employed in TV remote control systems, simple control systems for small models and for more mundane uses such as the control of house lighting.

One problem with this type of system is the highly directional properties of the ultrasonic transducers, and it is normally necessary to aim the output from the transmitter at the receiving transducer in order to obtain correct operation. However, ultrasonic sound waves are readily reflected by walls, ceilings and many other surfaces so that, by producing a highly sensitive system, it is possible to completely overcome this problem. The set-up then relies upon these reflected signals to provide the link between transmitter and receiver when there is no direct signal path.

The subject of this article is a fairly simple ultrasonic remote control system which is extremely sensitive indeed. It is found to operate perfectly well even in a large room, almost regardless of where the receiving and transmitting transducers are positioned and aimed within the room. The transmitter is of quite conventional design and the high sensitivity of the system is provided by the receiver, which incorporates a phase locked loop tone decoder.

In next month's issue we shall describe an add-on unit which enables the transmitter and receiver to be employed in a Doppler shift proximity detector or intruder alarm.

TRANSMITTER

Fig. 1 shows the circuit diagram of the transmitter, and this is little more than a conventional two transistor astable multivibrator. It differs from a straightforward astable circuit only in that the biasing for TR2 is obtained from the slider of R5 rather than direct from the positive supply rail. This enables the operating frequency

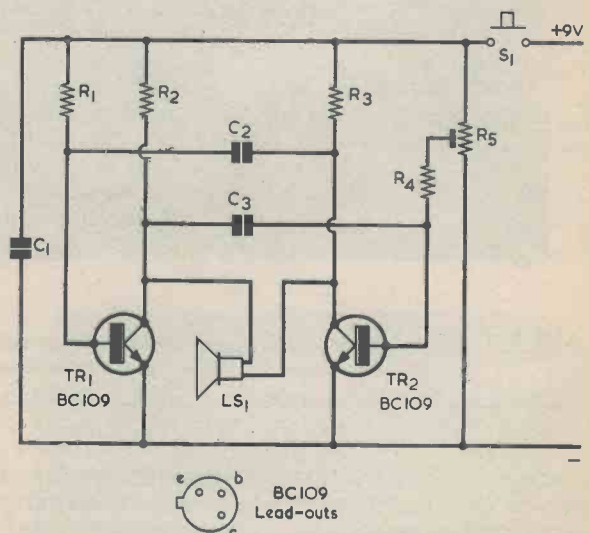
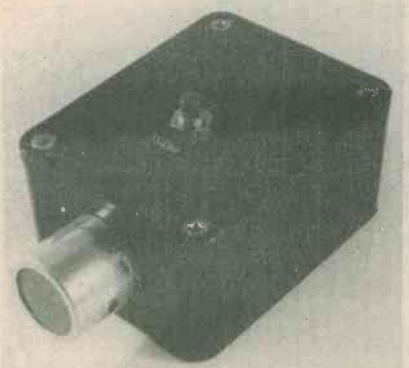


Fig. 1. The ultrasonic transmitter consists of an astable multivibrator with the transducer connected to the two transistor collectors

ULTRASONIC



The transmitter unit. The 40kHz transducer is mounted at the front and is activated by pressing the push-button on the top of the case

of the astable to be varied to a certain extent, so that the required nominal operating frequency of 40kHz can be obtained.

The ultrasonic transducer, LS1, is not an ordinary moving coil loudspeaker but is a piezoelectric device, rather similar to a crystal earphone and some types of tweeter. It is not very efficient at audio frequencies but reaches a sharp peak in efficiency at its nominal resonant frequency of 40kHz. It is for this reason that the astable is adjusted to operate at a frequency of 40kHz.

A form of push-pull drive is provided for LS1 since it is fed from the collectors of TR1 and TR2, rather than from one collector and the negative supply rail. The signals at TR1 and TR2 collectors are in anti-phase and thus when TR1 collector is positive TR2 collector is negative, and vice versa. The peak-to-peak voltage swing across LS1 is then double that which would be given by coupling it to a single collector.

The push-button, S1, is merely an on-off switch, and it is pressed to cause an ultrasonic signal to be emitted by the unit. C1 is a supply decoupling capacitor. The current consumption of the circuit is approximately 15mA. Where gain selected transistors are available, TR1 and TR2 may be A, B or C types.

CONSTRUCTION

The small components are assembled on a 0.1 in. matrix Veroboard panel having 16 copper strips by 15 holes, and the component layout of this panel is shown in Fig. 2. The two mounting holes are drilled 6BA or M3 clearance, and there are no breaks in any of the copper strips.

The prototype unit employs a PP3 battery, but a larger 9 volt battery may be used, if desired. A small plastic case having approximate outside dimensions of 80 by 60 by 40mm. is used as a hous-

COMPONENTS

TRANSMITTER

Resistors

(All fixed values $\frac{1}{4}$ watt 5%)

R1 33k Ω

R2 1k Ω

R3 1k Ω

R4 27k Ω

R5 10k Ω pre-set potentiometer, 0.1 watt, horizontal

Capacitors

C1 0.22 μ F mylar or Type C280

C2 470pF ceramic plate

C3 470pF ceramic plate

Semiconductors

TR1 BC109

TR2 BC109

Transducer

LS1 40kHz ultrasonic transducer (see text)

Switch

S1 push-button, press to make

Miscellaneous

Veroboard, 0.1in. matrix

Plastic case (see text)

Phono plug

9 volt battery type PP3 (Ever Ready)

Battery connector

Wire, solder, etc.

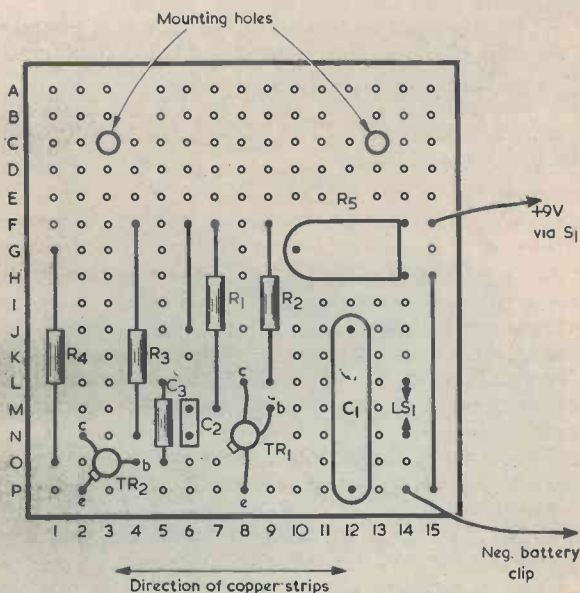
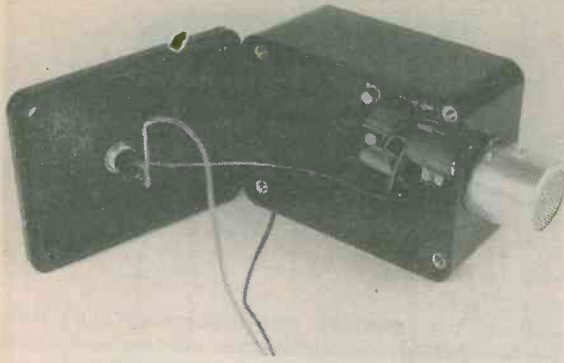


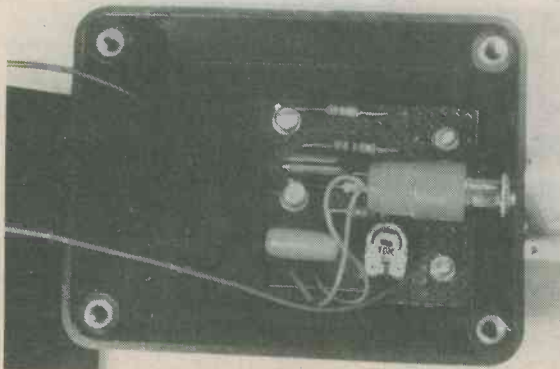
Fig. 2. Veroboard layout for the transmitter components. There are no breaks in the copper strips



Removing the case lid shows the layout of the Veroboard assembly and the push-button switch.

ing for the author's unit but any other small plastic case capable of accommodating the components and the battery to be used can be employed instead. (In the Doppler shift application the transmitter is turned on continually and a larger battery than the PP3 will almost certainly be required.) The general layout can be seen from the accompanying photographs. A 10mm. diameter hole for the transducer is drilled at one end of the case, and the transducer is then glued in position using a good quality general purpose adhesive. The transducer has an integral phone socket in a projection at its rear which fits through the hole in the case. The component panel is then connected to the transducer via two short unscreened flexible wires terminated in a phono plug. The panel is mounted on the bottom of the case close to the transducer by means of two short 6BA or M3 screws and nuts. Short spacing washers are used to hold the panel underside clear of the inside surface of the case, as the panel would otherwise be damaged when the mounting nuts are tightened.

S1 is mounted on the lid of the case just ahead of a central position (i.e. nearer the transducer end). S1 and the battery connector must be wired up to the component panel prior to its being finally screwed into position. The battery fits at the rear of the component panel.



Connection between the transmitter Veroboard panel and the transducer is made by way of two unscreened leads and a phono plug

TRANSDUCERS

The 40kHz transducers are a pair of type 7505 units, available from Ace Mailtronix Limited, Tootal Street, Wakefield, West Yorkshire, WF1 5JR. The units are identical and it does not matter which transducer is used in the transmitter and which is used in the receiver.

RECEIVER CIRCUIT

The circuit of the ultrasonic receiver appears in Fig. 3. MIC1 is the receiving transducer and this acts as a form of crystal microphone with poor sensitivity to audio frequencies and a response reaching a pronounced peak at the nominal resonant frequency of 40kHz. The microphone is therefore very sensitive to the signal from the transmitter but produces little output from even quite loud audio frequency signals.

The output from MIC1 is directly coupled to the base of a common emitter amplifier, TR1. Base bias is provided by R1, and a section of L1 forms the collector load for TR1. Only part of L1 is connected into the collector circuit in order to minimise loading effects so that the coil provides reasonably good selectivity. In conjunction with C4 it forms a parallel tuned circuit resonant at 40kHz. The main reason for using a tuned circuit here is to boost the 40kHz signal as opposed to any audio frequency output from MIC1. A high degree of amplification is required in the TR1 stage and, without the tuned circuit and despite the low a.f. sensitivity of MIC1, audio signals could still be raised to a sufficiently high level to cause spurious operation in the receiver. The coil employed for L1 is available from Ambit International.

C2 couples the output from TR1 collector to the pre-set gain control R2. This control is necessary as it may not normally be possible to utilise the full gain of the receiver without the circuit latching in the triggered state. The latching occurs due to the phase locked loop oscillator signal being picked up at the input of the circuit. The feedback could be avoided by careful screening of the pre-amplifier stage, but in practice this is unnecessary as more than adequate sensitivity can be obtained simply by backing off the gain to the point where latching does not occur.

A straightforward common emitter amplifier, TR2, amplifies the output from R2 and feeds it to the input of the phase locked loop tone detector circuit. C5 attenuates the very high frequency response of TR2 and assists in giving good stability.

The phase locked loop used in the system is the NE567. Phase locked loop circuits incorporating the NE567 have been dealt with before in this magazine and so it will not be considered in great detail here. R6, R7 and C6 are the p.l.l. oscillator frequency determining components, and R6 can be adjusted to produce a centre frequency of 40kHz. If an input voltage of 20mV r.m.s. or more which is within plus or minus 14% of the centre frequency is present at the p.l.l. input, an internal transistor in the device will switch on. The output from the transmitter normally produces such an input signal, and so the internal transistor of the p.l.l. will be switched on when the transmitter circuit is activated.

The internal transistor is connected in the common emitter mode and its collector terminal is

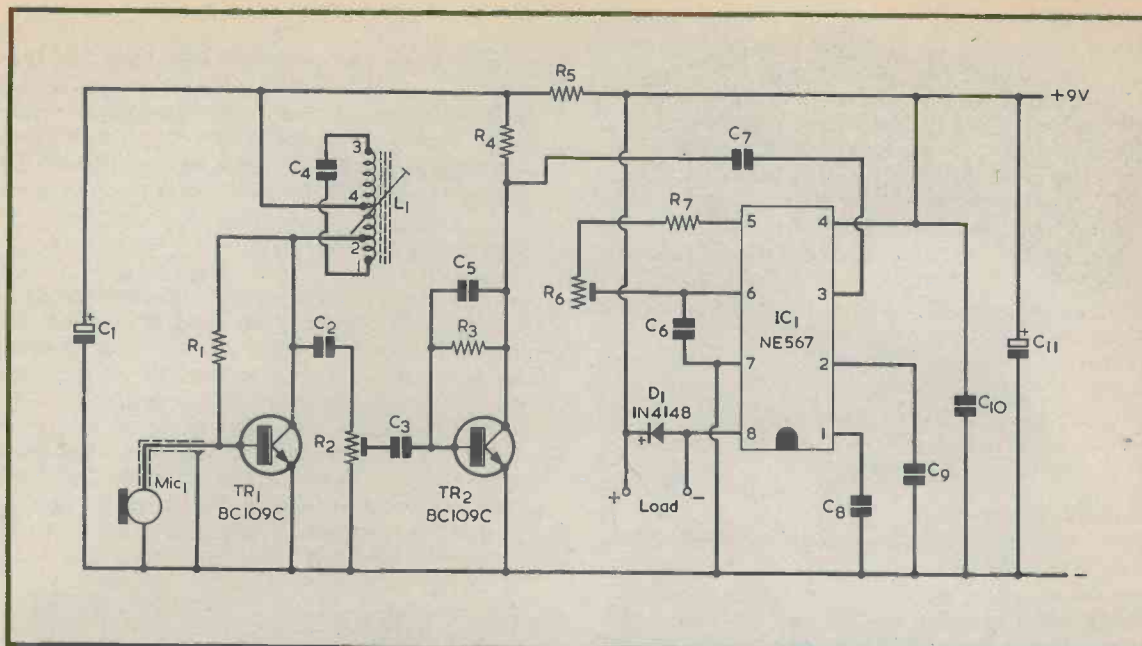


Fig. 3. Circuit of the ultrasonic receiver. MIC1 is the second 40kHz transducer

COMPONENTS

RECEIVER

Resistors

(All fixed values $\frac{1}{4}$ watt 5%)

- R1 5.6M Ω
- R2 4.7k Ω pre-set potentiometer, 0.1 watt, horizontal
- R3 4.7M Ω
- R4 4.7k Ω
- R5 1k Ω
- R6 4.7k Ω pre-set potentiometer, 0.1 watt, horizontal
- R7 2.7k Ω

Capacitors

- C1 10 μ F electrolytic, 10V. Wkg.
- C2 1,500pF ceramic plate
- C3 4,700pF ceramic plate
- C4 2,200pF mylar
- C5 33pF ceramic plate
- C6 5,600pF polystyrene
- C7 4,700pF ceramic plate
- C8 0.022 μ F ceramic plate
- C9 3,300pF ceramic plate

- C10 0.022 μ F ceramic plate
- C11 100 μ F electrolytic, 10V. Wkg.

Inductor

- L1 7mH coil type CAN198OBX (see text)

Semiconductors

- TR1 BC109C
- TR2 BC109C
- IC1 NE567
- D1 1N4148 (see text)

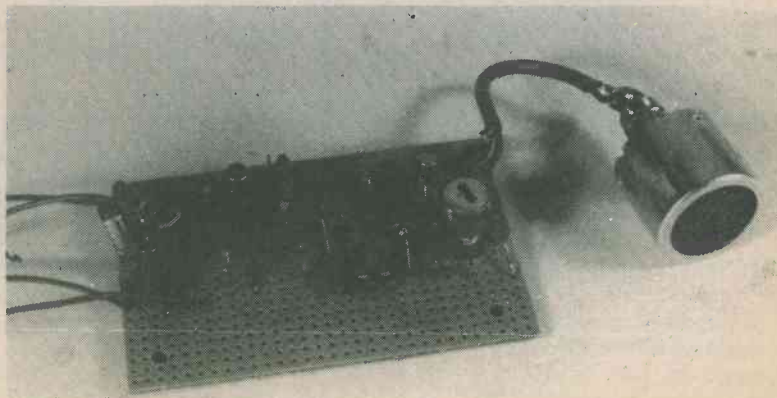
Transducer

- MIC1 40kHz ultrasonic transducer (see text)

Miscellaneous

- Veroboard 0.1in. matrix
- Phono plug
- Screened cable
- Wire, solder, etc.

The receiver board. The receiving transducer connects to this via a short length of screened cable



available at pin 8 of the NE567. Loads of up to 100mA can be operated direct from the output at pin 8. For many applications, the output load will be the coil of a relay, and any type capable of energising reliably at slightly less than 9 volts and having a coil resistance of 100Ω or more will be suitable. A good choice would be an "Open Relay" with 410Ω coil, available from Maplin Electronic Supplies. Diode D1 protects the output transistor in the NE567 from high back-e.m.f. voltages when the transistor turns off and the relay releases. The relay contacts control the circuit to be switched by the ultrasonic system.

C8 and C9 are low pass filter components. C1, R5, C10 and C11 provide supply decoupling. The quiescent current consumption of the receiver in the untriggered state is only about 9mA, this increasing by the load current on triggering. No on-off switch is shown in Fig. 3 as it is possible that the receiver may be incorporated in existing equipment having a 9 volt supply. If a switch is required it may be inserted at the positive supply input.

Before concluding on circuit details it should be pointed out that if the load switched on by the receiver is not inductive (i.e. is not a relay coil or, say, a motor) diode D1 is not required and may be omitted from the circuit.

CONSTRUCTION

The ultrasonic receiver is constructed on a 0.1in. pitch Veroboard panel which has 19 copper strips by 31 holes. Details of this panel are provided in Fig. 4.

Commence by cutting out a panel of the correct size with a hacksaw, and then drill the two moun-

ting holes 6BA or M3 clearance. Next, the 12 breaks in the copper strips are made and the components and link wires are soldered into position on the board. L1 has two mountings lugs which are either bent out of the way or are simply cut off with a pair of wire snips. The coil has 0.15in. pin spacing, but it will fit into the 0.1in. matrix board if it is positioned diagonally, as shown in the diagram.

A short screened lead is employed for the connection to MIC1, its braiding connecting to the negative rail. The remote end is terminated in a phono plug which is wired such that the screened wire braiding will be common with the metal case of MIC1 when the plug is inserted.

The Veroboard assembly is fitted to any equipment with which it is to be used. Because of this it will probably not require its own case, and it is left to the constructor to carry out his own design here to suit the particular application for which the receiver is required.

ADJUSTMENT

The first adjustment that must be made is to set R5 of the transmitter circuit for maximum output. Transmitter output can be monitored by connecting a multimeter set to its lowest a.c. volts range between TR1 collector in the receiver and the receiver negative supply rail. Many multimeters do not incorporate a d.c. blocking capacitor and will need a capacitor of about 0.1μF to be connected in series with the test lead connecting to the collector, as otherwise the meter will respond to the d.c. level at that collector. An a.c. millivoltmeter set to read several hundred millivolts f.s.d. can be

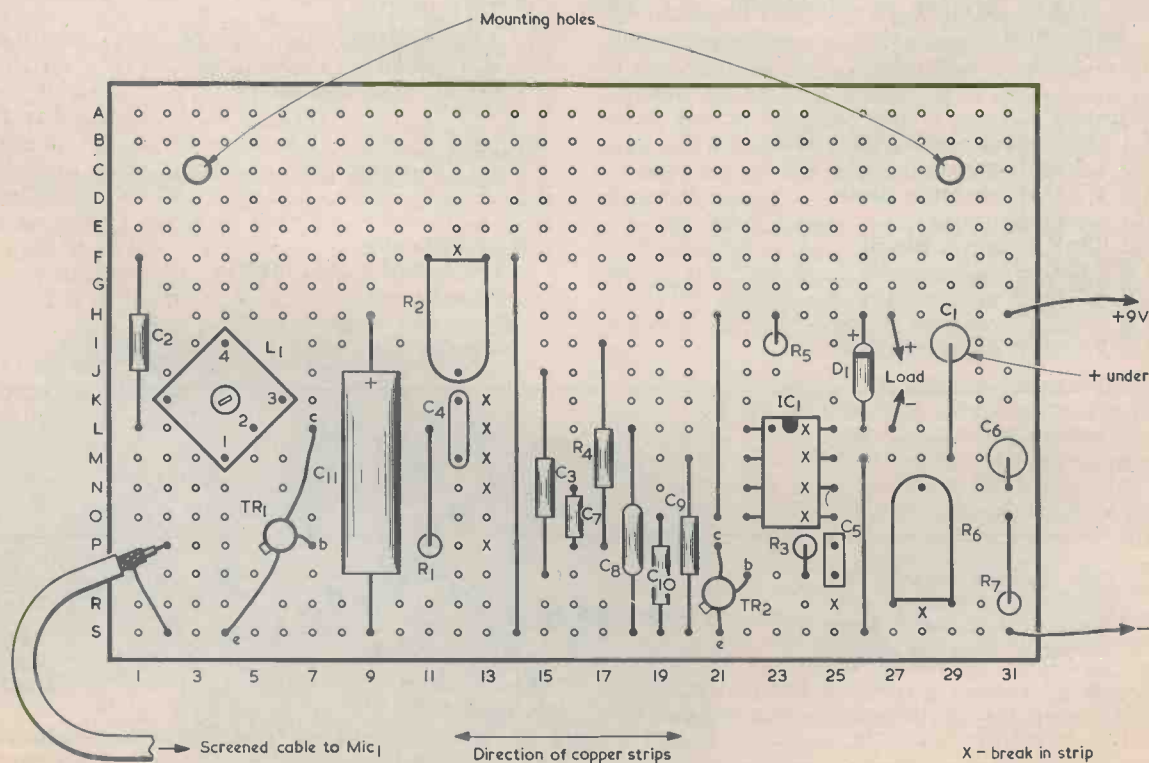
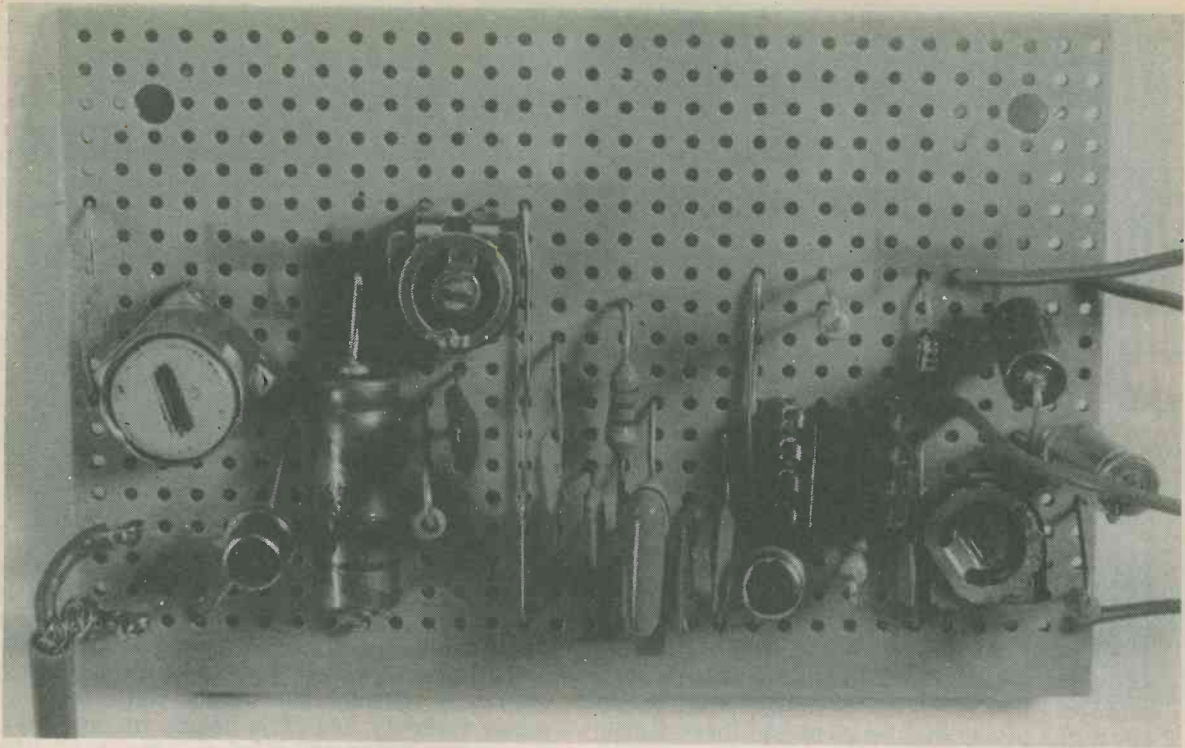


Fig. 4. Another Veroboard panel is employed for the receiver components



A closer look at the receiver panel. This has two pre-set potentiometers, one of which controls gain whilst the other controls oscillator frequency in the phase locked loop

used as an alternative to a multimeter.

With both the transmitter and the receiver switched on, and the two transducers placed close to one another, a small reading should be obtained in the meter. R5 is adjusted to peak the meter reading and then the core of L1 in the receiver is similarly adjusted. If the meter reading rises above 1 volt r.m.s., move the two transducers further apart, as otherwise the signal might clip at TR1 collector in the receiver and make it impossible to obtain a sharp peak with either adjustment.

It should be found that the output transistor in the NE567 will switch on over a small range of settings of R6 in the receiver (with the transmitter still switched on). R6 is merely adjusted to roughly the centre of this range of settings.

It is advisable to keep R2 in the receiver well backed off in the anti-clockwise direction when making these adjustments. When the alignment has been completed, R2 can be advanced clockwise

to increase the sensitivity of the receiver. If the circuit malfunctions, for the reason described earlier, back off R2 to a point where proper operation is obtained.

The completed system should be extremely sensitive and, with the transmitter and receiver in the same room, it should be difficult or even impossible to position the transducers in such a way that the link is broken. The receiver is not prone to spurious operation by audio signals due to its tuned pre-amplifier and phase locked loop tone detector, the latter having good immunity to noise and out-of-band signals. Blowing into MIC1 or tapping it will probably operate the receiver output circuit, but this is something which occurs with even comparatively low sensitivity ultrasonic receivers.

A feature of the system is that, with the aid of an auxiliary unit, it can be employed in a Doppler movement detector. This add-on unit will be described in next month's issue. ■

LATE PUBLICATION

We regret that, due to an industrial dispute affecting our printers, this issue of the magazine is published late.

We expect next month's issue to be available by about February 9th and for sub-

sequent numbers to be on sale by the third of each month.

It is very frustrating for our readers to have their favourite electronics magazine delayed, no doubt the excellent list of contents will be some compensation.

AUDIO MIXER

Efficient mixer unit for two audio inputs

An audio mixer is a useful circuit for anyone interested in tape recording, particularly if tape recording is carried out as a creative hobby in itself, taking in such activities as the making of sound impressions of events or amateur theatricals. A recorded play may, for example, need sound effects, and a mixer enables us to add these during the recording from another tape or (if copyright permission is available) from a special effects record.

Since an audio mixer of the type to be described

here incorporates pre-amplifier stages it can be useful as a pre-amplifier for low-output microphones, and it also enables a long cable to be used between the mixer and the recorder, with short microphone cables. The long cable can be employed because the output impedance of the mixer is fairly low. The design incorporates five n.p.n. transistors and it has two inputs of differing impedance, each with its own volume control. The output is from an emitter follower to ensure that the low output impedance just mentioned is provided.

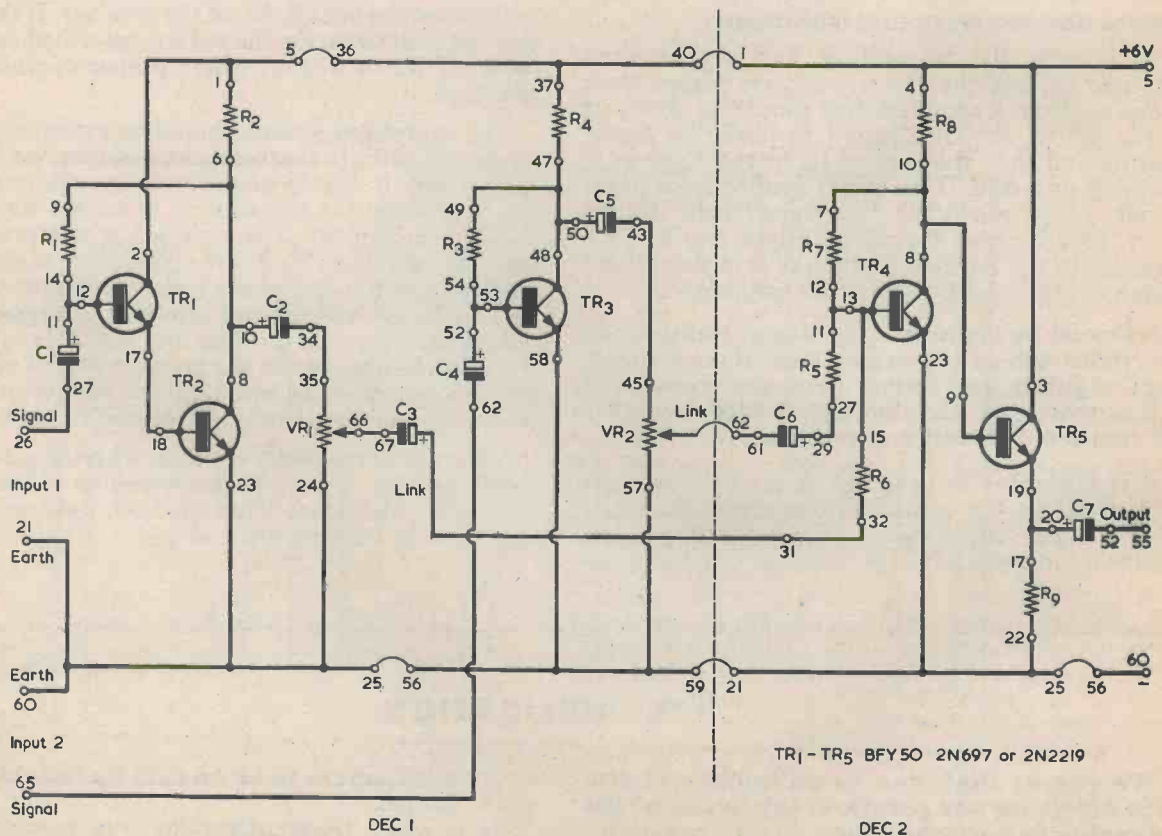
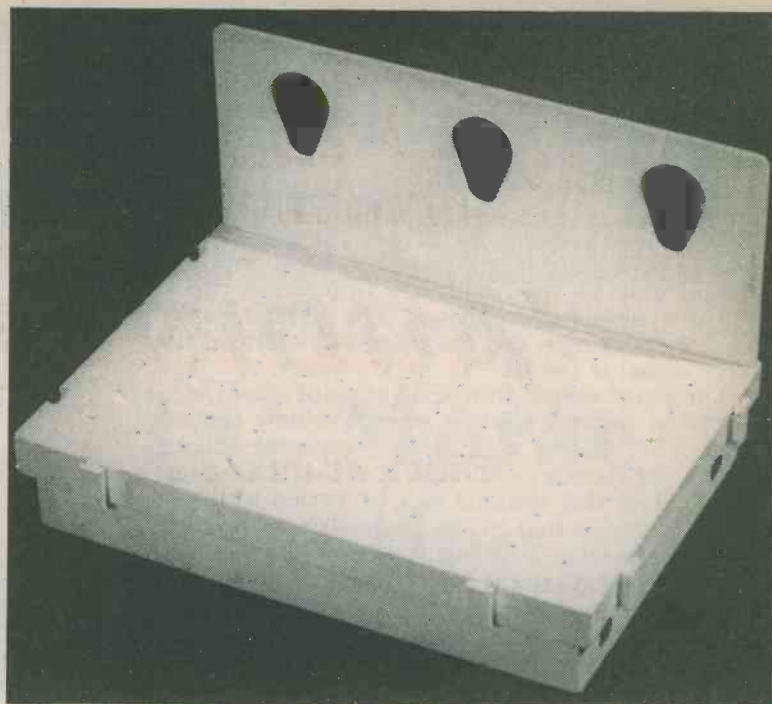


Fig. 1. The circuit of the audio mixer. This may be assembled on two S-DeCs positioned side by side or on a single Blob Board equivalent

A single S-DeC. Two of these, mounted side by side to form a single long DeC, can be used for all the projects in this series



CIRCUIT OPERATION

The circuit of the mixer is shown in Fig. 1. Input 1 couples to the base of TR1, which is an emitter follower biased by R1 and which has its emitter connected directly to the base of TR2. The input impedance of this stage is higher than that of Input 2, and is suitable for medium impedance microphones although not, in its present form, for the old-fashioned crystal microphones. TR2 acts as a voltage amplifier, with R2 as its collector load. The gain given by the two transistors is not fixed; due to the negative feedback given by R1 it depends on the impedance of the microphone that is used and will be greater for low impedance microphones than for high impedance microphones. This is a useful effect because low impedance microphones generally have low outputs which need greater gain. Incidentally, crystal microphones can give reasonable results if the circuit is modified by adding a capacitor between the collector of TR2 and the base of TR1. A value of around $0.001\mu\text{F}$ will usually be suitable, and the capacitor leads may be fitted to circuit points 7 and 13 of DeC 1.

The output signal from TR2 at point 10 of DeC 1 is coupled via C2, a $10\mu\text{F}$ electrolytic capacitor, to the volume control, VR1. This acts as the volume control for Input 1 and is inserted in circuit after TR2 rather than at the input itself to ensure that it does not affect signal-to-noise ratio too noticeably. Volume controls are noisy components, and should be used only where a fairly large signal level is present.

If the signal applied to Input 1 is already large, as it might be if taken from another recorder, some attenuation may be needed before C1. This could be provided by a fixed voltage divider, as shown in Fig. 2. Alternatively, the large signal could be taken direct to the volume control by removing C2, so that the stage incorporating TR1 and TR2 is out of

COMPONENTS

Resistors

(All fixed values $\frac{1}{4}$ watt 5%)

- R1 $1\text{M}\Omega$
- R2 $1.8\text{k}\Omega$
- R3 $150\text{k}\Omega$
- R4 $4.7\text{k}\Omega$
- R5 $56\text{k}\Omega$
- R6 $56\text{k}\Omega$
- R7 $150\text{k}\Omega$
- R8 $4.7\text{k}\Omega$
- R9 $4.7\text{k}\Omega$
- VR1 $10\text{k}\Omega$ potentiometer, log
- VR2 $10\text{k}\Omega$ potentiometer, log

Capacitors

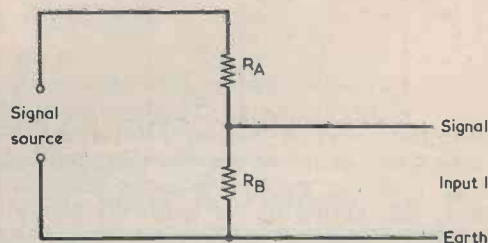
C1-C7 $10\mu\text{F}$ electrolytic, 16V. Wkg.

Semiconductors

TR1-TR5 BFY50 or 2N697 or 2N2219

Miscellaneous

- 2-off S-DeC
- 6V battery
- 2 control knobs



$$R_A + R_B \approx 10\text{k}\Omega \text{ to } 20\text{k}\Omega$$

Fig. 2. A simple attenuator circuit to reduce high level signals applied to Input 1

action. The input may then be applied to point 31 of DeC 1.

Signals from VR1 slider are passed through C3 and R6 to the mixer stage transistor, TR4. Note that the leads of C3 link the signal from point 67 of DeC 1 to point 31 of DeC 2.

Input 2 passes to the single voltage amplifier, TR3, which has base bias provided by R3. A higher value of load resistor, R4, is used compared to the load of TR2. The input has a low impedance and should only be used with low impedance (up to 100 Ω) dynamic microphones. The voltage gain of TR3 is fairly high and the stage will overload if a large signal is fed in.

The signal output from TR3 at point 50 of DeC 1 is passed through C5 to a second volume control, VR2. This acts as a completely separate volume control for signals from Input 2, so that the volume of signal in this channel can be varied quite independently of that in the channel from Input 1. The output from VR2 is taken through capacitor C6 to resistor R5 in the mixer stage. The lead from VR2 slider is used as a link between the DeCs, plugging into point 62 of DeC 2.

The mixer stage itself is a simple but effective type. TR4 is connected as a common emitter amplifier and the low impedance at its base is further reduced by the feedback from its collector through R7. If the two signals are fed to this base via relatively high value resistors they have practically no effect on each other. In Fig. 1 these resistors are R5 and R6, and their presence ensures that adjustments to VR1 have virtually no effect on signals from Input 2 and that, similarly, adjusting VR2 has virtually no effect on the signal volume in the channel following Input 1.

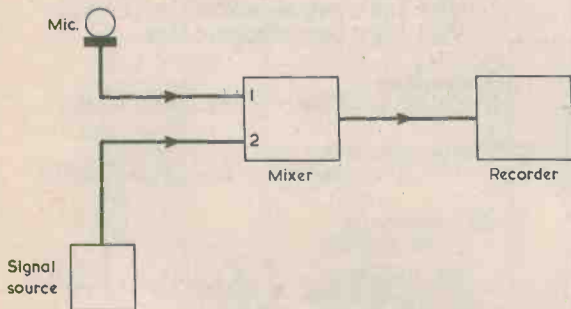


Fig. 3. Testing set-up, as described in the text

R8 is the collector load of TR4, and the mixed signals at this collector are directly coupled to the base of TR5, an emitter follower with the 4.7k Ω resistor, R9, acting as its load. C7 provides d.c. blocking, and the output is taken from point 55 of DeC 2. The output impedance here is sufficiently low to permit even the use of unscreened cables to the following amplifier or tape recorder input, provided that such cables are not run very close to unscreened mains wiring.

S-DEC CONSTRUCTION

Join the two S-DeCs, end to end, to make one long DeC and insert the six wire links. Mount VR1 and VR2 on a front panel, which can be slotted into either DeC. Solder single-strand insulated leads to the potentiometer tags, and plug their other ends into the appropriate S-DeC points. Do not forget that VR2 has its end leads plugged into DeC 1 and its central lead plugged into DeC 2. Capacitor C3 also bridges the DeCs and should be inserted next. Make certain that its positive lead connects to point 31 of DeC 2. Now plug in the transistors, following the lead-out diagram for these transistors (which are used in all the Double-Decker projects) given in Fig. 4. Check that the transistors are cor-

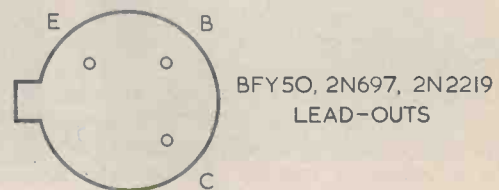


Fig. 4. The transistors specified for the mixer unit all have their lead-outs positioned as here. The leads are pointing towards you

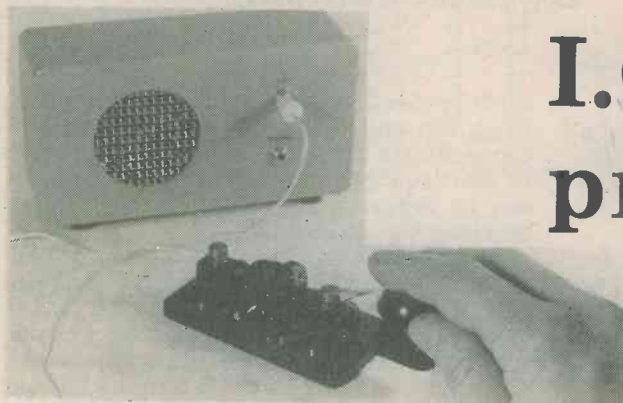
rectly inserted before proceeding further. Next add the remaining capacitors. Because these are all electrolytic, care is needed to ensure that they are connected the correct way round. Different manufacturers use varying methods of marking electrolytic capacitor polarity and these are normally quite obvious. When one lead can be seen to be attached to the metal case of the capacitor this is always the negative lead. With all the capacitors in place and checked, the resistors can be inserted and the mixer unit is then ready for testing.

TESTING

Connect the output at 55 (live) and 60 (earth) of DeC 2 to an amplifier or tape recorder input, using an input which will not be overloaded by the signal from the mixer. This will generally be the input marked as "line" or large-signal input. Connect the 6 volt battery to the mixer, positive to point 5 of DeC 2 and negative to point 60 of DeC 2. Now connect a microphone to Input 1 and another signal source (signal generator, detector stage of a transistor radio, etc.) to Input 2. Turn down both volume controls. Switch on the amplifier or tape recorder and advance volume control VR1, speaking into the microphone. Find the level for VR1 at which a reasonable output is obtained. Next turn down VR1 again and advance the setting of VR2 so that a reasonable output is obtained from the second signal. Now turn up VR1 to its previous setting so that the two signals can be mixed. If the volume is too great, both controls can be turned down slightly. Have fun! ■

RADIO & ELECTRONICS CONSTRUCTOR

IN OUR NEXT ISSUE —

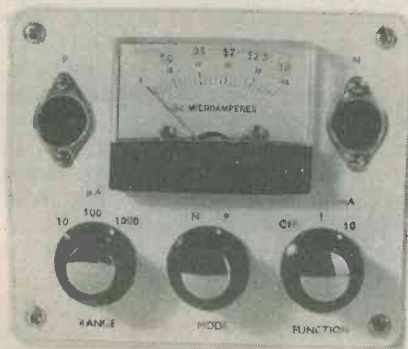


I.C. Morse practice oscillator

A simple to build self-contained unit, having an internal speaker and battery supply with an output for high impedance headphones or tape recorder provided.

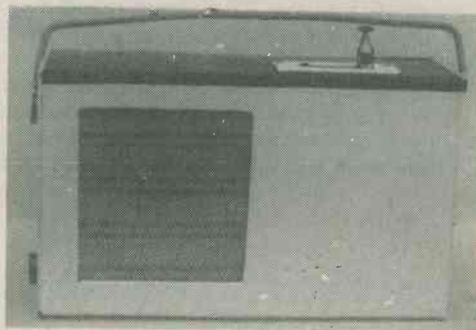
An excellent project for the newcomer.

CONSTANT CURRENT TRANSISTOR TESTER



Novel testing technique measures transistor gain at a constant current.

BAND II PORTABLE Part 1 (2 parts)



Unique and highly sensitive receiver design for v.h.f. f.m. transmissions.

TUNE-IN TO PROGRAMS - No.2 NEW EXCLUSIVE SERIES

Get to grips with programming the easy way.
This 9 part series will guide you through programming using nothing more complicated than a readily available programmable calculator.

*The "Finger Pinger"
Suggested Circuit*

*Stereo Record Player Trouble —
In Your Workshop*

MANY OTHER ARTICLES

ON SALE 9th FEBRUARY

Avoid disappointment. ORDER NOW

9v ELIMINATOR SPEAKER UNIT

Part 2

By R. A. Penfold

CONSTRUCTION

Most of the small components are wired up on a plain perforated s.r.b.p. panel of 0.1in. matrix having 24 by 25 holes. Details of this panel are shown in Fig. 3, which also shows the other wiring of the power supply circuitry.

First cut out the s.r.b.p. panel and then drill out the two mounting holes 6BA or M3 clear. The various components are then fitted to the panel, their lead-outs being bent flat against the underside. The lead-outs are next wired together as shown in the diagram.

T1 is mounted on the base of the cabinet immediately behind S1. The component panel is mounted behind the transformer with the edge at which D1 is fitted being closest to the transformer. There must be adequate clearance between the tags of T1 (if this is fitted with tags rather than flying leads) and the speaker frame. The component panel is secured to the cabinet base by 6BA or M3 screws and nuts as applicable, with 10mm. spacing washers over the screws to keep the panel underside well clear of the base. The panel is not finally mounted until it has been wired up to the remainder of the circuit.

For reasons of safety, a 3-core mains lead must be used, with the earth wire connecting to a solder tag under one of the securing nuts for T1. An insulated flexible wire from this tag then carries the

earth connection to the solder tags mounted on the front, top and rear aluminium panels. The wires connecting to the solder tag on the top panel should be a little longer than is required so that this panel can be removed and taken to one side without breaking the connection.

The speaker is connected to a twin lead about 250mm. long which is terminated in a $\frac{1}{4}$ in. jack plug. This plug is, of course, inserted into the output socket of the receiver. The output of the power supply is taken to the receiver via another twin lead about 350mm. long which is terminated in one red wander plug for positive and one black wander plug for negative. Both the speaker and the output leads can be a little longer, if desired. Matching red and black wander plug sockets are mounted on the rear panel of the receiver in the positions shown in the photograph which was published in Part 1 of the receiver articles. These sockets are connected to the appropriate supply rails of the receiver. The battery connectors inside the receiver can be left wired into circuit if it is possible that portable operation will be required at a future date, but it will be necessary to cover the positive connector with insulating tape so that the supply rails will not be short-circuited if it should happen to come into contact with the receiver chassis.

C3 is most effective if it is mounted inside the receiver. It is wired across the two wander plug sockets in the receiver. TR1 should be fitted with a T05 size clip-on heatsink.

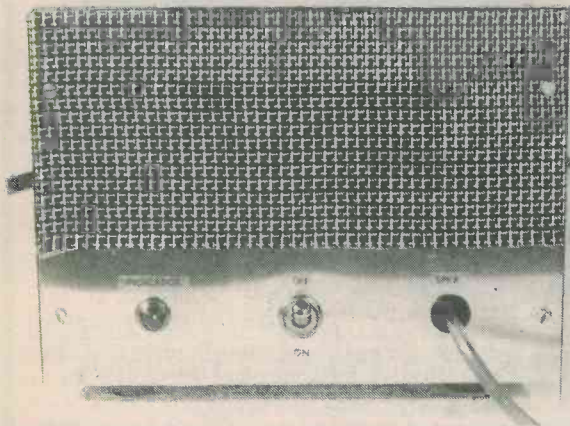
In the photograph of the interior of the unit, the transformer visible is a type having a 9-0-9 volt secondary. This was employed initially, but it was found possible to slightly overload the supply unit at high volume levels in the receiver. The overloading resulted in the "S" meter readings being reduced and also created difficulties with s.s.b. reception. The transformer was changed to the 12-0-12 volt type specified, which completely eradicated the problem. The earthing wire links to the front, top and rear panels were also added after the photograph was taken.

TESTING

Before connecting the power supply to the receiver, make quite sure that both the wander plugs and sockets are connected with the correct polarity. The set could easily be damaged if the supply were to be connected with the wrong polarity.

The current limiting circuitry can be checked by connecting across the output a multimeter set to give a full-scale deflection of 250mA or more in series with a 47Ω resistor. The resistor should

RADIO AND ELECTRONICS CONSTRUCTOR



A direct look at the front panel. On the left is the mains neon indicator, with the on-off switch in the centre. The lead from the speaker to the jack plug passes through the grommet at the right

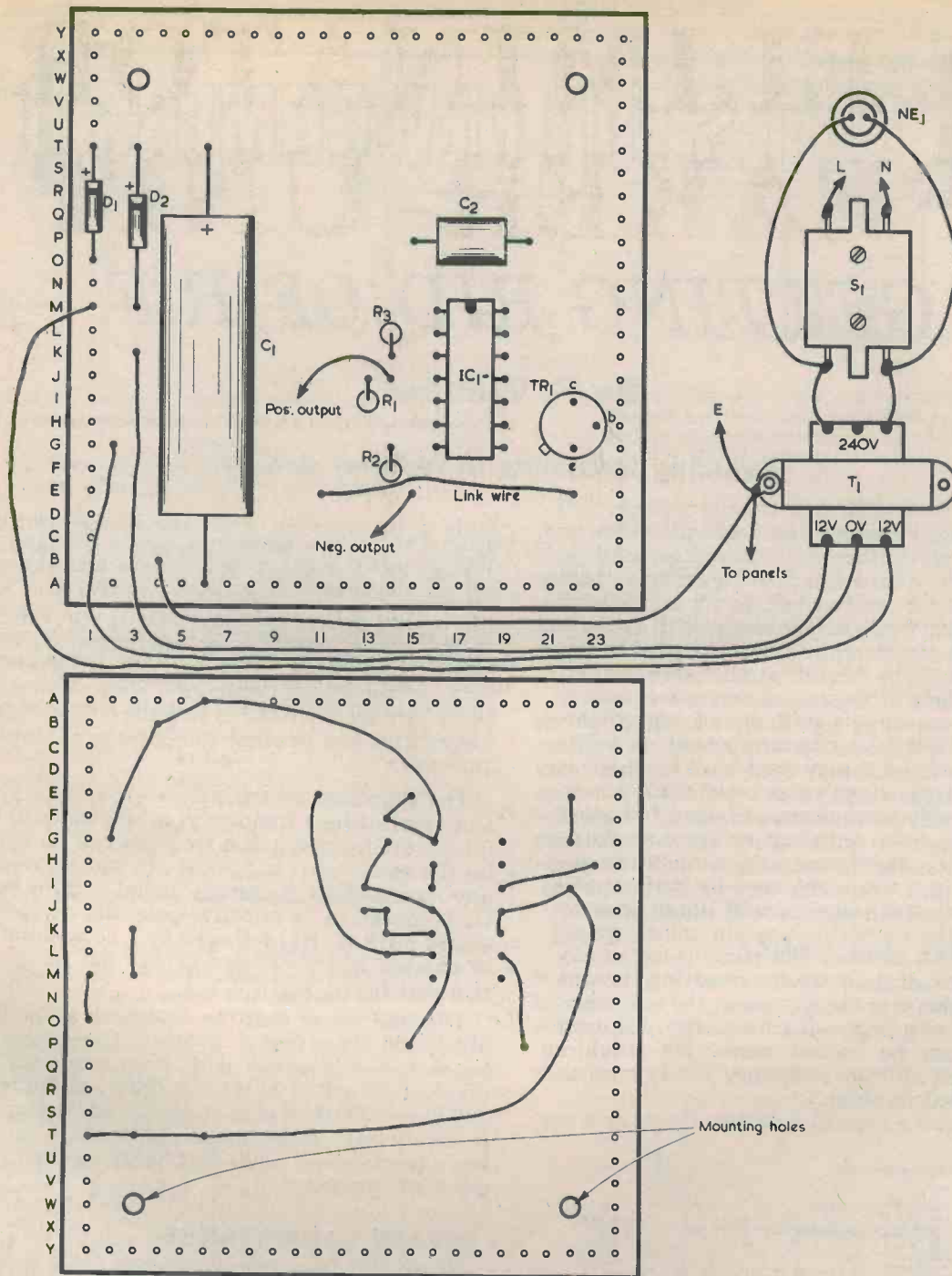


Fig. 3. Details of the wiring of the power supply section of the unit. The speaker simply connects to a jack plug which is inserted in the receiver output socket

preferably be a $\frac{1}{2}$ watt or 1 watt component. If the current limiting circuit is operating correctly, the meter will give a reading of approximately 100mA. Should the current limiting circuit not be operating properly, the 47Ω resistor will limit the current to a level which will prevent damage provided that the meter circuit is not connected for more than a few seconds.

After completion of the current test a multimeter switched to a suitable voltage range can be used to check that the output voltage is not excessive.

If all is well, the unit can be connected to the receiver and tried out. The power supply circuit provides a very well smoothed output, and no problems with mains hum should be given even with headphone reception.

The prototype was able to withstand a continuous output short-circuit, although TR1 did get rather hot under this condition. Thus, whilst output short-circuits can be handled, it is advisable to avoid these if at all possible.

NOTES FOR NEWCOMERS

GETTING RID OF R.F.

By R. Webber

Avoiding instability in receiver design

The normal radio receiver provides r.f. amplification before the detector and a.f. amplification afterwards. In a simple home-constructed t.r.f. receiver, all the r.f. amplification will be at signal frequency, whereas with a superhet there may be some amplification at signal frequency with most of the amplification before the detector taking place at the intermediate frequency.

We don't want any significant r.f. amplification after the detector, because any r.f. which appears in the audio section may feed back to the stages before the detector and cause instability. When we use modern silicon transistors in the a.f. stages the situation becomes quite acute since transistors nominally intended for operation at audio frequencies can, in practice, offer meaningful amplification at tens or even hundreds of megahertz.

CAPACITIVE REACTANCE

The most useful device for removing unwanted radio frequencies is the capacitor, the reactance of which falls with increasing frequency. Capacitive reactance can be looked upon, for rough approximations, as "a.c. resistance". Like resistance it is expressed in ohms.

Fig. 1 shows a typical detector circuit in a por-

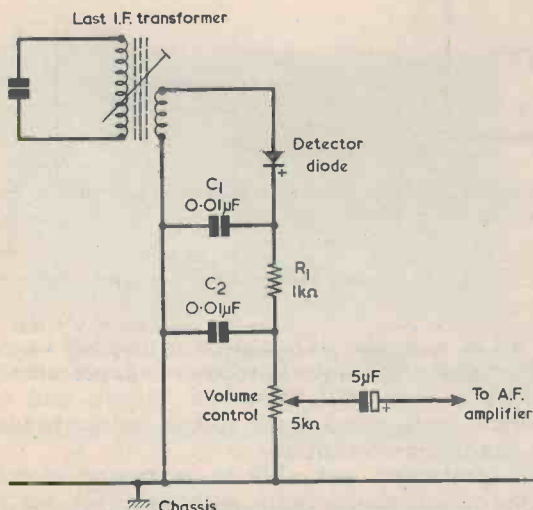


Fig. 1. Typical detector circuit in an a.m. radio. C1, R1 and C2 remove most of the intermediate frequency signal appearing after the detector

table a.m. superhet. After the germanium diode detector there is a $0.01\mu\text{F}$ capacitor to chassis, C1, a $1\text{k}\Omega$ series resistor, R1, and a second $0.01\mu\text{F}$ capacitor, C2. The volume control follows. The circuit is very similar to that following the rectifier in an a.c. mains supply unit, whereupon C1 can be looked upon rather as a "reservoir capacitor" and C2 as a "smoothing capacitor". Here, however, the capacitors are intended to stop the passage of radio frequencies and to allow the passage of audio frequencies.

The reactance of $0.01\mu\text{F}$ at 470kHz (a typical a.m. intermediate frequency) is 34Ω , whilst at 5kHz (about the highest audio frequency to be handled by the receiver) it is $3,200\Omega$. It can be seen that any intermediate frequency signal content leaving C1 is passed to an effective potential divider consisting of $1\text{k}\Omega$ (R1) followed by a 34Ω shunt (C2) to chassis. Much of the i.f. (but not all of it) is removed by R1 and C2.

Did you notice that the reactance at 5kHz was about 100 times that at 470kHz ? Capacitive reactance varies inversely with frequency: the reactance of $0.01\mu\text{F}$ at 5kHz is $3,200\Omega$, at 50kHz it is 320Ω , at 500kHz it is 32Ω , and so on. It also varies inversely with capacitance. An $0.02\mu\text{F}$ capacitor has a reactance of $1,600\Omega$ at 5kHz , i.e. half that of a $0.01\mu\text{F}$ capacitor.

BYPASS CAPACITANCE

If we still have trouble due to radio frequency getting into the audio stages of a receiver we can add a further capacitor at some strategic point. In Fig. 2(a) the capacitor, designated "C", is between the collector of an a.f. transistor and chassis, and it has a bypassing effect on any r.f. that may be present at that collector. Values vary according to particular requirements but a typical figure would be of the order of $0.01\mu\text{F}$. Or we can connect the capacitor between the collector and the base, as in Fig. 2(b). This time the capacitor is actively giving negative feedback of r.f. and it can have a lower value, say about $1,000\text{pF}$.

The inductive reactance offered by an r.f. choke increases with frequency, within the range over which it is intended to work, whereupon an r.f. choke may be used to provide series opposition to radio frequency signals. But take care with the circuit shown in Fig. 3. At the frequency at which the

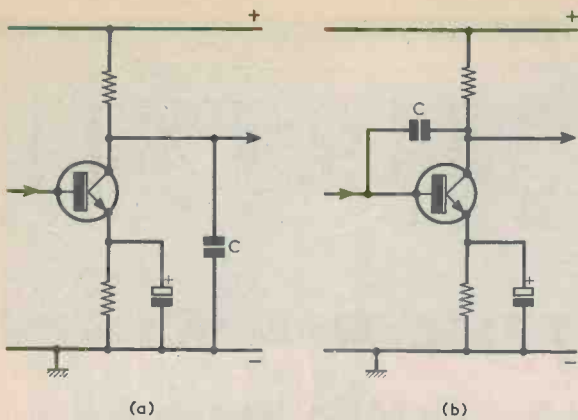


Fig. 2(a). An r.f. bypass capacitor connected between the collector of an a.f. transistor and chassis
 (b). Here the capacitor is connected between the collector and base of the transistor

inductive and capacitive reactances are equal the choke and capacitor act as a series tuned circuit, and a boosted r.f. signal can appear across the capacitor!

Unwanted couplings between the audio frequency and radio frequency stages can occur along the supply rails, and these are bypassed by a large value capacitor. Since it is desirable that the supp-

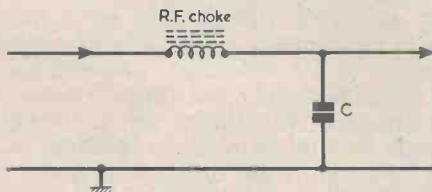


Fig. 3. This apparently innocuous r.f. suppression circuit can be troublesome at the frequency at which it is resonant

ly rails are bypassed at audio frequencies, it is usual to find a large value electrolytic capacitor of $200\mu\text{F}$ or more used here. An electrolytic capacitor does not always provide a very good bypass at radio frequencies and you may occasionally find connected across it a polyester, or similarly non-electrolytic, capacitor of around $0.1\mu\text{F}$. See Fig. 4(a). The $0.1\mu\text{F}$ capacitor gives a better r.f. bypass. A typical supply rail decoupling circuit, using a series resistor, appears in Fig. 4(b).

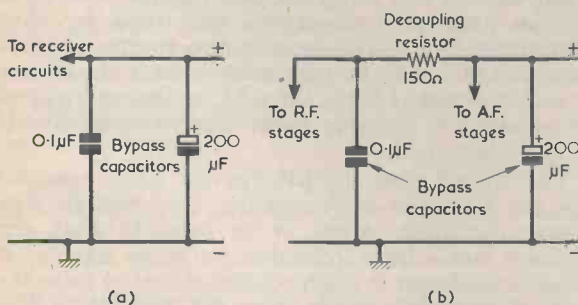


Fig. 4(a). Sometimes a non-polarised capacitor is connected across an electrolytic bypass capacitor to improve performance at r.f.
 (b). A supply rail decoupling circuit with typical component values

GRID STOPPER

In the old valve days a common and quite respectable dodge for getting rid of r.f. was to insert a resistor of around $20\text{k}\Omega$ in series with the control grid of an a.f. valve. The idea is shown in Fig. 5.

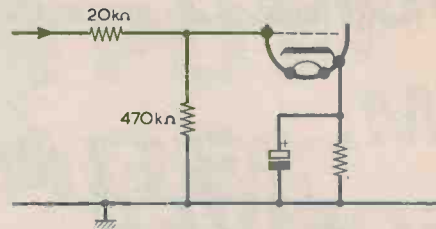


Fig. 5. The old valve grid stopper can be brought back into use again with f.e.t.'s. The $470\text{k}\Omega$ resistor in the diagram is a bias component

The resistor formed a resistance — capacitance potential divider in company with the stray capacitance between the grid and cathode, which would typically be of the order of 2 to 6pF . The resistor had virtually no effect on audio frequencies. An r.f. stopper resistor cannot be used very successfully with bipolar transistors, which are virtually current driven, but it is well worth while trying one in series with the gate of a field-effect transistor.

Finally, there are ferrite beads. If a ferrite bead is simply strung on a piece of wire carrying unwanted radio frequency signals, it increases the inductance of the wire and reduces the radio frequency current which flows. It also offers a small measure of screening, since the r.f. field around the wire tends to concentrate in the ferrite material of the bead. It is difficult to predict the usefulness of a ferrite bead in any particular circumstance and its effect normally has to be checked out in practice. It is quite in order to string two beads along a piece of wire to get a greater effect.

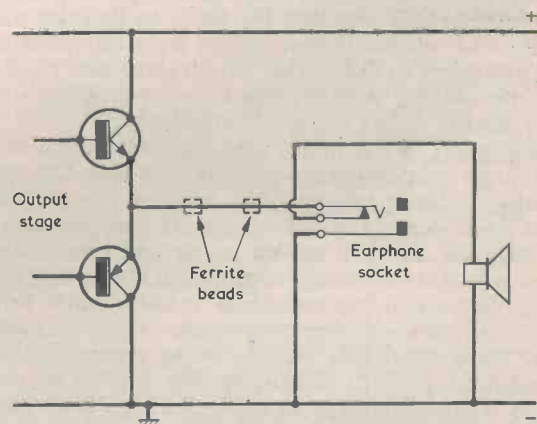
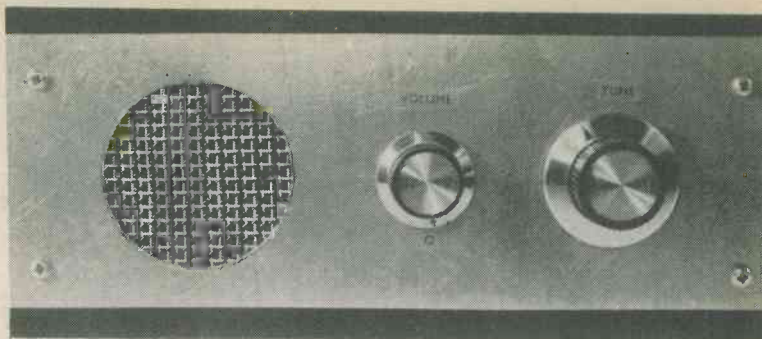


Fig. 6. Ferrite beads are occasionally fitted over the lead from a receiver output stage connecting to the earphone socket and loudspeaker

In commercially made radios, ferrite beads are most commonly encountered in the a.f. output stage, usually on the lead to the speaker and earphone socket, as in Fig. 6. They prevent feedback to the r.f. stages via the speaker wiring, or via the earphone lead when an earphone is plugged in

PHASE LOCKED A.M. RECEIVER



Part 2 By M. V. Hastings

Alignment instructions for this unusual and ingenious receiver design

In last month's issue we described the circuit operation and construction of this unusual receiver design. We now carry on to details of its alignment.

ALIGNMENT

The cores of L2 and IFT1 are set up at the factory for correct operation in terms of frequency, and they do not need any adjustment at all in the present receiver.

The set should be switched on and the volume control advanced slightly. At first it will probably not be possible to tune in any stations properly. By trying R7 at various settings it should be possible to produce a heterodyne (a whistling sound from the speaker) with the p.l.l. oscillator beating with received signals. The aerial coil is then slid along the ferrite rod until received signals can be peaked to a level which enables the p.l.l. to lock on and produce an audio output. R7 is then adjusted by trial and error to the setting which gives best results (i.e. the setting which causes received signals to most readily bring the p.l.l. into lock).

Alignment of the mixer and oscillator circuits is then quite conventional. As already stated, the core of the oscillator coil will not require any adjustment and should be left alone. If the frequency coverage of the set seems to be incorrect, with either a lack of coverage at the high frequency end of the band (tuning capacitor vanes almost fully enmeshed) or an excess of coverage at this end with short wave maritime signals being received, then adjustment of TC2 should enable this to be corrected. It is important to have the high frequency coverage of the set reasonably correct as otherwise the aerial tuned circuit will not track well with the oscillator tuning.

In order to align the aerial tuned circuit first tune to a station at the low frequency end of the medium wave band and then slide the aerial coil along the ferrite rod to locate the position which produces the strongest signal. Next tune to a station at the high frequency end of the band and adjust TC1 for strongest possible signal. Re-tune to the station at the low frequency end of the band and once more adjust the position of the aerial coil on

the ferrite rod for maximum signal strength. This procedure should be repeated a few times until the set has good sensitivity over the entire band.

When peaking the aerial circuit it can be rather difficult to determine when exactly the peak setting has been achieved. One way of overcoming this problem is to connect a multimeter switched to read about 5 or 10 volts f.s.d. between IC2 pin 1 and the negative supply rail (negative test prod to the negative rail). Maximum signal strength then corresponds to minimum meter reading, but there will only be a significant drop in the meter reading on strong signals.

An alternative method is to use a weak signal which will not readily cause the p.l.l. to lock onto its carrier wave. With the tuning adjusted for a fairly low beat note between the station's carrier and the oscillator of the p.l.l., variations in signal strength will cause changes in the beat note. Minimum beat frequency corresponds to maximum signal strength.

The prototype receiver picks up all the normal medium wave stations well and the p.l.l. readily achieves lock. However, it is worth noting that although the p.l.l. may well lock onto the received carrier over a fairly wide range of settings of the tuning control, the set should be adjusted to about the middle of this range for best results. Distortion on the audio output signal will then be at a minimum. On weak stations the tuning is more critical and it may be necessary to tune the station to within about 1kHz of the p.l.l. oscillator frequency in order to achieve lock. Good results should then be obtained.

The circuit does not incorporate a.g.c. and this was not found to be necessary. However, in very strong reception areas it is possible that the receiver could be overloaded on some signals. If this should occur it might be beneficial to raise the value of R4 slightly, say to about 47k Ω or 56k Ω . This will reduce the sensitivity of the receiver, but it will still be capable of receiving numerous stations. In severe cases the directivity of the ferrite aerial could be used to reduce the strength of a received signal which produced overloading. ■

In your work-shop



VIDEO OUTPUT STAGE FAULT

Looking for a lost picture

"Happy New Year, Smithy!"

"And the same to you, Dick," replied the Serviceman, as he took off his raincoat and hung it up behind the door.

He surveyed the brightly lit Workshop.

"Blimey, you're in early," he remarked. "Normally, I'm half-way through my first job for the day before you come stumbling in."

"Today's different," stated Dick. "This is the first working day of 1979 and I'm dead keen to get started. Especially now that I've got my new servicing aid with me."

"Oh, what's that?"

Proudly, Dick pointed to a corner of his workbench. Unlike the rest of its surface this was completely uncluttered, and in the centre of the cleared space was a brand-new shining multi-button electric calculator.

VIDEO AMPLIFIER FAULT

"That," continued Dick, "is my Christmas present from my Auntie Eff. It's a Laboratory Model, Super-Memory, Multi-Function, Scientific Calculator!"

"Humph," sniffed Smithy, as he glanced suspiciously at the machine. "Personally, I'm against the use of calculators. People with calculators end up by using them to add 2 and 2 together."

"2 and 2?" repeated Dick eagerly, turning to the calculator. "I'll try that out. Here we go! I first press '2', then 'plus', then '2', and then 'equals'."

He looked down at the little readout window of the calculator.

"The answer," he announced gravely, "is 4."

"You steaming great buffoon," snorted Smithy, "of course the answer is 4. What on earth did you expect it to be?"

"Now, don't get like that, Smithy. I'm only trying it out."

"And that's another thing. Now that we're starting a new year, it seems a good time for you to stop calling me 'Smithy'. It's most disrespectful for my assistant to refer to me by a familiar name like that."

"Okay, Chief!"

Smithy grunted.

"That sounds a bit better," he conceded, "Well, if you've come in all keyed up to do a lot of work today you're going to be disappointed. So far as I can see, there's only one job to do and that's the black and white TV you've already got on your bench."

"That's true," agreed Dick. "We cleared out everything before the holiday started, except for this set."

"What's wrong with it?"

"No picture, apparently. Sound, but no picture."

Smithy walked over and switched on the receiver. At once the sound channel of one of the local transmitters became audible, and he waited for the picture tube cathode to warm up. After some moments the screen came to life, showing a blank white raster with no picture information on it whatsoever. Smithy adjusted the brightness control and noted that this varied the brightness of the raster in a perfectly normal manner. He put his hand to the contrast control, to find that someone had already turned it fully clockwise. The control had no effect on the raster and he left it at a cen-

tral setting.

"This shouldn't be too difficult a snag," he said. "The vision i.f. signal must be getting past the vision detector, because we're getting intercarrier sound. And the line and frame timebases must also be working because we're getting a raster, which means in turn that e.h.t. is present as well. It looks as though we've got a nice easy fault in the video amplifier section."

"Fair enough," stated Dick, leaning forward and switching off the receiver. "I'll take the back off and get the board out, if you like."

"Yes, do that."

"Okay, Chief!"

As Dick busied himself with the receiver, Smithy wandered over to the filing cabinet and leafed through the service manuals. Locating the manual for the particular set on Dick's bench, he returned and commenced to study the circuit around the video amplifier stages. (Fig. 1.)

"This is pretty straightforward," he pronounced cheerfully. "We've got quite a standard line-up here, so far as recent monochrome TV receivers are concerned. The vision detector is connected into circuit with a polarity which causes the detected picture information to be positive-going and sync pulses, which of course are at maximum signal amplitude in the 625 line system, to be negative-going. After a couple of i.f. chokes, together with a 10pF and two 5pF bypass capacitors going down to chassis, the detected signal goes on to a video amplifier transistor with resistive loads in both its emitter and collector circuits. The signal at the

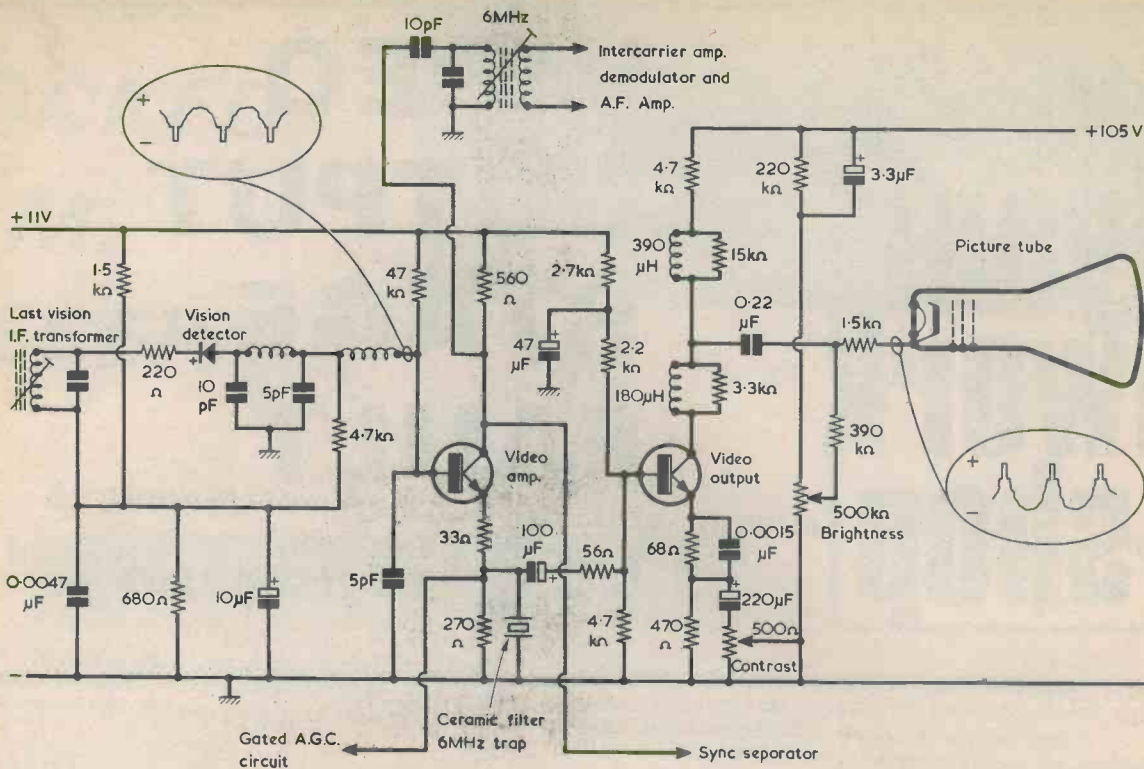


Fig. 1. The vision detector and video amplifier stages of the television receiver serviced by Dick and Smithy. This is a slightly simplified version of the circuit employed in the Bush monochrome receiver Model BM6510. Omitted are the line and frame blanking pulse inputs, which are applied to the emitter of the video output transistor. The control grid of the picture tube connects effectively to chassis when the receiver is switched on

emitter is applied, via a $100\mu\text{F}$ electrolytic and a 56Ω resistor, to the base of the video output transistor. So the video signal at the output transistor base still has negative-going sync pulses. The output transistor is in the common emitter mode and it inverts the signal so that, when applied to the picture tube cathode, it has positive-going picture information and negative-going picture information. Which is just what is required for application to the cathode of the tube."

INTERCARRIER SOUND

By now, Dick had eased out the circuit board of the receiver and was standing beside Smithy, looking at the service sheet.

"A signal is taken from the collector of the video amplifier transistor," he remarked, pointing at the appropriate place in the circuit. "It goes to a 6MHz tuned circuit."

"You're right," confirmed Smithy. "That's the 6MHz intercarrier sound signal and it's applied to the 6MHz intercarrier amplifier, the sound demodulator and the a.f. amplifier of the set. The fact that we're hearing the sound channel means that the video signal is, at least, getting through to that video amplifier collector. Also taken out

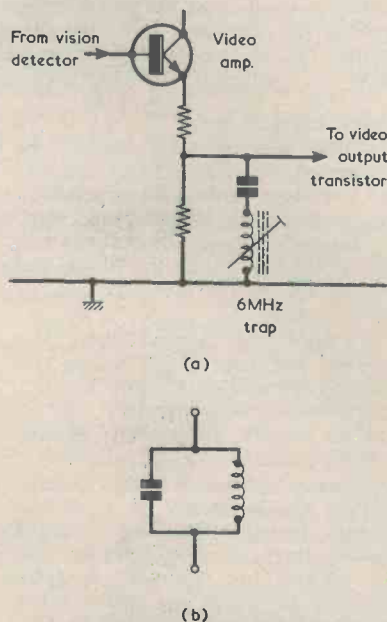


Fig. 2(a). In some receivers the 6MHz trap consists of a series tuned circuit resonant at that frequency

(b). When compared with the parallel tuned circuit, shown here, the series tuned circuit is referred to as an "acceptor" circuit. The parallel arrangement is a "rejector" tuned circuit

from the collector is a signal for the sync separator. And, from the emitter, a further output is taken to the gated a.g.c. circuit."

"That video amplifier transistor does a good bit of signal sorting out, doesn't it?"

"It does, indeed. Now, we don't want the 6MHz sound signal to go to the picture tube at any significant amplitude and so the usual course is to put a 6MHz trap in the emitter circuit of the video amplifier. This set uses a ceramic filter, which will exhibit a low impedance at 6MHz. In other sets you may find, instead, a series tuned circuit resonant at 6MHz to act as the trap." (Fig. 2 (a).)

"I seem to remember," said Dick, "that a series tuned circuit offers minimum impedance at its resonant frequency."

"It does," agreed Smithy, "and because of this it's referred to as an 'acceptor' circuit when compared with a parallel tuned circuit, which gives maximum impedance at resonance. The latter is then known as a 'rejector' circuit. Incidentally, when I was talking to you some months ago about f.m. receivers I referred to a 10.7MHz series tuned circuit trap as a '10.7MHz rejector', and somebody mentioned later that here was an acceptor tuned circuit being referred to as a rejector cir-

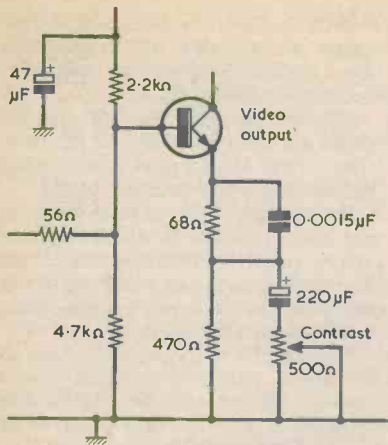


Fig. 3. Detail of the emitter circuit of the video output transistor. This includes both contrast control and frequency compensation components

cuit! So far as terminology is concerned it's safest to refer to these circuits which remove a small band of frequencies as 'traps'." (Fig. 2 (b).)

"I get your point," commented Dick, as he continued to examine the circuit. "I see that the contrast control is in the emitter circuit of the video output transistor." (Fig. 3.)

"Yes," said Smithy. "What the contrast control does is to alter the amplitude of the video signal passed to the picture tube, and in the arrangement used here it varies the amount of negative feedback in the

video output emitter circuit. When the slider of the control is at the top of its track the emitter couples almost directly to chassis by way of the 220µF electrolytic capacitor, whereupon there is minimum negative feedback and maximum amplification of the video signal. The negative feedback increases, and the gain reduces, as the slider goes down the track."

"Just a minute, though," objected Dick. "There's a 68 Ω resistor and a 0.0015µF capacitor between the 220µF electrolytic and the emitter of the video output transistor."

"That's to give frequency compensation," explained Smithy. "Due to stray capacitances to chassis in the collector circuit, including in particular the capacitance between the tube cathode and its heater, you have to have a bit of compensation to increase the gain at the higher video frequencies. A really good set can have a video amplifier whose output is only 6dB down at 5MHz, which means that its voltage gain at that frequency drops to a half of that at the lower frequencies. The reactance of that 0.0015µ F capacitor falls with rising frequency and at 5MHz will be, rough check, of the order of 20 Ω. So the negative feedback at the emitter of the video output transistor reduces as video frequency goes up. Okay?"

"Sure thing, Chief!"

"Now we come to the collector circuit. . ."

"Stap me," Dick interrupted him. "There are two more chokes there!" (Figs.4(a) and (b).)

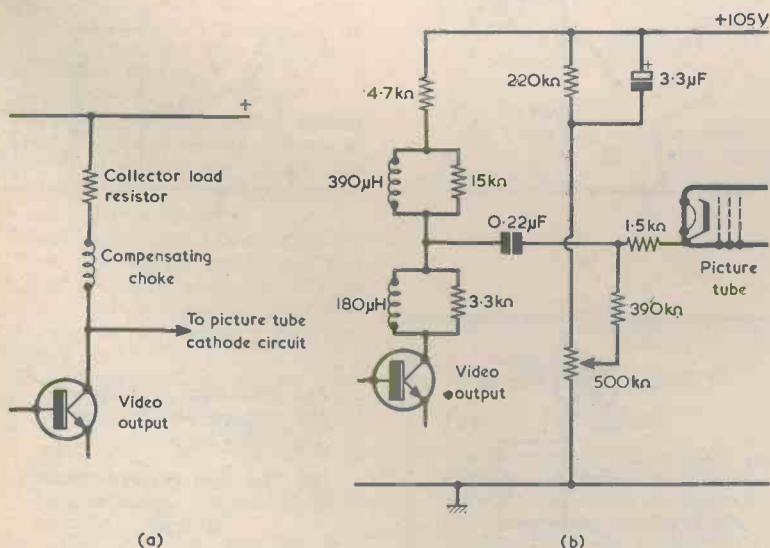


Fig.4(a). A simple frequency compensating circuit. The reactance of the choke increases as the video frequency increases, whereupon the higher frequencies undergo a higher degree of amplification

(b). The more complex frequency compensating network employed in the circuit of Fig. 1

MORSE IMPROVEMENT

C90 Cassettes (A) 1-12 w.p.m. with simple exercises. (B) 12-24 w.p.m. computer produced professional level operator material including international symbols.

Price each: complete with instruction and exercise booklets £4.50 including postage. Morse Key and Buzzer Unit suitable for sending practice and DIY tape preparation.

Price £4.50 including postage.

Overseas Airmail £1 extra.

MHEL ELECTRONICS (Dept. R)
12 Longshore Way, Milton,
Portsmouth (UK), PO4 8LS

5,000

ODDS AND ENDS

Mechanical Electrical

CAT FREE

WHISTON DEPT R.E.C.

NEW MILLS, STOCKPORT

PEATS for PARTS

ELECTRONIC COMPONENTS RADIO & TELEVISION

For the convenience of Irish enthusiasts we supply:

Radio & Electronics
Constructor Data Books
Panel Signs
Transfers

Also a postal service

PEATS
the world of electronics
25 Parnell Street, Dublin 1. Telephone 749972

THE MODERN BOOK CO.

Largest selection of English & American radio and technical books in the country

19-21 PRAED STREET
LONDON W2 1NP
Tel: 01-723 4185/2926

"They're for frequency compensation again," said Smithy. "The usual form in most receivers is to simply have a single choke immediately after the video output collector with a load resistor in series with it. The reactance of the choke increases with frequency and so, once again, there is increasing voltage gain as video frequency increases. In this set, however, there are two chokes which, together, set the frequency response just right. The lower one will actually reduce the higher frequency signal passed to the tube cathode whilst the upper one will increase it."

"The upper choke," said Dick, "has an inductance of $390\mu\text{H}$. What will its reactance be at 5MHz ?"

"At a guess I'd say somewhere between 10 and $15\text{k}\Omega$."

"Hey, why do we have to make guesses when I've got my calculator here? What's the formula for inductive reactance?"

"In ohms," replied Smithy, "it's equal to 2 times pi times frequency in hertz times inductance in henrys. Or, to save you grief with that calculator of yours, in megahertz and microhenrys."

"Right," said Dick briskly, his finger hovering over the calculator keys. "Here goes then, 5MHz and $390\mu\text{H}$! I'll first select '2', then 'multiply', then 'pi', then 'multiply', then '5', then 'multiply' and finally '390'."

Smithy looked at him wearily.

"What's the answer?"

Dick pressed the "equals" key.

" 12252.211 ohms!"

Smithy sighed.

"I don't think we need all that accuracy," he said patiently. "Let's just call it $12\text{k}\Omega$ at 5MHz . At very low video frequencies that choke will be nearly a dead short and so you can see that it offers quite a high level of boost at the higher video frequencies."

"I'll do the 5MHz reactance of the $180\mu\text{H}$ choke now."

"All right," said Smithy resignedly.

Dick punched at the keys on his calculator.

"This one is 5654.8668 ohms!"

Smithy's eyes wandered helplessly towards the ceiling.

"All we really need are the first two significant figures, you know."

"If," pronounced Dick firmly, "my calculator gives an output of eight figures, then eight figures it's going to be!"

"All right, all right," replied Smithy irately. "For myself, I'll just stick with a reactance in that choke of $5.6\text{k}\Omega$ at 5MHz . So, the bottom choke actually gives some attenuation at the higher video frequencies whilst the upper choke gives quite a lot more boost. Together, they should doctor the video frequency response so that it's just what's needed."

A.C. COUPLING

"The video signal next goes to the tube cathode through a $0.22\mu\text{F}$ capacitor."

"It does, indeed," responded Smithy. "Which gives a pure a.c. coupling. And that's an interesting point so far as our present snag is concerned."

"Why's that?"

"Because, even if the fault causes quite big changes in the d.c. voltage conditions of the video output transistor, those changes will be isolated by the capacitor from the cathode of the tube. I found that the brightness control worked perfectly well; if there had been a d.c. coupling to the tube cathode, a d.c. fault in the video output stage could have prevented that from happening."

Smithy mused for a moment, then suddenly thumped his fist on Dick's bench.

"What's up?"

"What's up," snorted Smithy, "is what's always happening in this place. Here am I spending my time giving you a theoretical description of where the fault could be when we should actually be sorting it out in practice! Testmeter to the ready, Dick!"

"Right away, Chiefy!"

Dick pulled his battered multi-meter across the bench towards him, and looked up at the Serviceman expectantly.

"Some simple voltage checks would be in order," stated Smithy. "Let's first locate the video output transistor on the printed board."

He studied the service manual and then pointed to the transistor on the printed circuit board. Dick clipped the negative test lead of his meter to the receiver chassis, then switched on the television set.

"Check the voltage on the base of the video output transistor," said Smithy. "It should be somewhere between 4 and 5 volts positive of chassis." (Fig.5(a).)

"Okeydoke, Chiefy!"

"And don't keep calling me 'Chiefy'," said Smithy irritably. "What voltage are you getting?"

Dick glanced down at his meter.

"Just under 5.5 volts."

"Humph," grunted Smithy.

"That seems to be a bit high. Try the emitter."

"Right-ho, Skip!"

Dick applied the positive test prod to the emitter and checked the voltage reading. (Fig.5(b).)

"Just over 5 volts," he announced.

"There's something fishy here," stated Smithy. "That output tran-

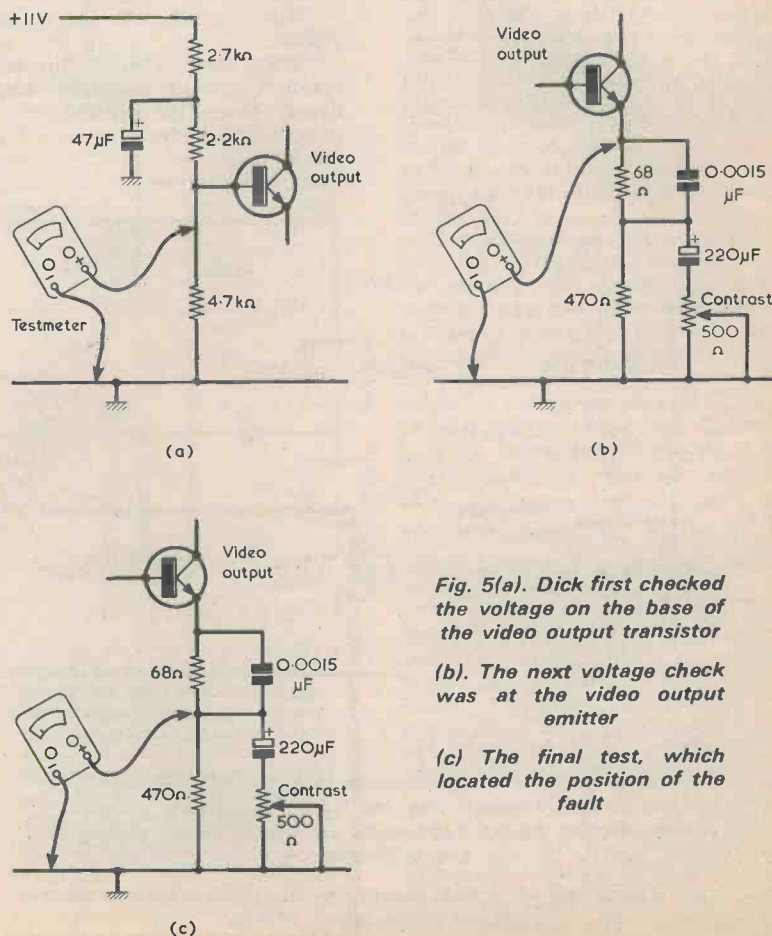


Fig. 5(a). Dick first checked the voltage on the base of the video output transistor

(b). The next voltage check was at the video output emitter

(c) The final test, which located the position of the fault

sistor is a silicon type, and if it's passing any significant emitter current there should be at least a good 0.5 volt drop from its base to its emitter. Try the junction of the 68 Ω resistor and the 470 Ω resistor." (Fig.5(c).)

"I'm doing that right now, Skip!"

"And what reading do you get?"

Dick grinned.

"Precisely zero."

"Ah, then that's the snag," said Smithy happily. "The 68 Ω resistor must have gone open. Just for the fun of it, check the voltage on the video output collector. You'll need to select a higher voltage range on your meter because, if my guess is correct, that collector will be sitting at the same voltage as the positive supply."

And, indeed, when Dick applied his positive test prod to the video output collector he obtained a voltage reading not noticeably different from the 105 on the output on the video output position supply rail.

BACK TO NORMAL

"A very nice easy snag," commented Smithy. "I thought that that base voltage was a bit high. Since the emitter circuit of the transistor was open it wasn't drawing any base current, whereupon the base voltage was simply the unloaded voltage given by the potential divider consisting of the 2.7k Ω , 2.2k Ω and 4.7k Ω resistors in series. And, since the transistor wasn't drawing any emitter current it obviously wasn't drawing any collector current either. Just do a simple ohmmeter check on that 68 Ω resistor, Dick, and check that there's nothing silly like an open-circuit solder joint to one of its leads, or anything like that, and then replace it. Okay!"

"Whatever you say, Skip!"

"And for goodness sake," grated Smithy, "stop referring to me as 'Skip'. You make me sound like something left out in the street to put old mattresses in!"

"Well," protested Dick innocently, "you don't want me to call you 'Smithy' because you reckon it's too familiar, and then you get your guts in an uproar whenever I call you anything else."

"That's because you choose such outlandish names," retorted Smithy. "Oh well, anything for a quiet life. You'd better go back to the old ways after all."

"Right you are," responded Dick with alacrity, "Smithy!"

As Dick carried out the few remaining checks on the 68 Ω resistor, Smithy failed to observe the fleeting smile which passed over his assistant's face as he bent over the printed board. In any event, Smithy was gloomily preoccupied with the thought that 1979 was promising to turn out much the

same as 1978, 1977 and all the preceding years so far as the behaviour of his assistant was concerned.

His spirits rose, however, when Dick returned with a new 68 Ω resistor, soldered it into circuit and switched on the television set again. After the tube cathode had warmed up, this now displayed an impeccable picture.

"Another job done," chortled Dick. "Now let's recap a minute. You were referring to the voltage on that potential divider feeding the base of the video output transistor, weren't you? You said that it was high, at 5.5 volts, when there was no base current."

"Yes," said Smithy unguardedly.

"Let me work out the actual voltage on my calculator."

"As you wish," said Smithy, "although the question of that voltage is pretty academic now. Well, the bottom resistor in the potential divider is 4.7k Ω and the two above it are 2.7k Ω and 2.2k Ω . The supply voltage in that part of the circuit is 11 volts, and so the voltage across the 4.7k Ω resistor when no base current is drawn should be 11 volts multiplied by 4.7 and divided by the sum of 4.7, 2.7 and 2.2."

"Okay Smithy," said Dick confidently. "I'll soon have this little lot worked out."

"Two significant figures will be enough."

"Right-ho, Smithy."

Dick proceeded to tap the keys of his calculator. Despite his earlier comments, Smithy found himself increasingly intrigued by the possibilities offered by a calculator for even such simple computations as the one in which Dick was engaged.

"Here we are, Smithy."

"What's the answer?"

"30 volts!"

Smithy groaned.

1979 was going to be *precisely* the same as 1978, 1977 and all the preceding years. ■

The "6S3T" Short Wave Receiver

In the opening paragraph of this article in the December 1978 issue, reference was made to an earlier receiver project designed by Sir Douglas Hall. Due to an editorial error it was stated that the earlier receiver employed silicon transistors whereas, in fact, it used micro-alloy germanium devices. The construction of the present receiver is not, of course, affected by this matter. The value of C8, omitted from the Components List, is 1,000 μ F 10 V. Wkg.

GAREX

V.H.F. Receivers New SR-9 for 2-metres F.M., fully tunable 144-146MHz, improved 2-speed slow-motion dial, also 11 xtal controlled channels. Compact, sensitive, ideal for fixed or mobile listening. Built-in L.S., 12v D.C. operation. INTRODUCTORY PRICE ONLY £54 inc. VAT. Crystals, if required: £2.50 each. All popular 2m. channels in stock. Marine band version (156-162MHz) £59.40 (xtals £2.79). Credit terms available, s.a.e. details.

Amplified Mobile Extension Speaker boosts audio from small receivers. Single compact unit, 12vDC operation, built-in 6W amplifier, with leads and jack plugs. £11.25 Neons min. wire end. 55p/10: £4/100

Slide Switches min DPDT 18p ea; 5+: 14p

Resistor Kits E12 series, 22 Ω to 1M Ω

57 values. 5% carbon film. $\frac{1}{4}$ W or $\frac{1}{2}$ W

Starter pack, 5 each value (285) £2.95

Mixed pack, 5 each $\frac{1}{4}$ W + $\frac{1}{2}$ W (570) £5.40

Standard pack, 10 each (570) £5.40

Giant pack, 25 each (1,425) £13.25

I.C.'s (new) 7410 25p CD4001AE 25p

SN76660 75p NE555 55p 723(T05) 75p

709 (T05), 741 (DIL-8) Op.amps 30p;

BNC Cable mtg socket 50 Ω 20p;

5+: 15p PL259 UHF Plug & Reducer 68p;

5+: 60p; SO239 UHF Socket panel mtd.

55p; 5+: 45p Nicad rechargeables physically equiv. to zinc-carbon types: AAA

(U16) £1.64; AA(U7) £1.20, C(U11) £3.15;

D(U2) £4.94; PP3 £5.20 Any 5+: less

10%, Any 10+ less 20%.

We stock amateur V.H.F. equipment and mobile aeriols, s.a.e. details.

Distributors for J. H. Associates Ltd.

(switches and lamps)

PRICES INCLUDE UK POST, PACKING & VAT

Mail order only Sole Address:

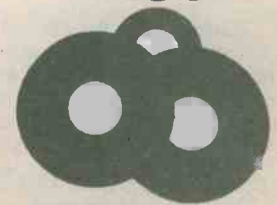
GAREX ELECTRONICS

7 NORVIC ROAD, MARSWORTH.

TRING, HERTS HP23 4LS

Cheddington (STD 0296) 668684

MORSE MADE EASY



BY THE G3HSC RHYTHM METHOD!

These courses, which have been sold for over 23 years, have been proved many times to be the fastest method of learning Morse. You start right away by learning the sounds of the various letters, numbers, etc. as you will in fact use them. Not a series of dots and dashes which later you will have to translate into letters and words.

Using scientifically prepared 3 speed records you automatically learn to recognise the code. RHYTHM without translating. You can't help it! It's as easy as learning a tune. 18 WPM in 4 weeks guaranteed.

The Complete Course consists of three records as well as instruction books.

For Complete Course send £5.00 plus part postage 50p (overseas surface mail £1 extra).

Now available Shrouded Morse Keys

£2.70 inc. UK postage

THE G3HSC MORSE CENTRE

Box 8, 45 Green Lane, Purley, Surrey.

I enclose £5.50 or s.a.e. for explanatory booklet.

Name.....

Address.....

SHORT WAVE NEWS

FOR DX LISTENERS



Times = GMT

Frequencies = kHz

● BRASIL

Radio Emisora Rural, Santarem, on 4765 at 0130, OM's with a discussion in Portuguese. The schedule is from 0800 to 0400 and the power is 10kW.

Radio Ribamar, Maranhao, on 4785 at 0139, OM with a sports commentary in Portuguese, the schedule of this one being from 1100 through to 0400 and the power is 5kW.

Radio Borborema, Campina Grande, on 5025 at 0147, OM with the same sports commentary as above, in Portuguese of course. The schedule is from 0830 to 0500 and the power is 1kW. If you are listening for this one be careful, the frequency can vary down to 5023 and it sometimes identifies as "A Princesa do Sul". Also, at a slightly later time, this one can get mixed with the Peruvian Radio Quillabamba on the same channel.

Radio Education do Para, Belem, on 5045 at 0149, OM announcer with records of local pop music. The schedule is from 0900 to 0600 and the power is 10kW.

Radio Nacional, Boa Vista, on 4835 at 0310, OM with a political talk in Portuguese. The schedule is from 0900 to 0300 but has been logged here as late as 0400 when closing. The power is 10kW.

Radio Brasil Central, Goiania, on 4985 at 0110, OM with announcements in Portuguese, Latin American type music. This one operates on a 24-hour basis and the power is 5 kW.

Radio Difusora de Macapa, Macapa, on 4915 at 0005, OM with a newcast in Portuguese. The schedule is from 0850 to 0300 and the power is 10kW. Sometimes also identifies as "Aqui Difusora".

Radio Timbira, Sao Luiz, on a measured 4976 at 2120, OM with a political speech in Portuguese. The schedule is from 0700 to 0430 and the power is 2.5kW. This one has been reported closing as late as 0600 on occasions.

● PAKISTAN

Radio Pakistan, Karachi, on a measured 4732.5 at 0027, OM with a talk about local affairs in English. This is the Home Service scheduled from March to August from 1400 to 1810 and 0045 to 0400; November to February from 1400 to 2000 and 2345 to 0415. Foreign Service link to Islamabad from March to October in English from 1815 to 1845 and from 2345 to 0045; in French from 1900 to 2000. The power is 10kW.

● ZAMBIA

Lusaka on a measured 4911 at 1832, OM's with a discussion in vernacular. This is the Home Service which operates in both English and vernaculars from 0345 (Sunday from 0440) to 0530 and from 1400 to 2015 (Saturday until 2115). The power is 50kW.

● KENYA

Mombasa on 4950 at 1839, OM's with a discussion in vernacular. Not often reported, this one transmits from 0330 to 0500 and from 1400 to 1935 on weekdays only. The power is 10kW.

Nairobi on a measured 4934 at 0305, religious service in English after opening of transmission. This is the National Service which operates from 0300 to 0630 and from 1310 to 2115. The power is 100kW.

● CAMEROON

Radio Bertoua on 4750 at 0432, OM song in vernacular with guitar-type instrumental accompaniment. The schedule is from 0430 to 0730, 1630 to 2200. There is a programme in English from 1830 to 1845 and the power is 20kW.

● MALAWI

Blantyre on 3380 at 1948, OM and YL with a discussion in vernacular. The schedule is from 0245 to 0520 (April to October closes at 1110 and reopens at 1300); from 1745 to 2210. The power is 100kW.

● GHANA

Accra on a measured 3366 at 1955, OM with local sports and football results in English in the Domestic Service 2nd Programme (in English) scheduled from 0530 to 0805 (Saturday and Sunday until 0900) and from 1600 to 2305. The power is 10kW.

● LIBERIA

Monrovia (ELWA) on a measured 3226 at 2002, local-type African music and songs in vernacular. This is the Home Service (in vernaculars) scheduled from 0610 to 0800 and from 1805 to 2220. The power is 10kW and the station is listed on 3227.

● ANGOLA

Radio Nacional, Luanda, on 3375 at 2357,
RADIO AND ELECTRONICS CONSTRUCTOR

Portuguese-type music, YL with announcements, identification as "Radio Nacional", National Anthem and off at 2400. The schedule is from 0400 (Sunday from 0430) to 0800 and from 1530 to 2400. The power is 10kW.

● **EGYPT**

Radio Cairo on **12005** at 1830, OM with identification and world news in Arabic in the Domestic Service General Programme, scheduled here from 1800 to 2355.

● **AUSTRALIA**

ABC Brisbane on **4920** at 1940, OM with announcements in English, pops on records. This one operates from 1900 (Sunday from 1930) until 1402 and the power is 10kW.

● **CHINA**

Radio Peking on **7935** at 2000, 'East is Red' on chimes in the opening of the Domestic Service 1st Programme, 5 pips time-check, identification in Chinese by YL, orchestral and choral 'East is Red'. The schedule on this channel is from 2000 to 1735.

Radio Peking on **6790** at 1853, YL in Standard Chinese to Taiwan, scheduled here from 1226 to 1900 and from 2000 to 2314.

PLA Fukien Front on **4330** at 1845, OM in Standard Chinese to Taiwan and Offshore Islands in the Network 1 Programme, scheduled here from 1414 to 2400.

PLA Fukien Front on **4380** at 1845, OM in Amoy to Taiwan and Offshore Islands in the Network 2 Programme, scheduled from 1400 to 1900 and from 0230 to 1512.

Urumchi on **4110** at 0010, YL with songs in Chinese, local classical music in a relay of the Peking Domestic Service. The schedule is from 2300 to 1730.

CPBS Peking on **4800** at 2105, YL in Chinese in the Domestic Service 1st Programme, scheduled here from 2000 to 0100 and from 1100 to 1735.

● **ALBANIA**

Tirana on **11845** at 1820, YL with identification, OM with a talk in the Spanish programme for Europe, scheduled from 1800 to 1830.

● **CZECHOSLOVAKIA**

Radio Prague on **11990** at 1813, OM with pop records in the English programme intended for Africa, scheduled from 1730 to 1830.

● **HUNGARY**

Radio Budapest on **11910** at 1810, OM with a newscast in the Italian programme for Europe, scheduled from 1800 to 1830.

● **ROMANIA**

Radio Bucharest on **11705** at 0410, YL with the news in the English programme to North America, scheduled from 0400 to 0430.

● **USSR**

Radio Moscow on **11710** at 0414, YL with the English programme to North America and the West Coast, scheduled from 0330 to 0730.

● **CUBA**

Radio Havana on **11930** at 0427, OM with identification, YL with announcements in the English

programme to the Americas, scheduled from 0330 to 0600.

● **SPAIN**

Madrid on **11920** at 1807, OM with a newscast in the Spanish programme for Europe, scheduled from 1300 to 1900 on this channel.

● **POLAND**

Warsaw on **11840** at 1803, OM with the Spanish programme for Europe, scheduled from 1800 to 1830.

Warsaw on **15120** at 1236, OM and YL with the English programme for Africa, scheduled from 1230 to 1300.

● **IRAN**

Tehran on a measured **15084** at 0315, YL announcer with a programme of European-type music in the Domestic Service, scheduled here from 0200 to 2030.

● **NORTH KOREA**

Pyongyang on a measured **6338** at 1950, OM with the French programme for the Near, Middle East and Africa, scheduled from 1900 to 2100.

Pyongyang on **6400** at 2009, OM with the programme in Korean to South Korea, scheduled from 2000 to 2130.

● **VIETNAM**

Hanoi on a measured **15009** at 1210, YL with the Japanese programme to Japan (where else!), scheduled from 1200 to 1300.

● **VATICAN**

Vatican City on **15120** at 0935, Mass to Europe, a programme which occupies much of the nearly mornings.

● **PORTUGAL**

Lisbon on **21700** at 0950, YL with the programme for Timor, Macao and Australia in Portuguese, scheduled from 0925 to 1055 and in parallel on **21735**.

● **SINGAPORE**

Radio Singapore on **5010** at 1520, YL with announcements in English, pops on records. This is the English Service scheduled from 1030 to 1630 and from 2230 to 2400.

● **CYPRUS**

BBC Limassol on **15420** at 0534, OM announcer with a programme of country and western music, in English, in a transmission presumably for Africa.

● **FINLAND**

Helsinki on **15265** at 1305, OM with the English programme for Europe, North America, the Far East and Australasia, scheduled from 1300 to 1325.

● **NOW HEAR THIS**

Clandestine "Radio Freedom of South Yemen" on a measured **9953** at 1750, Arabic music and songs, at 1800 military music followed by a political harangue against the S. Yemen (Aden) Government. The schedule is from 1130 to 1430 and from 1600 to 1900 and in parallel on **5345**.

NEW L.F. SIGNAL ANALYZER

By Michael Lorant

Hewlett-Packard, of Palo Alto, California, has developed a new dual channel digital signal analyzer, the Model 5420A, to simplify noise and vibration measurements and to make low frequency signal and spectrum analysis faster and easier.

Mechanical applications of the analyzer, when used in conjunction with suitable transducers, in-

clude the study of noise and vibration associated with mechanical structures and components. Closed-loop servo systems and process control equipment can also be rapidly examined and their characteristics evaluated.

Electronic applications include spectrum and network measurements such as transfer functions, modulation index, non-linear distortion, power, phase and signal-to noise ratio. These measurements are valuable in the design and production of audio and telecommunication equipment.

The analyzer has absolute internal calibration in the user's choice of engineering units, digital storage of both data and measurements on a tape cartridge, and a random noise source to provide test stimuli. All information pertaining to measurements is available at one easy-to-read location.

Processing features include operators to convert between mechanical acceleration and velocity or displacement, to measure frequency and damping of a resonance, and to compute power in any band or in the harmonics of a fundamental. A four-function "waveform calculator" provides easy data comparisons as well as more advanced computations such as coherent output power, open-loop gain and signal-to-noise ratio.

Operating over a 25kHz bandwidth the Model 5420A analyzer has a dynamic range of 75dB, and resolution to at least 0.004Hz can be achieved anywhere in the frequency range. Over the lower 250Hz of its range, the device can provide resolution to as fine a level as 20 μ Hz. Closely coupled vibration modes and phase noise close to a fundamental frequency are accurately identified and measured.

Random noise can be provided by a built-in generator. If this is used to excite either mechanical or electronic systems, it makes transfer function measurements fast and accurate. ■



The new Hewlett-Packard Model 5420A Digital Analyzer in operation. Here it is determining the control system characteristics of a disc memory

BACK NUMBERS

For the benefit of new readers we would draw attention to our back number service.

We retain past issues for a period of two years and we can, occasionally, supply copies more than two years old. The cost is 60p, inclusive of postage and packing.


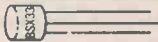
Before undertaking any constructional project described in a back issue, it must be borne in mind that components readily available at the time of publication may no longer be so.

DIRECT SUPPLY SERVICE TO READERS

TOWERS INTERNATIONAL TRANSISTOR SELECTOR

(NEW REVISED EDITION)



This is dead! 
 Would this replace it? 

If it takes you longer than 1 minute to find out all about these transistors then you need a copy of TOWER'S INTERNATIONAL TRANSISTOR SELECTOR. Its one of the most useful working books you will be offered this year. And probably the cheapest!

In it you will find a really international selection of 13,000 transistor types — British, Continental European, American and Japanese. And we think that they will solve 90% of your transistor enquiries.

Current and widely used obsolete types were carefully selected and arranged in Numero-Alphabetical order by an author who was uniquely qualified to do the job. With his compendium, all you need to know is the type number and you can learn all about a transistor's specification; who made it and where to contact them; or what to use to replace it.

Price **£6.00** inc. P&P

(Please allow 21 days for delivery)

TOWERS INTERNATIONAL FET SELECTOR

(JUST PUBLISHED)



If you deal with field effect transistors, or fet's — whether as a student, a hobbyist, a circuit engineer, a buyer, a teacher or a serviceman — you often want data on a specific fet of which you know only the type number.

Specifications apart, you may be even more interested in where you can get the device in question. And perhaps more important still (particularly with obsolete devices), you may want guidance on a readily available possible substitute.

This fet compendium, a comprehensive tabulation of basic specification, offers information on:

1. Ratings
2. Characteristics
3. Case details
4. Terminal identifications
5. Applications use
6. Manufacturers
7. Substitution equivalents (both European and American)

The many fet's covered in this compendium are most of the more common current and widely-used obsolete types.

It is international in scope and covers fet's not only from the USA and Continental Europe, but also from the United Kingdom and the Far East (Japan).

Price **£4.00** inc P&P

(We regret this offer is only available to readers in the U.K.)

Tower's International Transistor Selector by **T. D. Towers**
 MBE, MA, BSc, C Eng, MIERE
£6.00
 inc. post and packing

To:—DATA PUBLICATIONS LTD.
 57 MAIDA VALE
 LONDON W9 1SN

Please send me copy/copies
 to the address shown below

NAME

ADDRESS

.....

.....

.....(Block capitals)

Tower's International FET Selector by **T. D. TOWERS**
 MBE, MA, BSc, C Eng, MIERE
£4.00
 inc. post and packing

To:—DATA PUBLICATIONS LTD.
 57 MAIDA VALE
 LONDON W9 1SN

Please send me copy/copies
 to the address shown below

NAME

ADDRESS

.....

.....

.....(Block capitals)

New Products

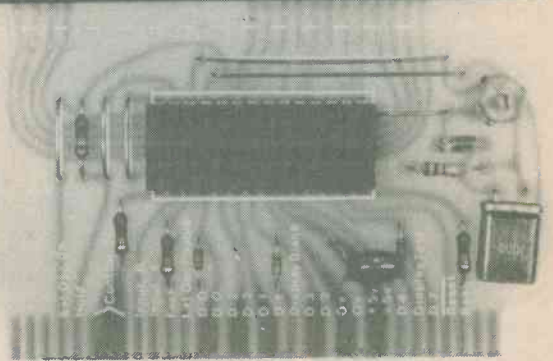


8 DIGIT UNIVERSAL COUNTER-TIMER

An 8-digit counter/timer introduced by Lascar Electronics of Module House, Billericay, Essex is claimed to perform all the major counting and timing functions. The module can measure frequency from 0-10MHz, period from 0.5 micro-seconds to 10 seconds, frequency ratio between two inputs, time intervals in increments of 0.1 micro-seconds, and can also function as a normal 8-digit totaliser. Mode Selection is by a single external switch.

Four different ranges can be selected which determines the time or the number of cycles that the displayed data is accumulated over.

Fitted with 0.4" high efficiency Orange LEDs, the modules operate from +5V d.c. Controls include Store, Hold and Reset, while various outputs enable all functions to be monitored externally. The module is fitted with a 10MHz Quartz Crystal to give a highly accurate timebase, with a temperature stability of ± 10 ppm over the temp. range -20°C to $+70^{\circ}\text{C}$.



PORTABLE 4 CHANNEL MIC/LINE MIXER

The series 1300 mixer available from Bulgin Electronics of Park Lane, Broxbourne, Herts, is a truly portable 4 channel mic/line mixer ideally suited to stereo recording. Features true PPM or VU metering, stereo gain control for a crossed pair of microphones and two 'pan' controls for two spot microphones.



Included in the excellent specification is frequency response of 20Hz - 20kHz ± 2 dB, signal-to-noise ratio of 111dB with 180 μ V input from 150-600 ohms.

Internal rechargeable cells are also available. Options include XLR or jack connectors. Robust hammer finished steel case.

AIR OPERATED DESOLDERING TOOL



Lee Green Precision Industries Limited, of Grotes Place, Blackheath, London, SE3 0RA, announced "Jet" which is the third in a range of four precision made, economically priced desoldering tools.

The "Jet" is only 190mm. long, which makes it very easy to handle. It has the unique feature of operating from a standard 80 psi compressed air supply; a 150cm. length of pipeline is supplied with the tool. As there are no springs or plungers there is no re-coil. The operation is effortless; simply press the button on the side of the tool. This allows one shot of air to be released. Release the button and it is ready again.

These tools are tough. An all metal construction makes it virtually indestructible. Replaceable teflon nozzles and standard "O" ring seals are fitted making cleaning and replacement easy. Available in a selection of colours; blue, red, gold or black.

A typical 10 off price would be £29.76 each. Delivery is available from stock.

THE MODERN BOOK CO

THE BASIC COOKBOOK

A complete dictionary of all basic Statements, Commands, and Functions

UNDERSTANDING DIGITAL ELECTRONICS
by Texas Instruments PRICE: £3.95

BEGINNERS GUIDE TO MICRO PROCESSORS
by M. Gilmore PRICE: £4.85

BUILDING & DESIGNING TRANSISTOR RADIOS A BEGINNER'S GUIDE
by R. H. Warring PRICE: £3.30

FOUNDATIONS OF WIRELESS & ELECTRONICS
by M. G. Scroggie PRICE: £4.25

TRANSISTOR POCKET BOOK
by R. G. Hibberd PRICE: £4.20

BEGINNER'S GUIDE TO INTEGRATED CIRCUITS
by I. R. Sinclair PRICE: £3.00

BEGINNER'S GUIDE TO T.V.
by G. J. King PRICE: £2.50

ILLUST. TEACH YOURSELF RADIO
by D. Gibson PRICE: £1.80

RADIO TECHNICIAN'S BENCH MANUAL
by H. W. Hellyer PRICE: £4.00

SOLID STATE COLOUR T.V. CIRCUITS
by G. R. Wilding PRICE: £6.00

SERVICING WITH THE OSCILLOSCOPE
by G. J. King PRICE: £5.30

THE RADIO AMATEUR'S H/B 1978
by A. R. R. L. PRICE: £7.60

TRANSISTOR ELECTRONIC ORGANS FOR THE AMATEUR
by A. Douglas PRICE: £4.80

RAPID SERVICING OF TRANSISTOR EQUIP.
by G. J. King PRICE: £2.80

RADIO CIRCUITS EXPLAINED
by G. J. King PRICE: £6.00

ELECTRONICS POCKET BOOK
by P. J. McGoldrick PRICE: £4.25

BEGINNER'S GUIDE TO ELECTRONICS
by T. L. Squire PRICE: £2.50

BEGINNER'S GUIDE TO COLOUR T.V.
by G. J. King PRICE: £2.50

T.V. TECHNICIAN'S BENCH MANUAL
by G. R. Wilding PRICE: £5.00

ELECTRONICS & RADIO AN INTRO.
by M. Nelkon PRICE: £3.10

T.V. SERVICING H/B
by G. J. King PRICE: £5.60

TELECOMMUNICATION SYSTEMS
TEC LEVEL I
by P. H. Smale PRICE: £2.80

PRICE £3.95

MINI PROCESSORS FROM CALCULATORS TO COMPUTERS
by D. L. Heiserman PRICE: £4.85

TRANSISTORISED RADIO CONTROL FOR MODELS
by D. W. Aldridge PRICE: £3.30

PRINCIPLES & SYSTEMS FOR RADIO & T.V. MECHANICS
by K. F. Ibrahim PRICE: £2.25

INTEGRATED CIRCUIT POCKET BOOK
by R. G. Hibberd PRICE: £4.20

BEGINNER'S GUIDE TO AUDIO
by I. R. Wilding PRICE: £3.60

BEGINNER'S GUIDE TO ELECTRIC WIRING
by F. Guillou PRICE: £2.50

BEGINNER'S GUIDE TO RADIO
by G. J. King PRICE: £3.00

AUDIO TECHNICIAN'S BENCH MANUAL
by J. Earl PRICE: £3.50

COLOUR T.V. WITH PART. REF. TO THE PAL SYSTEM
by G. N. Patchett PRICE: £6.00

THE OSCILLOSCOPE IN USE
by I. R. Sinclair PRICE: £2.80

ELECTRONICS TEC LEVEL II
by D. C. Green PRICE: £3.80

PRICES INCLUDE POSTAGE

We have the Finest Selection of English and American Radio Books in the Country

19-21 PRAED STREET (Dept RC) LONDON W2 1NP

Telephone 01-723 4185



START THE NEW YEAR WELL
*by treating yourself
to this famous
Components
Catalogue*



Many people have called it "the finest components catalogue yet published." Others call it "the electronic constructor's Bible." Whatever you call it, at £1.25 including packing and postage, the Home Radio Components catalogue is a wonderful bargain. Just look at these features. . . .

Please write your Name and Address in block capitals

NAME

ADDRESS



POST THIS COUPON
WITH CHEQUE OR P.O. FOR
£1.25

- About 2,500 items clearly listed and indexed
- Profusely illustrated
- 128 A-4 size pages, bound in full-colour cover
- Bargain List of unrepeatable offers included free
- Catalogue contains details of simple Credit Scheme

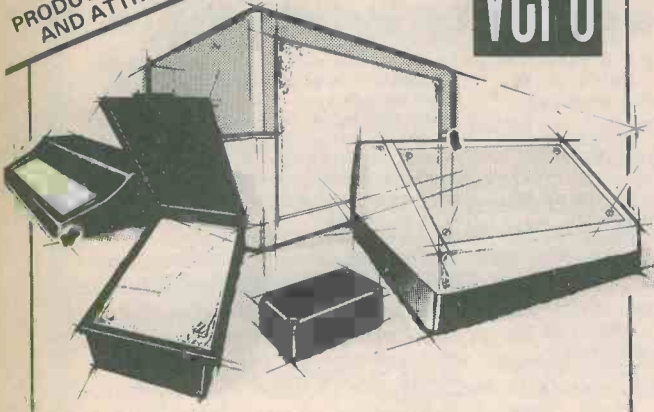
Send the coupon today with cheque or P.O. for £1.25!

HOME RADIO (Components) LTD., Dept. RC
234-240 London Road, Mitcham, Surrey CR4 3HD
Regd. No. 912966, London

HOME RADIO (Components) LTD. Dept. RC, 234-240 London Road, Mitcham, CR4 3HD. Phone: 01-848 8422

OUR RANGE OF PRODUCTS ARE NOW INDIVIDUALLY AND ATTRACTIVELY PACKAGED

vero



Our new 1978 catalogue lists a whole range of plastic boxes to house all your projects. And we've got circuit boards, accessories, module systems, and metal cases — everything you need to give your equipment the quality you demand. Send 25p to cover post and packing, and the catalogue's yours.

VERO ELECTRONICS LTD. RETAIL DEPT.
Industrial Estate, Chandlers Ford, Hants. SO5 3ZR
Telephone Chandlers Ford (04215) 2956

ELECTROVALUE

Catalogue 9 ready Jan. 1st, '79

- ★ *Completely revised*
- ★ *More items*
- ★ *More illustrations*
- ★ *120 pages*

FREE

SEND FOR YOURS TODAY

*For all round satisfaction — Be Safe
Buy from ELECTROVALUE*

ELECTROVALUE LTD

Dept. R.C.279, 28 St Judes Rd, Englefield Green, Egham, Surrey TW20 0HB
Phone: Egham 3603. Telex: 264475.
Northern Branch (Personal shoppers only) 680 Burnage Lane, Burnage, Manchester M19 1NA. Phone: 061-432 4945.

International Recruitment Services (UK) Ltd

Design Engineers — Electronics

The South East

£4,500 - £7,500

We have been tasked to recruit 12 people to join a team of highly qualified, experienced and enthusiastic men and women. The posts offer tremendous scope to engineers with a bent for following through their own designs, from inception to post-production development in the field of electronics.

The Engineers

Applicants with a practical bias to design are the most suited. Age is of no concern nor is experience, since good theoretical knowledge can balance out lack of design experience. Candidates should be qualified to a minimum of HNC. Above all they should have the ambition to succeed either as pure engineers or in management as prospects are good for both.

The Company

One of the best known and most respected companies in its field with worldwide markets to which engineers often travel. It is situated in some of England's most attractive countryside within easy reach of both London and the South Coast. Working conditions are modern and comfortable with excellent design back-up facilities.

The terms and conditions of employment are those expected of a company of this size and generous relocation expenses will be paid. To find out more, male and female candidates should telephone us for an informal discussion as soon as they have read this advertisement on Basingstoke (0256) 51612. Please quote IRS 647.

To apply, please write giving details of age, career and qualifications to:
International Recruitment Services (UK) Ltd
48-54 New Market Sq.
Basingstoke, Hampshire

SMALL ADVERTISEMENTS

Rate: 10p per word. Minimum charge £1.50

Box No. 25p extra

Advertisements must be prepaid and all copy must be received by the 4th of the month for insertion in the following month's issue. The Publishers cannot be held liable in any way for printing errors or omissions, nor can they accept responsibility for the *bona fides* of Advertisers. (Replies to Box Numbers should be addressed to: Box No. — *Radio and Electronics Constructor*, 57 Maida Vale, London, W9 1SN.

WANTED: Large and small quantities of transistors, I.C.'s displays, etc., etc. Call any Saturday to: 306 St. Paul's Road, London N.1. Telephone: 01-359 4224.

TV REPAIRS SIMPLIFIED. Full repair instructions individual British sets £4.50; request free circuit diagram. Stamp brings details of unique TV publications. Auserec, 76 Churches, Larkhall, Lanarkshire.

VINTAGE VALVES, RADIOS, components, literature, service sheets, etc., 1920-1955. S.A.E. please with enquiries and for sample Antique Wireless Newsheet. Tudor Rees, 64 Broad Street, Staple Hill, Bristol. Telephone: 0272-565472.

TRANSFORMERS. 5Va to 500Va designed and manufactured to specification for hobbyist or O.E.M. Fast service. Many popular types ex-stock. Competitive prices. Send details of requirements for quotations to Louth Transformer Company, Peppin Lane, Fotherby, Louth, Lincolnshire.

TURN YOUR SURPLUS Capacitors, transistors, etc., into Cash. Contact COLES-HARDING & CO. 103 South Brink, Wisbech, Cambs. Telephone: 0945-4188. Immediate settlement. We also welcome the opportunity to quote for complete factory clearance.

FOR SALE: Inverter, 12V d.c. to 240V a.c. Suitable running electric shaver, camping, boating, etc. £5.50. Box No. G355.

SOLAR CELLS: Bits, books and bargains. Send 95p for Solar Cell booklet and Data Sheets or stamp for list. — Edencombe Ltd., 34 Nathans Road, North Wembley, Middlesex HA0 3RX.

CRYSTAL SET KITS. No soldering. Experience unnecessary. £2.00 plus 25p p&p. — P. Faherty, 4 Angus Drive, South Ruislip, Middlesex.

RHYTHM GENERATOR. Samba, waltz, jazz, rock, cha cha, etc. Down beat led tempo volume stop-start. Slim case. Battery model £49.50. Mains model £59.50. Inclusion of VAT and post, etc. 2 year guarantee. P.E. Limited, Coed Aben Trading Estate, Wrexham, Clwyd.

FOR SALE: Ex-A.M. rotary motor generator, 12V d.c. at 3.8 amps to 480V at 0.04 amps. £2.00 plus carriage. Box No. G356.

THE RADIO AMATEUR INVALID & BEDFAST CLUB is a well established Society providing facilities for the physically handicapped to enjoy the hobby of Amateur Radio. Please become a supporter of this worthy cause. Details from the Hon. Secretary, Mr. H. R. Boutle, 14 Queens Drive, Bedford.

TREASURE HUNTERS: Construct, for £5, transistorised Metal Detector giving £50 performance. For simple illustrated plans, send £1.00. (Dept. R. & EC), John Lucas, 2 College Road, Grays, Essex.

(Continued on page 388)



Wilmslow Audio

THE firm for speakers!

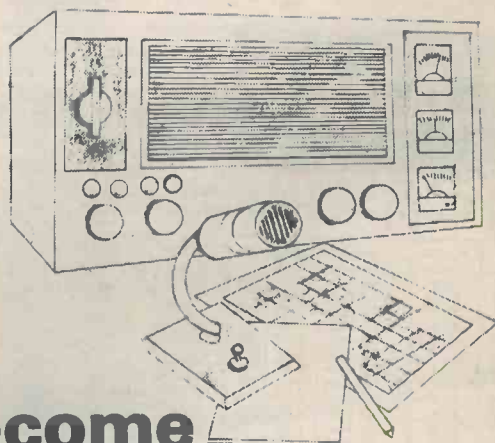
SEND 15p FOR THE WORLDS BEST CATALOGUE OF SPEAKERS, DRIVE UNITS KITS, CROSSOVERS ETC. AND DISCOUNT PRICE LIST

AUDAX • AUDIOMASTER • BAKER • BOWERS & WILKINS • CASTLE • CELESTION • CHARTWELL • COLES • DALESFORD • DECCA • EMI • EAGLE • ELAC • FANE • GAUS • GOODMANS • I.M.F. • ISOPON • JR • JORDAN WATTS • KEF • LEAK • LOWTHER • MCKENZIE • MONITOR AUDIO • PEERLESS • RADFORD • RAM • RICHARD ALLAN • SEAS • STAG • TANNON • VIDEOTONE • WARFEDEALE • YAMAHA • SHACKMAN • TANGENT

WILMSLOW AUDIO DEPT REC

SWAN WORKS, BANK SQUARE, WILMSLOW CHESHIRE SK9 1HF

Discount HiFi Etc. at 5 Swan Street and 10 Swan Street
Tel: 0625-529599 for Speakers, 0625-526213 for HiFi



Become a radio amateur.

Learn how to become a radio-amateur in contact with the whole world. We give skilled preparation for the G.P.O. licence.

WAA

Free! Brochure, without obligation to: **BRITISH NATIONAL RADIO & ELECTRONICS SCHOOL** REK 2/79
P.O. Box 156, Jersey, Channel Islands

NAME _____

ADDRESS _____

(Block caps please)

T.T.L. 74 I.C.'s By TEXAS, NATIONAL, I.T.T., FAIRCHILD etc

7400	14p	7426	25p	7473	30p	74121	30p	74151	65p	74179	140p
7401	14p	7427	25p	7474	30p	74122	40p	74153	65p	74180	100p
7402	14p	7428	40p	7475	30p	74123	60p	74154	120p	74181	200p
7403	14p	7430	15p	7476	30p	74125	50p	74155	70p	74182	75p
7404	14p	7432	25p	7483	85p	74126	50p	74156	70p	74184	150p
7405	14p	7437	25p	7485	100p	74130	130p	74157	70p	74185	150p
7406	40p	7438	25p	7486	30p	74131	100p	74160	90p	74188	350p
7407	40p	7440	15p	7489	250p	74132	85p	74161	90p	74189	350p
7408	20p	7441	85p	7490	35p	74135	100p	74162	90p	74190	140p
7409	20p	7442	85p	7491	75p	74136	80p	74163	90p	74191	140p
7410	15p	7445	80p	7492	45p	74137	100p	74164	125p	74192	120p
7411	20p	7446	85p	7493	40p	74138	125p	74165	125p	74193	120p
7412	20p	7447	75p	7495	60p	74139	100p	74166	125p	74194	100p
7413	30p	7448	70p	7496	70p	74141	60p	74167	325p	74195	100p
7414	60p	7450	15p	74100	95p	74142	270p	74170	200p	74196	100p
7416	30p	7451	15p	74104	40p	74143	270p	74173	150p	74197	100p
7417	30p	7453	15p	74105	30p	74144	270p	74174	100p	74198	185p
7420	15p	7454	15p	74107	30p	74145	75p	74175	75p	74199	185p
7422	20p	7460	15p	74109	50p	74147	230p	74176	100p		
7423	25p	7470	30p	74118	90p	74148	160p	74177	100p		
7425	25p	7472	25p	74120	90p	74150	120p	74178	140p		

C. MOS.	4030	55p	IN4148 8Y IIT/TEXAS 100	2112-4 256 x 4 BIT 450
4000	14p	4032	for £1.50.	NANO SEC. STATIC RAM.
4001	14p	4033		£2.95 each. 4/£11.60.
4002	14p	4047		8/£22.80.
4005	90p	4048		2513 CHARACTER
4007	16p	4049		GENERATOR. UPPER CASE
4009	55p	4050		£7.00.
4011	14p	4054		2513 CHARACTER
4012	14p	4055		GENERATOR. LOWER CASE
4013	50p	4056		£7.00.
4015	20p	4064		555 Timer. 10 for £2.50.
4016	40p	4066		741 Op. amp. 10 for £2.00.
4017	90p	4069		RCA SCR TO3 case
4018	30p	4071		100V 12.5A £2.50.
4020	100p	4072		MURATA ULTRASONIC
4022	30p	4073		TRANSDUCERS MA40LIR
4023	15p	4081		£2.50 each. £4.00 pair.
4024	65p	4082		2102AN-2L 1024 x 1 BIT
4025	16p	4510		250 NANO SEC. STATIC
4026	160p	4511		RAM. £2.20 each. 4/£8.40.
4027	50p	4515		8/£16.00.
4028	50p	4518		2102AN-4L 1024 x 1 BIT
4029	110p	4528		450 NANO SEC. STATIC
				RAM £1.00 each.

T. POWELL
 306 ST. PAUL'S ROAD,
 HIGHBURY CORNER, LONDON N.1
 Telephone: 01-226 1489
 ALL PRICES INCLUDE POST AND V.A.T.

FLADAR DUAL VOLTAGE TRANSFORMERS

PRIMARY 220-240 50HZ ALTERNATIVE SECONDARY VOLTAGE AND CURRENT AVAILABLE BY SERIES OR PARALLEL CONNECTION

Type	Voltage	Current	£	p/p	Type	Voltage	Current	£	p/p
08FE06	6+6	0.5A each	1.50	50p	08FE24	24+24	0.15A each	1.80	80p
08FE08	6+6	0.8A each	1.80	50p	12FE24	24+24	0.2A each	2.00	60p
12FE08	6+6	1A each	2.00	80p	20FE24	24+24	0.4A each	2.60	70p
20FE06	8+6	1.6A each	2.60	70p	50FE24	24+24	0.8A each	3.10	70p
50FE06	6+6	3A each	3.10	70p	60FE24	24+24	1.2A each	3.60	85p
60FE06	6+6	4A each	3.60	85p	80FE24	24+24	1.5A each	4.50	1.00
80FE09	9+9	0.3A each	1.50	50p	50FE28	28+28	0.75A each	3.10	70p
80FE09	9+9	0.5A each	1.80	50p	80FE28	28+28	1.1A each	3.60	85p
12FE09	9+9	0.75A each	2.00	60p	80FE28	28+28	1.4A each	4.50	1.00
20FE09	9+9	1A each	2.60	70p	50FE30	30+30	0.75A each	3.10	70p
50FE09	9+9	2.5A each	3.10	70p	60FE30	30+30	1A each	3.60	85p
80FE09	9+9	3A each	3.60	85p	80FE30	30+30	1.2A each	4.50	1.00
08FE12	12+12	0.25A each	1.50	50p	CHARGER TRANSFORMER				
08FE12	12+12	0.5A each	1.80	50p	48FE12	0-6-12	4A	3.10	70p
12FE12	12+12	0.8A each	2.00	60p	66FE12	0-6-12	5A	3.80	85p
20FE12	12+12	1.2A each	2.60	70p	70FE12	0-6-12	6A	4.88	1.00
50FE12	12+12	2A each	3.10	70p	MULTI-TAP RANGE				
60FE12	12+12	2.5A each	3.60	85p	Voltage Available: 3, 4, 5, 6, 8, 9, 10, 12, 15, 18, 12-0-12 or 15-0-15				
80FE12	12+12	3A each	4.50	1.00	30FE30	0-12-15	1A	3.40	70p
08FE15	15+15	0.2A each	1.50	50p	60FE30	0-12-15	2A	3.70	85p
08FE15	15+15	0.25A each	1.80	50p	80FE30	0-12-15	3A	4.50	1.00
12FE15	15+15	0.4A each	2.00	60p	100FE30	0-12-15	4A	5.60	1.15
20FE15	15+15	0.8A each	2.60	70p	CENTRE TAP SECONDARY				
50FE15	15+15	1.6A each	3.10	70p	FE01	0-1-5	1A each	2.00	60p
60FE15	15+15	2A each	3.60	85p	FE09	0-9-9	1A each	2.60	70p
80FE15	15+15	3A each	4.50	1.00	FE12	12-0-12	1A each	2.60	70p
08FE20	20+20	0.15A each	1.50	50p	FE15	15-0-15	1A each	3.10	70p
08FE20	20+20	0.2A each	1.80	50p	FE20	20-0-20	1A each	3.10	70p
12FE20	20+20	0.25A each	2.00	60p	60FE52	26-0-26	1A each	3.60	1.00
20FE20	20+20	0.5A each	2.60	70p	80FE52	28-0-28	1A each	3.60	1.00
50FE20	20+20	1.2A each	3.10	70p	80FE30	30-0-30	1A each	3.60	1.00
60FE20	20+20	1.5A each	3.60	85p	100FE26	26-0-26	2A each	5.15	1.15
80FE20	20+20	2A each	4.50	1.00	100FE30	30-0-30	2A each	5.15	1.15
					100FE36	36-0-36	2A each	5.15	1.15

FLADAR ELECTRIC
 P.O. Box 19 Westcliff-on-Sea,
 Essex 0702-613314
 Trade enquiries welcome. Please enquire for other types not shown.
 Payment terms: C.W.O. Cheques, Postal Orders, please add 8% VAT after post and packing.

SMALL ADVERTISEMENTS

(Continued from page 387)

BURGLAR ALARMS. Include magnetic switches, wire, siren, control unit, etc. No soldering, £5.95. P. Faherty, 4 Angus Drive, South Ruislip, Middlesex.

GOOD PRICES for recent Electronics/Computing/Radio books and magazines. Projects, theory etc. — Details to M. Hart, 41 Luton Place, Edinburgh, Scotland EH8 9PF.

FOR SALE: Dichromate hologram pendants, 3 dimensional effect or 2 dimensions £12.00. Voice control ladybird toy with, stop, go, turn or command £15.00. Light sensor shooting game £15.00. — J. Fulton, Derrynaseer, Dromore, Co. Tyrone, N. Ireland.

FOR SALE: *Fundamentals of Radio Servicing* by B. W. Hicks, published by Hutchinsons Educational, £2.20 post paid. *Handbook of Satellites and Space Vehicles* by R. P. Haviland, £3.50 post paid. *FM and Repeaters for the Radio Amateur*, published by ARRL, £1.25 post paid. Box No. G366.

JOIN THE INTERNATIONAL S.W. LEAGUE. Free services to members including Q.S.L. Bureau, Amateur and Broadcast Translation, Technical and Identification Dept. — both Broadcast and Fixed Stations, DX Certificates, contests and activities for the SWL and transmitting members. Monthly magazine, *Monitor*, containing articles of general interest to Broadcast and Amateur SWLs, Transmitter Section and League affairs, etc. League supplies such as badges, headed notepaper and envelopes, QSL cards, etc., are available at reasonable cost. Send for League particulars. Membership including monthly magazines, etc., £3.75 per annum. (U.K. and British Commonwealth), overseas \$10.00 or £4.00. Secretary ISWL, 1 Grove Road, Lydney, Glos., GL15 5JE.

FOR SALE: Integrex "Texan" tuner-amp. £50. Transcription turntable McDonald 810, £20. Goldring G800, £4. 10 watt chassis speakers, 3-way, £25. Mullard 10 watt amp. £3. F.M. Tuners £8 and £12. Metal detector parts £1. Collaro tape deck £5. Mullard 5-10 valve amp. £3. Alphaphone £3. Goodmans Axion-10, £3. Dolby PCB £5. DNL £1. Active crossover £2. Car cassette, faulty, £3. Postage extra. — 75 Central Avenue, Northfield, Birmingham B31 4JA.

CLEARING BOOKSHELF. Bound Volumes *Radio Constructor* and recent books on electronics. S.A.E. for list. Box No. G370.

WANTED: Bound Volumes of *Radio Constructor* 1960 to 1974. £3.00 per volume only. — Mr. Roar Hove, Haskollvegen 83, 3400 Lier, Norway.

FOR SALE: Viscount X125 electronic organ, with separate Leslie speaker, 2-manual foot pedals, percussion, rhythm box. Matching stool, £450 o.n.o. T. F. Weatherley, 16 Beverley Court, Carlton Colville, Lowestoft, Suffolk. Telephone: Lowestoft 63216.

ELECTRIC SHOCK MACHINES. Battery operated, harmless. £1.95 inclusive. P. Faherty, 4 Angus Drive, South Ruislip, Middlesex.

FOR SALE: Approx. 10 lbs mixed capacitors £5.00. 10 lbs mixed components, etc. £5.00. Tins switch cleaner 50p. Postage 25p. 12in steel rules 50p. Level meter 50p. Box No. G371.

FOR SALE: For valve organ 49 note keyboard, contacts and stops, £15. 4 octave tone generators, trem, £10. PSU, 10W amp £5. 12 in. Goodmans 10W 15Ω £5. — Telephone 0702-49164.

(Continued on page 389)

SMALL ADVERTISEMENTS

Continued from page 388

INTERESTED IN OSAR? Then join AMSAT-UK. Newsletters, OSCAR NEWS Journal, prediction charts, etc. Details of membership from: Ron Broadbent, G3AAJ, 94 Herongate Road, Wanstead Park, London, E12 5EQ.

FOR SALE: Volumes 10, 11 and 13 *Radio Constructor*, £3.00 per volume. Telephone: 06755-2342.

110 INTEGRATED CIRCUIT PROJECTS for the home constructor. 128 pages. By R. M. Marston. £3.70. From Bacca Electronics, Box No. G372.

POSTAL ADVERTISING? This is the Holborn Service. Mailing lists, addressing, enclosing, wrapping, facsimile letters, automatic typing, copy service, campaign planning, design and artwork, printing and stationery. Please ask for price list. — The Holborn Direct Mail Company Capacity House, 2-6 Rothsay Street, Tower Bridge Road, London, S.E.1. Telephone: 01-407 6444.

FOR SALE: Red l.e.d.'s 10p. Solar cells 25p. 25 Mixed 2W zeners 50p. R.C. car £15.00. Sheepskin coat £50.00. L.C.D. chronograph watch 1/100 second stopwatch £13.50. 10 digit desk calculator £16.50. Hologram 3D pendant £12.50. — Box No. G373.

FOR SALE: *Radio Constructor* 1954 to 1966. 12 Bound Volumes. V.G.C. £35. Telephone: Beaconsfield 3118 (evenings).

WANTED: FAX equipment, manuals, service sheets, etc. G2UK, 21 Romany Road, Oulton Broad, Lowestoft, Suffolk. NR32 3PJ.

I.C.'s ITT 7273 9099 JK Flip Flops 10p each. Mullard 7306, Mullard 7241, Signetics S7425, LU320k. 10p each. All brand new. Add 15p post. All i.c.'s offered at 11 for £1. Jack Simpson, 35 Cattlemarket Street, Norwich, Norfolk.

RECITALS OF RECORDED MUSIC. The second Saturday evening of each winter month. Next recital: January 13th, 1979, 8 p.m. at Woodford Green United Free Church, Woodford Green, Essex. Bus routes 20, 20A, 179 & 275 — alight at "The Castle" stop.

FOR SALE: Panaced Video Tape Recorder £75.00. Closed circuit television camera £50.00. — J. Fulton, Derrynaseer, Dromore, Co. Tyrone, N. Ireland.

ATTENTION SWL'S & DXERS. PRS 1 RF Preselector employs silicon FET front end with silicon NPN broadband rf amp. High Q coils tuned by precision capacitor. Will substantially improve most receivers performance over 1.5-30MHz. Gives improved signal/noise ratio with an average gain of 30dbs. Also helps selectivity and image rejection. Size: 8 x 5½ x 2½ inches. 9V operation. We also manufacture items of interest to MW DXers. S.A.E. for details of all above please. AMTEST, 55 Vauxhall Street, Worcester, WR3 8PA.

100MHz F.M. Micro-Transmitter kit. C. 100 yds. range. Unlicensable £2.95 plus 25p p&p. P. Faherty, 4 Angus Drive, South Ruislip, Middlesex.

PERSONAL

JANE SCOTT FOR GENUINE FRIENDS. Introductions to opposite sex with sincerity and thoughtfulness. Details free. Stamp to: Jane Scott, 3/Con North St. Quadrant, Brighton, Sussex, BN1 3GJ.

IF YOU HAVE ENJOYED A HOLIDAY on the Norfolk Broads, why not help to preserve these beautiful waterways. Join the Broads Society and play your part in determining Broadlands future. Further details from: — The Hon. Membership Secretary, The Broads Society, "Icknield," Hilly Plantation, Thorpe St. Andrew, Norwich, NOR 85S.

(Continued on page 391)

Self-Binder

for "Radio & Electronics Constructor"

The "CORDEX" Patent Self-Binding Case will keep your issues in mint condition. Copies can be inserted or removed with the greatest of ease. Rich maroon finish, gold lettering on spine.

Specially constructed Binding Cords are made from Super Linen of great strength, very hard twisted and twice doubled. They are attached to strong RUSTLESS Springs under tension, and the method adopted ensures PERMANENT RESILIENCE of the Cords. Any slack that may develop is immediately compensated for and the Cords will always remain taut and strong. It is impossible to overstretch the springs, as a safety check device is fitted to each.



PRICE **£1.80** P.&P. 40p

including V.A.T.

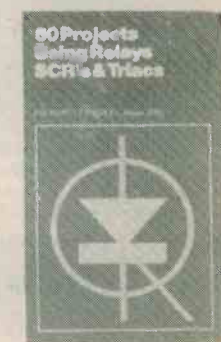
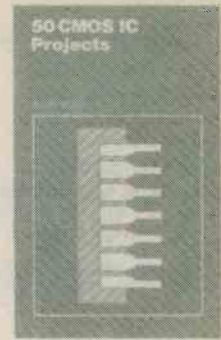
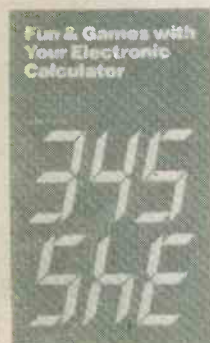
Available only from:—

Data Publications Ltd.

57 Maida Vale London W9 1SN

DIRECT READER SERVICE

RADIO & ELECTRONICS BOOKS



1. **50 PROJECTS USING RELAYS, SCR's & TRIACS**
by F. G. Rayer £1.25
2. **FUN & GAMES WITH YOUR ELECTRONIC CALCULATOR** by J. Vine 90p
3. **50 (FET) FIELD EFFECT TRANSISTOR PROJECTS**
by F. G. Rayer £1.40
4. **DIGITAL IC EQUIVALENTS AND PIN CONNECTIONS**
by Adrian Michaels £2.70
5. **50 SIMPLE L.E.D. CIRCUITS**
by R. N. Soar 90p
7. **THE COMPLETE CAR RADIO MANUAL**
by F. C. Palmer 90p
8. **SOLID STATE NOVELTY PROJECTS**
by M. H. Babani £1.00
9. **28 TESTED TRANSISTOR PROJECTS**
by R. Torrens £1.10
10. **SOLID STATE SHORT WAVE RECEIVERS FOR BEGINNERS** by R. A. Penfold £1.10
11. **50 PROJECTS USING IC CA3130**
by R. A. Penfold £1.10
12. **50 CMOS IC PROJECTS**
by R. A. Penfold £1.10
13. **HOW TO BUILD ADVANCED SHORT WAVE RECEIVERS** by R. A. Penfold £1.35
14. **BEGINNERS GUIDE TO BUILDING ELECTRONIC PROJECTS** by R. A. Penfold £1.40
15. **50 CIRCUITS USING GERMANIUM SILICON & ZENER DIODES** by R. N. Soar 90p
16. **LINEAR I.C. EQUIVALENTS AND PIN CONNECTIONS**
by Adrian Michaels £3.00

all prices include postage & packing

To: Data Publications Ltd., 57 Maida Vale, London W9 1SN

Please send me within 21 days copy/copies of

.....
.....No.

I enclose Postal Order/Cheque for £.....

Name

Address

(Block Letters Please)

(We regret this offer is only available to readers in the U.K.)

SMALL ADVERTISEMENTS

(Continued from page 389)

CAN YOU DESIGN PRINTED CIRCUITS, arrange layouts, and re-arrange? Engineer (Kent) requires help via post, to promote new designs. — Reply in complete confidence to Box No. G374.

BROADLANDS RESIDENTIAL CLUB for elderly people. Are you recently retired and looking for a home? We have a delightful top floor room overlooking Oulton Broad, facing south. Write to: The Warden, Broadlands Residential Club, Borrow Road, Oulton Broad, Lowestoft, Suffolk.

SPONSORS required for exciting scientific project Norwich Astronomical Society are building a 30" telescope to be housed in a 20' dome of novel design. All labour being given by volunteers. Already supported by Industry and Commerce in Norfolk. Recreational. Educational. You can be involved. Write to: NAS, Secretary, 195 White Woman Lane, Old Catton, Norwich, Norfolk.

PRINTED CIRCUITS AND HARDWARE

Comprehensive range Constructors' hardware and accessories. Selected range of popular components. Printed circuit boards for individual designs. Drawing materials for printed circuits. Resist coated laminate, epoxy glass for the d.i.y. man. Full processing instructions, no unusual chemicals required.

Send 15p for catalogue

Ramar Constructor Services

Masons Road · Stratford-on-Avon · Warwks CV37 9NF

SINCLAIR PRODUCTS Microvision tv UK model £89.95. POM36 £27.25. Mains adaptor £3.24. Case £3.25. DM350 £67.80. DM450 £96.80. DM235 £49.45. Rechargeable batts. £7.50. Mains adaptor £3.70. Enterprise prog. calculator £21.95. Cambridge prog. calculator £13.13. Prog. library £3.45. Mains adaptor £3.45.

COMPONENTS. Send s.a.e. for full list. 1 lb F+C1 £1.05. Dalo pen 73p. 80 sq ins pcb 55p. Laminate cutter 75p. Small drill 20p. zn414 £1.05. pcb and extra parts for radio £3.85. Case £1. 1N4148 1.4p. 1N4002 2.5p. 723 28p. 741 15p. NE555 23p. bc182b, bc183b, bc184b, bc212b, bc213b, bc214c 4.5p. Plastic equiva. bc107, bc109, 4.8p. 1/2W 5% E12 resistors 10R to 10M 1p. 0.8p. for 50 + of one value. Electrolytics 16v 5/12/5/10/22mf 5p, 100mf 6p, 1000mf 10p, 1500mf (PC) 3.4p. 10v 2mf (PC) 1.7p. 1000mf 5.1p. 2200mf 6p. Polysters 250v .015, .068, .1mf 1.3p. Ceramics 50v E6 22pf to 47n 2p. Polystyrenes 63v E12 10pf to 10n 3p. Zeners 400mW E24 2v7 to 33v 7p.

TV GAMES. Send s.a.e. for data. AY-3-8500 + kit £8.95. AY-3-8600 + kit £12.50. Road race chip + kit £17.90. Stunt cycle chip £6.90. kit £4. Rifle kit £4.95.

TRANSFORMERS. 6-0-6v 100mA 74p, 1 1/2 12.3p. 6-3v 1.1a 11.8p. 9-0-9v 75mA 74p, 1a E2, 2a E2.60, 12-0-12v 100mA 90p, 1a E2.49.

IC AUDIO AMPS with pcb JC12 6W £1.80. JC20 £2.95. JC40 20W £3.95.

BATTERY ELIMINATORS 3-way type 6/7 1/2v 300 ma £2.95. 100mA radio type with press-studs 9v £3.35. 9+9v £4.50. Stabilized type 3/6 7 1/2v 400mA £6.40. 12v car converters 3/4 1/2v 1/2v 800mA £2.80.

BATTERY ELIMINATOR KITS. Send s.a.e. for data. 100mA radio types with press-studs 4 1/2v £1.40. 6v £1.40. 9v £1.40. 4+4+4v £1.80. 6+6v £1.80. 9+9v £1.80. Stabilized 8-way types 3/4 1/2v 12/15/18v 100mA £2.80. 1Amp £3.40. Stabilized power kits 2-18v 100mA £3.80. 2-30v 1A £6.95. 2-30v 2a £10.95. 12v Car converter 6/7 1/2v 1a £1.35.

T-DEC AND CSC BREADBOARDS. s-dec £3.17. i-dec £4.02. u-dec £4.40. u-decb £6.73. 16 dil adaptor £2.14. exp300 £6.21. exp 350 £3.40. exp850 £3.89. exp4b £2.48.

BI-PAK AUDIO MODULES . s450 £23.51. AL60 £4.86. pa100 £16.58. spm80 £4.47. bmt80 £5.95. Stereo 30 £20.12.

SWANLEY ELECTRONICS
(Dept. REC) 32 Goldsel Road,
Swanley, Kent.
Post 30p extra. Prices include V.A.T.

BUILD YOUR OWN

P.A., GROUP & DISCO SPEAKERS by R. F. C. Stephens

Save money with this practical guide. Plans for 17 different designs. Line source, I.B., Horn and Reflex types, for 8"-18" drive units. £3.95 post free (\$8 overseas).

THE DALESFORD SPEAKER BOOK by R. F. C. Stephens

This book is a must for the keen home constructor. Latest technology DIY designs. Plans for I.B., and Reflex designs for 10-100 watts. Also unusual centre-bass system. £2.20 post free (\$5 overseas).

VAN KAREN PUBLISHING
5 Swan Street, Wilmslow, Cheshire

A CAREER IN RADIO

Start training *today* and make sure you are qualified to take advantage of the many opportunities open to the trained person. ICS can further your technical knowledge and provide the specialist training so essential to success.

ICS, the world's most experienced home study college, has helped thousands of ambitious men to move up into higher paid jobs — they can do the same for *you*.

Fill in the coupon below and find out how!

There is a wide range of courses to choose from, including:

CITY & GUILDS CERTIFICATES

Telecommunications Technicians'
Radio TV Electronics Technicians'
Electrical Installations Technicians'
Electrical Installation Work
Radio Amateurs'

MPT Radio Communications Cert.

**EXAMINATION STUDENTS —
GUARANTEED COACHING
UNTIL SUCCESSFUL**

TECHNICAL TRAINING

ICS offer a wide choice of non-exam courses designed to equip you for a better job in your particular branch of electronics, including:
Electronic Engineering & Maintenance
Computer Engineering/Programming
Radio, TV & Audio Engineering & Servicing
Electrical Engineering, Installations & Contracting

COLOUR TV SERVICING

Technicians trained in TV Servicing are in constant demand. Learn all the techniques you need to service Colour and Mono TV sets through new home study course approved by leading manufacturer.

POST THIS COUPON OR TELEPHONE FOR FREE PROSPECTUS

I am interested in
Name Age
Address
Occupation

ICS

Accredited
by CACC
Member of
ABCC

To
International Correspondence Schools
Dept D278 Intertext House, LONDON
SW8 4JJ or phone 01-622 9911 (anytime)

TRANSFORMERS

Primary 240V		
6-0-6V	100mA	£0.75
9-0-9V	75mA	£0.75
12-0-12V	50mA	£0.85
12-0-12V	100mA	£1.05
Post on above transformers		30p
9-0-9V	1A	£1.80
12-0-12V	1A	£2.15
15-0-15V	1A	£2.38
6-3V	1 1/2A	£1.80
6-0-6V	1 1/2A	£2.20
Post on above transformers		45p
9-0-9V	2A	£2.75
12V	2A	£2.40
Post on above transformers		86p

MICROPHONES FOR TAPE RECORDERS

DM228R 200 ohm with 3.5 and 2.5mm jack plug	£1.66
DM229R 50K with 3.5 and 2.5mm jack plug	£2.20
DM18D 200 ohm with 5 and 3 pin DIN plug	£1.95
Postage on above microphones	13p

CARDIOD DYNAMIC MICROPHONES

Model UD-130 frequency response 80-14,000Hz. Impedance dual 50K and 600 ohm	£8.02 post 36p
UD147 frequency response 50-15,000Hz. Impedance dual 50K and 200 ohm.	£13.85 post 36p
6V BUZZERS 50mm diameter, 30mm high. Very loud.	52p post 9p

MULTIMETER

Model ITI-2 20,000 ohm/volt	£12.32 post 33p
IT2? 20,000 ohm/volt.	£12.48 post 33p

All above prices include V.A.T. Special prices for quantity quoted on request.

Send 40p for New Autumn 1978 Fully Illustrated Catalogue.

M. DZIUBAS

158 Bradshawgate · Bolton · Lancs. BL2 1BA

RADIO & ELECTRONICS CONSTRUCTOR

Single Copies

Price 50p each, p&p 13p

Issue(s) required

Annual Subscription

Price **£7.50 inland, £8.50 overseas**

post free, commence with issue

Bound Volumes:

Vol. 27. August 1973 to July 1974	Price £2.80 , post & pkg 90p
Vol. 28. August 1974 to July 1975	Price £3.20 , post & pkg 90p
Vol. 29. August 1975 to July 1976	Price £3.50 , post & pkg 90p
Vol. 30. August 1976 to July 1977	Price £3.70 , post & pkg 90p
Vol. 31. August 1977 to July 1978	Price £5.20 , post & pkg 90p

(Available shortly)

CORDEX SELF-BINDERS *NEW FORMAT*

With title, 'RADIO & ELECTRONICS CONSTRUCTOR' on spine,
maroon only

Price **£1.80**, post & pkg 40p

With no title on spine, maroon

Price **£1.70**, post & pkg 40p

With no title on spine, green

Price **£1.70**, post & pkg 40p

Prices include V.A.T.

DATA BOOK SERIES

DB5 TV Fault Finding, 132 pages Price **£1.20**, P. & P. 20p

DB6 Radio Amateur Operator's Handbook,
New edition in course of preparation

DB17 Understanding Television, 504 pages Price **£3.95**, P. & P. 70p

DB19 Simple Short Wave Receivers
140 pages Price **80p**, P. & P. 20p

STRIP-FIX PLASTIC PANEL SIGNS

Set 3: Wording — White — 6 sheets Price **£1.00**, P. & P. 8p

Set 4: Wording — Black — 6 sheets Price **£1.00**, P. & P. 8p

Set 5: Dials — 6 sheets Price **£1.00**, P. & P. 8p

Prices include V.A.T. on Panel Signs

I enclose Postal Order/Cheque for in payment for

NAME

ADDRESS

..... (BLOCK LETTERS PLEASE)

Postal Orders should be crossed and made payable to Data Publications Ltd.

Overseas customers please pay by International Money Order.

All publications are obtainable through your local bookseller

Data Publications Ltd., 57 Maida Vale, London W9 1SN

PLEASE MENTION THIS MAGAZINE WHEN WRITING TO ADVERTISERS