

RADIO



BOOKS

Tape and Wire Recording. A selection of articles reprinted from the pages of *The Radio Constructor*, covering both the theory and practical applications. A really useful book on this latest development of the hobby. 2/8

Receivers, Preselectors and Converters. Practical articles, again reprinted from past issues of *The Radio Constructor*, which will prove of interest to many radio enthusiasts. 2/8

TV Fault Finding. Profusely illustrated with photographs taken from a television screen depicting the faults under discussion, and containing a wealth of technical information, with circuits, enabling those faults to be eradicated. 5/3

Inexpensive Television. Build yourself a television from surplus. Latest edition includes all the data necessary for any area. 2/8

World Radio Handbook (1955 edition). The S.W. broadcast enthusiasts' handbook. You are missing something from your hobby if you have not a copy of this excellent publication. 9/9

Report Pads. If you need that QSL card, send a comprehensive report. A convenient and accurate form for reporting. 3/9

Radio Amateur Operator's Handbook. An indispensable aid to the amateur transmitter and listener, containing all details of information which are constantly required. Prefix Lists, Zone Boundaries, Call Areas, Codes, and Mileage Tables, together with Maps and much other useful operating data. Revised edition now in preparation.

Inexpensive Car Radio. In which two versions, one constructed from surplus and one from new components, are described. 1/8

Radio Control for Model Ships, Boats and Aircraft, by F. C. JUDD, G2BCX. A comprehensive work on this fascinating subject. Standard edition, 8/9. Cloth bound edition 11/9

All above prices include postage and packing

All available from your local bookseller, or from:

DATA PUBLICATIONS LTD

57 MAIDA VALE LONDON W9

Telegrams Databux London

Telephone CUNningham 6518

Printed in Great Britain for the Proprietors and Publishers Data Publications Ltd., 57 Maida Vale, London, W.9; by A. Quick & Co. Ltd., Oxford House, Clacton-on-Sea, Essex. Is obtainable abroad through the following: Collets Subscription Service, Continental Publishers & Distributors, Ltd., William Dawson & Sons Ltd. Australia and New Zealand: Gordon & Gotch Ltd. South Africa: Central News Agency. U.S.A.: Gilfer Associates. Holland: "Radio Electronica." Scandinavia: Intrapress. Registered for transmission by Magazine Post to Canada (including Newfoundland).



The RADIO CONSTRUCTOR

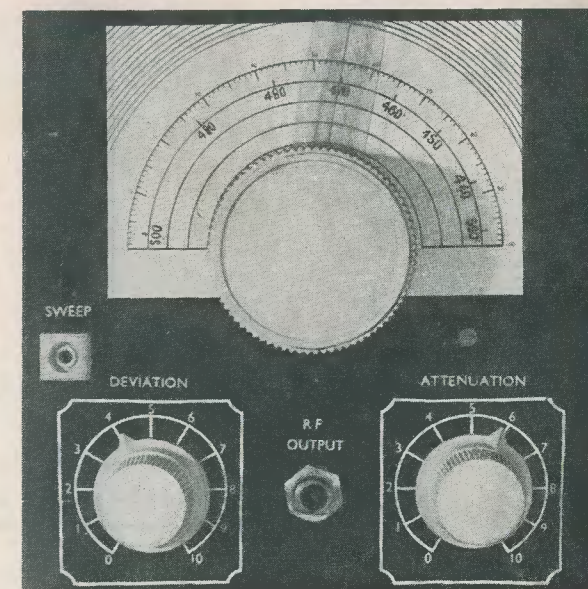
Volume 8
Number 9

APRIL
1955

for the Radio and Television Enthusiast

Coverage
400-500 kc/s

A SIMPLE WOBBULATOR



ALSO IN THIS ISSUE

TAPE RECORDER RADIO UNIT
MODERN LINE TIMEBASE CIRCUITS, Part 2
A PROGRESSIVE RECEIVER

MIXING CIRCUITS · RADIO CONTROL NOTES
THE "CLIPPER" COMMUNICATIONS RECEIVER
A "VOLUME COMPENSATOR" CIRCUIT
A Simple Workbench Accessory · Let's Get Started
Radio Miscellany · Query Corner, etc., etc.

16

The New GERNSBACK Library

High Fidelity: Design, Construction and Measurements. 12s. Postage 4d.

Transistors: Theory and Practice. By R. P. Turner. 16s. Postage 4d.

High Fidelity Techniques. By J. R. Langham. 8s. Postage 4d.

Model Control by Radio. By E. L. Stanford. 8s. Postage 4d.

Practical Disc Recording. By R. H. Dorf. 6s. Postage 4d.

Basic Radio Course. By J. T. Frye. 18s. Postage 6d.

Radio and TV Test Instruments. 12s. Postage 4d.

Radio Tube Fundamentals. By G. J. Christ. 8s. Postage 4d.

Radio and TV Hints. 8s. Postage 4d.

The Oscilloscope. By G. Zwick. 18s. Postage 4d.

Television Technotes. 12s. Postage 4d.

TV Repair Techniques. 12s. Postage 4d.

THE MODERN BOOK CO

BRITAIN'S LARGEST STOCKISTS OF ENGLISH & AMERICAN TECHNICAL BOOKS

Please write or call for our catalogue

19-23 PRAED STREET (Dept RC) LONDON W9

Open 6 days 9-6 p.m.

PADDINGTON 4185

Scottish Insurance Corporation Ltd.

62-63 CHEAPSIDE · LONDON · E.C.2

Established 1877

Telephone CITY 4936-9 (4 lines)

THE SHEDDING OF A LOAD

An ACCIDENT can cause serious financial embarrassment. Could you meet your commitments on the National Insurance Benefit?

A "SCOTTISH" Policy will carry the load for you if you are disabled by ANY ACCIDENT and will pay compensation for as long as two years for any one accident.

For a BENEFIT of £5 PER WEEK the annual premium varies between £1 10s. and £2 2s. 6d. according to occupation, and the premium can be paid half-yearly or quarterly if desired.

If you will complete and return this form to the Corporation's office at the above address, a quotation will be sent with a proposal for completion, or write for details quoting reference /JB.

NAME (Block Letters).....

OCCUPATION.....

ADDRESS (Block Letters).....

/JB

Bigger and Better Pictures—

with **BRIMAR**

★ Shortly available ★

THE BRIMAR 21-inch TELETUBE C21HM

This Rectangular Wide Deflection Teletube with Aluminized Screen and external Conductive Coating, operates at 16kV. It is fitted with an improved tetrode gun assembly giving excellent overall focus and minimum astigmatism.

BRIMAR have developed powerful valves suitable for use with existing or future types with larger screen areas.

6CD6G/50CD6G (AC/DC)

Line Output Valves with a peak current of $\frac{1}{2}$ amp. and plenty of power in hand for wide angle scanning.

6U4GT

Efficiency Diode—The high working peak heater to cathode potential renders a separate highly insulated heater supply unnecessary.

R19

E.H.T. Rectifier—A replacement for the American IX2A but with higher ratings.

RM5

H.T. Rectifier—A worthy successor to the RM4, with a rating of 300mA. This rectifier has a reserve of power and should be used initially in equipment so that additional valves may be added if required without redesigning the power supply stages.

VALVES for the BAND III CONVERTOR

(FOR 6-VOLT OPERATION)

*ECC84

Consists of two separate high slope triode units designed for use as a V.H.F. cascade amplifier.

*ECF82

Is a triode pentode frequency changer featuring a high slope triode and a high slope pentode with a high input impedance.

6BW7

The 6BW7 is recommended in areas where extra sensitivity is required. It has a slope of 9.3mA/V with anode and screen voltages of 180V.

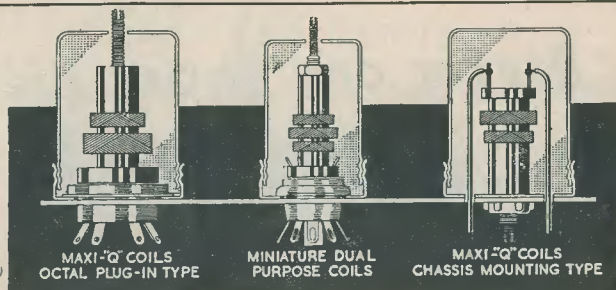
* The PCC84 and PCF82 are .3amp equivalents of these types and are suitable for equipments where series connected valves are used.

STANDARD TELEPHONES AND CABLES LIMITED

FOOTSCRAY SIDCUP KENT

Footscray 3333

MAXI-Q
REGD.



Coverage from 3.8 to 2,000 metres in 7 ranges—Each coil is packed in an aluminium container which may be used as a screening can for the coil itself—Brass threaded adjustable iron cores—Colour coded moulded polystyrene formers—Chassis/Plug-in Technical Bulletin, DTB.1 1/6—Dual Purpose Technical Bulletin, DTB.4, 1/6—Colour Code Identified Coils: BLUE Signal Grid Coil with Aerial Coupling winding—YELLOW Signal Grid Coil with intervalve coupling winding—GREEN Grid Coil with reaction and coupling windings—RED Superhet Oscillator for I.F., of 465 kc/s—WHITE Superhet Oscillator for 1.6 Mc/s. Prices range from 3/11 to 4/9 each. General Catalogue covering technical information on full range of components 1/- post paid. Obtainable from all reputable stockists or in cases of difficulty direct from works.

DENCO (CLACTON) LTD • 357/9 Old Road • Clacton-on-Sea Essex

STOP PRESS: The Practical Wireless "Fury Four" uses the Maxi-Q Yellow (3/11) and Green Chassis Mounting Coils (4/9). (Please state frequency range when ordering.) Also available are the "Fury Four" chassis and Paxolin front panel, 19/6. Maxi-Q "Home Constructor's Car Radio" bulletin, 2/6, used the Miniature Dual Purpose Coils, Range 2 (Medium Wave), Red, Blue and Yellow, 3/11 each. The Wireless World "No Compromise" R.F. Tuner used Range 1 and 2 Blue and Yellow Chassis Coils, 3/11 each. The Wireless World "Midget Three Valve AC Mains Receiver" used C2 and C3 TRF Coils, 9/- per pair.

★ THE "CLIPPER" DESCRIBED IN THIS ISSUE USES 'MAXI-Q' CHASSIS MOUNTING COILS ★

LINE OUTPUT TRANSFORMER TYPE L.O.352

Type L.O.352 is the type number of an entirely new Allen line output auto-transformer now available to manufacturers and the home-constructor. It functions in conjunction with PL81 PY81 valves, and provides an E.H.T. voltage whose regulation is better than 5MΩ. The associated components are the D.C.605/C scanning yoke, G.L.16 linearity control, and G.L.18 width control.

Line Output Transformer type L.O.352, 42/6.

Scanning Yoke type D.C.605/C 39/6.

Width Control type G.L.18, 7/6.

Linearity Control type G.L.16, 7/6.

Our standard, well proven components are also available:

Line Output Transformer type L.C.308, 40/-.

Scanning Yoke type D.C.300/C, 39/6.

All the above are available direct from

ALLEN COMPONENTS LIMITED
Crown Works 197 Lower Richmond Road Richmond Surrey
Telephone PROspect 9013

Send 9d. and S.A.E. for recommended Wide-Angle Circuit Diagrams

NEW!

EXPERIMENTAL KITS in Radio, T.V. etc.

LEARN THE PRACTICAL WAY

Specially prepared sets of radio parts (which you receive upon enrolment) with which we teach you, in your own home, the working of fundamental electronic circuits and bring you easily to the point when you can construct and service radio sets. Whether you are a student for an examination; starting a new hobby; intent upon a career in industry; or running your own business—these Practical Courses are intended for YOU—and may be yours at Very Moderate Cost.

EASY TERMS FROM 15/- A MONTH

POST THIS COUPON TODAY

To E.M.I. INSTITUTES, Dept. 179X,
Grove Park Road, London, W.4.

SUBJECT(S).....

NAME.....

ADDRESS.....



COURSES WITH PRACTICAL EQUIPMENT INCLUDE:-
Radio (Elementary and Advanced), Television, Mechanics, Electricity, Chemistry, Photography, Carpentry. Also Draughtsmanship, Commercial Art, Amateur S.W. Radio, Languages, Etc.

E.M.I. INSTITUTES

The only Postal College which is part of a world-wide Industrial Organisation

Apr.

1956

KENDALL & MOUSLEY ELECTRONIC ENGINEERS AND LABORATORY EQUIPMENT MANUFACTURERS

18 MELVILLE ROAD • EDGBASTON • BIRMINGHAM • 16

ELSTONE TRANSFORMERS AVAILABLE FROM STOCK

MT/11, 6.3 at 1 amp, and 250 volts at 25 mA, ideal for pre-amp or Electronic Meter	23/-
SR/250 } The ideal service replacement transformer, one supplies 250-0-250 volts at 80 mA, and the other 350-0-350 at the same current, they are three-way mounting, heaters 6.3 tapped at 4 volts, 4a; and 5 volts tapped at 4 volts, 2 amps, price for each type	28/6
MT/A150, a heavy duty type giving 350-0-350 at 150 mA and 5 volts at 3 amps, 6.3 volts at 4 amps	46/6
Smoothing chokes of the same make	
SC/M 15H at 50 mA 300 ohms	6/-
SC/80 20H at 80 mA 600 ohms	14/-
SC/150 20H at 150 mA 300 ohms	20/-
Output transformers. High grade types	
MR/7 handling 7/10 watts and covering ratios from 14/1 to 100/1, both single ended and centre tapped ratios	18/9
MR/15 handling up to 18 watts centre tapped and single ended ratios from 13/1 to 80/1	41/6
R.E.P. coils, Crystal set, 2/6, Dual range 4/-; matched pairs	8/-
Tuning condensers for crystal receivers	3/6
Mullard OA60 Germanium diodes. The diode for Crystal Receivers	5/-

Books, Transistors and Crystal Diodes, by B. R. Bettridge	5/-
Television Circuit Refinements, by C. H. Banthorpe	5/-
Unit Constructed TV Receivers, by E. N. Bradley	6/-
Radio Control of Models, by G. Sommerhoff, M.A.	5/-
The Oscilloscope Book, by E. N. Bradley	5/-
Practical TV Aerial Manual for Bands I & III, by R. Laidlaw	4/6
TV Fault Finding, by Data Publications	5/-
Radio Control for Model Ships, Boats and Aircraft, by F. C. Judd	8/6

Packing and postage, 3d. extra.

Smith's
of
EDGWARE ROAD

Component Specialists since
Broadcasting Started, invite all
those interested in—

ELECTRONIC COMPONENTS
(both Regular and Surplus) to
send for their latest Price-lists.

H. L. SMITH & CO. LTD

287/289 EDGWARE ROAD · LONDON · W2

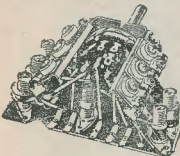
Hours 9 till 6 (Thurs. 1 o'clock). Tel.: Paddington 5891

Near Edgware Road Stations, Metropolitan and Bakerloo

LEADING RECEIVER MANUFACTURERS

Are Sure of Top Coil Performance

Be like the many famous firms who, by specifying
Osмор High "Q" Coils in thousands, take no
chances about quality!



'Q' COILPACKS size only
1½ x 3½ x 2½ with variable iron-
dust cores and polystyrene
formers; built-in trimmers; trop-
icalised; realigned receiver-tested
and guaranteed; only 5 connec-
tions to make. All types for
mains and battery superhets and
T.R.F. receivers. Ideal for the

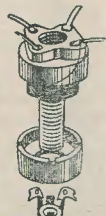
reliable construction of new sets, also for conversion of the
21 Receiver, TR1196, type 18, Wartime Utility and others.

Our Technical Dept. will be pleased to answer (by letter
only) any enquiry relating to circuits in which Osмор Coils
or Coil Packs are used or are intended to be used.

Super 'Q' Cup Coils for Max.

Selectivity A full range is avail-
able for all popular wavebands and
purposes. The magnetic screening of
the cup prevents other components
from absorbing the coil's power thus
maintaining the high 'Q' value. Simple
one-hole fixing. * Only 1" high.
* Packed in damp-proof containers.
* Adjustable iron-dust cores. * Fitted
tags for easy connection. L or MW.

inc. Circuit 5/-



OSMOR RADIO PRODUCTS LTD. (R.C.22)
418 BRIGHTON ROAD, SOUTH CROYDON
SURREY Telephone CROydon 5148-9

ARTHURS HAVE IT!

LONDON'S OLDEST RADIO DEALERS
LARGE VALVE STOCKS

AVOMETERS IN STOCK
Avo Test Meters and Signal Generators
and Taylor Meters

Leak Point One Amplifiers and Tuning
Units

Chapman Tuning Units
Crystal and Moving Coil Mics.

Decca Replacement Heads and Pickups
Goodman's Axiom 150 Speakers

Partridge Output Transformers for
Williamson Amplifier

All Components for the Radio Construc-
tor's 16" Televisor

Weare & Wright Tape Deck, £35
LATEST VALVE MANUALS

Mullard, Osram & Brimar No. 4, 5/- each
Mazda 2/- each Postage 6d. each

**TELEVISION SETS, WIRE AND TAPE
RECORDERS ALWAYS IN STOCK**

Goods offered subject to price alterations
and being unsold.

Arthurs first Est.
1919

Proprietors: ARTHUR GRAY LTD.

OUR ONLY ADDRESS Gray House
150-52 Charing Cross Road

London WC2

TEMPle Bar 5833/4 and 4765 WRITE FOR LISTS

**Frequency
Modulation Tuner**

described in the July and Sept. 1954
issues.

JACKSON BROS. dial and condenser
£1 5 3

Completely drilled chassis 8 0

All coils with S.M. Condensers and
cans £1 2 6

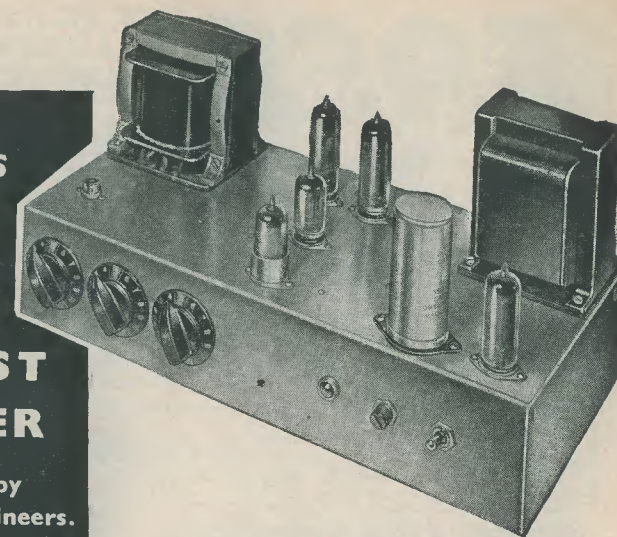
Complete Set of Parts, (less valves)
including pair of matched German-
ium crystals and small items such
as nuts and screws £5 0 0

Complete Tuner, assembled and
aligned £10 0 0
(P.T. extra)

JASON MOTOR COMPANY

328 CRICKLEWOOD LANE
LONDON NW2

Build this
**HIGH
QUALITY
LOW COST
AMPLIFIER**



★ Circuit designed by
Mullard research engineers.

★ Specified components
available from most
radio dealers.

Here's an entirely new amplifier
circuit which brings high quality
sound reproduction within
the reach of thousands more
enthusiasts. It has been

designed by Mullard research engineers with special
regard for easy construction and low cost.

Full details of the circuit are included in the 2s. 6d.
book which is obtainable from radio dealers or direct
from Mullard Ltd. Valve Sales Department—2s. 10d.
post free. Get your copy now.



EASY TO BUILD AT LOW COST	GOOD TRANSIENT RESPONSE	LOW OUTPUT RESISTANCE	LOW HUM AND NOISE
NEGLIGIBLE DISTORTION AT ALL OUTPUT LEVELS	DESIGNED ROUND FIVE MULLARD MASTER VALVES EF86 ECC83 2 x EL84 GZ30 or EZ80	UNIFORM FREQUENCY RESPONSE IN AUDIBLE RANGE	

We are exhibiting at the Northern Radio and Television Exhibition 4th-14th May

Mullard

MULLARD LTD., CENTURY HOUSE, SHAFESBURY AVENUE, LONDON, W.C.2

MVM 308



**POST TODAY FOR OUR BROCHURE ON
THE LATEST METHODS OF HOME
TRAINING FOR OVER 150 CAREERS
& HOBBIES**

PRIVATE & INDIVIDUAL TUITION IN YOUR OWN HOME

City and Guilds Grouped Certificates in Telecommunications: A.M.Brit. I.R.E. Examinations, Radio Amateur's Licence, Radio and Television Servicing Certificates, General Radio and Television Courses, Radar, Sound Recording, etc. Also Courses in all other branches of Engineering and Commerce.

The advantages of E.M.I. training

★ The teaching methods are planned to meet modern industrial requirements. ★ A tutor is personally allotted by name to ensure private and individual tuition. ★ Free advice covering all aspects of training is given to students before and after enrolling with us.

**NEW LEARN THE PRACTICAL WAY
COURSES WITH EQUIPMENT**

With many of our courses we supply actual equipment which is sent upon enrolment and remains your property. Courses include: Radio, Television, Electronics, Draughtsmanship, Carpentry, Photography, and Commercial Art, etc.

**Courses
from 15/-
per month**

POST THIS COUPON TODAY

Please send without obligation your FREE book. E.M.I. INSTITUTES, Dept. 179K, Grove Park Road, London, W.4. Apr.

NAME _____
ADDRESS _____
SUBJECT(S) _____ IC.38

EMI INSTITUTES

The only Postal College which is part of a world-wide Industrial Organisation.

LANES (RADIO) LTD The Amateur's ... Paradise ...

11 GARDNER STREET · BRIGHTON · Telephone BRIGHTON 20773

ALL LEADING MAKES OF STANDARD COMPONENTS FROM STOCK ★ **LET US QUOTE INCLUSIVE PRICE FOR YOUR FULL REQUIREMENTS**

FREE To introduce our service to Radio Constructor readers a free copy of Denco's FM Feeder Unit booklet will be given with all orders of £1 or over.

ALL LAST MONTHS COMPONENTS AVAILABLE—ALSO THIS FINE SELECTION OF INEXPENSIVE CONSTRUCTORS TOOLS

RADIO SCREWDRIVERS 4" & 6"	1/- each
SCREWDRIVER MAINS TESTER	6/9 "
UNIVERSAL TOOL SETS with 3 screwdrivers, Phillips tools, etc.	12/- "
BOX SPANNER TOOL SETS 2.4.6. BA & 3 sizes Screwdrivers	25/- "
WIRE STRIPPING PLIERS Fully adjustable	15/9 "
BIB WIRE STRIPPERS 3/6 each	5/- "
TEST PRODS. Bulgin. Red & Black	2/9 "
Radio Point NOSE PLIERS and Wire Benders	7/6 "

CHASSIS HOLE CUTTERS Q-MAX.

All sizes from stock

$\frac{3}{8}$ " and $\frac{1}{2}$ "	11/6	KEY	10d.
$\frac{5}{8}$ "	12/6	"	10d.
1", 1 $\frac{1}{8}$ ", 1 $\frac{1}{4}$ "	14/9	"	1/3
1 $\frac{3}{8}$ ", 1 $\frac{1}{2}$ "	16/6	"	1/3
1 $\frac{3}{4}$ "	18/6	"	1/3
1" Square	23/-	"	1/3

HENLEYS SOLDERING IRONS

25 watt	19/8
65 "	£1.3.8
125 "	£2.2.8

ALL SPARES for the above from stock.

ERSIN SOLDER Multicore 5/- Pkt.

TERMS.—Cash with order or C.O.D. (over £1). Please add postage and packing on orders below £1. Over £1 POST FREE.

The **Radio Constructor**

incorporating THE RADIO AMATEUR



CONTENTS FOR APRIL

- 520 Suggested Circuits: A "Volume Compensator" Circuit for Sound Receivers, *by G. A. French*
- 522 Radio and TV Interference
- 523 In Your Workshop, *by J.R.D.*
- 528 Modern Line Timebase Circuits, Part 2, *by S. Welburn*
- 532 A Radio Unit for the Paragon Tape Recorder, *by J. W. Walker*
- 538 Radio Miscellany, *by Centre Tap*
- 540 A Simple Wobblulator, *by J. W. Bagnall*
- 543 Club News
- 544 The "Clipper"—a 10-Valve Communications Receiver, *by F. A. Baldwin, A.M.I.P.R.E.*
- 550 A Progressive Receiver, Part 1, *by A. S. Carpenter*
- 553 Query Corner—A Service for Readers
- 555 Can Anyone Help?
- 556 Notes on Radio Control—Part 6, The Two-Four Transmitter, *by Quench Coil*
- 560 Let's Get Started, Part 22, Matters Arising . . . *by A. P. Blackburn*
- 564 The Prevention of Accidents, *by C. H. L. Edwards, G8TL*
- 565 A Simple Workbench Accessory, *by L. E. Profaze*
- 566 Daylight on Capacitors, *by T. H. Robinson, B.Sc.*
- 568 Trade News

VOL. 8 NO. 9
ANNUAL SUBSCRIPTION 18/-
APRIL 1955

*Editorial and
Advertising Offices*

57 MAIDA VALE LONDON W9

Telephone
CUNNINGHAM 6518

Telegrams
DATABUX, LONDON

Editor
C. W. C. OVERLAND, G2ATV

Advertising Manager
F. A. BALDWIN, A M I P R E

THE CONTENTS of this magazine are strictly copyright and may not be reproduced without obtaining prior permission from the Editor. Opinions expressed by contributors are not necessarily those of the Editor or proprietors

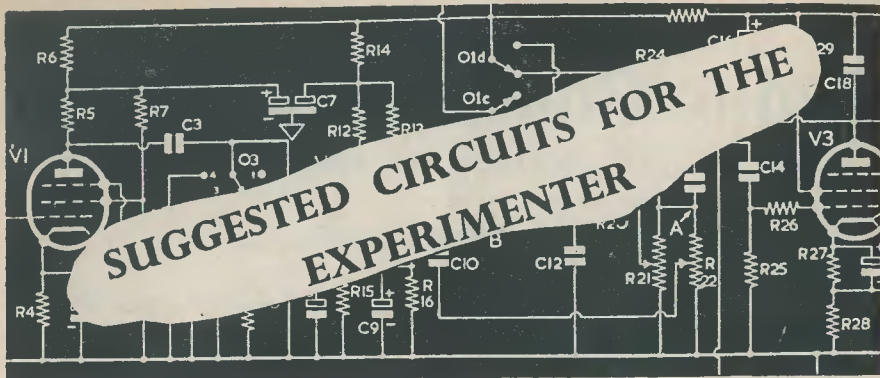
NOTICES

THE EDITOR invites original contributions on construction of radio subjects. All material used will be paid for. Articles should preferably be typewritten, and photographs should be clear and sharp. Diagrams need not be large or perfectly drawn, as our draughtsmen will redraw in most cases, but all relevant information should be included.

All MSS must be accompanied by a stamped addressed envelope for reply or return. Each item must bear the sender's name and address.

TRADE NEWS. Manufacturers, publishers, etc., are invited to submit samples or information of new products for review in this section.

ALL CORRESPONDENCE should be addressed to THE RADIO CONSTRUCTOR, 57 Maida Vale, London, W.9 Telephone CUN. 6518



The circuits presented in this series have been designed by G. A. FRENCH, specially for the enthusiast who needs only the circuit and essential relevant data

No. 53 A "VOLUME-COMPENSATOR" CIRCUIT FOR SOUND RECEIVERS

A SOMEWHAT IRRITATING ATTRIBUTE of sound reception is the fact that, for similar gain control settings, the volume of broadcast orchestral music is often apparently greater than that of broadcast speech. This effect is particularly noticeable in programmes which alternate speech and music, such as are given by light music and variety shows. What usually occurs is that it is frequently necessary to advance the volume control of the receiver in order to hear the speech of a particular performer clearly: when the performer is followed by an orchestral item, volume then becomes objectionably loud. The effect can be especially embarrassing for those who live in flats and apartments, in which it is advisable to keep one's radio at reasonably low level in order to prevent upsetting closely neighbouring occupants.

The reason for the apparent change in volume is, of course, the fact that, whilst the peak voltages of both the broadcast speech and music remain the same, the number of different audio frequencies making up the music is considerably higher than that in speech.

This Month's Circuit

The circuit described this month is intended to go some way towards reducing the apparent volume of music in programmes of this nature. It is not designed to function purely as a volume-compression device. Instead, it operates by applying an additional

AVC bias to the receiver when the AF appearing at the output anode contains a large proportion of frequencies outside those normally given by speech. Such frequencies would occur in most orchestral music. The circuit is not intended to work during programmes which are devoted entirely to music. If used during a symphony concert, for instance, the effects given might not be aesthetically pleasant, since the arrangement is frequency-selective. The circuit should be employed only when the receiver is tuned to a local station. The associated receiver may be any conventional superhet.

Operation

The operation of the circuit is quite simple. AF appearing at the output anode of a receiver is applied, via C1, to the pre-set potentiometer R1. The AF tapped off this potentiometer is then passed to two filters. One of these, R2-C4, R3-C6, is a two-section low-pass filter which affords a high attenuation of frequencies above 200c/s. The second filter, C3-R4, C5-R5, is a high-pass filter, providing attenuation of frequencies below 1,000c/s.

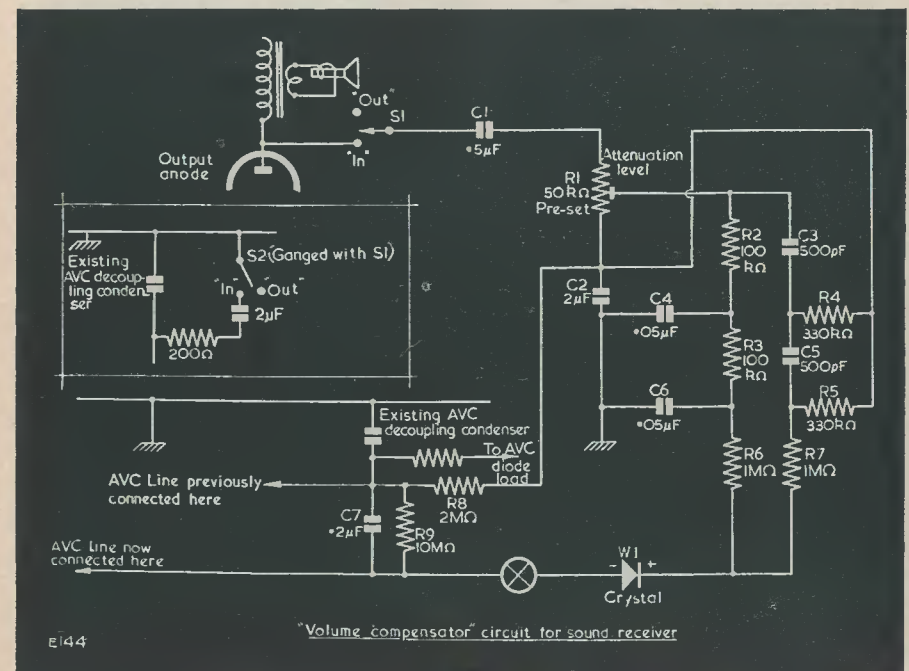
The outputs of the two filters are passed, via R6 and R7, to the crystal diode, W1. This diode rectifies and charges C7 to a negative voltage which is dependent upon the amplitude of the AF provided by the two filters. The voltage across C7 is applied to the AVC line in series with that given by

the existing AVC decoupling condenser and resistor.

The largest proportion of speech power is contained within the frequency range 200 to 1,000c/s. Thus, during speech, the rectified voltage developed across C7 will be low, and the set will work at nearly normal gain. When the speech is replaced by orchestral music, however, the AF voltages passed by the filters will be considerably greater, and a higher AVC voltage will be developed. The effective volume of the receiver will, in consequence, be attenuated during the transmission of musical items. The amount of attenuation is controllable by the pre-set potentiometer R1.

especially when lower audio frequencies are being rectified. Also, a DC return circuit has to be provided for the rectifier. Both these requirements are met by applying the existing AVC voltage, via R8, to the 2μF condenser C2. So long as the existing AVC voltage is reasonably steady (as is given by local-station listening) the voltage across C2 will then be equal to that on the AVC line. (C2 must not, of course, be an electrolytic component). All the filter resistive returns are then made to C2 and not to chassis.

Another point of importance is given by the presence of the two resistors R6 and R7. These resistors prevent either filter from



The Crystal Diode Circuit

It will have been noted that the above remarks have not entirely covered some points of the circuit. These points are slight complications which are necessitated by the provision of a return path for the crystal diode, and for preventing the formation of low frequency AF voltages in the AVC line.

To commence with, since the voltage rectified by the crystal diode is to be added in series to that given by the existing AVC circuit, the latter has to be kept stable,

upsetting the characteristics of the other, and also provide a useful time delay for the charging of C7. The discharge time for C7 (C7 and R9) is higher than the charging time, but this should approximate to what is required in practice.

Practical Points

To put the circuit into operation, most of the components required could be fitted to a small chassis separate from the main receiver chassis. C7, R8 and R9, however, must be mounted close to the existing AVC

decoupling condenser. If a long lead is used to connect C7 to the crystal diode, it is possible that it may cause RF instability. In such a case, a 20kΩ resistor should be inserted, in series, at the point marked with a cross. This resistor must be mounted close to C7.

AF Instability

It is possible that, with some receivers, the circuit may introduce instability at very low audio frequencies. Should this occur, the best solution would consist of increasing the values of C7 and the existing AVC decoupling condenser to 2μF (non-electrolytic). To prevent this high value from up-

setting the AVC characteristics of the receiver when the circuit is not in use, a second switch could be added, ganged to S1, to switch in additional capacity across the existing AVC decoupling condenser. The arrangement needed is shown in the "insert" in the diagram. The series 200Ω resistor is intended merely to limit charging currents at the moment of switching in the extra condenser.

This extra condenser will, of course, considerably increase the time constant of the AVC system. However, this effect should not be of great consequence for local station reception, which is all the circuit is intended for.

RADIO AND TV INTERFERENCE

Wireless Telegraphy (Control of Interference from Electric Motors) Regulations 1955

Wireless Telegraphy (Control of Interference from Refrigerators) Regulations 1955

These two sets of regulations have been laid before Parliament. They give the Postmaster-General power to control interference with radio (including television) from refrigerators and from domestic and industrial appliances which are driven by small electric motors, e.g. vacuum cleaners, hair driers and drills. These are the commoner sources of interference with sound broadcasting and television reception.

Both sets of regulations come into force on 1st September, 1955, and lay down the requirements which must be complied with (a) by manufacturers, assemblers and importers of all electrical refrigerators, and (b) by users of new and old electric motors. These arrangements were recommended by the Advisory Committees appointed under Section 9 of the Wireless Telegraphy Act, 1949, and the regulations have been drawn up with the agreement of these Committees.

The introduction of the electric motors regulations does not mean that everyone using a vacuum cleaner, hair dryer, or other domestic electric article will have to fit a suppressor at once. Only a proportion of these appliances cause interference, and the Postmaster-General hopes that in such cases the owners of the appliances will co-operate by having the trouble put right when it is

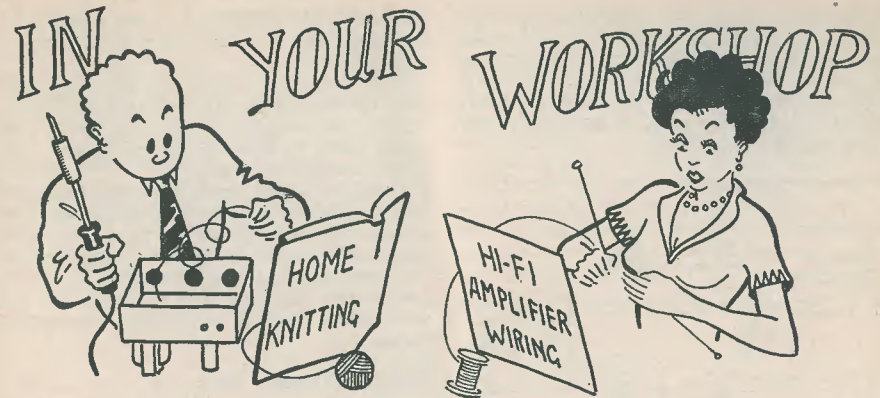
pointed out to them by the Post Office. The new powers will be used only where it is necessary for the Post Office to insist on an appliance being put right because it causes interference and the owner will not voluntarily have a suppressor fitted.

The Postmaster-General hopes that there will be a progressive extension of the current practice of certain manufacturers who produce appliances incorporating suppressors or who provide for the easy addition of a suppressor if it proves necessary. The question of making the regulations for small motors apply to manufacturers is to be reviewed during the next two years.

The standards laid down in the regulations, i.e. the limits of interference and the frequency ranges over which they are to apply, have necessarily been based on data derived from existing sound and television broadcasting services, for which they are designed to give adequate protection in areas of moderate field-strength, provided the receiving installation, which includes the aerial system, is satisfactory. The standards are also expected to give adequate protection to the proposed frequency-modulated VHF sound broadcasting service in Band II (87.5 to 100Mc/s) and to go some way towards eliminating interference in the higher range of frequencies (Band III) to be used for the new ITA television service.

The Advisory Committees, when submitting to the Postmaster-General their reports

(continued on page 527)



In which J. R. D. discusses Problems and Points of Interest based on Letters from Readers and his own experience

THERE ARE MANY IRRITATING LITTLE problems which, from time to time, harrow the home-constructor and radio serviceman. Some of these occur almost periodically, usually making their appearance when one's attention is already fully occupied elsewhere. Of these annoyances, perhaps the most exasperating are those concerned with soldering.

Organising Genius

In the January issue of *The Radio Constructor* Centre-Tap had a few words to say on this subject; and he rightly pointed out how lucky we were these days in being provided with rosin-cored solder, tinned wire and tinned tags. Compared with the old days, things couldn't be easier.

All this is very true. And yet it was only the other day that I picked up a brand-new component, straight from the very well-known manufacturer who made it, and which was fitted with the most unsolderable set of solder tags I have ever met! It was, in fact, quite impossible to tin the tags at all, although I tried the effect of several widely advertised cored solders. In each case all that happened was that the solder rolled off dismally leaving the tag completely untouched. In the optimistic days immediately after the war someone stated that it would take an organising genius to fail to produce coal from an island that was built upon it. I have an idea that this organising genius has now shifted his ground. He's producing solder tags that don't solder!

Anyway, I managed to solder the offending tags eventually; but only by the process of completely filing away all the plating until I had got down to the brass underneath.

Easy, When You Know How

Another problem which frequently crops up is given by the difficulty of soldering litz wire. This is quite definitely not a simple process; and it is especially difficult when the individual strands of the wire are very fine, as often occurs in such components as IF transformers and medium-wave coils. Peculiarly enough, very little has been written on this subject in the amateur press. Even in the august pages of *Wireless World*, a contributor who some time ago asked for suitable methods of soldering this type of wire has still, so far as I know, not yet been given any really satisfactory answer.

In practice, the process of soldering litz wire is quite simple, when you know how. There is one particular method which has been used by coil manufacturers for many years, and which, although a little old-fashioned nowadays so far as modern production technique is concerned, is still highly commendable for amateur use. Furthermore, it requires hardly any equipment which cannot be made or obtained quite easily at home.

The process (known usually as "burning" the wire) consists primarily of passing the end of the litz wire, complete with its covering, through a clean, low-temperature flame until it is just cherry-red. The end of the wire is next *immediately* doused in a cleansing fluid, held there for a few seconds, and then at once transferred to a "solder-pot" full of molten solder. The result is a beautifully tinned end to the wire, with every strand soldered.

As may be gathered, the procedure is quite simple, and the gear required is not at all complex. The low-temperature flame, for instance, can be provided by a lamp wick,

(one to two inches wide) fitted in a jar which is half-filled with methylated spirits. If the jar has a lid made of tin-plate, a narrow slot cut in this will hold the wick quite comfortably. Another method of providing the flame would be given by using a Bunsen burner fitted with a "fish-tail" jet.

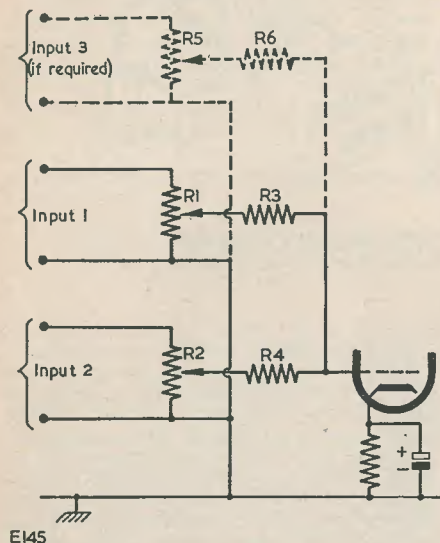


Fig. 1. A simple, and very effective, mixing circuit

The cleansing fluid most readily available to the amateur consists of methylated spirits also. Care should be taken, however, to ensure that this is not set alight when the wire is doused in it. The wire itself will not ignite the methylated spirits but any fabric covering which happens to have caught alight in the flame might do so. This risk is quite small but it has nevertheless to be guarded against. So please don't send me any letters containing scorched eyebrows!

The final requirement, that of a container holding molten solder, should not prove to be too difficult for the resourceful amateur. The best container would, of course, be an electrically-heated "solder-pot," but these are rather expensive. A simple solution might be found by heating the solder in a suitable vessel on a small electric-ring or similar appliance. (An empty food can is not suitable for holding the solder, as the latter would leak away through the seams.) Once again, care must be taken to ensure that the methylated spirit cleansing fluid used in the

second part of the process is not liable to be set alight by whatever source of heat is employed.

It is advisable to stand all the equipment used for tinning the litz wire on a small tray. The reason for this is that any methylated spirit which happens to be spilt cannot then spread outside the tray.

It will be found, once everything has been prepared, that the process of tinning the wire is extremely easy. However, there is a certain degree of "knack" to be finally acquired for best results, and this is best given by having one or two trial runs with odd pieces of litz wire before starting on any more important items.

"Solder-Through" Wire

Although the procedure of "burning" litz wire using various slightly differing versions of that just described is now in use by manufacturers all over the country, it seems possible that in five to ten years time such methods will be largely out of date. The reason for this is that a new type of wire has been brought on the market in quantity production since the war, which obviates all this trouble completely. This wire is known as "solder-through" wire, and it is achieving increasing popularity continually.

"Solder-through" wire is coated with an enamel which undergoes a chemical change at soldering temperatures, whereupon it acts partly as a flux. Thus, if one removes the fabric covering and twists the inside *enamelled* wire around the appropriate tag it can be soldered immediately; and a perfect joint results. This wire has become available as litz, in which form its advantages are obvious. I know of one very large firm which now uses nothing else except "solder-through" wire for all the litz-wound coils which are produced by its coil-winding shop.

Mixing It

As the correspondence received at *The Radio Constructor* offices concerning the "Paragon" Tape Recorder has shown, many constructors are extremely interested in the technique of tape recording. Some readers have asked for circuits suitable for mixing several inputs into an amplifier, so that such effects as background music from a gramophone pick-up may be faded up and mixed with speech from a microphone.

The simplest form of mixer circuit is shown in Fig. 1. This circuit can be used with two input sources, so long as their voltage levels are reasonably similar. Thus, two similar pick-ups connected to the two pairs of input terminals would give excellent results; since their output voltages would be roughly equal, and would give the same signal level at the grid of the valve for similar settings of the

potentiometers. The purpose of the two series resistors, R3 and R4, is that of preventing the adjustment of one potentiometer from affecting, to any great extent, the output of the other. In use, it will be found that, if R3 and R4 each has the same value as the higher value of the two potentiometers, interaction between the controls is only slight, and is practically unnoticeable. Fig. 1 may be extended to three (or more) inputs, as shown in dotted line.

much of the noise in any amplifier appears in the grid circuit of the first valve. This valve would then be that which follows the mixer circuit of Fig. 1. If, therefore, either of the mixer controls in this diagram were turned to a low setting, the input voltage applied to the grid would be partly masked by noise.

A satisfactory solution to this problem is provided by Fig. 2. In this diagram, each of the low-level inputs is applied direct to the grids of the high-gain pentodes, V1 and V2.

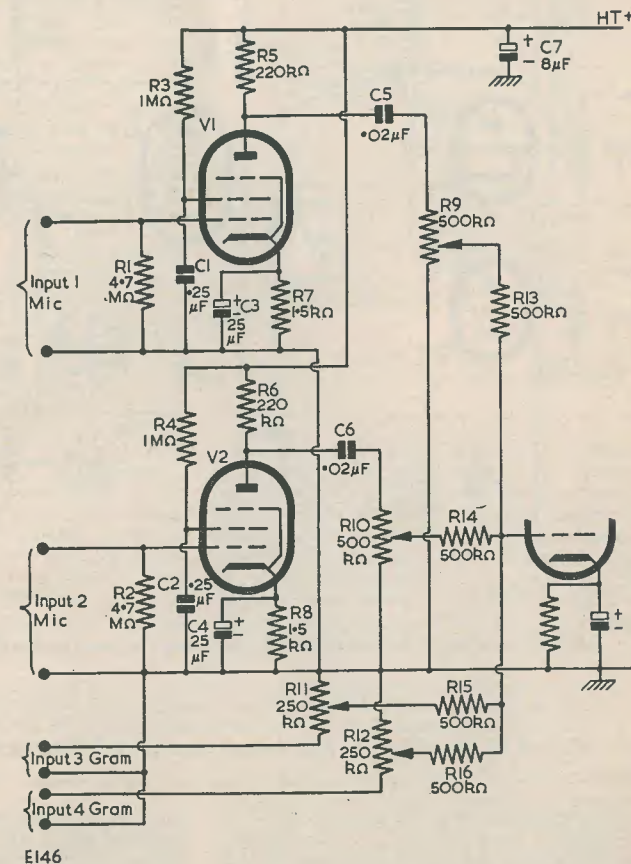


Fig. 2. A practical fader-mixer circuit, capable of handling two microphones and two gramophone channels

The greatest disadvantage with the circuit of Fig. 1 is that it causes a loss in input strength owing to the signal that is dropped across the resistors in series with the potentiometer sliders. Unfortunately this loss cannot be avoided. A second disadvantage is that the circuit is not advisable for use with low-level inputs, such as are provided by most microphones. The reason for this is that

It is the *outputs* of these pentodes which are then mixed in with other signal sources. The advantage of this arrangement is that input grid noise only becomes fully effective when the appropriate potentiometer is adjusted to its maximum setting. The input resistors, R1 and R2, for the low-level inputs in Fig. 2, are intended for crystal microphones. If moving-coil microphones are employed, the secondar-

ies of the microphone transformers will connect to the input terminals instead. The high-level inputs could consist of high-impedance moving-iron or crystal pick-ups. If the latter are used, the necessary response correction circuits must be fitted between the pick-up and the input terminals of the mixer. (Inputs 3 and 4 would also be suitable for radio or FM tuners.)

Although it has been used quite frequently in the past, the circuit of Fig. 3 does not offer any really outstanding advantage over that of Fig. 1. This is due to the fact that low-level inputs still have to undergo a stage of amplification before they can be fed to the individual control potentiometers.

For the record, it should be mentioned that another version of Fig. 3 employs two or

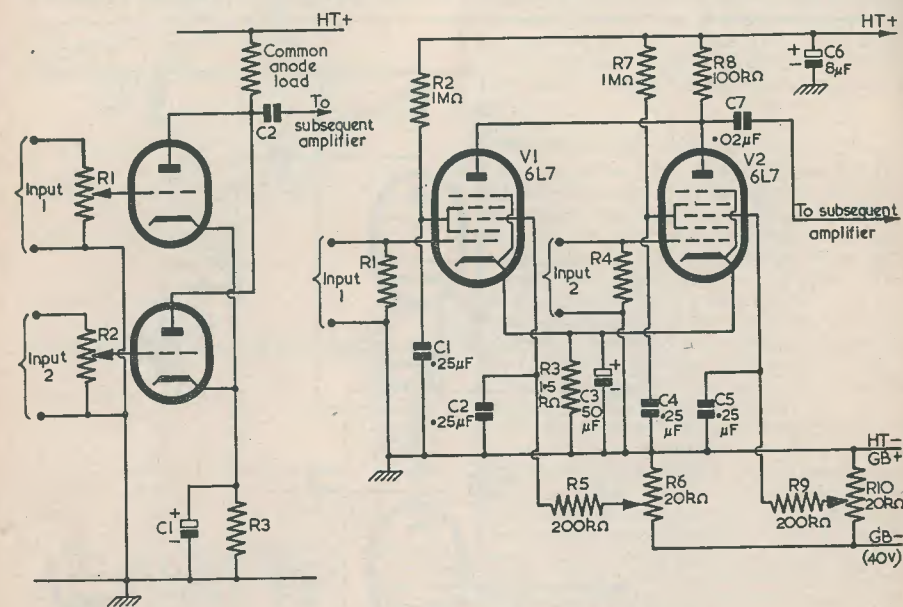


Fig. 3

Fig. 4

Fig. 3. A popular mixing circuit in which two (or more) valves feed into a common anode load

Fig. 4. Another practical arrangement. In this circuit two vari-mu pentagrids feed into a common anode load, mixing being controlled by R6 and R10. The values of R1 and R4 should suit the impedances required by the input sources

Another popular type of mixer is shown in its simplest form in Fig. 3. This circuit provides mixing due to the fact that the two triodes have a common anode load, from which a connection to the subsequent amplifier can be made. (Three or more valves can also, of course, be used in a circuit of this type.) If greater gain in each valve is required they may both be made pentodes. The common anode load should have a value equal to that normally employed by one valve, divided by the number of valves used. All the valves employed should, of course, be of the same type.

more variable- μ pentagrids, all feeding into the same anode load. In this case, however, individual volume levels are not controlled by potentiometers in the grid circuits, but by varying the grid bias voltages on each valve. Fig. 4 shows a typical example using two 6L7's. The main advantage to this circuit is given by the fact that volume control noise is prevented from reaching the amplifier, due to the presence of R5, C2 and R9, C5. Despite this, individual pre-amplifiers are still advisable for very low-level inputs.

Unfortunately, suitable valves for the

circuit of Fig. 4 are not so easy to obtain these days. For instance the 6L7, which is probably the best valve for the arrangement, is now well on the way to obsolescence. A possible alternative is the CV1057 (ex-R.A.F. VR57).

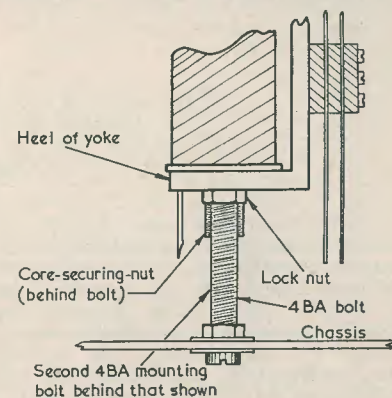
Tips with Taps

Although found in the amateur workshop only infrequently, a set of BA taps is one of the most useful accessories that can be added to any radio tool kit. Such taps are quite cheap, the most frequently needed sizes being, usually, 6, 4 and 2BA. For the amateur who cannot afford more than a modest outlay it is best to start off by buying taper taps only. Plug taps are seldom required for amateur radio jobs.

Two useful dodges employing taps are given here to complete this month's article. Neither could be described as being in the highest traditions of engineering practice, but they are both helpful when one is in a hurry.

When a component is being mounted behind a panel it sometimes happens that the constructor finds that one of the panel holes is just very slightly out of alignment. This is particularly annoying if the mounting holes of the component are themselves tapped. When this occurs, the constructor is usually faced with the necessity of having to drill out the offset panel hole to a larger size, so that it is then possible to insert the requisite mounting bolt. Unfortunately, the usual result of this is that part of the larger hole is not covered by the screw-head, and a scruffy-looking job results. A better solution consists of tapping into the panel hole with a tap having the same thread as that underneath. This will then cut away just sufficient of the panel to allow the mounting bolt to be fitted.

The second dodge concerns Post Office and similar relays. When mounted in the conventional manner, such relays require quite a lot of metal-work in order to enable their contact lugs to pass through the chassis. If they are mounted "up in the air," as shown in Fig. 5, this problem is cleared.



E148

Fig. 5. A quick and useful method of mounting a Post Office, or similar, relay

The method of fixing is somewhat inelegant, it is true, but the solution is adequate enough when time is short. The two mounting holes in the heels of most yokes are tapped 5BA, a size which is not always available to the amateur. However, it is quite a simple matter to dismantle the relay by unscrewing the single core-securing nut; whereupon the holes may be tapped out to 4BA with an ordinary taper tap.

RADIO AND TV INTERFERENCE

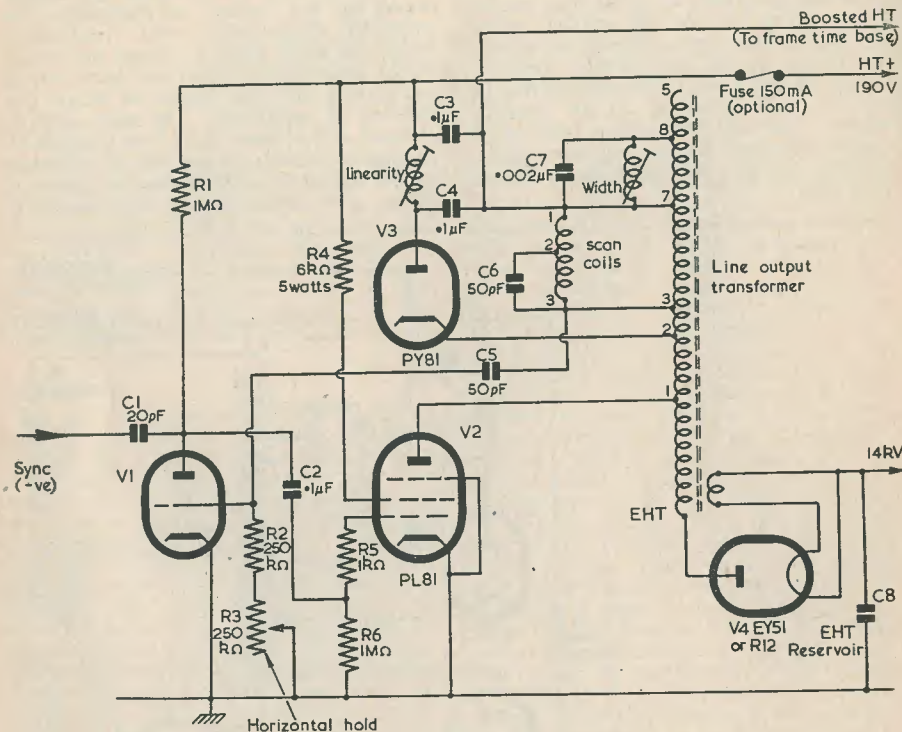
(continued from page 522)

upon which the present regulations are based, made the following recommendation: that information should be issued drawing attention to the importance of earthing in accordance with the Regulations for the Electrical Equipment of Buildings issued by the Institution of Electrical Engineers. For many types of appliances used in situations where earthed metalwork is present, these Regulations call, for safety reasons, for the exposed metalwork of appliances to be earthed; earthing is even more important when

interference suppressors are fitted to an appliance. Exceptions to the earthing requirement are "all-insulated" and "double-insulated" appliances, and appliances used in "earth-free" situations. It is also important that components of suitable quality should be used for interference suppression, and that they should be connected in circuit in a suitable manner. These two aspects of interference suppression are dealt with respectively in BS. 613 "Components for Radio Interference Suppression Devices" and the shortly-to-be published B.S. Code of Practice on "The General Aspects of Radio Interference Suppression."

results. The circuit is nearly as efficient as that of Fig. 2, so far as can be checked by measuring the cathode current of V1. To quote an example, a sample PL81 in the circuit of Fig. 2 takes a cathode current of 80mA. Under similar conditions in the circuit of Fig. 3 (same width of scan, and same EHT voltage) it takes a cathode current of 85mA.

(The manufacturers of the transformer state that the self-running application should only be used on an experimental basis by home-constructors, at this stage, as freedom from a slight fold-over of this type cannot always be guaranteed. The feedback terminal is provided mainly at the request of set manufacturers who can control the fold-over under production-line conditions.—ED.).



E133

Fig. 4. An interesting circuit in which an unconventional multivibrator arrangement is employed. V1 is a low- μ triode

The only noticeable snag with the arrangement of Fig. 3 is that the retrace time is longer than occurs with the circuit of Fig. 2. The result of this is that about a third of the alternate white and black sections on the extreme left of Test Card C become folded over and are lost. The writer did not have time to experiment further with the circuit in order to try to clear this minor trouble. In any case, all that is lost is about an eighth of an inch in a fourteen-inch wide picture!

Multivibrator Output

Another interesting application is given in Fig. 4. This employs the transformer in a multivibrator arrangement.

If the circuit of Fig. 4 is examined closely it will be seen that it is, in practice, a somewhat unconventional type of multivibrator. The two valves forming the multivibrator are V1 and V2. A normal resistor is employed in the anode circuit of V1. The anode of V2, however, is loaded not by a resistor

but by the inductance of the line output transformer itself. As the voltages on V2 anode would be too high to be taken directly to the grid of V1, this grid is tapped down the coil of the transformer, connecting to it, via C5, at terminal 3.

V1 may be any low- μ triode. A particularly interesting application would consist of using the triode section of an ECL80 for this valve. The remaining pentode section could then be employed for the frame output stage.

The results given by the circuit of Fig. 4 were equivalent to those of Fig. 2.

Valves

It will have been noted that the circuits discussed by the writer use PL81 and PY81 valves. It is possible that many constructors are, at present, employing 6CD6 and 6U4 valves in their existing line output stages and may wish to continue using them.

The writer has checked the performance of 6CD6 and 6U4 valves in the three circuits described in this and the preceding article. In every case it was found that a 6CD6 could be substituted directly for a PL81, and a 6U4 for a PY81, without any circuit changes whatsoever. The 6CD6 is somewhat under-run, of course.

So far as heater voltages are concerned, the PL81 and PY81 are rather "awkward" for purely AC receivers having single 6.3 volt heater lines. However, a transformer is available*, which gives 17 volts at 0.6 amps, and this can be used to provide the necessary higher voltages. A typical method of employing the transformer is shown in Fig. 5.

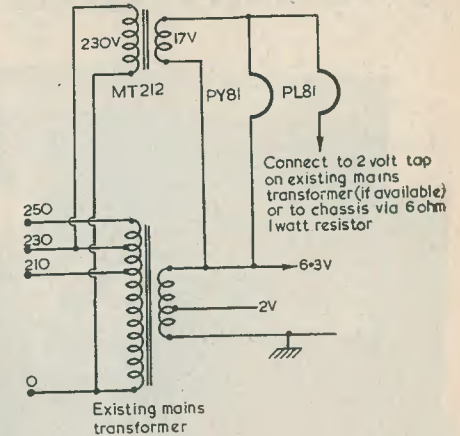
Warning

A few words of warning are advisable before these articles are concluded.

It will be noted that, in Figs. 3 and 4, the screen-grid of the PL81 is not decoupled to chassis by a condenser. The omission of the condenser is most important. If such a decoupling condenser were to be fitted, the drive to the line output transformer would rise considerably and it would generate far too high an EHT voltage. The possibility

* Allen Components, Type MT 212

of consequent damage to the transformer and to its associated components will be at once apparent.



E134

Fig. 5. The higher heater voltages needed for the PL81 and PY81 may be obtained, in AC receivers, with the aid of a small transformer having a 17 volt secondary

A second point of importance is given by the fact that the HT rail voltage should be kept below 195 volts for the circuits discussed, or too high an EHT voltage will be generated. An HT rail voltage lying between 180 and 190 volts is normally that which is most desirable.

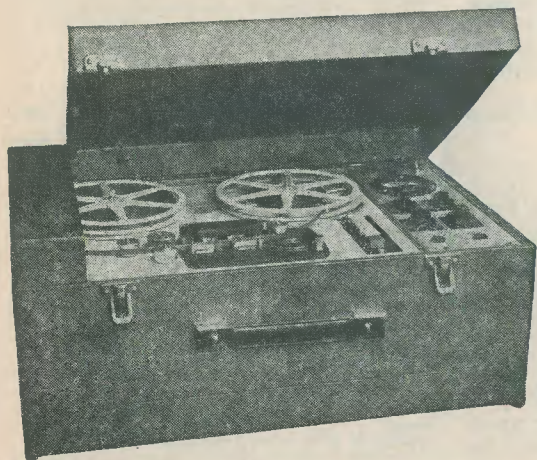
Finally, it must be emphasised that a series resistor of 6k Ω is recommended in all the circuits for supplying the screen-grid of the PL81. As was mentioned earlier, this resistor serves the important function of limiting the screen-grid current of this valve during the period when the PY81 is warming up. Whilst the value of the screen-grid resistor specified may always be increased quite safely, it should never be decreased or the PL81 will suffer damage.

Commencing next month . . .

The "FULL-TONE" 8 watt AMPLIFIER

An inexpensive design for which all components, including a pre-punched chassis, are readily available

A RADIO UNIT FOR THE Paragon TAPE RECORDER



by J. W. WALKER

This article describes a simple, plug-in radio feeder unit designed for the Paragon Tape Recorder. With slight circuit modifications, it may be employed also with other tape-deck amplifiers

IN THE LAST ARTICLE OF THE SERIES DEVOTED to the Paragon tape recorder it was stated that the design of a suitable radio feeder unit was being undertaken. This feeder unit has now been completed, and a general idea of its construction and method of connection to the tape-deck amplifier can be obtained from the diagrams which accompany this article.

As may be seen, the feeder unit consists quite simply of a compact metal case, to which is fitted a jack plug capable of being plugged directly into the recorder amplifier. The only other connection needed is that of a suitable aerial to the terminal on the front panel of the unit. Stations are selected by means of the small knob mounted above the aerial terminal.

THE CIRCUIT

The circuit of the feeder unit is given in Fig. 1. As is to be expected this is extremely simple, consisting only of the tuned circuit arrangement, the germanium detector, and the RF decoupling components.

The coil employed is worthy of comment, it being the Teletron type "HAX," which has

been especially developed for applications such as this. The Teletron coil has three windings, the first of these, between coil tags 2 and 1, being the aerial coupling winding. This is coupled very loosely to the tuned circuit winding, thus ensuring that the latter is damped as little as possible by the aerial loading. On the other hand, the third winding which feeds the germanium detector (that between coil tags 3 and 1), is very tightly coupled to the tuned winding, and consequently ensures maximum transference of signal energy. Due to the relative positioning of these three windings it is possible to obtain a high degree of tuned circuit "Q" without excessive losses in sensitivity.

A further point which requires a few words of explanation is given by the unusually high value of diode load resistor, R1. The high value specified here has the advantage of ensuring still further reduced tuned circuit damping; and it is permissible since the input resistance of the Paragon amplifier at "Input Jack A" is 4.7M Ω . This input resistance, combined with R1, provides an AC/DC diode load ratio of approximately 5:6; thus obviat-

ing peak-clipping for modulation depths up to 83%.

Practical Points

Although the components needed for the feeder unit are few, there are still one or two minor difficulties to overcome before they may be efficiently mounted in their metal case. This is due to the fact that, in a unit of this type, it is necessary to meet two conflicting requirements. The first of these is that care must be taken to provide efficient screening of all leads and components which carry AF, as, otherwise, hum pick-up will be evident when the unit is plugged into the tape-deck amplifier. The second requirement is that no screening should approach the tuning coil too closely or it may cause damping, with consequently reduced sensitivity and selectivity.

These two requirements have been met in the existing unit by fitting the case with a back plate which is made of insulating material. The coil is mounted close to the back and therefore suffers the minimum damping possible in a compact assembly of this type. The AF-carrying components, alternatively, are mounted well away from the back and are sufficiently screened to obviate any hum pick-up. (It should be remembered that the coil itself will not pick up hum, as all its windings are at chassis potential so far as AF is concerned.)

In the prototype, the back plate was made from "Perspex." This gives a rather effective and individual appearance to the unit; although it necessitates a certain amount of care in wiring, which is always in full view! Alternative materials, such as bakelite sheet, paxolin, etc., will at once suggest themselves to the reader.

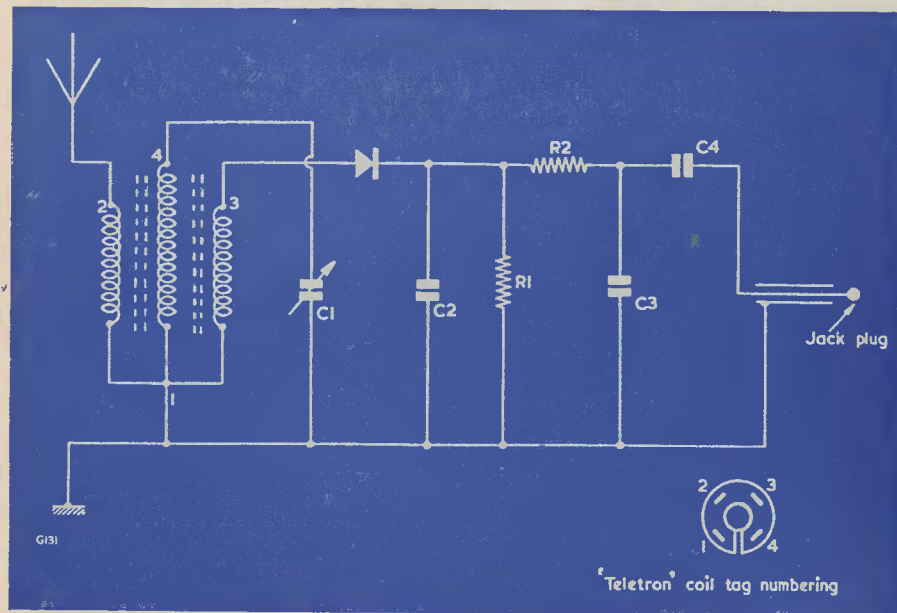


Fig. 1. The circuit of the radio feeder unit

Component List

Resistors

- R1 1M Ω $\frac{1}{2}$ watt, Dubilier
- R2 33k Ω $\frac{1}{2}$ watt, Dubilier

Condensers

- C1 500 pF solid dielectric, Jackson Bros.
- C2 100pF type SMP 101, T.C.C.
- C3 200pF type SMP 101, T.C.C.
- C4 0.001 μ F type 543, T.C.C.

Other Components

- Aerial terminal, 2BA, Belling-Lee
- Jack Plug, Igranic
- Coil type HAX (Medium-wave), Teletron.
- 3-way tag strip, centre earthed
- Germanium diode type GD3, Brimar
- Panel-signs transfers Set No. 1
- Tuning Dial, 0-10 Reaction type.

The Case and Plug

It is probable that some constructors may have on hand small metal boxes suitable for this unit which they would wish to put into use as they stand. This is perfectly in order, of course, so long as the points made above concerning coil damping and hum pick-up are observed. Others may prefer to make their own cases for the unit, and the necessary instructions are given in this article. If constructed at home, the case should be made of aluminium sheet, this having any reasonable thickness up to 16 swg.

For a professional-looking finish, the jack plug which is integral with the feeder unit must be mounted firmly and reliably, and without the use of unsightly brackets or similar accessories. The writer found that the easiest way of ensuring this was to employ an Igranic jack plug. This plug is fitted with a threaded bush and flange which may be secured comfortably in a hole of $\frac{5}{8}$ -in diameter. The black bakelite cover, cut down, then acts as a securing "nut."

Dimensions

The front panel, and top and bottom, are made of one piece of aluminium. The dimensions and drilling required are shown, before bending, in Fig. 2.

There is little which deserves especial mention in this diagram apart, mainly, from the hole intended for the Belling-Lee aerial terminal. This terminal has a small locating projection on its insulating bush for which provision should be made when the hole is being prepared. If this is not done, the terminal body is liable to rotate when its finger nut is being tightened.

The $\frac{3}{8}$ -in diameter hole intended for mounting the Igranic jack plug should be cut out cleanly and accurately, since the flange on the metal part of the plug is not very wide. A $\frac{3}{8}$ -in Q-Max chassis cutter, if available, is ideal for this particular job.

The two sides of the box come next, their dimensions, before and after bending, being illustrated in Figs. 3 (a) and (b). It should be noted that *outside* dimensions are given in Fig. 3 (b), as it is necessary for the sides to make a snug fit to the panel assembly. This point is of especial importance if thick aluminium sheet is being employed.

The two sides are fitted to the front panel by six self-threading screws along each edge (two on each side of the front, and two on each side of the top and bottom). The positioning of the 12 clearance holes for these bolts was given in Fig. 2. The two side pieces may be marked out by using the front panel assembly as a template. After drilling the tapping-size holes in the side panels, the case may be temporarily assembled. It will be noted that the top and bottom are slightly

proud of the two sides at the back. This is intentional, and allows the insulated back plate to make a better fit than would occur if all edges were flush.

All that remains is the back plate itself. This should be cut out as illustrated in Fig. 4. It is secured to the metal case by four more self-threading screws, these being applied through the holes shown in the diagram. For the purpose of marking out the four corresponding holes in the metal side pieces, the back plate may be used, in its turn, as a template.

Wiring

The next job consists of mounting the components and wiring up the unit. This process is very simple, and the constructor should encounter no snags whilst carrying it out.

Due to the compact nature of the unit, it will be found easier to wire it up with the two side pieces removed. These may then be refitted after wiring has been completed.

The first components to mount are the tuning condenser and the Belling-Lee aerial terminal. To prevent the tuning condenser body from rotating after it has been fitted, it is a good plan to fit a shake-proof washer to its bush *behind* the front panel. This washer will bite into the aluminium of the panel and the brass flange of the tuning condenser bush, thereby ensuring a rigid assembly.

The next item is the jack plug. Using the Igranic component, it is necessary to carefully cut a section one half-inch long from the bottom, threaded, part of the bakelite cover to provide a securing "nut." The remainder of the cover is not then needed.

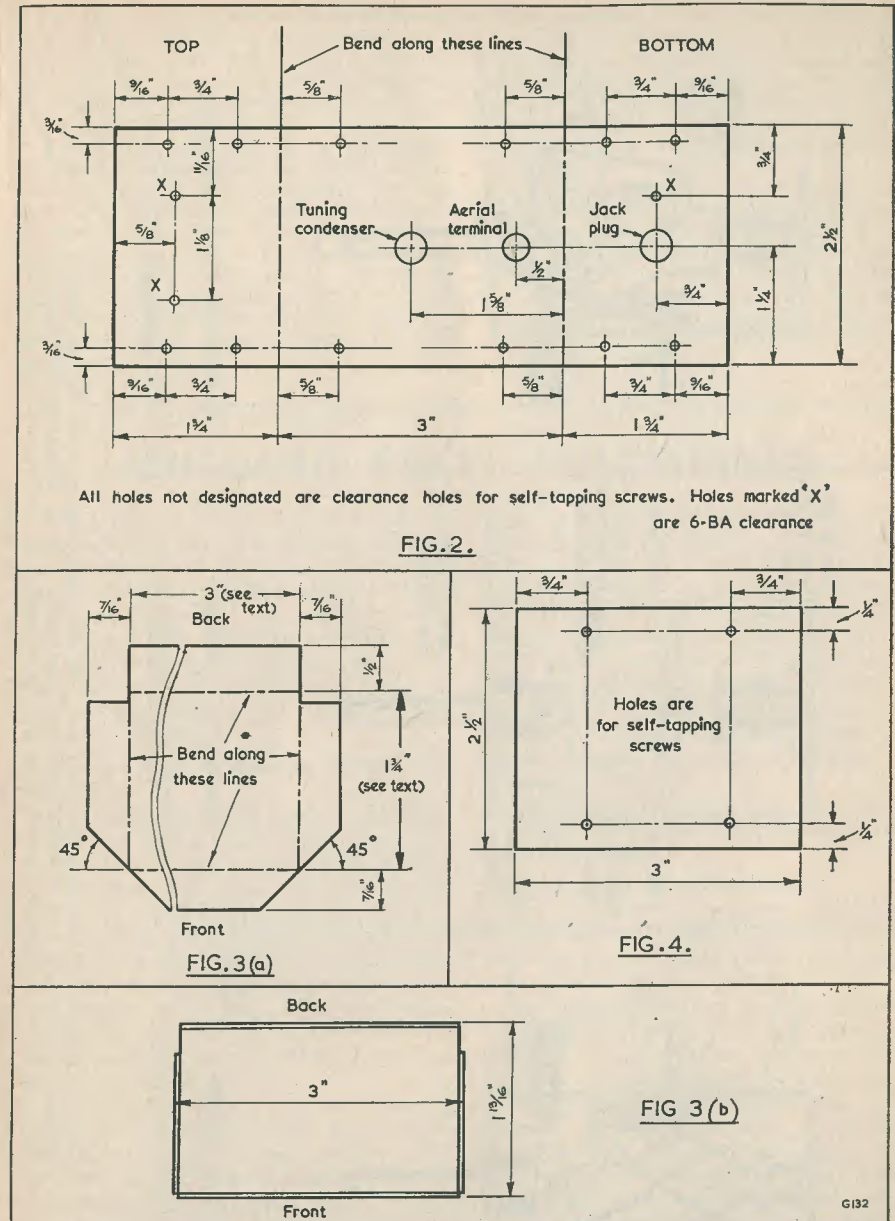
Also to be mounted at this stage are the coil and the three-way tag strip (for which components three 6BA clearance holes were drilled in Fig. 2). The whole assembly should then take up the appearance illustrated in Fig. 5. It will be noted that the jack plug is fitted such that its "sleeve" terminal is shown, in this diagram, as being to the right. This is not essential, of course, but it enables the two diagrams which follow to represent the wiring layout used in the prototype. Fig. 5 shows also the recommended position for the "slot" in the Teletron coil tag-ring.

Figs. 6 and 7 illustrate the wiring, as viewed from either side of the unit.

Testing

After completion, the unit may be tested by connecting an aerial to its terminal, and by plugging it into "Input Jack A" of the Paragon amplifier. If the latter is set to the "Record" position it will be possible to tune in one or more local stations immediately.

It should be emphasised at this point that, in some districts, it will be necessary to use a fairly large aerial to obtain optimum results.



All holes not designated are clearance holes for self-tapping screws. Holes marked "X" are 6-BA clearance

FIG. 2.

FIG. 3(a)

FIG. 4.

FIG 3(b)

Fig. 2. The dimensions of the front panel and top and bottom. The two flanges should be bent down, away from the reader. All holes not otherwise designated are clearance for self-threading screws, whilst those marked "X" are 6BA clearance. Further details are given in the text. Fig. 3. (a) Dimensions of the side pieces before bending. (b) Outside dimensions after bending. Fig. 4. How the insulated back plate is cut out. The four holes should be clearance size for self-threading screws

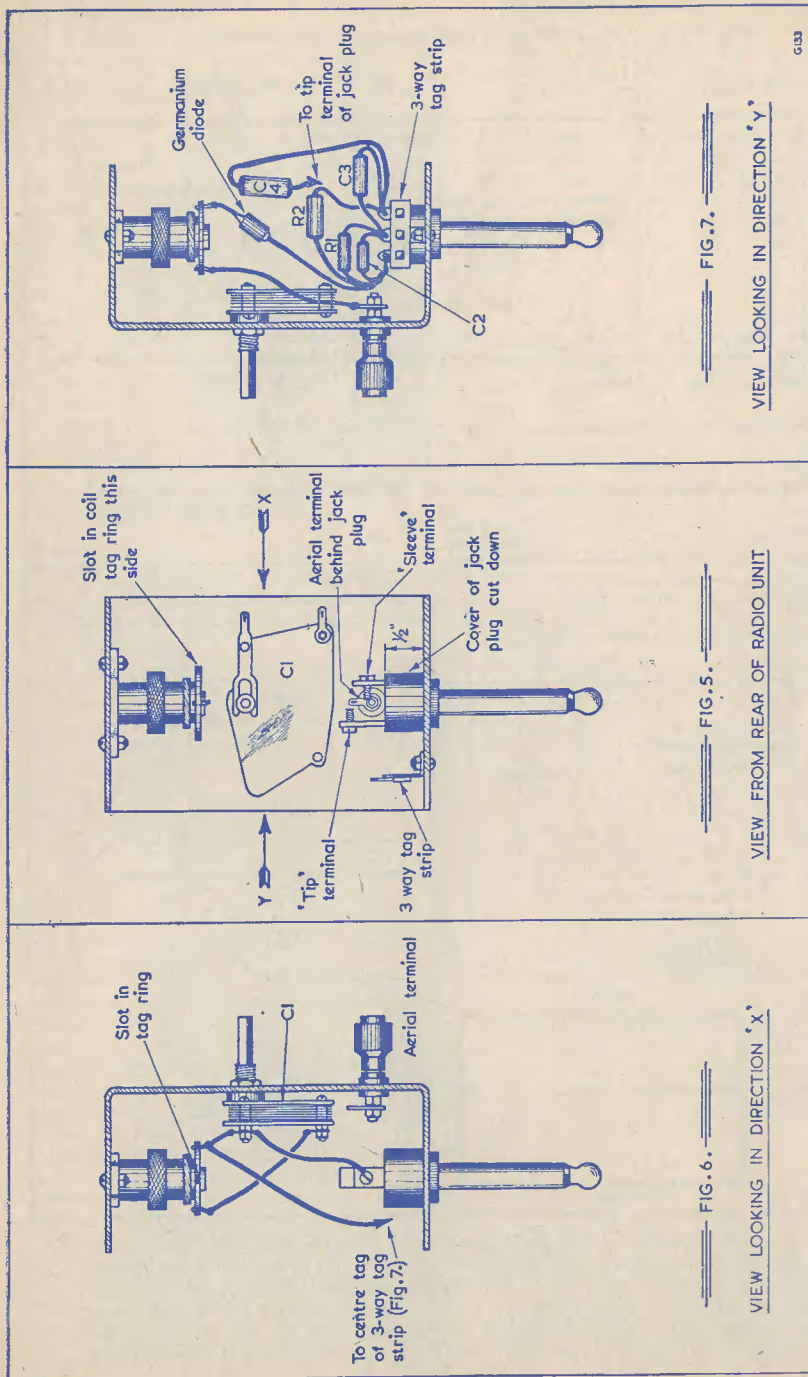


Fig. 5. Layout of components in the radio unit. The side pieces are removed. Fig. 6. Wiring as seen from the left-hand side. Although the counterparts are shown spaced out for clarity, they should, in practice, be kept well forward and close to the back of the front panel

Normally, however, some twelve to twenty feet of wire should be quite adequate. If a very large aerial is used, selectivity may be improved by connecting a fixed condenser of approximately 200pF between the aerial and the aerial terminal.

Due to the high gain of the subsequent amplifier, it is possible for modulation hum to occur in one or two localities. This can usually be cured by reversing the mains plug. In severe cases it may be necessary to clear the hum by earthing the Paragon chassis. A "capacity earth," such as is obtained by connecting to a large mass of metal or, even, by merely placing the hand on the amplifier panel, is usually quite sufficient for this purpose.

Other Amplifiers

As was mentioned in the heading, this radio unit may be used with other amplifiers after slight circuit modifications have been carried out. This procedure is necessary since it is doubtful if input impedances as high as 4.7MΩ will be encountered in most amplifiers available.

Assuming an amplifier input impedance of 250kΩ, the tuner unit may be modified by reducing the value of R1 to 47kΩ, R2 to 10kΩ, and increasing C4 to 0.01μF (T.C.C. type 543). Such changes will slightly reduce the selectivity obtainable, but they are essential if the high fidelity reproduction possible with a tuner unit of this type is to be successfully realised.

MULLARD VALVE VOLTMETERS

The Equipment Division of Mullard Ltd. announce three valve voltmeters of unusually good performance. Two of these are general purpose laboratory instruments capable of measuring both direct and alternating voltages with a high degree of accuracy. The third, which measures only alternating voltages, incorporates a wide band amplifier to provide high sensitivity. All three voltmeters are mains operated.

Wide-range Valve Voltmeters E7555/2 and E7555/3

These instruments differ only in the range of voltages which they can measure. The E7555/3 covers the range 100mV to 500V DC or peak AC, while the E7555/2 has additional ranges up to 15,000V. An input of 0.5V peak AC and DC gives full scale deflection on the most sensitive range, and stabilities of zero setting and calibration are exceptionally good. Both positive and negative direct voltages can be measured with respect to earth or other reference potentials, up to a maximum of 500V.

For AC measurements, a probe is provided which incorporates a double diode valve. One diode is used as a peak rectifier, while the other balances out the effects of contact potential and residual diode current. Careful design ensures a frequency response which is level between 30c/s and 100Mc/s.

The probe input resistance (AC) is 3.5 Megohms at frequencies up to 50kc/s, falling to 8.5kilohms at 45Mc/s. The capacitance is constant at 9pF.

The DC circuit of the voltmeters takes the

form of a balanced four-valve amplifier. Two EF86 pentodes connected as a "long-tailed pair" are directly coupled to balanced cathode followers. The output of the cathode followers is connected back to the grids of the long-tailed pair, providing virtually 100 per cent negative feedback. This arrangement results in a high input impedance (10 Megohms on the 0.5V DC range) and exceptional stability. Variations of mains voltage and ageing of valves have very little effect on accuracy.

The meter, which has a 5-in mirror scale, is connected between the cathodes of the cathode followers.

High Sensitivity Voltmeter E7556

This instrument measures alternating voltages between 0.5millivolt and 300V in the frequency range 20c/s to 1Mc/s with a total error of less than 4 per cent.

The circuit consists of an input cathode follower feeding into a three stage wide band amplifier with negative feedback. The amplifier output is rectified by a diode and displayed on a 5-in mirror scale meter. The frequency response is flat within two per cent over the range 20c/s to 1Mc/s. The input resistance on the lowest range (10mV f.s.d.) is 1.5 Megohms at 20kc/s and 0.7 Megohms at 1Mc/s, the input capacitance being 15pF. On ranges of 3V f.s.d. and over, the corresponding values are 1.9 Megohms, 0.7 Megohm, and 6pF.

A lamp bridge circuit provides an accurate calibrating voltage of 10mV at mains frequency.

Radio Miscellany

A FEW DAYS AGO I VISITED SOME FRIENDS whose new TV set is disguised as a cocktail cabinet. Feminine influence, of course. Quite why so many women are imbued with a passion for camouflaging any form of "machinery" to look like something else is beyond me. Perhaps there was some justification for it in the early days when "wireless sets" were made up of ebonite panels, brass terminals, numerous knobs and horn speakers, which had insidiously crept into the living room from the workshop. The more tolerant of women would insist at least on covering it up with a cloth, while the more exacting demanded concealment by a screen or polished panels. Women have funny ideas about the dangers of "electrocution," but as it was only the man of the house or his schoolboy son who could make the thing work, "wireless" was considered as simply an eyesore.

As far as many housewives were concerned, radio stopped in that stage for enough years to start the tradition that it must either be out of sight or hidden away in a pretty cabinet. In the early days, none of the family ever really listened to the thing. The enthusiast pulled it down and re-assembled it in slightly different form whenever he had a free evening. Sets were so simple that this might easily be achieved in a matter of two or three hours. The rest of the time they wanted to hear everything—and listen to nothing. A set was judged by its ability to get a large number of stations at "loudspeaker" strength. A big signal was far more important than quality—anyway the broadcast quality was pretty awful. The accompanying crackles and bangs, plus the whoops of other people's reaction, were all taken as part of the fun. The things that mattered were the number of foreigners and their volume. No wonder it was years before many serious musicians could be persuaded to broadcast at all.

From such a beginning it is little wonder that the house-proud woman, yearned to hide the wretched thing away. The habit of having it on "for company" had not yet been formed and homes generally were still quiet and restful places. Radio edged its

way in. As a sop to housewives, the manufacturers began to make loudspeakers look like flower bowls or lamp-shades, and later, to look like firescreens. Then came the sets with polished cabinets and pretty dials; and for the more opulent, sets masquerading as Jacobean cabinets, escritaires, oak-chests and what-have-you.

With TV the manufacturers, who are much wiser about these things than I am, decided right away that even the knobs of receivers were unsightly, and hid them away at the back, even at the cost of the user only being able to adjust the picture at considerable inconvenience. If you are not the possessor of a telescopic rubber neck, you want a little boy to hold a mirror for you whenever you start knob-twiddling.

The cocktail-cabinet disguise which started all this is surely going a bit too far! For my part I would much rather it held cocktails.

Blank Screens

Thinking of the inaccessibility of TV receiver controls reminds me that in recent weeks I have made quite a study of picture reproduction in the houses I have visited. Over fifty per cent of the video reproduction was markedly bad, and in most cases the viewers not only realised it but the handiest member of the household had jiggled all the adjustables without success. Picture distortion, which the frame or linearity controls would not correctly proportion, was by far the commonest complaint.

When one also reads newspaper reports of the many thousands of sets out of use because of CRT failure or other faults—with owners unable or unwilling to pay for replacements or repairs—one begins to wonder what is going to happen when we have the additional complication of colour.

Conversion

This autumn we shall see a big revival in constructional activity. Not only will all the many thousands of home-built TV owners be busy on converters to enable them to see the Alternative programme, but many of those who fought shy of tackling

the job and bought their sets, will be anxious to re-establish their self-esteem by at least building the converter. The man who built his own set may well have a big advantage by being able to find space to squeeze the additional parts on to his existing chassis. As usual, this won't be a very difficult task for those with the deep junk boxes. Every experienced constructor knows that to be of any real use a self-respecting junk box has to contain two or three of everything. Nowadays, when the world of radio has become so complicated, the little junk box of yesteryear is hopelessly inadequate. The compleat junk box of 1955, even though it takes up two-thirds of the average workshop, can only be depended on to yield up about half the bits you need. If it contains only one of everything, it is certain that one will be of the wrong shape, or just that bit too big.

CENTRE TAP

talks about

CABINET DESIGNS MONOPOLIES CHEAPJACKS

Not a Precedent

Although Independent TV programmes will be a reality in a few short months, the rumbles about the Wickedness-of-it-all from our would-be Dictators are still to be heard. Disregarding those who feel they have a mission in life to interfere with what others are doing, quite a number of well-intentioned people seem to think that because the BBC has been a monopoly for so long, it must be the right and proper thing. Have they ever stopped to consider that the BBC became a monopoly by accident, not by design? It was born as such, not because the idea of a single body was good in itself, but to avoid the suspicion of favouritism by an embarrassed Post Office.

Our earliest broadcasting (that is, the transmission of a programme for purely entertainment purposes) started in 1920. The use of such a serious thing as wireless for the frivolous purpose of "concerts" soon incurred the displeasure of official authority. After this first taste it was the amateur experimenters who organised the clamour to allow broadcasting. They claimed to number some 4,000, although few people really believed there could be that many. At that period there were only about 150 licensed transmitting amateurs. Officialdom moved slowly and nothing much happened until early 1922, by which time there were about a hundred broadcast stations operating in the U.S.A.

Not unnaturally, the British radio manufacturers wanted to get cracking and the Post Office was bombarded by numerous applications for licences to broadcast. Among the applicants was at least one newspaper and several departmental stores. It was the job of the Post Office to allocate station sites and wavelengths. They side-stepped this job by persuading the keenest (and most deserving) applicants, the radio manufacturers, to merge into a single body. Thus it became a company with an authorised capital of £100,000, comprising a few big shareholders and about 1,600 little ones.

It was in this way that the interest of broadcasting was handed out on a plate as a monopoly. Any impression that it was consciously planned as such, or desirable for programme standards or any other reason, is mistaken. Now, as the Irishman said, it looks as if we are going to have two

"monopolies" instead of one.

Never a Break

It was once accepted that fools made their entry into the world at the rate of one a minute. In common with most other things it seems the production schedule has been stepped up to suit the tempo of these modern times. I have previously commented on the market place cheap-jacks who sell obsolete low-voltage capacitors as "wonder aerials" at many hundreds per cent profit. Recently I saw two of them doing brisk business within 50 yards of one another! It is true the mugs do not rush in to throw their half-crowns on the stall without a little persuasion. But they swallow a plausible line of sales talk, hook, line and sinker. "Every one set-tested," urges the wily vendor, "and clearly marked tested to 250 volts. They give greater selectivity. They reduce interference and give a purer tone. Every one is guaranteed to contain so many yards of aluminium foil specially wound, and an earth wire is no longer needed."

Actually all these claims are more or less true, but not quite in the way the cheap-jack implies or his victims believe. Yet they not only get away with it, but find it so profitable that they are increasing in number—presumably in the same ratio as the mugs' birthrate!

The amazing part of these catchpenny
(continued on page 543)

A SIMPLE WOBBULATOR

by J. W. BAGNALL

A useful piece of Test Gear for the enthusiast

WHILE MOST AMATEURS WILL BE FAMILIAR with the use of a wobulator, it would not be out of place to describe the uses and working of the instrument for the benefit of the uninitiated.

A wobulator may be described as a frequency modulated RF generator designed to enable the IF amplitude frequency response curve to be displayed on the screen of an oscilloscope. Fig. 1 shows in diagrammatic form the connections between the wobulator, receiver and the oscilloscope. If the timebase generator is ignored, the oscilloscope may be regarded as a DC voltmeter for measuring the rectified output of the detector resulting from an unmodulated RF signal.

If the frequency control knob of the generator were turned from one end of the scale to the other, as the resonant frequency of the IF transformers was approached the vertical deflection of the spot on the CRT would increase; and would decrease as resonance was passed. If instead of varying the RF frequency manually the timebase generator is used to sweep the CRT and also to sweep the signal generator frequency, then the voltage measurement given by the oscilloscope will present a picture of the IF response curve, clearly showing any lack of symmetry or other similar defects.

It will immediately be realised that the user of the wobulator, who is able to see the effect of each individual trimmer adjustment on the response curve, has a tremendous advantage over the "trimmer twiddler" who relies on his ear and the BBC for alignment.

Circuit Operation.

It will be seen from the circuit diagram that V₁ is a conventional RF generator covering a frequency range of 400 to 500kc/s. Across the grid-tuned circuit is connected a network R₃ and C₄. The value of R₃ is large compared to the reactance of C₄, so that the RF current through the chain R₃-C₄ is practically in phase with the RF voltage across the tuned circuit. The RF

voltage across C₇ lags the current by 90°. The lagging voltage across the condenser is applied to the control grid of the reactance valve V₂ whose anode RF current is in phase with the grid voltage, and so 90° behind the tuned circuit RF voltage. The lagging current being drawn through the tuned circuit gives the same effect as if a further inductance was connected across the tuned circuit. The value of the lagging current is controlled by the voltage on the suppressor grid of V₂.

The application of a sawtooth voltage to the suppressor grid causes the frequency of the oscillator to sweep over a band of frequencies, returning on the flyback to the starting frequency. The amount of sawtooth voltage applied is controlled by the deviation control VR₂, while a low impedance output is provided by the coupling winding L₁, which consists of two turns of 22 swg insulated wire wound around the base of the oscillator coil. Control of the output is provided by the potentiometer VR₁, which together with the output socket is screened from the oscillator proper. The output lead consists of a length of coaxial cable terminated with two crocodile clips.

As the power requirements are so small, the required supplies were obtained in the prototype from the oscilloscope, an octal plug being fitted for this purpose. If it is intended to fit a self-contained supply in the wobulator, it should be well smoothed in order to avoid hum modulation on the final trace.

Operation

The superhet receiver is set up with the "Y" plate amplifier of the oscilloscope connected to the "live" end of the detector diode load, the volume control being set at minimum. The receiver oscillator is stopped by connecting a 0.1μF condenser from the oscillator grid to chassis. The IF transformers are then roughly aligned to the correct frequency by either using an ordinary signal generator or the wobulator without the sweep being applied. Although the wobula-

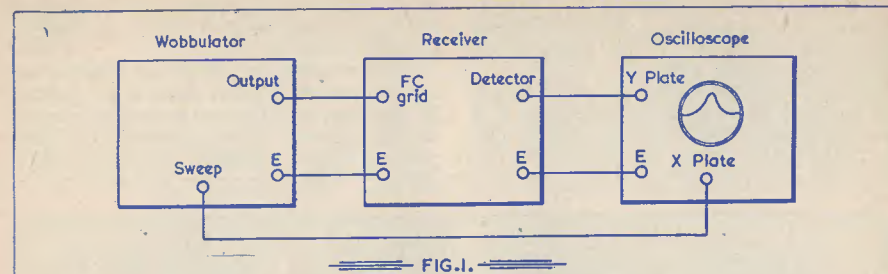


FIG. 1.



FIG. 2.

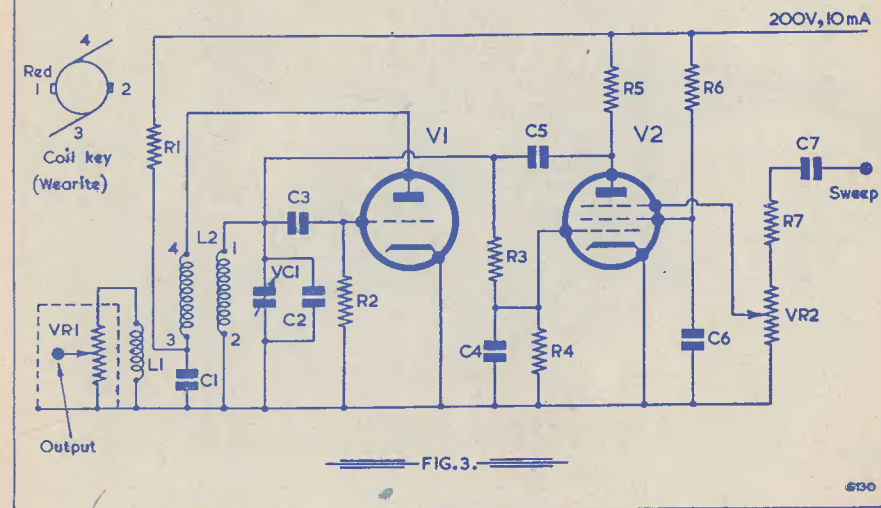


FIG. 3.

Component Data

Resistors

R ₁	22kΩ	½W
R ₂	47kΩ	¼W
R ₃	47kΩ	¼W
R ₄	470kΩ	¼W
R ₅	10kΩ	½W
R ₆	100kΩ	½W
R ₇	47kΩ	½W

Condensers

C ₁	0.1μF	350VW
C ₂	500pF	mica
C ₃	47pF	ceramic
C ₄	33pF	ceramic
C ₅	200pF	mica
C ₆	0.1μF	350VW
C ₇	0.1μF	350VW

VR ₁	100Ω	pot
VR ₂	500kΩ	pot
VC ₁	500pF	variable
L ₁		see text
L ₂		Wearite PA2 or Teletron WA5
V ₁	6C5	
V ₂	EF50	

tor output is not modulated the correct frequency can be seen by a lift of the whole trace level on the CRT and also by the appearance of noise along it.

When the IF's have been roughly aligned, the output lead from the wobulator, if it has not already been used, is clipped one to chassis (true earth in the case of AC/DC

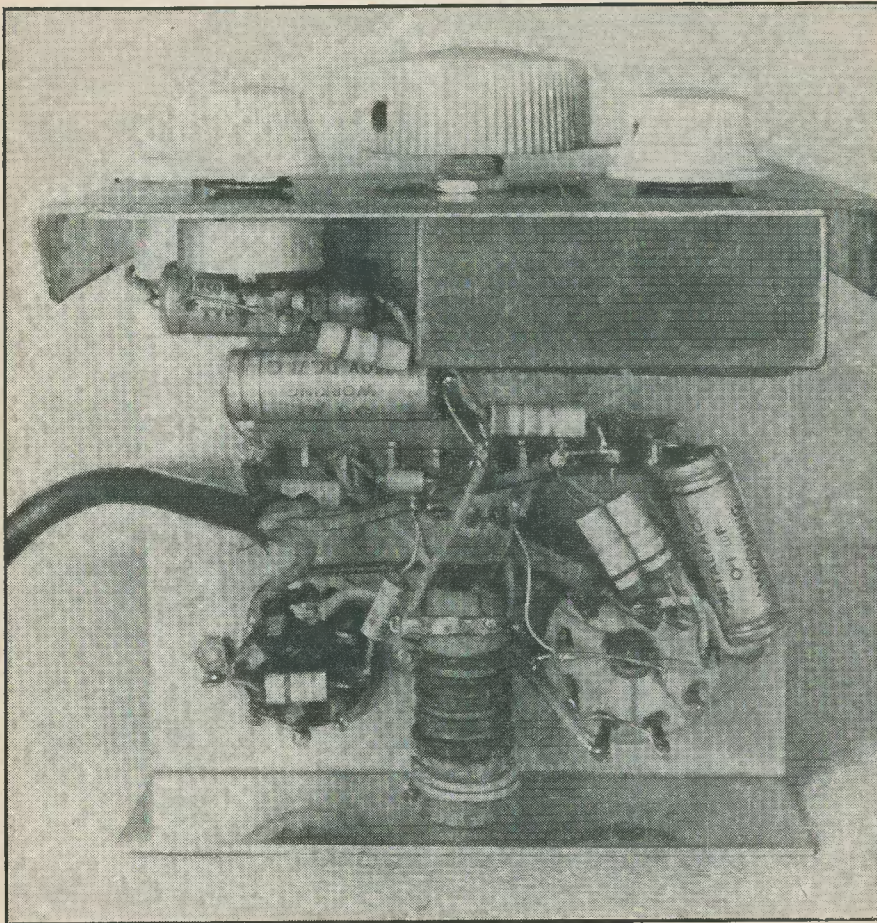
50 per second should be used, as too high a timebase speed tends to give an untrue response curve.

The attenuator and deviation controls are set for maximum, and the tuning control VC₁ rotated until the response curve appears on the screen. The attenuator is then reduced to the minimum possible position

a good all-round response. Fig. 2B shows overloading, and the wobulator output should be reduced. The curve of Fig. 2C indicates a poorly aligned IF transformer, and the side hump should be tuned out. The double-humped curve of Fig. 2D is caused by staggering the IF transformers too widely apart. After a little practice the user will soon become familiar with the

controls and be able to interpret the resulting traces with ease.

The layout of the device is in no way very critical, and an idea of the original set-up may be obtained from the photographs. It is, of course, essential to enclose the unit in a metal case to prevent unwanted radiation. The time spent on building this piece of test gear will soon be repaid in quicker and more efficient radio servicing.



Underneath layout of prototype

receivers, or via a 0.1 μ F 750V to chassis) and the live side to the grid of the frequency changer. There is no need to disconnect the aerial coil. A lead is then connected from the "X" plate of the oscilloscope to the sweep socket of the wobulator, the earth connection being made via the receiver and the output lead. A sweep speed of about

consistent with good results, to avoid operation of the AVC—or alternatively the AVC line could be shorted to ground. Adjustment of the deviation control will enable the response curve to be widened out, to enable more detailed examination.

Fig. 2 shows some typical curves which may be expected. The curve Fig. 2A indicates

RADIO MISCELLANY

(continued from page 539)

schemes is that no matter how much they are exposed, or however many times the suckers fall, they go on with undiminished profits. At every fair one sees the "milk-bottle" skittles which have to be knocked down with a small ball. Three of them go down easily but the last two (painted white and outwardly just like the wooden ones) are made of iron. You'd stand a fair chance of dislodging them with a hand grenade. Then there is the hoop-la with the prizes nicely set out on cunningly contrived wooden

stands. The showman demonstrates how easily the ring will pass over them. So it will if it is thrown from the same way as he puts it on—from the back. The mugs can never win the gold watch. Even a superman would want a lucky ricochet to do it.

Whilst the public still fall for these tricks which must be centuries old, it is obviously asking too much to expect them to get wise to "wonder aerials" in a single generation. Nor do their best friends warn them. Either they are ashamed to admit they have already been caught, or else they find there is something amusing in seeing someone else sold the same pup as themselves.

CLUB NEWS

Details for insertion in this section should reach us not later than 7th of month before publication.

BARNSELY AND DISTRICT AMATEUR RADIO CLUB

Forthcoming Meetings

15th April, "Q". Demonstration of Whys and Wherefores—D. Westwood, B.Sc., G8WF. 29th April, Propagation of Radio Waves—C. T. Malkin, G5IV. 13th May, Practical Demonstration of IF Xtal Filter Operation—H. H. Eyre, G5KM. Meetings at King George Hotel, Peel Street, Barnsley. Secy.: M. P. Carbutt, G2AFV, 33 Woodstock Road, Barnsley.

TORBAY AMATEUR RADIO SOCIETY

The annual general meeting will be held on 16th April, at the Y.M.C.A., Torquay. Hon. Secy.: L. H. Webber, G3GDW, 43 Lime Tree Walk, Newton Abbot.

BRITISH TWO CALL CLUB

Lt.-Col. Sir E. Y. Nepean, G5YN, has been elected President, and Major K. E. S. Ellis, G5KW, Vice-President, for 1955. Membership is open to all British subjects holding

two call-signs in any two countries or B.E.R.U. call areas. Hon. Secy.: G. V. Haylock, G2DHV, 63 Lewisham Hill, London, S.E.13.

RAVENSBORNE AMATEUR RADIO CLUB (Downham)

Meetings are held on Wednesdays, 8–10 p.m., at Durham Hill School, Downham, when R.A.E. lectures, Morse instruction and discussions take place. The club transmitter is operated under licences G2DHV, G3FTI or G2WI. Hon. Secy.: J. Wilshaw, 4 Station Road, Bromley, Kent.

CLIFTON AMATEUR RADIO SOCIETY Proposed programme for April

1st, "Single Sideband Techniques," by S. Horne, G3IXL. 15th, "Direction Finding," by C. Hatfull, G3HZI. 22nd, Junk sale. 29th, Constructional evening and ragchew. Meetings are held at the clubrooms, 225 New Cross Road, S.E.14, at 7.30 p.m. Hon. Secy.: C. H. Bullivant, G3DIC, 25 St. Fillans Road, Catford, London, S.E.6.

from 0 to 100. This latter control is really intended as an oscillator shift, thus allowing the main dial reading to be accurately set or reset at any given time. It was found in practice, however, that this control allows a fair degree of bandspread, particularly on the higher frequency ranges. Allowance for the inclusion of this condenser however must be made when lining up the complete receiver.

The audio output is approximately four watts—rather more than is normally required, but often handy to have in reserve in certain circumstances. An eight-inch speaker is desirable for use with this stage in order to obtain full benefit from the audio power delivered.

Circuit—RF Stage

This stage is constructed around the Mullard EF41 valve which is very efficient on short waves and particularly so at the higher frequencies. A glance at the circuit will show that this valve has been chosen both for this and the IF stages. The EF41 is a variable- μ pentode and has excellent properties from the point of view of cross modulation—that bugbear of RF stages. The entire electrode system is enclosed within an internal shield and therefore no external shielding is necessary. The anode and control grid leads are screened, thereby resulting in a grid-to-anode capacitance of only 0.002pF maximum.

The RF gain control is inserted in the cathode line (R5) and this, together with R4 and C7, ensures a smooth and adequate control of the overall RF stage gain. The RF heaters are bypassed to earth by means of C6, thus preventing modulation hum at the higher frequencies. The anode HT supply is not fed through the coil primary as is the usual practice; instead, the anode has its own separate supply line together with the associated components. This ensures that the RF stage is working at peak efficiency and the small extra cost involved is felt to be worth while. The resulting signal is fed via C8 to the grid of the Mixer stage via the coupling winding.

Mixer/Oscillator

This portion of the receiver has been constructed around the ECH42 which is an extremely good mixer valve, particularly for the short wave ranges. An important point to note here is that the screen grids should be fed by means of a potentiometer. The recommended values are that given for R6 and R7. AVC is not applied to the mixer stage.

The oscillator voltage is applied via R10 and C18, the HT source in this instance

being regulated via the 7475 valve. For maximum efficiency in operation, it is essential that the oscillator voltage be kept at a minimum, hence the inclusion of R10. By these means, i.e., no AVC on the mixer portion, and stabilised voltage on the oscillator, oscillator frequency variations are absent. Temperature, the third consideration in the design of mixer oscillator stages, may also be catered for by the actual physical layout adopted. Thus, a metal screen above the chassis would adequately shield the frequency changer stage from the heat generating power supply section. Mechanical stability of this stage is of prime importance if full benefit is to be obtained from the aforementioned design considerations.

The 7475 neon-filled stabiliser has an ignition voltage of 140V with a burning voltage of 110V. The resistor R35 drops the line voltage to that required for satisfactory operation of the 7475.

IF Stages

These two stages both incorporate the EF41. The first stage is made variable by means of R13 in the cathode line. In addition to this, the small condenser shown in the circuit diagram as CF (a short length of PVC wire soldered to the grid, with the free end placed near the anode connection—distance determined by trial and error with the RF gain control at near maximum, or just below the point of oscillation), acts as a positive feedback device, thus considerably sharpening the selectivity curve. This stage is AVC controlled. The second stage is so arranged that it is operating at maximum efficiency and therefore no control of the gain (other than AVC) is incorporated. For those who prefer control of both stages, the cathode circuit of the second IF stage would require the same value components as are contained in the first stage. With the miniature IF transformers specified ample gain and selectivity are available.

Detector

Here, the EBC41 functions as the first AF amplifying stage, detector and AVC respectively. As an AF amplifier, the EBC41 has an approximate gain of 50, rather more than is normally met with in this type of valve. With the values of components specified, however, most of this gain is utilised and passed to the output stage, via C30 and R26. AVC rectification is obtained in the normal manner from one diode and is fed into a Yaxley type switch (see under BFO). The variable resistor R20 is the AF gain control with which SW8 is incorporated (Mains On/Off). Little more

need be said about this stage except that care should be taken to earth the internal screen of the valve which is brought out to pin 4. This effectively prevents any unwanted interaction with surrounding components and considerably reduces the risk of microphony and AF instability.

Output Stage

The EL41 output pentode has a slope of 10mA/V and is capable of giving some 4 watts of audio. With the high gain of the previous stage, it will be found necessary to incorporate R27 as a grid stopper. Tone control is incorporated, C33 and R29, whilst insertion of the headphones into circuit automatically mutes the loudspeaker. Care should be taken to keep the leads to the various electrodes short and direct, thus avoiding undesirable coupling or parasitic oscillations. Ample audio gain with a good measure of reserve is a feature of the audio side of this receiver.

BFO Stage

In order to keep the number of valve types used in the circuit to a minimum, an EBC41 is used here as a triode oscillator. The condenser C38 is formed by twisting a length of PVC wire around the detector

diode lead and finding, by trial and error, the most suitable injection for the layout adopted.

The earthy end of the BFO coil secondary is taken to the Yaxley type switch as shown in the circuit diagram. This switch is so arranged that it provides an "AVC/BFO Off" position, an "AVC On-BFO Off" and a "BFO On-AVC Off" position. By this means, one panel control serves where two are normally used. C36 is the BFO pitch control. Care should be taken to earth the internal screen of the valve in order to avoid unwanted radiation from this stage when the BFO is in use.

Magic Eye

The EM34, in a purely conventional circuit, serves well both as a signal strength indicator and as a tuning device. Both strong and weak signals are catered for in separate indicators.

Power Supply

The EZ40 delivers up to a maximum of 90mA DC. The pack will be found to run fairly cool even after prolonged periods of operation. It is reasonably hum free and delivers adequate power to the receiver.

PANEL-SIGNS TRANSFERS

Set No. 1: Receivers and Amplifiers

Five sheets $8\frac{1}{2} \times 5\frac{1}{4}$ " containing one Large scale, twelve control panels and wording. 3s. 6d.

Set No. 2: Test Instruments

Five sheets $8\frac{1}{2} \times 5\frac{1}{4}$ " containing two Medium scales, twelve control panels and wording. 3s. 6d.

Set No. 3: Wording

Wording for Receivers, Amplifiers, Transmitters Test Equipment and other Radio Apparatus

4 Sheets, Approx. 400 Words . . . 2/6

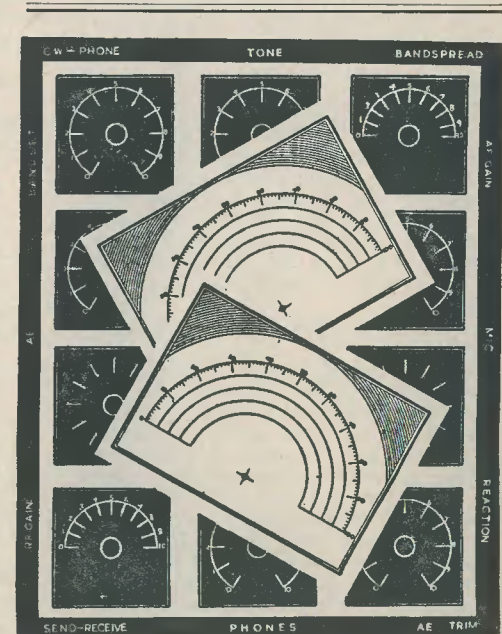
Panel-Signs Transfer Fixing Varnish
1s. per bottle

TRADE ENQUIRIES INVITED

Published by

DATA PUBLICATIONS LTD.

57 Maida Vale London W9



A PROGRESSIVE RECEIVER

PART I

by A. S. CARPENTER

THIS SHORT SERIES OF TWO ARTICLES IS intended primarily to assist the budding constructor, who, although experienced in building straight receivers, has not yet ventured into superhet construction. It is assumed that no testing equipment, such as signal generators, etc., is available. It is also assumed that the reader interested can build from a circuit diagram.

The receiver will cover both Medium and Long wavebands. After the first circuit has been made up and got working, it can easily be modified to the second as time and funds permit. The question of expense has also been considered, and with careful purchasing of components it ought not to cost much for the finished receiver.

Some constructors may prefer to leave it at the first stage; in which case it will be cheaper still, of course.

Stage 1

The circuit diagram is shown in Fig. 1, and consists of a 5-valve arrangement—frequency changer, IF amplifier, crystal diode, output valve and, finally, the rectifier. This covers the medium waveband only. The output from this will be found quite sufficient for bedside listening, for example. Later, an LF stage will be incorporated, also AVC and provision for long wave reception.

A brief explanation of how it works follows:

The signal fed to the grid of V1 from the aerial and aerial coil, selected by C3, is mixed in the valve with local oscillations produced by its triode section. The frequency of these is adjusted (mainly by C3 and L2, etc.) to ensure that at all times they are higher than the signal frequency sufficiently to produce an IF of 465kc/s. This is passed on to V2 via IFT1. Greatly amplified, the IF is fed via IFT2 to the crystal diode V3. After filtering out any remaining IF, the now AF passes, via the volume control, to the output valve which amplifies it sufficiently to operate the loud-speaker.

Power Supply

Full-wave rectification in conjunction with a mains transformer is used. This allows much easier smoothing and a lower hum level compared to half-wave rectification. The receiver is also isolated from the mains—a point of some importance in my opinion! Any small transformer capable of supplying some 60–80mA at 250 volts or so can be employed. The upright type is much easier to fix compared to the drop-through variety, and generally takes up less chassis space.

Chassis

The whole thing can be built on a chassis approx. 10in. by 5in. by 2in. Maybe you would like to purchase a cabinet, dial assembly and chassis already made. That is a good idea, but it will add to the cost a bit.

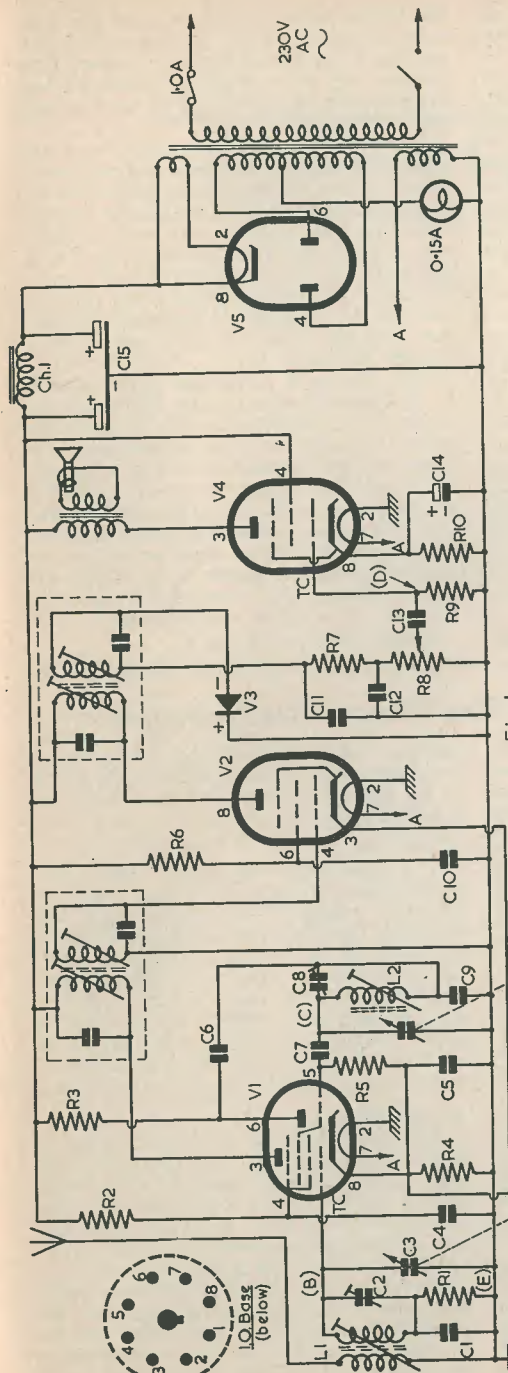
Anyway, 5 holes, the size of a florin, are required—something like that shown in Fig. 2. Two holes are required in the front too—one for the volume control and one for a wavechange switch to come later. One of the top cut-outs is a spare, too, but it is easier to cut it out at the start than when other components are in the way. Incidentally, if an 18 swg aluminium chassis is used the holes can be cut out with a fretsaw if care is taken.

Components can now be fitted and wiring up commenced. Leave some space round V1, as the long wave coils have to go in presently—and don't forget a space for a small rotary switch. Make sure you include the torch bulb in the mains section.

When soldering in the crystal diode V3, hold the wire ends tightly between a pair of pliers to keep the heat from the crystal, or it may be permanently damaged. It can be supported in the wiring.

Testing and Setting Up

Before switching on, check the wiring over carefully and then make sure that there is no direct connection from the HT+ line to chassis or from either side of the mains



List of components

- C1, C13 - 0.01μF
- C2, C8 - 50μF trimmers
- C3 - 0005 twin gang
- C4, C5, C10 - 0.1μF 350V
- C6 - 250μF
- C7, C11, C12 - 100μF mica
- C9 - 500μF mica
- C14 - 50μF 25V
- C15 - 12x24μF 450V
- R1, 2, 3, 5, 7 - 47kΩ
- R4 - 220Ω
- R6 - 100kΩ
- R8 - 500Ω pot w/switch
- R9 - 15MΩ
- R10 - 470Ω
- V1 - 6K8, ECH35, EK32
- V2 - 6SH7
- V3 - Germanium crystal diode
- V4 - EL32, 6V6
- V5 - 5Z4
- One pair 465 kc/s IFT's
- LF choke - 10 henrys
- Tapped output transformer - 8000n-3n
- Coils L1 - Osborn QAG
- L2 - Osborn QOS

Mains transformer—see text—250-0-250V, 60-80mA, 6.3V, 1.5A, 5V, 2A
Chassis—see text

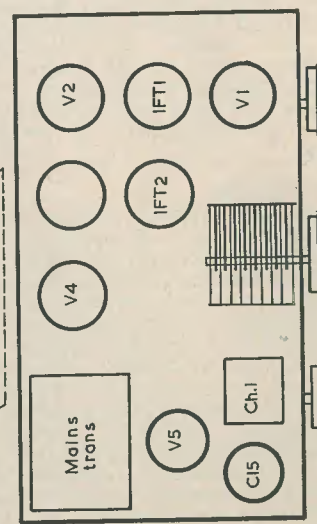


Fig. 2 Suggested layout—top of chassis

plug to chassis. This is best done with an ohmmeter, but if one is not available then a battery and bulb will have to do.

If everything is all right the receiver can be switched on and lining up commenced. A rough check that the receiver is working can be made by scraping the blade of a penknife on the top cap of V1 with the volume control fully advanced. The noise, greatly amplified, should be audible from the loudspeaker. If not, something is wrong with the wiring and this must be put right before anything else can be done.

Rotate the twin gang with one hand and adjust the core of L2 at the same time with the other until some kind of station is heard. It doesn't matter what it is as yet. The IFT's can now be roughly peaked up by means of their cores or trimmers, using a plastic knitting needle sharpened like a screwdriver. Now try and identify the station. You will find you can move it up and down the dial, within limits, by means of the core of L2. This must be done gradually, by weakening the power of the signal a little by moving the core slightly then bringing it back to full strength with the main tuning knob. If the core is moved too quickly the station may be "lost" altogether.

If the station being received is, for example,

the Welsh Home Service try and get it in such a position that the condenser vanes are about one half enmeshed. A good time to carry this out is when the Home Services are radiating their own particular Regional News Bulletins.

When this has been completed open the condenser vanes of the main tuning control almost all out and select a station somewhere in that position. Peak up the trimmers across the aerial and oscillator coils on this—leave the core of L2 alone. Now try to find a station with the condenser vanes as far closed as possible and peak it up with the core of L2, leaving the trimmers as they are. Repeat these two last operations a couple of times.

The receiver is pretty well lined up now. It is doubtful whether the IFT's are set accurately to 465kc/s, but that is something preferably done with a signal generator. However, they should be in line with each other and the exact frequency is not as important as may be imagined. The iron cored coils are capable of sufficient variation to compensate for the small error.

Note:—Ignore the letters B, C, D, E, on the circuit diagram. They are only intended to assist you when we start on Stage 2.

(To be continued)

Mullard Introduce Dual-trace Oscilloscope

The Equipment Division of Mullard Ltd. announce a new high-grade general purpose oscilloscope, type L.101, which incorporates a dual-trace facility, and features wide-band amplifiers, sweep expansion, and stabilised HT and EHT supplies. A tubular steel movable floor stand and an oscilloscope camera are available as accessories. The instrument should be of great value for the comparison and measurement of complex waveforms.

Dual-trace Working

The dual-trace facility is provided on a conventional 5½in tube by means of two identical Y amplifiers and an electronic switch. Each amplifier is switched through to the cathode ray tube on alternate sweeps, the electronic switch being operated during flyback. There is no interaction between the channels, each of which has a frequency response from 10c/s (1db down) to 4Mc/s (3db down). The rise time of the amplifiers is 0.1 microsecond. Identical attenuators embodying close tolerance high stability components are provided for each channel. These permit the sensitivity to be adjusted from 0.02V peak-peak/centimetre to 100V peak-peak/centimetre in twelve steps. The frequency response of the amplifier channels

remains constant for all attenuator settings. Voltages can be measured within five per cent.

The dual-trace facility can be switched out when not required.

Time Base

The Miller time base can be free-running, synchronised or triggered. Sweep velocity is variable between 10cm/microsecond and 0.1cm/millisecond. The sweep length may be expanded in three switched steps to 10cm, 20cm, and 50cm. Velocity adjustments have negligible effect on sweep length. Time can be measured with an accuracy of +10 per cent. The time base output stage can also be used as an X amplifier with a sensitivity of 0.7V/cm and a bandwidth of 2c/s to 300kc/s.

Construction

The oscilloscope is self-contained in an aluminium alloy cabinet (height 14in, width 10.5in, depth 27in, weight 60lb). The power unit is located at the rear of the case and shielded from the tube. It is easily removable for maintenance, connections to the rest of the oscilloscope being by plug and socket.

Amplifiers and time base units are easily accessible. High quality components are employed throughout, and there are no electrolytic capacitors. The oscilloscope is suitable for semi-tropical use.

Query Corner

A Radio Constructor Service
for Readers



Distrene

I have seen the use of distrene glue recommended in coil-winding specifications for retaining the turns in position. However, repeated attempts to buy this glue from local radio dealers have proved unsuccessful; is there a suitable substitute?

E. Crowther, Bristol

Distrene glue is sometimes recommended to fix the turns on low loss RF coils, and particularly on those wound on one of the polystyrene type formers. The type of glue is not readily obtainable, but some may be easily made by dissolving polystyrene in trico-ethylene. To speed up the process of dissolution it is desirable to use polystyrene filings, adding them to the mix and stirring until the correct consistency has been obtained. This results in a quick-drying glue having very low electrical losses. However, for most television and FM coils—which are used in relatively low impedance circuits—it is not essential to use very low loss coils, and in such cases a normal glue is entirely satisfactory. The writer uses Durofix for such purposes and can thoroughly recommend it from personal experience.

Germanium Diodes

I notice that the use of germanium diodes in television receivers is becoming increasingly popular. What are the advantages which these crystals possess over the normal valve diode, and are they to be recommended to the home constructor?

E. Foreman, Bradford

It is true that during the past two or three years the germanium diode has been gaining in popularity. The reason for this is not only to be found in the fact that two germaniums are cheaper than one double diode valve,

plus its associated holder. The technical advantages and disadvantages of these crystal diodes must also be taken into account and may be listed as follows:

- (1) As germanium diodes have no heaters they are less susceptible to pick up hum than valve rectifiers:
- (2) Having no heaters the wiring is simplified.
- (3) They are relatively small and may be connected close to their associated tuning coils, sometimes even in the coil cans, thus reducing the possibility of instability due to stray capacitances.
- (4) The shunt capacitance is less than that of a valve and holder.

Query Corner RULES

- (1) A nominal fee of 2/6 will be made for each query.
- (2) Queries on any subject relating to technical radio matters will be accepted, though it will not be possible to provide complete circuit diagrams for the more complex receivers, transmitters and the like. Queries relating to ex-W.D. surplus or commercial equipment cannot be accepted.
- (3) Complete circuits of equipment may be submitted to us before construction is commenced. This will ensure that component values are correct, and that the circuit is theoretically sound.
- (4) All queries will receive critical scrutiny and replies will be as comprehensive as possible.
- (5) Correspondence to be addressed to "Query Corner," Radio Constructor, 57 Maida Vale, Paddington, London, W.9.
- (6) A selection of those queries with a more general interest will be reproduced in these pages each month.

There are disadvantages, however, and in some applications these are sufficiently great to render the germanium diode totally unsuitable. The chief disadvantage is that the ratio of forward to backward resistance is very much less than that of the thermionic diode. To put this another way, if it is assumed that both diodes have the same resistance when a positive potential is applied to them, the valve diode will have a considerably larger back resistance under negative potential conditions. This relatively low reverse resistance of germaniums makes them generally unsuitable for use in high impedance circuits. A further disadvantage is that the crystal is more susceptible to damage due to short term overloads. For example, one may be used as a video detector in a television receiver, and can be damaged by arcing within the video valve. Arcing, if between grid 1 and screen or anode, can momentarily drive the grid positive and in turn overload the crystal. Instability in the vision channel causing a high oscillatory voltage to appear across the crystal is another possible cause of failure.

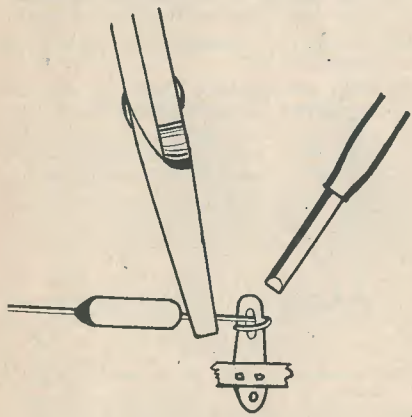


Fig.1: Showing use of pliers as a "heat shunt"

Occurrences such as these are fortunately rare, and the life of germanium diodes in television receivers is certainly no cause for concern. Should a germanium be suspected of having developed a fault it is a relatively simple matter to uncouple one end of it from the circuit and measure its forward and backward resistance. The manufacturer's published data should be consulted for an indication of these resistance values, which

are usually quoted for at least two voltages, +1 and -10V. If this data is not available the following figures may be taken as a reasonably accurate guide. A vision detector diode should have a forward resistance at +1V of less than 500 ohms, and a reverse resistance at -10V of greater than 20kΩ. Diodes of the sound detector and sound and vision limiter type should have a forward resistance of less than 1kΩ and a back resistance of greater than 80kΩ at the voltages mentioned above. Many diodes are not intended for use at reverse voltages in excess of 60V, and of course no attempt must be made to measure their back resistance with a "megger."

Before leaving this subject it is worth making a few comments upon the care necessary in soldering germanium diodes into the circuit. If a diode should become defective it is most likely due to the generation of too much heat at the point where contact is made to the germanium itself. This heat may have been generated by the application of too great a voltage, or it may come from a soldering iron. The leads coming from the diode are of necessity good thermal conductors, and can quickly carry the heat from iron to the germanium. Damage from this cause can be prevented either by making the solder joint very quickly before the lead has time to warm up, or better still, by employing a heat shunt. A heat shunt may conveniently consist of a pair of pliers gripping the lead between the solder joint and the diode itself. This is illustrated in Fig. 1. The presence of the pliers greatly adds to the thermal inertia of the lead and prevents any undue rise in its temperature.

Tone Control Potentiometer

The two-stage audio amplifier which I use has, during the past few months, required two replacement tone control potentiometers. The control is of the standard series resistance-capacitance arrangement shunted across the primary of the speaker transformer. Have I just been unfortunate in obtaining poor components or is the circuit at fault?

K. Gorridge, Brighton

So often the tone control of a radio or amplifier is set to the position which gives the most "mellow" reproduction. In other words, the position in which the top cut is at maximum. With the popular series R-C combination shunted across the output transformer the resistance is adjusted to somewhere very near its minimum value under these conditions. This resistance is then required to dissipate a surprisingly large proportion of the audio power developed by the output valve. Now the resistance is

usually a normal potentiometer, and whilst it may be of the ½-watt type this does not mean that it can dissipate anything like this energy across a small proportion of its element. Thus if a carbon potentiometer is

used in an amplifier capable of over 4 watts output, a 1kΩ ½-watt resistor should be connected in series with it. Alternatively, a wire-wound potentiometer should be employed.

Can Anyone Help?

DEAR SIR,—Have any of your readers any information (data or circuit) on the Receiver type 78?—R. Prowse, 5 Tresluggan Road, St. Budeaux, Plymouth.

DEAR SIR,—I have recently come into possession of an Emerson 6-valve superhet serial no. B940374 and wish to carry out repairs. Can anyone give me any information on the set or the address of the manufacturing company for the circuit?—4110334 Cpl. Liell, D., A.P.P.U. R.A.F. Element, 62/44 H.A.A. Regt. R.A., New Barracks, Burton Road, Lincoln.

DEAR SIR,—Could any of your readers supply me with technical details of the Army Wireless Set No. 46, please?—A. W. Dyson, 139 Hamlin Lane, Exeter, Devon.

DEAR SIR,—I have just acquired a type 78 Ref. 10D/1307 Receiver, and any gen at all on the circuit, valve line-up, Jones plug connections, etc., would be most gratefully received.—Edward G. Hopkins, 14 Aldred Road, West Hampstead, London, N.W.6.

DEAR SIR,—For a long time now I have tried to "beg, borrow or steal" circuit details of the Army Sender type 12 and of the Transmitter-Receiver type 58, and I am wondering if any reader of "R.C." could help me?—J. Ayres, G3DQT, 7 Berrylands Road, Surbiton, Surrey.

DEAR SIR,—I am anxious to read some missing instalments of a series published in *Wireless World* in 1929-30 called "The Properties of Tuned Circuits," by W. H. Pearson. They were part of a general series called "Wireless Theory Simplified." The issues I seek are dated 25th September, 1929 (Part 7), up to 18th December, 1929, and 7th and 15th of January, 1930. If any reader of *The Radio Constructor* has these issues and could make them available for me to read, or would part with them (on payment, of course), I should be very grateful.—R. I. Hall, 6 Princes Road, Wimbledon, London, S.W.19.

DEAR SIR,—I would be extremely grateful if any reader could supply me with the circuit or any data on the R-26/ARC-5, 6-8Mc/s, 28 volts.—J. Salt, "Wyoming," Highfield Avenue, Stockton Brook, Stoke-on-Trent.

DEAR SIR,—Have any of your readers any information (data or circuit) on the A.M.

Receiver type 1084, ref. no. 10A/8301?—J. G. Lambert, G3KBD, 81 Station Road, Billingham, Co. Durham.

DEAR SIR,—Can anyone provide me with any data on the Philips PCR3L (two short, one medium) Communications Receiver?—E. C. Hook, 34 Windsor Road, London, N.W.2.

DEAR SIR,—I would be pleased if you could ask, through your paper, if any of your readers could provide any information or instruction book on the R.C.A. Receiver type C.U.R. 46148, range 4/27Mc/s. I would be pleased to pay any reasonable amount requested in return.—D. S. Provan, Crom-rach, Brook's Drive, Hale Barns, Cheshire.

DEAR SIR,—I am very anxious to obtain a circuit or information on the Loran APN4 Indicator, and data on the rectifier CV54.—S. Medford, VK7SF, 4 Mark Street, Hillcrest, Burnie, Tasmania.

DEAR SIR,—I have searched everywhere for a circuit of a Battery Tape Recorder, based on the B7G or 3Q5 octal type of valve, but I have had no luck. I would gladly pay to have one designed. Can anyone help?—F. Richards, 34 Edward Street, Warsop, Mansfield, Notts.

DEAR SIR,—Could any fellow reader please help me with any information on the R.A.F. Amplifying Unit type 229, Ref. No. 10UB/6056? The valve line-up is (1) 5U4G, (3) 6J7G, (1) 6V6G and (2) KT66.—N. Filek, 935 Romford Road, Manor Park, London, E.12.

DEAR SIR,—Can any of your readers sell or lend me the circuit and the valve line-up of the Navy Receiver M361?—James McFee, 21 Primula Way, Liverpool, 14.

DEAR SIR,—I would be grateful if you could insert under "Can Anyone Help?" that I am wanting a manual for the Set R107, or any information as to where one can be obtained. I am quite willing to purchase same.—R. J. Jennings, 206 Willesden Lane, London, N.W.6.

DEAR SIR,—Can anyone help me with data, to borrow or buy, on the ex-R.A.F. Battery Receiver R1224A?—P. W. Thomas, 1 Purdown Road, Horfield, Bristol, 7.

NOTES ON RADIO CONTROL

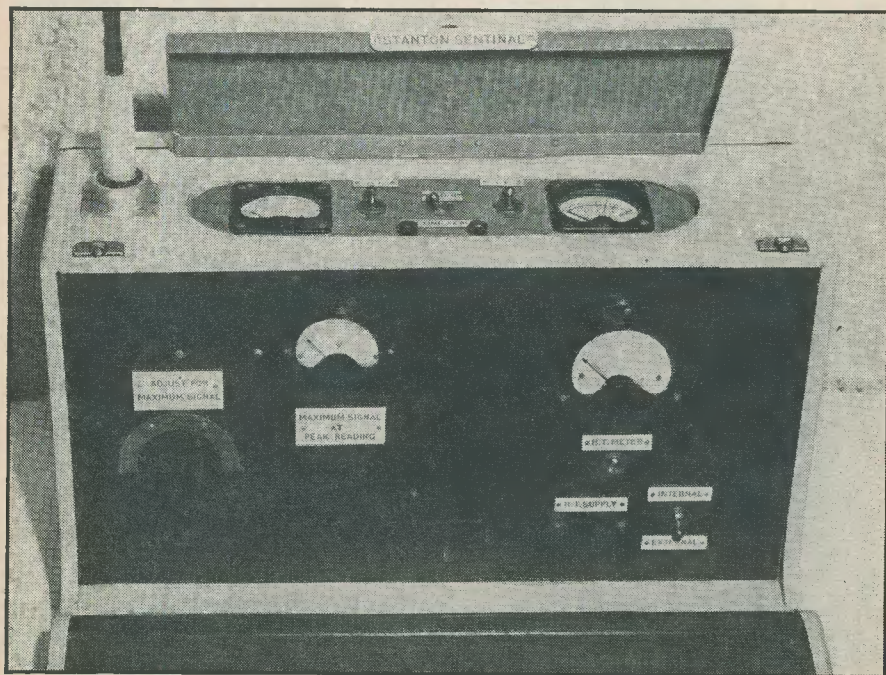
6: The "Two-Four" Transmitter

by QUENCH COIL

THIS TRANSMITTER CAN BE OPERATED either as a four valve unit or at lower power, using two valves only. As can be seen from the photographs, every effort has been made to incorporate distinctive appearance and, in use, it has given a first-class performance. It will meet the demands of the more fastidious and those who are prepared to spend a little more on their equipment. By paying particular care to the layout and using only the best of components, losses have been reduced to a minimum and, when operating as a four valve unit, the signal strength is greatly improved on previous models, being well worth the extra cost and the slightly increased battery drain.

The two meters shown in the photo on top of the unit indicate HT and LT current. They, and their associated switches, can be covered when not in use by the snap fitting lid as shown. To assist in the correct tuning of the transmitter to 27Mc/s, a built-in wavemeter is provided. The tuning control for this and the indicating meter are shown on the left of the front panel.

During operation, two Batrymax radio batteries are used for the HT supply. These, connected in series, give a voltage of 135 volts. In order to economise on batteries during tests, a standard type 120 volt battery is used. For this reason external battery sockets are fitted, together with a DPDT switch to change from one to the other.



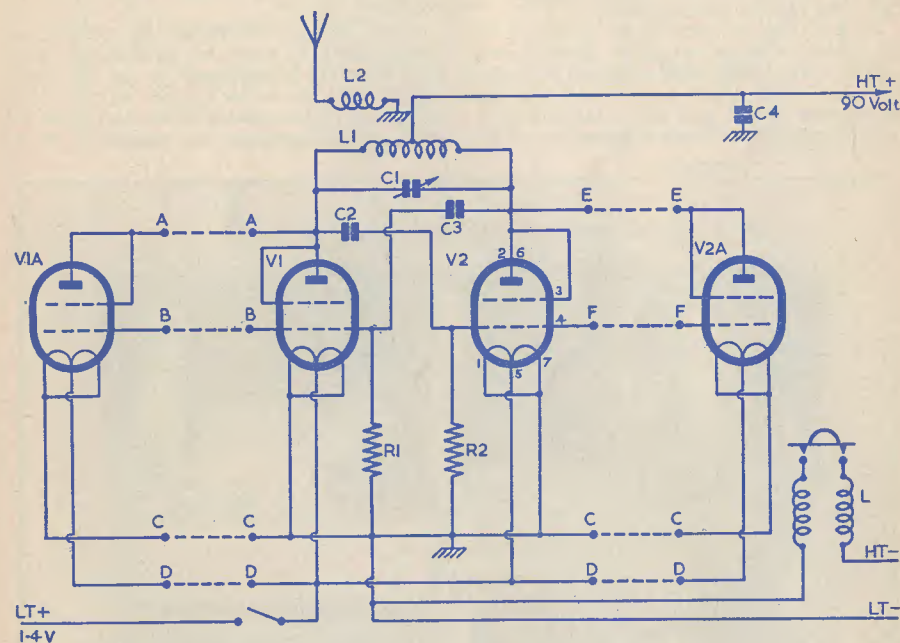
This photo shows the neat appearance and finish. Note aerial mounting and meters, etc. HT meter and external supply plugs are seen on the right panel

These are seen on the right of the panel, above which is the anode current meter. The LT battery is a 1.5 volt Alldry, type AD4, the LT supply of the Batrymax not being used. Both batteries are held in metal clips which can be clearly seen in the photograph of the rear of the unit.

The carrying case is of wood, aluminium lined, with drop-down lid back and front. The size is 17in. by 9½in. by 7in. The top panel and cover are of aluminium, grey cracked. The front panel is of brown high grade paxolin. Paxolin or similar material must be used for the wavemeter panel.

soldered permanently, or the connections being made by plug and socket connectors, whichever method is preferred. The panel should be wired up with 16 swg tinned copper wire and sleeving.

The rear view photograph shows clearly the layout of the components in the transmitter itself. It will be noted that the valves and their associated components are mounted on a small panel which is fixed to the main chassis by small brackets. The tuning condenser is mounted on a polystyrene panel, which should be as close as possible to the tuning coil. Construct the tuning coil along



- C1 50pF Polar variable condenser
- C2 50pF mica condenser
- C3 50pF mica
- C4 1µF 350V TCC condenser
- V1 3A4 valve
- V2 3A4 "
- V1A 3A4 "
- V2A 3A4 "

- R1 27RΩ Erie type 9 resistor
- R2 27RΩ " " "
- L1 tuning coil (see coil winding note)
- L2 aerial link, 2 turns insulated wire round L1
- L3 keying choke (see note)

To wire for 4-valve, continue wires at A B C D E F-----

E142

Constructional Details

The layout of the top panel is pretty obvious, but it is a good idea to construct it as one unit, with all its connections taken to one tag board fitted on to the panel. From this the correct connections are made to their respective positions via flexible coloured cable, the cable either being

the lines indicated in a previous article. In the writer's case, the former used was of polystyrene, but other similar material can be used. It should be 1in. diameter by 2½in. long, and eight turns of 16 swg tinned copper wire should be put on, the completed winding being 1½in. long. A tap must be made at the centre of the coil. The aerial

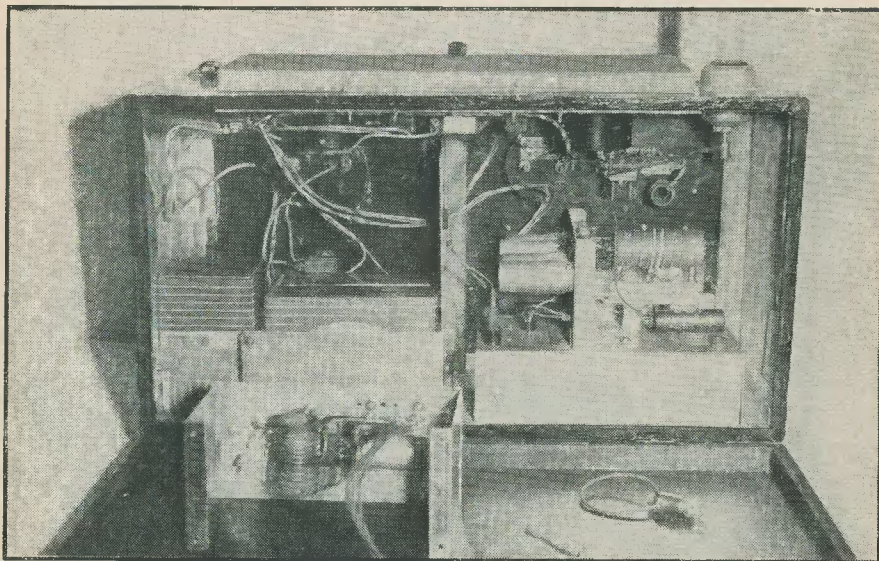
should be coupled by a two-turn link of insulated wire wound round the centre of the coil, one end being connected to the chassis, the other to the aerial. The correct position of this link is a matter of experimenting. It will be found that if it is placed slightly to either end of the coil the signal strength may be greater. Similarly, some experimenting with the total number of turns on the anode coil itself may be worthwhile, an increase in signal strength thereby being obtained. The writer found, for instance, that seven turns, rather than the eight suggested above, gave better results in one case. It is a good plan to make the coils up with plug and socket holders, so that they can be changed easily.

Once all the components are mounted on the chassis, wire up with 16 or 22 swg tinned copper wire, sleeve with coloured sleeving, keep all wires short and rigid, take all earth wires to the same solder tag and twist together all flexible leads wherever possible.

controlled models frequency which, for the gear described in this series of articles, is 27Mc/s. As previously stated, the help of a local radio amateur or a sympathetic radio dealer can be sought to aid one in this matter. Alternatively, if one has an accurately calibrated receiver covering this band, it can be set to 27 Mc/s and the transmitter tuned until its signal is heard in the receiver. The question of wavemeters will be dealt with in a later instalment and those who have had little experience of this aspect of frequency measurement are advised to proceed as above until they have gained more experience.

Aerials

Much can be written on the subject of aerials, and it must be emphasised that experimenting is necessary to get the best results. In the writer's case, an 8ft. 6in. length of copper-coated thin steel tube is used, being mounted as suggested in a



This photo shows clearly the chassis and method of mounting components. Note coil and mounting, also aerial. Built-in wavemeter unit can be seen in the background.

Batteries and method of holding are clearly seen. Small chassis in front is a one-valve transmitter; at the time of taking this was not completed. Note frequency testing loop on right.

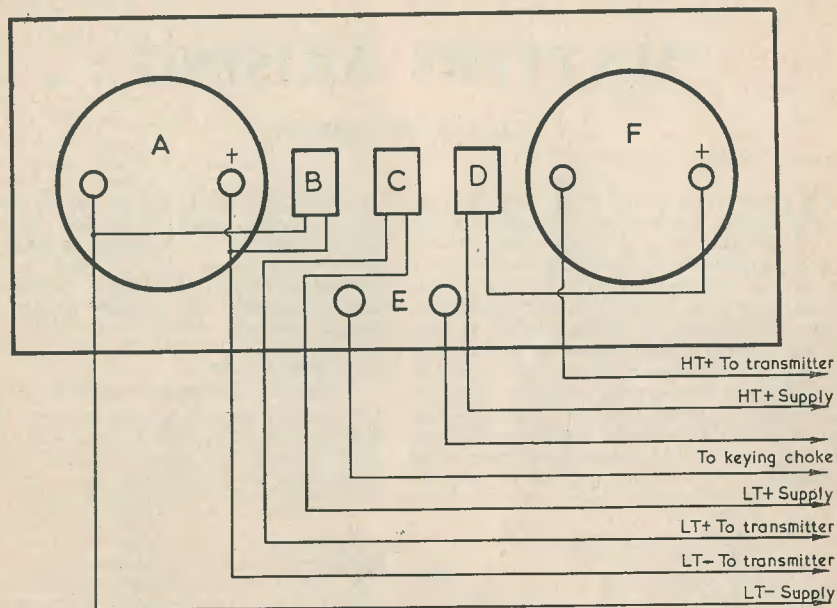
Lining up the Transmitter on 27Mc/s

Great care must be taken to see that the transmitter is operating within the radio

previous article. Any good quality insulating material can be used such as Tufnol, Polythene or Paxolin. Porcelain stand-off

insulators can be purchased from most radio shops, and these are ideal for mounting the aerial. Again, details can be varied to suit individual tastes.

will be seen to be glowing if all is correct. Connect in the HT positive lead a 0-50mA meter. Switch on HT, when the meter should show a reading of about 18mA when



Wiring diagram of top panel of two-four transmitter

- | | |
|------------------------------|------------------------------|
| A. LT mA meter | D. HT positive supply switch |
| B. LT meter switch | E. Keying sockets |
| C. LT Positive supply switch | F. HT mA meter |

E 143

Testing

First check all wiring, giving those wires carrying HT and LT particular attention. Connect and switch on the LT. The valves

two valves only are used and half the aerial connected. Connecting up the full aerial should increase the current to about 30mA with two valves, and 40mA with all four valves in circuit.

PERMANENT SOLDERING BIT

LIGHT SOLDERING DEVELOPMENTS LTD., 106 George Street, Croydon, Surrey

After considerable research and tests this company have now evolved a permanent bit for soldering irons which is now registered under the name "Permabit." This bit will last indefinitely, does not become pitted, or lose its face, and requires no reshaping, filing or maintenance. These "Permabit" units are available in a fixed bit range of instruments and also as bits for replaceable types in all sizes. The "Permabit" completely eliminates the need for constantly replacing the normal copper bit and therefore considerably reduces the problems of soldering instrument users. As replaceable bits the prices range from 2s. 10d. for an $\frac{1}{8}$ in diameter to 4s. 10d. for a $\frac{3}{8}$ in diameter bit.

MATTERS ARISING

by A. P. BLACKBURN

WHEN THIS SERIES FIRST APPEARED IN *Radio Constructor*, it was pointed out that its main object was to present the principles of radio theory to the beginner in a form more palatable and easily assimilated than that offered by the textbooks. The disadvantage of such a method is that, if the subject under review is to be dealt with in one fell swoop in one issue, and not dragged out over several numbers, complete coverage cannot be provided. The treatment must necessarily be short, and many subtleties and apparent contradictions will have to be ignored.

an excellent opportunity to discuss some of the questions raised by readers on points which could not be explained in detail on a previous occasion. It is hoped that they will have a general interest, in clarifying and expanding any obscure details which have arisen.

Matching—Again

There is a very thorny problem here, and few radio engineers see the solution clearly for the first time, for the very good reason that, without an exhaustive and complex mathematical explanation, very few books indeed give it an easily understandable treatment. The major trouble lies, without doubt, in the confusion which appears to shroud the expression giving the maximum power output of a valve.

Some books give the expression as: "A valve will produce maximum power output when $R_a=R_L$. That is, when the anode impedance of the valve is numerically equal to the load impedance." However, others again state: "A valve will produce maximum undistorted power output when $R_L=2R_a$, etc." How may these two apparently conflicting statements be reconciled?

The significant word here is "undistorted," in the second statement. In a previous

article* it was shown that a generator, of internal resistance R, would produce maximum power when the load it was feeding had a resistance of value R also. The valve was then represented by a generator, of internal impedance R_a , and it was suggested that maximum power would be developed in the load when the load resistance was numerically equal to R_a .

Theoretically, this is all quite true, but in practice it takes no account of the conditions under which the valve is operating. Merely to represent the valve as an AC generator will tell us nothing about the grid conditions, or, therefore, about the possibility of distortion. The analogy of the generator is very useful for many applications involving calculations on valve circuits, and in this case it has helped to justify in simple terms the statement ' $R_a=R_L$ '.

The second statement is not so easy to justify. Very early in this series the "load line" method of estimating valve performance was examined, and we shall have to resort to this method in order to prove that $2R_a=R_L$ for maximum undistorted power.

Fig. 1 shows a typical family of triode anode characteristics. Each curve represents the effect upon the anode current I_a , as the anode voltage V_a is changed, the grid voltage V_g being held constant for each curve.

The load line is drawn by marking the HT voltage V_0 on the appropriate axis. This is the voltage which would exist at the anode of the valve if no current were flowing, i.e., the valve is cut off. The other extreme condition is that the valve is drawing current so heavily that no voltage exists between its anode and cathode, the total HT being developed across its anode load. This point is I_0 on the vertical axis, where

$$I_0 = \frac{V_0}{R_L}$$

By joining these two points, the load line as shown in the figure is produced. A signal swinging from V_{g1} to V_{g3} will, therefore, produce a corresponding anode swing of $e_a + e_a$ and a current swing of $i_a + i_a$.

Before we can start on the proof, we must assume that each I_a/V_a graph is a straight line, and that they are spaced equidistantly from each other. We are interested in swinging the grid as far as possible with grid current flowing, and as far as possible without cutting off the valve, bearing in mind that either of these conditions causes distortion. To find the value of R_L to give maximum power with the largest input signal we must involve ourselves in the following:

From Fig. 1

$$V_1 - V_2 = DB + e_a \quad \dots (1)$$

Now $\frac{DB}{AB} = R_a$ (defined as change in anode voltage for a given change in anode current)

$$\therefore DB = AB \times R_a$$

but $AB = 2i_a$, and $e_a = i_a \times R_L$.

Substituting these results in (1),

$$V_1 - V_2 = 2i_a R_a + i_a R_L = i_a (2R_a + R_L) \quad \dots (2)$$

Now, power output = RMS value of the anode current squared, times R_L .

RMS anode current

$$= \frac{i_a}{\sqrt{2}}$$

\therefore Power output Po

$$= \frac{i_a^2}{2} R_L, \text{ and from (2),}$$

$$i_a = \frac{V_1 - V_2}{2R_a + R_L}$$

Substituting for i_a from (2)

$$P_{out} = \left[\frac{V_1 - V_2}{2R_a + R_L} \right]^2 \frac{R_L}{Z}$$

So far, so good. We have an expression for power output for the extreme condition under which the particular valve may work. You will notice that, if the same current as would be drawn at V_{g3} were drawn at the other extreme of grid voltage, V_{g1} , the anode voltage so obtained would be represented by V_1 .

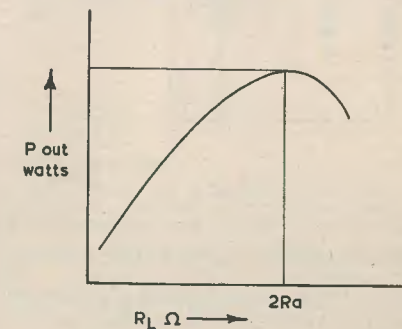


FIG. 2.

G135

We now want to find, from our expression for P_{out} , what value of R_L will make P_{out} a

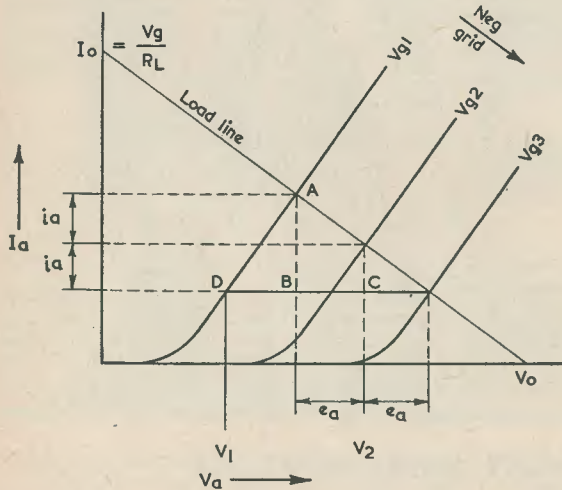


FIG. 1. CONSTRUCTION FOR MAX UNDISTORTED POWER OUTPUT

G134

However, the major factors likely to affect the radio enthusiast having been explained in the past articles, it now seems

maximum. The mathematically minded readers will differentiate the expression with respect to R_L , and equate to zero to get the result, but a more readily understood, although lengthier, method is to plot P_{out} for various values of R_L , as in the article previously mentioned. The graph will be of the type shown in Fig. 2, the maximum value of P_{out} occurring at $R_L=2R_a$. If, therefore, the R_a of the valve were $5k\Omega$, R_L should, of course, be $10k\Omega$.

Having digested all this mathematical stuff, we cannot be blamed for sitting back well satisfied. It comes as rather a shock, therefore, to pick up a valve data book and read, under two columns headed ' R_a ' and 'Recommended Load', a value of $5k\Omega$, with a recommended load of $15k\Omega$! Who is pulling whose leg? Have we spent all this time and thought on incorrect information?

Not really, no. We started off by assuming that the characteristics were *straight and equally spaced*, and for the purposes of proving the point, this seems a fair restriction to make. Examination of the curves of any particular valve, however, will show that these assumptions are not strictly accurate. The value of R_L is therefore modified from the value we have found. In actual fact, of course, we have proved that $R_a=R_L$ is the condition for maximum power, but not maximum undistorted power.

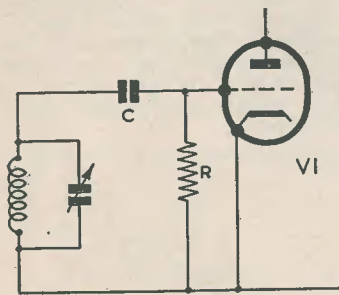


FIG. 3.

G136

We have arrived, therefore, at the following conclusions:

(a) For a given valve, and for a given small signal grid voltage, maximum power output is achieved if $R_a=R_L$.

(b) The actual power output is small in case (a), but it is a maximum for that particular value of anode load. However, power valves are normally driven with a large grid signal. Under these conditions,

the maximum undistorted power output is obtained when $R_L=2R_a$. This assumes that the valve characteristics are straight and evenly spaced, and that no grid current flows at any part of the signal waveform.

(c) The characteristics of practical valves are not straight over their complete length, and they are not equally spaced. Some modification must thus be made to the ideal value of R_L to obtain optimum power. This value also assumes that no grid current flows.

Detectors

After that rather weighty piece of reasoning about power, we shall now turn our attention to the more delicate side of valve circuitry—the grid.

Grid leaks often appear to be arbitrarily chosen, and in some designs this would appear to be true. The choice of this humble component is generally not difficult, because in most applications it is not particularly critical. Most enthusiasts judge the value required by experience, which is undoubtedly the best guide. There are, however, some broad principles which should direct the choice.

In most cases it is not the grid leak alone that we have to consider—we have mostly interested in the grid circuit time constant. Fig. 3 shows the circuit of a leaky grid detector. This is, of course, familiar enough, but the values of C and R cannot be decided arbitrarily.

It will be remembered that the grid and cathode of V_1 are being used as a diode, where the grid represents the anode of the diode. There are two expressions which will give fairly accurate estimates for values of R and C with a minimum of distortion.

They are:

$$RC = \frac{\sqrt{1-d^2}}{\omega d}$$

where R and C are as in Fig. 3, d is modulation depth, and ω is $2\pi \times$ highest audio frequency used.

$$R = 2 \times K \times R_i$$

where R_i is diode input resistance and K is detector efficiency.

Typical values of R_i and K are $0.5 M\Omega$ and 80% respectively. The detector efficiency K is defined as the ratio of the mean voltage across C to the peak value of applied RF voltage.

The following case is typical:

Highest audio frequency, $10kc/s$
Modulation depth, 70% (i.e., $d=0.7$)

$$R \times C = \frac{\sqrt{1-0.49}}{2\pi \times 10000 \times 0.7} = 0.000016$$

$$R = 2R_i K$$

Taking R_i as $0.5M\Omega$ and K as 80% (i.e., 0.8)

$$R = 2 \times 0.5 \times 0.8 = 0.8M\Omega$$

From $R \times C = 0.000016$ above and $R = 0.8M\Omega$

$$C = \frac{1.6 \times 10^{-5}}{0.8 \times 10^6} = 200pF.$$

Here again the result is not particularly critical. For example, the final network would become $1M\Omega$ and $200pF$. The small modification to the calculated values to enable standard value components to be used would have little effect upon the final result.

It is worth remembering that there is no point in calculating circuit values to a very fine accuracy, if $\pm 20\%$ tolerance components are used in the final job. In most radio applications, 10 or 20% components are quite good enough, so an approximate estimate only of the correct value is all that is required.

Oscillators

Before we leave the subject of grid leaks, some readers may find it helpful to have a look at the part they play in oscillators. Most of you will be familiar with the mechanism by which this circuit oscillates. Any small disturbance at the grid is amplified and fed back to the grid in such a way as to assist the original disturbance. This process continues, the frequency of oscillation being determined by the tuned circuit. Initially, there is no bias on the grid, and therefore grid current flows during positive half-cycles.

This grid current flows back to the cathode via the grid leak R, and produces—with respect to the cathode—a negative voltage at the grid. The plates of the grid capacitor C connected to the grid are also charged negatively. As the amplitude of oscillation builds up, this negative bias increases, and the gain of the valve begins to fall. The time eventually comes, therefore, when the bias produced by the oscillation allows the valve just enough gain to maintain oscillation.

Now imagine what would happen if the time constant of C and R were very long, compared to the duration of one cycle of oscillation. The amplitude would build up until the valve were driven into cut-off by the bias produced by the oscillation. Once this has happened, oscillation would cease, not to recommence until the charge

on C has leaked away through R. As the charge leaks away, the grid voltage will rise toward the cathode potential, thus allowing current to flow in the valve once again. Oscillation will start once again, and build up until the cut-off bias is reached, when the oscillation will cease. This process will go on indefinitely under these conditions, and is called "squegging."

If the grid RC combination is made too small, the mean grid voltage does not remain constant over each cycle, and the output waveform becomes distorted and harmonics are introduced.

The components must clearly, therefore, be a compromise fulfilling these two requirements. It is not necessary to have a system for their calculation because, once again, their values are not critical. It should be remembered, however, that a CR combination for an oscillator of $1Mc/s$ would not be as effective at $100Mc/s$ or at $10c/s$.

Typical values in a superhet local oscillator are $100pF$ and $50-100 k\Omega$. The wide band over which a three-waveband receiver tunes makes these values a broad compromise.

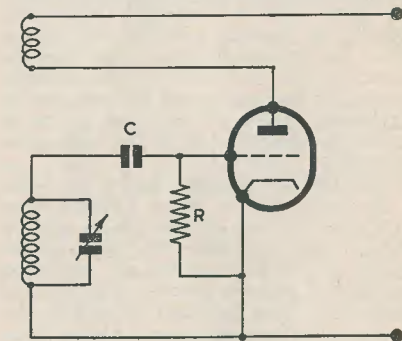


FIG. 4.

G137

Audio Frequencies

The choice of grid leak at audio frequencies is, as in the previous cases, dependent to some extent upon the coupling capacitor. The RC combination is dependent upon the low frequency response required. The response of a single stage is 3db down when the frequency is equal to

$$\frac{1}{2\pi CR}$$

For example, the response of a stage would be 3db down at $16c/s$ approximately, if C were $0.1\mu F$ and R were $100k\Omega$.

The Prevention of Accidents

by C. H. L. EDWARDS, G8TL

CARELESSNESS IN THE WORKSHOP CAN very often lead to serious accident and even loss of life. One moment you may be fit and active and in a split second you can be severely maimed. It's no use saying "If only I had . . ." because then it's too late. Here are a few wrinkles for the newcomer to the hobby, and possibly a reminder to some of the older hands.

Firstly always keep the workshop and benches clean and tidy. When the day's work is finished sweep the bench and floor, and clean and put away the tools in the racks. Pieces of metal on the floor may pierce the soles of the shoes or may twist the ankle, and sharp pieces of metal lying around on the bench can give a nasty cut when fishing around for tools.

Never use a file with a split handle, as the tang can run deeply into the palm of the hand when it is faced on to it as is done when filing work. See that spanners fit the nuts properly, or barked knuckles will result. Do not use a piece of pipe to lengthen the spanner, as the additional tension is likely to sheer the bolt and cause the operator to overbalance. Also, do not use shims; if the nut is an odd size use an adjustable spanner.

Watch that the hammer head is not loose on the shaft split; a flying hammer head can do quite a lot of damage to all and sundry. Also see that the face has not become rounded or damaged, otherwise when driving nails the thumb is likely to take the impact. Note the heads of chisels and see they aren't mushroomed; pieces flying off may lodge in the eye with serious results. Don't try and remove obstinate screws with the work resting on the hand or across the thigh, as the driver is likely to slip and penetrate the flesh. Keep out of line with the edge of the grinding wheel, or if the work has to be done closely use a pair of goggles—it's worth it.

When using a knife always cut wood away from and not towards you, and when a drill brace is used do not support the work behind with the hand, nor drill thin metal chassis across the knees. If the drill is portable and electrically driven see that the frame is earthed back to the plug, because, when standing on concrete, should the drill become "live" the operator is on the earth return.

If a broken neck is not desirable, when using an electric drill see that the tie is not hanging over the work, as the spinning drill

will quickly pick up the end if contact is made with it. This also applies to the grinder. Also refrain from holding work which is being drilled with rag, as the fingers are likely to become entangled in it if the drill should pick up a loose end.

Purchase or make a "V" iron rest for the soldering iron and place it towards the rear of the bench, so that visitors do not unwittingly place their hand upon it, or burn holes in their clothes when leaning against the bench.

Arrange all of the AC supplies to the transmitters, receivers, instrument and tool plugs to be fed from a double pole iron-clad switch and fuse, and mount this adjacent to the door of the workshop. Connect a neon bulb across it which will flicker when the lights have been switched off, thus reminding the operator to draw the switch before locking up for the night.

Don't forget to insure the workshop and its contents. A fire can quite easily start through poor electrical wiring, and for the very reasonable premiums it is worth the cost. Have the masts included in the policy under third party risk; a gale can easily wreck a mast or tower with disastrous damage to a neighbour's roof.

Having taken all reasonable precautions, it is as well to have handy in the workshop a few one-inch bandages, cotton wool, lint, Elastoplast patches, a small bottle of iodine and a pair of tweezers to render first aid immediately to any cuts or wounds, which are bound to occur sometime in the course of work.

Always remove splinters right away and dab iodine into the wound after they have been extracted. The danger of poisoning is just as great in a small cut as in a large one; in fact more so, if neglected. The irritation produced in movement by working and the dirt aggravating the skin can soon inflame a small cut, so take heed and give it due attention.

If you are unlucky enough to get some grit in an eye pull the top lid over the bottom; this invariably works it out. If painful, wash the eye with boracic in an eye bath.

And lastly, from the psychological aspect, don't attempt to carry on with the work if one is getting tired and irritable. Leave it alone and pack up for the day. A good night's sleep can work wonders, and next day the job which was beginning to get irksome becomes dead easy as one looks at it from an entirely different viewpoint, when the mind is clear and the body refreshed.

A SIMPLE WORKBENCH ACCESSORY

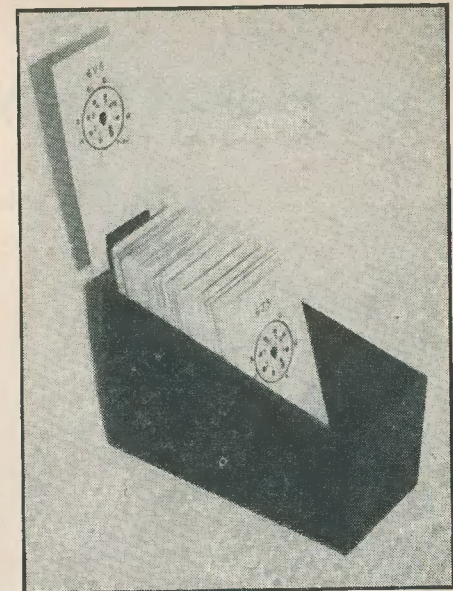
by L. E. PROFAZE

WE ARE UNFORTUNATELY FACED WITH the problem of numerous valve base arrangements, and every experimenter becomes personally involved with perhaps as much as a dozen types, if not more. Searching the various makers' data books, with their individual methods of listing information, can be tedious. The use of a small workbench filing system can, therefore, be of inestimable value.

A small wooden box should be provided and a number of fairly stout cards cut to fit, allowing about a half an inch to project above the upper edge of the box to facilitate selection. The cards need to be reasonably thick as they will be subject to hard work during their lifetime.

The valve type should be printed in one upper corner and below this a circle about the size of a penny (in fact, the use of a coin as a drawing guide makes a readily available "compass" of uniform diameter) into which is sketched the pins together with their number and respective electrodes, employing a code of symbols to which you are accustomed. Below this could be a schematic plan of the valve to complete the picture. The reverse side is useful for data relating to the particular valve and any special information collected in the course of experiments.

At the rear of the box should be fitted a clip—a small bulldog or crocodile clip will serve—and into this is slipped the card



required so that the information is readily available and easily viewed while work progresses.

The information contained in such a system need not, of course, be entirely confined to valve bases, but can be extended to cover component colour codes, special circuits, or data, etc., being limited purely to suit the individual.

Although this may seem a very simple and obvious idea and takes but a short time to construct, it will prove itself a great time saver and prevents the bench from becoming unduly littered with books which invariably become tattered and torn or covered with soldering flux. (A limited number of stoved green steel trays suitable for this purpose, comfortably holding 500 cards, can be obtained from us, price 3s. 6d. Suitable cards can be supplied at 3s. 6d. per hundred whilst stocks last. Postage on each item is 3d.—EDITOR.)

Are You Insured Against Accidents?

(See article on facing page)

If not, it will pay you to complete and send in the proposal application form on page II of cover (Scottish Insurance Corporation Ltd.)

DAYLIGHT ON CAPACITORS

By T. H. ROBINSON, B.Sc.

TWO CONDUCTORS SEPARATED BY AN insulator constitute a capacitor. Various types are available, and this article is intended as a refresher on their advantages and faults.

IMPORTANCE OF POWER FACTOR

The Power Factor of a device is defined as the Real Power divided by the Apparent Power. In an ideal capacitor the Real Power consumed would be nil, and the PF therefore zero. Unfortunately, the energy released by a capacitor on discharge is never quite equal to that expended in its original charge, and a small PF exists.

In an ideal capacitor, the current and voltage are 90° out of phase; but in reality this is never reached, and the phase angle fails to be a right angle by a complementary angle, which, if expressed in radians, equals the Power Factor.

CAPACITOR LOSSES

The power that is dissipated in a capacitor is lost in several ways, the most important being dielectric hysteresis, or molecular friction in the dielectric, causing heat. The second most important loss is leakage current due to poor insulation properties of the dielectric, and this also causes heat. Small losses also occur due to resistance in the conductor plates; and occasionally, in high voltage work, to corona discharge between them.

Leakage currents are proportional to frequency, and the allowable voltage on a capacitor is therefore inversely proportional to the frequency (square root of frequency at very high frequencies). Many capacitor failures are due to disregard of this fact. Professor F. E. Terman quotes the case of a 0.001 μ F mica capacitor which has the following ratings:—

DC	..	10,000 volts
1,000 kc/s	..	1,780 volts
10,000 kc/s	..	178 volts

Care must therefore be taken in the selection of capacitors for high frequency conditions, and it should be noted that the highest voltage rating is on DC which is generally the one quoted on the component.

The Power Factor of a capacitor is almost independent of capacity, voltage or frequency (assuming that the insulation of the dielectric is sufficiently high to prevent leakage), but increases as the temperature rises or if dampness gains access. In fact, the two main enemies of capacitors are temperature and dampness, both leading to increased losses, bad Power Factors and eventually failure.

Capacitors should therefore be kept as cool as possible; not close to rectifier valves for instance, and they should not be stored in damp places. Canned components, as opposed to those in cardboard tubes, are less likely to be penetrated by moisture.

NON-INDUCTIVE CAPACITORS

Not infrequently non-inductive components are specified, though very rarely is such a qualification necessary. Except in very high RF work, inductance can be ignored: there is generally more in the wiring than in the component itself. It is true that a type of tubular capacitor, consisting of a long rolled strip with the contacts at the end, may have had an appreciable inductance; but this is not likely to be present to any great extent in the modern types where contact is made along the entire length of the conducting foil.

TYPES OF CAPACITOR

There are three types classed according to the dielectric: Solid, Electrolytic Film, or Air. The solid group will be mentioned first.

CERAMIC

Here, a very thin film of metal is deposited on a ceramic dielectric. These capacitors are exceedingly stable and reliable, and have very low losses. They are consequently used for high RF work. They are obtainable from very low values up to about 10,000pF.

MICA

These have very low losses, and are used also where high voltages require high dielectric insulation. In high RF work, the metal conductors are sometimes silver plated to reduce skin resistance.

Mica capacitors are obtainable from about 10pF to 25,000pF (0.25 μ F). Unfortunately,

they tend to be rather expensive for general use.

PAPER

Range from 500pF to about 12 μ F in standard types. These are inexpensive and are for general use. Losses are normally fairly high, though they vary considerably with construction.

ELECTROLYTIC

Here, the positive plate is aluminium, and has a thin film deposited on it electrolytically: this film acts as the dielectric. The negative plate (often the can and often aluminium also) is separated from the positive plate by a jelly, liquid or paste electrolyte which forms a conducting path. The capacitor is therefore polarised, and must be connected the correct way round. Should the connections be reversed, current will flow, and the dielectric film will quickly be destroyed. It will, however, withstand a small AC ripple superimposed on DC. Occasionally non-polarised types are encountered, a film having been deposited on both plates.

The great advantage of electrolytic capacitors is their cheapness. Due to the thinness of the dielectric film, very high capacities can be obtained in small volume.

On the adverse side of the balance, they have a high leakage current and Power Factor, deteriorate with age owing to chemical action, and are neither consistent nor constant.

The leakage current should be about 0.5mA per μ F, and as this increases with age (when not in use) capacitors that have been stored should be reformed by applying low voltages and gradually increasing until the leakage at full working voltage is about this figure. The dielectric film will then have been remade.

The PF is very high, and contrary to the general rule increases with frequency. At high frequencies it is so great that the capacitor is virtually a resistor. The PF also increases with applied voltage, and varies with temperature.

The safe working voltage depends on the dielectric film. If the voltage is too high, the leakage currents will cause heat which

further destroys the film, and finally the capacitor will be short-circuited. The Peak Rating figure marked on the component includes both DC and AC ripple. The Working Voltage is usually about 90% of this figure, and if an AC ripple is to be applied, this should be deducted from the steady DC value.

The main use of electrolytic capacitors is in smoothing and bypass circuits where large but not critical capacity is required, and where relatively high leakage currents and variations in PF are not important.

The great enemy of electrolytics is heat. They should not be overloaded and should be placed in positions as cool as possible, otherwise the capacity, leakage current and working voltage will all be adversely affected.

AIR DIELECTRICS

The main use of this type of capacitor is in variable tuning, the moving vanes being shaped so that the degree of turning bears some definite relationship to the capacity. "Straight line frequency" is often used, i.e. a graph of frequency plotted against degrees of turning would produce a straight line.

The PF losses in air are negligible, by far the greatest occurring in the material holding the fixed vanes. For this reason, in VHF work capacitors with ceramic or low-loss mountings should be used.

Air is not a good insulator at high voltages due to corona discharge, and in certain laboratory type capacitors dry air compressed up to twelve atmospheres is used, when much greater voltages can be applied.

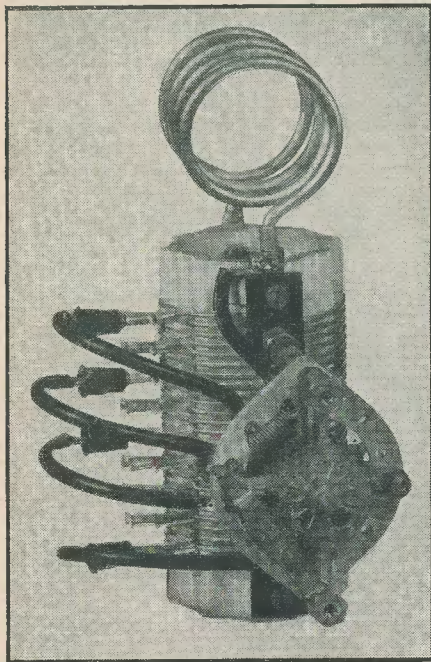
One air-dielectric capacitor which particularly appeals to the writer is the concentric groove trimmer. When temperature increases cause expansion, the dielectric thickness also increases; but any effect on capacity is offset by the increase in plate area, and the capacity remains remarkably steady.

Finally, a capacitor in a class by its own is the high voltage oil-filled one. This is in regular use in television EHT circuits. Special water-free oil is used which resists corona discharge and is self-sealing after minor flashovers. To get good insulation, the dielectric must be thick, and hence the size of the component large.

F.M. TRANSMISSIONS

We understand that the Home Service programme on F M is temporarily being transmitted from 9-11 a.m. from Alexandra Palace, until 7th April, when the Home and Third programmes will be resumed as heretofore. From 2nd May the full Home, Light and Third programmes will be transmitted.

TRADE NEWS



Labgear (Cambridge) Ltd., Willow Place, Cambridge
**HIGH POWER SWITCHED PI-NETWORK
INDUCTANCE**

(for the 80, 40, 20, 15 and 10 metre bands)

The Pi-network anode circuit for R.F. power amplifiers provides undisputed advantages over the more conventional parallel tuned tank circuit. Its use provides a very worth while attenuation of harmonic output with an attendant reduction of T. V. I. problems. Moreover, it affords a remarkably smooth control of impedance matching and loading simply by the adjustment of a standard variable capacitor.

In the Labgear unit, a small "hold-off" inductance has been added at the "hot" end of the main tapped coil which will resonate in the 28Mc/s band. This greatly increases the efficiency on the higher frequency bands and the overall performance is comparable with that obtained using inductances individually designed for each band. The main coil is wound on a ceramic former and is provided with sockets at every turn so as to provide complete flexibility and to cover a wide range of input and output impedances. The heavy duty ceramic band-switch is connected to the inductance via stout leads and plugs which will safely carry the high R.F. circulating currents.

When using an 813 P.A. valve, the input (anode) tuning condenser should have a maximum capacitance of 100pF and a spacing of about 0.1in/KV of DC supply voltage. Parallel 807's require a larger capacity tuning condenser but a quite close spaced model will suffice owing to the low HT required by these valves. It should be isolated from the high voltage DC by a first

class .002μF mica dielectric capacitor. It is essential to feed the HT to the anode of the P.A. via a special type of R.F. choke and a Labgear model E.5032 is recommended.

The output (loading) condenser may be a 2-gang broadcast receiver type, both sections being paralleled to give approximately 1000pF maximum capacitance. This condenser should have an air gap of about .017in or greater. It may flash over if operated without load, but there is no danger when working into a standard 52 ohm or 75 ohm co-axial feeder. The unit will also operate satisfactorily into impedances of up to 600 ohms but the majority of users will prefer to match into a standard co-axial line feeding either the antenna directly or an antenna coupler.

The unit is suitable for panel mounting so as to allow a lay-out yielding very short leads. When setting up for the first time, turn the loading capacitor to maximum and select a tap which allows resonance to be achieved with the anode tuning condenser at a value likely to result in a reasonable circuit "Q". Initially operate the P.A. at reduced anode voltage, then with the load applied gradually decrease the capacitance of the loading condenser until the correct P.A. anode voltage to current ratio exists. During this process the anode tuning condenser should be progressively re-resonated. The HT may then be increased to the standard working value.

The Labgear switched Pi-network is very suitable for 150 watt transmitters and indeed may be incorporated in P.A. stages operating up to about 250-300 watts. It is most important to avoid turning the band-switch when the anode volts are applied as in this event serious contact arcing will result.

Nominal overall inductance	21 microhenries
Maximum height	8 inches
Overall width	5 inches
Depth behind panel	6½ inches
Height of spindle above base of coil	2½ inches
Catalogue No.	E.5033

TAPPED AERIAL INDUCTANCE

This unit is ideal for the construction of aerial matching units. The majority of well designed transmitters provide a 52 or 75 ohm co-axial outlet enabling a standard low-pass filter to be incorporated between the transmitter and the load to minimise harmonic interference. Unless the aerial installation embodies a co-axial feed system it is usually necessary to employ a matching unit which incidentally provides additional discrimination against unwanted radiations.

Great flexibility of the aerial matching unit is essential and to this end the main tapped inductance of the Pi-network unit E.5033 illustrated above is made available as a separate product. Every turn is tapped and to facilitate rapid change of connections, sockets are provided which accept standard wander-plugs.

Balanced or unbalanced aerial feed systems may be accommodated and series or parallel tuning employed according to the aerial feeder impedance. The use of two 100pF variable condensers in series or parallel connection allows all amateur bands to be covered from 10-80 metres. The low-impedance feed from the transmitter may be fed across two or three turns of the coil in auto-transformer fashion.

If a low-pass filter is used it is desirable to ensure accurate matching by the use of a standing wave ratio meter such as Labgear model E.5029. Catalogue No. E.5022.

NEW SURPLUS...

0Z4A	6/-	6CH6	6/6	7C5	7/6	EF50	7/6
1R5	7/6	6AM5	7/6	7S7	9/-	(Syl)	7/6
1S5	7/6	6F6G	7/6	12BE6	7/6	EF54	6/-
1T4	6/6	6F7	7/6	12AX7	8/6	EF80	10/-
1A3	4/6	6G6G	5/-	15D2	4/6	EF91	5/-
1L4	4/6	6H6M	5/-	25L6GT	10/-	EF92	5/-
2D21	9/-	6J5GT	6/-	50L6GT	9/-	EL35	8/6
2X2	3/6	6J7G	5/-	813	70/-	EL91	7/6
3A4	7/6	6J7M	7/6	866A	12/6	EL84	11/6
3D6	5/-	6J6	5/-	954	5/-	EY51	11/6
5Y3GT	7/6	6K6GT	6/6	955	5/-	PCC84	12/-
5U4G	8/6	6K7G	5/-	956	5/-	PL82	10/-
5Z4G	8/6	6K7GT	6/6	9001	5/-	U22	8/6
6AB7M	7/6	6K7M	6/6	9002	5/-	UY41	10/-
6AC7M	6/-	6K8G	8/6	9003	5/-	UCH42	10/-
6AG5	3/6	6L7M	7/6	CB11	10/-	VS110A	4/6
6AG7M	10/-	6L6G	9/-	CV286	7/6	VUI20A	3/6
6AK5	6/6	6SA7M	8/6	CV287	7/6	VU111	3/6
6AL5	5/-	6SG7M	7/6	EB3	10/-	VR105/	
6AM6	5/-	6SK7M	7/6	EB91	5/-	30	7/6
6AQ5	9/-	6SL7GT	7/6	ECL80	11/6	VR150/	
6AT6	7/6	6SN7GT	6/6	ECC81	10/6	30	7/6
6BA6	7/6	6SS7M	6/6	ECC82	10/6	W77	5/-
6BE6	7/6	6U5G	6/6	ECH35	10/-	Z77	5/-
6BJ6	7/6	6V6GT	7/6	ECH42	10/-	X66	7/6
6BS7	6/6	6X4	7/6	EF37	7/6	XH(1.5)	3/6
6BW6	7/6	6X5GT	7/6	EF39	6/-	XP(1.5)	3/6
6C4	5/-	6Z4	5/-	EF50	5/-		

Post/packing under 10/-, add 6d.; 20/-, 1/-; 40/-, 1/6; free over 40/-. All despatched by return.

JOHN ANGLIN

160 CLEETHORPES ROAD GRIMSBY LINC'S
Telephone 56315



PHOTO SHOWS
METHOD OF
MOUNTING EY51

R.F. OSC. E.H.T. COILS

Type 'D' 2-9kV 25/- · Type 'F' 9-14kV 30/-
For use with valve or metal rectifier. Current available, 1-2mA. Ideal for oscilloscopes and television. Dimensions 3½in x 1½in dia. Wave wound winding. Complete with circuit.

Terms: C.W.O. Post orders only
THE WATSON WATCH CO
29 LEIGH ROAD · LONDON · N5

REPORT PADS

REPORT/REPLY RATIO LOW?

Then send a report which contains all the information a station requires. Each pad contains 50 printed forms detailing the headings under which reports should be made. Your QSL returns will be much higher if you use these properly prepared reports. Printed on a high quality paper suitable for airmail transit they cost only 3/9 post paid.

Orders with remittance to

DATA PUBLICATIONS LTD
57 MAIDA VALE LONDON W9

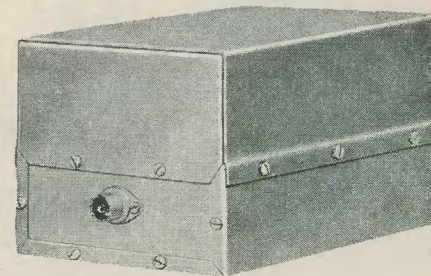
CLEAN UP THAT T.V.I.

ONCE AND FOR ALL

with the **Labgear**

TRANSMITTER LOW-PASS FILTER

Model E.5034



The most advanced L.P. filter available for amateur transmitters.

**OVER 80dB HARMONIC SUPPRESSION
INSERTION LOSS LESS THAN 0.25dB**

PRICE £6 nett direct from

Labgear (Cambridge) Ltd
WILLOW PLACE · CAMBRIDGE · Telephone 2494-5

Standard 3-gang .0005, less trimmers	5/-
Standard 2-gang .0005, less trimmers	4/6
Moving Coil Speakers, 1,000 ohm field 10/6
Weymouth S/H Coils L.M.S.	pair 7/6
Weymouth 465 IF's L.M.S.	pair 6/-

2 amp CHARGER KIT, consisting of transformer, metal rec. and hammer finish steel case. Giving 6 or 12 volts 35/-

T.R.F. RECEIVER, may be built for £5 10 0

Cabinet in wood or bakelite, ivory or walnut, chassis, dial, drive, valves, 5in speaker, 6.3 trans., speaker transformer.

EVERYTHING SUPPLIED

★ **I355 Receiver**, less valves, callers only 10/-

T.N.B. RADIO

166a ROOKERY ROAD, HANDSWORTH
BIRMINGHAM 21

G2AK THIS MONTH'S BARGAINS G2AK

Talking of TABLE TOPPERS

The Ideal Power Transformer for the Table Top Rig. This Parmeko-made Transformer has the following conservative ratings. Primary, 230V 50c/s. Secondary, 620/550/375/0/375/550/620V. Rated at 275VA. It will give 620 or 550 volts at 200mA simultaneously with 375V at 250mA. All the HT you require for RF and Modulator. Also 2-5V 3A windings for suitable rectifiers such as 5R4GY, 5Z3, 83, 5U4, etc., weight 24½lb. Size 6½" x 6½" x 5½" high. Worth at least £7. Our price £3 only, carr. paid. C.W.O. Only. No C.O.D.

We regret that orders from EIRE or ABROAD cannot be accepted.

METERS: 2½" Scale Flush Mounting, 0-10mA, 0-30mA and 0-100mA, 12/6 each. 2" Scale Square Flush 0-50mA, 0-150mA, 0-3A Thermo, 0-20V d.c., and 20/0/20A d.c., 7/6 each. 2½" Scale Proj. Type Thermo 0-15A, 7/6 each. 2" Scale Round Flush 0-½A Thermo and 0-350mA Ditto, 7/6 each.

Carriage paid on all orders over £1 except where stated.

CHAS. H. YOUNG, G2AK

MAIL ORDERS TO Dept. 'R,' 102 HOLLOWAY HEAD, BIRMINGHAM Midlands 3254 Central 1635

SPECIAL VALVE OFFER: TZ40 35/-; 6L6G, 10/6; 5R4GY, 12/6; 829/3E29, 60/-; 100TH, 90/-; 866A, 17/6, or 30/- per pair; 807, 10/- each or 17/6 per pair; 931A, 45/-; 813, 80/-.

FISK SOLARISCOPEs. Complete with Charts, give World Time, light and dark paths. Invaluable to the DX man. List 21/-. Our price 7/6 post free.

PANL HOME CRACKLE. Black, brown or green, 3/- tin, p. & p. 8d.

H.S. KEYING RELAYS (Siemens). 1700 x 1700 coils, 12/6.

TWIN FEEDER: 300 ohm twin ribbon feeder, similar, K25, 6d. per yard. K35B Telcon (round), 1/6 per yard. Post on above feeder and cable, 1/6 any length.

AIRSPACED CO-AXIAL CABLE. 150 ohms (normal price 3/11 per ft.), 20-yd. coils only £1 per coil, post free.

PI. CIRCUIT OUTPUT TUNING CONDENSERS. Made by E. F. Johnson Co. U.S.A. Max. Cap. 500pF 1,500V rating. Ceramic Insulation, size 5" long x 2½" wide x 2½" high, excluding spindle projection. Our price only 15/- post free.

Please include small amount for orders under £1.

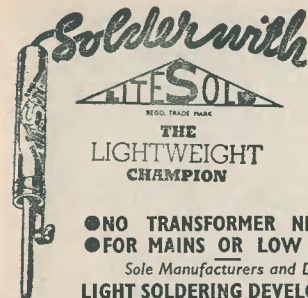
ALL CALLERS TO 110 DALE END, BIRMINGHAM PLEASE PRINT YOUR NAME AND ADDRESS

AR88 SPARES: Cabinets, £4 15s.; packing and carriage, 7/6; complete set of 14 valves, £5 10s.; Perspex escutcheons, 22/6; "D" type, i.f.s., 12/6. Output Transformers to Government specification, 37/6 each. **COPPER WIRE:** 14G, H/D 140ft. 15/-; 70ft., 7/6. Post and packing, 2/- Other lengths pro rata.

RACK MOUNTING PANELS: 19in. x 5½in., 7 in., 8½in., or 10½in., black crackle finish, 5/9, 6/6, 7/6, 9/- respectively, postage and packing, 1/6. **ABSORPTION WAVEMETERS.** 3.00 to 35.00Mc/s in 3 switched bands. 3.5, 7, 14, 21 and 28Mc/s. Ham Bands marked on scale. Complete with indicator bulb. A Must for any Ham Shack. Only 10/6, P. and P. 1/-.

THIS MONTH'S SPECIAL Brand New EMISCOPE T.V. TUBES Type 4/14

14" Diagonal Tetrode Aluminised. List £20/10/-. Our Price £13/19/6. Insurance and Carriage 10/- extra



NO TRANSFORMER NECESSARY. FOR MAINS OR LOW VOLTAGES

Sole Manufacturers and Distributors
LIGHT SOLDERING DEVELOPMENTS LTD
106 GEORGE ST. CROYDON SURREY
Telephone CROYdon 8589

Rapid Heating —Extreme Lightness —Eight different models—Bit sizes, ¼", ⅜", ½", ¾", 1", 1½", 2", 3", 4", 5", 6", 8", 10", 12", 15", 20", 25", 30", 35", 40", 45", 50", 60", 70", 80", 90", 100", 120", 150", 200", 250", 300", 350", 400", 450", 500", 600", 700", 800", 900", 1000". Prices from 19/6. Details of full range in folder No 58 sent on request.

VALVES

NEW TESTED AND GUARANTEED

1R5	7/6	6F8G	8/6	12AX7	8/6	EBC41	8/6
1S5	7/6	6G6G	4/9	12AT7	8/6	ECH42	11/6
1T4	7/6	6J5GT	6/6	12K8GT	8/6	ECL80	12/6
3V4	7/6	6K7G	5/6	12K7GT	8/6	EF22	7/6
5U4G	8/6	6K8G	8/-	57	7/6	EF36	7/6
5Y3GT	9/6	6L6G	9/6	58	7/6	EF39	7/6
5Z4G	8/6	6Q7G	8/-	5763	7/6	EF80	11/6
6AG5	6/9	6Q7GT	8/6	954	2/6	EF85	11/6
6AM6	7/6	6S17	8/-	1625	10/6	EF91	7/6
6AT6	8/-	6SK7	8/-	9006	5/6	EF92	4/6
6BE6	8/-	6SL7GT	8/-	AZ31	10/6	EL32	7/6
6BW6	8/-	6SN7GT	8/-	DAF91	7/6	EY51	12/6
6B7G	8/6	6S57	6/9	DF91	7/6	EZ35	8/-
6B8	7/6	6U7G	8/6	DL63	8/6	KT66	11/6
6B8G	7/6	6V6G	7/6	DL94	7/6	PL82	10/6
6BA6	8/6	6U5G	7/6	EAS0	2/-	PY82	10/6
6BR7	8/-	6X4	8/-	EAC91	6/-	UCH42	11/6
6BS7	8/-	6X5GT	8/-	EAF42	9/6	UL41	9/6
6SA7	8/-	7H7	8/6	EB91	6/6	UY41	8/6
6F6G	8/6	12AH7	7/6	EBC33	8/6	X65	10/6

Matched Pairs KT66, 25/-; 6V6G and GT, 17/- per pair. 6K8G, 6Q7G, 6V6G, 5Z4G, 6K7G, 34/6 per set. 1R5, 1T4, 1S5, 3V4, 27/6 per set.

ELECTROLYTIC CONDENSERS

Tubular Type	Can Type
2/350v B.E.C., 1/3	8/500v Dubilier, 1/9
8/350v T.C.C., 1/6	8x8 450v B.E.C., 4/-
8/450v B.E.C., 2/-	8x16 450v B.E.C., 5/-
16/275v T.C.C., 2/-	16x16 450v B.E.C., 5/6
16/450v T.C.C., 3/3	4x4x4 450v, 3/6
16/450v B.E.C., 3/-	32x32 450v B.E.C., 5/9

Bias Condensers. 12/50v T.C.C., 9d. 25/25v, 1/3. 25/50v, 1/6. 50/25, 1/6. 50/50v, 2/-, Small Mica: 2-2000 pF, 6d. .003-1 MFD, 500v Tubular, 8d. 25-1 MFD 500v, 1/-, Mica: 1000v wkg. T.C.C., .0015, .002, .0025, .003, .004, .005, .008, .01, 1/-, Paper Block T.C.C., .25/1500v, 2/3. 2 MFD 100v, 1/3. 4/100v, 1/6. 2/350v, 2/6. 4/350v, 3/-, 2.5x2.5x1/400v, 3/6.

Meters. 0-4 Amp. Thermo, 0-2mA M.C. movement, 2in scale, 3½x2½, 7/6.

Microphones. Marconi hand type, carbon with switch, 4/6.

Potentiometers. All values, Long spindled, s.p., 4/- d.p., 4/9. Less SW, 3/-.

Resistors. ¼w, 4d. ¼w, 6d. 1w, 8d. 2w, 10d. 6w, 1/-, 10w, 1/3.

Switches. Midget long spindled, 1P, 12w; 2P 6w; 3P 4w; 4P 2w; 4P 3w, 4/-.

Co-Axial Cable. Stranded, 75ohm, ½in, 7d. yard.

B7G V. Holders. Ceramic with Seng, can, 1/-, B9A, moulded, 2/-.

Toggle Switches. Q.M.B., Sp, 2/-; spdt, 3/6; dpst, 3/9; dpdt, 4/6.

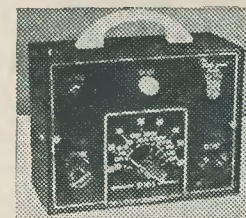
O/P. Transformers. Pen. 60mA, 4/6; 45mA, 3/6; Chokes, 15h, 80mA, 4/9.

All goods new and guaranteed. Post 6d.

BUILD THIS SET!

For only **49/6**

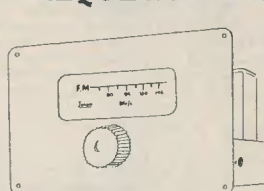
(Parts sold separately, parts lists; plans etc., 2/-)



Build this exceptionally sensitive twin-triode radio. Uses unique assembly system and can be built by anyone without any radio knowledge whatever in 45 minutes. Handsome black-crackle steel case with specially made black and gold dial with stations printed. Size of radio only 6½in. x 5in. x 3in. Covers all Medium and Long waves—uses one only alldry battery which costs 7s. 9d. and lasts many months, as H.T. consumption is only 1 to 1.5 mA. Ideal for Bedroom, Garden, Holidays, etc. Many unsolicited testimonials. Mr. Norton of Oxted, writes: *Yesterday evening on the Medium waveband I counted 32 separate stations; I am very pleased with the set, which is well worth the money. Complete Kit 49s. 6d., post free, with full set of clear, easy-to-follow plans, and parts lists, OR PARTS SOLD SEPARATELY. C.O.D. 1s. 6d. extra. Note: We stock complete range of components and valves, orders despatched C.O.D. by return. Overseas orders welcomed—Regret No C.O.D. abroad.*

BRIGHTON RADIO CO. (Dept. RC11)
69 Preston Street · Brighton 1

FREQUENCY MODULATION



This new VHF service comes into full operation with all three B.B.C. programmes this month. Superb quality with freedom from interference and overlapping stations. This is the NEW radio. If you live in London, S.E. England, or the Home Counties, start building your F.M. Tuner to-day. All parts in stock and available as a kit or separately. S.A.E. for "F.M." price list.

An entirely new book giving full details, Circuit, Point-to-point Diagram, etc., of the "Radio Constructor" (JASON) F.M. Tuner, will be out this month price 2s. 3d., post paid. Send for your copy now. Includes details of the G.E.C. "912" Hi-Fi Amplifier.

We also stock all parts for the MULLARD 5/10 Amplifier and DENCO F.M. Tuner.

HOME RADIO OF MITCHAM
187 LONDON ROAD MITCHAM SURREY
MITcham 3282

Mail order a speciality

"HOME CONSTRUCTORS HANDBOOK"

published by RODING LABORATORIES

This famous handbook is now available in the NEW 1955 edition. It contains 22 tested circuits, complete with descriptions, constructional details, full parts lists, etc., etc. Also contains hints, formulae, data. Circuits include superhets, communications receiver, oscilloscope, signal tracer, tape recorder, amplifiers, beginner's receiver, and many more items of gear. And the book is backed by Roding Laboratories, who are so well known for their quality home-constructor products. This 70-page book represents unbeatable value at 2s. 6d. (plus 3d. postage and packing). Order now and take immediate advantage of the wealth of information it affords.

DATA BOOKS

We now have available the latest editions of all

Radio Books published by Data Publications.	
Tape and Wire Recording	2/8
Receivers, Preselectors and Converters	2/8
T.V. Fault Finding	5/3
Inexpensive Television	2/8
Report Pads	3/9
Inexpensive Car Radio	1/8
Radio Control for Model Ships, Boats and Aircraft	Standard edition 8/9; Cloth-bound edition 11/9

All above prices include postage and packing

"WHILE THEY LAST" BARGAIN Iron-dust cores, 4BA brass stem, ideal for experimenters and servicing replacements. These are available—while they last—at 2s. 6d. per dozen, post free.

R. DAVIES 54 NEWTON ROAD MUMBLES SWANSEA
Mail Order only—No C.O.D.

R. COOPER
32 SOUTH END CROYDON SURREY
CROYDON 9186

★ "RF 26" F.M. CONVERTER UNIT—88/100 mc/s ★

This well-known RF26 Unit is now adaptable for F.M. reception using 2—1.F. stages and separate local Oscillator and tuned by a Muirhead graduated vernier drive, and can be converted Low cost, 92/6.

Send 2/- for 8-page Descriptive Booklet containing full wiring instructions, circuits and lay-out diagrams.

COMPONENTS OFFERED TO COMPLETE F.M. UNIT

New RF26 UNIT WITH THREE VALVES—YR137,

EF54, EF54. Chassis stamped out for easy conversion £1 15 0

COMPLETE SET OF ALL COMPONENTS FOR CONVERSION,

including 2-6BA6 and EB91, tuning condenser, I.F.T.'s and OSC coils, resistors and fixed condensers, plugs, wire and tag strips ... £4 12 6

INSTRUCTION BOOK with technical circuit and complete lay-out diagrams ... 2 0

SPECIAL OFFER OF ALL ABOVE ITEMS, INCLUDING RF26 and book ... £6 5 0

Postage 3 0

CHARGE FOR ALIGNMENT WHEN COMPLETED 7 6

COMPLETE SET as above and 6 valves—aligned and ready for use ... £8 10 0

N.B.—VOLTAGE REQUIRED: 250V 50 M/a and 6.3V 2 amps.

CATHODE-RAY TUBES

VCR97. Guaranteed full TV picture (carr. 2/-), £2.

VCR517C full TV picture, £1 15s.

Mu-Metal Screens for above 10s.

VCR139A (ACR10). For TV or 'scope, brand new and boxed £1 15s.

VCR97 brand new, slight cut-off but suitable for 'scopes. 15/-, Post and package, 2/-.

3PBI Boxed. 30/-

R.F. UNITS

RF24, 20-30 Mc/s. ... 15/-

RF25, 40-50 Mc/s. ... 19/6

RF26, 50-65 Mc/s. ... 35/-

RF27, 60-80 Mc/s. ... 35/-

All Brand New with Valves

INDICATOR UNIT TYPE 182A

Limited Quantity Available

Suitable for TV or Oscilloscope. "Radio Constructor" Scope constructional circuit included.

Offered BRAND NEW (less relay) at 67/6 (plus 7/6 carr.).

U.S.A. INDICATOR UNIT BC929A

Complete with 3PBI C/R Tube and Shield. 7 valves. 2-6SN7GT. 6G6, 2X2, 6X5G volume controls, etc. Black crackle case, 15½" x 9" x 9". Ideal for portable 'scope. Brand new condition 65/-, Carriage 5/.

CRYSTALS

200 kc/s 2 pin U.S.A. 10/-

465 kc/s 2 pin U.S.A. 10/-

500 kc/s 2 pin British 15/-

Postage up to £1. 1/-; £2 or over, 2/-, unless otherwise stated
SEND STAMPS FOR 28-PAGE CATALOGUE

WE HAVE OVER 50,000 VALVES IN STOCK AT VERY COMPETITIVE PRICES. SEND 3d. FOR 28 PAGE CATALOGUE

LATEST TYPES NOW IN STOCK

EBC41	10/-	ECL80	12/6
EY51	12/-	50B5	10/6
EF41	11/-	PL81	12/6
EL41	11/-	PL82	10/6
EZ40	10/-	PY81	10/6
EM34	10/-	PY82	10/6
UL41	11/-	PCC84	12/6
UY41	11/-	PCF82	12/6
UF41	11/-	50C5	10/6
UCH42	12/6	12AT6	8/6
UBC41	10/-	12A7	9/6
DK40	10/-	12A6	9/6
EF80	10/6	12BA6	9/6
EABC80	10/-	12BE6	10/6
ECC85	10/-	6X4	8/6
EL80	9/6	35W4	8/6

SPECIAL REDUCTION FOR SETS OF VALVES

1A7GT, 1N5GT, 1H5GT, 1A5GT (or 1Q5GT), 40/- set; 10EF50 (Ex-Brand New Units), 5/- each, 45/- set; 10 6AM6 valves, £4 set; 6K8G, 6K7G, 6Q7G, 5Z4G, 6V6G, 37/6 set; 1R5, 1S5, 1T4, 1S4 or (354 or 3V4), 27/6 set; TP25, HL23/DD, VP23, PEN25 (or OP25), 25/- set; 6K8G, 6K7G, 6Q7G, 25A6G, 25Z5 (or 25Z6G), 37/6 set; 12K8GT, 12K7GT, 12Q7GT, 35Z4GT, 35L6GT (or 50L6GT), 37/6 set; 12SA7GT, 12SK7GT, 12SQ7GT, 35Z4GT, 35L6GT or 50L6GT, 37/6 set.

RCA 931A PHOTO-ELECTRIC CELL AND MULTIPLIER

For facsimile transmission, flying spot telecine transmission and research involving low light-levels, 9-stage multiplier. Brand new and guaranteed, only £2 10s. Special 11-pin base, 2/- Data sheets supplied. Equivalent to Mazda 27M1 and 27M2.

SPECIAL OFFER "38" WALKIE TALKIE SETS

We have purchased large quantity of the above "38" Trans/Rec. sets, and can now offer same complete with five valves, 4-VP23 & ATP4, Throat Microphones, Headphones, Junction Box and Collapsible Aerial in absolutely new condition and guaranteed Air Tested. Freq. range 7.4 to 9 Mc/s. Range approx. 5 miles. 59/6. Carriage 5/-.

U.S.A. PACKARD-BELL PRE-AMPLIFIER

Complete with 6SL7GT and 28D7GT Relay Condensers and Resistors. Brand new with Instruction Book, 12/6. P.p., 2/-.

HENRY'S

(RADIO LTD.)

SHOP HOURS

Mon.-Sat. 9 a.m.-6 p.m. Thursday 1 p.m.

Telephone Paddington 1008/9 & 0401

5 HARROW RD. LONDON W.2

SMALL ADVERTISEMENTS

Readers' small advertisements will be accepted at 3d. per word, including address, minimum charge 2/- Trade advertisements will be accepted at 8d. per word, minimum charge 6/- If a Box Number is required, an additional charge of 1/- will be made. Terms: Cash with order. All copy must be in hand by the 10th of the month for insertion in the following month's issue.

PRIVATE

FOR SALE. 150 watt cw/phone 14Mc/s Tx. Consisting of xtal/vfo unit with power supply, driving pair of VT62 triodes in push-pull. Modulator and speech amplifier unit for xtal microphone input, power supply. 1,000 volt power supply, in 5ft rack, screened, black crackle. A thoroughly reliable Tx suitable for the QRO phone enthusiast. What offers? Box No. D149.

AMATEURS' SURPLUS. Coil packs, chassis, misc. cheap condensers, resistors, valves, coils. SAE for lists. Matthews, 34 Ings Road, Leeds, Yorks.

FOR SALE. Homelab Signal Generator, type 10, with aerial pads, only six months old, £7 or nearest offer. Robinson, 40 Ponting Street, Swindon, Wilts.

FOR SALE. S640 receiver with matching speaker and "S" meter, £21. Leak Point One amplifier and pre-amplifier, complete £28. 80-watt transmitter, 6 band, complete with vfo, modulator, etc., £40 or near offer. Ward, 30 Gravel Hill, Addington, Croydon, Surrey.

FOR SALE. Viewmaster components, used, guaranteed, cheap. A. Vest, 10 Mavin Street, Durham City, Co. Durham.

FOR SALE. BC348 receiver, power supply, "S" meter. In perfect working condition, £15. A bargain. Roe, 175 Diamond Avenue, East Kirkby, Notts.

FOR SALE. Chassis, "Globemaster" line-up, £2. R1355, £1. R1155 spares, 25s. SAE for list. E. S. Symonds, 5 John Street, City Road, Cambridge.

TAPE DECK. 2 motors, record and erase heads, spools, etc. Bargain, £6. Tx valves, DET 12's, TX40's, HK54's, ACT's, 100TH, 2E24, CV66 and 73, 24G's. Condensers, 0.05 5,000V DC. All new. Offers to: Martin, G6MN, Castlemount, Workson, Notts.

PARAGON Tape Recorder, 90% complete list of components including valves and meter, £6 6s. 0d. SAE detailed list. "Motovia" 12V car radio, brand new, maker's carton, £10. C. Olley, 157 Wanstead Park Road, Ilford, Essex.

FOR SALE. Premier 9" television, in cabinet, tube as new, enlarger, spare tube, valves, parts, £18. Lodge, 24 Princes Avenue, London, N.22.

FOR SALE. EMG steep cutting filter, 150hms, £2. Acos HGP39 heads, 78 and LP, with XMS adaptor, £2 the pair. Partridge P3591A output transformer for 912 amplifier, £2. Box No. D147.

FOR SALE. Homelab Signal Generator, type 5, 100kc/s to 130Mc/s, cost £14, little need, will sell for £9. E. Powell, 1 Mortimer Street, Leominster, Herefordshire.

FOR SALE. Marconi RG34C communications receiver plus power pack and technical handbook. Also Premier Radio 9" television in console cabinet with handbook. Both working order, £17 the lot. 12 Oliver Close, Leyton, E.10.

The Walk-around Shop

SPECIAL OFFER!

BENDIX COMMUNICATIONS RECEIVER TYPE RA-10DB

A superb 8-valve 4-band receiver covering 150-400 kc/s, 400-1100 kc/s, 2-5 Mc/s, and 5-10 Mc/s. Valve line-up, 6SK7 R/F, 6K8 F/C, two 6SK7 LF amplifiers, 6E7 second det AVC and AF amplifier, 6C5 BFO, 6K6 OP, 6H6 Sig. limiter diode.

Power supply 28 V DC 2A to internal motor generator. If desired, this can easily be changed to a similar generator with either 6 or 12V input. Alternatively the generator may be removed and the space utilised for a converter. A circuit for AC mains conversion is available.

As a BOAT, TRUCK, CARAVAN or CAR RECEIVER it is UNEQUALLED in value; converted to AC operation for fixed station it equals receivers selling for over five times the price we ask.

Full technical details, servicing data and circuit are supplied with every receiver.

In NEW condition £5 · 10 · 0 Packing and carriage 10/-

NOTE: Orders and Enquiries to Dept. "R."

PROOPS BROS. LTD : 52 Tottenham Court

Road W 1 · Open all day Saturday

Hours 9-6 p.m. Thursday to 1 p.m. LANGHAM 0141

RADIOGRAM CHASSIS

29/6 (including Speaker)

5-valve S/het 3 W/band, AC mains, complete but less valves and dial. All used, tested and guaranteed.

Postage and packing 4/6

LADIES ONLY! Baffle ext. Speakers 19/9. Ideal kitchen, bed or spare room. Postage and packing 1/9

ELECTRIC BLANKET KIT. Ready to fit. A lady can do it. Full instructions. Our price only 37/6, post free

SPEAKERS, 12/9. P.M. 8", 6½", 5" and 3½" used, tested and guaranteed, 2-5 ohms with o.p. trans. 14/9, post 1/9

SPEAKERS, 12/9. M.E. 8" 1K, 2K and 5K field, used, tested, guaranteed, with o.p. trans., 6/9, post 1/9

O.P. TRANSFORMERS, 1/9. Standard size, salvage, tested and guaranteed, post 6d.

2-GANG CONDENSERS, 2/9. Standard size .0005, post 6d. Salvage guaranteed.

TRANSFORMERS, 9/9. 350-0-350, 6V and 5V heaters, also at 5/9 350-0-350 12V and 4V heaters. Primary 100 to 250V (this makes ideal auto transformer), post 2/0

1% RESISTORS, 2/9, 1 meg. wire wound IRS, U.S.A., post 3d.

.2 DROPPERS, 1/3, used, tested, post 4d.

I.F. COILS, 2/9 each. Standard size 465 IF's, post 6d. per pair.

AMPLIFIER, 97/6, 10 watts AC. Special for mike and p.u. or 5 valve giving extra pre-amp stage, triple controls, £5 10 0, post 3/6.

DUKE & CO

621 ROMFORD ROAD · LONDON · E 12

Telephone GRA 6677

(continued on page 575)

RADIOVISION

4 PRAED STREET
LONDON W2

Telephone AMB 4670

We have a very large selection of Valves and Spares at the Lowest Possible Prices

We have a Large Selection of used but perfect C.R. Tubes. Every Tube carries a 6 week guarantee. Callers can see picture on premises.

9"	£4 0 0
12"	£6 0 0
15"	£8 10 0

Post, Packing and Insurance, 10/-

URGENTLY WANTED

COMMUNICATION RECEIVERS TEST EQUIPMENT. RADIOS—and TELEVISION SETS, TAPE RECORDERS. Best Prices Given

Phone or Call

TELETRON

SUPER

Inductor Coils



Miniature dust core types

Specified for the "RC" Mini-Preselector and Signal Generator. HFA1-3-4-5-7, 3/3 each. HFA9, 4/6, RFC4, 2/6. "Sensitive TRF Receiver" Type OCA and OCHF, 7/6 pair. Dual wave TRF matched pairs (as illustrated) 7/-. The original selective Xtal Transformer coil Type HAX, 3/-. HAX.L (1w), 3/6. E.C.O. coils, IFT's wavetraps.

3-Winding Coil for Simple Wobbulator (see page 540) Type WA5, 4/-

Stamp for complete list and circuits

The Teletron Co. Ltd.
266 Nightingale Road London N9

Telephone .HOW 2527

Trade enquiries to sole distributor, S. MOZER
95 KENDAL AVE. N18 Telephone EDM 7707

TELEKIT SUPPLY

CHANTRY LANE
BROMLEY · KENT

When ordering, please mention
RADIO CONSTRUCTOR and enclose 6d. postage

VALVES			Guaranteed		
1B24	35/-	6BE6	6/-	9D2	5/-
1L4	5/6	6BR7	8/6	11D3	6/-
*1LN5	3/-	6BS7	7/-	*12A6	5/-
1S5	6/-	6BV6	6/6	12AT6	7/6
1T4	6/6	6CH6	6/6	12BE6	6/6
1U5	6/-	6J5	5/-	*1299	5/-
3V4	6/6	6K7	4/-	15D2	4/-
6AM6	6/-	6U5	6/-	EF50	5/-
6AQ5	8/-	6X4	6/6	OZ4	4/-
6AT6	7/6	6X5	7/-	TT11	6/-
6A8	8/-	7D5	6/-	13D1	7/-
6B8	6/-	7D8	6/-	50C5	8/-
EW77	5/-	5763	8/-		

Valves marked * Slightly Soiled

NEW RETAIL SHOP NOW OPEN
AT 104 HIGH STREET BECKENHAM KENT

Telephone BEC 3720

HANNEY[®] of BATH offers

OSRAM 912 Erie resistor-pot, kit with ceramic tube resistors, very highly recommended, 29/6; Lab resistor kit, 32/4; T.C.C. condensers, 55/-; PARTRIDGE Components, with loose lead terminations, Mains trans., 44/-; Smoothing Choke, 29/6; Output trans., 76/9. Price includes Partridge carriage-packing charge. Printed panel, 14/6. W.B. chassis, 28/6. DENCO 16 S.W.G. Ali-Chassis with beautiful Bronze Front Panel, 21/- (Printed). S.A.E. List.

MULLARD 5 VALVE, 10 WATT AMPLIFIER; T.C.C. Condensers, 45/-; Erie resistor-pot kit, 37/6. Elstone Mains trans., 36/-; Elstone Output trans., 45/- (both types); Denco chassis, 14/6. Small parts as per our list. Matched pairs of valves are available for both the above designs.

COILPACKS. DENCO, CP4/L and CP 4/M, 33/4; CP 3/370 pf and CP 3/550 pf, 42/8. OSMOR "Q" HO, 48/-; LM, 40/-; Batt., 50/-; TRF, 40/-; HF stage for HO pack, 20/-; ETA 4-Station pack, 43/8.

WIDE ANGLE COMPONENTS. ALLEN. Teleking Chassis, 50/-; Coilsets (TK & Super-Visor), 44/6; LO 308, 40/-; FO, 305, 21/-; DC, 300c., 39/6; FC, 302, 31/-; GL, 16 & 18, 7/6 each; SC, 312, 21/-; AT, 310, 30/-; OP, 117, 9/-; BT, 314, 15/-; DENCO Chassis Magnaview, 37/6; Chassis, Super-Visor, 51/6; Coilsets, Magnaview, 41/2; WA/DCA1, 43/-; WA/FCA1, 31/-; WA/LC1 and WC1, 7/6 each; WA/FMA1, 21/-; WA/LOT1, 42/-; WA/FBT1, 16/-; Send 6d. stamps for our General List of components for Viewmaster, Soundmaster, Williamson Amplifier, Teleking, Magnaview (Brimar & English Electric large screen TV), Super-Visor, Mullard Universal, Close tolerance Silver Micas, etc., etc. Please add 2/- postage to orders under £3.

L. F. HANNEY
77 LOWER BRISTOL ROAD BATH
Telephone 3811

SMALL ADVERTISEMENTS

continued from page 573j

PRIVATE

WANTED. Geiger-Muller Counter, or similar; or construction sheet with particulars of available components, price, etc. Box No. D148.

TRADE

YOUR OWN tape recording transferred to disc. Queensway Recording Studios, 123 Queensway, W.2. BAY 4992.

BLUEPRINTS. High Gain 10 Metre Converter, with a de-luxe circuit comprising EF91 RF stage, ECC91 double triode mixer and oscillator, EF92 IF amplifier, with stabilised voltage supply via a 7475, 1s. 8d. post free with full instructions. Data Publications, 57 Maida Vale, London, W.9.

KENDALL AND MOUSLEY LTD. Manufacturers of Laboratory Equipment, chassis and instrument cases, also suppliers of B.V.A. valves. Radio and TV components. 18 Melville Road, Birmingham 16.

COILS COILS, COILS. We can supply coils for all frequencies, RF Chokes, Filters, etc. Coils wound to specification—send details for estimate. Send SAE for circuits and data. The Teletron Co., 266 Nightingale Road, London, N.9.

I.P.R.E. PUBLICATIONS. 5,500 Alignment Peaks for superhets, 5s. 9d. Sample copy *The Practical Radio Engineer*, 2s. Membership examination particulars, 1s. Syllabus of TV and Radio Courses free and post free. Secretary, I.P.R.E., 20 Fairfield Road, London, N.8.

FREE! Brochure giving details of Home Study Training in Radio, Television, and all branches of Electronics. Courses for the hobby enthusiast or for those aiming at the A.M.Brit.I.R.E., City and Guilds, Telecommunications, R.T.E.B. and other professional examinations. Train with the College operated by Britain's largest Electronic Organisation, moderate fees. Write to E.M.I. INSTITUTES, Postal Division, Dept. RC28, E.M.I. Institutes, London, W.4.

MEDICAL BOOKS. In addition to radio publications, you can obtain from us the following popular works on health subjects. *Smoking and Cancer*, 2s. A comprehensive discussion on this important subject. *So You're Grown Up Now*, 1s. Personal information for the Teen-ager. *So You're Expecting a Baby*, 9d. A most helpful book for the young Mother-to-be. Please add 2d. for postage. Data Publications, Ltd., 57 Maida Vale, London, W.9.

OSMOR—for efficient coils, coilpacks, etc. Send 5d. stamp for FREE circuits and lists. Dept. RCC, Osmor Radio Products, Ltd., 418 Brighton Road, South Croydon, Surrey. Telephone Croydon 5148/9.

JOIN THE ISWL. Free services to members including QSL Bureau, Translation, Technical and Identification depts. DX certificates, contests and activities for the SWL. Monthly magazine "MONITOR" duplicated, containing articles of general interest to the SWL and League members, 12s. 6d. per annum, post free. ISWL HQ., 86 Barringer Road, London, N.10.

New Government Surplus catalogue No. 12 containing over 400 items price 1/6 post free. 2/6 overseas seamail.

ARTHUR T. SALLIS (R.C.)

93 NORTH ROAD · BRIGHTON · SUSSEX
Telephone BRIGHTON 25806

H.A.C. SHORT-WAVE EQUIPMENT

Suppliers for over 18 years of Radio S.W. Receivers of Quality One Valve Kit, price 25/-; Two Valve Kit, price 50/-; Improved designs with Denco coils. All kits complete with all components, accessories and full instructions. Before ordering, call and inspect a demonstration receiver, or send stamped addressed envelope for descriptive catalogue.

H.A.C. SHORT-WAVE PRODUCTS (DEPT. R)
11 OLD BOND STREET LONDON W1

ALUMINIUM CHASSIS

16, 18, 20 swg

PLAIN OR WITH PIERCED HOLES
ANY SIZE ANY QUANTITY

MADE TO YOUR REQUIREMENTS
WE WILL BE PLEASED TO QUOTE

MACHINE CONTACTS
BUILDING 336 HURN AIRPORT
CHRISTCHURCH HANTS

GUARANTEED VALVES — Over 3,000 in Stock

6AM6, 6C4, EF92, 6AL5, EAC91, 6J6, 5/-; 12AT7, 12AX7, 6AK5, 6F33, EC91, EL91, 6SN7, 6SL7, 6SK7, 6S17, R10, 6BA6, 6F17, 6CH6, 6BW6, 7/6. 12AU7, 12E1, 2D21, 85A1, 85A2, 9/-.

A. A. W. SKILLMAN
74 FRANCHISE STREET · WEYMOUTH

HIGH FIDELITY

COMPONENTS IN STOCK FOR THE

MULLARD 5-10 AMPLIFIER circuits 2/6
OSRAM 912 AMPLIFIER circuits 3/6
DENCO FM TUNER circuits 1/6

Price lists available on request

J. T. FILMER MAYPOLE ESTATE
BEXLEY KENT
Telephone BEXLEYHEATH 7267

ADCOLA (Regd. Trade Mark) SOLDERING INSTRUMENTS



Reg. Design No. 860302 (British, U.S. and Foreign Patents)

Designed for wireless assembly and Maintenance

Supplied for all volt ranges from 6/7V to 230/250V
3/16" Dia. Bit Standard Model, 25/6

Sole Manufacturers ADCOLA PRODUCTS LTD.

Sales Office and Works Cranmer Court
Clapham High St. London SW4 (MAC 4272)

REPANCO HIGH GAIN *** COILS ***



Dual range miniature
Crystal Set Coil with
circuit, type DRX1 **2/6**

Dual range Coil with
reaction with 2 mains
and 2 battery circuits, type DRR2 **4/0**

(Regd. Design)

Matched pair Dual Range T.R.F. Coils
with reaction; with battery and mains
circuits, type DRM3 **8/0 Pr.**

Standard I.F. Transformers, type SE, 1 1/4" x 1 1/2"
1" x 2 1/4", pre-aligned 465 k/c. **13/6 Pr.**

Miniature I.F. Transformers, type MSE,
1 1/2" x 1 1/2" x 1 1/2", pre-aligned 465 k/c **12/6 Pr.**

Ferrite Rod Aerial, type FRI, long and
medium wave, complete with fixing
brackets **12/6**

- ★ All Coils wound on low loss formers
- ★ Individually tested and guaranteed

★ Post 3d. on all orders ★ Trade supplied

Distributed by

RADIO EXPERIMENTAL PRODUCTS LTD
33 MUCH PARK STREET COVENTRY
Telephone Coventry 62572

WORLD RADIO HANDBOOK 1955 Edition

NOW AVAILABLE

Price 9/6 Post 3d.

DATA PUBLICATIONS LTD.
57 Maida Vale London W9.

DATA BOOK 6

"RADIO AMATEUR OPERATOR'S HANDBOOK"

The above booklet is now completely revised and the printing of the new edition will commence shortly. Our stocks of the last edition are now completely exhausted, and an announcement will be made in these pages as soon as the new printing is available. Price 3/2 post paid.

DATA PUBLICATIONS LTD
57 MAIDA VALE · LONDON · W9

PANL

Most of the Nationally known mail order houses now stock this popular air-drying crackle finish as a regular line at 3/- per 1/2pt. can, in black, green and brown. If you have any difficulty in obtaining your supply, send 3/6 to—G. A. MILLER, 8 Kenton Park Crescent, Kenton, Middx.

TELETRON FERRITE ROD AERIALS

Wound on high permeability Ferroxcube rod & designed for use with 500 pf. (max) tuning condenser. Nominal Inductance for type FRM. 165. u/h. Q at 1 Mc. 185. Waveband 550 kc/2 Mc.—8/9d. FRD. 2.2 MH. Waveband 150 kc/2 Mc/s. LW and MW. 12/9d. 3d. postage.

THE TELETRON CO LTD

266 NIGHTINGALE ROAD · LONDON N9

Telephone HOW 2527

EVERYTHING for the AEROMODELLER and RADIO ENTHUSIAST

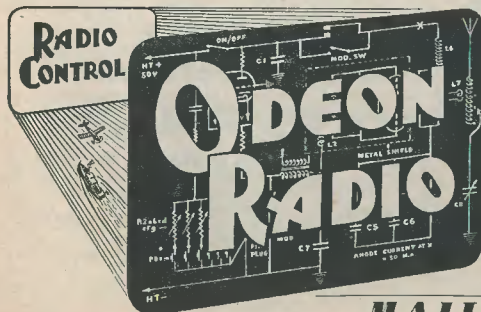
We stock all brands of Kits, Engines, Accessories and Radio Spares, including parts for the "Aeromodeller" Transmitter and Receiver. So why not take advantage of our famous 48 hour Service?

TO ORDER BY POST cash with order or C.O.D. Add postage: under 10/-, 1/-; up to 25/- add 1/4; up to 40/- add 1/8; over 40/- Free.

Send for our NEW 40-page CATALOGUE
Price 1/-

56 COLLEGE ROAD · HARROW · MIDDX
Telephone HARrow 5778

MAIL ORDER SERVICE



CONSTRUCTORS build these at low cost!

PERSONAL PORTABLE RADIO 30/-

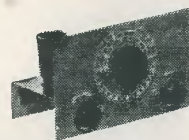
Post Free
This little set was designed to give you a real personal portable radio that you can enjoy anywhere without disturbing others. Use it on camping trips, in bed, in your office, or just anywhere.



Send 2/- for layout, Wiring diagram and Components Price List.

ALL-WAVE RADIO 30/-

Ideal for the beginner or for those requiring a simple standby receiver.



This 1 valve S.W. receiver can be built for 30/-, from our list of components, which can be purchased separately. It includes valve and 1 coil covering 20-40 metres. Provision is made to increase to 2 or 3 valves if required, and all components are colour-coded so that the beginner can build this set quite easily. Send 2/- for specification, wiring diagram, layout and price list.

POWER UNIT TYPE PUI 120v @ 20ma, 6·3v @ 1·5A 32/6

Replace those expensive batteries with one of these power units. Supplied in component form together with easy to follow constructional details.



An ideal power supply for both these Receivers and for inclusion in Home-Built Test Equipment.

R.C.S. PRODUCTS (RADIO) LTD
11 OLIVER ROAD (Mail order only) LONDON E17

YOU CAN RELY ON US

We specialise ONLY in radio and electronic components, a comprehensive stock of which are held by us, to supply Government, educational and commercial laboratories. Can we be of some help to you, the experimenter and constructor??

Here are a few of our many stock lines—

Tapped Volume Controls, 1/2mg, 1mg, 7/6 each; Linear, 1/2mg, 1mg, 6/6; Surplus Stock Potentiometers, less switch, 2/3; with, 4/3; D/P, 5/-; midget, wirewound, preset, etc., in stock.

All J.B. Scales and Gangs. Full vision, 13/9; SL8, 27/6; SL5, 26/-; 3-gangs in .0003 and .0005, 18/3; Single gang .0005, 9/-; Twin midget gang, covered, 11/-.

Bulgin Plugs, Sockets, Panel Lights, etc. Belling-Lee Co-ax. Plugs, 1/3, Sockets, 1/2. Plugs, Sockets, etc. Resistors, 10 OHMS to 15 mgs in 1/4W, 1/2W, 4d.; 1W, 8d.; 2W, 1/4; midget 1/2W 'T' type, 6d.; High stability 2% 100-2 megs, 1/6 each; wirewound (green vitreous), 33 ohms to 10K, 10 Watts Max., 2/- each.

Over 200 T.C.C. types of Condenser. 189 types of Hunts. Electrolytics new and surplus. 10,000 surplus Valves plus large stock BVA Valves.

1% Silver Micas, 1.5pF to 100pF, 1/-, 100pF to 280pF, 1/2, 300pF to 500pF, 1/4, 515pF to 815pF, 1/6; 1,000pF to 5,000pF, 2/6.

COILS.—COMPLETE RANGE OF DENCO, WEYMOUTH, WEARITE, OSMOR, R.E.P., DENCO F.M. UNIT PARTS, '912' PARTS, MULLARD '510' PARTS—ALL TAYLOR, AVO, INSTRUMENTS IN STOCK, CELESTION, ROLA, ELAC, W.B., WHARFEDALE, GOODMAN'S SPEAKERS.

Send now for our Supplementary Winter List with H.P. Terms—Quotes S.A.E. Please. Postage extra.

Next to South Ealing Tube Station. 65 Bus.

82 SOUTH EALING ROAD
LONDON W5 Telephone EAL 5737

RADIO SERVICING CO