

The

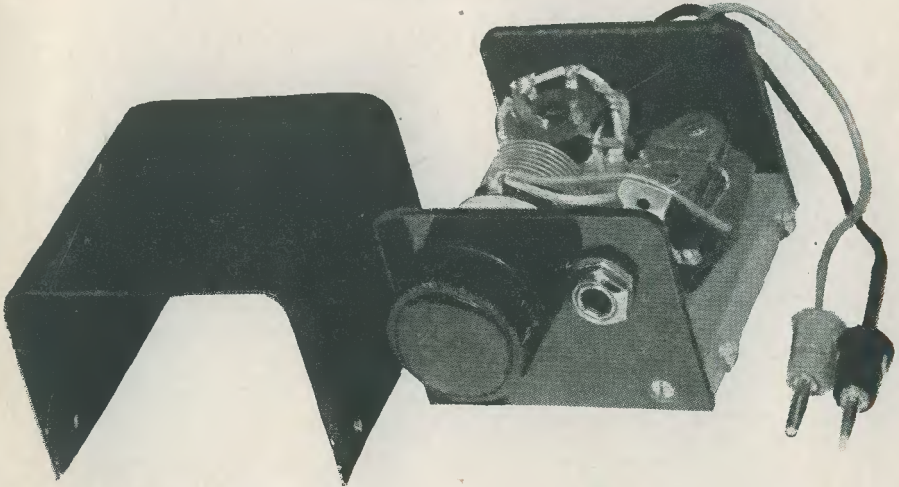
RADIO

CONSTRUCTOR

for the Radio and Television Enthusiast

Volume 8
Number 7
FEBRUARY
1955

A TRANSISTOR



“ONE - VALVER”

ALSO IN THIS ISSUE

THE PARAGON TAPE RECORDER Part 2
SYNCHRODYNE LOCAL STATION RECEIVER
A NURSERY RADIO

METHODS OF ACHIEVING AGC ON THE VISION CHANNEL
FLEXIBLE AF MIXER DESIGN • CONTINUOUSLY VARIABLE HT SUPPLY
NOTES ON RADIO CONTROL Part 4 • Impressions of America
High-Q Short Wave Coils • Let's Get Started • Query Corner etc. etc.

16

The New GERNSBACK Library

High Fidelity: Design, Construction and Measurements. 12s. Postage 4d.

Transistors: Theory and Practice. By R. P. Turner. 16s. Postage 4d.

High Fidelity Techniques. By J. R. Langham. 8s. Postage 4d.

Model Control by Radio. By E. L. Stanford. 8s. Postage 4d.

Practical Disc Recording. By R. H. Dorf. 6s. Postage 4d.

Basic Radio Course. By J. T. Frye. 18s. Postage 6d.

Radio and TV Test Instruments 12s. Postage 4d.

Radio Tube Fundamentals. By G. J. Christ. 8s. Postage 4d.

Radio and TV Hints. 8s. Postage 4d.

The Oscilloscope. By G. Zwick. 18s. Postage 4d.

Television Technotes. 12s. Postage 4d.

TV Repair Techniques. 12s. Postage 4d.

THE MODERN BOOK CO

BRITAIN'S LARGEST STOCKISTS OF ENGLISH & AMERICAN TECHNICAL BOOKS

Please write or call for our catalogue

19-23 PRAED STREET (Dept RC) LONDON W2

Open 6 days 9-6 p.m.

PADdington 418

SCOTTISH INSURANCE CORPORATION LTD.



62-63 CHEAPSIDE LONDON, E.C.

TELEVISION SETS, RECEIVERS AND TRANSMITTERS

Television Sets, Receivers and Short Wave Transmitters are expensive to acquire and you doubt highly prize your installation. Apart from the value of your Set, you might be held responsible should injury be caused by a fault in the Set, or injury or damage by your Aerial collapse. A "Scottish" special policy for Television Sets, Receivers and Short Wave Transmitters provides the following cover:

- (a) Loss or damage to installation (including in the case of Television Sets the Cathode Tube) by Fire, Explosion, Lightning, Theft or Accidental External Means at any private dwelling house.
- (b) (i) Legal Liability for bodily injury to Third Parties or damage to their property arising out of the breakage or collapse of the Aerial Fittings or Mast, or through any defect in the Set. Indemnity £10,000 any one accident.
- (ii) Damage to your property or that of your landlord arising out of the breakage or collapse of the Aerial Fittings or Mast, but not exceeding £500.

The cost of Cover (a) is 5/- a year for Sets worth £50 or less, and for Sets valued at more than £50 the cost is in proportion. Cover (b) (i) and (ii) costs only 2/6 a year if taken with Cover (a), or 5/- if taken alone.

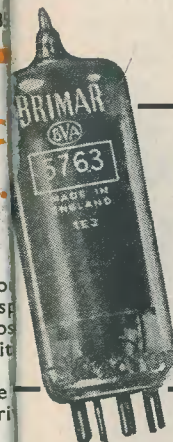
Why not BE PRUDENT AND INSURE your installation—it is well worth while AT VERY LOW COST INVOLVED. If you will complete and return this form to the Corporation Office at the above address, a proposal will be submitted for completion.

NAME (Block Letters).....
 if Lady, state Mrs. or Miss
 ADDRESS (Block Letters).....



Whenever, for one reason or another, valves give up the ghost, it is helpful to know that amongst the extensive range of BRIMAR replacement types—British, International Octal, Loctal, U.X., or Miniature—you will find the valve you want, or a near equivalent.

A comprehensive stock of replacements can be found with all BRIMAR stockists



Use the BRIMAR 5763

Because of its improved performance, this valve is widely used as a miniature RF amplifier and frequency multiplier in V.H.F. transmitters and modulator circuits.

EQUIVALENTS

BRIMAR	MULLARD
5763	QV03-12

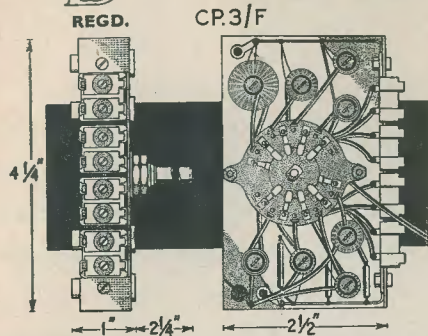
BRIMAR VALVES and TELETUBES

Standard Telephones and Cables Limited

FOOTSCRAY SIDCUP KENT FOOTscray 3333

MAXI-Q

IN RESPONSE TO NUMEROUS REQUESTS FOR THE INCLUSION OF THE TRAWLER BAND ON OUR PRESENT RANGE OF SEVEN MINIATURE COIL PACKS WE NOW INCREASE THE RANGE TO EIGHT AND PRESENT THE FOUR WAVEBAND CP.3/F FOR 500pF, TUNING CONDENSER



This Coil Pack is for use with a 500pF 2 Gang Condenser and covers the standard Long, Medium and Short Wavebands with the addition of the Band 50/160 metres, 1.85/6 Mc/s. This covers the Trawler Band, 105/160 metres, Shipping, 68/74 metres, Aeronautical 52/55 and 95/105 metres, and the 80 and 160 metre Amateur Bands.

The CP.3/F comprises of Aerial and Oscillator coils wound on "Neosid" formers complete with iron dust tuning cores, Wavechange Switch and Mica Compression Trimmers mounted on an aluminium plate. Fixing is effected by an additional nut on the Wavechange Switch. The I.F. is 465kc/s. For use with any standard frequency changer.

Retail Price: 49/- plus 16/4 P.T.—Total 65/4.

The following Coil Packs are also available:
 CP.3/370 and 500pF. Three Waveband Coil Packs for use with either 370 or 500pF tuning condensers. Retail Price: 32/- plus 10/8 P.T.—Total 42/8.

CP.3/G. Three Waveband Coil Pack for 500pF tuning condensers with provision on the Wavechange switch for gramophone position. Retail Price: 39/- plus 13/- P.T.—Total 52/-.

CP.4/L and CP.4/M. These compact 4 station Coil Packs are available for either—1 Long and 3 Medium wave stations (CP.4/L) or 4 Medium wave stations (CP.4/M). Retail Price: 25/- plus 8/4 P.T.—Total 33/4.

CP.4/L/G and CP.4M/G. As above but with provision for gramophone pick-up on the Wavechange switch. Retail Price: 31/- plus 10/4 P.T.—Total 41/4 — See Technical Bulletin DTB.9 for details of all coil packs, 1/6.

Send 1/- for General Catalogue. Obtainable from all reputable stockists or in case of difficulty direct from:

DENCO (CLACTON) LTD • 357/9 OLD ROAD • CLACTON-ON-SEA

Stop Press: "Osram" "912" Amplifier Chassis, 14/6. Front Panel finished in bronze complete with control markings, 6/6. "Mullard" "Five-Ten" Amplifier Chassis, 14/6. Front Panel, 6/6.

90 DEGREE SCANNING

Please note that 90 degree scanning yokes are now available
 These are interchangeable with our existing D.C.300C yoke

Scanning Yoke type DC/390C (90 degree), 42/-.

Scanning Yoke type DC/300C (70 degree), 39/6.

Line Output Transformer type L.O. 308, 40/-.

Focus Coil type F.C.302, 31/-

Frame Output Transformer type F.O. 305, 21/-.

Width Control type G.L.18, 7/6.

Linearity Control type G.L.16, 7/6.

Smoothing Choke type S.C.312, 21/-.

Mains Auto Transformer type A.T. 310, 30/-.

Also available:

Tape Deck Osc: Coil type T.D.O. 31, 9/3.

Output Transformer type O.P. 1215, 9/6.

These two components are as specified for the Paragon Tape Recorder

All the above are available (Mail Order) direct from

ALLEN COMPONENTS LIMITED

Crown Works, 197 Lower Richmond Road, Richmond, Surrey
 Telephone PRO 9013

Send 9d. and S.A.E. for recommended Wide-Angle Circuit Diagrams

NEW!

EXPERIMENTAL KITS in Radio, T.V. etc.

LEARN THE PRACTICAL WAY

Specially prepared sets of radio parts (which you receive upon enrolment) with which we teach you, in your own home, the working of fundamental electronic circuits and bring you easily to the point when you can construct and service radio sets. Whether you are a student for an examination; starting a new hobby; intent upon a career in industry; or running your own business—these Practical Courses are intended for YOU—and may be yours at Very Moderate Cost.

EASY TERMS FROM 15/- A MONTH

POST THIS COUPON TODAY

To E.M.I. INSTITUTES, Dept. 179X,
 Grove Park Road, London, W.4.

SUBJECTS(S) _____

NAME _____

ADDRESS _____



COURSES WITH PRACTICAL EQUIPMENT INCLUDE:-
 Radio (Elementary and Advanced), Television, Mechanics, Electricity, Chemistry, Photography, Carpentry. Also Draughtsmanship, Commercial Art, Amateur S.W. Radio, Languages, Etc.

E.M.I. INSTITUTES

The only Postal College which is part of a world-wide Industrial Organisation

TC56

KENDALL & MOUSLEY ELECTRONIC ENGINEERS AND LABORATORY EQUIPMENT MANUFACTURERS

18 MELVILLE ROAD · EDGBASTON · BIRMINGHAM · 16

ELSTONE TRANSFORMERS AVAILABLE FROM STOCK

MT/11, 6.3 at 1 amp, and 250 volts at 25 mA, ideal for pre-amp or Electronic Meter	23/-
SR/250 } The ideal service replacement transformer, one supplies 250-0-250 volts at 80 mA, and the other 350-0-350 at the same current, they are three-way mounting, heaters 6.3 tapped at 4 volts, 4a; and 5 volts tapped at 4 volts, 2 amps, price for each type	28/6
MT/A150, a heavy duty type giving 350-0-350 at 150 mA and 5 volts at 3 amps, 6.3 volts at 4 amps	46/6
Smoothing chokes of the same make	
SC/M 15H at 50 mA 300 ohms	6/-
SC/80 20H at 80 mA 600 ohms	14/-
SC/150 20H at 150 mA 300 ohms	20/-
Output transformers. High grade types	
MR/7 handling 7/10 watts and covering ratios from 14/1 to 100/1, both single ended and centre tapped ratios	18/9
MR/15 handling up to 18 watts centre tapped and single ended ratios from 13/1 to 80/1	41/6
R.E.P. coils, Crystal set, 2/6, Dual range 4/-; matched pairs..	8/-
Tuning condensers for crystal receivers	3/6
Mullard OA60 Germanium diodes. The diode for Crystal Receivers	5/-

Books, Transistors and Crystal Diodes, by B. R. Bettridge	5/-
Television Circuit Refinements, by C. H. Banthorpe	5/-
Unit Constructed TV Receivers, by E. N. Bradley	6/-
Radio Control of Models, by G. Sommerhoff, M.A.	5/-
The Oscilloscope Book, by E. N. Bradley	5/-
Practical TV Aerial Manual for Bands I & III, by R. Laidlaw	4/6
TV Fault Finding, by Data Publications	5/-
Radio Control for Model Ships, Boats and Aircraft, by F. C. Judd..	8/6

Packing and postage, 3d. extra.

BE READY for
FM!

Smith's
of
EDGWARE ROAD

can supply all the parts for the
* **DENCO FM FEEDER UNIT** *

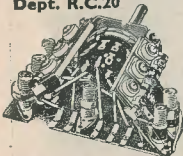
Send 1/6 for DENCO Booklet
containing full constructional
details, also for price list of parts.

H. L. SMITH & CO. LTD
287/9 Edgware Road London W2
Telephone Paddington 5891
Hours 9 till 6 (Thursday 1 o'clock)
Nr. Edgware Road Stations, Metropolitan & Bakerloo

OSMOR

radio
products
limited

418 BRIGHTON RD. SOUTH CROYDON, SURREY
Dept. R.C.20 Telephone CROYdon 5148/9



COILPACKS. A full range
available for Superhet and T.R.F.
Mains or Battery. Size only 1 1/2"
x 3 1/4" x 2 1/4". Ideal for the reliable
construction of new sets, also
for conversion of the 21 RECI-
VER, TR 1196, TYPE 18, WAR-
TIME UTILITY and others.

SEPARATE COILS 4/- each

A full range available for all popular
wavebands and purposes.

★Only 1in. high. ★Packed in
damp-proof containers. ★Vari-
able iron-dust cores. ★Fitted
tags for easy connection. ★Low
loss Polystyrene formers.



I.F.s Standard 465 k/c. Permeability-tuned with
flying leads. Size 1 1/2" x 1 1/2" x 3 1/4". For use with OSMOR
coilpacks and others, 14/6 pair. **MIDGET I.F.s 465**
K/c. 2 1/2" x 2 1/2" x 2 1/2", 21/- pair. **PREALIGNED 1/6 extra.**

FREE Send 5d. (stamps) for fully descrip-
tive literature, including The really
efficient 5 valve Superhet Circuit and
practical Drawings. 6-valve ditto, 3-valve (plus recti-
fier) T.R.F. circuit, Battery portable superhet circuit,
Chassis Cutter, Coil & Coilpack leaflets and full radio &
component lists and interesting Miniature circuits etc.

Our Technical Dept. will be pleased to answer
(by letter only) any enquiry relating to circuits
in which Osmor Coils or Coil Packs are used
or are intended to be used.

ARTHURS HAVE IT!

LONDON'S OLDEST RADIO DEALERS
LARGE VALVE STOCKS

AVOMETERS IN STOCK
Avo Test Meters and Signal Generators
and Taylor Meters
Leak Point One Amplifiers and Tuning
Units.

Chapman Tuning Units.
Crystal and Moving Coil Mics.
Decca Replacement Heads and Pickups.
Goodman's Axiom 1500 Speakers.
Partridge Output Transformers for
Williamson Amplifier.

All Components for the Radio Construc-
tor's 16" Televisor.

Weare & Wright Tappe Deck £35.

LATEST VALVE MANUALS
Mullard, Osram & Brimar No. 4 5/- each
Mazda 2/- each Postage 6d extra

**TELEVISION SETS, WIRE AND TAPE
RECORDERS ALWAYS IN STOCK**
Goods offered subject to price alterations
and being unsold.

Est
1919

Arthurs first

Proprietors: ARTHUR GRAY LTD.
OUR ONLY ADDRESS Gray House
150-52 Charing Cross Road
London, W.C.2.

TEmple Bar 5833/4 and 4765 WRITE FOR LISTS

No Resistance with

ERSIN MULTICORE

SOLDER

One imperfectly soldered
joint can ruin reception and
frustrate hours spent in as-
sembly work. Be sure you
use Ersin Multicore Solder
on all connections in your
equipment. Five cores of
extra-active, non-corrosive
Ersin flux, prevent oxidation,
clean surface oxides and
eliminate 'dry' and H.R.
joints. The Size One Carton
gives you waste-
free, trouble-free
soldering with-
out the need for
extra flux. Get a
carton today —
and ensure
good reception.



SIZE 1 CARTONS 5 - RETAIL

Catalogue Ref. No.	Alloy Tin/Lead	S.W.G.	Appr. Length per carton
C 16014	60/40	14	21 feet
C 16018	60/40	18	55 feet
C 14013	40/60	13	19 feet
C 14016	40/60	16	38 feet

**MULTICORE SOLDERS LTD., MULTICORE WORKS,
HEMEL HEMPSTEAD, HERTS (BOXMOOR 3636).**



**NEW LEARN THE PRACTICAL WAY
COURSES WITH EQUIPMENT**

With many of our courses we supply
actual equipment which is sent upon
enrolment and remains your property.
Courses include: Radio, Television,
Electronics, Draughtsmanship, Carpentry,
Photography, and Commercial Art, etc.

EMI INSTITUTES

The only Postal College which is
part of a world-wide Industrial Organisation.

**POST TODAY FOR OUR BROCHURE ON
THE LATEST METHODS OF HOME
TRAINING FOR OVER 150 CAREERS
& HOBBIES**

PRIVATE & INDIVIDUAL TUITION IN YOUR OWN HOME

City and Guilds Grouped Certificates in Telecommunications: A.M.Brit. I.R.E.
Examinations, Radio Amateur's Licence, Radio and Television Servicing
Certificates, General Radio and Television Courses, Radar, Sound Recording,
etc. Also Courses in all other branches of Engineering and Commerce.

The advantages of E.M.I. training

★ The teaching methods are planned to meet modern
industrial requirements. ★ A tutor is personally
allotted by name to ensure private and individual tuition.
★ Free advice covering all aspects of training is given
to students before and after enrolling with us.

**Courses
from 15/-
per month**

POST THIS COUPON TODAY

Please send without obligation your FREE book.
E.M.I. INSTITUTES, Dept. 179K,
Grove Park Road, London, W.4. Feb.

NAME _____

ADDRESS _____

SUBJECT(S) _____ IC.38

RADIOVISION

4 PRAED STREET
LONDON W2

Telephone AMB 4670

We have a very large selection of
Valves and Spares at the Lowest
Possible Prices

We have a Large Selection of used but
perfect C.R. Tubes. Every Tube carries
a 6 week guarantee. Callers can see picture
on premises.

9"	£4 0 0
12"	£6 0 0
15"	£8 10 0

Post, Packing and Insurance, 10/-

URGENTLY WANTED

**COMMUNICATION RECEIVERS TEST
EQUIPMENT. RADIOS—and TELE-
VISION SETS, TAPE RECORDERS.
Best Prices Given**

Phone or Call

**Frequency
Modulation Tuner**

described in the July and Sept. 1954
issues.

JACKSON BROS. dial and condenser
£1 5 3

Completely drilled chassis 8 0

All coils with S.M. Condensers
and Cans £1 2 6

Complete Set of Parts, including
valves, pair of matched German-
ium crystals and small items such
as nuts and screws £7 2 6

Complete Tuner, assembled and
aligned £10 0 0

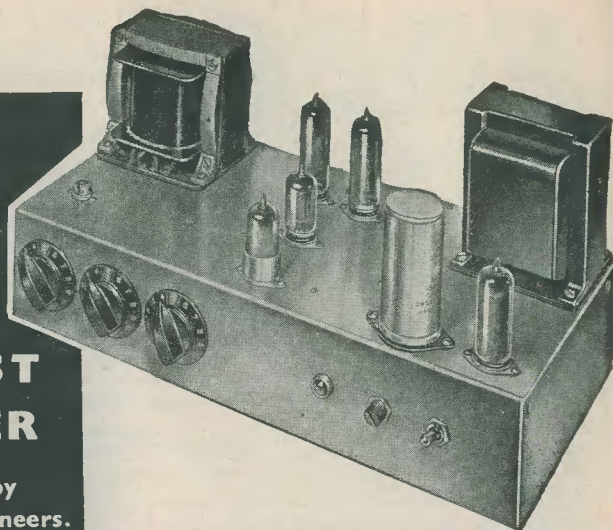
JASON MOTOR COMPANY

328 CRICKLEWOOD LANE
LONDON NW2

**Build this
HIGH
QUALITY
LOW COST
AMPLIFIER**

★ Circuit designed by Mullard research engineers.

★ Specified components available from most radio dealers.



Here's an entirely new amplifier circuit which brings high quality sound reproduction within the reach of thousands more enthusiasts. It has been

designed by Mullard research engineers with special regard for easy construction and low cost. Full details of the circuit are included in the 2s. 6d. book which is obtainable from radio dealers or direct from Mullard Ltd. Valve Sales Department—2s. 10d. post free. Get your copy now.



EASY TO BUILD AT LOW COST	GOOD TRANSIENT RESPONSE	LOW OUTPUT RESISTANCE	LOW HUM AND NOISE
NEGLECTIBLE DISTORTION AT ALL OUTPUT LEVELS	DESIGNED ROUND FIVE MULLARD MASTER VALVES EF86 ECC83 2 x EL84 GZ30 or EZ80		UNIFORM FREQUENCY RESPONSE IN AUDIBLE RANGE



MULLARD LTD., CENTURY HOUSE, SHAFTESBURY AVENUE, LONDON, W.C.2

MVM 308

The Radio Constructor



CONTENTS FOR FEBRUARY

VOL. 8 NO. 7
ANNUAL SUBSCRIPTION 18/-
FEBRUARY 1955

*Editorial and
Advertising Offices*
57 MAIDA VALE LONDON W9

Telephone
CUNNINGHAM 6518

Telegrams
DATABUX, LONDON

Editor
C. W. C. OVERLAND, G2ATV

Advertising Manager
F. A. BALDWIN, AMIPRE

- 392 Suggested Circuits: A Synchrodyne Local Station Receiver, *by G. A. French*
- 395 In Your Workshop, *by J.R.D.*
- 400 Notes on Radio Control, Part IV: Installation in the Model, *by Quench Coil*
- 404 The Paragon Tape Recorder, Part 2: *by J. W. Walker*
- 412 Can Anyone Help?
- 413 Methods of Achieving AGC of the Vision Channel, *by Gordon L. King, A.M.I.P.R.E.*
- 418 Radio Miscellany, *by Centre Tap*
- 420 A Transistor "One-Valver," *by B. H. Jay*
- 424 Query Corner—A Service for Readers
- 426 Now—Illuminated Panel-Signs
- 427 Impressions of America, *by Norman H. Crowhurst*
- 428 Trade Review—The "Litesold" Soldering Instrument
- 429 A Continuously Variable HT Supply, *by J. W. Bagnall*
- 430 The Labgear 2 Metre Converter
- 431 A Nursery Radio, *by S. Field*
- 434 Let's Get Started, 20: Test Equipment, *by A. P. Blackburn*
- 438 A Flexible AF Mixer Design, *by R. V. Coates, B.Sc.*

THE CONTENTS of this magazine are strictly copyright and may not be reproduced without obtaining prior permission from the Editor. Opinions expressed by contributors are not necessarily those of the Editor or proprietors

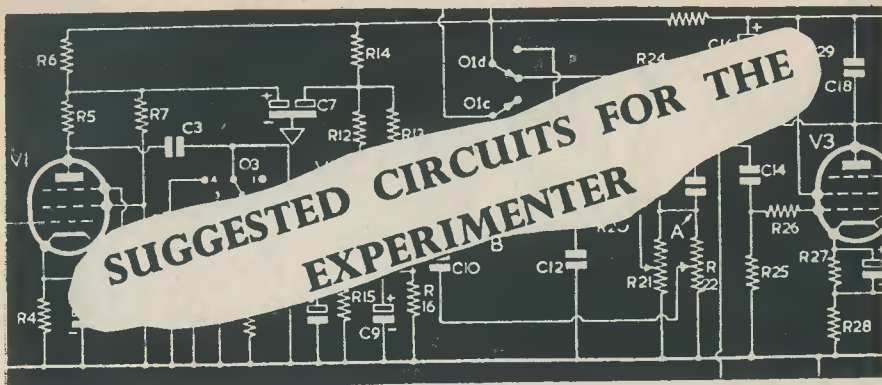
NOTICES

THE EDITOR invites original contributions on construction of radio subjects. All material used will be paid for. Articles should preferably be typewritten, and photographs should be clear and sharp. Diagrams need not be large or perfectly drawn, as our draughtsmen will redraw in most cases, but all relevant information should be included.

All MSS must be accompanied by a stamped addressed envelope for reply or return. Each item must bear the sender's name and address.

TRADE NEWS. Manufacturers, publishers, etc., are invited to submit samples or information of new products for review in this section.

ALL CORRESPONDENCE should be addressed to THE RADIO CONSTRUCTOR, 57 Maida Vale, London, W.9 Telephone CUN. 6518



The circuits presented in this series have been designed by G. A. FRENCH, specially for the enthusiast who needs only the circuit and essential relevant data

No. 51. A SYNCHRODYNE LOCAL STATION RECEIVER

AN ENTIRELY NEW SYSTEM OF RECEIVING and detecting amplitude-modulated signals was introduced in 1947 under the name of the "Synchrodyne." This was developed by Dr. D. G. Tucker who was, at that time, with the British G.P.O. When details of the new system were first published¹ considerable interest was aroused in the technical world; this being due to the revolutionary principles involved and the theoretical possibilities made feasible. Especially of interest in the present context is a subsequent article by "Cathode Ray," this illustrating very clearly the fundamental workings of the circuit.²

Until recently, little further has apparently been heard of the Synchrodyne receiver. However, the circuit has now come into prominence once more; this time in New Zealand, where a technical magazine has revised the circuit and has also published constructional details of a high-fidelity Synchrodyne tuner which can be made at home by the amateur.³ This unit is designed to cover the medium-wave broadcast band under the reception conditions existing in New Zealand.

The Synchrodyne

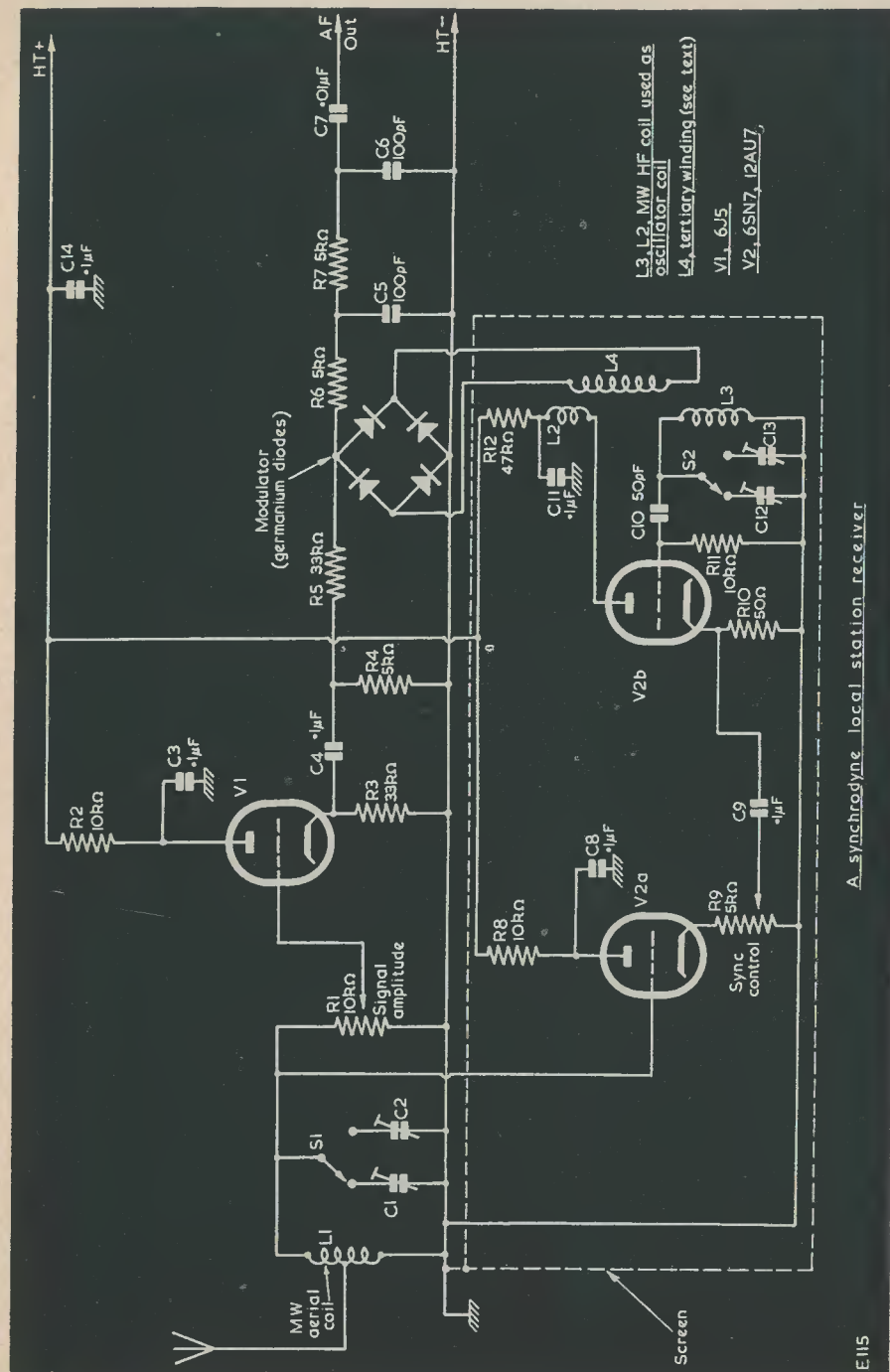
The easiest way of appreciating the working of the Synchrodyne is to consider it from the viewpoint of the conventional superhet. In the superhet, incoming signals are modulated in the frequency-changing stage by a local oscillator, the result of this process being the production of new frequencies. Of these new

frequencies, the most important (so far as the conventional superhet is concerned) is that which is equal to the difference between the frequency of the local oscillator and the frequency of the incoming signal. This "difference frequency" is known as the intermediate frequency and is selected, subsequent to the frequency-changer, by the pre-tuned IF stages in the receiver. Thus, an incoming signal at 2,500 kc/s, if modulated by a local oscillator at 2,000 kc/s, produces an IF at 500 kc/s.

It is obvious that the closer the local oscillator approaches the required signal in frequency, the lower does the "difference frequency" become. If the process is carried to its logical conclusion, at which stage the local oscillator is *exactly* equal to the incoming signal, the resultant "difference frequency" becomes zero.

This is precisely what is done in the Synchrodyne. In this receiver a local oscillator is locked to the carrier of the incoming signal, the two equal frequencies being then fed to a balanced modulator. The resultant output then includes the "difference frequency" (which is zero and is, in consequence, a DC voltage) and the frequency differences between the local oscillator and the sidebands of the carrier, which frequencies are an exact replica of the original AF modulation applied at the transmitter. These difference frequencies may then be applied, as AF, direct to a subsequent AF amplifier.

It will be apparent that the outstanding advantage of the Synchrodyne lies in the fact



A synchrodyne local station receiver

E115

that no tuned circuits are needed, either before or after the frequency-changing stage, to contribute towards the selectivity of the receiver. Indeed, the only selective device is the subsequent AF amplifier itself, whose frequency response governs what side-bands will eventually actuate the loudspeaker. Thus, "sharp selectivity" may be obtained when desired entirely by operation of the amplifier tone controls!

In consequence of these points, the Synchronodyne offers itself as a unique receiver capable of selecting a carrier pass-band whose width can be controlled simply and accurately by AF filters. As such, it may be employed for conditions which require a high degree of selectivity, or which require a high degree of fidelity of reproduction. It appears that the latter is, at present, the most popular application.

(The above description of the Synchronodyne is somewhat simplified and touches only on the major points of its operation. Readers who require more detailed information may care to study the references given at the end of the article.)

The Circuit

This month's circuit illustrates an experimental high-fidelity Synchronodyne tuner which should give useful results on medium waves under the conditions to be expected in many parts of the U.K. It is intended for local station reception only, in areas where signal strength is high. It will require a good outside aerial to ensure sufficient signal pick-up. The writer wishes to emphasise that this is an experimental circuit only, and that resultant performance can in no way be guaranteed.

Considering the circuit itself, it appears to be customary in Synchronodyne receivers to employ one or two stages of RF amplification before the modulator in order to ensure that sufficient RF energy is available for this part of the circuit. Unfortunately, it is essential that such RF stages be perfectly linear in performance, or intermodulation between the required and other signals is likely to take place, with consequent distortion. Because of this, such RF stages as are fitted to Synchronodyne receivers have to be provided with heavy negative feedback loops. As, also, Synchronodyne RF stages are usually required to pass a very wide band of frequencies, the gain provided is not large. In the U.K., where many areas are served at high signal strength, it appears doubtful whether RF stages are worth the added complications. No RF amplification is used in the circuit shown here.

The incoming aerial signal is fed to the tuned circuit L1, C1 (or C2). This tuned circuit is very heavily damped by the potentiometer R1 and, in consequence, passes a very wide band of frequencies around that required.

The proportion of the aerial signal which is tapped off by the slider of R1 is then applied to the grid of the cathode-follower V1, and, thence, to R3 and R4 (effectively in parallel). The voltage across R4 is next applied, via R5, to two arms of the modulator.

At the same time, the voltage appearing across R1 is applied to the grid of a second cathode-follower, V2 (a). A proportion of the output of this valve is then tapped off by R9 and passed to the oscillator V2 (b).

V2 (b) functions as a conventional tuned grid oscillator, the circuit constants of which result in somewhat unstable frequency control. It is, in consequence, easily capable of being synchronised by the voltage injected into its cathode circuit from R9. A tertiary winding on the oscillator coil feeds the oscillator frequency to the two unused arms of the modulator. The oscillatory voltage across the tertiary winding should be approximately 1 volt. The AF output from the modulator is then passed to the RF decoupling circuit R6, R7, C5, C6 and, thence, to the subsequent AF amplifier.

Operation

The operation of the receiver is somewhat complex. For this reason it is recommended that continuously variable tuning be dispensed with; spot frequencies being selected by the switches S1 and S2.

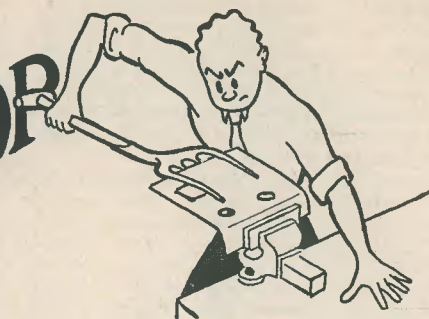
To commence with, the tuning condenser (or trimmer) switched in by S1 should be set approximately to the position required for the station it is desired to receive. R1 should then be set to its maximum and R9 to its minimum position. R10 should next be temporarily short-circuited and the tuning condenser (or trimmer) selected by S2 adjusted until a heterodyne beat note with the required signal is heard. The short-circuit across R10 should then be removed and the sync control R9 advanced until the oscillator locks with the incoming carrier. The final adjustment is that at which the oscillator is just synchronised by R9. All that remains is to finally adjust R1 and the aerial tuning condenser (switched in by S1) for best results. The receiver is then tuned in.

It is possible that, due to the presence of R10, the oscillator will not function in the absence of a synchronising signal, but this need not be essentially a disadvantage. In cases where the optimum sync control position is at the lower end of its travel, a fixed resistor (value between 50 and 500Ω) should be inserted between its slider and C9.

References:

1. *Electronic Engineering*, March 1947.
2. *Wireless World*, August 1948.
3. *Radio and Electrical Review*, September, October, 1954 (P.O. Box 8022, Wellington, N.Z.).

IN YOUR WORKSHOP



In which J. R. D. discusses Problems and Points of Interest based on Letters from Readers and his own experience

READERS OF MY CONTRIBUTION TO LAST month's issue of the *The Radio Constructor* may remember that, in this, I waxed eloquent on the subject of aerial coupling coils and circuitry. Unfortunately, the space available did not allow me to complete the discussion by carrying on to short-wave aerial coupling coils, and so this subject had to be left over until this month.

Serious or Sales-Point?

As most readers will be aware, the short-wave aerial coil systems fitted these days to the average domestic receiver are, to put it mildly, by no means as efficient as they could be. In quite a few cases, indeed, short-wave coil systems are included merely to provide an additional sales-point. Whilst they are obviously bound to work in some sort of fashion, such coil systems offer little attraction to anyone who is interested in serious short-wave listening.

The trouble behind this situation is, of course, the old story of consumer-resistance. In just the same way as many set-owners do not feel that they have had real value for their money unless the output from their receivers contains plenty of over-accentuated bass and "woomph," so also does the average listener consider that no sound receiver (apart from a midget) is worth-while unless it is "all-wave."

Because of this universally held opinion, the manufacturer of a sound receiver is practically compelled to include a short-wave band if he hopes to sell the set at all. At the same time he fully realizes that the set, if used in the United Kingdom, will probably never be switched to the short-wave band from one year's end to the other. He overcomes this problem, on his more inexpensive models at any rate, by fitting the cheapest short-wave

circuits and components he can reasonably expect to get away with; usually settling for an arrangement which provides a high transference of signal power from the aerial system to the grid of the first valve in the receiver, appreciable damping of the aerial tuned circuit, and lack of selectivity with consequently heavy second-channel interference. It is true enough that one can tune in a fair number of distant stations on a receiver fitted with a short-wave range of this type, but one is lucky if the majority of these stations do not suffer from heavy second-channel whistles.

Of course, the above remarks by no means apply to all manufacturers. Some manufacturers, indeed, are particularly well-known for the fact that the short-wave ranges fitted to their sets (including the lowest-priced models) give excellent results; sufficient care having been taken in initial design to ensure that this point is met.

Q and Second-Channel

As occurs on medium and long-waves, one of the greatest difficulties in short-wave aerial coil design consists of reconciling the two opposing requirements of high selectivity and high signal transfer from the aerial system. If the receiver has one or more RF stages the difficulty is reduced considerably, since the more selective circuits may then be those fed by the RF anodes. However, if the receiver has no RF stage at all, as occurs with the conventional superhet, some considerable care in design has to be exercised if good results are to be expected.

In such an instance, probably the best solution consists of incorporating a fairly loose coupling between the aerial and the aerial coil. This course does not essentially

allow the reception of a large number of stations with a picture-rail aerial, but it does enable the more serious listener who is prepared to fit an efficient aerial to take advantage of a signal tuned circuit which is not, in consequence, heavily damped. If made carefully, such a tuned circuit may then have quite a high value of Q and give good second-channel rejection.

We can use this formula to advantage here in the typical case of a superhet employing 465 kc/s IF's; and with which we wish to receive a desired signal at, say, 10 Mc/s (more or less in the middle of the conventional short-wave band) and prevent second-channel interference from a signal on 10.93 Mc/s (twice the IF above). The table accompanying this article gives the voltage ratios obtainable

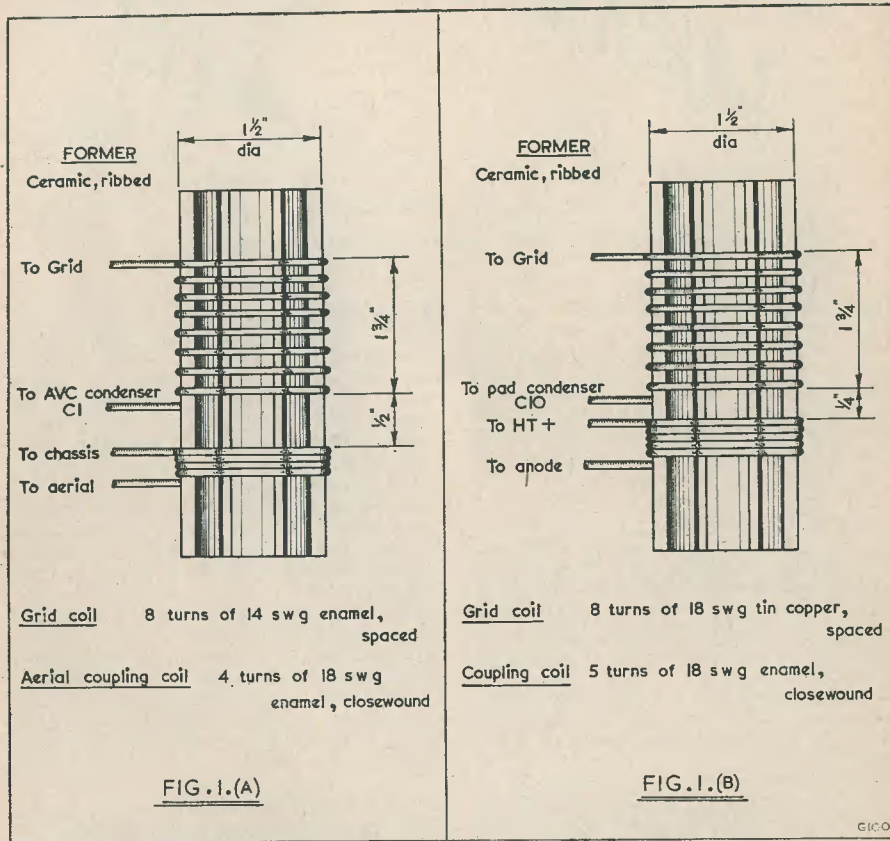


Fig. 1 (a) Short-wave aerial coil designed for high selectivity and freedom from second-channel interference.
(b) An oscillator coil suitable for use with the aerial coil.

It is possible to obtain a reasonable idea of the Q values needed for good second-channel rejection by considering one of the fundamental expressions involving selectivity.¹ This is

$$\frac{A_0}{A} = \sqrt{1 + Q^2 \left(\frac{f}{f_0} - \frac{f_0}{f} \right)^2}$$

where A_0 is the voltage gain at the resonant frequency f_0 , and A the gain at frequency f.

under this set of circumstances for different values of tuned circuit Q.

The figures given in the table are of interest because they give a good guide to what one can expect from one's own home-constructed coils. As is to be expected from the expression, the voltage ratio between required and second-channel signal is nearly proportional to the Q of the tuned circuit. Thus, if we double Q we very nearly double the voltage

ratio between the wanted and unwanted signals.

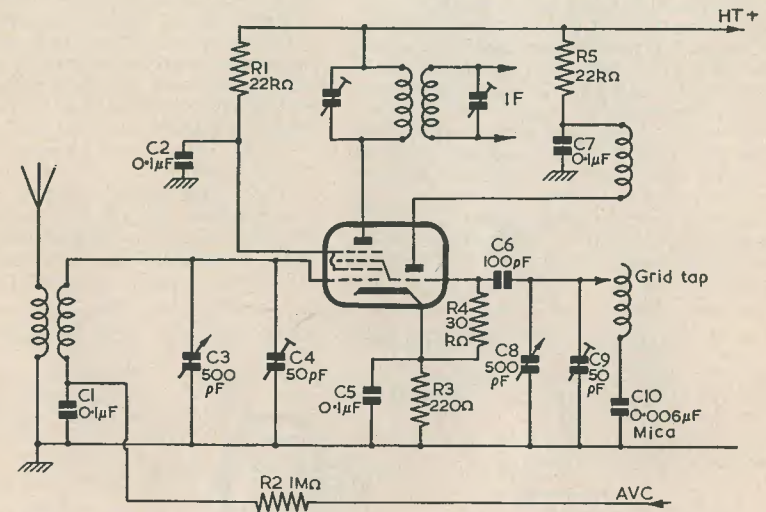
I should imagine that, at this point, one or two readers might be deciding that it is all very well to juggle around with a few figures and show what marvellous results one can get from theoretical examples, but where does all this lead to in practice? Where, for instance, can the home-constructor dig out a short-wave aerial coil whose Q factor is as high as 250, or even 300?

The answer to that question is given in the article which started this coil discussion rolling.² In that article I made a simple coil with 10 turns of 18 swg enamelled wire (diameter $1\frac{1}{4}$ inches, length $1\frac{1}{4}$ inches), and

performance data for commercial communications receivers. One typical well-known American receiver, for instance, has an image rejection ratio that is better than 30 db at all points in its coverage. So if we can possibly get as good an image rejection as this with a single aerial coil we wouldn't be doing too badly at all!

A Practical Example

In practice, however, a performance of this nature might not be too easy to realize. This is due to the fact that, whilst the coil itself can easily be made to have a high value of Q, there is the necessity of having to fit wave-band switching, with consequently long leads



E113

Fig. 2. The circuit in which the two coils were used by J.R.D. The frequency-changer was a 6K8, but this may be replaced by a more modern type, if desired

checked it on a Q-meter. The Q at 400 pF tuning capacity was 235; and at 100 pF, 240. If I had used thicker wire, say 14 swg, I feel certain that I could have brought the Q factor well over the 250 mark. So a high-Q short-wave coil is not so difficult to obtain as may at first sight appear.

Looking at the reverse side of the picture, I also at that time checked a short-wave aerial coil typical of those used in some commercial receivers. Its Q factor never rose above 70 over the entire tuning range!

It is also of interest to check the figures given in the table against those specified in the

and switch contact losses. Nevertheless, by using a good-quality switch and employing a careful layout, it should be possible to keep losses reasonably low. The tuning condenser, if of good manufacture, should introduce few losses.

Fig. 1 (a) gives details of a very simple high-Q short-wave aerial coil suitable for covering 5 to 15 Mc/s with a 500 pF tuning condenser. This is a practicable coil and I can vouch for its efficiency. It is, in fact, a coil I used in a superhet I knocked up during the war and which gave me excellent short-wave reception.

Table showing image rejection ratios against Q of a single aerial tuned circuit at 10 Mc/s (IF=465 kc/s).

Ω	Voltage Ratio	db Difference
50	8.93	19
100	17.8	25
150	26.6	28.5
200	35.5	31
250	44.4	33
300	53.3	34.5

The requisite oscillator coil is illustrated in Fig. 1 (b). This is very similar to the aerial coil, with the exception that the grid coil is wound with thinner, tinned copper, wire. The reason for this choice of wire is that a very high value of Q is not quite so essential for the oscillator coil, and the use of tinned wire enables a tap to be made into it for accurate tracking.

In the particular superhet in which these coils were used, the aerial coil was mounted vertically above the chassis and the oscillator coil horizontally below. There was no switching, the coils being connected directly to the tuning condenser. The circuit of the frequency-changer was quite conventional and is given in Fig. 2.

However, the aerial coil was so selective that, to ensure really perfect tracking, final adjustments had to be made to the tuning condenser end-vanes. This process was carried out by primarily setting the trimmers at the high frequency end of the band to optimum capacity. The tuning condenser was then advanced until the first split section of the end-vanes engaged with the fixed vanes. Working from the indications given by the trimmers, either the signal or the oscillator end-vane was then bent out until the resultant trimmer positions were the same as those required at minimum tuning capacity. The condenser was then advanced until the second end-vane was engaged whereupon the process was repeated. None of the end-vanes needed to be bent through more than a sixteenth of an inch, so the whole procedure was not really as fiddling as it may sound.

The result was a short-wave receiver which was almost entirely free from second-channel interference, and which certainly knocked spots off any commercial four-plus-one in the neighbourhood!

Little Horror

One of the horrors that is occasionally perpetrated in the name of radio came into my workshop the other day for repair. This was a midget superhet in which every conceivable component that could be dispensed

The faults were the sort of thing to be expected from a receiver of this nature after it has been in use for some four or five years: intermittent crackles and instability, hum, and distortion. A further interesting point was given by the fact that it was impossible to turn the volume down completely. At minimum volume settings the output, when the set was tuned to a local station, was still sufficient to be annoyingly loud in a quiet room.

The first few faults were routine. In the miniature oven represented by the receiver the loudspeaker cone material had become hard and brittle, and it was impossible to centre the voice coil accurately. The only cure was a new loudspeaker. The hum was, of course, caused by absence of capacity in the HT electrolytics, these having almost literally been boiled dry! The intermittent crackles and instability were the result of bad design; since the earthing solder tags in the receiver were eyeleted to the chassis, which was made of soft aluminium. It is impossible to ensure a good continual contact when eye-letting to aluminium, owing to the softness of the metal and its readiness to oxidise. The cure for this snag consisted of mounting new solder tags close to the eyeleted tags and bonding them together. The new tags were held by 6-BA nuts and bolts, using shake-proof washers.

All that remained was the fault given by the impossibility of reducing volume to a minimum. However, a little prodding with one of my favourite items of service gear (an 8 μ F, 500 WV, paper condenser fitted with test leads) soon brought the trouble to light.

Fig. 3 shows the circuit employed at the double-diode-triode. This is conventional enough, save that the resistor R1 would have been better at half its value. The fault was caused by the un-bypassed resistor R3; and a 12 μ F 12 WV electrolytic condenser connected across this component soon cleared the trouble. (The bypass condenser had been omitted by the makers). The reason for the trouble was probably due to the fact that, on strong signals, sufficient IF voltage appeared across R3 to overcome the effective delay voltage between grid and cathode, whereupon these two electrodes functioned as a diode and detected the signal. However, I wouldn't like to be too positive about this, since the receiver was so squashed-up on its chassis that stray IF linkages could have occurred at any point around the double-diode-triode. Perhaps one or two readers may have an alternative theory.

References:

1. F. Langford-Smith, Radio Designer's Handbook, 4th edition, p. 412.
2. "In Your Workshop," October 1954.

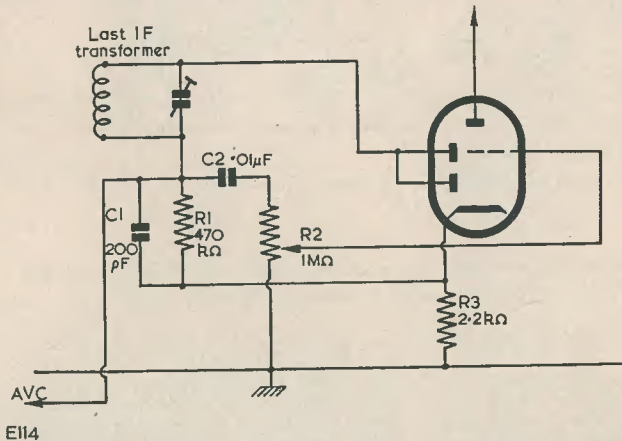


Fig. 3. A commercial second detector stage whose shortcomings are discussed in the text.

Getting the coils lined up was not too difficult, although a signal generator was necessary. The first step consisted of obtaining the correct tap into the oscillator coil for good tracking. The best position was found by trial and error, the optimum spot being that at which both trimmers were set for half-capacity near the low frequency end of the band. The coils then tracked excellently.

with had been omitted by the manufacturer; and which generated a comfortable 75 watts of heat (dropper, heaters, HT current, *et al*) inside a plastic case that fitted without half-an-inch to spare. Three "live" chassis-mounting bolt heads, "insulated" optimistically by rubber recessed washers and projecting from the underside of the cabinet, completed the picture.

BAND III TEST TRANSMISSIONS IN APRIL

Belling and Lee Limited working in close co-operation with the industry and the I.T.A., are to be given permission by the G.P.O. to radiate a 1kW, Band III, Channel 9, vertically-polarised vision signal such as a test pattern.

The signal which is designed to be of assistance to manufacturers and the industry, will be radiated on approx. 194.75 Mc/s from a temporary mast on the I.T.A. site near Croydon. It is expected that transmissions will start about 1st April.

World Radio Handbook, 1955

We apologise to those readers who have ordered copies of this publication from us for the delay in delivery.

This book, which is published in Denmark, was held up in the Customs since before Christmas. Supplies are now available, and all outstanding orders have been despatched.

Radio Amateur Operator's Handbook

We are out of stock of this publication at the moment. The contents are now being completely revised and brought up to date, and printing will commence as soon as this has been completed. An announcement will be made in these pages as soon as supplies are available.

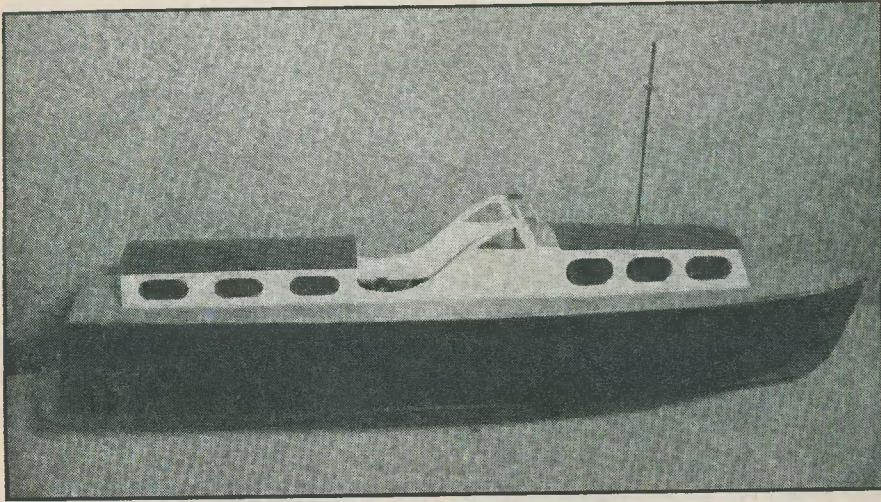
RADIO AMATEUR HONOURED

IT IS WITH GREAT PLEASURE THAT WE record that Ald. John Clarricoats, G6CL, has been appointed an Officer of the Order of the British Empire.

Mr. Clarricoats has recently completed 25 years' service with the Radio Society of Great Britain, of which he is the General Secretary. In this connection, the retiring President, Mr. A. O. Milne, G2MI, presented him with a cheque which had been subscribed to by members of the Society.

A further honour recently bestowed on Mr. Clarricoats was the award of the Society's "Calcutta Key" Trophy for 1954 for outstanding service to the cause of International Friendship through the medium of Amateur Radio.

NOTES ON RADIO CONTROL



4: INSTALLATION IN THE MODEL

By QUENCH COIL

THE INSTALLATION OF THE RADIO CONTROL equipment in the model is one of the most important factors in ensuring a successful model, and a good deal of consideration should be given to it before making a start. Shoddy work will result in poor operation, with the possible loss of the model. No two models are alike, and it will be found that what suits one will not suit another. It is therefore impossible to make hard and fast rules. One can, however, lay down broad principles.

The writer specialises in the construction and operation of radio controlled model ships, and this article will therefore deal mainly with this type of model. All the same, the advice given herein does apply to all types of radio controlled models.

First of all, plan the installation so that every item of equipment can be easily removed for servicing, alterations, etc. The method of fixing should be such as to allow ease of removal—small bolts with terminal tops being used in the writer's case. Connection of leads to the various units should be by plugs and sockets, so that disconnections can be easily made when

units have to be removed. The radio receiver itself should be put in such a position that it will not get wet when the model is at speed in rough water. For this reason, in the writer's model the receiver is fitted in the stern compartment of the boat, small springs being used to sling it from suitably placed hooks screwed into the bulkheads. Group all wires together into the form of a cable which can run along the boat as shown in the photograph and in Fig. 1. The latter also shows a suggested division of the boat into compartments. Wire up with coloured wire, making a note of each wire connection on a small card, which should be kept in the model for future reference.

It is a good plan to fix the various units, batteries, etc., in temporarily to start with, and then check the model for balance in the water. Once the best position for the various items has been ascertained, permanent fixing can be effected. Where wires have to be soldered to soldering tags, it is a good plan to slip a length of sleeving over the wire and tag to prevent bending at the point of connection. Batteries should never be soldered direct to the receiver; small

The title illustration shows a cabin cruiser 36" long. This type of model is ideal for radio control.

- C1 to C5 — Compartments
- B1 to B5 — Bulkheads
- C1 — Steering gear and rudder post
- C2 — Radio receiver and LT battery
- C3 — Switches, HT battery, boat motor relay and gearbox
- C4 — Electric boat motor (6 volts)
Boat motor relay battery (4½ volts)
- C5 — Boat motor battery
- S — Slots cut in bulkheads for cable
(cable not shown in plan)

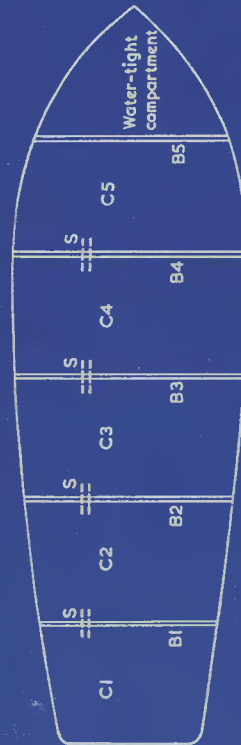
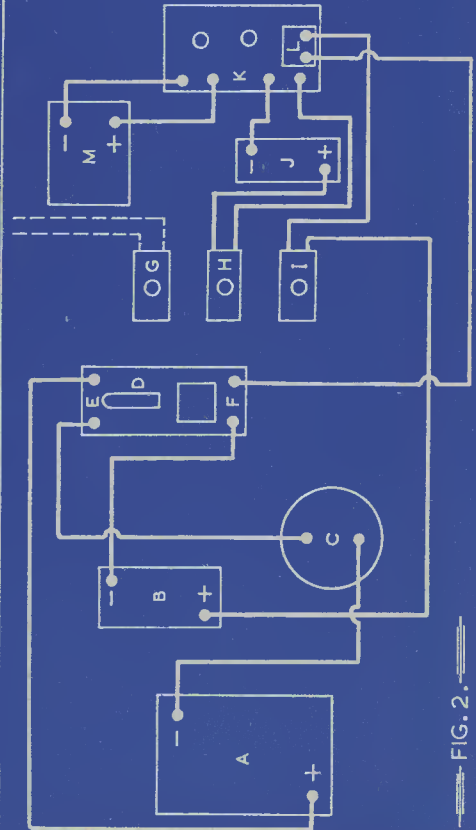


FIG. 1.

- A — Boat motor battery (6 volts)
- B — " " relay battery (4½ volts)
- C — Electric boat motor
- D — Boat motor relay
- E — Motor contacts
- F — Relay coil contacts
- G — Spare switch
- H — LT switch
- J — LT battery
- L — Radio receiver relay
(HT + can be switched)
- I — Relay switch
- K — Receiver
- M — HT battery

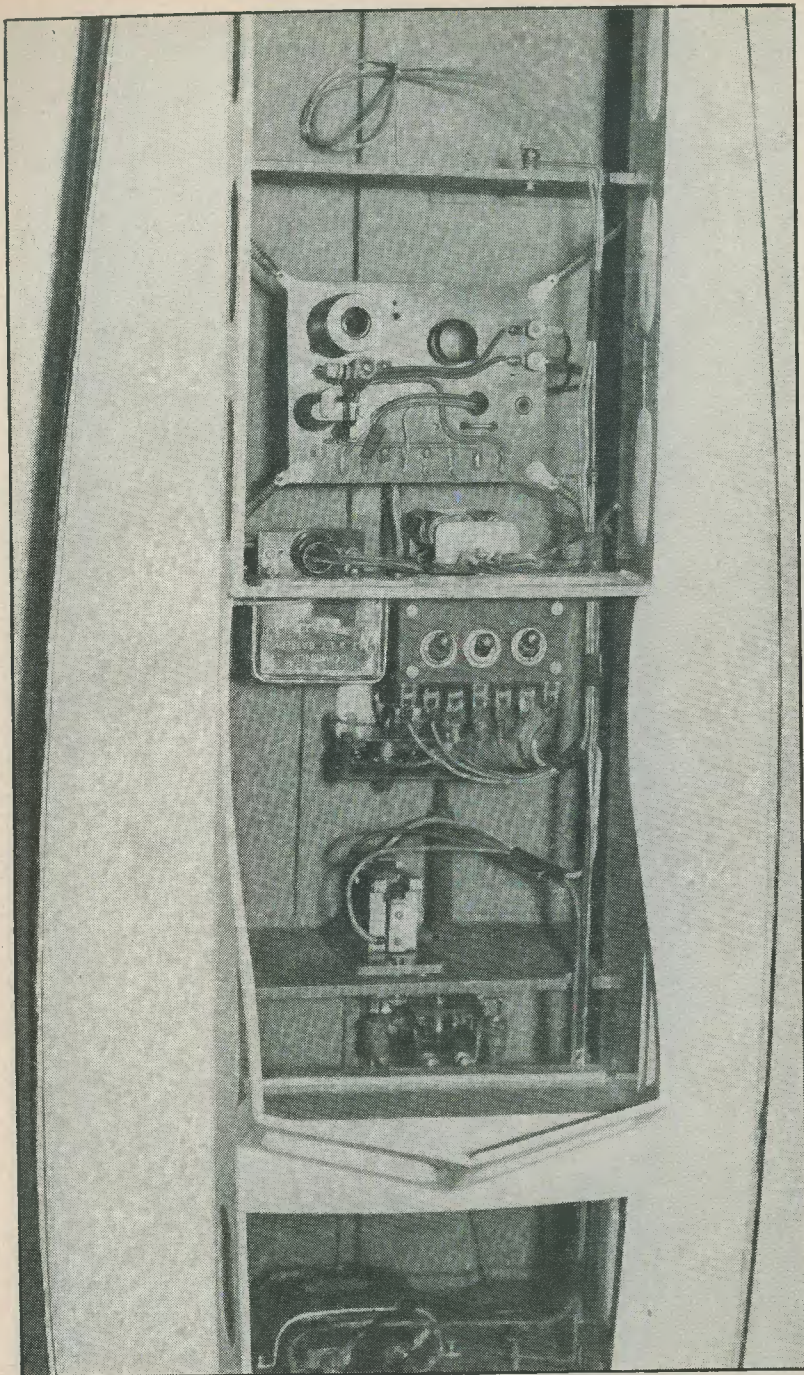
If room and weight will permit, a milliammeter can be wired in the HT + lead permanently, showing the current drawn and indicating if the receiver is operating. This saves much time and the trouble of using odd bits of wire and clips, which is dangerous and a frequent cause of short circuits



WIRING DIAGRAM FOR RADIO CONTROL COMPONENTS

FIG. 2.

6109



Layout in boat, showing left to right: Relay battery; electric motor; motor relay, switches, HT battery, gear-box; LT battery, battery plug, receiver (note suspension springs).

two- or four-pin plugs and sockets should be used. This enables the batteries and receiver to be removed with ease for service, etc. At no time should a temporary hook-up of wires be made, particularly when making test runs on the water. The writer has seen many models stranded through this practice.

Earthing

A small brass plate should be fitted to the hull, at a point which is always under water. To this, a wire from the LT negative is connected. The propulsion motor, rudder control gear, prop. shaft, etc., should also be bonded together and connected to the earthing plate. The propulsion motor should be connected to the prop. shaft by some form of insulated coupling. If the shaft is of the pin and crank type, slip a length of sleeving over the pin, to insulate it. This will avoid an erratic earth connection being formed via the propeller. Similarly, rudder control escapements should be insulated from the metal rudder. Alternatively, earth all metal objects such as rudder, rudder escapement, etc., bonding them together and connecting to the earth plate. It may be well to do this in any case, insulating the motor-prop. shaft coupling, and the rudder shaft-control mechanism coupling as well. This should effectively eliminate the trying erratic interference which frequently occurs through faulty earthing via rudder and propeller.

Electrical Interference Suppression

The propulsion motor should be smoothed by a $0.1\mu\text{F}$ condenser fitted from each brush holder to the frame of the motor. A spark suppressor must be fitted to the radio receiver relay. This should consist of a $0.1\mu\text{F}$ condenser and a 100 ohm resistor in series,

connected across the operating contacts. If a spark ignition engine is used, all wiring for the engine's electrical system must be kept clear of the radio equipment, aerial and battery wires. The ignition battery must not be placed in the same compartment as the radio batteries. If motor-operated servos are used, the motor must be smoothed in the same way as the propulsion motor.

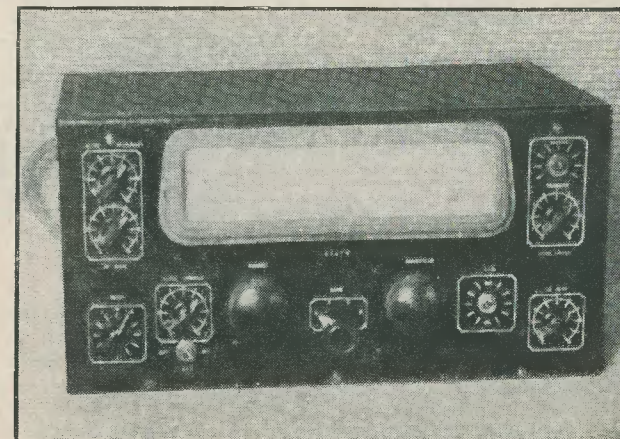
Layout

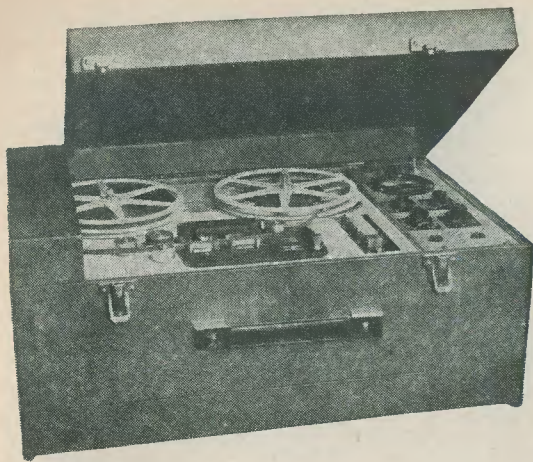
Careful planning and good layout are essential. Many of the types of models advertised have a cabin top and deck which is a fixture when the model is completed, the only access to the interior of the hull being via the cabin roof which is in the form of a lid. It is quite a job to drill holes and fit components after the cabin and deck have been fitted, so all wiring, etc., must be completed before this is done. When planning the layout of the various units, care must be taken to so position them that none of them become inaccessible when the deck and cabin structures are in place. Moreover, they should be so fixed that the balance of the hull is kept right. It is advisable in the first place to make them only a temporary fixture so that adjustments can be made if necessary.

Aerials

Some experimenting will be necessary to obtain the correct aerial length. In the model shown, an aerial 24" long is used, running between the mast head and the flag staff. The aerial should be of silk covered wire and suspended by small insulators. Remember that final adjustments must be made with a full length of aerial on both the receiver and the transmitter.

The purchase of a National cabinet complete with chassis, coil pack, twin gang bandset and bandspread tuning condensers, dial and drives led to the building of this double superhet communications receiver by G2ATV. Ease of handling, as well as appearance, have been greatly improved by the use of Panel-Signs transfers





THE Paragon TAPE RECORDER

PART 2

By J. W. WALKER

Further details of this simple Tape Recorder, which has been designed expressly for the home-constructor

IN LAST MONTH'S ISSUE OF THE *Radio Constructor*, we introduced the Paragon and fully reviewed its circuit. We pass on in this month's article to the constructional details of this simple recorder.

The Cabinet

The prototype recorder was built into a tape recorder cabinet which can be purchased from H. L. Smith & Co. Ltd. of Edgware Road. This cabinet needs some slight modification to enable it to take the Paragon amplifier and Truvox tape-deck, but no high degree of skill in carpentry is needed for the process.

As supplied, the cabinet may be fitted with a panel covering a recess at its left hand side, above the speaker opening. This panel will interfere with the mounting of the Truvox tape-deck, and should be removed.

Running along the inside edge of the front and back of the cabinet are two battens. These battens will comfortably support the weight of the tape-deck motor-board, allowing it to take up a snug fit with its top surface lying flush with the top of the opened cabinet. The motor-board should be positioned such that its left hand edge bears against the left hand inside surface of the cabinet. As a result of this method of mounting, a small part of the motor-board lies below the built-up portion. The photograph above will assist in showing this point.

The two battens taking the weight of the tape-deck do not project sufficiently far into the cabinet to coincide with the four mounting holes drilled by the manufacturer in the motor-board. The motor-board may, therefore, be drilled in several places along its edge, enabling woodscrews to fix it to the battens. Alternatively, four small angle brackets may be fitted inside the cabinet to locate with the existing motor-board holes.

It is possible, with some cabinets, that the two supporting battens do not run to the extreme inside left hand wall. If this is the case, additional battens should be fitted, slightly lower than the existing ones. The reason for this is that, when finished, access to the underside of the motor-board will be obtained by tilting it up by its right hand edge. If there is then no support for the left hand edge the motor-board may slip too far and cause damage.

The speaker is mounted, on a baffle, at the left hand edge of the cabinet also; the baffle

Fig. 3. Details of the baffle board for the loudspeaker

Fig. 4. View of the back of the cabinet, showing the position of the on-off switch and the mains socket. Both are recessed

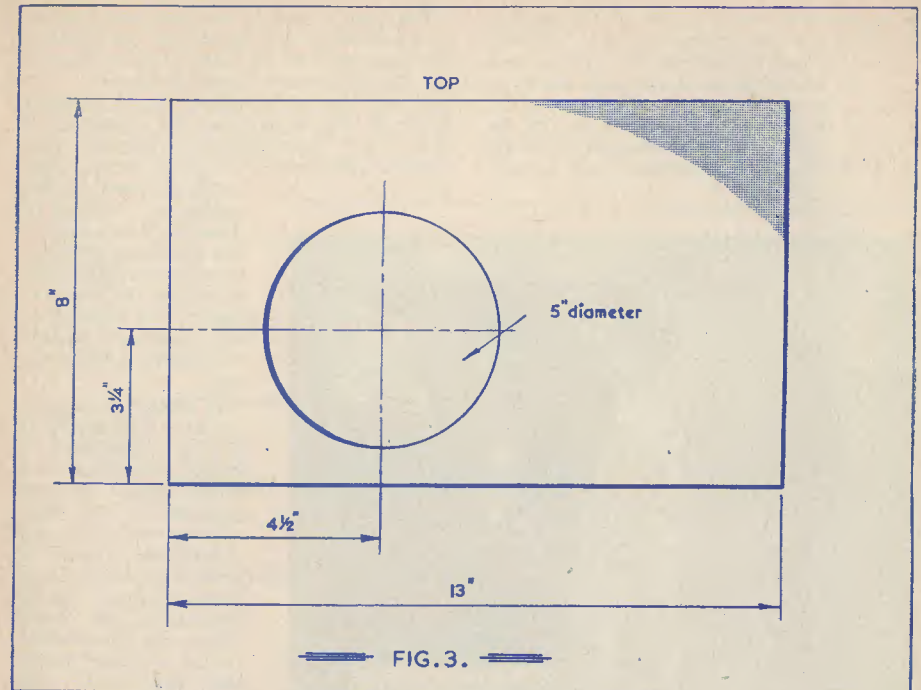


FIG. 3.

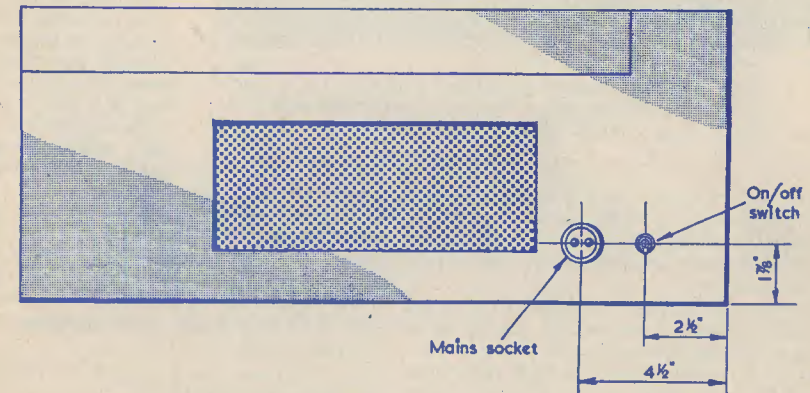
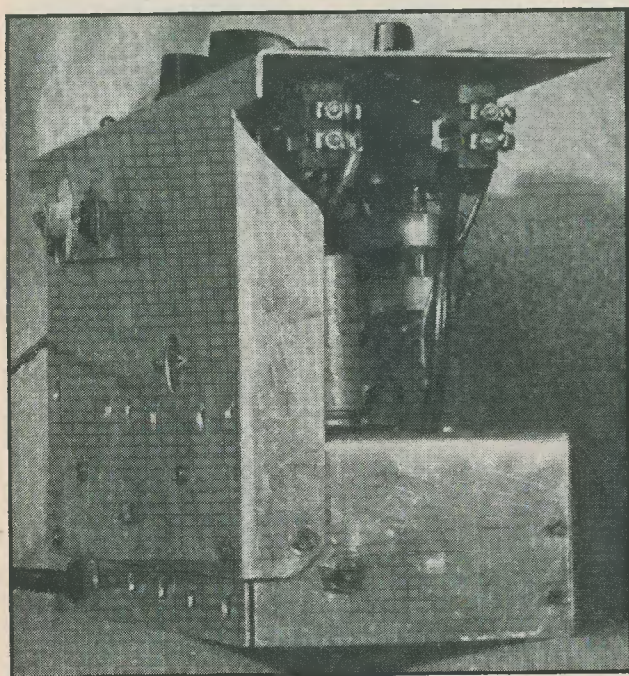


FIG. 4.

being screwed to the inside of the speaker opening. The baffle may be made of three-ply, hardwood, or any similar material, and it should be cut to the dimensions shown in Fig. 3. As may be seen from this diagram, the speaker is off-set towards the front of the cabinet. This position is necessary in order to prevent its fouling the tape-deck motors.



Three-quarter view of finished Chassis.
Note ventilation holes along rear edge, and on side wall level with valve bases

It is recommended that a 6-inch Truvox "Wafer" speaker be used in this position, as the small back projection of this loudspeaker allows adequate clearance from the motors to be obtained.

Before the speaker is mounted, a check should be made to ensure that the top of its frame will clear the underside of the motor-board. To make certain that such a clearance occurs, the bottom of the speaker frame should bear against the inside bottom of the cabinet. Unfortunately, with some cabinets this may still not provide sufficient clearance, and it then becomes necessary to remove a small portion from the motor-board itself to allow for the top of the speaker frame.

The power pack is mounted on a small chassis fitted to the bottom of the cabinet. The position and dimensions of this chassis are discussed later in these articles.

At the back of the cabinet, in the position shown in Fig. 4, is fitted the mains on-off switch, S4. This should be mounted on a recessed sub-panel. Also fitted at this point is a Bulgin female mains connector. Neither of these items should project more than approximately one eighth of an inch from the rear surface of the cabinet, as they are otherwise liable to suffer damage in use.

It should be pointed out at this stage that it is not necessary to mount the switch and mains socket at this position if the constructor wishes to save himself the trouble of drilling the rather large holes required. As an alternative, the on-off switch can be mounted on the amplifier panel; the mains lead being taken out through a grommited hole at its side, thereby allowing it to be coiled up inside the lid when the recorder is not in use. This second method has the disadvantages, however, of adding a further switch to a panel which already has plenty of controls; of introducing mains leads, and possible hum, to the amplifier; and of complicating the wiring between individual parts of the recorder.

The amplifier chassis is mounted to the right of the tape-deck motor-board. There are two raised runners on the inside of the cabinet which may then be used to support

Fig. 5. The first part of the amplifier chassis before bending.

Fig. 6. How the first part of the chassis appears after bending.

Fig. 7. The second part of the chassis before bending.

Fig. 8. The second part after bending.

Fig. 9. How the two parts of the chassis fit together.

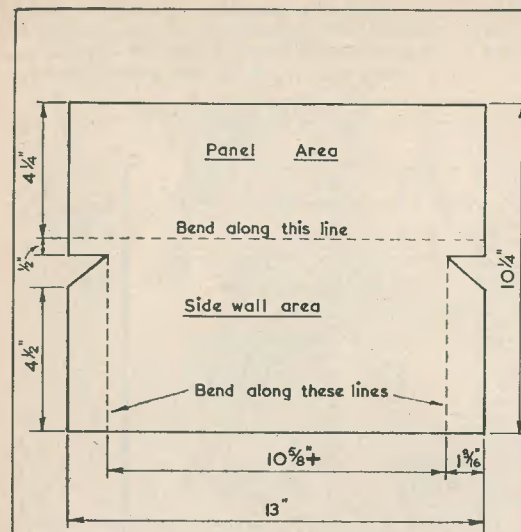


FIG. 5.

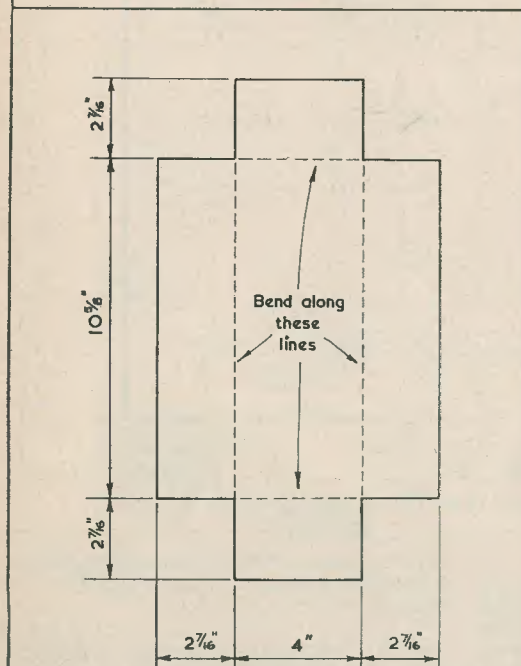


FIG. 7.

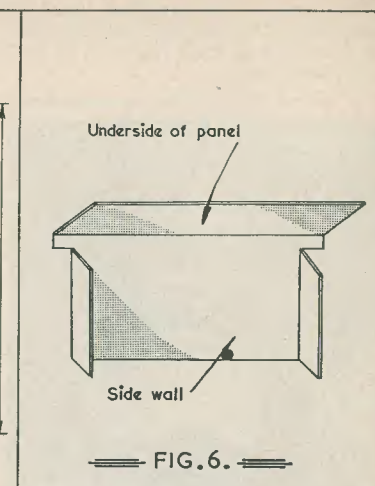


FIG. 6.

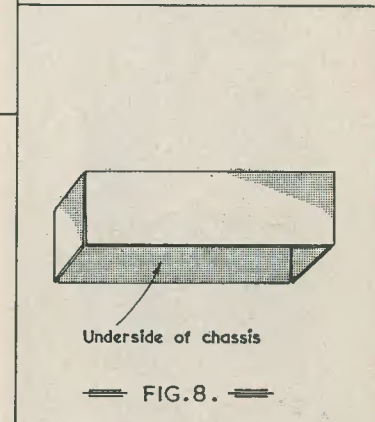


FIG. 8.

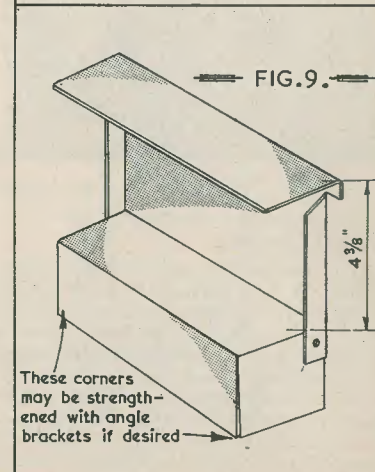


FIG. 9.

amplifier end with metal foil, the foil being connected to the amplifier chassis at any point. An alternative to the foil would be given by close wire mesh or even by several coats of conductive aluminium paint. If the latter is used, an earth contact should be made to it at several points.

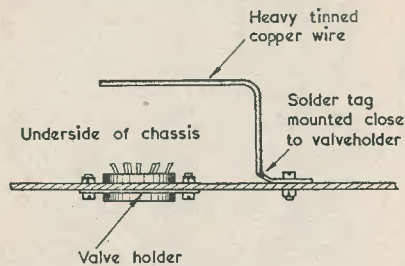


FIG. 14.

Fig. 14. A suitable method of fitting individual earthing bus-bars for each valveholder.

The Amplifier

As may be imagined, the building of the amplifier represents the major part of the constructional work involved in the recorder.

The amplifier chassis is made up in two parts. The dimensions of one section, constituting the panel and side-wall of the amplifier, are shown, before bending and drilling, in Fig. 5. After bending, this section takes up the shape illustrated in Fig. 6. The other part of the amplifier chassis is that on which the main components and valves are mounted. Before bending and drilling, this has the dimensions shown in Fig. 7. After bending it takes up the shape of Fig. 8.

The two parts of the chassis then fit together as illustrated in Fig. 9. To ensure that the whole amplifier assembly is rigid, two bolts are needed at either end (one is shown in Fig. 9). Four more bolts, equally-spaced (not shown in Fig. 9), then secure the side-wall to the longer edge of the bottom chassis. Small angle brackets may be screwed to the insides of the two chassis corners designated in the diagram to provide additional strength, if desired; but they are not essential. The distance between the underside of the panel and the top surface of the bottom chassis should be $4\frac{3}{8}$ inches.

The whole assembly should be made from fairly heavy aluminium sheet; 14 swg would be quite adequate.

The Panel

After cutting out the two sections of the amplifier chassis, the next step consists of

drilling out the panel. Some constructors may, of course, prefer to carry out this operation before bending.

The mounting centres for the various panel controls and jacks are illustrated in Fig. 10. It should be pointed out that the three potentiometers controlled from the front panel are not, themselves, fitted to this part of the assembly but to the chassis underneath. Their spindles, extended, then pass through the panel. To prevent side-play, it is worth while fitted $\frac{1}{4}$ -inch bushes to the holes in the panel through which these extended spindles pass. Suitable bushes may be purchased for this purpose. They may also be available in most workshops by removal from discarded volume controls, etc.

A panel hole for the volume level indicator meter is also shown in Fig. 10. The meter used in the prototype is a standard surplus item which is available from many sources. Nevertheless, the constructor should check for certain that the meter he obtains will fit the panel hole correctly before finally cutting out the hole.

In the prototype, a number of $\frac{1}{4}$ -inch holes were drilled in the panel to allow air circulation to the chassis underneath. These holes are really essential to allow adequate ventilation, since there is otherwise no escape for the considerable heat generated by the valves mounted underneath.

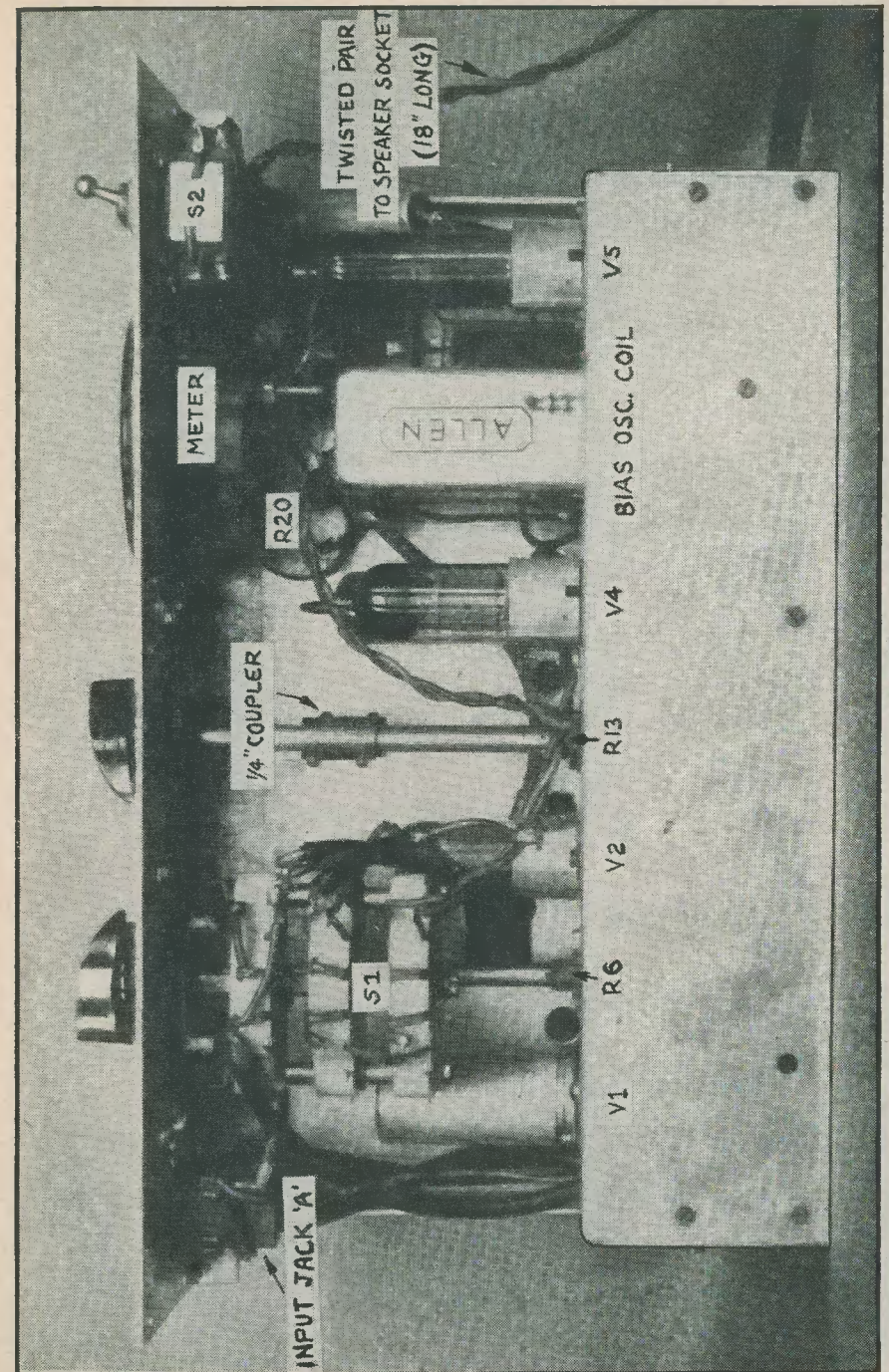
The holes needed for the woodscrews which mount the panel to the battens in the cabinet are not shown in Fig. 10, as the battens may not be standard for different cabinets. Two small holes at either end of the panel (four holes in all), drilled to coincide with the battens, will be adequate for the purposes required here.

Two sockets and a pre-set potentiometer (R 20) are mounted on the side-wall of the top section of the chassis. Their centres are shown in Fig. 11. The sockets are intended for the screened leads from the two tape-deck heads. Miniature screened plugs and sockets were used in the prototype.

The second part of the amplifier chassis holds the valves, speaker transformer, and oscillator coil. Valveholder centres are shown in Fig. 12, together with outlines of the speaker transformer and the can of the oscillator coil. Dimensioned centres for the three potentiometers controlled through the top panel are not shown as, to ensure accuracy, it is simpler to mark these out by using the top panel as a template.

It should be noted at this point that the valveholder for V1 is mounted on grommets

Fig. 15. Side-view showing principal components between the panel and the lower chassis. V3 (behind V4), and the spindle of R12 (behind that of R13) are not shown.



to prevent microphony. Since V1 is fitted with a screening can, it is necessary for the metal-work of this valveholder to be connected to chassis *via* a flexible connecting lead.

Wiring

A complete under-chassis wiring diagram is not practicable in a series of articles of this type. Nor is it really essential, since wiring is quite straightforward and the normal common-sense rules apply. However, it is considered that a layout of the principal under-chassis components would be of assistance, and this is given in Fig. 13. Fig. 13 shows, also, the 4-way power lead which connects to the power pack fitted in the cabinet. This lead is terminated at the power pack by an octal-type plug.

As the chassis is rather deep, and as single-point earth connections are advisable, it is a good plan to provide individual earthing bus-bars at the valveholders of V1, V2 and V5. A simple method of fitting such bus-bars is shown in Fig. 14. The bus-bars should be connected to chassis at one end only, since otherwise, they could form a loop and introduce induced hum into the amplifier.

Fig. 15 shows the main components which appear between the panel and the lower part of the chassis. It should be noted that a twin flexible lead is connected to the contacts of Output Jack C. This flexible lead connects to the loudspeaker and terminates in a plug. The appropriate socket is mounted in the cabinet.

Volume Level Indicator

Since the first issue of the Paragon Tape Recorder went to press, the writer has been informed by component suppliers that 0-1 mA meters for the volume level indicator circuit are becoming rather difficult to obtain.

As readers may be aware, the instrument specified is an ex-Government item and is consequently available at a considerably cheaper price than would be that quoted for a component manufactured directly for sale in the retail market. Fortunately, it is possible to employ a 0-5 mA instrument in place of that originally specified, an arbitrary marking being made, in this case, at the 2.5 mA level. To obtain the increased current through the meter, it will be necessary to reduce R27 to 22 k Ω . If difficulty is experienced in obtaining adequate deflection of the meter, R30 should be reduced also, the new value being 15 k Ω .

The writer trusts that constructors will appreciate that this modification is intended purely to obviate the high cost of a 0-1 mA meter should this be supplied other than from ex-Government sources. The 0-5 mA meter will, of course, be a relatively inexpensive ex-Government component.

Next Month

In next month's article, further constructional details will be given, together with the procedure needed for setting up the completed recorder.

Can Anyone Help?

DEAR SIR,—I have recently acquired a pre-war American "National" short wave receiver which is a three valve job, with separate power pack and eight coils.

Can anyone supply me with the circuit of this model, or any information about it? I am also in need of the circuit of the Radiovision "Expander" unit.

I would be grateful for any information, and will re-imburse anyone for help given. W. Topham, 200 Longfellow Road, Stoke, Coventry.

DEAR SIR,—Have any of your readers any information (data or circuit) on the Air Ministry Channel Checking Receiver type 6A? R. F. Burns, 50 Bickford Road, Fallings Park, Wolverhampton.

DEAR SIR,—I would be grateful for any information on the 22 Set which readers may be able to provide. Alan W. Whitehead, G3EOL, 59 Longroyd Road, Earby, via Colne, Lancs.

DEAR SIR,—I should, once again, like to take advantage of your excellent service. I wonder if anyone has a copy of the circuit of the TR9H, or failing this, a circuit of any of the TR9's? W. A. T. White, Ermine Lodge, Stilton, nr. Peterborough, Northants.

DEAR SIR,—Can anyone help me with circuit details of the Admiralty Responder Unit type W4790, model A? R. G. Williams, 30 Prospect Park, Exeter, Devon.

METHODS OF ACHIEVING AGC OF THE VISION CHANNEL

By GORDON J. KING, A.M.I.P.R.E.

THE GENERAL AIM IN THE DESIGN OF TELEVISION receivers these days would appear to be towards a versatile instrument capable of working successfully in service and fringe areas, possessing facilities for dual-band operation, and embodying refinements that minimise, or eliminate completely, those disturbing trips from the armchair to the receiver contrast control and back again, during the course of a programme.

A recent feature in this respect, and one which has no doubt been stimulated into current receiver design by the prospect of an

of flicking a switch—without the bother of modifying the gain of the receiver to suit.

Here the problem lies in obtaining a negative AGC potential of magnitude that varies in sympathy with the strength of the received signal, and which can be conveyed back to the vision RF and/or IF stages to stabilise automatically the vision signal applied to the picture-tube.

It is well known that an AVC potential for sound receivers is readily derived by extracting part of the RF carrier through a diode to provide a DC bias—dependent on signal

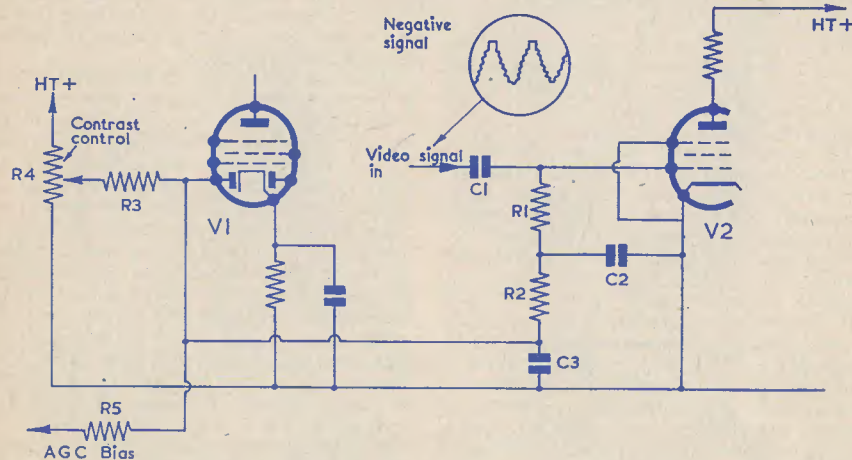


FIG.1. THE FERGUSON METHOD OF AGC OF THE VISION CHANNEL

G87

alternative television programme looming on the horizon, is that of automatic gain control of the vision channel (AGC).

Apart from contesting picture fading and reducing certain effects associated with passing aircraft, this feature will prove of additional value when an alternative television programme is at hand, for never let it be expected that the received signals from the two stations (or more!) will be of equal strength, while the viewer will, of course, desire to change programme by the simple operation

strength—for controlling the gain of the RF and IF valves.

Such practice is not possible with the vision carrier, for it must be remembered that this varies with brightness of the scene being transmitted, and its employment would, therefore, tend to reduce the overall gain of the vision channel with increases in white picture content—a mode of working that would provoke deterioration of the picture contrast and black level, and initiate an undesirable form of white level clamping.

Using the Sync Pulses

One part of the vision signal that remains reasonably constant, irrespective of picture signal content, is the sync pulse. In this respect let us consider for a moment a conventional pentode sync separator circuit, such as that formed by V2 in Fig. 1.

From this it will be seen that a negative-going picture signal from the video amplifier is applied to the control grid of V2 through C1. The signal is, therefore, positive-going on the sync pulses and of sufficient amplitude to draw appreciable grid current.

As a result of this the plate of C1 connected to the control grid becomes negatively charged to a value dependent on the size of the received sync pulses, which in turn is dependent on the strength of the received signal.

As is normal practice, the sync separator pentode is arranged in such a manner that the vision content of the signal is beyond cut-off of the valve, whilst only the tips of the sync pulses drive the valve into grid current. A grid cathode path for the valve—the path necessary for the flow of grid current—is provided through R1, R2, R3, and R4.

We can clearly realise now, then, that a source of AGC potential is readily available from the circuit that draws its energy from the sync pulses, and which is probably more well known as the section that puts the DC component back into the signal.

The circuit at Fig. 1 shows the AGC arrangement used in the current range of Ferguson receivers. As we have already seen, the negative potential due to the sync pulses is developed in the control grid circuit of V2; this is filtered by C2, R2, and C3, and carried through R5 to the control grid of the first vision IF amplifier valve.

It will be observed, however, that the AGC potential is also in connection with the diode anode of V1. This diode simply produces a delay voltage, which is controlled by the contrast control R4. Since R4 constitutes a variable potentiometer across the HT line, a positive potential is thus applied to the diode anode by reason of R3.

This renders the diode conductive, clamping the AGC line to V1 cathode, until the AGC potential over-rides the positive potential at the diode anode, when a negative control bias depending upon the strength of the incoming signal is fed into the AGC line.

Using the Blank Lines which Follow the Framing Signal

Another portion of the vision signal that provides a true indication of received signal strength is the set of blank lines that follow the framing signal. It will be remembered that this no vision signal period (10 to 14 lines) is necessary to allow the frame flyback

to take place and to get the scanning spot into the right position for interlacing before it starts its line scan of the next frame. During this period the vision carrier level falls to black or 30 per cent modulation.

Murphy, Ltd., have made use of this period of the signal for producing an AGC bias accurately dependent on the instantaneous amplitude of the black signal.

How this is performed can be quickly realised by studying the block diagram of Fig. 2. The main problem involved is to connect a reference signal corresponding only to the blank line period from the video amplifier to the AGC rectifier, and ensure that the connection is properly broken during the synchronising and picture period of the signal.

This is done very deftly by interposing a valve in the form of an electronic switch between the video signal and AGC rectifier, and arranging the switch to close only during the blank line period, and remain open during the rest of the vision signal.

The switch is actuated by a pulse derived from the frame flyback, but since this occurs before the blank line period, delaying facilities are provided to ensure that it arrives at the electronic switch at the precise instant of the blank line period.

Referring now to the circuit of this system at Fig. 3, it will be observed that the pulse from the frame timebase is conveyed to V2 through a cascade differentiator comprising C1-R1, and C2-R2. This network has the effect of modifying the form of the pulse so that it represents a distorted sine-wave.

The positive half-cycle of this waveform—that which is initiated by the frame pulse—drives the triode V2 into grid current, which effectively suppresses the corresponding negative pulse reflected into the anode circuit.

The negative half of the waveform—gives rise to a positive flat-topped pulse in the anode circuit of amplitude depending upon the length of the valve's grid base.

This positive square-wave pulse, thus being effectively delayed, appears across R3 precisely at the instant of the blank line period of the vision signal, and is the pulse employed for actuating the electronic switch.

The negative-going picture signal is taken from the video amplifier, through C3, to the grid of triode V1 (a) which is connected as a cathode follower. Since this valve is unbiased, grid current flows through R4 on the positive-going sync pulses, and successfully provides DC restoration.

The picture signal appearing across the cathode load resistor R5 is in direct connection with the cathode of V1 (b), which is also wired as a triode (the anode and screen being strapped). A minimum volts drop

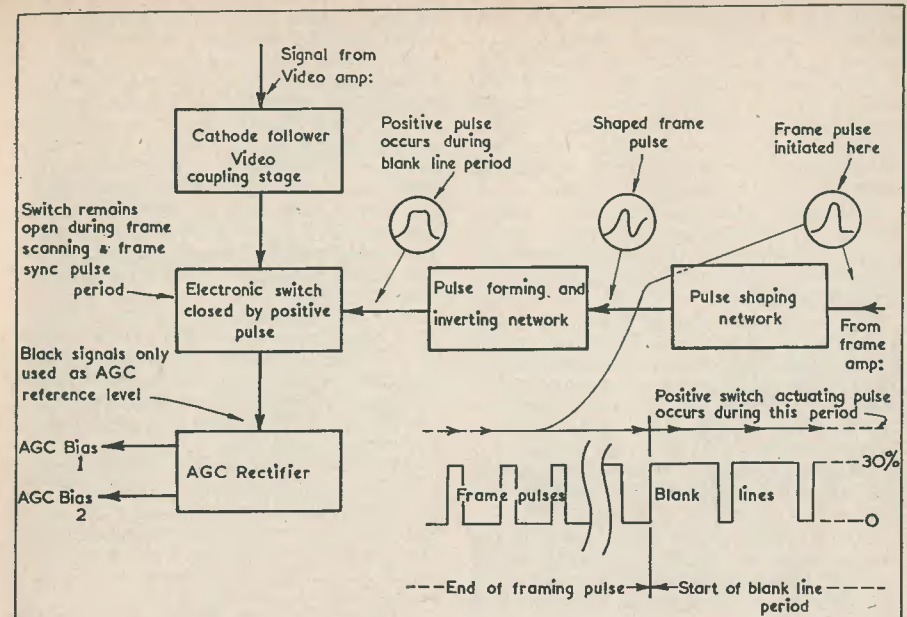


FIG. 2. A BLOCK DIAGRAM ILLUSTRATING THE MURPHY METHOD OF AGC

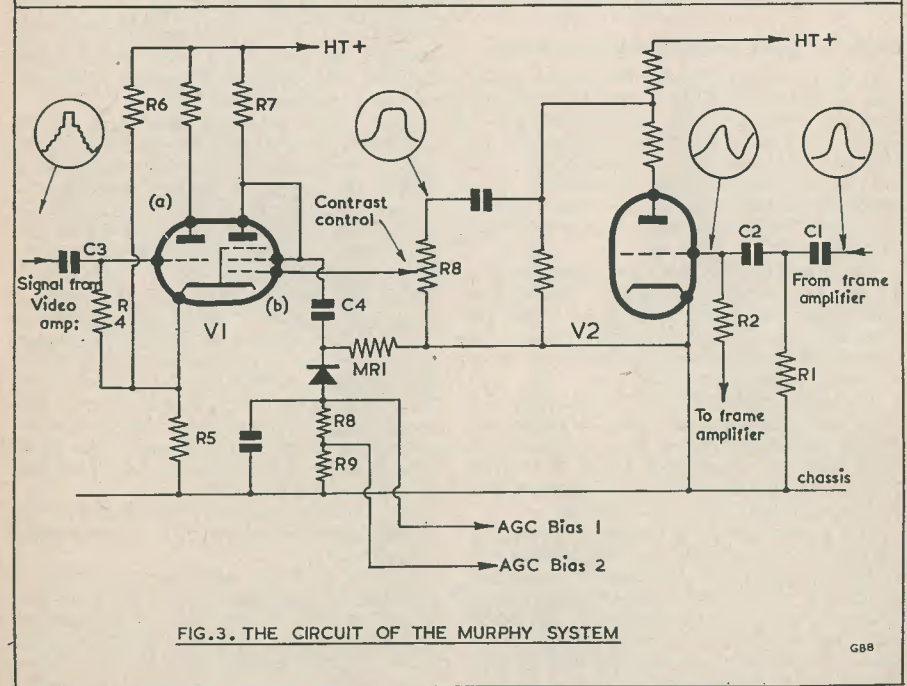


FIG. 3. THE CIRCUIT OF THE MURPHY SYSTEM

across R5 is maintained by the HT connection through R6, so that even when the grid of V1 (a) is driven heavily negative due to peak-white picture content, V1 (b) is still held at cut-off. This minimum potential across R5 is best considered as a negative bias reflected—as is the video signal across R5—into V1 (b) grid circuit by reason of the grid being returned to chassis through R3.

Judiciously chosen component values provide a predetermined potential swing across R5, whilst V1 (b) is held quiescent, irrespective of picture signal content, as we have already seen.

During the blank line period of the vision signal the positive pulse arrives at the grid of V1 (b)—this valve can be considered as the electronic switch—raising it above the cathode potential and rendering the valve conductive. The resulting negative signal pulse at black level appearing across R7 is fed through C4 and rectified by MR1 to form an AGC bias at two different potential levels across R8 and R9.

Clearly, then, if the black level of the received signal varies, the potential across R5 will vary in sympathy, as will also the AGC bias potential fed back to the RF and vision IF amplifier valves.

R3 functions as a manual contrast control by varying the signal level at which V1 (b) begins to conduct.

Using the Back Porch to the Sync Pulses

It will be well known that the picture signal falls to black level (30 per cent modulation) directly before and after a line sync pulse. These black level intervals, or porches, as they are often termed, are necessary to give the receiver circuits time to respond to a sudden and large change in picture signal amplitude that may occur at the start or finish of a line scan.

The porch preceding a sync pulse lasts for 1.5 μ sec, while the back porch, following a sync pulse, has a duration of 6.5 μ sec (it should be noted that these black level interval times have recently been increased from 0.5 μ sec and 5 μ sec respectively).

The Pye system of AGC utilises the 6.5 μ sec black level intervals, since, of course, as during the blank line periods, the signal at these instants is unaffected by picture content and can, therefore, be used as a reference level for evaluation by the AGC rectifier.

The general set-up is clearly illustrated in the block diagram at Fig. 4. Examination will reveal that the basic function is somewhat similar to the Murphy AGC system. An electronic switch is interposed in the video AGC rectifier line, and is arranged to remain open during the synchronising and picture period of the signal, and close—to connect

the video signal to the AGC rectifier—only during the 6.5 μ sec black level intervals.

The switch is this time actuated by a pulse derived from the line output stage during the line flyback. Since the line flyback is initiated by the leading edge of a line sync pulse, however, a pulse delaying network is necessary, and this—consisting of a resistor capacitor combination—is included in series with the line output stage and the electronic switch. The associated circuit constants are arranged to delay the pulses a few microseconds so that they occur precisely at the instant of the black level intervals.

With the basic function of the system in mind, the circuit itself—Fig. 5 (a)—proves very simple to follow. Diode V1 (b) is essentially an electronic switch, which, being influenced by the circuit constants, is held at cut-off (open) throughout the synchronising and picture signal period.

When the negative-going delayed flyback pulse occurs, however, the cathode of V1 (b) is swung much less positive than the anode and the valve immediately conducts (closes). This permits the instantaneous black level magnitude of the video signal to gain connection with the cathode of V2.

Owing to the conduction of V1 (b), the line flyback pulses, also present at the cathode, are restored to the DC value of the black level intervals in the video signal. This creates a composite waveform as shown in Fig. 5 (b). From this it can be seen that the waveform assumes an overall positive potential, the absolute value of which is bound to follow any variation in black signal level.

This signal reference waveform at V2 cathode is reflected into the grid circuit, and appears in the form of a pulse across R1. It should be noted, of course, that V2 also follows the conduction pattern of V1 (b) by reason of the pre-adjusted positive potential at V2 grid, and the fact that V1 (b) and V2 cathodes are strapped.

The signal across R1 is fed, via C1, to the cathode of diode V1 (b) which functions as the AGC rectifier (or detector). This valve, again, is normally held at cut-off in virtue of the positive potential at its cathode. The occurrence of an AGC pulse, however, drives the cathode less positive than the anode, and a potential directly proportional to the actual video strength is developed, in negative sense, across the load resistor R2.

This control potential is smoothed and filtered before being applied to the first vision IF amplifier.

A manual form of contrast control is provided by the potentiometer R3 in the grid circuit of V2. The setting of this control determines the amplitude of the AGC pulse across R1, and consequently the gain of the video channel. [END

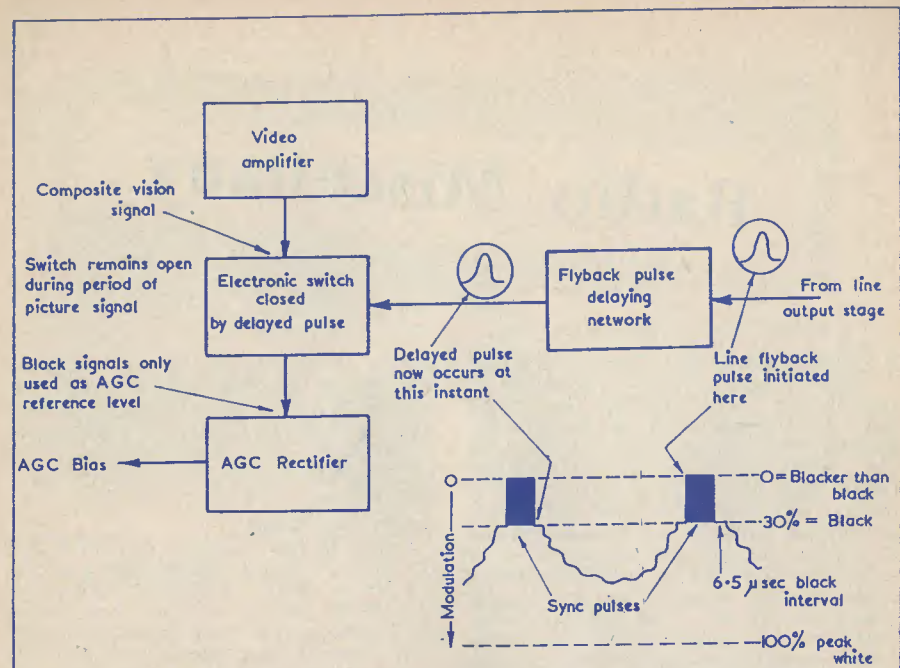


FIG. 4. BLOCK DIAGRAM ILLUSTRATING THE PYE METHOD OF AGC

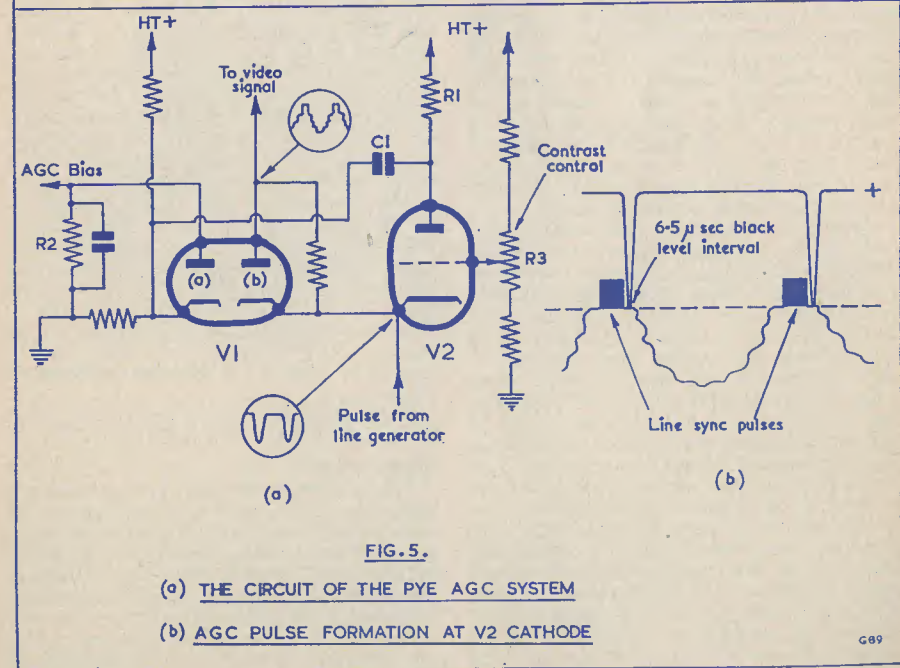


FIG. 5.

(a) THE CIRCUIT OF THE PYE AGC SYSTEM

(b) AGC PULSE FORMATION AT V2 CATHODE

G89

Radio Miscellany

I REMEMBER AS A SMALL LAD OUR MATHS master in giving us our introduction to trigonometry asked how else one could manage to measure heights of hills, distances between mountain peaks, etc., without its use. Eager to prove such a loathsome subject had little practical value, but was merely a form of torture devised by a sadistic educational Authority for the sole purpose of making the otherwise care-free lives of small boys miserable, all sorts of ingenious methods were suggested by my hopeful class-mates. In fact, some of their alternatives seemed so plausible that even today I find myself instinctively groping for some way of finding the answers to sticky problems rather than do it by mathematical calculation! Maybe it is bad psychology to try to induce reluctant schoolboys to take an interest in detestable subjects simply to find out facts about things they are not likely to want to know. I remember I felt it would be far more reliable (and exciting) if, when I wanted to know the height of a steeple, I could shin up it and drop out a plumbline, rather than depend on squaring the hypotenuse and juggling with tricky little sums.

Among the ingenious ways of solving some of the problems he exemplified, several of the lads suggested the use of echoes. Not that there was anything original in that. It had been thought of by our early ancestors and, no doubt, as soon as man learned to sail he used the echoes from the cliff to find out how far he was from the shore when it was dark. That may well have been the first application of the basic idea of radar. Of course, my clever school-fellows never thought of doing it by radio, nor had any adult for that matter, but then there were no cathode ray tubes in those days.

The first use of radio echo-sounding was, I believe, made by Appleton in measuring the height of the Heaviside layer—and thus discovering the Appleton layer in the process. As with radar, they used a short interval pulse and obtained a continuous record on a cathode ray tube of the reflected

signals. It was R. A. Watson-Watt who first proved the possibilities of radar. He used the 50 metre Empire Broadcasting beam from the Daventry Station for the purpose, in February, 1935, when reflections from aircraft were obtained over a range of up to eight miles.

Render Unto Cæsar

I seem to have digressed somewhat, but the train of thought started after watching the recent B.B.C. Television Film series *War in the Air*. I could not help feeling the emphasis is too much on the spectacular side, complete with enough noise and fury to leave the viewers dizzy. Scant attention is given to the Boffins and aircraft designers, although some shots of the uses of "Oboe" and H₂S are included in Part 8. Yet the outcome of the war might have been very different if the Nazis had possessed the lead we held in radar design. Often we feel we have occasion to censure those in authority for tardiness in taking up and developing new ideas, but this, at least, was one occasion when they were way out ahead of the critics.

The existence of the Tizard Committee is almost unknown to the lay mind, despite the credit due to them for guiding and channelising the efforts of the many in the perfection of radar. The lion's share of the credit for its early accomplishments goes to Watson-Watt who staked so much on its success, but I wonder how many of the viewers of *War in the Air* even know of his name.

Come to think of it, I don't know what the initials R. A. stand for, either!

Identification

The success of February, 1935, was only a beginning. To be able to simply detect the presence of an aircraft at eight miles, although a feat of outstanding importance, would be of little value in aerial warfare. By increasing the aerial height greater ranges could easily be secured, but the essential question of distinguishing a hostile plane from one of our own had still to be solved. Nor would

positional accuracy be sufficient for defence against bombing attacks. The height of the attacking force had to be gauged within reasonable limits. Interception aircraft would be helpless if they found themselves a couple of miles below the raiders.

It was also necessary to know the strength of attacking forces in order that our fast interception planes could be used to advantage.

Six months after the first successful test it was possible to "count" up to three aircraft, and results up to forty miles (at sea) were being attained. The problem of distinguishing friend from foe was not solved until a couple of months before the outbreak of war.

Several volumes would be needed to describe how these problems were solved. The development of the cavity Magnetron would also need a book on its own, let alone "Gee" and "Oboe" and other applications. These latter systems, by the way, are not strictly radar. They are based on

political ambitions of one of the Great Powers led to the swallowing up of smaller nations.

At the time of the development of radar there was the menace of Nazism. The screen of secrecy became essential for our own defence. We live today in a world of suspicious distrust, and, at times, barely-concealed aggression. The free exchange of scientific knowledge has now to be tempered with the need for security. Humanity seems already to be centuries behind our technical knowledge.

Snip

Over the Christmas holiday I found myself roped in to help in hoisting an aerial mast. Armed with a heavy pair of cutters I tried to snip the steel cable (used for guying) to suitable lengths but found, as one often does, that it was impossible to get a clean first-time cut. Then someone handed me a cheap, combined wire stripper and cutter and said "Try these." I accepted them

CENTRE TAP

talks about

RADAR AND BOFFINS —
WIRE CUTTERS —
A NEW SCOPE CRT

determining the position from signals sent out by the plane—not by reflections from it.

There are several good radar books, but it is not easy to follow the development in logical sequence. For security reasons much of it was kept secret and only revealed piecemeal. Some of it was so secret that only a few can tell just how it comes into the story, although much on the "secret list" remained there long after everybody knew all about it. Early after the war the Americans released a lot of information weeks before we did, and their technical publications (which have quite a fair European circulation) often contained quite detailed accounts of things that were still hush-hush as far as we were concerned.

Changed Conception

The question of secrecy or the free international exchange of scientific research and discovery has, in recent years, been one of bitter controversy. At first many scientific workers had some doubt as to the extent of the guilt of the early Atom Traitors. There had long been a tradition that the results of all scientific research should be available to all other investigators. Science was held to be international, and the pooling of knowledge made for more rapid progress. This was a grand thing in a peaceful and well-intentioned world, but not when it began to become a one-way traffic and the

rather disdainfully, I'm afraid, half-expecting to see such a light tool buckle up if much force had to be used. To my amazement they went clean through it time after time.

The sequel, of course, is that I have bought a pair of my own. Now I am itching to have a go at some steel cable—only I am afraid of spoiling them!

No Tall Storey

This month I had intended to write about an exchange of views with an American friend who has been here for a few days, breaking his return trip from Europe. Most of it will have to keep for another time, but while he was with me advance details of the Mullard DG16-21 rectangular faced oscilloscope tube came to hand. He was quite fascinated and said he hadn't seen anything like it in the States up to the time he left. The screen size is 5½" by 1½".

For many uses when only a horizontal strip is required it has obvious advantages over the conventional circular ended tube. It saves considerable space, taking only a third of the panel height of the normal type tube—an important factor in test equipment. Moreover, it enables two (or more) to be easily stacked to facilitate direct comparisons.

I'll bet if he finds they have a similar one when he gets home, I shall hear all about it by the next air-mail!

A TRANSISTOR "ONE-VALVER"

By B. H. JAY

INTEREST IN THE APPLICATION OF TRANSISTORS is growing apace. However, the subtleties of transistor circuitry, and the lack of widely disseminated information, has rather restricted the use of transistors among home experimenters. But with transistor production now in full swing, and with prices down to a modest 30/-, it seems an opportune moment to describe the simplest form of "one-valve" transistor receiver. While this is not the most advanced design possible by any means, it does provide a start for those anxious to experiment with transistors. It is clear, in fact, that the transistor has come to stay, and sooner or later the plunge into transistor units must be taken. It is hoped that the little set described will enable this to be undertaken simply, thus providing a start for more ambitious experiments later on.

A sample of the Mullard point transistor type OC51 was chosen for this receiver, as it is very reasonably priced, and moreover a "point" type of transistor is the only one at present on sale that has a good high frequency performance. The OC51 operates in the medium waveband perfectly, and indeed has been used for transmission and reception on somewhat higher frequencies.

An important aspect of designing a transistor receiver is that a specially designed coil is necessary so that the very low impedance of some 250 ohms of the emitter (which corresponds to the grid of a triode valve) may be effectively matched into a high-Q high-impedance tuned circuit. Preliminary experiments with makeshifts showed that a specially designed coil with a tightly coupled step-down winding to correctly match into the emitter circuit was necessary. Fortunately a commercially-wound coil designed especially for transistor circuits is made by the Teletron Co., and was found to give outstanding results. The present transistor receiver was designed around the Teletron coil, and immediately gave excellent results. In fact, in the London area the Home and Light programmes were very

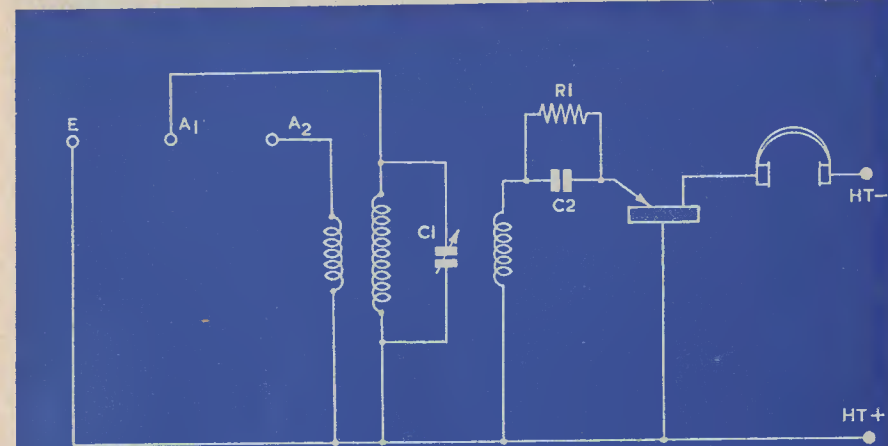
comfortable headphone signals on a few feet of wire, together with an earth connection made to a gaspipe—even with 3 volts of HT! It should be mentioned that earlier, with makeshift coils, some 9 volts were needed before reasonable signals were obtained.

The circuit given in Fig. 1 is intended to be as simple as possible, and works either into high resistance headphones, or into low resistance phones via a step-down transformer. The writer uses a surplus jackplug "Headset adapter MC385D—High to Low Impedance" together with a pair of low impedance phones. The transformer unit plugs directly into a standard jack socket.

The construction adopted was a base of $\frac{1}{4}$ " paxolin $2\frac{1}{4}$ " square as the base plate, with small side panels for the aerial plugs at the back, and the tuning knob and phone jack at the rear. The "HT" leads were taken through a grommited hole at the rear and terminated in wander plugs; the "HT" battery, in fact, being a 9V grid bias battery. At this point it is necessary to warn readers that a reversal of polarity of the battery will immediately destroy the transistor, so the fact that the "collector" (the equivalent of

Parts List

- 2 $\frac{1}{4}$ -inch square Paxolin Base $\frac{1}{4}$ -inch Thick.
- Two strips of Paxolin 2 $\frac{1}{4}$ -inches by 2-inches for side panels.
- Miniature Variable Condenser, see text.
- Miniature Diode Holder.
- One Octal Spring Topcap Clip.
- One Open Circuit Jack Plug.
- One TCC Metalmite .001 μ F.
- One 1.2k Ω Resistor $\frac{1}{4}$ Watt.
- One OC51 Transistor (Mullard).
- One HMX Special Transistor Coil (Teletron) (Or One HLX Teletron Transistor Coil if Long Waves needed).
- One Knob.
- 5Ediswan-Clix Master Wander Plugs.
- 3 Ediswan Clix Master Panel Sockets.
- 6 volt grid bias battery.



C1 = Miniature variable C2 = .001 μ F Metalmite R1 = 1.2k Ω

FIG. 1. CIRCUIT DIAGRAM OF THE SIMPLE RECEIVER

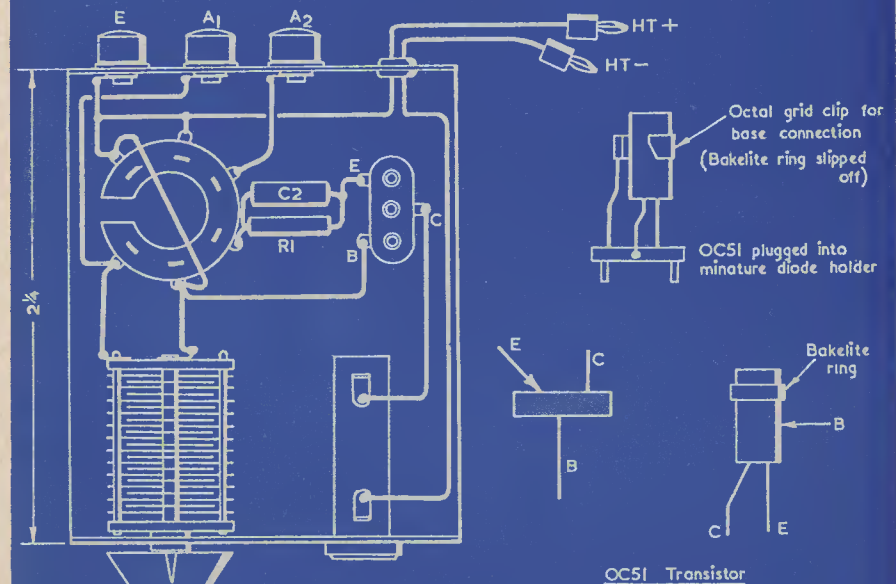


FIG. 2. RECEIVER & TRANSISTOR DETAILS

a valve anode) goes to the NEGATIVE end of the battery must be firmly remembered! Once one is used to the HT line being negative with transistors instead of positive as with valves, then one can proceed without fear of the disastrous destruction of an expensive transistor at the outset!

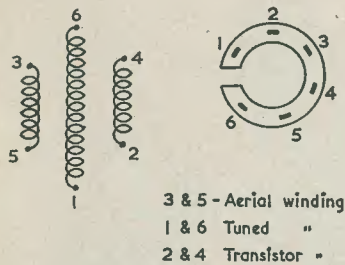


FIG. 3. Connections for Teletron Transistor coils
HMX - Medium waveband
HLX - Long waveband

Providing care is taken to avoid undue strain when inserting the OC51 into the holder, all should be well. No adverse effects have been noted with the present receiver to date, although in the course of experiments the OC51 has been plugged in and out very many times.

Readers owning a miniature 500pF variable condenser may like to use it for tuning in place of the 100pF miniature variable used by the author. The small 100pF condenser was the only small condenser to hand when building, so to make a compact receiver it was used. As shown in Fig. 1, two aerial terminals are provided. One intended for short aerials is taken directly to the tuned winding. Here the capacity will load the tuning, so that both Home and Light programmes can be tuned on the sweep of the 100pF condenser. The iron core of the HMX coil may also be adjusted to enable Home and Light to be tuned with only 100pF. When a large aerial is used, this is connected to the proper aerial winding, and the tuning coil may then be padded up to cover the London Home and Light programmes by an outboard fixed capacity plugged in between the aerial and earth sockets. Alternatively a suitable fixed capacity may be wired across the coil, and this enables a small cheap surplus type of compact variable to be used rather than the expensive miniature condensers of higher capacity. Bakelite dielectric variables could be used, but are somewhat lossy compared with air condensers, and would probably deteriorate the very excellent Q of the Teletron coil. If Droitwich reception is required, the appropriate Teletron Long Wave transistor coil may be used, and this can be padded with fixed capacity if a large variable is not available.

Incidentally, there is at present no "official" holder for the OC51 transistor. In this case a D1 miniature diode holder was used. However, if this is copied, be careful to select one that has loose contacts, so that the OC51 may be inserted without undue force on the two wire contacts. If unduly strained, the points may become shifted with bad results. An octal top cap connector of the spring type, if slightly squeezed to a smaller diameter, makes a convenient clip connection for the shell of the OC51, which is the base connection. A short piece of 23 gauge

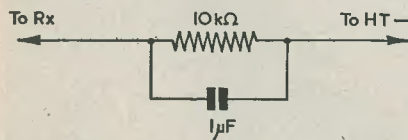


FIG. 4. How a protective resistor may be used in initial tests, or if voltages exceeding 9 volts are used

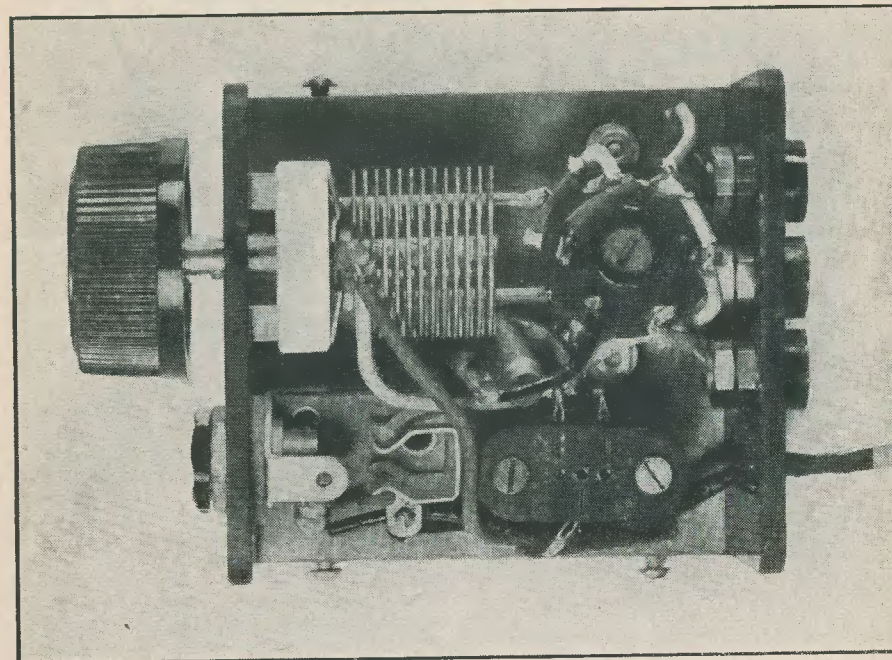
Wiring is so simple that no difficulty should be experienced. However, carefully check that the transistor is properly inserted in the holder, with the collector connection correctly made. Initially use a series resistance of say 4.7kΩ in series with the HT lead, and tune in the local station. After adjusting padding condensers, if used, the 4.7kΩ resistor may be shorted out if no more than about 9 volts HT is used. If more HT, up to say 20 volts, is used, a 10kΩ resistor should be used in series with the negative HT line, and bypassed by a 1μF capacitor. (Fig. 4). This limits the current so that the 50 milliwatt rating of the OC51 is not exceeded.

tinned copper wire from the clip may be tucked into the third contact of the diode holder, so that all circuit connections may be soldered to the diode holders. Soldering to the transistor wires is a dangerous proceeding liable to damage the transistor, so that the use of the diode holder has advantages.

Finally a metal cover plate may be fitted to the receiver after padding values are wired in, and the receiver is complete. In strong signal areas, even 1½ volts is an adequate HT supply for headphone reception. In fact, very feeble reception is possible

with no HT. Up to 9 volts HT, however, gives considerably improved results. Beyond 9 volts no particular improvement was noted, and in fact the hiss level became

the transistor. No special merit is claimed for the circuit, which is about the simplest possible, and in fact the Teletron Coil efficiency is responsible for the results



Plan view of receiver, approximately full size

appreciable, so that 9 volts was the best position under the authors particular conditions. As this is the voltage of cheap grid bias battery units, such is an economical power source, and should last almost indefinitely under the milliampere or so drain of

obtained. More advanced circuits will give higher performance, but these must be left until later. The intention of the present receiver is to serve as an introduction to using transistors with the minimum of complexity.

NEW MULLARD MINIATURE TRIGGER TUBE

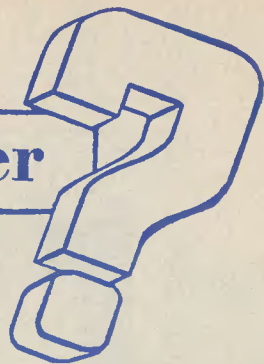
The Z900T is a new Mullard all-glass miniature cold cathode trigger tube on the B7G base. In such tubes, which are gas filled, operation of a positive voltage pulse to a trigger electrode can cause a large current to flow between two main electrodes. Trigger tubes are, therefore, of considerable use for relay operation. They have the advantages over normal thermionic valves that no heater supply is required, nor is any current passed by the tube when not actually operating. Thus running costs are reduced, problems of heat dissipation in large equipments employing many valves are avoided, and, since there is no warm-up time, the equipments remain permanently ready for instantaneous operation.

The Z900T trigger tube, which is the first to be produced in this country on the miniature B7G base, should find applications in welding timers, counting circuits, and a variety of remote control and automatic control circuits. The ability of the tube to operate instantaneously, even after long periods of idleness, is an outstanding advantage in safety devices.

The Z900T may be operated from DC supplies of up to 200V or AC supplies of 115V. AC operation results in automatic tube extinction. The Z900T is directly equivalent to the American 5823.

Query Corner

A Radio Constructor Service
for Readers



Amplifier Noise

I recently constructed a pre-amplifier and tone control unit to be used in conjunction with a push-pull quality amplifier. The pre-amplifier functions very satisfactorily in most respects, but the noise level is very high. Without a signal the noise is heard as a steady hiss. Thinking that the valve, a double triode, might be defective, I removed it and the hiss stopped, but upon substituting a new valve the trouble still persisted. Does this indicate that both valves are faulty, or can the cause of the hiss be elsewhere?

E. Morgan, Cardiff

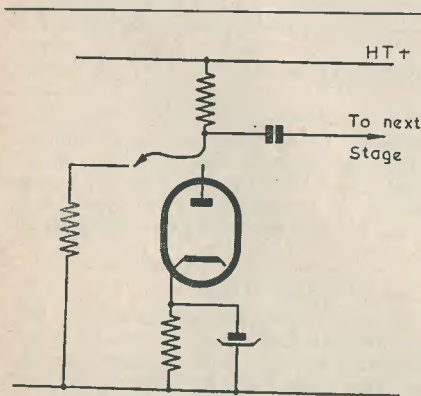


Fig. 1
Replacing a valve with a resistor
when checking for noise

This hissing noise is quite frequently heard from high gain audio amplifiers, and can usually be traced to either a valve or a resistor. In either case the noise usually disappears when the valve is removed. If

the gain of the complete amplifier is such that the input required for full output is above 50 millivolts, which is usually so, then it is most unlikely that the trouble originates in the valve. There is one proviso to this statement. Should the valve be gassy (poor vacuum) it may generate a frying noise; this can be checked by either changing the valve or having the original one tested.

Having dispensed with the valve as a likely cause of noise, we now turn to the resistors in the circuit. Unless the gain of the amplifier is exceptionally high, only current carrying resistors in the signal circuit need be considered. This generally narrows the search down to the anode load resistors of the first or second stage. A resistor produces noise due to the movement of electrons within it. This is termed thermal agitation noise and, as the name implies, its magnitude is dependent upon temperature. Because of this the noise produced by a resistor which is not carrying current can be very small, but when the anode current of the valve flows through it the temperature rises and hence also the noise.

For those who are interested in calculating the noise voltage produced by a resistor, the following formula applies:

$$V = \sqrt{4KTR(f_2 - f_1)}$$

where

$$K = \text{a constant } 1.374 \times 10^{-23}$$

$$T = \text{absolute temperature } (273 + \text{temp. in } ^\circ\text{C})$$

$$R = \text{value of resistor (ohms)}$$

$$f_2 \text{ and } f_1 = \text{the frequency limits of the amplifier or receiver (c/s).}$$

A simple test to determine whether, in fact, the noise does originate in the resistor, and not the valve, may be arranged as shown in Fig. 1. Here a resistor is connected in place of the valve, its value being such

that the anode load resistor passes the same current as it does when the valve is connected. Thus, if with the valve out of circuit the noise persists, it must come from the resistor.

The cures for the noise may be one or more of the following, depending upon its severity.

- Use a higher wattage anode load resistor so that the resistive element can operate at a lower temperature.
- Use a high stability resistor.
- Reduce the current in the resistor so as to reduce its temperature.

EHT Booster

I have recently overhauled my 12-inch television receiver and I would like to still further improve the picture by increasing the EHT voltage applied to the tube. Is there any simple way of obtaining the additional voltage?

N. Mathews, Leeds

There are probably a number of readers who are either modernising television receivers, or perhaps are just replacing the existing tube with a larger one, and who wish to increase the EHT potential. Such an increase in EHT has two very desirable effects; it increases the brightness of the picture and also sharpens the focus. Resulting from the increased highlight brightness the contrast ratio is also improved. There is, however, one disadvantage; the deflection sensitivity of the tube is decreased. The current required in the scanning coils for full scan increases as the square root of the increase in EHT potential, so that for an increase of from 5.0 to 7.0kV the scanning currents must be increased by 12%. Unless an overscan of at least this amount is available, there is little point in increasing the tube potential.

Turning to the methods employed to increase the EHT, the most obvious is the voltage doubler. This has, however, two disadvantages; it normally becomes impossible to fully scan the tube with the existing timebase, and the EHT regulation is seriously impaired. The circuit which has proved most successful gives a gain in voltage of about 40% without any loss of regulation. The circuit of the additional unit is shown in Fig. 2. Quite a large positive-going pulse appears at the anode of the line output valve, and this pulse is rectified and added to the existing EHT potential. Between line pulses the junction of R_1C_1 is at the same potential as the original EHT source. When the positive pulse occurs on the anode of the output valve, the metal rectifier conducts and charges C_2 by an additional 1.5 to 3kV. This booster arrangement is equally

satisfactory when used with either a flyback EHT system or a 50 cycle mains transformer unit. The circuit diagram of Fig. 3 shows the booster added to a typical flyback

Query Corner

RULES

- A nominal fee of 2/6 will be made for each query.
- Queries on any subject relating to technical radio matters will be accepted, though it will not be possible to provide complete circuit diagrams for the more complex receivers, transmitters and the like. Queries relating to ex-W.D. surplus or commercial equipment cannot be accepted.
- Complete circuits of equipment may be submitted to us before construction is commenced. This will ensure that component values are correct, and that the circuit is theoretically sound.
- All queries will receive critical scrutiny and replies will be as comprehensive as possible.
- Correspondence to be addressed to "Query Corner," Radio Constructor, 57 Maida Vale, Paddington, London, W.9.
- A selection of those queries with a more general interest will be reproduced in these pages each month.

EHT supply. The values of the additional components are not particularly critical, and it has been found convenient to employ the following:— $C_1 = C_2 = 0.001 \mu\text{F}$, 6kV working; $R_1 = 2 \times 1\text{M}\Omega$, 1 watt resistors in series. The metal rectifier must be capable of withstanding the additional peak inverse voltage. However, it is most unlikely that this voltage will exceed 3kV, and hence the Westinghouse rectifier type 36EHT40 is suitable.

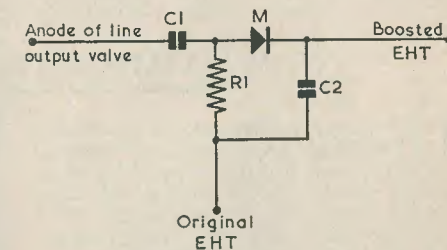


Fig. 2
Complete circuit of EHT booster

Some care is required in the mounting of the booster circuit components, as they are all at high potential. It is most convenient to mount the two capacitors side by side

on a paxolin strip, and support the metal rectifier and resistors from the upper tags on the capacitors. The complete unit is then mounted over or alongside the line

transformer. A clearance of at least 1 inch must be left between points at EHT potential and those at earth potential, in order to avoid corona discharge.

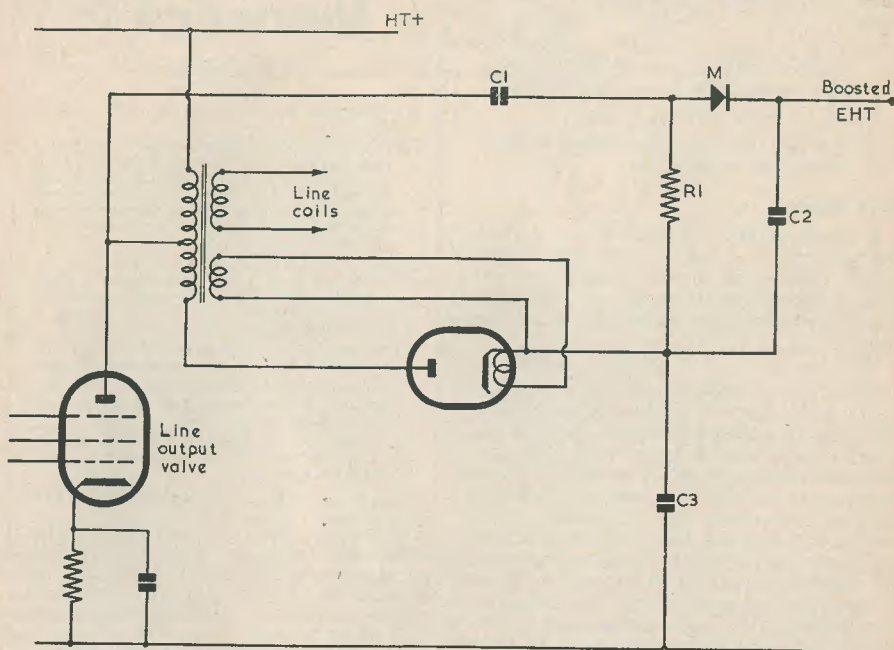


Fig. 3
The booster circuit added to a typical flyback
EHT system.

NOW-ILLUMINATED PANEL SIGNS

THE "RADIO CONSTRUCTOR" PANEL-SIGN TRANSFERS were obviously designed primarily for use on opaque panels of metal, bakelite, wood or plastic. But the ones which comprise large tuning scales printed in black on a white background can be used in another way, as I have recently discovered!

If mounted on glass, perspex, talc, "non-flam" celluloid or other suitable transparent sheet, and fitted with bright dial-lights behind the panel, they form quite good illuminated tuning scales.

As the paint-film which forms the transfers is only moderately translucent, the dial lights should be fairly brilliant and correctly positioned to give maximum illumination if

the idea is to be a success. Polished metal reflectors behind the lights are an improvement.

The gum on the back of the transfers should be moistened lightly and very evenly, to avoid any streaky appearance when dry and illuminated from the rear. If preferred, the transfer can be "sandwiched" between two thin transparent sheets of suitable material; this gives complete durability without the need for varnishing.

Given attention to these points, the illumination should work quite well and will certainly facilitate reading the scale on a set that happens to be in a dim corner of the room or shack.—G3XT.

IMPRESSIONS OF AMERICA

By NORMAN H. CROWHURST A.M.I.E.E.

READERS OF *The Radio Constructor* WILL probably be firstly interested in the difference between radio constructors in America and those back home. The big difference seems to be that the American trend is far more towards the packaging of items of all kinds, so that all the constructor has to do is use a pair of wire cutters (known as "dykes") and a screwdriver, to connect up the various items and produce his own rig. Certainly the meaning of construction seldom, if ever, goes any further than this amongst the American radio constructors, or hams.

Similarly, the American serviceman needs to know surprisingly little about the functioning of radio or television, and some of them seem to manage to stay in business with extraordinarily small working knowledge of the subject. The situation is such that the householder finds it difficult to know where to find a reliable man to call in when the radio or TV fails to perform. The local newspapers have been running a campaign against "gyp" servicemen quite recently. Many of these operate by changing a tube, which usually is the only thing defective, and charging an exorbitant fee for what they call a complete overhaul. In the event that they can't trace the fault, many of these operators advise the customer that the set is beyond repair and he requires a new one. These remarks, of course, do not apply to all radio and TV servicemen in America. There are other honest ones who will do a good job of fault tracing and make an efficient repair for a reasonable charge, but they are not too easy to find.

In the radio and electronic industry there are noticeable differences between American and English practice. The trend in American industry is much more completely toward the development of watertight compartments. In producing new products, even comparatively small organisations operate with distinct divisions between research, development, design, styling or packaging and production. This means that information concerning a new product from the research and development departments, which find

what kind of product is possible, passes over to the design department which is responsible for applying the information obtained to a practicable design. This is worked out in its essential details for performance, and is then passed to the styling or packaging department who are responsible for making the item look presentable to the customer. When these people have finished with it, it is passed to the production people who lay out the new product from the viewpoint of making it easy to mass produce.

This attitude has probably been responsible for the fact that American products cannot compete with the quality of British products, which is particularly noticeable in the field of microphones, pick-up cartridges, and loudspeakers. This fact was interestingly but unintentionally highlighted at a recent session of the Audio Engineering Society at the Audio Fair in New York. A lecturer from one of the prominent radio concerns had described the development of a new type of microphone, explaining the problems involved from the design viewpoint and how these had been met in order to produce a microphone with a satisfactory performance. When question time came, one of the audience asked the question as to how the case of the microphone influenced its performance—whether the grille or housing in front of the diaphragm in any way modified the frequency response. The reply of the lecturer was to the effect that he did not know the answer to this question, since he had only developed the microphone from its performance standpoint. It had then been handed to the styling people who had developed a suitable case for it, and he did not know what influence the case had; but since it was only a case it probably had no effect on the frequency response. Any English microphone designers who read this comment will realise its significance, as it is well known to those who have worked in microphone design as a whole that the partial cavities behind the mesh in the housing in front of the diaphragm can cause quite serious resonances in the frequency response. Undoubtedly the foregoing attitude explains

varied by the control VR1. A metal rectifier MR1 supplies the negative potential across the chain R3, VR1, and R4. When the slider of VR1 is nearest to R3, the grid is held at almost cathode potential and the full output voltage is available; as the slider travels down towards R4 the grid is driven more negative, reducing the output voltage until finally the point is reached when V2 is cut off and the voltage between the cathode and earth is zero.

It is essential that the negative supply be well smoothed, for any AC ripple reaching the grid of V2 would be superimposed on the final DC. With the values shown the ripple content of the output voltage is less than 200 millivolts, which is considered to be adequate for any normal use. The condenser C4 should be a paper type, this being readily available on the surplus market. Also, it should be noted that MR1 is connected in the reverse manner to normal; that is to say, with the red end to the AC line and the black end to C3. If an electrolytic condenser is used in this position, make sure that the positive end is joined to chassis.

As the heater-to-cathode insulation of the KT66 is only 150V, a separate heater winding is needed for V2. The heater and cathode

are joined together to avoid any potential being developed between them.

The resistor R1 is to keep the voltage applied to the metal rectifier from exceeding 230V. The layout is in no way critical, but the use of a meter to monitor the output voltage is advised. The writer is using for this purpose a surplus 5mA movement with a resistor in series to give a reading of 300V full scale.

Component List

R1	47k Ω 1W
R2	47k Ω $\frac{1}{2}$ W
R3	4.7k Ω $\frac{1}{2}$ W
R4	47k Ω 1W
R5	60k Ω 2W
VR1	100k Ω 1W
C1	8 μ F, 450V wkg.
C2	16 μ F 450V wkg.
C3	4 μ F 350V wkg.
C4	2 μ F 250V wkg.
C5	8 μ F 450V wkg.
V1	5V4G
V2	KT66
MR1	230V 30mA
TI	350-0-350V 120mA; 5V, 2A; 6.3V 3A; 6.3V, 1.5A.
Ch1	20H, 60mA.
M	5mA FSD.

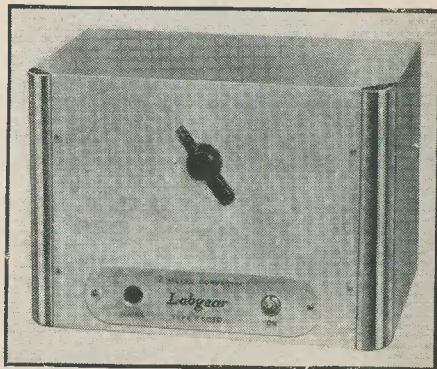
The LABGEAR

2-Metre Converter

THIS ALL-TRIODE CRYSTAL CONTROLLED converter permits a high standard of reception on 144-146 Mc/s, at the minimum of cost. Although only two valves are used, the performance bears a good comparison with more elaborate and expensive converters.

One of the new 6QB7A dual-triodes is used as a combined grounded grid RF stage and mixer. A 12AT7 is employed as crystal oscillator and multiplier. The crystal has a nominal frequency of 11,666.67 kc/s, and twelfth harmonic operation provides an injection frequency of 140.0 Mc/s, which allows the 2-metre band to be covered with a 4.0-6.0 Mc/s tuning range on the main receiver? This is particularly convenient since it allows direct calibration from the receiver dial (144 Mc/s corresponds to 4.0 Mc/s and 146 Mc/s to 6.0 Mc/s), and every normal communications receiver covers the 4.0-6.0 Mc/s band with good performance.

A variable impedance matching network, adjustable from the front panel, has been included so that the output may be correctly matched to the input impedance of virtually any communications receiver. The converter input is arranged for 75 Ω co-ax, but 300 Ω twin lead can be catered for by arranging a half-wavelength section of 75 Ω co-ax as a "balun."



The converter, manufactured by Labgear (Cambridge) Ltd., Willow Place, Cambridge, is made in two styles. The E5030 is supplied complete with power pack for operation on 200-250V 40-60 c/s mains, and is housed in an attractive cabinet. The consumption is 24 watts, and the price £15. The E5030/A is the converter unit only, but complete with valves and crystal, and is sufficiently small to be housed inside the cabinet of many receivers. The supply needed, which can usually be obtained from the receiver, is 200V HT at 20mA, and 6.3V LT at 0.3A. The price of this version is £9 10s.

A NURSERY RADIO

By S. FIELD

IT IS PROBABLY TRUE THAT A GOOD QUALITY TRF receiver is one of the most attractive propositions for the modern home hobbyist who is called upon to construct the domestic radio equipment. It is especially true where a receiver, subsidiary to the main set of the household, is required. The most popular uses of these secondary receivers—if they may be so termed—are as bedside radios, kitchen midgets or even as nursery sets; where the younger members of the family are able to select their own programmes without interfering with the adult listening pleasure. Such a receiver is usually of the TRF type by virtue of the absence of lining-up troubles and the all-important consideration of cost. In any event, a set of this nature could undoubtedly find a niche in the average household.

A well designed and constructed TRF receiver, using modern valves and components of good quality, is quite capable of producing good results both with respect to audio reproduction and selectivity. As with all TRF designs, the aerial has an important bearing on the final outcome and, in this respect, it is worth noting that the prototype receiver about to be discussed was operated on a length of plastic-covered wire some 20 feet in length. It is therefore recommended that a similar length of aerial should be used by the intending constructor if satisfactory results are to be achieved. A good earth connection, preferably direct to ground and not via a water pipe, etc., is also of importance to the final performance. Provided these external considerations are complied with, perfectly good results are obtainable from the design offered here.

Not all constructors will choose to employ a metal cabinet in which to house the completed receiver. Such a cabinet was deliberately used in the present design on the grounds that they are readily available, comparatively cheap, and may be easily painted to conform to almost any colour scheme that is preferred by the distaff side of the household. In addition to the foregoing, the purchaser has a little flexibility in the placing of controls, whereas in most commercial wooden cabinets, one has to conform to those positions already drilled,

not to mention the possible unsuitable finish given to the cabinet by the manufacturer.

The Circuit

The circuit diagram is shown in Fig. 1, and from this it will be seen that it is an AC-operated receiver using the Mullard B8A series of valves. The RF stage consists of an EF41 RF pentode with a potentiometer in the cathode circuit controlling the receiver gain. The EF41 is a variable- μ pentode particularly suitable for this receiver. The slope of this valve, in the absence of any control, is some 2.2mA/V. The entire electrode system is enclosed within a metal shield internally and therefore no external shielding is required. The anode and control grid wires are also screened and the grid-to-anode capacitance is only some 0.002pF. The risk of feedback from anode to control grid is therefore reduced to a minimum. In the RF stage, a conventional arrangement, the component values have been so chosen that the output from the EF41 is sufficient to adequately drive the detector stage without, at the same time, any overloading.

The following portion of the circuit is constructed around the EF42 RF pentode which serves admirably as a detector. The EF42 has a slope of 9mA/V with an anode current of 10mA; the input capacitance is 9.4pF while the output capacitance is only some 4.3pF. Again, the valve is internally screened and all the electrodes are connected to separate pins.

In the circuit diagram it will be noted that the reaction circuit is shown in thicker line than the remainder. The reason for this is that the prototype, operated near London, did not require these connections and therefore they were omitted. Partly due to the layout adopted, it was found in practice that both the Home and the Light programme could be tuned in without difficulty—or the application of regeneration. In other areas further removed from local transmitters, however, it may be found that the inclusion of a reaction circuit is necessary.

The resulting rectified signal from V2 is fed into the output stage via resistance capacitance coupling. In regions where a

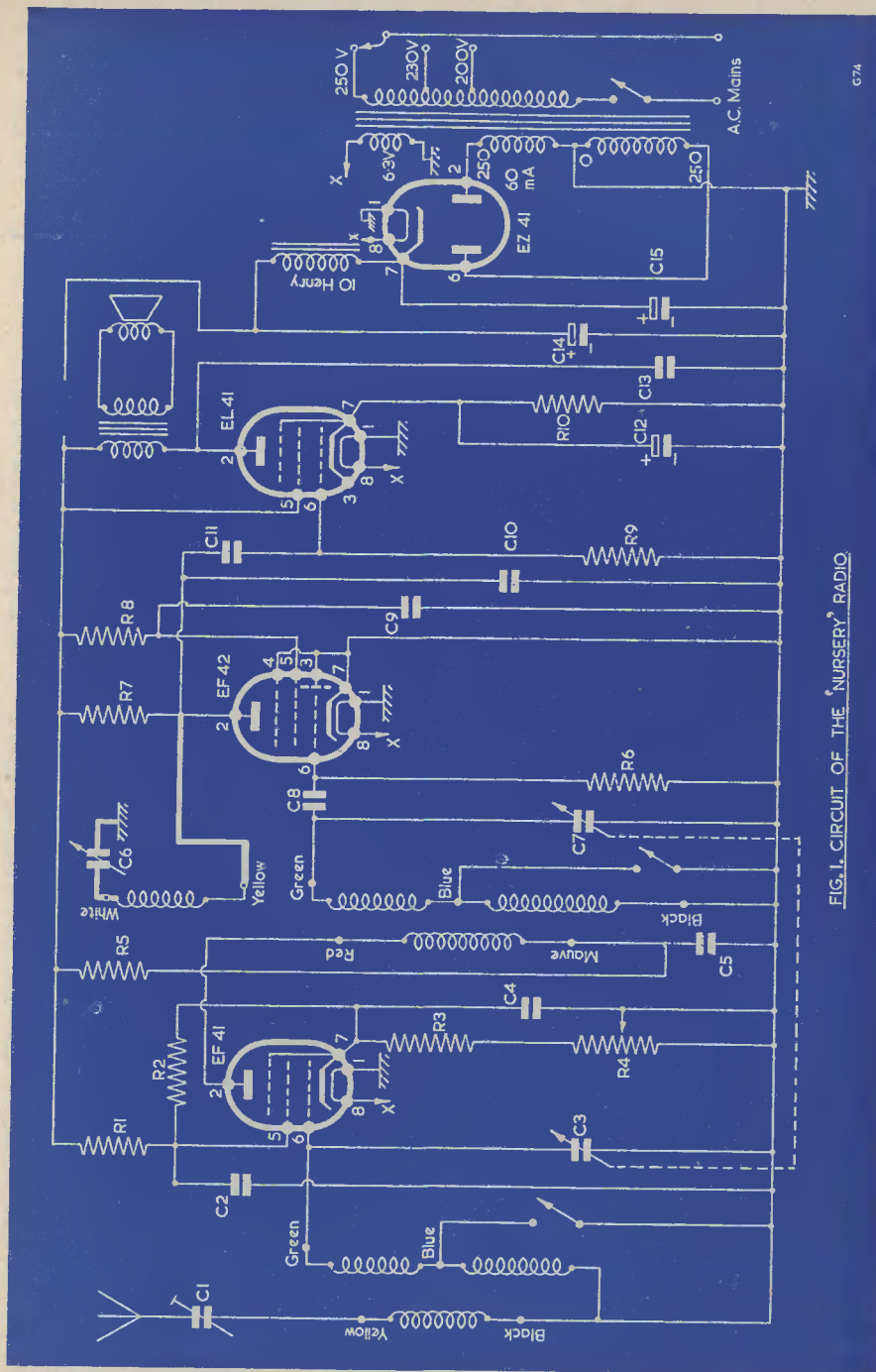


FIG. 1. CIRCUIT OF THE 'NURSERY' RADIO

674

Component List

Set out for easy reference to Fig. 1 on facing page

R1	100k Ω $\frac{1}{2}$ watt
R2	22k Ω $\frac{1}{2}$ watt
R3	270 Ω $\frac{1}{2}$ watt
R4	25k Ω pot.
R5	10k Ω $\frac{1}{2}$ watt
R6	1.5M Ω $\frac{1}{2}$ watt
R7	220k Ω $\frac{1}{2}$ watt
R8	220k Ω $\frac{1}{2}$ watt
R9	330k Ω $\frac{1}{2}$ watt
R10	270 Ω $\frac{1}{2}$ watt
LF Choke	—10 Henry, 60mA
Mains Transformer	—Ellison Type MT162
Coils	—R.E.P. Products, Matched Pair, TRF
Valves	—Mullard EF41, EF42, EL41 and EZ41
Cabinet, Panel and Chassis	—Kendall and Mousley
Speaker	Transformer—Goodmans, Type 74/243.
Speaker	—Miniature 2 $\frac{1}{2}$ ".
C1	250pF Mica
C2	0.1 μ F Tubular TCC
C3, C7	500pF variable, ganged
C4	0.1 μ F Tubular TCC
C5	0.1 μ F Tubular TCC
C6	300pF Mica variable
C8	100pF Mica
C9	0.1 μ F Tubular TCC
C10	500pF TCC
C11	0.01 μ F Tubular TCC
C12	25 μ F, 25v wkg, Electrolytic
C13	0.005 μ F Tubular TCC
C14	32 μ F, 350v wkg, Electrolytic
C15	16 μ F, 350v wkg, Electrolytic

FM COMPETITION

The Radio Constructor is offering prizes of (1) 2 guineas, (2) 1 guinea, and two consolations of 10s 6d to the senders of the most informative report of reception at distances greater than 80 miles from Wrotham. The report should be concise, but should cover the following points:

- (1) Type of aerial (1, 2 or 3 elements), and height.
- (2) Approx. height of location above sea level, if known, or whether the site is shielded by hills from Wrotham.
- (3) Comparison of reception with the local medium wave service.
- (4) Details of FM Tuner or Receiver.
- (5) Details of other equipment in use, e.g. 8-Watt push-pull output with 10" speaker in bass reflex cabinet.
- (6) Reliability of reception, and any other useful information.

ALL REPORTS SHOULD BE SENT TO ARRIVE AT:

"FM Contest," The Radio Constructor, 57 Maida Vale, London, W.9.,
NOT LATER THAN MARCH 10TH, 1955.

very strong signal is apparent, it may be advisable to insert an additional resistor of some 10k Ω as a grid stopper in the output valve. This valve, the EL42, has a maximum output power of 2.8 watts with 225 volts on anode and screen grid. The heater current consumption is very low, only some 200mA, and with this small amount the slope is some 3.2mA/V. The audio output achieved is ample for the average nursery or child's bedroom—or the kitchen for that matter. The output stage has been kept as simple as possible, mainly in the interests of economy, and therefore no additional circuits such as

tone controls, etc., have been incorporated although there is no reason why these should not be included if the constructor so desires.

The power pack includes the EZ41 rectifier which is capable of rectifying current up to 60mA, hence the use of the Ellison type MT162 mains transformer, which is rated at that figure. The maximum AC voltage to be rectified by the EZ41 is 2 \times 250 volts RMS.

The receiver will be found most satisfactory for the purpose for which it was designed. As a secondary domestic receiver its performance is well worth the construction and time expended.

Let's Get Started 20:

TEST EQUIPMENT

By A. P. BLACKBURN

IF RADIO COVERS A WIDE VARIETY OF incidental subjects, the scope of test equipment must naturally be as broad. In fact, probably half the time an enthusiast spends at his bench building receivers, transmitters and similar equipment is given over to the construction of instruments which will enable him to test the performance of that equipment. The reader need only glance through these pages over the last two years to be convinced of that.

But to the beginner, the array of valve voltmeters, signal generators, bridges, and

Generally speaking, test equipment falls into two groups; one is signal sources and the other is the means used to measure all the quantities met with in the receiver itself. For the moment we will concentrate on the first group.

Signal Generators

The purpose of a signal generator is to emulate a radio signal as it is received from a transmitter. In addition, the signal from the generator must be more precise in some respects than an ordinary signal in the aerial.

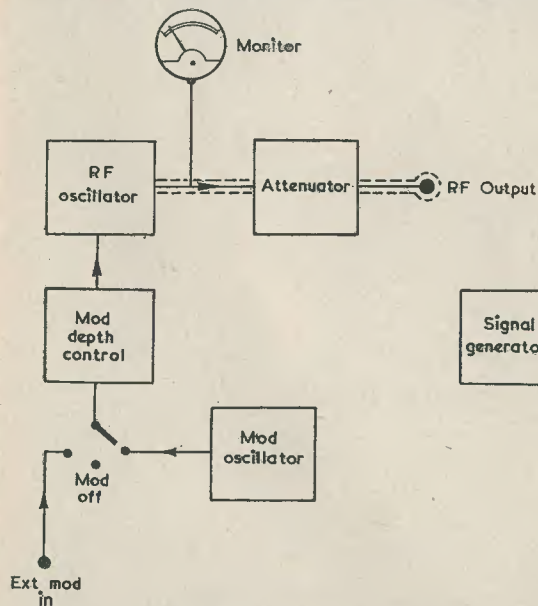


FIG. 1.

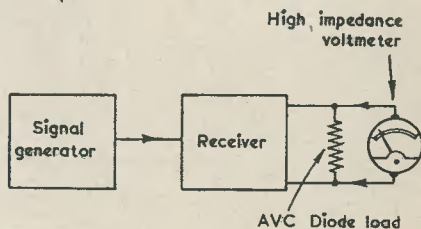


FIG. 2.

G110

so on, can be a formidable and bewildering one. So this month we shall be talking about what these instruments are used for.

The measurement of voltage and current by direct means has already been covered. This month, some of the other techniques used in radio testing are described.

For one thing, as we shall see later, we may wish to know quite accurately the signal voltage. We shall also want to know the frequency, so the instrument must be calibrated. And for overall receiver testing, modulation of the generator RF output must also be incorporated.

A block diagram of a typical signal generator is shown in Fig. 1. Basically, it is a stable RF oscillator, continuously covering all the frequency bands from 100 kc/s to perhaps 50 or 60 Mc/s. The output is fed to an attenuator, which is a device for controlling the output. The control is calibrated, so that the RF voltage being fed to the receiver is accurately known.

Incorporated in the instrument is an audio oscillator which modulates the RF carrier in the same way as a transmitter. Switching is included so that external modulation of a frequency may be fed in if desired. The modulation voltage being fed to the RF oscillator is controllable, so that the depth of modulation may be varied.

In this form the instrument provides a signal of known frequency and amplitude optionally modulated to a known depth at a known frequency. Knowing all this about the signal enables you to measure and estimate just what the receiver is doing with it in terms of gain, distortion, bandwidth, etc.

The basic parts of the circuit need little explanation, particularly as a recent series of

fully described as the wobulator. Before we go into the workings of this instrument, we should discuss the application of an ordinary signal generator.

We can imagine that we want to measure the frequency response of a receiver. One method of proceeding is shown in Fig. 2. The signal generator is connected to the aerial terminal of the receiver and a high impedance DC voltmeter is connected across the AVC diode load. The receiver is tuned to, say, 1 Mc/s.

The input signal is adjusted to such a level that, when it is also 1 Mc/s a reading is obtained upon the voltmeter. Now the signal generator is detuned both ways from 1 Mc/s in, say, 2 kc/s steps. The reading on the voltmeter will change, and these readings are recorded for each frequency setting. The result may be plotted and should look like Fig. 3. As you can imagine, this takes some time, and if the result is unsatisfactory, and adjustments are necessary in the receiver, the whole process may have to be repeated several times. Which is where the wobulator comes into the picture.

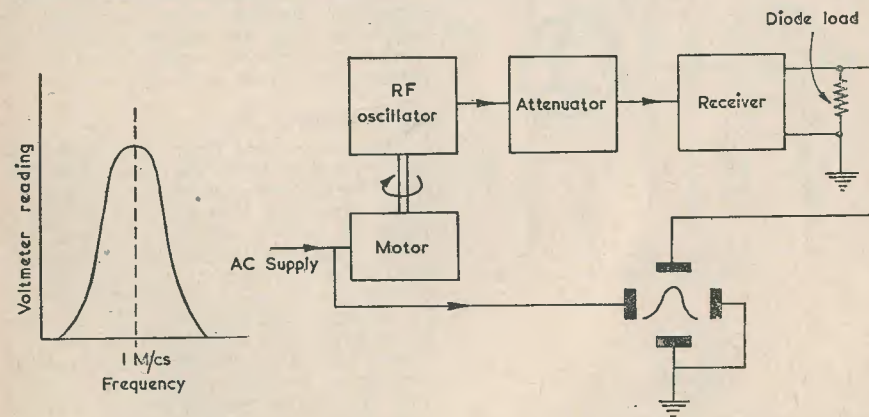


FIG. 3.

FIG. 4.

G111

articles in this publication has dealt thoroughly with signal generator design. The important features are that the RF oscillator needs to be stable in frequency, and calibrated accurately; that the modulation should not introduce frequency modulation, and the modulating oscillator should have a good waveform.

The Wobulator

An interesting variant upon the straightforward signal generator is what is colour-

In this instrument, the frequency is automatically changed at recurrent intervals. The simplest type consists of an ordinary oscillator, but the tuning capacitor is turned continuously by a motor. The frequency will change, therefore, in step. The voltmeter connected across the diode load will now move up and down on the scale, and will therefore mean very little. The remedy is to feed the X plates of a cathode ray tube with the sine wave driving the motor, and the Y plates with the voltage from the diode

load. The X plate voltage produces a straight horizontal line on the CRT screen, and the diode load voltage deflects the trace vertically. The result is a picture on the screen like Fig. 3.

Of course, there are numerous refinements in this type of instrument, which I have not mentioned. One is electronic sweeping, where no motor is required. The basic principles are always the same, however.

The wobulator (sometimes called a swept signal generator) is particularly useful in television work, where accurate and rapid alignment of the various tuned circuits is very important.

A block diagram of a wobulator is shown in Fig. 4. This may help if the description has been too brief.

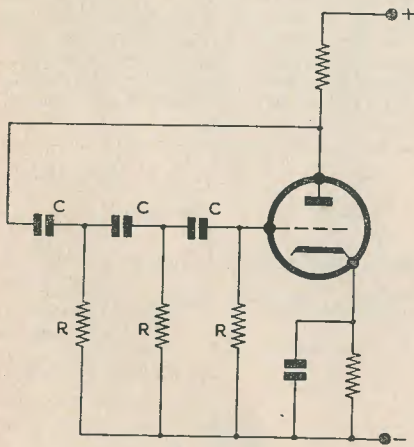


FIG. 5.

G112

Audio Sources

Audio generators serve the same purpose as the RF signal generator, except, of course, in respect of their frequency range. A good audio generator should cover a range of 10 c/s to 20 kc/s. Whereas in the RF generator the tuning circuit consists of an inductance and a variable capacitor, the audio generator is a little more complicated. The reason for this is the size of the L and C required. For example, at 10 c/s with an 0.0005 μ F tuning capacitor the inductance would have to be 500,000 Henrys! We could, of course, get things into proportion by trying a 20 Henry choke, which would require a 12.5 μ F

to tune it. Although this would be a little more practical, it may be rather difficult to find a 12.5 μ F variable capacitor! So it looks like we shall have to discard any ideas of L and C tuned circuits, and use instead one of the other two types of circuits that there are. One is the beat frequency oscillator and the other is the resistance capacity oscillator. The first of these really consists of two oscillators, both working somewhere in the lower RF range, at a frequency of 100 kc/s or so. One oscillator is fixed at this frequency and the other tuned. The two are mixed, or beat, together and the difference frequency is extracted. The principle is the same as frequency changing in a superhet, where signal and local oscillator are mixed and the difference (IF) extracted.

If 100 kc/s is chosen, the variable oscillator will need to tune from 100 kc/s to 120 kc/s to produce an output variable from 0 to 20 kc/s. There are many disadvantages in this circuit. One is that when the two frequencies are nearly the same, the oscillators tend to fall into step. This limits the lowest frequency obtainable. The distortion in the output waveform (which should be perfectly sinusoidal) depends upon each of the oscillators, and the mixing system. For these reasons, the RC oscillator has become increasingly popular in the last few years.

RC Oscillators

These take many forms and depend for their operation upon the phase shift produced by resistance-capacitance circuits.

An elementary type is shown in Fig. 5. Each CR section produces a phase shift of 60°. The total phase shift is, therefore, 180°. The operation is as follows: A disturbance at the grid is shifted through 180° by the valve and amplified. The amplified signal is fed back to the grid and shifted a further 180° in the process. The disturbance arriving at the grid is therefore in phase with the original one, and oscillation will take place. Oscillation is only possible, of course, if the signal reaching the grid is larger than the initial signal, i.e., that the valve has a greater gain than the RC networks have attenuation.

A three stage RC network of this type has an attenuation of 29 at the operating frequency. The values of R and C may be calculated from:

$$f = \frac{1}{\sqrt{6\pi RC}} \quad \text{where R is in } \Omega; \text{ and C is in } \mu\text{F}; \\ f \text{ is in c/s.}$$

In a previous article on Phase Shift, it was pointed out that the phase shift in an RC circuit varied with frequency. There is, therefore, a particular frequency which

produces a 60° phase shift in each of our networks. The result is that the phase conditions for oscillation are only correct at this particular frequency.

The disadvantage with this type of phase shift oscillator is that, in order to vary the frequency, three resistors (or three capacitors) have to be varied in step, that is, ganged together. This is rather unwieldy, so another type is often used, in which only two ganged elements are required.

The Wien Oscillator

This type is derived from a circuit known as the Wien bridge. We will have more to say on bridges generally later, but a brief description of this type will make its use in an oscillator clearer.

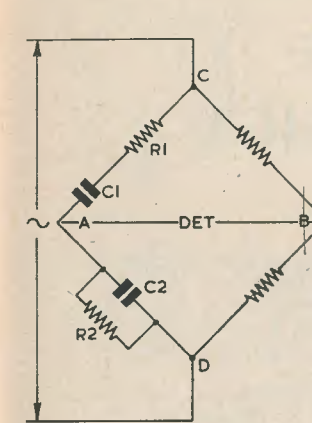


FIG. 6 (A)

If a source of AC voltage is applied between terminals CD in Fig. 6a, and a detector (say a meter) were connected between points A and B, current would flow through the meter if the voltages across arms AD and BD were different. Now the reactances of C₁ and C₂ vary with frequency. If, then, the frequency of the applied voltage were varied, it is possible that the impedance of arm CA would become equal to CB, and arm AD become equal to BD. When this occurs, the voltage between points AB is in phase with the applied voltage between points CD. If an amplifier with 360° phase shift (remember that 360° shift brings the voltage back into phase, full

cycle, so to speak) were connected between AB and CD, oscillation would result, at the frequency which fulfilled the above conditions. Such an oscillator is shown in Fig. 6b.

Here only R₁ and R₂ or C₁ and C₂ are required to be variable and two elements only, therefore, have to be ganged. A frequency range of 10 c/s to 100kc/s is obtainable from such an oscillator. A large range like this is normally covered in four or five switched ranges. In Fig. 6b, range changing is carried out by switching the value of C₁.

The frequency of oscillation is given by

$$f = \frac{1}{2\pi\sqrt{CR}}, \quad \text{where C and R are in the same}$$

units as before. Audio generators are normally fitted with attenuators in the same way as

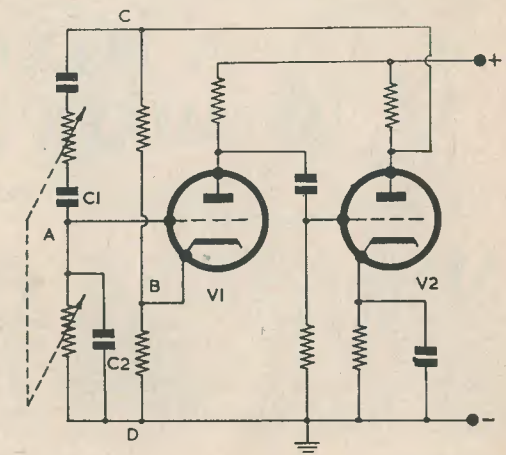


FIG. 6 (B)

G113

the RF type. In some cases where power is required in, for example, loudspeaker testing, an amplifier is built in and a power output stage incorporated.

Output Monitors

In all tests involving the use of signal generators, whether they be RF or audio, it is important to know the output voltage (or power) and to have means of adjusting it. Also, few oscillators produce a constant output over the full range of the frequency control. This latter point may readily be appreciated if an amplifier response were being

plotted, using an audio generator whose voltage output was different at each frequency.

In the case of audio generators, the output may be measured directly with a valve voltmeter, because the voltage required is seldom less than 100 mV.

An RF generator has to provide a voltage output down to microvolts, if the receiver under test is particularly sensitive. To measure such small voltages is extremely difficult. What is done is to measure the voltage at a relatively high level, say, 1 volt, and then to accurately attenuate it.

In order that the output voltage shall be truly what the monitor meter and attenuator indicate, screening becomes very important. In very high grade RF signal generators, it is

normal to place the oscillator and all its related components in a box made from copper. All power leads going to and from the box are carefully filtered and the actual RF output leads are heavily screened. The whole instrument is then mounted in a further heavy case, and the mains lead filtered.

A badly made signal generator can overload an average receiver by radiation from yards away, without any connection between them, despite the fact that the attenuator says that the output is only 1 μ V.

Having disposed of sources from which to feed the apparatus under test with known controllable signals, next month we can have a look at some ways of measuring what happens to the signal on its way through the circuitry.

A FLEXIBLE AF MIXER DESIGN

By R. V. COATES, B.Sc.

MOST DISC OR TAPE AMPLIFIERS HAVE provision for only one input to be used at a time. While this is no disadvantage for record playing, a recordist may often wish to mix several microphones, or microphone and radio, etc. Hence, the following basic circuit was evolved to allow two simultaneous inputs to be controlled independently of each other.

Basic Circuit

A twin-triode valve is used, both halves acting as conventional class A R-C-C amplifiers. The cathode resistors, R_k , have no by-pass capacitors: this incorporates a fair amount of negative feedback, serving to even and to extend the frequency response, and to offset the "Miller Effect" inherent in triodes.

TABLE 1

V	R_l	R_k	R_s	Gain
6SL7	250 k Ω	3.3 k Ω	500 k Ω	17
12AU7	50 k Ω	3.3 k Ω	500 k Ω	2.2
12AH7			1 M Ω	1.6

TABLE 2
Value of C

Heater Rating	210/220	230/240
12.6V, 0.15A	2.25 μ F	2 μ F
6.3V, 0.3A	4.5 μ F	4 μ F

The outputs are taken through the series resistors, R_s , which prevent the two halves of the circuit from damping each other. The combined output is isolated from the chassis by 0.1 μ F capacitors since no HT transformer is used.

The HT supply is from a half-wave metal rectifier, resistance-capacity smoothed. The LT supply is less conventional, since a capacitor, C, is used as a voltage-dropper. If preferred, a heater-transformer may be substituted.

Variations

(i) Overall gain. Table 1 gives three values of gain to suit the succeeding amplifier. The gain of 17 would allow correction networks for pick-ups to be placed before the mixer, if not included in the main amplifier. The two very-low-gain cases are for use when overloading of the amplifier input is likely.

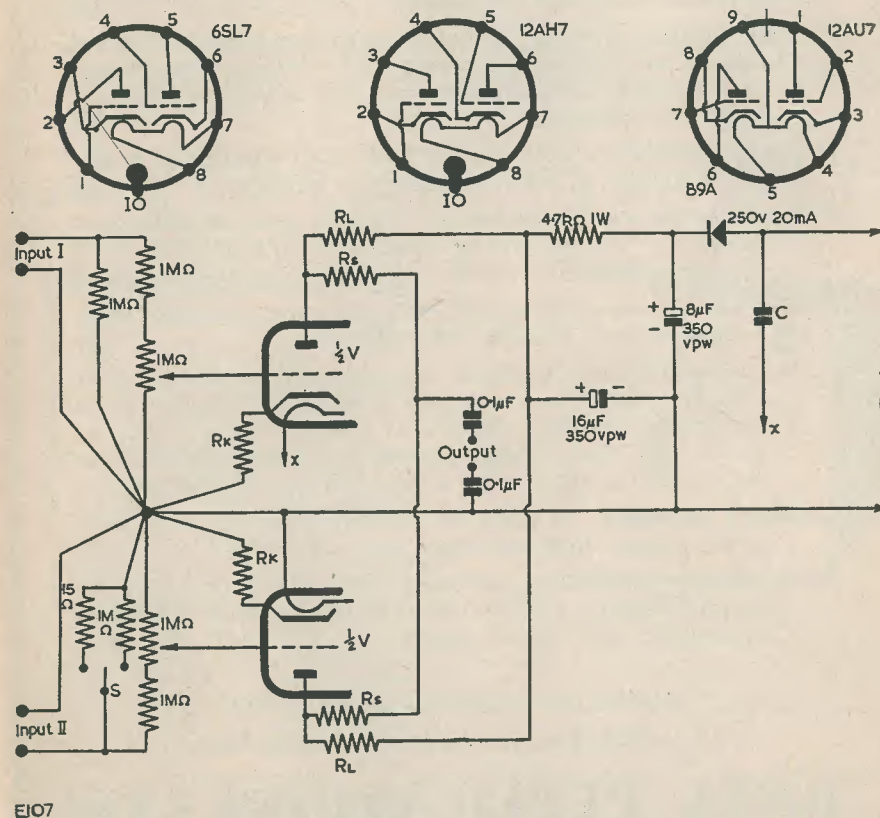
(ii) Input impedance. One input is fixed at 1M Ω , while the other has a switch, S, to select either 1M Ω or 15 Ω . These values can, of course, be varied or extended. Both inputs may be made adjustable, and to include 3 Ω , 600 Ω , 50k Ω , or other frequently occurring values if desired.

(iii) Heater supply. Three valves have been quoted: 6SL7 is 6.3V, 0.3A; 12AH7 is 12.6V, 0.15A; 12AU7 has a centre-tapped heater, and so can be either of these two. Table 2 gives the necessary capacity of C for each valve, over two supply-voltage ranges. If the mixer is to be used always on the same supply-voltage, C can be set permanently to the correct value. But, if variation is likely to occur, C can be made either 2 μ F or 4 μ F, with the extra 0.25 μ F or 0.5 μ F brought out to a switch or tapping-panel. All capacitors used here should be good quality, paper types, of at least 500V wkg. **ELECTROLYTICS ARE NOT SUITABLE.**

the impedance of the capacitor is far larger than that of the valve heater, it controls the current virtually irrespective of the heater resistance. Consequently, there is no initial current surge through the heater, although the resistance takes the usual 30 seconds or so to build up to its maximum.

Construction

All usual precautions associated with low-level amplification must be observed. The input components and bias resistors should all be connected to the chassis at a single point, as shown in the circuit diagram. Grid leads must be short, and screened where they exceed mere connection length. If the capacitor C is replaced by a heater-transformer, one having a centre-tap should be used. Alterna-



EJO7

Note: Isolating condensers should be fitted to the inputs

The advantages of using a capacitor rather than a transformer are twofold. First, there is no associated magnetic field to induce hum in other parts of the circuit. Second, since

tively, a centre-tap can be created by using a 50 Ω or 100 Ω wire-wound potentiometer, the slider of which is joined to the chassis, and adjusted for minimum hum-level.

RADIO



BOOKS

Tape and Wire Recording. A selection of articles reprinted from the pages of *The Radio Constructor*, covering both the theory and practical applications. A really useful book on this latest development of the hobby. 2/8

Receivers, Preselectors and Converters. Practical articles, again reprinted from past issues of *The Radio Constructor*, which will prove of interest to many radio enthusiasts. 2/8

TV Fault Finding. Profusely illustrated with photographs taken from a television screen depicting the faults under discussion, and containing a wealth of technical information, with circuits, enabling those faults to be eradicated. 5/3

Inexpensive Television. Build yourself a television from surplus. Latest edition includes all the data necessary for any area. 2/8

World Radio Handbook (1955 edition). The S.W. broadcast enthusiasts' handbook. You are missing something from your hobby if you have not a copy of this excellent publication. 9/6

Report Pads. If you need that QSL card, send a comprehensive report. A convenient and accurate form for reporting. 3/9

Radio Amateur Operator's Handbook. An indispensable aid to the amateur transmitter and listener, containing all details of information which are constantly required. Prefix Lists, Zone Boundaries, Call Areas Codes, and Mileage Tables, together with Maps and much other useful operating data. Revised edition now in preparation.

Inexpensive Car Radio. In which two versions, one constructed from surplus and one from new components, are described. 1/8

Radio Control for Model Ships, Boats and Aircraft, by F. C. JUDD, G2BCX. A comprehensive work on this fascinating subject. Standard edition, 8/9. Cloth bound edition 11/9

All above prices include postage and packing

All available from your local bookseller, or from:

DATA PUBLICATIONS LTD

57 MAIDA VALE LONDON W9

Telegrams Data Books London

Telephone CUNningham 6518

G2AK THIS MONTH'S BARGAINS G2AK

Give Your Phone the appeal of a YL's CQ

CRYSTAL HAND MICROPHONES

High quality, complete with lead and plug. Very sensitive. Chrome finish. List 2 gns. Our Price 25/-.
Few only.

D.A. CRYSTAL MIKE INSERTS
10/- each, or 2 for 17/6. p. & p. 9d.

METERS: 2½in. Flush Mounting 0-10mA, 12/6; 0-100mA, 12/6; 2in. Flush; 0-5A Thermo 2in. Round Flush, 7/6; 0-5mA square 2in., 10/-; 0-20V, 7/6; 0-350mA, Thermo, 7/6; 0-15A Thermo Proj., 2½in., 7/6; 0-50 mA, 2½in., 7/6.

SPECIAL VALVE OFFER: TZ40, 35/-; 6L6G, 10/6; 5R4GY, 12/6; 829/3E29, 60/-; 100TH, 90/-; 866A, 17/6, or 30/- per pair; 807, 10/- each or 17/6 per pair; 931A, 45/-; 813, 80/-.

Carriage paid on all orders over £1 except where stated.

FSK SOLARISCOPEs. Complete with Charts, give World Time, light and dark paths. Invaluable to the DX man. List 21/-.
Our price 7/6 post free.

PANL HOME CRACKLE. Black, brown or green, 3/- tin, p. & p. 8d.

H.S. KEYING RELAYS (Siemens). 1700 x 1700 coils, 12/6.

TWIN FEEDER: 300 ohm twin ribbon feeder, similar, K25, 6d. per yard. K35B Telcon (round), 1/6 per yard. Post on above feeder and cable, 1/6 any length.

AIRSPACED CO-AXIAL CABLE. 150 ohms (normal price 3/11 per ft.), 20-yd. coils only £1 per coil, post free.

PHILIPS CONCENTRIC AIR TRIMMERS: 8pf max., 9d. each, or 6/- doz.; 30pf max., 1/- each, or 10/- doz.

AR88 SPARES: Cabinets, £4 15s., packing and carriage, 7/6; complete set of 14 valves, £5 10s.; Perspex escutcheons, 22/6; "D" type, i.f.s., 12/6. Output Transformers to Government specification, 37/6 each.

COPPER WIRE: 14G, H/D 140ft., 15/-; 70ft., 7/6. Post and packing, 2/- Other lengths pro rata.

RACK MOUNTING PANELS: 19in. x 5½in., 7 in., 8½in., or 10½in., black crackle finish, 5/9, 6/6, 7/6, 9/- respectively, postage and packing, 1/6.

CONDENSERS: 8mfd 600V (trop.), 750V. (normal) condensers. New ex-V.V.D. stock, 5/6 each, post and packing, 1/6.

NOISE LIMITERS. Plug in type 3 positions. No wiring required. Ready to use, 15/-, p. & p., 1/-.

THIS MONTH'S SPECIAL T.V. POWER TRANSFORMERS BY PARMEKO

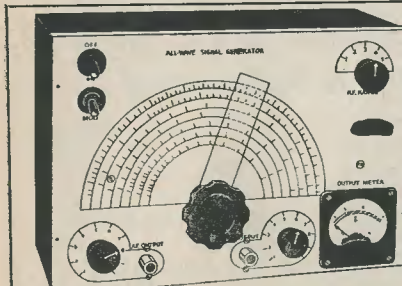
PRI 200-250V. E.H.T. 6KV RMS, 350/350V 250mA 6.3V 6A, 4V .3A. 4V for E.H.T. Rect. already wired to holder. Beautiful job £4 10 0. Carr. paid.

Please include small amount for orders under £1.

CHAS. H. YOUNG, G2AK

ALL CALLERS TO 110 DALE END, BIRMINGHAM
PLEASE PRINT YOUR NAME AND ADDRESS

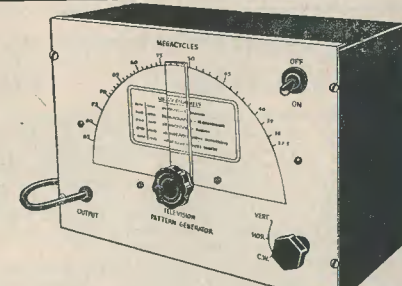
MAIL ORDERS TO Dept. 'R,' 102 HOLLOWAY HEAD, BIRMINGHAM Midlands 3254 Central 1635



COMPLETELY BUILT SIGNAL GENERATOR
Coverage 120 Kc/s-320 Kc/s, 300 Kc/s-900 Kc/s, 900 Kc/s-2.75 Mc/s, 2.75 Mc/s-8.5 Mc/s, 8.5 Mc/s-25 Mc/s, 17 Mc/s-50 Mc/s, 25.5 Mc/s-75 Mc/s. Metal case 10 x 6½ x 4½in. Size of scale 6½ x 3½in., 2 valves and rectifier. A.C. mains 230-250V. Internal modulation of 400 c.p.s. to a depth of 30 per cent., modulated or unmodulated, R.F. output continuously variable 100 milli volts. C.W. and mod. switch, variable A.F. output and moving coil output meter. Black crackle finished case and white panel. Accuracy plus or minus 2%. £4/19/6, or 34/- deposit and 3 monthly payments 25/- P. and P. 4/- extra.

Both generators guaranteed for 12 months.

(N.B.—Post and packing charges stated apply to British Isles only.)



PATTERN GENERATOR
40-70 Mc/s direct calibration, checks frame and line time base, frequency and linearity, vision channel alignment, sound channel and sound rejection circuits and vision channel band width. Silver plated coils, black crackle finished case 10 x 6½ x 4½in. and White front panel. A.C. mains 200/250 volts. This instrument will align any T.V. receiver, accuracy plus or minus 1%. Cash price £3/19/6 or 29/- deposit and 3 monthly payments of £1. P. and P. 4/- extra.

Constructor's Parcel, medium and long wave A.C. mains 230/250, 2-valve plus metal rectifier, comprising chassis 10½" x 4½" x 1½", tuning condenser, wave-change switch, volume control, heater trans., metal rectifier, 2 valves and v/holders, smoothing and bias condensers, resistors and small condensers, and medium and long wave coil, litz wound. Circuit and point to point 1/3, postage 2/6, 22/6. Polished walnut cabinet to suit above, size 11½" x 6½" x 5½", complete with 2 waveband scale and back-plate, 2/6 P. & P. 17/6

D. COHEN

RADIO AND TELEVISION COMPONENTS

23 HIGH STREET ACTON W3

Telephone ACOrn 5901

(Opposite Granada Cinema)

NEW SURPLUS...

XH, XP (1.5), 2X2, UV120A, VU111, 6AG5, 3/6.
 VS110A, IA3, 1L4, 6F8, 15D2, 4/6, 3D6, 1299A, 6C4,
 6AL5, 6Z4, 6AM6, 6J6, 6J7G, 954, 955, 956, EF50,
 6K7G, EF91, EB91, W77, EF92, Z77, 5/1, EF39, 6G6G,
 6AC7M, OZ4A, 6/1, IT4, 6AK5, 6U5G, 6B57, 6F6G,
 6K7M, 6K7GT, 6K6G, 6CH6, EL32, 6SN7GT, 6/6,
 12BE6, 12A6M, 7C5, 6F7, 6J7M, 6V6GT, EF50 (Syl.),
 X66, VR105/30, VR150/30, 6AT6, 6BA6, 6BE6, 6BJ6,
 6SG7M, 6SK7M, 6AB7M, 6L7M, 6X4, 6X5GT, 6BW6,
 6SL7GT, 5Y3GT, EF37, CV286, EL91, 3A4, 354, 1S5,
 1R5, 7/6, 6SA7M, 6Q7GT, 12A7, 12AX7,
 6K8G, 5U4G, 5Z4G, 8/6, 6AQ5, 807, EL35 (6L6G),
 757, MU14, 50L6GT, 9/1, 5763, 6SQ7M, CBL1,
 ECH35, EBC3, 25L6GT, 2D21, 10/1, 6AG7M, 866A, 12/6.
 Micro Switches (U.S.A.) 2 pairs contacts make and break,
 3/- each.

TCC Can electrolytics, 100mfd 450v Pk. wkg., 5/6 each.
 BEC Can electrolytics, 60-100mfd. 275v wkg., 350v. Pk.,
 6/6 each.

"PANL" crackle paint, 3/- tin.

B9A Nylon loaded V/holders. with screens, 2/6 set,
 27/6 doz.

CYLDON 5 channel "Teletuners" with EF80 and ECC81
 35/- or 10/- less valves.

Yaxley Switches, 4bank each, 2p4w (Total 8P4W), 4/6 each,
 2 bank ditto (total 4p4W), 3/- each. Jack Plugs and
 Sockets, 2/6 pr., 24/- doz.

TCC .05mfd 1Kv wkg. tubulars, 6/6 doz.

Midget 100pf ceramic variables, 1/2 spindle, 3/- each.
 Post/packing, 10/-, add 6d. 20/- (1/-). 40/- (1/6).
 Free over 40/-.

JOHN ANGLIN

160 CLEETHORPE ROAD · GRIMSBY · LINCS.
 Telephone 56315

T.V. 12" CHASSIS · 97/6

Complete chassis by famous manufacturer (London and
 Birmingham) easily adapted to Channel 3. R.F. E.H.T.
 unit included. Superhet AC drawing FREE. Easily fitted to
 table or console model. Owing to this chassis being
 in three separate units (Power—Sound and Vision—
 Timebase inter-connected). Drawings 2/6 credited with
 purchase. THIS CHASSIS IS LESS VALVES AND
 TUBE, but see our catalogue for cheap valves by request.
 Carr. 5/-. Set shown working to callers.

AS ABOVE for Spares, 45/-, a bargain, slight superfluous
 damage. Complete—Sound and Vision. Power Pack,
 Timebase, Scanning Coils, Focus Unit—approx. 68
 Condensers, 106 Resistors.

V.H.F. 1124 RECEIVERS, 17/6. Complete with valves
 30.5-40 Mc/s. 6 channel switching. Covers TV sound,
 fire, amateurs, etc. Convertible to mains, A.C. or A.C./
 D.C. Drawings free. Post., 2/-.

2 gang TUNING CONDENSERS, 2/9. Standard size.
 .0005 Salvage, tested. Post., 6d.

O.P. TRANSFORMERS, 2/9. Salvage, all tested. 3-5
 ohms. Post., 6d.

SPEAKERS, 8", 12/9. Std. P.M. 3-5 ohms. BAFFLE 9d.
 extra most makes. 15/9 with O.P. post 1/9.

SPEAKERS, 8", 5/9. Energised 2k or 1.5k, complete
 with baffles and silk. Best makes beautiful quality. With
 O.P. 7/9, post 1/9.

TV MASKS, 10/6. Rubber, suitable for 12", post., 1/-.
 TV SCREENS, 8/9. Tinted for daylight viewing, 3/16"
 thick perspex for 12" or 14" screens. Post., 9d.

DUKE & CO

621 ROMFORD ROAD · LONDON · E12
 GRA 6677

PANEL-SIGNS

Permanent Paint Transfers for a Professional Finish

Set No. 1: Receivers and Amplifiers
 Five sheets 8 1/2" x 5 1/4" containing one
 Large scale, twelve control panels and
 wording.

Set No. 2: Test Instruments
 Five sheets 8 1/2" x 5 1/4" containing two
 Medium scales, twelve control panels
 and wording.

Will Fix to Any Surface as Supplied
 Fixing Varnish is recommended for best
 results, particularly on uneven surfaces.

Price 3s. 6d. per Set

Panel-Signs Transfer Fixing Varnish
 1s. per bottle.

Trade Enquiries Invited

Published by

DATA PUBLICATIONS

57 Maida Vale London W9

Telephone CUN 6518

T.N.B. Radio offers

Standard 3-gang .0005 con., less
 trimmers 5/-

Standard 2-gang .0005 con., less
 trimmers 4/6

Moving Coil Speakers, 5" 1000 ohms
 field, 3 ohms speech coil 10/6

500 µfd Con., 6 volt working
 Reversible 1/6

T.C.C. 0.1µF 350 volts 8d.

T.C.C. 0.1µF 500 volts 10 1/2 d.

500 x 500 Pre-set trimmers 1/3

0.1 2500 volt working 4/6

0.02 5000 volt working 2/6

Output transformers, suit 6V6 3/11

Components, coils, chassis, valves—in
 fact all you require for the popular
 Radio and Television designs published
 in this journal.

T.N.B. RADIO

166A ROOKERY RD., BIRMINGHAM 21



Rapid Heating
 —Extreme
 Lightness—
 Eight different
 models—Bit
 sizes, 1/8", 3/16",
 1/4", 5/16", 3/8",
 1/2", 5/8"—Prices
 from 19/6.
 Details of full
 range in folder
 No 58
 sent on request.

- NO TRANSFORMER NECESSARY.
- FOR MAINS OR LOW VOLTAGES

Sole Manufacturers and Distributors

LIGHT SOLDERING DEVELOPMENTS LTD
 106 GEORGE ST. CROYDON SURREY
 Telephone CROYdon 8589

VALVES

NEW TESTED AND GUARANTEED

1A4	8/6	-6BR7	8/-	6X5GT	8/-	EAF42	9/6
1A7G	12/6	6B57	8/-	7H7	8/6	EB91	6/6
1B4	8/-	6SA7	8/-	12AH7	7/6	EBC33	8/6
1CSGT	11/6	6F6G	8/6	12AT6	8/6	ECL80	10/6
1E7	9/6	6F8G	8/6	12AX7	6/9	EF22	7/6
1H5GT	10/6	6G6G	4/9	12K8GT	8/6	EF37A	15/-
1R5	7/6	6J5GT	5/6	12K7GT	8/6	EF36	7/6
1S5	7/6	6K7G	5/6	25A6G	8/-	EF39	7/6
1T4	7/6	6K8G	8/-	57	7/6	EF31	7/6
3V4	7/6	6L6G	9/6	58	7/6	EF92	8/6
5U4G	8/6	6N7	6/9	5763	7/6	EL32	7/6
5Y3GT	9/6	6Q7G	8/-	807	8/6	EL91	10/6
5Z4G	8/6	6Q7GT	8/6	954	2/6	EZ35	8/-
6AG5	6/9	6S17	8/-	1625	10/6	EZ40	8/6
6AM6	7/6	6SK7	8/-	9006	5/6	KT33C	8/6
6AT6	8/-	6SL7GT	8/-	AZ31	10/6	KT66	12/6
6BE6	8/-	6SN7GT	8/-	DAF91	7/6	PL81	10/6
6BV6	8/-	6SS7	6/9	DF91	7/6	PL82	10/6
6B7G	8/6	6U7G	8/6	DL63	8/6	PY82	10/6
6B8	7/6	6V6G	7/6	DL94	7/6	X65	10/6
6B8G	7/6	6U5G	7/6	EAS0	2/-	Y63	7/6
6BA6	8/6	6X4	8/-	EAC91	6/-		

Matched Pairs KT66, 25/-; 6V6G X GT, 17/- per pair.
 6K8G, 6Q7G, 6V6G, 5Z4G, 6K7G, 34/6 per set.
 1R5, 1T4, 1S5, 3V4, 27/6 per set.

ELECTROLYTIC CONDENSERS

Tubular Type	Can Type
2/350v B.E.C., 1/3	8/500v Dubilier, 1/9
8/350v B.E.C., 1/6	8+8/450 B.E.C., 4/-
8/450v B.E.C., 2/-	8+16/450 B.E.C., 5/-
8+8 500v Dubilier, 4/6	16+16/450 B.E.C., 5/6
16/275v B.E.C., 2/-	4+4+4/450v., 3/6
16/450v, 3/3	8+4+4/450v., 4/3
16/450v B.E.C., 3/-	16/275v B.E.C., 2/-
32/450v Hunts, 4/6	32/350v B.E.C., 3/9
32/500v Dubilier, 4/9	32+32/350v B.E.C., 4/6
	32+32/450v B.E.C., 5/9

Bias Condensers. 12/50v B.E.C., 9d. 25/25v, 1/3.
 25/50v, 1/6. 50/25v, 1/6. 50/50v, 2/-.

P.F.S. 2-2000, 6d. .003-1, 8d. .25-1 mfd., 1/-.

Resistors. Most values. 1/4w, 4d. 1/2w, 6d. 1w, 8d.
 2w, 10d. Wire wound 10w, 1/3.

Potentiometers. All values. Long spindled, s.p.s.w., 4/-
 d.p. s.w., 4/9. Less s.w., 3/-.

Wavechange Switches. Midget 1p 12w, 2p 6w, 3p 4w,
 4p 2w, 4p 3w, 4/-.

Toggle Switches. Q.M.B.: sp, 2/-; spdt, 3/6; dpst, 3/9;
 dpdt, 4/6.

O.P. Transformers. Pentode: 60ma, 4/6. 45ma, 3/6.
 Co-Axial Cable. Stranded. 75 ohm 1/4in., 6d. yd.

B7G V. Holders. Ceramic with Scng. can, 1/-.

R. COOPER

32 SOUTH END CROYDON SURREY

New!

No. 9

CATALOGUE

- Illustrated on fine art paper
- 58 pages, with up-to-date list
- Large amateur stocks
- A square deal
- Orders dealt with day received

Post Free. U.K., Forces and Eire only

OVER 2,000 ITEMS LISTED WITH OVER
 100 PHOTOGRAPHIC ILLUSTRATIONS

Send now for your free copy of No. 9 Catalogue

SOUTHERN RADIO & ELECTRICAL SUPPLIES

SORAD WORKS

REDLYNCH SALISBURY WILTSHIRE

Telephone Downton 207

FREQUENCY MODULATION



We stock all the components for the "Jason" Frequency Modulation Tuner (fully described in July and Sept. issues of Radio Constructor). Demonstrations given during normal transmission periods.

JACKSON 25 + 25pf type U101 10/9

JACKSON full vision dial with Caliband scale 14/6

Chassis fully drilled 8/-

Set of coils and transformers with s. mica
 condrs. and cans £1/2/6

Complete set of fixed resistors 5/-

Silver mica and ceramic condensers ea. 9d.

8 mfd 150V condenser 1/8

New Z77 or equiv. valves. Guaranteed ea. 10/6

Diodes GEX34 6/6

All parts in stock for the ELECTRONIC
 TIMER EXPOSURE. Send s.a.e. for full list.

We stock the full range of EDDYSTONE
 and DENCO parts.

HOME RADIO OF MITCHAM
 187 LONDON ROAD MITCHAM SURREY
 MITcham 3282

★ "RF 26" F.M. CONVERTER UNIT—88/100 mc/s ★

This well-known RF26 Unit is now adaptable for F.M. reception using 2—i.f. stages and separate local Oscillator and tuned by a Muirhead graduated vernier drive, and can be converted Low cost, 92/6.

Send 2/- for 8-page Descriptive Booklet containing full wiring instructions, circuits and lay-out diagrams.

COMPONENTS OFFERED TO COMPLETE F.M. UNIT
New RF26 unit with three valves—VR137, EF54, EF54. Chassis stamped out for easy conversion £1 15 0
COMPLETE SET OF ALL COMPONENTS FOR CONVERSION, including 2-6BA6 and EB91, tuning condenser, I.F.T.'s and OSC coils, resistors and fixed condensers, plugs, wire and tag strips ... £4 12 6

INSTRUCTION BOOK with technical circuit and complete lay-out diagrams ... 2 0

SPECIAL OFFER OF ALL ABOVE ITEMS, INCLUDING RF26 and book ... £6 5 0

Postage ... 3 0

CHARGE FOR ALIGNMENT WHEN COMPLETED 7 6

COMPLETE SET as above and 6 valves—aligned and ready for use ... £8 10 0

N.B.—VOLTAGE REQUIRED: 250V 50 M/a and 6.3V 2 amps.

WE HAVE OVER 50,000 VALVES IN STOCK AT VERY COMPETITIVE PRICES. SEND 3d. FOR 28 PAGE CATALOGUE

LATEST TYPES NOW IN STOCK

EBC41	10/-	ECL80	12/6
EY51	12/-	50B5	10/-
EF41	11/-	PL81	12/6
EL41	11/-	PL82	10/-
EZ40	10/-	PY81	10/-
EM34	10/-	PY82	10/-
UL41	11/-	PCC84	12/6
UY41	11/-	PCF82	12/6
UF41	11/-	50C5	10/-
UCH42	12/6	12AT6	8/-
UBC41	10/-	12AT7	9/-
DK40	10/-	12AU6	9/-
EF80	10/6	12BA6	9/-
EABC80	10/-	12BE6	10/-
ECC85	10/-	6X4	8/6
EL80	9/-	35W4	8/-

SPECIAL REDUCTION FOR SETS OF VALVES

1A7GT, 1N5GT, 1H5GT, 1A5GT (or 1Q5GT), 40/- set; 10EF50 (Ex-Brand New Units), 5/- each, 45/- set; 10 6AM6 valves, £4 set; 6K8G, 6K7G, 6Q7G, 5Z4G, 6V6G, 37/6 set; 1R5, 1S5, 1T4, 1S4 or (354 or 3V4), 27/6 set; TP25, HL23/DD, VP23, PEN25 (or QP25), 25/- set; 6K8G, 6K7G, 6Q7G, 25A6G, 25Z5 (or 25Z6G), 37/6 set; 12K8GT, 12K7GT, 12Q7GT, 35Z4GT, 35L6GT (or 50L6GT), 37/6 set; 12SA7GT, 12SK7GT, 12SQ7GT, 35Z4GT, 35L6GT or 50L6GT, 37/6 set.

RCA 931A PHOTO-ELECTRIC CELL AND MULTIPLIER

For facsimile transmission, flying spot telecine transmission and research involving low light-levels, 9-stage multiplier. Brand new and guaranteed, only £2 10s. Special 11-pin base, 2/- . Data sheets supplied. Equivalent to Mazda 27M1 and 27M2.

"38" SPECIAL OFFER WALKIE TALKIE SETS

We have purchased large quantity of the above "38" Trans/Rec. sets, and can now offer same complete with five valves, 4-VP23 & ATP4, Throat Microphones, Headphones, Junction Box and Collapsible Aerial in absolutely new condition and guaranteed Air Tested. Freq. range 7.4 to 9 Mc/s. Range approx. 5 miles. 59/6. Carriage 5/-.

U.S.A. PACKARD-BELL PRE-AMPLIFIER

Complete with 6SL7GT and 28D7GT Relay Condensers and Resistors. Brand new with Instruction Book, 12/6. P.p., 2/-.

HENRY'S (RADIO LTD.) SHOP HOURS

Mon.-Sat. 9 a.m.-6 p.m. Thursday 1 p.m. Telephone Paddington 1008/9 & 0401

5 HARROW RD. LONDON W.2

SMALL ADVERTISEMENTS

Readers' small advertisements will be accepted at 3d. per word, minimum charge 2/- . Trade advertisements will be accepted at 8d. per word, minimum charge 6/- . If a Box Number is required, an additional charge of 1/- will be made. Terms: Cash with order. All copy must be in hand by the 10th of the month for insertion in the following month's issue.

PRIVATE

FOR SALE VCR131 12", NC13A 7", VCR97, bargain £7 lot. Timebase for these, less valves, OK, 25/-; another £1. RF26 unit, £1. 1355's, 10/-, etc. A. Hurler, 133 Runcorn Road, Birmingham 12.

BARGAINS Speaker, Goodmans 12", only slightly used, £4. PP Output transformer, 5/- . 3BP1 on chassis, 10/- . Sellwood, 15 Park Road, Hoddesden, Herts.

FOR SALE Premier Magnetic TV, London, with 12" tube, little used, £22. Personal delivery 60 miles London. 4 Brownlow, Broomhall Buildings, Sunningdale, Berks.

FOR SALE R1132 VHF Receiver, modified for Wrotham, £3; also 9-valve Bradley Oscilloscope, £6 10s. Phone Speedwell 4696 (London).

FOR SALE CR100, very good condition, Noise Limiter, 'S' Meter, little used, bargain £21 or near offer, complete in transit case, carriage paid. Burton, 159 Redworth Road, Shildon, co. Durham.

BARGAINS Meters 500 mA, 20V, etc., 5/-. VCR97 with screens, £1. Resistors, 2d., 4d. and 6d. each. Units No. 96 with tube and valves, 35/- . Argus TV, offers. SAE for lists. Call or phone after 6 p.m. Slough 24985. 47 Quaves Road, Slough, Bucks.

FOR SALE Davenset HT3 high voltage battery charger, 3 independently controlled circuits suitable AC 240v. Recent complete makers overhaul. £20 or near offer. Waterloo Garage, 5-7 Coral Street, London, S.E.1.

WANTED "CO", January, March, April, June, November, December 1945, May 1946. "Radio" before 1936. "R9" before April 1935. "QST" before 1924. G3IDG, 95 Ramsden Road, London, S.W.12.

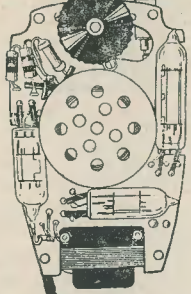
WANTED Private instruction on Morse Code, at advertiser's home address, after 8 p.m. Hourly payment by agreement. Willing to attend local Amateur shack if preferable. J. T. Pinsent, 4 Plympton Avenue, London, N.W.6.

PRIVATE TUITION given for the R.T.E.B. Radio Servicing Certificate Examination (London). Box No. D134.

SALE. Transformers: 250-0-250v., with two 4v. fil windings, 10/- . 560-0-560v. 300 ma/s, 5v. 2.5 amp, 6.3v., 12v. fil windings, 30/- . Smoothing choke to match, 17/6 . 8" speaker in cabinet, 30/- . Variable capacitors: Eddystone Type 832, 2.500v. 50-50 transmitting, new 15/- . 30pF, 5/- . "Vitamox A" M/C Mike, with desk stand, oxy. black, 85/- . Hunts Capacitors, 500v. wkg. 32 MFD, 3/- . Charging trans. with metal rect. 6v., 2 amp., 17/6 . Charging Set, petrol, Lightweight 80 watts by E.C.C. Ltd., 12v., 10 amp., £10. Rotary 12v. in. at 3.8 amps., 400v., at 0.4 amps. out, 10/-; 12v. 10 amp. in, 275v. at 110 mA and 500v. at 50 mA out, 15/- . "East Keal," Romany Road, Oulton Broad, Suffolk.

The Walk-around Shop

EVERY RADIO-MINDED AMATEUR will find many valuable conversions possible with a



"Medresco" Deaf Aid

We have developed two interesting conversions:
1. A Crystal Receiver incorporating a Germanium Diode. Circuit requires no alteration to present wiring.
2. An O-V-2 (detector with two stages of amplification) receiver. (Circuits for these two supplied free.)

Other conversions include:
Miniature Radio Receiver
Model Control Equipment — **Pre-Amplifier** — **Intercom Telephone, etc.**
In addition to its original application.

WE OFFER the "Medresco" unit in perfect working order (every one checked by experts) complete with Crystal Microphone and incorporating three Miniature Valves at the remarkably low price of 27/6. Post 1/- .
Price without crystal microphone, 23/6. Post 1/- .

ACCESSORIES
Miniature crystal earpiece, complete with lead and plug, 6/6; Ever-Ready Batteries, 1.5v L.T. (Type D18), 8d.; 30v H.T. (Type B19), 4/3; 45v H.T. (Type B106), for greater gain and output, 7/6.

CONVERSION ACCESSORIES:
1. Set of parts for Crystal Receiver ... 5/-
2. Set of parts for O-V-2 Receiver ... 6/-

Circuits for above Free

WIND FINDING ATTACHMENT for Air Speed Indicator. Comprising two small counters. Two Desyn type follower motors. (Ideal for an antenna direction indicator.) Size of motors 1 1/2" long, 1" diam., 6-way terminal block. Yaxley type switch. Housed in metal outer case, fitted with plastic 360 degree dial. PRICE 8/6 post paid.

POINTER KNOBS. 1" radius, fitting 1/2" spindle. Black bakelite; 3 for 2/6 post paid.

INSPECTION LAMP. 2 pole S.B.C. Holder with 6ft. spring loaded lead in case 3" x 3" x 4" with on-off switch on front panel. PRICE 6/- post paid.

BLOCK CONDENSERS. 8 mfd 600v. W. tropical. 750v. normal. PRICE 5/- post 1/- .

HEATER TRANSFORMERS. 6.3v, 1.5A output, 230v. input. PRICE 7/- post paid.

HEADBAND TORCHES. (Leave both hands free for awkward jobs.) M.E.S. holder, bulb and reflector, headband with rubber pad, battery box with 4ft. cable; all wired ready for use. PRICE 4/- . Needs 4 1/2v. battery Vidor VOO17 or similar standard battery.
TANNOY P.A. SPEAKERS. 8 watt, 6in. diam. P.M. with re-entrant baffle mounted in wooden cabinet with line OP trans. Military surplus Cat. No. ZB11565. PRICE 20/- . Enquiries invited for quantities.

VALVES. 6SN7gt, 6/9. (Ex-new surplus units) 807 (American) 8/6. Disc-Sealed Triode (Lighthouse tube GL446A (19E4), Boxed, New, 25/- . All post paid.
Come along and inspect our wide range of RADIO EQUIPMENT, COMPONENTS AND ELECTRICAL ACCESSORIES.

FOR CALLERS ONLY. We offer BC221 frequency-meters—R1155 and R1132 Receivers. Photo-electric cells. Sound reproducing equipment. Meters, etc.

NOTE: Orders and Enquiries to Dept. 'R'.

PROOPS BROS. LTD. 52 Tottenham Court Road, W.1 Open All Day Saturday
Open 9-6 p.m. Thursday to 1 p.m. LANgham 0141

[continued on page 447]

CATHODE-RAY TUBES

VCR97. Guaranteed full TV picture (curr. 2/-), £2.

VCR517C full TV picture, £1 15s.

Mu-Metal Screens for above 10s.

VCR139A (ACR10). For TV or 'scope, brand new and boxed £1 15s.

VCR97 Brand new, slight cut-off but suitable for 'scopes. 15/- . Post and package, 2/- . 3PBI Boxed, 30/- .

R.F. UNITS

post free
RF24, 20-30 Mc/s. ... 15/-
RF25, 40-50 Mc/s. ... 19/6
RF26, 50-65 Mc/s. ... 35/-
RF27, 60-80 Mc/s. ... 35/-
All Brand New with Valves

INDICATOR UNIT TYPE 182A

Limited Quantity Available
Suitable for TV or Oscilloscope. "Radio Constructor" 'Scope constructional circuit included.
Offered BRAND NEW (less relay) at 67/6 (plus 7/6 carr.).

U.S.A. INDICATOR UNIT BC929A

Complete with 3BP1 C/R Tube and Shield, 7 valves, 2-6SN7GT, 6G6, 2X2, 6X5G volume controls, etc. Black crackle case, 15 1/2" x 9" x 9". Ideal for portable 'scope. Brand new condition 65/- . Carriage 5/- .

CRYSTALS

200 kc/s 2 pin U.S.A. 10/-
465 kc/s 2 pin U.S.A. 10/-
500 kc/s 2 pin British 15/-

PYE 45 Mc/s STRIP, TYPE 3583 UNITS.

Complete with 45 Mc/s Pye Strip, 12 valves, 10 EF50, EB34 and EA50, volume controls and hosts of Resistors and Condensers. New condition. Modification data supplied. Price £5. Carriage paid.

MORSE PRACTICE BUZZERS

Morse tapper and 4V buzzer complete on baseboard, with provision for battery. Brand new, 6/-, or complete with battery and headphones, 15/- post paid.

14 WATT HIGH FIDELITY F.M. AND RECORD AMPLIFIER

200/250 volts A.C. First quality components only. Stewart Transformers and Chokes. Partridge Output Transformer. Bass and Treble Controls (Boost and Cut). Supply Sockets for Tuner Unit. Ideal for Denco F.M. Feeder. 5 valves—6SN7, 6SL7, 6L6, 6L6, 5Z4. Complete ready for use. Bargain Price £17 10s. 0d.

DENCO F.M. FEEDER

Supplies finest audio obtainable to-day
Complete Kit
Including 5 Valves, 6AM6, 12AH8, 2-6BA6 and EB91 £6 7s. 6d.

Built up and aligned £8 10s. (Demonstrations daily)

CRYSTAL MICROPHONE INSERTS

Ideal for Tape Recorders and Amplifiers, 8/6, post free.

PHILIPS COMMUNICATION RECEIVER—TYPE P.C.R.3

Brand new in original cartons, with valves. Frequency range 12-560 metres, less Power Pack, £10 10s., P.p., 7/6.

Postage up to £1, 1/-; £2 or over, 2/-, unless otherwise stated
SEND STAMPS FOR 28-PAGE CATALOGUE

Prices slashed at Clydesdale

ELECTRONIC IGNITION TESTER

Type VED, patt. 563562 by English Electric. In original Wood Case. A Cathode Ray tester for checking ignition of internal combustion engine while engine is operating, will operate from 6, 12 or 24 volts DC or 230V AC. Built into black crackle case with hinged front and carrying handle, dim: 15" x 8 1/2" x 11 1/4". No leads or instruction book available.

ASK FOR **£15:0:0** CARRIAGE
B/H535 10/- EXTRA

INDICATOR UNIT TYPE 6H

With VCR-97 Tube and valves 4-VR91 (EF50) 3-VR54 (EB34). Dim.: 18" x 8 1/2" x 7 1/4". Wgt. 22lb. In original Wood Case.

ASK FOR **59/6** each CARRIAGE
B/E777 5/- EXTRA

INDICATOR UNIT TYPE 6

With VCR-97 Tube and valves 4-VR91 (EF50) VR54 (EB34) 3-VR92 (EA50), VR78 (DI), etc. Dim.: 18" x 8 1/2" x 7 1/4". Wgt. 21lb. In original Wood Case.

ASK FOR **45/-** each CARRIAGE
B/H524 5/- EXTRA

8 core Screened Cable. PVC outer sheath. Any length supplied, price 9d. per yard.

ASK FOR Minimum **6/-** POST
B/H539 8 yds. at 1/- EXTRA

Please note: Carriage and postal charges refer to the U.K. only. Overseas freight, etc., extra.

Order direct from: Telephone SOUTH 4451/7
CLYDESDALE SUPPLY
CO. LTD.
2 BRIDGE STREET GLASGOW C.5

TELETRON

SUPER

Inductor Coils

Miniature dust core types



Specified for the "RC" Mini-Preselector and Signal Generator. HFA1-3-4-5-7, 3/3 each. HFA9, 4/6. RFC4, 2/6. "Sensitive TRF Receiver" Type OCA and OCHF, 7/6 pair. Dual wave TRF matched pairs (as illustrated) 7/-. The original selective Xtal Transformer coil Type HAX, 3/-. HAX.L (1w), 3/6.

E.C.O. coils, IFT's wavetraps,

Stamp for complete list and circuits

The Teletron Co. Ltd.
266 Nightingale Road, London N9

Telephone HOW 2527

Trade enquiries to sole distributor, S. MOZER,
95 KENDAL AVE., N.18. Telephone EDM 7707

TELEKIT SUPPLY

CHANTRY LANE
BROMLEY · KENT

When ordering, please mention
RADIO CONSTRUCTOR and enclose 6d. postage

VALVES, New and Surplus		Guaranteed	
1B24	35/-	6BE6	6/-
1L4	5/6	6BR7	8/6
*1LN5	3/-	6BS7	7/-
1S5	6/-	6BW6	6/6
1T4	6/6	6CH6	6/6
1U5	6/-	6J5	5/-
3V4	6/6	6K7	4/-
6AL5	6/-	6SL7	7/6
6AM6	6/-	6U5	6/-
6AQ5	8/-	6X4	6/6
6AT6	7/6	6X5	7/-
6A8	8/-	7D5	6/-
6B8	6/-	7D8	6/-
6BA6	6/-	7H7	6/-
W77	5/-	7S7	6/-

* Soiled

NEW RETAIL SHOP NOW OPEN

AT 104 HIGH STREET BECKENHAM KENT

Telephone BEC 3720

HANNEY of BATH offers

OSRAM 912 Erie resistor-pot, kit with ceramic tube resistors, very highly recommended, 29/6; Lab resistor kit, 32/4; T.C.C. condensers, 55/-; PARTRIDGE Components, with loose lead terminations, Mains trans., 44/-; Smoothing Choke, 29/6; Output trans., 76/9. Price includes Partridge carriage-packing charge. Printed panel, 14/6. W.B. chassis, 28/6. DENCO 16 S.W.G. Ali-Chassis with beautiful Bronze Front Panel, 21/- (Printed). S.A.E. List.

MULLARD 5 VALVE, 10 WATT AMPLIFIER; T.C.C. Condensers, 45/-; Erie resistor-pot kit, 37/6. Elstone Mains trans., 36/-; Elstone Output trans., 45/- (both types); Denco chassis, 14/6. Small parts as per our list. Matched pairs of valves are available for both the above designs.

COILPACKS. DENCO, CP4/L and CP 4/M, 33/4; CP 3/370 pf and CP 3/550 pf., 42/8. OSMOR "Q" HO, 48/-; LM, 40/-; Batt., 50/-; TRF, 40/-; HF stage for HO pack, 20/-; ETA 4-Station pack, 43/8.

WIDE ANGLE COMPONENTS. ALLEN. Teleking Chassis, 50/-; Coilsets (TK & Super-Visor), 44/6; LO 308, 40/-; FO. 305, 21/-; DC. 300c., 39/6; FC. 302, 31/-; GL. 16 & 18, 7/6 each; SC. 312, 21/-; AT. 310, 30/-; OP. 117, 9/-; BT. 314, 15/-; DENCO Chassis Magnaview, 37/6; Chassis, Super-Visor, 51/6; Coilsets, Magnaview, 41/2; WA/DCA1, 43/-; WA/FCA1, 31/-; WA/LC1 and WC1, 7/6 each; WA/FMA1, 21/-; WA/LOT1, 42/-; WA/FBT1, 16/- Send 6d. stamps for our General List of components for Viewmaster, Soundmaster, Williamson Amplifier, Teleking, Magnaview (Brimar & English Electric large screen TV), Super-Visor, Mullard Universal, Close tolerance Silver Micas, etc., etc. Please add 2/- postage to orders under £3.

L. F. HANNEY

77 LOWER BRISTOL ROAD BATH
Telephone 3811

SMALL ADVERTISEMENTS

continued from page 445]

TRADE

"THE RADIO CONSTRUCTOR" Bound Volumes. A limited number of these are now available, Volume 7 only, at £1 1s. 0d., post paid from Data Publications, Ltd., 57 Maida Vale, London, W.9.

FOR ALL TYPES OF RECORDING. Tape to Disc, from 12/6. Queensway Recording Studios, 123 Queensway, W.2. Telephone BAY 4992.

RADIO MODEL CONTROL—Unlimited advice, Handbook 3/6. Carter, 101 High Street, Harlesden, London, N.W.10.

UNIVERSAL METER Taylor Model 90A BS.89 first grade accuracy, 1,000 o.p.v. AC/DC £8 10s. 0d. only. Also Valve Tester 45A/S with adaptors measuring mutual conductance of almost all modern valves £14. Both in perfect condition. Practically new. Write: Strauss, 5 Gloucester Avenue, Slough, Bucks.

BLUEPRINTS. High Gain 10 Metre Converter, with a de-lex circuit comprising EF91 RF stage, ECC91 double triode mixer and oscillator, EF92 IF amplifier, with stabilised voltage supply via a 7475, 1/8 post free with full instructions. Data Publications, 57 Maida Vale, London, W.9.

KENDALL AND MOUSLEY LTD. Manufacturers of Laboratory Equipment, chassis and instrument cases, also suppliers of B.V.A. valves, Radio and TV components. 18 Melville Road, Birmingham 16.

COILS, COILS, COILS. We can supply coils for all frequencies, RF Chokes, Filters, etc. Coils wound to specification—send details for estimate. Send SAE for circuits and data. The Teletron Co., 266 Nightingale Road, London, N.9.

I.P.R.E. PUBLICATIONS. 5,500 Alignment Peaks for superhets, 5/9. Sample copy *The Practical Radio Engineer*, 2/-; Membership examination particulars, 1/-; Syllabus of TV and Radio Courses free and post free. Secretary, I.P.R.E., 20 Fairfield Road, London, N.8.

FREE! Brochure giving details of Home Study Training in Radio, Television, and all branches of Electronics. Courses for the hobby enthusiast or for those aiming at the A.M.Brit.I.R.E., City and Guilds, Telecommunications, R.T.E.B. and other professional examinations. Train with the College operated by Britain's largest Electronic Organisation, moderate fees. Write to E.M.I. INSTITUTES, Postal Division, Dept. RC28, E.M.I. Institutes, London, W.4.

MEDICAL BOOKS. In addition to radio publications, you can obtain from us the following popular works on health subjects. *Smoking and Cancer*, 2/-; A comprehensive discussion on this important subject. *So You're Grown Up Now*, 1/-; Personal information for the Teen-ager. *So You're Expecting a Baby*, 9d. A most helpful book for the young Mother-to-be. Please add 2d. for postage. Data Publications, Ltd., 57 Maida Vale, London, W.9.

OSMOR—for efficient coils, coilpacks, etc., Send 5d. stamp for FREE circuits and lists. Dept. RCC-Osmor Radio Products, Ltd., 418 Brighton Road, South Croydon, Surrey. Telephone Croydon 5148/9.

JOIN THE ISWL. Free services to members including QSL Bureau, Translation, Technical and Identification depts. DX certificates, contests and activities for the SWL. Monthly magazine "MONITOR" duplicated, containing articles of general interest to the SWL and League members, 10/6 per annum, post free. ISWL HQ, 86 Barringer Road, London, N.10.

SERVICE SHEETS for Sale or Hire, Radio and Television. SAE enquiries. F.I.E.L.D., 80 Oldfield Road, London, N.16.

SPEAKERS 8", 12/9. PM Standard, 3-5 ohms or with O.P. Transformer, 15/9. Used but guaranteed tested perfect, most makes, post 1/9. Baffle board 9d. extra. Extension Speaker Cabinets, 9/9, to fit 8" speakers, baffle board fitted, post 1/9. Duke & Co., 621 Romford Road, London, E.12. GRA6677.

[continued on page 448

VALVES—over 3,000 in Stock

6AM6, EF91, EF92, 6AL5, EAC91, 1L4, 9006, 5/- 12AT7, 12AX7, 6CH6, 6AK5, 6BW6, 616, 6F33, 6BR7, EC91, EL91, CV284, CV286, 85A1, 85A2, 7/6 12AU7, 12E1, 6SN7, 6SL7, 6SJ7M, R10, 9/-

A. A. W. SKILLMAN

FRANCHISE STREET WEYMOUTH

H.A.C. SHORT-WAVE EQUIPMENT

Suppliers for over 18 years of Radio S.W. Receivers of quality One Valve Kit, price 25/-; Two Valve Kit, price 50/- Improved designs with Denco coils. All kits complete with all components, accessories and full instructions. Before ordering, call and inspect a demonstration receiver, or send stamped addressed envelope for descriptive catalogue.

H.A.C. SHORT-WAVE PRODUCTS (DEPT. R)
11 OLD BOND STREET LONDON W.1

REP HIGH GAIN COILS

Dual Range Miniature Crystal Set Coil with Circuit. Type DRX1 ... 2/6
Dual Range Coil with Reaction with 2 mains and 2 battery Circuits. Type DRR2 4/-
Matched Pair Dual Range T.R.F. Coils with Reaction; with battery and mains circuits. Type DRM3 ... Pair 8/- (Regd. Design)
★ All Coils wound on Low-loss Formers
★ Individually Tested and Guaranteed
★ Post 3d. on all Orders ★ Trade Supplied
RADIO EXPERIMENTAL PRODUCTS LTD
33 MUCH PARK STREET COVENTRY



HIGH FIDELITY COMPONENTS

always in stock for

OSRAM 912 AMPLIFIER circuits and wiring diagrams 3/6
MULLARD 5-10 AMPLIFIER circuits and wiring diagrams 2/6
DENCO FM TUNER UNIT circuits and wiring diagrams 1/6

Separate price lists available on request

Components for all popular Constructor Designs in Stock. Please send for free copy of our . . .

NEW 48 PAGE CATALOGUE

J. T. FILMER MAYPOLE ESTATE
BEXLEY · KENT

Telephone Bexleyheath 7267

ADCOLA

(Regd. Trade Mark)

SOLDERING INSTRUMENTS



Reg. Design No. 860302 (British, U.S. and Foreign Patents)

Designed for wireless assembly and Maintenance

Supplied for all volt ranges from 6/7v to 230/250v 3/16" Dia. Bit Standard Model 25/6

Sole Manufacturers **ADCOLA PRODUCTS LTD.**

Sales Office and Works Cranmer Court, Clapham High St. London SW4 (MAC 4272)

PANL

Most of the Nationally known mail order houses now stock this popular air-drying crackle finish as a regular line at 3/- per 1/2 pt. can, in black, green and brown. If you have any difficulty in obtaining your supply, send 3/6 to—G. A. MILLER, 8 Kenton Park Crescent, Kenton, Middx.

ALL ITEMS POST PAID UNLESS OTHERWISE STATED

VALVE BARGAINS. 1R5, 1S5, 3V4, 6/3, 1T4, 5/3, ECL80, 8/-, 12AT7, 12AX7, 8/6, 7S7, 7C6, 7/6.

SPEAKERS. 6 1/2", 11/6.

ELECTROLYTICS. 8 mfd 450v. small ali can, 1/-, six for 5/-.

Germanium diodes, 1/-.

A. BLACKBURN
CENTRAL HOUSE
BURY WHARF, BURY ST., RUISLIP, Mddx.

Our new Government Surplus catalogue No. 12 containing over 400 items price 1/6 post free. 2/6 overseas seamount, available end of February.

ARTHUR T. SALLIS (R.C.)

93 NORTH ROAD · BRIGHTON · SUSSEX
Telephone BRIGHTON 25806

COMING SHORTLY . . .

PANEL-SIGNS ∴ SET No. 3

Wording for Receivers, Amplifiers, Transmitters, Test Equipment and other Radio Apparatus

DATA BOOK 6

"RADIO AMATEUR OPERATOR'S HANDBOOK"

The above booklet is now completely revised and the printing of the new edition will commence shortly. Our stocks of the last edition are now completely exhausted, and an announcement will be made in these pages as soon as the new printing is available.

DATA PUBLICATIONS LTD
57 MAIDA VALE · LONDON · W9

SMALL ADVERTISEMENTS

continued from page 447)

APPOINTMENTS

ELECTRONIC WIREMEN required to assist in the production of Prototype High Grade Television Transmission and similar equipment. Applicants to possess fundamental knowledge of radio and television, to be capable of producing own component layouts and wiring to a high standard. Pension scheme. Canteen. Write, stating age, experience, and salary required to **CINEMA-TELEVISION LIMITED**, Worsley Bridge Road, Lower Sydenham, S.E.26.

WIRELESS STATION SUPERINTENDENTS required by the **NIGERIA** Posts and Telegraphs Department for one tour of 18 to 24 months in the first instance. Option of appointment: (a) on temporary terms with salary scale (including expatriation pay), £864 rising to £1,392 a year. Gratuity at the rate of £100/150 a year, or (b) with prospects of pensionable employment with salary (including expatriation pay), £750 rising to £1,175 a year. Outfit allowance, £60. Free passages for officer and wife. Assistance towards cost of children's passages or grant up to £150 annually for maintenance in U.K. Liberal leave on full salary. Candidates must have had wide practical experience of modern radio technique and equipment, in particular V.H.F. Equipment, and preferably also V.H.F. multi-channel equipment. Write to the Crown Agents, 4 Millbank, London, S.W.1. State age, name in block letters, full qualifications and experience and quote M2C/30086/RN.

TELETRON FERRITE ROD AERIALS

Wound on high permeability Ferroxcube rod & designed for use with 500 pf. (max) tuning condenser. Nominal Inductance for type. FRM. 165. u/h. Q at 1 Mc. 185. Waveband 550 kc/2 Mc.—8/9d. FRD. 2.2 MH. Waveband 150 kc/2 Mc/s. LW and MW. 12/9d. 3d. postage.

THE TELETRON CO LTD

266 NIGHTINGALE ROAD · LONDON N9
Telephone HOW 2527

REPORT PADS

REPORT/REPLY RATIO LOW ?

Then send a report which contains all the information a station requires. Each pad contains 50 printed forms detailing the headings under which reports should be made. Your QSL returns will be much higher if you use these properly prepared reports. Printed on a high quality paper suitable for airmail transit they cost only 3/9 post paid.

Orders with remittance to

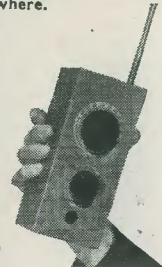
DATA PUBLICATIONS LTD
57 MAIDA VALE · LONDON W9

CONSTRUCTORS build these at low cost!

PERSONAL PORTABLE RADIO 30/-

Post Free

This little set was designed to give you a real personal portable radio that you can enjoy anywhere without disturbing others. Use it on camping trips, in bed, in your office, or just anywhere.

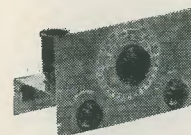


Send 2/- for layout, Wiring diagram and Components Price List.

ALL-WAVE RADIO

30/-

Ideal for the beginner or for those requiring a simple standby receiver.



This 1 valve S.W. receiver can be built for 30/-, from our list of components, which can be purchased separately. It includes valve and 1 coil covering 20-40 metres. Provision is made to increase to 2 or 3 valves if required, and all components are colour-coded so that the beginner can build this set quite easily. Send 2/- for specification, wiring diagram, layout and price list.

POWER UNIT TYPE PUI

120v @ 20ma, 6.3v @ 1.5A
32/6

Replace those expensive batteries with one of these power units. Supplied in component form together with easy to follow constructional details.



An ideal power supply for both these Receivers and for inclusion in Home-Built Test Equipment.

R.C.S. PRODUCTS (RADIO) LTD.

11 OLIVER ROAD (Mail order only) LONDON E.17

YOU CAN RELY ON US

Radio and TV Component Bargains

VALVES

6V6G 7/6, 6X5G 7/6, 6X5G 1/6,
6SN7 9/6, EM32 8/-, ECC81 9/6,
ECC40 9/6, 6K7(metal) 8/-,
6K7S 7/6, EF54 6/-, EF50 7/-,
EL32 7/6, 12A6 7/-, 12SC7 6/6,
6J7G 7/6, 7E 6/6, 12J5 4/6, EB34
3/6, EF36 6/6, 6B4 7/6, 6B8 7/-,
6K8G 8/6, 1R5 8/6, 1T4 7/6,
1S5 7/6, 1R5 8/6, 3A4 7/6,
R3 9/-, 35Z4 7/6.

TRANSFORMERS TV

WB107 Line 32/6, WB106 Frame
25/6, WB103 Heater 42/-,
WB103A Heater 52/6, Denco
WA/LOTI Line 42/-, WA/FMAL
Frame 21/-, WA/FBTT F/Block-
ing 16/-, Allen LO308 Line 40/-,
FO305 21/-, RT314 15/-, and
Haynes (when available) Osram
912 Amplifier Book 3/6, all parts
stocked.

VOLUME CONTROLS

5K, 10K, 25K, 50K, 100K, 250K,
500K, 1mg, with Switch 4/-,
Less S/W 2/6, DP Switch 5/6,
Wirewound Preset from 100Ω to
30K 3/2 each. Standard 3w
Colvern 6/4.

Next Door South Ealing Tube Station. 6 o'clock, 1 p.m. Wed.

SOUTH EALING ROAD
LONDON W5 Telephone EAL 5737

TRANSFORMERS

Speaker Trans. Pentode o/p 4/6,
Midget Mains 3/9, Battery Stand-
ard 4/-, Super-Midget for P/Port-
ables 5/-, Charging Transformers
2v, 6v and 12v charging at 2a
19/6, 1v, 2v, 4v, 6v, 10v, 15v,
20v, 30v, up to 15v at 4a 30v
at 2a 22/6, Midget Mains Trans-
former 60m/a 250-0-250v 6.3v
at 3a, 5v 2a 21/6, Elstone SR/250
or SR350 28/6.

SOLDERING IRONS

Tyana Pencil Bit 14/11, Adcola
Pencil Bit 25/6, Detachable Bit
33/6, Henley Small Pencil Bit
19/8, Solon Standard Pencil 25/4,
Oval Bit 23/8,
LINEAR POTS
1/2 m Ω, 1 m Ω, 1 m Ω, 2 m Ω, 6/6.
As above with Centre Tap 7/6.

COILS

Osmor Full Range 4/- each,
Weymouth 'H' Type 3/9, 'K'
Type 5/-, CS3W3 12/3, 'K'
CT2W2 10/- per pair, Denco
Maxi-Q Midget Chassis or Plug-
in Type 3/11 each, Full Range of
Osmor and Weymouth Coilpacks.

IF TRANSFORMERS

Denco IFT11 12/- pair, P4 (Wey-
mouth) 15/- pair, Wearite M800
21/- pair, 501/502 20/- pair
Q MAX CHASSIS
PUNCHES
3/8", 3/4", 1 1/4", 1 3/4", 1 1/2",
1 1/4" 16/-, 1" Square 24/- (All
inclusive of keys.)

RESISTORS

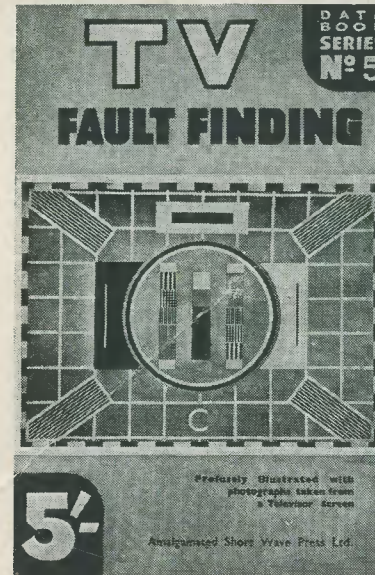
1/2w, 1/4w 4d., 1w 8d., Midget Type
'T' 1/4w max. 6d., Type 'R' 1 watt
max. 8d. Full Range. 2% High
Stab. 1/6 each (Range 100 ohms
to 2mg). Wirewound max. 7
watts 2/3, 10 watts 2/9 (33 ohms
to 10K only).

A BARGAIN

New Tubular 8mfd 500v Wire-
End Electrolytics 1/11 each.
2 for 3/6.

Orders Despatched Promptly,
C.O.D. by Return (over £1).
Please add P/Pkg. fee up to £1-1/-
£2-1/6. Over £2 Free.
Catalogue of Surplus Ready soon
6d. each. Catalogue of New
Proprietary Components (250
Illustrations, 70 Pages) 3/-
Returnable on Order over 30/-.

RADIO SERVICING CO



"... A book that should be in every television dealer's service workshop, and in every home-constructor's, for that matter."

Journal of the Television Society

"... The book will undoubtedly be of value to TV service engineers, particularly those who are not fully experienced in translating the appearance of faulty pictures into the necessary adjustments or receiver fault location."

Wireless and Electrical Trader

TV FAULT FINDING

Data Book Series No. 5

ENLARGED REVISED EDITION

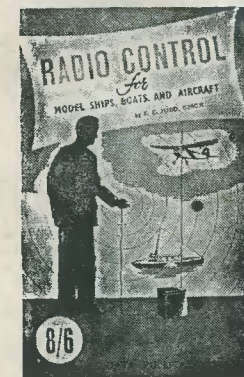
This is a completely new production—not a reprint—and is unique in that it is lavishly illustrated by photographs taken from the screen of a television exhibiting the faults under discussion. A handy fault-finding guide is incorporated, and this is cross-referenced to the book itself.

over 100 Illustrations and Diagrams
now 92 pages, high quality paper
with heavy art board cover

PRICE 5s. Postage 3d.
Available from your usual supplier, or direct
(Trade enquiries invited)

DATA PUBLICATIONS LTD.
57 MAIDA VALE LONDON W9
Telephone CUN 6518

DATA BOOK SERIES, NO. 9



Radio Control

FOR MODEL SHIPS, BOATS AND AIRCRAFT

BY F. C. JUDD, G2BCX

To operate a model ship or aircraft is a most interesting hobby. But how much more fascinating it would be if one could emulate the skipper or pilot and remain in control after the model has been set off on its course. This, thanks to radio control, can now be done, and enthusiasm for it is steadily mounting. With the publication of this book, we really believe that we have produced what will become a recognised handbook in this field.

Standard Edition, art board cover . . . 8s. 6d.

Cloth bound, with gold lettering . . . 11s. 6d.

Postage 3d.

A really comprehensive work on this fascinating subject

144 pages

135 diagrams and illustrations

TRADE ENQUIRIES INVITED

DATA PUBLICATIONS LTD

57 MAIDA VALE LONDON W9

Telephone CUNningham 6518

Printed in Great Britain for the Proprietors and Publishers Data Publications Ltd., 57 Maida Vale, London, W9, by A. Quick & Co. Ltd., Oxford House, Clacton-on-Sea, Essex. Is obtainable abroad through the following: Collets Subscription Service, Continental Publishers & Distributors, Ltd., William Dawson & Sons Ltd. Australia and New Zealand: Gordon & Gotch Ltd. South Africa: Central News Agency. U.S.A.: Gilfer Associates. Holland: "Radio Electronica." Scandinavia: Intrapress. Registered for transmission by Magazine Post to Canada (including Newfoundland).

