

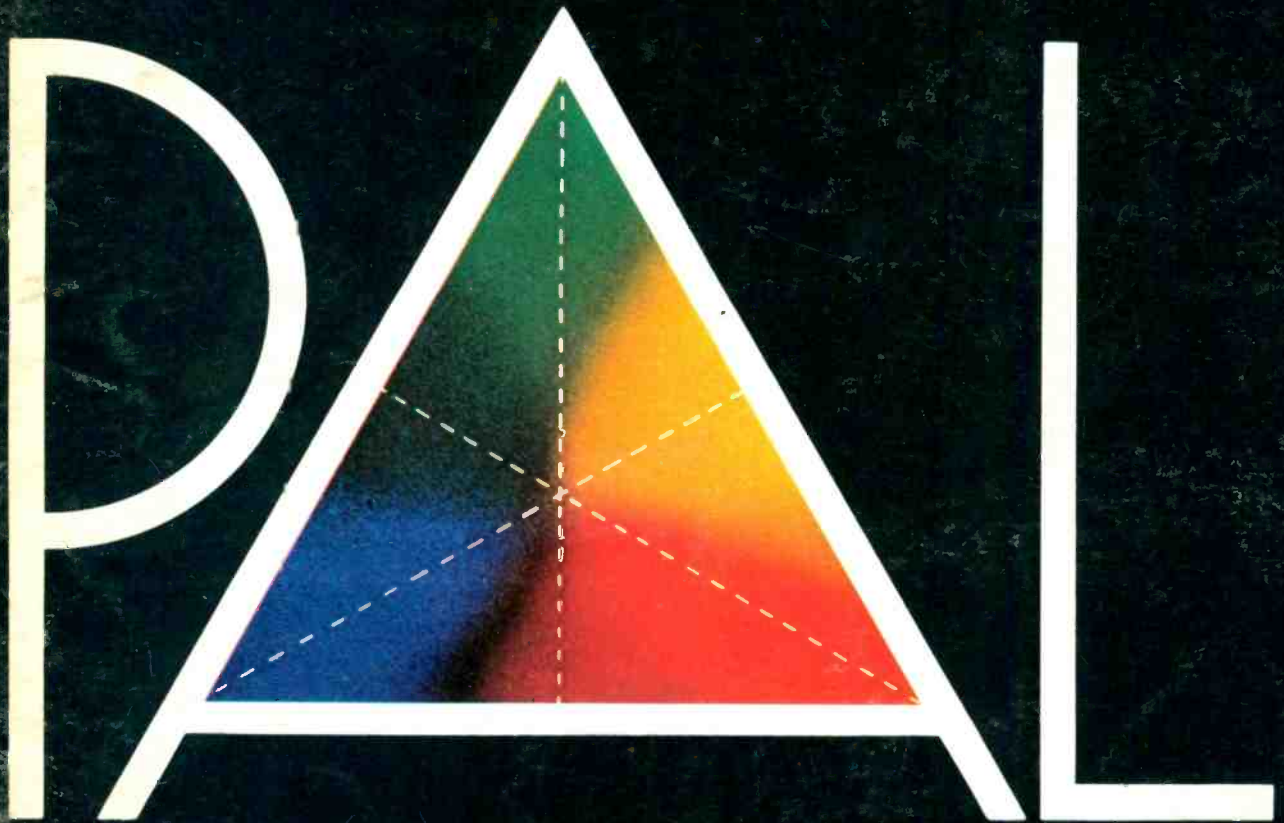
TELEVISION

SERVICING · CONSTRUCTION · COLOUR · DEVELOPMENTS

20p

DECEMBER
1971

**A CLOSER
LOOK AT**



also: LINE TIMEBASE CIRCUITS FOR THE CONSTRUCTOR
THE TELDEC SYSTEM · A LOOK AT RUSSIAN TV SETS

LAWSON BRAND NEW TELEVISION TUBES



SPECIFICATION: The Lawson range of new television tubes are designed to give superb performance, coupled with maximum reliability and very long life. All tubes are the products of Britain's major C.R.T. manufacturers, and each tube is an exact replacement. Tubes are produced to the original specifications but incorporate the very latest design improvements such as: High Brightness Maximum Contrast Silver Activated Screens, Micro-Fine Aluminising, Precision Aligned Gun jiggling, together with Ultra Hard R.F. High Vacuum Techniques.

DIRECT REPLACEMENTS FOR MULLARD-MAZDA BRIMAR GEC, ETC.

A21-11W (P)	AW47-91 (M)	C19/AK (M)	CME1902 (M)	173K (M)
A28-14W (P)	MW43-64 (M)	C21/1A (M)	CME1903 (M)	212K (M)
A31-18W (P)	MW43-69 (M)	C21/7A (M)	CME1905 (M)	7205A (M)
A47-11W (P)	MW43-80 (M)	C21/AA (M)	CME1906 (T)	7405A (M)
A47-13W (T)	MW52/20 (M)	C21/AF (M)	CME1908 (M)	7406A (M)
A47-14W (M)	MW53/80 (M)	C21/KM (M)	CME2101 (M)	7502A (M)
A47-17W (P)	AW47-97 (M)	C21/SM (M)	CME2104 (M)	7503A (M)
A47-18W (P)	AW53-80 (M)	C23/7A (M)	CME2301 (M)	7504A (M)
A47-26W (P)	AW53-88 (M)	C23/10 (M)	CME2302 (M)	7601A (M)
A59-11W (P)	AW53-89 (M)	C23/AK (M)	CME2303 (M)	7701A (M)
A59-12W (P)	AW59-90 (M)	CME1101 (P)	CME2305 (P)	CRM121 (M)
A59-13W (T)	AW59-91 (M)	CME1201 (P)	CME2306 (T)	MW31-74 (M)
A59-14W (T)	C17/1A (M)	CME1402 (M)	CME2308 (M)	A50-120W/R (P)
A59-15W (M)	C17/5A (M)	CME1601 (P)	CRM172 (M)	
A59-14W (T)	C17/7A (M)	CME1602 (P)	CRM173 (M)	
AW36-80 (M)	C17/AA (M)	CME1702 (M)	CRM212 (M)	
AW43-80 (M)	C17/AF (M)	CME1703 (M)	CRM211 (M)	
AW43-88 (M)	C17/FM (M)	CME1705 (M)	23SP4 (M)	
AW43-89 (M)	C17/5M (M)	CME1706 (M)	171K (M)	
AW47190 (M)	C19/10AP (T)	CME1901 (M)	172K (M)	

REBUILT TUBES

LAWSON "RED LABEL" CRTS are particularly useful where cost is a vital factor, such as in older sets or rental use. Lawson "Red Label" CRTs are completely rebuilt from selected glass, are direct replacements and guaranteed for two years.

	Brand New Tubes	Red Label Rebuilt	Carr. Ins.
17" (M)	£6-25	£4-97	12" - 19" 62p
19" (M)	£7-25	£5-25	
21" (M)	£8-50	£6-95	
23" (M)	£9-75	£7-25	20" - 23" 75p
19" Twin Panel (T)	£10-25	N.A.	
23" Twin Panel (T)	£15-50	N.A.	
19" Panorama (P)	£9-38	£6-95	
20" Panorama (P)	£10-50	£7-50	
23" Panorama (P)	£11-95	£8-75	
16" Panorama (P)	£8-50		

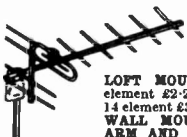
LAWSON TUBES
18 CHURCHDOWN ROAD,
MALVERN, WORCS.
Malvern 2100

2 YEARS' GUARANTEE FULL TUBE FITTING INSTRUCTIONS

Tubes are despatched day of order by passenger train, road or goods taking far too long for customers satisfaction.

U.H.F. TV AERIALS

Suitable for Colour and Monochrome Reception



All U.H.F. aerials now fitted with tilting bracket and 4 element reflector.

LOFT MOUNTING ARRAYS. 7 element £2-25, 11 element £2-75, 14 element £3-25, 18 element £3-75.
WALL MOUNTING c/w WALL ARM AND BRACKET. 7 element £3-25, 11 element £3-75, 14 element £4-25, 18 element £4-75.
CHIMNEY MOUNTING ARRAYS c/w MAST AND LASHING KIT. 7 element £4, 11 element £4-50, 14 element £4-75, 18 element £5-25.
MAST MOUNTING arrays only 7 element £2-25, 11 element £2-75, 14 element £3-25, 18 element £3-75. Complete assembly instructions with every aerial.
LOW LOSS coaxial cable 9p yd. **KING TELEBOOSTERS** from £3-75. **LARGEAR** all band V.H.F.-U.H.F.-F.M. radio mains operated pre-amps £7-50. State clearly channel number required on all orders. P.p. on all aerials 50p. Accs. 15p. C.W.O. Min. C.O.D. charge 25p.

BBC-ITV-FM AERIALS
BBC (band 1) Wall 8/D £2. LOFT inverted 'T' £1-25. EXTERNAL 'H' array only £3. ITV (band 3) 5 element loft array £2-50, 7 element £3. **COMBINED BBC-ITV** loft 1+5 £2-75, 1+7 £3-50.
WALL AND CHIMNEY UNITS ALSO AVAILABLE. Pre-amps from £3-75. **COMBINED U.H.F.-V.H.F.** aerials 1+5+8 £4, 1+5+14 £4-50, 1+7+14 £5. **F.M. RADIO** loft 8/D £1, 3 element £3-25, 4 element £3-50. Standard coaxial plus 9p. Coaxial cable 5p yd. Outlet box 30p. P.p. on all aerials 50p. Accs. 30p. C.W.O. Min. C.O.D. charge 25p. Send 5p for fully illustrated lists.

CALLERS WELCOMED
OPEN ALL DAY SATURDAY

K.V.A. ELECTRONICS
40-41 Monarch Parade
London Road, Mitcham, Surrey
01-648 4884

COLOUR TUBES STANDARD TUBES

METAL BAND TUBES

TWIN PANEL TUBES

Rebuilt with new Electron Guns at under 50% normal list price

SUFFOLK TUBES LIMITED

261 CHURCH ROAD,
MITCHAM, SURREY
01-640 3133

Britain's largest INDEPENDENT TV Tube rebuilder

We also require large quantities of all types of old tubes for cash

Learn at home... First Class Radio and TV Courses



After brief, intensely interesting study—undertaken at home in your spare time—YOU can secure a recognised qualification or extend your knowledge of Radio and T.V. Let us show you how.

FREE GUIDE

Free Guide contains 120 pages of information of the greatest importance to both the amateur and the man employed in the radio industry. Chambers College provides first rate postal courses for Radio Amateurs' Exam., R.T.E.B. Servicing Cert., C. & C. Telecoms., A.M.S.E. (Elec.). Guide also gives details of range of certificate courses in Radio/TV Servicing, Electronics and other branches of engineering.

Write now for your copy of this valuable publication. It may well prove to be the turning point in your career.

Founded 1885 Over 150,000 successes

CHAMBERS COLLEGE

(Incorp. National Inst. of Engineering)

(Dept. 844V) Aldermaston Court, Reading, RG7 4PF

UHF. COLOUR AND TELEVISION SPARES

COLOUR DLI DELAY UNIT £3-85 p.p. 25p, LUMINANCE DELAY UNIT £1-35 p.p. 15p, PLESSEY SCAN COILS £5-75 p.p. 35p, CONVERGENCE COILS £3-80 p.p. 25p, BLUE LATERAL £1-25 p.p. 9p, or Complete Set £10 p.p. 50p, MULLARD TYPE, SCAN COILS £3-50 p.p. 35p, CONVERGENCE COILS £1-75 p.p. 25p, LUMINANCE/CHROMINANCE PANEL £1 p.p. 25p, INTEGRATED TRANSISTORISED DECODER UNIT including Circuits £1-25 p.p. 10p, LINE OUTPUT TRANSFORMER including EHT and FOCUS ASSEMBLY £3-50 p.p. 35p. (Shop customers only, assortment Colour Panels of various makes.) ALSO COLOUR TV CAMERA UNITS.

COLOUR TV MONITOR PANELS Designed to highest BBC standards. PAL filter & delay £6-00, Chrominance £6-00, Luminance £4-50, Encoded Video Input £2-50 incl. circuit, p.p. 30p. UHF 625 conversion kits and tuners available at reduced prices. Lists available.

UHF Integrated transistd. 6 position push button tuners, leading British makers surplus £4-50 p.p. 35p. Transistd. IF panels (salvaged) £2-50 p.p. 25p.

MURPHY 600/700 series UHF conversion kits in cabinet plinth assembly can be used as separate UHF receiver £7-50 p.p. 50p. 625 IF amplifier incl. 5 valves and circuit £3 p.p. 35p.

SOBELL/GEC Dual 405/625 IF amp and o/p chassis incl. circuit £1-50 p.p. 30p. PHILIPS 625 P/C IF panel incl. circuit £1 p.p. 25p. UHF tuners transistd. incl. S/M drive, knobs £3-95, or push-button £5-25. Valve type, cydon £1-75 p.p. 25p. Many others. EKCO/FERRANTI UHF tuner kit, incl. valves, slow motion drive, knobs, leads, aerial panel £5-50 p.p. 30p.

TV SIGNAL BOOSTER UNITS Latest PYE/LABGEAR all station UHF/VHF transistd. "Set back" mains operated £5-90 UHF Masthead £4-25, Power Unit £3-25 pp. 25p.

FIREBALL TUNERS Ferg., HMV, Marconi. New £1-90 p.p. 25p. PUSH BUTTON Plessey, Ekco Ferranti £1 p.p. 25p.

TURRET TUNERS, AB Dual Standard Suitable Ferguson, Baird, KB etc. 75p, Cydon C 75p, Ferguson MT7 £2-75, GEC 2018/9 £4-50, Pye 110/510 min. incremental £2-50 p.p. 25p. Large selection channel coils.

LINE OUTPUT TRANSFORMERS. Popular types available, brand new replacements, fully guar. A selection which can be supplied p.p. 25p. C.O.D. 25p.

MURPHY 470 to 530 (oilfilled) ..	£3-75	Bush TV75/86 ..	£2-50
MURPHY 849 to 939 ..	£4-50	Bush TV93/99 ..	£2-50
PHILIPS 1768/2168 ..	£4-50	BUSH 141, 148, 15KV ..	£2-50
PHILIPS 17TG100 Range ..	£3-50	EKCO 407/417 ..	£2-50
STELLA 1011/1029 ..	£4-00	FERR. 1084/1092 ..	£2-50
PHILIPS IGTG111/112 ..	£4-00	FERG 506 to 546 ..	£1-50
PHILIPS 19TG121 to 156 ..	£4-50	HMV 1890 to 1896 ..	£1-50
PHILIPS 19TG170, 210 series ..	£4-50	Murphy 149, 159, 15KV ..	£2-50
BUSH TV53 to 69 £1-75 105 to 135 ..	£3-50	REG 10-6, 10-17 ..	£2-50
EKCO 221 to 331 (U25 or U26) ..	£3-50	REG 191, 192, 17-18 ..	£2-50
FERRANTI 1001/19 (U25 or U26) ..	£3-50	RGD 610, 711 ..	£2-50
EKCO 342 to 394, FERRANTI 1021 to 1065 ..	£3-75	RGD 619, 620 ..	£2-50
EKCO, FERRANTI 418, 1093 etc. ..	£3-50		
DECCA DM17, 3, 4 (70;) DR95, 101/606 ..	£3-95		
FERG 305 to 436, 806 to 727 ..	£3-75		

FERG, HMV, MARCONI, ULTRA, PHILCO 3600, 2600, 4600, 6600, 1100, Jellypot ..	£3-75	LOPT Inserts p.p. 15p	
KB QV20, PVP20, VCI to VCI1 ..	£4-00	Alba 655, 656 ..	£1-75
MARCONI VT157 to 172 ..	£3-75	Bush 125 to 135 ..	£2-50
GEC 302 to 346, £2-50, 448 to 452 ..	£3-25	(Round Tag Panel) ..	£2-50
GEC 434/6, 2000 series ..	£3-75	Cossor 933 to 950 ..	£1-75
HMV 1865/9, 1870/6, 1910/1924 ..	£3-75	Ekco TP308 ..	£1-75
PYE (TM/CW series (printed circuit) 17/21, 17/S, 110 to 510, 700, 830, 1, 2, 3, 11U to 48 ..	£3-50	Emerson 700/711 ..	£1-75
PAM, INVICTA equiv. LOPTS to above PYE ..	£3-50	KB, NF70, OV30, PV40, PVP20, QV10, 20, 30 ..	£1-75
PETO SCOTT 1419 to 1725 £1-75, 733 to 738, 235 ..	£2-50	KB/RGD VCII ..	£2-50
SOBELL/McMICHAEL TPS 173, 180, T23, 24, 178, 278, SC24, 270, MP17, 18, M72, M74 ..	£2-50	Featherlight ..	£2-50
TPS 781, 279, SC34, 370, MP27, M75, 76, 93, T25, 280, TPS710 ..	£3-25	KB/RGD VCI-9 ..	£1-75
195, 282 to 288, 762, 763 ..	£3-25	Murphy 849 to 939 (Round Tag Panel) ..	£2-50
SOBELL 196/7, 1000 series ..	£4-50	Philco 1030 series ..	£1-75
PHILCO 1010 to 1021 ..	£2-25	Philips 17TG100 range ..	£1-75
ULTRA 1770 to 2834 ..	£3-75	Pye, VT4, VT7 ..	£2-15

PRACTICAL TV 625 RECEIVER Integrated push button transistorised tuner .. £4-50 p.p. 25p
Transistorised IF panel .. £4-75 p.p. 25p
850 line output transformer .. £3-75 p.p. 25p
850 field output transformer .. £1-62 p.p. 15p
850 scan coils .. £3-90 p.p. 25p

(p.p. on complete set of 5 items 50p)

THORN 850 Time Base Panel, Dual Standard £1 p.p. 30p
VALVE BASES B9D for PL500 series and colour 12p p.p. 5p
SCAN COILS PHILIPS, STELLA, COSSOR 110° models £2-85 p.p. 25p.

MANOR SUPPLIES

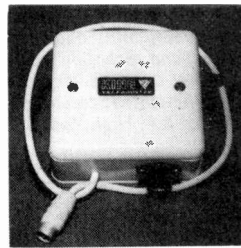
172 WEST END LANE, LONDON, N.W.6

(Near W. Hampstead tube stn; 28, 59, 159 Bus Routes) 01-794 8751

MAIL ORDER: 64 GOLDERS MANOR DRIVE, LONDON, N.W.11

THE NEW UM4 "COLOURBOOSTER"

UHF/625 LINE



CAN PRODUCE REMARKABLE IMPROVEMENTS IN COLOUR AND PICTURE QUALITY IN FRINGE OR DIFFICULT AREAS WITH SIGNIFICANT REDUCTION IN NOISE (SNOW).

HIGH GAIN—VERY LOW NOISE
FITTED FLY LEAD—INSTALLED IN SECONDS
HIGHEST QUALITY COMPONENTS
IVORY PLASTIC CASE 3½ x 3½ x 1½ CORK BASE
CHANNELS: Group A, Red code 21-33
Group B, Yellow code 39-51
Group C-D, Green code 52-68

EQUALLY SUITABLE FOR BLACK AND WHITE

Also the M4 DUAL BAND VHF UNIT
BOOSTS ALL BAND III and ANY SPECIFIED
BAND I CHANNEL SIMULTANEOUSLY
NOMINAL GAIN 17-18 DB BOTH BANDS

PRICES BOTH TYPES:

£3-75 Battery model or £5-87 Self-contained mains version
Postage and Packing 13p

TRANSISTOR DEVICES LIMITED
6 ORCHARD GARDENS, TEIGNMOUTH, DEVON
Telephone: Teignmouth 4757

for men of vision rebuilt T.V. tubes

Current types

17"	£4-75	21"	£5-50
19"	£5-00	23"	£6-00

Panorama & Rimguard types

19"	£7-00	23"	£9-00
-----	-------	-----	-------

Twin panel

19"	£7-50	23"	£9-50
-----	-------	-----	-------

Cash or P.O. with order no C.O.D. Carriage free in England, Scotland, Wales. Add 75p for carriage Northern Ireland.

Each tube fitted with new electron gun assembly. Fully guaranteed for two years against any fault except breakage.

Special terms for Hospitals, Orphanages, Old People's homes.

Manufactured in our own factory backed by over 20 years' experience in the field of electronics. Callers always welcome (by appointment) at

k.s.t. Ltd.

Providence Mills, Viaduct Street,
Stanningly, Nr. Leeds, Yorks.

WILLOW VALE



BY RETURN WHOLESALE SUPPLIERS OF:

COMPONENTS

Dubilier capacitors. Erie wire-wound resistors. $\frac{1}{2}$, 1 and 2 watt carbon film hi-stabs. Sprague bias and smoothing electrolytics. Egen presets. AB metal volume controls. Smoothing electrolytics. Printed circuit aerial panels. Valve bases. Belling and Egen co-axial plugs, Din Plugs and sockets. Thermistors (ITT).

TRANSISTORS AND SEMI-CONDUCTORS

Full range of current colour transistors. AC, AF, BC, BF, BD, OC, etc., types always in stock. Rectifiers and VDRS. Full trade discount. Reputable makes. Mullard, Siemens, Valvo, etc.

VALVES

Entire range of entertainment types in stock at 41 per cent or 48 per cent discount. See catalogue for details. *Twelve months' guarantee.*

C.R.T.'s

Full range of monochrome and colour tubes. Rebuilt and new. 2-year and 4-year guarantees. All sizes from 17 in. to 25 in. stocked. Panorama, Rimguard, Mono and Twin-Panel.

LINE OUTPUT TRANSFORMERS

All makes supplied. Exchange units or new replacement transformers. *(Subject to availability.)* Bush, Philips, Pye, Ekco, Sobell/G.E.C., Ferguson, Philco, Ferranti, Peto-Scott, etc., etc.

SERVICE AIDS

Electrolube, Servisol, Multicore Solders, tools, multi-meters in stock.

WE ARE THE ONLY SPECIALIST WHOLESALE TO THE SERVICE ENGINEER

TWO DEPOTS:

Excellent Trade Discounts. Purchase our catalogue, 20p in stamps please. Refunded on first order. Strictly trade only.

OUR REPRESENTATIVES COVER THE COUNTRY AND WILL BE PLEASED TO CALL

4 & 5 THE BROADWAY, HANWELL, LONDON, W.7

Telephones: 01-567 5400 01-567 2971 01-579 3582

42 WEST END, STREET, SOMERSET 045-84 2597

YOUR OWN PROFESSIONAL SOLID STATE CLOSED CIRCUIT TELEVISION CAMERA

ONLY £70
INCLUDING LENS
AND VIDICON
TUBE



THE BASIC KIT, EXCLUDING
LENS AND TUBE,
COSTS ONLY £45.
A COMPLETE,
FULLY CONSTRUCTED
AND TESTED
CAMERA COSTS
ONLY £99.85

This superb camera is for use with a standard 405 or 625-line TV set. Giving you the opportunity of operating your own complete professional CCTV system. Linstead supply it as a kit, so that you only need a screwdriver, pliers, cutters, soldering iron, a 20,000 ohms/volt multirange meter and a pair of headphones, to assemble and test it.

Shown on the BBC's 'Tomorrow's World' programme, the Linstead camera provides a composite output comprising sync, pulse and picture information. An RF modulator is available as an optional extra where users wish to use a TV receiver as a monitor.

Free 78-page manual

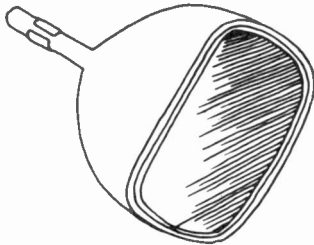
We give you a superb, fully illustrated, 78-page construction and service manual with this kit. Apart from full assembly instructions, a complete description of basic camera principles, vidicon tube operation and circuit diagram, this manual shows all waveforms within the circuitry. We also supply a copy of the BBC Test Card F.

For full details, send S.A.E. today.

Linstead ELECTRONICS

Linstead Electronics, Dept. TV, Roslyn Works, Roslyn Road, London, N.15. Tel: 01-802 5144.

REBUILT TUBES!



YOU'RE
SAFE
WHEN YOU
BUY FROM
RE-VIEW!

HERE IS WHAT YOU PAY:

12in.	£4-75	21in.	£7-25
14in.	£5-00	23in.	£8-50
15in.	£5-25	Twin Panel & Rimguard	
17in.	£5-25	19in.	£8-10
19in.	£5-87	23in.	£10-50

Cash or cheque with order, or cash on delivery

COLOUR TUBES AVAILABLE

Discount for Trade

- ★ Each tube is rebuilt with a completely new gun assembly and the correct voltage heater.
- ★ Each tube comes to you with a guarantee card covering it for two years against all but breakage.
- ★ Each tube is delivered free anywhere in the U.K. and insured on the journey.
- ★ Each tube is rebuilt with experience and know-how. We were amongst the very first to pioneer the technique of rebuilding television tubes.

RE-VIEW ELECTRONIC TUBES
237 London Road, West Croydon, Surrey
Tel. 01-689/7735

VALVES SAME DAY SERVICE NEW! TESTED! GUARANTEED!

SETS 1R5, 1S5, 1T4, 3S4, 3V4, DAF91, DF91, DK91, DL92, DL94.
Set of 4 for £1.02. DAF96, DF96, DK96, DL96, 4 for £1.48.

1R5	28	30C1	28	DY87	25	EL500	62	PCL82	32	UABC80	32
1S5	22	30C15	58	DY802	35	EM80	41	PCL83	57	UAF42	51
1T4	16	30C17	79	EABC80	32	EM81	41	PCL84	34	UBC41	52
3S4	26	30C18	61	EAF42	50	EM84	32	PCL85	38	UBF80	34
3V4	37	30F5	69	EB41	40	EM87	34	PCL86	39	UBF89	32
3U4G	26	30PL1	61	EB91	11	EY51	33	PCL88	65	UC084	33
5V4G	35	30PL12	70	EBC33	40	EY86	29	PCL800	75	UCR85	35
5Y3GT	28	30PL14	68	EBC41	54	EZ40	43	PENA4	77	UCF80	33
5Z4G	35	30L1	29	EBC90	22	EZ41	43	PEN36C	70	UCH42	58
6/30L2	54	30L15	57	EBF80	32	EZ30	22	PFL200	53	UCH81	32
6AL5	11	30L17	71	EBF89	29	EZ81	23	PL36	49	UCL82	32
6AM6	13	30P4	57	ECC81	17	GZ30	35	PL81	44	UCL83	55
6AQ5	22	30P12	72	ECC82	20	GZ32	40	PL81A	49	UP41	56
6AT8	20	30P19	57	ECC83	35	GZ34	48	PL82	31	UP89	30
6AU6	20	30PL1	63	ECC85	26	KT41	77	PL83	33	UL41	57
6BA6	20	30PL13	75	ECC804	54	KT61	55	PL84	30	UL44	£1.00
6BE6	21	30PL14	65	ECC80	27	KT66	78	PL500	63	UL84	30
6BJ6	41	30PL15	90	ECH82	26	LN319	63	PL504	63	UM84	22
6BW7	52	35L6GT	45	ECH85	30	LN329	72	PM84	35	UY41	42
6CD6G1	07	35W4	25	ECH42	61	LN339	63	PX25	£1.00	UY85	25
6FL4	42	35Z4GT	25	ECH81	29	N78	87	PY32	55	VP4B	77
6F23	68	807	45	ECH83	40	P61	45	PY33	55	Z77	72
6F25	57	6063	62	ECH84	36	PABC80	34	PY81	25	Transistors	
6K7G	12	AC/VP2	77	ECL80	30	PC86	47	PY82	25	AC107	17
6K8G	17	B341	65	ECL82	31	PC88	47	PY83	26	AC127	18
6Q7G	27	B729	62	ECL86	36	PC96	42	PY88	33	AD140	37
6N7GT	30	CCH35	67	EF39	38	PC97	39	PY800	34	AF115	20
6V6G	23	CY31	30	EF41	60	PC900	33	PY801	34	AF116	20
6V6GT	31	DAF91	22	EF80	23	PCC84	29	R19	30	AF117	20
6X4	23	DAF96	36	EF85	28	PCC85	27	R20	56	AF118	48
6X5GT	28	DF33	38	EF86	30	PCC88	42	U25	64	AF125	17
7B7	33	DF91	19	EF89	26	PCF89	45	U26	56	AF127	17
10P13	58	DF96	38	EF91	13	PCC189	48	U47	84	OC26	25
12AT7	17	DH77	20	EF98	65	PCC805	56	U49	56	OC44	12
12AU6	20	DK32	33	EF183	28	PCF80	28	U50	26	OC45	12
12AU7	20	DK91	28	EF184	31	PCF82	31	U52	31	OC71	12
12AX7	22	DK92	38	EH90	37	PCF86	45	U78	24	OC72	12
19BG66	87	DK95	38	EL33	55	PCF800	58	U91	59	OC75	12
20P2	67	DL35	40	EL34	45	PCF801	30	U93	42	OC81	12
20P3	80	DL92	26	EL41	54	PCF802	40	U251	66	OC81D	12
20P4	92	DL94	37	EL84	23	PCF805	61	U301	38	OC82	12
25L6GT	20	DL96	38	EL90	26	PCF806	56	U329	66	OC82D	12
25U4GT	57	DY86	25	EL95	33	PCF808	68	U801	98	OC170	22

READERS RADIO

85 TORQUAY GARDENS, REDBRIDGE, ILFORD, ESSEX. Tel. 01-550 7441

Postage on 1 valve 5p, on 2 or more valves 3p per valve extra. Any Parcel Insured against Damage in Transit 3p extra.

TELEVISION

SERVICING · CONSTRUCTION · COLOUR · DEVELOPMENTS

VOL 22 No 2
ISSUE 254

DECEMBER 1971

WHAT TURNS ON TR4?

THE fundamental requirement of a service manual is that it should provide the bench worker with suitably presented information to assist in quicker fault diagnosis and thus more efficient servicing. Manufacturers have succeeded in fulfilling this requirement in varying degrees over the years but unfortunately a noticeable deterioration in standards has been noted recently.

Importers, of course, are the worst offenders. The home companies are generally better but there is one common irritation which seems to be inherent in almost all manuals today—the low standard of presentation of the circuit diagrams.

Passing lightly (but with a shudder) over the "Continental style" symbols of one certain manufacturer, it is not particularly important that BSI symbols are strictly adhered to so long as one can see if a particular squiggle is a resistor, capacitor or inductor. What *does* matter is the lack of appreciation of the need to be able to easily *interpret* a circuit diagram.

Circuits should be laid out so as to indicate by the disposition of the components and wiring the function of the various components—what they do and how they are inter-related. The service engineer wants to see quickly what is going on. He wants to know where Tr1 gets its bias from, what is coupled into V6 and what turns on Tr4. Many circuits defy analysis and appear to be the work of an inebriated spider, demanding intensive study before they yield their mysteries. This disease has spread to such fundamental items as the placing of bias resistors and their associated bypass capacitors (sometimes in recent examples being quite detached on paper!), coupling and feedback components, etc. It all adds up to a mass of slipshod draughting which does not help logical fault-finding.

A few discreet enquiries elicited complaints of the lack of good technical illustrators. But the man responsible for giving his OK to drawings is usually the designer. He, however, is so familiar with his brainchild that he seems to check only for basic accuracy, rarely for clear presentation. The service engineer on the other hand, bereft of prior knowledge, has to start to puzzle things out from scratch.

The manufacturer's service manager is ultimately responsible for his department's publications and should ensure that they provide the maximum information in the most helpful way. One can pass the buck so far but there comes a time when it has to stop. We suggest it is on the desk of the maker's service manager!

W. N. STEVENS, *Editor*

THIS MONTH

Teletopics	54
A Closer Look at PAL—Part 1 <i>by E. J. Hoare</i>	56
Servicing Television Receivers—The First Plessey Dual-Standard Chassis—cont. <i>by L. Lawry-Johns</i>	61
Colour Receiver Circuits—Chrominance Circuits—2 <i>by Gordon J. King</i>	64
TV Test Report—The Klick Riveter <i>by E. M. Bristol</i>	67
The Teldec System <i>by Paul Silverhay</i>	68
A Look at Imported Sets—The Russian Temp 6/7 Series <i>by H. K. Hills</i>	72
Basic Circuits for the Constructor—Part 6—Line Timebase Circuits <i>by J. W. Thompson</i>	76
Long-Distance Television <i>by Roger Bunney</i>	83
Midhurst Transmitter Coverage Map	85
ICs for Television—Part 4—Motorola ICs—1 <i>by K. T. Wilson</i>	86
Your Problems Solved	89
Test Case 108	91

**THE NEXT ISSUE DATED JANUARY
WILL BE PUBLISHED DECEMBER 22**

Cover: The colour triangle featured on our cover this month is from a still in the Mullard Educational Service's filmstrip No. E61, "Introduction to Colour Television". Grateful acknowledgements are due to Mullard Ltd. for permission to reproduce this.

TELETOPICS



VIDEO DISCS, TAPES, ETC.

Video recording and playback systems were one of the main features of the recent Berlin Radio Show, with Philips showing their videocassette recorder (VCR), Teldec demonstrating for the first time a colour prototype of their video disc system, EVR players on show and a new system, the Nordmende CCS Super-8 system, being demonstrated for the first time. There is no further news of the RCA Selecta-vision system.

Nordmende's new CCS system is being developed to enable 8mm. films to be shown on an ordinary colour television set. Like the EVR system it uses a flying spot scanner to convert the film frames to an electrical signal for feeding to the TV set. Nordmende called their CCS player the Spectra Color-vision and a player using the same system was also being shown by Bosch. The players are expected to cost about £320 and be available some time next year. 8mm. film cassettes giving about an hour's playing time would cost between £10 and £25 depending on the material recorded. Home movies can apparently also be made.

Colour VCR machines were being shown by Grundig (Model VR2000), Loewe Opta (Optacord 700) and Nordmende in addition to Philips. The players use the helical-scan system with two heads in a 4½in. drum. The bandwidth is sufficient to resolve a 2.7MHz pattern and a preset control enables the chroma carrier frequency to be adjusted. Because of the bandwidth it would seem that the normal PAL signal is not used. The ½in. tape is spooled in two concentric reels.

The bandwidth limitations of the Teldec video disc also prevent direct use of the normal PAL signal. Instead Teldec have adopted a line sequential system with red, green and blue signals recorded in sequence line by line. Delay lines are used in the playback condition so that all the information required is available on every line. The process reduces the vertical resolution to a third of that otherwise possible but this degradation is not considered to be important since it corresponds roughly with the restricted horizontal resolution of the Teldec system. To avoid staggered verticals on fine edges of the picture the matrixing of information from three successive lines is restricted to information below 1MHz. The basic Teldec system is described in detail later in this issue. An autochanger is still being developed and is expected to cost around £110.

With their show of VCR, EVR and Teldec equipment Telefunken have a foot in nearly every camp!

Only those backing the VCR system seem to be encouraging about the prospect of mass consumer

sales—as reported in our last issue Philips are talking in terms of sales of several million players by the end of the decade. The other videorecording systems are at present being aimed mainly at specialist markets.

Meanwhile at the WESCON electronics exhibition in San Francisco the Japanese firm Panasonic were showing a conventional playback only videotape player at \$800.

FIELD-SEQUENTIAL COLOUR CONVERTERS

We receive a steady trickle of enquiries from readers asking about systems for converting a monochrome receiver to colour reception. This is possible by adding a converter which demodulates the colour-difference signals, matrixes them to obtain the three primary colour signals and then switches these in field sequence so that on successive fields red, green and blue signals are used to drive the tube. A colour filter synchronised with the converter is then used in front of the screen to convert the black-and-white light output to red, green and blue colour outputs on successive fields. The results obtained are naturally much inferior to the colour picture provided by a PAL receiver with shadowmask tube, and with the price of colour sets now considerably reduced we seriously question whether the time, trouble and expense of constructing such a colour converter is worthwhile. For those determined to have a go however, a great deal of practical information on the subject was given in the September/October issues of *Wireless World*. For our own part we shall be starting on constructional details of a full PAL single-standard colour receiver for the constructor early next year.

TRINITRON PATENT CASE

The import into the Netherlands of sets fitted with the Sony Trinitron has been banned following a court order obtained by Philips claiming that the tube infringes one of their patents.

FOR THE SERVICEMAN . . .

The Mullard 1971/72 data booklet has now been published (recommended retail price of 30p). In addition to the usual features a section has been added giving information on equivalents to many long obsolete valve types—some of them pre-war.

Meteronic Ltd. (114/6 Shipbourne Road, Tonbridge, Kent) have introduced a new oscilloscope—type MSB101—at £69 featuring a d.c.-8MHz bandwidth, vertical sensitivity of 100mV/cm.-50V/cm., sweep range of 100nsec/cm.-150msec/cm. and a unique

signal locking circuit which with a single control enables the user to select through free-running, internal signal sync to triggered. The size is 8×6×4in. and the weight 5lb.

A new soldering iron from Antex, Model CCN, has an element totally enclosed in a ceramic shaft giving near perfect insulation. With no measurable leakage, it is claimed that live transistors can be soldered without risk of damage. The 15W element generates temperatures up to 450°C at the tip. There is a choice of four iron-coated bits or one plated with iron, nickle and chrome. The iron is priced at £1.80 or £1.95 with special Seven-star bit. Standard bits are 25p, Seven-star bits 50p. Production models are tested at 2kV a.c.

A trigger-operated solder dispenser for clipping to most soldering irons has been introduced by Aextra Ltd. (rear 77/8 Chiltern View Road, Uxbridge, Middlesex) at £4.25 including a 1oz reel of 60/40 cored 22s.w.g. solder.

Servisol have introduced two new aerosol products. Servisol Foam Clenser (16oz aerosol 45p) removes grease and grime from radio and TV chassis, paintwork, glass, vinyl, etc. Servisol Plastic-Seal transparent insulator (6oz. aerosol 48p) prevents arcing and corona discharge from e.h.t. transformers and high voltage circuits.

TRANSMITTER NEWS

BBC-1 is now being transmitted from **Angus** (channel 57, aerial group C horizontally polarised), **Caldbeck** Cumberland (channel 30, aerial group A horizontally polarised), and the **Sheffield** relay (channel 31, aerial group A vertically polarised). BBC-2 is being transmitted from **Stockland Hill** (channel 26, aerial group A horizontally polarised). BBC Wales test transmissions have started from the **Kilvey Hill** (Swansea) relay station (channel 33, aerial group A vertically polarised). The ITA's high-power transmitters at **Heathfield** carrying Southern Television programmes on channel 64 (aerial group D horizontally polarised) and **Hannington** carrying Southern Television programmes on channel 42 (aerial group E horizontally polarised) are now in operation. In addition the ITA's u.h.f. relay stations at **Bath** carrying HTV West programmes on channel 25 (aerial group A vertically polarised) and **Chesterfield** carrying Yorkshire TV on channel 23 (aerial group A vertically polarised) are now in operation.

NEW SETS AND DEVELOPMENTS

Alba have introduced a new 26in. colour set. Model CS2126; **Ekco** a 20in. single-standard monochrome set, Model T542, fitted with the Pye 169 chassis, at



Left, Meteronic MSB101 'scope; right, Labgear Tele-Verta.

£76.90; and **Hitachi** a 9in. portable monochrome set, the 189U, at £62. The latter set operates on a.c. or a 12V car battery, features a detachable anti-glare screen and weighs 11lb.

One of the most interesting introductions for some time is the Decca 12in. mains/battery model mentioned last month. This, Model MS1210, is expected to be in full production this month and to retail at about £66. The interesting point technically is that it is the first monochrome model on sale in the UK to make extensive use of i.c.s. Four of them are used. A Motorola i.c. type MC1352P provides most of the vision-sound i.f. gain between the tuner and the detector and incorporates a built-in gated a.g.c. system. Further amplification/limiting and low-level synchronous detection is then carried out by a Motorola type MC1330P i.c. which also incorporates a pre-amplifier section for the demodulated signals. (In addition to the video and intercarrier sound signals this i.c. provides a 350mV clipped carrier output for driving an a.f.c. circuit.) The gain of the MC1352P/MC1330P combination is over 88dB and provides the entire vision-sound i.f. gain in the Decca Model MS1210. The intercarrier sound-audio channel in this set is also completely integrated, consisting of a TBA750 intercarrier sound amplifier/limiter/detector/audio preamplifier and a TAA611B audio output i.c. A crystal filter feeds the 6MHz intercarrier signal from the MC1330P to the TBA750.

I.C. detectors of the synchronous type are inherently more linear than simple envelope detectors and we can expect to see them being used increasingly. The MC1330P is also used in the Thorn/BRC 8000 chassis employed in the Ferguson 17in. colour model and both this and the recently announced Decca 17in. colour set use a Motorola type MC1327P i.c. for colour-difference signal demodulation, PAL V-signal switching, de-weighting, matrixing and primary-colour signal preamplification.

NEW PRODUCTS

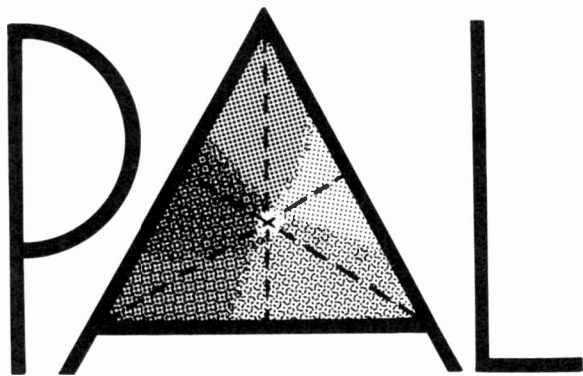
J Beam aerials have added two new models to their Multibeam range. The MBM18 has four director assemblies and the MBM10 two director assemblies.

A new masthead amplifier, the Gryphon, has been introduced by S. A. Collard Ltd., Wetherby Road, Derby. Group A, B and C/D versions are available. The power supply (full-wave) and amplifier are contained in a single housing.

Following our note about up-conversion last month we have heard that Labgear have introduced a model, the Tele-Verta, to enable those with single-standard u.h.f. sets to operate them on v.h.f. distribution systems. The converter converts 625-line signals on Band I to Band IV and 625-line signals on Band III to Band V. The oscillator is screened for minimum radiation and its frequency can be adjusted to eliminate patterning. The Tele-Verta Model CM6018RC has been designed to accept signal input levels from 500µV to over 5mV and is complete with internal stabilised 220-250V a.c. power unit.

A range of varicap diodes for u.h.f. and v.h.f. tuner units has been introduced by Motorola. SGS have introduced a medium-power h.f. transistor, type BFR36, intended primarily for CATV applications. Typical f_T is 1.3GHz, C_{re} 2.1pF and I_c max. 300mA. The low intermodulation and high gain make it suitable for the final stages of channel and band amplifiers at up to 860MHz.

A CLOSER LOOK AT



PART 1

E.J. HOARE

A lot has happened in the four years or so since colour television broadcasting started on a regular basis in this country. Having started from scratch there are now over half a million receivers in use and manufacturers are at present barely able to satisfy demand. When you think of the slow start and numerous ups and downs experienced in such thriving countries as the United States and Japan it is all a bit bewildering. Why has colour TV in the UK been such a success?

Success of Colour

There are of course all sorts of answers to this question. It has to be good enough for people to want it and it has to be at a price that people are willing to pay. The question of timing is important too: when most people have acquired cars, refrigerators, washing machines and so on they tend to look around for something new. Perhaps colour TV came at just the right time.

Be that as it may there is no doubt that the whole enterprise would have fallen flat on its face if the quality of the product offered had not been of an adequate standard. As it is the broadcasters have done a magnificent job in generating nearly all programmes in colour while maintaining high standards of technical quality. The setmakers too have played their part: all present-day colour receivers are capable of giving very fine colour pictures provided the routine adjustments have been properly carried out. There have of course been problems. There have been some bad colour programmes just as there have been some bad receivers, but the improvements in broadcasting and receiver performance and reliability over the last three years or so have been impressive. And progress continues.

Choice of Colour System

Thinking back over all the hectic activity of the 1960s one thing is clear. We chose the right system—PAL. It seems obvious now but at the time of decision making it was not. It was a matter for balanced engineering judgment. Fortunately the mass of accu-

mulated technical data was correctly assessed and the right system was chosen. PAL has made it possible for the broadcaster to achieve a consistently high standard of colour fidelity. PAL has also made it relatively easy for the setmakers to design receivers capable of displaying colour with a high degree of accuracy. The limitations are not primarily in the system, or in the receiver, but in the accuracy with which the receiver has been adjusted.

In this series of articles we are going to take a new look at PAL in order to see how much it has contributed to good colour performance in the receiver. The decoder is the main area of interest, but there are some important i.f. considerations as well. What sort of signal distortions does PAL resist, and what are the causes of the minor defects that do occur? How important is decoder alignment, and how is it best carried out?

Now that the heat of battle has died down a bit and engineers have had time to reflect it seems appropriate to review the present state and to consider what improvements can be made in the future. To start however it may be helpful to summarise briefly what we expected of PAL in the beginning. So back to some history.

Early Days of NTSC

Quite a lot of experimental colour work was carried out in the UK during the late 1950s, mostly based on 405 lines and NTSC. It was assumed that NTSC would be the system to be used because it had been adopted in the USA and a great deal of experience had been gained under operational conditions. Also the possibility of achieving a common international system was an ideal which looked as though it was about to come true: it would have been a marvellous state of affairs if every country had had the same colour system, the same broadcasting and receiver techniques and facilities for easy interchange of programmes.

However a cloud hung over all discussions about colour TV—the slow rate of progress in the USA and later in Japan. Public acceptance of colour always seemed to be forecast for next year but next year never seemed to come. Also one heard stories about the need to engage a resident engineer when you bought your colour receiver in order to keep it going. The reasons for the difficulties were not very clear although in retrospect there is little doubt that colour was launched commercially before it had been properly developed technically. The shadowmask tubes and receiver techniques of today are far in advance of those available at the time we are discussing.

Phase Errors

It gradually became clear that one of the problems with NTSC which was contributing to the slow progress of colour in the USA was the generally low standard of colour fidelity. People got the idea that NTSC simply meant “never twice the same colour”. It was a corny joke but rather too near the truth. There were many reasons for the trouble, such as poor purity and gray-scale tracking, but the most important one of all—because it was difficult to overcome—was the susceptibility of NTSC to phase errors. Any phase change greater than about five degrees in the transmitted colour subcarrier or in the receiver local oscillator or decoder alignment caused a notice-

able change of hue on the picture. Except for this one defect, however important, it is only fair to say that NTSC was a brilliant piece of system engineering and nearly all of it is used in PAL.

Systems: The Great Debate

This problem of phase distortion troubled nearly everyone in the TV engineering world and it was hardly surprising that a great deal of controversy arose in the early 1960s about the relative merits of rival systems which claimed to overcome the problem. Most European countries were keenly interested in colour and the great debate became international. This unfortunately meant that national politics and prestige became involved.

The French were very keen on a system of their own design known as SECAM and over the years several variations were developed, each with a different balance of good and bad characteristics. Herr Bruch of Telefunken in Germany produced PAL and gave many excellent and convincing demonstrations. Variations of the system were Simple PAL, Delay-line PAL and New PAL. The Russians, not to be outdone, signed an agreement with the French and then produced a hybrid system known as NIR. All in all the whole situation became thoroughly confusing.

Committees and Discussion Groups

Fortunately a mechanism existed for sorting out these differences on an international basis. To begin with most countries had their own committees and discussion groups representing broadcasting, government and setmaker interests. In the UK we had a National Study Group taking overall charge of the situation and the setmakers were represented in this by BREMA. There were other bodies as well, involving the broadcasters and the Post Office in particular. On an international basis there was the European Broadcasting Union and the overall body was the CCIR.

We need not delve any more deeply into this complicated system of international communication. The point is that it existed and made possible the exchange of engineering data about matters of common interest. The relative merits of NTSC, PAL and SECAM were debated at great length and the various European countries aligned themselves into the three camps. In an attempt to achieve a common system something or somebody had to give way, and it was NTSC. The reasons were partly political and partly engineering ones. In the end only PAL and SECAM were left. The various countries realigned themselves into two camps and so it remained: France and her friends chose SECAM, nearly all the other countries chose PAL.

The Engineering Problems

If NTSC had displayed good immunity to phase errors in transmission and reception it is quite possible that most countries would have adopted it so that there would have been a more or less standard international system. The great debate of the early 1960s, of which we have given only the merest outline, would have been reduced to a simple matter of technical discussion. As soon as PAL and SECAM appeared a very difficult problem arose. Just how do you compare two or more complete colour television systems? It

is not merely a matter of assessing the immunity to phase errors. When you have no operational experience of the systems you have to start from scratch and compare every aspect of their performance. This involves carrying out many complicated theoretical calculations and assessments and building complete equipment so that comparisons can be made under normal working conditions.

It is worthwhile looking into this problem in greater detail. If we want to judge how well the PAL system is working in practice it is necessary to know what aspects of its performance we should be considering—it is all too easy to miss quite obvious defects simply because one is not specifically looking for them. There are a great many items that could be taken into account but here are some of the more important ones in random order: colour fidelity in general; compatibility on monochrome receivers; immunity to phase errors; noise performance; cost; stability during life; resolution of the picture; ease of manufacture and alignment; problems of installation and maintenance; transient response; compatibility with one-gun displays; effect of asymmetrical passbands; cross-colour; spurious patterning; effect of signal echoes; broadcasting problems.

The length of this list shows how widely one has to cast the net when assessing how well PAL has been performing in practice. And of course it is not complete. Some of the problems listed are not of much concern to us because they lie in the broadcasting field while we are primarily concerned with receiver performance. One should however bear them in mind. We will now consider each item in turn to see briefly what is involved.

Colour Fidelity

Colour fidelity is what colour TV is all about. How accurate is the colour display on the average receiver under normal conditions of use? Is it acceptable, and are any deficiencies due to defects in receiver adjustment, receiver design, the display tube, signal propagation or origination at the broadcasting end? What influence has the choice of the colour system on these effects?

The real problem here of course is how do you judge colour fidelity? The average viewer does not have the chance to compare the picture on his receiver with what the camera saw at the other end. Nor for that matter do many engineers. The viewer can only offer an opinion, and since the brain tends to colour the colour as it were a personal opinion has to be treated with great caution. The grass is always thought to be greener than in fact it is!

Assessing Colour

Over a period of time a skilled engineer builds up a fairly accurate subjective judgment of colour. One glance at a set of colour bars will be enough to tell if a receiver is displaying colour faithfully or not. It is always the complementary colours—yellow, cyan, and magenta—which should be studied. Yellow must be a pure yellow, not dirty or golden. Cyan must be definitely blue with a touch of green and magenta must appear an equal balance of red and blue. Skin tones are the final arbiter but these must be seen on a variety of programmes under conditions of low ambient lighting. Another factor that gives a clue

for assessing colour performance is hue separation. If you can distinguish easily between colours of low saturation which have only a very small hue difference the chances are that you will be able to get good colour fidelity—at least in general terms.

Causes of Poor Colour

When it comes to trying to find the cause of poor colour fidelity one runs into difficulties. For example errors are inevitable if the chromaticities of the display tube phosphors do not match exactly those used by the broadcasters when encoding the signal. Computer aided theoretical analyses will show what these errors are but it is usually not practicable to do much about it. You can correct the errors in a receiver, but only for a particular c.r.t.—not for any tube in any receiver. If the wrong tube is used you may do more harm than good. The technique is called “masking” but fortunately it is not really needed because the errors are small.

Deficiencies due to maladjustment of the receiver are fairly easy to sort out. You must have perfect purity, a perfect gray-scale based on illuminant D, and a well aligned decoder with correctly apportioned outputs of R-Y, G-Y, and B-Y and with correct G-Y matrixing and luminance/chrominance matrixing. Any remaining hue errors are then due to faults elsewhere in the system.

Propagation errors causing phase changes in the chrominance subcarrier can be assessed by careful field testing under a variety of reception conditions. You must include here the case where the main signal is enhanced or reduced by the presence of an in-phase or out-of-phase reflected signal as this quite often occurs in built-up areas or in hilly country. The effect will be a change of hue or of saturation or of both together. You will also tend to find ghosts present on the picture with peculiar disturbances between the two images.

When all these various effects have been sorted out any remaining errors are probably present at the transmitting end. Different producers have different ideas about what colours they want you to see. The studio monitor plays a vital part too. If there is any error in its adjustment or if it has different colour characteristics compared with the receiver the two pictures will be different. Fortunately the broadcasters go to great lengths to line up their monitors and most of these difficulties have been overcome. The main weak link in the chain is that if you have a receiver with an old type of c.r.t. which has different phosphor characteristics to the monitor your picture is bound to differ although to only a fairly small extent.

The problems of colour fidelity form a wide ranging and complex issue and we have been able to summarise some of the main items only here.

Compatibility

Before PAL was adopted by the UK one of the most important engineering considerations that had to be assessed was the question of compatibility. Would a PAL colour signal give a good picture on a monochrome receiver? If it would not then PAL was no good. The owner of a monochrome receiver could not be penalised for the benefit of those who owned colour receivers.

The effects to look for here are dot patterning in

large areas of highly saturated colour and disturbances on colour transitions. PAL proved to have a slightly more obtrusive pattern than NTSC and slightly less on average than SECAM. However this effect is not very severe and can be reduced by making the video passband narrower. Obviously it is a case for sensible compromise between no patterning and good resolution. Disturbances on colour transitions are not usually noticeable at normal viewing distances if the dot patterning is acceptable, but the shape of the roll-off of the chrominance and i.f. passbands can influence results quite markedly if they are ill chosen.

Immunity to Phase Errors

We shall be considering immunity to phase errors later on in some detail. It is really the basic justification for choosing a system other than NTSC. We are concerned with two types of phase error: one in the transmitted signal and the other in the decoder. Signal errors can occur anywhere between the studio and the synchronous detectors in the PAL decoder; phase errors in the decoding process are caused by either local oscillator mistuning or incorrect phase changes between the oscillator and the synchronous detectors. The important factor to assess is how much effect on the picture is caused by the sort of phase errors that occur in practice? If you will stay with us we shall be answering this question by drawing a few diagrams when we get on to the problems of PAL decoding.

Noise Performance

Noise is a very difficult parameter to describe or assess. Electrical measurements are not always easy to carry out and do not give the whole answer. For a given signal-to-noise ratio the obtrusiveness of the noise depends upon the bandwidth, the phase and amplitude response of the i.f.s, the contrast control setting, the ambient lighting, the picture content, the black-level setting and what you had for lunch! With a colour receiver it also depends upon the colour system, the chrominance bandwidth and the level of saturation. There is also to consider the behaviour of the receiver under impulsive noise from rotating machinery.

Really the only subjective way to assess noise is to compare a new receiver against a known one and to switch the colour on and off to see how much extra noise is added to the picture via the chrominance channel.

Cost and Stability

We can dismiss the subject of cost quite quickly. Within reason one can ignore the extra costs of broadcasting PAL because they are only incurred in a comparatively few places. Receiver costs have to be multiplied by millions of times and are obviously important. A delay-line PAL receiver costs about 2%-3% more than an NTSC one: say a fiver on the average model.

Broadcast equipment can be tickled at regular intervals, but not so a receiver. Stability is important and so either the chrominance channel must have very stable alignment properties or the decoder must have good immunity to effects caused by ageing. In a PAL decoder this means phase changes of the reference subcarrier, of which more anon.

Picture Resolution

We have already pointed out that the presence of the colour subcarrier causes a beat pattern on the picture via the luminance channel unless the bandwidth is curtailed. Some loss of luminance definition is therefore usually accepted. One tends to forget that there is a loss of chrominance definition as well with delay-line PAL decoding. The averaging of the information from successive lines of the picture by means of the matrixing process in the decoder inevitably causes a loss of vertical resolution. It is not very important in practice, partly because it is a vertical and not a horizontal degradation and partly because most of the impression of picture sharpness is carried by the luminance signal anyway.

NTSC does not suffer from this defect but SECAM does—to an even greater degree because the colour-difference signals are transmitted sequentially (in turn) and not simultaneously.

Manufacture and Alignment

Ease of manufacture and alignment is a very important aspect of any piece of electronic equipment. It is no good having a colour receiver which can only be adjusted to high standards of performance by using complicated and expensive test gear which nobody but the manufacturer can afford to instal. In order to achieve good colour performance in the average home it is essential to have a colour system/receiver combination which is not critical to adjust or which can be adjusted easily without special equipment.

When we come to discuss PAL decoding and decoder alignment it will become clear why PAL is a very good system indeed from this point of view. It even has a built-in indicator showing whether realignment is necessary. This is just as useful to the setmaker as it is to the service engineer and helps to raise the standard of quality on delivery.

Installation and Maintenance

With installation and maintenance once again the choice of system plays an important part. Admittedly it has no bearing on the difficulties of adjusting purity, convergence and gray-scale tracking, but once these have been carried out the key problem remains: is the colour correct? With NTSC you have no means of knowing except by staying to watch some colour programmes. With PAL you can take one look at the colour bars and you know that if the gray scale is correct then the chances are that the colour is also correct.

Transient Response

The different systems vary in their performance characteristics on colour transients. Some demand almost full double-sideband chrominance information in order to avoid crosstalk between the two colour-difference signals and hence colour distortions. PAL is not very susceptible to crosstalk and this form of transient misbehaviour can be largely overcome. The averaging process from line to line breaks down however so that a crawling dot pattern is usually visible though not very obtrusively.

Another aspect of the matter is the degree to which the system resists the effect of r.f. mistuning in terms of transient response. This is important in our quest for good average colour quality because most receivers are not very well tuned in the normal household.

One-gun Displays

No one knows what the future holds with regard to display devices. It is therefore essential that any system should be fully compatible with any kind of display device likely to be invented. All three systems satisfy this requirement as far as it can be foreseen.

Effects of Asymmetrical Passbands

We mentioned the effect of asymmetrical passbands under the heading of transient response. We shall see later what happens to a PAL signal when the i.f. or the chrominance passbands are distorted.

Cross-colour

By cross-colour we mean the presence of unwanted luminance information in the chrominance channel giving rise to spurious coloured outputs. These can be readily seen in the frequency gratings of test card F. Cross-colour can occur in several ways. In the first place it is clear that some of the luminance information at 4.43MHz, corresponding to fine detail in the black-and-white picture, will get into the decoder. The decoder cannot of course tell the difference and so random colour output voltages are produced. Similarly the second harmonic of luminance information at 2.2MHz—caused by non-linearity in the detector—will produce a spurious low-amplitude 4.4MHz output. This is not a very important effect.

A more interesting problem is posed by the sound carrier. Sound at 6.0MHz beats with 1.6MHz luminance to give 4.4MHz and hence cross-colour. Thus on test card F you will see spurious colour in the diagonal low-frequency gratings in the corners. This trouble can be avoided by using a separate chrominance detector in the i.f. channel. Luminance information outside the wanted chrominance passband can then be rejected.

Spurious Patterning

Apart from the 4.4MHz colour subcarrier the patterning most usually seen is the beat between the sound and chrominance signals. This is of course a beat of $6.0 - 4.4 = 1.6$ MHz and can be very obtrusive, particularly if the receiver is over tuned. It is normally reduced by attenuating the sound signal present at the detector where the chrominance signal is extracted—usually a common detector for the 6.0MHz sound, vision and chrominance is used.

Patterning can also be caused by harmonics of the reference oscillator at i.f. or r.f. beating with the signal. This is independent of the system used but can in some cases be difficult to cure.

Effect of Signal Echoes

There are two main reception conditions where signal echoes can be extremely troublesome. In built-up areas it is common to find u.h.f. signals bouncing

NEXT MONTH IN

TELEVISION

ELECTRONIC GRAPHICS

With the Telestrator system it is possible to write or draw on any television picture—the system is useful as a teaching aid and has been used in broadcasting, e.g. during the Moon walks. By means of a stylus and special overlay placed over a monitor screen an electronic signal which can be mixed with the basic video is generated. The writing or drawing appears immediately on the picture.

FAST-ACTING VISION AGC

There are various requirements of a vision a.g.c. system. It must give a stable picture, while it is desirable that it should be able to act sufficiently fast to counter aircraft flutter. Keith Cummins considers the problems of a.g.c. loop time-constants and shows the great advantages of a gated system. He concludes with a fast-acting gated black-level stable circuit for use with his *Constructor's 625-line Receiver*.

TIME-SAVING REPAIR HINTS

Time is money in TV servicing. Next month in *Workshop Hints* Vivian Capel suggests some time-saving techniques but warns about the dangers of adversely affecting the performance and reliability of equipment.

CONSTRUCTOR'S CIRCUITS

Field timebase and power supply circuits and also an alternative video circuit for single-standard use will be given.

SERVICING TV RECEIVERS

Next month we shall be dealing with the GEC BT302 series.

PLUS ALL THE REGULAR FEATURES

ORDER YOUR COPY ON THE FORM BELOW

TO.....
(Name of Newsagent)

Please reserve/deliver the JANUARY issue of TELEVISION (20p), on sale DECEMBER 22, and continue every month until further notice.

NAME.....

ADDRESS.....

off nearby buildings and being picked up by the aerial out of phase with the direct path signal. If the echo is a strong one the resultant of the two signals will have a distorted chrominance phase in addition to the effects of normal ghosting. If the burst phase is distorted by an amount different to that of the main chrominance signal, desaturation will occur. In severe cases there may be hue distortion and blinds as well. NTSC is very much more prone to this effect than PAL.

In Europe there is the added hazard of echoes in mountainous country such as the Swiss Alps and in Austria. In some cases it is aggravated by the presence of lakes as the direct signal can bounce off the water and be combined with echo signals from neighbouring hills.

The cure in all such situations is to use a highly directional aerial aligned very carefully on the strongest and cleanest signal.

At first it was thought that PAL would present some difficult problems compared with NTSC when carrying out typical studio signal processing such as cross-fade and inlay. However these difficulties have been largely overcome and the various techniques for error correction etc. now available, together with the robustness of the PAL signal, have allayed earlier fears.

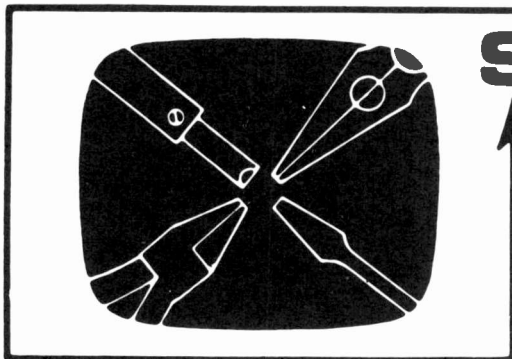
How Good is PAL?

Having listed some of the performance features that have to be assessed when judging the system as a whole we are still left with this difficult question. Perhaps it is an impossible question, or an unfair one, because we have no experience of other systems operating under the same conditions.

Let us beg to be excused for ducking the issue and ask instead is PAL providing the colour TV service that we expected. The answer is surely yes. There have been all sorts of difficulties, particularly in the early days, but very few of these have been of a type that can be attributed to the PAL system. Indeed it is interesting to carry out an experiment that provides partial proof of this statement. If you take a batch of ordinary production receivers and compare them side by side you will find small differences in the colour performance. If you then adjust them for identical gray scales and correct purity the colour performance is remarkably consistent. Furthermore there is nothing that the average viewer can do to spoil the effect. Try to achieve the same results with NTSC and our point will have been well and truly made.

With an NTSC receiver a hue control is almost obligatory. With PAL no sensible control of this type can be devised and it is not necessary in any case. This is of course only one aspect of receiver performance, though a very important one. When one considers the other performance features one comes to the conclusion that there is probably no very significant difference between the various colour systems. What is important is the quality of engineering in general. This falls into three categories: reliability; stability; and ease of factory and service adjustment. If a receiver is easy to adjust in such a manner that it gives the best performance of which it is capable and is thereafter stable and reliable then this is surely the way to obtain good colour in the average viewer's home. This is what the TV industry should aim to achieve. The PAL system will do the rest.

TO BE CONTINUED



SERVICING television receivers

L. LAWRY-JOHN

PLESSEY DUAL-STANDARD CHASSIS—2

The Field Timebase

This consists of the usual PCL85, with the field sync pulses fed to the triode section from a sync pulse inverter stage—the triode section of an ECH84. The latter rarely gives trouble. The PCL85 is most often the cause of field collapse and in some cases a distorted one. Thus is it imperative to check the PCL85 in all cases and then go on to check less likely possibilities. There are several components which are most likely to fail to cause the following symptoms.

Even loss of height at top and bottom gives the impression of watching a CinemaScope picture except that nothing seems to have its correct aspect ratio (they're fat men, not tall, just wide). This suggests that the supply to the height control is not what it should be and a voltage check will probably reveal that the voltage at the height control is low. If the voltage is well up (over 300V) at the boost end of resistor 502 check this component as it may have gone high-resistance. We have found on most occasions however that the voltage at the high end of resistor 502 is only that of the h.t. line. One immediately concludes that a capacitor has shorted but without the circuit it is sometimes difficult to locate which. Without the diagram one would follow the track or lead from resistor 502 in order to arrive at the suspect. Looking from below, the trail only leads to more supply resistors on the other end of the panel. It is not until the dust is swept away from the top

that one sees a track leading to capacitor 505 (0.05 μ F) which is the usual offender. Over a period of time the writer has developed a suspicion of all capacitors which are coloured dark brown and are of lozenge shape. The explanation is probably experience of early European tape recorders!

If the supply to the height control is not low check resistor 503 the 680k Ω resistor from the control to pin 1 of the PCL85 valve base.

Bottom Compression

If the PCL85 has been replaced it is quite possible that the bias resistor 509 (330 Ω) has been damaged at some time and is of incorrect value or that the electrolytic capacitor 501 (500 μ F) has lost capacitance. This can of course cause bottom compression. Check both. The smaller linearity components do not seem to give much trouble on this chassis.

Field Hold

If the setting of the field hold control varies especially with heat check capacitor 516 (0.01 μ F) as well as the more obvious resistors 527 and 518. Check capacitors 517 and 529 if necessary.

If the symptom is one of weak lock where the setting of the hold control is very critical, check the diode 526 and then the sync inverter V6B anode resistor 530. This 33k Ω resistor tends to overheat and

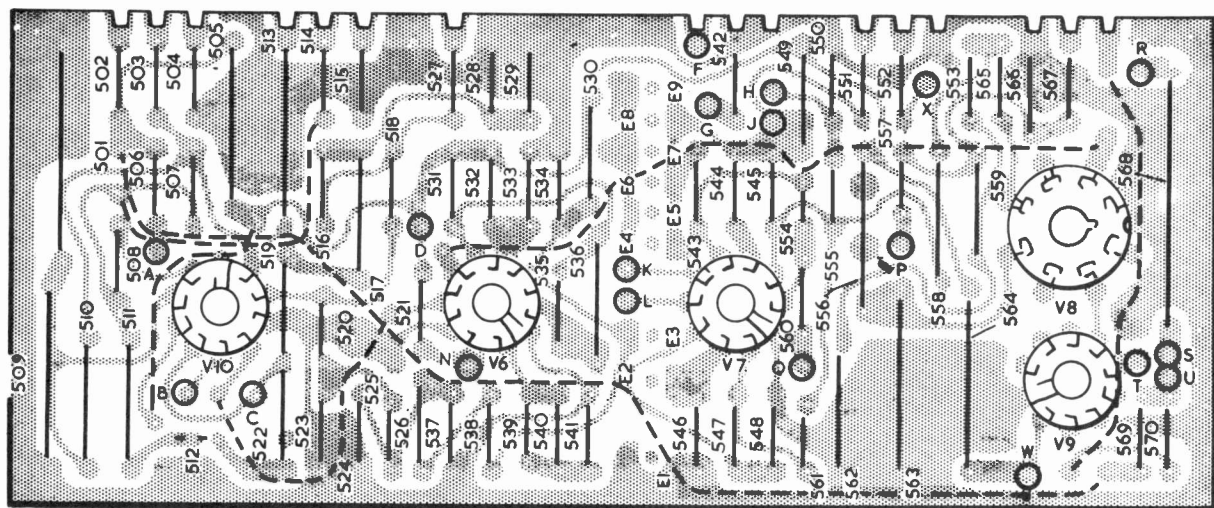


Fig. 3: Layout of the timebase printed panel.

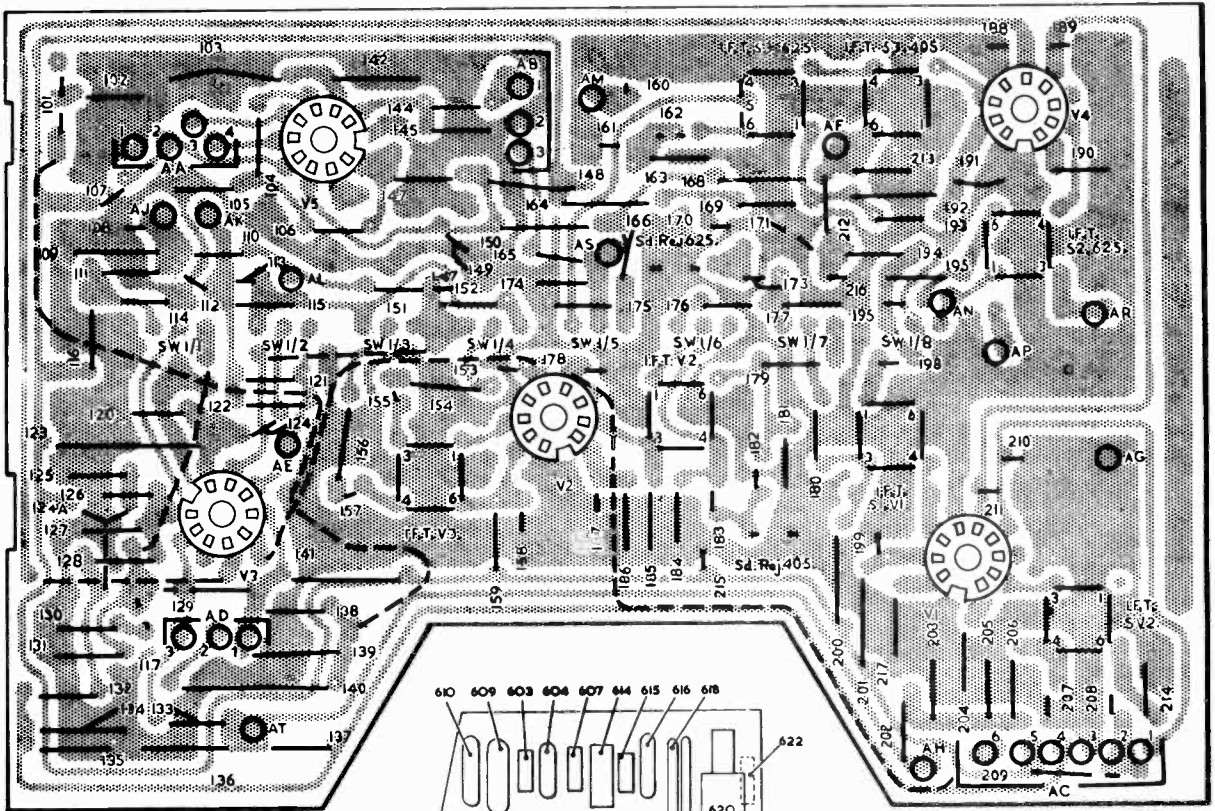


Fig. 4 (above): Layout of the vision and sound printed panel.

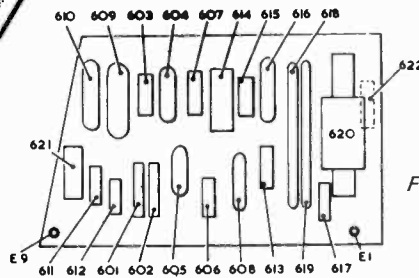
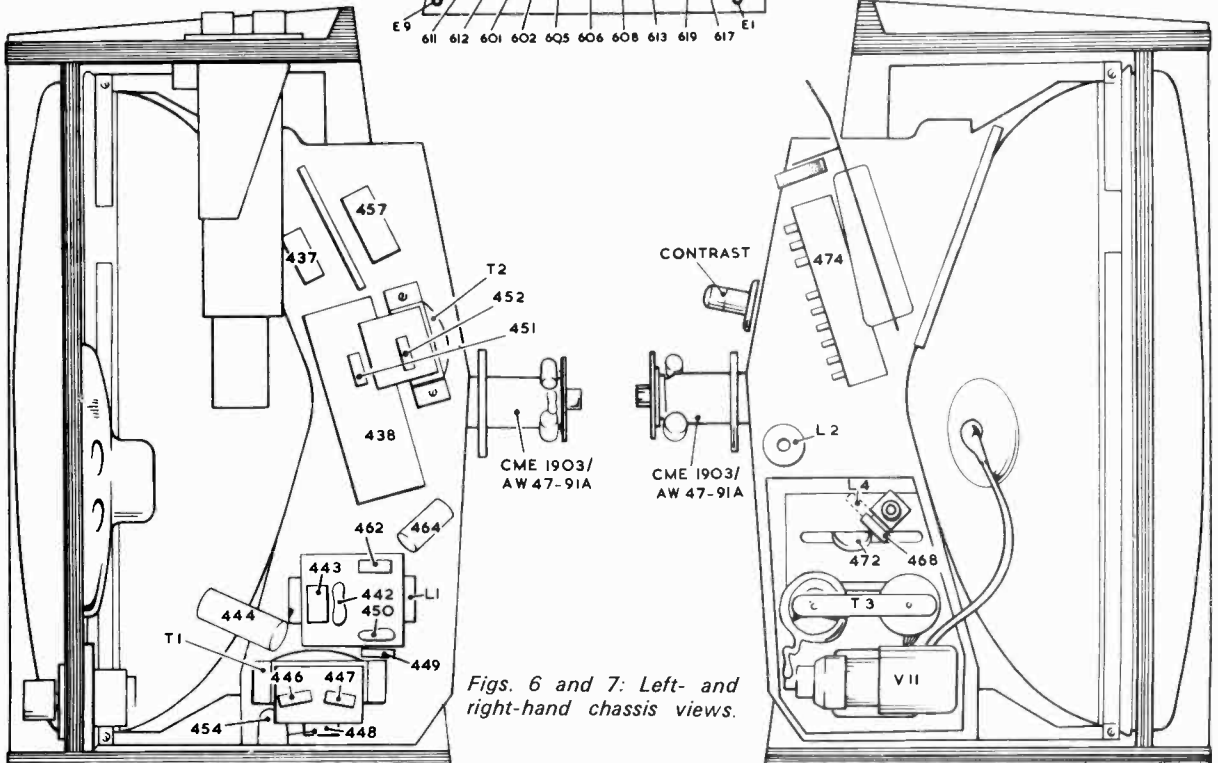


Fig. 5 (left): Layout of the flywheel sync printed panel.



Figs. 6 and 7: Left- and right-hand chassis views.

change value thus weakening the field sync pulses. Also check the resistors 532 (100k Ω) and 531 (680k Ω) both of which tend to change value.

If all these are in order revert the set to an upright position and swing open the upper panel. Check the video resistors 124 (18k Ω total) which were mentioned earlier. Whilst these may not have gone low enough in value to affect the h.t. supply or damage the series resistors they could have gone low enough to affect the operating conditions of the video amplifier and thus affect the sync pulses (as well as the contrast and, more drastically, the 625 reception).

Video Resistors

Digressing a moment from these receivers we would stress the importance in a video circuit of the correct value of resistors which form a series chain from h.t. to chassis (usually through the video cathode resistor). In a large number of cases where the line locking is well nigh impossible much time can be wasted looking for a timebase fault when the trouble is in the video circuit. Many Bush receivers in the TV105 to TV115 series used a 33k Ω loading resistor on the left side panel (second from top) which changed value and become discoloured due to overheating, causing video ringing and pulling. The same thing happens regularly in the Thorn single-standard (405 only) semi-portables (980 and 981 chassis) where the resistor (R26, 39k Ω) is upright and hides behind the video amplifier valve. Back to the Plessey chassis however.

Video and AGC Stages

The triode section of the PCL84 functions as a pulsed a.g.c. amplifier the input to which is switched in phase from either the cathode or the anode of the video amplifier (625 or 405). It is most important to appreciate that the grid voltage of this valve determines the contrast level. As its grid voltage rises the contrast level is reduced. As this rise is with respect to the cathode it will be clear that if the cathode voltage falls the contrast will weaken. Whilst a strong signal may not be seriously impaired a weaker one will provide a very washed-out appearance particularly on 625. There is a preset control (117) for the initial setting up of the 405 contrast level.

When therefore the condition of weak contrast is encountered, check the operating conditions of the PCL84. Check the valve itself, the video resistors 124, 123 and the cathode resistor 122 (220 Ω); then note the effect of shorting pin 1 of the PCL84 to chassis. This removes the a.g.c. altogether. If the result is a nice black-and-white picture on a weak signal or overloading on a stronger one check the triode's grid circuit—resistors 127 (100k Ω) and 132 (10M Ω)—and the cathode resistor 109. In difficult cases a 100k Ω resistor from pin 1 to chassis in addition to the existing one is quite permissible.

If the fault is not in the a.g.c. line and the PCL84 is in order (together with the associated resistors) check the vision detector diode OA70, ensuring that the back-to-front resistance reading has a reasonable ratio. This can be done externally at pin 8 of the PCL84. About 3k Ω one way and very low the other is to be expected.

Next check the cathode voltage of the EF184 (about 2V is acceptable). If it is low the valve is

probably failing whilst a high reading may indicate grid-cathode leakage. This latter condition is not usual in view of the low value of the grid leak resistor 185. As far as the EF183 is concerned the cathode voltage is very low as the voltage drop across a 27 Ω resistor is quite small. The valve should be substituted if suspected and it is also worthwhile taking the screen grid reading at pin 8 as the feed resistor 201 (56k Ω) can change value.

Tuner Units

The v.h.f. tuner can be one of several types depending on the model. For example the Defiant 9A51 uses a push-button unit of the slug-tuned type. This is relatively trouble free except for inevitable failure of one resistor the 12k Ω oscillator anode load (722). The resistor is located under the front of the tuner and to gain access the tuner must be freed from its 4BA fixing nuts and the bottom cover removed. The value is not unduly critical between 10-20k Ω . Weak signals usually denote a failing PCC89 and the rule is: check the valves, make sure the slug is following the push plate and check all resistors.

The push-button type used on the 9A50 was of the more troublesome moving-bar contacts type and access to resistors is not so easy by any means—quite apart from the fact that the bar can move out of engagement with one side of the operating lever and travel over the contacts at an angle (which is most interesting). Check valves, resistors (if you can) and clean the bar spring contacts and the print over which they travel.

A rotary type of turret tuner is used in most other models and this is of the usual pattern needing only routine cleaning and a valve change where necessary.

The u.h.f. tuner is the common valved type employing a PC88 and PC86. The one misleading and quite minor fault (when it is spotted) is that the grub screws on the drive tend to work loose so that although the knob is rotated the tuner spindle does not always follow the drive and inaccurate tuning (or no tuning at all) results. Apart from this most faults respond to valve changing.

Once in a while a fault develops which seems to defy all attempts to rectify it. In its most awkward form the fault is not present when the set is first turned on and all programmes are received normally, continuing for some considerable time before beginning to fade. The signals then fade out altogether. This tends to suggest valve trouble (which indeed it usually is) but there are times when it is not. Resistors can be checked and the clearance of the tuning vanes verified, joints can be resoldered and all to no avail. If a spare tuner is available the obvious remedy is to use it (fitting takes only a matter of minutes) but in many cases the 18pF capacitor 638 which couples the PC88 anode (pin 8) to its tuning line will be found at fault.

Picture Faults

The effects of a failing tube are almost too well known to require detailing in each of these articles but generally if the picture presents a faded appearance which blushes and turns silken when the brilliance or contrast is advanced it is likely that the tube is in need of replacement. In some cases a sharp

—continued on page 66

COLOUR RECEIVER CIRCUITS

CHROMINANCE CIRCUITS—2

GORDON J. KING

In all PAL-D colour receivers the chrominance channel terminates at the PAL matrix and delay line. We shall be looking at this part of the circuit in detail later. For the moment we will continue with our exploration of the channel leading up to the matrix.

Last month we concluded with the first section of the chroma channel used in the latest RBM chassis, including the chroma i.f. stages, detector and a.c.c. system. The final section of the chroma channel is shown in Fig. 1. Transistor 3VT1 provides the colour killer control, the chroma signal being fed via 3D2, 3D5 and 3C5 to 3VT2 base. As this transistor feeds into the delay line it is called the delay line driver.

Burst Suppression

The series diodes 3D2 and 3D5 act as switches to provide both the colour killing and burst blanking actions. The latter is affected by switching off the diodes during the burst periods. This is done by feeding positive-going flyback pulses from a winding on the line output transformer via 3C2, 3R3 and 3R4 (with 3D1 providing d.c. restoration) to the junction of 3D2 and 3D5. The chroma signal feed to 3VT2 base is thus interrupted while this positive-going flyback pulse is present. The timing of the pulse is such that the diodes switch off during the periods of the bursts only, the switching being sufficiently swift to avoid partial suppression of the chroma signal at the line extremes.

Colour Killing

The colour killer action is under the control of the colour killer transistor 3VT1. In this chassis the reference subcarrier required for chroma signal

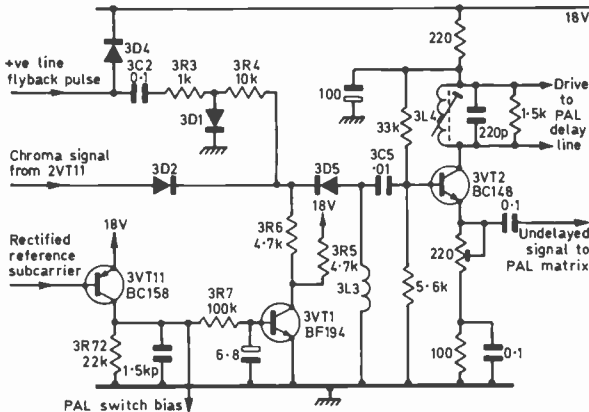


Fig. 1: Final stages of the chrominance channel used in the RBM single-standard chassis.

demodulation is produced only when a colour signal is being received. The subcarrier produced during colour reception is rectified to obtain a negative bias and fed to the base of 3VT11. As this transistor is a pnp device it is switched on and a voltage is developed across 3R72. This voltage is used for two purposes, as a bias for the PAL switch circuit and to switch on the colour-killer transistor 3VT1. When 3VT1 switches on its collector will be virtually at chassis potential so that the lower end of 3R6 is earthed and 3D2 and 3D5 are biased into conduction. On monochrome the reference subcarrier is not generated and 3VT11 is biased off. Its collector is then at chassis potential so that 3VT1 is also switched off. In consequence 3VT1 collector rises towards +18V, switching off diodes 3D2 and 3D5 so that the chroma channel is "killed."

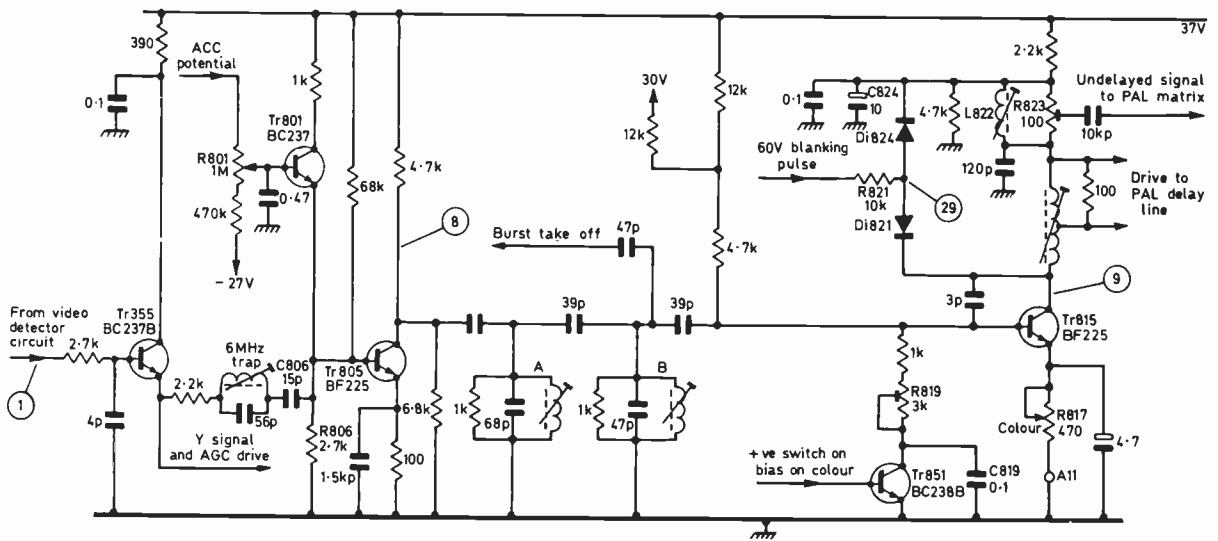
Grundig Chrominance Circuits

The circuit of the chroma stages of the Grundig Model 717, which is now being sold in the UK, is shown in Fig. 2. Signal from the video detector is fed to the base of the emitter-follower Tr355 which drives the Y delay line, the a.g.c. circuit and the chroma channel.

On colour the composite video signal along with the bursts is present at Tr355 emitter. Before arriving at the base of the first chroma amplifier transistor Tr805 the signal is given a sharp roll-off at the high-frequency end by the 6MHz sound trap and a roll-off at the low-frequency end by the low-value capacitor C806. After amplification by Tr805 the signal is first "filtered" before arriving at the base of the second chroma amplifier Tr815. The filter coils (A) and (B) along with the 6MHz rejector trap are set to provide the chroma passband characteristic shown in Fig. 3.

The colour control is R817 in Tr815 emitter circuit, adjustment of this merely regulating the gain of the stage. The receiver also has provision for remote control at this point. Tr815 collector feeds the PAL delay line. The separated U and V signals are then fed into a type TAA630 colour demodulator integrated circuit. In addition to synchronous demodulation this i.c. carries out the following operations: (1) PAL V signal switching, (2) G—Y matrixing and (3) colour-difference signal preamplification. A growing number of colour sets are now using an i.c. to undertake these operations.

There are two signal feeds from Tr815 collector circuit, one to the PAL delay line and the other an undelayed and 180-degree reversed signal obtained from L822 and the preset R823. This preset makes it possible to adjust the amplitude of the undelayed signal so as to balance with that of the delayed signal obtained from the delay line. Lack of balance in part of the PAL matrix produces Hanover bars on the



colour display: I shall be having more to say about this section in subsequent articles.

Colour Killer

The biasing of Tr815 is such that it fails to provide chroma channel continuity during monochrome transmissions, thereby giving the normal colour killing action. The bottom section of Tr815 base circuit is composed of the collector circuit of the colour killer transistor Tr851 which during monochrome transmissions is switched off. The base circuit of this transistor is connected to the cathode of a diode which rectifies the ident signal produced from the swinging bursts. These are of course present only during a colour transmission. Thus on colour Tr851 base goes positive and the transistor switches on. This action returns the bottom section of Tr815 base circuit to chassis, via Tr851 emitter, and adjusts Tr815 biasing for chroma signal continuity. Lack of colour killer action—signified by coloured noise on monochrome transmissions for example—would indicate either that C819 is shorting or that Tr851 is failing to switch off—possibly due to an internal short.

Burst Blanking

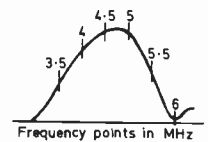
Burst blanking is handled by the two back-to-back diodes Di821 and Di824 connected across the collector circuit of Tr815. These are non-conducting during the chroma parts of the lines since their cathodes are connected to positive supplies. During the line flyback periods however their anodes are driven much more positive than their cathodes by +60V p-p pulses fed from the line timebase through R821. Heavy conduction then occurs and the unwanted burst information at Tr815 collector is deleted as the diodes short the load circuit of Tr815, bypassing the signal to chassis via C824.

ACC

The first chroma transistor Tr805 is under the control of an a.c.c. bias from Tr801. The bias fed to Tr801 base is obtained from rectified bursts—if the burst amplitude tends to rise Tr801 base goes more

Fig. 2 (above): Circuit of the chroma channel used in the Grundig Model 717GB.

Fig. 3 (right): Passband of the Grundig chroma channel.



positive. This increases the voltage across R806 so that Tr805's base voltage and hence its conduction also increases. The gain of Tr805 then falls due to forward a.g.c. action. The converse happens when the burst amplitude falls. Preset R801 allows the a.c.c. takeover point to be adjusted while preset R819 adjusts the sensitivity of the colour killer.

The signal levels at the oscilloscope test points (circled numbers) are as follows: 1 composite video 4.5V p-p; 8 chroma signal at 1.2V p-p; 9 chroma signal at 1.4V p-p; 29 line pulses at 20V p-p.

Philips G8 Circuits

In the Philips G8 chassis the chroma channel proper is preceded by a stage of chroma channel selectivity located in the i.f. section. The circuit of this and the chroma channel proper is shown in Fig. 4. The input signal is obtained from the emitter circuit of a transistor fed from the vision detector. The chroma selectivity department tailors the response over the chroma passband and provides suitable out-of-band attenuation. The bandpass proper is provided by top bandpass coupling consisting of C2402, L2403, C2405 and L2406, with R2413 and R2414 giving the necessary damping action.

Forming the Passband

6MHz sound rejection for h.f. end roll-off is provided by the bridged-T filter L2420, C2419, C2422 and R2421, while the similar type of filter consisting of L2410, C2408, C2411 and R2409 gives rejection at 2.2MHz. The purpose of this is to delete any spurious 2.2MHz components present in the luminance channel, since their harmonics would fall in the chroma passband and thus constitute unwanted in-band signals thereby causing incorrect colouring. The processed chroma signal appears at the base of Tr2417, an emitter-follower providing a low-impedance feed to

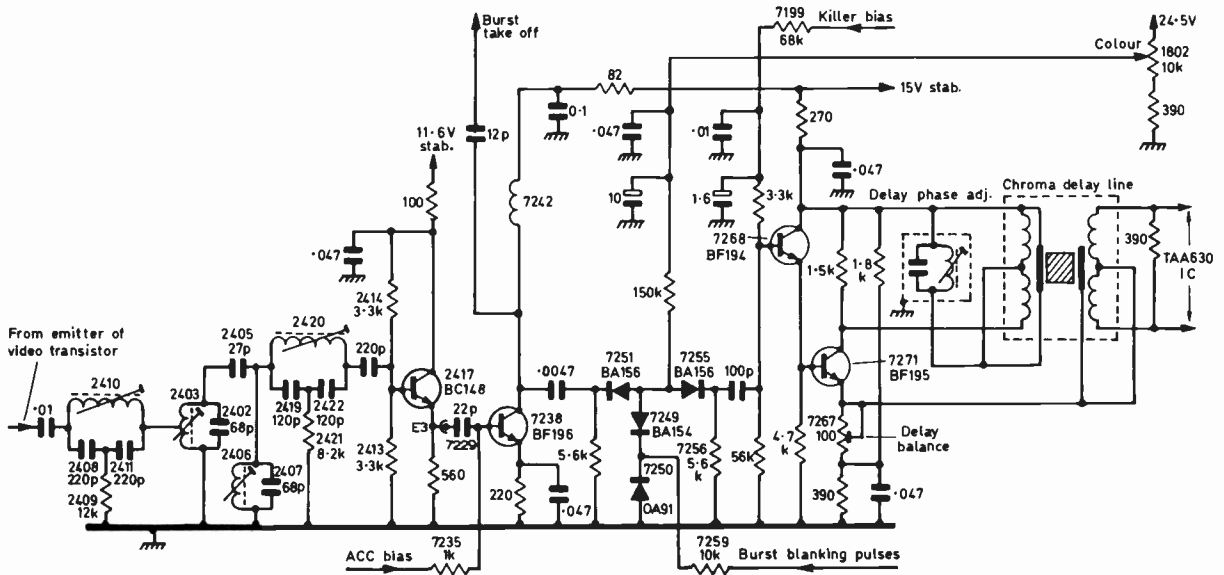


Fig. 4: Chroma channel of the Philips G8 single-standard colour chassis.

the first chroma amplifier Tr7238—a low-impedance feed is desirable here since Tr7238 is a controlled (a.c.c.) transistor.

ACC

The chroma signal from Tr2417 emitter is fed to Tr7238 base via C7229 and the output signal obtained at the collector is governed by the biasing. The a.c.c. bias is derived from rectified bursts and is fed to an a.c.c. amplifier and delay system and thence to Tr7238 base as a positive potential which increases with increase in burst signal amplitude. As with the other a.c.c. circuits we have looked at the action is one of forward gain control. To enhance this action the collector load is an inductor L7242 (with a low d.c. resistance) which avoids the collector potential changing significantly with change in base bias. The time-constant C7229/R7235 in the base circuit is adjusted to minimise the change in transistor parameters with control current. The control is of the order of ± 3 dB for input level changes over the range -20 to $+10$ dB.

Colour Control

The signal at Tr7238 collector is passed to the base of the second chroma amplifier transistor Tr7268 through a diode colour control circuit consisting of D7251 and D7255. Back-to-back connection is employed to avoid transference non-linearity, and the degree of conduction and hence the level of signal fed to the second chroma amplifier transistor is controlled by the forward bias applied from the colour control potentiometer R1802. The action on the chroma signal is similar to that of a potentiometer: the series diodes represent the top half of the resistance and R7256 the bottom half. Clearly, as the resistance of the diodes decreases so more signal is fed to the base of the second chroma transistor from the tapping point. The circuit will be recognised by those familiar with the Pye single- and dual-standard chassis.

Negative-going line flyback pulses are also fed to the diodes through D7249 so that the chroma signal

path is interrupted during the periods of the bursts (but some versions differ slightly in this area of circuit).

Rectified ident signal is used to open the colour killer stage which is Tr7268 (the second chroma amplifier). On monochrome transmissions this transistor is without base bias and thus non-conducting. On colour however the rectified ident signal provides about $+15$ V d.c. and this is fed to the base of the transistor through R7199 to bias it on.

The PAL delay line is driven by Tr7271 the base of which is fed from the emitter of the previous transistor. Undelayed signal is fed from preset R7267 in Tr7271's emitter circuit. The PAL matrix is balanced by this preset to provide the correct U and V chroma signals for the synchronous detectors about which more will be said in subsequent articles.

SERVICING TV RECEIVERS

—continued from page 63

tap on the tube neck may clear away particles which may be shorting out part of the heater element but this is only possible when a voltage check across heater pins 1 and 8 shows that the voltage drop is less than 6V (if this is the heater rating of the tube fitted).

A very dark picture (brilliance fully up) is not usually due to a tube fault at all. It is very often due to incorrect tube base supply voltages. The first voltage to check is that to pin 3. This should read over 300V. If the reading is only that of the h.t. line check capacitor 477. This has a value of $0.25\mu\text{F}$ and is suspended above the chassis near the PCL85. Clipping one end will immediately restore the voltage to the tube first anode with perhaps some shading on one side of the screen. We have not had any cases of capacitor 466 shorting but if this was to happen there would be no screen illumination at all as pin 3 would then be grounded.

Remember that no voltage should be expected at pin 2 (or 6) as both the video drive and the brilliance control are applied to the cathode pin 7.

TV TEST REPORT

E. M. BRISTOL

THE KLIK RIVETER

THE construction of modern TV receivers entails the use of struts and frames to hold together the various printed panels. Occasionally these come adrift and have to be repaired, while the home constructor of course continually needs to join up various pieces of metalwork. Nuts and bolts are the time-honoured method of doing this but sometimes access to both sides of the work is not available. The alternative, self-tapping screws, is widely used but this also has its limitations especially if the metal is thin.

An answer to these workshop fixing problems is the Klik Riveter manufactured by Riveting Systems Ltd., Harehill, Todmorden, Lancs. This inflicts no violence on the work—as is the case with conventional rivets which need to be hammered over—and furthermore needs access to only one side of the work.

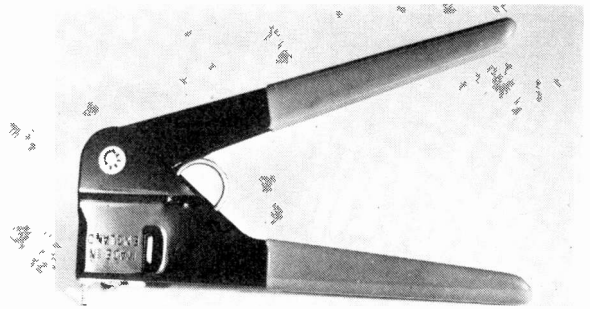
Operation

Each rivet is formed on a steel mandrel—something like a nail which has a “head” no larger than the outside diameter of the rivet. The rivet is loaded into the nozzle of the tool, shank first, and the exposed rivet is then inserted into the hole in the metal work. Squeezing the handles of the tool together exerts a pressure which pulls the mandrel away. This makes the head flatten the rivet on the blind side of the work. When the maximum compression of the rivet has been achieved further pressure breaks off the head so that the shank can be withdrawn and discarded.

Models

The tool is constructed rather like a pair of pliers, but squeezing the handles together makes the jaws move apart. One jaw holds the nozzle into which the rivet is loaded while the opposite one grips the shank to pull it away. Over a period the firm has made various models for industrial, workshop and handyman use, both separately and in kits containing the tool, drills and a selection of rivets. The two latest models are a single-size one costing £1.50 which takes $\frac{1}{8}$ in. sized rivets and one priced at £1.90 which takes both $\frac{1}{8}$ and $\frac{3}{16}$ in. rivets.

The model tested for the purpose of this report was an older one that also accepted a $\frac{1}{8}$ in. sized rivet. To change from one size to another the appropriate nozzle must be screwed into the tool, although there is also a model that has the nozzles on a turret which



The Klik Riveter loaded ready for use.

can be quickly swivelled to the chosen size. Also available for special purposes are rivets of $\frac{3}{16}$, $\frac{7}{16}$ and $\frac{1}{4}$ in. diameters.

Rivets

The main diameter rivets come in seven or eight different lengths. The length used for a particular job should be about $\frac{1}{16}$ in. longer than the thickness of the material being riveted. There is a choice of material for the rivets, either aluminium alloy or monel, and these can be obtained in either domed or countersunk versions. The choice is extended further with air and watertight types, special high clamping-force types which will set rigidly in out-of-line or oversized holes, and decorative types with various sized bowls.

There is then hardly a purpose for which a rivet is not made and certainly for the general repair and construction work of the average workshop there will be a suitable one. Where the material to be joined is soft, for example plastic mouldings or cabinets, backing plates are also available.

Test

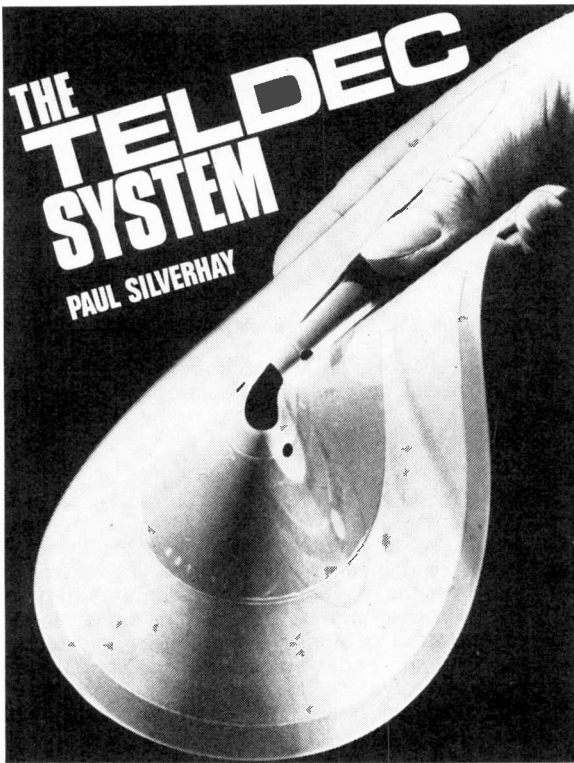
The tool that was tested was very strong and light, being made of diecast aluminium alloy with the working parts of hardened chrome molybdenum steel, and gave the impression that it would stand up to many years of work without wear.

At first I thought that a strong grip would be needed to operate the tool in order to flatten the rivet and then break the mandrel. This however is not the case. The force required is obtained by leverage within the tool and the mandrels are weakened at the head so that they break quite easily after the rivet has been flattened. The pressure needed on the handgrip is therefore not excessive. The moulded plastic covering on the handles helps with the grip.

There is just one word of warning though: when using always grip the tool by the handgrip as it should be gripped, and never farther up the tool toward the head. Not only will more leverage be obtained but the two halves of the tool above the grip are parallel and come together with some force when the mandrel head breaks. If any part of the hand should be in the way at this point the result could be very painful!

The jobs that were carried out with the tool were very neat and firm. It is a very useful workshop tool indeed and to be recommended. Workshops that carry out repairs on electrical appliances and white goods (refrigerators, spin dryers and washing machines) will find the tool especially useful.

FEATURE TO BE CONTINUED



As early as 1927 video material was recorded on a gramophone disc and played back on a record player. These experiments were made by John Logie Baird who managed to achieve a bandwidth of about 5kHz—sufficient to be able to engrave on the disc and reproduce from it his 30-line, 30 fields/sec pictures. This kind of bandwidth is of course achieved with present audio disc technology with no difficulty whatsoever. Nevertheless the fact must still stand in the records that the first recording/storage medium for video was disc and not tape.

Bandwidth

Although 15kHz is the normal upper limit for recording and reproducing material on a disc it is theoretically possible to achieve reproduction up to an audio limit of about 50kHz with a fair amount of ease. Using specialist recording and pickup techniques it is even possible to extend this to about 80kHz. This is not possible with domestic discs and reproducing equipment simply because of the very high costs involved.

Information Density

To be able to record video material on a disc the basic need is for some way of increasing the amount of information on the disc, that is a higher information density is required.

Conventionally, increased recording bandwidth has been achieved by increasing the tape or, in this case, the disc speed. For a 2.5MHz bandwidth for example the disc speed needs to be increased at least fifty times: on an LP disc using audio fine-groove recordings this would mean a disc speed of about 1,500 r.p.m. which is clearly an impractical speed for conventional pickups and one that would give only about

40 seconds of useful playing time for each side of the record.

To achieve a useful playing time therefore the concentration of information within the grooves of the disc or within the size of one groove spacing must be considerably increased. Looking at the left-hand side of the photograph in Fig. 1 we see the magnified detail of the grooves of a standard microgroove audio recording. The most noticeable thing about this is the amount of wasted space on the disc surface—space that is not used for recorded material. The space has to be left to allow for the very wide lateral excursions that occur with high-level signals. But as can be seen the surface of the groove is quite smooth—a characteristic of modern disc materials. It would therefore be very possible to scale down the whole groove and its excursions to a more reasonable size—with of course a corresponding reduction in the size of the stylus used to track the recording.

Such a technique could mean that where there is one groove on an audio disc we could implant perhaps five grooves. There is of course no reason why such techniques should not be extended to new audio recordings, but the cost of the changeover, making redundant many millions of current pressings and the record reproducing equipment that now exists in nearly every home, would not make economic sense.

Use of Frequency Modulation

We can take our logic of improvements a stage further. Why use an amplitude sensitive groove anyway? Why not employ a frequency sensitive one? In other words why not use a frequency modulation disc rather than an amplitude modulation one. With f.m. a constant excursion amplitude would be required rather than one varying in amplitude.

Present disc surfaces can have roughnesses in the groove of the order of only 10nm (100 Angström units). A groove excursion of the order of 50nm should therefore be quite sufficient to indicate that an excursion is present—i.e. to give a simple yes-no indication of the presence of signal. This is all that is required for an efficient f.m. system to operate with no noise problems. The groove cannot however in practice be made quite this narrow because of the cutting angles required by the disc cutting machines and by certain limiting features of the pickup equipment.

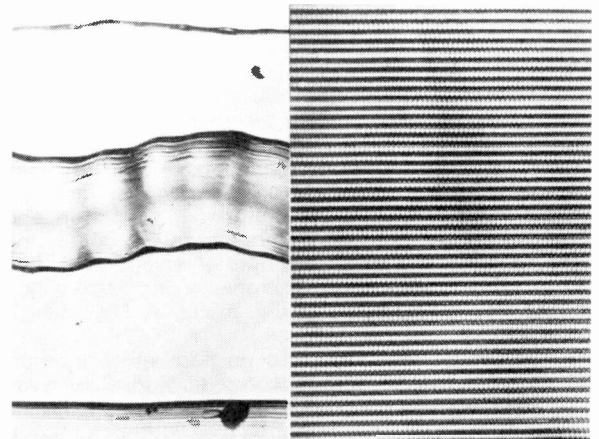


Fig. 1: Comparison of grooves in a video disc (right) and microgroove audio disc (left)—to same scale.

Dense Storage Technology

On the basis of these limitations the Teldec system uses groove spacings of the order of 0.0075mm which give a groove concentration on the disc surface of about 130 grooves per millimetre of disc width. The name coined for this new technique is "dense storage technology". Examination of the right-hand side of the photograph in Fig. 1 (which is to the same scale as the left-hand side) shows that the concentration is about 25 grooves for every one groove in the fine-groove audio recording. To give an idea of the size of these grooves one could compare them with the size of human hair: there are about ten grooves to the width of a hair. Because of the use of frequency modulation the space between the grooves can be virtually non-existent, little guard-space being needed for the constant amplitude grooves. To assist even further the recording is made "hill-and-dale" instead of lateral within the groove. The most noticeable thing in comparing the two halves of the photograph is the incredible gain in information storage that has taken place.

Playing Time

The disc speed chosen for use with this dense storage groove system is such that two complete fields are laid down per rotation, i.e. one complete picture per rotation. This means that the disc must rotate at 25 revolutions per second or 1,500 r.p.m. With a 12in. LP type disc this means that with about 25 times more grooves than the equivalent audio disc it should be possible to record about 16 minutes of material. In practice this is not so because the groove circumference shortens considerably for every rotation towards the centre of the disc so that it is then not possible to resolve as great a number of frequency changes in any one groove. This results in a poorer signal-to-noise ratio (remember it is an f.m. system) and therefore unsatisfactory performance. As a result of these limitations it appears that about 12 minutes of recording is the maximum practical and even then there is some deterioration in performance towards the centre of the disc. This means that we will never see video discs with material recorded right to the centre but the loss in playing time could be made up by a slight increase in the overall record diameter. The demonstration discs so far seen have only had about 5 minutes of recorded material on them.

Synchronisation

Recording two fields per revolution means that on looking at the video disc a pattern is clearly visible where the field blanking occurs and a close look at the disc clearly resolves the pattern of sync pulses as well. It also means that as there is a piece of repeated information at every turn of the disc a servo system can be fairly simply constructed to lock the field blanking intervals to the motor speed during playback—a technique which should give quite stable pictures even in the presence of noise, should noise occur (see *Helical-Scan Videotape Recorders*—TELEVISION March 1971).

Disc Manufacture

Obviously the very size of the grooves on the video disc means that new disc cutting techniques have had

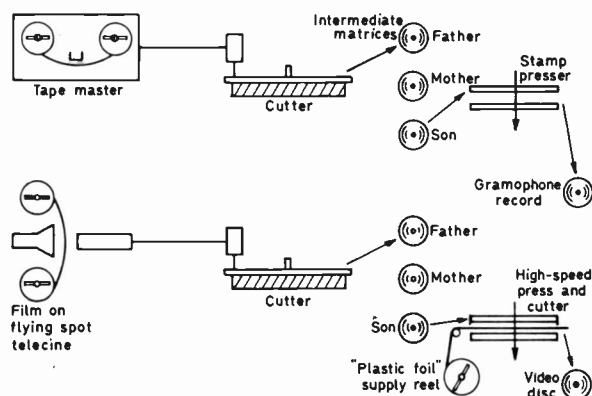


Fig. 2: Pressing methods used for an audio disc (above) and a video disc (below).

to be evolved and this work has been more complicated because of the hill-and-dale recordings. The playback machinery too has to have a different stylus system to the conventional audio one.

The roughness of the recording grooves on which the basic video disc calculations are based is a function of the crystal size of the disc material and the type of disc-cutting machinery used. The latter is no longer a problem because of the development of new types of machinery while the new plastic materials that are used all have a small enough crystal size to fall well within the required capacity. A very thin plastic foil which satisfies these requirements is used for the final disc pressings.

The schematic shown in Fig. 2 indicates the slightly different order of processes involved in the mass production of video discs compared to audio discs. The major difference of course is that the original source is film for the video disc and tape for the audio record. The final gramophone record pressings are formed by compressing a carefully controlled amount of granular material under the "son" disc while the video discs are pressed from a large roll of plastic foil—a system open to very high speed pressing thus reducing the production costs. The cost of the video disc is expected to be about 50 pence per double side of material (i.e. about ten minutes of material).

The results of this method of production are shown in the heading photograph. The disc is inherently very flexible, thin and of course light.

Disc Reproduction

Because we are considering a groove recording it might be as well to remind ourselves how the standard audio pickup operates. Briefly a sharp tip or stylus is located in the groove. As the disc rotates the tip is forced to follow the lateral excursions of the groove. The tip is connected by a short spindle to a mechanical transducer—e.g. crystal or magnetic—where the stylus movement is converted into an electrical signal. This is analogous to the operation of a microphone where mechanical movement of the diaphragm is converted by the crystal, magnet, ribbon or whatever into an electrical equivalent of the audio (pressure) signal.

The whole cartridge (i.e. stylus plus transducer) will obviously have some weight and is mounted at the end of a fairly long arm. Excessive weight in the groove would obviously damage it so the whole assembly is normally counterbalanced to give only a small weight

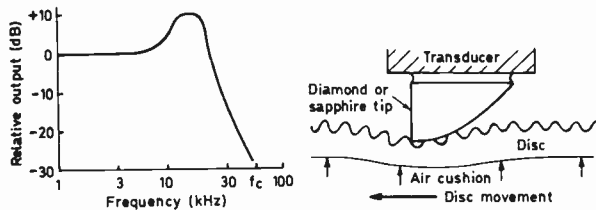


Fig. 3 (left): Resonance in the response of a conventional audio magnetic pickup.

Fig. 4 (right): Deformation of the video disc by the pressure of the pickup.

effectively in the groove. Too small a playing weight and the stylus tends to be pulled out of the groove towards the centre of the record—the so-called “skating” action. Playing weights on high-quality audio systems are typically 1-2 grammes.

Certain conditions must also exist at the stylus tip. The diameter must be small enough to fit into the groove and its surface must be hard enough to withstand a fair period of wear. This means in practice that a tip such as a diamond or sapphire must be used. We are not unfortunately working into a very hard surface—the disc groove is elastic to a certain degree so that it deforms as the tip tracks within it. This and the finite playing weight lead to a resonant frequency in the reproduction system—the stylus resonance. Fig. 3 shows the usual position of this resonance in the frequency response with a high-quality pickup. This resonance occurs with magnetic cartridges used for audio reproduction: with good choice of damping and working into the correct amplifier impedance it gives an almost flat response up to about 20kHz.

In an undamped cartridge the output falls off rapidly above the resonant frequency as the inertia of the stylus—due to its weight—does not allow high-frequency movement. The frequency at which the output is completely lost is normally between 50 and 80kHz. This is obviously not practical for tracking a 2MHz disc.

Tip Size

Because of the much smaller groove width the tip on the video disc player would have to be considerably smaller—in fact a tip radius of about 0.001mm. There are obviously considerable difficulties in accurately and repeatedly producing tips of this radius though this can be overcome. There is the additional hazard that such a tip would probably cut through the video disc after only a few playings.

This tends to suggest that mechanical replay of the video disc is not practical. A number of alternatives come to mind: optical tracking, tracking using interference between beams of light, etc. None of these offers a simple system however and they would certainly prove expensive for a piece of domestic equipment. For domestic use price dictates a mechanical tracking system and as the conventional audio system is not usable another form must be found.

Teldec Replay System

As we have seen the solution to one of the recording problems was to use a form of frequency rather than amplitude modulation. A similar piece of radical

thinking produces an answer to the replay problem: instead of using a stylus that moves in sympathy with the groove excursions on the record, use is made of a stylus which measures the pressure of the groove against the tip. This also gives an output corresponding to the recorded (f.m.) signal. The stylus is mounted at a fixed vertical position and the disc held up against it. In this way a much smaller tracking weight than before can be used because the stylus does not have to follow any lateral movements in the groove. In fact the playing weight is only 0.2p and with this weight the tip resonance can be made high enough to give the required bandwidth.

It seems in fact that the playing weight could be reduced still further with a sufficiently good mechanical stylus. Nevertheless the present position allows a bandwidth of about 3MHz.

The other problem mentioned with using a stylus system is the damage that could be inflicted on the recording by an excessively sharp tip. The only possible solution here is to use a stylus tip which is much larger than the groove width—so that the pressure on any point is reduced. This is achieved in the Teldec system by using an asymmetrical stylus tip.

At the forward part of the stylus shoe (see Fig. 4) the tip is curved upwards whilst the trailing edge is sharp. The leading edge “glides” over the groove hill-and-dale crests so that no damage occurs. Under the tracking weight of the stylus the disc is deformed: at the trailing edge the crests of information pass out and there is a sudden change in the deformation. This change in deformation at the trailing edge represents a sudden change in pressure on the tip: the greater the number of such changes the higher the output signal level (f.m.). The stylus is connected to a piezoceramic transducer which converts the mechanical pressure changes to an electrical output.

To allow for deformation of the disc without damage there must be some freedom for the surface to move. This can be achieved either by using a thick disc—which puts up its cost—or some form of springy surface. Teldec obtain this latter effect by supporting the disc on a cushion of air.

There will also of course be pressure variations conveyed to the transducer because of the groove crests passing under the leading, rounded edge of the stylus. These pressures however will vary from point to point and are therefore a form of amplitude modulation. In an f.m. system they are not therefore going to contribute to the output signal.

Transducer

The sapphire or diamond stylus tip is rigidly connected to the piezoceramic transducer (Fig. 5). Side electrodes sense the electrical signal generated within the transducer and pass it to the associated electronic circuitry. The transducer measures about 0.2mm square. A hollow tone arm supports the transducer to which it is connected by a flexible layer which also acts as a cushion. Further damping is provided at the support end of the arm. This care in damping is necessary to prevent tone arm resonances negating the care taken in the design of the stylus.

The Teldec Player

The basic construction of the Teldec player is shown in Fig. 6. We have already described the basic

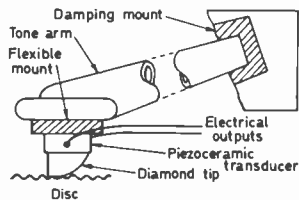


Fig. 5: Teldec pickup arm and stylus—note scale compared to Fig. 7.

features. The disc is supported on a cushion of air to allow surface deformation. This also gives a mechanically more even surface than would a machined turntable so that the "wobble" on the thin disc can be kept below 0.005mm. This is important because any variation of this sort gives the impression (to the stylus) of a pressure change.

The bottom plate of this air sandwich is fixed. The disc rotates with the centre drive shaft and care is necessary to ensure that there is virtually no eccentricity of the spindle; the elastic suspension of the stylus and transducer allows a little variation, the stylus being pulled slightly into the groove, but it must still be better than an audio turntable by a factor of about 25 times. The same shaft that drives the disc is mechanically coupled to a transverse cable system which by means of a cord and pulleys advances the position of the pickup by one groove width per revolution of the disc—i.e. 0.008mm per revolution.

To provide stop-motion facilities the cable drive to the pickup can be broken by a mechanical switch. The stylus continues to follow the groove but returns to the same point after each complete revolution because the pickup carrier is unable to move. It therefore repeats the same two fields of information again and again.

Although only five minutes or so can be put on one side of a video disc larger programmes could be accommodated on a number of discs with an auto-changer mechanism. Teldec give as an example that a two-hour programme could be put on a stack of discs only 5mm high and say there would be only a small break between sides. This has not yet been demonstrated and clearly the prototype player is unsuitable for autochanger use because the pickup carrier goes from the edge to the centre of the assembly. It is understood however that an auto-changer for use with a cartridge containing a stack of discs is being developed.

Sound Signal

Pulse-position modulation during the blanking periods is used for the sound. This is similar to the pulse-code modulation system used in the BBC sound-

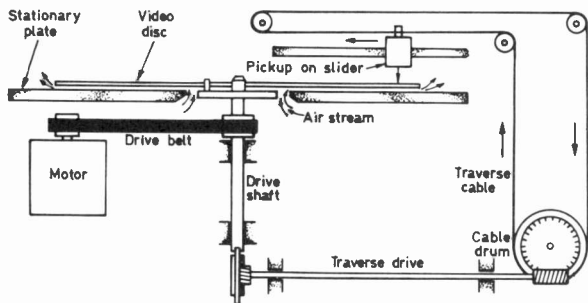


Fig. 6: The mechanical system used in the prototype Teldec video disc player.

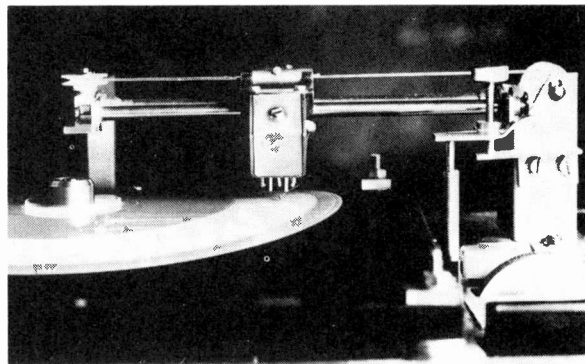


Fig. 7: The prototype Teldec video disc player. An auto-change version is being developed.

in-sync system (see PRACTICAL TELEVISION January 1969). The distinction between these two systems is that although PCM is more accurate in the presence of noise PPM is easier to decode.

Colour

The video disc has not been publicly demonstrated in the UK since the end of last year but a colour version was shown at the recent Berlin Radio Exhibition. In the monochrome version the vertical resolution is considerably higher than the horizontal resolution. If the vertical resolution can be reduced to match the horizontal resolution it is possible to record the extra information needed for colour. This is the approach which Teldec have adopted. Sequential red, green and blue signals are recorded line by line and delay elements used in the reproducing equipment to make the three colour signals continuously available. Electronic mixing of the three colour signals is used mainly below 1MHz so that detail is not lost.

General

The earlier demonstrations showed that quite reasonable pictures and sound could be produced from the prototype machine although personally I found the presence of a certain amount of line noise rather annoying. What quality can be obtained from mass-produced discs and machines is a question that will have to wait until 1973 for solution.

The Teldec system cannot of course be used to record one's own television material but the intended market is similar to that at present catered for by the audio disc. With large-scale production of discs for domestic playing the estimated cost is 50p for ten minutes of television material and £100 for the player. At this price the market may very well exist.

Teldec is an amalgam of the German company AEG-Telefunken and the Decca record company: the equipment and discs will be marketed in the UK by Decca.

Teldec also has a possible future as an audio disc system. With the bandwidth available quadrophony recordings are simple and even stereo recordings at 8½ r.p.m. are possible. The latter would give about two hours of recorded material *per side* of an audio Teldec disc at a cost of about 50p. The present hi-fi problems of bias compensation, tone arm alignment and rumble would no longer exist. ■

**a look at
Imported
SETS....**

**Russian
TEMP
6M/7M
models**

H.K.HILLS

There are many unusual and unorthodox features in the design of the Temp series single-standard receivers manufactured in the USSR and now being widely distributed in this country. Except for the tuner they are completely valved. Features include: (a) Power supply from a double wound transformer thus isolating the chassis from the mains and eliminating the usual high wattage dropper resistor. Six h.t. and three negative l.t. rails are provided. The valve heaters are connected in parallel. (b) A transistor RC preamplifier is contained within the u.h.f. tuner unit. (c) A three pentode plus one tetrode vision i.f. amplifier is employed, the tetrode being used in the final stage as it is more suitable for handling the high-amplitude predetector signal. (d) The a.g.c. potential, which is directly related to true signal strength, is developed by a triode gated by pulses fed to its anode from the line output stage. (e) A user definition control varies the vision i.f. response by altering the bias on a varicap diode. (f) The line and field sync pulses are separately amplified before application to their respective timebase circuits. (g) An autotransformer blocking oscillator is used to generate the line scan waveform, with an adjustable feed-in point for optimum flywheel sync control. (h) The video output stage contains an automatic brightness control circuit. (i) A triode is used as an active component within the field linearity negative feedback loop in the field output circuit.

Field Timebase

This lengthy list makes it difficult to select features for detailed review but as the field timebase circuit has a number of unusual aspects we will look at this first. The complete circuit is shown in Fig. 1. The first point to mention is that the 720V rail is used for the field charging circuit (R28, C21, C22) only and does not supply the line output stage or the first anode and focus electrodes of the c.r.t. This arrangement naturally contributes to height stability and the linearity of the field output waveform. Also, and unusually in valved circuits, the height is not adjustable by varying the oscillator anode potential fed from this source but by varying the waveform amplitude applied to the tetrode output valve.

The sync pulse feed is applied to V10A which produces an amplified, limited and phase-inverted output across its load resistor R12 for application to the grid of the field oscillator (V11A) via the dual integrator R18, C16 and R21, C17. Note that although the values

of these components differ the two time-constants are the same, $51\mu\text{sec}$. A useful rule to remember in calculating time-constants when, as is usually the case, the component values are in picofarads and kilohms is that their product divided by 1,000 equals the time-constant in μsec . Thus a capacitor of 200pF coupled with a resistor of $150\text{k}\Omega$ has a time-constant of $30,000/1,000$ or $30\mu\text{sec}$. The double integrator used in the Temp circuit makes for solid lock and good interlace by "absorbing" all the line and most of the noise pulses present.

Linearity Circuit

The output tetrode is as usual transformer coupled to the scan coils but one side of these is returned to chassis via a *one* ohm resistor (R20). The junction of the coils and this resistor is taken to the grid of the triode V10B. The waveform developed across R20 is proportional to the scan coil current. Thus a reverse phase negative feedback signal is produced across the anode load resistor R17 of V10B. This signal is RC coupled to the output tetrode's grid to linearise the forward sweep. Applying the negative feedback in this way—including a triode as an active component within the loop—has the advantage that increase in scan coil temperature and therefore resistance, which would normally reduce height, results in a smaller waveform being developed across R20 thereby keeping the height constant by reducing the negative feedback developed. The 1Ω sensing resistor R20 must be very low in value to minimise power loss since the resistance of the scan coils is also quite low. As can be seen the feedback waveform can be varied by R22 to alter the overall linearity and by R39 to alter the linearity at the top of the raster. In addition to this scan current shaping by negative feedback there is the usual slight positive feedback introduced by taking C22 to the cathode circuit of the output tetrode to optimise bottom linearity.

Line Timebase Generator

The line generator is also rather different from accepted British practice, using (Fig. 2) a triode arranged as a blocking oscillator in conjunction with an autotransformer. One end of the autotransformer is connected via a capacitor to the grid and the other to chassis while a tapping point is taken to the valve's cathode via a ringing coil which helps to maintain correct frequency and reduces the generator's sus-

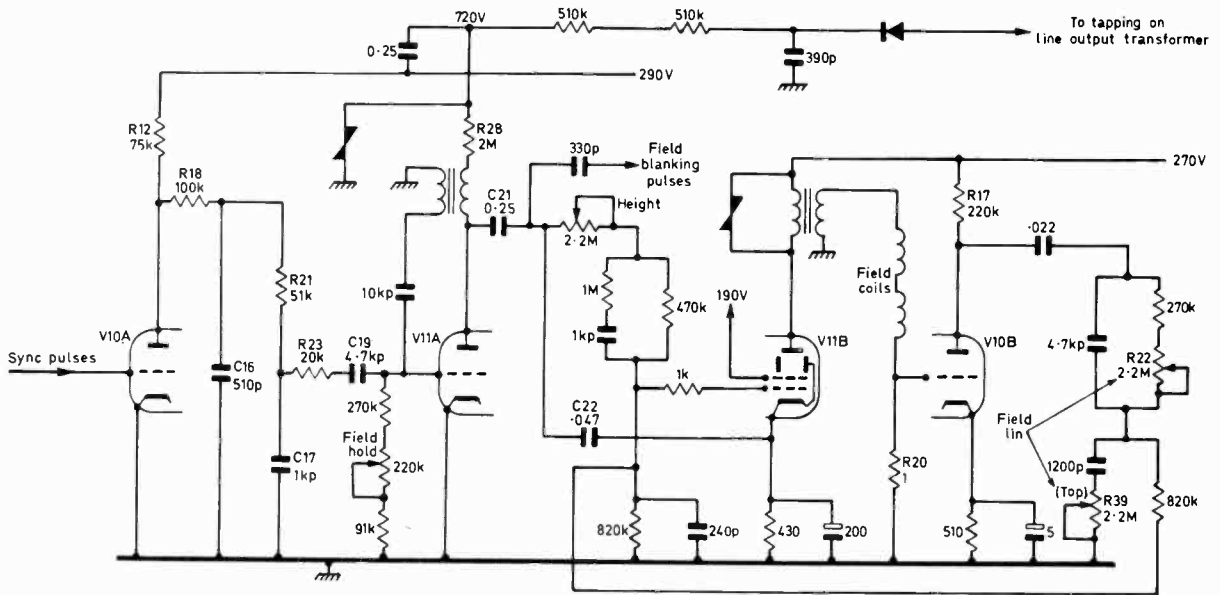


Fig. 1: Field timebase circuit, with triode in linearity feedback circuit to stabilise the height.

ceptibility to noise pulses. The operating frequency is set by the grid voltage and the d.c. resistance to the h.t. rail. The latter is varied by the hold control R8 while the grid voltage is augmented by the positive or negative control potential obtained from the flywheel sync circuit should the generator frequency tend to wander away from the correct figure. This control potential is of high amplitude as the line sync pulses are amplified before being fed to the discriminator, so the balance control R7 is factory set to produce optimum spread for the line hold locking position.

Video Stage

The video stage (Fig. 3) is interesting in that (a) it is d.c. coupled from the vision detector diode, with low standing bias and maximum anode current on no signal, (b) its cathode drives the cathode of the gated triode used to develop the a.g.c. while (c) it includes an automatic brightener circuit.

The vision detector load resistor R49 is returned to the

junction of pentode cathode resistors R51 and R52. Thus the valve is biased by only the small voltage developed across R51. R52 is included mainly to develop drive potential for the a.g.c. triode, though it does tend to raise the pentode's input impedance towards the lower frequencies. As the picture black and blanking level on 625-line transmissions equals 77% modulation depth the detector output must be negative-going to increase the pentode bias, decrease the anode current but raise the anode voltage so that with the brightness control correctly set the c.r.t. beam current is cut-off at this level.

The video output is a.c. coupled to the c.r.t. by C55, brilliance control being achieved by varying the cathode d.c. potential by R64. When brilliance control is effected in this way the c.r.t. grid voltage is usually held constant by being fed from the junction of a potential divider shunted across the h.t. rail and chassis. In this model however the grid voltage is obtained from the video pentode anode via D5, R62 and R61. The sync pulses represent the peak signal

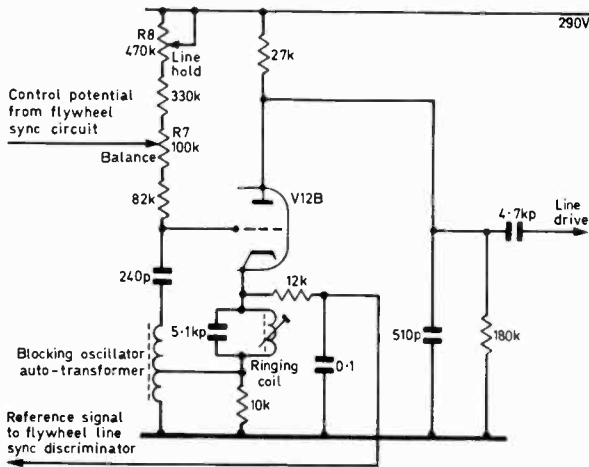


Fig. 2: The line blocking oscillator circuit features a cathode-coupled autotransformer.

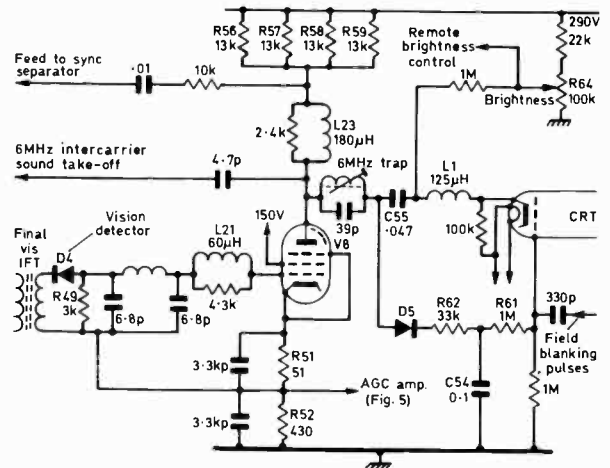
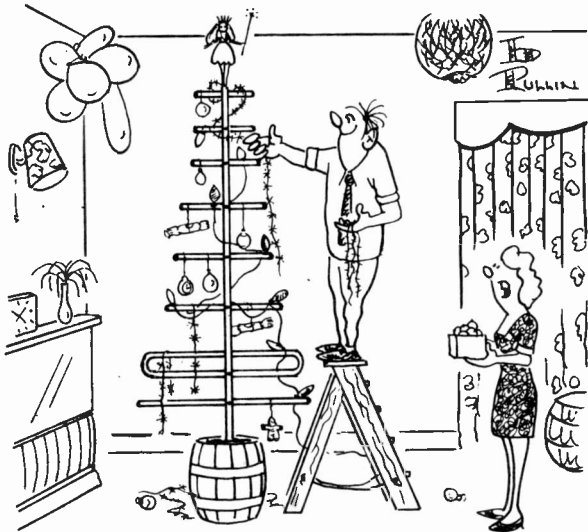


Fig. 3: The video circuitry.



"Couldn't we possibly have a tree for once?"

(b) grid corrector coil L21, (c) anode circuit peaking coils L23 and L1, (d) cathode negative feedback towards l.f. due to the use of only 3.3 k Ω for decoupling and (e) l.f. attenuation due to the rising reactance of C55 at the lower video frequencies. The net effect of these measures plus the low net value of anode load resistor (13k Ω /4 or 3.25k Ω) results in a particularly linear and hump-free response right up to the h.f. roll-off.

Definition Control Circuit

For any given video circuit, the quality of picture definition obtained depends largely on the overall vision i.f. response, in turn contributed by each tuned circuit. In this receiver the response is made variable by means of a varicap diode shunted across the secondary of the first vision i.f. transformer (see Fig. 4) as a tuning capacitance whose effective value is controlled by the reverse potential tapped from the definition control. The variation in response obtained is shown in the inset curve in Fig. 4. As the bias on the varicap D3 is reduced so the total capacitance across the tuned circuit is increased. The carrier amplitude can be varied between 0.5 and 0.2. With reduced carrier amplitude the h.f. response and phase characteristics of the i.f. amplifier are improved, giving improved picture definition.

AGC Circuit

There are variations in these Temp models for the European and American markets. In some the tuner is also valved with a conventional cascode r.f. amplifier and triode-pentode mixer. In all versions however a gated a.g.c. system is used in which the control potential is directly related to true signal strength. The circuit is shown in Fig. 5 where V12A is the triode which develops the negative a.g.c. potential. Its anode is fed with high-amplitude gating pulses from the grid circuit of the line output valve while its grid is supplied with a negative d.c. potential from the junction of R51/R52 in the cathode lead of the video pentode.

The video pentode is directly coupled from the vision detector diode and the signal d.c. level is thus preserved. With this arrangement the sync pulse tips produce the maximum voltage reduction at the junction of R51/R52. A negative-going cathode pulse is equivalent to a positive-going grid pulse so that the conduction of V12A during the period it is switched on by the line pulse is determined by (a) the negative potential applied to its grid from the contrast control and (b) the amplitude of the cathode-injected sync pulses. The net effect is that rising signal strength or a reduction in the negative grid voltage increases the triode's anode current during the line pulse periods, increasing the negative charge developed by C6. Readers will note the similarity between this circuit and the one used in the Plessey chassis at present being covered in *Servicing Television Receivers*.

Add to all the foregoing features provision for making tape recordings, for phone listening, internal speaker muting, plus a brilliance/volume remote control facility in the Rubin models and it becomes apparent that these well-constructed receivers represent formidable competition.

FEATURE TO BE CONTINUED

and are rectified by D5, charging C54. The voltage across C54 is thus the c.r.t. grid voltage and automatically increases with increase in signal amplitude—particularly useful when changing between channels of widely differing strength. This arrangement is somewhat analogous to the sync-pulse a.g.c. technique. It could also provide a basis for interesting experiments in many 625-line video circuits that are a.c. coupled to the c.r.t.!

The overall response of the video stage depends on (a) the effective load resistance presented by R56-R59,

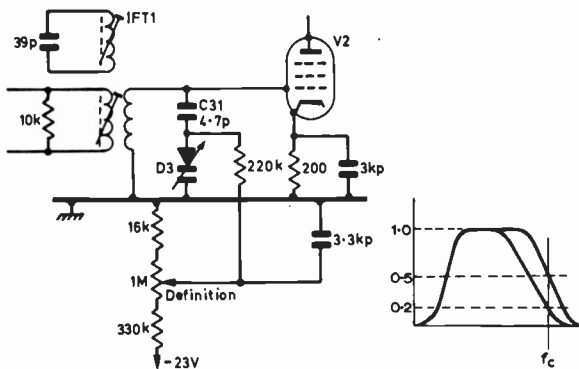


Fig. 4: The definition control circuit uses a varicap diode to alter the vision carrier amplitude.

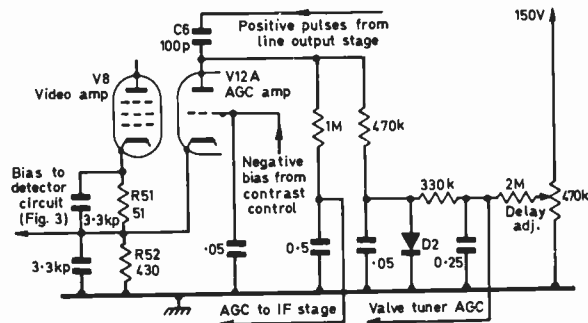


Fig. 5: The a.g.c. circuit with gated triode.

BASIC CIRCUITS FOR THE CONSTRUCTOR

LINE TIMEBASE CIRCUITS

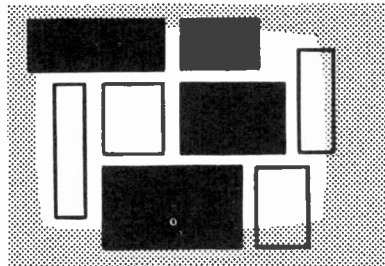
WHEN considering television timebase circuits we come inevitably to the question of whether to use valves or transistors. It is the writer's opinion that at the present time a *hybrid* approach is the best, that is to say with transistors used in the oscillator and driver stages and valves in the output stage. Although the long-term reliability of transistors is very good (they do not suffer from low emission after a number of years) the short-term reliability depends largely on the type of circuit in which they are used. Transistors are never particularly happy in line output stages and are likely to blow up at the slightest provocation even in a well designed circuit. Complicated setting-up procedures involving the use of an oscilloscope are often required and the wound components (transformer, scan coils, etc.) are not readily available to the constructor. Valve line output stages on the other hand are relatively simple and inexpensive and are well able to withstand transient overloads. They are however rather inefficient and almost half the input power is wasted, taking into account h.t. and heater supply currents. The unused input power appears in the form of heat energy and thus efficient ventilation is necessary. The heat output of the stage may be reduced by about 30% by the use of silicon rectifiers in place of the boost diode and e.h.t. rectifier.

Line Oscillator

The constructor is given this month the choice of two line oscillator circuits (Figs. 1 and 3). Both circuits employ flywheel sync thus enabling the line oscillator to lock satisfactorily without line tearing on weak and noisy signals.

Flywheel Sync

The transistorised circuit shown in Fig. 1 works as follows. Negative-going sync pulses from the collector of Tr37 (see July circuit) pass to the base of Tr601 through a differentiating circuit (C601, R601 and R602) which removes most of the field sync pulses leaving a relatively pure line sync waveform. Tr601 is held conducting by R602 in the absence of a signal. The negative-going sync pulses applied to the base of Tr601 cause it to switch off for the duration of each pulse and the transistor acts as a phase splitter with positive-going sync pulses being developed at its collector and negative-going pulses at its emitter to briefly switch on the flywheel sync discriminator diodes D601 and D602. A line reference waveform from the line output stage is also applied to the balanced phase discriminator circuit (D601, D602 and associated components). The phase discriminator produces a voltage at the junction of R608 and R609 which may be positive, zero or negative relative to the mean voltage at the junction of R606 and R607. The voltage between these two junctions is zero when the line oscillator is running in the same phase and at the same frequency as the incoming sync pulses. Should the oscillator be out of phase with the sync pulses an error voltage is produced by the discrimina-



J.W. THOMPSON

tor the polarity of which is such that the line oscillator is pulled back into lock.

Residual line ripple is removed from the discriminator output voltage by C606 and C607 and a small amount of d.c. amplification is provided by Tr602 whose forward bias is set by R606/R607. The amplified error voltage then passes to the base of Tr604 through RLY601 and the line hold controls.

Multivibrator Circuit

Tr603 and Tr604 comprise a standard multivibrator line oscillator circuit with Tr604 acting as a driver stage as well. The output at the collector of Tr604 has a mark-space ratio of approximately 10:1. The shorter time-constant is determined by C608 and R617 while the longer time constant which effectively determines the frequency of the line oscillator is set by C609, R615, the line hold control position and the voltage at the collector of Tr602.

Most people concerned with electronics know that if two transistors are connected in the multivibrator configuration a squarewave oscillation will be produced. For those readers unfamiliar with the operation of this circuit the following explanation may be helpful. Fig. 2(a) shows the voltage waveforms on the base and collector of the two transistors. We must first note that when the collector of one transistor is "up" (i.e. near supply rail voltage) the collector of the other transistor is "down" (i.e. near zero volts) and vice versa. This assumption will be shown to be true as the explanation progresses. If the collector of Tr603 is "up" it means that Tr603 is drawing zero current which implies that its base voltage must be between v_1 and v_2 in Fig. 2(a) be near to or less than zero. This is due to a negative charge on C608. This situation is not likely to last very long because the base of Tr603 is connected via R617 to the positive rail. Thus C608 charges positively and the voltage on Tr603 base rises. It cannot rise instantaneously because of the time-constant of C608 and R617. When Tr603's base voltage rises above +0.6V its base-emitter junction becomes forward biased and the collector current of the transistor rapidly increases, dragging the collector voltage down to near zero (at v_2). This rapid negative-going change in voltage is passed by C609 to the base of Tr604 which thus takes up a negative voltage. The amplitude of the negative voltage is limited in practice by the reverse base-emitter breakdown voltage of Tr604, which is generally between 5 and 15V.

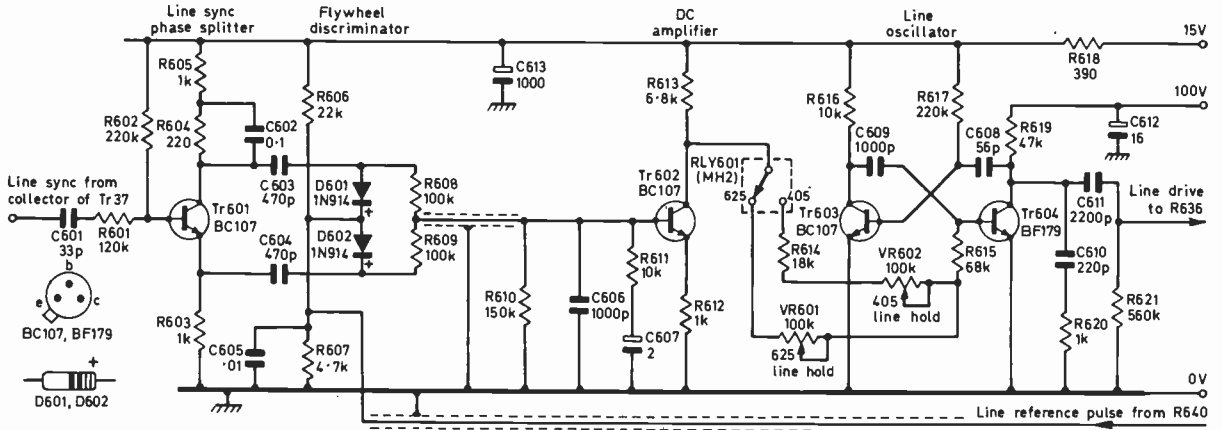


Fig. 1: Transistor line oscillator circuit with flywheel line synchronisation.

As the base of Tr604 has become negative it stops drawing collector current and its collector voltage goes "up". As with Tr603 in the same condition, Tr604's base voltage cannot remain negative and starts to rise immediately because of current supplied from the +15V rail through R615, VR601/602 and R613. The left-hand side of C609 is near zero volts as the collector of Tr603 is now "down" but the potential of the right-hand side starts to rise as the capacitor charges. Tr604 base voltage thus starts off negative and then increases beyond zero to a level of about +0.6V at which its base-emitter junction becomes forward-biased (at t_3) and Tr604 starts to draw collector current. The collector voltage of Tr604 is rapidly reduced to zero by the increasing collector current and the negative-going change in voltage is passed by C608 to the base of Tr603 which becomes negative. The collector voltage of Tr603 thus goes "up" and the base voltage starts to rise because of the current supplied by R617. C608 charges (between t_3 and t_4), and we are back where we started.

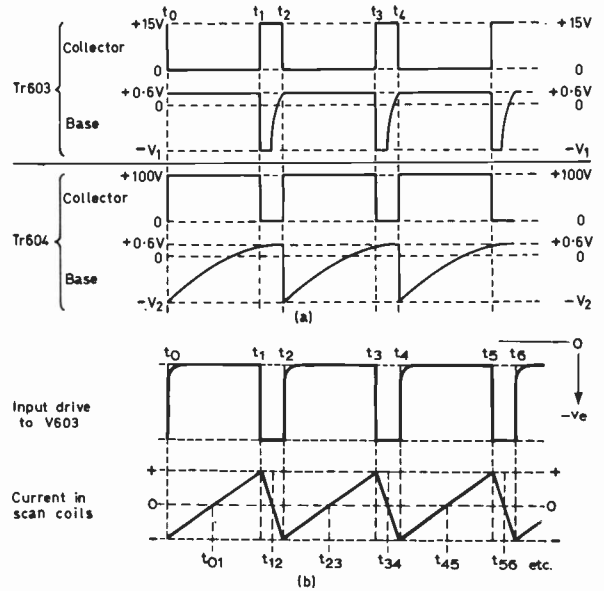


Fig. 2: Multivibrator voltage waveforms (top) and line output stage waveforms (bottom).

Valve Circuit

The above explanation holds for valve multivibrators as well—look at the circuitry around V602 (Fig. 3) and note the similarities. The only significant differences are in the voltage levels around the circuit. With a valve multivibrator the grids remain negative throughout the cycle. This is because the grid voltage for the start of anode-cathode conduction in a valve

is usually around -10V while the base voltage for collector-emitter conduction in a transistor (silicon) is about +0.6V.

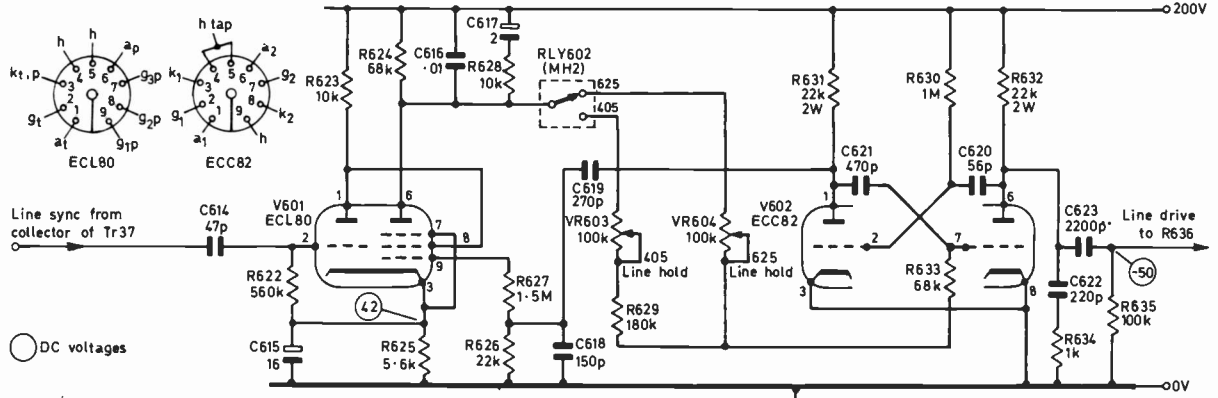


Fig. 3: Alternative valve line oscillator circuit with pentode coincidence detector.

★ components list

Resistors:

R601 120k Ω	R611 10k Ω	R621 560k Ω	R631 22k Ω 2W	R640 10k Ω
R602 220k Ω	R612 1k Ω	R622 560k Ω	R632 22k Ω 2W	VR601-4
R603 1k Ω	R613 6.8k Ω	R623 10k Ω 1W	R633 68k Ω	100k Ω lin.
R604 220 Ω	R614 18k Ω	R624 68k Ω 1W	R634 1k Ω	VR605
R605 1k Ω	R615 68k Ω	R625 5.6k Ω	R635 100k Ω	2.2M Ω preset
R606 22k Ω	R616 10k Ω	R626 22k Ω	R636 1.2k Ω	
R607 4.7k Ω	R617 220k Ω	R627 1.5M Ω	R637 2.7k Ω 5W	* Home Radio type
R608 100k Ω	R618 390 Ω	R628 10k Ω	R638 800 Ω 0.3A	R25.
R609 100k Ω	R619 47k Ω 1W	R629 180k Ω	tapped *	All $\frac{1}{2}$ W 5% unless
R610 150k Ω	R620 1k Ω	R630 1M Ω	R639 1M Ω	otherwise stated

Capacitors:

C601 33pF SM	C612 16 μ F 200V E	C623 2200pF PE	SM silver mica; PE 400V
C602 0.1 μ F PE	C613 1000 μ F 25V E	C624 0.1 μ F PE	polyester; E electrolytic;
C603 470pF SM	C614 47pF SM	C625 0.33 μ F PE	PC pulse ceramic (C85);
C604 470pF SM	C615 16 μ F 50V E	C626 600pF 8kV PC*	M mixed dielectric
C605 0.01 μ F PE	C616 0.01 μ F PE	C627 500pF 8kV PC†	(2EJ41).
C606 1000pF PE	C617 2 μ F 200V E	C628 0.1 μ F PE	Numbers in brackets are
C607 2 μ F 15V E	C618 150pF SM	C629 22pF 12kV PC	Home Radio catalogue
C608 56pF SM	C619 270pF SM	C630 22pF 12kV PC	Nos.
C609 1000pF SM	C620 56pF SM	C631 0.47 μ F 600V M	* 250pF in parallel with
C610 220pF SM	C621 470pF SM	C632 0.22 μ F PE	350pF
C611 2200pF PE	C622 220pF SM		† 2 \times 250pF in parallel

Semiconductors and Valves:

D601 1N914	Tr602 BC107	Tr604 BF179	V602 ECC82	V604 PY800
D602 1N914	Tr603 BC107	V601 ECL80	V603 30P19	V605 EY86
Tr601 BC107				

Miscellaneous:

T1 Line output transformer for Thorn 850 chassis	RLY604 Radiospares type 11A
T2 Scan coils—Thorn 850	F601-3 Ferrite beads
RLY601-3 Omron type MH2, 6V d.p. changeover (Home Radio WS159)	(Home Radio FR4A)
	Valveholders, e.h.t. cable, etc.

The circuit shown in Fig. 3 is included for the constructor who feels more at home with valves. It offers no particular advantage over the equivalent transistor circuit in Fig. 1 but the way in which the flywheel synchronising works is rather different. The triode section of V601 amplifies the incoming negative-going sync pulses so that positive-going pulses are developed across R623. The pentode section of this valve acts

as a coincidence detector. A reference waveform derived from the line oscillator (not from the line output stage as is conventional practice) is applied to the control grid (pin 9) of the pentode while the positive-going sync pulses are fed to its screen grid (pin 8). An error voltage is developed at the anode (pin 6) the amplitude of which is proportional to the phase difference between the sync pulses and the line

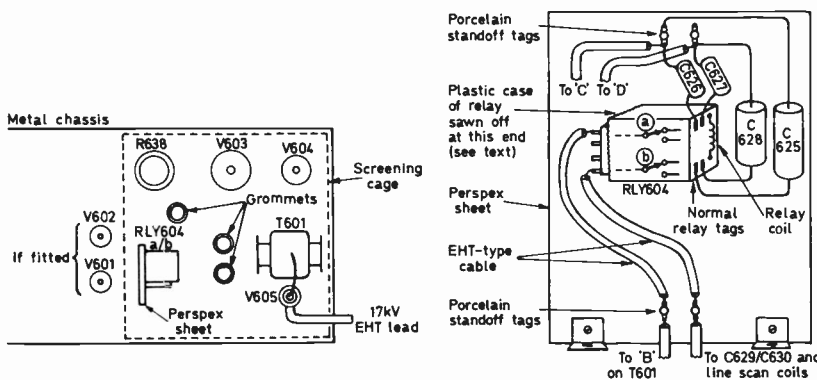


Fig. 4: Top chassis layout of the line output stage.

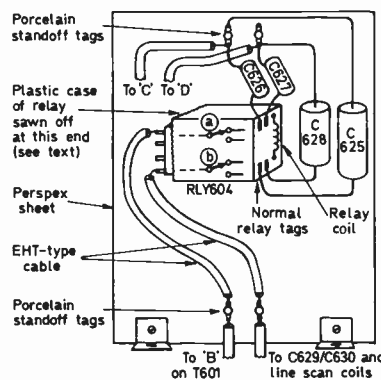


Fig. 5: Layout of the components around RLY604 a/b.

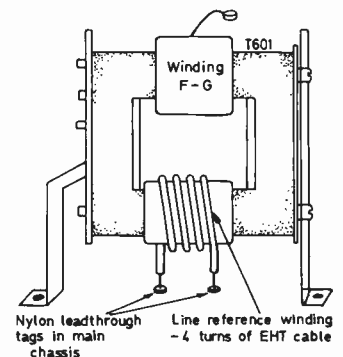


Fig. 6: Method of winding the line reference winding.

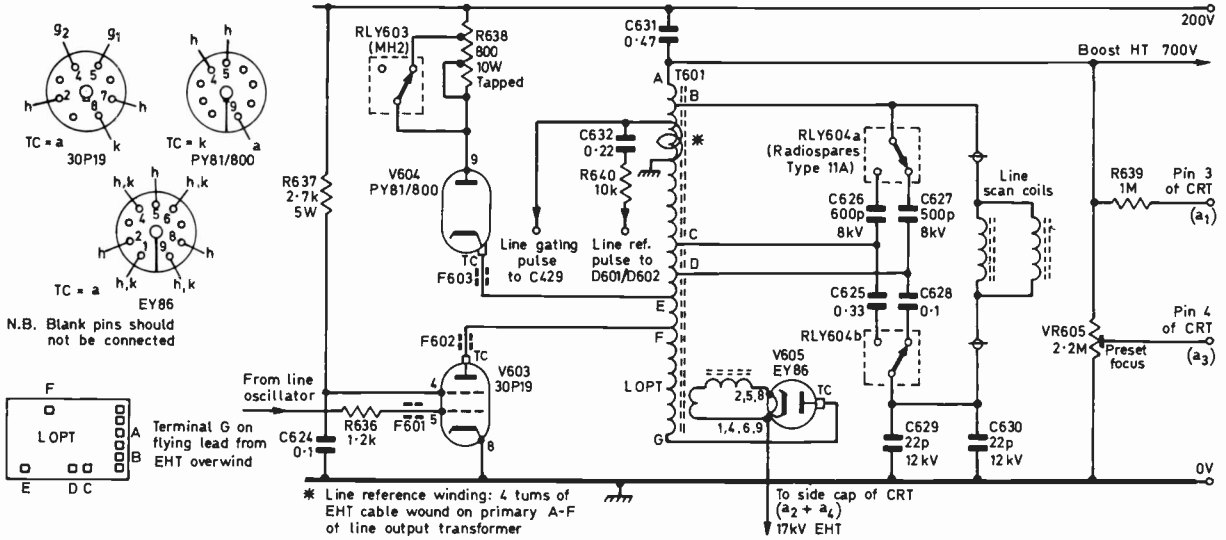


Fig. 7: Basic line output stage circuit.

oscillator reference waveform. Ripple is smoothed from the error voltage by C616 and C617 and the voltage then passes through RLY602 and the line hold controls to the grid (pin 7) of V602. This valve operates as a multivibrator with the output taken from the anode (pin 6) of the right-hand triode section.

Line Output Stage

For the sake of simplifying the description of the multivibrator action we have assumed—Fig. 2(a)—a squarewave output. The drive waveform for the line output valve is however slightly rounded by the charging process of C610 (transistor circuit) or C622 (valve circuit). Fig. 2(b) shows the waveform at the grid of the line output valve and the scan current waveform in the coils. The output valve V603 is actually cut off during the first part of the forward scan—between times t_0 and t_{01} —even though its grid is forward biased by the input voltage waveform. At time t_{01} the current in the scan coils is zero and V603 starts to conduct. Current flows through V603, winding F—E of the line output transformer T601, V604 and R638. By autotransformer action a voltage is induced across windings E—A. This charges the boost reservoir capacitor to about 700V and also supplies current to the scan coils during time t_{01} to t_1 . At time t_1 the voltage at the grid of V603 drops suddenly and the valve stops drawing current. The current in the scan coils and T601 decays quickly (t_1 to t_{12}) and then becomes negative (t_{12} to t_2) due to the inductive back-e.m.f. effect. This “ring” produces a positive pulse voltage of several thousand volts at V603 anode and the cathode of V604, cutting the efficiency diode V604 briefly off. The time-constant of the ring is determined by the capacitance present in the circuit. Only a half-cycle ring occurs because when the oscillation tries to swing negatively—at time t_2 —the efficiency diode V604 conducts again damping any tendency for the ringing to continue. The negative current then decays linearly until at time t_{23} it reaches zero. The line output valve then starts to conduct once more and the current rises positively until at time t_3 V603 is switched off and the flyback occurs once again.

The positive pulse that occurs at V603 anode during

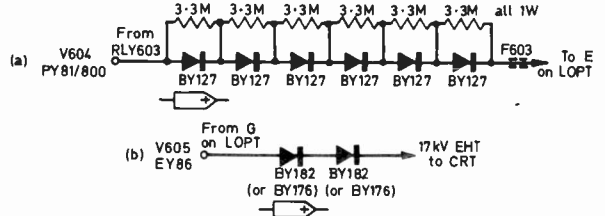


Fig. 8: Semiconductor equivalents to V604, V605.

the flyback period is stepped up across the e.h.t. overwinding F—G on T601 and is rectified by V605 to provide an e.h.t. of about 17kV for the c.r.t. final anode. The 700V boost voltage at tag A of T601 is used for the c.r.t. focus and first anode electrodes and for sawtooth generation in the field timebase.

Construction and Testing

The line timebase circuit should be built on a metal chassis of either aluminium or mild steel and it is recommended that the chassis is separate from the i.f./video chassis so that the risk of interaction is minimised. The power supplies and the field timebase may also be mounted on the line timebase chassis, the minimum size of which will then be about 14x10x2in. The line output stage is enclosed in a perforated zinc cage (see Fig. 4) to reduce harmonic radiation and also to keep most of the dangerous high voltages safely out of the way. Perforated zinc sheet (meat-safe metal) is readily available from most ironmongers and may be bent and soldered into the desired shape. Allow at least 2cm. clearance between the zinc and V603 and V604 and at least 5cm. clearance around the line output transformer.

RLY604 is not specifically designed for high-voltage use and will require some modification. As supplied by Radiospares the relay is in a polythene case which is removable. Slide off the case and observe the contact layout inside. It will be seen that the changeover contacts of the relay come out to tags at the top of the relay assembly (these tags normally being hidden inside the case). Black insulated wires are connected to these tags and travel down to the external connecting pins at the base of the relay. These wires are not insulated to the necessary standard and should be cut and removed. The relay case is

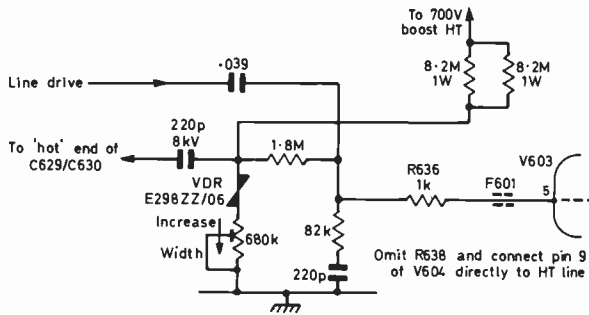


Fig. 9: Optional width stabilisation circuit. The line drive is from Tr604 (Fig. 1) collector, omitting C610, C611, R620 and R621 or pin 6 of V602 (Fig. 3) omitting C622, C623, R634 and R635.

then sawn off at the top, leaving a rectangular tube of plastic open at both ends. It should be replaced on the relay assembly and connections made both at the top and at the base of the relay: at the top to the changeover poles (of which the two outermost tags should be used) and at the base to the fixed relay contacts. The relay is glued to a small perspex panel and C625, C626, C627 and C628 added as shown in Fig. 5. The recommended position of the relay inside the line output cage is shown in Fig. 4.

Deviation from this layout is permissible because the lead lengths are not unduly critical but it must be appreciated that high voltages are present at many points in the circuit. Apart from the obvious danger of electrocution, there is also the possibility of a fire hazard existing if the wiring is inadequately insulated from the chassis. To be on the safe side it is recommended that e.h.t.-type cable be used for all connections to the following points: B, C, D, E and F on the line output transformer, RLY604, V605 and the line scan coils. As a further precaution do not use ordinary paxolin tagstrip at any point in the line output circuit—porcelain stand-off tags are much safer. If any printed-circuit board is used it should be made from fibreglass, not SRBP.

The line oscillator circuits are much easier to build. The transistor circuit in Fig. 1 can be built on paxolin pinboard and laid out as it appears in the circuit diagram. If the connection between the junction of R608 and R609 and the base of Tr602 is of any appreciable length it should be made with screened cable. The line reference waveform for the phase discriminator in this circuit is obtained from an extra winding on the line output transformer—details of how this should be wound are given in Fig. 6. The winding also supplies a gating pulse to the 405 gated-a.g.c. circuit (see Part 4, October 1971). The valve line oscillator circuit may most easily be built on the same metal chassis as the line output stage but outside the cage: see Fig. 4. A few short lengths of paxolin tagstrip near the valvebases will enable all the necessary connections to be made. Relays RLY601, RLY602 and RLY603 can be screwed to the underside of the chassis with the threaded fixing holes provided.

When switching on for the first time it is advisable to set R638 to maximum resistance. If all appears to be working and there are no ominous sizzling noises to be heard it is safe to reduce the resistance until the correct picture width is obtained. Two preset taps on the resistor are used to set the width on 405 and on 625 lines. If the correct synchronising point occurs to

one side of the raster so that the picture is displaced sideways it is possible to alter the flywheel phasing by changing the value of C605 or C618 as appropriate.

Modifications

Width stabilisation may be fitted if desired by using the circuit shown in Fig. 9. In this case R638 is left out of circuit and pin 9 of V604 is connected directly to the h.t. line. The value of the width control in Fig. 9 is not critical and may be between 500k Ω and 1M Ω . It is advisable to use a metal-enclosed potentiometer for this application; skeleton presets are liable to accumulate dust thus giving rise to the possibility of arcing. The e.h.t. regulation and heat output of the timebase can be considerably improved by the use of silicon diodes in place of V604 and V605 as shown in Fig. 8. Unfortunately, these diodes are rather expensive compared to the price of a valve.

Component Availability

The line output circuit is similar to that used in the Thorn 850 chassis and the transformer and scan coils are obtainable from D. & B. Television (Wimbledon) Ltd., 80 Merton High Street, London SW19 or Manor Supplies, 172 West End Lane, London NW6.

C254 (3.9pF SM) in the 625-line i.f. strip has proved difficult to obtain. The exact value is not unduly critical. A 4pF ceramic (Home Radio) may be used or two 1.8pF SM capacitors in parallel.

TO BE CONTINUED

CAMERA DEVELOPMENTS

Fernseh have now demonstrated in the UK a prototype of their new three-tube colour camera—Type KCP40—which has been designed mainly for use as a compact OB camera. With dimensions (without lens) of 405 × 208 × 270mm. and weighing approximately 20lb. it is no larger than many monochrome cameras in current use. Less lens and Plumbicon tubes a price of £10,000 is quoted. Anti-comet tail tubes can be used without modification to the camera and auto-centring and vertical aperture correction can be provided as optional extras.

Electrocraft instruments have developed a single-tube (vidicon) colour camera for industrial, educational and it is claimed broadcast use at under £2,000. The tube is fitted with a fibre-optic faceplate on the surface of which are video encoding colour stripes. The output consists of a broadband luminance signal and narrowband red and blue signals. There is a 5in. viewfinder and the total size is 5 × 10 × 12in.

Two low light level cameras—types 4250 and 4350—fitted with silicon vidicon camera tubes have been introduced by Litton precision products. They will produce a usable picture with only 0.003 foot-candles (less than the light of a quarter moon) illumination on the tube and are intended for CCTV applications such as day and night security and safety surveillance.

CORRECTION : PANORAMIC MONITOR

In Fig. 3 page 9 last month the i.f. amplifier output should have been shown connected to the oscilloscope Y input: we apologise for this error.

NEW LINE OUTPUT TRANSFORMER

ALBA 655, 656, 717, 721 £3-75. 890-895, 1090, 1135, 1195, 1235, 1395, 1435 £5-00.
 ARGOSY. 17K10, 17K11, 17K12, 17K14, 19K17 17K43 £4-00.
 BAIRD. All models price £5-90. From model 600 quote part no. normally found on TX base plate.
 BUSH TV53 to TUG69 £2-00. TV91 to TV139 £4-75. (From Model TV123 an alternative Square Tag Panel was fitted on Main Bobbin, please state if required.) TV141 to TV186 please state part number £4-75. TV75 to TV86 £4-75 (except TV80).
 COSSOR 904 to 957 Rewind £4-50. CT1700U to CT2378A £5-00.
 DECCA DM1, DM3C, (90°), DM4C, (70°), DR1 DR2, DR121 £4-50. DR95, DR100, DR101, DR202, DR303, DR404, DR505, DR606 £4-50.
 DEFIANT 9A40 to 9A63. Prices on request.
 DYNATRON TV30, TV35, TV36, TV37, TV38, TV39, TV40, TV41, etc. £4-00.
 EKCO T231, T284, TC267, T283, T293, T311, T326, T327, T330, TMB272, T344, T344F, T345, TP347, T348, T348F, TC347, TC349, TC356, T368, T370, TC369, T371, T372, TP373, TC374, T377A, T393, T394, 433, 434, 435, 436, 437 all at £4-00. 503, 504, 505 506 £4-75.
 FERGUSON 306T, 308T, 406T, 408T, 416, 436, 438, 506, 508 516, 518, 536, 546, 604, 606, 608, 616, 619, 636, 646, 648, 725, 726, 727, 3600, 3601, 3602, 3604, 3611, 3612, 3614, 3617, 3618, 3619, 3620, 3621, 3622, 3623, 3624, 3625, 3626, 3627, 3629 £4-00. Jelly Pots, please state colour: red, black or white.
 FERRANTI T1001, T1002, T1002/1, T1004, T1005, T1023, T1024, T1027, T1027F, TP1026, T1071, T1072, T1121, TC1122, TC1124, T1125, TC1126 £4-00. 1154, 1155 £4-75.
 G.E.C. BT302, BT342 £3-50. BT454DST-456DST, 2012, 2013, 2014, 2015, 2000DS, 2001DS, 2002DS £4-50.
 H.M.V. 1865, 1869, 1870, 1872, 1874, 1876, 1890, 1892, 1894, 1896. All models to 2645 £4-00.
 KB OV30, NF70, NV40, PV40, QV10, QV30, RV10, RV20, RV30, PVP20 £4-50. Featherlight £4-50. Chassis No. VC1-VC2-VC3-VC4 £4-50.
 MASTERADIO 4013 DST, D500 DST, D507 DST £4-50.
 MARCONI VT153, VT155, VT156, VT157, VT159, VT161, VT163, VT165, VT170, 4611, 4800, 4801, 4803, 4615 £4-00.
 MURPHY V310 to 2149 £4-75.
 PAM 600S to 5106 £4-00.
 PETO SCOTT. Prices on request.
 PHILCO 1019, 1020, 2021 £4-13. 1100, 1110, 5600, 5601, 5602 £4-00.
 PHILIPS 11TG190 to 24T301 £5-00. 1768U to 2196U. Rewind £4-75 (old unit required).
 PILOT PT450, 452, 455, 650, PT651, P60A, P61 £4-00.
 PYE V200, V400, 200LB, 210, 220, 300F, 300S, 310, 210S, 410, 510, 530, 600, 620, 630, 700 A or D, 710 A or D, 830 A or D or LBA £4-00. 11U Series. 11U-P/NO, AL21003, 21F to 61. Part Nos must be given when ordering Pye LOPTS
 REGENTONE 197-198, 298, TV402, TV401, TV501, TV502 £4-50. 10-4-10-6 10-21 17-18, 10-12, 191-192 £4-00.
 R.G.D. 626, 627, 628, 726, RV202, RV302 £4-50. 519-619-620-621C, 723 £4-00.
 SOBELL 1000DS, 1002DS, 1005DS, 1010DST, 1012, 1013, 1014, 1018, 1019, 1020, 1021, 1032, 1033, 1038, 1039 £4-50.
 STELLA T1011U to 2149A £5-00.
 ULTRA 1770, 2170, 1772, 1782, 2172, 1771, 2171, 1775, 2175, 1774, 2174, 1773, 2137, 1980c, 1984c, 100c, 200c, 2380, 2384, 1984, 1985, 1986, 1980, 1980a, 1780 2180, 2181, 2183, 2182, 1871, 1783, 6600, 6625, 6626, 6628, 6632, 6642 etc. £4-00.
 We can rewind most LOPT £4-75.

Post and Packing 26p. C.O.D. 30p extra.

LINE OUTPUT TRANSFORMER INSERTS ONLY

BUSH TV75, TV85, TV92-TV93, TV94-TV95-TV96-TV97, TV98, TV100, TV101, TV103, TV104, TV105, TV106, TV108, TV109, TV110, TV113, TV115, TV115R, TV115c, £2-75. Complete with heater windings.
 DECCA DR95, DR101, DR202, DR303, DR404, DR505, DR606 £2-75.

RETURN OF POST SERVICE ON ALL STOCK ITEMS

CALLERS WELCOME. But to avoid disappointment please phone to check that the items you require are in stock. All new components inserts are guaranteed for three months from the date of invoice subject to the breakdown being due to faulty manufacture or materials. S.A.E. all enquiries.

Dept. "R" E. J. PAPWORTH AND SON LTD.
80 MERTON HIGH STREET, S.W.19 01-540 3513

01-540 3955

BENTLEY ACUSTIC CORPORATION LTD.

38 CHALCOT ROAD, CHALK FARM, LONDON, N.W.1 THE VALVE SPECIALISTS Telephone 01-722-9090

Table of electronic components with columns for part numbers (e.g., OA2, OB2, OZ4) and their corresponding values (e.g., 0.30, 1.00, 1.8).

Continuation of the electronic components table, listing parts like EBC90, EBC91, EBF80, etc., with their respective values.

All valves are unused, boxed, and subject to the standard 90-day guarantee. Terms of business - Cash or cheque with order only. Post/packing 3p per item, subject to a minimum of 5p per order.

TV's 19" NOW £11.95

TWO YEARS GUARANTEE ALL MODELS 405/625: 19" £29.95; 23" £39.95 FREE CATALOGUE DAILY DEMONSTRATIONS FOR PERSONAL SHOPPERS



COMPONENTS HI-FI VALUE MUST BE CLEARED

- 1. GARRARD SP25 MK III £11.50 P. & P. 50.
2. TEAK PLINTH & TINTED COVER £4.95. P. & P. 35p.
3. SONOTONE 9TAC HC CART-RIDGE £2.50. P. & P. 5p.
BARGAIN PACKAGE-1, 2, 3 £17.95. P. & P. 85p.
TV TUBES REBUILT GUARANTEED 2 YEARS
Transistor Radio Cases: 25p each. Size 9 1/2" x 6 1/2" x 3 1/2". Post 15p.
Speakers: 35p. 2 1/2" 8Ω. Brand new. Post 15p.
VHF/FM Tuners: 95p. 88-108 mcs. takes EEC85 valve (extra). Post 15p.
Precision Tape Motors: £1.95. 200/250V. Famous German manufacturer. Post 20p.
Transistor Gang Condensers: 20p. Miniature A.M. Post free. Modern Gan Condensers: 30p. AM/FM or AM only 20p. Post 10p.
Transistors 15p each. Post free. AC126, AC127, AF114, AF117, OC45, OC71, OC81, OC81D.
Valve ELL80 50p. Only stock in the country.
Fets: 25p each. Post 5p. D/SW 500/500 K.Ω. D/SW 500/100 K.Ω. D/SW 1 meg./100 K.Ω. S/W 500/500 K.Ω. S/W 500/1 meg.



14" £3.95; 17" & 19" £5.95; 21" & 23" £6.45 Exchange Bowls carr. 55p.

TEAK HI-FI STEREO CABINETS £14.95 Brand new 44" wide x 16" deep x 18" high with legs. A superb piece of furniture. Carriage £1. WHILE STOCKS LAST.

DUKE & CO. (LONDON) LTD. 621/3 ROMFORD ROAD, MANOR PARK, E.12 Phone 01-478 6001-2-3 Stamp for Free List

REBUILT TELEVISION TUBES

STANDARD TYPES: 17" £5-00 21" £6-50 19" £5-50 23" £7-50

'PANORAMA' & 'RIMGUARD' TYPES: 19" £7-00 23" £9-00

TWIN PANEL OR BONDED FACE TYPES: 19" £7-50 23" £10-00

COLOUR TUBES: 19" £25-00 22" £28-00 25" £30-00 26" £32-00

- (exchange bulbs required)
Carriage & Insurance: 75p extra for standard tubes; £1-50 extra rimguard and twin panel types. £3 extra colour.
★ Complete new gun fitted to every tube.
★ Two years' guarantee, monochrome. 1 year colour.
★ Trade enquiries invited.
★ 14 years' experience in tube rebuilding.

N.G.T. ELECTRONICS LTD., (NU-GUN TELETUBES)

22 Anerley Station Road, London, S.E.20 Telephone: 01-778 9178

LONG-DISTANCE TELEVISION

ROGER BUNNEY

WITH the approach of autumn, Sporadic E signals tend to fall to a rather low level. This year is no exception. Apart from some activity towards the middle of September Sp. E this month has been minimal. The tropospherics have fortunately come to the rescue for many of us, thanks to the prolonged fine spell of weather over much of the month, although personally my record for the month isn't too good—living in a valley does not assist matters! A number of enthusiasts have written telling of their reception and generally conditions seem to have been fairly good. Tropospherics have opened up sufficiently to allow u.h.f. reception of Sweden, West Germany and the Low Countries. We even have a report of the DFF East German transmitter at Brocken ch. E6 being received at Mayfield, Sussex, by Hugh Cocks (September 3rd at 0850 BST). My own log for the period is as follows:

- 1/9/71 BRT (Belgium) E2; NOS (Holland) E4—both trop.
- 2-4/9/71 BRT E2; plus various ORTF (France) trop.
- 5/9/71 RAI (Italy) 1A, 1B (Sp. E); BRT E2; RTE (Eire) B7, H; Channel Islands B9; plus various ORTF-trops.
- 7/9/71 CT (Czechoslovakia) R1 (Meteor Shower—MS).
- 8/9/71 CT R1; DFF (East Germany) E4—both via MS.
- 9/9/71 CT R1.
- 10/9/71 BRT E2.
- 11/9/71 USSR R1, R2; TVP (Poland) R1; CT R1. Sp. E opening. Also BRT E2 trop.
- 12/9/71 DFF E3; BRT E2; plus unidentified Sp. E signals ch. E2 at 1924 BST.
- 14/9/71 NOS E4; BRT E2.
- 16/9/71 CT R1 (MS); BRT E2.
- 17/9/71 BRT E2.
- 18/9/71 CT R1 (MS); TVE (Spain) E2 (Sp. E); plus ORTF trop.
- 19/9/71 BRT E2; plus unidentified line sawtooth ch. E2 at 1655 BST.
- 20-24/9/71 BRT E2.
- 25/9/71 CT R1 (Sp. E). There were many very strong MS bursts of signal this day.
- 27-28/9/71 BRT E2.
- 29/9/71 CT R1 (MS); BRT E2; plus ORTF, UK trop.

Although there have been signals of sorts noted most days via MS (the mechanism of MS was discussed last month) I generally do not log such bursts unless they are particularly strong and prolonged or alternatively repeated several times within a short space of time.

In the August column we speculated as to who would be the first to receive Soviet colour signals. Now we have the answer! A letter has arrived from David Griffin of Norwich in which he details the exciting news. During an Sp. E opening on August 25th—a Sunday—he noted a colour programme at 1100 BST on ch. R1. The receiver David was using was apparently a Philips colour multi-standard model modified for SECAM. Our congratulations to David on this magnificent achievement.

Some time ago we had news of u.h.f. DX-TV in the USA when apparently distances of over 1,000 miles were obtained. Now an even greater distance has been received! Although we do not have exact information yet we gather that veteran TV-DXer Robert Cooper of Oklahoma City has received a Boston, Massachusetts station operating on ch. A38. The distance is in the region of 1,500 miles. When more information has arrived we will report in more detail.

We often receive queries about identifying various news captions. To assist readers we hope to include over the next few months the main news captions from various East European countries since these seem to give the most trouble in establishing the country of origin. This month we illustrate the Czechoslovakian caption.

The British Astronomical Association has kindly supplied us with the dates for the 1972 meteor showers—at least those that are likely to provide us with signal reception.

	Overall dates	Maximum activity
Quadrantids	Jan. 1st-5th	Jan. 4th at 1000
Lyrids	April 19th-24th	April 21st at 1800
May Aquarids	May 1st-8th	May 4th-5th
Delta Aquarids	July 15th-Aug. 15th	July 28th
Perseids	July 25th-Aug. 18th	Aug. 12th at 0600
Orionids	Oct. 16th-27th	Oct. 21st
Taurids	Oct. 10th-Dec. 3rd	Nov. 1st
Leonids	Nov. 15th-19th	Nov. 17th at 0700
Geminids	Dec. 7th-15th	Dec. 14th at 0500
Ursids	Dec. 17th-24th	Dec. 22nd

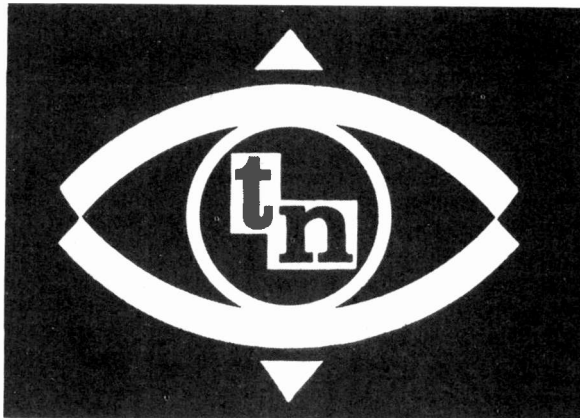
News Items

Denmark: We understand that the Danish TV authorities have decided to include an identification on their electronic test card. In the top rectangle will be carried "Danmarks Radio" and in the lower rectangle at the bottom of the central circle will be carried the transmitting site location. This should ease our problems on ch. E4. Test transmissions and times of same are as follows:

Daily 0900-1000 electronic test patterns.
Daily 1000-1100 colour test card (type PM5544).
1100-1730 local test card (i.e. carries transmitter identification) on Mon., Tues., Thurs., Fri.; on Weds. 1100-1600; Sat. 1100-1400.

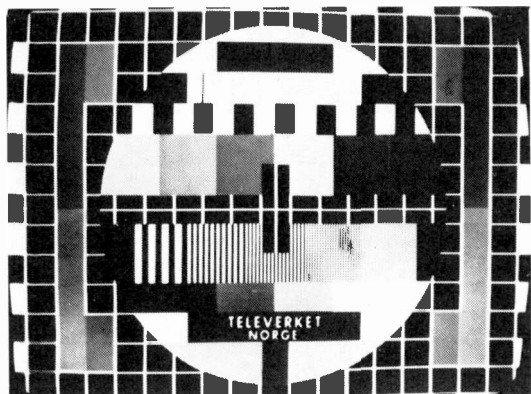
After these times the colour test card returns until the start of programmes. Programmes usually start around 1900, consequently we can expect the colour test card to be in use between 1730-1900 each day.

Nigeria: Marconis at Chelmsford have advised us that Ibadan will be increasing power to 60kW e.r.p. We understand that this is the NBC outlet on ch. E2 as the Ibadan



Main Czechoslovakian news caption—Televisni Noviny. Photo courtesy OIRT Prague.

DATA PANEL 5—2nd series: NORWAY

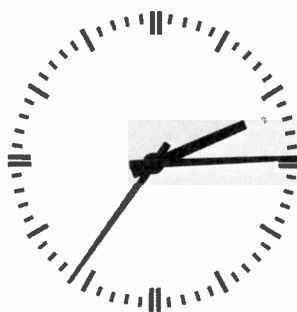


Electronic Test Card—Colour



Identification slide showing the Oslo transmitting mast

NRK—NORSK RIKSKRINGKASTING



NRK Clock

Test card G (see Data Panel No. 2) is also radiated with an appropriate identification. NRK advise that except for Tuesday and Sunday the colour test card is radiated from 0930-1735 CET with the PTT identification "Televerket". The procedure is that during the 20 minutes before the start of programmes the PTT accept signals from NRK Television in the following routine:

- 20-10 mins. Colour test card as above but with the NRK identification.
- 10-5 mins. Black-and-white test card G or SWF/YLE type with NRK identification.
- 5-4 mins. Clock as above.
- 4-2 mins. List of evening's programmes.
- 2-0.30 min. Clock.
- 0.30-0.00 min. Identification slide of Oslo transmitter as left.

Our thanks to NRK for their assistance.

outlet of WNTV on ch. E4 is already 60kW e.r.p. This is extremely welcome news and certainly the ch. E2 transmitter could be a possible here in the UK via multiple hop Sp. E—Nigerian TV has been received once before in the UK on ch. E2, from the now defunct Enugu transmitter.

West Germany: Radio Bremen and Bayerischer Rundfunk are now using the electronic test card similar to SWF (West Germany)/YLE (Finland), see photo in the June 1971 DX-TV column. The card carries the identification "Radio Bremen" or "BR Munchen" respectively.

From Our Correspondents

Clive Morton has sent in a most interesting letter (see also Letters, October TELEVISION, page 548) with information on reception in the Leeds area this summer. Unfortunately chs. E2/R1 are rendered almost unusable due to strong local signals from Holme Moss ch. B2. Clive has been to Tunisia recently and was impressed with the confusion of aerials to be seen there. Band III aerials of 16 elements are commonly used together with stacked u.h.f. arrays. The X type director (as used in the J Beam Multibeam series) is commonly seen but single arrays have anything up to 18 elements! The nearest u.h.f. transmitters would be in Sicily some 160 miles distant—the RAI 2nd service. Various five-element Band I arrays suitably orientated also indicate that Mt. Cammarate ch. IA is used by Tunisian residents for entertainment purposes.

Derby DX enthusiasts Garry Smith and Keith Hamer

have both sent in detailed letters and as usual have passed on an interesting point. The ORF (Austria)/NRK (Norway) electronic test card type PM5544 presents problems with identification—at least in confirming reception of one country or the other—when NRK omit their identification (as they sometimes do!). A close look at the lower black rectangle within the centre circle—where any identification would usually appear—will however reveal a thin white vertical line (a reflection check) to the left-hand side of the rectangle when the card is transmitted by ORF. Unfortunately we do not know the exact version transmitted by Denmark but at least this information may go some way in clearing a few problems.

Letters from overseas readers are always most welcome and we were delighted to receive an air letter from Peter Neal of Entebbe, Uganda, in which he describes reception in his part of the world, virtually on the Equator at 32°30' east and with a local height of 3,800ft. Peter is rather fortunate in that Uganda Television transmits in Band III leaving Band I completely clear. Using a six-element ch. E2 aerial and two transistor amplifiers he has had reception from various transmitters in Africa by a variety of propagation modes. The Kenya TV Service is received virtually daily on ch. E2 from the 10,000ft. high transmitter at Timboroa at some 210 miles, 100 miles of this being across Lake Victoria. Further distant, also on ch. E2, Rhodesian Television (see July 1971 DX column) from Gwelo is received by we assume Sp. E at 1,000 miles. Usually the signals are present between 1600-2000 local time. Possibly the sunset effects on the E layer produce some form of Equatorial Sp. E not unlike Trans-Equa-

torial Skip that can give reception over considerably greater distances. The latter propagation mode has also given Peter a number of signals to the west. English speaking and with the vision signal suffering with multiple images—a characteristic of this type of propagation. The signals probably originate in Nigeria and Ghana.

Sun Spots

Predictions—courtesy of the Swiss Federal Observatory, Zurich: September 57, October 55, November 53, December 51, January 1972 49, February 47.

DX-TV Publications

We regularly receive queries asking for information on any DX-TV publication. Apart from our own basic guide we know of none that deal exclusively with this subject. However two publications have recently come to our attention which certainly have a bearing on our interests.

BBC Publications, 35 Marylebone High Street, London W1 have an Engineering Division Monograph, no. 61 March 1966, "Sporadic E ionization and television interference" by W. J. G. Beynon. This contains detailed analysis and theory relating to Sp. E and we can recommend it to the serious enthusiast of this hobby.

Benelux DX-Club, PO Box 2027, Den Bosch 4004, Nederland has a transmitter list detailing TV and f.m.

transmitters likely to be received in that area via all propagation modes. There are 72 pages, 45-72 devoted to TV. The introduction to each section is in Dutch and the cost of the publication—"TV-FM Zenders van Europa"—is £f 0.45 or 8 IRC. The poundage on an International Money Order does unfortunately tend to make it expensive.

New Transmitters

France: Bergerac ch. 34 hor. 250kW (south of France); Argenton-Sur-Creuse ch. 40 hor. 100kW (central France—near Limoges); Wissembourg ch. 48 hor. 50kW (north-east France—near Strasbourg).

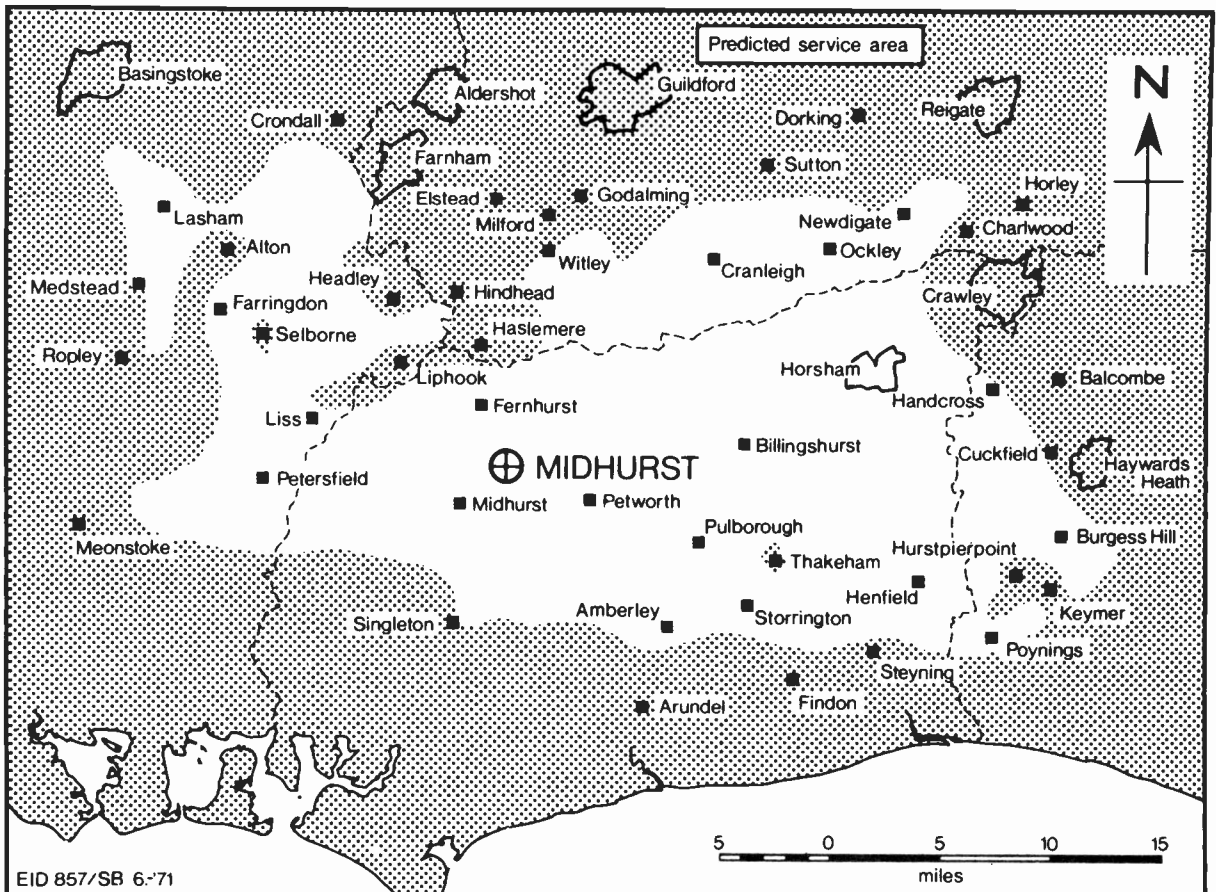
Norway: Stord ch. E5 hor.—increase of e.r.p. to 30kW. This is located on an island south of Bergen and could be a possible to northern enthusiasts.

Sweden: Sveg ch. 21 hor. 1,000kW (located approximately 80 miles south-west of Sundsvall in a mountainous area—a "possible" in excellent conditions to East Coast enthusiasts); Oestersund ch. E4—we understand that a higher mast is in use, now over 800 feet—every little bit helps!

Holland: Smilde ch. E6, Markelo ch. E7, Goes ch. 29, Goes ch. 32, Markelo ch. 54 have all reduced the sound channel e.r.p. to 10% of that of the vision transmitter.

Greece: Two of the Band III transmitters have increased e.r.p. considerably, an encouraging sign and we hope soon to be followed with some Band I activity!

Finally I sincerely wish you a Happy Christmas and a successful 1972.



The expected service area of the **Midhurst** u.h.f. transmitter is indicated by the unshaded area of the above map. Channels: BBC-1 61; BBC-2 55; ITV 58; fourth 68. Effective vision e.r.p. 100kW. Polarisation horizontal. Receiving aerial group D. Map courtesy BBC Engineering Information Service.



PART 4

K. T. WILSON

MOTOROLA TV ICs—I

SEVERAL Motorola i.c.s are now being used in UK produced TV sets. The Decca MS2000/MS2400 series uses an MC1351P intercarrier sound limiter/amplifier/detector/audio preamplifier; the recently announced Decca 12in. mains/battery portable Model MS1210 uses an MC1352P vision i.f. amplifier/gated a.g.c. amplifier; this 12in. Decca model and the Ferguson 17in. colour set (BRC 8000 chassis) use an MC1330P video synchronous detector/preamplifier; and both the BRC 8000 and the Decca 17in. colour model use an MC1327 chrominance signal synchronous demodulator/RGB matrix/PAL switch i.c. in the decoder.

MC1352P IF/AGC IC

This i.c. is of particular interest in being the only one in use in a UK produced set in the pre-video detector stages. It is a vision i.f. amplifier incorporating a gated a.g.c. system to control its own gain and also to provide a delayed a.g.c. feed for the r.f. section of the receiver. In the Decca Model MS1210 it provides most of the i.f. gain between the tuner unit and the vision detector. The power gain at 45MHz is quoted as 53dB (typical) and an output change of 0.3dB is quoted for a 60dB change in i.f. input. The i.c. is encapsulated in a 14-pin flat pack and requires a 12V supply.

The internal circuit and basic external circuitry are shown in Fig. 1. The i.f. response must be shaped by filters connected between the tuner and the input (pin 1) of the i.c. The input is applied to Q5 and Q6 which operate with constant emitter currents so that the input impedance remains independent of the a.g.c. action. The input signals may be applied single-ended (as shown) or differentially (a.c.). The input terminals 1 and 2 may be driven by a transformer but a d.c. path from either terminal to earth is not permitted.

The input transistors drive the emitters of Q1, Q2 and Q3, Q4 respectively. The i.f. a.g.c. potential is applied to the bases of Q2 and Q3 whilst the differential output developed at the collectors of Q1 and Q4 is used to drive the bases of Q13 and Q16 in the compound differential output stage. A.G.C. action occurs as a result of an increasing voltage on the bases of Q2

and Q3 making these transistors conduct more heavily thereby shunting signal current from the interstage amplifiers Q1 and Q4. The output from Q14 and Q15 is generated across an external transformer with centre-tapped primary winding. The 12V supply at pin 11 may be used here but the output admittance remains more nearly constant if a separate 15V supply is used as the base voltage of the output amplifier varies with the a.g.c. bias. For this case R_s is chosen to allow 30mA of current flow.

The high-gain a.g.c. section requires a gating pulse (which as shown can be obtained from a winding on the line output transformer), a d.c. reference level and a composite video signal which may have positive- or negative-going video. The necessary signal levels and connections are shown in Fig. 2. The basic difference is that the video signal is fed to pin 10 and the d.c. reference level to pin 6 when the composite video signal has positive-going sync pulses while the input connections are reversed for negative-going sync pulses. If the available video signal has negative-going sync pulses it should sit on a 2V bias (Fig. 2) and have a p-p amplitude of 3.5V; the reference voltage fed to pin 10 should be set by a decoupled potentiometer capable of supplying 1.4V—the nominal setting of this preset is 2V. If the video signal has positive-going sync pulses it should be of 4.5V p-p d.c. restored to earth potential; the reference voltage for pin 6 should then be between 1V and 8V, nominally 4.5V. In both cases the gating pulse should have a peak amplitude of 8V: with negative syncs it is fed direct to pin 5 while with positive syncs it is applied via a resistor of 3.9k Ω .

The action of the a.g.c. gate is such that the correct voltage V_c is maintained across the external storage capacitor connected to pin 9 for a particular video level and d.c. reference setting. Voltage V_c is the result of the charge delivered through D1 and the charge drained by Q21. The charge delivered to the capacitor occurs during the time of the gating pulse and its magnitude is determined by the amplitude of the video signal relative to the d.c. reference level. Voltage V_c is amplified by Q21/Q22 and taken via the filtering resistor R1 (with externally connected—pin 14—filter capacitor C1) to the variable-gain stage in the i.f. amplifier section and to the r.f. amplifier section. Here it is compared in the differential amplifier Q24/Q25 to a fixed r.f. a.g.c. delay reference voltage connected to pin 13. The following stages Q27-Q29 amplify the output signal from Q24 and shift the d.c. levels causing the r.f. a.g.c. voltage to vary from zero to 7V for a very small change in i.f. a.g.c. voltage. C3 connected to pin 12 acts as storage/filter capacitor for the r.f. a.g.c. system.

The values of C1, C2 and C3 depend on the set designer's aim in terms of a.g.c. stability versus the speed of the a.g.c. action. Typical values are C1 0.1 μ F, C2 2 μ F and C3 10 μ F. To establish the maximum r.f. transistor gain with forward a.g.c. R_{pb} is connected from the positive supply at pin 11 to pin 12 to form a pre-bias voltage divider with the 6.8k Ω resistor to chassis; the value of R_{pb} is set to give maximum gain when the output emitter-follower in the i.c. is cut off. To set a fixed i.f. a.g.c. operating point (for example during receiver alignment) connect a 22k Ω resistor from pin 9 to pin 11 to give minimum gain and then bias pin 14 to give the correct operating point using a 200k Ω variable resistor to chassis.

The 12V supply must have a low impedance to

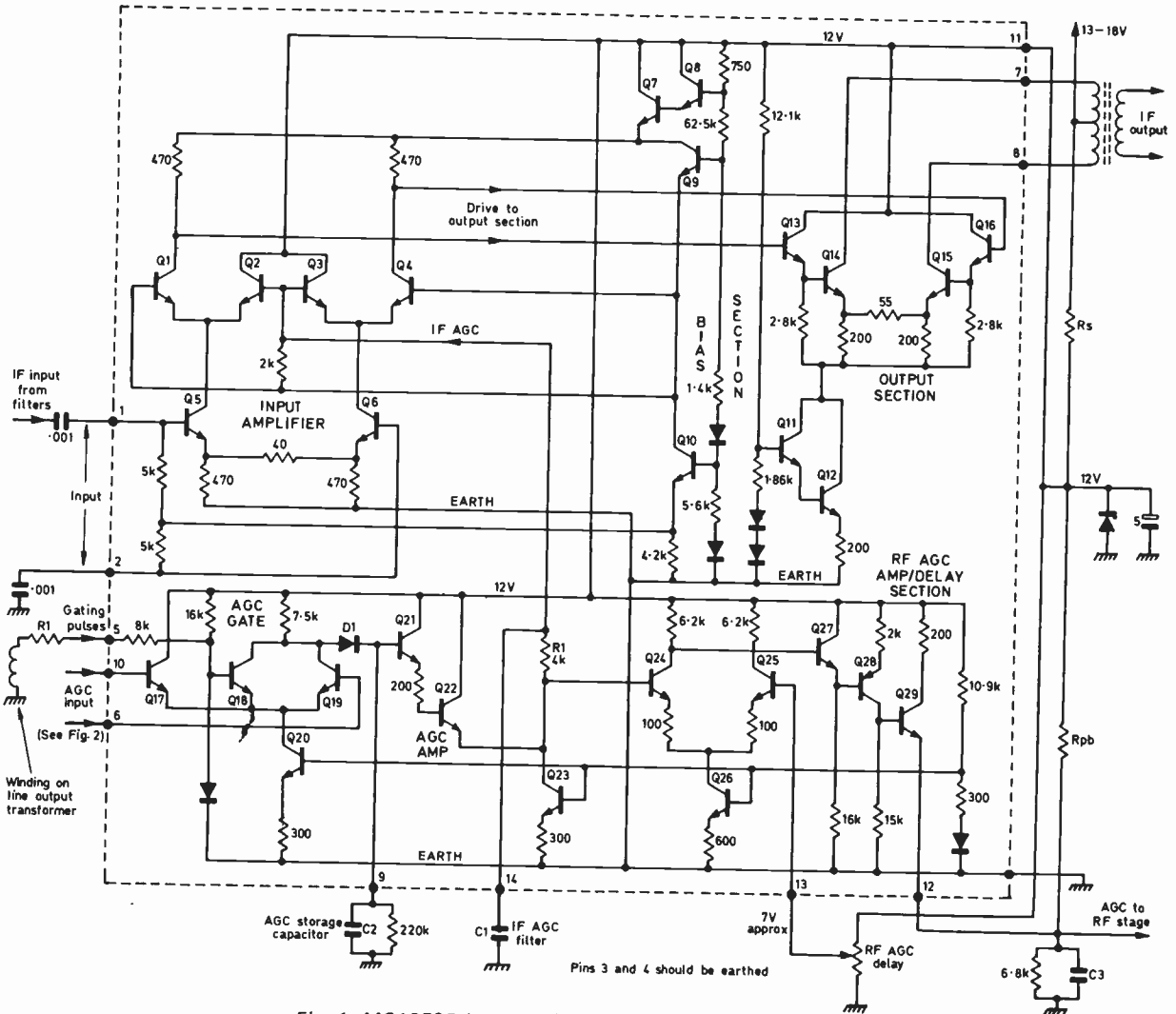


Fig. 1: MC1352P internal circuit and basic external circuitry.

prevent i.f. instability in the r.f. a.g.c. loop. This can as shown in Fig. 1 be achieved by using a 12V zener and large-value ($5\mu\text{F}$) decoupling capacitor.

Although the device will normally be operating with a very high power gain the pin configuration has been carefully chosen so that shielding between the input and output terminals will not normally be necessary even when a standard socket is used.

MC1351P Intercarrier Sound Channel

This i.c. is representative of the i.c.s now being widely used in the intercarrier sound sections of TV sets. It contains three stages of i.f. amplification and limiting, a quadrature f.m. detector and an audio preamplifier designed to drive a single external class A transistor audio output stage. A 3V maximum r.m.s. output voltage swing is provided with a typical i.f. voltage gain of 65dB. There is built-in zener power supply regulation. It is encapsulated in a 14-pin flat pack.

The internal circuit is shown in Fig. 3 while Fig. 4 shows the external circuits used with this i.c. in the Decca MS2000/MS2400 series. The 6MHz input is

Video polarity	Pin 6	Pin 10	Pin 5 (R1, Ω)
Sync negative-going	5.5V 2V 0	Adjustable d.c. 1-4V Nominal 2V	0
Sync positive-going	Adjustable d.c. 1-8V Nominal 4.5V	4.5V 0	3.9k

Fig. 2: Alternative MC1352P a.g.c. inputs.

to pin 4. In the Decca chassis the 6MHz signal is taken from a small coil coupled to a 6MHz rejector circuit in the cathode lead of the video amplifier (PFL200) and is fed via a 6MHz crystal filter to pin 4. After three stages of amplification/limiting in the i.c. the integrated emitter-follower Q9 provides two outputs, one to Q16 in the quadrature detector circuit and the other, taken from pin 8, to drive the external tuned circuit which provides the quadrature signal required by the detector. The quadrature signal from the external circuit is fed in at pin 13 to an integrated emitter-follower Q11 which drives Q12 and Q15 in the detector circuit.

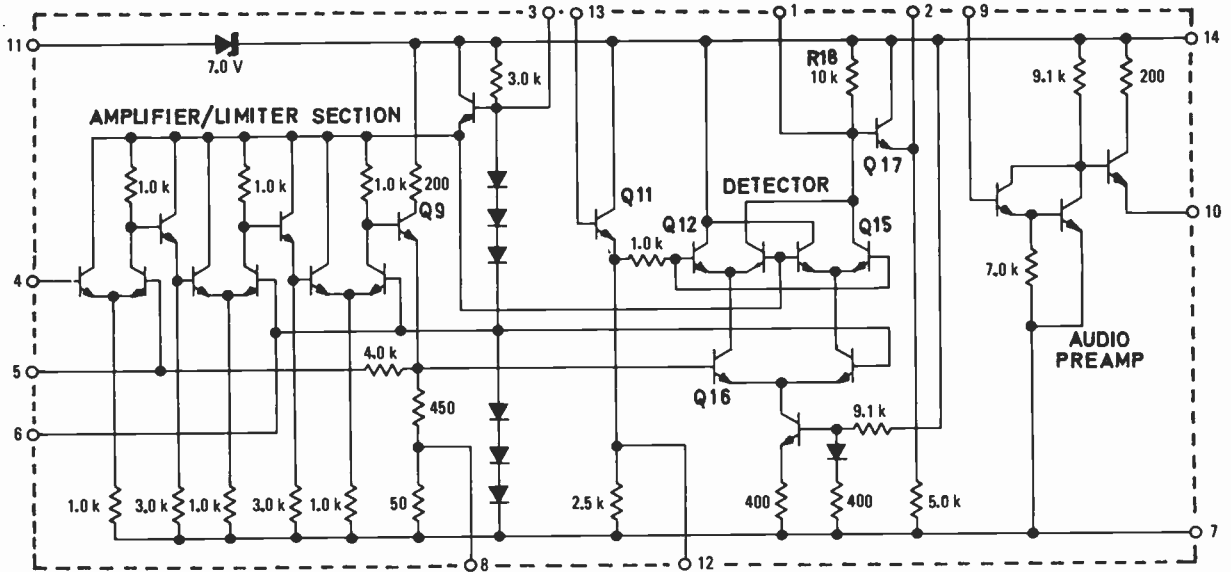


Fig. 3: Internal circuit of the Motorola MC1351P intercarrier sound channel i.c.

The detector load is R18 and its output is developed across an external integrating/de-emphasis capacitor connected to pin 1. The detector output is fed via another integrated emitter-follower Q17 to pin 2 where it is a.c. coupled to the volume control. The audio signal tapped from the volume preamp re-enters the i.c. at pin 9 and after audio preamplification is taken from pin 10 to the external output transistor.

The Decca circuit (Fig. 4) shows the output driving

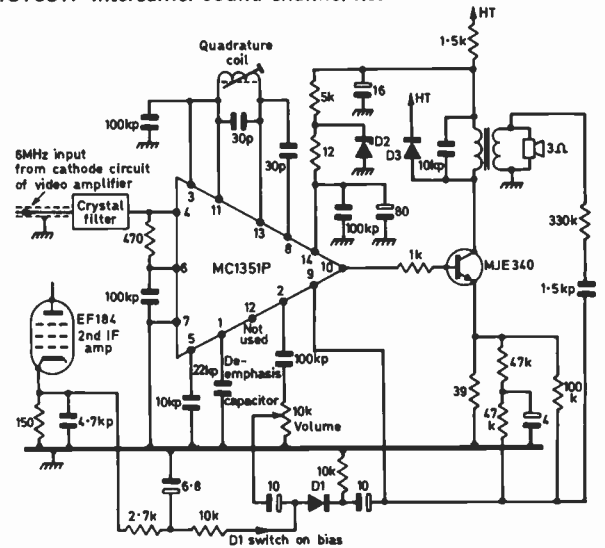


Fig. 4: Use of the MC1351P in a recent Decca chassis.

a single class A Motorola transistor type MJE340. Diode D3 is used to protect the collector-base junction of the transistor; it is normally held non-conducting but conducts if the transistor's collector voltage reaches that of the h.t. rail to which it then clamps the collector. The audio signal tapped from the slider of the volume control is a.c. coupled to a diode D1 and then a.c. coupled to pin 9 along with negative feedback from the secondary of the audio output transformer and a bias potential from the emitter of the output transistor. Diode D1 is switched on by a bias potential derived from the cathode circuit of the second vision i.f. amplifier valve. Prior to this valve warming up there is no bias on D1 and consequently the signal path between pins 2 and 9 of the i.c. is open-circuit. This prevents hiss and noise reaching the audio output section during the warm-up period of the set.

TO BE CONTINUED

T.V. TUBES **"VIDEOCHROME"** T.V. TUBES

FOR BRILLIANCE & DEFINITION

17" £5.00

19" £5.50

21" £7.00

23" £7.50

19" PANORAMA £6.25

23" PANORAMA £8.25

CASH OR CHEQUE WITH ORDER

TRADE SUPPLIED

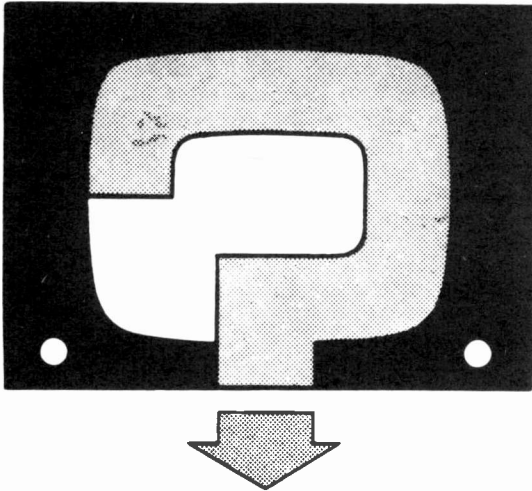
ALL TUBES PRECISION REBUILT AT OUR OWN FACTORY BY SKILLED CRAFTSMEN ● EACH TUBE BENCH AND SET TESTED TO A VERY HIGH STANDARD BEFORE DESPATCH

2 YEARS GUARANTEE ● FREE DELIVERY ANYWHERE IN THE U.K.

VIDEOCHROME TUBES LTD.

25 BELLEVUE AVENUE

RAMSGATE, KENT.
Tel. THANET 52914



YOUR PROBLEMS SOLVED

★ Requests for advice in dealing with servicing problems must be accompanied by a 10p postal order (made out to IPC Magazines Ltd.), the query coupon from page 91 and a stamped, addressed envelope. We can deal with only one query at a time. We regret that we cannot supply service sheets or answer queries over the telephone.

BUSH CTV25

There is quite severe streaking on this set—smears to the right of everything. Previously the fault could be cleared by switching from one system to the other and the set would remain all right for some time; no action will now clear the trouble however. The video valve has been changed without success.—T. Farrer (Govan).

The interconnecting plugs between the i.f. panel and the luminance panel on these receivers suffer from improper contact. It is a simple matter to check each connection and clean any that are suspect. If this is not the trouble it will be necessary to check through from the vision detector to the luminance output valve for dry-joints and other faulty connections.

REGENTONE TEN-7

Considering the age of this set it is giving a good picture but the trouble is it keeps tumbling and the flyback lines appear. The field can be locked by adjusting the field hold control but after a few seconds the fault reappears.—J. Doyle (Accrington).

First check the video amplifier cathode decoupling capacitor. This is C35, 500 μ F. If this is OK check the upper resistor of the potential divider which feeds the screen grid of the sync separator. This is R37, 100k Ω .

SOBELL ST284

There's lack of brightness. With the aerial unplugged and the brightness control turned fully up the raster is only just visible. Also on switching off there is a very bright spot which remains for a long time and is starting to burn a spot on the screen.—S. Gavin (Truro).

If the brightness circuit is working correctly there should be no spot lingering after switch-off. The earthy side of the brightness control is returned via a 47k Ω resistor (R105) to the neutral mains side of the on-off switch. Check this circuit and make sure that the switch is operating correctly. Also check the 390k Ω (R104) resistor on the hot side of the brightness control to ensure that adequate h.t. is being supplied to obtain sufficient brightness. If necessary check all components connected to the tube grid (pins 2, 6).

PHILIPS G19T210A

There is occasional field bounce on this set. The fault will continue for several minutes and then clears only to occur again after an hour or two.—J. Doyle (Southend).

The fault is most likely to be due to a slightly faulty valve in the field timebase. This is probably the PCL85 but the EF80 could be the culprit. Check these and the electrolytic C1012 which smooths the h.t. feed to the timebases.

BUSH TV141

The sync diodes are in a single block and I am having difficulty obtaining a replacement: is it possible to use three individual diodes? There is also hum on all channels which can sometimes be removed by operating the system switch.—A. Delaware (Tring).

If you cannot obtain the CSD11-7YDG it is quite in order to use three separate diodes. OA81 or similar diodes or the Radiospares silicon type 1SJ50 are suitable. The hum trouble depends on the nature of the hum. If it is present equally at all times check the smoothing components, the system switch and the valves for heater-cathode leakage. If the hum varies with picture content check the setting of the a.g.c. delay control and the smoothing components on the a.g.c. line.

PHILIPS 520

This set has only recently been bought and has been set up to give a reasonable picture. There is however some pincushion distortion on verticals which we have not been able to cure and we would appreciate any advice.—H. Propper (Loughborough).

Most colour receivers have a slight bow in the verticals caused by the shadowmask behind the screen of the tube. This however should not be annoying in any way when picture content is being viewed. The raster correction coil L4482 which adjusts the amplitude of the line frequency modulation fed to the field coils may help to correct the problem. It is situated behind the field hold control. Alternatively the raster correction transductor L4485 may be faulty; we have known this component cause a similar fault on another model.

BUSH CTV167

There are a lot of shadow-bars about 1in. in width on the picture. Have you any idea what the cause could be?—R. Elways (Liverpool).

If the bars on the picture are on the left-hand side the fault almost certainly lies in the line linearity circuit. We suggest you check the damping resistor across the line linearity coil—3R25, 1.5k Ω . If this does not clear the problem check the coil itself, 3L15.

PYE V310S

The picture and sound are good but the field hold is difficult to lock. The ECC82 field multivibrator has been replaced and also several resistors and capacitors associated with it, also the video valve PCL84 and sync separator PCF80, but with no cure.—P. Ridge (Newbury).

The prime suspect here is the interlace diode M3, circuit reference V15. It would also be worthwhile checking the associated chassis-connected capacitors C61 220pF and C62 1000pF.

EKCO T418

All is OK on 405 lines, with good picture and sound. On 625 lines however although the picture is OK the sound output is very low. The audio and tuner valves have been checked and found to be all right, and all voltage readings are as quoted in the manual.—R. Beattie (Feltham).

On this Pye/Ekco chassis all that is usually necessary to restore the 625-line sound is to adjust L28, the 6MHz coil just below the EH90 sound detector valve.

SOBELL 1000

There are two faults on this set. First the verticals are bent. Secondly there is a bright ragged vertical line on the left-hand side of the screen.—G. Royle (Barmouth).

The bright ragged vertical line down the left-hand side of the screen is probably due to corona discharge in the line timebase. Check the e.h.t. rectifier and its holder and the line output and efficiency diode valves. Check the connection to the c.r.t. final anode, being careful to discharge to earth first. If however you can move the line across the screen with the line hold control we suggest you check the line oscillator valve (PCF802) and its control grid components. If the bent verticals are bowed from top to bottom adjust the small magnets on each side of the scan coils around the neck of the tube. If the bent verticals are clogged at regular intervals you should check the video amplifier cathode components and possibly also the screen resistor.

PYE V200

When switched on the sound comes on normally but there is no raster. As soon as the EY86 e.h.t. rectifier lights up the PL81 line output valve starts to short. A new PL81 has been tried but with the same effect. There is 220V on the EY86 anode cap. Could the line output transformer be at fault?—L. Parker (Gt. Yarmouth).

Your symptoms suggest to us either that the EY86 is short-circuit or that there is a breakdown of the e.h.t. rectifier valveholder insulation.

PHILIPS 3170

The field scan fails to fill the screen—there is a black band about 2in. at the top and 3in. at the bottom of the picture. The field timebase valve has been replaced with slight improvement at the top only. After a while there is a sudden increase in the top of the picture.—R. McGuire (Aldermaston).

Try changing the 1.2M Ω (may be 1.5M Ω) resistor R446 in series with the height control to pin 1 of the PCL85. Then check the cathode components R443, R444 and C425. If the fault is still present the height control should be checked for faulty contact.

BUSH TV135RU

We are plagued by intermittent false line lock on one of these models. On switching on from cold the lines are completely unstable but can be locked with the line hold control except that this leaves a small black edge to the left of the screen: after ten minutes or so the black edge widens to an inch and a half, the top half inch begins to bend to the right and the picture breaks up again but is once more lockable with the hold control after which the whole process repeats. Correct locking can eventually be obtained but the black margin remains. The video and timebase valves have been replaced, the flywheel diodes replaced with a matched pair and the hold control circuit checked and found to be OK.—J. Rushly (Barnet).

The problem should be resolved by replacing the resistors 3R1 and 3R2 (both 120k Ω) in the antiphase reference signal feeds from the line output transformer to the flywheel sync discriminator circuit. These affect the phasing of the circuit.

PETO SCOTT 742

On switching on the bottom rolls down slowly, with foldover at the bottom of the screen. The top half of the picture expands slowly and when it reaches the top it rolls down. The picture then continues moving up and down. The field hold control does not alter the effect. The PCL85 has been replaced without improving matters.—G. Abbotson (Norwich).

The effect you describe is caused by severe hum in the field timebase. This may be entering via the h.t. line as a result of inefficient smoothing (check the smoothing electrolytics) or from the heater line. It is possible that one of the heater leads to pins 4 or 5 is punctured at some point or that a piece of wire or solder is shorting a heater tag to a sensitive (e.g. grid) part of the circuit.

MARCONIPHONE VT155

There is a $\frac{1}{2}$ in. gap at either side of the screen in spite of all the controls being at maximum. The line timebase valves have all been changed without improving matters. Also a very bright spot appears at the centre of the screen when the set is switched off—even with the brightness turned right down and left like that for several minutes before switching off.—E. Gordon (Fife).

The lack of width appears to be due to low h.t. and we suggest you check the h.t. rectifier—PY32, replace if necessary with a PY33. To remove the spot wire a 4 μ F or thereabouts capacitor from the slider of the brilliance control to chassis—do not turn the control down when switching off.

DER 5706

The picture on this colour set is shaking or shimmering all the time although the sound is in order. This seems to be a rather unusual condition: have you any idea as to its possible cause?—R. Belman (Andover).

If the size and focus of the picture tend to vary with the horizontal displacement we suggest you try fitting a new e.h.t. rectifier tray as it seems that one of the pencil rectifiers is decomposing.

STELLA ST1093A

BBC-2 can no longer be received: instead BBC-1 comes in on the BBC-2 channel. The resultant picture quality is not very good. The fault developed quite suddenly although for some time the BBC-2 picture had been difficult to lock and needed frequent adjustment.—L. Redman (Ashford).

We suggest you replace both valves in the u.h.f. tuner unit—the PC88 and PC86. Also replace the PL83 video amplifier valve which is very critical as far as 625-line reception is concerned.

REGENTONE 195

There is top foldover on this set. The PCL85 field timebase valve has been replaced, also the capacitor 511 in the linearity feedback loop, but the fault is still present.—R. Cotrell (Derby).

Check the resistor 522 and the top linearity control 574 which are in series with capacitor 511. If the trouble persists check the valve's bias resistor 509 (330 Ω) and then the output transformer.

TEST CASE



108

Each month we provide an interesting case of television servicing to exercise your ingenuity. These are not trick questions but are based on actual practical faults.

? A receiver with colour-difference drive came in with the complaint of incorrect colours. On test in the workshop it was found that perfect monochrome pictures were obtained by turning down the colour control and that by advancing the colour control the red portions of a picture were almost black while the blue portions carried a magenta tint. By advancing the brightness control under this condition it was found that the red gun was in fact responsible for some illumination, but below the value necessary for correct colouring.

The receiver in question was equipped with a tint control (switching between cyan and magenta) but adjustment to this failed to alter the display significantly. Checking on the transmitted colour bars the

BUSH CTV184S

When the set is first switched on a ball of colour appears in the centre of the screen instead of the picture. If the set is switched off and on again about six times the picture appears. There is also bad vision-on-sound buzz.—G. Hardcastle (Northampton).

An overvoltage protection control is incorporated in this receiver and should be set correctly as follows: switch the receiver off and connect a 220k Ω resistor between the fuse 8F3 on the power supply board and the junction of neon 5N1 and resistors 5R11 and 5R12 on the timebase board. Switch on and adjust 5RV1 until the neon just strikes. Switch off and remove the 220k Ω resistor. Correct results should then be obtained on switching on. If you do not have a 220k Ω resistor handy turn 5RV1 very slightly anticlockwise: switch on and there should be a picture and the neon on the timebase panel should be out. You can adjust with the set switched on and see the neon cut out. It is, however, far better to use the first procedure. The vision-on-sound buzz is probably due to the pushbuttons being off tune.

QUERIES COUPON

This coupon is available until December 22, 1971, and must accompany all Queries sent in accordance with the notice on page 89. Don't forget the 10p postal order!

TELEVISION DECEMBER 1971

yellow bar had a green tint, the cyan bar carried excessive white causing desaturation, the green bar was excessively dark green, the magenta bar veered toward blue, the red bar was almost black while the blue bar veered towards magenta.

After assimilating the conditions the service technician made one test with an oscilloscope and almost immediately located the fault area. What was this test and how was the technician able to make it so quickly? See next month's TELEVISION for the solution and for a further item in the Test Case series.

SOLUTION TO TEST CASE 107

Page 43 (last month)

The symptom was, of course, that of field failure. By listening close to the receiver while operating the vertical hold control the field buzz can sometimes be heard from the field output transformer, the pitch changing as the control is adjusted. This gives a conclusive indication that the field generator is working. Moreover the technician was aware that an increase in field output transformer buzz occurs when the secondary is incorrectly loaded to the field scan coils.

His first move therefore was to check the connections from the scan coils to the output transformer and his hot soldering iron quickly cleared the dry-joint which existed in this circuit. This is another example of the ears aiding the servicing craft more than the multimeter or oscilloscope!

TELEVISION CLASSIFIED ADVERTISEMENTS

The pre-paid rate for classified advertisements is 4p a word (minimum 12 words), box number 7½p extra. Semi-display setting £2.50 per single column inch. All cheques, postal orders, etc., to be made payable to TELEVISION and crossed "Lloyds Bank Ltd." Treasury notes should always be sent *registered post*. Advertisements, together with remittance, should be sent to the Classified Advertisement Manager, TELEVISION IPC Magazines Ltd., Fleetway House, Farringdon Street, London, EC4A 4AD, for insertion in the next available issue.

SERVICE SHEETS

★ Service Sheets and Manuals ★

COVERING RADIOS, TELEVISIONS, TAPE RECORDERS, RECORD PLAYERS, ETC. FROM 1933 UP-TO-DATE FROM 40p. EACH - 1971 SERVICE SHEET INDEX LIST 30p. - S.A.E. WITH ENQUIRIES PLEASE

◀ NEW BOOKS & PUBLICATIONS ▶

	Price	Post
COLOUR TELEVISION PICTURE FAULTS by K.J. Behlman, Illustrated in Colour	£2.50	15p
T.V. FAULT FINDING BOOK by Data Publications Ltd. 124 pages	£0.50	7p
UNDERSTANDING TELEVISION by J.R. Davies. 312 pages	£1.88	20p
TELEVISION EXPLAINED by E.A.W. Smedbury. CEng., FIERE. 2 Volumes.		
Volume 1 Television Fundamentals. 258 pages	£2.50	15p
Volume 2 PAL Colour System 116 pages	£1.50	15p
TELEVISION ENGINEERING by S.W. Amos, D.C. Birkinshaw and J. Bliss.		
Volume 1 Principles and Practice. 298 pages	£3.00	25p
Volume 2 Video-Frequency Amplification. 298 pages	£3.50	25p
Volume 3 Waveform Generation. 276 pages	£3.50	25p
Volume 4 General Circuit Techniques. 278 pages	£3.00	25p

Send S.A.E. for 'FREE' List of Practical and Technical Books on Radio & Television now available to:-

BELL'S TELEVISION SERVICES

Albert Place, Harrogate, Yorkshire. Telephone 0423-86844

RADIO, TELEVISION and Tape Recorders, 50 mixed odd sheets, 50p, also large stock of obsolete and current valves. John Gilbert Television, 1b Shepherds Bush Road, London, W.6. 01-743 8441. S.a.e. enquiries.

SERVICE SHEETS. Radio, TV, etc. 8,000 models. List 10p. S.A.E. enquiries. TELRAY, 11 Maudland Bank, Preston.

TRADER SERVICE SHEETS

40p each plus postage

We can supply Trader Service Sheets for most makes and types of Radios, Tape Recorders and Televisions—Manuals for some.

Cheques and open P.O.s returned if sheets not available.

OAKFIELD ENTERPRISES

LIMITED
29 CHURCH ROAD,
TUNBRIDGE WELLS, KENT

Make	Model	Radio/TV

1971 List now available at 10p plus postage

If list is required indicate with X

From.....

Address.....

enclose remittance of.....
(and a stamped addressed envelope)
s.a.e. with enquiries please
MAIL ORDER ONLY (May T)

LARGE SUPPLIER of SERVICE SHEETS

(TV, RADIO, TAPE RECORDERS, RECORD PLAYERS, TRANSISTORS, STEREOGRAMS, RADIOGRAMS, CAR RADIOS)

Only 25p each.

PLEASE ENCLOSE LARGE S.A.E. WITH ALL ENQUIRIES AND ORDERS.
Otherwise cannot be attended to.

(Uncrossed P.O.'s please, original returned if service sheets not available.)

C. CARANNA 71 BEAUFORT PARK, LONDON, N.W.11

We have the largest supplies of Service Sheets (strictly by return of post). Please state make and model number alternative.

Free TV fault tracing chart or TV list on request with order.
MAIL ORDER ONLY

QUICK, EFFICIENT, UNIQUE SERVICE SHEET SERVICE

Very Large Stock
TVs, Radio, Amps, Test Gear.
Special Telephone Service available to Trade Customers.
Colour TV and Test Gear Circuits.
Exchange Service.
Full details with first Order.
List price 10p Post Free.
State Make and Model Number.
Large S.A.E. and 25p unfilled P.O.
Mail Order Only.
**A.S.L., 21c Drydon Chambers,
119 Oxford Street,
London, W1R 1PB**

SERVICE SHEETS

(1925-1971) for Radios, Televisions, Transistors, Radiograms, Car Radios, Tape Recorders, Record Players, etc.
By return post with

FREE FAULT FINDING GUIDE

PRICES FROM 5p

Over 8,000 models available.
Catalogue 13p.

Please send stamped addressed envelope with all orders and enquiries.

Hamilton Radio

54 London Road, Bexhill, Sussex
Telephone Bexhill 7097

SERVICE SHEETS with Free Fault Finding Chart 35p, plus stamped addressed envelope. LESMAR, 15 Conholt Road, Andover, Hants.

FOR SALE

VALVES EX. TV from 5p, 3p postage, speakers from 37p, postage 10p. Valve cartons. Globe Electrics, 151a Brighton Road, Surbiton, Surrey. 01-399 7333.

SIGNAL GENERATOR, CRT TESTER-Re-Activator Mullard valve tester, 150 assorted new radio-TV valves, quantity LOPTS and transformers, etc., 100 assorted styli, several new CRT.S, large quantity of music strings etc., all very cheap. Firm closing down.—"GROVE-NICOL," 75 High Street, Johnstone, Renfrewshire. Telephone: Johnstone 20732.

VOLUMES Practical Television, Wireless World, nearly complete 1950-1960. Cover price collected. Dalby, 69 Bay Crescent, Swanage, Dorset.

LADDERS

VARNISHED TIMBER LADDERS from manufacturer, **LOWEST PRICES** anywhere: 15½ ft ext. £6.20; 17 ft ext. £6.50; 20 ft ext. £7; 21½ ft ext. £7.75; 24½ ft ext. £8.90; 29 ft ext. £10.25; 31½ ft triple ext. £12.25; 36 ft triple ext. £16. Carr. 80p. Free Lists. Also Aluminium Ext. and Loft Ladders. **CALLERS WELCOME.** Dept. PTT, HOME SALES, BALDWIN ROAD, STOURPORT, WORCS. Phone 02-993 2574/5222. Placing order on C.O.D.

MISCELLANEOUS

RECORD TV sound using our loud-speaker isolating transformer. Provides safe connection to recorder. Instructions included. 70p plus 10p P&P. Crowborough Electronics (T), Eridge Road, Crowborough, Sussex.

EDUCATIONAL



COLOUR TELEVISION TRAINING

11 WEEKS' COURSE for men with Mono experience. Shorter appreciation courses by arrangement. Hours 10 a.m. to 1 p.m. Monday to Friday. Next course commences Jan. 17th. Prospectus from: London Electronics College, Dept. C/12, 20 Penywern Road, London, SW5 9SU. Tel. 01-373 8721.

ENGINEERS—get a technical certificate. Exam. and Certificate Postal Courses in all branches of Engineering, Electronics, Radio and TV, Computers, Draughts., Building, etc. Write for helpful FREE BOOK. B.I.E.T. (Dept. H.6), Aldermaston Court, Reading, RG7 4PF.

BECOME "Technically Qualified" in your spare time, guaranteed certificate and exam Home Study courses in Radio, TV, servicing and maintenance, R.T.E.B., City & Guilds, etc., highly informative FREE Guide.—Chambers College (Dept. 858K), Aldermaston Court, Reading, RG7 4PF.

RADIO AND TV Exams and Courses by Britain's finest home study School. Coaching for Brit.I.R.E., City and Guilds Amateur's Licence, R.T.E.B., P.M.G. Certificate, etc. Free brochure from British National Radio School, Russel Street, Reading.

WANTED

CASH PAID for New Valves. Payment by return. **WILLOW VALE ELECTRONICS**, 4 The Broadway, Hanwell, London, W.7. 01-567 5400/2971.

SERVICE SHEETS purchased, **HAMILTON RADIO**, 54 London Road, Bexhill.

TOP PRICES PAID

for new valves, popular TV & Radio Types

KENSINGTON SUPPLIES

(A), 367 Kensington Street
Bradford 8, Yorks

WANTED! New valves especially TV types. Cash waiting. Bearman, 6 Potters Road, New Barnet, Herts. Tel. 449/1934.

WANTED NEWNES Radio and Television Volumes 1960 to 1970.—**GASKIN**, 25 Repton Drive, Larklands, Ilkeston, Derbyshire.

WANTED—Manuals (preferred) or service sheets for Pyc VT17, 17 in.; Beethoven B106-1, 21 in.; Sobel Transportable TPS 147, 12 in.—Please contact **McGRAIL**, 494 East Rochester Way, Sidcup, Kent.

WANTED. Radio and TV Servicing Volumes 1954-55, 1959-62, 1963-65.—8 Agaton Road, Plymouth.

WANTED. Newnes "Radio and TV" Servicing 1960-1970. Price wanted and condition to: **THOMPSON**, 98 Green Hill, High Wycombe, Bucks.

TRAIN FOR SUCCESS WITH ICS

Study at home for a progressive post in Radio, TV and Electronics. Expert tuition for City & Guilds (Telecoms Techn's Cert. and Radio Amateurs') R.T.E.B., etc. Many non-exam courses incl. Colour TV Servicing, Numerical control & Computers. Also self-build kit courses—valve and transistor.
Write for FREE prospectus and find out how ICS can help you in your career.

ICS, DEPT. 560, INTERTEXT HOUSE, STEWARTS ROAD, LONDON SW8 4UJ.
Accredited by the CACC

AERIALS

BAKER and BAINES

UHF Aerials, 625 line. 10 element, £2-10, 12 element, £2-35, 16 element, £3-00. 18 element, £3-25. **BBC Aerials**, 405 line. Dipole, £1-75, "X", £2-15, "H", £2-40.

ITA Aerials, 405 line. 5 element, £1-85, 8 element, £2-70, 11 element, £3-30. Double arrays available of above.

Combined BBC/ITA Aerials, 405 line. Dipole plus five, £2-70, "H" plus five, £4-10.
FM Band II Aerials, Dipole £1-13. Two element, £2-00. Special loft Dipole and five BBC/ITA with loft pole, £2-10. Chimney lashings, 6", 90p, 12", £1-15, 18", £2-35. 5' x 1" straight pole, 51p, 5' x 1" cranked pole 60p. Co-ax. at 6p and 11p per yard. UHF pre-amps £3-75 p. & p. 13p. **POSTAGE PAID ON AERIALS INLAND ONLY.** Accessories charged at cost. Please state channels on aerial orders or transmitter where you wish to get your picture from.
11 Dale Crescent, Tupton, Chesterfield

AERIALS

UHF: Set Tops £1-10, Outside: 9 ele £1-25, 10 ele £1-90, 11 ele £2-50, 12 ele £2-55, 18 ele £3-25, 20 ele £3-50. Multi-beam 46 and Supremes £5-50.

All aerials supplied with clamps.

ANTIGHOST: Troubleshooters/Log-beams £5.

FM/VHF: H £2-25, 3 ele £3-25, 4 ele £3-75. Stereo 6 ele £6.

Motorized Units: Semi Auto £20, Auto £25.

All Aerials by leading makers.

ELECTRONICS, ACCESSORIES: Incl. Masts, Lashings, Plugs, Amps., Headphones, Meters, Stereo Cartridge Players, Cassettes, Tapes, etc., etc.

COAXIAL: Standard 100 Mtrs. £4-50. Low Loss £7, or per Mtr.

State channels for all TV Aerials/Amps. FM state wide band or channelized.

TERMS: CWO, COD, P & P 32p. Send 2p stamps for lists. Callers Welcome.

OVERSEAS customers welcome. Note New Zealand/Australia by sea, 7 weeks min. By Air quotations given.

JEFFRIES SERVICES

31 Hambrook St., Portsmouth. Tel. 28354

AERIALS (continued)

Direct from the
Manufacturers

U.H.F. AERIALS

EASY ASSEMBLY KITS

10 Element

SAVE 40%
£1.25 on normal retail price

14 Element 18 Element
£1-50 £1-75

Ready assembled add 20p.
allow 32p/p. carriage and packing.
Please state which channels or group.

TRADE SUPPLIED, SEND FOR LIST

APEX AERIALS (T.V.)

ALBAN WORKS, MARY ST.,
JOHNSTONE, RENFREWSHIRE



SETS & COMPONENTS

SPARES

From used TVs. S.A.E. your enquiries. Complete but untested TVs. 19 in. 405 lines, £5, 19 in. dual standard, E.G., Ekco 402, Sobell, 1000 series, Thorn 850, etc., £8 (less U.H.F. tuner). 19 in. dual standard with U.H.F. tuner, £12. Carriage and packing, £1-50. Lists. S.A.E.

LINVALE RADIO LIMITED

48 Hoe Street, London, E.17,
01-520-7546.

TOP 20 TV Valves, 10p; PL504, PL36, PY33, 15p, P&P 4p per valve, over 12 valves post free. Guaranteed tested ex-equipment, individually boxed. Resistors and capacitors all values and sizes. Leading manufacturers components and hi-fi equipment, 10% or more off. 13A plugs, 12p. Mains fuses, 20p for 10. Tools, etc., P&P extra on all items. Trade enquiries welcomed, discount for quantity. S.A.E. for list. L & D Components Ltd., 71 Westbury Avenue, Wood Green, N.22. 01-888 2701.

R & R RADIO

51 Burnley Road, Rawtenstall

Rossendale, Lancs

Tel.: Rossendale 3152

TESTED VALVES—
3 MONTHS' GUARANTEE

EBF80	15p	PCC84	15p	PY800	17p
EBF89	17p	PCF80	15p	PY801	17p
ECC82	15p	PCL82	20p	U191	22p
ECL80	15p	PL36	25p	30C15	25p
EF80	10p	PY33	25p	PCF86	25p
EF85	15p	PY81	17p	PCL85	25p
EY86	20p	PY82	15p	PCL84	25p

Copper Laminated Board, for etching, 1p per sq.in. Double sided 1p per sq.in. Any size cut, min. order 50p plus 10% P. & P.

Postage on Valves: one valve 4p, up to 6 2p over, 6 post paid.

SETS & COMPONENTS (continued)

PHILIP H. BEARMAN

A leading name in valves and Tubes!

(Mullard, Thorn, Telefunken, etc.)

NOTE: from 1.8.71 deduct 5% P/Tax.

NEW MOSTLY BVA VALVES! Huge range by post service well known to the trade. Brief list of television types herewith, full list S.A.E. All types ex stock!

DY86/7	43p	PCF86	63p	PY82	50p	20L1	95p
EB91	25p	PCF801/2	62p	PY800/1	50p	20P4	£1.00
ECC82	42p	PCF805	87p	R19	85p	30C15	90p
ECL80	50p	PCF808	85p	U25	95p	30C17	95p
EF80	42p	PCL82	51p	U26	95p	30F5	95p
EF85	45p	PCL83(S)	60p	U37	75p	30FL1 & 2	65p
EF183/4	57p	PCL84	60p	U191	90p	30L15	95p
EH90	55p	PCL805/85	66p	U193	48p	30L17	90p
EY51	60p	PCL86	66p	U251	95p	30P12	95p
EY86/7	43p	PL36/8	87p	U301	90p	30PL1	60p
PC86 & 8	75p	PL81	80p	U801	£1.25	30P4MR	£1.25
PC97	45p	PL83	85p	6/30L2	90p	30P19	87p
PC900	55p	PL84	65p	6AT6	55p	30PL13	£1.00
PCC84	50p	PL500	90p	66W7	82p	30PL14/5	£1.10
PCC89	62p	PL504	90p	6CD6G	95p	etc., etc.	
PCF80	52p	PY81	50p	6F23	95p	Trade prices	

POST FREE OVER £3.00, 2½p PER VALVE BELOW £3.00

LATEST NEW BY100/127 type silicon rectifier 15p, 33Ω res 5p!

Large bulb Imported PCF80 32p! Note. Ask for separate component and Philips PCL805/85 57p! transistor lists.

6 POTTERS ROAD, NEW BARNET, HERTS.

(Adjacent to Post Office)

Tel, 01-449/1934 & 449/1935
(Robophone)

Special quantity terms, lists,
s.a.e. GIRO 34.361.4006

(Suppliers to H.M. Govt. etc.)

CHROMASONIC ELECTRONICS

LOW NOISE HI-STABS

‡ watt 5% all E24 values, 3 for 2p, plus p & p 6p for up to 50 resistors + 1p for each additional 50 Skeleton Presets 0.1 watt 5p, 0.25 watt 7p. 5µF 64v; 10µF 40v, 5p. 100µF 40v, 5p. 0.40µF 25v, 18p. Polystyrenes 5p each. Silver Micas 7p each up to 220pf. C280, 0.1µF 250v 3p. Feedthrough Ceramic 1000pf 5p.

BC107	12p	BC187	27p	OA90	7p
BC108	11p	BF194	17p	OA95	7p
BF167	25p	BF195	17p	2N1813	22p
BF173	25p	BF196		TAA700	£2
BF184	25p	(BF238) 18p		AC128	17p
BF180	42p	BF197	18p		

BU106 £2.75

BZY88 range 18p each.

TTL Decade Counter 7480 87p

Coax Socket 5p. Switch 2 pole 3 way 25p

FREE CATALOGUE P & P 3p.

P & P on all orders other than Resistors 6p
Dept. 'T', 56 Fortis Green Rd., London,
N10 3HN

WITWORTH Transformers

Line out-pot transformers
Manufacturers of the largest range
in the country. All makes supplied.
Free catalogue.

Modern

BAIRD, BUSH, GEC, PHILIPS.

Replacement types ex-stock.

For 'By-return' service, contact your

nearest Depot:

London: 01-948 3702
Tidman Mail Order Ltd., Dept. PT.
236 Sandycombe Road,
Richmond, Surrey.

Birmingham: 021-643 2148
Hamond Components,
89 Meriden Street,
Birmingham 5.

Valves, Tubes, Condensers, Resis-
tors. Rectifiers and Frame out-pot
Transformers also stocked.

LARGE quantities of used TV spares
for most models, 1952-64. Lopts,
Tuners IF Strips, Time Base Panels
Scan Coils, Frame Transformers, Knobs,
cabinet Trim, etc. New manufac-
turers replacement parts, can be supplied,
for more modern sets on receipt of an
order deposit. S.A.E. for quotations.
C.W.O. to TV Dismantlers, Foxhole,
Whitstone, Holsworthy, Devon.

TELEVISION TUBE SHOP

BRAND NEW TUBES AT
REDUCED PRICES

A28-14W (A28-13W)	£12.75
A31-18W	£12.50
A47-11W	£9.95
A47-13W	£12.50
A47-14W	£8.25
A47-26W	£10.75
A50-120WR	£12.50
A59-11W	£12.95
A59-13W	£13.50*
A59-15W	£9.95
A59-16W	£13.50*
A59-23W	£14.75
A61-120WR	£16.00
AW-21-11	£7.00*
AW36-21, 36-80	£5.75
AW43-80	£6.95
AW43-88, 43-89	£6.75
AW47-90, 47-91	£7.50
AW53-80	£7.50*
AW53-88, 53-89	£8.25
AW59-90, 59-91	£9.00
C17LM, 17PM, 17SM	£6.50
CME1201	£12.50
CME1402	£6.75
CME1601	£10.50
CME1602	£12.00
CME1702, 1703	£6.75
CME1705	£7.75
CME1713/A44-120	£14.50
CME1901, 1903	£7.50
CME1906	£12.50
CME1908	£7.75
CME2013	£12.50
CME2101, 2104	£8.25
CME2301, 2302, 2303	£9.00
CME2305	£14.75
CME2306	£13.50*
CME2308	£9.95
CME2413R	£16.50
CRM93, 124	£5.50*
CRM141, CRM142	£6.50
CRM171, CRM172	£6.50
CRM211, CRM212	£7.50*
MW36-24, 36-44	£6.50
MW43-69	£6.75
MW43-80	£6.75
MW53-20, 53-80	£7.50
TSD217, TSD282	£14.00†
13BP4 (Crystal 13)	£14.00†
190AB4	£9.25
230DB4	£11.25

† Rebuilt tubes also,
at £7.00 plus bulb

* These types are FULLY rebuilt.

ALL TUBES ARE TESTED AND GUAR-
ANTEED FOR A MINIMUM OF
12 MONTHS

ADD 75p FOR CARRIAGE AND
INSURANCE

COLOUR TUBES

19 in. and 22 in. having slight
marks or scratches at £35 each

TELEVISION TUBE SHOP

48 BATTERSEA BRIDGE ROAD,
LONDON, S.W.11. 228 6859

WE GIVE GREEN SHIELD
STAMPS

VALVE BARGAINS

Any five 40p, ten 65p, from the fol-
lowing: EB91, ECC82, EY86, ECL80,
EF80, EF85, EF183, PC97, PCC84,
PCC89, PCF80, PCF86, PCL82,
PCL83, PCL84, PCL85, PL36, PY33,
6-30L2, 30C15, 30L15. P. and p. 5p.

M. ASHWORTH,
9 MANDEVILLE TERRACE,
HAWKSHAW, BURY, LANCs.

SETS & COMPONENTS (continued)

SOUTHERN VALVE COMPANY

44 Earls Court Road, London, W.8

**SPECIALISTS IN QUALITY VALVES FROM
TOP MANUFACTURERS; WE DO NOT CLAIM
THE LOWEST PRICE, BUT GENUINE VALUE!**

All new and boxed, some BVA. Send s.a.e. for list.

DY87	37p	PC86 & 8	50p	PCL805	45p	U193	35p	30L17	75p
DY802	45p	PC97	40p	PCL86	37p	U251	62p	30P12	70p
EB91	15p	PCF80	32p	PL36	52p	6/30L2	60p	30PL1	60p
ECC81	37p	PCF86	52p	PL81	46p	6BW7	60p	30P4MR	95p
ECC82	30p	PCF801	50p	PL84	55p	6CD6G	90p	30P19	70p
ECL80	40p	PCF802	50p	PL500/4	65p	6F23	75p	30PL13	75p
EF80	27p	PCF805	50p	PY81	35p	6F28	48p	30PL14	75p
EF183	37p	PCF808	60p	PY800	35p	20L1	85p	etc., etc.	
EF184	37p	PCL82	37p	PY801	35p	20P4	90p		
EH90	45p	PCL83(s)	50p	U25	65p	30C15	70p		
EY51	50p	PCL84	37p	U26	60p	30FL1 & 2	75p		
EY86/7	37p	PCL85	45p	U191	65p	30L15	75p		

POST FREE OVER £2, BELOW 2½p EACH.
MAIL ORDER ONLY.

TOWERBY LTD

For Line Outputs and Deflector Coils

We have the Country's largest stock of Manufacturer's Original (or Authorised Replacement) Line Output Transformers for many "difficult" makes, including Ambassador, Baird, Cossor, Decca, Dynatron, Ekco, Ferguson, G.E.C., H.M.V., K.B., Masteradio, Peto-Scott, Philips, Regentone, RGD, Sobell, Ultra, etc. Also deflector coils output and oscillator transformers, inc. Alba, Bush, Murphy, Examples, L.O.P.T. Murphy 350/410/540/659/759, £7-35; Bush, TV80, TV95, TV96, £7-35; Cossor 950, £3-87; Ferguson 306/308, £3-97; Philips 1768U L.O.P.T. assembly, £6-75; Ultra 1984-200c, £5-06. Rewind most L.O.P.T., £4-50.

SPECIAL OFFER

Ekco improved type for Models T221, 231, 310, all at £2-25; Ferranti 1474 series inserts, £1-25; Philco 1019/1021, £2-62. Terms: C.W.O. or C.O.D. (17p), post-packing 30p; 2 or more L.O.P.T.s post/packing free. All enquiries answered but regret no lists available. Same day delivery on most types.

TOWERBY LTD

MAIL ORDER DIVISION OF T.C.S. LTD.
70 STREATHAM HILL, LONDON, SW2
Tel.: 01-674 2185.

AERIAL BOOSTERS £2-95 EACH

We make four types of transistorized aerial pre-amplifiers. These take only seconds to install.

1. L45 625 TELEVISION (U.H.F.).
2. L12 405 TELEVISION (V.H.F.).
Please state channel numbers.
3. L11 V.H.F. F.M. RADIO.
4. L10 WIDEBAND RADIO.
This covers M/W and S/W to 20 MHz.

PRICE EACH

L45, L12 and L11 £2-95; L10 £1-95.

S.A.E. FOR DETAILS

MONEY BACK GUARANTEE

P. & P. 10p ALL ORDERS

VELCO ELECTRONICS

62c Bridge Street, Ramsbottom, Bury, Lancs. Tel. 3036

VALVE BARGAINS

Any 1—10p, 5—45p, 10—70p.

EB91, EBF89, ECC82, EY86, ECL80, EF80, EF85, EF183, EF184, PCC84, PCC89, PCC189, PC97, PCF80, PCF86, PCF800, PCL82, PC97, PCL84, PCL85, PL36, PL81, PL83, PY32, PY33, PY81, PY82, PY800, PY801, 30FL1, 30F5, 30L15, 30C15, 6F23, 6-30LZ.

TESTED, WITH 3 MONTH GUARANTEE VALVES 20p EACH

BY100 TYPE RECTIFIERS with Surge-resistor on bracket, 12½p each.

MAINS DROPPERS 3 SECTIONS 33-33-33 OHMS 9p each.

VALVES, VALVES, VALVES

Any ten of your choice 72½p, post 5p.
100 £5-50, post paid.

EF85, EF80, EB91, EBF89, ECL80, EF183, EY86, PCF80, PCC84, PL36, PY81, PCL82, PCL83, PCC89, PY33, PY82, PY800, PY801, PY88, PCL84, 30F5, 6BW7, PY801.

BOB'S,

2 St. James Street, Rawtenstall
Rossendale, Lancs.
Mail order ONLY.

120 NEW ASSORTED Capacitors, Electrolytic, Mica, etc., and Resistors, ½/20W, 85p, Post Free. Whitsam Electrical, 33 Drayton Green Road, London, W.13.

SITUATIONS VACANT

COLOUR T.V. TROUBLESHOOTER

there's a good job for you at Baird with pay to match!

If you have experience of Colour T.V. and would like to join a highly efficient production team earning top wages we've a place for you at Baird. A progressive Company, we offer excellent working conditions plus many other benefits including:

- 21 days' Holiday
- Generous Discounts in our Staff Shop
- Canteen and Active Social Facilities

ALSO EXCELLENT OPPORTUNITY FOR MONOCHROME ENGINEERS TO LEARN COLOUR T.V. TRAINING GIVEN BY THE COMPANY.

INTERESTED? Then drop a line giving brief details of your qualifications and experience to:

MR. G. BRIER (PERSONNEL MANAGER)

BRITISH RADIO CORPORATION (BRADFORD) LTD., BAIRD TELEVISION, BECKSIDE LANE, BRADFORD BD7 2EQ Tel.: Bradford 75555

Brand New

HARTLEY OSCILLOSCOPES C.T.316

C.T.316 Oscilloscopes by famous maker. 3in. tube. *Specifications:* Time Base 0-75 micro/sec to 100 mil/sec, delay in 3 ranges, 5 micro/sec to 10 mil/sec. Y/amp at 3D.b.S. down, 0-75 mc/s to 5 mc/s at ± 5%. Calibrators at 10/100/1000 Kc/s ± 5%. Measures AC/DC volts 0-500V. Timebase facilities sine/pulse + or - waves. Y input is 50 PF × 1.5MΩ, single beam. AC mains 230-250 volt 100 watts. Built-in Y shift meter showing Y volts. Offered as new in maker's transit case, with accessories and instruction book. Price £40 + p. & p. £1-50p.

A. H. THACKER

Radio Dept, High Street, Cheslyn Hay,
Nr. Walsall, Staffs.



BAIRD

BRITISH RADIO CORPORATION (BRADFORD) LTD

PHILIP H. BEARMAN

A leading name in valves and tubes—trade and retail all welcome.

TUBES GUARANTEED 2 YEARS, COLOUR 4 YEARS

Large stocks by leading British and foreign manufacturers, mostly ex stock.

- | | |
|---|--------------|
| 11 in. TSD.282 £12.50 . A28. 14W £10.50 | Carriage 50p |
| 12 in. MW31.74 (CRM.124) £3.00 . TSD.290/CME.1201 £9.80 | Carriage 50p |
| 14 in. £4.75 . 16in. Mono £7.50 . Rimband £10.15 | Carriage 50p |
| 17 in. £5.87 . Rimband £11.55 (17 in. MW43-69 rebuilt only £5.25) | Carriage 55p |
| 19 in. £6.87 . Rimband £8.50 . Twin panel £10.12 . | Carriage 60p |
| 20 in. £10.50 (A50.120WR—CME.2013). | Carriage 60p |
| 21 in. £7.87 . CRM.211, 212, AW53.80. | Carriage 65p |
| 23 in. £9.50 . Rimband £11.50 . Twin panel £15.00 | Carriage 65p |
| 24 in. £13.00 . 25 in. £17.00 . Both rimbands. | Carriage 70p |

NOTE Tubes manufactured by Mullard, Thorn and some foreign manufacturers. Carriage quoted excludes any sea journey (50p extra).

COLOUR! 4 YEARS GUARANTEE ON ALL TYPES

- | | |
|---|------------------|
| 19 in. A49.11X and A.49.120X. £49.00 | PLUS £1 CARRIAGE |
| 22 in. A.55.141X and A.56.120X. £53.00 | PLUS £1 CARRIAGE |
| 25 in. A.63.11X and A.63.200X. £57.00 | PLUS £1 CARRIAGE |

We endeavour to maintain prices but all are subject to alteration without notice.

6 POTTERS ROAD, NEW BARNET, HERTS. TEL: 01-449/1934 (Robophone) and 449/1935

TV's TV's TV's SPECIAL OFFER—LIMITED PERIOD ONLY

19" Slim Thorn 800 TV's 13 channel.
Good working order. Polished cabinets.
Only **£9.50** PLUS **£1.50** Carr.

EX-RENTAL TV's (UNTESTED)

Complete with 13 channel tuners. Good cabinets.
Carriage **£1.50** extra.
17" Slim (90° Tube) **£2.50**
17"/21" Slim (110° Tube) **£4.50**
19" Slimline **£6.50**
23" Slimline **£8.50**
19" BBC2 Sets **£14.50**

PERFECT SPEAKERS EX T.V.

Pm 3 ohm (minimum order two) 5 in. round, 8 in. by
2 in. rectangular—12½p each. Add 7½p per speaker p. & p.

VALVES EX EQUIPMENT

EB91	5p	30L15	12½p	PL36	22½p
EB980	12½p	30P4	12½p	PL81	17½p
ECC82	12½p	PC97	17½p	PY81	15p
ECL80	7½p	PCF86	17½p	PY800	15p
EF80	12½p	PC84	7½p	PY82	7½p
EF85	12½p	PCF80	7½p	PY33	22½p
EF183	12½p	PC89	12½p	U191	17½p
EF184	12½p	PCL85	22½p	6P23	17½p
EY86	17½p	PCL82	17½p	30PL1	22½p
30PL13	20p	PCL86	17½p	30PL2	20p
630LZ	12½p	PCL83	12½p	130F5	10p

Add 2½p per valve p. & p., orders over **£1 p. & p. free**

UHF TUNERS

For Ferguson 850 900 chassis. Adaptable for most U.H.F.
Chassis **£2.50**, p. & p. 50p.

SLOT METERS—SPECIAL OFFER

Smiths Mk. 11 6d. Convertible to 5p. (Smiths Kit costs
35p each **£1** each inc. p. & pkg. or 10 for **£5** inc. p. & pkg.)
Please write with SAE for quotations on any spares.

TRADE

DISPOSALS (Dept. PT/TS)

Thornbury Roundabout, Leeds Rd., Bradford.
Telephone 665670

T.V. AERIALS

For UHF 625 Lines and Colour
6 Element 1.65 10 Element 1.99
14 Element 2.50 18 Element 2.99

HIGH GAIN UHF and COLOUR AERIALS

Multibeam 5-25 Supremes 5-25

BBC BAND 1 AERIALS

Single Dipole 1.55 Single X or H 2.25

FM RADIO BAND 2 AERIALS

Single Dipole 1.20 Single H 1.70
3 Element 2.40 4 Element 2.80

ITV BAND 3 AERIALS

Single 5 1.80 Single 8 2.60
Double 5 4.65 Double 8 6.95

Standard Coax Cable 5p yd
Low Loss Cable 8p yd

We supply a full range of Aerials, Masts,
Lashings, Amplifiers, etc. Send 5p for a
price list.

Important: State Channels for all T.V. Aerials.
Terms: C.W.O. P. & P. 30p extra.

NORTONS

12 Norton Avenue, West Cross,
SWANSEA Tel: 68704

NEW VALVES

Guaranteed and Tested
24-HOUR SERVICE

1R5	26 DF91	14 EF86	29 PCL85	37
1R5	21 DF96	36 EF89	24 PCL86	38
1T4	14 DK91	26 EF91	12 PPL200	52
3R4	26 DK92	37 EF183	26 PL36	47
3V4	37 DK96	36 EF184	28 PL81	43
3Y3GT	25 DL92	26 EL33	54 PL82	39
6/30L2	53 DL94	37 EL37	75 PL83	32
6AQ5	21 DL96	36 EL84	22 PL84	29
6BW7	50 DY86	24 EY31	30 PLS00	62
6F1	57 DY87	24 EY86	28 PLS04	62
6F23	67 DY802	30 EZ80	30 PY81	24
6F25	55 EAB780	30 ZZ81	21 PY82	24
68N7GT	28 EB91	10 KT61	54 PY800	32
25L6GT	20 EBC33	38 KT66	75 PY801	32
30C15	56 EBF89	27 N78	85 R19	29
30C18	59 ECC81	18 PC86	45 U25	63
30F5	67 ECC82	18 PC88	45 U26	55
30FL1	59 ECC83	21 PC900	30 U191	57
30FL14	67 ECC85	24 PC824	28 U251	65
30L15	56 ECF80	26 PC889	43 U829	65
30L17	68 ECF82	26 PCL189	47 UBF89	29
30P4	56 ECH35	27 PCF80	27 UCC85	34
30P19	56 ECH81	26 PCF86	43 UCH81	30
30PL1	59 ECL80	28 PCF801	28 UCL82	31
30PL3	73 ECL82	28 PCF802	38 UCL83	49
30PL14	63 ECL86	35 PCF805	58 UFB9	28
DAF91	21 EF39	36 PCL82	30 ULA8	29
DAF96	35 EF80	22 PCL83	55 UY85	24
DCC90	80 EF85	26 PCL84	33 Z77	18

Postage on 1 valve 5p, on 2 or more valves 3p per valve
extra. Any parcel insured against damage in transit 3p
extra. Office address, no callers.

GERALD BERNARD

83 OSBALDESTON ROAD
STOKE NEWINGTON
LONDON N.16

In just 2 minutes, find out how you can qualify for promotion or a better job in Engineering ...

That's how long it will take you to fill in the coupon below. Mail it to B.I.E.T. and we'll send you full details and a free book. B.I.E.T. has successfully trained *thousands* of men at home—equipped them for higher pay and better, more interesting jobs. We can do as much for YOU. A low-cost B.I.E.T. Home Study Course gets results fast—makes learning easier and something you look forward to. There are no books to buy and you can pay-as-you-learn. If you'd like to know how just a few hours a week of your spare time, doing something constructive and enjoyable, could put you out in front, post the coupon today. No obligation.

WHICH SUBJECT WOULD INTEREST YOU?

Mechanical

A.M.S.E. (Mech.)
Inst. of Engineers
Mechanical Eng.
Maintenance Eng.
Welding
General Diesel Eng.
Sheet Metal Work
Eng. Inspection
Eng. Metallurgy
C. & G. Eng. Crafts
C. & G. Fabrication

Draughtsmanship

A.M.I.E.D.
Gen. Draughtsmanship
Die & Press Tools
Elec. Draughtsmanship
Jig & Tool Design
Design of Elec. Machines
Technical Drawing
Building

Electrical & Electronic

A.M.S.E. (Elec.)
C. & G. Elec. Eng.
General Elec. Eng.
Installations & Wiring
Electrical Maths.
Electrical Science
Computer Electronics
Electronic Eng.

Radio & Telecomms.

C. & G. Telecomms.
C. & G. Radio Servicing
Radio Amateurs' Exam.
Radio Operators' Cert.
Radio & TV Engineering
Radio Servicing
Practical Television
TV Servicing
Colour TV
Practical Radio & Electronics (with kit)

Auto & Aero

A.M.I.M.I.
MAA IMI Diploma
C. & G. Auto Eng.
General Auto Eng.
Motor Mechanics
A.R.B. Certs.
Gen. Aero Eng.

Management & Production

Computer Programming
Inst. of Marketing
A.C.W.A.
Works Management
Work Study
Production Eng.
Storekeeping
Estimating
Personnel Management
Quality Control
Electronic Data Processing
Numerical Control
Planning Engineering
Materials Handling
Operational Research
Metrication

Construction

A.M.S.E. (Civ.)
C. & G. Structural
Road Engineering
Civil Engineering
Building
Air Conditioning
Heating & Ventilating
Carpentry & Joinery
Clerk of Works
Building Drawing
Surveying
Painting and Decorating.
Architecture
Builders' Quantities

General

C.E.I.
Petroleum Tech.
Practical Maths.
Refrigerator Servicing.
Rubber Technology
Sales Engineer
Timber Trade
Farm Science
Agricultural Eng.
General Plastics

General Certificate of Education

Choose from 42 'O' and 'A' Level subjects including:
English
Chemistry
General Science
Geology
Physics
Mathematics
Technical Drawing
French
German
Russian
Spanish
Biology

B.I.E.T. and its associated schools have recorded well over 10,000 G.C.E. successes at 'O' and 'A' level.

WE COVER A WIDE RANGE OF TECHNICAL AND PROFESSIONAL EXAMINATIONS.

Over 3,000 of our Students have obtained City & Guilds Certificates. Thousands of other exam successes.

THEY DID IT—SO COULD YOU

“My income has almost trebled . . . my life is fuller and happier.”—Case History G/321.

“In addition to having my salary doubled, my future is assured.”—Case History H/493.

“Completing your Course meant going from a job I detested to a job I love.”—Case History B/461.

FIND OUT FOR YOURSELF

These letters—and there are many more on file at Aldermaston Court—speak of the rewards that come to the man who has given himself the specialised know-how employers seek. There's no surer way of getting ahead or of opening up new opportunities for yourself. It will cost you a stamp to find out how we can help you.

Free!

Why not do the thing that really interests you? Without losing a day's pay, you could quietly turn yourself into something of an expert. Complete the coupon (or write if you prefer not to cut the page). We'll send you full details and a FREE illustrated book. No obligation and nobody will call on you . . . but it could be the best thing you ever did.

BRITISH INSTITUTE OF ENGINEERING TECHNOLOGY

Dept B1 Aldermaston Court, Reading RG7 4PF.

Accredited by the Council for the Accreditation of Correspondence Colleges.



BIET

(Write if you prefer not to cut this page.)

POST THIS COUPON TODAY

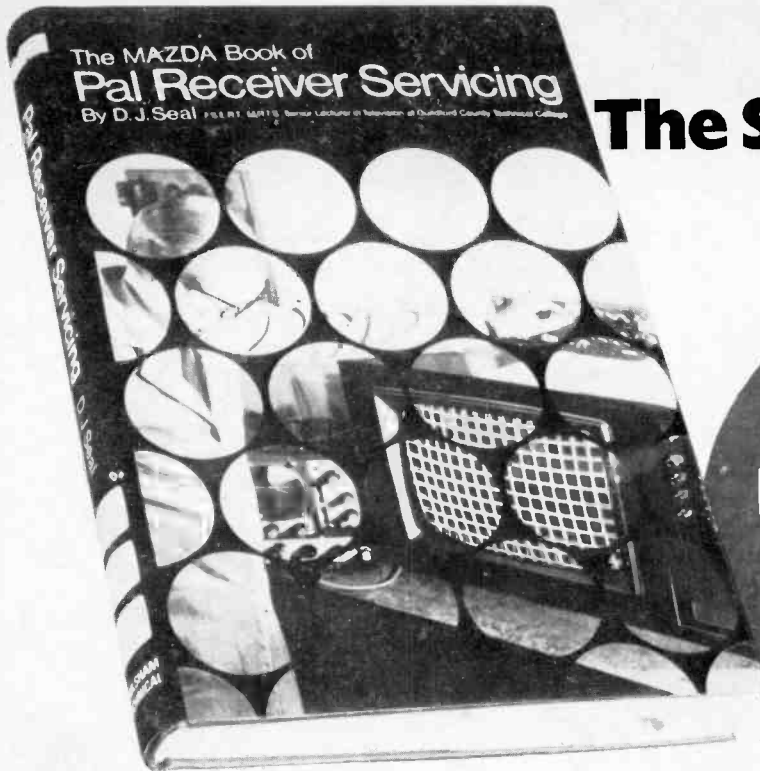
To: B.I.E.T., Dept. B1, Aldermaston Court, Reading RG7 4PF
Please send me book and details of your Courses in

Name Age
BLOCK CAPITALS PLEASE

Address

Occupation

B.I.E.T.—IN ASSOCIATION WITH THE SCHOOL OF CAREERS—ALDERMASTON COURT, BERKSHIRE



The Serviceman's best PAL

MAZDA

Book of PAL RECEIVER SERVICING

This book has been written as MAZDA's contribution to trade literature on the fascinating subject of Colour TV Servicing.

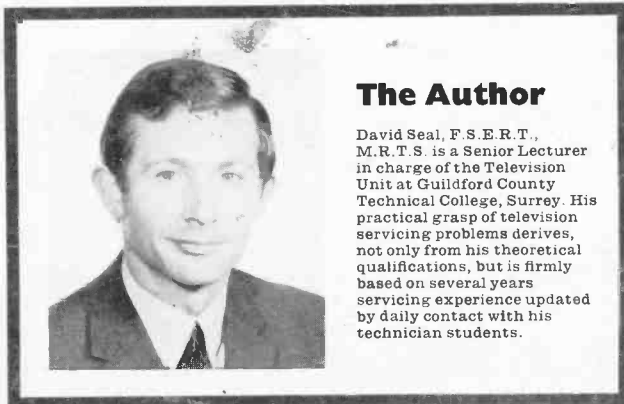
Its 288 pages are crammed full with the kind of information that experienced service engineers need to know to extend their skills into the field of Colour TV.

It covers principles that apply to all makes. Logically arranged and using little or no mathematics, Mr. Seal has written with great clarity, using 200 photographs and drawings to illustrate points in the text. Colour circuits are explained in general terms and then illustrated by practical circuits from actual receivers. The latest developments, such as Simple-PAL decoders and Thyristor Power Supplies, are also included. One appendix gives, for the first time, a complete schedule

of British Colour TV Transmitters and Channel numbers arranged for reference by town and county, instead of the little-known transmitter site names.

This book will be invaluable for the revision of the colour TV elements in City & Guilds syllabuses and RTEB examinations. The fault sections at the end of Chapters 4, 5, 6 and 7 together with the comprehensive Index make it ideal as a quick reference handbook for the workshop.

THE MOST COLOURFUL AND ATTRACTIVE BOOK ON COLOUR TV SERVICING



The Author

David Seal, F.S.E.R.T., M.R.T.S. is a Senior Lecturer in charge of the Television Unit at Guildford County Technical College, Surrey. His practical grasp of television servicing problems derives, not only from his theoretical qualifications, but is firmly based on several years servicing experience updated by daily contact with his technician students.

ORDER YOUR COPY TODAY

from your MAZDA Valve and Tube Wholesaler, who will give you **trade discount at valve rate on the book.**

You can also obtain the book through most large bookshops at the jacket price; or, in cases of difficulty, from the publishers Thorn Radio Valves and Tubes Limited and Foulsham Technical. Price £3.50 + 25p P & P.

Thorn Radio Valves and Tubes Limited

7 Soho Square, London, W1V 6DN.

Tel: 01-437 5233

Foulsham Technical, Yeovil Road, Slough.

