

PRACTICAL

August 1991 • £1.50

ELECTRONICS

SCIENCE AND TECHNOLOGY

Electric Eyeballs

A close look at CCDs

Sony's New Mini-Disk

The end of DAT and DCC?

The Toshiba T1000LE

How portable is portable?

Bright Idea

8-Channel light controller

Serial Special

RS232 and all that

Memories...

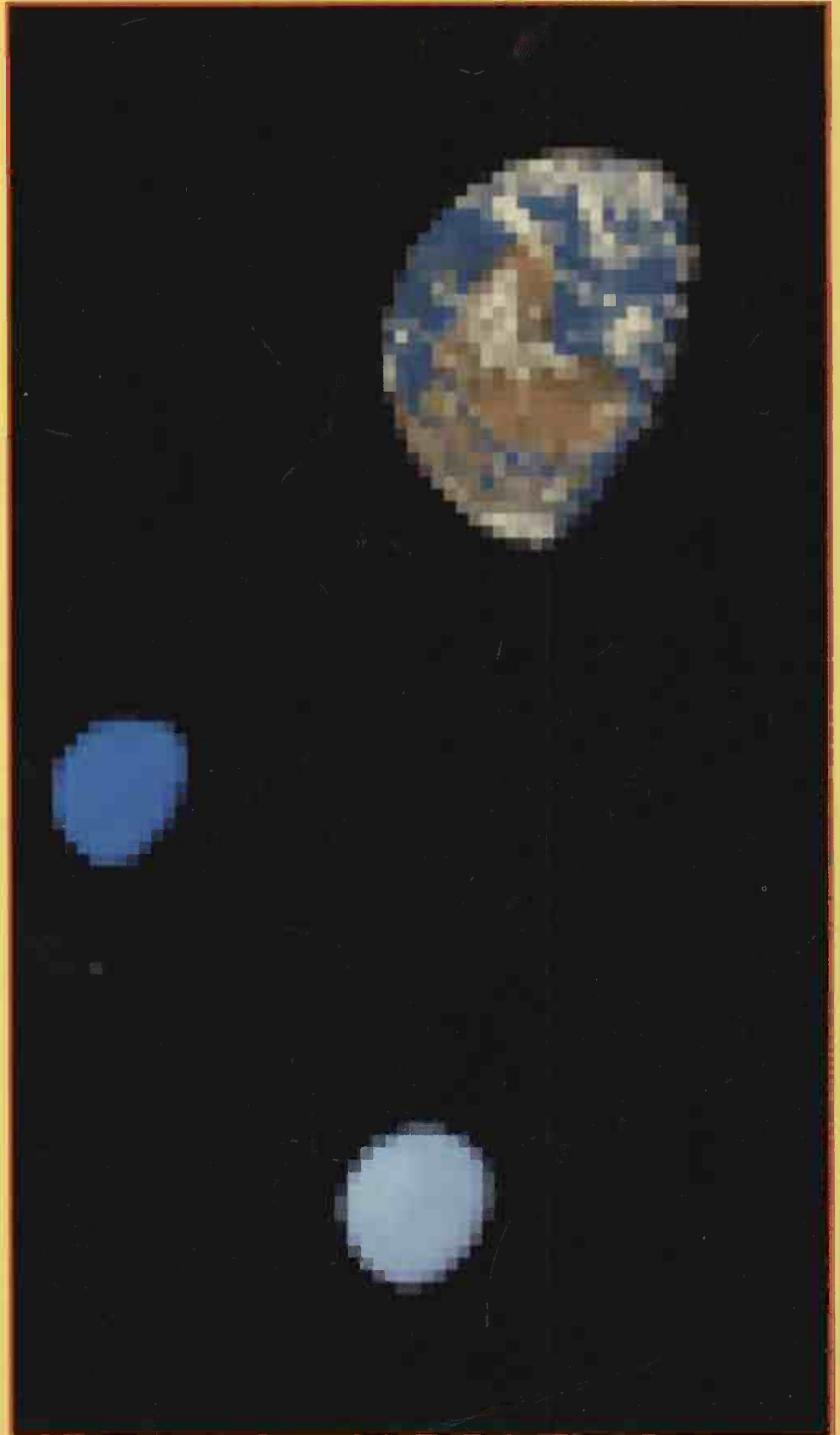
Data storage

Getting Wired

Cables, cores, co-ax

How It Works

The multimeter



Finally... an exceptional PCB and Schematic CAD system for every electronics engineer!

BoardMaker 1 is a powerful software tool which provides a convenient and professional method of drawing your schematics and designing your printed circuit boards, in one remarkably easy to use package. Engineers worldwide have discovered that it provides an unparalleled price performance advantage over other PC-based systems.

BoardMaker 1 is exceptionally easy to use - its sensible user interface allows you to use the cursor keys, mouse or direct keyboard commands to start designing a PCB or schematic within about half an hour of opening the box.

HIGHLIGHTS

Hardware:

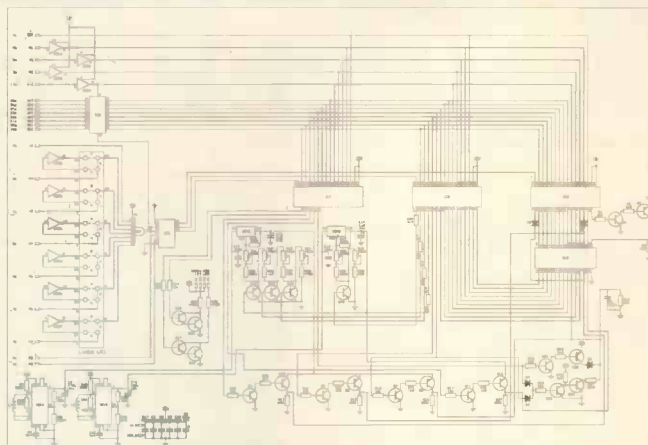
- IBM PC, XT, AT or 100% compatible.
- MSDOS 3.x.
- 640K bytes system memory.
- HGA, CGA, MCGA, EGA or VGA display.
- Microsoft or compatible mouse recommended.

Capabilities:

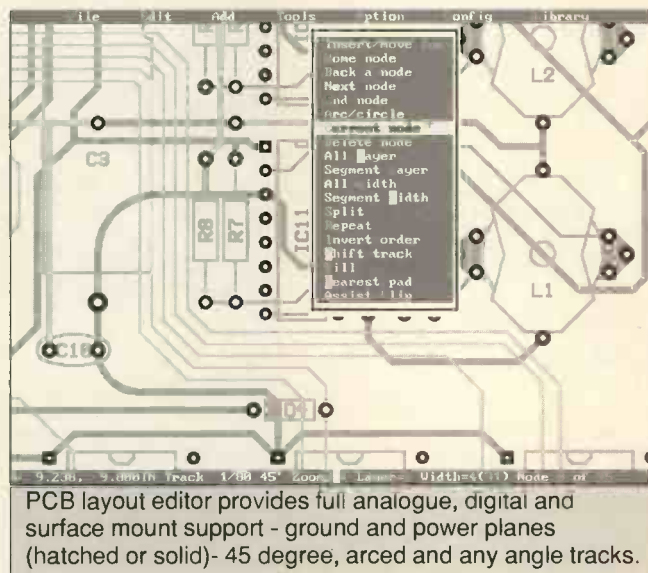
- Integrated PCB and schematic editor.
- 8 tracking layers, 2 silk screen layers.
- Maximum board or schematic size - 17 x 17 inches.
- 2000 components per layout. Symbols can be moved, rotated, repeated and mirrored.
- User definable symbol and macro library facilities including a symbol library editor.
- Graphical library browse facility.
- Design rule checking (DRC)- checks the clearances between items on the board.
- Real-time DRC display - when placing tracks you can see a continuous graphical display of the design rules set.
- Placement grid - Separate visible and snap grid - 7 placement grids in the range 2 thou to 0.1 inch.
- Auto via - vias are automatically placed when you switch layers - layer pairs can be assigned by the user.
- Blocks - groups of tracks, pads, symbols and text can be block manipulated using repeat, move, rotate and mirroring commands. Connectivity can be maintained if required.
- SMD - full surface mount components and facilities are catered for, including the use of the same SMD library symbols on both sides of the board.
- Circles - Arcs and circles up to the maximum board size can be drawn. These can be used to generate rounded track corners.
- Ground plane support - areas of copper can be filled to provide a ground plane or large copper area. This will automatically flow around any existing tracks and pads respecting design rules.

Output drivers:

- Dot matrix printer.
- Compensated laser printer.
- PostScript output.
- Penplotter driver (HPGL or DMPL).
- Photoplot (Gerber) output.
- NC (ASCII Excellon) drill output.




Produce clear, professional schematics for inclusion in your technical documentation.



PCB layout editor provides full analogue, digital and surface mount support - ground and power planes (hatched or solid)- 45 degree, arced and any angle tracks.

£95 Despite its quality and performance, BoardMaker 1 only costs £95.00 + £5.00pp + VAT. Combine this with the 100% buy back discount if you upgrade to BoardMaker 2 or BoardRouter and your investment in Tsien products is assured.

Don't take our word for it. Call us today for a FREE demonstration disk and judge for yourself.


tsien Tsien (UK) Limited
 Cambridge Research Laboratories
 181A Huntingdon Road
 Cambridge CB3 0DJ
 Tel 0223 277777
 Fax 0223 277747

All trade marks acknowledged

This month...

After a month's break, *How It Works* is back with a look inside a multi-meter.

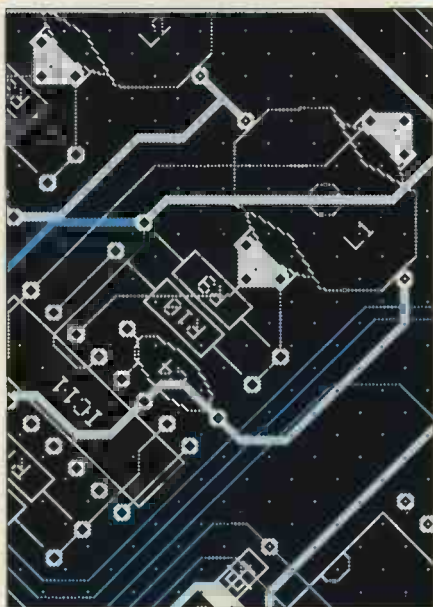
New to PE this month is a page devoted to integrated circuits, a new consumer electronics feature that takes an in-depth look at the latest technology to hit the shops and *Practical Technology* which examines some of the more interesting electronic products available.

Due to a hiccup in production, the contents page last month stated that last month's edition of the PE Chronos was the last. Fortunately, it wasn't and it carries on this month with the first of the printed circuit boards.

Next month sees a couple of bonuses from PE, the first is a free 16 page Greenweld Summer Special Component Catalogue. The second is our special Seetrax competition. Five copies of the Ranger 1 PCB design software worth £200 plus add-on auto-router packages worth £100 will be on offer.

Kenn Garroch, Editor

Next month...



Summer holiday special... Win Seetrax Ranger CAD software worth £200. 5 copies are up for grabs and every unsuccessful entrant will get a demo disk. Only in PE's September issue.

Build It

- PE Chronos37
Not the final part of the Universal Counter Timer.
 The PE LUX25
A sophisticated lighting control circuit from John Becker.

Features

- Charge Coupled Devices11
What do video cameras, astronomers and delay lines have in common?
 Mass Memory16
Anne Sutton relates the history of computer storage.
 Out Of A Job22
Tom Ivall observes that times are getting harder.
 RS232 And All That43
Connecting up is a lot easier than you may think.

Regulars

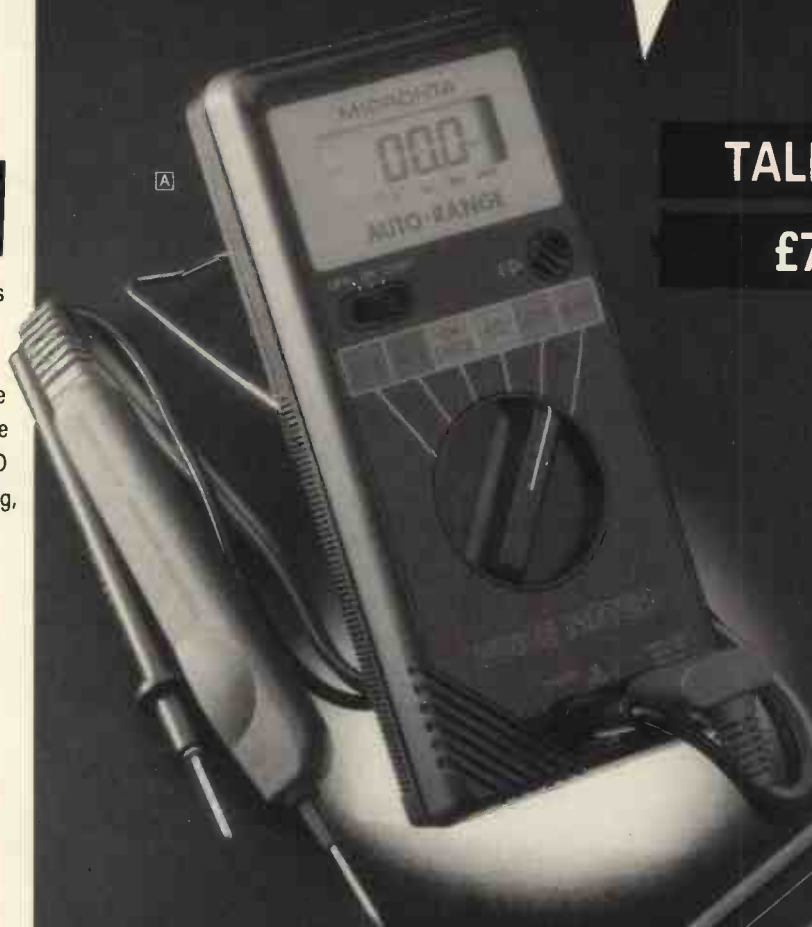
- Wavelengths5
Positively the last letters about resistor symbols (we hope).
 Innovations6
Kodak's electronic camera and cheap printers in the news.
 Silicon Valley10
A roundup of the latest on silicon.
 New Product Developments25
The new Sony Mini-disk offers compact high quality sounds but can it compete?
 How It Works30
This month we look inside a multi-meter.
 Data Sheet32
A bundle of remote control chips, the ML928/9, SL490 and UM3750.
 Practical Components34
Connecting up with cables and wires.
 Techniques53
The final part of the humidity controller plus a battery level indicator.
 Book Reviews61
Some basic introductions to electronics and radio.
 Barry Fox62
CD-ROMs are finding more and more uses but they are not without their drawbacks.

Editor: Kenn Garroch Technical Editor: Andrew Armstrong Technical Illustrator: Derek Gooding Advertisement Manager David Bonner Production Manager: Richard Milner Production Assistant: Michael Sullivan Office Manager: Laura Esterman Office Secretary: Wendy Rhodes Publisher: Angelo Zgorelec • **Practical Electronics Intra House 193 Uxbridge Road London W12 9RA Tel: 081-743 8888 Fax: 081-743 3062 Telecom Gold: 87: SQQ567** • **Advertisements** The Publishers of PE take reasonable precautions to ensure that advertisements published in the magazine are genuine, but cannot take any responsibility in respect of statements or claims made by advertisers. The Publishers also cannot accept any liability in respect of goods not being delivered or not working properly. © Intra Press 1991. Copyright in all drawings, photographs and articles published in PRACTICAL ELECTRONICS is fully protected, and reproduction or imitations in whole or in part are expressly forbidden. All reasonable precautions are taken by PRACTICAL ELECTRONICS to ensure that the advice and data given to readers is reliable. We cannot, however, guarantee it, and we cannot accept legal responsibility for it. Prices quoted are those current as we go to press. All material is accepted for publication on the express understanding that the contributor has the authority to permit us to do so. • Practical Electronics is typeset at Intra Press on Macintosh computers using Quark Xpress. Reproduction by Tetracolor Ltd. Printing by Andover Press, St Ives plc. Distribution by Seymour Press • ISSN 0032-6372 •

MICRONTA®

PRECISION

Multitesters



TALKING METER

£79.95

22-164

A Talking Multimeter. Press a button on the probe and the meter will call out it's reading in clear English. The reading is also shown on the units large, easy to read LCD display. Features autoranging, autopolarity, continuity sounder, diode-check and over-range indicators. Measures to 1000 VDC, 750 VAC, 300mA AC/DC, 30 megohms resistance. Requires 4 "AA" batteries.



DIGITAL METER

£39.95

22-184

B Digital Multimeter. Full autorange or manual range control, selectable by a switch. Easy to read LCD display. Ideal for use in the field, lab, shop, bench or home. Fold-out stand allows you to adjust position for better visibility or to hang unit. Features continuity check, autopolarity, diode-check and low battery indicator. Measures to 1000 VDC, 750 VAC, 200 mA AC/DC, 20 megohms resistance. Requires 2 "AA" batteries.

Tandy®

ALL THE ACTION
AS IT HAPPENS!

InterTAN U.K. Ltd.,
Tandy Centre,
Leamore Lane, Walsall,
West Midlands. WS2 7PS
Tel: 0922 710000

A

Wavelengths

If you have any comments, suggestions, subjects you think should be aired, write to PE

Ticking Off

On page 5 of the May issue of Practical Electronics you ask for comments. Here are some comments on page 5:

I am a long standing (25 years or more) reader of the magazine, which to this day I still find most interesting, but I am anxious that it has recently taken a turn for the worse. The answers given to readers' letters in the "Wavelengths" section this month I found quite unsettling. They were written in a didactic "Teacher knows best" style, and this case I fear that in many cases Teacher didn't know best. Some examples:

1. On your having been caught napping by Phillip J Turner on various points including the completely made up "MOS = Metal On Silicon" nonsense, I feel you should have simply thanked the reader, apologised, and shut up. Instead you grudgingly admit the correct definition (MOS = Metal Oxide Silicon), but then deliver a ludicrous and unwarranted lecture on the manufacture of semiconductors from oxides of iron, zinc, cobalt and nickel. I suspect you come from another planet if these are the materials from which your transistors and integrated circuits are commonly made. I believe MOS was first used as a prefix in the acronym "MOSFET", describing the construction of a new type of field effect transistor (distinguishing it from a JFET, junction type, and confirming it as an IGFET, Insulated Gate Type).

MOS here merely indicates the FET is made from a sandwich: Metal-Oxide-Silicon, (the oxide being one of silicon), so what's all this nonsense about cobalt and nickel oxides?

Have you ever heard of the saying "The customer is always right"? Not at PE it seems. May I add my voice to that of John Bilston and put in a plea for the "squiggle"

version of the resistor? You are drawing the resistors for us, the readers, so why not draw them the way we like them? To me, the shape of the various elements in a circuit diagram provide what a drawing should provide: instant visual cues as to the form and function of the circuit. The symbols should be selected on the basis that the drawings should be easy for us to read, regardless of how easy they are for you to draw.

On that latter point your answer is not at all convincing to me: If you use a stencil (available in any drawing office) a "squiggle" is just as easy as a rectangle to draw, and if you are using a computer, then there is no difference at all in effort (unless the computer is as bloody-minded as yours seems to be!)

If you would like to see just how pleasing a decently drawn diagram can be why not look in your own magazine (current, May, issue) on page 17, and you'll see squiggles sufficiently suitable for Mr Bilson and me.

David M Parkins B Eng (Hons)
Greenbank Electronics
Birkenhead
Merseyside
Er...um....I suppose I could try being humble?

Last Of The Squiggles

I am currently in the process of taking a City and Guilds course in Electronics and would just like to add to the argument over squiggly resistors.

As far as I am aware, both symbols are quoted in the British Standard with the squiggle being used mainly in the USA. On my course we use the square block and I have been told that this is less prone to error and misunderstanding. I would like to place my vote behind the square block type.

A J Sanders
Cardiff
Wales

Unconstant

I have noticed a couple of inconsistencies in the July issue of PE. The first is that PE Chronos seems to have finished before it has really started. Was this a mistake or are you cutting it off in its prime?

The June issue of PE TEchniques section started off on an interesting question about humidifiers. The July edition didn't have anything at all, where's the rest of it?

Apart from this, I am enjoying your magazine, keep up the good work.

W Henson
Portsmouth

A slight misunderstanding nearly caused the untimely demise of the Chronos but, fortunately, as you can see from this issue, the saga continues. Apologies for the delay in the appearance of the second part of the humidifier, it finally made it in this month.

PCB Service

After phoning your magazine recently to try and get hold of a printed circuit board from you, I was distressed to hear that you no longer supply the printed circuit board service. Even though you wrote an article about making PCBs (is it really true that an editor of PE has never made one before?), I don't really fancy going to all that trouble myself, especially with some of the more complex ones.

Could you please please bring back the PCB service? I could get up a petition, perhaps ask questions in The House, anything to get it back.

J Robinson
Manchester

In the true spirit of the present government, the PCB service has been privatised - look out for a Lys Electronics ad. With regards to my never having built a PCB, I'm afraid it is quite true though it was easier than I expected. ■

A roundup of the latest news and products. This month a logic simulator from Number 1 systems, a selection of Hi-Fi gear and the hottest new electronic camera from Kodak.

Tally Price Cut

The price of printing is falling lower and lower. In May, Mannesman Tally announced a reduction of 25% in the price of the MT753 to £749 and then knocked another £50 off to put its price at £699. This six page per minute (PPM) machine was launched last year as a portable with a footprint of less than A4 and Laserjet II emulation. An 80 sheet feeder is built in as is the battery pack which lasts for 80 sheets before it needs recharging. In June Mannesman Tally announced up to 28% off all its entry level printers. The MT904 4PPM laser printer is reduced from £949 to £699 until September, the MT82, 24-pin dot matrix is now available for £259 and the MT81, a 9-pin low end printer, costs £119.

No. 1 Simulator

Faster than a speeding soldering iron, more accurate than a breadboard and handier than a copy of PE? Pulsar is a digital logic circuit simulator program from Number One Systems (makers of Easy PC PCB CAD) that aims to make electronic circuit design, fast easy and efficient.

Using a logic analyser type display, with readouts in binary, hexadecimal and octal, timing skews and glitches are displayed to a resolution of one picosecond.

Pulsar has a full component library for the CMOS 4000 and 74LS ranges and is capable of handling flip-flips, latches, monostables, tri-state and open collector

Dream Camera



A new electronic camera from Kodak looks set to revolutionise desktop published newspapers and journals. Obviously aimed at professional photographers, the Digital Camera System (DCS) is a pointer to a technology that could eventually be available for everyone. Designed as a new back for a Nikon F3, the digital camera operates in exactly the same way as a normal Nikon but produces 1280x1024 pixel images, in either colour or black and white. Up to six images can be stored in the camera's 8Mb memory with bursts of up to 2.5 frames a second being possible – a 32Mb buffer is also available allowing up to 24 images to be taken in one burst.

Once the pictures have been taken, they can be transferred to the digital storage unit (DSU) where they can be edited, stored, have captions added and be exported either by modem or SCSI to a Macintosh SE/30 or II – the most popular DTP machines around. Once there they can be edited as an electronic image

using packages such as Adobe Photoshop and then put straight onto the page along with the text – no scanning needed.

The DSU is a portable unit which uses a hard disk drive to store up to 158 uncompressed (1.3Mb) or 600 compressed images. They can be viewed on the integral 4in monochrome LCD, deleted and annotated as necessary.

The camera "back" with its 21mm x 16mm high resolution imager uses 16 micron pixels and is approximately half the area of a 35mm frame. This means that a conventional 200mm lens becomes the equivalent of 400mm. Of the two versions available, the colour system allows images equivalent to film speeds of EI200, 400, 800 and 1600 – the monochrome also offers EI3200.

Due to be launched in the USA in August for around \$20,000, the system will be on sale in Europe next year for around £17,500. If it takes off, it will improve the speed with which pictures get into the news as well as their quality.

gates. Other libraries are available as options and the user can add more by hand where the necessary details are available.

Apart from the video output, support is also supplied for dot-matrix and laser printers. Input can be either from the interactive netlist generator or the forthcoming schematic capture package, Analyser III.

Priced at £195 (£229.12 inc VAT) Pulsar is available from Number One Systems Ltd, Harding Way, Somersham Road, St Ives, Huntingdon, Cambs, PE17 4WR, Tel. 0480 61778.

Get On Board

The latest version of the popular BoardMaker 2 computer aided design software from Tsien provides a number of new



features from top-down modification, new netlist interfaces, added schematic capture inputs, artwork output options. Priced at £295 the major new feature in version 2.4 is the top-down modification. When designing a PCB the usual starting point is the creation of a schematic. This can then be used to automatically design the actual board using files

Stereo TV



Now that NICAM digital stereo has established itself as a must for the TV enthusiast, television manufacturer Toshiba has announced a large screen set with the stereo circuit built in. The 2112DB is the first of a new range that features 30W music power

(actually 2 x 10W RMS) in stereo, Fastext, on/off timer, twin SCARTs, a S-VHS connector, no signal power off, unified remote control and 50 channel tuning. The 59cm screen version has a manufacturer's retail price (MRP) of £619.99 and the 66cm version, £719.99.

that describe the various networks – a network is simply a collection of points that are connected together, for example, the supply rail or the ground lines. This netlist can be used by the computer program to assign connections to components and help design the board. The top-down modification facility means that after a design is completed to the board level, changes to the schematic are automatically filtered down to the board design, modifying netlist files and time and date stamping

the changes to provide an audit trail. The new component numbering system makes silk screen layer design easier since pin numbers are automatically tracked from the schematic to the final PCB.

Contact Tsien UK, Cambridge Research Laboratories, Huntingdon Road, Cambridge, CB3 0DJ, Tel 0223 277777

Happy Birthday

The British Amateur Electronics Club celebrated its 25th birthday in June and

published its 100th newsletter.

As well as circuit ideas, features and special offers, the club also offers many cut price deals on components and magazines including a reduction on the subscription to PE at £16.20. Anyone wishing to get more information should contact H F Howard, BAEC, 41 Thingwall park, Fishponds, Bristol BS16 2AJ

Micro-Brush

Originally designed for use in the dental profession, the Quick Stix from Dent-O-Care could prove useful to anyone who has to clean, glue, etch, paint or mop up in minute or hard to reach places. Made from thin flexible plastic which fines down to a point on which as a micro head composed of tiny non-linting fibres. Once bent, the thin neck is able reach any angle allowing great

flexibility of use.

Quick Stix are available in boxes of 500 at a cost of £22+VAT (£25.85) from Dent-O-Care Ltd, 7 Cygnus Business Centre Dalmeyer Road, London, NW10 2XA, Tel. 081 459 7550

Events

The Second Grove Fuel Cell Symposium is to be held at the Royal Institution from 24-27 September 1991.

Following on from the success of the Grove 150th Anniversary Symposium held two years ago, the event will cover advanced energy systems and environmental effects. Current progress in the technology will be reviewed in the power generation and transport markets.

William Grove invented the fuel cell in 1839 and later pioneering works was performed by Francis "Tom" Bacon. The Sir William Grove

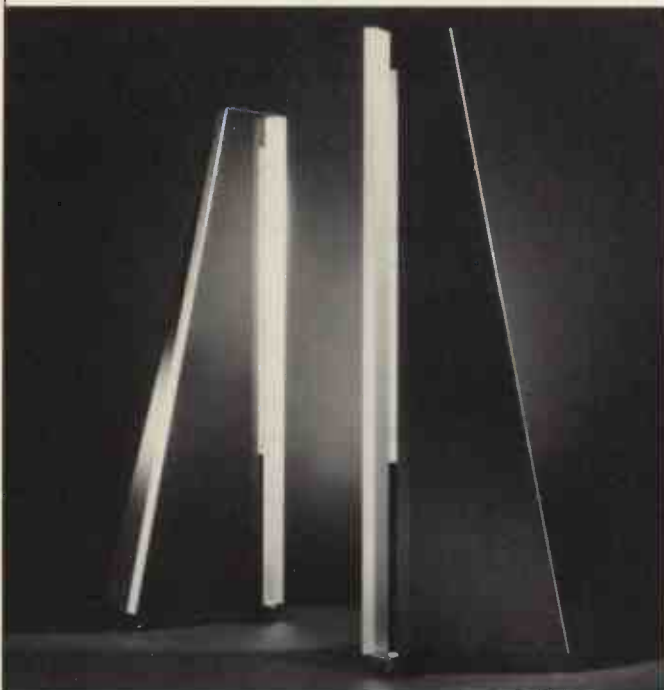
Hi-Fi Power



For people who want that little extra bit of power from their Hi-Fis, the new MXF 900 stereo amplifier offers 460W RMS into a 4Ω load. Build around MOS-FET technology the unit offers DC loudspeaker protection, two second delay anti-thump

circuitry, fan cooling, and VU meters, all in a rack mounting cabinet of 19in x143/4in. The price is £429.15 plus £12 delivery and is available from B K electronics, Unit 1/5, Comel Way, Southend-on-Sea, Essex SS2 6TR, Tel 0702 527572

Open Sounds



An innovative new speaker system is now available from Dali a Danish Hi-Fi company. The Skyline 2000 is a full-range hybrid ribbon/moving coil dipole system mounted in a stylish 1.6 metre tall case. Unlike other systems, dipole drive units are not boxed in but are open to the air in front and behind. The sound radiates equally at the front and rear but not at the sides. The resulting sound is supposed to be very natural but usually has problems with lower frequencies. To improve this aspect, the Skyline

2000 has very high power handling (200W continuous) with a 38cm moving coil woofer having a throw of over 2.5cm. This improves the bass response and the passive crossover provides a flat frequency response without introducing resonances. The mid range comes from two pre run-in 11.4 cm moving coil drive units and the tweeter is a transformer-less ribbon, 100cm long.

The cost is £1399.90 including VAT and the Skyline 2000 is available from dealers for Dali in the UK - Tel 0423 528537 for details.

Memorial Medal will be awarded to him for his work in this area.

For booking information contact K Russel, Elsevier Systems, 256 Banbury Road, Oxford, OX2 7DH, Tel. 0865 512242.

Free Symposia

The IEEIE will be holding the following events

which are open to the public. No fee is payable and booking in advance is not required. Contact Continuing Professional Development Dept. IEEIE, Savoy Hill House, Savoy Hill, London WC2R 0BS Tel 071 836 3357 for details.

Automobile electronics - the next decade, 14th Oct 1991
Mobile radio com-

munications - the technology options, 4th Nov 1991

Control of substances hazardous to health regulations 1988, 9th Dec 1991

Electronics in traffic control, 13th Jan 1992

Where is electronic servicing going, 10th Feb 1992

Alternative technologies and energy conservation, 30th Mar 1992

The automated home. 11th May 1992

Catalogues

STC Mercator's new catalogue covers a range of power chokes with inductances in the range 1.0 μ H to 15,000 μ H. The

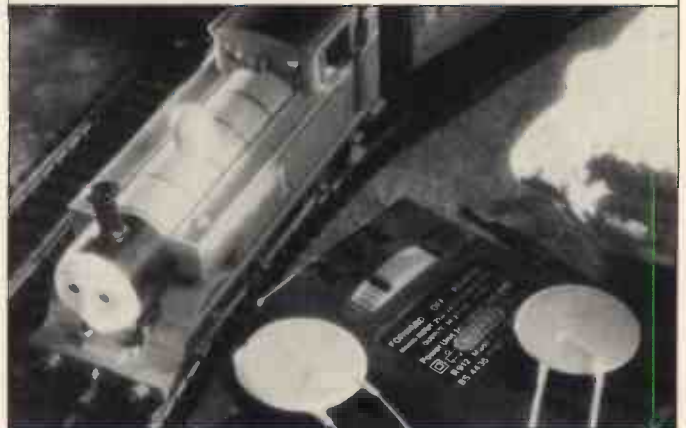
inductors are specially moulded to provide a combination of high current rating and small size with an operating temperature range from -55°C to +125°C.

For more information tel. 0493 844911

Fibre Finder

Fibre Express is a comprehensive catalogue of fibre optic components, cables, connectors and test equipment. It is available free from Honeywell Optoelectronics, contact Honeywell Control Systems, Optoelectronics Division, Zodiac House, Calleva Park, Aldermaston, Berks, RG7 4QU, Tel 0734 819511 ■

Hornby OO OK



The new PolySwitch circuit from Raychem is being used in the latest model transformers from Hornby, makers of model trains sets and Scalextric for generations. The positive temperature coefficient devices are the fastest thermistors available and undergo a large, abrupt, change in resistance when an overcurrent or high temperature pass the

trigger point.

When they trip, the devices limit any current to a very low value, protecting the following circuitry. There are no moving parts and an increased operating life is therefore to be expected.

More information can be obtained from Raychem, Faraday Rd, Dorcan, Swindon, Wilts, SN3 5HH, Tel 0793 482485

OUT NOW!

SUMMER 1991 CATALOGUE

- 192 pages
- £££'s discount vouchers
- 100s new products
- New range kits
- Over 3000 lines
- Fast same day despatch

Available from most large newsagents or directly from **Cirkit**



£1.70
plus 30p
postage

Cirkit

CIRKIT DISTRIBUTION LTD

Park Lane · Broxbourne · Hertfordshire · EN10 7NQ
Telephone (0992) 444111 · Fax (0992) 464457



Computer Control

This is the interfacing computer for you:

- Full Z80A bus interfacing
- In-house programming advice included for first 3 months
- 30 day money-back guarantee
- Full technical manuals and specifications available
- Two analogue to digital ports included
- Two RS232 ports
- Battery backed
- 80 character 8 line LCD display (480*64 dots)
- Enhanced Microsoft BASIC ROM
- Microcassette data/programme storage
- Connects to other computers and printers via serial port (powerful software included)

At £200 to £250 + VAT depending on service required (the screen and keyboard alone are worth more than that) this could be the most cost-effective solution to your interfacing needs you are ever likely to find.

E.P. Electronics

35 Mall Road, London, W6 9DG
Tel: 081 748 0052 Fax: 081 741 1135

UPGRADE OR BUILD YOUR OWN IBM COMPATIBLE



MOTHERBOARDS

CPU	RAM	L/SPEED	PRICE
286-12	Ok	16Mhz	£105
286-12	1Mb	16Mhz	£165
386 SX	Ok	19Mhz	£285
386-25	Ok	33Mhz	£485
386-33	64k cache	54Mhz	£850

GRAPHIC CARDS

VGA	256k	16 BIT	£75
SUPER VGA	512K	16BIT	£95

ADD-IN CARDS

Floppy Hard Disc Controller	£59
I/O Card for XT/AT	£28

BOOKS

Build your own 80286 IBM Comp-Pilgrim	£16.30
PC Upgrade Book Smith	£11.85

KEYBOARDS

(ENHANCED 102 KEY)	PRICE
IBM + COMPATIBLE	£35
AMSTRAD 1640/1512	£59
PS2 + COMPAQ	£75

FLOPPY DRIVES

360k	5.25	£55
1.2M	5.25	£59
720k	3.5	£55
1.44	3.5	£59

HARD DISC DRIVES

ST 225 20Mb 68MS 5.25"	Half Height	£145
ST 251 40Mb 28MS 5.25"	Half Height	£240
IDE hard disc 40Mb 28MS 3.5"	Half Height	£219
Dual Drive Cable Set		£10

Write, Phone or Fax for a FREE Catalogue
All prices exclude 15% VAT (Carriage by Post)

MANY OTHER PERIPHERALS AVAILABLE

PANRIX ELECTRONICS

93 KENTMERE APPROACH,
LEEDS LS14 1JW.
Tel: 0532 650214
Fax: 0532 300 488



Silicon Valley

The latest from the VLSI fields, CMOS hedgerows and TTL cottages.

A/D convertors

The conversion speed of ADCs is on the increase. The latest chip from TRW and distributed by Ambar components features 40 million samples per second (MSPS) for an 8-bit conversion with a power consumption of 180mW. The device is aimed at applications such as digital TV, image scanners and multi-media.

Controllers

Optical disk drives are the next big improvement in storage technology, offering far greater capacity than the current floppy and hard disk media.

The CL-SM330/331 chip set from Cirrus Logic should help reduce system costs by lowering the chip count. Designed as a two-chip controller set, the devices are built to control 5.25in and 3.5in magneto-optical disk drives. Using an Intel 80188 processor, a complete drive sub-system built using the 330/331 pair would require a total of six chips with a SCSI 3Mb/s transfer rate. Complete compatibility with Continuous Composite Servo (CCS) standard for Re-writable Partial ROM (RPRM) and Write Once Read Many times (WORM) is fully supported. The current pricing is around \$85 per chip set but once volume production starts, this should fall.

Contacts

Ambar, 17 Thame Park Road, Thame, Oxfordshire OX9 3XD, Tel 0844 261144

IDT Technology Europe, 21 The Crescent, Leatherhead, Surrey, KT22 8DY, Tel 0372 377375

Cirrus Logic, Tel 010 1 415 623 8300 (USA)

Burr-Brown PO Box 11400 Tucson AZ USA Tel 010 1 602 746 1111

Micro Call Tel 0844 261939

Microchip UK, Tel 0628 850303

Micron Technology, Boise, Idaho, USA

Clock drivers

The skew of a chip is the difference in propagation delay between the slowest and fastest outputs. In clock drivers, a skew of 3ns wastes up to 15% of a 50MHz (20ns) system's cycle. Two new chips claiming to be the fastest available, the IDT49FCT805 and 806, reduce this to 4%.

Each device has two banks of five output clock drivers. The 1:5 input to output ratio reduces input loading which simplifies termination and reduces the total chip count. All ten outputs are tri-state and controlled by one or two enable pins. The independent power and ground pins reduce the amount of internal noise and dynamic threshold shift caused by multiple outputs switching.

Filtering

The new DF1700 from Burr Brown is a dual channel digital filter which provides 8 times oversampling data for audio digital to analogue convertor. Oversampling converts the input data frequency to an output data frequency eight times greater by digital interpolation. The advantage of this is that low order analogue filters can be used after the DACs fed with the data to reduce filter phase non-linearities. The dual filters in the chip each consist of three cascaded two times oversampling finite impulse response filters (FIR). The output of the first FIR is two times oversampled by the second. The result is then two times oversampled again by a third FIR, further separating the desired analogue signal and sampling frequency. The device is compatible with Burr-Brown's PCM1700, PCM67 or two PCM63 digital audio DACs.

Memories

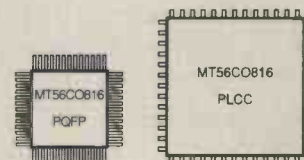
MicroCall recently launched a new family of 256 bit devices that

combine the features of static RAM and EEPROM (Electrically Erasable Programmable Read Only Memory). The Xicor X24C44 and 45 are organised as 16x16 bits and the X22C10 and 11 as 64x4 bits. The chips are designed to be used as safety backup stores when power is removed from a circuit. In portable computers, this allows the use of an auto-resume feature allowing the system to be halted in mid-application and restarted safely. The EEPROM has an endurance of 1,000,000 cycles and a data retention time of 100 years.

With claims to be the fastest in the world, Microchip's 256k CMOS EPROM, the 27HC1616 offers 16kx16 storage at 45, 55, 70 and 90ns speeds with a 40ns version to be launched in the near future. Designed for use with 16-bit systems, the very low power consumption make them ideal for use with the latest microprocessors, especially the i386 and i486 where it eliminates the need for cache RAM since the EEPROM can be accessed directly.

Packaging

In an effort to cram more chips into a smaller board space, Micron Technology has announced the plastic quad flat package (PQFP). This has a footprint 40% smaller than the industry standard plastic leaderless chip carrier (PLCC). Used to package cache data SRAMs the 10mm PQFP is said to be the smallest in the industry. ■



This actual size illustration shows the PQFP on the left alongside its traditional counterpart.

Charges On The Move

Used in video cameras, fax machines, cruise missiles and fingerprint sensors, the CCD has become an important electronic device. Alan Williams takes charge of the explanations.

The charge coupled device (CCD) was invented in 1970 and has since found itself quite a number of applications. Some of these, such as astronomy and video cameras, are pretty well known. Others, such as facsimile machines, fingerprint sensors, aerial mapping and analogue delay lines are a little more obscure.

Developed at Bell Laboratories by Willard S. Boyle and George E. Smith, the CCD was based on concepts and technology being developed for bubble memories. The first patent was taken out in 1974 and early designs featured an array of 100 by 100 elements. Modern CCDs are commonly available with 512 by 512 elements

and some experimental devices even stretch to 4096 by 4096. The advantages over conventional imaging techniques, such as photography and cathode ray tube video cameras, are that they are very small (the size of the average 24 pin DIL chip), very sensitive to low light levels, have virtually no picture distortion and are relatively cheap since they can be mass produced using standard silicon fabrication technology.

Pressing Charges

The CCD is a very simple device in its basic form. All it requires is a silicon block or substrate doped to be P-type material – holes being the

majority charge carriers. On top of this is placed a thin layer of SiO₂ as insulation and above this an array of metal electrodes (Fig 1). Placing a voltage on one electrode with both of the adjacent electrodes at zero volts causes the area under the positive electrode to be swept clear of holes forming a depletion region, the positive charge repelling the positive holes. This area is like a well in which electrons can be held. The depth is dependent upon the value of the voltage on the plate above the area. If enough voltage is applied, the minority carriers, electrons in a P-type semiconductor, are drawn to the area under the electrode. The electrons simply stay in place with more being introduced by exposing the well area to light. Incoming photons create electron-hole pairs, the hole being driven out of the depletion region into the substrate.

Marching Orders

What makes the CCD special is the way in which the electrons can be extracted from the depletion regions and their numbers counted. On either side of the electrode which maintains the cell are electrodes at zero potential relative to the substrate. By raising the potential on one of these electrodes, a larger area of depletion is formed and any electrons trapped under the centre electrode are able to move into the larger area. If the voltage on the first electrode is then reduced to zero volts, the electrons will be forced into the region under the second electrode. This movement is known as clocking and allows a whole line of charges to be marched across a piece of



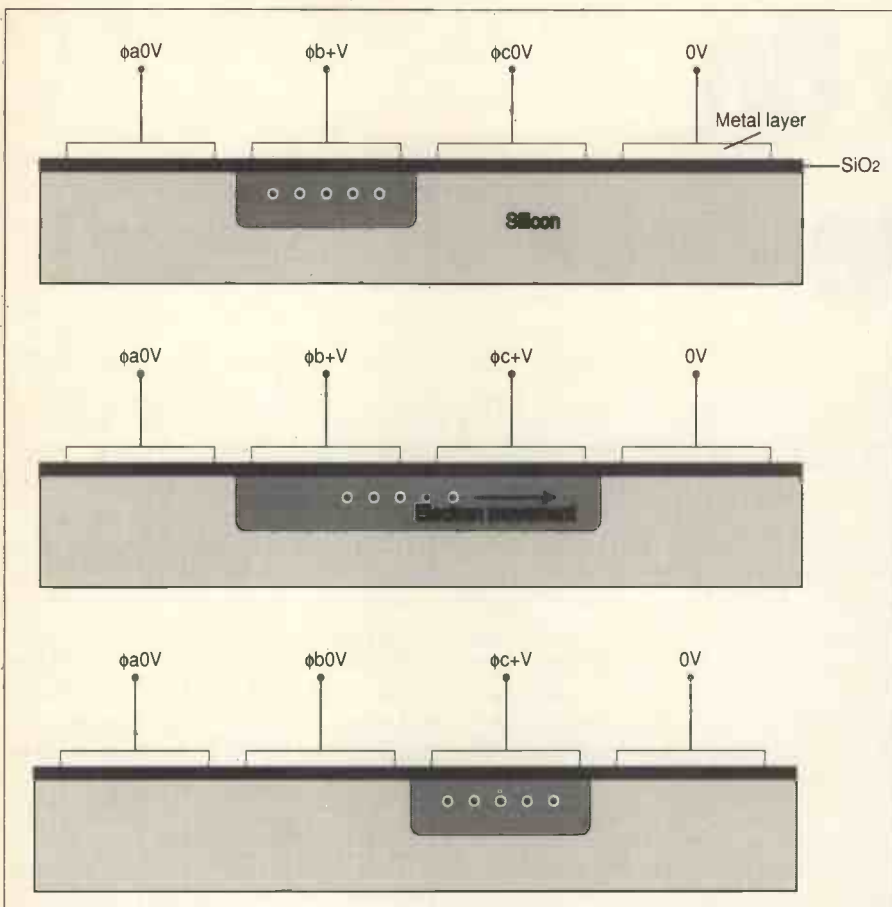
The hand-held video camera is one of the main areas of CCD development.

if too many electrons are put into a well, they overflow into adjacent wells. In image systems, this can be seen as blooming and smearing of the bright areas which, unlike older systems, does no damage. The other side of the coin is that their high sensitivity means that, with low noise amplifiers, it is almost possible to count the single photons.

Keep It Dark

One important feature of CCDs is the transfer efficiency. This defines how much of the original charge gets from one cell to the next. In most modern systems the efficiency is around 99.9% so that after 100 shifts or transfers, only 10% of the charge will have been lost. Another important factor is the lifetime of a well. When the surface electrode is clocked high the inversion layer formed sweeps the majority carriers out and attracts the minority carriers. The time taken to fill the well with these minority carriers from the substrate defines the well lifetime.

Yet another feature of CCDs that affects the number of electrons read from the system as it is clocked out is the dark current. Because the silicon block is above zero degrees Kelvin (-273°C) it is subject to thermal agitation and noise. This generates electrons in the semiconductor which, at worst, will fill up the wells reducing their lifetime and, at best, will add unwanted electrons to the data being stored in each well.



silicon to an on-chip amplifier and then to an output or port.

At the output, the number of electrons from each well can be counted and the values stored. In an image sensor, the number of electrons in each well is dependent on the number of photons striking it. The more of these that turn up, the greater the number of electrons in the cell. Clocking the data out and displaying it results in an image. One drawback of this is that

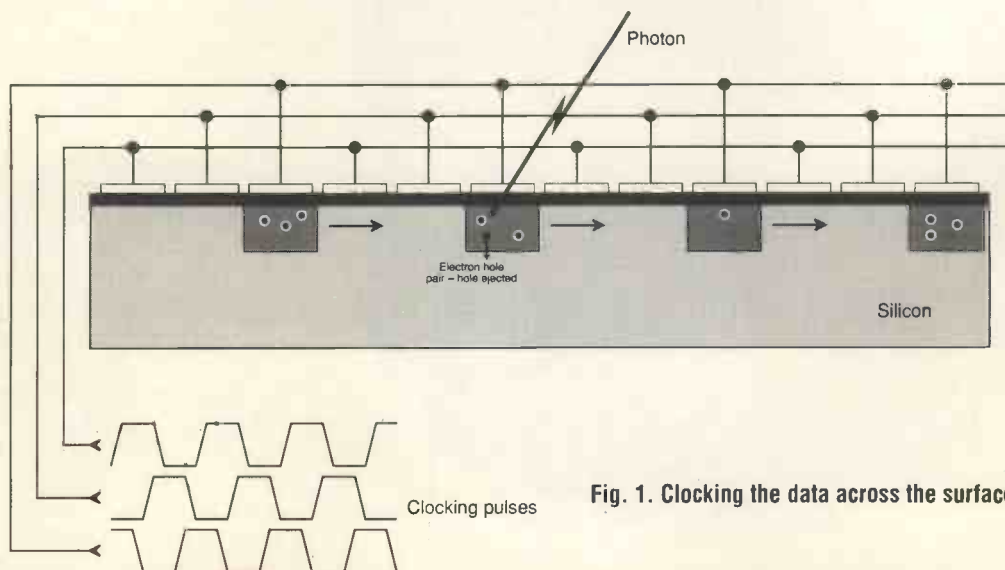
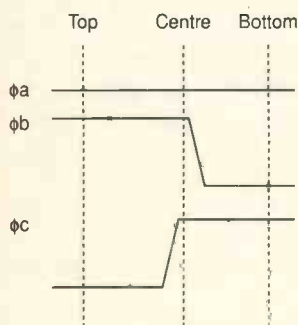


Fig. 1. Clocking the data across the surface of the CCD chip.

OMP POWER AMPLIFIER MODULES-TURNABLES-DIMMERS-LOUDSPEAKERS-19 INCH STEREO RACK AMPLIFIERS

OMP POWER AMPLIFIER MODULES

Supplied ready built and tested. Now enjoy a world-wide reputation for quality, reliability and performance at a realistic price. Four models available to suit the needs of the professional and hobby market i.e. Industry, Leisure, Instrumental and Hi-Fi etc. When comparing prices, NOTE all models include Toroidal power supply, integral heat sink, Glass fibre P.C.B. and Drive circuits to power compatible VU meter. Open and short circuit proof.

THOUSANDS OF MODULES PURCHASED BY PROFESSIONAL USERS



OMP Mk 11 Bi-Polar Output power 110 watts R.M.S. into 4 ohms, Frequency Response 15Hz - 30KHz - 3dB, T.H.D. 0.01%, S.N.R. -118dB, Sens. for Max. output 500mV at 10K, Size 355 x 115x65mm. **PRICE £33.99 + £3.00 P&P.**



NEW SERIES II MOS-FET MODULES
OMP/MF 100 Mos-Fet Output power 110 watts R.M.S. into 4 ohms, Frequency Response 1Hz - 100KHz - 3dB, Damping Factor, >300, Slew Rate 45V uS, T.H.D. Typical 0.002%, Input Sensitivity 500mV, S.N.R. -125dB, Size 300 x 123 x 60mm. **PRICE £39.99 + £3.00 P&P.**

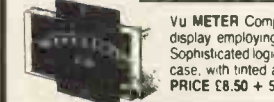


OMP/MF200 Mos-Fet Output power 200 watts R.M.S. into 4 ohms, Frequency Response 1Hz - 100KHz - 3dB, Damping Factor >300, Slew Rate 50V uS, T.H.D. Typical 0.001%, Input Sensitivity 500mV, S.N.R. -130dB, Size 300 x 155 x 100mm. **PRICE £62.99 + £3.50 P&P.**



OMP/MF300 Mos-Fet Output power 300 watts R.M.S. into 4 ohms, Frequency Response 1Hz - 100KHz - 3dB, Damping Factor >300, Slew Rate 60V uS, T.H.D. Typical 0.0008%, Input Sensitivity 500mV, S.N.R. -130dB, Size 330 x 175 x 100mm. **PRICE £79.99 + £4.50 P&P.**

NOTE:— MOS-FET MODULES ARE AVAILABLE IN TWO VERSIONS: STANDARD — INPUT SENS. 500mV BAND WIDTH 100KHz, PEC (PROFESSIONAL EQUIPMENT COMPATIBLE) INPUT SENS. 775mV BAND WIDTH 50KHz ORDER STANDARD OR PEC



Vu METER Compatible with our four amplifiers detailed above. A very accurate visual display employing 11 L.E.D. diodes (7 green, 4 red) plus an additional on/off indicator. Sophisticated logic control circuits for very fast rise and decay times. Tough moulded plastic case, with tinted acrylic front. Size 84 x 27 x 45mm. **PRICE £8.50 + 50p P&P.**

LOUDSPEAKERS



LARGE SELECTION OF SPECIALIST LOUDSPEAKERS AVAILABLE, INCLUDING CABINET FITTINGS, SPEAKER GRILLES, CROSS-OVERS AND HIGH POWER, HIGH FREQUENCY BULLETS AND HORNS, LARGE S.A.E. (30p STAMPED) FOR COMPLETE LIST.

McKENZIE:— INSTRUMENTS, P.A., DISCO, ETC.

- ALL MCKENZIE UNITS 8 OHMS IMPEDANCE**
- 8" 100 WATT C8100GPM GEN. PURPOSE, LEAD GUITAR, EXCELLENT MID, DISCO. RES. FREQ. 80Hz FREQ. RESP. TO 14KHz SENS. 99dB. **PRICE £28.59 + £2.00 P&P.**
 - 10" 100 WATT C10100GP GUITAR, VOICE, ORGAN, KEYBOARD, DISCO, EXCELLENT MID. RES. FREQ. 70Hz FREQ. RESP. TO 6KHz SENS. 100dB. **PRICE £34.70 + £2.50 P&P.**
 - 10" 200 WATT C10200GP GUITAR, KEYBOARD, DISCO, EXCELLENT HIGH POWER MID. RES. FREQ. 45Hz FREQ. RESP. TO 7KHz SENS. 103dB. **PRICE £47.48 + £2.50 P&P.**
 - 12" 100 WATT C12100GP HIGH POWER GEN. PURPOSE, LEAD GUITAR, DISCO. RES. FREQ. 45Hz FREQ. RESP. TO 7KHz SENS. 98dB. **PRICE £36.66 + £3.50 P&P.**
 - 12" 100 WATT C12100TC TWIN CONE) HIGH POWER WIDE RESPONSE, P.A., VOICE, DISCO. RES. FREQ. 45Hz FREQ. RESP. TO 14KHz SENS. 100dB. **PRICE £37.63 + £3.50 P&P.**
 - 12" 200 WATT C12200B HIGH POWER BASS, KEYBOARDS, DISCO, P.A. RES. FREQ. 40Hz FREQ. RESP. TO 7KHz SENS. 100dB. **PRICE £64.17 + £3.50 P&P.**
 - 12" 300 WATT C12300GP HIGH POWER BASS LEAD GUITAR, KEYBOARDS, DISCO, ETC. RES. FREQ. 45Hz FREQ. RESP. TO 5KHz SENS. 100dB. **PRICE £85.79 + £3.50 P&P.**
 - 15" 100 WATT C15100BS BASS GUITAR, LOW FREQUENCY, P.A., DISCO. RES. FREQ. 40Hz FREQ. RESP. TO 5KHz SENS. 98dB. **PRICE £53.70 + £4.00 P&P.**
 - 15" 200 WATT C15200BS VERY HIGH POWER BASS. RES. FREQ. 40Hz FREQ. RESP. TO 4KHz SENS. 99dB. **PRICE £73.26 + £4.00 P&P.**
 - 15" 250 WATT C15250BS VERY HIGH POWER BASS. RES. FREQ. 40Hz FREQ. RESP. TO 4KHz SENS. 99dB. **PRICE £80.53 + £4.50 P&P.**
 - 15" 400 WATT C15400BS VERY HIGH POWER, LOW FREQUENCY BASS. RES. FREQ. 40Hz FREQ. RESP. TO 4KHz SENS. 102dB. **PRICE £94.12 + £4.50 P&P.**
 - 18" 400 WATT C18400BS EXTREMELY HIGH POWER, LOW FREQUENCY BASS. RES. FREQ. 27Hz FREQ. RESP. TO 3KHz SENS. 99dB. **PRICE £167.85 + £5.00 P&P.**

EARBENDERS:— HI-FI, STUDIO, IN-CAR, ETC.

- ALL EARBENDER UNITS 8 OHMS EXCEPT EB8-50 AND EB10-50 DUAL 4 AND 8 OHM. BASS, SINGLE CONE, HIGH COMPLIANCE, ROLLED FOAM SURROUND**
- 8" 50 WATT EB8-50 DUAL IMPEDENCE, TAPPED 4 8 OHM BASS, HI-FI, IN-CAR. RES. FREQ. 40Hz FREQ. RESP. TO 7KHz SENS. 97dB. **PRICE £8.90 + £2.00 P&P.**
 - 10" 50 WATT EB10-50 DUAL IMPEDENCE, TAPPED 4 8 OHM BASS, HI-FI, IN-CAR. RES. FREQ. 40Hz FREQ. RESP. TO 5KHz SENS. 99dB. **PRICE £12.00 + £2.50 P&P.**
 - 10" 100 WATT EB10-100 BASS, HI-FI, STUDIO. RES. FREQ. 35Hz FREQ. RESP. TO 3KHz SENS. 96dB. **PRICE £27.50 + £3.50 P&P.**
 - 12" 60 WATT EB12-60 BASS, HI-FI, STUDIO. RES. FREQ. 28Hz FREQ. RESP. TO 3KHz SENS. 92dB. **PRICE £21.00 + £3.00 P&P.**
 - 12" 100 WATT EB12-100 BASS, STUDIO, HI-FI, EXCELLENT DISCO. RES. FREQ. 28Hz FREQ. RESP. TO 3KHz SENS. 93dB. **PRICE £32.00 + £3.50 P&P.**
 - FULL RANGE TWIN CONE, HIGH COMPLIANCE, ROLLED SURROUND**
 - 5 1/2" 60 WATT EB5-60TC (TWIN CONE) HI-FI, MULTI-ARRAY DISCO ETC. RES. FREQ. 63Hz FREQ. RESP. TO 20KHz SENS. 92dB. **PRICE £9.99 + £1.50 P&P.**
 - 6 1/2" 60 WATT EB6-60TC (TWIN CONE) HI-FI, MULTI-ARRAY DISCO ETC. RES. FREQ. 38Hz FREQ. RESP. TO 20KHz SENS. 94dB. **PRICE £10.99 + £1.50 P&P.**
 - 8" 60 WATT EB8-60TC (TWIN CONE) HI-FI, MULTI-ARRAY DISCO ETC. RES. FREQ. 40Hz FREQ. RESP. TO 18KHz SENS. 89dB. **PRICE £12.99 + £1.50 P&P.**
 - 10" 60 WATT EB10-60TC (TWIN CONE) HI-FI, MULTI-ARRAY DISCO ETC. RES. FREQ. 35Hz FREQ. RESP. TO 12KHz SENS. 86dB. **PRICE £16.49 + £2.00 P&P.**

TRANSMITTER HOBBY KITS

- PROVEN TRANSMITTER DESIGNS INCLUDING GLASS FIBRE PRINTED CIRCUIT BOARD AND HIGH QUALITY COMPONENTS COMPLETE WITH CIRCUIT AND INSTRUCTIONS**
- 3W FM TRANSMITTER** 80-108MHz, VARICAP CONTROLLED PROFESSIONAL PERFORMANCE, RANGE UP TO 3 MILES, SIZE 38 x 123mm SUPPLY 12V @ 0.5AMP. **PRICE £14.49 + £1.00 P&P.**
 - FM MICRO TRANSMITTER (BUG)** 100-108MHz VARICAP TUNED COMPLETE WITH VERY SENS. FET MIC. RANGE 100-300m. SIZE 56 x 46mm SUPPLY 9V BATT. **PRICE £8.62 + £1.00 P&P.**



POSTAL CHARGES PER ORDER £1.00 MINIMUM. OFFICIAL ORDERS WELCOME FROM SCHOOLS, COLLEGES, GOVT BODIES, ETC. PRICES INCLUSIVE OF V.A.T. SALES COUNTER. VISA ACCESS ACCEPTED BY POST, PHONE OR FAX.



* PRICES INCLUDE V.A.T. * PROMPT DELIVERIES * FRIENDLY SERVICE * LARGE S.A.E., 30p STAMPED FOR CURRENT LIST.

OMP VARISPEED TURNTABLE CHASSIS



* MANUAL ARM * STEEL CHASSIS * ELECTRONIC SPEED CONTROL 33 & 45 * WARI PITCH CONTROL * HIGH TORQUE SERVO DRIVEN DC MOTOR * TRANSIT SCREWS * 12" DIE CAST PLATTER * NEON STROBE * CALIBRATED BAL WEIGHT * REMOVABLE HEAD SHELL * CARTRIDGE FIXINGS * CUE LEVER * POWER 220 240V 50 60Hz * 390 x 305mm * SUPPLIED WITH MOUNTING CUT OUT TEMPLATE. **PRICE £59.99 + £3.50 P&P.**

OPTIONAL MAGNETIC CARTRIDGES

- STANTON AL500** PRICE £16.99 + 50p P&P
- GOLDRING G850** PRICE £6.99 + 50p P&P

OMP MOS-FET POWER AMPLIFIERS, HIGH POWER, TWO CHANNEL 19 INCH RACK



THOUSANDS PURCHASED BY PROFESSIONAL USERS

NEW MXF SERIES OF POWER AMPLIFIERS
THREE MODELS:— MXF200 (100w + 100w)
MXF400 (200w + 200w) MXF600 (300w + 300w)
All power ratings R.M.S. into 4 ohms.

FEATURES: * Independent power supplies with two Toroidal Transformers * Twin L.E.D. Vu meters * Rotary indexed level controls * Illuminated on/off switch * XLR connectors * Standard 776mV inputs * Open and short circuit proof * Latest Mos-Fets for stress free power delivery into virtually any load * High slew rate * Very low distortion * Aluminium cases * MXF600 Fan Cooled with D.C. Loudspeaker and Thermal Protection.

USED THE WORLD OVER IN CLUBS, PUBS, CINEMAS, DISCOS ETC.

- SIZES:—** MXF 200 W19 x H3 1/2" (2U) x D11"
MXF 400 W19 x H5 1/4" (3U) x D12"
MXF 600 W19 x H5 1/4" (3U) x D13
- PRICES:—** MXF200 £171.35
MXF400 £228.85
MXF600 £322.00
- SECURICOR DELIVERY £12.00 EACH

OMP LINNET LOUDSPEAKERS

THE VERY BEST IN QUALITY AND VALUE

MADE ESPECIALLY TO SUIT TODAY'S NEED FOR COMPACTNESS WITH HIGH OUTPUT SOUND LEVELS, FINISHED IN HARDWEARING BLACK VYNIDE WITH PROTECTIVE CORNERS, GRILLE AND CARRYING HANDLE. INCORPORATES 12" DRIVER WITH HIGH FREQ. HORN FOR FULL FREQ. RANGE 45Hz-20KHz BOTH MODELS 8 OHM. SIZE H18" x W15" x D12"

CHOICE OF TWO MODELS

POWER RATINGS QUOTED IN WATTS RMS FOR EACH CABINET

OMP 12-100 (100W 100dB) PRICE £159.99 PER PAIR
OMP 12-200 (200W 102dB) PRICE £209.99 PER PAIR

SECURICOR DEL.— £12.00 PER PAIR

OMP SLIDE DIMMER 1K WATT & 2.5K WATT

CONTROLS LOADS UP TO 1KW & 2.5KW SUITABLE FOR RESISTIVE AND INDUCTIVE LOADS BLACK ANODISED CASE READY V FLUSH MOUNTED THROUGH PANEL CABINET CUT-OUTS ADVANCED FEATURES INCLUDE—

- FULL 1.65mm SLIDF TRAVEL
- NFON MONITOR INDICATOR
- FLASH OVERRIDF BUTTON
- HIGH & LOW I.F.V.F.I. PRESFTS
- FULLY SUPPRESSFSD TO RS 800

SIZES:— 1KW H128 x W40 x D55mm
2.5KW H128 x W76 x D79mm

PRICES:— 1K WATT £15.99
2.5K WATT £24.99 + 60p P&P

PIEZO ELECTRIC TWEETERS—MOTOROLA

PIEZO ELECTRIC TWEETERS—MOTOROLA

Join the Piezo revolution. The low dynamic mass (no voice coil) of a Piezo tweeter produces an improved transient response with a lower distortion level than ordinary dynamic tweeters. As a crossover is not required these units can be added to existing speaker systems of up to 100 watts (more if 2 put in series). **FREE EXPLANATORY LEAFLETS SUPPLIED WITH EACH TWEETER.**

- 'TYPE A' (KSN2036A)** 3" round with protective wire mesh, ideal for bookshelf and medium sized Hi-Fi speakers. **Price £4.90 each + 50p P&P**
 - 'TYPE B' (KSN1005A)** 3 1/2" super horn. For general purpose speakers, disco and P.A. systems etc. **Price £5.00 each + 50p P&P.**
 - 'TYPE C' (KSN6016A)** 2" x 5" wide dispersion horn. For quality Hi-Fi systems and quality discos etc. **Price £6.99 each + 50p P&P.**
 - 'TYPE D' (KSN1025A)** 2" x 6" wide dispersion horn. Upper frequency response retained extending down to mid range (2KHz). Suitable for high quality Hi-Fi systems and quality discos. **Price £9.99 each + 50p P&P.**
 - 'TYPE E' (KSN1038A)** 3 1/4" horn tweeter with attractive silver finish trim. Suitable for Hi-Fi monitor systems etc. **Price £5.99 each + 50p P&P.**
- LEVEL CONTROL** Combines on a recessed mounting plate, level control and cabinet input jack socket. 85x85mm. **Price £3.99 + 50p P&P.**

STEREO DISCO MIXER

STEREO DISCO MIXER with 2 x 5 band L & R graphic equalisers and twin 10 segment L.E.D. Vu Meters. Many outstanding features 5 inputs with individual faders providing a useful combination of the following:—

- 3 Turntables (Mag), 3 Mics, 4 Line including CD plus Mic with talk over switch Headphone Monitor.
- Pan Pot L & R. Master Output controls.
- Output 775mV. Size 360 x 280 x 90mm. Supply 220-240v.

Price £134.99 — £4.00 P&P



B. K. ELECTRONICS Dept PE
UNIT 5, COMET WAY, SOUTHEND-ON-SEA, ESSEX, SS2 6TR
TEL: 0702-527572 FAX: 0702-420243

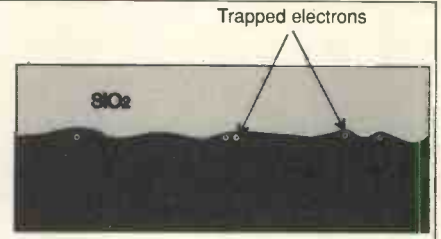
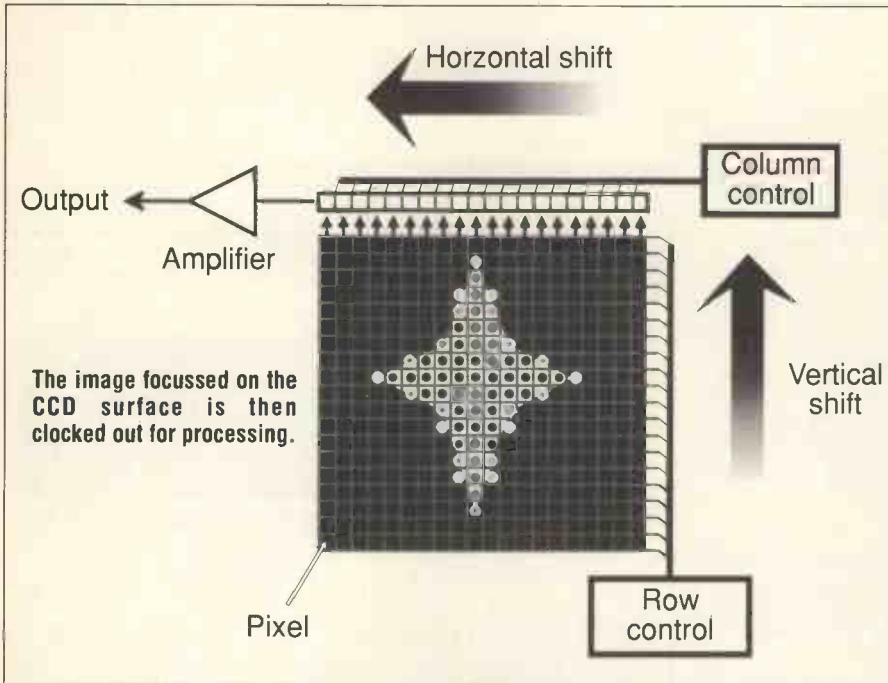


Fig. 2. Fabrication irregularities.

large and expensive cooling systems, the second means that exposure times are reduced. In astronomy, the cooling technique tends to be used since longer exposure times are necessary and collecting an extra one or two photons may mean the difference between seeing a star and not.

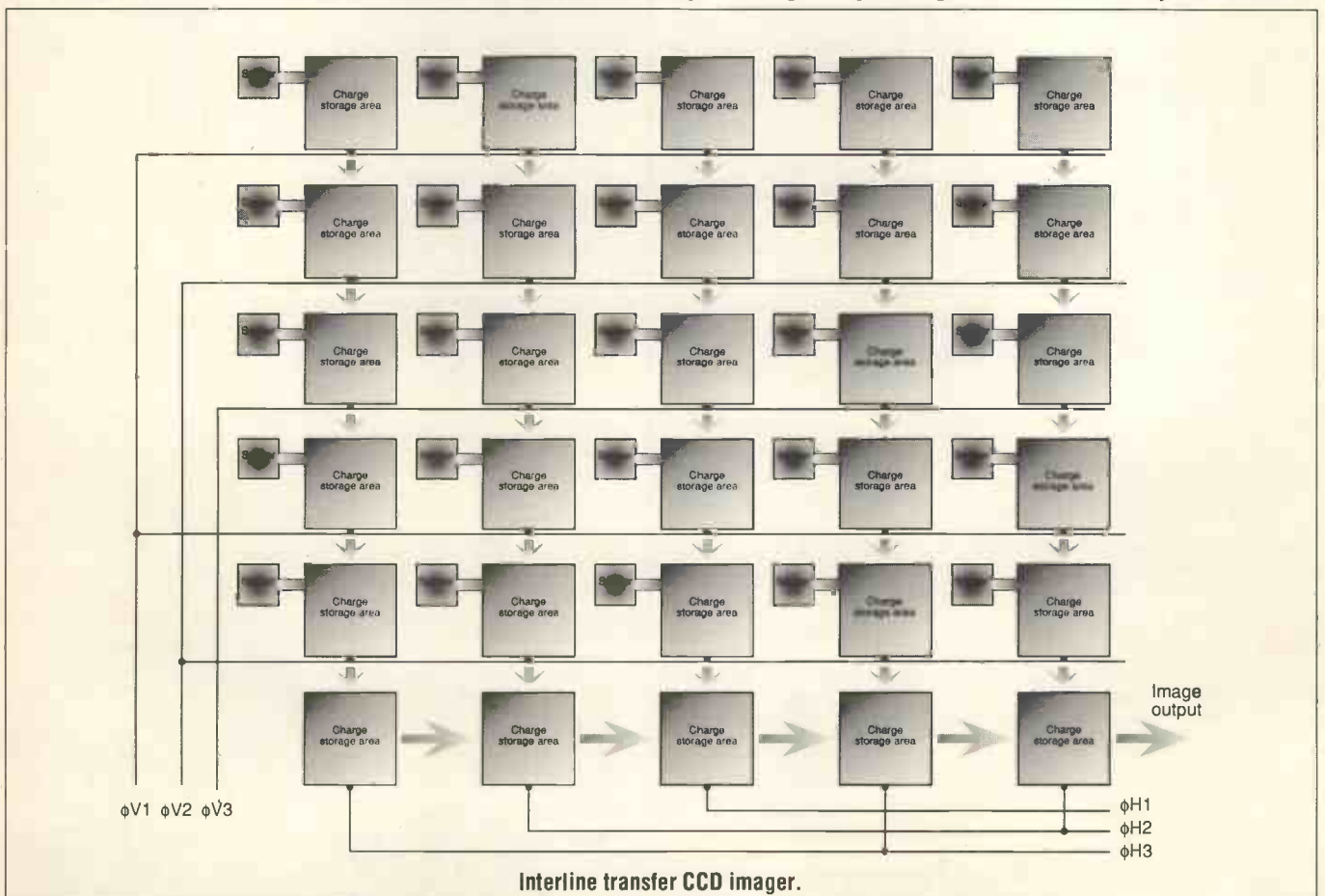
On The Surface

Two main types of fabrication are used to produce CCDs, surface channel (SCCD) and buried channel (BCCD). The channel is the area of the chip where the depletion region occurs and the electrons are stored. Unfortunately, SCCDs suffer from a lack of transfer efficiency due to the join between the silicon substrate and the silicon dioxide insulating layer. This tends to be irregular and traps electrons as they are clocked

Unfortunately, this dark current is generated at random so it can't easily be extracted at the output stage of the system. As the content of each well is moved on to the next, a number of dark current electrons will be added to it. In very large arrays, the electrons from each well may have to be moved quite a long way (up to 2000 shifts or more)

with dark current being added at each clocking stage. This causes the final data to be almost completely but not quite inaccurate.

Two main solutions are possible. One is to lower the temperature of the silicon so that the thermal noise is reduced and the other is to clock the array at a higher speed. The first has the disadvantage of requiring



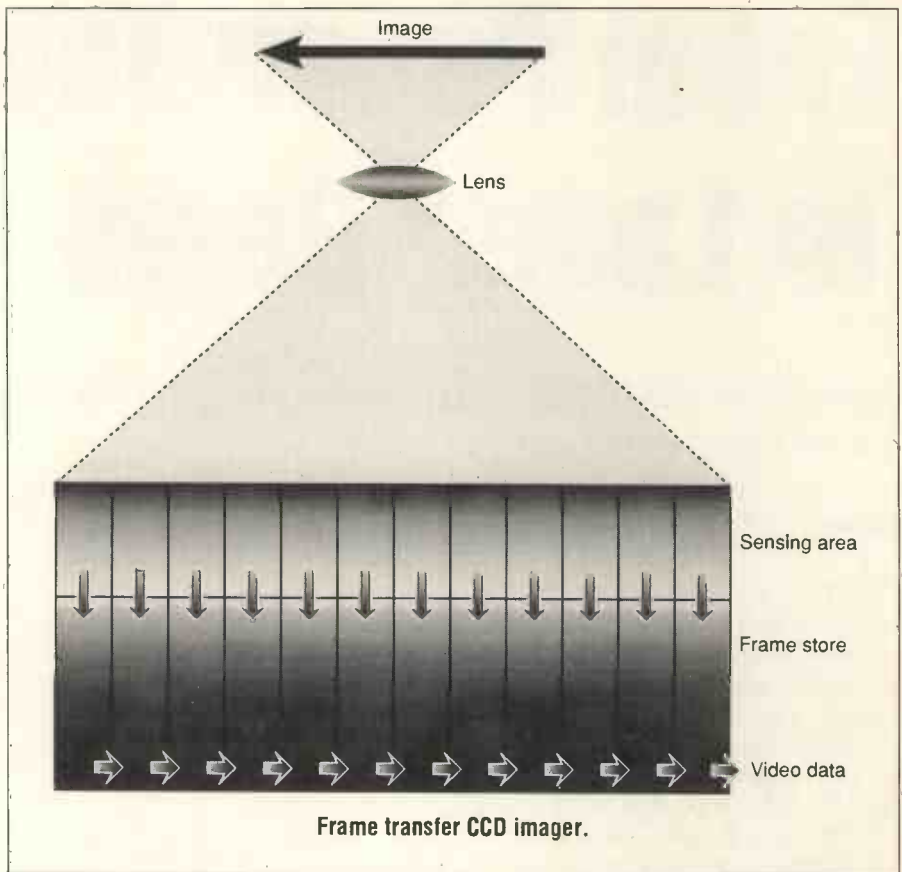
across the chip. (Fig n). A solution is to use BCCD where the channel is held within the silicon layer, away from the surface join. All of the early designs were SCCDs because the charges could only be stored and manipulated near the surface of the silicon. The later development of BCCD proved to be a big step forward.

In The Frame

One way or another, the main uses for CCDs lie in the field of image sensing. They have the advantages of being small, robust and require relatively low voltages and power compared to the Vidicon tube type systems they have replaced. The wavelength response ranges from around 450nm to 1000nm with the image degrading at the higher end because infra red photons penetrate deeper into the substrate.

Image sensing CCDs fall into two categories, linear imaging devices (LID) and area imaging devices (AID). The first are used in systems that scan, for example, fax machines. A LID of up to 2048 pixels is used to scan the image on the paper as it is passed through the machine. The information is then coded and transmitted to the receiving system. Other systems that use LIDs are fingerprint sensors, aerial mappers and bar code readers.

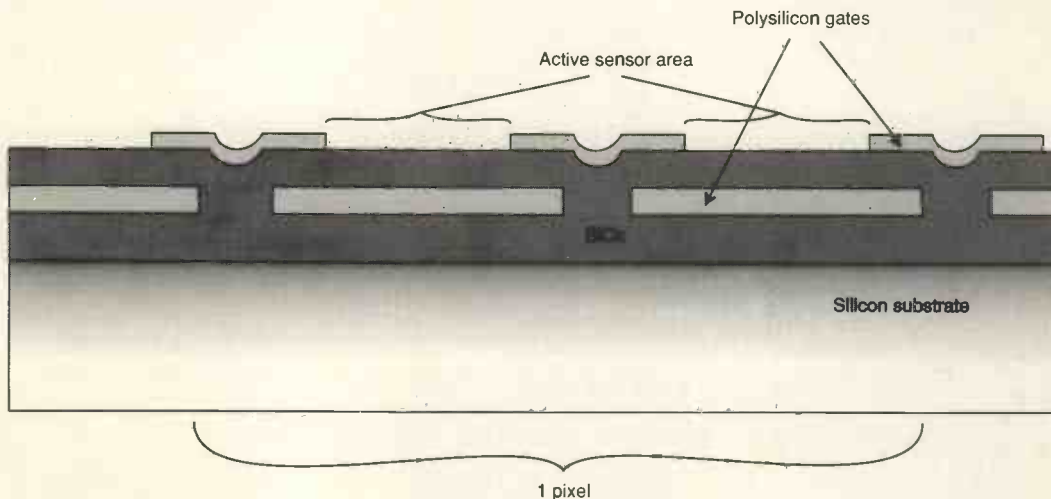
The more familiar CCD is the AID used in most miniature video cameras and by pretty well all astronomers. It is a two dimensional array of sensors, each reading a pixel (picture element) of an image



focussed on it. Because the image is sensed in one go, the array 'sees' the incident light and creates the relevant electrons in parallel. Because the clocking of the data off the chip takes a certain amount of time, a double buffering system has been developed to get the data through the system faster. In one way, which uses a BCCD, each sensor in the array has an associated charge store. When the exposure is complete, the electrons from each pixel are transferred to its adjacent store allowing the next

image to be formed on the sensors. During this exposure period the charge stores are clocked across the chip in parallel into a linear store which is then clocked off the chip via an amplifier to form the video data stream.

An alternative method uses two layers, the top of which is exposed to the image. After the exposure is complete, the electrons are transferred down to the next layer which operates as a normal CCD allowing the data to be clocked off the chip. ■



Cross section of a typical polysilicon gate structure as used in CCD cameras.

From Paper Tape To Laser Beam

Anne Sutton climbs down the family tree of the disk drive finding that some of its ancestors were not so primitive after all.

The first digital storage device, the punched card, was invented in the 1800s to control weaving machines and player pianos. Made from stiff pieces of paper, specially positioned holes were used to switch parts of the machine on and off. By the end of the century they had become quite widespread and were used help analyse the data from the 1890 US census.

The next step from the punched card was the punched tape. This also stored data as holes but had the advantage of being faster to read – originally around 30 characters per second with mechanical systems and modern optical readers operating at 300 character per second or so, the system still being used in some places.

In 1945 a group of scientists led by John von Neumann, one of the fathers of the computer, reported that if a machine is to be able to deal with large computations, it

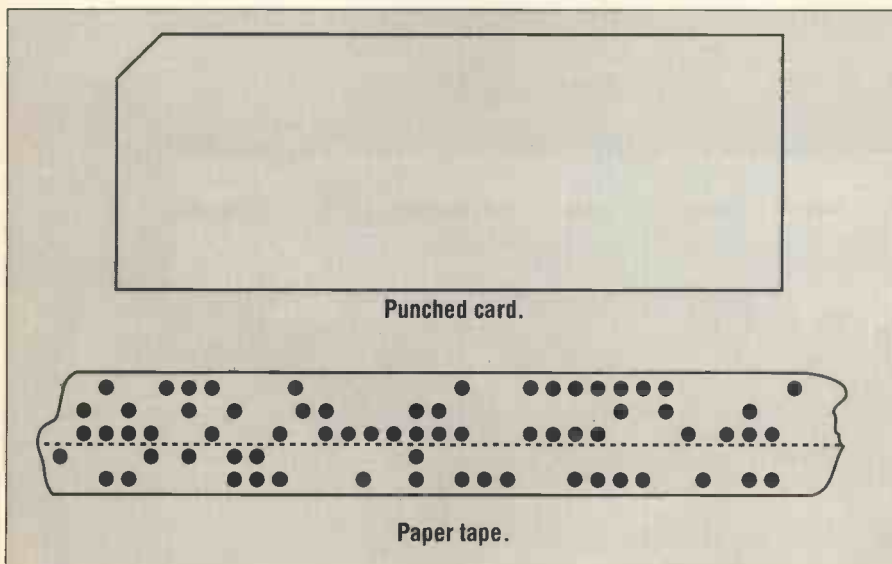
must have a storage capacity of at least 1000 ten digit numbers. This was fifty times the capability of ENIAC (Electronic Numerical Integrator And Calculator), the world's first electronic computer designed in 1946.

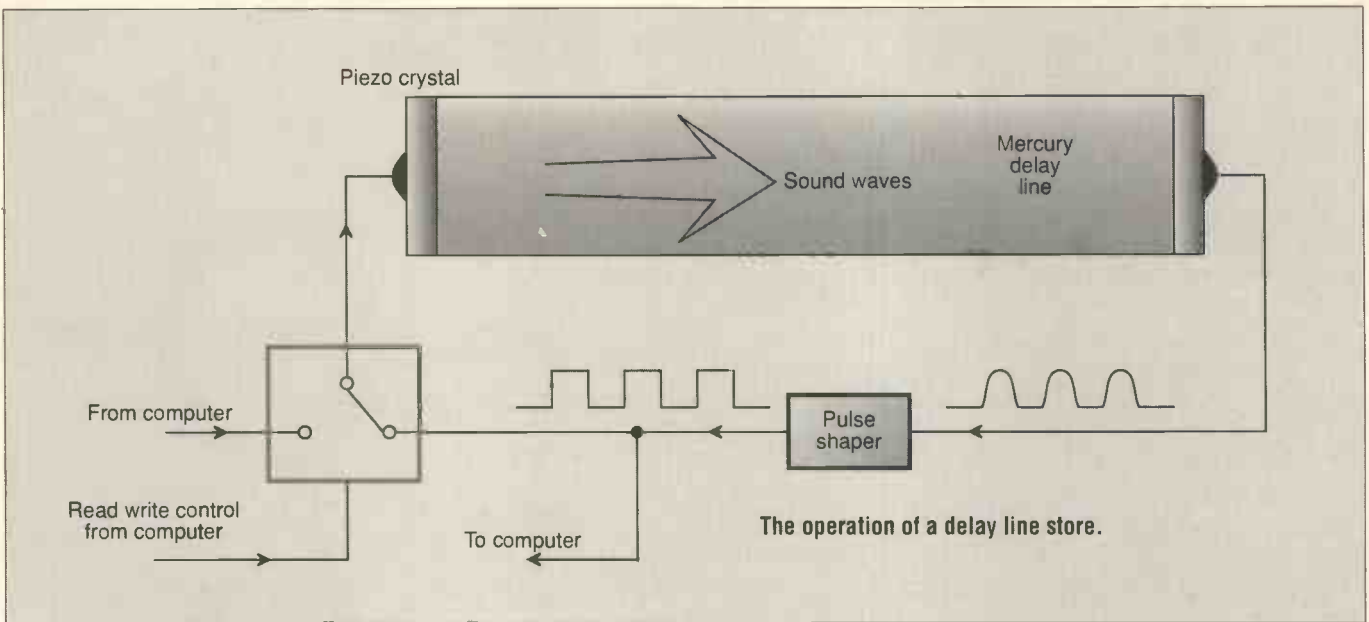
The EDSAC (Electronic Delay Storage Automatic Calculator) built at Cambridge University in 1949 and the National Physical Laboratory's ACE Pilot, built in 1950 used the idea of a delay line to store information. The data in computer travels from place to place at the speed of light. Sound waves move much more slowly and it is possible to use it to store a train of bits. Converting the electrical pulses to sound pulses with a piezo electric crystal at one end of a tube of mercury and picking them up again at the other end, a delay of around 1000th of a second could be obtained. Once a train of pulses has been inserted, they can be fed around and around by using a pulse shaper and a feedback loop.

The computer can read the store at any time and write to it by switching a new set of pulses in. Incredibly, this type of memory unit was still in use in 1970 in some electronic desk-top calculators.

Another early idea was the Williams tube which used a cathode ray tube's long persistence to store data in a grid or array format. This began the idea of random access – the ability to get at any part of the information in the store, without having to start at the beginning and read through to the end. The data was stored as small charged areas on the end of the tube. The data would be written and regenerated by the electron beam scanning across the face of the tube. By arranging for a charged area to be a one, a row of charges to be a word and a column of words to form the store, the data could be accessed in a random manner – the time taken for the electron beam of the CRT to scan any particular row being the same. Both the idea of random access and regeneration are still around in dynamic RAMs which have to have their information refreshed before it leaks away and are completely random access.

A form of storage that has also filtered through to modern systems, and is the direct ancestor to the floppy disk, is the magnetic drum. Invented in 1947 it consisted of a vertical spinning cylinder coated with a magnetic medium. A set of read/write heads were positioned up the side, each having its own track. The data could be written and read from each track at will and with a speed of around 2000 rpm, the access time would be about 15ms.





The operation of a delay line store.

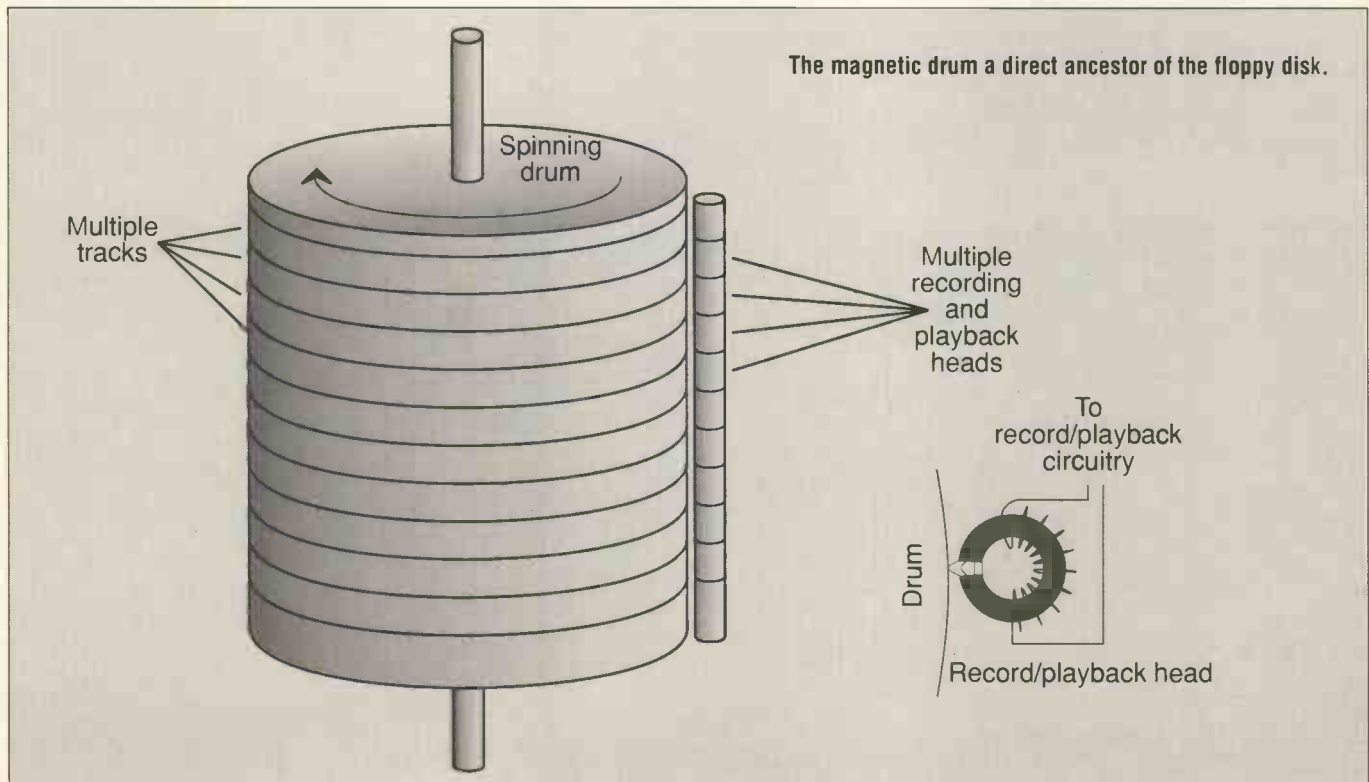
The first high speed memory came in the form of a series of ferrite torroids or "cores" strung together on pieces of wire. When the current through the wire (known as the write wire) flows in one direction, the magnetic field induced in the core is in a corresponding direction. Reversing the current flow reverses the magnetic field. By using a large enough current, the ferrite is magnetised to saturation and the core remains magnetised when the current is switched off. The two directions can be regarded as on and off and are read by another

wire, the sense wire. By placing the current which defines a zero on the write wire, any cores which are already zero remain that way. Any cores which are at one will flip over and become zero. This "flip" induces a small current in the sense wire telling the system that the core was in the one state. Unfortunately, this changes the one to a zero and the data must be re-written after the read - destructive reading. This works well for a single core and a complete memory can be built up from a number number of cores strung together in an array and placed in layers. Core memory

formed an important storage medium from its invention in 1955 until the widespread use of integrated circuits in the mid to late 70s.

Off The Line

As computer developed from laboratory curiosities into machines that could do a serious days work, the need for mass storage increased. The on-line stores were used for the information being processed by the computer. Off-line stores where were all of the results and collated data were kept and the demand for



The magnetic drum a direct ancestor of the floppy disk.

At The Core

The trick to making an array of core memory devices is to use two write wires at right angles to each other. Each carries half the necessary current to magnetise the core. As one of the write wires passes through a core with half the write current, nothing happens. However, where the two wires cross, the full magnetic field is generated and the data is written.

The operation of a magnetic core depends on the magnetic hysteresis of the material used to make it. This has a very square loop as shown in Fig. a. To begin with, the magnetic field within the core is either at point 3 or point 1 defining a binary one or zero respectively. As the magnetising current is decreased from zero the magnetic field within the core eventually flips down to point 4 and as the current is reduced the field ends up at point 1 – binary zero. Increasing and then decreasing the current flips the core from point 1 to point 3 via point 2, writing a binary one.

A read-write cycle pulses half-write negative currents on the write wires that cross at the required core. The aim is to find, out via the sense wire, whether the core moves to point 4 from point 2 or point 1. The second part of the cycle pulses the half-write wires in the positive direction. If the core was at point 3 to begin with, this will send it back there via point 5. If the core was a zero, the first pulses will have caused it to flip, generating a current in the sense wire. In this case the inhibit wire is given a negative half-write pulse during the second phase of the read-write cycle. This counteracts vertical half-write pulses and the core only moves from point 1

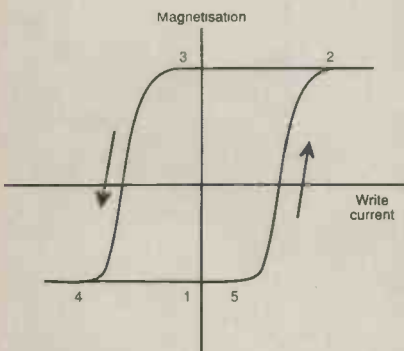
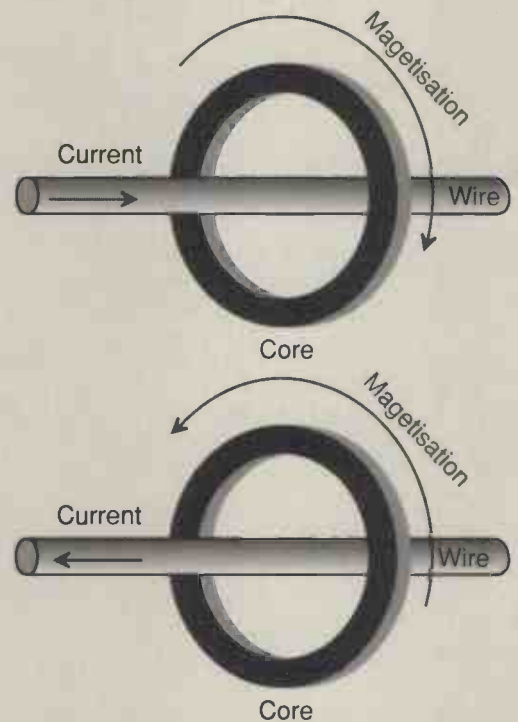


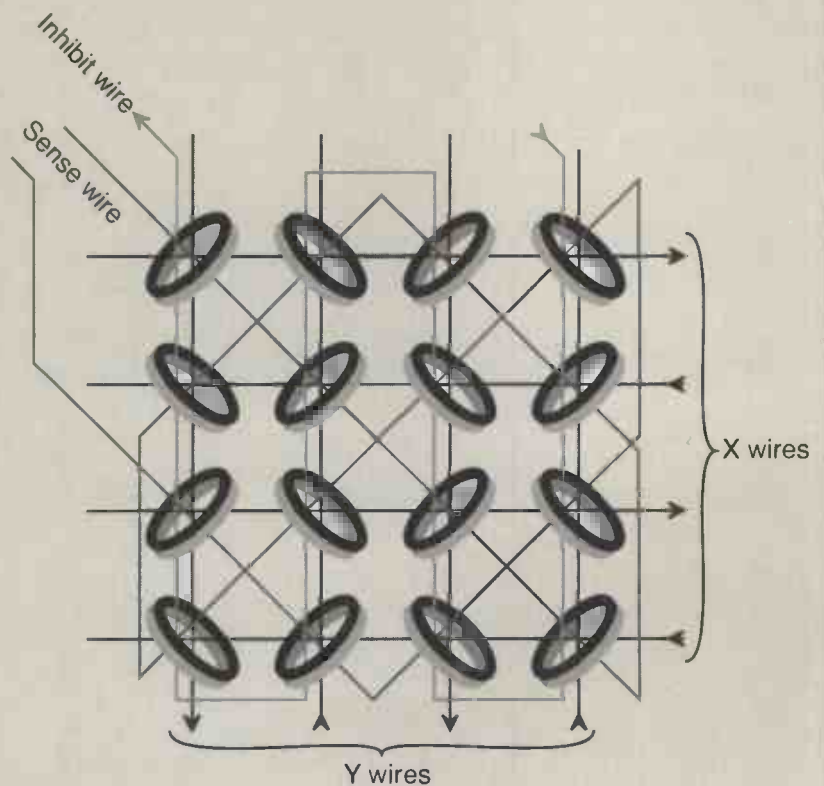
Fig. a. The square loop characteristic of a core.

to point 5 and back. This inhibit can't affect any unselected core since it only supplied a half-write pulse and doesn't coincide with others to make a full-write.

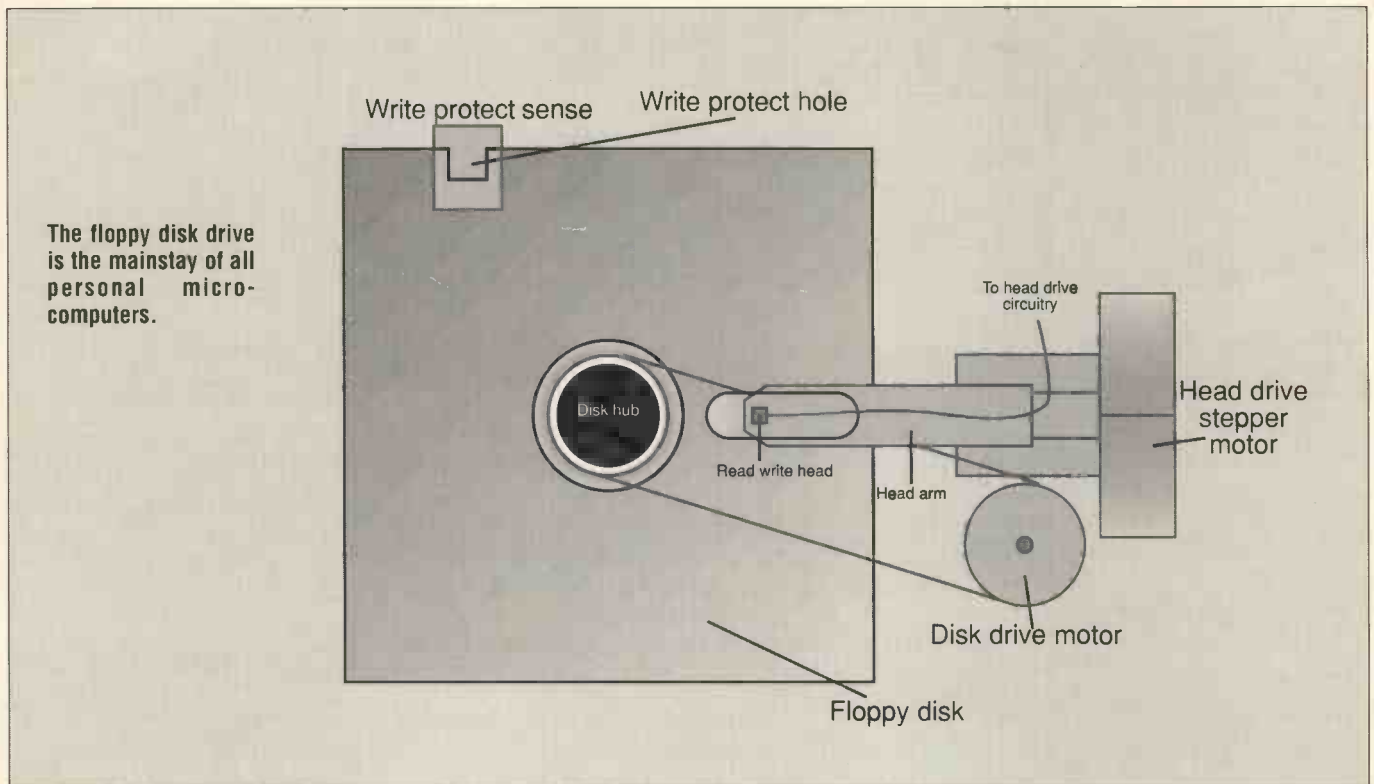
To create a memory, the cores are threaded into a square matrix, say 128x128. A number of these corresponding to the number of bits in a word are then stacked together to form a complete memory of 16384 words. Access times of as little as 500ns are possible but since the read occurs only during the first half of the cycle the re-write that must be performed to complete the process can take up to 6µs. It is up to the programmer to optimise the program to make best use of the core cycles to speed things up.



The current flow in different directions creates opposite magnetic fields in the cores.



Magnetic cores strung together to make a memory array.



bigger and faster systems was great from the very beginning.

The first high density mass store was the reel to reel tape recorder. Using a technology developed in the 1930, IBM developed its first digital system in 1945. By the 1950s plastic backed tape replaced the all metal systems and along with improved coding methods the tape became the major off-line storage medium. Generally, only four or five tapes could actually be hooked up to the computer at any one time. Others would be kept in cupboards and human operators would load them up when requested by the computer. This is a system that is still used in many large mainframe data processing companies though as the capacity of other mass storage systems increases, the tape changeovers become less and less.

The most obvious drawback with a tape is that it is not random access. To get at any section of it means winding through from one end. This makes it slow and inefficient. The solution was the invention of the hard disk drive. Based on the magnetic drum idea this originally consisted of solid circular platters about 1ft in diameter, coated with magnetic material on both upper and lower surfaces. Ten of these are assembled on a central shaft with the read/write heads passing between them, one for each surface. Using a

stepper motor to move the head supports in and out, over 100 tracks could be defined on the disk surface. An added feature was that the arms could be retracted completely and the ten-pack of disks removed from the machine allowing them to be filed separately in the same way as tapes.

With the advent of the personal computer in the 70s, the need for a storage system rather smaller than the average washing machine became quite urgent. Many hobbyists turned to the compact cassette which still occupies its niche for the distribution of software - mainly computer games. Unfortunately, this had the same old disadvantages of all other tape systems, it was slow and not random access. In 1975, Shugart Associates invented the 8in floppy disk. These were rather large for the personal computer market so in 1976 the company brought out the SA400, a 5.25in floppy with 110kb storage capacity. This was the perfect size for personal computers and went on to become the industry standard. Indeed, it is still the standard, its capacity increased 10 fold. There are other sizes, the most common and the main competitor, being the 3.5in. Others such as 3in and 2in have not really taken off and all will one day be replaced by the new optical storage technology.

Using a laser beam to modify the

structure of a disk and then read it back lead to the introduction of the WORM (Write Once Read Many times) drive in 1983. Current systems are able to store around 1Gb (10⁹) and offer full random access plus traceable backups on a 5.25in disk. In the near future, fully read and writable optical disks should become available - they have already been announced for the audio market. Also forming a link to the audio market are compact disk ROMs. These offer publishers the opportunity to sell large volumes of information on small, easy to access disks. These include dictionaries, encyclopedias, reference works, manuals, telephone directories, the list is getting longer every day.

The immediate future seems to lie with optical systems since they offer an increase in storage density by a factor of 1000. However, judging by the past demands of the computing community, the next increase will have to be by a factor of 1,000,000 which moves into the realms of such Sci-fi/current research ideas as molecular stores and 3D crystal memories. The stage where everybody can have every published work available at the press of a button is not too far off, the only problems will be making good use of it all and keeping it up to date. ■

PACKS PACKS

LOTS MORE IN OUR CATALOGUE!

K539 LED Pack. Not only round but many shaped LEDs in this pack in red, yellow, green, orange and clear. Fantastic mix of new full spec devices.

Price 100/£5.95; 250/£11.75

K575 Plastic Power Pack. Mainly T0126 and T0220 transistors, SCRs, Triacs etc. All new full spec marked devices offering fantastic value. Lots of TIP and BD types.

Price 50/£7.50

INDICATOR PACK

K700 Big variety of neons in this pack! Round, square and oblong, clip and screw fix. Red, Green, Amber and Clear. Tag & wire-ended. All are 110V, but suitable resistors for use on mains are included. Really great value for money!

Price 20/£2.50

K805 M2 screws. Good mix, this. Cheesehead, c/s, pan, mostly pozl, few slot. Lengths to 12mm. All steel with various plating

Pack of 100 £1.80

K806 M2.5 screws. Various heads - mostly pan and c/s pozl. All plated steel. Lengths to 10mm.

Pack of 100 £1.50

K807 M3 screws. Good selection of sizes including a few brass. Most heads. Lengths to 35mm.

Pack of 100 £1.50

K808 M4 screws. Huge variety! Pan, c/s, cheese, set, slot, pozl. From 4.50mm long. All steel, plated, black/hi-tensile.

Pack of 100 £1.60

K809 M5 screws. As above.

Pack of 100 £2.00

MOTOR + GEAR PACK

K579. This pack contains 10 assorted battery powered motors (mostly 3V) + 90 gears etc; 16-60mm dia + worms and shafts. Amazing value.

Price Only £7.95

K708 Voltage Regulators. This is an excellent pack, made up from a huge variety of the +ve, -ve, fixed and variable regulators from 1.2V to 37V, 100mA to 5A, plastic and metal.

Price 20 for £6.95

K709 Bridge Rectifiers. Another superb value pack - could include anything from 1/2 amp to 35A, 25V to 1000V, plastic and metal.

Price 20 for £5.95

K710 SCR's & TRIACS. Big mixture could include all types from T092 plastic up to D05 stud mounting with a chance of everything in between! 25V to 1000V, 100mA to tens of amps. Marvellous value.

Price 25 for £4.95

K711 74 Logic Pack. All brand new full spec devices from basic gates to complex logic. May include 54 & 64 types as well as 74 in L, LS, S, ALS, H, HC, HCT, etc.

Price per pack of 100 £6.00

K712 Crystals. Mostly HC60 and HC18U in a wide variety of frequencies from a few hundred kilohertz to many megahertz and the odd crystal oscillator module or two.

Price 20 for £4.95

K713 Fuseholders. Panel and chassis mounting from a basic clip to high current enclosed types for 15, 20 and 32mm fuses.

Price for pack of 50 £4.00

K714 Power Supply Capacitors. All cans, mostly computer grade including popular values like 10,000µ, 40V etc. Big mix of values and voltages up to 100V or more and 50,000µF.

Price for box of 25 £12.50

K536 Bonanza Pack of 74 series chips on panels. 200+ chips, may include L, LS, H, HC, HCT etc. (These are actually the Z8900 computer panels with all the memory missing.)

Price £7.00

GLUE GUNS

87-0400 Hot melt glue gun. Electronically controlled heating element which melts the long stick of glue when inserted. Trigger feed. Mains operated. Normally sells for £8.60.

Our price £4.95

Glue sticks - pack of 10 £1.00

Multiturn Trimpots from 14p - details in B/L 68.

Grey ribbon cable 100ft reels.

Z30176 14 way £6.00

Z30197 16 way £8.00

Bulk LED's from 2p - See B/L 68.

VISTEL II VISUAL TELEPHONE

Total communication for deaf people - this brilliant piece of equipment has a full QWERTY keyboard and 40 character screen. Text editor. 9,500 character memory. Auto answer. Auto dial. Calculator. Printer Interface. RS232 (V24/28) serial interface. Modem support V21/23/25. These are new and boxed but because the makers are bankrupt, there's no guarantee. Originally sold for over £500. A comprehensive 143 page instruction manual is provided. (Manual only - send £12, £10 refunded on return).

Our special price

£150.00

ASCII KEYBOARD

5V supply, switch on board changes output to emulate AT or XT keyboards. 94 keys, but 18 do not have caps. 20 keys have removeable tops. Size 350 x 145mm.

Order Code Z8922

Price £12.00

NEW SMPSU

Z8921 'Apricot' PSU. Beautiful unit 160x110x55mm with switched IEC mains inlet. Made by Astec, BM43024. 120/240V input. Outputs +5V @ 2.5; +12V @ 2A.

Price £12.95

LCD DISPLAY

Z2123 8 digit 10mm high. No edge connector, so

ONLY £1 100 + 0.50

MODEL RAILWAY PSU

Z8897 Panel 185 x 105mm with mains I/P & 2 x 5V 1A outputs + fully variable 0-12V 1.5A output (needs 3 components (supplied) to be fitted). 5 x 12V relays with 10A c/o contacts controlled by transistor circuits. Screw terminals on I/P and O/P. Supplied with circuit and wiring diagram.

Price £19.95

1991 CATALOGUE + SPRING SUPPLEMENT

YOU GET A GREAT DEAL MORE WHEN YOU DEAL WITH GREENWELD!!

The 1991 Greenweld Catalogue is out NOW!

- ★ Many substantial reductions
- ★ Quantity pricing for bulk buyers
- ★ 132 pages of value-packed goods + a further 48 pages in 2 supplements
- ★ Next 6 updates plus lists included in price
- ★ Easy to use order form
- ★ 1st class reply paid envelope
- ★ Our famous Bargain List

Price to include Catalogue, current bargain list and next 6 lists. All supplied with reply paid envelope £2.50 (UK & BFPO) £5.00 Overseas.

Stepper Motors

Superb little 12V motor by Airpax. 35mm dia x 21mm deep with a 16 tooth 9.5mm dia gear wheel mounted on the 2mm dia spindle. Fixing centres 42mm. 7 1/2; 48 step. 100 + price is £9.04.

Order Code Z5045

Prices £4.00 100 + 2.50

Mercury Switches

Metal enclosed, in case 7.5mm dia x 9mm long. 10mm flange one end.

Order Code Z2118

Prices 2 for £1.00

100 + 0.25; 1k + 0.18

4 Digit Displays

LCD 4 digit 12.5mm high with low batt and clock symbol. Complete with edge connector. Can you believe the price?

Order Code Z2119

Prices £1.00 each

25 + 0.60; 100 + 0.45; 1k + 0.35

Driver Chips

For above display. Type ICM 7211 AMIPL. This is a 4 digit LCD decoder driver (µP interface). List £3.69.

Order Code Z2120

Prices £2.00

100 + 1.50; 1k + 1.20

Motor Panels

PCB 92 x 31mm with mercury tilt switch, 2 VTL 10D2 opto slotted switches, length of 11 core cable with socket and stepper motor as described above.

Order Code Z5046

Prices £3.50 100 + 2.20

Controller Boards

PCB 175 x 122mm containing a wealth of components - 80C39 CPU, 4 x TL066, TL094, CMOS and 74 series chips, 8 x T0126 transistors, 13 T092 transistors and lots of R's and C's etc - also a 3V lithium battery. 3 connectors on it go to (a) card reader (b) motor panel & (c) display panel which is identical to our Z027 (P111 of Catalogue).

Order Code Z5047

Prices £3.50 100 + 1.75

Opto Slotted Switch

Vactel Type VTL 10D1 - IR emitter and detector can be removed from the plastic housing if required. An extremely cheap version of TIL100/TIL38!

Order Code Z2122

Prices Pack of 5 £1.00

100 + 0.10; 1k + 0.07

CAMERA BONANZA!

Job lot of returns - famous manufacturer. All are complete and look OK, only minor faults.

Z5028 110mm Manual models include 110LF and 110TF, many have built in flash.

Prices £3.50 ea 5 for £14.00

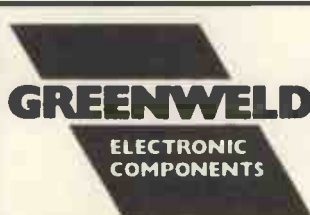
Z5029 110mm Motor driven. Models include 110IF. Prices £4.00 ea 5 for £16.00

Z5030 35mm Manual. Models include 35HL, 806, 35CT, DL10, DL7. Most have built in flash. Prices £4.50 ea 5 for £18.00

Z5031 35mm Motor driven. Models include DL15, 35EM, 35EFM, 35ESM, most with built in flash. Prices £5.50 ea 5 for £22.00

Z5032 Broken cameras. These have parts missing. A parcel of 6 assorted, all 35mm including manual, motor driven, autofocus, twin lens types. Price £15.00

Also some brand new cameras and lenses - SAE for details.



27C PARK ROAD, SOUTHAMPTON, SO1 3TB

SWITCH MODE PSU'S

Totally enclosed Astec Unit 175 x 136 x 65mm with switched and fused IEC inlet.

Model Number: **BM41012**

Input: 115/230V, 50/60Hz

Outputs: +5V 3.75A

+12V 1.5A

-12V 0.4A

Total Wattage: 65W

Prices £14.95; 100 + 11.21
Z8887 Made by STC, this 160 x 100mm PCB is attached to an aluminium chassis 165 x 102 x 65mm and has a single 5V 6A output. Supplied with connection details, we can offer these at fraction of their normal cost!

Prices £5.95; 10 + 4.95; 100 + 3.95

Z8888As above but 5V 10A output.

Prices £8.95; 10 + 6.50; 100 + 5.20

Z8890 DC-DC Converter board Panel 220 x 195 require 50V I/P for 5V 19.5A O/P.

Prices £7.95; 25 + 5.20; 100 + 3.89

We still have good supplies of yet another Astec model. This one is partially cased, the overall size being 160 x 104 x 45mm. The PCB measures 160 x 100mm. Input and Outputs are on flying leads, all colour coded. There is also an additional IEC socket to extend mains to another unit.

Specification:

Model Number **AA12531**

Input 115/230V, 50/60Hz

Outputs +5V 5A

+12V 0.15A

Total Wattage 50W

Price £6.95; 100 + 5.21

Have you purchased the above

AA12531 PSU?

We now supply a conversion kit to

change the outputs to +5V 2.5A; +12V

2A; -12V 0.1A and -5V 0.55A.

K625 Complete kit and instructions.

Price £3.50

K626 Instructions only. Price £1.00

NI-CAD BATTERIES

Regular stocks: AAA £1.20; AA 99p;

C £2.20; D £2.30; PP3 £3.95

Z4150 Ex mobile radio battery.

58 x 63 x 33mm case (sometimes damaged) contains 8 x AA size rechargeable Nicads. These can be removed by breaking the case open.

Each cell rated 1.2V 600mA.

Price £3.00

Z4149 As above but 84 x 66 x 33mm.

There are again 8 cells but they are longer than AA size, being 73mm long.

Each cell rated 1.2V 900mA.

Price £4.50

AAA Nicads by Sanyo

SUPERDEAL PRICE! These superb quality batteries are rated 1.2V 200mAh, and may be charged at 20mA or quick-charged at 60mA. Normally costing around £1.50 each, we can offer these at the SUPERDEAL prices below:

Z2117 AAA Nicad £1.00

25 + 0.75 100 + 0.60

Sealed Lead Acid Batteries

YUASA NP6-12. 12V 6Ah sealed lead acid battery. These have been regularly trickle charged whilst in store. Size 150 x 95 x 65mm. List price £28.00

Order Code Z8918

Prices £14.95 10 + 11.20

YUASA NP10-6. 6V 10Ah, size

150 x 95 x 50mm. List £18.00.

Order Code Z8920

Prices £10.00 10 + 6.00

1/2 Meg Memory Board

Z8900 Massive panel 460 x 400mm smothered in chips. Could be a complete computer judging by the IC's on the board. Made by Whitechapel Computer Works. Contains at least the following (some panels have extra chips):

64 x 4164-15 RAM's; over 200 74LS, F and

other logic chips; 3 x 4016-3, 2 x 8253-S,

8251, 2 x 5516, 6 xtals, 3 x 'D' plugs and

sockets. 3 x DIN 64 way socket, + R's, C's

etc. Price equivalent to 4164's @ 30p

each and rest of chips @ 3p each!

Price £25.00

Z4397 RS232 data cable - 25 'D' plug

to 25' D' socket 6 feet long. All pins

connected. These are identical to our

Cat. No. P2875 @ £4.95 except for some

very minor corrosion on socket casing.

Half price Just £2.50

Z5048 Panel 275 x 178mm containing

some excellent components: 2 x D8243

I/O expander, 8035 CPU, 8253 timer, 2651

USART all in sockets, 2 x 2111A-4 RAM, 25

mostly CMOS chips, 8 x T0126 transistors,

5 x T092 transistors, R's, C's etc; 26W IDC

plug, 2 x 34W IDC plugs, 2 xtals.

Only £3.00

Economy And The Electronics Industry

Depression, job cuts, mergers and takeovers, Tom Ivall looks at the state that the electronics industry is in. Can it get worse?

A contract electronic engineer I know has been out of work for nine months now. None of the agencies he's been registered with can find anything for him. This wouldn't normally be a cause for alarm, if it weren't for the fact that, ever since leaving university with a degree in electronic engineering, he had been in continuous employment on contract work for some fifteen years.

Michael is in fact just one statistic in the steadily rising figures for existing and planned job cuts in the electronics industry. Among the big firms these range from 2000 or so at Ferranti to about 50,000 worldwide in the multinational Philips organisation. Other well known companies in the process of shedding labour are British

Aerospace, GEC, Olivetti, Racal and Thorn EMI. Many smaller electronics firms, with just a few hundred employees, are also paring down their workforces.

The bulk of these job losses is made up of production and ancillary workers, but professional engineers in key activities like development or quality control are suffering as well.

The basic reason for this rising unemployment is a fall in demand for the products and services of the electronics industry. Companies are reducing their labour costs to save money and try and keep in the black while orders, outputs and profits are declining. But the fall in demand itself is explained by a combination of factors, not particularly linked to each other.

In the USA there has been an economic recession and in the UK we appear to be sinking into quite a deep one. The ending of the Cold War has resulted in governments cutting their expenditure on military electronics equipment. Changing patterns of computer utilisation in commerce and industry have hit the manufacturers of computer hardware. The intense competition worldwide has stepped up mergers and takeovers as companies try to make themselves bigger to secure more market share and all the other advantages of size.

Philips, being such a vast, multi-product, multinational company, is a case all on its own. Here the job cuts are being made to save money in the wake of a serious trading crisis. Several of the electronics businesses - notably computers, components

and military equipment - have been doing badly and the results have been coming to light in the past nine months or so. Profits have slumped and business analysts predicted a substantial loss for the group in the last financial year.

Critics are saying that the Philips management should have seen the danger signals much earlier. But it seems they failed to do so because of a top-heavy, bureaucratic management organisation with an inadequate system of reporting and business forecasting. Now, under new chief executive Jan Timmer, a fundamental review of the whole group has taken place with the possibility of some of the less profitable businesses being sold off.

It's less clear whether there will be any job losses resulting from the new ownership of STC (Standard Telephones and Cables). Takeovers and mergers are often followed by pruning of labour in the acquired company.

STC Sell Off

Last year STC sold 80% of its computer subsidiary ICL (International Computers Limited) to Fujitsu of Japan for £743 million. (You may recall that ICL was the final repository of the original firms constituting the early British mainframe industry). This was followed in late 1990 by the agreed sale of the main body of STC to Northern Telecom of Canada for £1.9bn.

STC was formed as a British company in the 19th century when long-distance telegraph cables were the coming thing. In more recent times it has had a troubled financial

"Well known companies in the process of shedding labour are British Aerospace, GEC, Olivetti, Racal and Thorn EMI"

history and for a while was largely controlled by the giant American ITT corporation. Now it has passed completely out of British ownership.

The Future Of Racal

Another well known British company in a state of some upheaval is Racal Electronics. Because of the popularity of the UK's cellphone service the firm's Vodafone subsidiary, Racal Telecom, has been doing extremely well. But Racal Electronics as a whole, despite holding 80% of Racal Telecom, only producing £97m pre-tax profits over the same period. This indicates, of course, that the remaining businesses – largely communications and military electronics manufacturing – have been doing rather badly.

At the time of writing there have

been rumours of hostile takeover bids for the whole group (Cable and Wireless tried to acquire it a few years ago). Whether for this or some other reason, Racal are now in the process of splitting themselves up into several separately quoted companies, for example Racal Telecom and Chubb, the security business.

De-merging seems to be the order of the day, reversing the earlier strategy of mergers and takeovers by which the group built itself up to its present size. It seems likely that the remaining, badly performing manufacturing businesses – the tail-end of Racal Electronics – will now become the subject of a management buy-out.

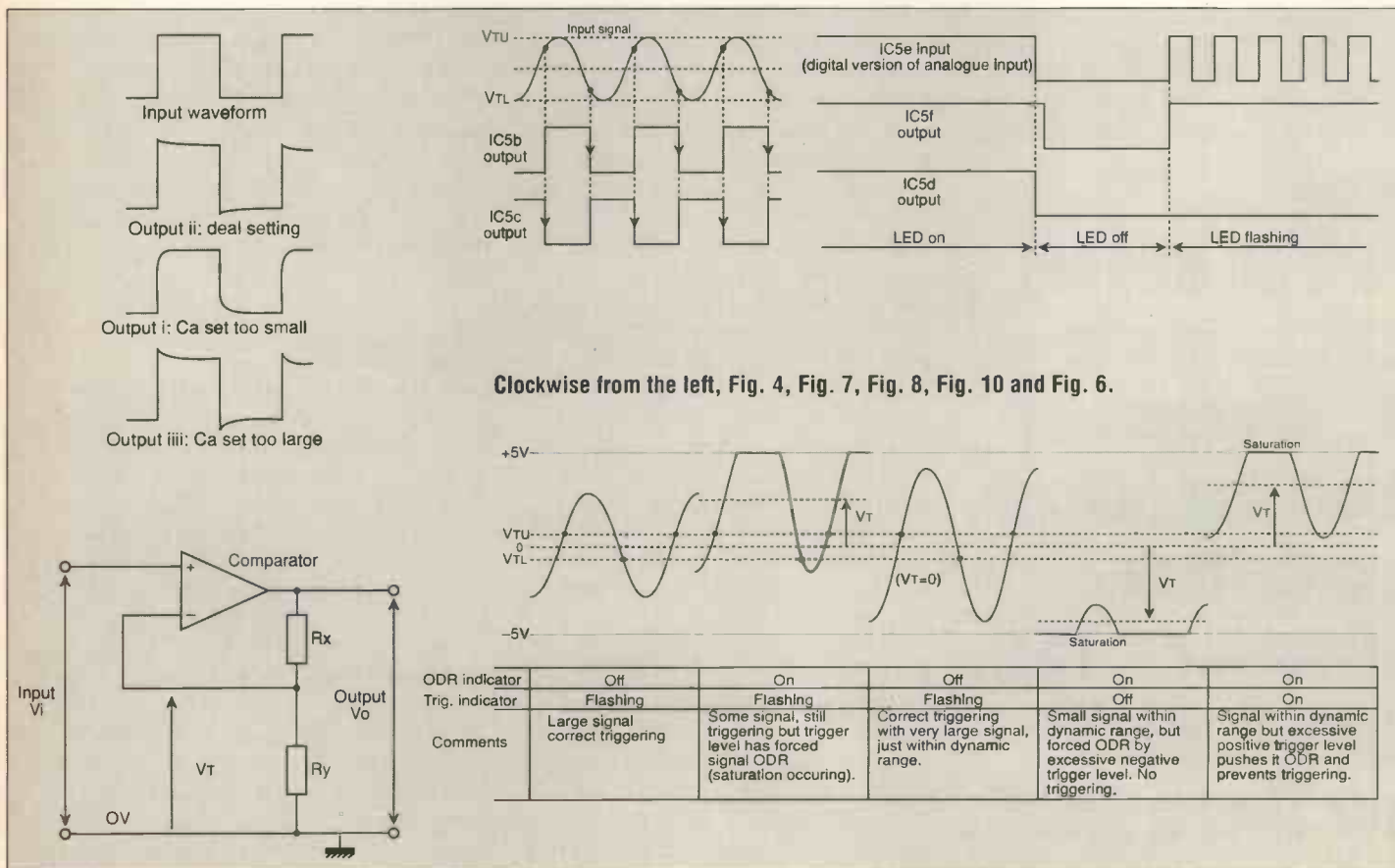
Meanwhile the economic recession in the UK is making life difficult for the companies developing and operating the latest digital mobile telephone systems.

With falling demand they are having to consolidate and revise their plans for the future. Two of the four telepoint operators – Mercury Callpoint and BYPAS (Barclays Philips Shell) – have decided to merge. Although the PCN services are not yet in operation the development and setting-up costs are proving much higher than the three PCN consortia had originally estimated. Consequently, at the time of writing, it looks as though two of these consortia, Microtel and Unitel, are going to merge their businesses. It may well have happened by the time you read this.

In consumer electronics, Ferguson report that unit sales of television sets and audio equipment have fallen and that the once booming camcorder market is now slowing down. ■

Dry Joints

Due to production difficulties, a few of the diagrams in last month's PE Chronos project were a little dark, here they are again in a more readable form.





HAPPY MEMORIES

Memories

4116	150ns pulls
4164	100ns
41256	120ns
41256	100ns
41256	80ns
41464	100ns
414256	80ns
411000	80ns
1Megx9 SIMM 80ns	
1Megx9 SIPP 80ns	
256x9 SIMM 80ns	
256x9 SIPP 80ns	
6264	100ns LP
62256	100ns LP
2764	250ns
27128	250ns
27256	250ns
27C256	250ns
27512	250ns
27C512	250ns

Motherboards

80286 12 MHz	EMS on board
80286 16MHz	ditto
80286 20MHz	ditto
80386SX 16MHz	
80386DX 25MHz	
80386DX 33Hz 128K Cache	

Up to 4Mb RAM	£79
ditto	£95
ditto	£112
Up to 8Mb RAM	£255
Up to 16Mb RAM	£335
	£525

Disk drives

5.25" 1.2Mb Floppy	£47
40Mb 28Ms 3.5" IDE	£149
106Mb 19Ms 3.5" IDE	£299
IDE Controller for 16-bit bus. 2 x FDD & 2 x HDD	
With serial, Parallel & Games ports on board	

3.5" 1.44Mb Floppy	£44
80Mb 19Ms 3.5" IDE	£259
211Mb 15Ms 3.5" IDE	£499

Video

VGA card 8 Bit 256K RAM up to 800x600	£37.50
VGA card 16 Bit 512K RAM up to 1024x768	£69
VGA card 16 Bit 1Mb RAM 1024x768 in 256 colours	£85
Mono/Parallel Printer card, Hercules compatible	£9.95
VGA colour monitor 1024 x 768 14" inc. on site warranty	£275

Miscellaneous

120Mb Internal Tape Streamer	£215
102 Key Tactile Keyboard	£35



Carriage on Motherboards, Floppy drives & Keyboards £5, Video & Controller cards £3, Hard disks, Cases & Monitors £10, ICs free if over £15 nett, otherwise add 50p. VAT to be added to total. Full list of ICs, computers and computer parts on request.

Happy Memories, FREEPOST, Kington, Herefordshire HR5 3BR
Tel: (054 422) 618 Fax: (054 422) 628

One of the fastest EPROM programmers on the market!
Model 200 - £295 (other models from £195)

New adapters now available for Model 200

87C751	87C752
87C054	87C451
87C51FB	87C51FC

In both DIL & PLCC packages. From £75

8 Pin serial EEPROM adapter for Model 200

- Read & programs over 50 devices
 - PC (M8571, X2402), 9306, 2506 etc.
- As used for security devices in many car radios, mobile radios, cellular phones & security systems

Z8 & PIC 16C5x Family Adapters for Model 200

- All security functions programmable
 - Manufacturer approved algorithms
- From £75

Adapters available also include

- 8748/41 family £75
- 8751 family from £75
- (including Intel, Philips & AMD parts)
- 40 pin EPROMS up to 4 MBit £75
- 63701/5 from £95
- 32 pin PLCC EPROMs £100

The Model 200 now has a parallel interface option and programs FLASH memories

- Includes MS-DOS driver software, parallel or serial lead, comprehensive manual, 32 pin ZIF socket and universal object file editor/converter.
- Programs virtually all EPROM devices currently available including micro controllers (over 800!).
- Easy to set up not a plug-in board.
- Compatible with our EPROM Emulator.
- 12 Month Guarantee. Money back if not completely satisfied.
- Designed, manufactured and supported in the UK.



We also sell Bipolar and Gang Programmers, EPROM Emulators and Erasers and a universal cross-assembler for IBM PCs and compatibles

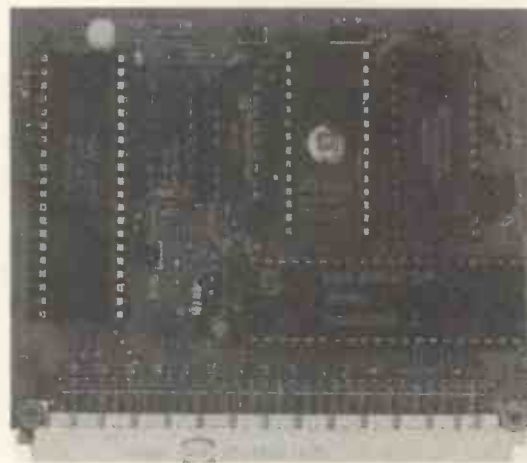
Write or phone today for Free Information Pack:
Phone: (0666) 825146 Fax: (0666) 825141



MQP Electronics Ltd., Park Road Centre Malmesbury, Wiltshire SN16 0BX UK

Scandinavian customers please contact:	Digtron A/S, Alesund Norway	Phone 071-45 690
German customers please contact:	Synatron GmbH, Grabstrum B. Munchen Germany	Fax 071-45 453 Phone 089-4602071 Fax 089-4605661

★ ★ **8031** ★ ★
LOW COST DEVELOPMENT & TARGET SYSTEM



★ ★ **£99.95** ★ ★ + **£5.00 Carriage + VAT**
Includes 32K RAM, 8K EPROM, 38 I/O Lines, IBM PC/XT/AT Hosted SB51 Cross Assembler, Manual and Full Technical Support.

8031 Module only £59.95. 80188 & 64180 modules available

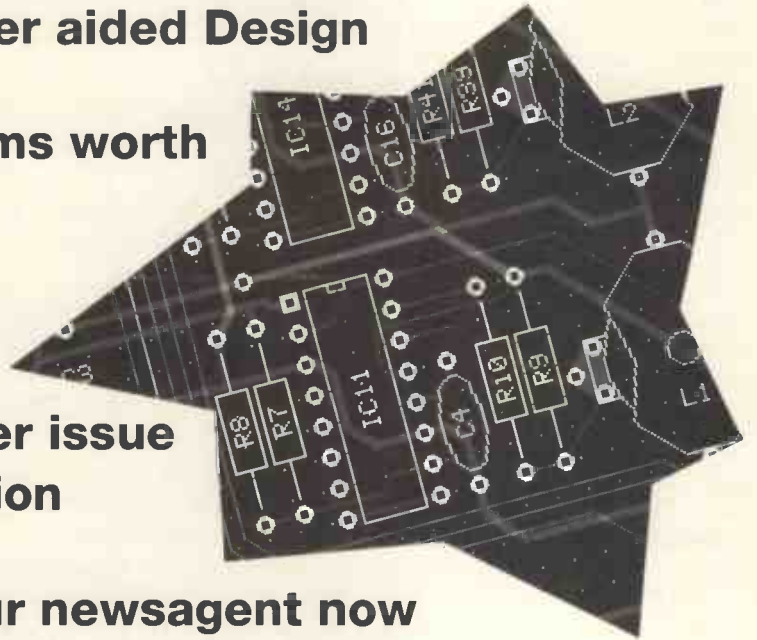
GNC ELECTRONICS

Units 2B-2C Gilray Road
Diss, Norfolk IP22 3EU
TEL: 0379 644285



Next month in Practical Electronics...

- ★ Win powerful Computer aided Design software
- ★ Seetrax Ranger systems worth over £300
- ★ Five main prizes
- ★ Free demo disks for runners-up
- ★ Only in PE's September issue
- ★ Look for the competition cover flash
- ★ Order a copy from your newsagent now



PE Binders

As you save your monthly copies Practical Electronics quickly builds up into a valuable reference library of projects and useful articles, especially when every December we publish an index to the whole year. The best way to store your copies of PE for long-term reference is in our special binders. Vinyl-covered for durability, they take a whole year's issues each and are available for a mere £5.95 including postage. To order use the coupon below, or order by phone using your credit card on 081 743 8888.

Send to:

Intra Press, Intra House, 193 Uxbridge Road, London W12 9RA.

Make cheques/postal orders payable to Intra Press. Allow 28 days for delivery.

Please rush me PE binders at £5.95 each. I enclose a cheque/postal order for £.....

Name

Address

Town

County

Post Code.....

Advertisers Index

ADM.....	55	JPG Electronics.....	55
AGS Electronics	55	Laser Alarms.....	55
BK Electronics.....	13	London Elec. College	54
Bull Electrical	29	Lys Electronics.....	36
Cambridge Computer Science	54	Maplin.....	OBC
Circuit	9	Marapet	54
Coles Harding	55	Mauritron.....	56
Cooke International...54		Morrison Micros	57
CR Supply Co.....	55	MQP.....	23
Cricklewood	43	NR Bardwell.....	55
EP Electronics.....	9	Number One Sys.....	IBC
ESR.....	60	Omni Electronics.....	57
Fraser Electronics	54	Panrix	9
GNC	23	Radio & Tel. School ..	54
Greenbank	60	Rich Electronics.....	57
Greenweld.....	20	SM Engineering	43
Happy Memories.....	23	Suma Designs.....	57
HST.....	55	Tandy	4
Int'l. Corr. School.....	60	The Electronics Shop	54
		Tsien	IFC

New Product Developments

Ian Burley's new section aims to examine the latest products and technologies in the world of electronics. This month, the Sony Mini Disc, Bitstream, HDTV and Cable sting



Sony mini-disc player/recorder, prerecorded disc and blank recordable disc.

Sony vs The Cassette

It appears that Sony has been stung into action after the public unveiling of Philips' DCC (digital compact cassette) system earlier this year. Although DCC won't be ready for another year, it has confused the digital cassette tape market and many are now predicting that the role of Sony's DAT system as heir-apparent to the 27 year old compact cassette dynasty is doomed.

The best form of defence is attack and Sony's response has been to unveil a compact recordable magneto-optical (MO) audio disc called the Mini Disc or MD for short. A recordable disc was always going to be a milestone in the evolution of personal recording. After all, tape has a major disadvantage compared with disc media - it's serial; in other words it takes ages to search for individual tracks.

Like CD, MD will offer instant access to individual tracks and of course you will enjoy digital sound quality. MD's sampling rate is 44.1kHz - exactly the same as CD, though the data is compressed to just 20% of its original size in order to get 74 minutes of recording capacity in the diminutive 2.5" disc. That's roughly the same playback time of a standard 5" CD.

MO technology isn't that new. For several years now, MO drives have been used as very large capacity computer data storage devices instead of hard disc drives. The main disadvantage of MO drives is that they lag behind all-magnetic hard disc drive technology in terms of speed, but with single 5" capacities of 650 megabytes or even more, MO is a very convenient and compact medium.

An MO disc uses a combination of lasers and magnetic fields to write, read and over-write data

from a disc. Like a magnetic disc, there are tracks of digital data arranged in sectors. Traditionally an MO drive uses a hot laser to loosen microscopic elements in the track which are then "flipped" or polarised by a magnetic field. Each polarised element represents a bit of data and can be read by a second cooler laser.

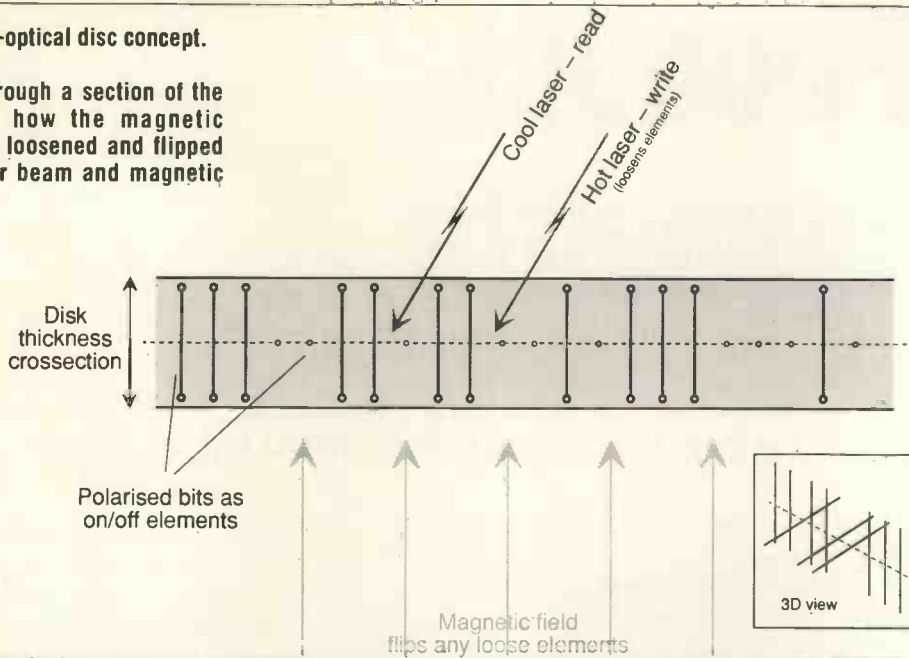
MD represents a new generation for MO technology as Sony has developed a single laser read/write head - which Sony likens to a vinyl record stylus by calling it a "pickup." Mini Discs have an improved magnetic substrate which requires just one third the magnetic field strength of conventional MO discs to enable data to be written. combined with a single read/write mechanism, the comparatively low power design means battery operated portability is a reality.

The same laser pickup can read discs manufactured in the same way as commercial CDs. This is very important to Sony if the music industry is to be persuaded to produce pre-recorded material on MD. Previously, MO discs were incompatible with CD read technology. A serial management copy system (SCMS) similar to that used in DAT players will be incorporated into MD players to prevent second generation copying of copyrighted software.

Sony wants MD to be a compact system which can be used on the move, in true WalkMan tradition. The old bugbear of portable CD systems, shock-induced track skipping, has apparently been eliminated in the MD system by buffering the data stream in an on-board 1Mbit memory chip. This holds about three seconds worth of

The magneto-optical disc concept.

This view through a section of the disc shows how the magnetic domains are loosened and flipped using a laser beam and magnetic field.



playback and provides plenty of time for a track to be re-read if the pickup was jogged.

The 5:1 digital audio compression system is called ATRAC, which stands for Adaptive Transform Acoustic Coding. ATRAC appears to have some similarities to the PASC system used by Philips for DCC - which Philips stresses is a translation system, not a compression system. Unlike PASC's sub-band coding system, Sony's ATRAC is based on Fourier Transform mathematics. Like Philips' claims for DCC, Sony says there is no discernible quality loss after many generations of copying. Incidentally, Sony claims a frequency range of 5Hz-20kHz, negligible wow and flutter, and a 105dB dynamic range. This is technically superior to DCC, but the difference is probably not detectable by humans.

Sony's 2.5" disc cartridge looks much like a smaller version of the ubiquitous 3.5" computer floppy disc, complete with a sliding metal sleeve to protect the enclosed disc. It is remarkably compact and much smaller than today's audio cassettes, or tomorrow's DCC cassettes for that matter.

So how does MD fit into the future audio scene? Sony sees it as being complimentary to DAT, which can record several hours of music compared to MD's relatively modest 74 minutes. The latest news is that Sony is even grudgingly accepting that DCC won't go away and the firm is beginning to explore

this lower-cost format before it's too late. MD looks like fitting in between DAT and DCC cost-wise. Sony UK reckons a blank Mini Disc will sell for around £10. Pre-recorded commercial discs shouldn't be much more expensive than today's CDs as they use the same manufacturing process. Compact WalkMan style MD players will sell for between £250 and £300.

But this is all academic at present. You won't be able to buy a Mini Disc machine until the end of next year. Why has Sony prematurely revealed its MD project? Is it a coincidence that the announcement came two weeks before the big Summer Consumer Electronics Show (CES) in Chicago? Did DCC force Sony's hand? It's not easy to find a Sony representative to answer these questions! Still, the

MD is a very welcome addition to the world of digital audio recording.

Is One-Bit CD Any Good?

It's approaching ten years since the compact disc was first introduced. The promise of "perfect" digital audio reproduction captured the public's imagination and it now looks like the vinyl record business is in serious decline because of the overwhelming success of CD. Obvious advantages of CD are fundamental when compared with old-fashioned records. There's no crackle from dust and static, no scratch-jumping and CDs play back the purest of recordings - free of distortion... or do they?

It's not disputed that CDs serve as highly detailed stores of musical information. However, the music is

Bitstream Improves the quality of sound from a compact disc.



stored as digital data and the quality of your CD system hinges on how well that data is converted into sounds you can hear. It's not a simple case of throwing the stream of digital data at any old digital to analogue converter (DAC).

Sounds are stored on a CD in 16-bit words. Each word is a digitised sample of sound and 44,100 samples are made every second. If only the process was simply reversible, but unfortunately you can't just replay the samples back at 44.1kHz through a DAC. At that rate the resulting analogue signal would sound far from hi-fi - what were originally smooth waveforms before they were sampled would be reproduced in a very stepped way. The inaccuracies in the reproduced waveform translates as noise.

You could use analogue filters to get rid of the noise by smoothing out the waveforms, but this introduces other distortions like phase shifts which can be as undesirable as the noise. It's generally accepted that any smoothing of the data should be done in the digital stage.

That's where over sampling comes in. In marketing terms, the more times over sampling and the more bits over sampled, the better. To a degree this is true as the data is effectively progressively smoothed. However the process is prone to errors, especially in low level signals, which can end up being reproduced as strange sounding harmonics. Loosely, what happens is that there is a fair chance that some bits in the 16 bit word presented to the 16-bit DAC will be wrong. If this happens to some bits,



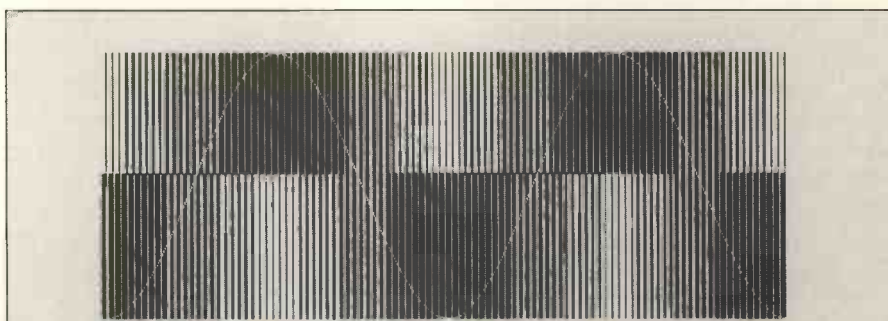
The Philips CD850 Bitstream compact disc player.

all you suffer is an error of one 65,536th of the overall sample, but if it's a very significant bit, that sample could be out by 50%, hence a glitch in the sound reproduction. On top of that, multi-bit DACs can be prone to glitches unless switching is performed in perfect unison. There are all sorts of tricks to get around this problem but they tend to be expensive and stretch the capacity of current LSI technology.

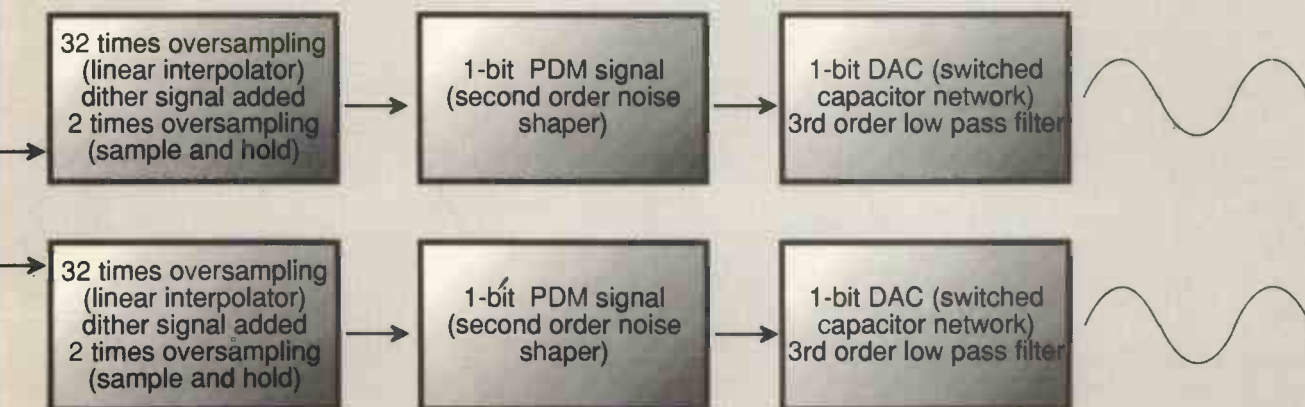
An alternative concept is to do away with a 16-bit DAC all together. Two rival methods now

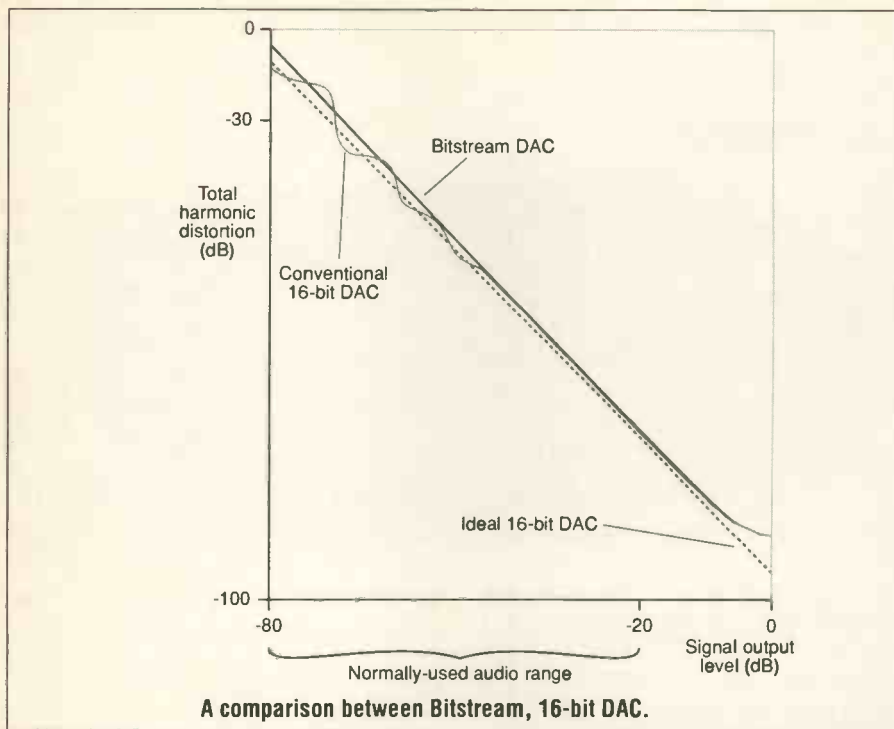
gaining popularity have done this and make do with a one-bit DAC. The two systems are Bitstream developed by Philips and MASH from Panasonic.

Philips uses a process known as Pulse Density Modulation (PDM) to convert the 44.1kHz 16-bit CD track samples into an extremely fast (11MHz) stream of binary data - the bit stream, from which the commercial name comes from. The ratio of the 1s and 0s in the bit stream determine the level of current being produced in time by



Above is a pulse density modulated sine wave with the original waveform superimposed.





the system's simple one-bit DAC and hence the analogue signal. This will be free of any bit-wise glitches associated with 16-bit DACs and oversampling systems even though most of the sound shaping has been done in the digital stage.

Current Bitstream chips technology effectively oversamples by 256 times and the audio critics have generally been very pleased with the results. Panasonic's MASH system is similar to Bitstream in many respects, but uses a different algorithm for the single bit conversion. Unlike Philips, which has introduced Bitstream in its high-end CD players, MASH was first introduced in cheaper models and to many reviewers the advantages of MASH were masked by cheap associated circuitry.

The trend is definitely towards one-bit CD systems, so if you're thinking about buying a new CD player this specification will definitely be a consideration. Above all, however, it's how the player you choose actually sounds - no matter what DAC system it employs - which counts. However, it's more than likely that a one-bit CD players will be the favoured purchase.

HDTV News

While the US is nearing final testing stages to choose its high definition television (HDTV) standard, a recent conference in Cannes

outlined just how far Europe is from choosing its own system.

In Europe, the argument is over whether we should be going for a full no-compromise HDTV system or an intermediate enhanced definition TV (EDTV) system like Pal Plus. The differences are between the EC Commission on broadcasting and industry-based Association of Commercial Television (ACTV). The EC is trying to support D2MAC, the satellite based HDTV system. Almost everybody else thinks that a terrestrial EDTV system would be



more acceptable because it will remain compatible with existing television receivers. The new worries are that the EC may impose D2MAC on the industry in order to prevent its ultimate rejection.

Meanwhile in the US, four firms have formed a consortium and are bidding to be adopted by the FCC as providers of the official HDTV platform for the US - and, they hope, most of the rest of the world. The four are NHK, which has an analogue system already in limited Japanese use, Zenith/AT&T, ATVA (General Instruments and MIT) and finally, ATRC - the Advanced Compatible TV Consortium.

The ATRC is interesting in European terms as it is made up of two Euro-giants in the form of Thomson and Philips teamed up with NBC and Sarnoff Labs in the US. The ATRC is proposing an EDTV system even though the FCC has declared that full HDTV systems will be given priority in the evaluation stages. All the US systems are terrestrial and all but NHK's are digital systems.

Optimists in the US are saying that HDTV could start in the US by as early as June 1993. More realistically it will be 1995. Meanwhile, The BBC's head of engineering information has been recently quoted as saying that Pal Plus could be with us by 1995 as well.

Cable Sting

If you are privileged enough to have cable TV in your home, beware of strangers offering electronic mods to your receiver equipment which claim to by-pass subscription payment mechanisms.

Recently, 300 cable TV subscribers were nabbed in a sting operation which involved deliberately damaging tampered cable receivers by sending a high-powered signal down the line. The signal knocked out tampered sets while leaving genuine ones undamaged.

The so-called electronic bullet resulted in more than 300 guilty subscribers phoning up the cable TV firm to complain about the loss of service. They now face \$100,000 law suits for pirating pay-TV channels they had accessed illegally. ■



HIGH POWER AMPLIFIER For your car, it has 150 watts output. Frequency response 20Hz to 20 KHz and a signal to noise ratio better than 60db. Has built in short circuit protection and adjustable input level to suit your existing car stereo, so needs no pre-amp. Works into speakers ref 30P7 described below. A real bargain at only £57.00 Order ref 57P1.

HIGH POWER CAR SPEAKERS. Stereo pair output 100w each. 4ohm impedance and consisting of 6 1/2" woofer 2" mid range and 1" tweeter. Ideal to work with the amplifier described above. Price per pair £30.00 Order ref 30P7.

2KV 500 WATT TRANSFORMERS Suitable for high voltage experiments or as a spare for a microwave oven etc. 250v AC input. £10.00 ref 10P93

MICROWAVE CONTROL PANEL. Mains operated, with touch switches. Complete with 4 digit display, digital clock, and 2 relay outputs one for power and one for pulsed power (programmable). Ideal for all sorts of precision timer applications etc. £6.00 ref 6P18

FIBRE OPTIC CABLE. Stranded optical fibres sheathed in black PVC. Five metre length £7.00 ref 7P29

12V SOLAR CELL. 200mA output ideal for trickle charging etc. 300 mm square. Our price £15.00 ref 15P42

PASSIVE INFRA-RED MOTION SENSOR. Complete with day-light sensor, adjustable lights on timer (8 secs - 15 mins), 50' range with a 90 deg coverage. Manual override facility. Complete with wall brackets, bulb holders etc. Brand new and guaranteed. £25.00 ref 25P24.

Pack of two PAR38 bulbs for above unit £12.00 ref 12P43

VIDEO SENDER UNIT Transmit both audio and video signals from either a video camera, video recorder or computer to any standard TV set within a 100' range! (tune TV to a spare channel). 12v DC op. £15.00 ref 15P39 Suitable mains adaptor £5.00 ref 5P181

FM TRANSMITTER housed in a standard working 13A adapter (bug is mains driven). £26.00 ref 26P2

MINIATURE RADIO TRANSCEIVERS A pair of walkie talkies with a range of up to 2 kilometres. Units measure 22x52x155mm. Complete with cases. £30.00 ref 30P12

FM CORDLESS MICROPHONE. Small hand held unit with a 500' range! 2 transmit power levels reqs PP3 battery. Tuneable to any FM receiver. Our price £15 ref 15P42A

10 BAND COMMUNICATIONS RECEIVER. 7 short bands, FM, AM and LW DX/local switch, tuning 'eye' mains or battery. Complete with shoulder strap and mains lead **NOW ONLY £19.00!! REF 19P14.**

WHISPER 2000 LISTENING AID. Enables you to hear sounds that would otherwise be inaudible! Complete with headphones. Cased. £5.00 ref 5P179.

CAR STEREO AND FM RADIO. Low cost stereo system giving 5 watts per channel. Signal to noise ratio better than 45db, wow and flutter less than .35%. Neg earth. £25.00 ref 25P21.

LOW COST WALKIE TALKIES. Pair of battery operated units with a range of about 150'. Our price £8.00 a pair ref 8P50

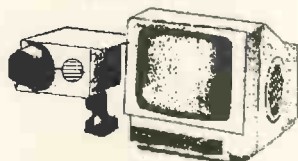
7 CHANNEL GRAPHIC EQUALIZER plus a 60 watt power amp! 20-21KHz 4-8R 12-14v DC negative earth. Cased. £25 ref 25P14.

NICAD BATTERIES. Brand new top quality. 4 x AA's £4.00 ref 4P44. 2 x C's £4.00 ref 4P73. 4 x D's £9.00 ref 9P12. 1 x PP3 £6.00 ref 6P35

TOWERS INTERNATIONAL TRANSISTOR SELECTOR GUIDE. The ultimate equivalents book. Latest edition £20.00 ref 20P32

CABLE TIES. 142mm x 3.2mm white nylon pack of 100 £3.00 ref 3P104. Bumper pack of 1,000 ties £14.00

VIDEO AND AUDIO MONITORING SYSTEM



£99.00

Brand new units consisting of a camera, 14cm monitor, 70 metres of cable, AC adapter, mounting bracket and owners manual. 240v AC or 12v DC operation complete with built in 2 way Intercom. £99.00 ref 99P2.

1991 CATALOGUE AVAILABLE NOW IF YOU DO NOT HAVE A COPY PLEASE REQUEST ONE WHEN ORDERING OR SEND US A 6"X9" SAE FOR A FREE COPY.

GEIGER COUNTER KIT. Complete with tube, PCB and all components to build a battery operated geiger counter. £39.00 ref 39P1

FM BUG KIT. New design with PCB embedded coil. Transmits to any FM radio. 9v battery req'd. £5.00 ref 5P158

FM BUG Built and tested superior 9v operation £14.00 ref 14P3

COMPOSITE VIDEO KITS. These convert composite video into separate H sync, V sync and video. 12v DC. £8.00 ref 8P39.

SINCLAIR C5 MOTORS 12v 23A (full load) 3300 rpm 6"x4" 1/4" O/P shaft. New. £20.00 ref 20P22.

As above but with fitted 4 to 1 in/fine reduction box (800rpm) and toothed nylon belt drive cog £40.00 ref 40P8

SINCLAIR C5 WHEELS 13" or 16" dia including treaded tyre and inner tube. Wheels are black, spoked one piece poly carbonate. 13" wheel £6.00 ref 6P20. 16" wheel £6.00 ref 6P21

ELECTRONIC SPEED CONTROL KIT for c5 motor. PCB and all components to build a speed controller (0-95% of speed). Uses pulse width modulation. £17.00 ref 17P3

SOLAR POWERED NICAD CHARGER. Charges 4 AA nicads in 8 hours. Brand new and cased £6.00 ref

6P3.

MOSFETS FOR POWER AMPLIFIERS £75.00 watt mosfet pair 2SJ99 and 2SK343 £4.00 a pair with pin out info ref 4P51. Also available is a 2SK413 and a 2SJ118 at £4.00 ref 4P42.

12 VOLT BRUSHLESS FAN 1/2" square brand new ideal for boat, car, caravan etc. £5.00 ref 5P206.

ACORN DATA RECORDER ALF503 Made for BBC computer but suitable for others. Includes mains adapter, leads and book. £15.00 ref 15P43

VIDEO TAPES. Three hour superior quality tapes made under licence from the famous JVC company. Pack of 10 tapes £20.00 ref 20P20.

PHILIPS LASER. 2MW HELIUM NEON LASER TUBE. BRAND NEW FULL SPEC £40.00 REF 40P10. MAINS POWER SUPPLY KIT £20.00 REF 20P33 READY BUILT AND TESTED LASER IN ONE CASE £75.00 REF 75P4.

SOLDER 22SWG resin cored solder on a 1/2kg reel. Top quality. £4.00 a reel ref 4P70.

600 WATT HEATERS Ideal for air or liquid, will not corrode, lasts for years. coil type construction 3"x2" mounted on a 4" dia metal plate for easy fixing. £3.00 ea ref 3P78 or 4 for £10.00 ref 10P76.

TIME AND TEMPERATURE MODULE A clock, digital thermometer (Celsius and Fahrenheit (0-160 deg F) programmable too hot and too cold alarms. Runs for at least a year on AA battery. £9.00 ref 9P5.

Remote temperature probe for above unit £3.00 ref 3P60

GEARBOX KITS Ideal for models etc. Contains 18 gears (2 of each size) 4x50mm axles and a powerful 9-12v motor. All the gears etc are push fit. £3.00 for complete kit ref 3P93.

ELECTRONIC TICKET MACHINES These units contain a magnetic card reader, two matrix printers, motors, sensors and loads of electronic components etc. (12"x12"x7") Good value at £12.00 ref 12P28.

JOYSTICKS. Brand new with 2 fire buttons and suction feet these units can be modified for most computers by changing the connector etc. Price is 2 for £5.00 ref 5P174.

GAS POWERED SOLDERING IRON AND BLOW TORN Top quality tool with interchangeable heads and metal body. Fully adjustable, runs on lighter gas. £10.00 ref 10P130

SMOKE ALARMS Ionization type 5 year warranty complete with battery only £5.00 ref 5P206

ANSWER MACHINES BT approved remote message playback, intergal push button phone, power supply and tape. Exceptional value at £45.00 ref 45P2

CAR IONIZER KIT Improve the air in your car! clears smoke and helps to reduce fatigue. Cased required. £12.00 ref 12P8.

6V 10AH LEAD ACID sealed battery by yuasa ex equipment but in excellent condition now only 2 for £10.00 ref 10P95.

12 TO 220V INVERTER KITS As supplied it will handle up to about 15w at 220v but with a larger transformer it will handle 80 watts. Basic kit £12.00 ref 12P17. Larger transformer £12.00 ref 12P41.

VERO EASI WIRE PROTOTYPING SYSTEM Ideal for designing projects on etc. Complete with tools, wire and reusable board. Our price £6.00 ref 6P33.

MICROWAVE TURNTABLE MOTORS. Ideal for window displays etc. £5.00 ref 5P165.

STC SWITCHED MODE POWER SUPPLY 220v or 110v input giving 5v at 2A, +24v at 0.25A, +12v at 0.15A and +90v at 0.4A £6.00 ref 6P59

TELEPHONE AUTODIALERS. These units, when triggered will automatically dial any telephone number. Originally made for alarm panels. BT approved. £12.00 ref 12P23 (please state telephone no req'd).

25 WATT STEREO AMPLIFIER. STK043. With the addition of a handful of components you can build a 25 watt amplifier. £4.00 ref 4P69 (Circuit dia included).

LINEAR POWER SUPPLY. Brand new 220v input +5 at 3A, +12 at 1A, -12 at 1A. Short circuit protected. £12.00 ref 12P21.

MAINS FANS. Snail type construction. Approx 4"x5" mounted on a metal plate for easy fixing. New £5.00 5P166.

POWERFUL IONIZER KIT. Generates 10 times more ions than commercial units! Complete kit including case £18.00 ref 18P2.

MINI RADIO MODULE Only 2" square with ferrite aerial and tuner. Superhet. Req's PP3 battery. £1.00 ref BD716.

HIGH RESOLUTION MONITOR. 9" black and white Philips tube in chassis made for OPD computer but may be suitable for others. £20.00 ref 20P26.

BARGAIN NICADS AAA SIZE 200MAH 1.2V PACK OF 10 £4.00 REF 4P92, PACK OF 100 £30.00 REF 30P16

CB CONVERTORS. Converts a car radio into an AM CB receiver. Cased with circuit diagram. £4.00 ref 4P48.

FLOPPY DISCS. Pack of 15 31/2" DSDD £10.00 ref 10P88. Pack of 10 51/4" DSDD £5.00 ref 5P168.

SONIC CONTROLLED MOTOR One click to start, two click to reverse direction, 3 click to stop! £3.00 each ref 3P137.

FRESNEL MAGNIFYING LENS 83 x 52mm £1.00 ref BD827.

LCD DISPLAY. 4 1/2 digits supplied with connection data £3.00 ref 3P77 or 5 for £10.00 ref 10P78.

ALARM TRANSMITTERS. No data available but nicely made complex transmitters 9v operation. £4.00 each ref 4P81.

100M REEL OF WHITE BELL WIRE 8 pattern ideal for intercoms, door bells etc £3.00 a reel ref 3P107.

TRANSMITTER RECEIVER SYSTEM Originally made for nurse call systems they consist of a pendant style transmitter and a receiver with telescopic aerial 12v. 80 different channels. £12.00 ref

12P26

CLAP LIGHT. This device turns on a lamp at a finger 'snap' etc. nicely cased with built in battery operated light. Ideal bedside light etc £4.00 each ref 4P82.

ELECTRONIC DIPSTICK KIT. Contains all you need to build an electronic device to give a 10 level liquid Indicator. £5.00 (ex case) ref 5P194.

UNIVERSAL BATTERY CHARGER. Takes AA's, C's, D's and PP3 nicads. Holds up to 5 batteries at once. New and cased, mains operated. £6.00 ref 6P36.

ONE THOUSAND CABLE TIES! 175mm x 2.4mm white nylon cable ties only £5.00 ref 5P181.

PC MODEMS 1200/75 baud modems designed to plug into a PC complete with manual but no software £18.00 ref 18P12

ASTEC SWITCHED MODE POWER SUPPLY 80mm x 165mm (PCB size) gives +5 at 3.75A, +12 at 1.5A, -12 at 0.4A. Brand new £12.00 ref 12P39.

VENTILATED CASE FOR ABOVE PSU with IEC filtered socket and power switch. £5.00 ref 5P190.

IN CAR POWER SUPPLY. Plugs into cigar socket and gives 3.4, 5.6, 7.5, 9, and 12v outputs at 800mA. Complete with universal spider plug. £5.00 ref 5P167.

CUSTOMER RETURNED switched mode power supplies. Mixed type, good for spares or repair. £2.00 each ref 2P292.

DRILL OPERATED PUMP. Fits any drill and is self priming. £3.00 ref 3P140.

PERSONAL ATTACK ALARM. Complete with built in torch and vanity mirror. Pocket sized, req's 3 AA batteries. £3.00 ref 3P135

POWERFUL SOLAR CELL 1AMP .45 VOLT only £5.00 ref 5P192 (other sizes available in catalogue).

SOLAR PROJECT KIT. Consists of a solar cell, special DC motor, plastic fan and turntables etc plus a 20 page book on solar energy! Price is £8.00 ref 8P51.

RESISTOR PACK. 10 x 50 values (500 resistors) all 1/4 watt 2% metal film. £5.00 ref 5P170.

CAPACITOR PACK 1. 100 assorted non electrolytic capacitors £2.00 ref 2P286.

CAPACITOR PACK 2. 40 assorted electrolytic capacitors £2.00 ref 2P287.

QUICK CUPPA? 12v immersion heater with lead and cigar lighter plug £3.00 ref 3P92.

LED PACK. .50 red leds, 50 green leds and 50 yellow leds all 5mm £8.00 ref 8P52

FERRARI TESTAROSSA. A true 2 channel radio controlled car with forward, reverse, 2 gears plus turbo. Working headlights. £22.00 ref 22P6.

ULTRASONIC WIRELESS ALARM SYSTEM. Two units, one a sensor which plugs into a 13A socket in the area you wish to protect. The other, a central alarm unit plugs into any other socket elsewhere in the building. When the sensor is triggered (by body movement etc) the alarm sounds. Adjustable sensitivity. Price per pair £20.00 ref 20P34. Additional sensors (max 5 per alarm unit) £11.00 ref 11P6.

WASHING MACHINE PUMP. Mains operated new pump. Not self priming £5.00 ref 5P18.

IBM PRINTER LEAD. (D25 to centronics plug) 2 metre parallel. £5.00 ref 5P186.

COPPER CLAD STRIP BOARD 17" x 4" of .1" pitch "vero" board. £4.00 a sheet ref 4P62 or 2 sheets for £7.00 ref 7P22.

STRIP BOARD CUTTING TOOL. £2.00 ref 2P352.

3 1/2" disc drive. 720K capacity made by NEC £60.00 ref 60P2

TV LOUDSPEAKERS. 5 watt magnetically screened 4 ohm 55 x 125mm. £3.00 a pair ref 3P109.

TV LOUDSPEAKERS. 3 watt 8 ohm magnetically screened 70 x 50mm. £3.00 a pair ref 3P108.

BBC TRACKBALLS Once again in stock only £4.00 ref 4P86

CROSS OVER NETWORKS 8 ohm 3 way Japanese made units Excellent units available at only £2.00 for a pair ref 2P363

SPEAKER GRILLS set of 3 matching grills of different diameters. 2 packs for £2.00 (6 grills) ref 2P364

50 METRES OF MAINS CABLE £3.00 2 core black precut in convenient 2 m lengths. Ideal for repairs and projects. ref 3P91

4 CORE SCREENED AUDIO CABLE 24 METRES £2.00

Pre-cut into convenient 1.2 m lengths. ref 2P365

TWEETERS 2 1/4" DIA 8 ohm mounted on a smart metal plate for easy fixing £2.00 ref 2P366

COMPUTER MICE Originally made for Future PC's but can be adapted for other machines. Swiss made £8.00 ref 8P57. Atari ST conversion kit £2.00 ref 2P362.

5 1/2" 20 WATT SPEAKER Built in tweeter 4 ohm £5.00 ref 5P205

5" x 3" 16 OHM SPEAKER 3 for £1.00 ref CD213

ADJUSTABLE SPEAKER BRACKETS Ideal for mounting speakers on internal or external corners, uneven surfaces etc. 2 for £5.00 ref 5P207

PIR LIGHT SWITCH Replaces a standard light switch in seconds light operates when anybody comes within detection range (4m) and stays on for an adjustable time (15 secs to 15 mins). Complete with daylight sensor. Unit also functions as a dimmer switch! 200 watt max. Not suitable for fluorescents. £14.00 ref 14P10

2 MEG DISC DRIVES 3 1/2" disc drives made by Sony housed in a 5 1/4" frame 1.2 meg formatted. £66.00 ref 66P1.

CUSTOMER RETURNED 2 channel full function radio controlled cars only £8.00 ref 8P200

WINDUP SOLAR POWERED RADIO! FM/AM radio takes rechargeable batteries complete with hand charger and solar panel 14P200

CUSTOMER RETURNED TV/RADIO/CLOCK Made by Alba. may need attention good value at £28.00. ref 28P200 12 or 240v.

240 WATT RMS AMP KIT Stereo 30-0-30 psu required £40.00 ref 40P200

300 WATT RMS MONO AMP KIT £55.00 Psu required ref 55P200

ALARM PIR SENSORS Standard 12v alarm type sensor will interface to most alarm panels. £16.00 ref 16P200

ALARM PANELS 2 zone cased keypad entry, entry exit time delay etc. £18.00 ref 18P200

35MM CAMERAS Customer returned units with built in flash and 28mm lens 2 for £8.00 ref 8P200

STEAM ENGINE Standard Mamod 1332 engine complete with boiler piston etc £30 ref 30P200

TALKING CLOCK What more can we say?? £14.00 ref 14P200.



BULL ELECTRICAL
 250 PORTLAND ROAD HOVE SUSSEX
 BN3 5QT TELEPHONE 0273 203500
 MAIL ORDER TERMS: CASH PO OR CHEQUE
 WITH ORDER PLUS £2.50 POST PLUS VAT.
 PLEASE ALLOW 10-14 DAYS FOR DELIVERY
 FAX 0273 23077

How It Works...

The Multimeter

The essential instrument for anyone interested in electronics, its roots date back to the earliest days of physics.

Anyone who has had anything to do with electronics will have come across a multimeter. It is used to examine the properties of an electric circuit and generally supports three main measurement ranges, voltage, current and resistance. Some of the more modern designs also have additional functions such as continuity testing, capacitance and inductance measurement plus component checking for transistors and diodes. However, the basic model looks at Amps Volts and Ohms.

The meter's readout is provided by a galvanometer or ammeter. This is a device which dates back to the very first developments in electrical engineering. It consists of a coil of wire wound around a core of metal. Attached to this is a pointer which reads along a scale.

This armature is placed inside a magnetic field so that when current flows through the coil, a force, or torque, is created that makes the armature turn. The more current passed through the coil, the more force is generated and the more the indicating needle moves according to Fleming's Rule. The turning force is resisted by a spring so that the indicator returns to zero when the current is switched off.

The basic ammeter therefore measures current as movement of its needle – the current being measured flows through the coil as though it were part of the circuit and the resistance of the coil is quite small. Different ranges are set by placing resistances in parallel with the coil.

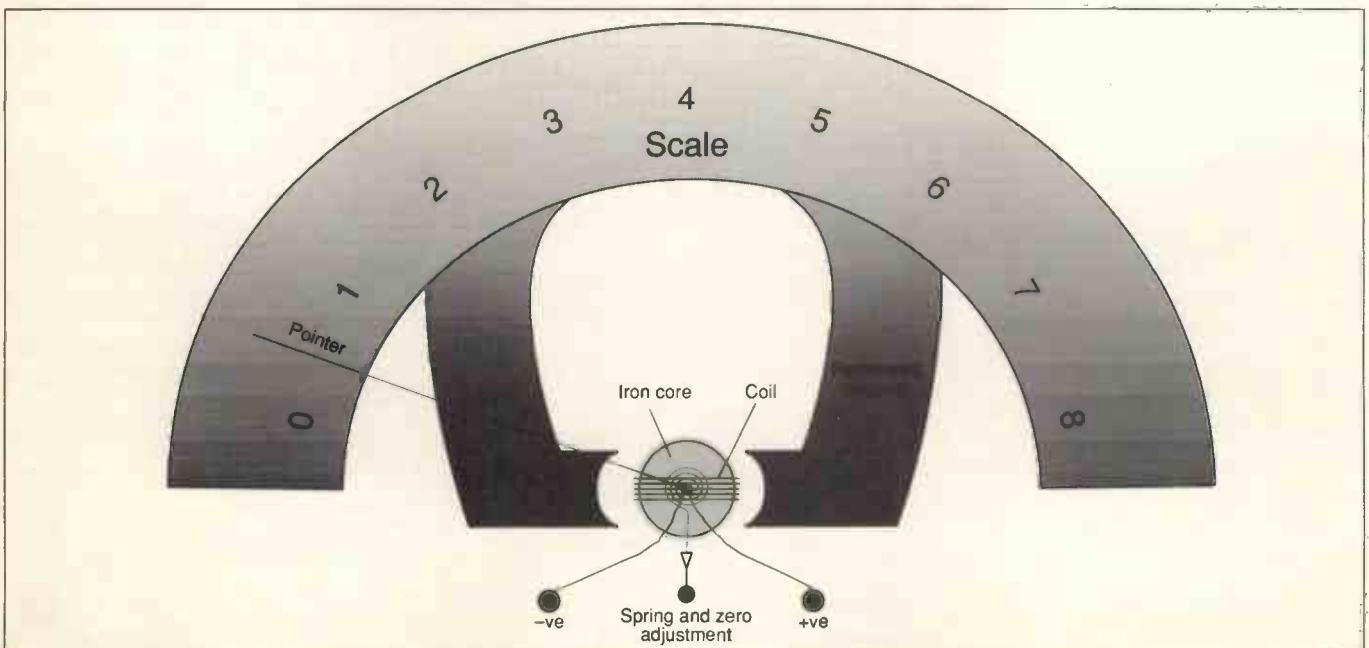
Voltage is measured by connecting a large resistance in series with the ammeter. When this arrangement is placed across a

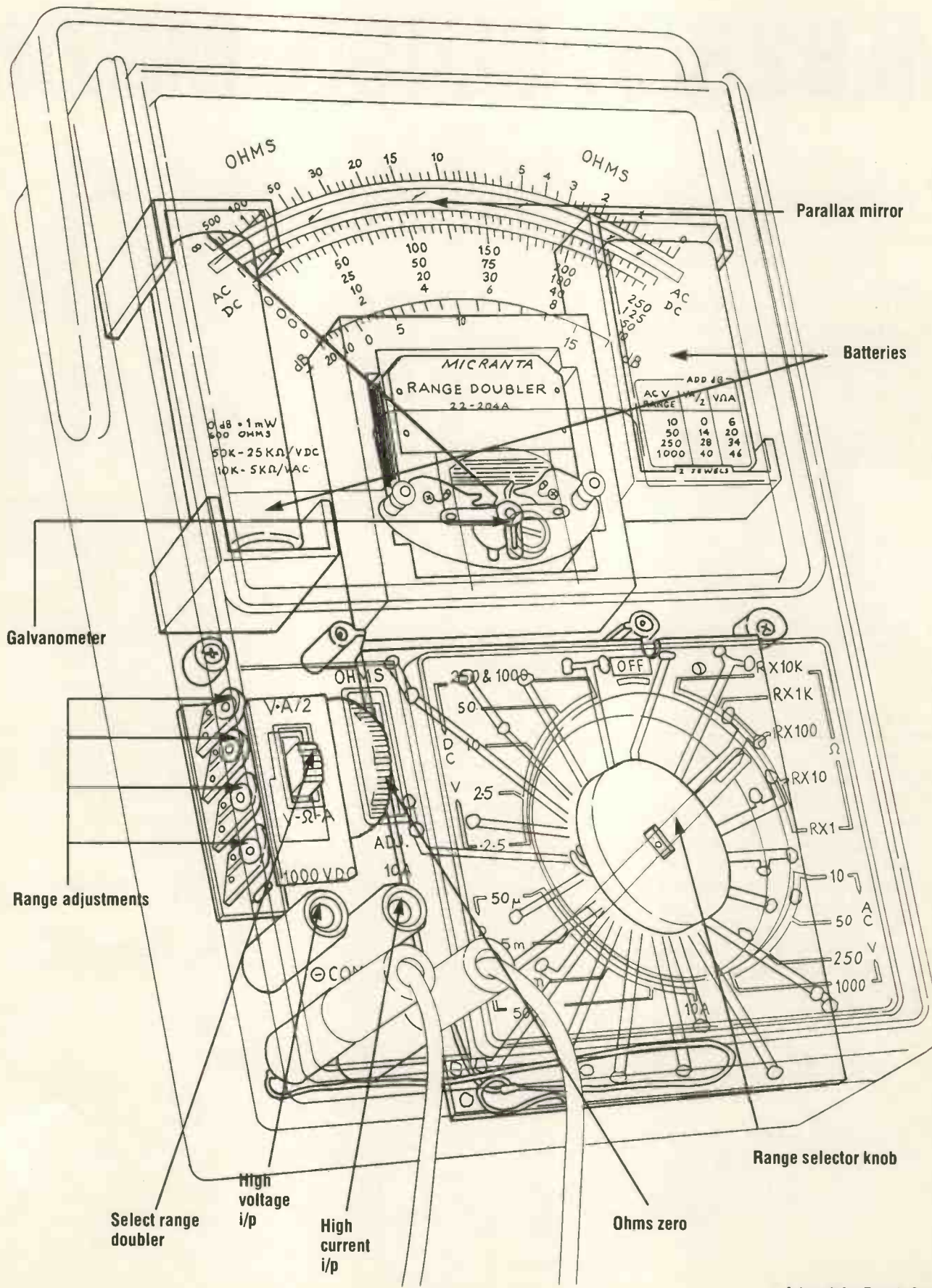
Fleming's Rule

If the thumb and the first and second fingers are extended at right angles to each other, with the thumb representing the direction of wire motion, the first finger representing the direction of magnetic lines of force (from the north to south poles) and the second finger representing the direction of current, then the left hand will give the correct relationships for a conductor in the armature of a motor or meter.

circuit, the voltage can be read as movement of the pointer. The different ranges are set by changing the values of the series resistors.

The measurement of resistance is simply a matter of applying a voltage to the circuit under test. The resulting current gives a direct measurement of the resistance of the circuit. ■





Artwork by Derek Gooding

Remote Control Chips... ML928/9, SL490, M3750

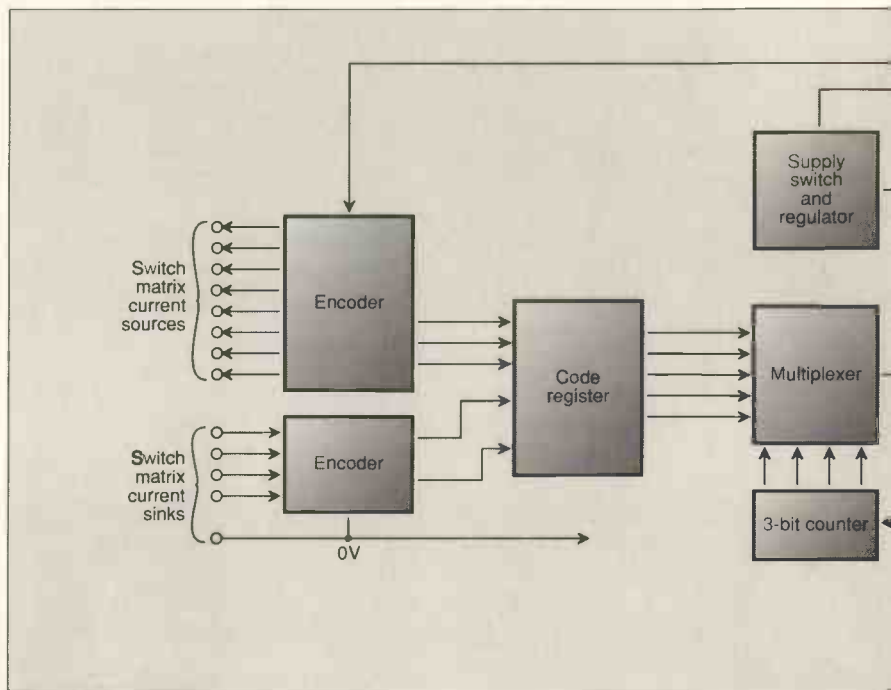
Back in the early days of electronics, remote control was something that required quite a lot of know how and complex circuitry. Nowadays, all that is needed are a few chips and a couple of discreet components.

The first chip set featured this month comprises two parts, the SL490 encoder/transmitter and the ML928/9 receiver/decoder. The second two are identical except that the first responds to codes 0 to 15 and the second 16 to 31. For systems that only require 16 codes, one chip can be used with the pair allowing access to all 32.

The input to the SL490 is an eight by four keyboard made up from single pole push switches - they are debounced by the SL490. Individual keypresses are coded up, transferred through an ultrasonic, infra-red, or other suitable link. At the other end, the ML928/9 receives the signals and decodes them into a 4-bit binary output. On both transmitter and receiver, the carrier for the data can be adjusted in frequency from 15Hz to 150kHz giving access to almost any transmission medium.

The data is transmitted using pulse position modulation (PPM) and the rate is selectable from 1 bit per second to 10k bits per second.

An unusual feature of the receiver is its negative logic. Instead of using 0V and +5V for logic 0 and 1, 0V and -12V are used respectively. This means that the supply voltage is negative and any input conditioning circuitry must give inverted pulses.

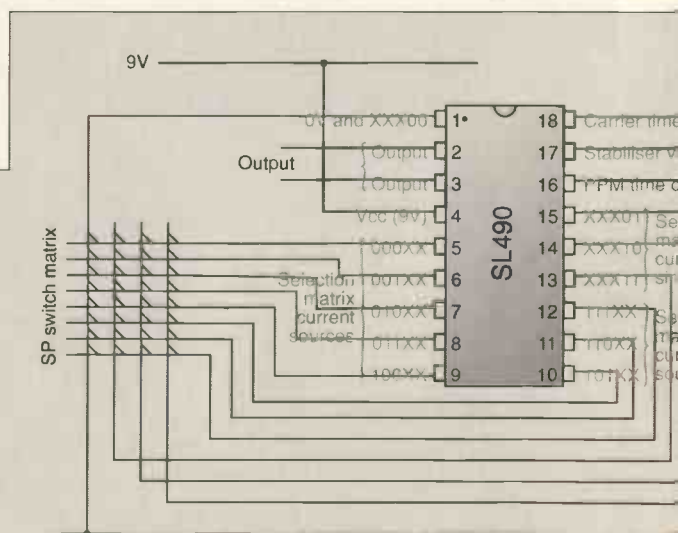
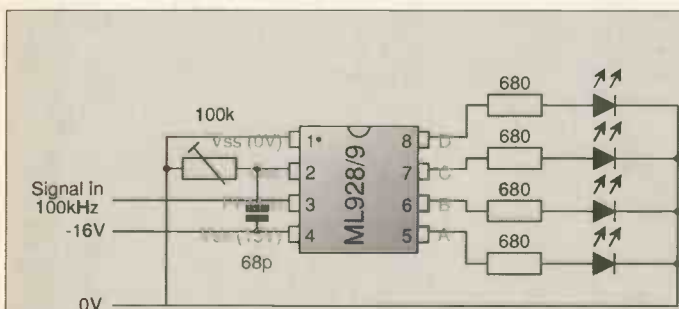


Single chip

The other featured chip is the UM3750 which is able to operate either as a transmitter or receiver. Instead of transmitting data the circuit simply attempts to find any chip with a corresponding code. Setting the input switches to a particular number causes a certain code to be transmitted. Only receivers with the same code will activate their receiver outputs. At first sight this would seem to be pretty useless. However, with some counting circuitry at each

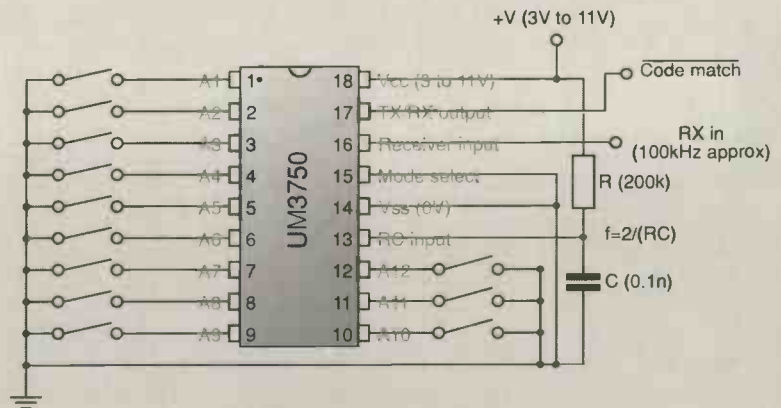
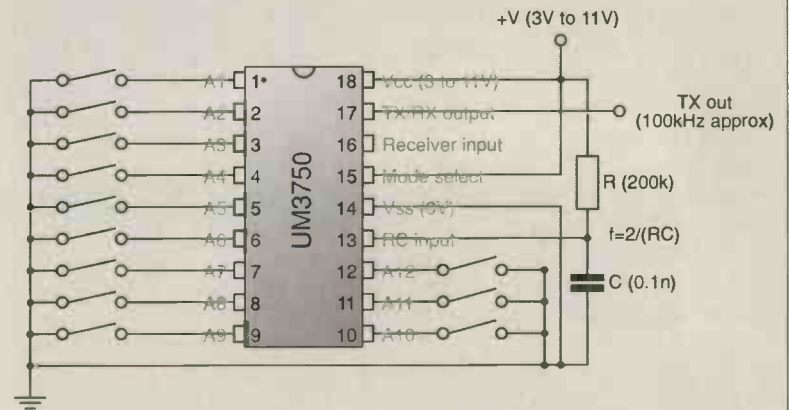
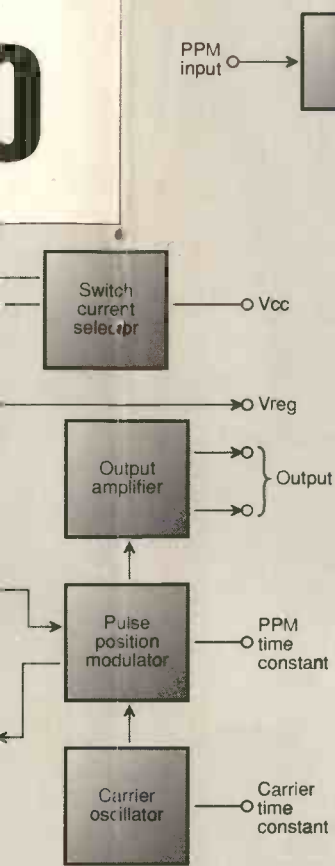
end of the link, 12-bit numbers transferred. The receiver is capable of counting through 4096 numbers and the receiver output used as a either to store the count or to latch it to other circuitry.

The only problem is one of false counts since the receiver counts all 12-bit numbers and compares them with the code. It does this four times and only valid codes are received and transmitted. The next valid code must be transmitted/received output at pin 1 low. The next valid code must



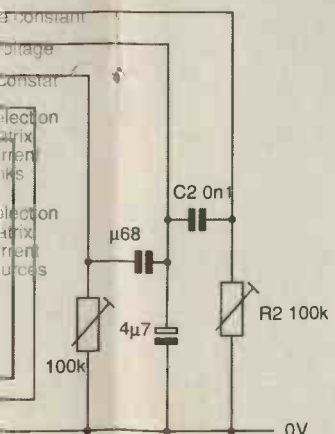
UM3750 Pin Functions

- | Pin | Function |
|------|---|
| 1-12 | A1-A12 Data select lines used to define the address of the encoder decoder chip pair. To set an address, puls the lines down to ground. They have built in pull up resistors. |
| 13 | RC Input defines the frequency with R ranging from 200k to 1.2M |
| 14 | Ground |
| 15 | Mode select, grounding this selects receiver mode and connecting it to Vcc, transmit mode. |
| 16 | Receiver input |
| 17 | TX/RX outputs signal in transmit mode and signals a correct code in receive mode |
| 18 | Vcc, the power supply, 3V to 11V |



can be received within 128ms to keep the output low.

Another application of this circuit is when one transmitter has to talk to a number of independent receivers. Each of these has its own code number preset on the switch inputs and triggers its output when a valid code signal is received. As an example, this would allow a central handset to control a selection of household gadgets. ■



ML928/9 Pin Functions

- | Pin | Function |
|-----|--|
| 1 | Vdd, -12V to -18V power supply |
| 2 | Time constant, the RC pair at the point defines the internal clock frequency from 15Hz to 150kHz. R can be from 25k to 200k with the frequency being given by $f=1/(0.15RC)$. |
| 3 | Signal input, an amplified version of the signal from the SL490 is fed into here. This must conform to the negative logic format where "1" is -12V to -18V and "0" is 0V. The normal level is logic "1" with the data pulses to logic "0". |
| 4 | Vss, ground. |
| 5-8 | Four binary outputs using high power transistors. |

SL490 Pin Functions

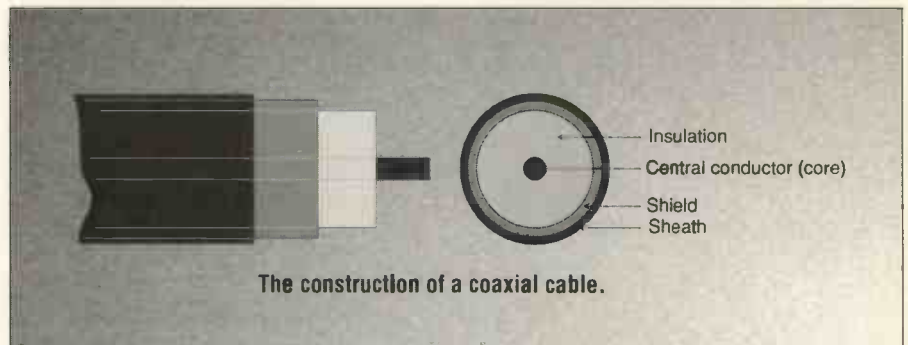
- | Pin | Function |
|-------|--|
| 1 | Ground and keyboard column zero |
| 2-3 | Transmitted output from 1 to Vcc up to 5mA and 0Hz to 200Hz. |
| 4 | Vcc, 7V to 9.5V |
| 5-12 | Rows |
| 13-15 | Columns |
| 16 | Time constant for data set by 1.4C1R1 |
| 17 | Stabilizer voltage from 4.3 to 4.9 volts. |
| 18 | Carrier time frequency given by $1/(C2R2)$ |

Practical Components: Cables And Wires

They may seem to be one of the simplest parts of any electronic circuit. But, a look through any electronics catalogue will show, there are quite a number of different types.

Without wires, there could be no electronics. They are used in every circuit to carry current from one place to another. The variety of uses for wires has led to a plethora of different types from simple hook up cable and enamelled wire to coaxial and ribbon.

A piece of cable consists of an electrical conductor, usually copper, surrounded by some form of insulation. If the copper core is solid then the wire tends to stay bent in any direction it is put into.

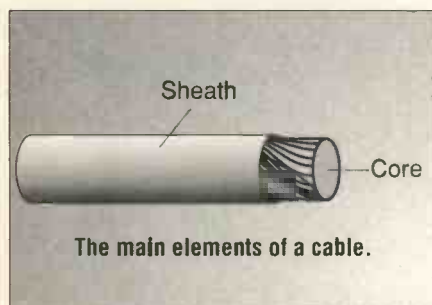


The construction of a coaxial cable.

Repeated bending will eventually cause metal fatigue and the wire will break.

To improve the flexibility, a number of cores can be used, the total diameter defining how much current the cable can carry. Cables that carry heavy currents, such as those used to power an electric cooker, are quite hefty, others, such as those used to transfer data from a silicon microchip to its input/output pins are very thin indeed.

The outer sheath of a cable is made from a variety of materials. The most common is PVC (Poly Vinyl Chloride) which is a good insulator, tough yet flexible and can be moulded very easily. Cables that have to carry high voltages might use an inner layer of polythene beneath a thicker layer of PVC. Wires that have to be crammed into very small spaces such as the windings on a transformer, are coated in enamel to make the sheath as thin as possible. ■



The main elements of a cable.

Cable Types

Coaxial

Acting as a waveguide, coaxial cables are used to convey high frequency signals from one point, say an aerial, to another, say a receiver or transmitter.

EHT

Extra high tension cables are used in high voltage systems up to around 25kV. The insulation is much thicker and better quality than normal cable.

Enamelled Copper

Transformer windings can consist of many turns of

wire which must have as thin a sheath as possible, an enamel coating serves this function admirably.

Flexible

The flying leads used with test instruments must be as flexible as possible otherwise metal fatigue would probably cause them to break due to their constant movement. Flexible cable uses a large number of very thin wires as its core and a sheath of very flexible plastic.

Heat Shrink Sleeving

Where bare wires must be covered, heat shrink sleeves can be placed over them and when touched with a soldering iron or other hot object, shrink (by up to 50%) to form a tight fit around the wire, protecting it from accidental shorts.

High Current

Extra fibres in the core of the cable allow it to carry higher current. The formula $H=RI^2T$ defines the amount of heat (H) generated in a cable with respect to its resistance (R), the temperature (T) and the

square of the current (I). Making the cable thicker allows the extra heat being generated by the high current to be conducted and dissipated away as well as reducing the resistance.

Hook-up

Usually available in a number of colours, hook-up wire is used for interconnections between circuit boards and external components such as potentiometers, meters and displays.

Loudspeaker

When connecting speakers up to an amplifier, it is necessary to make the connections the right way around – otherwise the phase of the speakers may be wrong resulting in a loss of quality and volume. Loudspeaker wires come as pairs with a linked plastic sheath and marked so that one wire can be traced from end to end.

Low Noise

Using special sheathing methods it is possible to protect the signal carrying core from outside interference or noise. The sheath usually consists of polyethylene insulation surrounded by a layer semiconducting polyethylene and then the copper braided shield. All of this is covered with a layer of PVC (Poly Vinyl Chloride) for strength.

Mains Cables

Used in household wiring these usually have three solid cores surrounded by a white PVC sheath. Known as twin and earth, two of the cables, the live and the

neutral are covered with individual colour coded sheaths, red and black, with the earth being bare copper. Note that this is not the same as the cables used to connect equipment to the mains which uses three sheathed wires with the colour coding of brown for live, blue for neutral and green and yellow for earth.

Multi-core

Where connections require a number of wires to be taken from one place to another, a multi-core cable is used. These can be have from two to 40 colour coded individual cores and are usually shielded.

Ribbon

When connecting printed circuit boards together and especially in computer applications where a large number of connections must be made from one place to another, a ribbon cable is used. Instead of bundling all of the wires together inside an outer sheath, they are stuck together side by side to form a flat layer, hence the name ribbon. A number of different sizes are available from 2 to 50 way or more. Some are multi-coloured with others being plain apart from one key wire which has a stripe down it to make sure the polarity is maintained.

Screened

Screening is used to protect a sensitive signal from outside interference, for example, a microphone cable which is fed into an audio amplifier is very susceptible to 50Hz mains hum. The cable has a central core

which is surrounded by insulation and then by a braid or flat tape which forms the screen or shield. Connecting the screen to ground effectively forms a Faraday Cage around the core, protecting it from outside electromagnetic influences.

Solid Core

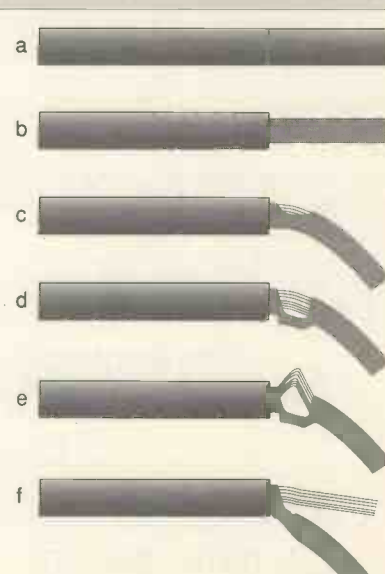
Most cables use multiple cores to give them flexibility and reduce the metal fatigue incurred whilst bending. For connections that are not going to be moved once in place, for example on a printed circuit board solid core wire is ideal.

Telephone

Standard telephone connections use four or six core unscreened cable with individually colour coded sheaths.

Wire Wrapping

A way of constructing circuits, now quite rare, is to use components with long leads soldered onto chessboard like squares. The protruding leads are connected together to form the circuit with special wire and a wrapping tool. Normally the wire has a thin sheath which is easily removed by the wrapping tool when it winds the wire around the end of a component lead, allowing it to be soldered in place.



Baring A MultiCore

One of the first practical things most electrical and electronic engineers learn is how to bare a piece of wire. Some use their teeth, others resort to special tools. For most cables, the simplest way is to carefully cut around the sheath with a knife and then pull it off to reveal the core underneath.

A useful technique for exposing the cores in a multi-way cable is illustrated above. First of all, the sheath is cut (a) down to the shield layer and removed (b). Next a screwdriver is inserted between the braids of the shield and an opening is made to expose the cores inside (c) – note that the shield is not cut at all. Bending the end down (d) and pulling the braid away reveals the core wires and inserting the screwdriver in the gap allows them to be pulled free of the shield (e) leaving the shield intact and the cores ready to be bared and soldered (f).

The PCB Service is back!

Lys Electronic Components

PCB Service

Lys Electronic is proud to present officially approved circuit boards for Practical Electronics projects

Project	Issue	Board type	Size(wXh)	Price
PE Chronos	May–August 91	Input board, double-sided	160mm X 102mm	£19.56
PE Lux 3 Boards (Tripping the light fantastic)	August 91	Control, single sided Lamp driver, single sided Power supply, single sided	174mm X 105mm 103mm X 105mm 93mm X 59mm	£24.70

• Earlier boards are also available •

• We will provide any board for any project that has been published in PE since the beginning of 1987 •

The One-Stop Component Shop Sample Prices

AD149 (normally £3.95).....	£1.95	5mm Red & Green LEDs.....	.07	BC213.....	.06
AD152 (normally £3.95).....	£1.95	5MM Yellow LEDs.....	.08	BUV 47.....	1.60
79L12 -VE Regulator.....	.19	3mm Red & Green LEDs.....	.07	BU508A.....	1.30
78L15 +VE Regulator.....	.22	1µF/50V Axial capacitors.....	.20 for 1.00	MPSA 93.....	.14
78M05 +VE Regulator.....	.30	0.1µF Disc Ceramic 25V.....	.25 for 1.00	MPS2369(BSX20).....	.20
2SC2331.....	1.70	22NF Ceramic Disc Caps.....	.25 for 1.00	E24 1/4W Resistors.....	10 off .12
2SC1815.....	.19	300PF Ceramic Disc Caps.....	.25 for 1.00100 off .60 any mix in 10s	
		2SC3417.....	.251000 off 5.50 any mix in 10s	
		BC184C.....	.06	Full range of resistors available	
Amiga 1MB Upgrade Board (4 Chip Design) with 1MB DEMO DISK.....	28.00				
Atari 1MB Upgrade Kit inc fitting instructions + 1MB DEMO.....	35.00				
1GHz Frequency Counter, 2 Ranges 0-30 MHz:25MHz-1GHz inc 4 PCBs					
All components transformer etc (excluding case).....	83.60				
Mini FM Wireless microphone 88-108MHz DIM 25 x 70MM.....	12.50				
FM Wireless Microphone 88-108MHz DIM 32 x 215mm.....	16.49				

We are major importers of US/Japanese semiconductors
Component list available on request • No VAT – Please add 50p P&P

Lys Electronic Components
10 Westbrook Road, Portchester, Hants PO16 9NS
Tel: 0705 386550 Hours: Office 07.30–19.00 / Shop 09.00–17.00

PE Chronos: The First Board

This month Tony Smith gets down to some construction work on the Chronos, starting with the input board.

The input board is double sided, having a ground plane and a component side to ensure good earthing for all nodes and connections at zero potential. Furthermore, the board is screwed to the front panel such that the circuits of both channels are neatly sandwiched between the ground plane and the metal panel, effectively providing all around shielding.

Fixing the board to the front panel has the second advantage in

that all connections between the board and the front panel controls are kept to a bare minimum. This simplifies construction and makes the layout neat and also eliminates cross talk and interference between the interconnecting wires. Note that the board is located well away from the mains transformers. This is essential to prevent mains pickup at the sensitive inputs.

Construction of the board is straightforward and shouldn't pose any problems. However, there are

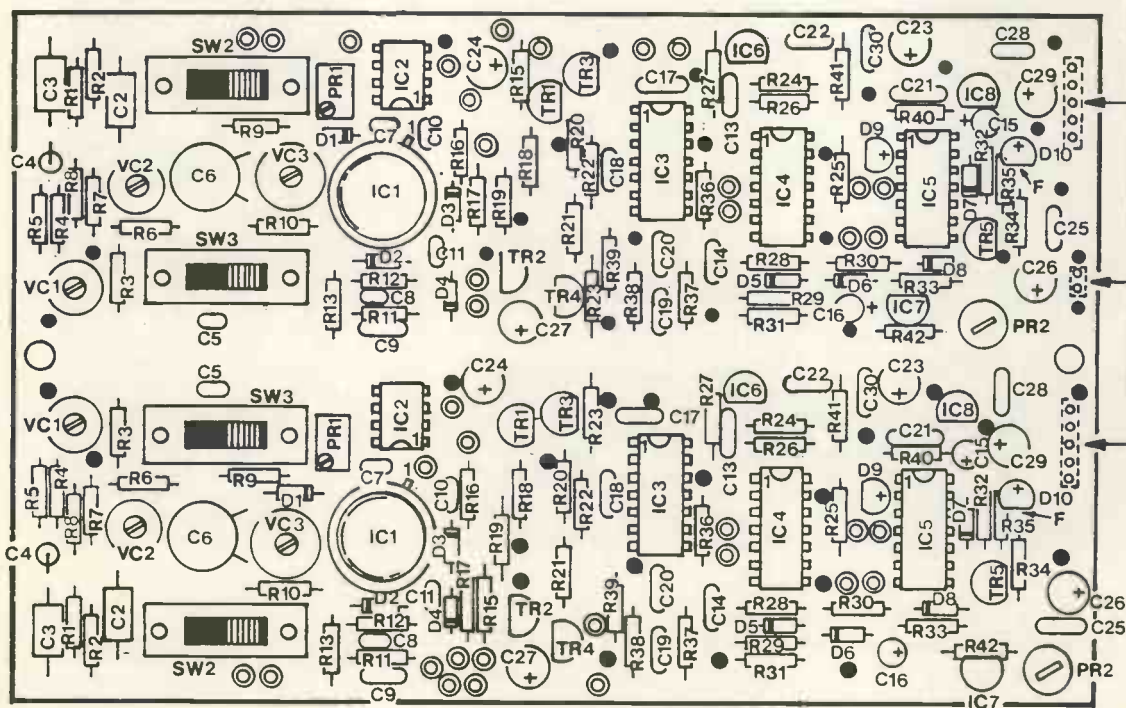
two points which should be borne in mind.

Firstly, several of the ICs used in the input circuits are sensitive to static discharge so care should be taken when handling them (the pins should not be touched and the soldering iron tip earthed). These precautions apply mainly to IC5 and IC1 which is rather expensive.

Since both input channels are accommodated on one board, the PCB is fairly densely populated. Because the board is screwed to the

FIG.28: Input Board, component layout.

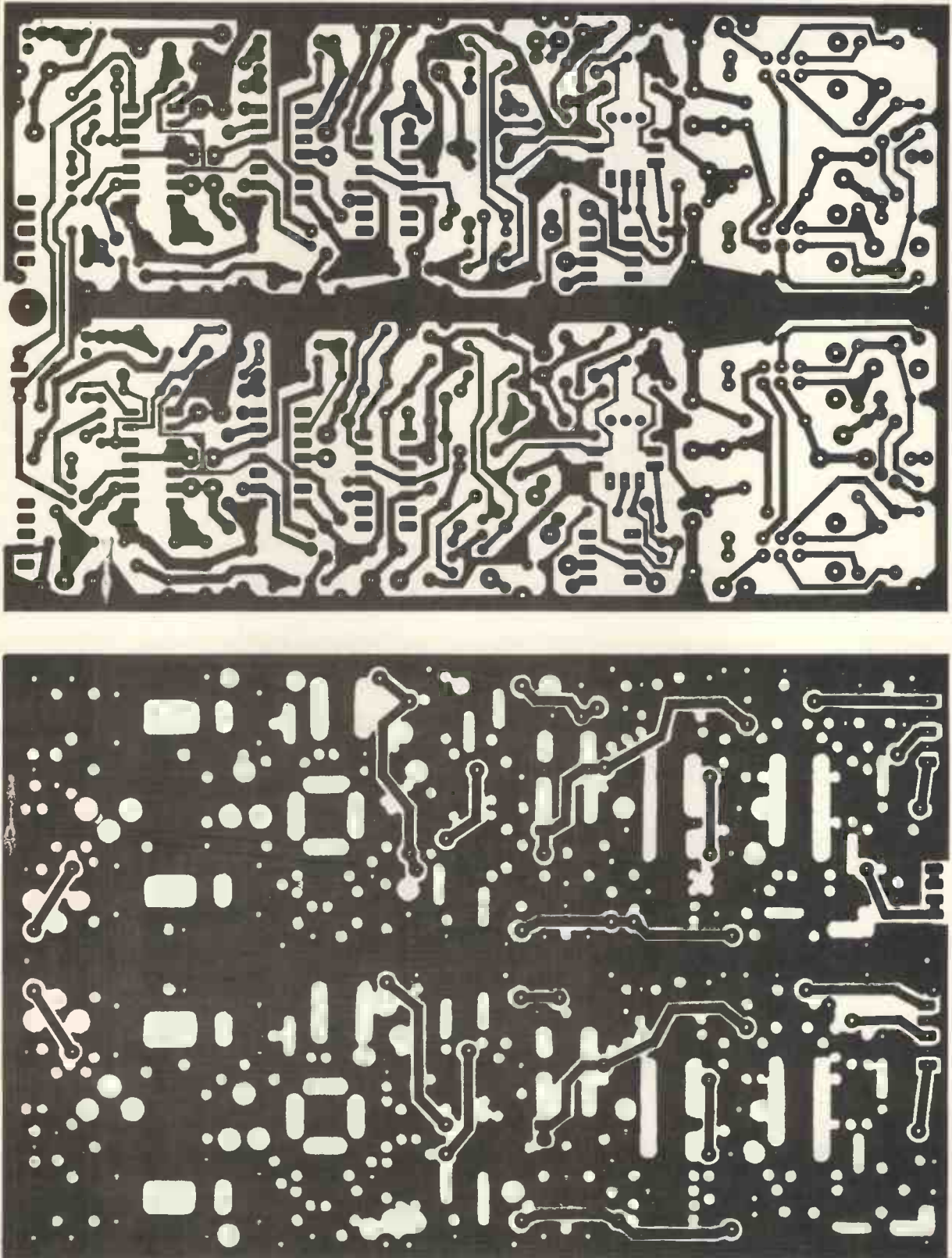
Connectors mounted on rear of board



● = link through board, (43).

⊙ = Veropin connection.

Fig. 1. Input board component layout.



Input board PCB top and bottom.

front panel using 0.5in spacers, all components heights should be kept under this height.

Each input channel occupies one half of the board, the two halves being almost identical electrically and physically. They are kept

separate to minimise crosstalk so there is no mixing of components and each half is considered a separate entity. The parts list is for one channel only so it is necessary to buy two of every component on the list.

Putting It Together.

The component layout for the input board is shown in Figs.1 and 2. Before inserting any components, make a thorough check of both sides of the PCB for shorts, broken

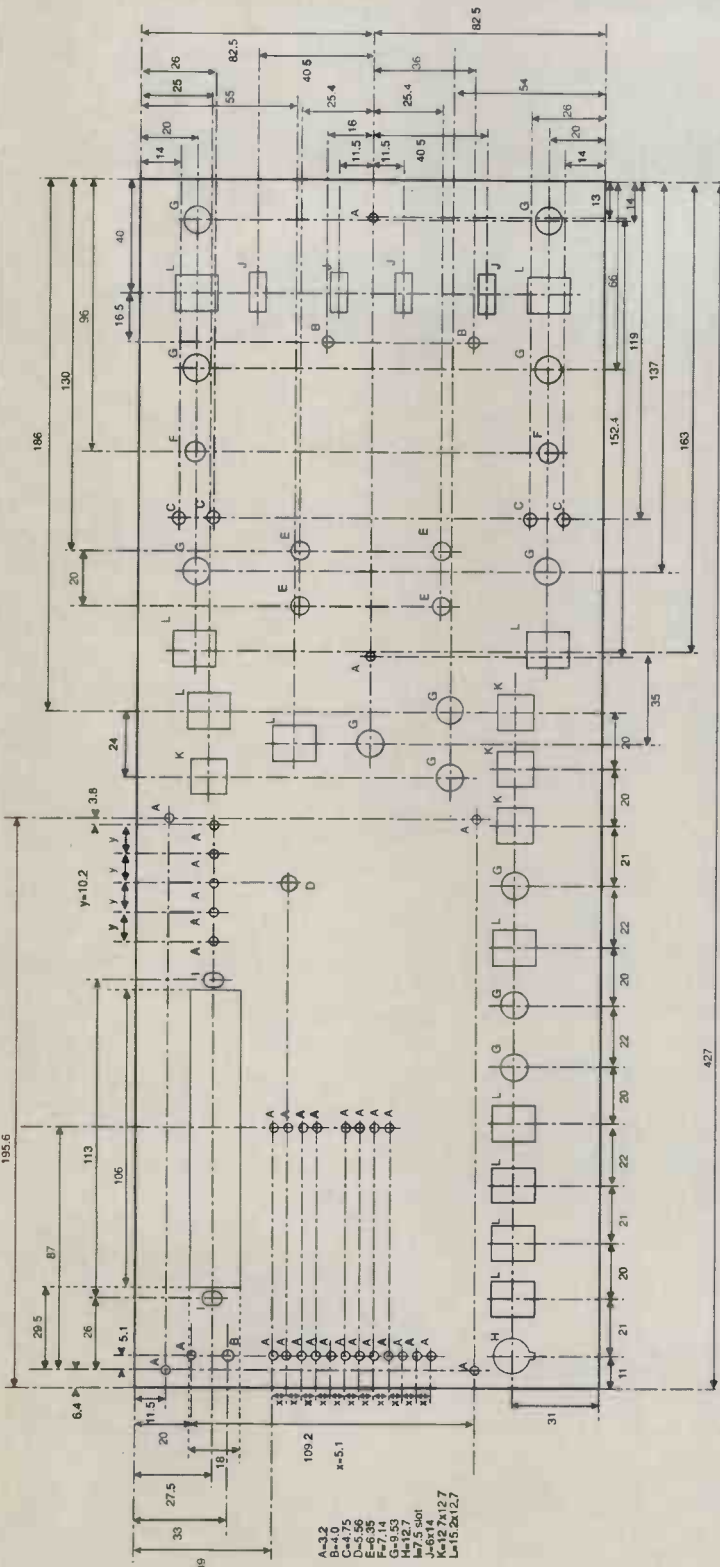


Fig. 31. Front panel holes.

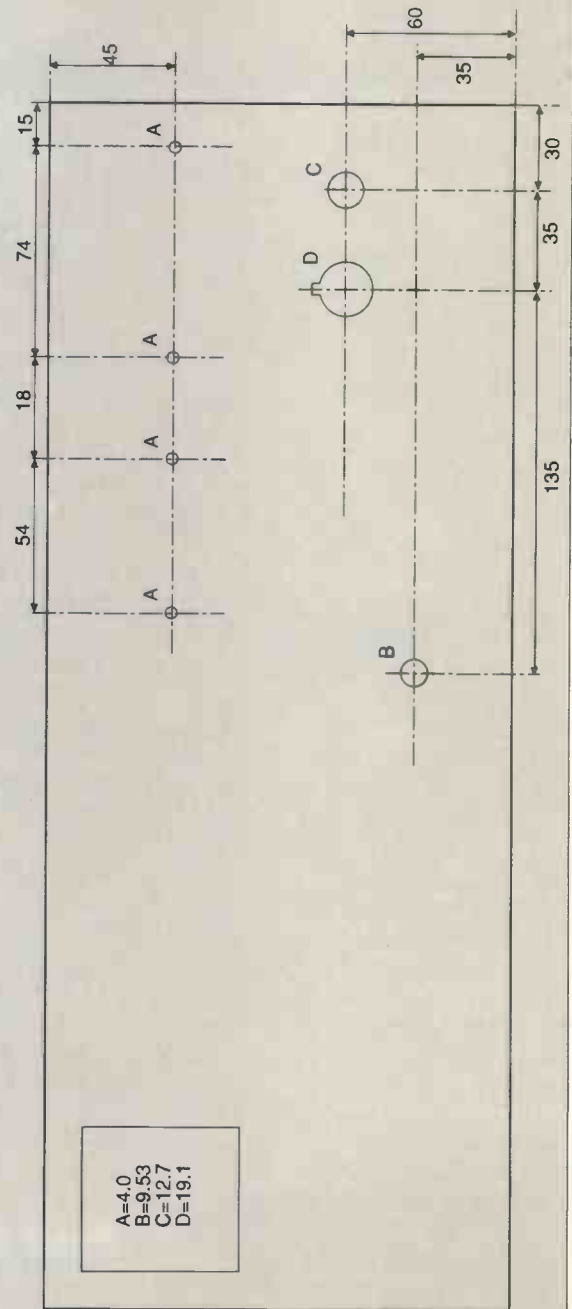


Fig. 32. Back panel holes.

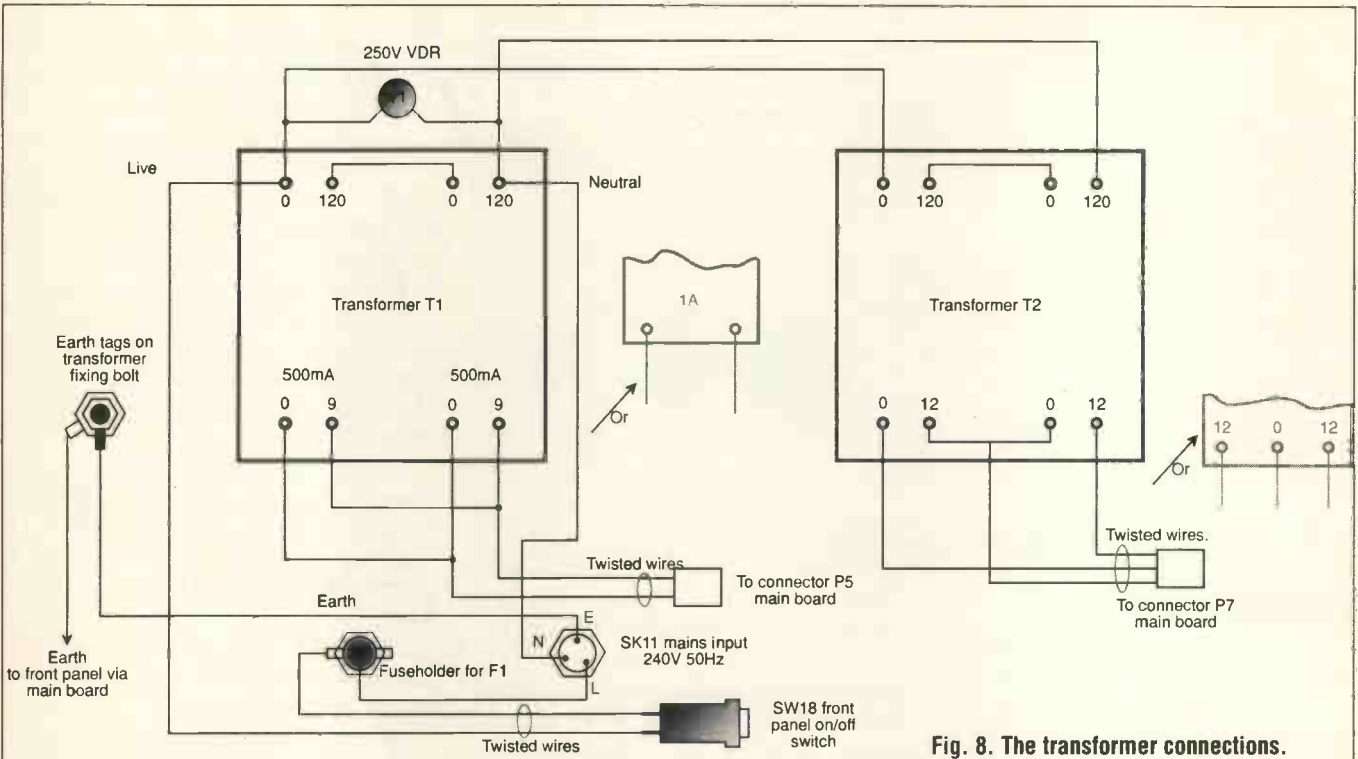


Fig. 8. The transformer connections.

Components

Resistors

R1	13k
R2	1M5
R3	1M0
R4	10k
R5,R15	200
R6,R10	910k
R7	110k
R8,R18,R19	2k2
R9	119k 0.6W
R11,R12,R22	3k6
R13	390
R14	10k 0.6W 5%
R16,R17	2k4
R20,R21	82 0.6W
R23	150
R24	4k7 5%
R25	1k5 5%
R26	820 5%
R27	180
R29	680
R30	620 5%
R31	1k8 5%
R32	360k 5%
R33	470k 5%
R34	47k 5%
R35	18k 5%
R36,R39	15k
R40	1M5 5%
R41	see text
R42	510 5%

Capacitors

C1	0μ1 630V DC or greater
C2,C3	220p 2.5% 630V DC
C4	820p 5%

C5	82p 5%
C6	56p 10% 250V rms
C7,C8	see text
C9,C22,C25,C28	0μ1
C10,C11,C13,C14,C17,C18,C19,C20,C30	10n
C12	10n 100V DC
C15	1μ0 10V tant
C16	1μ5 10V tant
C21	0μ22 min ceramic
C23,C26	22μ 25V sub min radial elect
C24,C27	22μ 16V sub min radial elect
C29	47μ 16V

Variable resistors

VR1	470 10% lin single turn pot
VR2	10k lin single turn pot with integral SPDT switch (SW4)
PR1	10k (3/8in square) 22-turn cermet preset
PR2	500 min cermet preset

Variable capacitors

VC1, VC2	2-22p Mullard Beehive trimmer 808 series
VC3	5-65p Mullard Beehive trimmer 808 series

Semiconductors

IC1	LH0032C
IC2	741C
IC3	LM319N
IC4	LM361N
IC5	74HCT14
IC6	78L08AC
IC7	79L05AC (or 79L08AC)
IC8	78L05AC

TR1,TR3,TR5	BC183L
TR2,TR4	BC213L
D1,D2,D5,D6	1N916
D3,D4,D7,D8	1N4148
D9	5mm red LED
D10	Flashing continuous 5mm red LED

Switches

SW1,SW5	SPDT (single pole changeover)
SW2,SW3	Double pole three way PCB mounting slide switch
SW4	SPDT integral with VR2

Miscellaneous

- SK1,SK4 50Ω BNC round chassis socket
- SK2,SK3 Inslated socket 1mm 1 read 1 black
- Power connectors (if used) 5 way x 2, 2 way x 1 (per board)
- Ribbon cable 5 way x 2 and 2 way lengths
- 0.8mm through-board track links (43 perboard)
- Small pin terminals 1mm types (36 per board)
- Metal spacers 0.5 inch, 6BA threaded x 2
- 6BA screws chrome plated 0.5inch x 2 unplated, 0.5 inch x 2
- Potentiometer knobs, 4 per board
- LED clips, 4 per board

Rewarding Loyalty

You can be a winner with our Reader Loyalty Bonus.

This month's top ten readers:

B. Hall of Bristol has £150 of the money spent with Maplin Electronic Components refunded.

S. Jones of Brighton who bought £150 worth of goods from Maplin Electronics.

Ben Wilcox of Scarborough receives £99.90 for buying goods from Tandy.

H. Palmer of London has the £84.95 he spent with Greenweld refunded.

D. Crome of West Kingsdown, Kent gets back the £51.04 he spent with Maplin Electronics.

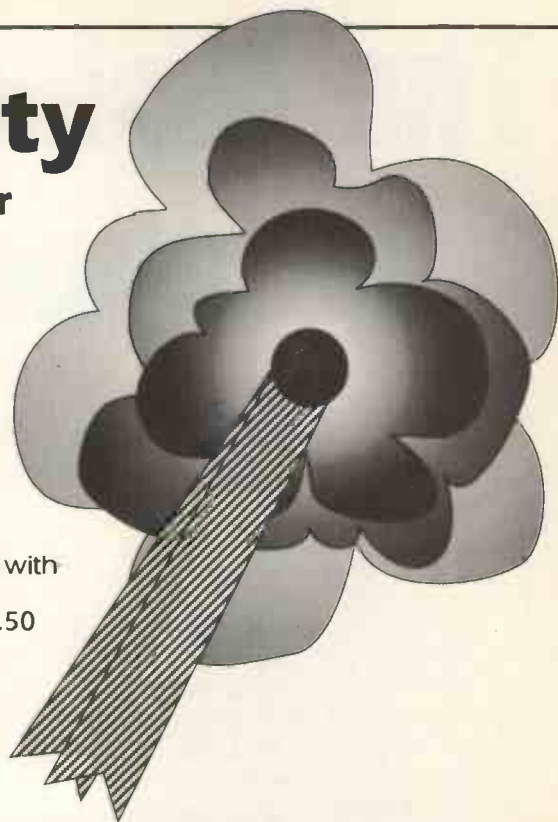
P. Beardwood of Stockport traded with Bull Electrical and has £47.50 refunded.

Nicola Peck of Sheffield secures her £21.45 for purchasing goods from Suma Designs.

Robert Duncan of Chesseneuil, France claims his £19.84 which he spent with Greenweld.

G. Smart from Liverpool is reimbursed £18.95 for trading with Greenweld.

Peter Webster of London N7 has £17.50 repaid for his purchase from Cricklewood Electronic



MICROPROCESSOR CONTROL AND DATA LOGGING APPLICATIONS



HARDWARE

'Off the Shelf' or custom made. A simple interfacing circuit or a full microprocessor system.



SOFTWARE

High and/or low level language programs to your specification supplied on disc or EPROM.



MECHANICAL

Sensors, positional slides, brackets, linkages etc. supplied or designed and manufactured.

Whether your application is control of a model railway or data acquisition on a factory production line, we can help by working with you to provide any or all of the above requirements needed to produce successful completion of your project. Hobby or industry, one off or batch work, we would be pleased to discuss your requirements.

Just some of our stock items include:

PCW Parallel I/O Interface - 32 I/O Lines.....	£65.75
PCW 8 ch. AtD (use with above interface).....	£46.95
Z80A Single Board Micro Controller Special Offer.....	£69.95
PC/XT/AT 48 line Digital I/O + 3 counters.....	£80.50
PC/XT/AT 12 bit 16 ch AtD, 1 ch DtoA.....	£133.36
PC/XT/AT 8 bit card - AtD/DtoA/DIO/counters.....	£225.00
RS232/PCW printer/PC printer cables all.....	£10.28
Speech Synthesiser (use with CENTRONICS port).....	£49.95
4 Colour Printer/Plotter (Use with CENTRONICS port).....	£89.95
Computer to 8 off 10A DPCO Relay Interface.....	£125.00



Prices include VAT and P&P
OEM, trade and overseas enquiries welcome



SM ENGINEERING
Telephone 0323-766262

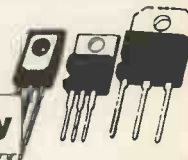
'St Georges'
Lion Hill, Stone Cross, Pevensey
East Sussex BN24 5ED

The ONE STOP Component Shop

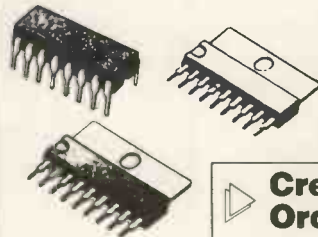


▶ **Massive Stocks**

▶ **Old & New Technology**



▶ **Latest Japanese Semi-conductors & Transistors Available**



▶ **Credit Card Telephone Orders a Speciality**

CRICKLEWOOD ELECTRONICS

Tel: 081 4520161 & 081 4500995
40 Cricklewood Broadway, London NW2 3ET

Fax: 081 2081441 - Telex: 914977 CRICKEL G



AMERICAN EXPRESS



The Toshiba T1000LE

A Notebook Computer

Sarah Brook takes us through the pleasures and trials of one of Toshiba's most affordable notebook PCs.

Portables have been around for years, but few of them are actually comfortable to both carry around and use. The early versions weighing around 8kgs (15 pounds) were not really portable at all, but "luggable" and entirely unsuited to the mobile professional – unless they were professional weight lifters!

Then followed the first laptops, aimed at the mobile sales executive and frequent flier. But reduced weight also meant reduced speed and reduced keyboard space, so that the only sales executives who benefited from the technology were those with childsize hands and patient customers. Not to mention that high budgets were also needed to afford the considerable expensive of going portable.

Pocket portables were more affordable but even less efficient. Those that offered a qwerty keyboard could only be used by people with really tiny fingers.

The vision of a professional sauntering in and out of meetings with fully prepared statistics and written up notes remained an unfulfilled dream for all but the most affluent companies.

Enter the notebook PC. There are many coming onto the market now, with most manufacturers bringing out at least one. Toshiba probably have the best reputation in portables and the T1000LE is their most affordable version to date at £1,495 (plus VAT).

This machine is suitable for even petite professionals who will not have difficulty managing the 3.0 kg weight. It can be bought with an optional black nylon or leather carrying case with side pocket and, for those who do not take the office

with them, the case itself is an alternative to a brief case.

The keyboard is full-sized and arranged for a normal adult hands. There are 84 keys, including 12 function keys and the numeric keys are integrated in the main keyboard. The keys are very responsive to light touch keystrokes, more so than many other manufacturer's machines.

Unfortunately, even Toshiba have not really managed to create a keyboard which is quiet enough to be used discreetly. As hard as one might try to stroke the keyboard lightly, there remains the inevitable "tapping" noise that is guaranteed to annoy colleagues, delegates or fellow travellers.

The screen display is sidelit to made LCD in grey/blue background with blue characters and has adjustable contrast and backlight brightness. Using a

reasonably high resolution of 640 x 400 pixels, it is quite clear and easy to see. When used for a number of hours, however, the display is harder on the eyes than black and white or orange plasma displays. Also it is CGA, rather than VGA compatible. Toshiba do make a VGA portable, the T2000SX, but this is much more expensive at £3,395. At present there are other notebooks for the same price of £1495 which offer VGA but they are not as light in weight.

That said it copes adequately with spreadsheet graphics and for many people that is as good a display as they will need.

If one needs to do anything more sophisticated, then a larger memory will be needed. The T1000LE comes with 1Mb RAM and a 20Mb hard disk. While this is vast improvement on the early portables, it is not generous by



The T1000LE is about the size of an A4 sheet and will easily fit into the average briefcase.

today's standards and an alternative model should be considered by people needing greater processing power. The memory is upgradable to 9Mb, but this is likely to be more expensive than buying an alternative model with more memory built in.

One feature that is useful, is the power maintenance. Batteries recharge automatically when it is used from a mains socket, giving 2 hours per charge - 4 hours in total with the optional extra picture, more than enough for most meetings. When the keyboard is not in use, the screen fades automatically to save energy, but does not disappear - as some portable screens do, which can be quite disconcerting or even dangerous as it is easy to forget the document was there and switch it off.

Also it is practically designed for travel. The power adapts itself to the local voltage and automatically switches from 100-240VAC. The international traveller, can also use the modem slot to link up to on-line information files.

Truly Portable

The Toshiba T1000LE is affordable and very useable. It doesn't offer the best value for money in that it doesn't have VGA screen compatibility, nor much memory in the basic model. However, it does satisfy the needs of most notebook users - they are, after all, used to take notes when out of the office. It wouldn't replace a desktop computer and certainly not a Mac, but it is a useful and truly portable machine. And buyers probably do get some added value from the Toshiba quality of design. ■

Specifications

Processor	80C86 @9.54MHz
Memory	1Mb expandable to 9Mb
Hard disk	20Mb
Floppy disk	3.5in 1.44Mb/720kb
Display	640x400 LCD
Graphics adapter	CGA compatible
Keyboard	84 keys incl 12 function keys
Interfaces	25-pin Centronics, doubles as external floppy disk connector
Operating system	MS-DOS 3.3
Power Supply	Autosensing 100-240VAC
Battery	NiCd pack, lasts 2 hours per charge
Size	310x254x44mm
Weight	3kg

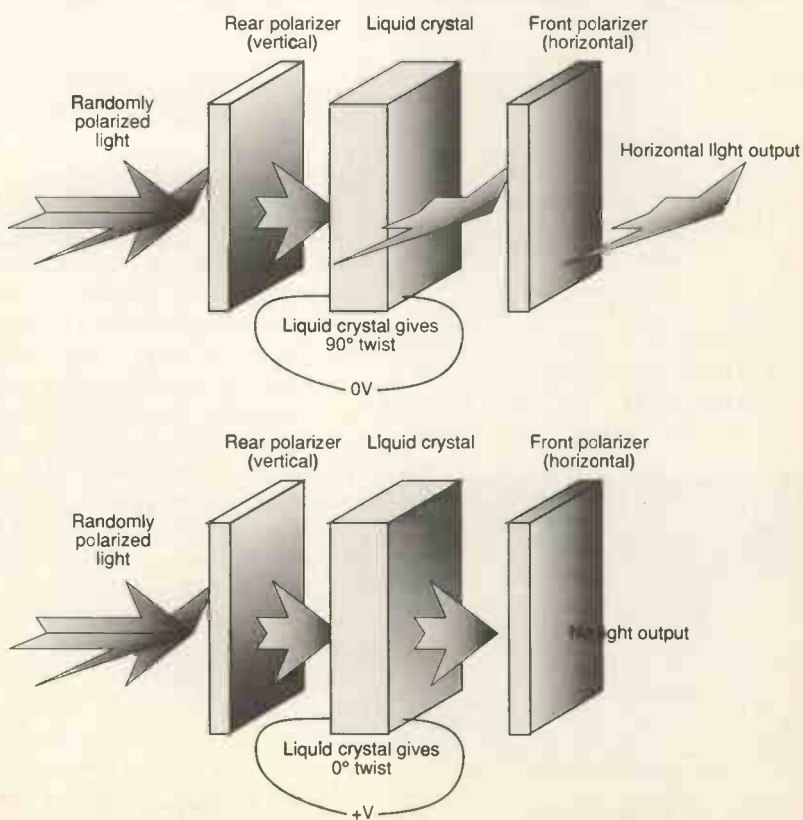


The T2000SX offers VGA, at a price.

LCDs

The technology that makes portable computers portable is the liquid crystal display. Its advantages are that it is thin, light, requires low power and, recently, high resolution. The basic operation relies on the liquid crystal's ability to twist polarised light. The crystal itself is made up from long molecules that twist at right angles to the face of the display. When an electric charge is placed across the crystals the molecules untwist and allow the light through untwisted.

Randomly polarised light is passed through a vertical polariser and then through the liquid crystal. When this twists the light through 90° a horizontal polarisation filter at the output allows it through. Putting a voltage across the crystal allows vertically polarised light through and the horizontal polariser blocks it. In this way, pixels can be turned on and off under control of a microprocessor. By creating a matrix of LCD elements, each being individually addressable, a computer display can be created. The T1000LE display gets its randomly polarised light from the sides and uses a supertwist liquid crystal that rotates the light through multiples of 90°, the final amount being decided by the thickness of the crystal. This improves the contrast and widens the angle from which the screen can be seen.



A Closer Look At The Missing Link

The RS232C has been around for a long long time, longer than the microcomputer to which it has become an indispensable attachment. Gavin Moore explains.

Almost all micro-computers, printers, modems and terminals use RS232 and many people know it as one of the most frustrating things to wire up and get working.

RS232C was originally defined by the Electronic Industry Association as a standard way of linking terminals and other peripherals with computers. The definition only applies to the names and operations of the connection and the voltages used to send the signals. Any communications protocols are left up to the user and are the subject of other standards.

Making The Connection

The standard RS232 connector is the 25 way "D" and the signal names and functions for the various pins are shown in table 1. One source of confusion is the way in which the equipment at either end of the link is named. The Data Terminal Equipment (DTE) and Data Communications Equipment (DCE) were originally names for a terminal and a main computer respectively. The way to sort out which is which is simply to say that the equipment at "this" end is the DTE and the "other" end is the

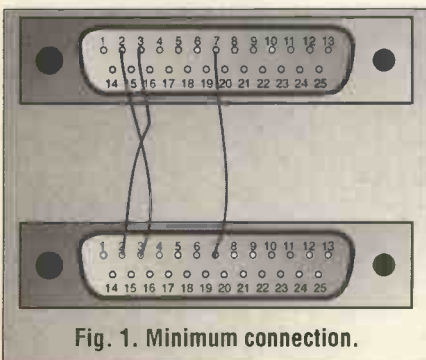


Fig. 1. Minimum connection.

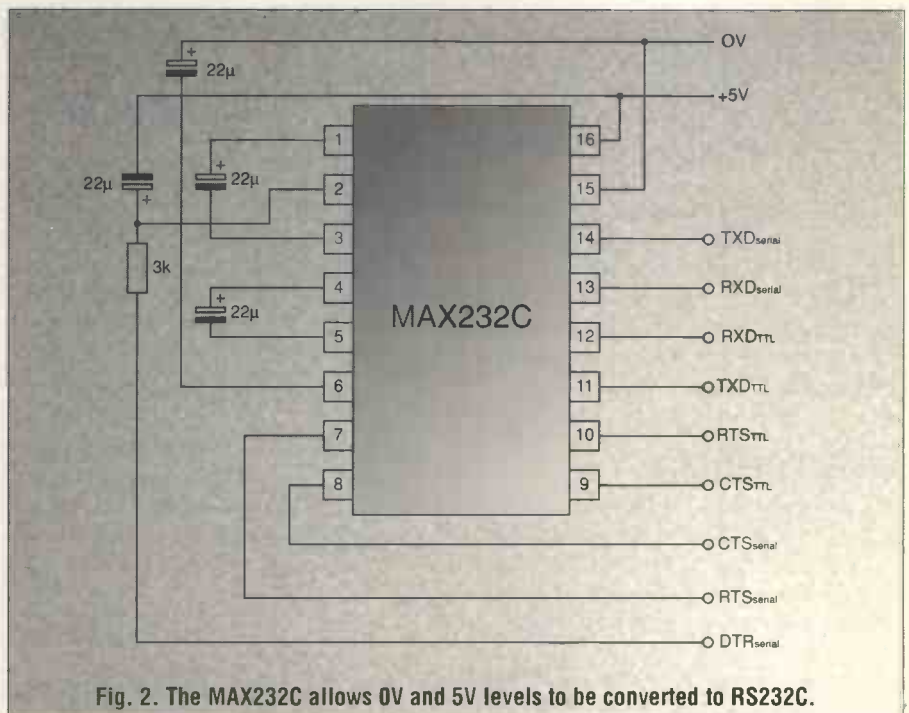


Fig. 2. The MAX232C allows 0V and 5V levels to be converted to RS232C.

DCE. The main thing to remember is that the transmitter data and received data cannot run along the same wire so connecting the same pins to each other at each end will not work. The transmit from DTE must be connected to receive at DCE and vice versa. Unfortunately, almost all of the other signals apart from ground have non-standard uses and different manufacturers apply them in different ways. The simplest connection is shown in Fig. 1 and consists of three wires, transmit to receive at each end and the grounds connected together.

Signal levels

Unlike the +5V and 0V common to other electronic communications systems, the RS232 uses negative voltage to define a one and a

positive for a zero. These voltages are quite flexible and can be anywhere from ± 3 to ± 15 with ± 12 being the norm. Since most electronic systems use TTL levels, conversion circuits are needed to interface to the correct voltages. A number of these, for example the MAX232C transmitter receiver which operates from a single +5V supply and incorporates a charge pump system to generate the negative voltages as required (Fig. 2).

There are two drawbacks to the RS232C standard. The first is that the theoretical distance over which it can be used reliably is about 15 meters. In practice however, it is possible to run up to 30 or 40 meters without too much trouble. The second problem is one of speed. The maximum data rate is about 20,000 bits per second - close

RS232C pin connections

Pin Id	Name	Function			
1	GND	Frame ground	Overall safety earth	9	NC Reserved
2	TXD	Transmitted data	Data line out from DTE	10	NC Reserved
3	RXD	Received data	Data line in from DCE	11	NC Unassigned
4	RTS	Request to send	Asserted by DTE when it wants to send data	12	DCD2 Secondary data carrier detect Same as DCD but for the second channel
5	CTS	Clear to send	Asserted by DCE when it has control of the link	13	CTS2 Secondary clear to send Same as CTS but for the second channel.
6	DSR	Data set ready	Asserted by DCE when it is powered up and operating correctly	14	TXD2 Secondary transmitted data Same as TXD but for the second channel
7	GND	Signal ground	The ground with which the data signals are referenced	15	TXC Transmit clock Used for synchronous communications, this signal comes from DTE and defines the data rate for the primary channel
8	DCD	Data carrier detect	Asserted by DCE when it is receiving a carrier over the link	16	RXD2 Secondary received data Same as RXD but for the second channel
				17	RXC Receiver clock As with the TXC, this is used for synchronous communications.
				18	NC Unassigned
				19	RTS2 Secondary request to send Same as RTS but for the second channel
				20	DTR Data terminal ready Asserted by the DTE when it is powered up and operating
				21	SQD Signal quality detect Asserted by the DCE when the channel is okay
				22	RI Ring indicator Asserted by the DCE when something on the channel is attempting to communicate with it.
				23	DRS Data rate select Used to select the data rate of the DCE
				24	ETC External transmit clock A transmitted data clock supplied from DTE to DCE.
				25	NC Unassigned

to the standard rate of 19,200 which may sound fast but is actually rather slow. Again, the practice is a little different as it is quite possible to run up to 57,600 with few problems.

The Trouble With RS232

Connecting up a serial link is almost never as simple as it seems. Very occasionally it will work first time but usually an hour or so of fiddling, re-soldering and wire changing is needed. The best place to start is with the minimum connection (Fig. 1). If this doesn't work then one or both of the communications devices (computers, printers, modems and so on) probably think that nothing has been connected. The next step is to examine the CTS, RTS, DSR, DTR and, possibly, RI lines. One way to fool the system is to wire the signals back upon themselves so that, for example, a computer thinks it is on line when its DTR is connected to its CTS since the system at the other end of the wire might not have a DTR output. Another common scenario is to loop back RTS to CTS and connect DSR, DCD and DTR making the system think that any handshaking on the RTS, CTS lines is in progress and that the carrier is present and the remote system on-line when DTR is asserted. The rest of the link is a three wire system using TXD, RXD and GND (pin 7).

Because of the myriad of connecting possibilities, a few pieces of equipment can come in very handy. The first is a breakout box. This consists of a plug and

socket, each of which is connected to a patch board. Any of the input connections can be wired to any of the output connections allowing guesses to be made to get the circuit working. It can either be made up from three 25 way D sockets and one plug as shown in Fig. 3 – two sockets are wired together pin for pin as are the other plug and socket. Once cased, it can be plugged into one piece of equipment and the cable plugged into the other side. Putting wires from one socket to the other allows the connection to be made up – note that it is not generally possible to “blow” the circuit by connecting outputs to outputs (+12 to -12) since the driving circuitry is usually protected against such happenings (on the other hand, it might not be so take care).

Another useful gadget is the gender bender. This is either two sockets or two plugs connected back to back and is useful in systems where the cable has a plug that needs to be a socket. Also available are loopback testers which route the signals directly back for test purposes (the breakout box can do this), the reverser which switches the transmit and receive lines over (swaps 2 for 3 and vice versa, also available from the breakout box) and various testers which have LEDs connected to the lines so that their states can be seen at a glance – this could be a minor modification of the breakout box using coloured LEDs, diodes and resistors to indicate the direction and polarity of the signals. ■

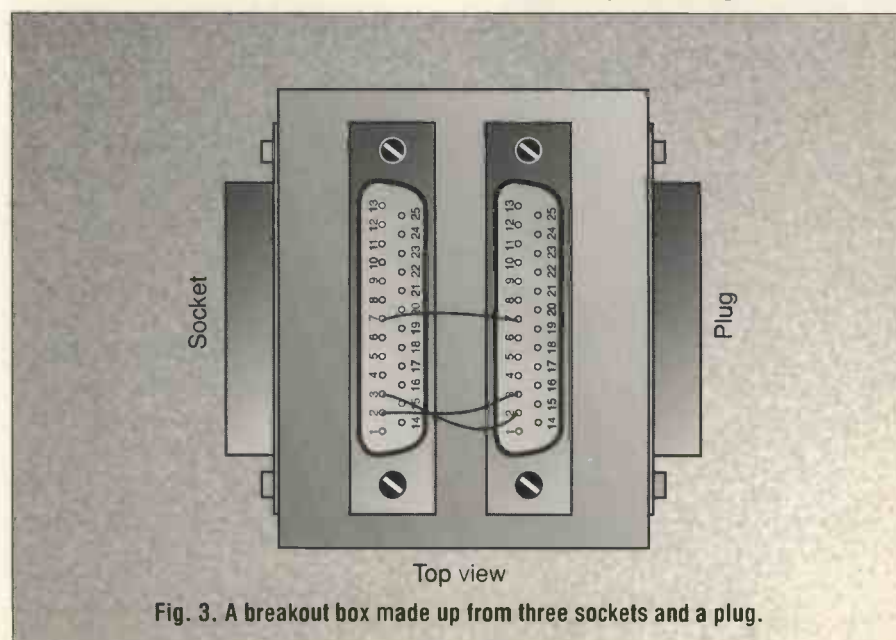


Fig. 3. A breakout box made up from three sockets and a plug.

Tripping The Light Fantastic

John Becker's latest gizmo will provide an astonishing light display that should find more uses than just art.

Light control units have more uses than mere entertainment. They also find applications in home security and mood setting. The Lux unit controls eight mains voltage lamps, each of which can be set to one of 32 brightness levels.

The brilliance of an AC powered lamp can be controlled by varying the point in the AC cycle at which it is switched on and off. Switching on early in the cycle results in a brighter light and late triggering dims it.

The switching is controlled by a triac which consists of two silicon controlled rectifiers (SCRs) connected in opposite directions. If a voltage is applied between the cathode and anode and the gate voltage is zero, no current will flow through the device. If the gate voltage is greater than a specific trigger level the current starts to

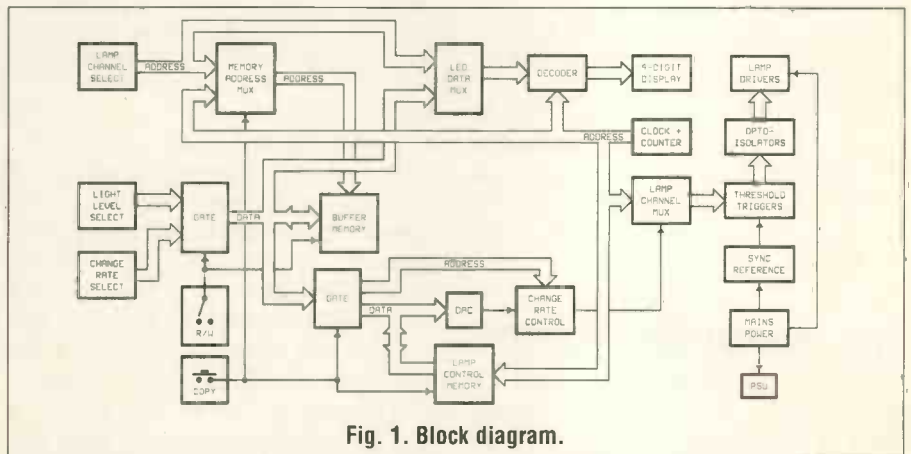


Fig. 1. Block diagram.

flow. It continues to flow, even if the gate voltage is removed, until the anode voltage drops below a pre-determined level, at which point it stops. It will not flow again until the SCR is triggered again. Because of this a single SCR can be triggered into conducting only during one half of each AC cycle. Two back-to-back SCRs, or a triac, can be doubly triggered to conduct during both halves of the cycle.

For this light controller, two triacs are used to control each lamp, as shown in Fig.2. Taking the control circuit for lamp LP1 for example, IC17 is an optically-isolated low current triac device with its gate under control of an internal LED. When the LED is turned on the triac conducts AC mains-derived pulses via R21 to the gate of the power triac SCR1 (even though they are triacs, they are referred to as SCRs).

The LED is controlled by the output of the comparator IC16a which in turn is controlled by the relative levels of a 100Hz signal on one input and a variable DC voltage on the other. R17 limits the current flowing through the LED.

The 100Hz signal is generated by full-wave bridge rectification through D1-D4 of the 6VAC output from one of the PSU (power supply unit) transformer windings shown in Fig.7. The rectified output, schematically represented by the second waveform in Fig.3, is slightly delayed and smoothed by R29 and C8. Passing via C7, the resulting ripple voltage is amplified by IC21 and fed to the inverting inputs of all comparators. VR2 presets the amplitude gain and VR3 adjusts the basic DC bias level.

Each comparator's non-inverting input (X1, X2, etc.) is fed by a DC voltage at a level determined by the main logic control circuit. As the 100Hz signal sweeps up and down it crosses the reference levels on the non-inverting inputs of the comparators whose outputs are then triggered. By varying the reference levels, the comparators can be then triggered at different points of the mains-synchronised 100Hz waveform resulting in different lamp intensities. When changes to intensity are selected, the rate at which they are implemented is

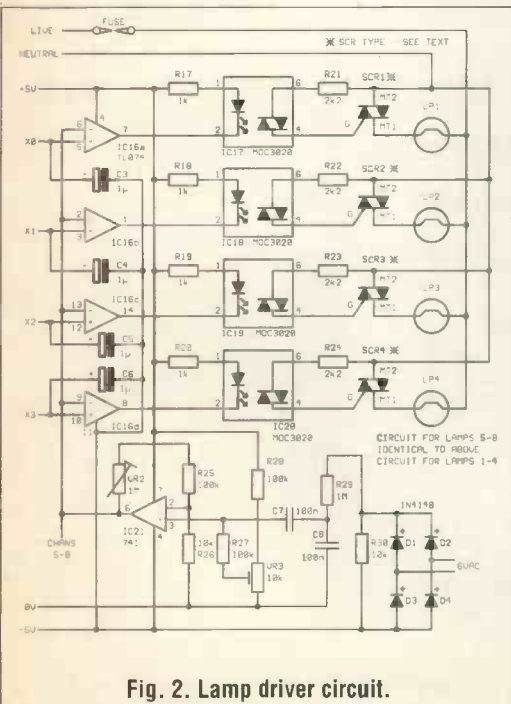


Fig. 2. Lamp driver circuit.

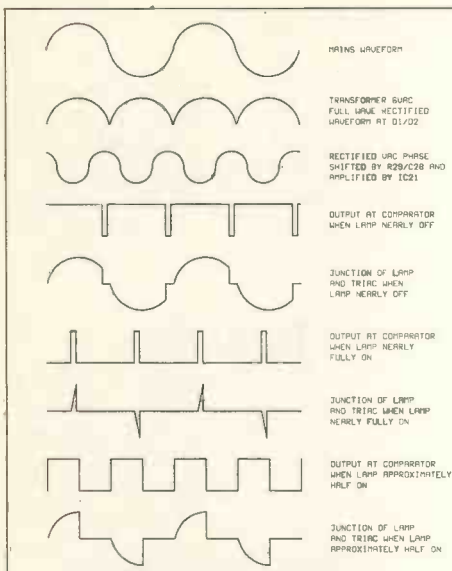


Fig. 3. Typical control waveforms.

determined by the rate at which the capacitor (C3, C4, C5 etc.) charges or discharges via its chosen resistor path. This allows for lamp fade rates to be varied. Fig.3 shows the schematic representation of typical waveforms observed at the junction of a lamp and its triac relative to different trigger points. The lamp is on for the duration of the intermediate flat line portion (0V) of the relevant waveforms.

Setting The Codes

Binary coded decimal (BCD) switches are used to select the lamp channels and their intensities and rates of change, as shown in Fig.4. Only three of S1's four BCD outputs are used allowing any one of the eight channels to be selected.

The BCD number is passed via the multiplexed gate IC3 to become the address code for the buffer memory IC2. It is to here that intensity and change rate data is written prior to being copied into the main control memory. Two BCD switches, S2 and S3, are used to jointly select the intensity level. Unitary levels from 0 to 7 are selected by S2, and S3 selects decade levels from 0 to 3. Although it appears that non-linear decimal jumps occur from 07 to 10, 17 to 20 and 27 to 30, the control circuit sees the changes as linear binary progressions. The eight change rate factors are selected by BCD switch S4.

With S5 set for write mode, the 8-bit code generated by S2-S4 is gated via IC1's A0-A2 to Y0-Y2

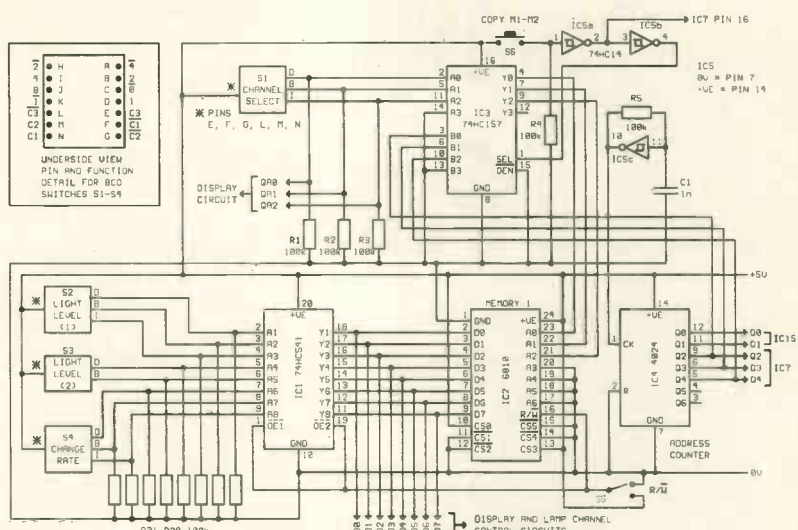


Fig. 4. Data input and clock circuit.

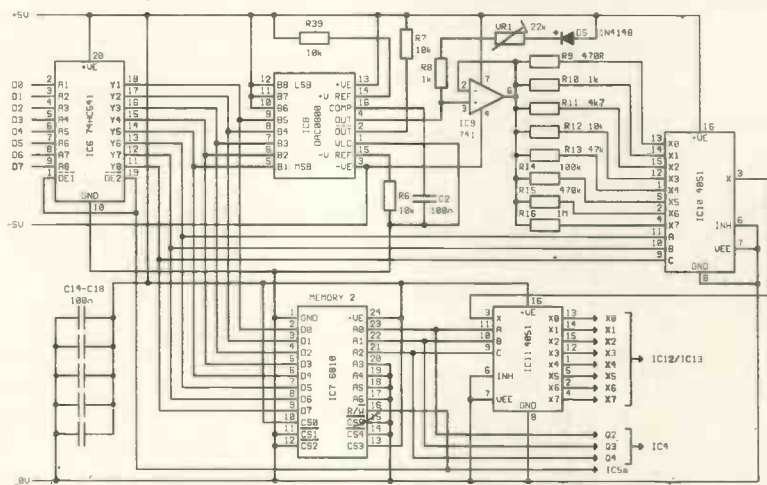


Fig. 5. Principal memory and output control circuit.

paths to the data inputs of the buffer memory IC2. This records the intensity and change rate data as a single byte at the location addressed by S1. Switching S5 to read mode sets IC1 outputs to high impedance, preventing any further changes of S2-S4 from reaching IC2. S1, however, is still effective and the memory can be switched through

each of the eight addresses enabling the stored data to be monitored on the LED display.

The Master Memory

Transfer of the buffer memory contents to the control memory is initiated by pressing S6 while S5 is in read mode. This takes the input

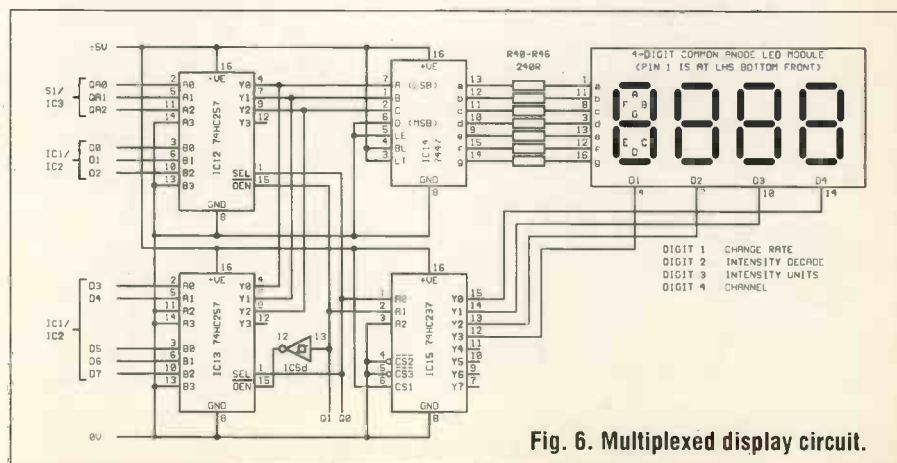


Fig. 6. Multiplexed display circuit.

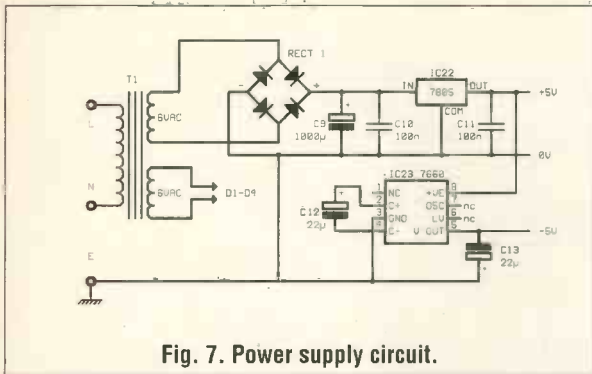


Fig. 7. Power supply circuit.

current-related reference inputs which are tied to their respective logic levels by R6 and R39. The DAC's two differential output voltages are also current related. The inverse output voltage swing is governed by R7, while the non-inverse swing is a function of R8, VR1 and

will vary to match changes in channel control voltages is determined by the resistor value switched in by IC10. Since the clocked cycle rate is moderately high and the comparators have FET (field effect transistor) inputs, capacitor leakage between cycles is negligible.

to IC5a high, forcing its inverting output low, setting memory IC7 in Fig.5 into write mode. The same level also opens gate IC6, coupling the data ports of IC2 to those of IC7. Simultaneously, IC5b inverts the output of IC5a causing IC3 to route paths B0-B2 to outputs Y0-Y2. These paths connect the Q2-Q4 outputs of binary counter IC4 to the A0-A2 address inputs of IC2. The counter is triggered by the clock generator formed around IC5c at the fixed rate set by R5 and C1. The same three counter outputs are also connected to address inputs A0-A2 of IC7 allowing IC2's contents to be copied synchronously. When S6 is released, IC3, IC6, and IC7 revert to their previous states.

Data lines D0-D4 of IC7, holding the lamp intensity factors, are also connected to the digital to analogue converter (DAC) IC8. Only the upper five data inputs of IC8 are actively used (B1-B5). The lowest three, B6-B8, are tied to the +5V line. This input combination maximises the DC output step level per bit while also providing an initial output bias level. IC6 has two

D5 in series. Only the latter output voltage is used to control the lamps. It is buffered by IC9 and fed equally via R9-R16 to the inputs of the 8-channel bidirectional analogue multiplexer IC10. Input to output routing selection is determined by the address code on pins 9-11. The code is set by the logic on IC7 data lines D5-D7 which hold the change rate factors. The output of IC10 is taken to IC11, a second 8-channel analogue multiplexer, which is used in the opposite direction to distribute the input level to any one of eight outputs. IC11's route controlling code corresponds to the lamp channel address supplied by outputs Q2-Q4 of counter IC4.

The counter continually cycles IC7 and IC11 through all eight addresses, routing the respective analogue voltages produced by the DAC to the correct lamp channels. Simultaneously, IC10 is addressed by the memory to route the voltage via the selected resistance path. Each output from IC11 is connected to a separate comparator, as seen in Fig.2. The rate at which the charge on the comparator's input capacitor

Seeing The Light

Fig.6 shows the circuit which controls the channel data readout. Data is first split into four separate blocks, each relating to one display digit, by the two data selectors IC12 and IC13. Data is routed either along the A-Y or B-Y paths, depending on the logic level on pin 1. Channel address data is fed directly from S1 to IC12. Intensity and change rate data comes from the data lines connecting IC1 and IC2, allowing immediate switch values or recorded data values from IC2 to be displayed, depending on the read/write mode selected by S5. The Q0 and Q1 outputs of IC4 control the enabling and path selection of IC12 and IC13. Both have their path routings selected in tandem by the toggling of Q0. Their respective output enabling via pin 15, however, is alternated as a result of inverting the phase of the controlling Q1 signal via IC5d.

BCD data from the selected IC12/IC13 path is split by the open-collector decoder IC14 into seven segment-control lines. Within the multiplexed 4-digit display, the segment lines are jointly fed to each common-anode digit, which is also controlled by its own separate power line. IC15 supplies power to each of the digits in turn and its routing is synchronised with the IC12/IC13 path selection, using IC4's Q0 and Q1 outputs to set the appropriate Y0-Y3 output. The selection rate is fast enough to allow the digits to appear as though they are all active at the same time. Current through the segments is limited by R40-R46 whose values have been chosen to allow satisfactory brilliance while keeping the maximum current through IC14 and IC15 within bounds.

Going Live

The power supply control circuit is shown in Fig.7. It has a standard full wave bridge rectifying circuit

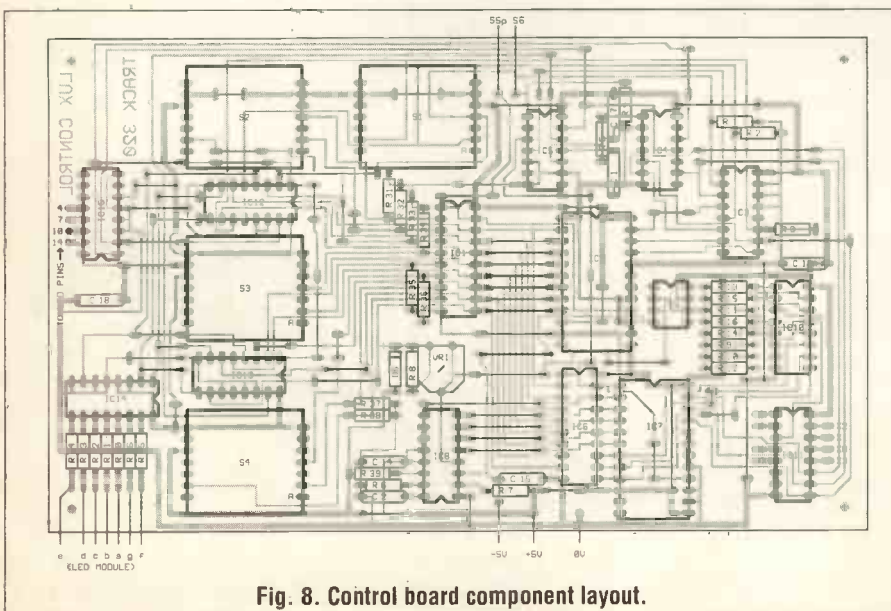


Fig. 8. Control board component layout.

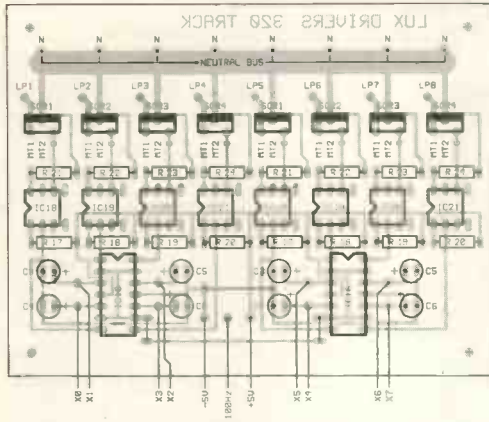


Fig. 9. Lamp driver board component layout.

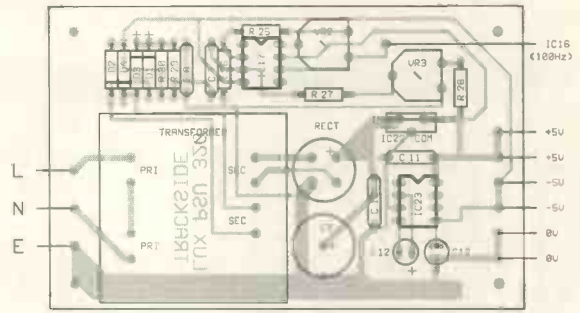


Fig. 10. Power supply board component layout.

followed by the +5V regulator IC22. IC23 is a DC voltage inverting chip, converting the positive supply to -5V.

Figs 8-13 show the PCB component and track layout details. Note that some of the link wires shown on the main PCB go under the ICs and switches so put them in first. DIL sockets should be used for all ICs.

Check out the PSU board first, making sure that no undesirable contact is made with the mains power connections, and that the DC

outputs are at the correct voltages. Next check the control PCB by connecting it to the PSU and LED display but not to the lamp driver board. Establish that the switches perform the functions intended by observing the LED display and monitoring pin 6 of IC9 with a DC voltmeter. Adjust VR1 so that with S2 and S3 set to zero, IC9 produces an output voltage at or just above 0V. The maximum output voltage obtainable at the highest S2/S3 setting is approximately 4.4V, as limited by the inclusion of D5. Do

not allow the minimum voltage set by VR1 to fall below -0.5V. Monitor the outputs of IC10 and IC11 at various settings of all switches, checking the correctness of output voltages. Be aware, though, that the resistance of the meter used will impose a load on the R9-R16 paths, possibly resulting in diminished voltage readings.

Connect up the lamp driver board, but do not yet connect it to the lamps or mains supply. Monitor the outputs of the comparators while, if possible, monitoring their inputs as well. With S4 at minimum setting, turn VR3's wiper to the 0V

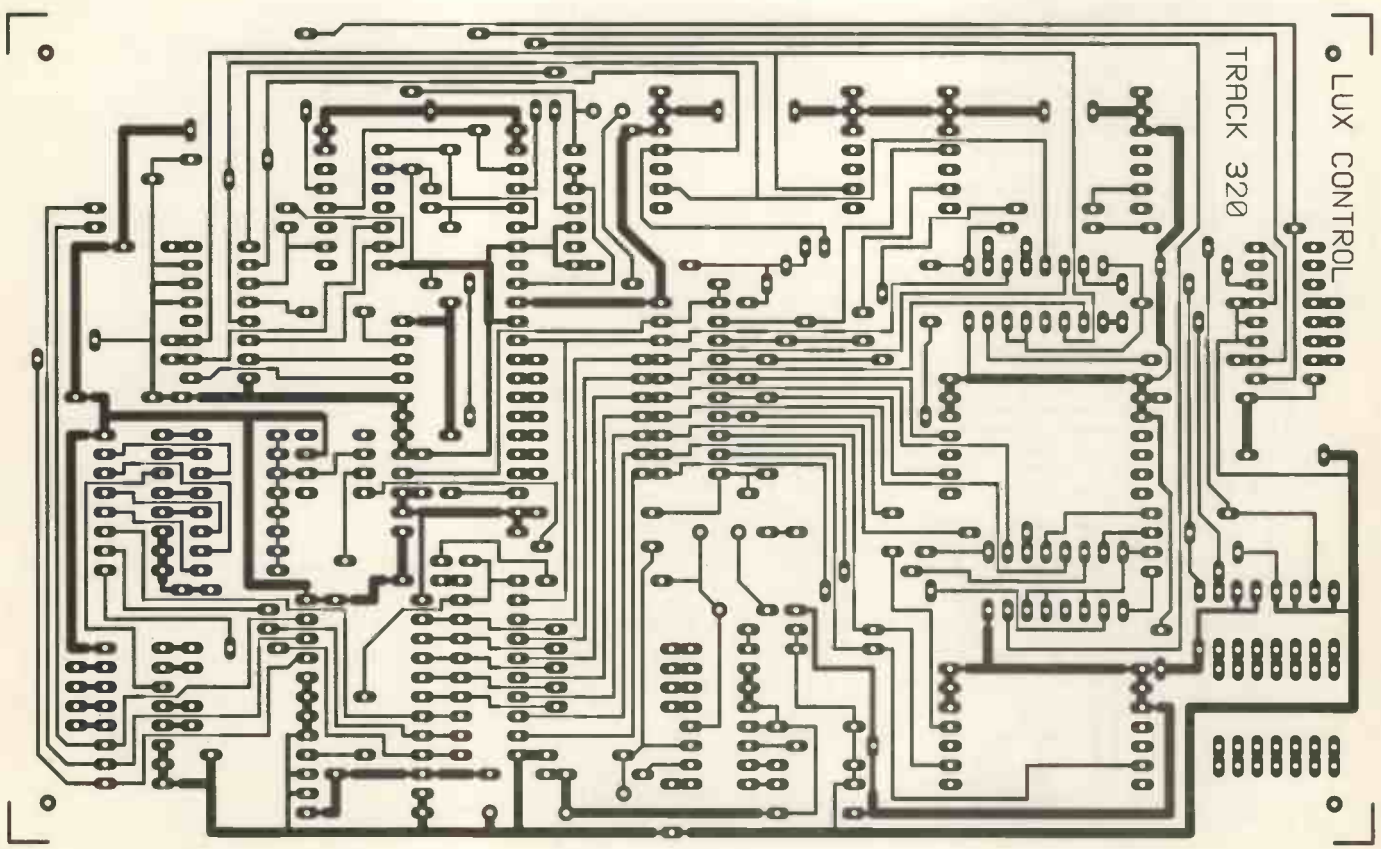


Fig. 11. Control PCB layout.

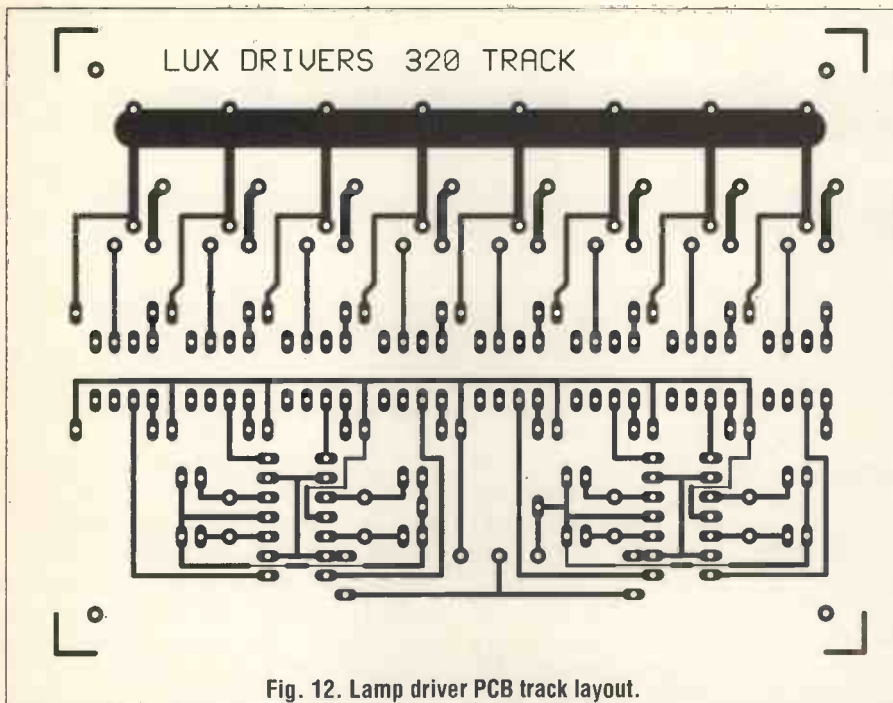


Fig. 12. Lamp driver PCB track layout.

end of its track and increase the gain controlling preset VR2 from zero resistance upwards until the monitored comparator output causes the meter needle to flicker at all settings of S2 and S3. (Close observation of the meter needle will be required since the comparator is being triggered at 100Hz.) Back off VR2 slightly until the flicker just ceases at extreme settings of the switches. If necessary, correct IC21's DC input bias by adjusting VR3 in order to linearise the 100Hz output swing. If an oscilloscope is used, the best settings of all presets can be more readily observed. Final adjustments can be done once the lamps are connected. The aim is to have the respective lamps just fully off and just fully on with S2/S3 set

for levels 0 and 37 (LED readout figures).

When programming lamp control data, S2-S4 must all be switched to the required settings since all eight memory data lines are opened as inputs in the write mode. For S2-S4 changes to be acted upon immediately by all lamps, irrespective of the setting of S1, the buffer memory may (in effect) be bypassed by switching S5 to write mode and keeping S6 pressed.

Triacs rated at 3.5 amps were used in the test model. Controlling 150 watt lamps, no heat sinking of the triacs was necessary. Heat sinking may be required, however, if different triacs or lamp wattages are used. Ensure that the triacs are electrically isolated from the heat

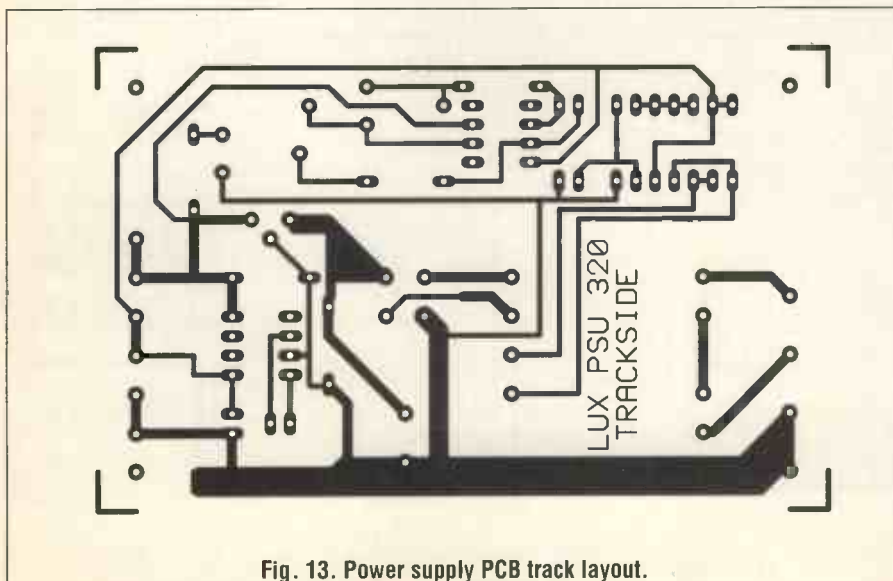


Fig. 13. Power supply PCB track layout.

sinks, and also that they are correctly orientated on the PCB (pin configurations vary between types). Information on general heat sinking requirements can be found in the Heat Sink article in PE Feb 1988. Additionally note that it is preferable to bring the neutral line from each lamp back to the controller board to minimise the loading on the PCB track.

When working on or using the unit, it is imperative that strict attention be paid to mains safety. The unit, its case and the lamp housings must be earthed. Preferably use separate fuses for each lamp, plus one to protect the mains cable supplying the unit's PSU. A 1A fuse is adequate for the latter, the other fuses should have ratings suited to the lamp wattages. If you are in any doubt about the correctness of your mains wiring or fuse selection seek assistance from a qualified electrician. ■

COMPONENTS

R1-R5, R14, R25, R27, R28, R31-R38 100k
R6-R8, R12, R26, R30, R39 10k

R9 470R

R10, R17-R20 1k

R11 4k7

R13 47k

R15 470k

R16, R29 1M

R21-R24 2k2

R40-R46 240R

All 0.25W 5% carbon film

CAPACITORS

C1 1n polystyrene

C2, C7, C8, C10, C11, C14-C18 100n polyester

C3-C6 1µ 16V electrolytic

C9 1000µ 16V electrolytic

C12, C13 22µ 16V electrolytic

SEMICONDUCTORS

D1-D5 1N4148

IC1, IC6 74HC541

IC2, IC7 6810

IC3 74HC157

IC4 4024

IC5 74HC14

IC8 DAC0800

IC9, IC21 741

IC10, IC11 4051

IC12, IC13 74HC257

IC14 7447

IC15 74HC237

IC16 TL084

IC17-IC20 MOC3020

IC22 7805

IC23 ICL7660

RECT1 50V 1A bridge rectifier

SCR1-SCR4 Triac (see text)

POTENTIOMETERS

VR1 22k min horiz preset

VR2 1M min horiz preset

VR3 10k min horiz preset

SWITCHES

S1-S4 PCB mounting BCD

S5 SPDT min toggle

S6 SP push-make

OIL IC SOCKETS

8 x 6-pin, 3 x 8-pin, 4 x 14-pin, 8 x 16-pin, 2 x 20-pin,

2 x 24-pin.

MISCELLANEOUS

4-digit common anode 7-segment LED display

module, knobs x 4, PCB mounting mains transformer

with two 6V 0.5A secondary windings, printed circuit

boards, PCB supports x 12, case, lamps and fuses to

suit.

Techniques

Andrew Armstrong comes up with the goods on ultrasonic humidity controllers.

Two months ago I started to answer a question from Mr Beal about electronic humidifiers and humidity controllers. After some thought and investigation, I believe I have a good solution to his problem.

He has provided me with further information about the greenhouses, including the important facts that the intended RH is 70%, with a temperature of 18°C at night and 21°C during the day. I had considered suggesting the use of heated evaporators to humidify the air, using the normal heating to supply the heat, and using a humidistat to control the supply of water. This idea is unlikely to work under the stated conditions, however, not least because the heat provided by sunlight will eliminate the need for heating altogether on some days.

Under the stated operating conditions, an ultrasonic humidifier is probably the most effective choice. A general scheme employing ultrasonic humidifiers is shown in Fig. 1. The water supply passes through a reverse osmosis plant, so it is sufficiently pure not to cause any problems. No sub-micron dust will be generated, and the humidifier itself will not scale up.

Air is blown through the system to distribute the water vapour, and incoming air is filtered to avoid filling the humidifier with dust too rapidly.

Ultrasonic humidifiers work best with a specified level of water covering the transducer, so the water level in the tank is regulated by a float switch controlling a solenoid valve on the water inlet. This gives more accurate control than a simple ball valve, and will maintain efficient operation.

Ultrasonic transducers can crack if they are energised in the absence of water so, should there be any likelihood of the system accidentally being run without a water supply, it may be advisable

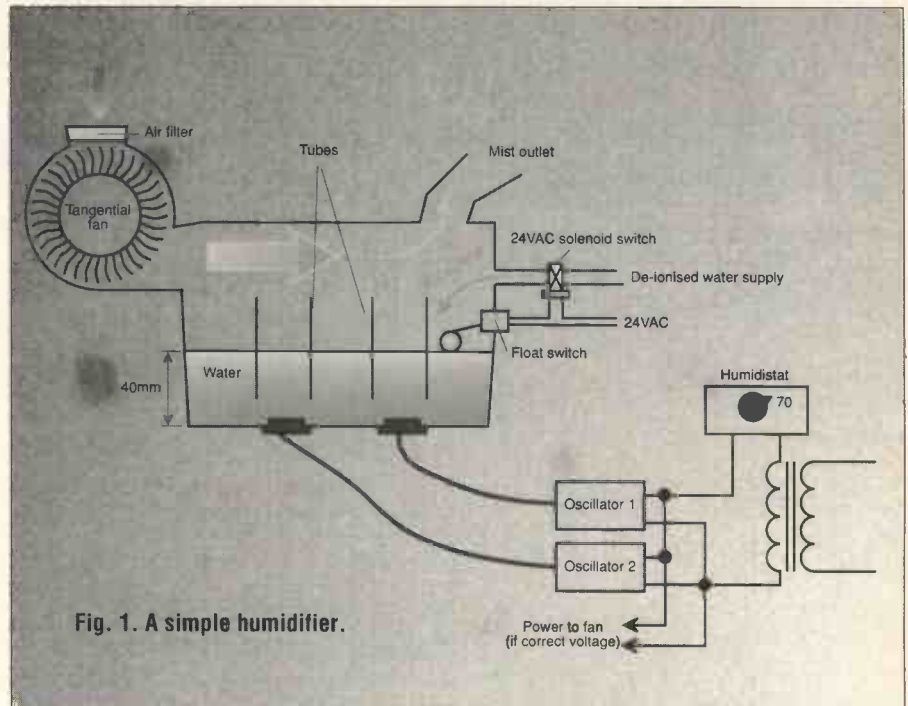


Fig. 1. A simple humidifier.

to incorporate a timer circuit to switch off the humidifiers if the water level falls below the float switch for any length of time.

Nebulisers

The heart of the system is, of course, that part which vapourises the water, referred to as the nebuliser. This consists of a driving oscillator and a transducer, connected by a length of screened cable, or built as one module. A typical circuit of an oscillator is shown in Fig. 2. It uses the piezo-electric transducer as the frequency-determining element, and is powered by unsmoothed rectified dc. This is a low cost design, and it requires screening to avoid radiating interference.

The circuit is a simple oscillator with feedback from the midpoint of a series tuned circuit to the base via C6. The series tuned circuit, formed by L4 and C7, ensures that the resonator works at the correct frequency rather than at a harmonic. It also provides the necessary impedance

transformation to give a loop gain of greater than unity. It is in the nature of a series tuned circuit that the voltage at the midpoint will be greater than that at the driving point, at frequencies near resonance. The impedance at the midpoint is, of course higher but this does not matter.

The emitter of Q1 drives high current into the low impedance of a tuned circuit, and the base, which has a higher impedance, receives a higher voltage drive signal. This same higher voltage signal is fed to the transducer, where most of the power goes to vapourise the water.

The power transistor, Q1, should have a breakdown voltage of at least 100V, a collector current rating of at least 3A, and a ft of at least 5MHz.

It is probably more practical to buy ready made nebulisers than to build them from scratch. The most expensive single item is the transducer, which should be definitely bought for the purpose: transducers for nebuliser use are supplied in a waterproof housing which is specifically designed to

Practical Electronics Classified Ads

Reach thousands of serious electronic and computer enthusiasts – advertise in PE Classified pages:
 Rates 20p (plus 4p VAT) per word or £8.50 (plus £1.49 VAT) per column cm. All classified advertisements must be pre-paid. Send your copy, with remittance payable to Intra Press, (Payment by Visa or Access accepted – ads may be phoned in) to:

**Practical Electronics, Intra House, 193 Uxbridge Road, London W12 9RA.
 Tel: 081-743-8888. Fax: 081-743-3062**

Education

Start training now for the following courses.

- Telecomms Tech C&G 271
- Radio Amateur Licence C&G
- Microprocessor
- Introduction to Television

Send for our brochure - without obligation or telephone us on 06267 79398 (Ref: PE8/91)
 Name.....

Radio & Telecommunications
 Correspondence School,
 12 Moor View Drive, Teignmouth,
 Devon TQ14 9UN

BTEC ELECTRONICS TECHNICIAN FULL-TIME TRAINING

THOSE ELIGIBLE CAN APPLY FOR E.T. GRANT SUPPORT
 AN EQUAL OPPORTUNITIES PROGRAMME

O.N.C. H.N.C. O.N.D.

Next Course Commences
 Monday 16th September 1991
 FULL PROSPECTUS FROM

**LONDON ELECTRONICS COLLEGE
 (DEPT. EE) 20 PENYWERN ROAD
 EARLS COURT, LONDON SW5 9SU
 TEL 071-373 8721**

Retailers

MANCHESTER

THE ELECTRONICS SHOP

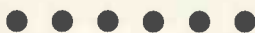
We stock a large range of electronic components, test equipment, telephone accessories, computer accessories, microphones, speakers, discolorighting, mixers, meters, stylus, so call in and have a look around.

29 Hanging Ditch, Manchester M4 3ES
 Telephone: 061-834 -1185
 Fax:061-833-2969

Support
 your local electronics specialist!

Retailers

Project your retail image here!



Phone David Bonner
 for details on
 081-743-8888

LONDON N WEST

CRICKLEWOOD ELECTRONICS

*One of the largest ranges
 of components in the UK!*

40 Cricklewood Broadway,
 LONDON NW2 3ET

Tel: 081-450 0995/452 0161

SOUTH COAST



Cooke International

"We stock used scopes, signal generators, power supplies, power meters, DVMs, oscillators, attenuators, test equipment. Much more available, visit our s/r room and bargain store.
 Prices from £5 upwards!"

Contact: Cooke International, Unit Four,
 Fordingbridge Site, Main Road, Barnham, Bognor
 Regls, West Sussex PO22 0EB.
 Tel: 0243 545111 Fax: 0243 542457
 "Open: Mon - Fri 9am - 5pm or phone"

Retailers

SOUTHSEA

ELECTRONIC COMPONENTS

EVERYTHING FOR YOUR NEXT PROJECT
 THE BIGGEST DISPLAY IN THE SOUTH
 IS AT

FRASER ELECTRONICS

42 ELM GROVE ★ SOUTHSEA ★ HANTS
 Telephone: 0705-815584

Computer Parts

CAMBRIDGE COMPUTER SCIENCE LIMITED

3.5" 720K Diskette Drives	£39.00 each
10MByte Winchester, used, 3 months Wty,	£42.00 each
5.25" Disk Drives, 80Tk, DSDD	£34.00 each
5.25" Disk Drives, 80 Tk, DSDD Used, No Wty	£15.00 each
<small>(The £15.00 drives are sold on a strictly "as is" basis)</small>	
5.25" Disks, DSDD, 48dpi, boxes of 10	£3.00/box
Digital multimeter, 14 ranges, inc leads & manual	£16.00 each
40W PSU 5V 3.75A, 12V 1.5A, -12V 0.4A, cased with on/off switch	£10.00 each
74LS TTL, pick and mix, buy 10 or more doe	£3.12 each
Types available: '00 '02 '04 '08 '10 '11 '12 '13 '14 '15 '20 '21 '25 '27 '30 '32 '33 '37	
'38 '42 '74 '83 '85 '86 '96 '107 '109 '122 '125 '132 '136 '138 '139 '145 '151 '153	
'157 '158 '160 '162 '163 '164 '165 '174 '191 '193 '240 '253 '257 '260 '298 '353 '365	
'366 '373 '385 '390 '399 '670 '682	
6264-12 8KByte SRAM	£3.80 each
62256-10 32KByte SRAM	£5.00 each
65256 32KByte RAMs	£4.00 each
8KByte NV RAM chips £3.00 each	£10.00 four
Metal project boxes, drilled and painted but unused, 28x32.5x5cm	£5.00 each
Toroidal mains transformer, 12V 4A & 0.4A, 12-0-12 0.1A & 0.2A, 9-0-9 0.2A	

Prices include postage. Add 50p (plus VAT) to orders below £5.00
 All items new unless stated. Add 17.5% VAT to all prices.
 Send an SAE for our latest list or for more info.
 Dept PE, 374 Milton Road, Cambridge, CB4 1SU
 Tel: 0223 424802, 0831 430496 or 0831 430552 (Mail order only)

Manufacturers Original Spares

For Amstrad, Atari, Commodore and
 Sinclair computers.

Many TV, VCR & Audio Parts also available - Send S.A.E. or Phone 0452 26883 for a "Price and Availability" on your requirements		
Atari	YM2149F 'Sound' Chip (ST)	£10.02
Commodore	906114 'PLA' Chip (C64/C)	£6.73
Sinclair	ZK6302 'ULA' Chip (QL)	£10.75
Membranes: QL-£7.95 Spec 48K-£4.50 -/128K-£7.90		
Amstrad	Original Service Manual (CPC464 + Monitors)	£8.49
ditto	Original Service Manual (PCW8526/8512)	£13.89
Chips: PEGA1A-£32.72 TEA2000-£4.49 AY38912-£5.74		
Sanyo/Fisher	VCR Belt Kit VTC6500/VBS3500	£2.49
Hitachi	Replacement Video Head VT11/14/33/34	£26.10
Toshiba	Power Transformer (22224100) ST-U2	£9.99
Ferguson	Turner Control Door 2v35/36/38/39	£1.95
The above is just a very small sample of our stock. For a Catalogue please send 50p CHQ./Stamps/3xIRC's etc. Please add 95p (UK) P & P to above orders. All items subject to availability.		

**MARAPET (PEH) 1 Hornbeam Mews, Gloucester GL2 0UE
 MAIL ORDER ONLY TEL: 0452 526883**

EPROMS £1 each. Type 27256 150ns.
 Programming voltage 12.5V. Used once
 but erased and with no bent pins.
 Tel: (081) 842 3862

Components

HST For All Your Components

Large stocks of Resistors, Diodes, Transistors, Capacitors, Semiconductors, Connectors, LEDs and Crystals plus many more. Available at Discount Prices. Send for your FREE price list.

Sample Prices:

Resistor 1/4W 5%	0.50/100
1N4148	0.65/100
741 Op. Amp.	0.14 ea.
74LS00	0.09 ea.
4001 CMOS	0.11 ea.
555 Timer	0.11 ea.
2764 - 250ns	1.55 ea.
4164 - 150ns (64Kx1)	0.75 ea.
LEDs 5mm R/G/Y	0.07 ea.
25W Plug Submin. D	0.27 ea.

Prices Exclude VAT at 17.5%
Postage £1.00

Official orders welcome

**HST Ltd. 2a Prospect Road,
Carlton, Nottingham NG4 1LA
Telephone (0602) 587225
Fax (0602) 484530**

CATALOGUE £1.00 + 25P&P

Resistor Pack 85 different E12 values + zero ohm link total content 1000 resistors	£8.95	
LEDs 3mm or 5mm red/green	6p each. Yellow 11p each, Cable ties 1p each £5.95/1,000 £49.50 per 10,000	
Stepping motor 4 phase 12V 7.5 step 50 ohms	£8.95	
SAA1027 stepping motor driver chip	£3.95	
FM Transmitter kit good quality sound	£8.60	
High quality photo resist copper clad epoxy glass boards		
Dimensions	single sided	double sided
3x4 inches	£ 0.95	£1.07
4x8 inches	£ 2.40	£2.68
6x12 inches	£ 5.37	-
12x12 inches	£10.66	-

Special Offers

Computer Grade Capacitors with screw terminals 38000µf 20V	£2.50
8700µf 10V £1.95, 68000µf 15V £2.95, 10000µf 16V	£1.50
7 segment Common anode led display 12mm	£0.45
LM2931ATS.0 Low drop out 5V regulator T0220 package	£0.85
BS250 P channel MOSFET £0.45, BC559 transistor	£3.95 per 100
74LS05 hex inverter £10.00 per 100, used 8748 Microcontroller	£3.50
Stereo LW/MW/FM Tuner pre-amp assembly complete with volume/tone controls and tuning scale Brand new in maker's carton	£6.95, faulty £3.50
Circuit etc. for above £0.50.	
Hour counter (used) 7 digit mains 240V AC 50Hz	£1.45
LCD display 16 digit 7x5 dots dot matrix	£2.50
Qwerty keyboard 58 key good quality switches new	£5.00
Qwerty keyboard with serial output, no data	£5.00

Wide range of CMOS TTL 74HC 74F Linear transistors kits capacitors, resistors tools etc always in stock.
Please add 95p towards P&P - VAT Included

**JPG Electronics 276 - 278 Chatworth Road
Chesterfield S40 2BH
Access/Visa orders (0246) 211202. Callers welcome**

N.R. Bardwell Ltd. (PE)

Over one million capacitors for sale in small quantities at prices which are much less than manufacturers 10,000 off prices. Also many, many other types of components at silly prices. Stamp for lists.

288 Abbeydale Road, Sheffield S7 1FL
Phone 0742 552886 Fax 0742 500689

Components

High Stability Resistors

Carbon Film Resistors 0.56R to 10MΩ E24 series 1/4W - 1p
100 off per value - 75p, 1000 off in even hundreds per value - £6.00
Metal Film 1/4W 10R0 to 1MΩ E12 series 5% - 2p, 1% E24 series - 3p
Mixed metal/carbon film 1/2W E24 series 1R0 to 10MΩ - 1 1/2p
Mixed metal/carbon film 1W 4R7 to 10MΩ E12 series - 5p
BC107/B9 - 12p, BC162, BC183, BC184, BC212 & L versions - 10p
BFY50.51 & 52 - 20p, 2N3055 - 50p, TIP31A, 32A - 25p, TIP, 41, 42 - 40p

Tantalum bead electrolytics subminiature (Mfds/Volts)

0-1.05, 0.22/35, 0.47/35, 1.0/35, 2.2/35, 3.3/18, 3.3/20, 4.7/16 - 14p, 3.3/35, 4.7/25, 4.7/35 - 15p, 6.8/16, 6.8/35 - 16p, 10/16, 20/25 - 20p, 10/35, 22/16, 33/10, 47/10 - 30p, 100/6 - 30p, 100/16 - 50p, 220/6 - 60p

Aluminium Electrolytics (Mfds/Volts)

1/50, 2/250, 4/750, 10/125, 10/50 - 5p, 22/16, 22/25, 22/50, 47/16, 47/25, 47/50 - 8p, 100/16, 100/25 - 7p, 100/50 - 12p, 220/16 - 6p, 220/25, 220/50 - 10p, 470/16, 470/25 - 11p, 1000/16 - 15p, 1000/25 - 18p, 2200/25 - 22p

Miniature Polyester Capacitors 250V Wkg. Vertical Mounting

.01, .015, .022, .033, .047, 068 - 4p, 0.1 - 5p, 0.15, 0.22 - 6p

Mylar Capacitors 100V Wkg. Vertical Mounting E12 Series

1000p to 8200p - 3p, 0.01 to .068 - 4p, 0.1 - 5p, 0.15, 0.22 - 6p

Subm. Ceramic Plate 100V Wkg. E12 Series Vertical Mounting

2%, 1P8 to 47P - 3p, 56P to 330P - 4p, 10% 390P to 4700P - 4p

Plate/disc ceramic 50V, Wkg. Vertical Mount. E12 series 1P0 to 1000P &

E5 series 1500P to 47000P - 2p, 0.1 - 3p

Polystyrene Capacitors 63V Wkg. E12 Series Axial Mounting

10P to 820P - 4p, 1000P to 10,000 - 5p, 12,000P - 6p.

Diodes

Zener diodes E24 series 3V3 to 33V 400mW - 8p, 1 watt - 12p, 1N4148 - 2p, 1N4001 - 3p, 1N4002 - 3.5p, 1N4007 - 5p, 1N5404 - 14p, OA91 - 8p, AA143 - 10p, W005 - 20p, W01 - 25p, BYX10 - 8p.

L.E.D's Red, Green & Yellow 3mm & 5mm - 10p 8mm - 35p

20mm uses 0.15A to 10A quick blow - 5p, 0.1A to 5A Anti Surge - 8p

High Speed drills 0.8mm, 1.0mm, 1.3mm, 1.5mm, 2mm - 30p

"Expo" "Reliant" drilling machines 12V d.c. with improved 3-jaw chuck - £7.00

Nicads AA - 90p, HP11 - £2, HP2 - £2.20, PP3 - £5 Universal chargers for all above batteries - £6.50

Glass reed switches with single pole make contacts - 8p, Magnets - 12p, 0.1" stripboard

2.5" X 1" 9 rows 27 holes - 25p, 3.75" X 2.5" 24 rows 37 holes - 70p, Ionisers list price £18.95 7 year guarantee - £12.00, Jack plugs 2.5mm 1/8 3.5mm - 10p, Sockets panel mfg - 10p

All prices VAT inclusive. Postage 30P (free over £5).

**THE C.R. SUPPLY CO.
127 Chesterfield Road,
Sheffield S8 0RN.
Tel: 0742 557771**

Classifieds can be a
TIGHT SQUEEZE
Let your ad breathe
in our display pages
081-743 8888

"BOFFIN'S SPECIAL" UNIQUE OFFER

Surplus Precision Medical Unit, internally in excellent condition. Designed primarily to eject a precise controllable amount of fluid from a medical syring (batter not supplied). Contains the following removable components: Dual Microprocessor Boards and EPROMS. Escap Precision 12V DC Motor with 300:1 Gear Box and optical encoder coupled to a precision threaded drive mechanism. Mains supply with 12 x 1.5V Ni-Cad AA cells back-up. LCD Digital read-out 17mm high with legends. Audible warning.

These are sold for the dismantling of the exceptional quality components. Regret no circuits available. Ridiculously low price: £16.00 + £4.00 p&p (£23.50 incl VAT).

SERVICE TRADING CO

57 Bridgman Road, Chiswick, London W4 5BB
081-995 1560
Account customers min order £10

Large selection of interesting components at very competitive prices. Large S.A.E. for lists to AGS Electronics, Unit 2, Haxter Close, Bellver Ind. Estate, Plymouth, Devon PL6 7DD. Tel: 0752-767738.

Enclosures

19" Rack Mount Project Cases

Also Consoles, Cabinets, Blanking Panels (XR1, Jacks, etc.). All sizes (1u, 2u, etc.). Installation Racks and Flight Cases up to 30u. Call (0253) 300690

Surplus

SURPLUS/REDUNDANT ELECTRONICS COMPONENTS WANTED

ICs - Tuners - Transistors - Valves - Diodes etc - any quantity considered - immediate payment.

ADM ELECTRONICS SUPPLIES

Tel 0827 873311

Fax: 0827 874835

TURN YOUR SURPLUS

ICS transistors etc into cash, immediate settlement. WE welcome the opportunity to quote for complete factory clearance.

Contact:

COLES-HARDING & CO.,
103 South Brink, Wisbech, Cambs.
ESTABLISHED 15 YEARS
Tel: 0945 584188 - Fax: 0945 588844

Modernising your workshop?
Sell your old equipment through PE
Classifieds pages.

Surveillance

PROFESSIONAL INTRUDER ALARM EQUIPMENT

One x 1 Coded Keypad Microprocessor Control Panel, One Rechargeable Battery, Two x 12mts Passive Infra Red Detectors, One self Actuating Siren Bell Box and flashing Strobe Light, Four Magnetic Door Contacts, two Panic Buttons, 100 mts Cable and one box of Cable Clips. Only £189.00 + VAT inclusive of delivery. Allow 28 days for delivery.

Please make cheques payable to:

**Laser Alarms Limited,
Laser House,
Newton Avenue,
Gloucester GL4 7LT
Tel: 0452 422280**

SPY BOOKS - Interested in espionage, counter-surveillance, personal freedom or investigation? Do you seek information that some people feel should remain secret or unpublished? Send large S.A.E PO BOX 2072, London NW10 0NZ

Surveillance devices, lasers, Tesla coils, scramblers, ultrasonic and many more, over 150 designs. Send SAE to: Plancentre, Old Wharf, Dynock Road, Ledbury HR8 2HS for free list.

NEW VHF MICROTUNING KIT, tuneable 80-135 MHz, 500 metre range, sensitive electret microphone, high quality PCB. SPECIAL OFFER complete kit ONLY £5.95, assembled and ready to use £9.95 post free. Access orders telephone 021 411 1821. Cheques/ P.O.'s to: Quantek Electronics Ltd, (Dept P.E.), 45a Station Road, Northfield, Birmingham, B31 3TE

Surveillance

Kits, Plans, Assembled Units, Surveillance Microtransmitters, Phone Recording Switches, Trackers, Defence /Protection Circuits, Plus much more. Send 2 x 22p stamps for lists, or tel. 05436 76477 24hrs. Everything for the budding 007. ACE(PE). 53 Woodland Way, Burntwood, Staffs. WS7 8UP.

Miscellaneous

LASERS For Sale, Melles GRIOT, Randomly polarised head, 10mW, £300. Polarised 10mW with P.S.U. £350. Argon laser, American 60X, (blue) 100mW max with P.S.U., excellent condition, £2500. (0522) 567949.

Stereoamps and controls, 240 volt, £8.95... Racks and mixer, 30+30 Watt, £14.20... K.I.A. 8 Cunliffe Road, Ilkley... Project Catalogue, Cassette, 40 new components, £1.50p.

Beneficiary selling-off father's business stock of electronic components, must be well over £1000 worth, £300 ONO, Southport 63736.

6502 Development System, keyboard, display, thermal printer, PROM programmer etc. FORTH and Assembler, £95, 0489 878537.

Oscilloscope for sale. Kikusui COS 5020. Dual channel, 20MHz, 1mV. Excellent triggering. Switchable probes. As new; £220. Cambridge (0223) 893593.

Miscellaneous

Oscilloscope double beam 10MHz. Portable (tequipment) £120, AVO 8 Mk5 cased £100, both excellent, geiger counter £50. Wanted: Transistorized 20-60 MHz oscilloscope not working/"cheap!" 0803-882572.

Pro Alarm Panels, value £44, £65, unused, sale £5, £10. 999 Dialler £10, Bells, Ultrasonics, Strokes, Sensors, CR Components, Tx, New Bench Drill £150, Lucky Bags £5. All must go. Sorry no mail order, callers only. Please phone first. Hockley, 61 Disraeli Terrace, Leeds LS11 6NT. Phone Leeds 778444 (Private).

For Sale, 80C39 Microprocessors, £2.75p, TL094 opamps 75p, TL066 30p, Reusable cable clips stick or screw down 5p, send orders and cheq/PO to: P.I. Ridge, 5 Conway Groce, Great Barr, B'Ham B43 5HD

Oscilloscope TekTronix 455, Delay Time Base, 0.05µs time base, VGC, £350 ono. Romsey (Hants) 517101

Enthusiast wishes to swap/sell electronics related P.D. software. PC, ST and Amiga. Non profit making. LUI. 56 Leamington Terrac, Edinburgh EH10 4JL.

Switch Mode Power Supplies SV8A, 12V .5A, -5V .%A, -12V .3A, nom case, £15.00 each or £25.00 for two. P. Rochester, 6 Mast Lane, Cullercots, Tyne & Wear, NE30 3DE.

Oscilloscope Hameg HM207 CW handbook and probe, £75. Trace doubler Heathkit £15. Both for £80. All in working order. Please phone 081-674 1416.

Miscellaneous

FOR SALE

Practical Electronics in Binders volumes one (1965) to ten (1974) and later loose copies. Offers for lot (0905) 54318.

SERVICE MANUALS

Available for most equipment. TVs, Videos, Test, Amateur Radio etc. Write or phone for quote. **Mauritron (PE), 8 Cherry Tree Road, Chinnor, Oxon OX9 4QY** Tel: (0844) 51694. Fax: (0844) 52554

Writing Classified Advertisements That Work

- ❶ Start by mentioning the product or service you are selling. By doing so, you make it easier for the reader to see what you are offering.
- ❷ Always include the price of whatever it is you are selling: Research has shown that 52% of people who read classified ads will not respond to advertisements that fail to include the price.
- ❸ Keep abbreviations to a minimum. It makes whatever you have to say more easily understood.
- ❹ Pretend to be your prospective customer. Ask yourself what it is you would like to know about the product or service that you are selling that would make you want to buy it. For example, you could include information such as brand names, colours and specifications.

CLASSIFIED COUPON

									£3.36
									£5.04
									£6.72
									£8.40
									£10.08
									£11.76

Rates are 20p per word plus 4p VAT (lineage, for semi-display advertisements contact our Ad. Dept.). All classified advertisements must be pre-paid. Please send your copy with the remittance (payable to Intra Press or payments by Visa or Access accepted) to: Practical Electronics Classified Dept., Intra House, 193 Uxbridge Road, London W12 9RA. Tel: 081-743 8888, Fax: 081-743 3062

**WE BUY MANUFACTURER'S SURPLUS STOCK
HENCE THESE LOW PRICES FOR PRIME COMPONENTS**

SPECIAL OFFER DUE TO HUGE STOCKS! NI-CAD BATTERY CHARGER: As used with rechargeable torches etc - input 240V 50Hz via an 13 A socket (plug in) Output 5.3V DC 140mA via 2mtr lead to 3.5mm jack plug..... ONLY £1.50

ETRI FAN - 240V 14W - 120mm² 38mm deep.....£8.50

RELAY - SIEMENS - 12V 2 pole c/o Low Profile Gold contact high quality.....£1.00

MAINS FILTER - Bulgin or similar quality make/I.E.C./3A 250V.....£1.80

TOROID TRANSFORMER + complete wiring diag. - 240V in. Outputs 12V 4A, 12V 0.4A, 12-0-12 1A-2A, 9-0-9 2A.....£4.00

THERMAL PRINTER PAPER - Rolls 80mm wide 25m long.....£1.00

Box of 40 rolls.....£23.00

Bargain Packs - Approx 3 Lbs of quality NEW mixed components. No rubbish! We deal mainly in bulk to the trade. All smaller qty. parts go in the packs regardless of value.....£5.00

HEAT SHRINK TUBING - Pack approx 15x16 inch lengths.

Different diameters and colours.....£3.00

HARDWARE PACKS - Same quality & quantity as the packs we do at all the major radio rallies - small nuts & bolts.....£3.50

small self-tapping screws.....£3.50

ring & spade crimp terminals - insulated.....£3.50

3M STICKY PROTECTIVE FEET - grey rubber - sheet of 56.....£3.00

BT PHONE LEADS - Modern jack to jack/grey/3 mtrs.....£2.00

COPPER CLAD PC BOARD - double-sided 18"x10.5" sheet, easy to cut - on thin and flexible fibre glass £2.00

DISC DRIVE LEADS - ribbon cable, signal lead 34W card edge to 34W DIL, suit BBC etc.....£3.50

Dual signal lead 2x34W card edge to 34W DIL.....£5.00

Power lead, 4-way plug to 4W sckt (large type).....£2.50

RE-SETTABLE COUNTERS - 6 digit panel mount inc. catalogue data 12V DC.....£6.00

240V AC.....£6.00

TA-XI CMOS SAFE CONTINUITY PROBE - detects & locates short circuits with variable audio tone, easy to use.

S.T.C. price £22.00.....Our Price £9.00

Needs PP3 battery (state if required).....£0.80

BRIEF-CASE TYPE CARRYING CASE - Used but in good condition, approx 13.5" wide x 8.5" deep x 8" high.....£7.00

POSTAL CHARGES: Orders up to £10 - £1.50; £20 - £3.00; £30 - £4.50

LARGER ORDERS RING FOR CARRIAGE COST

PLEASE ADD 17.5% VAT TO TOTAL COST

SEND TODAY - YOU'LL BE BACK FOR MORE!

RICH ELECTRONICS

The Warehouse, Windsor Place,
Senghenydd,

Mid-Glam,
S. Wales CF8 2GD

PHONE
0222 831547

FAX
0222 830022

D.V.M. Module Brand new full spec 3 1/2 Digit Voltmeter Module. Large 0.56 LED Display, FSR +/- 200mV. Supply required from 8 to 18V. Size 8cm x 5.5cm. Circuit supplied for multimeter.....£18.75

MEGAPROM Programs 2764/128/256/5120/10/20 (1 Meg/2 Meg 28/32 pin) HMOS, CMOS, NMOS type EPROMs. Attractively cased and supplied with power unit. Powerful operating software includes full screen Editor, extensive file handling (Intel Hex, Binary, ASCII Hex), Byte/block or complete ROM program verification/editing. Fast algorithm 1K x 8 Bit per 1.9 secs. Runs on IBM or compats via RS232 port (works on laptops).....£128.95

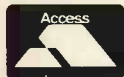
Auto Tracks V6 PCB Designer Produce professional printed circuit boards quickly and easily on you IBM PC/XT/AT or Amstrad 1640. Single/Double sided. Auto routing, rats nest or point to point entry, Zoom Editing. Various line/pad sizes. Library & User defined parts. Printer options for 9/24 pin include 1:1, 2:1. Solder mask & Text. Too many features to list here, SAE for further details. Minimum system requirements IBM PC/XT with CGA graphics, Epson printer, Mouse optional.....£59.95

Micro Engine Development board for MCS8031/51. Contains PLCC 8031, 24 pin EPROM socket, 6 Meg Xtal, address latch IC and 18 pin IDC header output Ports 1 & 3. Ideal for stand alone control applications. Size 7cm x 4.5cm approx. Full screen Editor assembler for IBM PC/XT/AT (downloads code to printer port or disk).....£39.95

EPROM/ROM Emulator Works on ANY computer with Centronics printer port. Emulates all ROMs from 1K (2758) to 32K (27256) over 50 types supported. Any file sent to printer port appears as ROM on target machine. Fast download. Ideal for MICRO ENGINE development.....£89.95

All prices inclusive, SAE for further details

John Morrison (Micros) Dept PE
4 Rein Gardens, Tingley,
West Yorkshire WF3 1JR
Telephone: 0532 537 507



OMNI ELECTRONICS

stock a wide range of
electronic components at

**174 Dalkeith Road
Edinburgh EH16 5DX
Tel: 031 667 2611**

Open Mon-Thu 9.15am-6.00pm
Fri 9.15am-5.00pm
Sat 9.30am-5.00pm



1990/91 catalogue costs £1.50
contains vouchers to use against purchases
Do you have your copy yet?



Whether your requirement for surveillance equipment is amateur, professional or you are just fascinated by this unique area of electronics SUMA DESIGNS has a kit to fit the bill. We have been designing electronic surveillance equipment for over 12 years and you can be sure that all of our kits are very well tried, tested and proven and come complete with full instructions, circuit diagrams, assembly details and all high quality components including fibreglass PCB. Unless otherwise stated all transmitters are tuneable and can be received on an ordinary VHF FM radio.

UTX Ultra-miniature Room Transmitter. Smallest room transmitter kit in the world! Incredible 10mm x 20mm including mic. 3-12V operation. 500m range.....£16.45

MTX Micro-miniature Room Transmitter. Best-selling micro-miniature room transmitter. Just 17mm x 17mm including mic. 3-12V operation. 1000m range.....£13.45

STX High Performance Room Transmitter. High performance transmitter with a buffered output stage for greater stability and range. 22mm x 22mm including mic. 6-12V operation, 1500m range.....£15.45

VT500 High-Power Room Transmitter. Powerful 250mW output providing excellent range and performance. Size 20mm x 40mm. 9-12V operation. 3000m range.....£16.45

VXT Voice Activated Room Transmitter. Triggers only when sounds are detected. Very low standby current, variable sensitivity and delay with led indicator. Size 20mm x 67mm, 9V operation, 1000m range.....£19.45

QTX180 Crystal Controlled Room Transmitter. Narrow band FM transmitter for the ultimate in privacy. Operates on 180 MHz and requires the use of a scanner receiver or our QRX180 kit (see catalogue). Size 20mm x 67mm. 9V operation. 1000m range.....£40.95

SCRX Subcarrier Scrambled Room Transmitter. Scrambled output from this transmitter cannot be monitored without the SCDM decoder connected to receiver. Size 20mm x 67mm, 9V operation, 1000m range.....£22.95

SCDM Subcarrier Decoder Unit for SCRX. Connects to receiver earphone socket and provides decoded audio output to headphones. Size 32mm x 70mm. 9-12V operation.....£22.95

HVX400 Mains Powered Room Transmitter. Connects directly to 240V AC supply for long term monitoring. Size 30mm x 35mm. 500m range.....£19.95

ATR2 Micro Size Telephone Recording Interface. Connects between telephone line (anywhere) and cassette recorder. Switches tape automatically as phone is used. All conversations recorded. Size 16mm x 32mm. Powered from line.....£13.45

UTLX Ultra-Miniature Telephone Transmitter. Smallest telephone transmitter kit available. Incredible size of 10mm x 20mm! Connects to line (anywhere) and switches on and off with phone use. All conversation transmitted. Powered from line. 500m range.....£15.95

TLX700 Micro-Miniature Telephone Transmitter. Best-selling telephone transmitter. Being 20mm x 20mm it is easier to assemble than UTLX. Connects to line (anywhere) and switches on and off with phone use. All conversations transmitted. Powered from line. 1000m range.....£13.45

STLX High-Performance Telephone Transmitter. High power transmitter with buffered output stage providing excellent stability and performance. Connects to line (anywhere) and switches on and off with phone use. All conversations transmitted. Powered from line. 1500m range.....£16.45

TKX900 Signalling/Tracking Transmitter. Transmits a continuous stream of audio pulses with variable tone and rate. Ideal for signalling or tracking purposes. High power output giving range up to 3000m. Size 25mm x 63mm. 9V operation.....£22.95

CD600 Professional Bug Detector/Locator. Multicolour readout of signal strength with variable rate bleeper and variable sensitivity used to detect and locate hidden transmitters. Switch to AUDIO CONFIRM mode to distinguish between localised bug transmission and normal legitimate signals such as pagers, cellular, taxis etc. Size 70mm x 100mm. 9V operation.....£50.95

★★★ SPECIAL ★★★

DLTX/DLRX Radio Control Switch. Remote control anything around your home or garden, outside lights, alarms, paging system etc. System consists of a small VHF transmitter with digital encoder and receiver unit with decoder and relay output, momentary or alternate, 8-way dial switches on both boards set your unique security code. TX size 45mm x 45mm, RX size 35mm x 90mm. Both 9V operation. Range up to 200m. Complete System (2 kits).....£50.95

Individual Transmitter DLTX.....£19.95

Individual Receiver DLRX.....£37.95

A build-up service is available on all our kits if required.

UK customers please send cheques, POs or registered cash. Please add £1.50 per order for P&P. Goods despatched ASAP allowing for cheque clearance. Overseas customers send sterling bank draft and add £5.00 per order for shipment. Credit card orders welcomed on 0827 714476.

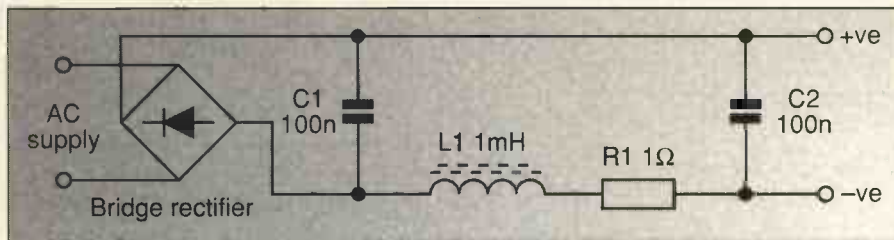
OUR LATEST CATALOGUE CONTAINING MANY MORE NEW SURVEILLANCE KITS NOW AVAILABLE. SEND TWO 22P STAMPS OR OVERSEAS SEND TWO IRC'S.

SUMA DESIGNS

The Workshops
95 Main Road, Baxterley,
Nr. Atherstone, Warwickshire CV9 2LE



Tel: 0827 714476



permit the transducer to be fitted to the bottom of the tank without leaks.

To maximise power transfer to the water, the face of the transducer should be angled at approximately 7 degrees to the horizontal, which is taken care of by the design of the housing. The depth of water above the transducer should be approximately 40mm (+5mm).

TDK make suitable nebulisers, but told me that they only supply in very large quantities. Their distributor, Regisbrook (0235 534909) may be able to supply the

smaller quantities required. Failing this, they may at least be able to supply transducers, in which case it will be necessary to make oscillators for the circuit given here, and perhaps to experiment a little to achieve the best performance.

The TDK units are built in die cast heatsink cases which provide screening and heatsinking. It is necessary to build them, diecast boxes with extra heatsinks added. To minimise radiated interference, it would be best to feed in the power via feedthrough capacitors and to use, for example, a phono

connector to feed the signal to the transducer.

Controller

A suitable humidistat can be constructed with very little trouble. Fig 3 shows a suitable design, using the Mullard sensor type 2322 691 90001 as mentioned in the first part of this project. The capacitance of this sensor depends on humidity, being 122pF +15% at 43%RH, and changing capacitance by 0.4pF +0.05pF/%RH. This gives typical figures of 117pF at 30%RH and 141pF at 90%RH, a suitable maximum range for a humidistat.

This design works on the principle of charge transfer. The humidity sensor capacitance is charged up to 5V, and then discharged into C9 at the oscillator frequency set by R14 and C10, which is approximately 70kHz. So long as IC1b is within its linear range, its inverting input remains very close to 0V, so that the capacitance of the sensor is fully discharged.

The effect of all this is to feed a small current into the inverting input of IC1b. A small negative current is also fed in, by transferring charge via C6. This capacitor is charged in one direction and then connected to the inverting input of IC1b in the reverse direction.

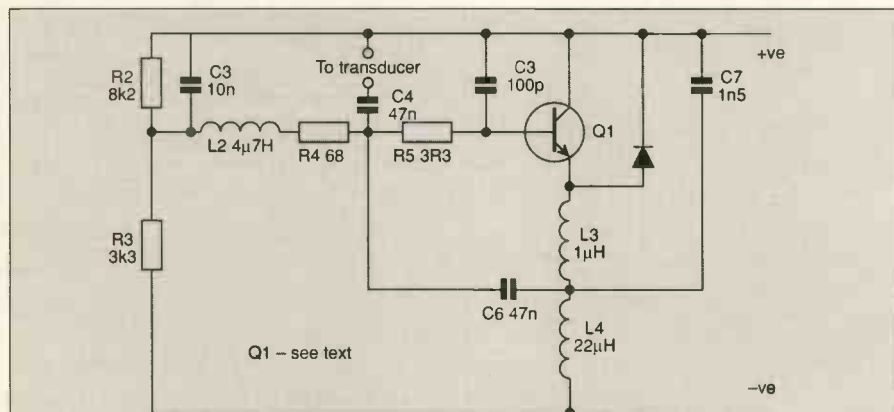


Fig. 2. Piezo crystal oscillator circuit.

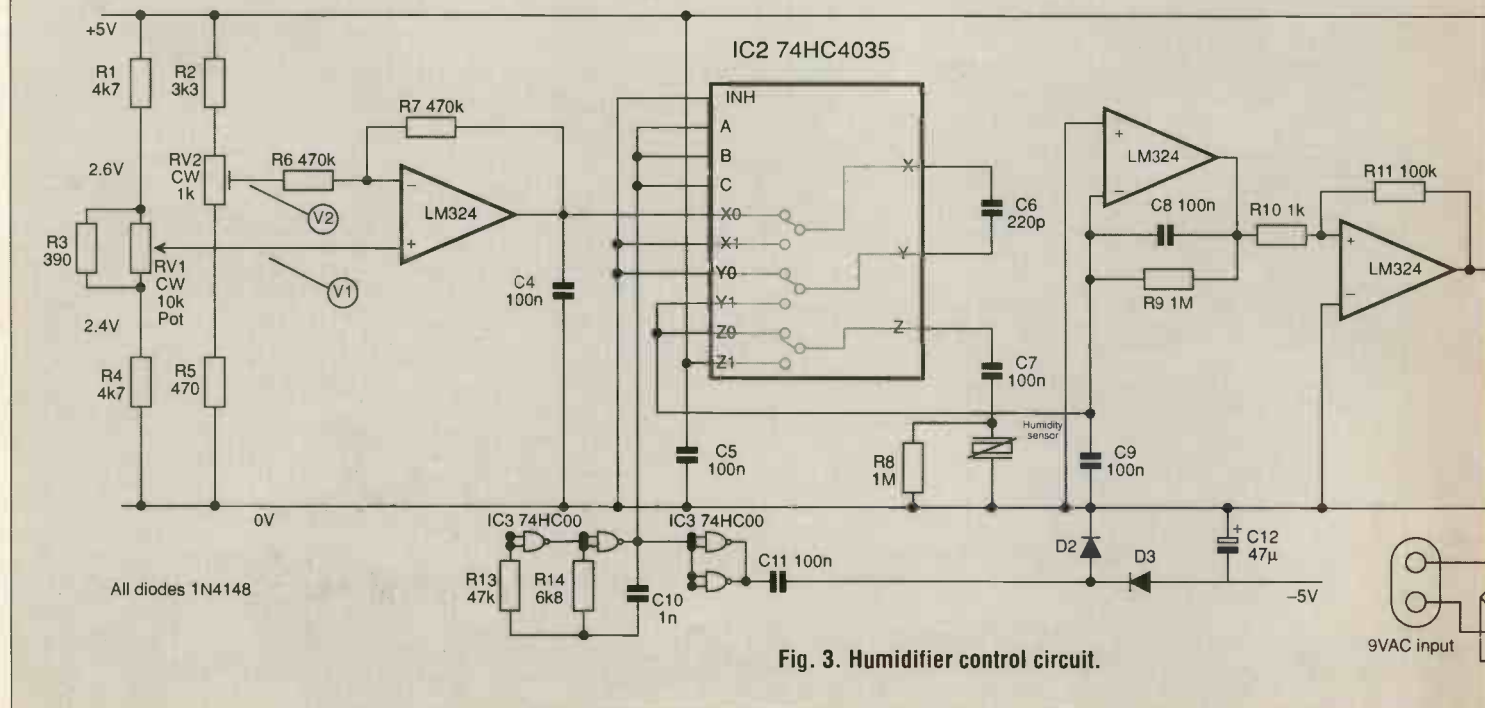


Fig. 3. Humidifier control circuit.

C6 has a higher capacitance than the highest value which the RH sensor can have, so that the negative and positive currents fed to the inverting input of IC1b will balance if C6 is charged to a lower voltage than that to which the humidity sensor is charged. For a completely nominal sensor, the voltages to charge C6 to balance the currents are: 2.66V for 30%RH and 3.19V for 90%RH.

The required charging voltage is provided by IC1a, whose output voltage is

$$V_{out} = (V1 - V2) \times 2$$

V1 is varied to adjust the setpoint of the humidistat, while V2 is adjusted to calibrate it.

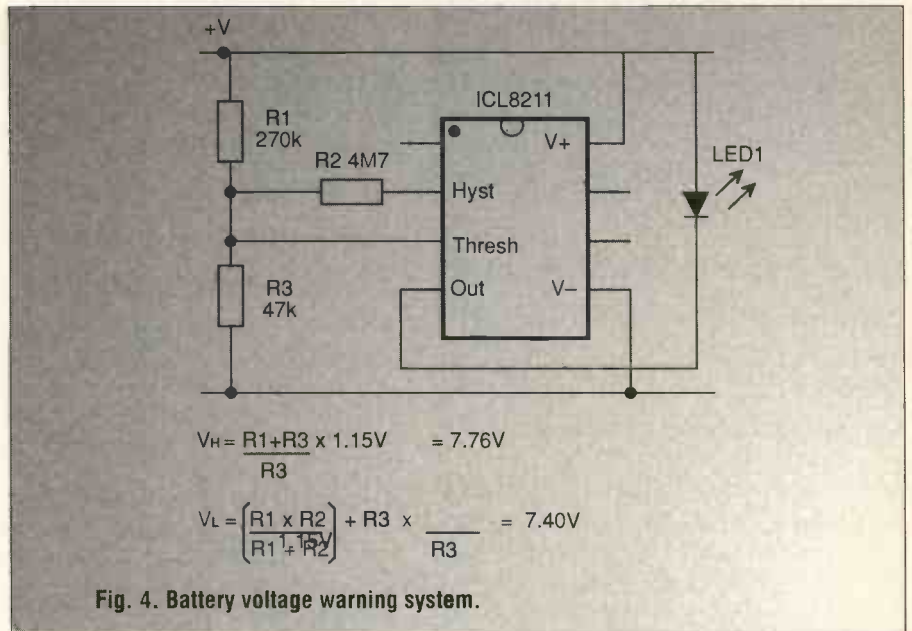
The net effect of all this is that the output of IC1b is 0V when the setpoint exactly matches the RH. If the RH is too low, then the output of IC1b is positive, and if it is too high the output is negative. The output voltage variation with RH is calculated as follows:

$$\text{Extra charge transfer} / \%RH = 5V \times 0.4pF = 2E-12C$$

$$\text{Rate of charge transfer} = 70E3 \times 2E-12 \text{ per second} = 0.14\mu A$$

$$\text{Therefore output voltage change per \%RH} = 0.14\mu A \times 1M\Omega = 0.14V$$

The hysteresis of the following comparator is approximately 160mV (because the outputs cannot swing very close to the supply



rails), so a change of under 2%RH will cause the output relay to switch.

The interesting thing about this design is that variations in oscillator frequency or in power supply voltage will not affect the calibration, but will only affect the hysteresis.

Calibration

Ideally, one should calibrate the humidistat by using sealed containers at accurately controlled temperatures containing specified salt solutions. In practice, it would probably be acceptable to adjust the calibration potentiometer until the control pot causes the output to switch at approximately its mid-position, then install the humidistat and adjust until the humidity level is adequate.

This humidistat design has not been tested as it stands, but it is a variation on circuitry which I have used and which has proved dependable.

All the elements required for a humidification system have been shown here, in greater or lesser detail, and will work if applied intelligently. However, some filling in of detail and experiment will be required to make all the parts work properly together.

Battery Monitor

Occasionally I use a microphone in conjunction with an active balanced line driver to give clear sound when

used a long way from the pa system. The battery lasts a long time, and tends to fail in use when I least expect it. Is there a design for a battery voltage warning system that will not take more current than it is worth?

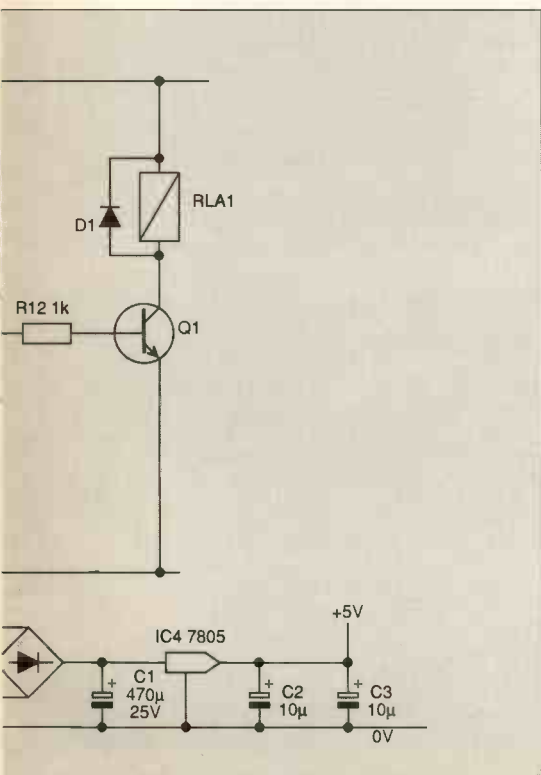
Mr M Percival
Stoke Bishop,
Bristol

Yes there is. This is a problem I encountered in a similar situation, and the answer, shown in Fig. 4, has proved reliable for several years. The IC it uses, the ICL8211, is specifically designed for this purpose. It has a very low quiescent current consumption, so that almost all the current flow is through the divider chain (R1 and R3).

The ICL8211 switches on its output, sinking a current limited 7mA, if the voltage on the threshold terminal falls below the internal reference voltage (1.15V). An optional hysteresis output can be used to ensure clean switching.

The ICL8211 will work with as little as 6µA reference current, but higher accuracy can be achieved by using a higher current. The values shown in Fig 1 give a reference current of 1.15V/R3 = 24µA at the switching point. This should not add significantly to the battery load, and will give excellent accuracy.

The component values shown in Fig. 4 are suitable for a 9V battery supply, though the switching voltage might be slightly higher than is necessary. Other voltages can be calculated using the formulae supplied. ■



PRACTICAL ELECTRONICS

SCIENCE AND TECHNOLOGY

What happened to Britain's lead in world technology? PE keeps on asking...

1966

The most interesting thing about looking back over the past issues of PE is seeing what the editor wrote (or sometimes ranted) about in his editorial. 25 years ago this month the subject was investment for the future and in particular, the space program. It seems that at this time, Britain and Europe were very interested in getting things into space. Unfortunately, it was becoming apparent that competing with the USA and USSR was going to be difficult both in terms of money and, as it turned out, political will. Worries about the "brain drain" were beginning to surface and there were calls for the government to do something. Remember, this was back in 1966 and history repeated itself in the seventies. With the current trend in financial cuts in the scientific arena, it looks as though it could all happen again.

1976

Ten years later it seemed that all was going reasonably well, as far as the editor Fred Bennet was concerned. The editorial observed the current Transatlantic race and the "236ft" colossus Club Mediterranée which was being taken across the Atlantic single handed. On board were all sorts of electronic goodies for the skipper: closed circuit TV for monitoring the sail positions, satellite navigation, radar, a radio weather map machine and visibility warning devices. The ship was more a statement of the marriage of modern technology with that cheap renewable power source, the wind, than an entry in the race. It seems that fifteen years later, people are still making similar statements - with just as much effect.

1986

10 years on again saw an editorial that was decrying the current state of the educational system and its funding. The UK, having one been at the forefront of modern innovation and technology, was falling further and further behind. Electronics and its associated technology was becoming a very important feature of everyday life. The editorial (by new editor Richard Barron) noted the complete lack of interest and understanding by most people in something that affected them daily. A MORI poll published at the bottom of the piece stated that "the most attractive applications of new technology are cordless and video telephone. Facsimile machines and word processors have much less appeal". Some of these are now taken for granted, though the video telephone is still nowhere to be seen. Perhaps if the populus were more educated? ■

Interak 1 BUILD YOUR OWN COMPUTER



INTERAK can be commenced with the minimum of outlay. Bare boards from £10.95, beg borrow or steal the components, or buy from us - all parts available separately. No special or custom chips (ie PALs, ULAs, ASICs etc) used - no secrets.

Go as fast or as slowly as your funds and enthusiasm permit.

Made for those who must know what goes inside. Full circuit diagrams and descriptions are provided. And honestly, can you really use a computer effectively if you don't know what's inside and nobody will tell you?

Solid engineering construction - something to be proud of. 19" 3U rack mounting, plug in circuit boards and modular construction keeps obsolescence at bay.

Flourishing Independent Users Group and newsletter. Hundreds of programs on disk at little or no cost from the Users Group.

Program in machine code (Assembler), Basic, C, Fortran, etc. Database, Word Processing, Scientific applications.

Cassette tape operation or disk (up to 4 drives, 1 Megabyte 3.5" available from us, but you can add 3" 5.25" 8" if you want); Disk operating system CP/M Plus.

64K RAM, Z80 based at present with potential for expansion to a 16 Megabyte address space and Zilog's latest Z80280 in the future.

Needs no specialised knowledge to construct, and we will happily get you out of a jam if you get into one.

Availability of personal and individual after sales service, impossible to obtain from large companies who are only after your money.

Security of supply - from Greenbank Electronics, established in 1970.

Greenbank

For more details write or phone us:

Greenbank Electronics, Dept PE08 460 New Chester Road, Rock Ferry, Birkenhead, Merseyside. L42 2AE. Tel: 051-645 3391

MAKE YOUR INTERESTS PAY!

Over the past 100 years more than 9 million students throughout the world have found it worth their while! An ICS home-study course can help you get a better job, make more money and have more fun out of life! ICS has over 90 years experience in home-study courses and is the largest correspondence school in the world. You learn at your own pace, when and where you want under the guidance of expert 'personal' tutors. Find out how we can help YOU. Post or phone today for your **FREE INFORMATION PACK** on the course of your choice. (Tick one box only)

Electronics	<input type="checkbox"/>	TV, Video & Hi-Fi Servicing	<input type="checkbox"/>
Basic Electronic Engineering (City & Guilds)	<input type="checkbox"/>	Refrigeration & Air Conditioning	<input type="checkbox"/>
Electrical Engineering	<input type="checkbox"/>	Car Mechanics	<input type="checkbox"/>
Electrical Contracting/Installation	<input type="checkbox"/>	Computer Programming	<input type="checkbox"/>
GCSE/GCE/SCE over 40 examination subjects to choose from			<input type="checkbox"/>

Name

Address

ICS

International Correspondence Schools, EDS81 312/314 High Street, Sutton, Surrey SM1 1PR. Telephone: 061-643 9568 or 044-221 2926 (24 hours)

ESR

Suppliers of an extensive range of top quality electronic components, accessories and hardware

NEW 1991
COLOUR
CATALOGUE
£1.00
Includes P&P

Books • PCB Production Aids • Test Equipment
Tools • Self Assemble Electronic Products

ESR Electronic Components Tel: 091 251 4363
Station Road, Cullercoates
Tyne & Wear NE30 4PQ Fax: 091 252 2296



Schools, colleges and trade enquiries welcome
OPEN: Mon-Fri 8:30-5:00 Sat 10:00-5:00



Some Books To Begin With

This month's book reviews take a look at some new books that introduce the subjects of electronics and radio.

Aimed at the aspiring electronic technician, this book covers a lot of the basic coursework information needed for a City and Guilds Institute Course No. 224 in Electronics Servicing plus the equivalent BTEC course. It could also be used as a basic electronics introduction for anyone interested in the subject.

Starting off with an overview of the industry, a look at company structures, ensuing chapters cover safety at work, basic graphing methods and electrical units. They then get down to actual circuits, their construction and how to design practical printed circuit boards including soldering, various tools and some basic ideas about troubleshooting. All of this is kept at the basic level but serves as a good grounding in the ideas involved.

The chapter on amplifiers and oscillators uses real circuits to illustrate gain, buffering and the phase locked loop. The theory then takes a turn away from the practical and describes the operation of radio, modulation and sidebands for both AM and FM. The next few chapters look at power sources including batteries, electro-magnetism and its use in generators. Two odd chapters crop up at this point which are not really about electronics at all as they examine some basic principles of physics, light and sound waves. Binary numbers and logic, bring the subject back to the main stream with simple gates and truth tables. The final chapter takes a quick tour through a selection of common electronic systems from oscilloscopes and TV, to computers and tape recorders.

Volume 2, Part 1

By the same authors, volume 2, part one of this series continues where the first left off. It is a more technical book and expects quite a bit more knowledge from the reader. Beginning with a fairly comprehensive section on taking measurements from electronic circuits, it describes in detail, the operation of the basic semiconductor elements, the diode and transistor with a glance at integrated circuits. A wide selection of amplifier circuits are examined along with detailed descriptions of oscillator circuits.

Later chapters look at transformers, transducers digital circuits and displays, basic microprocessors and computer hardware such as disk drives.

Both books are obviously written to be teaching works and supply a set of questions on each chapter (the answers being given at the back of the book). Together they form a good introduction to the subject of electronics and when accompanied by some practical work should enable the reader to gain a good basic working knowledge of the subject.

Servicing Electronic Systems
Volume 1
Volume 2, part 1
Ian R Sinclair & Geoffrey E Lewis
Avebury Technical
The Academic Publishing Group
Gower House
Croft Road
Aldershot
Hants
GU11 3HR
ISBN 1 85627 171 X
£9.95 and £11.95 respectively

On The Air

Amateur radio formed the basis for the development of the infant electronics industry back in 1905 when the first license was issued. Amateur Radio For Beginners seeks to increase interest in the subject among younger readers. Packed with photographs and illustrations of everything from the space shuttle to building a simple receiver, the book is perfect for the beginner.

After introducing the basic ideas, the author looks at how to get started either by buying a radio set or DIYing it and constructing a receiver from scratch – this includes full explanations about soldering, winding coils and what to do if it doesn't work.

The next few chapters describe how to go about obtaining a shortwave receiver. A few do's and don'ts are included here along with some good advice on where to look for a bargain.

If simply listening to other people on the air becomes boring, the book supplies full instructions on how to go about getting an amateur radio license. A complete glossary of terms is included as are details about call signs, QSL cards and morse code. It's the ideal present for someone looking for a new hobby.

Amateur Radio For Beginners
Victor Brand
Radio Society Of Great Britain
Cranbourne Road
Potters Bar
Herts.
EN63JE
ISBN 1 872309 06 2
Price £3.50

Compact Disks

Information For All?

Barry Fox switches on his CD-ROM player and considers whether it is all too much trouble or whether it is going to be an essential tool.

Suddenly the more popular media are discovering multimedia. The fact that a 12 cm CD can store over 600 MBytes of data, equivalent to 600 million keystrokes on a typewriter, makes good gee whizz copy.

We are promised a new age of publishing, with a bookshelf of reference tomes, newspapers and encyclopaedias, all on a single disk – the same unit plays audio CDs, too.

The "domestic" systems have grown out of CD-ROM computer systems. Anyone who says that setting up and using a CD-ROM system is easy, has never tried it. Individual disks need "installing", like computer software. You get the system working for one disk and then other disks won't play. Or other programs, like a wordprocessing package, stop working. Some of the newspaper collection disks are not even indexed by topic, which makes them well nigh useless for research.

Pop-in And Play

The new domestic systems, Commodore's CDTV, and the rival CD-I from Philips, Sony and Matsushita, work on the "buy-and-play" principle. You buy the player, plug it into a monitor or TV set, pop in a disk, and play it. The player plays CD audio disks, too.

Now think about the practicalities. CDTV follows a policy now established for CD-ROM. The disk must be loaded into a protective caddy before loading into the player. Whereas CD Audio players have a tray which opens to take the disk, modern CD-ROM units and CDTV players have a



postage slot for a caddy. To play an audio disk on a CDTV player you have to take it out of its jewel box, put it in a caddy and post the caddy into the player. Afterwards you eject the caddy, take out the disk and put it back in its jewel box.

Multimedia

CD ROM caddies, if you can find someone who sells them, cost 8 or 9 pounds each. They are far too expensive to use on a one-per-disk basis. In the real world people will not use a caddy system to play audio disks.

I also suspect that in the real world people will not use a multimedia system as an information source. Well would you switch on a player, switch on the Hi-Fi, switch on the TV set, take a disk out of its jewel box, put it in a caddy, post the caddy, start the program running and search out the information, when the same information is available from a book on the shelf?

BT's Phone Disk

I have knocked British Telecom a lot over the last year (and before that was knocking Mercury) so it is nice to be able to say something nice about BT technology. I am talking about Phone Disk, the CD-ROM which stores all the telephone numbers in the UK for search access.

Never mind that installing Phone Disk is a pain. The installation procedure tramples clumsily on existing PC configuration set ups. The inadequate manual does not clearly explain how to speed up searching by copying some files from CD ROM to hard disk. Every user has to register and given a password. You need a new password to use the disk on another computer. Fortunately, help is at hand.

Paying The Price

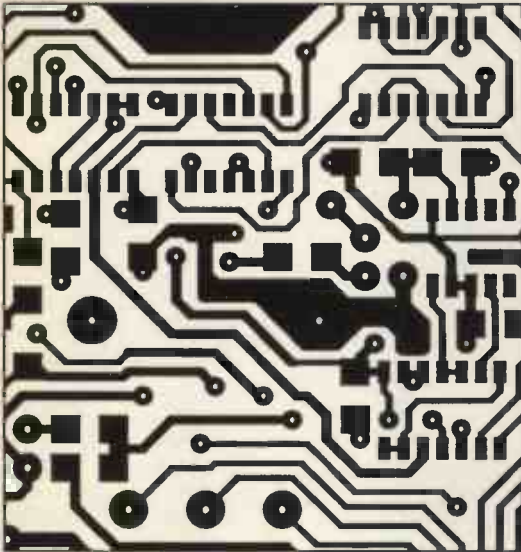
The people on the Phone Disk Help Line know their stuff and really can help. Once running, Phone Disk is an incredibly powerful business tool. No large company switchboard should be without one. And in most uses will never use their system to play another disk. It is what the industry calls an "vertical" application.

But Phone Disk costs a blistering £2,200 for the four disks a year BT is producing. There were plans to make Phone Disk available on CDTV but BT's pricing policy knocked that on the head.

Of course, in the real world most people would not bother to fire up a CDTV system just to look up one telephone number. ■

EASY-PC, SCHEMATIC and PCB CAD

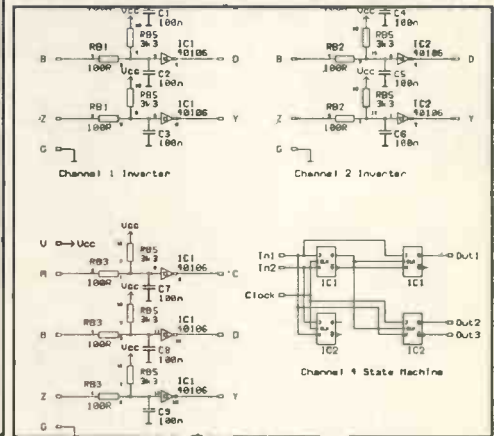
Over 9000 Installations
in 50 Countries Worldwide!



- Runs on:- PC/XT/AT/286/386/486 Herc, CGA, EGA, VGA.
- Design:- Single sided, Double sided and Multilayer boards.
- Provides Surface Mount support.
- Standard output includes Dot Matrix / Laser / Inkjet Printer, Pen Plotter, Photo-plotter and N.C. Drill.
- Superbly easy to use.
- Not copy protected.

Still Only £98.00!
Plus P&P+VAT

BRITISH DESIGN AWARD 1989

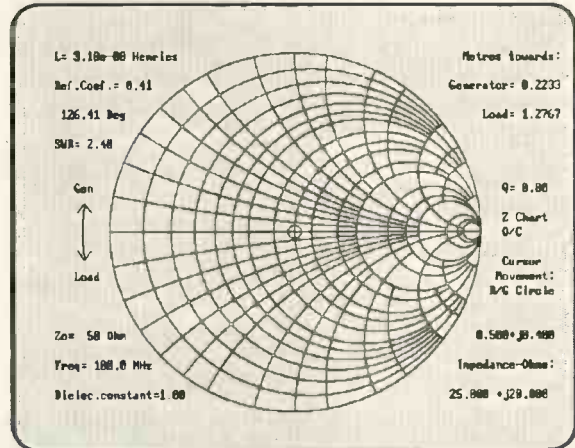
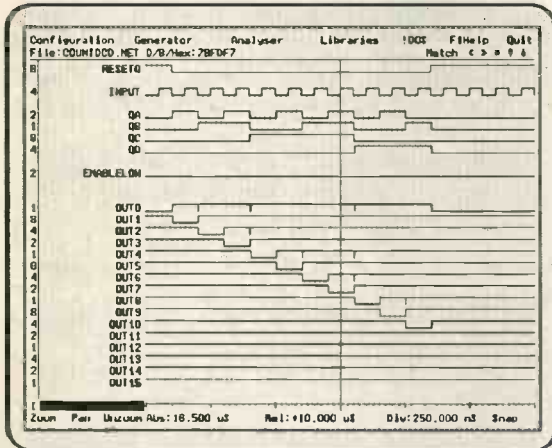


Options:

1000 piece Symbol Library £38, Gerber Import facility £98

DIGITAL SIMULATION PULSAR £195

SMITH CHART CAD Z-MATCH II £195



- At last! A full featured Digital Circuit Simulator for less than £1000!
- Pulsar allows you to test your designs without the need for expensive test equipment.
- Catch glitches down to a pico second per week!
- Includes 4000 Series CMOS and 74LS Libraries
- Runs on PC/XT/AT/286/386/486 with EGA or VGA.

- Z-MATCH II simplifies RF matching and includes many more features than the standard Smith Chart.
- Handles transmission line transformers, stubs, discrete components, S Parameters etc.etc..
- Supplied with many worked examples.
- Superbly easy to learn and use.
- Runs on IBM PC/XT/AT/386/486, CGA, EGA, VGA.

For full information, Write, Phone or Fax:-

Number One Systems Ltd. I

The CAD Specialists

REF:PE, HARDING WAY, ST. IVES, HUNTINGDON, CAMBS, ENGLAND, PE17 4WR.

Telephone: 0480 61778 (7 lines) Fax: 0480 494042

International: +44 -480-61778, I'Fax: +44-480-494042 ACCESS, AMEX, MASTERCARD, VISA Welcome.

