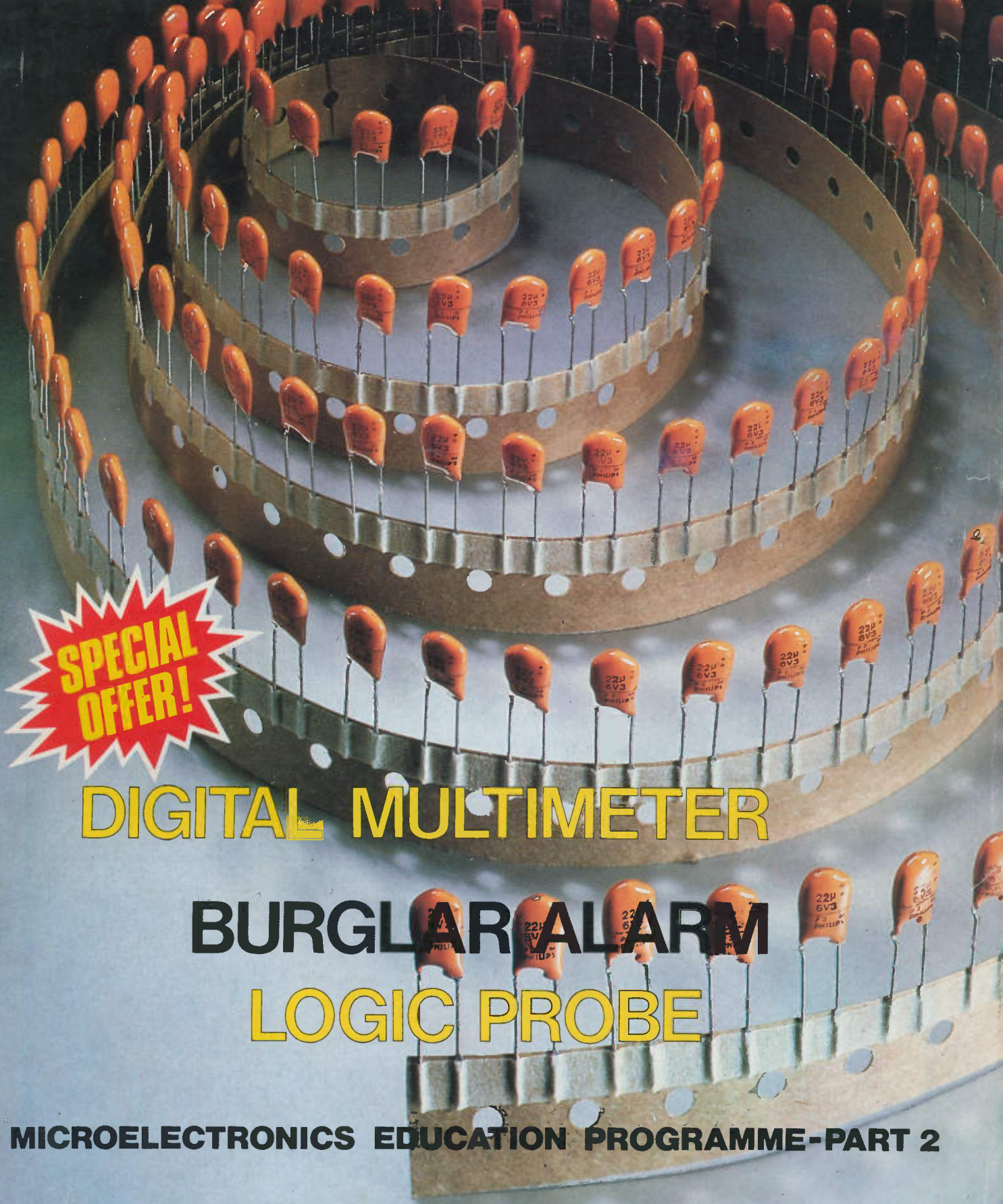


PRACTICAL

FEBRUARY 1986 · £1.25

# ELECTRONICS

ROBOTICS · MICROS · ELECTRONICS · INTERFACING



**SPECIAL OFFER!**

**DIGITAL MULTIMETER**

**BURGLAR ALARM**

**LOGIC PROBE**

**MICROELECTRONICS EDUCATION PROGRAMME-PART 2**

# P.E. PROJECT KITS

# MAGENTA

Full kits include pcb's, hardware, cases (unless stated otherwise), IC sockets, wire, nuts & bolts. Article reprints extra 70p each.

**HIGH PERFORMANCE STEPPING MOTOR DRIVER** Oct 85 £20.98  
**EXTRAS:** Transformer £5.98, Case £2.95, BBC lead & plug £1.98, Motor-ID35 £14.50  
**COMMODORE USER PORT EXPANDER** Nov 85 £10.91  
**MODEL RAILWAY TRACK CONTROL** Nov 85 £41.04  
**'SQUINT' ROBOT EYES** Nov 85 £8.68  
**TOUCH CONTROL PSU** Oct 85 £28.38  
**MODULATED SYNDROME** Oct 85 £26.58  
**GENERAL PURPOSE ROBOT INTERFACE**, fully populated board Sept/Oct 85 £74.99  
**RS232 TO CENTRONICS CONVERTER** Sept 85 £44.95  
**CAR BOOT ALARM** Sept 85 £11.72

**COMPUTER ENVELOPE SHAPER** Aug 85 £22.19  
**VOLTMETER MEMORY ADAPTOR** July 85 £10.98  
**STYLUS KEYBOARD FOR COM 64** Jun 85 £9.55  
**SYNTHESIZER INTERFACE FOR COM 64** Jun 85 £15.69  
**AMSTRAD SYNTHESIZER INTERFACE** May 85 £25.38  
**CYLINDER THERMOSTAT** May 85 £21.77  
**BBC POWER CONTROL INTERFACE** Apr 85 £20.99  
**GUITAR ACTIVE TONE CONTROL** less case Sept 83 £11.97  
**PROGRAM CONDITIONER** June 83 £18.67  
**AUTO TEST SET** May 83 £34.62  
**WIPER DELAY** Apr 83 less relay £8.24  
**BATTERY TESTER** Apr 83 £13.25

## DIGITAL CAPACITANCE METER

A superb instrument with a five digit 0.5 inch LED display giving direct read out of pF nF and uF from 1pF to 1,000uF. Exceptionally easy to use. A crystal timebase eliminates setting up procedures. Ideal for schools, labs, and industry as well as electronics enthusiasts from beginners to experts. Complete kit - including PCB, case, all components and hardware, £35.98. Reprints of article 70p.

## LOGIC TUTOR

A specifically designed test bed for the practical side of the 8 part educational series 'Introduction to Digital Electronics' Practical Electronics Oct 83 - May 84. Full kit includes screen printed pcb, power supply, connector strips and turned pin sockets (less case).

**£34.98**

REPRINTS EXTRA 70p EACH

## EDUCATIONAL SETS

### FUN WITH ELECTRONICS

Enjoyable introduction to electronics. Full of very clear full colour pictures and easy to follow text. Ideal for all beginners - children and adults. Only basic tools needed. 64 full colour pages cover all aspects - soldering - fault finding - components (identification and how they work). Also full details of how to build 6 projects - burglar alarm, radio, games, etc. Requires soldering - 4 pages clearly show you how. COMPONENTS SUPPLIED ALLOW ALL PROJECTS TO BE BUILT AND KEPT. Supplied less batteries & cases. FUN WITH ELECTRONICS. COMPONENT PACK £16.98 BOOK EXTRA £1.75. Book available separately.



### ADVENTURES WITH ELECTRONICS

An easy to follow book suitable for all ages. Ideal for beginners. No soldering, uses an S-Dec Breadboard. Gives clear instructions with lots of pictures. 16 projects - including three radios, siren, metronome, organ, intercom, timer, etc. Helps you learn about electronic components and how circuits work. Component pack includes an S-Dec breadboard and all the components for the projects. Adventures with Electronics £3.58. Component pack £20.98 less battery.

### COMPUTER ACCESSORIES

**BBC TRACKBALL CONTROLLER** 2" ball, 2 fire buttons. Analogue input port connector. Includes simple software listing for freehand drawing. Simply incorporates into your programs. £17.98.  
**BBC Digital Joystick**, 2 fire buttons. D plug connects to analogue input. £9.59.

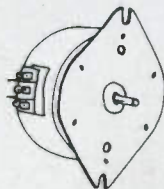
## HIGH PERFORMANCE STEPPING MOTOR DRIVER

As featured in December issue  
**Kit including PCB, I.C. & All Parts £20.98**  
 Transformer 30V 18VA £5.98 extra  
 Case (houses PCB only) £2.95 extra  
 Lead & Connector for BBC Computer £1.98  
 Motor - ID35 £14.50  
 TEA1012 also available separately £6.88. Data £1.00

## TOOLS

Antex X5 soldering iron 25W 240V £7.25, 12V £7.45, 24V £7.65, 110/115V £7.35.  
 Antex Model C soldering iron 240V £6.98  
 Heat sink tweezers 45p  
 Solder handy size 5 £1.39  
 Solder carton £2.50  
 Solder reel size 10 £4.67  
 Low cost pliers £1.98  
 Low cost cutters £1.99  
 Bent nose pliers £1.89  
 Mini drill 12V (MD1) £8.38  
 Multimeter Type 1 1000opv £6.98  
 Multimeter Type 2 20,000opv £17.98  
 Multimeter Type 3 30,000opv (taut baud) £27.98  
 Multimeter Type 4 10M digital £39.98  
 Desolder pump £5.48  
 Signal injector £2.98  
 Circuit tester 78p  
 Helping Hands jig & magnifier £7.98  
 Miniature vice (plastic) £1.85

## STEPPER MOTOR

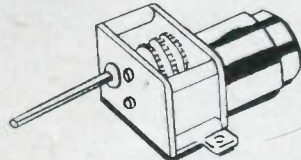


**BBC TO ID35 STEPPER MOTOR INTERFACE KIT £13.99**  
 PCB, driver IC, components, connectors and leads included. Demonstration software, listings, circuit diagram, pcb layout and construction details given. Requires unregulated 12Vdc power supply.  
**INTERFACE KIT (ref PE) £13.99.**  
**OPTIONAL POWER SUPPLY PARTS £4.67.**  
**ID35 STEPPER MOTOR 48 Steps. 12V £14.50.**



## DC MOTOR SETS

**MOTOR - GEARBOX ASSEMBLIES 1.5V-4.5V.**  
 Miniature precision made. Complete with quality electric motors. Variable reduction ratios. Long 3mm dia output shafts.  
 Small unit - type MGS (3-2200rpm) £3.49  
 Large unit - type MGL (2-1150rpm) £3.98



**PULLEY WHEELS - metal 3mm bore**  
 10mm dia 85p  
 20mm dia 98p  
 30mm £1.21  
**METAL COLLAR with screw - 3mm bore** 24p  
**FLEXIBLE SPRING COUPLING 3mm L31mm** 68p  
**FLEXIBLE METAL COUPLING 3mm** £2.98  
**FISCHERTECHNIK DC MOTOR SETS**  
**SMALL TYPE 187** £9.85  
**LARGE TYPE 185** £9.90  
**DC MOTOR 1.5V-4.5V RPM 4,400-8,700**  
 Shaft dia 2mm L 10mm. Body 29x38mm  
**DC MOTOR TYPE - DC28** £1.98  
**FLEXIBLE STEEL SPRING DRIVING BELT** 47p  
 12" long. Joins to itself or 2 or more can be joined where long lengths are needed.

## BBC - DC MOTOR CONTROLLER

**FISCHERTECHNIK MOTOR CONTROL SYSTEM FOR THE BBC COMPUTER (BUILT) £46.55 (PE)**  
 A high precision DC motor driver and BBC B computer interface system. Supplied complete with applications software cassette.  
 Ready to run control system supplied complete with mains lead, ribbon cable and user port connector, and terminal posts and plugs for the motor connection. Also included are the software cassette of 3 programs and instructions. The software is easily transferable to disc.  
 Recommended motor is the Fischertechnik type 185 as used in the u-t2 motor and gear set.  
 Motor (185) available separately £9.90.

## fischertechnik

We offer a range of the superb Fischertechnik sets. These cover robotics, electronics, electromechanics, motors and gears, and basic construction. Robotics kit build 11 different working models including a robot arm, graphics board, sorting system etc. Note that not all the models can be built at the same time. Simple to assemble. Easily combined with all other Fischertechnik kits. Top quality. Includes 2 motors, an electromagnet, lamps, potentiometers, switches etc.  
**ROBOTICS Kit (554) PE** £64.99  
**Construction/base kit (ut1)** £37.50  
**Motors and Gears (ut2)** £42.70  
**Use ut2 to motorise ut1**  
**Electromechanics (ut3)** £73.20  
**Electronics (ut4)** £93.90

## BBC - ROBOTICS INTERFACE

A READY TO USE INTERFACE for the BBC computer and the Fischertechnik Computing and Robotics Kit (554). Allows the BBC computer to operate all 11 of the standard models which can be built from the Fischertechnik Robotics kit.  
 The interface features forward - reverse and on/off control of four DC motors; on/off control output for driving an electromagnet or similar device; and eight switch inputs for reading microswitches or other binary inputs. Two independent analogue input channels are provided for position sensing.  
 Supplied complete with connectors and leads the interface requires a power source of 9-12 volts at 1A. Detailed programming information is supplied with the interface. A software disc with a comprehensive set of programs is also included.  
**FISCHERTECHNIK ROBOTICS - BBC COMPUTER INTERFACE (BUILT) (PE)** £69.95

## CATALOGUE

Brief details of each kit, book contents, and illustrations and descriptions of our range of tools and components are all included. Robotics and Computing section included. Our advert shows just a selection of our products. Up to date price list enclosed. Official orders welcome.  
**Catalogue & Price List - Send £1 in stamps etc or add £1 to your order.**  
 Price list only 9x4 SAE.  
**Catalogue free to schools/colleges requested on official letterhead.**

## HOW TO ORDER

**MAGENTA ELECTRONICS LTD.**  
 PE4, 135 HUNTER ST.,  
 BURTON-ON-TRENT  
 STAFFS, DE14 2ST.  
**MAIL ORDER ONLY.**  
 0283 65435, Mon-Fri 9-5.  
**ADD 60P P&P TO ALL ORDERS.**  
**PRICES INCLUDE VAT.**  
**SAE ALL ENQUIRIES.**  
**OFFICIAL ORDERS WELCOME.**

### OUR PRICES INCLUDE VAT

Access/Barclaycard (Visa) by phone or post.  
 24 hr Answerphone for credit card orders.



OVERSEAS: Payment must be sterling.  
 IRISH REPUBLIC and BFO: UK PRICES.  
 EUROPE: UK PRICES plus 10%.  
 ELSEWHERE: write for quote.



## BOOKS

A Practical Introduction to Microprocessors. Penfold £2.10  
 Basic Electronics. Holder & Stoughton £8.98  
 Beginners Guide to Building Electronic Projects. Penfold £2.25  
 BBC Micro. Osborne First Guide to £2.26  
 DIY Robotics & Sensors Billingsley. BBC £7.95  
 Commodore 64 £7.99  
 Elementary Electronics. Sladdin £5.98  
 Experiments with Your Computer (Science) £2.43  
 Science How to Design & Make Your Own PCBs. BP121 £2.15  
 How to Get Your Electronics Projects Working. BP110 £2.15  
 How to Make Computer Controlled Robots. Potter £3.20  
 How to Make Computer Model Controllers. Potter £3.19  
 Inside the Chip. Osborne £2.19  
 Interfacing to Microprocessors & Microcomputers £6.50  
 Machine Code for Beginners. Osborne £2.45  
 Making Music on the BBC Computer. Waugh £6.45  
 Micro Interfacing Circuits Book 1 £2.45  
 Microprocessors for Hobbyists. Coles £4.98  
 Practical Computer Experiments. Parr £1.95  
 Practical Things to do With a Microcomputer. Osborne £2.19  
 Programming for Education on the BBC Computer. Scriven/Hall £6.45  
 Questions & Answers - Electronics. Hickman £3.45  
 Understanding the Micro. Osborne £1.85  
 Osborne Introduction to Electronics £2.45

## BBC HEART RATE

**BBC Heart Rate Monitor - Ready Built £35.99**

Practise relaxation or monitor fitness with this plug in heart rate monitor. Connects directly to the BBC computer. Programs give continuous heart rate displays, bar charts, graphs etc. Supplied with sensor, software & instructions - ready to plug in and use.

## FRONT COVER

This month's front cover picture shows a bandoleer of capacitors ready for automatic insertion.

Photograph by courtesy of Mullard.

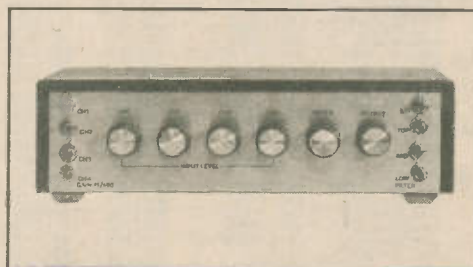
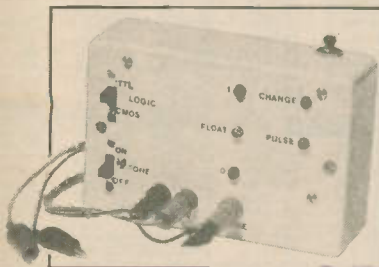


## PROJECTS

- |  |           |  |           |
|--|-----------|--|-----------|
| <b>COMPUTER MOVEMENT DETECTOR</b><br>by R. A. Penfold<br>Doppler effect unit using a simple computer interface | <b>10</b> | <b>LOGIC PROBE</b> by Tim Watson<br>A useful and versatile test aid for TTL and CMOS   | <b>36</b> |
| <b>MODULAR MIXER</b> by John M. H. Becker<br>Part Two: Final constructional details and system options         | <b>18</b> | <b>EXPERIMENTING WITH ROBOTS</b><br>by Sam Withey<br>Part Six: We conclude the series with applications of the DC/Stepper Motor Driver | <b>48</b> |
| <b>BURGLAR ALARM</b> by J. B. Rust<br>A powerful, flexible system at an affordable cost                        | <b>27</b> |  |           |

## INTEREST

- |  |               |   |           |
|--|---------------|---|-----------|
| <b>EDITORIAL</b><br>Computers for everyone   | <b>7</b>      | <b>SPECIAL OFFER</b><br>Lascar DP2020   | <b>25</b> |
| <b>NEWS AND MARKET PLACE</b><br>Industry backs youth; Surrey school takes a lead; Epson go over the top; Countdown   | <b>8</b>      | <b>SPACEWATCH</b> by Dr Patrick Moore<br>Voyage to Uranus; The Sky This Month   | <b>34</b> |
| <b>INTRODUCTION TO MICROPROCESSOR SYSTEMS</b><br>by Michael Tooley BA<br>and David Whitfield MA MSc CEng MIEE<br>Part Five: I/O control using the 6821 and an introduction to the 6502 | <b>13</b>     | <b>BBC MICRO FORUM</b><br>by D. Whitfield MA MSc CEng MIEE<br>The sideways ROMp                                       | <b>38</b> |
| <b>INDUSTRY NOTEBOOK</b> by Nexus<br>What's happening inside industry  | <b>17</b>     | <b>MICROELECTRONICS EDUCATION PROGRAMME</b><br>by Graham Bevis and Michael Page<br>Part Two: Microelectronics For All | <b>40</b> |
| <b>INGENUITY UNLIMITED</b><br>Readers' circuit ideas   | <b>23, 35</b> | <b>ROBOTICS REVIEW</b> by Nigel Clark<br>A regular look at robotics and cybernetics                                   | <b>46</b> |
| <b>LEADING EDGE</b> by Barry Fox<br>Museum Piece; Magnetic Memory  | <b>24</b>     | <b>PRINTED CIRCUIT BOARD SERVICE</b>  | <b>52</b> |
|  |               | <b>BAZAAR</b><br>Readers' buy and sell spot   | <b>52</b> |



**OUR MARCH 1986 ISSUE WILL BE ON SALE FRIDAY, FEBRUARY 7th, 1986 (see page 33)**

© IPC Magazines Limited 1986. Copyright in all drawings, photographs and articles published in PRACTICAL ELECTRONICS is fully protected, and reproduction or imitations in whole or part are expressly forbidden. All reasonable precautions are taken by PRACTICAL ELECTRONICS to ensure that the advice and data given to readers are reliable. We cannot, however, guarantee it, and we cannot accept legal responsibility for it. Prices quoted are those current as we go to press.







# TECHNICIAN ENGINEERS

## COMMUNICATIONS AND ELECTRONICS

### A Planned Career in Technology in the Cotswolds

### Salaries up to £13,745\*

- **VACANCIES** at both **TECHNICIAN ENGINEER** and **ENGINEERING TECHNICIAN** level.
- **CHALLENGING WORK** in the development and support of highly sophisticated communications and computer systems.
- **OPPORTUNITIES** for gaining experience in a wide variety of technical roles.
- **EXTENSIVE ENGINEERING FACILITIES**

- **CAREER PLANNING** aided by regular assessments of performance.
- **ADVANCEMENT** opportunities on the basis of proven ability.
- **OVERSEAS** service (voluntary).
- **FLEXIBLE** working hours with up to six weeks leave.
- **RELOCATION EXPENSES** in most cases.

Applicants for the higher grade of **TECHNICAL ENGINEER** should normally possess a BTEC Higher National Certificate/Diploma in electronics or other relevant subject; or a City and Guilds Full Technological Certificate, or an equivalent qualification. An aggregate of at least 8 years relevant training and

experience is required. Registration as a Technician Engineer (T.Eng) would be an advantage. Salary Scale: **£11,413-£13,746\*** Applicants with BTEC ONC or equivalent and at least 4 years relevant training and experience are eligible for posts at the **ENGINEERING TECHNICIAN** level for which a structured training programme is provided. Salary Scale: **£8,149-£10,685\*** **INTERESTED?** Then for either post send for full details and application form to the address below, quoting Ref: T/6523/85

\*Salaries quoted include special pay additions.



THE RECRUITMENT OFFICE, GCHQ, ROOM A/1108  
OAKLEY, PRIORS ROAD, CHELTENHAM, GLOS GL52 5AJ  
OR TELEPHONE (0242) 32912/3

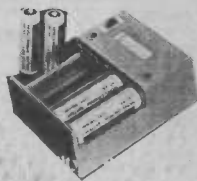
## SPECIAL OFFER!

(until 17th January '86)

### AA NICAD CHARGER +4 rechargeable cells

charges 2 or 4 cells  
Quick charge switch  
facility. LED indicators

## £5



#### NI-CAD RECHARGEABLE CELLS

AA - HP7 500mA Hr. Pack of 4 £1.50 or 4 pks for only £5.00. (Ex-equip. tested & guaranteed.)

#### 12V NICAD PACK

10 AA cells encl in plastic pack. 500mA Hr (ex equip tested & guaranteed). £4.50.

#### SEALED LEAD/ACID RE-CHARGEABLE

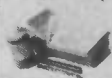
battery 6V 2.6Ah  
132x60x32mm. Brand new  
stock fully guaranteed £9.95  
(retail £17).  
Complete with charging instructions.



#### BUTTON BATTERIES

1.5V for watches, calculators, cameras, Electronic games, GP0 beepers & Hearing Aids. 4 types any mix £1.50. AG13 11.58x5.4mm, AG10 11.58x3mm, AG12 11.58x4.2mm, AG3 7.87x3.6mm or any 8 for £2.50.

SOLAR CELL PANELS 3.75 x 2.5ins. with multicellular lens & rear terminals. Gives 100mA @ 0.42V in weak sunshine. £3.95.



**PCB KIT £5.95.** 4 pieces copper clad, circuit etchant, 2 pens, 5 different sheets transfers, plastic tray & instructions.

Book by R. A. Penfold 'How to Design & Make Your Own PCB's' £1.95.

COPPER CLAD S/S 4 pieces (total 100 sq ins) £1.  
CIRCUIT ETCHANT dilutes to 500mls £1.20. ETCH RESIST PENS Fine tip 75p ea or 2 £1.20. CHARTPAK etch res. transfers fine & thick lines circles & dil pads 39p per sheet or 6 sheets £2.

#### BARGAIN PACKS!

PP3 CONNECTORS with 15cm wire leads 10 for only 60p.

400 RESISTORS - mixed values mainly 1/4 & 1/2W £1.  
RESISTORS IN BOX 73p/pts of 10 ea 5% 1/4W carbon film resistors.

Continuous E12 range, from 10 Ohm to 10M Ohm £8.50.

CARBON POTENTIOMETERS assorted values some miniature & some standard size 15 for £1.  
MICROSWITCHES - 7 different types £4.

TRIMMING TOOL KIT 5 double ended pieces 2.5-2mm + extension. Colour coded £1.90.

#### DC MOTORS

TINY virtually inertia-less motor, i.e. no iron in motor. 1.5-3V 15mm dia x 30mm + shaft 6x1.6mm. With governor - can be bypassed £2.00.  
MINI TOY motors 1-3V 19x16x9mm 50p ea or 5 for £2.

#### MINI-DRILL KIT & SPEED CONTROLLER £11.95

High Torque motor, 12V to 18V, 40W reversible 1000 rpm 5 pole rotor, carbon brushes 50x28mm dia. Chuck & set of Collets. 3 HSS Bits 1mm, 0.8mm & 0.6mm. Speed controller kit & transformer + 3m of flex. Instructions

OR ITEMS MAY be purchased separately. Speed Control £4.50; Transformer £2.90; Motor £2.90; Chuck & 3 precision collets £2; HSS Drill bits with shanks 1mm - 5 bits £1.50; 0.8 or 0.6mm - 5 bits £2.50 (bits not recomm. for glass fibre).

TUNGSTEN CARBIDE DRILL BITS  
1mm. Ideal for glass fibre PCBs. (1/8" shank) £1.20 each  
5 for £5 or pk of 10 £8.95.

Goods sent by return post — please add 80p p&p to total order  
Shop open daily 10-5.30 or send s.a.e. for stock list.

**CROYDON DISCOUNT ELECTRONICS**

38 Lower Addiscombe Road, Croydon CR0 6AA. Tel. 01-688 2950

## Master Electronics - Microprocessors - Now! The Practical Way!

- Electronics - Microprocessors - Computer Technology is the career and hobby of the future. We can train you at home in a simple, practical and interesting way.
- Recognise and handle all current electronic components and 'chips'.
- Carry out full programme of experimental work on electronic computer circuits including modern digital technology.
- Build an oscilloscope and master circuit diagram.
- Testing and servicing radio - T.V. - hi-fi and all types of electronic/computer/industrial equipment.



## New Job? New Career? New Hobby?

SEND THIS COUPON NOW

### FREE! COLOUR BROCHURE

Please send your brochure without any obligation to

OR TELEPHONE 05 062 67 6114  
OR TELEX 22758 (24 HR SERVICE)



NAME \_\_\_\_\_ I am interested in

ADDRESS \_\_\_\_\_  ELECTRONICS

MICROPROCESSORS

RADIO AMATEUR LICENCE

CITY & GUILDS EXAMS

Other Subjects \_\_\_\_\_

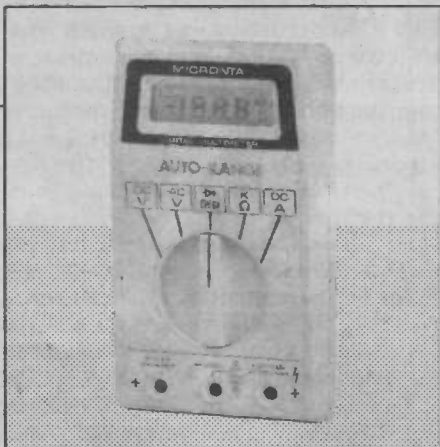
British National Radio & Electronics School P.O. Box 7 Taignton, Devon, TQ 14 0BS

# Tandy® MICRONTA® Quality Test Equipment



£69<sup>95</sup>

**Autoranging.** "Beep" continuity, range-hold to override autoranging, "diode check" function and zero adjust. Measures to 1000 volts DC, 500 volts AC. Resistance to 2 megohms. Requires 2 "AA" batteries. 22-193 ..... £69.95



£34<sup>95</sup>

**Autoranging.** Select the function and it does the rest. Measure to 1000 volts DC in 5 ranges, 500 volts in 4 ranges. Accurate from 45-10 kHz. Resistance to 2 megohms in 5 ranges:  $47\frac{3}{8} \times 2^{13/16} \times 1\frac{1}{8}$ " Requires 2 "AA" batteries. 22-188 ..... £34.95



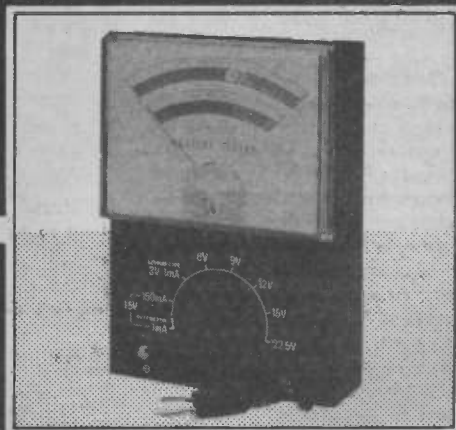
£22<sup>95</sup>

**25 Ranges, 20,000 Ohms Per Volt.** Has 4" colour-coded mirrored scale and detented hinge. Measures to 1200 volts DC, 1200 volts AC, DC to 300 mA. Resistance to 2 megohms dB. -20 to +, 5 ranges. Accuracy:  $\pm 3\%$  DC,  $\pm 4\%$  AC. 22-211 ..... £22.95



£9<sup>95</sup>

**Transistor Checker.** Makes Go/No-Go tests on small signal and power types. Indicates relative current gain.  $2\frac{3}{4} \times 4\frac{3}{8} \times 1\frac{3}{16}$ . Requires "AA" battery. 22-025 ..... £9.95



£7<sup>95</sup>

**8-Range Battery Tester.** Tests almost any type of electronic, flashlight or button battery - including carbon-zinc, alkaline, mercury, silver oxide, nickel-cadmium and lithium batteries. 22-031 ..... £7.95

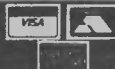


**TAKE A LOOK AT TANDY, TODAY**

Visit your local store or dealer and see these and many more bargains. We service what we sell - over 2,600 exclusive lines!

**Tandy®**

OVER 9,000 STORES & DEALERSHIPS WORLDWIDE



Known As Radio Shack In The U.S.A. Prices may vary at Dealers. Offers subject to availability.



**Editor** Mike Kenward

**Secretary** Pauline Mitchell

**Assistant Editor/Production**  
David Barrington

**Assistant Editor/Technical**  
Richard Barron

**Technical Editor** Mike Abbott

**Projects Editor** David Brunskill

**Technical Sub Editor/News**  
Brian Butler

**Art Editor** Keith Woodruff

**Technical Illustrator**  
Isabelle Greenaway

**Editorial Tel:** Poole (0202) 671191

**Advertisement Manager**  
David Tilleard 01-261 6676

**Secretary**  
Christine Pocknell 01-261 6676

**Ad. Make-up/Copy**  
Brian Lamb 01-261 6601

**Classified Ads.**  
Mandy Morton 01-261 5846

*Queries and letters concerning advertisements to:*  
Practical Electronics Advertisements,  
King's Reach Tower,  
Stamford Street, London SE1 9LS  
Telex: 915748 MAGDIV-G

**Letters and Queries**

We are unable to offer any advice on the use or purchase of commercial equipment or the incorporation or modification of designs published in PE. All letters requiring a reply should be accompanied by a stamped addressed envelope, or addressed envelope and international reply coupons, and each letter should relate to **one published project only. We are unable to answer letters relating to articles more than five years old.**

Components are usually available from advertisers; where we anticipate difficulties a source will be suggested.

**Old Projects**

We advise readers to check that all parts are still available before commencing any project in a back-dated issue, as we cannot guarantee the indefinite availability of components used. **We are unable to answer letters relating to articles more than five years old.**

**Technical and editorial queries and letters to:**  
Practical Electronics Editorial,  
Westover House,  
West Quay Road, Poole,  
Dorset BH15 1JG

**Phone:**

**Editorial Poole (0202) 671191**

**We regret that lengthy technical enquiries cannot be answered over the telephone.**

**COMPUTERS FOR EVERYONE**

As the general interest in hobby computers as games machines wanes and the mass of computer publications diminishes we find interest in using machines for other applications on the increase. In order to do this it is usually necessary to add some hardware.

This issue of *Practical Electronics* carries an interesting and relatively simple computer addition which can open up a new range of uses and interest; the *Computer Movement Detector*.

The most obvious application of the unit is as a computer based alarm system which, with a number of units added, could form a comprehensive and extremely versatile system. However, other areas of activity can also be investigated with such a unit. Some readers following our *Experimenting with Robots* series may well find this ultrasonic unit useful for their experiments and photographers might also see various uses—the nature of the project lends itself to experimentation.

As regular readers will know we now carry a computer based project in every issue and these are often the most popular projects with readers. If you do not own a computer and have no interest in these "games machines" perhaps it is time to think again! Why not

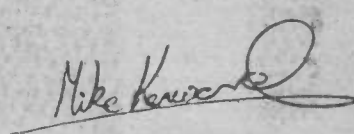
look at the micro computer as an extremely versatile control unit for various projects, rather than an arcade machine?

I am sure most hobbyists can find a use for such a controller—which can, of course, be used for a variety of other tasks—especially now the price is so low.

**ELECTRONICS FOR ALL**

We have had our say on electronics and education, stirred it up a bit and given others the chance to reply. In this issue we take a good look at *Microelectronics For All*. We see what is available to schools (and to others if they are interested), how the products and teaching aids are used in the classroom and how the system builds up to ensure a good understanding of the subject.

We would like to thank Michael Page and Graham Bevis of MEP for their efforts on our behalf. We hope the features have proved interesting, if they have helped to push forward the teaching of technology in schools in any way we will be very pleased.



**BACK NUMBERS, BINDERS & SUBSCRIPTIONS**



Copies of most of our recent issues are available from: Post Sales Department (Practical Electronics), IPC Magazines Ltd., Lavington House, 25 Lavington Street, London SE1 0PF, at £1.25 each including inland or overseas p&p. When ordering please state title, month and/or issue required.

Binders for PE are available from the same address as back numbers at £5.50 each to UK or overseas addresses, including postage, packing and VAT.



**Subscriptions**

Copies of Practical Electronics are available by post, inland for £14, overseas for £16 per 12 issues, from: Practical Electronics, Subscriptions Department, IPC Magazines Ltd., Oakfield House, 35 Perrymount Road, Haywards Heath, West Sussex RH16 3DH. Tel. 0444 459188. Cheques, postal orders and international money orders should be made payable to Practical Electronics. Payment for subscriptions can also be made using a credit card.

Items mentioned are available through normal retail outlets, unless otherwise specified. Prices correct at time of going to press.

## INDUSTRY BACKS YOUTH

New industry backing for the Young Electronic Designer Awards Scheme, announced recently at the House of Commons (with the acknowledgement of the Rt. Hon. Christopher Patten MP, Minister of Education and Kenneth Warren MP, Chairman of the Commons Select Committee for Trade and Industry) is aimed at helping to ease the shortage of suitably skilled graduates and school leavers who are available for recruitment.

The world's largest manufacturer of semiconductors—Texas Instruments, whose substantial British based operations, in common with other employers, have felt these problems for some time—have joined the industry newspaper Electronics Times and component distribution group Cirkit Holdings PLC (originators of the scheme), to provide challenging new incentives. These are designed to encourage the inclusion of "practical electronic projects" in the curriculum and include equipment and materials for educational establishments taking part plus cash and career development opportunities for students.

The YEDA scheme aims to encourage the spirit of innovation in a practical way at the education level, equally imparting a realisation of the true requirements of commerce and industry. Its implementation in the academic sphere is being spearheaded by Professor John Eggleston, Professor of Education at Warwick University.

To enter the scheme, students in full-time attendance at a school, college, polytechnic or university in Great Britain must design and produce an electronic device, which addresses a clearly identified practical need. There are three eligible age groups: under 15, 15-18, 19-25.

Winners and runners-up in each of the categories will receive an impressive range of awards, ranging from straightforward



cash sums, through course sponsorships, to computer systems.

In addition to the above mentioned prizes, the sponsors will supply all educational establishments submitting approved projects with a free supply of components to assist in the development of practical work in the science of electronics and each finalist will receive a TI calculator appropriate to his or her age group.

All projects entered will be judged by a carefully appointed panel of experts at a series of regional previews in March this year and the winners announced at a special event in May.

For further information contact, The Department of Education, University of Warwick, Westwood, Coventry. CV4 7AL. (0203 523848).

## SURREY SCHOOL TAKES A LEAD

One of the first major diversions from the simple 'micros in schools' scheme is being set up by Surrey County Council.

The project, a micro technology lab for 12-16 year olds, is under development at Heathside School, Weybridge, Surrey. It is being financed by the local authority and the community.

Among the sponsors are Plessey, British Aerospace, Birds Eye/Walls, the Milk Marketing Board and UK information systems consultants BIS Applied Systems.

As part of their physics and design lessons, children will now have the opportunity to develop skills in circuit design, control technology, graphics, computer-aided design and robotics.

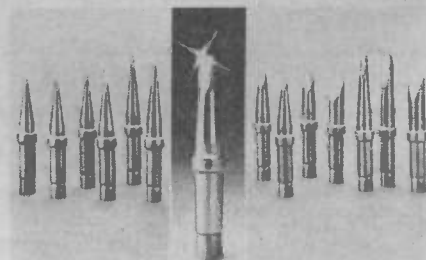
Says school governor and BIS Applied Systems Principal Consultant Tom Brooks: "The centre will initially teach 12 and 13-year-olds and this is the first time that technological subjects such as these have been made available to children so early in their education. There has been some provision for those over 16, but even that has not been great."

Surrey, however, has responded by offering four schools the opportunity to establish a substantial micro technology centre and to integrate studies into the syllabus. Heathside is leading the project and the Minister of State for Technology Geoffrey Pattie officially opened last November.

## TAKE A TIP

The 3S-TIP soldering iron bits are specially made as a long lasting alternative tip for Weller TCP and ECP temperature controlled soldering irons.

Now they have been improved further by a new additional surface treatment of the areas wetted by the solder. Various tip designs are available as shown in the photograph.

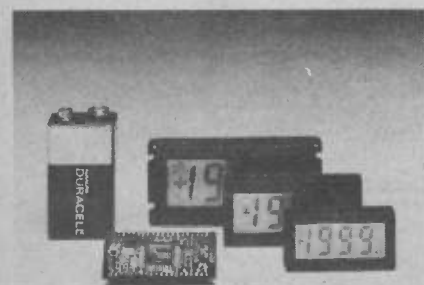


The supplier, Cobonic Limited, is so confident of these tips that it is offering free samples to all interested persons.

Prices are "extremely competitive". Information and price list is available from Cobonic Limited, 32 Ludlow Road, Guildford, Surrey GU2 5NW. (0483 505260).

## Meters made easy

A new range of miniature l.c.d. d.p.m.s designed and manufactured in the UK has been introduced by Lascar Electronics. All types utilise surface mount techniques to vastly reduce the overall size. The d.i.l.



format is claimed to make the meters particularly easy to use. Each meter is also supplied with a 'snap-in' bezel for fast fitting.

Standard features include Auto-zero, Auto-polarity, 200mV f.s.d. programmable decimal points and 'Low Battery' indication. A range of useful engineering symbols is incorporated on the l.c.d. Three different versions are available with character heights of 15mm, 12.5mm and 10mm. The DPM 400 with its 10mm character height is the world's smallest off-the-shelf. d.p.m.

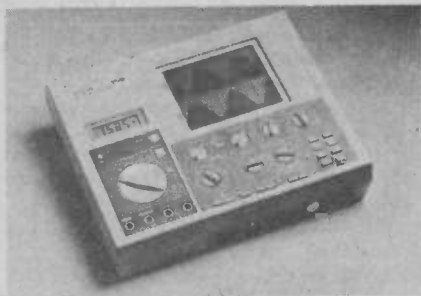
Prices as follows: D.P.M. 400 (10mm) £21.79; D.P.M. 500 (12.5mm) £22.94; D.P.M. 2000 (15mm) £24.00. (All prices include VAT and p&p). From Lascar Electronics Ltd., Module House, Whiteparish, Salisbury, Wiltshire, SP5 2SJ. (07948 567).

## SUPERSCOPE FROM SOAR

Now available in the UK exclusively from Advance House of Instruments is the Soar Model 1000, a handheld, battery operated, 3.2MHz digital storage oscilloscope.

Weighing only 2.1kg with dimensions of 264 x 214 x 60mm, the Model 1000 features a dual-trace liquid-crystal display. The display unit comprises a 128 x 160 dot matrix with an effective display area of approximately 76 x 95mm, and a dot size of 0.55 x 0.55mm.

A built-in battery back-up memory allows storage of the waveform for later analysis and a waveform alarm function ensures correct operation.



Features of the Y-axis operation include a scale of four vertical divisions for each channel, a nine-range sensitivity from 10mV/div to 5V/div, and a frequency characteristic of  $\pm 3\text{dB}$  or less for d.c. to 200kHz.

The X-axis operation has 10 divisions, a 20-range sweep speed of 5 $\mu\text{s}/\text{div}$  to 5s/div, continuous-sweep and single-sweep measurement modes, and positive, negative, and switchable trigger slopes.

The Model 1000 also incorporates a separate 7-function 27-range DMM with automatic and manual ranging.

Designed for field service, design engineering and plant maintenance applications, the Soar Model 1000 digital storage oscilloscope operates from rechargeable NiCad batteries with a 6-hour operation or from an a.c. mains adaptor. The good news is that this technology will one day be available to us all, the bad news?—If you want it now it will cost you £990 plus VAT.

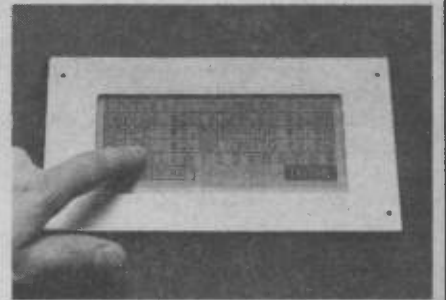
## EPSON GO OVER THE TOP

Epson's new Touch Key overlays provide a direct touch entry capability for easy menu selection and data input without resorting to a keyboard. Two variations of Touch Key technology have been developed; X/Y matrix type, which is available now and A/D type which will be available soon.

Touch Key is transparent, allowing it to be accurately positioned directly over an I.c.d. module, allowing designers to build less complicated, thinner and more compact computer and peripheral systems.

Intended for equipment requiring moderate resolution, the X/Y type Touch Key consists of a matrix of transparent electrodes formed on a glass film panel. Finger pressure on the Touch Key panel causes the upper and lower electrodes to make contact, thus entering the required information.

The forthcoming A/D type Touch Key Panel consists of transparent stripe electrodes formed on a glass film transparent board, with a uniform resistor block set at right angles with the elec-



trode stripes. An A/D converter is used to convert the voltage across the panel into positional information.

Applications for Touch Key are seen as keyboards for desk-top calculators, office machinery menu selections, keyboards of facsimile copying machines, data entry terminals for computers, word processors and retail/banking terminals. In the home, Touch Key is suitable as an input device for interactive television sets, acoustic equipment, telephone information entry devices and electronic games.

## IN JAPAN

'Success in Japan' is the theme of a new booklet just launched by the British Overseas Trade Board (BOTB). It is compiled from the accounts of some 36 companies who have successfully penetrated the difficult and distant, but rich and expanding, Japanese market. It is also designed to encourage more British firms to emulate the success of those featured.

Norman MacLeod, chairman of the BOTB's Japan Trade Advisory Group in his foreword to the booklet emphasises the need for British companies considering exporting to Japan to be completely professional in this highly competitive market: "Where the products have met the needs of the consumer or industrialist success has come as a result of thorough market research, the right product, commitment and perseverance, competitiveness in price and quality, effective marketing

within the Japanese system and consistent, reliable delivery and after-sales service".

Among the companies featured in 'Success in Japan' are Electrosonic Ltd of London SE7 who export specialised audio-visual presentation equipment.

The booklet is available free of charge from the BOTB's Exports to Japan Unit, Room 353, 1 Victoria Street, London SW1H 0ET. (01-215 5625).

## POINTS ARISING...

BYTEBOX  
October '85

On the circuit diagram of the Bytebox, page 13, the pin numbers of IC12 to IC28 are incorrect. Pin 14 should read pin 13, 13 should be 12 and 12 should be 11. Also pin 17 of IC10 should read pin 7. The p.c.b. design and layout shown is correct but two through-hole pins have been omitted which connect the power lines to IC21.

## Countdown ...

Please check dates before setting out, as we cannot guarantee the accuracy of the information presented below. Note: some exhibitions may be trade only. If you are organising any electrical/electronics, radio or scientific event, big or small, we shall be glad to include it here. Address details to Brian Butler.

Videx User Show Jan. 29-31. Barbican Centre. D  
Electronics in Oil and Gas Feb. 4-6. Barbican Centre. B  
Sound Eighty Six Feb. 18-20. Novotel, Hammersmith. F  
Electrex '86 Feb. 24-28. NEC, Birmingham. G  
Scottish Electronics Technology Show Feb. 25-27. Exbn. Centre,

Glasgow. B

Business Telecom '86 Mar. 4-6. Barbican Centre. I  
Instrumentation '86 Mar. 5/6. Cresh Hotel, Bristol. J  
Electro-Optics/Laser International Mar. 18-20. Metropole, Brighton. B  
CAD '86 Apr. 8-10. Metropole, Brighton. L  
Internecon Production Show Apr. 8-10. NEC, Birmingham. B  
British Electronics Week Apr. 29-May 1. Olympia. N

D Emap International ☎ 01-837 3699.

F ASCE Ltd. ☎ 06286 67633.

G Electrex Ltd. ☎ 0483 222888.

J Trident Int. Ex. Ltd. ☎ 0822 4671

L Butterworth Scientific Ltd. ☎ 0483 31261

N Evan Steadman ☎ 0799 26699

# Movement DETECTOR

R.A. PENFOLD



COMPUTERS can be used in a vast range of practical applications, but in virtually all cases some extra hardware is required. This can range from mundane items such as printers and joysticks to the more exotic items of equipment such as the movement detector described here. The obvious application for the unit is in a computer based alarm system to detect intruders, but it could also find use in other fields such as in robotics or automatic photography perhaps.

## DOPPLER SHIFT

What is almost certainly the most effective type of simple movement detector is the ultrasonic Doppler shift variety, and the system described here is based on this operating principle. Results obtained are to a large extent dependent on the particular transducers used in the unit, and on how the unit is set up. When fitted with large transducers having a fairly broad directional response the prototype could easily be set-up so that it would detect someone moving anywhere in an average size room. When fitted with small and highly directional transducers good sensitivity was only obtained almost directly in front of the transducers, and with only a relatively limited range of about two metres or so.

The unit described here is suitable for use with the popular VIC-20, Commodore 64, and BBC model B computers. It could also be used with any computer that has a 6522 VIA with port B available to the user.

form a 16-bit type. The division rate is simply the total value written to the counters multiplied by two.

## ULTRASONIC TRANSDUCERS

Most ultrasonic transducers have a nominal operating frequency of 40kHz, and the computer clock frequencies are such that it is not possible to generate an output at precisely 40kHz. However, this is not too important as practical tests with several types of ultrasonic transducer showed that their frequency response was sufficiently broad to enable good results to be obtained even with quite a large frequency error. The peak to peak output voltage from the 6522 or 6526 is not very great at slightly under 5V when unloaded, and the current drive capability is not very high either. Again, in practice good results were obtained despite this, and it is not necessary to amplify the output signal.

The signal picked up by the receiving transducer is a mixture of direct pick up from the transmitting transducer and signals that have been reflected from the floor, walls, ceiling, and objects in the room. These signals will be randomly phased, and may tend to add together to give a fairly strong signal, or may tend to cancel out one another to give a weak signal. In either case the signals are all at the same frequency and the phasing will consequently remain constant. The received signal level therefore remains constant as well.

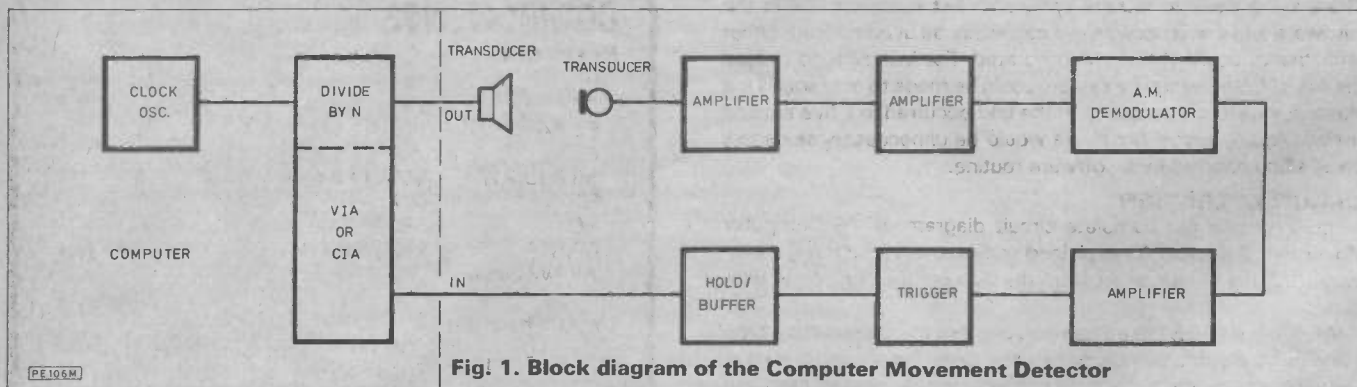


Fig. 1. Block diagram of the Computer Movement Detector

## SYSTEM OPERATION

The unit has been made quite simple by using the computer to provide as much of the hardware as possible. As can be seen from the block diagram of Fig. 1, the transmitter section of the device is totally provided by the computer, apart from the transmitting transducer of course. The user part of the three computers mentioned above is provided by port B of a 6522 VIA (versatile interface adaptor). In fact the Commodore 64 has a slightly different device, the 6526 CIA (complex interface adaptor). However, this provides the same basic functions as the 6522, and is equally suitable for the present application.

The feature that is of interest in this case is the ability of the 6522 or 6526 to take the computer's clock signal and divide it by an integer in the range 1 to 65535. A flip-flop at the output provides a further division by two. The division rate is controlled by writing values to two 8-bit counter/registers which together

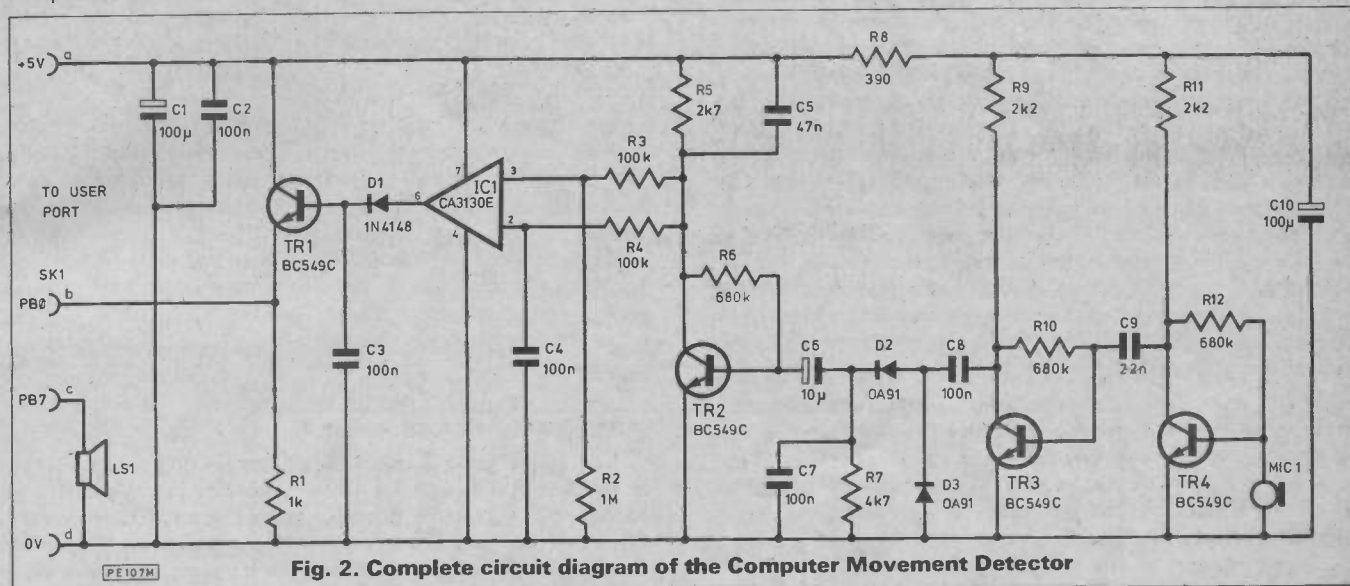
The situation is different if signals are received via a moving object, as the well known Doppler shift effect then results in an upward shift in the received signal if the object is moving towards the transducers, or a downwards shift if it is moving away from them. In either case the phasing of the shifted signal varies in relation to that of the unshifted signals, so that sometimes the signals add together to give a fairly high amplitude, while at other times the signals have a cancelling effect and give a relatively weak signal. This produces an amplitude modulated signal with the modulation frequency equal to the difference in the frequencies of the received signals (typically a few Hertz to a few hundred Hertz in practice). By detecting this amplitude modulation on the received signal, movement in the room can be detected.

## RECEIVING TRANSDUCER

The output signal from the receiving transducer is unlikely to be very large, and could well be less than 1mV. Two amplifiers which

each provide about 40dB of voltage gain are therefore used to boost the signal to a more satisfactory level. An ordinary AM detector is then used to obtain the low frequency modulation signal, but the strength of this signal will normally be quite low. Another high gain amplifier is used to boost this signal to a more acceptable level.

collector of TR2 with R4 providing the coupling and C4 decoupling any short term variations in this voltage. The non-inverting input is also fed from the collector of TR2, but via a potential divider circuit (R2-R3). This takes the non-inverting input to a lower potential than the inverting input, and the output of IC1 therefore goes low under quiescent conditions.



**Fig. 2. Complete circuit diagram of the Computer Movement Detector**

The boosted signal is fed to a trigger circuit where it is further amplified to give an output at standard 5V logic levels. The output from the trigger is a series of brief pulses, and while these could be detected directly by the computer, in practice they can be missed by a program which uses BASIC and is consequently operating at only a moderate speed. A charge storage and buffer stage is used as a simple form of pulse stretcher to give more reliable results when using the unit with a BASIC program.

There are several digital inputs available at the computer's user port, and the output of the unit is fed into one of these. The way in which the signal is processed and used obviously depends on your particular application. In an alarm application the computer could be used to generate the alarm signal when the unit is activated, or it could operate a relay which would control an alarm bell circuit. There is no need to include entry and exit delay circuits in the hardware since software delays can easily be used instead. Other refinements could also be incorporated. For instance, to reduce the risk of false alarms the system could be made to only sound the alarm if (say) four operations of the unit occurred in a five second period. Again, further hardware would be unnecessary since this could all be handled by a software routine.

### CIRCUIT OPERATION

Fig. 2 shows the complete circuit diagram of the Computer Movement Detector. As explained earlier, the transmitting transducer (LS1) is driven direct from the appropriate line of the user port.

MIC1 is the receiving transducer, and like the transmitting type it is a Piezo electric device. In fact the transmitting and receiving transducers are often identical, although in some cases there are minor differences and the correct ones must be used in the transmitter and receiver in order to obtain optimum results. MIC1 is coupled direct to the base of TR4 which is a high gain common emitter amplifier. The output of this stage is coupled by C9 to the input of a second and identical stage.

C8 couples the output of TR3 to a conventional diode AM demodulator circuit, and the output from this stage is then amplified by a third common emitter amplifier which is based on TR2. C5 severely attenuates the response of the amplifier at middle audio frequencies and above, but this does not significantly degrade the sensitivity of the unit since there will be no output from the detector in this frequency range. The lowpass filtering provided by C5 helps to prevent problems due to instability and stray pick up of noise from the computer.

IC1 acts as the trigger, and it is used as a voltage comparator. The inverting input is biased to the quiescent voltage at the

The situation is different when the unit is activated, since the decoupling at the inverting input keeps it at a virtually constant voltage. The voltage at the non-inverting input varies in sympathy with the modulation signal, and on positive peaks goes above the inverting input's potential, giving positive output pulses.

These pulses rapidly charge C3 due to their fairly low source impedance. On the other hand, the only discharge path for C3 is into the relatively high input impedance at the base of TR1. This integrates the pulses to give a continuous output signal while the unit is activated. TR1 is merely an emitter follower buffer stage.

The circuit requires a 5V supply and has a current consumption of only about 5mA. The user port of the computer provides a suitable power supply output.

## COMPONENTS . . .

### Resistors

R1	1k
R2	1M
R3,R4	100k (2 off)
R5	2k7
R6,R10,R12	680k (3 off)
R7	4k7
R8	390
R9,R11	2k2 (2 off)
All 1/4 W carbon	

### Capacitors

C1,C10	100u 10V radial elect (2 off)
C2	100n ceramic
C3,C4,C7,C8	100n polyester (4 off)
C5	47n polyester
C6	10u 25V radial elect
C9	22n polyester

### Semiconductors

IC1	CA3130E
TR1-TR4	BC549C (4 off)
D1	1N4148
D2,D3	OA91 (2 off)

### Miscellaneous

MIC1,LS1	40kHz ultrasonic transducer (2 off)
SK1	5 pin DIN (180 degree) socket
Case 120 by 80 by 35mm; printed circuit board, PE p.c.b. service 509-02; 8-pin d.i.l. i.c. holder; pins; wire; solder, etc.	

## CONSTRUCTION

A printed circuit board accommodates all the components apart from SK1 and the two transducers. Refer to Fig. 3 for details of the printed circuit board and wiring.

IC1 is a CMOS device, and accordingly it should be fitted in an (8 pin d.i.l.) i.c. holder and the other standard antistatic handling precautions should be observed. D2 and D3 are germanium diodes and not the more familiar silicon type. They are more vulnerable to damage by heat than silicon devices, and care to avoid overheating them should be exercised when soldering them in place. In other respects construction of the board is perfectly straightforward.

A plastic case having approximate outside dimensions of 120 by 80 by 35mm will comfortably accommodate the circuit board and other components. The printed circuit board is mounted on the base panel using M3 or 6BA fixing bolts, and SK1 is mounted at any convenient place on the rear panel. The two transducers are mounted at opposite ends of the front panel, and the method of mounting will depend on the particular make you are using. In most cases it is a matter of drilling a couple of small holes for the terminals at the rear of each transducer and then gluing both components in place using a good general purpose adhesive. The

give the free running mode with output on PB7 (a value of 192). The following short programs can be used to test the unit with the VIC-20 or BBC model B.

### VIC-20

```
10 POKE 37138,128
20 POKE 37147,192
30 POKE 37140,13
40 POKE 37141,0
50 PRINT PEEK(37136) AND 1
60 GOTO 50
```

### BBC Model B

```
10 ?&FE62 = 128
20 ?&FE6B = 192
30 ?&FE64 = 13
40 ?&FE65 = 0
50 PRINT ?&FE60 AND 1
60 GOTO 50
```

These print a value of 0 or 1 down the left hand side of the screen (0 under stand-by conditions; 1 when the unit is activated). The value of 13 at line 30 will probably give optimum results, but you can try varying this slightly in an attempt to obtain improved results.

The Commodore 64's 6526 has direct equivalents to most of the 6522 registers, but it has only a rough equivalent to the auxiliary control register in the form of Control Register B.

The important user port register addresses are listed below:

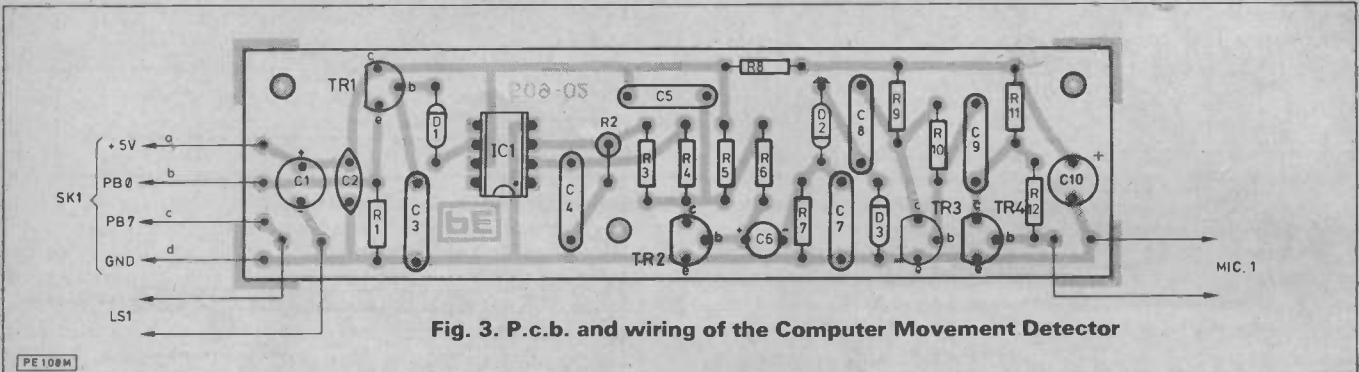


Fig. 3. P.c.b. and wiring of the Computer Movement Detector

transducers used in the prototype require a single large mounting hole and the connections to be made via phono plugs, but types having terminals for direct soldered connection are far more common these days. Check the retailer's literature to ascertain whether or not the receiving and transmitting transducers are different, and if necessary make sure that they are used in the right positions in the circuit.

SK1 is connected to the user port of the computer via a four-way cable fitted with a 5-way DIN plug and either a 20-way IDC header socket (BBC model B) or a 2 by 12-way 0.156 inch pitch edge connector (VIC-20 and Commodore 64). It is unlikely that an edge connector fitted with a polarising key for a Commodore computer will be available, making it necessary to take care to fit the connector the right way up. Be careful to wire-up the DIN plug to match the method of connection you adopt for SK1.

## TESTING AND USE

Taking the VIC-20 and BBC model B first, the user port registers that are needed in this application are the auxiliary control register, the two 8-bit counters of Timer 1, the data direction register, and the peripheral register (which is effectively the eight lines of the user port). These are at addresses indicated in Table 1.

The data direction register is used to set each of the data lines (PBO to PB7) as an input or an output. PB7 drives the transmitting transducer and must be set as an output, but PBO is required as an input to monitor the output of the sensor. Setting a bit of the data direction register to 1 designates the corresponding line as an output; setting it to 0 designates the line as an input. A value of 128 therefore sets PB7 as an output and the other lines as inputs.

Timer 1 is controlled by the two most significant bits of the auxiliary control register. These must both be set to 1 in order to

REGISTER	BBC Model B	VIC-20
Peripheral	&FE60	37136
Data Direction	&FE62	37138
Counter (low byte)	&FE64	37140
Counter (high byte)	&FE65	37141
Auxiliary Control	&FE6B	37147

Table 1. User port register addresses

Peripheral	56577
Data Direction	56579
Counter B (low byte)	56582
Counter B (high byte)	56583
Control B	56591

Bit 0 of control register B is set high to enable timer B, bit 1 is set high to enable output on PB7 (and automatically set PB7 as an output), and bit 2 is set high to set a squarewave rather than a pulsed output. Bit 3 is set low to give continuous rather than single shot operation, and bit 4 is set high to load the timer. Bits 5 and 6 are set low to set timer B to the mode where it takes its input from the system clock, and bit 7 is irrelevant in this case. This gives a total value of 23 to write to Control register B. The Commodore 64 test program is given below:

```
10 POKE 56582,13
20 POKE 56583,0
30 POKE 56591,23
40 PRINT PEEK(56577) AND 1
50 GOTO 40
```

This program for the VIC-20 below is a basic alarm routine which demonstrates one way in which the unit can be used.

It first sets up the VIA, then an exit delay is provided, after

```
10 POKE 37138,130
20 POKE 37147,192
30 POKE 37140,13
40 POKE 37141,0
50 FOR D = 1 TO 20000:NEXT D
60 IF (PEEK(37136) AND 1) = 0 THEN 60
70 FOR D = 1 TO 20000:NEXT D
80 POKE 37136,2
90 FOR D = 1 TO 60000:NEXT D
100 POKE 37136,0
110 END
```

which the output of the sensor is monitored. If the unit is activated there is a further delay (the entry delay), and PB1 of the user port is then set high. In practice this would be used to switch on an alarm generator. After another delay PB1 is set low again to provide automatic shut off of the alarm generator. ★

# Introduction to MICRO SYSTEMS

MICHAEL TOOLEY BA DAVID WHITFIELD MA MSc CEng MIEE

PART 5

THIS MONTH we continue our study of the 6821 by looking at some applications involving the PIA, before moving on to look at the 6502.

## I/O CONTROL

There are many situations where micros are involved in applications which require the state of a switch (electronic or mechanical) to be sensed, and action to be taken. After sensing the switch condition (on or off), the micro may take action solely on the basis of the switch setting. More frequently, however, the action taken will also depend on a number of other factors. This type of system behaviour is illustrated diagrammatically in Fig. 5.1, and is typical of all but the simplest of control systems.

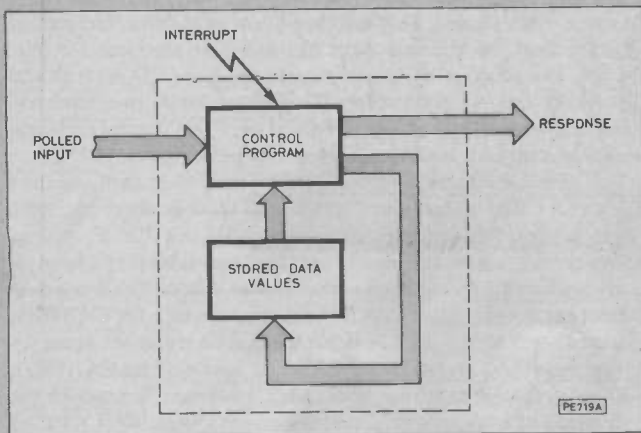


Fig. 5.1. Controller response loop

The factors influencing the response from the system will depend on the nature of the system, but could include such details as the time of day (as indicated by our internal software clock—see last month). For example, if a switch indicating that the cash register drawer has been opened is tripped, the reaction could well depend on the time of day. If the switch is tripped in the early hours of the morning, the action could be to sound an alarm. On the other hand, assuming the system to be installed in a shop, no action would be taken during normal opening hours, or two hours either side.

All this goes to show that, starting from the sensing of a simple switch, the response can either be simply and directly related to the

input, or it can be determined by reference to other factors. The system behaviour, as always, will depend on the nature of the micro's control program. For the moment, however, we are concerned with the simple problem of how to sense the switch states, and how to respond by activating a relay to turn on the alarm bell.

## CASH REGISTER ALARM

Figs 5.2 and 5.3 combine to show an arrangement which could be used in the cash register situation just described. The peripheral side of the interface is shown in Fig. 5.2, and the CPU side is shown in Fig. 5.3.

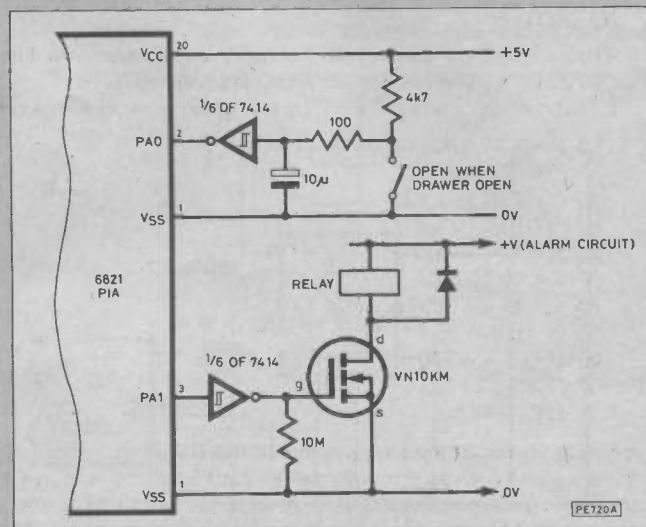


Fig. 5.2. Cash register—peripheral side

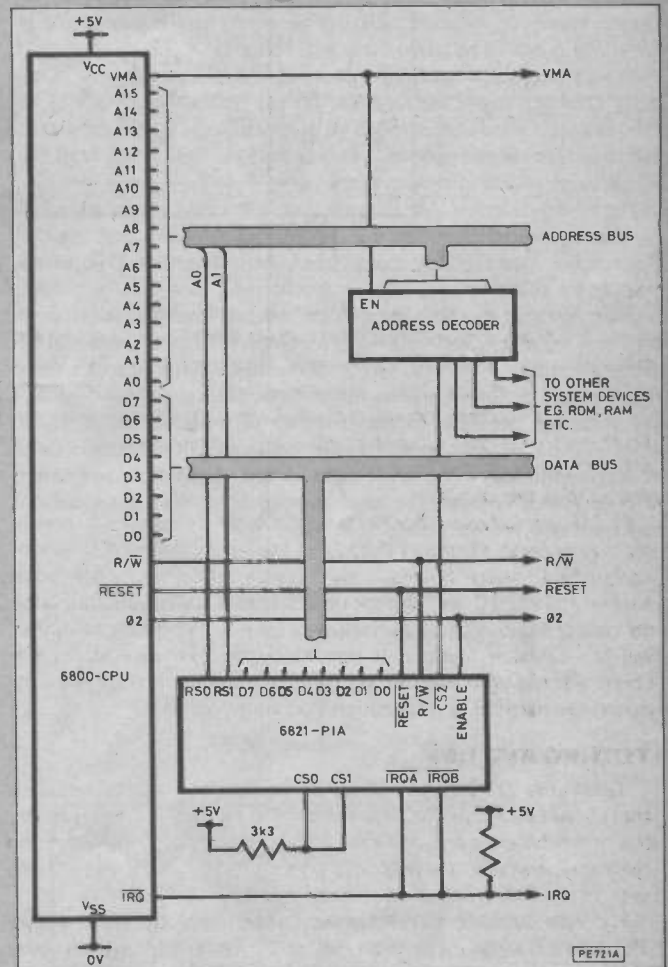


Fig. 5.3. Cash register—CPU side

**Peripheral side:** The switch and the alarm bell are both connected to the A side of the PIA, using PA0 and PA1 respectively. Because the PIA does not have enough drive capability to be able to drive an alarm bell directly, an interface incorporating an inverter and a VMOS power FET is used to provide the necessary gain. The reason for the inverter will become clear later, but the overall effect of this interface design is that a logic 0 must be output on PA1 to cause the alarm to sound.

On the sensor side, a filter and buffer circuit is used between the switch and PA0. This is frequently a necessary arrangement, and arises because mechanical switches are notorious for their contact "bounce". The input buffer allows the inclusion of a Schmitt-trigger debounce circuit to avoid spurious responses.

**CPU side:** The PIA is connected to the full width of the data bus. The two least significant address bus lines are connected to RS0 and RS1 to select the required internal register whenever the PIA is selected. Of the control and supervisory signals, the PIA is connected to R/W and  $\overline{\text{Reset}}$  from the CPU, and  $\text{O2}$  (connected to the "Enable" input). CS0 and CS1 inputs are permanently enabled by being pulled up to +5V. The user interrupt request lines for the two sides of the PIA are tied together (in a wired-OR) and connected to the  $\overline{\text{IRQ}}$  CPU input.

The CS2 input is used to support the addressing of the PIA. Whenever an address in the range allocated to the PIA is output on the address bus, the system's external address decoder places a low on this input, thereby enabling the 6821. In our example we shall assume that the addresses allocated to the PIA are 4004 to 4007 inclusive, as for the example system in Part One.

**Configuring the PIA:** Having established the hardware configuration, the next step is to look at the programming of the PIA to behave as required.

Following a system reset (which also occurs at power-up), the PIA is configured with all PA and PB lines as inputs. At start-up, the peripheral initialisation will therefore need to configure the PIA with PA0 as an input (for the switch), and PA1 as an output (for the alarm). However, we must take care in setting up the output line if the alarm is not to be triggered accidentally.

As we have seen, all of the PA data lines start off configured as inputs. This will cause the inverter on the alarm output (PA1) to behave as if it were connected to an output at logic 1, and the alarm will therefore remain silenced. This avoids the first problem of the alarm being set off at system reset.

The next problem is to make sure that, when PA1 is configured as an output, its output value will be a logic 1 (remember: logic 0 triggers the alarm). This means that, before setting PA1 to an output, we must write a logic 1 to the bit 1 position in output register B. Once this has been done, we are ready to select data direction register A and set PA1 as an output. All other lines will be left configured as inputs. The peripheral data register can then remain selected for all future reads and writes.

**Programming the PIA:** In the majority of practical cases, much more of the PIA would probably be used, and initialisation would be correspondingly more involved than here. The following section of code could, however, be used to accomplish the initialisation requirements just described:

```
LDAA 4005 ;Select ORA
ORAA #04
STAA 4005

LDAB #02 ;Set PA1 O/P to 1
STAB 4004

ANDA #FB ;Select DDRA
STAA 4005

STAB 4004 ;Set PA1 to O/P

ORAA #04 ;Select ORA
STAA 4005
```

The correspondence of addresses to registers is: CRA=4005; ORA/DDRA=4004. The PIA is now ready for use in our application.

The main requirement in the running system is to be able to read the switch setting, decide on its value, and set the alarm if appropriate. The following section of code would probably be included in the overall loop which is polling the state of the cash register. The other activities in the loop are not shown, since these will depend on the detailed design of the application.

```
LDAB 4004 ;Read data
ANDB #01 ;Test if till open
ASLB ;Alarm on if till open
STAB 4004
```

In studying the code, we note that the input from the till switch will be a logic 0 when the till drawer is open. Thus, we read the value of

the A peripheral data register into accumulator B, and mask out (set to zero) all the other line values except the switch setting (bit 0).

The bit 0 value will be a zero if the till is open, or a 1 if closed. Thus we can move the result in accumulator B one place left, and re-write the contents of the accumulator to the peripheral data register. Since a 0 will turn on the alarm, this will automatically produce the desired result: the alarm will come on whenever the till is opened.

## CLOCK INTERRUPT

Having now looked at a case where the CPU is polling the peripheral, it is time to move on to look at an interrupt-driven application. For this we return to the problem of the real-time clock for the cash register.

Fig. 5.4 shows how the circuit described earlier can be extended to include a real-time clock. The basic 1Hz time tick is generated using a combined oscillator/24-stage frequency divider. This produces a 1Hz signal when used with a 4194.304kHz crystal. The 4521 must be operated from a supply of around 10V for reliable operation at this frequency, and the output level is therefore adjusted by R3/R4. The timing signal is applied to the CB1 input of the PIA. Thereafter all of the time functions are provided in software.

The first problem is clearly to configure the PIA to cause an interrupt every second. This will then allow us to drive the internal software clock. As you may have deduced from the circuit in Fig. 5.4, this can be done by suitably configuring the PIA to treat the CB1 line as a source of interrupts. To see how this is done, however, we need to look a little more carefully at the PIA's control registers, which up until now we have skipped over rather quickly.

The detailed structure of the PIA's A and B control registers (CRA and CRB) is shown in Fig. 5.5, and these really provide the key to interrupt-driven applications involving the PIA. From Fig. 5.5 we can see that, in addition to the DDR access bit (2) we have already been using, there are two other groups of bits. The first group control the action of the CA/CB lines (bits 0 and 1 for CA1/CB1, and bits 3 to 5 for CA2/CB2), while the second group act as the interrupt flags (bit 6 is the flag for CA2/CB2, and bit 7 for CA1/CB1).

Even if special interrupt processing hardware is used in the system, the PIA has only two interrupt outputs, shared by CA1/CA2 and CB1/CB2, respectively. The purpose of the interrupt flags is therefore to identify the source of an interrupt. As can be seen from Fig. 5.5, the flags are automatically cleared whenever the CPU reads the control register. This minimises the work which has to be done in the service routine before interrupts can be re-enabled, and avoids the problem of the same event causing repeated interrupts because the programmer has forgotten to clear the flag. After a reset, the PIA interrupts are all disabled and the flags all cleared.

Setting up the PIA to generate our required clock interrupt is done during system peripheral initialisation. It is a simple matter of setting bits 0 and 1 of the B control register to appropriate values. Bit 0 is set to a 1 to generate an interrupt whenever the selected transition on CB1 occurs. Bit 1 is set to determine whether the transition of the clock on CB1 which causes the interrupt is low-to-high (set to 1) or high-to-low (set to 0).

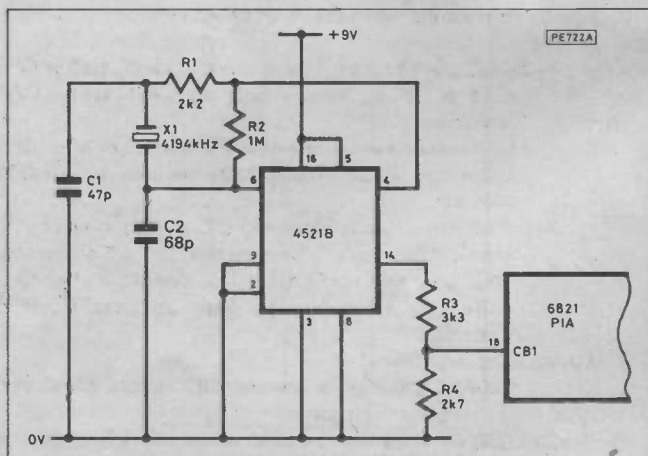


Fig. 5.4. 1 Hz time signal generator



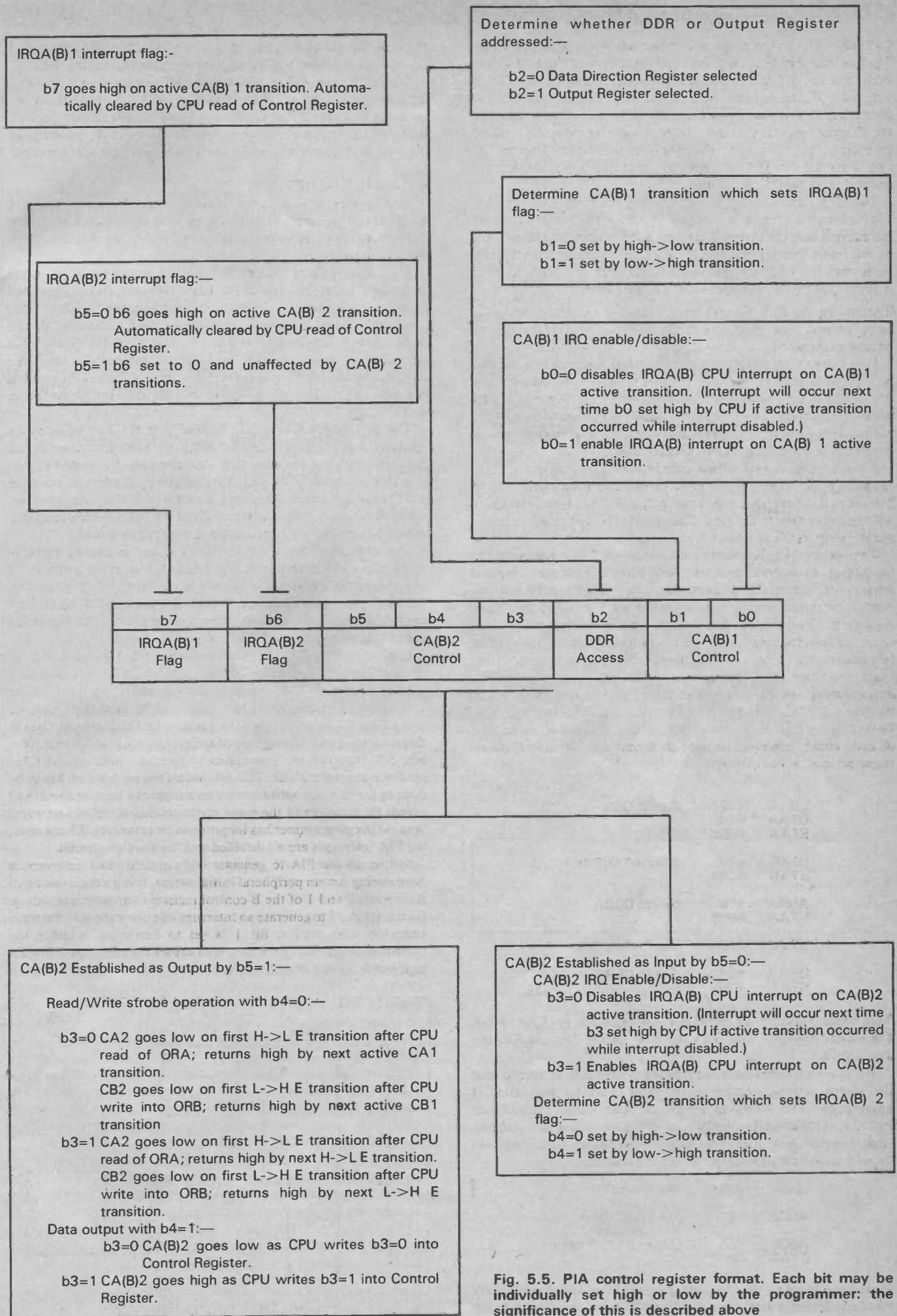


Fig. 5.5. PIA control register format. Each bit may be individually set high or low by the programmer; the significance of this is described above

In the following code, the PIA is set up to generate interrupts on a high-to-low transition.

```
LDAB 4007 ;Read CRB
ORAB #01 ;CB1 interrupt on H->L
STAB 4007 ;Set CRB
```

Another requirement during initialisation will be to initialise the current time, for subsequent maintenance by the interrupt handler. Before interrupts are enabled, it will be necessary (unless the values are already stored in the appropriate locations in ROM) to store the start address of the IRQ interrupt handler in locations FFF8 (MS byte of start address) and FFF9 (LS byte of start address).

The final aspect to be considered is the interrupt handler itself. This may well be included in a more complex handler which caters for other interrupts than just that from the clock. Whatever the design, however, the actions taken for the clock interrupt are the same. The handler first of all needs to establish that the interrupt has indeed originated from the clock. If not, the interrupt can either be ignored (in the simple case of it being the only source of interrupts in the system), or passed on to other parts of the handler for processing.

If the interrupt is from the clock, the very act of determining this fact (by reading the value of the bit 7 in CRB) will have reset the flag. If required, interrupts can be re-enabled at this point. The remaining action is then to update the internal software clock, and execute an RTI instruction to return to the interrupted processing.

This concludes our necessarily brief study of the 6800 and its PIA. It is now time to move on and look at a CPU which could reasonably lay claim to having founded low cost personal computing (with the Commodore Pet): the 6502.

### THE 6502 CPU

The 6502 was developed from the ideas of the 6800 by MosTek with the object of improving on the original design concept by concentrating on those features considered important to system designers. The bus structure employed by the 6502 is compatible with the interfacing and bus conventions used on the 6800 bus. This allows all of the 6800 peripheral chips to be used in addition to the dedicated 6502 support chips. The 6502 also features a "pipelined" architecture which increases the speed of operation over the 6800 by overlapping the fetch of the next instruction with the interpretation of the previous one.

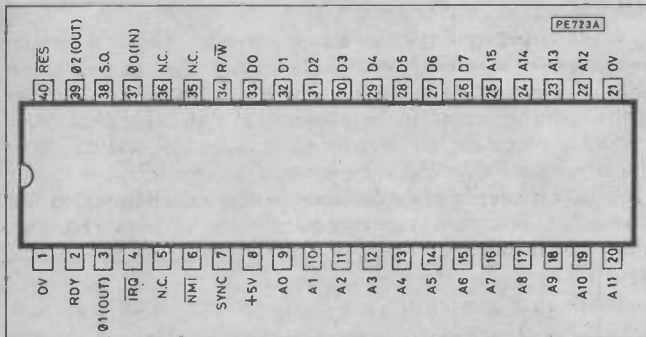


Fig. 5.6. 6502 pin connections

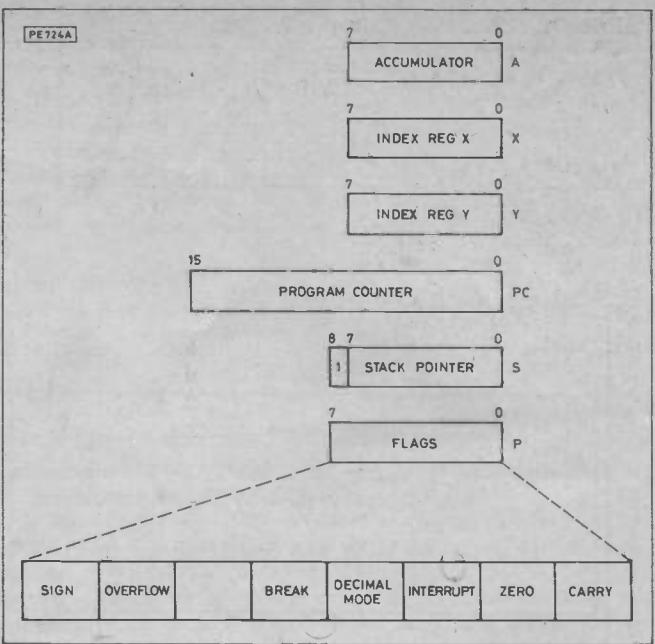


Fig. 5.7. 6502 programming model



The BBC computer with its lid removed, revealing the 6502, its PIA, and associated interfacing circuitry

The pin connections for the 6502 are shown in Fig. 5.6. From this we can see that it is an 8-bit processor with a 16-bit address bus, i.e. the same as the 6800. However, the programming model, shown in Fig. 5.7, indicates some significant differences from the 6800.

The CPU has two index registers (X and Y), and only a single accumulator. The stack pointer is only eight bits long, rather than the more usual 16 bits, since the designers considered that a stack of 256 bytes would be more than enough for the majority of applications. This allowed them to fix the position of the stack as extending from 01FF down to 0100.

The shortage of general purpose accumulators (only one) is overcome by the fast access provided to the page zero locations (0000 to 00FF), giving an effective 256 registers if required. In addition, the two index registers can be used as general purpose registers. Overall, the designers succeeded in their aims and produced a CPU with a streamlined pipelined architecture and two index registers, which combine to allow the 6502 to perform extremely well, particularly when running languages such as Basic.

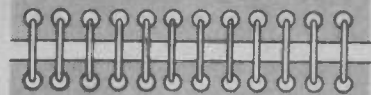
In keeping with the approach of a "lean, clean, fast machine", the designers of the 6502 reduced the basic instruction set to just 56 instruction types. To supplement these, however, thirteen addressing modes are provided.

The additional modes over and above those on the 6800 are mainly to take advantage of the increased flexibility afforded by the two index registers. One of the modes, however, is a little different, and emulates the interrupt vectoring approach favoured by both the 6800 and the 6502. The indirect absolute mode is only applicable to the JMP instruction, and allows a pair of locations to be defined as holding the address to which the jump should be performed.

**NEXT MONTH:** A look at some of the 6502's peripherals, and a brief look at the Z80.



The widely-used BBC microcomputer, based on the 6502 microprocessor



# INDUSTRY NOTEBOOK

By Nexus



## Megabit memories

It's good to hear that British industry is lending a hand in a big European scheme to oppose Japanese domination in microelectronics. A UK manufacturer is providing semiconductor processing equipment for the Mega Project, a co-operative venture to produce competitively-priced 1-megabit and 4-megabit memories using sub-micron technology.

The principal companies taking part are Philips in the Netherlands, Siemens in West Germany and Valvo, a West German subsidiary of Philips. These partners will invest a total of £370 million over five years. The Dutch and Federal German governments are proposing to jointly subsidise the project to the tune of £M120.

Megabit memories have been chosen for very particular reasons. First of all, memories in general account for over half the total market for integrated circuits. So this kind of semiconductor product should have great commercial potential. It's too late to do anything about meeting Japanese competition in 64K and 256K devices. The only hope for Europe is to leap-frog these sizes and go for megabit memories.

The big question now is, can they do it? Will they achieve their target of a 4-Mbit memory by 1989? Japanese semiconductor manufacturers unveiled prototype 1-Mbit memories as long ago as February 1984, and are now well into their stride with both NMOS and CMOS devices.

What makes the Japanese such formidable industrial competitors is their unity of purpose on a national level. This comes from a cultural heritage very different from ours. In America and Western Europe individual freedom and self-fulfilment are held to be good in themselves and are encouraged. In Japan they tend to be subordinated to the interests of the group as a whole. The Euro-American way of life certainly produces great entrepreneurs, but because these individuals are competing with each other, within a nation, the general result tends towards fragmentation rather than cohesion.

Individuals and their ways of life set the pattern for society. In turn society's rules control the individuals. So in Japan we see

industry, the banks and the government all working together to a common, long-term purpose. The so-called fifth generation of computers, for example, was declared in 1981 as a national goal for the 1990s by the Japanese Ministry of International Trade and Industry and is being sustained as a ten-year investment plan.

In Europe and America much of our energy is dissipated on great battles between commercial and sectional interests. Everybody wants to make a fast buck, not wait ten years for it. Investors are impatient for returns, entrepreneurs come and go with frightening rapidity, and workers and bosses see each other as natural adversaries. The only reason our industry works at all with so many egotistical interests going off in different directions is that we have learnt to balance the forces, more or less, by various forms of bargaining directed at personal acquisitiveness and desire for prestige.

In these conditions I see the Mega Project as a happy sign. Some pretty influential Europeans have realised that, even in a free-market economic system, there is value in co-operation as well as in competition.

## Tintinabulation

I suppose integrated circuits must have been responsible to some extent for the recent troubles in the tin industry. Of course the major cause of the fall in demand for tin has been aluminium and plastics food containers taking over from the traditional tin can. But when you think of the number of soldered joints between discreet components that have now been replaced by integrated connections inside chips, the potential loss of solder, and hence tin, consumption is truly enormous.

I say "potential loss" because, if integrated circuits hadn't been invented, I doubt if we would have been soldering together several hundred thousand discrete transistors to form one digital processing unit. Certainly, the market for electronic products has grown tremendously since soldering tags started to take over from screw-terminals and other mechanical connecting devices. But on printed circuits the actual quantity of solder needed to make an electrical connection has been getting smaller all the time.

The tin crisis brings back memories of the great table-salt crisis of some years ago. As a result of a scare that there was going to be a shortage, housewives all over Britain rushed out and bought up every packet of salt they could find on shopkeepers' shelves. This threw the whole salt supplying business into chaos for some time, but quite unnecessarily because there was plenty of the stuff to go round and the whole chain of production, distribution and consumption had been running perfectly smoothly and successfully before the scare.

The tin situation was not the same but equally foolish. Producers and traders operated a cartel based on a world buffer stock of tin. When this was used like a reservoir just to smooth out fluctuations in

supply and demand it was very useful for stabilization. But it was also exploited as a means of keeping up the price of tin artificially, far beyond that warranted by the actual demand. Whenever the world price dropped due to lack of demand the cartel would buy some more of its own tin to add to the buffer stock, thus creating an artificial shortage and raising the world price again.

It's astonishing that nobody seems to have understood that this game couldn't go on indefinitely. The alarm bells only started their tintinabulation when the cartel suddenly discovered it had run out of money to buy its own tin. The whole financial system collapsed in ruins, and as a result it now looks as if the price of tin will fall to a level that really matches the true economics of production and consumption.

## If peace breaks out

We shall never know for sure, but I have been informed that the real reason why the US Army chose the French battlefield communications system Rita in preference to the British system made by Plessey was that the American generals in the Pentagon found it much too difficult to pronounce the name Ptarmigan. In spite of the efforts of our Prime Minister they became fed up, during the preliminary discussions, getting their tongues and teeth in a twist over this awkward bird, while the French bird—socialist or not—gave no problem at all.

There was also, of course, a certain difference in price which may have had something to do with it. The French system offered by Thomson CSF in conjunction with the American GTE Corporation cost about £3 billion, while Plessey, with its American partner Rockwell, was asking about £5 billion for Ptarmigan.

Despite suggestions that the French were charging a loss-leader price for Rita, and the fact that in both cases the US partners would take a large proportion, these figures are a further reminder of the considerable dependence of the British electronics industry on military electronics. The UK Ministry of Defence is in fact the largest single customer of our electronics industry and about a quarter of the industry's output goes into military equipment.

Suppose, though, that the talks between Reagan and Gorbachov in Geneva last November had been so fantastically successful that East-West tension was reduced to zero and the arms race was brought to an end. It's easy to laugh cynically at this unlikely possibility. But everyone professes to want peaceful co-existence and many individuals and organizations are actively working towards this end—for example Electronics for Peace in the UK.

So we must take it as a serious possibility. If we don't, and continue arming ourselves to the teeth while paying lip-service to peace, we might as well adopt the Groucho Marks line: "I don't want to take part in any peace talks that would accept me as a participant."

# Modular Mixer

Part 2

John M.H. Becker

Clever connections allow countless combinations of mono or stereo signal controllers—selective filtering and panning facilities

LAST month, in Part One of this article, we took a close look at the individual circuits and p.c.b.s for the modular mixer. In this part, the final part, we will look at the constructional details of two complete systems.

Fig. 5 shows a block layout of the p.c.b. plan configurations needed, and Fig. 6 shows the interwiring. R4 as shown gives a switched high gain of around 50, though other values could be used to suit individual needs. A high value of R4 will give a lower gain, and vice-versa.

## FOUR INPUT STEREO MIXER

Fig. 7 shows the block diagram of a versatile four input stereo mixer, in which pre-fade-listen, and echo-send outputs are also included. Four variable gain input stages (Fig. 2a) are used, the outputs of which can be switched by S5 to separate pan and level controls, or to an echo send mixer around circuits in Fig. 2f and Fig. 2g. This enables any one or more input signals to be brought up to a suitable level as set by VR1, combined and distributed to an effects unit such as echo, flange, chorus etc., with an output controlled by VR5.

After processing, the signal comes back in through the echo return socket and thence to the relevant pan and level controls. The wiring of S5 is such that the echo return signal will be delivered equally to each pan and level control stage associated

with the original input stages. If this is not necessarily desirable, the echo return signal can be brought back into an unused input channel. Channels 1 and 2 are fed from a stereo jack socket, though the gain, level and pan controls are separate and the socket could equally well be replaced by two mono ones.

Any or all of the input signals may be switched by S6 to the pre-fade-listen mixer. This switching occurs after S5 so that the echo return signal can also be monitored prior to the pan and level

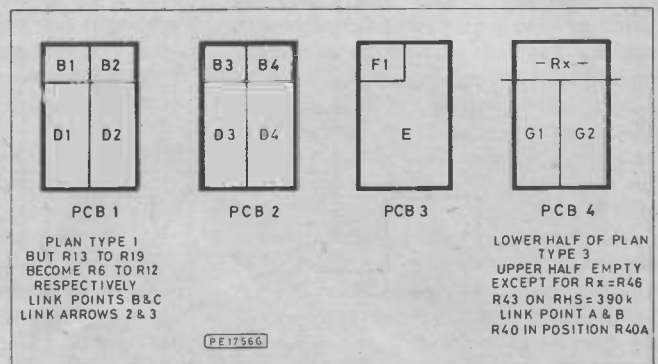


Fig. 5. The Mono VC4-1 p.c.b. plans

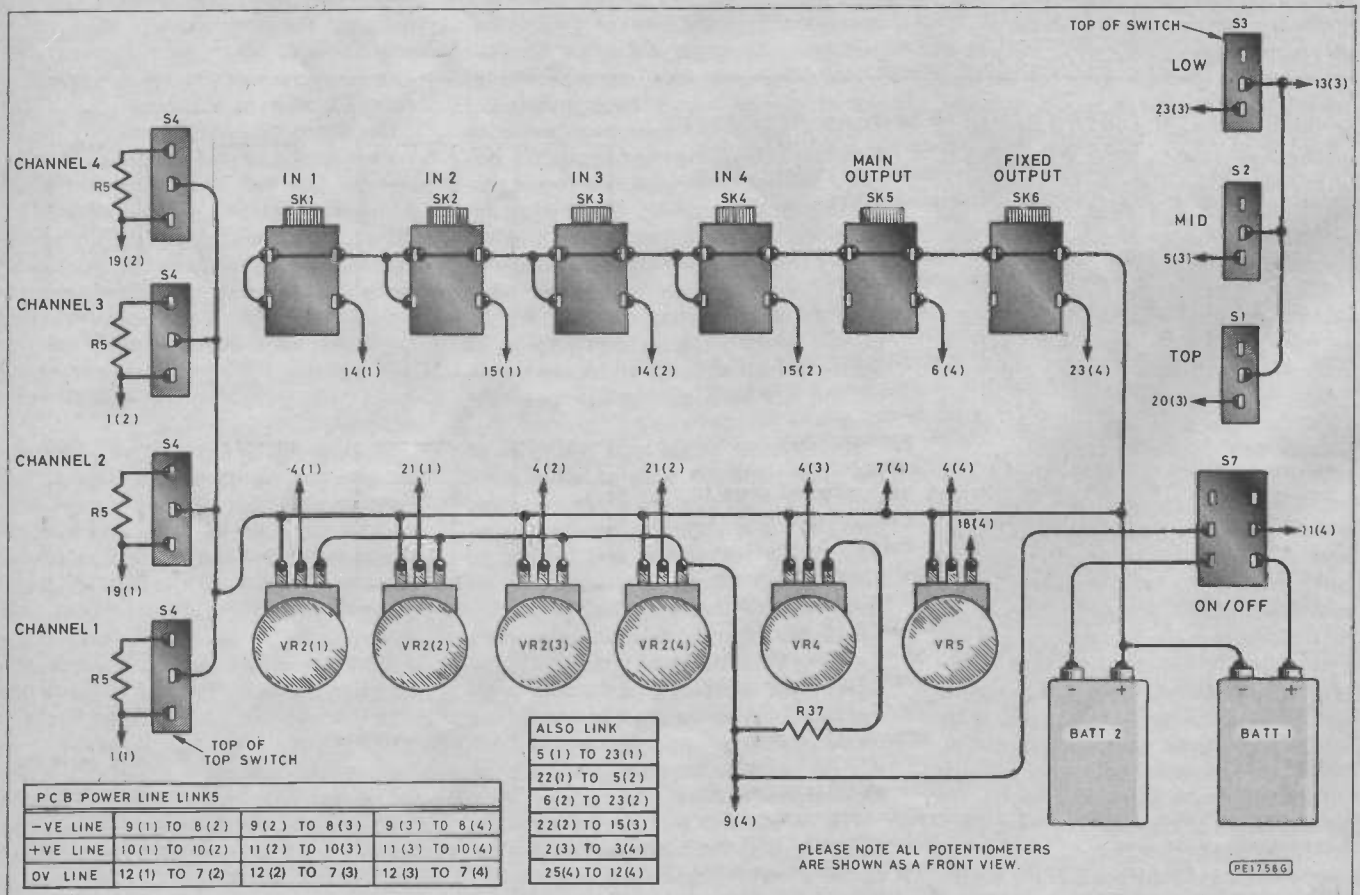


Fig. 6. Wiring diagrams of the Mono VC4-1 systems

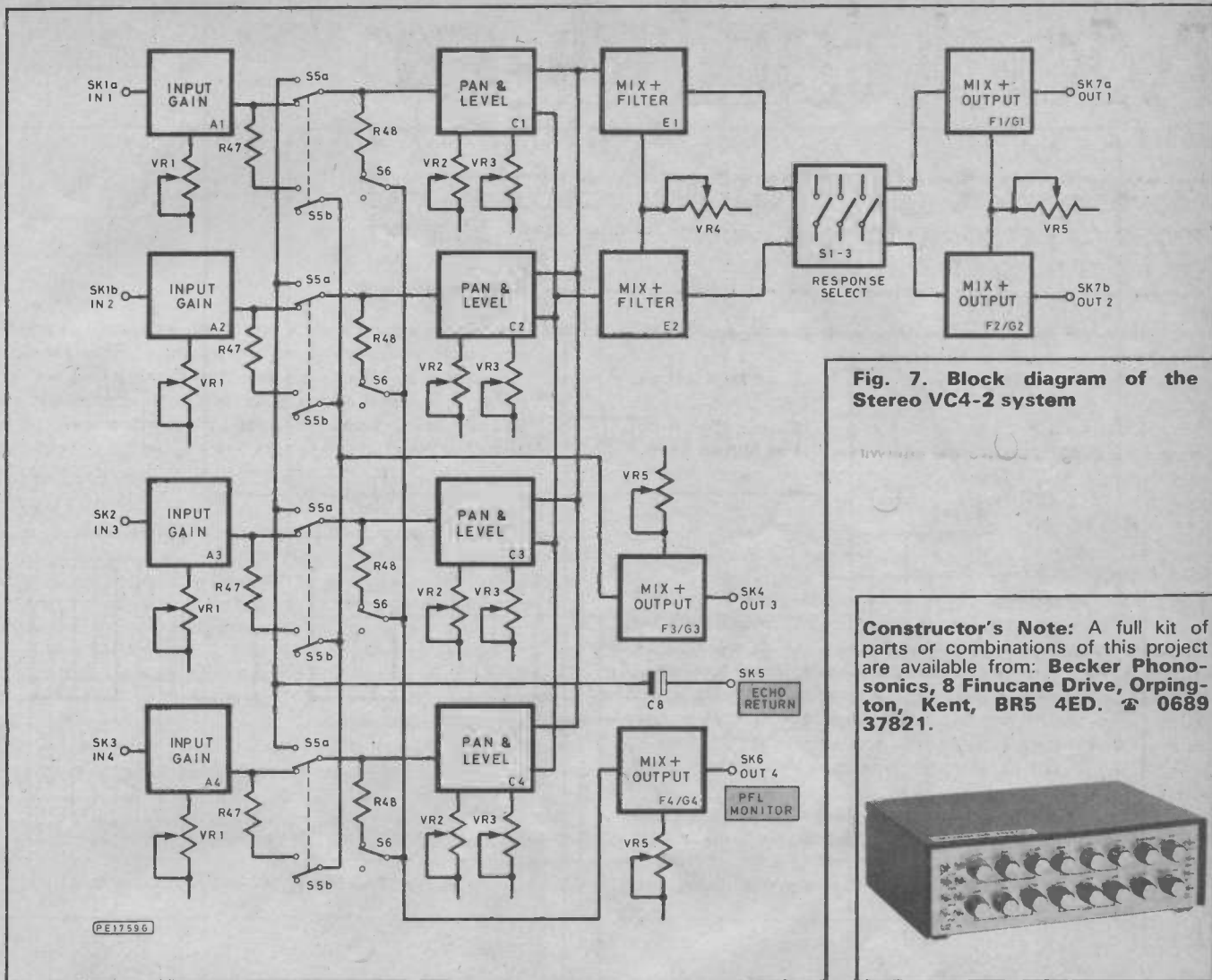
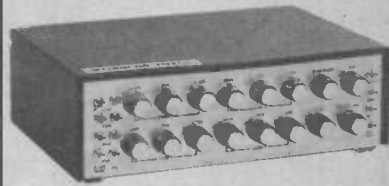


Fig. 7. Block diagram of the Stereo VC4-2 system

**Constructor's Note:** A full kit of parts or combinations of this project are available from: **Becker Phononics, 8 Finucane Drive, Orpington, Kent, BR5 4ED. ☎ 0689 37821.**



control. The circuit is identical to the echo send mixer. The output may be monitored directly if high impedance headphones are used, alternatively it can be fed to a monitor amplifier. Each channel has its own separate pan and level controls, using four circuits of Fig. 2c.

The twin outputs are connected to separate left and right bus lines each feeding to a separate mixer and filter stage around the circuit of Fig. 2e. Any signal can thus be routed totally to one or other of the left or right channels, or equally to both. As shown, the controls of the filters are ganged, so that although they retain their channel separation independence, any filter changes are simultaneously applied to both channels.

There is no reason though why each filter should not be given separate variable response controls VR4, and separate frequency pass switches S1 to S3. After filtering, each channel goes to separate mix and output stages, using the circuits Fig. 2f and Fig. 2g. A single output level control VR5 is coupled to the control nodes of both channels, so that both are controlled simultaneously. Separate level controls could be used instead if preferred. The final stereo mix can be taken to any normal amplifier system or recorder. Fig. 8 shows the p.c.b. block wiring, and Fig. 9 shows the control wiring and inter p.c.b. links.

**ASSEMBLY**

Full details of the component positions and interwiring are shown in the relevant diagrams. In some instances, values may vary between the stereo and mono versions, these are stated in the parts list and assembly diagrams. The short wire lines on the p.c.b.s can be made from resistor cut off leads. Box drilling sizes and positions will depend upon the component make used. As a

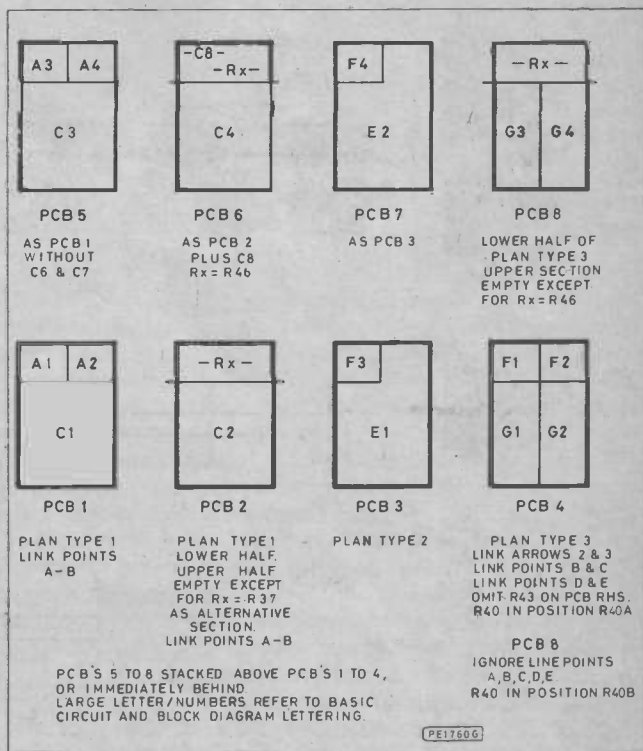
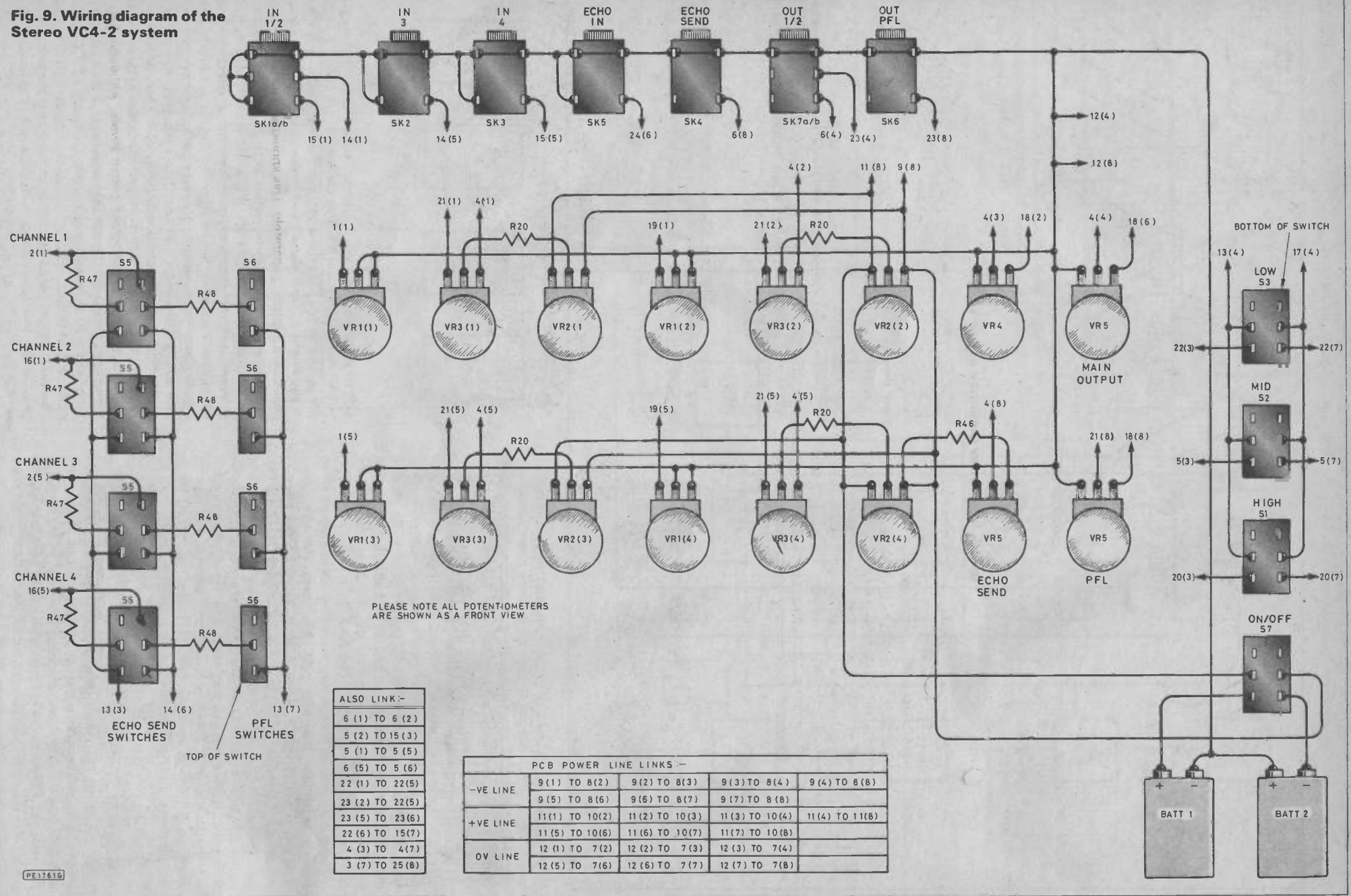


Fig. 8. The Stereo VC4-2 p.c.b. plans

**Fig. 9. Wiring diagram of the Stereo VC4-2 system**



ALSO LINK:-

6 (1) TO 6 (2)
5 (2) TO 15 (3)
5 (1) TO 5 (5)
6 (5) TO 5 (6)
22 (1) TO 22(5)
23 (2) TO 22(5)
23 (5) TO 23(6)
22 (6) TO 15(7)
4 (3) TO 4(7)
3 (7) TO 25 (8)

PCB POWER LINE LINKS:-

-VE LINE	9 (1) TO 8(2)	9(2) TO 8(3)	9 (3) TO 8(4)	9 (4) TO 8(8)
	9 (5) TO 8(6)	9(6) TO 8(7)	9 (7) TO 8(8)	
+VE LINE	11(1) TO 10(2)	11(2) TO 10(3)	11(3) TO 10(4)	11(4) TO 11(8)
	11 (5) TO 10(6)	11(6) TO 10(7)	11(7) TO 10(8)	
OV LINE	12 (1) TO 7(2)	12 (2) TO 7(3)	12 (3) TO 7(4)	
	12 (5) TO 7(6)	12 (6) TO 7(7)	12 (7) TO 7(8)	

PE1761G

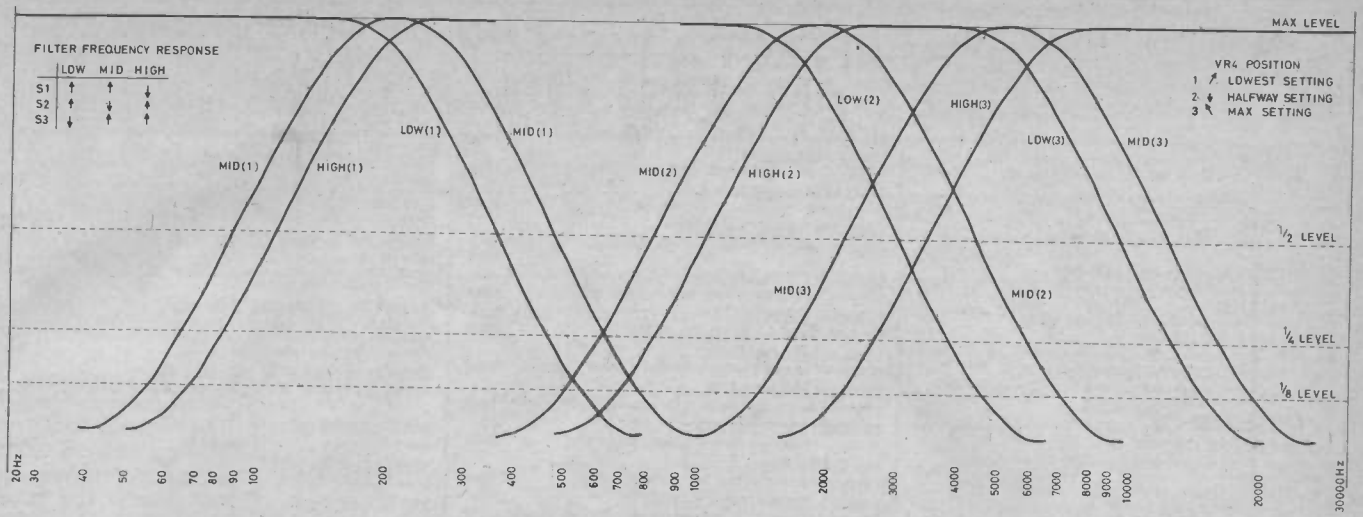


Fig. 10. Frequency response of the VC4.

guide, on the prototypes the horizontal pot spacing is 28mm with 10mm holes. Switch spacing is 13mm with 7mm holes, and the jack socket spacing is 25mm with 12mm holes.

After drilling, the panel may be painted and control legends applied, using a normal rubdown lettering and finishing off with a protective lacquer, all available from most good stationers. For the stereo version there is room in the box for p.c.b.s 5 to 8 to be mounted behind p.c.b.s 1 to 4, or they may alternatively be stacked above them if suitable p.c.b. supports are available.

Perform the wiring methodically, crossing off each connection on the chart as it is made. Diverse colour coding makes subsequent checking easier. Start off with all the wires that are on the front and back panel controls. Then connect the inter

p.c.b. link wires, and finally link the p.c.b.s to the panel controls. Screened wiring should not be necessary, but the case should be grounded as shown in the wiring diagram. Cross check the wiring, and that the i.c.s and electrolytic capacitors are in the correct way round before switching on.

### SETTING UP

There is none to be done! Simply check each channel and each control in turn to make sure that it is performing the function for which it is intended, re-reading the earlier part of this article if you are not fully clear about anything.

### USE

There are only two points to make about using the mixers, and these are probably obvious to most people. Firstly, when mixing signals together, although each may be at a reasonable level that

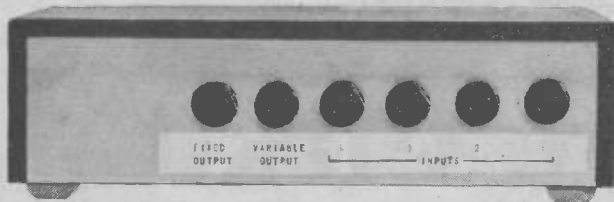


Photo 16. Rear view of the VC4-1

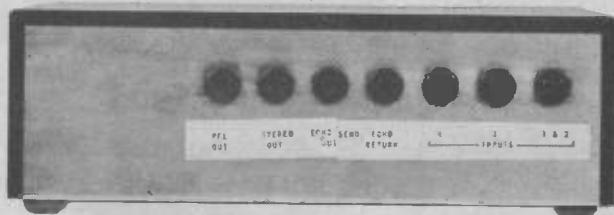


Photo 17. Rear view of the VC4-2

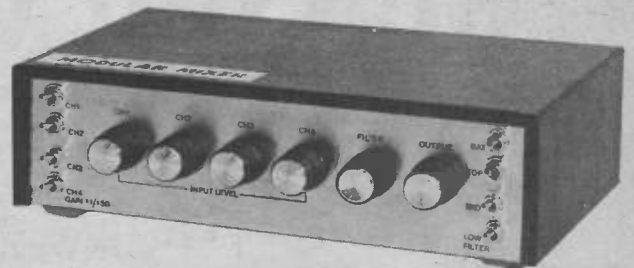


Photo 18. Internal details of the VC4

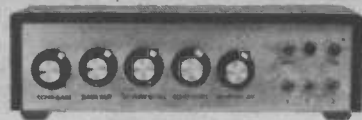
will not overload an individual channel, at the point of mixing, their amplitudes will be summed. This can lead to overload distortion, giving a harsh sound to the signals for the reason shown in Photo 1 and Photo 3. Each signal must, therefore, be kept to a lower level than if it is used separately. This should also be taken into account when feeding two or more signals to the echo send and return paths, for not only will the output to the echo send be summed, but the return signal is distributed equally to each subsequent associated level control channel, the outputs of which are also summed resulting in secondary amplitude enhancement.

Secondly, the intention of providing input gain selection is to enable signals to be more closely matched to each other prior to the level mixing circuit, so that the level controls will be at roughly similar positions for equivalent output levels. Although gain is provided at the inputs, the input signal strength should preferably already be at a reasonable level in order to preserve the signal-to-noise ratio of around -55dB, referred to unity gain of a 1V signal. This ratio will of course degrade if an attempt is made to greatly amplify very low level signals within the unit. If practical, these should ideally thus be raised by a preceding low noise preamplifier.





# EFFECTS, DISPLAY AND TEST KITS



**AUTOWAH**  
Aut. manual & foot triggered Wah-Wah, switchable. Set 140 £24.36

**BASS BOOST**  
With variable depth & range. Set 138B £13.62

**BLOW BOX**  
Voice operated filter & amplifier for fascinating effects with voice & music. Set 214 £29.33

**CHORUS-FLANGER (PE JAN 84)**  
Mono-Stereo. Superb dual mode music enhancement. Set 235 £59.99

**COMPANDER**  
Mono-Stereo. Compression, expansion, switchable. Set 238 £22.99

**CYBERVOX (EE APR 85)**  
Amazing robot type voice unit, with ring modulator & reverb. Set 228 £44.76

**DISCO LIGHT CONTROL (PE NOV 85)**  
3 Chan sound to light, with chasers, auto level & computer interface (BBC, C64, PET, etc). Program incl. Set 245S £62.50  
3 Chan sound to light only. Set 245 £42.00  
Both units 750W per chan.

**ECHO-REVERB (PE SEP 84)**  
Mono-Stereo. 200MS echo (extendable), lengthy reverb, switchable multitracking. Set 218 £57.66

**ENVELOPE SHAPER**  
Note triggered ADSR, with VCA. Set 174 £25.20

**EQUALISER**  
3 channels. Variable low pass, high pass, band pass and notch filtering. Set 217 £25.33

**FADER**  
Voice controlled automatic music fader. Variable rate and sensitivity controls. Set 167 £22.22

**FLANGER**  
Variable rate & depth plus phasing controls. Set 153 £28.45

**FREQUENCY DOUBLER**  
Guitar octave raiser & tone changer. Set 98 £15.30

**FUZZ**  
Smooth distortion, retains attack and decay character. Set 209F £19.58

**GUITAR EFFECTS**  
8 variable tremolo and Wah-Wah effects. Set 196 £23.56

**GUITAR SUSTAIN**  
Extends note decay time, with noise gate. Set 222 £25.31

**GUITAR TO SYNTH**  
Interface for guitar control of synth, with voltage & trigger outputs. Set 173 £41.41

**HAND CLAPPER**  
Auto & manual variable clapping effects. Set 197 £26.69

**HEADPHONE AMP**  
For headphones and speakers from 8 ohms, 2 watts. Mono set 156M £18.07  
Stereo set 156S £26.65

**LINKAFEX CHORUS**  
Foot pedal. Variable rate & depth, 160Ms to 4 secs. Set 204 £42.96

**LINKAFLEX DELAY**  
Foot pedal. Echo & reverb 10Ms to 450Ms. Set 206 £42.09

**LINKAFLEX EQUALISER**  
Foot pedal. Switchable filtering - low pass, high pass, bandpass, notch. Set 216 £25.43

**LINKAFLEX FLANGER**  
Foot pedal. Variable rate & depth, 160Ms to 4 secs. Set 207 £34.92

**LINKAFLEX FUZZ**  
Foot pedal. Smooth variable distortion. Set 209L £23.24

**LINKAFLEX MODULO**  
Foot pedal. 8 switchable tremolo and Wah-Wah effects. Set 211 £25.41

**LINKAFLEX PHASER**  
Foot pedal. Variable rate & depth, 100Ms to 20 secs. Set 205 £34.38

**LINKAFLEX SUSTAIN**  
Foot pedal. Variable note die-away extender. Set 223 £26.47

**METRONOME**  
Variable rate & accented beat. Set 143 £21.35

**MICRO-SCOPE (PE DEC 85)**  
Turns a computer (PET, C64, BBC, etc) into an oscilloscope. Program incl. Mains powered. Set 247 £44.50

**MIXER - 4 CHAN MONO (PE JAN 86)**  
Separate input gains, levels, pans, filters, twin outputs, voltage controlled. Set 229M £49.95

**MIXER - 4 CHAN STEREO (PE JAN 86)**  
Separate input gains, levels, pans, filters, echo send, PFL, voltage controlled. Set 229S £39.95

**MOCK STEREO**  
Splits mono signal into stereo simulation. Set 213 £24.37

**NOISE GATE & VCA (PE MAY 85)**  
Mono-Stereo. Automatic noise reduction. Set 227 £26.61

**PHASER (PE OCT 84)**  
Phasing enhanced with modulated filtering. Set 226 £42.36

**PRE-AMP**  
Variable level & gain, switchable bass & treble filter. Set 144 £14.93

**REVERB (STEREO)**  
Lengthy reverb with stereo signal. Variable level & depth. Set 203 £36.54

**REVERB - MONO (EE OCT 85)**  
Superb lengthy reverb unit. Variable depth & level. Set 232 £27.35

**RHYTHM GENERATOR**  
9 instruments controlled by pre-programmed chip. 12 basic rhythms, superimposable with 4096 switch combinations. Set 240 £59.99

**RHYTHM GENERATOR**  
Computer driven (BBC, PET, C64, etc) 9 different drum instruments. Programs available. Set 185 £34.64

**RING MODULATOR (PE NOV 84)**  
Fabulous effects generator, with ALC & multitone VCO. Set 231 £45.58

**SAMPLER & 64K DDL (PE JUN 85)**  
Digital 64K memory. Up to 65 secs delay, echo, reverb, re-pitch, multi & reverse track, loop, etc. Micro interface (BBC, C64, PET, etc). Mains powered. Programs available. Rack case. Set 234R £245.00

**SAMPLER - MINI (PE JUN 85)**  
Short version of 64K DDL less memory. Micro controlled (PET, C64, BBC, etc) looping, pitch changing, multitracking, reverse tracking, echo, reverb etc. Mains powered. Programs available. Set 246 £35.00

**SIGNAL GEN & F-V (PE JAN 85)**  
Test gear. Multitone VCO, freq. to voltage converter, sweep gen. Set 233 £46.96

**STORM EFFECTS**  
Auto & manual wind, rain, surf effects. Set 154 £23.60

**TOM-TOM SYNTH**  
Sound triggered multivariable drum effects. Set 190 £19.37

**TREBLE BOOST**  
With variable depth & range. Set 138T £13.62

**TREMOLO**  
Variable depth & rate modulation. Set 136 £15.62

**VOCODAVOX**  
Modular vocoder, 7 chans., extendable. Set 152 £79.95

**VODALEK**  
Simple robot type voice modulator. Set 155 £18.31

**VOICE-OP-SWITCH**  
Voice level controls 1 amp-OPDT relay. Variable sensitivity & pause controls. Set 123 £20.41

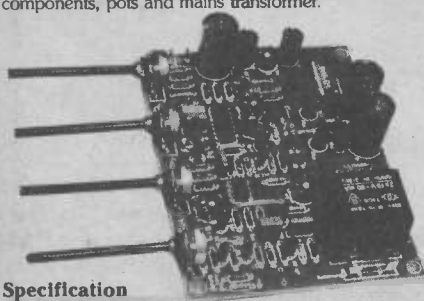
Published Kits. PE = Practical Electronics; EE = Everyday Electronics. Designer John M.H. Becker.  
Boxes - DOL sampler - 19 inch steel rack mounting. Linkaflex units - Robust diecast. Other units black steel & aluminium. All kits include PCBs, parts, instructions, boxes, wire, solder.  
Further details are in catalogue of over 70 kits - Send 9"x4" A4E. (For overseas enquiries & catalogue send £1.00 or 5 IRCs.)  
MAIL ORDER: Payment CWO, chq, PO, Access, Visa. Insurance cover 50p per £50. Details correct at press. E&OE.  
Add 15% VAT. Add P&P £1.50 each kit. (Overseas rates in catalogue.)

**PHONOSONICS, DEPT PE62, 8 FINUCANE DRIVE, ORPINGTON, KENT BR5 4ED.  
TEL: ORPINGTON 37821 (STD 0689, LONDON 66).**

# Make it with Cirkit

## Swept frequency generator

As featured in the January 1986 issue of Practical Electronics. A versatile and interesting piece of test equipment for testing amplifiers, digital and switching circuits. Supplied as a kit of parts with PCB, all components, pots and mains transformer.



### Specification

Wave forms: Sine, Triangular, Square  
Frequency range: 1Hz to 600kHz  
Output voltages: Variable -1V rms Max 12V  
Sine/Triangular Square  
Distortion: 0.5% (max)  
Rise Time - square wave: 100ns  
Sweep frequency: 0.1Hz-100Hz  
Sweep ratio: 1:1000  
Dimensions: 130x100mm  
Supply voltage: 240V 50Hz  
Stock no. 41-01400 Price **£41.50**

## Heart rate monitor

Effective ECG monitor gives audible and visual indication of heart rate. Supplied with programs to display waveform on the BBC.

Stock no. 41-02400 Price **£15.00**

## VHF Weather satellite Rx

136-138MHz VHF receiver for orbiting weather satellites. Low noise front-end, PLL detector, audio amp, 6 channel. With Xtal for 137.50MHz.

Stock no. 40-02300 **£42.52**

## Rewbichron II

Highly accurate time keeper, decodes and displays MSF transmission. 12 or 24 hour LED display.

Stock no. 41-00506 Price **£32.49**

## MSF Receiver

60kHz MSF receiver. For use with Rewbichron II or other decoder circuits.

Stock no. 40-06002 Price **£10.51**

These are just a few of over 120 kits we hold in Stock.

Bumper new edition of the Cirkit Catalogue out now, containing 128 pages packed full of electronic components and accessories. Available from your local newsagents or by post from us. The Catalogue includes:

- BATTERIES · BOOKS · CABLE
- CALCULATORS · CAPACITORS
- COMPUTER ADD-ONS · PRINTERS
- CONNECTORS · CRYSTALS · FILTERS
- BOXES · KNOBS · AEROSOLS
- HEATSINKS · INDUCTORS
- KITS AND MODULES · METERS
- PCB MATERIALS · RELAYS
- RESISTORS · SEMICONDUCTORS
- MEMORIES · MICROPROCESSORS
- LEDs · LOUDSPEAKERS · SWITCHES
- TEST EQUIPMENT
- SOLDERING IRONS · TOOLS
- TRANSFORMERS

PE12

Please add 15% VAT to all advertised prices and 60p post and packaging. Orders despatched same day. Please call in to one of our shops or send for our catalogue to see the complete range of kits and components.

## Cirkit Distribution

Park Lane, Broxbourne, Herts, EN10 7NQ Telephone (0992) 444111 Telex 22478

200 North Service Road,  
BRENTWOOD  
Essex CM14 4SG

53 Burrfields Road  
PORTSMOUTH  
Hampshire PO3 5EB

Park Lane  
BROXBORNE  
Herts EN10 7NQ

**NEW AUTUMN '85  
CATALOGUE  
OUT NOW  
£1.15**



# Ingenuity Unlimited

A selection of readers' original circuit ideas. Why not submit your idea? Any idea published will be awarded payment according to its merits.

Each idea submitted must be accompanied by a declaration to the effect that it has been tried and tested, is the original work of the undersigned, and that it has not been offered or accepted for publication elsewhere. It should be emphasised that these designs have not been proven by us. They will at any rate stimulate further thought.

Articles submitted for publication should conform to the usual practices of this journal, e.g. with regard to abbreviations and circuit symbols. Diagrams should be on separate sheets, not in the text.

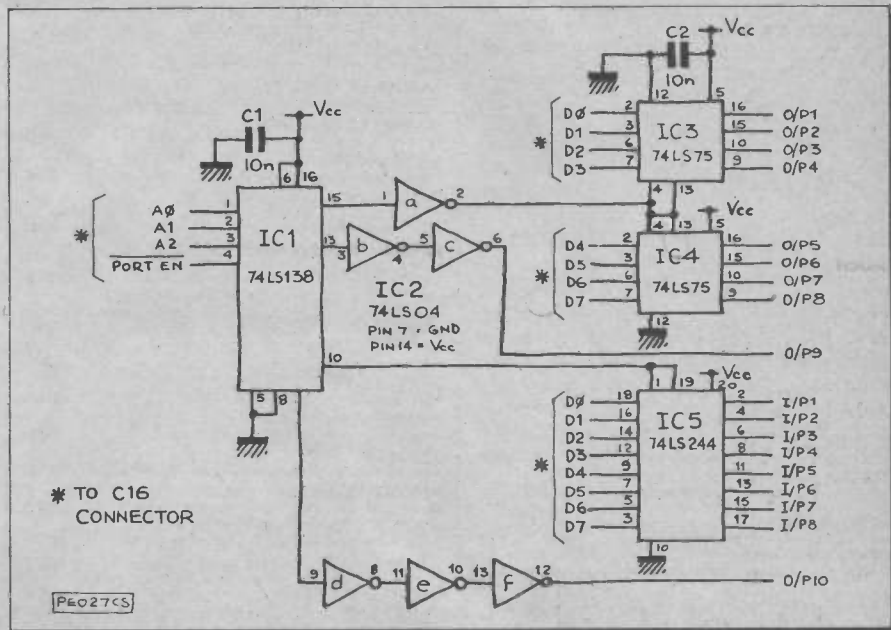
## C16 IN-OUT PORT

I WANTED to fit an input/output port to a Commodore C16 and on looking at the computer circuit diagram I noticed that 16 addresses were decoded by the computer's U16 i.c. but some seemed not to be used. An examination of the p.c.b. confirmed this, pin 15 was unused, this pin enables the addresses Hex FD00 to FD0F.

I only needed two 8-bit ports, so I used a 74LS138 which decodes 8 of the 16 addresses. As the other chip selects were there I used them via the spare inverters in the 74LS04 as strobe outputs; perhaps a transistor could replace the inverter if required.

Table 1. C16 Signals

Signal	C16 IC Pin No.
D0	U5-2
D1	U5-3
D2	U5-15
D3	U5-17
D4	U6-2
D5	U6-3
D6	U6-15
D7	U6-17
A0	U15-4
A1	U15-13
A2	U15-5
Port En.	U16-15
Vcc (+5V)	VR1 (voltage reg.)
Earth (0V)	Ground rail on p.c.b.

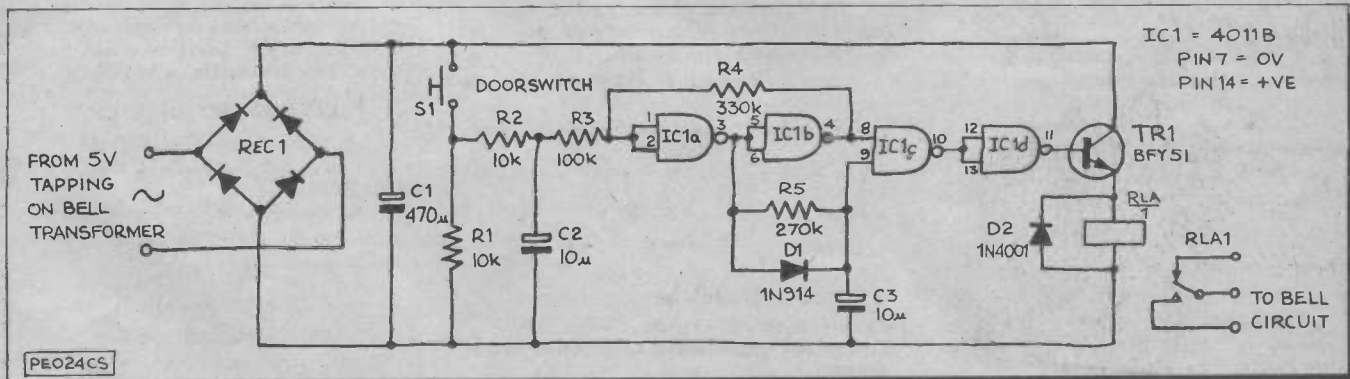


The output port is at address 64768, o/p 9 is normally high and o/p 10 is normally low. The input port is on 64793; all of these could be changed if required. The Port En. signal comes from U16 and the data bits from the ram i.c.s U5 and U6. Three address lines come from U15 (see Table 1). All wires should be as short as possible. The unit can be built into the C16 as there is an area on the left of the main p.c.b. which will

take a 6.75in by 2.6in board; it has 2 pillars 6in. apart so 2 self-tapping screws will hold the extra board in place.

I fitted a 25-way D-type connector near this board at the rear of the computer and an edge socket would also be suitable for the inputs and outputs.

A. R. Knight,  
Farmoor,  
Oxford.



## DOORBELL TIMER CIRCUIT

THIS circuit was designed in response to a request from a friend who works in the repair department of a local shop. Customers frequently leave the door slightly ajar, and the resulting constant ringing of the bell was driving him mad! The circuit shuts the bell off when the door is closed, or after about five seconds, whichever occurs first. The timer principle could be adapted for other applications.

In the quiescent state, the door switch S1 is open, so the input to IC1a is low and its

output is high. This charges C3 but holds IC1b output low, so ultimately IC1d output is also low and the transistor and relay are 'off'.

When the switch is closed, the input is taken high. IC1a's output goes low, so IC1b goes high; with this and the charge stored on C3, IC1c has two high inputs so its output goes low and IC1d's output goes high. This turns on TR1 and closes the relay, which rings the bell. However, C3 is discharged slowly through R5. When its voltage becomes low enough IC1c and IC1d change state and the relay opens again.

When the switch is opened, C3 is recharged through D1, providing a rapid

resetting action. R2 and C2 prevent any possibility of spurious operation caused by stray pick-up on the long leads to the switch.

For convenience, power for the unit was taken from a 5V supply tapping on the bell transformer, which actually gave about 10 volts after a conventional bridge rectifier circuit. As the quiescent drain is zero, it could just as easily be used with a battery circuit.

The relay is a thumbnail-sized miniature device, but has given constant trouble-free service in a busy shop for well over a year.

Andy Flind,  
Taunton,  
Somerset.

# THE LEADING EDGE

## MUSEUM PIECE

The Museum of Science and Industry in Chicago isn't the same as other museums. Like a large version of the Science Museum in London or the Philips Evoluon in Eindhoven, Holland, it is very much a hands-on show of working science, electronics and technology. But to cut running costs the museum managers make over space to large American firms and industries which then stage their own displays.

The most famous MSI exhibit is the hall run by Bell Labs, which is roughly equivalent to British Telecom. In the thirties the Bell display centred on Oscar, a dummy head microphone system. Visitors wore headphones while a demonstrator whispered into Oscar's ears. The result, according to one audio buff who went there as a child, was unnerving. The dummy head and microphone system, usually called binaural, recreates the original sound with uncanny accuracy.

Oscar is no longer there, but the current Bell exhibit explains the principles of sound and electromagnetic waves with working models. One of these would make a nice d.i.y. electronics project.

The visitor is asked to pick up a telephone handset. The earpiece emits a musical tone. The listener must try to memorise its pitch. Then the tone stops and another different tone begins. A rotary hand control raises or lowers this second tone in pitch. The aim is to try and match one against the other.

When the listener thinks there is a match, he or she presses a button. A digital display then reads out the frequency of both the original and adjusted tones. A sign flashes "fair match", "good match" or "excellent match", depending on how close the frequencies are. Apart from making a good game it offers valuable ear training for musicians and electronics engineers who benefit from recognising sine wave frequencies.

## HISTORY OF DATA STORAGE

One of the newest exhibits at the Chicago MSI is sponsored by IBM. It traces the history of data storage and processing. Personally I have always found IBM an aloof and distant company, with no apparent interest in communicating this kind of non-commercial information. So some of the facts from the Chicago display are well worth passing on.

The first "computers" used mechanical punched card technology. The IBM Tabulator of 1934 worked in this way. It looked like a clumsy printing press and could add, subtract and compare numbers, by flipping through 150 cards a minute.

In 1942 IBM made an electronic version which worked at a thousand times the speed. Vacuum tube valves replaced cards. The snag was that it had to be re-wired for each new task. The big breakthrough came with "stored program" computing in 1947.

The idea originated in two places at much the same time. At the University of Pennsylvania, Presper Eckert and John Mauchly were working on the famous ENIAC computer. IBM was covering the same ground. The computer stored program instructions as well as data.

IBM's 1947 stored program machine was called the SSEC (Stored Sequence Electronic Calculator). The store was punched paper tape. The machine had 12,500 valves and 21,400 relays. One sceptical engineer did some sums, and pronounced it would never do any useful work.

The average life of a vacuum tube valve at that time was 3000 hours. With over 12,000 tubes that meant one tube failure every 15 minutes. It would take at least 15 minutes to find a dud valve and replace it. Ergo, no useful work.

The gloomy prediction turned out to be wrong simply because the reliability of valves greatly improved—to one failure amongst 2000 valves in a year. The SSEC beast ran for five years with acceptable failure rates.

Valves were still being used in the fifties, long after invention of the transistor by Bell Labs in 1947. In those early days of solid state technology valves were far more reliable.

The largest ever valve computer was SAGE (Semi-Automatic Ground Environment) built for the US Air defence system in the early fifties. It had 58,000 valves, weighed 113 tons and drew as much power as a town with a population of 15,000 people.

## MAGNETIC MEMORY

In 1952 IBM started to use magnetic tape as a storage medium instead of punched paper. One reel stored 1.4 million text characters, or 1.4 Megabytes of data, equivalent to 12,500 punched cards. The same machine, the 701, used a cathode ray tube for short term storage. The tube screen pictured 1024 bits of data as ones or zeros.

Magnetic core memory was also used. A 10 inch web of wires supported 4000 iron oxide pellets, made in a modified pill-compressing machine. Each core could be separately magnetised to store a one or zero data bit. The webs were stacked in a vertical pile to build up a three-dimensional memory bank of 140,000 bit capacity.

Another memory store of the fifties relied on a metal drum, like a thick rolling pin a foot or so long. It rotated at 12,500 rpm past magnetic heads which recorded data in 40 parallel tracks along the drum length. This stored 10 kilobytes of data, i.e. ten thousand text characters.

The first disc stores appeared in the mid fifties. They were fearsome beasts. RAMAC, Random Access Method of Accounting and Control, was a vertical stack of aluminium discs coated with brown magnetic oxide, each nearly a yard in diameter, and spinning at 1200 rpm.

These rotational speeds were of course convenient multiples of the US mains frequency, 60 Hz.

Each RAMAC disc stored 50,000 text characters on each side. Modern hard discs store six thousand times as much data per square inch of disc surface area.

By 1956 RAMAC storage capacity had risen to 5 Megabytes with a read/write data rate of 9700 bytes a second. The discs were fixed in place inside the stack, like a clumsy washing machine. The first removable discs appeared in 1962. Each had a capacity of 2 Megabytes or two million text characters.

By 1966, when banks and big businesses were switching to computers for their data storage and processing (and suffering those teething problems some of us remember so well), it was not unusual for one user to have a hundred disc packs. Each had around a dozen discs and each pack had a capacity of 25 Megabytes.

By 1971 the data transfer rate was 806 kilobytes a second and disc capacity was 100 Megabytes. Today disc capacity is 2.5 billion or gigabytes (2,500 megabytes) with read/write at 3 Megabytes/second.

The first floppy came in 1971. The first small hard disc, now called Winchester because that was IBM's laboratory code name for the project, appeared in 1973. The Winchester was special because the recording head does not contact the surface of the disc, as in early hard discs or the later floppies. The Winchester head floats on a very thin cushion of air generated as the disc rotates.

The trick with tape storage was to move the tape fast enough to achieve a high read/write transfer rate but still give rapid access to chosen sectors. This means almost instant stop, start and reverse; and that in turn means the risk of breaking or stretching the tape.

In the early sixties the IBM 729 tape reader achieved a read/write speed of 90 kilobytes/second by running the tape at 112 inches a second. It could start, and stop, and reverse the tape in 0.005 second.

This was done by running the tape slack between spools through a glass vacuum column. One tape spool held around 17 Megabytes, equivalent to a pile of punched cards as tall as a twenty storey building.

By the early seventies, data read/write rate was 1250 kilobytes a second or 1.25 megabytes. At this rate a single volume dictionary could transfer from tape in 13 seconds.

Without this kind of background information, it is easy to take today's computer storage technology too easily for granted. I can't help feeling it is a pity that such information only comes as the result of a chance visit to a museum on the other side of the Atlantic.

**BARRY FOX**

# SPECIAL OFFER

## LASCAR DP2020 DIGITAL MULTIMETER

# £19.95

### INCLUDING VAT AND POSTAGE



Make cheques payable to LASCAR ELECTRONICS LTD. and post to PE DIGITAL METER OFFER, LASCAR ELECTRONICS LTD., Module House, Whiteparish, Salisbury, Wiltshire, SP5 2SJ. Tel. 079 48 567.

Probably the best value meter available at this time and undoubtedly one of the best reader offers we have carried. Do not miss this, order now. Access orders accepted.

This l.c.d. digital multimeter has been designed with an inclined display for ease of use on the bench. It comes with an instruction leaflet (with circuit diagram), test probes, battery and a year's guarantee against faulty components or workmanship. Housed in a tough black plastic case the meter has the following specification:

**Input impedance** 10MΩ on all voltage ranges.

**D.C. Voltage** 2V to 500V in four ranges at 0.6% ± 1 digit.

**A.C. Voltage** 2V to 500V in four ranges at 1% ± 2 digits (45 to 500Hz).

**D.C. Current** 2mA to 2A in four ranges at 0.75% ± 1 digit (2.5% ± 2 digits at 2A).

**A.C. Current** 2mA to 2A in four ranges at 0.75% ± 1 digit (3% ± 2 digits at 2A).

**Resistance** 2kΩ to 2MΩ in four ranges at 0.75% ± 1 digit.

Diode check, polarity indication, over range indication, low battery indication, automatic decimal point display, overload protection, 2000 hours battery life (typical with alkaline battery). Size 164 x 75 x 24mm, weight 200g (including battery).

UK readers please allow 7 days for delivery. All overseas orders will be sent airmail.

Offer closes Monday March 31, 1986.

### PE DIGITAL MULTIMETER OFFER

Quantity

Please supply  DP2020 meters.

Total value £.....

Access No. ....

Signature .....

I enclose cheque/PO No. ....

Name.....

Address .....

.....

.....

Please allow 7 days for delivery

**OFFER CLOSES Monday March 31, 1986**

Name.....

Address .....

.....

.....

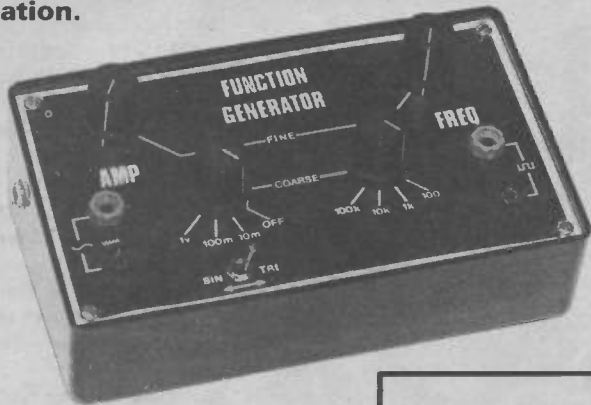
Post to: PE DIGITAL MULTIMETER OFFER, LASCAR ELECTRONICS LTD., Module House, Whiteparish, Salisbury, Wiltshire, SP5 2SJ.

Please complete both parts of the coupon in BLOCK CAPITALS

# FEBRUARY FEATURES...

## FUNCTION GENERATOR

Produces sine, square and triangular waveforms over the range 0.01Hz to 1MHz at up to 1V output, thus forming a very useful piece of test equipment. The article includes a simple battery eliminator for those that require mains operation.



## TOUCH CONTROLLER

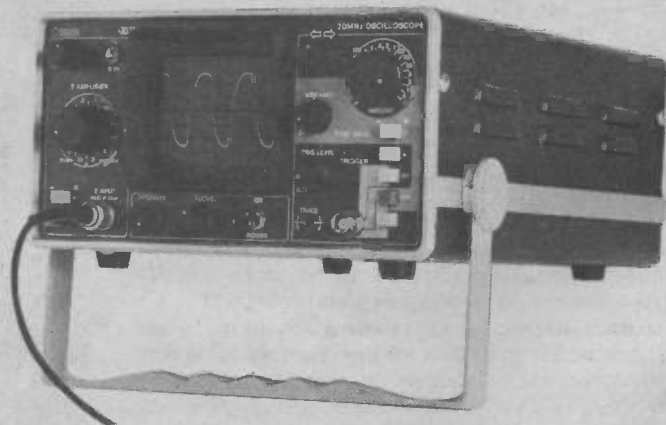
An alternative to a joystick for all computers with a standard Commodore/Atari joystick port. Overcomes the problem of keyboard control where key operation requires unreasonable dexterity.

## LIGHT EFFECTS- GAMES UNIT

A fun project which gives the choice of "chasing or changing"—eight channel lights effect unit or gambling guessing game, from the Building Blocks series, to help you master logic circuits.

*Special Offer!*

## OSCILLOSCOPES



## EVERYDAY ELECTRONICS and ELECTRONICS MONTHLY

FEBRUARY 1986 ISSUE ON SALE FRIDAY, JANUARY 17

Make sure of your copy—place an order with your newsagent NOW!

# Burglar Alarm

J.B. Rust

A professional-quality alarm system which can easily be built by the home constructor—at a surprisingly low cost

**T**HE COST of a professionally installed burglar alarm system can be in the region of several hundred pounds, and with break-ins on the increase, the chance of installing a d.i.y. system with a level of security comparable to, or better than professionally installed alarms (and with substantial financial savings) may be particularly appealing.

This control panel has the following features:

- Mains powered.
- Instantaneous door loop and pressure pad circuit.
- Timed Entry/Exit front door loop.
- 24 Hour panic/anti tamper loop (operates even when alarm not set).
- 10 minute bell cut off timer.
- Mains power indicator.
- Operates up to 3 passive infra-red detectors.
- Immunity to false alarms due to mains "spikes" etc. (due to use of opto-isolators).
- Simple to construct, install and operate.

As can be seen from the above specifications, it surpasses the specifications of the majority of domestic burglar alarm control panels on the market.

This system has four types of alarm detection: door loops, pressure pads, passive infra-red detectors and a panic anti-tamper circuit.

## INSTANTANEOUS SERIES LOOPS

This circuit consists of a series loop of normally closed switches which are usually in the form of the magnetic reed type, or strips of metallic tape across window panes. These switches are in a normally closed loop so that if the loop is broken by somebody cutting the wires, the loop will go open circuit and the alarm will sound. As there is no limit to the number of switches that can be added to the loop and the reed sensors are not particularly expensive, it is well worthwhile putting them at all likely points of entry into the house.

In many cases where it is difficult to conceal a wire leading to a window switch, it may be a good idea to wire the internal door to that room instead, working on the assumption that an intruder will have to open that door to gain access to the rest of the house.

Magnetic reed switches consist of two parts, a magnet and the actual reed switch. The reed switch is mounted on the frame and the magnet is attached in a position such that when either the door or window is closed, the magnet will be adjacent to the reed switch in the frame keeping the reed switch closed. When the door or window is opened to gain entry the magnet will move away from the switch, causing the loop to go open circuit and bells to start ringing. Vulnerable windows and doors with panels of flimsy construction can be protected by strips of metallic tape specially designed for this purpose. This tape can be connected into the series loop using special self-adhesive terminal blocks.

## ENTRY/EXIT LOOP

If switches are to be included in doors that have to be opened after the alarm is set, they must be connected into the timed entry/exit loop so that the occupant has time to leave the premises without activating the alarm.

When the occupant sets the alarm, an exit period of around 20

seconds is allowed before the exit loop is switched into circuit. On entry, the occupant will be allowed 30 seconds entry delay after which the alarm sounds if it has not been cancelled within this time period.

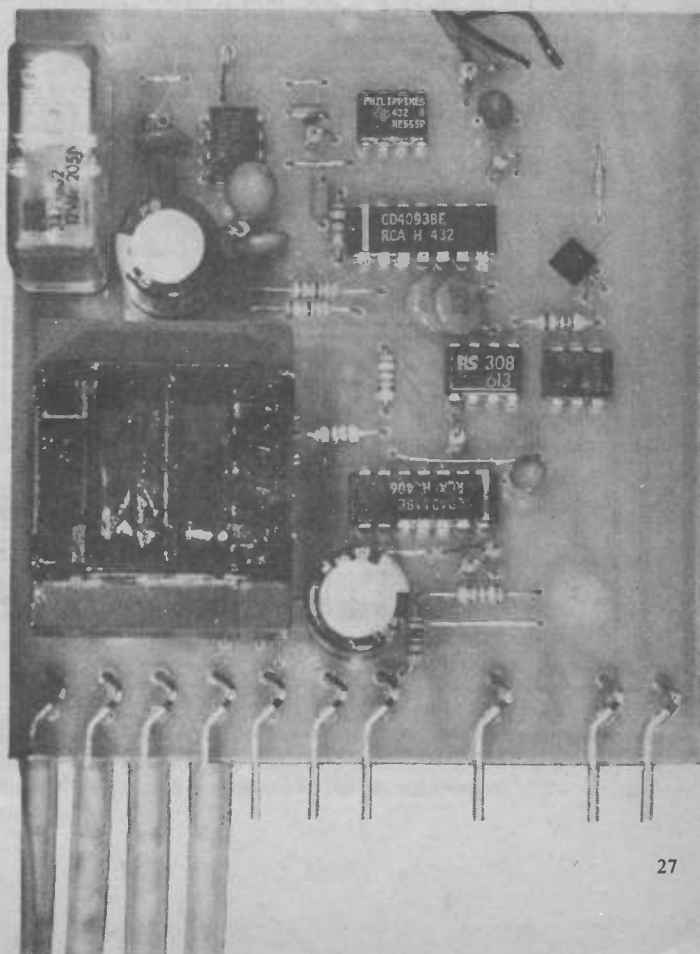
## PRESSURE PADS

These pads are usually placed beneath floor coverings such as carpets and mats, and are normally open circuit. They essentially consist of two sheets of aluminium foil separated by a piece of thin foam containing holes. When somebody stands on the pad, the two sheets of aluminium touch and the pad becomes short circuited triggering the alarm. The pads should be placed at areas of the premises where a would-be burglar is likely to tread. These pads are reasonably durable, but they should not be placed in an area where excessive wear will occur, such as the entrance to a busy office, as the foam will eventually break down—causing the pad to go permanently to closed circuit.

Pads could also be used in the instantaneous series loop. If, for example, a television set was placed over a pad under the carpet which was wired to the series loop, the pad would be normally closed circuit. However, if the television were to be removed, the pad would go open circuit and sound the alarm.

## PASSIVE INFRA-RED

This unit has the facility to be used in conjunction with up to three passive infra-red detectors. The power for these can be derived from the unit itself and their output can be connected into either the instantaneous loop or the timed entry/exit loop.

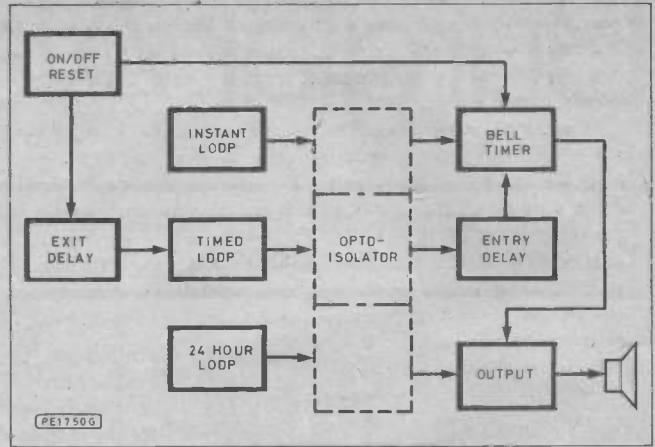


Passive infra-red detectors give total protection to the room in which they are used, provided they are installed correctly. These units should be used in rooms that contain valuable items that would be particularly attractive to an intruder. They give a very high level of security and are especially useful in rooms that cannot be adequately protected by means of door sensors and pressure pads.

Passive Infra-red detectors rely on the 100W of infra-red radiation given off by the human body to detect the presence of an intruder. Infra-red detectors consist of a pyro-electric sensor which is mounted at the focal point of a mirror lens. The mirror lens has many flat faces, each of which reflects the infra red radiation from one of many isolated zones in the room. If the pyro-electric sensor detects a change in infra-red radiation from one zone to another, as would happen as a person walked across a room, the signal will be amplified by the internal circuitry of the device and the alarm circuit will be triggered.

This type of infra-red detector has taken over from the now obsolescent ultrasonic type of detector, as it has shown itself to be highly reliable. It only responds to the movement of people, whereas the ultrasonic type responds to the movement of all objects, often giving false alarms if it detects the movement of, say, a pair of curtains as they are moved by a slight draught.

Although these passive infra-red detectors show remarkable immunity to external interference, they should be fitted strictly in accordance with the manufacturer's instructions, so that the optimum level of security can be attained without giving rise to false alarms.

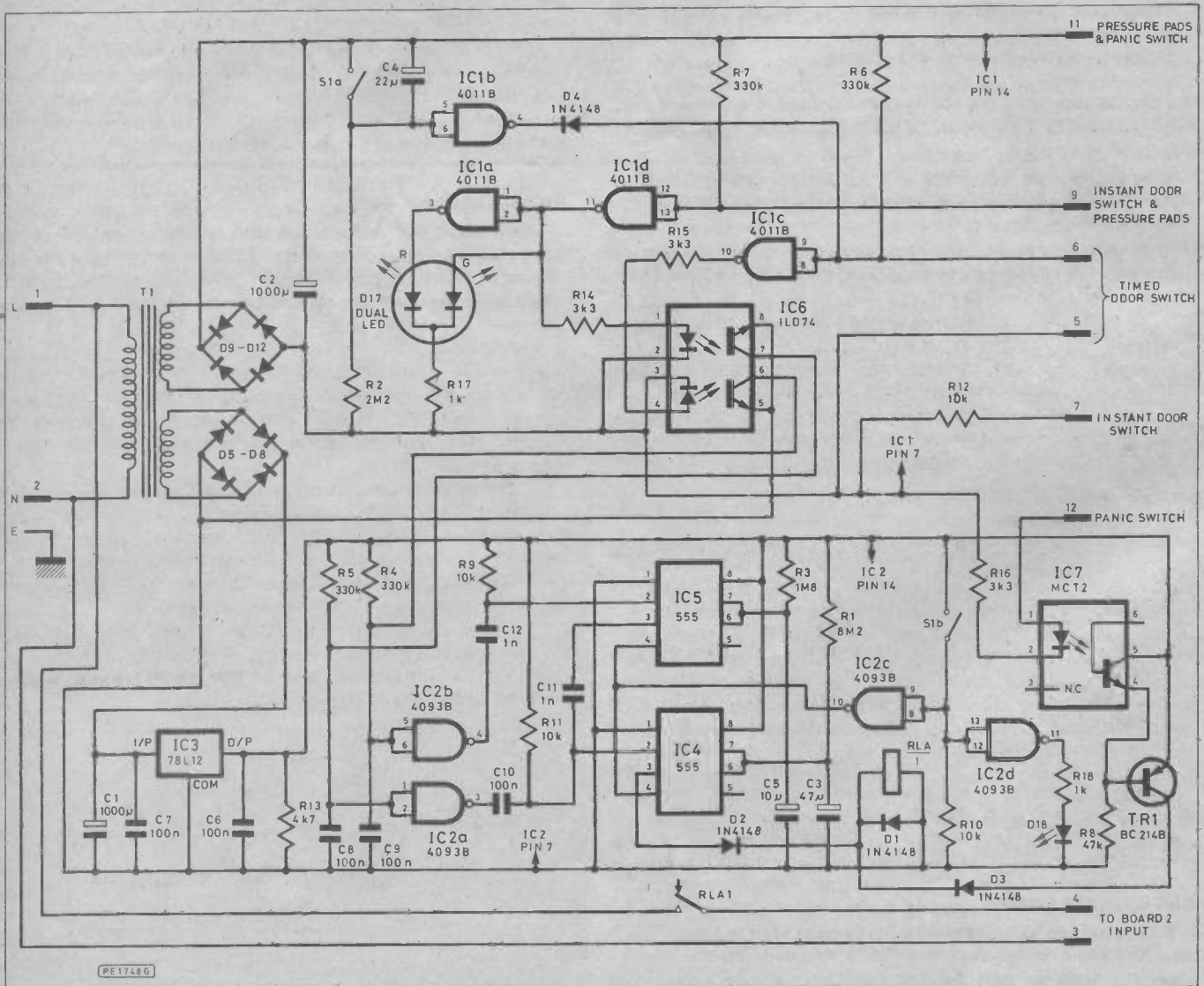


**Fig. 1. Block diagram of the Burglar Alarm**

These units should not be set up directly facing strong sources of heat such as fires and radiators, and family pets should not be allowed into rooms in which these infra-red detectors are operating.

### 24 HOUR LOOP

This loop is used mainly for the inclusion of a "Panic" button. A panic button is a special switch that is normally closed but will go open circuit if pressed and can only be reset by means of a key.



**Fig. 2. The logic and control circuitry for the Burglar Alarm. Note that S1a/b is shown open-circuit (alarm armed); also that the +12V supply for passive infra-red detectors should be taken from terminals 11 and 5**

This button should ideally be placed by the front door or in the bedroom, and may be operated if the occupant feels threatened in any way; alternatively, it can be used by an elderly person to summon help. This button will operate 24 hours a day, even if the main alarm is not set. The circuit is normally closed so that even if the "Panic" switch were to be ripped off the wall, the alarm would remain sounding.

Most door sensors are fitted with 4 wires, two being wired to the reed switch itself—these are usually identified by their ends being pre-stripped of insulation. There is usually also another pair of wires which simply form a loop of wire which passes through the body of the sensor and can be used in conjunction with the 24-hour loop, providing an alarm if anybody attempts to sabotage the alarm system when the building is occupied and the alarm is not set. A limit switch could be included in the external bell box and connected in series with the 24-hour loop. This would provide an alarm condition if anybody tried to remove the bell cover. Inexpensive smoke detectors are available that could easily be connected directly to the 24-hour loop providing an extra dimension to your security system.

The 24-hour loop circuit is an extremely versatile loop that can be used to maintain constant surveillance of a multitude of peripheral devices, and will sound the alarm continuously until the particular alarm input is reset.

### THE BASIC CIRCUIT

When designing an alarm control panel it is essential to incorporate filtering into the system so that it will not be triggered by external interference such as that created by lightning, mains "spikes" caused by the switching of heavy-loads and spurious radio frequency interference.

Most alarm circuit designs attempt to reduce the occurrence of false alarms by incorporating capacitors and coils at various points in the circuit to filter out noise picked up along the wires leading to the sensors. However, this type of filtering is usually only sufficient for relatively small amounts of noise and all too often proves to be ineffective where large mains "spikes" occur or in lightning storms. This control panel uses a radically different solution to provide immunity to false alarms that will still remain effective in even the most violent of thunderstorms. The circuit is split into two parts: the first part is the sensing part, which responds to the inputs from all the sensors and the second part is the output circuit to the alarm controlling the entry and bell cut off delays. Refer to Fig. 1 and Fig. 2.

Both circuits are completely isolated from each other electrically, with their own separate power supply derived from individual secondary windings from the mains transformers. To ensure complete electrical isolation between the sensor circuit and the output circuit they are connected using opto-isolators, making it impossible for any interference that is received along the sensor wires to trigger the alarm output circuit, thus causing a false alarm.

### SENSOR CIRCUIT

The instantaneous loop is connected to the input of IC1d. When the door loop is closed, the input to IC1d is held low through R12. If this input is sent high by either a pressure pad becoming short circuit or a door loop becoming open circuit and allowing the input to be pulled high through R7, the output of IC1d will go low, extinguishing the l.e.d. in the corresponding opto-isolator.

IC1b forms the basis of an exit delay timer, utilising the charging time constant of C4 as its reference. When the alarm is not set, C4 is shorted by a set of closed contacts in the key-operated switch, ensuring that the capacitor is kept fully discharged. In this condition, the output of IC1b will remain low keeping the input of IC1c low whatever the condition of the timed loop. When the alarm is set, C4 is allowed to charge through R2; however, during the 30 seconds C4 takes to become fully charged, the output of IC1b will remain low ensuring a high output from IC1c irrespective of the condition of the timed loop circuit, providing a 20 to 30 second exit delay. (For entry delay, see *output circuit*.)

The 24-hour loop circuit consists of a series circuit with an opto-isolator via R16. If this becomes open circuit, the l.e.d. in the corresponding isolator will receive no current: this will be detected by the output circuit.

To set the alarm, it is desirable to determine whether it is "safe" to set (i.e. all the doors and windows are shut and the pressure pads are clear). A single dual-colour l.e.d. is employed in the sensor circuit, which glows red when the alarm is *not* safe to set, and green when all the offending sensors are cleared. As well as a zone condition indicator this l.e.d. will also show that system is supplied with power, as it must glow either red or green, whatever the circumstances—provided power is present.

### OUTPUT CIRCUIT

The output circuit is powered separately from the sensor circuit so as to prevent possible noise received from the sensor wires triggering the timers via the supply rails. The supply to this part of the circuit is necessarily regulated with a simple 78L12 monolithic voltage regulator in order to filter out supply transients which could quite easily trigger the inherently sensitive 555 timer chips. This part of the circuit receives relevant sensor information via three opto-couplers.

The transistor in the opto-isolators will allow conduction if it receives photons from its controlling l.e.d. in the sensor circuit, provided that the emitter is at a lower potential than the collector.

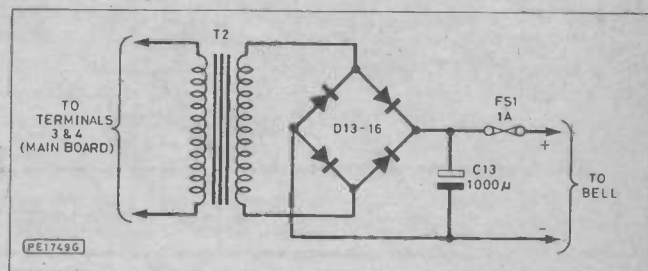
The first opto-isolator controls the instantaneous loop. When the input to IC6 is high the output transistor will conduct and maintain a low input to IC2a. If the input to IC6 goes low, the transistor will no longer conduct, causing the input to IC2a to be pulled high through R5 (C8 introduces a delay time of about 10ms to ensure that transients, which usually last only a few micro seconds, and are detected by the sensor circuit, will not trigger the alarm falsely). IC2a, having received a high input, will swing its output low, allowing a negative-going pulse to the input of IC4 via C10. This timer will be triggered and remain "on" for a period of around 10 minutes (governed by the charging of C3 through R1). Timer IC4 acts to latch the alarm on and also provides an alarm output for 10 minutes, after which the alarm will be silenced and automatically be re-armed.

The entry/exit loop is connected to the other half of IC6 which controls the state of IC2b by the same method that IC2a is controlled by IC6. The output of IC2b is directly connected to the input of IC5 via C12. When the timed loop is broken, IC5 will be triggered causing the output to go high. With the stated values of R3 and C5 the high output will remain high for around 20 seconds (providing an entry delay). If the unit is not cancelled within this time period, the output of IC5 will return to its original low state, creating a negative pulse which will trigger the IC4 alarm output timer via C11.

The 24-hour loop is operated by IC7. When this circuit is not broken TR1 is held off by the transistor in IC7. However, if the loop becomes open circuit the transistor in IC7 will no longer conduct, and TR1 will be held on via R8; this will energise the output relay and the alarm will continue until the loop is reconnected.

When the alarm is not set, the pole of the key switch is closed holding IC2d output low, extinguishing the l.e.d. and also holding pin 4 of both timers low via IC2c, ensuring the output is held off whatever the state of the timed or instantaneous loops. When the alarm is off, all the timers are reset. Note that the 24-hour loop will still operate even when the alarm is not set.

The main controlling p.c.b. will give an alarm output of 240V a.c. which is connected to the input of Board 2 as shown in Fig. 2 and Fig. 3: this gives an output of 12V d.c. at 500mA, which is suitable for driving most alarm sounders.



**Fig. 3. Board 2—the bell driver circuit. This simple circuit can be used to drive any of a variety of alarm sounders at 500mA, 12V d.c.**

## CIRCUIT CONSTRUCTION

As this circuit is intended to be mains-powered and a permanent fixture, the unit must be constructed both carefully and to a high quality to ensure safety and long-term reliability. For this reason it is strongly recommended that the components are mounted on a p.c.b. with the layout illustrated below (Figs. 4 and 5) and housed in a well earthed vented metal case with similar dimensions to those stated.

As the layout of the p.c.b. is compact in order to save space, care must be taken not to bridge adjacent tracks with solder. The construction of the p.c.b. is very straightforward provided that the components are inserted in the correct order, checking the correct orientation of all polarised components.

First, insert the rectifier diodes D5-D12 and then R17, as these cannot be installed after the insertion of transformer 1. Then, with the exception of the i.c.s and the opto-isolators, all the other components can be inserted. It is advisable to leave C1, C2, the relay and the transformer until the end, as they are bulky and would make it difficult to insert the smaller components if they were inserted earlier.

At this point the opto-isolators and i.c.s must be soldered into place. As with all semiconductors they are susceptible to damage from excessive heat and thus care must be taken when soldering so that the components are not damaged. The simplest way to solder semiconductors without causing damage is to solder each pin individually, ensuring the iron is not applied for more than five seconds and then allowing about 15 seconds between joints in order to prevent a build-up of heat within the chip. Since i.c.s 1 and 2 are CMOS, the usual precautions should be taken when handling these devices. The use of i.c. sockets is *not* recommended, as after a period of time the chips could become loose or their pins may corrode—which will affect the long-term reliability of the circuit.

After inclusion of the i.c.s, the construction of the main p.c.b. can be finalised by soldering the two l.e.d.s to the underside of the p.c.b. First the leads of both l.e.d.s should be cut so that they extend about 8mm from the base of the l.e.d. body. The

red/green l.e.d. has three leads. The middle (common) lead should be soldered to the pad labelled "3" as shown on the overlay diagram. The lead next to the "flat" should be soldered to pad "1" and the remaining lead to pad "2". The red l.e.d. must be soldered to the pads numbered "4" and "5" using the same procedure, with the negative lead (lead closest to "flat") going to pad "4". The position of the l.e.d.s, and the length of their leads may have to be manipulated slightly in order to line them up with the holes allocated in the panel.

The construction of the bell driver board is very simple. Sometimes mounting the fuse clips can be a little tricky: a useful tip is to attach the clips to both ends of the fuse when they are being inserted; this ensures that the clips are "square" relative to one another and maintains the correct separation.

When the construction of the p.c.b. has been completed, the key-operated switch can be connected using 4 pieces of flexible wire of about 7cm in length.

If the unit is intended to have two zones then connect the s.p.d.t. zone switch; if the unit is only required to control a single zone, this switch is omitted.

## TESTING

When the two p.c.b.s have been constructed, it is necessary to install them into the unit. It cannot be over stressed that any connection to the circuit must be carried out with the mains supply disconnected.

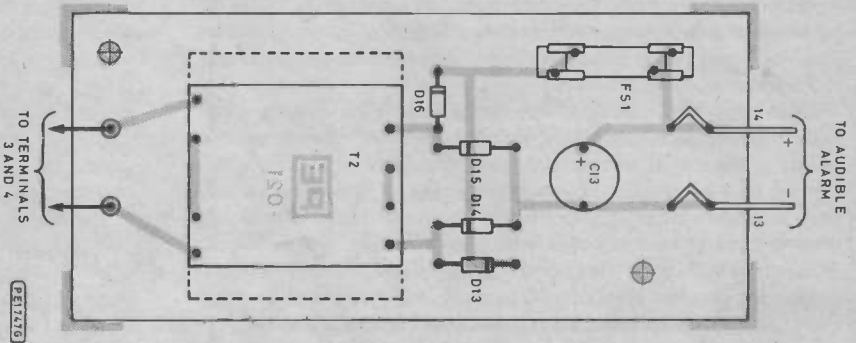


Fig. 4. Component layout for the bell driver board

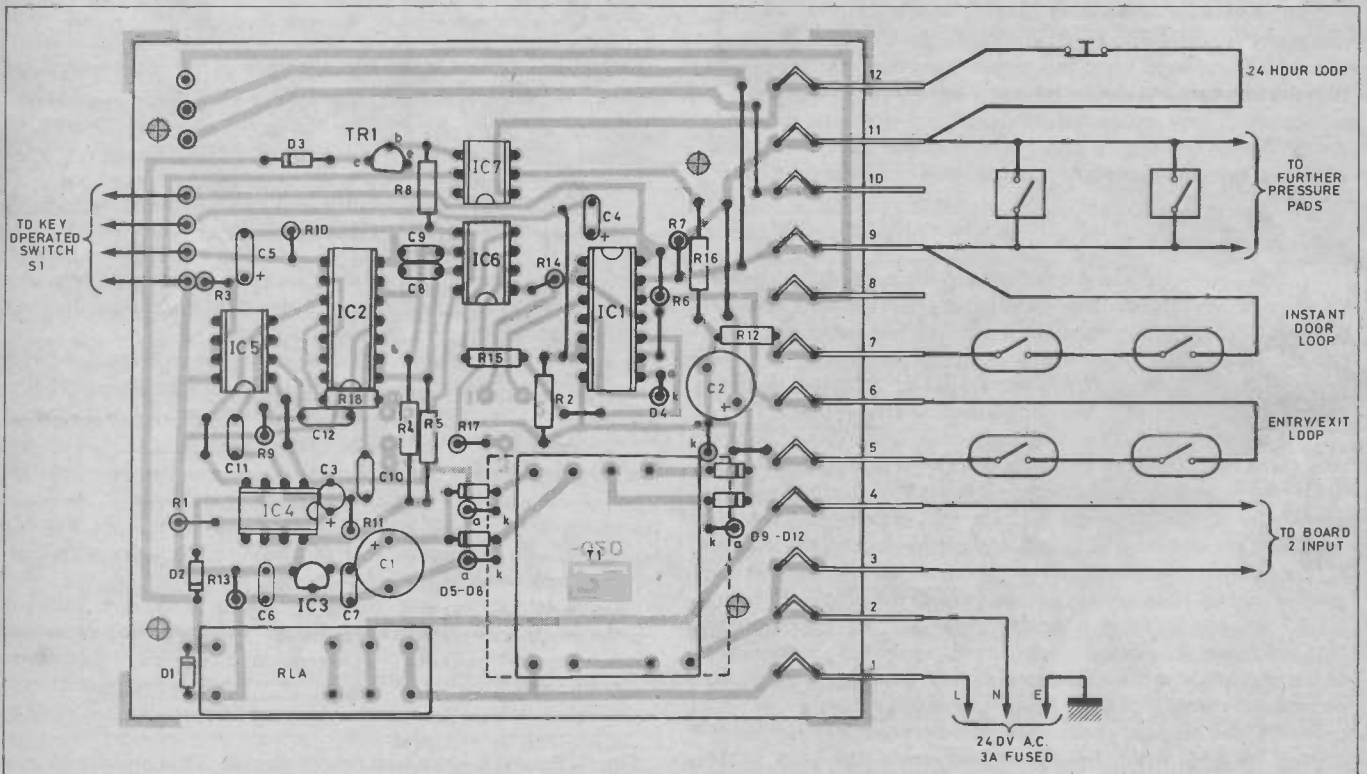


Fig. 5. Component overlay and wiring details for the Burglar Alarm main circuit board



## COMPONENTS . . .

### Resistors

R1	8M2
R2	2M2
R3	1M8
R4-R7	330k (4 off)
R8	47k
R9-R12	10k (4 off)
R13	4k7
R14-R16	3k3 (3 off)
R17,R18	1k (2 off)
All $\frac{1}{4}$ W $\pm 5\%$	

### Capacitors

C1,C2,C13	1000 $\mu$ elect. (3 off)
C3	47 $\mu$ elect.
C4	22 $\mu$ elect.
C5	10 $\mu$ elect.
C6-C10	100n (5 off)
C11,C12	1n (2 off)

### Semiconductors

D1-D12	1N4148 (12 off)
D13-D16	1N4001 (4 off)
D17	dual l.e.d.
D18	red l.e.d.
TR1	BC214B
IC1	CD4011BE
IC2	CD4093BE
IC3	78L12 voltage regulator
IC4,IC5	555 timers (2 off)
IC6	ILD74 dual opto-isolator
IC7	MCT2 opto-isolator

### Miscellaneous

FS1	1A 20mm fuse
RLA	12V, 205 $\Omega$ relay
S1	d.p.d.t. key-operated switch
T1	12V + 12V, 3VA mains transformer
T2	6V+6V, 6VA mains transformer

Case—approx. 167 x 96 x 74mm; main circuit p.c.b., available from the *PE PCB Service*, order code PE-020; bell driver board, order code PE-021;  $\frac{1}{2}$ in. p.c.b. blade connectors (12 off);  $\frac{1}{4}$ in. push-on connectors (12 off); insulating covers for blade connectors (12 off); adhesive p.c.b. supports; l.e.d. clips (2 off); cable grommets (2 off); fuse clips (2 off).

### TWO-ZONE MODEL ONLY

Toggle switch, changeover;  $\frac{1}{2}$ in. p.c.b. blade connectors (2 off);  $\frac{1}{4}$ in. push-on connectors (2 off); insulating connector covers (2 off).

When the circuitry has been properly fitted into the panel, the testing procedure can be carried out. In order to simplify testing, all the terminals from 5 to 14 which have a maximum of 12V supplied to them, can be connected to a 10-way terminal connector, so that the links between the terminals can be connected and disconnected more easily. It is also recommended that the bell output terminals, 3 and 4, are connected to a small 12V bulb to indicate an alarm condition in order to avoid the nuisance caused by bells ringing during testing.

First it is necessary to connect terminals 1 and 2 to the mains supply, fused via a 3A fuse and ensuring that both halves of the case are well earthed; then the bell driver board should be connected to the main board via terminals 3 and 4.

For the testing of the single zone panel, the following procedure must be undertaken. First it is required that the entry/exit loop is made by connecting terminals 5 and 6, the instantaneous loop is made by connecting terminals 7 and 9, and the series loop of the 24 hour circuit is completed by linking terminals 11 and 12. If the mains supply is connected and the key is in the off position, the dual colour l.e.d. will indicate green, showing that a condition where all the doors in the instantaneous loop have been closed and all the pressure pads are clear has been simulated. If the key is now turned to the on position the dual colour l.e.d. will remain green, but in addition the second red l.e.d. will light to indicate that the alarm is set. If the 24 hour loop between terminals 11 and 12 is made open circuit an alarm output will be indicated by the 12V bulb and this condition will remain until terminals 11 and 12 are re-connected.

Then the same procedure should be repeated to check that the 24 hour loop operates with the key switch in the off position. With terminals 11 and 12 re-connected and the key being turned off and on again to make sure the alarm has been reset, the instantaneous loop can now be checked. To check this loop the dual colour l.e.d. will first indicate green, but when the link between terminals 7 and 9 is removed this l.e.d. will go red and an alarm output will be triggered; when this link is re-inserted the alarm output should remain and can only be cancelled by turning the key to the off position.

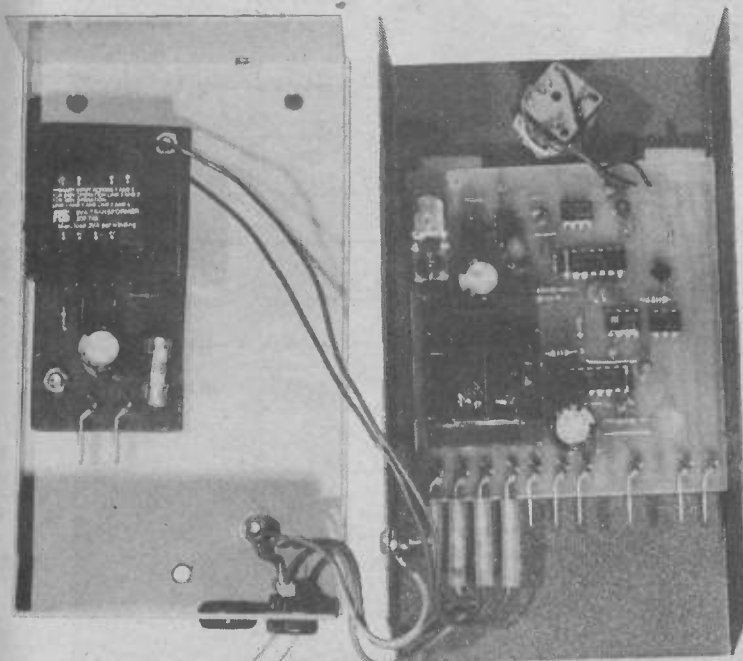
So that the pad circuit can be verified the link between terminals 7 and 9 must remain connected and the key switch turned on after the panel has been reset. When a link is shorted between terminals 11 and 9 (simulating input from a pressure pad) the dual colour l.e.d. should change from green to red and the alarm should be triggered as indicated by the illumination of the 12V bulb. Now disconnect the link between 9 and 11 and, as with the door loop circuit, the alarm will remain on until it is cancelled by turning the key to the off position.

The entry/exit loop is the final loop that is to be tested. With a "green" condition present, reset the alarm by turning the key off and then on again. As soon as the alarm has been turned on, remove the link between terminals 5 and 6 (simulating the opening of a door in the entry/exit loop), leave this link disconnected for between 17 and 23 seconds only and then reconnect it. If an alarm condition is not realised within a minute of this operation the exit delay has been verified. After the verification of the exit delay remove the link between terminals 5 and 6 once again; after a period of between 20 and 25 seconds an alarm output should appear, proving the correct operation of the entry delay.

When the operation of all the sensor loops has been checked, the only other test is to check that the 10 minute bell cut-off is working correctly. Reset the alarm and trigger an alarm output by shorting terminals 11 and 9 together; do not cancel the alarm. If the bell cut-off is working correctly, the alarm will automatically cancel itself after about 10 minutes (allow up to a maximum of 15 minutes). Note that the bell cut-off timer is not operational when the alarm has been triggered by the 24 hour loop.

Testing of the two-zone panel is carried out in the same manner as the single zone panel, but remember that there are two series door loops and two pressure pad circuits that are in operation when the zone switch is in position "A". When the zone switch is in position "B", the pressure pads and door loop circuits in zone two are inactive (cancelled)—see Fig. 6.

**Left, the photograph shows the completed unit, opened up to show p.c.b.s and interwiring**



## MECHANICAL CONSTRUCTION

When the building of the circuitry has been completed, it is necessary for it to be housed in a suitable box. This should be both pleasing to the eye and must be manufactured out of metal so that it will be resistant to attack. If a case of the same type and dimensions to that which is supplied with the kit is employed, the mechanical construction is very straightforward, provided that the instructions are followed carefully.

First it is important to cover all the drilled surfaces with masking tape to prevent the finish getting scratched, then mark out the position of all the holes. These holes must be positioned with a high degree of accuracy and centre punched prior to drilling. Failure to do this could easily result in circuit boards not fitting into the panel or possibly the final appearance being marred. To make the hole for the key switch use the largest drill available and enlarge with additional filing (pre-punched in kit form).

Now fit the key switch, fastening it tightly so that the body will not rotate when the key is turned. There are 2 holes drilled in the front of the panel for the l.e.d.s into which the 2 bezels from the l.e.d. clips should be inserted (the ring part of the clip is not used). The main p.c.b. should be placed so that the l.e.d.s soldered to it line up with the bezels; bending of the l.e.d. leads may be required to enable exact alignment. When the exact placing of the main circuit board has been established, the self-adhesive p.c.b. supports should be inserted into the board. When you are confident of the exact positioning, peel the back from the adhesive fixing and press the p.c.b. firmly into place, ensuring each support is well stuck down and the l.e.d.s fit correctly into the bezels. These p.c.b. supports space the circuit board 13mm from the front of the panel and, being adhesive backed, avoid unsightly holes having to be drilled into the front of the panel. At this point the appropriate wires from the p.c.b. should be soldered to the key switch.

Next, the bell driver board should be fixed to the base using 4mm bolts. A sheet of insulating material such as a piece of blank p.c.b. *must* be sandwiched between this board and the metal base, to prevent shorting of the tracks, especially when one considers that this board is *live*.

Next, earth tags should be attached to both the base and the front half of the panel using 4mm bolts, scraping away the paint from where the tags are to be mounted. Both of these terminals should be connected to mains earth.

Once the cable grommets have been inserted, the construction of the panel has been completely finished. When the panel has been installed, make sure all the wires leading to the panel are well clamped, and if possible, they should be run in conduit for protection.

## OPERATION

Once the panel has been installed in accordance with the wiring diagrams shown, make sure that any unused series loop is short circuited and that any unused parallel circuit is left open circuit.

The presence of power is indicated by the illumination of the dual colour l.e.d.; this will normally be red when the premises are occupied. When you wish to set the alarm all the doors protected by the instantaneous loop must be closed and all the pressure pads must be "clear", so that a green condition will be indicated. The alarm must not be set if a green condition does not exist. When the l.e.d. is green the alarm is set by turning the key 90° in a clockwise direction, this will be confirmed by the illumination of the second l.e.d. The building must then be vacated within the exit period of 20 seconds after the alarm has been set, via a door protected by the entry/exit circuit. This exit time can be reset by turning the alarm off and then on again.

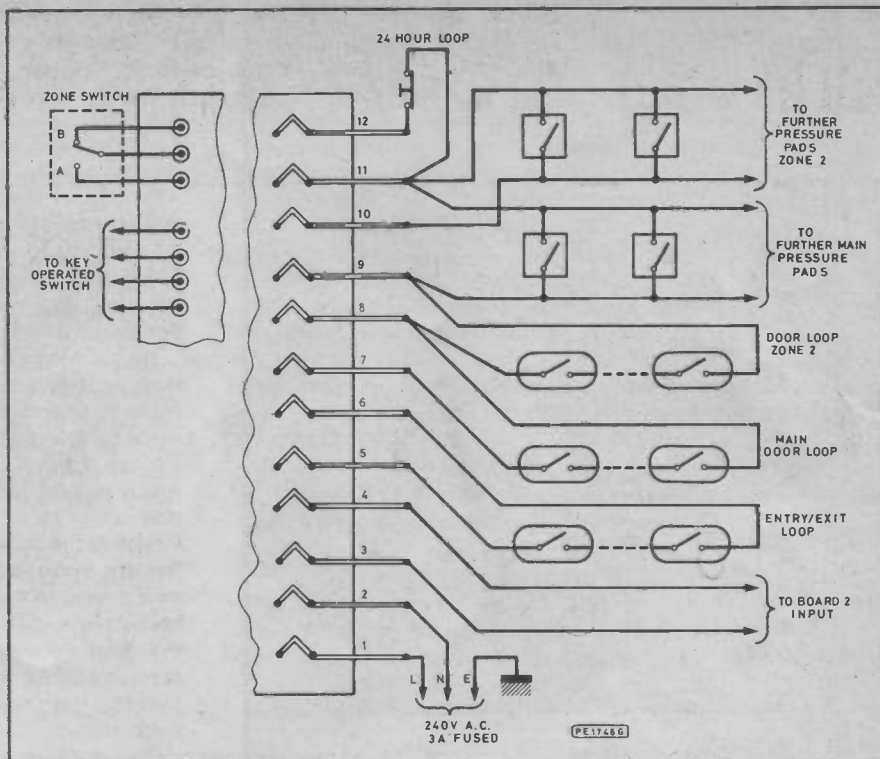
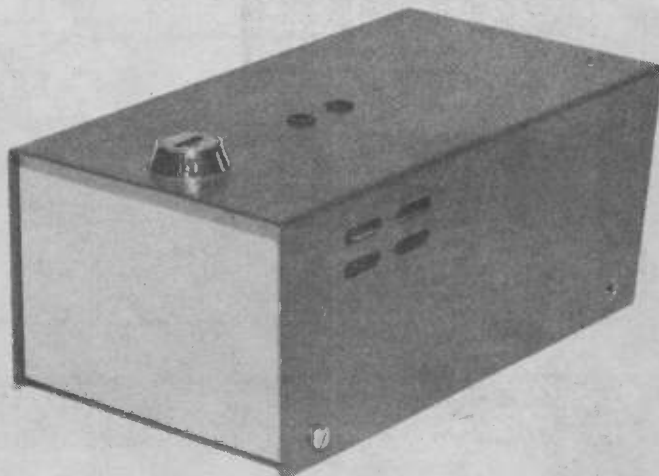


Fig. 6. Wiring details for two-zone operation of the Alarm

When returning to the premises the key must be turned to the off position within the entry time of 30 seconds, otherwise the alarm will be activated. Note that a door in the entry/exit circuit being left open *will not* prevent a green condition being indicated on entry.

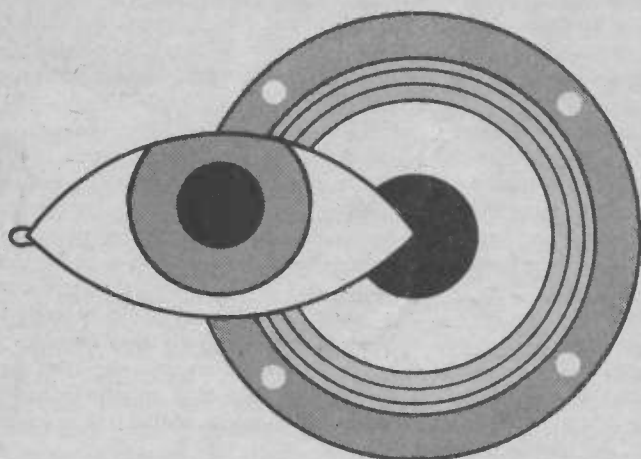
The 24 hour Panic circuit will operate even when the rest of the alarm is not set. This circuit is the only one that will not allow the alarm to be silenced after the normal 10 minute cut-off time. The only way that the alarm can be silenced when a panic button has been operated is to reset the particular button with the key provided. With the 2-zone panel, a second set of parallel and series circuits is provided that will only be operational when the zone switch is in position "A": in this case, there are two parallel pressure-pad circuits between connectors 9, 10 and 11, and two series door loops between connectors 7, 8 and 9. In position "A", connector 10 is common to 9, while in position "B" (single zone), connector 9 is common to 8. ★



### Constructors' Note:

A complete kit of parts is available, or p.c.b.s only, for single or dual zone models from J. R. Alarms. Also available: the unit ready-built and tested; and a system which includes eight door switches, one panic button and two pressure pads.

all in your **MARCH** issue!



## FIBRE OPTIC AUDIO LINK

Practical electronics at the forefront of technology with a digital transmission system for audio signals using state of the art optical techniques. Applications include uses in hi fi systems and intercoms demanding low loss and low distortion characteristics.

## AMSTRAD I/O

The 8255 Peripheral Interface Adaptor is used to give your Amstrad micro 24 I/O interface lines.

## CLOCK TIMER

A battery/mains powered darkroom timer with semi-traditional clockface arrangement of l.e.d.s with auto-dimming capability.

## SPECIAL FEATURE

**ELECTRONIC  
MAIL**

PRACTICAL

# ELECTRONICS

ROBOTICS · MICROS · ELECTRONICS · INTERFACING

MARCH 1986 ISSUE ON SALE FRIDAY, FEBRUARY 7



Interesting results with regard to the atmosphere of Mercury have been obtained by two American astronomers, A. Potter and T. Morgan, from the McDonald Observatory in Texas. Apparently sodium is a major constituent of this excessively tenuous atmosphere.

Potter and Morgan even suspect that Mercury has a "tail" not unlike the ion tail of a comet. The origin of the sodium is uncertain; it may be produced internally, but is more likely to be sputtered off surface minerals by the solar wind.

The Sun itself remains decidedly inactive, with very few spot-groups. This may indicate that there will be no major short-term changes in the tail of Halley's Comet, at least on the scale of those observed at the 1910 return.

Plans for the launching of the Hubble Space Telescope, a 94-inch reflector, seem to be going well, and there is every hope that the telescope will be in orbit during 1986, though not, unfortunately, in time to make the best use of the return of Halley's Comet.

#### VOYAGE TO URANUS

The main "space news" this month is, of course, the rendezvous of the *Voyager 2* probe with Uranus, which is due on the 24th.

Uranus is in many respects a most peculiar planet. It is now known to be slightly larger than Neptune, though not so massive; it has a unique axial tilt—98 degrees to the perpendicular of its orbital plane—so that at present it is almost pole-on to the Sun.

The rotation period is now thought to be about 16.2 hours, considerably longer than was believed a few years ago, but the Uranian "calendar" must be very strange, with each pole having a "night" equal to 21 Earth-years, with corresponding "midnight sun" at the opposite pole. The Uranian atmosphere is clear and transparent to great depths (unlike Neptune's, which contains obvious aerosols), and there is less ammonia than with Jupiter, Saturn or Neptune. There seems to be a rocky core, surrounded by a deep shell of water ice and an outer "atmosphere" made up largely of hydrogen, together with some methane.

Uranus also differs from the other giant planets inasmuch as it appears to lack an internal heat-source, so that it is no warmer

## The Sky This Month

The coming year will be of special importance for astronomers—particularly, perhaps, for those who are interested in the Solar System. But for the planetary observer, 1986 starts off on a rather dull note.

Mercury and Venus are to all intents and purposes out of view (Venus passes through superior conjunction on the 19th of January); Jupiter, in Capricornus, sets not long after the Sun. Saturn is visible low in the south-east just before sunrise; Mars, in Libra, is also a morning object, but its magnitude is only 1.4, and even large telescopes will show little upon its disk. Even the outer planets are poorly placed; Uranus is in Ophiuchus, Neptune in Sagittarius and Pluto in Virgo.

To make up for this, we have the usual splendid display of winter constellations—dominated by Orion, which is high in the south after dark. As all star-gazers know, the three stars of the Hunter's Belt point downward to Sirius, which is much the most brilliant star in the sky.

Though, admittedly, it owes its pre-eminence mainly to the fact that it is comparatively close to us, Sirius is "only" 26 times as powerful as the Sun, whereas Rigel in Orion can match at least 60,000 Suns. The distance of Sirius is a mere 8.6 light-years; and of the first-magnitude stars, only the southern Alpha Centauri is closer than that.

Note, too, that although Sirius is a pure white star, it twinkles violently, and flashes various colours. This is because it is so bright, and is always fairly low down as seen from England.

Surprisingly, many of the old astronomers (including Ptolemy, who died around A.D. 180) described Sirius as red. Certainly it is not red now, and there seems to be no chance that it has genuinely altered since ancient times, so that there must be some error in interpretation; all the same, it is decidedly curious.

Capella is now almost at the zenith during evenings (the position occupied during summer evenings by Vega). Capella is yellow, like the Sun, but is much more luminous, and is actually a very close binary. Close beside it is the little triangle of stars making up the 'Hædi', or Kids; at the apex of the triangle is the remarkable Epsilon Aurigæ, an eclipsing binary with a period of 27 years.

The eclipsing secondary has never been seen, and its nature is uncertain. The last eclipse ended in 1984, and

by now Epsilon is back at maximum, slightly brighter than the second 'Kid', Eta Aurigæ; but there are suspicions that it is never quite steady in light, and it is worth watching.

The prototype eclipsing binary, Algol (Beta Persei) is high up. Its usual magnitude is 2.1, about equal to the Pole Star, but at minimum it falls to 3.4. During January, suitable minima occur on the 8th (3.4 hours G.M.T.), 11th (0.2 hours), 13th (21 hours) and 31st (01.9 hours). The most famous of the intrinsic variables is Mira in Cetus (the Whale), which has been known to exceed magnitude 2; the period is 331 days, but during this month it is far too faint to be seen with the naked eye.

#### HALLEY'S COMET

The first part of January is the very last time that Halley's Comet will be a naked-eye object from Britain—that is to say until the next return, that of the year 2061. The comet moves through Aquarius; the positions are as follows:

January 1, R.A. 22h 15m, declination S. 2° 34'  
 January 5, R.A. 22h 06m, declination S. 3° 28'  
 January 10, R.A. 21h 56m, declination S. 4° 28'  
 January 15, R.A. 21h 47m, declination S. 5° 23'

After the 15th, the comet will set so soon after the Sun that it will be lost in the evening twilight. Look, however, on the 13th, when the comet will be close to Jupiter and the crescent moon. The Moon itself will not interfere badly, as it is new on January 10; by the time of full moon (January 26) the comet will have been lost. Perihelion occurs on February 9, but will be unobservable from Earth; the only hope of recording it at this time will be from the Pioneer probe now in orbit round Venus.

Generally speaking, Halley's Comet develops its tail to the maximum extent well after perihelion. It will be at its closest to the Earth next April (about 39,000,000 miles), but will be too far south to be visible from Britain, and by the time it returns to our skies it will have faded below naked-eye visibility. So make the most of your opportunities this month, and by all means try some photography.

At the time when I write these words (November 8) it is uncertain whether or not the comet will be easily visible without optical aid; we must hope for the best. The coma is already very large, with a diameter of over 600,000 miles (more than half that of the Sun), but the comet is decidedly diffuse.

than Neptune even though it is much closer to the Sun. Its revolution period is 84 years.

Vague bands and spots have been reported on the pale, greenish disk, but photographs taken in 1970 from the Stratoscope balloon telescope showed no cloud features.

The outlook for *Voyager 2* appears to be fairly good. Following the pass of Saturn the scan platform carrying the cameras gave trouble, and some valuable data were lost; it was originally believed that the probe had been damaged by collision with a piece of ice, but it now seems that it seized up because of several hours' use of the high-rate motion in azimuth. Subsequently, lubricant seeped back into the mechanism, but it was a salutary warning, and the high-rate slew will not be used again.

Preliminary results have shown that, surprisingly, no "weather patterns" are obvious. It is still too early to come to any definite conclusions, but all the planets so far studied from space-probes have provided their quota of shocks, and no doubt Uranus will continue the trend!

## SEQUENCE OF EVENTS

The time-table for this month is as follows:

January 10: the "far-encounter" sequence begins.

January 23: *Voyager* may enter Uranus' magnetosphere. Of course, we will have no definite proof that a magnetosphere exists, but all the indications are that it does, even though the extra-ordinary axial tilt may show that the conditions are quite different from those of Jupiter or Saturn.

January 24: the main encounter sequence. Minimum distance from Uranus will be at 18h, 50,700 miles from the cloud-tops. All five satellites will also be surveyed, between 15h 11m and 20h 53m.

January 25: Search for auroræ on the night-side of the planet.

Further observations will be made until 25 February, when the Uranus encounter will be regarded as complete.

Uranus has its own satellite family, about which very little is known at the moment.

The smallest satellite, Miranda, will be examined in the greatest detail, since *Voyager* will by-pass it at a mere 18,000 miles. The minimum encounter distances for the other satellites are 231,000 miles for Titania, 293,000 miles for Oberon, 79,000 miles for Ariel and 202,000 miles for Umbriel.

It is reasonable to assume that all five satellites will be icy, similar to the icy satellites of Saturn, and that they will be cratered; but we cannot be sure. Remember that two other planetary satellites, Europa in Jupiter and Enceladus in Saturns, are very smooth.

Obviously the ring-system will also be examined, and a search will be conducted for any extra satellites. The whole encounter will be of absorbing interest, and I will report upon it when results come to hand.

Let us hope that *Voyager 2* continues to perform well. If not, we must resign ourselves to a long wait before collecting any further close-range data from this strange, remote world.

# Ingenuity Unlimited

A selection of readers' original circuit ideas. Why not submit *your* idea? Any idea published will be awarded payment according to its merits.

Each idea submitted must be accompanied by a declaration to the effect that it has been tried and tested, is the original work of the undersigned, and that it has not been offered or accepted for publication elsewhere. It should be emphasised that these designs have not been proven by us. They will at any rate stimulate further thought.

Articles submitted for publication should conform to the usual practices of this journal, e.g. with regard to abbreviations and circuit symbols. Diagrams should be on separate sheets, not in the text.

**T**HIS circuit was primarily designed for interfacing satellite transmitted data with the tape input port of a microcomputer but can be used to clean up any serial frequency shift keyed (FSK) data. Poorly taped software can be cleaned up tape to tape, without having to load into memory and then punch a new tape. (I can't think why anyone should want to do that!)

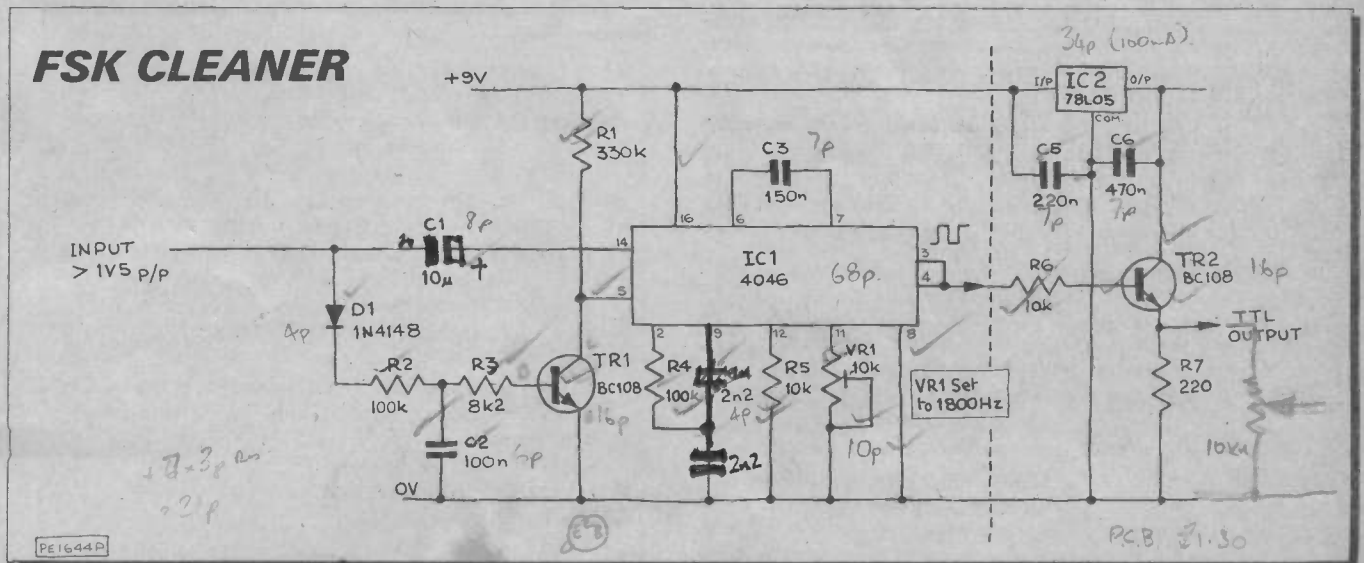
The circuit is designed to accept high/

low frequencies of 2400 and 1200Hz and will operate at up to 1200 Baud.

The system being a phase locked loop, has the advantage of being frequency conscious rather than level conscious as in similar systems using Schmitt triggers. This gives good noise rejection and by using a limited capture range the loop will automatically act as a band pass filter. The circuit will lock onto inputs as low as 1.5V peak to peak and

the output at pins 3 and 4 will be a 9V "squared-up" copy of the input. (CMOS compatible.) In the absence of any input, TR1 switches off allowing pin 5 to go high and thus inhibiting the free running oscillator from appearing at the output. IC2 and TR2 form a TTL compatible buffer if needed.

S. Grosvenor,  
Stranraer.



# Logic Probe Tim Watson

TTL and CMOS compatible logic test aid with advanced features including waveform indicator

FOR anyone dealing with digital circuitry, a logic probe is an invaluable if not essential instrument for proving and testing circuits and projects. There are many types around, offering facilities varying from the basic high/low indication to advanced logic analysis.

## SPECIFICATIONS

The probe described in this article offers a compromise between great expense and high specification. It features; high/low indication, switchable test for TTL and CMOS, tone indication, pulse catcher and pulse waveform indicator.

Unlike some "hobby" logic probes, the input impedance is around 5M which is sufficient to avoid undue loading of the circuit under test. Because of the high input impedance, a screened probe is used as stray noise pick-up on the input would, otherwise, give rise to false readings.

## CIRCUIT DESCRIPTION

Fig. 1 shows the full circuit diagram of the logic probe, and the circuit operation is as follows. Starting from the input, R4 to R8 form a resistor ladder to produce the switching levels of TTL or CMOS circuits, depending on the setting of S1. These levels are compared by IC1 and IC2 with the probe voltage. IC1 and IC2 need to be true comparators, since op-amps are generally too slow and would stop the probe's ability to "catch" short pulses. D1, D2 and R1 give protection against the probe voltage being outside the supply levels. R2 and R3 bias the probe into the middle of the float region, so that when the probe is open circuit a reading of "float" is given.

Table 1. Comparator output truth table

Comparator outputs		Meaning
IC1	IC2	
0	0	Float
0	1	Low
1	0	High
1	1	Not possible

Table 1 gives the meanings of the comparator output combinations. These outputs drive the high and low l.e.d.s directly. IC3a and IC3b form an EX-NOR gate, the output of which is buffered by IC4a to drive the float l.e.d. The comparator outputs are cleaned up by IC3c and IC4b, and the rest of the circuit operates from these signals.

R12, D6, C1 and IC3d detect a change from the float state to another state. If this happens then the flip-flop formed by IC5a and IC5b is set. Thus if the change is of short duration it is not lost. S2 resets the flip-flop but note that the flip-flop cannot be reset when the probe is in the float state. Thus, the circuit counts a change as a change from high or low to either of the other possible states. The logic to detect a pulsing waveform, which is counted as being about 10Hz or greater is formed by R16, R17, C3, C4, D8, D9 and IC5c.

The oscillator for the tone is based around IC5d. If the probe input is high then C5 is charged via R18 and if it is low then C5 is charged via R19. In both cases the discharge path is R21 and, thus, the two different tones are generated.

## COMPONENTS . . .

### Resistors

R1	1k
R2, R3	10M (2 off)
R4	12k 1%
R5	4k7 1%
R6	3k3 1%
R7, R8	3k6 1% (2 off)
R9-R13, R15, R20	510 (7 off)
R14, R16, R17, R19	1M (4 off)
R18	220k
R21	10k

### Capacitors

C1	47p
C2-C4	100n disc ceramic (3 off)
C5	10n miniature dipped case

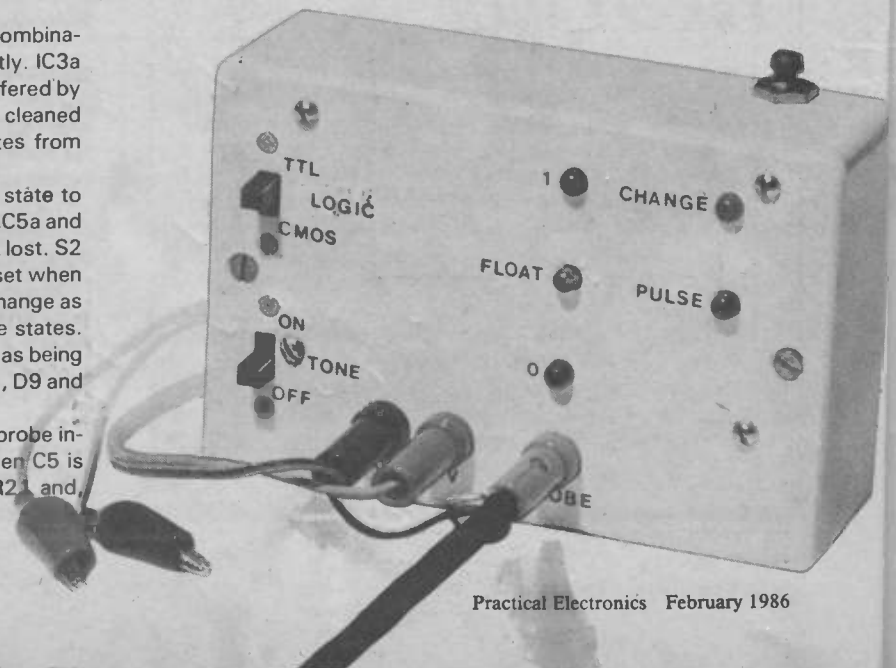
### Semiconductors

D1, D2, D8-D11	1N4148 (7 off)
D3	0.2in l.e.d. green
D4, D12	0.2in l.e.d. red (2 off)
D5	0.2in l.e.d. orange
D7	0.2in l.e.d. yellow
IC1, IC2	LM311N (2 off)
IC3	4070
IC4	4041
IC5	4093

### Miscellaneous

8 pin d.i.l. socket (2 off); 14 pin d.i.l. socket (3 off); S1 d.p.d.t. switch; S2 push to make; S3 S.P.S.T. switch; Piezo transducer wire; cable; sockets, etc.

**Constructors' Note:** Please note it was found that in practice, the Logic Probe functions better if D6 is replaced by a link. The p.c.b. for the Logic Probe is available from the PE PCB Service, order number 024



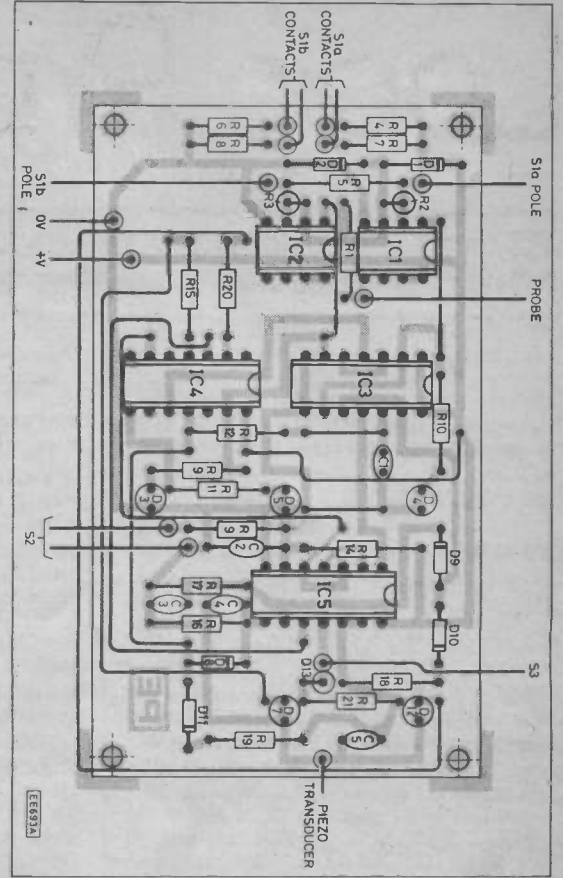
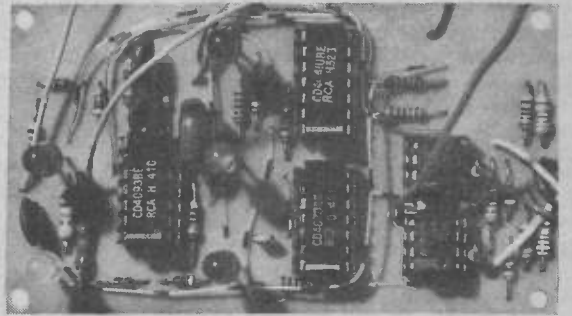


Fig. 2. P.c.b. design, component layout and wiring diagram of the Logic Probe



**CONSTRUCTION**

The prototype for this project was built to fit into a small case measuring 110 x 75 x 35mm. All the l.e.d.s, switches and probe sockets can be neatly mounted on the front of the case.

Construction starts with the p.c.b., shown in Fig. 2. The smaller components such as the resistors and capacitors should be mounted first, leaving plenty of working space for the larger components. These are followed by the i.c. sockets, l.e.d.s and interconnecting wires. The p.c.b. is quite compact, so care must be taken to avoid solder splashes and bad joints.

Once the board has been carefully examined for good workmanship, the interconnections to the switches and sockets may be made, then after a final check, the i.c.s can be inserted. It would be wise at this point, to connect up and test, before finally mounting the board in the case.

**TESTING**

There should be little problem testing the logic probe, and providing care has been taken during assembly, it should work first time. Connect the supply leads to a suitable logic supply and make sure that the level (TTL or CMOS) switch is set to the correct type. Touching the probe onto a high level should cause the high indicator to glow, and a similar result should be apparent for a low test. To test for correct pulse and change indications, the probe may be very quickly touched onto a high level and then a low level. When the probe is not connected, the float l.e.d. should light. ★

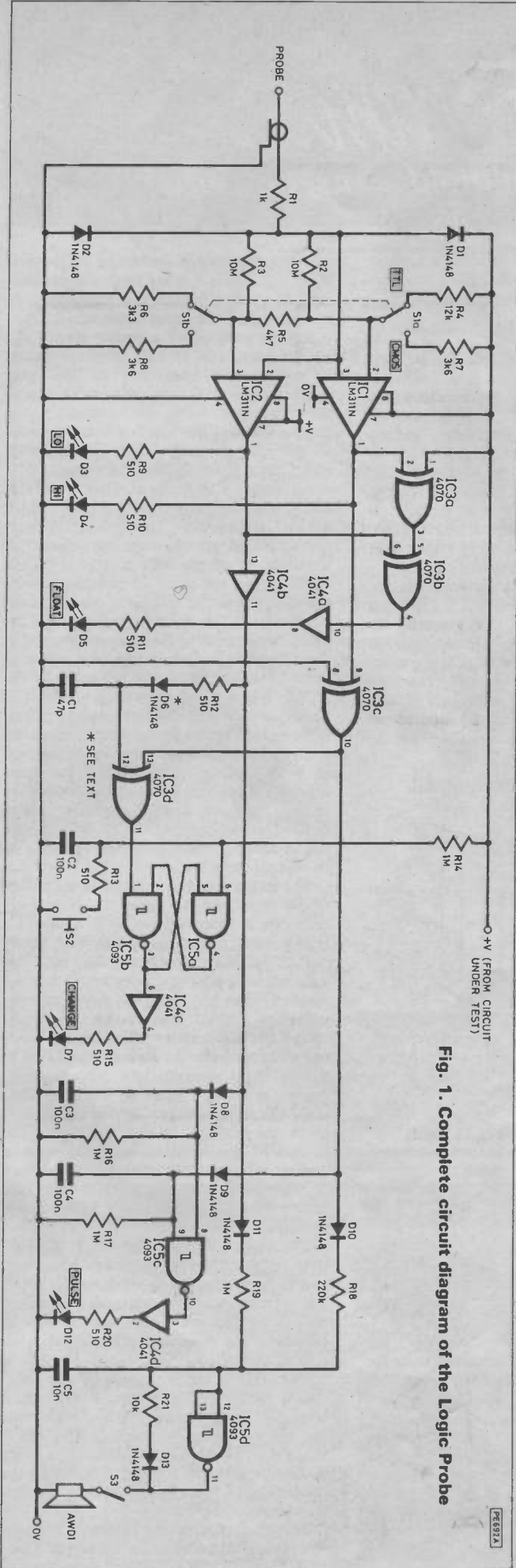


Fig. 1. Complete circuit diagram of the Logic Probe

# BBC Micro Forum...

David Whitfield MA MSc CEng MIEE

THE BBC Micro's sideways ROM facility is a much vaunted and extremely useful feature of the machine. This month we take the lid off the sideways ROM system, and look at how the ROMs are organised and controlled within the micro.

## SIDEWAYS ROMS

The idea of using ROMs for storing software is now well established in all areas of computing and control applications. However, and as you might well have guessed from previous encounters, the structure of the bytes inside a sideways ROMs in the BBC Micro is a little more complex than simply starting the code in the first available byte, and continuing from there. Before looking at this structure, however, it is worth reviewing the overall concept of the sideways ROM system.

Essentially the sideways ROM system in the BBC Micro is an ingenious method of overcoming the address range limitations of the 6502, but without resorting to loading programs from tape or disc. Since it has become the norm for a home computer to be ready to run BASIC immediately after switch on, this really requires the language to be provided in ROM. The BBC Micro has an addressing range of only 65536 (64K) memory locations. The BASIC language ROM uses a quarter of this address range on its own, and this does not leave much spare for other uses. What is done, therefore, is to provide a means of switching out the Basic ROM when not required, and switching in another language. This other language may be a 'real' language (e.g. Forth, BCPL), or an application such as a word processor. The hardware and OS 1.20 software in the micro allow up to sixteen such ROMs to be used (with a suitable ROM expansion card).

The memory map for the BBC Micro is shown in Fig. 1. From this we can see that the sideways ROMs occupy memory addresses 8000 to BFFF, i.e. 16K of address space. In practice, sideways ROMs are usually either 8K or 16K ePROMs (erasable by ultra-violet light). The actual ROM selected at any time is determined by a hardware register located at FE30. However, this is a write-only register, so the MOS keeps its own record of the currently selected ROM in RAM location 00F4 (for OS 1.20). Issuing the following command from the keyboard while BASIC is active should therefore indicate the socket occupied by the BASIC ROM:

```
PRINT "Current ROM = ";?&F4
```

When looking at the result, it is worth remembering that the four sockets on the standard machine are numbered 12 to 15. The OS maintains the contents of location 00F4 so that it always reflects the setting of the hardware latch. Changing the currently selected ROM via the various OS calls provided will ensure that the system continues to operate correctly. It is *not* advisable,

however, to manipulate the hardware select register directly from BASIC, since this may crash the machine by de-selecting BASIC.

## FINDING BASIC

The MOS treats BASIC as a special case of a sideways ROM. As we shall see later, BASIC is recognised by being a language ROM without a service entry (all will be explained!). The MOS provides, among other facilities, an OSBYTE call (187) to allow the current location of the BASIC ROM to be determined. This call returns the socket number in the X register; if BASIC is absent, the value will be FF. Thus, if we run the program in Listing 1, the result should be the same as obtained earlier.

This OSBYTE call is very useful for diagnostic programs which mix BASIC and assembler. It allows us, for example, to write programs which have machine code sections for analysing ROMs, safe in the knowledge that we can always return to BASIC at the end. The control, set up and display sections can thus be written in BASIC, leaving the data collections to machine code procedures.

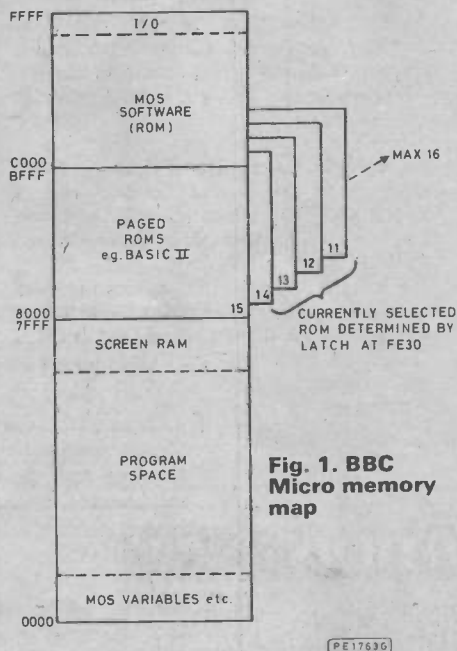


Fig. 1. BBC Micro memory map

## ROM STRUCTURE

The ROMs in the BBC Micro are required to have a defined structure in order to operate correctly in the machine. This structure affects the use of the first few bytes in the ROM, i.e. the twenty or so bytes starting at address 8000. The format required of a sideways ROM is summarised in Table 1. This table identifies the offset in bytes from the start of the ROM. 8000 must thus be added to get the effective address when the ROM is located within the machine. Thus, for example, the binary

version number will be found in location 8000 + 8. Table 1 is far from self explanatory, so a few words are probably appropriate on each of the items in the table.

Any program which is written such that it is independent of another language should be written as a language. The first three bytes in the ROM contain an instruction of the form JMP nnnn, where nnnn is the jump address. Thus the first byte is always 4C (the JMP opcode). If there is no language entry, these bytes should all contain 00.

All paged ROMs must have a service entry, with the exception of BASIC (which is how it is detected!). This is the entry point to the ROM which must be capable of handling all of the calls sent to it by the MOS. There are in all 21 possible service call codes, and the call ID is passed in the accumulator. For example, call type 9 is the \*HELP call, and the ROM must respond at once. Service call 4 is used for allowing "new" \*commands to be provided by the ROM. When a service call is made it is passed to each ROM in turn (highest priority first) until one is found which recognises the call. This ROM will then set the call type to 0 to indicate that the call has been serviced. The three bytes in the header are in the form of a JMP mmmm, where mmmm is the start of the ROM's service call processing routine. BASIC contains 00 in each of these bytes.

The ROM type byte identifies the nature of the ROM. In the main, this byte takes only one of three values: &C2 indicates a ROM with language and service entry points, e.g. View, Wordwise; &82 indicates a ROM with only a service entry, e.g. the Acorn DFS; while Basic has a type number of &60.

The copyright offset identifies the number of bytes from the start of the ROM to the 00 byte immediately preceding the copyright string's opening bracket. Thus 8000 plus the contents of the offset byte gives the address of the null byte. The format of this string is vitally important, and must start with a 00 byte, and then "(C)", since this is what the MOS checks for in detecting the presence of a ROM during initialisation.

The binary version number is a single byte provided solely for the programmer, and it is never used or read by the MOS. The version string is optional, and is not output by the MOS, although it can be output by the programmer during the processing of \*HELP.

The title string is output by the MOS when the ROM is initiated if it is a language. Thus typing \*BASIC will cause the title string to be printed. The ASCII string is terminated by a 00 byte. This string is also usually the one printed during the processing of \*HELP, followed by the version string.

The final item in the header is the tube relocation address. This four-byte value



gives the address in the second processor's memory to which the contents of the ROM will be copied. A tube relocation address is

Addr	Bytes	ASCII
8000	4C 96 80 4C 30 80 C2 16 L. L. O...	
8008	10 57 4F 52 44 57 49 53 .WORDWIS	
8010	45 00 31 2E 32 30 00 28 E.1.20.(	
8018	43 29 31 39 38 34 00 28 C)1984 C	
8020	4F 4D 50 25 54 45 52 20 COMPUTER	
8028	4F 4E 43 45 54 50 54 53 CONCEPTS	
8030	08 48 C9 04 F0 07 C9 09 .H.....	
8038	0E 4C EA 81 98 48 8A .L...H..H..	
8040	48 A2 00 B1 F2 29 DF DD H.....	
8048	09 80 D0 3E C8 E8 0E 08 .....>...	
8050	90 F1 B0 3A 68 A4 68 A8 .....h..h..	
8058	68 28 60 68 A4 68 A8 h(zh..h..h	
8060	A9 00 28 60 A9 7B 85 51 ..(z..(z	

Fig. 2. ROM header example

```

10 REM Basic ROM Socket Number
20 REM -----
30 REM
40 OSBYTE-&FFF4
50 Temp%=%X
60 DIM PX 10
70 [OPT 0
80 .basic: LDA #187: LDY #&FF
90 LDX #0: JSR OSBYTE in: RTS:}
100 PRINT "Basic ROM in socket ";
110 S=(USR(basic)&AND&FFF0)/DIV256
120 %X=&202: PRINT S: %X=Temp%

```

Listing 1 BASIC ROM position

Offset	Contents
0	Language entry point
3	Service entry point
6	ROM type
7	Copyright offset pointer
8	Binary version number
9	ROM title string
&00	Version string
&00	"(C)" + Copyright string
&00	Tube relocation address
&00	ROM software

Table 1. Sideways ROM format

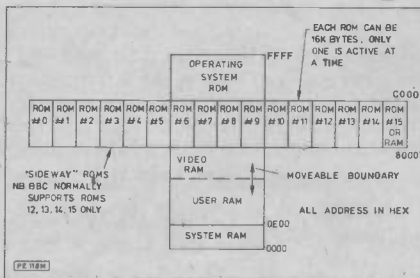


Fig. 3. Another way to view the BBC Micro memory map

expected by the MOS if bit 5 of the ROM type is set. The ROM must, however, be written with this relocation in mind if second processor operation is required, since no address conversion in the code will occur.

### INSPECTING ROMS

The description above is a little heavy going to say the least! In truth it is only possible to give a brief flavour of the subject to get you interested in what really is a fascinating area of the *BBC Micro*. A fuller description of the sideways ROM system will be found in the following books (two of which have been reviewed in earlier columns):

## Useful Book Reminder

The *BBC Micro ROM Book*, by Bruce Smith, Collins, ISBN 0-00-383075. A very readable step-by-step guide to the working of ROMs, and writing software for them.

The *Advanced User Guide*, Bray, Dickens and Holmes, Cambridge Microcomputer Centre, ISBN 0 946827 00 1. A very complete guide in Chapter 15, but heavy going. Reading one of the other two books first will avoid mental indigestion.

*BBC Micro ROM Paging System*, Watford Electronics. A good introduction which is also useful as a summary in conjunction with either of the other two books.

To bring the description of sideways ROM structure to life, one of the best ways is undoubtedly to look inside a ROM to see how it works. An example of the header of a ROM is shown in Fig. 2.

Finally, it is worth knowing that the MOS provides us with a way to read a byte from a selected ROM. If the routine OSRDRM is CALLED at FF9 with the ROM number in the Y register, the address in the ROM in locations 00F6 and 00F7, the value in the ROM byte indicated will be returned in the A register.

**★ BAKER ★**

GROUP P.A. DISCO AMPLIFIERS post £2

150 watt Amplifier + 4 input Mixer pre-amp. Illustrated ..... £99  
 150 watt Output, Slave 500 mv. Input 4+8+16 ohm. Outputs ..... £80  
 150+150 watt Stereo, 300 watt Mono Slave 500 mv. Inputs ..... £125  
 150 watt P.A. Vocal, 8 inputs. High/Low Mixer Echo Socket ..... £129  
 100 watt Valve Model, 4 inputs, 5 Outputs. Heavy duty ..... £125  
 60 watt Mobile 240v AC amp. 4+8+16 ohm+100v line ..... £89  
 MIKES Dual Imp £20, Floor Stand £13, Boom Stand £22, PP £2

Reverb Unit for Microphone or Musical Instruments £35 PP £1  
 Electronic Echo Machine for microphone, £85, Deluxe £95 PP £1

**H+H** 1000w mono, 500w stereo quality amplifiers, model £275 PP £5  
 £5000, reconditioned, guaranteed

DISCO CONSOLE Twin Decks, mixer pre amp £145, Carr £10,  
 Ditto Powered 120 watt £199; or Complete Disco 120 watts £300,  
 150 watt £300; 360 watt £410, Carr £30.

DISCO MIXER, 240V, 4 stereo channels, 2 magnetic, 2 ceramic/  
 tape, 1 mono mic channel, twin v.u. meters, headphone monitor  
 outlet, slider controls, panel or desk mounting, matt black face.  
**Tape output facility. £59. Post £1.**

**DELUXE STEREO DISCO MIXER/EQUALISER** as above plus L.E.D.  
 V.U. displays 5 band graphic equaliser, left/right fader, switchable  
 inputs for phono/tape, mike/line. £129 PP £2

Headphone Monitor, Mike Talkover Switch ..... £129 PP £2  
 As above but 3 deck inputs, 4 line/aux inputs, 2 mic inputs, 2  
 headphone monitors £145.

**R.C.S. DISCO LIGHTING EQUIPMENT**  
**READY BUILT DELUXE 4 CHANNEL** 4,000 WATT sound chaser +  
 speed + 4 processors £69, Mk2 16 processors, £89 PP £2.

**PARTY LIGHT** 4 coloured Flood Lamps Flashing to Music.  
 Self-contained Sound to Light 410 x 156 x 115mm £34.95 PPE2.

**FAMOUS LOUDSPEAKERS - SPECIAL PRICES**

SIZE	POWER	OHMS	(PHYSICAL SIZE IS NOMINAL MAX FRAME DIMENSION)	PRICE	POST
3 1/2 in	10	8	Audax	Mini Woofer	£4
5 in	20	4 or 8	Goodmans	Ford Car Radio	£6
5 1/4 in	60	8	Sound Lab	Hi Fi Twin Cone Full Range	£10
5 1/2 in	25	8	Audax	Bertone Cone Woofer	£10.50
6 1/2 in	60	8	Sound Lab	Hi Fi Twin Cone Full Range	£11
6 1/2 in	25	4 or 8	Audax	Woofer	£7.50
6 1/2 in	15	8 or 15	EMI	Woofer	£6.50
6 1/2 in	35	8	Audax	Bertone Cone woofer	£17.50
8 in	30	8	Goodmans	Twin Cone, Hi Fi, Full Range	£7.50
8 in	20	8	Far East	Twin Cone, Hi Fi, Full Range	£5.95
8 in	25	4	Goodmans	Woofer	£7.50
8 in	30	8	Wharfedale	Roll Surround Woofer	£9
8 in	30	8	Audax	Hi Fi Woofer	£7.50
8 in	50	8	I.M.F.	Ribbed Bertone Cone Woofer	£18
8 in	40	8	Audax	Hi Fi Woofer Bertone Cone	£16.50
8 in	60	8	Sound Lab	Hi Fi Twin Cone Full Range	£14
8 in	60	8	Goodmans	8" & Hi Systems	£14
8 in	60	8	Goodmans	Disco-Guitar-PA	£16
10 in	30	4 or 8	Far East	Bass Woofer, Hi Fi	£14
10 in	50	8	SEAS	Bass Woofer Hi Fi	£19.50
10 in	15	8	Rigonda	General Purpose	£5
10 in	20	8 or 16	Celestion	Disco-PA	£15
10 in	50	8 or 16	Baker	Disco-Guitar-PA	£20
10 in	50	8 or 16	Celestion	Disco-PA	£21
10 in	60	8	Sound Lab	Twin Cone Full Range	£19.50
10 in	30	8	WEM	Woofer	£16
12 in	30	4 or 8 or 16	Baker	Twin Cone Full Range	£18
12 in	45	4 or 8 or 16	Baker	Disco-Guitar-PA	£18
12 in	60	8	Baker	Bass Woofer	£25
12 in	75	4 or 8 or 16	Baker	Disco-Guitar-PA	£22
12 in	100	8	Goodmans	Woofer	£30
12 in	120	8 or 16	Goodmans	Disco-Guitar-PA	£36
12 in	100	8	H + H	PA	£39
12 in	100	8 or 16	Baker	Disco-Guitar-PA	£28
12 in	150	8	Celestion	Disco-Bass Guitar	£25
12 in	200	8	H + H	PA-Disco	£69
12 in	300	8	WEM	Woofer	£44
13 1/2 in	10	3 or 8	EMK450	Hi Fi with Tweeter	£8
15 in	100	8	Celestion	Disco + Group	£59
15 in	100	8 or 16	Baker	Disco-Guitar-PA	£39
15 in	100	4 or 8 or 16	H + H	Disco + Group	£49.50
15 in	250	8	Goodmans	Disco-Group	£50
18 in	230	8	Goodmans	Disco + Group	£87
18 in	200	8 or 16	Celestion	Disco + Group	£110

P.A. CABINETS (empty) Single 12 £34; Double 12 £40, carr £10.  
 WITH SPEAKERS 45W £52; 75W £56; 90W £75; 150W £84.  
 200 Watt £100, 400 Watt £150, carr £12.  
 300 WATT MID-N-TOP SYSTEM Complete £125 carr £12.  
 TWEETER HORNBOXES 200 Watt £32, 300 Watt £38, PP £2.  
 WATERPROOF HORN SPEAKERS 8 ohms, 25 watt £20, 30 watt  
 £23, 40 watt £29, 20W plus 100 volt line £38, Post £2.  
 MOTOROLA PIEZO ELECTRONIC HORN TWEETER, 3/8in. square ..... £6  
 100 watts. No crossover required, 4-8-16 ohm, 75x3/8in. .... £10  
 METAL GRILLES 8in £3, 10in £3.50, 12in £4.50, 15in £5.00, 18in £7.50.

**FULL STOCK OF COMPONENTS, PLUGS, LEADS, ETC.**

**MAINS TRANSFORMERS** Price Post  
 250-0-250V 50mA, 6.3V 3.5A, 6.3V 1A ..... £7.00 £2  
 350-0-350V 250mA, 6.3V 6A CT £12.00 Shrouded ..... £14.00 £2  
 220V 25mA, 6V 1 Amp £3.00 220V 45mA, 6V 2 Amp £4.00 £1  
 250V 60mA, 6.3V 2A ..... £5.00 £1

Low voltage tapped outputs available  
 1 amp, 6, 8, 10, 12, 16, 18, 20, 24, 30, 36, 40, 48, 60 ..... £6.00 £2  
 ditto 2 amp £10.50 3 amp £12.50 5 amp £16.00 £2  
 31-26-0-26-33 volt 6 amp ..... £14.00 £2

**LOW VOLTAGE MAINS TRANSFORMERS** £5.50 each post paid  
 9V, 3A; 12V, 3A; 16V, 2A; 20V, 1A; 30V, 1/2A; 30V, 5A+ 17-0-17V,  
 2A; 35V, 2A; 20-0-60V, 1A; 12-0-12V, 2A; 20-0-20V, 1A; 50V, 2A.

£8.50 post 50p MINI-MULTI TESTER  
 Pocket size instrument. ACDC, 10 volts, 15-150-500-1000.  
 DC current 0-150mA. Resistance 0-100K 1000 ohms.  
 De-Luxe Range Doubler Meter, 50,000 o.p.v. 7 x 5 x  
 2in. Resistance 0/20 meg in 5 ranges. Current 50mA to  
 10A. Volts 0.25/1000V DC, 10v/1000V AC. £25.00 PP £1

**PANEL METERS** 50mA, 100mA, 500mA, 1mA, 5mA, 100mA, 500mA,  
 1 amp, 2 amp, 5 amp, 25 volt, VU 2 1/4x2 1/4in. £5.50 post 50p

**PROJECT CASES.** Black Vinyl Covered Steel Top, Alum Base  
 4 x 2 1/2 x 2 1/4in. £2.50; 6 x 4 x 1 1/2in. £3.60; 8 x 5 x 2in. £4.00; 11 x  
 6 x 3in. £5.50; 11 3/4 x 6 x 5in. £9.00; 15 x 8 x 4in. £12.00.  
**ALUMINIUM PANELS** 18 s.w.g. 12 x 12in. £1.80; 14 x 9in. £1.75;  
 6 x 4in. 55p; 12 x 8in. £1.30; 10 x 7in. 96p; 8 x 6in. 90p; 14 x 3in.  
 72p; 12 x 5in. 90p; 16 x 10in. £2.10; 16 x 6in. £1.30.

**ALLUM BOXES. MANY OTHER SIZES IN STOCK.** Allow extra PP  
 4 x 2 1/2 x 2in. £1.20; 3 x 2 x 1in. £1.60; 6 x 4 x 2in. £1.90; 8 x 6 x 3  
 in. £3; 12 x 5 x 3in. £3.60; 6 x 4 x 3in. £2.20; 10 x 7 x 3in. £3.60

**HIGH VOLTAGE ELECTROLYTICS** 32+32/500V ..... £2  
 16/450V ..... 50p 220/400V ..... £2 32+32/350V ..... 50p  
 20/500V ..... 75p 8+8/450V ..... 75p 16+32/32/500V ..... £2  
 32/350V ..... 45p 20+20/350V ..... 75p

**RECORD PLAYER DECKS. P&P £2.**

Make	Drive	Model	Cartridge	Price
BSR	Single Belt	12 volt Ceramic	£22	
BSR	Single Rim	240v Ceramic	£22	
AUTOCHANGER	BSR 240v	Ceramic	£22	
AUTOCHANGER	GARRARD	Ceramic	£24	

Many others in stock. Phone for details.

DECCA TEAK VENEERED PLINTH space for small amplifier.  
 Board cut for Garrard 18 3/4in. x 14 1/4in. x 4in. £5. Post £2

**RADIO COMPONENT SPECIALISTS**

Dept 4, 337, WHITEHORSE ROAD, CROYDON

ACCESS SURREY, U.K. Tel: 01-684 1665 VISA

Post 65p Minimum. Callers Welcome

Full Lists 34p Stamps Same day despatch Closed Wednesday

## J.R. ALARMS

**ALARM CONTROL PANEL**

- \* As featured in Practical Electronics.
- \* Operates with magnetic contacts, pressure pads, panic buttons and Passive Infra-red detectors.
- \* Has both Instant and timed entry/exit loops.
- \* Anti tamper and Panic 24 hour loop.
- \* Bi-colour LED circuit status indicator.
- \* Will power both external Bell and internal Siren.
- \* Advanced false alarm immunity techniques employed.
- \* Alarm will Re-arm and silence after 10 minutes.
- \* Push on connectors for ease of installation.
- \* Mains powered, no costly power supply required.

Panel supplied in robust metal case, operated by secure key switch, with 1 Bi-colour LED and 1 Red LED to clearly indicate alarm status.

All spades, insulators and grommets supplied

Single zone panel (4 circuit) Kit	£34.95
Dual zone panel (6 circuit) Kit	£36.20
Single zone panel (4 circuit) Built & tested	£44.95
Dual zone panel (6 circuit) Built & tested	£46.20
Pre-drilled alarm PCBs and diagram	£4.50 (P&P inc.)

**ACCESSORIES**

Surface and Flush mount magnetic contacts	89p
Stair pressure pad	£1.49
Standard pressure pad	£2.48
Personal Attack button (Key reset)	£2.48
Brightly coloured Bell cover	£5.47
Siren (Indoor)	£7.87
6" Centrifugal Bell	£8.87
2 Core cable (100m)	£5.75
Passive Infra-red detector	£4.95

**COMPLETE D.I.Y. KIT**

(1) 2 Zone Panel	£79.95
(2) Surface Contacts	£89.95
(6) Flush Contacts	£7.89

For Free Price List of all parts stocked please send s.a.e.

All Prices Quoted are the Price You Pay

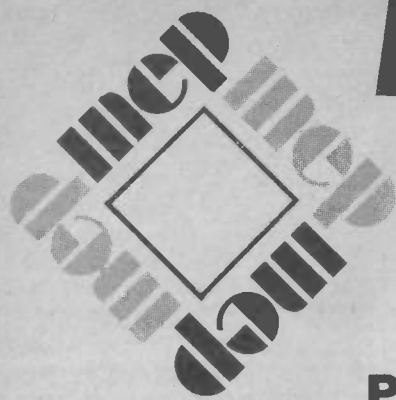
Please send order with cheque or postal order to:

**"J.R. ALARMS"**  
 9 GARNER CLOSE, BOWDON, CHESHIRE WA14 2JH.

Please add £1.95 for postage and packing on all orders in UK (except for Alarm PCB)

For orders outside the UK please enquire for postage prices

Goods sent by return subject to availability



# Microelectronics Education Programme

Part 2 Graham Bevis & Michael Page

IN the January issue of *Practical Electronics* we gave an outline of the nature of the activities of MEP (Microelectronics Education Programme) and some more general detail of the thrust of the work of the Electronics and Control Technology (ECT) domain.

The reasoning behind many of the ECT initiatives is that microtechnology is increasingly pervasive in its influence on the world of work, leisure, education, the daily organisation of our individual lives and the way in which society is organised and controlled. Therefore, in a democratic society, all citizens should be well enough educated about the nature and capabilities of this new technology in order to be able to intelligently influence its adoption, application and development.

This article describes in some detail the nature of two separate but integrated resources which are now being used in an increasing number of schools and colleges. They have been designed to enable a process in which all young citizens at school become well enough educated about the nature and capabilities of the new technology.

The two modules are titled Microelectronics For All (MFA) and Control Pathways. The term Microelectronics For all is largely self-explanatory and the work done by the pupils in MFA provides an introduction to programmable control systems. Control Pathways carries on the development of these ideas and associated concepts to a degree of sophistication which is appropriate for the pupils and level of study concerned. For some pupils this might well involve the use of feedback principles in a systems design and associated program. Taken together these two resources provide experiences for pupils which put them well on road to having a comprehensive appreciation of IT Systems and their application.

Fig. 1. How microelectronics technology affects every aspect of our lives

EXPONENTIAL TECHNOLOGY		
Human Activity	Was	Is Now
Timekeeping	Sundial	Digital Systems
Entertainment	Stones	Video Chess
	Percussion	Synthesisers
Washing	Stones/Rivers	Programmed Washing Machine
Cooking	Charcoal	Microwave
Communications	Signal Fires	Satellite Links
	Towncrier	Ceefax, Oracle, Prestel, System X
Calculation	Tally Sticks	Microcomputer
	Napier's bones	
Medicine	Thermometers	ECG—Scanners
Transport	Walking	Space
Warfare	Tooth & Claw	Computerised overkill
Education	Mother's Knee	Computer Assisted Learning Databases
Weather Forecasting	Folk Lore	Satellites & Computers
Information Storage	Cave Walls	Microfilm—Video Disk
		Digital Graphics
Farming	Hand & Hoe	Computerised Milking Parlour & Digital Tractors

## THE BACKGROUND TO THE MFA EXPERIENCE

Microtechnology affects every aspect of our lives and Fig. 1 illustrates the extent of this range. Three particularly significant points emerge: the breadth of the application of microtechnology is indeed pervasive in its effect on human existence and activity; the application and effect of microtechnology has been rapid and profound and indicates potential for further application vastly exceeding that so far seen; while the range of microtechnology applications and uses are wide there is a set of common principles and techniques underlying each application.

In general all systems utilising microtechnology may be described in terms of the classical system model (Fig. 2). In fact, this model applies equally well to any system having a controlled output and will be familiar to other students of systems behaviour and processes, e.g. biologists, members of the medical professions, sociologists, etc. Clearly, it would be conceptually quite difficult for most young people to understand all the implications of this model, and the relationship and generality of all the fundamental processes which it embodies. But the MEP/MFA experience sets out to enable pupils to explore practically many of the fundamental processes and techniques used by microelectronic systems and, as a result, to begin to see how they fit together into the overall systems framework.

Some important key words and associated processes to be explored are:

**SENSE** What is electronic information? What can it be used for? How is electronic information sourced? How is the information put into a system and used to control the system to enable it to perform a useful task?

**DECIDE** What are the processes through which the sensed information and the required system response produce the signals to implement the 'useful tasks' performed by the system?

**ACTION** What are the devices and associated processes which produce the output or function of the system control?

Among other key words and associated concepts incorporated in the MFA experience are: count, remember, sequence, address, binary, digital, pattern, analogue. The words, and their associated concepts and techniques, apply universally to microtechnology systems. The development and appreciation of these terms is built into the pupils' learning process through the use of the MFA modular course.

It is perhaps worth noting here, as an aside, that one effect on pupils of the MFA experience, and noticed generally by teachers, is the significant effect on pupils' development, vocabulary and use of language. The work scheme requires pupils to work in groups to work out problems which they find meaningful, challenging and satisfying to solve. This approach directly requires pupils to formulate concepts and to be able to express them. What better way to develop a capability in language and communication that the current education process is reputed to be less than effective in? Furthermore, many pupils—previously not motivated by traditional study—find a sense of purpose which creates a willingness to learn, with some results which are frequently surprising to their teachers.

## GENERAL DESIGN CONSIDERATIONS FOR MFA HARDWARE

The work in which the pupils engage is aimed at developing an understanding of the processes of the technology and their use and is most definitely not a study of the technology itself. (That could follow for those pupils for whom it is appropriate). Besides being the appropriate approach from an educational point of view it also means that, given suitably designed hardware, it is not necessary for the teacher responsible for delivering MFA to be a technologist or specialist in any way. Clearly, this is essential for a scheme of work which is to be implemented in every secondary school and where specialists, whether they be CDT (Craft, Design and Technology) teachers or scientists, are currently in desperately short supply. The MFA equipment also needed to be designed so that

1. It did not require specialist laboratory facilities and was readily transportable (a class set of MFA for thirty pupils fits into two moderately sized cases and that includes the power system—batteries).
2. Whilst being flexible in terms of its facilities and their use (MFA is designed to be a problem solving exercise) it needed to be constrained in layout and capability, to make it easy for pupils of all abilities to use. This criterion is also necessary so that the teacher overseeing pupil work groups can see and interpret what they have done and to spot mistakes and misconceptions in the pupils' solutions to particular problems.
3. The board layout needed to reinforce the fundamental concept of the systems structure in terms of its functional operation.
4. The board system needed to be modular so that the first experience of the pupils was with a subset of the facilities of the system. Modules are added to increase the capability of the system and introduce more concepts and techniques stage by stage.

We stated earlier that the classical system structure, and associated operations, is too complex to appreciate in one set of conceptual steps. In fact how many engineers/technicians could give a lucid, clear, coherent explanation of its form and process. However, appreciating the basic concept of the structure and its associated process is a key to being able to interpret the nature and capability of microtechnology in its many guises and applications. MFA begins the development of this appreciation with the presentation of a simplified model of the system.

The simplified representation of the classical model conveyed by the MFA experience and defining the layout of the hardware modules and the way in which they are used is as shown in Fig. 3.

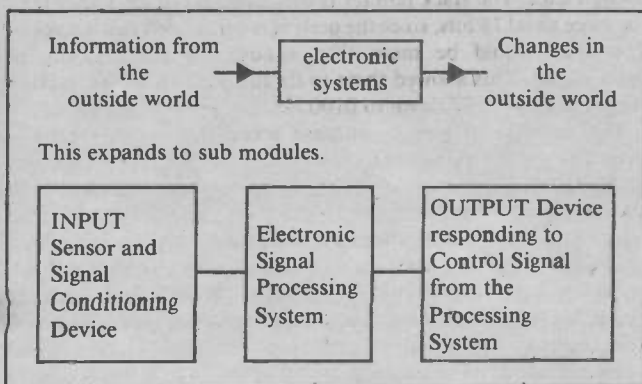


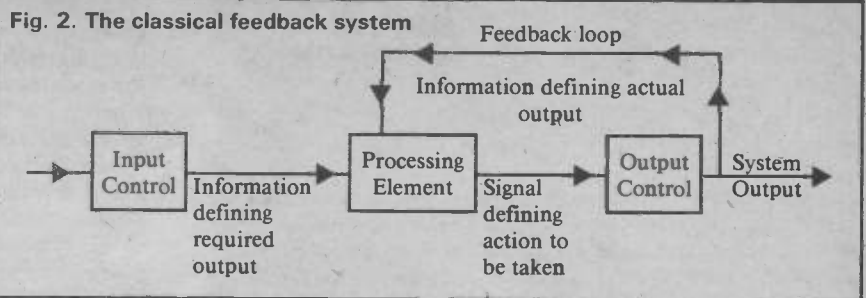
Fig. 3. Simplified representation of the classical model

The basic MFA modules, which are on boards of physical size approx 24 x 14cm, are laid out according to this model and can be connected together in combinations.

### THE FIRST MFA EXPERIENCE—DECISIONS

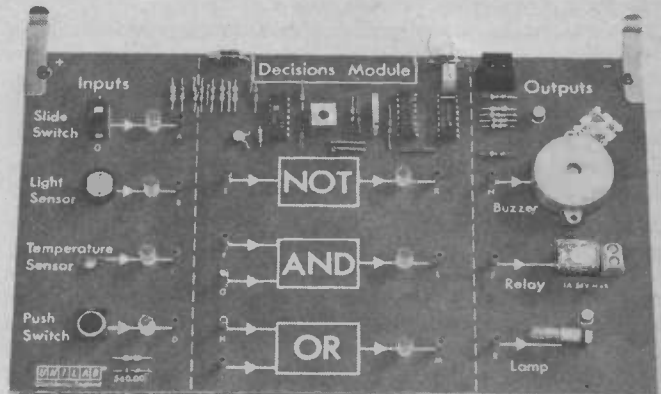
Pupils begin with the decisions module (photo 1) which establishes the linked concepts of sense, decide and act.

Remember the MFA scheme was devised for 11-14 year old pupils. Some will never have wired anything for themselves before



and so they begin with very simple exercises designed to familiarise them with the system and to start establishing the basic concepts and techniques which they will subsequently use in solving some problems.

Photo. 1. Decisions module



On the left hand (input) side of the module are four input devices. A simple slide switch and a touch switch, both human signal devices; one to provide a permanent signal on or off input and the other to provide an intermittent signal which embodies a control function. The other two devices are also digital in operation and provide signals to indicate light and temperature levels.

A feature to bear in mind is that signal paths are indicated on the boards (by lines) and signals can be connected, inserted or intercepted via 2mm sockets.

On the right hand (output) side of the board are three devices which can be controlled by digital electronic signals. These are a buzzer, a light bulb and a relay. (The relay's significance becomes particularly apparent in later exercises with additional MFA modules when they are used in the control of devices such as motors, enabling vehicles to be moved and steered.)

A first exploration of the decisions module leads the pupil to find that light may be used to turn the buzzer on or off when it becomes dark. The answer to the question as to how the action is reversed is revealed by the use of the NOT gate.

Pupils then explore the use of the humble AND Gate as a multiple input (two in this case) information processing device and are given the following problem:

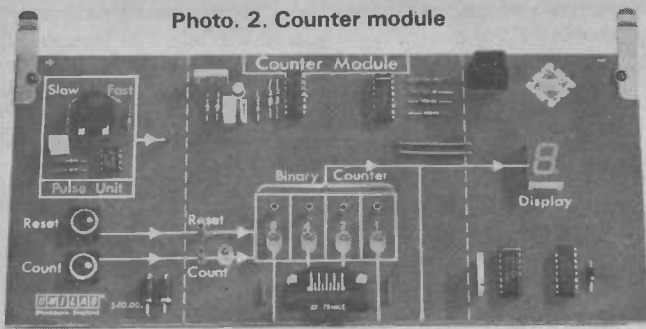
Our Government has not realised it as yet, but if we all went to bed earlier, perhaps when it gets dark, and got up earlier when it is light, we could save a lot of energy. How could we make a clever doorbell which only sounds during the day and not at night?

The pupils then have to find out how to use the gates available on the decisions module to produce a system to solve this problem.

Please note that this is not the traditional academic introduction to logic gates with truth tables and Boolean algebra. Such an approach serves little purpose here but may be introduced at a later stage to those pupils whose interest has been stimulated by MFA to go onto further study and who have rather more advanced problems to solve.

So the pupils have explored electronics sub-systems in the role of 'sense', 'decide' and 'act' and have established these separate concepts as well as the idea of a system as a whole. Now we need to introduce the next stage of system capability, namely that of numeracy and being able to count and keep track of events.

Photo. 2. Counter module



### THE SECOND MFA EXPERIENCE—COUNTING

The counter module (photo 2), which is used to illustrate binary counting and which may be simply slotted onto the decisions module, consists of a touch switch and pulse unit for input, a resettable 4-bit binary display with external connectors, and an analogue (hexadecimal) display.

Pupils are able to explore a number of concepts and techniques which they will again be able to use in problem solving work. They count how many times their 'clever' door bell was pushed while they were asleep and undisturbed. They observe binary patterns displayed and quickly perceive that these can as equally validly represent numbers as the equivalent analogue display with which they are familiar. The comparisons serve to emphasise the distinction between digital processes and representation and their analogue world.

This is an important concept when it comes to appreciate the idea of the human/technology interface and the fact that we have yet so far to go in using the capability of microtechnology to improve this interface.

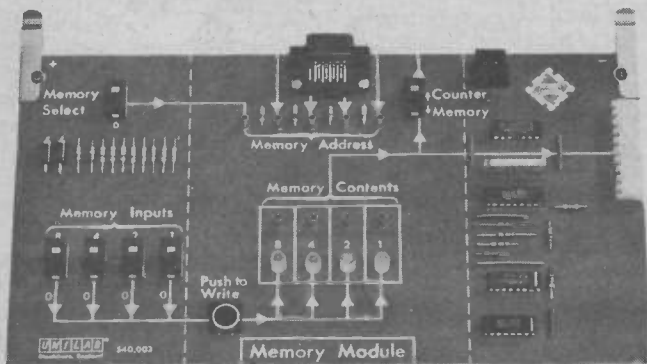
The counter system has a reset facility so pupils can begin to explore problems which help them towards an appreciation of the use of microtechnology in industry. They can count how many times a light beam (sensed by the light sensor) has been broken. This might be equivalent to the counting of objects on a conveyor belt and the pupils can arrange for a relay to be activated after a given number of counts. They readily interpret that this would be useful in a packaging process. Some support materials devised for the MFA work, such as the series of three BBC schools' television programmes, are designed to link the practical classroom experience of MFA to applications in the world outside.

The counter board also incorporates a variable frequency pulse unit, the use of which the pupils explore. They can use this as an elementary clock and they will also use it to control the output of sequences of binary patterns which can be stored in the memory module. So MFA has demonstrated 'sense', 'decide', 'act' and 'count' and now we need the ability to memorise and repeat and to implement a sequenced process.

### THE THIRD MFA EXPERIENCE—MEMORY

The memory module (photo 3) is able to store two sets of 16 four-bit binary patterns. The location of each stored pattern is defined by a four-bit address which is provided from the output of the counter module by a direct link between the two modules. The two sets of memory space are separately enabled, by the memory select switch or its input socket.

Photo. 3. Memory module.



The pupils explore the concepts of 'store', 'address' and of binary patterns representing information other than simple numbers by using binary patterns to control devices. Note the format of all of the modules with information coming in at the left hand side, processing in the middle and the resulting signals available for control purposes on the right hand side of the board.

One device controlled by these signals is a music module. This simply plugs onto the four-bit bus at the right hand side of the memory module and responds differently, in terms of note, to each of the 16 possible binary patterns. The best note corresponds to 0000 (i.e. silence is golden) after which the note increases in pitch by one semitone for each one unit increase in the binary pattern.

### MORE COMPLEX PROBLEMS

The pupils now have lots of concepts and practical techniques available for use. One problem they are given is to arrange in the memory a sequence of notes to play the tune *Early One Morning*. They are then asked how they can couple this to their light sensor to arrange to wake them up as soon as light dawns, which is when their 'clever' doorbell is reactivated.

Exercises with the music module enable the pupils to see how a digital pattern may be used to control an analogue quantity. Another exercise in control is to see how simple on/off actions with a multi-bit pattern can be sophisticated in effect. The MFA system has a four-bit pattern storage and delivery capability. Each bit can be used to control a single device in an on/off mode. With two relays and two electric motors assembled into a 'buggy', we can make the buggy go forwards or backwards, turn right or left and spin, etc. The pupils then explore how they can cause the buggy to move through a maze pattern, according to a control sequence stored in the memory system.

They soon find that such open loop control, which has no sense or guidance, is of limited value. The ground is thus established to develop the idea of 'feedback' and the role that it plays in all our lives, and the technological systems which we develop for our use.

### A FURTHER MFA EXPERIENCE—THE COMPUTER INTERFACE

So far the pupils have done their binary coding with simple switch controlled devices. The whole MFA system is now replaced by a keyboard programmable system, with its own more easily interpreted VDU display.

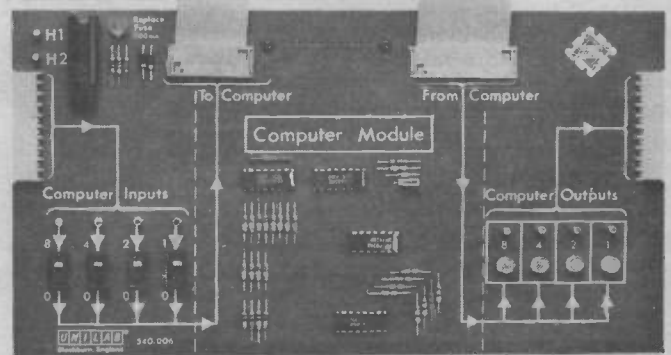


Photo. 4. Computer module

Following work with the music and movement modules on the basic MFA system, a computer interface (photo 4) is used to link the concepts and ideas that the pupils have developed to the all familiar microcomputer. They use the microcomputer with its interface to control the buggy and the music module to perform exactly similar tasks to the MFA system. They see it to be more cumbersome and expensive, but simply and conveniently programmable and vastly more capable and versatile.

Interfaces and associated software for MFA have been developed for BBC 'B', Research Machines '480z' and Sinclair 'Spectrum' microcomputers.

But what of the more sophisticated tasks of the real world. What sort of electronic systems are there in our washing machine or car? How do we achieve more effective control than that provided by the controlled sequence, open loop, system? This is where the pupils move on to Control Pathways but, before we describe this, there are

one or two more issues to consider about the purpose of MFA and its materials.

### THE PUPIL WORKSCHEME FOR MFA

MFA is designed for the mainstream 11-14 age range. That means the work has to start from a basic approach and be extended according to pupils' abilities, needs, aspirations and demands. An individualised practical activity like that of learning about micro-electronics systems can easily meet these requirements.

All the pupils go through a series of core exercises defined on workcards (photos. 5a and 5b) which use as much illustration as possible to cut down the degree of written detail. The core exercises then lead gently into simple problems which all but the least able pupils can solve. The problems then increase gradually in demand.

In order that all the pupils may complete the full course, the work-scheme is modular in an exactly parallel manner to the hard-ware. After a given time working on the decisions activities, all the pupils move onto the counter module. Clearly, some will have gone a limited way with the decisions problems while others will have completed all the problems and even made up some for themselves.

It is very pleasing to find clever pupils putting together more than one set of the modules to solve more complex problems. For example, if you want a system which can both count and incorporate a delay routine which is activated according to the system circumstances, then you need two counter modules and perhaps even two memory modules. The amount of pupil to pupil learning which goes on in this type of work is highly significant. Who says the teacher should be the only (the major?) input to the learning process?

The whole scheme of work is defined and supported through the pupil workcards and a teacher's guide. MEP has been providing 2 day MFA inset courses for teachers. With the termination of MEP at the end of March it will be up to the LEAs to provide their own inset. Unilab, the manufacturers of MFA, are currently producing and delivering about 35 class sets of MFA per week. Even that amounts to a lot of teacher training needed. Given that there are 5500 secondary schools in the UK, there is a very long way to go before every pupil gains this experience.

We in MEP most certainly believe that all pupils should be educated about the technology before they leave school. To catch

the pupils already past the age of 14, MEP has developed material to enable MFA to be used in the context of a sixth form general studies course. The associated course materials are termed *IT in Society* and these emphasise the development of technology awareness among older pupils, most of whom will be intellectually very capable of translating a practical experience of MFA into an appreciation of the wider implications of microtechnology.

### MFA/CONTROL PATHWAYS AND TECHNOLOGY AWARENESS

We have said that a prime objective of MFA and the subsequent work on more sophisticated aspects of control is intended to provide an awareness of technology in general, and microtechnology in particular. So what is the technology for and why do we go on developing its capability at an ever increasing pace?

Technology development has moved through certain very clear periods in our recent history. The state of the technology at each advance can be summed up as follows:

"Technology involves a process of problem solving which, by the maximisation of human skill at the design stage, aims to minimise human involvement in the operation of the solution.

"Stage One Technology substituted machines for human manual skills and provided an increased capability in terms of precision, power and speed.

"Stage Two Technology additionally substitutes silicon chip systems for human monitoring and decision making skills.

"Stage Three Technology might aim to replace the human factors in the design process. (This has not yet been achieved and many would doubt that it is possible at all)."

What place Luddism, then or now? Technology is about minimising human involvement in tasks which are definable and most naturally those which are repetitive. No-one in their right mind denies the advantages of utilising technology systems in place of people in 'undesirable' environments.

The significant and enormous change which is now so radically and rapidly altering the order of things is due to the fact that microtechnology can now do things like sense and decide. A whole new range of tasks are within the new capability of technology which were previously reserved for human enactment.

One further factor which has so significantly contributed to the

Photos. 5a and 5b showing both sides of the AND gate workcard

**micro electronics for all**

**The AND gate** Decisions Core **DC3**

Remember! LED on means 1 LED off means 0

THIS CARD WILL HELP YOU UNDERSTAND HOW THE AND GATE WORKS.

BEFORE YOU GO ANY FURTHER LOOK AT YOUR NOTES FOR THE FIRST CARD 'USING THE BOARD' TO REMIND YOURSELF HOW THE SLIDE AND PUSH SWITCHES OPERATED THE LAMP.

YOU WILL NEED 3 CONNECTING WIRES PLUS THE BOARD AND BATTERY OR POWER SUPPLY.

PUT THE WIRES INTO THE BOARD AS SHOWN BELOW.

COPY THE TITLE OF THE CARD INTO YOUR BOOK. STICK IN DIAGRAM 1 AND DRAW IN THE CONNECTIONS SHOWN BELOW.

Now then Sherlock - can you find out how to make the buzzer sound?

See if you can find out the solution whilst Sherlock is thinking!

You will need 3 wires

ASSUMING YOU HAVE NOT CHEATED AND JUST TURNED OVER YOU SHOULD HAVE FOUND THE ANSWERS IN THE FOLLOWING BOX. COPY AND CORRECT THE WORK INTO YOUR BOOK.

To make the buzzer sound both the slide switch AND the push switch had to be set to (0/1). This is shown by their red LEDs being on. If either switch is at 0 the buzzer is turned (on/off). The output of the AND gate is a 1 if its upper AND lower inputs are at (0/1).

DISCONNECT THE LEAD FROM A AND MOVE IT TO C (THE TEMPERATURE SENSOR). STICK DIAGRAM 1 IN YOUR BOOK. THEN DRAW IN THE CONNECTIONS YOU HAVE MADE.

FIND THE CONDITIONS NOW NEEDED TO MAKE THE BUZZER SOUND.

THEN WRITE ONE OR TWO SENTENCES TO SAY WHAT YOU HAD TO DO TO MAKE THE BUZZER SOUND.

© 1984 CRAC materials published by Hobsons, Cambridge. Notes by Deryck Tebery - Davenport School, Stockport.

effectiveness of microtechnology is that it enables the many processes previously used in technology systems to be integrated into one common enabling technological process. We have been able to integrate gathering, storing, processing and communicating information into one single technological implementation. The full effect of this on the process of control technology, which is now assisting humans to step down from so many employment roles, has really yet to be realised. However, it is not that we are simply taking away traditional applications for human labour but that we are also creating the potential to be able to do so many things which could not have been done before.

Significantly, microtechnology has also enabled itself. We use the last generation of microchips to build systems which are used to help design, manufacture and test the next generation. So chips themselves have begotten their own evolution! But let us pause for a minute and consider. Are there limitations to the further development of this technology now or likely to appear in the future?

We could use a microtechnology system to control a machine to cut beautiful glass goblets to an exact precision over and over again. But who/what does the initial design? Are we really very near the position of jumping in our motor car and saying "Home, James" and waiting for our mini, micro-controlled, car to respond? It is an appreciation of factors like this which are so important to the education of our pupils and, indeed, equally important to the adult population.

Society is going to be faced with many decisions to make about technology and its implementation. We should all take part in that decision process from the standpoint of intelligent understanding. Never before has any section of the human race been faced with such influences for major change in the order of things. One thing is certain, no matter how much we would wish to turn the clock back to a period of slower change, which is more governable and comfortable, the reality is that the change will become ever faster and faster.

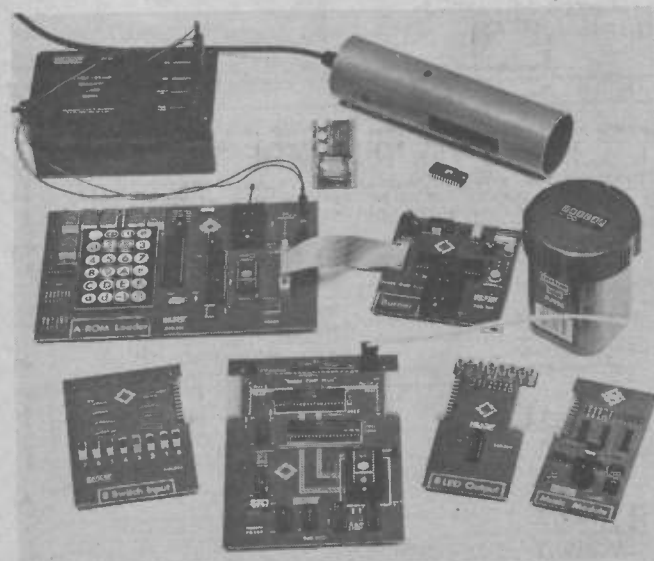
The underlying philosophy behind MFA and its extension in *Control Pathways* is to help prepare young people for the realities of that situation as understanding, contributing adults-to-be. The ambition of this aim is clearly considerable, even presumptuous. It sets huge demands on the teachers required to implement it. The teachers will require a great deal of help to convey a full meaningful experience of the form outlined above in the context of a classroom. Axiomatically this ultimate objective will be achieved only through the pupils developing their knowledge and understanding through many relevant experiences, of which MFA will be just a part.

### CONTROL PATHWAYS AND MEP 3 CHIP PLUS SYSTEM

*Control Pathways* is a range of resources designed to support a practical-based introduction to one of the most important applications of microprocessors—as the heart of programmable control systems.

It is very much a national MEP team effort, as was MFA. Even

#### The '3 Chip Plus' hardware



before MFA had been conceived, or developed, MEP had supported the development of a minimal microprocessor control system, called '3 Chip'. Its purpose was to enable practical work of a problem solving nature in schools, which used the powerful capability of a microprocessor system. An equally important purpose was to explode the myth, still current, that microelectronics was all about computers which have a VDU and keyboard. We wished to establish an understanding of the nature of the dedicated control systems use of programmable microelectronics which consumes the vast majority of microprocessor chips.

The '3 Chip' system was just that, the three essential 'controller' chips of processor, memory and in/out operation. For various reasons, and not all of them sensible or logical, '3 Chip' did not see the light of day as a product in its early designed form. With hindsight that has been fortunate because MEP has been able to develop what is now '3 Chip Plus' as a natural companion and extension to work with MFA. '3 Chip Plus' has been configured so that its connection system enables it to operate with the same set of devices as the MFA computer module or memory module.

The '3 Chip Plus' system consists of

- ★ The 'controller' board—the heart of the system—based on a 6502 microprocessor with a similar memory map and ports as the input/output areas of a BBC Microcomputer
- ★ The 'program loader' board—with its own monitor program fitted. This board is used to develop new software at the machine code level
- ★ The 'program memory' board—battery-backed RAM (alterable memory) used to carry the program being developed
- ★ The 'burner' board—driven from the 'program loader' to transfer developed programs into EPROM or EEROM
- ★ A range of input and output boards—allows the 'controller' board to respond to a variety of inputs from light sensors, switches, etc. and to provide a variety of outputs for the control of motors, relays, etc. The existing MFA music and movement modules are also completely compatible with the '3 Chip Plus' system.

### CONTROL PATHWAYS—ITS CONCEPT AND FORM

'3 Chip Plus' is just one microprocessor system for which the *Control Pathways* materials have been designed to be used. The pupils' materials are based on a range of input and output modules (original '3 Chip' modules) which can be used in a wide variety of control problem situations. The work is designed to use any one of a range of common microprocessor devices available in schools.

The *Control Pathways* support materials comprise a teacher's guide and a pupils' book, designed to convey the concepts of control and control systems, which is written as a general text. This is written to be used in an integrated way with a particular pupil assignments book for whichever microprocessor controller the school chooses to use.

*Control Pathways* provides a structured introduction to the concepts of control. The control of most systems (and not just electronic ones) embodies certain very fundamental principles; it is these that this learning material aims to address through the medium of programmable microelectronics. Each of the sections of the main pupil booklet introduces a new concept, with the most essential, and where possible the most straightforward, concepts met first. As far as possible, real-world examples are used and models of such control systems built and programmed.

Details of the conceptual route are as follows:

Section 1 deals with outputting control information—you can't do anything unless you can switch parts of the external system on and off.

Section 2 shows how to implement time delays. This makes possible the sequence, perhaps the most basic of all control programs. So far the pupil has turned fully on or fully off the control voltage on individual control lines from the controller. This enables a lamp or a motor to be switched on or off, a motor to be reversed or a control code to be output to the music module to sound a particular note.

Section 3 shows how the brightness of a lamp or the speed of the

motor may be controlled. This requires a control code (which might represent a number on a scale from 0-7) to be output to an external black box that can control the voltage applied to the lamp accordingly. The concept of digital to analogue conversion has been introduced (and thus the concept of how a variable, or analogue, quantity may be controlled by a digital, or on/off, controller). Some control systems function purely as sequencers—the outputs are a function of time only—but most systems control outputs in response to changing input conditions.

Section 4 shows how to input information to the controller, and how to design the program so that the input states affect the control of the output. Almost all real-world control systems employ feedback. This means that information about (for example) the position of an arm is fed back to the input of the control system. The controller is then able to drive the arm more intelligently, basing its control decisions on where it knows the arm actually is. Without feedback, the controller must attempt to calculate or remember where the arm ought to be. The controller will not know if the arm moves more slowly than expected, hits an obstacle, or reaches the limit of its travel.

Section 5 builds on the principles of outputting and inputting and introduces this essential concept of feedback. At this stage the feedback is only two-state, or yes/no; feedback in a system controlling and monitoring analogue quantities is reserved for section 7. Section 3 allows pupils to see multi-level, or analogue, outputs.

Section 6 illustrates analogue inputs. It is often necessary for a control system to read in an analogue quantity, for example, a temperature, a light level, or the level of a liquid in a tank. The controller itself can only understand on/off, or digital information, so this time an analogue to digital converter is needed. The other important concept introduced in this section is that of processing information electronically.

Section 7 takes over the subject of feedback where section 5 left off. Pupils now develop control systems which sense analogue (multi-level) quantities and control outputs proportionally.

Section 8 presents a wide range of ideas on project possibilities.

As well as the gradation in difficulty through the sections, there is a gradation through any individual section. Each section contains a number of extension modules with a substantial design ingredient. Only the most able pupils will finish all the work in a section.

The article has mentioned the fact that all this work has been the result of team efforts. This includes both the individual project development teams and the many people who were employed by MEP as inset co-ordinators, all of whom made contributions to the design of the final system in concept, hardware design and materials support teams.

The teams responsible for MFA development comprised a number of teachers in the Greater Manchester and Lancashire area and was led by Dr John Martin who was an ECT inset co-ordinator at the beginning of the work and who became the Director of Salford Electronics Education Development Unit. The team responsible for the 3 Chip Plus development was led by Peter Nicholls, once again an ECT inset co-ordinator who became MEP regional director for the east Midlands.

We hope that, in this two part article, we have allayed some of the fears about whether electronics is on the school curriculum agenda. Of course, just because the material we have described is available doesn't mean that every school will be using it. Unfortunately, the pressure on centrally provided resources means that, unless other funding can be found, future developments are likely to be reduced.

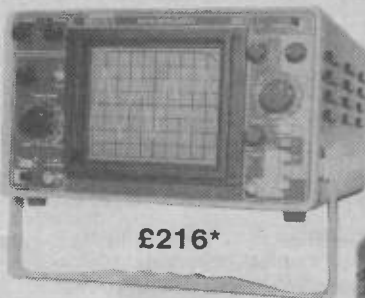
This is particularly regrettable at a time when overseas interest in the approaches we have described is so high and the needs of industry for employees who understand the concepts is increasing. A Foundation has now been established to try to continue the work and industry and commerce are being approached for support. Let's hope that the Foundation will be able to continue the first-rate activities described above.

If you would like an information folder which contains full details of the MEP/ECT domain and its teacher-training materials, then send a large (C4) self-addressed envelope stamped with 45p-worth of stamps PLUS 50p in unattached stamps, to Mrs Beth Bevis, Ronsella, Lordwood, Highbridge, Eastleigh, Hants SO5 7HR. It would be helpful, if you are a teacher, to say in which LEA you teach.

**CROTECH** —  
**YOUR** **NEW!**  
**SINGLE**  
**CHOICE!**

#### Specification Highlights

DC — 20MHz Bandwidth  
2mV/div Sensitivity  
40ns — 0.2s/div Sweep  
Triggering, Auto and Level  
Active Component Tester  
Test voltage: 8.6V (28mA)



£216\*

\*(Excluding Delivery and VAT)  
Correct at time of going to press

At a price and display size to suit your choice.

3036 — 130mm CRT

3031 — 95mm CRT



£195\*

Also available from Audio Electronics & Henry's

## Crotech Instruments Limited

2 Stephenson Road, St. Ives, Huntingdon, Cambs. PE17 4WJ  
Telephone: (0480) 301818



# CRICKLEWOOD

ELECTRONICS LTD

It's no secret!



... that there is a real difference at Cricklewood Electronics. That's why you should never be without the FREE CRICKLEWOOD ELECTRONICS COMPONENTS CATALOGUE, for sheer variety, competitive prices and service from the U.K.'s number one 100% component shop. No gimmicks, no gadgets or computers, just components, millions of them, all easily available by mail order, calling or credit card telephone orders. Just pick up the phone (or a pen) to get your FREE copy now (no SAE required). You have nothing to lose.

**CRICKLEWOOD ELECTRONICS LTD.**  
40 Cricklewood Broadway NW2 3ET.  
01-450 0995 & 01-452 0161  
ALL MAJOR CREDIT CARDS ACCEPTED  
Telex 914977 Phone or write today

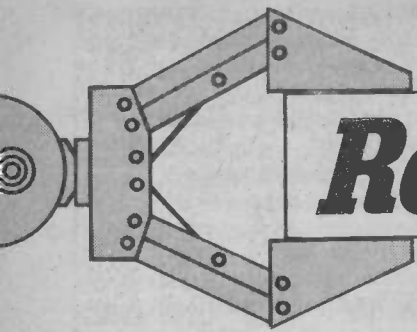
## MAKE YOUR INTERESTS PAY!

More than 8 million students throughout the world have found it worth their while! An ICS home-study course can help you get a better job, make more money and have more fun out of life! ICS has over 90 years experience in home-study courses and is the largest correspondence school in the world. You learn at your own pace, when and where you want under the guidance of expert 'personal' tutors. Find out how we can help YOU. Post or phone today for your FREE information pack on the course of your choice (tick one box only).

Electronics	<input type="checkbox"/>	Radio, Audio and TV Servicing	<input type="checkbox"/>
Basic Electronic Engineering (City & Guilds)	<input type="checkbox"/>	Radio Amateur Licence Exam (City & Guilds)	<input type="checkbox"/>
Electrical Engineering	<input type="checkbox"/>	Car Mechanics	<input type="checkbox"/>
Electrical Contracting/Installation	<input type="checkbox"/>	Computer Programming	<input type="checkbox"/>
GCE over 40 'O' and 'A' level subjects		<input type="checkbox"/>	

**ICS**

Name \_\_\_\_\_ P. Code \_\_\_\_\_  
Address \_\_\_\_\_  
International Correspondence Schools, Dept. EDS26, 312/314 High St., Sutton, Surrey SM1 1PR. Tel: 01-643 9568 or 041-221 2926 (24hrs).



# Robotics Review *Nigel Clark*

COCKROACHES provided the inspiration for a development project to build a new type of walking robot. They do not have a central nervous system or brain so cannot control their movements centrally, as do most creatures. Their legs work independently, moving one step in response to a stimulus. Obstacles are sensed by the inability to go through with a step.

"The idea came to me about ten years ago," said Arthur Collie, one of the four members of the team on the project. "When people think of robots they think of a lot of limbs working to achieve an end. I began thinking about it and like an engineer I began by breaking it down into pieces which could be worked upon. It was then that I picked on the analogy of the cockroach."

He carried the idea further by considering a six-legged device on which the legs operated independently and "sensed with its knees" like beetles do. Once a leg came into contact with an obstacle it would send a message back to a central controlling processor which could then build up a map of the area being covered.

## ... the analogy of the cockroach ...

Ten years ago it was not feasible to have six independent legs because of the size and cost of the controllers. Microprocessors have changed that and with the help of grants from the **Royal Society**, the **Science and Engineering Research Council** and a little help from the armed forces unmanned vehicles programme he was able to take two years off from his job and set up a team at **Portsmouth Polytechnic** under the leadership of Dr John Billingsly of the Electronic and Electrical Engineering department.

Most of the development work is still in theory but it is hoped that in two years it will be possible to develop a relatively fast walking base on which other devices can be carried for a price of about £1,600.

Billingsly said that it would be unlike existing walking machines and have more in common with humans. Existing robots are stable throughout their movement. The Portsmouth plan is that while walking it should be dynamically stable but statically unstable.

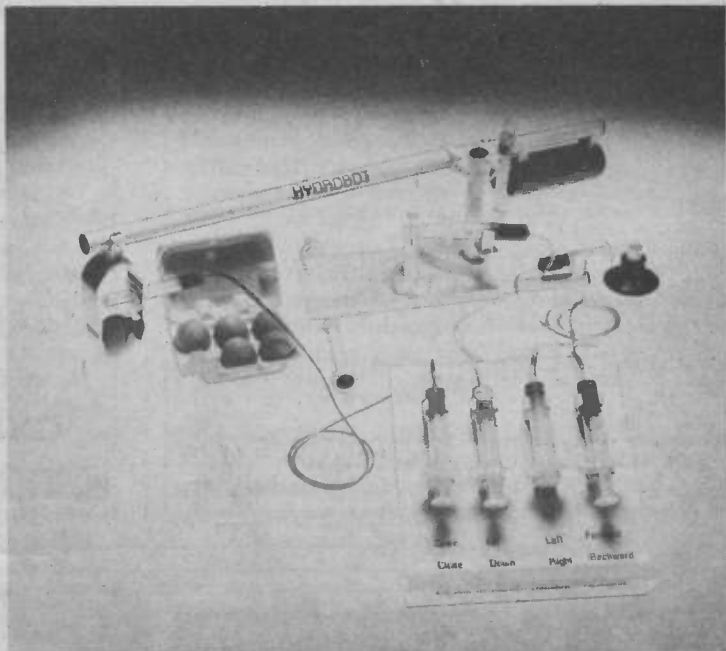
Humans are permanently off balance while walking and although they are stable while moving if they come to a sudden halt they fall over. Existing robots are balanced at all times as they do not make a second movement until the first one has been completed.

What existing devices gain in steadiness they lose in speed and fluency of movement. "We do not want a walking robot so much as a cantering robot" said Billingsly.

At present, with work on the hardware only having started in July, the robot consists of only one leg. It has two joints at the hip and knee which can each move through an arc of a little more than 180 degrees. The limbs are controlled by two pneumatic cylinders working in opposite directions so that movement is always achieved by a cylinder pulling rather than pushing.

Under the control of a BBC B the leg is pushing a small conveyor belt. Feedback is obtained from pressure sensors on the cylinders and angle sensors on the joints.

operations including inserting backlash compensation, ripple-through offset correction and the insertion and removal of delays.



The Hydrobot demonstration kit from Commotion. The arm is controlled by the four syringes

It is intended that the final project will have six legs, each with its separate single chip micro, obstacles being sensed by the pressure in the cylinders and navigation being achieved with the help of a very simple giro.

The whole machine will be controlled by an on-board micro. Collie said that software was being developed to allow it to learn how to walk rather than the knowledge being permanently built-in. That would give it the flexibility to adjust to different types of terrain, for example loose or rough ground, down a sewer or climbing a bridge.

## ... a cantering robot ...

**L.J. Electronics** has developed an update to its large Atlas arm and has given it the imaginative name of Atlas II. There have not been any changes to the hardware but the software has been expanded to allow the machine to perform more complicated manoeuvres when being used within the work cell, which has recently been developed for the machine.

L.J. has provided an update kit which contains the new system on three Eproms, a test routines Eprom, editor keypad overlay and manual. As the Atlas was designed to be easy to take apart it should not be difficult to make the necessary changes for the upgrade.

As with Atlas I there are eight modes of operation but there has been a major improving of the editing function. It is now possible to carry out a number of new

An on-board machine-code monitor allows Hex programs to be written and edited with a visual display of these operations. Any Atlas I program up to 2K can be converted to run on the II.

## ... controlled by four syringes ...

For anyone finding electronic control a little hard to grasp **Commotion** is selling an inexpensive little device called the Hydrobot. Designed by the London Innovation Centre it is powered by hydraulics and has three axes, at waist and shoulder and the complete arm can be moved backwards and forwards. There is also a gripper.

It is controlled by four syringes, one for each axis plus the gripper, which contain coloured fluid to show clearly and simply how the arm works.

Costing £20, Hydrobot comes in kit form with full instructions and projects notes and is said to take 20 minutes to build.

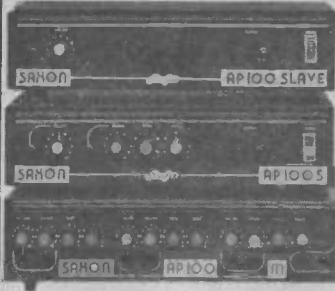
Another contender in the original names stakes is being developed by **Robot City Technology**. Hard on the heels of its low-cost Alfred robot arm comes the more robust version called Alfred II. It is at the prototype stage but is expected to sell for less than £1,000 and be strong enough to be used for light industrial purposes.

Details are limited at the moment but it is understood to be similar to Alfred, being a standard 5-axis arm with grippers. More details as they emerge.



# SAXON MOSFET AMPLIFIERS

**UNBEATABLE PRICES!!!**



**SLAVE MODEL**  
 AP 100 100W RMS ..... £69  
 AP 200 200W RMS ..... £89

**2 INPUT GENERAL PURPOSE MODEL**

AP 100S ..... £79  
 AP 200S ..... £99

**P.A. MODEL**  
 ★ 6 INPUTS  
 ★ 3 CHANNELS  
 ★ ECHO IN/OUT

★ TREBLE/BASS EACH CHANNEL ★ INDIVIDUAL VOLUMES  
 ★ MASTER PRESENCE

AP 100M £99  
 AP 200M £119

Write or phone for a **FREE BROCHURE** on these incredible amplifiers

## P.E. HYPERCHASER

£84.95



**4 CHANNEL PSEUDO INTELLIGENT LIGHT UNIT**  
 ★ 16 Programmes ★ Manual Flash Buttons  
 ★ Manual/Auto Programme ★ Strobe Outputs  
 ★ Individual Dimming ★ Sound To Light

Not just a light unit but a sophisticated & comprehensive effects unit. A full kit of parts including P.C.B., Facia, Case, etc. Reprint of article on request.



**P.E. STAR DESK** £209

**8 + 4 CHANNEL LIGHT MIXING DESK**  
 ★ 8 Channel Twin Preset Mixer ★ Strobe Outputs  
 ★ 4 Independent Channels ★ 4/8 Channel Sequences  
 ★ 8 Programmes ★ Manual Flash Buttons  
 ★ 1KW Output/Channel (can be boosted to 2KW/Ch)  
 ★ Timed Crossfade ★ Soft/Hard Sequence

A truly magnificent unit ideal for clubs, groups, drama, etc. A full kit of parts inc. PCB, Facia, Case, etc. Reprint of article on request.



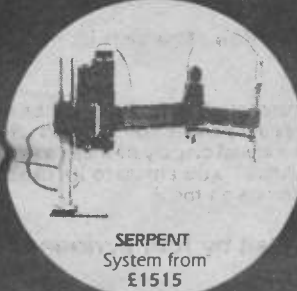
## BENSHAM RECORDING LTD

327 Whitehorse Road, Croydon, Surrey CR0 2HS  
 (01) 684 8007 9am-5pm. Mon-Sat.



All prices include VAT and Post & Packing. Please allow 14 days for delivery

## ROBOTS for EDUCATION TRAINING and INDUSTRY



**SERPENT**  
System from £1515



**MENTOR**  
System from £495



**NEPTUNE**  
System from £2195  
Hydraulic using water!



**NAIAD**  
System from £765  
Hydraulic using water!

SERPENT 1/11 5 axes 12 bit control system 2kg capacity 400/650mm reach.

MENTOR DC servo desktop robot, 8 bit control system, 1kg capacity, 420 reach.

NEPTUNE 1/11 6/7 axes 8/12 bit control system 2.5kg capacity, 1120mm reach.

NAIAD 6 axes, 8 bit control system, 500gm capacity, 500mm reach.

Robots programmed from keyboard or hand-held simulator (model robot).

Robots may also be taught by 'lead by the nose' method.

Extensive software is supplied free with each robot.

Leads available for connection to BBC, ZX Spectrum, Apple IIe, Commodore 64, VIC 20 and IBM PC.

Most other micros are also easily usable with these robots.

Robots available as kits or ready built.

FMS (Flexible Manufacturing System) work cell additions also available.

Please phone for brochure: 0264 50093.  
**West Portway Industrial Estate, Andover SP10 3PE.**  
 A private and independent company giving prompt, personal service.



**For KITS & COMPONENTS**  
**Choose the easy way - with**



Send now **TK**  
 for our **FREE CATALOGUE**  
 or ring: **01-567 8910** for  
 the keenest prices on -

- CMOS
- TTL
- LINEAR
- SCRs
- LEDs
- NICADS
- TRANSFORMERS
- CONNECTORS
- REGULATORS
- MICROPROCESSORS
- SPEAKERS
- HEATSINKS
- MULTIMETERS
- BOOKS
- TOOLS
- PCBs
- CRYSTALS
- SWITCHES
- RELAYS

**ANTEX SOLDERING IRONS**  
**PANTEC KITS**  
**VELLEMAN KITS**  
**VERO**

**AND LOTS LOTS MORE**  
 or choose from our  
 range of over 30 kits ...

### HOME LIGHTING KITS

These kits contain all necessary components and full instructions and are designed to replace standard wall switch and control up to 300w of lighting.

TDR300K Remote Control Dimmer £14.95  
 MK6 Transmitter for above £4.50  
 TD300K Touchdimmer £7.75  
 TS300K Touchswitch £7.75  
 TDE/K Extension kit for 2-way switching for TD300K £2.50

### DISCO LIGHTING KITS

DL1000K - This value-for-money 4-way chaser features bi-directional sequence and dimming. 1kW per channel. £15.95  
 DLZ1000K - A lower cost uni-directional version of the above. Zero switching to reduce interference. £8.95  
 Optional opto input allowing audio 'beat' / light response (DLA/1) 70p  
 DL3000K - 3 channel sound to light kit features zero voltage switching, automatic level control and built-in microphone. 1kW per channel. £12.95



### MICROPROCESSOR TIMER KIT

Designed to control 4 outputs independently switching on and off at preset times over a 7-day cycle. LED display of time and day, easily programmed via 20-way keyboard. Ideal for central heating control (including different switching times for weekends). Battery back-up circuit. Includes box.

18 time settings.  
**CT6000K** £39.00  
**XK114** Relay Kit for CT6000 includes PCB, connectors and one relay. Will accept up to 4 relays.  
 3A/240V c/o contacts £3.90  
 701115 Additional Relays £1.65

### DVM/ULTRA SENSITIVE THERMOMETER KIT

Based on the ICL 7126 and a 3 1/2 digit liquid crystal display, this kit will form the basis of a digital multimeter (only a few additional resistors and switches are required - details supplied), or a sensitive digital thermometer (50°C to +150°C) reading 0.1°C. The kit has a sensitivity of 200mV for a full-scale leading automatic polarity and overload indication. Typical battery life of 2 years (PP3). £15.50



**ELECTRONICS**  
 13 BOSTON RD  
 LONDON W7 3SJ

SEND 9"X6" S.A.E.  
 OR CALL AT SHOP  
 MON-FRI 9-5pm  
 SATURDAY 10-4pm

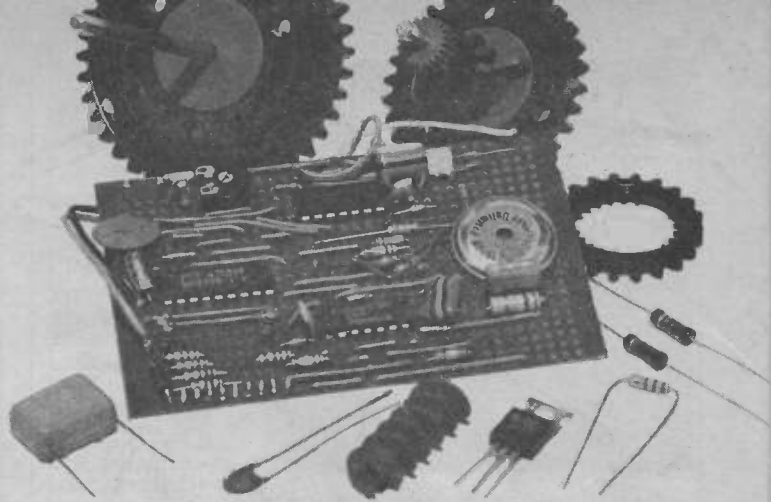
### ORDERING INFORMATION: ALL PRICES EXCLUDE VAT

FREE P&P on orders over £20 (UK only), otherwise add 75p + VAT. Overseas P&P: Europe £2.75. Elsewhere £6.50. Send cheque/PO/Barclaycard/Access No. with order. Giro No. 529314002.

**LOCAL AUTHORITY AND EXPORT ORDERS WELCOME**  
**GOODS BY RETURN SUBJECT TO AVAILABILITY**

# Experimenting With ROBOTS

Sam Withey Part 6



IN THIS the concluding part of Experimenting with Robots we look at testing the interface described last month and some typical methods of achieving movements in experimental robotics.

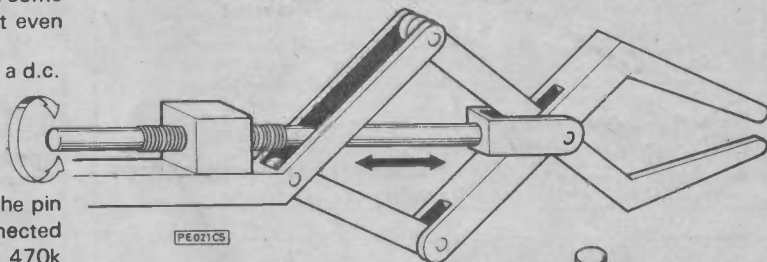
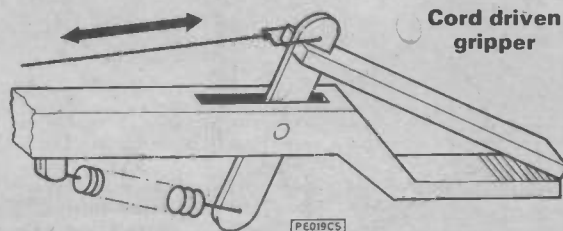
## TESTING

The motor driving transistors and the motors themselves require an external power supply, mainly selected to suit the motors requirements—between 5Vd.c. and 12Vd.c. Here, it may be required to use a resistor to drop the voltage down with some types of model motors, otherwise they run much too fast even with reduction gears.

After checking for dry joints and solder bridges, connect a d.c. motor and suitable supply. Next, connect a 5 volt supply between the bases of the transistor bridges at a pair of links. The motor connected to this bridge should run in one direction and reverse when changing over the leads.

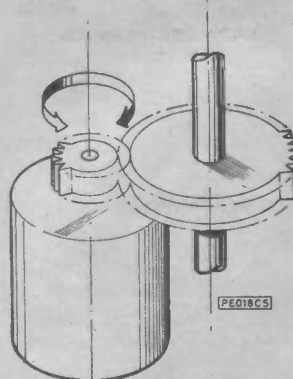
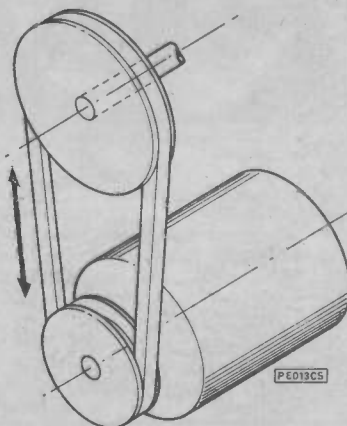
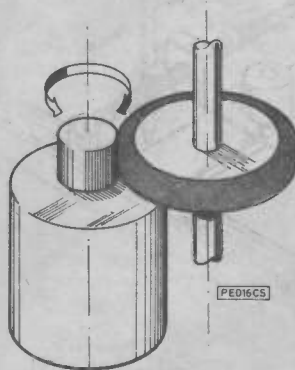
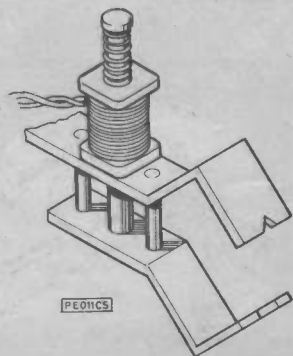
Next insert the opto isolators and apply a +5V supply to the pin normally connected to the computer +5V line. Whilst connected to the computer, the data lines are held high through the 470k resistors. The negative of the supply is applied, in turn, to the data bit 0 and 1 pins, just as the computer would place a logic '0' at the port. A similar result should ensue—the motor running first in one direction and then changing to the other direction. It should now be safe to connect up to the computer. Readers will probably have realised that due to the use of opto-isolators, the logic to drive the transistor bridges is reversed. This is not of importance and is taken care of, either in the programming, or by reversing the motor leads if they run in the opposite direction to that required.

Whilst the circuit was under test using 12V *Scalextric* d.c. motors, considerable differences were found in the performance of individual motors. These motors are designed to run at much greater speeds than would be required for most computer control applications. To ensure compatibility, do not insert the resistors between the external supply and the bases of the bridge transistors (load resistors of opto-isolator transistors). Instead, tack 2 x 5k pots in their place and trim for the best balance of speed for forward and reverse directions. When a favourable value has been found choose resistors of the nearest preferred values and insert them in place of the pots. The author had a large number of *Scalextric* motors and found 3k3 to be the most suitable resistor value for the motors he chose. Also, this value proved quite suitable for driving *Sonzeboz* Type 1112 asynchronous motors as 32 step, bipolar stepper motors. Provision has been

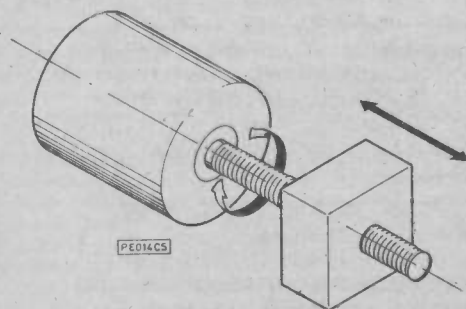


Worm driven gripper

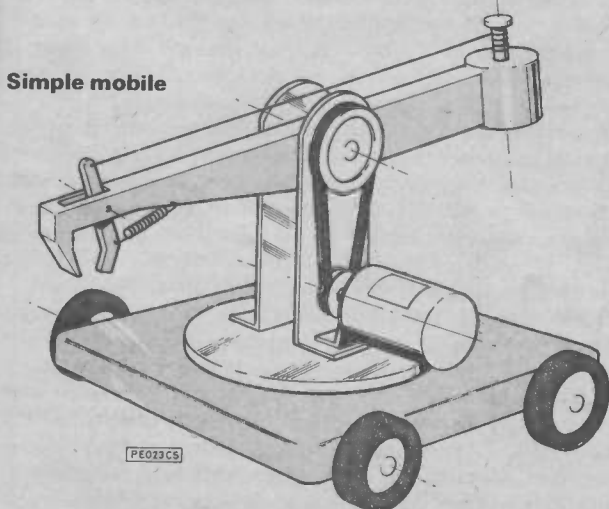
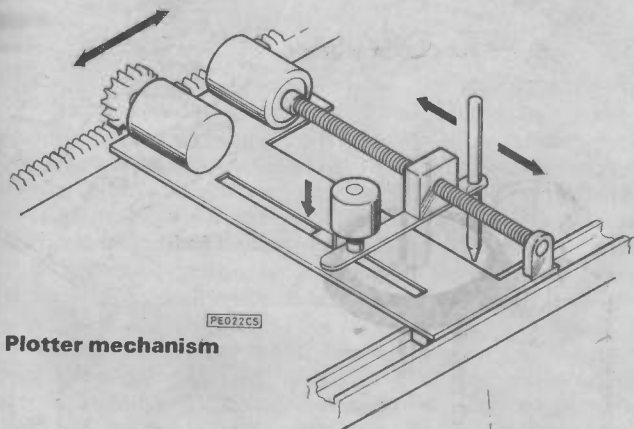
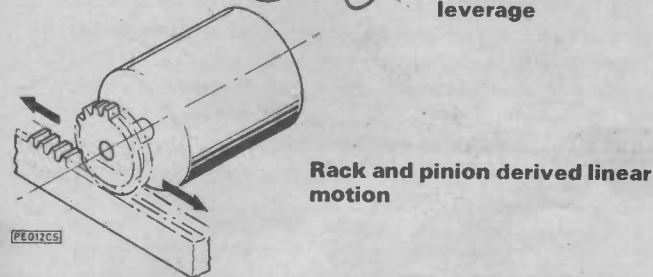
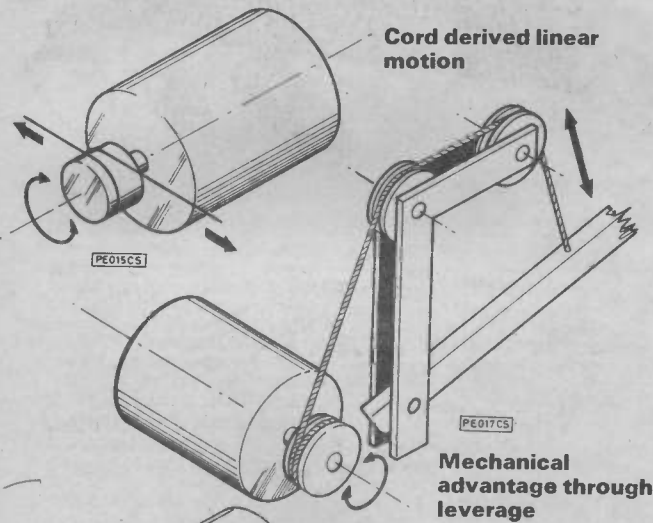
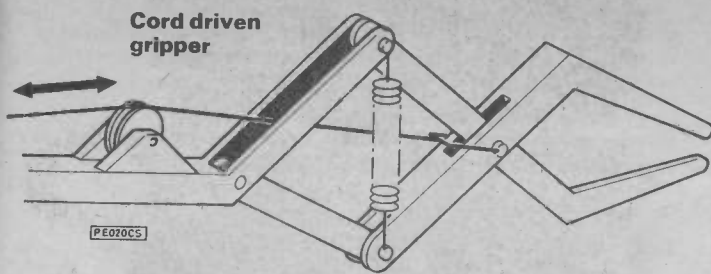
Solenoid driven gripper



Three suggested reduction techniques: friction wheel, gears, belt



Linear motion delivered by way of the worm drive. Such is the reduction by gearing of a worm drive that a snail's pace can be achieved.



made on the board for suppression capacitors, but these are often already mounted on small motors. Again, in case others might have the same experience, for some unknown reason, the *Scalextric* motors would not run with the normally mounted 1n (0.001µF) capacitors, but run at their best on 220n (0.22µF). I have discussed this with my colleagues, who are more experienced with motors than I am, but they are as puzzled as myself. Perhaps the reader might have come across this anomaly at some time. Small stepper motors normally require 470n (0.47µF) capacitors or greater.

The following shows the logic for driving d.c. motors

Motor 2	Motor 1	Motor 2	Motor 1	Suggested Single Key X-Y Control				
D3	D2	D1	D0	Hex Dec	Dir	Dir		
0	0	0	0	0	0	—	•	0
0	0	0	1	1	↑	—	CCW	→
0	0	1	0	2	2	—	CW	←
0	0	1	1	3	3	—	•	
0	1	0	0	4	4	CCW	—	↓
0	1	0	1	5	5	CCW	CCW	↙
0	1	1	0	6	6	CCW	CW	↘
0	1	1	1	7	7	CCW	—	↑
1	0	0	0	8	8	CW	—	↓
1	0	0	1	9	9	CW	CCW	↙
1	0	1	0	A	10	CW	CW	↘
1	0	1	1	B	11	CW	—	↑
1	1	0	0	C	12	—	•	
1	1	0	1	D	13	—	CCW	→
1	1	1	0	E	14	—	CW	←
1	1	1	1	F	15	—	•	

The \* indicates logic patterns that produce similar results. It can be seen that the 16 possible combinations can be reduced to 9 in practice.

To control three or four motors, a second board is required. To compile a table for simultaneous movement would be very complicated, there being 64 combinations for the motors and 256 combinations for four motors initially. However, a full set of tables would be rarely required. Single key operation could be developed from the following table, where once again movements can be reduced to nine variations. For the development of repetitive, automated sequences, single motor movements can be programmed at first to perfect the operation, then the logic values can be added together for two or more motors, to produce simultaneous movement:

Motor 4	Motor 3	Motor 2	Motor 1	Dec	Hex	Motor Dir					
D7	D6	D5	D4	D3	D2	D1	D0				
0	0	0	0	0	0	0	0	0	0	—	—
0	0	0	0	0	0	0	1	1	1	1	CCW
0	0	0	0	0	0	1	0	2	2	1	CW
0	0	0	0	0	1	0	0	4	4	2	CCW
0	0	0	0	1	0	0	0	8	8	2	CW
0	0	0	1	0	0	0	0	16	10	3	CCW
0	0	1	0	0	0	0	0	32	20	3	CW
0	1	0	0	0	0	0	0	64	40	4	CCW
1	0	0	0	0	0	0	0	128	80	4	CW

For all motors to be static either 255 Dec (FF Hex) or 0 must be included.

The following program can be used to run 2 DC motors on an X-Y axis and can be modified for other functions.

```

05 PRINT "shift/clrhome":REM Clear screen symbol
08 PRINT "Do not turn external motor supply on yet":PRINT
10 POKE 37138, 15:REM Place value 15 into DDR
12 REM 15 for 2 DC motors or 1 bipolar with 4 inputs
13 REM 255 for 4 DC motors or 2 bipolar and no inputs
15 PRINT "DDR setting"
18 PRINT PEEK(37138):REM Display DDR setting
19 PRINT:PRINT:PRINT:REM Spaces
20 PRINT "Place decimal value 0 in I/O REGISTER"
30 INPUT X:REM Decimal 0 is optional but
35 IF X<>0 GOTO 20:REM initially 0 for motors static

```

```

40 POKE 37136, X:REM Places value 0 into I/O REGISTER
45 PRINT "STATE OF PORTS":REM Should be 00000000
46 PRINT "P7 P6 P5 P4 P3 P2 P1 P0"
50 Z=X:REM Put value of X into Z
55 GOSUB 200:REM Jumps to DEC/BIN conversion routine
58 PRINT:PRINT:PRINT "Turn on motor supply":PRINT
60 PRINT "Define MOTOR functions"
65 INPUT Y:REM Enter decimal value to suit motor/s direction
66 IF Y<0 OR Y>15 GOTO 60:REM See Line 13 for 4 motors
68 GOSUB 300
70 Z=Y:REM Put value of Y into Z
80 POKE 37136, Y:REM Places defined value into I/O REGISTER
85 PRINT:PRINT
100 PRINT "I/O REGISTER"
105 PRINT PEEK(37136):REM Display the contents
110 PRINT "STATE OF PORTS"
120 PRINT "P7 P6 P5 P4 P3 P2 P1 P0"
130 GOSUB 200:REM Jump to DEC/BIN conversion routine
140 GOTO 60:REM Reset I/O REGISTERS to change motors
status

200 PO=Z—INT (Z/2)*2:REM Decimal/Binary conversion routine
205 Z=INT(Z/2)
210 P1=Z—INT(Z/2)*2
215 Z=INT (Z/2)
220 P2=Z—INT(Z/2)*2
225 Z=INT(Z/2)
230 P3=Z—INT (Z/2)*2
235 Z=INT (Z/2)
240 P4=Z—INT(Z/2)*2
245 Z=INT(Z/2)
250 P5=Z—INT(Z/2)*2
255 Z=INT (Z/2)
260 P6=Z—INT(Z/2)*2
265 Z=INT (Z/2)
270 P7=Z—INT(Z/2)*2
275 ZZ=INT(Z/2)
280 PRINT P7:P6:P5:P4:P3:P2:P1:P0:REM Display contents of
PORTS
285 PRINT:PRINT
290 RETURN:REM Return to line 140

```

```

300 IF Y=0 THEN PRINT "All Motors Static"
301 IF Y=1 THEN PRINT "Motor2 STOP Motor1 CCW Direction
EAST"
302 IF Y=2 THEN PRINT "Motor2 STOP Motor1 CW Direction
WEST"
303 IF Y=4 THEN PRINT "Motor2 CCW Motor1 STOP Direction
SOUTH"
304 IF Y=8 THEN PRINT "Motor2 CW Motor1 STOP Direction
NORTH"
305 IF Y=5 THEN PRINT "Motor2 CCW Motor1 CCW Direction
SEAST"
306 IF Y=6 THEN PRINT "Motor2 CCW Motor1 CW Direction
SWEST"
307 IF Y=9 THEN PRINT "Motor2 CW Motor1 CCW Direction
NEAST"
308 IF Y=10 THEN PRINT "Motor2 CW Motor1 CW Direction
NWEST"
309 RETURN:REM Return to line 60

```

Whilst the above program was tested on a Vic 20 computer, the approach to peripheral control is similar for the Commodore 64, Pet and BBC. The following shows the changes required when these computers are used:

	Vic 20	Commo- dore 64	Pet	BBC
Data Direction Register	37138	56579	59459	65122
Input/Output Register	37136	56577	59457	65120

The BBC replaces PEEK and POKE with ? and does not require brackets around a PEEK value.

Table 2 indicates the logic states required to step bi-polar stepper motors in each of the three modes of operation. In each instance the table refers to c.w. rotation, c.c.w. rotation being achieved by backwards stepping from any point. Full stepping is

listed first, due to its primary degree of reliability. Half stepping provides additional flexibility of movement for cheaper, low-step-frequency motors and is a combination of Full stepping and Wave stepping. The Wave stepping logic sequence has beneficial effects where high speed rotation is required and the user is prepared to lose a certain degree of accuracy.

#### Normal, Full 4 step sequence

Step	Base Logic	Q1/Q4	Base Logic	Q3/Q2	Base Logic	Q5/Q8	Base Logic	Q7/Q6
1	0	On/Off	1	Off/On	0	On/Off	1	Off/On
2	0	On/Off	1	Off/On	1	Off/On	0	On/Off
3	1	Off/On	0	On/Off	1	Off/On	0	On/Off
4	1	Off/On	0	On/Off	0	On/Off	1	Off/On
1	0	On/Off	1	Off/On	0	On/Off	1	Off/On

#### 1/2 step, 8 step sequence

Step	Base Logic	Q1/Q4	Base Logic	Q3/Q2	Base Logic	Q5/Q8	Base Logic	Q7/Q6
1	0	On/Off	1	Off/On	0	On/Off	1	Off/On
2	0	On/Off	1	Off/On	0/1	Stop	0/1	Stop
3	0	On/Off	1	Off/On	1	Off/On	0	On/Off
4	0/1	Stop	0/1	Stop	1	Off/On	0	On/Off
5	1	Off/On	0	On/Off	1	Off/On	0	On/Off
6	1	Off/On	0	On/Off	0/1	Stop	0/1	Stop
7	1	Off/On	0	On/Off	0	On/Off	1	Off/On
8	0/1	Stop	0/1	Stop	0	On/Off	1	Off/On
1	0	On/Off	1	Off/On	0	On/Off	1	Off/On

Note: At steps 2, 4, 6 and 8 only one winding is activated. The current logic state on the other winding must be changed so that either Logic 0,0 or 1,1 exist on all four transistor bases in order to disable the winding.

#### Wave step, 4 step sequence

Step	Base Logic	Q1/Q4	Base Logic	Q3/Q2	Base Logic	Q5/Q8	Base Logic	Q7/Q6
1	0	On/Off	1	Off/On	1	Off/On	1	Off/On
2	1	Off/On	1	Off/On	1	Off/On	0	On/Off
3	1	Off/On	0	On/Off	1	Off/On	1	Off/On
4	1	Off/On	1	Off/On	0	On/Off	1	Off/On
1	0	On/Off	1	Off/On	1	Off/On	1	Off/On

## APPLICATIONS

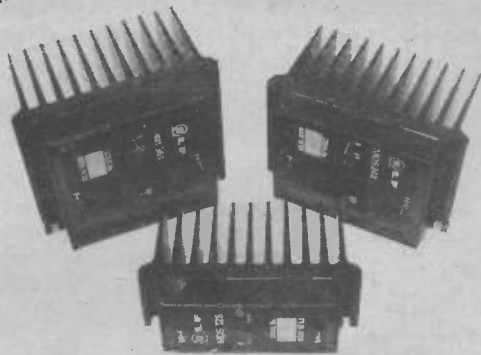
For most applications of computer controlled motors, the rotary motion is converted into harnessed linear movement. Several methods of conversion are used, ranging from wheels relying on tyres to maintain accuracy of position; pulleys; geared wheels; ratchet and gears; and a long, threaded shaft driving a nut along its length. (The author found a suitable source of these in the threaded extruders of the tubes containing bath sealant).

When d.c. motors are employed, some form of feedback is necessary to monitor position and provide a means of stopping the motor at a required position. These usually take the form of optical sensors or limit switches. The motor controller has provision for using both these methods. Stepper motors, on the other hand, are positional devices, enabling pre-programmed, automatic, repetitive operations. Limit switches can be used in both applications to prevent accidental over-run. Both types of motor lend themselves to keyboard control situations, but in this mode the d.c. type of motor is the more economical.

Many features on robotics just describe arm geometries such as Cartesian, spherical or polar, cylindrical and articulated or angular. The block diagram provided, whilst familiarising the reader with the language or robotics, offer little help in applying the movements practically. It is hoped that the illustrations accompanying this article can be of assistance to those who wish to attempt some simple machine control projects with limited functions.

The low torque of small d.c. motors and stepper motors can be improved dramatically with the use of reduction gears. It is a neglected fact that in the average discarded alarm clock there are at least two sets of 60/1 ratio gear movements. These can turn a cheap six steps per revolution stepper motor, as described in the *Expanding VIC-20* series into a 360 step movement, with obvious advantages. Many of the older clocks have really solid movements that can stand up to drilling and machining if necessary. ★

# FROM JAYTEE



## THE SPECIAL DISTRIBUTOR FOR SPECIAL AMPLIFIERS

ILP have long been recognised as manufacturers of top quality amplifiers.

All ILP products are built to extremely high specification for the ultimate in hi-fi performance. They're unique in being completely encapsulated with integral heatsinks, and can bolt straight onto the chassis. They're also extremely robust, ensuring high levels of reliability as well as performance.

ILP Amplifiers are now available through Jaytee. The UK Distributor with the availability and service to match the quality of the amplifiers.

### POWER BOOSTER AMPLIFIERS

The C15 and C1515 are power booster amplifiers designed to increase the output of your existing car radio or cassette player to 15 watt rms.

C15 .....15 watts .....£10.65  
C1515.....15 + 15 watts.....£19.78

### ILP LOUDSPEAKER

power .....350 watt rms  
size .....12 inches  
impedance .....8 ohms  
range .....20 Hz to 5 KHz  
price .....£85.95

Contact our sales dept.  
for information pack.

FOR FREE DATA PACK PLEASE  
WRITE TO OUR SALES DEPT.



## PREAMPLIFIER MODULES

All modules are supplied with in line connectors but require potentiometers, switches, etc. If used with our power amps they are powered from the appropriate Power Supply.

Type	Application	Functions	Price
HY6	Mono Pre Amp	Full Hi Fi facilities	£8.45
HY66	Stereo Pre-Amp	Full Hi Fi facilities	£11.95
HY73	Guitar Pre-Amp	Two Guitars plus Microphone	£12.45
HY78	Stereo Pre-Amp	As HY66 less tone controls	£10.95

NEW! HY83 Guitar and Special Effects Pre-Amp as HY 73 Plus Overdrive and Reverb £18.95

MOUNTING BOARDS: For base of construction we recommend the B6 for HY6 £0.95. B66 for HY66-78 £1.45.

## MOSFET MODULES

Ideal for Disco's, public address and applications with complex loads (line transformers etc.). Integral Heatsink slow rate 20v/μs distortion less than 0.01%

Type	Output Power Watts (rms)	Load Impedance Ω	Price
MOS128	60	4-8	£34.45
MOS248	120	4-8	£39.45
MOS364	180	4	£64.45

## BIPOLAR MODULES

Ideal for Hi Fi, Full load protection integral Heatsink, slew rate 15v/μs

Type	Output Power Watts (rms)	Load Impedance Ω	Price
HY30	15	4-8	£10.45
HY60	30	4-8	£10.45
HY6060	30+30	4-8	£21.95
HY124	60	4	£17.45
HY128	60	8	£17.45
HY244	120	4	£22.45
HY248	120	8	£22.45
HY364	180	4	£33.45
HY368	180	8	£34.95

Distortion less than 0.01%

## POWER SUPPLY UNIT

Type	For Use With	Price
PSU30	PRE AMP	£6.45
PSU121	1 or 2 HY30	£16.45
PSU412	1 or 2 HY60, 1 HY6060, 1 HY124	£18.45
PSU422	1 HY128	£20.45
PSU432	1 MOS128	£21.45
PSU512	2 HY128, 1 HY244	£22.45
PSU522	2 HY124	£22.45
PSU532	2 MOS128	£22.95
PSU542	1 HY248	£22.95
PSU552	1 MOS248	£24.95
PSU712	2 HY244	£26.45
PSU722	2 HY248	£27.45
PSU732	1 HY364	£27.45
PSU742	1 HY368	£29.45
PSU752	2 MOS248, MOS364	£29.45

All the above are for 240v operation



Jaytee Electronic Services, 143 Reculver Road, Beltinge, Herne Bay, Kent CT6 6PL Telephone: (0227) 375254  
All Prices include VAT, Post & Packing

# MARCO TRADING

## ELECTRONIC COMPONENTS

MAIL ORDER CATALOGUE

WIRE RESISTOR KITS

PLUGS & SOCKETS

PLASTIC BOXES

TRANSISTORS

HEADPHONES

FUSES

TRANSFORMERS

SOLDERING AIDS

DIODES

TELECOM EQUIP

7ALS

INCLUDES 50P FREE VOUCHER

PRE-PAID ENVELOPE

NI-CAD CHARGER

NI-CADS

VEROBOARDS

SERVICE AIDS

PRE-SETS

ROTARY POTS

NEW GAS SOLDERING IRON

**LATEST 86 CATALOGUE**

136 PAGES

**ONLY £1.00**

SEND £1.00 FOR YOUR '86 CATALOGUE INCLUDES 50P VOUCHER, PRE-PAID ENVELOPE, ORDER FORM, SPECIAL OFFERS — JUST CUT OUT THIS COUPON & SEND WITH YOUR £1.00

Name .....

Address .....

**MARCO TRADING (DEPT PE2)**  
The Maltings  
High Street  
Wem, Shropshire SY4 5EN  
Tel: 0939 32763 Telex: 35565

# PRINTED CIRCUIT BOARD SERVICE

Printed circuit boards for certain PE constructional projects are now available from the PE PCB Service, see list. They are fully drilled and roller tinned. All prices include VAT and postage and packing. Add £1 per board for overseas airmail. Remittances should be sent to: **PE PCB Service, Practical Electronics Editorial Offices, Westover House, West Quay Road, Poole, Dorset BH15 1JG.** Cheques should be crossed and made payable to IPC Magazines Ltd.

Please note that when ordering it is important to give project title, order code and the quantity. Please print name and address in Block Capitals. Do not send any other correspondence with your order.

Readers are advised to check with prices appearing in the current issue before ordering.

## Phone Orders

You can now order your printed circuit board by telephone, quoting your Access credit number. The number to ring is: **0268-710722**

**NOTE: Please allow 28 days for delivery. We can only supply boards listed here.**

PROJECT TITLE		Order Code	Cost
Spectrum Autosave	MAR '84	403-01	£2.90
Sustain Unit		405-02	£2.90
Audio Signal Generator	MAY '84	405-03	£4.28
"		405-04	£2.90
Cross Hatch Generator	JUNE '84	406-01	£3.52
Simple Logic Analyser I		407-01	£7.73
EPROM Duplicator		407-02	£3.74
Alarm System	JULY '84	407-03	£3.19
Oscilloscope Calibrator		407-04	£4.23
Comm. 64 RS232C Interface		408-01	£3.02
Field Measurement	AUG '84	408-02	£3.19
"		408-03	£2.90
Simple Logic Analyser II		408-05	£2.93
Parallel to Serial Converter		409-01	£2.92
Through the Mains Controller	SEPT '84	409-02	£2.90
"		409-03	£2.90
Logic Probe	OCT '84	410-01	£2.90
Computer DFM Adaptor	NOV '84	411-01	£2.90
Ni-Cad Charger	DEC '84	412-01	£2.90
Outrider Car Computer (Set of 2)	JAN '85	501-01	£9.10
Modular Audio Power System			
Pt-1: Power Amp Board	FEB '85	502-01	£4.19
Spectrum DAC/ADC Board		502-02	£3.69

Modular Audio Power System			
Pt-2: Pre-Amp/Line Driver	MARCH '85	503-01	£5.00
Main Board		503-02	£5.12
Heart Beat Monitor—Main Circuit Board		503-03	£8.90
—Detector		503-04	£6.62
Low Cost Speech Synthesiser		503-05	£3.42
Power Control Interface		504-01	£3.36
Disc Drive PSU		504-02	£6.54
Modular Audio Power System	APRIL '85		
Pt-3: Test Signal Source		504-09	£4.20
Power Supply		504-10	£4.17
Amstrad Synthesiser Interface		505-01	£4.23
Rugby Clock Pt-2		504-03	£24.22
"		504-04	£9.06
"	MAY '85	504-05	£5.12
"		504-06	£9.54
"		504-07	£5.40
"		504-08	£10.24
CBM64 Music Keyboard			
Keyboard	JUNE '85	506-02	£4.55
Main PCB		506-03	£3.50
MTX 8 Channel A to D	JULY '85	507-01	£3.92
Voltmeter Memory Adaptor		506-01	£3.28
Envelope Shaper	AUGUST '85	508-01	£3.73
Car Boot Alarm	SEPT '85	509-01	£2.90
RS232 To Centronics Converter		509-03	£4.95
Touch control PSU		001	£3.17
Exp. with Robots (double-sided)	OCT '85	004	£16.91
Modulated Syndrum		005	£3.80
CBM User Port Expander		006	£3.93
Model Railway Track Control		010	£5.44
*Bytebox: ROM Board (double-sided)		002	£12.75
ZIF Socket	NOV '85	003	£2.90
RAM Board		007	£4.95
Battery Backed RAM		008	£3.74
EPROM Board		009	£2.93
*Special Price—Complete set of 5 boards		00A	£23.00
Model Railway		016	£3.90
Track Control	DEC '85	017	£4.86
Rec Board—A		018	£3.93
Rec Board—B		019	£2.90
Rec Board—B Ext			
Test Load			
	JAN '86		
Exp. with Robots		022	£3.71
Spectrum Speech			
Synth & 8-Bit I/O Port (double-sided)		023	£6.49
Burglar Alarm			
Main board		020	£4.97
Bell Driver	FEB '86	021	£2.90
Logic Probe		024	£4.20
Computer Movement Detector		509-02	£3.20

# PE BAZAAR

**For Sale** Sequential multi track ploy synth as new with MIDI built-in sequencer. £700. Tel: Durham 62499.

**Solartron** digital voltmeter LM14 02.2 cost £400. Offers. Scientific NMR ES.R power supply. Offers. Rory Hall, 42 Worcester Road, Chipping Norton, Oxon. Tel: 0608 3558.

**Diablo** 1345A HY type printer. Hazeltine 1500 terminal. Both good condition. Offers. T. Bateman, 22 Nelson Road, Rayleigh, Essex SS6 8HB. Tel: 0268 775113.

**Texas** TI99/4A 16-bit microcomputer as new—£49. Cartridges: extended basic £39, space invaders game £9. P. J. Tait, 2 Hewitt Close, Wheathampstead, St. Albans, Herts. AL4 8TO.

**Moving house**—everything must go. e.g. pack of 1000 new components, R's, C's, etc. £10 post free. K. Bailey, 40 Seymour Close, Selly Park, Birmingham B29 7JD.

**Cheap ICs.** Typical prices: Z80A CPU £2, 2114 £1.50, 2716 Eprom £1.60. Many others for sale. Alan Tucker, Salamanca, Launton, Bicester, Oxon. OX6 0DQ.

**RULES** Maximum of 16 words plus address and/or phone no. Private advertisers only (trade or business ads. can be placed in our classified columns). Items related to electronics only. No computer software. PE cannot accept responsibility for the accuracy of ads. or for any transaction arising between readers as a result of a free ad. We reserve the right to refuse advertisements. Each ad. must be accompanied by a **cut-out valid** "date corner". Ads. will not appear (or be returned) if these rules are broken.

Please publish the following small ad. FREE in the next available issue. I am not a dealer in electronics or associated equipment. I have read the rules. I enclose a **cut-out valid** date corner.

Signature ..... Date .....

Please read the **RULES** then write your advertisement here—one word to each box. Add your name, address and/or phone no. **COUPON VALID FOR POSTING BEFORE 7 FEBRUARY, 1986** (One month later for overseas readers.)

**SEND TO: PE BAZAAR, PRACTICAL ELECTRONICS, WEST-OVER HOUSE, WEST QUAY ROAD, POOLE, DORSET BE 15 1JG.**

BLOCK CAPITALS PLEASE

Name & Address:			

For readers who don't want to damage the issue send a photostat or a copy of the coupon (filled in of course) with a **cut-out valid** "date corner"

PE BAZAAR  
FEBRUARY '86

**CROFTON PM101**

**ONLY £82.80**



This 9 inch metal cased, mono-chrome monitor offers you the chance to obtain a high quality product at a budget price!

**SPECIAL OFFERS**

**MONITOR KITS** Brand new professional 12 inch. P31 anti-glare panel tube with T.T.L. 12v pcb. Easy to convert to composite. **ONLY £30.** ZX81 Full sized keyboard in metal case **£13.80.** **COMPUTER DESKS £20.**

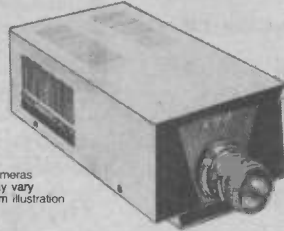
Be sure to request our free catalogue describing our range of T.V. cameras, fixed and zoom lenses, sequential switchers, special and general monitors (colour and b/w including the PHILIPS 7502, PHILIPS 7522 and PHILIPS 2007 plus the full IKEGAMI range), video digitisers, light pens, eprom erasers etc.

**THE VIDEO SPECIALISTS**

**Crofton**

**CCTV CAMERAS**

**ONLY £78.20**



Cameras may vary from illustration

Fully Refurbished. **ONLY £78.20**

**Philips 12" Monitor with sound, Model BM7502 only £85.10 inc. p&p, VAT**

**THE NOVEX 1414**

**ONLY £185.15**



This superb metal cased 14 inch RGB/COMPOSITE COMPUTER COLOUR MONITOR is unbelievable value at this price!

**ELECTRONIC KEY FOB**

Quickly locate mislaid keys. Fob emits a shrill tone in response to your whistle! **ONLY £7.95**

ALL OUR PRICES INCLUDE VAT, CARRIAGE & INSURANCE AND CAN ONLY BE HELD AS LONG AS STOCKS LAST!

**PHONE YOUR ORDER NOW!**

MOST MAJOR CREDIT CARDS ACCEPTED OFFICIAL ORDERS FROM APPROVED INDUSTRIAL OR EDUCATIONAL ESTABLISHMENTS WELCOME

Delivery within 28 days

**WATCH THIS SPACE FOR THE NEW THOMSON RANGE OF MONITORS**

**CROFTON ELECTRONICS**

**01-891 1923**

**35 GROSVENOR ROAD, TWICKENHAM, MIDDLESEX TW1 4AD**  
SALES & SERVICE: P.O. BOX 6, KINGTON HR5 3SX. **LYONSHALL 557**

**TRANSFORMERS**

**MAINS ISOLATORS**  
Pri/Sec 0-120V x2 (40-1KVA TAP SECS)

VA	Price	P&P
*20	6.11	1.70
60	9.96	1.59
100	11.63	2.10
200	16.47	2.36
250	19.92	2.77
350	24.64	2.94
500	30.69	3.10
750	43.34	3.70
1000	55.65	4.20
1500	71.79	5.95
2000	86.38	6.46
3000	121.12	O/A
6000	258.79	O/A

**400/440V ISOLATORS**

VA	Price	P&P
60	9.98	1.99
100	11.08	2.10
200	16.47	2.36
250	19.92	2.77
350	24.64	2.94
500	30.69	3.10
1000	55.65	4.20
2000	86.38	6.46
3000	121.14	O/A
6000	240.19	O/A

**12/24V or 12-0-12V**  
2x12V Secs. Pri. 240V

VA	Price	P&P
0.3	1.5	2.53
1	5	3.35
2	1	4.46
4	2	5.15
6	3	8.07
8	4	9.43
10	5	10.31
12	6	11.43
16	8	13.52
20	10	18.33
30	15	22.79
40	20	32.52
60	30	46.69
83	41	53.76

**96/48V. Pri. 2x120V**  
Secs. 2x36/48V

VA	Price	P&P
96/72	48/36	
0.5	1	5.64
2	4	15.42
3	6	18.68
5	10	33.34
6	12	42.38
8	16	46.23

**EX-STOCK**

**30/15V or 15-0-15V 2x15V**  
Tap Sec. Volts available 3, 4, 5, 6, 8, 9, 10, 12, 15, 18, 20, 24, 30 or 15-0-15V.

30V	15V	Price	P&P
05	1	3.35	1.26
1	2	4.54	1.48
2	4	7.34	1.69
3	6	8.50	1.86
4	8	10.15	1.99
5	10	12.58	2.10
6	12	14.20	2.26
8	16	19.00	2.60
10	20	21.52	2.99
12	24	24.36	3.20
15	30	27.96	3.42
20	40	37.42	5.14

**AUTOS**  
105, 115, 220, 230, 240V  
For step-up or down

VA	Price	P&P
80	5.08	1.49
150	7.36	1.69
250	8.96	1.80
350	12.43	2.10
500	13.96	2.44
1000	24.53	2.96
1500	29.58	3.46
2000	44.34	4.20
3000	75.22	5.26
5000	113.11	O/A
7500	175.51	O/A
10000	207.89	O/A

**CASED AUTOS**  
240V Cable I/P

VA	Price	P&P
115V USA	5kts	O/P
3-0-3V	2	3.26
6x2	1A x2	3.62
.1	2.72	.96
2.53	.96	80
3.53	1.30	150
4.48	.96	250
2.53	.96	500
3.21	.96	1000
3.55	1.30	3000
4.34	1.70	
5.88	1.70	BRIDGE RECTIFIERS
5.07	1.50	1A
7.66	1.74	2A
2.66	.96	35A
7.28	1.40	12.5A

**BARRIE ELECTRONICS LTD**  
Unit 211, Stratford Workshops  
Burford Road, London E15 2SP  
Tel: 01-555 0228 (3 lines)

**INVERTERS**  
12/24V DC in 240V AC out (13A skt)

Power	Price
100W	£65.95
250W	£208.00
500W	£301.00
1000W	£425.00
2000W	£640.00
4000W	£1215.00

**CONSTANT VOLTAGE TRANSFORMERS 1%**  
Spike-free stable mains

Power	Price
250VA	£159.00
500VA	£201.93
1KVA	£380.50
2KVA	£590.95
3KVA	£951.05
4KVA	£1173.00
6KVA	£1697.85
10KVA	£3480.00

**VARIABLE VOLT TRANSFORMERS**  
240V I/P 0-260V O/P  
1 Amp to 75 Amp  
Enclosed

**AVOS & MEGGERS**  
8 MKG (latest) £152.50  
DA211 LCD £68.40  
2000 LCO £72.80  
Megger crank £125.80  
Megger Batt. £93.70  
Full Range Available

**METAL OXIDE VAW 5%**  
RESISTORS £1/100 + VAT  
12, 33, 47, 390, 430, 510, 560, 1K, 1K1, 1K3, 1K6, 1K8, 2K, 3K, 3K9, 15K, 16K, 24K, 27K, 39K, 56K, 82K, 100K, 110K, 120K, 130K, 150K, 200K, 220K, 270K, 300K p&p 20p

**WIRELESS WORLD**  
Modem Project 600 Ω line + mains transformers  
£6.90 inc VAT

**EDUCATIONAL METERS**  
Finger screw front terminals 0-10A, or 0-30V DC  
78x98mm  
£3.98 + 60p P&P



**THE START OF SOMETHING NEW**

If you are leaving College and planning a career in modern communications or if your present job lacks interest and challenge... why not join us in GCHQ? We are recruiting

**RADIO OFFICERS**

who after initial training will become members of an organisation that is in the forefront of communications technology. Government Communications Headquarters can offer you a satisfying and rewarding career in the wide field of communications. Training involves a 32 week course (38 weeks if you come straight from Nautical College) which will fit you for appointment to RADIO OFFICER.

Not only will you find the work as an RO extremely interesting but there are also good prospects for promotion, opportunities for overseas travel and a good salary. Add to this the security of working for an important Government Department and you could really have the start of something new.

The basic requirement for the job is two years' radio operating experience or hold a PMG, MPT or MRGC or be about to obtain a MRGC.

Registered disabled people are welcome to apply.

Salaries start at £4,762 at age 19 to £5,755 at age 25 and over during training and then £6,399 at 19 to £8,510 at 25 and over as a Radio Officer. Increments then follow annually to £11,741 inclusive of shift and weekend working allowances.

For full details and application form 'phone 0242 32912/3 or write to:



Recruitment Office, Government Communications Headquarters, Oakley, Priors Road, Cheltenham, Gloucestershire, GL52 5AJ.

Come along and explore the fascinating world of wood from beautiful hand carved figures to cabinet making.

See craftsmen demonstrating techniques such as hand carving, marquetry, woodturning – get a few tips on improving your own skills!

You'll find the widest possible choice of the very latest power tools, woodworking machinery and sophisticated lathes to traditional hand tools.

Or perhaps you're interested in old woodworking tools or antiques. Experts from Christies will be on-hand to provide a FREE VALUATION SERVICE. Bring along your old woodworking tools or photographs of antique furniture.

Or maybe you'll want to buy something from the craft market. Choose from a simple wooden toy to a ready to assemble kit – there's something for everyone.

For safety reasons both pushchairs and dogs (except guide dogs) cannot be admitted into the exhibition.

# The 5th Annual PRACTICAL WOOD WORKING EXHIBITION

WEMBLEY CONFERENCE CENTRE  
JANUARY 30-FEBRUARY 2 1986

Thursday to Saturday 10am-7pm

Sunday 10am-6pm

Tickets are available at the door.  
Adults £3  
Children under 16 and Senior Citizens £2.

LOOK OUT FOR THE 5th REDUCTION VOUCHER IN THE JANUARY AND FEBRUARY ISSUES OF PRACTICAL WOODWORKING

## BAKER'S DOZEN PACKS

£1 EACH OR 13 FOR £12

Please add £1 post if order under £20  
All new goods (except where marked s.h.)

Pack No.	Qty	Description	Pack No.	Qty	Description
1-	5	13 amp ring main junction boxes	51-	1	1 x 12v 2C 0 very sensitive relay
2-	5	13 amp ring main spur boxes	52-	1	1 x 12v 4C 0 relay
12B-	10	finned drill for P.C.B. etc.	53-	2	mains operated relays 3 x 8a changeovers (second hand)
4-	5	surface mounting switches	54-	10	rows of 32 gold plated IC sockets (total 320 sockets)
5-	3	flush switches white	55-	1	miniature Uniselector with circuit for electric jigsaw puzzle
130-	2	centre 0 and all meters	57-	5	dolls house switches
7-	4	in flex line switches with neons	58-	2	telephone handsets (S.H.)
8-	2	80 watts brass cased elements	59-	2	flat solenoids – to make current transformer etc
9-	2	mains transformers with 6v 1a secondaries	60-	5	ferrite rods 4" x 5" – 16" dia
10-	2	mains transformers with 12v 1/2a secondaries	61-	5	ferrite slab aerials LW & MW
11-	1	extension speaker cabinet for 6 1/2" speaker	62-	4	200 ohm ear pieces
12-	5	octal bases for relays or valves	63-	1	Mullard Thyristor trigger module
13-	12	glass reed switches	64-	10	assorted knobs 1/4 spindles
14-	4	DGP 70 photo transistors	BD172	40	12v 6w bulbs Philips m.e.s.
16-	4	tape heads, 2 record, 2 erase	BD174	2	End of travel c/o switches mounted on metal plate 10A 250v
17-	2	ultrasonic transmitters and 2 ditto receivers	BD175	1	200 rpm motor, mains operated, 2w
18-	2	15000 mid computer capacitors	BD176	4	Heavy duty push switches – ideal for foot operation 3A 250v
19-	2	i.d.r. similar DRP 12	BD177	5	Lilliput bulbs 12v
20-	5	diff micro switches	BD178	3	Oblong amber indicators with lilliputs 12v
21-	2	mains interference suppressors	BD179	3	Oblong amber indicators with neons 240v
22-	2	25 watt crossover units	BD180	6	Round amber indicators with neons 240v
23-	1	40 watt 3 way crossover unit	BD181	100	P.V.C. grommets for 3/8" hole
25-	1	each wafer switches – 6p 2 way; 4p 3 way; 2p 6 way; 1p 12 way	BD182	1	Short wave tuning condenser 50 pf with 1/4" spindle
26-	2	tape deck counters	BD183	1	Two gang short wave tuning condenser with 1/4" spindle
27-	1	6 digit counter 12v	BD184	1	Three gang tuning condenser each section 500 pf with trimmers and 1/4" spindle
28-	1	6 digit counter mains voltage	BD185	1	3 wafer switch 10 pole 2 way, 12 pole 3 way, 9 pole 4 way, 6 pole 6 way, 3 pole 12 way, your choice
29-	1	BDAC in flight stereo unit (s.h.)	BD187	2	2 wafer switches 8 pole 2 way, 8 pole 3 way, 6 pole 4 way, 4 pole 6 way, 2 pole 12 way any 2 your choice
30-	2	NICAD battery chargers	BD188	1	Plastic box sloping metal front, size 160x95mm average depth 45mm
31-	1	key switch with key	136-	2	Radiomobile 5" for home speaker
32-	2	humidity switches	242-	2	Radiomobile 6"x4" for home speaker
33-	2	aerosol cans of ICI Dry Lubricant	266-	2	Mains transformer, 3v, 1/2 amp
34-	36	x 1 metre length colour-coded wires			
35-	4	battery operated model motors			
36-	2	air spaced 2 gang tuning condensers			
37-	2	solid dielectric 2 gang tuning condensers			
38-	10	compression trimmers			
39-	1	Long & medium wave tuner kit			
42-	6	rocker switches 10a mains SPDT			
45-	1	24 hour time switch mains operated (SH)			
46-	1	6 hour clockwork time switch			
47-	2	lever switches 4 pole changeover up and ditto down			
48-	2	6v operated reed switch relays			
49-	10	neon valves – make good night lights			
50-	2	x 12v DC or 24v AC 3C 0 relays			

You can order night or day: 'phone 0444 454563

## J.BULL (Electrical) Ltd.

(Dept. PE), 34-36 AMERICA LANE,  
HAYWARDS HEATH, SUSSEX RH16 3QU.

Established  
30 YEARS

## Universal Semiconductor Devices Ltd.

17 GRANVILLE COURT, GRANVILLE ROAD,  
HORNSEY, LONDON N4 4EP, ENGLAND.  
TEL. 01-348 9420/9425 \* TLX. 25157 usdco g



WE OFFER ONE OF THE LARGEST RANGES OF SEMICONDUCTORS AT HIGHLY ECONOMICAL PRICES. THE FOLLOWING SEMICONDUCTOR TYPES ARE AVAILABLE FROM STOCK. IF WE DON'T STOCK WHAT YOU NEED THEN WE CAN GET IT FAST FROM OUR FACILITIES IN WEST GERMANY AND USA UPON REQUEST.

TRANSISTORS – BIPOLARS – GERMANIUM AND SILICON

SMALL SIGNAL  
POWER

DARLINGTONS – ALL SHAPES AND SIZES  
VHF/UHF DEVICES – ALL SHAPES AND SIZES



FETS – POWER MOSFETS  
UNIUNCTIONS



DIODES – GERMANIUM AND SILICON  
RECTIFIERS AND BRIDGES  
OPTO-ELECTRONIC DEVICES  
LEDS OF ALL SHAPES AND SIZES



THYRISTORS AND TRIACS – ALL



SHAPES  
SIZES  
RATINGS

INTEGRATED CIRCUITS:

CONSUMER – DIGITAL/ANALOGUE  
MICROPROCESSORS AND PERIPHERALS  
IC SOCKETS



JAPANESE COMPONENTS – VAST RANGE OF DISCRETES AND CONSUMER IC'S.

MAIL ORDER CUSTOMERS: PLEASE SEND FOR OUR COMPREHENSIVE PRICE LIST, ENCLOSING 75 PENCE IN STAMPS, CHEQUE OR POSTAL ORDER. THIS SUM IS REFUNDABLE WITH A FIRST ORDER VALUE OF £5.00 OR MORE.

CATALOGUE SENT FREE OF CHARGE, WHEN REQUESTED ON OFFICIAL LETTERHEAD (WITHOUT REFUND), TO OEM'S, SCHOOLS, COLLEGES, UNIVERSITIES, GOVERNMENT INSTITUTIONS, COMPUTER FIRMS, ELECTRONIC REPAIR FIRMS AND DISTRIBUTORS.

SPECIAL DISCOUNTS AND PAYMENT TERMS ARE AVAILABLE TO ABOVE INSTITUTIONS.

PLEASE ENQUIRE FOR QUANTITY DISCOUNTS.  
WE WELCOME TELEPHONE AND TELEX ENQUIRIES!





When replying to Classified Advertisements please ensure:

- (A) That you have clearly stated your requirements.
- (B) That you have enclosed the right remittance.
- (C) That your name and address is written in block capitals, and
- (D) That your letter is correctly addressed to the advertiser.

This will assist advertisers in processing and despatching orders with the minimum of delay.

### RECEIVERS AND COMPONENTS

## VISIT SCOTLAND'S NEWEST COMPONENT SHOP OMNI ELECTRONICS

174 DALKEITH ROAD, EDINBURGH EH16 5D  
21 Page catalogue 20p plus 12p postage  
Tel: 031-667 2611

ELECTRONIC COMPONENT CATALOGUE NOW OUT including bargain list please send 50p (refunded with first order over £5.00). J.P.G. ELECTRONICS, 276 Chatsworth Road, Chesterfield, S40 2BH. 0246-211202.

## ESR ELECTRONIC COMPONENTS

- Full range of Components ● Speakers & Accessories
- Audio Connectors & Switches ● Amplifier Modules & Cases

FREE PRICE LIST AVAILABLE

13A STATION ROAD, CULLERCOATS,  
NORTH SHIELDS, TYNE & WEAR NE30 4PQ.  
TEL: 091 251 4363.

## SMALL ADS

The prepaid rate for classified advertisements is 38 pence per word (minimum 12 words), box number 60p extra. Semi-display setting £12.60 per single column centimetre (minimum 2.5 cms). All cheques, postal orders etc., to be made payable to Practical Electronics and crossed "Lloyds Bank Ltd". Treasury notes should always be sent registered post. Advertisements, together with remittance should be sent to the Classified Advertisement Dept., Practical Electronics, IPC Magazines Limited, King's Reach Tower, H.H.204A Stamford St., London SE1 9LS. (Telephone 01-261 5846.)

## NOTICE TO READERS

Whilst prices of goods shown in classified advertisements are correct at the time of closing for press, readers are advised to check with the advertiser to check both prices and availability of goods before ordering from non-current issues of the magazine.

### RECEIVERS AND COMPONENTS - CONT.

TURN YOUR SURPLUS capacitors, transistors, etc into cash. Contact COLES HARDING & CO., 103 South Brink, Wisbech, Cambs. Tel. 0945 584188. Immediate settlement.

Carbon Film Resistors 1/4W E24 series 0.51R to 10MΩ - 1p  
100 off per value - 75p 1000 off in even hundreds per value - £7  
Metal Film 1/4W 10R0 to 1MΩ 5% E12 series - 2p 1% E24 series - 3p  
BC107/8/9 - 12p BC547/8/9 - 7p BC557/8/9 - 7p BC182L, 184L - 10p  
BFY50/51/52 - 20p 2N3055 - 50p TIP31A, 32A - 25p TIP42 - 40p

Tantalum bead subminiature electrolytics (Mfds/Volts)  
0.1/35, 0.22/35, 0.47/35, 1.0/35, 3.3/16, 4.7/16 - 14p 4.7/35 - 15p  
2.2/35, 4.7/25, 10/6 - 15p 4.7/35, 6.8/16 - 16p 10/16, 22/6 - 20p

Aluminium Electrolytics (Mfds/Volts)  
1/50, 2.2/50, 4.7/25, 4.7/50, 10/16, 10/25, 10/50 - 5p 22/16, 22/25 - 6p  
22/50, 47/16, 47/25, 47/50 - 6p 100/16, 100/25 - 7p 100/50 - 12p  
100/100 - 14p 220/16 - 18p 220/25, 220/50 - 10p 470/16, 470/25 - 11p  
1000/25 - 25p 1000/35, 1000/40, 2200/25 - 35p 4700/25 - 70p

Miniature Polyester Capacitors 250V Wkg. Vertical Mounting  
.01, .015, .022, .033, .047, .068 - 4p 0.1 - 5p 0.15, .22 - 6p 0.47 - 8p

Mylar Capacitors 100V Wkg. Vertical Mounting E12 Series  
1000p to 8200p - 3p .01 to .068 - 4p 0.1 - 5p 0.15, 0.22 - 6p

Subminiature Ceramic Plate 100V Wkg. E12 Series Vertical Mounting  
2% 1P8 to 47P - 3p 56P to 330P - 4p 10% 390P to 470P - 4p

Polystyrene Capacitors 63V Wkg. E12 Series Axial Mounting  
10P to 820P - 3p 1000P to 10,000P - 4p 12,000P - 5p  
1N4148 - 2p 1N4002 - 4p 1N4006 - 6p 1N5404 - 14p W01 bridge - 25p  
0A91 - 6p

Zener diodes E24 series 3V3 to 33V 400mW - 8p .1 watt - 12p  
LED's Red, Green & Yellow 3mm & 5mm - 10p 8mm - 35p  
20mm fuse 0.1A to 5A quick blow - 5p 5P Anti Surge - 8p  
High Speed drills 0.8mm, 1.0mm, 1.3mm, 1.5mm, 2mm - 25p Machines 12V - £6

Nicads AA - 80p HP11 - £2 PP3 - £4.20 Universal Chargers - £6  
Glass reed switches single pole make contacts - 8p Magnets - 12p  
VAT inclusive. Return postage 10p (free over £5). Lists free.

**THE C.R. SUPPLY CO.,**  
127 Chesterfield Road,  
Sheffield S8 0RN. Tel. 557771.

### SERVICE SHEETS

BELLS TELEVISION SERVICES for service sheets of Radio, TV, etc £1.50 plus SAE. Colour TV Service Manuals on request. SAE with enquiries to B.T.S., 190 Kings Road, Harrogate, N. Yorkshire. Tel. (0423) 55885.

### HOME SECURITY

## CENTURION<sup>®</sup> ALARMS

Manufacturers of Professional Alarm Equipment, for DIY & the TRADE. Send now for our New 16-page Brochure, Full of information & the Lowest prices.



Tel: (0484)  
**21000**  
or 35527 24 hr.



**CENTURION Dept PE**  
93 Wakefield Road,  
Huddersfield,  
HD5 9AB  
W. Yorks.

® CENTURION is a Registered Trademark of Centurion Alarms

**WHO CAN PUT A PRICE ON PEACE OF MIND**  
PROFESSIONAL EQUIPMENT AT LOW! LOW! PRICES.  
**HOME SECURITY IS NOW AVAILABLE AT TRADE PRICES**  
ADVANCED SECURITY PRODUCTS LTD  
2 Ealing Road, Aintree,  
Liverpool L9 0HU, Merseyside.  
Tel: 051-525 3440  
FREE CATALOGUE PHONE OR S.A.E.

### ORDER FORM PLEASE WRITE IN BLOCK CAPITALS

Please insert the advertisement below in the next available issue of Practical Electronics for .....

insertions. I enclose Cheque/P.O. for £.....

(Cheques and Postal Orders should be crossed Lloyds Bank Ltd. and made payable to Practical Electronics)


NAME .....

ADDRESS .....

### PRACTICAL ELECTRONICS

Classified Advertisement Dept., Room 2612,  
King's Reach Tower, Stamford Street,  
London SE1 9LS Telephone 01-261 5846

Rate:  
38p per word, minimum 12 words. Box No. 60p extra.

## COMPUTERS

**PAL EPLD FPLA IFL PROGRAMMING SERVICE.** Anything from circuit diagram through logic equation to fuse plots accepted to produce programmed devices. Send for details. Tel. 0438 727364 for sample pricing. **KOSTADIN LIMITED**, 57 Hardwick Road, Tilehurst, Reading, Berks, RG3 4LF.

**OUTRIDER CAR COMPUTER** (PE Project Dec 84/Jan 85) 1/2 kit £29.95; full £59.95. **MARK SPACE ENTERPRISES**, 11 Churchgreen Road, Bletchley, Bucks, MK3 6BJ.

## SOFTWARE

### BBC ROBOT INTERFACE

4 Outputs for Motors, Lamps, Electromagnets  
8 Inputs for the connection of Switches, Relays  
2 Analogue inputs for Potentiometers, Photoresistors  
Each output can be stopped and also reversed. Fischertechnik compatible.

**INTERFACE ONLY £39.95 + £1.50 (p&p)**  
**RED GIANT SOFTWARE LTD**  
6 Grove Road, Pinner, Middx. HA5 5HW.

## FOR SALE

### PROMS - EPROMS - PALS

EPROMS from £3.25 (2716/2732/2764 etc)  
PROMS from £1.50 (TBP/82S/63 series etc)  
PALS from £4.25 (12H6/16C1/16L8 etc)  
Full Programming Service available  
SAE for full price list (incl. RAMs etc)  
Any i.c. supplied - if it exists we will find it  
PLS, 16 Wordsworth Drive, Cheam, Surrey SM3 8HF.  
Phone 01-644 8095 (usually manned 0800-2000 hrs)  
Private and professional enquiries welcome.

## COURSES

# FULL-TIME TRAINING COURSES

### 2 YEAR

**B-TEC National Diploma (OND)**  
**ELECTRONICS & COMMUNICATIONS ENGINEERING**  
(Television & Computing)

### 15 MONTHS

**B-TEC National Certificate (ONC)**  
**ELECTRONIC EQUIPMENT SERVICING**  
(Television & Video)

### 15 MONTHS

**B-TEC National Certificate (ONC)**  
**COMPUTING TECHNOLOGY**

### 9 MONTHS

**B-TEC Higher National Certificate (HNC)**  
**COMPUTING TECHNOLOGY & ROBOTICS**

HIGH PERCENTAGE OF COLLEGE BASED PRACTICAL WORK

SHORT COURSES WITH PREVIOUS KNOWLEDGE

NO EXTRA CHARGES FOR OVERSEAS STUDENTS

Prospectus from:

**LONDON ELECTRONICS COLLEGE**

Dept: AA, 20 Penywem Road,  
London SW5 9SU. Tel: 01-373 8721.

## MISCELLANEOUS

**PRACTICAL WIRELESS PCB's 1.5mm G.F.**  
ALL TO PRACTICAL WIRELESS SUPPLIED MASTERS

July 85	Crystal tester WR200	£2.39
Aug 85	BFO WR201	£2.30
Sep 85	Econ. UHF Prescaler WR202	£3.72
Oct 85	Meon WR199	£5.95
Nov 85	Med Wave loop WR204	£2.42
	Cap Meter WR203	£2.71

### TELEPHONE YOUR ORDER

Industrial and commercial users please send details for quote.  
VAT included. Postage 40p UK. £1 Europe  
Please send SAE for complete list  
**PROTO DESIGN** 14 Downham Road, Ramsden Heath,  
Billericay, Essex CM11 1PU. Tel: 0268 710722

**CLEARING LABORATORY**, scopes, generators, P.S.U.'s, bridges, analysers, meters, recorders etc. Tel. 0403-76236.

**BURGLAR ALARM EQUIPMENT.** Ring Bradford (0274) 308920 for our catalogue or call at our large showroom, opposite Odsal Stadium.

**FREE MEMBERSHIP** to new national electronics club. For details and a free gift of components worth over £10 send only £1 P&P to NCC, Woodside, Dowsett Lane, Ramsden Heath, Essex CM11 1JL.

**SUPERB INSTRUMENT CASES** by Bazelli, manufactured from PVC. Faced steel. Vast range, competitive prices start at a low £1.50. Punching facilities at very competitive prices. **BAZELLI**, (Dept. 23), St. Wilfreds, Foundry Lane, Halton, Lancaster LA2 6LT.

**HEATHKIT U.K. SPARES AND SERVICE CENTRE** Cedar Electronics, Unit 12, Station Drive, Bredon, Tewkesbury, Glos. Tel. (0684) 73127.

### THE SCIENTIFIC WIRE COMPANY

811 Forest Road, London E17. Telephone 01-531 1568

#### ENAMELLED COPPER WIRE

SWG	1lb	8 oz	4 oz	2 oz
8 to 34	3.63	2.09	1.10	0.88
35 to 39	3.82	2.31	1.27	0.93
40 to 43	6.00	3.20	2.25	1.61
44 to 47	8.67	5.80	3.49	2.75
48	15.96	9.58	6.38	3.69

#### SILVER PLATED COPPER WIRE

14 to 30	9.09	5.20	2.93	1.97
----------	------	------	------	------

#### TINNED COPPER WIRE

14 to 30	3.97	2.41	1.39	0.94
----------	------	------	------	------

Solder 5.90 3.25 1.82 0.94  
Prices include P&P VAT. Orders under £2 add 20p.  
SAE for list of copper and resistance wire.  
Dealer enquiries welcome.

## CABINET FITTINGS

Fretcloths, Coverings, Handles, Castors,  
Flight Case Locks & Parts, Jacks, XLRs,  
Bulgins, Reverb Trays, P & N mic Stands,  
ASS Glassfibre Horns.  
**CELESTION POWER**  
Speakers.

**ADAM HALL SUPPLIES LTD.**

Send  
30p cheque/  
P.O. for illustrated  
catalogue: Adam Hall (PE Supplies),  
Unit G, Carlton Court, Grainger Road,  
Southend-on-Sea.

**To advertise on  
these pages**

**Phone: Mandi**

**01-261 5846**

**NEW LOGIC KLIP**  
A versatile logic testing device at a budget price just **£58.75**  
INC VAT POST AND PACKING



- Attractive pocket-size unit provides clear and simple 'hands-free' operation.
  - Simultaneously monitors the interaction of up to 16 points or nodes via numbered LEDs.
  - Simple connection using standard 4-point I.C. clip supplied or a combination of clips, interfaces, grabbers and probes supplied as optional extras.
  - Power supply taken from test circuit, either TTL (operating voltage +5V) or CMOS (4.5-18V).
  - Logic state at test point indicated by:  
Logic 1 (high) LED on  
Logic 0 (low) LED off
  - Display face of unit can be temporarily marked, using a chinagraph pen, to describe circuit layout or I.C. pin-outs.
  - Separate overlay supplied with unit for marking alternative layouts. Additional overlays available to build-up library.
  - Uses include: Development, testing, maintenance, training.
- JOHNSONS (LEIGH) LIMITED**  
100/102 Glendale Gardens, Leigh-on-Sea, Essex SS9 2AY  
Tel: 0702 710990/713734. Access facilities

## INDEX TO ADVERTISERS

Alcon Instruments .....	4
Barrie Electronics .....	53
Bensham Recordings .....	47
B.K. Electronics .....	Cover III
B.N.R.E.S. ....	5
Bull, J. ....	54
Circuit Holdings .....	22
Cricklewood Electronics .....	45
Crofton Electronics .....	53
Crotech Electronics .....	45
Croydon Discount Electronics .....	5
Cybernetic Application .....	47
Electrovalue .....	4
G.C.H.Q. ....	5, 53
Grandata .....	4
ICS Intertext .....	45
Jaytee Electronics .....	51
Johnsons (Leigh) Ltd .....	56
JR Alarms .....	39
Magenta Electronics .....	Cover II
Maplin Electronics .....	Cover IV
Marco Trading .....	51
Phonosonics .....	22
Radio Component Specialists .....	39
T.K. Electronics .....	47
Tandy .....	6
Universal Semiconductors Devices .....	54
Watford Electronics .....	2, 3

# OMP POWER AMPLIFIER MODULES

★ PRICES INCLUDE V.A.T. ★ PROMPT DELIVERIES ★ FRIENDLY SERVICE ★ LARGE S.A.E. 28p STAMP FOR CURRENT LIST

## OMP POWER AMPLIFIER MODULES

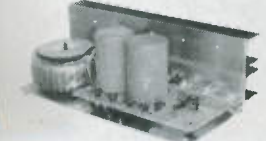
Now enjoy a world-wide reputation for quality, reliability and performance at a realistic price. Four models available to suit the needs of the professional and hobby market, i.e., Industry, Leisure, Instrumental and Hi-Fi, etc. When comparing prices, NOTE all models include Toroidal power supply, Integral heat sink, Glass fibre P.C.B., and Drive circuits to power compatible Vu meter. Open and short circuit proof. **Supplied ready built and tested.**



**OMP100 Mk II Bi-Polar Output power 110 watts R.M.S. into 4 ohms. Frequency Response 15Hz - 30KHz -3dB, T.H.D. 0.01%, S.N.R. -118dB, Sens. for Max. output 500mV at 10K, Size 355 X 115 X 65mm. PRICE £33.99 + £3.00 P&P.**



**OMP/MF100 Mos-Fet Output power 110 watts R.M.S. into 4 ohms. Frequency Response 1Hz - 100KHz -3dB, Damping Factor 80, Slew Rate 45V/uS, T.H.D. Typical 0.002%, Input Sensitivity 500mV, S.N.R. -125dB, Size 300 X 123 X 60mm. PRICE £39.99 + £3.00 P&P.**



**OMP/MF200 Mos-Fet Output power 200 watts R.M.S. into 4 ohms. Frequency Response 1Hz - 100KHz -3dB, Damping Factor 250, Slew Rate 50V/uS, T.H.D. Typical 0.001%, Input Sensitivity 500mV, S.N.R. -130dB, Size 300 X 150 X 100mm. PRICE £62.99 + £3.50 P&P.**



**OMP/MF300 Mos-Fet Output power 300 watts R.M.S. into 4 ohms. Frequency Response 1Hz - 100KHz -3dB, Damping Factor 350, Slew Rate 60V/uS, T.H.D. Typical 0.0008%, Input Sensitivity 500mV, S.N.R. -130dB, Size 330 X 147 X 102mm. PRICE £79.99 + £4.50 P&P.**

NOTE: Mos-Fets are supplied as standard (100KHz bandwidth & Input Sensitivity 500mV). If required, P.A. version (50KHz bandwidth & Input Sensitivity 775mV) Order — Standard or P.A.



Vu METER Compatible with our four amplifiers detailed above. A very accurate visual display employing 11 L.F.D. diodes (7 green, 4 red) plus an additional on/off indicator. Sophisticated logic control circuits for very fast rise and decay times. Tough moulded plastic case, with tinted acrylic front. Size 84 X 27 X 45mm. PRICE £8.50 + 50p P&P.

**LOUDSPEAKERS 5" to 15" up to 400 WATTS R.M.S. Cabinet Fixing in stock. Huge selection of McKenzie Loudspeakers available including Cabinet Plans. Large S.A.E. (28p) for free details.**

### POWER RANGE

8" 50 WATT R.M.S. Hi-Fi/Disco.  
20 oz magnet 1 1/2" ally voice coil. Ground ally fixing escutcheon. Res. Freq. 40Hz. Freq. Resp. to 6KHz. Sens. 92dB. PRICE £10.99 Available with black grille £11.99 P&P £1.50 ea.  
12" 100 WATT R.M.S. Hi-Fi/Disco  
50 oz magnet. 2" ally voice coil. Ground ally fixing escutcheon. One-cast chassis. White cone. Res. Freq. 25Hz. Freq. Resp. to 4KHz. Sens. 95dB. PRICE £28.60 + £3.00 P&P ea.

### McKENZIE

12" 85 WATT R.M.S. C1285GP Lead guitar/keyboard/Disco.  
2" ally voice coil. Ally centre dome. Res. Freq. 45Hz. Freq. Resp. to 6.5KHz. Sens. 98dB. PRICE £28.76 + £3.00 P&P ea.  
12" 85 WATT R.M.S. C1285TC P.A./Disco 2" ally voice coil. Twin cone.  
Res. Freq. 45Hz. Freq. Resp. to 14KHz. PRICE £29.80 + £3.00 P&P ea.  
15" 150 WATT R.M.S. C15 Bass Guitar/Disco.  
3" ally voice coil. One-cast chassis. Res. Freq. 40Hz. Freq. Resp. to 4KHz. PRICE £54.99 + £4.00 P&P ea.  
10" 60 WATT R.M.S. 1060GP Gen. Purpose/Lead Guitar/Keyboard/Mid. P.A.  
2" voice coil. Res. Freq. 75Hz. Freq. Resp. to 7.5KHz. Sens. 99dB. PRICE £19.15 + £2.00 P&P.  
10" 200 WATT R.M.S. C10200GP Guitar, Keyboard, Disco.  
2" voice coil. Res. Freq. 45Hz. Freq. Resp. to 7KHz. Sens. 101dB. PRICE £51.00 + £3.00 P&P.  
15" 200 WATT R.M.S. C15200 High Power Bass.  
Res. Freq. 40Hz. Freq. Resp. to 5KHz. Sens. 101dB. PRICE £59.45 + £4.00 P&P.  
15" 400 WATT R.M.S. C15400 High Power Bass.  
Res. Freq. 40Hz. Freq. Resp. to 4KHz. Sens. 102dB. PRICE £85.00 + £4.00 P&P.

### WEM

5" 70 WATT R.M.S. Multiple Array Disco etc.  
1" voice coil. Res. Freq. 52Hz. Freq. Resp. to 5KHz. Sens. 89dB. PRICE £19.99 + £1.50 P&P ea.  
8" 150 WATT R.M.S. Multiple Array Disco etc.  
1" voice coil. Res. Freq. 48Hz. Freq. Resp. to 5KHz. Sens. 92dB. PRICE £29.49 + £1.50 P&P ea.  
10" 300 WATT R.M.S. Disco/Sound re-enforcement etc.  
1 1/2" voice coil. Res. Freq. 35Hz. Freq. Resp. to 4KHz. Sens. 92dB. PRICE £33.49 + £2.00 P&P ea.  
12" 300 WATT R.M.S. Disco/Sound re-enforcement etc.  
1 1/2" voice coil. Res. Freq. 35Hz. Freq. Resp. to 4KHz. Sens. 94dB. PRICE £41.49 + £3.00 P&P ea.

### SOUNDLAB (Full Range Twin Cone)

5" 60 WATT R.M.S. Hi-Fi/Multiple Array Disco etc.  
1" voice coil. Res. Freq. 63Hz. Freq. Resp. to 20KHz. Sens. 86dB. PRICE £9.99 + £1.00 P&P ea.  
6 1/2" 60 WATT R.M.S. Hi-Fi/Multiple Array Disco etc.  
1" voice coil. Res. Freq. 56Hz. Freq. Resp. to 20KHz. Sens. 89dB. PRICE £10.99 + £1.50 P&P ea.  
8" 60 WATT R.M.S. Hi-Fi/Multiple Array Disco etc.  
1 1/4" voice coil. Res. Freq. 38Hz. Freq. Resp. to 20KHz. Sens. 89dB. PRICE £12.99 + £1.50 P&P ea.  
10" 60 WATT R.M.S. Hi-Fi/Disco etc.  
1 1/4" voice coil. Res. Freq. 35Hz. Freq. Resp. to 15KHz. Sens. 89dB. PRICE £16.49 + £2.00 P&P.

**PANTEC HOBBY KITS. Proven designs including glass fibre printed circuit board and high quality components complete with instructions.**

**FM MICROTRANSMITTER (BUG) 90/105MHz with very sensitive microphone. Range 100/300 metres. 57 x 46 x 14mm (9 volt) Price: £8.62 + 75p P&P.**  
**3 WATT FM TRANSMITTER 3 WATT 85/115MHz varicap controlled professional performance. Range up to 3 miles 35 x 84 x 12mm (12 volt) Price: £14.49 + 75p P&P.**  
**SINGLE CHANNEL RADIO CONTROLLED TRANSMITTER/RECEIVER 27MHz. Range up to 500 metres. Double coded modulation. Receiver output operates relay with 2amp/240 volt contacts. Ideal for many applications. Receiver 90 x 70 x 22mm (9/12 volt). Price: £17.82 Transmitter 80 x 50 x 15mm (9/12 volt). Price: £11.29 P&P + 75p each. S.A.E. for complete list.**



3 watt FM Transmitter

## BURGLAR ALARM

Better to be 'Alarmed' than terrified. Thandar's famous 'Minder' Burglar Alarm System. Superior microwave principle. Supplied as three units, complete with interconnection cable. FULLY GUARANTEED.

**Control Unit** — Houses microwave radar unit, range up to 15 metres adjustable by sensitivity control. Three position, key operated fascia switch — off — test — armed 30 second exit and entry delay.

**Indoor Alarm** — Electronic swept freq. siren. 104dB output.

**Outdoor Alarm** — Electronic swept freq. siren. 98dB output. Housed in a tamper-proof heavy duty metal case.

Both the control unit and outdoor alarm contain re-chargeable batteries which provide full protection during mains failure. Power requirement 200/260 Volt: AC 50/60Hz. Expandable with door sensors, panic buttons etc. Complete with instructions.

**SAVE £138.00** Usual Price £228.85

**BKE's PRICE £89.99 + £4.00 P&P**

? Why buy a collection of self-assembly boards!

IDEAL for Work-shops, Factories, Offices, Home, etc. Supplied ready built.



## OMP LINNET LOUDSPEAKERS

The very best in quality and value. Made specially to suit today's need for compactness with high sound output levels. Finished in hard wearing black vinyl with protective corners, grille and carry handle. All models 8 ohms. Full range 45Hz - 20KHz. Size 20" X 15" X 12". Watts R.M.S. per cabinet. Sensitivity 1W 1mtr. dB.

**OMP 12-100 Watts 100dB. Price £149.99**

**OMP 12-200 Watts 102dB. Price £199.99**

**per pair. Delivery Securicor £8.00 per pair**



## OMP 19" STEREO RACK AMPS



Professional 19" cased Mos-Fet stereo amps. Used the World over in clubs, pubs, discos etc. With twin Vu meters, twin toroidal power supplies, XLR connections. MF600 Fan cooled. Three models (Ratings R.M.S. into 4ohms), Input Sensitivity 775mV  
MF200 (100 + 100)W. £169.00 Securicor  
MF400 (200 + 200)W. £228.85 Delivery  
MF600 (300 + 300)W. £274.85 £10.00

## 1 K-WATT SLIDE DIMMER

- \* Control loads up to 1Kw
- \* Compact Size 4 3/4" X 1" X 2 1/2"
- \* Easy snap in fixing through panel/cabinet cut out
- \* Insulated plastic case
- \* Full wave control using 8 amp triac
- \* Conforms to BS800

\* Suitable for both resistive and inductive loads. Innumerable applications in industry, the home, and disco's, theatres etc.  
**PRICE £13.99 + 75p P&P**

## BSR P295 ELECTRONIC TURNTABLE

- \* Electronic speed control 45 & 33 1/2 r.p.m.
- \* Plus/Minus variable pitch control
- \* Belt driven
- \* Aluminium platter with strobed rim
- \* Cue lever
- \* Anti-skate (bias device)
- \* Adjustable counter balance
- \* Manual arm
- \* Standard 1/2" cartridge fixings
- \* Supplied complete with cut out template
- \* D.C. Operation 9-14v D.C. 65mA
- Price £36.99 — £3.00 P&P.

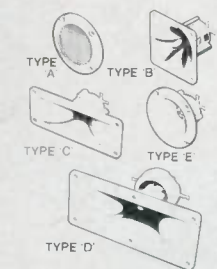


ADC Q4 mag. cartridge for above. Price £4.99 ea. P&P 50p

## PIEZO ELECTRIC TWEETERS MOTOROLA

Join the Piezo revolution. The low dynamic mass (no voice coil) of a Piezo tweeter produces an improved transient response with a lower distortion level than ordinary dynamic tweeters. As a crossover is not required these units can be added to existing speaker systems of up to 100 watts (more if 2 put in series). FREE EXPLANATORY LEAFLETS SUPPLIED WITH EACH TWEETER.

**TYPE 'A' (KSN2036A)** 3" round with protective wire mesh. Ideal for bookshelf and medium sized Hi-Fi speakers. Price £4.90 each + 40p P&P.  
**TYPE 'B' (KSN1005A)** 3 1/2" super horn. For general purpose speakers, disco and P.A. systems etc. Price £5.99 each + 40p P&P.  
**TYPE 'C' (KSN6016A)** 2" X 5" wide dispersion horn. For quality Hi-Fi systems and quality discos etc. Price £6.99 each + 40p P&P.  
**TYPE 'D' (KSN1025A)** 2" X 6" wide dispersion horn. Upper frequency response retained extending down to mid range (2KHz). Suitable for high quality Hi-Fi systems and quality discos. Price £9.99 each + 40p P&P.  
**TYPE 'E' (KSN1038A)** 3 3/4" horn tweeter with attractive silver finish trim. Suitable for Hi-Fi monitor systems etc. Price £5.99 each + 40p P&P.  
**LEVEL CONTROL** Combines on a recessed mounting plate, level control and cabinet input jack socket. 85 X 85 mm. Price £3.99 + 40p P&P.



## STEREO DISCO MIXER

**STEREO DISCO MIXER** with 2 X 5 band L & R graphic equalisers and twin 10 segment L.E.D. Vu Meters. Many outstanding features 5 inputs with individual faders providing a useful combination of the following:—  
3 Turntables (Mag), 3 Mics, 4 Line plus Mic with talk over switch, Headphone Monitor, Pan Pot, L & R Master Output controls. Output 775mV. Size 360 X 280 X 90mm.  
Price £134.99 — £3.00 P&P

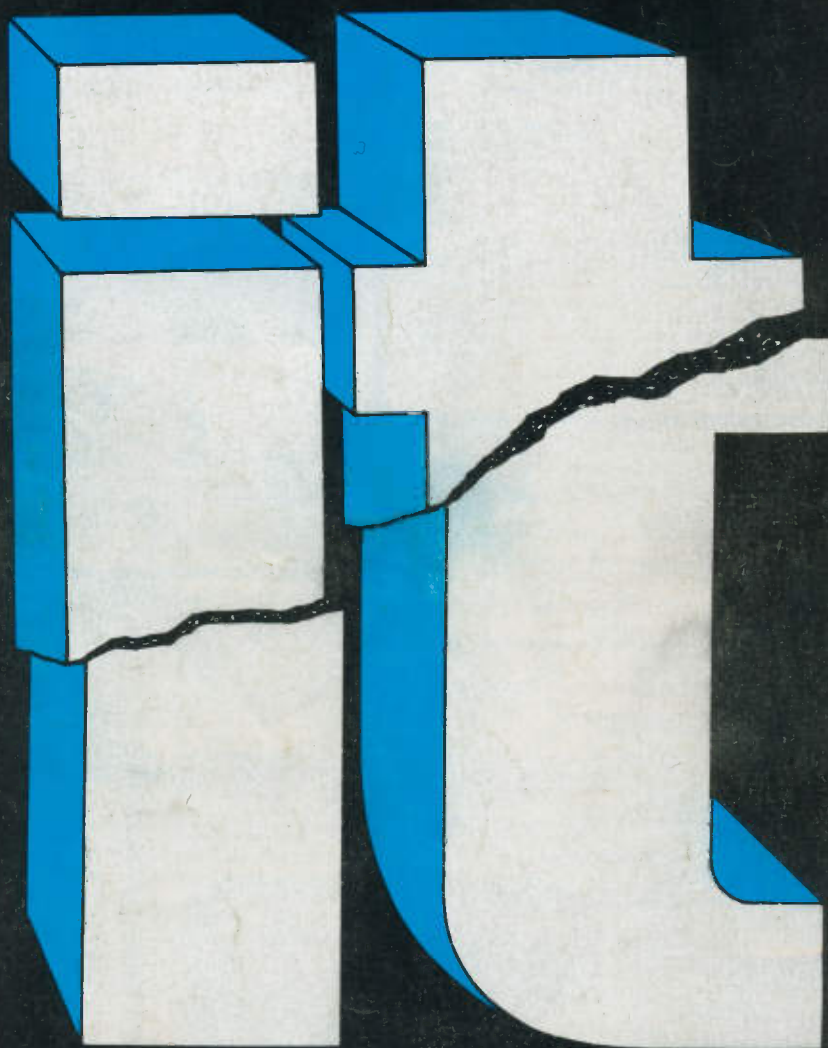


**B. K. ELECTRONICS** Dept PE  
UNIT 5, COMET WAY, SOUTHEM-ON-SEA,  
ESSEX, SS2 6TR TEL: 0702-527572

POSTAL CHARGES PER ORDER £1.00 minimum. OFFICIAL ORDERS WELCOME, SCHOOLS, COLLEGES, GOVERNMENT BODIES, ETC. PRICES INCLUSIVE OF V.A.T. SALES COUNTER VISA/ACCESS/C.O.D. ACCEPTED



**Lowest possible prices?  
Top quality components?  
Fast reliable service?  
Large range?**



**Maplin . . . . . We've cracked it.**

Pick up a copy of our new 1986 catalogue from any branch of W.H. Smith for just £1.45.

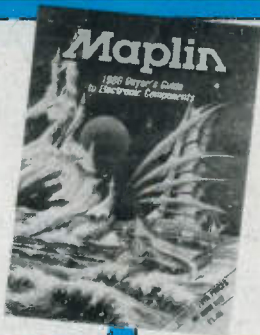
Or post this coupon now, to receive your copy by post for just £1.45 + 40p p & p. If you live outside the U.K. send £2.50 or 11 International Reply Coupons. I enclose £1.85.

Name .....

Address .....

.....

.....



**MAPLIN ELECTRONIC SUPPLIES LTD.**

Mail Order: P.O. Box 3, Rayleigh, Essex SS6 8LR.  
Telephone: Southend (0702) 552911

**SHOPS**

- BIRMINGHAM Lynton Square, Perry Barr, Tel: 021-356 7292.
  - LONDON 159-161 King Street, Hammersmith, W6.  
Telephone: 01-748 0926.
  - MANCHESTER 8 Oxford Road, Tel: 061-236 0281.
  - SOUTHAMPTON 46-48 Bevois Valley Road, Tel: 0703 225831.
  - SOUTHEND 282-284 London Rd, Westcliff-on-Sea, Essex.  
Telephone: 0702-554000
- Shops closed all day Monday.*