

Practical Electronics

APRIL 1966

PRICE 2'6

FREE inside

CAPACITANCE & RESISTANCE
CALCULATOR

8-PAGE SUPPLEMENT

4 ELECTRONIC AIDS
FOR THE HOME



ADCOLA
PRODUCTS LIMITED
(Regd Trade Mark)

**SOLDERING
EQUIPMENT**

"A" SERIES

STANDARD APPROVED IN ALL LEADING COUNTRIES

BIT SIZES FROM $\frac{1}{32}$ " TO $\frac{5}{16}$ " TO CHOICE

ILLUSTRATED IS L64 $\frac{3}{16}$ " BIT INSTRUMENT



ALL VOLTAGES SUPPLIED

SPECIAL TEMPERATURES AVAILABLE

FULL RANGE OF SUPPORTING ACCESSORIES

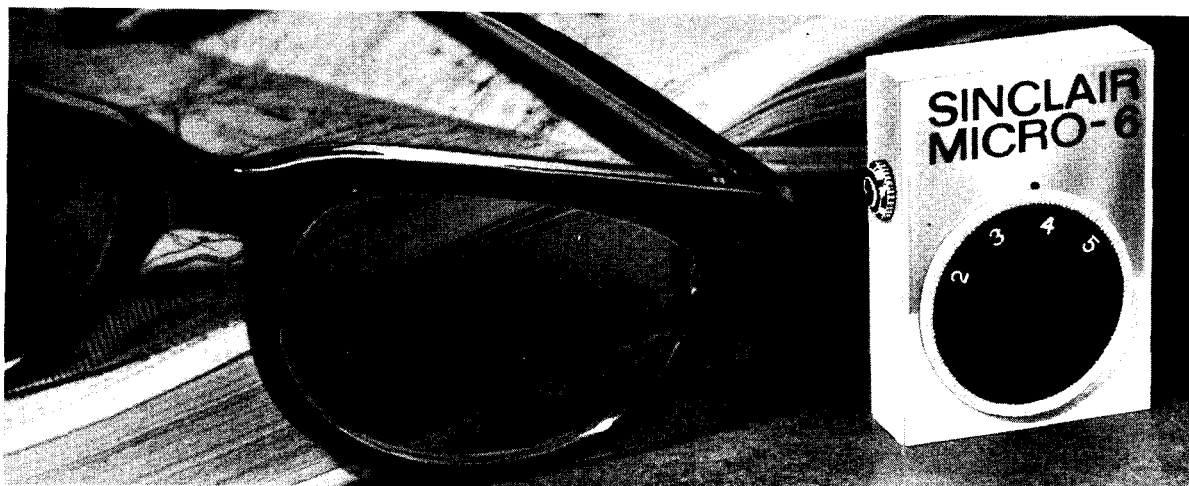
FOR SALES & SERVICE APPLY DIRECT TO:

**ADCOLA PRODUCTS LTD.
ADCOLA HOUSE
GAUDEN ROAD
LONDON, S.W.4**

**TELEPHONE:
MACAULAY 0291/3**

**TELEGRAMS:
SOLJOINT, LONDON S.W.4**

TAKE IT WITH YOU EVERYWHERE



Not only is the Sinclair Micro-6 the smallest set in the world—it has already been built by more constructors than any other kit in the entire history of transistor sets and thousands more are being built each month. *It is easy to see why.* The power and selectivity of the Micro-6 are remarkable by any standards. Its minute size and design are irresistibly attractive and it even has vernier-type tuning for easy station separation. Building is simplicity itself. The instructions make success assured from the moment you unpack the parts for your Micro-6. Everything is guaranteed, and a full-time service department is available so that you cannot possibly go wrong. The Micro-6 tunes over the medium wave-band with bandspread to bring in Luxembourg like a local station. In fact, this little giant of a set will bring in programmes where larger sets sometimes cannot be heard at all, for it plays virtually everywhere. Until you have experienced the thrill of owning your own Micro-6, you will never know just how exciting radio can be.

- ★ **SIZE** $1\frac{4}{5}'' \times 1\frac{3}{10}'' \times \frac{1}{2}''$
- ★ **WEIGHT**—BARELY 1 oz.
- ★ **TUNES OVER M.W. BAND**
- ★ **BANDSPREAD FOR LUXEMBOURG**
- ★ **PLAYS EVERYWHERE**

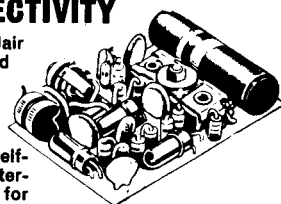
Anyone can build it!

FULL SERVICE FACILITIES AVAILABLE TO ALL SINCLAIR CUSTOMERS

SINCLAIR MICRO-6

6 STAGE POWER AND SELECTIVITY

In the Sinclair Micro-6 three Special Sinclair Micro Alloy Transistors (M.A.T.s) are used in a six stage circuit to provide two stages of R.F. amplification followed by double diode detection and a high gain three stage audio frequency amplifier. Signals are tuned in on the special self-contained ferrite rod aerial. A.G.C. counteracts fading from distant stations. Power for the Micro-6 comes from two minute pill size batteries which are housed within the set and give about 70 hours working life. Plugging in the lightweight earpiece switches the set on.



Building could not be simpler

BUILD IT IN AN EVENING

Complete kit of parts including white plastic case finished in gold and black, lightweight earpiece, transistors, components and instructions

59/6

MALLORY MERCURY CELL ZM.312 (2 required) each 1/11, Pack of 6 10/6

The World's smallest radio

SPECIAL MONEY SAVING OFFER No. 1 to P.E. READERS



By buying a Sinclair Z.12 Amplifier (See next 2 pages) with your Micro-6, you can save 9% and it gives you the basis of a powerful car, portable or domestic radio. Bought separately, these items come to £7.9.0. Send now for

PACK 'A' £7.0.0

sinclair

NOW REMOVED TO NEW LARGER PREMISES
SINCLAIR RADIONICS LTD.

22 NEWMARKET ROAD, CAMBRIDGE

Telephone: 52731



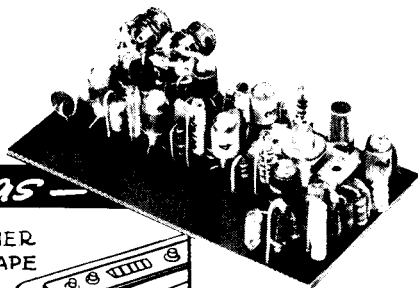
Better performance

SINCLAIR MICRO FM

THE WORLD'S FIRST POCKET-SIZE COMBINED F.M. TUNER-RECEIVER

All you want from an F.M. Tuner and Receiver in a single unit

For far less money and trouble you can enjoy building and using the most advanced F.M. design in the world when you buy the Sinclair Micro F.M. This fully fledged 7 transistor, 2 diode F.M. superhet has original features that ensure superb audio quality and great sensitivity together with utmost ease of assembly. There are two separate output sockets. This exclusive Sinclair feature enables you to use your Micro F.M. as a tuner and an independent pocket size portable receiver whenever you wish. This wonderful set is just about as big as a packet of 10 cigarettes, and is as outstanding in appearance as in performance. Many other excellent features are included in the Micro F.M. to make building an F.M. set easy for all enthusiasts. Best of all, it brings first class performance with a saving of pounds.



SIZE —

$2\frac{15}{16}'' \times 1\frac{11}{16}'' \times \frac{3}{4}''$
PLUS 5-SECTION AERIAL

TECHNICAL DESCRIPTION

The Sinclair Micro F.M. is a seven transistor, two diode FM superhet designed to be used both as a tuner and as a self-contained pocket receiver. The R.F. amplifier is followed by a self oscillating mixer. The Low I.F. dispenses with the need for alignment. In this remarkable circuit a three stage I.F. amplifier produces a square wave of constant voltage which is fed into the pulse counting discriminator. This is converted into uniform pulses, the average output from which is directly proportional to the signal frequency. Thus the original modulation is reproduced exactly resulting in excellent audio quality. After equalisation, the signal is fed both to the audio output socket and to the receiver's own audio amplifying stage for using the Micro F.M. as an independent self-contained receiver. A.F.C. 'locks' on each station automatically and makes tuning easy. THE SINCLAIR MICRO F.M. is self-contained within a neat black plastic case faced by an elegantly designed front panel of brushed and polished aluminium with spun aluminium tuning dial to match.

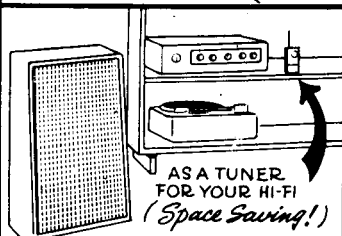
Use it as —

AN F.M. TUNER
FOR YOUR TAPE
RECORDER



Money
Saving!

- Pulse counting discriminator
- Low I.F. eliminates alignment problems
- Tunes from 88 to 108 Mc/s
- Audio response—10 to 20,000 c/s \pm 1dB
- Signal to Noise ratio—30dB at 30 microvolts
- Operates from standard 9 volt battery, self-contained



ASA TUNER
FOR YOUR HI-FI
(Space Saving!)

AS A SELF-
CONTAINED
POCKET F.M.
RECEIVER.

(The only
one in the
World!)



MICRO F.M. CONSTRUCTORS WRITE

"I must say how delighted I am with the performance of the Micro F.M. Nothing I could have bought at the price could have given me greater pleasure."
J.T.J., Middlesbrough

"How pleased I am with the superb tone and performance of my Micro F.M. It looks really professional."
O.C.S., New Milton

Complete kit including telescopic aerial, case, aluminium front panel, dial, earpiece, 2nd outlet plug and instructions

£5.19.6

Hi-fi quality plus a saving in pounds!

SPECIAL MONEY SAVING OFFER No. 2 TO P.E. READERS



To make it possible for constructors to obtain the best possible standards of reproduction we are offering the Micro F.M. together with the Z.12 described opposite for £9.10.0 instead of the usual price of £10.9.0. Send now for

PACK 'B' £9.10.0

FULL SERVICE FACILITIES ALWAYS AVAILABLE TO SINCLAIR CUSTOMERS

sinclair

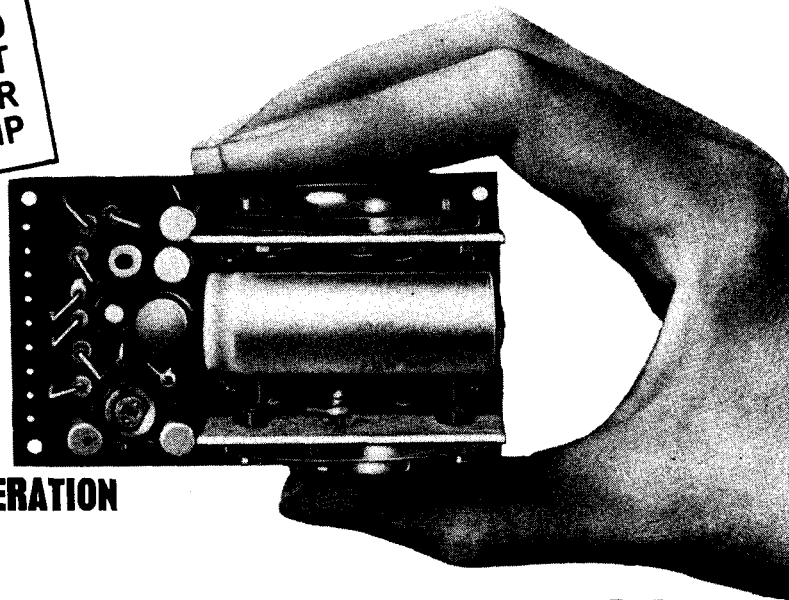
NOW AT NEW, LARGER PREMISES

SINCLAIR RADIONICS LTD.

for far less outlay



**SINCLAIR
Z.12** COMBINED
12 WATT
AMPLIFIER
AND PRE AMP



- 3" × 1 1/2" × 1 1/2"
- 12 watts R.M.S. (24 watts PEAK)
- 15-50,000 c/s ± 1dB
- IDEAL FOR 12V. BATTERY OPERATION

The ultimate in SIZE, POWER, QUALITY AND PRICE

WITH THE Z.12
THERE'S POWER
IN PLENTY FOR

- Mono and stereo hi-fi systems
- Car or portable radio with the Micro-6
- Quality radio with the Micro F.M.
- Electric Guitar
- P.A. and Intercom systems, etc.

Never has such power and quality been contained within so compact a size as in the Sinclair Z.12. This eight transistor amplifier includes its own pre-amplifier designed to accept any type of input. The Z.12 incorporates ultra-linear class B output in a circuit in which special H.F. transistors are used to provide exceptionally good performance standards. This newest Sinclair amplifier may be powered from any supply between 6 and 20 volts D.C.; the output can be fed directly into any load from 1.5 to 15 ohms. Thus the scope of the Z.12 is far greater than that of any other amplifier irrespective of price, making it the most dependable, versatile and compact audio amplifier system ever. The Z.12 is supplied ready built, tested and guaranteed, together with manual giving details of tone and volume control circuits by which input sources can be accurately matched to the pre-amp. The quality obtainable from this amplifier is superb in mono and stereo.

Complete Z.12 amplifier and pre-amp, ready built, tested and guaranteed, with Z.12 manual
PX.1 Power Pack £2.14.0

89/6

GUARANTEE

All purchases from Sinclair Radionics Ltd., 22 Newmarket Road, Cambridge, are covered by this simple, straightforward guarantee as follows: Should you not be completely satisfied with your purchase when you receive it from us, your money will be refunded in full and at once without question.

Should you prefer not to cut this page, please quote Pr.E.4 when writing your order.

TECHNICAL DETAILS

High fidelity amplifier with integrated pre-amp and ultra-linear class B output.

Frequency Response—15 to 50,000 c/s ± 1dB

Output—12 watts RMS continuous sine wave (24 watts peak); 15 watts RMS music power (30 watts peak)

Output Impedance—suitable for 3, 7.5 and 15 ohms speakers. Two 3 ohm speakers may be used in parallel

Input—2mV into 2K ohms

Signal to Noise Ratio—better than 60dB

Quiescent Current Consumption—15mA

Power Supply—6 to 20V d.c. from power unit available or batteries

Ideal for operation from a 12 volt battery

Power Pack available

ORDER HERE!

To SINCLAIR RADIONICS LTD.
SINCLAIR HOUSE
22 NEWMARKET ROAD, CAMBRIDGE

Please send goods indicated below

| ITEM | QUANTITY |
|---------------------|-----------|
| Sinclair Micro-6 | Ⓢ £2.19.6 |
| Pack 'A' | Ⓢ £7. 0.0 |
| Sinclair Micro F.M. | Ⓢ £5.19.6 |
| Pack 'B' | Ⓢ £9.10.0 |
| Sinclair Z.12 | Ⓢ £4. 9.6 |
| Pack 'C' | Ⓢ £8. 8.0 |
| Power Pack X.1 | Ⓢ £2.14.0 |

for which I enclose Cash/Cheque/Money Order
value £.....s.....d

NAME.....
ADDRESS.....

235

SPECIAL MONEY SAVING OFFER No. 3 TO P.E. READERS

Save
**11%
NOW**

You can save still further by buying two Z.12s together at the special price of £8.8.0 instead of £8.19.0 it costs to buy them separately. This is a wonderful opportunity to possess a low priced super-quality stereo system. The X.1 Power Supply Unit (£2.14.0) will comfortably drive two Z.12s. Send now for

PACK 'C' £8.8.0

ALL ITEMS COVERED BY THE SINCLAIR GUARANTEE

22 NEWMARKET RD., CAMBRIDGE



Enjoy yourself and Save Money by Building Heathkit models

A wide range of well designed quality kit sets to choose from

A KIT FOR EVERY INTEREST... HOME, SERVICE WORKSHOP, LABORATORY

Ease of assembly is guaranteed

Even for those without previous experience—by the comprehensive, yet simple step-by-step construction manuals supplied with every Heathkit model.

Save £ £'s building the models

Heathkit units cost considerably less than comparable pre-assembled equipment. You cannot buy the parts any other way as cheaply.

Guaranteed performance

Every Heathkit product—assembled in accordance with our comprehensive construction manuals is guaranteed to meet published performance specifications, or your money will be cheerfully refunded.

Convenient credit terms

By taking advantage of our credit terms—you can enjoy your model right away—and pay for it in easy monthly instalments. Deferred terms available over £10 in U.K.

AUDIO

Cabinets, Turntable units, Mono and Stereo Amplifiers, Pick-ups, Speakers, Speaker Systems, Mono and Stereo Control Units, Tape Pre-amplifiers, Tape Decks, Transistor Mixer.

RADIO

AM/FM and FM Tuners, Transistor Radios, SW and Communication Receivers.

TEST INSTRUMENTS

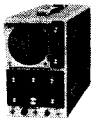
A wide range of Audio Test, Home Workshop, Service and Laboratory Instruments.

AMATEUR GEAR

A wide range of equipment.

MISCELLANEOUS

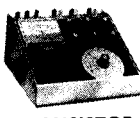
Hobby kits for the youngster, Tool kits, Intercoms, Electronic Organs, PA/Guitar Amplifiers, etc.



SCOPES



POWER SUPPLIES



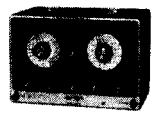
TRANSISTOR TESTER



SIGNAL GENERATORS



VALVE VOLTMETERS



TV ALIGN. GENERATORS

Instruments for Test, Service, Home Workshop

3 in. **LOW-PRICED OSCILLOSCOPE**, Model OS-2. Ideal for servicemen. Compact: 5" x 7" x 12". Wt. 9½ lbs. "Y" bandwidth, 2 c/s—3 Mc/s. T/B 20 c/s—200 kc/s in 4 ranges. Kit £21.18.0. Assembled £30.8.0.

MULTIMETER, Model MM-1U. Ranges 0-1.5v to 1,500 v A.C. and D.C. 150 µA to 15A D.C.; 0.2 to 20 MΩ. 4 in. 50µA meter. Kit £12.18.0. Assembled £18.11.6.

5 in. **FLAT-FACED OSCILLOSCOPE**, Model IO-12U. Lab. performance at utility "scope price." "Y" bandwidth 3 c/s to 4.5 Mc/s; T/B 10 c/s to 500 kc/s in 5 steps. Built-in tv calibrator. Dim.: 8½" w x 14" h x 17" deep. Kit £35.17.6. Assembled £45.15.0.

TRANSISTOR TESTER, Model IM-30U. Unmatched in quality, performance and price. Provides complete d.c. analysis of PNP, NPN transistors and diodes. Internal battery for tests up to 9 v. Kit £24.18.0. Assembled £35.10.0.

R.F. SIGNAL GENERATOR, Model RF-1U. Freq. coverage from 100 kc/s-100 Mc/s on six bands on fundamentals and up to 200 Mc/s on calibrated harmonics. Kit £13.8.0. Assembled £19.18.0.

6 in. **DE LUXE VALVE VOLTMETER**, Model IM-13U. Measures ac and dc volts 0-1.5 to 1,500 V in 7 ranges. Res. to 1,000 MΩ in 7 ranges. Modern styling, with gimbal mount. Kit £18.18.0. Assembled £26.18.0.

TV ALIGNMENT GENERATOR, Model HFV-1. 3.6 to 220 Mc/s on fundamentals. Unique electronic sweep oscillator. Built-in fixed and variable marker generators (5 Mc/s crystal). Kit £37.18.0. Assembled £47.10.0.

HEATHKIT EXHIBITION
APRIL 14th-17th. 11 a.m.—9 p.m.
(8 p.m. Sun.) THE GRAND HOTEL,
SOUTHAMPTON ROW, LONDON
Admission Free.

DECADE RESISTANCE, Model DR-1U. Range 1-99,999Ω in 10 steps. Kit £10.8.0. Assembled £14.8.0.

DECADE CAPACITOR, Model DC-1U range, 100µF to 0.111 µF in 100 µF steps. Kit £7.5.0. Assembled £10.8.0.

Kits for Hi-Fi, Audio, Radios, Miscellaneous construction kits

"MALVERN" HI-FI EQUIPMENT CABINET. Will house all your Hi-Fi equipment. Left "in the white." Size 39½ x 32 x 21½ in. Kit £18.1.0 (inc. P.T.). A wide range of other cabinets.

HI-FI FM TUNER. Range 88-108 Mc/s. Available in two units, sold separately. **TUNER (FMT-4U)** 10.7 Mc/s IF £21.5.0 (inc. P.T.). **IF AMPLIFIER (FMA-4U)** power supply and valves £13.13.0. Total Kit £16.8.0.

JUNIOR ELECTRONIC WORKSHOP, Model EW-1. 20 exciting experiments can be made. Special solderless connections. Kit £7.13.6 (inc. P.T.)

TRANSISTOR MIXER, TM-1. A must for the tape enthusiast. 4 inputs, 9 v. battery operation. Kit £11.16.6. Assembled £16.17.6.

"OXFORD" LUXURY TRANSISTOR PORTABLE, Model UXR-2. Beautiful solid leather case. LW and MW Coverage. Kit £14.18.0 (inc. P.T.)

GENERAL COVERAGE RECEIVER, Model RG-1. Freq. coverage 600 kc/s-1.5 Mc/s. 1.7-32 Mc/s in 6 switched bands. Many features incl. ½ lattice crystal filter. Kit £39.16.0. Assembled £53.0.0.

6W QUALITY STEREO AMPLIFIER, Model S-33H. An inexpensive stereo/mono amplifier. Ideal for use with the Decca Deram lightweight pickup. Modern attractive styling. Kit £15.17.6. Assembled £21.7.6.

STARMAKER-33 TRANSISTOR PA/Guitar AMPLIFIER. Full 20 watts (33 watts IHFM) output. Four inputs on two channels. Two heavy duty speakers. Compact size. Tremolo. Elegant cabinet. Kit £44.19.0. Assembled £59.10.0, legs or castors extra.

TRANSISTOR GENERAL COVERAGE RECEIVER, Model GC-1U. Frequency coverage 580 kc/s—30 Mc/s in 5 bands. Kit £37.17.6. Assembled £45.17.6.

20 + 20W TRANSISTOR AMPLIFIER, Model AA-22U. Outstanding performance for price. Send for full spec. Kit £39.10.0, less cabinet. Beautiful cabinet £2.5.0 extra.

New! Berkeley SPEAKER SYSTEM. New construction gives faster assembly. Professionally styled walnut finished cabinet. 2 speakers cover 30 c/s—17,000 c/s. Only 7½" deep x 26" h x 17" wide. Kit £18.18.0. Assembled £23.0.0.

SSU-1 SPEAKER SYSTEM. A practical solution to the problem of a low-price speaker system. Two speakers. (Bookcase) £11.17.6 Kit (inc. P.T.) (With legs) £12.12.0 Kit (inc. P.T.)

See the complete Heathkit range in the FREE catalogue

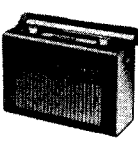


HI-FI CABINETS

RECORD PLAYERS

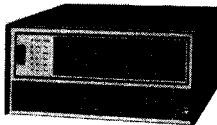


QUALITY STEREO AND MONO AMPLIFIERS



TRANSISTOR PORTABLES

TAPE DECKS

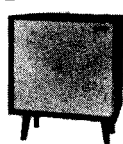


SW RECEIVERS TRANSMITTERS

CONTROL UNITS



FM & AM/FM RADIO TUNERS



SPEAKER SYSTEMS

Welcome To Our LONDON HEATHKIT CENTRE

In response to the request of many customers, we have opened a showroom and retail stores at

233 Tottenham Court Road

WHEN YOU ARE IN TOWN, WE HOPE THAT YOU WILL VISIT US THERE

To DAYSTROM LTD., DEPT. PM-4, GLOUCESTER, ENGLAND

Please send me **FREE BRITISH CATALOGUE** (Yes/No).....

Full details of model(s).....

American Catalogue 1/- p.p.
(Yes/No).....

NAME (BLOCK CAPITALS)
ADDRESS.....

PM-4

IMPROVED STANDARDS of Accuracy and Reliability!

Modern styling in light grey with legible black engraving.

Constructed to withstand adverse climatic conditions.

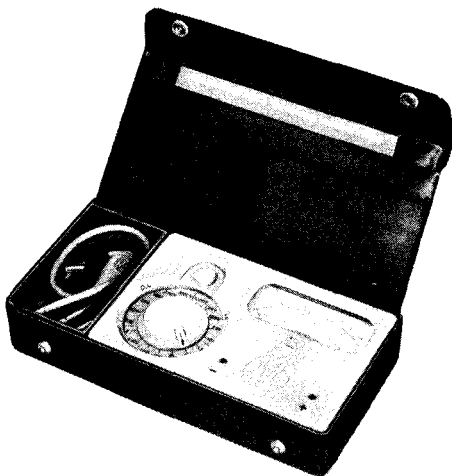
Ever ready case including leads, prods and clips.

Improved internal assemblies.

Re-styled scale plate for easy rapid reading. 2 basic scales each 2.5 inches in length.

New standards of accuracy using an individually calibrated scale plate: d.c. ranges 2.25% of full scale deflection, a.c. ranges 2.75% of full scale deflection.

Available accessories include a 2,500V d.c. multiplier and 5, 10 and 25A shunts for d.c. current measurement.



The Mk. 4 MULTIMINOR is the latest version of this famous Avo instrument and supersedes all previous models. It is styled on modern lines, with new high standards of accuracy, improved internal assemblies, and incorporating pancratic properties.

The instrument is supplied in an attractive black carrying case, which also houses a pair of leads with interchangeable prods and clips, and an instruction booklet. It is packed in an attractive display carton. Robust real leather cases are available, if required, in two sizes, one to take the instrument with leads, clips and prods, and the other to house these and also a high voltage multiplier and a d.c. shunt.

D.C. Current: 100 μ A f.s.d. — 1A f.s.d. in 5 ranges.
A.C. Voltage: 10V f.s.d. — 1,000 f.s.d. in 5 ranges.
D.C. Voltage: 2.5V f.s.d. — 1,000 f.s.d. in 6 ranges.
D.C. Millivolt range: 0 — 100mV f.s.d.

RESISTANCE: 0-2M Ω in 2 ranges, using 1.5V cell.
SENSITIVITY: 10,000 Ω/V on d.c. Voltage ranges.
 1,000 Ω/V on a.c. Voltage ranges.

See the latest AVO Coil Winders and Electrical Testing Instruments on STAND HH4, A.S.E.E. Exhibition.



MULTIMINOR Mk 4

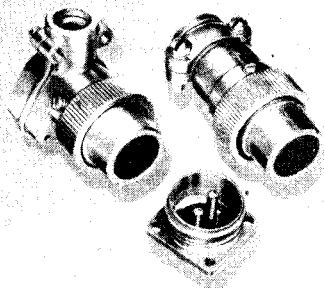
AVO LTD

AVOCET HOUSE, 92-96 VAUXHALL BRIDGE ROAD, LONDON, S.W.1

Telephone: VIctoria 3404



MM17



STANDARD K CONNECTORS

General Purpose, Rugged Multipole series. Up to 110 Contacts. Lightweight and quick dis-connect.

Cannon Electric
 (Great Britain) Ltd.,
 Lister Road,
 Basingstoke, Hants.
 Tel: Basingstoke 3171



Registered Trademark

CANNON

D & B TELEVISION (WIMBLEDON) LTD.

131 KINGSTON ROAD, SOUTH WIMBLEDON, LONDON, S.W.19

Telephone: CHerrywood 3955

ALL BRAND NEW VALVES GUARANTEED 3 MONTHS

Postage and Packing on Valves 6d. each

| | | | | | | | |
|--------|------|--------|------|--------|------|--------|------|
| AZ31 | 10/6 | EL33 | 10/6 | PL84 | 7/- | U282 | 13/9 |
| DAF91 | 7/10 | EL34 | 9/9 | PL500 | 14/- | U301 | 13/9 |
| DAF96 | 7/10 | EL36 | 9/9 | PY33 | 9/6 | U801 | 19/- |
| DF91 | 6/8 | EL41 | 8/- | PY80 | 6/- | UJ9 | 8/6 |
| DF92 | 6/8 | EL84 | 6/4 | PY81 | 7/- | 6F1 | 9/6 |
| DF/96 | 7/10 | EM80 | 7/8 | PY82 | 5/6 | 6F13 | 12/8 |
| DK91 | 7/10 | EM81 | 7/8 | PY83 | 9/6 | 6F14 | 15/- |
| DK92 | 7/10 | EM84 | 8/8 | PY88 | 7/- | 6F15 | 12/6 |
| DK96 | 7/10 | EM85 | 10/- | PY800 | 7/- | 6F23 | 10/6 |
| DL92 | 6/8 | EY51 | 7/- | PY801 | 7/- | 6F24 | 10/9 |
| DL94 | 6/8 | EY86 | 7/- | UABC80 | 7/- | 6F25 | 10/9 |
| DL96 | 6/8 | EZ40 | 5/6 | UBC41 | 7/- | 6F28 | 9/8 |
| DY86 | 7/- | EZ41 | 5/6 | UBC81 | 7/- | 6L1 | 15/6 |
| DY87 | 7/- | EZ80 | 5/6 | UBF80 | 7/- | 6L18 | 12/6 |
| EABC80 | 7/6 | EZ81 | 5/6 | UBF89 | 7/- | 6/30L2 | 9/8 |
| EAF42 | 8/6 | EZ90 | 5/- | UCC84 | 8/10 | 10C2 | 12/- |
| EBC33 | 11/2 | GZ32 | 11/- | UCC85 | 7/4 | 10F1 | 8/6 |
| EB91 | 4/8 | GZ34 | 11/- | UCF80 | 9/4 | 10F9 | 8/- |
| EBC41 | 7/2 | HBC90 | 6/4 | UCH42 | 9/6 | 10F18 | 8/- |
| EBC81 | 6/6 | PABC80 | 7/6 | UCH81 | 7/3 | 10P13 | 12/6 |
| EBF80 | 7/- | PC86 | 8/10 | UCL82 | 8/8 | 10P14 | 11/- |
| EBF89 | 7/- | PC88 | 8/10 | UCL83 | 10/8 | 20F2 | 11/- |
| ECC81 | 7/4 | PC97 | 7/6 | UF41 | 7/6 | 20L1 | 12/6 |
| ECC82 | 7/4 | PC884 | 7/4 | UF42 | 9/6 | 20P1 | 15/- |
| ECC83 | 7/4 | PCC85 | 7/4 | UF80 | 7/6 | 20P3 | 12/- |
| ECC84 | 7/8 | PCC88 | 12/6 | UF85 | 7/6 | 20P4 | 13/- |
| ECC85 | 7/4 | PCC89 | 10/6 | UF89 | 7/- | 20P5 | 13/- |
| ECC86 | 9/6 | PCC189 | 10/6 | UL41 | 7/6 | 30C15 | 9/6 |
| ECH35 | 13/- | PCF80 | 8/4 | UL46 | 10/6 | 30C17 | 11/6 |
| ECS42 | 8/6 | PCF82 | 9/4 | UL87 | 8/8 | 30C18 | 10/- |
| ECH81 | 5/- | PCF86 | 10/6 | UY41 | 5/6 | 30F5 | 10/- |
| ECL80 | 7/4 | PCF801 | 10/- | UY85 | 5/6 | 30FL1 | 10/3 |
| ECL82 | 8/8 | PCF802 | 10/- | 5Y3 | 5/6 | 30L15 | 13/8 |
| ECL83 | 10/6 | PCF806 | 10/- | 5Z4 | 7/6 | 30L17 | 11/6 |
| ECL86 | 8/8 | PCL82 | 8/4 | 6Y6 | 7/7 | 30P12 | 9/6 |
| EF80 | 7/- | PCL83 | 9/8 | 6X5 | 7/5 | 30P4 | 12/- |
| EF85 | 7/- | PCL84 | 8/8 | R19 | 14/8 | 30P19 | 12/- |
| EF86 | 9/4 | PCL85 | 8/8 | U25 | 10/3 | 30PL1 | 12/6 |
| EF89 | 7/- | PCL86 | 8/8 | U26 | 10/6 | 30PL13 | 12/6 |
| EF91 | 11/- | PL36 | 10/- | U191 | 9/9 | 30PL14 | 11/8 |
| EF92 | 9/- | PL81 | 8/4 | U193 | 7/- | 30FL4 | 10/6 |
| EF183 | 9/8 | PL82 | 6/4 | U251 | 11/8 | 30FL12 | 10/6 |
| EF184 | 9/8 | PL83 | 8/4 | U281 | 13/9 | 30FL18 | 10/6 |

We are open 9 a.m. to 6 p.m. Monday, Tuesday, Thursday and Saturday
 9 a.m. to 7 p.m. Friday. Closed all day Wednesday

SERVICE SHEETS. TELEVISION!! ALL MAKES and MODELS. 4/- each. P. & P. 4d.

DE LUXE PLAYER KITS

4-speed Players 2-tone Cabinets 17" x 15" x 8 1/2 in. High zinc loudspeaker and 3 watt Famous Make amplifier ready built. Quality output. Volume and Bass controls. All Items fit together perfectly. Special instructions enable assembly in 30 minutes, only 5 wires to join. 18 months' guarantee.



POST FREE

TO BUILD YOURSELF

POST FREE PRICES

SINGLE PLAYER KITS
BSE Junior \$10. 0.0
BSE GU7 \$11.10.0
Garrard SRP12 \$11.10.0

OR SEPARATELY
Player Cabinet \$3.10.0
3 watt amplifier with speaker \$3.10.0

AUTOCHANGE UNITS
BSE Monarch \$5.10.0
Garrard 1000 \$8.10.0
Garrard 2000 \$7.10.0
Garrard 3000 \$8.10.0
Garrard Mod. 50 \$9. 0.0
Garrard AT90 \$11.0.0

AUTOCHANGE KITS
BSE Monarch \$11.10.0
Garrard 1000 \$12.10.0
Garrard Mod. 50 \$14.10.0
Garrard AT90 \$16.10.0

SINGLE PLAY UNITS
BSE Junior \$3.10.0
BSE GU7 \$5. 0.0
Garrard SRP12 \$5. 0.0

TRANSCRIPTION UNITS
Garrard SP25 \$11.0.0
Garrard A70 \$21.0.0
Garrard LAB80 \$25.0.0
Garrard 401 \$30.0.0

Q MAX CHASSIS CUTTER

Complete: a die, a punch, an Allen screw and key
in. 14/6 1 1/2 in. 18/- 2in. 22/6
in. 14/9 1 1/2 in. 18/- 2in. 34/3
in. 15/6 1 1/2 in. 18/6 2 1/2 in. 37/9
in. 15/9 1 1/2 in. 20/- 2in. 44/3
in. 18/- 1 1/2 in. 20/6 2in. sq. 31/6

CRYSTAL MIKE INSERTS

1 1/2 x 1 in. 6/8; BMS 1 x 1 in. 7/6; ACOS 1 1/2 x 1 in. 9/6
TANNAY CARBON MIKE with Switch 5/6
BARGAIN XTAL PICK-UP ARM Complete with ACOS LP-78 Turnover Head and Stylus 20/-; Stereo 30/-
SPEAKER FRET Tygan various colours, 52in. wide from 10/-; 28in. wide from 5/-; 1. Samples S.A.E.
EXPANDED METAL Gold or Silver 12 x 12 in. 6/-.

FULL WAVE BRIDGE SELENIUM RECTIFIERS: 2, 6 or 12 v. outputs, 1 1/2 amp., 9/9; 2 a. 1 1/2; 4 a., 17/6.

CHARGER TRANSFORMERS: Tapped input 200/250 v. for charging at 2, 6 or 12 v., 1 1/2 amps., 15/6; 2 amps., 17/6; 4 amps., 25/-; Circuit included. Amp meter 5 amp, 10/6.

MOVING COIL MULTIMETER TK 20s. 0-1,000v. A.C./D.C. ohms 0 to 100k. etc. **47/6**
MOVING COIL MULTIMETER EP10K. 0-1,000v. A.C./D.C. ohms 0 to 3 meg. etc. **79/6**
MOVING COIL MULTIMETER EP20K. 0-2,500v. D.C. 20,000 ohms per volt. 0-1,000v. A.C. Ohms 0 to 6 meg. 50 Microamps full scale. **99/6**

NEW MULLARD TRANSISTORS: OC71 6/-; OC72 7/6; OC81D 7/6; OC81 7/8; AP115 10/6; AP114 11/-; OC44 8/-; OC45 8/-; OC171 9/-; OC170 8/6; AP117 9/6. OC26 12/6; Transistor Holders 1/3.

VALVE HOLDERS. EA50 6d. MOUNDED Int. Oct. 6d. Banta Oct. 6d. B7C, B8A, B9A, B9A. 9d. B7G with can 1/8. B8A with can 1/8. Ceramic OCTAL, EF50, B7C, B8A, 1/- Valve base plugs B7G, B8A, Int. Oct., 2/3.

TRANSISTOR MAINS ELIMINATORS 29/6 PE1-6 volt, PP9-9 volt (All same sizes as batteries) 80 mA. DOUBLES 42/6. PE1, PP9, PP9, PP11 - 4 1/2 - 4 1/2. POWER BACK 9v. 300 mA. Full wave. Fully smoothed. Tapped mains input. Chassis size 5 x 4 x 2 in. 45/-.

WEYRAD P50 — Transistor Coils
RA5W 6 in. Ferrite Aerial Spare Cores.....6d.
18/6 Driver Trans. LFDT4.....9/6
Osc. P50/LAC.....5/4 Printed Circuit, P.C.A. Ready
1st and 2nd I.F. P50/2CC.....9/6 drilled and printed.
470 kfs.....each 5/7 J.B. Tuning Gang.....1/8
3rd I.F. P50/3CC.....6/- Booklet.....2/-

Volume Controls 80 Ohm Coax 6d. yd.
Long spindles. Midget Size 5 K. ohms to 2 Meg. LOG or LIN. L/S 3/-; D.P. 5/-; Stereo L/S 10/6, D.P. 14/6. Ideal or Log Tracks.
Semi-air spaced Cable 40 yd. 17/6. 60 yd. 25/-; Low loss 5dB. per 100ft. at 800 mc/s. Ideal 825 lines **1/6 yd.**

COAXIAL PLUG 1/-. PANEL SOCKETS 1/-. LINE SOCKET 2/-. OUTLET BOXES, SURFACE OR FLUSH 4/6. BALANCED TWIN FEEDERS 6d. yd., 80 or 300 ohms. TELESCOPIC CHROME AERIALS. 18in. extends to 33in. 6/6 each. CAR AERIAL PLUGS 1/6. Sockets 1/3.

RETURN OF POST DESPATCH Minimum P.P. Charge 1/6 per order unless otherwise stated. Full List 1/-, C.O.D. 2/6 extra. **CALLERS WELCOME**

RADIO COMPONENT SPECIALISTS

Written guarantee with every purchase. (Export. Send remittance and extra postage, no C.O.D.)

NEW ELECTROLYTIC FAMOUS MAKES

| TUBULAR | TUBULAR | CAN TYPES |
|-----------------------|-----------------------|------------------------|
| 2/350 v. 2/3 | 100/25 v. 2/- | 8/600 v. 9/- |
| 4/350 v. 2/3 | 250/25 v. 2/6 | 16/600 v. 12/- |
| 8/450 v. 2/3 | 500/15 v. 3/- | 16+16/500 v. 7/6 |
| 16/450 v. 3/- | 8+8/450 v. 3/6 | 32+32/450 v. 6/- |
| 32/450 v. 3/6 | 8+16/450 v. 3/6 | 50+50/350 v. 7/- |
| 25/25 v. 1/8 | 16+16/450 v. 4/3 | 64+120/350 v. 11/6 |
| 50/50 v. 2/- | 32+32/350 v. 4/6 | 100+200/275 v.12/6 |

PAPER TUBULARS

350v.-0.1 9d., 0.5 1/9; 1 mfd. 2/-; 2 mfd. 150v. 3/-; 500v.-0.001 to 0.05 9d.; 0.1 1/-; 0.25 1/8; 0.5 2/6; 1,000v.-0.001, 0.002, 0.0047, 0.01, 0.02, 1/6; 0.047, 0.1 2/-; 0.22, 0.47, 3/-; 2,000v.-0.005, 0.01, 0.02 2/6; 0.05 3/6. W.H.T. CONDENSERS. 0.001mfd., 7kV, 6/6; 20kV, 10/6.

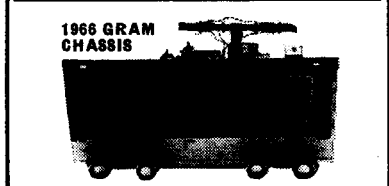
SUB-MIN. ELECTROLYTICS. 1, 2, 4, 5, 8, 16, 25, 50, 100, 500, 1,000 mfd. 15v. 2/6; 1,000 mfd. 50v. 7/6; 2,000/50 11/6. CERAMIC. 500 v. 1 pF to 0.01 mfd. 6d. DIBO CERAMICS 1/-. PULSE CERAMICS 10 pF. to 150 pF., 12 kV., 2/6. SILVER MICA. Close tolerance (plus or minus 1 pF.), 5 to 47 pF., 1/-; ditto 1/2, 50 to 800 pF., 1/-; 1,000 to 5,000 pF., 2/-; TWIN GANG. "0.0" 208 pF. -178 pF., 10/6; 365 pF., miniature 10/-; 500 pF. standard with trimmers, 9/-; midget, 7/6; midget with trimmers, 9/-; 500 pF. slow motion, standard 9/-; small 8-gang 500 pF., 18/6. Single "0" 365 pF., 7/6. BEER'S WAVE. Single 10 pF., 25 pF., 50 pF., 75 pF., 100 pF., 150 pF., 5/6 each. Can be ranged. Couplers 9d. each. TUNING. Solid dielectric. 100 pF., 300 pF., 500 pF., 3/6 each. TRIMMERS. Compression ceramic 50, 50, 70 pF., 9d.; 100 pF., 150 pF., 1/3; 250 pF., 1/6; 600 pF., 750 pF., 1/9.

BEST BRITISH PVC RECORDING TAPES
L.P. 7in. 1800ft. 19/8 D.P. 7in. 2400ft. 29/6
L.P. 5 1/2in. 1800ft. 14/6 D.P. 5 1/2in. 2400ft. 24/6
L.P. 5in. 900ft. 11/8 D.P. 5in. 1800ft. 18/6
Spare Spools 2/6. Tape Splicer 5/-. Leader Tape 4/6.
Tape Heads: Coliario 2 track 28/6 pair. 4 track 70/- pair.

MAINS TRANSFORMERS

250-0-250, 80 mA. 6.3 v. 3.5 s. or 4v. 4 s. Rectifier 6.3 v. 1 a. or 5 v. or 4 v. 2 a. 25/-; Ditto 350-0-350, 29/6; 500-0-500, 320 mA., 6.3 v. CT 4 a. 0.5, 6.3 v. 2 a. 35/6; MINIATURE 200 v. 20 mA., 6.3 v. 1 a. 10/6
MIDGET 220 v. 45 mA., 6.3 v. 1 a. 15/6
SMALL 300-0-300 v. 70 mA., 6.3 v. 4 a. 19/6
HEATER TRANS. 6.3 v. 1 a., 7/6; 6.3 v. 4 a. 10/6
Ditto tapped sec. 1.4 v., 2, 3, 4, 5, 6.3 v. 1 1/2 amp. 8/6
GENERAL PURPOSE LOW VOLTAGE. Outputs 3, 4, 5, 6, 8, 9, 10, 15, 18, 24 and 30 v. at 2 a. 25/-
Ditto, 1 amp., 5, 10, 15, 20, 30, 40, 45, 50, 55, 60 29/6
Sub-Min. Mains to 9 v. 80 mA. 1 x 1 1/2 x 1 1/2 in. 7/6
AUTO TRANS. 150 v. 0.115 v., 230 v., 25/-; 500 v. 32/6

HIGH GAIN TV PRE-AMPLIFIER BAND I B.B.C. Tunable channels 1 to 6. Gain 18 dB. EC84A. Kft price 32/6 or 55/- with power pack. Details 6d. (PC84A valves if preferred for 0.3a heater chains).
BAND III I.T.A.—same prices. Tuneable channels 7 to 13. Gain 17 dB.
Band I or III. Coils and circuit only, 9/6. Chassis 4/9.



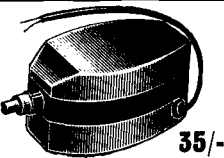
Three Wavebands: Long, Med., Short. EF89, EF80S, EL84, E280, 12-month guarantee. A.C. 250V. 50 Hz. Ferrite Aerial A.V.C. Negative Feedback. 5 watts 3 ohm Chassis 12in. x 7in. high x 5in. deep. Glass dial size 13in. x 4in. horizontal wording. Two Pilot Lamps. Four Knobs. Aligned calibrated. Chassis isolated from mains.

BRAND NEW \$10.10. Post Free
With SPECIAL 12in. BAKER loudspeaker \$15.10.0
STEREO RADIOGRAM CHASSIS \$14.19.6 Post 5/6
With Long, Med. and Short Wavebands, 15in. x 7in. x 9in.

BLANK ALUMINIUM CHASSIS. 18 s.w.g. 4 sides, riveted corners, lattice fixing holes, 2in. sides, 7 x 4in., 6/6; 9 x 7in., 6/6; 11 x 3in., 6/6; 11 x 7in., 7/6; 13 x 9in., 9/6; 14 x 11in., 12/6; 15 x 14in., 15/-.
ALUMINIUM PANELS 18 s.w.g. 12 x 12in. 5/6; 14 x 9in. 4/6; 12 x 8in. 3/6; 10 x 7in. 2/6; 8 x 6in. 2/-; 6 x 4in. 1/6.

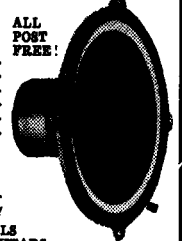
NEW GARRARD GRAM MOTORS
also suitable for models, tape decks, etc.
100-130 v., A.C. 15/- pair for 200/250 v. (in series)

THE INSTANT BULK TAPE ERASER AND RECORDING HEAD DEMAGNETISER
Leaflet S.A.E. 200/250 v. A.C. **35/-**



BAKER LOUDSPEAKERS

HANDMADE BY CRAFTSMEN
HIGH FIDELITY MODELS
12in. STALWART 15w. ALL POST FREE!
3 or 15 ohms £5. 0.0
12in. STANDARD £5. 0.0
12in. DE-LUXE £9. 0.0
12in. BASS £12. 0.0
12in. SUPERS £15. 0.0
15in. BASS £18. 0.0



LABORATORY STANDARD MODELS
12in. with D.W.V. £22. 10.0
15in. with D.W.V. £28. 10.0

NEW CATALOGUE FREE!
GROUP MODELS FOR VOICALS
BASS LEAD AND RHYTHM TUNERS
Freq. res. 30-10,000 cps. Voice Coils 15 ohms. Heavy duty outputs.
'Group 25' 5gns. 12in. 8 1/2 gns. 15in. 18 gns. 12in. 85w. 35w. 50w.

LOUDSPEAKERS P.M. 3 OHMS. 2in., 3in., 4in., 5in., 7in. x 4in., 15/6 each; 3in., 12/6; 4in., 16/6; 5in., 30/-; (15 ohms 25/-); 10in. x 6in., 22/6; 8in. x 8in., 21/-; 6in. x 6in., 21/-; E.M.I. Double Cone 15 x 8in., 3 or 15 ohm models, 45/-; Stentorian 10in. HF1012, 25/-; 8in. HF812, 24/-; Crossover 35/-; Horn Tweeters 3-16 Kc/s. 10 w 29/6; 20 w 20 Kc/s. 99/6.

T.V. REMOTE CONTROLLER. For Philips 19TG111A, 12A, 125A, 142A, 29TG111A, 21A, 21A, 181A, Stella HT1038A, 39A, 43A, 55A. Coscor CT1910A, 21A, CT210A, 21A, 31A. Ready to plug in, with 11ft 7 way cable, dual post Volume and Brightness, OASI diode, etc. etc. List 9gns. NEW, MAKERS BOXES, OUR PRICE 12/6 POST FREE.

WAVE-CHANGE SWITCHES WITH LONG SPINDLES. 2 p. 2-way, or 2 p. 6-way, or 3 p. 4-way or 1 p. 12-way; ea. 3/6
3 p. 2-way, or 4 p. 3-way, 3/6; 3 p. 4-way, 2 waffer, 8/6
TRANSISTOR SWITCHES. P. MAKERS 1 p. 2-way, 2 p. 6-way, 3 p. 4-way, 4 p. 3-way, 6 p. 2-way. Prices include coil up mains adjustable stop, spaces, etc., 1 waffer, 8/6; 2 waffer, 12/6; 3 waffer, 16/-; 4 waffer, 19/6; 5 waffer, 23/-; extra waffer, 2/6.
TOGGLE SWITCHES, a.p., 2/-; d.p., 3/6; d.p.d.t., 4/-.

RADIO BOOKS (Postage 9d.)
Radio, T.V. Valves, Diodes, Transistor eqivs. 10/6
Rabbit Maintenance Manual 18/6
High Fidelity Speaker Enclosures 15/6
Transistor Superhet Commercial Receivers 7/6
Mullard Audio Amplifier Manual 8/6
Radio Valve Guide, Books 1, 2, 3, 4, or 5 each 5/-
Practical Radio Inside Out 4/6
TV Fault-Finding, Fully Illustrated 6/-
Transistor Audio Amplifier Manual 6/-
Shortwave Transistor Receivers 6/-
Transistor Communication Sets 6/-
International Radio Stations List 2/6
Modern Transistor Circuits, Beginners 7/6
Sub-Miniature Transistor Receivers 5/-
How to Receive Foreign T.V. 5/-

JACK SOCKETS Std. open-circuit 2/6, closed-circuit 4/6. Lead 6/-, Grundig 3-pin 1/3; Lead 3/6.
PHONO PLUGS 1/-. Socket 1/-. Banana Plugs 1/-, Sockets 1/6.
JACK PLUGS STANDARD. Screened 3/-. Grundig 3-pin 3/6.
BULGIN NON-REV PLUGS AND SOCKETS. P74 2-pin 4/6; P73 3-pin 4/6; P194 6-pin 6/6; P466 6-pin 12/6; P360 4/-.
RESISTORS. Preferred values, 10 ohms to 10 meg., 1 w., 3 w., 1 w., 20 w., 4d., 1 1/2; 2 w., 1/-; 3 w., 10/- 6d. **HIGH STABILITY.** 1 w., 2/-; Preferred values, 10 ohms to 10 meg. Ditto 5 1/2, 10 ohms to 22 meg., 9d. 5 watt { 0.5 to 3 ohm 3 w. } 1/6
10 watt { WIRE-WOUND RESISTORS } 2/9
15 watt { 10 ohms to 6,800 ohms } 2/-

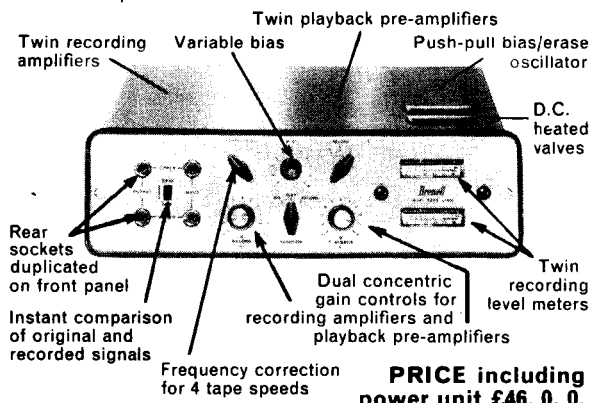
10K, 15K, 20K, 25K, 10W.
MAINS DROPPERS. Midget. With sliders. 0.3 a., 1K. 0.2 a., 1.2 K. 0.15 a., 1.5 K. 0.1 a., 2 K., 6/- each. LINE COORD 100 ohms ft. twin join resistance. 1/- ft.
WIRE-WOUND 3-WATT POT. Miniature T.V. STANDARD SIZE POT.
Type. All values 10 ohms LONG SPINDLE VALUES
to 25 K. 5/-; ea.; 30 K. 4/-; 50 OHMS to 50 K., 6/6;
Carbon 30 K. to 2 meg., 3/-; 100 K. 7/6.
SPEAKER-FRET. Tygan various colours, 52in. wide from 10/-; 28in. wide from 5/-; 1. Samples, large, S.A.E.
EXPANDED METAL. Gold or Silver 12 x 12in. 6/-.
ARBENT TRANSFORMERS
D808A 1.75 : 1 CT. Push Pull to 3 ohms for OC72, OC81. 11/-
D808A 1.15 : 1 Output to 3 ohms for OC72, OC81. 11/-
D289, 4.5 : 1 Driver 11/8; D240, 8.5 : 1 Driver 11/8
ARBENT TRANSISTOR POT. 5 K. switched VC1645 3/8
Anti-Parasitic beads (territe) dos. 3/8
PRINTED CIRCUIT ETCHING KIT & 20 Circuits 7/6

C.R.T. BOOSTER TRANSFORMERS
for heater cathode short circuit or tubes with failing emission. Full instructions supplied, mains input. Optional 25% and 50% boost 2v. or 6.3v. or 12.6v. State voltage required. **PRICE 15/6**

HERE'S VERSATILITY FOR YOU...

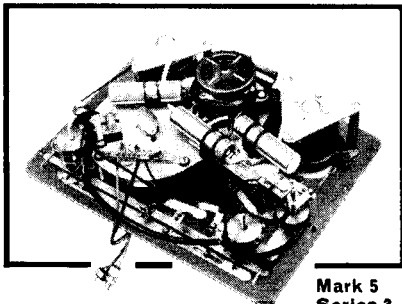
The **Brenell**

MONO/STEREO HI-FI TAPE LINK



Designed for use with 2/2 or 2/4 track heads

Built to the same high standards as our tape recorders and decks this HI-FI TAPE LINK has been developed for use with your high fidelity equipment. It is capable of giving superb results when matched to one of our Mark 5 Series 3 decks fitted with the appropriate heads. Write for full details of this amplifier and deck and complete range of tape recorders.



Mark 5
Series 3
Deck

Brenell

BRENELL ENGINEERING CO. LTD.,
231/5 Liverpool Road, London, N.1.
Telephone: NORTH 8271 (5 lines) GD378



KONTAKT 60

**THE SPECIAL CLEANER
FOR INACCESSIBLE
CONTACTS**

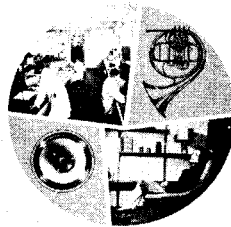
- ★ KONTAKT 60 cleans and protects all contacts
- ★ Eliminates high transition resistances
- ★ Prevents 'creep' currents
- ★ Does not affect plastic materials
- ★ In spray can with 5¼" spray nozzle

Other Kontakt products are:-

- 70 Protective Lacquer
- 72 Insulating Spray
- 75 Cold Spray for Fault Location
- 80 Special Siliconized Polish
- 100 Antistatic Agent for Plastics

Write for full details of above complete range of Kontakt products to:-

SPECIAL PRODUCTS DISTRIBUTORS LIMITED
81 Piccadilly, London, W.1. GROsvenor 6482



GOODMANS HIGH FIDELITY RECORDERS

D.I.Y. with GOODMANS HIGH FIDELITY MANUAL

A new, larger and more colourful edition—revised and completely up-to-date. It contains articles of particular interest to the D.I.Y. enthusiast—including special beginners page, advice on stereo, stage-built systems and full cabinet drawings. Whether building or improving your own audio set-up or choosing a complete speaker system, you'll find it useful and interesting as well as informative. Ask your Goodmans dealer or send coupon for your FREE copy.

Please send me a free copy of the Goodmans High Fidelity Manual

Name

Address

P.E.4/66

GOODMANS

GOODMANS INDUSTRIES
Axiom Works, Wembley, Middlesex
Telephone: WEMbley 1200
A Member of Radio Rentaset Products Ltd.

LASKY'S RADIO

For the Finest Value and Service to the HOME CONSTRUCTOR AND THE ELECTRONICS ENTHUSIAST

We consider our construction parcels to be the finest value on the home constructor market. If on receipt you feel not competent to build the set, you may return it as received within 7 days, when the sum paid will be refunded less postage.

TRANSISTOR PORTABLES

THE SKYROVER RANGE

7 transistor and 2 diode superhet portables—covering full med. plus 6 SW Bands.

The SKYROVER Mk III.

(Illustrated). Now supplied with redesigned plastic cabinet in black, grey and chrome with ergonomic controls.

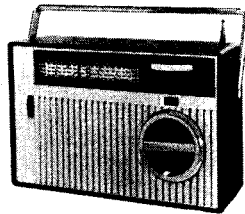
Controls: Waveband Selector, Volume Control with on/off switch, Tuning Control. In plastic cabinet, size 10 x 6 1/2 x 3 1/2 in. with metal trim and carrying handle.

Can now be built for **£8.19.6** Post 5/- extra. H.P. Terms: 27/- deposit and 11 monthly payments of 15/9. Total H.P.P. £12.0s.3d.

The SKYROVER De Luxe

Tone Circuit is incorporated, with separate Tone Control in addition to Volume Control. Tuning Control and Waveband Selector. In a wood cabinet, size 11 1/2 x 6 1/2 x 3 in. covered with a washable material, with plastic trim and carrying handle. Also ear aerial socket fitted.

Can now be built for **£10.19.6** Post 5/- extra. H.P. Terms: 33/- deposit and 11 monthly payments of 17/6. Total H.P.P. £12.3s.10d. Data for each receiver: 2/6 extra. Refunded if you purchase the parcel. Four US batteries 3/4 extra. All components available separately.



★ LONG WAVEBAND COVERAGE IS NOW AVAILABLE FOR THE SKYROVER

A simple additional circuit provides coverage of the 1100/1950M. band (including 1500 M. Light programme). This is in addition to all existing Medium and Short wavebands. All necessary components with construction data.

Only **10/-** extra Post Free. This conversion is suitable for both receivers that have already been constructed.

REALISTIC SEVEN

Fully tunable long and medium bands. Uses 7 Mullard Transistors; plus Diode OA70.

STAR features:

- 7 Transistor Superhet. ● 300 Milliwatt output 4in. high flux speaker. ● All components mounted on a single printed circuit board, size 5 1/2 in. x 5 1/2 in. in one complete assembly. ● Plastic cabinet, with carrying handle, size 7 in. x 10 in. x 3 1/2 in., in blue/grey. ● Easy to read dial. ● External socket for car aerial. ● I.F. frequency 470 Kc/s. ● Ferrite rod internal aerial. ● Operates from PP9 or similar battery ● Full comprehensive data supplied with each Receiver. ● All coils and I.F.s, etc., fully wound ready for immediate assembly. An outstanding Receiver.



Can be built for

£5.19.6

P. & P. 4/6

REALISTIC SEVEN De Luxe

With the same electrical specification as standard model—PLUS A SUPERIOR WOOD CABINET IN CONTEMPORARY STYLING covered in attractive washable material, with super-chrome trim and carrying handle. Also a full vision circular dial, externally mounted to further enhance the pleasant styling. **ONLY 41 EXTRA**

Both models: Battery 3/6 extra. (All components available separately.) Data and instructions separately 2/6, refunded if you purchase parcel.

SINCLAIR SUPER MINIATURES

We stock the complete range of Sinclair Super-miniatures.

- THE MICRO-6 miniature radio only 1 1/2 x 1 1/2 x 1 1/2 in. £2 19 6
- THE SLIMLINE 3-transistor pocket radio £2 9 6
- THE MICRO-FM. (tuner/receiver) £5 19 6
- THE X-20 90 watt P.W.M. amplifier £7 19 6
- Available ready built, tested and guaranteed £9 19 6
- THE X-10 10 watt amplifier and pre-amp. £5 19 6
- Available ready built, tested and guaranteed £6 19 6

VEROBOARD — Veroboard is a high grade laminated board with copper strips bonded to it and pierced with a regular matrix of holes. Ideal for producing single items.

| Boards | Accessories |
|-------------------------------------|--------------------------------------|
| 42/1503 2 1/2 x 5 in. 3/8 | Terminal pins — pkt. of 50 3/- |
| 43/1504 2 1/2 x 3 1/2 in. 3/- | Spot face cutter tool 8/6 |
| 45/1507 3 1/2 x 5 in. 5/8 | Pin inserting tool 9/9 |
| 46/1508 3 1/2 x 3 1/2 in. 3/8 | Post 6d. per item extra. |
| 44/1505 3 1/2 x 1 7/8 in. 12/6 | Orders of 10/- and over post free. |

TRANSISTORS ALL BRAND NEW AND GUARANTEED

GET 81, GET 85, GET 86 2/6; 873A, 874F 3/6; OC45, OC71, OC81D 4/6; OC 44, OC 70, OC 76, OC 81 5/6; (match pair 10/6); AF 117, OC 73, OC 200 6/6; OC 42, OC 43, OC 73, OC 82D 7/6; OC 201, OC 204 15/-; OC 205, OC 206 19/6; OC 28 24/6.

TRANSFILTERS By BRUSH CRYSTAL CO. Available from stock.

| | | |
|----------------------------|----------------------------|-----------------|
| TO-01B 465 kc/s. ± 2 kc/s. | TO-02D 470 kc/s. ± 1 kc/s. | 7/6 EACH |
| TO-01D 470 kc/s. ± 2 kc/s. | TF-01B 465 kc/s. ± 2 kc/s. | |
| TO-02B 465 kc/s. ± 1 kc/s. | TF-01D 470 kc/s. ± 2 kc/s. | Post 6d. |

CONSTRUCTORS BARGAINS

SPECIAL PURCHASE OFFER

7 TRANSISTOR RADIO CHASSIS

Superhet chassis, fully built—by famous British manufacturer—on printed circuit. Uses 7 Newmarket transistors giving 500 m/w push-pull output—3 I.F. stages; ferrite rod aerial. Covers full long and medium wavebands—200/550M and 1200/2000M and switched band spread on 208M (Luxembourg). 4 1/2 in. speaker; fitted: volume control on/off switch, tuning dial and position for car aerial socket. Uses any 9V battery. Overall dimensions—7 in. x 4 1/2 in. x 2 in. Absolutely complete except for cabinet.

LASKY'S PRICE 69/6 Post 5/-.

Recommended battery PP6 2/9 or PP7 3/8 extra.



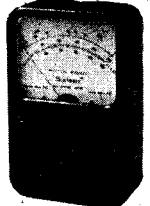
The "Sixteen" Multirange

METER KIT

This outstanding meter was featured by *Practical Wireless* in the Jan. '64 issue. Lasky's are able to offer the complete kit of parts as specified by the designer.

RANGE SPECIFICATION: D.C. volts: 0.2-5-25-50-250-500 at 20,000 Ω/V. A.C. volts: 0.25-50-250-500 at 1,000 Ω/V. D.C. current: 0-50mA, 0.2-5-50-250mA. Resistance: 0-2,000 Ω, 0-200K Ω, 0-20 M Ω. Basic movement: 40A A.s.d. moving coil. With universal shunt full scale deflection current is 50μA. Black plastic case—3 1/2 x 6 1/2 x 1 1/2 in. Controls: 12 position range switch; separate slide switch for A.C. volts—D.C. ohms; ohms zero adjustment pot, meter, meter zero. Power requirements: One 1.5v. and one 1.5v. batta. Complete with all parts and full construction details. H.P. Terms available.

LASKY'S PRICE £5.19.6. P. & P. 5/-.



Data and circuit available separately, 2/6; refunded if all parts bought. Pair of batteries 2/- extra.

FROM PRE-AMP TO 20 WATT HI-FI STEREO ASSEMBLY WITH MARTIN AUDIOKITS

Using specially developed circuits, the very latest transistors and printed circuits—these kits are all fully checked and tested before leaving the factory. Although the kits are basically designed for use together the pre-amplifier and mixer stages may be used to great advantage with existing valve or transistor equipment.

- KIT 1. 5-stage Matching Input Selector Unit..... **LASKY'S PRICE 47/6.**
- KIT 2. Pre-amplifier with volume control..... **LASKY'S PRICE 37/6.**
- KIT 3. 3-Channel Mixer with plug-in adaptors for individually matching each circuit. Adaptors 8/6 each.....
- KIT 4. Pre-amplifier with tone/volume control stages..... **LASKY'S PRICE 79/6.**
- KIT 5. 10 and 3 watt Main Amplifier..... **LASKY'S PRICE 62/6.**
- KIT 6. Power supply converter unit..... **LASKY'S PRICE 45/12/6.**
- KIT 7. 15 ohm version of Kit 5..... **LASKY'S PRICE 58/6.**
- KIT 8. Power supply for Kit 7..... **LASKY'S PRICE 52/15/-.**

SPECIAL INTEREST ITEMS!

Give a Lasky's Gift Voucher

The ideal gift for all special occasions. Any value in multiples of 10/0 (min.) upwards.

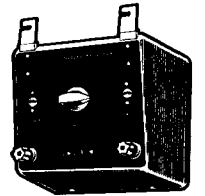
You give pleasure with a Lasky's Gift Voucher.

TEST METER ADAPTOR

Type P.E. 200—this is a fully transistorized device which enables any 50 microamp D.C. Multimeter to be used in place of a valve voltmeter. On the 1V. range an impedance of 1 megohm is offered which increases on the 1000 V. range to 100 megohms. 7 ranges: 1 to 1000 volts. Designed for immediate connection to Avo 8 and similar size meters but quite suitable for use with any other 50 microamp meter. Size 6 x 6 x 5 in. New and boxed. List Price 7 Gns.

LASKY'S PRICE 39/6

Post 2/6. Set of batteries 7/8 extra.



GORLER UT 340 FM/VHF Tuning Heart

Permeability tuned—covering 87 to 108 Mc/s. For use with one EC885 valve. In metal case, size 3 x 2 1/2 x 1 1/2 in. Circuit supplied

LASKY'S PRICE 19/11 Post 2/-.

EC885 valve 9/- extra

U.H.F. TUNERS

Only a few available. Complete with PC80 and PC88 valves. We regret no circuit or data is available. Knobs included.

LASKY'S PRICE

69/6 Post 2/6.



207 EDGWARE ROAD, LONDON W.2 Tel: PAD 3271
33 TOTTENHAM CT. RD., LONDON, W.1 Tel: MUS 2605
Both open all day Saturday. Early closing Thursday.

42 TOTTENHAM CT. RD., LONDON, W.1 Tel: LAN 2573
152/3 FLEET STREET, LONDON, E.C.4 Tel: FLE 2833
Both open all day Thursday. Early closing Saturday.

Please address all Mail Orders and Correspondence to 3-15 Cavell St., Tower Hamlets, London, E.1. Tel.: STE 4821/2

LASKY'S FOR SPEEDY MAIL ORDER SERVICE

EXCEL

in

ELECTRONICS

Through this ICS 3-way Training Method :

1

MASTER THE THEORETICAL SIDE

From basic principles to advanced applications, you'll learn the theory of electronic engineering, quickly and easily through ICS. That's because each course is set out in easy-to-understand terms.

2

MASTER THE PRACTICAL SIDE

ICS show you how to develop your practical abilities in electronic engineering—alongside your theoretical studies. It's the only sure way to success. All training manuals are packed with easy-to-follow illustrations.

3

MASTER THE MATHEMATICAL SIDE

To many this aspect is a bitter problem. Even more so because no electronic engineer is complete without a sound working knowledge of maths. But new ICS teaching makes mathematics easier to learn.

Wide range of courses available include: Radio/T.V. Engineering and Servicing, Colour Television, Electronics, Electronics Maintenance, Instrumentation and Servomechanisms, Telemetry, Computers, etc. **NEW!** Programmed Course on Electronic Fundamentals

EXPERT COACHING FOR:

**INSTITUTION OF ELECTRONIC AND RADIO ENGINEERS
CITY AND GUILDS TELECOMMUNICATION TECHNICIANS
CITY AND GUILDS SUPPLEMENTARY STUDIES
R.T.E.B. RADIO/T.V. SERVICING CERTIFICATE
RADIO AMATEURS' EXAMINATION
P.M.G. CERTIFICATES IN RADIOTELEGRAPHY**

And there are practical "learn as you build" radio courses as well.

Member of the Association of British Correspondence Colleges.

FOR **FREE** HANDBOOK POST THIS COUPON TODAY

I.C.S., Dept. 151, INTERTEXT HOUSE,
PARKGATE ROAD, LONDON, S.W.11

NAME

ADDRESS

OCCUPATION.....AGE..... 4.66

INTERNATIONAL CORRESPONDENCE SCHOOLS

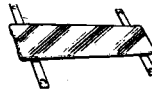


FIRST QUALITY PVC TAPE

| | |
|---------------------------|---------------------------|
| 5 1/2" Std. 850 ft. 9/- | 5" L.P. 850 ft. 10/6 |
| 7" Std. 1200 ft. 11/6 | 3" T.P. 600 ft. 10/6 |
| 3" L.P. 240 ft. 4/- | 5" T.P. 1800 ft. 25/6 |
| 5 1/2" L.P. 1200 ft. 11/6 | 5 1/2" T.P. 2400 ft. 32/6 |
| 7" L.P. 1800 ft. 18/6 | 7" T.P. 3600 ft. 42/6 |

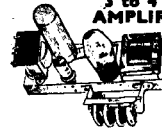
P. & P. on each 1/6, 4 or more post free.

GEC FLAT HEATER ELEMENT 500 w.



Can be used for wash boilers, washing machines, etc. Five or six elements can be used in parallel to give 2500/3000 watts. Sizes 5 1/2" x 1 1/2", copper enclosed. 2/6 each, P. & P. 1/- 4 or more Post Paid.

3 to 4 WATT AMPLIFIER KIT



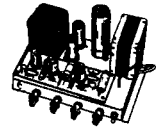
comprising chassis 8 1/2" x 2 1/2" x 1".

Double wound mains

transformer, output transformer, volume and tone controls, resistors, condensers, etc. 6V6, ECC81 and metal rectifier. Circuit 1/6 free with kit. 29/6 plus 4/6 P. & P.

8-watt 5-valve PUSH-PULL AMPLIFIER & METAL RECTIFIER

Size: 9 x 6 x 1 1/2" A.C. Mains 200-250v. 5 valves. For use with Std. or L.P. records, musical instruments, all makes of pick-ups and mikes. Output 8 watts at 5 per cent total distortion. Separate bass and treble lift controls. Two inputs, with controls, for gram. and mike. Output Transformer tapped for 3 and 15 ohms speech coils. Built and tested. £3.19.6. P. & P. 8/-.



"MUSETTE" 6-TRANSISTOR SUPERHET PORTABLE RADIO

- ★ 2 1/2" Speaker.
- ★ 6 Transistors Superhet Output 200 mw.
- ★ Plastic Cabinet in red, size 4 1/2" x 3" x 1 1/2" and gold speaker louvre.
- ★ Horizontal Tuning Scale.
- ★ Ferrite Rod Internal Aerial.
- ★ IF 460 Kc/s.
- ★ All components Ferrite Rod and Tuning Assembly mounted off printed board.
- ★ Operated from PP3 Battery.
- ★ Fully comprehensive instructions and point-to-point wiring diagram.



39/6

Inc. carrying strap. Circuit Diagram 2/6—

P. & P. 3/6 free with parts

- ★ Printed Circuit Board.
- ★ Tunable over medium and long waveband.
- ★ Car aerial and earpiece socket.

TRANSISTORISED SIGNAL GENERATOR



Size 5 1/2" x 3 1/2" x 1 1/2". For IF and RF alignment and AF output, 700 c/s frequency coverage 460 Kc/s to 2 Mc/s in switched frequencies. Ideal for alignment to our Elegant Seven and Musette. Built and tested. 39/6. P. & P. 3/6.

ELEGANT SEVEN Mk. II

Combined Portable and Car Radio
The Radio with the "Star" Features

- ★ 7-transistor superhet. Output 350 mW.
- ★ Wooden cabinet, fitted handle with silver-coloured fittings, size 12 1/2 in. x 8 1/2 in. x 3 1/2 in.
- ★ Horizontal tuning scale, size 1 1/2 in. x 2 1/2 in. in silver with black lettering.
- ★ All stations clearly marked.
- ★ Ferrite-rod internal aerial.
- ★ Operated from PP3 battery.
- ★ I.F. neutralisation on each stage 460 kc/s.
- ★ D.C. coupled output stage with separate A.C. negative feed back.
- ★ All components, ferrite rod and tuning assembly mounted on printed board.
- ★ Fully comprehensive instructions and point-to-point wiring diagram.
- ★ Printed circuit board, back-printed with all component values.
- ★ Fully tunable over medium and long waveband.
- ★ Car aerial socket.



ONLY

£4.4.0

Plus 6/6 Post & Packing

POWER SUPPLY KIT to purchasers of Elegant Seven parts, incorporating mains transformer, etc. A.C. mains 200-250v. Output 9v. 50mA. 7/6d. extra.

4 in. SPEAKER. Parts list and circuit diagram 2/6. FREE with parts. Shop Hours 9 a.m. — 6 p.m. Early Closing Wednesday

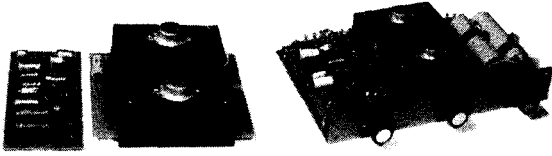
All enquiries stamped addressed envelope
RADIO & T.V. COMPONENTS (ACTON) LTD.
21D, HIGH STREET, ACTON, LONDON, W.3

USERS ACCLAIM *Kedoco* PRODUCTS

★ BEAUTIFULLY ENGINEERED

★ OUTSTANDING PERFORMANCE

KEDOCO CLASSIC 20 WATT TRANSISTORED AMPLIFIERS NOW AVAILABLE IN THREE ALTERNATIVE DESIGNS



SS20/7 £9.19.6

The now well proven model as illustrated comprising pre-amplifier measuring 4.7" x 2.3" and main amplifier measuring 4.5" x 4" both mounted on base plate and supplied complete with bass, treble and volume on/off controls.

SS20/8 11 GNS.

De luxe version complete and ready to mount into your cabinet. With three controls mounted on front of stove enam. chassis and moulded plastic and spun aluminium control knobs fitted as standard. Tag strip mounted on back of chassis in addition to facilitating the L/S and H.T. connections provides sep. inputs for crystal, ceramic cartridge, magnetic pick-up, radio and tape recorder. Max. dimensions of whole unit 6 1/2" x 9 1/2" x 2".

SS20/9 19 GNS

A beautiful table model version with own power supply and in keeping with the modern trend to build hi-fi systems from self contained separate and compact units. Ready to operate and connect to tape, gram and radio via coax sockets at the back of the cabinet. The amplifier and power supply are housed in attractive pressed steel case finished in a greystove enamel and embellished with a gilt brushed aluminium front panel engraved and displaying the four controls. Treble, bass, volume on/off and three position input selector. Cabinet measurements 12" x 6.5" x 2.1"

TECHNICAL SPECIFICATION

All three models employ similar circuits, have the same electrical specification and are fully transistorised. Six silicon planar transistors and two germanium power. Two diodes. All therefore have the benefits of negligible noise and distortion, high efficiency, low power consumption, compact design and no warm up time when switching on. The amplifiers are D.C. coupled throughout (no distortion) and there is a transformerless coupled output having a very low output impedance. Power output, 20 watts peak into 3 ohm speaker. Input impedance, selected to suit input. Output impedance, 0.25 ohms. Bass boost, 12 dB at 100 c/s max. Treble boost, 12 dB at 16 Kc/s max. Distortion, 0.1% typical. Frequency response, 16 c/s to 20 Kc/s. Noise, 80 dB down on max output. Power requirements, SS20/7 and SS20/8 only. 20 mA quiescent. 3 amps peak. 30 volts.

KEDOCO COMPONENTS
A COMPLETE RANGE TO SATISFY ALL YOUR NEEDS

ZENER DIODE

Silicon planar diffused units featuring very sharp knee. Type No. specifies voltage. KZ5.1 Types KZ7.5, KZ5.6 KZ8.2, KZ6.2 KZ9.1, KZ6.8 10% tolerance.

Slope resistance nominally 10 ohm at 5mA, 1z.

Dissipation 250 mW Temperature coefficient 0.01% per degree C.

3/11
EACH

UNDOUBTEDLY THE FINEST RANGE OF TAPE RECORDER EQUIPMENT ON THE MARKET TODAY

THE COMPLETE 12 VOLT SYSTEM

TAPE PRE-AMP SSTR/7

All silicon transistor. Zero hum. High gain and equalised at 7 1/2" per sec. to give flat response output. Simple mod. described in accompanying instructions allows equalisation at all speeds. Suitable for all medium impedance heads.

ASSEMBLED **29/6**

TAPE OSCILLATOR SS013

Record pre-amp SR/8 couples SS/9 to ribbon and dynamic mic. High gain all silicon transistor. Complete unit incorporating push pull silicon transistor oscillator giving adequate erase power and recording bias. The only unit on the market such an economical price. Ferrite pot core oscillator. Frequency 50-60 Kc/s. Unit also provides high voltage D.C. rail for the record amplifier. A high efficiency oscillator operating from 12 volt **69/6** supply at approx. 250 mA.

RECORD AMPLIFIER SS/9/3

Fully transistorised. High voltage H.T. rail derived from oscillator. Provides substantially constant current record signal. 1 volt input sensitivity. Input impedance 5 k. Power requirements 1 mA 75 V. derived from SS013 and 1 mA 12 V. This is a gain stabilised low distortion circuit. ASSEMBLED **45/-**

MINICLASSIC PRE-AMP SSPA/50

Tone controlled high gain preamplifier designed specially for application with the SS3/10. All silicon transistor. Zero hum, requires 12 volt + H.T. Separate inputs for crystal ceramic cartridge and radio.

ASSEMBLED **42/-**

MINICLASSIC SS3/10

High fidelity 2 watt main amplifier: ideal for use with SSTR/7 and makes complete tape amplifier. 16 c/s to 30 kc/s. Requires 12 volt + HT and will operate directly from crystal pickup. 6 transistors and two diodes all mounted on precision printed circuit board. Max. music power 4 watts into 3 ohm speaker ASSEMBLED **69/-**

RADIO MICROPHONE

80-100 mc/s. Proven performance. A quality product. Professionally engineered. All silicon transistor. Dimensions 20 mm. x 55 mm. x 45 mm. Ideal for stage work, intercom, broadcast clarity. SS007 (standard power) **£9.9.0** SS008 (increased power) **£13**

TV/FM BOOSTER

WHY PUT UP WITH A WEAK PICTURE. Suitable for Bands I and 2. Battery operated.

32/3
COMPLETE

Mains operated model housed in steel case and covering Band III in addition. **45/-**

BOOK

Theory and applications of planar epitaxial transistors. Explains significance of these new transistors and gives many interesting circuits. **3/11**

POWER SUPPLY

30 volt, 3 amp. Ready built and ideal for your Kedoco Classic and will power 2 of them. **69/6**

PLANAR EPITAXIAL SILICON TRANSISTOR GOLD PLATED, ALL WELDED

Double diffused npn. Suitable from audio to RF power applications. I_{c0} less than 100 mA. V_{be0} greater than 20 volts. Power output at 28mc/s typically 300mW. Emitter/base breakdown voltage greater than 5 volts. Typical F, 300 mc/s. h_{re} KPS 24 min. h_{re} 20 KPS 25 min. 50. KPS 26 and 27 are two special low level transistors specially designed for front end amplification. h_{re} at I_c = 200µA, 25 and 40 min. respectively.

KPS 24 7/11
KPS 25 9/11
KPS 26 12/11
KPS 27 16/6

RESISTORS 1/2 watt HYSTAB

4.7Ω, 10, 27, 100, 150, 270, 470, 1K, 1.5K, 2.2K, 3.3K, 4.7K, 10K, 15K, 18K, 24K, 33K, 56K, 100K, 330K, 560K, 1M. **5d. each**

ELECTROLYTIC CAPACITORS 8µF, 10µF, 30µF, 50µF, 100µF, 15V. **all at 1/3 each**

MYLAR CAPACITORS 1,000 pF, 2,000 pF, 5d., 5,000 pF and 0.1 µF 7d. 0.02 µF, 9d., .05 µF, 10d., 0.1 µF, 1/-

ORDER FORM: To KEDOCO ELECTRONICS, BEVERSTONE WORKS, TETBURY, GLOS.
PLEASE SUPPLY _____ ADDRESS _____

Enclose Cheque/P.O. for Postage 2/6 extra for all orders under £1

All KEDOCO products are fully guaranteed and should you not be completely satisfied with your purchase we will gladly refund your money if returned within seven days of receipt.

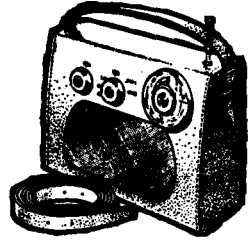
Why

NOT BUILD ONE OF OUR PORTABLE TRANSISTOR RADIOS...

All components may be purchased separately if desired. Parts price lists and easy build plans available separately at prices stated. Overseas post 10/-.

BACKED BY OUR SUPER AFTER SALES SERVICE

NEW ROAMER SEVEN Mk IV

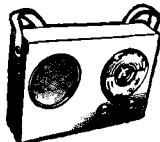


Parts Price List and easy build plans 3/- (Free with kit)

7 WAVEBAND PORTABLE OR CAR RADIO
Amazing performance and specification ★ Now with PHILCO MICRO-ALLOY R.F. TRANSISTORS
FULLY TUNABLE ON ALL WAVEBANDS ● 9 stages—7 transistors and 2 diodes

Covers Medium and Long Waves, Trawler Band and three Short Waves to approx. 15 metres. Push-pull output for room filling volume from rich toned 7" x 4" speaker. Air spaced ganged tuning condenser. Ferrite rod aerial for M & L Waves and telescopic aerial for S Waves. Real leather-look case with gilt trim and shoulder and hand straps. Size 9" x 7" x 4" approx. The perfect portable and the ideal car radio. (Uses PP7 batteries available anywhere.)

★ EXTRA BAND FOR EASIER TUNING OF PIRATE STATIONS, etc. Total cost of parts now only £5.19.6 P. & P. 3/6



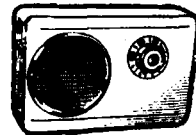
NEW ROAMER SIX

NOW WITH PHILCO MICRO-ALLOY R.F. TRANSISTORS

● 6 WAVEBAND !!
● 8 stages—6 transistors and 2 diodes

Listen to stations half a world away with this 6 waveband portable. Tunable on Medium and Long Waves, Trawler Band and two Short Waves. Sensitive Ferrite rod aerial and telescopic aerial for short waves. Top grade transistors. 3-inch speaker, handsome case with gilt fittings. Size 7½ x 5½ x 1½ in. (Carrying Strap 1/6 extra.)

★ EXTRA BAND FOR EASIER TUNING OF LUX, ETC. Total cost of all parts now only £3.19.6 P. & P. 3/6 Parts Price List and easy build plans 2/- (Free with kit)



NEW TRANSONA FIVE

"Home, Light, A.F.N. Lux. all at good volume" G.P., Durham

● 7 stages—5 transistors and 2 diodes

Fully tunable over Medium and Long Waves and Trawler Band. Incorporates Ferrite rod aerial, tuning condenser, volume control, new type fine tone super dynamic 2½ in. speaker, etc. Attractive case. Size 6½ x 4½ x 1½ in. with red speaker grille. (Uses 1289 battery available anywhere.)

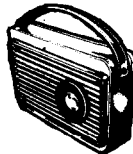
Total cost of all parts now only 42/6 P. & P. 3/6 Parts Price List and easy build plans 2/- (Free with kit)

TRANSONA SIX

● 8 stages—6 transistors and 2 diodes

This is a top performance receiver covering full Medium and Long Waves and Trawler Band. High-grade approx. 3in. speaker makes listening a pleasure. Push-pull output. Ferrite rod aerial. Many stations listed in one evening including Luxembourg loud and clear. Attractive case in grey with red grille. Size 6½ x 4½ x 1½ in. (Uses PP4 battery available anywhere.) Carrying Strap 1/- extra.

Total cost of all parts now only 59/6 P. & P. 3/6 Parts Price List and easy build plans 1/6 (Free with kit)

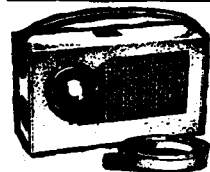


POCKET FIVE

● 7 stages—5 transistors and 2 diodes

Covers Medium and Long Waves and Trawler Band, a feature usually found in only the most expensive radios. On test Home, Light, Luxembourg and many Continental stations were received loud and clear. Designed round supersensitive Ferrite Rod Aerial and fine tone 2½ in. moving coil speaker, built into attractive black case with red speaker grille. Size 5½ x 1½ x 3½ in. (Uses 1289 battery available anywhere.)

Total cost of all parts now only 42/6 P. & P. 3/6 Parts Price List and easy build plans 2/- (Free with kit)

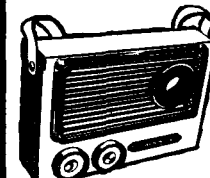


MELODY SIX

● 8 stages—6 transistors and 2 diodes

Our latest completely portable transistor radio covering Medium and Long Waves. Incorporates pre-tagged circuit board. 3in. heavy duty speaker, top grade transistors, volume control, tuning condenser, wave change slide switch, sensitive 6in. Ferrite rod aerial. Push-pull output. Wonderful reception of B.B.C. Home and Light, 208 and many Continental stations. Handsome leather-look pocket size case, only 6½ x 3½ x 1½ in. approx. with gilt speaker grille and supplied with hand and shoulder straps.

Total cost of all parts now only £3.9.6 P. & P. 3/6 Parts Price List and easy build plans 2/- (Free with kit)



SUPER SEVEN

● 9 stages—7 transistors and 2 diodes

Covers Medium and Long Waves and Trawler Band. The ideal radio for home, car, or can be fitted with carrying strap for outdoor use. Completely portable—has built-in Ferrite rod aerial for wonderful reception. Special circuit incorporating 2 RF Stages, push-pull output, 3in. speaker (will drive large speaker). Size 7½ x 5½ x 1½ in. (Uses 9v battery, available anywhere.)

Total cost of all parts now only £3.19.6 P. & P. 3/6 Parts Price List and easy build plans 2/- (Free with kit)

BARGAIN CORNER!

A.C. ELIMINATOR. To operate 9V Radios from Mains. Also recharges 9V batteries. Complete with leads for PPS type batteries. Leads can be adapted to suit other 9V battery types. Only 17/6. P. & P. 1/-.

CRYSTAL EARPHONE. With lead, plug, switched socket and fitting instructions. Only 6/6. P. & P. 1/-.

HEAVY DUTY CELESTION SPEAKERS. 3 ohm. Slightly soiled but in perfect working order. 7" x 4". Only 9/6. P. & P. 3/6.

SINGLE PHONES. Heavy magnet assembly. Impedance 60 ohms. Only 3/6. P. & P. 1/6.

FERRITE ROD AERIAL. Medium Wave. 4" x 4". Only 4/6. P. & P. 1/3.

THE SIG-GEN. A versatile Signal Injector. Something no constructor should be without. This ingenious device generates an audible signal through the Audio and R.F. ranges. With variable output. Telescopic Probe. Pocket size ultra-line case measures 4½ x 3½ x 1½ in. Complete set of parts with full instructions. 10/6. P. & P. 1/6.

QUICK CHECK TRANSISTOR TESTER. Checks gain of R.F. and Audio Transistors. Also checks for noise level and duds. All parts ready to be assembled in attractive grey case with red grille, complete with Dial, Knobs, and 2" Speaker. Simple assembly instructions free with set of parts. 20/6. P. & P. 3/6.

1800mW TRANSISTOR AUDIO AMPLIFIER. Designed to give high quality at low cost. This superb Amplifier uses 4 Transistors including a special power type operating from a 12 volt battery. Variable input impedance. Matches directly into 25 ohms—35 ohms Loudspeaker. Special gain control circuit can also reduce noise to a minimum. All parts including Transistors, Printed Circuit Board, etc. 22/6. P. & P. 2/6. Easy build plans free with set of parts. 6" x 4" 35 ohm speaker. 12/6. P. & P. 1/6.

GILDON PERMANENTLY TUNERS. By: amon manufacturer. Full M.W. coverage. Fitted coupling coil, oscillator coil, ferrite slugs and slow motion tuning with cursor, etc. In original sealed cartons. GIVE AWAY PRICE 10/- P. & P. 1/6.

TUNING CONDENSERS. Air spaced fine quality German manufacture with slow motion drive 0.0005. With oscillator section. Only 8/- P. & P. 1/6.

Callers side entrance
Barratts Shoe Shop.

RADIO EXCHANGE Ltd

Open 9—5 p.m.
Saturdays 9—12.30 p.m.

61a HIGH STREET, BEDFORD. Phone: 52367

BENEFITS ALL ROUND

SOME hobbies are strictly individualistic pursuits providing mental and physical exercise to the participant alone. There are other hobbies which, while still in every respect satisfying the individual's creative instincts, do also produce certain results which can be enjoyed or appreciated by other members of the family or circle of friends. These achievements may be in the form of intangible services, or are more likely to appear as concrete examples of the hobbyist's skill in devising and building some material article or equipment.

We feel that amateur electronics is a hobby that is in many respects unique. Admittedly we are biased—nevertheless we believe the truth of this claim can be well demonstrated.

Despite the somewhat mystical aura that, in popular imagination at least, surrounds this subject, electronics is certainly no "closed shop" or restricted preserve for "boffins". Some technical knowledge is a prerequisite obviously, but one can become actively involved in this absorbing and stimulating subject at various levels of technical proficiency. The most important requirement at the outset is enthusiasm and interest. The special knowledge and skills are developed almost painlessly in the practice of the hobby. This of course is also perfectly true of many other amateur activities.

Electronics is a subject capable of providing ample mental and intellectual stimulus. Indeed there are people to whom an unusual circuit diagram offers a greater challenge and more enjoyment in its solution than a crossword puzzle. However, we are chiefly concerned with those who translate abstract into reality. Here again modern methods of construction are most attractive to the amateur, who probably has very limited workshop facilities at his disposal.

The growth of the electronics industry is phenomenal. The horizon is ever receding as fresh developments in materials, components, and circuit techniques are continually being made and new prospects thus opened up for further exploitation. In his humbler way, the amateur designer or builder reaps the benefits of this progress. He knows that his hobby is not likely to become static or bereft of new ideas.

Now to our main argument. The individual constructor need not be the sole beneficiary of this spare time activity, for the applications of electronic techniques know hardly any bounds. As is only right and proper, we offer some practical examples to support our argument that the electronics enthusiast need not be an introvert or self-centred character—but quite the opposite in actual fact. Among this month's constructional projects are four devices of relatively simple design, which perform worthwhile functions particularly appropriate to the domestic scene. Here then is just one attempt to demonstrate the general usefulness of applied (amateur built) electronics.

In conclusion, a discreet hint. May we suggest that any husband or son who may have been guilty of devoting too much time to projects of strictly personal appeal, has now an opportunity to rehabilitate himself in the eyes of the maternal side of the family? And, who knows, as a result of this perhaps a more tolerant view will then be taken in future of any unconventional work performed on the kitchen table.

To work men!

THIS MONTH

CONSTRUCTIONAL PROJECTS

| | |
|--|-----|
| BONANZA BOARDS | 250 |
| WIDE RANGE HARMONIC OSCILLATOR AND METRONOME | 251 |
| BISTABLE TRIGGER CIRCUIT | 253 |
| GUITAR SOUND EFFECTS UNIT | 254 |
| BABY ALARM | 269 |
| RAIN SENSOR | 271 |
| HEATER OR FIRE MONITOR | 273 |
| AUTO NIGHTLIGHT | 275 |
| REGENERATIVE COINCIDENCE DETECTOR | 282 |
| ULTRASONIC SAWTOOTH GENERATOR | 283 |
| AUTO POWER BOOSTER | 284 |
| PORTABLE RATEMETER | 287 |
| ENVELOPE AMPLIFIER | 296 |
| VOCAL SOUND EFFECTS UNIT | 299 |

SPECIAL SERIES

| | |
|-------------------------|-----|
| NEON NOVELTIES—8 | 252 |
| BUILDING BLOCKS—13 | 258 |
| BEGINNERS START HERE—18 | 280 |

GENERAL FEATURES

| | |
|---|-----|
| ELECTRONICS AND AUTOMATION IN THE CINEMA | 246 |
| RADIO CONTROL OF MODELS | 262 |

NEWS AND COMMENT

| | |
|--------------------|-----|
| EDITORIAL | 245 |
| ELECTRONORAMA | 278 |
| DETACHED PARTICLES | 303 |
| READOUT | 304 |

*Our May issue will be published on
Thursday, April 14*

ELECTRONICS AND AUTOMATION IN THE CINEMA

PART ONE

Reference to *electronics*, when speaking of the cinema, may perhaps sound strange to many, and *automation* more so. What *electronics* are involved, one may ask, in putting over a performance in a modern "super"? How does *automation* help?

The first part of this article briefly relates how *electronics* have affected the cinema. It describes the early forms of sound equipment and proceeds to the advent of automatic control.

The second part will begin by outlining stereophonic and wide-screen equipment and end with a detailed description of the *Cinematation* system of fully automatic control of a cinema. This system, the most advanced of its kind, was commissioned in July 1965, in the Twin-Odeon Theatre, Nottingham.

To realise fully the progress made in the cinema and before we can consider the futuristic *Cinematation* equipment, it will be helpful briefly to review sound film since its inception.

Some of us may remember the "village hall" cinema with its single, hand-driven projector and its jingling out-of-tune piano providing so-called background music. These "village halls" were the forerunners of luxury theatres, palaces of chrome, crystal and comfort, many housing a forty-piece orchestra and an electronic organ, both of which provided music for B.B.C. programmes. The production techniques of silent films kept pace with the progress of the "trade" and altogether most of the productions from the giant studios were of superlative quality, the illusion of "life" in the film was continually destroyed by printed subtitles which conveyed the dialogue.

That was the situation when, in 1926, Warner Brothers recorded sound on 16-inch discs, synchronised it to a film and showed the first *Vitaphone* sound film, *Don Juan*, to a selected trade audience.

BY S. SIMPSON



THE FIRST "TALKIE"

The excitement aroused in the trade was as nothing compared to the enthusiastic public welcome which greeted the first general release in the Warner Bros. theatre chain—Al Jolson's *The Jazz Singer*. Elsewhere, other exhibitors, hitherto scornful of the new "talking film", began to think; when *The Jazz Singer* was closely followed by *The Singing Fool* (perhaps Jolson's finest film), thought became swift action. Theatres were re-decorated, using sound-absorptive materials to cut down the reverberation essential to the orchestra. (Cross-phasing of reflected sound-waves causes distortion and possibly loss of volume.) "Operating boxes", hitherto housing two small projectors, one slide lantern, one "operator" and a "rewind-boy", became "projection suites" to house complicated projection and sound equipment (which we shall look at in a moment), together with a "chief projectionist", "second projectionist", and an "apprentice". The trade took the matter quite seriously.

Initial problems were complicated by the rumour of optical recording on film; the rumour became fact when Fox Films introduced the *Movietone* system. Almost on the heels of *The Singing Fool*, *Movietone News* was born, to become the most popular newsreel of those days. Before we discuss "sound on film", however, let us look at the *Vitaphone* disc installation.

SOUND FROM DISC

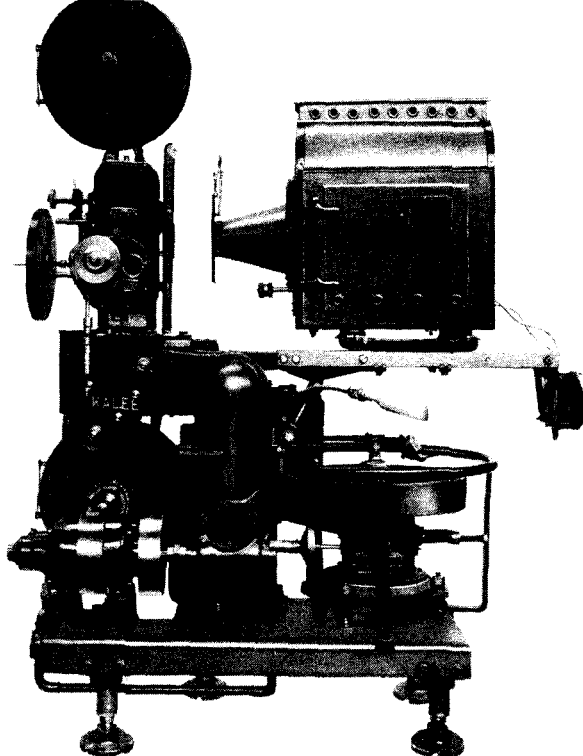
In many small theatres, the "silent" projector was incorporated in the sound system, because the aspect ratio (4 × 3) of silent and disc-sound films was the same. Most concerns renewed the lot, and many projectionists, handling only disc recordings, wondered about a small shutter which vertically masked off part of the picture gate on the new head. They learned why, presently.

The projector was mounted on a heavy base which carried a double-ended motor to drive at one end a gearbox coupled to the projector and, at the other, a gearbox to rotate a massive 16-inch turntable on which the disc was "played". These discs turned at 33 r.p.m., and were played "inside out" by electro-magnetic pick-ups using replaceable steel needles. The needle pressure was 5 oz. The pick-up output passed to a selector switch taking the output from either of two projectors, then to a common volume control, sync/non-sync switch, pre-amplifier, main amplifier, and to the hall speakers placed behind the screen. The plaster screen had given way to the "dishcloth", a multi-layer cotton sheet of fairly open weave to give good sound-transparency (but a poor light reflector; of this, more later).

The amplifiers (typically, 500 watt output at very low distortion levels) were duplicated and could be cross-connected or paralleled, depending on audience conditions. (The larger the audience, the greater is the sound-absorption and the need for more output.) Audience variation required a telephone (later simplified to a simple buzzer) between the hall and the projection room. The buzzer proved very amusing to perceptive small boys; however, the projectionist soon knew by the volume from the monitor speaker alongside him, and by the audience he dimly saw below, what was necessary.

UNSYNCHRONISED MUSIC

Not all the films were "talkies" in the early days. As the majority of orchestras had gone or were going, a means of providing music to accompany silent films was



Kalee projector with Western Electric universal base. This is the type of apparatus used for the first "talkie". The heavy 16-in turntable and the electro-magnetic pick-up are at the right of the picture immediately beneath the arc lamp housing.

Copyright: Rank Organisation.

introduced and colloquially called the "non-sync" since it provided unsynchronised music. Typical equipment comprised two 78 r.p.m. turntables each with an electro-magnetic pick-up (steel needles) and a dual control providing changeover and volume level. Its output passed through the sync/non-sync selector switch, thence to the amplifier system. Sophisticated versions had provision for pick-up placing and for automatic changeover between recordings (the first hint of automation, perhaps?).

Minor faults and troubles were frequent, to begin with. One must remember that a quite new technique of film presentation had to be learned by the projection staff, in addition to coping with mechanical troubles in the "settling-down" period of new gear. Synchronising sound to film was quite easy when lacing the film on the projector, but a rough-running projector could cause needle-jump which spoiled it; so also did damaged film cut from the reel, since one can't cut sound out of a disc recording. Also, one had to turn the disc over when setting up a new reel, Part 3 being the "flip" side of Part 1; forgetfulness caused havoc now and then!

Sync after needle jump could be restored by the skill of knowledgeable projectionists, and the process barely noticed by the average audience. Lost film, however, had to be replaced by opaque pieces and—remember, some old projector heads were still in use—these patches were sometimes lengthy and numerous; audience reaction in "family" theatres was quite strong in such cases.

"Wow" had to be avoided when the "talkie" became "all singing, all dancing", especially in theatres operating from "town power" or their own plant. The answer was provided by a tacho-generator, directly coupled to the drive motor shaft. This generator provided an a.c. output which was amplified, rectified, and passed to the motor field to control motor speed.

At normal speed, the amplifier gave no output; any variation was self-cancelling. The constancy of these motors was remarkable, but now that the a.c. grid is universal, they are no longer required.

The standard-groove, 16-inch disc gave way to an experimental micro-groove 12-inch disc in order to cope with longer film reels; these discs, in the hands of unskilled personnel, wore badly and intensified sync trouble. The trade, generally, was relieved when Warner Bros., Fox, and Western Electric eventually discarded discs altogether in favour of sound-on-film.

ENTER SOUND-ON-FILM

The "soundhead", for sound-on-film, was located on the base immediately below the projector. It carried a small, high-intensity "exciter" lamp containing a horizontal filament whose light was focused by an optical system to form a strip of light, about 0.003 inch thick and 0.1 inch long, at one side of a film gate. The gate carried a similar slot through which the light could pass to a photo-electric cell, backed by a pre-amplifier. Output from the pre-amplifier passed to the projector selector switch, volume control, etc., as the disc output had done. The film which had passed through the projector was pulled by a sprocket through the sound gate, whence it reached the take-up spool.

Sound, initially, was recorded by the Western Electric "variable-density" system in which a shutter, operated by modulation from amplifiers, allowed a fine strip of light to fall on sensitive film. Frequency depended upon the number of lines per centimetre, amplitude upon the density of the line. In projection, the recording, which was printed on a 0.1 inch strip of

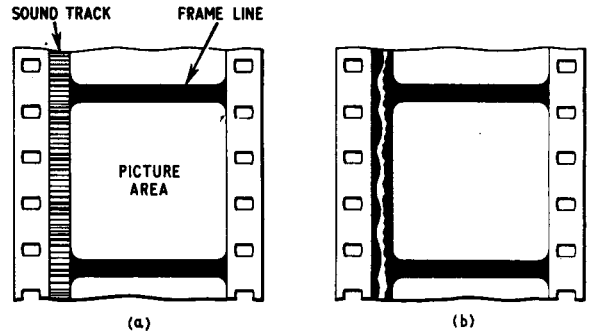


Fig. 1. Two methods of recording sound on film

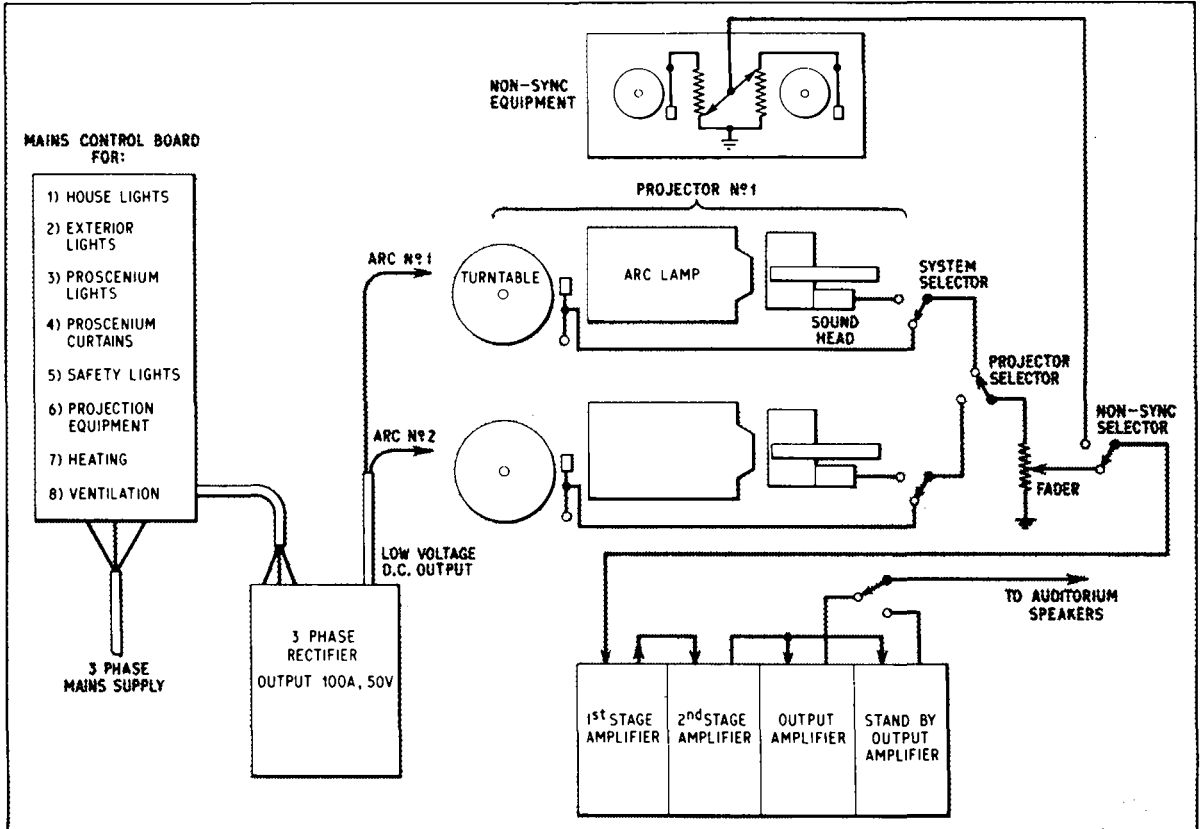
(a) The Western Electric variable density system in which lines of varying thickness and frequency provided modulation

(b) The variable area system in which one half of the sound wave envelope was photographed. The "slow" contour wave on the left reduced noise in low-level modulation sequences

the picture area adjacent to the sprocket holes and was several frames "ahead" of the relevant picture so as to achieve synchronism, passed over the slit in the sound gate and thus modulated the light reaching the photo-cell.

Life became much easier for the projectionist whose sync troubles were at an end. Other troubles arose, however. "Flutter", caused by the intermittent motion of part of the projector, was transmitted to the sound sprocket through the projector mechanism: an effective answer was a sound sprocket mounted on a shaft

Fig. 2. Layout of a typical cinema projection room, about 1935



carrying a heavy, spring-loaded flywheel. Noisy backgrounds, due to fingermarks on the sound track, were removed by cleaning the entire length of the programme (perhaps 15,000 feet of film), using carbon tetrachloride and special pads. Joints in film involved doubling the film thickness—and density—so causing “thuds” in sound until triangular black patches were painted over the joint to give a gradual cut-off and cut-on of the light falling on the photocell.

Perhaps the biggest nuisance was failure of the accumulators used to light the exciter lamp; these might fail in the middle of a programme and cause a hurried changeover to the standby set. Some early versions of a.c. operated lamps caused hum modulation by temperature variation until an improved filament became available, then accumulators were discarded.

PROJECTOR ARC LAMPS

Another nuisance (which eventually proved to be a blessing in disguise) was the “dishcloth” screen, whose snowy whiteness, within a few days of the screen being

AUTOMATED ARC

Much thought was given to these problems, added to by the advent of *Technicolor*. Eventually, two solutions were found which combined in producing one of the greatest advances since the arrival of sound. One was a perforated rubber screen, surfaced with powdered glass which gave it a reflecting power far beyond that of the “dishcloth”; also, the new screen was as sound-transparent as the “dishcloth”, perhaps more so. The second was automation of the arc lamp. The arc was manually “struck” and initially adjusted, but thereafter was controlled by a motor, itself controlled by the voltage drop across the arc. This voltage drop, as the arc gap widened, caused the motor to speed up and close the gap to the preset width, thus maintaining a light constancy which the projectionist could not manually equal. Another small motor (sometimes the arc-feed motor) rotated the “positive” as it burned and thus prevented unevenness of lighting.

Further study of the arc led to magnetic control of the flame (which is, in fact, an electric current possessing a

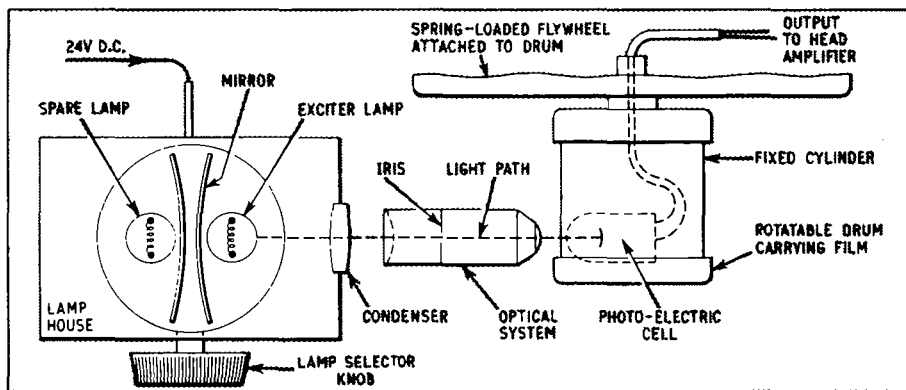


Fig. 3. Outline of typical soundhead.

“hung”, became yellow with tobacco smoke. These screens were changed very frequently, but wear and tear made this a costly procedure. A partly successful solution was the introduction of the medium intensity, 40-amperes arc lamp to replace the 15-amperes affair of the silent day.

A short description of a low-intensity arc lamp will help us appreciate the problems inherent in a high-intensity version. The lamp operates on a d.c. low-voltage high-current supply and uses a thin, negative carbon, opposing a much thicker positive carbon; the extra thickness is necessary because, in all arcs operating on d.c., it is the positive which produces an intensely brilliant tongue of flame, and burns up much faster in doing so. A parabolic mirror focuses the light on the projector gate, covering only sufficient area to illuminate evenly each frame passing the gate aperture. As the carbons burn away, they are manually kept about half an inch apart by operation of control knobs. Other controls re-position the carbons if they tend to burn unevenly, and cause unwanted colouring of the picture.

In the medium-intensity arc based on the foregoing, new troubles arose. Carbons burned very rapidly and required constant attention; also, the tendency to burn unevenly and produce colouring was much greater. Heat, focused by the mirror, became so intense that the projected film buckled in the gate during the milliseconds it remained stationary; continually sharp focus was practically impossible in these conditions.

magnetic field). An electro-magnet, powered by the arc current and positioned near the carbons repelled the magnetic effect of the flame, thereby concentrating the flame into a ball which permitted much improved focusing, and assisted the carbon-rotator to obtain even burning. Heat in the gate was reduced by air-blowers directed at the aperture, and in some experimental lamps, by passing the arc light through a water screen—a hollow glass disc through which chilled water flowed continuously. (Recent semi-manual lamps now use, in addition to the foregoing, a dichroic heat-transparent mirror which, although reflecting light with high efficiency, is a very poor reflector of heat.)

HIGH INTENSITY XENON LAMP

The demand for higher powers has risen steadily and resulted in the 100-amperes, fully automated lamp. One starter button and extinguisher for standby or emergency use are provided, but the arc can be struck by remote control. Thereafter, all adjustments are motor-controlled; the arc mechanism itself is now water-cooled and air-blown. A serious competitor has also arrived in the Xenon lamp which produces a high-intensity light from an arc contained in an evacuated bulb. The life of the bulb is in the region of 300 hours, and its generated heat is much lower than that from a carbon arc. The lamp is readily automated. So far, widespread adoption of the Xenon lamp in the larger theatres has been delayed while development of very high-powered Xenons proceeds. *To be continued.*

BONANZA BOARDS

PART TWO

by A.J. BASSETT

THIS month's series of "Bonanza Board" projects follows similar lines to those published last month. For readers who did not see last month's PRACTICAL ELECTRONICS, let us briefly go over some of the salient features of this interesting exercise.

BASIC THEME

Each of the "Bonanza Board" projects described uses a basic theme on which is built a number of different circuits. One common pattern of printed circuit board is used for each, with link wires added as required (see Fig. 1). The pattern of this board will be found at the beginning of each "Bonanza Board" article, together with a code number relating to each project. The complete list of projects will be found at the foot of this page.

It is, of course, helpful to the reader to refer back to last month's issue, to familiarise himself with the techniques involved in producing the basic printed circuit board, which incidentally is only 2in square. This board is reproduced (right) so that readers can make a fresh start if they wish.

PRINTED CIRCUIT BOARD

A printed circuit kit can be obtained from one of the many component stockists advertising in this journal; the board and chemicals are usually supplied in the kit. Full constructional step-by-step details with photographs were published last month in the article "Printed Circuit Techniques".

It should be stressed again that the chemicals can be harmful to the skin; rubber gloves should be worn. It can be dangerous to the eyes; wear goggles if possible.

If each board is made with the same pattern of copper, it is a simple matter to alter the components of one circuit to make another. Soldering the components on the board is a simple operation if a hot iron is used and is only allowed to remain in contact with the copper and component wires for long enough to make good electrical joints. Use a heat shunt wherever possible (a pair of pliers will do) especially on transistors and diodes.

Last month's projects included a Pre-amplifier and Treble Booster, a Driver Amplifier, an A.M. Radio Tuner, and a Guitar Practice Adaptor.

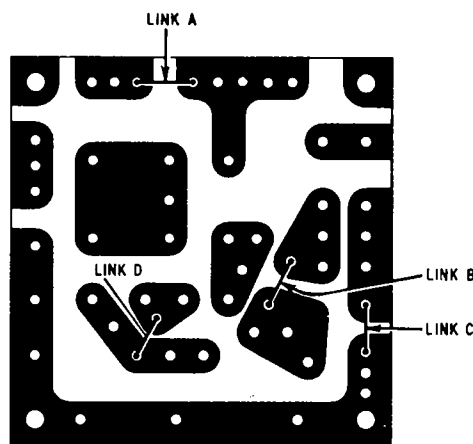
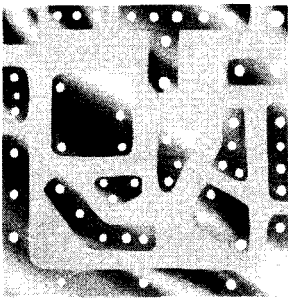


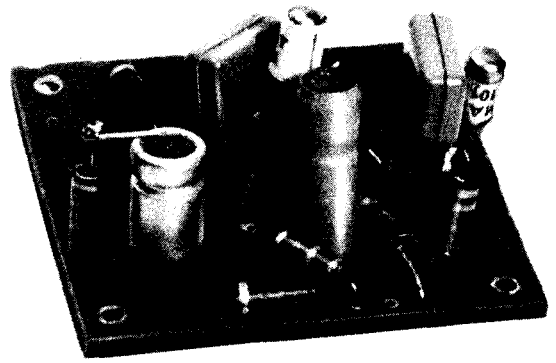
Fig. 1. Pattern of the printed circuit board with the positions of the four link wires

Look for these projects:

- | | |
|-------------|--|
| | THIS MONTH |
| BB5 | Wide Range Harmonic Oscillator and Metronome, page 251 |
| BB6 | Bistable Trigger Circuit, page 253 |
| BB7 | Regenerative Coincidence Detector, page 282 |
| BB8 | Ultrasonic Sawtooth Oscillator, page 283 |
| BB9 | Envelope Amplifier, page 296 |
| PLUS | Guitar Sound Effects Unit, page 254 |
| | Audio Power Booster, page 284 |
| | Vocal Sound Effects Unit, page 299 |



BB5



WIDE RANGE HARMONIC OSCILLATOR and METRONOME

THIS circuit will generate harmonics which will cover the entire audible frequency range. The presence of such harmonics will be found in two basic waveforms: the sawtooth waveform contains even harmonics; the square wave or pulse contains odd harmonics. The frequency of each waveform is, in fact, the fundamental frequency relating to these harmonics.

The oscillator is suitable for providing musical tones and sound effects. The output from either SK1 or SK2 can be amplified by connecting to SK1 of the "Simple Pre-amplifier" described in last month's issue. The circuit is shown in Fig. 1. It is recommended that high stability type resistors should be used for R2, R3, and R4, although ordinary 10 per cent carbon resistors will give an adequate performance.

MAKE

The layout of components is shown in Fig. 2; link wires are used at positions B, C, and D. Most of the components are mounted on the printed circuit board, but the potentiometer VR1 is mounted on a suitable sized housing and connected to the base of TR1 and

emitter of TR2 by short flexible wires. The wiper (centre tag) and only one of the outer tags of VR1 are used. Similar sockets SK1 and SK2 are mounted on the box and connected to R1 and R6 respectively by short lengths of screened wire or coaxial cable.

CHECK

When the unit is completed and the wiring checked, VR1 should initially be set to maximum. Monitor each of the outputs by connecting a crystal earpiece or oscilloscope to SK1, then SK2.

Connect the battery BY1 and listen for a low pitched buzz in the earpiece or appropriate waveform (as shown in Fig. 1) on the oscilloscope. Slowly rotate the spindle of VR1; the pitch of the tone should change, according to the setting of VR1. If this change in pitch does not take place check the connections to VR1.

USE

The sawtooth output is the most suitable for sound effects, being a little less harsh than the pulse output.

continued on page 261

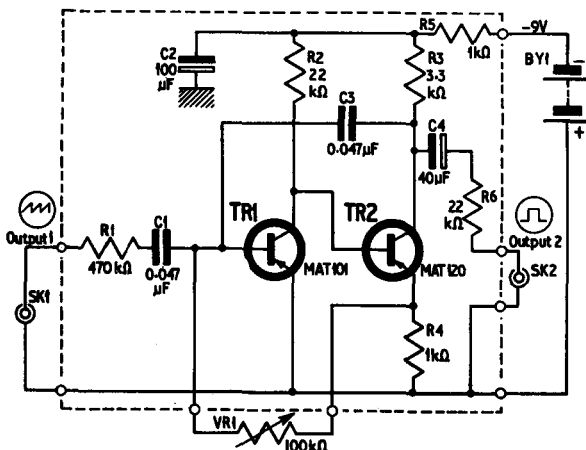


Fig. 1 Circuit diagram showing "output 1" (sawtooth waveform) and "output 2" (pulse waveform). The components inside the dotted line are mounted on the printed circuit board

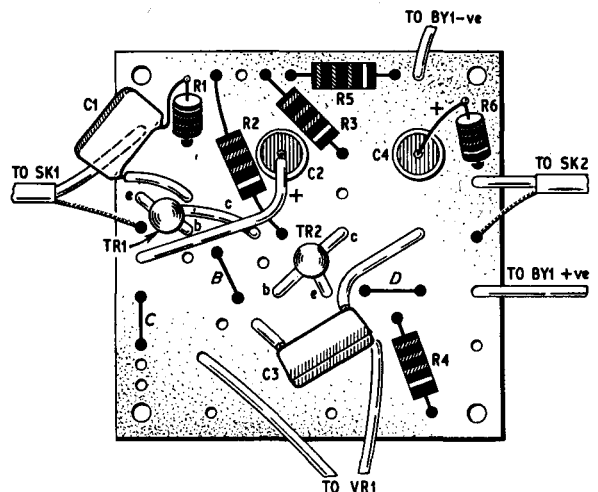
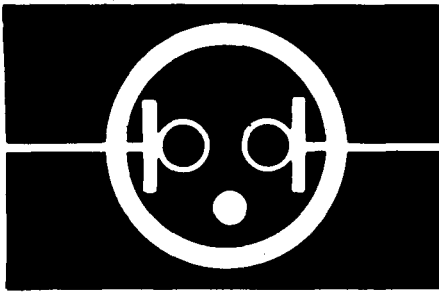
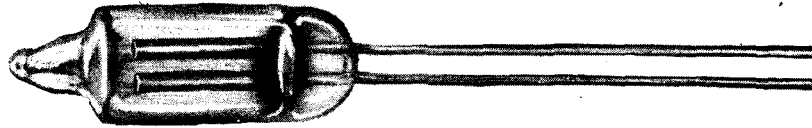


Fig. 2. Layout of components on the printed circuit board. Notice the link wires at B, C, and D. VR1 is not mounted on the board



NEON NOVELTIES



THIS is the eighth of a series of short articles illustrating some of the many uses of neon lamps. The neons employed are all miniature wire-ended types as shown above.

Two examples which are ideally suited to these applications are those supplied by Radiospares (striking voltage 65 volts), and the Hivac type 3L general purpose neons. The latter type requires a striking voltage of 80 volts and maintaining voltage of 60 volts.

Some neon indicators have a resistor wired in series with one of the neon wires to make them suitable for mains voltages. These would normally be unsuitable for the circuits described unless the resistor is removed or short-circuited.

EIGHT MULTI-PURPOSE TEST UNIT

by R. Bebbington, GRAD., I.E.R.E.

THIS SIMPLE unit was primarily devised as a capacitor tester. A batch of capacitors was needed for an application that required low leakage. With this circuit a leakage having an equivalent resistance of 40 megohms causes the neon to glow faintly, whilst higher leakages (lower resistances) cause the neon to glow correspondingly brighter. Capacitors over the range of $0.001\mu\text{F}$ to $1\mu\text{F}$ were tested and the really good ones caused the neon to flash once when connected.

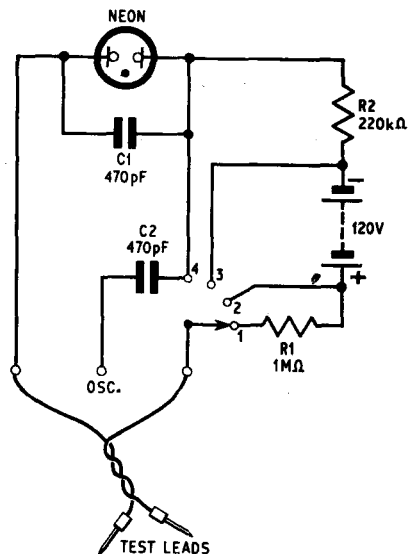
The circuit may also be used for insulation testing. The intensity of the neon's glow will give a rough idea of the degree of insulation: the better the insulation the fainter the glow and vice versa. A few comparison checks using known values of resistance will serve as a means of checking the actual value.

So far the tests have only needed the simplest of circuits: a neon, a battery and a resistor, in series with the component to be tested. However, the addition of a single-pole 4-way switch, a resistor and two capacitors extends its use considerably. The functions of the four switch positions are:

1. Audio Oscillator.
2. Capacitor and Insulation Tester.
3. Mains Tester.
4. 65V Neon (direct connection).

The audio oscillator is useful for fault finding in audio circuits. The frequency may be varied by either changing the value of the capacitor C1 across the neon, or by inserting a resistor across the test leads, which otherwise should be shorted together to form one oscillator output lead.

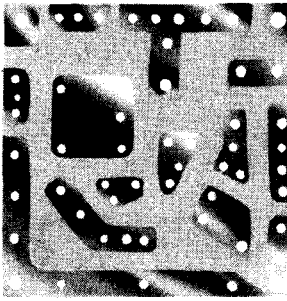
Switch position 3 connects the neon in series with a limiting resistor R2 and provides a simple method of identifying the "live" mains lead, or whether an a.c./d.c. radio chassis has been connected properly. The chassis



should not be connected to the mains "live" lead. Do ensure however that the test leads and prods are well insulated to avoid shocks. The neon will light when connected between "line" and "earth" but not between neutral and earth.

Switch position 4 isolates the neon from d.c. via C2, except for the small charge left in C1. The neon can therefore be connected to any external circuit. Remember, however that it strikes at about 60-70 volts and this potential should not be exceeded without a limiting resistor in series.

BISTABLE TRIGGER CIRCUIT



BB6

LOW POWER trigger circuits hold a well deserved position as one of the most useful types of "building block" in modern electronics, especially in pulse coded transmission techniques.

COMPONENTS . . .

Resistors

R1 330 Ω R3 2.2k Ω
 R2 3.3k Ω R4 1k Ω
 All 10% $\frac{1}{2}$ watt carbon

Potentiometer

VR1 20k Ω linear carbon or wire wound

Capacitors

C1 40 μ F elect. 12V
 C2 100 μ F elect. 15V
 C3 100 μ F elect. 15V

Transistors

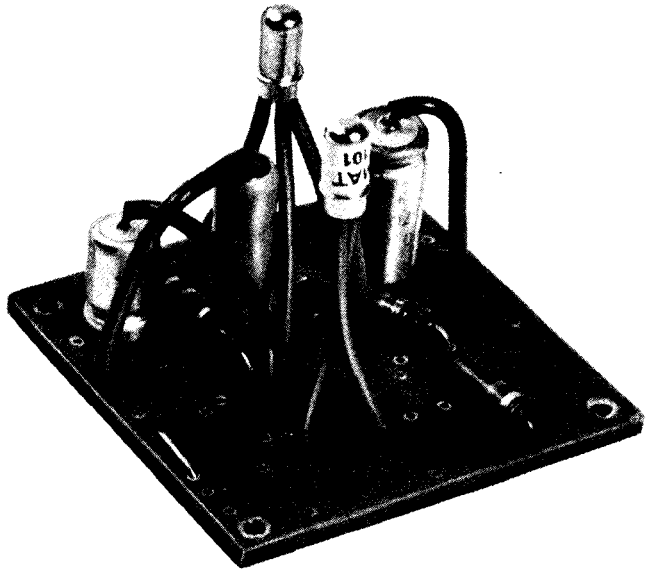
TR1 MAT101 } (Sinclair)
 TR2 MAT120 }

Battery

BY1 9 volt light duty

Miscellaneous

Printed circuit board (see text)
 Battery connectors (if required)
 P.V.C. covered wire



TRIGGER CIRCUIT

Although this particular circuit has little use on its own, this article shows the construction of the individual unit, which will be incorporated in the "Guitar Sound Effects Unit" described later. Fig. 1 shows the circuit diagram of a simplified trigger circuit or bistable amplifier. It is built on the same pattern of printed circuit board as in all the other "Bonanza Board" projects. A full size drawing of the copper pattern is shown on page 250.

The layout of components is shown in Fig. 2; links A and C are used. The potentiometer VR1 is not mounted on the board but, since the unit is to be built into a larger box later, the leads to VR1 can be soldered as shown in Fig. 2. Each wire can be left about 6in long and connected to VR1 later. Similarly the output and input leads should be left for subsequent connection to another units.

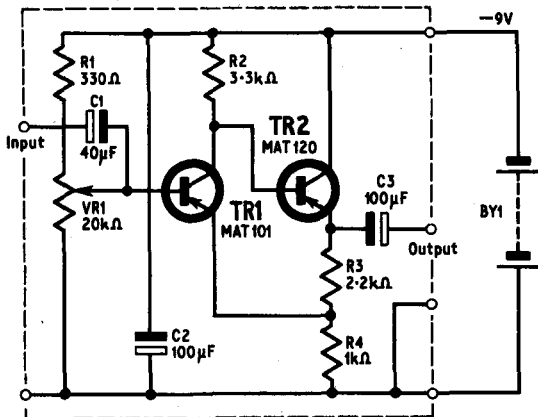


Fig. 1. Circuit diagram of the bistable trigger. No input and output sockets are necessary. All components within the dotted line area are mounted on the printed circuit board

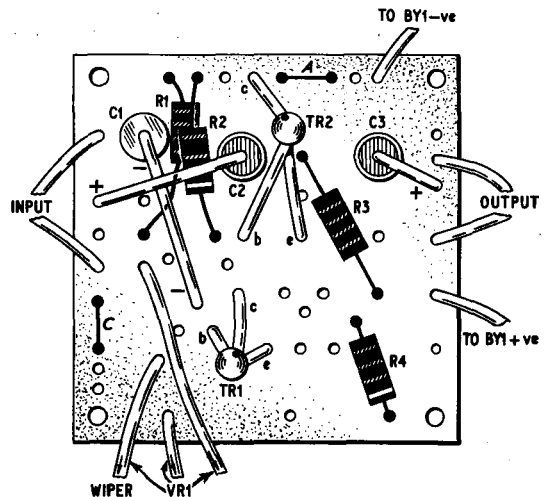


Fig. 2. Layout of components on the printed circuit board. Notice the link wires at A and C

GUITAR SOUND EFFECTS UNIT

THE sound effects unit described in this article is made up from a combination of two "Bonanza Boards" with additional switching and a filter circuit. It can be used with melody lines, where only one note is played at a time. An organ-like tone can be produced; if a tremolo arm or vibrato unit is incorporated with the guitar and power amplifier these effects may be made to fluctuate in pitch. The sound effects unit has been designed to offer three effects or changes of "sound" by using a switch.

- (a) pre-amplifier for extra gain.
- (b) treble booster for extra "tops".
- (c) "fractured" sound.

A well known "pop" guitar group produces a sound similar to that made by this guitar sound effects unit, although the method of producing this sound is not exactly the same. By introducing a degree of inter-modulation and "switching noise" this unit will produce a "fractured" sound. There is no need to use any other special equipment apart from an electric guitar and guitar amplifier.

The basis of the device described here is the simplified trigger circuit, which converts the guitar signals to square waves. The filter circuit removes some unwanted harmonics, although interesting effects can be obtained if this is replaced by a 270 kilohm resistor connected across the output of the trigger circuit.

The basic idea is open to amendment or elaboration, by extending the switching to cover further combinations of the pre-amplifier and treble booster with the trigger circuit, and variations on the filter unit described later.

Each switched channel has its own volume control (VR1, VR2, or VR3) with a master to control the whole output (Fig. 1). Thus each channel can be quickly set up, before being switched into use, without upsetting the other two.

MODIFY BB1

The guitar pick-up is connected to the input of the "Pre-amplifier and Treble Booster" unit described in BB1 last month. Both outputs of this unit are used as shown in Fig. 1. The modification to the emitter

circuit of TR2 can be carried out (according to last month's article) if selective stepped treble boost is required; otherwise the plain pre-amplifier can be used. In the latter case C4 should be changed to 10 μ F; "output 2" is connected to a 100 μ F capacitor C4g via a switch S1b as shown in the diagram of the sound effects unit (Fig. 1 below). This will provide a simple treble boost of only one fixed amount when S1 is operated. VR1 on BB1 can be omitted if desired as can SK2, SK3, and BY1.

TRIGGER AND FILTER

There is no modification necessary to the trigger circuit, which is described on page 253 of this issue. However, the wiring of its flying leads should be carried out according to Fig. 1 below.

The filter unit is a simple passive circuit which need not be built up on a board as the components can be self-supporting. However, component board assembly is neater and facilitates changing the components for different values. The circuit diagram of the filter unit is shown in Fig. 1 and is a basic treble cut circuit. Fig. 2 shows how the filter can be assembled on a small piece of laminated wiring board (Veroboard). The copper strips run horizontally; no breaks need be made in these strips. The filter is used to "kill" unwanted harmonics.

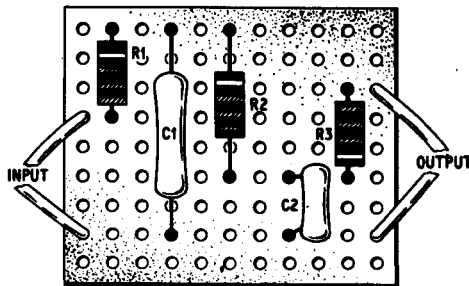


Fig. 2. Layout of the filter components on a piece of Veroboard. The copper strips run horizontally. No breaks are necessary

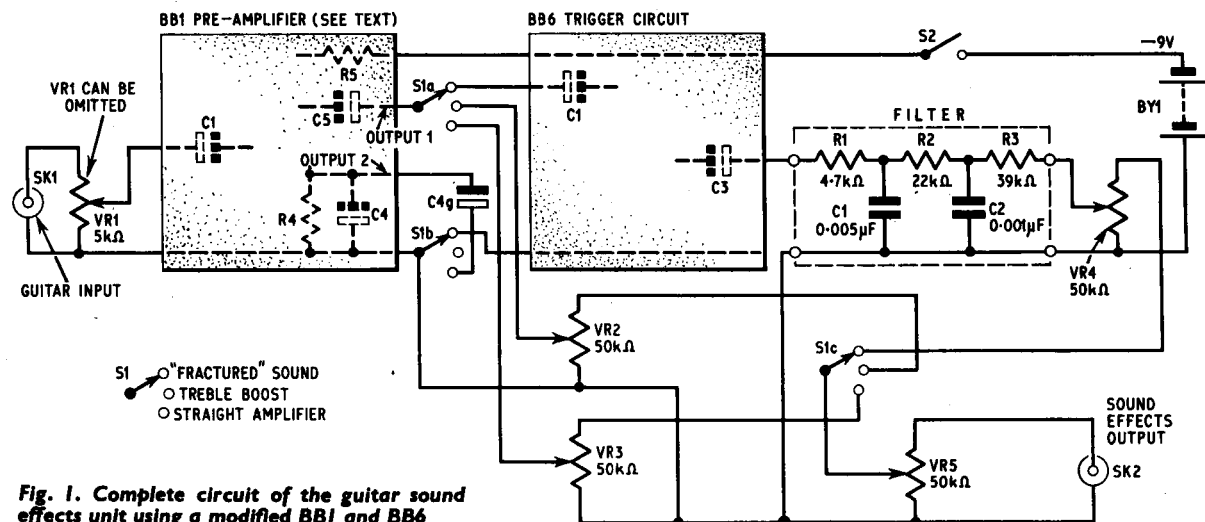
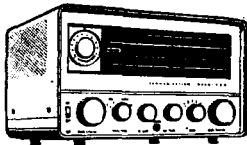


Fig. 1. Complete circuit of the guitar sound effects unit using a modified BB1 and BB6



LAFAYETTE HA-63 COMMUNICATION RECEIVER

7 valves plus Rectifier. 4 Bands. 550 kc/s-31 Mc/s. "8" Meter—BFO—ANL—Bandspread Tuning. 200/250 v. A.C. Brand New 24 Gns. Carr. Paid.

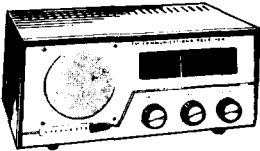
LAFAYETTE HA-230 AMATEUR COMMUNICATIONS RECEIVER

Supersedes model HE-30. 8 valves + rectifier. Continuous coverage on 4 bands. 550 Kc/s-30 Mc/s. Incorporates 1 RF & 2 IF stages, Q Multiplier, B.F.O., ANL, "8" meter, Electrical handspread, Aerial trimmer, etc. Supplied brand new and guaranteed. £23. S.A.E. for full details. Also available in semi Kit Form. 25 gns.



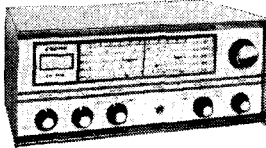
LAFAYETTE HA-55 AIRCRAFT RECEIVER

108-136 Mc/s. High selectivity and sensitivity. Incorporates 2 RF stages including 6CW4 Nuvistor, 8 tubes for 11 tube performance, solid state power supply, adjustable squelch control, slide rule dial, built in 4in. speaker and front panel phone jack. 220/240V. A.C. Supplied brand new and guaranteed. £19.7.8. Carr. 10/-.



MAIN LONDON AGENTS FOR CODAR EQUIPMENT

CR70A. Communication Receiver. £19 10 0
PR30 Preselector. £5 10 0
RQ.10 "Q" Multiplier. £6 15 0
A.T.5 Amateur TX. £16 10 0
Postage extra.
Full details on request.



SINCLAIR TRANSISTOR AMPLIFIERS

Z19 Amplifier 59/6; Power Pack 54/-; X10 Amplifier Built £6.19.6, Kit £5.18.6; X10 Power Pack 54/-; X20 Amplifier Built £9.19.6, Kit £7.19.6. X20 Power Pack £4.19.6. Micro FM Radio Kit £5.19.6. Micro 6, 59/6; TR750 amp Kit 59/6; Micro amp 28/6; Micro Injection 27/6. Post Paid.



TRANSISTORISED TWO-WAY TELEPHONE INTERCOM.

Operative over amazingly long distances. Separate call and press to talk buttons. 2-wire connection. 1000's of applications. Beautifully finished in ebony. Supplied complete with batteries and wall brackets. £8.10.0. pair. P. & P. 3/6.



2-WAY RADIOS

Superb quality. Complete with all accessories and fully guaranteed.
3 Transistor £7.19.6 pr.
4 Transistor 11 gns. pr.
9 Transistor £22.10.0 pr.
10 Transistor 23 gns. pr.
Post extra. (S.A.E. for full details).
These cannot be operated in U.K.



VOLTAGE STABILIZER TRANSFORMERS

Input 80-120v. and 160-240v.
Constant output 110v. or 240v., 250 watts. Brand New Guaranteed. £10.10.0. Carr. 7/6.



VARIABLE VOLTAGE TRANSFORMERS

Brand New Guaranteed—Fully Shrouded. Input 230v. 50/60 c/s. Output 0-280 Volts.
1 Amp. £4.10.0
2.5 Amp. £5.17.6
5 Amp. £9.0.0
8 Amp. £13.10.0
10 Amp. £17.0.0
12 Amp. £18.10.0
20 Amp. £32.10.0
2.5 Amp. Portable—Metal Case with Meter-Fuses, etc. £9/17/6.



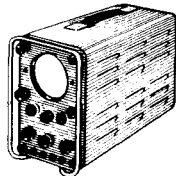
SILICON RECTIFIERS

200 v. P.I.V. 200mA. 2/6
400 v. P.I.V. 3 amp. 7/6
1,000 v. P.I.V. 650 mA. 6/6
800 v. P.I.V. 500mA. 5/6
800 v. P.I.V. 5 amp. 7/6
400 v. P.I.V. 500mA. 3/6
70 v. P.I.V. 1 amp. 3/6
150 v. P.I.V. 165mA. 1/-
Discounts for quantities. Post extra.

TEST EQUIPMENT

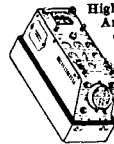
PORTABLE OSCILLOSCOPE CT.52

A compact (9" x 8" x 16 1/2") general purpose 'scope. T/B 10 c/s-40 kc/s. Band width 1 Mc/s. Sensitivity 40MV/CM. Mullard DG 7/5 CRT. For operation on 200/250 v. A.C. Supplied complete with metal transit case, strap, test leads, and visor hood. Brand new and guaranteed. £22.10.0. Carr. 10/- . Supplied complete with instructions.



OS/8B/U OSCILLOSCOPES

High quality Portable American Oscilloscope. 3" c.r.t. T/B 3 c/s-50 kc/s X Amp: 0-500 kc/s Y Amp: 0-2 Mc/s. Power requirements 105-125V. A.C. Supplied in brand new condition, fully tested. £25. Carr. 10/- . Suitable 230/115V. Transformer 15/6.

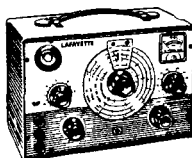


ERSKINE TYPE 13 DOUBLE BEAM OSCILLOSCOPE

Time base 3 c/s-750 kc/s. Calibrators at 100 kc/s and 1 Mc/s. Separate Y1 and Y2 amplifiers up to 5.5 Mc/s. Operation 110/230 volt A.C. Supplied in perfect working order. £27/10/- . Carriage 20/- . S.A.E. for details.

TE-20 RF SIGNAL GENERATOR

Accurate wide range signal generator covering 120 kc/s-260 Mc/s on 6 bands. Directly calibrated. Variable R.F. attenuator, Operation 200/240 v. A.C. Brand new with instructions, £12.10.0. P. & P. 7/6. S.A.E. for details.



LAFAYETTE TE-46 RESISTANCE CAPACITY ANALYZER

2 PF—2,000 MFD. 2 ohms—200 Megohms. Also checks impedance, turns ratio, insulation 200/250v. A.C. Brand New £15. Carr. 7/6.

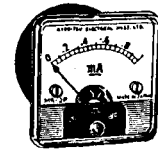
LAFAYETTE NUVISTOR GRID DIP METER

Compact true one hand operation. Frequency range 1.7-180 Mc/s. 230V. AC operation. Supplied complete with all coils and instructions. £12.10.0. Carr. 5/-.



CLEAR PLASTIC PANEL METERS

First grade quality, Moving Coil panel meters, available ex-stock. S.A.E. for illustrated leaflet. Discounts for quantity. Available as follows: Type MR. 38P. 1 21/32in. square fronts.



| | | |
|----------------------------|-----------------------|------------------------|
| 100-0-100µA 27/8 | 200mA 22/6 | 100V D.C. 22/6 |
| 500-0-500µA 22/6 | 300mA 22/6 | 150V D.C. 22/6 |
| 1-0-1mA 22/6 | 500mA 22/6 | 300V D.C. 22/6 |
| 1mA 22/6 | 750mA 22/6 | 500V D.C. 22/6 |
| 2mA 22/6 | 1A D.C. 22/6 | 750V D.C. 22/6 |
| 5mA 22/6 | 2A D.C. 22/6 | 15V A.C. 22/6 |
| 10mA 22/6 | 5A D.C. 22/6 | 50V A.C. 22/6 |
| 20mA 22/6 | 3V D.C. 22/6 | 150V A.C. 22/6 |
| 50mA 22/6 | 10V D.C. 22/6 | 300V A.C. 22/6 |
| 100µA 32/6 | 20V D.C. 22/6 | 500V A.C. 22/6 |
| 200µA 27/6 | 50V D.C. 22/6 | 500V A.C. 29/6 |
| 500µA 25/- | | |
| 50-0-50µA 29/6 | | |

POST EXTRA Larger sizes available—send for lists.

NONREX EQUIPMENT

Transistorised Audio Generator 10-100,000 c/s. Size or square wave. £16.15.0.
Transistorised Signal Generator 150 kc/s. 350 Mc/s. £9.10.0.
Transistorised resistance capacity bridge 1Ω. 100 Meg(Ω). 1 pf-100µF. £5.5.0.
Transistorised Induction bridge 1µN-100H. £18.
Mains operated Transistor power supply unit, output 1-15v. up to 100 mA. £6.10.0.
All above post paid with battery.

TE-51 NEW 20,000Ω/VOLT MULTIMETER

0 / 6 / 60 / 120 / 1,200V. A.C.
0 / 3 / 30 / 60 / 300 / 600 / 3,000V. D.C.
0 / 60µA / 12 / 300 MA. D.C.
0 / 60K / 6 Meg. Ω
85/- . P. & P. 2/6.



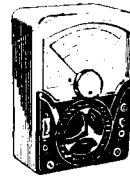
MODEL PV-58 VALVE VOLTMETER

11 meg. input. 7 D.C. volt ranges. 1.5-600 v. 7 A.C. volt ranges 1.5-1,500 v. 4,000 Peak to Peak. Resistance 2 ohm to 1,000 megohm. Decibels —10db to +65db. Supplied brand new with instructions, leads and probe. £12/10/- . P. & P. 3/6.



TS-76 20,000 O.P.V. PUSH BUTTON MULTI-TESER

Simple operation, D.C. volts up to 1,000 v. A.C. volts up to 1,000 v. Resistance up to 10 megohm. Current up to 250 mA. Decibels —20 to +36 db. £5.5.0. P. & P. 2/-.



MODEL 500. 30,000 o.p.v. 0/5/12.5/10/25/100/250/500/1,000V. D.C.
0 / 2.5 / 10 / 25 / 100 / 250 / 500 / 1,000V. A.C.
0 / 60µA / 5 / 50 / 500mA. 12 amp. D.C.
0 / 60K / 6 Meg. / 60. Meg. Ω. £3/17/6 Post Paid.

MAGNAVOX 363 TAPE DECKS

New 3-speed tape deck, supersedes old Collaro studio deck. 2-track £10.10.0. 4-track £13.10.0. Carr. Paid.

CHAMOIS PADDED M/C HEADPHONES

Canadian noise excluding type. Complete with M/C interphones. New and boxed. 25/- . P. & P. 3/6.

CAMBRIDGE UNIPIVOT GALVOS

50-0-50 Microamp 79/6. P. & P. 4/6.

AMERICAN TAPE

First grade quality American tapes. Brand new and guaranteed. Discounts for quantities.
3in., 220ft. L.P. acetate. 4/-
3in., 600ft. T.P. mylar. 10/-
5in., 600ft. std. plastic. 8/6
5in., 900ft. L.P. acetate. 10/-
5in., 1,200ft. D.P. mylar. 15/-
5in., 1,800ft. T.P. mylar. £5.7.6
5in., 1,200ft. L.P. acetate. £2.8.6
5in., 1,800ft. D.P. mylar. £2.8.6
5in., 3,600ft. T.P. mylar. £2.8.6
5in., 2,400ft. T.P. mylar. £5.7.6
7in., 1,200ft. std. mylar. 12/6
7in., 1,800ft. L.P. acetate. 15/-
7in., 1,800ft. L.P. mylar. 20/-
7in., 3,600ft. T.P. mylar. £5.7.6
Postage 2/- . Over £3 post paid.

CALLERS WELCOME!

Open 9 a.m. to 6 p.m. every day Monday to Saturday. Trade supplied.

G.W. SMITH & CO (RADIO) LIMITED

Phone: GERRARD 8204/9155
Cables: SMITHEX LESQUARE
3-34 LISLE STREET, LONDON, W.C.2

TYGON FRET (Contem. pat.) 12 x 12in. 2 p. 12-18in. 3/-; 12 x 24in. 4/-, etc.
EXPANDED ANODISED METAL—Attractive gilt finish 1/4in. x 1/4in. diamond mesh 4/8 sq. ft. Multiples of 6in. cut. Max. size 4ft. x 3ft., 47/8 plus carr.
BOMBA-COUST Speaker Cabinet Acoustic Wadding (1in. thick approx.) 18in. wide, any length cut, 6/- yd.

Volume Controls 5K-2 Meg. ohms, 31a. Spindles, Morganite Midget Type 1 1/2in. diam. Carr. 1 year. L.O.I. or L.I.N. ratios less Sw. 3/6, D.P. Sw. 4/8. Twin stereo less Sw. 7/6. 100 K. to 2 M/ohms with D.P. Sw. 9/6.

WAVECHANGE SWITCHES 1 p. 12-way, 2 p. 2-way, 2 p. 4-way, 3 p. 4-way, 4 p. 2-way, 4 p. 3-way, long spindle, 3/6 ea.

ENAMELLED COPPER WIRE—1lb. reels 14g-20g, 3/-; 22g-28g, 3/6; 30g-34g, 4/3; 36g-38g, 4/9; 39g-40g, 5/6, etc.
TINNED COPPER WIRE, 16-22g, 4/- 1/2 lb.
ERSIN MULTICOE SOLDER, 60/40 4d. per yard. Carbons 6d. 1/-, 2/6, etc.

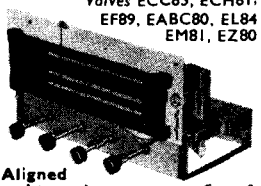
| New Boxed | Reduced Bargain Prices | |
|--------------|------------------------|------------|
| 174 3/6 | EF86 9/6 | PCL83 10/6 |
| 1R5, 1R5 6/6 | EL33 12/6 | PCL84 10/- |
| 384, 3V4 7/- | EL34 12/6 | PCL85 11/6 |
| ECU81 | EL84 7/- | PL36 10/6 |
| ECC82 7/- | EY51 9/- | PL81 9/6 |
| ECC83 | EY86 9/- | PL88 8/- |
| ECL80 9/- | EZ81 7/- | PY33 10/6 |
| ECL82 10/- | IZ82 9/- | HY82 7/- |
| ECL86 10/6 | PCF84 8/- | U25 10/6 |
| EF80 7/6 | PCF80 8/- | UL84 9/- |

CO-AX 80 ohm CABLE
 High grade low loss Cellular Air Spaced Polythene—1/4in. diam. Stranded Cond.
Now only 6d. yard
BARGAIN PRICES SPECIAL LENGTHS
 20 yds. 9/- carr. 2/-; 40 yds. 17/6 carr. 3/-; 60 yds. 25/- carr. 3/6; Coax. Plugs 1/-; Sockets 1/-; Couplers 1/3.

7 VALVE AM/FM RADIOGRAM CHASSIS

New 1965 Model Now Available

Three Waveband and Switched Gram positions. Med. 200-550m. Long 1,000-2,000m. VHF/FM 88-95 Mc/s. Philips Continental Tuning insert with permeability tuning on FM and combined AM/FM IF transformers. 460 kc/s and 10.7 Mc/s. Dust core tuningall coils. Latest circuitry including AVC and Neg. Feedback. 3 watt output. Sensitivity and reproduction of a very high standard. Chassis size 13 1/2" x 6 1/2". Height 7 1/2". Edge illuminated glass dial 11 1/2" x 3 1/2". Vert. pointer. Horiz. station names. Gold on brown background. A.C. 200/250V operation. Magic-eye tuning. Circuit diag. now available. Comp. with Tape, O/P socket, ext. spkr and P/U sockets and indoor FM aerial, and 4 knobs—walnut or ivory to choice. 352 P.M. Speaker only required. Recommended Quality Speakers 10" Elac. 27/6. 13 1/2" x 8" E.M.I. Fidelity, 37/6. 12" R.A. with conc. Tweeter, 42/6. Carr. 2/6.



Valves ECC85, ECH81, EF89, EABC80, EL84, EM81, EZ80

Aligned and tested ready for £13.19.6 Carr. & Ins. 7/6 use.

L.P. RECORDING TAPE BARGAIN OFFER!

By leading British manufacturers—

PROFESSIONAL GRADE—DOUBLE-SIDED

(each side coated) 5 1/2" reels only

Special Price Offer 1,450 feet 20/- post free (2 reels)

Ideal for the experimenter who wishes to record both sides, and a good L.P. Tape for the enthusiast who wishes to record single side only.

SPECIAL OFFER 3" Message tape 150', 3/9; 3" L.P. 225', 4/9; 3" D.P. 300', 6/6. P. x A. P. per reel 6d.

TAPE REELS Mufra. surplus 7"; 2/3; 5 1/2"; 2/-; 5"; 2/-; 3"; 1/3; Plastics spool containers, 5"; 1/9; 5 1/2"; 2/-; 7"; 2/3.



Speakers P.M.—3 ohms 2 1/2" E.M.I. 15/6. Goodmans 3 1/2" 16/6. 5" Rola 15/6. 6" Elac 16/6. 7" 4" Goodmans 15/6. 8" Rola 19/6. 10" R. A. 25/-, 9" 6" Goodmans 22/6. E.M.I. Ceramic Magnet 37/6. Tweeter 22/6. Jack Plugs, Standard 2 1/2" Ironic Type, 2/6. Screened ditto, 3/3. Miniature ser. 1 1/2", 2/3. Sub-min. 1/3.

RADIO COMPONENT SPECIALISTS

70 Brigstock Rd., Thornton Heath, Surrey. THO 2188. Terms C.W.D. or C.O.D. Post and Packing up to 1 lb. 1/-; 1 lb. 1/9; 3 lb. 3/-; 5 lb. 3/9; 8 lb. 4/6.

TRANSISTOR COMPONENTS

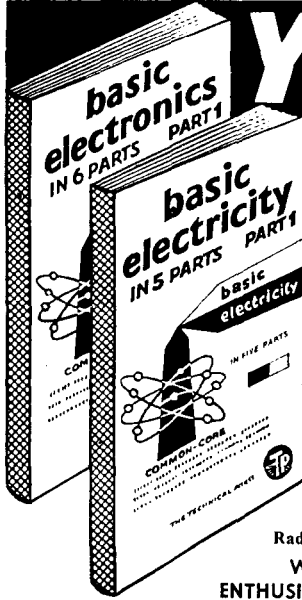
Midget I.P. 3—465 Kc/s in. diam. first, second or third... 5/6
 Osc. Coil M. & L.W. 1/2 in. diam. 5/6
 Midget Driver Trans. 9-1... 6/-
 Midget Output Trans. Push-Pull—3 ohms... 6/-
 Elect. Condensers—Midget Type 1 mfd.-50 mfd. ea. 1/9, 100 mfd. 2/-, 12V.
 Condensers 150 V. working: .01 mfd., .02 mfd., .03 mfd., .04 mfd. 9d.; .05 mfd., .1 mfd., 1/-; .25 mfd., 1/3; .5 mfd., 1/6, etc.
 Midget Tuning Condensers. J.B. "OO" 208 pF and 176pF, 8/6; ditto with trimmers, 9/6, 11/6. 220pF and 100pF conc. slow motion 10/6. 350pF single 7/6.

Condensers—Silver Mica. All values 2pF to 1,000pF, 6d. each. Ditto Ceramic 9d. Tub. 450V T.C.C. etc. 0.001 mF to 0.01 and 0/1 350V, 9d. 0.0-0.1/500V, 1/6. 0.25 Hunt. 1/6. 0.25 T.C.C. 1/9, etc., etc. Close Tol. 2/Micas—10% 5pF-500pF, 8d. 600-5,000pF, 1/2, 1/-, 2pF-10pF, 9d. 100pF-500pF, 11d. 57pF-5,000pF, 1/6. **Resistors**—Full Range 10 ohms-10 meg. ohms 20% 1/2 and 1W. 3d., 1W. 5d. (Midget type modern rating) 1W, 6d., 2W, 9d. Hi-Stab. 5% 1W, 1W, 6d. (100 ohms-1 meg.). Other values 9d. 1% 1W, 1/6, etc., etc.

TRIMMERS, Ceramic (Compression Type)—30pF, 50pF, 70pF, 9d.; 100 pF, 150pF, 1/3; 250pF, 1/6; 600pF, 1/9.
PHILIPS, Bee Hive Types (conc. air spaced)—2-8pF, 1/-; 3-30pF, 1/-
KNOBS—Modern Continental types. Brown or Ivory with gold centre; 1" dia., 9d. each; 1 1/2", 1/3 each. Conc. knobs ivory with gold centre 1 1/2" dia., 2/9 pr. Matching ditto 2/6 ea. **LARGE SELECTION AVAILABLE.**
METAL ELECTROLYTIC TYPES—RM1, 4/9; RM2, 6/6; RM3, 7/6; RM4, 16/-; RM5, 21/-; RM4B, 17/6; Mullard BY100, 8/6.

TUB-ELECTROLYTIC-CAN

25/25 v. 50/12v. 1/9; 8+8/450v. 4/6; 50/50v. 100/125v. 2/-; 32+32/275v. 4/6; 8/450v. 4/350v. 2/6; 50/50/250v. 6/6; 15+15/450v. 5/6; 60/250/275v. 12/6; 32+32/450v. 6/6. 100+200/275v. 12/6.



YOURS FREE FOR 7 DAYS

The New 'Picture-Book' way of learning BASIC ELECTRICITY (5 VOLS.) BASIC ELECTRONICS (6 VOLS.)

You'll find it easy to learn with this outstandingly successful new pictorial method—the essential facts are explained in the simplest language, one at a time; and each is illustrated by an accurate, cartoon-type drawing.

The books are based on the latest research into simplified learning techniques. This has proved that the Pictorial Approach to learning is the quickest and soundest way of gaining mastery over these subjects.

The series will be of exceptional value in training mechanics and technicians in Electricity, Radio and Electronics.

WHAT THIS MONTH'S ENTHUSIASTIC READERS SAY

"... Having purchased both BASIC ELECTRICITY and BASIC ELECTRONICS, I marvel at their approach and superb value..."

K.R.L., PORTSMOUTH

"... They are the best basic books I've ever seen..."

L.O'K., DUBLIN

A TECH-PRESS PUBLICATION

To Selray Book Co. 60 Hayes Hill, Hayes, Bromley, Kent

Please send me Without Obligation to Purchase, Basic Electricity/Basic Electronics on 7 Days' Free Trial. I will either return set, carriage paid, in good condition within 8 days or send down payment of 15/- (Basic Electricity) followed by 6 fortnightly payments of 10/-. Down payment of 15/- (Basic Electronics) followed by 6 fortnightly payments of 12/6. Alternatively, I will send 68/- (Basic Electricity—5 parts). 81/- (Basic Electronics—6 parts) post free. This offer applies to United Kingdom only.

Tick against set required (only one set allowed on free trial).
 BASIC ELECTRICITY BASIC ELECTRONICS

Signature..... (If under 21, signature of parent or guardian)

Name..... BLOCK LETTERS BELOW

FULL POSTAL Address..... P.E.4

POST NOW FOR THIS OFFER!!

COMPONENTS . . .

PRE-AMPLIFIER as shown on p. 182 last month but:
C4 should be changed to 10 μ F elect. 12V
VR1 can be omitted if desired
BY1 can be omitted
SK2 and SK3 can be omitted

BISTABLE TRIGGER as shown on p. 253 in this issue

FILTER UNIT (see text)

Resistors

R1 4.7k Ω
R2 22k Ω
R3 39k Ω } All 10% $\frac{1}{2}$ watt carbon

Capacitors

C1 0.005 μ F 12V } Minimum working
C2 0.001 μ F 12V } voltages permissible
These can be paper, plastic, ceramic, or mica types

OTHER COMPONENTS

Potentiometers

VR2 }
VR3 } 50k Ω log. carbon (3 off)
VR4 }
VR5 50k Ω log. carbon with single-pole on/off switch

Capacitor

C4g 100 μ F elect. 15V
(Supplementary to the Pre-amplifier)

Switches

S1 Rotary switch 3 poles, 3 ways
S2 Single pole on/off switch (can be ganged to VR5)

Battery

BY1 9 volt light duty

Plugs and Sockets

PL1 and SK1 Two-way jack or coaxial for input
PL2 and SK2 Two-way jack or coaxial for output

Miscellaneous

Connecting leads for guitar to sound effects unit and power amplifier;
Metal box or chassis 6in \times 4in \times 2 $\frac{1}{2}$ in;
Crystal earpiece (if required)
Six control knobs, p.v.c. wire

Next switch S1 to "treble boost" and check for the appropriate change in sound quality. Now switch S1 to "fractured sound". Without plucking any strings slowly rotate the spindle of VR1 (trigger circuit) until a click is heard in the earpiece. Two positions will be found to provide this click between which the guitar sound will be heard through the earpiece, but with a rather unusual tone. If not, careful adjustment of VR1 should give the required results. Once VR1 has been set up it should not need any further adjustment. It would be best if it was made a preset control with a screwdriver slot instead of a knob.

Now, turn down all volume controls on the unit (i.e. VR2, 3, 4, and 5) and on the guitar amplifier (if used). With S1 set in each appropriate position adjust the volume controls to provide a balanced output. VR5 will be the master control which will control the sound from the other three by a proportional amount.

A different kind of effect can be obtained if the value of R3 in the trigger circuit is changed to 3.3 kilohms. The circuit will no longer give the "fractured" trigger action, but will alternate from one state to the other. A simple modification can be made so that the two values of resistance can be selected by another 2-way switch.

TECHNICAL BOOKS IN NATIONAL LIBRARY WEEK

THE first British National Library Week was held from 12 to 19 March 1966. The purpose of the "Week" was to interest everyone in making more use of public and special libraries of all kinds and in building up their own personal libraries. Nearly 300 local committees throughout Great Britain organised book exhibitions, talks, competitions, and other features during the "Week".

Scientific and technical books were specially featured by many centres, with displays of students' textbooks, industrial books, "do-it-yourself" books and books linked with local crafts. Talks by authors of scientific and technical books were arranged, and some centres staged exhibitions and discussions on the production and publication of technical books.

PRACTICAL ELECTRONICS

● **INDEX**

An index for volume one (November 1964 to December 1965) is now available price 1s 6d inclusive of postage

● **BINDERS**

Easi-binders with a special pocket for storing blueprints and data sheets are available price 14s 6d inclusive of postage. State whether "Vol. 1" or "Vol. 2" is required.

Orders for Binders and Indexes should be addressed to the Binding Department.

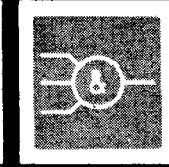
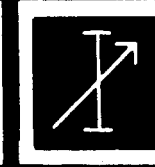
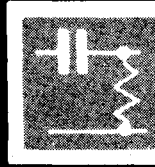
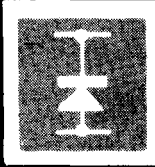
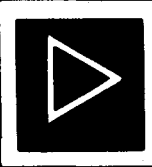
Orders for copies of the Index only should be addressed to the Post Sales Department, George Newnes Ltd., Tower House, Southampton Street, London, W.C.2.

The pre-amplifier, trigger circuit, and filter can be assembled in a metal box 6in \times 4in \times 2 $\frac{1}{2}$ in; an aluminium chassis would suit very well. Insulating backing boards should be fitted to the underside of all wiring boards. These can be thin s.r.b.p. sheet. The insulating board and printed circuit board are screwed together to wooden blocks glued on the inside of the box.

TRY IT OUT

When the construction is complete and all wiring checked, connect the guitar to the input. The output can either be connected to a guitar amplifier or, for monitoring only, a crystal earpiece. All volume controls should be set about half way. S1 is set to the "straight amplifier" position first to make sure a reasonable sound is heard from the guitar, via the pre-amplifier. Switch on S2.

ELECTRONIC BUILDING BLOCKS



PART THIRTEEN

by R. A. DARLEY

LAST MONTH we dealt with the basic principles of L-timer counter instruments. This month's article is the last of the series in which mathematical circuits, both passive and active, are described.

COMPUTERS AND ELECTRONIC "BRAINS"

Computers fall into two distinct types, digital and analogue. Digital computers generally work on the basis of a binary code and employ many of the circuits and principles already outlined in parts 10, 11, and 12 of this series. They are capable of giving results to a high order of accuracy, and are very complex and expensive.

Analogue computers, on the other hand, are rather like electronic slide rules, with typical accuracies of about 2 per cent. In principle, the main difference between an analogue computer and a slide rule is that, on the slide rule, numbers are represented by the difference in distances between the scale markings, whereas in the analogue computer the numbers are represented by voltages, currents, resistances, or some other electrical quantities.

Electronic "brains" are computers with memory and logic circuits. The "memory" may take the form of a magnetic recording tape or it may be a system of electromagnetic matrices for storing "bits" of information.

The principles of storing "bits" of information in the memory are perfectly simple. A very crude example of a "memory" is an ordinary light switch; this is just a "two-state" device, which will switch the light "on" or "off". Any piece of information, no matter how complex, can be stored or "remembered" in coded form by a series of "two-state" circuits. The diagram shown in Fig. 11.2 (Part 11 of this series) shows just one of the many ways in which a circuit can be made to "remember" any one of ten alternative "bits" of information.

"Logic" circuits may be used to decipher the coded memory circuits, and Figs. 11.3a and 11.4a (Part 11) show two of the logic circuits that might be used. These again are perfectly simple circuits. There is a rather unfortunate tendency amongst many people to imagine that electronic "brains" are some sort of near mystical wonder, which can be understood only by our most brilliant scientists. Such notions are far from the truth, and electronic "brains" are, in principle, basically simple devices.

We shall now deal with specific circuits for carrying out mathematical functions, giving particular attention to circuits that are suited to use in analogue computers.

ADDITION AND SUBTRACTION CIRCUITS

Addition can be carried out in a number of ways; Fig. 13.1a shows the simplest method of carrying out this function, using passive elements. If, say, 1 volt is connected to input 1, and the values of the resistors are as shown, a current flows through R1 and R5. Since these two resistors form a voltage divider network, 0.1 volt is available at the output. If 1 volt is also connected to input 2, a current will flow through R2 and R5, of such a value that, if input 1 is disconnected, 0.1 volt would be available at the output. Thus, each input causes a current to flow in R5, and the output voltage is a function of the sum of these currents. The output would be 0.2 volts for two like input voltages. Similarly, no matter how many inputs are connected, the output voltage is a function of the sum of the input voltages provided all input resistors are of equal value.

If the circuit is required to give an output that is directly equal to the sum of the inputs, it can be modified by adding an amplifier to the output of the passive network, as shown in Fig. 13.1b, the amplifier having negative feedback applied from its output to its input to stabilise its gain. The gain should be made equal to the attenuation factor of the combined input passive network.

Fig. 13.1c shows the equivalent circuit of the passive network as seen between any two input terminals, one with an input signal of 1 volt connected, and the other with no input signal connected.

The input signals must be fed from some particular source impedance, and this should be low compared to the input impedance of the adding circuit; a source impedance Z_0 of 100 ohms is shown in the diagram. Thus, when 1 volt is connected to input 1, 0.1 volt appears at the output across R5, ignoring the shunting effect of R2 and R7. This output voltage is connected across R2 and Z_0 , which act as a potential divider network, and approximately 1.1mV appears across input 2. Thus, a certain amount of interaction takes place between the input signals, detracting from the accuracy of the unit. Generally, the greater the attenuation factor of the network and the lower the source resistance, the less interaction will there be between inputs and the more accurate will be the readings.

This passive adding network can also be used for subtraction, by simply reversing the polarity of the input signal that is to be subtracted.

The network can be used with either a.c. or d.c. inputs; for a.c. work, the resistive elements may be replaced by inductive or capacitive components

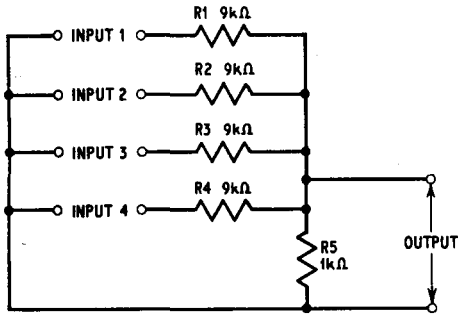


Fig. 13.1a. Passive adding circuit. The output is proportional to the sum of the inputs

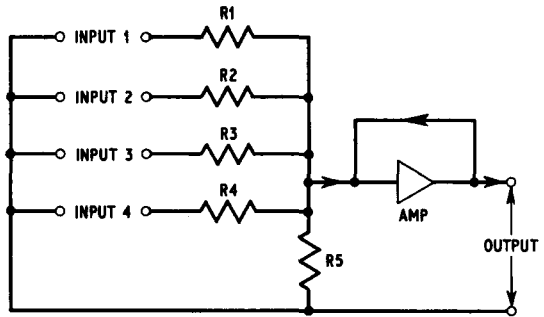


Fig. 13.1b. By adding an amplifier with gain equal to the attenuation factor of the passive network, the output is made equal to the sum of the inputs

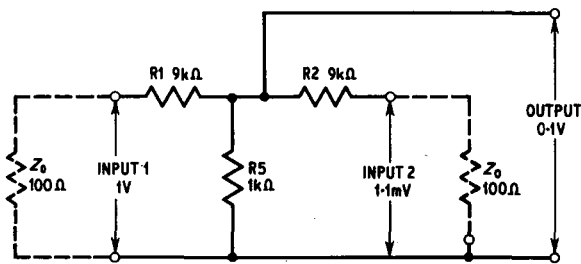


Fig. 13.1c. Effective circuit between input 1 and input 2 of the arrangement shown in Fig. 13.1a. Z_0 is the source impedance of each input

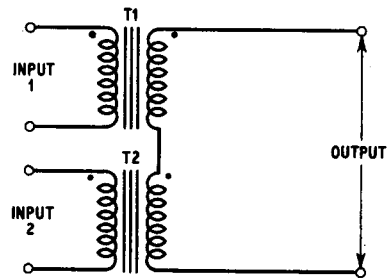


Fig. 13.2. Two transformers wired in series can be used for addition if the inputs are in phase, or for subtraction if 180 degrees out of phase. The dots indicate in-phase connection

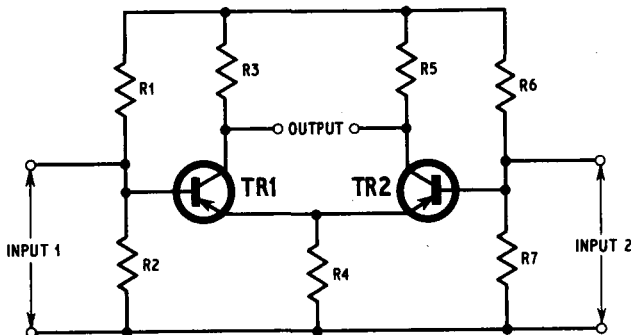


Fig. 13.3 Long-tailed pair circuit may be used for either subtraction or addition according to the phase of the two inputs

without in any way changing the principles of operation, but making it possible to operate at high frequencies.

The passive network, using resistive components, is widely used as a mixer in audio frequency circuits.

Addition and subtraction of a.c. signals can also be carried out using transformers wired in series, as shown in Fig. 13.2, the inputs being in-phase for addition and in anti-phase for subtraction.

Again, the long-tailed pair circuit, shown in Fig. 13.3, can be used for addition of two inputs, either a.c. or d.c. Basically, the circuit is a "difference amplifier", there being two input terminals, one to the base of TR1 and the other to the base of TR2, the output signal being a function of the difference between the two inputs; thus, subtraction functions are naturally carried out. By reversing the phase of one of the inputs, the circuit is made to subtract a negative value, which is the same as adding a positive one. This circuit was dealt with in detail in Part 5 of this series.

MULTIPLICATION

Multiplication can be carried out in any one of a number of ways. A step-up transformer may be used to carry out this function, one number being represented by a suitable signal connected to the primary input, and the second number being represented by a suitable tapping point on the secondary, as shown in Fig. 13.4a, the output signal then being proportional to the product of the two numbers. Again, a simple calibrated potential divider can be used to carry out multiplication functions, as shown in Fig. 13.4b. This is, in fact, a divider circuit, but division and multiplication are, after all, interchangeable functions as long as the position of the decimal points is known. The potential divider should be calibrated inversely, as shown.

An amplifier that has its gain closely controlled by negative feedback may also be used to carry out multiplication, the input signal level being made to represent one number and the gain of the amplifier another. The output signal level is then proportional to the product of the two numbers.

The most popular way of carrying out multiplication involves, as in the case of the slide rule, the addition of logarithms of the relevant numbers. Fig. 13.5a shows one method that may be used; VR1 and VR2 are log. potentiometers, calibrated with a linear scale from 0 to 10 to correspond with the log. of those numbers. The readout system employs an ohmmeter to measure the total resistance of the circuit in use by the two potentiometers in series, the scale being calibrated so as to convert the log. values back to real numbers.

Alternatively, regulated voltage supplies may be connected across two log. potentiometers wired in parallel. The resulting log. voltages available at the two outputs are added in a passive network, the sum of the two voltages, and thus the product of the two input numbers, being indicated on a moving coil meter.

In some cases it may not be required that the two input numerals be set manually, but that they should be set automatically. For example, an electronic circuit may have two outputs, one giving an output voltage that rises proportional to the magnitude of the number, the other rising proportional to the increment. A control signal may be required that is proportional to the product of the two signals. In this case, the fact that some diodes exhibit approximately logarithmic forward characteristics with applied voltage can be made use of, as shown in Fig. 13.5b. Resistor R1 is

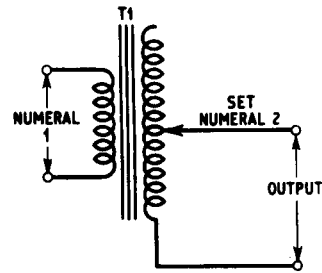


Fig. 13.4a. Multiplication using a step-up transformer

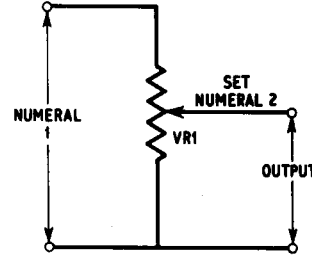


Fig. 13.4b. Potentiometer can be calibrated for division

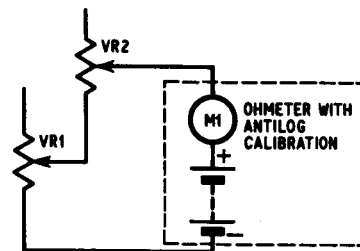


Fig. 13.5a. Multiplication using two potentiometers

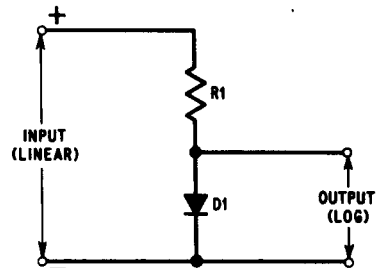


Fig. 13.5b. A semiconductor diode connected to give a log. output from a linear input

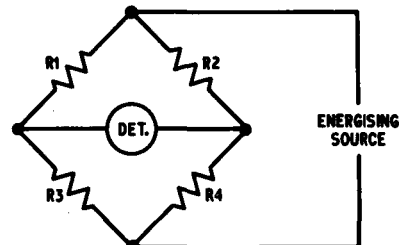


Fig. 13.6. Wheatstone bridge can be used for multiplication

wired in series with the diode, the two components forming a potential divider network across which the input voltage is applied. The logarithmic output voltage would be taken from across the diode and fed to the input of a passive adding network, which would automatically give an output voltage that is proportional to the product of the two input signals once it has been reconverted in an antilog. circuit.

Another circuit that may be used in an analogue computer to carry out multiplication is the simple Wheatstone bridge, shown in Fig. 13.6. An a.c. or d.c. energising source can be used, and a moving coil meter or head-phones used as a balance indicator. At balance $R1 \times R4 = R2 \times R3$, which is the same as saying that $R1/R2 = R3/R4$. To use the circuit for multiplication, R1, R2, and R4 can be calibrated potentiometers with linear scales, and R3 can be represented by a series of switched decade resistors. To find the product of two numbers, one number is set up on R1 and the other is set up on R4; the bridge is then balanced by adjusting R2 and R3 for balance and the result read off on R2. The position of the decimal point is determined by estimation, as in the case of a slide rule.

DIVISION

Many of the techniques that are used for multiplication can also be used for division, either directly or with some slight modification. The transformer system can be used by employing a step-down, instead of step-up transformer. The potential divider system can be used directly for division.

Instead of using an amplifier, as for multiplication, an input can be fed through an attenuator, the amplitude of the input signal being made to represent the number that is to be divided, and the attenuation factor equalling the number by which it is to be divided.

The two numbers that are to be divided can be converted into log. form and the resulting signals subtracted and converted back into decimal form in an antilog. circuit to give the required results.

Again, the Wheatstone bridge circuit can be used to give the result of dividing one quantity into another. In this case, the numerator is set up on R1 and the denominator is set on R2. The bridge is then balanced by adjusting R3, which should be a calibrated linear potentiometer, and R4, which could be a series of switch selected decade resistors. The result is then read out by R3, the decimal point being established by estimation. Note that the same bridge can be used for both multiplication and division by using a switch to transpose the positions of R3 and R4 to suit the particular mode of operation.

SQUARING AND OTHER CIRCUITS

To square a number, it is simply multiplied by itself. Thus, almost any of the circuits that are used for multiplication can be adapted as "square" resolving circuits. Alternatively, some transistors, that have characteristics approximating to the square law can be used to give the square of a number more directly.

By suitably arranging electronic components, almost any mathematical function can be carried out fairly simply. Circuits can be devised to resolve square roots, to integrate or differentiate with little difficulty, and many of these functions can be carried out by using an analogue computer. Strictly numerical calculations, as opposed to quantitative calculations, are performed by a digital computer. ★

WIDE RANGE HARMONIC OSCILLATOR

continued from page 251

The "colouring" of this tone can be altered by using suitable filter networks in the output. These filters reduce certain harmonics according to their circuit component values. More details are given in the article "Guitar Sound Effects Unit".

The pulse output can be used as a signal injector for testing amplifiers. Some radio control enthusiasts consider pulse modulation of the transmitter signal to be superior to sine wave modulation, especially where the receiver uses LC tuned circuits instead of reed banks. A pulse can be used with an amplifier and transducer as a source of sound waves for the Kundt's "tube experiment" to determine the speed of sound.

METRONOME

With minor alterations to the circuit this unit can be converted to a metronome. The following modifications will be necessary:

- (a) Remove C3 and insert in its place a capacitor $8\mu\text{F}$, with the positive end connected TR1 base.
- (b) C1 and R1 can be omitted altogether as only "output 2" is required.

Almost any type of audio frequency transistors can be used although the MAT 101 and MAT 120 are quite suitable.

Using a crystal earpiece or audio amplifier connected to "output 2" a regular beat will be heard. The frequency, or time interval between beats, can be controlled as before by VR1.

COMPONENTS . . .

Resistors

| | |
|--------------------|------------------|
| R1 470k Ω | R4 1k Ω * |
| R2 22k Ω * | R5 1k Ω |
| R3 3.3k Ω * | R6 22k Ω |

All resistors $\pm 10\%$ $\frac{1}{2}$ watt carbon (but * see text)

Potentiometer

VR1 100k Ω log. carbon

Capacitors

| |
|----------------------------------|
| C1 0.047 μF polyester |
| C2 100 μF elect. 15V |
| C3 0.047 μF polyester |
| C4 40 μF elect. 12V |

Transistors

| | |
|-------------|--------------|
| TR1 MAT 101 | } (Sinclair) |
| TR2 MAT 120 | |

Battery

BY1 9 volt light duty

Plugs and sockets

| | |
|-------------|----------------------|
| PL1 and SK1 | coaxial for output 1 |
| PL2 and SK2 | coaxial for output 2 |

Miscellaneous

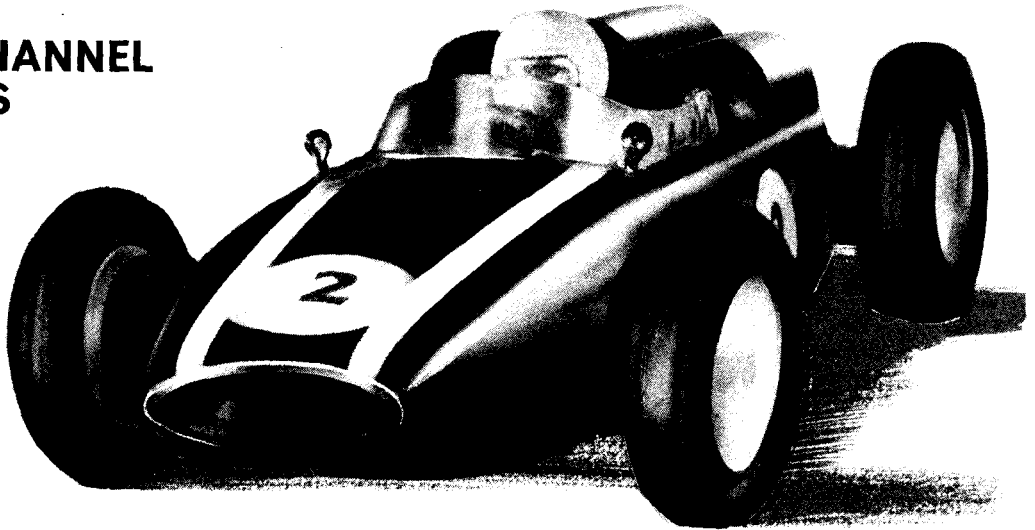
Printed circuit board (see text)
Switch, single-pole, on/off (optional) for battery
Battery connectors and p.v.c. covered wire

Conversion to Metronome

Change C3 to $8\mu\text{F}$ elect. 12V
Delete C1, R1, and SK1

Part Three...

SINGLE CHANNEL RECEIVERS



Radio Control

UNTIL comparatively recently, most model radio control receivers have been of the super-regenerative type, based originally on a single "hard" valve (triode). Later on a gas filled valve (thyatron) was used, then a combination of a "hard" valve detector circuit plus a transistor amplifier and more recently the all-transistor receiver. The superheterodyne receiver has appeared as a practical proposition with the advantage of superior selectivity, the only real disadvantages being the bulk and cost of the additional mixing stage. Very little use has been made of the t.r.f. receiver largely because the ideal amount of amplification cannot be realised without the risk of amplified noise interfering with consistent operation. Such t.r.f. receivers that have proved workable have had a strictly limited practical range.

SUPER-REGEN

Although it is a simple practical circuit, the operation of the super-regen. receiver is actually quite complex. Basically, it uses a simple oscillator circuit which is tuned to be just on the point of oscillation. In this condition it is very sensitive to small voltages applied from the aerial tuning coil, and the resulting change from non-oscillating to oscillating state is accompanied by a marked fall in anode current. This current change is great enough to operate a sensitive relay in the anode circuit.

Oscillations are controlled or suppressed in bursts at a predetermined "quench" frequency, either by the use of a second quench oscillator injected in the first stage or by making the original oscillator capable of acting as its own quench oscillator (i.e. self-quenching). This can be done by coupling the grid in such a manner that the fundamental oscillation gives rise to its own intermittent suppression. The particular virtue of quench control is

that the quench can be increased to a point at which the receiver will not oscillate, unless the oscillation is started and continuously boosted by an incoming signal of the same fundamental frequency, and hence acts as a sensitivity control.

A typical basic circuit is shown in Fig. 3.1. The grid/anode coil L2 is split at its centre with the inner ends connected to a transformer (quench coil L1). Oscillation is initiated in the r.f. circuit and immediately quenched by L1, the quench frequency being determined by the values of L1 and C1. Signal voltage is applied directly to L2b from the aerial. The relay in the anode h.t. circuit provides an on-off switch (via its contacts) controlling the external actuator circuit and is simply adjusted to operate just below the maximum anode current and drop out above the minimum anode current. Current change is typically of the order of 1 to 2 milliamperes, calling for the use of a sensitive relay and precise adjustment of differential. The larger the current change the less critical the relay operation becomes, and thus the less critical the relay performance and adjustment will be.

The main disadvantage of such a circuit is that sensitivity is affected by falling voltage (particularly the l.t. battery voltage). Also within the limitations of a single-valve circuit a greater anode current change can only be produced by an increase in h.t. battery voltage, calling for a more expensive and bulkier battery and making the receiver more expensive to operate.

Up to 90 volts h.t. may be necessary with a single valve receiver to produce a satisfactory current change for reliable relay operation, the relay being a critical factor. If desired, a further "adjustment" may be provided in the form of a potentiometer inserted in the h.t. lead between the relay and the battery, enabling a satisfactory level of relay current to be established.

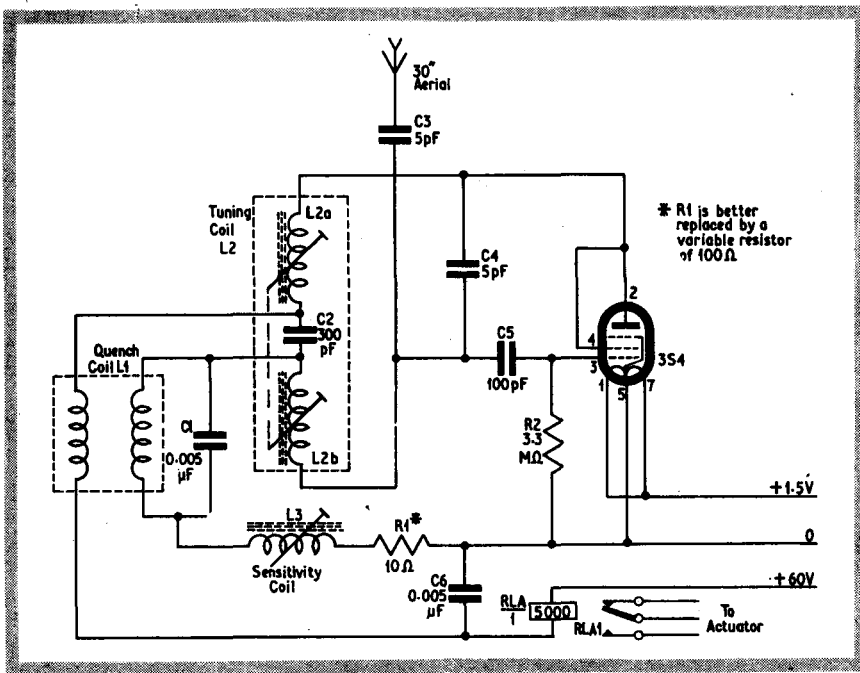


Fig. 3.1 (left). Basic circuit of a typical super-regenerative receiver

Fig. 3.2 (below). Super-regenerative receiver using a gas filled triode

Fig. 3.3 (bottom). An additional gas filled triode is used to amplify the signal

of Models

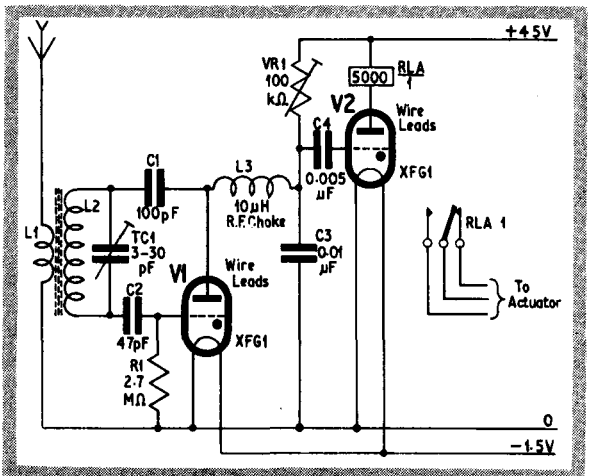
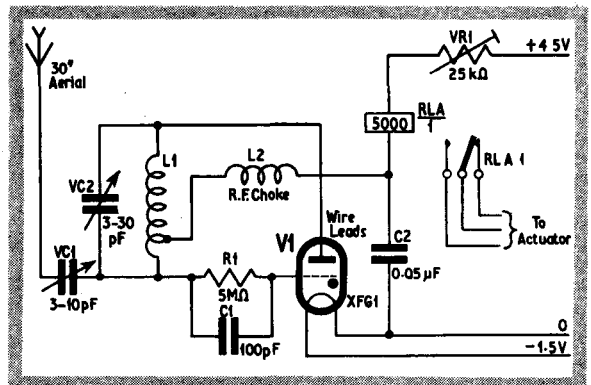
By R.H.WARRING

This also allows for some adjustment to compensate for falling h.t. battery voltage. The performance of the complete unit is only as good as that of the relay employed. Special lightweight relays are produced specifically for such circuits.

GAS FILLED TRIODE

A greater current change with lower h.t. voltages can be achieved with the use of a "soft" valve, for example, the subminiature XFG1 gas-filled triode. It is also possible with such a circuit to dispense with the separate coils for controlling the quench frequency, keeping the receiver permanently in a state of self-quenching super-regeneration. On receipt of a signal the strength of the oscillation in the receiver rises, thereby increasing the bias which reduces the anode current. The characteristics of soft valves (i.e. gas-filled types) are such that when ionisation of the gas breaks down the anode current drops sharply. Hence a relatively small signal strength can be made to produce a large change in anode current, provided the standing anode current lies just above the point of discontinuity. A potentiometer is usually provided in the anode circuit to adjust accordingly (see Fig. 3.2).

The soft valve receiver was very sensitive to changes in h.t. voltage, and the actual valve characteristics were affected by ageing. Although this could be compensated for by adjustment of the potentiometer, eventually the anode current will become too unstable or too low for satisfactory working at all, even with readjustment of component values. The particular virtue of this type of receiver was that it weighed only about one third as much as a hard valve receiver, giving an equivalent or better anode current change on a lower voltage h.t. Further improvements were also possible with an additional stage of amplification—see Fig. 3.3.



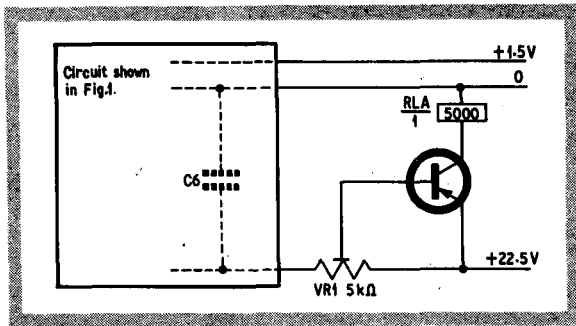


Fig. 3.4. Variation on the circuit shown in Fig. 3.1, using a transistor amplifier to operate the relay

Its equivalent, in hard valve circuitry (but far more stable and reliable) employing a super-regen. hard valve detector, followed by a hard valve amplifier, was a bulky and heavy unit for model work. It did, however, have the specific advantage of making the relay operation less critical and thus the complete receiver unit was more reliable.

One of the most satisfactory two-valve arrangements used the first valve to bias off the second. Such a circuit had an inherently low idling current, usually of the order of only 0.2 to 0.3 milliamperes, falling to virtually zero on receipt of a signal. This change triggered the second valve which then passed a current of anything between 3 and 5 milliamperes for as long as the signal was held on.

TRANSISTOR AMPLIFIER

When suitable transistors became available a greater degree of miniaturisation was possible. Transistor amplifier stages could follow, a conventional valve type detector, or transistors could be used for all stages. Both basic types are used and have their own individual merits. The valve detector continues to score, generally, as regards stability under extreme weather conditions, high temperatures and varying battery voltages (i.e.

overall operating stability). However, it requires a bulky h.t. battery, although this can be reduced to 22½ volts, typically, with transistor amplifier stages following, and a separate l.t. battery. The all-transistor circuit scores in being more compact and "solid state" (apart from the relay) and requires only a single low voltage battery.

One of the simplest circuits employing a valve detector followed by transistor amplification is shown in Fig. 3.4. This is basically nothing more than a single transistor stage added to the circuit of Fig. 3.1. The relay shown in Fig. 3.1 is reconnected as shown in Fig. 3.4. The immediate advantage is that the same current change (of the order of 3mA down to 1mA) can be obtained with the h.t. reduced to 22.5 volts, thus affecting a substantial saving in battery weight and cost.

Yet a further extension of this basic circuit for carrier wave operation is to add two further stages of transistor amplification, when the current change is raised to a sufficient level to operate an actuator direct and dispense with the relay.

A well proven valve-transistor receiver² for tone operation is shown in Fig. 3.5. This uses an XFY34 sub-miniature valve followed by three 2N217 transistors in simple circuitry. It is designed to respond to a 350-700c/s tone with 80-100 per cent modulation. The output load is a 5,000 ohm sensitive relay. The change in receiver current on receipt of the signal would be from about 0.6mA (idling) to approximately 4.5mA. A single tuning control only is employed (L1) to tune to the signal frequency.

This basic circuit has been used by individual constructors and commercial manufacturers, and probably represents the ultimate in basic practical requirements from a simple single-channel valve receiver. Its sensitivity is of the order of a few microvolts. It is still, however, a relatively bulky circuit and largely outdated by the all-transistor type of circuit.

The simplest possible type of transistor receiver can employ a semiconductor diode in place of a valve detector. Unfortunately a diode has only a fraction of the sensitivity of a valve used for the same purpose.

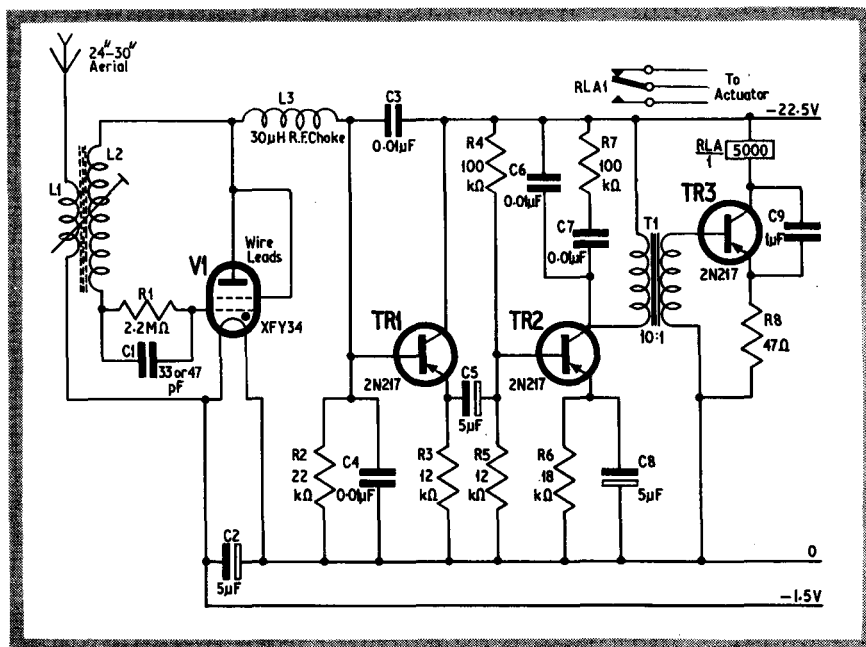


Fig. 3.5. A gas filled tetrode is used in this circuit with a three-stage transistor amplifier for tone operation

THERMOSTATS

Type "A" 15 amp. for controlling room heaters, greenhouse, airing cupboard. Has spindle for pointer knob quickly adjustable from 30-80°F., 9/6, plus 1/- post. Suitable box for wall mounting, 5/-, P. & P. 1/1-.

Type "B" 15 amp. This is a 17in. long rod type made by the famous Sunvic Co. Spindle adjusts this from 30-550°F. Internal screw alters the setting so this could be adjustable over 30° to 1,000°F. Suitable for controlling furnace, oven kiln, immersion heater or to make flame-start or fire alarm. 8/6, plus 2/6 post and insurance.

Type "C" is a small porcelain thermostat as fitted to electric blankets, etc. 1/1 amp. setting adjustable by screw through side, 3/6, P. & P. 6d.

Type "D" is the Ice-stat as it cuts in and out at around freezing point. 2/3 amps. Has many uses, one of which would be to keep the loft pipes from freezing, if a length of our blanket wire (16 yds. 10/-) is wound round the pipes, 7/8, P. & P. 1/1.

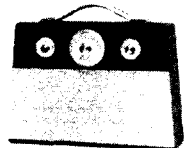
Type "E" This is a standard refrigerator thermostat. Spindle adjustments cover normal refrigerator temperatures, 7/8, plus 1/- post.

WALL MOUNTING THERMOSTAT
By Satchwell, intended for use to control tubular or any type of space heaters indoors or in a greenhouse—adjustable over 40/80 complete with mounting screws, 29/8, plus post 2/9 (normal price is at least twice this).

TRANSISTOR BARGAIN

With carrying handle size 10in. x 8in. x 3in. Strongly made from best plywood and covered in two-tone fabric—looks very smart, suitable for receiver—amplifier—extension speaker, etc.—

Originally listed at 29/6—but offered this month at only 15/-, plus 5/- post and insurance; also given free with it is a printed circuit board to suit it and building instructions for fine two-wave radios Don't miss this grand offer.



TAPE RECORDER BARGAINS

Capstan Driven, 5 Transistors

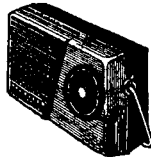
SPECIFICATION: -200/7,000 c.p.s. - 400 m.w. output—double track—spin speed (3 1/2 and 7 1/2) fast rewind time—3in. twin gives one hour playing with standard tape, weight 7 lb. Size 8 x 11 x 3in. Complete with batteries, microphone—tape spool and instruction manual. Nothing to go wrong if you use a good tape and keep heads clean. Demonstration gladly given at our Croydon shop. **Special Snip Price This Month.** 11/11/-, post and insurance 6/8.

THE "MINY"

Best of the spool driven machines, remote control on mike, battery operated 26/19/6, plus 5/- post and ins.

TRANSISTOR SET CASE

Very modern cream cabinet, size 5 1/2 x 3 x 1 1/2 in. with chrome handle, tuning knob and scale. Price 4/6, plus 2/- postage.



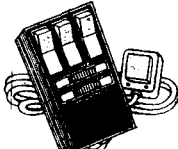
GANGED POTS

Standard type and size with good length of spindle—made by Margonite. List price is 10/- each but if you act quickly you can have them at 12/- doz. or 1/- each if less than doz.). Following values in stock all "lin."—5K + 5K—10K + 10K—100K + 100K—500K + 500K, all new and unused, post 2/9 on lot doz. then 1/- per doz., 6 doz. or more post free.



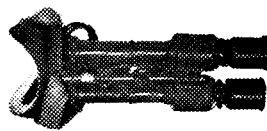
ARMCHAIR CONTROL UNIT

Remote Controller—for Philips, Stella and Coscor T.V. sets but adaptable to most others, and to model control. Comprises three rock switches, two variable resistances and components including Mullard OA81-Knobs—10 way plug—11 ft. 7 way cable etc., etc. List price 42/3/-, yours for only 12/6, plus 2/- post and insurance.

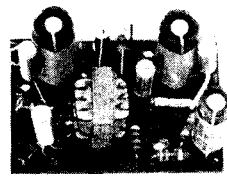


See in the Dark INFRA-RED BINOCULARS

These infra red from a high voltage source will enable objects to be seen in the dark, providing the objects are in the rays of an infra-red beam. Each eye tube contains a complete optical lens system as well as the infra-red cell. These optical systems can be used as lens for T.V. cameras—light cell, etc. (details supplied). The binoculars form part of the Army night driving (Tabby) equipment. They are unused and believed to be in good working order, but sold without a guarantee. Price 22/17/6, plus 10/- carriage and insurance. Handbook 2/6.



AMPLIFIER BARGAIN—NOT BEATABLE 750 mW TRANSISTOR AMPLIFIER



4 transistors including two in push-pull-input for crystal or magnetic microphone or pick-up—feed back loops—sensitivity 5 m/v. Price 19/6. Post and ins. 2/6. Speakers 3in. 12/6; 5in. 13/6; 6in. x 4in. 14/6.

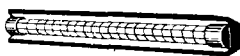
STUPENDOUS OFFER—£11 for £2

The Princess superhot described below is a very fine little set that has been most carefully designed for high performance. Only recently (under another name of course) this was on offer in many radio shops, for £10.19.6, but we have been fortunate in obtaining the parts at a very low price and now pass this saving on to you. If you act quickly you can purchase this for only 39/8 plus 3/6 post and insurance. Note these features: ● Long and Medium Wave ● Long clear dial with travelling pointer and slow motion drive ● Push pull output approximately 350 m.w. ● A.V.C. and feed back ● Dust cored H.Q. J.F. transformers ● High selectivity ferrite aerial ● Six tested and guaranteed transistors ● Back printed circuit board for fool-proof assembly ● Economy output circuit gives long life from PP3 battery ● Permanent magnet moving coil speaker ● Cabinet size 4 1/2 in. x 3 in. x 1 1/2 in. with carrying strap. You get over 80 parts (list value over £10). In fact everything you need and easy-to-follow wiring and aligning instructions. Don't miss this wonderful offer. Make up several while you have the chance. Use them as presents and you'll be loved for ever. Battery 1/9 extra. Data separately 2/6.



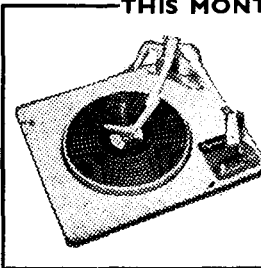
INFRA-RED HEATERS

Make up one of these latest type heaters. Ideal for bathroom, etc. They are simple to make from our easy-to-follow instructions—use silica enclosed elements designed for the correct infra-red wavelength (3 microns). Price for 750 watts element, all parts, metal casing as illustrated, 21/6, plus 3/6 post and ins. Pull switch 3/- extra.



THIS MONTH'S SNIP

GARRARD 1000 RECORD CHANGER



One of the latest record changers that this famous company make—Automatic selection of records which may be mixed—may also be played manually. Finger tip adjustment of Stylus pressure. Fitted with mono head—but pickup wired for stereo—suitable 200/250 A.C. mains—cabinet space required 14 1/2 x 12 1/2 with 4 1/2 in. above and 2 1/2 in. below. DON'T MISS THIS SPECIAL SNIP, ONLY 25/5/0. (Post and ins. 7/6.)

MAINS POWER PACK

MAINS POWER PACK designed to operate transistor sets and amplifiers. Adjustable output 6 v.-9 to 12 v. for up to 500 mA (class B working). Takes the place of any of the following batteries: 6FL, 6F2, 6F4, 6F6, 6F7, 6F9 and others. Kit comprises mains transformer-rectifier, smoothing and load resistor, 5,000 and 500 mfd. condenser. Zener diode and instructions. Real snip at only 14/6, plus 3/- post.

ANOTHER BRANCH FOR CALLERS

102/3 TAMWORTH ROAD, CROYDON, SURREY

ELECTRONICS (CROYDON) LIMITED

102/3 TAMWORTH ROAD, CROYDON, SURREY (Opp. West Croydon Station)
266 LONDON ROAD, CROYDON, SURREY (Opp. ABC Cinema, West Croydon)

post orders to: Dept. PE, SPRINGFIELD ROAD, EASTBOURNE, SUSSEX

FLUORESCENT CONTROL KITS

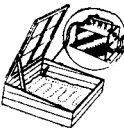
Our 80-watt kit for 5 ft. fluorescent tube is the best money can buy, it contains latest slim line (easy to hide away) choke made by one of England's largest companies—starter—tube ends—two chrome clips. All wired up ready—fit it in a liffy with just a few screws—and it's guaranteed for three years—price only 25/- complete, plus 3/6 post and ins., or complete as listed but not wired up 22/6, plus 3/6.

OTHER SIZES:

- 2ft. 20 watt wired 22/6 not wired 19/6 + 3/-
- 2ft. 40 watt wired 25/- not wired 22/6 + 3/6
- 3ft. 40 watt wired 19/6 not wired 17/6 + 3/-
- 4ft. 40 watt wired 19/6 not wired 17/6 + 3/-

SEED AND PLANT RAISING

Be first this year. Soil heating wire and transformer. Suitable for standard size garden frame, 12/6, plus 2/6 post and insurance.



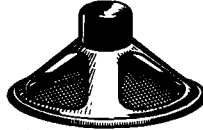
SOUND POWERED TELEPHONES

These require no batteries, in fact they have only to be connected by a pair of wires. They can thus be fitted into existing bell circuits. Results are extremely good and maintenance costs are nothing. Wall bracket not included, 15/- each, 3/6 post. Two post free.



SPEAKER BARGAIN

12in. High fidelity loud-speaker. High flux permanent magnet type. State whether 3, 15 or 80 ohm. speech coil. Will handle up to 10 watts. Brand new, by famous maker. Price 29/6, plus 3/6 post and insurance.



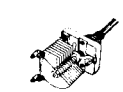
Waterproof Heater Wire

16 yds. length 70 watts, self regulating temperature control, 10/-, post free.



FOUR-STATION INTERCOM.

Will save time and improve efficiency. Ideal in home—office—shop—surgery, etc. Complete outfit comprises Master unit and three substations each of which can call the master and have full two-way working. No wiring problems as sub fitted with 60ft. twin flex and they plug into sockets. Also included is packet of staples—and battery. Nothing else to buy—27/15/-, plus 4/6 post and insurance.



FINE TUNERS

50 pf with long spindle as illustrated, 1/8, or 12/- doz. Twin 50 pf not quite such long spindle, 2/6, or 24/- doz.

SHEET PAXOLIN

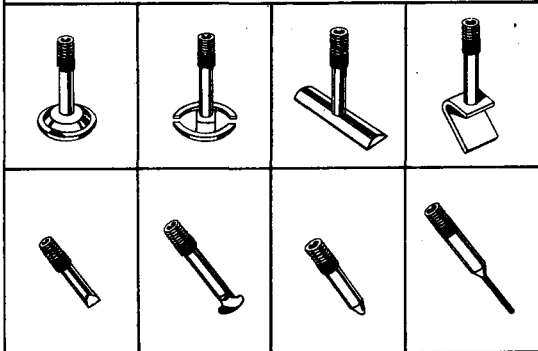
Ideal for transistor projects. Special offer 12 panels 5 x 8in. 5/-



OZONE OUTFIT—for removing smells and generally improving any oppressive atmosphere. Kit consists of Philips ozone lamp and mains unit, only needs box, 19/8, plus 3/6 postage and insurance.

When postage is not definitely stated as an extra then orders over £3 are post free. Below £3 add 2/6.

8 tips for practical soldering



NEW!

The Instant Heat Soldering Kit complete with tips, extension barrel, probe and solder. Complete £3 19 6
Ask for a demonstration from your local dealer or fill in the coupon below for full details.



SG 1225 KIT

Name

Address

BURGESS PRODUCTS CO. LTD.
SAPCOTE, LEICESTER.
Tel: Sapcote 292 Telex: 34549

PE/4/66

SEMICONDUCTOR PACKS AT SUPER-SAVE PRICES

TRANSISTORS FOR EXPERIMENTER,
KIT BUILDER, HOBBYIST
50 MIXED UNTESTED TRANSISTORS. . . 10/-

"FREE" ONE 10/- PACK OF YOUR OWN "FREE"
CHOICE WITH ORDERS VALUED
£4 (FOUR POUNDS) OR OVER

- 2 SIL. PLANAR 200 M/Gs TRANS. B8Y 26/27 STC . . . 10/-
- 15 AF RED SPOT TRANS. ALL FACTORY TESTED. PNP . . . 10/-
- 15 RF WHITE SPOT TRANS. ALL FACTORY TESTED. PNP . . . 10/-
- 3 HIGH CURRENT SWITCHING TRANS. OC42 MULLARD . . . 10/-
- 1 GERM. EPITAXIAL MESA. PNP. 500 M/Gs 2N700 . . . 10/-
- MOTOROLA . . . 10/-
- 1 AF139 GERM. TRANS. 1500 M/Gs V.H.F. 4 LEAD . . . 10/-
- 10 GOLD BONDED COMPUTER DIODES ASSORTED . . . 10/-
- 4 SUBMINIATURE SIL. RECT. 400 PIV 400 mA . . . 10/-
- 6 MATCHED MULLARD TRANS. 10C44 20C45 10C61D 20C61 . . . 10/-
- 1 60 WATT SIL. POWER TRANS. 5 M/Gs NPN . . . 10/-
- 4 OAS GERM. GOLD BONDED DIODES MULLARD . . . 10/-
- 4 ASSORTED NPN TRANS. OC139 2N1304 Etc. . . 10/-
- 2 10 AMP. SIL. RECT. 50 & 100 PIV. STUD . . . 10/-
- 2 POWER TRANS. 1 OC28 1 OC35 . . . 10/-
- 10 GERM. DIODES 6D10 STC EQVT. OAs1 160 PIV . . . 10/-
- 8 GLASS GERM. DIODES. 4 OA70 4 OA79 MULLARD . . . 10/-
- 5 SIL. RECT. 400 PIV 200 mA I.R. WIRE ENDS . . . 10/-
- 4 GERM. 1 AMP RECT. PIV. 200/300 AE1 STUD . . . 10/-
- 1 POWER TRANS. OC20 45 WATTS 100 VLTS. MULLARD . . . 10/-
- 4 ZENER DIODES 5.1 VLTS 1/2 WATT 5% MULLARD . . . 10/-
- 3 OC71 TRANS. MULLARD . . . 10/-
- 2 ZENER DIODES 10 VLTS 1/2 WATT. WIRE ENDS AE1 . . . 10/-
- 3 SIL. RECT. BY101 400 PIV. 400 mA THORN. AE1 . . . 10/-
- 1 SIL. CONTROLLED RECT. (SCR) 100 PIV 12 AMP . . . 10/-
- 6 SIL. RECT. 120 PIV 100 mA FERRANTI . . . 10/-
- 1 POWER TRANS. 90 WATT 40 VLTS. GERM. GLEVITE . . . 10/-

6 SIL. RECT. TYPE BY100 800 PIV. 550 mA . . . 20/-
50 MIXED ALL MARKED TRANS.
AF/RF SIL. & NPN TESTED . . . 35/-

LOW COST SILICON CONTROLLED RECTIFIERS TESTED—NEW

| PIV | 7 AMP | STUD TYPE | PIV | 16 AMP |
|-----|-------|-----------|-----|--------|
| 100 | 10/6 | | 100 | 10/6 |
| 200 | 15/- | | 200 | 25/- |
| 300 | 25/- | | 300 | 30/- |
| 400 | 30/- | | 400 | 40/- |
| 500 | 40/- | | 500 | 50/- |
| 600 | 45/- | | 600 | 55/- |

FREE CIRCUIT DIAGRAMS
WITH ALL SCR ORDERS

FIRST EVER EDUCATIONAL "LOGIC KITS"
£5.50 — DETAILS FREE

HUNDREDS OF OTHER SEMICONDUCTOR BARGAINS
INCL. S.C.R.s., UNIUNION TRANSISTORS, LIGHT
SENSORS, DUAL TRANSISTORS, RELAYS, TANTALUM
CAPACITORS, Etc. FOR COMPLETE LISTS AND TRANS-
SISTOR SUBSTITUTION CHART SEND 9d. IN STAMPS
MINIMUM ORDER 10/-, CASH WITH ORDER PLEASE
ADD 1/- POSTAGE & PACKING PER ORDER

POSITIVELY NO WAITING
BY RETURN POSTAL SERVICE

DAVIS & WHITWORTH LIMITED
SEMICONDUCTOR SPECIALISTS
220-224 WEST ROAD
WESTCLIFF-ON-SEA, ESSEX
Tel.: SOUTHEND 46344

Range is normally only a few yards. Such a circuit is interesting to build as an experiment, however, and a typical circuit is given in Fig. 3.6. It should be workable at close range with any reasonable c.w. transmitter. VR1 is adjusted to suit individual transistors.

ALL-TRANSISTOR RECEIVERS

The ultimate success of the all-transistor type of receiver depends to a large extent on the degree of stabilisation as well as individual transistor characteristics. With transistor amplification it is fairly simple to add further stages of d.c. amplification to provide a final current change sufficiently high to operate an actuator direct.

Basically, whilst it is a perfectly practical proposition to produce an all-transistor receiver circuit for carrier wave operation, a tone receiver, although slightly more complicated in circuit design requirements, will generally be easier to tune and less likely to be affected by changes in transistor characteristics. There are advantages in employing a tone transmitter as noted in Part 2 last month. Thus, most of modern transistor receiver designs are based on tone operation. The same basic receivers, of course, then have the possibility of being extended to multiple-tone operation, for example, via a reed bank switching output.

The transistor circuit design shown in Fig. 3.7 lends itself to extreme miniaturisation. A typical commercial receiver of this type⁸ has been built on a printed circuit board $1\frac{1}{2}$ in \times 1 in. An output current of up to 350mA is available for operating an actuator with an 8 ohm coil direct.

One of the main operating characteristics of the super-regen. receiver is very broad tuning. Although individually tuned to a specific transmitter frequency, such a receiver will normally pick up any other signals within, and even adjacent to, the 27 Mc/s band. Equally, most tone receivers will respond to super-imposed tone frequencies between 200 and 1,000c/s, although performance may be rather more critical as regards percentage modulation of the carrier.

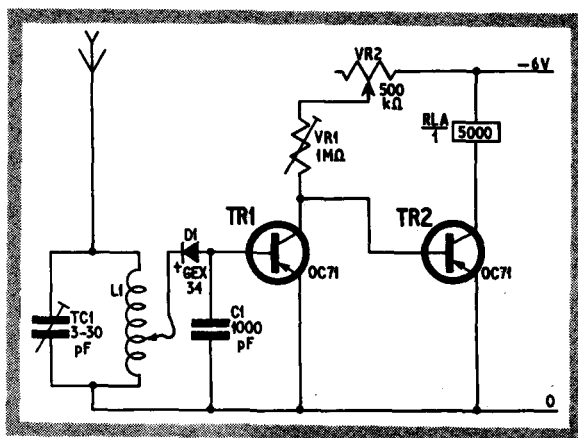


Fig. 3.6. Simple transistor receiver using a semiconductor diode for detection

It is thus virtually impossible to operate two or more transmitter/super-regen. receiver combinations simultaneously in close proximity, although each may be tuned to nominal "spot" frequencies at opposite ends of the band. Furthermore, one super-regen. receiver is likely to interfere with the operation of another adjacent super-regen. receiver operating at the same time. All super-regen. receivers are particularly susceptible to interference from any stray signals of sufficient strength which may be present in the 27Mc/s band.

SUPERHET

The superheterodyne receiver overcomes this limitation by virtue of its extreme selectivity, albeit at a considerable complication of the additional front-end circuitry, and in alignment for initial setting up. Although individual superhet designs have appeared over the years, commercial production of this type of receiver is a very recent innovation and, in line with modern development, is invariably based on the all-transistor receiver of the "tone" type—see Fig. 3.8.

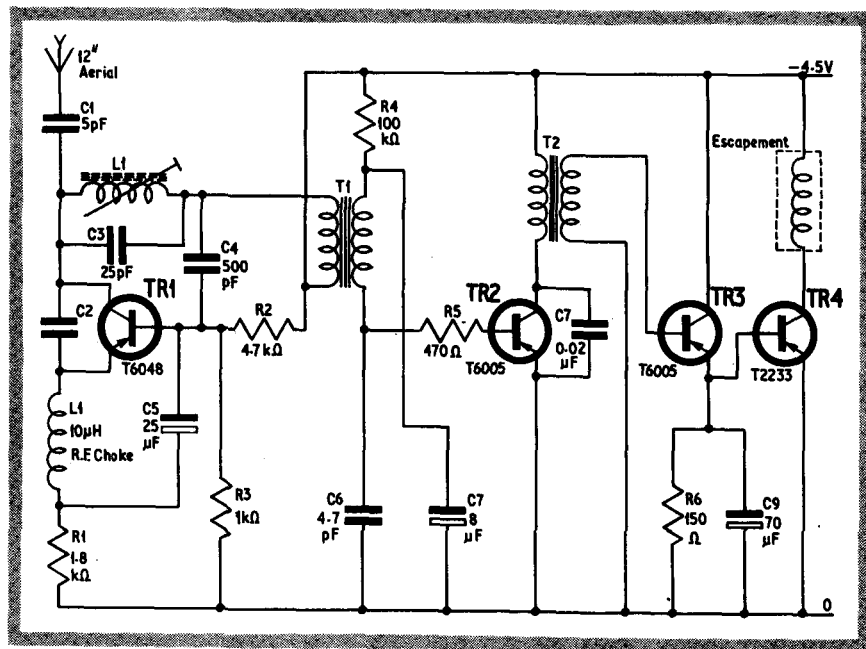


Fig. 3.7. All-transistor super-regenerative receiver

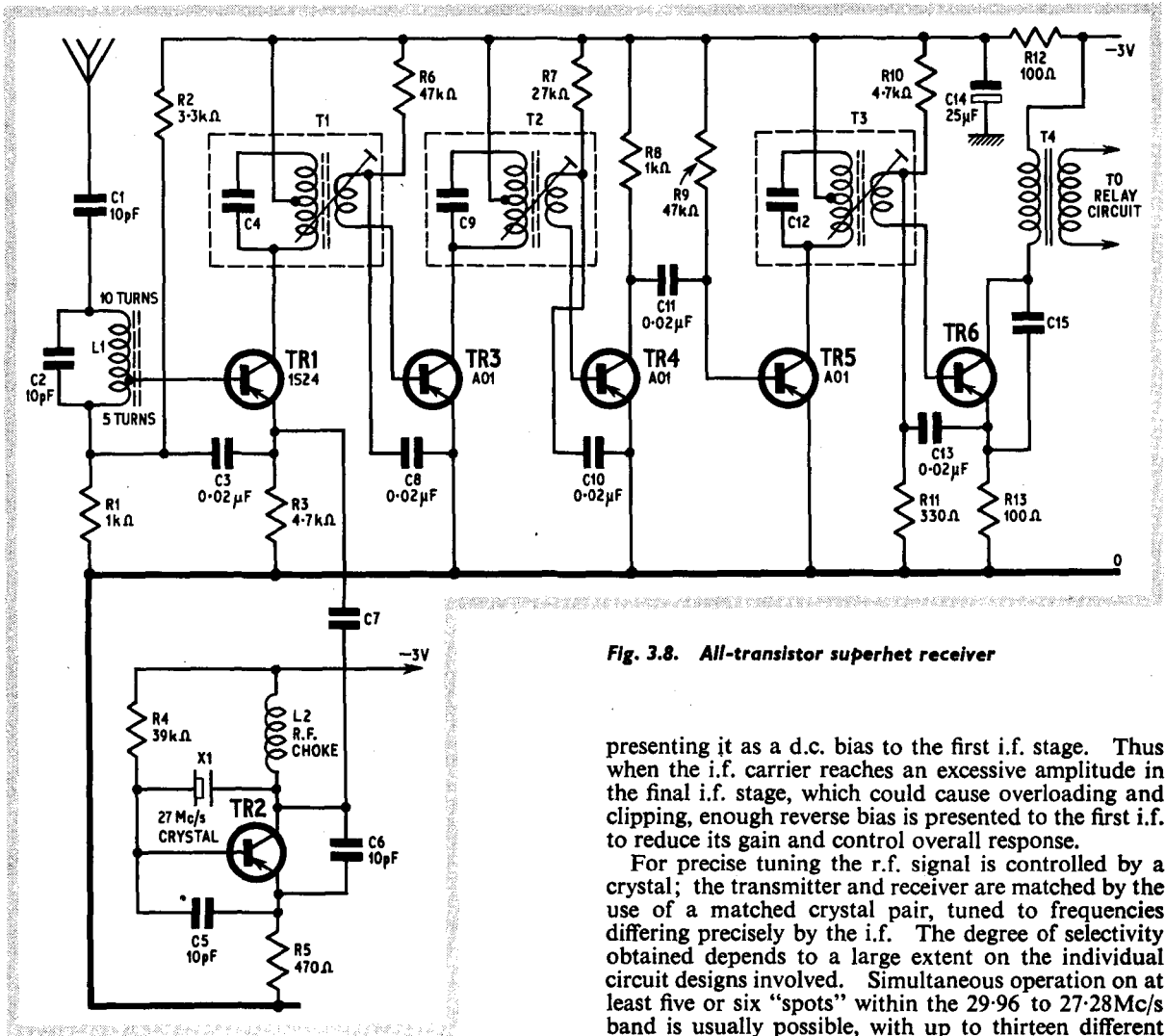


Fig. 3.8. All-transistor superhet receiver

presenting it as a d.c. bias to the first i.f. stage. Thus when the i.f. carrier reaches an excessive amplitude in the final i.f. stage, which could cause overloading and clipping, enough reverse bias is presented to the first i.f. to reduce its gain and control overall response.

For precise tuning the r.f. signal is controlled by a crystal; the transmitter and receiver are matched by the use of a matched crystal pair, tuned to frequencies differing precisely by the i.f. The degree of selectivity obtained depends to a large extent on the individual circuit designs involved. Simultaneous operation on at least five or six "spots" within the 29.96 to 27.28Mc/s band is usually possible, with up to thirteen different spot frequencies available and capable of being worked. Simultaneous operation, in this respect, means that this number of separate transmitter-receiver combinations can be operated simultaneously without interfering with one another.

The superhet-receiver, of course, is also not likely to be affected by spurious signals within the 27Mc/s band, unless these coincide exactly with, or embrace, the actual "spot" frequency of operation, and then only if present at a suitable strength. The superhet. receiver is regarded as the preferred type for model radio control work because it is possible to operate more than one transmitter-receiver combination simultaneously with general freedom from interference. It is, however, considerably more expensive to produce than its super-regen. counterpart; and the additional cost is less justified in the case of single-channel receivers than multi-channel receivers.

References

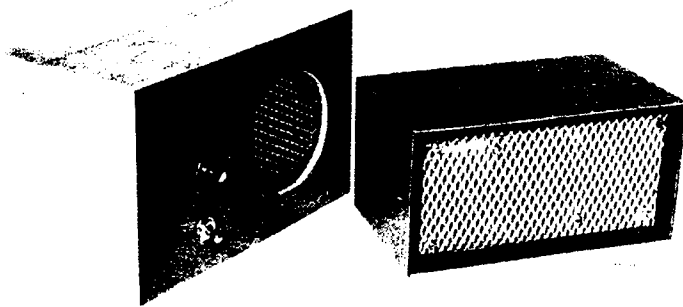
1. Ivy AM carrier receiver (also produced in kit form by Macgregor Industries.)
2. Orbit single-channel tone receiver.
3. Otation sub-miniature receiver.

Next month: Design aspects for single channel actuators

The i.f. normally chosen is between 450 and 475kc/s, 455kc/s being generally used in America and 470kc/s in this country. Receiver oscillator frequency is normally made lower than the signal frequency as this gives greater efficiency in the tuned circuits. After mixing, up to five stages of i.f. amplification may be used, although some circuits may be worked with only a single i.f. stage; although two i.f. stages are a more usual minimum.

Automatic gain control (a.g.c.) is more or less obligatory since the gain through the i.f. amplifiers is not self-limiting, and overloading can prevent operation of the receiver. The stronger the input signal from the transmitter the stronger the output from the i.f. coils. When using a transmitter with less than 100 per cent modulation, clipping and distortion takes place to the point of elimination of modulated or tone signals within the i.f. stages. This is particularly significant in the case of multi-channel receivers, which are basically similar in design to single-channel tone receivers. The function of a.g.c. is to limit the total overall gain, proportional to the strength of the input signal, by rectifying part of the i.f. signal at the last i.f. stage and

HOME AIDS SECTION



BABY ALARM

by G. GODBOLD

A REMOTE indicator provides an invaluable aid in monitoring a child's distress calls, when the parents are so engaged to be normally unaware of its discomfort. The alarm system described here can be adapted to form a communications link between any two rooms in the house. It is extremely sensitive, powerful, and of reasonable quality to make the calls intelligible.

Some baby alarms can be unreliable if the sensitivity is poor; this circuit overcomes this problem and, indeed, is so sensitive that sound many feet away can be picked up without difficulty.

HIGH GAIN

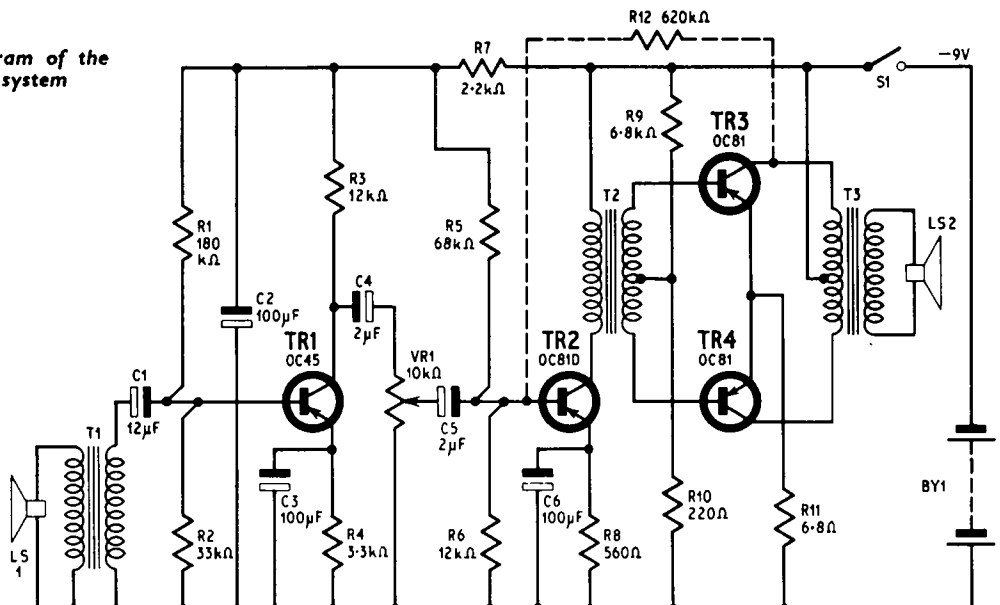
The circuit is, in essence, a three-stage audio amplifier providing a high gain output from a push-pull class B pair of transistors. A loudspeaker is used as a microphone connected to a 1:50 input transformer, which

provides a voltage step-up and impedance matching to the input impedance of TR1. Resistors R1, R2, and R4 provide a stabilized bias to the transistor with C3 acting as an a.c. bypass.

The output from this stage is tapped off by the wiper of VR1, which serves as a sensitivity control, and fed to the base of TR2. This is the driver which supplies the signal to the output pair TR3 and TR4, via a phase splitting transformer T2. Both TR3 and TR4 must be matched to avoid undue distortion arising from differing current gains.

Overall negative feedback was not found necessary, as the degree of distortion was quite acceptable for the purpose intended. Also gain was considered of greater importance. If this distortion is unacceptable a negative feedback resistor (620 kilohms) can be connected between TR3 collector and TR2 base. This is shown dotted in Fig. 1. Output linearity and hence distortion will be improved at the expense of some gain.

Fig. 1. Circuit diagram of the complete baby alarm system



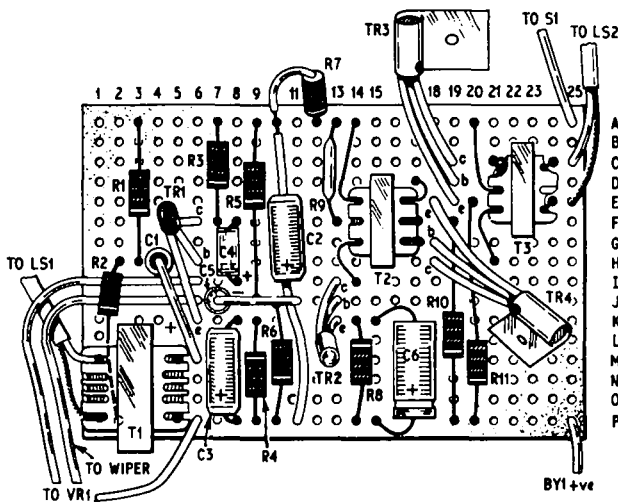


Fig. 2a. Assembled components on a piece of Veroboard. The two loudspeakers, the sensitivity control VR1, battery, and switch are not mounted on the board but the connections for these are shown. TR3 and TR4 are fitted with cooling clips (see text)

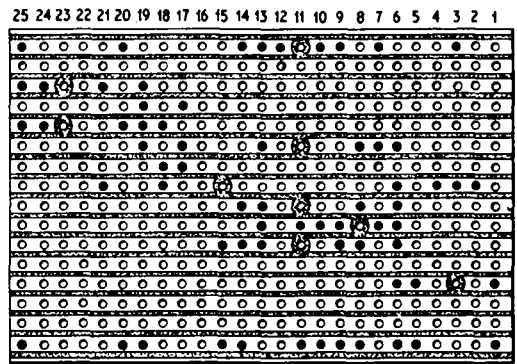


Fig. 2b. Underside view of the wiring board showing the copper strips. These strips need to be cut in nine places (as shown) using a spot-face cutter or sharp knife. The black dots show where components and wires are connected

HEAT SINKS

It is recommended that heat sinks should be used on TR3 and TR4 to contribute to thermal stability. The transistors are fitted with copper cooling clips (obtainable from most component specialist shops), which are bolted to two pieces of 16 s.w.g. aluminium or copper measuring at least 7cm x 5cm.

In the prototype box, a piece of 16 s.w.g. aluminium was bent to a right-angle and screwed to the top in such a position that it was close to the transistors standing up on the component board. They are

easily fastened to this heat sink.

The output transformer matches TR3 and TR4 to a 3 ohm loudspeaker. The other loudspeaker LS1, used as a microphone, is also a 3 ohm type, which is mounted separately in its own case, 7in x 4in x 3in.

The amplifier, switch, and battery were housed in a box 8in x 4in x 5in. The battery is held in place by a spring clip screwed to the box.

Single core screened microphone cable was used to connect LS1 to T1. No hum was apparent when a 25ft length was used on the prototype. ★

COMPONENTS...

Resistors

| | |
|----------|----------------------|
| R1 180kΩ | R7 2.2kΩ |
| R2 33kΩ | R8 560Ω |
| R3 12kΩ | R9 6.8kΩ |
| R4 3.3kΩ | R10 220Ω |
| R5 68kΩ | R11 6.8Ω 5% 3 watts |
| R6 12kΩ | R12 620kΩ (see text) |

All 10% ½ watt carbon, except R11

Potentiometer

VR1 10kΩ log. carbon

Capacitors

| |
|---------------------|
| C1 12μF elect. 25V |
| C2 100μF elect. 15V |
| C3 100μF elect. 15V |
| C4 2μF elect. 10V |
| C5 2μF elect. 10V |
| C6 100μF elect. 15V |

Transformers

| |
|---|
| T1 "Miniature" type output transformer 50:1 (Radiospares) |
| T2 Driver transformer (Repanco TT45) |
| T3 Output transformer (Repanco TT46) |

Switch

S1 single-pole, on/off toggle

Transistors

| | |
|--------------------|--------------------------------------|
| TR1 OC45 (Mullard) | } (Mullard package LFH3 matched set) |
| TR2 OC81D | |
| TR3 OC81 | |
| TR4 OC81 | |

Loudspeakers

| |
|----------------------|
| LS1 3 ohms 2½in dia. |
| LS2 3 ohms 3½in dia. |

Battery

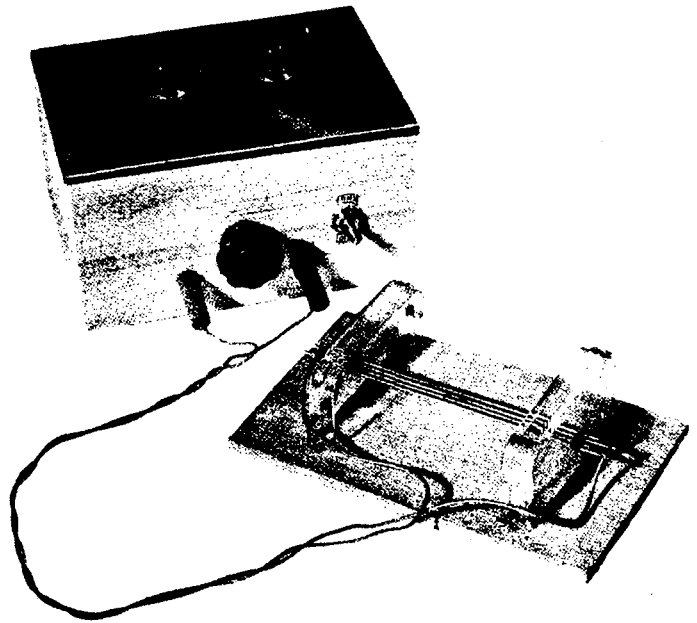
BY1 9 volts (Vidor VT3)

Miscellaneous

Veroboard 3½in : 2½in, 0.15in pitch
 Wood for amplifier case 4½in : ½in : 2ft
 Plywood front panel 8in : 5in
 Wood for LS1 case
 Cooling clips for TR3 and TR4
 Copper or aluminium heat sinks (see text)
 Expanded metal loudspeaker grille

RAIN SENSOR

by G.M.HARVEY



WITH this simple electronic device the clothes line can be left fully laden, without the housewife worrying about the possibility of rain. A rain sensor can be left in the garden; its two connecting wires lead to a flashing alarm in the house.

SENSOR CIRCUIT

The sensor is an arrangement of parallel thick wires, alternate wires being electrically connected together as shown in the photograph. If a raindrop is caught by two adjacent conductors of the sensor it forms a relatively low resistance path to d.c., which virtually connects TR1 base to VR1 wiper via R1.

VR1 acts as a sensitivity control which can be preset to provide the correct bias condition for TR1. The conductance of the raindrop and separation of the conductor wires on the sensor will determine the setting of VR1. Resistor R1 acts as a base current limiting resistor to prevent accidental damage to TR1 in the event of a dead short across the sensor wires.

The potentiometer is normally set so that maximum collector current is drawn when the input (base) circuit is complete; the transistor is said to be "bottomed".

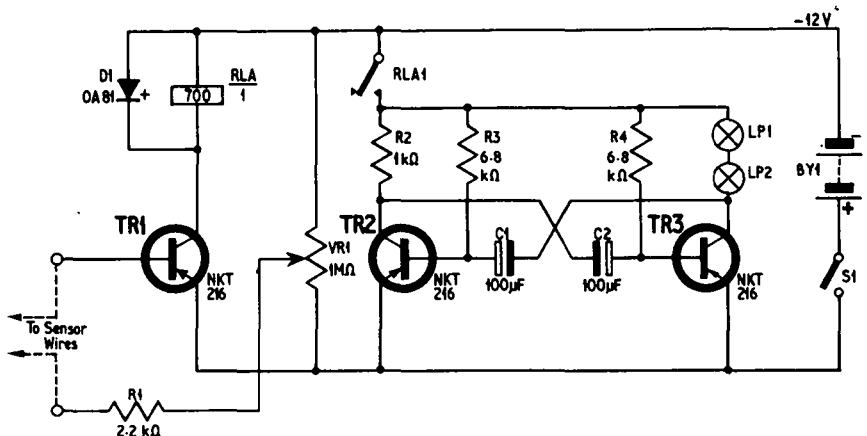
This is about 6mA higher than the operating current of the relay RLA, so its action is immediate.

The diode D1 acts as a low resistance load, which suppresses high transient currents induced by the inductive load RLA. This will avoid undue damage to the transistor.

ALARM FLASHER

The relay's operation closes RLA1 and connects the battery supply to a multivibrator circuit. The indicator lamps at the collector of TR3 are made to flash due to the interchange of cumulative action between the transistors TR2 and TR3. The flashing time is determined by C1 and R3, and C2 and R4. The time per cycle in this circuit is approximately 0.5 second but if required this can be altered by reducing the values of C1 and C2 for faster flashing. Two 6 volt lamps are connected in series and will have almost the whole battery voltage across them at the commencement of each cycle, due to the "bottoming" of TR3. If low current lamps are used (6V, 0.06A) the current drawn should be well within the maximum rating of TR3 collector.

Fig. 1. Circuit diagram of the rain sensor unit. The sensor wires are connected alternately together as shown in the photograph above



COMPONENTS . . .

Resistors

R1 2.2k Ω R3 6.8k Ω
 R2 1k Ω R4 6.8k Ω
 All resistors 10%, $\frac{1}{2}$ watt, carbon

Potentiometer

VR1 1M Ω linear carbon

Capacitors

C1 100 μ F elect. 25V
 C2 100 μ F elect. 25V

Transistors

TR1, TR2, TR3 NKT 216 (3 off)
 (Newmarket)

Diode

DI OA81 (Mullard)

Relay

RLA 700 Ω 12V Type MH2
 (Keyswitch Relays Ltd.)

Lamps

LP1, LP2 Panel lampholders, m.e.s.
 with bulbs, 6V, 0.06A, m.e.s. (2 off
 each)

Battery

BY1 12V, made up from four 3 volt
 batteries (type 72, Ever Ready)

Switch

SI Single pole, on/off, toggle switch

Miscellaneous

Veroboard 3 $\frac{1}{2}$ in \times 2 $\frac{1}{2}$ in (or as required)
 Wander plugs and sockets (2 off each)
 Battery connectors and plastics case
 (see text)
 P.V.C. covered wire
 Wood for box 4 $\frac{1}{2}$ in \times $\frac{1}{2}$ in \times 18in
 Wooden baseboard, plastics sheet, and
 wires for the sensor (see text)

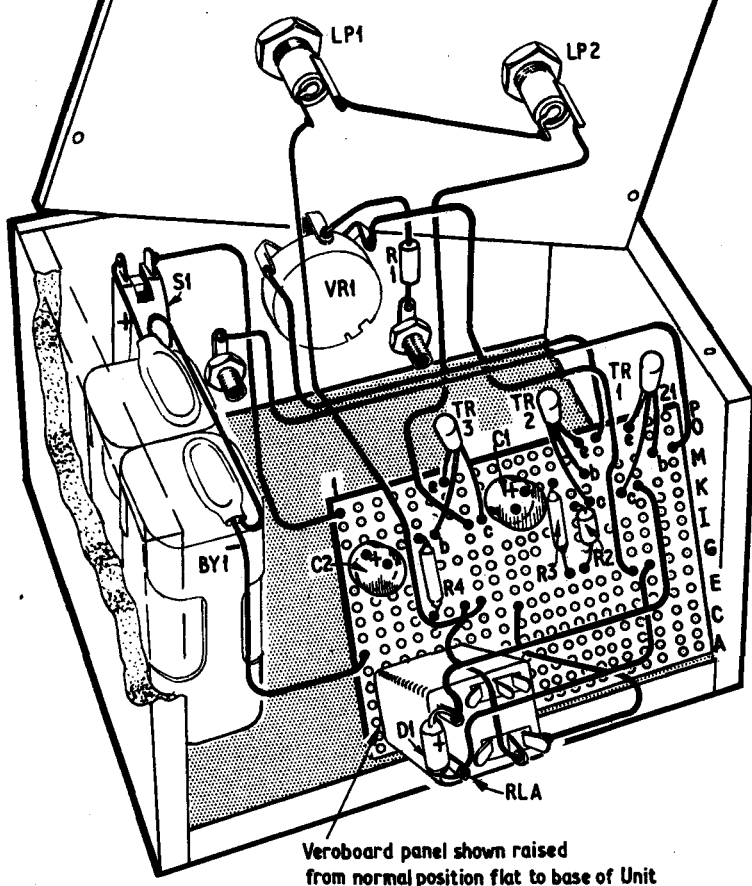


Fig. 2. Layout of the components in the box. The top-side of the wiring board is tilted forward to show the component wiring clearly

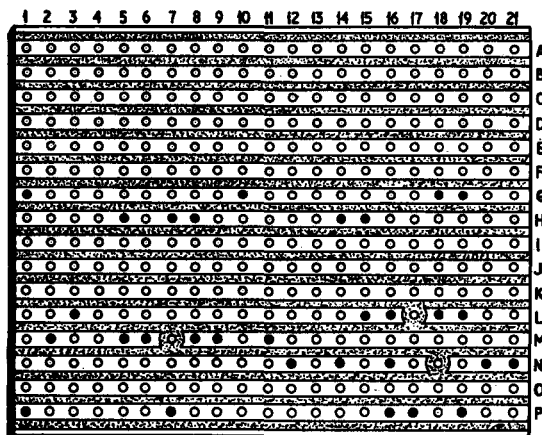


Fig. 3. Underside of the wiring board showing connections (black dots) and breaks in the copper strips

On "stand-by" the current drain is negligible. When operative an average of about 60mA per flashing cycle is drawn. This led to a choice of power supply made up from four 3 volt batteries arranged in series to give 12 volts. This voltage is required to operate RLA.

The battery pack can be made up from four batteries, type 72, each of which consists of two cells, type 1915. They can be conveniently housed in two plastics containers specially made and fitted with connecting strips for the purpose. These containers are obtainable from G. W. Smith & Co. (Radio) Ltd., 3 Lisle Street, London, W.C.2.

MAKING THE SENSOR

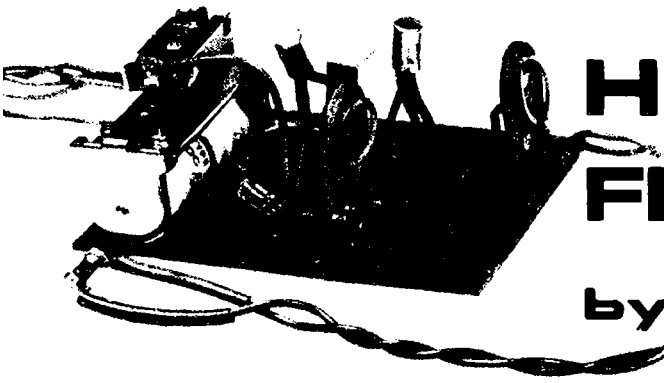
The sensor itself is made by fitting four (or more) straight parallel tinned copper wires to two plastics side supports. These supports should be impervious to moisture, as any absorption by the supports would trigger the alarm unintentionally; hence, wood is not recommended.

If 16 s.w.g. wire is used the holes in the side supports can be drilled with a $\frac{1}{16}$ in diameter drill. The distance between any two wires should not exceed $\frac{1}{8}$ in so the pitch between centres would be $\frac{1}{8}$ in. Alternate wires are connected together (see photograph). The length and number of wires used is a matter of choice, but obviously the larger the "catching" area the greater the

sensitivity to a passing shower. When soldering on the wires, it is recommended that pliers are applied between soldering iron and plastics support, to prevent the plastics melting and loosening its grip on the wires.

The layout of components on the wiring board is not critical and it would be possible to reduce this layout area on a smaller board, thus reducing the size of the finished article.

The housing is a made up wooden box 6in \times 4 $\frac{1}{2}$ in \times 3in, but a metal box would probably provide a more pleasing appearance. ★



HEATER OR FIRE MONITOR

By GORDON J. KING

THIS unit was designed as a greenhouse heat failure system. It can of course be adopted for other temperature monitoring purposes, as will be appreciated from the following description of its function.

With the kind of application in mind, close temperature tolerance is not essential and since the relatively high temperature at the top of the correctly working heater can easily be "monitored", a thermistor has been employed as the temperature sensing element. This device works in conjunction with a two-stage transistor d.c. amplifier, the second stage being suitable for energising a magnetic relay which, in turn, switches the alarm bell.

CIRCUIT OPERATION

If the base current of TR1 is turned off either by disconnecting the thermistor X1 or the thermistor battery connection at point "A" on the battery pack, the conductivity of TR2 is then governed by the base current delivered by the base potential-divider comprising R2, VR2, R3. The smaller the total value of the top section (R2, VR2), the greater the base current and hence the greater the collector current.

The preset control VR2 allows the conductivity of TR2 to be adjusted until the collector current is suitable to energise the relay RLA. The maximum, safe amount of collector current is, of course, governed by the type of transistor used, so a relay must be chosen whose operating sensitivity falls within the power capabilities of TR2.

The Mullard OC72, or equivalent, has sufficient power reserve to work a relay calling for up to about 20mA at a voltage not greater than about 10. The Post Office type 3000 relay with a 500-ohm coil satisfies these requirements. There are other relays suitable for instance, the Omron, supplied by Key-switch Relays Limited, type 2051 is available with a 650-ohm coil, which operates at about 12mA. This component is illustrated in the accompanying diagrams.

SETTING TR2

The second preset potentiometer VR2 is adjusted so that the relay energises, ensuring that TR2 collector current does not exceed 20mA. This can be achieved either by putting a milliammeter in series with TR2 collector circuit or by measuring the d.c. voltage across the relay coil, assuming that the coil resistance is known. The voltage is equal to the current in amperes times the resistance. Thus, a 500 ohm relay would be passing 20mA when the voltage measured across it is 10.

It will be seen that the collector/emitter circuit of TR1 is across R3, the bottom arm of the potential-divider of TR2. With the thermistor (hence, base circuit of TR1) disconnected, the effect of TR1 across R3 is negligible. However, when the thermistor circuit is connected TR1 base current flows and causes TR1 to conduct.

The degree of conductivity of this transistor depends on (a) the setting of the "set temperature" preset VR1 and (b) the resistance of the thermistor. The thermistor is an element whose resistance falls as its

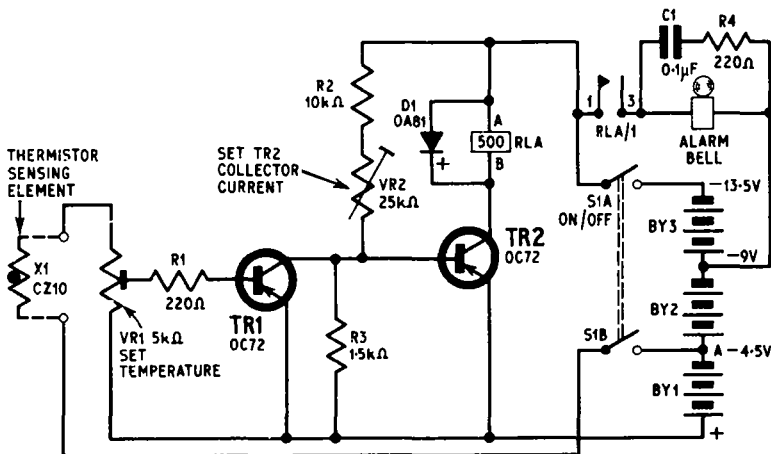


Fig. 1. Circuit diagram of the heater or fire monitor. IMPORTANT: The left hand relay contact should be marked "2" and not "1" as shown

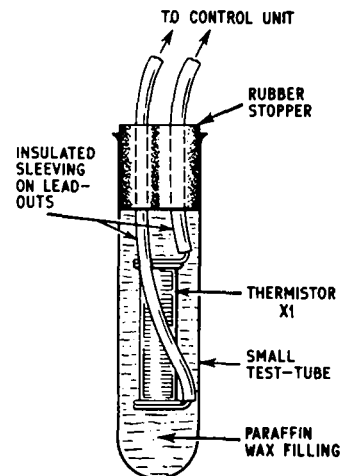


Fig. 2. Housing for the sensing element

temperature rises. The resistance at nominal ambient temperature, say, 25°C differs between thermistors of different types, though the ratio of resistance change with temperature change does not differ greatly. Ambient or "cold" resistance can be less than 400 ohms or greater than 140 kilohms, depending on type.

A thermistor with a medium value cold resistance is best suited to the application in hand, and the Brimar CZ10 was found to be suitable. This component drops to about 150 ohms at its maximum temperature (about 200°C).

ENVIRONMENT TEST

Assuming that TR2 has been adjusted as previously explained, the thermistor battery circuit should next be connected and the thermistor should be subjected to an environment whose temperature is in the order of that likely to be encountered in the greenhouse, room, or other premises with the heater inactive.

The relay must remain energised under this condition. This is achieved with VR1 correctly adjusted because in spite of the thermistor battery circuit being connected the conductivity of TR1 is still limited by the high, cold resistance value of the thermistor. Thus, the collector-emitter circuit of TR1 will still have little shunting effect across R3.

When the temperature of the thermistor rises, or at the temperature of the heater monitored as previously described, the resistance of the thermistor will be considerably lower than its cold value. This will incite TR1 base current, thereby increasing the conductivity of the transistor, the effect of which is to increase the shunting across R3. This pulls back the base current of TR2, and thus reduces the collector current to a value where the relay de-energises.

COMPONENTS . . .

Resistors

- R1 220Ω
- R2 10kΩ
- R3 1.5kΩ
- R4 220Ω
- All 10%, ½W carbon

Potentiometers

- VR1 5kΩ open skeleton type preset (Radiospares)
- VR2 25kΩ preset

Capacitor

- C1 0.1μF paper

Thermistor

- X1 CZ10 (Brimar) or similar

Transistors

- TR1, TR2 OC72 (2 off)

Diode

- C1 OA81

Relay

- RLA Omron type 2051, 650 ohm coil (Keyswitch Relays Ltd.)

Switch

- S1 D.P.S.T. toggle

Batteries

- BY1-3 3 × 4.5V flat flashlamp type (3 off)

Miscellaneous

- Veroboard, 16 strip × 21 holes
- Test tube, rubber stopper, paraffin wax.
- Electric bell 4.5/6V d.c.

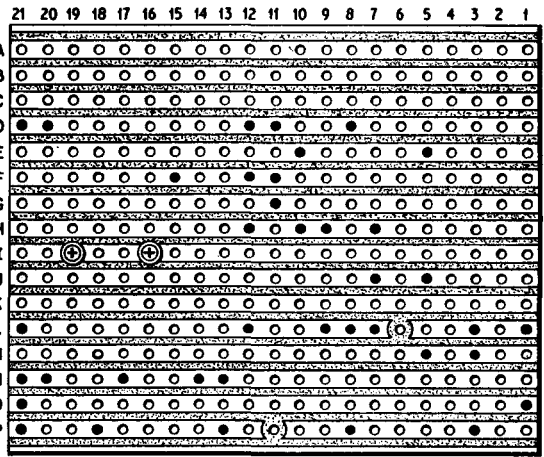


Fig. 3. Strip-side of the Veroboard

SETTING VR1

To get the system working properly, therefore, VR1 must be set for maximum sensitivity at the required temperature. The idea, then, is to adjust VR1 so that the relay is truly energised when the temperature immediately above the heater is considered too low for safety. When the relay is so energised, the contacts close and put the bell in series with BY3 battery section. If the setting of VR1 is correct, the relay will de-energise when the air from the top of the heater is allowed to increase the temperature of the thermistor. This is the "normal" condition, of course, with the alarm bell muted.

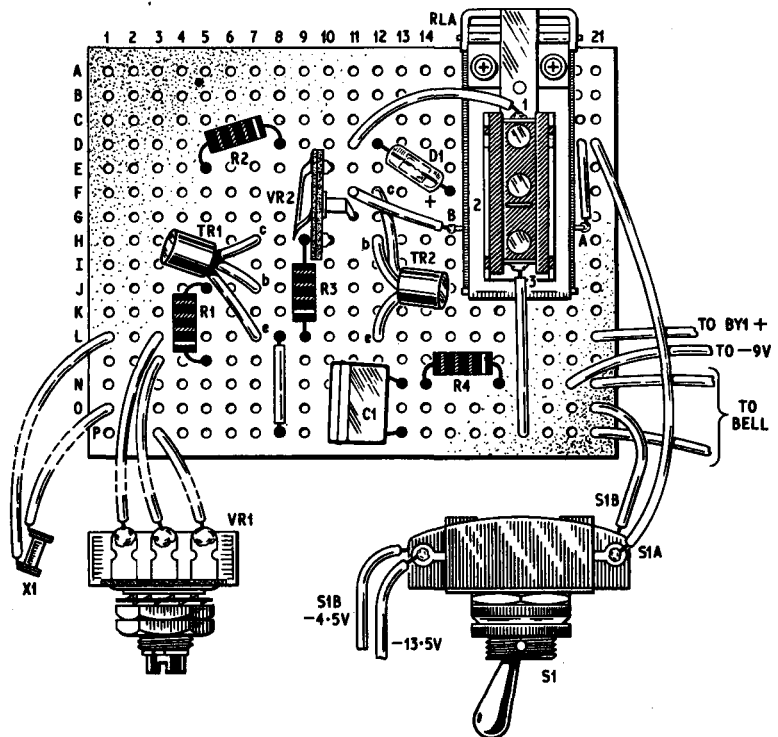


Fig. 4. Arrangement of components. **IMPORTANT:** The lead shown connected to tag "1" on the relay should in fact go to tag "2"

BATTERIES

The unit is run from three 4.5 volt flat flashlight batteries. The full 13.5 volts is applied to TR2, via the relay, the 4.5 volts of BY3 operates the bell and the 4.5 volts of BY1 supply the base current of TR1, via the thermistor and VR1. R1 is a current limiting resistor, but on no account should the thermistor or its leads be short-circuited as this could result in a damaging current in the emitter-base junction of TR1.

Diode D1 across the relay winding suppresses transient pulses that may otherwise harm the transistor, while the capacitor-resistor series network C1, R4 across the bell minimises interference from this source.

A double-pole, single-throw switch disconnects the supply from both the base of TR1 and from TR2 when the unit is switched off.

HOUSING THE EQUIPMENT

The circuit can be built upon a piece of Veroboard or eyelet board, or a printed-circuit could be produced to accommodate it. This board can then be housed along with the three batteries in a suitably-sized wooden box. It is important to place the unit at a site of fairly normal ambient temperature. On no account should the unit itself be allowed to sample heat direct from the heating appliance.

The thermistor should be connected to the unit through a length of flexible cable, and one way of housing this component is shown in Fig. 2. Here the thermistor is contained within a small test-tube filled with a heat conducting insulating material, such as paraffin wax. The tube is sealed with a rubber stopper, through which the connecting leads are passed. ★

AUTO NIGHTLIGHT

By GORDON J. KING

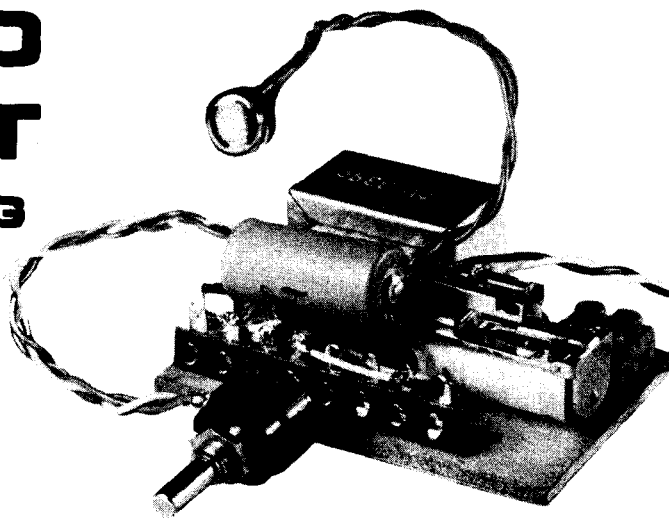
THIS project illustrates very simply a useful application of the photoconductive cell. It is a device that automatically switches on an electric light (i.e., a hall lamp or a table lamp) at dusk and switches it off again at dawn. Many readers have written to us of their interest in such a device, especially as a means of discouraging intruders when the house is left unoccupied over night, the light switching on at dusk, of course, giving the impression that a human element is present in the house.

PHOTOCONDUCTIVE CELL

The prime component of the project is the photoconductive cell, sometimes called a light-sensitive resistor. This component is made of cadmium sulphide and has a resistance value that changes widely with changes in light intensity falling upon it. The particular cell used here is the Mullard type ORP12 and this has a dark resistance (i.e. unity lux) of about 10 megohms. Under full light conditions this resistance falls to between 75 and 300 ohms.

The ORP12 is encapsulated in plastic, and is of "button" construction, one side of which is transparent to allow the unrestricted passage of light. The other side carries the two leadout wires which should not be bent nearer than 1.5mm to the seal. When these leadout wires are soldered the heat conducted to the encapsulation should be kept to a minimum by the use of a "heat shunt".

In many applications, the photoconductive cell is arranged to control the bias of a transistor or valve or some primary circuit to give rise to a secondary action, like the operation of a relay in the anode or collector circuit of a valve or transistor. However, in the device under discussion the cell is arranged to operate a relay direct. This is possible provided the maximum power dissipation and the maximum voltage of the cell are not exceeded.



The author has discovered that consistent results are possible with the ORP12 which has a maximum power dissipation of 200mW from 20 to 40°C, falling to 110mW at 50°C. The maximum voltage rating is 110. The relay required should have a coil resistance of about 10,000 ohms, pulling in at about 5mA at 50 volts.

HOW THE DEVICE FUNCTIONS

The circuit of the auto nightlight is shown in Fig. 1. It is powered from the mains supply through the mains transformer T1, which has isolated primary and secondary windings. The specified transformer has a

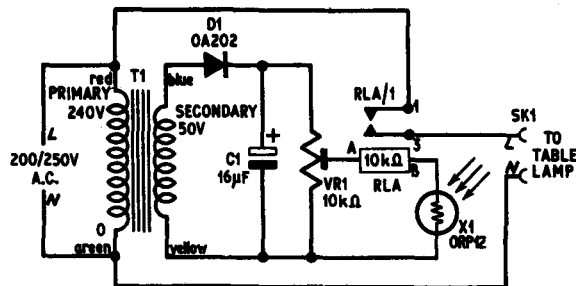


Fig. 1. Circuit diagram of the auto nightlight

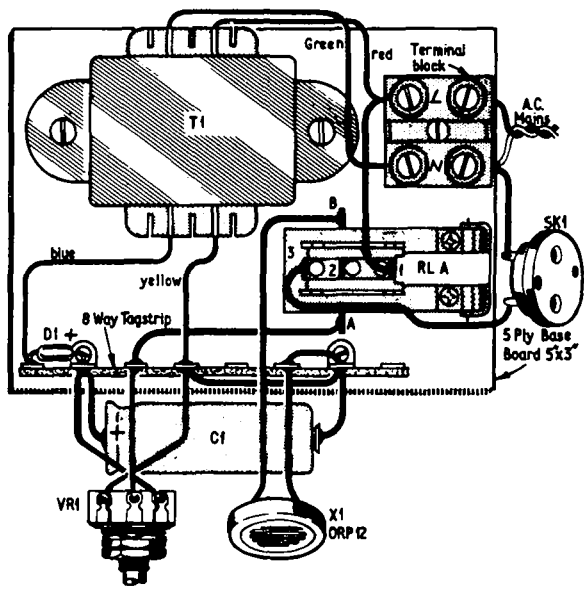


Fig. 2. Layout of components and wiring. The baseboard can form the bottom panel of a wooden case

240V primary which will suit most domestic installations. The secondary winding delivers about 50 volts (r.m.s.) at 30mA.

This secondary supply is rectified by D1, which can be a small germanium or silicon diode of suitable p.i.v. rating and C1 is the reservoir capacitor. The resulting d.c. voltage is applied across a preset resistor VR1 controlling the sensitivity of the device.

The photoconductive cell X1 is connected in series with the winding of the relay, and VR1 is adjusted for relay "hold-on" under the ordinary daylight ambient lighting conditions at the site of the cell.

Clearly, then, when the ambient illumination falls below a level preset by VR1, the current in the relay will fall below its "hold-on" value, the relay will de-energise and the contacts will make, switching on the light. Conversely, when the light intensity at the cell rises again the relay will re-energise and the lamp will be switched off.

DESIGN CONSIDERATIONS

There are one or two design factors that must now be considered. Assuming that the maximum d.c. voltage across VR1 is 60 and that VR1 is adjusted for full output voltage, maximum dissipation occurs in X1 when the light falling upon it causes its resistance to equal the resistance of the relay winding (about 10,000 ohms). Under that condition the voltage across the cell will be half the supply voltage, or 30 volts.

Now, power dissipation in such a circuit is equal to E^2/R , where E is the voltage across the element. Thus, we have $30^2/10,000$, which works out to 90mW, well within the 200mW rating of the ORP12.

However, the voltage across VR1 should never exceed about 80, and if a voltage of this magnitude is necessary to operate the relay properly, then a cell with a higher maximum dissipation and a suitable voltage rating should be employed.

It should also be noted that the cell should not be operated at below -30°C and if its temperature (due to sun etc.) rises above 40°C it must be derated powerwise.

COMPONENTS . . .

Potentiometer

VR1 10k Ω wire wound preset

Capacitor

C1 16 μF electrolyte 150V

Transformer

T1 Miniature main transformer. Primary 0-240V. Secondary 50V 200mA. Type MS 3390. Belclere Co. Ltd., 385/387 Cowley Road, Oxford

Diode

D1 OA202 Mullard (or similar silicon diode with p.i.v. of 150V and 30mA forward current)

Relay

RLA Miniature relay. 10k Ω coil, 50V approx., 4-5mA. Single pole contacts rated at 5A. Omron type 2051 with 48 volt coil. Key-switch Relays Ltd.

X1

Photoconductive cell. ORP12 Mullard

Miscellaneous

Material for housing (wooden or plastic case).
Two-way terminal block. Eight-way tag strip.
Connecting wire.

MOUNTING ARRANGEMENTS

The cell should be placed so that it is capable successfully of monitoring external light conditions. Moreover, it should be shielded from the room lights. There would not be a lot of point if the device operated at dusk and was then promptly affected by the light going on in the room!

The photoconductive cell can either be integral to the unit or it can be connected to it through a length of plastic-covered flex. In the former case, the unit as a whole can be mounted in the corner of a window, while in the latter case the cell can be built into a small tubular housing, this being sited for maximum response to outside light and minimum response to inside light.

Attention should be given to the insulation on the external leads and cables, for although there is only a maximum of 60 volts on the photoconductive cell cable, this could give a nasty shock to sensitive people. Even more important is the insulation on the mains supply circuit, and the plugs, sockets and cable connecting to the electric light. Poor insulation here could be lethal.

It is best to build the unit as a whole into a small plastic or wooden (non-metallic) box, for in any event the relay should be well protected both mechanically and from dust. The relay contacts must have a rating of, at least, 2 amperes at 240 volts a.c., but usually the contacts are rated at 5 amperes.

AN ADDITIONAL REFINEMENT

One refinement that may be considered worthwhile is the inclusion of a thermistor in series with the relay winding. This would give a delay in operation of the relay, so that should, for instance, the cell be illuminated intensely, say, from the headlight of a passing motor vehicle, the delay in relay operation would keep the winding de-energised during a normal period of time expected by this kind of transient illumination.

A suitable thermistor is a Mullard VA1067, but it must be remembered that this will act as a current limiter and thus call for a greater d.c. operating voltage. ★

Practical Electronics

MAY 1966

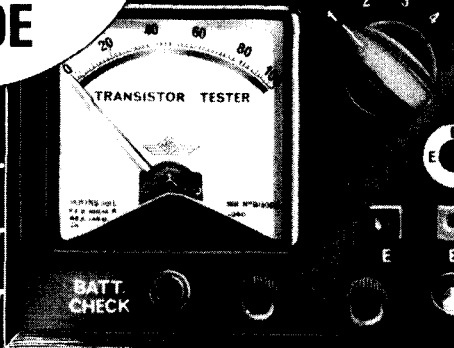
**FREE
INSIDE!**

24-PAGE BOOKLET

**TRANSISTOR
GUIDE**

**4 AIDS
FOR THE
MOTORIST**

- AUTOMATIC PARKING LIGHT
- REV. COUNTER
- INDICATOR UNIT
- THIEF ALARM



**All in the MAY issue
on sale April 14th**

ORDER YOUR COPY NOW!

**NEXT MONTH
IN
Practical Electronics**

FREE! 24-PAGE
BOOKLET

**TRANSISTOR
GUIDE**

Packed with tabulated data and details of commonly available types, and near equivalents.

SPECIAL ELECTRONIC
AIDS
FOR THE MOTORIST

Full instructions for making an Automatic Parking Light — Rev Counter — Indicator Unit — and Thief Alarm.

PLUS ● HOW TO
BUILD A
TRANSISTOR
TESTER

- RADIO CONTROL OF MODELS

ELECTRONORAMA

HIGHLIGHTS FROM THE CONTEMPORARY SCENE



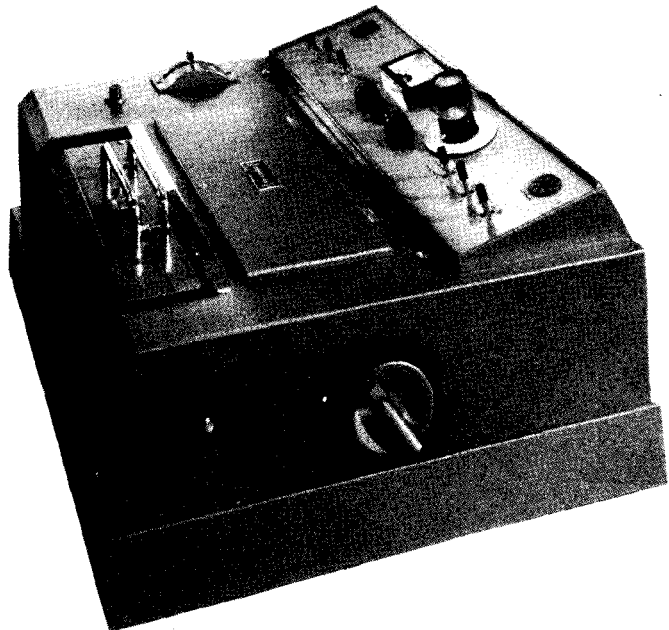
Receiving Moon Signals

TOUCH-DOWN on 4 February to U.S.S.R. and, indeed, to the rest of the world meant the first soft landing on the moon. The photograph above was the result of some quick thinking in the offices of the *Daily Express*. With the help of their Muirhead FM/AM Converter type K-129 and photographic receiver type D-700 (shown right) this remarkable picture was composed at Jodrell Bank from signals received via the radio telescope.

The camera installed in the spacecraft *Luna 9* scanned the moon's surface at a distance of only a few feet after touch-down. The black blunted triangle at the bottom is believed to be the nose cone of the rocket. Intense light and shade show the rocks on the surface of the moon.

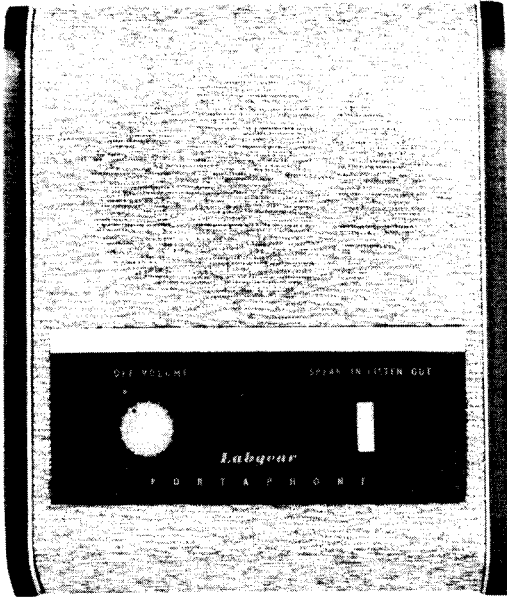
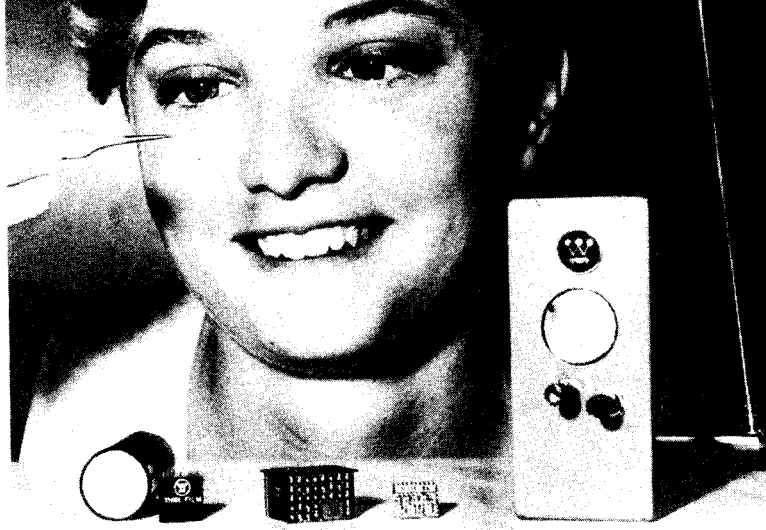
The signals were converted to a.m. then fed into the receiver, which is an electro-mechanical optical unit with signal compensation, oscillator, and comparator circuits. The scanning of the optical unit over sensitised paper is controlled by the drum speed and phasing circuit, the scanning path being helical.

The incoming signals were monitored by a loudspeaker amplifier and a pictorial monitor.



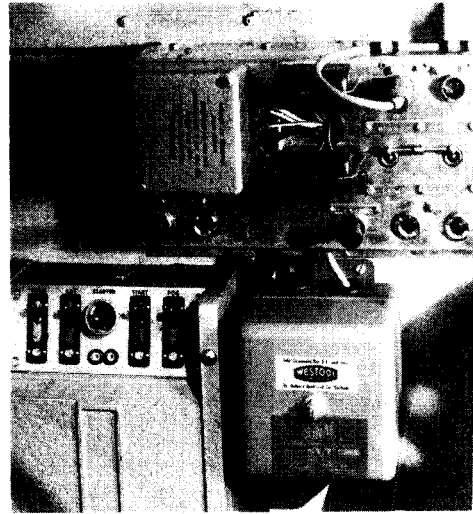
Tiny Television

THIS photograph shows what is claimed to be the smallest television set ever produced (right). Beside it, some of the components including a 1in tube and microcircuits are shown. The technician is holding one such microcircuit with tweezers. The cathode ray tube shown here is not likely to be placed on the commercial market. The set measures $4\frac{1}{2}$ in \times $3\frac{1}{2}$ in \times 2in and can operate from battery or mains. It has been developed by Westinghouse Defence and Space Center in U.S.A.



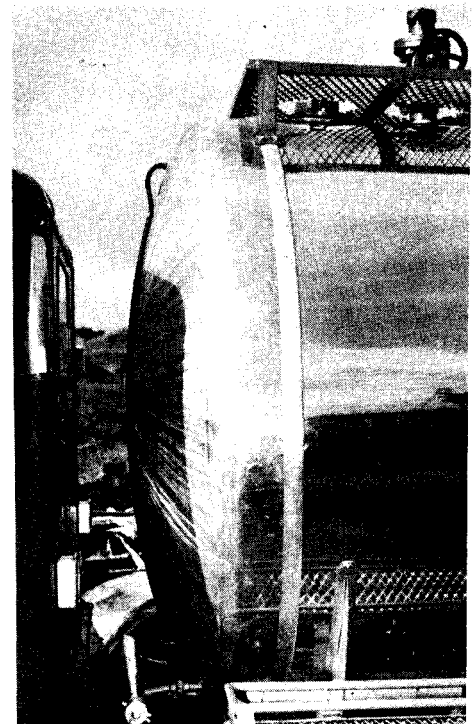
Home Emergency Aid

THE Post Office is conducting an experiment with Manchester Corporation and the N.W. Electricity Board to see whether a device will help housebound persons to contact neighbours when an emergency arises. The device is a Labgear intercommunications system (shown left) which requires no inter-unit wiring and can be plugged into the mains.



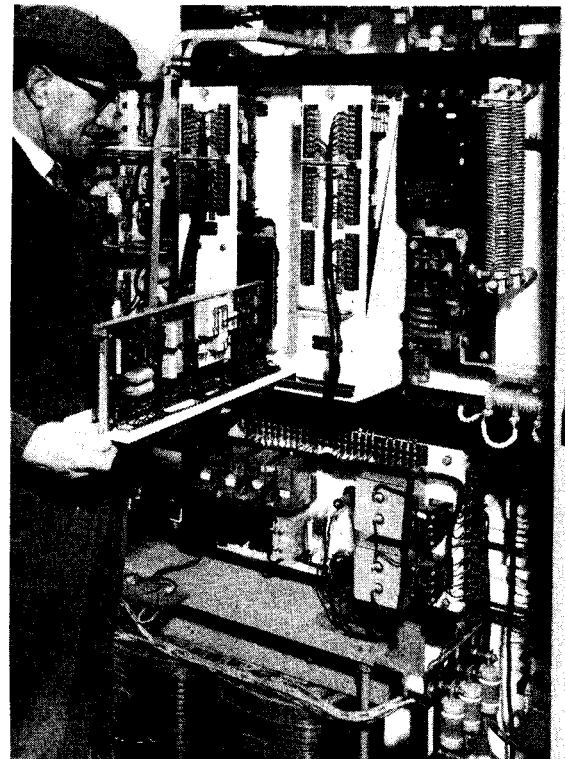
Anti-slop Probes

A PAIR of Sonac ultrasonic liquid level probes, fitted into a road tanker built by Durham Industries Limited, have overcome a problem of spillage involved in the transportation of a hazardous liquid. The probes give visual indication of when the diaphragm of the sensor is covered and when the liquid level falls below the diaphragm. The control panel (above right) is inside the driver's cab. The tank (right) is fitted with high and low level sensors.



Thyristor "Cranestat"

CRANES supplied by CStovert & Pitt Limited are to be controlled by English Electric thyristor equipment called "Cranestat" (left), which provides accurate closed-loop speed control from the driver's lever position. It also provides speeds up to three times normal full speed on light hook.



An Instructional Series for the Newcomer to Electronics

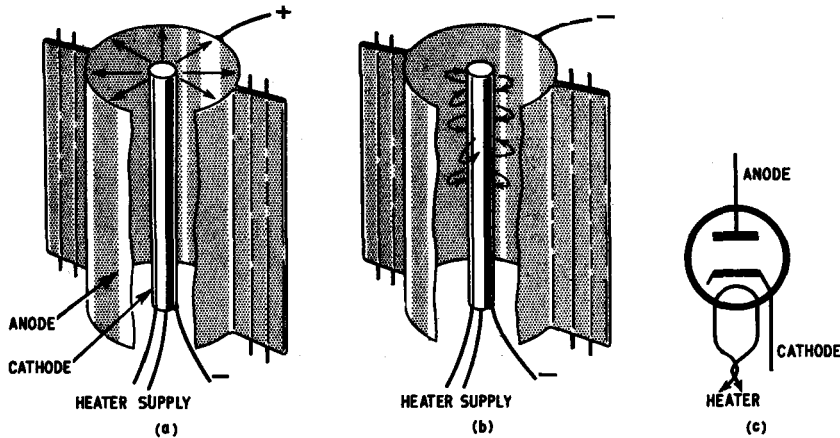


Fig. 18.1. The thermionic diode or two-electrode valve. The general form of construction is shown in (a). Electrons emitted from the cathode are attracted to the anode because the latter has a positive charge. In (b) we see the effect of applying a negative charge to the anode—the free electrons are repelled and remain in the vicinity of cathode. The circuit symbol for an indirectly heated diode is shown in (c)

LAST time, we ended up by saying that electronic equipment produces, and makes use of, *signals*. This word signal has been handed on from the radio communication field; before then it had been used in connection with the telegraph, flag, and earlier methods of sending intelligence. It originated in the Latin word *signum*, meaning a sign. Any electrical waveform, or pulse carrying information qualifies, therefore, to be described as a signal.

As we mentioned before, the odd thing is that after taking pains to obtain smooth steady d.c., we then convert this back to a.c. This is because signals are nearly always a.c. waveforms and pulses. Information can be conveyed by these a.c. signals—by varying the *amplitude*, *frequency timing*, or the *shape* of the waveform.

Signals are generated by *electronic circuits*, or by devices known as *transducers*. We shall discuss transducers later. When signals are available, they can be *amplified*, and/or *stored* (recorded). They can also be *distorted* by the electronic circuitry. This is something we usually wish to avoid, because we lose information that way, or else introduce false information.

THE HEART OF ELECTRONICS

All these possibilities arose because of the advent of one extremely important electronic device, namely the *thermionic valve*. Now, its younger brother the *transistor* is taking over more and more the functions of the valve. Both these devices, although working on slightly different principles, enable *amplification* and *rectification* to be obtained. Without electronic amplification nothing much could have evolved in the way of radio, television, or other electronic developments.

Rectification is the property of allowing a flow of current in one direction only. This enables valves and transistors to be operated like switches (with no

moving parts!) to control and divert different signals (that is, information) around a circuit.

Amplification is the possibility of boosting the size or power of signals—thus enabling a very weak signal source (such as a gramophone pick-up) to do a large amount of work (such as fill a large concert hall with sound). *Linear* amplification is the most important type, meaning that the output is a faithful copy of the input, i.e. there is no (or in practice, little) distortion.

It appears, then, that valves and transistors are the heart of all the circuitry of electronic devices, and an understanding of these devices will enable you to grasp what is going on, quite easily.

THERMIONIC VALVES

A quick look at the history of the electronic valve is of great interest. The simplest valve, now called the *diode* or two electrode valve, was first made, in England, by Fleming. He had read a paper about darkening of electric lamp glass envelopes, written by the American inventor Edison. Edison reported that, whatever was coming off the glowing carbon filament and darkening the envelope could be stopped by sealing into the bulb a small plate, and connecting this to the positive side of the filament. Fleming developed his valve using this idea.

The important action upon which valves are based is called the thermionic effect. This is the fact that electrons can be “boiled off” the surface of a heated substance and the electrons then form a “cloud” in the space adjacent to the surface.

Now, *electrons* is the name we give to tiny particles of negative electricity, and they are attracted to a positive charge (and if you remember, repelled by other negative charges). The cloud of electrons will not move very far unless as much air as possible is removed. This means a vacuum must be produced, and under these conditions you probably agree that it will be easy to attract the electrons across the vacuum to a positive

plate nearby. This plate is called the *anode*. If the plate is charged negatively, no electrons stream across. This is because none is being emitted by the cold plate, and those at the hot filament are repelled by its negative charge.

You have just covered all the important ideas concerning the diode valve. It is quite easy to see now why the valve allows current through in one direction only. (Hence the name "valve".) The electron emitter is called the *cathode*, and it is either a filament heated directly by an electric current, or more commonly now, an indirectly heated surface. In the later case the heater is separate from the cathode itself, acting rather like a small electric fire.

Moving on to a remarkable development of the diode, we will see how much of electronics was made possible by the addition of a third electrode. The idea of having free charges of electricity moving through a vacuum from one electrode to another begs the question: what would happen if other electrodes are placed in the electron stream? The more complicated valves which make use of these extra electrodes give rise to the types known as triodes, tetrodes, pentodes—and so on, together with the rather specialised variety known as cathode ray tubes.

THE TRIODE VALVE

The addition of one further electrode into the space between the cathode and the anode makes three altogether, and accounts for the name "*triode*".

Suppose a metal mesh is placed between the cathode and the anode. Electrons will flow through the gaps in this mesh, or *grid* and reach the positive anode as before. But if an electric potential is placed between this grid and the cathode, the flow of electrons will be greatly affected. If there is a negative voltage on the grid, the electrons will be repelled and slowed down, and fewer will reach the anode. In fact, if the grid is made sufficiently negative, all the electrons will be repelled back, and none will pass to the anode, despite its positive potential. We say the valve is *cut off*, or in electronics, *switched off at the grid*, when this condition occurs. See Fig. 18.3.

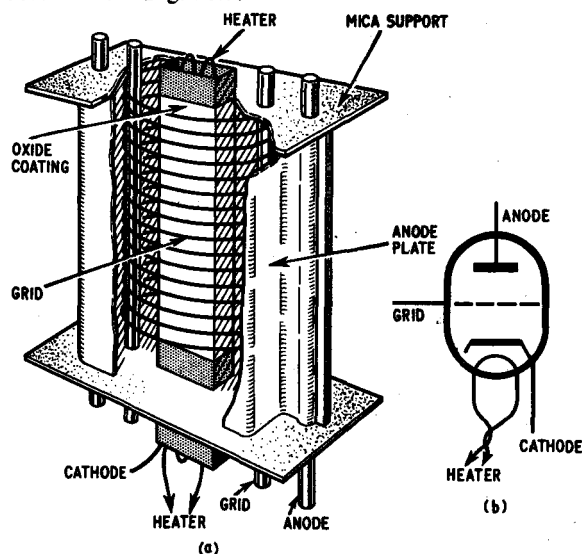


Fig. 18.2a. This cut-away view of a triode electrode assembly shows the three main electrodes, plus the heater Fig. 18.2b (right). Circuit symbol for an indirectly heated triode

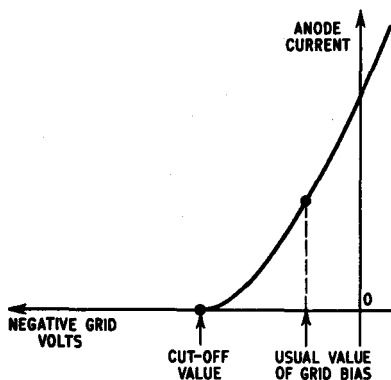


Fig. 18.3. The graph shows how the current flowing through a triode is influenced by the voltage applied to the control grid. As the grid is made more negative, a point is finally reached where the anode current ceases altogether. This is the "cut-off" value of grid bias

The importance of this third electrode can be appreciated now: small changes of the grid voltage can produce much greater changes in the current passing through the valve. Not without justification is this third electrode frequently referred to as the *control grid*. You can see that a triode can be looked on as a voltage-change to current-change converter, and is in fact, an *amplifier* of signals. Amplifications of 50 to 100 times are possible with modern valves.

In practice, the grid is held at a small negative voltage with respect to the cathode. This is called the *grid bias* and the small signal voltage variations increase and decrease the value of the grid voltage about this point. Only in exceptional cases is the grid allowed to rise positive to the cathode, and therefore attract electrons to itself.

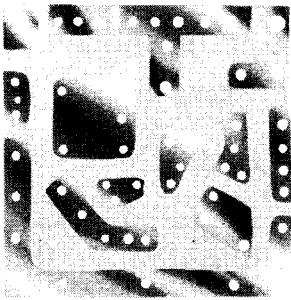
VALVE CONSTRUCTION

Most substances must be heated to a very high temperature before an appreciable number of electrons are given off. Early valves used tungsten filaments, which had to be heated to 2,200° Centigrade before electrons were emitted. They glowed like an electric lamp, and much power was consumed to heat them. An alloy of tungsten and thorium came into use next, and operated at about 1,600°C. The great breakthrough came when "oxide coated" filaments (and soon after, separate cathodes) became possible.

The filaments of directly heated valves are usually made of tungsten. The separate cathodes are cylinders of nickel or molybdenum. The carbonate of the metal barium or strontium is painted onto the cathode, and this is heated to quite high temperatures during the pumping of the vacuum, which forms the oxide. This delicate oxide coating emits electrons readily at temperatures of about 750°C, so that only a dull red heat is required.

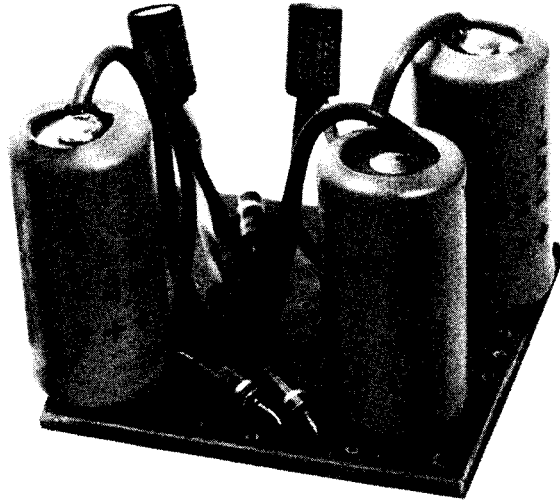
The anode plate is usually of nickel or molybdenum, blackened to radiate heat. It is held by welding thick wires to it, these passing through mica end supports wedged into the glass envelope. In use, the bombardment of the anode by the speeding electrons produces heat. The anode must remain cool, or electrons might be emitted from it also, although other damage is usually done long before the temperature rises to the electron emission point.

Now to the grid. There are very few materials suitable for this electrode, and again tungsten or molybdenum are the usual metals employed. The grid is formed by winding a spiral of fine wire round two stout support wires (held in the mica pieces).



BB7

REGENERATIVE COINCIDENCE DETECTOR



MANY readers will be aware that recent advances in transistor circuitry have culminated in obtaining high efficiency and high power output from transistor audio amplifiers. The secret to this is called "pulse code modulation", which employs pulsating techniques to drive the output transistors hard at brief regular intervals, while maintaining low heat dissipation.

This article describes how a regenerative coincidence detector can be built on our "standard" pattern of printed circuit board, described in "Bonanza Boards". Later an ultrasonic sawtooth generator, suitable for driving this unit, will be described.

The basic circuit is shown in Fig. 1. Many readers will recognise it as a "flip-flop", in which the outputs are switched on alternately by a trigger pulse applied to one of the transistor bases. The circuit reverts to normal when that pulse is removed.

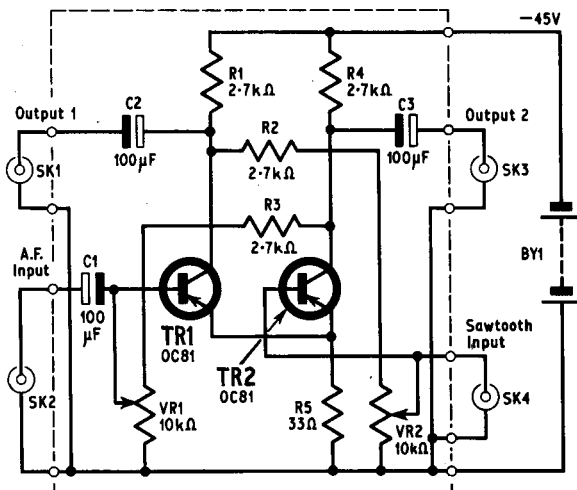


Fig. 1. Circuit diagram of the regenerative coincidence detector. All components inside the dotted line area are mounted on the printed circuit board

The component layout on the printed circuit board is shown in Fig. 2 and should present no problems. A link wire is used at C. For this particular circuit it will be necessary to cut the square piece of copper laminate into two strips and drill an extra hole, making three holes in each strip. This is shown dotted in Fig. 2, the copper being on the reverse side of the board. Careful cutting and lifting of the unwanted piece can be done with a sharp knife.

COMPONENTS . . .

Resistors

- R1 2.7k Ω
 - R2 2.7k Ω
 - R3 2.7k Ω
 - R4 2.7k Ω
 - R5 33 Ω
- } All resistors 10% $\frac{1}{2}$ watt carbon

Potentiometers

- VR1, VR2 10k Ω linear carbon (2 off)

Capacitors

- C1 100 μ F elect. 50V
- C2 100 μ F elect. 50V
- C3 100 μ F elect. 50V

Transistors

- TR1, TR2 OC81 (Mullard) (2 off)

Battery

- BY1 45 volt (Ever Ready type B104) (or a suitable 40V d.c. power supply unit)

Plugs and Sockets (optional)

- PL1 and SK1 coaxial for "output 1"
- PL2 and SK2 coaxial for "a.f. input"
- PL3 and SK3 coaxial for "output 2"
- PL4 and SK4 coaxial for "sawtooth input"

Miscellaneous

- Printed circuit board (see text)
- Switch, single-pole, on/off (optional) for battery
- Battery connectors and p.v.c. wire

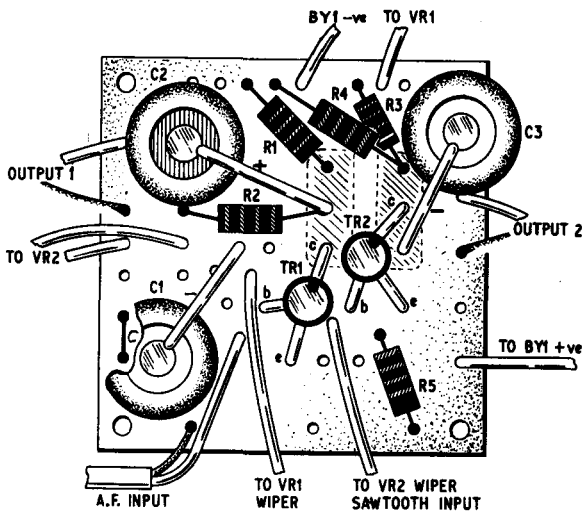
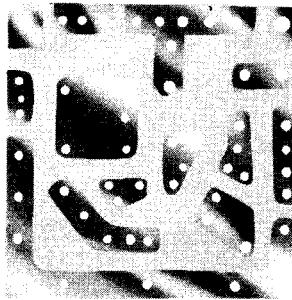


Fig. 2. Layout of components on the regenerative coincidence detector board. Link wire C only is required. Notice that the square piece of copper (shown dotted) is cut into two strips, each with three holes

Coaxial plugs and sockets can be used for the inputs and outputs if the unit is to be self-contained, but if used with the sawtooth oscillator the units can be connected direct as will be shown later.

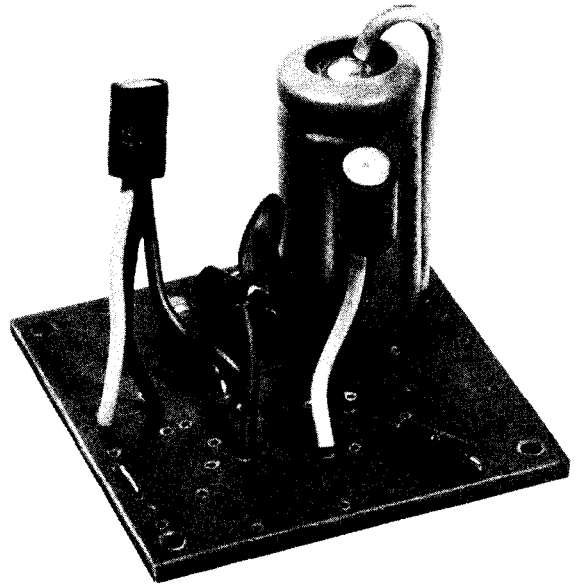
To set up this unit for use, connect a 40 to 45 volt power supply or battery. Adjust the two potentiometers so that the wipers are nearest to the common positive line connection, i.e. with the base of TR1 and TR2 at zero potential. Connect an earphone across "output 1". Measure the voltage between TR1 collector and common positive with a high resistance voltmeter (observe polarity). This reading should be almost equal to the power supply voltage (on load). Adjust VR1 until the meter reading has dropped to a minimum obtainable voltage. Turn back VR1 the opposite way until the meter reads about 0.5 volt higher than this minimum value. Leave VR1 set at this point.

Now transfer the meter to measure the voltage between the collector of TR2 and common positive. Adjust VR2 until a similar reading is obtained on the voltmeter. Carefully rotate the spindle of VR2 a short distance in each direction so that a series of pops can be heard in the earphone. The circuit should change state; as the TR1 collector voltage rises, that of TR2 falls and vice versa. If this does not occur, there is probably too much negative bias on the base of TR1, reduce this slightly by adjusting VR1 until the "popping" of the two states is evident from the earphone, when VR2 is rotated back and forth. Set VR2 to a point in between the two trigger "pops" and the unit will be ready for use with the "Ultrasonic Sawtooth Generator".



BB8

ULTRASONIC SAWTOOTH GENERATOR



THIS unit is useful for a wide variety of functions including the testing of h.f. and r.f. circuits. The ultrasonic sawtooth generator is not so useful for direct a.f. checking without an oscilloscope, but it will be found that, when combined with BB7 (Regenerative Coincidence Detector), it can be used in electronic switching applications, where a very high speed is required, such as "pulse code modulation" for audio power amplifiers.

The circuit is shown in Fig. 1. High quality components should be used and the whole unit should be mounted in a metal box. If possible the box should be

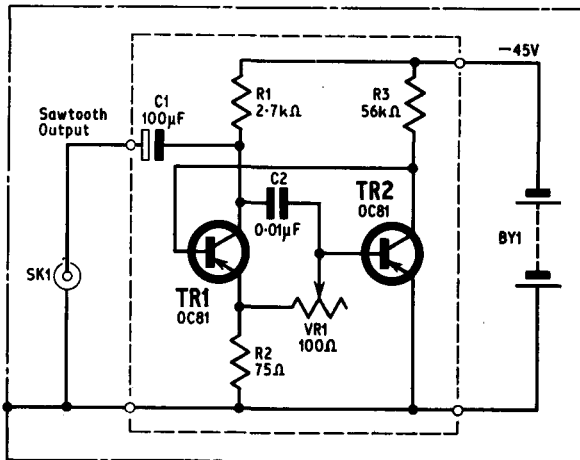


Fig. 1. Circuit diagram of the ultrasonic sawtooth generator. Components inside the dotted line are mounted on the printed circuit board. The chain-dotted line represents the metal housing which is necessary and should be earthed

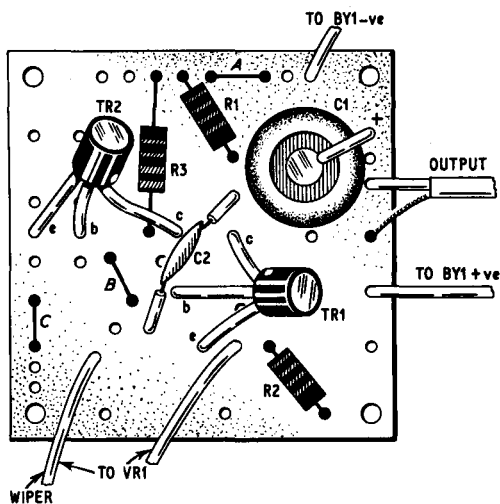


Fig. 2. Layout of components on the printed circuit board. Link wires are required at A, B, and C

COMPONENTS...

Resistors

| | | |
|----|---------------|---|
| R1 | 2.7k Ω | } All resistors 5%, ½ watt, high stability carbon |
| R2 | 75 Ω | |
| R3 | 56k Ω | |

Potentiometer

VR1 100 Ω linear wire wound

Capacitors

C1 100 μ F elect. 50V
C2 0.01 μ F ceramic 30V

Transistors

TR1 TR2 OC81 (Mullard) (2 off)

Battery

BY1 45V (Ever Ready B104) or d.c. power supply 40 to 45V

Plug and Socket

PL1 and SK1 coaxial for output

Miscellaneous

Printed circuit board (see text)
Switch, single pole, on/off (optional) for battery
Battery connectors (optional)
Metal box (aluminium) fully enclosed, size to suit application
S.R.B.P. backing board for the printed circuit board

connected to "earth" to prevent unwanted radiation interfering with domestic receivers. All cables carrying the sawtooth signal must be screened, with the screen connected to the metal box. The box is indicated in Fig. 1 with a chain-dotted line around the whole circuit.

The layout of components on the "standard" pattern printed board (see "Bonanza Boards") is shown in Fig. 2. The potentiometer VR1 is not mounted on the board, but is fitted to the metal box, and connected to the appropriate points on the board by short flying leads.

When the unit is complete it can be checked for errors. If everything is correct, connect the output to an oscilloscope, and a battery or power unit supplying 40 to 45 volts d.c. to points indicated in Fig. 2. A high frequency sawtooth waveform should be displayed on the oscilloscope.

MANY push-pull transistor power amplifiers, both commercial and home-built, utilise high frequency output transistors for the relatively low frequency purpose of audio amplification. By interposing a Schmitt trigger circuit or a coincidence detector with an ultrasonic sawtooth oscillator, it is possible to drive these transistors more efficiently in an a.f. coded ultrasonic switching mode.

This could give a higher output power with less strain on the components of the amplifier, less heat dissipation from the output transistors, and higher conversion efficiency of electrical power into a.f. power output.

Transformerless class AB and bridge type amplifiers are particularly amenable to conversion in this manner; the power output rating may be easily doubled or quadrupled, with the transistors actually running noticeably cooler, and the output quality unimpaired.

This kind of operation is known as "pulse code modulation". This article will describe how an existing audio amplifier can be modified to provide that extra power.

USING BB7 AND BB8

The output from the pre-amplifier or driver stage of an existing amplifier is applied to the input of the power booster. The booster output is applied to the subsequent stages of the amplifier.

A suitable set-up uses the "Regenerative Coincidence Detector" (BB7) and the "Ultrasonic Sawtooth Generator" (BB8) described elsewhere in this issue, and the combined circuit is shown in Fig. 1. Component values (shown in the respective articles) were chosen for a booster to suit an amplifier running from a 40 volt d.c. power supply. Allowance must be made for the extra current drain, and the power supply should be capable of handling this. However, the circuits shown will operate satisfactorily between about 35 and 45 volts; hence the battery quoted was a 45 volt type which is readily obtainable. Higher voltages may require different values for some components.

Before connecting the units together the following adjustments should be made: follow the setting-up instructions given in the article on the "Regenerative Coincidence Detector". Now switch off the power supply, disconnect the earphone, and connect the "Ultrasonic Sawtooth Generator" as shown in Fig. 1. It is not advisable to attempt to listen to the high note produced through the earphone.

Switch on the power supply again and measure the collector voltages of TR1 and TR2 on BB7. Adjust VR2 on BB7 until there is very little difference between

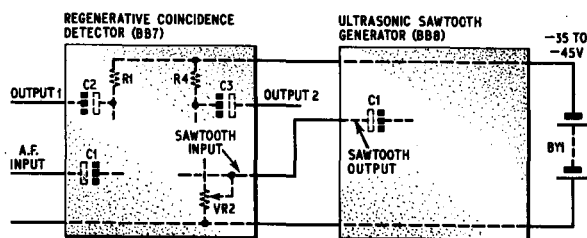
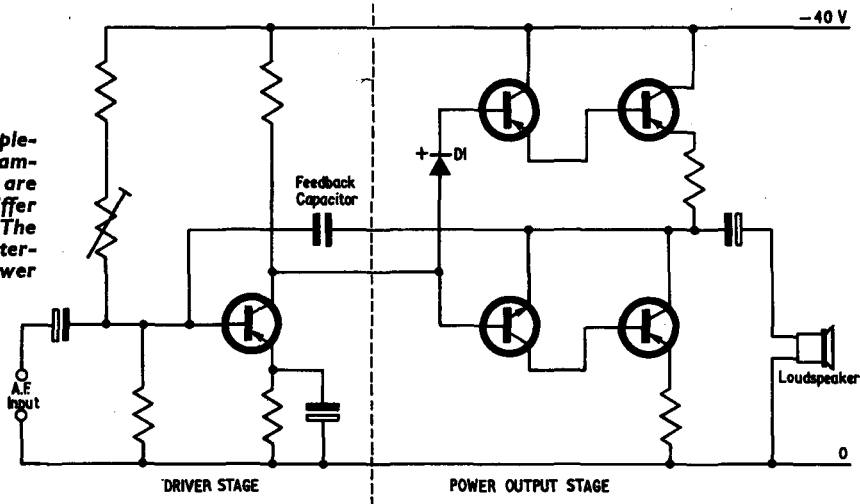


Fig. 1. Connecting BB7 to BB8 for initial checking and setting up procedure

BOOSTER

Fig. 2. An example of a complementary-symmetry type of amplifier. Component values are not given since they can differ from one design to another. The dotted line represents the inter-section for connecting the power booster (see Fig. 3.)



these two voltages (i.e. less than $\frac{1}{2}$ volt). Adjust VR1 on BB7 only if necessary. This will give a mark/space ratio of 1:1, subject to component tolerances, which can be monitored on an oscilloscope.

CONNECTING TO AUDIO AMPLIFIER

If a push-pull output is required from the booster, both outputs may be used in order to supply this. If only one output is required (as in the following example) only output 1 need be used.

As an example of one application of the booster, let us consider the conversion of a "complementary symmetry" type of output. A simplified form of this

circuit is shown in Fig. 2. The conversion is shown in Fig. 3. Notice that the base diode D1 has been removed and the bases of TR6 and TR7 joined together. The coupling capacitors C2 and C3 in BB7 have been omitted; C3 because output 2 is not required, C2 because TR1 in BB7 can be directly coupled to the bases of TR2 and TR3 in this existing amplifier. Capacitor C1 in BB7 is reversed so that the negative lead is connected to the "negative" collector of the preceding stage. An additional resistor (1 kilohm) is connected in series with this capacitor. The feedback capacitor has to be removed to avoid upsetting the operation of the power booster. Tone correction should, if necessary, be applied to earlier stages.

If a mains operated power supply unit is used, it is worth incorporating some extra smoothing. This is shown in the form of an LC circuit in the sawtooth generator negative line, and would prevent excessive hum modulation reaching the loudspeaker.

Make sure, before applying the booster to the power unit, that the voltage and current ratings of all its components will handle the extra load. If not they must be replaced by different types of adequate rating. This extra load current should be measured before connecting to the amplifier

COMPONENTS . . .

Bonanza Boards

BB7 Regenerative Coincidence Detector (see page 282)

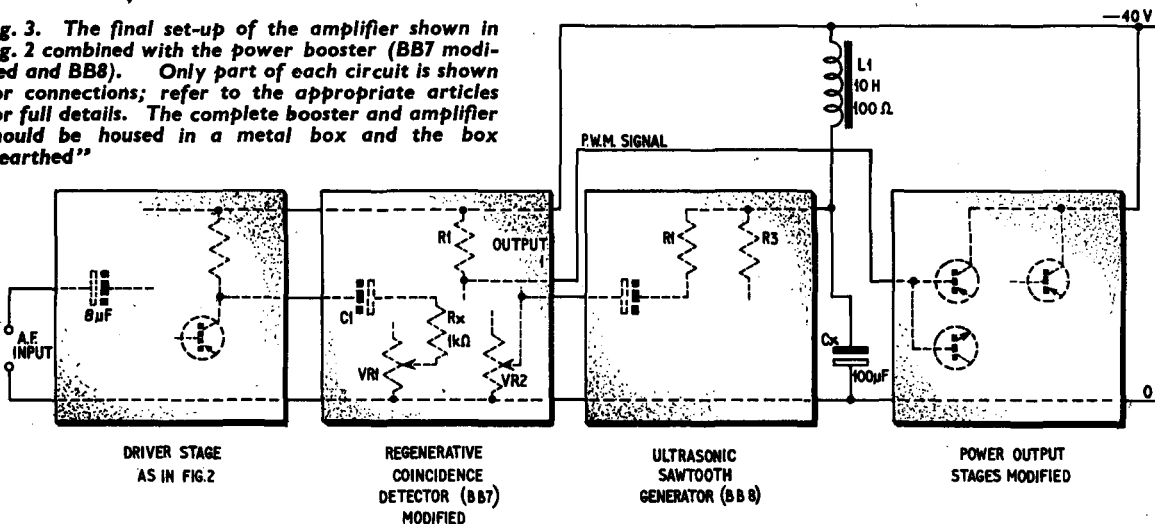
Reverse polarity of C1 and add
Rx 1k Ω 10% $\frac{1}{2}$ watt carbon (see text)
Delete C2 and C3

BB8 Ultrasonic Sawtooth Generator (see page 283)

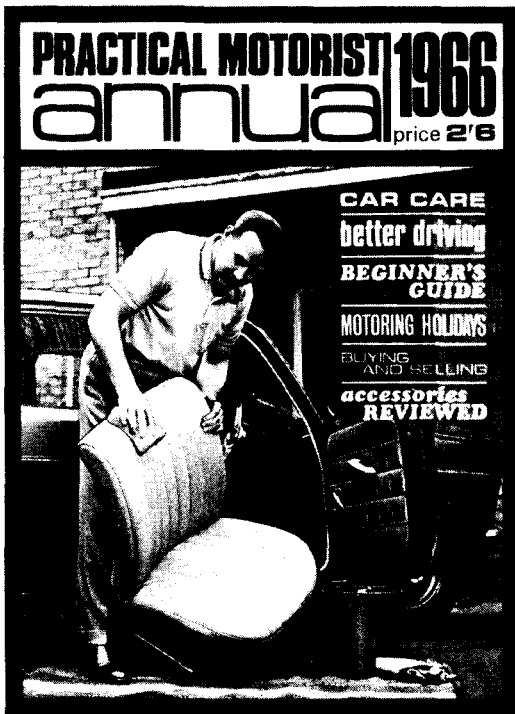
Add capacitor Cx 100 μ F elect. 50V
and choke L1 10H 100 Ω (minimum current
rating 20mA)

Power Supply Unit (see text)

Fig. 3. The final set-up of the amplifier shown in Fig. 2 combined with the power booster (BB7 modified and BB8). Only part of each circuit is shown for connections; refer to the appropriate articles for full details. The complete booster and amplifier should be housed in a metal box and the box "earthed"



Out March 29. The 124 page guide every Motorist needs



Make 1966 your best-ever year on the road with the help of this guide that will save you pounds in repair and running costs.

GETTING THE BEST FROM YOUR CAR. Step-by-step guide to mechanical overhauls · relining brakes · simple engine tuning easy starting · most-from-the-gallon · maintenance · basic tool-kit.

PRESERVATION KNOW-HOW. Undersealing — checking corrosion — repairing bodywork — easy stain-removing — inexpensive interior draughtproofing — 10 routine tips for cleaning chrome and paintwork.

DRIVING TECHNIQUES. Tips on safer motoring in all road and weather conditions — the art of reversing — split-second action on mechanical failure — looking for possible dangers ahead.

BEGINNER'S GUIDE TO THE ENGINE. A simple explanation of the functions and operation of the cooling and lubrication systems, carburettor, gearbox, etc.

BUDGET HOLIDAYS. Packed with advice on pre-holiday arrangements — preparing the car — living under canvas — towing a caravan.

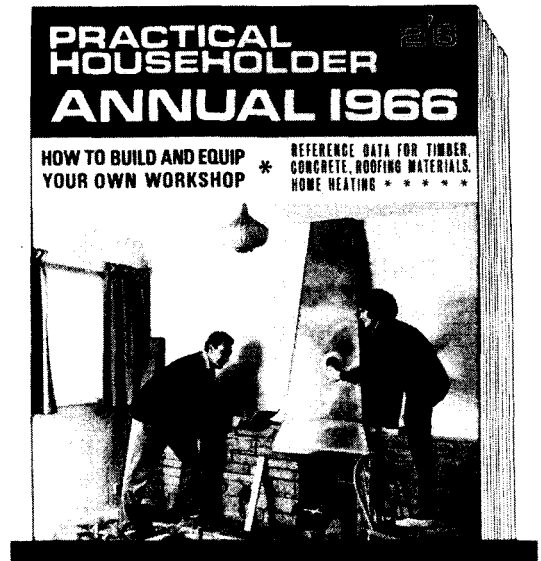
BUYING OR SELLING A CAR. How to (a) get value for money. (b) get the best price for your car — tips on running in.

REVIEW OF ACCESSORIES. Clear-view and rear-view products · anti-theft devices · safety belts · interior comfort brake boosters · roof racks · exhaust equipment · auxiliary lighting.

BIG DEMAND! RESERVE YOUR COPY NOW!



JUST OUT!



NEW PROJECTS, NEW IDEAS NEW WAYS TO IMPROVE YOUR HOME

Go for the 1966 PRACTICAL HOUSEHOLDER ANNUAL today! It brings you dozens of ways in which you can give your home an up-to-the-minute new look . . . with detailed instructions and how-to-do-it illustrations that show you how to tackle each job with a sure professional touch. Don't miss it!

SPECIAL SECTIONS ON :

HOME WORKSHOP

SOLVING THE GARAGE PROBLEM

KITCHEN FURNITURE YOU CAN BUILD

GUIDE TO HOME HEATING

GATES AND FENCES FOR HOME AND GARDEN

BUILDING A GLAZED SUNLOUNGE

REFERENCE DATA FOR ROOFING MATERIALS AND CONCRETE

BUILDING AND WOODWORKING

SIMPLIFIED ELECTRIC WIRING

BIG DEMAND—GET YOURS NOW!

2/6 NEWSAGENTS AND BOOKSTALLS

PORTABLE

RATEMETER

Part Three

By D.V. SMITH

THE five sub-units are built on pieces of Veroboard. The approximate overall dimensions of board used in each case are given in the caption to the appropriate diagram (See Figs. 19 to 23).

It should be noted that those four boards which are installed below the chassis must measure $2\frac{1}{2}$ in in depth in order to fit into the cradle. This means that boards containing 15 or 16 copper strips will be required, although only 11 strips are actually used for wiring purposes. Two or three spare strips should be allowed at either edge, and the 11 "used" strips numbered from the common positive line (No. 1) to the minus 9 volt line (No. 11). The "spare" strips are not shown on the diagrams of these boards.

In the case of the power supply sub-unit, there are 20 copper strips, and again No. 1 is the common positive edge (no surplus strips are necessary here).

In addition to the numbering of the strips, each end of every board has an individual alphabetical code, e.g. ends *G* and *H* on the G.M. amplifier board. In this way, every interconnection is coded and the corresponding points are similarly marked in the circuit diagrams and component layout diagrams.

ASSEMBLING THE SUB-UNITS

Proceed with the construction of these sub-units as follows: First prepare the reverse side of the board by cutting away portions of the copper strip where indicated (Figs. 19 to 23). Then mount the components on the plain side of the board passing their leads through the appropriate holes and then soldering to the copper strip. Be sure to add any wire links shown in the component layout diagrams.

The power supply board requires somewhat different treatment. When preparing the strip-side of this board, drill three holes and fix two metal mounting brackets as shown in Fig. 23. Three large capacitors are mounted on this side of the board. Referring now to the plain side of the power board, it will be seen from the illustrations that special arrangements are made for mounting the three transistors TR15, TR16, and TR17. Each of these components is fitted in a heat sink which in turn is bolted to a piece of 18 s.w.g. copper approximately $1\text{in} \times 2\frac{1}{2}\text{in}$ and this is mounted off the board on $\frac{1}{4}\text{in}$ pillars.

THE CRADLE ASSEMBLY

Four of the completed boards may be temporarily mounted within the cradle with the latter out of the chassis to facilitate most of the inter-board wiring. The correct positioning of these boards and the aluminium screens is shown in Fig. 16. The screens are made of 18 s.w.g. aluminium and are the same width as the boards and are mounted in slots in exactly the same way as the boards. The plate between the s.s.b. amplifier and the expander stage is cut away where necessary to clear the grommet and the wires it carries through the chassis, etc.

Refer to Fig. 1 for the inter-unit wiring. Inter-connections should take the shortest convenient routes and should be screened and earthed only where indicated in Fig. 1. With this wiring completed, the cradle assembly should be installed inside the chassis and secured with two 4 B.A. bolts and nuts. Finally the retaining strip should be secured in position (Fig. 16).

The power supply board is mounted on the top of the chassis and is secured by the two metal brackets (bottom edge) and also, at the top edge, by a plastic rod drilled and tapped 4 B.A. at either end. The other end of this support rod is screwed on to one of the meter fixing bolts. See Figs. 11 and 15.

COMPLETING THE WIRING

The final stage of the ratemeter wiring can now be undertaken. Three grommets are mounted in the most convenient positions on the chassis for taking through the necessary connections. Again, take care to use screened leads wherever these are indicated in Fig. 1.

The various interconnecting leads should be soldered to the ends of the appropriate strips on the circuit boards. Most of these leads are identified in Fig. 15: other connections, such as those to transformers T1 and T2, can be taken from Fig. 1. The individual circuit diagrams should also be consulted for interconnection details.

The output link on the s.s.b. amplifier must be set according to requirements. See Figs. 8 and 10.

The method of fixing the loudspeaker unit within the instrument case is shown in Fig. 18. Holes must of course be made in the rear of the case to allow access to the mains connector and fuse.

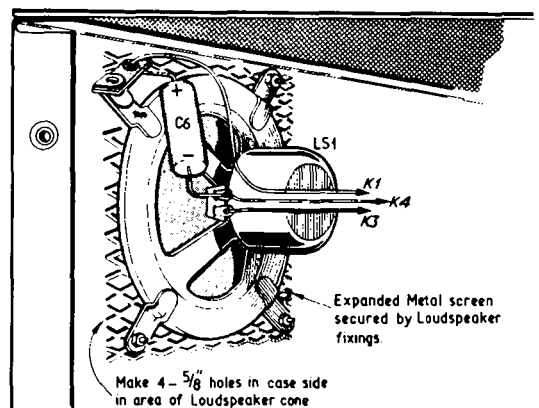


Fig. 18. The loudspeaker unit installed inside the case

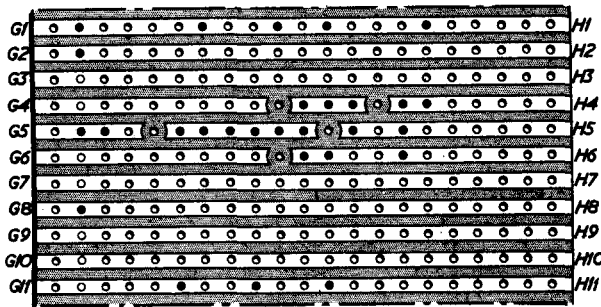


Fig. 19. Geiger-Muller tube amplifier sub-unit. Size of board $2\frac{1}{2}$ in \times $3\frac{1}{2}$ in. a (left): Underside of Veroboard. b (below): Component layout on top (plain) side of board. (For circuit diagram see Fig. 2)

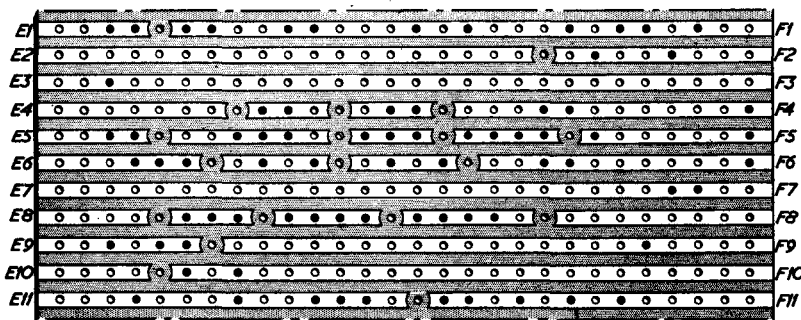
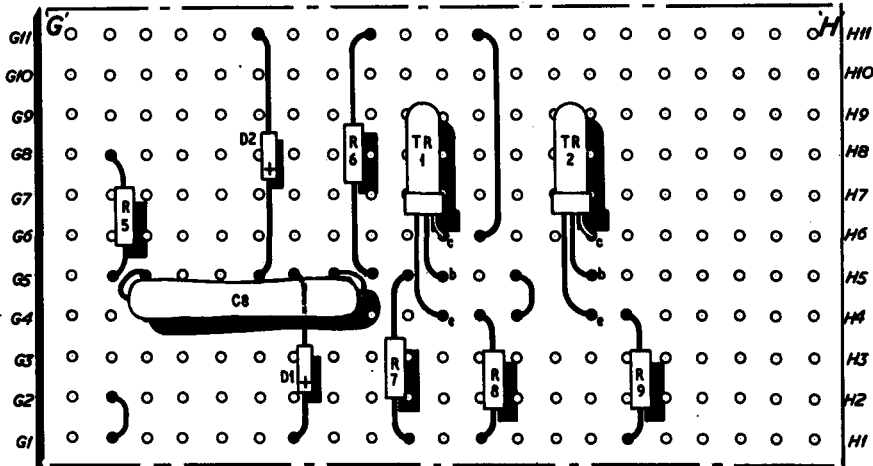
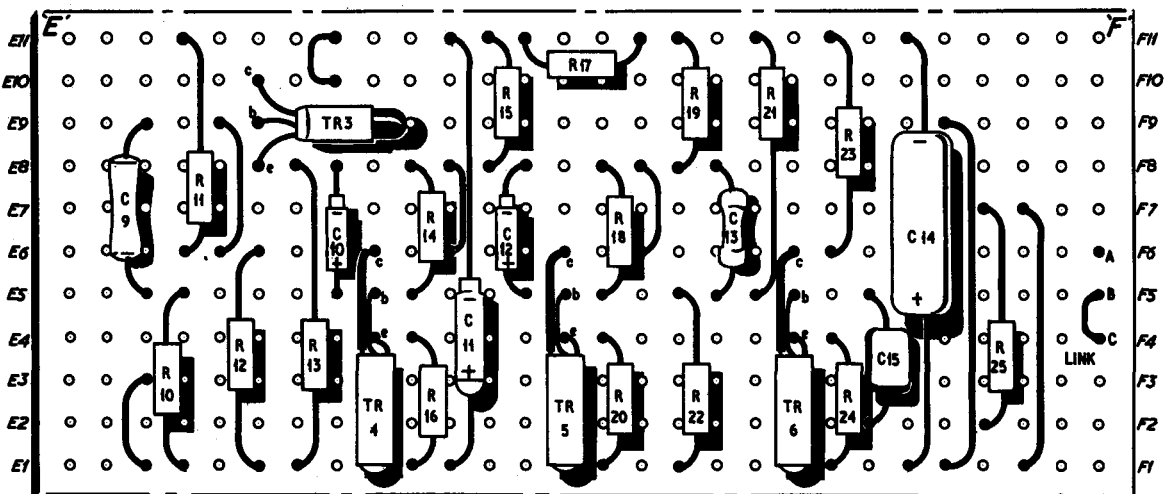


Fig. 20. S.S.B. amplifier sub-unit. Size of board $2\frac{1}{2}$ in \times $4\frac{1}{2}$ in. a (left): Underside of Veroboard. b (below): Component layout on top (plain) side of board. (For circuit diagram see Fig. 3)



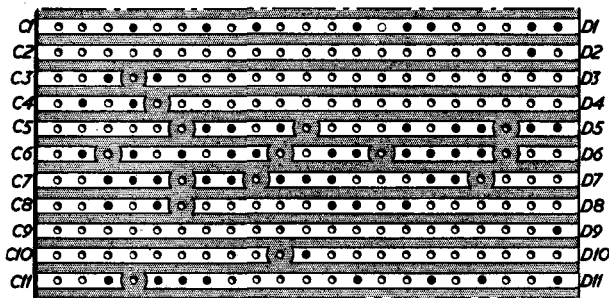


Fig. 21. Expander stage sub-unit. Size of board $2\frac{3}{8}$ in \times $3\frac{1}{2}$ in. a (left): Underside of Veroboard. b (below): Component layout on top (plain) side of board (For circuit diagram see Fig. 4)

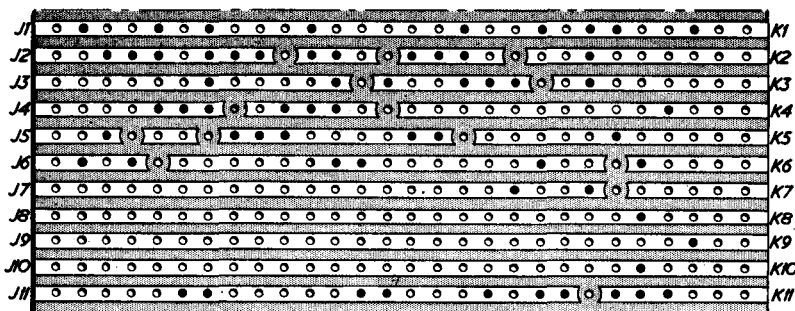
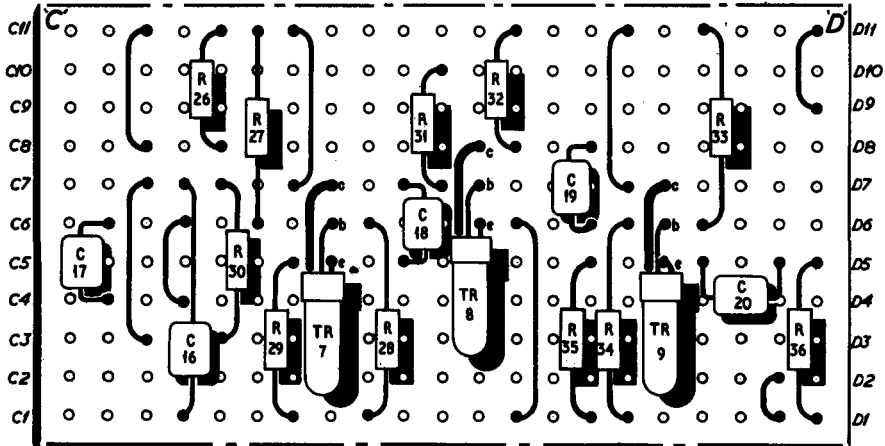
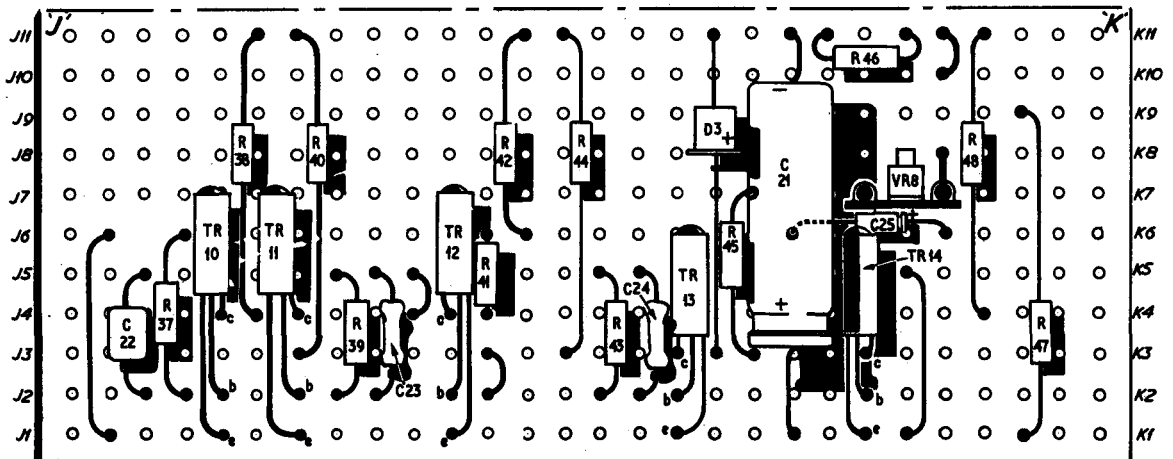


Fig. 22. Ratemeter sub-unit. Size of board $2\frac{3}{8}$ in \times $4\frac{1}{8}$ in. a (left): Underside of Veroboard. b (below): Component layout on top (plain) side of board. (For circuit diagram see Fig. 5)



CALIBRATION OF E.H.T. CONTROL

Calibration of the "G.M. E.H.T." control VR1 is fairly simple. For this operation a 20,000 ohms per volt meter is required. An AVO model 8 on the 1,000V d.c. range was used on the instrument described.

The meter is connected across the e.h.t. output point B20 (with no connection to the rest of the circuitry) and the control VR1 varied from zero to maximum, calibrating VR1 at 100 volt intervals on the front panel and marking the points with Indian ink. Maximum output under these conditions is about 800 volts.

When the calibration is complete and the e.h.t. is reconnected at point B20, R3 loads the output to the same extent as the meter and so the calibration is still valid. R3 also provides a discharge path for the e.h.t. when it is required to reduce its value quickly.

This e.h.t. supply is not dangerous but is quite capable, at full output, of dealing out quite a "cringer" to careless fingers!

Calibration of the "SSB VOLTS" control VR3 is not quite as straightforward as that of VR1, because of the finite resistance of these semiconductor devices which varies slightly from detector to detector.

Probably the best way to overcome this would be to individually calibrate for a particular s.s.b. detector. One way this could be done is by temporarily connecting the device to the s.s.b. input and then comparing the applied voltage with a known variable supply. If a voltmeter is used for the comparison then, when the two voltages are equal, no current will flow and therefore no extra load is imposed on the s.s.b. output. The s.s.b. voltage at that particular setting can therefore

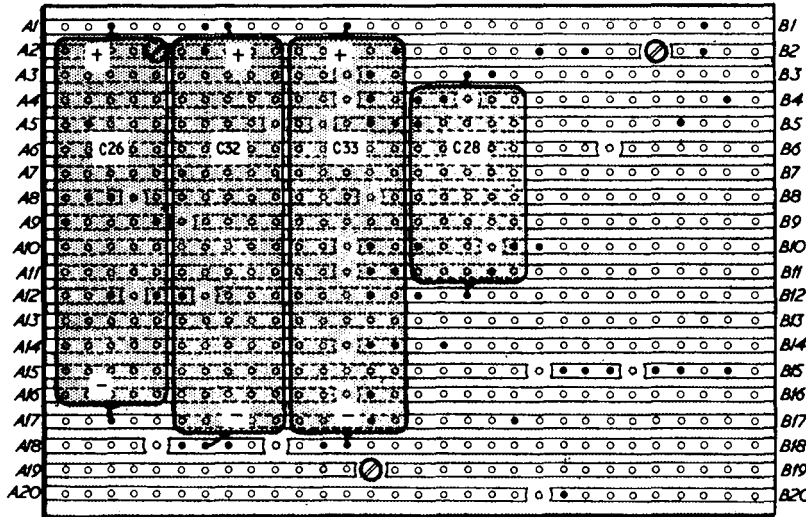
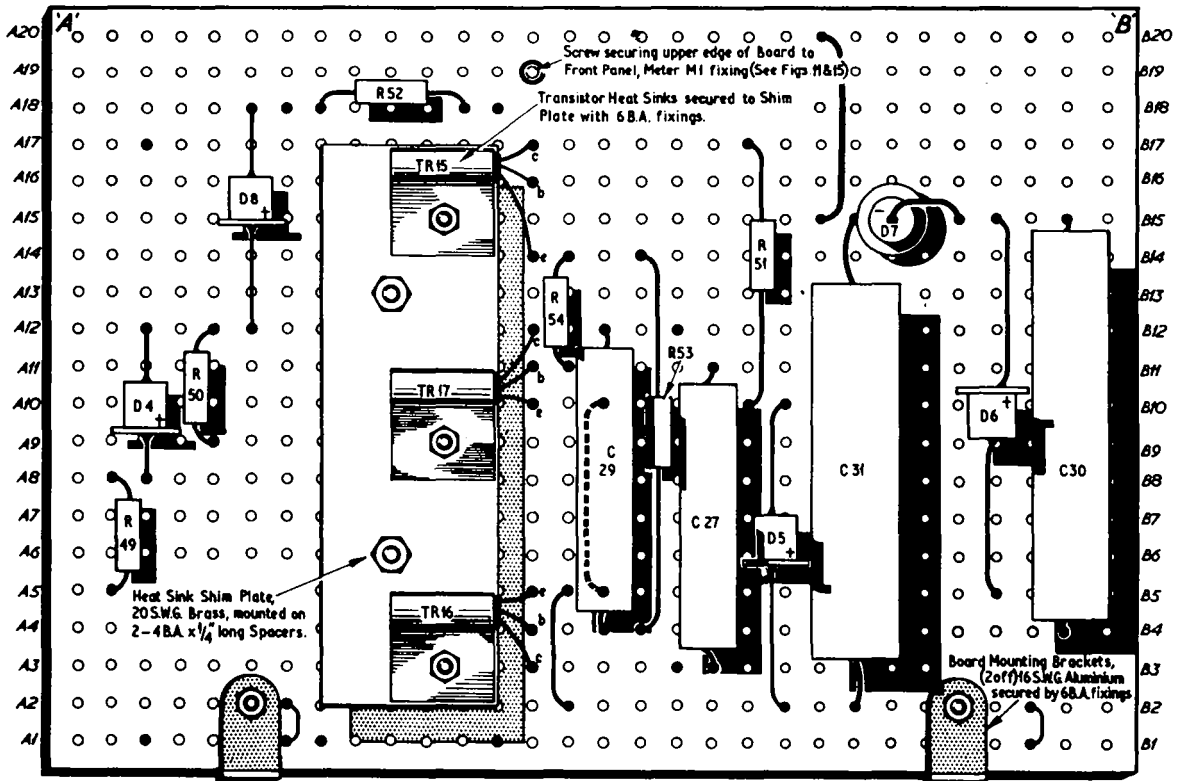
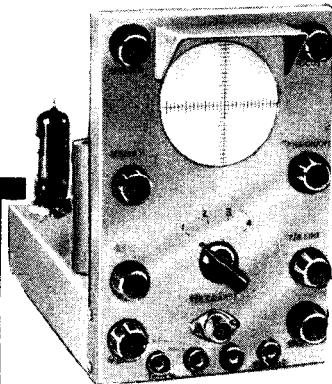


Fig. 23. Power supply sub-unit: Size of board $3\frac{1}{2}$ in \times 4 $\frac{1}{2}$ in. a (left): Underside of Veroboard. b (below): Component layout on top (plain) side of board. (For circuit diagram see Fig. 6.)



BUILD OVER 40 CIRCUIT/EXPERIMENTS

and master electronics the LERNAKIT way



- No maths — No unnecessary theory
- NO PREVIOUS KNOWLEDGE NEEDED
- BUILD A PROFESSIONAL
CATHODE RAY OSCILLOSCOPE

Learn how to

- READ AND DRAW CIRCUIT DIAGRAMS
- RECOGNISE, HANDLE AND UNDERSTAND
every type of modern **ELECTRONIC COMPONENT**

OVER 40 EXPERIMENTS — including:-

- | | |
|--------------------------------|--------------------------|
| ● Valve Experiments | ● Square Wave Generator |
| ● Transistor Experiments | ● Morse Code Oscillator |
| ● Electro-magnetic Experiments | ● Simple Transmitter |
| ● Basic Amplifier | ● Electronic Switch |
| ● Basic Oscillator | ● Photo-electric Circuit |
| ● Basic Rectifier | ● Basic Computer Circuit |
| ● Signal Tracer | ● Basic Radio Receiver |
| ● Simple Counter | ● A.C. Experiments |
| ● Time Delay Circuits | ● D.C. Experiments |

This complete practical course will teach you all the basic principles of electronics by carrying out experiments and building operational apparatus. You will learn how to recognise and handle all types of modern components, their symbols and how to read a complete circuit or schematic diagram. The course then shows how all the basic electronic circuits are constructed and used and **HOW THEY ACTUALLY WORK BY USING THE OSCILLOSCOPE PROVIDED**. An application is given in all the main fields of electronics, i.e. Radio; control circuits; computers and automation; photoelectrics; counters, etc., together with rules and procedure for fault finding and servicing of all types of electronic equipment. For a new and exciting approach which gives a real understanding of electronics in an entirely practical way—this course has no equal anywhere to-day.

POST NOW FOR FREE COLOUR BROCHURE

To: **BRITISH NATIONAL RADIO SCHOOL, READING, BERKSHIRE**

Please send free Brochure, describing your LERNAKIT Oscilloscope Course without obligation, to:

NAME

ADDRESS

BLOCK CAPITALS PLEASE

OR WRITE IF YOU PREFER NOT TO CUT COUPON

(No representatives employed)

P.E.4.66

British National Radio School

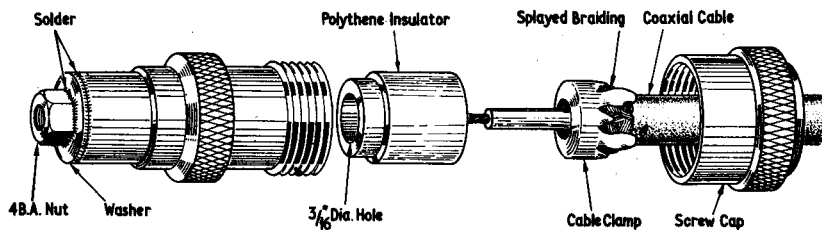


Fig. 24. A mounting for the s.s.b. detector. a: modifications to the coaxial connector

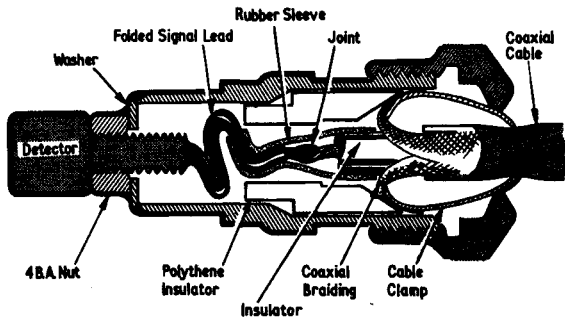


Fig. 24. b: Section through the completed assembly of the s.s.b. detector mounting.

be determined. This process can be repeated at convenient voltage intervals within the range of the control.

MOUNTING THE S.S.B. DETECTOR

A useful arrangement for mounting the s.s.b. detector on a short length of coaxial is shown (Fig. 24). The coaxial connector required is the nickel-plated brass (Belling-Lee) type. Stage-by-stage instructions follow.

The cable clamp and polythene insulator are removed from the coaxial connector.

For SSNO3K detector a 4 B.A. nut and washer are then soldered to the outer case, as shown, taking care to avoid fouling the thread. In the case of the SSNO5K detector a 2 B.A. nut only will be required instead.

Allow the assembly to cool. The central pin is then removed from the polythene insulator. A short application of the soldering iron to the pin will assist in its removal by softening the surrounding polythene. The remaining hole should be enlarged to about $\frac{3}{16}$ in diameter. The insulator can then be replaced in the connector body.

The detector is then screwed into position, taking care at the same time to feed its signal lead through the hole in the insulator. A gentle tightening with a small pair of pliers will be sufficient to retain the unit. The detector signal lead should be protruding from the other end of the connector body. Cut this back until about $\frac{1}{4}$ in protrudes. Bare and tin about $\frac{1}{16}$ in at the end. Over the signal lead slip half an inch of $\frac{1}{16}$ in diameter rubber sleeving leaving the tinned end of the wire still exposed.

Cut off about 2ft of coaxial cable. Remove about $\frac{1}{4}$ in of the plastic outer cover and push back the copper braiding to expose the insulated inner conductor. Bare and tin about $\frac{1}{16}$ in of the inner conductor wires. The braiding is cut back until about $\frac{1}{4}$ in long and is then "combed" straight.

Slide the cable clamp over the braiding in the usual way and splay the braiding round the clamp. Solder the tinned wires together. Having done this the rubber sleeving is then worked back up the signal lead to cover the joint. The screw cap is then slid up the cable from the free end to engage with the cable clamp. The $\frac{1}{2}$ in

or so of slack in the signal lead before the screw cap can engage with the screw thread on the connector body, will be taken up by the signal lead folding inside the connector.

The cap is firmly screwed up and the unit is then ready for connection to the ratemeter.

OPERATING THE S.S.B. DETECTOR

When using the s.s.b. detector for beta or gamma radiation detection, the highest voltage compatible with acceptable noise must be used, as stated in the introductory article *A Solid State Radiation Detector*—PRACTICAL ELECTRONICS, June 1965. In fact it is still possible to get some beta and gamma counts with 20 volt or so using the s.s.b. amplifier without the expander stage. This is explained by the sensitivity of the ratemeter circuit. If discrimination against beta and gamma to leave only alpha pulses is required, then the voltage on the detector must be reduced until no response to beta and gamma is obtained with S2 in the "ALPHA" position.

The expander stage, when properly set up and with the detector voltage as described above, will allow detection of alpha, beta and gamma radiations with S2 in the "ABG" position, while in the "A" position the beta and gamma signals will be removed.

It can also be shown that the s.s.b. detector can detect radiation with no applied voltage—but with reduced efficiency.

HANDLE WITH CARE

A warning must be given concerning the handling of the s.s.b. detector. The gold window of the detector will be damaged if it comes into contact with anything, and so it is a very good plan to leave in position the small piece of plastic sleeve which is fitted when the detector is supplied. This sleeving will not generally affect the detector operation in most circumstances and will give protection from many causes of damage, the most likely of which is careless fingering.

MOUNTING THE GEIGER-MULLER TUBE

Geiger-Muller tubes may have a variety of terminations, depending on the type. The 20th Century Electronics type G10H, which is used for the purposes of this article, has a British 4 pin base. A hand-held probe for this tube may be constructed from a small aluminium screw-top container as shown in the illustration on the final page of this article.

But first, a precautionary word on some of the aspects of connecting G.M. tubes.

A pitfall which some people fall into when dealing for the first time with G.M. tubes is to connect them directly to lengthy festoons of cable and after getting very short, gay lives from the tubes, curse the manufacturer for his cunningly executed policy of "limited product life." This is very unfair. The reason why early failures occur in these circumstances is the

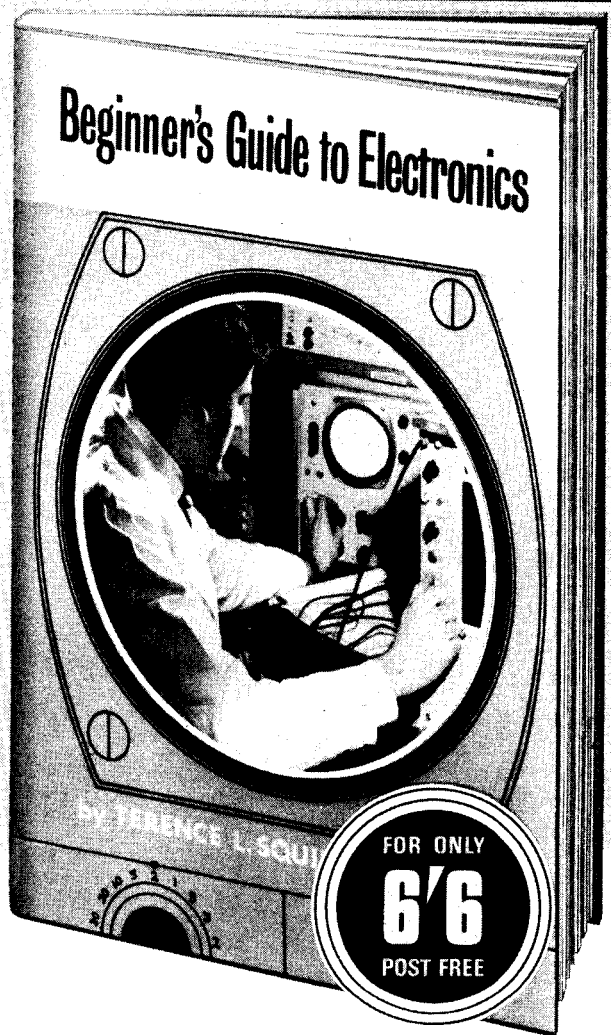
PRIVILEGE PRICE BOOK OFFER

Available only to readers
of PRACTICAL ELECTRONICS

Beginner's Guide to Electronics

by Terence L. Squires, A.M.Brit.I.R.E.

Written throughout in easy-to-understand language, covering all aspects of modern electronics, this invaluable book provides a 'short cut' for the beginner to the full understanding of electronic principles and practice. No prior technical knowledge is assumed and complicated mathematics is avoided. The book will enable the reader to go on to more specialised studies with confidence.



192 Pages packed with Basic Detail
128 Diagrams . Sections include:

- ELECTRIC CURRENTS ● DIRECT AND ALTERNATING CURRENTS
- ELECTRONIC COMPONENTS ● BASIC ELECTRONIC CIRCUITS
- RADAR ● MEDICAL ELECTRONICS ● ELECTRONICS IN SPACE
- TELEVISION ● ELECTRONICS IN INDUSTRY
- THE FUTURE OF ELECTRONICS AND TEST INSTRUMENTS
- TRAINING TO BE AN ELECTRONICS ENGINEER

Make sure of
your copy at
this greatly
reduced price

COMPLETE
& SEND THIS
FORM TODAY!

Please send me my privilege price copy of BEGINNER'S GUIDE TO ELECTRONICS. I enclose remittance value 6s. 6d. (Cheques and P.O.s should be crossed and made out to George Newnes Ltd. Write your name and address on back of cheque).

NAME.....

ADDRESS.....

If undelivered please return to George Newnes Ltd., 136 Long Acre, London, W.C.2. PE, April, 1966

Detach and send this form to
"Practical Electronics BOOK OFFER",
136 Long Acre,
London, W.C.99.

It is regretted that this offer is not available to
Eire and Overseas readers.
Closing date 30 April, 1966

R.S.C.

(MANCHESTER) LTD.

MAIL ORDERS TO:
DEPT. P
102 HENCONNER LANE
LEEDS 13

Terms: **C.W.O.** or **C.O.D.** No C.O.D. under £1. Postage 2/9 extra under £2. 4/6 extra under £5. Trade Supplied. S.A.E. with all enquiries please. Personal shoppers welcome at any of the branches below. All branches open all day Saturday.

BRADFORD:

10 North Parade.
(Half-day Wednesday)
Tel: 25349

BRISTOL:

14 Lower Castle Street.
(Half-day Wednesday)
Tel: 29204

BIRMINGHAM:

30/31 G. Western Arcade,
opp. Snow Hill Station.
CENTRAL 1279 No Half-day

DERBY:

26 Damaston Rd. The Spot.
(Half-day Wed.) Tel: 41361

DARLINGTON:

13 Post House, Wynd.
(Half-day Wed.) Tel: 68043

EDINBURGH:

133 Leith Street.
(Half-day Wednesday)

GLASGOW:

326 Argyle St. (No Half-day)
Tel: CITY 4158

HULL:

51 Savile Street. (Half-day
Thursday) Tel: 20505

LEICESTER:

32 High Street. (Half-day
Thursday) Tel: 56420

LEEDS:

5-7 County (Mecca) Arcade
(No Half-day) Tel: 28252

LIVERPOOL:

73 Dale St. (No Half-day)
Tel: CENTRAL 3573

LONDON:

238 Edgware Road, W.2.
(Half-day Thursday)
Tel: PADDINGTON 1629

MANCHESTER:

60A-60B Oldham St.
Tel: CENTRAL 2778. (No
Half-day) New large store

MIDDLESBROUGH

106 Newport Rd. (Half-day
Wednesday) Tel: 47096

SHEFFIELD:

13 Exchange Street, Castle
Market Bldgs. (Half-day
Thursday) Tel: 20716

R.S.C. TRANSFORMERS

Fully Guaranteed. Interleaved and Impregnated. Primaries 200-230-250V. 50 c/s. Screened.
TOP SHROUDED DROP THROUGH
250-0-250V. 70mA. 6.3v. 2a, 0-5-6.3v. 2a 17/9
250-0-350V. 80mA. 6.3v. 2a, 0-5-6.3v. 2a 21/9
250-0-250V. 100mA. 6.3v. 2a, 6.3v. 1a 21/9
250-0-250V. 100mA. 6.3v. 2a, C.T. 5v. 3a 19/9
250-0-250V. 100mA. 6.3v. 4a, 0-5-6.3v. 3a 28/9
300-0-300V. 130mA. 6.3v. 4a, 6.3v. 1a for Mullard 510 Amplifier 35/9
300-0-300V. 100mA. 6.3v. 4a, 0-5-6.3v. 3a 28/9
350-0-350V. 100mA. 6.3v. 4a, 0-5-6.3v. 3a 28/9
350-0-350V. 150mA. 6.3v. 4a, 0-5-6.3v. 3a 37/9

FULLY SHROUDED UPRIGHT MOUNTING

250-0-250V. 60mA. 6.3v. 2a, 0-5-6.3v. 2a 18/9
Midget type 2 1/2 x 3 x 3in. 29/9
250-0-250V. 100mA. 6.3v. 4a, 0-5-6.3v. 3a 18/9
300-0-300V. 100mA. 6.3v. 4a, 5v. 3a 29/9
300-0-300V. 130mA. 6.3v. 4a, C.T. 6.3v. 1a for Mullard Amplifier 36/9
350-0-350V. 100mA. 6.3v. 4a, 0-5-6.3v. 3a 29/9
350-0-350V. 150mA. 6.3v. 4a, 0-5-6.3v. 3a 38/9
425-0-425V. 200mA. 6.3v. 4a, C.T. 5v. 3a 57/9

425-0-425V. 200mA. (6.3v. 4a Twice). 5v. 3a 59/9
450-0-450V. 250mA. 6.3v. 4a, C.T. 5v. 3a 69/9

FILAMENT TYPES

6.3v. 1.5a. 5/9; 6.3v. 2a. 7/6; 12v. 1a. 7/11; 6.3v. 3a. 8/11; 6.3v. 6a. 17/6; 12v. 1.5a. twice 17/6.

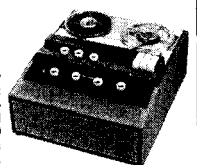
MIDGET (Clamped type) 2 1/2" x 2 1/2" x 2 1/2" 13/9
50 c/s. 250v. 60mA. 6.3v. 2a
250-0-250V. 60mA. 6.3v. 2a 14/9

OUTPUT TRANSFORMERS

Push-Pull 8 watts. EL84 or 6V6 to 3 Ω or matched to 15 Ω 9/9
Push-Pull 10-12 watts to match 6V6 or EL84 to 3-5-8 to 15 Ω 19/9
Following types for 3 and 15 Ω speakers—
Push-Pull 10-12 watts. 6V6 or EL84 18/9
Push-Pull 15-18 watts. 6L6, KT66 22/9
Push-Pull Mullard 510 Ultra Linear 29/9
Push-Pull 20 watts, sectionally wound 6L, KT66, EL34, etc. 49/9
CHARGER TYPES. 0-9-15v. 1 1/2a. 12/9; 0-9-15v. 2a. 14/9; 0-9-15v. 3a. 16/9; 0-9-15v. 5a. 19/9; 0-9-15v. 6a. 23/9; 0-9-15v. 8a. 28/9
AUTO (Step up/Step down) TRANS. 0-110/120-230/250V. 50-80 watts. 13/9; 150 watts. 27/9; 250 watts. 49/9; 500 watts. 99/9

AUDIOTRINE HI-FI TAPE RECORDER KIT

REALISM AT INCREDIBLY LOW COST. CAN BE ASSEMBLED IN AN HOUR. Incorporating the latest Magnavox Tape Deck. The Audiotrine High Quality Tape Amplifier with negative feedback equalisation for each of 3 speeds. High Flux P.M. Speaker, empty Tape Spool, a Reel of Best Quality Tape and a Handsome Portable Carrying Cabinet covered in attractive leather-cloth, chrome fittings and trimmings. Size 14 1/2 x 17 1/2 x 8 1/2 in. high and circuit. Total cost if purchased individually approx. £40. Performance equal to units in the £50-£70 class. S.A.E. for leaflet. TERMS—A 50% deposit and 12 monthly payments of 42/- (Total 28 gns.) **ONLY 3 PAIRS OF SOLDERED JOINTS PLUS MAINS.**



TRANSISTOR SALE

Mullard OC71 2/11, OC45 3/11, OC44 3/11, OC72 2/11, OC81 2/11, OC171 8/9, Ediswan XA101 3/9, XA112 3/9, XC101A 3/9, AF117 8/9. Postage 6d. for up to 3 transistors.

AUDIOTRINE HI-FI SPEAKER SYSTEMS

Consisting of matched 12in. 12,000 line, 15 ohm high quality speaker; crossover unit (consisting of choke, condenser, etc.) and Tweeter. The smooth response and extended frequency range ensure surprisingly realistic reproduction. Standard 10 watt, rating. £4.19.9. Carr. 0/9 Senior 20 watt. Model £6.19.6. Carr. 7/6



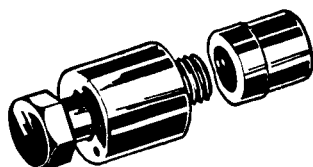
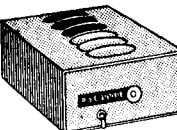
COMPLETE POWER PACK KIT

Consisting of Mains, Trans., Metal Rectifier, Double electrolytic, smoothing choke chassis and circuit. For 200/250v. A.C. mains. Output 250v., 60mA. 6.3v., 2a.

19/11

R.S.C. Battery to Mains Conversion Units

Type BMI. An all-dry battery eliminator. Size 5 1/2 x 4 1/2 x 2in. approx. Completely replaces batteries supply 1.4v. and 90v. where A.C. mains 200-250v. 50 c/s is available. Suitable for all battery portable receivers requiring 1.4v. and 90v. Complete kit with diagram 39/9 or ready for use 49/9



The **PUNCH** you need!

HOLE PUNCHES

| | | |
|-----------------------------|-----|----------|
| Instant Type | | |
| 1/2" diameter | ... | 6/10 ea. |
| Screw-up Type | | |
| 1/2" diameter Toggle switch | ... | 8/6 " |
| " " " " | ... | 8/6 " |
| " " B7G | ... | 9/- " |
| " " B8A, B9A | ... | 9/6 " |
| " " " " | ... | 10/2 " |
| " " " " | ... | 10/8 " |
| " " " " | ... | 11/8 " |
| " " " " | ... | 13/4 " |
| 1 1/2" diameter Int. Octal | ... | 14/2 " |
| " " " " | ... | 16/2 " |
| " " " " | ... | 18/10 " |
| " " " " | ... | 21/8 " |
| " " B9G | ... | 24/4 " |
| " " " " | ... | 33/2 " |

Complete Set £9.3.6.

No extra charge for postage and packing in the U.K.

Now supplied by:

TOMPKINS & LONGMAN LTD.

237 GIPSY ROAD
WEST NORWOOD, S.E.27
Tel.: Gipsy Hill 5000

The RADIO AMATEURS HANDBOOK 40/-

1966 Ed. by A.R.R.L. Postage 3/-

WORLD RADIO AND T.V. HANDBOOK

1966, by Johansen. 29/3

ABC'S OF ELECTRONIC ORGANS, by Crowhurst. 17/-

TRANSISTOR ELECTRONIC ORGANS FOR THE CONSTRUCTOR, by Douglas. 19/-

ELECTRONIC GUITAR AMPLIFIER HANDBOOK, by Darr. 25/-

ELEMENTS OF TRANSISTOR PULSE CIRCUITS, by Towers. 36/-

ELECTRONIC MOTOR CONTROL, by Lytel. 31/3

PRACTICAL TRANSISTOR SERVICING. New Edition, by Caldwell. 25/-

PICK-UPS, THE KEY TO HI-FI, by Walton. 10/-

ABC'S OF COMPUTERS by Lytel. 17/-

ELECTRONIC COMPUTERS, a made simple book by Jacobowitz. 19/-

UNDERSTANDING LASERS AND MASERS, by Leinwoll. 14/3

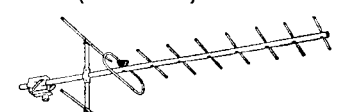
All prices include U.K. postage

Where possible 24-hour service guaranteed

UNIVERSAL BOOK CO.

12 LITTLE NEWPORT ST., LONDON, W.C.2
(Leicester Square Tube Station)

BBC2 (625 LINE) TV AERIALS



MAST MOUNTING ARRAYS, 9 element 45/-; wide spaced high gain, 11 element 55/-; 14 element 62/6. **WALL MOUNTING WITH CRANKED ARM,** 9 element 60/-; wide spaced high gain, 11 element 67/6; 14 element 75/-. **CHIMNEY ARRAYS COMPLETE,** 9 element 72/-; wide spaced high gain, 11 element 80/-; 14 element 87/6. **LOFT ARRAYS,** 7 element 32/6; wide spaced high gain, 11 element, WITH TILTING ARM 62/6; 14 element 70/-. **ALL HIGH GAIN UNITS HAVE SPECIAL MULTI-ROD REFLECTOR. LOW LOSS CO-AXIAL CABLE** 1/6 yd. UHF transistor pre-amps from 75/-.

BBC + ITV + F.M. AERIALS

B.B.C. (BAND 1), Telescopic loft 21/-, External 5/10 30/-.
I.T.V. (BAND 3), 3 Element loft array 25/-; 5 element 35/-, Wall mounting, 3 element 35/-; 5 element 45/-.
COMBINED B.B.C./I.T.V. Loft 1+3, 41/3; 1+5, 48/9. Wall mounting, 1+3, 56/3; 1+5, 63/9. Chimney 1+3, 63/9; 1+5, 71/3.
VHF transistor pre-amps from 75/-.

F.M. (BAND 2), Loft 5/10 12/6. "H" 30/-, 3 element 52/6. External units available. Co-ax. cable 8d. yd. Co-ax. plugs 1/3. Outlet boxes 4/6. Diplexer Crossover Boxes 12/6. C.W.O. or C.O.D. P. & P. 4/6. Send 6d. stamps for illustrated lists.

K.V.A. ELECTRONICS (Dept. P.E.)
27 Central Parade, New Addington, Surrey
LOD 2266

excessively high current flowing as the cable charges with each Geiger pulse. The G.M. cathode is soon impaired under these conditions and is apparent by a shortening and steepening of the plateau region of the characteristic which is finally lost altogether.

The most usual method of avoiding this is to place a series resistor in the anode lead between the tube and the cable (R4 2:2 megohm see Fig. 1) to form part of the anode load. There are two unused pins on the valveholder which are convenient for mounting this resistor in the probe. The cable should still be kept as short as possible and about 2ft should be sufficient with a portable unit such as this particular ratemeter. Any good quality low capacity TV coaxial cable will suffice for this purpose.

Two different types of input plug and socket combinations are used on the instrument to avoid wrong connection, but it might be more acceptable to the constructor more concerned with the cost to omit these altogether. If, instead, the cables are taken through grommets in the front panel and permanently anchored inside, this should be a perfectly satisfactory arrangement.

OPERATING THE G.M. TUBE

Setting up the G.M. tube is quite simple and can be done using a luminous wrist watch as a source of radioactivity. The e.h.t. is then increased from zero until the ratemeter just begins to count, and then if it is increased a little more, say another 50 volts, this will ensure operation in the plateau region.

If the e.h.t. is increased too much and the tube is taken beyond the plateau it will go into discharge which is apparent by a sudden increase in count rate. Provided that the e.h.t. is immediately reduced no damage will be done to the tube, but this condition should be avoided if possible. If the tube does not appear to give results at the voltage stated by the manufacturer, then increasing the e.h.t. is not the answer. G.M. tubes have been made for quite a few years now and almost invariably do exactly as the maker predicts.

If they don't then usually something else is wrong and the tube should only be suspected as a last resort.

SAFE LEVELS OF RADIATION

The first question most people ask when they see a "Geiger counter" being used is whether the amount of radiation present is dangerous.

This is an easy question to ask but it is not so easily answered.

At the moment the recognised basic safe level for controlled personnel, that is medically supervised personnel, in a radioactive environment, is 2.5m.r./hour for a 40 hour working week and this is a very good guide. The prototype ratemeter was operated in a gamma flux of this intensity using the G10H tube and the observed count rate was about 250 counts per sec. The 500 c.p.s. range therefore read 0-5m.r/hr. It will soon be realised how insignificant are the levels from a luminous watch by comparison.

The best attitude to adopt, however, is "any radiation is too much radiation" and not unnecessarily expose oneself to it.

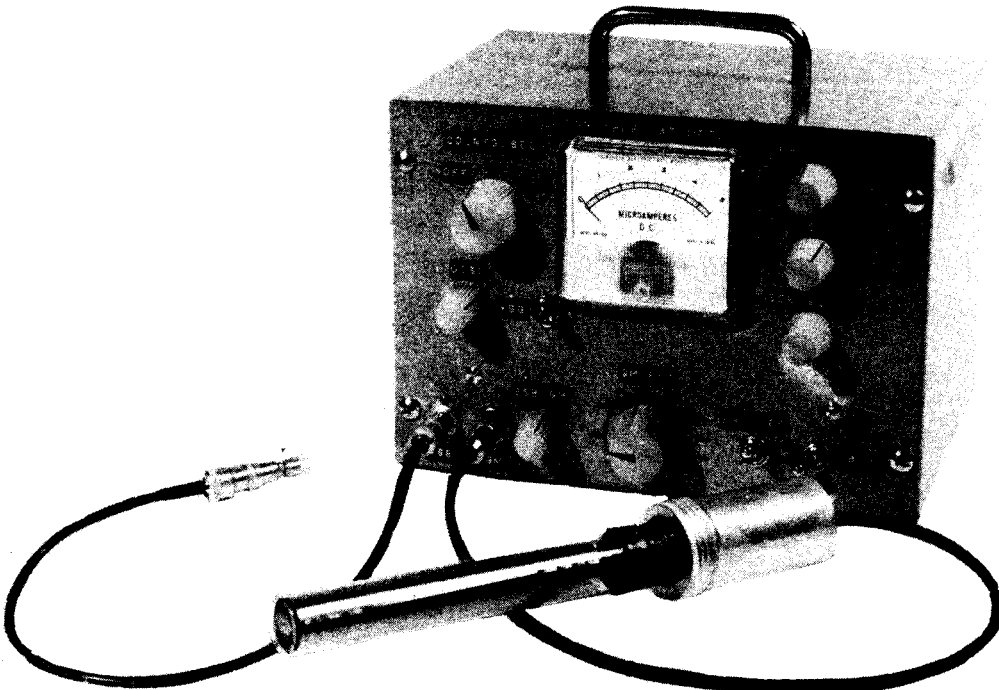
SELECTING AN APPROPRIATE DEVICE

There is not sufficient space in an article of this nature to discuss all the possible types and applications of either type of radiation detecting device, and although only one type of G.M. tube has been mentioned it should not be assumed that it will suffice for all purposes.

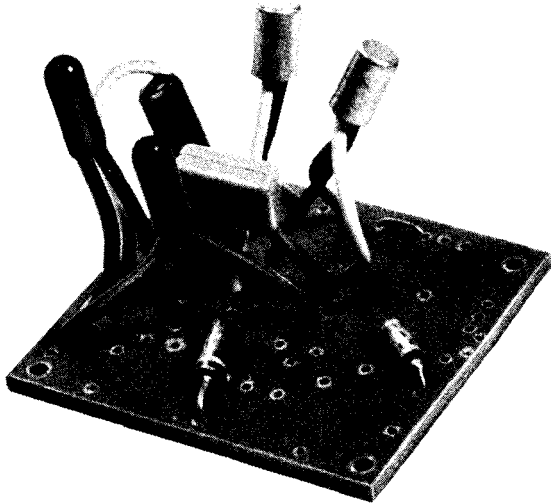
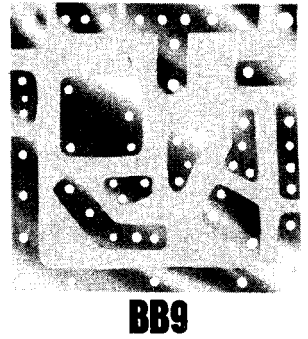
The best policy is to get in touch with the tube manufacturers, who are usually very helpful in such matters.

ACKNOWLEDGEMENT

The author wishes to thank the Directors of 20th Century Electronics Ltd. for permission to publish this article. ★



ENVELOPE AMPLIFIER



THE "envelope" amplifier described in this article is intended primarily for use in the vocal sound effects unit, which will be found elsewhere in this issue. The purpose of this circuit is to convert an a.c. signal into a variable d.c. signal proportional to the amplitude of the a.c. waveform. This d.c. is known as the "envelope" of the a.c. signal.

Diodes D1 and D2 detect and rectify the a.c. signal. TR1 and TR2 act as a d.c. amplifier to provide a power supply to the bell gate amplifier described in the "Vocal Sound Effects Unit" article. The bell gate amplifier is, in fact, a variation of the "Pre-amplifier" circuit described last month.

Fig. 1 shows the circuit diagram. The output is taken from the emitter of TR2 and fed to an LC network to smooth the d.c. The signal input is derived from the emitter (output 2) of the "Pre-amplifier" described last month.

Fig. 2 shows the layout of components. It is not essential to use plugs and sockets for the input and output, since the unit can be connected direct to the other circuits in the "Vocal Sound Effects Unit". Only one link wire is required at A.

The circuit is built upon the "standard" pattern printed board as used in the other "Bonanza Board" projects.

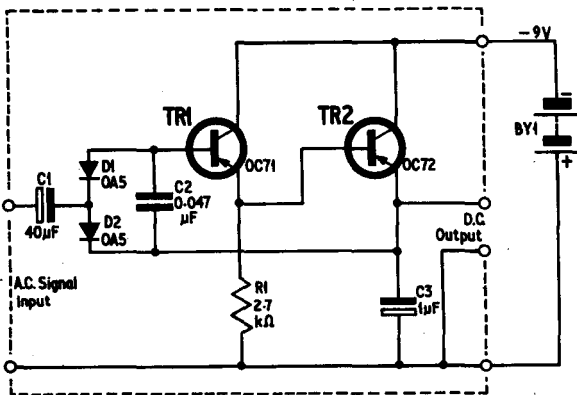


Fig. 1. Circuit diagram of the envelope amplifier. Input and output sockets are not necessary. All components within the dotted line area are mounted on the board

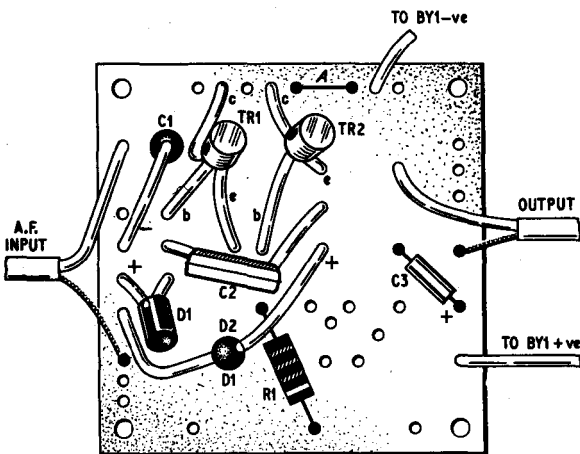


Fig. 2. Layout of components on the printed circuit board. Only one link wire is needed at A

COMPONENTS . . .

Resistor

R1 2.7kΩ 10% ½ watt, carbon

Capacitors

C1 40µF elect. 12V

C2 0.047µF mica

C3 1µF elect. 12V

Transistors

TR1 OC71 } (Mullard)
TR2 OC72 }

Diodes

D1, D2 OA5 (Mullard)

Battery

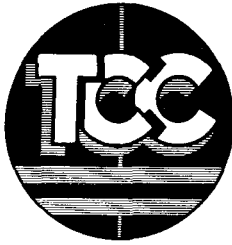
BY1 9 volt light duty

Miscellaneous

Printed circuit board (see text)

Switch, single pole on/off (optional) for battery

Battery connectors and p.v.c. wire.



MINIATURE METALLIZED POLYESTER CAPACITORS

These small moulded metallized polyester capacitors are ideally suited to the applications of printed wiring panels and transistorised circuits. The use of the new dielectric material and unique construction combine the advantages of small physical size and superior electrical characteristics which meet the requirements of H.5 DEF. 5011 Specification.

CONSTRUCTION

The windings are virtually non-inductive and the wire terminations are soldered direct to the metal electrodes eliminating contact resistance and ensuring the minimum possible inductance.

Cap. Tolerance: $\pm 20\%$

Voltage Rating:

Peak ripple voltage and D.C. voltage must not exceed rated D.C. voltage.

Power Factor:

≤ 0.01 at 1 Kc's, at $+ 20^{\circ}\text{C}$.

Temperature Rating:

Suitable for working at $+ 85^{\circ}\text{C}$. without derating.

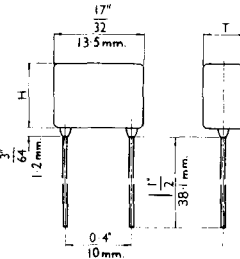
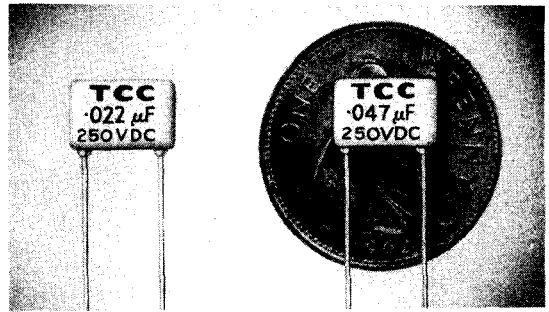
Insulation Resistance: 10,000 megohms or 2,000 ohm farad whichever is less.

Terminations:

22 SWG solder-coated parallel wires for vertical mounting.

Finish:

Insulated—special non-cracking heat resisting thermosetting compound providing good insulation and good protection against the ingress of moisture.



| Cap. μF | Dimensions | | T.C.C. Type No. |
|---|------------------|-------------------|-----------------|
| | H | T | |
| 250 V. D.C. at 85°C working | | | |
| 0.01 | 11/32in. 9 mm | 7/32in. 5.5 mm | PMX1 |
| 0.015 | 11/32in. 9 mm | 7/32in. 5.5 mm | PMX7 |
| 0.022 | 11/32in. 9 mm | 7/32in. 5.5 mm | PMX2 |
| 0.033 | 11/32in. 9 mm | 7/32in. 5.5 mm | PMX5 |
| 0.047 | 11/32in. 9 mm | 7/32in. 5.5 mm | PMX3 |
| 0.068 | 7/16in. 11 mm | 9/32in. 7.2 mm | PMX8 |
| 0.1 | 7/16in. 11 mm | 9/32in. 7.2 mm | PMX4 |
| 400 V. D.C. at 85°C working | | | |
| 0.01 | 11/32in. 9 mm | 7/32in. 5.5 mm | PMX41 |
| 0.022 | 11/32in. 9 mm | 7/32in. 5.5 mm | PMX42 |
| 0.033 | 7/16in. 11 mm | 9/32in. 7.2 mm | PMX45 |
| 0.047 | 7/16in. 11 mm | 9/32in. 7.2 mm | PMX43 |

THE TELEGRAPH CONDENSER CO. LTD.

Electronics Division · North Acton · London · W.3. · Tel. ACOrn 0061 · Telex: 261383
(also at) CHESSINGTON, SURREY & BATHGATE, SCOTLAND

Of drastically low mass FLUID ARM, incorporates a unipivot working down into a deep well of fluid, which surrounds the pivot, providing lateral support and PURE DAMPING, and achieves a pivot friction which defies measurement IN ALL PLANES. Other design features include a ROLLER ACTION adjustable bias compensator, a sophisticated lowering AND positioning device, fine balance adjuster, modular counterweight system, vertical AND horizontal base adjustment, stereo leads and plugs, and every conceivable adjustment. THE TRANSCRIPTOR ARM is similar in design, and only slightly less sophisticated using a conventional unipivot, and having no bias compensator. THE SWEEP ARM tracks at a $\frac{1}{2}$ of a gramme and has a squirrel hair brush unipivot, adjustable height and pressure, and a parking device. THE STYLUS SCALES use a pure balanced beam over a unipivot with a bubble readout, and are accurate to 1/50th of a gramme.

ALL NEW
ALL BRITISH

SWEEP ARM
£2-9-1 incl.

TRANSCRIPTOR ARM universal or deram fittings 10 inch
£9-7-0 incl.

STYLUS SCALES
£2-8-10 incl.

STYLUS BRUSH
£1-9-3 incl.

FLUID ARM universal, ffss, or EPU100 fittings 9, 10, or 12 inch
£14-12-3 incl.

TRANSCRIPTORS LIMITED 551 HOLLOWAY RD. LONDON N19 ARC. 6419

YOURS AT LAST!

"SECRET SERVICE"

TAPE RECORDER

SMALLEST IMAGINABLE!

FANTASTIC PRICE!
WORTH TREBLE

£5.19.6

POST ETC. 3'6

OR LOW DEPOSIT.



PREVIOUSLY CHEAPEST BATTERY/MAINS TAPE RECORDER COST £29.10.0!

NOW! our fantastic BATTERY 'ROYAL' Plus MAINS TAPE RECORDER

AMAZING CASH PRICE


£5.19.6

POST ETC 5'

OR LOW DEPOSIT

PRICE REALLY PULVERISED!

WHAT A GIFT! Simply send 10/- deposit, balance 18 fortnightly payments of 7/9. (Total Credit Sale Price 149/6), plus post. Amazing cash price £19.6, post 5/- Fabulous! Fabulous! Check catalogues and prices in the U.K. and see for yourself! NOW "H & G" offer you **THE FIRST BATTERY/MAINS TAPE RECORDER FOR £5.19.6 IN HISTORY!** Obtainable only from us. NOW you can record sound and music, and play back at home on A.C. mains, or record and play outdoors—anywhere using auxiliary batteries. **BUILT-IN REVERSE RECORD/PLAYBACK AND VOLUME CONTROL. COMPLETE WITH SUPER SENSITIVE MICROPHONE, EARPIECE FOR PERSONAL LISTENING, FLEX AND PLUG.** Truly a comprehensive set. Complete in carry case. Wonderful fun at parties, etc. Send quickly or call at any of our stores. Refund if not absolutely delighted. 2 Tapes for 25/- Set of standard batteries 2/6. State if required. Lists, Cameras, etc.



Absolutely fantastic price, only £5.19.6. post & pack. 3/6, or 30/- dep., bal. 18 fortnly. pyts. 6/4 (Total Credit Sale Price 144/-) + post. Have fun with the smallest tape recorder imaginable! Styled on those shown on T.V. and in spy films, that also record and play when concealed in any position—even at a distance! Plays back clearly and distinctly—terrific adjustable sound control. Perfect for voice or music, verbal contracts, reporters' dictating, etc., or just for fun and games! Works in jacket or trouser pocket, handbag, etc. Yes, measures only inches, **DEPTH ONLY 2".** Sturdy metal case—not plastic! Complete with carrying case, earpiece and microphone. Super 15 minute (App.) tape 12/6 extra. Standard midget batteries 1/9 per set (obtainable anywhere). Fully guaranteed. Limited stocks—send now or call. "H & G" first again with a quality novel offer at a fantastic price. Worth far, far more than double! Refund if not absolutely delighted.

H **E** **A** **D** **Q** **U** **A** **R** **T** **E** **R** **&** **G** **E** **N** **E** **R** **A** **L** **S** **U** **P** **L** **I** **E** **S** **L** **T** **D** (DEPT. PE/6) 196-200 COLDHARBOUR LANE LOUGHBOROUGH JUNCT., LONDON, S.E.5 (Wed. 1 p.m.)

ALSO 37/39 High Holborn (Thurs. 1 p.m.), and 166 North End, Croydon, and 149 High Street, Guildford (Wed. 1 p.m.). 121 High Street, Colchester (Thurs. 1 p.m.). ALL 6 p.m. SAT., 7 p.m. FRI. ALSO 267/269 Oxford St. (Wed. 1 p.m., Thurs. late night shopping 8 p.m. and Fri. 6 p.m.)

4-STATION INTERCOM



£7/19/0

Solve your communication problems with this latest 4-Station Transistor Intercom system (1 master and 3 Subs), in de-luxe plastic cabinets for desk or wall mounting. Call/talk/listen from Master to Subs and Subs to Master. Operates on one 9V battery. On/off switch. Volume control. Ideally suitable for Office, Factory, Workshop, Warehouse, Hospital, Shop etc. Complete with 3 connecting wires, each 66ft., & other accessories. Nothing else to buy. Post Free in U.K.

INTERCOM/BABY ALARM



Usually ~~£8.95~~ Our Price ONLY

57/6

Modernize business and home with this latest two-way Transistor Intercom, consisting of two units, Master and Sub, in strong plastic cabinets with chromium stands. Elegantly designed to use as two-way instant communication system—Call/talk/listen—between two persons. Operate on one 9V battery. Complete with 60 ft. wire. Battery 2/6. P. & P. 2/6 in U.K.

TELEPHONE AMPLIFIER



Why not increase business efficiency with this De-luxe Telephone Amplifier with Rotary Calendar and Pen-Holder which enables you to take down long telephone messages or converse without holding the handset. A status symbol? Yes, but very useful one. On/off switch. Volume Control. Operates on one 9V. battery (supplied) which lasts for months. P. & P. 3/6 in U.K. Full money refunded if not satisfied in 7 days.

75/6

WEST LONDON DIRECT SUPPLIES (PE/4)
6 CHIGNELL PLACE, WEST EALING, LONDON W13

1966 EDITION RADIO AMATEUR HANDBOOK

40/- by ARRL Postage 2/6

TRANSISTOR POCKET BOOK by R. G. Hibberd. 25/- Postage 1/-

TABLES OF LAPLACE TRANSFORMS by W. D. Day. 5/- Postage 6d.

ELECTRONIC GUITAR AMPLIFIER HANDBOOK by J. Darr. 24/- Postage 1/-

HANDBOOK OF ELECTRONIC CIRCUITS by R. Feinberg. 50/- Postage 2/-

PRACTICAL TRANSISTOR SERVICING by W. C. Caldwell. 24/- Postage 1/-

BASIC THEORY & APPLICATION OF TRANSISTORS by U.S. Dept. Army. 10/- Postage 1/-

ABC'S OF ELECTRONIC ORGANS by N. H. Crowhurst. 16/- Postage 9d.

SERVICING AGC CIRCUITS by H. E. Thomas. 28/- Postage 1/-

COMPLETE CATALOGUE 1/-

THE MODERN BOOK CO.

BRITAIN'S LARGEST STOCKISTS of British and American Technical Books

19-21 PRAED STREET LONDON, W.2

Phone: PADDINGTON 4185

Open 6 days 9-6 p.m.

LOOK! AT OUR PRICES

RED SPOT TRANSISTORS 9/- Doz. Audio Similar to OC71 or 1/- each + 4d. postage Postage 6d. Extra

WHITE SPOT TRANSISTORS 10/6 Doz. Similar to OC45 or 1/3 each + 4d. postage Postage 6d.

GERMANIUM RECTIFIERS 24/- Doz. GJ7M 24V 1/2 Amp or 2/6 each + 6d. postage Postage 1/-

MINIATURE GERMANIUM DIODES 6/- Doz. Postage 6d.

BY100 SILICON RECTIFIERS 78/- Doz. 800v. P.I.V. 500mA or 7/6 each + 4d. postage Postage 1/-

TANK AERIALS 10/6 each 1/6 P. & P. 6 Section. Total Length 10' 10" Perfect for Vertical Aerial or Fishing Rod.

VEROBOARD Now in Stock

2 1/2" x 5" 3/8 2 1/2" x 3 1/2" 3/-
3 1/2" x 5" 5/2 3 1/2" x 3 1/2" 3/8

Postage 6d. each extra.

TRANSISTOR HOLDERS 11/6 Doz. 3 or 5 Pin Type 1/- each + 4d. postage Postage 6d.

PETHERICK'S RADIO SUPPLIES

Dept. C

22 HIGH STREET, BIDEFORD, N. DEVON

Tel.: Bideford 3217

VOCAL SOUND EFFECTS UNIT

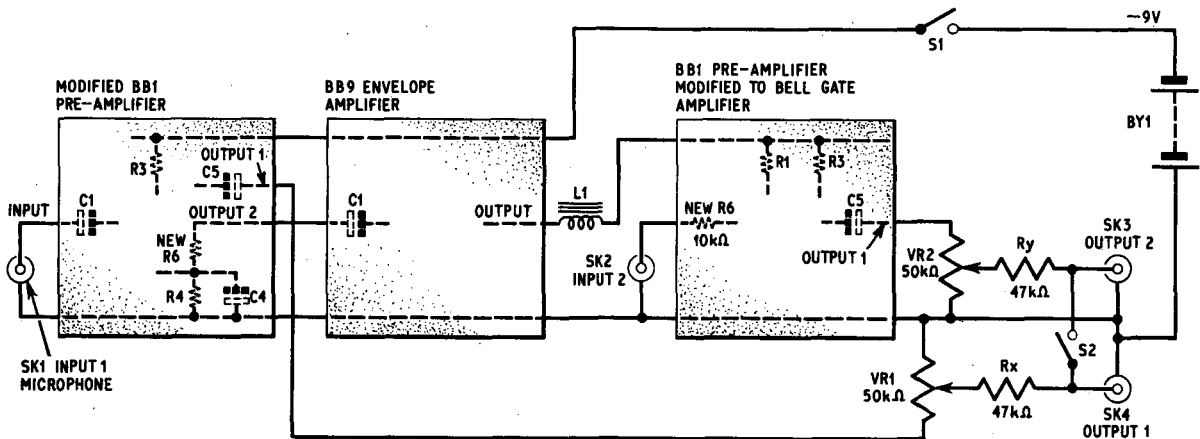


Fig. 1. The complete vocal sound effects unit after circuit modifications. A tone generator is connected to SK2

DOCTORING of the sound of the human voice is widely practised for both recording and public address purposes. This tone bending is quite simple to achieve and gives apparently artificial effects.

The basic circuit is shown in Fig. 1. The signal from the microphone is amplified by a slightly modified version of the "Pre-amplifier" described last month. Both outputs of this unit are used: the signal from output 1 is made available through a volume control VR1 and Rx for listening to the "true" sound. The signal from output 2 of the pre-amplifier is fed into an "Envelope Amplifier" (see BB9 article) which converts it to d.c. proportional to the amplitude of the a.c. signal. This d.c. drives the bell gate amplifier. No other power supply is needed for this amplifier.

The bell gate amplifier is another modified version of the "Pre-amplifier" (BB1). The input to this is applied to SK2 and can be an electronic tone or chord which is modulated by the fluctuating d.c. from the envelope amplifier. Thus, the bell gate amplifier acts rather like an electronic volume control. The unusual effects produced are passed to SK3 (output 2) via a volume control VR2 and Ry.

Both outputs can be electronically combined by closing switch S2, providing sufficient output to drive a power amplifier. Alternatively, each output can drive its own individual power amplifier.

The main purpose of the unit is to amplitude modulate the electronically generated tone with an "envelope" waveform similar to that provided by the human voice, or any other sound picked up by the microphone. This electronic sound is mixed (by using S2) with the original vocal sound to give some "colouring". Some intriguing and sometimes startling effects can be produced.

MODIFICATIONS

The best way to start is to assemble the three basic units with the necessary modifications outlined as follows:

Referring first to the *pre-amplifier*, make up this unit according to the article (BB1, Figs. 1 and 2, page 182 last month) and carry out the following modifications:

- (1) R5 should be omitted and replaced by a shorting link A;
- (2) Omit VR1 of the pre-amplifier;
- (3) Change C1 to 40 μ F and connect + to SK1;
- (4) Change R4 to 560 ohms;
- (5) Insert new resistor R6 470 ohms as shown in Fig. 2 below. Remove link D and replace by R6. The centre wire of the coaxial cable to "output 2" should be removed and connected to the vacant hole next to TR2 emitter (see Fig. 2b);
- (6) SK2, SK3, and BY1 (in Fig. 1, page 182) can be omitted.

The *envelope amplifier* (BB9) should be made up as shown in the appropriate article elsewhere in this issue.

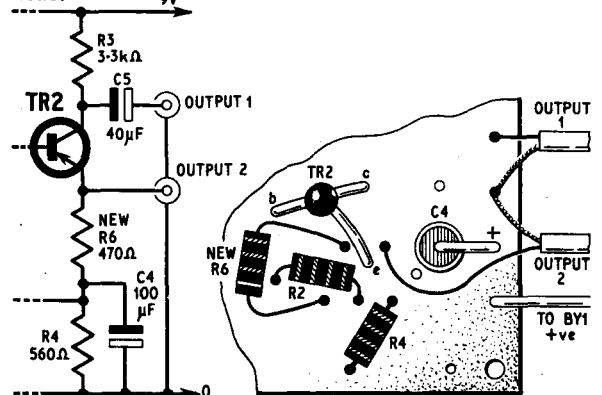


Fig. 2a (left). Part of the "pre-amplifier" modified for use in the vocal sound effects unit. Also change C1 to 40 μ F

Fig. 2b (right). Part of the component layout showing the modification to the TR2 emitter circuit. Note the change in position of output 2 wire

The *bell gate amplifier* is another pre-amplifier unit (BB1) with different modifications as follows:

- (1) Change R1 to 6.8 kilohms;
- (2) Change R2 to 150 kilohms;
- (3) Change R3 to 1 kilohm;
- (4) Change R4 to 220 ohms;
- (5) Omit VR1, C4, SK1, SK2, and R5;
- (6) Change C1 to 40 μ F, connect + to R6;
- (7) Insert new resistor R6 10 kilohms in series between C1 + and SK1;
- (8) Insert link wire A in place of R5;
- (9) Change C3 to 1 μ F.

Refer to Figs. 1 and 2 on pages 182 and 183 of last month's issue when carrying out the modifications.

ASSEMBLY

The three units can now be assembled and wired together according to the circuit in Fig. 1. Be sure to get the interconnections between units correct. Extra components will, of course, be required and these are specified in the components list. The choke L1 has an inductance of 10 henries which, when combined with C3 in the bell gate amplifier, smooths the d.c. from the envelope amplifier. It is likely to be a bulky item so it will have to be mounted separately in the box.

The three Bonanza Boards and associated components are assembled in a metal box which can be an aluminium chassis with a cover plate. This should be large enough to house everything; a suggested size would be not less than about 8in \times 6in \times 2½in. Readers may like to incorporate the tone generator for feeding the bell gate amplifier within the box and, of course, allowance should be made for this. If a pure sine wave tone generator is not essential the Harmonic Oscillator BB5 could be used.

COMPONENTS . . .

BB1 Pre-amplifier modified according to text

BB9 Envelope amplifier (see page 296)

BB1 Bell gate amplifier modified form of preamplifier (see text)

Additional components not included in the above units

Resistors

Rx 47k Ω
Ry 47k Ω } 10%, ½ watt carbon

Potentiometers

VR1, VR2 50k Ω log carbon (2 off)

Inductor

L1 10H 100mA i.f. choke

Switches

S1, S2 Single pole, on/off toggle (2 off)

Plugs and Sockets

PL1 and SK1 coaxial or jack for input 1
PL2 and SK2 coaxial for input 2
PL3 and SK3 coaxial for output 2
PL4 and SK4 coaxial for output 1

Miscellaneous

Chassis 8in \times 6in \times 2½in with cover plate
Coaxial and p.v.c. wire

As recommended in other articles in this series, it is worth using insulating backing boards to protect the copper strips from short circuits. The choke must be firmly clamped and bolted to the box.

SETTING UP

Connect a milliammeter temporarily in series with the battery negative lead to measure the quiescent current (i.e. with no signals applied to the circuit). This should be about 5mA when S1 is switched on. If it rises rapidly to more than about 10mA, switch off quickly and check that the wiring is correct. When a signal is applied via, say, a microphone to SK1 the current consumption from the battery will rise to quite a high value, depending on the signal strength.

Set VR1 and VR2 to minimum volume, close the switch S2, and connect one of the output sockets to a power amplifier and loudspeaker. Increase the volume setting of VR1 gradually until the audio input signal can be heard at a reasonable level from the loudspeaker.

Connect an audio oscillator (sine wave, square wave, or sawtooth) to input 2. Increase the volume setting of VR2 until the oscillator signal can be heard in the loudspeaker. This will only be heard when an audio signal is fed into input 1.

This setting up procedure applies to obtaining a combined signal from both outputs. If you want the two signals separated, open switch S1 and feed each output to its own power amplifier. Use VR1 and VR2 to obtain a reasonable balance between the two signals.

BEAT FREQUENCY

Interesting effects are obtainable when the two inputs are *almost* the same pitch, a beat frequency (the difference between the two fundamental input frequencies) will be heard as well. Some dissonance will be heard, but the good singer should be able to avoid this by matching his voice to the oscillator frequency. It is useful to be able to adjust this frequency to match the voice; VR1 on BB5 (Wide Range Harmonic Oscillator) is inserted to perform this function.

This sound effects unit is not necessarily confined to vocal sound effects. There is no reason why one should not use musical instruments and tape recorded sounds. The scope is enormous—the effects fascinating. ★

PRACTICAL TELEVISION

L-C PICOMETER

USED IN CONJUNCTION WITH A G.D.O. TO MEASURE SMALL CAPACITANCE AND INDUCTANCE VALUES QUICKLY

TV TERMS AND DEFINITIONS

NEW SERIES EXPLAINING IN SIMPLE TERMS THE DEFINITIONS AND PHRASES PECULIAR TO TV

FAULTY CHOKES AND TRANSFORMERS

A LOOK AT THE SITUATIONS IN WHICH THESE ARE TO BLAME

April issue on sale **MARCH 24th**—Price 2s.

PRACTICAL WIRELESS

REFLEX-2, TRANSISTOR RECEIVER

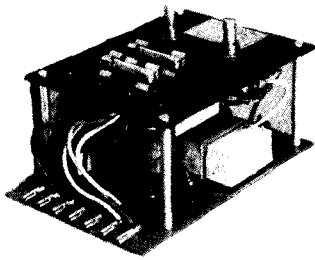
TWO TRANSISTOR 4-STAGE POCKET SET FOR THE BEGINNER

EL KEY

AN ELECTRONIC MORSE KEY

April issue on sale **NOW**—Price 2s.

ELECTRONIC TIMERS



£3.10.0 each
(Cases extra at 16/-
each)

●
TIMERS are supplied
complete with socket
and circuit diagram
and provides a
variable 'ON' variable
'OFF' control

TIME RANGE

3 - 8 seconds each channel continuously adjustable
(Range can be altered by changing capacitor).

SUPPLY

240 - 250 Volts A.C.

RELAY CONTACTS

Single pole. Normally open. 5 amp 250 volts. None
inductive.

CONSTANT VOLTAGE TRANSFORMERS

Input 190 - 260 volts 50 cycles. Output matched to
Half Wave Rectifier to give 310/340 volts. 30 MA
D.C. Transformer only. £3 each. (Ideal for front
ends of power packs).

LIMITED OFFER ONLY — SEND CASH WITH ORDER TO:

E.C.I. LTD.

341a SOHO ROAD · HANDSWORTH · BIRMINGHAM 21

Folded Horn
enclosure £10.19.0

Nielsen equipment
cabinet 18gh



RECORD HOUSING

Turntables, tape recorders, loudspeakers, amplifiers, tuners,
records and tapes, there is a Record Housing cabinet to
suit your choice. Write for illustrated catalogue of com-
plete range, plus list of stockists. Tel. Bowes Park 7487
Record Housing, Dept 4 PE, Brook Road, London, N22

The hard-to-find man is the man with advanced technical knowledge

In the field of Electronics today the greatest demand is for men to fill the positions of skilled technicians and support engineers. These are the 'hard-to-find' men for whom the way ahead to rewarding and interesting jobs lies wide open.

CREI HOME STUDY COURSES offer advanced technical education to the man who realises that technical knowledge must be current and up-to-date if progress is to be made in a world in which new ideas, new techniques and new applications develop almost overnight.

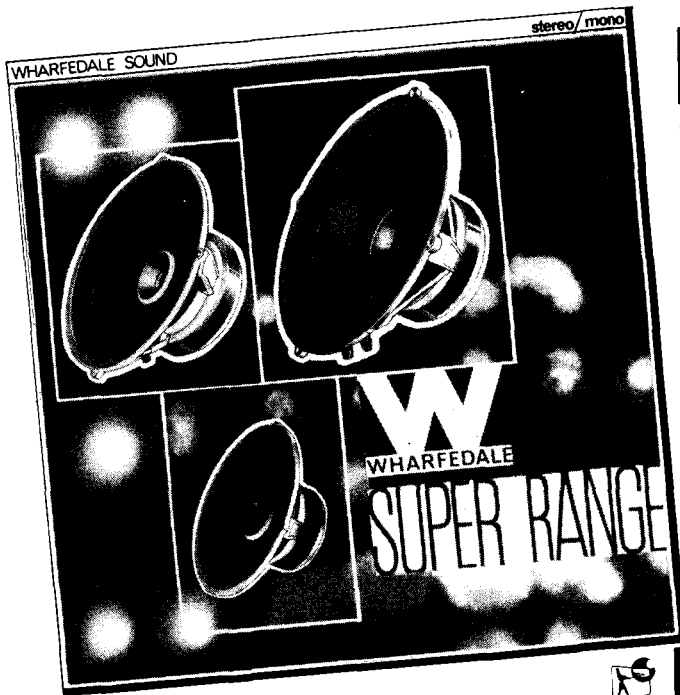
CREI COURSES ARE AVAILABLE IN:—

Electronic Engineering Technology
Automation & Industrial Electronic Engineering
Nuclear Engineering
Communications Engineering
Aeronautical & Computer Engineering
Television Engineering
Servomechanisms & Navigational Engineering
Space Data Systems
Radar & Servo Engineering
Mathematics for Electronic Engineers
City & Guilds of London Institute: Subject 49 &
Supplementary Studies Subject 300.

For further information write to:

C.R.E.I. (London) (Dept. P.E.1.)
WALPOLE HOUSE, 173/176 SLOANE ST. LONDON, SW1
Telephone: BELgravia 8662

International Division of Capitol Radio Engineering Institute, Washington, DC



RANK WHARFEDALE LIMITED
IDLE, BRADFORD, YORKSHIRE
 Telephone Bradford 612552/3 · Telegrams 'Wharfde'l' Bradford

BUILD A HI-FI SYSTEM WITH WHARFEDALE LOUDSPEAKERS

These Loudspeakers are the actual speakers that Wharfedale use in their world famous cabinet models. Each is fitted with roll surround for low resonance and double diaphragm assembly for extended H.F. response.

Send today for further details of these units plus free cabinet construction sheets to enable you to build a top quality Hi-Fi loudspeaker system.

SUPER 8/RS/DD

Frequency range 40 c/s — 20,000 c/s. Impedance 10/15 ohms.
 Power handling capacity 6 watts (12 watts peak) £7.0.0. (tax paid)

SUPER 10/RS/DD

Frequency range 30 c/s — 20,000 c/s. Impedance 10/15 ohms.
 Power handling capacity 10 watts (20 watts peak) £11.13.4. (tax paid)

SUPER 12/RS/DD

Frequency range 25 c/s — 20,000 c/s. Impedance 12/15 ohms.
 Power handling capacity 20 watts (40 watts peak) £17.10.0. (no tax)

FREE CONSTRUCTION SHEETS

Complete this coupon for 8 page booklet on Wharfedale Speaker Units plus FREE CABINET CONSTRUCTION SHEETS for your own Hi-Fi system. (Dept. PE4)

NAME

ADDRESS

TOWN.....COUNTY.....

TRANSISTOR BARGAINS! FANTASTIC OFFER!

Mixed R.F./I.F./A.F. types. Untested. Only £1/- per 100.
 12/6 for 50.

Switching Transistors. N.K.T. 124/5. Tremendous gain! 6 for 10/-.
 Large Car Radio type Output Transistors. N.K.T. 405. 10/- each.

CONDENSERS

Silver Mica, Polystyrene, Ceramic. Mixed Types, values, only.
 Very good selection from 3.3pf to 6,800pf. 10/- per 100.
 (Normal retail value approx. £6/-/-).

Paper 200V Condensers. .0001uf, .001uf, .002uf, .005uf, .04uf.
 Your choice. 7/6 per 100. £3/-/- per 1,000.

RESISTORS

Low wattage. Mixed. 10/- per 100.
 Mixed ½ watt to 3 watt. Close Tolerance. Very wide range of values. Polythene wrapped on cards of 10. MIXED VALUES ONLY.
 Give-away price. 50/- per 1,000 plus 5/- post and packing.
 (Normal retail value OVER £50/-/-)

SIGNAL INJECTOR

R.F./I.F./A.F. Transistors, components and circuit to make.
ONLY 10/- COMPLETE.

ACOS PICK-UP HEADS

Complete with needles.
 This is the price that you would expect to pay for the needles only!
 Monaural 14/-
 Stereo 21/-
 DIAMOND Stereo 28/9

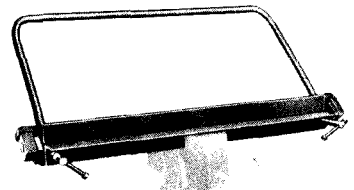
Will fit most record changers. **CAN BE PROFITABLE!**

Many more bargains! We will send you a list with your order! You will not find better value for money ANYWHERE!!!

G. F. MILWARD

17 Peel Close, Drayton Bassett, Near Tamworth, Staffs.
 Tamworth 2321 Post only

PARKERS SHEET METAL FOLDING MACHINES HEAVY VICE MODELS



With Bevelled Former Bars

Carr. free

No. 1. Capacity 18 gauge mild steel x 36in. wide £11.10.0
 No. 2. Capacity 18 gauge mild steel x 24in. wide £6.15.0

No. 3. Capacity 16 gauge mild steel x 18in. wide £6.15.0
 Also new bench models. Capacities 48in. x 18 gauge £38. 36in. x 18 gauge £23. 24in. x 16 gauge £23. Carriage free.

End folding attachments for radio chassis. Tray and Box making for 36in. model. 5/6 per ft. Other models 3/6. The two smaller models will form flanges. As supplied to Government Departments, Universities, Hospitals.

One year's guarantee. Money refunded if not satisfied. Send for details.

A. B. PARKER, Wheatcroft Works, Wellington St., Batley, Yorks. Tel. 3428

YUKAN SO PROFESSIONAL SELF-SPRAY THE YUKAN AEROSOL WAY!

GET THIS AIR DRYING HAMMER FINISH

YUKAN Aerosol spraykit contains 16 ozs. fine quality durable easy instant spray. No stove baking required. Available in Grey, Blue, Gold, Bronze at 14/11 at our counter or 15/11, carriage paid, per pushbutton self-spray can. SPECIAL OFFER: 1 can plus optional transferable snap-on trigger handle (value 5/-) for 18/11 carriage paid.



Choice of 13 self-spray plain colours and primer (motor car quality) also available

Please enclose cheque or P.O. for total amount to:

YUKAN · DEPT. PE/4 · 307A EDGWARE ROAD · LONDON · W.2

Open all day Saturday

Closed Thurs. afternoons

CURRENT FLOW

I have already referred to one great difficulty encountered by the novice to electronics. Unlike the student of mechanical or pneumatic engineering, for instance, the budding electronics engineer has to take an awful lot on trust or prove it to himself mathematically.

The effects of electron currents we can observe with our various senses. The character and behaviour of the atomic particles that make up these currents are still very mysterious, despite the efforts of physicists to explain in word and by pictorial representation. Most elementary text-books fall back on the water system analogy when explaining electron current flow. This seems to be a useful aid during the first steps. It now occurs to me that the student of logic circuits seeking a more tangible analogy could not do better than to take a peep into the world of pneumatics. Seemingly all the familiar binary logical and switching functions can be found in pneumatic systems such as are used in process industries, mechanical handling and so on.

Following upon my mention of fluid computers last January, I have received from AEI some literature describing their AIRLOG logic units, or relays. These devices, as the makers point out, operate on more conventional principles than the fluid devices I previously wrote about.

The AIRLOG devices are about 2in high and something less than 1½in in diameter, and incorporate three chambers stacked one above the other. Three diaphragms enclose the three separate chambers each of which may receive an input signal (pulse of air) through entries in the base. A signal in either of the two upper chambers causes a downward force sufficient to operate the relay. A signal in the bottom chamber acts upwards and has the effect of inhibiting the effect of one but not of two signals acting in the other two chambers. By making appropriate signal connections the basic switching functions OR, AND, NOT, etc. may be performed.

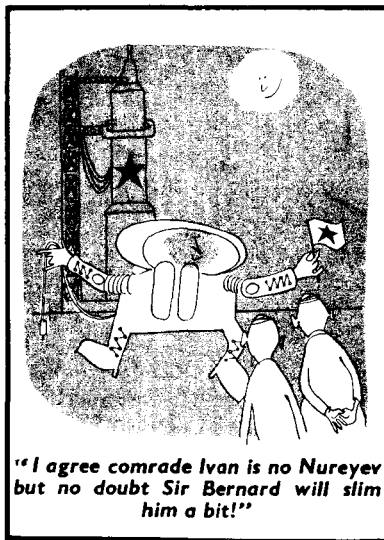
Another AIRLOG device called a solenoid probe can be used to operate pneumatic systems from transistor switches. And this brings me back to more familiar ground again.

A SHRUNKEN IMAGE

The Russians' Space Spectacular with *Luna 9* was made especially memorable for us by the publication in our newspapers of close-up views of the moon's surface. Publication of these pictures also brought forth a strong protest from Moscow. Indeed the Russian accusation that this enterprise amounted to piracy was later echoed by a leading Canadian research scientist Dr. P. Millman, who claimed that this was the same as contravening the copyright laws. Sir Bernard Lovell has vigorously defended his action, stating that as the Russians were well aware that Jodrell Bank would easily receive the picture signals, this implied that they were not really concerned with maintaining exclusive rights on these transmissions.

Since it is clear that the Russians employed the standard international facsimile system for this operation, the following question comes to mind: was it due to technical difficulties that more elaborate equipment providing some measure of "security" in the transmissions was not used on this sensational lunar project?

Now back to Earth. Admitting that the signals were directly translatable, the further query arises: was it ethical for Sir Bernard to feed these signals to the British Press before the "owners" had released any pictures? The Russians think



it was bad form, piracy in fact, to publish the pictures without prior consultation with their own scientists, and they make the technical point that the British reproductions were shrunk in the horizontal scale by about two and a half times.

My view is that this last point really does demolish Sir Bernard's claim to have acted purely in the interest of science. No, I think here he succumbed (perhaps understandably) to the excitement of the occasion and to the prompting of the Press!

Some people may view the whole argument as only a storm in a tea cup. But surely there is food for thought here. The question of copyright of radio transmissions, of whatever kind, from outer space will have to be sorted out on an international basis before many more years have passed if we are to be saved from continual international bickering—if not worse!

SOUR GRAPES?

Unfortunately another rather sour note was added to this affair by one of the heads of the American National Aeronautics and Space Council, Dr. E. Walsh. This spokesman went out of his way to emphasise that the U.S.A. did not have to wait for "Russian statements or British pronouncements to find out something about what was going on". From these remarks it seems likely that the worldwide tracking and data collection system known as SPADATS picked up some of the photographs transmitted by *Luna 9*. (Copyright? But I doubt if the American Press were in on this!)

However we must not allow any acrimony to obscure what an amazing achievement the *Luna 9* episode adds up to.

Luckily radio waves at any rate do not recognise terrestrial or space boundaries. All those responsible for the aerial and electronic equipment which enabled the minute signals to be captured and amplified, whether located in Moscow, Jodrell Bank, or Colorado Springs, have cause to be pleased with themselves; perhaps only a trifle less than those responsible for initiating this unique O.B. from our satellite the moon.

Readout —

A SELECTION FROM OUR POSTBAG

A good buy

Sir—I have copies, complete with blueprints, etc., of PRACTICAL ELECTRONICS from No. 1 to January 1966.

If any of your readers are interested I would be willing to sell them at a reasonable price.

H. S. Copping,
25 Peartree Avenue,
Yiewsley,
Middlesex.

Three-gang pots

Sir—I have been reading about the Fletcher-Munson curves and I have come across a circuit for a volume control which gives a close approximation to these curves. The circuit involves the use of a three-ganged potentiometer. I have tried in vain to obtain one.

The specified pot was I.R.C. type LC-1. I would be grateful if anyone could give me details of where I could obtain one.

A. D. Hart,
Ramsgate,
Kent.

Current flow

Sir—I note you use the conventional theory of current flow in "Electronic Building Blocks". As a relative beginner I always found the theory of electron flow easier to understand. I notice also this is used by the more up-to-date text books.

R. V. Walley,
Abbots Leigh,
Bristol.

With regard to your directional problems on current flow, we would suggest that you learn to appreciate both conventional and electron flow in their application to a circuit's interpretation. In thermionic emissive devices, such as valves, electron flow lends itself readily to the circuitry they are employed in, but in transistor circuits, since pnp types are most commonly employed, and the majority

carriers are "holes" or positive charges, it is easier to interpret circuit action in terms of conventional current flow.

The choice of current flow directions is an arbitrary one for text-book authors and always rather confusing to students, and it is well to acquire a facility in using both systems.

Sounds good

Sir—I am interested in the electronic manipulation of sound and music. Your articles on vibrato units and electronic music have been most useful.

I hope that you will continue this series, and give some information on electronic reverberation or echo without resorting to the expense of tape loops or mechanical devices such as springs and transducers.

D. A. Somerville,
Gerrards Cross,
Bucks.

Question of power

Sir—I am interested to see your new series of articles on "Radio Control of Models" by Mr. R. H. Warring, who is well known in this field.

I am surprised by the statement in the February issue that output power must not exceed five watts. Whilst the statement is true it conveys the impression that up to five watts is permitted. In fact power should not exceed $1\frac{1}{2}$ watts e.r.p. on 27Mc/s and $\frac{1}{2}$ watt e.r.p. on 468Mc/s, according to my licence.

T. J. Froggatt,
Solihull,
Warwickshire.

Sorry for this slip! The current regulation allows a maximum of $1\frac{1}{2}$ watts transmitter output. With older types of transmitter where battery consumption was not a major problem, we did use up to 5 watts d.c. input at times, but doubt that even then we got $1\frac{1}{2}$ watts radiated output! R.H.W.

Neon polyphonia

Sir—With reference to the article on "Unstable Neons", *Readout*, February '66 issue), where your reader appears to have an unfortunate experience with the cheap type of neon bulbs when used in an electronic organ, I feel obliged to say a few words in their defence, so that any intending constructor is not discouraged from using them.

I too have constructed a fully polyphonic organ (two manual and pedal) using the same type of neon indicators as used in your *Neon Novelties* series. Yet, although played daily, it never needed retuning after the original setting three years ago. It is also completely insensitive to any change in temperature.

Perhaps a good, stabilised h.t. supply for the neons, as well as employing the "two neons in series" type of divider, may provide the answer. It is also essential to test each neon so that it can stand a variation of $\pm 2.5V$, about its nominal voltage. Any bulb unable to stay locked within that variation must be changed.

J. M. Stejskal,
Thorney Island,
Hants.

About turn!

Sir—With reference to M. J. Bunce's letter on page 142 of the February 1966 issue I am afraid that your contributor R.W.S. is perhaps being a little misleading in his description of the action of a Crookes' Radiometer.

A true radiometer—as invented by Sir William Crookes to demonstrate the physical pressure of lightwaves—does not contain any gas at all.

Under this condition the paddle wheel revolves in a counter-clockwise direction. If, however, a small amount of gas is introduced into the evacuated bulb then the phenomena as described by R.W.S. predominates—the paddle wheel revolving in the *opposite* direction.

This latter effect is known as the "radiometer effect" and it occurs at its maximum between about 10^{-2} and 10^{-5} mm mercury gas pressure.

Should M. J. Bunce obtain a radiometer, he should carefully check in which direction it revolves.

S. J. Colgan, B.Sc., A.R.C.S.
London, S.W.7.

FRINGE BENEFITS!!

(Oh dear! our artist is thinking of Gloria again)



One of the fringe benefits that purchasers of the Home Radio Catalogue get is our Special List of Bargains. This is sent automatically with the first parcel of goods. Let us high-light a few items from our List :

BG6A Condenser Pack. Silver Mica Condensers — values 15, 25, 71, 80, 160, 200, 240, 330, 470, 1000, 1500, 1670, 4000 pf (the 470 pf are 750V). Twelve of the fourteen in each pack. Moulded Micas — values 68, 820, 1000, .002, .005, .01 (the .002 are 2250 volts test). Five out of the six in each pack, plus one .02 and one .1 paper, both 750V. All this for 5/6 plus 2/6 Postage & Packing (To-day's value 15/-).

BG28 Jackson type 100 pf air dielectric trimming Condenser. Three for 2/6 plus 2/6 Postage & Packing. (To-day's value 25/-).

BG42 Resistor Kit consisting of thirty different preferred values between 120 Ohms and 4.7 Megs. 2Watt Resistors (Erie type T2). 5/- plus 2/6 Postage & Packing. (To-day's value at least 21/-).

These are three out of about sixty Bargains offered to purchasers of our Catalogue.

Now as to the Catalogue itself . . . it has 210 pages containing 5800 items, with over 900 illustrations. Price 7/6 plus 1/6 Postage & Packing. Every catalogue contains 5 coupons each worth 1/- when used as directed.

P.S. If you are interested in the above bargains send your money, quoting the Catalogue numbers.

Please write Name and Address in block capitals

Name

Address

.....

.....

Home Radio Ltd., Dept. P.E., London Road, Mitcham, Surrey

The most accurate
pocket size
CALCULATOR
in the world

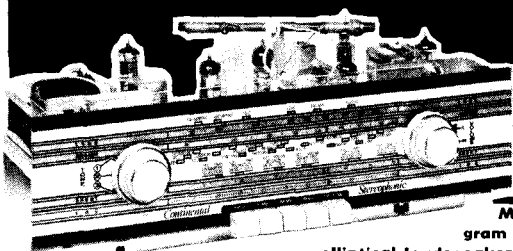
Send a postcard today for free booklet, or if you prefer, send 67,6 for this invaluable spiral slide rule on approval, with money back guarantee if not satisfied.



FREE
BOOKLET ON
REQUEST

CARBIC LTD.
(Dept. PE3),
54 Dundonald Road
London, S.W.19

SENSATIONAL HALF PRICE OFFER!



THE FAMOUS
'Continental'
RADIOGRAM
AT
HALF PRICE!

Magnificent Stereophonic Radiogram Chassis complete with two 10" elliptical loudspeakers, plus a Mono/Stereo 4-speed automatic record changer.

Only £29-19-6

- Easily fitted
- No soldering or Technical knowledge necessary
- Fits almost any cabinet with minimum trouble
- Modernises your old radiogram
- Built-in ferrite rod aerial
- Piano key switching
- Luxembourg and Caroline received at full strength
- Listen to U.S.A., Russia, Africa, Canada and even Australia
- Unique Lewis Radio 365 day guarantee, even on all the valves
- All British make

SPECIAL terms available of £7.10.0 deposit followed by 18 monthly payments of £1.9.1 (total H.P. £33.13.6) + postage & packing 15/- extra.

INDIVIDUAL CABINETS SUPPLIED ON REQUEST

Send your cheque or P.O. today for £8.5.0 while stocks last to Dept. PE46

LEWIS radio

LEWIS RADIO, 100, CHASE SIDE, SOUTHGATE
LONDON, N.14. Telephone: PAL 3733/9666

Practical Electronics Classified Advertisements

The pre-paid rate for classified advertisements is 1/- per word (minimum order 12/-), box number 1/6 extra. Semi-displayed setting £3.5.0 per single column inch. All cheques, postal orders, etc., to be made payable to PRACTICAL ELECTRONICS and crossed "Lloyds Bank Ltd." Treasury notes should always be sent *registered post*. Advertisements, together with remittance, should be sent to the Advertisement Manager, PRACTICAL ELECTRONICS, George Newnes Ltd., Tower House, Southampton Street, London, WC2, for insertion in the next available issue.

SERVICE SHEETS

SERVICE SHEETS for all makes of Radio and TV 1925-1966. Prices from 1/- with free fault-finding guide. S.A.E. inquiries. Catalogue of 6,000 models, 1/8, Valves, modern and obsolete. Radio/TV Books. S.A.E. lists, HAMILTON RADIO, Western Road, St. Leonards, Sussex.

TRADE SERVICE SHEETS. Radio, TV, etc. Mixed dozen @ 4/-, 100—22/6d. p.p. TELRAY, Maudland Bank, Preston.

STATE MODEL NO. Radio 2/-. TV 2/6. S.A.E. DARWIN, 19 George Street, St. Helens, Laucs.

SERVICE SHEETS

4/- each, plus postage.

We have the largest supply of Service Sheets for all makes and types of Radios and Televisions, etc. in the country. Speedy Service.

To obtain the Service Sheet you require, please complete the attached coupon:

From:

Name:

Address:

To: **S.P. DISTRIBUTORS**
44 Old Bond St., London, W.1

Please supply Service Sheets for the following:

Make:

Model No.: Radio/TV

Make:

Model No.: Radio/TV

Make:

Model No.: Radio/TV

I also require the new 1966 list of Service Sheets at 1/6 plus postage.

(please delete items not applicable)

I enclose remittance of

MAIL ORDERS ONLY Apl. PE

MISCELLANEOUS

CONVERT ANY TV SET into an Oscilloscope. Diagrams and Instructions, 12/6. REDMOND, 42 Dean Close, Portslade, Sussex.

TRANSFORMERS Rewound. Output or mains. Specials made to order. Reasonable prices. S.A.E. enquiries. RATCLIFFE, 27 Station Road, Holmfirth, Yorks.

"P.E." Electronic Vibrato Unit. Burglar Alarm. Portable Ratemeter. Compact Power Unit. A.F. and R.F. Signal Tracer. Pipe and Cable Locator. Electronic Candle. Servo System. Miniprobe Signal Generator. Simple Digital Computer. Fire Alarm System. Neon Novelties. Doorphone. Audio Oscillator and Valve Voltmeter. Water Level Alarm. New Look Tape Recorder. General Purpose Scaler. Echo Unit. Noughts and Crosses Machine. Transistor and Diode Tester. Simple Analogue Computer. Stereo Record Player. Integrated Transistor Amplifier. Two Band Radio Tuner. Intercomm. Unit. V.H.F. Broadcast Receiver. R/C Bridge. Inexpensive Oscilloscope. Mullard Miniature Electrolytics and Hi-stab Resistors. S.A.E. for itemised price lists. AJAX ELECTRONICS, 18a, Rumbold Road, Fulham, London, S.W.6.

PRINTED CIRCUIT BOARDS. Are you looking for a supply of P.C. boards in quantity or just singles for prototypes? Send circuits or layouts for quick lat class service. Supplies of Veroboard, Sinclair kits, 30 watt transistor amplifiers, tape amps. Write for details: B.E.E.P., 11, Cannock Road, Burntwood, Staffs.

ELECTRONIC KITS, radios, etc. Assembled. Moderate charges. D. KEITH, 1g, West George St., Coatbridge, Lanarkshire, Scotland.

FOR SALE

VENNER TIME SWITCHES. Reconditioned, 14 day clock, once on once off every 24 hrs. jewelled movement, fully guaranteed. 1 amp 25/-, 5 amp 32/6d., 15 amp 39/6d. Post etc. 2/6d. Cast Aluminium Cases 7/6d. A. R. BATCHELOR, P.E. Dept. 4 Park Road, Bromley, Kent.

AVOMETER Model 8, Mark 2, as new. Two months' use, £14. 14, Hayfield Rd., Salford 6.

CRACKLE PAINT. Black or Grey, 1/2 pint tins 4/-, post 6d. from the component specialists. SERVO RADIO, 156-8 Merton Road, Wimbledon, London, S.W.19.

FOR SALE

(continued)

TRANSISTORS UNMARKED UNTESTED. 40 for 10/-, P. & P. 1/-. 4 packets post free. Relays, thousands of types, special catalogue free. General Catalogue of Mechanical & Electrical Gear, Tools, etc., 5,000 items, free. K. R. WHISTON (Dept. PET), New Mills, Stockport.

RELAYS. 8 assorted 12-24 volt Ex-Equipment, 20/-, p. & p. 4/-. We can supply most relays as recommended in this journal.

GOVERNMENT SURPLUS. Electrical and Radio Equipment. Our new catalogue No. 16 now ready, 2/6 Post Free, cost refunded on purchase of goods over £2. ARTHUR BALLIS, Radio Control Ltd., 93, North Road, Brighton.

ELECTRIC SOLDERING IRON



FANTASTIC BARGAIN OFFER

Lightweight Pistol Grip handle. 40 watt, 240 - 250v. A.C. Solid copper bit detachable handle forms cover for iron when not in use. With 4ft. Safety 3-core flex. Indispensable for every home handyman. A boon to model makers and a necessity for every electronics enthusiast. Offered to you at this new amazing price.

ONLY 9/6

P. & P. 1/- (* sent by road)

C. H. SERVICE (Dept. P.E.1)

Lusted Hall Lane, Tatsfield, Kent.

A.C. STANDARD. Mains Motors Fractional H.P. 3 1/2 in dia x 4 in long with 1/2 in spindle. Many uses. Brand new, 25/- each. P. & P. 2/8d. Small Battery Motors 1 1/2 in dia x 2 1/2 in long—4 1/2 to 9 volts. Heavy construction; only 7/6d. each. P. & P. 1/-. WALTONS WIRELESS STORES, 15 Church Street, Wolverhampton.

HAMMERITE

HAMMER PATTERN BRUSH PAINT FOR PANELS AND BOXES

★ THE PATTERN IS IN THE TIN ★ ALL YOU DO IS BRUSH IT ON!

| | | | |
|-------------|------|------------|------------------|
| 24 oz. tins | 3/6 | 1/2 gallon | 35/-* |
| 1 pint | 7/6 | 1 gallon | 58/-* |
| 1 pint | 15/- | | (* sent by road) |

Carriage: Orders up to 5/-, 9d; up to 10/-, 1/9; over 10/-, 2/9. Colours: Blue, Silver or Metallic Black. Return of post service, Monday to Friday. From your component shop or direct from the manufacturer:

FINNIGAN SPECIALITY PAINTS (PE)
Mickley Square, Stocksfield, Northumberland
Tel. Stocksfield 2280

FOR SALE
(continued)

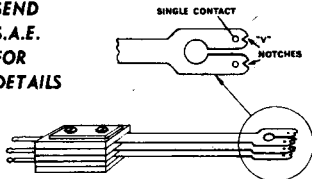
FOR SALE. Oscilloscopes — Galvanometers — Evershed & Vignolles Meggers. Also other items and components. Free list. Stamp please. R. & E. MART, Box 9, G.P.O., Tunbridge Wells, Kent.

WANTED

WANTED

THIS TYPE OF RELAY CONTACT
MARKED WITH "V" NOTCHES
112 Groby Rd., Glenfield, Leicester

SEND
S.A.E.
FOR
DETAILS



G.P.O. TYPE RELAY CONTACT SPRINGS

EDUCATIONAL

B.Sc.(ENG.), A.M.I.Mech.E., A.M.I.E.R.E. City & Guilds, etc., on "Satisfaction or Refund of Fee" terms. Wide range of expert Home Study Courses in Electronics, Computers, Radio, T.V., etc. 156-page Guide—FREE. Please state subject of interest. **BRITISH INSTITUTE OF ENGINEERING TECHNOLOGY**, 124k College House, Wright's Lane, London, W.8.

Full-time courses in **RADAR** and **RADIO-TELEGRAPHY** for prospective marine Radio Officers. Govt. approved exam. centres.

Also courses in basic **ELECTRONICS, RADIO, TELEVISION** and **COMPUTERS**.

Apply—Director, British School of Telegraphy, 20 Pennyworn Road, Earls Court, London, S.W.5

STUDY RADIO, TELEVISION AND ELECTRONICS with the world's largest home study organisation. I.E.R.E., City & Guilds, R.T.E.B., etc. Also Practical Courses with equipment. All books supplied. Write for FREE Prospectus stating subject to I.C.S. (Dept. 577), Intertext House, Parkgate Road, London, S.W.11.

HOME STUDY COURSES in Practical Electronics. Free Brochure without obligation from: **BRITISH NATIONAL RADIO SCHOOL**, Reading, Berks.

A.M.I.Mech.E., A.M.I.E.R.E. City & Guilds, G.C.E., etc. Become a Technician or Technologist for high pay and security. Thousands of passes. For details of Exams. and Courses in all branches of Engineering, Building, Electronics, etc., write for 156-page handbook—FREE. B.I.E.T. (Dept. 125k), London, W.8.

TAPE RECORDERS, TAPES, ETC.

TAPES TO DISC—using finest professional equipment—45 r.p.m. 18/-. S.A.E. leaflet. DERBY, 52 Hest Bank Lane, Lancaster.

PUBLIC APPOINTMENTS

AIRCRAFT FITTING—RADIO, CIVILIAN INSTRUCTOR GRADE III. One post at the School of Army Aviation, Middle Wallop, Hants, for a man fully skilled in the above trade, able to teach it to O.N.C. standard and to supervise trainees. Appropriate O.N.C., C. & G. Certificate or equivalent qualification desirable. Selection by trade test and interview. Starting salary £894 (at age 21) to £1,243 (at age 30) rising to £1,366. Prospect of pensionable employment and promotion. Write for application form to: C.E.P.O., H.Q., Salisbury Plain Sub-District, Ordnance Road, Tidworth, Hants. Closing date: 31 March, 1966.

MINISTRY OF DEFENCE (AD), London, requires **technician** for collection and evaluation of data relating to wide field of electrical or mechanical engineering subjects with a view to preparation of standards. **Qualifications:** Recognised apprenticeship in electrical or mechanical engineering; good general experience of engineering practices and manufacturing processes; capable of clear and concise expression in correspondence and preparation of technical reports; knowledge of service stores and experience in preparation of spares schedules an advantage; O.N.C. or equivalent. **Salary:** £1,204—£1,363 p.a. (Inner London). **Application:** Form from The Manager (PE 1414), Ministry of Labour, Professional and Executive Register, Atlantic House, Farringdon St., London, E.C.4.

SITUATIONS VACANT

A FULL-TIME TECHNICAL EXPERIENCED SALESMAN required for Retail sales. Write giving full details of age, previous experience, and salary required to: The Manager, HENRY'S RADIO LTD., 303 Edgware Road, London, W.2.

SITUATIONS VACANT (continued)

RADIO TECHNICIANS

A number of suitably qualified candidates will be required for training, leading to permanent and pensionable employment. (Normally at Cheltenham but with opportunities for service abroad or appointment to other U.K. establishments including London).

Applicants must be 19 or over and be familiar with the use of Test Gear and have had Radio/Electronic workshop experience. They must offer at least "O" level GCE passes in English Language, Maths and/or Physics, or hold the City and Guilds Telecommunications Technician Intermediate Certificate or equivalent technical qualifications.

Pay according to age, e.g. at 19 £747, at 25 £962 (highest age pay on entry) rising by four annual increments to £1,104.

Prospects of promotion to grades in salary range £1,032—£1,691.

Annual Leave allowance of 3 weeks 3 days, rising to 4 weeks 2 days.

Normal Civil Service sick leave regulations apply.

Apply

Recruitment Officer (RT/54)
Government Communications Headquarters
Oakley
Priors Road
CHELTENHAM, Glos.

TECHNICAL TRAINING by
ICS **IN RADIO, TELEVISION AND ELECTRONIC ENGINEERING**

First-class opportunities in Radio and Electronics await the ICS trained man. Let ICS train YOU for a well-paid post in this expanding field.

ICS courses offer the keen, ambitious man the opportunity to acquire, quickly and easily, the specialized-training so essential to success. Diploma courses in Radio/TV Engineering and Servicing, Electronics, Computers, etc. Expert coaching for:

- INSTITUTION OF ELECTRONIC AND RADIO ENGINEERS
- C. & G. TELECOMMUNICATION TECHNICIANS' CERTS.
- C. & G. SUPPLEMENTARY STUDIES.
- R.T.E.B. RADIO AND TV SERVICING CERTIFICATE.
- RADIO AMATEURS' EXAMINATION.
- P.M.G. CERTIFICATES IN RADIOTELEGRAPHY.

Examination Students Coached until Successful.

NEW SELF-BUILD RADIO COURSES.

Build your own 5-valve receiver, transistor portable, signal generator and multi-test meter—all under expert tuition.

POST THIS COUPON TODAY and find out how ICS can help YOU in your career. Full details of ICS courses in Radio, Television and Electronics will be sent to you by return mail.

MEMBER OF THE ASSOCIATION OF BRITISH CORRESPONDENCE COLLEGES.

**INTERNATIONAL
CORRESPONDENCE
SCHOOLS**

**A WHOLE WORLD
OF KNOWLEDGE
AWAITS YOU!**

International Correspondence Schools
(Dept. 152), Intertext House, Parkgate Road,
London, S.W.11.

NAME
Block Capitals Please

ADDRESS

..... 4.66

BOOKS AND PUBLICATIONS

SURPLUS HANDBOOKS

| | |
|--|----------------------|
| 19 set Instruction Handbook | ... 3/6 P.P. 6d |
| 1155 Instruction Handbook | ... 4/6 P.P. 6d |
| H.R.O. Instruction Handbook | ... 3/6 P.P. 6d |
| 53 set Instruction Handbook | ... 5/- P.P. 6d |
| 38 set Instruction Handbook | ... 3/6 P.P. 6d |
| 46 set Walkie-talkie circuit & notes | 3/6 P.P. 6d |
| 88 set Walkie-talkie Instruction Handbook | ... 5/- P.P. 6d |
| Frequency Meter BC221 Instruction Handbook | ... 3/6 P.P. 6d |
| Wavemeter Class D Handbook Mk. 1, II, III | ... 3/6 P.P. 6d |
| 18 set Circuit Details & Notes | ... 3/6 P.P. 6d |
| A.R.88D Instruction Handbook | 15/- P.P. 1/6d |
| R.107 Instruction Handbook | ... 5/- P.P. 6d |
| CR.100/B.28 Receiver Handbook | 8/6 P.P. 9d |
| R1116/A Circuit Diagram & Details | 1/9 P.P. 6d |
| R1224/A Circuit Diagram & Details | 1/6 P.P. 6d |
| R1355 Circuit Diagram & Details... | 1/6 P.P. 6d |
| RF, 24, 25, 26 Circuit Diagrams and Details | ... 1/6 each P.P. 6d |
| Amplifier A1134 Circuit Diagram & Details | ... 1/9 P.P. 6d |
| Transmitter T1184 Circuit Diagram & Details (all models) | 2/- P.P. 6d |
| Resistor Colour Code Indicators. Indicates the value of a resistor at a glance | ... 1/6 P.P. 6d |

All mail orders to:
Instructional Handbook Supplies
Dept. P.E. Talbot House, 28 Talbot Gardens
Roundhay, Leeds, 8

RECEIVERS AND COMPONENTS

SILICON PLANAR TRANSISTORS

| Type | V _{ce} max | I _c max | β | Price |
|---|---------------------|--------------------|---------|-------|
| 2N2926 (NPN) | 18 | 100mA | 150-300 | 5/8 |
| 2N3711 (NPN) | 30 | 30mA | 180-660 | 7/- |
| 2N3390 (NPN) | 25 | 100mA | 400-800 | 11/8 |
| 2N3702 (PNP) | 25 | 200mA | 60-180 | 5/- |
| 2N3663 (NPN) | 12 | 25mA | 75 typ. | 17/- |
| 2N3663 ft 1200 Mc/s, 19dB gain @ 200 Mc/s, V _{cb0} = 30V | | | | |
| Complementary matched pairs, β = 60 to 100 | | | | |
| & 2N3702 @ 10/- pr. | | | | |

ELECTROVALVE
6 Mansfield Place, Ascot, Berkshire

RELAY BARGAINS. Modern plug-in relays, 4-pole. C/o Contacts, 12/- p.p. including socket. A. KNOX, 8, Marlow Road, High Wycombe, Bucks.

R. & R. RADIO & TV SERVICE

Dept. P.E.
44 Market Street, BACUP. Tel. 465

Salvage Valves

| | | | |
|--------|------|--------|-----|
| 6F13 | 4/6 | PCF80 | 4/- |
| 6F15 | 5/- | PCL83 | 5/- |
| 6L18 | 4/6 | PL81 | 5/- |
| 6K25 | 10/- | PL82 | 4/- |
| 6U4GT | 5/- | PL83 | 4/- |
| 6BW6 | 5/- | PY81 | 3/6 |
| 6/30L2 | 5/- | PZ30 | 5/- |
| EB91 | 1/- | U801 | 7/6 |
| 6F1 | 2/6 | U301 | 6/- |
| EBF80 | 5/- | U329 | 5/- |
| EF80 | 1/6 | 10F1 | 1/- |
| EF91 | 2/6 | 10LD11 | 5/- |
| EF85 | 5/- | 10P13 | 5/6 |
| ECC82 | 4/- | 10P14 | 5/- |
| EY86 | 4/- | PY800 | 5/- |
| ECL80 | 4/- | 20F2 | 5/6 |
| 20P3 | 5/- | 20D1 | 2/- |
| 20P4 | 7/6 | 20P1 | 6/6 |
| 30F5 | 5/- | 20P5 | 6/6 |
| 30PL1 | 5/- | 30FL1 | 6/6 |
| EF37A | 7/6 | 30P12 | 5/- |
| PL36 | 7/6 | 30P4 | 7/6 |
| PY33 | 7/6 | PY32 | 6/- |
| PCC84 | 4/- | PY82 | 5/- |

Postage on valves 6d.—3 or more post free.

1 Pole 8-way switch, complete with 8 resistors 2 @ 1K, 2 @ 15K, one each of 22K, 15K, 18K, 6.8K. 3/6 incl. post.

Fireball Tuners as removed 14/9. Selected Tuners 18/9. Speakers ex T.V. 6 × 4 inch 3/6. 8 inch rmd 6/-. Resistors New: ½ watt 31d., 1 watt 5d., 2 watt 9d. all 10%.

Postage on Tuners and Speakers 2/6.

S.A.E. with all enquiries. All goods subject to satisfaction or money refunded.

RECEIVERS AND COMPONENTS

(continued)

TRANSISTORS AND COMPONENTS

MULLARD TRANSISTORS

OC71, OC44, OC45, OC72, OC81, OC81D—3/- each. OC83 6/4 each. AF116, AF117, OC171—3/6 each. AF114, AF115—4/- each.

MATCHED SETS TO CLEAR

1 OC82D + 2 OC82, Set of 3—7/6 Set
1 OC44 + 2 OC45—8/- Set
1 GET 874 = OC44 } 8/- Set
2 GET 873 = OC45 }
1 OC44 + 2 OC45 + 1 OAB1 + 1 OC81D + 2 OC81, Set of 7 items 12/6. Post Paid.

BY100 Mullard Branded 250V 550 M/A—5/- each. Westinghouse 1,000V P.I.V. 1 Amp.—6/6 each.
AC126—8/- each. ASY28—8/6 each. AF186 cut of FREQ 800 Mc/s—27/6.

STC Silicon Rectifiers, P.I.V. 200 3 Amps.—3/6 each.

M.A.T. TRANSISTORS

MAT 100 7/9.
MAT 101 8/6.
MAT 120 7/9.
MAT 121 8/6.

Acos Record Player Cartridge Replacements for Collaro, Garrard, B.S.R., etc.—12/6 each.

TEXAS TRANSISTORS

2N1302—ASY28 6/6 each.
GM290—AF139 19/6.
2G302—GET872 7/6.
2G301—GET873 6/6.

Other types available on request.

12" HEAVY DUTY SPEAKER. Power handling 20 watts. Impedance 15 ohms. Frequency response 50 cycles to 6,000 cycles. British Made. Fully Guaranteed. List 5 gns. Our Price 44. Plus P. & 7/6.

Full range of Speaker Cabinets—4d stamp for lists.

S.A.E. all enquiries.
All Above Post Paid
Mail Order Only:

J. ROBINSON

(Radio & T.V.)

4 Highcliffe Road, Blackley, Manchester 9

RECEIVERS AND COMPONENTS

(continued)

A.1 POST FREE BARGAINS. 25k or 50k 3watt w/wound pots with S.P. switch new and boxed 5/- ea. Guaranteed reclaimed valves. S.A.E. for list. A.1 RADIO COMPONENTS, 14 The Borough, Canterbury, Kent.

CASH BUYING DISCOUNT!

HI-FI AMPLIFIERS, TUNERS, SPEAKERS, TURNTABLE UNITS, Etc.

Any make supplied with a DISCOUNT

S.A.E. with enquiries please to:

HIGH FIDELITY CENTRE

61 West Street · DORKING · Surrey

SPECIAL OFFER

1 Watt S.T.C. 300 MC/S N.P.N. Silicon Planer. 100% Transistors. Limited Stocks. £1 for 6.

3/- each. OC44, OC45, OC70, OC71, OC81, OC81D, OC200, Get 16, Get 20.

4/- each. AF114, AF115, AF116, AF117, OC170, OC171.

5/- each. OC139, OC140, Get 7, Get 8, Get 9, XCI41, BY100, OA211.

SUN SOLAR CELL KITS

24 Page Booklet on Experiments inc. 4 Solar Cells 11/- Set.

G.P.O. DIAL TELEPHONES

20/- each. 35/- pair.

Send 6d. for full lists: inc. S.C.R. Zeners.

Cursons

78 Broad Street
Canterbury
Kent

L.S.T. COMPONENTS

23 New Road, Brentwood, Essex

Special March Bargain offers: All Brand New Transistors and Diodes.

XA702 (2N2190 NPN) 4/-, XB104 (OC70) 1/-, OC76 2/-. GET105 with heat sink 4/6. OC170 3/9. MAT393 3/-. Power transistors OC29 12/-. OC30 7/-. Diodes CG6E 1/3. GJ5D 2/-. GEX45/1 and CG63H both 1/3 each. All post free over 5/- order, or add 6d. Many other bargains in our stocklist, send 6d. stamp for details.

Experimenters: If you haven't tried our famous 25 transistors for 10/- offer we will send, this month only, FREE SAMPLES with any order from this advertisement over 10/- value.

ZENER SALE 5 watt stud mounted zeners, any voltage 14-65 volts at only 8/- each.

SCHOOLS: Special terms for Schools and Clubs buying in reasonable quantities. Send for special price list.

PLANAR SPECIAL: Genuine 2N706 300 mc/s Silicon Planar switch 4/9.

"EXPERIMENTAL" PRINTED CIRCUIT KIT

Contents

(1) 2 Copper Laminate Boards 4½" × 2½".
(2) Resist. (3) Etchant. (4) Resist Solvent.
(5) Cleanser/Degreaser.
(6) 16-page illustrated booklet.

"PRINTED CIRCUITS FOR AMATEURS" containing full etching instructions.

Also free with every kit (7); Essential Design Data and Constructional Details of 24 SUGGESTED PROJECTS which you can build on a P.C. chassis made from this kit using your own components.

Circuit Diagrams. P.C. Chassis Plans. Assembly Drawings. Photographs. Many recently developed very efficient designs you probably haven't heard of yet, including...

4 Crystal Sets. Carrier Power Conversion Receiver. Matchbox PhotoCell Radio. Solar Battery L/S Radio. Pocket L/S Double Reflex. Triple Reflex with self-adjusting regeneration. Bacteria-powered Radio.

3 micro-miniature radios just released. Postage-Stamp Radio 1-62" × .95" × .25". Wrist-Watch Radio 1-15" × .80" × .55". Ring Radio .70" × .70" × .55". 2 Intercoms. 4 Amplifiers. Photoelectric Alarms. Light-controlled Robot. Human Body Radiation Detector. "Perpetual Motion" Machine. Transistor Tester and many more...

(8) Attractive case 4½" × 2½" to suit chassis.

(9) Miniature Radio Dial MW/LW.

(10) Miniature Radio Dial SW/MW/LW

Price 7/6 Post. and Packing 1/-

Extra copper laminate available.

"YORK ELECTRICS"

181a, York Road, London, S.W.11
Send S.A.E. for full details

CONTINUED FACING PAGE

RECEIVERS AND COMPONENTS

(continued)

SILICON RECTIFIERS. 50 Piv. 1.5 A, 2/6d; 100 Piv. 8 A, 4/6d; 400 Piv. 0.75 A, 2/6d; Zener Diodes, 12 v 5 per cent. 1w. 3/6d. 6d. post on orders under 10/-. J. COOPER, Outwell, Wisbech, Cambs.

Please
mention
PRACTICAL
ELECTRONICS
when
replying
to
Advertisements



Long Life

high reliability, fast operation and the capability of being operated without physical contact by either a permanent or electro-magnet are the special features of the dry reed switch, virtually a new basic circuit element capable of wide application in all switching systems.

Miniature reed switches from Cockrobin Controls are only 1/2" diameter by just over 1/2" long over the glass envelope and are rated at 10 Watts, with an operating time of 1 milli-second.

Please send 3d. stamp for full list.

COCKROBIN CONTROLS
36 Villiers Avenue, Surbiton, Surrey

"PRACTICAL ELECTRONICS" CONSTRUCTIONAL DESIGNS
All specified 1st grade Components, complete Metalwork, full range of Materials, engraved Panel Plates, Ancillary Equipment and Assembled Units. Comprehensive lists available for each "P.E." Constructional Article.
Please send 6d. in stamps for each design
MALVYN ENGINEERING WORKS
Engineers to the Radio and Electronic Industries
7 GURRIE STREET, HERTFORD, HERTS
TELEPHONE: HERTFORD 2264

BULK BUYING enables us to offer you this month wonderful bargains at prices you can afford.

BATTERY ELIMINATORS (all 9 volts).

The 'Quanta' battery eliminator is a neat little unit that may be used as a substitute for a PP3 battery or where a low current 9v. supply is required. Made to sell at 20/- plus, our price is more than value for money.

- a) Quanta—to replace PP3 battery, **ONLY 16/8**, plus 1/- P. & P.
b) Eagle-Model LA-6P with self contained pilot lamp, **ONLY 22/8**, plus 1/- P. & P. Suitable for most transistor radios.
c) Norman—the most versatile eliminator of this size yet made available to the public, replaces PP3, 4, 7 and 9. Uses double wound mains transformer for maximum safety and yet is virtually the same size as a PP3 battery. Handy power supply for the home constructor and at **ONLY 22/8**, plus 2/6 P. & P.

AERIALITE WIRE (insulated) Buy at old prices whilst stocks last.
25ft. coil . . 1/5 50ft. coil . . 2/8 P. & P. 6d.

PRINTED Ckt. BOARD KITS The most complete kit on the market at this low price. Includes everything you will need to produce your own professional style of circuit boards. Includes 6 x 4in. Copper laminated board. Wonderful value at 17/6, plus 1/6 P. & P.

EAGLE I.F. TRANSFORMER AND COIL KIT E-402. Complete set of min. I.F.'s, slab aerial, osc. coil. Tuning cap., and dial for std. 6Tr. radio. Supplied with 3/ht. cct., **ONLY 24/6**, plus 1/- P. & P.

The 'PARGO' All purpose 2A plug is a useful item to have in the workshop or home. It is a spring loaded—instantly adjustable 2-pin plug to suit all British and Continental sockets. List Price, 7/6—OUR PRICE 6/-, plus 6d. P. & P.

REMEMBER:



BOSWELL ELECTRIC SUPPLIES (Glasgow) LTD.
14 EGLINTON STREET,
GLASGOW, G.S.

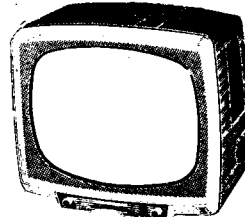
Member of the Lander Group

is at your disposal whether you are a personal or mail order customer. Use our **FREE ADVISORY SERVICE** by writing, or 'phoning SOUTH 2904.—Trade enquiries welcomed.

EX-RENTAL TELEVISIONS

14 in.
£7.10.0

17 in.
£11.10.0



12 months' 3 Star Guarantee

★ Tube ★ Valves ★ Components

COLOURED FREE LIST

Channels for all areas

Demonstrations daily from Large Selection

Personal collection or Insured Carriage 14in.

20/-; 17in. 30/-.

2 years' GUARANTEE

now on all Slim-Line TV's

RECORD PLAYER CABINETS 40/8. Latest design covered cabinet takes any modern autochanger.

SINGLE PLAYER CABINETS 18/6. P. & P. 5/6.

CONDENSERS 10/- per 100. New Assorted Electrolytics and pFs. P. & P. 2/6.

RESISTORS 5/- per 100. New. Mostly High Stabs. Assorted. P. & P. 2/- Overseas 3/6.

DUKE & CO. (LONDON) LTD.

621/3 Romford Road - Manor Park - E.12

Liverpool Street—Manor Park—10 mins.

Phone: 1LFord 6001/2/3 Stamp for Free List

BATTERY ELIMINATORS

The ideal way of running your **TRANSISTOR RADIO, RECORD PLAYER, TAPE RECORDER, AMPLIFIER**, etc. Types available: 9v; 6v; 4½v (single outputs) 39/6 each. P. & P. 2/9. 9v + 9v; 6v + 6v; or 4½v + 4½v (two separate outputs) 42/6 each. P. & P. 2/9. Please state output required. All the above units are completely isolated from mains by double wound transformer ensuring 100% safety.

R.C.S. PRODUCTS (RADIO) LTD.
(Dept. P.E.), 11 Oliver Road, London, E.17

Teleradio

ELECTRONICS

THE RADIO CONTROL PEOPLE

LARGE STOCKS OF SPECIAL MINIATURE COMPONENTS, TRANSISTORS AND ACTUATING MECHANISMS

Many designs to choose from, including:
Single Channel Transmitter Kit 100 sc. £7.17.0. **10 Channel Transmitter Kit 88**, £16.10.0. **3 Channel Proportional Kit 250**, £19.10.0. **Superhet Receivers 63 and 1500** approx. £7.0.0. **Super Regen Receivers** from £3.10.0. **Complete Transmitter/Receivers** from \$14.

ALSO PLANS AND MATERIALS FOR CONSTRUCTING RADIO CONTROLLED BOATS AND AIRCRAFT

COMPLETE RADIO CONTROL BOAT £26. 10. 0

COMPLETE RADIO CONTROL CAR £18. 10. 0

SEND LARGE STAMPED ADDRESSED ENVELOPE FOR LEAFLETS TO:

325/327 FORE ST., EDMONTON, N.9
ADJACENT RECORDER CO.
(ILLUSTRATED LISTS 1/6d)

CRESCENT RADIO LTD.

40 MAYES ROAD
WOOD GREEN, N.22
BOWES PARK 3206

LONDON'S ELECTRONIC CENTRE
BEST QUALITY — KEEN PRICES

AUTOCHANGERS

B.S.R. UA16 £5.19.6

GARRARD

1000 £6.6.0 AT50 £11.19.6

SINCLAIR

X10 KIT £5.19.6 X10 BUILT £6.19.6

MICRO 6 KIT £2.19.6

Z12 BUILT £4.9.6 X20 BUILT £9.19.6

TRANSISTOR AMPS.

200 M/W £1.16.0

1 WATT £2.14.0 3 WATT £3.13.2

9 v. ELIMINATORS

17/6 AND 22/6

CABLE

7/044 3/- YARD 7/029 1/6 YARD

3/029 1/- YARD 1/044 9d. YARD

ALL TWIN AND EARTH

3/029 10d. YARD 1/044 8d. YARD

TWIN

1/044 TRIPLE 1/- YARD

COAX.

AIR SPACED 6d. YARD

LOW LOSS 9d. YARD

625 1044 SUPER 1/2 YARD

1048 AIR SPACED 1/8 YARD

TAPE

3" FROM 3/9 5" FROM 9/11

5 1/2" FROM 13/6 7" FROM 13/6

EVERYTHING ELECTRICAL
IN A FRIENDLY ATMOSPHERE

ANYONE CAN AFFORD THESE NEW JOB TRAINING COURSES

NEW No. 500. RADIO AND TELEVISION COURSE, 75/-. Here at last is your opportunity to own a most complete course at a very modest cost! This expanded course which now includes television as well as radio repair training could get you started on a whole new career!

The Radio Section of the course was **ORIGINALLY DEVELOPED BY THE RADIO TECHNICAL INSTITUTE**, while the Television Servicing Course has formed the basis of instruction provided by one of the world's largest television and electronics firms!

Compare lesson by lesson with some courses costing ten times as much! You save because you receive all the lessons at one time and are not required to purchase equipment you may not need.

The lessons are crystal clear, practical, easy to master and use. Early lessons make fundamentals clear even to the beginner, while other lessons will give you the practical know-how of an expert!

The new 500 Radio and Television Course consists of 352 large quarto size pages of instruction, hundreds of illustrations. We positively guarantee that you will be delighted or your money refunded!

NEW No. 600. RADIO-TELEVISION-ELECTRONICS COURSE, 85/-. This is really big value in home training. Similar in details to the above course excepting that you get an extra 56 pages of instruction making a total of 408 quarto size pages. Hundreds of illustrations. Includes all the usual subjects plus Radio Transmitter Circuits, Electronic Test Equipment, Thyatron Tubes, Inter-Communicators, Sound Level Meters, Servicing Printed Circuits and many more similar items. This course could be your first step into the fascinating world of electronics!

No. 400. ELECTRONICS COURSE, 45/-. A complete home-study course of 35 lessons. Consists of 216 large quarto size pages of instruction. Comes complete with instructor's notes and test questions. This is a modern course that teaches without resorting to comic strip methods. . . . Thousands of readers of this magazine have taken this course and enjoyed every minute of it. . . . Why not you? Clip the coupon for your free trial offer now!

UNCONDITIONALLY GUARANTEED TO GIVE COMPLETE SATISFACTION! Any course not satisfactory may be returned within 10 days post-paid for full refund or credit of the purchase price.

IF YOU SEND CASH WITH ORDER WE WILL INCLUDE A FREE BOOK worth 4/8 to 5/- if bought separately. By sending cash you reduce book-keeping and other costs which we pass back to you. But you must include cash at the time of order to get this special offer!

★ ★ **FREE TRIAL OFFER** ★ ★

PAY ONLY 5/- per week if you wish.

To Sim-Tech Technical Books, Dept. H5, Gater's Mill, West End, Southampton, Hants.

Please send the courses I have circled.

No. 500 No. 600 No. 400

If not delighted I may return any book post-paid without further obligation on my part, otherwise I will pay cash price or 5/- weekly (10/- fortnightly) commencing not later than 10 days after delivery. I am over 21 years of age. (If under 21 parents should place order.)

I enclose cash to the sum of £ I understand you will refund this money if I am not 100% satisfied and I return the book within 10 days.

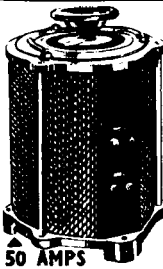
Please send me the free book(s) I have ticked.

- Oscilloscope Book.
- Electronic Gadgets Book.
- Transistor Book.
- Radio Instruments Book.

Name

Address

VARIABLE VOLTAGE TRANSFORMERS



INPUT 230/240v. A.C. 50/60—
OUTPUT VARIABLE, 0-260v.
BRAND NEW Carriage Paid. Buy direct from the importer, keenest prices in the country.
All Types (and Spares) from 1/2 to 50 amp. from stock.
OPEN TYPE (Panel Mounting)
 1 amp, £3. 3. 0. 1 amp, £4. 17. 6.
 2½ amps, £5. 12. 6.
SHROUDED TYPE
 1 amp, £4. 10. 0. 2.5 amps, £5. 17. 0.
 4 amps, £8. 7. 6. 8 amps, £13. 10. 0.
 10 amps, £17. 0. 0. 12 amps, £19. 10. 0.
 15 amps, £22. 0. 0. 20 amps, £32. 10. 0.
 37.5 amps, £65. 0. 0. 50 amps, £85. 0. 0.
PORTABLE TYPE
 2.5 amps, Portable £9. 17. 6.

ULTRA VIOLET BULBS
 Easy to use source of U.V. for dozens of practical and experimental uses.
 12 volt 36 watt A.C./D.C. SBC 6/6. P. & P. 1/-.
 12 volt 60 watt A.C./D.C. SBC 8/6. P. & P. 1/-.
 Transformer to suit the above. Input 200-240 v. A.C., 12 volt 36 watts, 16/6; P. & P. 2/6. Input 200-240 v. A.C. 12 volt 60 watt, 22/6. P. & P. 3/6.
Set of 4 Colours FLUORESCENT PAINT. Red, yellow, green and cerise. In 1/2 oz. tins. Ideal for use with the above Ultra Violet Bulbs. 9/6, plus 1/6 P. & P.
NICKEL CADMIUM BATTERY. Sintered Cadmium Type, 1.2 v. 7AH. Size: height 3½", width 2½" x 1½". Weight: Approx 13 ozs. Ex-R.A.F., Tested, 12/6. P. & P. 2/6.

100 WATT POWER RHEOSTATS (NEW)
 AVAILABLE IN THE FOLLOWING 9 VALUES

10 ohm, 3 a.; 25 ohm, 2 a.; 50 ohm, 1.4 a.; 100 ohm, 1 a.; 250 ohm, .7 a.; 500 ohm, .45 a.; 1,000 ohm, 280 mA; 1,500 ohm, 230 mA; 2,500 ohm, 2 a. Diameter 3½ in. Shaft length ¾ in., dia. ½ in. All at 27/6 each. P. & P. 1/6.

230 v. A.C. RELAY
 Type 1.2 c/o. 2 amp. contacts, 9/6. Type 2.2 x 15 amp. break, 2 x 2 amp. make, 1 x 2 amp. break, 11/6. Both types, ex new equip. P. & P. 1/6 each.

"GABY" MULTI-RANGE TEST METER
 Model B40. D.C. volt, 0.5 v., 2.5 v. at 10,000 ohm per volt. Ideal for transistor circuit testing. A.C. and D.C. volt, 10v., 50v., 250v., 500v., 1,000 v. at 4,000 ohm per volt. Resistance, 2K ohm, 200 K ohm, 2 megohm, 20 megohm. Fully guaranteed, complete range of spares available from stock. Price includes Test Leads, Battery, Instruction Book, Packing and Post (U.K.). £6/2/6. 3 additional models available from 54/- to £14/14/-. Leaflet gladly sent on request.



14,000 OHM SEALED RELAY
 High Speed single c/o. Platinum contacts. Super-sensitive, ideal for Transistor circuitry. Will operate on 1 milliamp, 25/-, P. & P. 1/-.

230 VOLT A.C. GEARED MOTORS
 5 r.p.m. 1.7lb. inch £2/9/6. P. & P. 2/6
 13 r.p.m. 1.45lb. inch £2/12/6. P. & P. 2/6
 80 r.p.m. .26lb. inch £2/2/- P. & P. 2/6

LATEST HIGH SPEED MAGNETIC COUNTERS
 4 figure 10 impulses per second. Type 100D, 4.1 ohm coil, 3-6 v. D.C. operation. Type 100A, 500 ohm coil, 18-24 v. D.C. operation. Type 100B, 2,300 ohm coil, 36-48 v. D.C. operation. Any type, 15/- each, plus 1/6 P. & P.

L.T. TRANSFORMERS All primaries 220-240 volts.

| Type No. | Sec. Taps | Price Carr. |
|----------|-------------------------------|--------------|
| 1 | 30, 32, 34, 36 v. at 5 amps. | £2/19/6 6/- |
| 2 | 30, 40, 50 v. at 5 amps. | £4/15/0 6/- |
| 3 | 10, 17, 18 v. at 10 amps. | £3/2/6 4/6 |
| 4 | 6, 12 v. at 20 amps. | £3/12/6 6/6 |
| 5 | 17, 18, 20 v. at 20 amps. | £5/2/6 6/6 |
| 6 | 6, 12, 20 v. at 20 amps. | £4/15/0 7/6 |
| 7 | 24 v. at 10 amps. | £3/9/6 5/6 |
| 8 | 28, 29, 30, 31 v. at 21 amps. | £6/15/0 10/- |

100 AMP
 1/2 AMP

230V. A.C. MOTOR AND REDUCTION GEAR BOX
 Reversible 1/2 h.p. 1, 450 r.p.m. 1" dia. 1" long shaft. Mounted in anti-vibration cradle. Supplied complete with precision 20-1 reduction gear box and pulleys. Made to highest standard for computer work. Ex equip. First class condition. Price £3.5.0. P. & P. 7/6.

BUILD AN EFFICIENT STROBE UNIT FOR ONLY 37/6. We supply a simple circuit diagram and all electrical parts including the NSP Strobe tube which will enable you to easily and quickly construct a unit for infinite variety of speeds, from 1 flash in several seconds to several thousands per minute. 37/6 plus 3/- P. & P.

UNIVERSAL DEMONSTRATION TRANSFORMER
 Stenzyl Type
 A complete composite apparatus, comprising a Transformer and electro-magnet with removable coils and pole pieces. Coil tapped for 230 v, 220 v, 110 v, 115v; 6, 12, 36, 110v. A.C. These coils are also used for D.C. experiments. Complete with all accessories as shown. £17 + 10/- carriage. Leaflet on request.

12 VOLT D.C. RELAY
 Single c/o. 600ohm coil, New. 2 for 10/- plus 1/6 P. & P.

12-18 VOLT D.C. RELAY
 168 ohm coil, 3 x 5 amp. N.I. c/o contacts. New. 16/6 plus 1/- P. & P.

ELECTRIC CHECK METER (Sangamo Weston) 200/240 volt, A.C., 40 amp. As new 35/- plus 3/6 P. & P.

LIGHT SENSITIVE SWITCH. Kit of parts, including ORP12 Cadmium Sulphide Photocell, Relay, Transistor and Circuit, etc., price 25/- plus 2/6 P. & P. ORP 12 including circuit, 10/6 each, plus 1/- P. & P.

A.C. MAINS MODEL
 Incorporates Mains Transformer, Rectifier and special relay with 3, 5 amp mains c/o contacts. Price inc. circuit 47/6 plus 2/6 P. & P.

SANGAMO WESTON
 Type S32 2½ Edgewise Meter
 250 Micro-amp., scaled in dB's. New 29/6. P. & P. 1/-.

VEROBOARD
 The perforated Copper Board for Modern Circuitry
 .15 x .15 pitch, 2.5 x 3.75.....3/-
 2.5 x 5.....3/8
 3.75 x 3.75.....3/8
 3.75 x 5.....5/-
 Spot face cutter, 9/-
 Special Veropins, Pkts. 200.....14/-
 p.&p. on all items 1/-

METERS
 2½" Flush Round
A.C. AMMETERS
 0-1, 0-5, 0-10, 0-15, 0-20 Amp. All 2½" each, p. & p. extra.
A.C. VOLTMETERS
 0-25, 0-50, 0-150 V. All 2½" each, p. & p. extra.
 0-300 V. A.C. m/c Rectifier £1.9.0.

UNIVERSAL DEMONSTRATION TRANSFORMER
 Stenzyl Type
 A complete composite apparatus, comprising a Transformer and electro-magnet with removable coils and pole pieces. Coil tapped for 230 v, 220 v, 110 v, 115v; 6, 12, 36, 110v. A.C. These coils are also used for D.C. experiments. Complete with all accessories as shown. £17 + 10/- carriage. Leaflet on request.

12 VOLT D.C. RELAY
 Single c/o. 600ohm coil, New. 2 for 10/- plus 1/6 P. & P.

12-18 VOLT D.C. RELAY
 168 ohm coil, 3 x 5 amp. N.I. c/o contacts. New. 16/6 plus 1/- P. & P.

ELECTRIC CHECK METER (Sangamo Weston) 200/240 volt, A.C., 40 amp. As new 35/- plus 3/6 P. & P.

LIGHT SENSITIVE SWITCH. Kit of parts, including ORP12 Cadmium Sulphide Photocell, Relay, Transistor and Circuit, etc., price 25/- plus 2/6 P. & P. ORP 12 including circuit, 10/6 each, plus 1/- P. & P.

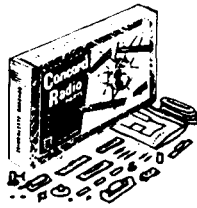
A.C. MAINS MODEL
 Incorporates Mains Transformer, Rectifier and special relay with 3, 5 amp mains c/o contacts. Price inc. circuit 47/6 plus 2/6 P. & P.

SERVICE TRADING CO

All Mail Orders—Also callers:
 47/49 HIGH STREET, KINGSTON ON THAMES
 Telephone: KINGston 9450

Personal callers only
 9 LITTLE NEWPORT STREET
 LONDON, W.C.2 Tel.: GERrard 0576

ASTONISHING LOW PRICED RADIO KITS FROM CONCORD



MAKE 5 DIFFERENT TRANSISTOR RADIOS for 35/-

Amazing Radio Construction Set! Become a radio expert for 35/-. A complete Home Radio Course. No experience needed. Parts include instructions for each design. Step-by-step plan, all Transistors, loudspeaker, personal phone, knobs, screws, etc., all you need. Box size 14" x 10" x 2" (parts available separate). Originally £6. **NOW 35/-** plus 3/6 p. & p.

New RADIO Anyone CAN BUILD in 2-3 hours! Only 19/6 EVEN THE OLDEST CHILDREN BUILD THEM! ONLY 16 connections! Then hear it reach out bringing in station after station 4 1/2" x 2 1/2" x 1 1/2". Many Testimonials:—M.H. of Bradford writes: "... I have just completed one of your sets successfully, it is the first time I have ever tackled anything like a radio and I must state here and now, I am amazed how easy it is to a layman like me. Your instructions and plan have obviously been very carefully thought out so that even the most dim can follow them..." 19/6 plus 2/6 post, etc.



UNIQUE NEW FULLY TRANSISTORISED PORTABLE RADIO NOW A FRACTION OF THE NORMAL PRICE. ONLY 35/-

WHY PAY MORE. All the latest refinements are packed into this new MULTI STATION ALL transistor radio — the internal aerial picks up even remote stations and the powerful built-in speaker gives room filling volume. Individual tuning, first-class reception. Purchase with confidence — packed in original manufacturers' cartons. (Personal earpiece and battery, 4/6) Send 35/- plus 4/6 P. & P. (Mail Order Only)

ASTONISHING CIGARETTE RADIO! ONLY 18/6

Yes a perfectly ordinary packet of cigarettes—but it fetches in station after station, loud and clear! Holds 10 cigarettes — yet cleverly conceals highly sensitive, fully transistorised circuit (incl. tiny battery). Even a young boy can assemble it in under 2 hours. No soldering. No experience necessary. Only 16 Connections. From our bulging testimonial file, Mr. D. R. of Huddersfield writes: "... I have fitted the parts in and it is working wonderfully..." ALL PARTS including Semi-Conductors, A.B.C. Plans, etc. **ONLY 18/6** plus 2/6 post, etc.



CONCORD ELECTRONICS LTD (Dept. PE24) · 77 NEW BOND STREET · W.1

Z & I AERO SERVICES LTD.

Head Office and Warehouse: 44A WESTBOURNE GROVE, LONDON, W.2.

Retail Shop:

85 TOTTENHAM COURT ROAD, LONDON, W.1

Tel.: LANGHAM 8403

Open all day Saturday

Tel.: PARK 5641/2/3

| | | | | | | | | | | | | | | | | | | | |
|-----------|------|--------|------|----------|------|--------|------|---------|------|-------|------|-------|------|--------|------|-------|------|-------|------|
| 0A2 | 6/- | 6AG7 | 8/- | 6BW7 | 10/- | 6V6G | 10/- | 12SC7 | 4/- | EBL1 | 14/- | 6F98 | 12/6 | GZ30 | 8/- | PL36 | 10/- | UBF80 | 7/6 |
| 0B2 | 6/- | 6AJ3 | 9/- | 6BZ6 | 6/- | 7B5 | 10/- | 12SF3GT | 8/- | EBL31 | 18/- | 6F183 | 8/- | GZ32 | 10/- | PL38 | 16/- | UBF84 | 7/6 |
| 0B3 | 6/- | 6AK5 | 5/6 | 6C4 | 2/6 | 7B6 | 11/- | 12SQ7GT | 8/6 | EC084 | 7/- | 6F184 | 8/- | GZ34 | 10/- | PL81 | 8/- | UBF89 | 7/6 |
| 0C3 | 6/- | 6AL5 | 7/- | 6C5 | 8/- | 7B7 | 11/- | 12SY7 | 8/- | EC085 | 6/6 | 6F186 | 2/1 | KT88 | 16/- | PL82 | 7/6 | UC084 | 10/6 |
| 0D3 | 5/- | 6AL6 | 3/- | 6CB6 | 8/6 | 7B8 | 10/- | 14ST | 18/- | EC088 | 10/- | 6F200 | 10/- | EL34 | 13/- | PL83 | 7/6 | UC085 | 7/6 |
| 1A7GT | 8/- | 6AM6 | 4/- | 6DC6GA17 | 7/6 | 7C7 | 7/- | 19AQ5 | 5/- | EC189 | 12/- | 6F207 | 17/- | N78 | 15/- | PL84 | 7/6 | UC088 | 5/6 |
| 1B3GT | 7/- | 6AN4 | 15/- | 6DGH6 | 6/- | 7C7 | 5/- | 20P1 | 14/- | EC189 | 12/- | 6F207 | 17/- | NSP1 | 25/- | PL85 | 7/6 | UC089 | 10/6 |
| 1C5GT | 6/- | 6AN5 | 18/- | 6CL6 | 9/- | 787 | 18/- | 20P3 | 13/- | ECF80 | 8/- | 6F208 | 8/- | NSP2 | 22/- | PL302 | 14/- | UC21 | 9/6 |
| 1D5 | 7/6 | 6AN8 | 10/- | 6OW4 | 12/- | 7Y4 | 8/- | 20P4 | 14/- | ECF82 | 7/6 | 6F210 | 8/- | PABC80 | 7/6 | PL500 | 15/- | UC24 | 9/6 |
| 1G6GT | 7/- | 6AQ4 | 8/- | 6CY3 | 10/- | 7Z4 | 6/- | 20P5 | 12/- | ECF86 | 11/- | 6F211 | 8/- | PC68 | 12/- | PL801 | 10/- | UC211 | 9/6 |
| 1H4 | 5/6 | 6AT6 | 6/- | 6E6 | 6/6 | 10C2 | 13/- | 23A6G | 5/- | ECF87 | 7/- | 6F212 | 8/- | PC88 | 12/- | PL802 | 10/- | UC212 | 8/6 |
| 1NG5T | 6/- | 6AR5 | 6/- | 6E8A | 11/- | 10D1 | 7/- | 25C5 | 10/- | ECF88 | 10/- | 6F213 | 8/- | PC97 | 9/6 | PL803 | 10/- | UC213 | 8/6 |
| 1R4 | 6/- | 6AR6 | 6/- | 6F1 | 14/- | 10D1 | 7/- | 25C6 | 10/- | ECF89 | 10/- | 6F214 | 8/- | PC98 | 9/6 | PL804 | 10/- | UC214 | 8/6 |
| 1R5 | 5/- | 6AR8 | 17/6 | 6F6 | 8/- | 10F3 | 8/- | 25Z4G | 8/- | ECF90 | 10/- | 6F215 | 8/- | PC99 | 9/6 | PL805 | 10/- | UC215 | 8/6 |
| 1R4 | 5/- | 6AR5 | 5/- | 6F8G | 5/- | 10F8 | 9/- | 25Z5G | 10/- | ECF91 | 10/- | 6F216 | 8/- | PC99 | 9/6 | PL806 | 10/- | UC216 | 8/6 |
| 1R6 | 4/6 | 6AR6 | 6/- | 6F13 | 6/6 | 10L1 | 7/6 | 25Z6GT | 11/- | ECF92 | 10/- | 6F217 | 8/- | PC99 | 9/6 | PL807 | 10/- | UC217 | 8/6 |
| 1T4 | 3/- | 6AS7G | 20/- | 6F14 | 15/- | 10P3 | 12/6 | 27M1 | 80/- | ECF93 | 10/- | 6F218 | 8/- | PC99 | 9/6 | PL808 | 10/- | UC218 | 8/6 |
| 1T5GT | 6/- | 6ATG | 15/- | 6F15 | 11/- | 10P4 | 13/6 | 28T7 | 7/- | ECF94 | 10/- | 6F219 | 8/- | PC99 | 9/6 | PL809 | 10/- | UC219 | 8/6 |
| 1U4 | 5/- | 6AUGT | 9/- | 6F17 | 6/- | 12A16 | 8/- | 29C1 | 20/- | ECF95 | 10/- | 6F220 | 8/- | PC99 | 9/6 | PL810 | 10/- | UC220 | 8/6 |
| 1U5 | 6/- | 6AUGT | 9/- | 6F23 | 11/6 | 12A18 | 8/- | 30A5 | 7/- | ECF96 | 10/- | 6F221 | 8/- | PC99 | 9/6 | PL811 | 10/- | UC221 | 8/6 |
| 1X2B | 7/- | 6AU6 | 15/- | 6F28 | 10/6 | 12A19 | 8/- | 30C1 | 7/6 | ECF97 | 10/- | 6F222 | 8/- | PC99 | 9/6 | PL812 | 10/- | UC222 | 8/6 |
| 2A3 | 5/- | 6AU6 | 8/- | 6F32 | 3/- | 12A20 | 5/- | 30C13 | 11/- | ECF98 | 10/- | 6F223 | 8/- | PC99 | 9/6 | PL813 | 10/- | UC223 | 8/6 |
| 2D21 | 6/- | 6AV6 | 6/- | 6G6G | 2/6 | 12A26 | 5/- | 30C17 | 13/6 | ECF99 | 10/- | 6F224 | 8/- | PC99 | 9/6 | PL814 | 10/- | UC224 | 8/6 |
| 3A4 | 4/- | 6AW5A | 14/- | 6G3G | 9/- | 12A27 | 4/- | 30C18 | 11/- | ECF99 | 10/- | 6F225 | 8/- | PC99 | 9/6 | PL815 | 10/- | UC225 | 8/6 |
| 3A5 | 6/- | 6AXGT | 6/6 | 6H5 | 4/- | 12A28 | 6/- | 30C19 | 11/- | ECF99 | 10/- | 6F226 | 8/- | PC99 | 9/6 | PL816 | 10/- | UC226 | 8/6 |
| 3B3GT | 8/- | 6B7 | 12/6 | 6J6 | 3/6 | 12A29 | 6/- | 30C21 | 12/6 | ECF99 | 10/- | 6F227 | 8/- | PC99 | 9/6 | PL817 | 10/- | UC227 | 8/6 |
| 3Q4 | 6/- | 6B7 | 5/- | 6J7 | 9/- | 12A29 | 6/- | 30C23 | 11/- | ECF99 | 10/- | 6F228 | 8/- | PC99 | 9/6 | PL818 | 10/- | UC228 | 8/6 |
| 3Q5GT/6B8 | 6/- | 6B8 | 7/- | 6K6G | 6/- | 12A29 | 6/- | 30C24 | 12/6 | ECF99 | 10/- | 6F229 | 8/- | PC99 | 9/6 | PL819 | 10/- | UC229 | 8/6 |
| 3R4 | 5/- | 6BA6 | 5/- | 6K7GT | 5/- | 12A29 | 20/- | 30C25 | 8/- | ECF99 | 10/- | 6F230 | 8/- | PC99 | 9/6 | PL820 | 10/- | UC230 | 8/6 |
| 3V4 | 6/- | 6BE6 | 5/6 | 6K8 | 8/- | 12A29 | 6/- | 30C26 | 10/- | ECF99 | 10/- | 6F231 | 8/- | PC99 | 9/6 | PL821 | 10/- | UC231 | 8/6 |
| 3Z4G | 9/- | 6BG6 | 15/- | 6L6A | 8/- | 12A29 | 6/- | 30C27 | 14/- | ECF99 | 10/- | 6F232 | 8/- | PC99 | 9/6 | PL822 | 10/- | UC232 | 8/6 |
| 5U4G | 5/- | 6BH6 | 7/6 | 6P23 | 12/6 | 12A29 | 10/- | 30C28 | 10/- | ECF99 | 10/- | 6F233 | 8/- | PC99 | 9/6 | PL823 | 10/- | UC233 | 8/6 |
| 5U4GB | 6/6 | 6BJ6 | 8/- | 6Q7G | 6/- | 12A29 | 6/- | 30C29 | 14/- | ECF99 | 10/- | 6F234 | 8/- | PC99 | 9/6 | PL824 | 10/- | UC234 | 8/6 |
| 5V4G | 9/- | 6BK4 | 25/- | 687 | 7/- | 12B26 | 5/- | 30C31 | 12/- | ECF99 | 10/- | 6F235 | 8/- | PC99 | 9/6 | PL825 | 10/- | UC235 | 8/6 |
| 5Y3GT | 5/- | 6BL7GT | 9/- | 687J | 8/- | 12BHTA | 7/6 | 30C32 | 12/6 | ECF99 | 10/- | 6F236 | 8/- | PC99 | 9/6 | PL826 | 10/- | UC236 | 8/6 |
| 5Z3 | 7/6 | 6BN6 | 7/6 | 68K7 | 5/- | 12BYTA | 10/- | 30C33 | 12/6 | ECF99 | 10/- | 6F237 | 8/- | PC99 | 9/6 | PL827 | 10/- | UC237 | 8/6 |
| 5Z4G | 8/- | 6BQ6 | 11/6 | 678 | 7/- | 12E1 | 20/- | 30C34 | 12/- | ECF99 | 10/- | 6F238 | 8/- | PC99 | 9/6 | PL828 | 10/- | UC238 | 8/6 |
| 6/30L12 | 6/- | 6BQ7 | 8/- | 6H4GT | 10/6 | 12SGT | 9/- | 30C35 | 12/- | ECF99 | 10/- | 6F239 | 8/- | PC99 | 9/6 | PL829 | 10/- | UC239 | 8/6 |
| 6B4 | 6/6 | 6BR7 | 12/- | 6V6 | 9/- | 13J2GT | 7/6 | 30C36 | 6/6 | ECF99 | 10/- | 6F240 | 8/- | PC99 | 9/6 | PL830 | 10/- | UC240 | 8/6 |
| 6F4 | 10/6 | 6BR8 | 5/- | 6V6GT | 7/6 | 12Q7G | 4/- | 30C37 | 12/- | ECF99 | 10/- | 6F241 | 8/- | PC99 | 9/6 | PL831 | 10/- | UC241 | 8/6 |
| 6F6PG | 11/- | 6BW6 | 6/6 | 6X4 | 4/- | 12SA7 | 7/- | 30C38 | 12/- | ECF99 | 10/- | 6F242 | 8/- | PC99 | 9/6 | PL832 | 10/- | UC242 | 8/6 |

SEMI CONDUCTORS—please write for leaflet with specifications of General Purpose Germanium and Silicon Diodes, Microwave Diodes, Transistors, etc.
HIGH VOLTAGE ZENER DIODES 1.5 watts, 5% tolerance. ZN20 (20V) 9/6. ZN30 (10V) 9/6.
CATHODE RAY TUBES—as recommended in the Practical Electronic Microscope in March and April issues. £2.10. P.P. 5/- Base 6/6. DG7-5: 2 1/2" screen; 3.5V heaters; EHT required 800V; Deflection Sensitivity .125 mm/V for X and .200 mm/V for Y; Green phosphor medium persistence. £2.15.0. P.P. 5/- Base 1/6.

FOR P.E. SCALER AND TIMER
 G810H DEKATRON. 40/- Base 3/6. Indicator shield 1/6. P.P. 1/6 per set.
SILICON POWER RECTIFIERS
 SL800, equivalent to, and identical with Mullard BY210. 7/6
POCKET MULTIMETERS TYPE U-1
 Sensitivity 1,000 μ V. D.C. and A.C. voltage ranges 0-10-30-200-500-1,000 V. D.C. current ranges 0-100-500 mA. Resistance ranges 2,000 Ω -200,000 Ω . Brand new. £22.0. P.P. 7/6.

HEADPHONES
 DLR, Low Impedance, balanced armature. Earpieces can be used as sound powered Microphones. 10/-
 CLR, High Impedance (2000 Ω per insert). 15/-
 No. 10 Assembly:
 Moving Coil Headphones with moving coil Hand Microphone fitted with press-to-talk switch. Rubber earpads. Cord terminated with army type 6-point moulded connector. Low impedance. Brand new. 20/- ea.
 Small quantity available of second hand assemblies, checked, in perfect order. 8/6 ea. P. & P. 3/6 per set.

PLEASE SEND SAE (FOOLSCAP) FOR FULL PRICE LIST

Please add 2/6 in $\$$ for postage. Minimum charge 2/-. No C.O.D. Orders Accepted. Please address all correspondence to the Head Office.

WHEATSTONE BRIDGE KIT Set of 18 W.W. 1% Resistors and 8 switches. Measures 1 Ω to 1.1M Ω . With circuit, instructions, 67/6.

PRECISION WIREWOUND RESISTORS 1 Watt. 1 Ω to 5K 1% 3/4; to 20K 4/3; 1% add 3d. Your value wound to order. S.A.E. for further details.

HIGH STABILITY RESISTORS 1% W.W. 2/- each. Full range 10 Ω to 10M Ω , plus many special multiplier values. S.A.E. for Stock List.

NOUGETS AND CROSSES MACHINE Uses switches and lamps only, cannot be beaten. Circuit, wiring diagram, instructions, 3/8.

BINARY ADDER/SUBTRACTOR Another switch and lamp design to make a demonstration model. Circuit and instructions, 3/8.

MULTIMETERS EP10K, 10K Ω /V, 67/6 post 2/-; EP30K, 30K Ω /V, 105/- post 2/6; EP50K, 50K Ω /V, 145/- post 2/6. Avo Multimeter, £9.10.0 post free.

PLANET INSTRUMENT CO.
 25 (E), Dominion Avenue, Leeds 7

ANNOUNCING COMPONENTS AT PRICES YOU CAN AFFORD

BELOW ARE JUST A FEW OF OUR MANY BARGAINS THAT CAN BE SEEN ALONG WITH HUNDREDS OF OTHERS AT OUR RETAIL SHOP

- RED SPOT 9d. OC170 3/-
- AF115 3/6 OC200 3/-
- AF117 2/6 OC76 2/6
- OC44 2/6 OC45 2/6
- OC71 2/6 OC72 2/6
- OC81D 2/6 OC81 2/6
- OC26 10/- AD140 10/-
- OC35 10/- OC28 10/-

BARGAIN OF THE MONTH
OC71
 MULLARD BRAND NEW
 1/8 each
 Unrepeatable Offer—No catch
 P.P. 6d. 12 or more—Post free

- 1-1W RESISTORS 10 Ω -22M 2d.
- CERAMICS 4d.
- SILVER MICA 6d.
- HI-STABS 1% 1/- OA81 1/-
- MAGNETIC EARPIECES 3/4
- CRYSTAL EARPIECES 4/6
- MIN TRANSISTOR ELECTROLYTICS 1/2

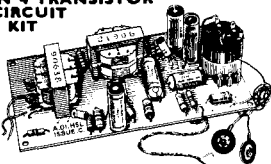
PORTABLE SOLDER GUN, 30W 240V, 9/3. SHORT WAVE, TRIPLE GANG TUNING CAPACITOR 90PF - 160PF - 160PF, 4/11. P.P. 1/1

We welcome enquiries for all types of components. Lists. S.A.E. Terms, cash with order, P/P. add 9d. for orders under £2

WENTWORTH RADIO, 1a, Wentworth Court, Alston Rd., Barnet. Tel.: BAR 3087

HIGH GAIN 4 TRANSISTOR PRINTED CIRCUIT AMPLIFIER KIT Type TA1

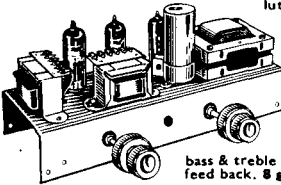
- P e a k output in excess of 1 1/2 watts.
- All standard British components.
- Built on printed circuit panel, size 6 x 3in.
- Generous size Driver and Output Transformers.
- Output transformer tapped for 3 ohm and 15 ohm speakers.
- Transistors (GET 114 or SI Mullard OC81D and matched pair of OC81 o/p).
- 9 volt operation.
- Everything supplied, wire, battery clips, solder, etc.
- Comprehensive easy to follow instructions and circuit diagram 1/6 (Free with Kit). All parts sold separately.



SPECIAL PRICE 45/-. P. & P. 3/-. Also ready built and tested, 52/6. P. & P. 3/-. A pair of TA1s are ideal for stereo.

STEREO AMPLIFIER

Incorporating 2 ECL82s and 1 EZ80, heavy duty, double wound mains transformer. Output 4 watts per channel. Full tone and volume controls. Absolutely complete.

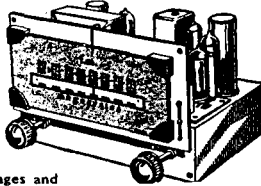


ONLY £4.19.6
P. & P. 6/6

Super Deluxe version with ECL86 valves, sep. bass & treble controls, full feedback. 8 gns. P. & P. 6/6

HARVERSON'S F.M. TUNER Mk. 1

- F.M. tuning head by famous maker.
- Guaranteed non-drift.
- Permeability tuning.
- Frequency coverage 88-100 Mc/s.
- Balanced diode output.
- Two I.F. stages and discriminator.
- Attractive maroon and gold dial (7 x 3in. glass).
- Self powered, using a good quality mains transformer and valve rectifier.
- Valves used ECC85, two EF90s, and EZ80 (rectifier).
- Fully drilled chassis.
- Size of completed tuner 8 x 6 x 5 1/2in.
- All parts sold separately. Set of parts if purchased at one time £5/19/6, plus 8/6 P.P. and ins. Circuit diagram and instructions 1/6 post free. Mark II Version as above but complete with magic eye, front panel and brackets, £4/2/6. P. & P. 8/6.
- Mark III Version as Mark I but with output stage (ECL82) and tone control, £7/7/-.



TAPE DECKS
B.S.R. MONARDEK (Single speed) 3 1/2in. per sec., simple control, using 5 1/2in. spools, £6/15/-.
LATEST COLLARO MAGNAVOX 363 TAPE DECK DE LUXE. Three speeds, 2 track, takes up to 7 in. spools, 10 gns. Plus 7/6 carr. and ins. on each. (Tapes extra on both).

ACOS CRYSTAL MIKES. High imp. For desk or hand use. High sensitivity, 18/6. P. & P. 1/6.
TSL CRYSTAL STICK MIKE. Listed at 48/-. Our price, 18/6. P. & P. 1/6.

QUALITY RECORD PLAYER AMPLIFIER

A top-quality record player amplifier. This amplifier (which is used in a 25 gn. record player) employs heavy duty double wound mains transformer, ECC83, EL84, EZ80 valves. Separate Bass, Treble and Volume controls. Complete with output transformer matched for 3 ohm speaker. Size 7in. w. x 2 1/2in. d. x 5 1/2in. h. Ready built and tested. **PRICE 69/6.** P. & P. 4/9.
ALSO AVAILABLE mounted on board with output transformer and 6in. speaker ready to fit into cabinet below. **PRICE 89/6.** P. & P. 5/9.

QUALITY PORTABLE R/P CABINET

Uncut motor board. Will take above amplifier and B.S.R. or GARRARD Autochanger or Single Record Player Unit. Size 18 x 14 x 8 1/2in. **PRICE £39/6.** Carr. 7/6.

4-SPEED PLAYER UNIT BARGAINS

All brand new in maker's original packing.
B.S.R. TU12 £39/6. Carr. 5/6.
GARRARD SP25 De Luxe... £12/10/6.
B.S.R. GU7 with unit mounted pickup arm. £4/18/8. Carr. 5/6.

AUTO. CHANGERS

B.S.R. UA15 £49/19/6. B.S.R. UA16..... £6 19 6
Latest B.S.R. UA25 Super slim £6 2 6
GARRARD Auto-Slim (4 pole motor)..... £5 10 0
GARRARD AT6 £9.10.0. Carr. 6/6 on each.
All the above units are complete with t/o mono head and sapphire styl or can be supplied with compatible stereo head for 12/6 extra.

SPECIAL OFFER! Famous COLLARO 4-speed Semi Transcription Auto Changer Units. Complete with stereo head. Few only. £6/12/6. Carr. 7/6.

BRAND NEW CARTRIDGE BARGAINS!

RONETTE STEREO 10S CARTRIDGE. Stereo! L.F./78 complete with two sapphires. Original list price 65/9. Our price 24/-. P. & P. 1/6.
ACOS GP67-1. Mono complete. List price 21/-. Our price 13/6. P. & P. 1/6.

BRAND NEW. 12" 15w. H/D Speakers, 3 or 15 ohm. Current production by well-known British maker. Offered below list price at 89/6. P. & P. 5/-. (25w. guitar model £5.5.0). (35w. guitar model £8.8.0).

BRAND NEW 3 OHM LOUSPEAKERS

5 in., 12/6; 6 1/2 in., 15/-; 8 in., 21/-; 10 in., 25/-; 12 in., 27/6; (12 in. 15 ohm, 30/-). 10 in. x 6 in., 26/-.
E.M.I. 1 1/2 x 8 in. with high flux ceramic magnet, £2/-. (15 ohm, 48/-). P. & P. 4/- & 5 1/2-; 6 1/2" & 8" 2/6, 10" & 12" 3/6 per speaker.

7-10 watt OUTPUT TRANSFORMERS to match pair of ECL 86's in push-pull to 3 ohm output. **ONLY 11/-.** P. & P. 2/6.

7-10 watt ULTRA LINEAR OUTPUT TRANSFORMERS to match pair of ECL 82's in push-pull to 3 ohm output. **ONLY 15/-.** P. & P. 2/6.

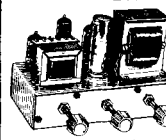
MAINS TRANSFORMER for transistor power supplies. Tapped pri 200-250v. Sec. 40-0-40 at 1 amp (with electrostatic screen) and 6.3v. at 5 amp for dial lamps etc. Drop thro mounting. Stack size 1 1/2 x 3 1/2 x 3 1/2; 27/6. P. & P. 4/6. Also for use with above 4000 mfd. 40v. Smoothing condenser size 1 1/2" dia x 3 1/2" high, 2/6 each. P. & P. 1/6. And 2800 mfd. 25v. 1 1/2" dia. x 3" high 3/-. P. & P. 1/6.

MATCHED PAIR OF 21 WATT TRANSISTOR DRIVER AND OUTPUT TRANSFORMERS. Stack size 1 1/2 x 1 1/2 x 1 in. Output trans. tapped for 3 ohm and 15 ohm output. 10/- pair plus 2/- P. & P.

4-WAY NON-TANGLE TELEPHONE CABLE Latest spring-back coil type, extends 12 in. to 5ft. Complete with rubber bushes. 4/6 each. P. & P. 1/6.

VYNAIR AND REXINE SPEAKER AND CABINET FABRICS app. 54 in. wide. Usually 35/- yd., our price 13/6 per yd. length (min. 1 yd.). P. & P. 2/6. S.A.E. for samples.

3-VALVE AUDIO AMPLIFIER MODEL HA34



Designed for Hi-Fi reproduction of records. A.C. Mains operation. Ready built on plated heavy gauge metal chassis, size 7 1/2in. w. x 4 in. d. x 4 1/2in. h. Incorporates ECC83, EL84, EZ80 valves. Heavy duty, double wound mains transformer and output transformer matched for 3 ohm speaker, separate Bass, Treble and volume controls. Negative feedback line. Output 4 1/2 watts. Front panel can be detached and leads extended for remote mounting of controls. The HA34 has been specially designed for us and our quantity order enables us to offer them complete with knobs, valves, £4.5.0 etc., wired and tested for only P. & P. 5/0

ensures high output at excellent quality with very low distortion factor. Suitable for use with guitar, microphone or record player. Provision for remote mounting of controls or direct on chassis. Chassis size only 7 1/2in. wide x 4in. deep. Overall height 4 1/2in. All components and valves are brand new. Very clear and concise instructions enable even the inexperienced amateur to construct with 100% success. Supplied complete with valves, output transformer (3 ohms only), screened lead, wire, nuts, bolts, solder, etc. (No extras to buy.) **PRICE 79/6.** P. & P. 6/-.
Comprehensive circuit diagram, practical layout and parts list 2/6 (free with kit). This kit although similar in appearance to HA34 it employs entirely different and advanced circuitry.

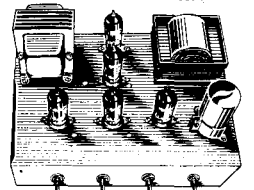
HSL 'FOUR' AMPLIFIER KIT.

A.C. Mains 200/250v., 4 watt, using ECC83, EL84, EZ80 valves.
★ Heavy duty double-wound mains transformer with electrostatic screen.
★ Separate Bass, Treble and Volume controls, giving fully variable boost and cut with minimum insertion loss.
★ Heavy negative feedback loop over 2 stages

ensures high output at excellent quality with very low distortion factor. Suitable for use with guitar, microphone or record player. Provision for remote mounting of controls or direct on chassis. Chassis size only 7 1/2in. wide x 4in. deep. Overall height 4 1/2in. All components and valves are brand new. Very clear and concise instructions enable even the inexperienced amateur to construct with 100% success. Supplied complete with valves, output transformer (3 ohms only), screened lead, wire, nuts, bolts, solder, etc. (No extras to buy.) **PRICE 79/6.** P. & P. 6/-.
Comprehensive circuit diagram, practical layout and parts list 2/6 (free with kit). This kit although similar in appearance to HA34 it employs entirely different and advanced circuitry.

10/14 WATT HI-FI AMPLIFIER KIT

A stylishly finished monaural amplifier with an output of 14 watts from 2 EL84s in push-pull. Super reproduction of both music and speech, with negligible hum. Separate inputs for mike and gram allow records and announcements to follow each other. Fully shrouded section wound output transformer to match 3-15Ω speaker and 2 independent volume controls, and separate bass and treble controls are provided giving good lift and cut. Valve line-up 2 EL84s, ECC83, EF86, and EZ80 rectifier. Simple instruction booklet 1/6. (Free with parts.) All parts sold separately. **ONLY £7/9/6.** P. & P. 8/6. Also available ready built and tested complete with std. input sockets, £9/5/-. P. & P. 8/6. Carrying Case for above 28/6. P. & P. 7/6.



HARVERSON SURPLUS CO. LTD.

170 HIGH ST., MERTON, S.W. 19. CHERRY ROAD 3985

Open all day Saturday Early closing Wed., 1 p.m.

A few minutes from South Wimbledon Tube Station. (Please write clearly)
OVERSEAS P. & P. CHARGED EXTRA. S.A.E. with all enquiries.

TECHNICAL TRADING Co.

All items previously advertised available, also see items advertised in Practical Wireless. Huge Hi-Fi and Component stocks at all branches.

TAPE

Top British mylar/P.V.C.

| Standard Play | | Double Play | |
|---------------|--------------|----------------|--------------|
| 3" | 150ft. 2/8 | 3" | 300ft. 4/- |
| 4" | 300ft. 4/6 | 4" | 600ft. 6/- |
| 5" | 600ft. 7/6 | 5" | 1200ft. 18/- |
| 5 1/2" | 900ft. 10/6 | 5 1/2" | 1800ft. 19/6 |
| 7" | 1200ft. 87/- | 7" | 2400ft. 87/- |
| Long Play | | Triple Play | |
| 3" | 225ft. 2/8 | 4" | 900ft. 18/- |
| 4" | 450ft. 5/6 | 5" | 1500ft. 25/- |
| 5" | 900ft. 10/6 | 5 1/2" | 2400ft. 34/- |
| 5 1/2" | 1200ft. 13/- | 7" | 3600ft. 44/- |
| 7" | 1800ft. 18/6 | Quadruple Play | |
| | Post 1/- | 3" | 600ft. 8/- |

ROBOPHONE ORDERS
Your C.O.D. order exceeding £1 can be telephoned to BRIGHTON 680722 at any time day and night

Old and New Customers welcomed at our New London Branch, Telephone No. MUS 2639. 10 TOTTENHAM COURT RD., LONDON, W.1
350/352 FRATTON RD., PORTSMOUTH. Tel: 22034
72 EAST STREET, SOUTHAMPTON. Tel: 25851
ALL MAIL ORDER AND RETAIL SHOP
6 GARDNER STREET, BRIGHTON

BETTER THAN EVER!

$\beta = 90 - 300$ FOR 5/- 5/- 5/-

GO SILICON WITH UPATED 2N2926

All our 2N2926 silicon planar epitaxial npn transistors are now supplied with a guaranteed minimum current gain of 90. High gain silicon for the price of germanium! For all low-power applications, d.c. to v.h.f.: low-noise audio, video amplifiers, oscillators, instruments. Still only 5/-.

- ★ Cut-off frequency 200 Mc/s
- ★ Current gain 90-300 at 2 mA
- ★ Collector dissipation 200 mW
- ★ Low noise (2.8 dB at 10 kc/s)
- ★ Brand new. First grade. Data supplied

Price includes U.K. postage. Cash with order. Mail order only.
AMATRONIX LTD., 396 SELSDON RD., CROYDON, SURREY

VALUABLE NEW HANDBOOK FREE TO AMBITIOUS ENGINEERS

Have you had your copy of "Engineering Opportunities"?

The new edition of "ENGINEERING OPPORTUNITIES" is now available—without charge—to all who are anxious for a worthwhile post in Engineering. Frank, informative and completely up to date, the new "ENGINEERING OPPORTUNITIES" should be in the hands of every person engaged in any branch of the Engineering industry, irrespective of age, experience or training.

On 'SATISFACTION OR REFUND OF FEE' terms

This remarkable book gives details of examinations and courses in every branch of Engineering, Building, etc., outlines the openings available and describes our Special Appointments Department.

WHICH OF THESE IS YOUR PET SUBJECT?

MECH. ENGINEERING
Gen. Mech. Eng.—Maintenance Eng.—Diesel Eng.—Press Tool Design—Sheet Metal Work—Welding—Eng. Pattern Making—Inspection—Draughtsmanship—Metallurgy—Production Eng.

RADIO ENGINEERING
General Radio—Radio & TV Servicing—TV Eng.—Telecommunications—Electronics—Sound Recording—Automation—Practical Radio—Radio Amateurs' Exam.

CIVIL ENGINEERING
General Civil Eng.—Municipal Eng.—Structural Eng.—Sanitary Eng.—Road Eng.—Hydraulics—Mining—Water Supply—Petrol Tech.

FLEC. ENGINEERING
General Electrical Eng.—Installations—Draughtsmanship—Illuminating Eng.—Refrigeration—Elem. Elec. Science—Elec. Supply—Mining Elec. Eng.

AUTO ENGINEERING
General Auto Eng.—Auto. Maintenance—Repair—Auto. Diesel Maintenance—Auto. Electrical Equipment—Garage Management.

BUILDING
General Building—Heating & Ventilation—Plumbing—Architecture—Carpentry—Painting—Decorating—Specifications & Quantities—Surveying—Architectural Draughtsmanship.

WE HAVE A WIDE RANGE OF COURSES IN OTHER SUBJECTS INCLUDING CHEMICAL ENG., AERO ENG., MANAGEMENT, INSTRUMENT TECHNOLOGY, WORKS STUDY, MATHEMATICS, ETC.

Which qualification would increase your earning power?
A.M.I.Mech.E., A.M.S.E., A.M.I.C.E., A.M.I.E.R.E., B.Sc., A.M.I.P.E., A.M.I.M.I., A.R.I.B.A., A.I.O.B., A.M.I.Chem.E., A.R.I.C.S., M.R.S.H., A.M.I.E.D., A.M.I.Mun.E., CITY & GUILDS, GEN. CERT. OF EDUCATION, ETC.

BRITISH INSTITUTE OF ENGINEERING TECHNOLOGY

316A COLLEGE HOUSE, 29-31 WRIGHT'S LANE, W.8

THIS BOOK TELLS YOU

- ★ HOW to get a better paid, more interesting job.
- ★ HOW to qualify for rapid promotion.
- ★ HOW to put some letters after your name and become a key man . . . quickly and easily.
- ★ HOW to benefit from our free Advisory and Appointments Depts.
- ★ HOW you can take advantage of the chances you are now missing.
- ★ HOW, irrespective of your age, education or experience, YOU can succeed in any branch of Engineering.

156 PAGES OF EXPERT
CAREER - GUIDANCE

PRACTICAL EQUIPMENT

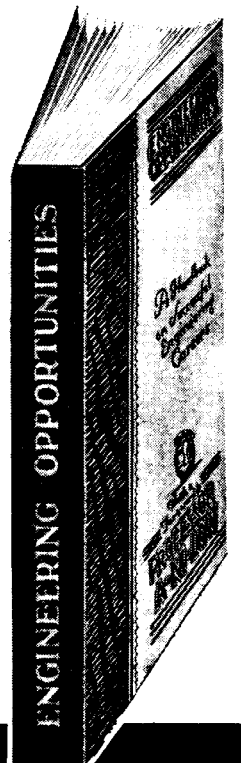
Basic Practical and Theoretic Courses for beginners in Radio, T.V., Electronics, Etc., A.M.I.E.R.E. City & Guilds Radio Amateurs' Exam. R.T.E.B. Certificate P.M.G. Certificate Practical Radio Radio & Television Servicing Practical Electronics Electronics Engineering Automation

INCLUDING TOOLS

The specialist Electronics Division of B.I.E.T. NOW offers you a real laboratory training at home with practical equipment. Ask for details.

B.I.E.T.

You are bound to benefit from reading "ENGINEERING OPPORTUNITIES", and if you are earning less than £30 a week you should send for your copy now—FREE and without obligation.



POST NOW!

TO B.I.E.T., 316A COLLEGE HOUSE,
29-31 WRIGHT'S LANE, W.8.

3d. stamp if posted in
an unsealed envelope.

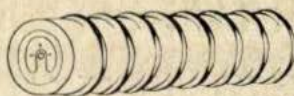
Please send me a FREE copy of "ENGINEERING OPPORTUNITIES." I am interested in (state subject, exam., or career).

NAME

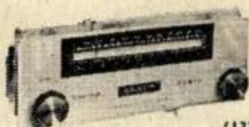
ADDRESS

WRITE IF YOU PREFER NOT TO CUT THIS PAGE

THE B.I.E.T. IS THE LEADING INSTITUTE OF ITS KIND IN THE WORLD



(4)



(12)



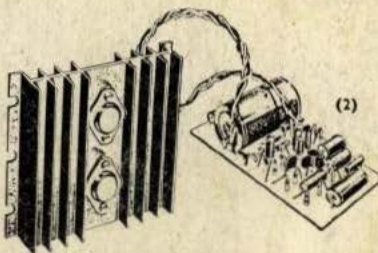
(7)



(6)



(E)



(2)

(12)



(9)



(3)



(11)



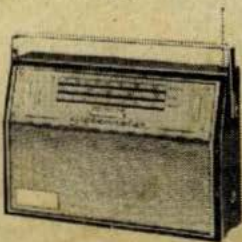
(5)



(14)



(10)



(1)

NEW 1966 CATALOGUE 150 PAGES

Fully detailed and illustrated components, equipment and Hi-Fi. All types and makes. 5000 Stock lines. 500 Transistors and Devices. 1000 Quartz Frequencies. 800 Valves and Tubes. The Finest and Largest Range available. A mine of information.

Price 6/- post paid

FREE with Catalogue, 6/- Value Discount vouchers gives 2/- in pound discount on purchases.

CATALOGUE COSTS NOTHING AFTER USING VOUCHERS



(1) GLOBEMASTER MW/LW/SW PORTABLE

Full 3-waveband tuning. Pushbutton wavechange. Superhet printed circuit. Black-chromed cabinet 11 x 7½ x 3½ in. (SW 17-50 metres). Ear/Record sockets.

TOTAL COST TO BUILD £8.19.6 P.P. 3/6

(6) VHF FM TUNER

87/105 Mc/s Transistor Superhet. Geared tuning. Terrific quality and sensitivity. For valve or transistor amplifiers. 4 x 3½ x 2½ in.

TOTAL COST TO BUILD £6.19.6 P.P. 2/6
(Cabinet Assembly 20/- extra)

10 AND 20 WATT TRANSISTOR MONO AND STEREO HI-FI UNITS

(2) **POWER AMPLIFIERS.** 10 watts RMS output. 100mV input. 30 c/s to 20kc/s ± 1dB. 6-Transistor Push-pull. Panel size 4 x 2½ x 1 in. H/S 4 x 4 in.

TPA10/3 3-5 ohm spkr. £5.10.0, p.p. 2/6

TPA10/15 12-16 ohm spkr. £5.19.6, p.p. 2/6

(Mains unit for 1 or 2 amplifiers, 5/6, p.p. 2/6)

(3) **PREAMPLIFIERS.** 8 input selector. Treble, bass, volume, filter controls. 1½mV to 300mV inputs. Battery operated or from Mains Unit. Output up to 150mV RMS.

MP2 Mono 9½ x 2½ x 2 in. £5.10.0, p.p. 2/6 (brown and gold front panel 8/6)

SP4 Mono/Stereo. 9 x 3½ x 1½ in. £10.19.6, p.p. 3/6 (front panel plate 12/6)

The Finest High Fidelity at Unbeatable Prices

● ALL UNITS BUILT AND TESTED

(5) BUILD A TAPE RECORDER

Three speeds—3 warts.

Complete kits with new "363" decks. Supplied as preassembled sections. Complete with portable cabinets and Speaker—excellent quality. 1,200ft. tape and spool.

★ **TWO TRACK** P.P. 8/6 **★ FOUR TRACK** P.P. 8/6
£26 **£30**

(7) 5 WATT AMPLIFIER

6-Transistor Push-pull, 3 ohms. 6mV into 1K. 12/18V supply. 2½ x 2 x 1½ in.

BUILT AND TESTED P.P. 2/-
(optional mains units 54/- 7/9 6/2/- p.p. 2/-)

New matching Preamplifier, 6 inputs, treble/bass/selector/volume controls. 6-10mV o/p. 9-18V supply. 7/9 6/2/- P.P. 2/-
For use with any Transistor Amplifier

(8) REGENT-6 MW/LW POCKET RADIO

6-Transistor superhet. Geared tuning. Push-pull output. Moulded cabinet 5 x 3 x 1½ in. Phone socket.

TOTAL COST TO BUILD 85/- P.P. 2/-

HI-FI

Special parcel prices. Let us have your enquiries for equipment.

(4) 'DEALS'

RECHARGEABLE BATTERIES
● 3-6 volt 500 mA/H. Size: 1½" x 1½" dia. .. 12/6, p.p. 1/6
● 9-6 volt 225 mA/H. Size: 2½" x 1" dia. .. 20/-, p.p. 1/6
BRAND NEW—Offered at a fraction of normal retail price.

(9) 25 WATT AMPLIFIER

New 8-Transistor design. Push-pull output for 7½ to 16ohm speaker. 150mV input. 30c/s to 20kc/s ± 1dB. For use with valve or transistor preamplifiers as item (3) above. Size 2½ x 2½ x 6 in.

PRICE BUILT AND TESTED £8.19.6 P.P. 3/-
(Mains unit 7/9 6/2/-)

(10) ROADSTER MW/LW CAR RADIO

Supplied as Preassembled Panels. Permeability tuned superhet. Push-button wave-changer. Push-pull output. Fits any car. 7 x 4 x 2 in. 12 volt (+) earth.

ASSEMBLY TOTAL COST £8.19.6 P.P. 3/6
(Speaker/Baffle/Car. Fixing Kit, 20/-)

(11) GARRARD DECKS

(p.p. 5/- any type)
1000 mono £6.10.0. stereo £6.19.6
2000 mono £6.19.6. stereo £7.10.0
*SP25 mono £10.19.6. stereo £11.10.0
Autoslim mono £5. 9.6. stereo £5.19.6
*TS mono £8.19.6. stereo £9.10.0
*AT1 mono £11.19.6. stereo £11.19.6
3000LM stereo £8.19.6

(*D) cartridge add 60/- to mono price
† autochange (except SP25), complete with cartridge. Brand new.

(12) MULTIMETERS

PT34 1kV 39/6 TP55 20kV £5.19.6
M1 2kV 49/6 EP30k 30kV £6.10.0
TP10 2kV 75/- EP50k 50kV £8.15.0
EP10k 10kV 79/6 500 30kV £8.17.6
ITI-2 20kV 89/6 EP100k 100kV £10.10.0
EP20k 10kV 99/6

(13) VHF FM TUNER

Supplied as 2 Preassembled Panels, plus metal work Superhet design, 88-108 Mc/s. 1 volt operated.
Total cost 2/11.7.6, p.p. 2/6.

(14) NEW MW/LW TUNER TO BUILD

Fully tunable superhet with excellent sensitivity and selectivity. Output up to ½ volt peak. Complete with front panel, etc. 9 volt operated.

TOTAL COST TO BUILD 79/6 P.P. 2/6

HENRY'S RADIO LTD.

303 EDGWARE RD., LONDON, W.2

Paddington 1008/9

Open Mon. to Sat. 9-6. Thurs. 1 p.m.
Open all day Saturday.

LET US QUOTE FOR COMPONENTS AND ACCESSORIES FOR YOUR CIRCUIT. SEND A LIST FOR QUICK REPLY. QUALITY COMPONENTS AT VALUE FOR MONEY PRICES.