

THE No 1 UK MAGAZINE FOR ELECTRONICS TECHNOLOGY & COMPUTER PROJECTS

EPE EVERYDAY PRACTICAL **ELECTRONICS**

www.epemag.com

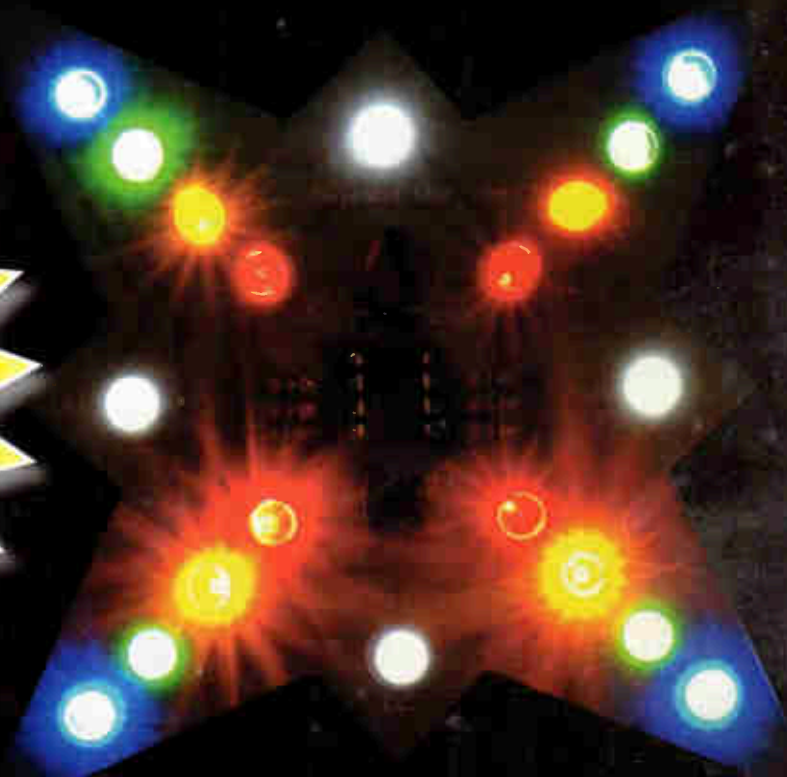
**EPE/MICROCHIP
EXCLUSIVE UK**

SPECIAL OFFER

**Microchip PICKIT 2
Debug Express Kit**

ONLY £9.99

(see inside for details)

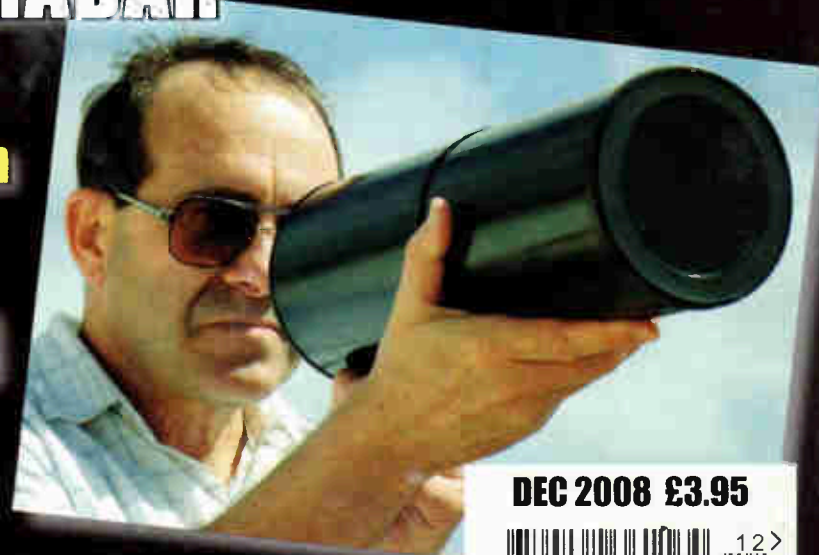


PROGRAMMABLE CHRISTMAS STAR

★ **Hundreds of pre-programmed patterns** ★ **Twinkle effects**

BUILD YOUR OWN RADAR SPEED GUN

A microwave doppler design



BREADBOARDING PROJECTS

★ **Thermostat**

★ **Games Timer**

DEC 2008 £3.95



PCB-POOL[®].COM

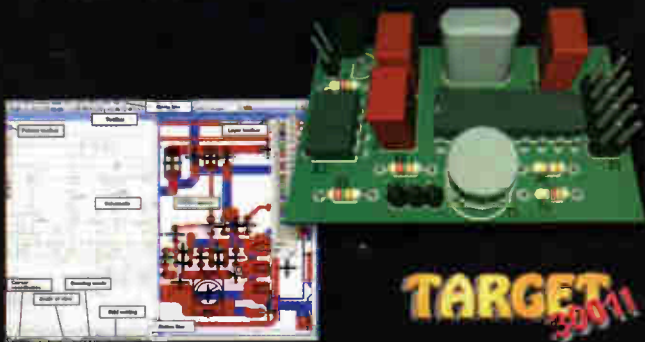
Low Cost PCB Manufacturing Service

- Prototypes manufactured from original designs
- Professional quality for a discount price
- The PCB-POOL service supplies professional quality Prototypes to the entire electronics industry (including students & hobbyists)

Simply send us your files & receive your prototypes in a few days!!!

Download our FREE PCB Layout Software!

- Schematic Capture
- PCB Layout
- Auto Router & Auto Placer
- Complete Component Library
- Professional Version



WATCH UR PCB[®]

View your PCB as it gets manufactured!

We send HD images at each production stage so you can track its progress!!

- Drilling
- Exposure
- Tin Stripping
- UV curing
- Hot air levelling (HAL)

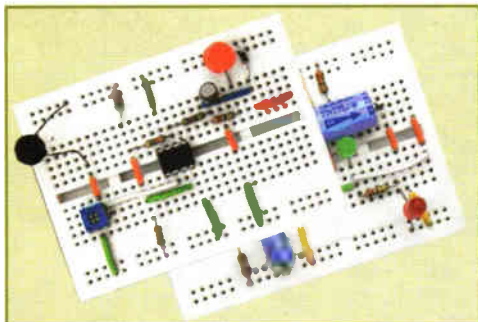
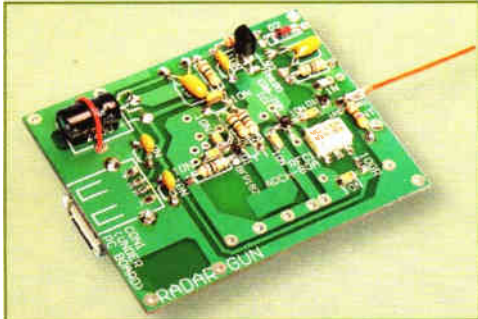


www.free-pcb-software.com

www.pcb-pool.com

Email: sales@pcb-pool.com Free Phone UK: 0800 389 8560

Simply send your files & order ONLINE **WWW.PCB-POOL.COM**



© Wimborne Publishing Ltd 2008. Copyright in all drawings, photographs and articles published in *EVERYDAY PRACTICAL ELECTRONICS* is fully protected, and reproduction or imitations in whole or in part are expressly forbidden.

Our January 2009 issue will be published on Thursday 11 December 2008, see page 72 for details.

Everyday Practical Electronics, December 2008

Projects and Circuits

- RADAR SPEED GUN** by Jim Rowe **10**
 Measures speed in mph or km/h up to 250 km/h
- 20W CLASS-A AMPLIFIER MODULE - Pt. 3** by Greg Swain and Peter Smith **21**
 A universal speaker protection and muting module
- PROGRAMMABLE CHRISTMAS STAR** by David Meiklejohn **29**
 Cycles through hundreds or pre-programmed patterns
- USING THE MICROCHIP PICKIT 2 DEBUG EXPRESS TO BUILD A CAPACITIVE SWITCH** by Marcel Flipse **38**
 Just add a few passive components to produce a capacitive switch
- BREADBOARDING PROJECTS** by Dr Malcolm Plant **44**
 Part 3 – Thermostat and Games Timer
- INGENUITY UNLIMITED** Sharing your ideas with others **48**
 Vroom; Pico prize winners

Series and Features

- TECHNO TALK** by Mark Nelson **18**
 Vero-ly the hole-ly truth
- RECYCLE IT** by Julian Edgar **36**
 A £5 variable voltage power supply
- INTERFACE** by Robert Penfold **42**
 Serial port compatibility issues
- CIRCUIT SURGERY** by Ian Bell **50**
 Logic device families
- PIC N' MIX** by Mike Hibbett **54**
 OLED graphics display
- NET WORK** by Alan Winstanley **64**
 Web browsers and malware

Regulars and Services

- EDITORIAL** **7**
- NEWS** – Barry Fox highlights technology's leading edge **8**
 Plus everyday news from the world of electronics
- PIC RESOURCES CD-ROM** **20**
 EPE PIC Tutorial V2, plus PIC Toolkit Mk3 and a selection of PIC-related articles
- BACK ISSUES** Did you miss these? **28/53**
- EPE/MICROCHIP EXCLUSIVE SPECIAL OFFER** **41**
 A Microchip PICkit 2 Debug Express Kit for only £9.99
- CD-ROMS FOR ELECTRONICS** **58**
 A wide range of CD-ROMs for hobbyists, students and engineers
- SUBSCRIBE TO EPE** and save money **61**
- READOUT** John Becker addresses general points arising **62**
- DIRECT BOOK SERVICE** **65**
 A wide range of technical books available by mail order, plus more CD-ROMs
- EPE PCB SERVICE** **68**
- INDEX FOR VOLUME 37** **69**
- ADVERTISERS INDEX** **72**

08717 Credit Card **177 168**
Sales

**Ho! Ho! Ho! Christmas 2008 is on it's way
BUT DON'T PANIC!!**

We have some fantastic gift ideas for young (and older) enquiring minds



Electronic Project Labs

An electronics course in a box! All assume no previous knowledge and require NO solder. See website for full details



Robot Sensor - £19.95
Order Code EPLR20KT



Electronic Bell - £8.95
Order Code EAKEBKT

Mechanical Motorised Wooden Kits

Future engineers can learn about the operation of transmissions steered through gears or pulleys. Easy to build, no glue or soldering required.



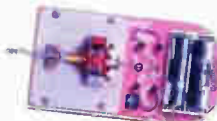
Stegomech - £12.95
Order Code C21-602KT



30 in ONE - £16.95
Order Code EPL030KT



Digital Recording Laboratory - £29.95
Order Code EPLDRKT



Electronic Motor - £8.95
Order Code EAKEMKT



Tyrannomech - £12.95
Order Code C21-601KT

Solderless Electronic Projects



AM-FM Radio Kit - £6.95
Order Code ERKAFKT



Generator - £8.95
Order Code EAKEGKT



Automech - £12.95
Order Code C21-605KT

Festive Fun Electronic Project Kits
250 different educational electronic kits. Soldering is required.



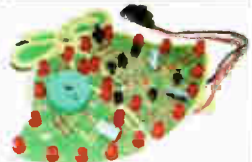
130 in ONE - £39.95
Order Code EPL130KT



Room Alarm - £4.95
Order Code EAKRAKT



Coptermech - £12.95
Order Code C21-604KT



Musical LED Jingle Bells - £17.95
Order Code C21-606KT



300 in ONE - £59.95
Order Code EPL300KT



Short Wave Kit - £6.95
Order Code ERKSWKT



Hand Held Metal Detector - £7.95
Order Code ELMDX7



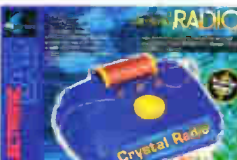
Trainmech - £12.95
Order Code C21-606KT



Flashing LED Christmas Tree - £5.95
Order Code VMK100KT



500 in ONE - £149.95
Order Code EPL500KT



Crystal Radio Kit - £6.95
Order Code ERKCKT



Metal Detector - £7.95
Order Code ELMDKT



Hexapod Monster Robomech - £17.95
Order Code C21-883KT
(soldering required)

See our website for even more great gift ideas!



www.QuasarElectronics.com

Secure Online Ordering Facilities • Full Product Listing, Descriptions & Photos • Kit Documentation & Software Downloads

Robot Kits

These educational electronic robot kits make a great introduction to the exciting world of robotics and require NO soldering. See website for details



Moon Walker - £33.95
Order Code 4015KT



Hyper Peppy - £28.95
Order Code 4016KT



Robotic Arm - £59.95
Order Code 4017KT



Sumo Man - £59.95
Order Code 4019KT



Air Shooter - £33.95
Order Code 4025KT



Tools & Equipment



Soldering Set - £9.95
Order Code SOL939



Hobby Tool Set - £13.95
Order Code HTK300



20 Piece Electronics Tool Set - Now £22.95
Order Code HTK368



5" Illuminated Magnifier - £39.95
Order Code HTM015



48W Digital Soldering Station - £59.95
Order Code SOL050



3-12V 1.5A PSU - £24.95
Order Code PSU400



0-30V/0-3A Regulated Power Supply - £89.95
Order Code PSU676



Hobby DMM - £5.95
Order Code DMM006



Clamp Meter - £14.95
Order Code DMC616



Helping Hands - £4.95
Order Code 710.165



Ultrasonic Distance Measurer - £19.95
Order Code 600.634



Universal Battery Tester - £4.95
Order Code 690.393



QUASAR
electronics
Get Plugged In!

Credit Card Sales
0871 717 7168

Home and Leisure



4-ch Sequencer - £39.95
Order Code ELT298



12V 150W Power Inverter - £29.95
Order Code RPI530



Snow Machine - £79.95
Order Code ELT568



Metal Detector - £34.95
Order Code 499.920



Party Bubbles - £14.95
Order Code ELT562



120mm Rechargeable Spotlight - £18.95
Order Code TOR260



25W Guitar Amplifier with Overdrive - £59.95



Windup Torch - £8.95
Order Code TOR149



Order Code MUS033
Multi-Band Radio Receiver - £24.95



Intelligent NiCd/NiMH Charger - £14.95
Order Code 690.163



Order Code RAD4997
Audio/Video Transmission System - £39.95



www.QuasarElectronics.com

Secure Online Ordering Facilities • Full Product Listing, Descriptions & Photos • Kit Documentation & Software Downloads



EVERYDAY PRACTICAL ELECTRONICS FEATURED KITS



December '08

Everyday Practical Electronics Magazine has been publishing a series of popular kits by the acclaimed Silicon Chip Magazine Australia. These projects are 'bullet proof' and already tested down under. All Jaycar kits are supplied with specified board components, quality fibreglass tinned PCBs and have clear English instructions. Watch this space for future featured kits.

Jaycar Electronics

STARSHIP ENTERPRISE DOOR SOUND EMULATOR

KC-5423 £11.75 plus postage & packing

This easy to build kit emulates the unique noise made when the cabin doors on the Starship Enterprise open & close. The 'shut' noise is also duplicated. The sound emulator can be triggered by switch contacts (normally open) which means you can use a reed magnet switch, IR beam or PIR detector to trigger the unit. Kit includes PCB with overlay, case & all electronic components with clear English instructions.

- Requires 9-12VDC power

* As published in EPE Magazine June 2008



IR REMOTE EXTENDER MKII KIT

KC-5432 £7.25 plus postage & packing

Operate your DVD player or digital decoder using its remote control from another room. It picks up the signal from the remote control & sends it via a 2-wire cable to an infrared LED located close to the device. This improved model features fast data transfer, capable of transmitting cable TV remote control signals using the Pace 400 series decoder. Kit supplied with case, screen printed front panel, PCB with overlay & all electronic components.

* As published in EPE Magazine August 2008



VOLTAGE MONITOR KIT

KC-5424 £6.00 plus postage & packing

This versatile kit will allow you to monitor the battery voltage, the airflow meter or oxygen sensor in your car. The kit features a 10 LED bar graph that lights the LEDs in response to the measured voltage, preset 9-16V, 0-.5V or 0-1V ranges complete with a fast response time, high input impedance & auto dimming for night time driving.

- Kit includes PCB with overlay, LED bar graph & all electronic components.

- Requires 12VDC power

- Recommended box: UB5 HB-6015

* As published in EPE Magazine June 2008



AC/DC CURRENT CLAMP METER KIT FOR DMM'S

KC-5368 £8.75 plus postage & packing

It uses a simple hall effect sensor & iron ring core set up, & connects to your digital multimeter. It will measure AC & DC current & has a calibration dial to allow for any magnetising of the core. Much cheaper than pre-built units.

- Kit supplied with PCB, clamp, case with silk screened front panel & all electronic components.

* As published in EPE Magazine January 2006



STUDIO 350 HIGH POWER AMPLIFIER KIT

KC-5372 £55.95 plus postage & packing

The Studio 350 power amplifier will deliver a whopping 350WRMS into 4 ohms, or 200WRMS into 8 ohms. Using eight 250V 200W plastic power transistors, it is super quiet, with a signal to noise ratio of -125dB(A) at full 8 ohm power. Harmonic distortion is just 0.002% & frequency response is almost flat (less than -1dB) between 15Hz & 60kHz! Kit supplied in short form with PCB & electronic components. Kit requires heat sink & +/- 70V power supply (a suitable supply is described in the instructions).

* As published in EPE October 2006



RADAR SPEED GUN MK2

KC-5441 £29.00 plus postage & packing

If you're into any kind of racing like cars, bikes, boats or even the horses, this kit is for you! It reads speed in km/h or mph up to 250 km/h or 155 mph. The electronics are mounted in the supplied Jiffy box & the radar gun assembly can be made simply with two coffee tins fitted end-to-end. The circuit needs 12VDC at only 130mA, so you can use a small SLA or rechargeable battery pack. Kit includes PCB & all specified components.

* As published in EPE Magazine December 2008



THE FLEXTIMER KIT

KA-1732 £5.95 plus postage & packing

This kit uses a handful of components to accurately time intervals from a few seconds to a whole day. It can switch a number of different output devices & can be powered by a battery or mains plug pack.

- The kit includes PCB & all components.

* As published in EPE Magazine September 2007



SOLAR ECO- HOUSE KIT

KJ-8924 £7.25 plus postage & packing

This instructive kit will help develop manual dexterity & teach the fundamentals of electric circuits & solar power. The house is fun to build & will introduce your child to the eco-friendly concepts in a deceptively entertaining way. The house has its own solar panel & a windmill to supply free power to the lighting & sound circuits, or it can run from ordinary batteries. Simple & safe for ages 8+. Requires 2 x AA batteries for non-solar operation.

* Approximately 160mm square



Deluxe Solar Educational Kit KJ-6694 £7.95 plus postage & packing

A series of do-it-yourself experiments to acquire the basic knowledge of solar energy. Supplied with a solar panel which incorporates 3 x 1.5V cells for series or parallel connection.

The kit comes complete with:

- Solar cell module
- Musical unit
- Small DC motor
- Wire with motor clips
- 4 jumper wires
- Nuts & plastic spanner
- Colour spinner discs
- Plastic lamp
- Paper aeroplane & bird models
- Plastic turntables
- Plastic fan spinner
- 14 page solar energy booklet

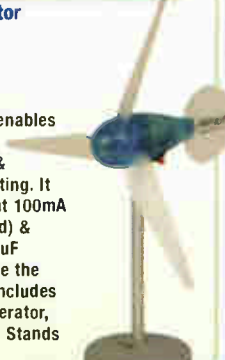


ALTERNATIVE ENERGY PROJECTS FOR THE KIDS

Wind Powered Generator Experimenters Kit

KJ-6696 £15.95 plus postage & packing

A great learning tool! This small-scale project enables you to build a real working wind generator & then use it for experimenting. It can supply up to 10VDC at 100mA (depending on wind speed) & features an on-board 330uF capacitor so you can store the energy for later use. Kit includes all parts to make the generator, fan assembly, & pedestal. Stands 250mm high.



- Secure on-line ordering
- ALL prices in Pounds Sterling
- Minimum order ONLY 10 PDS

ORDER YOUR
FREE
CATALOGUE
TODAY!



POPULAR KITS FOR ELECTRONIC ENTHUSIASTS



Short Circuits Series

Short Circuits is a learning system that has been developed by Jaycar to introduce young students to the exciting world of electronics.



SC2 Project - Red/Green Flasher

KJ-8200 £2.50 plus postage & packing

Here's a simple & easy-to-build first project. It flashes two LEDs (light emitting diodes) - one red & the other green - alternately, a bit like the light on a police car.

A great way to learn how a 555 Timer IC works.

- PCB & all parts supplied
- Requires 9V battery
- Instructions NOT included
- See KJ-8201 for individual instructions £0.66 or BJ-8504 full colour project book £4.00

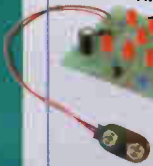


SC2 Project - Casino! Electronic Dice

KJ-8222 £4.25 plus postage & packing

At the press of a button roll a 6, light emitting diodes flash briefly & only one stays lit, representing a number between 1 & 6. Quite random & never rolls off the table!

- PCB & all parts supplied
- Requires 9V battery
- Instructions NOT included
- See KJ-8223 for individual instructions £0.66 or full colour project book BJ-8504 £4.00



GREAT LEARNING KITS FOR KIDS

Short Circuits - Volume II

BJ-8504 £4.00 plus postage & packing

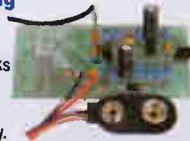
Once you have tackled Vol 1, you can have some fun with this book (& associated project packs available separately). You can make; a mini strobe light, police siren, mini organ, a couple of powerful radio transmitters, an FM radio - even a 'Knight Rider' scanner!! All components are fully described & explained, along with tutorials on soldering iron & multimeter use. All projects are safe & battery powered. Softcover - full colour 205 x 275mm.

SC2 Project - Simple FM Bug

KJ-8230 £4.25 plus postage & packing

Small portable FM microphone. Works surprisingly well. Use it as a baby minder/ monitor as well. PCB & all parts supplied. • Requires 9V battery.

- See KJ-8231 for individual instructions £0.66 or full colour project book BJ-8504 £4.00



SC2 Project - Countdown Timer

KJ-8202 £4.25 plus postage & packing

This neat project enables you to dial a time you want to elapse before you want something to happen, say the exposure of a camera shutter or an electrically operated door to stay open. At the end of the timed period (seconds to many minutes) a relay is energised which can switch something on or off.

- PCB & all parts supplied, including relay. Requires 9V battery.
- Instructions NOT included
- See KJ-8203 for individual instructions £0.66 or BJ-8504 full colour project book £4.00



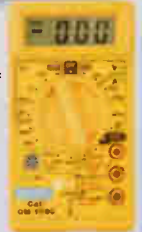
SENSATIONAL VALUE DMM

QM-1500 £2.00

plus postage & packing

This full featured Digital Multimeter is perfect for the home handyman or young experimenter & will give years of reliable service. It features a huge 10A DC current range as well as diode & transistor testing functions. Also measures AC & DC volts & resistance.

- At this price you should buy two!
- 19 Range • 3.5 Digit
- Ideal First Meter • Compact Size



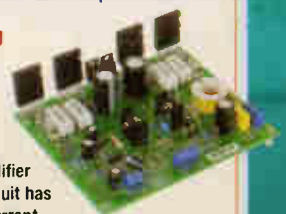
Ultra-Low Distortion 135WRMS Amplifier Module

KC-5470 £26.25

plus postage & packing

This ultra low distortion amplifier module uses the new ThermalTrak power transistors & is largely based on the high-performance Class-A amplifier project. This improved circuit has no need for a quiescent current adjustment or a Vbe multiplier transistor & has an exceptionally low distortion figure. Kit supplied with PCB & all electronic components. Heat sink & power supply not included.

- Output Power: 135WRMS into 8 ohms & 200WRMS into 4 Ohms
- Frequency Response at 1W: 4Hz to 50kHz
- Harmonic Distortion: <0.008% from 20Hz to 20kHz



Power Supply Kit for Ultra-LD Amp Module

KC-5471 £16.00

plus postage & packing

The amp module (KC-5470) is powered using an unregulated rail only. This power supply kit is specifically designed to provide a balanced +/- 55VDC supply to power this fantastic amp kit. It has two LED's, which illuminate when power is present on the rails & they assist in slowly discharging the filter caps when power is switched off.

- Kit includes PCB & all electronic components



SHORT CIRCUITS BOOK 1 INCLUDING PARTS

KJ-8502 £11.95 plus postage & packing

This full colour 96 page book has over 100 drawings & diagrams. The projects are fun to build & relevant to the electronics scene in the new millennium.

Included with the book, you get the baseboard, plenty of spring terminals & ALL the components required to build every project in the book - INCLUDING the bonus projects. Book measures 205mm x 275mm.



SOLDERING & HEATING KIT

TS-1328 £39.00

plus postage & packing

Professional gas soldering & heating kit with equivalent power of up to 125 watts. Runs on standard

butane gas with a burn time of 90 minutes. Storage case & comprehensive range of accessories included.

Soldering, heat-shrinking, brazing, paint stripping, etc.

- 10 second fill • 40 second heat-up
- Up to 1300°C • Piezo ignition
- 2 tips, knife, hot air blower & heat-shrinking deflector
- Cleaning sponge & tray



POST & PACKING CHARGES

Order Value	Cost
£10 - £49.99	£5
£50 - £99.99	£10
£100 - £199.99	£20
£200 - £499.99	£30
£500+	£40

Note: Products are despatched from Australia, so local customs duty & taxes may apply. Prices valid till 31/12/08

HOW TO ORDER

- **ORDER ON-LINE:** www.jaycarelectronics.co.uk
- **PHONE:** 0800 032 7241*
- **FAX:** +61 2 8832 3118*
- **EMAIL:** techstore@jaycarelectronics.co.uk
- **POST:** P.O. Box 107, Rydalmere NSW 2116 Australia
- **ALL PRICING IN POUNDS STERLING**
- **MINIMUM ORDER ONLY £10**

*Australian Eastern Standard Time (Monday - Friday 09.00 to 17.30 GMT + 10 hours only) Expect 10-14 days for air parcel delivery

FREE CATALOGUE

Checkout Jaycar's extensive range

We have kits & electronic projects for use in:

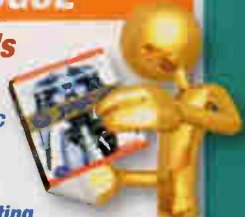
- Audio & Video
- Car & Automotive
- Computer
- Lighting
- Power
- Test & Meters
- Learning & Educational
- General Electronics Projects
- Gifts, Gadgets & Just for fun!

For your FREE catalogue log on to:

www.jaycarelectronics.co.uk/catalogue

or check out the range at:

www.jaycarelectronics.co.uk



0800 032 7241

[jaycarelectronics.co.uk](http://www.jaycarelectronics.co.uk)

Jaycar
Electronics

EPE EVERYDAY PRACTICAL ELECTRONICS

THE UK'S NO.1 MAGAZINE FOR ELECTRONICS TECHNOLOGY & COMPUTER PROJECTS

Editorial Offices:
EVERYDAY PRACTICAL ELECTRONICS EDITORIAL
Wimbome Publishing Ltd., Sequoia House, 398a Ringwood Road,
Ferndown, Dorset BH22 9AU
Phone: (01202) 873872. Fax: (01202) 874562.
Email: enquiries@epemag.wimbome.co.uk
Web Site: www.epemag.com
See notes on **Readers' Technical Enquiries** below - we regret
technical enquiries cannot be answered over the telephone.
Advertisement Offices:
Everyday Practical Electronics Advertisements
Sequoia House, 398a Ringwood Road, Ferndown, Dorset BH22 9AU
Phone: 01202 873872 Fax: 01202 874562
Email: stewart.kearn@wimbome.co.uk

VOL. 37 No. 12 DECEMBER 2008

Congratulations to the ingenious

One of the most pleasant aspects of working on *EPE* is receiving elegant solutions to circuit and system problems in our regular slot *Ingenuity Unlimited*. It is a constant reminder that one of the core pleasures of electronics is the opportunity for creativity and originality.

So, it is no surprise to learn through correspondence in letters, the online *EPE* Chatzone and *Ingenuity Unlimited* that *EPE* readers are an inquisitive, creative and ingenious community. I am sure that most of what we receive would land on our desks without the encouragement of prizes. After all, part of the enjoyment of creativity and that 'Eureka moment' when a design comes together is sharing one's achievements with like-minded enthusiasts. Nevertheless, we do feel that excellence should be acknowledged and we offer two fantastic prizes, courtesy of our friends at Pico Technology. First prize is a Pico 3206 PC-based oscilloscope worth £199, plus there is a Pico 2105 handheld oscilloscope for the runner up.

This year's winner is Ian Hill from Plymouth, whose Mobile Phone Switch circuit elegantly combined digital and analogue design to produce a simple, but effective circuit enabling virtually any mobile phone to remotely control a relay (Jun 07). Many congratulations Ian, I'm sure your 'scope will encourage you to greater things. Second prize goes to *Ingenuity Unlimited* stalwart - Rev Thomas Scarborough from South Africa. His original idea for an Atmospheric Charge Monitor struck just the right balance between originality, interest and ease of implementation (Aug 07). I would also like to award an honorable mention to Stephen Stopford for his Temperature Drift Monitor (Jul 08) - well done Stephen, keep the designs flowing and maybe this coming year will be a prizewinning one for you.

Remember, not only do we pay for all printed *Ingenuity Unlimited* ideas, but also we aim to award prizes every 20 or so published entries. So, you have a one-in-ten chance of winning a fantastic piece of professional test equipment. Not bad odds, so what are you waiting for - send us your ideas!

Mind

Editor: MATT PULZER
Consulting Editors: DAVID BARRINGTON
JOHN BECKER

Subscriptions: MARILYN GOLDBERG
General Manager: FAY KEARN
Editorial/Admin: (01202) 873872
Advertising and Business Manager:
STEWART KEARN (01202) 873872
On-line Editor: ALAN WINSTANLEY
***EPE Online* (Internet version) Editors:**
CLIVE (Max) MAXFIELD and ALVIN BROWN
Publisher: MIKE KENWARD

READERS' TECHNICAL ENQUIRIES

Email: techdept@epemag.wimbome.co.uk
We are unable to offer any advice on the use, purchase, repair or modification of commercial equipment or the incorporation or modification of designs published in the magazine. We regret that we cannot provide data or answer queries on articles or projects that are more than five years' old. Letters requiring a personal reply must be accompanied by a stamped self-addressed envelope or a self-addressed envelope and international reply coupons. We are not able to answer technical queries on the phone.

PROJECTS AND CIRCUITS

All reasonable precautions are taken to ensure that the advice and data given to readers is reliable. We cannot, however, guarantee it and we cannot accept legal responsibility for it. A number of projects and circuits published in *EPE* employ voltages that can be lethal. You should not build, test, modify or renovate any item of mains-powered equipment unless you fully understand the safety aspects involved and you use an RCD adaptor.

COMPONENT SUPPLIES

We do not supply electronic components or kits for building the projects featured, these can be supplied by advertisers. We advise readers to check that all parts are still available before commencing any project in a back-dated issue.

ADVERTISEMENTS

Although the proprietors and staff of *EVERYDAY PRACTICAL ELECTRONICS* take reasonable precautions to protect the interests of readers by ensuring as far as practicable that advertisements are bona fide, the magazine and its publishers cannot give any undertakings in respect of statements or claims made by advertisers, whether these advertisements are printed as part of the magazine, or in inserts. The Publishers regret that under no circumstances will the magazine accept liability for non-receipt of goods ordered, or for late delivery, or for faults in manufacture.

TRANSMITTERS/BUGS/TELEPHONE EQUIPMENT

We advise readers that certain items of radio transmitting and telephone equipment which may be advertised in our pages cannot be legally used in the UK. Readers should check the law before buying any transmitting or telephone equipment, as a fine, confiscation of equipment and/or imprisonment can result from illegal use or ownership. The laws vary from country to country; readers should check local laws.

AVAILABILITY

Copies of *EPE* are available on subscription anywhere in the world (see opposite) and from all UK newsgagents (distributed by SEYMOUR). *EPE* can also be purchased from retail magazine outlets around the world. An Internet online version can be purchased and downloaded for just \$18.99US (approx £10) per year, available from www.epemag.com

SUBSCRIPTIONS

Subscriptions for delivery direct to any address in the UK: 6 months £19.95, 12 months £37.90, two years £70.50; Overseas: 6 months £23.00 standard air service or £32.00 express airmail, 12 months £44.00 standard air service or £62.00 express airmail, 24 months £83.00 standard air service or £119.00 express airmail.

Online subscriptions, for downloading the magazine via the Internet, \$18.99US (approx £10) for one year available from www.epemag.com.

Cheques or bank drafts (in £ sterling only) payable to *Everyday Practical Electronics* and sent to *EPE* Subs. Dept., Wimbome Publishing Ltd, Sequoia House, 398a Ringwood Road, Ferndown, Dorset BH22 9AU. Tel: 01202 873872. Fax: 01202 874562. Email: subs@epemag.wimbome.co.uk. Also via the Web at: www.epemag.com. Subscriptions start with the next available issue. We accept MasterCard, Maestro or Visa. (For past issues see the Back Issues page.)

BINDERS

Binders to hold one volume (12 issues) are available from the above address. These are finished in blue PVC, printed with the magazine logo in gold on the spine. Price £7.95 plus £3.50 p&p (for overseas readers the postage is £6.00 to everywhere except Australia and Papua New Guinea which cost £10.50). Normally sent within seven days, but please allow 28 days for delivery - more for overseas.

Payment in £ sterling only please. Visa, Maestro and MasterCard accepted. Send, fax or phone your card number, card expiry date, valid from date and card security code (the last 3 digits on or just under the signature strip), with your name, address etc. Or order on our secure server via our UK website. **Overseas customers** - your credit card will be charged by the card provider in your local currency at the existing exchange rate.



NEWS

A roundup of the latest Everyday News from the world of electronics



Zoombak and Slingcatcher

The cleverest gadgets are the ones that do something very difficult, but make it look easy. Barry Fox reports

THE Zoombak Personal Locator – launched earlier this year in the USA and now adapted for use in the UK ahead of mainland Europe – uses a built-in GPS chip to check where it is, and an integrated Vodafone cellphone chip and SIM to transmit its location. So anyone worried about losing a car, bike, laptop, dog, child, wife or husband can attach a pager-sized pod, and keep track of where it is.

The Zoombak pod costs £99.99 outright, but needs a £9.99 monthly subscription to make it work and keep it working. After purchase, the owner hides the pod in a car or hangs it round the dog's neck, and goes online to activate. The pod then sends its location to Zoombak's control centre. To check the location, the owner goes to Zoombak's website, enters a password and uses Microsoft's Virtual Earth to display a map or satellite view which marks the pod's position.

The owner can also set a personal 'Geofence' or safety zone. This could be the back garden for a dog, and the front drive or company carpark for a car. The Geofence also has time windows, eg all day for the back garden, all night for the front drive and 9 to 5 for an office carpark.

If the Geofence is breached, Zoombak automatically sends the owner an email or phone text message. If the breach is a worry, the owner then has three choices: use a PC to follow the pod's progress live, using Virtual Earth mapping; ask for regular text messages with location details; or phone Zoombak customer service.

The battery lasts around five days, but if the device is permanently fitted to a car it can be kept charged. Zoombak's senior VP Craig Woodward describes the way the device works as 'bread-crumbling' – laying the electronic equivalent of a trail of crumbs through a forest. He sees Zoombak as 'a new product category for the trade' which 'will make a great alternative gift for Christmas'.

The system can also alert when the pod returns to its safety zone. So other uses include checking that a teenage daughter has safely arrived home after borrowing the family car. Because the device is clearly visible on a dog, it is good for lost dogs only. Dog thieves will just remove the pod.

So far the system only works in the UK where there is Vodafone cover; there is no roaming across the Channel. Browse www.zoombak.co.uk for more details.

Slingcatcher

Sling Media is best known for the Slingbox, a device which takes TV signals from a receiver – such as a Sky box – and sends it over a secure Internet link for display on a PC anywhere in the world. So a traveller can use a receiver in London to watch British TV on a laptop in a hotel room in Hong Kong – and even change channels back home by remote control.

Sling's new Slingcatcher (cost £200) takes video from the screen of a PC and sends it to a TV set across the room, or across the world. As a bonus, Slingcatcher punches holes through the recording and viewing restrictions on Catchup TV systems such as the BBC iPlayer or SkyPlayer.

Slingcatcher works in two ways; as a standalone box, or in conjunction with an existing Slingbox. When used with a Slingbox, Slingcatcher grabs the Slingbox network signal and converts it into a conventional TV signal for display on any TV set. The network can be in a home or over the Internet.

So, Slingcatcher can take TV signals from the living room and show them on a bedroom TV, or capture the living room signals anywhere in the world and show them on a local TV. Slingcatcher comes with a remote, which sends control signals back through the network, to switch or pause the source TV.

When software called Sling Projector is installed on a networked PC, Slingcatcher works on its own to grab video as it is displayed on the PC screen and stream it to a TV screen. The software can format the signal coming from the PC so that only the video window is shown on the TV screen, with playback buttons and tool bars removed. So iPlayer or SkyPlayer, and social sites like YouTube, can now be watched full screen on TV, instead of in a window on a PC screen.

Pre-launch demonstrations in London of the BBC motoring programme *Top Gear*

from iPlayer, upscaled to 720p, filled a 42-inch screen with slightly soft but otherwise very acceptable pictures. Sling's Stuart Collingwood confirms that 'in essence' there is nothing to stop someone connecting Slingcatcher's AV outputs to a DVD or other recorder, and capturing the video signal that is coming from the PC. This lets the user record Catchup TV programmes, even though they are protected by Digital Rights Management, which prevents permanent capture on a PC and limits viewing life, eg to seven days after transmission. "We are not breaking DRM" says Collingwood. "And we don't re-broadcast. It's a point-to-point service". Browse www.slingmedia.com/uk.

Which lead is which?

Faced with a spaghetti jungle of audio, video, phone, data and aerial cables, with no reliable colour coding and no way to find out which ones end where? Clipping tester probes to the cores and screens usually ends in tears of frustration.

British company Vision Products has a simple, neat answer. The DC Tester Pro is a DC transmitter, like a small torch, with a socket which takes a couple of dozen plug-in connectors that fit most common cable plugs and sockets. A separate small bleeper-buzzer has a similar socket. Put the transmitter at one end of a cable and the buzzer at the other, and a high pitched sound (loud enough to hear from a distance) confirms a straight though connection. An LED on the transmitter warns if there is a short circuit on the line.

For the £40 that the kit costs, it would be hard to buy all the neatly matching back-to-back F-type, BNC, IEC, RH45, RJ11 and RCA connectors – assuming you can find somewhere that sells them.

The instructions could be better though. It's counter-intuitive to do as the flimsy booklet fails to advise, and push screw-threaded connectors into non-threaded sockets.

For more info contact Vision Products (Europe) Ltd, Dept EPE, Unit 1 Redbourne Park, Liliput Road, Northampton NN4 7DT. Tel: 0845 017 1010. Web: www.vision-products.co.uk

WaveAce Oscilloscopes

The LeCroy Corporation has introduced the WaveAce series of digital oscilloscopes that expands its line of portable, affordable and easy-to-use oscilloscopes in the 60MHz to 300MHz range. The WaveAce is said to improve troubleshooting and shorten debug time by providing unique features such as long memory, colour display, extensive measurement capabilities and advanced triggering. A streamlined, time-saving user interface provides quick access to all important controls.

With its USB host and device ports, the WaveAce easily connects to a memory stick, PC or printer. The variety of standard acquisition modes and advanced triggers simplifies capturing even the most complex waveforms, making the WaveAce a valuable tool for designing, debugging and troubleshooting.

With a maximum sample rate of 2GS/s and up to 18kpts memory, the WaveAce is claimed to be a performance leader in this class of portable oscilloscopes. The long memory allows users to capture full sample rate acquisitions that are four to six times longer than the main competition, improving how a user can understand and analyse waveforms.

The high performance and large feature set of the WaveAce is controlled by an intuitive user interface with 11 different languages and streamlined front panel. All important controls and menus are accessed from the front panel with a single button press. All positions and offsets can be reset by simply



pressing the knob; pressing the V/Div knob will switch between fixed and variable gain; and pressing the T/div knob will toggle between zoom modes. Buttons on the front panel that open and close menus or switch modes are backlit to let the user know exactly in what mode the WaveAce is operating.

Documenting results and saving screenshots, waveforms and setups is easy. Internal storage can hold up to 20 waveforms and 20 setups. Mass storage can be done by

connecting a USB memory device directly to the front panel of the oscilloscope.

The rear panel USB port allows for direct printer connection or connection to a PC for control with a software utility called *EasyScope*. This enables remote control through a virtual front panel and also provides an easy method for saving waveforms and screenshots directly to a PC.

For more information browse www.lecroy.co.uk.

OPPORTUNITY FOR LUCKY SCHOOLCHILDREN

Lucky primary school children in Warwickshire will belong to one of only four schools throughout the world who will be able to talk live to astronauts based on the International Space Station. Children from Budbrooke School near Warwick will have a ten-minute slot to be able to put their questions by radio link to an astronaut who is orbiting more than 200 miles above the earth.

The idea for the link-up with space came from the school's Imagineering Club – a National Grid-sponsored project to get young children interested in science and engineering. National Grid employee Ciaran Morgan, whose son is a pupil at the school, will be using his amateur radio expertise to help set up the link.

The children will be talking to Richard Garriott who is only the sixth private citizen to conduct a mission on the space station. Richard, who is the son of Owen Garriott, a NASA astronaut in the 1970s, wants to inspire interest in space and space exploration. His father, who was a keen radio amateur, began the first-ever conversations

between astronauts and radio amateurs on earth. Jeremy Curtis from the British National Space Centre, which was responsible for setting up activities for Richard Garriott's UK education programme, said: "We were delighted to recommend Budbrooke School as the ideal school for this exciting link-up."

For further information about Richard Garriott, his mission on the International Space Station and photographs, see his website at www.richardinspace.com. For further information about the Imagineering Foundation and the clubs that are run in schools by volunteer engineers please visit www.imagineeringweb.co.uk.

The British National Space Centre (BNSC) is at the heart of UK efforts to explore and exploit space. BNSC is a partnership of seven government departments, two research councils, the Met Office and the Technology Strategy Board. It coordinates UK civil space activities and represents the UK at the European Space Agency. For more information, visit www.bnsc.gov.uk.

Bletchley Park Winter Lectures

Bletchley Park Trust announced a fascinating series of lectures for the winter season through to April 2009. All the lectures will be held in Bletchley Park Mansion, which is steeped in history and provides an atmospheric setting.

Thursday, 8 January 2009 – *Code and Cypher Machines* by John Alexander. A well known collector of code and cypher machines, John will be talking about some of the machines he has come across.

Thursday, 12 February 2009 – *Personality Clashes and Power Struggles in the Early History of Radar* by Phil Judkin. Philip is a leading member of the Defence Electronics Group and is an authority on World War Two electronic warfare. His lecture will present a human aspect of radar use.

Thursday, 12 March 2009 – *General Anders and Demobilisation of the Polish*

2nd Corps by Michael Hope. Michael has a passionate interest in World War Two Polish military matters and has researched and written about many aspects of Polish Second World War history.

Thursday, 9 April 2009 – *Bletchley Park and the Double Cross Agents of World War Two* by Peter Wescombe. Peter is a founder member of the Bletchley Park Trust who has researched many aspects of the Bletchley Park story.

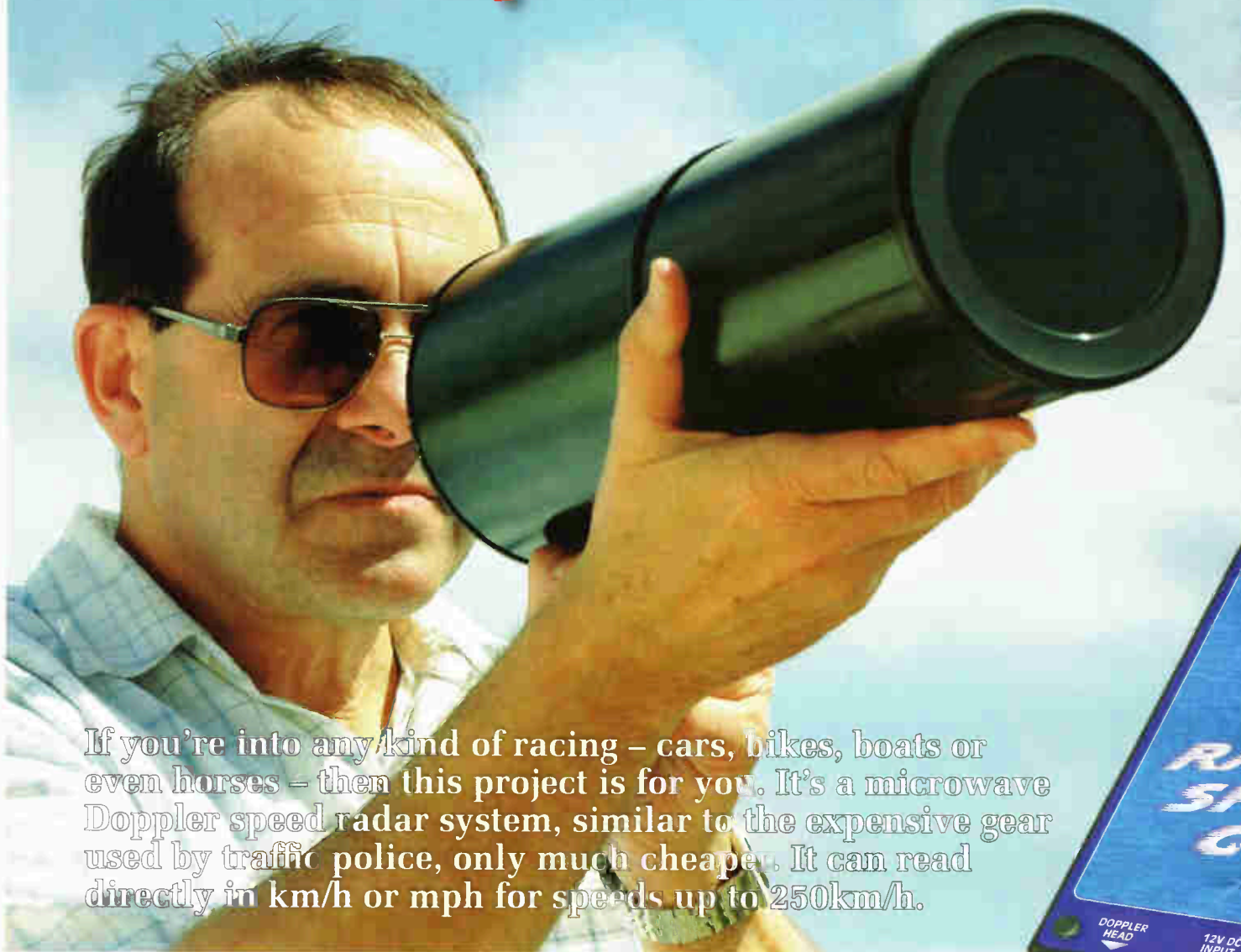
Lectures start at 7.30pm and the mansion is open from 6.30pm. The ticket price includes a glass of wine, orange juice or coffee after the lecture. Admission charges: single lecture – £10.00. Advance booking is strongly advised, please contact Victoria Pettier on 01908 640404 or email info@bletchleypark.org.uk.

EPE EVERYDAY PRACTICAL
ELECTRONICS

If you have some
breaking news you
would like to share
with our readers
then please email:

editorial@
wimborne.co.uk

Build Your Own Radar Speed Gun – I



If you're into any kind of racing – cars, bikes, boats or even horses – then this project is for you. It's a microwave Doppler speed radar system, similar to the expensive gear used by traffic police, only much cheaper. It can read directly in km/h or mph for speeds up to 250km/h.

MOST OF US ARE familiar with the radar speed guns used by traffic police to detect speeding motorists. If you've been caught speeding yourself and have had to pay a hefty fine, you probably don't want to know any more about them. But if you're a car or bike racing enthusiast, you may well have wanted one of them yourself, so you could measure the speed of cars or bikes.

In these two articles (part two, next month) we're going to show you how to build a Radar Speed Gun of your own – for much less than the cost of a professional unit. It can measure the speed of cars, bikes, horses, runners or even boats with a bit of ingenuity. It's compact and lightweight, can read directly in either km/h (kilometres/hour) or mph (miles per hour), and operates from 12VDC. There's also a hold switch to enable you to freeze the reading.

The system is in two parts. There is a microwave head unit, which is in a small shielded box. It is mounted on the underside of a cylindrical antenna housing made from two 500g coffee cans joined end-to-end, to form the radar gun barrel assembly. This is linked by a cable to a counter/display unit housed in a UB1 type/size plastic box.

Part 1

By JIM ROWE



How it works

First of all, to get a good understanding of the basic principles of Doppler speed radar, please read the explanation and look at the diagram

How Doppler Speed Radar Works

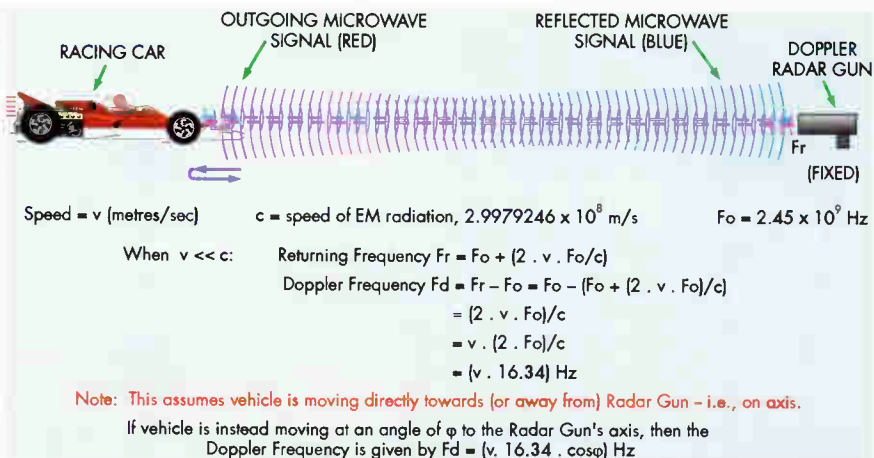


Fig.1: the basic principle behind a Doppler radar speed gun.

When an ambulance, fire engine or police car is speeding towards you with its siren going, the frequency (or pitch) of the siren sounds higher than its actual frequency. That's because as the vehicle is moving towards you, it tends to 'catch up' with the sound waves - effectively compressing them. Then, when the vehicle is speeding away from you, the frequency of the siren sounds lower than its actual frequency, because the movement of the vehicle is now effectively stretching the sound waves.

This is the 'Doppler effect', named after Austrian physicist Christian Doppler, who first explained it around 1842.

This principle is used to measure the speed of cars, bikes, boats and other vehicles with Doppler speed radars, such as those used by traffic police.

The basic idea is shown in the diagram of Fig.1. The radar gun is fixed in position and transmits a narrow beam of microwave radiation (with frequency F_0) towards the moving vehicle. This outgoing radiation propagates towards the vehicle at the normal speed of electromagnetic (EM) radiation in air - at 299,792,458m/s (metres per second); ie, the same as the speed of light (c).

Because the vehicle is moving towards the radar gun, the effective frequency of the microwave beam it 'sees' is a little higher than F_0 . In fact, it's actually $F_0 + (F_0 \cdot v) / c$ where 'v' is the vehicle speed. This is the frequency of the microwave signal reflected from the vehicle, back towards the radar gun.

When this reflected signal is detected by the microwave gun, its frequency is

higher again by the same amount (because it is being effectively transmitted by the moving vehicle). As a result, the frequency of the reflected microwave signal returning to the radar gun is given by:

$$F_r = F_0 + 2(F_0 \cdot v) / c$$

In the radar gun, the reflected signal is heterodyned with the outgoing microwave signal, which generates the difference frequency between the two. This difference frequency is given by:

$$F_d = F_0 - [F_0 + 2(F_0 \cdot v) / c]$$

$$= 2(F_0 \cdot v) / c$$

$$= v(2F_0 / c)$$

This is the Doppler frequency, and it is directly proportional to the vehicle speed. For example, if we use a microwave frequency of 2.45GHz, the Doppler frequency turns out to be 16.34 times the vehicle speed in metres/second. So, if the vehicle is travelling at 60km/h, which is 16.6m/s, the Doppler frequency will be close to 271Hz.

If the vehicle is moving away from the radar gun instead of towards it, the reflected microwave signal returning to the radar gun has a frequency which is lower than the outgoing frequency by exactly the same amount. So when the two are heterodyned together in the radar gun as before, the Doppler frequency is exactly the same.

The radar gun is therefore able to measure the speed of the vehicle quite accurately by feeding the Doppler frequency to a counter. This counter can be made to indicate the speed directly in km/h (or mph) by adjusting its timebase or gating time to allow for the scaling factor of $2F_0 / c$.

Constructional Project

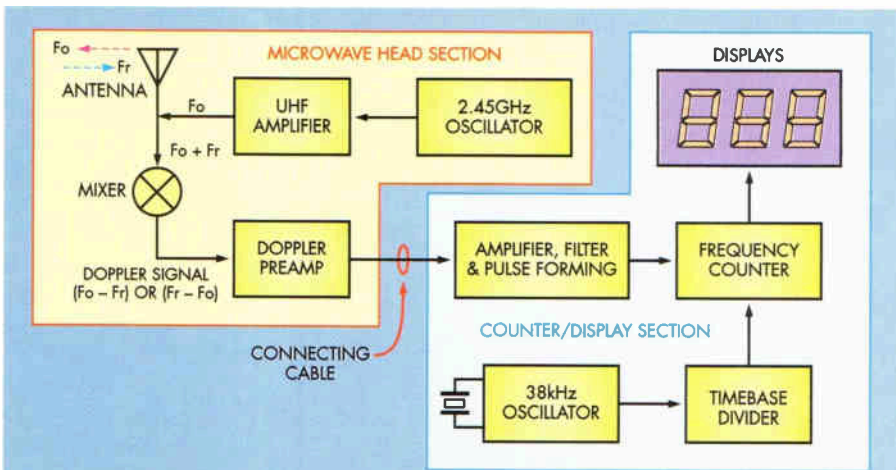


Fig.2: this diagram shows the circuit blocks used in the Radar Speed Gun. It consists of two main sections: a microwave head section and a counter/display section.

the subject we wish to measure. Microwave energy reflected back from the 'target' returns down the barrel to the antenna and is received as a signal with a frequency F_r , which will be higher or lower than the outgoing 2.45GHz signal, depending on whether the vehicle is moving towards the radar gun or away from it.

This received signal F_r is then fed into a mixer along with the original signal F_o . As a result, the mixer's output contains the difference between F_r and F_o (ie, either $F_o - F_r$ or $F_r - F_o$). This is the Doppler signal, which is quite low in amplitude, but its frequency is directly proportional to the vehicle's speed. It is then passed through a simple audio amplifier stage (the Doppler preamp) to boost its level before sending it down the cable to the counter/display section.

Counter display

In the counter/display section, the Doppler signal is amplified and passed through an LP (low-pass) filter and then converted into a train of narrow pulses to give it a digital waveform. Its frequency is then measured and displayed on the 3-digit LED readout.

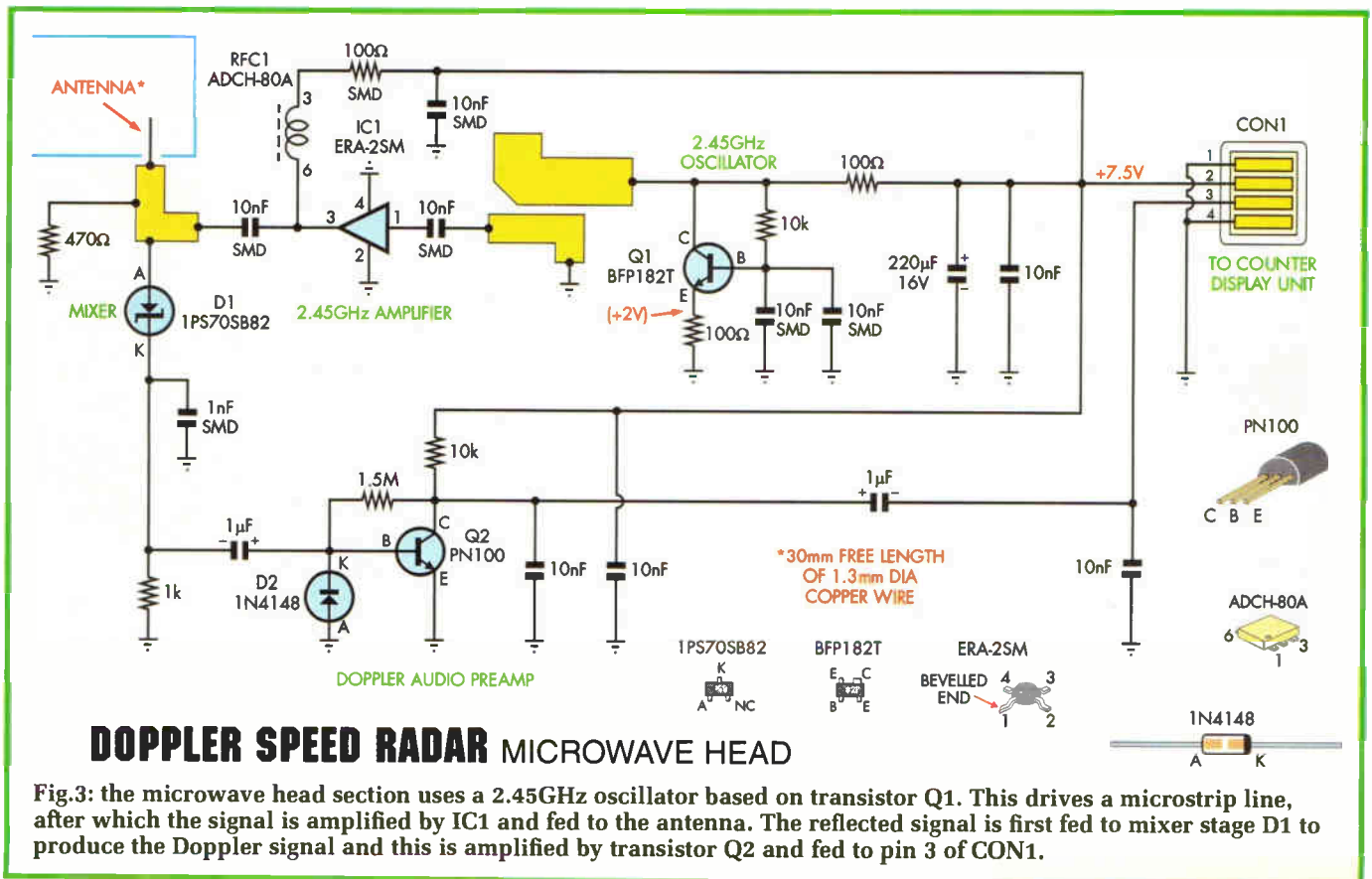
in the accompanying panel. Once you have that under your belt, you will be ready to follow the block diagram of the project itself, shown in Fig.2.

As you can see, the microwave head section has a small UHF oscillator to generate a low-power continuous microwave signal with a frequency of 2.45GHz (2450MHz). This signal is then passed through a UHF amplifier, to

achieve a power level which although low, is sufficient to give the unit a good Doppler range and sensitivity.

The amplified 2.45GHz signal (F_o) is then fed to the microwave antenna, which is just a small 1/4-wave 'whip' inside the coffee-can gun barrel.

The 2.45GHz energy radiated from the antenna is then directed out of the open end of the barrel, towards



DOPPLER SPEED RADAR MICROWAVE HEAD

Fig.3: the microwave head section uses a 2.45GHz oscillator based on transistor Q1. This drives a microstrip line, after which the signal is amplified by IC1 and fed to the antenna. The reflected signal is first fed to mixer stage D1 to produce the Doppler signal and this is amplified by transistor Q2 and fed to pin 3 of CON1.

Parts List – Radar Speed Gun

Microwave Head

- 1 double-sided PC board, code 694 (Head), available from the *EPE PCB Service*, size 51 × 64mm
- 1 piece of 0.3mm brass sheet, 89 × 76mm, for shield box
- 2 500g instant coffee tins, 129mm diameter × 173mm long (with one plastic cap, see text)
- 1 35mm length of 1.25mm diameter copper wire
- 1 ADCH-80A broadband RF choke (RFC1)
- 1 PC-mount type-A USB connector, (CON1)

Semiconductors

- 1 ERA-2SM wideband UHF amplifier (IC1)
- 1 BFP182T UHF *NPN* transistor, SOT-143 package (Q1)
- 1 PN100 *NPN* transistor (Q2)
- 1 1PS70SB82 UHF Schottky diode, SOT-323 package (D1)
- 1 1N4148 signal diode (D2)

Capacitors

- 1 220μF 16V radial electrolytic
- 2 1μF 25V tantalum
- 4 10nF multilayer monolithic ceramic
- 5 10nF X7R ceramic, 1206 SMD package
- 1 1nF COG ceramic, 1206 SMD package

Resistors

- (0.25W 1% carbon, unless specified)
- 1 1.5MΩ 1 470Ω
 - 2 10kΩ 2 100Ω
 - 1 1kΩ
 - 1 100Ω 0805 SMD package

Counter/Display Unit

- 1 PC board, code 695 (Display), available from the *EPE PCB Service*, size 84 × 148mm
- 1 UB1 plastic box (158 × 95 × 53mm)
- 1 mini rocker switch
- 1 35 × 53mm piece of red Perspex sheet
- 4 25mm long M3 tapped spacers
- 4 6mm long M3 countersink head machine screws
- 4 6mm long M3 round head machine screws
- 1 38kHz mini quartz crystal (X1)
- 1 PC-mount type A USB connector (CON1)
- 1 PC-mount 3.5mm stereo socket (CON2)
- 1 PC-mount 2.5mm concentric DC connector (CON3)
- 4 14-pin DIL IC sockets
- 4 16-pin DIL IC sockets
- 1 USB type-A to type-A cable
- 8 PC pins

Semiconductors

- 3 FND500 common cathode LED displays (DISP1, DISP2, DISP3)
- 1 LM324 quad op amp (IC1)
- 1 4093B quad Schmitt NAND gate (IC2)
- 1 4027B dual JK flipflop (IC3)
- 1 4553B 3-decade counter (IC4)
- 1 4511B BCD to 7-segment decoder (IC5)
- 1 4069 hex inverter (IC6)
- 1 4020B 14-stage binary counter (IC7)
- 1 4073B triple 3-input AND gate (IC8)
- 3 PN200 *PNP* transistors (Q1, Q2, Q3)
- 1 PN100 *NPN* transistor (Q4)
- 1 1N4004 rect. diode (D1)
- 1 1N4148 signal diode (D2)

Capacitors

- 1 2200μF 16V radial electrolytic
- 1 220μF 16V radial electrolytic
- 2 100μF 16V radial electrolytic
- 2 47μF 16V radial electrolytic
- 3 10μF 16V radial electrolytic
- 6 100nF multilayer monolithic ceramic
- 1 100nF MKT metallised polyester
- 2 47nF MKT metallised polyester
- 1 22nF metallised polyester
- 1 10nF metallised polyester
- 1 4.7nF metallised polyester
- 1 3.3nF metallised polyester
- 1 2.2nF metallised polyester
- 2 1nF metallised polyester
- 1 330pF disc ceramic
- 2 27pF NPO disc ceramic

Resistors

- (0.25W 1% carbon, unless specified)
- 1 2.2MΩ 0.5W carbon film
 - 1 1MΩ 2 4.7kΩ
 - 1 330kΩ 3 1kΩ
 - 6 100kΩ 7 680Ω
 - 4 47kΩ 1 470Ω
 - 2 22kΩ 1 100Ω
 - 4 10kΩ 2 47Ω
 - 1 6.8kΩ
 - 1 2kΩ horizontal trimpot (VR1)

Where To Buy A Kit

This project was sponsored by Jaycar Electronics and they own the design copyright. Kits are available from Jaycar (see ad), less, of course, the coffee cans.

Reproduced by arrangement with SILICON CHIP magazine 2008.
www.siliconchip.com.au

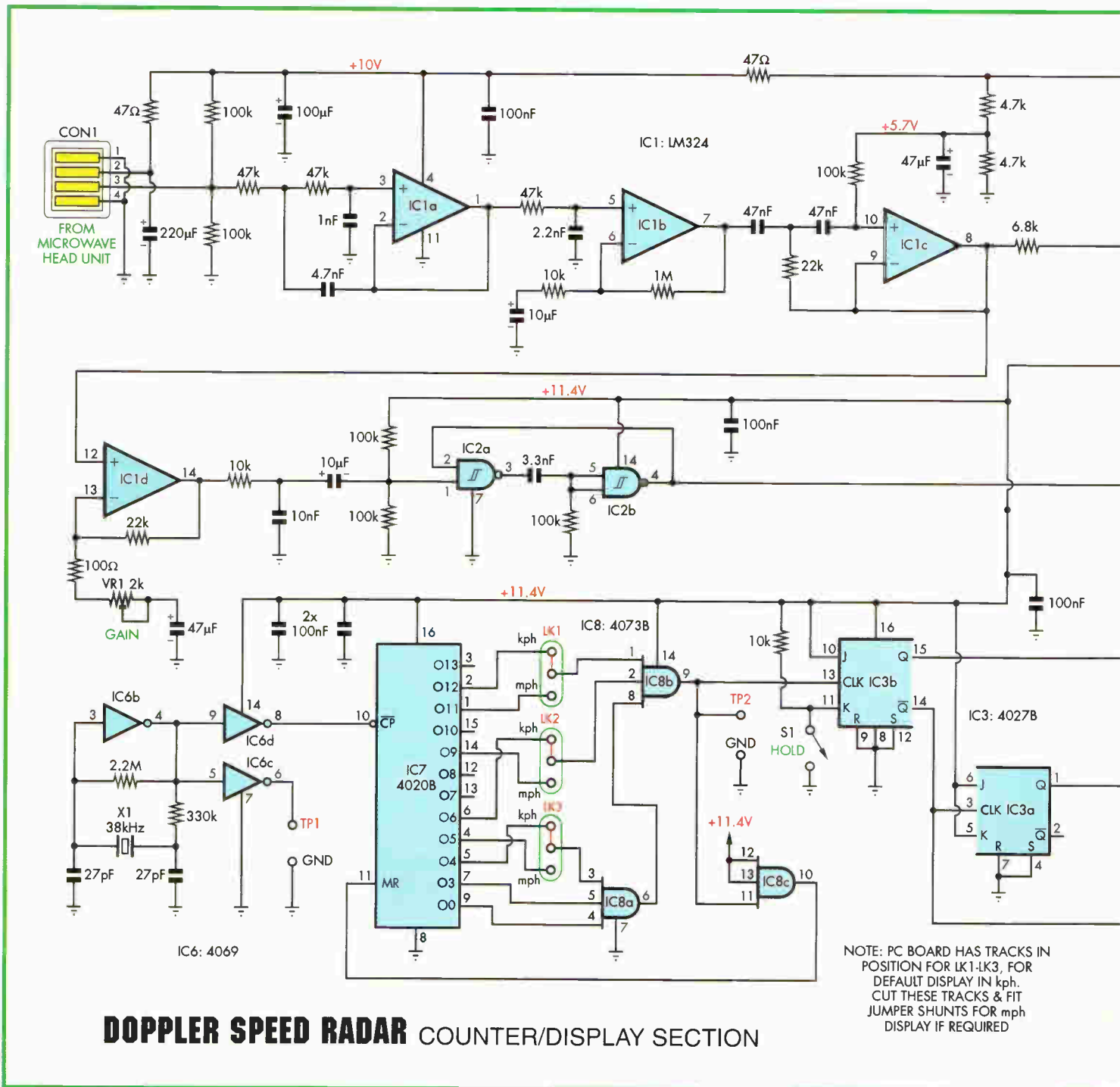
The counter's gating signal is derived from a 38kHz crystal oscillator via a frequency divider chain, programmed to produce the correct gating time to compensate for the Doppler frequency/speed scaling factor – and thus give a readout directly in km/h or mph.

The divider programming is normally set for a gating time of 220ms, which gives a readout in *km/h*. If a readout in *mph* is needed instead, then three short tracks on the display PC board can be cut and three alternative links fitted to change the divider programming for a gating time of 137ms.

Features and Specification

- A compact handheld Doppler speed radar system operating on a frequency close to 2.45GHz. Range is 200+ metres for a family car
- Can be set to read directly in kilometres per hour (km/h) or miles per hour (mph), to over 250km/h
- Resolution is 1km/h or 1mph, with an accuracy of around 1%
- 2.2 measurements/sec for km/h, or 3.6 measurements/sec for mph
- Measured speed is displayed on a 3-digit LED display
- Hold switch lets you freeze the reading
- Operates from 12V DC, current drain around 130mA.

Constructional Project



Microwave head circuit

Now that you have an overall view of what happens inside the Radar Speed Gun, let's work through the circuit diagrams to give you a more detailed insight. First, we'll look at the circuit of the Microwave Head section – see Fig.3.

The 2.45GHz oscillator is formed by the circuitry around Q1, a BFP182T NPN planar UHF transistor. This comes in a very small SOT-143

surface-mount package and has a transition frequency (f_t) of over 5GHz, making it suitable for an oscillator operating at 2.45GHz. Here we use it in what is essentially a Colpitts circuit, with the oscillation frequency determined by the microstrip line connected to the collector.

A small amount of 2.45GHz energy from the oscillator is coupled into a second microstrip line running close by and parallel to the collector line.

This coupled energy is then fed to the input of IC1, which is a Mini Circuits ERA-2SM wideband UHF amplifier in a very small 'pill' SMD package with four leads (two of which are grounded).

Boosting the signal

IC1 provides a gain of about 12dB, boosting the 2.45GHz signal to the right level for feeding to the antenna. Pin 3 of IC1 is both its output pin and its power supply pin. DC power is fed to it via a

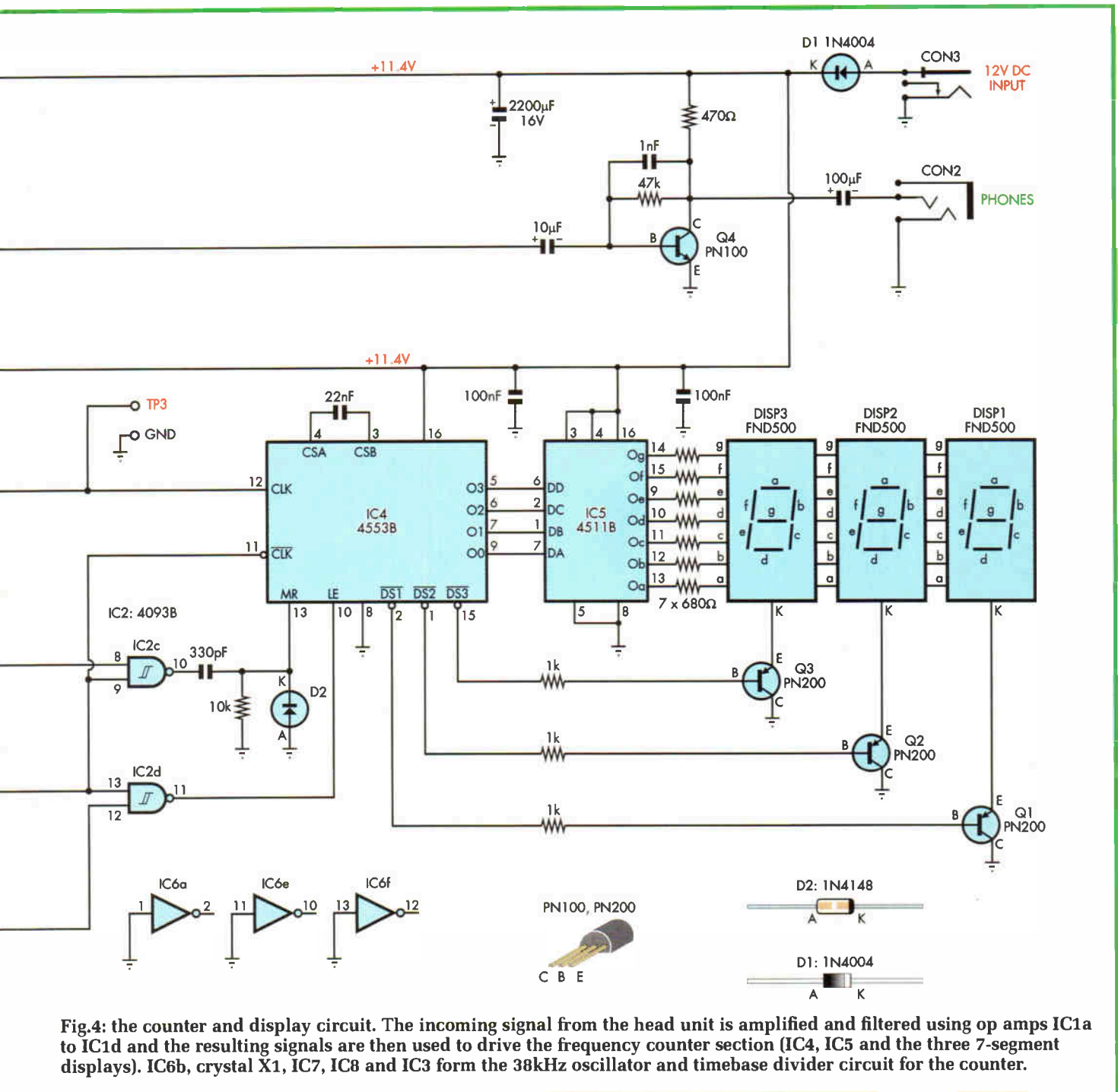


Fig.4: the counter and display circuit. The incoming signal from the head unit is amplified and filtered using op amps IC1a to IC1d and the resulting signals are then used to drive the frequency counter section (IC4, IC5 and the three 7-segment displays). IC6b, crystal X1, IC7, IC8 and IC3 form the 38kHz oscillator and timebase divider circuit for the counter.

100Ω bias resistor and RFC1, a special UHF choke. The amplified RF energy is coupled out (via a 10nF capacitor) to a third and quite short microstrip line, which takes it to the antenna.

The antenna is a 30mm length of 1.3mm copper wire attached to the end of this third microstrip line, positioned at the correct point inside the Radar Gun's coffee-can barrel to ensure that the 2.45GHz energy is radiated away in a reasonably narrow beam.

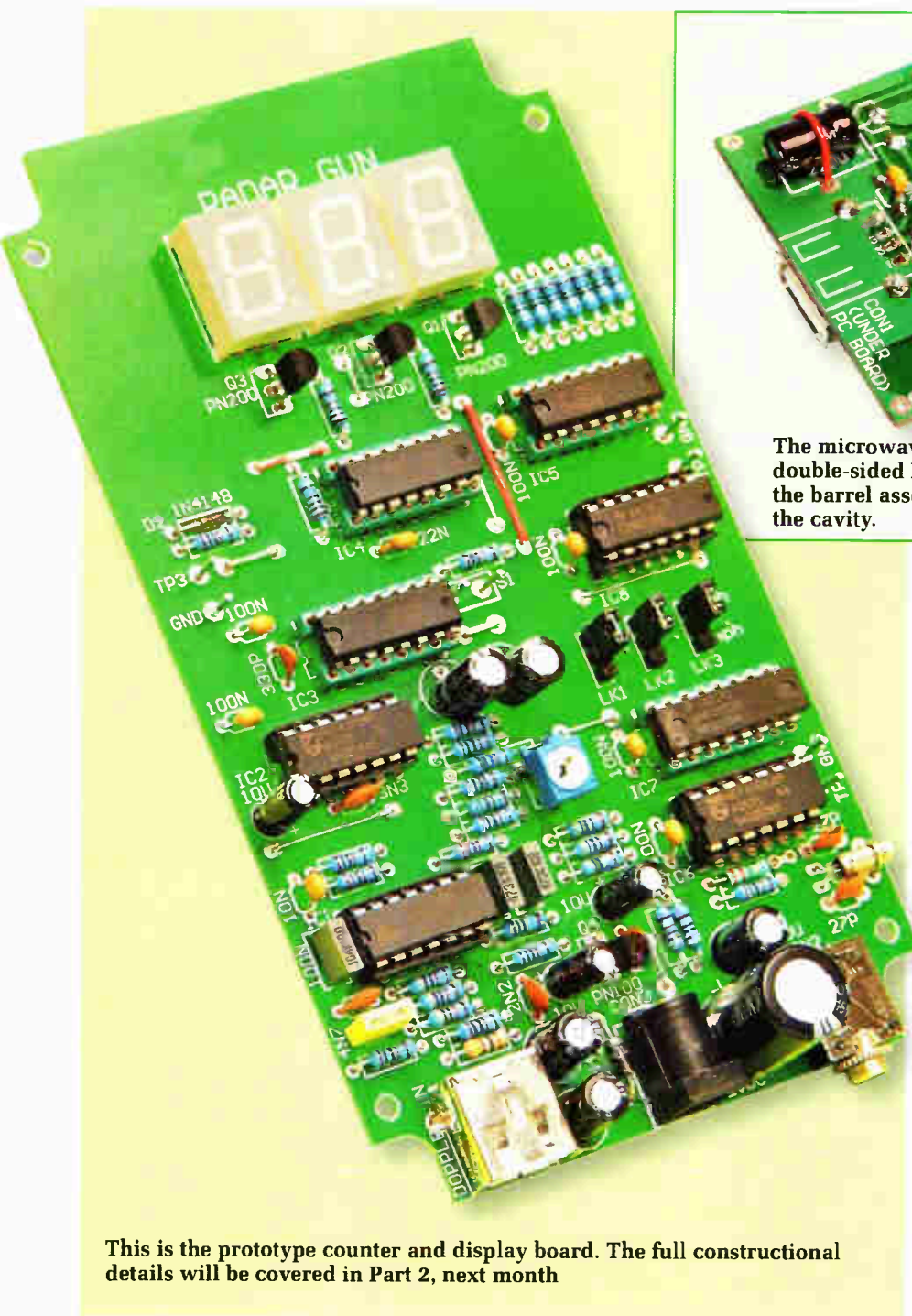
The microwave energy reflected from the moving vehicle re-enters the barrel and reaches the antenna, which now acts as a receiving antenna. So a small amount of this reflected energy passes back down the antenna feed microstrip line, where it enters mixer diode D1, together with some of the original 2.45GHz energy from IC1.

D1 is a 1PS70SB82 Schottky diode in a very small SOT-323 SMD package and with very low capacitance, making

it suitable for use in UHF mixers. Here its mixing action results in the Doppler difference frequency appearing across its 1kΩ load resistor, with all of the UHF signals and mixing products conducted to earth via a 1nF bypass capacitor. The Doppler audio signal from the mixer is then coupled via a 1µF capacitor to the base of transistor Q2, a common emitter amplifier stage.

The amplified Doppler signal appears at the collector of Q2 and is

Constructional Project



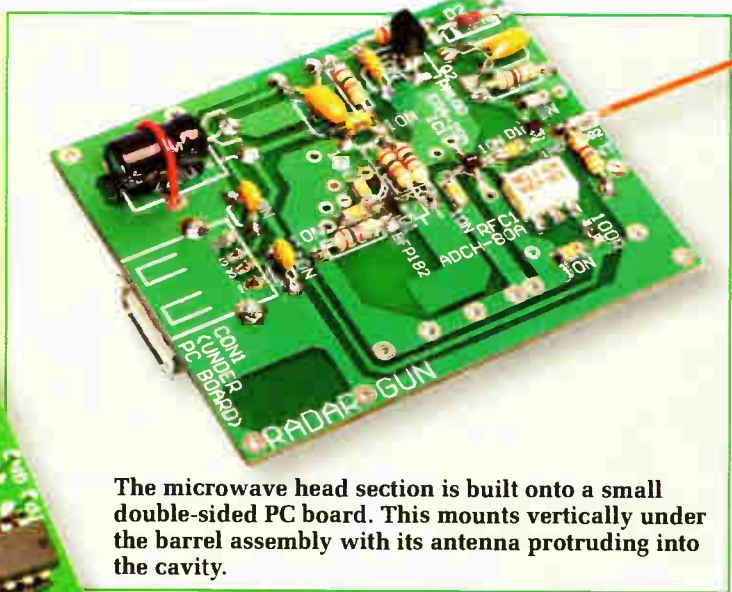
This is the prototype counter and display board. The full constructional details will be covered in Part 2, next month

coupled via a second $1\mu\text{F}$ capacitor to pin 3 of CON1, a USB Type A connector used to mate with the cable linking the microwave head with the counter/display section. The same cable is used to provide the microwave head with $+7.5\text{V}$ DC from pin 2 of CON1.

Counter/display circuit

Fig.4 shows the Counter/Display circuit. As shown, the Doppler

signal from pin 3 of CON1 is first fed to a low-pass filter stage based on op amp IC1a. It then passes to IC1b, which is a non-inverting amplifier stage with a fixed gain of $\times 101$, as set by the $1\text{M}\Omega$ and $10\text{k}\Omega$ feedback divider resistors. The amplified Doppler signal from IC1b then passes through a high-pass filter stage based on IC1c, which filters out any low-frequency noise that may still be present.



The microwave head section is built onto a small double-sided PC board. This mounts vertically under the barrel assembly with its antenna protruding into the cavity.

The output of IC1c is basically an amplified and cleaned-up version of the Doppler signal, which is now sent in two directions. One is via the $6.8\text{k}\Omega$ resistor to a headphone driver stage using transistor Q4, which allows you to monitor the Doppler signals with a pair of headphones. This can help in aiming the radar gun at the particular vehicle or object whose speed you want to measure.

The second and main path of the Doppler signal from IC1c is to the input of IC1d, which provides further gain. IC1d's gain can be adjusted from about $\times 20$ to $\times 220$ using trimpot VR1. This allows you to adjust the sensitivity of the Radar Speed Gun, depending on whether the object being measured is close or further away.

From IC1d, the boosted Doppler signal is passed through a passive low-pass filter formed by a $10\text{k}\Omega$ resistor and 10nF capacitor, and is then fed into a pulse-forming circuit based on Schmitt NAND gates IC2a and IC2b. The signal emerges from pin 4 of IC2b as a train of narrow ($300\mu\text{s}$) negative-going pulses of the same frequency, but with an amplitude of about 11.4V peak-to-peak.

This 'digital' version of the Doppler signal becomes the input for the frequency counter section and can also be monitored using an oscilloscope at test point TP3.

The frequency counter is based on IC4, a 4553B 3-decade BCD counter with built-in output latches and display multiplexing. It is coupled to three 7-segment LED displays via IC5, a 4511B BCD-to-7-segment decoder, which drives the displays.

The digit select outputs from IC4 (pins 2, 1 and 15) are used to turn on each display digit at the correct time via driver transistors Q1, Q2 and Q3.

Timebase signals

As noted earlier, the counter's timebase signals are derived from a 38kHz crystal oscillator. The oscillator uses IC6b, part of a 4069 unbuffered hex inverter. Two sections of the same IC (IC6d and IC6c) are used as buffers for the 38kHz clock signal, one to drive the programmable timebase divider and the other to drive test point TP1.

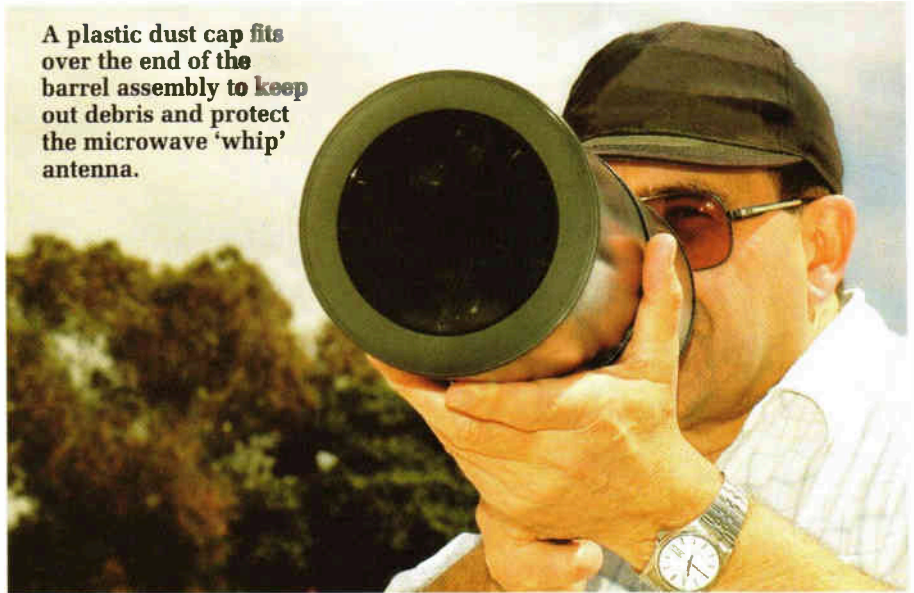
The timebase divider is IC7, a 4020B 14-stage binary counter, together with triple AND gate IC8 (a 4073B), used for reset gating to achieve the desired division ratios. Links LK1 to LK3 can be used to change the division ratio between 4185:1 (for readings in km/h) and 2601:1 (for mph). The three links are short tracks on the PC board for default readings in km/h. To change the divisor settings over for readings in mph, simply cut the tracks under the PC board and fit jumper shunts or wire links in the three 'mph' link positions instead.

Whichever setting has been selected, the timebase pulses from the divider can be monitored at test point TP2. For the default km/h setting, the pulses at TP2 will have a frequency of 9.0778Hz, while for the mph setting, they'll be at 14.6103Hz.

The timebase pulses are used to toggle the two flipflops in IC3, a 4027B dual JK flipflop. The two flipflops are cascaded and, along with gates IC2c and IC2d, run as a simple sequencer for controlling the counter.

The output of IC3a is used directly to control the clock input of IC4 (pin 11) and also to gate the \bar{Q} output of

A plastic dust cap fits over the end of the barrel assembly to keep out debris and protect the microwave 'whip' antenna.



IC3b via IC2d to produce the latch enable signal for IC4 (pin 10). The LE signal transfers each count into IC4's output latches at the end of each gating period. The output of IC3a is also used to gate the Q output of IC3b via IC2c, to produce (after differentiation) a reset pulse for IC4's counters (pin 13).

The frequency counter therefore runs continuously in a count/latch enable/reset cycle at a rate of 2.2 measurements per second for km/h readings, or 3.6 measurements per second for mph readings.

The Hold switch (S1), to freeze the reading, grounds the 'K' input (pin 11) of IC3b to disable the flipflop and hold the present reading in the counter.

Power supply

The complete circuit operates from 12V DC and this is applied to the counter/display unit via connector CON3. The total current drain is about

130mA. You can use a pack of eight series-connected C-size alkaline cells, or a small 12V sealed lead-acid (SLA) battery, like the compact 1.3Ah unit sold by Jaycar as SB-2480. The latter will run the Radar Speed Gun for about 10 hours on a single charge.

Construction

The construction details will be explained in Part 2. Incidentally, the Jaycar kit **will not** include the two coffee cans that are used to make the Radar's antenna barrel. So you might want to visit your local supermarket to buy a couple of cans of budget instant coffee. If possible, get one can with a push-on plastic cap, because this comes in handy as a dust cap for the open front end of the antenna barrel.

Alternatively, the plastic top of a bulk CD container can be used as a dust cap, although it won't be as tight a fit as a cap designed for a can. **EPE**

EPE
Online
www.epemag.com

Get your magazine 'instantly' anywhere in the world – buy and download from the web.

TAKE A LOOK, A FREE ISSUE IS AVAILABLE

A one year subscription (12 issues) costs just \$18.99(US)

Back issues are also available

Laser  Why tolerate when you can automate?



Home Automation



KATS AV transmission and IR control system



Barix Ethernet based MP3, communications and control systems

www.laser.com

Integrators, Installers, Trade and Retail customers welcome



C-Bus Shop
C-Bus and C-Bus Wireless

www.cbushop.com

Laser Business Systems Ltd
Tel: +44 (0) 20 8441 9788
Fax: +44 (0) 20 8449 0430
Email: info@laser.com
16 Garthland Drive, EN5 3BB

Vero-ly the hole-y truth

TechnoTalk

Mark Nelson

How do you convert a sketched circuit diagram to a working Veroboard layout? If you want to see the power of collaboration, just look in on how an online chat group works. Mark Nelson provides the background.

This month our topic is decidedly *practical* electronics, the proper hands-on variety and the sort you develop and build on the bench. This kind of electronics construction revolves entirely around components and instantly there's a quandary – for hobbyists at least.

Imagine you are developing a design for publication in a magazine, or for a club or user group. Do you make it as compact and elegant as possible, with surface-mount technology (SMT) components and plated-through holes (PTHs) connecting tracks on either side of the board? Or do you opt for good old discrete components (the sort we probably have boxes of in stock) and a straightforward single-sided printed circuit board (PCB)? Or maybe the circuit is simple enough to knock up on Veroboard. Decisions, decisions...or perhaps no decision at all.

I note that many magazine project designs still rely on proper-sized components, which are easy to see and handle (unlike SMTs, which one of my chums describes as trying to solder mouse droppings, except that 'droppings' is not the word he uses).

Knife and fork

All of this is too technical for one of my friends. He's been in the hobby for some time; he started pulling radios to bits over 60 years ago, and is a firm believer in what he calls 'knife and fork' electronics. This, I assume, refers to the kind of implements in his tool kit and certainly his preferred mode of constructing electronics designs is on tag strips, using valves and condensers of course.

This is a little extreme, perhaps, but it might be worth taking a moment to recall how people built one-off projects 50 years ago. Perfboard was the norm, and if you didn't have the pleasure of playing with this stuff then Google Images will provide several photos of it. In essence, it was a printed circuit board without the holes; in fact the whole surface of the board was covered in a grid of holes spaced a tenth of an inch apart.

The idea was that you poked component leads through the holes, pulled them tight, then soldered them to the lead of an adjacent component. Properly designed and tightly 'woven', your project could end up quite neat and professional-looking. What's more, there was a bonus of the rather jolly 'carbolic' smell you

got if your soldering iron dwelt too long, the board itself being made of SRBP (synthetic resin bonded paper). The heat melted the resin, but no harm was done apart from charred marks.

Innovations

Three innovations to make our life easier appeared in the 1960s (I'm pretty certain all were children of the sixties). They were solderable perfboard, instant PCBs and Veroboard (the main subject of this article).

Solderable perfboard (look up 'perfboard' on Wikipedia) was like traditional perfboard but with the helpful addition of small copper solder pads on one side. This was a significant improvement, as you could now solder component leads to the copper 'islands' and avoid the 'rat's-nest' clutter of longer leads beneath the board. Unfortunately, the glue fixing the islands soon parted company from the SRBP layer. Not very clever (or perhaps my soldering was too heavy-handed).

The instant PCB or 'Printed Circuit Panel', to give it its official name, was an inspired idea from Radiospares (RS Components these days). These were ready-made 'universal' PCBs measuring 6in by 2in (152mm x 51mm), on which you could build a simple amplifier or switching circuit with the minimum of additional wiring.

The solid-state version had holes and pads for eight transistors, while the thermionic one was designed for two valves. Both had room for plenty of passive components as well, plus an 8-way edge connector. At 6s 6d for a packet of three (the cost of three monthly hobby magazines, or £10 in today's money) they were not cheap and perhaps not such an inspired idea after all.

Veroboard at last!

By far the most significant innovation of the 1960s was Veroboard (its trade name in the UK, known as Vectorboard in the USA and stripboard (the generic term). Veroboard is too well known to require description here, but you'll find an excellent article on Wikipedia if you search for stripboard. The Vero website is also very useful (www.verotil.com/node/7).

If I have one gripe against Veroboard, it's simply that I seldom get the design right the first time and resent having to unpick a design and start again. This happens even if I design the circuit first with pencil and paper; I guess I'm not

very good at visualising circuits in my mind. Evidently, I'm not the only one, as Alfredo Sola asked in the MERG e-group, "Can anyone recommend a software package (preferably freeware or shareware, failing that any software) which converts schematics to pin layouts on Vero/stripboard?"

Responses came aplenty and here is a selection, as recommended by helpful MERGers (all programs are for Windows):

- *Stripboard Designer* (www.geocieties.com/stripboarddesigner/). This program was highlighted in the March 2002 issue of this magazine, and makes it easy to break strips, jump wires and place components on stripboards. You can even draw your own components and save them in a library for reuse – or just use the standard component library.

- Some of the features include zooming in, zooming out, panning, rotating and flipping the design. You can view and also print the board from the component side or the solder side. There are older versions available for download, with an enhanced version promised for release at some time in the future. No charge for downloads, but saving the file you have designed will be delayed for 15 minutes.

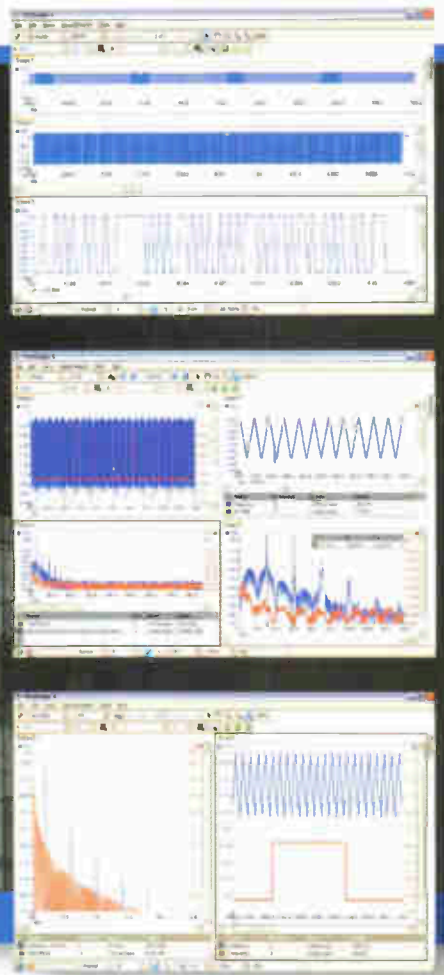
- *Veccad* (<http://veccad.com/>). A true CAD program, this one takes a schematic-generated netlist and assists you in building a layout on stripboard. Priced at US \$26.26, it's not expensive, but a less feature-rich free version is also available. You need another program that produces schematics of several specified formats such as Protel (available free on the MERG website www.merg.org.uk).

- *Stripboard Magic* (www.marlwifi.org.nz/other/stripboard-magic). This is 'abandonware' and some users consider it under-featured ('left to its own artificial intelligence it wastes a lot of board.'). One report says that it needs additional run-time software.

- *Verodes124* (www.heyrick.co.uk/software/verodes/index.html). A feature of this free program lets you print an overlay of either side of the board. This can then be stuck to the board to guide you in placing components and cutting tracks.

- *Lochmaster* (www.abacom-online.de/uk/html/lochmaster.html). Commercial program with a free demo version that does not allow you to save, print or export. Loch is German for 'hole', by the way.

USB Connected High Speed PC Oscilloscopes



5000 SERIES

PicoScope 5000 Series

The No Compromise PC Oscilloscopes

With class-leading bandwidth, sampling rate, memory depth and an array of advanced high-end features, the PicoScope 5000 PC Oscilloscopes give you the features and performance you need without any compromise.

250 MHz bandwidth
1 GS/s real-time sample rate
128 megasample record length

Advanced Triggers

In addition to the standard triggers the PicoScope 5000 series comes as standard with pulse width, window, dropout, delay, and logic level triggering.

250 MHz Spectrum Analyser
High-speed USB 2.0 Connection

Automatic Measurements

Arbitrary Waveform Generator

Define your own waveforms or select from 8 predefined signals with the 12 bit, 125 MS/s arbitrary waveform generator.

Waveform Playback Tool

PicoScope software now allows you to go back, review, and analyse up to 1000 captures within its waveform playback tool.

pico
Technology

3000 SERIES

The PicoScope 3000 Series of oscilloscopes from Pico Technology includes general purpose and high resolution models: With 12 bit resolution and 1% accuracy, the 10MHz PicoScope 3424 is able to detect changes as small as 0.024% (244ppm) – making it the ideal 4-channel oscilloscope for analog design and analysis. The higher speed 8 bit models in the PicoScope 3000 series feature sampling rates up to 200MS/s and up to 1 MS/s record lengths for general purpose and portable applications.



2000 SERIES

The PicoScope 2000 series oscilloscopes offer single and dual channel units that offer highly portable/low cost solutions to general purpose testing. The award winning 25MHz handheld PicoScope 2105 fits comfortably into the palm of your hand yet still includes the powerful features found in larger oscilloscopes.



VISIT www.picotech.com/scope492

to check out our full line of PC-based instruments or call **01480 396 395** for information and a product catalogue

EPE PIC RESOURCES CD-ROM V2

Version 2 includes the EPE PIC Tutorial V2 series of Supplements (EPE April, May, June 2003)

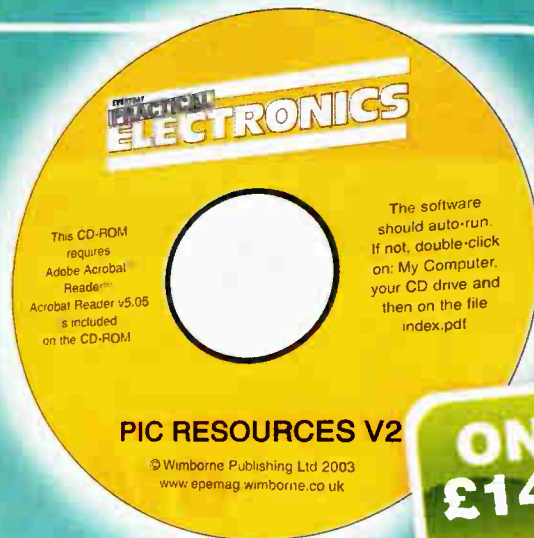
The CD-ROM contains the following Tutorial-related software and texts:

- EPE PIC Tutorial V2 complete series of articles plus demonstration software. John Becker, April, May, June '03
- PIC Toolkit Mk3 (TK3 hardware construction details), John Becker, Oct '01
- PIC Toolkit TK3 for Windows (software details), John Becker, Nov '01

Plus these useful texts to help you get the most out of your PIC programming:

- How to Use Intelligent LCDs, Julian Ilett, Feb/Mar '97
- PIC16F87x Microcontrollers (Review), John Becker, April '99
- PIC16F87x Mini Tutorial, John Becker, Oct '99
- Using PICs and Keypads, John Becker, Jan '01
- How to Use Graphics LCDs with PICs, John Becker, Feb '01
- PIC16F87x Extended Memory (how to use it), John Becker, June '01
- PIC to Printer Interfacing (dot-matrix), John Becker, July '01
- PIC Magic! Music! (use of 40kHz transducers), John Becker, Jan '02
- Programming PIC Interrupts, Malcolm Wiles, Mar/Apr '02
- Using the PIC's PCLATH Command, John Walter, July '02
- EPE StylePIC (precision tuning musical notes), John Becker, July '02
- Using Square Pulses with PICs, Peter Hemsley, Aug '02
- Using TK3 with Windows XP and 2000, Mark Jones, Oct '02
- PIC Macros and Compiled GOTOs, Malcolm Wiles, Jan '03
- Asynchronous Serial Communications (RS-232), John Walter, unpublished
- Using I2C Facilities in the PIC16F077, John Walker, unpublished
- Using Serial EEPROMs, Gary Moulton, unpublished
- Additional text for EPE PIC Tutorial V2, John Becker, unpublished

NOTE: The PDF files on this CD-ROM are subject to use on any PIC and a CD-ROM drive. They require Adobe Acrobat Reader - included on the CD-ROM



ONLY £14.45
INCLUDING VAT and P&P

EPE PIC RESOURCES V2 CD-ROM ORDER FORM

Please send me (quantity)

EPE PIC RESOURCES V2 CD-ROM

Price £14.45 each – includes postage to anywhere in the world.

Name

Address

.....

.....

..... Post Code

I enclose cheque/P.O./bank draft to the value of £

please charge my Visa/Mastercard/Maestro £

Card No.

Card Security Code

(The last 3 digits on or just under the signature strip)

Valid From Expiry Date

Maestro Issue No.



SEND TO:

**Everyday Practical Electronics,
Wimborne Publishing Ltd.,
Sequoia House, 398a Ringwood Road, Ferndown,
Dorset BH22 9AU.**

Tel: 01202 873872. Fax: 01202 874562.

Email: orders@epemag.wimborne.co.uk

Payments must be by card or in £ Sterling – cheque or bank draft drawn on a UK bank.

Normally supplied within seven days of receipt of order.

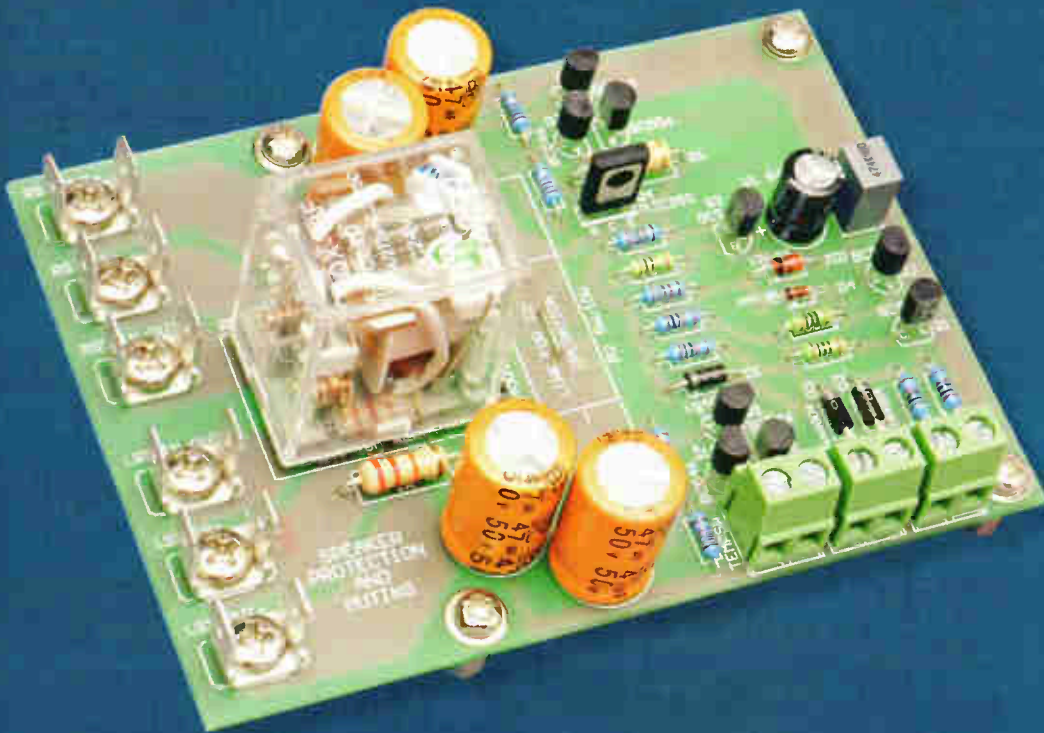
Send a copy of this form, or order by letter if you do not wish to cut your issue.

Order on-line from
www.epemag.com
or by Phone, Fax, Email or Post.

BECOME A PIC WIZARD WITH THE HELP OF EPE!

20W Class-A Amplifier Pt.3

Universal Speaker Protection and Muting Module



Designed for use in our Class-A Stereo Amplifier, this Speaker Protection and Muting Module is really a universal unit. It can be used with other amplifier modules and commercial stereo amplifiers and protects the loudspeakers in the event of a catastrophic amplifier failure. The module also mutes the loudspeakers at switch-on and switch-off to prevent those scary thumps.

By Greg Swain and Peter Smith

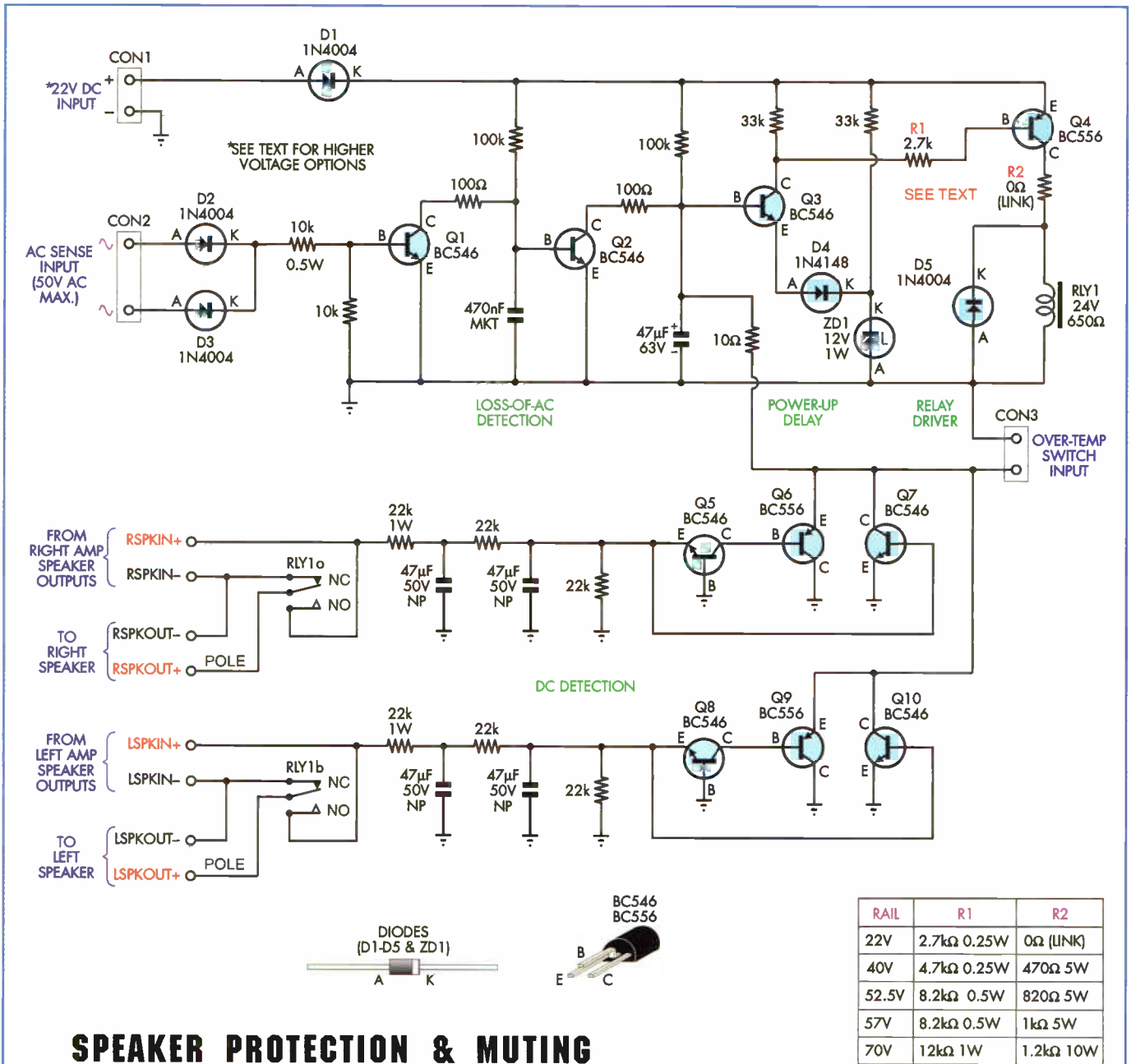


Fig.1: each channel of the amplifier is monitored for DC faults by three transistors – Q5, Q6 and Q7 for the right channel and Q8, Q9 and Q10 for the left channel. If a DC signal is detected, Q3's base is pulled low, turning it off along with Q4 and the relay. Transistors Q1 and Q2 provide the switch-off muting feature. If the 'AC Sense' input voltage ceases, Q1 turns off, and Q2 turns on, which again pulls Q3's base low and turns off Q4 and the relay.

ALTHOUGH DESIGNED specifically for our Class-A Stereo Amplifier, this unit can actually be used with any audio amplifier with supply rails up to about 70V DC, simply by selecting two resistor values to suit.

Basically, the unit provides the following features:

1) It protects the loudspeakers against catastrophic failure in the amplifier – eg, if an output transistor goes short circuit

2) It provides muting at switch-on and switch-off, to prevent thumps from the loudspeakers

3) It provides an input for an over-temperature switch to disconnect the loudspeakers if the output stage heatsink temperature rises above a certain level.

Note, however, that this last feature is not used in the Class-A Stereo Amplifier. This is because its heatsinks run hot all the time (about 30°C above

ambient) and disconnecting the loudspeakers does nothing to cool them down, since the output stage in each amplifier module draws a constant 1.12A – equivalent to a power dissipation of just under 50W.

By contrast, disconnecting the loudspeaker from a class-B amplifier will immediately reduce the current through the output stage to the quiescent current setting – typically around 50mA (assuming that there's no fault

This view shows how the unit is mounted in the rear lefthand corner of the Class-A Stereo Amplifier metal cabinet.



in the amplifier). So, for a class-B amplifier, it makes sense to use over-temperature sensing. If the heatsink to which the output transistors are attached gets too hot, disconnecting the loudspeakers immediately reduces the dissipation to just a few watts, which allows the heatsink to cool.

Note that the loudspeakers are connected (and disconnected) using a heavy-duty double-pole relay. We'll have more to say about that later.

Protecting the loudspeakers

By far the biggest reason for incorporating speaker protection into an amplifier is to prevent further damage in the case of a serious amplifier fault. For example, if the main supply rails are $\pm 70\text{V DC}$. This means that if one of the output transistors fails and there's no loudspeaker protection, more than 70V DC would be applied to the speaker's voice coil.

In a nominal 8Ω speaker, the voice coil has a DC resistance of around 6Ω and so the power dissipation would be around 800W , until the supply fuse blew. In the meantime, this amount of applied DC power is likely to push the voice coil out of its gap, damaging the voice coil and suspension in the process. And if the on-board supply fuse didn't blow fairly quickly, the voice coil would quickly become red-hot and could set fire to the speaker cone material.

This risk applies to any audio power amplifier of more than about 40W per channel. So a loudspeaker protection circuit is a very good idea.

The risk of setting fire to the loudspeaker is nowhere near as great with the Class-A Stereo Amplifier because the supply rails are just $\pm 22\text{V}$. In this case, a shorted output transistor would result in a dissipation of about 80W in the speaker's voice coil. It might not be enough to cause a fire, but it's certainly high enough to damage the loudspeaker by burning out the voice coil.

Muting the thumps

Muting switch-on and switch-off thumps is another important function of this unit.

Switch-on thumps are eliminated by using a simple circuit to delay the relay from turning on when power is first applied. This way, the amplifier modules are able to power up and settle down before the relay switches on (after about five seconds) to connect the speakers.

By contrast, switch-off thumps are eliminated by using an 'AC Sense' input to monitor the secondary AC voltage from the transformer (up to 50V AC max). When this AC voltage disappears (ie, at switch-off), the circuit switches the relay off in less than 100ms .

This is much faster than simply relying on the collapsing DC supply rail to turn the relay off. In practice, this could take half a second or more, as the main filter capacitors discharge – more than long enough for a any switch-off thumps to be audible.

Circuit details

Refer now to Fig.1 for the full Speaker Protection and Muting Module circuit details. As shown, each channel of the amplifier is connected to the NC and NO (normally closed and normally open) contacts of a relay. The relay wipers (poles) and NC contacts then each respectively connect to the positive and negative loudspeaker terminals.

Each channel of the amplifier is monitored for DC faults by a triplet of transistors – Q5, Q6 and Q7 for the right channel and Q8, Q9 and Q10 for the left channel. We'll describe the operation of the right channel only, as the circuit for the left channel is identical.

As shown, the active signal from the amplifier's right channel is fed to a low-pass filter consisting of three $22\text{k}\Omega$ resistors and two $47\mu\text{F}$ 50V bipolar (BP or NP) electrolytic capacitors. This network removes any audio frequencies and just leaves DC (if present under fault conditions) to be monitored by the three transistors,

Constructional Project

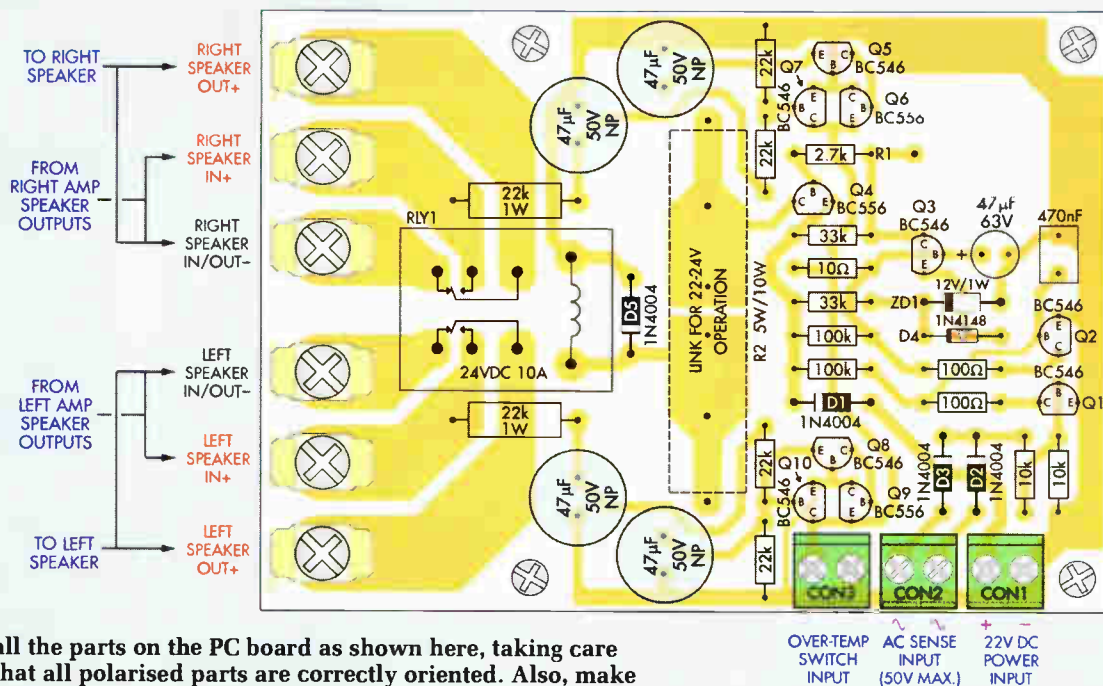
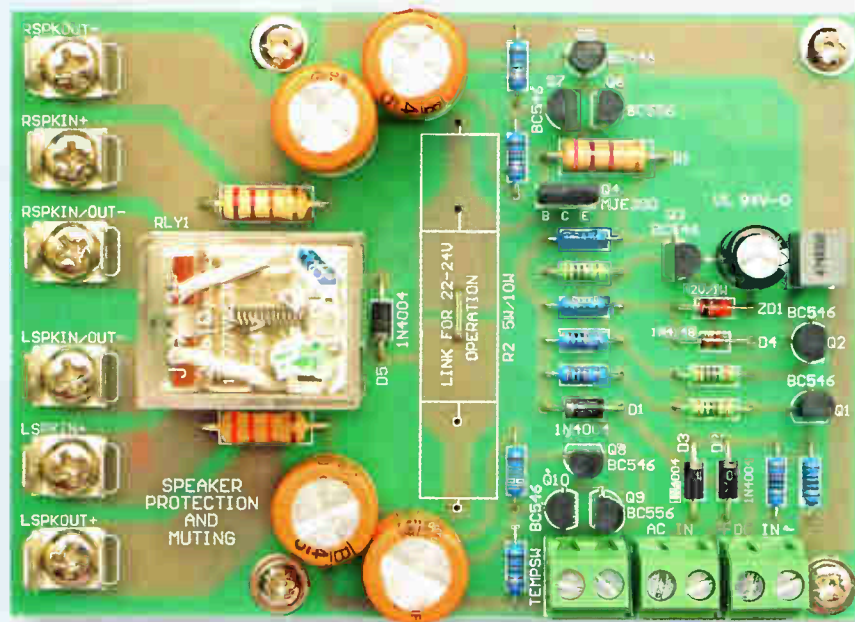


Fig.2: install the parts on the PC board as shown here, taking care to ensure that all polarised parts are correctly oriented. Also, make certain you use the correct transistor type at each location. Below is the completed PC board.



Q5, Q6 and Q7. This is because we don't want audio signals to trip the protection circuit.

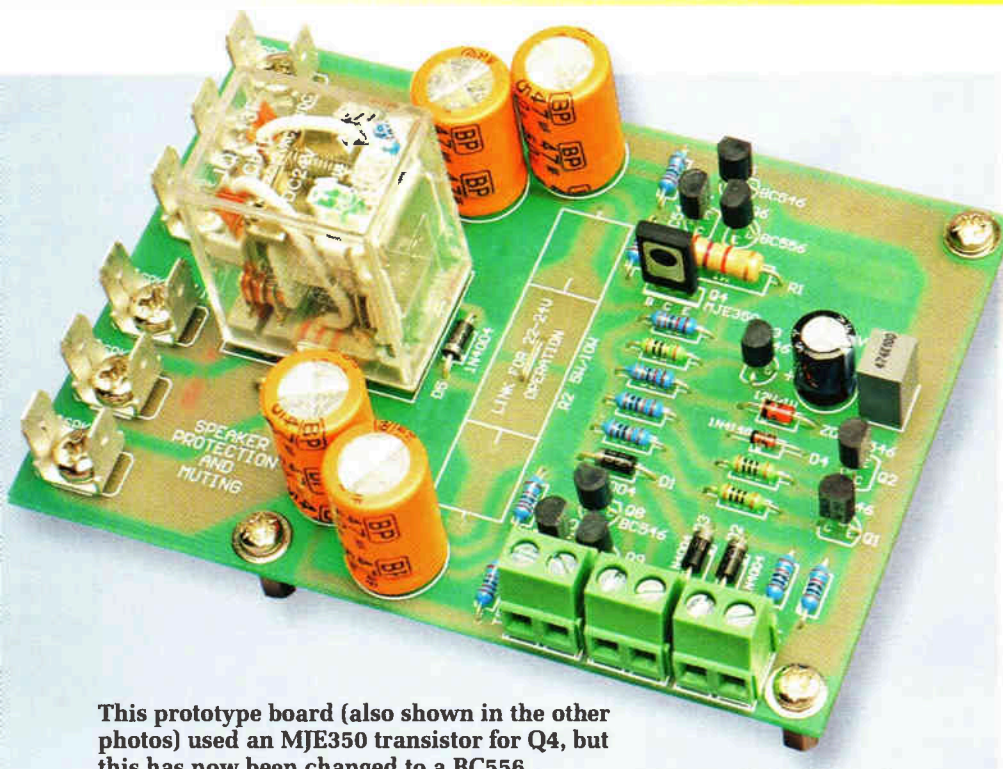
The low-pass filter output is connected to the emitter of Q5 and to the base of Q7. Transistor Q5 monitors the amplifier output for negative DC signals, while Q7 monitors for positive DC signals.

In operation, transistor Q7 turns on if a DC signal of more than +0.6V is present on its base. Similarly, Q5 turns on if a DC signal of more than -0.6V is present on its emitter. This in turn pulls transistor Q6's base low and so Q6 also turns on.

Normally, in the absence of amplifier faults, transistors Q5-Q7 are all off and Q3 is biased on via the 100kΩ resistor connected between its base and the positive supply rail (ignore Q1

Table 1: Resistor Colour Codes

No.	Value	4-Band Code (1%)	5-Band Code (1%)
2	100kΩ	brown black yellow brown	brown black black orange brown
2	33kΩ	orange orange orange brown	orange orange black red brown
4	22kΩ	red red orange brown	red red black red brown
2	22kΩ 1W, 5%	red red orange gold	not applicable
2	10kΩ	brown black orange brown	brown black black red brown
1	2.7kΩ	red violet red brown	red violet black brown brown
2	100Ω	brown black brown brown	brown black black black brown
1	10Ω	brown black black brown	brown black black gold brown



This prototype board (also shown in the other photos) used an MJE350 transistor for Q4, but this has now been changed to a BC556.

and Q2 for the time being). As a result, Q3 pulls Q4's base down (via resistor R1) to just over 12.6V, as set by diode D4 and Zener diode ZD1, and so Q4 and relay RLY1 are also on.

Now let's consider what happens if an amplifier fault condition results in DC being present at its output. In this case, either Q6 or Q7 turns on and pulls Q3's base low via a 10Ω resistor. When that happens, Q3, Q4 and the relay all immediately turn off, disconnecting the speakers.

Diode D5 protects Q4 by quenching any back-EMF spikes that are generated when the relay is switched off.

Transistors Q8, Q9 and Q10 monitor the left channel of the amplifier and they switch Q3, Q4 and the relay in exactly the same manner.

Relay specifications

The relay selected for the job is a 24V DPDT (double-pole, double-throw) type, with contacts rated at 10A. There are two reasons for this high contact rating. First, we want the contact resistance in the relay to be as low as possible so that it has negligible effect on the amplifier's performance, as regards to distortion, damping factor and so on.

Second, the relay contacts have to pass and break the heavy DC current which would otherwise flow through the loudspeaker if a fault occurs in the amplifier. However, we

don't merely use the relay to disconnect the amplifier's output from the speakers. If we simply did this, it's possible that the contacts would just arc across and so the heavy DC current would continue to flow through the loudspeaker.

That might seem unlikely, but when you have a heavy DC current and a high DC voltage pushing it along, it can be quite hard to break the circuit. This problem is solved by shorting the moving (pole) relay contacts to the loudspeaker ground lines (via the otherwise unused NC contacts) when the relays turn off. This diverts the arc current to chassis and ensures that the fuses blow on the amplifier.

By the way, the relay specified in the parts list (Altronics S-4313 – www.altronics.com) has an in-built green LED that lights when the relay turns on. It's a nice feature that lets you quickly check the status of the relay during testing, but it is not really necessary.

Muting delay at switch-on

Muting at switch-on is achieved using a delay circuit. This consists of the 100kΩ resistor and the 47μF capacitor connected to Q3's base, along with diode D4 and Zener diode ZD1.

When power is first applied, the 47μF capacitor is discharged and Q3's base is held low. As a result,

Q3, Q4 and the relay all remain off. The 47μF capacitor then charges via the 100kΩ resistor until, after about five seconds, it reaches 13.2V. This now forward biases Q3, which then turns on Q4 and the relay to connect the loudspeakers. This is more than sufficient time for the amplifier modules to settle down and achieve stable operating conditions.

Why 13.2V on Q3's base? Well, that's the sum of the voltages across ZD1, diode D4 and Q3's base-emitter junction when the transistor is on.

Switch-off muting

Transistors Q1 and Q2, together with diodes D2 and D3, provide the switch-off muting function.

Diodes D2 and D3 rectify the AC voltage that's fed to the AC Sense input (at connector CON2) from a transformer secondary winding (up to 50V AC max). Provided this AC input voltage is present, the rectified output forward biases transistor Q1 and so keeps it turned on. This in turn holds Q2's base low and so Q2 is off and Q3 functions normally.

The 100kΩ resistor and the 470nF capacitor, at Q2's base, form a time constant that's long enough to ensure the Q2 remains off when Q1 very briefly turns off during the AC zero crossing points.

However, if the AC signal ceases (ie, at switch off), Q1 immediately turns off and Q2 turns on and quickly discharges (within a millisecond or so) the 47μF timing capacitor via a 100Ω resistor. As a result, Q3, Q4 and the relay all turn off and the loudspeakers are disconnected, effectively eliminating any switch-off thumps.

Over-temperature input

Connector CON3 is the temperature sensor input. It relies on the use of a normally-open (NO) thermal switch that's normally bolted to the heatsink used for the amplifier's output power transistors.

Basically, this input is wired in parallel with transistors Q6 and Q7 (and Q9 and Q10) and it controls transistor Q3 in exactly the same manner.

When the temperature reaches a preset level (set by the switch itself), the contacts inside the thermal switch close and pull Q3's base low via the associated 10Ω resistor. As a result, Q3 turns off and this switches off Q4 and the relay.

Parts List – Speaker Protection Module

- 1 PC board, code 693, available from the *EPE PCB Service*, size 112.5mm x 80mm
- 1 10A 24V DPDT PC-mount relay (Altronics S-4313)
- 3 2-way 5mm or 5.08mm pitch terminal blocks (CON1 to CON3)
- 4 M3 x 10mm tapped spacers
- 4 M3 x 6mm pan head screws
- 6 M4 x 10mm pan head screws
- 6 M4 flat washers
- 6 M4 shakeproof washers
- 6 M4 nuts
- 6 6.3mm double-ended 45° or 90° chassis-mount spade lugs
- 0.7mm diameter tinned copper wire for link

Semiconductors

- 7 BC546 NPN transistors (Q1-Q3, Q5, Q7, Q8 and Q10)
- 3 BC556 PNP transistors (Q4, Q6 and Q9)
- 4 1N4004 diodes (D1 to D3, D5)
- 1 1N4148 diode (D4)
- 1 12V 1W Zener diode (ZD1)

Capacitors

- 1 47µF 63V PC electrolytic
- 4 47µF 50V non-polarised (bipolar) electrolytics
- 1 470nF 50V metallised polyester (MKT)

Resistors (0.25W 1% carbon film)

- 2 100kΩ 1 10kΩ 0.5W
- 2 33kΩ 1 2.7kΩ (R1)
- 4 22kΩ 2 100Ω
- 1 10kΩ 1 10Ω
- 2 22kΩ 1W 5% R2 See Text

When the heatsink subsequently cools down, the thermal cutout opens again and Q3, Q4 and the relay turn on again to reconnect the loudspeakers.

As previously stated, the over-temperature sense feature is not used with the Class-A Stereo Amplifier because the heatsinks run hot all the time and disconnecting the loudspeakers does nothing to cool them.

Power supply

Power for the Loudspeaker Protection circuit is derived from a suitable DC rail within the amplifier. This can range anywhere from about 20V DC up to 70V DC.

Attaching The Spade Connectors

It's important that the double-ended spade lugs are fitted correctly to the PC board.

Fig.3 (right) shows how they are mounted. Each lug is secured using an M4 x 10mm screw, a flat washer (which goes against the PC board pad), an M4 star lockwasher and an M4 nut.

The trick to installing them is to first do the nut up finger-tight, then rotate the assembly so that it is at a right-angle to the PC board. A screwdriver is then used to hold the M4 screw and the spade lug stationary while the nut is tightened from below using an M4 socket and ratchet.

Do the nut up nice and tight to ensure a good connection and to

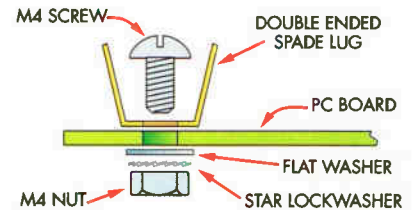


Fig.3

ensure that the assembly does not rotate. Don't be too heavy-handed though, otherwise you could crack the PC board.

The exact same mounting method should also be used for the spade lug terminals attached to the power amplifier modules and to the power supply board described last month.

In the case of the Class-A Stereo Amplifier, we use the +22V and 0V rails from the power supply board. The 'AC Sense' signal is picked up directly from the AC terminals on the bridge rectifier (more on this in a future issue).

Note that the values shown for R1 and R2 on Figs 1 and 2 assume a 22V to 24V supply rail. If the available DC supply rail is higher than this, then resistors R1 and R2 must be changed accordingly to ensure a base current of about 3 to 5mA for Q4 (as set by R1) and to ensure that no more than about 24V DC is applied to the relay coil (R2). In the latter case, it's just a matter of selecting R2 so that the relay current is about 37mA (assuming that the relay has a coil resistance of about 650Ω).

The inset table included with Fig.1 shows resistor values to suit differing supply rails.

Construction

The parts for the Speaker Protection and Muting Module are all mounted on a PC board, coded 693. This board is available from the *EPE PCB Service*. Fig.2 shows the component layout and assembly details.

Mount the resistors and diodes first, taking care to ensure that the diodes are all oriented correctly. Table 1 shows the resistor colour codes, but you should also check each resistor using a digital multimeter before installing it, just to be sure.

Install a 2.7kΩ 0.25W resistor for R1 and a link for R2 if you are building the unit for the Stereo Class-A Amplifier.

Alternatively, select these resistors from the inset table shown in Fig.1 if you intend using a supply rail greater than 24V.

If the supply rail is between the values shown in the table, then simply scale the resistor values accordingly and use the nearest preferred value.

The six double-ended spade lugs for the speaker input and output terminals are next on the list. These are attached using M4 x 10mm screws, flat washers, star washers and nuts – see Fig.3.

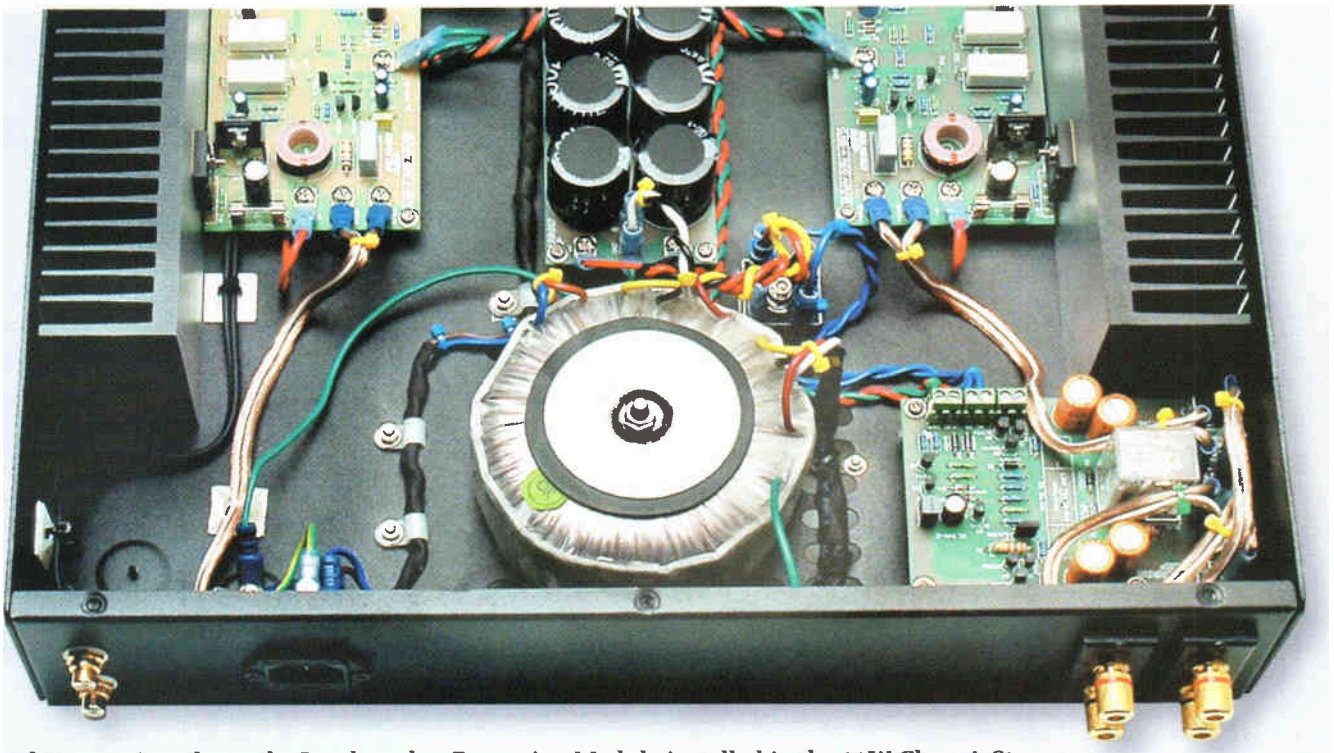
Note that, ideally, the double-ended spade lugs supplied should be 90° types. However, if you are supplied with 45° types, just bend the lugs to 90° before installing them on the board.

The transistors, the electrolytic capacitor and the bipolar capacitors can now be installed, taking care to ensure that the correct transistor type is fitted to each location. The four 47µF bipolar capacitors can go in either way around, but do watch the orientation of the polarised 47µF 63V electrolytic capacitor.

Finally, you can complete the board assembly by fitting the three 2-way terminal blocks and the DPDT relay.

Testing

If you have a suitable DC supply you can test the unit prior to installing it. To do this, first connect the supply to screw terminal block CON1 and install a wire link between one of the CON2 AC Sense input terminals and the positive supply rail (this is done to ensure transistor Q1 turns on). Do *not* connect anything to



This rear view shows the Loudspeaker Protection Module installed in the 20W Class-A Stereo Amplifier (bottom right).

the temperature switch input or to the speaker terminals at this stage.

Next, apply power and check that the relay turns on after about five seconds. If it does, temporarily short the temperature switch input – the relay should immediately switch off.

Similarly, the relay should immediately switch off if you disconnect the link to the AC Sense input.

The next step is to check that the relay switches off if a DC voltage is applied to the loudspeaker terminals

(this simulates an amplifier fault condition). To do this, apply power, wait until the relay switches on, then connect a 3V (2 × 1.5V cells in series) or 9V battery (either way around) between the ground terminal of CON1 and the LSPKIN+ terminal. The relay should immediately switch off.

Repeat this test for the RSPKIN+ terminal, now reverse the battery polarity and perform the above two tests again. The relay should switch off each time the battery is connected.

Note that we don't connect to the LSPKIN- or RSPKIN- terminal for this test because these two inputs are fully floating at this stage. That changes when the module is installed in a chassis and the loudspeaker leads are connected, because the negative loudspeaker terminals on the amplifier are connected to chassis (via the power supply).

Troubleshooting

If the relay doesn't activate when power is first applied, switch off immediately and check for wiring errors – eg, incorrect supply polarity, or a transistor in the wrong location. If this doesn't locate the fault, switch on and check the supply voltage, then check the voltages around the transistors. Q3's emitter should be at about 12.6V

and its collector at 12.8V, while both Q3 and Q4 should have base-emitter voltages of 0.6V.

Similarly, Q1 should have a base-emitter voltage of 0.6V (provided the link between the AC Sense input and the positive supply terminal is in place) but the other transistors (Q2 and Q5 to Q10) should all be off – ie, they should have base-emitter voltages of 0.2V or less.

If Q3's base voltage is low (around 0.2V), then it could mean that Q2 is on and Q1 is off, possibly due to no voltage being applied to Q1's base. Alternatively, one of the transistors in the speaker input monitoring circuits (ie, Q5 to Q10) could be faulty (short circuit). You can quickly isolate which circuit section is at fault by disconnecting the 10Ω and 100Ω resistors to Q3's base.

Just remember that all transistors that are turned on will have a base-emitter voltage of about 0.6V. This should enable you to quickly locate where the trouble lies.

That's all for now. Next month, we'll describe the low-noise Preamplifier and Remote Volume Control Module. **EPE**

Reproduced by arrangement
with SILICON CHIP
magazine 2008.
www.siliconchip.com.au

Temperature Sensors



Temperature sensors are variously called 'thermostat switches', 'thermal cutouts' and 'thermal circuit breakers' and are available in a range of trip temperatures from 50 to 100°C. Note that the temperature sensor used with this unit must be a normally open (NO) type.

We can supply back issues of *EPE* by post, most issues from the past five years are available. An *EPE* index for the last five years is also available at www.epemag.com. Where we are unable to provide a back issue a photocopy of any one article (or one part of a series) can be purchased for the same price. Issues from Jan. 99 are available on CD-ROM – see page 53 – and back issues from recent years are also available to download from www.epemag.com.

Please make sure all components are still available before commencing any project from a back-dated issue.

DID YOU MISS THESE?



NOV '07

PROJECTS • Vehicle Multi-Voltage Monitor • USB Electrocardiograph • Experimenter's Audio System • Inductance & Q- Factor Meter – Part 2
FEATURES • Teach-In 2008 – Part 1 • Techno Talk • IFA Electronics Show Berlin • Circuit Surgery • PIC N' Mix • The Power of Mechatronics – Part 6 • Practically Speaking • Net Work

DEC '07

PROJECTS • MIDI Drum Kit – 1 • PIC Speech Synthesiser • A Charger For Your iPod or MP3 Player • AVR ISP Socketboard
FEATURES • Circuit Surgery • Techno Talk • Teach-In 2008 – Part 2 • PIC N' Mix • Interface • Protecting Your Designs and Copyright • Net Work – The Internet Page

JAN '08

PROJECTS • MIDI Drum Kit – 2 • Phone/Fax Missed Call Alert • PIC Carillon • Serial I/O Controller and Analogue Sampler
FEATURES • Circuit Surgery • Techno Talk • Teach-In 2008 – Part 3 • PIC N' Mix • Practically Speaking • Ingenuity Unlimited • Net Work

FEB '08

PROJECTS • Electrosmog Sniffer • Low-Cost Intercooler Water Spray Controller • Studio Series – Stereo Preamplifier • Midi Drum Kit – 3
FEATURES • Colossus and Pico • Interface • Teach-In 2008 – Part 4 • Circuit Surgery • Techno Talk • PIC N' Mix • Ingenuity Unlimited • Net Work – The Internet Page

MAR '08

PROJECTS • Studio Series – Stereo Headphone Amplifier • Midi Drum Kit – 4 • Fluorescent Tube Driver • Multi Throttle Control For PC Flight Simulators
FEATURES • Practically Speaking • Teach-In 2008 – Part 5 • Circuit Surgery • Techno Talk • PIC N' Mix • Net Work – The Internet Page

APR '08

PROJECTS • PC-Controlled Burglar Alarm System – 1 • Studio Series – Remote Control Module • PIC In-Circuit Programming Add-on • Midi Activity Detector
FEATURES • Circuit Surgery • Techno Talk • Teach-In 2008 – Part 6 • PIC N' Mix • Interface • Net Work – The Internet Page

MAY '08

PROJECTS • Mini Theremin – 1 • Studio Series – Installing The Modules • Electric Mobility Buggy Monitor • PC-Controlled Burglar Alarm System – 2
FEATURES • Circuit Surgery • Techno Talk • Teach-In 2008 – Part 7 • Practically Speaking • Net Work – The Internet Page

JUN '08

PROJECTS • Universal High-Energy LED Lighting System – Part 1 • Starship Enterprise Door Sounder • Mini Theremin – Part 2 • Monopoly Money
FEATURES • Circuit Surgery • Techno Talk • Teach-In 2008 – Part 8 • PIC N' Mix • Ingenuity Unlimited • Interface • Net Work – The Internet Page

JUL '08

PROJECTS • PIC MIDI Wave Sound Generator • Universal High-Energy LED Lighting System – Part 2 • Coolmaster • Galactic Voice
FEATURES • Teach-In 2008 – Part 9 • Circuit Surgery • Techno Talk • PIC N' Mix • Ingenuity Unlimited • Practically Speaking • Net Work – The Internet Page

AUG '08 (PHOTOCOPIES ONLY)

PROJECTS • Four-Channel AV Selector • Mains Monitor • DC Relay Switch • Temperature Switch
FEATURES • Teach-In 2008 – Part 10 • Circuit Surgery • Interface • Ingenuity Unlimited • Techno Talk • PIC N' Mix • Net Work – The Internet Page

SEPT '08

PROJECTS • Super Speedo Corrector • Ultrasonic Eavesdropper • S-Video To Composite Video Converter • Magnetic Cartridge Preamplifier
FEATURES • Techno Talk • Practically Speaking • Teach-In 2008 – Part 11 • PIC32 Starter Kit Reveil • Circuit Surgery • PIC N' Mix • Net Work

OCT '08

PROJECTS • Cordless Power Tool Charger Controller • Intelligent Car Air-Conditioning Controller • 20W Class-A Amplifier Module • Breadboarding Projects – Circuit Tester, Rain Check • Ingenuity Unlimited
FEATURES • Techno Talk • Recycle It • Interface • Circuit Surgery • PIC N' Mix • Net Work.

NOV '08

PROJECTS • Low Cost 50MHz Frequency Meter – Mk2 • Using the Microchip PICkit2 Debug Express To Build A 'Theremin' • 20W Class-A Amplifier Module – Pt 2 • Simple Variable Boost Control • Fuel Cut Defeater • Breadboarding Projects – Dark Switch, Moisture Monitor Mk1 • IU
FEATURES • Techno Talk • Recycle It • Practically Speaking • Circuit Surgery • PIC N' Mix • Net Work.

ORDER FORM – BACK ISSUES – PHOTOCOPIES – INDEXES

Send back issues dated

Send photocopies of (article title and issue date)

Name

Address

..... Tel:

I enclose cheque/P.O./bank draft to the value of £

Please charge my Visa/Mastercard/Maestro £

Card No

..... Maestro Issued by

Valid From

..... Card Expiry Date

..... Card Security Code

(The last 3 digits on or just under the signature strip)

SEND TO: Everyday Practical Electronics, Wimborne Publishing Ltd., Sequoia House, 398a Ringwood Road, Ferndown, Dorset BH22 9AU.

Tel: 01202 873872. Fax: 01202 874562.

E-mail: orders@epemag.wimborne.co.uk On-line Shop: www.epemag.com

Payments must be in £ sterling – cheque or bank draft drawn on a UK bank. Normally supplied within seven days of receipt of order.

Send a copy of this form, or order by letter if you do not wish to cut your issue.

BACK ISSUES ONLY

£4.20

each inc. UK p&p.

Overseas prices £5.00 each surface mail, £6.00 each airmail.

We can also supply issues from earlier years: 2003 (except June), 2004 (except June, July, Oct. and Dec.), 2005 (except Feb., Nov., Dec.), 2006 (except Jan., Feb., Mar., Apr., May, and July), 2007 (except June, July, Aug) Where we do not have an issue a photocopy of any *one article* or *one part* of a series can be provided at the same price.

M12/08

Star of wonder, star of night!
Star of royal beauty bright;
Westward leading, still proceeding,
Guide us to thy perfect light.



Programmable
Christmas Star

- Features**
- ★ Light enough to hang on the Christmas tree or in a window
 - ★ Cycles through hundreds of pre-programmed patterns
 - ★ User programmable (with optional PIC programmer)
 - ★ Programmable display rate
 - ★ Patterns can be looped
 - ★ Twinkle effects
 - ★ Battery powered
 - ★ Turns itself off after three hours
 - ★ Low component count

by David Meiklejohn

Constructional Project

RECENT advances in microcontroller technology mean that our latest festive offering, based on a single 8-pin PIC micro, has very few components and can be run from a pair of 1.5V batteries.

As it is also extremely easy to build, and you can reprogram it if you want different patterns, we believe this new Christmas Star will be even more popular than previous projects.

It runs through a programmed pattern sequence, held in EEPROM on the PIC. With a suitable PIC programmer, such as Microchip's low-cost PICkit 2, it is possible to load a new sequence into the EEPROM without affecting the underlying code. *There's no need to understand PIC programming to create your own display sequence.*

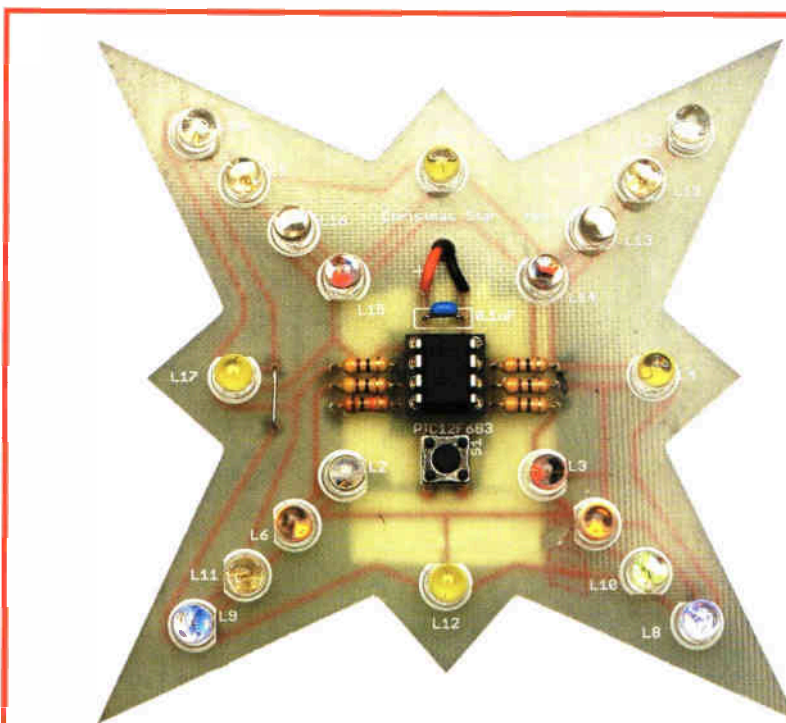
How it works

Fig.1 shows the complete circuit, such as it is! It consists of little more than the pre-programmed PIC12F683-I/P microcontroller, 20 LEDs and a few resistors.

Typically, to control a large number of LEDs using a small number of output lines, the LEDs are arranged in a matrix, say 5×4 for 20 LEDs, with transistors driving each row and/or column.

That was the common approach taken for most previous Christmas Star projects, but not this time! So how do we drive 20 LEDs with an 8-pin PIC and five resistors?

It's made possible through a technique known as 'Complementary LED Drive'. It relies on two factors:

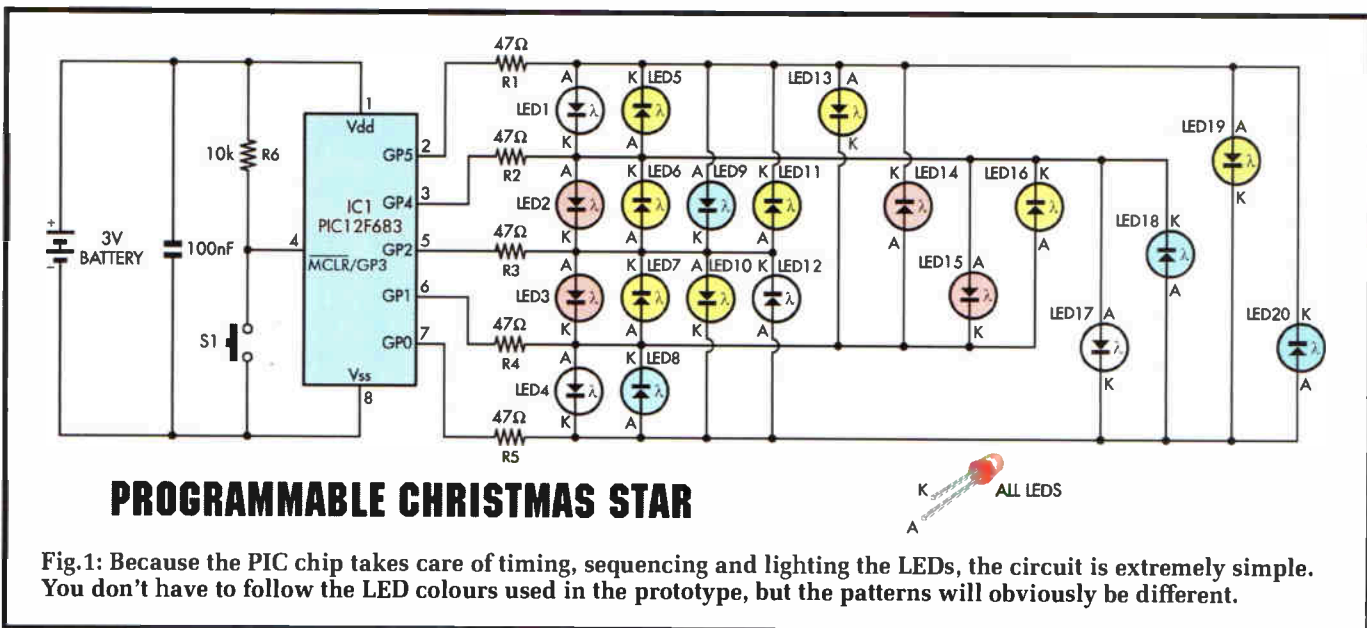


Here's the Christmas Star, actual size, from the front. Each 'arm' has the same colour run of LEDs – blue, green, yellow and red, with single white LEDs between. This shot was taken with the LEDs flashing, hence some colour shown. It's not quite as dramatic as the photo earlier, taken in near darkness

- 1) LEDs will only conduct (and therefore produce light) when a high-enough forward voltage is applied. If the voltage is too low, or reversed, they simply won't light up.
- 2) The PIC12F683 has tri-state outputs. That is, they can be set high (nearly 3V in this circuit), low (close to 0V), or placed into a high-impedance input state, effectively disconnecting them from the circuit ('off'). Further,

the outputs can either source or sink current, up to 25mA.

As an example, consider what happens when the PIC is configured with pin GP5 high, pin GP0 low, and pins GP1, GP2 and GP4 tri-stated (disconnected). Current will flow from GP5 through resistor R1, then LED19, returning through R5 to GP0. So LED19 will light up. Since LEDs are one-way devices, current cannot flow through LED20, so it stays off.



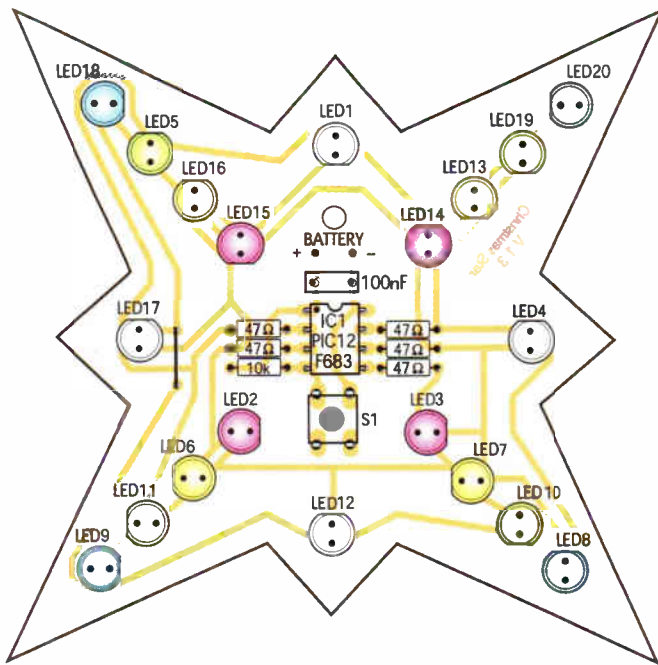


Fig.2: About the only thing that can go wrong when assembling the Christmas Star is to put an LED (or the PIC chip) in the wrong way, or to have a bad solder joint underneath. Otherwise it should be pretty much plain sailing, even for a complete novice!

Light matters

But there are other paths for current to flow from GP5 to GP0. For example, via LEDs 9 and 10 in series. But these two series LEDs are also in parallel with LED19, which is conducting.

Here's where factor 1 (which we mentioned earlier) comes into play. The forward voltage across a conducting LED is roughly constant; for a red LED it is around 2V.

The voltage drop across the series combination of LED9 and LED10 must be the same as that across LED19. So each of LED9 and LED10 will have a forward voltage of only a half that of LED19. If LED19 is turned on with a 2V drop, there will be a drop of only 1V across each of L9 and L10 – not enough to make them conduct. So they won't light up.

You'll find many other possible paths for forward conduction; a particularly obvious one is the series combination of LED1, LED2, LED3 and LED4. Similar reasoning shows that the voltage across each is only a quarter of that across the conducting LED19; not enough for them to turn on. Similarly, for other paths, such as the non-obvious LED13, LED16, LED17 combination. In fact, with GP5 high, GP0 low, and the other outputs

'disconnected', only LED19 will have enough forward voltage to light up.

Using this technique, it is possible for five outputs to uniquely address up to twenty LEDs, with the limitation that they can only be turned on one at a time.

Multiplexing

To overcome this limitation, the software uses multiplexing to make it appear as though more than one LED is lit at the same time. The software displays patterns on up to four LEDs, which are turned on in sequence, each for 200µs, at nearly 1250Hz, creating the illusion that the four LEDs are all on together.

The remainder of the circuit is very straightforward. Resistors R1 to R5 limit current to the LEDs. The current path to a given LED will always flow through two of these resistors, so the effective resistance in series with each LED is 94Ω.

Assuming a 3V power supply, and a red LED with a forward voltage drop of 2V, LED current will be 10mA – well within the supply capability of the PIC.

Switch S1 is used as an on/off switch. Resistor R6 holds PIC pin MCLR/GP3 high until S1 is pressed,

pulling the input low. The software polls for this at the end of each display cycle and if S1 is pressed, it puts the PIC into a low-power sleep mode. The PIC is then set to automatically wake up if the switch is pressed again.

Switch debouncing is done in software, so there is no need for external debounce circuitry.

Power is supplied direct from two 1.5V batteries. N-cells were chosen because their size makes them easy to mount unobtrusively on the back of the board. But cheaper AAA cells will also fit, albeit a little less neatly. They'll also last longer.

Alkaline batteries will provide more than 50 hours continuous operation, and should last up to two years with the circuit in sleep mode ('off').

Finally, a 100nF bypass capacitor is used to smooth the power supply to the microcontroller. It helps to keep the PIC stable, particularly as the batteries discharge toward the PIC's minimum operating supply voltage of around 2V.

Software

The software files are available for free download via the *EPE* Downloads site, access via www.epemag.com. Pre-programmed PICs are available from **Magenta Electronics** – see their advert in this issue for contact details.

Software and kits are also available from the author see www.gooligum.com.au/kits/xmaster/xmaster.html. The site also has a video to download of the complete display sequence.

Construction

The Christmas Star is built on a single-sided PCB, cut in the shape of an eight-pointed star. All components are mounted on this PCB board (see Fig.2), so construction is very straightforward. This board is available from the *EPE PCB Service*, code 692.

First, you'll need to choose your LEDs. In the prototype, all the LEDs are clear, high-intensity types.

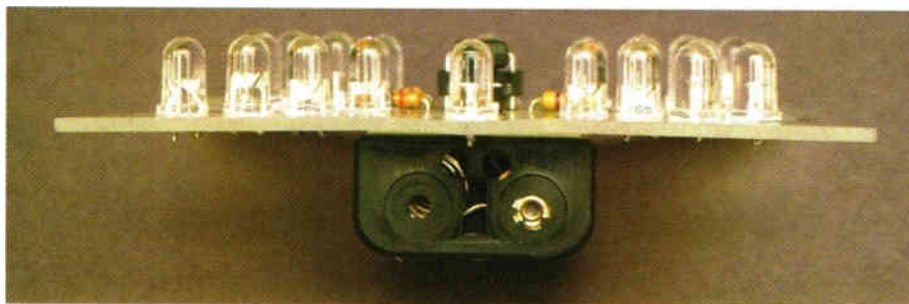
Five colours were used: red, green, yellow, blue and white; arranged with four red LEDs forming an inner ring, then yellow, green and finally blue at the outermost of the big points. White LEDs are used on the four small star points.

Of course, you can arrange the colours any way you want; after all, it's your star! And the choice of high intensity or diffused types with a wider viewing angle is entirely up to you.

Constructional Project



These two shots show how the dual N-cell battery holder fits on the back of the PC board, secured in place with double-sided foam adhesive tape or pads. Note that an 'AAA' holder will also (just) fit on the PC board and will give longer battery life than the N-cells used in the prototype. Even so, you should expect about 50 hours of display from a pair of N-cells. Don't mistake the 1.5V N-cells for 12V remote control batteries. They are not too dissimilar in size and 24V would create a whole different display... briefly!



Not so intense

About now, you may be wondering how it is possible to use blue, or indeed most high-intensity types, when they have a forward voltage higher than the supply voltage of 3V.

In practice, they do run at voltages down to 2.5V or so; they're just not as bright as they would otherwise be. At low voltages, they're still about as bright as a 'normal' LED; quite bright enough to light up nicely at night time!

An IC socket for the PIC is strongly recommended. Besides reducing the risk of damaging the chip, it means

that later, if you acquire a PIC programmer, you have the possibility of creating your own display pattern.

Begin construction by soldering in the resistors, then use one of the discarded resistor off-cut leads for the single wire link. Next comes the IC socket, the capacitor, the pushbutton switch and the LEDs.

Take special care of the correct orientation of each LED. If you put any in backwards, the star will still operate, but the patterns will be wrong.

Testing

At this point, you can test the circuit, with the IC socket empty,

Parts List – Programmable Christmas Star

- 1 star-shaped PC board, code 692, available from the *EPE PCB Service*
- 1 pre-programmed PIC12F683-I/P microcontroller (IC1)
- 20 5mm LEDs (see text for colours and types)
- 1 100nF monolithic capacitor
- 1 10k Ω 0.25W resistor
- 5 47 Ω 0.25W resistors
- 1 6mm PCB mounting tactile or click-effect pushswitch, 5mm pin spacing (S1)
- 1 N-cell battery holder with fly leads (or AAA – see text)
- 2 N-cell alkaline batteries (or AAA – see text)
- Double-sided foam tape (to mount battery holder)

Reproduced by arrangement with SILICON CHIP magazine 2008. www.siliconchip.com.au

by putting the two batteries into the (not yet installed) battery holder, then putting the battery holder leads (ie 3V) across various combinations of pins 2, 3, 5, 6 and 7 on the IC socket.

For each different combination, a single LED, specific to that combination, should light strongly. Note that it is possible, if you have used a range of LED colours, that you will see other LEDs light very dimly in addition to the single strong light. If so, don't worry, you won't notice that effect when the display is operating.

If no combinations produce any light, use a multimeter to check that you're getting 3V from the battery pack. If you see more than one LED light up strongly at once, you probably have one of them in backwards, or perhaps a solder 'bridge' on the board. If one combination doesn't produce any light, while others do, you probably have either a dead resistor or LED, or a soldering problem such as a 'dry' joint.

If all the LEDs check out OK, remove the batteries from the battery pack, cut the leads suitably short (15mm or so), thread them from the back of the board to the front through the hole above the capacitor. Solder the wires back

Capacitor Codes

Value (μ F value)	IEC Code	EIA Code
100nF	0.1 μ F	100n 104

The wires from the battery holder come up through the board from underneath, then solder back through the board in the normal way. This helps take the strain off the cables and pads.



PIC programmer

An excellent low-cost programmer is Microchip's PICKit 2. It comes with software that allows the PIC's EEPROM to be updated without affecting the program code in flash memory.

The new command codes can be typed directly into the PICKit 2 EEPROM window and loaded to the microcontroller.

It's very important to uncheck 'Program memory', so that the program code itself is not overwritten. See the screenshot below.

through the board in the normal way to the copper pads marked '+' and '-', being careful of polarity!

If you now reinsert the batteries, nothing should light up; if it does, you have a 'short circuit' somewhere. Next, remove the batteries again and use double-sided foam tape to stick the battery holder to the bottom of the board (see photos at left).

Finally, you're ready to insert the microcontroller. Taking antistatic precautions (touch an earthed case first), carefully insert the PIC into the IC socket, with the notch on the IC toward the capacitor. Make sure that none of the PIC leads are bent or skewed in the process.

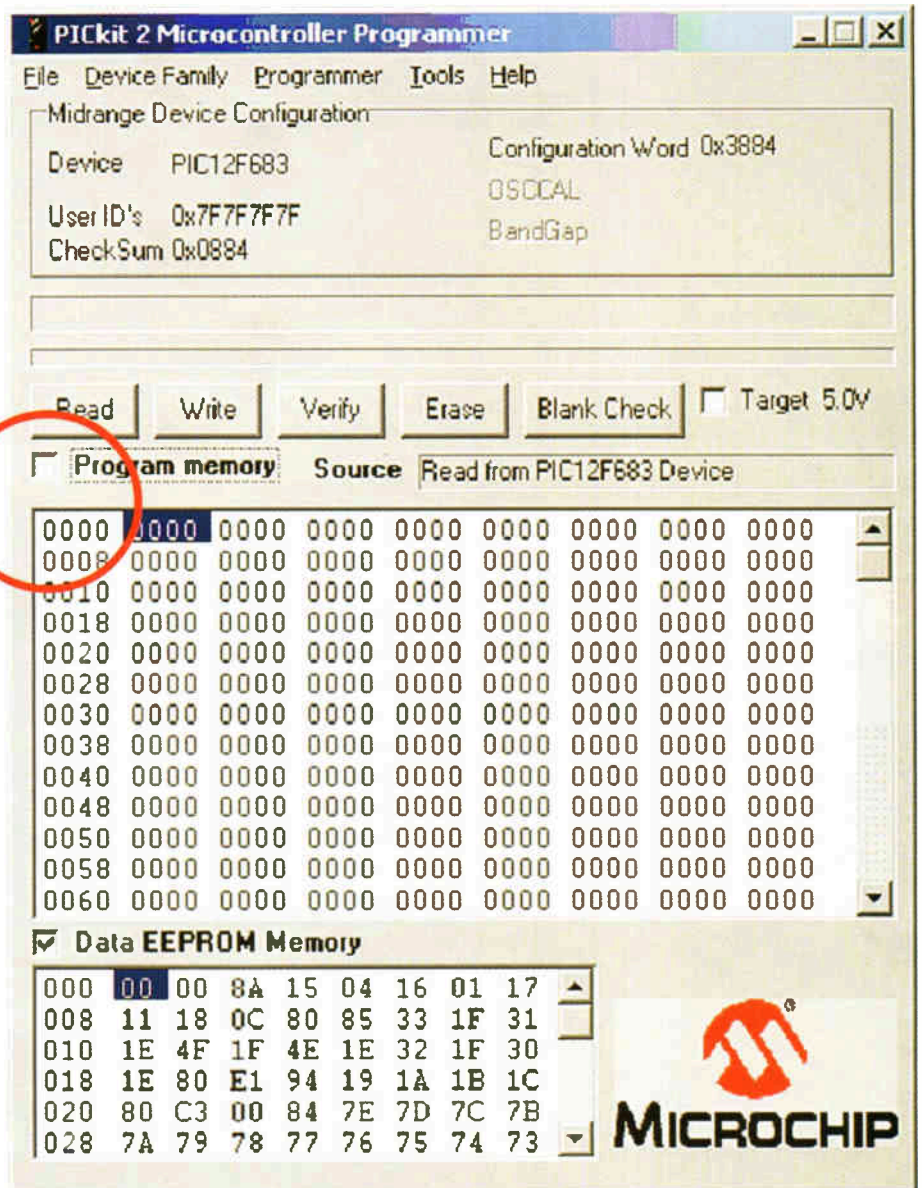
Now insert the batteries again and you're finished! At this point, the display may start by itself, but normally, the star will do nothing until you momentarily press the button of S1. The display sequence should now start.

Operation

Operation of the Star is very simple – push the button of switch S1 to start, and press it again to stop. If you forget and leave the display running, the star will shut itself off after around three hours. If this happens, just press the button again to restart.

Creating your own patterns

The command codes that define the display patterns are held in unprotected EEPROM, which you can update, independently of the source code held in flash memory, with a suitable programmer. You'll find the information you need to reprogram overleaf.



If you don't uncheck this box (ringed in red above) when reprogramming your Christmas Star, you will overwrite the program itself, rendering the star useless!

Resistor Colour Codes

No.	Value	4-Band Code (1%)	5-Band Code (1%)
□ 1	10kΩ	brown black orange brown	brown black black red brown
□ 1	47Ω	yellow violet black brown	yellow violet black gold brown

OVERLEAF:

Pattern Sequence Command Codes and Pattern Definitions for those who want to reprogramme the patterns.

Pattern sequence command codes

Code	Command	Description
0	Pause	All LEDs off Use for a short pause between pattern sequences
1 - 91	Pattern	Display a pre-defined pattern of up to four LEDs which are on 'at once'. For a list of, and details of each pattern, refer to the next page. LEDs are lit, one at a time, in pseudo-random order, in quick succession to create an overall 'twinkling' effect.
92 - 126	Twinkle	Twinkle rate = (code-91)ms between changes. If the code value = 92, a different LED is lit every 1ms – you may think too fast for the eye to see. But due to imperfections in the 'random' number generation, you'll still see a shimmer at this maximum twinkle rate. For code = 126, the twinkling is at its slowest, around 29Hz.
127	End of sequence	Marks the end of the programmed sequence. Not necessary if your display codes fill the whole EEPROM, as the interpreter will restart at the beginning if the end of the EEPROM is reached.
128	End loop	Go back to first pattern in current loop – see below. Use this to create loops, to avoid having to fill the EEPROM with repeated sequences of codes to create a repeating effect. Instead, place a 'start loop' instruction at the start of the sequence, and an 'end loop' (128) instruction at the end.
129 - 191	Start loop	Repeat count = code-128 EG. to repeat a sequence of patterns four times, you would place a code of 132 (= 128+4) before the first pattern code, and a code of 128 after the last. Note that nested loops are not supported. An 'end loop' code will always return to the most recent 'start loop'. Sets the display rate, ie the time spent displaying each pattern before moving to the next in sequence. It allows you to vary the speed of the display in different parts of the presentation.
192 - 255	Set Speed	Freq = $1000000/[8192(256-pattern)]$ Hz Max freq (code = 255) is 122Hz. Min freq (code = 192) is 1.9Hz. The default display rate, if you don't set your own speed, is 6.8Hz

As an example of how to put it all together, here's some code to twinkle at a moderate rate for 10s, then turn off (pause) for 1s, then repeat:

Code	Comment
195	display speed = 2.0Hz
148	repeat following patterns 20 times (128+20=148)
101	twinkle at 101-91=10ms per change (100Hz)
128	end loop
0	pause (all off)
0	pause again – at 2Hz we need 2 pauses to make 1 second
127	end sequence (repeat from beginning)

Christmas Star Pattern Definitions

Code	Description	LED 1	LED 2	LED 3	LED 4	Alternate LEDs – 2 per arm							
0	All off					52	SE 1 3	3	10				
						53	SE 2 4	7	8				
						54	NE 1 3	14	19				
						55	NE 2 4	13	20				
						56	NW 1 3	15	5				
						57	NW 2 4	16	18				
						58	SW 1 3	2	11				
						59	SW 2 4	6	9				
Individual LEDs						Alternate LEDs – 4 per diagonal							
1	1 only	1				60	SE 1 3 NW 1 3	3	10	15	5		
2	2 only	2				61	SE 2 4 NW 2 4	7	8	16	18		
3	3 only	3				62	NE 1 3 SW 1 3	14	19	2	11		
4	4 only	4				63	NE 2 4 SW 2 4	13	20	6	9		
5	5 only	5				64	SE 1 3 NW 2 4	3	10	16	18		
6	6 only	6				65	SE 2 4 NW 1 3	7	8	15	5		
7	7 only	7				66	NE 1 3 SW 2 4	14	19	6	9		
8	8 only	8				67	NE 2 4 SW 1 3	13	20	2	11		
9	9 only	9				Inner and outer – 2 per arm							
10	10 only	10				68	SE arm	3	8				
11	11 only	11				69	NE arm	14	20				
12	12 only	12				70	NW arm	15	18				
13	13 only	13				71	SW arm	2	9				
14	14 only	14				Inner and outer – 4 per diagonal							
15	15 only	15				72	SE NW	3	8	15	18		
16	16 only	16				73	NE SW	14	20	2	9		
17	17 only	17				Middle LEDs – 2 per arm							
18	18 only	18				74	SE arm	7	10				
19	19 only	19				75	NE arm	13	19				
20	20 only	20				76	NW arm	16	5				
						77	SW arm	6	11				
Arms						Middle LEDs – 4 per diagonal							
21	SE arm	8	10	7	3	78	SE NW	7	10	16	5		
22	NE arm	14	13	19	20	79	NE SW	13	19	6	11		
23	NW arm	15	16	5	18	Inner and outer half arms – opposites on diagonal							
24	SW arm	2	6	11	9	80	SE inner NW outer	3	7	5	18		
						81	SE outer NW inner	10	8	15	16		
						82	NE inner SW outer	14	13	11	9		
						83	NE outer SW inner	19	20	2	6		
Rings						Inner and outer half arms – perpendicular opposites							
25	ring 1 - inner	3	14	15	2	84	SE inner NE outer	3	7	19	20		
26	ring 2 - inner mid	7	13	16	6	85	SE inner SW outer	3	7	11	9		
27	ring 3 - outer mid	10	19	5	11	86	NE inner SE outer	14	13	10	8		
28	ring 4 - outer	8	20	18	9	87	NE inner NW outer	14	13	5	18		
29	Small points	12	4	1	17	88	NW inner NE outer	15	16	19	20		
						89	NW inner SW outer	15	16	11	9		
						90	SW inner SE outer	2	6	10	8		
						91	SW inner NW outer	2	6	5	18		
Complimentary pairs						Commands							
30	N S	1	12			92-126	Twinkle Rate:	(code-91)ms between changes					
31	E W	4	17			127	End of sequence						
32	SE1 NW1	3	15			128	End of loop	Go back to first pattern in current loop					
33	SE2 NW2	7	16			129-191	Start loop	Start of loop:					
34	SE3 NW3	10	5					repeat count = code-128 times					
35	SE4 NW4	8	18					Freq = 1000000/[8192(256-code)] Hz					
36	SW1 NE1	2	14										
37	SW2 NE2	6	13										
38	SW3 NE3	11	19										
39	SW4 NE4	9	20										
Half arms													
40	SE inner	3	7										
41	SE outer	10	8										
42	NE inner	14	13										
43	NE outer	19	20										
44	NW inner	15	16										
45	NW outer	5	18										
46	SW inner	2	6										
47	SW outer	11	9										
Complimentary halves													
48	SE NW inner	3	7	15	16								
49	SE NW outer	10	8	5	18								
50	SW NE inner	2	6	14	13								
51	SW NE outer	11	9	19	20								

EPE



Recycle It!



BY JULIAN EDGAR

A £5 variable voltage power supply

Want to be able to dim lights in, say, a model rail layout? Or what about varying the speed of a low-powered motor or regulating the voltage going to a bike headlight, so that its brightness stays the same as the battery voltage falls? It's all possible for less than £5.

THIS DESIGN uses a slightly modified car phone charger. Most car phone chargers use a DC-DC switching power supply to reduce the voltage from the car's 13.8V to whatever the phone requires. However, it's easy to modify the PC board to give an adjustable voltage output.

Apart from the car phone charger (the electronics are normally built into the cigarette lighter plug), all you need is a 10kΩ multiturn potentiometer. Car phone chargers are available in secondhand shops, at the tip and in the junk rooms out the back of

phone retailers, while a 10kΩ pot can be scrounged from some old gear or purchased from your local electronics parts retailer.

Building it

Fig.1 shows a typical circuit for a car phone charger. The IC controls the output voltage, using voltage feedback provided by resistors R1 and R2. So, if you change the values of R1 and R2, the voltage output will also change.

However, rather than have a fixed output, we can vary the output at will by installing a potentiometer in place

of the two resistors. Then it's just a case of measuring the output voltage and adjusting the pot until the required voltage is obtained.

If you want the voltage to be set and then forgotten, use a trimpot. Alternatively, if you want to be able to vary the voltage at any time, wire a full-size pot to the board with flying leads.

The most difficult part is finding the correct resistors to change. Individual chargers vary quite a lot, so the component designations marked on the board (eg R1, R2) will probably not coincide with Fig.1. Hmm.

So how do you find the right resistors? The answer is to closely look at

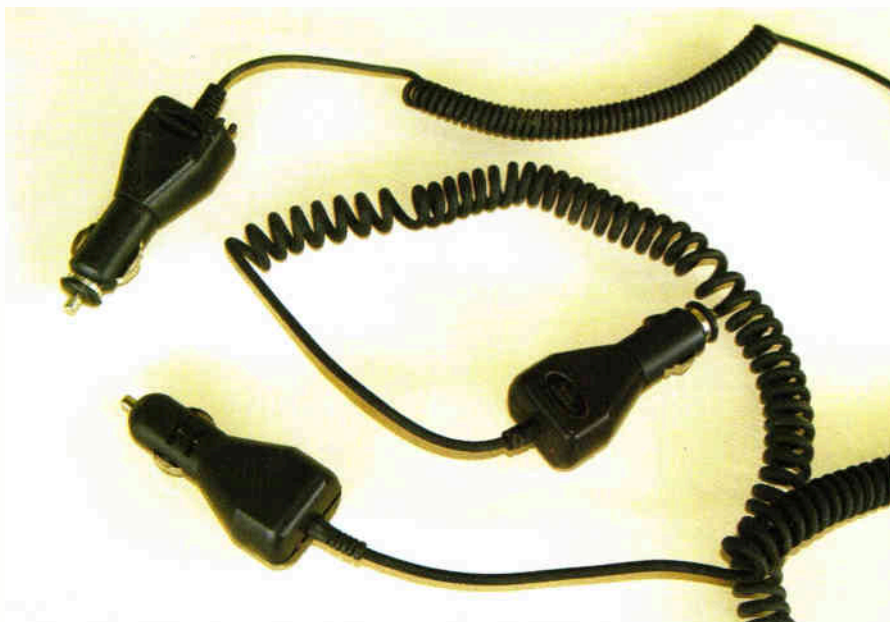
Rat it before you chuck it!



Whenever you throw away an old TV (or VCR or washing machine or dishwasher or printer) do you always think that surely there must be some good salvageable components inside? Well, this column is for you! (And it's also for people without a lot of dough.) Each month, we'll use bits and pieces sourced from discards, sometimes in mini-projects and other times as an ideas *smorgasbord*.

And you can contribute as well. If you have a use for specific parts which can easily be salvaged from goods commonly being thrown away, we'd love to hear from you. Perhaps you use the pressure switch from a washing machine to control a pump. Or maybe you salvage the high-quality bearings from VCR heads. Or perhaps you've found how the guts of a cassette player can be easily turned into a metal detector. (Well, we made the last one up, but you get the idea . . .)

If you have some practical ideas, write in and tell us!



Inside each of these car phone chargers is a sophisticated DC/DC converter that can be easily modified to provide a variable output power supply.

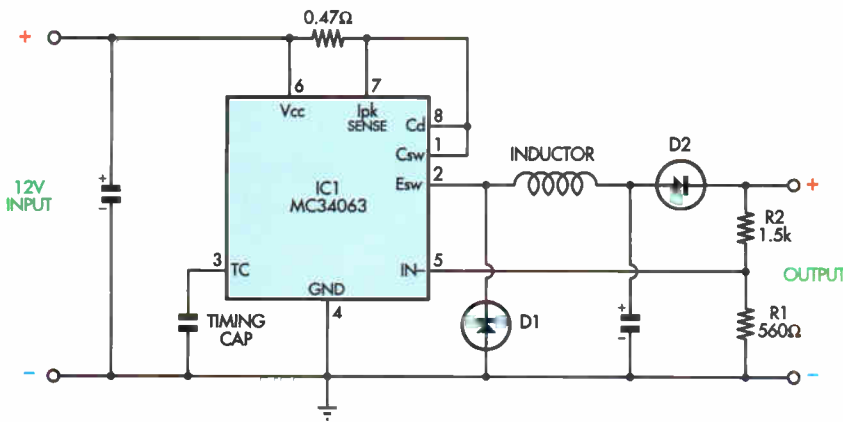
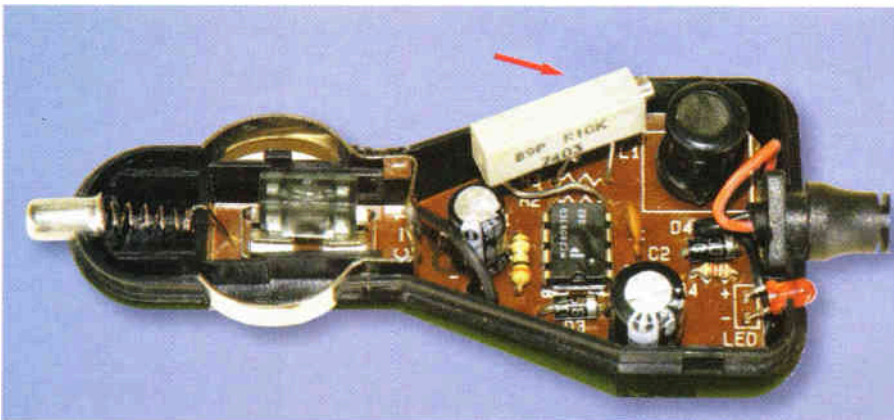


Fig.1: the circuit of a typical car phone charger. The output voltage is set by R1 and R2. If these are replaced with a 10kΩ pot, the output voltage can be adjusted over a wide range.



The charger is modified to produce a variable output by substituting a pot (arrowed) for two resistors. If external adjustment is needed, a full-size pot can be wired to the board with flying leads. In this case, a multiturn pot has been used, which allows for very accurate setting of the output voltage.

the top and bottom side of the board. Somewhere, there will be two resistors that join to a common track at one end, but go to different tracks at their other ends. The track that both resistors join to will also connect to pin 5 of the IC. Given that there will only be three or (at most) four resistors on the board, it shouldn't be all

that hard to find the resistor pair in question.

The next step is even easier – remove these two resistors and solder the pot to the board in their place. The centre terminal (moving contact) of the pot goes to the track where the two resistors were originally joined together, while the

Each of these bike headlights is run from a modified phone charger. The chargers are used to drop the voltage from the available 12V (provided by sealed lead-acid batteries that also power the electric-assist bike) to a regulated 6V.



outer pot terminals connect to the remaining two vacant pads.

Note that in some cases it's easier to make the connections by soldering the pot to the track side of the board.

Using it

To test the modified power supply, you'll need a source of 12V power and a multimeter.

First, connect the power supply to the 12V source (eg, a plugpack), making sure that you get the polarity the right way around (the tip of the cigarette lighter plug is positive). That done, connect the multimeter to the output leads of the adaptor and measure the voltage as the pot is adjusted – the output voltage should vary.

Finally, place a load on the output (eg, a small 12V bulb) and check that you can alter the brightness of the lamp over a wide range. Typically, you can draw about 0.5A from the unit (depending on the plugpack). If the output voltage is critical, the pot should be set with the typical load attached. *EPE*

Reproduced by arrangement with SILICON CHIP magazine 2008. www.siliconchip.com.au

ANDRE LAMOTHE'S
XGAMESTATION
LEARN STEP-BY-STEP HOW TO DESIGN
AND BUILD YOUR OWN VIDEO GAME CONSOLE!
Design Inspired by the Atari 800/2600,
Sinclair ZX Spectrum, Apple II & Commodore 64!





Complete Package **eBook** **Integrated IDE**

SX52 CPU
80 MIPS!

OPEN SOURCE!

FEATURES:

- Great for Hobbyists AND Students!
- Complete Software Development Kit!
- eBook on Designing the XGS Console!
- Parallax SX-Key Compatible!
- Fully Assembled XGS Micro Edition Unit!
- The Fun Way to Learn Embedded Systems!

PAL & NTSC COMPATIBLE!!










WWW.XGAMESTATION.COM
SUPPORT@NURVE.NET PH 512 266 2399(USA)

Using the Microchip PICkit 2 Debug Express to build a Capacitive Switch

By Marcel Flipse



A few passive components produce a capacitive switch

THE PICkit 2 Debug Express is a small kit with a development target board and a debugger. It has everything you need to develop a small project from scratch.

It was reviewed in the June '07 issue of *EPE*, showing the development environment (MPLAB) and the features of the debugger. The design presented in this issue is a Capacitive Switch, built with just a few passive components. The switch is implemented with Microchip's mTouch™ technology.

Microchip currently offers a number of different hardware solutions to suit the demands of any application, from the most basic single-button design using the small PIC10F, to the peripheral-rich mid-range and PIC24FJ MCU families. The design presented here is built with the PIC16F887 that is on the development board.

mTouch

Microchip's mTouch Sensing Solution is a touch-sensing design based on changes in capacitance. Many modern applications implement capacitive sensing to provide a sleek, aesthetic, and professional look to their product.

The basics of capacitive sensing are illustrated in Fig.1. As a user brings

their finger close to the sensing pad, additional capacitance is introduced to the system. This capacitance is detected through a PIC microcontroller, additional circuitry and software that detects a 'button press'.

The PIC16F887 features a comparator peripheral with SR Latch. Capacitive mTouch Solution implements the capacitance of the touch sensor as a frequency-determining element in a relaxation oscillator.

The frequency of the oscillator is then measured, and any shift due to a user's touch is detected and validated in software. Fig. 1 shows the schematic for the oscillator/timer circuit used, along with the sensor capacitance.

The relaxation oscillator is a free-running RC oscillator using the two comparators with an SR latch to change the charge direction of the sensing capacitor's voltage, up or down.

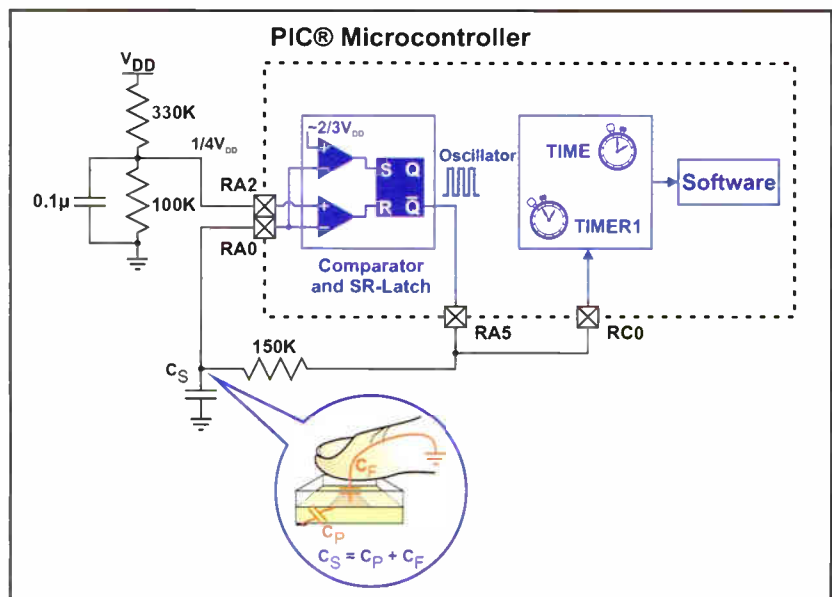


Fig.1: Basic mTouch oscillator schematic

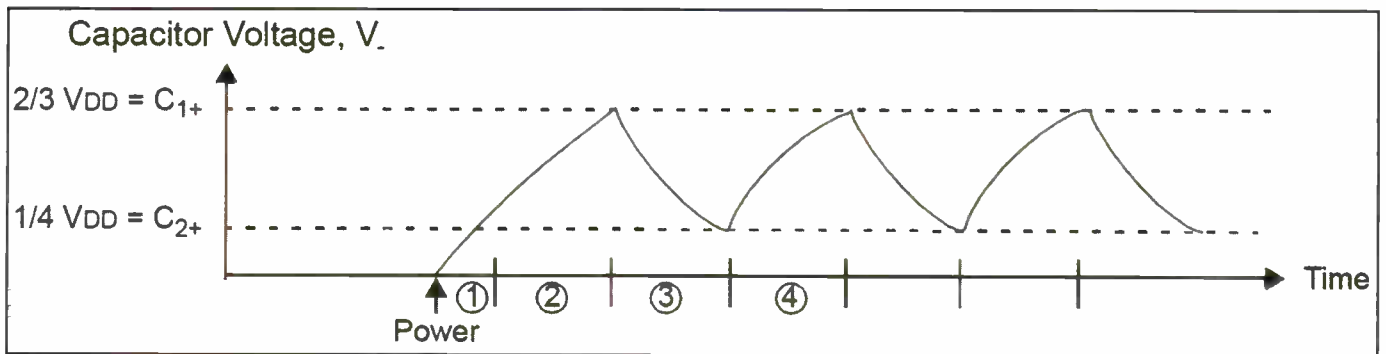


Fig.2: Charge and discharge cycles

It will charge and discharge the capacitor at a rate determined by the RC time constant, and it will charge between upper and lower limits set by the positive inputs to the comparators. The upper limit is internal, but the lower limit must be supplied externally. A simple resistor divider with a 100nF decoupling capacitor will do the job. The 100nF capacitor is in place to reject high-frequency noise from the power supply and ensure a stable lower limit.

The voltage across the sensing capacitor will charge and discharge between these limits, and is driven by logic level signals at C2_{OUT}. Comparator 2's output, C2_{OUT}, is configured for Q in order to get the appropriate charging and discharging behaviour. The feedback resistor forms the RC circuit with the sensor plate denoted as C_s. When the voltage across capacitor C_s is below the lower limit, C2_{OUT} goes high, and the system will begin charging.

In between the limits, the system will retain the last state (charging or discharging). When the voltage above upper limit C2_{OUT} goes low the system will begin discharging and continue to discharge through the middle region. An illustration of the charge and discharge cycling is shown in Fig. 2. The output, Q, and the charging or discharging state it represents is determined by the

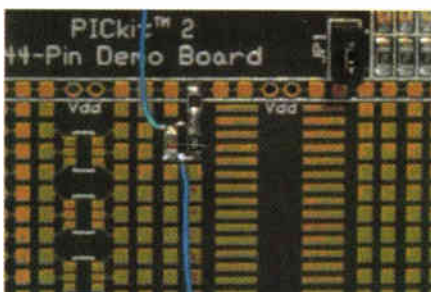


Fig.3: External lower voltage limit components

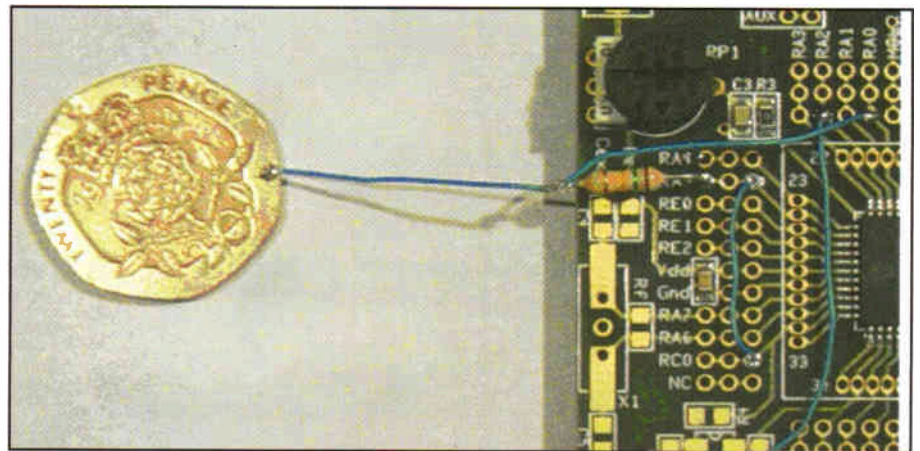


Fig.4: A 20 pence mTouch sensor pad

relative values of the negative input to the positive input of each comparator and the SR latch.

Building the circuit

The circuit can be built in minutes. The author used two surface mount resistors and a capacitor to construct the voltage divider for the lower voltage limit. The components were soldered on the prototyping area, see Fig.3. Wirewrap wire was used to make the connections.

When designing a capacitive button, the shape of the pad is not very important. The area of the pad is what is important. A larger pad area will allow better detection and sensitivity.

The author used a 20 pence coin, but any metal area will work, see Fig.4. A 150kΩ resistor was used for charging and discharging. The value of the resistor and the sensing capacitor determine the oscillator frequency. Any frequency in the 100kHz to 400kHz range will work. The exact frequency is not important, but having a high frequency yields more counts in the measuring process and a better resolution than a low frequency.

The next task is to connect the output of the oscillator to Timer1, so the software can measure the frequency. Another piece of wire was used to connect RA5/C2_{OUT} to the RC0/T1CKI pin of the PICmicro. The last wire that needs to be soldered runs from the junction of the RC to the comparator module (RA0/C12IN0-). Remove R3 from the board, as this will disable the onboard pot. See Fig.4.

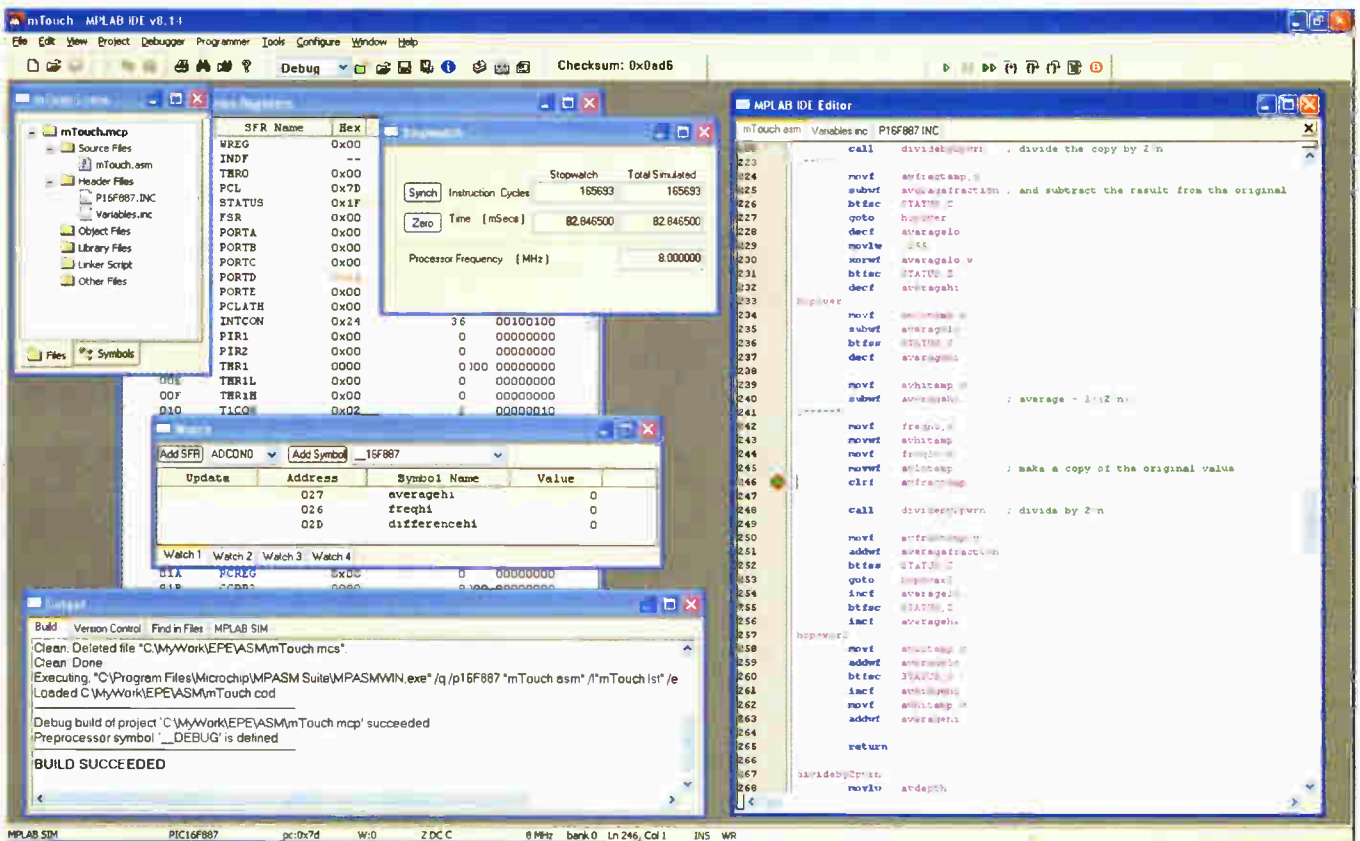
Software

The last step is to implement the code. The code was written in assembly language and can be compiled using MPLAB, which can be downloaded free of charge from the Microchip website.

The first step is to initialise the comparator peripheral. The appropriate registers are set in the Init subroutine. Once the oscillator is running, its frequency must be monitored to detect the drop in frequency caused by a finger 'press'. Each time C2_{OUT} changes from '0' to '1' Timer1 will increment.

A fixed timebase is used to measure the frequency over a defined period. Timer0 provides this fixed period timebase. At the start of a measurement, Timer0 is

Constructional Project



cleared and it will count up to 255 and then overflow. On overflow, the Timer0 interrupt, T0IF, causes the program to vector to the Interrupt Service Routine.

The value of TMR1 is then read and compared to previous readings.

If the current value of TMR1 is significantly lower, the capacitance has increased and a 'button press' is detected. The LEDs connected to PORTE will light up. The new value is averaged

into a running average, which is the base value for comparison. At the end of the Interrupt Service Routine, once all tasks determining a 'button press' are finished, both Timer1 and Timer0 are cleared and restarted for the next reading.

Additional information

The software for this project can be found at the EPE website:

www.epemag.com

Additional information on mTouch can be found on the Microchip website at:

www.microchip.com/mtouch

Special offer

To start designing your 'Capacitive Switch', or another exciting project, see the extra special offer from Microchip and EPE on the next page! **EPE**



www.epemag.com

Get your magazine 'instantly' anywhere in the world
— buy and download from the web.

TAKE A LOOK, A FREE ISSUE IS AVAILABLE

A one year subscription (12 issues)
costs just \$18.99(US)

Back issues are also available

A VERY SPECIAL OFFER TO EPE READERS!

Your chance to buy a Microchip PICkit™ 2 Debug Express Kit

Everyday Practical Electronics and Microchip have teamed up to offer you the chance to buy a PICkit™ 2 Debug Express Kit (DV164121) at an unprecedented discount price! In this issue of EPE, you have the chance to purchase this kit via microchipDIRECT at an unmissable price of only £9.99 - including VAT and Delivery to UK addresses! As this is an unprecedented price the offer is limited to one per household, (UK addresses only) / one per e-mail address.



PICkit™ 2 is a pocket sized complete programmer and debugger which allows easy in-circuit development of selected PIC® microcontrollers. Any personal computer can become a development station using the supplied MPLAB® IDE development tool for writing code, debugging and programming devices. A single USB port is used to interface with the PICkit 2 and control your PIC project, enabling you to halt, single step and break point your code on your target board.

The Kit includes Microchip's 44-pin PIC16F887 Flash microcontroller demo board, the PICkit 2 programmer, USB cable and software CDs, including Microchip's MPLAB IDE integrated development environment, CCS PCM™ Midrange C Compiler Demo for PIC16F887 and HI-TECH PICC™ LITE C Compiler - enabling new users to easily get started with an embedded control design.

How to buy your PICkit 2 Debug Express Kit at this special price:

- Go to <http://microchipdirect.com>, Register or log on to the site with the Great Britain - Union Jack flag and enter the part number DV164121.
- Add the PICkit to the Shopping Cart and then enter the Coupon number – EPEPIC08 and press the apply coupon button.
- Select checkout which will take you to the address and payment processes – remember to accept the terms & conditions and then place the order.
- Allow up to 28 days for delivery.

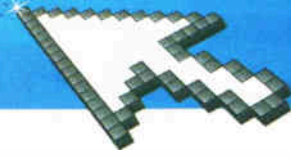
Conditions: This offer is only valid to UK readers - Only one PICkit™ 2 Debug Express Kit per household and or one per e-mail address is allowed. This offer applies to all UK purchases made before 31st January 2009 via microchipDIRECT and inserting and quoting the correct coupon reference. This offer may not be used in conjunction with any other offer. This coupon has no cash value. This offer may be withdrawn without prior notice. The coupon must be used in conjunction with all other terms and conditions specified by Microchip Technology Inc.

microchip
DIRECT
www.microchipdirect.com

 **MICROCHIP**
www.microchip.com

The Microchip name, logo, PIC and MPLAB are registered trademarks of Microchip Technology Incorporated in the USA and other countries. All other trademarks and registered trademarks are the property of their respective owners, © Microchip Technology Inc. All rights reserved ME216/Eng/09.08

INTERFACE



SERIAL PORT COMPATIBILITY ISSUES

THE BASICS of using the MSCOMM ActiveX component with Visual BASIC 6.0 were covered in an earlier *Interface* article. While there are advantages in using this combination to produce software for use with USB/RS232C add-ons, there is the major drawback of the software having less than total compatibility with modern versions of Windows. This should not really be the case, since the software is being produced using a Microsoft product that does things 'by the book' and does not take any shortcuts.

In most respects, the compatibility with current versions of Windows is quite good, but as explained in previous *Interface* articles, it can be difficult to get programs to run for the first time. This does not seem to be due to any major flaw in the programs, but would appear to be a result of Vista's somewhat overcautious approach to running programs. It is secure to a degree that can make it difficult to run some perfectly legitimate programs.

Express relief

Compatibility issues can be avoided using a more modern version of Visual BASIC, such as Visual BASIC 2008 Express Edition, which has a different means of handling serial ports. It is supplied complete with a component called SerialPort, which has many of the features provided by MSCOMM, but is not a direct equivalent to it. Like MSCOMM, it is not available by default, and it must be loaded onto a form before its facilities can be used.

Note that it will not appear on the form when the finished program is run, and it will not even appear as an icon on the form when the program is being written. Instead, its icon will appear in the lower section of the main window. It can be selected here, and its properties will then appear in the Properties window (Fig.1). Most of the SerialPort parameters can be controlled via the program, but the Properties window provides an easy means of setting the initial parameters.

The normal word format for interfacing to user add-ons is one start bit, eight data bits, and one stop bit with no parity. This word format is usually set by default, but it is as well to check these settings in the Properties window if you will not be setting them using program code.

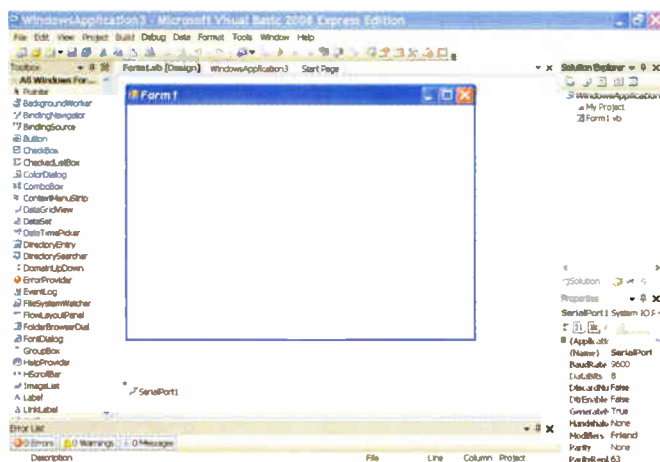


Fig.1. The serialPort component is loaded onto the form, but it does not appear on the form. Instead, it appears in the panel beneath the form

Listing 1

```
Public Class Form1
```

```
Private Sub Form1_Load(ByVal sender As System.Object,  
ByVal e As System.EventArgs) Handles MyBase.Load  
SerialPort1.Open()
```

```
HScrollBar1.SmallChange = 1  
HScrollBar1.LargeChange = 5  
HScrollBar1.Minimum = 0  
HScrollBar1.Maximum = 255  
HScrollBar1.Value = 0
```

```
End Sub
```

```
Private Sub HScrollBar1_Scroll(ByVal sender As System.Object,  
ByVal e As System.Windows.Forms.ScrollEventArgs) Handles  
HScrollBar1.Scroll
```

```
SerialPort1.Write(Chr(HScrollBar1.Value))  
Label1.Text = Chr(HScrollBar1.Value)  
Label2.Text = HScrollBar1.Value
```

```
End Sub
```

```
End Class
```

Incidentally, there is no way of setting the number of start bits, since there is always just one of them. The baud rate will probably default to 9600 baud, which is good enough when making some initial experiments, but a higher rate is needed in some real-world applications.

Make sure that the Handshake parameter is set to 'None'. Handshaking should be unnecessary with a user add-on, and there can be difficulties when sending data if it is accidentally enabled.

It is essential that the PortName parameter specifies the correct COM port. Standard serial ports built into a PC will usually be fixed as COM1 and COM2, but the port number assigned to a virtual serial port, such as a USB adaptor, will not necessarily remain unchanged. In particular, the port number assigned to a USB adaptor is quite likely to change if the adaptor is unplugged and reconnected later.

This is almost certain to happen if it is reconnected to a different USB port, since the adaptor will be regarded as a totally new port by the operating system. Anyway, with real-world software that uses a serial port it is normally necessary to provide some means for the user to select the correct port.

Stringing along

The normal problem when using a serial port with a user add-on is that the built-in routines for handling serial communication are aimed more at sending files or strings than at sending simple bytes of data. In some applications this is not a problem, but in most cases it is just individual bytes of numeric data that must be handled, or perhaps small groups of bytes. This was more problematic in the days when the user add-on was likely to be based on a UART and some logic devices, or just standard logic devices throughout. String conversions in either direction with this type of circuitry would be very difficult.

The same is not true when the add-on circuit is based on a PIC chip or some other microcontroller. String conversion in either direction should not prove difficult, and should really be quite easy if the characters in the strings will only be digits from 0 to 9. Handling the flow of data is also relatively easy when using a gadget based on a microcontroller, since everything is handled by software routines, with no extra hardware being required.

Consequently, in a modern context there is usually no absolute necessity to find a way of persuading the software in the PC to deal with data exchanges on a byte-by-byte basis. On the other hand, there

is usually some string conversion required at some stage of the proceedings, and the PC is probably the easiest place to deal with it. Anyway, here we will only be concerned with the exchange of data in the form of bytes rather than in the form of text strings.

Sending data

Sending data is somewhat simpler than receiving it, so we will start with this aspect of serial communications. Sending data can actually get quite involved, but Listing 1 strips the process down to the bare necessities.

This was written using Visual BASIC 2008 Express Edition, which is still available as a free download from the Microsoft site (as is a new Service Pack). It might also work with the 2005 version of this program, but it will definitely not work with any earlier edition.

A scrollbar is used to provide a variable value from 0 to 255, and each new value set on the scrollbar is sent via the serial port. Each value and its corresponding ASCII character are displayed by the program. In order to work properly, this program requires a form with a horizontal scrollbar and two label components. Of course, it must also have a SerialPort component with suitable parameters set. To keep things straightforward, the default names are used for all four components. The existing code is either modified to match Listing 1, or it is erased and replaced with the new code.

The first subroutine opens the serial port and sets suitable parameters for the scrollbar. If preferred, the parameters for the scrollbar can be set by way of its Properties window rather than using program code, but either way it is essential that the generated values are restricted to integers from 0 to 255. In other words, they must be valid values for a byte so that they can be sent via the serial port. The SmallChange value should be set to one, so that any integer from 0 to 255 can be generated.

The second subroutine sends each newly generated byte of data using the 'SerialPort1.Write()' method. The value from the scrollbar is stored in Hscrollbar1.Value, and it is converted into the corresponding ASCII character using a Chr() instruction. This character is then converted back into the corresponding byte value by the system and it is then sent via the serial port. The ASCII character and the unconverted byte value are used as the Text parameters for the Label1 and Label2 components respectively. Fig.2 shows the program in action. The only two pins of the serial port used when sending data are TXD (pin 3) and Gnd (pin 5). Full

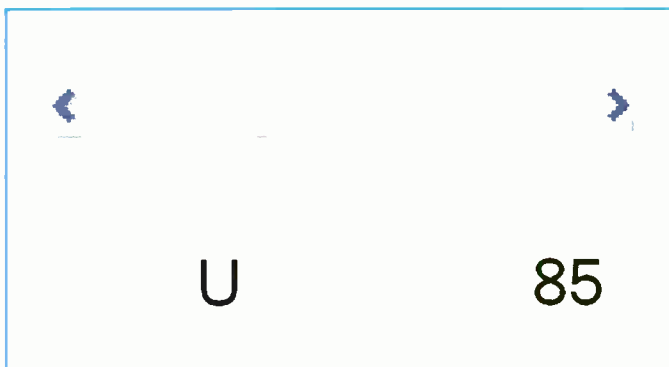


Fig.2. The simple serial port transmission program in operation. The last value transmitted is displayed, together with its corresponding ASCII character

Listing 2

```
Public Class Form1
    Private Sub Form1_Load(ByVal sender As System.Object, ByVal e As System.
EventArgs) Handles MyBase.Load
        SerialPort1.Open()
    End Sub
    Private Sub Button1_Click(ByVal sender As System.Object, ByVal e As System.
EventArgs) Handles Button1.Click
        SerialPort1.DtrEnable = True
    End Sub
    Private Sub Button2_Click(ByVal sender As System.Object, ByVal e As System.
EventArgs) Handles Button2.Click
        SerialPort1.DtrEnable = False
    End Sub
    Private Sub Button3_Click(ByVal sender As System.Object, ByVal e As System.
EventArgs) Handles Button3.Click
        SerialPort1.RtsEnable = True
    End Sub
    Private Sub Button4_Click(ByVal sender As System.Object, ByVal e As System.
EventArgs) Handles Button4.Click
        SerialPort1.RtsEnable = False
    End Sub
End Class
```

connection details for a 9-pin PC serial port are provided in Fig.3.

Highs and lows

There are two handshake outputs on the serial port that are not normally needed with user add-ons due to the lack of any hardware handshaking. These can be used as general purpose logic outputs, but it must be remembered that these operate at normal RS232C levels of about $\pm 12V$, and not at normal logic levels. Like RS232C data outputs, they must be used with line receivers in order to provide ordinary logic compatible voltages.

The two handshake outputs are the DTR and RTS lines, which are respectively at pins 4 and 7 of the serial port. These can be set as True (+12V) or False (-12V) via the DtrEnable and RtsEnable parameters. Listing 2 can be used to test these outputs, and it requires a form equipped with four control buttons and the SerialPort component. The text of each button is altered to indicate its function (Fig.4). Operating one of the buttons places either the DtrEnable or RtsEnable parameter at the appropriate setting, and the output level on the line should change accordingly.

A digital test meter set to a suitable voltage range is all that is needed in order to confirm that the two output lines are providing the appropriate responses.

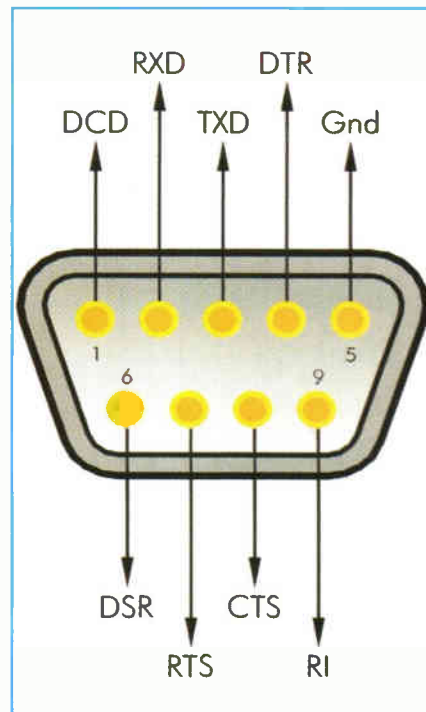


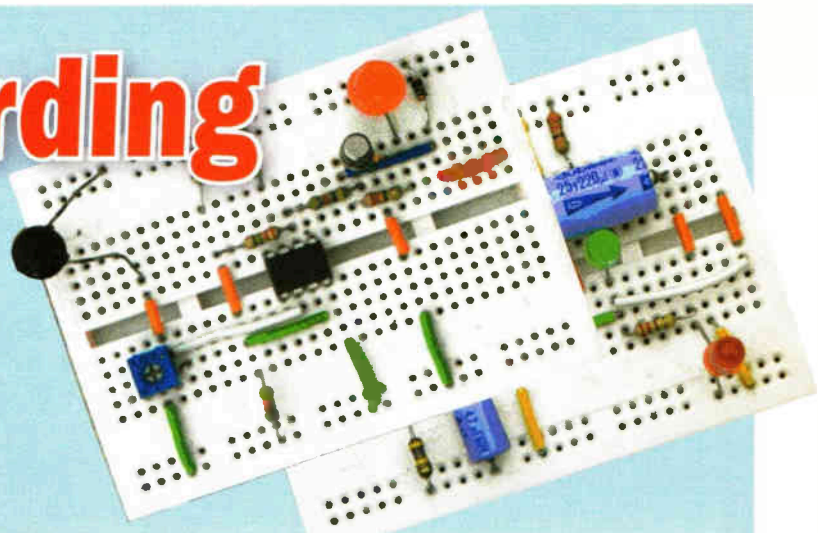
Fig.3. Connection details for a standard port. Only the TXD and Gnd terminals are required when sending data



Fig.4. Four buttons are required for the program that demonstrates control of the two handshake outputs (DTR and RTS). These outputs operate at RS232C signal levels and not at standard logic voltages

Breadboarding Projects

by Dr Malcolm Plant



A beginner's guide to simple, solder-free circuit prototyping Part 3: Thermostat and Games Timer

In this third part of our series we present constructional designs for a Thermostat and a Games Timer, both built on a plug-in breadboard.

Project 5: Thermostat

Have you ever wanted to keep something at a constant temperature? That's certainly what a thermos flask does, but what about an electronic solution?

Fig.3.1 shows one way of doing this electronically. The circuit is designed to maintain an environment, such as a small aquarium or a small enclosure containing insects, at a steady temperature.

How it works

A thermistor, TH1, is the sensing component, having a resistance that increases as its temperature falls – it is called a *negative temperature coefficient (NTC)* thermistor. The heating element is a low voltage filament lamp.

The circuit comprises three building blocks – see Fig.3.1. In sensing building block 1, a voltage divider is made up of the thermistor and a potentiometer, VR1, which is used as a variable resistor, both connected in series. The voltage at point X rises and falls as the thermistor warms up and cools, respectively.

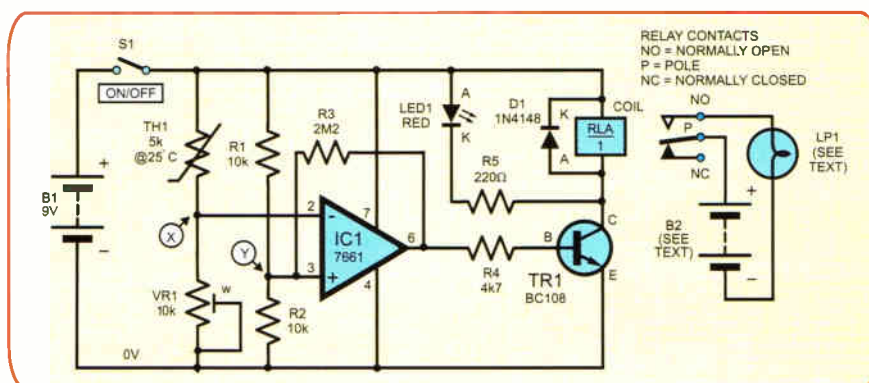


Fig.3.1: Circuit diagram for the Thermostat

In building block 2, a switching circuit based on an integrated circuit operational amplifier (op amp), IC1, senses the difference in the voltage

between its two inputs, at pins 2 and 3. Pin 2 responds to the varying voltage from the sensing circuit by comparing it with the fixed voltage set on pin 3,

Components needed...

- Integrated circuit, IC1:** type 7661 CMOS operational amplifier (op amp)
- Transistor, TR1:** type BC108 or similar general purpose type in a TO18 style package
- Thermistor, TH1:** NTC (negative temperature coefficient) disc type with a resistance of 5kΩ at 25°C. For example, type TTC502A,
- Light emitting diode, LED1:** suggest red
- Diode, D1:** type 1N4148 signal diode
- Relay, RLA:** low voltage 6V type, single-pole changeover contacts
- Potentiometer, VR1:** 10kΩ miniature preset type
- Resistors, R1 to R5:** 10kΩ (R1,R2), 2.2MΩ (R3), 4.7kΩ (R4) and 220Ω (R5), all 0.25W carbon film
- Switch, S1 (On/Off):** single-pole, single-throw (SPST) (optional)
- Battery, B1:** 9V and connecting leads
- Protobloc and wire links**
- Plus:** Heating lamp (LP1) and appropriate low voltage power supply (ie, battery) – see Fig.3.1

Component Info



IC1, type 7661 op amp (operational amplifier).

PIN 1

Viewed from the top, an indented dot and a 'half-moon' shape at one end indicates pin one. The pins are numbered anti-clockwise ending at pin 8 opposite pin 1

TR1, type BC108 NPN transistor



Seen from below, the emitter lead is next to the small metal tag. Clockwise from the emitter are the base, and collector leads



TH1, disc thermistor (5kΩ resistance at 25°C). Example, type TTC502A

Has long leads and can be connected either way round in the circuit



D1, type 1N4148 signal diode

Needs to be connected as shown on the circuit diagram, with the cathode (K) terminal, marked with a black band, connected to the positive supply

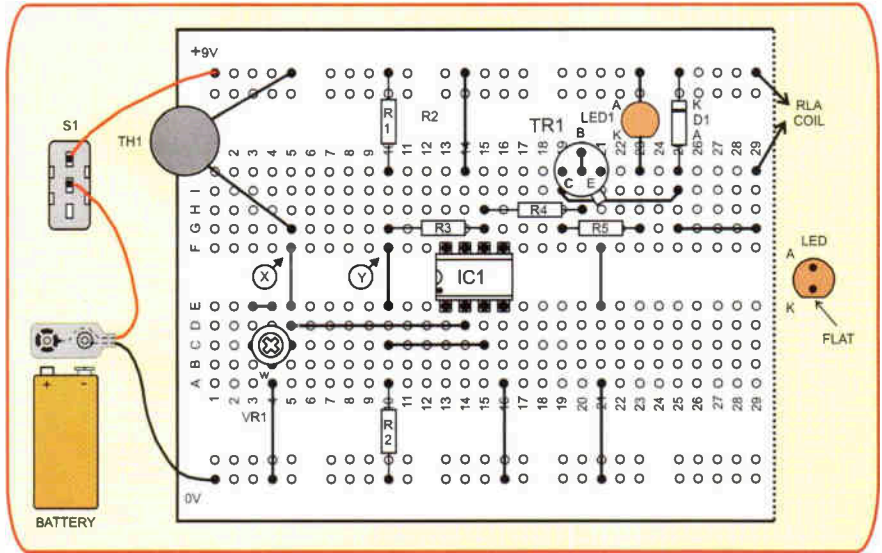


Fig.3.2: Assembly of the Thermostat on Protobloc

point X (pin 2) to fall below that at point Y (pin 3). When this happens, the output voltage at pin 6 of the op amp rises sharply and switches on transistor TR1 and energizes relay RLA.

The relay driver circuit is the third building block. The relay then switches on the filament lamp, LP1, which acts as a heater. Thus this heater only switches on when the temperature has fallen below the preset temperature set by VR1. Resistor R3 is essential for the snap-action (Schmitt trigger) switching of the op amp. Note that the reference voltage at point Y is set at half the supply voltage by resistors R1 and R2 through voltage divider action.

Notes

• Do not use the relay to control power from the mains supply. If you want to control mains-operated devices

you should seek the help of a qualified electrician.

• Use the *Circuit Tester* (from Part 1) to identify the base lead of TR1 and to confirm that it is not damaged

• Note that switch S1 will not be needed for a Protobloc assembly, but will be for a permanent assembly

• You need a screwdriver to adjust VR1 and a thermometer to check that the relay is energized when the thermistor senses that the temperature of the enclosure has fallen below the preset temperature.

• A 741 type of op amp will not work in this circuit. Its output voltage does not fall to zero and therefore it will not switch off the transistor. That is why a CMOS op amp is used, its output voltage ranges between 9V and 0V, thereby firmly switching the relay on and off.

marked by point Y. Depending on the setting of VR1, there will be a point when the temperature of the thermistor cools sufficiently to cause the voltage at

Construction brief

To ensure trouble-free assembly, you should try and follow these basic guide lines

Always use single-core 0.6mm diameter plastic-sheathed wire for wire links, not thicker. The ends of the wire should be stripped of plastic for about 8mm. The use of thicker wire can permanently damage the springy sockets underneath each hole.

Never use stranded wire; it can fray and catch in the sockets, or a strand can break off and cause unwanted connections below the surface of the breadboard.

It is very important to make sure that the bared ends of link wires and component leads are straight before inserting them into the breadboard. Kinks in the wire will catch in the springy clip below the socket and damage it if you have to tug to release the wire from the holes.

Make sure that the arrangement of components and wire links is tidy, with components snugly fitting close to the surface of the Protobloc. This usually means providing more link wires than is perhaps necessary, so as to avoid having wires going every-which-way across the board.

Never connect the battery leads to the top and bottom rails of the breadboard until you have carefully checked that all the component connections correspond to those on the circuit diagram.

Some components, such as switches and relays, do not have appropriate wire leads for insertion into the Protobloc. If you have access to a soldering iron, solder short lengths of single-core 0.6mm diameter plastic-sheathed wire to the terminals of these components.

Project 6: Games Timer

THE complete circuit diagram for the simple Games Timer is shown in Fig.3.3.

Essentially, it comprises one building block based on a single 555 timer IC (integrated circuit), wired as a monostable. The circuit produces an audio alarm after a preset time delay.

How it works

Pushswitch S2 is pressed momentarily to start the timing. Preset potentiometer VR1 (wired as a variable resistor) and capacitor C2 determine the time delay, which is between about ten seconds and three minutes using the component values shown. At the end of the timing period, the voltage at pin 3 of IC1 falls and the buzzer sounds.

When the circuit is switched on by means of S1, the buzzer sounds at first, but stops once the circuit is triggered to come on again after the time delay. When LED1 is lit, it shows the circuit is ready to be triggered or the timing has ended, while LED2 lights during the timing period.

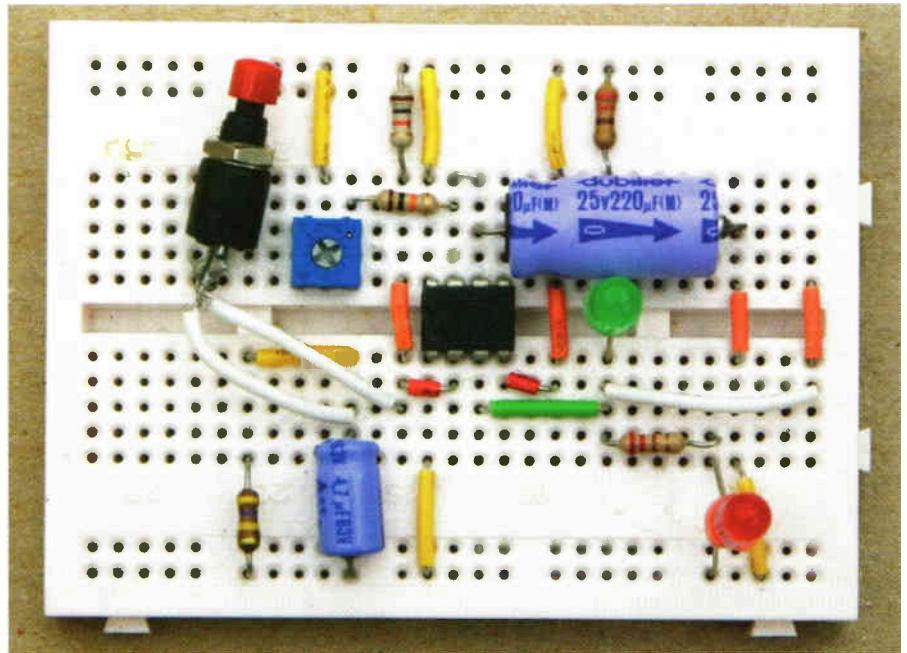
Time out

You can increase the values of VR1 and C2 to provide longer time delays. Capacitor C1 offers a short circuit when S2 is pressed, momentarily causing trigger pin 2 of IC1 to be connected to 0V to start the timing. Resistor R4 connected across capacitor C1 ensures that the capacitor discharges once it becomes momentarily charged by pressing S2.

You will need...



Three basic tools for assembling Protobloc projects: screwdriver, snipe-nose pliers and wire cutter/strippers



Games Timer assembled on Protobloc (buzzer and battery not shown)

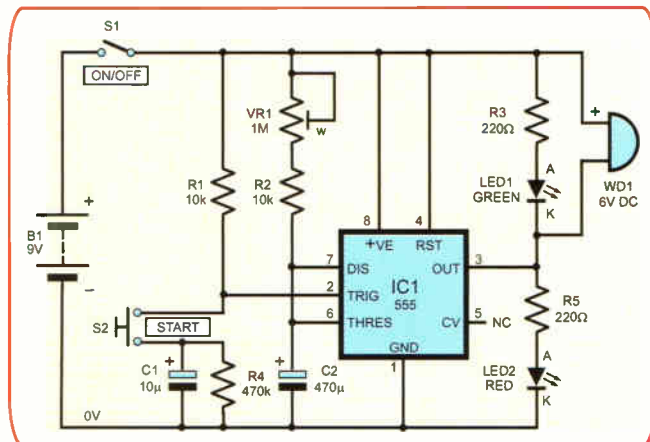


Fig.3.3: Games Timer circuit diagram

Components needed...

- Integrated circuit, IC1:** type 555 timer
- Light emitting diodes, LED1, LED2:** suggest one green (LED1) and one red (LED2)
- Buzzer, WD1:** miniature 6V DC type
- Potentiometer, VR1:** 1MΩ, miniature preset type
- Resistors, R1 to R5:** 10kΩ (R1, R2), 220Ω (R3, R5) and 470kΩ (R4)
- Capacitors, C1 and C2:** both axial electrolytic types, values 10µF (C1) and 470µF (C2), 16V or higher working voltage. For C2 use values between 100µF and 1000µF
- Switch, S1 (On/Off):** single-pole, single-throw (SPST) (optional)
- Pushswitch, S2:** push-to-make, release-to-break
- Battery, B1:** 9V and connecting leads
- Protobloc and wire links**

Component Info

IC1, type 555 timer IC



PIN 1

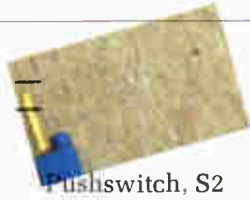
Viewed from the top, an indented dot and a 'half-moon' shape at one end indicates pin one. The pins are numbered anti-clockwise ending at pin 8 opposite pin 1.



Electrolytic capacitors

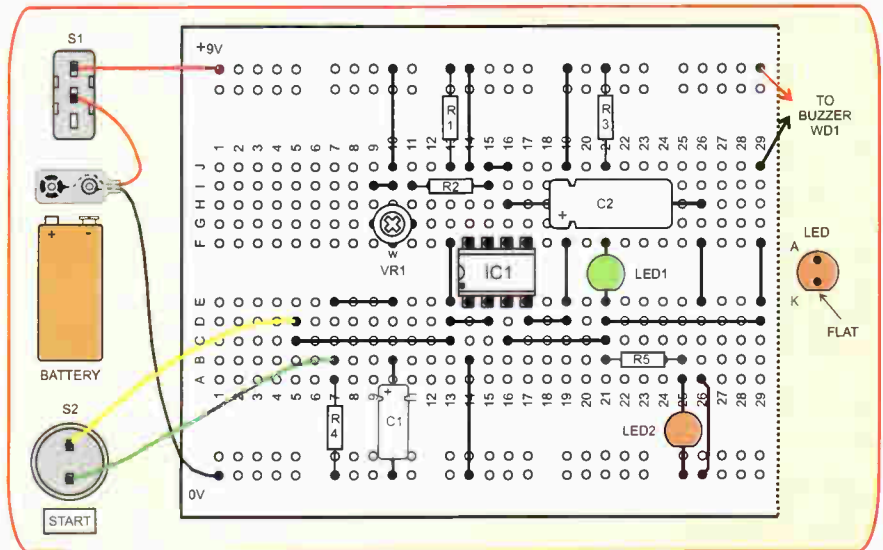
C1 (10 μ F) and C2 (470 μ F) 16VW

These are polarised; usually indicated by a + or - symbol on their body. The axial variety is shown on the Protobloc, but radial or PCB types could be accommodated



Pushswitch, S2

push-to-make, release-to-break



3.4: Assembly of the Games Timer on the Protobloc

Resistor, R1, ensures that the voltage on the trigger pin is normally at the positive supply voltage.

Breadboard

The Protobloc component layout for the Games Timer is shown in Fig.3.4. If the preset is replaced by a rotary pot, a dial attached to VR1 may be calibrated in seconds and minutes as required

Notes

- Capacitors C1 and C2 are polarized and require connecting as shown

- The time delay is given approximately by the product of the values of C2 and (VR1 + R2)

- If unsure, use the Circuit Tester from Part 1 to distinguish between the anode and cathode leads of each LED

- Switch S1 will not be needed for a Protobloc assembly, but will be for a permanent assembly

Next Month:

A Clap Switch and a simple Intercom

EPE BINDERS

KEEP YOUR MAGAZINES SAFE – RING US NOW!

This ring binder uses a special system to allow the issues to be easily removed and re-inserted without any damage. A nylon strip slips over each issue and this passes over the four rings in the binder, thus holding the magazine in place.

The binders are finished in hard-wearing royal blue PVC with the magazine logo in gold on the spine. They will keep your issues neat and tidy but allow you to remove them for use easily.

The price is £7.95 plus £3.50 post and packing. If you order more than one binder add £1 postage for each binder after the initial £3.50 postage charge (overseas readers the postage is £6.00 each to everywhere except Australia and Papua New Guinea which costs £10.50 each).

Send your payment in £'s sterling cheque or PO (Overseas readers send £ sterling bank draft, or cheque drawn on a UK bank or pay by card), to:

Everyday Practical Electronics, Wimborne Publishing Ltd, Sequoia House, 398a Ringwood Road, Ferndown, Dorset BH22 9AU.
Tel: 01202 873872. Fax: 01202 874562.

E-mail: editorial@epemag.wimborne.co.uk

Web site: <http://www.epemag.co.uk>

Order on-line from:

www.epemag.wimborne.co.uk/shopdoor.htm

We also accept card payments. Mastercard, Visa, or Maestro (minimum card order £5). Send your card number and card expiry date plus Switch Issue No. with your order.



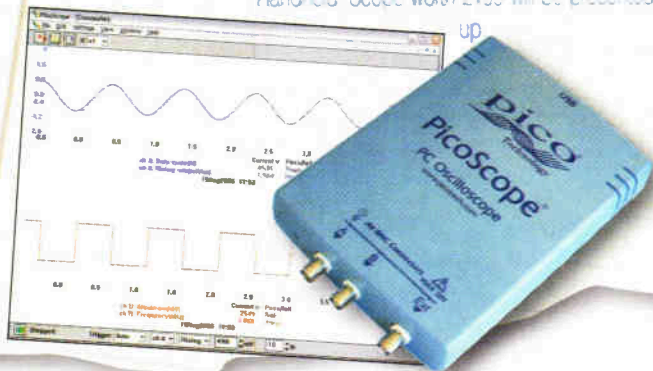
Ingenuity Unlimited

Our regular round-up of readers' own circuits

WIN A PICO PC-BASED OSCILLOSCOPE WORTH £799

- 200MHz Analogue Bandwidth Dual Channel Storage Oscilloscope
- Spectrum Analyser
- Frequency Meter
- Multimeter
- USB Interface

If you have a novel circuit idea which would be of use to other readers then a Pico Technology PC-based oscilloscope could be yours. After every 20 published IU circuits, Pico Technology will be awarding a PicoScope 3206 digital storage oscilloscope for the best IU submission. In addition a PicoScope 2105 Handheld Scope worth £199 will be presented to the runner up.



We pay between £10 and £50 for all material published, depending on length and technical merit. We're looking for novel applications and circuit designs, not simply mechanical, electrical or software ideas. Ideas must be the reader's own work and must not have been published or submitted for publication elsewhere.

The circuits shown have NOT been proven by us. Ingenuity Unlimited is open to ALL abilities, but items for consideration in this column should be typed or word-processed, with a brief circuit description (between 100 and 500 words maximum) and include a full circuit diagram showing all component values. Please draw all circuit schematics as clearly as possible. Send your circuit ideas to: Ingenuity Unlimited, Wimborne Publishing Ltd, Sequoia House, 398a Ringwood Road, Ferndown, Dorset BH22 9AU. Email: editor@icopenmag.wimborne.co.uk

Your ideas could earn you some cash and a prize!

VROOM – Top Gear Effects

Motorboat, vacuum cleaner, turbo-prop aircraft – you name it, this circuit will emulate it. It mixes three oscillators to produce a remarkably realistic simulation of various motor sounds.

The Vroom sound effects circuit diagram is shown in Fig.1. In order to create a convincing motor sound, one requires at least three oscillators to run in parallel. Further, each of these oscillators needs to be buffered, and finally mixed. With this in mind, the CMOS 40106 Schmitt hex inverter IC would seem ideal. Having six Schmitt NOT (inverter) gates, it lends itself to creating three clock generators (RC oscillators, or relaxation oscillators) with three buffers. Capacitors C4 to C6 then mix

the three outputs, and further serve to block DC. While the CD40106BE was used here, all makes of this IC should give good performance.

LS1 should ideally be a moving coil loudspeaker (a miniature loudspeaker is acceptable). A piezo device is less likely to give a realistic sound. Volume is modest, so that an amplifier is advised for increased output. Capacitor C7 serves to smooth the supply voltage and reduce the possibility of any frequency lock between the oscillators. The supply voltage may be varied between 3V and 15V, with loss of volume at lower voltages.

Preset potentiometer VR1 serves to alter the pitch of the engine sound. As it is, the circuit's pitch is a little on the high side – more like a vacuum cleaner or a racing motorcycle. Pitch may be reduced by increasing the values of C1 to C3, perhaps to 22nF. Preset VR1 could be replaced with two fixed resistors, one of which is switched in and out of circuit – this would provide a different motor sound, eg when reversing a motorised model. For the more ambitious hobbyist, one could add an automated volume control, eg to create a V6 doorbell when a bell-press is pushed – or automated pitch.

Thomas Scarborough, Cape Town

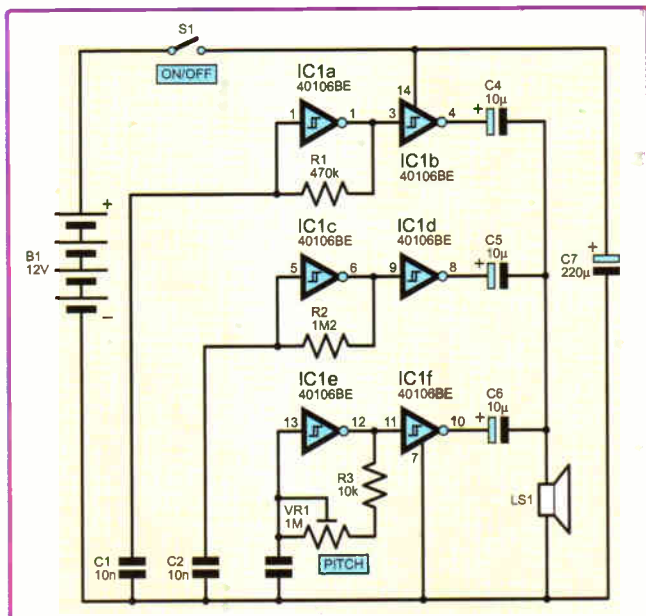


Fig.1. Vroom sound effects circuit

PICO PRIZE WINNERS

Once more it's time to decide the lucky winners of superb PC-based Oscilloscopes, generously donated by Pico Technology, to whom we extend our appreciation for sponsoring the column again. For more information about Pico's range of test equipment visit their web site at www.picotech.com, or see their advertisement elsewhere in this issue. Matt Pulzer and John Becker considered 20 published *Ingenuity Unlimited* entries; the results are:

Winner—receives a superb PicoScope 3206 Digital Storage Oscilloscope worth £799: *Mobile Phone Switch* (June '07) by Ian Hill – **Runner-Up** – a PicoScope 2105 Handheld Scope worth £199: *Atmospheric Charge Monitor* (Aug '07) by Thomas Scarborough

MAGENTA

ELECTRONICS LTD

135 Hunter Street Burton on Trent Staffs DE14 2ST
Tel: 44 (0)1283 565435 Fax: 44 (0)1283 546932

Chips, Parts & Kits for EPE Projects
Programmed PICs and chips for most EPE projects.

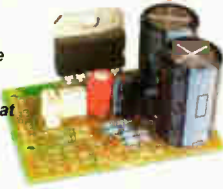
Check our website or 'phone for prices. We have supplied kits for EPE* projects for almost 30 years!! (& Everyday Electronics)

20W Stereo Amp.

Wide band Low distortion 11W /channel Stereo 20W Mono. True (rms) Real Power

Short Circuit & Overheat Protected. Needs 8 to 18V supply.

(Kit inc. all parts & heatsink for stereo or mono)



Latest Technology - Stable, Reliable, high performance

KIT 914- £11.90

Top Kits.

ICEbreaker PIC16F877 in - circuit emulator - Kit 900.... £34.99

1kV/500V Insulation Tester Inc. drilled case -Kit 848.. £32.95

Pipe Descaler - High Power with led monitor - Kit 868..£22.95

Ultrasonic PEST Scarer random 32k pulses Kit867..£19.99

P-I Metal Detector Micro based design - sensitive Kit847..£63.95

MAGENTA Bat Detectors

Our original famous KIT detector KIT 861...£37.99 & See the new built MkIIb and MKIII on the web.

All Prices Include VAT, Add £3.00 P&P per order, or £7.99 for next day. Chqs. P.O. & most major cards accepted. Mail Order Only.

MAGENTA

www.magenta2000.co.uk
sales@magenta2000.co.uk

SHERWOOD ELECTRONICS

Buy 10 x £1 Special Packs and choose another one FREE

SP1	15 x 5mm Red LEDs	SP137	4 x W005 1-5A bridge rectifiers
SP2	12 x 5mm Green LEDs	SP138	20 x 2-2/63V radial elect. caps.
SP3	12 x 5mm Yellow LEDs	SP142	2 x CMOS 4017
SP5	25 x 5mm 1 part LED clips	SP143	5 Pairs min. crocodile clips (Red & Black)
SP6	15 x 3mm Red LEDs	SP144	5 Pairs min.crocodile clips (assorted colours)
SP7	12 x 3mm Green LEDs	SP146	10 x 2N3704 transistors
SP8	10 x 3mm Yellow LEDs	SP147	5 x Stripboard 9 strips x 25 holes
SP9	25 x 3mm 1 part LED clips	SP151	4 x 8mm Red LEDs
SP10	100 x 1N4148 diodes	SP152	4 x 8mm Green LEDs
SP11	30 x 1N4001 diodes	SP153	4 x 8mm Yellow LEDs
SP12	30 x 1N4002 diodes	SP154	15 x BC548B transistors
SP18	20 x BC182B transistors	SP156	3 x Stripboard, 14 strips x 27 holes
SP20	20 x BC184B transistors	SP160	10 x 2N3904 transistors
SP23	20 x BC549B transistors	SP161	10 x 2N3906 transistors
SP24	4 x CMOS 4001	SP164	2 x C106D thyristors
SP25	4 x 555 timers	SP165	2 x LF351 Op Amps
SP26	4 x 741 Op Amps	SP166	20 x 1N4003 diodes
SP28	4 x CMOS 4011	SP167	5 x BC107 transistors
SP29	4 x CMOS 4013	SP168	5 x BC108 transistors
SP33	4 x CMOS 4081	SP172	4 x Standard slide switches
SP34	20 x 1N914 diodes	SP173	10 x 220/25V radial elect. caps
SP36	25 x 10/25V radial elect. caps.	SP174	20 x 22/25V radial elect. caps.
SP37	12 x 100/35V radial elect. caps.	SP175	20 x 1/63V radial elect. caps.
SP38	15 x 47/25V radial elect caps	SP177	10 x 1A 20mm quick blow fuses
SP39	10 x 470/16V radial elect. caps.	SP178	10 x 2A 20mm quick blow fuses
SP40	15 x BC237 transistors	SP181	5 x Phono plugs - asstd colours
SP41	20 x Mixed transistors	SP182	20 x 4-7/63V radial elect. caps.
SP42	200 x Mixed 0-25W C.F. resistors	SP183	20 x BC547B transistors
SP47	5 x Min. PB switches	SP186	8 x 1M horizontal trim pots
SP49	4 x 5 metres stranded-core wire	SP189	4 x 5 metres solid-core wire
SP102	20 x 8-pin DIL sockets	SP192	3 x CMOS 4066
SP103	15 x 14-pin DIL sockets	SP195	3 x 10mm Yellow LEDs
SP104	15 x 16-pin DIL sockets	SP197	6 x 20-pin DIL sockets
SP109	15 x BC557B transistors	SP198	5 x 24-pin DIL sockets
SP112	4 x CMOS 4093	SP199	5 x 2-5mm mono jack plugs
SP116	3 x 10mm Red LEDs	SP200	5 x 2-5mm mono jack sockets
SP118	2 x CMOS 4047		
SP124	20 x Assorted ceramic disc caps		
SP130	100 x Mixed 0-5W C.F. resistors		
SP131	2 x TL071 Op Amps		
SP133	20 x 1N4004 diodes		
SP134	15 x 1N4007 diodes		
SP135	5 x Miniature slide switches		
SP136	3 x BFY50 transistors		

RESISTOR PACKS - C.Film

RP3	5 each value - total 365 0-25W	£3.40
RP7	10 each value - total 730 0-25W	£4.65
RP10	1000 popular values 0-25W	£6.60
RP4	5 each value - total 305 0-5W	£4.20
RP8	10 each value - total 610 0-5W	£6.85
RP11	1000 popular values 0-5W	£8.95

Catalogue available £1 inc. P&P or FREE with first order. P&P £1.75 per order. NO VAT Cheques and Postal Orders to: SHERWOOD ELECTRONICS, 10 NEWSTEAD STREET, MANSFIELD, NOTTS. NG19 6JJ

Measure, Test & Control

PC based measure & control units. Analogue/Digital IO, data loggers from £49



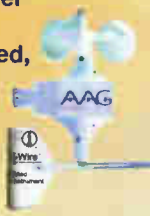
Budget Test Equipment Scopes Multimeters Function Generators from £99



Robot and Controller Kits - Micros, LCD, Relay boards Free Software From £29



PC Weather Stations Wind speed, direction, temp, humidity, rainfall Free software From £59



Learn more at www.audon.co.uk

AUDON Electronics

www.audon.co.uk | +44 (0)115 925 8412 | Fax +44 (0)115 925 9757

e CRICKLEWOOD ELECTRONICS

Established 1981



Frustrated with your supplier? Visit our component packed website for a vast range of parts - old and new, many unavailable elsewhere! www.cricklewoodelectronics.com

1000's OF PRICES REDUCED!

Alternatively phone us on 020 8452 0161 with your requirements.



Visit our Shop, Call or Buy online at: www.cricklewoodelectronics.com

020 8452 0161 Visit our shop at: 40-42 Cricklewood Broadway London NW2 3ET

Logic device families

A FREQUENT contributor to the *EPE Chat Zone* on-line forum (via www.epemag.co.uk) **steerpike** posted a question about logic families:

When buying components, on my list I usually just write things like 'CD4094B' and often they hand over something like an HCF4094 or an HEF; I never think about the difference – they just work. Last week, they told me they've stopped selling the 'CD' series, and what did I want instead?

So what are the usual, trendy, substitutes for the old 'CD' series that is intractably embedded in my concept of digital electronics? Some web pages say HCF and HEF devices are restricted to 5V, but then the HEF4016 is good up to 15V, as with the old CD4016.

More recently **big_nige** asked a related question:

Many years ago I had a book called The TTL Data Book, published by TI. It had pin-outs of the entire 74xx family at the time, as well as timing details. Is a similar thing available for the modern equivalent, which I assume is 74HC? Or do I have to download individual data sheets?

So this month's topic is logic devices – the meaning of their code numbers and where to look for data on them.

Logic families

There is a bewildering number of 'logic families', ie types of circuitry and manufacturing process technologies for implementing discrete digital devices. The first commercially available logic family was Resistor-Transistor Logic (RTL), introduced in 1962. This was followed by Diode-Transistor Logic (DTL) and then the Transistor-Transistor Logic (TTL) of the classic 7400 series.

All these are based on the bipolar junction transistor (BJT), with TTL using a 'multiple emitter' transistor at logic gate inputs. New versions of TTL were introduced over the years to provide higher operating speed and/or lower power dissipation, for example Advanced Schottky TTL (ASTTL).

The majority of modern logic families are now based on MOSFETs (Metal-Oxide-Semiconductor Field Effect Transistors). MOS logic may be implemented using N-type or P-type MOS transistors alone (NMOS and PMOS), or both together (Complementary MOS – CMOS).

Table 1: Logic Families from Texas Instruments

Code	Logic Family	Technology
ABT	Advanced BiCMOS Technology	BiCMOS
ABTE	Advanced BiCMOS Technology / Enhanced Transceiver Logic	BiCMOS
AC	Advanced CMOS Logic	CMOS
ACT	Advanced CMOS Logic	CMOS
AHC	Advanced High-Speed CMOS	CMOS
AHCT	Advanced High-Speed CMOS	CMOS
ALB	Advanced Low-Voltage BiCMOS	BiCMOS
ALS	Advanced Low-Power Schottky Logic	BiPolar
ALVC	Advanced Low-Voltage CMOS Technology	CMOS
ALVT	Advanced Low-Voltage CMOS Technology	BiCMOS
AS	Advanced Schottky Logic	BiPolar
AUC	Advanced Ultra-Low-Voltage CMOS Logic	CMOS
AUP	Advanced Ultra-Low-Power CMOS Logic	CMOS
AVC	Advanced Very-Low-Voltage CMOS Logic	CMOS
BCT	BiCMOS Technology	BiCMOS
CB3Q	Low-Voltage, High-Bandwidth Bus Switch Technology	CMOS
CB3T	Low-Voltage, Translator Bus Switch Technology	CMOS
CBT	Crossbar Technology	CMOS
CBT-C	CBT with Undershoot Protection	CMOS
CBTLV	Low-Voltage Crossbar Technology	CMOS
CD4000	CMOS Logic	CMOS
F	Fast Logic	BiPolar
FB	Backplane Transceiver Logic	BiCMOS
FCT	Fast CMOS Technology	CMOS
GTL	Gunning Transceiver Logic	BiCMOS
GTLF	Gunning Transceiver Logic Plus	CMOS
HC	High-Speed CMOS Logic	CMOS
HCT	High-Speed CMOS Logic	CMOS
HSTL	High-Speed Transceiver Logic	BiCMOS
JTAG	JTAG Boundary Scan Support	BiCMOS
LS	Low-Power Schottky Logic	BiPolar
LV-A	Low-Voltage CMOS Technology	CMOS
LV-AT	Low-Voltage CMOS Technology	CMOS
LVC	Low-Voltage CMOS Technology	CMOS
LVT	Low-Voltage BiCMOS Technology	BiCMOS
PCA	Inter Integrated Circuit	CMOS
PCF	Inter Integrated Circuit	CMOS
S	Schottky Logic	BiPolar
SSTL	Stub Series Terminated Logic	BiCMOS
SSTV	Stub Series Terminated Low-Voltage Logic	CMOS
TCA	Inter Integrated Circuit	CMOS
TS	TI Switch	CMOS
TTL	Transistor-Transistor Logic	BiPolar
TVC	Translation Voltage Clamp	CMOS
VME	VME Bus Products	CMOS

Almost all MOS logic is now implemented in CMOS. The classic CMOS logic family is the 4000 series, but CMOS versions of the 7400 series are also available (eg 74HC00 and many other more modern families). MOS and bipolar transistors can be used together to exploit the advantages

of both, in Bi-CMOS, the 74ABTC series for instance.

Table 1 lists the range of logic families currently available from Texas Instruments (www.ti.com), showing the family code, the name and technology type. This list ranges from effectively obsolete families

Table 2: Example device code prefixes

Prefix	Manufacturer
SN	Texas Instruments
CD	Texas Instruments, National Semiconductor, Harris, Fairchild, RCA
HEF	NXP, Philips, Motorola, Texas Instruments, STMicroelectronics, SGS-Thompson
HCF	SGS-Thompson, STMicroelectronics,
MC	Motorola, STMicroelectronics, SGS-Thompson

to the most recent logic low voltage high speed logic technologies. Other manufacturers produce similar lists of their logic families.

The device code prefixes such as CD and HEF mentioned by Steerpike are manufacturer designation codes – they indicate who made the chip, they may also indicate the device family, but this is not always the case. These are rarely unique to a single manufacturer, although some prefixes are strongly associated with one (such as SN for Texas Instruments). Semiconductor companies change names and are bought and sold by other companies, so the prefixes change allegiance too. Also, compatible devices are and were often made by multiple manufacturers, with the same prefixes.

can appear here. The device function code is Part 7, eg 00 for a quad 2-input NAND gate). Some parts of the code may be blank for some devices. Not all functions are available in all families and manufacturers usually publish large ‘selection guide’ tables indicating what functions are available in which family.

Logic selection

If you want all the serious details on the various logic families, take a look at the Texas Instruments *Logic Selection Guide*. The document version at the time of writing is 2007 Rev. Z, which is available as a 101-page, 4.5MB PDF download. The document URL is:

focus.ti.com/lit/ml/sdyu001z/sdyu001z.pdf

NXP: www.standardics.nxp.com/products/hef/datasheet/hef4016b.pdf

TI: focus.ti.com/lit/ds/symlink/cd4016b.pdf

ST: www.st.com/stonline/products/literature/ds/2027.pdf

From NXP, the Philips 1995 Datasheet for the HEF4016 refers you to the HE4000B family specification datasheet, which states that the maximum supply voltage is 18V, but recommends an upper limit of 15V (unless further limited by power dissipation constraints). The family datasheet refers to HEC and HEF devices, the difference between HEF4000 and HEC4000 devices being the operating temperature range. However, only HEF devices seem to be listed on NXP’s website. The HEF4016BP plastic DIP version is listed as being in production.

The Texas Instruments 2003 Datasheet for the CD4016B (which it acquired from Harris Semiconductor) states the maximum supply voltage for reliable operation is 18V and the absolute maximum is 20V. Characteristics are quoted up to 15V, again presumably a recommended maximum. A Package Option Addendum to Texas Instrument’s datasheet, dated 18 Sep 2008, states that the plastic DIP version (CD4016BE) is in active production.

The STMicroelectronics 2001 datasheet for the HCF4016B states that the absolute maximum supply voltage is 22V, but the recommended maximum is 20V. On the page with the link to the datasheet there is a section titled *Related Information*, under which there is a link titled *5V Logic Product Page*. This may have caused Steerpike or others to assume the HCF4016 is a 5V device, whereas the datasheet clearly states that it is not.

The CD, HEF and HCF 4000 series devices from different manufactures should be more or less the same in terms of their basic characteristics, such as maximum supply voltage. The information from these three datasheets seems to indicate some variation in absolute maximum supply voltage, and possibly recommended supply voltage.

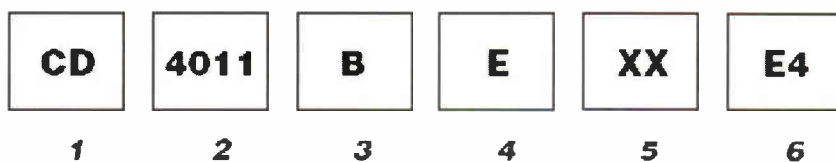


Fig.1. Example anatomy of an IC’s code name (from Texas Instruments)

Table 3: The various parts of the IC code from Fig.1

Part	Description	Examples
1	Prefix - Designates the manufacturer	CD
2	Type - The logic function, up to five digits	4016 4049
3	Supply Voltage	A – 12 V Maximum B – 18 V Maximum UB – 18 V Maximum, Unbuffered
4	Package format	E – Plastic Dual-In-Line Package (DIP) F – Ceramic DIP M – Plastic Surface-Mount Small-Outline Integrated Circuit (SOIC) <i>There are many more of these.</i>
5	High-Reliability Screening. This code indicates compliance with MIL standards for military products only.	
6	RoHS and Green Status	<i>Codes to indicate conformance to Lead-Free and other environmental standards</i>

A few common prefixes and associated manufactures for logic devices old and new are listed in Table 2. The list is not exhaustive either in terms of logic device manufacturers or which companies have used the prefixes. Some of the companies listed no longer exist.

The complete anatomy of an IC’s full code name can be quite complex. For example, Texas Instruments have a 12-part code for some of their SN74 logic devices. The kind of information the device codes may include is things such as temperature range, special features, bit width, options, revision version, speed grade, packaging type and RoHS (Restriction of Hazardous Substances)/green status. Fig.1 shows one example of how an IC’s code number is formed. This is for CD4000 logic devices from Texas Instruments, which were originally from Harris Semiconductor.

Table 3 shows what each part of the code means.

In Fig.2 is shown an example of the 12-part code number for Texas Instruments SN74 devices mentioned above. We will not provide a complete breakdown here, but note that Part 3 is the device family – many, but not all, of the codes in Table 1

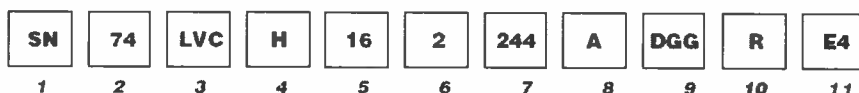


Fig.2. Structure of example SN74 device code from Texas Instruments

Other manufacturers also produce logic selection guides, for example the *Standard Logic ICs Selection Guide* from STMicroelectronics. This document is at:

www.st.com/stonline/products/promlit/pdf/sgstandig-1204.pdf

We do not know what websites Steerpike has seen which stated that the HCF and HEF devices are limited to 5V; however, the best place to look for device data is on the latest version of a manufacturer’s datasheet. The manufacturers’ websites and/or datasheets also state the current production status, so you can tell if the device is obsolete, about to be discontinued or still in production.

Datasheets for the HEF4016, CD4016, and HCF4016 are available on NXP’s (formerly Philips’), Texas Instruments’ and STMicroelectronics’ websites respectively. The relevant URLs are:

In most cases, minor differences between different manufacturers’ versions of the same logic device should not cause any problems; as Steerpike says “I never think about the difference – they just work”. So, when choosing a chip from a supplier it probably does not matter which one you go for, but if in doubt check the datasheet using the internet.

Wrongness

Occasionally, things do go wrong of course – if the circuit depends critically on a parameter which changes between device versions. This can cause problems even with ICs from the same manufacturer, particularly in products manufactured over many years. For example, if the IC manufacturers change the production line, keeping the devices in specification, but

possibly making them better (eg faster) than older versions, product using the chips may then fail due to a timing problem caused by the faster devices being 'out of step' with the rest of the circuit. Such problems are unlikely to affect electronics hobbyists, but have occurred in long running commercial designs.

The situation with different logic families is different. Devices with the same function (NAND gate, JK-type flipflop etc), with the same function code (eg 7408, 7474) in different logic families are not equivalent. Different logic families may have completely different supply voltages, and even if they can share the same supply their logic levels and drive capabilities may not be fully compatible.

Full characteristics of their logic families are, of course, published by the IC manufacturers.

Data sources

Mention of manufacturers' documentation leads us to Big nige's question about *The TTL Data Book* from Texas Instruments. As was pointed out by **istedman** in a reply on the forum, the modern equivalent is the *Digital Logic Pocket Data Book*. The current version of this document is Rev. B, Jan 2007, which is a 794-page, 6MB PDF download. The URL is: focus.ti.com/lit/ug/scyd013b/scyd013b.pdf.

This document has device pinouts and basic information on a large number of logic families (many of those in Table 1) and includes all of the well known basic 4000 and

7400 series devices that Texas Instruments still manufacture. The *Digital Logic Pocket Data Book* does not contain full datasheets. These have to be downloaded separately from Texas Instrument's website (or other manufacturers where appropriate).

A number of document URLs have been listed in this article and were correct at the time of writing. However, please note that semiconductor manufacturers, like many other businesses, occasionally restructure their websites. The documents should still be there, but you will need to navigate from the home page following links such as Products<Logic>Standard Logic. Look for documents or pages titled *Logic Selection Guide* or similar.

NEWSAGENTS ORDER FORM

Please reserve/deliver a copy of **Everyday Practical Electronics** for me each month

Title: _____ First Name: _____ Surname: _____

Address: _____

Postcode: _____ Tel: _____

Everyday Practical Electronics is published on the second Thursday of each month and distributed S.O.R. by SEYMORE.

Make sure of your copy each month – cut out or photocopy this form, fill it in and hand it to your newsagent



www.stewart-of-reading.co.uk

OSCILLOSCOPES ON EXTRA SPECIAL OFFER (For Limited Period Only)

TEKTRONIX

465 Dual Trace 100MHz Delay Sweep	£75
465B Dual Trace 100MHz Delay Sweep	£95
466 Dual Trace 100MHz Analogue Storage	£75
468 Dual Trace 100MHz Delay Sweep Digital Storage	£125
475 Dual Trace 200MHz Delay Sweep	£110
2214 4 Ch. 20MHz Analogue 1 MS/S	£95
2215A Dual Trace 60MHz Delay Sweep Dual TB	£95
2220 Dual Trace 60MHz Digital Storage. Cursors	£125
2225 Dual Trace 50MHz	£95
2230 Dual Trace 100MHz Digital Storage. Cursors	£195
2235 Dual Trace 100MHz Dual TB	£150
2235A Dual Trace 100MHz Dual TB	£175
2236 Dual Trace 100MHz Dual TB with Counter Timer & DMM	£175
2236A Dual Trace 100MHz Dual TB with Counter Timer & DMM	£195
2245A 4 Ch. 100MHz Dual TB Delay Sweep. Cursors	£195
2430 Dual Trace 150MHz 100 MS/S	£250
2445 4 Ch. 150MHz Delay Sweep. Cursors etc	£195
2445A 4 Ch. 150MHz Delay Sweep. Cursors etc	£225
2445B 4 Ch. 150MHz Delay Sweep. Cursors	£250
2445B With DMM 4 Ch. 150MHz Delay Sweep. Cursors	£250
2465 4 Ch. 300MHz Delay Sweep. Cursors etc	£300



2465A 4 Ch. 350MHz Delay Sweep. Cursors etc	£400
2465B 4 Ch. 400MHz Delay Sweep. Cursors etc	£500
2465B Rack Mount 4 Ch. 400MHz Delay Sweep. Cursors etc	£400
2467 4 Ch. 350MHz Delay Sweep. Cursors etc	£400
TAS 465 Dual Trace 100MHz Delay. Cursors	£195
TAS 485 4 Ch. 200MHz Delay. Cursors	£275

HP

54501A Digitising 2+2 Ch 100MHz 10 MS/S	£150
54502A Digitising 2 Ch. 400MHz 400 MS/S	£250
54600A Dual Trace 100MHz 20 MS/S	£195
54600B Dual Trace 100MHz 20 MS/S	£225

PHILLIPS

PM3052 Rack Mount Dual Trace 60MHz	£75
PM3055 2+1 Ch. 60MHz dual TB/Delay. Autoset	£95
PM3065 2+1 Ch. 100MHz dual TB/Delay. Autoset	£125
PM3084 4 Ch. 100MHz Delay TB	£140
PM3335 Digital Storage Dual Trace 60MHz 20 MS/S	£125
PM3337 Rack Mount Digital Storage Dual Trace 60MHz 20 MS/S	£125
PM3365A Digital Storage Dual Trace 100MHz 100 MS/S	£150

HITACHI

V222 Dual Trace 20MHz DC Offset, Alt. Mag	£50
V522 Dual Trace 50MHz DC Offset, Alt. Mag	£65
V665 Dual Trace 60MHz Delay Sweep. Cursors etc	£75
V1065 Dual Trace 100MHz Delay Sweep. Cursors etc	£85
V1065A Dual Trace 100MHz Delay Sweep. Cursors etc	£95
V1150 4 Ch. 150MHz Delay Sweep. Cursors. DVM etc	£125

HAMAG

203.4 Dual Trace 20MHz Component Tester	£75
203.6 Dual Trace 20MHz Component Tester	£85
305 Dual Trace 03MHz Analogue/Digital 40 MS/S per Channel Component Tester	£140
604.2 Dual Trace 60MHz Component Tester	£125

STEWART of READING

17A King Street, Mortimer,
Near Reading RG7 3RS

Telephone: (0118) 933 1111

Fax: (0118) 933 2375

www.stewart-of-reading.co.uk

9am-5pm Monday to Friday

Check out our website,
1,000s of items currently in stock

Used Equipment – GUARANTEED.

Most Manuals supplied

Please check availability before ordering or calling.

Prices plus carriage and VAT

STORE YOUR BACK ISSUES ON CD-ROMS



- VOL 1: BACK ISSUES** – January 1999 to June 1999
Plus some bonus material from Nov and Dec 1998
- VOL 2: BACK ISSUES** – July 1999 to December 1999
- VOL 3: BACK ISSUES** – January 2000 to June 2000
- VOL 4: BACK ISSUES** – July 2000 to December 2000
- VOL 5: BACK ISSUES** – January 2001 to June 2001
- VOL 6: BACK ISSUES** – July 2001 to December 2001
- VOL 7: BACK ISSUES** – January 2002 to June 2002
- VOL 8: BACK ISSUES** – July 2002 to December 2002
- VOL 9: BACK ISSUES** – January 2003 to June 2003
- VOL 10: BACK ISSUES** – July 2003 to December 2003
- VOL 11: BACK ISSUES** – January 2004 to June 2004
- VOL 12: BACK ISSUES** – July 2004 to December 2004
- VOL 13: BACK ISSUES** – January 2005 to June 2005
- VOL 14: BACK ISSUES** – July 2005 to December 2005
- VOL 15: BACK ISSUES** – January 2006 to June 2006
- VOL 16: BACK ISSUES** – July 2006 to December 2006
- VOL 17: BACK ISSUES** – January 2007 to June 2007
- VOL 18: BACK ISSUES** – July 2007 to December 2007

A great way to buy EPE Back Issues – our CD-ROMs contain back issues from our EPE Online website plus bonus articles, all the relevant PIC software links and web links. Note: no free gifts are included.

Order on-line from
www.epemag.com
or by phone, fax, email or post

BACK ISSUES CD-ROM ORDER FORM

Please send me the following Back Issue CD-ROMs.
Volume Numbers:

Price **£16.45 each** – includes postage to anywhere in the world.
Name

Address

Post Code

I enclose cheque/P.O./bank draft to the value of £

please charge my Visa/Mastercard/Maestro £

Card No.

Card Security Code (The last 3 digits on or just under the signature strip)

Valid From Expiry Date

Maestro Issue No.



SEND TO: **Everyday Practical Electronics, Wimborne Publishing Ltd., Sequoia House, 398a Ringwood Road, Ferndown, Dorset BH22 9AU.**

Tel: 01202 873872. Fax: 01202 874562.
E-mail: orders@epemag.wimborne.co.uk

Payments must be by card or in £ Sterling – cheque or bank draft drawn on a UK bank.
Normally supplied within seven days of receipt of order.

NOTE: These CD-ROMs are suitable for use on any PC with a CD-ROM drive. They require Adobe Acrobat Reader (available free from the Internet – www.adobe.com/acrobat)

WHAT IS INCLUDED

All volumes include the *EPE Online* editorial content of every listed issue, plus links to all the available PIC Project Codes for the PIC projects published in those issues. Please note that we are unable to answer technical queries or provide data on articles that are more than five years old. Please also ensure that all components are still available before commencing construction of a project from a back issue.

Note: Some supplements etc. can be downloaded free from the Library on the *EPE* website at www.epemag.com. No advertisements are included in Volumes 1 and 2.

OLED Graphics Displays

When we build projects that include a microprocessor, more often than not the reason for including one is to provide some control over, or receive feedback from the circuit. To provide the user with access to this control or feedback, a display is frequently included. Simpler circuits may use LEDs or a small buzzer to provide feedback, but a display adds enormous flexibility into a project; and it looks good too!

LCD characteristics

Over the last decade, the display of choice has been the monochrome character liquid crystal display (or LCD display as it is commonly referred to, despite the grammatical error). The format of two lines of sixteen characters has become the norm, despite many other variants.

This format has become so popular that in most cases smaller LCD displays are actually more expensive, simply due to the economics of supply – LCDs in the 2 × 16 format are manufactured in such large quantities that the manufacturing cost is much lower than those for simpler displays. This lower manufacturing cost is reflected in the price we pay for the component, even when purchasing just one.

The popularity of the 2 × 16 character LCD is such that many manufacturers produce their own displays with a compatible interface. In many cases, displays from different manufacturers are indistinguishable from each other and this makes the designer's life much easier. There is nothing worse than writing a constructional article using some specialist component, only to find the sole manufacturer has stopped making it by the time your article is published!

These LCD displays all bear the same characteristics. The display area is arranged as 32-character cells. Each cell is a uniform array of 35 small dots, arranged in a grid five wide by seven tall.

The LCD display is mounted on a small PCB that contains one or two ICs which provide the interface (control) between the display itself and your microcontroller. A small read only memory (ROM) within the control IC simplifies the means by which you write information onto the display – you specify an ASCII character code, and the controller will draw the corresponding dots in a character cell.

The controller IC has a small amount of RAM too, which can be used to display user-generated graphical symbols within a character cell. This is useful for creating icons (a battery symbol for example) but as the display is arranged as a collection of

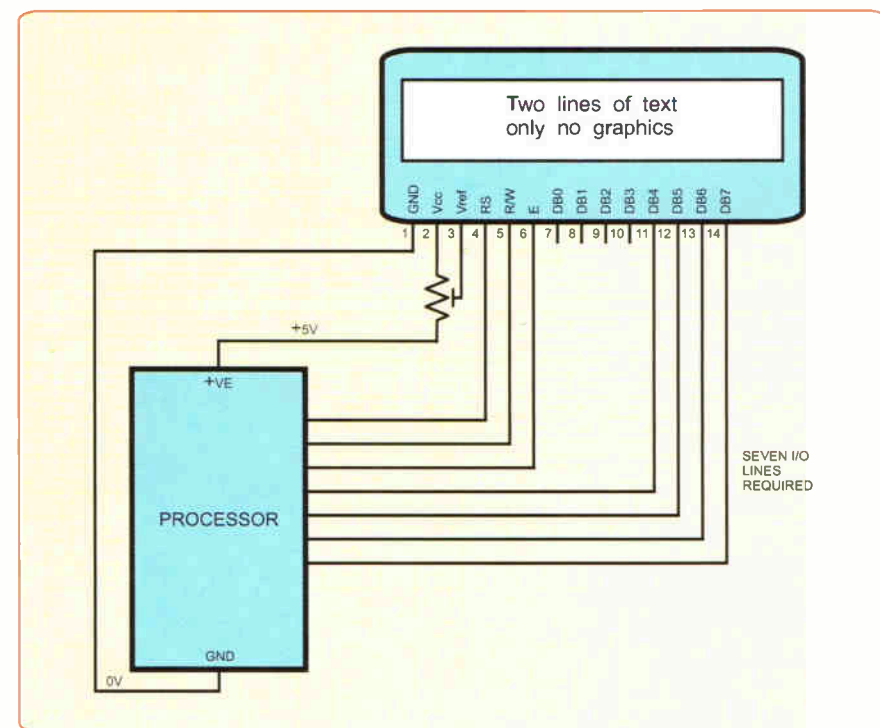


Fig. 1. Simplest interface to a 2 × 16 LCD. It requires seven I/O lines and a variable resistor that must be manually 'tuned' to get an acceptable display. Display legibility varies greatly with temperature and voltage

character cells, it is not possible to write in the gaps between characters, and so a full display sized graphical image cannot be produced.

These displays have other drawbacks too. They have a limited viewing angle, which means you have to adjust the orientation of the display to be able to view it properly. They also require a backlight if they are to be viewed in dim or dark lighting conditions, which can significantly increase the power consumption. On the plus side, they are now quite cheap, can run at the same voltage as the microprocessor, and draw little power, although this is too high for a truly portable device if the display is left on continuously.

Because this style of LCD has been around for such a long time and they are used in a wide range of products, a standard has emerged for the physical and programming interface to them. A minimal interface circuit, as drawn in Fig.1, shows that only seven I/O lines are required to drive it, or eight if you intend to switch the backlight on and off under control of your microcontroller.

Four lines are used as data signals (an 8-bit byte, specifying commands or character data, is split into two 4-bit nibbles and sent

one after the other) and the remaining three are used to control the display. The software required to write data to the display can be as compact as a few tens of instructions.

Alternatives

These displays have been perfectly acceptable for hobbyist designs for years, but with the prominence of cheap mobile phones sporting full colour displays, hobbyists have begun to yearn for more, as a colour graphics display can mean showing images, cartoons, maps and more. The monochrome, character-only display has begun to appear rather dull.

Monochrome graphic LCD displays are available, although somewhat harder to obtain. They are more expensive, typically costing upwards of £20 for a small panel offering 100 by 60 dots. As the dots are uniformly spaced these displays are suitable for showing images, albeit in a single colour, typically grey, blue or green. These displays are not going to show your family album in a good light!

Laptop and PDA LCD displays are an appealing choice, but unfortunately they are unsuitable for direct connection to a small microcontroller. These larger displays

contain no on-board RAM, but instead rely on data being transferred directly from the host processor's main memory at high speed – requiring data transfer at much higher rates than any PIC processor can support. Controller ICs are available that can provide the necessary interface, but these chips are difficult to obtain and even more difficult to solder.

Mobile telephone displays, on the other hand, are a possibility. Cheap replacement displays can be purchased on eBay, and some suppliers (Sparkfun being one example) even provide links to source code and datasheets on the Internet. However, you are at the mercy of the manufacturers, as these displays are only produced while a particular mobile phone is in fashion – in a year's time it may disappear. That's not a problem if you are only producing a single unit, but if you intend to make many or would like to re-use your work in the future, that could be an issue.

Finding a small, low power, easy-to-use and easily obtainable colour display has been something of a mission for the author. It appears that the search may now be over. And oddly enough, it isn't based on liquid crystal technology, but an exotic, organic LED technology.

OLED

Organic LED (OLED) displays rely on a polymer molecule that emits light when a voltage is applied to it. Over the years a number of different molecules have been developed that emit different coloured light, to the extent that companies can now produce 'full colour' displays, where each dot on the display can be set to one of 262,144 colours. Despite being relatively new and rather exotic, the manufacturing process is relatively simple, and displays based on OLED technology can be purchased at a reasonable cost.

The key discovery behind today's OLED displays is the discovery in the 1950s of electroluminescence in organic materials by researchers in the University of Nancy, France. Further improvements and discoveries in the 1970s resulted in a Nobel prize for chemistry being awarded in 2000. OLEDs have a prestigious past! OLEDs as we know them today were first created in the 1980s, with products appearing in the late 1990s.

Despite their clear advantages in certain areas, OLEDs have only occupied niche

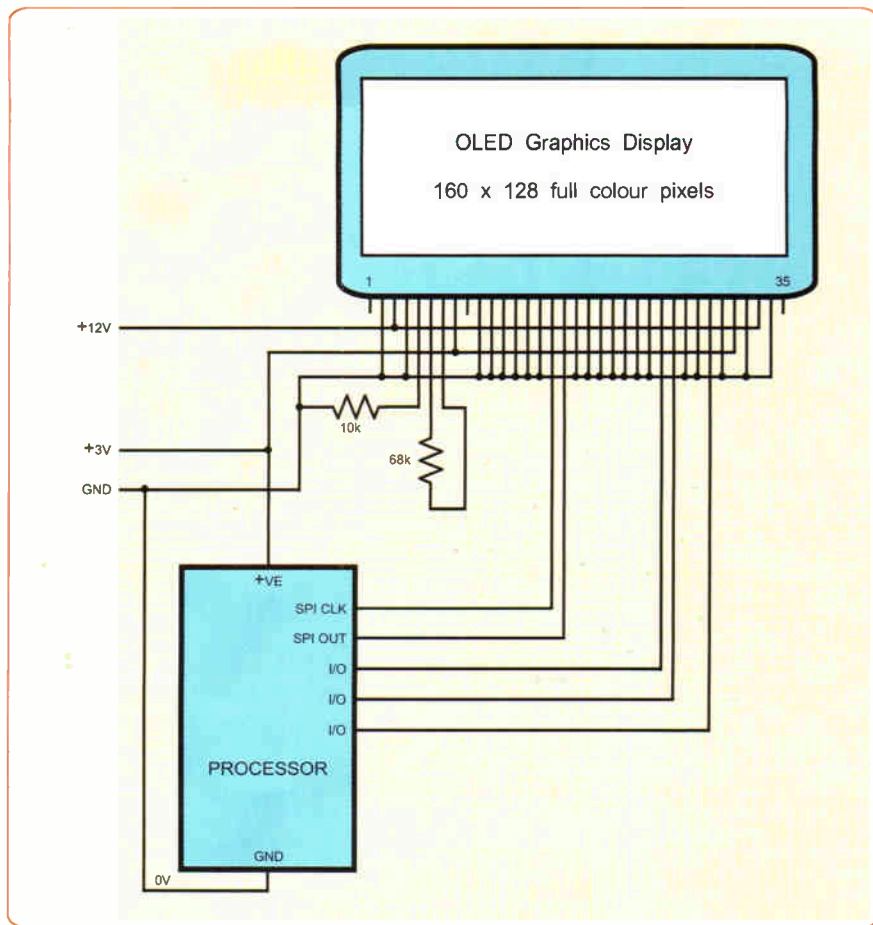


Fig.2. Simplest interface to an OLED display. Although two resistors are required, these are small, fixed value resistors

markets and the availability of display devices for hobbyists has been non-existent until quite recently. Small display panels from companies such as Densitron are, however, now available through hobbyist-friendly suppliers such as Farnell at very affordable prices. For this article, we look at the DD-160128FC-1A display from Densitron, a 160 × 128 pixel full-colour display, with a viewing area of 31mm × 25mm. The display is available from Farnell for around £17.

OLED interface

The basic circuit required to connect an OLED display to a microcontroller is shown in Fig.2. This is actually simpler than the interface to the classic LCD display, as the

interface uses an SPI bus rather than a 4-bit parallel bus. The display does support the use of a parallel bus, which gives a much faster update rate at the expense of an extra five I/O pins, but this was not found necessary for simple applications. The SPI bus enables the display to be written to quickly enough so that the update is not visible.

You will notice from the circuit diagram that a separate, higher voltage supply is required. There are two power supplies required: 3V for the controller IC that drives the panel, and 12V for the OLED panel itself. Current consumption at 12V is in the order of 10 to 15mA. No variable resistor is required in this design; the display has an excellent viewing angle, very good contrast



Fig.3. LCD and OLED side-by-side; which do you prefer?

and the brightness can be varied through commands from the processor.

As the display technology is emissive (ie, the molecules in the display give off light) there is no need for a backlight. This has the added benefit that the displays are very thin – just a few millimeters. Ideal for a small portable device!

Software

So, what about the software? The processor communicates with the display using the SPI protocol, an interface that we have covered in previous *Pic n' Mix* articles. The SPI interface is so common – it's used to communicate with ICs such as EEPROM memory – that many PICs have special hardware built-in to simplify its use. Microchip provide full source code to use the SPI interface in C, and various examples of suitable source code for assembly programming can be found on the web. Many BASIC language compilers support it too, so there are lots of options for getting started. There is even source code for 'bit-bashed' SPI communication if your processor does not have dedicated SPI peripheral hardware.

Besides the usual SPI bus pins, the display requires two additional signals for communication. The first pin provides a RESET signal, which should be driven low

for 200ms and then high for 200ms before any communication is made with the display. The second pin, RS, determines whether the next sequence of SPI messages are commands or data for the display. With this information, and the list of commands from the datasheet, it's easy to put together some low level routines that initialise and write pixel data to the display.

Some example source code, written in C, can be found in the downloads section of the magazine's website.

The only drawback with this display is that you are only able to write pixel data – there are no high level routines for writing text or graphics primitives such as lines, circles or boxes. That's not a problem if you intend to use the display primarily for images; you simply transfer the bitmap data to the display, as shown in the supplied source code. For those higher level routines, you are going to have to write them yourself. But then, isn't that all part of the fun of it?

Needless to say, Microchip do come to the rescue, again, with a fully equipped software library for addressing graphics displays. See the reference at the end of the article for details.

If there is sufficient interest in this display technology we may create a simpler library of software routines to do basic shapes and text.

The only drawback with this display is that connecting to it requires a special 35-pin connector. The good news is that a suitable connector is available from Farnell (part number 1112561) The bad news is that the connector is a surface mount style part, and has a very fine pitch for soldering connections – 0.5mm between pads.

This makes it an enormous challenge if you are not an expert with the soldering iron! A small development PCB is available from Farnell (part number 1500758) that brings the required connections out to a 0.1in pitch header – much more acceptable for the hobbyist soldering iron.

In Fig.3 is shown an example of the OLED display in use beside a standard 2 × 16 LCD. While each will continue to have their own niche uses, it's quite clear which is the more attractive!

Next month, we return to the subject of using PIC processors to connect to the Internet, building on the circuit introduced last month to provide a much more interesting embedded website.

Reference

Microchip Graphics Library:
www.microchip.com/stellent/idcplg?IdcService=SS_GET_PAGE&nodeId=2608¶m=en532067

www.epemag.com

Christmas Special Offers!

PEAK
 electronic design ltd

Atlas Star Pack

Atlas DCA and Atlas LCR in Premium Carry Case

Atlas DCA - Model DCA55

Semiconductor Analyser

Identifies type and pinout! Connect any way round. Measures gain, junction characteristics and more. Now with premium strong probes!!

Atlas LCR - Model LCR40

Passive Component Analyser

Automatic component identification (inductor, capacitor or resistor). Auto frequency selection. Measures main component value and other parameters too such as the DC resistance of inductors automatically.

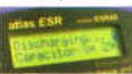


only £129!
 you save £20!

Atlas ESR - Model ESR60

Measure capacitance and ESR!
 Capacitance from 1uF to 22,000uF
 ESR from 0.01 ohms to 20 ohms
 Battery included + Gold plated croc clips

Features our unique automatic discharge function



only £79!
 normally £85!

LED Torch - Great Gift!

Uniross Aluminium 6 LED Torch
 150mm long
 2 AA Batteries (included)
 Fabric Wrist Strap
 Sealed retail pack

only £3.95!
 normally £6.00!



Atlas LCR

see description in main offer



only £70

Atlas DCA

see description in main offer



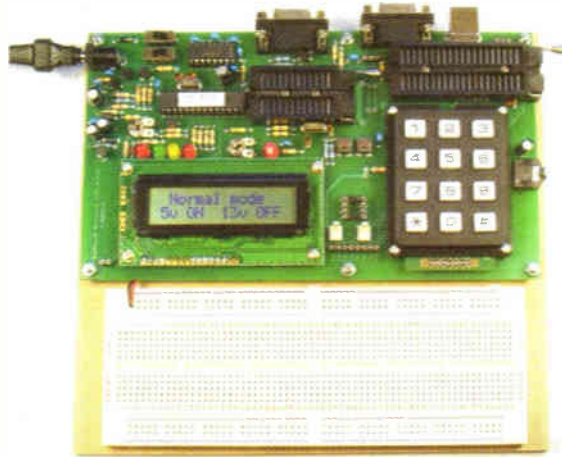
only £55
 new probes!

Peak Electronic Design Ltd, West Road House, West Road, Buxton, Derbyshire, SK17 6HF.

tel. 01298 70012 www.peakelec.co.uk sales@peakelec.co.uk

Please add £2.00 p&p per order. Prices include UK VAT. See website for overseas prices. Special Offer prices for limited period or until stocks last.

Learn About Microcontrollers



P928 PIC Training Course £164

The best place to begin learning about microcontrollers is the PIC16F627A. This is very simple to use, costs just £1.30, yet is packed full of features including 16 input/output lines, internal oscillator, comparator, serial port, and with two software changes is a drop in replacement for the PIC16F84.

Our PIC training course starts in the very simplest way. At the heart of our system are two real books which lie open on your desk while you use your computer to type in the programme and control the hardware. Start with four simple programmes. Run the simulator to see how they work. Test them with real hardware. Follow on with a little theory.....

Our PIC training course consists of our PIC programmer, a 318 page book teaching the fundamentals of PIC programming, a 262 page book introducing the C language, and a suite of programmes to run on a PC. The module uses a PIC to handle the timing, programming and voltage switching. Two ZIF sockets allow most 8, 18, 28 and 40 pin PICs to be programmed. The programming is performed at 5 volts, verified with 2 volts or 3 volts and verified again with 5.5 volts to ensure that the PIC works over its full operating voltage. UK orders include a plugtop power supply.

P928-V PIC Training & Development Course comprising.....

Enhanced 16C, 16F and 18F PIC programmer module

+ Book Experimenting with PIC Microcontrollers

+ Book Experimenting with PIC C

+ PIC assembler and C compiler software on CD

+ PIC16F627A, PIC16F88, PIC16F870

and PIC18F2321 test PICs

+ USB adaptor and USB cable..... £164.00

(Postage & insurance UK £10, Europe £18, Rest of world £27)

Experimenting with PIC Microcontrollers

This book introduces PIC programming by jumping straight in with four easy experiments. The first is explained over seven pages assuming no starting knowledge of PICs. Then having gained some experience we study the basic principles of PIC programming, learn about the 8 bit timer, how to drive the liquid crystal display, create a real time clock, experiment with the watchdog timer, sleep mode, beeps and music, including a rendition of Beethoven's Fur Elise. Then there are two projects to work through, using a PIC as a sinewave generator, and monitoring the power taken by domestic appliances. Then we adapt the experiments to use the PIC16F877 family, PIC16F84 and PIC18F2321. In the space of 24 experiments, two projects and 56 exercises we work through from absolute beginner to experienced engineer level using the most up to date PICs.

Experimenting with PIC C

The second book starts with an easy to understand explanation of how to write simple PIC programmes in C. Then we begin with four easy experiments to learn about loops. We use the 8/16 bit timers, write text and variables to the LCD, use the keypad, produce a siren sound, a freezer thaw warning device, measure temperatures, drive white LEDs, control motors, switch mains voltages, and experiment with serial communication.

Web site:- www.brunningssoftware.co.uk

PH28 Training Course £189

PIC training and Visual C# training combined into one course. This is the same as the P928 course with an extra book teaching about serial communication.

The first two books and the programmer module are the same as the P928. The third book starts with very simple PC to PIC experiments. We use PC assembler to flash the LEDs on the programmer module and write text to the LCD. Then we learn to use Visual C# on the PC. Flash the LEDs, write text to the LCD, gradually creating more complex routines until a full digital storage oscilloscope is created. (Postage & ins UK £10, Europe £20, rest of world £34).

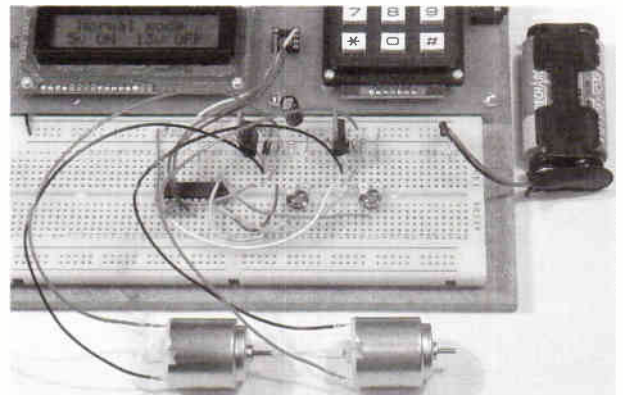
Mini Training Course £64

This course is based on the Brunning Software PIC slave which connects to a USB socket on your PC. The BSPslave has a programmable PIC which connects to LEDs, a push button, a sounder, a 16 character by 2 line display, and a 12 way i/o socket. We start with a simple programme to flash the LEDs. We pause the programme at critical points while it is running in the PIC, and view the PICs registers, a brilliant way to learn about PICs. We learn to generate sounds, study the timer and interrupts, and write text to the display. We study simple serial communication by sending text between the PIC and the PC. We use the analogue to digital converter and finish with a fully worked project to measure temperatures. Price includes a BSPslave, 180 page book, PIC assembler on CD, USB lead and project components (2 thermistors, resistors, capacitors, leads and connector). A perfect course for students and absolute beginners. (Postage & ins UK £5, Europe £10, rest of world £15).

Ordering Information

Our P928 course is supplied with a USB adaptor and USB lead as standard but can be supplied with a COM port lead if required. All software referred to in this advertisement will operate within Windows XP, NT, 2000, Vista etc (For Windows 98, ME or DOS order P928-BS £159+pp).

Telephone with Visa, Mastercard or Switch, or send cheque/PO. All prices include VAT if applicable.



White LED and Motors

Our PIC training system uses a very practical approach. Towards the end of the second book circuits need to be built on the plugboard. The 5 volt supply which is already wired to the plugboard has a current limit setting which ensures that even the most severe wiring errors will not be a fire hazard and are very unlikely to damage PICs or other ICs.

We use a PIC16F627A as a freezer thaw monitor, as a step up switching regulator to drive 3 ultra bright white LEDs, and to control the speed of a DC motor with maximum torque still available. A kit of parts can be purchased (£31) to build the circuits using the white LEDs and the two motors. See our web site for details.

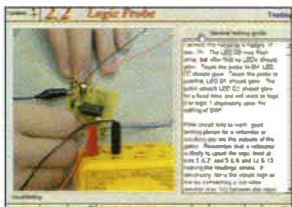
Mail order address:

Brunning Software

138 The Street, Little Clacton, Clacton-on-sea,
Essex, CO16 9LS. Tel 01255 862308

EPE IS PLEASED TO BE ABLE TO OFFER YOU THESE ELECTRONICS CD-ROMS

ELECTRONICS PROJECTS



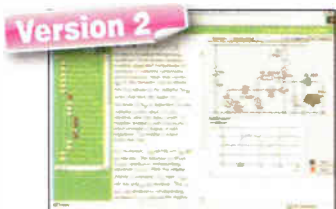
Logic Probe testing

Electronic Projects is split into two main sections: **Building Electronic Projects** contains comprehensive information about the components, tools and techniques used in developing projects from initial concept through to final circuit board production. Extensive use is made of video presentations showing soldering and construction techniques. The second section contains a set of ten projects for students to build, ranging from simple sensor circuits through to power amplifiers. A shareware version of Matrix's CADPACK schematic capture, circuit simulation and p.c.b. design software is included.

The projects on the CD-ROM are: Logic Probe; Light, Heat and Moisture Sensor; NE555 Timer; Egg Timer; Dice Machine; Bike Alarm; Stereo Mixer; Power Amplifier; Sound Activated Switch; Reaction Tester. Full parts lists, schematics and p.c.b. layouts are included on the CD-ROM.



ELECTRONIC CIRCUITS & COMPONENTS V2.0

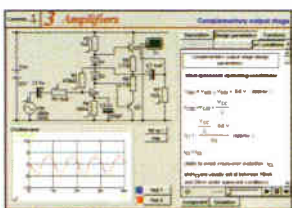


Circuit simulation screen

Electronics Circuits & Components V2.0 provides an introduction to the principles and application of the most common types of electronic components and shows how they are used to form complete circuits. The virtual laboratories, worked examples and pre-designed circuits allow students to learn, experiment and check their understanding. Version 2 has been considerably expanded in almost every area following a review of major syllabuses (GCSE, GNVO, A level and HNC). It also contains both European and American circuit symbols. Sections include: **Fundamentals:** units and multiples, electricity, electric circuits, alternating circuits. **Passive Components:** resistors, capacitors, inductors, transformers. **Semiconductors:** diodes, transistors, op amps, logic gates. **Passive Circuits. Active Circuits.** *The Parts Gallery* will help students to recognise common electronic components and their corresponding symbols in circuit diagrams.

Included in the Institutional Versions are multiple choice questions, exam style questions, fault finding virtual laboratories and investigations/worksheets.

ANALOGUE ELECTRONICS



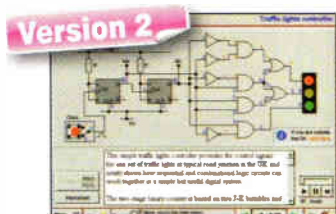
Complementary output stage

Analogue Electronics is a complete learning resource for this most difficult branch of electronics. The CD-ROM includes a host of virtual laboratories, animations, diagrams, photographs and text as well as a SPICE electronic circuit simulator with over 50 pre-designed circuits.

Sections on the CD-ROM include: **Fundamentals** – Analogue Signals (5 sections), Transistors (4 sections), Waveshaping Circuits (6 sections). **Op Amps** – 17 sections covering everything from Symbols and Signal Connections to Differentiators. **Amplifiers** – Single Stage Amplifiers (8 sections), Multi-stage Amplifiers (3 sections). **Filters** – Passive Filters (10 sections), Phase Shifting Networks (4 sections), Active Filters (6 sections). **Oscillators** – 6 sections from Positive Feedback to Crystal Oscillators. **Systems** – 12 sections from Audio Pre-Amplifiers to 8-Bit ADC plus a gallery showing representative p.c.b. photos.

ROBOTICS & MECHATRONICS

DIGITAL ELECTRONICS V2.0



Virtual laboratory - Traffic Lights

Digital Electronics builds on the knowledge of logic gates covered in *Electronic Circuits & Components* (above), and takes users through the subject of digital electronics up to the operation and architecture of microprocessors. The virtual laboratories allow users to operate many circuits on screen.

Covers binary and hexadecimal numbering systems, ASCII, basic logic gates, monostable action and circuits, and bistables – including JK and D-type flip-flops. Multiple gate circuits, equivalent logic functions and specialised logic functions. Introduces sequential logic including clocks and clock circuitry, counters, binary coded decimal and shift registers. A/D and D/A converters, traffic light controllers, memories and microprocessors – architecture, bus systems and their arithmetic logic units. Sections on Boolean Logic and Venn diagrams, displays and chip types have been expanded in Version 2 and new sections include shift registers, digital fault finding, programmable logic controllers, and microcontrollers and microprocessors. The Institutional versions now also include several types of assessment for supervisors, including worksheets, multiple choice tests, fault finding exercises and examination questions.



Case study of the Milford Instruments Spider

Robotics and Mechatronics is designed to enable hobbyists/students with little previous experience of electronics to design and build electromechanical systems. The CD-ROM deals with all aspects of robotics from the control systems used, the transducers available, motors/actuators and the circuits to drive them. Case study material (including the NASA Mars Rover, the Milford Spider and the Furby) is used to show how practical robotic systems are designed. The result is a highly stimulating resource that will make learning, and building robotics and mechatronic systems easier. The Institutional versions have additional worksheets and multiple choice questions.

- Interactive Virtual Laboratories
- Little previous knowledge required
- Mathematics is kept to a minimum and all calculations are explained
- Clear circuit simulations

ANALOGUE FILTERS



Filter synthesis

Analogue Filters is a complete course in designing active and passive filters that makes use of highly interactive virtual laboratories and simulations to explain how filters are designed. It is split into five chapters: **Revision** which provides underpinning knowledge required for those who need to design filters. **Filter Basics** which is a course in terminology and filter characterization, important classes of filter, filter order, filter impedance and impedance matching, and effects of different filter types. **Advanced Theory** which covers the use of filter tables, mathematics behind filter design, and an explanation of the design of active filters. **Passive Filter Design** which includes an expert system and filter synthesis tool for the design of low-pass, high-pass, band-pass, and band-stop Bessel, Butterworth and Chebyshev ladder filters. **Active Filter Design** which includes an expert system and filter synthesis tool for the design of low-pass, high-pass, band-pass, and band-stop Bessel, Butterworth and Chebyshev op.amp filters.

PRICES

Prices for each of the CD-ROMs above are:
(Order form on third page)

Hobbyist/Student	£45	inc VAT
Institutional (Schools/HE/FE/Industry)	£99	plus VAT
Institutional 10 user (Network Licence)	£249	plus VAT
Site licence	£499	plus VAT

(UK and EU customers add VAT at 17.5% to 'plus VAT' prices)

PICmicro TUTORIALS AND PROGRAMMING

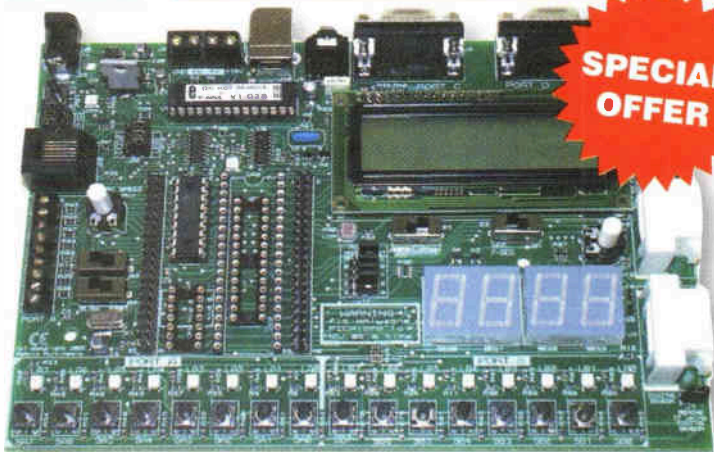
HARDWARE

VERSION 3 PICmicro MCU development board

Suitable for use with the three software packages listed below.

This flexible development board allows students to learn both how to program PICmicro microcontrollers as well as program a range of 8, 18, 28 and 40-pin devices from the 12, 16 and 18 series PICmicro ranges. For experienced programmers all programming software is included in the PPP utility that comes with the development board. For those who want to learn, choose one or all of the packages below to use with the Development Board.

- Makes it easier to develop PICmicro projects
- Supports low cost Flash-programmable PICmicro devices
- Fully featured integrated displays – 16 individual I.e.d.s, quad 7-segment display and alphanumeric I.c.d. display
- Supports PICmicro microcontrollers with A/D converters
- Fully protected expansion bus for project work
- USB programmable
- Can be powered by USB (no power supply required)



£158 including VAT and postage, supplied with USB cable and programming software

£40 OFF Buy the Development Board together with any Hobbyist/Student or Institutional versions of the software CD-ROMs listed below and take £40 off the total (including VAT) price.

SOFTWARE

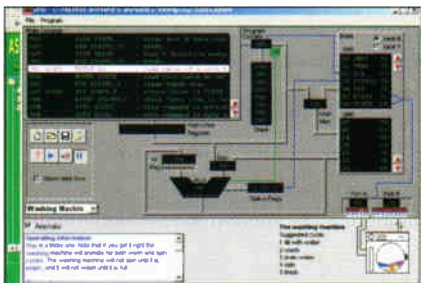
ASSEMBLY FOR PICmicro V3

(Formerly PICtutor)

Assembly for PICmicro microcontrollers V3.0 (previously known as PICtutor) by John Becker contains a complete course in programming the PIC16F84 PICmicro microcontroller from Arizona Microchip. It starts with fundamental concepts and extends up to complex programs including watchdog timers, interrupts and sleep modes.

The CD makes use of the latest simulation techniques which provide a superb tool for learning: the Virtual PICmicro micro-controller. This is a simulation tool that allows users to write and execute MPASM assembler code for the PIC16F84 microcontroller on-screen. Using this you can actually see what happens inside the PICmicro MCU as each instruction is executed which enhances understanding.

- Comprehensive instruction through 45 tutorial sections
- Includes Vlab, a Virtual PICmicro microcontroller: a fully functioning simulator
- Tests, exercises and projects covering a wide range of PICmicro MCU applications
- Includes MPLAB assembler
- Visual representation of a PICmicro showing architecture and functions
- Expert system for code entry helps first time users
- Shows data flow and fetch execute cycle and has challenges (washing machine, lift, crossroads etc.)
- Imports MPASM files.

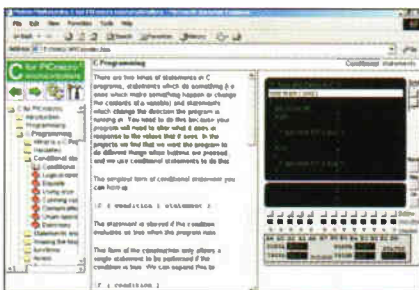


'C' FOR 16 Series PICmicro Version 4

The C for PICmicro microcontrollers CD-ROM is designed for students and professionals who need to learn how to program embedded microcontrollers in C. The CD contains a course as well as all the software tools needed to create Hex code for a wide range of PICmicro devices – including a full C compiler for a wide range of PICmicro devices.

Although the course focuses on the use of the PICmicro microcontrollers, this CD-ROM will provide a good grounding in C programming for any microcontroller.

- Complete course in C as well as C programming for PICmicro microcontrollers
- Highly interactive course
- Virtual C PICmicro improves understanding
- Includes a C compiler for a wide range of PICmicro devices
- Includes full Integrated Development Environment
- Includes MPLAB software
- Compatible with most PICmicro programmers
- Includes a compiler for all the PICmicro devices.



Minimum system requirements for these items: Pentium PC running Windows 98, NT, 2000, ME, XP; CD-ROM drive; 64MB RAM; 10MB hard disk space.

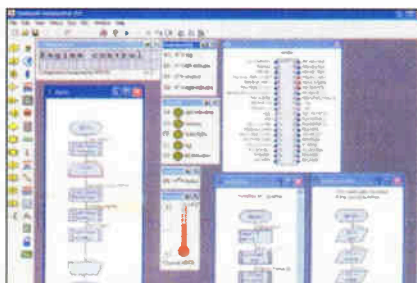
FLOWCODE FOR PICmicro V3

Flowcode is a very high level language programming system for PICmicro microcontrollers based on flowcharts. Flowcode allows you to design and simulate complex systems in a matter of minutes. A Powerful language that uses macros to facilitate the control of devices like 7-segment displays, motor controllers and I.c.d.'s. The use of macros allows you to control these devices without getting bogged down in understanding the programming.

Flowcode produces MPASM code which is compatible with virtually all PICmicro programmers. When used in conjunction with the Version 3 development board this provides a seamless solution that allows you to program chips in minutes.

- Requires no programming experience
- Allows complex PICmicro applications to be designed quickly
- Uses international standard flow chart symbols
- Full on-screen simulation allows debugging and speeds up the development process.

- Facilitates learning via a full suite of demonstration tutorials
- Produces ASM code for a range of 18, 28 and 40-pin devices
- New features in Version 3 include 16-bit arithmetic, strings and string manipulation, improved graphical user interface and printing, support for 18 series devices, pulse width modulation, I2C, new ADC component etc. The Hobbyist/Student version is limited to 4K of code (8K on 18F devices)



PRICES

Prices for each of the CD-ROMs above are:
(Order form on next page)

Hobbyist/Student	£45	inc VAT
Institutional (Schools/HE/FE/Industry)	£99	plus VAT
Institutional/Professional 10 user (Network Licence)	£300	plus VAT
Site licence	£599	plus VAT
Flowcode 10 user (Network Licence)	£350	plus VAT
Flowcode 50 user (Network Licence)	£699	plus VAT

(UK and EU customers add VAT at 17.5% to 'plus VAT' prices)

SPECIAL PACKAGE OFFER

TINA Pro V7 (Basic) + Flowcode V3 (Hobbyist/Student)

TINA Analogue, Digital, Symbolic, RF, MCU and Mixed-Mode Circuit Simulation, Testing and PCB Design

TINA Design Suite is a powerful yet affordable software package for analysing, designing and real time testing analogue, digital, MCU, and mixed electronic circuits and their PCB layouts. You can also analyse RF, communication, optoelectronic circuits, test and debug microcontroller applications.

Enter any circuit (up to 100 nodes) within minutes with TINA's easy-to-use schematic editor. Enhance your schematics by adding text and graphics. Choose components from the large library containing more than 10,000 manufacturer models. Analyse your circuit through more than 20 different analysis modes or with 10 high tech virtual instruments. Present your results in TINA's sophisticated diagram windows, on virtual instruments, or in the live interactive mode where you can even edit your circuit during operation.

Customise presentations using TINA's advanced drawing tools to control text, fonts, axes, line width, colour and layout. You can create, and print documents directly inside TINA or cut and paste your results into your favourite word- processing or DTP package.

TINA includes the following Virtual Instruments: Oscilloscope, Function Generator, Multimeter, Signal Analyser/Bode Plotter, Network Analyser, Spectrum Analyser, Logic Analyser, Digital Signal Generator, XY Recorder.

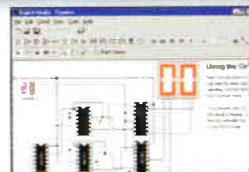
Flowcode V3 (Hobbyist/Student) – For details on Flowcode, see the previous page.

This offer gives you two separate CD-ROMs in DVD style cases – the software will need registering (FREE) with Designsoft (TINA) and Matrix Multimedia (Flowcode), details are given within the packages.

Get TINA + Flowcode for a total of just £50, including VAT and postage.

**£50.00
inc. VAT
and p&p**

DIGITAL WORKS 3.0



Counter project

Digital Works Version 3.0 is a graphical design tool that enables you to construct digital logic circuits and analyze their behaviour. It is so simple to use that it will take you less than 10 minutes to make your first digital design. It is so powerful that you will never outgrow its capability ● Software for simulating digital logic circuits ● Create your own macros – highly scalable ● Create your own circuits, components, and i.c.s ● Easy-to-use digital interface ● Animation brings circuits to life ● Vast library of logic macros and 74 series i.c.s with data sheets ● Powerful tool for designing and learning.

**Hobbyist/Student £45 inc. VAT.
Institutional £99 plus VAT.
Institutional 10 user £249 plus VAT.
Site Licence £599 plus VAT.**

PROJECT DESIGN WITH CROCODILE TECHNOLOGY

An Interactive Guide to Circuit Design

An interactive CD-ROM to guide you through the process of circuit design. Choose from an extensive range of input, process and output modules, including CMOS Logic, Op-Amps, PIC/PICAXE, Remote Control Modules (IR and Radio), Transistors, Thyristors, Relays and much more.

Click Data for a complete guide to the pin layouts of i.c.s, transistors etc. Click More Information for detailed background information with many animated diagrams.

Nearly all the circuits can be instantly simulated in Crocodile Technology* (not included on the CD-ROM) and you can customise the designs as required.

WHAT'S INCLUDED

Light Modules, Temperature Modules, Sound Modules, Moisture Modules, Switch Modules, Astables including 555, Remote Control (IR & Radio), Transistor Amplifiers, Thyristor, Relay, Op-Amp Modules, Logic Modules, 555 Timer, PIC/PICAXE, Output Devices, Transistor Drivers, Relay Motor Direction & Speed Control, 7 Segment Displays. Data sections with pinouts etc., Example Projects, Full Search Facility, Further Background Information and Animated Diagrams.

Runs in Microsoft Internet Explorer

*All circuits can be viewed, but can only be simulated if your computer has Crocodile Technology version 410 or later. A free trial version of Crocodile Technology can be downloaded from: www.crocodile-clips.com. Animated diagrams run without Crocodile Technology.

**Over 150 pages
Over 600 images**



ELECTRONIC COMPONENTS PHOTOS

A high quality selection of over 200 jpg images of electronic components. This selection of high resolution photos can be used to enhance projects and presentations or to help with training and educational material. They are royalty free for use in commercial or personal printed projects, and can also be used royalty free in books, catalogs, magazine articles as well as worldwide web pages (subject to restrictions – see licence for full details).

Now contains Irfan View image software for Windows, with quick-start notes included.

Price **£19.95 inc. VAT**



Single User £39.00 inc. VAT.

Multiple Educational Users (under 500 students) £59.00 plus VAT. Over 500 students £79.00 plus VAT.
(UK and EU customers add VAT at 17.5% to "plus VAT" prices)

Minimum system requirements for these CD-ROMs: Pentium PC, CD-ROM drive, 32MB RAM, 10MB hard disk space, Windows 95/98/NT/2000/ME/XP, mouse, sound card, web browser.

Please send me: CD-ROM ORDER FORM



- Electronic Projects
- Electronic Circuits & Components V2.0
- Analogue Electronics
- Digital Electronics V2.0
- Analogue Filters
- Electronics CAD Pack
- Robotics & Mechatronics
- Assembly for PICmicro V3
- 'C' for 16 Series PICmicro V4
- Flowcode V3 for PICmicro
- Digital Works 3.0

Version required:

- Hobbyist/Student
- Institutional
- Institutional/Professional 10 user
- Site licence

PICmicro Development Board V3 (hardware)

- TINA Pro V7 Basic + Flowcode V3 Hobbyist/Student
- Electronic Components Photos; Version 1.1
- Project Design – Single User
- Project Design – Multiple User (under 500 students)
- Project Design – Multiple User (over 500 students)

Note: The software on each version is the same, only the licence for use varies.

Full name:

Address:

..... Post code: Tel. No:

Signature:

I enclose cheque/PO in £ sterling payable to WIMBORNE PUBLISHING LTD for £

Please charge my Visa/Mastercard/Maestro: £

Valid From: Card expiry date:

Card No: Maestro Issue No.

Card Security Code (The last 3 digits on or just under the signature strip)

ORDERING ALL PRICES INCLUDE UK POSTAGE

Student/Single User/Standard Version price includes postage to most countries in the world EU residents outside the UK add £5 for airmail postage per order

Institutional, Multiple User and Deluxe Versions – overseas readers add £5 to the basic price of each order for airmail postage (do not add VAT unless you live in an EU (European Union) country, then add 17.5% VAT or provide your official VAT registration number).

Send your order to:
Direct Book Service
Wimborne Publishing Ltd
Sequoia House, 398a Ringwood Road
Ferndown, Dorset BH22 9AU
To order by phone ring
01202 873872. Fax: 01202 874562
Goods are normally sent within seven days
E-mail: orders@wimborne.co.uk
Online shop:
www.epemag.com

UK readers you can SAVE 79p on every issue of EPE

How would you like to pay £3.16 instead of £3.95 for your copy of EPE?



Well you can – just take out a one year subscription and save 79p an issue, or £9.50 over the year. You can even save over £1 an issue if you subscribe for two years – a total saving of £24.30.

Overseas rates also represent exceptional value.

You also:

- Avoid any cover price increase for the duration of your subscription
- Get your magazine delivered to your door each month
- Ensure your copy, even if the newsagents sell out

Order by phone or fax with a credit card or by post with a cheque or postal order, or buy on-line from www.epemag.com

EPE EVERYDAY PRACTICAL ELECTRONICS

SUBSCRIPTION PRICES

Subscriptions for delivery direct to any address in the UK: 6 months £19.95, 12 months £37.90, two years £70.50. Overseas: 6 months £23.00 standard air service or £32.00 express airmail, 12 months £44.00 standard air service or £62.00 express airmail, 24 months £83.00 standard air service or £119.00 express airmail.

Cheques or bank drafts (in £ sterling only) payable to Everyday Practical Electronics and sent to EPE Subs. Dept., Wimborne Publishing Ltd., Sequoia House, 398a Ringwood Road, Ferndown, Dorset BH22 9AU, tel: 01202 873872, Fax: 01202 874562, Email: subs@epemag.wimborne.co.uk. Also via the Web at <http://www.epemag.com>

Subscriptions start with the next available issue. We accept MasterCard, Maestro or Visa. (For past issues see the Back Issues page.)

ONLINE SUBSCRIPTIONS

Online subscriptions, for downloading the magazine via the Internet, \$18.00US (approx. £10.00) for one year available from www.epemag.com

SUBSCRIPTION ORDER FORM

- 6 Months: UK £19.95, Overseas £23.00 (standard air service), £32.00 (express airmail)
- 1 Year: UK £37.90, Overseas £44.00 (standard air service) £62.00 (express airmail)
- 2 Years: UK £70.50, Overseas £83.00 (standard air service) £119.00 (express airmail)

To: Everyday Practical Electronics,
Wimborne Publishing Ltd., Sequoia House,
398a Ringwood Road, Ferndown, Dorset BH22 9AU
Tel: 01202 873872 Fax: 01202 874562
E-mail: subs@epemag.wimborne.co.uk

I enclose payment of £ (cheque/PO in £ sterling only), payable to *Everyday Practical Electronics*

Please charge my Visa/Mastercard/Maestro

My card number is:
Please print clearly, and check that you have the number correct

Signature

Card Security Code Valid From Date.....
(The last 3 digits on or just under the signature strip)

Card Ex. DateMaestro Issue No.

Name

Address

Post code Tel.

Subscriptions can only start with the next available issue.



READOUT

Email: editorial@wimborne.co.uk

John Becker addresses some of the general points readers have raised. Have you anything interesting to say? Drop us a line!

All letters quoted here have previously been replied to directly



WIN AN ATLAS LCR ANALYSER WORTH £79
An Atlas LCR Passive Component Analyser, kindly awarded to the author of the Letter Of The Month. The Atlas LCR automatically measures inductance from 1mH to 10H, capacitance from 1pF to 10,000nF and resistance from 1Ω to 2MΩ with a basic accuracy of 1%. www.prokline.co.uk

★ LETTER OF THE MONTH ★

Web connections

Dear EPE,

My dialup connection, which I find adequate for my needs, started slowing down about two years ago. I put it down to the age of my laptop running W98, and decided to wait for Vista to get established before buying a new machine.

Outlook Express stopped working in early June of this year, but otherwise my PC can still do everything else at its own speed. The shiny new Dell Vostro 1000 – with you guessed it, Vista and IE – was hooked up to my dialup connection. I sent and received my first email and then tried for a web page of a newspaper. It was slow, much slower than my old computer, and stopped/redialled several times before coming up with a fault code: 'your server has terminated the POP3 connection wait 300 seconds', or something like that.

I checked and rechecked the settings in IE7, and reduced the safety and security setting to the lowest they can go. Sometimes I get lucky and manage to view a page before the thing drops out. My last month's bill contained eight pages of dialup attempts – it used to be less than two pages. Large junk mail files, especially one that keeps being misdirected to me from someone in charge of a social club and to all members, take so long that it stops working.

I now use webmail on my old machine and delete all the junk to free up my mail box, then I download any mail I want to read and store. My ISP (Cable and amp. Wireless) refuses to admit that they have throttled back the speed, but instead offered broadband!

I am reluctant to go on broadband as I don't really need it. I know from my experience of working with a large British telecom company up to the end of 2000 that it is easier to have lunch at Buckingham Palace than to get anything except a rotary dial phone working properly at three cable miles from the local exchange, which is my situation.

I also know the damage that lightning storms can do to networks and the bits connected to them out in the sticks.

Assuming that I have got everything in IE7 set correctly, I would like to try a speed accelerator like Onspeed, which you mentioned in the October 2007 issue. I would be very grateful if you have any feedback from anyone using this service and please keep Vista in *Net Work*.

By the way, the old 'copper wires' you keep referring to are not all copper. Unfortunately, a large amount of aluminum was used when the price of copper went through the roof in late 1960 through to early 1970 – joints crumble easily and can go 'high resistance'.

Phil Foster, via email

Alan replied to Phil:

Thanks for the mail, which I'm digesting. I'm also asking some contacts about any experiences with Onspeed. It is highly frustrating when systems seem to 'choke' before the line drops altogether. I can't imagine that an ISP would throttle narrowband traffic in this way though. I partly suspect IE7 (is the built-in anti-phishing filter turned off?) or an antivirus program/antimalware/antispyware program that is set to its most aggressive setting.

One area I would look at though, is the modem – I have seen this sort of thing before on machines using an internal Winmodem, and all problems disappeared when I installed an external US Robotics Sportster (my favourite modem). It's still going strong to this day. A Winmodem or 'soft modem' depends on Windows software for data processing, then Windows drivers become more critical. An external unit handles everything with its own silicon-based DAC. I never had any further problems after switching to a US Robotics type, and I still recommend them to this day.

I understand the point about broadband, but I'm in the sticks of Lincolnshire as well, about as far as I can be from the exchange (sited in a wooden hut in the next village, near the duck pond...) and I believe BT were being conservative in their early estimates of the quality of service available at the extreme distances. I manage 3 to 4 Mbps thanks to an unthrottled business tariff (but it is £30 per month) and I am approximately four miles away.

Broadband does allow access to other services, including online banking, that are truly onerous with dialup. The possibility of Skype and holding web cam sessions with distant relatives also opens up, and it becomes a flat-rate cost that can be budgeted for. Overall, I do believe that broadband's higher costs vs dialup yield much greater rewards and is likely to be money well spent. But I accept that some users have modest needs, for which the pay as you go package is sufficient.

I'll be trying to handle Vista in more depth in the future, now that the OS is settling down. Thank you for your interest.

**Alan Winstanley,
EPE Online Editor**

Intelligent car air-conditioning controller

Dear EPE,

I liked the aircon project in Oct 08's *EPE*, but the author's analysis of the way car aircons work is too simplistic. Maybe in Australia their cars work as described, but in Europe there are further variations, which may limit the type of cars the project can be used on. My knowledge on this is not great,

but I have repaired a couple of car aircons, so I had to research the subject.

On many non-climate controlled cars, the thermostat shown in the article regulates the air to say 15°C by cutting the compressor in and out. It does not, as implied in the article, set the cabin temperature. If the driver wants his car hotter than 15°C, the fascia 'temperature' control blends hot air from the normal car heater with the 15°C air to get a higher temperature. The blending is not thermostatically controlled, so the driver needs to regularly adjust the knob for comfort.

The advantage of this system is that you get low humidity and it's cheap to build. The disadvantage is that it's wasteful of fuel and not temperature controlled.

I suggest a more fuel-efficient way to use this project is to insert a simple cabin thermostat (electromechanical or electronic type) in series between the existing thermostat and the compressor flag input. Then the outlet air will be regulated to whatever the cabin thermostat is set to – and the fascia knob should be left on its coldest

setting when the aircon is used. I can't guarantee there won't be side effects, such as excessive humidity and conceivably icing up of the evaporator. Also, will this circuit upset the way the PIC logs the flag signal?

Some cars, like older Skoda Fabias and no doubt others from the Volkswagen Audi Group, use a variable swashplate compressor. Superficially, the wiring diagram looks the same as in the article, but a 0V to 5V analogue signal is applied to this, instead of the 12V one, which varies the swashplate angle and hence the flowrate/pressure. The temperature sensor in the evaporator air outlet is a thermistor that inputs into a processor, which then controls the swashplate angle to achieve the steady 15°C air temperature. The compressor is always rotating, even when the aircon is off, and so there is no electromechanical clutch between the engine and compressor for this project to operate on. Thus, the project would need some modification to work on this sort of system and trying to use the project's 12V output on the compressor's 0V to 5V input may damage it.

One way of telling the type of compressor is to listen under the bonnet when the aircon is turned on. If there is loud click and a drop in revs it's the electromechanical clutch cutting in. Swashplate ones change from small output to max with no real change in noise. Last, many modern clutch ones are now quite quiet and the revs very stable, so they may not be distinguishable from swashplate ones. Measuring the voltage on the input to see if it's analogue is the best way to tell them apart.

Edward Chase, via email

Thanks Edward. Comments anyone?

Linux and more

Dear EPE,

It upsets me that I seemed to be the only person in the UK that can happily download the Linux programme Ubuntu, but cannot get it to run. I have tried using Vista computers, XP computers and even laptop computers, but the nearest I got was for the system to ask for a username and password and then ask again, followed by a refusal to accept it. I wonder if anybody has counted up the number of hours they waste per day downloading updates? I seem to have spent at least two hours a day fighting updates while trying to get things to work as well as they did the day before.

Does anybody know, through your *Readout* column, of a battery-powered unit which can pick up the output from handheld theatre radio MICs and convert it to headphone output? The reason I ask is I am rather deaf and have had to give up going to our local pensioners club because my stereo NHS hearing aid cannot cope with the combined onslaught of the announcer plus 60 women who just will not stop rabbiting! I have tried Maplins and the RNID, but they have nothing to offer.

Of course, the basic problem is I don't know whether the equipment is just a bog standard FM transmitter, or if it uses the special set of frequencies allocated for it. Perhaps somebody knows of an article for one of these things, because despite extensive searches I cannot find any

reference to anybody using one anywhere. I have even found that inductive loops in theatres just don't work for me, and gradually I find myself withdrawing into a world of silence where people talk about me, but not to me.

An interesting exercise might be to ask your readers to jot down how much they have spent on electronic equipment over say the last 30 years that is now totally obsolete. I think with the money I have spent I could afford to go on a world cruise on a luxury liner for 10 years. Certainly cheaper than living in an old peoples home these days.

BTW, round here the local plod seem to be giving the disabled buggy riders a hard time pretending that you need tax, insurance and an MOT. Also, if they were designed with shopping in mind I wonder why they all have such tiny shopping baskets built in? A friend of mine has had two buggies stolen, so perhaps a fancy burglar alarm circuit with a tracker system built in could be a very useful future project for *EPE*. My son has an ancient 'cheepo' mobile phone concealed in his huge caravan as a backup to the expensive tracker system that all of the pro thieves look out for.

George Chatley, via email

Can anyone offer helpful comments for friend George, a long-term EPE reader?

MIDI Drum Kit

Dear EPE,

I'm building the *MIDI Drum Kit* featured in *EPE* over several issues from December '07. I'd like some advice on how the holes for the inputs/outputs of the DB9 box are cut. In the text it doesn't really explain this at all, it just states 'make sure the holes are correct'. I've tried lining up the circuit boards on top of the box, then ruling lines downwards, however, it's near impossible because the circuit boards go in upside down, so they move a lot when I'm ruling the lines.

So, in short, how do I measure/cut out the holes on the DB9 box for the MIDI drum kit? Any help would be appreciated.

Vince Casals, via email

We suggest you use paper templates – mark the position of all the holes on sheets of paper by drawing around the sockets etc, and then use these templates to mark out the case. Check everything before cutting the box by measuring the position of the holes on the PCB and the case, allowing for the thickness of the case wall.

Rat It

Dear EPE,

I see you have a new column, *Recycle It* or 'Rat it before you chuck it'. My sister recently got rid of Sky TV and gave me the Sky + box, from which I was able to salvage a 160GB hard drive which is now in my computer as a slave drive. It was already formatted to NTFS, so all that remained to do was configure the jumpers and delete countless episodes of *Coronation Street* and *Eastenders*!

Craig Patterson, via email

Well done Craig, that's a worthwhile bit of ratting!

Praiseworthy editorship

Dear EPE,

It seemed, when Mike Kenward retreated to the role of publisher earlier this year, that he had merely changed rooms, rather than having left the building. He very much deserves, however, acknowledgement for his extraordinary contribution as electronics editor.

Mike served as editor from 1984 until 2008, during which time he acquired and united several major electronics titles, building them into the world's No. 1 electronics magazine. He successfully pioneered Internet publishing, too, producing the first-ever printed magazine that could also be bought and downloaded from the Internet. He promoted electronics education in various fields, *inter alia* through the acclaimed biannual *Teach-In* series. He promoted many major British companies and products, some of which became household names, such as Maplin and Sinclair.

He had an extraordinary eye for innovation, and many ground-breaking designs appeared in the magazine, with no small number going into production. He undoubtedly had the finest author policy of all, which surely was in large part responsible both for the innovative material that he published, and for the expansion of the magazine worldwide. He promoted several people who became major electronics writers in time, such as Barry Fox, Andy Flind, and John Becker. Finally, he forged an association with *Silicon Chip* magazine of Australia, thus widening the horizons both of electronics readers and advertisers.

During Mike's editorship, we had the privilege of being part of a fascinating and inspiring era of hobby electronics.

**Thomas Scarborough,
Cape Town, via email**

Thanks Thomas. I too, and many others I'm sure, would echo your comments regarding what Mike has achieved, and wish him well.

TO ADVERTISE IN
EVERYDAY
PRACTICAL
ELECTRONICS
PLEASE CONTACT
Stewart Kearn on
01202 873872
or email
stewart.kearn@
wimborne.co.uk

Net Work

Alan Winstanley



This month, we look at some recent developments, starting with what's new in the web browser world.

Some of the more niggling features of an increasingly bloated Internet Explorer 7 include its slow startup time and the irritating behaviour of the IE7 search box. By default, its search dialogue box utilises Microsoft Live Search (www.live.com), though this can be changed via the nearby dropdown menu to, for example, Google, or follow the guidelines at <http://tinyurl.com/2v9sk2>

After opening IE7, clicking on the Search box and starting to type a search phrase, the leviathan browser completes its boot-up process and sometimes switches 'focus' to its main address box instead. So, a user searching for 'everyday practical electronics' gets as far as typing 'eve...' before discovering that the browser has entered '...ryday practical...' into the main address bar. The entire search phrase has to be deleted and retyped in the Search box, which is infuriating and timewasting for busy Internet workers eager to press ahead.

The latest incarnation of Internet Explorer Version 8 is in Beta 2 mode, available at www.microsoft.com/windows/internet-explorer/beta/default.aspx. However, at this stage the update is probably best left to computer enthusiasts. For many web surfers, Firefox is a far more viable and usable alternative, originally based on Netscape Navigator, the grandfather of all web browsers. It can be installed free via www.firefox.com. More alternatives include the uninspiring Safari from <http://www.apple.com/safari/> and the innovative Opera browser from www.opera.com.

Chrome plated

Google recently unwrapped its own web browser with barely a whimper. Google Chrome is a free browser and, like the ubiquitous Google search engine, it is based on a minimalist design that is fast and slick to use. Perhaps Chrome lacks some of the bloated add-ons of IE7, but it is sprightly and has some intuitive features that makes surfing more productive and rewarding. Being open-source, Chrome holds out the promise of many interesting plug-ins being created in the future.

Usefully, the Search dialogue and address bars are rolled into 'one box for everything', so when you open Google Chrome, the dialogue box is there in milliseconds, literally, enabling users to start typing a URL or search phrase straight away. This is a fabulous timesaver. Google Chrome displays your most visited websites on the start-up page in the form of snapshot thumbnails, and within a second of launching you can click one and be on your way. As the human mind identifies best with images, not words, the thumbnail gallery is a brilliant way of helping you to recall and locate recently visited sites.

Additionally, if any website is 'misbehaving' or locking up, the user can shut down individual processes in Google Chrome without needing to close the whole program. This protects the rest of your work in progress, another valuable feature for busy people checking out multiple sites.

Many IE7 users find Internet Explorer's paranoid security settings and error messages all but unfathomable. Chrome offers an altogether more user-friendly warning about insecure websites, showing green secure addresses or URLs crossed through in red if they are potentially insecure.

Chrome's new 'Incognito' mode (CTRL + Shift + N) temporarily disables cookies and histories from being stored on your computer, helping you to protect your privacy online.

Even though the browser is still in Beta, the whole look and feel of Google Chrome is of a refined and highly usable browser that is grown-up and designed for today's Internet user. Download Chrome for XP or Vista free from www.google.com/chrome and see what you think.

No more malware?

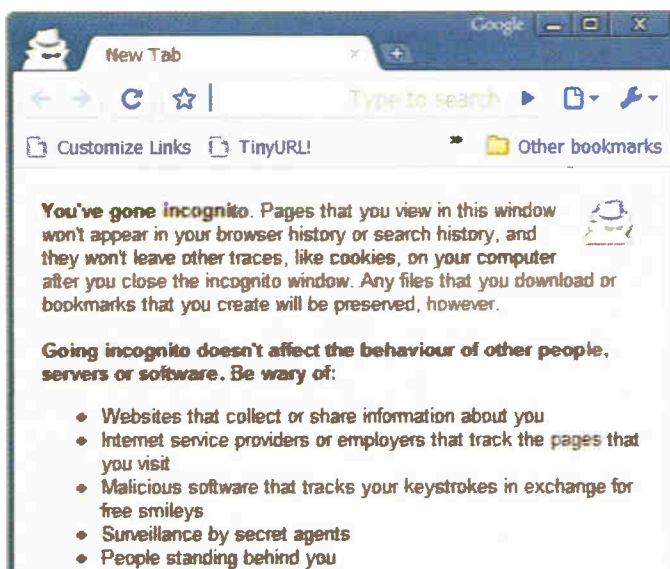
PC Tools, the home of Spyware Doctor software, was acquired by Symantec earlier this year. PC Tools is a robust subscription-based program that detects spyware and adware and has been recommended in previous years, but in the author's experience it has become too resource-intensive to permit full-time operation on many 'production' machines. The writer soon turned off its full-time scanning and resolved to scan his hard disks periodically instead, which half-defeated the object of buying it. It also has to be renewed annually to receive updates (approx \$50 for a three PC yearly licence).

All of this was brought into sharp focus when a colleague's laptop became infected with some very nasty malware, which choked off all Internet activity and brought the laptop to its knees. In fact, I had previously installed Spyware Doctor to deal with a previous problem on the same machine.

The infection was soon identified as AntiSpyKit malware. It symptomatically alerted that legitimate programs were 'viruses' and the only solution was, of course, to purchase the full AntiSpyKit program. It was impossible to uninstall, and by Googling for 'antispykit' it was seen that many users suffered the same headache.

A personal favourite and trusted website, www.bleepingcomputer.com pointed the way to Malwarebytes' Anti-Malware, a free download from www.malwarebytes.org. Sure enough, after running Anti-Malware on the infected laptop, the problematic malware was removed and the laptop was returned to service.

You can email Alan at alan@epemag.demon.co.uk



Google Chrome's 'Incognito' mode helps preserve your privacy when surfing online, with plain-English explanations to boost your confidence

Electronics Teach-In + FREE CD-ROM

Mike Tooley

A broad-based introduction to electronics – find out how circuits work and what goes on inside them. Plus 15 easy-to-build projects. The 152 page A4 book comes with a free CD-ROM containing the whole Teach-In 2006 series (originally published in *EPE*) in PDF form, interactive quizzes to test your knowledge, TINA circuit simulation software (a limited version – plus a specially written TINA Tutorial), together with simulations of the circuits in the Teach-In series, plus Flowcode (a limited version) a high level programming system for PIC microcontrollers based on flowcharts.

The Teach-In series covers everything from Electric Current through to Microprocessors and Microcontrollers and each part includes demonstration circuits to build on breadboards or to simulate on your PC.

In addition to the Teach-In series, the book includes 15 CMOS-based simple projects from the Back-To-Basics series by Bart Treppak, these are: Fridge/Freezer Alarm, Water Level Detector, Burglar Alarm, Scarecrow, Digital Lock, Doorchime, Electronic Dice, Kitchen Timer, Room Thermometer, Daily Reminder, Whistle Switch, Parking Radar, Telephone Switch, Noughts and Crosses Enigma and a Weather Vane. There is also a MW/LW Radio project in the Teach-In series.

152 pages + CD-ROM **Order code ETI** **£8.50**



DIRECT BOOK SERVICE

The books listed have been selected by *Everyday Practical Electronics* editorial staff as being of special interest to everyone involved in electronics and computing. They are supplied by mail order direct to your door. Full ordering details are given on the last book page.

FOR A FURTHER SELECTION OF BOOKS SEE THE NEXT TWO ISSUES OF *EPE*

All prices include UK postage

RADIO

BASIC RADIO PRINCIPLES AND TECHNOLOGY

Ian Poole

Radio technology is becoming increasingly important in today's high technology society. There are the traditional uses of radio which include broadcasting and point to point radio as well as the new technologies of satellites and cellular phones. All of these developments mean there is a growing need for radio engineers at all levels.

Assuming a basic knowledge of electronics, this book provides an easy to understand grounding in the topic.

Chapters in the book: Radio Today, Yesterday, and Tomorrow; Radio Waves and Propagation; Capacitors, Inductors, and Filters; Modulation; Receivers; Transmitters; Antenna Systems; Broadcasting; Satellites; Personal Communications; Appendix – Basic Calculations.

263 pages **Order code NE30** **£20.00**

PROJECTS FOR RADIO AMATEURS AND S.W.L.S.

R. A. Penfold

This book describes a number of electronic circuits, most of which are quite simple, which can be used to enhance the performance of most short wave radio systems.

The circuits covered include: An aerial tuning unit; A simple active aerial; An add-on b.f.o. for portable sets;

A wavetramp to combat signals on spurious responses; An audio notch filter; A parametric equaliser; C.W. and S.S.B. audio filters; Simple noise limiters; A speech processor; A volume expander.

Other useful circuits include a crystal oscillator, and RTTY/C.W. tone decoder, and a RTTY serial to parallel converter. A full range of interesting and useful circuits for short wave enthusiasts.

92 pages **Order code BP304** **£4.45**

AN INTRODUCTION TO AMATEUR RADIO

I. D. Poole

Amateur radio is a unique and fascinating hobby which has attracted thousands of people since it began at the turn of the last century. This book gives the newcomer a comprehensive and easy to understand guide through the subject so that the reader can gain the most from the hobby. It then remains an essential reference volume to be used time and again. Topics covered include the basic aspects of the hobby, such as operating procedures, jargon and setting up a station. Technical topics covered include propagation, receivers, transmitters and aerials etc.

150 pages **Order code BP257** **£5.49**

ROBOTICS

INTRODUCING ROBOTICS WITH LEGO MINDSTORMS

Robert Penfold

Shows the reader how to build a variety of increasingly sophisticated computer controlled robots using the brilliant Lego Mindstorms Robotic Invention System (RIS). Initially covers fundamental building techniques and mechanics needed to construct strong and efficient robots using the various "click-together" components supplied in the basic RIS kit. Then explains in simple terms how the "brain" of the robot may be programmed on screen using a PC and "zapped" to the robot over an infra-red link. Also, shows how a more sophisticated Windows programming language such as Visual BASIC may be used to control the robots.

Detailed building and programming instructions provided, including numerous step-by-step photographs.

268 pages - large format **Order code BP901** **£14.99**

MORE ADVANCED ROBOTICS WITH LEGO MINDSTORMS – Robert Penfold

Shows the reader how to extend the capabilities of the brilliant Lego Mindstorms Robotic Invention System (RIS) by using lego's own accessories and some simple home constructed units. You will be able to build robots that can provide you with 'waiter service' when you clap your hands, perform tricks, 'see' and avoid objects by using 'bats radar', or accurately follow a line marked on the floor. Learn to use additional types of sensors including rotation, light, temperature, sound and ultrasonic and also explore the possibilities provided by using an additional (third) motor. For the less experienced, RCX code programs accompany most of the featured robots. However, the more adventurous reader is also shown how to write programs using Microsoft's VisualBASIC running with the ActiveX control (Spirit.OCX) that is provided with the RIS kit.

Detailed building instructions are provided for the featured robots, including numerous step-by-step photographs. The designs include rover vehicles, a virtual pet, a robot arm, an 'intelligent' sweet dispenser and a colour conscious robot that will try to grab objects of a specific colour.

198 pages **Order code BP902** **£14.99**

ANDROIDS, ROBOTS AND ANIMATRONS

Second Edition – John Iovine

Build your own working robot or android using both off-the-shelf and workshop constructed materials and devices. Computer control gives these robots and androids two types of artificial intelligence (an expert system and a neural network). A lifelike android hand can be built and programmed to function doing repetitive tasks. A fully animated robot or android can also be built and programmed to perform a wide variety of functions.

The contents include an Overview of State-of-the-Art Robots; Robotic Locomotion; Motors and Power Controllers; All Types of Sensors; Tilt; Bump; Road and Wall Detection; Light; Speech and Sound Recognition; Robotic Intelligence (Expert Type) Using a Single-Board Computer Programmed in BASIC; Robotic Intelligence (Neural Type) Using Simple Neural Networks (Insect Intelligence); Making a Lifelike Android Hand; A Computer-Controlled Robotic Insect Programmed in BASIC; Telepresence Robots With Actual Arcade and Virtual Reality Applications; A Computer-Controlled Robotic Arm; Animated Robots and Androids; Real-World Robotic Applications.

224 pages **Order code MGH1** **£16.99**

COMPUTERS AND COMPUTING

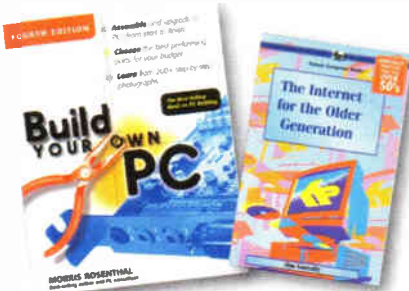
THE INTERNET FOR THE OLDER GENERATION

Jim Gatenby

Especially written for the over 50s. Uses only clear and easy-to-understand language. Larger type size for easy reading. Provides basic knowledge to give you confidence to join the local computer class.

This book explains how to use your PC on the Internet and covers amongst other things: Choosing and setting up your computer for the Internet. Getting connected to the Internet. Sending and receiving emails, photographs, etc., so that you can keep in touch with family and friends all over the world. Searching for and saving information on any subject. On-line shopping and home banking. Setting up your own simple web site.

228 pages **Order code BP600** **£8.99**



BUILD YOUR OWN PC – Fourth Edition

Morris Rosenthal

More and more people are building their own PCs. They get more value for their money, they create exactly the machine they want, and the work is highly satisfying and actually fun. That is, if they have a unique beginner's guide like this one, which visually demonstrates how to construct a computer from start to finish.

Through 150 crisp photographs and clear but minimal text, readers will confidently absorb the concepts of computer building. The extra-big format makes it easy to see what's going on in the pictures. The author goes 'under the hood' and shows step-by-step how to create a Pentium 4 computer or an Athlon 64 or Athlon 64FX, covering: What first-time builders need to know; How to select and purchase parts; How to assemble the PC; How to install Windows XP. The few existing books on this subject, although outdated, are in steady demand. This one delivers the expertise and new technology that fledgling computer builders are looking for.

224 pages - large format **Order code MGH2** **£16.99**

THE PIC MICROCONTROLLER

YOUR PERSONAL INTRODUCTORY COURSE – THIRD EDITION

John Morton

Discover the potential of the PIC microcontroller through graded projects – this book could revolutionise your electronics construction work!

A uniquely concise and practical guide to getting up and running with the PIC Microcontroller. The PIC is one of the most popular of the microcontrollers that are transforming electronic project work and product design.

Assuming no prior knowledge of microcontrollers and introducing the PICs capabilities through simple projects, this book is ideal for use in schools and colleges. It is the ideal introduction for students, teachers, technicians and electronics enthusiasts. The step-by-step explanations make it ideal for self-study too: this is not a reference book – you start work with the PIC straight away.

The revised third edition covers the popular reprogrammable Flash PICs: 16F54/16F84 as well as the 12F508 and 12F675.

270 pages **Order code NE36** **£20.99**

PROGRAMMING 16-BIT PIC MICROCONTROLLERS IN C – LEARNING TO FLY THE PIC24

Lucio Di Jasio (Application Segments Manager, Microchip, USA)

A Microchip insider tells all. Focuses on examples and exercises that show how to solve common, real-world design problems quickly. Includes handy checklists to help readers perform the most common programming and debugging tasks. FREE CD-ROM includes source code in C, the Microchip C30 compiler, and MPLAB SIM software, so that readers gain practical, hands-on programming experience.

Until recently, PICs didn't have the speed and memory necessary for use in designs such as video- and audio-enabled devices. All that changed with the introduction of the 16-bit PIC family, the PIC24. This new guide teaches readers everything they need to know about the architecture of these chips, how to program them, how to test them and how to debug them. Lucio's commonsense, practical, hands-on approach starts out with basic functions and guides the reader step-by-step through even the most sophisticated programming scenarios.

Experienced PIC users and newcomers alike will benefit from the text's many thorough examples, which demonstrate how to nimbly side-step common obstacles and take full advantage of all the 16-bit features.

496 pages +CD-ROM **Order code NE45** **£32.99**

THEORY AND REFERENCE

ELECTRONIC CIRCUITS – FUNDAMENTALS & APPLICATIONS

Third Edition
Mike Tooley

A comprehensive reference text and practical electronics handbook in one volume – at an affordable price!

New chapter on PIC microcontrollers – the most popular chip family for use in project work by hobbyists and in colleges and universities.

New companion website: spreadsheet design tools to simplify circuit calculations; circuit models and templates to enable virtual simulation; a bank of on-line questions for lecturers to set as assignments, and on-line self-test multiple choice questions for each chapter with automatic marking, to enable students to continually monitor their progress and understanding.

The book's content is matched to the latest pre-degree level courses, making this an invaluable reference for all study levels, and its broad coverage is combined with practical case studies, based in real-world engineering contexts throughout the text.

The unique combination of a comprehensive reference text, incorporating a primary focus on practical applications, ensures this text will prove a vital guide for students and also for industry-based engineers, who are either new to the field of electronics, or who wish to refresh their knowledge.

400 pages **Order code NE43** £23.99

BEBOP TO THE BOOLEAN BOOGIE

Second Edition
Clive (Max) Maxfield

This book gives the "big picture" of digital electronics. This indepth, highly readable, guide shows you how electronic devices work and how they're made. You'll discover how transistors operate, how printed circuit boards are fabricated, and what the innards of memory ICs look like. You'll also gain a working knowledge of Boolean Algebra and Karnaugh Maps, and understand what Reed-Muller logic is and how it's used. And there's much, MUCH more. The author's tongue-in-cheek humour makes it a delight to read, but this is a REAL technical book, extremely detailed and accurate. Comes with a free CD-ROM which contains an eBook version with full text search plus bonus chapter – An Illustrated History of Electronics and Computing.

Contents: Fundamental concepts; Analog versus digital; Conductors and insulators; Voltage, current, resistance, capacitance and inductance; Semiconductors; Primitive logic functions; Binary arithmetic; Boolean algebra; Karnaugh maps; State diagrams, tables and machines; Analog-to-digital and digital-to-analog; Integrated circuits (ICs); Memory ICs; Programmable ICs; Application-specific integrated circuits (ASICs); Circuit boards (PWBs and DWBs); Hybrids; Multiplex modules (MCMs); Alternative and future technologies.

500 pages **Order code BEB1** £35.99

BEBOP BYTES BACK (and the Bebopter Computer Simulator)

CD-ROM
Clive (Max) Maxfield and Alvin Brown

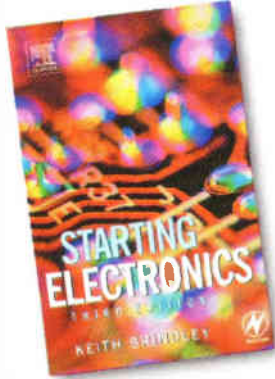
This follow-on to Bebob to the Boolean Boogie is a multimedia extravaganza of information about how computers work. It picks up where "Bebop I" left off, guiding you through the fascinating world of computer design... and you'll have a few chuckles, if not belly



BOOK + CD-ROM

laughs, along the way. In addition to over 200 megabytes of mega-cool multimedia, the CD-ROM contains a virtual microcomputer, simulating the motherboard and standard computer peripherals in an extremely realistic manner. In addition to a wealth of technical information, myriad nuggets of trivia, and hundreds of carefully drawn illustrations, the CD-ROM contains a set of lab experiments for the virtual microcomputer that let you recreate the experiences of early computer pioneers. If you're the slightest bit interested in the inner workings of computers, then don't dare to miss this!

Over 800 pages in Adobe Acrobat format
CD-ROM **Order code BEB2 CD-ROM** £21.95



FUNDAMENTAL ELECTRICAL AND ELECTRONIC PRINCIPLES

Third Edition
C. R. Robertson

Covers the essential principles that form the foundations for electrical and electronic engineering courses. The coverage of this new edition has been carefully brought in line with the core unit 'Electrical and Electronic Principles' of the 2007 BTEC National Engineering specification. This qualification from Edexcel attracts more than 10,000 students per year.

The book explains all theory in detail and backs it up with numerous worked examples. Students can test their understanding with end of chapter assignment questions for which answers are provided. In this new edition, the layout has been improved and colour has been added. A free companion website with additional worked examples and chapters is also available.

368 pages **Order code NE47** £21.95

STARTING ELECTRONICS

Third Edition
Keith Brindley

A punchy practical introduction to self-build electronics. The ideal starting point for home experimenters, technicians and students who want to develop the real hands-on skills of electronics construction.

A highly practical introduction for hobbyists, students, and technicians. Keith Brindley introduces readers to the functions of the main component types, their uses, and the basic principles of building and designing electronic circuits.

Breadboard layouts make this very much a ready-to-run book for the experimenter, and the use of multimeter,

but not oscilloscopes, and readily available, inexpensive components makes the practical work achievable in a home or school setting as well as a fully equipped lab.

288 pages **Order code NE42** £12.99

THE AMATEUR SCIENTIST CD-ROM – VERSION 2

The complete collection of The Amateur Scientist articles from *Scientific American* magazine. Over 1,000 classic science projects from a renowned source of winning projects. All projects are rated for cost, difficulty and possible hazards. Plus over 1,000 pages of helpful science techniques that never appeared in *Scientific American*.



Exciting science projects in: Astronomy; Earth Science; Biology; Physics; Chemistry; Weather... and much more! The most complete resource ever assembled for hobbyists, and professionals looking for novel solutions to research problems. Includes extensive Science Software Library with even more science tools. Suitable for Mac, Windows, Linux or UNIX. 32MB RAM minimum, Netscape 4.0 or higher or Internet Explorer 4.0 or higher. Over 1,000 projects.

CD-ROM **Order code ASI CD-ROM** £19.95

eBAY FOR BEGINNERS

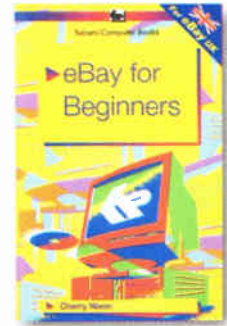
Cherry Nixon

There are two kinds of people, those who are trading on eBay and the rest who are missing out. Though eBay has been embraced by entrepreneurs all over the world, it remains the peoples' site and offers the largest market for the smallest fee.

eBay presents an opportunity for everyone, the trick is to master it. This book shows you how to start trading on eBay UK. It also offers advice on getting organised and tips to put you ahead.

The book has been developed from Cherry's popular hands-on course "Buying and Selling on eBay for Technological Simpletons". In addition to fully explaining eBay and how to trade on it there are sections on Paypal, producing pictures of your sale items, fees and accounts, safety and security, including what to do when things go wrong and what protection is provided.

178 pages **Order code BP551** £8.99



MUSIC, AUDIO AND VIDEO

MAKING MUSIC WITH YOUR COMPUTER

Stephen Bennett

Nearly everyone with musical aspirations also has a computer. This same computer can double as a high quality recording studio capable of producing professional recordings. This book tells you what software and hardware you will need to get the best results.

You'll learn about recording techniques, software and effects, mixing, mastering and CD production.

Suitable for PC and Mac users, the book is full of tips, "how to do" topics and illustrations. It's the perfect answer to the question "How do I use my computer to produce my own CD?"

92 pages **Order code PC120** £10.95



QUICK GUIDE TO MP3 AND DIGITAL MUSIC

Ian Waugh

MP3 files, the latest digital music format, have taken the music industry by storm. What are they? Where do you get them? How do you use them? Why have they thrown record companies into a panic? Will they make music easier to buy? And cheaper? Is this the future of music?

All these questions and more are answered in this concise and practical book which explains everything you need to know about MP3s in a simple and easy-to-understand manner. It explains:

How to play MP3s on your computer; How to use MP3s with handheld MP3 players; Where to find MP3s on the Web; How MP3s work; How to tune into Internet radio stations; How to create your own MP3s; How to record your own CDs from MP3 files; Other digital audio music formats.

Whether you want to stay bang up to date with the latest music or create your own MP3s and join the on-line digital music revolution, this book will show you how.

60 pages **Order code PC119** £7.45

VIDEO PROJECTS FOR THE ELECTRONICS CONSTRUCTOR

R. A. Penfold

Written by highly respected author R. A. Penfold, this book contains a collection of electronic projects specially designed for video enthusiasts. All the projects can be simply

constructed, and most are suitable for the newcomer to project construction, as they are assembled on stripboard.

There are faders, wipers and effects units which will add sparkle and originality to your video recordings, an audio mixer and noise reducer to enhance your soundtracks and a basic computer control interface. Also, there's a useful selection on basic video production techniques to get you started.

Complete with explanations of how the circuit works, shopping lists of components, advice on construction, and guidance on setting up and using the projects, this invaluable book will save you a small fortune.

Circuits include: video enhancer, improved video enhancer, video fader, horizontal wiper, improved video wiper, negative video unit, fade to grey unit, black and white keyer, vertical wiper, audio mixer, stereo headphone amplifier, dynamic noise reducer, automatic fader, pushbutton fader, computer control interface, 12 volt mains power supply.

124 pages **Order code PC115** £10.95 £5.45

ALL PRICES INCLUDE UK POST & PACKING

DATA AND DESIGN

PRACTICAL ELECTRONIC FILTERS

Owen Bishop

This book deals with the subject in a non-mathematical way. It reviews the main types of filter, explaining in simple terms how each type works and how it is used.

The book also presents a dozen filter-based projects with applications in and around the home or in the constructor's workshop. These include a number of audio projects such as a rhythm sequencer and a multi-voiced electronic organ.

Concluding the book is a practical step-by-step guide to designing simple filters for a wide range of purposes, with circuit diagrams and worked examples.

88 pages

Order code BP293

£5.49

DIGITAL LOGIC GATES AND FLIP-FLOPS

Ian R. Sinclair

This book, intended for enthusiasts, students and technicians, seeks to establish a firm foundation in digital electronics by treating the topics of gates and flip-flops thoroughly and from the beginning.

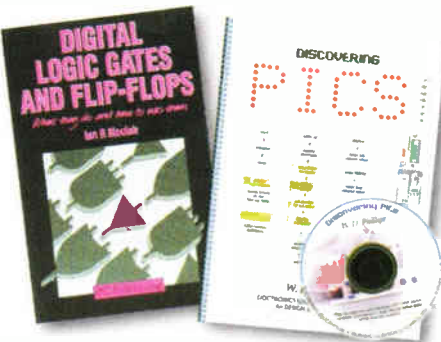
Topics such as Boolean algebra and Karnaugh mapping are explained, demonstrated and used extensively, and more attention is paid to the subject of synchronous counters than to the simple but less important ripple counters.

No background other than a basic knowledge of electronics is assumed, and the more theoretical topics are explained from the beginning, as also are many working practices. The book concludes with an explanation of microprocessor techniques as applied to digital logic.

200 pages

Order code PC106

£9.95



A BEGINNER'S GUIDE TO TTL DIGITAL ICs

R. A. Penfold

This book first covers the basics of simple logic circuits in general, and then progresses to specific TTL logic integrated circuits. The devices covered include gates, oscillators, timers, flip/flops, dividers, and decoder circuits. Some practical circuits are used to illustrate the use of TTL devices in the "real world".

142 pages

Order code BP332

£5.45

MICROCONTROLLER COOKBOOK

Mike James

The practical solutions to real problems shown in this cookbook provide the basis to make PIC and 8051 devices really work. Capabilities of the variants are examined, and ways to enhance these are shown. A survey of common interface devices, and a description of programming models, lead on to a section on development techniques. The cookbook offers an introduction that will allow any user, novice or experienced, to make the most of microcontrollers.

240 pages

Order code NE26

£25.99

RADIO BYGONES

We also carry a selection of books aimed at readers of EPE's sister magazine on vintage radio *Radio Bygones*. These books include Jonathan Hill's excellent *Radio Radio*, a comprehensive book with hundreds of photos depicting the development of the British wireless set up to the late 1960s.

The four volumes of our own *Wireless For the Warrior* by Louis Meulstee are also available. These are a technical history of radio communication equipment in the British Army and clandestine equipment from pre-war through to the 1960s.

For details see the shop on our UK web site at www.epemag.com or contact us for a list of *Radio Bygones* books.

PROJECT BUILDING AND TESTING

ELECTRONIC PROJECT BUILDING FOR BEGINNERS

R. A. Penfold

This book is for complete beginners to electronic project building. It provides a complete introduction to the practical side of this fascinating hobby, including the following topics:

Component identification, and buying the right parts; resistor colour codes, capacitor value markings, etc; advice on buying the right tools for the job; soldering; making easy work of the hard wiring; construction methods, including stripboard, custom printed circuit boards, plain matrix boards, surface mount boards and wire-wrapping; finishing off, and adding panel labels; getting "problem" projects to work, including simple methods of fault-finding.

In fact everything you need to know in order to get started in this absorbing and creative hobby.

135 pages

Order code BP392

£5.49

ELECTRONIC PROJECTS FOR EXPERIMENTERS

R. A. Penfold

Many electronic hobbyists who have been pursuing their hobby for a number of years seem to suffer from the dreaded "seen it all before" syndrome. This book is fairly and squarely aimed at sufferers of this complaint, plus any other electronics enthusiasts who yearn to try something a bit different. No doubt many of the projects featured here have practical applications, but they are all worth a try for their interest value alone.

The subjects covered include:- Magnetic field detector, Basic Hall effect compass, Hall effect audio isolator, Voice scrambler/descrambler, Bat detector, Bat style echo location, Noise cancelling, LED stroboscope, Infra-red "torch", Electronic breeze detector, Class D power amplifier, Strain gauge amplifier, Super hearing aid.

138 pages

Order code BP371

£5.45

PRACTICAL FIBRE-OPTIC PROJECTS

R. A. Penfold

While fibre-optic cables may have potential advantages over ordinary electric cables, for the electronics enthusiast it is probably their novelty value that makes them worthy of exploration. Fibre-optic cables provide an innovative interesting alternative to electric cables, but in most cases they also represent a practical approach to the problem. This book provides a number of tried and tested circuits for projects that utilize fibre-optic cables.

The projects include:- Simple audio links, F.M. audio link, P.W.M. audio links, Simple d.c. links, P.W.M. d.c. link, P.W.M. motor speed control, RS232C data links, MIDI link, Loop alarms, R.P.M. meter.

All the components used in these designs are readily available, none of them require the constructor to take out a second mortgage.

132 pages

Order code BP374

£5.45

GETTING THE MOST FROM YOUR MULTIMETER

R. A. Penfold

This book is primarily aimed at beginners and those of limited experience of electronics. Chapter 1 covers the basics of analogue and digital multimeters, discussing the relative merits and the limitations of the two types. In Chapter 2 various methods of component checking are described, including tests for transistors, thyristors, resistors, capacitors and diodes. Circuit testing is covered in Chapter 3, with subjects such as voltage, current and continuity checks being discussed.

In the main little or no previous knowledge or experience is assumed. Using these simple component and circuit testing techniques the reader should be able to confidently tackle servicing of most electronic projects.

96 pages

Order code BP239

£5.49

BOOK ORDERING DETAILS

All prices include UK postage, for postage to Europe (air) and the rest of the world (surface) please add £2 per book. For the rest of the world airmail add £3 per book. CD-ROM prices include VAT and/or postage to anywhere in the world. Send a PO, cheque, international money order (£ sterling only) made payable to **Direct Book Service** or card details, Visa, Mastercard or Maestro to: **DIRECT BOOK SERVICE, WIMBORNE PUBLISHING LIMITED, SEQUOIA HOUSE, 398a RINGWOOD ROAD, FERNDOWN, DORSET BH22 9AU.**

Books are normally sent within seven days of receipt of order, but please allow 28 days for delivery – more for overseas orders. Please check price and availability (see latest issue of *Everyday Practical Electronics*) before ordering from old lists.

For a further selection of books see the next two issues of *EPE*.
Tel 01202 873872 Fax 01202 874562. E-mail: dbs@wimborne.co.uk
Order from our online shop at: www.epemag.com

BOOK ORDER FORM

Full name:

Address:

.....

.....

..... Post code: Telephone No:

Signature:

I enclose cheque/PO payable to DIRECT BOOK SERVICE for £

Please charge my card £ Card expiry date.....

Card Number Switch/Maestro Issue No.....

Valid From Date Card Security Code (the last three digits on or just below the signature strip)

Please send book order codes:

.....

Please continue on separate sheet of paper if necessary

PCB SERVICE

Printed circuit boards for most recent *EPE* constructional projects are available from the *PCB Service*, see list. These are fabricated in glass fibre, and are fully drilled and roller tinned. Double-sided boards are **NOT plated through hole** and will require 'vias' and some components soldering to both sides. All prices include VAT and postage and packing. Add £1 per board for airmail outside of Europe. Remittances should be sent to **The PCB Service, Everyday Practical Electronics, Wimborne Publishing Ltd., Sequoia House, 398a Ringwood Road, Ferndown, Dorset BH22 9AU. Tel: 01202 873872; Fax 01202 874562; Email: orders@epemag.wimborne.co.uk. On-line Shop: www.epemag.com.** Cheques should be crossed and made payable to *Everyday Practical Electronics* (Payment in £ sterling only).

NOTE: While 95% of our boards are held in stock and are dispatched within seven days of receipt of order, please allow a maximum of 28 days for delivery – overseas readers allow extra if ordered by surface mail. Back numbers or photocopies of articles are available if required – see the Back Issues page for details. WE DO NOT SUPPLY KITS OR COMPONENTS FOR OUR PROJECTS.

Please check price and availability in the latest issue. A large number of older boards are listed on, and can be ordered from, our website.

Boards can only be supplied on a payment with order basis.

PROJECT TITLE	ORDER CODE	COST
AUGUST '07		
TwinTen Stereo Amplifier	626	£9.83
Printer Port Hardware Simulator	627	£6.66
* RFID Security Module	628	£7.14
* V2 PC Scope – Control Board	629	£7.13
– Analogue Board	630	£6.50
SEPTEMBER '07		
* Flexitimer – Main Board	631	£7.29
– Display Board 1	632	£7.29
– Display Board 2	633	£7.29
– Display Board 3	634	£7.29
Pocket Tens Unit	635	£6.35
OCTOBER '07		
* Simple Seismograph	636	£6.66
* V8 Doorbell – Main Board	637	} set £11.42
– Display Board	638	
* Standby Power Saver – Transmitter	639	} set £6.34
– Receiver	640	
– PSU	641	
NOVEMBER '07		
Vehicle Voltage Monitor	642	£6.34
* USB Electrocardiograph	643	£7.61
* Inductance & Q-Factor Meter	644	£7.93
Experimenter's Audio System – Main Board	645	} set £7.61
– PSU	646	
* Teach-In '08 – Master Control Board	647	£7.93
DECEMBER '07		
iPod or MP3 Player Charger	648	£5.87
AVR ISP Socketboard	649	£7.61
* PIC Speech Synthesiser – Playback	650	£6.03
– Record	651	£6.66
JANUARY '08		
* Serial I/O Controller	652	£11.90
* MIDI Drum Kit – Main Board	653	£11.58
– Display	654	£7.61
Phone/Fax Missed Call Alert	655	£6.66
* PIC Carillon	656	£7.30
FEBRUARY '08		
MIDI Drum Kit – Optical Sensor	657	£5.39
Studio Series – Stereo Preamplifier – Pre Amp	658	} set £9.51
– PSU	659	
Electrosmog Sniffer	660	£5.71
MARCH '08		
Fluorescent Tube Driver	661	£7.13
Studio Series – Stereo Headphone Amplifier	662	£8.24
APRIL '08		
* Studio Series – Remote Control Module	663	£7.13
* MIDI Activity Detector	664	£6.34
PIC In-Circuit Programming Add-On	665	£5.39
* PC-Controlled Burglar Alarm – Main Board	666	} set £11.89
– Display Board	667	
MAY '08		
* PC-Controlled Burglar Alarm – Keypad	668	£6.18
* Electric Mobility Buggy Monitor	669	£6.02
Mini Theremin	670	£10.15

PROJECT TITLE	ORDER CODE	COST
JUNE '08		
* Monopoly Money	671	£7.30
* Universal High-Energy LED Lighting System	673	£6.82
JULY '08		
* PIC MIDI Sound Wave Generator	672	£11.20
Galactic Voice	674	£6.82
Coolmaster	675	£6.34
AUGUST '08		
Four-Channel A/V Selector	676	£9.51
DC Relay Switch For High Current Loads	677	£6.02
Versatile Temperature Switch	678	£6.66
* Mains Monitor – Monitor	679	£7.13
– Interface	680	£5.71
SEPTEMBER '08		
Magnetic Cartridge Preamplifier	681	£7.45
* Super Speedo Corrector	682	£6.66
Ultrasonic Eavesdropper	683	£6.82
S-Video To Composite Video Converter (double-sided)	684	£9.98
OCTOBER '08		
* Intelligent Car Air-Conditioner Controller	685	£6.66
* Cordless Power Tool Charger Controller	686	£6.18
20W Class-A Amplifier Module – Left Channel	687	£7.29
– Right Channel	688	£7.29
– PSU	689	£6.50
NOVEMBER '08		
* 50MHz Frequency Meter – Mk. 2 – Version 1	581	£6.66
– Version 2	582	£6.66
– Version 3	583	£6.66
Variable Turbo Boost Control	690	} set £6.34
Fuel Cut Defeater	691	
DECEMBER		
* Christmas Star	692	£6.97
20W Class-A Amplifier – Speaker Protector & Muting	693	£6.66
Radar Speed Gun – Head	694	} set £14.95
– Display	695	

EPE SOFTWARE

* All software programs for *EPE* Projects marked with a star, and others previously published can be downloaded free from our Downloads site, accessible via our home page at: www.epemag.com

PCB MASTERS

PCB masters for boards published from the March '06 issue onwards can also be downloaded from our UK website (www.epemag.com); go to the 'Downloads' section.

EPE PRINTED CIRCUIT BOARD SERVICE

Order Code	Project	Quantity	Price
.....
Name
Address
Tel. No.

I enclose payment of £..... (cheque/PO in £ sterling only) to:

Everyday Practical Electronics



Card No.

Valid From Expiry Date

Card Security No. Maestro Issue No.

Signature

Note: You can also order PCBs by phone, Fax or Email or via the shop on our website on a secure server:

<http://www.epemag.com>

CONSTRUCTIONAL PROJECTS

20W CLASS-A AMPLIFIER MODULE by Leo Simpson and Peter Smith	Oct 32, Nov 30, Dec 21	MAGNETIC CARTRIDGE PREAMPLIFIER by John Clarke	Sep 40
50MHz FREQUENCY METER - Mk2	Nov 10	MAINS MONITOR by John Becker	Aug 35
ACTIVITY DETECTOR, MIDI	Apr 38	METER, LOW COST 50MHz FREQUENCY Mk.2	Nov 10
ADD-ON, PIC IN-CIRCUIT PROGRAMMING	Apr 36	MIDI ACTIVITY DETECTOR by David Clark	Apr 38
AIR-CONDITIONER CONTROLLER, INTELLIGENT CAR ALARM SYSTEM, PC-CONTROLLED BURGLAR ALERT, PHONE/FAX MISSED CALL	Oct 20	MIDI DRUM KIT by John Clarke	Jan 62, Feb 56, Mar 62
AMPLIFIER MODULE, 20W CLASS-A	Oct 32, Nov 30, Dec 21	MIDI WAVE SOUND GENERATOR, PIC	Jul 10
AMPLIFIER, STUDIO SERIES - STEREO HEADPHONE	Mar 12	MINI THEREMIN by John Clarke	May 32, Jun 30
ANALOGUE SAMPLER, SERIAL I/O CONTROLLER AND A/V SELECTOR, FOUR-CHANNEL	Jan 12	MISSED CALL ALERT, PHONE/FAX	Jan 50
BAT DETECTOR	Sep 18	MOBILITY BUGGY MONITOR, ELECTRIC	May 42
BOOST CONTROL, SIMPLE VARIABLE	Nov 44	MODULE, 20W CLASS-A AMPLIFIER	Oct 32, Nov 30, Dec 21
BUGGY MONITOR, ELECTRIC MOBILITY	May 42	MODULE, SPEAKER PROTECTION & MUTING	Dec 21
BURGLAR ALARM SYSTEM, PC-CONTROLLED	Apr 10, May 10	MODULE, STUDIO SERIES - REMOTE CONTROL	Apr 24
CALL ALERT, PHONE/FAX MISSED	Jan 50	MOISTURE MONITOR - Mk1 (Breadboarding-4)	Nov 56
CAPACITIVE SWITCH, USING THE MICROCHIP PICKIT 2	Dec 38	MONEY, MONOPOLY	Jun 40
DEBUG EXPRESS TO BUILD A	Oct 20	MONITOR, ELECTRIC MOBILITY BUGGY	May 42
CAR AIR-CONDITIONER CONTROLLER, INTELLIGENT CAR FUEL CUT DEFEATER FOR VARIABLE BOOST CONTROL	Nov 46	MONITOR, MAINS	Aug 35
CARILLON, PIC	Jan 34	MONOPOLY MONEY by Dave Geary	Jun 40
CARTRIDGE PREAMPLIFIER, MAGNETIC	Sep 40	MULTI THROTTLE CONTROL FOR PC FLIGHT SIMULATORS	Mar 42
CAR TURBO INTERCOOLER WATER SPRAY CONTROLLER	Feb 38	by Robert Gott	Dec 21
CAR TURBO VARIABLE BOOST CONTROL	Nov 44	MUTING MODULE & SPEAKER PROTECTION	Dec 21
CHARGER CONTROLLER, CORDLESS POWER TOOL	Oct 10	PC FLIGHT SIMULATORS, MULTI THROTTLE CONTROL FOR PC-CONTROLLED BURGLAR ALARM SYSTEM	Mar 42
CHRISTMAS STAR, PROGRAMMABLE	Dec 29	by Trent Jackson	Apr 10, May 10
CIRCUIT TESTER (Breadboard-1)	Oct 48	PHONE/FAX MISSED CALL ALERT by Jim Rowe	Jan 50
CLASS-A AMPLIFIER MODULE, 20W	Oct 32, Nov 30, Dec 21	PIC CARILLON by John Becker	Jan 34
COMPOSITE VIDEO CONVERTER, S-VIDEO TO	Sep 32	PIC IN-CIRCUIT PROGRAMMING ADD-ON by Keith Anderson	Apr 36
CONTROL FOR PC FLIGHT SIMULATORS, MULTI THROTTLE CONTROL MODULE, STUDIO SERIES - REMOTE	Mar 42	PIC MIDI WAVE SOUND GENERATOR by Mike Rainbow	Jul 10
CONTROL, DC RELAY SWITCH	Apr 24	POWER TOOL CHARGER CONTROLLER, CORDLESS	Oct 10
CONTROL, SIMPLE VARIABLE BOOST	Aug 22	PREAMPLIFIER, MAGNETIC CARTRIDGE	Sep 40
CONTROLLER AND ANALOGUE SAMPLER, SERIAL I/O	Nov 44	PREAMPLIFIER, STUDIO SERIES - STEREO	Feb 18, May 22
CONTROLLER, CORDLESS POWER TOOL CHARGER	Jan 12	PROGRAMMABLE CHRISTMAS STAR by David Meiklejohn	Dec 29
CONTROLLER, INTELLIGENT CAR AIR-CONDITIONER	Oct 10	PROGRAMMING ADD-ON, PIC IN-CIRCUIT	Apr 36
CONTROLLER, LOW-COST INTERCOOLER WATER SPRAY	Oct 20	RADAR SPEED GUN by Jim Rowe	Dec 10
CONVERTER, S-VIDEO TO COMPOSITE VIDEO	Feb 38	RAIN CHECK (Breadboard-2)	Oct 50
COOLMASTER by Jim Rowe	Sep 32	RELAY SWITCH CONTROL, DC	Aug 22
CORDLESS POWER TOOL CHARGER CONTROLLER by John Clarke	Jul 22	REMOTE CONTROL MODULE, STUDIO SERIES -	Apr 24
CORRECTOR, SUPER SPEEDO	Oct 10	SAMPLER, SERIAL I/O CONTROLLER AND ANALOGUE	Jan 12
DARK SWITCH (Breadboard-3)	Sep 10	SELECTOR, FOUR-CHANNEL A/V	Aug 10
DC RELAY SWITCH by John Clarke	Nov 54	SERIAL I/O CONTROLLER AND ANALOGUE SAMPLER	Jan 12
DEFEATER, FUEL CUT	Aug 22	by Trent Jackson	Jan 12
DETECTOR, MIDI ACTIVITY	Nov 46	SERIES STEREO PREAMPLIFIER, STUDIO	Feb 18, May 22
DOOR SOUNDER, STARSHIP ENTERPRISE	Apr 38	SIMPLE VARIABLE BOOST CONTROL by Denis Cobby	Nov 44
DRIVER, FLUORESCENT TUBE	Jun 22	SIMULATORS, MULTI THROTTLE CONTROL FOR PC FLIGHT	Mar 42
DRUM KIT, MIDI	Mar 28	SNIFFER, ELECTROSMOG	Feb 10
EAVESDROPPER, ULTRASONIC	Jan 62, Feb 56, Mar 62	SOUND GENERATOR, PIC MIDI WAVE	Jul 10
ELECTRIC MOBILITY BUGGY MONITOR by John Becker	Sep 18	SOUNDER, STARSHIP ENTERPRISE DOOR	Jun 22
ELECTROMAGNETIC FIELD DETECTOR	May 42	SPEED GUN, RADAR	Dec 10
ELECTROSMOG SNIFFER by Thomas Scarborough	Feb 10	SPEEDOMETER CORRECTOR, SUPER	Sep 10
ENTERPRISE DOOR SOUNDER, STARSHIP	Feb 10	SPRAY CONTROLLER, LOW-COST INTERCOOLER WATER	Feb 38
FAX/PHONE MISSED CALL ALERT	Jun 22	STAR, PROGRAMMABLE CHRISTMAS	Dec 29
FLIGHT SIMULATORS, MULTI THROTTLE CONTROL FOR PC	Jan 50	STARSHIP ENTERPRISE DOOR SOUNDER by Jim Rowe	Jun 22
FLUORESCENT TUBE DRIVER by John Ellis	Mar 42	STEREO HEADPHONE AMPLIFIER, STUDIO SERIES -	Mar 12
FOUR-CHANNEL A/V SELECTOR by Jim Rowe	Mar 28	STEREO PREAMPLIFIER, STUDIO SERIES -	Feb 18, May 22
FREQUENCY METER, LOW COST 50MHz, Mk.2	Aug 10	STUDIO SERIES - PREAMPLIFIER - INSTALLING THE MODULES	May 22
FUEL CUT DEFEATER by Denis Cobby	Nov 10	by Peter Smith	Apr 24
GALACTIC VOICE by John Clarke	Nov 46	STUDIO SERIES - REMOTE CONTROL MODULE by Peter Smith	Mar 12
GAMES TIMER (Breadboard-6)	Jul 43	STUDIO SERIES - STEREO HEADPHONE AMPLIFIER	Feb 18, May 22
GENERATOR, PIC MIDI WAVE SOUND	Dec 46	by Peter Smith	Mar 12
GUN, RADAR SPEED	Jul 10	STUDIO SERIES - STEREO PREAMPLIFIER by Peter Smith	Feb 18, May 22
HEADPHONE AMPLIFIER, STUDIO SERIES - STEREO	Dec 10	SUPER SPEEDO CORRECTOR by John Clarke and Julian Edgar	Sep 10
HIGH-ENERGY LED LIGHTING SYSTEM, UNIVERSAL	Mar 12	S-VIDEO TO COMPOSITE VIDEO CONVERTER by Jim Rowe	Sep 32
I/O CONTROLLER AND ANALOGUE SAMPLER, SERIAL	Jun 10, Jul 34	SWITCH CONTROL, DC RELAY	Aug 22
IN-CIRCUIT PROGRAMMING ADD-ON, PIC	Jan 12	SWITCH, TEMPERATURE	Aug 30
INTELLIGENT CAR AIR-CONDITIONER CONTROLLER	Apr 36	SWITCH, USING THE MICROCHIP PICKIT 2 DEBUG	Dec 38
by John Clarke	Oct 20	EXPRESS TO BUILD A CAPACITIVE	Dec 38
INTERCOOLER WATER SPRAY CONTROLLER, LOW-COST	Feb 38	SYSTEM, PC-CONTROLLED BURGLAR ALARM	Apr 10, May 10
KIT, MIDI DRUM	Jan 62, Feb 56, Mar 62	SYSTEM, UNIVERSAL HIGH-ENERGY LED LIGHTING	Jun 10, Jul 34
LED LIGHTING SYSTEM, UNIVERSAL HIGH-ENERGY	Jun 10, Jul 34	TEMPERATURE SWITCH by John Clarke and Julian Edgar	Aug 30
LIGHTING SYSTEM, UNIVERSAL HIGH-ENERGY LED	Jun 10, Jul 34	THEREMIN, MINI	May 32, Jun 30
LOUDSPEAKER PROTECTION & MUTING MODULE	Jun 10, Jul 34	THEREMIN, USING THE MICROCHIP PICKIT 2 DEBUG	Nov 24
by Greg Swain and Peter Smith	Dec 21	EXPRESS TO BUILD A	Nov 24
LOW COST 50MHz FREQUENCY METER - Mk.2 by John Clarke	Nov 10	THERMOSTAT (Breadboard-5)	Dec 44
LOW-COST INTERCOOLER WATER SPRAY CONTROLLER	Feb 38	THROTTLE CONTROL FOR PC FLIGHT SIMULATORS, MULTI	Mar 42
by Julian Edgar	Feb 38	TOOL CHARGER CONTROLLER, CORDLESS POWER	Oct 10
LUXEON LED LIGHTING SYSTEM	Jun 10, Jul 34	TUBE DRIVER, FLUORESCENT	Mar 28
LUXEON-POWERED SPOTLIGHT	Jun 10, Jul 34	ULTRASONIC EAVESDROPPER by Jim Rowe	Sep 18
		UNIVERSAL HIGH-ENERGY LED LIGHTING SYSTEM	Jun 10, Jul 34
		by John Clarke and Julian Edgar	Jun 10, Jul 34
		USING THE MICROCHIP PICKIT 2 DEBUG EXPRESS	Dec 38
		TO BUILD A CAPACITIVE SWITCH by Marcel Flipse	Dec 38
		USING THE MICROCHIP PICKIT 2 DEBUG EXPRESS TO BUILD	Nov 24
		A 'THEREMIN' by Colin Greaves	Nov 24
		VARIABLE BOOST CONTROL, SIMPLE	Nov 44

Continued

VIDEO CONVERTER, S-VIDEO TO COMPOSITE VOICE, GALACTIC	Sep 32 Jul 43	WAVE SOUND GENERATOR, PIC MIDI WINE CHILLER, COOLMASTER	Jul 10 Jul 22
WATER SPRAY CONTROLLER, LOW-COST INTERCOOLER	Feb 38		

SPECIAL SERIES

BREADBOARDING PROJECTS by Dr Malcom Plant Part 1 – Introduction, Circuit Tester, Rain Check Part 2 – Dark Switch and Moisture Monitor Mk1 Part 3 – Thermostat and Games Timer	Oct 46 Nov 54 Dec 44	Microcontroller I/O port expansion OLED Graphics Displays PIC controlling matrixed LEDs while maintaining constant brilliance by John Becker Real Time Clocks Static LCDs and PICs Writing to Flash	Jul 66, Aug 57 Dec 54 Jun 58 Apr 59 Feb 15 Jan 42
CIRCUIT SURGERY by Ian Bell Concluding our discussion of SPICE simulation Current sources Ground and Earth Loops LED brightness and switching inductive loads Logic device families MAX8596X LED driver IC More on SPICE simulation – difficulties Regulator overload protection Switching inductive loads Transistor saturation	Feb 30 Mar 38, Apr 55, Jun 57 May 55, Jun 56 Sep 56 Dec 50 Jul 60 Jan 30 Oct 54 Nov 62 Aug 54	PRACTICALLY SPEAKING by Robert Penfold Capacitor values and marking Case study Cutting holes in cases Electronic components jargon Selecting and buying components for projects Avoiding the pitfalls of project construction	Jul 30 Sep 38 May 20 Mar 22 Jan 58 Nov 52
INGENUITY UNLIMITED 10V to 12V LED Voltmeter Automatic PSU Control Emergency Flash Erratic Quartz Timekeeper Infrared Proximity Switch Low Voltage Flasher Noise generator Pico Prize Winners Plug n' Play Super Simple Counter Temperature Drift Monitoring Universal Ding-Dong Vroom	Aug 53 Jan 70 Nov 60 Oct 53 Feb 52 Jun 53 Sep 55 Dec 48 Jul 57 Oct 52 Jul 58 Aug 52 Dec 48	PLEASE TAKE NOTE Circuit Surgery (Apr 08) Studio Series – Stereo Preamplifier Teach-In '08 Part 2 (Dec '07) Teach-In '08 Part 3 (Jan '08) V2 PC Scope	Jun 56 Mar 20 Mar 57 Mar 57 Jan 41
INTERFACE by Robert Penfold Assessing serial ports Digital-to-analogue conversion Serial port compatibility issues Shaping up with Visual BASIC 2008 Express Edition USB Interfacing USB Port Interfacing	Aug 28 Oct 44 Dec 42 Feb 50 Apr 22 Jun 28	RECYCLE IT by Julian Edgar A plugpack as a battery charger A £10 lathe and drill press tachometer A £5 variable voltage power supply	Oct 40 Nov 48 Dec 36
PIC N' MIX by Mike Hibbett (unless marked) Checksums and CRC checks Interfacing PICs to the Internet	Mar 58 Sep 58, Oct 58, Nov 66	TEACH-IN 2008 - USING PIC MICROCONTROLLERS by John Becker Part 3 – More PIC Control Concepts Plus Multiplexing Part 4 – Using alphanumeric LCDs under PIC control Part 5 – Introduction to timers, BCD counting and equality checking Part 6 – 24-hour clock, frequency generation and data EEPROM Part 7 – Using the additional memory banks, plus PCLATH Part 8 – RS232 serial communication, basic use of Timer 1, plus an introduction to ADC Part 9 – Watchdog Timer, Sleep and Interrupts, plus simple value converter Part 10 – Examining a program's construction, a game of dominoes, plus LCD symbol creation Part 11 Randomising values with PICs, plus a Fruit Machine!	Jan 24 Feb 44 Mar 52 Apr 46 May 49 Jun 48 Jul 51 Aug 46 Sep 48

REGULAR FEATURES

EDITORIAL	Monthly	TECHNO TALK by Mark Nelson Colour Conundrums Future Direction Light Fantastic Light Pipes and Peashooters Nanopower Rules Older but Wiser Pirate Parts Potpourri Strange Bedfellows Tales of Putrefaction Upclose and Personal – PANs and NFC Vero-ly the hole-y truth	Sep 16 May 18 Oct 18 Apr 20 Jun 20 Jan 10 Jul 20 Nov 22 Mar 10 Feb 9 Aug 20 Dec 18
NET WORK by Alan Winstanley A fine mashup; I'll vouch for that A fishy experience; In the home All-in-one search results; Viral vouchers Broadband deals and how to make the most of them Chrome plated; No more malware? Dual play; BBC iPlayer Fishing with Wireshark Putting on a MAC; Linux almost child's play Spare a thought; Chicken run The Full Eight Megs WHOIS that? Word's hidden depths; cracking the IE Defenders	Mar 74 Jul 74 Feb 66 May 67 Dec 64 Jun 66 Nov 74 Aug 66 Sep 66 Apr 66 Oct 66 Jan 74	GENERAL FEATURES COLOSSUS AND PICO PIC32 STARTER KIT REVIEW by Mike Hibbett	Feb 34 Sep 52
NEWS plus reports by Barry Fox	Monthly		
READOUT addressed by John Becker	Monthly		

SPECIAL OFFERS AND SERVICES

ADVERTISERS INDEX	Monthly	EPE PCB SERVICE	Monthly
BACK ISSUES	Monthly (except Feb)	PIC PROJECTS CD-ROM	Mar 73, Apr 54, Jul 68, Aug 44, Oct 31, Nov 58
CD-ROMS FOR ELECTRONICS	Monthly	PIC RESOURCES CD-ROM	Jan 71, Mar 51, Apr 64, Dec 20 May 61, Jul 72, Aug 18, Oct 39
DIRECT BOOK SERVICE	Monthly	SUBSCRIBE TO EPE	Monthly
ELECTRONICS MANUALS	Mar 26, Jul 69, Aug 21		
EPE/MICROCHIP EXCLUSIVE SPECIAL OFFER	Nov 29, Dec 41		



EPE EVERYDAY PRACTICAL ELECTRONICS

Everyday Practical Electronics reaches more UK readers than any other UK monthly hobby electronics magazine, our sales figures prove it. We have been the leading monthly magazine in this market for the last twenty-three years.

If you want your advertisements to be seen by the largest readership at the most economical price our classified page offers excellent value. The rate for semi-display space is £10 (+VAT) per centimetre high, with a minimum height of 2.5cm. All semi-display adverts have a width of 5.5cm. The prepaid rate for classified adverts is 40p (+VAT) per word (minimum 12 words).

All cheques, postal orders, etc., to be made payable to Everyday Practical Electronics. VAT must be added. Advertisements, together with remittance, should be sent to Everyday Practical Electronics Advertisements, Sequoia House, 398a Ringwood Road, Ferndown, Dorset BH22 9AU. Phone: 01202 873872. Fax: 01202 874562. Email: epeads@wimborne.co.uk. For rates and information on display and classified advertising please contact our Advertisement Manager, Stewart Kearn as above.

BTEC ELECTRONICS TECHNICIAN TRAINING

NATIONAL ELECTRONICS
VCE ADVANCED ICT
HNC AND HND ELECTRONICS
FOUNDATION DEGREES
NVQ ENGINEERING AND IT
DESIGN AND TECHNOLOGY

LONDON ELECTRONICS COLLEGE
20 PENYWERN ROAD
EARLS COURT, LONDON SW5 9SU
TEL: (020) 7373 8721
www.lec.org.uk

RSH ELECTRONICS

UK & International Suppliers of Electronic Components & Kits
Seasonal Velleman & Stripboard Project Kits Including:
Twinkling Christmas Tree, Flashing Star, Animated Bell
Plus a great range of hobby components for the electronics enthusiast.
P&P £2.50 (orders over £25 free P&P) No Min Order. No VAT
www.rshelectronics.co.uk

www.partridgeelectronics.co.uk

For the electronic components
& Hardware most companies
don't bother to stock.

Versatile Programmable PIC On Screen Display System

Display text over any composite video signal



TEXT, GPS or DATA

PAL - NTSC compatible

- Fully programmable
- I/O for sensor interfaces
- PIC 16F628A micro
- User definable fonts

Example code for MSF, cash register, 1-wire & GPS data display

WWW.PIC-OSD.COM

BOWOOD ELECTRONICS LTD

Suppliers of Electronic Components
Place a secure order on our website or call our sales line
All major credit cards accepted
Web: www.bowood-electronics.co.uk
Unit 1, McGregor's Way, Turnoaks Business Park, Chesterfield,
S40 2WB. Sales: 01246 200222
Send 60p stamp for catalogue

Miscellaneous

VALVES AND ALLIED COMPONENTS
IN STOCK. Phone for free list. Valves,
books and magazines wanted. Geoff Davies
(Radio), tel. 01788 574774.

N.R. BARDWELL Ltd - est 1948

Electronic Component Supplies
LED's, Semis, IC's Resistors, Caps, etc
send 44p for lists. 1000's bargains at our
secure site: www.bardwells.co.uk
288, Abbeydale Rd. Sheffield. S7 1FL
0845 166 2329 (local rate)



The British Amateur Electronics Club

Archive Website. Archiving extracts for 140+ Newsletters from 1966-2002. Currently have interesting and useful selected articles from 19 Newsletters.
Also a section about built electronics projects with schematics and photos.
Plus useful info., downloads and links.
NO ADVERTS!"

THIS SPACE COULD BE YOURS FOR JUST £30

Contact Stewart on 01202 873872
stewart.kearn@wimborne.co.uk



ONLY £8.50

INCLUDING P&P FROM OUR **DIRECT BOOK SERVICE**

ELECTRONICS TEACH-IN

BY MIKE TOOLEY

plus **FREE CD-ROM**

A broad-based introduction to electronics - find out how circuits work and what goes on inside them. Plus 15 easy-to-build projects. The 152 page A4 book comes with a free CD-ROM containing the whole *Teach-In 2005* series (originally published in *EPE*) in PDF form, interactive quizzes to test your knowledge, TINA circuit simulation software (a limited version) - plus a specially written TINA Tutorial, together with simulations of the circuits in the *Teach-In* series, plus Flowcode (a limited version) a high level programming system for PIC microcontrollers based on flowcharts.

See our *Direct Book Service* - pages 65 to 67

Europe's Largest Surplus Store

20,000,000 Items on line NOW !
New items added daily

Established for over 25 years, UK company Display Electronics prides itself on offering a massive range of electronic and associated electro-mechanical equipment and parts to the Hobbyist, Educational and Industrial user. Many current and obsolete hard to get parts are available from our vast stocks, which include:

- ◆ 6,000,000 Semiconductors
- ◆ 5,000 Power Supplies
- ◆ 25,000 Electric Motors
- ◆ 10,000 Connectors
- ◆ 100,000 Relays & Contactors
- ◆ 2000 Rack Cabinets & Accessories
- ◆ 4000 Items of Test Equipment
- ◆ 5000 Hard Disk Drives

We Ship Worldwide

Surplus Wanted

www.distel.co.uk

Display Electronics
29 / 35 Osborne Road
Thornton Heath
Surrey UK CR7 8PD

Telephone
[44] 020 8653 3333
Fax [44] 020 8653 8888

Rechargeable Batteries With Solder Tags

NIMH		NICAD	
AA 2000mAh	£2.82	AA 650mAh	£1.41
C 4Ah	£4.70	C 2.5Ah	£3.60
D 9Ah	£7.60	D 4Ah	£4.95
PP3 150mAh	£4.95		

Instrument case with edge connector and screw terminals

Size 112mm x 52mm x 105mm tall

This box consists of a cream base with a PCB slot, a cover plate to protect your circuit, a black lid with a 12 way edge connector and 12 screw terminals built in (8mm pitch) and 2 screws to hold the lid on. The cream bases have minor marks from dust and handling price £2.00 + VAT(=£2.35) for a sample or £44.00+VAT (=£51.70) for a box of 44.



866 battery pack originally intended to be used with an orbital mobile telephone it contains 10 1.6Ah sub C batteries (42 x 22 dia. the size usually used in cordless screwdrivers etc.) the pack is new and unused and can be broken open quite easily £7.46 + VAT = £8.77



Please add £1.66 + VAT = £1.95 postage & packing per order

Shaws Row, Old Road, Chesterfield, S40 2RB.
Tel 01246 211202 Fax 01246 550959

www.JPGElectronics.com

Mastercard/Visa/Switch

Callers welcome 9.30 a.m. to 5.30 p.m. Monday to Saturday

EP EVERYDAY PRACTICAL ELECTRONICS

NEXT MONTH

1000:1 UHF PRESCALER FOR FREQUENCY COUNTERS

Is your frequency meter running out of range? In this clever project, a high speed prescaler can extend the range of virtually any frequency counter to over 2.8GHz. It divides frequencies by exactly 1000, so gigahertz can be read directly in megahertz.

STEREO CLASS-A AMPLIFIER – PART 4

For next month's section on our high performance amp, we'll build an appropriately sophisticated Stereo Preamplifier & Remote Volume Control module. Naturally, it's a low-noise, low-distortion design, specifically engineered to match our very classy Class-A amplifier, but it can also be used with other stereo power amps.

BUILD YOUR OWN RADAR SPEED GUN – PART 2

In part 1, we unveiled our new low-cost microwave Doppler Radar Speed Gun, designed for measuring the speed of cars, bikes, boats, horses and even human sprinters. Next month, we'll show you how to build it, use it and have fun with it!

AN AUTOMATIC STOPWATCH TIMER

Our popular recycling series continues with a look at discarded electronic watches. Do you need to automatically record equipment running time? The stopwatch timer project described starts when power is applied to a low-voltage (12V) circuit and automatically stops when the power is switched off. Very handy – and as usual, it costs next to nothing!

JAN '09 ISSUE ON SALE DEC 11

ADVERTISERS INDEX

AUDON ELECTRONICS	49
BETA-LAYOUT	Cover (ii)
BRUNNING SOFTWARE	57
CRICKLEWOOD	49
DISPLAY ELECTRONICS	72
ESR ELECTRONIC COMPONENTS	6, Cover (iii)
JAYCAR ELECTRONICS	4/5
JPG ELECTRONICS	72
LABCENTER	Cover (iv)
LASER BUSINESS SYSTEMS	17
MAGENTA ELECTRONICS	49
NURVE NETWORKS LLC	37
PEAK ELECTRONIC DESIGN	56
PICO TECHNOLOGY	19
QUASAR ELECTRONICS	2/3
SHERWOOD ELECTRONICS	49
STEWART OF READING	52

ADVERTISEMENT OFFICES:

Sequoia House, 398a Ringwood Road, Ferndown, Dorset BH22 9AU

PHONE: 01202 873872 Fax: 01202 874562

EMAIL: epeads@wimborne.co.uk

For Editorial address and phone numbers see page 7



velleman®

Free Catalogue

0845 251 4363

VELLEMAN® is a major European distributor of high quality electronic products. They have been trading for more than 35 years and operate from Gavere, Belgium. With a network of over 17,000 dealers in more than 80 countries.

We are now able to offer you the complete range of their electronic kits, modules, PC based development products and test equipment. 80 page catalogue and new supplement available - email or phone for a copy. Full listing and specs of all kits & modules on our web site.

Audio Amplifier
2 x 15Wrms (4 ohm) or 2 x 10Wrms (8 ohm). Overheating & short circuit protected. No need for rectifier & smoothing, only AC supply required.
K4003 Kit £14.25
VM113 Assembled £15.95

Audio Amplifier
100Wrms @ 4ohm DC supply circuit on board with LED indication ideal for active speaker system or subwoofer, guitar amp, home theatre systems, etc. Overload & short-circuit protected.
K8060 Kit £13.25
VM100 Assembled with heatsink £28.75

Audio Amplifier
Stereo 2 x 50Wrms or a Mono 100Wrms amplifier. Three input sensitivity settings. Overload & short-circuit protection, protection against incorrect power supply polarity. Speaker transient suppression.
K4004 Kit £43.95

PIC Programmer
Suitable for a wide range of Microchip® PIC™ microcontrollers, onboard configurable 40 pin. ZIF socket, Microcontroller selection using patch jumper, easy to use programming PICprog2006™ software included, SUBD connector set included.
K8076 Kit £17.95

1A Power Supply
Low cost universal symmetric power supply just add a suitable transformer and a heatsink, ... trimmers can be replaced by potentiometers to allow continuous adjustment of output, LED output indicators.
K8042 Kit £9.55

Velleman Instruments

We also carry the Velleman range of fully assembled test equipment. This range of hand held Scopes and PC based measurement equipment, uses all the latest techniques to achieve "state of the art" equipment that would be at home in any industrial applications or in the hands of the enthusiast. **Full specs on our web site.**

Two channel USB PC Oscilloscope
A digital storage oscilloscope uses the power of your PC to visualize electrical signals. Its high sensitive display resolution, down to 0.15mV, combined with a high bandwidth and a sampling frequency of up to 1GHz are giving this unit all the power you need.

PCSU1000 USB Scope £229.95
2MHz USB PC Function Generator
A digital function generator which can be connected with a PC via USB. Standard signal waves like sine, triangle and rectangle are available; other sine waves can be easily created. The signal waves are created in the PC and produced by the function generator via DDS (Direct Digital wave Synthesis).
PCGU1000 USB Function Generator £95.00

PIC Programmer
For Microchip® FLASH PIC™ microcontrollers supports 4 different 300 mil. PICs: 8p, 14p, 18p and 28p test buttons and LED indicators. Supplied with programming examples & easy connection to a PC through the serial port. Supplied with a PIC16F627 and software to compile and program your source code.
K8048 Kit £19.95
VM111 Assembled USB Interface £26.95

USB Interface
A interface board with 5 digital input & 8 digital output channels. In addition, there are two analogue inputs & two analogue outputs with 8 bit resolution. All communication routines are contained in a Dynamic Link Library (DLL). You may write custom Windows (98SE, 2000, Me, XP) applications in Delphi, Visual Basic, C++ Builder or any other 32-bit Windows application development tool that supports calls to a DLL.
K8055 Kit £18.95
VM110 Assembled USB Interface Board £29.95

High Power LED Driver
Power up to four 1W or two 3W high-power LEDs (not incl.) Delivers accurate constant current required by most high-power LEDs, built-in rectifier for easy connection to AC source, compact size, short-circuit protected, no heatsink required.
K8061 Kit £48.95
K8071 Kit £4.95
VM143/1W for 1W LEDs £7.55
VM143/3W for 3W LEDs £7.95

Remote Control by Telephone
Turn up to three devices on or off over the telephone. It is also possible to check the condition of a switch (open or closed). A major advantage of this circuit lies in the fact that audio signals are used to tell whether a specific output has been turned on or off. Operation is protected by a user defined code, which is simply keyed in from the telephone keypad.
K6501 Kit £29.95

USB DMX Interface
Control DMX fixtures using a PC and USB interface, test software and "DMX Light Player" software is included, a DLL is provided to write your own software. Stand-alone test function that outputs all 512 channels at a time, with adjustable levels.
Supplied with case, lead & CDROM
K8062 Kit £46.95
VM116 Assembled £49.95

..... other Velleman Instruments
HSP10 Handheld Scope £94.95
HSP10SE Handheld Scope inc case £105.00
HSP40 Personal Scope inc case £189.95
PCS500A PC Digital Storage Scope £270.00
PFS10 Personal Pocket Scope £99.00
VP510 Panel Scope £99.00
PCS10 4 Channel Data Logger £29.95

Remote Control Transmitter
For use with the K8057/VM109 2-channel RF receivers. Generates unique 32-bit code more than 1,000,000,000 unique codes code can easily be changed for safety purposes choose continuous or 'burst' transmission LED indicator.
K8059 Kit £8.95

Remote Control Receiver
Two relay contact outputs for use with K8059 and VM108 two channel RF codelock transmitters, toggle or pulse function selectable per output, can learn a unique 32-bit code from the transmitters, store up to 31 transmitters, LED indicators for outputs and functions.
K8057 Kit £12.55

Remote Control Transmitter
Compact 2-button IR keychain remote compatible with most Velleman IR receivers, 2 powerful IR LEDs for a range of up to 15m, 16 channels (allow use of multiple transmitters in one room), easy channel configuration, no jumpers required.
MK162 Mini Kit £6.25

Remote Control Receiver
Two channels with relay output (24VAC/DC 1A max.) ultra compact channel and reception indication through LEDs toggle / pulse selection for each channel learn mode for channel ID all settings are stored in EEPROM compatible with most Velleman Kit IR remotes.
MK161 Mini Kit £7.95

3-30V 3A Power Supply
Suitable as a power supply for all common Velleman kits using a stabilised DC voltage between 3 and 30V, 3A max. Of course this power supply unit can also be used for other purposes. By replacing the trimmer by a potentiometer, it may even be used as an adjustable power supply unit. Supplied with heat sink.
K7203 Kit £19.95

Sound to Light Unit
Low, mid and high channels. Sensitivity adjustment per channel. LED indication per channel. Attractive translucent enclosure. Microphone included. Noise suppressed according to EN55015
K8017 Kit £27.55

Clap On/Off Switch
Operate your lighting simply by clapping your hands. Good immunity against surrounding noises, '1-clap' or '2-clap'-mode selection, '2-clap'-mode features built-in safety turn-off timer (approx. 5h), output relay 'pulse' or 'toggle' selection.
MK139 Mini Kit £7.95

Voice Changer
Make your voice sound like a robot, add vibrato effect, use the 'pitch'-buttons and make your voice sound lower or higher, built-in microphone and power amplifier with volume control, just add a speaker.
MK171 Mini Kit £7.95

Mini PIC Application Module
Create your own custom PIC application without the hassle of making the hardware. 9 Free programmable I/Os. Onboard Relay, LEDs & Buzzer. PIC16F630 inc.
VM142 Assembled £20.95

Over 300 Kits, Mini Kits & Modules - Full Catalogue Available

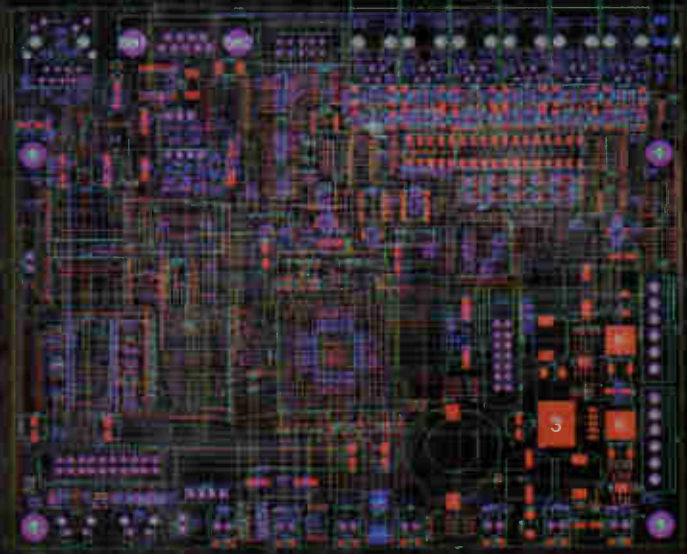
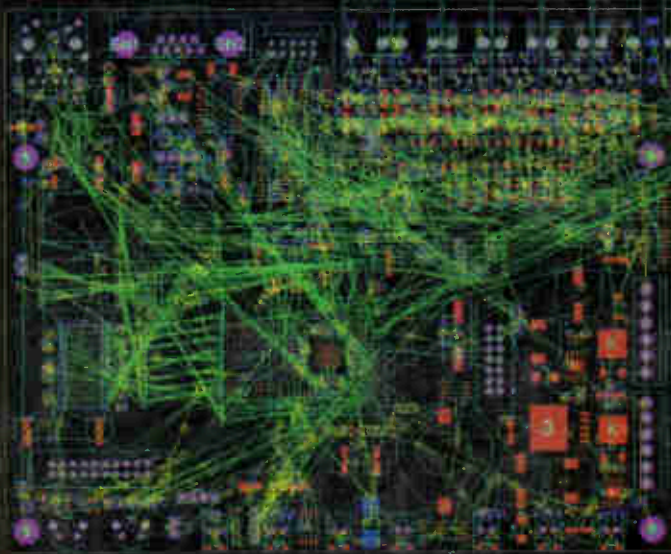


Tel: 0191 2514363
Fax: 0191 2522296
sales@esr.co.uk

Station Road
Cullercoats
Tyne & Wear
NE30 4PQ

Prices Exclude Vat @17½%
UK Carriage £2.50 (less than 1kg)
£5.50 greater than 1kg or >£30
Cheques / Postal orders payable to
ESR Electronic Components Ltd.
PLEASE ADD CARRIAGE & VAT TO ALL ORDERS

Our new autorouter will turn this... into this...



in less than 5 minutes!

All levels of the **Proteus Design Suite** now include a world class fully integrated shape based autorouter at no additional cost.

The **Proteus Design Suite** also incorporates:

- Professional schematic capture
- Publication quality schematics
- Fully configurable bill of materials
- Large component libraries for both simulation and PCB layout
- Mixed mode SPICE circuit simulation
- Co-simulation of PIC, AVR, 8051 and ARM7 microcontroller firmware
- Automatic component placement and gateswap optimization
- Highly configurable design rules
- Interactive design rule checking
- Polygonal and split power planes
- RS274X, Excellon and ODB++ database export
- 3D Viewer with 3DS and DXF export



Prices start from just **£150*** - visit our website for full details or to download a free demo.

labcenter  www.labcenter.com
Electronics

Labcenter Electronics Ltd. 53-55 Main Street, Grassington, North Yorks. BD23 5AA.
Registered in England 4692454 Tel: +44 (0)1756 753440, Email: info@labcenter.com



*exc. VAT & delivery