

THE No 1 UK MAGAZINE FOR ELECTRONICS TECHNOLOGY & COMPUTER PROJECTS

EPE EVERYDAY PRACTICAL ELECTRONICS

www.epemag.co.uk

www.epemag.com



HOME THEATRE SOUND LEVEL CHECKER

Great for PA too!

TELEPHONE DIALLER FOR BURGLAR ALARMS

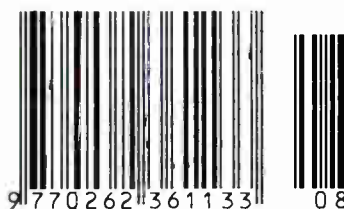
Beef up your home's security system



ADJUSTABLE DC-DC CONVERTER FOR CARS

- * **Run your laptop in your car**
- * **Charge SLA batteries**
- * **Run 24V equipment from 12V**

AUGUST 2006 £3.30



NEW ELECTRONIC CONSTRUCTION KITS



This 30 in 1 electronic kit includes an introduction to electrical and electronic technology. It provides components that can be used to make a variety of experiments including Timers and Burglar

Alarms. Requires: 3 x AA batteries. £15.00 ref BET1803

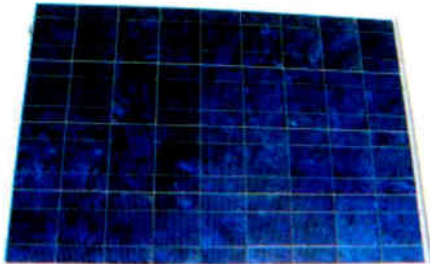
AM/FM Radio This kit enables you to learn about electronics and also put this knowledge into practice so you can see and hear the effects. Includes manual with explanations about the components and the electronic principles. Req's: 3 x AA batts. £13 ref BET1801



This 40 in 1 electronic kit includes an introduction to electrical and electronic technology. It provides components that can be used in making basic digital logic circuits, then progresses to using Integrated circuits to make and test a variety of digital circuits, including Flip Flops and Counters. Req's: 4 x AA batteries. £17 ref BET1804

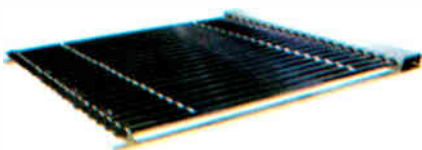
The 75 in 1 electronic kit includes an introduction to electrical and electronic technology. It provides components that can be used to make and test a wide variety of experiments including Water Sensors, Logic Circuits and Oscillators. The kit then progresses to the use of an integrated circuit to produce digital voice and sound recording experiments such as Morning Call and Burglar Alarm. Requires: 3 x AA batteries. £20 ref BET1806

SOLAR PANELS



We stock a range of solar photovoltaic panels. These are polycrystalline panels made from wafers of silicon laminated between an impact-resistant transparent cover and an EVA rear mounting plate. They are constructed with a lightweight anodised aluminium frame which is predrilled for linking to other frames/roof mounting structure, and contain waterproof electrical terminal box on the rear. 5 watt panel £29 ref 5wnav 20 watt panel £99 ref 20wnav 60 watt panel £249 ref 60wnav. Suitable regulator for up to 60 watt panel £20 ref REGNAV

EVACUATED TUBE SOLAR HOT WATER PANELS



(20 tube shown) These top-of-the-range solar panel heat collectors are suitable for heating domestic hot water, swimming pools etc - even in the winter! One unit is adequate for an average household (3-4people), and it is modular, so you can add more if required. A single panel is sufficient for a 200 litre cylinder, but you can fit 2 or more for high water usage, or for heating swimming pools or underfloor heating. Some types of renewable energy are only available in certain locations, however free solar heating is potentially available to almost every house in the UK! Every house should have one -really! And with an overall efficiency of almost 80%, they are much more efficient than electric photovoltaic solar panels (efficiency of 7-15%). Available in 10, 20 and 30 tube versions. 10 tube £199, 20 tube £369, 30 tube £549. Roof mounting kits (10/20 tubes) £12.50, 30 tube mounting kit £15



2kW WIND TURBINE KIT

The 2kW wind turbine is supplied as the following kit: turbine generator 48v three taper/ twisted fibreglass blades & hub 8m tower (four x 2m sections) guylines / anchors / tensioners / clamps foundation steel rectifier 2kW inverter heavy-duty pivot tower. £1,499

Other sizes available from

200 watts (£299) up to 20kW (£13,999) The 200w system is complete apart from 2x12v batteries and concrete for the tower. These low cost systems can provide substantial amounts of power, even in average wind conditions.



STEAM ENGINE KIT

The material in this pack enables you to build a fully functional model steam engine. The main material is brass and the finished machine demonstrates the principle of oscillation. The boiler, uses solid fuel tablets,



and is quite safe. All critical parts (boiler, end caps, safety vent etc.) are ready finished to ensure success. The very detailed instruction booklet (25 pages) makes completion of this project possible in a step by step manner. Among the techniques experienced are silver soldering, folding, drilling, fitting and testing. £29.70 ref STEAMKIT Silver solder/flux pack £3.50 ref SSK

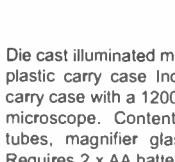
HOT AIR MOTOR (Stirling motor) This is an interesting metal based project for pupils aged 15 plus. The material pack will enable them to make a fully functional hot air motor. All the critical parts (piston, working cylinder, flywheel and coolers) have been pre-made and are ready for use. The detailed plans show all the important stages for the required metal working (Measuring with a vernier, sawing, silver soldering, drilling, marking out, thread making, silver soldering, sawing and filing, etc) At the same time the principles of the hot air motor are described in the wide ranging instructions. Technical data : Working cylinder stroke ϕ 12 x 10 mm Pressure cylinder stroke ϕ 13 x 11 mm Unloaded speed approx. 800 rpm Size: Flywheel dia. 55mm Base 130 x130 mm With sinter smooth bearings and ready shaped cooler. £29.70 ref STEAMKIT2



Silver solder pack £3.50 ref SSK

Thermo Peltier element, large Size: 40 x 40 x 4,7 mm Technical data of the Thermo element: Use as a Peltier element to cool or heat: will provide 33 Watts of heating or cooling, max temp difference between sides of 67°C, maximum output 15V 3,9 Ampere 150°C 3,5 Ohm 250

mW/K 22 g, 49 mV/K £14 ref TEL1



Die cast illuminated microscope set in plastic carry case Includes a handy carry case with a 1200x magnification microscope. Contents include test tubes, magnifier glass and probe. Requires 2 x AA batteries (not included), ultra-compact, lightweight, easy to use and comfortable to hold. An ideal microscope for the beginner offering a good magnification range. £25.99 ref MAG1200



BULL GROUP LTD

UNIT D HENFIELD BUSINESS PARK
HENFIELD SUSSEX BN5 9SL
TERMS: C/ CARDS, CASH, PO, CHEQUE OR
ONLINE ORDERING. PRICES PLUS VAT
UK DELIVERY £5.50
TEL 0870 7707520 FAX 01273 491813
sales@bullnet.co.uk
www.bullnet.co.uk



BENCH PSU 0-15V 0-2a Output and voltage are both smooth and can be regulated according to work, Input 230V, 21/2-number LCD display for voltage and current, Robust PC-grey housing Size 13x15x21cm, Weight 3.2kg £48 REF trans2

STIRLING ENGINES

HB10 One of our range of Stirling engines The Bohm HB10 Stirling engine is available in both ready built and kit form. The power comes from a small spirit burner, once lit just watch this amazing Stirling engine run. HB10 in kit form is £97.95 or £101.99 built. Many other models in stock. Order online at www.mamodspares.co.uk



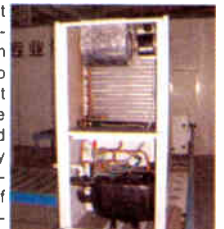
Rapidos Mobile network- ing digital surveillance system. Plugs into USB port on computer, takes 4 cameras, NSTC or PAL, 352*288 res, 1-30 f/s MPEG4 & MJPEG, motion detection, pre and post recording, watermark, date, time and location markings, alarm



notice via FAX, FTP or email, Modes- continuous record, motion detection record, scheduled record, time lapse record, dynamic IP, can send live images to your mobile phone. £109 ref RAPIDOS

HEAT PUMPS

A heat pump is a system that uses a refrigeration-style compressor to transfer heat from outside to inside, in order to heat offices or homes. Heat pumps can take heat from the air, water or ground. Ground source heat pumps are very efficient - in fact you will get 3-4 units of heat for every unit of electricity supplied to the heat-pump. Basic component parts of a GSHP:



1 A heat pump packaged unit: Water-Water type. (approx. the size of a small fridge) containing two cold water connections and two heated water connections.

2. The heat source which is usually a closed loop of plastic pipe containing water with glycol or common salt to prevent the water from freezing. This pipe is buried in the ground in vertical bore holes or horizontal trenches. The trenches take either straight pipe or coiled (Slinky) pipe, buried about 1.5 to 2m below the surface. A large area is needed for this.

3. The heat distribution system. This is either underfloor heating pipes or conventional radiators of large area connected via normal water pipes.

4. Electrical input and controls. The system will require an electrical input energy, single phase is perfectly adequate for smaller systems. A specialised controller will be incorporated to provide temperature and timing functions of the system.

This type of installation offers many advantages.

- The water-water heat pump unit is a sealed and reliable self contained unit.
- There are no corrosion or degradation issues with buried plastic pipes.
- The system will continue to provide the same output even during extremely cold spells.
- The installation is fairly invisible. i.e. no tanks or outside unit to see.
- No regular maintenance required.

Some tips

The efficiency of any system will be greatly improved if the heated water is kept as low as possible. For this reason, underfloor heating is preferred to radiators. It is vital to ensure that the underfloor layout is designed to use low water temperatures. i.e. plenty of pipe and high flow-rates. If radiators are to be used, they must be large enough. Double the normal sizing (as used with a boiler) is a good starting point.

5Kw (output) ground to air heat pump £1,099 ref HP5
9kw (output) ground to water heat pump £1,999 ref HP9

ISSN 0262 3617

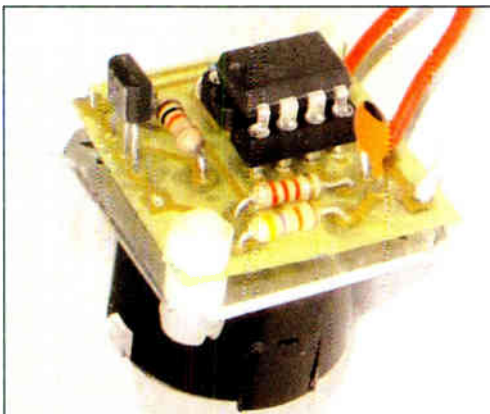
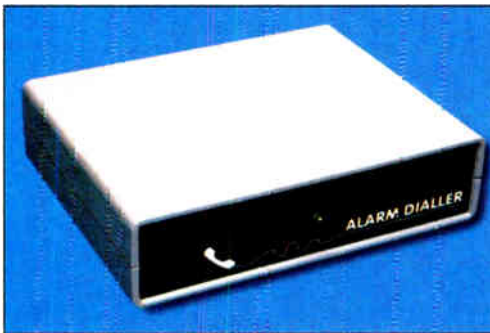
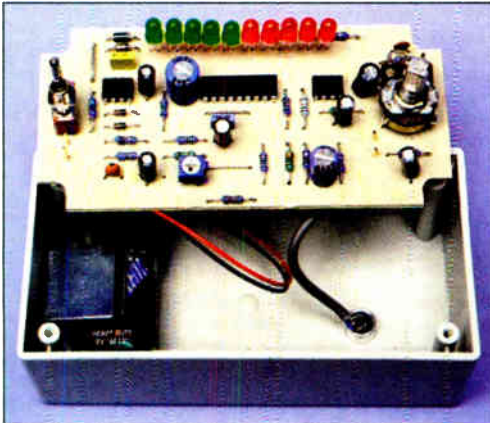
PROJECTS ... THEORY ...
NEWS ... COMMENT ...
POPULAR FEATURES ...

VOL. 35. No. 8 AUGUST 2006

EPE EVERYDAY PRACTICAL ELECTRONICS

INCORPORATING ELECTRONICS TODAY INTERNATIONAL

www.epemag.co.uk
EPE Online: www.epemag.com



© Wimborne Publishing Ltd 2006. Copyright in all drawings, photographs and articles published in **EVERYDAY PRACTICAL ELECTRONICS** is fully protected, and reproduction or imitations in whole or in part are expressly forbidden.

Our September 2006 issue will be published on Thursday, 10 August 2006. See page 80 for details

Projects and Circuits

- LOUDSPEAKER LEVEL METER** by John Clarke 10
For home theatre and PA set-up
- TELEPHONE DIALLER FOR BURGLAR ALARMS** by Leon Williams 22
Dials a preprogrammed number when triggered
- ADJUSTABLE DC - DC CONVERTER FOR CARS** by John Clarke 34
Run electronic equipment in your car
- INGENUITY UNLIMITED - Sharing your Ideas with others** 40
Adjustable Touch Switch
- HIGH INTENSITY TORCH** by Gerard Samblancat 60
PIC controlled LED torch

Series and Features

- TECHNO TALK** by Mark Nelson 16
Strange But True
- INTERFACE** by Robert Penfold 18
A Visual Approach to Producing Virtual Controls
- PIC N' MIX** by Mike Hibbett 32
Range checking for more advanced PIC users
- TEACH-IN 2006** by Mike Tooley BA 42
Find out how circuits work and what really goes on inside them
Part 10: PIC Microcontrollers and Operational Amplifiers
- CIRCUIT SURGERY** By Ian Bell 52
Logic Level Conversion
- NET WORK - THE INTERNET PAGE** surfed by Alan Winstanley 70
MSN Messenger

Regulars and Services

- EDITORIAL** 7
- NEWS** - Barry Fox highlights technology's leading edge 8
Plus everyday news from the world of electronics
- PLEASE TAKE NOTE** 40
Magic Bulb (I/U July '06)
- CD-ROMS FOR ELECTRONICS** 56
A wide range of CD-ROMs for hobbyists, students and engineers
- SUBSCRIBE TO EPE** and save money 64
- ELECTRONICS MANUALS** 65
The Modern Electronics Manual and Electronics Service Manual on CD-ROM
- READOUT** John Becker addresses general points arising 66
- DIRECT BOOK SERVICE** 72
A wide range of technical books available by mail order, plus more CD-ROMs
- BACK ISSUES** 76
Did you miss these?
- EPE PCB SERVICE** 78
PCBs for EPE projects
- ADVERTISERS INDEX** 80

Readers Services • Editorial and Advertisement Departments 7

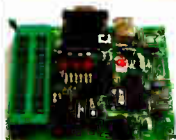
PIC & ATMEL Programmers

We have a wide range of low cost PIC and ATMEL Programmers. Complete range and documentation available from our web site.

Programmer Accessories:

40-pin Wide ZIF socket (ZIF40W) £15.00
18Vdc Power supply (PSU010) £19.95
Leads: Parallel (LDC136) £4.95 / Serial (LDC441) £4.95 / USB (LDC644) £2.95

NEW! USB & Serial Port PIC Programmer



USB/Serial connection. Header cable for ICSP. Free Windows XP software. See website for PICs supported. ZIF Socket and USB lead extra. 18Vdc.

Kit Order Code: 3149KT - £37.95

Assembled Order Code: AS3149 - £49.95

NEW! USB 'All-Flash' PIC Programmer

USB PIC programmer for all 'Flash' devices. No external power supply making it truly portable. Supplied with box and Windows XP Software. ZIF Socket and USB lead not incl.



Assembled Order Code: AS3128 - £44.95

Assembled with ZIF socket Order Code: AS3128ZIF - £59.95

'PICALL' ISP PIC Programmer



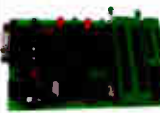
Will program virtually all 8 to 40 pin serial-mode AND parallel-mode (PIC15C family) PIC microcontrollers. Free Windows software.

Blank chip auto detect for super fast bulk programming. Optional ZIF socket

Assembled Order Code: AS3117 - £24.95

Assembled with ZIF socket Order Code: AS3117ZIF - £39.95

ATMEL 89xxx Programmer



Uses serial port and any standard terminal comms program. 4 LED's display the status. ZIF sockets not included. Supply: 16Vdc.

Kit Order Code: 3123KT - £24.95

Assembled Order Code: AS3123 - £34.95

Introduction to PIC Programming

Go from complete beginner to burning a PIC and writing code in no time! Includes 49 page step-by-step PDF Tutorial Manual, Programming Hardware (with LED test section), Win 3.11—XP Programming Software (Program, Read, Verify & Erase), and 1rewritable PIC16F84A that you can use with different code (4 detailed examples provided for you to learn from). PC parallel port.



Kit Order Code: 3081KT - £14.95

Assembled Order Code: AS3081 - £24.95

ABC Maxi AVR Development Board

The ABC Maxi is ideal for developing new designs. Open architecture built around an ATMEL AVR AT90S8535 microcontroller. All circuits are embedded within the package and additional add-on expansion modules are available to assist you with project development.



Features

8 Kb of In-System Programmable Flash (1000 write/erase cycles) • 512 bytes internal SRAM • 512 bytes EEPROM • 8 analogue inputs (range 0-5V) • 4 Opto-isolated Inputs (I/Os are bi-directional with internal pull-up resistors) • Output buffers can sink 20mA current (direct LED drive) • 4 x 12A open drain MOSFET outputs • RS485 network connector • 2-16 LCD Connector • 3.5mm Speaker Phone Jack • Supply: 9-12Vdc

The ABC Maxi STARTER PACK includes one assembled Maxi Board, parallel and serial cables, and Windows software CD-ROM featuring an Assembler, BASIC compiler and in-system programmer.

Order Code ABCMAXISP - £89.95

The ABC Maxi boards only can also be purchased separately at £69.95 each.

Controllers & Loggers

Here are just a few of the controller and data acquisition and control units we have. See website for full details. Suitable PSU for all units: Order Code PSU445 £8.95

Rolling Code 4-Channel UHF Remote

State-of-the-Art. High security. 4 channels. Momentary or latching relay output. Range up to 40m. Up to 15 Tx's can be learnt by one Rx (kit includes one Tx but more available separately). 4 indicator LED's. Rx: PCB 77x85mm, 12Vdc/6mA (standby). Two & Ten Channel versions also available. Kit Order Code: 3180KT - £44.95
Assembled Order Code: AS3180 - £51.95



Computer Temperature Data Logger



Serial port 4-channel temperature logger. °C or °F. Continuously logs up to 4 separate sensors located 200m+ from board. Wide range of free software applications for storing/using data. PCB just 38x38mm. Powered by PC. Includes one DS1820 sensor and four header cables. Kit Order Code: 3145KT - £18.95
Assembled Order Code: AS3145 - £25.95
Additional DS1820 Sensors - £3.95 each

DTMF Telephone Relay Switcher

Call your phone number using a DTMF phone from anywhere in the world and remotely turn on/off any of the 4 relays as desired.



User settable Security Password, Anti-Tamper, Rings to Answer, Auto Hang-up and Lockout. Includes plastic case. 130 x 110 x 30mm. Power: 12Vdc.

Kit Order Code: 3140KT - £46.95

Assembled Order Code: AS3140 - £59.95

Serial Port Isolated I/O Relay Module



Computer controlled 8 channel relay board. 5A mains rated relay outputs and 4 opto-isolated digital inputs (for monitoring switch states, etc).

Useful in a variety of control and sensing applications. Programmed via serial port (use our new Windows interface terminal emulator or batch files). Serial cable can be up to 35m long. Once programmed, unit can operate without PC. Includes plastic case 130x100x30mm. Power: 12Vdc/500mA.

Kit Order Code: 3108KT - £54.95

Assembled Order Code: AS3108 - £64.95

Infrared RC 12-Channel Relay Board



Control 12 onboard relays with included infrared remote control unit. Toggle or momentary. 15m+ range. 112 x 122mm.

Supply: 12Vdc/0.5A

Kit Order Code: 3142KT - £47.95

Assembled Order Code: AS3142 - £59.95

PC / Standalone Unipolar Stepper Motor Driver

Drives any 5, 6 or 8-lead unipolar stepper motor rated up to 6 Amps max. Provides speed and direction control. Operates in stand-alone or PC-controlled mode. Up to six 3179 driver boards can be connected to a single parallel port. Supply: 9Vdc. PCB: 80x50mm. Kit Order Code: 3179KT - £11.95
Assembled Order Code: AS3179 - £18.95



Bi-Polar Stepper Motor Driver also available (Order Code 3158 - details on website)

DC Motor Speed Controller (100V/7.5A)



Control the speed of almost any common DC motor rated up to 100V/7.5A.

Pulse width modulation output for maximum motor torque at all speeds. Supply: 9-18Vdc. Box supplied. Dimensions (mm): 60Wx100Lx60H. Kit Order Code: 3067KT - £13.95
Assembled Order Code: AS3067 - £19.95

Bidirectional DC Motor Driver also available (Order Code 3166 - details on website)

Most items are available in kit form (KT suffix) or pre-assembled and ready for use (AS prefix).

Hot New Kits This Summer!

Here are a few of the most recent kits added to our range. See website or join our email Newsletter for all the latest news.

EPE Ultrasonic Wind Speed Meter



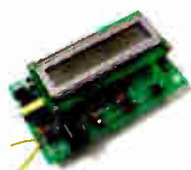
Solid-state design wind speed meter (anemometer) that uses ultrasonic techniques and has no moving parts and does not need calibrating. It is intended for sports-type activities, such as track events, sailing, hang-gliding, kites and model aircraft flying, to name but a few. It can even be used to monitor conditions in your garden. The probe is pointed in the direction from which the wind is blowing and the speed is displayed on an LCD display.

Specifications

- Units of display: metres per second, feet per second, kilometres per hour and miles per hour
- Resolution: Nearest tenth of a metre
- Range: Zero to 50mph approx.

Based on the project published in *Everyday Practical Electronics*, Jan 2003. We have made a few minor design changes (see website for full details). Power: 9Vdc (PP3 battery). Main PCB: 50x83mm. Kit Order Code: 3168KT - **£36.95**

Audio DTMF Decoder and Display



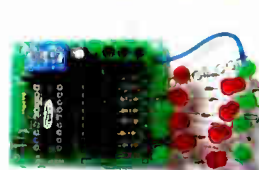
Detects DTMF tones via an onboard electret microphone or direct from the phone lines through an audio transformer. The numbers are displayed on a 16

character, single line display as they are received. Up to 32 numbers can be displayed by scrolling the display left and right. There is also a serial output for sending the detected tones to a PC via the serial port. The unit will not detect numbers dialled using pulse dialling. Circuit is microcontroller based. Supply: 9-12V DC (Order Code [PSU445](#)). Main PCB: 55x95mm.

Kit Order Code: 3153KT - **£20.95**

Assembled Order Code: AS3153 - **£29.95**

EPE PIC Controlled LED Flasher



This versatile PIC based LED or filament bulb flasher can be used to flash from 1 to 176

LEDs. The user arranges the LEDs in any pattern they wish. The kit comes with 8 super bright red LEDs and 8 green LEDs. Based on the Versatile PIC Flasher, *EPE Magazine* Dec 02. See website for full details. Board Supply: 9-12Vdc. LED supply: 9-45Vdc (depending on number of LED used). PCB: 43x54mm. Kit Order Code: 3169KT - **£11.95**

Most items are available in kit form (KT suffix) or assembled and ready for use (AS prefix).

FM Bugs & Transmitters

Our extensive range goes from discreet surveillance bugs to powerful FM broadcast transmitters. Here are a few examples. All can be received on a standard FM radio and have adjustable transmitting frequency.

MMTX' Micro-Miniature 9V FM Room Bug



Our best selling bug! Good performance. Just 25x15mm. Sold to detective agencies worldwide. Small enough to hide just about anywhere. Operates at the 'less busy' top

end of the commercial FM waveband and also up into the more private Air band.

Range: 500m. Supply: PP3 battery.

Kit Order Code: 3051KT - **£8.95**

Assembled Order Code: AS3051 - **£14.95**

HPTX' High Power FM Room Bug

Our most powerful room bug.

Very impressive performance. Clear and stable output signal thanks to the extra

circuitry employed. Range:

1000m @ 9V. Supply: 6-12V

DC (9V PP3 battery clip supplied). 70x15mm.

Kit Order Code: 3032KT - **£9.95**

Assembled Order Code: AS3032 - **£17.95**



MTTX' Miniature Telephone Transmitter



Attach anywhere along phone line. Tune a radio into the signal and hear exactly what both parties are saying. Transmits only

when phone is used. Clear, stable signal. Powered from phone line so completely maintenance free once installed. Requires no aerial wire - uses phone line as antenna. Suitable for any phone system worldwide. Range: 300m. 20x45mm.

Kit Order Code: 3016KT - **£7.95**

Assembled Order Code: AS3016 - **£13.95**

Wide Band Synthesised FM Transmitter



PLL based crystal-locked wide band FM transmitter delivering a high quality, stable 10mW output. Accepts both MIC audio signal (10mV) and LINE input (1v p-p) for example

hi-fi, CD, audio mixer (like our kit 1052) or computer sound card. Supply: 9-15Vdc.

Kit Order Code: 3172KT - **£14.95**

Assembled Order Code: AS3172 - **£32.95**

3 Watt FM Transmitter



Small, powerful FM transmitter. Audio pre-amp stage and three RF stages deliver 3 watts of RF power. Use with the

electret microphone supplied or any line level audio source (e.g. CD or tape OUT, mixer, sound card, etc). Aerial can be an open dipole or Ground Plane. Ideal project for the novice wishing to get started in the fascinating world of FM broadcasting. 45x145mm.

Kit Order Code: 1028KT - **£23.95**

Assembled Order Code: AS1028 - **£31.95**



QUASAR
electronics
Get Plugged In!

Credit Card Sales
0871 717 7168

Electronic Project Labs

Great introduction to the world of electronics. Ideal gift for budding electronics expert!

500-in-1 Electronic Project Lab

Top of the range complete

electronics course taking you from beginner to 'A'

Level standard and beyond! Contains all the

hardware and manuals to assemble 500 projects.

You get 3 comprehensive

course books (total 368

pages) - *Hardware Entry Course*, *Hardware*

Advanced Course and a microprocessor

based *Software Programming Course*. Each

book has individual circuit explanations,

schematic and connection diagrams. Suitable

for age 12+.

Order Code EPL500 - **£149.95**

Also available - 30-in-1 **£14.95**, 130-in-1

£37.95 & 300-in-1 **£59.95** (details on website)



Number 1 for Kits!

With over 300 projects in our range we are the UK's number 1 electronic kit specialist. Here are a few other kits from our range.

1046KT—25W Stereo Car Booster £29.95

3087KT—1W Stereo Amplifier £8.95

3105KT—18W BTL Mono Amplifier £10.95

3106KT—50W Mono Hi-fi Amplifier £23.95

3143KT—10W Stereo Amplifier £12.95

1011KT—Motorbike Alarm £12.95

1019KT—Car Alarm System £11.95

1048KT—Electronic Thermostat £9.95

1080KT—Liquid Level Sensor £6.95

3003KT—LED Dice with Box £8.95

3006KT—LED Roulette Wheel £10.95

3074KT—8-Ch PC Relay Board £24.95

3082KT—2-Ch UHF Relay £24.95

3126KT—Sound Activated Relay £8.95

3063KT—One Chip AM Radio £11.95

3102KT—4-Ch Servo Motor Driver £15.95

3163KT—12V DC Xenon Flasher £13.95

1096KT—3-30V, 5A Stabilised PSU £32.95

3029KT—Combination Lock £9.95

3049KT—Ultrasonic Detector £15.95

3130KT—Infrared Security Beam £14.95

SG01MKT—Train Sounds £5.95

SG10MKT—Animal Sounds £5.95

1131KT—Robot Voice Effect £9.95

3007KT—3V FM Room Bug £7.95

3028KT—Voice Activated FM Bug £12.95

3033KT—Telephone Recording Adpt £8.95

3112KT—PC Data Logger/sampler £20.95

3118KT—12-bit Data Acquisition Unit £49.95

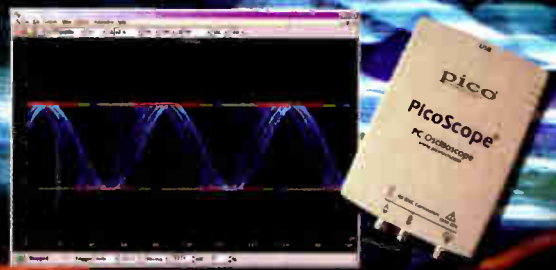


www.QuasarElectronics.com

Secure Online Ordering Facilities • Full Product Listing, Descriptions & Photos • Kit Documentation & Software Downloads

PicoScope 3000 Series PC Oscilloscopes

The PicoScope 3000 series oscilloscopes are the latest offerings from the market leader in PC oscilloscopes combining high bandwidths with large buffer memories. Using the latest advances in electronics, the oscilloscopes connect to the USB port of any modern PC, making full use of the PCs' processing capabilities, large screens and familiar graphical user interfaces.



- High performance: 10GS/s sampling rate & 200MHz bandwidth
- 1MB buffer memory
- High speed USB 2.0 interface
- Advanced display & trigger modes
- Compact & portable
- Supplied with PicoScope & PicoLog software

PicoScope	3204	3205	3206
Bandwidth	50MHz	100MHz	200MHz
Sampling rate (repetitive)	2.5GS/s	5GS/s	10GS/s
Sampling rate (single shot)	50MS/s	100MS/s	200MS/s
Channels	2+Ext trigger Sig gen	2+Ext trigger Sig gen	2+Ext trigger Sig gen
Oscilloscope timebases	5ns/div to 50ns/div	2ns/div to 50ns/div	1ns/div to 50ns/div
Timebase accuracy	50ppm	50ppm	50ppm
Spectrum ranges	0 to 25MHz	0 to 50MHz	0 to 100MHz
Buffer memory size	256KB	512KB	1MB
Resolution / accuracy	8 bits / 3%		
Ranges	±100mV to ±20V		
PC Connection	USB2.0 USB1.1 compatible		

Tel: 01480 396395
www.picotech.com/scope355

pico
Technology Limited

PLEASE ENSURE YOU TELEPHONE TO CHECK AVAILABILITY OF EQUIPMENT BEFORE ORDERING OR CALLING.

SPECIAL OFFERS

OSCILLOSCOPES

TEKTRONIX 2247A 4 Channel 100MHz Counter/Timer Voltmeter	£275
TEKTRONIX 2335 Dual Trace 100MHz Delay Sweep	£125
TEKTRONIX 485 Dual Trace 350MHz Delay Sweep	£300
IWATSU SS5711 4 Channel 100MHz Delay Sweep	£150
PHILIPS 3065 2+1 Channel 100MHz Dual/TB/Delay - Autoset	£200
PHILIPS 3065 2+ Channel 60MHz Dual/TB/Delay - Autoset	£150
PHILIPS PM3217 Dual Trace 50MHz Delay Sweep	£125
KIKUSUI COS100 5 Trace 100MHz Delay	£150
TEKTRONIX 475A Dual Trace 250MHz Delay Sweep	£175
TEKTRONIX 475 Dual Trace 200MHz Delay Sweep	£150
TEKTRONIX 435B Dual Trace 100MHz Delay Sweep	£125
TEKTRONIX 465 Dual Trace 100MHz Delay Sweep	£95
PHILIPS PM3209 Dual Trace 40MHz Delay	£125
PHILIPS PM3215 Dual Trace 50MHz	£75
KENWOOD CS4035 Dual Trace 40MHz	£50
PANASONIC VP5664A Dual Trace 40MHz	£50
HITACHI VS25 Dual Trace 50MHz Cursors	£95
HITACHI VS23 Dual Trace 50MHz Delay	£80
HITACHI V425 Dual Trace 40MHz Cursors	£75
HITACHI V422 Dual Trace 40MHz	£60
HITACHI V223 Dual Trace 20MHz Delay	£50
HITACHI V222 Dual Trace 20MHz	£50
HITACHI V212 Dual Trace 20MHz	£50
FARNELL DTV12-14 Dual Trace 12MHz	£40

STORAGE

PHILIPS PM3320 Dual Trace 200MHz 250Ms/s	£300
LECROY 9400 Dual Trace 125MHz	£325
TEKTRONIX 468 Dual Trace 100MHz Delay Sweep Digital Storage	£200
VELLEMAN HPSS 1MHz 5MHz Sampling Handheld £260	£260

ANALYSERS

ADVANTEST R3265A 100Hz-8GHz	£4500
TEKTRONIX 492P 50Hz-21GHz	£2250
HP8560A 50Hz-2.9GHz Built In Tracking Gen	£3250
HP 8560A 50Hz-2.9GHz	£2950
HP 8569A 10MHz-22GHz	£950
HP 8565A 10MHz-22GHz	£750
HP 853A with 8559A 100MHz-21GHz	£1100
HP 182T with 8559A 100MHz-21GHz	£750
HP182T with 8558B 100MHz-1500MHz	£500

HP 182T with 8557A 10kHz-350MHz	£300-£400
HP 140T with 8555A 10MHz-18GHz	£500
ADVANTEST TR4131 10kHz-3.5GHz	£950
WAYNE KERR SSA1000A 150kHz-1GHz	£950
MARCONI 2382 200Hz-400MHz High Resolution	£1250
MARCONI 2370 30kHz-110MHz	£500
HP 8754A Network Analyser 4-1300MHz	£500
MARCONI 6500A Amplitude Analyser with head	£750
HP 334A Distortion Analyser 5Hz-600kHz	£100

SIGNAL GENERATORS

HP 8350B Sweeper with 83592B 10MHz-20GHz	£1500
HP 8350A Sweeper with 83592A 10MHz-20GHz	£1250
HP 8350B Main Frame Only	£125
HP 83525B RF Plug-in for 8350 0.01-8.4GHz	£500
HP 83590A RF Plug-in for 8350 2-20GHz	£800
HP 8660C Sig Gen 1-3GHz	£450
HP 8660C Sig Gen 2-6GHz	£750
HP 18603A RF Plug-in for 8660C 1-2600MHz	£100
HP8631B Auxiliary Section for 8660C	£100
HP8632B Modulation Section for 8660C	£100
MARCONI 2017 0-01-124MHz Low Phase Noise	£500
MARCONI 2019 Synthesised AM/FM 80kHz-1040MHz	£325
FLUKE 6060B AM/FM Syn Sig Gen 10kHz-1050MHz	£300
LEADER LSG221B Sig Gen 25-950MHz	£200
HP 8656B Synthesised 0-1-990MHz	£500
HP 8556A Synthesised 0-1-990MHz	£400
HP 8540A AM/FM 500kHz-512MHz	£150
HP 8520C Sweep Osc with 86290B 2-18.6GHz	£500
HP8220C Sweep Osc with 86222B 0-01-2.4GHz	£400
HP8220C/B/A with any of the following plug-ins	£150-£200
HP 86220A Plug in 10-1300MHz	£100
HP 86230B Plug in 1-5-4GHz	£100
HP 86235A Plug in 1-7-4.3GHz	£100
HP 86240A Plug in 2-8-5GHz	£100
HP 86240C Plug in 3-8-8.6GHz	£100
HP 86245A Plug in 5-9-12.4GHz	£100
HP86250B Plug in 8-12.4GHz	£100
HP 86260A Plug in 8-12.4GHz	£100
HP 36260A Plug in 12-4-18GHz	£100
MARCONI TF2015 AM/FM 10-520MHz	£95
MARCONI TF2016 AM/FM 10kHz-120MHz	£95
PHILIPS PM5328 100kHz-180MHz with 200MHz Freq Counter IEEE	£225
PANASONIC VP8117A AM/FM 100kHz-110MHz FM 0-100kHz Digital Display etc. Unused	£225

HP 8165A Programmable Signal Source	£325
1MHz-50MHz (Pulse Function)	£325
HP 3315A Synthesised Function Gen 21MHz	£350
HP 3312A Function Gen 0.1Hz-13MHz AM/FM	£200
Wave/Tri/Digit/Gen	£200
WAWEK 21 Stabilised Function Gen 11MHz	£225
WAWEK 23 Synthesised Function Gen 12MHz	£225
EXACT 529 AM/FM Function Gen 20MHz	£150
ANALOGUE 2030 Synthesised Multi Function Waveform	£250
THUNDER TG503 Pulse/Function Gen 5MHz	£195
THUNDER TG502 Sweep/Function Gen 5MHz	£195
KRON-HITE 5200A Sweep Func Gen 0.0003Hz-3MHz	£150
HP 3310B Info as 3310A + etc	£120
HP 3311A Func Gen 0.05Hz-5MHz Sine/Sq/Tri/Ramp/Pulse	£80
PHILIPS PM5132 Function Gen 0.1Hz-2MHz	£95
PHILIPS PM5131 Function Gen 0.1Hz-2MHz	£75
FEEDBACK FG601 Func Gen 0.001Hz-1MHz	£60
HP 8112A Pulse Gen 50MHz	£750
HP 8111A Pulse Generator 20MHz	£400
LYONS PG73N Pulse Gen 20MHz	£50
LEADER LAG120B Sine/Sq Audio Generator 10Hz-1MHz	£60
FARNELL LFM Sine/Sq Osc 10Hz-1MHz Low Distortion, TTL Output, Amplitude Meter	£60
GUILD JB Sine/Sq Osc 10Hz-100kHz Low Distortion	£50-£75
FARNELL LFI Sine/Sq Oscillator 10Hz-1MHz	£50
MARCONI SANDERS 6055C Signal Source 850-2000MHz	£125
MARCONI SANDERS 6055B Signal Source 850-2150MHz	£125
MARCONI SANDERS 6056B Signal Source 2-4GHz	£125
MARCONI SANDERS 6057B Signal Source 4-5-8.5GHz	£125
MARCONI SANDERS 6058A Signal Source 12-18GHz	£125
MARCONI SANDERS 6070A Signal Source 400-1200MHz	£125
FLUKE 6011A Synthesised 11MHz	£125
PHILIPS 5514V Colour Bar Generator Video	£195
BLACK STAR ORION Colour Bar Gen	£50
BLACK STAR ORION Later Version Metal Case	£75

HP 5316A Universal Counter 0-100MHz HP1B	£95
THANDAR TF810 Frequency Counter 5Hz-200MHz Battery	£60
THANDAR TF200 Frequency Meter 10Hz-200MHz 8 digit	£40
BLACK STAR Meteor 100 Counter 5Hz-100kHz	£50
BLACK STAR 1325 Counter Timer 1300MHz	£150
BECKMAN UC10A Universal Counter 120MHz	£80
LEADER LDC3043 Digital Counter 100MHz	£125

DIGITAL MULTIMETERS ETC

SOLARTRON 7150 6 1/2 digit True RMS IEEE	£75
SOLARTRON 7150Plus As Above + Temp Measurement	£100
DATRON 1065 5 1/2 digit Auto/Cal AC/DC Resistance IEEE	£95
FLUKE 77 3 1/2 digit Handheld	£35
FLUKE 77 Series 2 3 1/2 digit Handheld	£45
FLUKE 8060A 4 1/2 digit True RMS Handheld	£75
BECKMAN HD110 3 1/2 digit Handheld in Carry Case	£30
TTI 1905A 5 1/2 digit Bench	£60
SOLARTRON 7045 4 1/2 digit Bench	£30
AVO D116 3 1/2 digit with Batteries & Leads	£20
AVO 8 M6 in Ever Ready Case with Leads etc	£75
AVO 8 M5 with Leads etc	£50
RACAL 9301A True RMS RF Millivoltmeter	£125
RACAL 300 True RMS Millivoltmeter 5Hz-200MHz	£30
used to 60MHz	£30
RACAL 9300B as 3300	£45
GOODWILL VGT427 Dual Chan AC Millivoltmeter 10mV in 12 ranges 10Hz-1MHz Unused	£75
KENWOOD VT176 Dual Chan Millivoltmeter	£40

POWER SUPPLIES

FARNELL XA352T 0-35V 0-2A Twice Digital	£95
FARNELL LT302 0-30V 0-2A Twice	£110
FARNELL B3020 30V 20A Variable No Meters	£110
FARNELL B3010 30V 10A Variable No Meters	£55
FARNELL LT30-1 0-30V 0-1A Twice	£75
FARNELL L302 0-30V 0-2A	£55
FARNELL L301 0-30V 0-1A	£40
FARNELL E350 0-35V 0-200mA	£125
FARNELL D30-2T 0-30V 0-2A Twice Digital	£95
RACAL PL330 0-32V 0-3A Digital (Kenwood badged)	£75
HURLBY TS3021S 0-30V 0-2A LCD	£65
HURLBY PL320 0-30V 0-2A Digital	£55
TAKASAGO GM035-3 0-35V 0-3A 2 Meters	£45
TAKASAGO TM035-2 0-35V 0-2A 2 Meters	£35
ISOLATING TRANSFORMER Yellow 500VA with 13Amp Socket	£35

STEWART of READING

17A King Street, Mortimer, Near Reading RG7 3RS
Telephone: (0118) 933 1111. Fax: (0118) 933 2375
www.stewart-of-reading.co.uk



Open 9am-5pm Monday to Friday (other times by arrangement)

Used Equipment - GUARANTEED. Manuals supplied

This is a VERY SMALL SAMPLE OF STOCK. SAE or Telephone for lists.

Please check availability before ordering.

CARRIAGE all units £16. VAT to be added to Total of Goods and Carriage

EPE PROJECT PICs

Programmed PICs for EPE Projects
 12C508/9-£3.90; 16F627/8 - £4.90
 16F84/71/1 - £5.90
 16F875/877/ 18Fxxxx - £10.00
 All inc. VAT and Postage

1kV/500V Insulation Tester



Super design. Regulated output and efficient circuit. Dual scale meter, compact case. Reads up to 200 Megohms. Kit includes wound ferrite transformer, drilled and punched case, meter scale, PCB & ALL components. (Needs PP3 battery).

KIT 848...£32.95

DUAL OUTPUT TENS UNIT

An excellent kit for this project based on the EPE March'97 Design. Our Full Kit includes all components, hardware and an improved Magenta pcb. All hardware and electrodes are included. Designed for simple assembly and testing, providing a high level controlled dual output drive.

KIT 866 .. £32.90

Inc. 4 electrodes

Set of 4 Spare Electrodes £6.50

EPE MICROCHIP P.I. Treasure Hunter

Stable Sensitive Pulse Induction detector. Easy to build and use. No ground effect - works in sea water. Detects Gold Silver, ferrous and non ferrous metals.

KIT 847 ... £63.95

Kit Includes Headphones, coil and all Hardware

Ultrasonic PEST Scarers

Two Ultrasonic PEST Scarers. Kit 812 produces regular high level pulses of 32kHz. Kit 867 produces Random pulses and can work with an optional slave unit to give two separate ultrasound sources. Both kits need 9V supply.

Kit 812 ... £14.81 psu . 3.99

Kit 867 ... £19.99 867Slave £12.51

MOSFET MKII Bench PSU 0-25V 2.5A

Based on Mk1 design, with switching pre-regulator for high efficiency. Panel meters for A and V. Toroidal transformer. Variable Volts 0 - 25 AND Variable Current limit from 0-2.5A. Kit includes punched and labelled case A classic and essential piece of test gear

Kit 845 ... £64.95



68000 Trainer Kit 621.. 99.95

Stepping & DC Motors

A range of motors for many applications. Visit our website for more details
 MD100 100 step Unipolar..... £9.99
 MD200 200 step Unipolar..... £12.99
 MD24 Type '23' size 200 step..£22.95

MAGENTA BRAINIBOT I & II

- Full kit with ALL hardware and electronics.
- As featured in EPE Feb '03 (KIT 910)
- Seeks light, beeps, and avoids obstacles
- Spins and reverses when 'cornered'
- Uses 8 pin PIC chip
- ALSO KIT 911 - As 910 PLUS programmable from PC serial port leads and software CD included

BRAINIBOT



KIT910..£16.99

KIT911..£24.99

PIC PIPE DESCALER

- SIMPLE TO BUILD
- SWEPT FREQUENCY OUTPUT
- HIGH POWER
- AUDIO & VISUAL MONITORING

An affordable circuit which sweeps the incoming water supply with varying frequency electromagnetic signals. May reduce scale formation, dissolve existing scale and improve the way salts in the water behave.

Kit includes case PCB coupling coil and all components. High coil current ensures maximum effect. LED and piezo monitor.

PIC WATER DESCALER



KIT 868 .. £22.95 PSU £3.99

12V EPROM ERASER

A safe low cost eraser for up to 4 EPROMs or other UV erasable windowed devices at a time in 20 minutes. Operates from a 12 Volt supply (400mA). Ideal for mobile work - and in educational applications where mains voltages are to be avoided. Safety interlock prevents contact with UV.

KIT 790 £29.90

PIC LCD DISPLAY DRIVER

16 Character x 2 Line display, pcb, programmed PIC16F84, software disk and all components to experiment with standard intelligent alphanumeric displays. Includes full PIC source code which can be changed to match your application.

- Learn how to drive the display and write your own code.
- Ideal development base for meters, calculators, counters, timers --- just waiting for your application
- Top quality display with industry standard driver, data and instructions

KIT 860.£19.99

PIC STEPPING MOTOR DRIVER

PCB with components and PIC16F84 programmed with demonstration software to drive any 4 phase unipolar motor up to 24 Volts at 1 Amp. Kit includes 100 Step Hybrid Stepping Motor Full software source code supplied on disc. Use this project to develop your own applications. PCB allows 'simple PIC programmer' 'SEND' software to be used to reprogram chip.

KIT 863.....£18.99

8 CHANNEL DATA LOGGER

From Aug/Sept.'99 EPE. Featuring 8 analogue inputs and serial data transfer to PC. Magenta redesigned PCB - LCD plugs directly onto board. Use as Data Logger or as a test bed for developing other PIC16F877 projects. Kit includes lcd, programmed chip, PCB, Case, all parts and 8 x 256k EEPROMs

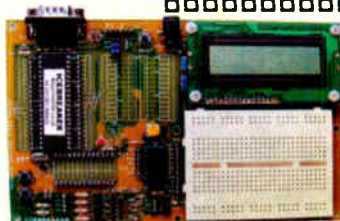
KIT 877.....£49.95

SUPER PIC PROGRAMMER

Magenta's original parallel port programmer. Runs with downloaded WINDOWS 95 - XP software. Use standard Microchip .HEX files. Read/Prog/Verify wide range of 18,28, and 40 pin PICs. Including 16F84/876/877, 627/8, (Inc. 'A' versions) + 16xx OTPs.

KIT 862. £29.99 Power Supply £3.99

ICEBREAKER



PIC Real Time In-Circuit Emulator

With serial lead & software disk, PCB, Breadboard, PIC16F877, LCD, all components and patch leads.

KIT 900..£34.99 PSU £3.99

ICEbreaker uses PIC16F877 in-circuit debugger functions.

Featured in EPE Mar'00 Ideal for beginners & experienced users. Windows (95 to XP) Software included

20W Stereo Amp.

EPE May '05 -- Magenta Stereo/Mono Module

Wide band Low distortion 11W / channel Stereo 20W Mono. True (rms) Real Power



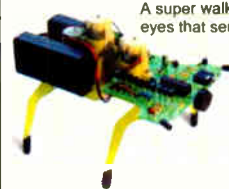
Short Circuit & Overheat Protected. Needs 8 to 18V supply.

Latest Technology - Stable, Reliable, high performance IC with local feedback.

KIT 914 £11.90

(includes all parts & heatsink for stereo or mono)

Magenta BrainiBorg



A super walking programmable robot with eyes that sense obstacles and daylight.

BrainiBorg comes with PC software CD (WIN95+ & XP) with illustrated construction details, and can be programmed to walk and respond to light and obstacles on any smooth surface.

Kit includes all hardware, components, & 3 motor/gearboxes Uses 4 AA batteries (not supplied).

KIT 912 ... £29.99

(Kit with CD Rom & Serial Lead)

KIT 913 ... £38.95

(As 912 but Built & Tested Circuit board)

EPE PIC Toolkit 3

As in EPE Apr/May/Jun '03 and on PIC Resources CD

- Magenta Designed Toolkit 3 board with printed component layout, green solder mask, places for 8,18, 28 (wide and slim), and 40 pin PICs, and many Magenta extras. Also runs with WinPic800 prog. Software.
- 16 x 2 LCD, PIC chip all parts and sockets included.
- Follow John Becker's excellent 'PIC tutorial 2' series.

KIT 880 ... £34.99

(With 16F84 Chip)

KIT 880 ... £39.99

(With 16F877 Chip)

OR - Built & Tested £49.99 & £55.99

EPE TEACH-IN 2004

COMPLETE 12 PART SERIES FROM NOV03 Additional Parts as listed in 'misc.' Section (less RF modules, Lock, and Motor/g.box)

Course. Inc. Breadboard, and wire, as listed on p752 Nov 03'

KIT920..£29.99

KIT921.£12.99

Reprints £1.00 per part.

BAT DETECTORS

Magenta's Super Heterodyne Bat detectors. Our best selling kit 861 now includes a drilled case and front panel label. The MkIb and digital MkIII are supplied built & ready to go

KIT 861 .. £37.99

Soft Zip Up Pouch for all 3.....£5.99

MkIb .. £49.95

MkIII .. £89.95

All Prices Include VAT, Add £3.00 P&P per order, or £7.99 for next day.

Chqs. P.O. & Most major cards accepted. See our Website for many more kits, products, & Secure On Line ordering. Mail Order Only.

MAGENTA

ELECTRONICS LTD

135 Hunter Street Burton on Trent Staffs DE14 2ST UK

email: sales@magenta2000.co.uk

www.magenta2000.co.uk

Tel: 01283 565435

Fax: 01283 546932

PCB Production - Development

0.1" Copper Stripboard

Size	Tracks/Holes	
25 x 64mm	9T / 25H	£0.24
64 x 95mm	24T / 37H	£0.87
95 x 127mm	36T / 50H	£1.41
100 x 432mm	36T / 170H	£4.39
100 x 100mm	39T / 38H	£1.40
100 x 500mm	39T / 198H	£6.20
119 x 455mm	46T / 179H	£5.40

Stripboard track cutter £1.99

Solderless Breadboard

Tie Points & Size Power Rails
 390 81 x 60mm 2 £2.75
 840 175 x 67mm 2 £4.86
 740 175 x 55mm 1 £4.03
 640 175 x 42mm 0 £3.08

Many other sizes available, also jump wires & matrix board.

PCB Production - Drafting Materials

A4 Artwork Film (per 10 sheets)

Clear Manual Film £1.20
 Clear Loser Film £1.75
 White HQ Laser Film £4.62

Ethc Resist Pens
 "Dolo" Pen £2.98
 "Staedler" Fine Pen £0.88

Ethc Resist Transfers
 Seno mixed DIL pads £2.24
 Seno mixed Rnd pads £2.24
 Alfoc mixed pads £1.84
 Transfer Spotular £1.25

We carry the full range of Seno & Alfoc PCB transfers, see our catalogue for full details.

Soldering Irons

We carry in stock a wide range of soldering iron and soldering accessories. Irons from 12 to 100 Watts.

20W 240V Basic £3.74
 25W 240V Ceramic £7.14
 30W 240V Basic £4.68

Desolder Pumps

Basic 165 x 18mm £2.85
 Antistatic 195mm £3.92
 Antex Mini 198mm £6.02
 Antex Pro 210mm £10.26

Soldering Station

A 48W adjustable temperature soldering station with a rotary dial, LED Temperature metering, on-off switch, iron holder and lip cleaning sponge. This station features accurate heat sensing for instant compensation & stable temperatures. Adjustable temperature range of 150 - 420°C, Low voltage iron with Silicone cable. Supply: 240V, Iron: 24V 48W

Model 167-540 £49.00

Soldering Station

A 48W adjustable temperature soldering station with a rotary dial, Digital Temperature Indication, on-off switch, iron holder and lip cleaning sponge. This station features accurate heat sensing for instant compensation & stable temperatures. Adjustable temperature range of 150 - 480°C, Low voltage iron with Silicone cable. Supply: 240V, Iron: 24V 48W

Model 167-570 £64.40

Digital Multimeter

Model: 121-120
 Price: £11.47

A highly featured digital multimeter for professional use. Offers 30 ranges and 8 functions including temperature, capacitance, diode, continuity and hFE measurement. Large 3.5 digit LCD display with automatic polarity indicator. Supplied with shrouded test leads, K type temperature probe and shock proof rubber holster.

Technical Specifications

DC voltage 200mV - 1000V (±0.5%)
 AC volts 2V - 700V (±0.8%)
 DC current 2mA - 20A (±1.2%)
 AC current 200mA - 20A (±1.8%)
 Resistance 200 Ohms - 20M Ohms (±0.8%)
 Capacitance 2000pF - 20µF (±2.5%)
 Temperature 0°C - 1000°C (±1.5%)
 Frequency 20kHz (±1%)
 Max display 1999
 Power supply 9V (PP3 battery)
 Dimensions 88 x 173 x 40 mm

Now available online
 Our large range of tools by

DRAPER
CK
JOKARI

A legend for life

PCB Production - Processing Equipment

We carry a large range of the photographic & chemical processing equipment for PCB production, a full list with full technical specifications is available in our catalogue or visit our web site.

UV Exposure units

2 x 8W Tubes, 6 min timer
 229 x 159mm working area
 Model 332-002 £98.75

4 x 15W Tubes, 7 1/2 min timer
 330 x 260mm working area
 Model 332-004 £209.48

Chemical Processing

Low cost plastic tray £1.80
 Process tanks feature electrically operated pumps and/or heaters with thermostat control, suitable for boards up to 320 x 260mm.

Universal Tank with heater
 Model 333-007 £169.58
 Bubble etch Tank with heater & bubble pump.
 Model 333-004 £208.48

Any of these items, carriage £5.50

PCB Production - Tools

Drill Bits

HSS parallel shank bits available in sizes from 0.3mm to 2.0mm

0.3-0.95mm in 0.05mm steps £0.60ea £4.00/10
 1.0-2.0mm in 0.1mm steps £0.40ea £3.60/10

HSS Reduced shank (2.35mm) bit available in sizes from 0.6mm to 1.7mm in 0.1mm steps £0.84ea £7.60/10

Reground Tungsten carbide reduced shank available in sizes from 0.6 to 1.6mm in 0.1mm steps £1.90

Drilling Machines

Expo Reliant 12V drill, 3.8mm capacity, 8400rpm £12.78
 Expo Zircon 12V drill, 3.8mm capacity, 11900rpm £14.20

Minicroft MX1 230V, 8000 - 21000rpm with chuck & collet. Model EPE270-390
 Normal price £48.51

SPECIAL PRICE

£31.02

Servisol Products

Aerosols		
200ml Switch Cleaner	£1.96	
200ml Freezer	£3.97	
400ml Foam Cleanser	£2.13	
400ml Cleaner / lubricant	£2.79	
75ml Wide Head Cleaner	£1.94	
200ml Aero Klene	£2.85	
200ml Aero Duster	£4.66	
250ml Cold Clean	£3.14	
200ml Label remover	£3.52	
400ml Isopropyl alcohol	£3.36	

Brushes		
10g Heatsink Compound	£1.66	
25g Heatsink Compound	£2.60	
50g Silicone grease	£3.16	

Educational Kits

These kits are an ideal way to start your interest in electronics. They feature re-useable components which are attached via springs & wires and easy step by step guides to make a range of exciting projects. The 300-in-1 features a breadboard for more complex circuits.

30-in-1 £13.18
 50-in-1 £16.80
 130-in-1 £32.29
 300-in-1 £55.20

Panel Meters

High quality analogue panel meters, class 2, zero point correction, mirror scale and prewired for panel illumination. Meter size 46 x 60mm, Cutout size: 38mmØ.

Range	Int Ω	
0-50µA	6k5	All meters £5.89 each 6V Lamps £1.23 /pair
0-100µA	1k0	
0-500µA	430Ω	
0-1mA	200Ω	
0-10mA	21Ω	
0-50mA	1Ω	
0-100mA	0Ω265	
0-1A	60mΩ	
0-3A	20mΩ	
0-5A	12mΩ	
0-15A	4mΩ	
0-10V	10k	
0-15V	15k	
0-30V	30k	
±50µA	1k9	

Magnifying Desk Lamp

A high quality scratch resistant magnifying glass fitted to a balanced swivel arm and desk mount. An integral fluorescent tube provides illumination. Magnification: 3x Lens: 120mmØ Tube: 22W Daylight simulation.

Model: 028-205 £28.80

PCB Production - Laminates

Copper clad - paper

Single sided low cost paper composite board	
100 x 160mm Board	£0.44
100 x 220mm Board	£0.62
160 x 233mm Board	£1.02
220 x 233mm Board	£1.40
8" x 12" Board	£1.70

Copper clad - glass fibre

Single & Double 1.6mm 30sg/m ²	
100 x 160mm Single	£0.85
100 x 220mm Single	£1.49
160 x 233mm Single	£2.29
220 x 233mm Single	£2.88
8" x 12" Single	£3.44
100 x 160mm Double	£0.88
100 x 220mm Double	£1.25
160 x 233mm Double	£2.30
220 x 233mm Double	£2.90
8" x 12" Double	£3.50

Photoresist Coated

1.6mm 35 micron Pre-coated with a high quality photoresist layer. Available in low cost paper composite or Glass fibre, Single & Double sided. Other sizes also available.

Size	Poper Single	Double	Gloss Fibre Single	Double
4 x 6"	£1.37	£1.82	£1.89	£2.17
6 x 12"	£4.20	£5.04	£5.60	£6.23
9 x 12"	£6.30	£7.70	£8.40	£9.38
10 x 12"	£8.19	£10.01	£10.78	£11.83
12 x 12"	£8.26	£10.08	£10.99	£12.25

100 x 160mm	£2.38	£2.66
203 x 114mm	£3.01	£3.43
220 x 100mm	£3.08	£3.71
233 x 160mm	£4.83	£5.32
233 x 220mm	£6.83	£7.70

PCB Production - Chemicals

Quantity	Description	Price
100ml	Aerosol Photoresist spray, covers 2m ²	£4.25
500g	Powder developer, makes 1lt	£1.09
500g	Powder developer, makes 10lt	£7.08
250g	Ferric Chloride Pellets, makes 500ml	£1.68
500g	Ferric Chloride Pellets, makes 1lt	£3.04
2.5kg	Ferric Chloride Pellets, makes 5lt	£9.84
1.1kg	Clear Fine etch crystals, makes 5lt	£17.58
90g	Tin Plating Powder, makes 1lt	£11.58
200ml	Aerosol Flux spray	£3.41
110ml	Aerosol PCB Laquer spray	£3.63

Tools - Cutters & Strippers

We carry a wide range of specialist tools for the electronics industry including:

Side Cutters

130mm Low cost	£1.99
115mm Dropper	£2.38
115mm Box Jointed	£4.26
145mm Long reach	£3.40

Wire Strippers

130mm Low cost	£2.30
150mm Dropper 5mmØ	£5.86

Tools - Ratchet Crimping Pliers

High quality ratchet crimping pliers for various terminals including Automotive, Data, Power and Data connections.

Red / Blue / Yellow	£15.80
BNC / TNC RF Series	£15.08
RJ11 / 12 Data Series	£22.32
RJ45 Data Series	£20.43
RJ11 / 12 & 45 Series	£12.64

CK® Tools Crimp Pliers

Green/Red/Blue	£24.38
Red/Blue/Yellow	£22.88
0.24-2.5mm ² crimps	£26.01
0.5-6.0mm ² crimps	£26.01
Non insulated crimps	£24.38

Tools - Cable - Ribbon

7/0.127mm Grey ribbon cable on a 0.05" 1.27mm pitch with a red identifying stripe. Supplied by 305mm (1ft) or on full 30.5m (100ft) reels.

Size	per 305mm	per Reel
10 Woy	£0.10	£5.36
14 Woy	£0.14	£7.50
16 Woy	£0.16	£8.58
20 Woy	£0.20	£10.72
24 Woy	£0.26	£13.94
34 Woy	£0.34	£18.22
40 Woy	£0.40	£21.44
50 Woy	£0.50	£26.80
60 Woy	£0.64	£33.92
IDC Crimp tool		£11.80

CAT5e Networking

UTP Cable
 Conforms to CAT5E
 100MHz standard,
 EIA verified TIA/EIA 568-B.2

305m Box	£25.54
100m Reel	£13.33

exc carriage.

RJ45 Outlet Kit

Backing Box	
2 Gang Plate	
RJ45 Module	
Blank Module	
Coloured id inserts, £2.99ea £2.42 (10+)	

Tools

Plastic punch down tool & cable stripper	£1.40
Professional punch down IDC & trim tool	£7.38

Outlets

CAT5e Outlet Module	£1.70
1Gang Plate (2 Mods)	£0.50
2 Gang Plate (4 Mods)	£0.75
1 Module Blank	£0.25
1 Module Blank	£0.30
2 Module Blank	£0.45

Other keystone outlets, switches & accessories available. Patch & Cross-over leads from £0.50

Tel: 0191 2514363
Fax: 0191 2522296
sales@esr.co.uk

Station Road
Cullercoats
Tyne & Wear
NE30 4PQ

Prices Exclude Vat @17%.
 UK Carriage £2.50 (less than 1kg)
 £5.50 greater than 1kg
 Cheques / Postal orders payable to
 ESR Electronic Components.
 PLEASE ADD CARRIAGE & VAT TO ALL ORDERS

ESR
 ELECTRONIC COMPONENTS
 www.esr.co.uk

EPE EVERYDAY PRACTICAL ELECTRONICS

THE UK's No.1 MAGAZINE FOR ELECTRONICS TECHNOLOGY & COMPUTER PROJECTS

VOL. 35 No. 8

AUGUST 2006

Editorial Offices:
EVERYDAY PRACTICAL ELECTRONICS EDITORIAL
Wimborne Publishing Ltd., 408 Wimborne Road East, Ferndown,
Dorset BH22 9ND
Phone: (01202) 873872. Fax: (01202) 874562.

Email: enquiries@epemag.wimborne.co.uk
Web Site: www.epemag.co.uk

EPE Online (downloadable version of EPE): www.epemag.com
EPE Online Shop: www.epemag.wimborne.co.uk/shopdoor.htm

See notes on **Readers' Technical Enquiries** below – we regret technical enquiries cannot be answered over the telephone.

Advertisement Offices:
EVERYDAY PRACTICAL ELECTRONICS ADVERTISEMENTS
408 Wimborne Road East, Ferndown, Dorset BH22 9ND
Phone: 01202 873872 Fax: 01202 874562
Email: stewart.kearn@wimborne.co.uk

Power For The Future

A recent announcement of a wave energy project based in the South West of the UK indicates how environmentally friendly generation of electricity is now coming to the fore. No doubt everyone has now seen a wind farm and this form of generation using "free" energy seems to be one way forward – although it does of course have its attendant problems, like noise and visual pollution.

I expect that wave power no doubt also carries attendant problems and does seem to have been a long time in the development stage. We are aware of wave power generators deployed in Hawaii and New Jersey but now, with the support of the South West of England Regional Development Agency, a "Wave Hub" is being built off the Cornish coast. This will allow development systems to be plugged into a "socket" on the sea bed which will provide a connection to the national grid.

A number of different wave energy generators from various companies will be deployed, in an area about 10 miles out to sea, to undergo long-term testing and further development. Initially three companies have been chosen as partners, each with radically different devices from huge floating articulated tubes to buoys and floating platforms similar to offshore oil rigs.

How much energy can be supplied in this way is yet to be determined, but a report by the Carbon Trust suggests that power from the sea – both wave and tidal systems – could provide up to 20 per cent of the UK's electricity needs. However major investment is required and the Wave Hub is at least a step in the right direction.

Most modern electronic devices need relatively small amounts of power, however, with so many now in use the overall requirement is growing daily. Nuclear power is one obvious answer but if we can find alternative means of generation, even if it is for only part of the requirement, then so much the better. I guess power from the sea is perhaps one of the most environmentally friendly solutions presently available.



AVAILABILITY

Copies of EPE are available on subscription anywhere in the world (see opposite), from all UK newsagents (distributed by SEYMOUR) and from the following electronic component retailers: Omni Electronics and Yebo Electronics (S. Africa). EPE can also be purchased from retail magazine outlets around the world. An internet on-line version can be purchased and downloaded for just \$15.99US (approx £9.50) per year available from www.epemag.com

SUBSCRIPTIONS

Subscriptions for delivery direct to any address in the UK: 6 months £17.50, 12 months £33, two years £61; Overseas: 6 months £20.50 standard air service or £29.50 express airmail, 12 months £39 standard air service or £57 express airmail, 24 months £73 standard air service or £109 express airmail. To subscribe from the USA or Canada see page 64. Online subscriptions, for downloading the magazine via the Internet, \$15.99US (approx £9.50) for one year available from www.epemag.com. Cheques or bank drafts (in £ sterling only) payable to *Everyday Practical Electronics* and sent to EPE Subs. Dept., Wimborne Publishing Ltd, 408 Wimborne Road East, Ferndown, Dorset BH22 9ND. Tel: 01202 873872. Fax: 01202 874562. Email: subs@epemag.wimborne.co.uk. Also via the Web at: <http://www.epemag.wimborne.co.uk>. Subscriptions start with the next available issue. We accept MasterCard, Amex, Diners Club, Maestro or Visa. (For past issues see the *Back Issues* page.)

BINDERS

Binders to hold one volume (12 issues) are available from the above address. These are finished in blue p.v.c., printed with the magazine logo in gold on the spine. Price £7.95 plus £3.50 p&p (for overseas readers the postage is £6.00 to everywhere except Australia and Papua New Guinea which cost £10.50). Normally sent within seven days but please allow 28 days for delivery – more for overseas.

Payment in £ sterling only please. Visa, Amex, Diners Club, Maestro and MasterCard accepted. Send, fax or phone your card number, card expiry date and card security code (the last 3 digits on or just under the signature strip), with your name, address etc. Or order on our secure server via our UK web site. Overseas customers – your credit card will be charged by the card provider in your local currency at the existing exchange rate.

Editor: MIKE KENWARD

Consulting Editors: DAVID BARRINGTON
JOHN BECKER

Business Manager: DAVID J. LEAVER

Subscriptions: MARILYN GOLDBERG

General Manager: FAY KEARN

Editorial/Admin: (01202) 873872

Advertising Manager:

STEWART KEARN (01202) 873872

On-Line Editor: ALAN WINSTANLEY

EPE Online (Internet version) **Editors:**

CLIVE (MAX) MAXFIELD and ALVIN BROWN

READERS' TECHNICAL ENQUIRIES

E-mail: techdept@epemag.wimborne.co.uk

We are unable to offer any advice on the use, purchase, repair or modification of commercial equipment or the incorporation or modification of designs published in the magazine. We regret that we cannot provide data or answer queries on articles or projects that are more than five years old. Letters requiring a personal reply *must* be accompanied by a **stamped self-addressed envelope** or a **self-addressed envelope and international reply coupons**. We are not able to answer technical queries on the phone.

PROJECTS AND CIRCUITS

All reasonable precautions are taken to ensure that the advice and data given to readers is reliable. We cannot, however, guarantee it and we cannot accept legal responsibility for it.

A number of projects and circuits published in EPE employ voltages that can be lethal. **You should not build, test, modify or renovate any item of mains powered equipment unless you fully understand the safety aspects involved and you use an RCD adaptor.**

COMPONENT SUPPLIES

We do not supply electronic components or kits for building the projects featured, these can be supplied by advertisers.

We advise readers to check that all parts are still available before commencing any project in a back-dated issue.

ADVERTISEMENTS

Although the proprietors and staff of EVERYDAY PRACTICAL ELECTRONICS take reasonable precautions to protect the interests of readers by ensuring as far as practicable that advertisements are *bona fide*, the magazine and its Publishers cannot give any undertakings in respect of statements or claims made by advertisers, whether these advertisements are printed as part of the magazine, or in inserts.

The Publishers regret that under no circumstances will the magazine accept liability for non-receipt of goods ordered, or for late delivery, or for faults in manufacture.

TRANSMITTERS/BUGS/TELEPHONE EQUIPMENT

We advise readers that certain items of radio transmitting and telephone equipment which may be advertised in our pages cannot be legally used in the UK. Readers should check the law before buying any transmitting or telephone equipment as a fine, confiscation of equipment and/or imprisonment can result from illegal use or ownership. The laws vary from country to country; readers should check local laws.



DIGITAL SWITCHOVER COSTS

Digital switchover is not quite as straightforward as some had hoped, especially if "spin" is in the air, as Barry Fox reports.

SWITCHING the UK from analogue to digital TV will cost British broadcasters and BBC licence fee payers, £700 million. And that's not counting the cost to consumers of converting or replacing TVs, VCRs and aeriels. It's also not counting the money given to "vulnerable" viewers who cannot afford to convert.

With puzzling timing, Digital UK, formerly SwitchCo, launched a campaign on local election results day to try and prepare UK viewers for the end of analogue broadcasting "starting in the Northern Border regions in 2008 and ending in London in 2012", hopefully without denying anyone the chance of watching the London Olympics. In each area there will be a four week grace period at switch-off, with one channel shut down ahead of the rest to warn viewers they cannot wait any longer before converting.

Digital UK

Digital UK was legally registered as a company in May 2005, and started work in earnest in September 2005 when Tessa Jowell (Secretary of State for Culture, Media and Sport) confirmed the 2008-2012 timetable. DUK now occupies plush offices in Central London, once used by Thorn EMI for its ill-fated interactive video ventures.

British broadcasters are paying the £500m it will cost to upgrade the transmitter network and the BBC licence fee – which all viewers are required by law to pay – will pay £200m for communications and assistance. The BBC will also provide an as yet undecided amount from the licence fee pot to help the old, disabled and poor.

The first £5m four week TV advertising campaign features an electronically created robot called Digit AI who appears trapped behind TV screens and explains digital TV, sometimes interrupting adverts from Sony and Guinness. Modelled on the British Gas Sid adverts, Digit AI may be sufficiently irritating to be memorable. All homes in the country will also receive at least two copies of a leaflet explaining what digital TV is all about.

Switchover Figures

DUK's figures, largely coming from regulator Ofcom, show 25m TV households, with 18m digital and 7m to be converted; at an average of 2.4 TVs per household there are over 60m TVs in the UK, so 40m remain to be converted. "Thirty percent of homes are analogue only, 45% have one digital TV and 25% are fully digital", says Ford Ennals of

DUK. "Twenty percent of homes have more than four TVs but they are not all in use, for instance in home guest rooms – so some can be converted later".

"About 60% of people say they have heard of switchover, which is not a bad number", says Ennals, "but we should not get a sense of false security. Analogue TVs are still for sale and people are buying more of them than digital TVs. DUK is promoting Ofcom's estimate of £132 to convert an average household with two TVs and one VCR (based on £25 per TV converter box) and believes that only a "small percentage – around 10% – of roof top aeriels will need replacing, at a parts and labour cost of between £70 and £150".

Unclear Advice

DUK's figures and advice on VCR conversion are less clear. In response to my question, Ford Ennals estimates there are 30m VCRs in the UK, of which 25% are used for time-shifting, so up to 10m VCRs will have to be changed. "PVRs are now outselling VCRs", he says, but then had to admit that many PVRs are Sky+ boxes which only work if the viewer pays a subscription to Sky. DUK is quoting figures and explanations on the practicality of VCR conversion from Ofcom that I have several times previously queried with Ofcom.

"Viewers will only be able to record the same channel that is being watched unless the viewer uses two boxes, one for the TV and one for the video", says DUK's explanatory note on converting a VCR.

Ennals (DUK) and Huw Rossiter of Ofcom both agreed when pressed that converting a VCR requires skill, because the VCR must be switched to record from its Auxiliary sockets, not its off-air analogue tuner, and timer control or VCRPlus/VideoPlus will only switch the analogue tuner unless the system is set to use an IR blaster to switch the digital box.

"We are looking at ways of communicating on this", says Ennals, "We are expecting retailers to answer questions and explain issues like this", says Laurence Harrison.

Conversion Price

The price of converting a TV is put at £25 (the current lowest price for a Freeview box) but the price of converting a VCR is put at £80. When asked why it costs £80 to connect one or two £25 boxes to a VCR, Ford Ennals said that "he believes VCR here means PVR". But DUK spokesperson Joe Smithies contradicted, saying "£80 is the cost of the VCR conversion". Huw Rossiter of Ofcom has now confirmed that Ofcom's reference to VCR means PVR! The £80 figure, he says, is the cost of a PVR, which are now on sale in some UK supermarkets for under £100.

After the launch event, Beth Thoren, communications Director for DUK, appeared on *BBC TV News* and was asked what proportion of homes have already made the switch? Her answer was clear and misleading: "70% of homes have digital already". Which of course means only that 70% have some form of digital TV reception in at least one room. So spin is already in the air.

Lead-Free Solder Database

ELFNET, the European Lead-Free Soldering Network, has collaborated with COST 531 to deliver a much-needed database of physical and mechanical properties for the new Tin-Silver-Copper (SnAgCu) lead-free solder alloys. This data is key to modelling behaviour of lead-free solder joints that from July 2006 are at the heart of most electrical and electronic equipment in Europe.

"ELFNET has been bringing together communities of research and industry experts to prioritise lead-free technology implementation issues and develop collaborative solutions", comments Dr Jeremy Pearce, ELFNET Co-ordinator. "This database represents a key achievement in exploiting expertise in the academic research community to the direct benefit of the electronics industry."

Some such databases do already exist,

although some are closed to public access. COST 531 is a network of over 60 Universities across Europe, coordinated by University of Vienna, Austria. This resource has special expertise in metallurgical research and had already begun to generate data on lead-free solder alloys.

The SnAgCu alloy family was selected as the first priority based on its use as the predominant lead-free solder in the industry.

The data is output as a user-friendly downloadable PDF file, with data presented clearly with diagrams, tables and detailed references. The first version of the new database was launched at the *SEMI-CON Europa 2006* exhibition in Munich in April 2006 and can be accessed for free on the ELFNET website: www.europeanleadfree.net. A second version will expand the range of the database to include SnAg and SnCu alloys.

IMPROVED ESR METER

Peak Electronic Design Limited have announced that their Atlas ESR has undergone a major performance improvement, a real boost for repair engineers and technicians. The Atlas ESR, which measures both capacitance and ESR (equivalent series resistance), can now cope with double the dynamic range of ESR, now 20 ohms instead of 10 ohms. This has been achieved by implementing enhanced hardware and new software without sacrificing accuracy or analysis speed. In fact, accuracy has been improved!

Just connect the Atlas ESR any way round to your capacitor (even in-circuit) and press test. The unit will automatically power-up, measure capacitance (up to 22,000 μ F) and ESR to a resolution of 0.01 Ω ! As before, the Atlas ESR can even cope with highly charged capacitors thanks to its automatic controlled discharge function and self-protection feature.

Measurements are made at the industry standard 100kHz using low signal levels to ensure polarity independence and compatibility with sensitive circuits. The meter will automatically power down after a period of inactivity, so you'll never forget to switch it off. Measuring just 103mm x 70mm x 20mm, it fits in the palm of your hand or safely in your pocket. This handy device is



supplied complete with a fitted alkaline battery, illustrated user guide and capacitor reference chart. Standard probes are gold plated "kelvin wired" croc clips.

The Atlas ESR is available from many distributors including Farnell and Maplin as well as directly from the manufacturer for £89.00 fully inclusive of UK delivery and VAT.

Contact: Peak Electronic Design Ltd,

Dept EPE, Atlas House, Harpur Hill Business Park, Buxton, Derbys SK17 9JL. Tel: 01298 70012. Fax: 01298 70046. Email: sales@peakelec.co.uk. Web: www.peakelec.co.uk (for more information, downloads and online ordering)

Users of the older versions (< V2.2) of the Atlas ESR can contact Peak to discuss hardware and firmware upgrade options.

Pink and Pretty DAB

Bush's TR2005DABPNK Portable DAB Radio with PLL FM Tuner went into ASDA stores recently, boasting DAB Digital technology with a girly edge! The classic look, pink faux leather DAB Digital Radio has cutting-edge DAB Digital Radio technology built-in. There's a choice of DAB Digital Radio stations on offer, as well as your usual FM stations.

The easy-to-read 2-line backlit display shows scrolling text that tells you exactly what you're listening to, plus extra information from the radio station like the program or competition details. Once you switch on, all the DAB stations are automatically tuned in and you can store your favourite 10 DAB and 10 FM stations into the memory.

Features include stereo speakers, battery or mains powered, sleep timer, easy-to-read 2-line LCD display provides track information, News and sports results. Asda's price is £49.50.

European Technology Events

Tech Event Guide Ltd has announced a new searchable online database which aims to become the definitive free listing of technology events throughout Europe. Unlike other listings, the online Tech Event Guide (www.techeventguide.com) includes information on key industry shows and conferences as well as company-specific seminars and training days provided by manufacturers and distributors.

Registration to the site is free and electronics engineers can browse a continu-

ally updated list of events by date, name or location, or make a selective search for events by location and key products areas. Users can download registration forms and event literature directly from the Tech Event Guide website or to click a link through to the event's own web-site for additional information. Once registered, users can create their own "My Tech Event Guide" profile so that they can monitor every opportunity to improve their skills and industry knowledge within their chosen locations, product groups and industry sectors.

Mike Maynard, Director of Tech Event Guide explained, "Although Event Diaries are already available, they typically focus primarily on major events and rarely include company-specific events".

PLAY EVEN SMARTER

Bluedelta Designs have built-on their award-winning, hassle-free "Smart-SCART" (a user-friendly "Fit & forget" AV SCART Router) with the launch of their advanced Smart-SCART+. This nifty little gismo contains a raft of useful features, including inbuilt signal amplifiers and an internal record loop. What's more its intelligent switching function is fully automatic with no remotes or buttons to press.

The Smart-SCART+ enables users to make the most of their in-home audio-visual entertainment systems by allowing the connection of up to eight devices to the TV screen at once, even if they only have one SCART connector on their TV!

Up to six video devices can be plugged in

through the RGB-enabled SCART connectors at the same time as it allows a further two composite video (s-video) sources – that's a total of eight video inputs all into one SCART output. Additionally there is an audio line in.

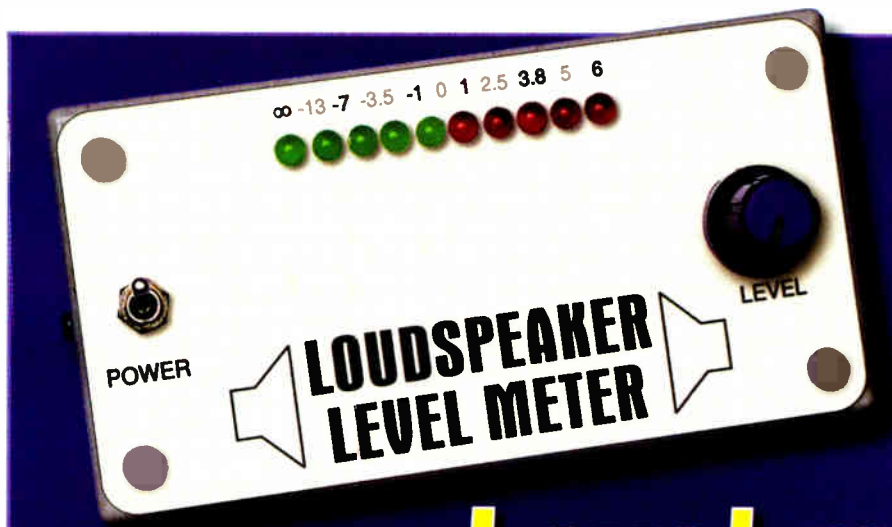
The smart technology inside the Smart-SCART+ will decide which device has been selected to display on-screen at any given time. This works on a priority base, input 2 overrides input 1, input 3 overrides input 2, etc, and any inputs that do not take priority are then blanked out.

Furthermore, users can record whilst gaming through the internal record loop. The Smart-SCART+ even has a video sensing facility on three of the inputs, which allows a camcorder to play via the SCART automatically. This can also be used for any video source not equipped with automatic SCART control, such as games consoles and VideoCams.

Using the Smart-SCART+ is so easy that you should never have to waste time with cables again, simply plug all the cables in at once. So whether you are a technology savvy multimedia guru or just the average cable-cursed punter the easy to use Smart-SCART+ will help you get the most from your TV, DVD, Video, Games Console and Camcorder with the least bother.

Whether your new techno-weapon of choice be an X-Box or any other games console, DVD, camcorder or a good "old fashioned" VCR they can all be plugged into a single SCART socket input on the TV screen simultaneously.

For more information contact Chris Skelton, Bluedelta, Tel +44 (0)1763 263120. Fax +44 (0)1763 261958. Email information@bluedelta.co.uk



The Loudspeaker Level Meter is built into a small plastic case and is just the job for quickly adjusting the level of each channel in a home theatre system or public address system.

Level meter for home theatre systems

Setting up a home theatre system? Want to adjust all the speaker levels precisely? Here is the way to do it, with this handy little Loudspeaker Level Meter. It has its own in-built microphone and a 10-LED bargraph display to let you quickly set all channels to the same relative level. And you can use it to set up the levels in a PA system as well.

By JOHN CLARKE

YOU MIGHT THINK it is a straightforward matter to set up the levels in your home theatre system but depending on your room layout and the physical positioning of the various speakers, it can be surprisingly tricky. This is especially the case when you are trying to get an overall good balance at a number of listening positions.

Without the correct balance, the surround effect will not be the best it can be. Balance between the centre speaker and the left and right channels is critical since they present the front sound-scape. And as is often the case

in many home theatre systems, if the centre loudspeaker is too dominant, it will detract from the imaging.

With the Loudspeaker Level meter, you can set up the levels accurately and quickly. It is just a small box with a 10-LED "bargraph" display on the front. Controls include the power switch and a level adjustment. On the base is a small electret microphone for monitoring the sound level from the loudspeaker.

In use, each loudspeaker is driven with a noise signal in turn and the Loudspeaker Level Meter is placed at the listening position and aimed at the

speaker. The LED bargraph meter level adjustment is set so that it reads 0dB for one loudspeaker. Then the noise level of each of the other loudspeakers is adjusted at the amplifier so that they are all the same. Generally, they can be adjusted to within 1dB of each other.

Relative measurements

Note that the Loudspeaker Level Meter does not give an absolute sound level measurement; it is a relative measurement only, with respect to a reference level, usually 0dB, set by the Level control knob. You can then measure sound levels up to 6dB higher or 13dB lower than the reference 0dB level.

Most sound level meters incorporate frequency "weighting" to emulate the perceived loudness at different loudness levels. However, since this Level Meter is intended for loudness comparisons over a relatively narrow range, no frequency weighting is required.

In addition to frequency response, sound level meters can respond rapidly or slowly to changes in sound levels. The Loudspeaker Level Meter LED display has a response similar to VU (Volume Unit) meters used in recording studios to set the audio

Main Features

- 10 LED dot bargraph display
- -13dB to +6dB display range
- Level control
- Attack and decay rate follows VU standard
- Portable battery powered unit

levels for recording. VU response is very similar to the perceived loudness heard by the ear for various signals that include sudden transients.

Dot/Bar display driver

The heart of the Loudspeaker Level Meter is the readily available National Semiconductor LM3914 Dot/Bar Display Driver IC which is configured to drive 10 LEDs in dot mode. We have used the LM3914 in preference to the LM3915 which gives a logarithmic display or the LM3916 which gives a VU response, because the LM3914 is so cheap and readily available.

The drawback of the LM3914 when used as a decibel display is that it has a linear rather than the preferred logarithmic display characteristic. This explains the rather unusual labelling of the 10 LEDs, which turns out to be quite useable in practice. LEDs 5 and 6 correspond to -1dB and +1dB respectively and when they are both illuminated, the level is in between, at 0dB.

Fig.1 shows the internal components of the LM3914 display driver. It comprises a stack of 10 comparators, each with its non-inverting input connected to a resistor string between the R_{HI} input (pin 6) and the R_{LO} input (pin 4). All the inverting inputs of the comparators monitor the input signal at pin 5, via the internal buffer op amp.

If the input voltage is above the threshold set on comparator 1, LED1 will light. Similarly, if the input voltage exceeds the threshold voltage for comparator 2, LED2 will light, and so on. Not shown is the internal circuitry which allows only one LED to light at a time, instead of a whole bar of LEDs which would otherwise result for a high signal level.

Internal 1.25V reference

The internal 1.25V reference allows

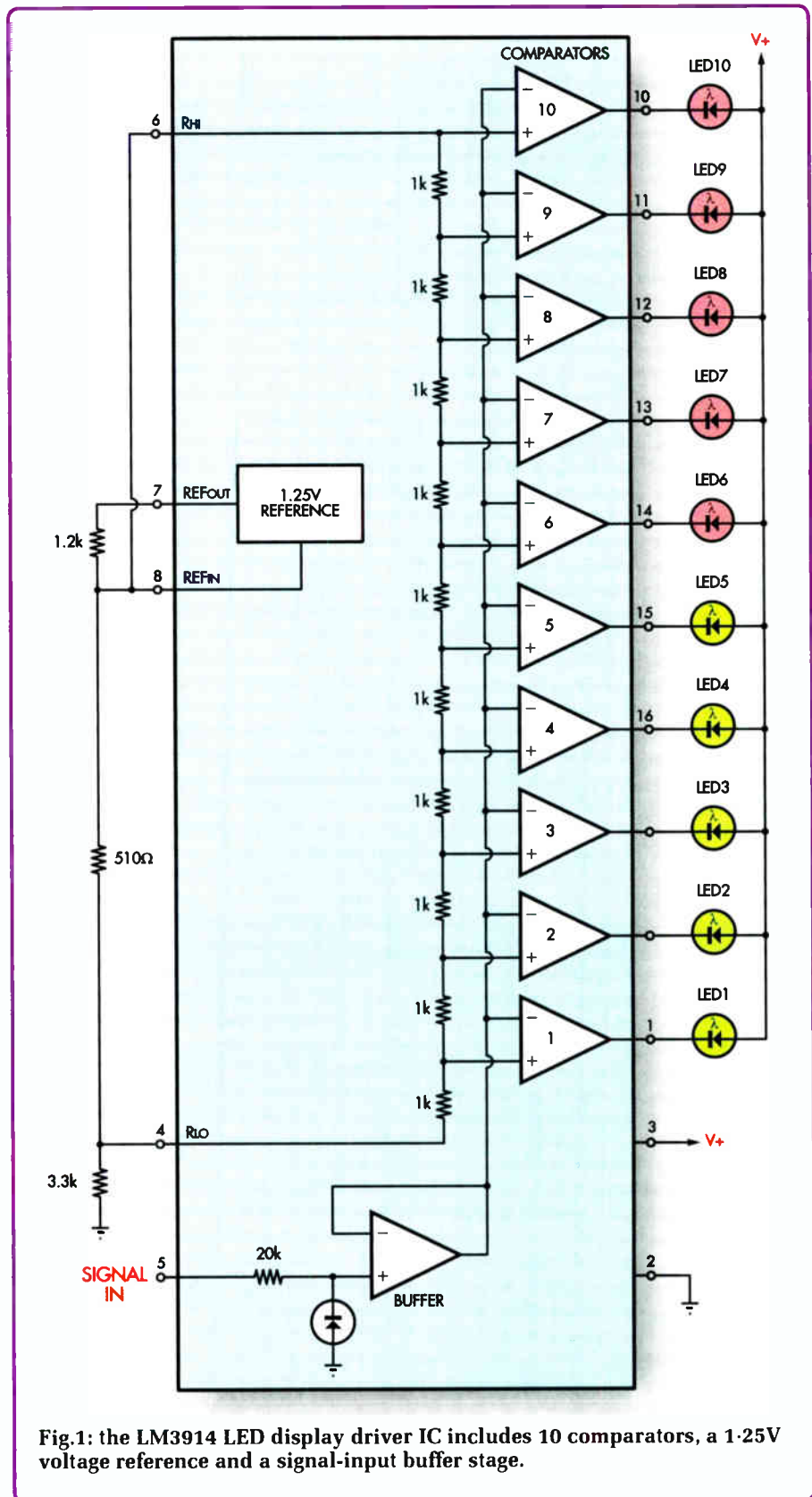


Fig.1: the LM3914 LED display driver IC includes 10 comparators, a 1.25V voltage reference and a signal-input buffer stage.

the IC to be set up to display the range of voltages required. The resistor between the REF_{OUT} and REF_{IN} pins (7 & 8) sets the reference current, so with

the 1.2kΩ resistor shown, the current is $1.25V/1.2k\Omega$ or 1.04mA. This current flows through the resistors connecting the REF_{IN} pin to ground (0V).

Constructional Project

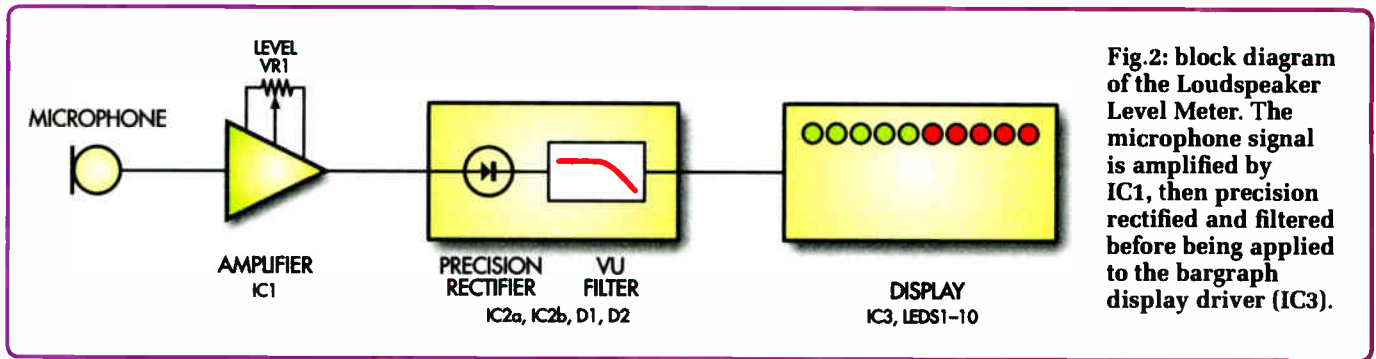


Fig.2: block diagram of the Loudspeaker Level Meter. The microphone signal is amplified by IC1, then precision rectified and filtered before being applied to the bargraph display driver (IC3).

Since we are using 510Ω and 3.3kΩ resistors in series the voltage at the REF_{IN} pin will be 1.04mA × (510Ω + 3.3kΩ) or 3.96V. The voltage at the junction of the 3.3kΩ resistor and 510Ω resistor will be 1.04mA × 3.3kΩ or 3.43V. So this gives us R_{HI} of 3.96V and R_{LO} of 3.43V and so the input voltage applied to pin 5 will light LEDs 1-10 when the voltage goes between 3.43V and 3.96V. This is a nominal 0.53V range.

Block diagram

The block diagram for the Loudspeaker Level Meter is shown in Fig.2. As shown, the microphone signal is amplified by IC1 with the gain set using VR1. Then the signal is precision rectified and filtered (IC2) before

being applied to the bargraph display driver (IC3).

Circuit details

The full circuit is shown in Fig.3. The electret microphone is powered via a 22kΩ resistor from a decoupled supply connecting to the 9V supply rail. The decoupling comprises the 10kΩ resistor and 470μF capacitor and is required to prevent the supply rail changes which occur when different LEDs light up from being injected back into this amplifier.

The decoupled supply also applies a bias voltage to pin 3 of op amp IC1 via 100kΩ and 330kΩ resistors. Signal from the microphone is coupled into IC1 via a 1μF capacitor.

IC1's gain is set by the ratio of the feedback resistance between the output (pin 6) and the inverting input (pin 2) to the 100Ω resistor from pin 2. The low frequency response rolls off below about 34Hz due to the time constant of the 100Ω resistor and 47μF capacitor.

In practice, IC1's gain is adjustable from 48 (when potentiometer VR1 is set to minimum) to about 548 (when VR1 is set to 50kΩ). However, if the gain is set to values above about 100, the inherent bandwidth limitation of the TL071 op amp begins to reduce the gain at higher audio frequencies. For example, at a gain of 300, the response will typically roll off above 10kHz. This limitation is not important in this application – we merely note it for readers who may want to employ this circuit in a more critical application.

Precision rectifier

The output from op amp IC1 is coupled via a 1μF capacitor to the full wave precision rectifier which consists of diodes D1 & D2 and op amps IC2a & IC2b. Its operation is as follows:

When the input signal goes positive, output pin 1 of IC2a goes low and forward biases diode D1. The resulting gain of the signal at the anode of diode D1 is set at unity by the 22kΩ resistor. This inverted signal is fed to op amp IC2b via a 150kΩ resistor.

IC2b's gain is -6.66, as set by the ratio of the 1MΩ feedback resistor and the 150kΩ input resistor. Thus, the overall gain due to this signal path is IC2a's gain (-1) times IC2b's gain (-6.66), or +6.66.

In addition, the positive-going input signal is applied via a second path to IC2b, this time via a 300kΩ resistor. The gain of IC2b for this signal is -3.33, due to the ratio of the 1MΩ feedback resistor and the 300kΩ input resistor.

Parts List

- 1 PC board, code 577, available from the *EPE PCB Service*, 123 x 59mm
- 1 plastic utility case, 130 x 68 x 43mm
- 1 electret microphone insert
- 1 SPDT toggle switch (S1)
- 1 knob to suit
- 1 50kΩ 16mm log potentiometer (VR1)
- 1 50kΩ horizontal trimpot (VR2)
- 1 9V battery
- 1 9V U-shaped battery holder
- 1 9V battery clip lead
- 1 M3 x 6mm screw
- 1 M3 nut
- 11 PC stakes
- 1 50mm length of single core shielded/screened audio cable

Semiconductors

- 1 TL071, LF351 op amp (IC1)
- 1 TL072, LF352 dual op amp (IC2)
- 1 LM3914 dot/bar display driver (IC3)

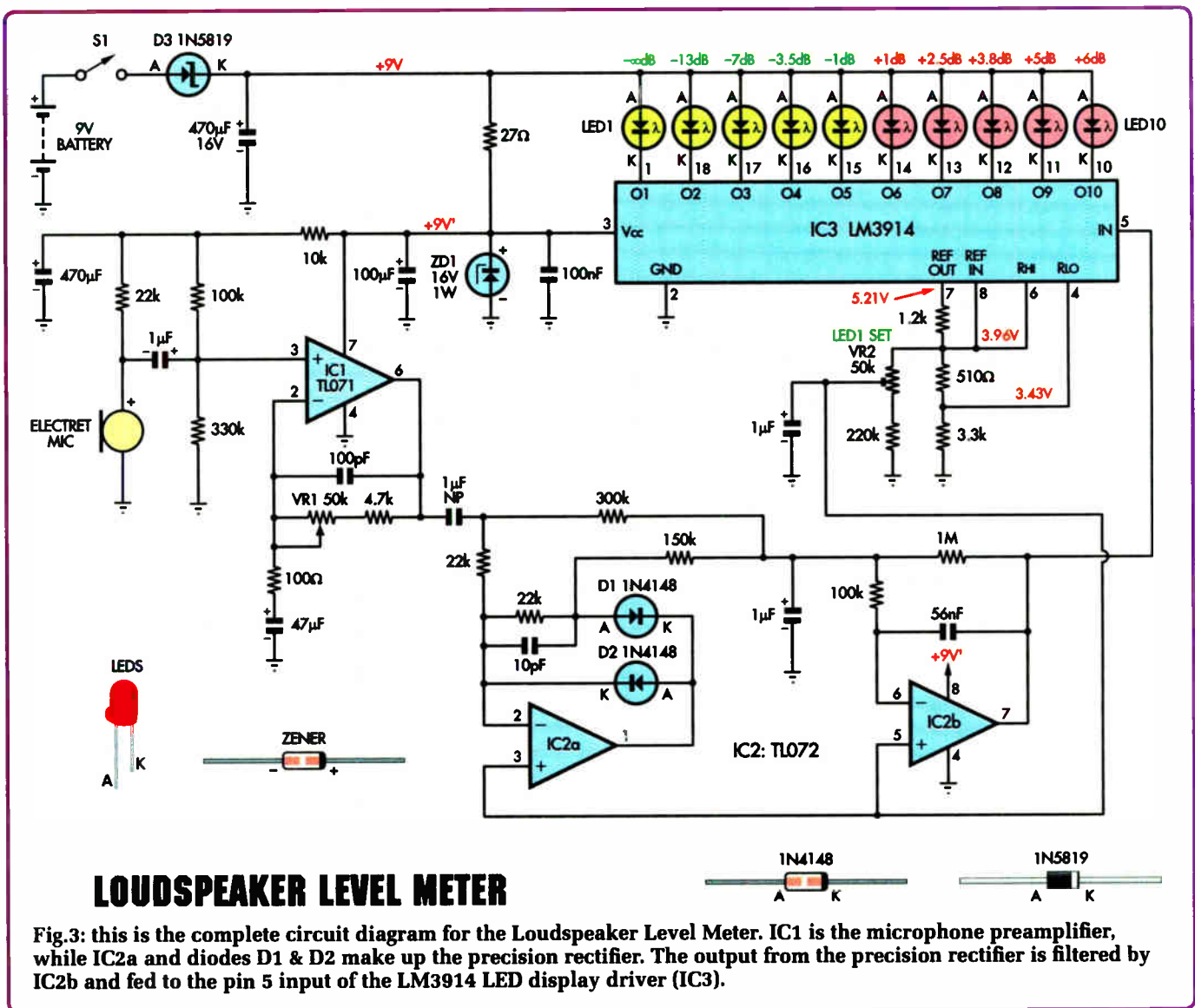
- 1 16V 1W Zener diode (ZD1)
- 2 1N4148 or 1N914 diodes (D1,D2)
- 1 1N5819 Schottky diode (D3)
- 5 5mm green LEDs (LEDs1-5)
- 5 5mm red LEDs (LEDs 6-10)

Capacitors

- 2 470μF 16V PC electrolytic
- 1 100μF 16V PC electrolytic
- 1 47μF 16V PC electrolytic
- 3 1μF 16V PC electrolytic
- 1 1μF NP electrolytic
- 1 100nF (0.1μF) MKT polyester
- 1 56nF (0.0056μF) MKT polyester
- 1 100pF ceramic
- 1 10pF ceramic

Resistors (0.25W 1%)

- | | |
|---------|---------|
| 1 1MΩ | 1 10kΩ |
| 1 330kΩ | 1 4.7kΩ |
| 1 300kΩ | 1 3.3kΩ |
| 1 220kΩ | 1 1.2kΩ |
| 1 150kΩ | 1 510Ω |
| 2 100kΩ | 1 27Ω |
| 3 22kΩ | |



LOUDSPEAKER LEVEL METER

Fig.3: this is the complete circuit diagram for the Loudspeaker Level Meter. IC1 is the microphone preamplifier, while IC2a and diodes D1 & D2 make up the precision rectifier. The output from the precision rectifier is filtered by IC2b and fed to the pin 5 input of the LM3914 LED display driver (IC3).

Thus, the overall signal gain at the output of IC2b is $+6.66 - 3.33 = 3.33$.

When the signal goes negative, diode D2 is forward biased and so IC2a's output is clamped at 0.6V above the pin 3 reference voltage. IC2a is therefore effectively out of circuit and IC2b then simply amplifies the signal on its own, giving a gain of -3.33 . Since the input signal is negative, the output is inverted, at $+3.33$ times the input. Thus the precision rectifier can be seen to provide a positive output with a gain of 3.33 for both positive and negative going inputs.

VU response

IC2b also provides low pass filtering of the rectified signal to conform roughly to VU (volume unit) standards where the output reaches the input level after 300ms and overshoots by

about 1.5%. The filtering is incorporated using the 100kΩ and 1MΩ resistors, the 56nF and 1µF capacitors and the parallel combination of the 300kΩ and 150kΩ resistors. These together provide the 2.1Hz roll-off frequency and a Q (quality factor) of 0.62. The rectified signal is then applied to the input (pin 5) of IC3, the LM3914.

Trimpot VR2 is connected between the REF_{ADJ} pin (pin 8) and a 220kΩ resistor to ground and provides a DC reference voltage to pins 3 & 5 of IC2b. This is adjusted to 3.43V when there is no signal from the microphone and this will light LED1 on the display.

With sufficient signal from the microphone, Level control VR1 is then adjusted to light LEDs 5 & 6, indicating a level of 0dB. Varying the signal from this level will range the display from

+6dB to -13dB. LED1 only shows that the signal is below -13dB.

A 9V battery supplies the circuit via a 1N5819 Schottky diode (D3) to provide reverse polarity protection while minimising the voltage drop across the diode; this allows more life from the battery. The 470µF capacitor decouples the supply to the LEDs, while a 27Ω resistor and 100µF capacitor further decouple the supply for IC1, IC2 and IC3.

The 16V Zener diode (ZD1) allows the circuit to be powered from a 12V car battery instead of a 9V battery. The circuit could also be run from a 9V DC plugpack although this would limit its portability while doing tests.

Construction

All the parts for the Loudspeaker Level Meter fit on a PC board, coded

Constructional Project

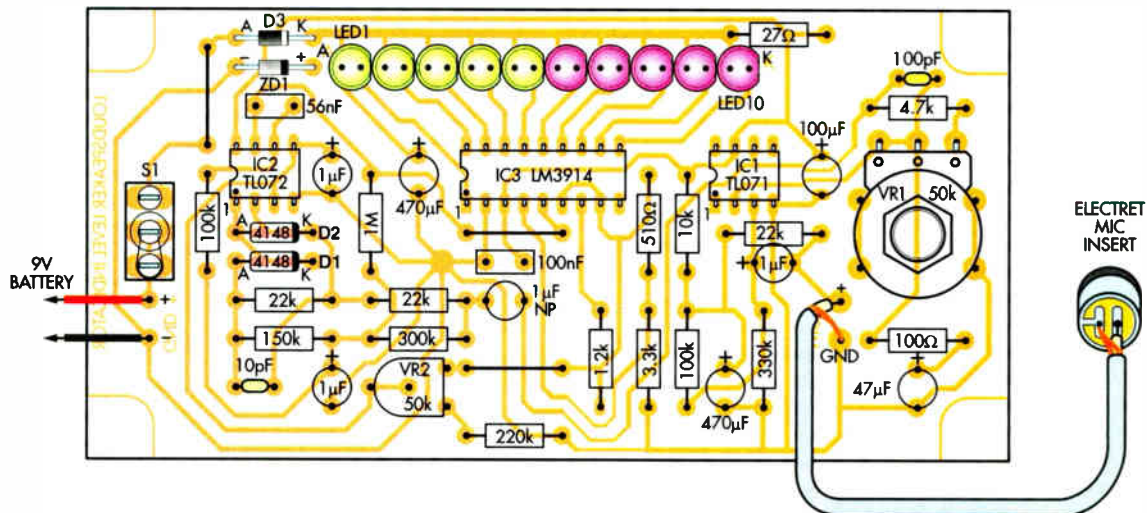


Fig.4: install the parts on the PC board as shown here, taking care to ensure that all polarised parts are correctly orientated. Potentiometer VR1 is secured by soldering its metal body and terminals to adjacent PC stakes (see text).

577, measuring 123 x 59mm. It is housed in a plastic case measuring 130 x 68 x 43mm approx. You can begin the assembly by checking the PC board for any shorted tracks or breaks in the copper pattern. Also check that the hole sizes are correct for the switch and PC stakes. You will need 2mm

holes for the switch and 1mm holes for the PC stakes. The corners of the PC board need to be shaped so that the board will clear the corner pillars of the box.

Start with the low profile components such as the ICs, links and the resistors. Make sure that you place

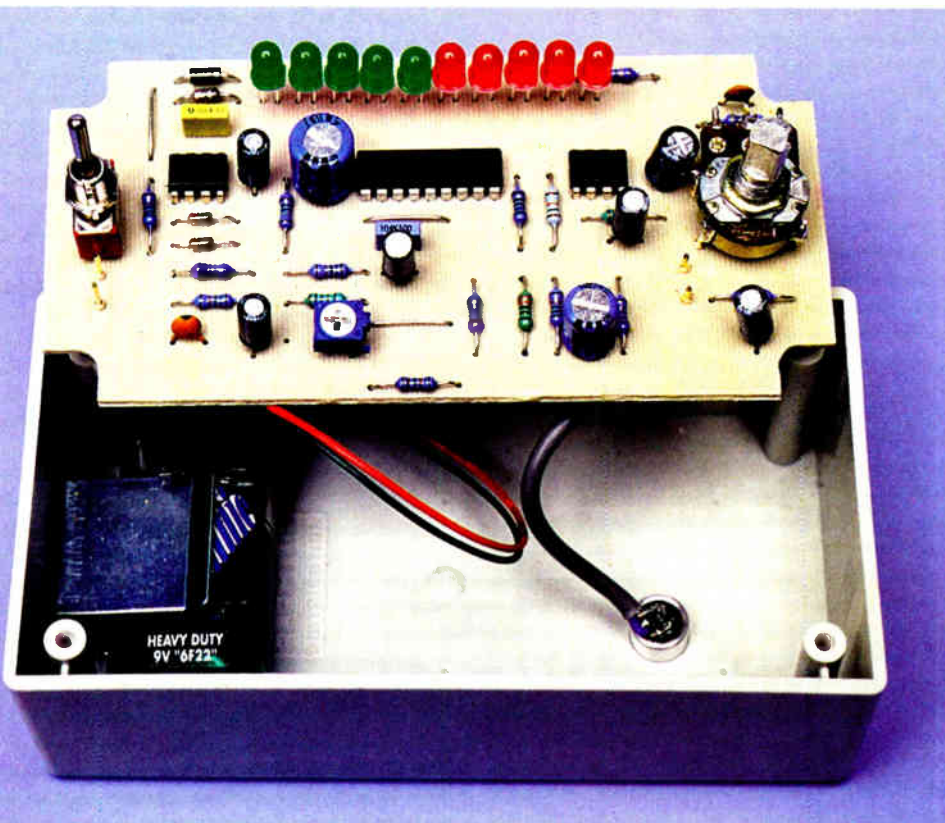
the TL071 in the IC1 position and the TL072 in the IC2 position – swapping them won't work at all! The resistors can be selected by using a multimeter to verify their values. Alternatively, use the colour code table to select the values.

Trimpot VR2 and capacitors can be installed next, taking care to place the polarised electrolytics with the correct polarity. The NP (non-polarised) capacitor can be installed either way. Then install the PC stakes and the switch (S1).

The shaft of the potentiometer (VR1) may need to be cut to length to suit the knob. VR1 is mounted about 3mm off the PC board and soldered to the four PC stakes which surround the pot body. Scrape the passivation coating from the pot body at the PC stake positions before soldering it in position. The three terminals are soldered to three adjacent PC stakes.

The lid of the box should now be drilled for the 10 5mm LEDs, the switch and pot. You can use the label artwork in this article (Fig.6) as a drilling template. That done, place the LEDs into their holes on the PC board, ensuring the polarity is correct. Fit the lid of the box over the switch and pot and fit their nuts. Push each LED into its front panel hole and solder each one so it protrudes from the lid by about 1mm.

The battery is fitted into a U-shaped battery clip which is secured with an M3 x 6mm screw and nut – see the



The PC board assembly is secured to the back of the front panel by doing up the switch and pot nuts. A metal clamp is used to secure the battery.

Table 2: Capacitor Codes

Value	μ F Code	EIA Code	IEC Code
100nF	0.1 μ F	104	100n
56nF	0.56 μ F	563	56n
100pF		101	100p
10pF		10	10p

photo for the positioning and orientation of the battery clip. A tip for mounting the clip: place the nut over the hole on the inside of the clip and then push the base of the battery into the clip to hold the nut; then the clip can be easily fastened to the inside of the box with the screw.

Next, drill a hole in the base of the case for the electret microphone insert – make it a tight fit. Then wire up the microphone using a short length of shielded/screened cable. Finally, solder the battery clip leads to the underside of the PC board at the power supply PC stake terminals.

Testing

Carefully check all your work, then switch on and check that the LED display works. You may need to adjust VR2 so that the lefthand LED lights with no noise applied to the microphone. If nothing happens, check voltages. There should be about 8V between pins 4 & 7 of IC1, between pins 4 & 8 of IC2 and between pins 2 & 3 of IC3. Check that the display LEDs light up when you whistle or make a noise. Adjust VR1 and check that the sensitivity increases when it is turned clockwise.

In use, you will need a noise signal to allow setting up the speaker levels.

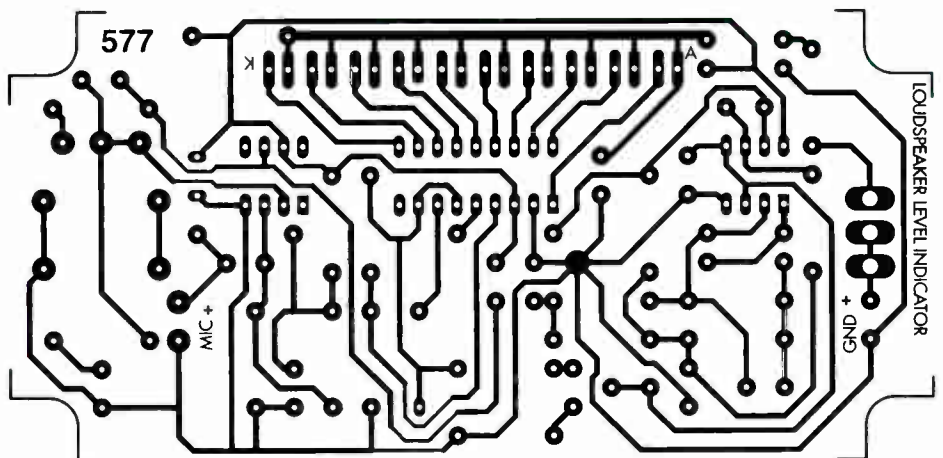


Fig.5: check your board for defects by comparing it with this full-size etching pattern before installing any of the parts.

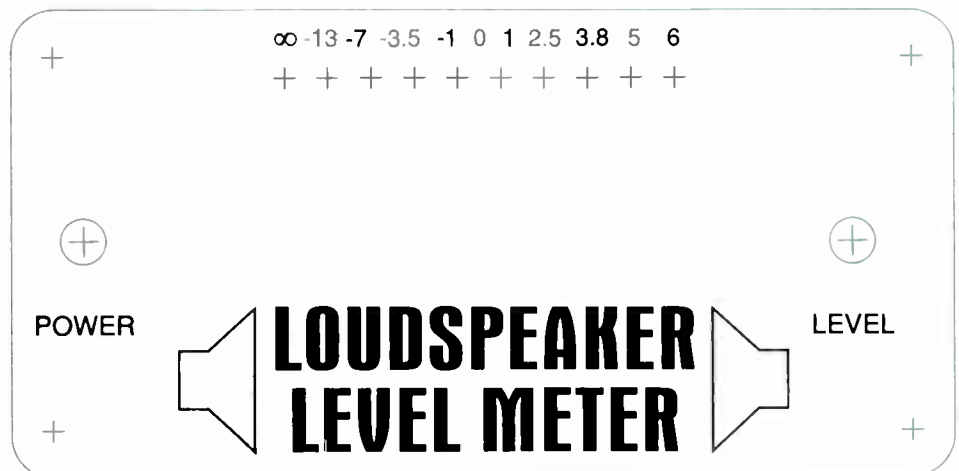


Fig.6: this full-size artwork can be used as a drilling template for the front panel, if necessary.

If you are simply setting up a stereo system or measuring sound levels in a PA system, you can use a pink noise source. Alternatively, you can use inter-station noise from an FM tuner (ie,

set it to a frequency where there is no signal). **EPE**

Reproduced by arrangement with SILICON CHIP magazine 2006. www.siliconchip.com.au

Table 1: Resistor Colour Codes

No.	Value	4-Band Code (1%)	5-Band Code (1%)
1	1M Ω	brown black green brown	brown black black yellow brown
1	330k Ω	orange orange yellow brown	orange orange black orange brown
1	300k Ω	orange black yellow brown	orange black black orange brown
1	220k Ω	red red yellow brown	red red black orange brown
1	150k Ω	brown green yellow brown	brown green black orange brown
2	100k Ω	brown black yellow brown	brown black black orange brown
3	22k Ω	red red orange brown	red red black red brown
1	10k Ω	brown black orange brown	brown black black red brown
1	4.7k Ω	yellow violet red brown	yellow violet black brown brown
1	3.3k Ω	orange orange red brown	orange orange black brown brown
1	1.2k Ω	brown red red brown	brown red black brown brown
1	510 Ω	green brown brown brown	green brown black black brown
1	27 Ω	red violet black brown	red violet black gold brown

STRANGE BUT TRUE

Contrary to the futile search in Iraq, the search in 1945 for German weapons of mass deception had spectacular results, as Mark Nelson now relates.

RECENT discussion on the destructive applications of low frequency sound waves on the *EPE Chat Zone* (www.chatzones.co.uk/discus/messages/7/2836.html) brought to mind earlier attempts to harness invisible waves for strategic purposes.

In a long-forgotten British book of 1943 (*On The Way To Electro-War* by Kurt Doberer) the author sums up: "The stopping of motor cars, tanks and other vehicles by electricity is effected by throttling their engines, a matter which involves no fatal consequences to the occupants in itself. But the vehicle which has lost mobility is an easy prey to the enemy's guns."

Drowning by Electricity

He goes on to describe the trials of the Danish experimenter Rawn in 1935, whose rays could allegedly put aero engines out of commission at a distance of 50 to 60 miles. He also explains how it could be possible to disable motors by surrounding them with clouds of ionised air, a "drowning by electricity" technique tested successfully in the laboratories of the Westinghouse Company in the USA.

After this he describes a certain stretch of road near Archangel, in the Arctic Circle, where car ignition systems fail repeatedly. Altogether a complete chapter is devoted to mostly unsubstantiated reports of tactical use of electrical rays to disable motors.

Stories of this kind proliferated during the Second World War, such as the allegation that cars would stop mysteriously near Great Bromley radar station in Essex and then just as mysteriously start again. The following story began the same way.

Mullin's Memoirs

John (Jack) T. Mullin, an electronics expert with the American army during the war, was assigned to investigate a similar assertion and writes in his memoirs:

In July 1945 a Lt. Spickelmeyer and I were sent to Germany to look into reports that the Germans had been experimenting with high-frequency energy as a means to jam airplane engines in flight. Our mission was to investigate a tower atop a mountain north of Frankfurt. There, in an enormous basement room, were two gigantic diesel engines and generators, apparently designed to pump out high-frequency energy to resonate the ignition systems of enemy planes. Nothing ever came of it. While we were poking around I met a British army officer who was there on the same mission.

The subject of music and recording came up, and he asked if I had heard the machine they had at Radio Frankfurt. When he told me it was a Magnetophon, the term that Germans used for all tape machines, I assumed it was similar to the recorders we had been junking in Paris. He raved about the musical quality of this recorder and urged me to listen to it, but I thought he simply didn't have a very good ear.

Biggest Decision of My Life

Fortune favours the prepared mind, as they say, and for Mullins this was one of those defining moments. He continues:

On the way back to my unit, we came to the proverbial fork in the road. I could turn right and drive straight back to Paris or turn left to Frankfurt. I chose to turn left.

It was the greatest decision of my life. The radio station ... was then being operated by the Armed Forces Radio Service; the people who were using it to prepare radio programs apparently were unaware of its significance. In response to my request for a demonstration of their Magnetophon, the sergeant spoke in German to an assistant, who clicked his heels and ran off for a roll of tape. When he put the tape on the machine, I really flipped; I couldn't tell from the sound whether it was live or playback. There simply was no background noise.

What Mullin had discovered was the first tape recorder to use high-frequency bias to eliminate hiss and he was well aware of the significance of his discovery. After sending back sample machines to the USA he gave a demonstration to the Institute of Radio Engineers (which became the Institute of Electrical and Electronics Engineers) in May 1946.

Thirteen months later he made a similar presentation to the singer Bing Crosby, who realised that this tape recorder could revolutionise broadcasting and the recording industry. Bear in mind that up to now editing had to be done on movie film soundtrack material or by recording and re-recording on transcription discs. Each of these methods degraded the audio quality; magnetic tape recording did not!

More on Trade Names

My article on the origin of trade names in the June issue caught the eye of reader T. Scrase, who sent in a few more for me to explain. Your wish is my command, so let's see what we can do with these for you.

- Brush Clevite. The Clevite Corporation was formed by the 1952 merger of the Cleveland Graphite Bronze

Corporation and the Brush Development Company. Brush was a surname, whilst Clevite was the combination of Cleveland and Graphite.

- Igranite. Igranite Electric used to make valves and other radio components, test-gear and coil winding machines, but today their business is in high-voltage switchgear and control panels. They tell me the name is derived from the strength of iron and granite.

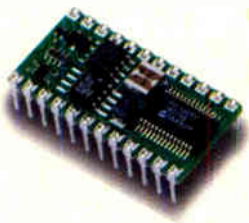
- Lancashire Crypto Gryphon electric motors. Lancashire Dynamo & Crypto set up business in the late nineteenth century and was well known for its generators. The word "crypto" is Greek for "secret", implying no doubt that the firm had unique technical knowledge. Better known today as the Crypton Technology Group, its main line of business is electrical testgear used in garages. Gryphon was a manufacturer of dynamos but whether they had any connection I'm not sure.

- MK electrical accessories. MK Electric was founded in 1919 as the Heavy Current Electric Accessories Company and their early developments indicated the need for switches and sockets that would function with consistent reliability. Their ingenious Multy Kontakt spring grip socket soon became a market leader, to the extent that the British Electrical Standards Association (BESA) revised its standards to accommodate this novel product.

- Rola Celestion loudspeakers. The name of the Celestion loudspeaker, first launched in 1925 by The Electrical Manufacturing and Plating Company, was intended to reflect the celestial or heavenly sound that it produced. Its makers later merged with the British Rola Company, an offshoot of the Rola Company of Cleveland, Ohio, USA. Rola is a fairly common surname over there.

- Vortexion amplifiers and tape recorders. This one has me stumped, I'm afraid. Like Amplion, Audion, Celestion and Thermion it has the classical Greek ending and I assume the name refers to the power of the sound produced (a vortex is the spiral motion of fluid within a limited area, such as a whirling mass of water or air).

Finally, asks Mr Scrase, what was Rebecca? The American-designed Rebecca-Eureka system was designed to assist the airborne supply of agents and paratroopers on the ground during World War Two. The APN-2 Rebecca airborne beacon was used in connection with the ground-based PPN-2 Eureka for co-ordinating parachute drop operations.



BS2-IC



BS2-SX



BS2E-IC

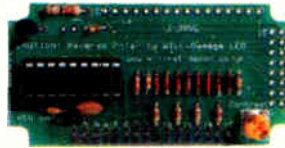


BS2P/24



BS2P/40

Parallax BASIC Stamps - still the easy way to get your project up and running!



Serial Alphanumeric and Graphic Displays, Mini-Terminals and Bezel kits

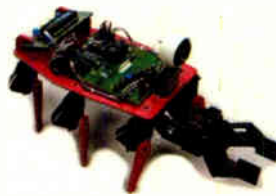
www.milinst.com



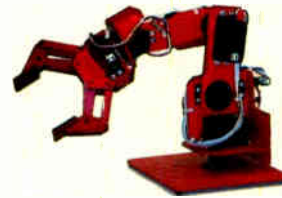
Animated Head



3-Axis Machine



Six-Legged Walkers

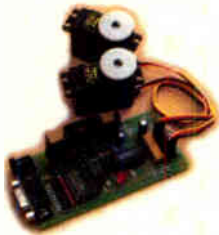


Robotic Arms

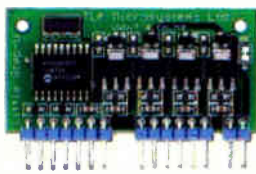


Bipeds

Robotic models for both the beginner and the advanced hobbyist



Servo Drivers



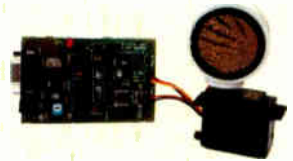
Motor Drivers



On-Screen Displays



DMX Protocol



U/Sound Ronging

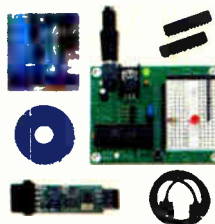
Animatronics and Specialist Interface-Control Modules



Quadvox MP3 & Speech Systems



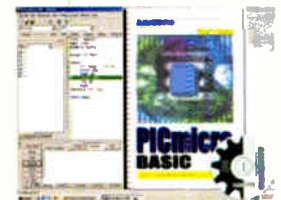
Sensorync Voice Recognition



Parallax Ubicom Tool Kits



Tech-Tools PIC & Rom Emulators



BASICMicro PIC BASIC Compilers

Development Tools

Milford Instruments Limited Tel 01977 683665, Fax 01977 681465, sales@milinst.com

INTERFACE



Robert Penfold

A VISUAL APPROACH TO PRODUCING VIRTUAL CONTROLS

One of the reasons that Visual BASIC is so well suited to software for PC hardware projects is that the visual approach to programming makes it easy to produce virtual controls, meters, indicators, and the like. In general, you do not need to do any programming at all in order to produce the user interface. The various objects and controls in the toolbox are used to produce the readouts, virtual controls, labels, and so on. Having produced the user interface, you then add the program code to make everything work.

The program is often remarkably short due to the fact that the screen objects have been produced without resorting to any conventional programming. Also, the screen objects are designed in such a fashion that they are easily manipulated via software. This is important, since there is no point in producing a very neat and well laid out design that cannot be linked effectively to the controlling software.

Although the screen objects are designed to link with the software as easily as possible, this is not to say that it is possible to produce any desired screen layout and then link it properly to the software. For example, when designing the screen layout you have to make sure that it will be possible to use the mouse to generate suitable events when operating the controls. Often this will not produce any problems, but with the fancier controls it might be necessary to use a little ingenuity in order to get everything operating in the desired manner.

Seeing the Light

Things like indicator lights and bargraph displays are easy to produce and control under Visual BASIC 6, and they provide an easy starting point. There is a shape component in the toolbox, and this produces a rectangle by default. When using any component for the first time it is useful to add it to a Form and then look at the Properties panel. This will usually list parameters that can be altered via the Properties panel.

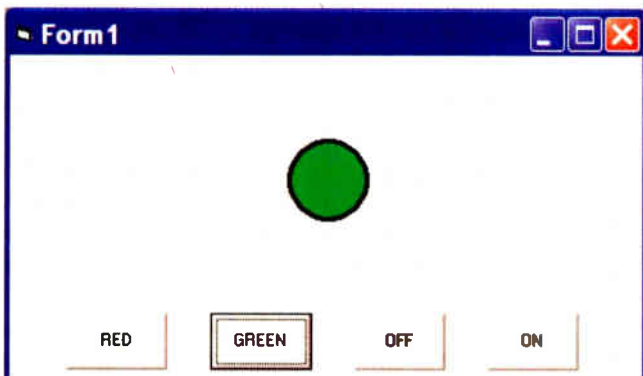


Fig.2. The indicator light program in operation. In addition to changing its colour, the buttons enable the indicator light to be totally removed from the screen

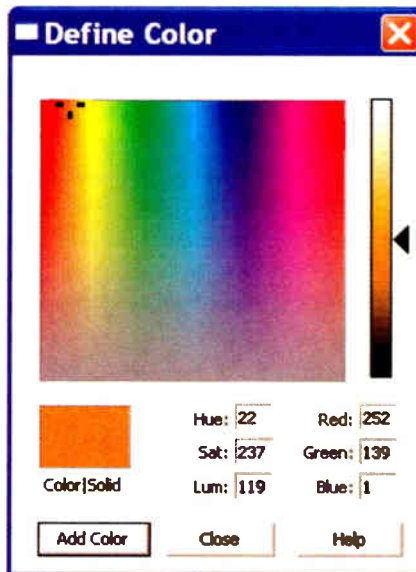


Fig.1. Using this window it is possible to produce your custom colours

An important point to bear in mind is that practically anything that can be changed by way of the Properties panel can also be changed using a software routine. In the case of a shape component the most important parameters are its colour, size, position, whether it is displayed, and its shape. It will probably not be necessary to alter the shape under software control, but it is possible to do so. However, the required shape (round, oval, rectangle, etc.) must be selected via the properties panel.

For a simple indicator light it is the colour of the shape that will normally be handled under software control. It is advisable to set a helpful colour via the Properties panel so that the shape shows up clearly on the form, making it easier to design a good layout. However, thereafter the colour will be set under program control. Actually, shapes and many other visible objects have two colour properties. These are the fill and the border colours, and there can also be a fill style.

In this case it is the FillColor and FillStyle that are of most importance, since they control the colour of the virtual indicator light. If the shape component does not appear in the selected colour on the form, it is likely that the FillStyle is wrong. It

will probably be Transparent by default and must be changed to Solid in order to make the fill appear on screen. The width of the border can be controlled, and I presume that the figure used here is the width of the border in pixels. Set the Border Style to Transparent if no outline is required.

In order to set the fill colour under program control it is just a matter of using a program line that sets the FillColor parameter to the appropriate value. The value is an eight digit hexadecimal number where the first two digits are zero, and the next three pairs respectively control the amount of blue, green, and red. The easy way of finding and entering the correct value is to first use the FillColor menu to set the shape to the required colour. This places the appropriate value in the FillColor section of the Properties panel, where it can be copied and then pasted into the Code window.

Colour Palette

There is a useful range of preset colours in the FillColor palette, but there are sixteen blank squares at the bottom of the palette where custom colours can be added. Right-clicking one of these squares results in the usual Windows Define Color window appearing (Fig.1). This provides a range of colours and saturation levels in the main panel. The slider on the right enables the selected hue to be mixed with white or black to produce paler or darker versions. Operating the Add Color button adds the newly mixed colour to the custom section of the palette.

This short program demonstrates how a simple indicator light can be controlled. Four command buttons are needed in addition to the shape component, and Command1 to Command 4 are respectively labelled "RED", "GREEN", "OFF", and "ON" (Fig.2).

```
Private Sub Command1_Click()  
Shape1.FillColor = &HFF&  
End Sub
```

```
Private Sub Command2_Click()  
Shape1.FillColor = &HFF00&  
End Sub
```

```
Private Sub Command3_Click()  
Shape1.Visible = False  
End Sub
```

```
Private Sub Command4_Click()  
Shape1.Visible = True  
End Sub
```

Operating the Red and Green buttons sets the FillColor parameter at a value that produces the appropriate colour. The Visual BASIC editor automatically removes leading zeros in the colour values, so there are only two and four digits in the red and green values. The other two buttons control the Visible

setting of the light, and can switch it off (False) or on (True). Of course, in a practical application the light would be controlled by something like one line of a digital input port. The virtual light would be set at red or green depending on the level read from the port.

Bargraph

It is not too difficult to produce virtual panel meters using Visual BASIC, but for many purposes a bargraph is perfectly adequate. One way of producing a bargraph is to use a series of individual indicator lights. Each light is set to one colour or the other depending on the value read from an input port, with a separate line of code being used for each one. Provided everything is designed correctly, the individual lights work together to produce a bargraph.

An advantage of using separate indicators is that it is possible to have a more colourful display. For example, with something like an audio level indicator it is possible to use green lights for low levels, orange lights for high levels, and red lights for overloads. The main drawback is that it is a bit cumbersome, especially when dozens of different levels must be accommodated. A bargraph based on a single shape component is then a more practical way of handling things.

The shape component has Width and Height parameters that make it the ideal basis for a bargraph. For a horizontal bargraph a fixed height is used, and the width is varied. The opposite scheme of things is used for a vertical bargraph, with the width being fixed and the height being varied.

The demonstration program of Fig.3 has a horizontal bargraph that is controlled by a horizontal scrollbar set to produce values from 0 to 255. In other words, it is mimicking an eight-bit input port. A simple scale has been added above the bargraph using lines and label components. This is the code needed to make the bargraph respond to adjustments made to the scrollbar.

```
Private Sub HScroll1_Change()
  Shape1.Width = (HScroll1.Value * 25)
End Sub
```

This subroutine uses only one line of proper code. This sets the Shape1.Width parameter to the new values produced when the scrollbar is adjusted. However, in most cases it will be necessary to multiply the raw value from the source in order to obtain a reasonably large bargraph. In this case the value from the scrollbar is multiplied by 25, but the multiplier must be chosen to provide a bargraph that has the maximum required size.

Controls

Visual BASIC has components that can act as on-screen controls. Scrollbars can be used to act as variable controls for things like vol-

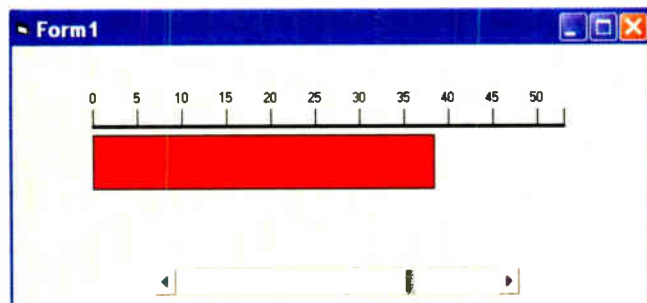


Fig.3. The bargraph display in operation. In terms of conventional programming, it requires a subroutine with just one line of active code

Listing 1: Rotary Control

```
Private Sub Label1_Click(Index
  As Integer)
  Label6.Caption = 0
  Shape2.Top = 1920
  Shape2.Left = 3100
End Sub

Private Sub Label2_Click(Index
  As Integer)
  Label6.Caption = 1
  Shape2.Top = 1440
  Shape2.Left = 3240
End Sub

Private Sub Label3_Click(Index
  As Integer)
  Label6.Caption = 2
  Shape2.Top = 1200
  Shape2.Left = 3840
End Sub

Private Sub Label4_Click(Index
  As Integer)
  Label6.Caption = 3
  Shape2.Top = 1440
  Shape2.Left = 4360
End Sub

Private Sub Label5_Click(Index
  As Integer)
  Label6.Caption = 4
  Shape2.Top = 1920
  Shape2.Left = 4620
End Sub
```

ume, output voltage, etc. In other words, the type of controls that would be provided by potentiometers in a non-computer based design. Command buttons and radio buttons can be used to provide the equivalents of simple switches, banks of switches, and rotary switches in a conventional design.

Of course, it is possible to make your own controls using line and shape components, labels, and so on. The example control of Fig.4 is a virtual five-way rotary switch. The desired setting is selected by left-clicking the appropriate label, and the dot on the control knob moves to indicate the selected range. When designing virtual controls it is important to ensure that the current setting is clearly indicated to the user, as it would be when using the genuine article.

The body of the virtual control knob is comprised of two circular shape components, and it is quite crude but effective. Visual BASIC has the ability to import bitmaps, so it would presumably be possible to import a digital photograph of a real control knob if something a bit more realistic was required.

The listing for the virtual rotary control has a subroutine for each label, and each of these subroutines operates in essentially the same fashion. First, a value is output to a large label. In a real world application this value would be sent to an output port and then on to the project where it would select the appropriate setting. A label is used here so that the user can see that the value has changed correctly. Values from 0 to 4 are used in this example, but any values could be used.

Each subroutine has two lines of code that move the red dot to the appropriate position. The easy way of finding the correct co-ordinates for use in the program is to position the dot correctly and then read the Top and

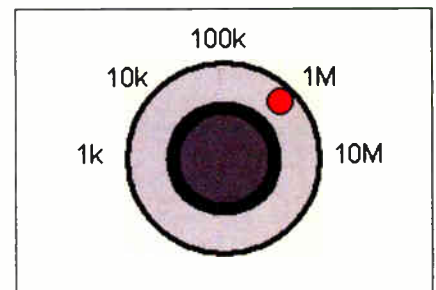


Fig.4. The virtual control knob. Left-clicking one of the labels sets the switch to the appropriate range and generates the required control value

Left co-ordinates from the Properties panel. This process is repeated for each of the five settings. Objects snap to the on-screen grid by default, but with this type of thing it is generally best to position things "by eye".

It is possible to "fine tune" the positions of objects by tweaking their co-ordinates in the Properties panel. Alternatively, select Options from the Tools menu, and then operate the General tab in the Options window (Fig.5). Here it is possible to set a finer grid or to switch it off altogether. Bits can be nibbled out of other objects when labels are positioned close to them. This is caused by the background of the label partially covering the other object. Setting the label's Background Style to Transparent will avoid this problem.

Next time a practical project using virtual controls will be covered.

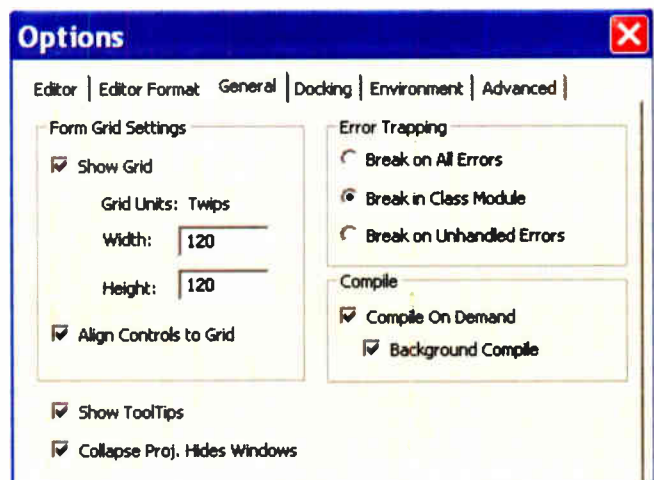


Fig.5. Using this window it is possible to alter the size of the on-screen grid and disable the snap facility

POMMY



For a FREE copy of our 410+ page catalogue from Australia (It's a cracker!), log on to our website www.jaycarelectronics.co.uk/catalogue All prices in £ Stg



POST AND PACKING CHARGES:

Order Value	Cost	Order Value	Cost
£20 - £49.99	£5	£200 - £499.99	£30
£50 - £99.99	£10	£500+	£40
£100 - £199.99	£20		

Max weight 12lb (5kg). Heavier parcels POA. Minimum order £20.

Starship Enterprise Door Sound Simulator

KC-5423 £11.75 + post & packing

This easy to build kit emulates the unique noise made when the cabin doors on the Starship Enterprise open and close. The 'shut' noise is also duplicated. The sound emulator can be triggered by switch contacts (normally open), which means you can use a reed magnet switch, IR beam or PIR detector. Kit includes a machined silkscreened, and pre-drilled case, speaker and all electronics components with clear English instructions.

- Requires 9-12VDC power



NEW FOR '06

For all you Trekkie fans

50MHz Frequency Meter Kit

KC-5369 £22.50 + post & packing

This compact 50MHz Frequency Meter is invaluable for servicing and diagnostics. Its autoranging and displays the frequency in either Hz, kHz, or MHz. Its compact (130 x 67 x 44mm) size features, an 8-digit LCD display, high and low resolution modes, and can be powered by a 9V battery or a 9-12VDC wall adapter.

- 0.1Hz resolution up to 150Hz, 1Hz resolution maximum up to 150Hz and 10Hz resolution resolution above 16MHz.

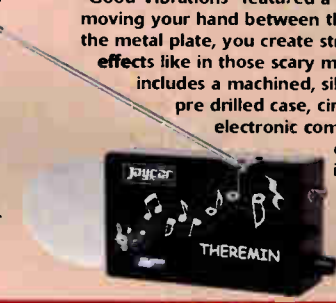


Requires 9VDC wall adaptor (Maplin #GS74R £9.99).

Theremin Synthesiser Kit

KC-S295 £14.75 + post and packing

The Theremin is a weird musical instrument that was invented early last century but is still used today. The Beach Boys' classic hit "Good Vibrations" featured a Theremin. By moving your hand between the antenna and the metal plate, you create strange sound effects like in those scary movies! Kit includes a machined, silkscreened and pre drilled case, circuit board, all electronic components, and clear English instructions.

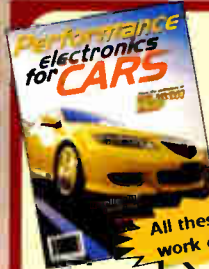


Requires 12VDC wall adaptor (Maplin #GS74R £9.99)

High Performance Electronic Projects for Cars Book

BS-5080 £7.00 + post & packing

Australia's leading electronics magazine Silicon Chip, has developed a range of projects for performance cars. There are 16 projects in total, ranging from devices for remapping fuel curves, to nitrous controllers. The book includes all instructions, components lists, colour pictures, and circuit layouts. There are also chapters on engine management, advanced systems and DIY modifications. Over 150 pages! All the projects are available in kit form, exclusively to Jaycar. Check out our website for all the details.



All these projects work off 12VDC

We stock an extensive range of quality automotive kits

Battery Zapper MkII

KC-5427 £29.00 + post & packing

This kit attacks a common cause of failure in wet lead acid cell batteries: sulphation. The circuit produces short bursts of high level energy to reverse the damaging sulphation effect. This improved unit features a battery health checker with LED indicator, new circuit protection against badly sulphated batteries, test points for a DMM and connection for a battery charger. Kit includes case with screen printed lid, PCB with overlay, all electronic components and clear English instructions.

Suitable for 6, 12 and 24V batteries

- Powered by the battery itself



Hand Controller for Digital Adjusters

KC-5386 £25.95 + post & packing

This hand controller is used for mapping/programming the independent electronic boost controller Kit (shown below). It features a two line LCD, and easy to use push buttons. It can be used to program the adjusters then removed, or left permanently connected to display the adjuster's operation. It is designed as an interface and display, and is not required for general adjuster functions after they have been programmed. Kit supplied with silkscreened and machined case, PCB, LCD, and all electronic components.



Independent Electronic Boost Controller

KC-5387 £25.95 + post & packing

Superb control over your turbo boost curve. It can be used in cars fitted with factory electronic boost control using the factory control solenoid, or cars without electronic boost control using a solenoid from a wrecker etc. It has two different completely programmable boost curves. This is ideal for switching between say, a race/street mode, or a performance/wet weather mode. Boost curve selection is via a dashboard switch, and is all programmed using the handheld digital controller KC-5386 (shown above). Kit supplied with PCB, machined case, and all electronic components.

- Suitable for EFI and engine management systems only



Smart Fuel Mixture Display

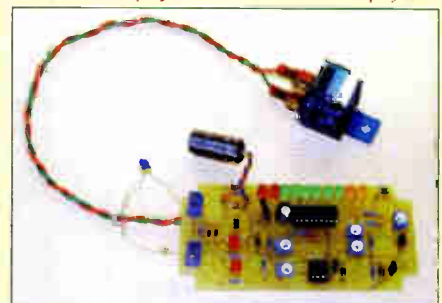
KC-5374 £8.95 + post & packing

This kit features auto dimming for night driving, emergency lean-out alarm, better circuit protection, and a 'dancing' display which operates when the ECU is operating in closed loop. Kit supplied with PCB and all electronic components.

- Car must be fitted with air flow and EGO sensors (standard on all EFI systems) for full functionality.

Recommended box UB3 (HB-6014) £1.40 each

Picture shows Spray Controller fitted to the Display Kit.



Add on Intercooler Water Spray Controller for Fuel Mixture Display Kit

KC-S422 £3.00 + post & packing

Simply add these few components to the Smart Fuel Mixture Display Kit (KC-5374) shown above and reduce water consumption by up to two-thirds.

WANT A CRACKER?

A Cracker of a Catalogue that is!

Two-Way SPDIF/Toslink Digital Audio Converter Kit

KC-5425 £7.25 + post and packing

This kit converts coaxial digital audio signals into optical or vice-versa. Use this bit stream converter in situations where one piece of equipment has an optical audio input and the other a coaxial digital output. Kit includes Toslink optical modules, PCB with overlay, case with screen printed lid, all electronic components and clear English instructions.



Requires 9-12VDC wall adaptor (Maplin #JC91Y £14.99)

NEW FOR '06

Universal High Energy Ignition Kit

KC-5419 £27.75 + post & packing

A high energy 0.9ms spark burns fuel faster and more efficiently to give you more power! This versatile kit can be connected to conventional points, twin points or retractor ignition systems. Kit supplied with die-cast case, PCB and all electronic components.



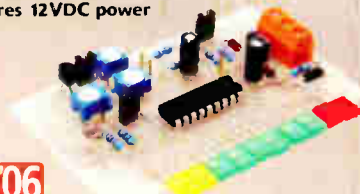
NEW FOR '06

Voltage Monitor Kit

KC-5424 £6.00 + post & packing

This versatile kit will allow you to monitor the battery voltage, the airflow meter or oxygen sensor in your vehicle. The kit features a 10 LED bargraph that lights the LEDs in response to the measured voltage, preset 9-16V, 0-.5V or 0-1V ranges complete with a fast response time, high input impedance and auto dimming for night driving. Kit includes PCB with overlay, LEDs, all electronic components and clear English instructions.

• Requires 12VDC power



NEW FOR '06

Recommended box UB3 (HB-6015) £0.83 each

Extra! Extra! Read All About It

EPE had been publishing a series of popular kits by the acclaimed Silicon Chip Magazine Australia. These projects are brilliantly designed, 'bullet proof' and already tested down under. All Jaycar kits are supplied with specified board components, quality fibreglass tinned PCBs and clear English instructions.

Smart Card Reader and Programmer Kit

KC-5361 £15.95 + post and packing

Program both the microcontroller and EEPROM in the popular gold, silver and emerald wafer cards. Card used need to conform to ISO-7816 standards, which includes ones sold by Jaycar. Powered by 9-12 VDC wall adaptor or a 9V battery. Instructions outline software requirements that are freely available on the internet. Kit supplied with PCB, wafer card socket and all electronic components. PCB measures: 141 x 101 mm.

• As published in Everyday Practical Electronics May 2006



Requires 9-12VDC wall adaptor (Maplin #JC91Y £14.99)

2 Amp DC-DC Converter Kit

KC-5358 £13.75 + post & packing

This kit will step-up 12V to between 13.8 and 24VDC. Use it to charge 12V sealed lead acid batteries (6.5Ah or larger), run your laptop and many other devices from a 12V supply. It uses an efficient switchmode design, features fuse and reverse polarity protection, and an LED power indicator. Kit includes PCB, all electronic components, and silkscreened front panel.



As published in this month's Everyday Practical Electronics Magazine

Jaycar cannot accept responsibility for the operation of this device, its related software, or its potential to be used in relation to illegal copying of smart cards in cable TV set top boxes.

Tiptronic Style Gear Indicator Kit

KC-5344 £20.30 + post & packing

This display indicates up to 9 gears, neutral and reverse. The unit is calibrated in setup, so it will work with almost any vehicle. Using a PIC microcontroller, it calculates the gear via the engine RPM and speed. Gear indication is displayed on a 7 segment LED display, and features an automatic dimmer for night driving. Supplied with case, pre-punched silkscreened front panel, PCB and all electronic components. Hall effect sensor included!

• As published in Everyday Practical Electronics January 2006



Audio Video Booster Kit

KC-5350 £31.95 + post & packing

This kit will boost your video and audio signals preserving them for the highest quality transmission to your projector or large screen TV. It boosts composite, S-Video, and stereo audio signals. Kit includes case with silkscreened and punched panels, PCB and all electronic components.

• As published in Everyday Practical Electronics March 2006

Requires 9VAC wall adaptor (Maplin #GU09K £9.99).



AC/DC Current Clamp Meter Kit for DMM's

KC-5368 £8.75 + post & packing

A great low cost alternative. It uses a simple hall effect sensor, an iron ring core and connects to your digital multimeter. It will measure AC and DC current and has a calibration dial to allow for any magnetising of the core. Kit supplied with PCB, clamp, case with silkscreened front panel and all electronic components.

• As published in Everyday Practical Electronics January 2006



Programmable Continuity Tester Kit

KC-5362 £8.70 + post & packing

This unit will test for continuity from 1-100ohms, making it ideal for measuring low resistance devices. It is accurate, reliable, and works extremely well. Kit supplied with PCB, case with silkscreened panel and all electronic components.

• As published in Everyday Practical Electronics April 2006



Log on to www.jaycarelectronics.co.uk/catalogue for your FREE catalogue!

0800 032 7241

(Monday - Friday 09.00 to 17.30 GMT + 10 hours only).
For those who want to write: 100 Silverwater Rd
Silverwater NSW 2128 Sydney AUSTRALIA

410+ page Catalogue

All prices in £

Jaycar Electronics

A Telephone Dialler For Burglar Alarms



By LEON WILLIAMS

This project will dial a preprogrammed telephone number and send a warning tone via a modem when its input is triggered. Although primarily intended to connect to the output of an alarm system, it could be used for any purpose where you need to be notified immediately when an event has occurred.

IT'S A SAD FACT of life today that a great many homes are fitted with burglar alarms. Many of these alarms, especially low-cost self installed ones, don't have the facility to telephone the owner when an alarm occurs. If you were unfortunate enough to be away from home and have an unwanted visitor, you are dependent on someone making the effort to contact you, probably well past the time the incident occurred.

With this Alarm Dialler project connected to your alarm system, you will be notified within seconds of an alarm occurring, through a call to your telephone. And if you own a mobile

telephone there's the added bonus that you can be virtually anywhere and still receive the call. Once you are notified, you can then contact the authorities or a neighbour or friend for assistance.

As well as this obvious application, the project could also be used for other less critical uses; any time you want to be immediately informed that a particular event has happened.

The Alarm Dialler is an easy-to-build project using a PIC microcontroller and a handful of other inexpensive components, all housed in a small plastic box. The unit connects to a modem via a standard serial interface.

It uses the modem to make and answer calls via your telephone line.

There are four alarm connection points on the rear panel, two for the alarm input and two that can be used to reset an external device. When in idle mode, it flashes a front panel LED and continually scans the alarm input connections.

If an alarm condition occurs, it sends commands to the modem to dial a preprogrammed telephone number. When you answer the call, you will hear a calling tone, and if the telephone has a calling identification display, you can also confirm that it is your alarm system calling.

The Alarm Dialler has many options, allowing it to be used in a broad range of applications. The various alarm input configurations are selected with a multi-way DIP switch, while other settings such as stored telephone numbers are programmed using a PC and a simple menu system.

Why use a modem?

You may ask yourself, why do we need to use a modem? While it may seem an unnecessary complication, it does provide an easy solution to a number of design problems. First, it avoids us having to connect our device directly to the telephone line, as the modem provides the necessary safety isolation. Second, a modem provides all the functions we need to make and answer calls, which greatly simplifies the Alarm Dialler hardware circuit.

These functions include looping the line to establish and answer calls, dialling DTMF digits, ring detection, tone generation and connection timers.

The Alarm Dialler communicates with the modem via an RS232 interface. The speed is permanently set in the PIC at 2400bps and while this is slow by today's standards, it's fast enough for our needs and more importantly, eases the burden on the PIC software UART.

The modem requirements are very modest and so it only needs to be a basic type. More than likely you have an old modem lying around somewhere that can be put into service. If you don't, you can buy one secondhand or even a new one at a very reasonable price.

Basically, all modems are 'AT' compatible. This means that they communicate with a PC using the AT command set. The PC sends commands to the modem preceded with the letters AT meaning ATtention. The modem also sends messages to the PC on this interface.

The modem can be configured to talk to the PC using strings of letters (verbose) or single digits (terse). Single digit messages are generally used when a human is not viewing the responses and this is how the modem must be configured to work with the Alarm Dialler.

Alarm input options

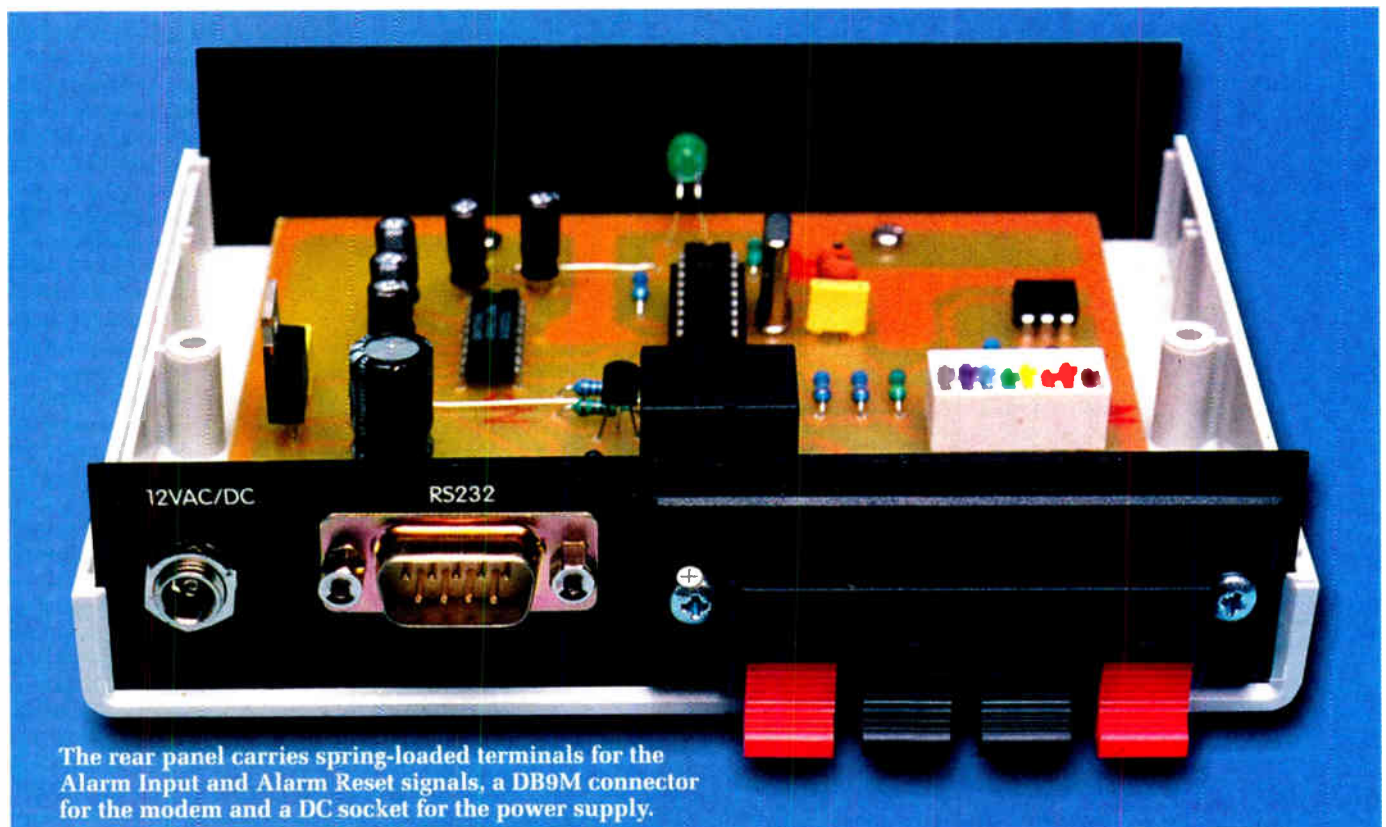
The Alarm Dialler has a 2-wire connection point and can accept either a contact or switched voltage alarm system output (see Fig.1).

The contact output could be from a standard relay, a switch or perhaps a reed relay, using either normally open (N/O) or normally closed (N/C) contacts. When a contact input is used, the

Main Features

- PIC microcontroller based.
- Alarm input can monitor N/O or N/C contacts or an external voltage .
- Alarm reset output.
- No direct connection to the telephone line. Uses a standard modem to make and answer calls.
- Dial in and test if system operational.
- Programmed easily via a PC (RS232 connection).
- Programmable retry attempts.
- Primary and Secondary telephone number store.
- Alarm input inhibit switch.
- Automatic alarm reset option.
- EEPROM stores settings in case of power outage.
- Uses low-power 12V AC or DC power supply.
- Cheap and easy to build.

main board is electrically connected to the outside world. For this reason, it is important that the external alarm



The rear panel carries spring-loaded terminals for the Alarm Input and Alarm Reset signals, a DB9M connector for the modem and a DC socket for the power supply.

Table 1: Alarm Input Options

Normal Condition	Alarm Condition	S1/1	S1/2	S1/3	S1/4	S1/5	S1/6
Open contacts	Closed contacts	On	Off	On	Off	On	Off
Closed contacts	Open contacts	On	Off	On	Off	On	On
Voltage Off	Voltage On	Off	On	Off	On	Off	Off
Voltage On	Voltage Off	Off	On	Off	On	Off	On

contacts do not have any voltage applied to them and that the cable to the Alarm Dialler is not too long. A very long cable could possibly get noise induced into it, which could lead to false alarms.

Alternatively, if using the external voltage option, the normal state can be either voltage "on" (up to 50V DC) or voltage "off". The normal state means that this is the condition when the alarm is not active.

With this type of input configuration, the Alarm Dialler circuit is electrically isolated from the alarm input by an optocoupler (OPTO1). Only a few mA of current is needed to operate the optocoupler and **this is achieved with around 4V on the alarm input terminals.**

If you want to use a much higher voltage than this, an external resistor should be placed in series with the input to limit the current through the optocoupler LED. Note that DIP switches typically have a maximum rating of 50V DC at 100mA.

The alarm input options are set with DIP switches 1-6 and Table 1 shows the settings for each option.

Alarm reset output

The Alarm Dialler provides a set of output relay contacts that operate for one second and can be used to reset the alarm or some other external device. The PC board has provision to connect either the N/O or N/C contacts for this purpose. The relay will only operate after three incoming calls have been received within 90s after an alarm has been detected or, if Automatic mode is selected, after all outgoing calls have been made.

Program menu items

The program menu is produced by the Alarm Dialler and displayed on the connected PC screen. Each menu item is described below.

Automatic mode: The Alarm Dialler has the option to be in either Auto-

matic mode or non-Automatic mode. When Automatic mode is set to Yes, a non-interactive mode is selected. This is simply where the preprogrammed number or numbers are dialled with a 45-second delay in between calls. After all the calls have been made, the relay operates for one second. The Alarm Dialler will not return to scan mode until the non-alarm state is found. This prevents it from continually calling if the alarm is not reset.

When Automatic mode is set to No, the Alarm Dialler is in interactive mode and it is possible to reset the alarm without having to wait for all the calls to be dialled. During the 45-second wait period between outgoing calls, the Alarm Dialler monitors the modem for a ring message.

If an incoming call is detected during this 45-second inter-call period it then waits a further 90 seconds for two more. It is necessary to receive a total of three calls within the 90-second period to reset the alarm. If only a single incoming call was allowed to do this, a random call from someone else could accidentally reset the alarm before you were contacted.

If three calls are detected, it considers that you called in response to the alarm. It then resets the alarm, cancels all further calls and returns to scan mode.

If an incoming call is not detected or less than three are counted during the 90-second period, the next outgoing call is attempted, unless all the retries have been completed.

Primary number: This is a 19-digit store to hold the telephone number of the first number dialled after an alarm is detected.

Secondary number: This is a 19-digit store to hold the telephone number of the second number dialled after all the Primary number retries have been completed.

Use secondary: If this option is set to Yes, the Secondary number will be dialled after the Primary number

is finished. If set to No, the Primary number is the only one dialled and the Secondary number is ignored. While this option is valid in Automatic mode, in general it will only be set to Yes in Non-Automatic mode. In this case, if a response to the Primary number calls is not received, the Secondary number will then be dialled.

Retries: This is the number of retry attempts allowed for each telephone number. The range is 1-9.

Full details of how to program the Alarm Dialler are covered later in this article.

Remote status checks

The Alarm Dialler incorporates extra features that allow you to remotely check its status.

If everything is normal and there are no alarms, the front panel LED will flash and incoming calls will be ignored. However, if there are three separate incoming calls within 90 seconds, the first two calls will be ignored but the third call will be answered. When the modem answers the call by going on-line, it sends an answer tone and then drops off-line after 20 seconds. By using this feature, you can tell if the unit is powered up and operating normally from anywhere that you can use a telephone.

The only indication the Alarm Dialler has of an incoming call is a ring message from the modem. The modem sends the digit "2" each time a burst of ring is received. The Alarm Dialler counts the time in seconds between ring bursts to distinguish between those within the same call and those from separate calls.

When an incoming call is being received from the telephone exchange, ring bursts are two seconds apart. However the time between the last ring burst from one call and the first ring burst from the next call will be much greater than this. The Alarm Dialler will register a new call if the gap is larger than six seconds.

It would be unusual to receive three calls within 90 seconds in normal use and so the unit should rarely answer a random call. Even if someone does call three times in quick succession, all that will happen is that the unit will answer on the third call send the answer tone and then drop off line again. Obviously, if you are unable to get the Alarm Dialler to answer at all, either the unit or the modem has

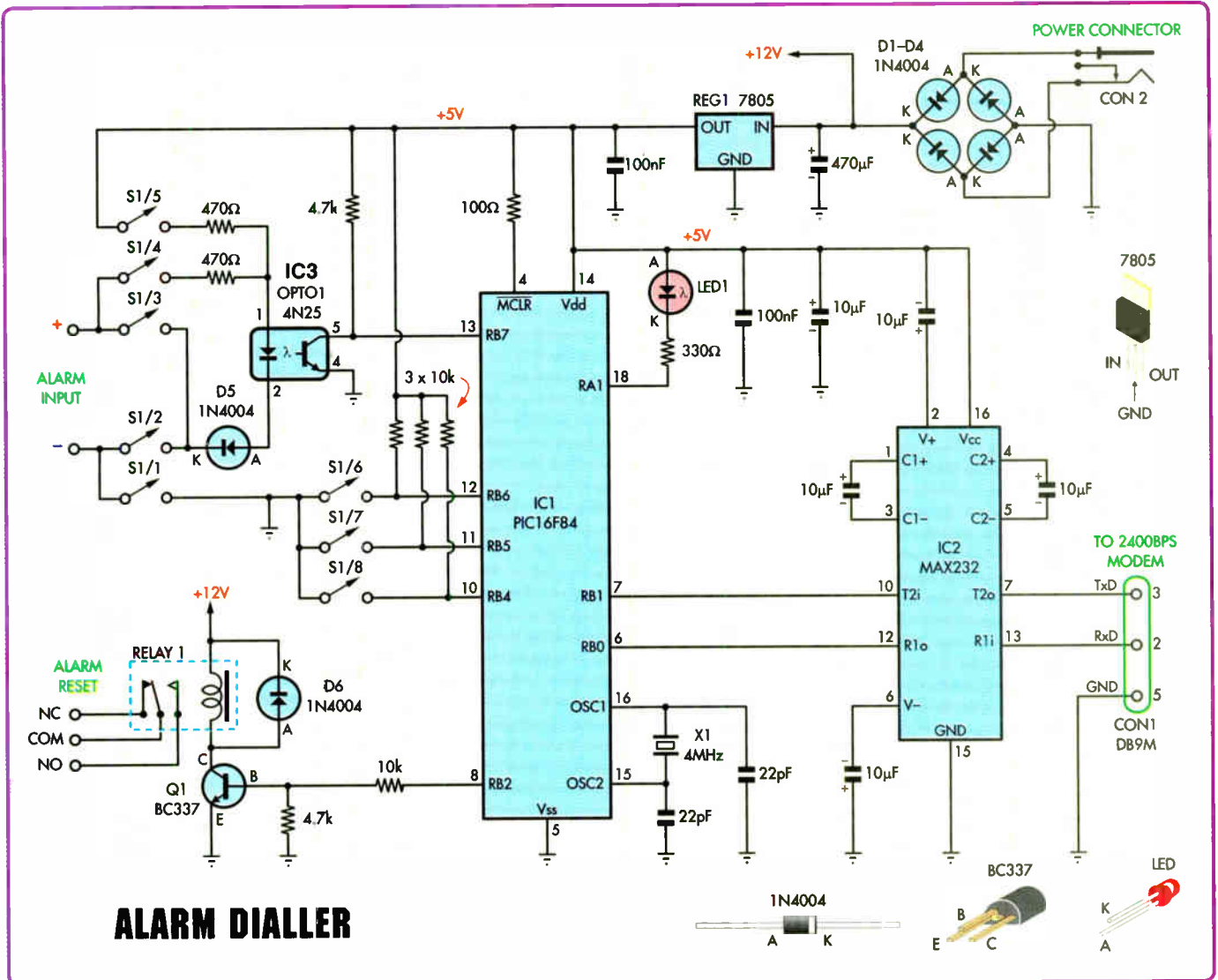


Fig.1: a PIC16F84 microcontroller (IC1) forms the heart of the circuit. It accepts the Alarm Input signal and drives an RS232 transceiver (IC2, MAX232) which interfaces to the modem. The modem, in turn, connects to the telephone line and carries out the dialling.

failed, the power is off or the telephone line is faulty.

Failed call state

If an alarm has occurred and the Alarm Dialler has exhausted all its call retries and did not get an incoming three-call response, it goes into a failed-call state. In this mode, it will not return to normal scan mode until it has received three calls within 90 seconds.

This is done for two reasons. First, it avoids continually sensing an alarm condition and re-dialling if the alarm has not been reset. Second, it allows you to check if an alarm has occurred, if you have not been previously contacted.

While in failed-call mode, the Alarm Dialler will answer every incoming call. So if you call the unit to check its status and it answers immediately, this indicates that an alarm has almost certainly occurred.

To double check that this is the case, call again two more times, within the 90-second period. If the unit answers every call then an alarm has occurred. This three-call sequence will also reset the alarm and return the Alarm Dialler to scan mode. Note that this alarm checking and reset feature is only available in non-Automatic mode.

Receiving an alarm call

If the Alarm Dialler is programmed for Automatic mode, it will simply call

the Primary and Secondary numbers, depending on the values set for 'Use secondary' and 'Retries'. It is not possible to call the Alarm Dialler during this process and cancel the calls. For this reason, it's probably a good idea to keep the 'Retries' number low and only use the Secondary number option if really necessary. Each time you answer the call, the modem calling tone will be heard for 20 seconds and then the call will be terminated.

In non-Automatic mode, it is possible to reset the alarm without having to wait for all the calls to be dialled. During the 45-second wait period between outgoing calls, the Alarm Dialler monitors the modem for a ring message. Note, however, that because the modem is online for 20 seconds after the call is made, there is only effectively 25 seconds for you to call the Alarm Dialler before the next call is made.

Parts List

- 1 PC board, code 579, available from the *EPE PCB Service*, 115 x 99mm
- 1 plastic case, 140mm x 110mm x 35mm
- 10 PC board stakes
- 1 8-way DIP switch (S1)
- 1 4MHz crystal (X1)
- 1 DC panel-mount socket
- 1 9-pin male 'D' connector with locking nuts
- 1 4-way speaker connector
- 1 12V SPDT relay (RLY1)
- 1 18-pin IC socket
- 2 10mm x 3mm screws and nuts
- 4 small self-tapping screws
- Light duty hook-up wire, tinned copper wire

Semiconductors

- 1 PIC16F84 (IC1; programmed with ALARM.HEX)
- 1 MAX232 RS232 transceiver (IC2)
- 1 4N25 optocoupler (IC3)
- 1 BC337 NPN transistor (Q1)
- 6 1N4004 power diodes (D1-D6)
- 1 7805 positive 5V regulator (REG1)
- 1 5mm green LED (LED1)

Capacitors

- 1 470 μ F 25V PC electrolytic
- 5 10 μ F 16V PC electrolytic
- 2 100nF (0.1 μ F) MKT polyester
- 2 22pF ceramic

Resistors (0.5W, 1%)

- 4 10k Ω 1 330 Ω
- 2 4.7k Ω 1 100 Ω
- 2 470 Ω

Reproduced by arrangement with SILICON CHIP magazine 2006.
www.siliconchip.com.au

When you receive an alarm call you will hear the modem calling tone and you must wait for the modem to time out and go off -line before calling back.

Circuit description

The full circuit for the Alarm Dialler is shown in Fig.1. As you can see, there's not a lot to the hardware because, as mentioned before, the line interfacing functions are handled by the modem.

The microcontroller used is a PIC16F84 (IC1) which does all the hard work. It has 1K of ROM (which

is just about all used in this project), 68 bytes of user RAM and 64 bytes of non-volatile EEPROM. The EEPROM holds the configuration settings in case of power failure.

Pin 14 is the power supply pin, while ground (0V) is connected to pin 5. The reset input (pin 4) is held permanently high via a 100 Ω resistor and this simple reset system has proved to be effective. The internal oscillator appears at pins 15 and 16 and a 4MHz crystal is used to supply accurate timing for the internal counters.

Pin 10 is connected to the Program switch (S1/8) with an external 10k Ω pull-up resistor, so that with the switch open, the pin is read as high or a one. When the switch is closed, the pin is read as low or a zero. Pin 11 is connected to the Inhibit switch (S1/7) and works in the same manner.

Pin 7 is the transmit data pin and is normally high, pulsing low when a zero data bit is sent. Pin 6 is the receive data pin and is used to both interrupt the PIC when a character is received and to receive the actual data bits.

Normally, pin 6 is high with no data present and goes low when a character start bit is received. This negative edge interrupts the PIC and forces it to enter the interrupt routine. This routine samples the eight character bits and stores them in an internal PIC register. After the stop bit has been received, it exits the interrupt routine and the main code processes the character.

More complex microcontrollers have a dedicated hardware UART to do this receiving but in this less-qualified PIC we must do this in software. The UART operates in half-duplex mode, meaning that it cannot send and receive data at the same time.

Pin 18 controls the LED and when it is low the LED is on and when it is high the LED is off. A 330 Ω resistor limits the LED current to around 10mA.

Pin 8 is the relay output pin, which is normally low and goes high for one second to turn on transistor Q1. When the transistor is biased on, relay RLY1 operates, providing the reset signal to the alarm system.

Pin 13 is the alarm input pin. The normal state can be high or low, depending on the input switch settings. Switch S1/6 tells the PIC whether the voltage on the alarm pin is the normal or the alarm state. If S1/6 is off, pin 12 is held high and the alarm state is when pin 13 is low. If S1/6 is on, pin

12 is held low and the alarm state is when pin 13 is high.

IC2 is a MAX232 RS232 transceiver used to interface the 5V logic signals in and out of the PIC to the 9-pin interface. It only requires a 5V power supply and produces the required plus and minus RS232 voltages by an internal inverter using four external 10 μ F capacitors. IC2 has two receivers and two transmitters but only one receiver and transmitter are used in this circuit.

On the RS232 side, pin 13 is the receive data input and connects to pin 2 of the 'D' connector, while pin 7 is the transmit data output connecting to pin 3 of the 'D' connector. On the logic side, pin 12 is the receive data pin and pin 10 the transmit data pin.

A 4N25 optocoupler (IC3) is used to isolate the PIC from external voltages on the alarm input. When about 3mA of current flows in the internal LED, the transistor within IC3 is turned on. This takes pin 5 of IC3 low and consequently pin 13 of IC1 low.

When DIP switches S1/1, 3 and 5 are off and S1/2 and 4 are on, the input is configured to accept an external voltage input. The current through the optocoupler LED is limited by a 470 Ω resistor and protected from reverse polarity by diode D5. In this configuration, the input circuit is completely isolated from the main PC board components. The external positive voltage must be connected to the "+" alarm point, otherwise diode D5 will be reversed-biased and the alarm will not be recognised.

When DIP switches S1/2 & 4 are off and S1/1, 3 & 5 are on, the input is configured to accept a contact input. In this mode there is no external voltage to operate the optocoupler LED, so the internal +5V rail is supplied through the same 470 Ω limiting resistor and diode D5.

The power supply is a 3-terminal voltage regulator circuit providing 5V from a range of input voltages. A diode bridge comprising diodes D1-D4 allows both AC and DC supplies to be employed. If a DC supply is used, the positive lead will be directed to the regulator input, irrespective of the polarity of the power connector wiring.

The main reason for using this circuit is to allow a wide range of power supply possibilities. The Alarm Dialler draws minimal current – only about

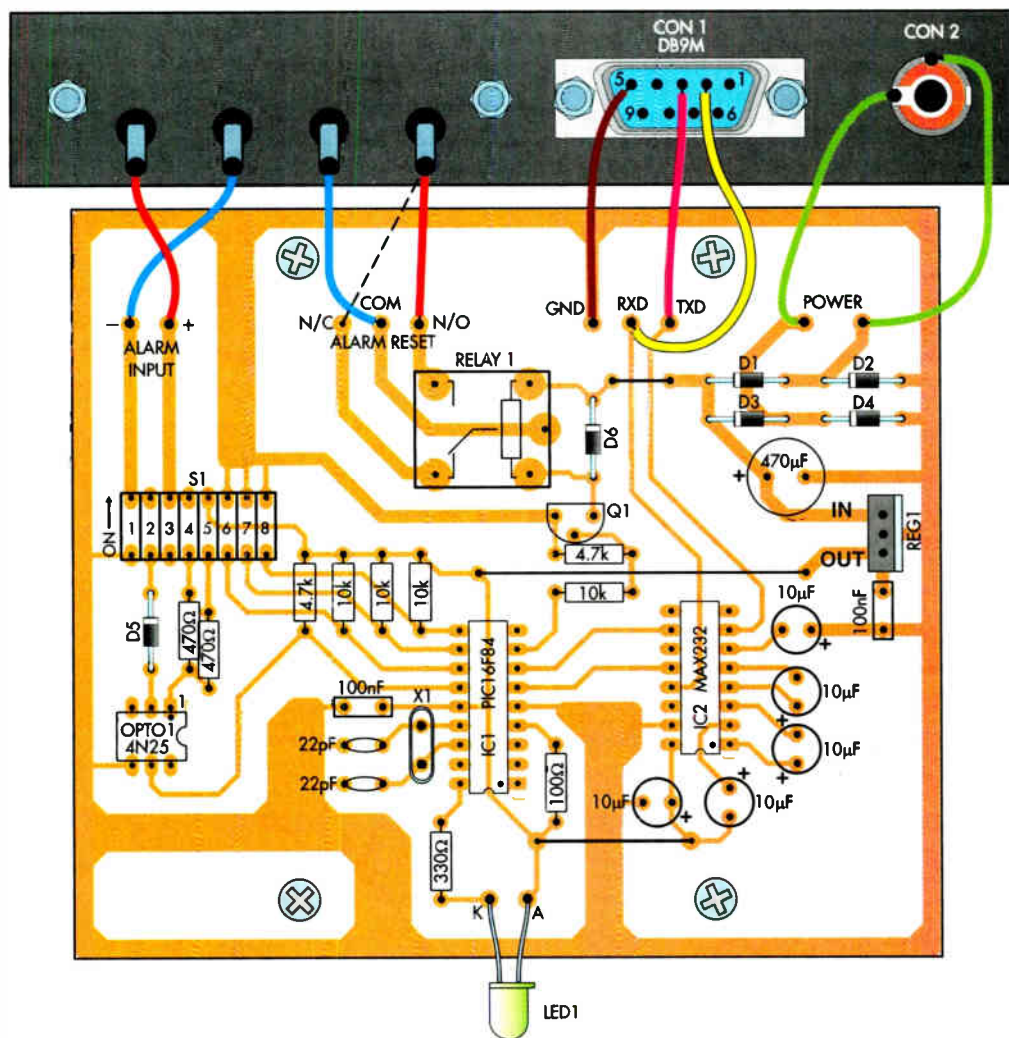


Fig.2: install the parts on the PC board as shown here, taking care to ensure that all polarised parts go in the right way around. The Alarm Reset output has only two connections, so select either the N/O or N/C contact, depending on your application (ie, use one or the other but not both).

50mA maximum when using a 12V DC supply.

Construction

Fig.2 shows the assembly details. Start construction by installing the parts on the PC board. There are three wire links to be installed, so do these first. Ensure they are straight and lay flat on the PC board. Follow these with

the smaller components, such as the resistors, diodes and IC socket (IC1).

Next, install the capacitors, ensuring that the electrolytics are installed with correct polarity. The relay, DIP switch and PC stakes can be installed next. Follow this with the transistor, crystal and ICs, leaving the PIC chip till later.

The LED is installed with 15mm of

lead length and then bent at right angles so that it can push out through the hole in the case front panel when the PC board is secured in place. The 5V regulator (REG1) runs quite cool and won't need a heatsink under normal circumstances.

Once the PC board is loaded, you can prepare the case – see the photographs as a guide. Start by drilling holes in the

Resistor Colour Codes

No.	Value	4-Band Code (1%)	5-Band Code (1%)
4	10kΩ	brown black orange brown	brown black black red brown
2	4.7kΩ	yellow violet red brown	yellow violet black brown brown
2	470Ω	yellow violet brown brown	yellow violet black black brown
1	330Ω	orange orange brown brown	orange orange black black brown
1	100Ω	brown black brown brown	brown black black black brown

Constructional Project

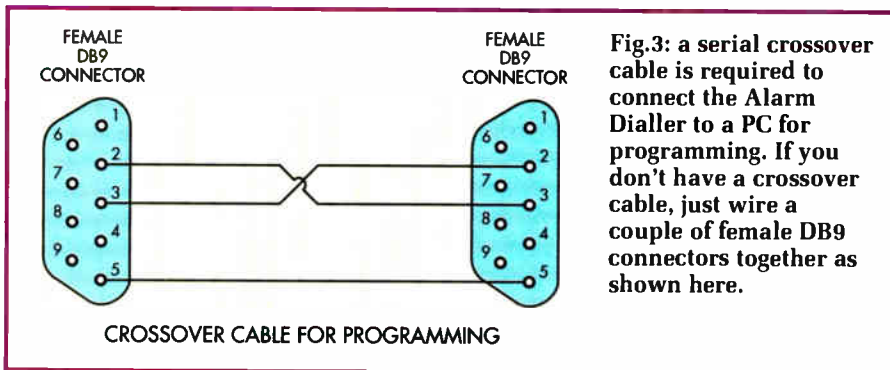


Fig.3: a serial crossover cable is required to connect the Alarm Dialler to a PC for programming. If you don't have a crossover cable, just wire a couple of female DB9 connectors together as shown here.

rear panel to mount the power socket, the alarm connector and 'D' connector – see Fig.6. The alarm connector used in the prototype is a 4-way speaker terminal strip and requires four holes for the connector tabs and two for the mounting holes.

Finally, drill a hole in the centre of the front panel just large enough to allow the LED to slide through.

Once the case has been prepared, install the power socket, the alarm connector with 3mm screws and nuts, and the 'D' connector with locking nuts. Mount the PC board in the case with four small self-tapping screws.

Slide the rear panel into place and then wire the rear panel connectors to the PC board stakes with light duty hook-up wire. The alarm input is polarised, so make sure that the red terminal is wired to the "+" alarm PC stake. The alarm reset output has only two connections, so select either the N/O or N/C contacts, depending on your application.

Note that because we are using a diode bridge at the supply input, you

don't have to worry about the polarity of the supply wiring.

When all the wiring is completed push the LED back and slide the front panel into place. Now slide the LED into the hole in the front panel so that it pokes through by a few millimetres.

Initial testing

Once construction is complete, connect the power supply and, using your multimeter, measure the voltage at the power supply stakes on the PC board. The power supply can be anywhere between 12-20V DC or 9-16V AC without requiring a heatsink on the 5V regulator.

If you are going to operate the unit in areas of high temperature, then either a heatsink should be added to the regulator, or preferably, reduce the voltage of the power supply. Although the relay coil is rated for 12V operation, using a higher supply voltage shouldn't be a concern, because the relay is energised for only one second at a time.

Next, measure the voltage at the output of REG1. You should get a

reading close to +5V and the same voltage should be at pin 14 of the PIC socket.

Pins 2 & 6 of IC2 will be a volt either way of +9V and -9V, respectively, if this IC is working correctly. If not, remove the power source quickly and look for errors, especially with the power wiring and the installation of the polarised components.

If everything looks OK, remove the power, wait a few seconds and insert the programmed PIC chip into the 18-pin socket. Apply power again and after a short period you should see the LED flash briefly and then repeat after a few seconds delay. Each time the LED flashes, it is sending AT to the modem and looking for an OK (O) response.

This is done each time the Alarm Dialler powers up and is used to ensure that the modem is connected and the interface is operating at the correct speed before normal alarm monitoring commences.

Alarm Dialler programming

Turn off the power to the Alarm Dialler and connect a PC running a terminal emulation program such as HyperTerminal using a serial crossover cable. The PC needs to be set to 2400bps, 8 data bits, no parity and 1 stop bit with flow control off (Fig4a).

Note that the Alarm Dialler's RS232 interface is similar to the one on your PC and to get them to talk to each other, you need to cross the data lines over. This means that the transmit data pin of the Alarm Dialler goes to the receive data pin of the PC and vice versa.

Fig.3 shows how to make a simple

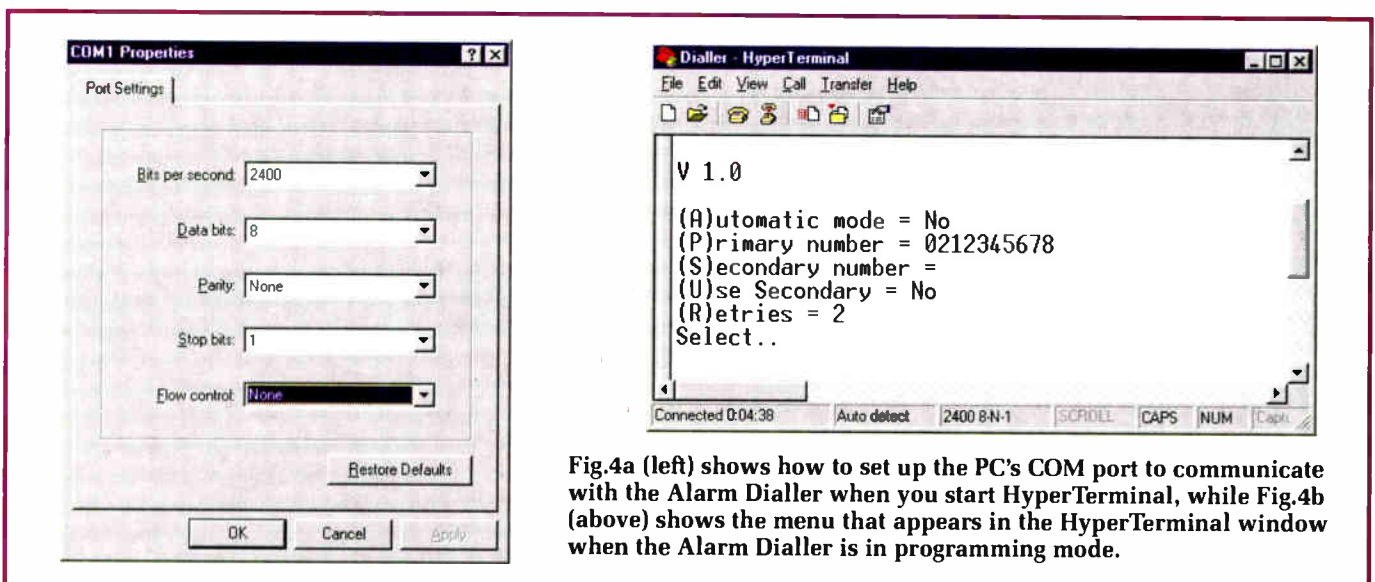
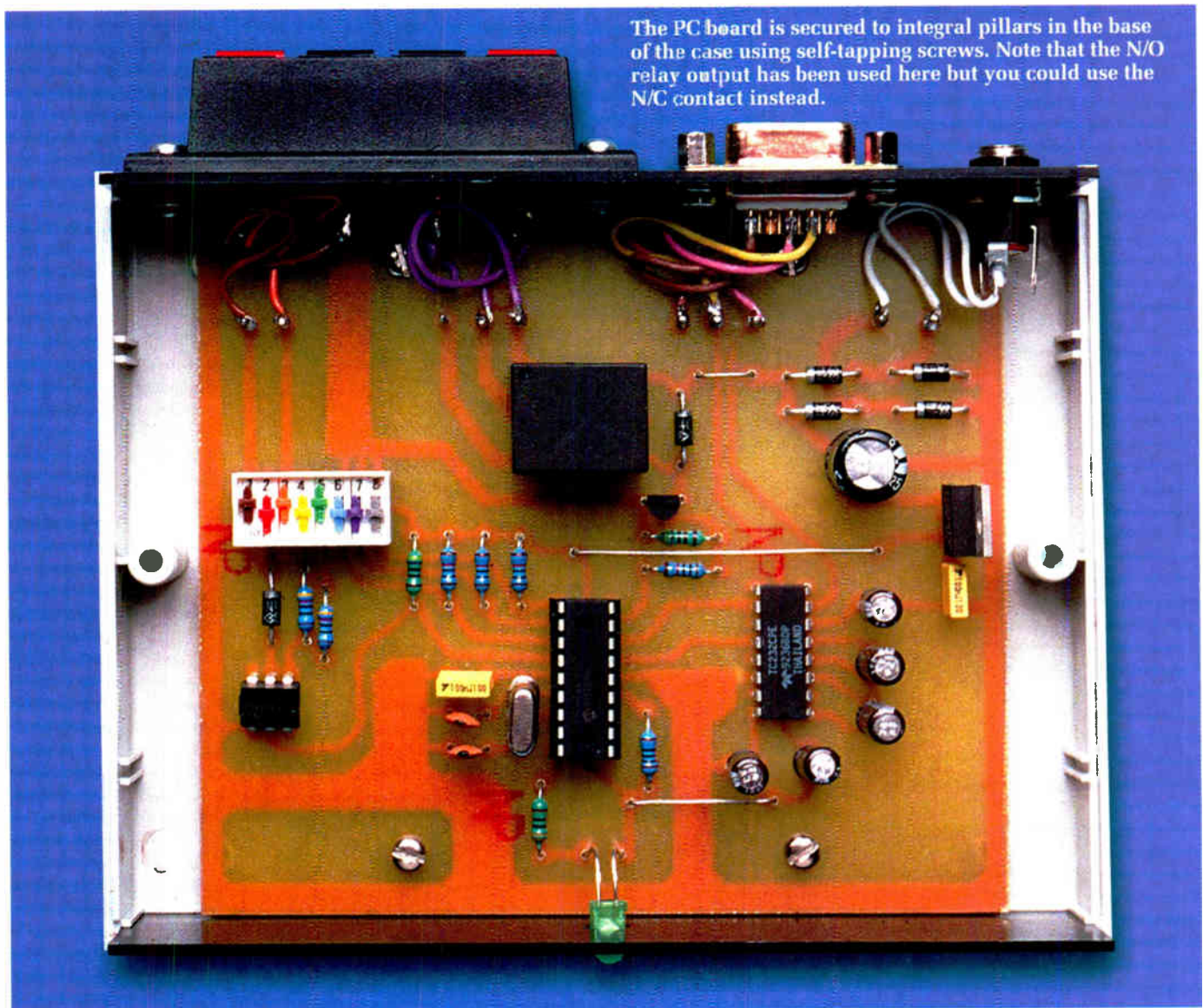


Fig.4a (left) shows how to set up the PC's COM port to communicate with the Alarm Dialler when you start HyperTerminal, while Fig.4b (above) shows the menu that appears in the HyperTerminal window when the Alarm Dialler is in programming mode.



crossover data cable, with a couple of 9-pin female 'D' connectors and three pieces of hook-up wire. Or you can buy one if you prefer.

Once connected, place S1/8 into the on position and apply power to the Alarm Dialler. Now move S1/8 to the off position, the LED should turn on and the menu appear on the PC screen. The menu is easy to understand and navigate and the items will be self-explanatory. **Simply select the desired option by pressing the character in brackets for that option and remember to use upper-case characters – see Fig.4b.**

Programming options are stored in the EEPROM as they are entered and there is no need to do a separate save action. If an out-of-range or illegal entry is made, an error message is displayed and the menu refreshed.

To exit the programming mode, place S1/8 into the on position again and then back to the off position. Once this is done successfully, a goodbye message will appear on the screen.

Alarm inhibit

To inhibit alarm detection at any time, move S1/7 to the on position. This could be used to avoid the Alarm Dialler immediately sensing an alarm condition if you are experimenting and changing the input connection or DIP switch settings. When the alarm input wiring and switch settings are in place, S1/7 can then be placed in the normal off position.

Switch S1/7 can also be used to manually reset an alarm after it has been triggered. When an alarm occurs, a software flag is set within the PIC and stored in EEPROM. The reason for this

is to remember that an alarm occurred if there is a power outage during an alarm calling sequence. When power is reapplied and an alarm call sequence has not been completed, it starts the sequence again.

To manually reset the alarm flag, switch off power, place S1/7 into the on position, turn on the power again and move S1/7 back to the off position. The alarm flag is also reset each time you enter program mode to make changes to the configuration.

Configuring the modem

To ensure the modem you are using works properly with the Alarm Dialler, you must first configure it with the required settings. To do this, connect a PC running a terminal emulation program such as HyperTerminal to the modem, using a standard serial

Table 2: Modem Configuration

Typical Command	Required Options
&K0	Disable RS232 data flow control lines.
S0=0	No auto answer - Alarm Dialler determines when the modem will answer a call by sending it ATA.
&D0	Ignore DTR lead on RS232 interface.
S7=20	Wait 20 seconds after making or answering a call before releasing the line when a carrier is not detected.
V0	Use digits rather than character strings for modem responses.
E0	Do not echo characters received by the modem back to the Alarm Dialler.
&W	Write the settings to non-volatile memory.

cable (ie, not a crossover type). Now type the letters **AT** followed by the **Enter** key.

If the modem receives and decodes this properly, it will respond with the letters **OK**. Now type **AT&F** and then **Enter** to reset the modem to its factory default settings.

Once this is done type the sequence **AT&K0S0=0&D0S7=20V0E0&W**, exactly as shown and terminate by pressing **Enter**. Notice that the 0 is a digit zero and not an upper-case letter.

If the modem accepts the settings, it will respond with a zero, indicating that all is OK. If not, and this is very unlikely, your modem does not recognise these standard commands. In this case, consult your modem's user manual and read the explanations in Table 2 to find and enter the commands that match your modem.

A modem option not shown in Table 2 but referred to throughout this article as the calling-tone option. Some modems will send a calling tone automatically every call, while some do not have this facility. Some others have the capability but require it to be enabled.

If you need this feature and it doesn't seem to operate, you will need to check your modem and see if it is an available option, or get another modem!

The time to wait online after making or answering a call is determined by the value in the modem S7 register. You may find that some modems actually wait longer than the programmed 20 seconds and you may not be able to make three calls within 90 seconds. If you find the wait is too long, then you will need to experiment with the value programmed into the S7 register.

Final testing

To fully check the Alarm Dialler functions, programmable settings and modem operation, you need to make real telephone calls. However, while call charges are relatively inexpensive, you probably don't want to make a lot of calls until you know everything is working OK.

We get around this problem by checking most of the Alarm Dialler functions without making any real calls. The way we do this is to simulate the actions of the modem using the PC.

First, to make life as easy as possible for testing purposes, set the alarm input up for N/O contacts as shown in Table 1. That way, you can later simulate an alarm condition just by shorting the two alarm input terminals.

Now for the test procedure. Start

by programming the Alarm Dialler with Automatic mode set to Yes. That done, program the Primary and Secondary numbers to relevant telephone numbers, the 'Use secondary' option to Yes and the 'Retries' to 2. Once programming is finished, leave the PC connected using the serial crossover cable.

You will notice that after you exit programming mode the letters **AT** appear on the screen. This is the Alarm Dialler looking for a modem. Type the number 0 followed by the **Enter** key. When the Alarm Dialler receives this it thinks it has found the modem, starts flashing the LED and goes into scan mode.

At times during the remainder of the testing we will be simulating the sequence that the modem sends to the Alarm Dialler when it detects an incoming burst of ring. We do this by typing the number 2 on the PC keyboard, followed by the **Enter** key. An incoming call from the telephone line has a burst of ring every two seconds and so a 10-second call would be comprised of five bursts, each two seconds apart.

Checking that it's alive

The first test is to simulate calling the Alarm Dialler from a remote location three times within 90 seconds to check if it is alive.

Ensure the Alarm Dialler is in idle mode and that the LED is flashing normally. Simulate an incoming call for 10 seconds (ie, by repeatedly typing 2 and pressing **Enter** on the PC's keyboard) and check that the LED stops flashing after the first ring burst.

Now wait at least another six seconds and simulate another call. The LED should remain on and nothing else should happen. Finally, wait another six seconds and simulate a third incoming call. If the Alarm Dialler is working correctly, the letters **ATA** will appear on the screen and, after a

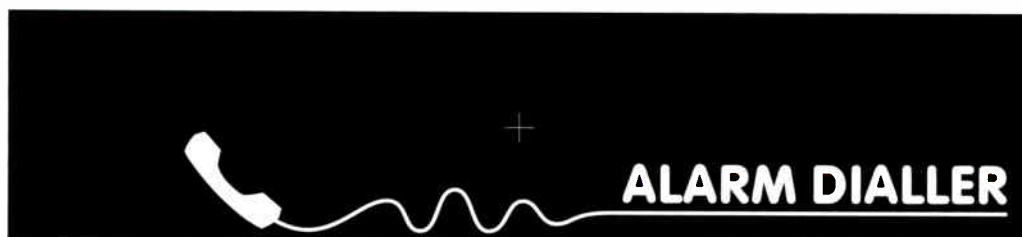


Fig.5: the full-size front panel artwork. There's just one hole to be drilled and that's for the indicator LED.

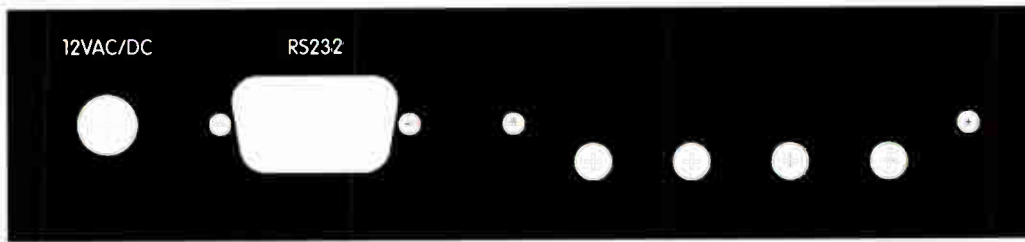


Fig. 6: this full-size artwork can be used as a drilling template for the rear panel. The cutout for the DB9 connector can be made by drilling a series of small holes around the inside perimeter and knocking out the centre piece.

couple of seconds, the LED will start to flash again. The sequence ATA instructs the modem to go online and answer the call.

Checking automatic mode

The next test will check that Automatic mode operates correctly. First, simulate an alarm condition on the input. The screen should now show the letters ATDT, followed by the digits for the Primary number that you have entered during programming. The sequence ATDT is the command sent to the modem to tone dial the following number. Wait 45 seconds and the same sequence should appear on the screen again.

At this point the primary number has been dialled twice which is the number set in Retries. As we have set Use Secondary to Yes, the same delayed dialling sequence should occur again, however this time the Secondary number is used. Once all the calls have been made, the Alarm Dialler waits 45 seconds, operates the relay and the LED starts to flash normally.

Checking non-automatic mode

Once you are satisfied that Automatic mode is working correctly, you can test Non-Automatic mode. Program the Alarm Dialler with Automatic mode set to No, leaving everything else the same.

Simulate an alarm as before and check that the letters ATDT followed by the digits for the Primary number are seen on the screen.

Wait around 20 seconds and simulate an incoming call comprised of two bursts of ring. When the Alarm Dialler is in alarm mode it will only answer an incoming call after it has received two ring bursts. After the second burst, the Alarm Dialler should respond by displaying ATA on the screen, instructing the modem to go online and answer the call.

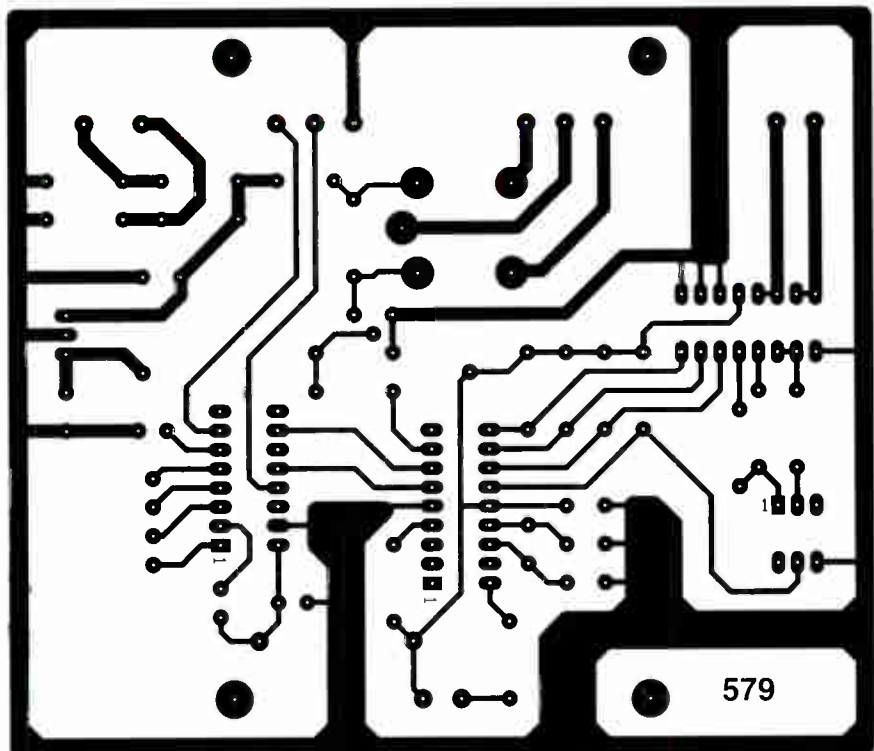


Fig. 7: this is the full-size etching pattern for the PC board.

Wait 20 seconds and simulate a second incoming call in the same way. If the second call is detected the letters ATA should appear again indicating that the Alarm Dialler is answering the second call.

Finally, wait another 20 seconds and simulate a third incoming call. The Alarm Dialler should send ATA as before, however this time the relay will operate and the LED will start flashing. This is because three calls within 90 seconds have been registered in response to an alarm call.

If all these off-line checks perform correctly, you can be assured that the Alarm Dialler is working properly. If you want, you can test other features such as the failed call state, changing the number of retries and using the Primary number only and so on.

When you are satisfied that everything is OK, you can connect your modem to the Alarm Dialler and telephone line and test the system for real. Don't forget to reset DIP switch S1 to the alarm input option you require (see Table 1) *EPE*

Where To Get The PIC Software

To obtain the Alarm Dialler software, download the file "ALARM.ZIP" from the *EPE* website at www.epemag.co.uk and unzip it. You can use "ALARM.HEX" to program your own PIC chip, while you can get a better understanding of how it all works by reading the "ALARM.ASM" file. Pre-programmed PICs can be bought from Magenta Electronics (contact details as in their advertisement in this issue).

This month EPE reader Keith comes in with useful suggestions about range checking for more advanced PIC users

In most "How to..." descriptions of PIC microcontrollers, the advice about tables rarely includes range checking and/or PCLATH management, although Malcolm Wiles looked at Computed GOTOs in depth in Jan '03 and John Waller discussed PCLATH in July '02. Range checking becomes particularly important, and also particularly difficult, when programs are written as linked modules.

Range Checking

The architecture for the 16F series PICs encourages extensive use of lookup tables and jump tables. These are very easy to code and very efficient, but there are several traps.

Computed GOTO is well recognized as a high risk programming technique. In-range checking is usually regarded as essential, or at least very important. Range checking needs more instructions than the Computed GOTO itself, so appears to be inefficient.

PIC memory is very strictly divided into Pages and further, the Page size seen by the ADDWF PCL,F instruction used to implement Computed GOTO is smaller than that seen by normal GOTO and CALL instructions. If the linker is used, the PAGESEL directive manages PCLATH for GOTO and CALL instructions, but not for the ADDWF PCL,F instruction used to implement Computed GOTO.

The linker supplied with the free Microchip development system doesn't allow absolute constants to be GLOBAL or EXTERN. This limits the opportunity to structure the modular components of the program into separate files. INCLUDE files help a bit, but usually the three major components: table, range checking, and the procedure(s) that use the table, must all share a common file.

Solutions

Many PIC programmers have devised a variety of ways of dealing with these problems. Each is a compromise, and any notion of "better" depends upon which criteria are important in any particular application.

One solution, and one with which the author is very pleased, addresses the criteria that are important to him:

- Range checking is essential
- Reliable and painless PCLATH management is essential

He now uses the Microchip linker for all applications, even trivial ones. The strategy needs one macro and a little discipline. Some components of the discipline are a little counter-intuitive, but seem to be necessary.

The Discipline

1. Lookup tables and Computed GOTO tables are always placed in sub-page zero of the full-page containing the code using them.

2. Other code on each full-page starts at the first sub-page of the full-page. The relevant addresses are:

```
ORG 0x0010 ; Page 0, sub-page 0
ORG 0x0100 ; Page 0, sub-page 1
ORG 0x0800 ; Page 1, sub-page 0
ORG 0x0900 ; Page 1, sub-page 1
ORG 0x1000 ; Page 2, sub-page 0
ORG 0x1100 ; Page 2, sub-page 1
ORG 0x1800 ; Page 3, sub-page 0
ORG 0x1900 ; Page 3, sub-page 1
```

The setting for full-page 0, sub-page 0 assumes that most of the reset and interrupt code is located away from the relatively precious space on sub-page 0. However, the necessary interrupt preamble needs 16 bytes, so tables cannot start before 0x0010.

3. PCLATH is maintained to point to full-page boundaries, never to sub-page boundaries.

4. The only overhead allowed on the relatively precious sub-page 0 is the single and essential ADDWF PCL,F instruction that precedes the table.

5. Range checking is always implemented by the macro TableRangeCheck. This generates eight instructions. Out-of-range input is mapped consistently to the last byte in the table, and the tables can be of any size up to 255 bytes. The benefit of TableRangeCheck is so high, and the cost is so low that inferior techniques such as "hope for the best" or range limiting using ANDLW MASK cannot be justified.

6. Each table is in its own CODE section, and this must be defined manually.

7. Each table is defined by two names, of the form:

```
<table>Start
table goes here
<table>End
```

8. Within the same source file, but in a different CODE section, TableRangeCheck is used to constrain W to the size of the table. The structure is:

```
<table>ConstrainCode CODE
<table>
TableRangeCheck
<table>Start,<table>End
```

9. In the procedure using the table, for table lookup use:

```
MOVF SRC,W
CALL <table>
```

10. In the procedure using the table, for Computed GOTO use:

```
MOVF SRC,W
GOTO <table>
```

11. The linker script must put the code containing the table into a zero sub-page and the other code into a non-zero sub-page within the same page.

Code Example

Here is an example of the type of coding needed, held within the file defining the table:

```
ExampleTableCode CODE
ExampleTableStart
ADDWF PCL,f
RETLW 0xAA
RETLW 0xBB
ExampleTableEnd
Other Tables
```

```
ExampleTableConstrainCode CODE
ExampleTable
TableRangeCheck
ExampleTableStart,ExampleTableEnd
constrain code for other tables
```

It is usual, but not essential, for each table and each constraint procedure to have its own CODE section:

```
ExampleCode CODE
MOVF SRC,W
CALL ExampleTable
MOVWF DST
```

Note that the transfer is to the constraint procedure, not to the start of the table.

Table Range Check

The TableRangeCheck macro is used to ensure that the value of W used in ADDWF PCL,F in the lookup table addressing is within the range of the table.

W is the zero origin address of the required byte within the table. If W is within range, its value on exit from the macro is the same as its value on entry. If W is not within range, it is set to point to the last item in the table.

PCLATH is constrained to point to sub-page 0 of the current full-page:

```
TableRangeCheck MACRO
TableStart,TableEnd
BCF PCLATH,2
BCF PCLATH,1
BCF PCLATH,0
ADDLW TableStart-TableEnd+1
BTFS STATUS,C
MOVLW -1
ADDLW TableEnd-TableStart-1
GOTO TableStart
ENDM
```

featured products

CAN-USB

USB - CAN Bus adapter
£81.50



CAN-232

RS232 - CAN Bus Adapter
£61.00

Affordable CAN Bus Solutions from £61 (CAN-232)

CANUSB and CAN-232 are small adapters that plug into any PC USB / RS232 Port respectively to give Instant CAN connectivity. These can be treated by software as a standard Windows COM Port. Sending and receiving can be done in standard ASCII format. These are high performance products for much less than competitive solutions.

Bronze Prize Winner
NASA Tech Briefs 2004
Products of the Year

£125.00



DS1M12 2 channel 1MS/s PC scope,
signal generator & data logger

USB Instruments - PC Oscilloscopes & Logic Analyzers

Our PC Instruments may be budget priced but have a wealth of features normally only found in more expensive instrumentation. Our oscilloscopes have sophisticated digital triggering including delayed timebase and come with application software and DLL interface to 3rd Party apps. Our ANT8 and ANT16 Logic Analyzers feature 8/16 capture channels of data at a blazing 500MS/S sample rate in a compact enclosure.

ANT16

16 channel logic analyzer
- probe set extra
£195.00



Low Profile Version
also available

uPCI-400HS

4 Port uPCI RS232 Serial Card
Spider Cable or COMBOX 10
(extra)
£65.00

£65.00

£10.00

uPCI Serial Cards from £15 (uPCI-100L)

Discover our great value for money range of multi-port uPCI serial cards. Supporting from one to eight ports, the range includes RS232, RS422, RS485 and opto-isolated versions. Our 4 port and 8 port models can connect through external cables or the innovative wall mounting COMBOX.

** NEW LOW PRICE **



USB-2COM-M £36.00

2 Port Industrial USB RS232 Serial
with wall mount bracket and 5V
DC auxiliary output



USB-COM-PL
£12.50

Quality USB to RS232 converter
cable with detachable 10cm
extender cable. FTDI Chipset
and Drivers for superior
compatibility and O.S. support.

1 to 16 port USB to Serial Adapters from £12.50

With over 20 different models available, we probably stock the widest range of USB Serial Adapters available anywhere. We offer converter cables, multi-port enclosure style models in metal and plastic, also rack mount units with integral PSU such as the USB-16COM-RM. Serial interfaces supported include RS232, RS422 and RS485. We also supply opto-isolated RS422 and RS485 versions for reliable long distance communications. All our USB Serial products are based on the premium chipsets and drivers from FTDI Chlp for superior compatibility, performance and technical support across Windows, MAC-OS, CE and Linux platforms.

NETCOM-813

£350.00



8 Port Industrial Ethernet RS232
/ RS422 / RS485 Serial Server
with wall mount bracket and
PSU.

ES-W-3001-M

£125.00



Single Port high performance
Industrial Wireless Ethernet
RS232 / RS422 / RS485 Serial
Server with PSU and wall mount
bracket. Connects wired also

Ethernet & Wi-Fi 802-11b/g RS232/422/485 Serial Servers

One to eight port industrial strength Ethernet and Wireless ethernet serial RS232/RS422/RS485 Servers. Connect to your serial device remotely over your Wireless network, Ethernet or via the Internet. Based on the 32-bit ARM CPU these systems offer powerful serial connectivity and a wealth of features. WLAN models comply with IEEE 802.11b/g, max. 54 Mb/s and also offer a 10/100Mbps secondary ethernet connection. All models come complete with PSU. Prices start at only £85.00 (NetCOM 111).

EasySync Ltd

373 Scotland Street
Glasgow G5 8QB U.K.

Tel: +44 (141) 418-0181 Fax: +44 (141) 418-0110

Web : <http://www.easysync.co.uk>

E-Mail: sales@easysync.co.uk

* Prices shown exclude carriage and VAT where applicable

- ✱ Run your laptop in your car
- ✱ Charge SLA batteries
- ✱ Run 24V equipment from a 12V battery



Adjustable DC-DC converter for cars

Need to run electronic equipment in your car but require more than 12V? Or do you want more voltage than your 12V battery can deliver? This versatile circuit will let you do it. Run your laptop, charge 12V SLA batteries or whatever.

By JOHN CLARKE

WE regularly get requests from readers wanting to power electronic equipment in their car. Often they want to run a laptop computer in the car or perhaps charge 12V SLA batteries or whatever.

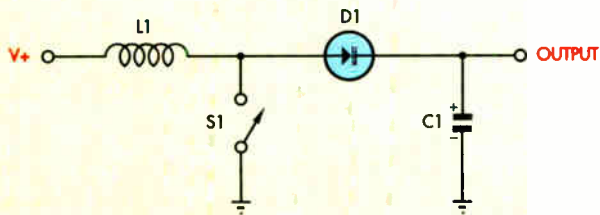
We have published circuits in the past but now we present an improved design capable of delivering any voltage from 13.8V up to 24V DC.

Typically, laptops require 15V DC or more in order to operate correctly and this voltage is not available directly from the car battery. A car battery normally supplies only a nominal 12V DC when the engine is not running and between 13.8V and 14.4V when being charged by the car's alternator. Hence, if you want to run a laptop, you need this DC-DC Converter.

Main Features

- Steps up 12V to between 13.8V and 24V
- Maximum current 2A
- Charge 12V 6.5Ah or bigger SLA batteries
- Efficient switchmode design
- Fuse and reverse polarity protection
- Power indication

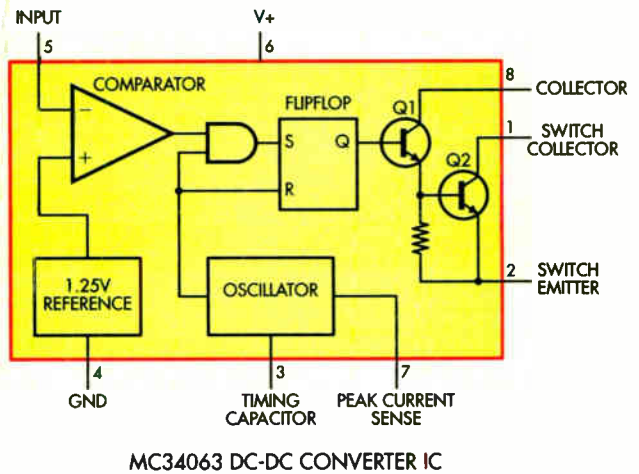
The unit is housed in a plastic zippy box measuring 130 x 68 x 43mm and can be plugged into your car's cigarette lighter socket. The output can be set to the desired level by adjusting a trimpot.



BASIC STEPUP CIRCUIT

Fig.1: the basic operating principle of the DC-DC converter. When S1 is closed, current flows through L1, which then stores energy in the magnetic flux produced by the inductor. When S1 opens, the energy stored in the inductor is dumped via diode D1 to capacitor C1 and the load.

Fig.2 (right): block diagram of the Motorola MC34063 DC-DC converter IC.



MC34063 DC-DC CONVERTER IC

Performance

The performance of the DC-DC Converter is shown in the graph of Fig.3. The output current ranges from a maximum of 2A at 15.7V, dropping to 1.1A at 24V, while still maintaining full regulation. Mind you, if you want to draw this level of current continuously, you would need to improve the heat dissipation of the circuit. We'll come back to this point later.

Output ripple and noise is quite low, nominally 50mV peak-to-peak when delivering 1A. Load regulation is better than 98% from no load to full load.

How it works

Fig.1 shows the basic operating principle of the DC-DC Converter. It incorporates an inductor, a diode, a switch and a capacitor. When switch S1 is closed, current (I1) flows through the inductor L1 and S1, which then stores energy in the magnetic flux produced by the inductor. When S1 opens, the energy stored in the inductor is dumped via diode D1 to capacitor C1 and the load.

In practice, the switch is a transistor or MOSFET and the on/off times of the transistor's conduction are varied to maintain the desired load voltage. Our circuit uses a Motorola MC34063 DC to DC converter IC as the control device. Its internal circuit is shown in Fig.2.

The MC34063 IC contains all the necessary circuitry to produce either step-up, step-down or an inverting DC converter. Its internal components comprise a 1.25V reference, a comparator, an oscillator, RS flipflop and output transistors Q1 and Q2.

Performance

Maximum output current 1.1A @ 24V, 2A @ 15.7V
 Recommended continuous output 500mA @ 24V, 1A @ 16V
 Output ripple typically 50mVp-p when delivering 1A
 Load regulation better than 98% from no load to full load

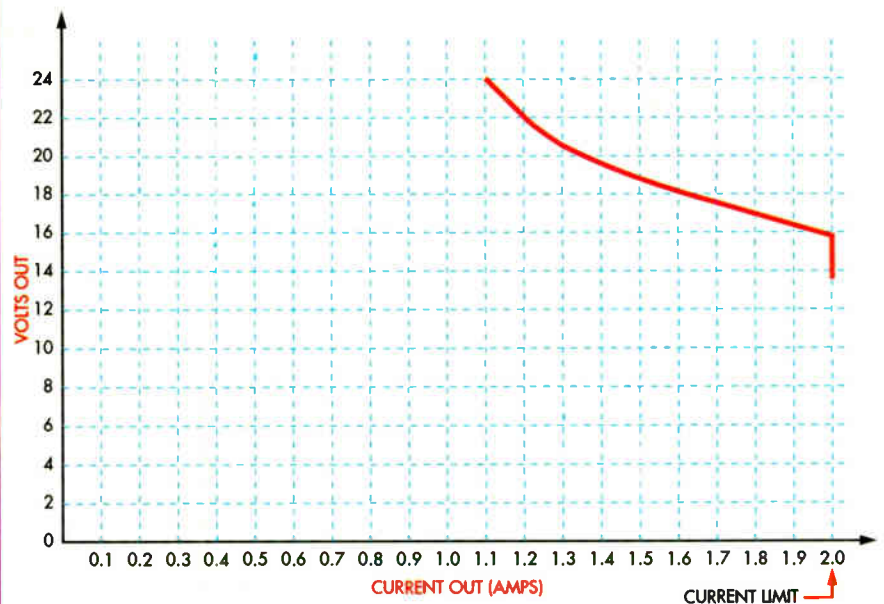
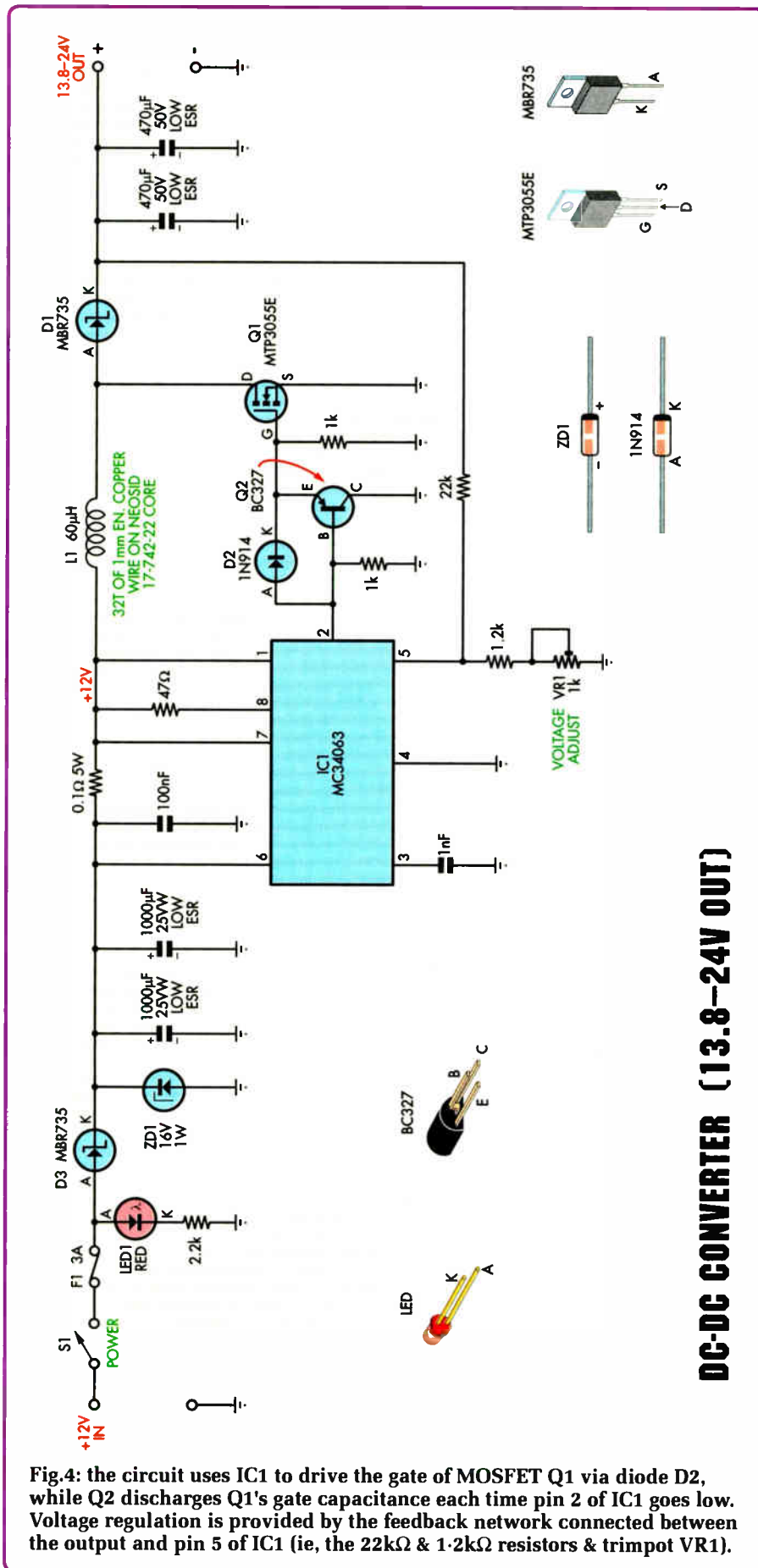


Fig.3: the unit has a maximum output current of 2A at voltages up to 15.7V, dropping to 1.1A at 24V while still maintaining full regulation.

The switching frequency of the switching transistor (or MOSFET) is set by the capacitor connected to pin 3. We used 1nF to set it at about 30kHz. The oscillator is used to drive the flipflop which in turn drives the output transistors. Inductor current is sensed at pin 7 and when it reaches its peak the flipflop and the output transistors are switched off.

The time when the output transistors are switched on is determined by the comparator which monitors the output voltage. When the pin 5 comparator input exceeds the 1.25V reference, which means the output voltage exceeds the required level, the comparator goes low to keep the flipflop from setting. This holds the transistors off.



Conversely, if the output voltage is too low, the inverting input of the comparator will be below the 1.25V reference and so the output transistors can be toggled by the RS flipflop at the rate set by the oscillator.

Circuit details

Fig.4 shows the full circuit diagram of the DC-DC Converter. The internal transistors of IC1 are connected as a Darlington to drive the gate of MOSFET Q1 high via diode D2 to switch it on.

Current then begins to flow in inductor L1. A 0.1Ω 5W resistor between pins 6 & 7 sets the peak current delivered to the inductor to 0.33V/0.1Ω or about 3.3A peak. The average current delivered to the load via diode D2 is limited to 2A.

When pin 2 goes low to turn off MOSFET Q1, transistor Q2 discharges Q1's gate capacitance for a rapid turn-off. This gives better efficiency than if the gate capacitance was discharged via a resistor.

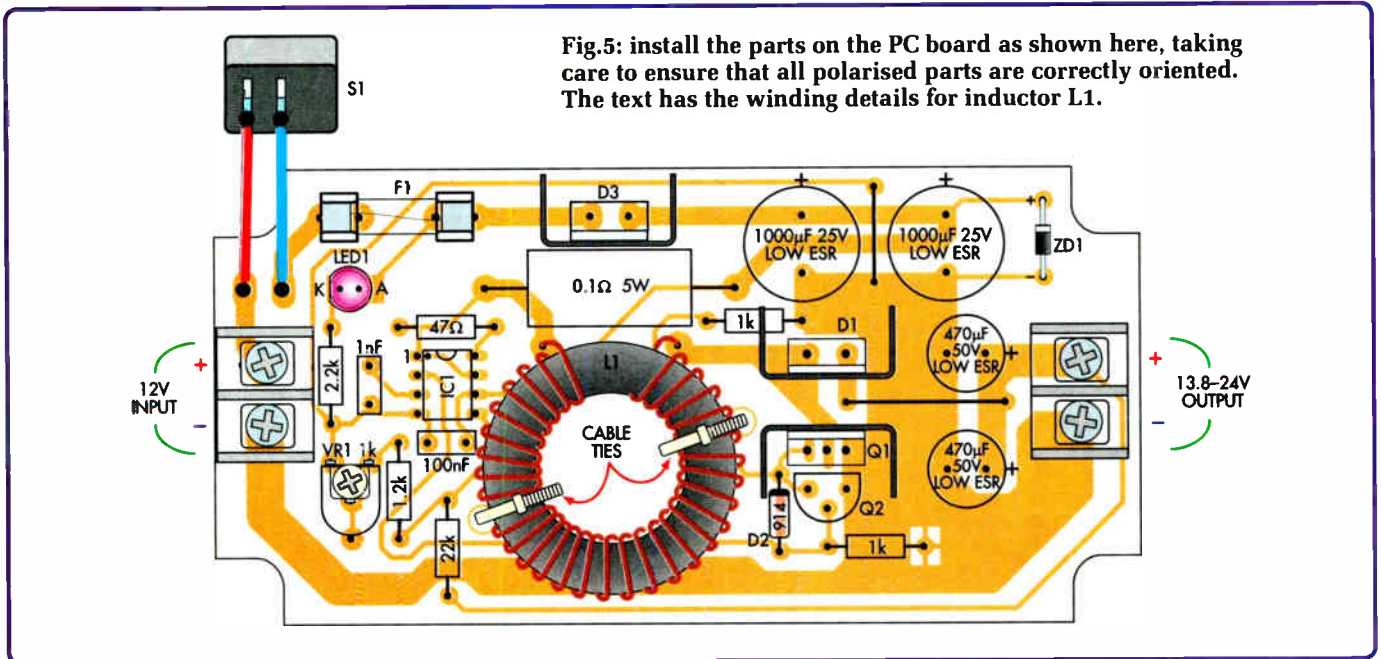
Each time Q1 turns off, the voltage at its drain rises because of the energy stored in inductor L1. Because the current can no longer flow in Q1 it is diverted by diode D1 and dumped in the two 470µF capacitors. Diode D1 is a Schottky type which has a fast response to cope with the high switching frequencies (ie, 30kHz). It also has a low forward voltage which reduces power dissipation and improves efficiency. The output capacitors are low ESR (effective series resistance) types suitable for high frequency switch-mode operation.

Voltage regulation is provided by the feedback network from the output to pin 5. This comprises the 22kΩ resistor from the output and the 1.2kΩ resistor and series 1kΩ trimpot (VR1) connecting to ground. The output voltage is maintained when the voltage at pin 5 voltage is equal to the internal reference of 1.25V.

So, for example if VR1, is set to 0Ω, the output will be 24V since when this is divided down by the resistors [ie, 1.2kΩ/(1.2kΩ + 22kΩ) or divided by 19.33], the voltage at pin 5 is 1.25V.

Similarly, if VR1 is set to 1kΩ, the divider now will be (1.2kΩ + 1kΩ)/(22kΩ + 1.2kΩ + 1kΩ) or divided by 11 and so the output will be 13.75V when pin 5 is at 1.25V.

Power for the circuit comes in via a 3A fuse and diode D3, a Schottky power diode included for reverse



polarity protection. Supply filtering is provided by two 1000µF 25V low ESR capacitors while further transient voltage protection is provided by the 16V Zener diode, ZD1.

There is a secondary reason to include diode D3 and this is to ensure that SLA batteries are not overcharged when the car battery voltage goes as high as 14.4V. Since this is a step-up voltage circuit, it cannot normally deliver less than the input voltage since the MOSFET is permanently off, if this situation is called for. When this

happens, there is a direct current path via inductor L1 and diode D1 from the car battery to the SLA battery. Hence, the extra voltage drop via diode D3 helps ensure that SLA batteries are only charged to 13.8V.

Construction

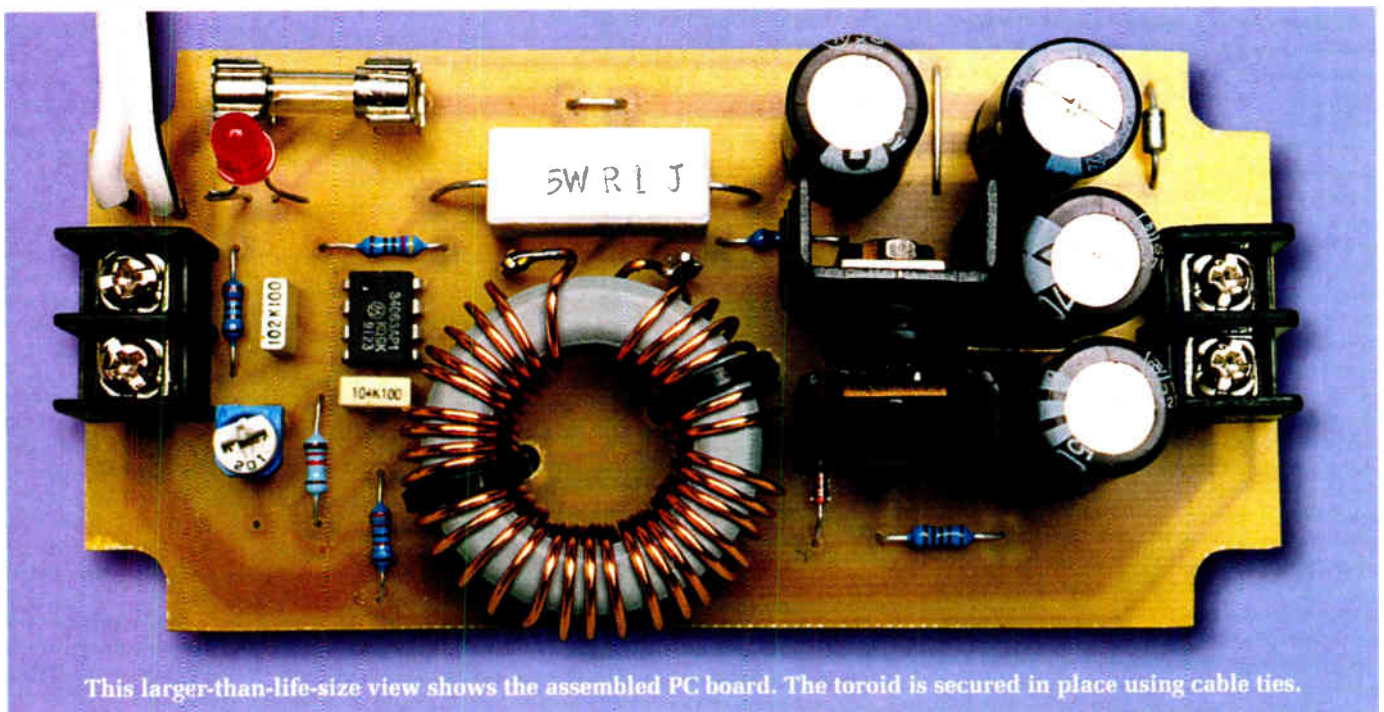
Construction is easy, with the parts all mounted on a PC board coded 578 and measuring 120 x 60mm. Fig.5 shows the parts layout.

Begin construction by checking the PC board for shorted tracks or breaks

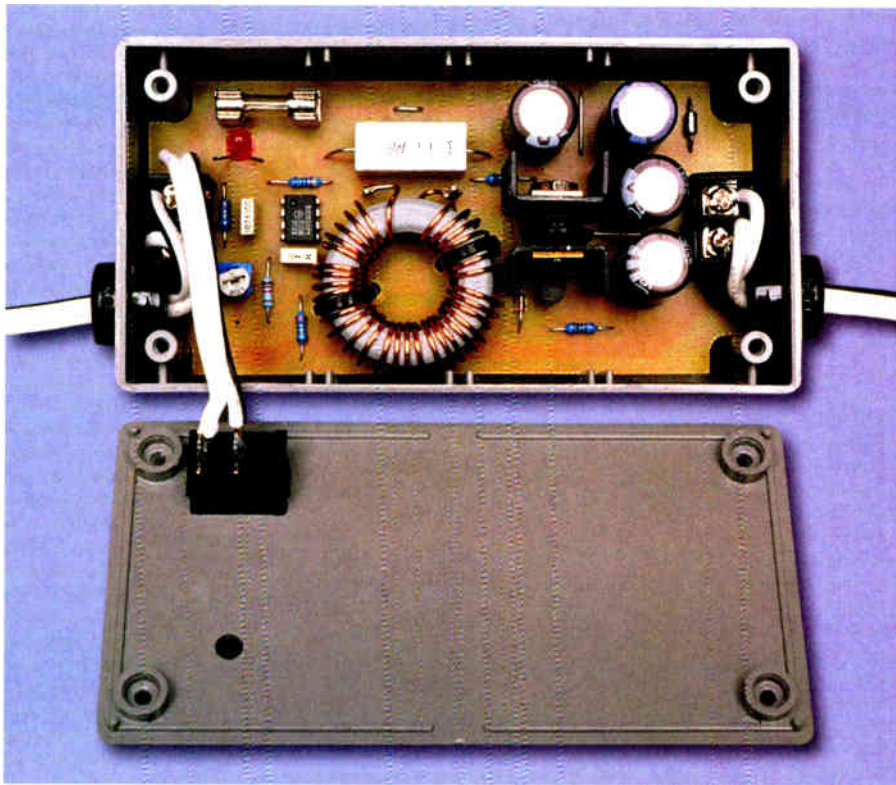
in the copper pattern. Fix any defects you discover before going further. Next, insert the PC stakes for S1 and inductor L1 and the wire links.

Insert and solder in all the resistors using Table 1 to guide you in the colour codes. Insert the IC and Zener diode taking care with correct orientation. The capacitors can be mounted next, along with trimpot VR1.

The fuseholder clips must be inserted with the correct orientation. The easiest way to make sure the clips are oriented correctly is to fit the fuse into



Constructional Project



The completed PC board fits neatly into a standard plastic case. Note the rubber grommet between the heatsinks attached to Q1 & D1.

the clips, before inserting them into the PC board. The input and output terminals can now be mounted.

D1, D3 and Q1 are mounted vertically on the PC board, each with a heatsink secured with a screw and nut. Note that diode D1 and MOSFET Q1 are held apart with a rubber grommet spacer between their heatsinks. This grommet is held between the heatsink mounting screws and prevents the two from making contact which would cause a short circuit.

Next, mount Q2 and the LED. LED1 is mounted so that its top is 29mm above the PC board.

Winding the inductor

Inductor L1 is wound with 1mm enamelled copper wire. Draw half the length of wire through the centre of the core and neatly wind on 16 turns, side

by side. Then with the other end of the wire, wind on another 16 turns so that the toroid has a total of 32 turns neatly wound around the core. The windings are terminated onto the PC stakes as shown. Make sure that the wire ends are correctly stripped of insulation before soldering, by scraping it off with a sharp utility knife.

L1 is secured in place with two cable ties which loop around it and through holes in the PC board. Spread the windings near Q1's heatsink and the 100nF capacitor so that they are clear of these parts.

The completed PC board is housed in a plastic case measuring 130 x 68 x 43mm. Fit the label to the front panel and drill out the holes for the LED and switch S1. You will also need to drill out the holes at each end of the case for the grommets.

Clip the PC board into the case; it clips into the integral side clips within the case. Test the lid to check that the LED passes through its hole with correct alignment. You can adjust it for best fit and height by bending the leads.

Wire up a cigarette lighter plug or alligator clip connectors to a length of twin automotive wire and pass the other end of the lead through the grommet. Terminate the wires to the input PC board terminals and wire switch S1 as shown. Similarly, connect a second length of automotive wire to the output terminals on the PC board and secure with a grommet.

Testing

To test the unit, first apply power from a 12V battery or DC supply and check that the LED lights. If not, check that the LED is oriented correctly. Now measure the voltages on IC1 with a multimeter. There should be about 12V between pins 4 and 6.

Now connect a multimeter across the output leads and adjust VR1. The voltage range should be from 13.8-24V. Note that the voltage will take several seconds to drop from a higher voltage to a lower setting since the only load is the voltage sensing resistors and these need to discharge the output capacitors.

Set the voltage to that required for your application. If you want to charge SLA batteries, set the output to 13.8V.

Now connect the unit to the appliance using a suitable connector. Be sure the output connector polarity is correct before running the appliance. Check that MOSFET Q1 and diodes D1 & D3 run warm rather than hot.

Table 2: Capacitor Codes

Value	IEC Code	EIA Code
100nF (0.1µF)	100n	104
1nF (0.001µF)	1n0	102

Table 1: Resistor Colour Codes

	No.	Value	4-Band Code (1%)	5-Band Code (1%)
□	1	22kΩ	red red orange brown	red red black red brown
□	1	2.2kΩ	red red red brown	red red black brown brown
□	1	1.2kΩ	brown red red brown	brown red black brown brown
□	2	1kΩ	brown black red brown	brown black black brown brown
□	1	47Ω	yellow violet black brown	yellow violet black gold brown

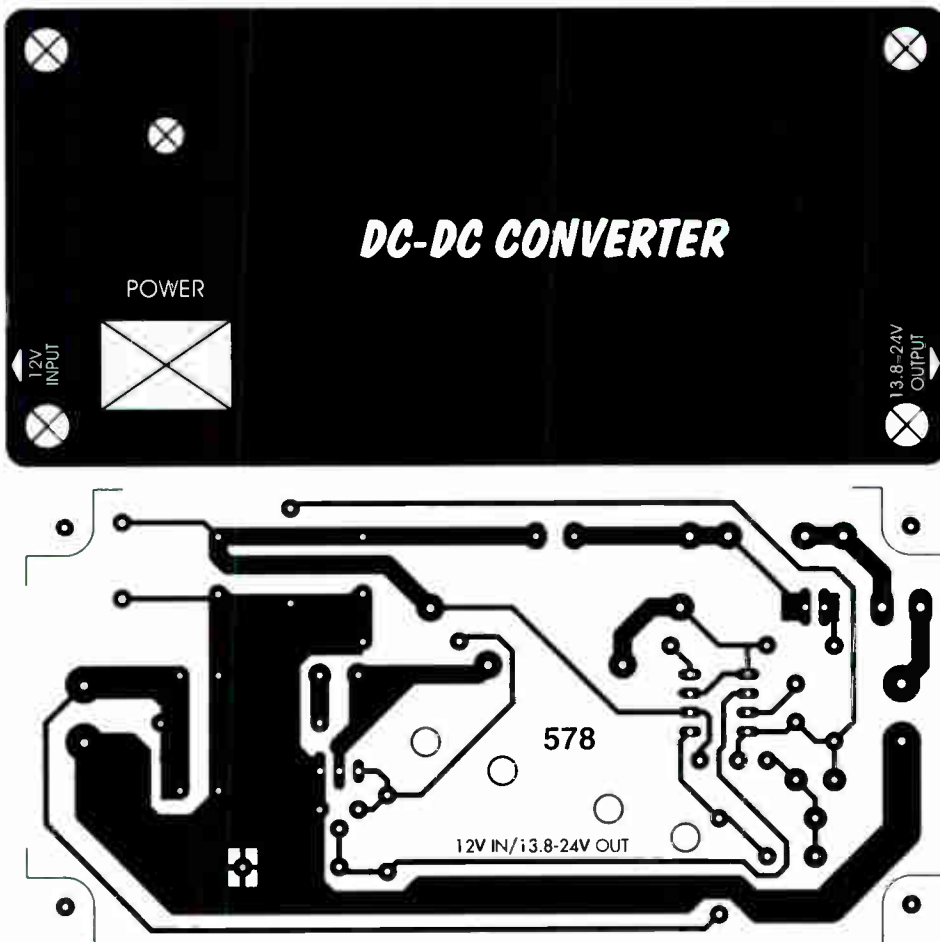
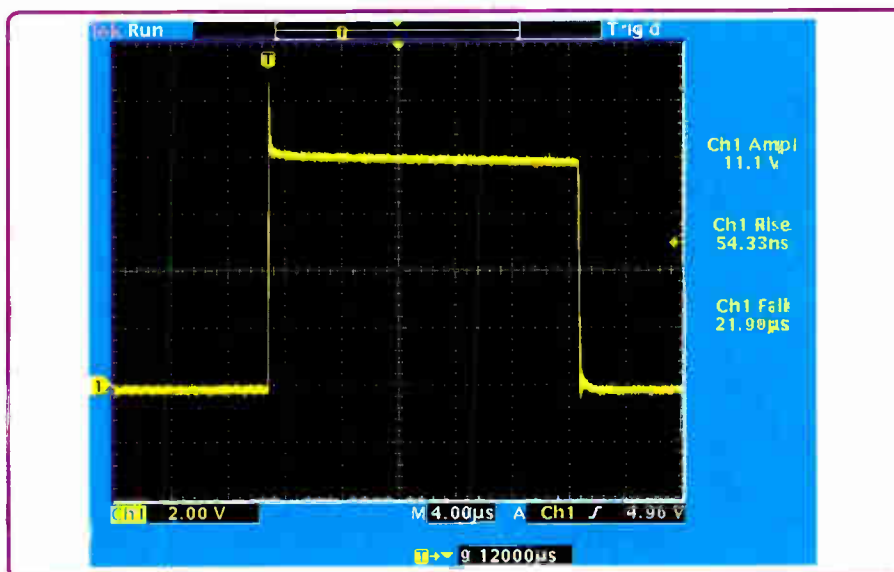


Fig.7: here are the full-size artworks for the front panel and PC board pattern.



This oscilloscope trace shows the gate drive to the MOSFET Q1. There is almost 11V drive with fast rise and fall times. The fast fall time is improved using the Q2 gate discharge transistor which quickly discharges the gate capacitance.

Finally, if you need to continuously run the DC-DC Converter at its full rated output of 2A, it would be wise

to run it in a ventilated metal case and possibly use larger heatsinks for Q1, D1 & D3. **EPE**

Parts List

- 1 PC board, code 578, available from the *EPE PCB Service*, 120 x 60mm
- 1 plastic case, 130 x 68 x 43mm
- 1 panel label, 126 x 64mm
- 1 powdered iron core (FERROX-CUBE TN25/15/10 or similar)
- 1 SPST rocker switch (S1)
- 2 2-way PC-mount screw terminals 8.25mm pin spacing
- 3 mini heatsinks, 19 x 19 x 10mm
- 2 M205 PC-mount fuse clips
- 1 M205 3A fast-blow fuse (F1)
- 2 cordgrip grommets
- 1 14mm OD rubber grommet
- 1 plug for automotive cigarette lighter socket
- 1 1m length of red automotive wire
- 1 1m length of black automotive wire
- 1 1.2m length of 1mm enamelled copper wire
- 1 60mm length of 0.7mm tinned copper wire
- 2 100mm long cable ties
- 3 M3 x 10mm screws
- 3 M3 nuts
- 4 PC stakes
- 1 1k Ω horizontal trimpot (coded 102) (VR1)

Semiconductors

- 1 MC34063 DC-DC converter (IC1)
- 1 MTP3055E N-channel MOSFET (Q1)
- 1 BC327 PNP transistor (Q2)
- 2 MBR735 7A 35V Schottky diodes (D1,D3)
- 1 5mm red LED (LED1)
- 1 1N914, 1N4148 diode (D2)
- 1 16V 1W Zener diode (ZD1)

Capacitors

- 2 1000 μ F 25V low ESR electrolytic
- 2 470 μ F 50V low ESR electrolytic
- 1 100nF MKT polyester
- 1 1nF MKT polyester

Resistors (0.25W, 1%)

- 1 22k Ω
- 1 2.2k Ω
- 1 1.2k Ω
- 2 1k Ω
- 1 47 Ω
- 1 0.1 Ω 5W

Reproduced by arrangement with SILICON CHIP magazine 2006. www.siliconchip.com.au

Ingenuity Unlimited



WIN A PICO PC-BASED OSCILLOSCOPE WORTH £586

- 5GS/s Dual Channel Storage Oscilloscope
- 50MHz Spectrum Analyser
- Multimeter
- Frequency Meter
- USB Interface.



If you have a novel circuit idea which would be of use to other readers then a Pico Technology PC-based oscilloscope could be yours. Every 12 months, Pico Technology will be awarding a PicoScope 3205 digital storage oscilloscope for the best IU submission. In addition a DrDAQ Data Logger/Scope worth £59 will be presented to the runner up.

Our regular round-up of readers' own circuits. We pay between £10 and £50 for all material published, depending on length and technical merit. We're

looking for novel applications and circuit designs, not simply mechanical, electrical or software ideas. Ideas *must be the reader's own work* and must not have been published or submitted for publication elsewhere. The circuits shown have NOT been proven by us. *Ingenuity Unlimited* is open to ALL abilities, but items for consideration in this column should be typed or word-processed, with a brief circuit description (between 100 and 500 words maximum) and include a full circuit diagram showing all component values. **Please draw all circuit schematics as clearly as possible.** Send your circuit ideas to: *Ingenuity Unlimited*, Wimborne Publishing Ltd., 408 Wimborne Road East, Ferndown, Dorset BH22 9ND. (We do not accept submissions for IU via email). Your ideas could earn you some cash and a prize!

Adjustable Touch Switch – *Light Fingered*

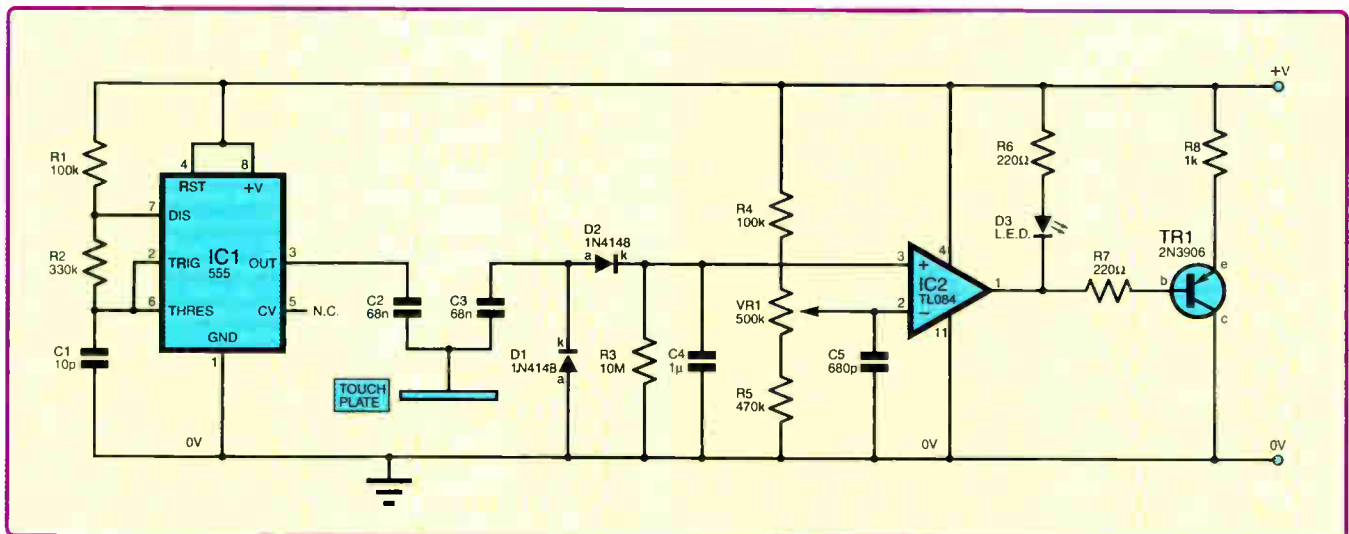


Fig.1: Complete circuit diagram for the Adjustable Touch Switch

THE sensitivity of the Touch Switch shown in Fig.1 can be adjusted between a slight touch or to a larger "pressure" being applied to trigger the switch. Because this switch works on capacitance, it will work through paint or paper labels or plastic.

The input circuit to the switch consists of a free running oscillator, IC1, having an oscillation rate set by capacitor C1 and resistor R2. This transmits a square wave pulse via two capacitors, C2 and C3, to a diode pump circuit formed around diodes D1, D2 and op.amp IC2.

The touch switch plate can be any metal insulated from ground. Touching the

switch will increase capacitance of the capacitors C2 and C3, which will raise the voltage on the positive (+) input of the op.amp. The output of IC2 will go low, nearly to 0V. The LED in the circuit is simply for testing purposes.

To adjust, while touching the switch, turn the pot, VR1, until the LED goes out. Then slowly turn the VR1 in the opposite direction until the LED just goes on. This is the correct touch position. This circuit will work on 5V to 12V. The single 555 timer circuit can drive multiple touch switches.

Chris Hegter, George, South Africa

PLEASE TAKE NOTE

Magic Bulb (IU July '06)

Page 40, Fig.1. The lower end (contact) of potentiometer VR1 should be shown connected directly to the "earth" line (0V) and not to the junction of S3 and TR1's base. We apologise for this error.

PCB-POOL®

SERVICING YOUR COMPLETE PROTOTYPE NEEDS

1 EUROCARD
(160 x 100 mm)
+ Tooling
+ Photoplots
+ VAT

€49

Price example
Any size and contour possible

Optional:

- Soldermask
- Fast-turnaround
- Silkscreen
- 4-Layer Multilayer
- 6-Layer Multilayer

DOWNLOAD OUR FREE LAYOUT SOFTWARE!

Over 18,000 Customers

Freephone 0800-3898560

Tel: +353 (0)61 211777
Fax: +353 (0)61 211785
pcb-pool@eircom.net

Simply send your files and order ONLINE: **PCB-POOL.COM**



agar Circuits

PCB DESIGN & MANUFACTURE
for both the Hobbyist and Professional

PCBs designed and produced from :

- Notes
- Schematics
- Specifications
- Descriptions
- Print - outs
- Gerbers

Available With or without component assembly

* FREE * PCB PROTOTYPE With Quantity Orders

Email: adinfo@agarcircuits.com
Tel: 028 (90) 738 897

Laser

Laser Business Systems Ltd
<http://www.laser.com>
<http://www.cbus-shop.com>
Tel: +44 (0) 20 8441 9788
Fax: +44 (0) 20 8449 0430
Email: info@laser.com

C-Bus Shop
CLIPSAL C-Bus
New **C-Bus Wireless**
coming soon



We are an authorised distributor of C-Bus intelligent lighting and control system from Clipsal Integrated Systems with an extensive range of home automation related products. We also stock Barix Ethernet based MP3, communications and control products and CAT5e based KAT5 AV transmission and IR control system.

Why tolerate when you can automate?

EasyDAQ

Low cost USB/Serial port DAQ and relay control products

USB & serial port relay cards, 4 & 8 channel (from £45)

USB & serial port DIO cards, 24 and 96 channel (from £55)

Relay cards, general purpose, 24 channel power and signal relay options (from £130)

Relay card 3U shelf assemblies, upto 192 relays per shelf (from £150)

Secure online ordering & free worldwide shipping on most products



web: www.easydaq.biz email: info@easydaq.biz
Tel: +44 (0) 01202 600747/Fax: +44 (0) 0209 2311440

ElmScan 5 Scan Tool

All Major Credit Cards Accepted!

- Diagnose any car with EOBD
- Based on the ELM327 IC
- Supports all EOBD and OBD-II protocols
 - ✓ ISO 15765-4 (CAN)
 - ✓ ISO 14230-4 (Keyword 2000)
 - ✓ ISO 9141-2
 - ✓ J1850 VPW
 - ✓ J1850 PWM
- 9600 or 38400 baud
- Supported by more software than any other OBD interface, including free and open source software
- Inexpensive
- Automatic protocol detection
- Package includes cables, software CD, and Quick Start Guide
- Buy from your local UK distributors!

www.ElmScan5.com/epe

TEACH-IN 2006

Part Ten – PICs and Operational Amplifiers.

MIKE TOOLEY BA



Our Teach-In 2006 series provides a broad-based introduction to electronics for the complete newcomer. The series also provides the more experienced reader with an opportunity to “brush up” on topics which may be less familiar. This month we shall be looking at two very different integrated circuit devices that have both had a huge impact on the world of electronics, the PIC microcontroller and the operational amplifier (op amp). These deceptively simple devices have found their way into a wide variety of electronic applications and both deserve a special mention in our Teach-In series.

PIC Microcontrollers

Last month, we introduced the notion of the microcontroller as a device that can form the basis of a stand-alone (or embedded) electronic application that can perform a variety of programmed functions. A PIC is just such a microcontroller device and it provides a flexible low-cost solution to bridge the gap between single-chip computers and the use of large numbers of discrete logic and other chips. PIC microcontrollers are being increasingly used in “self-contained” applications involving logic, timing and simple analogue-to-digital and digital-to-analogue conversion.

PIC microcontrollers first became popular more than a decade ago. Since then the range and power of these devices has increased dramatically. Nowadays, a PIC device exists for almost any embedded application, from small 6-pin devices ideal for simple control applications, through to powerful high-speed devices packed with diverse I/O (input/output) features and large amounts of program memory.

PICs are based on RISC (Reduced Instruction Set Computer) architecture and, as a consequence, they use a relatively small number of instructions. In fact, some PIC chips have as few as 33 instructions compared with some general-purpose microprocessors (such as the Z80 that we met last month) that may have several hundred.

Because it is only necessary to remember a small number of commands, it is relatively easy to learn to program a PIC using its own assembly language (note, however, that it may take several instructions to achieve on a PIC what can be done in a single instruction using a fully-fledged microprocessor). And, if you don't like the idea of having to learn assembly code programming you can make use of high-level languages such as C, BASIC or Flowcode (a language based almost entirely on flowcharts). Program memory can be ROM,

PROM or Flash memory. Data memory, on the other hand, must be read/write memory (commonly known as RAM – see last month).

As mentioned last month, mainstream microprocessors (like the Z80) are often classified by the number of data bits that they can manipulate (i.e. the “width” of the data bus). This can be either 8-, 16-, 32-, 64- or 128-bits. PIC microcontrollers, by contrast, are all based on an 8-bit data bus and, because of this, they can only operate on 8-bits of data at a time (despite this, you will sometimes encounter program instructions that reference data in 12-, 14-, and 16-bit units). The program memory of a PIC usually varies in width from 12-bits to 16-bits.

PIC Families

In the early 1990s, PIC microcontrollers were grouped in three families, often referred to as “Base-Line”, “Mid-Range”, and “High-End”. Unfortunately, many of these devices are incompatible with the latest PIC development platforms and software tools. Despite this, it is usually possible to locate a modern device that is compatible with (and will generally outperform) one of these early devices.

Another important feature of modern PIC devices is the use of electrically erasable and programmable Flash memory for program storage. These Flash memory devices are often denoted by the use of the letter “F” as part of the device coding (e.g. PIC16F877A). Note, as we shall see later, Flash devices are much easier to work with for one-off prototyping because erasure and reprogramming is greatly simplified.

Choosing a PIC Device

When choosing a PIC device for a particular project it is important to select a device that is well supported, both in terms of being a member of one of the current PIC families but also in relation to the

programming environment that you intend to use for software development. It is also important to ensure that the device incorporates all of the peripheral I/O facilities that you will need. These features might include:

- Communication interfaces (such as RS232/RS485, USB, etc)
- Display peripheral interfaces (such as LED or LCD drivers)
- Capture/compare facilities
- Pulse Width Modulators (PWM)
- Counters/timers
- Watchdog facilities
- Analogue-to-digital (A/D) converters
- Analogue comparators and operational amplifiers
- Brown-out detectors
- Low-voltage detectors
- Temperature sensors
- Oscillators
- Voltage references
- Digital-to-analogue (D/A) converters.

The PIC16F84

The PIC16F84 is an excellent example of a simple PIC device for use with a wide variety of simple microcontroller projects. The chip offers the following features:

- 35 single-word instructions
- 1K × 14-bit EEPROM (Flash) program memory
- 68 × 8-bit general purpose static RAM registers
- 15 × 8-bit special function hardware registers
- 64 × 8-bit EEPROM data memory
- 1,000,000 data memory erase/write cycles (typical)
- Data retention > 40 years
- 5 data input/output pins (Port A)
- 8 data input/output pins (Port B)
- 25mA current sink maximum per pin
- 20mA current source per pin
- 8-bit timer/counter with pre-scaler
- Power-on reset (POR)

- Power-up timer (PWRT)
- Oscillator start-up timer (OST)
- Watchdog timer (WDT) with its own on-chip RC oscillator
- Power saving "sleep" function
- Serial in-system programming (see later)
- Selectable oscillator options (including low-cost R-C as well as crystal controlled clock options)
- Operating voltage range: 2.0V to 6.0V
- Power consumption: < 2mA at 5V, 4MHz
- 60µA typical at 2V, 32kHz
- < 1µA typical standby at 2V.

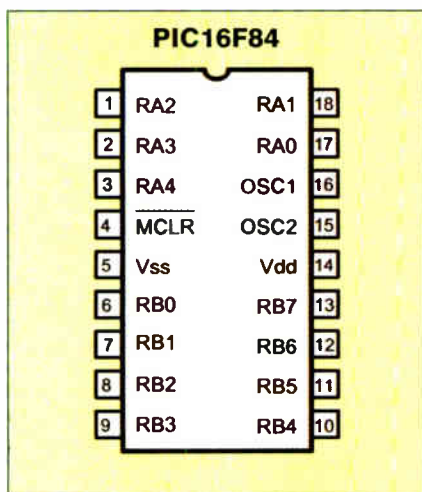


Fig.10.1. Pin connections for the PIC16F84

A Simple PIC Application

A simple PIC application based on the PIC16F84 is shown in Fig.10.2. The circuit provides control for two relays (RL1 and RL2) based on the state of four single-pole single-throw (SPST) switches (S1 to S4). The switches are connected to four lines on Port B which are configured as inputs whilst the two relays are connected to two lines on Port A configured as outputs. Because the relays demand more power than can be supplied by the PIC, additional transistor current amplifier stages (TR1 and TR2) are used as "drivers".

These two transistors are connected in common-emitter mode such that a *high* (logic 1) output from the respective Port A output line (either RA0 or RA1) will supply base current to TR1 or TR2 resulting in the transistor conducting heavily with sufficient collector current to operate either RL1 or RL2, as appropriate. The diodes, D1 and D2, are connected across the respective relay coils in order to limit the *back e.m.f.* generated when the current in the coil ceases and the flux collapses. Without these diodes there is a danger that the collector voltage may rise to a value that can cause the collector-base junction of TR1 and/or TR2 to break down.

The clock frequency (4MHz) of IC1 is determined by the crystal, X1. Note that, as an alternative to the use of a quartz crystal, the internal clock circuit of the 16F84 can also make use of low-cost (but less-accurate and less-stable) ceramic resonators and R-C (resistor-capacitor) networks.

In order to reset the PIC device, pin 4 (MCLR) on IC1 must be taken *low* (logic 0,

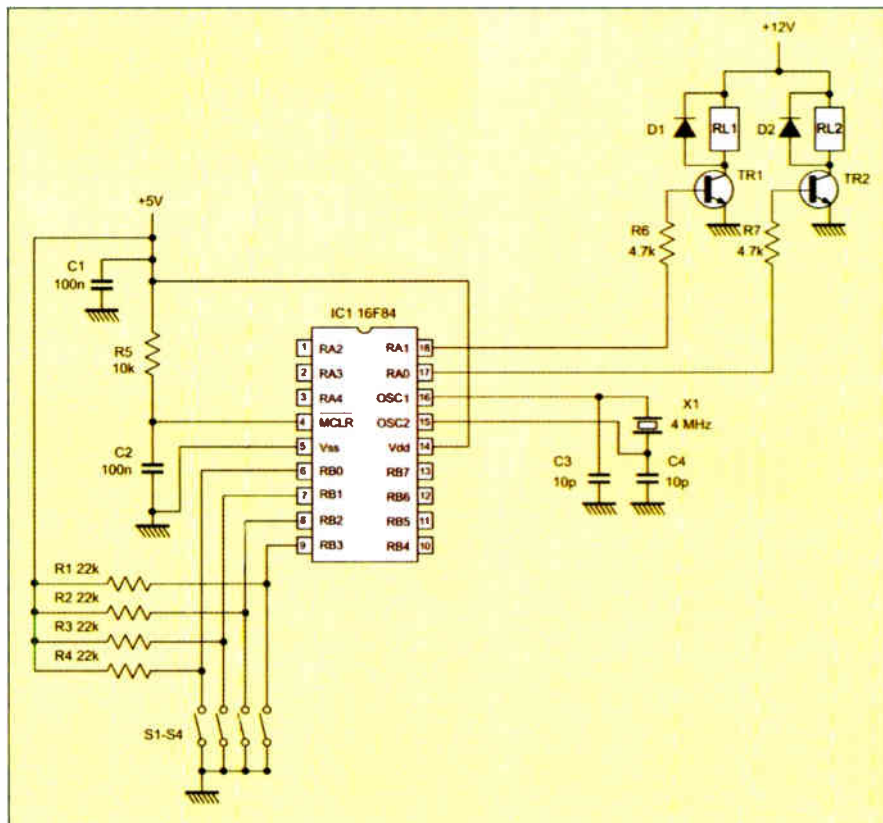


Fig. 10.2. A simple PIC application based on the PIC16F84 chip

i.e. to 0V). In normal operation this pin is held high (i.e. +5V) via R5. On power-up (i.e. when the +5V supply is first connected) this pin will go low until C2 has become charged.

The four input pin lines (RB0 to RB3) are pulled high by R1 to R4 respectively. This arrangement produces a high (logic 1) input on a particular port line when its respective input switch (S1 to S4) is open. When the switch is closed, the corresponding input will be taken low (i.e. to logic 0).

The PIC16F877

The PIC16F877 is a more advanced PIC device that is found in many "state of the art" microcontroller applications. The chip operates at up to 20MHz and has an 8K (14-bit EEPROM, Flash, program memory). The pin connections of the 16F877 are shown in Fig.10.3 and its internal architecture is shown in Fig.10.4. Note that the device has five output ports; Port A with six data pins, Ports B, C and D each with eight I/O pins, and Port E with three further I/O pins. The device can thus control a total of 33 I/O lines. In addition, the 16F877 has a 10-bit 8-channel analogue-to-digital converter and two analogue comparators with programmable on-chip voltage reference, programmable input multiplexing, and externally accessible comparator output.

PIC Programming

Programming a PIC is not quite as onerous as it might sound. As mentioned earlier, you can use assembly language or a high-level language such as C, BASIC, or Flowcode, or a mixture of these languages. Software and a programmer (see Fig.10.5 for an example) will be required to do this. There are many low-cost PIC programming and development systems readily available.

The two most commonly used methods of programming a PIC chip are shown in

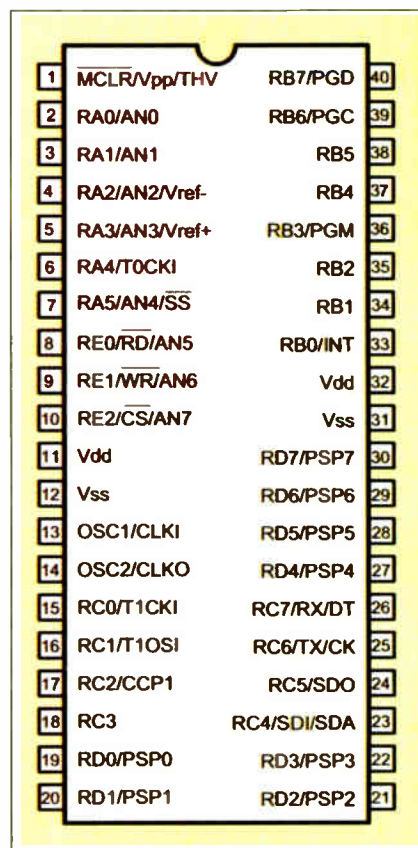


Fig.10.3. Pin connections for the PIC16F877 chip

Fig.10.6. In Fig.10.6a a dedicated PIC programmer is used whilst in Fig.10.6b the PIC is programmed whilst resident in the target system. In either case, the programming software and source code is resident on a PC and downloaded as hex code into the PIC.

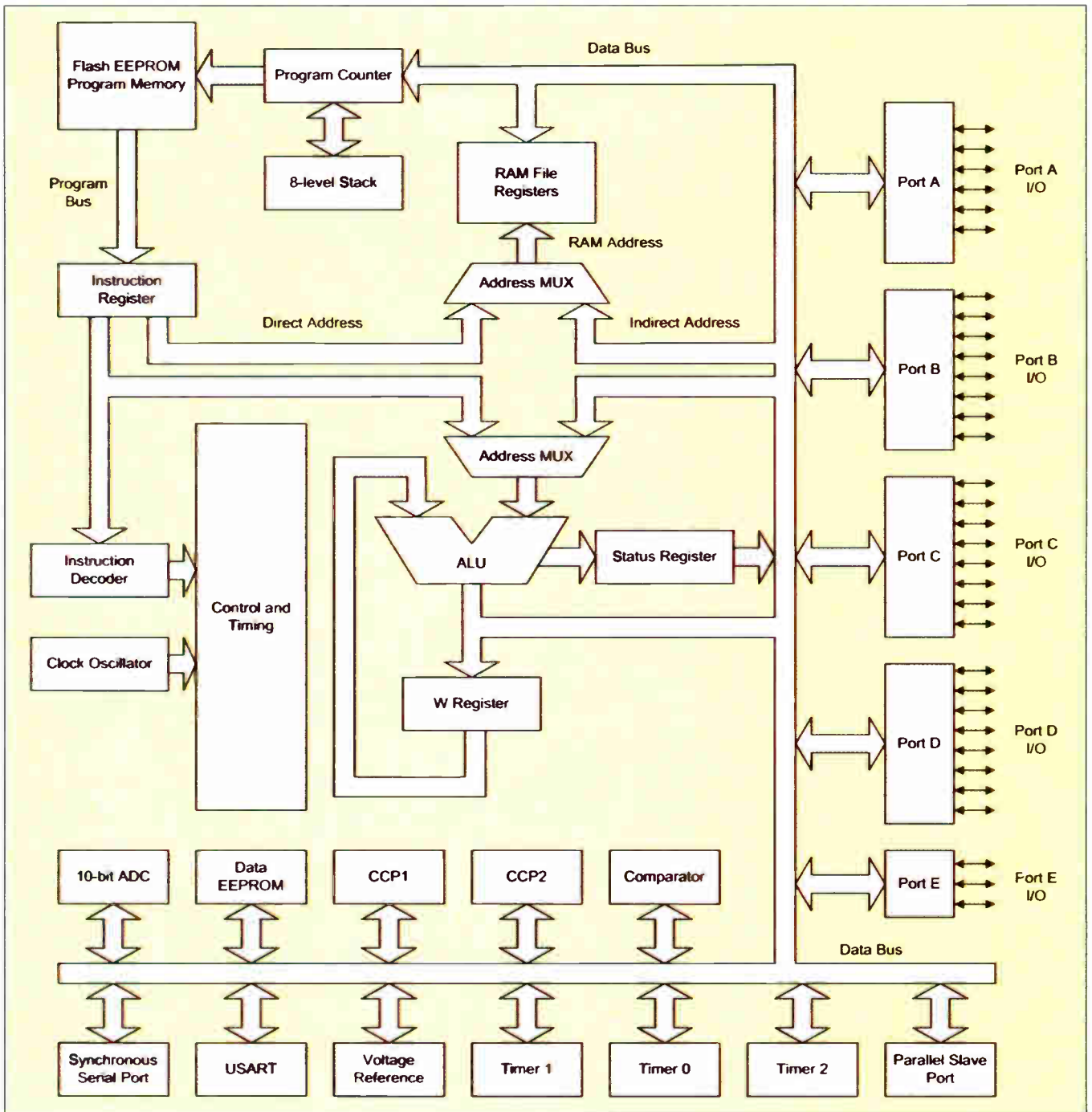


Fig. 10.4. Internal architecture of the PIC16F877 chip

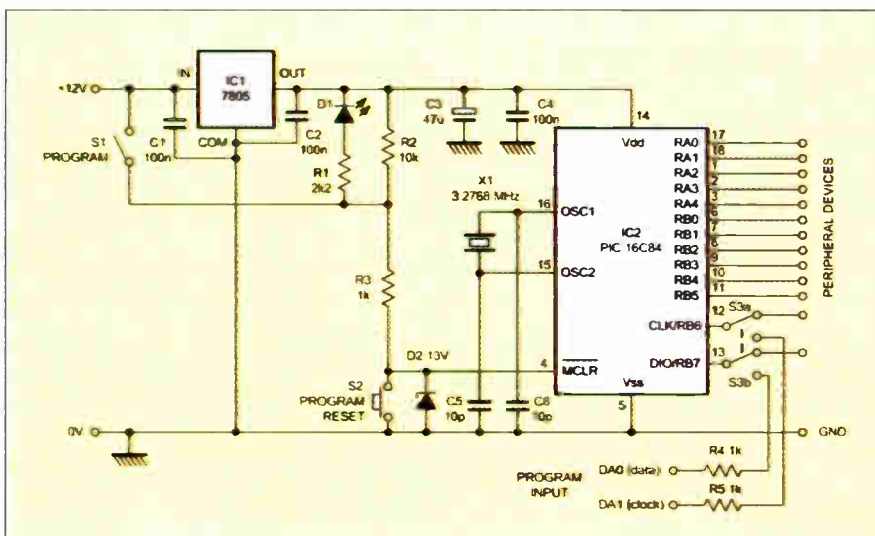


Fig. 10.5. A simple PIC programmer

Check Point 10.1

PIC microcontrollers provide a flexible low-cost solution for use in a wide range of control applications involving logic, timing and simple analogue-to-digital and digital-to-analogue conversion.

Questions 10.1

- Referring to Fig. 10.2:
- Q1. Which pin of IC1 is used for the positive supply voltage?
 - Q2. Which pin of IC1 is used for ground or common?
 - Q3. Which port lines on IC1 are unused?
 - Q4. What approximate current will be supplied by the Port A output lines when they are taken high?

The process of generating the source code, compiling and/or assembling it into hex code (see Fig.10.7) is invariably performed by software that is included as part of an Integrated Development Environment (IDE). Software is also available that can be used to simulate a PIC, allowing you to check program operation on a virtual (rather than a real) system.

Finally, if you plan to make regular use of PIC devices you might consider investing in a PIC Development System which will provide you with a breadboarding area complete with a variety of external devices such as keypads, LED and LCD displays, temperature sensors, etc.

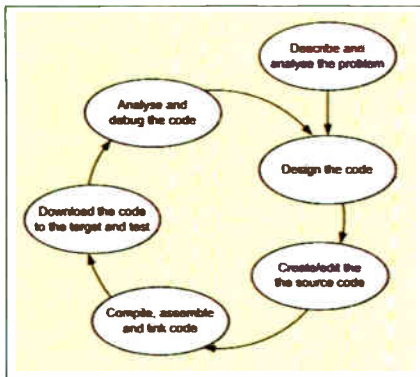


Fig.10.7. The PIC software development cycle

Operational Amplifiers (Op Amps)

Operational amplifiers (op amps) are analogue integrated circuits designed for linear amplification that offer near-ideal characteristics (very high voltage gain and input resistance coupled with low output resistance and wide bandwidth).

Op amps can be thought of as universal *gain blocks* to which external components are added in order to define their function within a circuit. For example, by adding just two or three resistors, we can produce an amplifier having a precisely defined gain. Alternatively, with three resistors and two capacitors we can realise a low-pass filter. From this you might begin to suspect that op amps are really easy to use. The good news is that they are!

The symbol for an op amp is shown in Fig.10.8. There are several important things to note about this. The device has two inputs and one output and no common connection. Furthermore, we often do not show the supply connections – it is often clearer to leave them out of the circuit altogether!

In Fig.10.8, one of the inputs is marked “-” and the other is marked “+”. These polarity markings have nothing to do with the supply connections – they indicate the overall phase shift between each input and the output. The “+” sign indicates zero phase shift whilst the “-” sign indicates 180° phase shift. Since 180° phase shift produces an inverted (turned “upside down”) waveform, the “-” input is often referred to as the *inverting input*. Similarly, the “+” input is known as the *non-inverting input*.

Most (but not all) op amps require a symmetrical supply (typically $\pm 5V$ to

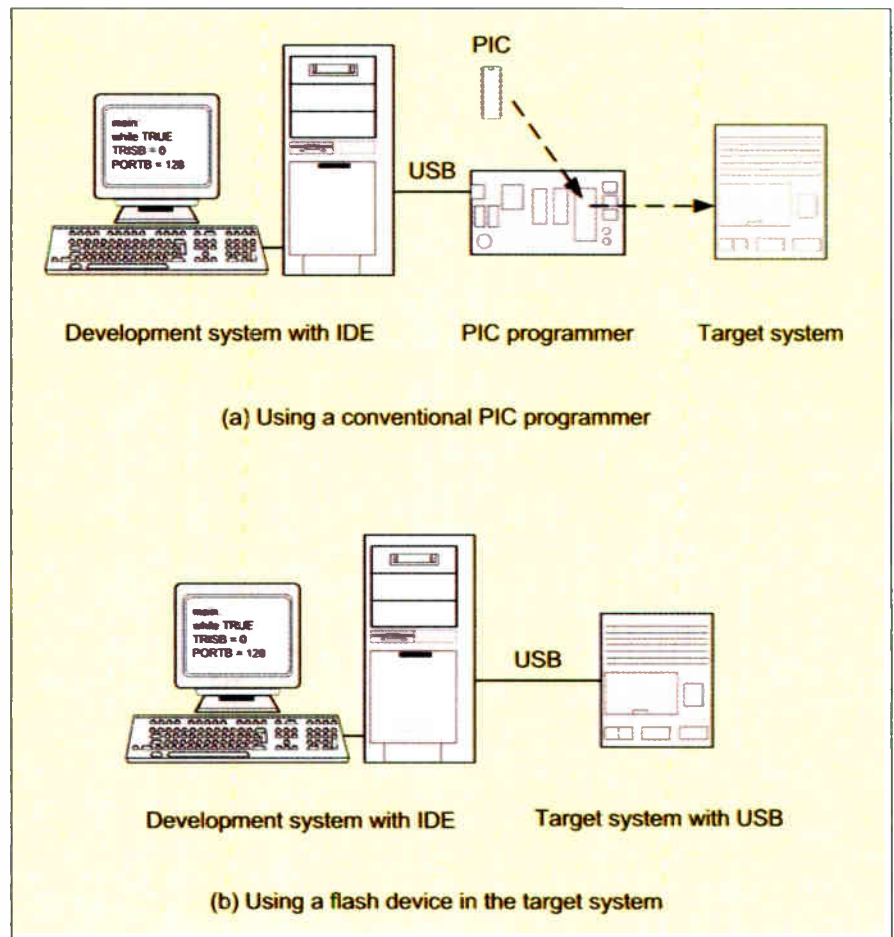


Fig.10.6. The PIC development process: (a) using a conventional PIC programmer, and (b) using a PIC Flash device in the target system

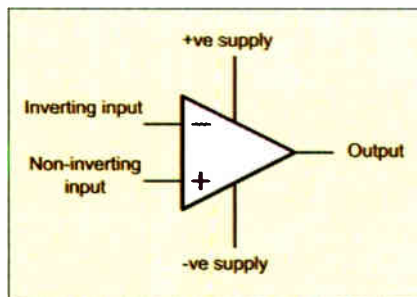


Fig.10.8. Symbol for an op amp

$\pm 15V$). This allows the output voltage to swing both positive (above 0V) and negative (below 0V). Fig.10.9 shows how the supply connections would appear if we decided to include them. Note that we usually have two separate supplies; a positive supply and an equal, but opposite, negative supply. The common connection to these two supplies (i.e. the 0V rail) acts as the common rail in our circuit. The input and output voltages are usually measured relative to this rail.

The 741 Op Amp

The type 741 is an example of a typical op amp based on bipolar junction transistors (BJT). The internal circuit of a 741 is shown in Fig.10.10. The input stage is a *differential amplifier* with Q1 and Q2 acting as emitter followers feeding a common base amplifier stage formed by Q3 and Q4. Q5 and Q6 provide a constant current collector supply for Q3 and Q4 respectively. Q8/Q9, Q10/Q11 and Q12/Q13 act as *current mirrors* that ensure that the collector

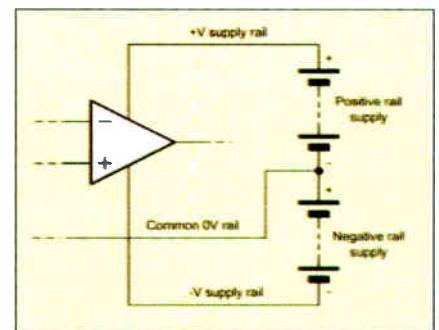


Fig.10.9. Supply rails for an op amp

Check Point 10.2

Op amps are linear integrated circuits that can be used as versatile *gain blocks* within a wide variety of linear circuits.

currents of each pair are closely matched. Q14 and Q15 form a *Darlington pair* that produces a very high value of current gain. Unconditional stability is ensured by means of a small value internal capacitor, C1, which provides high frequency *negative feedback*.

Components Q18, R7 and R8 form a V_{BE} multiplier which provides a constant base voltage supply for the complementary output stage, Q16 (NPN) and Q17 (PNP). Finally, Q19 provides a measure of protection for the output stage in the event that excessive current is demanded from it. When conducting, Q19 *clamps*

the base-emitter voltage of Q16 to a low value, reducing the base bias and consequently limiting the output current that can be supplied by the output stage.

Op Amp Characteristics

Before we can decide how good an op amp is (and how close it gets to the *ideal*), it's worth summarising the characteristics of a *perfect* amplifier. These might run along the following lines:

- The *voltage gain* should be very high (ideally infinite).
- The *input resistance* should be very high (ideally infinite).
- The *output resistance* should be very low (ideally zero).
- *Full-power bandwidth* (the range of frequencies over which the amplifier can deliver its rated output power) should be as wide as possible.
- *Slew-rate* (the speed at which the output voltage changes in response to a change in input voltage) should be as large as possible.
- *Input offset* (the value of input voltage required to make the output exactly zero) should be as small as possible.

In fact, the characteristics of most modern integrated circuit op amps come very close to those of an *ideal* op amp, as witnessed by Table 10.1.

Before we look at some representative circuits involving op amps it's worth expanding on some of the terms introduced in Table 10.1.

Voltage Gain

The open-loop (or internal) voltage gain of an op amp is very high (often 100,000 or more). In practice gains of this magnitude are not particularly useful for a number of reasons like poor stability and very limited bandwidth. Also, due to manufacturing tolerance, the internal voltage gain can vary widely from one device to another.

In order to reduce the gain to a manageable and predictable amount a precise amount of negative feedback is applied. In the circuit shown in Fig.10.11 the amount of negative feedback is determined by the ratio of resistor R2 to R1. Provided that the open-loop voltage gain is very high, the closed-loop voltage gain (i.e. the voltage gain with feedback applied) will be given by:

$$A_{VCL} = \frac{V_{OUT}}{V_{IN}} = \frac{R2}{R1}$$

where A_{VCL} is the closed-loop voltage gain, V_{OUT} and V_{IN} are the output and input voltages respectively under closed-loop

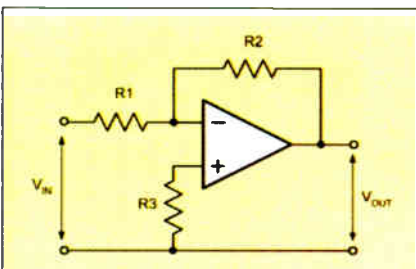


Fig.10.11. Op amp with negative feedback

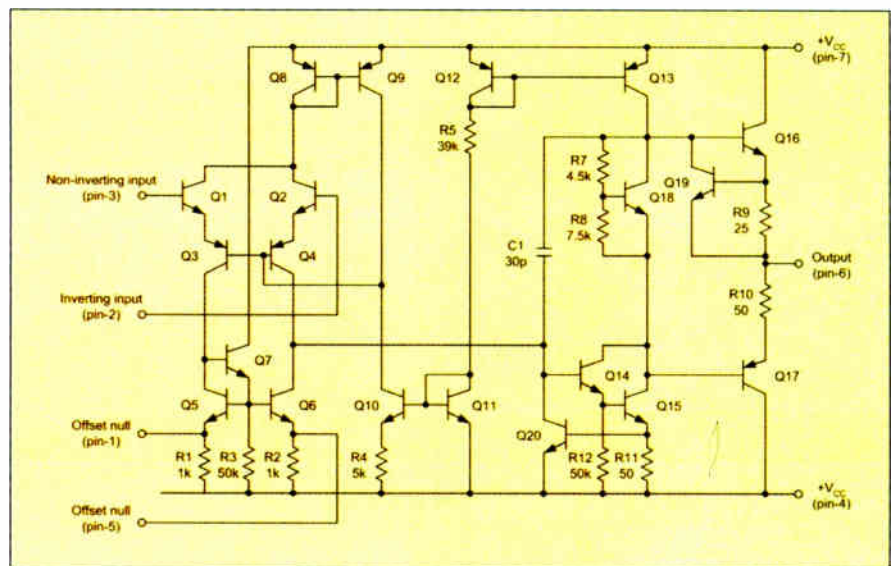


Fig.10.10. Internal circuit of a 741 op amp

Table 10.1 Characteristics of an op amp compared with those of an ideal amplifier

Parameter	Ideal	Real
Voltage gain	Gain Infinite	100,000
Input resistance	Infinite	100MΩ
Output resistance	Zero	20Ω
Bandwidth	Infinite	2MHz
Slew-rate	Infinite	10V/μs
Input offset	Zero	Less than 5mV

conditions. Note that the closed-loop voltage gain is normally very much less than the open-loop voltage gain.

Resistor R3 in Fig.10.11 has been included in order to improve the symmetry of the stage. The optimum value for R3 is given by:

$$R3 = \frac{R1 \times R2}{R1 + R2}$$

However, if R2 is large compared with R1, we often simply make R3 equal in value to R1.

Input Resistance

The input resistance of an op amp is defined as the ratio of input voltage to input current expressed in ohms. It is often expedient to assume that the input of an op amp is purely resistive, though this is not the case at high frequencies where shunt capacitive reactance may become significant. The input resistance of op amps is very much dependent on the semiconductor technology employed. In practice values range from about 2MΩ for common bipolar types, to over 10¹²Ω for FET and CMOS devices.

Input resistance is the ratio of input voltage to input current:

$$R_{IN} = \frac{V_{IN}}{I_{IN}}$$

where R_{IN} is the input resistance (in ohms), V_{IN} is the input voltage (in volts) and I_{IN} is the input current (in amps).

However, regardless of the type of device, when negative feedback is applied (as in Fig.10.11) the input resistance will become equal to R1.

Output Resistance

The output resistance of an op amp is defined as the ratio of open-circuit output voltage to short-circuit output current expressed in ohms. Typical values of output resistance range from less than 10Ω to around 100Ω depending upon the configuration and amount of feedback employed.

Output resistance is the ratio of open-circuit output voltage to short-circuit output current, hence:

$$R_{OUT} = \frac{V_{OUT(OC)}}{I_{OUT(SC)}}$$

where R_{OUT} is the output resistance (in ohms), $V_{OUT(OC)}$ is the open-circuit output voltage (in volts) and $I_{OUT(SC)}$ is the short-circuit output current (in amps).

Input Offset Voltage

An ideal op amp would provide zero output voltage when 0V difference is applied to its inputs. In practice, due to imperfect internal balance, there may be some small voltage present at the output. The voltage that must be applied differentially to the op amp input in order to make the output voltage exactly zero is known as the *input offset voltage*.

Input offset voltage may be minimized by applying relatively large amounts of negative feedback or by using the offset null facility provided by a number of op amp devices. Typical values of input offset voltage range from 1mV to 15mV. Where AC rather than DC coupling is employed, offset voltage is not normally a problem and can be happily ignored.

Full-Power Bandwidth

The full-power bandwidth for an op amp is equivalent to the frequency at

which the maximum undistorted peak output voltage swing falls to 0.707 of its low frequency (DC) value (the sinusoidal input voltage remaining constant). Typical full-power bandwidths range from 10kHz to over 1MHz for some high-speed devices.

Slew rate

Slew rate is the rate of change of output voltage with time, when a rectangular step input voltage is applied. The slew-rate of an op amp is the rate of change of output voltage with time in response to a perfect step-function input. Hence:

$$\text{Slew rate} = \frac{\Delta V_{\text{OUT}}}{\Delta t}$$

where ΔV_{OUT} is the change in output voltage (in volts) and Δt is the corresponding interval of time (in s).

Slew rate is measured in V/s (or V/ μ s) and typical values range from 0.2V/ μ s to over 20V/ μ s. Slew rate imposes a limitation on circuits in which large amplitude pulses rather than small amplitude sinusoidal signals are likely to be encountered.

Gain and Bandwidth

It is important to note that the product of gain and bandwidth is a constant for any particular op amp. Hence, an increase in gain can only be achieved at the expense of bandwidth, and vice versa.

Fig.10.12 shows the relationship between voltage gain and bandwidth for a typical op amp (note that the axes use logarithmic, rather than linear scales). The open-loop voltage gain (i.e. that obtained with no feedback applied) is 100,000 (or 100dB) and the bandwidth obtained in this condition is a mere 10Hz. The effect of applying increasing amounts of negative feedback (and consequently reducing the gain to a more manageable amount) is that the bandwidth increases in direct proportion.

The frequency response curves in Fig.10.12 show the effect on the bandwidth of making the closed-loop gains equal to 10,000, 1,000, 100, and 10. Table 10.2 summarises these results. You should also note that the gain \times bandwidth product for this amplifier is 1×10^6 Hz (i.e. 1MHz).

Op Amp Configurations

The three basic configurations for op amps are shown in Fig.10.13. Supply rails have been omitted from these diagrams for clarity but are assumed to be symmetrical about 0V. Expressions for input resistance, voltage gain, and phase shift for the three

Table 10.2 Corresponding values of voltage gain and bandwidth for an op amp with a gain \times bandwidth product of 1MHz

Voltage gain (A_v)	Bandwidth
1	DC to 1MHz
10	DC to 100kHz
1,000	DC to 10kHz
10,000	DC to 1kHz
100,000	DC to 100Hz
1,000,000	DC to 10Hz

Check Point 10.3

Op amps have characteristics that are very close to those of an ideal amplifier. The voltage gain of an op amp is reduced to a modest and predictable value by means of negative feedback.

Check Point 10.4

The product of gain and bandwidth for an op amp is a constant. Thus an increase in gain can only be achieved at the expense of bandwidth, and vice versa.

Voltage gain

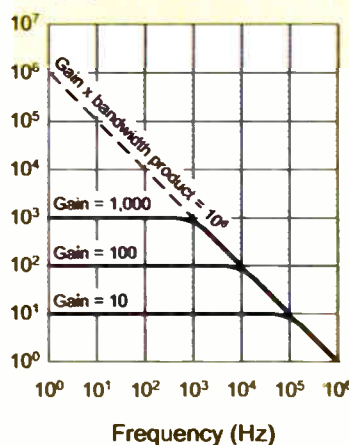


Fig.10.12. Frequency response curves for an op amp

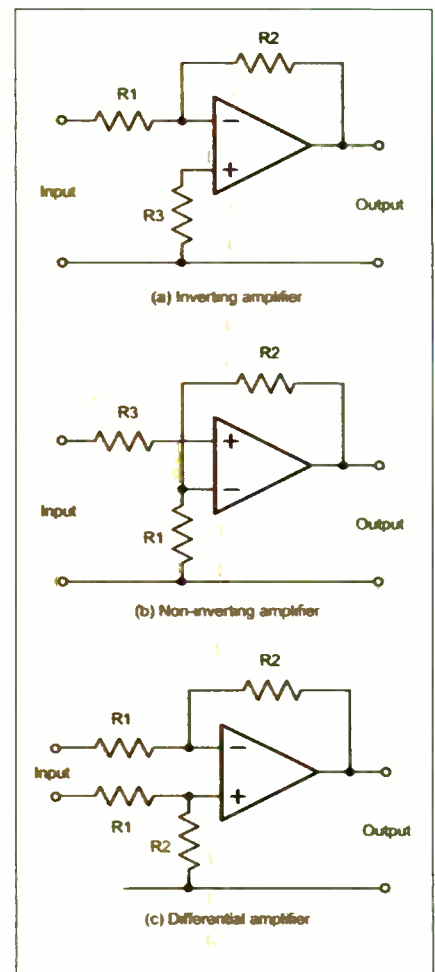


Fig.10.13. The three basic configurations for op amps

basic amplifier configurations are shown in Table 10.3.

Finally, all of the amplifier circuits described previously have used direct coupling and thus have frequency response characteristics that extend to DC. This, of course, is undesirable for many applications, particularly where a wanted AC signal may be superimposed on an unwanted DC voltage level. In such cases a capacitor of appropriate value may be inserted in series with the input, as shown in Fig.10.14. The value of this capacitor should be chosen so that its reactance is very much smaller than the input resistance at the lower applied input frequency.

We can also use a capacitor to restrict the upper frequency response of an amplifier. This time, the capacitor is connected as part of the feedback path. Indeed, by selecting appropriate values of capacitor, the frequency

Table 10.3 Expression for input resistance, voltage gain, and phase shift for the three basic op amp configurations shown in Fig.10.13

Configuration	Input resistance	Voltage gain	Phase shift
Inverting amplifier (Fig. 10.13a)	R_1	R_2/R_1	180°
Non-inverting amplifier (Fig. 10.13b)	Very high	$1 + (R_2/R_1)$	0°
Differential amplifier (Fig. 10.13c)	$2R_1$	R_2/R_1	180°

ON-LINE QUIZ

Next month sees the end of the Teach-In 2006 series, after which we shall be choosing the winner of our ON-LINE QUIZ. Have you been giving yourself the chance to win by entering the quiz?

response of an inverting op amp may be very easily tailored to suit individual requirements.

The lower cut-off frequency is determined by the value of the input capacitance, C_1 , and input resistance, R_1 . The lower cut-off frequency is given by:

$$f_1 = \frac{1}{2\pi C_1 R_1} = \frac{0.159}{C_1 R_1}$$

where C_1 is in Farads and R_1 is in ohms.

Provided the upper frequency response is not limited by the gain \times bandwidth product, the upper cut-off frequency will be determined by the feedback capacitance, C_2 , and feedback resistance, R_2 , such that:

$$f_2 = \frac{1}{2\pi C_2 R_2} = \frac{0.159}{C_2 R_2}$$

where C_2 is in Farads and R_2 is in ohms.

The bandwidth of the amplifier shown in Fig.10.14 is simply the difference between the upper and lower cut-off frequencies hence:

$$\text{Bandwidth} = f_2 - f_1$$

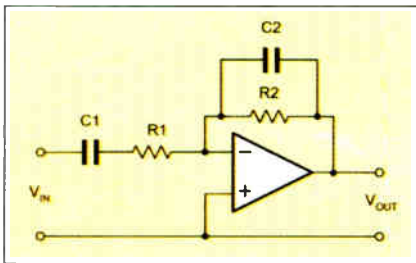


Fig. 10.14. A practical inverting amplifier with capacitors to limit both the low and the high frequency response

Questions 10.2

Q10.5 Devise a circuit using an op amp that will perform according to the following specification:

- Voltage gain = 40
- Input resistance (at mid-band) = $5k\Omega$
- Lower cut-off frequency = 20Hz
- Upper cut-off frequency = 20kHz

Practical Investigation 10.1

Objective: To investigate the operation of an op amp.

Components and materials: Plug-in breadboard; 9V DC power source (PP9 9V battery or AC mains adapter with a 9V 400mA output); digital multimeter; 741 8-pin DIL op amp; resistors of $470k\Omega$, $47k\Omega$ (2 required), $1k\Omega$ (2 required) and $10k\Omega$ (2 required); $10k\Omega$ variable potentiometer; capacitor of $47\mu F$ (2 required); insulated wire links (various lengths); short lengths of black and red insulated solid wire.

Circuit diagram: See Fig. 10.15

Wiring diagram: See Fig. 10.16

Procedure: The required breadboard wiring is shown in Table 10.4.

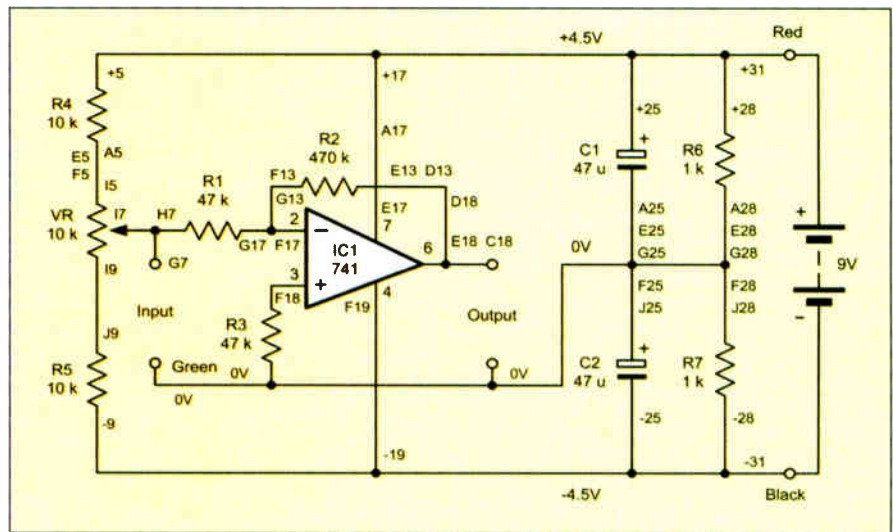


Fig. 10.15. Circuit diagram for Practical Investigation 10.1

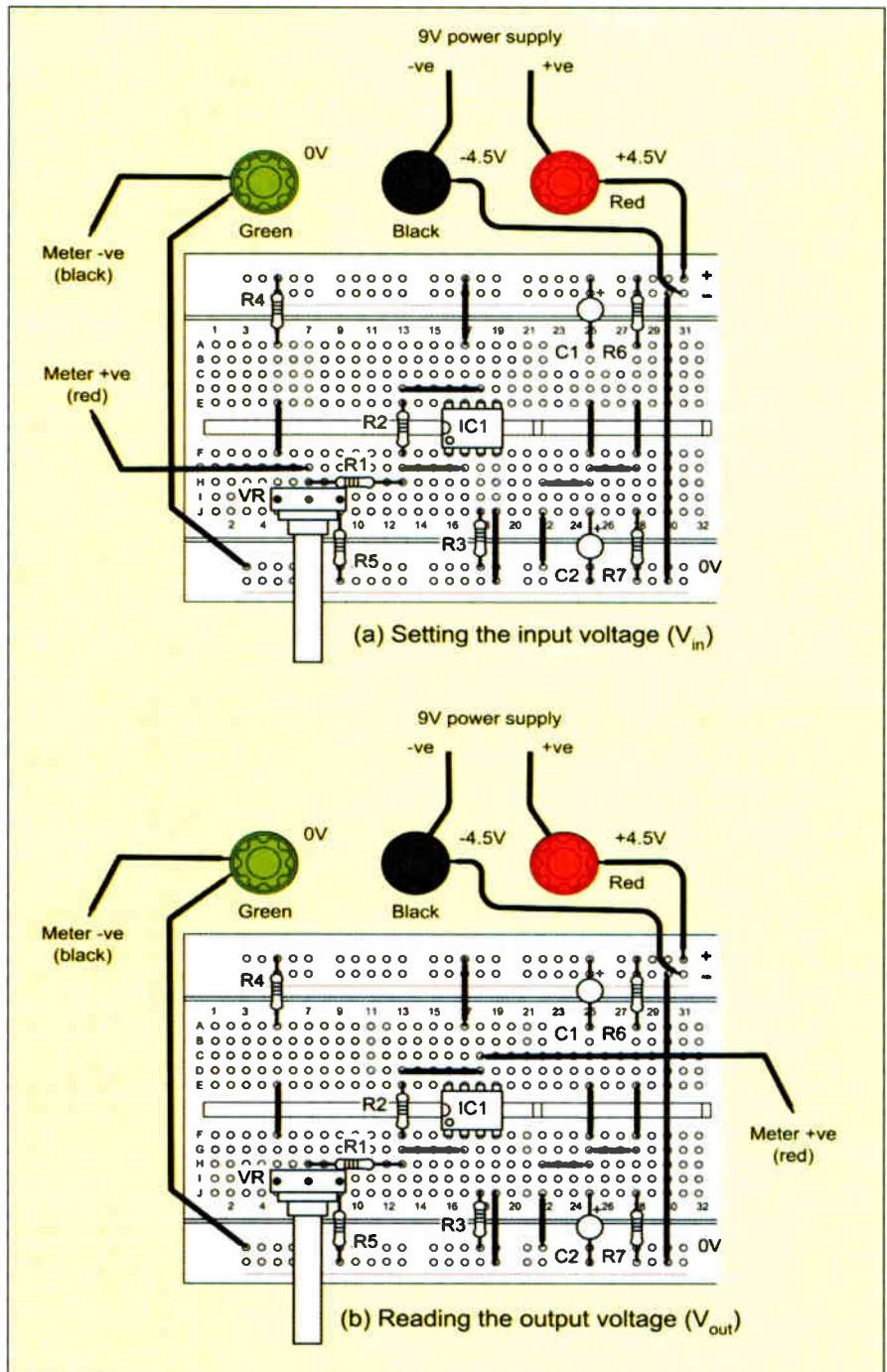


Fig. 10.16. Wiring diagram for Practical Investigation 10.1

1. Connect the circuit as shown in Table 10.4 and in Fig.10.16a.

2. Set the digital multimeter to the 20V DC range and switch on (or connect the battery) the supply.

3. Read the voltage on the meter and vary the setting of VR1 to produce an input voltage of exactly 0V.

4. Now transfer the positive meter lead in order to measure the output voltage (see Table 10.4 and Fig.10.16b).

5. Record the output voltage (which should be very close to 0V when the input is 0V).

6. Repeat steps 2 to 5 with the input voltage set to 0.05V, 0.10V, 0.15V, 0.20V, etc., as shown in Table 10.5.

Note: For this Practical Investigation it may be useful to check that the supply voltage has been correctly split to produce the +4.5V and -4.5V supply rails. To do this you can temporarily disconnect the meter leads, connect the -ve (black) lead to the green terminal and the +ve (red) lead first to the red terminal and then to the black terminal. The readings obtained should respectively be approximately +4.5V and -4.5V.

Results: Use the data from Table 10.5 to plot a graph showing output voltage plotted against input voltage (see Fig.10.17).

Conclusion: Verify that the op amp provides a voltage gain of exactly 10 (i.e. the value of R2 divided by the value of R1). Verify also that the graph is linear and identify the maximum possible swing in output voltage (this should be a little less than the supply voltage). Repeat with different values for R1 and R2.

Table 10.4 Initial wiring and input voltage setting (Fig.10.16a):

Step	Connection, link or component	From	To
1	9V supply (negative)	Supply negative	Black terminal
2	9V supply (+9V)	Supply positive	Red terminal
3	Red wire	Red terminal	+31
4	Black wire	Black terminal	-31
5	Link	-30 (top)	-30 (bottom)
6	Link	+17	A17
7	Link	E5	F5
8	Link	E28	F28
9	Link	D13	D18
10	Link	G13	G17
11	Link	H22	H25
12	Link	G25	G28
13	Link	J19	-19 (bottom)
14	Link	J22	0V 22
15	Link	0V 3	Green terminal
16	IC1 741	Pin 1	F16
17	IC1 (as above)	Pin 4	F19
18	IC1 (as above)	Pin 5	E19
19	IC1 (as above)	Pin 8	E16
20	R1 47kΩ	H7	H13
21	R2 470kΩ	E13	F13
22	R3 47kΩ	J18	0V 18
23	R4 10kΩ	+5	A5
24	R5 10kΩ	J9	-9 (bottom)
25	R6 1kΩ	+28	A28
26	R7 1kΩ	J28	-28
27	VR1 (end)	I5	
28	VR1 (slider)	I7	
29	VR1 (end)	I9	
30	C1 47μF	+25 (positive)	A25
31	C2 47μF	J25 (positive)	-25 (bottom)
32	Meter (input voltage measurement)	-ve (black)	Green terminal
33	Meter (input voltage measurement)	+ve (red)	G7
34	Meter (output voltage measurement)	-ve (black)	Green terminal
35	Meter (output voltage measurement)	+ve (red)	C18

Table 10.5 Table of results for Practical Investigation 10.1

Input voltage (V)	0	0.05	0.10	0.15	0.20	0.25	0.30	0.35	0.40
Output voltage (V)									
Input voltage (V)		-0.05	-0.10	-0.15	-0.20	-0.25	-0.30	-0.35	-0.40
Output voltage (V)									

Answers To Questions

Q1. Pin 14

Q2. Pin 5

Q3. RA2 to RA4 and RB4 to RB7

Q4. 1mA

Q5. The circuit is the same as that shown in Fig.10.14 with:

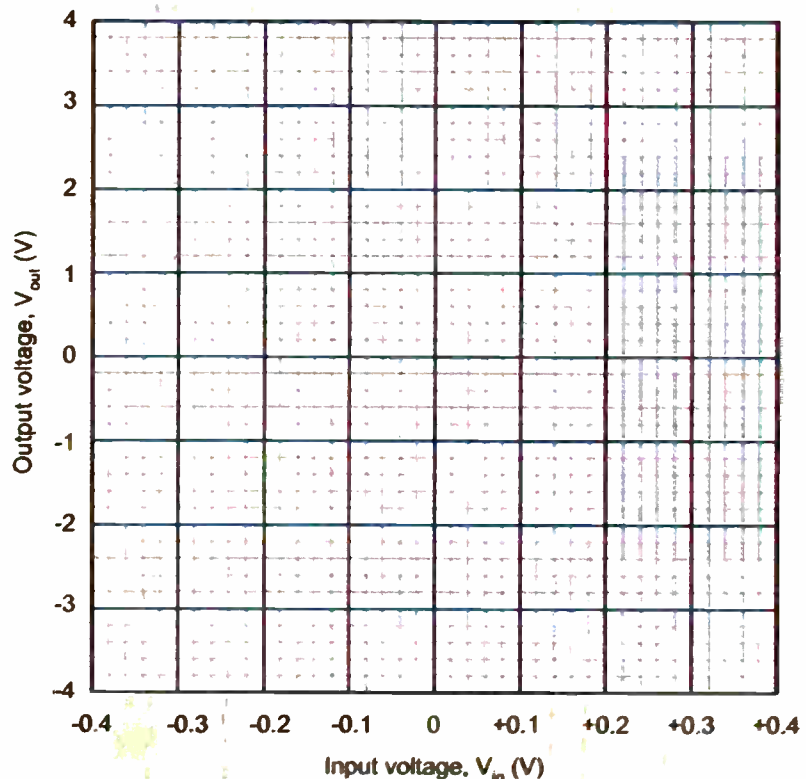
C1 = 1.59μF, R1 = 5kΩ, C2 = 39pF, R2 = 200kΩ

Next Month

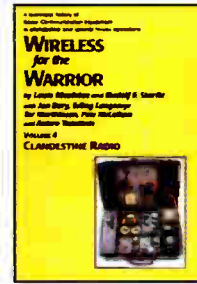
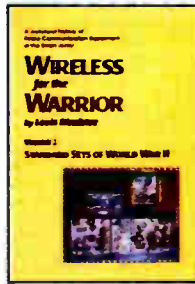
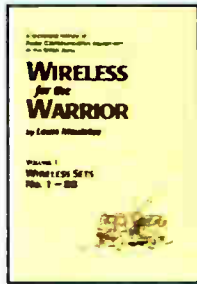
In our final part, next month, we shall be introducing radio and bringing the series to a conclusion with a practical project. In the meantime you might like to see how you get on with our on-line quiz for Part 10. You will find this at:

www.miketooley.info/teach-in/quiz10.htm

Fig.10.17(right). Graph for plotting the results of Practical Investigation 10.1



WIRELESS *for the* WARRIOR Volumes 1 to 4



Volume 1 'Wireless Sets No.1 to 88' – covers the early radios, prior to the outbreak of World War II, and wartime sets which were never released in large quantities or were abandoned after trials. Contains 360 A4 pages in softback format.

Volume 2 'Standard Sets for World War II' – provides information in detail of mass-produced Wireless Sets such as No.18, 19, 22 and 38. Additionally included are a number of post-war sets on which development had been started during World War II.

Contains 722 A4 pages in hardback format with more than 200 photographs, 750 line drawings and 180 data tables.

Temporarily out of print

Volume 3 'Reception Sets' – the receivers described span the era 1932 to the 1960s, and coverage includes not only reception sets specifically designed or adapted for the British Army, but also sets adopted from other arms (RN and RAF), special receivers, direction finding receivers, army broadcast reception sets, Canadian and Australian army sets, commercial receivers adopted by the army, and army welfare reception sets.

Contains 546 A4 pages in hardback format with more than 230 photographs, 470 line drawings and 200 data tables.

Volume 4 'Clandestine Radio' – not only 'spy' equipment but sets used by Special Forces, Partisans, Resistance, 'Stay Behind' organisations, Diplomatic Service, Australian Coast Watchers, RDF and intercept receivers, bugs and radar beacons. The information has been compiled through the collaboration of a vast number of collectors and enthusiasts around the world. Volume 4 includes information on more than 230 sets and ancillaries. Contains 692 pages in hardback format, and features over 850 photographs, 360 line drawings and 440 data tables.

PRICES INCLUDING POSTAGE

	UK	Europe airmail, Rest of World surface mail	Rest Of World airmail
Vol 1	£36.50	£37.50	£45
Vol 2	<i>Temporarily out of print</i>		
Vol 3	£48.50	£49	£59
Vol 4	£49.50	£52.50*	£64*

*For delivery to Canada Vol.2 and Vol 4 can only be sent by surface post, this can take up to 8 weeks.

Cheques made payable to Direct Book Service.
Direct Book Service, Wimborne Publishing Ltd,
 408 Wimborne Road East, Ferndown, Dorset BH22 9ND
 Tel: 0202 873872 Fax: 0202 874562
www.radiobygones.co.uk

Please send me: **Wireless For The Warrior**

.....(quantity) Vol 1;(quantity) Vol 2;(quantity) Vol 3;(quantity) Vol 4

Name Address

Post Code I enclose cheque/postal order/bank draft to the value of £.....

Please charge my Visa/Mastercard/Amex/Diners Club/Maestro

£..... Card No:

Card security No: (last 3 digits on the signature strip)

Valid From Expiry Date Maestro Issue No

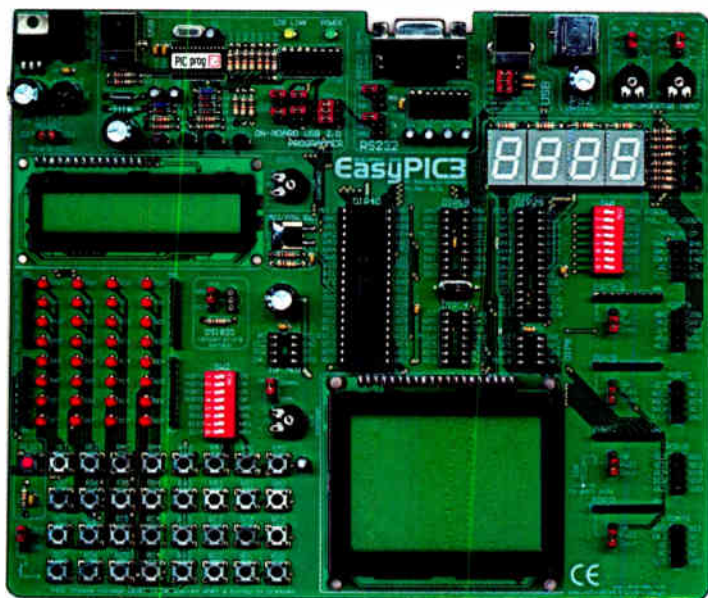
WIRELESS *for the* WARRIOR

MikroElektronika

MICROCONTROLLER DEVELOPMENT TOOLS

from Breadboarding Systems

Make PIC development easy with the EasyPIC3 Starter Pack- **only £99!**



The EasyPIC3 combines a versatile development/experiment board with a built-in USB programmer. With its wealth of on-board I/O devices and support for virtually all 8, 14, 18, 28 and 40-pin PICmicro microcontrollers in the 10F, 12F, 16F and 18F families, we're certain you won't find a more versatile high quality board at such a low price. The EasyPIC3 Starter Pack also includes USB programming/power cable, character and graphic LCDs, DS1820 temperature sensor, RS-232 data cable, PIC16F877A microcontroller, programming software and useful example programs.

Also available are similar boards for the 8051, AVR and dsPIC, each at the same great price of £99 - please telephone or see our website for further details.

EasyPIC3 Starter Pack features:

- High quality development/experiment board with built-in USB 2.0 high-speed programmer.
- Programming software compatible with Windows 98, ME, 2000 and XP.
- Comes with a PIC16F877A microcontroller but compatible with virtually all 8, 14, 18, 28 and 40-pin PIC devices in the 10F, 12F, 16F and 18F families.
- On-board I/O devices including switches, LEDs, seven-segment displays, potentiometers and RS-232 interface. Now also features USB and PS/2 keyboard interface connectors.
- Provision for easy fitting of 2x16 character LCD, 128x64 pixel graphic LCD and DS1820 1-wire temperature sensor, all of which are supplied.
- All I/O lines available for off-board expansion.
- Wide range of optional add-on boards available including ADC, DAC, EEPROM, Compact Flash, MMC/SD, Keypad, RTC, RS-485, CAN and IrDA. Further add-ons available soon.
- Powered from your PC's USB port or optional mains adapter.
- Supplied with example programs written in assembly language, BASIC, C and Pascal.
- Supplied with Microchip Technology's MPLAB development software and demonstration versions of MikroElektronika's mikroBASIC, mikroC and mikroPascal compilers.

Learn about microcontrollers with our EasyPIC3 Learning Pack - **just £129!**

We've taken everything included in the EasyPIC3 Starter Pack and added our own easy-to-follow tutorial to form a complete and self-contained Learning Pack—all that you need to learn about and experiment with microcontrollers! With this pack you will quickly become proficient in microcontroller programming and interfacing. Please see our website for full list of covered topics.

Make programming easy too with **mikroBASIC**, **mikroC** and **mikroPascal**

Three incredibly easy-to-use, yet powerful compilers for PIC microcontrollers, each featuring a user-friendly code editor, built-in tools and routines and source-level debugger. Supplied libraries facilitate rapid development and include ADC, CAN, Compact Flash, EEPROM, Ethernet, Graphic LCD, I²C, LCD, 1-wire, PWM, RS-485, sound, SPI, USART, USB routines and many more. mikroBASIC and mikroPascal—£85 each, mikroC—£145. Save 30% on compiler prices when bought with an EasyPIC3 Starter Pack or Learning Pack.

Call 0845 226 9451 or order online at www.breadboarding.co.uk

All prices exclude delivery and VAT. Major credit and debit cards accepted. Secure online ordering.

Circuit Surgery

Ian Bell



FREQUENT EPE Chatzone contributor *Amr Bekjit* posted the following question: "I recently bought a GPS module and its datasheet states that the input and output pins work at LV TTL. (Low Voltage TTL) levels. Now the worrying thing for me is that the GPS module is said to be a 5V version. Will I be able to interface to this module with something like a PIC, which uses 5V signals?"

I think that in the end Amr discovered that the GPS module was compatible with his 5V PIC, but his question raises the general issue of logic level conversion, which we will discuss this month. For many years most digital ICs either used exclusively 5V supplies or were happy working at 5V (within a larger possible range). However, modern technology demands have driven supply voltages lower and lower so we now have ICs and subsystems (such as displays and GPS modules) that work on other voltages such as 3.3V, 2.5V, 1.8V, 1.5V and 1.2V. Thus it is not uncommon to find that two key devices in your design require different supply voltages and hence have potentially incompatible logic levels.

Defining Levels

We'll start by looking at what we mean by logic levels. In simple terms it is what voltage is associated with a logic 1 and a logic 0, but we have to be a bit more precise than that when considering how we actually represent 1 and 0 in a real-life electronic circuit. We could use two voltages, say +5V for logic 1 and 0V for logic 0, but this is arbitrary. It could be -2V for 0 and +2V for 1, or 0V for 1 and +5V for 0.

In general, if the more positive voltage is used for logic 1 we refer to this as *positive logic* and if the more negative voltage is used for logic 1 we have *negative logic*. We can also build logic circuits using currents to represent 1s and 0s.

Most ICs that you are likely to encounter will use voltage signals and positive logic. If we select 5V for logic 1 and 0V for logic 0 then what does 4.9V mean? In real circuits we have to define a range of voltages that represent a valid logic level, say 0V to 2V for 0, and 3V to 5V for 1. We need to do this because we cannot build circuits which handle precisely fixed voltages under varying conditions of loading, temperature and factors affecting manufacture, particularly as they must be as small and as fast as possible.

Logic Level Conversion

In general, logic gates will accept a given range of inputs as 1 or 0 and are guaranteed to produce a *smaller* range of possible output voltages, closer to the ideal voltage. This means that each gate tends to *restore* the voltage towards the ideal for that logic level. This is illustrated in Fig.1.

In this article we will illustrate logic interfacing using two inverters connected together. In practice the input and output can be from any logic device in the appropriate technology.

Noise Margin

The difference between the worst case output level and worst acceptable input level for a given logic value is called the *noise margin*. This figure indicates how well the gate can cope with disturbances (such as external electrical interference) without losing the correct value of the input data.

In order to define noise margin more precisely we need to take note of minimum and maximum voltages for logic 0 (Low, L) and logic 1 (High, H) at both the input and the output of the gate, as follows:

Input Voltages

- Maximum Logic 0 - V_{ILmax}
- Maximum Logic 1 - V_{IHmax}
- Minimum Logic 0 - V_{OLmin}
- Minimum Logic 1 - V_{OHmin}

Output Voltages

- Maximum Logic 0 - V_{OLmax}
- Maximum Logic 1 - V_{OHmax}
- Minimum Logic 0 - V_{ILmin}
- Minimum Logic 1 - V_{IHmin}

We can then define noise margins for logic 0 (NML) and logic 1 (NMH)

$$NML = V_{ILmax} - V_{OLmax}$$

$$NMH = V_{OHmin} - V_{IHmin}$$

If the voltage is *in between* the defined logic levels for any reason (except for the brief time when switching between levels) then we have an undefined logic value and the circuit may behave unpredictably or even suffer damage.

Incompatible Logic

Now we have defined some basics we can look at the problems of connecting different gates together. There are two key things that can be different and hence cause us potential interfacing problems:

these are the logic technology (e.g. CMOS and TTL) and the supply voltage. Different technologies may pose problems with incompatibility even on the same supply voltage. This is illustrated in Fig.2 which shows two possible problems in this situation – poor noise margin and mismatched logic ranges.

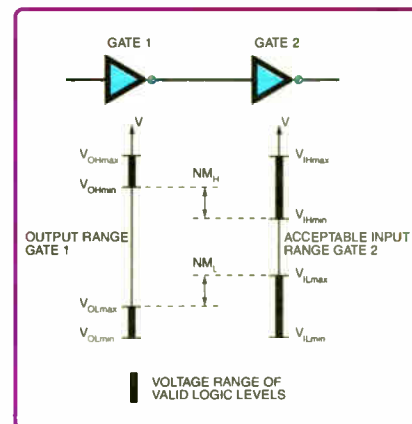


Fig.1. Logic Levels and Noise Margins. The output range of a gate for logic 0 and 1 is smaller than acceptable input range, thus restoring the voltage level to a more ideal one.

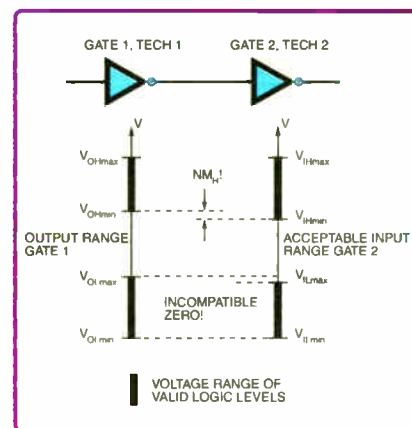


Fig.2. Example incompatible circuits: different technologies on the same supply. Logic 0 output range of technology 1 is too large for technology 2 – not all valid 0 outputs from gate 1 will be recognised by gate 2. Logic 1 is ok, but the logic margin is very low, the logic 1 level will be sensitive to noise.

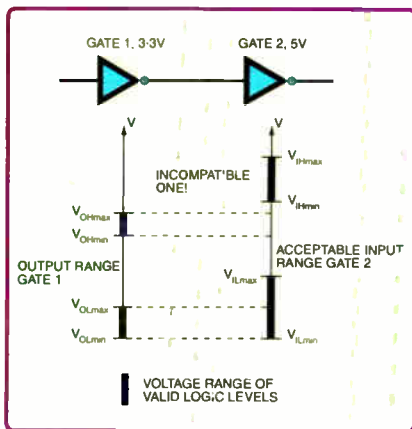


Fig. 3. Example of incompatible circuits: a low voltage gate drives a higher voltage gate. Logic 0 is ok, but the logic 1 output voltage is insufficient to be recognised by the second gate.

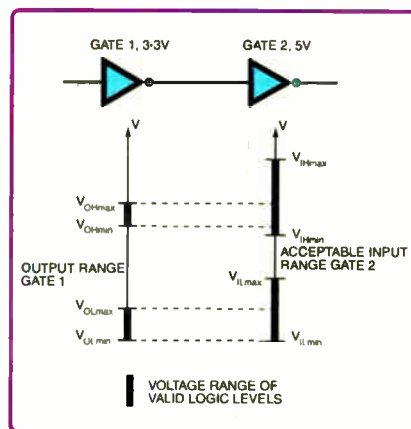


Fig. 5. Example of compatible circuits operating on different supply voltages. The logic 1 input voltage range goes insufficiently low for the low voltage logic 1 outputs to be correctly interpreted.

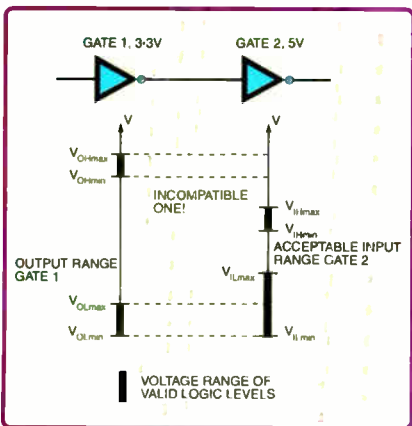


Fig. 4. Example of incompatible circuits: a high voltage gate drives a lower voltage gate. Logic 0 is ok, but the logic 1 output voltage is too high and may even damage the second gate.

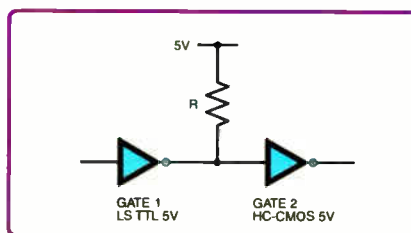


Fig. 6. LS TTL to HC-CMOS interfacing.

Connecting Families

There are a very large number of logic families that can potentially operate on the same voltage so we cannot discuss every possible interfacing situation. In many cases direct connection is possible, in particular if you are not concerned about things working under all possible device variations. We will look at just one example – driving HC-CMOS from LS TTL.

LS TTL specifications guarantee a 2-7V logic 1 output level, but HC-CMOS requires a 3-5V logic 1 input on a 5V supply. In practice the LS TTL output will probably be sufficient, but compatibility is not guaranteed by the worst case characteristics.

To ensure compatibility the output logic 1 from the LS TTL device can be raised by placing a pull-up resistor from the output to V_{CC} (see Fig. 6). When the output goes high, the resistor pulls the voltage very close to V_{CC} . The value of the resistor should be chosen based on the number of other LS TTL inputs the gate is driving in addition to CMOS input(s) (referred to as the LS TTL fanout) using the graph in Fig. 7. For

example, if an LS TTL device is driving only CMOS circuits then the LS TTL fanout is 0 so the resistor value is chosen from the left axis of the graph.

The data in Fig. 7 comes from a detailed application note on logic interfacing from Fairchild Semiconductor (www.fairchildsemi.com/an/AN/AN-314.pdf) which considers interfacing problems for a wide range of logic families and is a useful resource on this topic.

Different Voltages

When logic circuits are operating on different voltages, direct connection is not possible and we need some kind of interface circuit. Perhaps the simplest is to use a potential divider to reduce the output level of the higher voltage circuit to make it compatible with a lower one (see Fig. 8). Typical values might be $R1 = 18k\Omega$ and $R2 = 33k\Omega$ for 5V to 3.3V.

Use of a potential divider will increase power consumption and may result in slow switching. To make sure that this will work you need to make sure that voltages ranges produced by the divider are compatible (i.e. such as in Fig. 1) taking supply voltage variations for gate 1 and resistor tolerances into account.

A diode can be used to shift logic output voltages up by about 0.6V as shown in Fig. 9. This may make the logic 1 voltages compatible, for example for translating 3.3V logic up to 5V logic. A problem is that the logic 0 levels get shifted up as well and may become incompatible, or suffer poor noise margin.

For converting to a lower level from a higher level a transistor switch can be used. This is shown in Fig. 10. If resistor $R2$ is large the switching may be slow, if it is small the power consumption will increase.

The CD4049 and CD4050 CMOS buffer ICs can be used to interface from higher to lower level logic voltages as shown in Fig. 11. Note that the CD4050's V_{DD} is connected to lower of the two supplies.

Fig. 3 and Fig. 4 illustrate typical situations when logic gates operating on different voltages are connected together. In most cases at least one logic level will be fundamentally incompatible. There may also be range or logic margin problems with the other level. Applying an input voltage more than about 0.3V volts above the supply voltage or below ground will cause many devices to stop working or even suffer damage. Datasheets will provide the exact details of what input voltages can be tolerated.

Sometimes it is possible to connect a lower voltage logic output directly to one operating on a higher supply. This is illustrated in Fig. 5.

When connecting gates of the same technology and supply voltage together we generally only have to worry about loading. The voltages ranges should automatically be compatible. However, for any technology there will be a limit to the number of inputs a gate's output can drive correctly. Loading effects will be relatively easy to assess for a single technology (with details readily available in datasheets), but when connecting two technologies together the situation may be more difficult to assess. We will see later (Fig. 7) that loading may need to be considered when setting up a conversion interface.

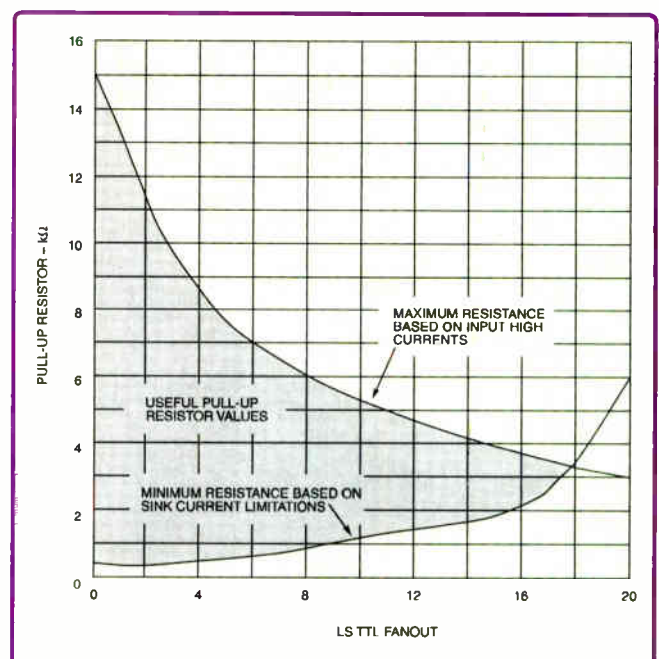


Fig. 7. Choice of pull-up resistor for LS TTL to HC-CMOS interfacing (source: Fairchild Semiconductor application note AN-314)

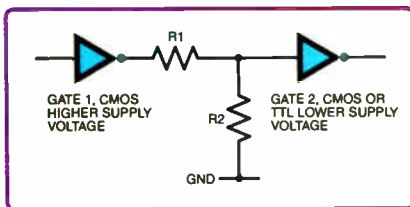


Fig. 8. Potential divider logic interface.

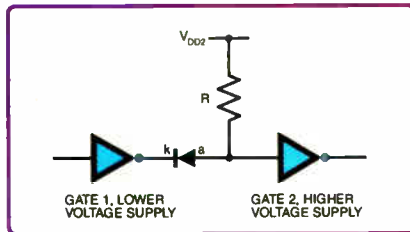


Fig. 9. Diode voltage shift logic interface.

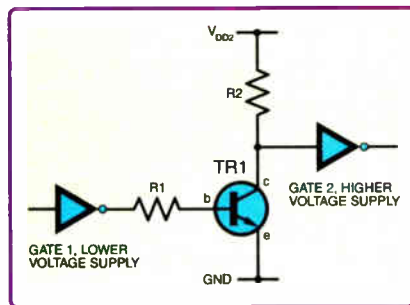


Fig. 10. Transistor switch logic interface.

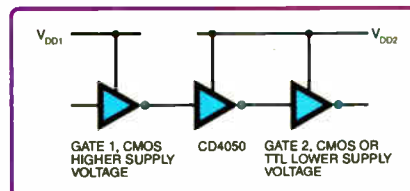


Fig. 11. High to low level conversion using the CD4050.

Two-Way Conversions

The situation we have discussed so far – the connection of one logic output to one logic input – is relatively straightforward, but we also have to deal with situations such as data buses where information flows in both directions between the two subsystems on different supplies. Here special interface ICs are particularly useful.

The 74LVC4245A is an octal dual supply translating transceiver IC from Philips Semiconductors. It has non-inverting 3-state bus compatible outputs in both send and receive directions. Fig. 12 shows an internal schematic of the device and Fig. 13 shows its pinout.

The 74LVC4245A is designed to interface between a 3V and 5V bus in a mixed 3V and 5V supply environment. It has two power supplies, V_{CCB} for the 3V system, which actually has a range of 1.5V to 3.6V, and V_{CCA} for the 5V system, which has a range of 1.5V to 5.5V. The 74LVC4245A has an output enable input (OE) so that the two buses may be isolated, and a send/receive (DIR) for controlling

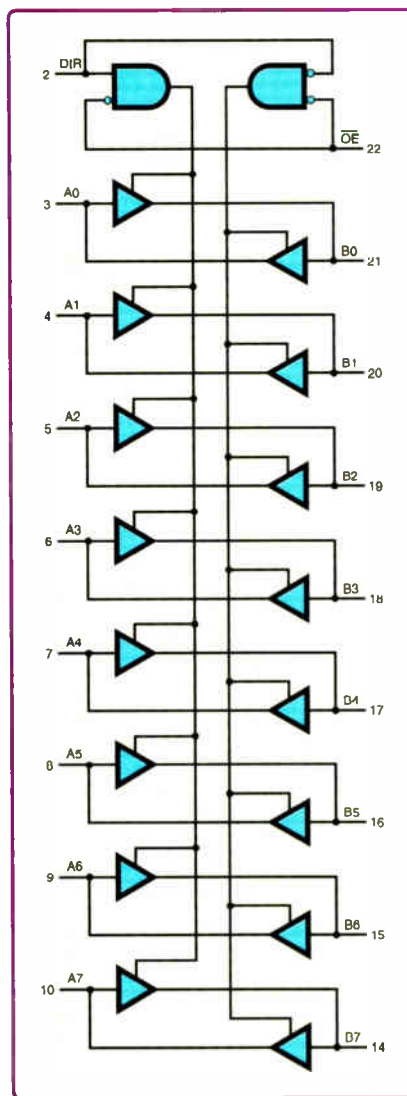


Fig. 12. The 74LVC4245A internal schematic (Source: Philips datasheet).

the direction of data flow between the two buses. The device could be used for a single direction interface by fixing the DIR pin at the appropriate level.

For further reading on logic interfacing consult the Philips Application note AN240 (www.semiconductors.philips.com/acrobat_download/application-notes/AN240.pdf), which discusses 5V/3V interfacing in depth.

5V Tolerant Inputs

Fortunately, sometimes you do not have to take a lot of effort to provide 5V to 3V interfacing. Some 3-3V microcontrollers (including some PICs) have "5V tolerant inputs". That is, unlike the small over-voltages permissible with most logic devices these chips can have 5V logic signals connected to them when operating on 3-3V. This is achieved by changing the design of the electrostatic discharge (ESD) protection circuits (it is usually the ESD clamps switching on that causes problems with over-voltage logic inputs connected to conventional CMOS devices). The 3-3V logic outputs are designed to fit with 5V TTL input levels (as in Fig. 4). For connecting 3-3V outputs to 5V CMOS inputs a pull-up resistor is used with the output configured as an open drain.

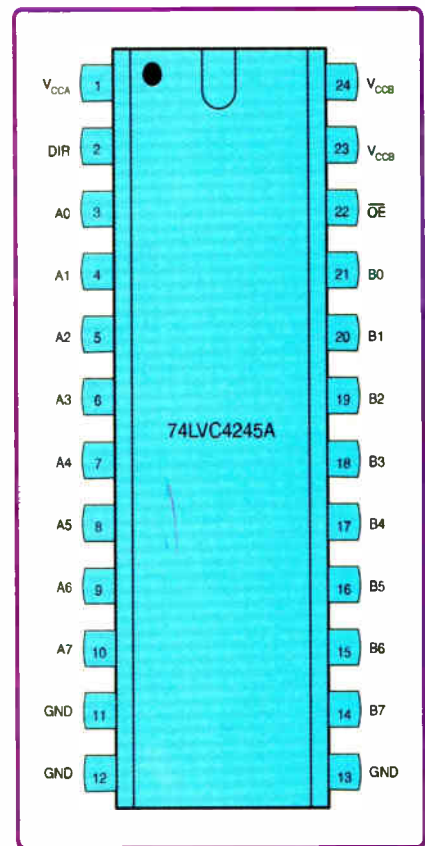


Fig. 13. The 74LVC4245A pin connections (Source: Philips datasheet).

ANDRE LAMOTHE'S
XGAMESTATION
LEARN STEP-BY-STEP HOW TO DESIGN
AND BUILD YOUR OWN VIDEO GAME CONSOLE!
Design Inspired by the Atari 800/2600,
Sinclair ZX Spectrum, Apple II & Commodore 64!





Complete Package **eBook** **Integrated IDE**




SX52 CPU
80 MIPS! **OPEN SOURCE!**



FEATURES:

- Great for Hobbyists AND Students!
- Complete Software Development Kit!
- eBook on Designing the XGS Console!
- Parallax SX-Key Compatible!
- Fully Assembled XGS Micro Edition Unit!
- The Fun Way to Learn Embedded Systems!



WWW.XGAMESTATION.COM
SUPPORT@NURVE.NET | PH: 925.736.2098 (USA)

At FTDI, you'll find *more* than just our acclaimed range of USB Interface Chips...

We also have a wide range of competitively priced USB interface modules and cables ideal for implementing one-off designs through to full mass production runs. Our on-line shop accepts payment by credit card - no minimum order restrictions apply

TTL-232R USB to TTL Serial I/F Cable

£11.10



- Easy solution for attaching 5v / 3.3v MCU to USB
- Fully 5v compatible I/O signal levels
- 3.3v I/O version also available
- TTL UART interface
- FTDI VCP or D2XX Drivers available
- 1.8m long 6 way cable
- 6 pin SIL pin socket (0.1in pitch)
- FT232RQ embedded into USB type "A" plug
- Data transfer rates from 300 baud to 3M baud
- Optional RTS/CTS or X-ON/X-OFF handshaking

MM232R Miniature USB Module

£10.00



- Micro Miniature USB Module
- FT232RQ USB UART
- 0.1in Pitch Pinout
- TXD, RXD, RTS#, CTS# UART Interface Pins
- Communication from 300 baud to 3M baud
- Four configurable GPIO Pins
- USB Self / Bus powered options
- 3.3v / 5v I/O signal level options

UM232R / UM245R DIL Modules

£11.10



- 24 Pin DIL format USB Modules
- FT232RL USB UART (UM232R)
- FT245RL USB FIFO (UM245R)
- Turned pins fit standard 24 pin i.c. socket
- USB Self / Bus powered options
- 3.3v / 5v I/O signal level options
- Full set of UART Interface Pins (UM232R)
- All multi-function CBUS GPIO Pins available (UM232R)
- Power Enable control available (UM245R)

DLP-RFID1 USB - RFID Reader / Writer

£79.50



A low-cost, USB-powered module for reading and writing ISO 15693, ISO 18000-3, and Tag-it™ passive RFID transponder tags.

- read and write up to 256 bytes of data
- read the unique identifier (UID).
- Internal antenna inside the unit
- Unit size 3.25" x 2.3" x .83"
- Operating range from 2-6 inches depending upon the size of the transponder tag.

DLP-D USB Security Dongle

£6.99



- Protect your application software with this low cost USB software security dongle
- ChipID Feature returns unique number for every dongle
- User EEPROM area allows storage of customer information and validation data
- Devise your own encryption scheme
- Basic demo software in VB and VC++ included
- Optional Software Guardian application software bundle available

US232R-10 Premium USB - RS232 Cable

£12.50
10cm version



Looks great and works great with MAC platforms as well as PC.

- High tech white gloss enclosure
- Blue side-lit LED TX and RX traffic indicators
- Gold Plated USB and DB9 connectors
- Supplied in retail packaging with driver CD
- Communication rates from 300 baud to 1M baud
- 10cm cable length (1m version available at £14.50)

DLP-Tilt USB Accelerometer Module

£27.80



The DLP-TILT USB-to-accelerometer module has four primary application areas:

- vibration analysis
- tilt sensing
- AC signal analysis
- two-button mouse pointing device alternative
- demonstration software provided using FTDI's Virtual COM Port (VCP) drivers

UC232R-10 Economy USB RS232 Cable

£10.50
10cm version



- Matt finish, nicely sculpted white plastic enclosure
- Supplied loose packed in an anti-static bag
- Wide range of drivers downloadable from FTDI web site
- Communication rates from 300 baud to 230k baud
- 10cm cable length (1m available to special request only)

Future Technology Devices Intl. Ltd

373 Scotland Street

Glasgow G5 8QB

Tel : 0141 429 2777

E-Mail : chipshop@ftdichip.com

Web : www.ftdichip.com

Volume Discounts Available



FTDI
Chip

** Prices shown exclude shipping & VAT

Over 50 different USB Interface products in stock at www.ftdichip.com/shop.htm

EPE IS PLEASED TO BE ABLE TO OFFER YOU THESE ELECTRONICS CD-ROMS

ELECTRONICS PROJECTS

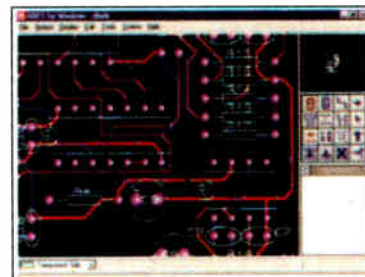


Logic Probe testing

Electronic Projects is split into two main sections: **Building Electronic Projects** contains comprehensive information about the components, tools and techniques used in developing projects from initial concept through to final circuit board production. Extensive use is made of video presentations showing soldering and construction techniques. The second section contains a set of ten projects for students to build, ranging from simple sensor circuits through to power amplifiers. A shareware version of Matrix's CADPACK schematic capture, circuit simulation and p.c.b. design software is included.

The projects on the CD-ROM are: Logic Probe; Light, Heat and Moisture Sensor; NE555 Timer; Egg Timer; Dice Machine; Bike Alarm; Stereo Mixer; Power Amplifier; Sound Activated Switch; Reaction Tester. Full parts lists, schematics and p.c.b. layouts are included on the CD-ROM.

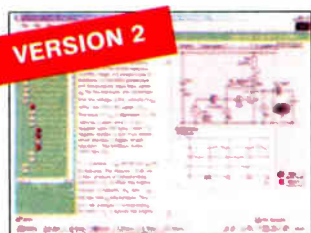
ELECTRONICS CAD PACK



PCB Layout

Electronics CADPACK allows users to design complex circuit schematics, to view circuit animations using a unique SPICE-based simulation tool, and to design printed circuit boards. CADPACK is made up of three separate software modules. (These are restricted versions of the full Labcenter software.) **ISIS Lite** which provides full schematic drawing features including full control of drawing appearance, automatic wire routing, and over 6,000 parts. **PROSPICE Lite** (integrated into ISIS Lite) which uses unique animation to show the operation of any circuit with mouse-operated switches, pots, etc. The animation is compiled using a full mixed mode SPICE simulator. **ARES Lite** PCB layout software allows professional quality PCBs to be designed and includes advanced features such as 16-layer boards, SMT components, and an autorouter operating on user generated Net Lists.

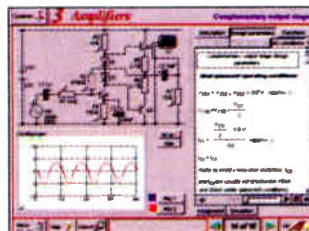
ELECTRONIC CIRCUITS & COMPONENTS V2.0



Circuit simulation screen

Provides an introduction to the principles and application of the most common types of electronic components and shows how they are used to form complete circuits. The virtual laboratories, worked examples and pre-designed circuits allow students to learn, experiment and check their understanding. Version 2 has been considerably expanded in almost every area following a review of major syllabuses (GCSE, GNVQ, A level and HNC). It also contains both European and American circuit symbols. Sections include: **Fundamentals**: units & multiples, electricity, electric circuits, alternating circuits. **Passive Components**: resistors, capacitors, inductors, transformers. **Semiconductors**: diodes, transistors, op.amps, logic gates. **Passive Circuits**. **Active Circuits**. **The Parts Gallery** will help students to recognise common electronic components and their corresponding symbols in circuit diagrams. Included in the Institutional Versions are multiple choice questions, exam style questions, fault finding virtual laboratories and investigations/worksheets.

ANALOGUE ELECTRONICS

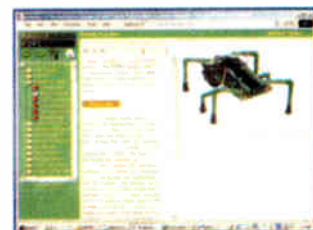


Complimentary output stage

Analogue Electronics is a complete learning resource for this most difficult branch of electronics. The CD-ROM includes a host of virtual laboratories, animations, diagrams, photographs and text as well as a SPICE electronic circuit simulator with over 50 pre-designed circuits.

Sections on the CD-ROM include: **Fundamentals** - Analogue Signals (5 sections), Transistors (4 sections), Waveshaping Circuits (6 sections), **Op.Amps** - 17 sections covering everything from Symbols and Signal Connections to Differentiators. **Amplifiers** - Single Stage Amplifiers (8 sections), Multi-stage Amplifiers (3 sections). **Filters** - Passive Filters (10 sections), Phase Shifting Networks (4 sections), Active Filters (6 sections). **Oscillators** - 6 sections from Positive Feedback to Crystal Oscillators. **Systems** - 12 sections from Audio Pre-Amplifiers to 8-Bit ADC plus a gallery showing representative p.c.b. photos.

ROBOTICS & MECHATRONICS

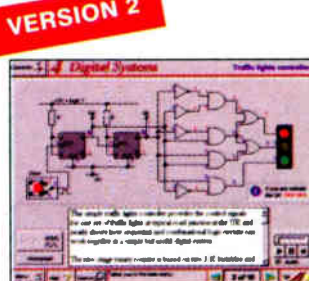


Case study of the Milford Instruments Spider

Robotics and Mechatronics is designed to enable hobbyists/students with little previous experience of electronics to design and build electromechanical systems. The CD-ROM deals with all aspects of robotics from the control systems used, the transducers available, motors/actuators and the circuits to drive them. Case study material (including the NASA Mars Rover, the Milford Spider and the Furby) is used to show how practical robotic systems are designed. The result is a highly stimulating resource that will make learning, and building robotics and mechatronic systems easier. The Institutional versions have additional worksheets and multiple choice questions.

- Interactive Virtual Laboratories
- Little previous knowledge required
- Mathematics is kept to a minimum and all calculations are explained
- Clear circuit simulations

DIGITAL ELECTRONICS V2.0

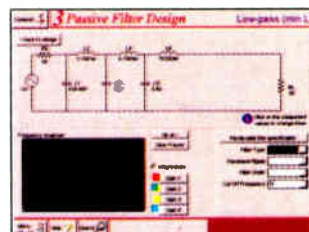


Virtual laboratory - Traffic Lights

Digital Electronics builds on the knowledge of logic gates covered in *Electronic Circuits & Components* (opposite), and takes users through the subject of digital electronics up to the operation and architecture of microprocessors. The virtual laboratories allow users to operate many circuits on screen.

Covers binary and hexadecimal numbering systems, ASCII, basic logic gates, monostable action and circuits, and bistables - including JK and D-type flip-flops. Multiple gate circuits, equivalent logic functions and specialised logic functions. Introduces sequential logic including clocks and clock circuitry, counters, binary coded decimal and shift registers. A/D and D/A converters, traffic light controllers, memories and microprocessors - architecture, bus systems and their arithmetic logic units. Sections on Boolean Logic and Venn diagrams, displays and chip types have been expanded in Version 2 and new sections include shift registers, digital fault finding, programmable logic controllers, and microcontrollers and microprocessors. The Institutional versions now also include several types of assessment for supervisors, including worksheets, multiple choice tests, fault finding exercises and examination questions.

ANALOGUE FILTERS



Filter synthesis

Analogue Filters is a complete course in designing active and passive filters that makes use of highly interactive virtual laboratories and simulations to explain how filters are designed. It is split into five chapters: **Revision** which provides underpinning knowledge required for those who need to design filters. **Filter Basics** which is a course in terminology and filter characterization, important classes of filter, filter order, filter impedance and impedance matching, and effects of different filter types. **Advanced Theory** which covers the use of filter tables, mathematics behind filter design, and an explanation of the design of active filters. **Passive Filter Design** which includes an expert system and filter synthesis tool for the design of low-pass, high-pass, band-pass, and band-stop Bessel, Butterworth and Chebyshev ladder filters. **Active Filter Design** which includes an expert system and filter synthesis tool for the design of low-pass, high-pass, band-pass, and band-stop Bessel, Butterworth and Chebyshev

PRICES

Prices for each of the CD-ROMs above are:

(Order form on third page)

(UK and EU customers add VAT at 17.5% to "plus VAT" prices)

Hobbyist/Student£45 inc VAT
 Institutional (Schools/HE/FE/Industry).....£99 plus VAT
 Institutional 10 user (Network Licence)£249 plus VAT
 Site Licence.....£499 plus VAT

PICmicro TUTORIALS AND PROGRAMMING

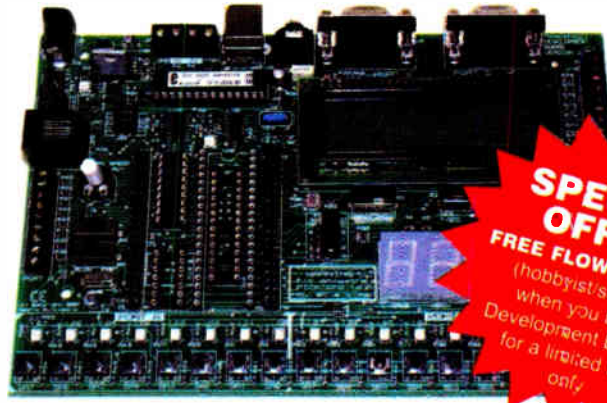
HARDWARE

VERSION 3 PICmicro MCU DEVELOPMENT BOARD

Suitable for use with the three software packages listed below.

This flexible development board allows students to learn both how to program PICmicro microcontrollers as well as program a range of 8, 18, 28 and 40-pin devices from the 12, 16 and 18 series PICmicro ranges. For experienced programmers all programming software is included in the PPP utility that comes with the development board. For those who want to learn, choose one or all of the packages below to use with the Development Board.

- Makes it easier to develop PICmicro projects
- Supports low cost Flash-programmable PICmicro devices
- Fully featured integrated displays – 16 individual I.e.d.s, quad 7-segment display and alphanumeric I.c.d. display
- Supports PICmicro microcontrollers with A/D converters
- Fully protected expansion bus for project work
- USB programmable
- Can be powered by USB (no power supply required)



SPECIAL OFFER
FREE FLOWCODE V2
(hobbyist/student)
when you buy a
Development Board –
for a limited time
only

£158 including VAT and postage

supplied with USB cable and programming software

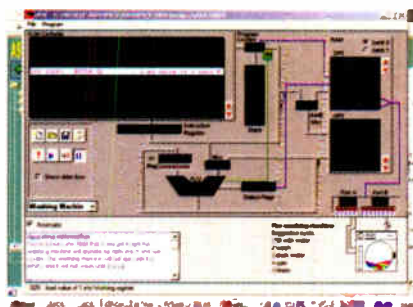
SOFTWARE

Suitable for use with the Development Board shown above.

ASSEMBLY FOR PICmicro V3 (Formerly PICtutor)

Assembly for PICmicro microcontrollers V3.0 (previously known as PICtutor) by John Becker contains a complete course in programming the PIC16F84 PICmicro microcontroller from Arizona Microchip. It starts with fundamental concepts and extends up to complex programs including watchdog timers, interrupts and sleep modes. The CD makes use of the latest simulation techniques which provide a superb tool for learning: the Virtual PICmicro microcontroller. This is a simulation tool that allows users to write and execute MPASM assembler code for the PIC16F84 microcontroller on-screen. Using this you can actually see what happens inside the PICmicro MCU as each instruction is executed which enhances understanding.

- Comprehensive instruction through 45 tutorial sections
- Includes Vlab, a Virtual PICmicro microcontroller: a fully functioning simulator
- Tests, exercises and projects covering a wide range of PICmicro MCU applications
- Includes MPLAB assembler
- Visual representation of a PICmicro showing architecture and functions
- Expert system for code entry helps first time users
- Shows data flow and fetch execute cycle and has challenges (washing machine, lift, crossroads etc.)
- Imports MPASM files.



'C' FOR PICmicro VERSION 2

The C for PICmicro microcontrollers CD-ROM is designed for students and professionals who need to learn how to program embedded microcontrollers in C. The CD contains a course as well as all the software tools needed to create Hex code for a wide range of PICmicro devices – including a full C compiler for a wide range of PICmicro devices.

Although the course focuses on the use of the PICmicro microcontrollers, this CD-ROM will provide a good grounding in C programming for any microcontroller.

- Complete course in C as well as C programming for PICmicro microcontrollers
- Highly interactive course
- Virtual C PICmicro improves understanding
- Includes a C compiler for a wide range of PICmicro devices
- Includes full Integrated Development Environment
- Includes MPLAB software
- Compatible with most PICmicro programmers
- Includes a compiler for all the PICmicro devices.



Minimum system requirements for these items: Pentium PC running Windows 98, NT, 2000, ME, XP; CD-ROM drive; 64MB RAM; 10MB hard disk space.

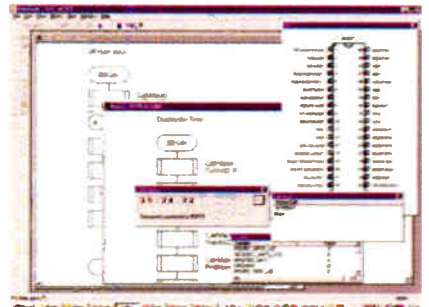
FLOWCODE FOR PICmicro V2

Flowcode is a very high level language programming system for PICmicro microcontrollers based on flowcharts. Flowcode allows you to design and simulate complex robotics and control systems in a matter of minutes.

Flowcode is a powerful language that uses macros to facilitate the control of complex devices like 7-segment displays, motor controllers and I.c.d. displays. The use of macros allows you to control these electronic devices without getting bogged down in understanding the programming involved.

Flowcode produces MPASM code which is compatible with virtually all PICmicro programmers. When used in conjunction with the Version 2 development board this provides a seamless solution that allows you to program chips in minutes.

- Requires no programming experience
- Allows complex PICmicro applications to be designed quickly
- Uses international standard flow chart symbols (ISO5807)
- Full on-screen simulation allows debugging and speeds up the development process
- Facilitates learning via a full suite of demonstration tutorials
- Produces ASM code for a range of 18, 28 and 40-pin devices
- Professional versions include virtual systems (burglar alarm, buggy and maze, plus RS232, IrDa etc.).



PRICES

Prices for each of the CD-ROMs above are:

(Order form on next page)

Hobbyist/Student
Flowcode V2 Hobbyist/Student
Institutional (Schools/HE/FE/Industry)
Flowcode Professional
Institutional/Professional 10 user (Network Licence)
Site Licence

£45 inc VAT
£57 inc VAT
£99 plus VAT
£99 plus VAT
£300 plus VAT
£599 plus VAT

(UK and EU customers add VAT at 17.5% to "plus VAT" prices)

TEACH-IN 2000 – LEARN ELECTRONICS WITH EPE

EPE's own *Teach-In* CD-ROM, contains the full 12-part *Teach-In 2000* series by John Becker in PDF form plus the *Teach-In* interactive software (Win 95, 98, ME and above) covering all aspects of the series. We have also added Alan Winstanley's highly acclaimed *Basic Soldering Guide* which is fully illustrated and which also includes *Desoldering*. The *Teach-In* series covers: Colour Codes and Resistors, Capacitors, Potentiometers, Sensor Resistors, Ohm's Law, Diodes and L.E.D.s, Waveforms, Frequency and Time, Logic Gates, Binary and Hex Logic, Op.amps, Comparators, Mixers, Audio and Sensor Amplifiers, Transistors, Transformers and Rectifiers, Voltage Regulation, Integration, Differentiation, 7-segment Displays, L.C.D.s, Digital-to-Analogue. Each part has an associated practical section and the series includes a simple PC interface (Win 95, 98, ME ONLY) so you can use your PC as a basic oscilloscope with the various circuits.



Sine wave relationship values

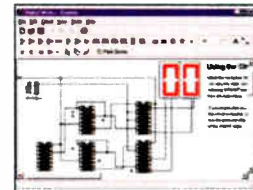
FREE TWO BOOKLETS PLUS CD-ROM WITH TEACH-IN 2000



A hands-on approach to electronics with numerous breadboard circuits to try out. **£12.45** including VAT and postage. Requires Adobe Acrobat (available free from the Internet – www.adobe.com/acrobat/).

FREE WITH EACH TEACH-IN CD-ROM – *Understanding Active Components* booklet, *Identifying Electronic Components* booklet and *The Best Of Circuit Surgery* CDROM.

DIGITAL WORKS 3.0



Counter project

Digital Works Version 3.0 is a graphical design tool that enables you to construct digital logic circuits and analyze their behaviour. It is so simple to use that it will take you less than 10 minutes to make your first digital design. It is so powerful that you will never outgrow its capability. ● Software for simulating digital logic circuits ● Create your own macros – highly scalable ● Create your own circuits, components, and i.c.s ● Easy-to-use digital interface ● Animation brings circuits to life ● Vast library of logic macros and 74 series i.c.s with data sheets ● Powerful tool for designing and learning. **Hobbyist/Student £45 inc. VAT. Institutional £99 plus VAT. Institutional 10 user £249 plus VAT. Site Licence £599 plus VAT.**

NEW PROJECT DESIGN WITH CROCODILE TECHNOLOGY

An Interactive Guide to Circuit Design

An interactive CD-ROM to guide you through the process of circuit design. Choose from an extensive range of input, process and output modules, including CMOS Logic, Op-Amps, PIC/PICAXE, Remote Control Modules (IR and Radio), Transistors, Thyristors, Relays and much more. Click Data for a complete guide to the pin layouts of i.c.s, transistors etc. Click More Information for detailed background information with many animated diagrams. Nearly all the circuits can be instantly simulated in Crocodile Technology* (not included on the CD-ROM) and you can customise the designs as required.

WHAT'S INCLUDED

Light Modules, Temperature Modules, Sound Modules, Moisture Modules, Switch Modules, Astables including 555, Remote Control (IR & Radio), Transistor Amplifiers, Thyristor, Relay, Op-Amp Modules, Logic Modules, 555 Timer, PIC/PICAXE, Output Devices, Transistor Drivers, Relay Motor Direction & Speed Control, 7 Segment Displays. Data sections with pinouts etc., Example Projects, Full Search Facility, Further Background Information and Animated Diagrams.

Runs in Microsoft Internet Explorer

*All circuits can be viewed, but can only be simulated if your computer has Crocodile Technology version 410 or later. A free trial version of Crocodile Technology can be downloaded from: www.crocodile-clips.com. Animated diagrams run without Crocodile Technology.

Single User **£39.00 inc. VAT.**

Multiple Educational Users (under 500 students) **£59.00 plus VAT. Over 500 students £79.00 plus VAT.**

(UK and EU customers add VAT at 17.5% to "plus VAT" prices)



ELECTRONIC COMPONENTS PHOTOS

A high quality selection of over 200 JPG images of electronic components. This selection of high resolution photos can be used to enhance projects and presentations or to help with training and educational material. They are royalty free for use in commercial or personal printed projects, and can also be used royalty free in books, catalogues, magazine articles as well as worldwide web pages (subject to restrictions – see licence for full details). Also contains a **FREE 30-day** evaluation of Paint Shop Pro 6 – Paint Shop Pro image editing tips and on-line help included!



Price **£19.95 inc. VAT**

Minimum system requirements for these CD-ROMs: Pentium PC, CD-ROM drive, 32MB RAM, 10MB hard disk space. Windows 95/98/NT/2000/ME/XP, mouse, sound card, web browser.

Please send me: CD-ROM ORDER FORM

- Electronic Projects
- Electronic Circuits & Components V2.0
- Analogue Electronics
- Digital Electronics V2.0
- Analogue Filters
- Electronics CAD Pack
- Robotics & Mechatronics
- Assembly for PICmicro V3
- 'C' for PICmicro V2
- Flowcode V2 for PICmicro
- Digital Works 3.0

Version required:

- Hobbyist/Student
- Institutional
- Institutional/Professional 10 user
- Site licence



- PICmicro Development Board V3 (hardware)

- Teach-In 2000 + FREE BOOK
- Electronic Components Photos
- Project Design – Single User
- Project Design – Multiple User (under 500 students)
- Project Design – Multiple User (over 500 students)

Note: The software on each version is the same, only the licence for use varies.

Full name:

Address:

.....Post code:Tel. No:

Signature:

I enclose cheque/PO in £ sterling payable to WIMBORNE PUBLISHING LTD for £

Please charge my Visa/Mastercard/Amex/Diners Club/Switch: £

Valid From:Card expiry date:

Card No: Switch Issue No.

Card Security Code (The last 3 digits on or just under the signature strip)

ORDERING ALL PRICES INCLUDE UK POSTAGE

Student/Single User/Standard Version price includes postage to most countries in the world. EU residents outside the UK add £5 for airmail postage per order.

Institutional, Multiple User and Deluxe Versions – overseas readers add £5 to the basic price of each order for airmail postage (do not add VAT unless you live in an EU (European Union) country, then add 17½% VAT or provide your official VAT registration number).

Send your order to:

Direct Book Service
Wimborne Publishing Ltd
408 Wimborne Road East
Ferndown, Dorset BH22 9ND

To order by phone ring

01202 873872. Fax: 01202 874562

Goods are normally sent within seven days

E-mail: orders@wimborne.co.uk

Online shop:

www.epemag.wimborne.co.uk/shopdoor.htm

EPE PIC PROJECTS VOLUME 1 MINI CD-ROM

A plethora of 20 "hand-PICked" PIC Projects from selected past issues of *EPE*

Together with the PIC programming software for each project plus bonus articles

The projects are:

PIC-Based Ultrasonic Tape Measure

You've got it taped if you PIC this ultrasonic distance measuring calculator

EPE Mind PICKler

Want seven ways to relax? Try our PIC-controlled mind machine!

PIC MIDI Sustain Pedal

Add sustain and glissando to your MIDI line-up with this inexpensive PIC-controlled effects unit

PIC-based MIDI Handbells

Ring out thy bells with merry tolling – plus a MIDI PIC-up, of course!

EPE Mood PICKer

Oh for a good night's sleep! Insomniacs rejoice – your wakeful nights could soon be over with this mini-micro under the pillow!

PIC Micro-Probe

A hardware tool to help debug your PIC software

PIC Video Cleaner

Improving video viewing on poorly maintained TVs and VCRs

PIC Graphics LCD Scope

A PIC and graphics LCD signal monitor for your workshop

PIC to Printer Interface

How to use dot-matrix printers as data loggers with PIC microcontrollers

PIC Polywhatsit

A novel compendium of musical effects to delight the creative musician

PIC Magick Musick

Conjure music from thin air at the mere untouching gesture of a fingertip

PIC Mini-Enigma

Share encrypted messages with your friends — true spymaster entertainment

PIC Virus Zapper

Can disease be cured electronically? Investigate this controversial subject for yourself

PIC Controlled Intruder Alarm

A sophisticated multi-zone intruder detection system that offers a variety of monitoring facilities

PIC Big-Digit Display

Control the giant ex-British Rail platform clock 7-segment digits that are now available on the surplus market

PIC Freezer Alarm

How to prevent your food from defrosting unexpectedly

PIC World Clock

Graphically displays world map, calendar, clock and global time-zone data

PICAXE Projects

A 3-part series using PICAXE devices – PIC microcontrollers that do not need specialist knowledge or programming equipment

PIC-based Tuning Fork and Metronome

Thrill everyone by at long last getting your instrument properly tuned!

Versatile PIC Flasher

An attractive display to enhance your Christmas decorations or your child's ceiling



**ONLY
£14.45**

INCLUDING
VAT and P&P

Order on-line from

www.epemag.wimborne.co.uk/shopdoor.htm

or www.epemag.com (USA \$ prices)

or by Phone, Fax, Email or Post.

NOTE: The PDF files on this CD-ROM are suitable to use on any PC with a CD-ROM drive. They require Adobe Acrobat Reader.

EPE PIC PROJECTS CD-ROM ORDER FORM

Please send me (quantity) EPE PIC PROJECTS VOL 1 CD-ROM

Price £14.45 each – includes postage to anywhere in the world.

Name

Address

.....

.....

..... Post Code

I enclose cheque/P.O./bank draft to the value of £

Please charge my Visa/Mastercard/Amex/Diners Club/Maestro

£

Card No.

Card Security Code (The last 3 digits on or just under the signature strip)

Start Date Expiry Date Maestro Issue No.

SEND TO: **Everyday Practical Electronics,
Wimborne Publishing Ltd.,**

408 Wimborne Road East, Ferndown, Dorset BH22 9ND.

Tel: 01202 873872. Fax: 01202 874562.

Email: orders@epemag.wimborne.co.uk

Payments must be by card or in £ Sterling – cheque or bank draft drawn on a UK bank.

Normally supplied within seven days of receipt of order.

Send a copy of this form, or order by letter if you do not wish to cut your issue.

BECOME A PIC PROJECT BUILDER WITH THE HELP OF EPE!



Build a brighter torch with variable intensity and flashlight options

By Gerard Samblancat

IN spite of their higher price, white l.e.d.s are increasingly being used in lighting applications. There are many advantages to using them, such as longevity, output, solidity, compactness, etc. A majority of commercial l.e.d.-based lamps now use white “high luminosity” l.e.d.s, and the recently introduced “super power l.e.d.” family is increasingly finding favour.

It is one of the latter that is used here, the Lumileds Luxeon Star/O. This l.e.d. can deliver a luminous power equivalent to 20 white high intensity 5mm l.e.d.s. Its integrated optics allow the production of a very narrow beam.

Luxeon L.E.D.s

The Luxeon family includes the world’s most powerful l.e.d.s, available with up to 120 lumens in white light for the 5W model. Several powers are available from 1W to 5W, including white, blue and red. With glass optics rather than epoxy (which degrades with time) and improved thermal dissipation, these l.e.d.s provide a longevity far superior to that of filament lamps (see Fig.1).

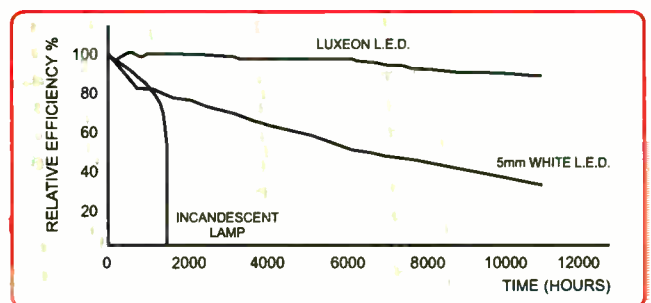


Fig.1: Typical life expectancy of various light sources



The Luxeon l.e.d. used here retains 70% of its initial efficiency after five years of continuous use! By comparison, a standard Krypton lamp is only guaranteed for 15 operating hours. But the Luxeon's longevity is conditional upon the recommended operating conditions being met. In particular, the current flow through it has to be fairly tightly supervised.

In Response

A graph of the current/voltage response of the Star/O l.e.d. is shown in Fig.2. Its recommended maximum steady current flow is 350mA (500mA in pulse mode). At this value, light intensity reaches about 180cd (candelas) in the axis of the lens, for a total luminous output of 18lm (lumens) at an angle of 20°. In effect, the light output is in a beam, as illustrated in Fig.3.

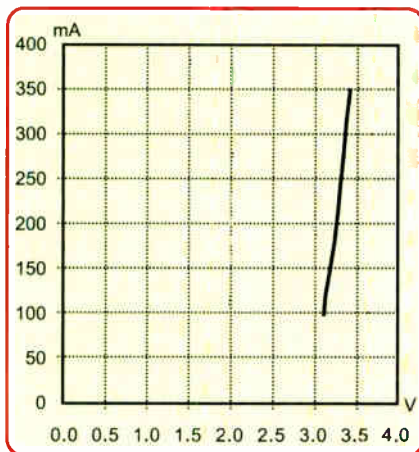


Fig.2: Graph of current to voltage ratio of the Star/O l.e.d.

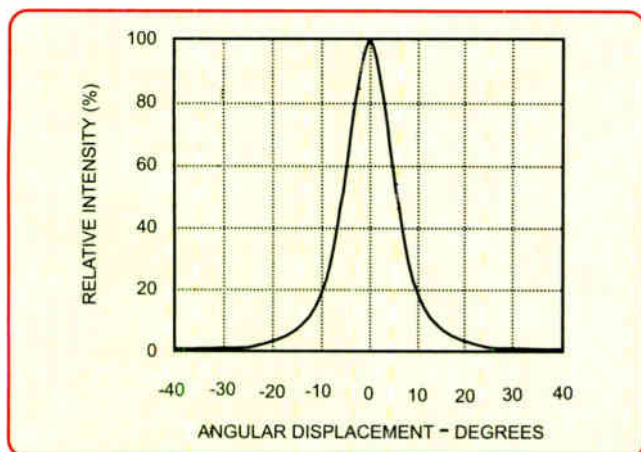


Fig.3: Illustrating the production of the light output "beam" when the relative intensity (%) is taken against angular displacement (degrees)

LUMEN or CANDELA?

Suppliers of l.e.d.s don't always use the same unit of light intensity, sometimes speaking of "mcd" (milli-candela), sometimes of "lm" (lumens). The candela unit specifies the light intensity at a given point, and in relation to the beam width. The lumen unit is equivalent to the product of the light intensity in relation to the angular surface from which it is emitted.

Thus the measurement is of *luminous power* (L), and 1 lumen = 1 candela x 1 steradian, where: the steradian (Sr) measures a

solid angle (cone) projecting from a surface of " $L r^2/4$ " on the sphere when the observer is located, and where the angle of radiation is equal to r .

Example:

With a high intensity white 5mm l.e.d. of 8500mcd having a beam cone of 15°, we get:

$15^\circ = 0.26\text{rad}$, equivalent to a cone of 0.05sr, and the luminous power = $0.05 \times 8500/1000 = 0.46\text{lm}$

A comparison of the relative intensity of a Krypton 3-6V lamp and a Luxeon Star/O l.e.d. is shown in

Fig.4. The two curves correspond to the complete discharge of the same battery (4.5V alkaline).

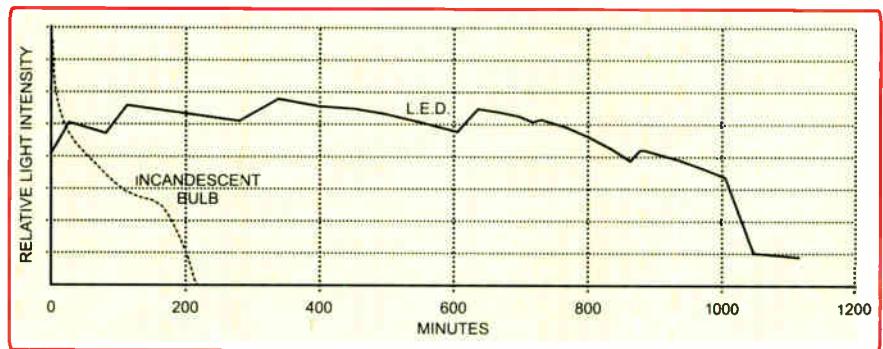
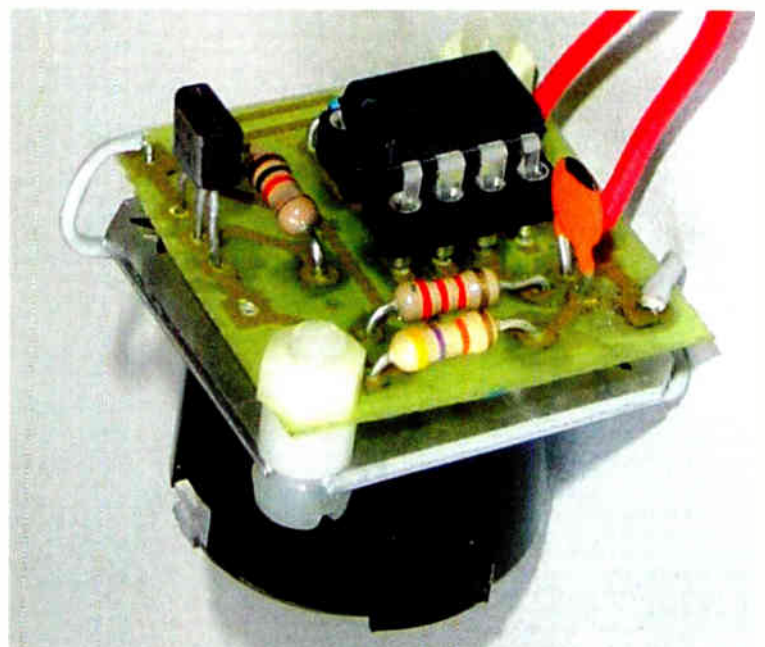


Fig.4: Comparison of the light output of a Krypton 3-6V lamp and a Luxeon Star/O l.e.d. as the controlling battery discharges.



Operating Principle

The torch described here uses a PIC12F629 microcontroller to control the Luxeon l.e.d. The complete circuit diagram is shown in Fig.5.

The function of the PIC (IC1) is to control the current delivered to the l.e.d. (D1), keeping it to a maximum of 350mA for a supply voltage of up to 3.42V. This is done by using pulse width modulation (PWM) of the power-switching transistor, TR1. This allows the l.e.d. to be controlled without using a current limiting resistor, while also compensating for the supply voltage falling as the battery discharges over time.

In full power mode, the pulse width ratio is controlled at about 50% for a supply voltage of 4.5V, reaching 95% with 3V.

To do this, the PIC has to constantly determine the battery's supply voltage. This task is complicated by the PIC itself being subject to that same supply voltage. Consequently, a Zener diode (D2) is used to provide a 2.7V reference to the PIC's internal comparator via the GP1 pin. From this reference, the PIC's internal programmable voltage reference option then allows V_{dd} to be estimated in respect of the value held by the VRCON register.

The four least significant bits of the VRCON register are inversely proportional to the supply voltage. The software uses this information to control the l.e.d.'s intensity.

Measurement of the supply voltage is done every 0.7 seconds. The software varies the internal programmable voltage reference until the internal comparator's output level changes state. The value of VRCON is then inversely proportional to V_{dd} (3V >15, 5V >8, etc). Table SETVDDMES allows the correct value for the pulse width modulation to be selected.

The Zener diode is powered by PIC pin GP4, buffered by resistor R2, but only on an intermittent basis, thus reducing the total power consumption.

Power saving is also achieved by controlling the PIC at a slow clock rate, around 300kHz, as set by capacitor C1 and resistor R3.

Light Intensity

Pushbutton switch S1 is the light intensity control, connected to pin GP2. This is used as an input with its "weak pull-up" activated, holding it normally

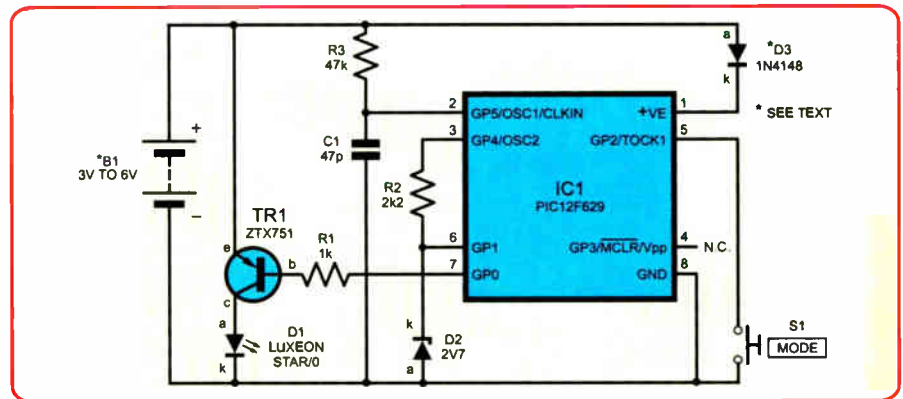


Fig.5: Complete circuit diagram for the High Intensity Torch

high. The pin goes low when the switch is pressed. The software counts the number of presses in a given time, and sets the intensity accordingly.

The circuit is basically intended to be powered at 6V. It can, though, be powered at between 3V and 5.5V if diode D3 is omitted. Note, though, that the maximum brightness level requires a minimum supply voltage of 4V.

Software Considerations

The software is based on a main loop, in which the PWM signal is generated at about 150Hz, depending on the battery's voltage. Any change of state on switch S1 is also detected. Switch presses are counted during 256 successive iterations. The total number of presses is then tested in order to modify the lighting mode.

A 0.7 second period is used as the timebase for the CTROFFL/H counters. Its goal is to measure the period at the end of which the light level is automatically lowered.

Construction

Printed circuit board component and track layout details are shown in Fig.6. This board is available from the EPE PCB Service, code 580.

The board's dimensions are based on the aluminium plate of the Star/O l.e.d. and the p.c.b. can be bolted to it for a compact assembly.

Assemble the board in order of ascending component size, and use a socket for the PIC. Only insert the pre-programmed PIC once the board assembly has been fully checked. Ensure that it is inserted the correct way round.

Parts List – High Intensity Torch

- 1 PC board, code 580, available from the *EPE PCB Service*, size 29mm x 27mm
 - 1 miniature single-pole push-button switch, push-to-make
 - 1 plastic case (torch), see text
 - 2 nylon bolts to secure PCB to aluminium LED plate
 - 4 nylon nuts (two to act as spacers) for PCB mounting
 - 1 8-pin DIL socket
 - 5 solder stakes
 - 1 3V to 6V battery, with connectors (see text)
- Multistrand connecting wire, solder etc.

Semiconductors

- 1 white LED, Luxeon Star/O (350mA at 3.4V) (D1)
- 1 2.7V Zener diode (D2)
- 1 1N4148 signal diode – see text (D3)
- 1 ZTX751 pnp transistor (TR1)
- 1 PIC12F629 microcontroller, pre-programmed (see text) (IC1)

Capacitors

- 1 47p ceramic disc (C1)

Resistors (0.25W 5%)

- 1 1k (R1)
- 1 2k2 (R2)
- 1 47k (R3)

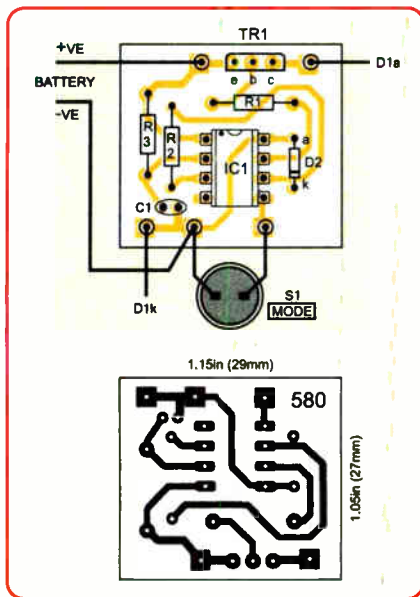


Fig.6: Printed circuit board component and track layout details

No particular case is suggested for this design and any plastic type in which the assembly and battery can be mounted is suitable. Holes must be drilled to suit the l.e.d. and the switch.

In Use

There is no on/off switch used with this circuit. When power is applied to the board, the program goes immediately into sleep mode, in which the current consumption is negligible (about $50\mu\text{A}$).

To switch on the l.e.d. press switch S1. This turns on the l.e.d. in half-power mode. The next press of S1 sets the l.e.d. into full power mode.

If a brief (or longer) pause is then made, the next press of S1 reduces the l.e.d. brightness to half-way. The following switch press then turns off the

Resources

Software for the PIC, including source code, can be downloaded free from the EPE Downloads site, accessible via the homepage at www.epemag.co.uk. It is held in the PICs folder. Download all the files within that folder. Note that the comments within the ASM file are in French, although the commands are in standard MPASM dialect. The hex file is also in standard MPASM format, and it has configuration commands embedded in it.

Pre-programmed PICs can be bought from Magenta Electronics (contact details as in their advert in this issue).

References

www.luxeon.com
www.luxeonstar.com
www.microchip.com
www.jaycarelectronics.co.uk

l.e.d. and the PIC then goes again into sleep mode, until woken by another switch press.

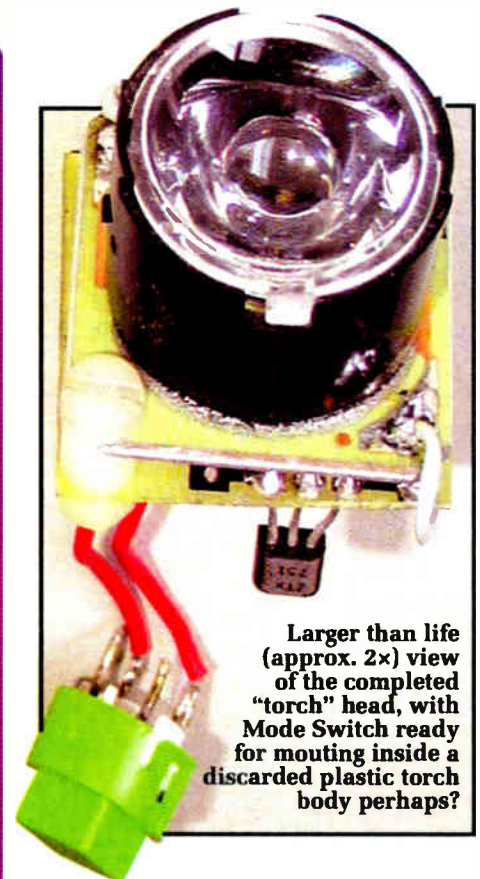
The switch press sequence is thus:

off -> mid-power -> full power

then:

from full power -> mid-power -> off

However, when the l.e.d. is already off, three presses of S1 in quick succession launch the flash mode. The flash sequence is that held in the program's ASM code as table SOSTAB. As written, the sequence flashes the Morse Code message SOS.



Larger than life (approx. 2x) view of the completed "torch" head, with Mode Switch ready for mounting inside a discarded plastic torch body perhaps?

Those readers with programming facilities for the PIC12F629 can modify the code for this section so that other flash sequences can be generated. In the SOSTAB table, the "retlw" values hold the flash code. The values return the length of the time intervals between each flash.

Experimenting with S1 will make its use clear.

In full power mode (under 4.2V), the current consumption is around 350mA. Note also that there is a 30 minute timeout after which the l.e.d. is turned off automatically. **EPE**



NEWSAGENTS ORDER FORM

Please reserve/deliver a copy of *Everyday Practical Electronics* for me each month

Name and Address

.....

..... Postcode Tel

Everyday Practical Electronics is published on the second Thursday of each month and distributed S.O.R. by SEYMOUR
Make sure of your copy each month – cut out or photocopy this form, fill it in and hand it to your newsagent



EPE EVERYDAY PRACTICAL ELECTRONICS



UK readers you can
SAVE 55p
on every issue of *EPE*

How would you like to pay £2.75 instead of £3.30 for your copy of *EPE*?
Well you can – just take out a one year subscription and save 55p an issue,
or £6.60 over the year

You can even save over 75p an issue if you subscribe for two years
– a total saving of £18.20

Overseas rates also represent exceptional value

You also:

- Avoid any cover price increase for the duration of your subscription
- Get your magazine delivered to your door each month
- Ensure your copy, even if the newsagents sell out

Order by phone or fax with a credit card or by post with a cheque or postal order, or buy on-line from www.epemag.co.uk (click on “Subscribe Now”)

EPE SUBSCRIPTION PRICES

Subscriptions for delivery direct to any address in the UK: 6 months £17.50, 12 months £33, two years £61; Overseas: 6 months £20.50 standard air service or £29.50 express airmail, 12 months £39 standard air service or £57 express airmail, 24 months £73 standard air service or £109 express airmail. Cheques or bank drafts (in £ sterling only) payable to *Everyday Practical Electronics* and sent to *EPE* Subs. Dept., Wimborne Publishing Ltd., 408 Wimborne Road East, Ferndown, Dorset BH22 9ND. Tel: 01202 873872. Fax: 01202 874562. Email: subs@epemag.wimborne.co.uk. Also via the Web at <http://www.epemag.co.uk>. Subscriptions start with the next available issue. We accept MasterCard, Amex, Diners Club, Maestro or Visa. (For past issues see the *Back Issues* page.)

ONLINE SUBSCRIPTIONS

Online subscriptions, for downloading the magazine via the Internet, \$15.99US (approx. £9.50) for one year available from www.epemag.com.

USA/CANADA SUBSCRIPTIONS

To subscribe to *EPE* from the USA or Canada please telephone Express Mag toll free on 1877 363-1310 and have your credit card details ready. Or fax (514) 355 3332 or write to Express Mag, PO Box 2769, Plattsburgh, NY 12901-0239 or Express Mag, 8155 Larrey Street, Anjou, Quebec, H1J 2L5. Email address: expmag@expressmag.com. Web site: www.expressmag.com. USA price \$60(US) per annum, Canada price \$97(Can) per annum – 12 issues per year. *Everyday Practical Electronics*, periodicals pending, ISSN 0262 3617 is published twelve times a year by Wimborne Publishing Ltd., USA agent USACAN at 1320 Route 9, Champlain, NY 12919. Subscription price in US \$60(US) per annum. Periodicals postage paid at Champlain NY and at additional mailing offices. POSTMASTER: Send USA and Canada address changes to *Everyday Practical Electronics*, c/o Express Mag., PO Box 2769, Plattsburgh, NY, USA 12901-0239.

SUBSCRIPTION ORDER FORM



- 6 Months: UK £17.50, Overseas £20.50 (standard air service), £29.50 (express airmail)
- 1 Year: UK £33.00, Overseas £39.00 (standard air service) £57 (express airmail)
- 2 Years: UK £61.00, Overseas £73.00 (standard air service) £109 (express airmail)
- To: *Everyday Practical Electronics*, Wimborne Publishing Ltd., 408 Wimborne Road East, Ferndown, Dorset BH22 9ND
Tel: 01202 873872 Fax: 01202 874562
E-mail: subs@epemag.wimborne.co.uk

I enclose payment of £ (cheque/PO in £ sterling only), payable to *Everyday Practical Electronics*

My card number is:
Please print clearly, and check that you have the number correct

Signature

Card Security Code (The last 3 digits on or just under the signature strip)

Card Ex. Date Maestro Issue No.

Name

Address

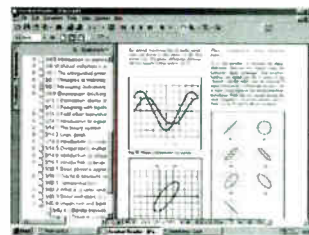
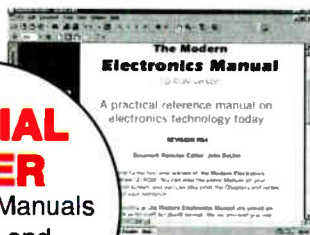
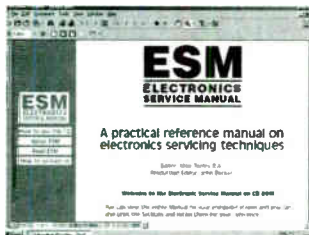
Post code Tel.

Subscriptions can only start with the next available issue.

ELECTRONICS MANUALS ON CD-ROM £29.95 EACH

ELECTRONICS SERVICE MANUAL

THE MODERN ELECTRONICS MANUAL



SPECIAL OFFER
Order both Manuals together and **SAVE £10**

Everything you need to know to get started in repairing electronic equipment

- Around 900 pages • Fundamental principles • Troubleshooting techniques • Servicing techniques • Choosing and using test equipment • Reference data • Manufacturers' web links
- Easy-to-use Adobe Acrobat format • Clear and simple layout
- Vital safety precautions • Professionally written • Supplements

SAFETY: Safety Regulations, Electrical Safety and First Aid.
UNDERPINNING KNOWLEDGE: Electrical and Electronic Principles, Active and Passive Components, Circuit Diagrams, Circuit Measurements, Radio, Computers, Valves and Manufacturers' Data, etc.
PRACTICAL SKILLS: Learn how to identify Electronic Components, Avoid Static Hazards, Carry Out Soldering and Wiring, Remove and Replace Components.
TEST EQUIPMENT: How to Choose and Use Test Equipment, Assemble a Toolkit, Set Up a Workshop, and Get the Most from Your Multimeter and Oscilloscope, etc.
SERVICING TECHNIQUES: The Manual includes vital guidelines on how to Service Audio Amplifiers. The Supplements include similar guidelines for Radio Receivers, TV Receivers, Cassette Recorders, Video Recorders, Personal Computers, etc.
TECHNICAL NOTES: Commencing with the IBM PC, this section and the Supplements deal with a very wide range of specific types of equipment – radios, TVs, cassette recorders, amplifiers, video recorders etc.
REFERENCE DATA: Diodes, Small-Signal Transistors, Power Transistors, Thyristors, Triacs and Field Effect Transistors. Supplements include Operational Amplifiers, Logic Circuits, Optoelectronic Devices, etc.

The essential reference work for everyone studying electronics

- Over 800 pages • In-depth theory • Projects to build • Detailed assembly instructions • Full components checklists • Extensive data tables • Manufacturers' web links
- Easy-to-use Adobe Acrobat format • Clear and simple layout • Comprehensive subject range • Professionally written • Supplements

BASIC PRINCIPLES: Electronic Components and their Characteristics; Circuits Using Passive Components; Power Supplies; The Amateur Electronics Workshop; The Uses of Semiconductors; Digital Electronics; Operational Amplifiers; Introduction to Physics, including practical experiments; Semiconductors and Digital Instruments.

CIRCUITS TO BUILD: The Base Manual describes 12 projects including a Theremin and a Simple TENS Unit.

ESSENTIAL DATA: Extensive tables on diodes, transistors, thyristors and triacs, digital and linear i.c.s.

EXTENSIVE GLOSSARY: Should you come across a technical word, phrase or abbreviation you're not familiar with, simply look up the glossary and you'll find a comprehensive definition in plain English.

The Manual also covers **Safety** and provides web links to component and equipment **Manufacturers and Suppliers**.

Full contents list available online at: www.epemag.wimborne.co.uk

SUPPLEMENTS: Additional CD-ROMs each containing approximately 500 pages of additional information on specific areas of electronics are available for £19.95 each. Information on the availability and content of each Supplement CD-ROM will be sent to you.

Presentation: CD-ROM suitable for any modern PC. Requires Adobe Acrobat Reader which is included on the CD-ROM.

Wimborne Publishing Ltd., 408 Wimborne Road East, Ferndown, Dorset BH22 9ND. Tel: 01202 873872. Fax: 01202 874562.

PLEASE send me

THE MODERN ELECTRONICS MANUAL CD-ROM
 ELECTRONICS SERVICE MANUAL CD-ROM
 I enclose payment of £29.95 (for one Manual) or £49.90 for both Manuals (saving £10 by ordering both together).

FULL NAME
 (PLEASE PRINT)
 ADDRESS

POSTCODE

SIGNATURE

I enclose cheque/PO in UK pounds payable to Wimborne Publishing Ltd.
 Please charge my Visa/Mastercard/Amex/Diners Club/Switch/Maestro

Card No Switch/Maestro Issue No

Valid From Expiry Date

Card Security Code (The last 3 digits on or just under the signature strip)

ORDER FORM
 Simply complete and return the order form with your payment to the following address:
Wimborne Publishing Ltd,
408 Wimborne Road East, Ferndown,
Dorset BH22 9ND
 Price includes postage to anywhere in the World

We will happily exchange any faulty CD-ROMs but since the content can be printed out we do not offer a refund on these items.

Your CD-ROM(s) will be posted to you by first class mail or airmail, normally within four working days of receipt of your order

READOUT

Email: john.becker@wimborne.co.uk

John Becker addresses some of the general points readers have raised. Have you anything interesting to say? Drop us a line!

All letters quoted here have previously been replied to directly.

WIN AN ATLAS LCR ANALYSER WORTH £79

An Atlas LCR Passive Component Analyser, kindly donated by Peak Electronic Design Ltd., will be awarded to the author of the *Letter Of The Month* each month.

The Atlas LCR automatically measures inductance from 1 μ H to 10H, capacitance from 1pF to 10,000 μ F and resistance from 1 Ω to 2M Ω with a basic accuracy of 1%.
www.peakelec.co.uk



★ LETTER OF THE MONTH ★

Extreme Electronics

The reference to Mysterious Lights in Mark Nelson's *Techno Talk* of May '06 was most interesting. I have witnessed both phenomena. Firstly, my understanding of the "will of the wisp" is that whilst it is marsh gas (methane) that actually burns thus causing a light to be seen, methane is not itself self-combusting but it is hydrogen phosphide which is also present with the methane and this is self-combusting in air and ignites the methane. From my limited experience I get the impression that this phenomenon is not seen consistently in a particular location as one might expect so there could be other factors involved, such as atmospheric conditions, temperature etc.

I witnessed ball lightning some years ago. It would be about 1941 when at the age of 10, I was up a step ladder cleaning the downstairs windows of my parents home. It was a "muggy" sort of very dull day with dark clouds

overhead and rumblings of thunder in the distance.

Suddenly, there was a vivid flash of lightning and an extremely loud thunder crack at one and the same time. I nearly fell of the steps and although I did not see the actual lightning strike it must have been extremely close by. About half a minute later I was looking over a neighbour's hedge when suddenly a round ball of light a bit bigger than a football appeared as though just about a foot above the hedge.

The colour was a dull orange akin to the colour of boiled carrots. The ball moved relatively slowly, drifted along for about four yards then just disappeared. There was no noise, no smell. The ball of light did not fade, nor alter in any way. It just suddenly appeared then disappeared.

I had read about ball lightning but the perceived wisdom at the time was that there was no real evidence that it really

existed, suggesting that those who had claimed to have seen it were suffering from delusions. I even asked myself if I had really witnessed it or imagined it but I know that it was real.

The other curious light not mentioned in your article is that of St. Elmo's Fire which is a corona discharge occasionally seen at the top of the masts of the old sailing vessels and well documented. This is akin to the coronas often seen on misty dark nights surrounding high voltage power lines frequently accompanied by crackling noises and causing local interference on radios particularly portable ones.

I hope that the above observations are of interest.

**Frank W. Adams, Sheffield,
via email**

They are Frank. Although I've seen many natural phenomena, I've not seen those such as you describe. Has anyone else?

Junk-box Sales and Wants

Dear EPE,

I recently posted a note on your *Chat Zone* (access via www.epemag.co.uk) about Junk-box Sales and Wants, and which I think is worthy of greater publicity... something that I think could be of great value to fellow fiddlers-about! It's a very basic site at present, it may get prettified a little in future when I know how! The CZ note reads:

I've started a very basic webpage on www.madoc.eclipse.co.uk to advertise the contents of my junkbox, electronics- and radio-related, but not completely – some of the contents anyway! I'm a great hoarder and I've had the space to do it but time and times change...

If there's support I propose to keep this site going in order that people of like mind can post their own lists of for-sale and wanted; there would be no charge for this but I won't put up lists of modern amateur plug-and-play equipment.

Ant Astley, via email

Thanks Ant, that sounds very useful.

eChip Review Update

Dear EPE,

Thanks for the complimentary review of eChip in the April Issue. However,

just a few items to correct and some additional updates to the system to mention since the evaluation system was sent to you.

In the review it stated that a printer needs to be attached and online for the IDE software to work. This is not correct, only a printer needs to be installed, since most PCs have a printer installed this is never an issue. However, laptop users will need to install a suitable printer via the Windows printer settings dialogue. As to the use of the serial port vs USB issue, eChip will function with USB-Serial convertors which are ready available for a low cost. A better solution available from May is the eChip USB downloader, which gives a USB connection to a USB powered test PCB with switches, LEDs etc. Approx cost £17.00.

Secondly, there have been some upgrades to the software and the latest version (V185) offers refinements to the DEBUG system and support more importantly for eChip 18e, an enhanced eChip operating at 8MHz, twice as fast as the eChip 18 used in the review, which offers an ADC block and is self-configuring if selected during circuit design. It also supports the eChip 28-pin which is due June/July. Also due at about the same time is a free non-graphical

IDE, which allows the user more flexibility in connecting blocks and can be updated via the web with new blocks.

Finally, the only key item the review missed is that eChip is fully multi-tasking and it can operate more than one virtual circuit at once so long as you don't exceed the 13 cell limit, normally to create a PIC solution that can do that is quite a complex task for many users.

eChip has quite a large and growing user base in schools, as it is used in GCSE Electronics for teaching and project work, the eChip website is starting to publish these and other projects, along with links to supporting materials, which *EPE* readers might like to browse for ideas or to get a better feel for the system.

On a personal note as an *EPE* reader, started in 1972 as a pupil, and now as a teacher, I've always found *EPE* an invaluable resource and it's pleasure to "contribute" to the magazine, it also gains plenty of "street cred" with my pupils!

**Brian Smith,
www.echip.org.uk**

Thank you Brian, we are pleased to publicise the amendments, and to wish you well with your pupils.

VB 2005 Express

Dear EPE,

In a recent *EPE*, I found that Robert Penfold's *Interface* was covering PC Interfacing Software. As the article was on the VB 2005 Express edition I would have expected it to cover using the new serial port control now supplied with this edition. After reading the article I was left feeling extremely dissatisfied, considering that it does state that VB 2005 Express is a new version and that the article is all about how to cobble together an old routine (**Inpout32.dll**) into it. It briefly mentions near the end there is a "potentially useful serial port component" but that's it.

How about actually looking into using this component as it was designed for Express edition rather than doing a "cut and shut bodge". Or, if there are issues with the new command making it difficult to use then at least make us aware of them and why it should not be used.

Bobby Garrett, via email

Robert replied:

I think we need to get things in context. I did an *Interface* article on the free beta version of VB 2005 Express Edition some time ago, and it provoked quite a lot of feedback from readers. In particular, there were suggestions about ways of using it with existing *EPE* projects and **pout32.dll**. I did not go any further with VB 2005 Express Edition at that time, since it was only a beta version.

After one or two false starts, the final version was finally made available, and I did the offending *Interface* article. This incorporated the lessons learned by myself and others when using the beta version, and demonstrated that it was (sort of) possible to use it as a free alternative to VB6. I would expect this program to be popular with *EPE* readers, and feel that the article was well worthwhile.

There was insufficient space available to go into detail about the serial port component, but I thought I should at least point out that it was included, and that it was not one of the things that had been omitted from the Express Edition. I still feel that it is a bit strange that Microsoft has waited until the serial port is on the verge of obsolescence before finally including proper support for it. The serial port component might be covered in a future *Interface* article, but anyone contemplating serial port interfacing should face a few facts. Serial port interfacing is never straightforward and is often problematic.

UARTs and other serial interfacing chips have been discontinued, although it is still possible to use discrete logic or a PIC-based interface. The serial interface is the next legacy port to be phased out, and this type of port is now something of a rarity on new PCs. Perhaps it is time to forget serial interfacing and move on to the USB variety.

Robert Penfold, via email

LED Car Lighting

Dear EPE,

I was interested to read the project on *LED Lighting For Your Car*, May '06. I have just spent many weeks searching for suitable replacement LED light units for my wife's Corsa C and in the process I have learnt some interesting points about the legalities of vehicle lighting etc. which I feel I should now pass on to your readers.

Firstly, all vehicle mandatory light units i.e. front/rear side lights, headlights, brake lights and indicators are "E" approved at design and any replacement bulbs used in these units must also be "E" approved. The "E" approval for a bulb covers amongst other things the Luminance and the angle of light transmission, 270 degrees minimum when mounted.

The only LED replacement units I found to be given "E" approval are those with a cylindrical hexagonal assembly having at least two LEDs on each of the six sides and two or more on the end. These give a similar light distribution to a bulb when in the reflector of the light unit.

Secondly, although there are many similar designs on the market to those described in the project for stop/tail etc., I could find none with "E" approval, making them only suitable for off-road use. This is because they do not have the equivalent light distribution and consequently when fitted the particular light unit will no longer meet "E" approval.

Thirdly, and most important as was pointed out to me, that if in the event of an accident the lights in question were deemed to be ineffective it could possibly invalidate your insurance.

Finally, if you look at the modern vehicles fitted with LED light units you will notice the design incorporates many more LEDs covering a much larger area and the lens designed to increase the viewing angle similar to that of a bulb.

Alan Gladwell, via email

Thanks Alan. Similar comments recently appeared on our Chat Zone, access via www.epemag.co.uk, to which Editor Mike replied:

We feel we should point out that these lights are intended for extra safety in extra stop lamps i.e. CHMSL or extra caravan or trailer stop lights as indicated in the article. We also suggest other uses like emergency breakdown lights, boot lights etc. in the article. They are not intended to replace bulbs in "normal" stop lamps. Sorry if we have misled anyone – not our intention.

Mike Kenward, Editor

Piezo Electric Minerals

Dear EPE,

I was wondering if it is possible to determine mineral types by using the piezo electric effect. Assuming current flows into a crystal, the crystal flexes,

the current is then removed, and some electrons are kicked out, based on a measurement of the voltage one should be able to determine the mineral type. Would be great for geologists. A little far fetched, perhaps, but what do you think?

Matthew Scarborough, Cape Town, South Africa

Hi Matthew, your question is an interesting one. But I don't know the answer, and I suspect I would maybe have discovered it inadvertently while making and researching my Earth Resistivity Logger a while back, which uses electrical current flowing into the ground, but did not.

I sent your query on to Nick Tile, who helped me on ER, and has professional experience of seismology. He replied:

Minerals by piezo – guess it would work in theory, but the difficulty is that minerals are held in a matrix of other material, with varying density, and varying over-burden, so getting an impulse in that which was predictable enough to get something out would be horribly difficult, but there is some work being done to detect earthquakes, and there is some evidence that when quakes occur, there are pre-cursors caused by the piezo effect that are measurable, or at least detectable.

There's loads of stuff on the web, but it's light on real data. Detectors are easy enough to build, they're just wide band LF noise amplifiers. Research links LF/ELF signals to pressure on the rocks and noise in the bottom end of the spectrum. It still seems to be an area where no-one really knows what's going on, so ripe for investigation. There's even speculation that some rocks give off infra red.

Given that there are about 200 quakes a year in the UK, and tens of thousands of *EPE* readers, if we can persuade 10% of them to build simple broadband LF receivers, and publish the results, we could actually push knowledge forward.

There are some other effects that are associated with the phenomena, one is called the "Taos Hum", and there are suggestions that it causes ball lightning in some places too that lead to UFO reports – following leads to the hum will find them.

Matthew might also care to browse:
www.copernicus.org/EGS/nhess/1/nh1/99.pdf
www.censsis.neu.edu/documents/QuakeData/em.html
www.stanford.edu/dept/news/pr/91/911231Arc1006.html

Hope that helps Matthew. Your Dad, Thomas, tells us that you've just started Environmental and Geographical Sciences at the University of Cape Town. Let me know if you find out anything more on the piezo subject. We send our best wishes.

About the Mains

Dear EPE,

Further to Mark Nelson's April *Techno Talk* about the mains, I have a further oddity to add to his dossier. I live in south Belfast and each autumn when we change the clocks and the dark evenings begin, some of our fluorescent lights repeatedly go out and restart between 5.20pm and 6pm and when it's dark at breakfast time too.

In previous winters I replaced some tubes and starters which helped in the short term. I replaced one kitchen under-cupboard unit completely. Last autumn the same thing happened to the kitchen ceiling light, a 6ft fitting whose tube had been replaced less than a year earlier. This time I complained to NIE. They told me the nominal voltage was 230V plus or minus 6% which gives a permissible low of 216V. My measurements showed the light to begin flashing at 225V. After putting a voltage logger on my distribution board for a week, NIE wrote that they were within the limits and need take no further action.

For my part I swapped the problem fitting with a 6ft unit from the attic, which disposed of the health and safety issue in the kitchen. Later, I replaced the choke in the faulty fitting, because it was the only active component which had not been swap tested with the working fitting. I could only find one supplier who knew what a choke was and had one in stock. It turned out to be made by Helvar the same as the original one. It did not cure the restarting problem!

The only difference between the working 6ft fitting and the restarting one is that the working one has a choke by a different manufacturer and it also has a capacitor which I understand is for power factor correction and does not assist the function. I feel that I could still have the same problem even if I bought a new fitting. It is unpleasant standing in a cold attic to check it when the family is sitting down to their dinner. I've even considered an auto transformer to boost the voltage on that particular fitting but I'm wary of using unconventional circuitry. The light works fine at off-peak times.

If anyone has a definite remedy I would be pleased to hear it.

David Howton, via email

That's a sorry state of affairs, Dave, and I regret I don't have an answer. I sent your comments on to Mark Nelson for his interest; he can't help either. But by quoting your letter here we'll see if any reader has any advice.

Solid-State Valve Power Supply

Dear EPE,

Some observations on your *Solid-State Valve Power Supply*, Dec '05. I welcome anything that encourages people to experiment, and there is a renewed interest in valves and difficulty getting the high voltage required, so an inverter-based supply is a reasonable answer. But

I feel the heater supplies deserve some comment.

The author could be misunderstood to say that 6.3RMS AC equates to 6.0V DC for heating effect. To be clear, the RMS value of an AC wave is exactly equal to its DC heating effect, therefore 6.3V AC RMS equates to 6.3V DC, not 6.0V DC.

The tolerance on typical valve heater voltage is $\pm 5\%$ at the heater pins, so the suggested 6.0V supply will be at the lower limit. This could be overcome by using a 5V regulator with two diodes forward biased in the ground leg. But there are other potential problems powering "your favorite vintage amp".

One side of this heater supply is grounded, while in many valve amps the heater line is balanced to chassis. Where the amp is fitted with an adjustable balance or "hum-dinger" there is the potential to short this unbalanced supply and smoke the pot.

"Twelve volt" heaters such as the 12AX7 are almost always run in parallel on 6.3V so that the heater supply is balanced to both cathodes, rather than neither.

While this may be an issue with inverter frazzle, or induced mains hum on the heater line due to a ground loop being formed by two grounds, it is certainly an issue if the amp or design being developed is ever expected to run from the mains. Your favorite amp is also likely to want a lot more than only one amp of heater current. Even the most humble power valve will eat most of this.

A discussion of these and other valve heater issues can be found at

http://ozvalveamps.elands.com/heat_ers.htm.

My experience with crowbar polarity protection when used with battery sets is that the diode shorts before the fuse blows due to the high surge current available. A better method with battery supply is a relay with a diode in the coil circuit so it can only energise when the power is correct. This also allows the main current to be switched by a puny switch in the coil circuit.

Roly Roper, Melbourne,
Australia, via email

Hi again Roly, thanks for that, which hopefully will be helpful to readers.

PIC16F877 Problem

Dear EPE,

I am a hardware man now retired. I have in the past only modified software in assembler or written straightforward routines in BASIC. I have been having a go at the PIC programming. I have TK3 V3.5 running under WIN98SE. I have been working through your *EPE PIC Tutorial*. No problems there, as such, except for my memory retention!

But I have acquired a secondhand PIC16F877. Wanting to start with a clean slate I cleared the program and EEPROM. For good measure, I used the Clear CP function. I must have completely misunderstood the "caveat"

warning and thought that I was not in danger of locking out the PIC. I was wrong!

I understand what the data sheets are saying about the low voltage programming, and I can modify my hardware to achieve the correct conditions. But I am not at all clear how to write the code to achieve the complete erase as described in the PIC16F877 data sheet. Would you please enlighten me how to get myself out of this or point me in the right direction.

Is Low Voltage ICSP a suitable subject perhaps, for an article in *EPE*? I enjoy your articles and find them very clear. I would most certainly appreciate some John Becker clarity on this topic. If you can throw some light on this problem I would be most grateful and a lot wiser.

Len Knott, Ringwood,
Hants, via email

Len, I've never used LVP and have not encountered the problem directly, but I have recently had trouble when using the F628's internal oscillator with MCLR controlled internally, which prevented me from programming it. I had programmed the PIC on its own board for another circuit I'm working on, under control from TK3. I did a CP Clear and then found a similar problem you've got due to that. I managed to get out of it by using TK3's Config option, with the PIC in TK3's board (nothing connected to the LV control pin), sending an External Oscillator config code to the PIC. You could try similar, playing around with the various options if necessary. TK3 must have the F877 PIC selected in the usual way.

I've suggested to Mike Hibbett that he might like to cover LVP in PIC n' Mix sometime, and he's agreed that he will.

Extended Controls

Dear EPE,

Some designs require a control (such as a variable capacitor in a radio circuit) to be sited well away from its knob. In the old days, spindle extensions and panel-mounted support bushes were standard items. Now you'd be pushed to find them – and they're expensive if available.

At less than 50p from, say, Rapid, a cheap commercial potentiometer can yield both an extension and a bush if the back is prised off and discarded. I don't believe in waste but haven't found a use for the redundant back section yet! Spindle couplers are also hard to find, but some suppliers offer a range of similar devices (including with 6mm diameter through-hole, Rapid 43-1062) intended for (radio-controlled) models.

Another thought is that Farnell sell tommy bar T34 which is 1/4-inch dia (part 04-6712 at a mere 52p + VAT), plated steel and a generous 153mm long, intended for turning box spanners, would make a stronger spindle extension.

Godfrey Manning G4GLM,
Edgware, Middx, via email

Radio Bygones

The leading magazine for vintage radio enthusiasts



Now Also Available to **BUY ONLINE**
www.radiobygones.com
 Log on, pay by credit card and download the magazine to your PC
ONLY \$9.99 (US dollars) FOR 6 ISSUES
 A free issue is available online

ARTICLES on restoration and repair, history, circuit techniques, personalities, reminiscences and just plain nostalgia – you'll find them all. Plus features on museums and private collections and a full-colour photo-feature in every issue.

IT'S MOSTLY about valves, of course, but 'solid-state' – whether of the coherer and spark-gap variety or early transistors – also has a place.

FROM THE DAYS of Maxwell, Hertz, Lodge and Marconi to what was the state-of-the-art just a few short years ago ...

THERE IS ALSO a selection of free readers' For Sale and Wanted advertisements in every issue.

Radio Bygones covers it all!

THE MAGAZINE is published six times a year, and is only available by postal subscription. It is not available at newsagents.

TO TAKE OUT a subscription, or to request a sample copy, please complete the form below and return it to:
RADIO BYGONES, Wimborne Publishing Ltd, 408 Wimborne Road East, Ferndown, Dorset BH22 9ND.
 Tel: 01202 873872. Fax: 01202 874562. Web sites: www.radiobygones.co.uk www.radiobygones.com



RADIO BYGONES ORDER FORM



A SAMPLE COPY of Radio Bygones £3.75
 (Add 75p for overseas Airmail postage)

SUBSCRIPTIONS (post paid):	1 YEAR	2 YEAR
UNITED KINGDOM	£21.00	£40.00
REST OF EUROPE (AIRMAIL)	£23.50	£45.00
REST OF THE WORLD (AIRMAIL)	£29.00	£56.00

- Yes, I would like a sample copy for £3.75
 (A free issue is available for download from www.radiobygones.com)
- Yes, I would like to take out a subscription for:
 - One year (6 issues) Two years (12 issues)
- I enclose a cheque/Eurocheque/PO for £ payable to Wimborne Publishing Ltd
- Please debit my Visa/Mastercard/Switch/Maestro card

My card number is:

Please print clearly, and check that you have the number correct

The card is valid from: To: (Exp. date)

Maestro Issue No: Card Security Code
 (the last 3 digits on the signature strip)

My name is

My address

Post Code/Zip Tel

Signed

If you do not wish to cut your issue, send a letter or a copy of this form.

Net Work



Alan Winstanley

This month's *Net Work* – the Internet column – suggests an alternative to Skype, the hugely popular VoIP and video messaging service described in previous months. Skype is now owned by eBay and is unashamedly focusing on VoIP communications: just around the corner, Skype-Me links could be embedded into eBay items for sale, so you could talk directly with sellers.

MSN Messenger is Microsoft's instant messaging program that arrives on every modern Windows-based PC (with not a complaint from the EU anti-competition lobby to be heard), though it may need a free download to update it.

MSN Messenger is an attractive instant messenger (IM) product with many added bells and whistles. It incorporates some interactive features of the kind seen years ago in ICQ, which adds to the enjoyment of peer-to-peer real time communications. In terminal-style Chat mode you can add emoticons (smilies) to messages and send a "Nudge", which plays a sound and "shakes the window" of the recipient's PC display. Send "winks" too, which plays an animated graphic at the other end.

You can add a microphone and loudspeakers (or a headset) and talk to other MSN users over IP (if they choose to accept your call), calling long distance in effect is free of charge apart from the cost of a broadband connection. It is easy to create a "voice clip" too – press F2 and record up to 15 seconds of speech to send to your contact.

With broadband's increased coverage, one of the main uses of MSN Messenger is conversing via webcam such as the types discussed in previous months (remembering that some webcams require a separate microphone – check before you buy). The MSN Messenger window incorporates a simple VU meter display to help monitor sound levels.

A "whiteboard" application is included – just doodle something on the whiteboard with a mouse to share sketches in real time with your friends. There is a simple PC-to-mobile phone service, where you can send and receive instant messages, useful when your friends are away from their PC. Check out the costs first though. There are a number of other aspects that will appeal to younger users, and indeed MSN Messenger does make conversing more fun.

Windows XP usually has MSN Messenger installed and ready to be enabled (very possibly the obsolete Version 4 – look for the "Windows Messenger" icon in the Programs list, via the Start button). Before you do anything, check that your antivirus service is up to date, and whether you are protected against virus-infected file exchanges via IM networks: something quickly overlooked in the heat of the moment. The writer's preferred Avast! antivirus package (free for home users from www.avast.com), includes an IM shield for MSN Messenger, Yahoo! Messenger, Skype, ICQ, AIM and many more.

MSN Messenger – no messing?

How is MSN Messenger in practice? The writer found it necessary to jump through a

series of hoops before signing up successfully with MSN. This was a frustrating and time consuming process, and a long way removed from the simplicity of installing Skype.

There are many other facets to MSN Messenger, and rather like ICQ it takes some practice to get to grips with its many features. Some users will consider it an over-elaborate package compared against Skype but others will enjoy the extra interaction that MSN Messenger brings.

In use, the signing-on process is fast enough, and then some tabbed advertising applets fill with marketing messages (e.g. recruitment, dating, eBay, the UK National Lottery and BBC Radio 1). The contact lists tab then populates to show which of your friends are online. Like similar packages, you can set your online status (e.g. Do Not Disturb, Away) with a mouse click. There are plenty more options to explore.

The writer wanted especially to compare MSN's video conferencing service with Skype. In fact with both services there is some noticeable lag in voice communications which takes away from the spontaneity of chatting and needs some getting used to. This is noticeable when you speak before the other party has finished talking and you cut across what they say, cutting off their speech. On a 1MB broadband service, MSN Messenger did not seem quite as sprightly as Skype when compared on a like-for-like basis, but both had some speech lag. This is bound to depend on the volume of network traffic and time of day though.

Windows Live Messenger

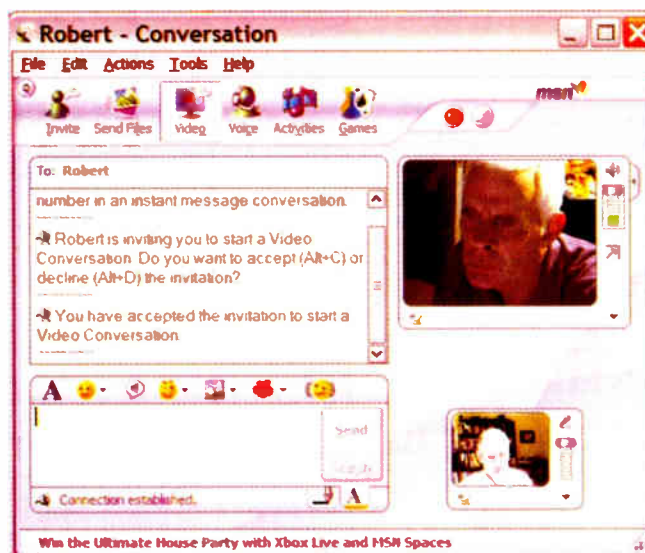
When it comes to downloading or upgrading Messenger, Microsoft wants you to use the newest Windows Live Messenger which is just becoming available in Beta at: <http://get.live.com/messenger/overview>

Windows Live Messenger shows which way the technology is heading, with PC-to-PC Calling, the ability to communicate with landlines or mobile phones, interfacing with Yahoo! Messenger (soon) and more enhancements.

What if you are not a Windows user? If you use an AppleMac or other operating systems, then consider Skype (Windows, Mac, Linux, Pocket PC), ICQ (Windows or Mac), AIM AOL Instant Messenger (Windows, Mac, Pocket PC, some Siemens/Nokia phones).

The VoIP revolution is here to stay, and as bandwidth increases, which it surely will, in years to come we will not give a second thought about calling on a packet network our friends or colleagues anywhere in the world, often using higher resolution video and mobile communications to reach across thousands of miles for next to no cost – except for the mountains of obsolete hardware that we will discard along the way.

Next month – a security application for your webcam. You can email the writer at alan@epamag.demon.co.uk



MSN Messenger Video Conversation, with Chat window on the left. The latest Live Messenger is starting to supersede the version shown

Build Your Own Weather Station



- ▶ Measure Wind Speed
- ▶ Measure Wind Direction
- ▶ Measure Temperature
- ▶ Easy Build Kit
- ▶ FREE Software
- ▶ USB or RS232
- ▶ Optional Humidity Module
- ▶ Optional Pressure Module
- ▶ Optional Rainfall Gauge
- ▶ Simple 1-wire® connection
- ▶ Build and add your own devices

Weather Starter Kit	£59
RS232 Interface	£25
USB Interface	£29
Humidity Module	£39
Pressure Module	£49
Rainfall Gauge	£59

Prices exclude VAT and delivery

For more information, manuals and downloads on this and other interesting products see www.audon.co.uk

AUDON Electronics

www.audon.co.uk | +44 (0)115 925 8412 | Fax +44 (0)115 925 9757

SHERWOOD ELECTRONICS

FREE COMPONENTS

Buy 10 x £1 Special Packs and choose another one FREE

SP1	15 x 5mm Red LEDs	SP135	5 x Miniature slide switches
SP2	12 x 5mm Green LEDs	SP136	3 x BFY50 transistors
SP3	12 x 5mm Yellow LEDs	SP137	4 x W005 1.5A bridge rectifiers
SP5	25 x 5mm 1 part LED clips	SP138	20 x 2-263V radial elect. caps.
SP6	15 x 3mm Red LEDs	SP140	3 x W04 1.5A bridge rectifiers
SP7	12 x 3mm Green LEDs	SP142	2 x CMOS 4017
SP8	10 x 3mm Yellow LEDs	SP143	5 Pairs min. crocodile clips (Red & Black)
SP9	25 x 3mm 1 part LED clips	SP144	5 Pairs min. crocodile clips (assorted colours)
SP10	100 x 1N4148 diodes	SP146	10 x 2N3704 transistors
SP11	30 x 1N4001 diodes	SP147	5 x Stripboard 9 strips x 25 holes
SP12	30 x 1N4002 diodes	SP151	4 x 8mm Red LEDs
SP18	20 x BC182 transistors	SP152	4 x 8mm Green LEDs
SP20	20 x BC184 transistors	SP153	4 x 8mm Yellow LEDs
SP23	20 x BC549 transistors	SP154	15 x BC548 transistors
SP24	4 x CMOS 4001	SP156	3 x Stripboard, 14 strips x 27 holes
SP25	4 x 555 timers	SP160	10 x 2N3904 transistors
SP28	4 x 741 Op.Amps	SP161	10 x 2N3906 transistors
SP28	4 x CMOS 4011	SP162	2 x C106D thyristors
SP29	3 x CMOS 4013	SP165	2 x LF351 Op.Amps
SP33	4 x CMOS 4081	SP166	20 x 1N4003 diodes
SP34	20 x 1N914 diodes	SP167	5 x BC107 transistors
SP36	25 x 10/25V radial elect. caps.	SP168	5 x BC108 transistors
SP37	12 x 100/35V radial elect. caps.	SP171	8 Metres 18SWG solder
SP38	15 x 47/25V radial elect caps.	SP172	4 x Standard slide switches
SP39	10 x 470/16V radial elect. caps.	SP173	10 x 220/25V radial elect. caps
SP40	15 x BC237 transistors	SP174	20 x 22/25V radial elect. caps
SP41	20 x Mixed transistors	SP175	20 x 1/63V radial elect. caps
SP42	200 x Mixed 0-25W C.F. resistors	SP177	10 x 1A 20mm quick blow fuses
SP47	5 x Min. PB switches	SP178	10 x 2A 20mm quick blow fuses
SP49	4 x 5 metres stranded core wire	SP181	5 x Phono plugs - assld colours
SP101	8 Metres 22SWG solder	SP182	20 x 4/763V radial elect. caps.
SP102	20 x 8-pin DIL sockets	SP183	20 x BC547 transistors
SP103	15 x 14-pin DIL sockets	SP187	15 x BC239 transistors
SP104	15 x 16-pin DIL sockets	SP189	4 x 5 metres solid core wire
SP105	4 x 74LS00	SP192	3 x CMOS 4066
SP109	15 x BC557 transistors	SP195	3 x 10mm Yellow LEDs
SP112	4 x CMOS 4093	SP197	6 x 20 pin DIL sockets
SP115	3 x 10mm Red LEDs	SP198	5 x 24 pin DIL sockets
SP116	3 x 10mm Green LEDs	SP199	5 x 2.5mm mono jack plugs
SP118	2 x CMOS 4047	SP200	5 x 2.5mm mono jack sockets
SP124	20 x Assorted ceramic disc caps		
SP126	6 x Battery clips - 3 ea. PP3 + PP9		
SP130	100 x Mixed 0-5W C.F. resistors		
SP131	2 x TL071 Op.Amps		
SP133	20 x 1N4004 diodes		
SP134	15 x 1N4007 diodes		

RESISTOR PACKS - C.Film

RP3	5 each value - total 365 0-25W	£3.30
RP7	10 each value - total 730 0-25W	£4.55
RP10	1000 popular values 0-25W	£6.45
RP4	5 each value-total 345 0-5W	£4.20
RP8	10 each value-total 690 0-5W	£6.85
RP11	1000 popular values 0-5W	£8.70

2006 Catalogue available £1 inc. P&P or FREE with first order. P&P £1.50 per order. NO VAT Cheques and Postal Orders to: **Sherwood Electronics, 7 Williamson St., Mansfield, Notts. NG19 6TD.**

Serial Modules



Serial LCD controller, will control any HD44780 compatible displays, 1,2 or 4 lines up to 180 total characters, fully software configurable automatic Baud rate etc. Works from RS232 port, USB to serial converter or directly from a microcontroller. Simple two character text commands for full control. Very small will fit behind the display. Scrolling text, macro facility, and much more. £11.00



Cool Blue 16x2 LCD fitted with the serial interface, illuminated white lettering can be seen in full daylight. Has the IAS1 module attached and ready to go. £22.90



Serial Analogue board, 10 bit, 3 analogue inputs, 2 digital I/O, all serially controlled using simple 2 letter text commands. Analogue as percentage or absolute 10 bit value.

£12.50

MONEY BACK GUARANTEE

If you are not completely satisfied, return the goods within 30 days for a full refund.

Visit www.byvac.co.uk for microcontroller kits, starting at £14.95 Free software and construction guides.

To purchase: ■ Send Cheque or Postal Order ■ Buy on line at www.byvac.co.uk ■ Send email to sales@byvac.com ■ Telephone 07905 734384 ■ P&P UK £2.50 World Wide £3.50

10% discount for purchase on line use coupon code PEK5 www.byvac.co.uk

ByVac
P.O. BOX 4049, Penistone
SHEFFIELD S36 6WP



EP Online
www.epemag.com

Get your magazine "instantly" anywhere in the world - buy and download from the web.
TAKE A LOOK, A FREE ISSUE IS AVAILABLE
A one year subscription (12 issues) costs just \$15.99 (US)
www.epemag.com

FREE Two booklets (Identifying Electronic Components and Understanding Active Components) and a Circuit Surgery CD-ROM with Teach-In 2000 CD-ROM



EPE TEACH-IN 2000 CD-ROM

The whole of the 12-part *Teach-In 2000* series by John Becker (published in *EPE* Nov '99 to Oct 2000) is now available on CD-ROM in PDF form. Plus the *Teach-In 2000* interactive software (Win 95, 98, ME and above) covering all aspects of the series and Alan Winstanley's *Basic Soldering Guide* (including illustrations and Desoldering).

Teach-In 2000 covers all the basic principles of electronics from Ohm's Law to Displays, including Op.Amps, Logic Gates etc. Each part has its own section on the interactive software where you can also change component values in the various on-screen demonstration circuits.

The series gives a hands-on approach to electronics with numerous breadboard circuits to try out, plus a simple computer interface (Win 95, 98, ME ONLY) which allows a PC to be used as a basic oscilloscope.

ONLY **£12.45** including VAT and p&p

THE AMATEUR SCIENTIST 3-0 CD-ROM

The complete collection of The Amateur Scientist articles from *Scientific American* magazine. Over 1,000 classic science projects from a renowned source of winning projects. All projects are rated for cost, difficulty and possible hazards.

Plus over 1,000 pages of helpful science techniques that never appeared in *Scientific American*. Exciting science projects in: Astronomy; Earth Science; Biology; Physics; Chemistry; Weather... and much more! The most complete resource ever assembled for hobbyists, and professionals looking for novel solutions to research problems.

Includes extensive Science Software Library with even more science tools.

Suitable for Mac, Windows, Linux or UNIX. 32MB RAM minimum, Netscape 4.0 or higher or Internet Explorer 4.0 or higher.

Over 1,000 projects

CD-ROM **Order code ASICD-ROM £19.95**

PROJECT CONSTRUCTION

IC 555 PROJECTS

E. A. Parr

Every so often a device appears that is so useful that one wonders how life went on before without it. The 555 timer is such a device. Included in this book are over 70 circuit diagrams and descriptions covering basic and general circuits, motor car and model railway circuits, alarms and noise makers as well as a section on 556, 558 and 559 timers. (Note. No construction details are given.) A reference book of invaluable use to all those who have any interest in electronics, be they professional engineers or designers, students or hobbyists.

167 pages **Order code BP44 £5.49**

POWER SUPPLY PROJECTS

R. A. Penfold

This book offers a number of power supply designs, including simple unregulated types, and variable voltage regulated designs, the latter being primarily intended for use as bench power supplies for the electronics workshop. The designs provided are all low voltage types for semiconductor circuits. The information in this book should also help the reader to design his own power supplies. Includes cassette PSU, Ni-Cad charger, voltage step-up circuit and a simple inverter.

91 pages **Order code BP76 £5.49**

HOW TO USE OSCILLOSCOPES AND OTHER TEST EQUIPMENT

R. A. Penfold

This book explains the basic function of an oscilloscope, gives a detailed explanation of all the standard controls, and provides advice on buying. A separate chapter deals with using an oscilloscope for fault finding on linear and logic circuits, plenty of example waveforms help to illustrate the control functions and the effects of various fault conditions. The function and use of various other pieces of test equipment are also covered, including signal generators, logic probes, logic pulser and crystal calibrators.

104 pages **Order code BP267 £5.49**

DIRECT BOOK SERVICE

The books listed have been selected by *Everyday Practical Electronics* editorial staff as being of special interest to everyone involved in electronics and computing. They are supplied by mail order direct to your door. Full ordering details are given on the last book page.

FOR A FURTHER SELECTION OF BOOKS SEE THE NEXT TWO ISSUES OF EPE.

All prices include UK postage

RADIO

SETTING UP AN AMATEUR RADIO STATION

I. D. Poole

The aim of this book is to give guidance on the decisions which have to be made when setting up any amateur radio or short wave listening station. Often the experience which is needed is learned by one's mistakes, however, this can be expensive. To help overcome this, guidance is given on many aspects of setting up and running an efficient station. It then proceeds to the steps that need to be taken in gaining a full transmitting licence.

Topics covered include: The equipment that is needed; Setting up the shack; Which aerials to use; Methods of construction; Preparing for the licence.

86 pages **Order code BP300 £4.45**

EXPERIMENTAL ANTENNA TOPICS

H. C. Wright

Although nearly a century has passed since Marconi's first demonstration or radio communication, there is still research and experiment to be carried out in the field of antenna design and behaviour.

The aim of the experimenter will be to make a measurement or confirm a principle, and this can be done with relatively fragile, short-life apparatus. Because of this, devices described in this book make liberal use of cardboard, cooking foil, plastic bottles, cat food tins, etc.

Although primarily a practical book with text closely supported by diagrams, some formulae which can be used by straightforward substitution and some simple graphs have also been included.

72 pages **Order code BP278 £4.00**

25 SIMPLE INDOOR AND WINDOW AERIALS

E. M. Noll

Many people live in flats and apartments or other types of accommodation where outdoor aerials are prohibited, or a lack of garden space etc. prevents aerials from being erected. This does not mean you have to forgo shortwave-listening, for even a 20-foot length of wire stretched out along the skirting board of a room can produce acceptable results. However, with some additional effort and experimentation one may well be able to improve performance further.

This concise book tells the story, and shows the reader how to construct and use 25 indoor and window aerials that the author has proven to be sure performers.

50 pages **Order code BP136 £2.25**

TICKLING THE CRYSTAL Domestic British Crystal Sets of the 1920's

Ian L. Sanders

The first book dedicated to the topic of British crystal sets to be published in the last 25 years. For a very brief period during the early 1920's, these simple receivers played a crucial role in the expansion of domestic wireless throughout the United Kingdom. For many families, rich and poor, the crystal set provided an introduction to the new pastime of listening-in to broadcast programmes. Rapidly made obsolete from homes as suddenly as it had arrived, but not without leaving its mark on the history of wireless.

Written by a long-time authority and enthusiast, *Tickling the Crystal* is the most comprehensive work on the subject ever assembled. Containing almost two hundred excellent quality photographs and a wealth of previously unpublished material, it cannot fail to be an invaluable reference for anyone interested in the history of early wireless receivers.

256 pages hardback **Order code TC1 £34.00**

ELECTRONIC PROJECT BUILDING FOR BEGINNERS

R. A. Penfold

This book is for complete beginners to electronic project building. It provides a complete introduction to the practical side of this fascinating hobby, including the following topics:

Component identification, and buying the right parts; resistor colour codes, capacitor value markings, etc; advice on buying the right tools for the job; soldering; making easy work of the hard wiring; construction methods, including stripboard, custom printed circuit boards, plain matrix boards, surface mount boards and wire-wrapping; finishing off, and adding panel labels; getting "problem" projects to work, including simple methods of fault-finding.

In fact everything you need to know in order to get started in this absorbing and creative hobby.

135 pages **Order code BP392 £5.49**

TEST EQUIPMENT CONSTRUCTION

R. A. Penfold

This book describes in detail how to construct some simple and inexpensive but extremely useful, pieces of test equipment. Stripboard layouts are provided for all designs, together with wiring diagrams where appropriate, plus notes on construction and use.

The following designs are included:-

AF Generator, Capacitance Meter, Test Bench Amplifier, AF Frequency Meter, Audio Multivoltmeter, Analogue Probe, High Resistance Voltmeter, CMOS Probe, Transistor Tester, TTL Probe. The designs are suitable for both newcomers and more experienced hobbyists.

104 pages **Order code BP248 £4.49**

COMPUTING

COMPUTING FOR THE OLDER GENERATION

Jim Gatenby

Especially written for the over 50s, using plain English and avoiding technical jargon. Large clear type for easy reading.

Among the many practical and useful ideas for using your PC that are covered in this book are: Choosing, setting up and understanding your computer and its main components. Writing letters, leaflets, invitations, etc., and other word processing jobs. Keeping track of your finances using a spreadsheet. Recording details of holidays and other ideas using a database. Using the Internet to find useful information, and email to keep in touch with family and friends. Making 'back-up' copies of your work and checking for viruses. How to use Windows XP to help people with impaired vision, hearing or mobility.

Provides the basic knowledge so you can gain enough confidence to join the local computer class.

308 pages **Order code BP601 £8.99**

THE INTERNET FOR THE OLDER GENERATION

Jim Gatenby

Especially written for the over 50s. Uses only clear and easy-to-understand language. Larger type size for easy reading. Provides basic knowledge to give you confidence to join the local computer class.

This book explains how to use your PC on the Internet and covers amongst other things: Choosing and setting up your computer for the Internet. Getting connected to the Internet. Sending and receiving emails, photographs, etc., so that you can keep in touch with family and friends all over the world. Searching for and saving information on any subject. On-line shopping and home banking. Setting up your own simple web site.

228 pages **Order code BP600 £8.99**

THEORY AND REFERENCE

BEBOP TO THE BOOLEAN BOOGIE

Second Edition
Clive (call me Max) Maxfield

This book gives the "big picture" of digital electronics. This in-depth, highly readable, up-to-the-minute guide shows you how electronic devices work and how they're made. You'll discover how transistors operate, how printed circuit boards are fabricated, and what the innards of memory ICs look like. You'll also gain a working knowledge of Boolean Algebra and Karnaugh Maps, and understand what Reed-Muller logic is and how it's used. And there's much, MUCH more. The author's tongue-in-cheek humour makes it a delight to read, but this is a REAL technical book, extremely detailed and accurate.

Contents: Fundamental concepts; Analog versus digital; Conductors and insulators; Voltage, current, resistance, capacitance and inductance; Semiconductors; Primitive logic functions; Binary arithmetic; Boolean algebra; Karnaugh maps; State diagrams, tables and machines; Analog-to-digital and digital-to-analog; Integrated circuits (ICs); Memory ICs; Programmable ICs; Application-specific integrated circuits (ASICs); Circuit boards (PWBs and DWBs); Hybrids; Multichip modules (MCMs); Alternative and future technologies.

470 pages - large format **Order code BEB1 £26.95**

BEBOP BYTES BACK (and the Beboputer Computer Simulator)

CD-ROM
Clive (Max) Maxfield and Alvin Brown

This follow-on to *Beboop to the Boolean Boogie* is a multimedia extravaganza of information about how computers work. It picks up where "Beboop I" left off, guiding you through the fascinating world of computer design... and you'll have a few chuckles, if not belly laughs, along the way. In addition to over 200 megabytes of mega-cool multimedia, the CD-ROM contains a virtual microcomputer, simulating the motherboard and standard computer peripherals in an extremely realistic manner. In addition to a wealth of technical information, myriad nuggets of trivia, and hundreds of carefully drawn illustrations, the CD-ROM contains a set of lab experiments for the virtual microcomputer that let you recreate the experiences of early computer pioneers. If you're the slightest bit



interested in the inner workings of computers, then don't dare to miss this!

Over 800 pages in Adobe Acrobat format

CD-ROM **Order code BEB2 CD-ROM £21.95**



RADIO! RADIO! (Third Edition)

Jonathan Hill

A celebration in words and pictures of the development of the British wireless set from its experimental beginnings in Victorian England, to the foundation of a domestic wireless manufacturing industry and the inception of broadcasting in the early 1920's. The story continues on through the design-conscious 1930's (where the radio really came into its own as a piece of furniture), to the war-torn and austere days of the 1940's.

The first transistor radios began to appear in the second half of the 1950s and in this new edition, this rather neglected area has been fully covered by a section all of its own which includes a directory listing of nearly 3,000 different transistor models. The book finishes after the 1960s, by which time our long established and once great radio industry had all but been destroyed by foreign imports.

Now with 320 pages and over 1,000 illustrations, informative captions and carefully researched text *Radio! Radio!* is the first and still the only truly comprehensive book of its kind ever to be published.

320 pages (A4 Hardback) **Order code RR1 £40.95**

GETTING THE MOST FROM YOUR MULTIMETER

R. A. Penfold

This book is primarily aimed at beginners and those of limited experience of electronics. Chapter 1 covers the basics of analogue and digital multimeters, discussing the relative merits and the limitations of the two types. In Chapter 2 various methods of component checking are described, including tests for transistors, thyristors, resistors, capacitors and diodes. Circuit testing is covered in Chapter 3, with subjects such as voltage, current and continuity checks being discussed.

In the main little or no previous knowledge or experience is assumed. Using these simple component and circuit testing techniques the reader should be able to confidently tackle servicing of most electronic projects.

96 pages **Order code BP239 £5.49**

DIGITAL GATES AND FLIP-FLOPS

Ian R. Sinclair

This book, intended for enthusiasts, students and technicians, seeks to establish a firm foundation in digital electronics by treating the topics of gates and flip-flops thoroughly and from the beginning.

No background other than a basic knowledge of electronics is assumed, and the more theoretical topics are explained from the beginning, as also are many working practices. The book concludes with an explanation of microprocessor techniques as applied to digital logic.

200 pages **Order code PC105 £9.95**

PRACTICAL ELECTRONICS HANDBOOK - Fifth Edition. Ian Sinclair

Provides a practical and comprehensive collection of circuits, rules of thumb and design data for professional engineers, students and enthusiasts, and therefore enough background to allow the understanding and development of a range of basic circuits.

Contents: Passive components, Active discrete components, Circuits, Linear I.C.s, Energy conversion components, Digital I.C.s, Microprocessors and microprocessor systems, Transferring digital data, Digital-analogue conversions, Computer aids in electronics, Hardware components and practical work, Micro-controllers and PLCs, Digital broadcasting, Electronic security.

440 pages **Order code NE21 £19.99**

MUSIC, AUDIO AND VIDEO

QUICK GUIDE TO ANALOGUE SYNTHESIS

Ian Waugh

Even though music production has moved into the digital domain, modern synthesizers invariably use analogue synthesis techniques. The reason is simple - analogue synthesis is flexible and versatile, and it's relatively easy for us to understand. The basics are the same for all analogue synths, and you'll quickly be able to adapt the principles to any instrument, to edit existing sounds and create exciting new ones. This book describes: How analogue synthesis works; The essential modules every synthesizer has; The three steps to synthesis; How to create phat bass sounds; How to generate filter sweeps; Advanced synth modules, How to create simple and complex synth patches; Where to find soft synths on the Web.

If you want to take your synthesizer - of the hardware or software variety - past the presets, and program your own sounds and effects, this practical and well-illustrated book tells you what you need to know.

60 pages **Order code PC118 £7.45**

QUICK GUIDE TO MP3 AND DIGITAL MUSIC

Ian Waugh

MP3 files, the latest digital music format, have taken the music industry by storm. What are they? Where do you get them? How do you use them? Why have they thrown record companies into a panic? Will they make music easier to buy? And cheaper? Is this the future of music?

All these questions and more are answered in this concise and practical book which explains everything you need to know about MP3s in a simple and easy-to-understand manner. It explains:

How to play MP3s on your computer; How to use MP3s with handheld MP3 players; Where to find MP3s on the Web; How MP3s work; How to tune into Internet radio stations; How to create your own MP3s; How to record your own CDs from MP3 files; Other digital audio music formats.

60 pages **Order code PC119 £7.45**

ELECTRONIC PROJECTS FOR VIDEO ENTHUSIASTS

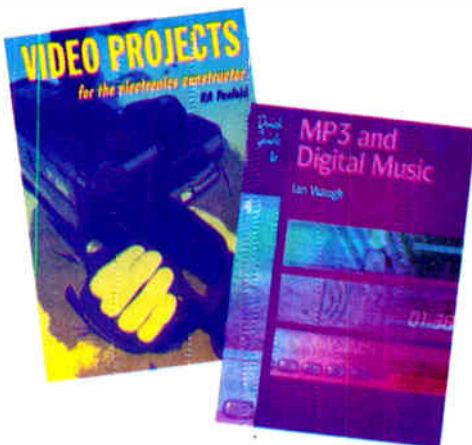
R. A. Penfold

This book provides a number of practical designs for video accessories that will help you get the best results from your camcorder and VCR. All the projects use inexpensive components that are readily available, and they are easy to construct. Full construction details are

provided, including stripboard layouts and wiring diagrams. Where appropriate, simple setting up procedures are described in detail, no test equipment is needed.

The projects covered in this book include: Four channel audio mixer, Four channel stereo mixer, Dynamic noise limiter (DNL), Automatic audio fader, Video faders, Video wipers, Video crispener, Mains power supply unit.

109 pages **Order code BP356 £5.45**



THE INVENTOR OF STEREO - THE LIFE AND WORKS OF ALAN DOWER BLUMLEIN

Robert Charles Alexander

This book is the definitive study of the life and works of one of Britain's most important inventors who, due to a cruel set of circumstances, has all but been overlooked by history.

Alan Dower Blumlein led an extraordinary life in which his inventive output rate easily surpassed that of Edison, but whose early death during the darkest days of World War Two led to a shroud of secrecy which has

covered his life and achievements ever since.

His 1931 Patent for a Binaural Recording System was so revolutionary that most of his contemporaries regarded it as more than 20 years ahead of its time. Even years after his death, the full magnitude of its detail had not been fully utilized. Among his 128 patents are the principal electronic circuits critical to the development of the world's first electronic television system. During his short working life, Blumlein produced patent after patent breaking entirely new ground in electronic and audio engineering.

During the Second World War, Alan Blumlein was deeply engaged in the very secret work of radar development and contributed enormously to the system eventually to become 'H2S' - blind-bombing radar. Tragically, during an experimental H2S flight in June 1942, the Halifax bomber in which Blumlein and several colleagues were flying, crashed and all aboard were killed. He was just days short of his thirtieth birthday.

420 pages **Order code NE32 £17.99**

VIDEO PROJECTS FOR THE ELECTRONICS CONSTRUCTOR

R. A. Penfold

Written by highly respected author R. A. Penfold, this book contains a collection of electronic projects specially designed for video enthusiasts. All the projects can be simply constructed, and most are suitable for the newcomer to project construction, as they are assembled on stripboard.

There are faders, wipers and effects units which will add sparkle and originality to your video recordings, an audio mixer and noise reducer to enhance your soundtracks and a basic computer control interface. Also, there's a useful selection on basic video production techniques to get you started.

Complete with explanations of how the circuit works, shopping lists of components, advice on construction, and guidance on setting up and using the projects, this invaluable book will save you a small fortune.

Circuits include: video enhancer, improved video enhancer, video fader, horizontal wiper, improved video wiper, negative video unit, fade to grey unit, black and white keyer, vertical wiper, audio mixer, stereo headphone amplifier, dynamic noise reducer, automatic fader, pushbutton fader, computer control interface, 12 volt mains power supply.

124 pages **Order code PC115 £5.45**

FAULT FINDING, CIRCUITS AND DESIGN

DISCOVERING PICS W.D. Phillips

A good introduction to PIC programming, covering everything you need to know to get you started. No previous knowledge of microcontrollers is required, but some previous experience with electronic circuits is assumed. Covers the basic concept of a microcontroller, fundamentals of a PIC-based circuit and using the MPLAB program. Further chapters introduce binary, PIC architecture, the instruction set, the PIC memory map and special registers plus real world programming. Four simple projects are also fully described; a Wavy Wand, an Electronic Dice, a Games Timer and a Pulse Monitor.

The associated CDROM contains the book in PDF format, MPLAB (plus instruction manuals in PDF format) and all the programs covered in the book as assembler (ASM) files. Those that wish to program their own PICs will require a PIC programmer.

In addition a p.c.b. based hardware kit is also available that makes up into the Wavy Wand which will spell out a short message via a line of I.e.d.s when waved through the air.

190 pages, A4 spiral bound

Book + CDROM Order code **DOC1** £22.00

Book + CDROM + Hardware Order code **DOC2** £28.50

**BOOK + CDROM
+ HARDWARE**

data memory; Interrupts; The 12C5XX 8-pin microcontroller; The 16F87X microcontroller; The 16F62X microcontroller; Projects; Instruction set, files and registers; Appendices; Index.

272 pages **Order code NE39** £17.49

COIL DESIGN AND CONSTRUCTIONAL MANUAL B. B. Babani

A complete book for the home constructor on "how to make" RF, IF, audio and power coils, chokes and transformers. Practically every possible type is discussed and calculations necessary are given and explained in detail. Although this book is now twenty years old, with the exception of toroids and pulse transformers little has changed in coil design since it was written.

96 pages **Order code BP160** £4.49

PRACTICAL ELECTRONIC FAULT FINDING AND TROUBLESHOOTING Robin Pain

To be a real fault finder, you must be able to get a feel for what is going on in the circuit you are examining. In this book Robin Pain explains the basic techniques needed to be a fault finder.

Simple circuit examples are used to illustrate principles and concepts fundamental to the process of fault finding. This is not a book of theory, it is a book of practical tips, hints and rules of thumb, all of which will equip the reader to tackle any job. You may be an engineer or technician in search of information and guidance, a college student, a hobbyist building a project from a magazine, or simply a keen self-taught amateur who is interested in electronic fault finding but finds books on the subject too mathematical or specialised.

The fundamental principles of analogue and digital fault finding are described (although, of course, there is no such thing as a "digital fault" - all faults are by nature analogue). This book is written entirely for a fault finder using only the basic fault-finding equipment: a digital multimeter and an oscilloscope. The treatment is non-mathematical (apart from Ohm's law) and all jargon is strictly avoided.

274 pages **Order code NE22** £25.99

OPERATIONAL AMPLIFIER USER'S HANDBOOK R. A. Penfold

The first part of this book covers standard operational amplifier based "building blocks" (integrator, precision rectifier, function generator, amplifiers, etc), and considers the ways in which modern devices can be used to give superior performance in each one. The second part describes a number of practical circuits that exploit modern operational amplifiers, such as high slew-rate, ultra low noise, and low input offset devices. The projects include: Low noise tape preamplifier, low noise RIAA pre-amplifier, audio power amplifiers, d.c. power controllers, opto-isolator audio link, audio millivolt meter, temperature monitor, low distortion audio signal generator, simple video fader, and many more.

120 pages **Order code BP335** £5.45

A BEGINNERS GUIDE TO CMOS DIGITAL ICs R. A. Penfold

Getting started with logic circuits can be difficult, since many of the fundamental concepts of digital design tend to seem rather abstract, and remote from obviously useful applications. This book covers the basic theory of digital electronics and the use of CMOS integrated circuits, but does not lose sight of the fact that digital electronics has numerous "real world" applications.

The topics covered in this book include: the basic concepts of logic circuits; the functions of gates, inverters and other logic "building blocks"; CMOS logic i.c. characteristics, and their advantages in practical circuit design; oscillators and monostables (timers); flip/flops, binary dividers and binary counters; decade counters and display drivers.

119 pages **Order code BP333** £5.45

AUDIO AMPS

BUILDING VALVE AMPLIFIERS Morgan Jones

The practical guide to building, modifying, fault-finding and repairing valve amplifiers. A hands-on approach to valve electronics - classic and modern - with a minimum of theory. Planning, fault-finding, and testing are each illustrated by step-by-step examples.

A unique hands-on guide for anyone working with valve (tube in USA) audio equipment - as an electronics experimenter, audiophile or audio engineer.

Particular attention has been paid to answering questions commonly asked by newcomers to the world of the vacuum tube, whether audio enthusiasts tackling their first build, or more experienced amplifier designers seeking to learn the ropes of working with valves. The practical side of this book is reinforced by numerous clear illustrations throughout.

368 pages **Order code NE40** £21.99

PRACTICAL OSCILLATOR CIRCUITS A. Flind

Extensive coverage is given to circuits using capacitors and resistors to control frequency. Designs using CMOS, timer i.c.s and op.amps are all described in detail, with a special chapter on "waveform generator" i.c.s. Reliable "white" and "pink" noise generator circuits are also included. Various circuits using inductors and capacitors are covered, with emphasis on stable low frequency generation. Some of these are amazingly simple, but are still very useful signal sources.

Crystal oscillators have their own chapter. Many of the circuits shown are readily available special i.c.s for simplicity and reliability, and offer several output frequencies. Finally, complete constructional details are given for an audio sinewave generator.

133 pages **Order code BP393** £5.49

PIC IN PRACTICE David W. Smith

A graded course based around the practical use of the PIC microcontroller through project work. Principles are introduced gradually, through hands-on experience, enabling hobbyists and students to develop their understanding at their own pace. The book can be used at a variety of levels. Contents: Introduction to the PIC microcontroller; Programming the 16F84 microcontroller; Using inputs; Keypad scanning; Program examples; The 16C54 microcontroller; Alphanumeric displays; Analogue to digital conversion; Radio transmitters and receivers; EEPROM



BOOK ORDERING DETAILS

All prices include UK postage. For postage to Europe (air) and the rest of the world (surface) please add £2 per book. For the rest of the world airmail add £3 per book. CD-ROM prices include VAT and/or postage to anywhere in the world. Send a PO, cheque, international money order (£ sterling only) made payable to **Direct Book Service** or card details, Visa, Mastercard, Amex, Diners Club or Switch/Maestro to: **DIRECT BOOK SERVICE, WIMBORNE PUBLISHING LIMITED, 408 WIMBORNE ROAD EAST, FERNDOWN, DORSET BH22 9ND.**

Books are normally sent within seven days of receipt of order, but please allow 28 days for delivery - more for overseas orders. Please check price and availability (see latest issue of Everyday Practical Electronics) before ordering from old lists.

For a further selection of books see the next two issues of EPE.

Tel 01202 873872 Fax 01202 874562. E-mail: dbs@wimborne.co.uk

Order from our online shop at: www.epemag.co.uk

BOOK ORDER FORM

Full name:

Address:

..... Post code: Telephone No:

Signature:

I enclose cheque/PO payable to DIRECT BOOK SERVICE for £

Please charge my card £ Card expiry date

Card Number Switch/Maestro Issue No.....

Card Security Code (the last three digits on or just below the signature strip)

Please send book order codes:

Please continue on separate sheet of paper if necessary

AUDIO AMPLIFIER PROJECTS R. A. Penfold

A wide range of useful audio amplifier projects, each project features a circuit diagram, an explanation of the circuit operation and a stripboard layout diagram. All constructional details are provided along with a shopping list of components, and none of the designs requires the use of any test equipment in order to set up properly. All the projects are designed for straightforward assembly on simple circuit boards.

Circuits include: High impedance mic preamp, Low impedance mic preamp, Crystal mic preamp, Guitar and GP preamplifier, Scratch and rumble filter, RIAA pre-amplifier, Tape preamplifier, Audio limiter, Bass and treble tone controls, Loudness filter, Loudness control, Simple graphic equaliser, Basic audio mixer, Small (300mW) audio power amp, 6 watt audio power amp, 20/32 watt power amp and power supply, Dynamic noise limiter.

A must for audio enthusiasts with more sense than money!

116 pages **Order code PC113** £10.95 £5.45

VALVE AMPLIFIERS

Second Edition. Morgan Jones

This book allows those with a limited knowledge of the field to understand both the theory and practice of valve audio amplifier design, such that they can analyse and modify circuits, and build or restore an amplifier. Design principles and construction techniques are provided so readers can devise and build from scratch, designs that actually work.

The second edition of this popular book builds on its main strength - exploring and illustrating theory with practical applications. Numerous new sections include: output transformer problems; heater regulators; phase splitter analysis; and component technology. In addition to the numerous amplifier and preamplifier circuits, three major new designs are included: a low-noise single-ended LP stage, and a pair of high voltage amplifiers for driving electrostatic transducers directly - one for headphones, one for loudspeakers.

288 pages **Order code NE33** £32.99

EPE PIC RESOURCES CD-ROM V2

VERSION 2 NOW AVAILABLE



Version 2 includes the EPE PIC Tutorial V2 series of Supplements (EPE April, May, June 2003)

ONLY £14.45
INCLUDING VAT and P&P

The CD-ROM contains the following Tutorial-related software and texts:

- EPE PIC Tutorial V2 complete series of articles plus demonstration software, John Becker, April, May, June '03
- PIC Toolkit Mk3 (TK3 hardware construction details), John Becker, Oct '01
- PIC Toolkit TK3 for Windows (software details), John Becker, Nov '01

Plus these useful texts to help you get the most out of your PIC programming:

- How to Use Intelligent L.C.D.s, Julyan Ilett, Feb/Mar '97
- PIC16F87x Microcontrollers (Review), John Becker, April '99
- PIC16F87x Mini Tutorial, John Becker, Oct '99
- Using PICs and Keypads, John Becker, Jan '01
- How to Use Graphics L.C.D.s with PICs, John Becker, Feb '01
- PIC16F87x Extended Memory (how to use it), John Becker, June '01
- PIC to Printer Interfacing (dot-matrix), John Becker, July '01
- PIC Magick Musick (use of 40kHz transducers), John Becker, Jan '02
- Programming PIC Interrupts, Malcolm Wiles, Mar/Apr '02
- Using the PIC's PCLATH Command, John Waller, July '02
- EPE StyloPIC (precision tuning musical notes), John Becker, July '02
- Using Square Roots with PICs, Peter Hemsley, Aug '02
- Using TK3 with Windows XP and 2000, Mark Jones, Oct '02
- PIC Macros and Computed GOTOs, Malcolm Wiles, Jan '03
- Asynchronous Serial Communications (RS-232), John Waller, unpublished
- Using I²C Facilities in the PIC16F877, John Waller, unpublished
- Using Serial EEPROMs, Gary Moulton, unpublished
- Additional text for EPE PIC Tutorial V2, John Becker, unpublished

NOTE: The PDF files on this CD-ROM are suitable to use on any PC with a CD-ROM drive. They require Adobe Acrobat Reader – included on the CD-ROM

Order on-line from
www.epemag.wimborne.co.uk/shopdoor.htm
or www.epemag.com (USA \$ prices)
or by Phone, Fax, Email or Post.

EPE PIC RESOURCES V2 CD-ROM ORDER FORM

Please send me (quantity) EPE PIC RESOURCES V2 CD-ROM

Price £14.45 each – includes postage to anywhere in the world.

Name

Address

.....

.....

..... Post Code

I enclose cheque/P.O./bank draft to the value of £

Please charge my Visa/Mastercard/Amex/Diners Club/ Maestro

£

Card No.

Card Security Code (The last 3 digits on or just under the signature strip)

Valid From Expiry Date

Maestro Issue No.

SEND TO: **Everyday Practical Electronics,**
Wimborne Publishing Ltd.,
408 Wimborne Road East, Ferndown, Dorset BH22 9ND.
Tel: 01202 873872. Fax: 01202 874562.
Email: orders@epemag.wimborne.co.uk

Payments must be by card or in £ Sterling – cheque or bank draft drawn on a UK bank.

Normally supplied within seven days of receipt of order.

Send a copy of this form, or order by letter if you do not wish to cut your issue.

BECOME A PIC WIZARD WITH THE HELP OF EPE!

We can supply back issues of *EPE* by post, most issues from the past three years are available. An *EPE* index for the last five years is also available at www.epemag.co.uk or see order form below. Alternatively, indexes are published in the December issue for that year. Where we are unable to provide a back issue a photocopy of any *one article* (or *one part* of a series) can be purchased for the same price. Issues from Jan. 99 are available on CD-ROM – see next page – and issues from the last six months are also available to download from www.epemag.com.

Please make sure all components are still available before commencing any project from a back-dated issue.

DID YOU MISS THESE?

APR '05

PROJECTS • Spontaflex Radio Receiver • Safety Interface • Fridge/Freezer Door Alarm • Smart Karts - 7.
FEATURES • Back To Logic Basics - 1 • Circuit Surgery • Ingenuity Unlimited • Interface • PIC18F Microcontroller Family Introduction • Techno Talk • Net Work – The Internet Page

MAY '05

PROJECTS • Crossword Solver • DAB Radio Aerial • 20W Amplifier Module • Smart Karts - 8 • Water Level Detector • Burglar Alarm
FEATURES • Back To Logic Basics - 2 • Circuit Surgery • Ingenuity Unlimited • Passive Component Testing • Practically Speaking • Techno Talk • Net Work – The Internet Page

JUNE '05

PROJECTS • PIC Ultrasonic Radar • Radio Control Model Switcher • Super-Ear Audio Telescope • Electronic Scarecrow • Digital Lock
FEATURES • Catch the Wave (Tsunami) • Back To Basics - 3 • Digital TV Switchover • Programming PIC 18F Interrupts • Circuit Surgery • Interface • Ingenuity Unlimited • Net Work – The Internet Page

JULY '05

PROJECTS • Cybervox • LF and VLF Converter • Multi-Clap Switch • Doorchime • Electronic Dice
FEATURES • Discovering PICs Reviewed • Back To Basics - 4 • Practically Speaking • Circuit Surgery • Interface • Net Work – The Internet Page



AUG '05

PROJECTS • Motor Amplifier • Pain Monitor • Audio System-Communications • Kitchen Timer • Room Thermometer
FEATURES • Back To Basics - 5 • Circuit Surgery • Interface • Ingenuity Unlimited • Techno Talk • PIC 'N' Mix • NetWork – The Internet Page

SEPT '05

PROJECTS • All Band Radio • Snooker and Darts Scoreboard • Multicore Cable Tester • Controlling Model Railway Signals • Daily Reminder • Whistle Switch
FEATURES • Back To Logic Basics - 6 • Circuit Surgery • Practically Speaking • Ingenuity Unlimited • Techno Talk • PIC 'N' Mix • Net Work – The Internet Page

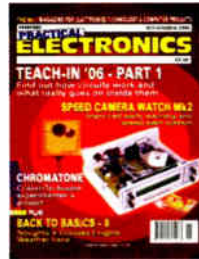
OCT '05

PROJECTS • Halloween Howler • PIC Based USB Interface • Photic Phone • Telephone Switch • Parking Radar
FEATURES • Introducing the Virtual DIY Calculator • Ingenuity Unlimited • Back To Basics - 7 • Circuit Surgery • Techno Talk • PIC 'N' Mix • Interface • NetWork – The Internet Page

NOV '05

Photocopies only

PROJECTS • Speed Camera Watch Mk2 • PIC Chromatone • Multi-Function R/C Switch • Noughts and Crosses Enigma • Weather Vane Repeater
FEATURES • Teach-In 2006 – Part 1 • Circuit Surgery • Back To Basics - 8 • Techno Talk • Practically Speaking • Ingenuity Unlimited • PIC 'N' Mix • NetWork – The Internet Page



APR '06

PROJECTS • A Programmable Continuity Tester • Omni Pendulum • PortaPAL Public Address Amplifier – Part 2 • 'Smart' Slave Flash Trigger
FEATURES • Teach-In 2006 – Part 6 • Consumer Electronics Show • E-Chip Review • Techno Talk • PIC-'N'-Mix • Net Work – The Internet Page

MAY '06

PROJECTS • LED Lighting For Your Car • Smart Card Reader and Programmer • Nail Sniffer and Volts Hound • Digital Reaction Timer.
FEATURES • Teach-In 2006 – Part 7 • Practically Speaking • Ingenuity Unlimited • Circuit Surgery • Techno Talk • PIC 'N' Mix • Net Work – The Internet Page



DEC '05 Photocopies only

PROJECTS • Vehicle Frost Box Mk2 • Propeller Monitor • Solid-State Hammond • Solid State Valve Power Supply
FEATURES • Teach-In 2006 – Part 2 • Techno Talk • Viewing The Future • Circuit Surgery • Interface • PIC 'N' Mix • NetWork – The Internet Page

JAN '06 Photocopies only

PROJECTS • A "Tiptronic-Style" Gear Indicator • Sunset Switch • PIC Ambulux • Current Clamp Adapter For Multimeters
FEATURES • Teach-In 2006 – Part 3 • Circuit Surgery • Techno Talk • Practically Speaking • PIC 'N' Mix • NetWork – The Internet Page

FEB '06 Photocopies only

PROJECTS • Highly Flexible Keypad Alarm • Active 3-way Crossover • Status Monitor • Jazzy Heart.
FEATURES • Teach-In 2006 – Part 4 • Techno Talk • Circuit Surgery • Interface • PIC-'N'-Mix • Network – The Internet Page

MAR '06

PROJECTS • PortaPAL Public Address Amplifier – Part 1 • Telescope Interface • Power Up • Video • Audio Booster
FEATURES • Teach-In 2006 – Part 5 • Practically Speaking • Circuit Surgery • Techno Talk • PIC-'N'-Mix • Net Work – The Internet Page

JUN '06

PROJECTS • Poor Man's Metal Locator • Widgey Box Distortion Effects For Your Guitar • Phone Ring & Test • Digital Instrument Display For Cars – Part 1.
FEATURES • Interface • Circuit Surgery • Ingenuity Unlimited • Techno Talk • PIC 'N' Mix • Teach-In 2006 – Part 8 • Net Work – The Internet Page

JUL '06

PROJECTS • PIC Sudoku Unit • A Dirt Cheap High Current Bench Supply • PC Power Monitor • Digital Instrument Display For Cars – Part 2.
FEATURES • Teach-In 2006 – Part 9 • Ingenuity Unlimited • Practically Speaking • Circuit Surgery • Techno Talk • PIC 'N' MIX • Net Work – The Internet Page

BACK ISSUES ONLY £3.80 each inc. UK p&p.

Overseas prices £4.50 each surface mail, £5.50 each airmail.

We can also supply issues from earlier years: 2001 (except Feb., May, Aug., to Nov.), 2002 (except Feb., June, Aug. to Nov.), 2003 (except June), 2004 (except June, July, Oct. and Dec.), 2005 (except Feb., Nov., Dec.), 2006 (except Jan., Feb.) Where we do not have an issue a photocopy of any *one article* or *one part* of a series can be provided at the same price.

ORDER FORM – BACK ISSUES – PHOTOCOPIES – INDEXES

- Send back issues dated
 Send photocopies of (article title and issue date)
 Send copies of last five years indexes (£3.80 for five inc. p&p – Overseas £4.50 surface, £5.50 airmail)

Name
Address
Tel:

- I enclose cheque/P.O./bank draft to the value of £
 Please charge my Visa/Mastercard/Amex/Diners Club/Switch £

Card No. Switch Issue No

Valid From Card Expiry Date Card Security Code

(The last 3 digits on or just under the signature strip)

SEND TO: Everyday Practical Electronics, Wimborne Publishing Ltd., 408 Wimborne Road East, Ferndown, Dorset BH22 9ND.
Tel: 01202 873872. Fax: 01202 874562.

E-mail: orders@epemag.wimborne.co.uk On-line Shop: www.epemag.wimborne.co.uk/shopdoor.htm
Payments must be in £ sterling – cheque or bank draft drawn on a UK bank. Normally supplied within seven days of receipt of order.
Send a copy of this form, or order by letter if you do not wish to cut your issue.

M08/06

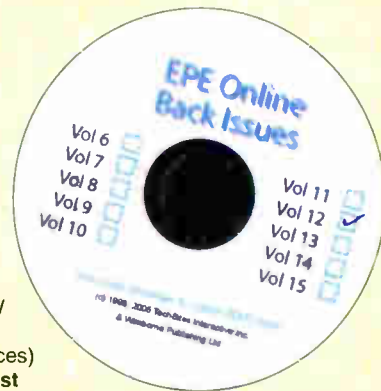
STORE YOUR BACK ISSUES ON CD-ROMS



**VOL 14
NOW AVAILABLE**

**ONLY
£14.45 each**
including VAT
and p&p

A great way to buy *EPE* Back Issues – our CD-ROMs contain back issues from our *EPE Online* website plus bonus articles, all the relevant PIC software and web links. Note: no free gifts are included. All this for just £14.45 each including postage and packing.



- VOL 1: BACK ISSUES** – January 1999 to June 1999
Plus some bonus material from Nov and Dec 1998
- VOL 2: BACK ISSUES** – July 1999 to December 1999
- VOL 3: BACK ISSUES** – January 2000 to June 2000
- VOL 4: BACK ISSUES** – July 2000 to December 2000
- VOL 5: BACK ISSUES** – January 2001 to June 2001
- VOL 6: BACK ISSUES** – July 2001 to December 2001
- VOL 7: BACK ISSUES** – January 2002 to June 2002
- VOL 8: BACK ISSUES** – July 2002 to December 2002
- VOL 9: BACK ISSUES** – January 2003 to June 2003
- VOL 10: BACK ISSUES** – July 2003 to December 2003
- VOL 11: BACK ISSUES** – January 2004 to June 2004
- VOL 12: BACK ISSUES** – July 2004 to December 2004
- VOL 13: BACK ISSUES** – January 2005 to June 2005
- VOL 14: BACK ISSUES** – July 2005 to December 2005

Order on-line from
[www.epemag.wimborne.co.uk/
shopdoor.htm](http://www.epemag.wimborne.co.uk/shopdoor.htm)
or www.epemag.com (USA \$ prices)
or by phone, Fax, E-mail or Post

NOTE: These CD-ROMs are suitable for use on any PC with a CD-ROM drive. They require Adobe Acrobat Reader (available free from the Internet – www.adobe.com/acrobat)

WHAT IS INCLUDED

All volumes include the *EPE Online* editorial content of every listed issue, plus all the available **PIC Project Codes** for the PIC projects published in those issues.

Note: Some supplements etc. can be downloaded free from the Library on the *EPE Online* website at www.epemag.com. No advertisements are included in Volumes 1 and 2; from Volume 5 onwards the available relevant software for *Interface* articles is also included.

EXTRA ARTICLES – ON ALL VOLUMES

BASIC SOLDERING GUIDE – Alan Winstanley's internationally acclaimed fully illustrated guide. **UNDERSTANDING PASSIVE COMPONENTS** – Introduction to the basic principles of passive components. **HOW TO USE INTELLIGENT L.C.D.s**, by Julyan Ilett – An utterly practical guide to interfacing and programming intelligent liquid crystal display modules. **PhyzyB COMPUTERS BONUS ARTICLE 1** – Signed and Unsigned Binary Numbers. By Clive "Max" Maxfield and Alvin Brown. **PhyzyB COMPUTERS BONUS ARTICLE 2** – Creating an Event Counter. By Clive "Max" Maxfield and Alvin Brown. **INTERGRAPH COMPUTER SYSTEMS 3D GRAPHICS** – A chapter from Intergraph's book that explains computer graphics technology. **FROM RUSSIA WITH LOVE**, by Barry Fox – Russian rockets launching American Satellites. **PC ENGINES**, by Ernest Flint – The evolution of Intel's microprocessors. **THE END TO ALL DISEASE**, by Aubrey Scoon – The original work of Rife. **COLLECTING AND RESTORING VINTAGE RADIOS**, by Paul Stenning. **THE LIFE & WORKS OF KONRAD ZUSE** – a brilliant pioneer in the evolution of computers. A bonus article on his life and work written by his eldest son, including many previously unpublished photographs.

Note: Some of the **EXTRA ARTICLES** require WinZip to unzip them.

BACK ISSUES CD-ROM ORDER FORM

Please send me the following Back Issue CD-ROMs. Volume

Numbers:

Price £14.45 each – includes postage to anywhere in the world.

Name

Address

Post Code

I enclose cheque/P.O./bank draft to the value of £

Please charge my Visa/Mastercard/Amex/Diners

Club/Maestro

£

Card No.

Card Security Code (The last 3 digits on or just under the signature strip)

Valid From Expiry Date

Maestro Issue No.

SEND TO: **Everyday Practical Electronics,
Wimborne Publishing Ltd.,
408 Wimborne Road East, Ferndown, Dorset BH22 9ND.**

Tel: 01202 873872. Fax: 01202 874562.
E-mail: orders@epemag.wimborne.co.uk

Payments must be by card or in £ Sterling – cheque or bank draft drawn on a UK bank.
Normally supplied within seven days of receipt of order.

PCB SERVICE

Printed circuit boards for most recent EPE constructional projects are available from the PCB Service, see list. These are fabricated in glass fibre, and are fully drilled and roller tinned. All prices include VAT and postage and packing. Add £1 per board for airmail outside of Europe. Remittances should be sent to The PCB Service, Everyday Practical Electronics, Wimborne Publishing Ltd., 408 Wimborne Road East, Ferndown, Dorset BH22 9ND. Tel: 01202 873872; Fax 01202 874562; Email: orders@epemag.wimborne.co.uk. On-line Shop: www.epemag.wimborne.co.uk/shopdoor.htm. Cheques should be crossed and made payable to Everyday Practical Electronics (Payment in £ sterling only).

NOTE: While 95% of our boards are held in stock and are dispatched within seven days of receipt of order, please allow a maximum of 28 days for delivery – overseas readers allow extra if ordered by surface mail. Back numbers or photocopies of articles are available if required – see the Back Issues page for details. We do not supply kits or components for our projects.

Please check price and availability in the latest issue. A large number of older boards are listed on our website.

Boards can only be supplied on a payment with order basis.

PROJECT TITLE	Order Code	Cost
Light Detector	JAN '05 481	£4.44
★ Camera Watch	482	£6.03
Gate Alarm – Oscillator	483	£4.92
– Delay/Timer	484	£4.92
★ Sneaky – Transmitter	FEB '05 485	£4.60
– Receiver	486	£4.91
★ PIC Electric Mk2 – Control	487	£5.87
– Sensor	488	£5.71
Sound Card Mixer	489	£7.29
Headphone Monitor	MAR '05 490	£5.71
EPE Cat Flap	491	£6.02
★ Bingo Box – Main	492	£9.04
– Big Digit Display	493	£10.31
Spontaflex Radio – Tuner	APR '05 494	£5.55
– Coil Pack	495	£5.71
– Audio Amplifier	496	£5.55
– Tuning Capacitor Board	406	£4.28
★ Safety Interface	497	£6.18
Back-To-Basics 1 – Fridge/Freezer Door Alarm	498	£5.39
★ Crossword Solver	MAY '05 499	£6.66
20W Amplifier Module	500	£5.14
Back-To-Basics 2 – Water Level Alarm	501	£5.39
– Burglar Alarm	502	£5.87
★ PIC Ultrasonic Scanner	JUN '05 503	£6.66
★ Radio Control Model Switcher	504	£5.87
Back-To-Basics 3 – Scarecrow	505	£5.55
– Digital Lock	506	£6.66
CompactFlash Interface Board	507	£6.66
LF/VLF Converter	JUL '05 508	£5.71
– Fixed Capacitor Board	509	£5.86
– Mixer/Oscillator Board	510	£5.23
– Buffer Amplifier	511	£5.23
– Q-Multiplier	406	£4.28
– Tuning Capacitor Board	512	£6.34
Back-To-Basics 4 – Doorchime	513	£6.02
– Electronic Dice	514	£6.82
★ Cybervox	515	£6.66
Multi-Clap Switch	516	£6.02
Audio System	AUG '05 517	£5.23
– Pre-amplifier	518	£6.02
– Mic. Supply Board	519	£7.14
– Power Amp	520	£7.45
★ Pain Monitor	521	£5.87
MotorAmp	522	£6.02
Back-To-Basics 5 – Kitchen Timer	523	£5.71
– Room Thermometer	524	£5.23
All-Band Radio – Full Version	525	£6.19
– Mini Version	526	£5.55
★ Multicore Cable Tester – Main	527	£6.19
– Active	528	£5.87
Back-To-Basics 6 – Daily Reminder	529	£6.19
– Whistle Switch	530	£8.72
★ Model Railway Signal Control	531	£6.98
★ Snooker/Darts Scoreboard	532	£6.98
Photic Phone – Transmitter	OCT '05 533	£5.71
– Receiver	534	£5.55
Back-To-Basics 7 – Parking Radar	535	£6.02
– Telephone Switch	536	£6.19
★ Halloween Howler	537	£6.82
★ PIC-Based USB Interface	538	£6.66
★ PIC Chromatone	539	£6.18
Back-To-Basics 8 – Noughts and Crosses Enigma	540	£5.87
– Weather Vane Repeater	541	£6.35
★ Multi-Function R/C Switch	542	£6.35
★ Speed Camera Watch Mk2	543	£6.35
Solid-State Valve Power Supply	DEC '05 544	£6.02
★ Vehicle Frost Box Mk2	545	£6.18
★ Propeller Monitor		
Solid-State Hammond		

PROJECT TITLE	Order Code	Cost
★ PIC Ambilux	JAN '06 546	£5.71
Sunset Switch	547	£6.98
Current Clamp Adaptor for Multimeters	548	£5.39
★ Tiptronic-Style Gear Indicator		
– Micro Board	549	} per set £7.61
– Display Board	550	
– Hall Speed Board	551	
★ Keypad Alarm	FEB '06 552	£6.02
3-Way Active Crossover	553	£9.20
Jazzy Heart	554	£6.02
Status Monitor – Transmitter	555	} pair £7.61
– Receiver	556	
Power Up	MAR '06 557	£6.82
Video/Audio Booster (double-sided)	558	£12.00
★ Telescope Interface	559	£6.50
'Smart' Slave Flash	APR '06 560	£6.18
Programmable Continuity Tester	561	£5.87
PortaPAL		
– Microphone Board	562	£6.18
– Auxiliary Board	563	£5.87
– Main Board	564	£8.56
– Charger Board	565	£6.66
Omni Pendulum	566	£6.34
Smart Card Reader/Programmer	MAY '06 567	£7.61
LED Lighting For Your Car (set of 15 boards)	568	£14.75
Digital Reaction Timer	569	£7.13
Poor Man's Metal Locator	JUN '06 570	£5.71
★ Digital Instrument Display for Cars		
– Micro Board	571	} pair £7.77
– Display Board	572	
Widgy Box	573	£7.29
Phone Ring & Test	574	£6.82
★ Sudoku Unit	JUL '06 575	£6.66
PC Power Monitor	576	£6.50
Home Theatre Sound Level Checker	AUG '06 577	£6.66
Adjustable DC-DC Converter For Cars	578	£6.50
★ Telephone Dialler For Buglar Alarms	579	£6.97
★ High Intensity Torch	580	£5.39

EPE SOFTWARE

★ All software programs for EPE Projects marked with an asterisk, and others previously published, can be downloaded free from our Downloads site, accessible via our home page at: www.epemag.co.uk.

PCB MASTERS

PCB masters for boards published from the March '06 issue onwards can also be downloaded from our UK website (www.epemag.co.uk); go to the "Downloads" section.

EPE PRINTED CIRCUIT BOARD SERVICE

Order Code Project Quantity Price

Name

Address

Tel. No.

I enclose payment of £..... (cheque/PO in £ sterling only) to:



Everyday Practical Electronics



MasterCard, Amex, Diners Club, Visa or Switch/Maestro



Card No

Valid From Expiry Date

Card Security Code Maestro Issue No
(The last 3 digits on or just under the signature strip)

Signature

NOTE: You can also order p.c.b.s by phone, Fax, Email or via our Web site on a secure server:

<http://www.epemag.wimborne.co.uk/shopdoor.htm>

EPE EVERYDAY PRACTICAL ELECTRONICS

Everyday Practical Electronics reaches twice as many UK readers as any other UK monthly hobby electronics magazine, our sales figures prove it. We have been the leading monthly magazine in this market for the last twenty one years.

If you want your advertisements to be seen by the largest readership at the most economical price our classified and semi-display pages offer the best value. The prepaid rate for semi-display space is £10 (+VAT) per single column centimetre (minimum 2.5cm). The prepaid rate for classified adverts is 40p (+VAT) per word (minimum 12 words).

All cheques, postal orders, etc., to be made payable to Everyday Practical Electronics. VAT must be added. Advertisements, together with remittance, should be sent to Everyday Practical Electronics Advertisements, 408 Wimborne Road East, Ferndown, Dorset BH22 9ND. Phone: 01202 873872. Fax: 01202 874562. Email: epeads@wimborne.co.uk. For rates and information on display and classified advertising please contact our Advertisement Manager, Stewart Kearn as above.

BOWOOD ELECTRONICS LTD

Suppliers of Electronic Components
Place a secure order on our website or call our sales line
All major credit cards accepted
Web: www.bowood-electronics.co.uk
Unit 1, McGregor's Way, Turnoaks Business Park,
Chesterfield, S40 2WB. Sales: 01246 200222
Send 60p stamp for catalogue

BTEC ELECTRONICS TECHNICIAN TRAINING

NATIONAL ELECTRONICS
VCE ADVANCED ICT
HNC AND HND ELECTRONICS
FOUNDATION DEGREES
NVQ ENGINEERING AND IT
DESIGN AND TECHNOLOGY

LONDON ELECTRONICS COLLEGE
20 PENYVERN ROAD
EARLS COURT, LONDON SW5 9SU
TEL: (020) 7373 8721
www.lec.org.uk

N.R. BARDWELL Ltd – est 1948 Electronic Component Supplies

LED's, Semis, IC's Resistors, Caps, etc
send 44p for lists. 1000's bargains at our
secure site: www.bardwells.co.uk
288, Abbeydale Rd. Sheffield. S7 1FL
0845 166 2329 (local rate)

SAFFRON ELECTRONICS LTD

Suppliers of High Quality Electronic Components
Resistors, Caps, Batteries, Chargers, Semiconductors,
LED's, IC's, PCB's, Switches, Solder, Cable, Wire, Etc.
Online Catalogue and Shop available at
www.SaffronElectronics.co.uk
16 Field Street, Cannock, Staffs. WS11 5QP
Telephone: 0845 166 2314 (local rate)

EPE EVERYDAY PRACTICAL ELECTRONICS

VISIT OUR ONLINE
SHOP TO ORDER
BACK ISSUES,
CDROMS, BOOKS,
PCBS, AND
MANUALS

www.epemag.co.uk



Versatile Programmable PIC On Screen Display System

Free demo code
PAL - NTSC compatible

- PIC 16F628 microcontroller
- 28 by 11 character screen
- Fully programmable
- Text over composite video
- Demo software available
- Free I/O for sensors or buttons

www.STV5730A.co.uk

THIS SPACE COULD BE
YOURS FOR JUST £40

Contact Stewart

01202 873872

stewart.kearn@wimborne.co.uk

HEROS technology Ltd

www.herostechnology.co.uk
Introducing Modular Concept for microcontrollers
Suitable for Developers, Pre-production, Educational
and Hobby applications.

- WinPIC2006 USB full speed programmer
- CPU microcontroller modules
- Peripheral modules for all microcontrollers

VVT TRANSFORMERS

Transformers and Chokes for all types
of circuits including specialist valve units
Custom design or standard range
High and low voltage

Variable Voltage Technology Ltd

Unit 3, Sheat Manor Farm, Chillerton,
Newport, Isle of Wight, PO30 3HP
Tel: 0870 243 0414 Fax: 01983 721572
email: sales@vvt-cowes.freeserve.co.uk

www.vvttransformers.co.uk

Your own complete
eCommerce 24/7 site
for only £10 per week!

Domain, secure hosting, emails,
shopping basket, etc, included.
details: www.eConcept.co.uk

Miscellaneous

JUNK BOX: Buy and sell unwanted
equipment, components etc, nothing
modern. www.madoc.eclipse.co.uk

VALVES AND ALLIED COMPO-
NENTS IN STOCK. Phone for free list.
Valves, books and magazines wanted.
Geoff Davies (Radio), tel. 01788 574774.

LPG ELECTRONICS For Photoelectric
controls, timers, electronic components
and other interesting miscellaneous items
visit our eBay store
<http://stores.ebay.co.uk/electricalspares>

WANTED OLD HALF INCH FERRITE
RODS. Must be half inch in diameter and
be six inches long or more, will pay good
money for the rods. Contact Peter Tankard on
0114 2316321 between 9am and 10pm.



Get your magazine
"instantly" anywhere
in the world – buy
and download from
the web.

TAKE A LOOK, A
FREE ISSUE IS
AVAILABLE
A one year
subscription
(12 issues) costs just
\$15.99 (US)



Europe's Largest Surplus Store

20,000,000 Items on line NOW!
New items added daily

Established for over 25 years, UK company Display Electronics prides itself on offering a massive range of electronic and associated electro-mechanical equipment and parts to the Hobbyist, Educational and Industrial user. Many current and obsolete hard to get parts are available from our vast stocks, which include:

- ◆ 6,000,000 Semiconductors
- ◆ 5,000 Power Supplies
- ◆ 25,000 Electric Motors
- ◆ 10,000 Connectors
- ◆ 100,000 Relays & Contactors
- ◆ 2000 Rack Cabinets & Accessories
- ◆ 4000 Items of Test Equipment
- ◆ 5000 Hard Disk Drives

We Ship Worldwide

Surplus Wanted

www.distel.co.uk

Display Electronics
29 / 35 Osborne Road
Thornton Heath
Surrey UK CR7 8PD

Telephone
[44] 020 8653 3333
Fax **[44] 020 8653 8888**

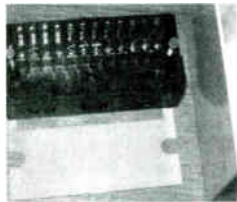
Rechargeable Batteries With Solder Tags

NIMH		NICAD	
AA 2000mAh	£2.82	AA 650mAh	£1.41
C 4Ah	£4.70	C 2.5Ah	£3.60
D 9Ah	£7.60	D 4Ah	£4.95
PP3 150mAh	£4.95		

Instrument case with edge connector and screw terminals

Size 112mm x 52mm x 105mm tall

This box consists of a cream base with a PCB slot, a cover plate to protect your circuit, a black lid with a 12 way edge connector and 12 screw terminals built in (8mm pitch) and 2 screws to hold the lid on. The cream bases have minor marks from dust and handling price £2.00 + VAT(=£2.35) for a sample or £44.00+VAT (=£51.70) for a box of 44.



866 battery pack originally intended to be used with an orbital mobile telephone it contains 10 1.6Ah sub C batteries (42 x 22 dia. the size usually used in cordless screwdrivers etc.) the pack is new and unused and can be broken open quite easily £7.46 + VAT = £8.77



Please add £1.66 + VAT = £1.95 postage & packing per order

JPG Electronics
Shaws Row, Old Road, Chesterfield, S40 2RB.
Tel 01246 211202 Fax 01246 550959
www.JPGElectronics.com
Mastercard/Visa/Switch
Callers welcome 9.30 a.m. to 5.30 p.m. Monday to Saturday

EPE EVERYDAY PRACTICAL
ELECTRONICS

NEXT MONTH

A LOW-COST 50MHz FREQUENCY METER

Featuring a 16-character LCD readout, this compact 50MHz Frequency Meter can be either battery-operated or run from a DC plugpack supply. It's very accurate and includes auto-ranging and two different resolution modes.

A SMART MIXTURE DISPLAY FOR YOUR CAR

Track your car's fuel mixture in real time, see the operating modes of the ECU and be warned if a catastrophic high-load "lean out" occurs. This Smart Mixture Display monitors your car's oxygen sensor and airflow meter outputs and gives an audible warning if mixtures go dangerously lean.

HUMAN-POWERED LED TORCHES!

We'd like to introduce our DIY human-powered electric torches. Using a deceptively simple design, a slow turn of the handle is enough to give a quite amazing output.

SEPTEMBER '06 ISSUE ON SALE AUG 10

ADVERTISERS INDEX

AGAR	41
AUDON ELECTRONICS	71
BETA-LAYOUT	41
BREADBOARDING SYSTEMS	51
BULL GROUP	Cover (ii)
BYVAC	71
DISPLAY ELECTRONICS	80
EASYDAQ	41
EASYSYNC	33
ESR ELECTRONIC COMPONENTS	6
FUTURE TECHNOLOGY DEVICES	55
JAYCAR ELECTRONICS	20/21
JPG ELECTRONICS	80
LABCENTER	Cover (iv)
LASER	41
MAGENTA ELECTRONICS	5
MILFORD INSTRUMENTS	17
NURVE NETWORKS LLC	54
PICO TECHNOLOGY	4
QUASAR ELECTRONICS	2/3
RAPID ELECTRONICS	Cover (iii)
SCANTOOL	41
SHERWOOD ELECTRONICS	71
STEWART OF READING	4

ADVERTISEMENT OFFICES:

408 WIMBORNE ROAD EAST, FERNDOWN, DORSET BH22 9ND
PHONE: 01202 873872
FAX: 01202 874562
EMAIL: epeds@wimborne.co.uk

For Editorial address and phone numbers see page 7

Everyday Practical Electronics, periodicals pending, ISSN 0262 3617 is published twelve times a year by Wimborne Publishing Ltd., USA agent USACAN at 1320 Route 9, Champlain, NY 12919. Subscription price in US \$60(US) per annum. Periodicals postage paid at Champlain NY and at additional mailing offices. POSTMASTER: Send USA and Canada address changes to Everyday Practical Electronics, c/o Express Mag., PO Box 2769, Plattsburgh, NY, USA 12901-0239.

Rapid

Proud to be this year's prize sponsor for the Teach-In series

Microswitches

Order code 78-0867
From **19p**

From **10p**
5mm white LED
Order code 55-1886

Light Dependent Resistors

From **61p**
Order code 58-0132

LED Displays

Kingbright
From **30p**
Order code 57-0140

NO MINIMUM ORDER VALUE

Colour cycling LEDs

Order code 55-1904
From **26p**

1N4148 Signal Diode

Order code 47-3308
From **0.6p**

High voltage ceramic capacitors

Order code 08-1530
From **2p**

LCD Displays

From **£4.75**
Order code 57-0905

20 x 5mm Time lag glass fuses

Order code 26-0570
From **4p**

Darlington transistors

Order code 81-0172
From **6p**

7805 V-reg

Order code 47-3290
From **9p**

MICROCONTROLLERS PICs

From **30p**
Order code 73-1950

Multilayer ceramic chip capacitors

From **1.1p**
Order code 71-0501

ORDER OUR 1,000 PAGE CATALOGUE TODAY TO SEE OUR FULL RANGE OF PRODUCTS

0402 Multilayer ceramic chip capacitors
TruCap
From **50p** pack 100
Order code 71-1883

TruXtal Quartz Crystal

Exclusive to Rapid
From **7p**
Order code 90-3151

NE555 Timer ICs

From **8p**
Order code 82-0336

5mm Ceramic trimmer capacitor

Order code 12-0210
From **9.5p**
TruCap

1/4in Single turn potentiometers

TruOhm
From **30p**
Order code 68-0280

1/4in Single turn cermet potentiometers

TruOhm
From **14p**
Order code 68-0041

SAME DAY DESPATCH

01206 751166 • www.rapidonline.com

Heatsinks

From **22.5p**
Order code 36-0235

FREE DELIVERY

On all orders over £25 (excluding VAT) UK mainland only

SMD Power inductors

From **14p**
Order code 88-1241

Dual colour LED illuminated switches

RVFM
From **£1.42**
Order code 78-2335

Square illuminated PCB switches

Order code 78-2332
From **£2.30**
RVFM

Data entry keypads

RVFM
Order code 78-0305
From **£1.10**

SPST LED Tip toggle switch

Order code 78-0374
From **95p**

SPST Oval LED rocker switch

Order code 75-0356
From **69p**

Rapid Electronics Limited
Several Lane, Colchester, Essex CO4 5JS
Tel: 01206 751166. Fax: 01206 751188
Email: sales@rapidelec.co.uk
Website: www.rapidonline.com

defining the standard

PROTEUS

ELECTRONIC DESIGN



FROM CONCEPT

TO COMPLETION

SCHEMATIC CAPTURE PROSPICE EMBEDDED SIMULATION PCB DESIGN

ISIS SCHEMATIC CAPTURE

A powerful capture package tailored for today's engineer and designed to allow rapid entry of complex schematics for simulation and PCB Layout.

PROSPICE MIXED MODE SIMULATOR

A customised implementation of the industry standard Berkeley SPICE 3F5 engine with extensive optimisations and enhancements for true mixed mode simulation and circuit animation.

VSM VIRTUAL SYSTEM MODELLING

The world's first and best schematic based microcontroller co-simulation software. Proteus VSM allows you to simulate the interaction between software running on a microcontroller and any analog or digital electronics connected to it. This streamlines the project lifecycle and obviates the need for expensive hardware analysis tools.

ARES PCB DESIGN

A modern and professional layout package which seamlessly integrates with the ISIS capture software. Features such as autoplacement and autorouting, interactive DRC and an intuitive interface all serve to maximise productivity and reduce time to market.

LABCENTER ELECTRONICS LTD.

A technology pioneer in the EDA industry since 1988.
Technical support direct from the program authors.
Flexible packages and pricing tailored to customer requirements.

CONTACT US NOW
to discuss requirements or
request a **FREE** evaluation copy.

Tel: 01756 753440
Fax: 01756 752857
Email: info@labcenter.co.uk

labcenter  www.labcenter.co.uk
Electronics

Labcenter Electronics Ltd., 53-55 Main Street, Grassington,
North Yorks, BD23 5AA. Registered in England 4692454