

THE No 1 UK MAGAZINE FOR ELECTRONICS TECHNOLOGY & COMPUTER PROJECTS

EPE EVERYDAY PRACTICAL **ELECTRONICS**

www.epemag.co.uk

www.epemag.com

PORTAPAL Portable PA System

PLUS

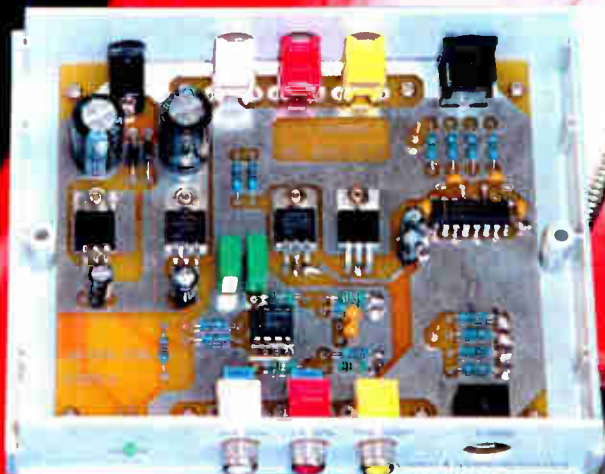
• GPS/MEADE
TELESCOPE
INTERFACE

POWER UP

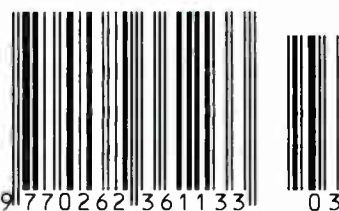
TURN ON ALL YOUR EQUIPMENT AT THE
FLICK OF A SWITCH

VIDEO/AUDIO BOOSTER

FOR HOME THEATRE SYSTEMS



MARCH 2006 £3.30



9 770262 1361133 03



Colour CCTV camera, 8mm lens, 12vdc:200ma a 582X628 Rns 380 lines Automatic aperture lens Mirror function PAL Back Light Comp MLR, 100x40x40mm ref EE2 £75.90

Built in Audio 15lux CCD camera 12vdc 200ma 480 lines s/n ratio >48 db 1v P-P output 110x60x50mm ref EE1 £108.90



Metal CCTV camera housings for internal or external use. Made from aluminium and plastic they are suitable for mounting body cameras in. Available in two sizes 1-100x70x170mm and 2-100x70x280mm Ref EE6 £22 EE7 £26 Multi position brackets Ref EE8 £8.80



Excellent quality multi purpose TFT screen, works as just a LCD colour monitor with any of our CCTV cameras or as a conventional TV ideal for use in boats and caravans 49.75mhz-91.75mhz VHF channels 1-5, 168.25mhz-222.75mhz VHF channels 6-12, 471.25mhz-869.75mhz, Cable channels 112.325mhz-166.75mhz Z1-Z7, Cable channels 224.25mhz-446.75mhz Z8-Z35 5" colour screen Audio output 150mW. Connections, external aeral, earphone jack, audio/video input, 12vdc or mains. Accessories supplied Power supply Remote control Cigar lead power supply Headphone Stand bracket. 5" model £139 Ref EE9.



Colour CCTV Camera measures 60x45mm and has a built in light level detector and 12 IR leds. 2lux 12 IR leds 12vdc Bracket Easy connect leads £75.90 Ref EE15



A high quality external colour CCTV camera with built in infra red LEDs measuring 60x60x60mm Easy connect leads colour Waterproof PAL 1/4" CCD542x588 pixels x2D lines .05 lux 3.6mm F278 deg lens 12vdc 400ma Built in light level sensor £108.90 Ref EE13



A small colour CCTV camera just 35x28x30mm Supplied with bracket, easy connect leads Built in audio Colour 380 line res. PAL 0.2lux +18db sensitivity Effective pixels 628x582 6-12vdc Power 200mw £39.60 Ref EE16



Peltier module. Each module is supplied with a comprehensive 18 page Peltier design manual featuring circuit designs, design information etc etc. The Peltier manual is also available separately Maximum watts 562 40x40mm Imax 5.4A Vmax 16.7Tmax (c-dry N2) 72 £32.95 (inc manual) REF PELT1. just manual £4.40 ref PELT2



COMPAQ 1000mA 12vdc power supplies, new and boxed. 2 metre lead DC power plug 2.4mmx10mm £5.25 each, 25+ £3.50 100+ £2.50



1.2ghz wireless receiver Fully cased audio and video 1.2ghz wireless receiver 190x140x30mm metal case, 4 channel, 12vdc Adjustable time delay, 4s, 8s, 12s 16s. £49.50 Ref EE20

The smallest PMR446 radios currently available (54x87x37mm). These tiny handheld PMR radios look great. User friendly & packed with features including VOX, Scan & Deal Watch. Priced at £59.99 PER PAIR they are excellent value for money. Our new favourite PMR radios! Standby: - 35 hours Includes: - 2 x Radios, 2x Belt Clips & 2 x Carry Strap £59.95 Ref ALAN1 Or supplied with 2 sets of rechargeable batteries and two mains chargers £93.49 Ref Alan2

The TENS mini Microprocessors offer six types of automatic programme for shoulder pain, back/neck pain, aching joints, Rheumatic pain, migraines headaches, sports injuries, period pain. In fact all over body treatment. Will not interfere with existing medication. Not suitable for anyone with a heart pacemaker. Batteries supplied. £21.95 Ref TEN327 Spare pack of electrodes £6.59 Ref TEN327X

Dummy CCTV cameras These motorised cameras will work either on 2 AA batteries or with a standard DC adapter (not supplied) They have a built in movement detector that will activate the camera if movement is detected causing the camera to 'pan' Good deterrent. Camera measures 20cm high, supplied with fixing screws Camera also has a flashing red led. £10.95 Ref CAMERAB

INFRA RED FILM 6" square piece of flexible infra red film that will only allow IR light through Perfect for converting ordinary torches, lights headlights etc to infrared output using standard light bulbs. Easily cut to shape. 6" square £16.50 ref IRF2 or a 12" sq for £34.07 IRF2A

THE TIDE CLOCK These clocks indicate the state of the tide. Most areas in the world have two high tides and two low tides a day, so the tide clock has been specially designed to rotate twice each lunar day (every 12 hours and 25 minutes) giving you a quick and easy indication of high and low water. The Quartz tide clock will always stay calibrated to the moon. £23.10 REF TIDEC

LINEAR ACTUATORS 12-36VDC BUILT IN ADJUSTABLE LIMIT SWITCHES POWDER COATED 18" THROW UP TO 1,000 LB THRUST (400LB RECOMMENDED LOAD) SUPPLIED WITH MOUNTING BRACKETS DESIGNED FOR OUTDOOR USE These brackets originally made for moving very large satellite dishes are possibly more suitable for closing gates, mechanical machinery, robot wars etc. Our first sale was to a company building solar panels that track the sun! Two sizes available. 12" and 18" throw £32.95 REF ACT12.

Samarium magnets are 57mm x 20mm and have a hole (5/16th UNF) in the centre and a magnetic strength of 2.2 gauss. We have tested these on a steel beam running through the offices and found that they will take more than 170lbs (77kgs) in weight before being pulled off. With keeper. £21.95 REF MAG77

New transmitter, receiver and camera Kit. £69.00 Kit contains four channel switchable camera with built in audio, six IR leds and transmitter, four channel switchable receiver, 2 power supplies, cables, connectors and mounting bracket. £69.00 Wireless Transmitter Black and white camera (75x50x55mm) Bullin 4 channel transmitter (switchable) Audio built in 6 IR Leds Bracket/stand Power supply 30 m range Wireless Receiver 4 channel (switchable) Audio/video leads and scarf adapter Power supply and Manual £69.00 ref COP24

This miniature Stirling Cycle Engine measures 7" x 4-1/4" and comes complete with built-in alcohol burner. Red flywheels and chassis mounted on a green base, these all-metal beauties silently running at speeds in excess of 1,000 RPM attract attention and create awe wherever displayed. This model comes completely assembled and ready to run. £106.70 REF SOL1

High-power modules using 125mm square multi-crystal silicon solar cells with bypass diode Anti-reflection coating and BSF structure to improve cell conversion efficiency. 14%. Using white tempered glass, EVA resin, and a weatherproof film along with an aluminum frame for extended outdoor use. system Lead wire with waterproof connector. 80 watt 12v 500x1200 £315.17 *23v 12vdc 1499x662x46 £482.90 165 w 24v 1575x826x46mm £652.30

BULL GROUP LTD
UNIT D HENFIELD BUSINESS PARK
HENFIELD SUSSEX BN5 9SL
TERMS: CASH, PO, CHEQUE PRICES+VAT
WITH ORDER PLUS £5.50 P&P (UK) PLUS VAT.
24 HOUR SERVICE £7.50 (UK) PLUS VAT.
OVERSEAS ORDERS AT COST PLUS £3.50
Tel: 0870 7707520 Fax 01273491813
Sales@bullnet.co.uk
www.bullnet.co.uk



Ultra-compact, lightweight, easy to use and comfortable to hold, the new NVMT is unique for a night scope in offering a tactile, sure grip plastic body shell and, for extra protection, partial rubber armouring. Currently the top of the range model, the NVMT G2+ features a 'commercial grade' Gen2+ Image Intensifier Tube (IIT). The NVMT has a built-in, powerful Infrared (IR) Illuminator for use in very low light/total darkness. Powered for the scope and IR is provided by 1 x 3V Lithium CR123A battery (not supplied). A green LED next to the viewfinder indicates when the 'Image Intensifier Tube' is switched on while a red LED indicates when the IR Illuminator is switched on. Type Gen Weight Size Lens Mag 2x. Weight 409g, 125x82x35mm angle of view 30 deg, built in infra red, rang 3 - 400m, supplied with batteries £849 ref COB24023

55-200 WATT INFRARED TORCHES Search guard 1 infrared torch Plastic bodied waterproof infrared rechargeable lamp 100mm diameter lens, 200mm body length. 55 watt bulb, 1,000,000 candle power (used as an indication of relative power) Supplied complete with a 12v car lighter socket lead/charger and a 240v mains plug in charger. £49 REF sgward 1 Also available, 70watt @ £59, 100 watt @ £79, 200watt @ £99



B2 AIR RIFLE Available in 177 and 22+19" Tapered Rifled Barrel Adjustable Rear Sight Full Length Wooden Stock Overall Length 43" approx Barrel Locking Lever • Also available in CARBINE Grooved for Telescopic Sight model with 14" barrel - no front sight for use with scope. Weight approximately 6lbs Extremely Powerful 22 £28.90, 177 £24.70 pellets (500) £2.55, sights 4x20 £6.80, 4x28 £15.32 Other models available up to £250 www.airpistol.co.uk

12V SOLAR PANELS AND REGULATORS
9WATT £58.75
15WATT £84.25
22WATT £126.70
Regulator up to 60 watt £21.25
Regulators up to 135 watt £38.25

The combination of multi-crystal cells and a high-reliability module structure make this series of solar panels the ideal solar module. For large scale power generation hundreds or even thousands of modules can be connected in series to meet the desired electric power requirements. They have a high output, and highly efficient, extremely reliable and designed for ease of maintenance. Separate positive negative junction boxes and dual by-pass diodes are a few examples of some of its outstanding features. Supplied with an 8 metre cable. Perfect for caravans, boats, etc. Toughened glass



LOCK PICK SETS 16, 32 AND 60 PIECE SETS This set is deluxe in every way! It includes a nice assortment of balls, rakes, hooks, diamonds, two double ended picks, a broken key extractor, and three tension wrenches. And just how do you top off a set like this? Package it in a top grain leather zippered case. Part: LP005 - Price £45.00 This 32 piece set includes a variety of hooks, rakes, diamonds, balls, extractors, tension tools... and comes housed in a zippered top grain leather case. If you like choices, go for this one! Part: LP006 - Price £65.00 If your wants run toward the biggest pick set you can find, here it is! This sixty piece set includes an array of hooks, rakes, diamonds, balls, broken key extractors, tension wrenches, and even includes a warded pick set! And the zippered case is made, of course, of the finest top grain leather. First Class! Part: LP007 - Price £99.00

Mamod steam roller, supplied with fuel and everything you need (apart from water and a match!) £85 REF 1312 more models at www.mamodspares.co.uk

Mamod steam roller, supplied with fuel and everything you need (apart from water and a match!) £130 REF 1318 more models at www.mamodspares.co.uk

PEANUT RIDER STIRLING ENGINE This all metal, black and brass engine with red flywheel is mounted on a solid hardwood platform, comes complete with an alcohol fuel cell, extra wick, allen wrenches, and Owner's Manual. Specifications: Base is 5-1/4" x 5-1/4", 4" width x 9" height, 3/4" stroke, 3-1/2" flywheel £141.90

SHOP ONLINE
WWW.BULLNET.CO.UK

ISSN 0262 3617

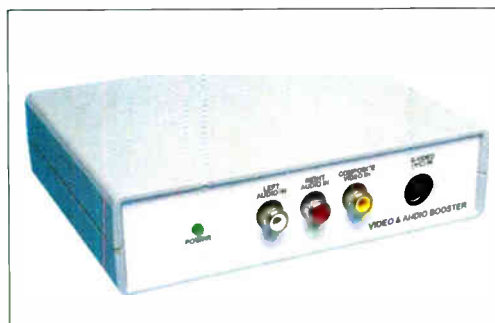
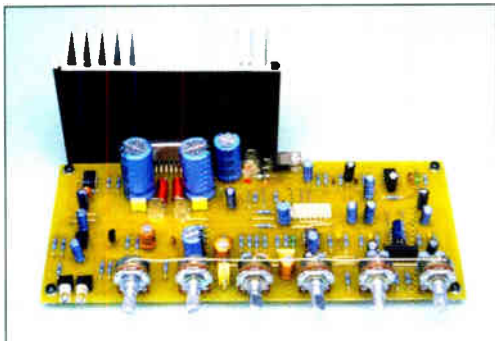
PROJECTS ... THEORY ...
NEWS ... COMMENT ...
POPULAR FEATURES ...

VOL. 35. No. 3 MARCH 2006

EPE EVERYDAY PRACTICAL ELECTRONICS

INCORPORATING ELECTRONICS TODAY INTERNATIONAL

www.epemag.co.uk
EPE Online: www.epemag.com



© Wimborne Publishing Ltd 2006. Copyright in all drawings, photographs and articles published in *EVERYDAY PRACTICAL ELECTRONICS* is fully protected, and reproduction or imitations in whole or in part are expressly forbidden.

Our April 2006 issue will be published on Thursday, 9 March 2006. See page 80 for details

Projects and Circuits

- THE PORTAPAL PUBLIC ADDRESS AMPLIFIER – PART 1** 10
by John Clarke and Leo Simpson
A state of the art 33W RMS design
- TELESCOPE INTERFACE** by John Becker 22
Link your Meade telescope with your handheld GPS receiver
- POWER UP** by John Clarke 38
Turns peripherals on automatically
- VIDEO-AUDIO BOOSTER FOR THE HOME THEATRE** by Jim Rowe 62
Boosts composite, S-Video or component video plus audio signals
- INGENUITY UNLIMITED – Sharing your Ideas with others** 70
Dog Alert

Series and Features

- TECHNO TALK** by Mark Nelson 20
Body Cells
- PIC N' MIX** by Mike Hibbett 33
Using the RS485 protocol for series comms
- NET WORK – THE INTERNET PAGE** surfed by Alan Winstanley 36
Gone Phishing; CallingID Toolbar
- TEACH-IN 2006** by Mike Tooley BA 48
Find out how circuits work and what really goes on inside them
Part 5: Introducing Magnetism and Inductance, Introducing Inductors, Transformers, Rectifiers and Voltage Regulation
- PRACTICALLY SPEAKING** by Robert Penfold 56
More on front panel overlays using a PC
- CIRCUIT SURGERY** By Ian Bell 68
Shift registers can extend PIC output capabilities

Regulars and Services

- EDITORIAL** 7
- NEWS** – Barry Fox highlights technology's leading edge 8
Plus everyday news from the world of electronics
- CD-ROMS FOR ELECTRONICS** 58
A wide range of CD-ROMs for hobbyists, students and engineers
- SUBSCRIBE TO EPE** and save money 61
- READOUT** John Becker addresses general points arising 71
- DIRECT BOOK SERVICE** 74
A wide range of technical books available by mail order, plus more CD-ROMs
- EPE PCB SERVICE** 78
PCBs for EPE projects
- ADVERTISERS INDEX** 80



Quasar Electronics Limited
 PO Box 6935, Bishops Cleeve,
 CM23 4WP
 Tel: 0870 246 1826
 Fax: 0870 460 1045
 E-mail: sales@quasarelectronics.com

Postage & Packing Options (Up to 2kg gross weight): UK standard 3-7 Day Delivery – £3.95; UK Mainland Next Day Delivery – £8.95; Europe (EU) – £6.95; Rest of World – £9.95 !Order online for reduced price UK Postage!
 We accept all major credit/debit cards. Make cheques/POs payable to Quasar Electronics Limited.
 Prices include 17.5% VAT. MAIL ORDER ONLY.
 Call now for our FREE CATALOGUE with details of over 300 high quality kits, projects, modules and publications.



QUASAR 0871 CREDIT CARD SALES 717 7168

Helping you make the right connections!

PIC & ATMEL Programmers

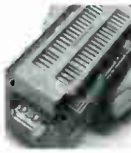
We have a wide range of low cost PIC and ATMEL Programmers. Complete range and documentation available from our web site.

Programmer Accessories:

- 40-pin Wide ZIF socket (ZIF40W) £15.00
- 18VDC Power supply (PSU010) £19.95
- Leads: Parallel (LDC136) £4.95 / Serial (LDC441) £4.95 / USB (LDC644) £2.95

NEW! USB 'Flash' PIC Programmer

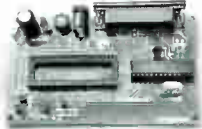
USB PIC programmer for most 'Flash' devices. No external power supply making it truly portable. Supplied with box and Windows Software. ZIF Socket and USB Plug A-B lead not incl.



Kit Order Code: 3128KT – £34.95

Assembled Order Code: AS3128 – £39.95

"PICALL" ISP PIC Programmer



"PICALL" will program virtually all 8 to 40 pin serial-mode* AND parallel-mode (PIC16C5x family)* Programmed PIC micro controllers.

Free fully functional software. Blank chip auto detect for super fast bulk programming. Parallel port connection. Supply: 16-18V dc.
 Assembled Order Code: AS3117 – £24.95

ATMEL 89xxx Programmer

Uses serial port and any standard terminal comms program. 4 LEDs display the status. ZIF sockets not included. Supply: 16VDC.



Kit Order Code: 3123KT – £29.95

NEW! USB & Serial Port PIC Programmer

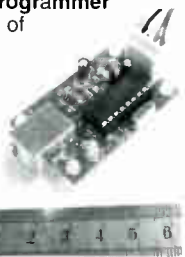
USB/Serial connection. Header cable for ICSP. Free Windows software. See website for PICs supported. ZIF Socket and USB Plug A-B lead extra. 18VDC.

Kit Order Code: 3149KT – £34.95

Assembled Order Code: AS3149 – £49.95

USB Flash ICSP PIC Programmer

Fully assembled version of our 3128 USB Flasher PIC Programmer but WITHOUT the pre-programming socket. It just has 5-pin ICSP header (GND, VCC, CLK, DAT, VPP) and cable. No external PSU required. Free Windows software.



Order Code: AS3182 – £37.95

ABC Maxi AVR Development Board

The ABC Maxi board has an open architecture design based on Atmel's AVR AT90S8535 RISC microcontroller and is ideal for developing new designs.



Features:

- 8Kb of In-System Programmable Flash (1000 write/erase cycles) • 512 bytes internal SRAM • 512 bytes EEPROM
- 8 analogue inputs (range 0-5V)
- 4 Opto-isolated Inputs (I/Os are bi-directional with internal pull-up resistors)
- Output buffers can sink 20mA current (direct i.e.d. drive) • 4 x 12A open drain MOSFET outputs • RS485 network connector • 2-16 LCD Connector
- 3-5mm Speaker Phone Jack
- Supply: 9-12VDC.

The ABC Maxi STARTER PACK includes one assembled Maxi Board, parallel and serial cables, and Windows software CD-ROM featuring an Assembler, BASIC compiler and in-system programmer.

Order Code ABCMAXISP – £89.95

The ABC Maxi boards only can also be purchased separately at £69.95 each.

Controllers & Loggers

Here are just a few of the controller and data acquisition and control units we have. See website for full details. Suitable PSU for all units: Order Code PSU445 – £8.95

Rolling Code 4-Channel UHF Remote

State-of-the-Art. High security.

4 channels. Momentary or latching relay output. Range up to 40m. Up to 15 TXs can be learned by one Rx (kit includes one Tx but more available separately). 4 indicator LEDs.



Rx: PCB 77x85mm, 12VDC/6mA (standby).

Two & Ten Channel versions also available.

Kit Order Code: 3180KIT – £39.95

Assembled Order Code: AS3180 – £47.95

Computer Temperature Data Logger

Serial port 4-channel temperature logger. °C or °F. Continuously logs up to 4 separate sensors located 200m+ from board. Wide range of free software applications for storing/using data. PCB just 38x38mm. Powered

by PC. Includes one DS1820 sensor and four header cables.

Kit Order Code: 3145KT – £16.95

Assembled Order Code: AS3145 – £23.95

Additional DS1820 Sensors – £3.95 each

Most items are available in kit form (KT suffix) or pre-assembled and ready for use (AS prefix).

NEW! DTMF Telephone Relay Switcher

Call your phone number using a DTMF phone from anywhere in the world and remotely turn on/off any of the 4 relays as desired. User settable Security Password, Anti-Tamper, Rings to Answer, Auto Hang-up and Lockout. Includes plastic case. 130 x 110 x 30mm. Power: 12VDC.



Kit Order Code: 3140KT – £39.95

Assembled Order Code: AS3140 – £59.95

Serial Port Isolated I/O Module



Computer controlled 8-channel relay board. 5A mains rated relay outputs and 4 opto-isolated digital inputs (for monitoring switch

states, etc). Useful in a variety of control and sensing applications. Programmed via serial port (use our new Windows interface, terminal emulator or batch files). Serial cable can be up to 35m long. Includes plastic case 130 x 100 x 30mm. Power: 12VDC/500mA.

Kit Order Code: 3108KT – £49.95

Assembled Order Code: AS3108 – £59.95

Infra-red RC 12-Channel Relay Board



Control 12 on-board relays with included infra-red remote control unit. Toggle or momentary. 15m+ range. 112 x 122mm.

Supply: 12VDC/0.5A.

Kit Order Code: 3142KT – £39.95

Assembled Order Code: AS3142 – £49.95

PC Data Acquisition & Control Unit

Monitor and log a mixture of analogue and digital inputs and control external devices via the analogue and digital outputs. Monitor pressure, temperature, light intensity, weight, switch state, movement, relays, etc. with the appropriate sensors (not supplied). Data can be processed, stored and the results used to control devices such as motors, sirens, relays, servo motors (up to 11) and two stepper motors.



Features

- 11 Analogue Inputs – 0-5V, 10 bit (5mV/step)
- 16 Digital Inputs – 20V max. Protection 1K in series, 5-1V Zener
- 1 Analogue Output – 0-2.5V or 0-10V. 8 bit (20mV/step)
- 8 Digital Outputs – Open collector, 500mA, 33V max
- Custom box (140 x 110 x 35mm) with printed front & rear panels
- Windows software utilities (3-1 to XP) and programming examples
- Supply: 12V DC (Order Code PSU203)

Kit Order Code: 3093KT – £64.95

Assembled Order Code: AS3093 – £94.95

Hot New Kits This Summer!

Here are a few of the most recent kits added to our range. See website or join our email Newsletter for all the latest news.

NEW! EPE Ultrasonic Wind Speed Meter



Solid-state design wind speed meter (anemometer) that uses ultrasonic techniques and has no moving parts and does not need

calibrating. It is intended for sports-type activities, such as track events, sailing, hang-gliding, kites and model aircraft flying, to name but a few. It can even be used to monitor conditions in your garden. The probe is pointed in the direction from which the wind is blowing and the speed is displayed on an LCD display.

Specifications

- Units of display: metres per second, feet per second, kilometres per hour and miles per hour
- Resolution: Nearest tenth of a metre
- Range: Zero to 50mph approx.

Based on the project published in Everyday Practical Electronics, Jan 2003. We have made a few minor design changes (see website for full details). Power: 9VDC (PP3 battery or Order Code PSU345). Main PCB: 50 x 83mm.

Kit Order Code: 3168KT – £34.95

NEW! Audio DTMF Decoder and Display



Detects DTMF tones via an on-board electret microphone or direct from the phone lines through the onboard audio transformer. The

numbers are displayed on a 16-character, single line display as they are received. Up to 32 numbers can be displayed by scrolling the display left and right. There is also a serial output for sending the detected tones to a PC via the serial port. The unit will not detect numbers dialled using pulse dialling. Circuit is microcontroller based.

Supply: 9-12V DC (Order Code PSU345). Main PCB: 55 x 95mm.

Kit Order Code: 3153KT – £17.95

Assembled Order Code: AS3153 – £29.95

NEW! EPE PIC Controlled LED Flasher



This versatile PIC-based LED or filament bulb flasher can be used to flash from 1 to 160

LEDs. The user arranges the LEDs in any pattern they wish. The kit comes with 8 superbright red LEDs and 8 green LEDs. Based on the Versatile PIC Flasher by Steve Challinor, EPE Magazine Dec '02. See website for full details. Board Supply: 9-12V DC. LED supply: 9-45V DC (depending on number of LED used). PCB: 43 x 54mm. Kit Order Code: 3169KT – £11.95

Most items are available in kit form (KT suffix) or assembled and ready for use (AS prefix)

FM Bugs & Transmitters

Our extensive range goes from discreet surveillance bugs to powerful FM broadcast transmitters. Here are a few examples. All can be received on a standard FM radio and have adjustable transmitting frequency.

MMTX' Micro-Miniature 9V FM Room Bug



Our best selling bug! Good performance. Just 25 x 15mm. Sold to detective agencies worldwide. Small enough to hide just about anywhere.

Operates at the 'less busy' top end of the commercial FM waveband and also up into the more private Air band. Range: 500m. Supply: PP3 battery. Kit Order Code: 3051KT – £8.95
Assembled Order Code: AS3051 – £14.95

HPTX' High Power FM Room Bug

Our most powerful room bug.

Very Impressive performance. Clear and stable output signal thanks to the extra circuitry employed. Range: 1000m @ 9V. Supply: 6-12V DC (9V PP3 battery clip supplied). 70 x 15mm. Kit Order Code: 3032KT – £9.95
Assembled Order Code: AS3032 – £17.95

MTTX' Miniature Telephone Transmitter



Attach anywhere along phone line. Tune a radio into the signal and hear

exactly what both parties are saying. Transmits only when phone is used. Clear, stable signal. Powered from phone line so completely maintenance free once installed. Requires no aerial wire – uses phone line as antenna. Suitable for any phone system worldwide. Range: 300m. 20 x 45mm. Kit Order Code: 3016KT – £7.95
Assembled Order Code: AS3016 – £13.95

3 Watt FM Transmitter



Small, powerful FM transmitter. Audio preamp stage and three RF stages deliver 3 watts of RF power. Can be used with the electret

microphone supplied or any line level audio source (e.g. CD or tape OUT, mixer, sound card, etc). Aerial can be an open dipole or Ground Plane. Ideal project for the novice wishing to get started in the fascinating world of FM broadcasting. 45 x 145mm. Kit Order Code: 1028KT – £23.95
Assembled Order Code: AS1028 – £31.95

25 Watt FM Transmitter

Four transistor based stages with a Philips BLY89 (or equivalent) in the final stage. Delivers a mighty 25 Watts of RF power. Accepts any line level audio source (input sensitivity is adjustable). Antenna can be an open dipole, ground plane, 5/8, J, or YAGI configuration. Supply 12-14V DC, 5A. Supplied fully assembled and aligned – just connect the aerial, power and audio input. 70 x 220mm.

Order Code: AS1031 – £134.95



QUASAR
electronics

Helping you make the right connections!

**CREDIT
CARD
SALES**
0871
717
7168

Electronic Project Labs

Great introduction to the world of electronics. Ideal gift for budding electronics expert!

500-in-1 Electronic Project Lab

This is the top of the range and is a complete electronics course taking you from beginner to 'A' level standard and beyond! It contains all the parts and instructions to assemble 500 projects. You get three comprehensive course books (total 368 pages) – *Hardware Entry Course*, *Hardware Advanced Course* and a micro-computer based *Software Programming Course*. Each book has individual circuit explanations, schematic and assembly diagrams. Suitable for age 12 and above. Order Code EPL500 – £149.95

30, 130, 200 and 300-in-1 project labs also available – see website for details.



Number 1 for Kits!

With over 300 projects in our range we are the UK's number 1 electronic kit specialist. Here are a few other kits from our range.

1046KT – 25W Stereo Car Booster £29.95

3087KT – 1W Stereo Amplifier £6.95

3105KT – 18W BTL mono Amplifier £9.95

3106KT – 50W Mono Hi-fi Amplifier £23.95

3143KT – 10W Stereo Amplifier £10.95

1011-12KT – Motorbike Alarm £12.95

1019KT – Car Alarm System £12.95

1048KT – Electronic Thermostat £9.95

1080KT – Liquid Level Sensor £6.95

3003KT – LED Dice £7.95

3006KT – LED Roulette Wheel £9.95

3074KT – 8-Ch PC Relay Board £24.95

3082KT – 2-Ch UHF Relay £30.95

3126KT – Sound-Activated Relay £8.95

3063KT – One Chip AM Radio £11.95

3102KT – 4-Ch Servo Motor Driver £15.95

3155KT – Stereo Tone Controls £11.95

1096KT – 3-30V, 5A Stabilised PSU £32.95

3029KT – Combination Lock £7.95

3049KT – Ultrasonic Detector £14.95

3130KT – Infra-red Security Beam £13.95

SG01MKT – Train Sounds £6.95

SG10 MKT – Animal Sounds £5.95

1131KT – Robot Voice Effect £9.95

3007KT – 3V FM Room Bug £6.95

3028KT – Voice-Activated FM Bug £11.95

3033KT – Telephone Recording Adpt £8.95

3112KT – PC Data Logger/Sampler £18.95

3118KT – 12-bit Data Acquisition Unit £49.95

3101KT – 20MHz Function Generator £69.95

**No.1
FOR
KITS**

www.quasarelectronics.com

Secure Online Ordering Facilities • Full Product Listing, Descriptions & Photos • Kit Documentation & Software Downloads

MAIL ORDER ONLY • CALLERS BY APPOINTMENT

EPE PROJECT PICS

Programmed PICs for *EPE Projects

12C508/9 - £3.90; 16F627/8 - £4.90

16C84/16F84/16C71 - £5.90

16F876/877 - £10.00

All inc. VAT and Postage

(*Some projects are copyright)

EPE MICROCONTROLLER P.I. TREASURE HUNTER

The latest MAGENTA DESIGN - highly stable & sensitive - with I.C. control of all timing functions and advanced pulse separation techniques.

- High stability drift cancelling
- Easy to build & use
- No ground effect, works in seawater



- Detects gold, silver, ferrous & non-ferrous metals

- Efficient quartz controlled microcontroller pulse generation.
- Full kit with headphones & all hardware

KIT 847 £63.95

PIC PIPE DESCALER

- SIMPLE TO BUILD
- HIGH POWER OUTPUT
- AUDIO & VISUAL MONITORING
- SWEPT FREQUENCY

An affordable circuit which sweeps the incoming water supply with variable frequency electromagnetic signals. May reduce scale formation, dissolve existing scale and improve lathering ability by altering the way salts in the water behave.

Kit includes case, P.C.B., coupling coil and all components. High coil current ensures maximum effect. L.E.D. monitor.



KIT 868 £22.95 POWER UNIT.....£3.99

MICRO PEST SCARER

Our latest design - The ultimate scarer for the garden. Uses special microchip to give random delay and pulse time. Easy to build reliable circuit. Keeps pets/pests away from newly sown areas, play areas, etc. uses power source from 9 to 24 volts.

- RANDOM PULSES
- HIGH POWER
- DUAL OPTION



Plug-in power supply £4.99

KIT 867.....£19.99

KIT + SLAVE UNIT.....£32.50

WINDICATOR

A novel wind speed indicator with LED readout. Kit comes complete with sensor cups, and weatherproof sensing head. Mains power unit £5.99 extra.

KIT 856.....£28.00

★ TENS UNIT ★

DUAL OUTPUT TENS UNIT

As featured in March '97 issue.

Magenta have prepared a FULL KIT for this excellent new project. All components, PCB, hardware and electrodes are included. Designed for simple assembly and testing and providing high level dual output drive.

KIT 866. . Full kit including four electrodes £32.90

Set of 4 spare electrodes £6.50

1000V & 500V INSULATION TESTER



Superb new design. Regulated output, efficient circuit. Dual-scale meter, compact case. Reads up to 200 Megohms.

Kit includes wound coil, cut-out case, meter scale, PCB & ALL components.

KIT 848.....£32.95

EPE TEACH-IN 2000

Full set of top quality NEW components for this educational series. All parts as specified by EPE. Kit includes breadboard, wire, croc clips, pins and all components for experiments, as listed in introduction to Part 1.

*Batteries and tools not included.

TEACH-IN 2000 -

KIT 879 £44.95

MULTIMETER £14.45

SPACEWRITER

An innovative and exciting project. Wave the wand through the air and your message appears. Programmable to hold any message up to 16 digits long. Comes pre-loaded with "MERRY XMAS". Kit includes PCB, all components & tube plus instructions for message loading.

KIT 849£16.99

12V EPROM ERASER

A safe low cost eraser for up to 4 EPROMS at a time in less than 20 minutes. Operates from a 12V supply (400mA). Used extensively for mobile work - updating equipment in the field etc. Also in educational situations where mains supplies are not allowed. Safety interlock prevents contact with UV.

KIT 790£29.90

SUPER BAT DETECTOR

1 WATT O/P, BUILT IN SPEAKER, COMPACT CASE 20kHz-140kHz NEW DESIGN WITH 40kHz MIC.

A new circuit using a 'full-bridge' audio amplifier i.c., internal speaker, and headphone/tape socket. The latest sensitive transducer, and 'double balanced mixer' give a stable, high performance superheterodyne design.

KIT 861£34.99

ALSO AVAILABLE Built & Tested... £48.99



68000 DEVELOPMENT TRAINING KIT

- NEW PCB DESIGN
- 8MHz 68000 16-BIT BUS
- MANUAL AND SOFTWARE
- 2 SERIAL PORTS
- PIT AND I/O PORT OPTIONS
- 12C PORT OPTIONS

KIT 621

£99.95

- ON BOARD 5V REGULATOR
- PSU £6.99
- SERIAL LEAD £3.99



Stepping Motors

MD100...Std 100 step...£9.99

MD200...200 step...£12.99

MD24...Large 200 step...£22.95



MOSFET MkII VARIABLE BENCH POWER SUPPLY 0-25V 2-5A

Based on our Mk1 design and preserving all the features, but now with switching pre-regulator for much higher efficiency. Panel meters indicate Volts and Amps. Fully variable down to zero. Toroidal mains transformer. Kit includes punched and printed case and all parts. As featured in April 1994 EPE. An essential piece of equipment.



Kit No. 845£64.95

ULTRASONIC PEST SCARER

Keep pets/pests away from newly sown areas, fruit, vegetable and flower beds, children's play areas, patios etc. This project produces intense pulses of ultrasound which deter visiting animals.

- KIT INCLUDES ALL COMPONENTS, PCB & CASE
- EFFICIENT 100V TRANSDUCER OUTPUT
- COMPLETELY INAUDIBLE TO HUMANS



- UP TO 4 METRES RANGE
- LOW CURRENT DRAIN

KIT 812.....£15.00

SIMPLE PIC PROGRAMMER

KIT 857... £12.99

Includes PIC16F84 chip disk, lead, plug, p.c.b., all components and instructions

Extra 16F84 chips £3.84 Power Supply £3.99

PIC LCD DISPLAY DRIVER

16 Character x 2 Line display, pcb, programmed PIC16F84, software disk and all components to experiment with standard intelligent alphanumeric displays. Includes full PIC source code which can be changed to match your application.

KIT 860.....£19.99

- Learn how to drive the display and write your own code.
- Ideal development base for meters, calculators, counters, timers — just waiting for your application!
- Top quality display with industry standard driver, data and instructions

PIC STEPPING MOTOR DRIVER

PCB with components and PIC16F84 programmed with demonstration software to drive any 4 phase unipolar motor up to 24 Volts at 1 Amp. **Kit includes 100 Step Hybrid Stepping Motor** Full software source code supplied on disc.

Use this project to develop your own applications. PCB allows 'simple PIC programmer' 'SEND' software to be used to reprogram chip.

KIT 863.....£18.99

8 CHANNEL DATA LOGGER

From Aug/Sept.'99 EPE. Featuring 8 analogue inputs and serial data transfer to PC. Magenta redesigned PCB - LCD plugs directly onto board. Use as Data Logger or as a test bed for developing other PIC16F877 projects. Kit includes lcd, prog. chip, PCB, Case, all parts and 8 x 256k EEPROMs

KIT 877.....£49.95

PIC16F84 MAINS POWER CONTROLLER & 4 CHANNEL LIGHT CHASER / DIMMER

- Zero Volt Switching
- Opto-Isolated 5 Amp HARD FIRED TRIACS
- 12 Way keypad Control

- With program source code disk.
- Chase Speed and dimming potentiometer controls.
- Reprogram for other applications

KIT 855.....£39.95

PIC TUTOR 1 EPE MARCH APRIL MAY '98 PIC16F84 STARTER SERIES

The original PIC16F84 series by John Becker. Magenta's Tutor board has individual switches and leds on all portA and PortB lines plus connectors for optional 4 digit seven segment led display, and 16 x 2 intelligent lcd. Written for newcomers to PICs this series. Disk has over 20 tutorial programs. Connect to a PC parallel port, send, run, and experiment by modifying test programs - Then Write and Program your Own

KIT 870... £27.95, Built...£42.95

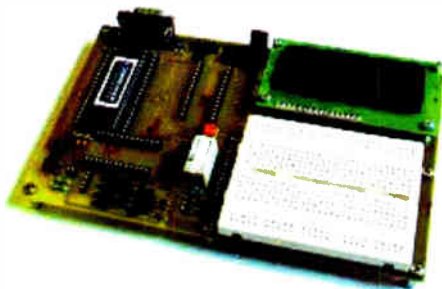
16x2 LCD..£7.99. LED display..£6.99. 12VPSU..£3.99

SUPER PIC PROGRAMMER

Magenta's original parallel port programmer. Runs with downloaded WINDOWS 95 - XP software. Use standard Microchip .HEX files. Read/Prog/Verify wide range of 18,28, and 40 pin PICs. Including 16F84/876/877, 627/8, (Inc. 'A' versions) + 16xx OTPs.

KIT 862... £29.99 Power Supply £3.99

ICEBREAKER



PIC Real Time In-Circuit Emulator

- ICEbreaker uses PIC16F877 in-circuit debugger.
- Links to standard PC Serial port (lead supplied).
- Windows (95 to XP) Software included
- Works with MPASM assembler
- 16 x 2 LCD display, Breadboard, Relay, I/O devices and patch leads.

Featured in *EPE Mar'00* Ideal for beginners & experienced users.

KIT 900...£34.99 With serial lead & software disk, PCB, Breadboard, PIC16F877, LCD, all components and patch leads.
POWER SUPPLY - £3.99 STEPPING MOTOR 100 Step £9.99

Programs can be written, downloaded, and then tested by single-stepping, running to breakpoints, or free run at up to 20Mhz.

Full emulation means that all ports respond immediately - reading and driving external hardware.

Features include: Run; set Breakpoint; View & change registers, EEPROM, and program memory; load program; 'watch window' registers.

20W Amp. Module

EPE May '05 -- Superb Magenta Stereo/Mono Module

Wide bandwidth Low distortion 11W/channel Stereo 20W Mono True (rms) Real Power

Short Circuit & Overheat Protected. Needs 8 to 18V supply.

Stable Reliable design

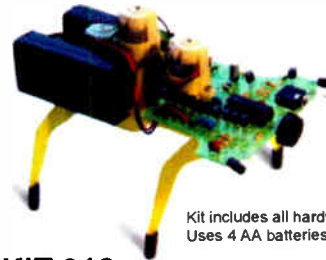
Latest Technology IC with local feedback gives very high performance.



KIT 914 (all parts & heatsink for stereo or mono) **£11.90**

Magenta BrainiBorg

A super walking programmable robot with eyes that sense obstacles and daylight. BrainiBorg comes with superb PC software CD (WIN95+ & XP) and can be programmed to walk and respond to light and obstacles on any smooth surface.



CD contains illustrated constructional details, operating principles, circuits and a superb Educational Programming Tutorial.

Test routines give real-time 'scope traces of sensor and motor signals. Connects to PC via SERIAL port with the lead supplied.

Kit includes all hardware, components, 3 motor/gearboxes. Uses 4 AA batteries (not supplied). *An Ideal Present!*

KIT 912 Complete Kit with CD rom & serial lead **£49.99**

KIT 913 As 912 but built & tested circuit board **£58.95**

EPE PIC Tutorial

EPE Apr/May/June '03 and PIC Resources CD

- Follow John Becker's excellent PIC toolkit 3 series.
- Magenta Designed Toolkit 3 board with printed component layout, green solder mask, places for 8, 18, 28 (wide and slim), and 40 pin PICs. and Magenta extras.
- 16 x 2 LCD, PIC chip all components and sockets included.

KIT 880 (with 16F84) **£34.99**, built & tested **£49.99**

KIT 880 (with 16F877) **£39.99**, built & tested **£55.99**

EPE TEACH-IN 2004

THE LATEST NOV 03 SERIES All parts to follow this new Educational Electronics Course. Inc. Breadboard, and wire, as listed on p752 Nov. Issue.

Additional Parts as listed in 'misc.' Section (less RF modules, Lock, and Motor/g.box)

Reprints: **£1.00 per part.**

KIT 920.....£29.99 **KIT921.....£12.99**

MAGENTA BRAINIBOT I & II

- Full kit with ALL hardware and electronics.
- As featured in *EPE Feb '03* (KIT 910)
- Seeks light, beeps, and avoids obstacles
- Spins and reverses when 'cornered'
- Uses 8 pin PIC chip
- ALSO KIT 911 - As 910 PLUS programmable from PC serial port leads and software CD included.



KIT 910....£16.99 **KIT 911....£24.99**

MAGENTA

All prices include VAT. Add £3.00 p&p. Next day £6.99

Tel: 01283 565435 Fax: 01283 546932 email: sales@magenta2000.co.uk

Main product list containing multiple columns of electronic components such as resistors, capacitors, diodes, and transistors with their respective prices.

Always online! Our catalogue is available to view or download. Up to date with new products & prices



Potty about Pets! We now carry in stock a wide range of positive position pots.



Quality Components! No surplus or remainder stock. All from leading manufacturers.

Quality Service! Sameday despatch on all stock items. Friendly helpful staff.

Fast Delivery! Nextday service for all orders at no extra charge.

No Minimum Order! Order what you need, no pack quantities or min order value.

Quantity Discounts Available! We offer discounts for all items subject to quantity required.

We carry a large range of capacitors in stock, including: Ceramic Mini Disc, Dipped Ceramic Multilayer, Dipped & Boxed Polyester, Mylar Film, Polystyrene, Plastic Film, MKT Polyester, Tantalum Bead, Sub-min...

Table with columns for Resistor/Inductor types (e.g., 1/8W Carbon Film), Power/Wattage, and Price per unit.

Resistor Resistors - Please State Value Required: Enclosed, 10mm Square Harz / Vert. Skeleton, 10mm Dia. Horizontal.

Potentiometers - Please State Value Required: Single Gang 1/2 Shaft, 25mm Dia. Single Gang 3/4 Shaft, 25mm Dia.

Prices Exclude Vat @17.5%. UK Carriage £2.50 (less than 1kg) £5.50 greater than 1kg. Cheques / Postal orders payable to ESR Electronic Components.

ESR Electronic Components logo and website information (www.esr.co.uk).

Tel: 0191 2514363 Fax: 0191 252296 sales@esr.co.uk

Station Road Cullercoats Tyne & Wear NE30 4PQ

Additional company information and contact details.

EPE EVERYDAY PRACTICAL ELECTRONICS

THE UK's No.1 MAGAZINE FOR ELECTRONICS TECHNOLOGY & COMPUTER PROJECTS

VOL. 35 No. 3

MARCH 2006

Editorial Offices:
EVERYDAY PRACTICAL ELECTRONICS EDITORIAL
Wimborne Publishing Ltd., 408 Wimborne Road East, Ferndown,
Dorset BH22 9ND
Phone: (01202) 873872. Fax: (01202) 874562.

Email: enquiries@epemag.wimborne.co.uk
Web Site: www.epemag.co.uk
EPE Online (downloadable version of *EPE*): www.epemag.com
EPE Online Shop: www.epemag.wimborne.co.uk/shopdoor.htm
See notes on **Readers' Technical Enquiries** below – we regret technical enquiries cannot be answered over the telephone.

Advertisement Offices:
EVERYDAY PRACTICAL ELECTRONICS ADVERTISEMENTS
408 Wimborne Road East, Ferndown, Dorset BH22 9ND
Phone: 01202 873872 Fax: 01202 874562
Email: stewart.kearn@wimborne.co.uk

The Father Of *PE* and *EE*

Fred Bennett, the father of *Practical Electronics* and *Everyday Electronics*, has sadly died aged 85 after fighting cancer for many months. He leaves an invalid sister, Dorothy, who he had looked after for most of his life, and a nephew, the son of his second sister who died some time ago. A quiet, private man, dedicated to his sister, Fred never married. He was widely read, an experienced amateur geologist and a member of the Dickens Society.

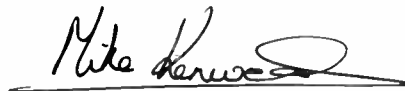
Fred was involved in the launch of *Practical Electronics* in 1964 and later launched *Everyday Electronics* in 1971 (he had previously worked on *Practical Wireless*). He edited both magazines until *Practical Electronics* was relocated to Poole in Dorset in 1977 after which he continued the editorship of *Everyday Electronics* until he retired in 1986.

It was Fred who decided the strategy of both *PE* and *EE*. In his quiet unassuming way he meticulously planned their development. I never knew him to be angry or to flap in a crisis; he was a gentleman of the old school and he had a way of getting things done without seeming to do anything. He was liked and respected by staff, contributors and readers alike.

It was Fred that instigated the *Teach-In* series, the first being in the very first issue of *EE* in November 1971 – as you know the bi-annual series is still running some 34 years and 17 series later. It has certainly stood the test of time and has been responsible for introducing many tens of thousands of readers to our hobby and to careers in electronics.

Fred was responsible for setting the standard that made the magazines so successful, particularly through the seventies when the circulation of each magazine was well over 100,000 copies. He was responsible for offering me a job, for promoting me to assist with the launch of *Everyday Electronics* and teaching me how to help produce the first class magazines he had developed. I have much to thank him for, as no doubt have many who have been inspired by Fred's magazines – magazines which have survived for over 40 years.

Our condolences to those he leaves behind.
Rest in peace Fred.



Editor: MIKE KENWARD
Consulting Editors: DAVID BARRINGTON
JOHN BECKER
Business Manager: DAVID J. LEAVER
Subscriptions: MARILYN GOLDBERG
General Manager: FAY KEARN
Editorial/Admin: (01202) 873872
Advertising Manager:
STEWART KEARN (01202) 873872
On-Line Editor: ALAN WINSTANLEY
EPE Online (Internet version) **Editors:**
CLIVE (MAX) MAXFIELD and ALVIN BROWN

READERS' TECHNICAL ENQUIRIES

E-mail: techdept@epemag.wimborne.co.uk
We are unable to offer any advice on the use, purchase, repair or modification of commercial equipment or the incorporation or modification of designs published in the magazine. We regret that we cannot provide data or answer queries on articles or projects that are more than five years old. Letters requiring a personal reply *must* be accompanied by a **stamped self-addressed envelope** or a **self-addressed envelope and international reply coupons**. We are not able to answer technical queries on the phone.

PROJECTS AND CIRCUITS

All reasonable precautions are taken to ensure that the advice and data given to readers is reliable. We cannot, however, guarantee it and we cannot accept legal responsibility for it. A number of projects and circuits published in *EPE* employ voltages that can be lethal. **You should not build, test, modify or renovate any item of mains powered equipment unless you fully understand the safety aspects involved and you use an RCD adaptor.**

COMPONENT SUPPLIES

We do not supply electronic components or kits for building the projects featured, these can be supplied by advertisers.
We advise readers to check that all parts are still available before commencing any project in a back-dated issue.

ADVERTISEMENTS

Although the proprietors and staff of EVERYDAY PRACTICAL ELECTRONICS take reasonable precautions to protect the interests of readers by ensuring as far as practicable that advertisements are *bona fide*, the magazine and its Publishers cannot give any undertakings in respect of statements or claims made by advertisers, whether these advertisements are printed as part of the magazine, or in inserts.

The Publishers regret that under no circumstances will the magazine accept liability for non-receipt of goods ordered, or for late delivery, or for faults in manufacture.

TRANSMITTERS/BUGS/TELEPHONE EQUIPMENT

We advise readers that certain items of radio transmitting and telephone equipment which may be advertised in our pages cannot be legally used in the UK. Readers should check the law before buying any transmitting or telephone equipment as a fine, confiscation of equipment and/or imprisonment can result from illegal use or ownership. The laws vary from country to country; readers should check local laws.

AVAILABILITY

Copies of *EPE* are available on subscription anywhere in the world (see opposite), from all UK newsagents (distributed by COMAG) and from the following electronic component retailers: Omni Electronics and Yebo Electronics (S. Africa). *EPE* can also be purchased from retail magazine outlets around the world. An Internet on-line version can be purchased and downloaded for just \$15.99US (approx £9.50) per year available from www.epemag.com

SUBSCRIPTIONS

Subscriptions for delivery direct to any address in the UK: 6 months £17.50, 12 months £33, two years £61; Overseas: 6 months £20.50 standard air service or £29.50 express airmail, 12 months £39 standard air service or £57 express airmail, 24 months £73 standard air service or £109 express airmail. To subscribe from the USA or Canada see page 61.

Online subscriptions, for downloading the magazine via the Internet, \$15.99US (approx £9.50) for one year available from www.epemag.com.

Cheques or bank drafts (in £ sterling only) payable to *Everyday Practical Electronics* and sent to EPE Subs. Dept., Wimborne Publishing Ltd, 408 Wimborne Road East, Ferndown, Dorset BH22 9ND. Tel: 01202 873872. Fax: 01202 874562. Email: subs@epemag.wimborne.co.uk. Also via the Web at: <http://www.epemag.wimborne.co.uk>. Subscriptions start with the next available issue. We accept MasterCard, Amex, Diners Club, Maestro or Visa. (For past issues see the *Back Issues* page.)

BINDERS

Binders to hold one volume (12 issues) are available from the above address. These are finished in blue p.v.c., printed with the magazine logo in gold on the spine. Price £7.95 plus £3.50 p&p (for overseas readers the postage is £6.00 to everywhere except Australia and Papua New Guinea which cost £10.50). *Normally sent within seven days but please allow 28 days for delivery – more for overseas.*

Payment in £ sterling only please. Visa, Amex, Diners Club, Maestro and MasterCard accepted. Send, fax or phone your card number, card expiry date and card security code (the last 3 digits on or just under the signature strip), with your name, address etc. Or order on our secure server via our UK web site. Overseas customers – your credit card will be charged by the card provider in your local currency at the existing exchange rate.



SONY'S XCP FIASCO AGAIN

Barry Fox has the latest on Sony's Gaff!

Sony's public apology for releasing music CDs with rootkit copy-protection software – that left PCs vulnerable to viruses – came late and tried to shift the blame. But the XCP (Extended Copy Protection) fiasco (reported last month in *Techno-Talk*) has already had the highly beneficial side effect of making the music industry a lot more careful over what it hides in CDs.

The reason is quite simply money and face. It has cost the Sony BMG record label tens of millions of dollars to undo the damage done; court case claims against Sony BMG are still pending; and Sony has lost face, which means even more than money to a Japanese company.

It is good news too that the XCP problem was revealed by computer expert Mark Russinovitch (www.sysinternals.com/blog/2005/10/sony-rootkits-and-digital-rights.html) before any of the 52 infected titles were released in Europe. So far there have been no sightings of official or unofficial XCP imports in the UK. But it pays to stay on your guard because, as Russinovitch explains, the rootkit is very hard to remove from a PC without completely re-formatting the hard disc.

Millions Re-called

Sony has had to recall 2.7 million unsold discs from retailers, and 2.1 million already sold to consumers. The discs are being replaced with CDs which do not use XCP, but this is taking up to six weeks. Major artists including Neil Diamond, Frank Sinatra, Burt Bacharach, Celine Dion and Bette Midler will inevitably suffer from lost sales.

The artists, their estates and managers are reportedly furious with Sony. Because Sony is offering free collection and delivery by the UPS service, the cost of carriage alone will be up to \$20 million. Industry analyst company Gartner has published a report that XCP can be defeated anyway.

"The user simply applies a fingernail-sized piece of opaque tape to the outer edge of the disc, rendering Session 2 – which contains the self-loading DRM software – unreadable," says Gartner. "Sony BMG has created serious public-relations and legal issues for itself, and for no good reason".

It took more than a week for Sony to own up and publish a buck-passing apology. "We deeply regret any inconvenience", says Sony's open letter to "our valued customers (but) the software was provided to us by a third party vendor, First4Interne".

This reads as a damning indictment of Sony's computer division, which did not spot the problem either before or after the discs were released.

Sony's FAQ

At the height of the trouble the software vendor's web site was still promoting XCP as "the true meaning of audio security". (www.first4internet.co.uk). Sony's web site offers thirteen pages of Frequently Asked Questions on how to remove XCP protection with a "malicious software removal tool". (<http://cp.sonybmg.com/xcp/english/faq.html>). But Sony has neglected to offer a printer-friendly version. So unless Sony's "valued customers" know the trick of setting their printers to Landscape instead of Portrait, the right hand side of the printed text will often be missing.

As a direct result of Sony's humiliation, US company SunnComm has now acknowledged that its MediaMax Version 5 software "used on another 27 CDs from Sony BMG" has a "security vulnerability". SunnComm has now released a software patch to address the problem (www.sonybmg.com/mediamax/titles.html).

Sony's problems with XCP and SunnComm made news just as Macrovision, world leader in audio and

video copy protection, was offering the record companies another new DRM system called Total Play. This was developed by Midbar, the Israeli company which Macrovision bought after Midbar hit problems with its original copy-protection system, called Cactus Data Shield. Some Cactus discs would not play on some CD players.

Macrovision recently demonstrated Total Play with test tracks recorded by EMI pop group Gorillaz. When the CD is put in a PC it plays with pictures, games and video, also providing the opportunity to copy the music to a PC with a choice of Windows Media Digital Rights Management or Sony's Atrac/OpenMG DRM.

Yoav Elgrichi, Macrovision's Senior Program Manager for Music Content Management assured recently: "The disc is fully compatible with the Red and Yellow books; and it's Microsoft certified".

Sony's high profile gaffe could work for or against Macrovision. The music industry may simply not dare use DRM of any type – or the record companies may turn to Macrovision because of the company's proven track record on rigorously testing copy protection on banks of consumer players before releasing any protected recordings for public sale.

Ring It Yourself!

Cellphone users round the world spend a billion dollars a year on downloading musical ringtones. So the music industry may not be too pleased with a new "fun way to save serious money" by making ringtones "in seconds ... without fees, subscriptions or downloads".

Magix Ringtone Maker is a £20 PC program that rips music from a CD or MP3 file, converts it to ringtone format and dumps it direct into a phone (www.fast-track.co.uk). The software also allows editing to cut a song down to ringtone length.

"It makes an ideal present for teenagers", says FastTrack. But to stay legal users should obtain 'express permission' from record companies before ripping."

Barry Fox

SMALLER CAMERA PHONES

How can camera phones that play music possibly get any smaller, without compromising the optical or sound quality? Sony Ericsson has a neat idea. It's revealed in a recent patent filing from Sweden (WO 2005/114990). The camera lens is built into the centre of the speaker cone, so the image sensor is behind the speaker and "looks" through it. Because the cone and lens share space, they can both be larger.

As a spin-off bonus the lens is focused by moving the cone – which is easily done because a moving coil cone is designed to be moved fast to play music and can just be moved more slowly and then frozen still for a moment to focus and take a picture. Presumably the phone can't play music while taking a picture but that is unlikely to be a problem in practice for most users.

Barry Fox

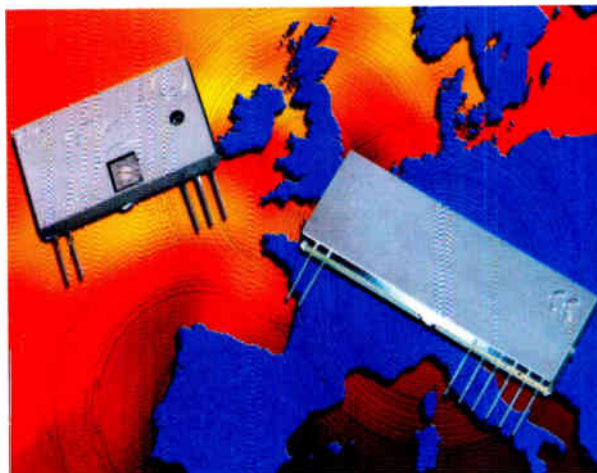
HARMONISED RF MODULES

MK Consultants have introduced a range of radio modules designed for operation in a new pan-European frequency band that spans 169.4MHz to 169.8MHz. The Genesis 2 family of transmitter and receiver modules combines low cost with high performance in applications such as social alarms, asset tracking, meter reading and paging.

The GT2 transmitter module delivers 10mW of power, whilst the GT2HP allows designers to select the appropriate power level for their application via its adjustable 5mW to 200mW output. The modules use accurate and reliable narrow band crystal technology and achieve data rates of up to 9600 bits/s. A wide choice of preset frequencies is available, making the modules ready for use in specific types of application. Modules with custom frequencies can be supplied on request.

The receivers are housed in fully shielded SIL packages and feature analogue, digital and true RSSI outputs. Supply voltage can range from 2.7V to 10V. All modules in the Genesis 2 range have an operating temperature range of -10°C to +55°C and are EN 300-220-1 compliant.

For more information contact MK Consultants (UK) Ltd., Dept EPE, 288a-290 Queens Road, Halifax, West Yorks, HX1 4NS. Tel: 01422 329002, fax: +01422 353153, email: mo@mkconsultants.prestel.co.uk, web: www.mkconsultants.co.uk.



3D MOVIES

Watch out for Disney's new movie *Chicken Little*, which is showing in 3D in some cinemas. The 3D system is digital and developed by Dolby with US company Real D.

A DLP micro-mirror video projector flashes an alternating series of left and right eye images on screen, each at three times the normal 24 frames per second film speed. So in the time normally taken for one frame of film there is a rapid sequence of L, R, L, R, L, R images. A polarising filter over the projector lens is electrically switched in step with the left and right images and the screen is silvered to preserve the polarisation.

The audience wears passive spectacles with a different polarising filter over each eye. The left and right eye views switch so rapidly that the effect is flickerless 3D. Until now Hollywood has had to use two 24fps projectors for 3D, one for the left eye pictures and one for the right. If the film in one projector broke, the projectionist had to splice the ends together with just enough blank film to fill the gap and keep the two projectors in step.

The DLP projector is getting its pictures from a computer hard drive so there is no film to break and no problem over keeping the images perfectly synchronised. The much higher display rate makes for smoother blending of the L/R images, and less viewing fatigue.

Barry Fox

Recorder in the Mic

New technology unveiled by at least three manufacturers at the *AES Convention* in New York recently shows a sea change coming in radio reporting – and probably concert bootlegging too. Reporters can already buy a jostle-proof recorder that uses solid-state memory instead of tape or Mini-disc. But it still needs a separate microphone and connector lead.

The new trick is to build the recorder into the microphone. Kudelski of Switzerland is ready to launch the Nagra ARES-M, a high quality mono microphone with built-in 1GB recorder. The 12.7mm x 50mm x 2.5mm (5 x 2 x 1 inch) device looks like a small flat sound meter, with a small display and cursor button controls. A clip-on mic capsule converts it to stereo.

Costing around \$975 the Nagra mic-rec records either 16-bit linear PCM at 48kHz, or compressed MPEG Layer II. Recording time ranges from 1hr 26mins in top quality stereo to 34hrs 43mins of mono at 64kbps.

Power comes from two AA cells that last for 10 hours. Some audio editing can be done onboard; for more flexibility the mic-rec has a standard USB port for connection to a PC, laptop or studio hard disc editor. Pro industry specialist HHB has a competing product for around \$1250.

The FlashMic DRM85 looks just like an ordinary studio cardioid, and also has 1GB onboard memory and USB connector for PC editing. Recording is mono only and formats range from 48kHz linear PCM to 32kHz MPEG1 Layer II at 32 kHz.

Sony was showing an early sample of a stereo mic-rec that has 4GB on board, expandable with a 4GB high speed Memory Stick, and works up to 192kHz 24-bit linear. The device looks more like a flat-pack sound meter than conventional mic.

Barry Fox

ALL-ROUNDER CHARGER KIT

Compit have introduced a new battery charge kit, the C2. They say that it's for all MP3 users and digital photographers and that it consists of a charger, two AAA NiMH batteries of 900mAh and two AA NiMH batteries of 2500 mAh.

Due to adding both AAA and AA size NiMH batteries to the charger, the C2 is a real all-rounder. One AAA and one AA battery can be charged together at the same time, and NiCd batteries can be charged as well. The charger has one LED for each battery compartment.

For more information on Compit, browse www.compit.biz.



YORKS 100% BROADBAND!

Every telephone exchange in the Yorkshire and the Humber region has now been enabled for broadband making it one of just three UK regions to have achieved 100% enablement. The final exchange – at Ramsgill Dale in North Yorkshire – was enabled for broadband at the end of December.

Working with BT and Adit, the regional procurement agency, Yorkshire Forward last year agreed to provide funding to make broadband available in the 24 exchanges that BT had previously announced were not commercially viable under its national broadband roll-out programme.

Yorkshire Forward has also liaised closely with the community groups that have already established networks in these locations, using alternative technologies.

**FEATURE
PROJECT**

The PortaPAL

A State-Of-The-Art Portable Public Address Amplifier

Features

- Portable, 12V battery-powered unit with safe plugpack charger
- High power output
- Inbuilt 200mm (8") loudspeaker with tweeter
- 2 combined XLR/ 6.35mm microphone inputs plus 6.35mm guitar or aux input
- Stereo RCA line inputs with stereo to mono mixer
- 2 line outputs with stereo RCA and 6.35mm jack outlets
- Level control for each input
- Bass and Treble controls
- Automatic power-down to extend battery charge with power-down indication
- Charger on and charging indication
- Storage space for spare leads
- Box includes carry handle, speaker stand socket and corner protectors

Part 1: by JOHN CLARKE & LEO SIMPSON

THIS PORTABLE PA Amplifier can be powered from the 240V AC mains or its inbuilt 12V sealed lead-acid (SLA) battery. It delivers up to 70 watts and pulls a number of tricks to keep battery current low while still maintaining very high performance.

The design is based around the Philips TDA1562Q power IC. This ground-breaking IC uses special techniques to deliver up to 70 watts from a 12V battery and does away with the need for a DC-DC inverter.

The PortaPAL is a complete system, including mixing for two 600Ω balanced or unbalanced microphones, guitar input and line inputs for a CD player or a cassette deck.

This circuit makes use of the TDA1562Q's muting feature, to further reduce battery drain and keep hum and noise very low.

We've also taken advantage of the inbuilt 12V SLA (sealed lead-acid) battery to eliminate a heavy transformer and large and expensive electrolytic filter capacitors from the power supply – leading to a considerable cost saving.

No DC-DC inverter needed

Up until the release of the Philips TDA1562Q IC, if you wanted more

than about 16 watts from a 12V-powered PA system, you had to resort to a DC-DC inverter to provide power supply rails of, say, $\pm 40V$, to get around 50 watts into an 8-ohm load.

Not only are DC-DC inverters relatively complex but even the most efficient designs inevitably lead to a reduction in overall circuit efficiency.

With its special class-H operation and bridged amplifier operation, the TDA1562Q not only eliminates the need for an inverter but its class-H operation is considerably more efficient than a normal class-B amplifier which is what would be normally used.

So enough of the rave about the TDA1562Q. Now let us have a look at the other features of this great little (actually, not so little) portable PA Amplifier.

Features

Housed in a timber cabinet measuring 450 x 280 x 240mm, the PortaPAL amplifier uses a 200mm 4Ω speaker. The speaker is specified as a 4Ω model because the amplifier is designed to deliver maximum power into a 4Ω load.

All the controls are at the rear of the cabinet. There are two XLR

sockets for connection of low impedance (600Ω) balanced microphones. These special XLR sockets also accept standard 6.5mm jack sockets so that unbalanced microphones can be used as well.

There is also a pair of RCA phono sockets for connection of a CD player or cassette deck and RCA sockets are also provided for line out signals to a cassette deck, if the proceedings need to be recorded, or to another PA system. This output is also duplicated at a 6.35mm stereo jack socket.

There are four mixing knobs for the microphones, guitar and line inputs but there is no master level control, to keep things simple. Bass and Treble tone controls are provided and automatic VOX is built in.

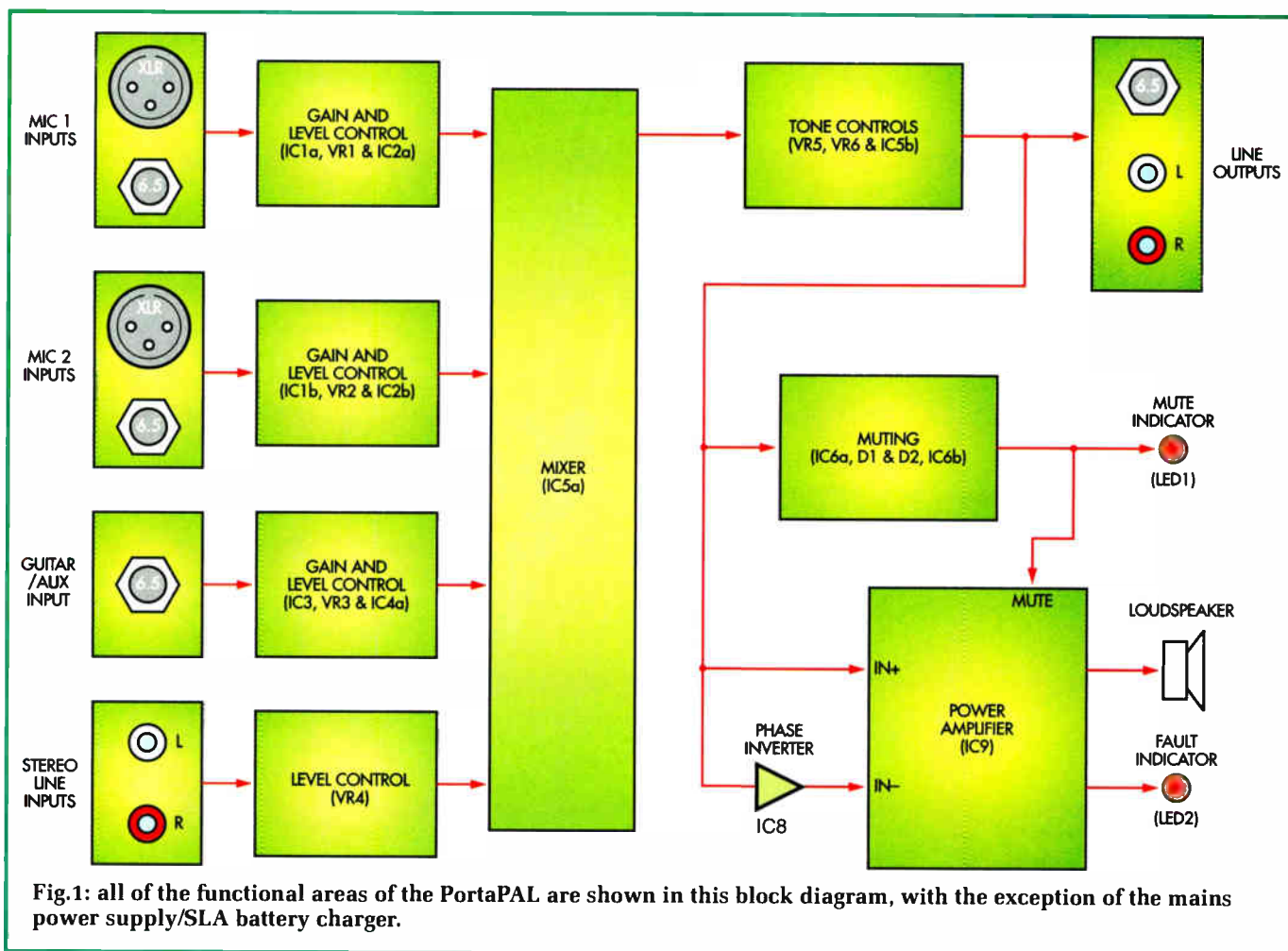
There are four LEDs on the panel, two at the top righthand corner and two lower down, adjacent to the plug-pack charger input socket. At the top, one of the LEDs flashes about twice a second to indicate that the unit is on while the other is the "Fault" indicator. We'll talk more about this and the charger LEDs later.

The only other control is the On/Off switch. Also on the rear panel is the lid for the 12V battery compartment and the battery can be quickly changed over if that is necessary. Power comes

PortaPAL Specifications

Output Power	33W RMS into 4Ω (depending on battery voltage)
Music Power	70W RMS into 4Ω (depending on battery voltage)
Frequency Response	Line -3dB at 26Hz and 40kHz Guitar and microphone -3dB at 42Hz and 20kHz
Tone Controls (see graphs)	+13dB and -14dB at 100Hz +11dB and -13dB at 10kHz
Input Sensitivity: (for 30W into 4Ω)	Line 340mV RMS Guitar 16mV RMS (1.9V RMS overload) Microphone 1.3mV RMS (130mV RMS overload)
Signal-to-Noise Ratio: (all figures with respect to 33W)	-83dB unweighted (20Hz to 20kHz); input level controls all off -71dB unweighted with microphone level set at maximum sensitivity (-73dB A-weighted)
Muting	Threshold: <7mW output power Time: 15 seconds (typical) after signal drops below threshold 100ms (typical) unmute when signal applied
Battery Consumption	Standby (mute) 26mA No signal (unmute) 160mA
Battery Charger	Charge rate: 1A maximum Charge voltage: 13.8V maximum
Dimensions:	500 x 295 x 250mm (including handle and corners/feet)
Mass	13kg (including charger plugpack)

Constructional Project



from the battery or an external 16V AC 1.5A plugpack.

While the plugpack has relatively low power rating (24VA) with respect to the maximum output of the PA amplifier, it is quite adequate to keep the battery fully charged in normal PA operation. In fact, the power supply is really just a battery charger with the battery permanently connected.

The inbuilt VOX operates to mute the power amplifier if there is no signal for more than 15 seconds, reducing the standby battery consumption from 160mA to around 26mA.

While it is hard to be precise, we estimate that the inbuilt 12V 7Ah battery should be good for about five to six hours use. In practice, that means you could typically use the PortaPAL all day on battery power.

Circuit overview

Fig.1 shows the simplified block diagram. Apart from the TDA1562Q power amplifier IC, there are eight low-cost ICs and not a lot else. The

microphone input signals are amplified in op amps IC1a and IC1b, while the guitar signal is amplified by op amp IC3.

The microphone, guitar and line signal levels are set by VR1, VR2, VR3 & VR4 and then mixed and fed to the tone control stages and to the muting circuit involving IC6, D1 & D2. This circuit provides a mute signal to the power amplifier when the audio signal levels are below a certain threshold.

Circuit details

As already noted, the Portable PA uses two special XLR sockets which also accept stereo or mono 6.5mm jacks. For simplicity, these sockets are shown on the circuit of Fig.2 as separate XLR and jack sockets but remember that they are combined into what look like ordinary 3-pin XLR sockets.

In normal operation, using a microphone with an XLR plug, the balanced microphone signals are fed to the inputs of op amps IC1a & IC1b.

These provide a gain of 22 from a 600 Ω microphone.

Both microphone preamps are identical except that the MIC1 preamp has provision for a bias voltage (phantom power) for electret microphones, if required.

The use of 1% resistors in the balanced microphone circuits ensures good rejection of common mode signals such as hum and hash.

High frequencies above 50kHz are rolled off by the 150pF capacitors across the 22k Ω feedback resistors. The 390pF capacitors shunting the balanced input lines, in conjunction with the microphone impedance, also roll off the high frequencies.

Should you insert a 6.5mm stereo jack plug from a balanced mike into the XLR socket it will again be accepted as a balanced signal and converted to a single-ended output.

But here is the clever part. We have wired it so that if you insert a mono jack into the socket, the non-inverting input (pin 3 of the XLR) is grounded

and IC1a (or IC1b) operates as a normal non-inverting amplifier with a gain of 22.

Thus we cater for both balanced and unbalanced low impedance microphones.

The unbalanced outputs of op amps IC1a & IC1b are each fed to level potentiometers VR1 & VR2 via a 150Ω resistor and 1μF capacitor. The signals from VR1 and VR2 are then applied to op amps IC2a and IC2b, both of which have a gain of 11. This means that maximum gain for microphone signals is 242.

Guitar input

The guitar input stage involving the TL071 Fet-input op amp IC3 looks like a straightforward non-inverting amplifier but there are a number of interesting wrinkles.

First, the guitar signal is coupled in via a relatively large value of capacitor. 47μF, especially when the input load resistor is also high at 470kΩ. This is because we are aiming for two separate outcomes. We have specified the high load resistance of 470kΩ to ensure optimum high frequency response with the relatively high inductance of typical guitar pickups.

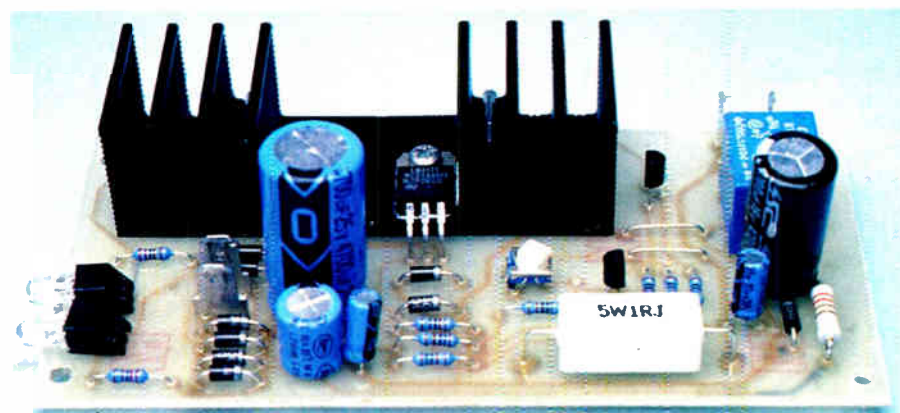
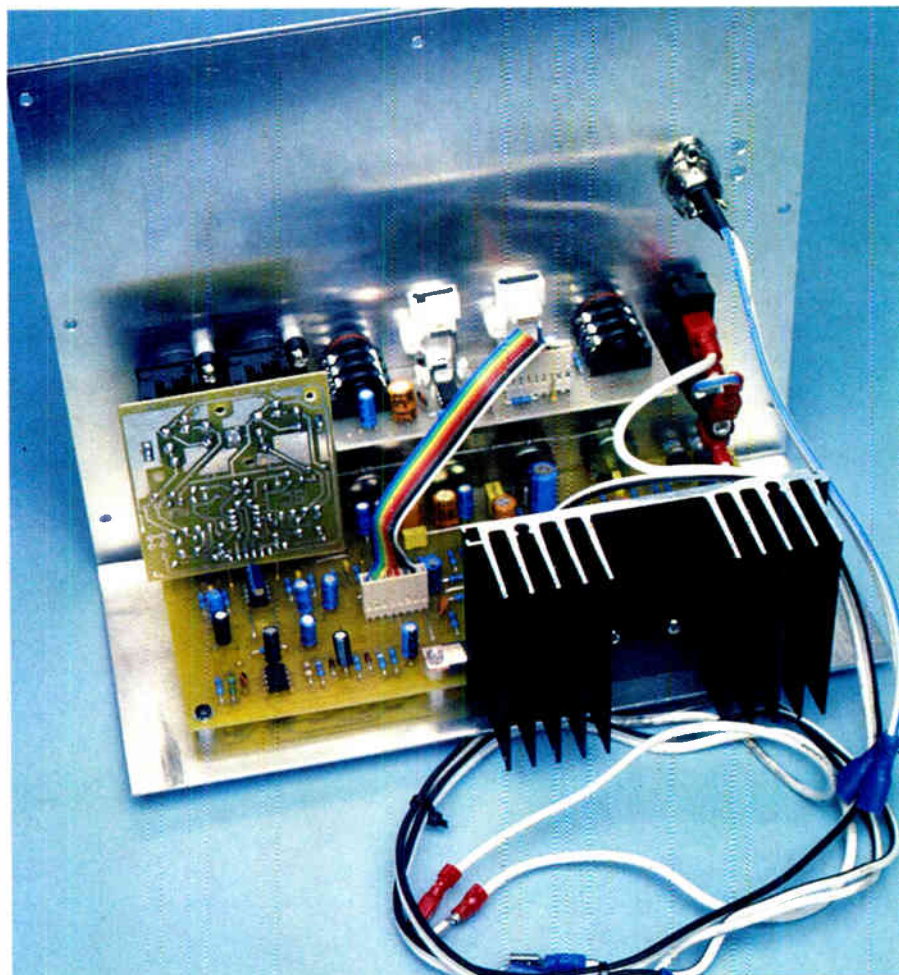
With such a high load resistance, you might wonder why we have used such a large input coupling capacitor. After all, to maintain a flat response to below 20Hz, all you need is a 15nF (0.15μF) input capacitor. Why use 47μF, 300 times bigger?

The answer is that the inductive guitar pickup represents a low source resistance at low frequencies. In order to minimise noise, op amp IC3 needs to see as low a source resistance as possible. Ergo, we use a big capacitor.

IC3 is set for a gain of just two. This is adequate for any guitar (when the following gain is accounted for) but it also means that this input can handle line input signals of up to 1.9V before overload occurs.

Following potentiometer VR3, the guitar signal is fed to op amp IC4a, which has identical gain to IC2a & IC2b.

Stereo line inputs (eg, from a CD player) are mixed to a mono signal with 2.2kΩ resistors and fed to potentiometer VR4. All of the signals from the four potentiometers are then mixed in IC5a which has gain of unity. Note that the input resistor from VR4 is 10kΩ rather than 15kΩ to make up



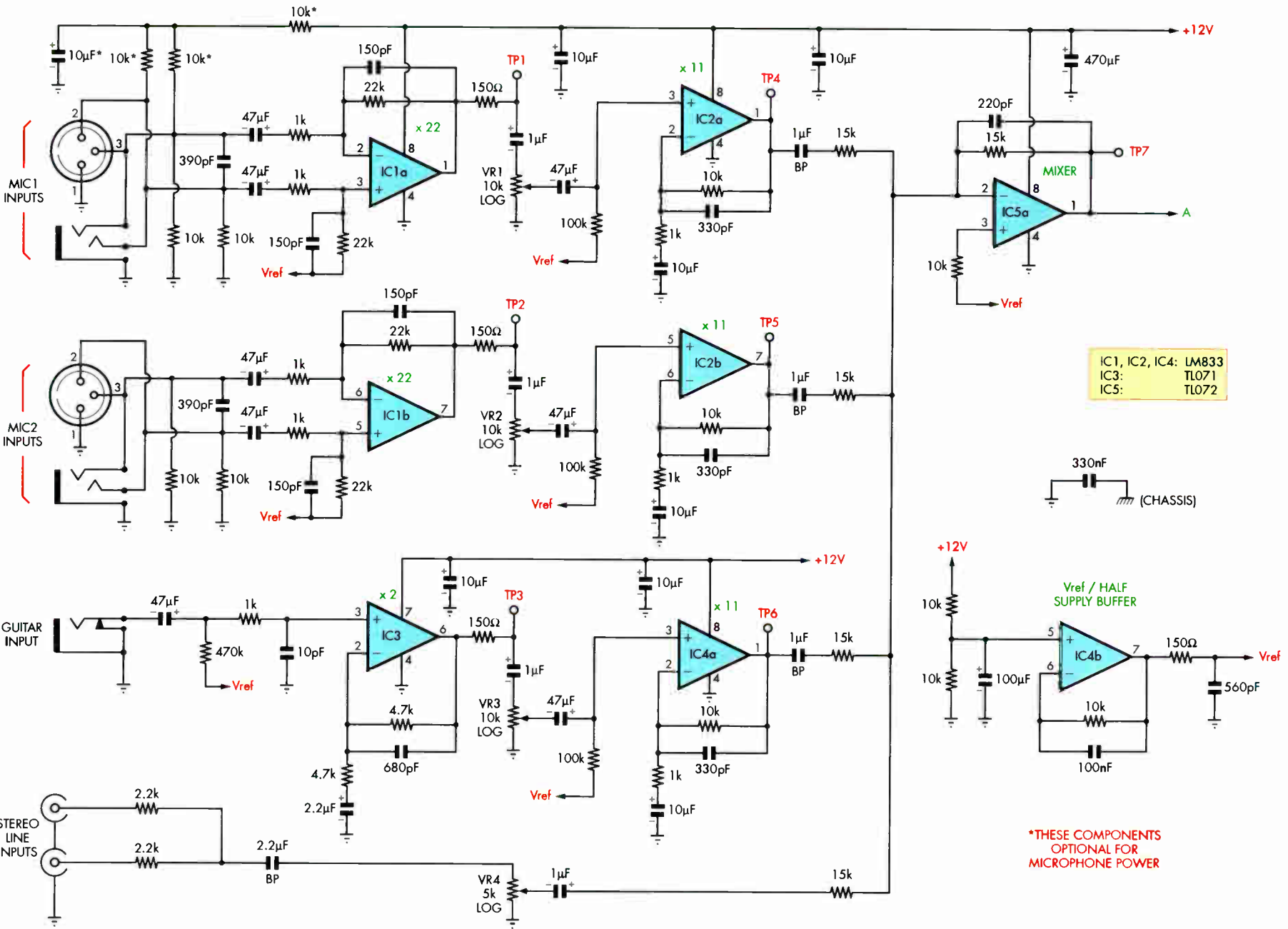
Construction will be fully described next month but to whet your appetites, at top we show the completed amplifier assembly ready for mounting in the box, while immediately above is the separate SLA charger board. By the way, this could be built independently as a high performance SLA battery charger.

for a slight gain loss in the resistive mixing of the stereo line inputs.

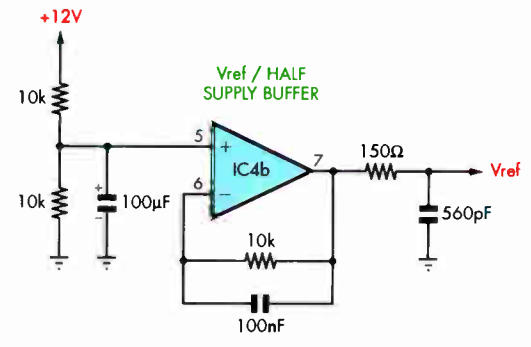
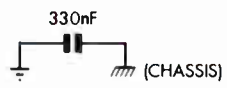
IC5a drives the tone control stage involving IC5b and this has its output signal fed to three places: the line output to RCA and 6.35mm jack sockets; the muting stages involving IC6 and the power amplifier involving IC8 and IC9.

All of the op amps in the circuit, with the exception of IC4b and IC6, have their non-inverting (+) inputs biased from the V_{ref} line which is at +6V.

This is derived from the +12V line by a voltage divider consisting of two 10kΩ resistors with the centre point bypassed by a 100μF capacitor. The



IC1, IC2, IC4: LM833
 IC3: TL071
 IC5: TL072



*THESE COMPONENTS
 OPTIONAL FOR
 MICROPHONE POWER

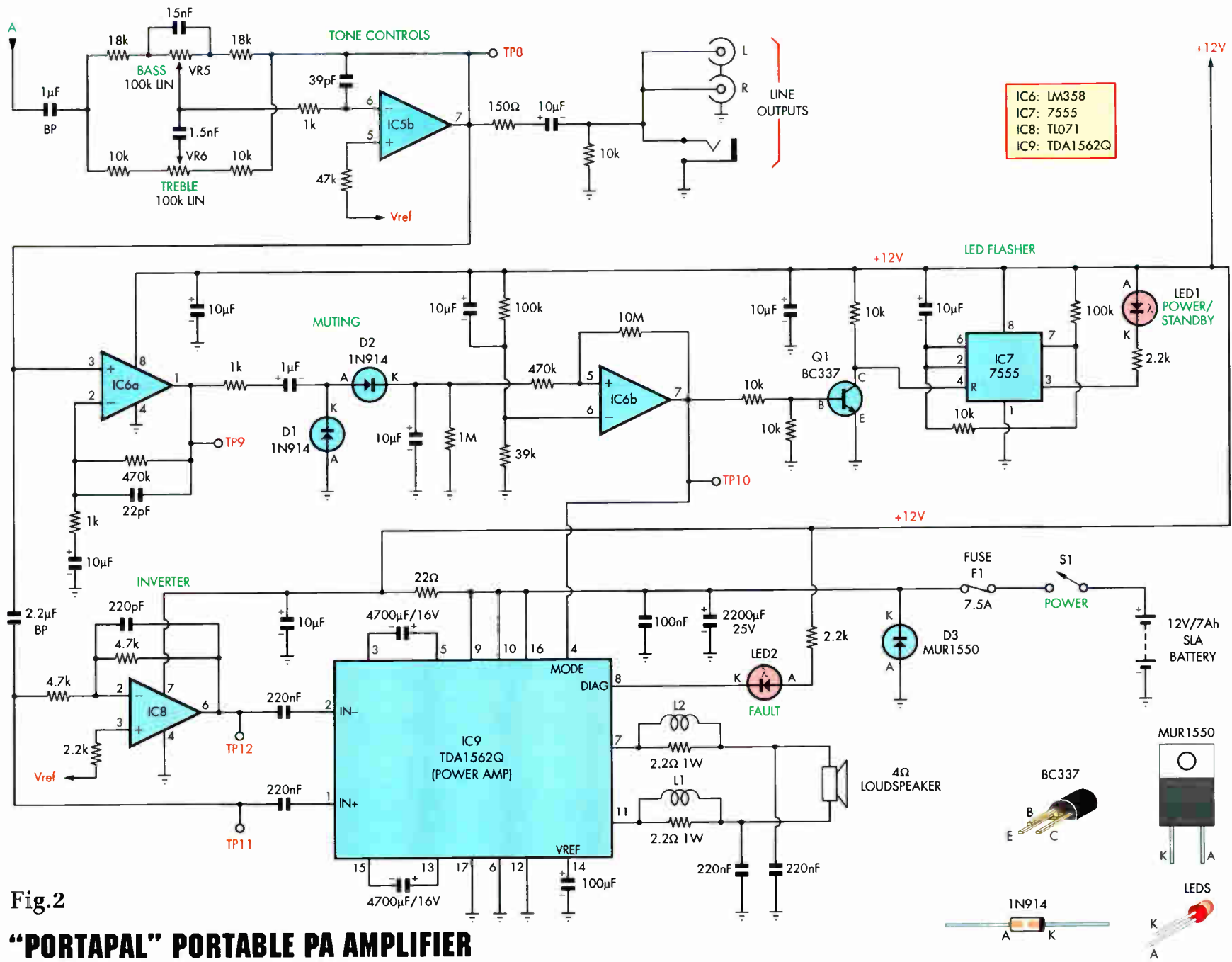


Fig.2
"PORTAPAL" PORTABLE PA AMPLIFIER

Constructional Project

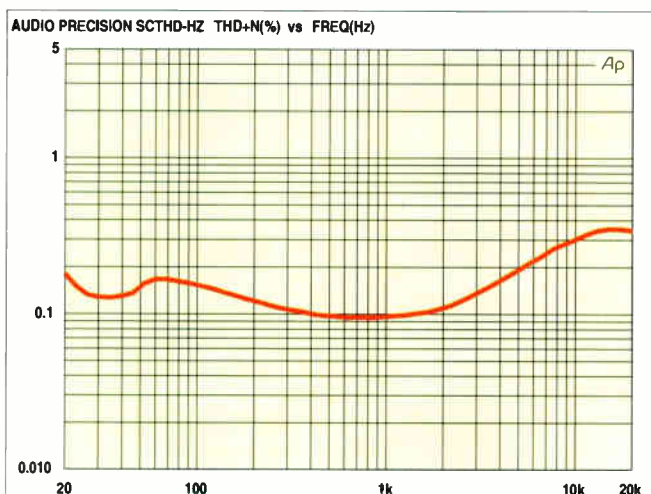


Fig.3: total harmonic distortion versus frequency at 12W using the microphone input.

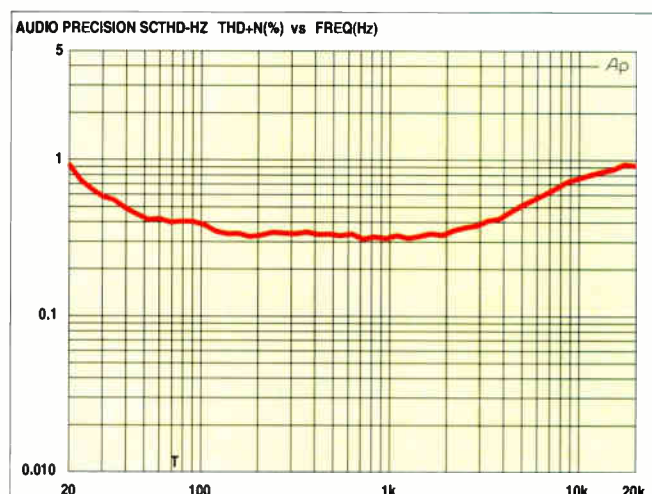


Fig.4: total harmonic distortion versus frequency at 30W using the microphone input.

bypassed supply is then buffered by op amp IC4a to provide the V_{ref} line.

This means that all op amps will have symmetrical clipping at overload, to maximise the output signal. All op amp outputs, with the exception of IC6b, will sit at +6V (or half the battery voltage).

Muting stages

As noted above, we have incorporated VOX into the circuit to mute the amplifier and cut current consumption when no signal is present. This muting function is provided by dual op amp IC6. Op amp IC6a is a non-inverting stage with a gain of 471 by virtue of the 470k Ω and 1k Ω feedback resistors. The 22pF capacitor rolls the gain off above 15kHz, while the 10 μ F capacitor in series with the 1k Ω resistor rolls off signals below 16Hz.

The amplified signal from IC6a is then fed to a diode pump circuit consisting of diodes D1 & D2 and 1 μ F & 10 μ F capacitors. Hence, the peak level of the signal from IC6a will be stored in the 10 μ F capacitor which is continuously being discharged via the 1M Ω resistor across it.

The 10 μ F capacitor is monitored by IC6b which is connected as a Schmitt trigger. A 10M Ω resistor between pin 5 and pin 7 applies a degree of positive feedback to give hysteresis. This makes the comparator output switch cleanly between high and low, to prevent the possibility of parasitic oscillation at the switching points.

The inverting input of IC6b is set at +3-4V using the 100k Ω and 39k Ω resistors across the 12V supply.

When power is first applied to the circuit, the 10 μ F capacitor between the 12V supply and the inverting input

to IC6b is initially discharged and therefore pulls pin 6 high, causing pin 7 to be low.

Pin 7 of IC6b is connected to the mute (mode) input, pin 4, of the power amplifier, IC9. So at power-up, the amplifier is muted.

Once the audio signal monitored by IC6a is of sufficient level, IC6b's output will go high and the power amplifier will be unmuted.

Muting indication is provided by IC7, a CMOS 7555 timer, which drives LED1, the power/standby indicator. Initially when power is switched on, transistor Q1 is off and so pin 4 of IC7 is pulled high via the 10k Ω resistor connecting to the 12V supply. This allows the 555 timer to run and it flashes LED1 on and off.

The rate of flashing is set by the 10 μ F capacitor connected to pins 2 & 6 and the associated 100k Ω and 10k Ω resistors.

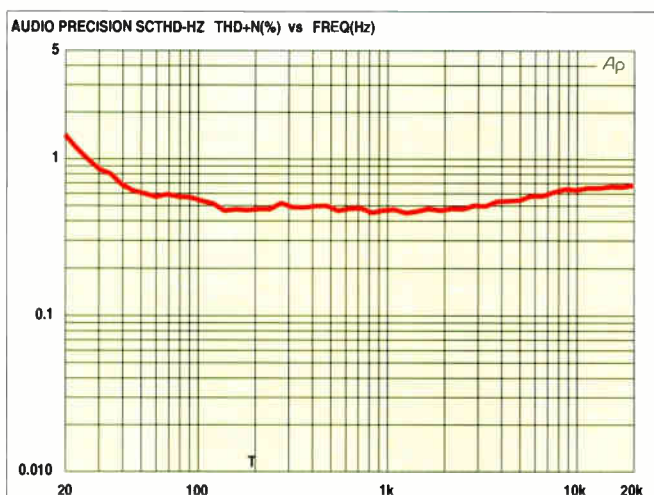


Fig.5: distortion versus frequency at 30W but using the line input.



Fig.6: power versus distortion when driven by the mic input. Maximum power here is 42W at 10% distortion.

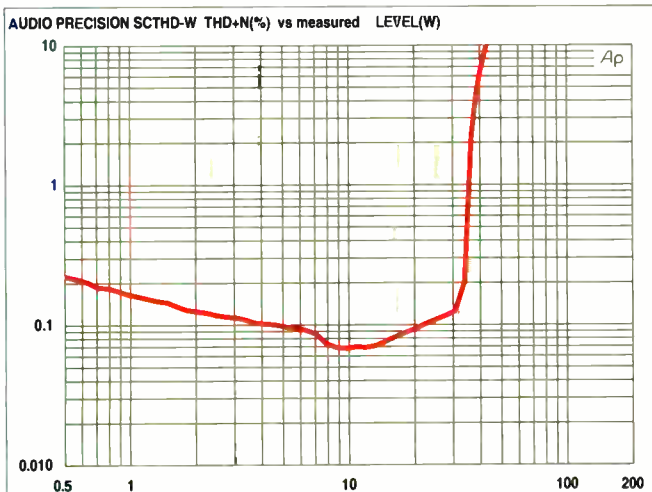


Fig.7: power versus distortion when driven by the line input. The distortion is lower than Fig.6 because of the lower gain from the line input.

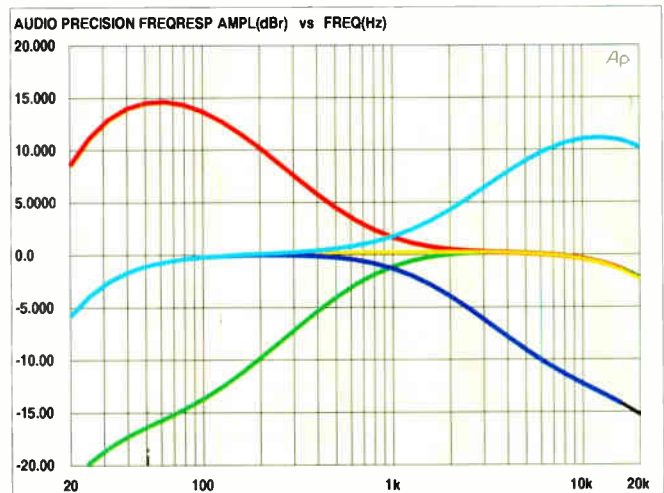


Fig.8: the tone control action in the “flat”, “max boost” and “max cut” settings.

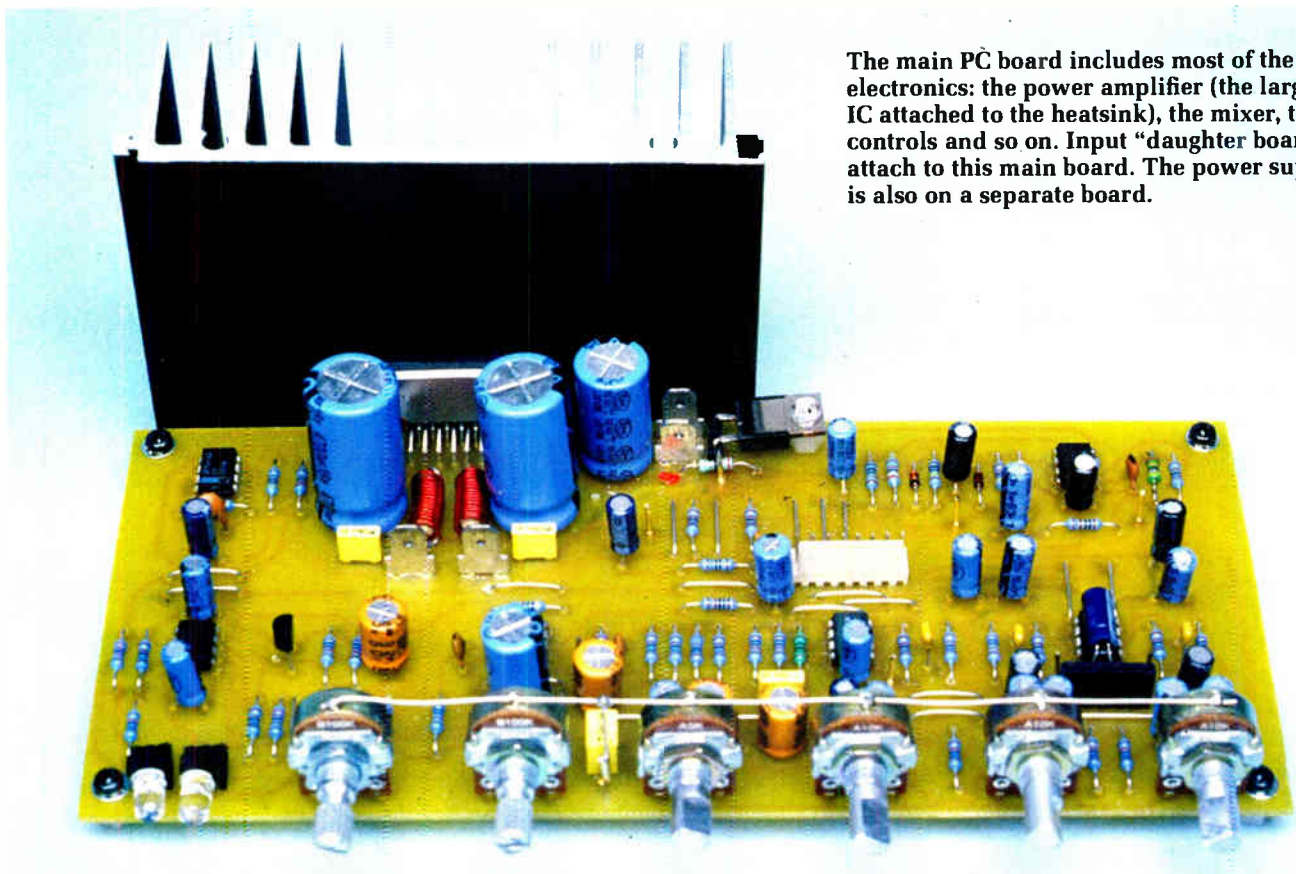
Note that the $10\mu\text{F}$ capacitor is tied to the +12V supply rather than 0V, as in a normal 7555 timer setup. The reason for doing this is so that pin 3 of the 7555 will be low when power is first applied and the LED will light immediately and then flash. If the capacitor was connected to 0V (as in a conventional 7555 circuit), the LED

would be off for almost one second before flashing on.

In effect, the $10\mu\text{F}$ capacitor is charged via the $10\text{k}\Omega$ and pin 7 and then discharged to +12V via the $10\text{k}\Omega$ and $100\text{k}\Omega$ resistors. Since the ratio of the charge/discharge resistances is 1:11, the LED flashes with about the same duty cycle (on for 70ms, off for

770ms) and thereby keeps current drain to a minimum when the amplifier is muted; LED1 draws about $400\mu\text{A}$.

When pin 7 of IC6b's output goes high to unmute the power amplifier, transistor Q1 is switched on and it pulls pin 4 of IC7 low. This forces the pin 3 output low and LED1 is lit continuously.



The main PC board includes most of the electronics: the power amplifier (the large IC attached to the heatsink), the mixer, tone controls and so on. Input “daughter boards” attach to this main board. The power supply is also on a separate board.

Constructional Project

So LED1 is on continuously in normal operation and it flashes when the amplifier is muted.

Power amplifier

IC9 is the TDA1562Q power amplifier which can deliver up to 70W under music power conditions, depending also on the state of battery charge. We are using the mute (pin 4, Mode input) facility, as described above and the diagnostic output at pin 8. This is used to drive LED2. It will show when the amplifier is clipping, if there is a short at the output, if there is an open circuit load and if the amplifier has gone into thermal shutdown.

If you want a full description of the TDA1562Q, you will need to refer to the manufacturer's data sheet. We will briefly describe the circuit operation here.

The TDA1562Q actually contains two power amplifiers which drive the 4 Ω speaker in bridge configuration and its inputs are balanced. So we drive these balanced inputs (pins 1 & 2) with signals that are 180° out of phase.

Hence, pin 1 of IC9 is driven directly from the output of IC5b (albeit via two capacitors) while pin 2 is driven from the output of IC8, a TL071 op amp connected as a unity gain inverter.

The two 4700 μ F capacitors at pins 3 & 5 and pins 13 & 15 of IC9 are "lift supply" reserves for when momentary high power levels are required.

Both amplifier output terminals pass through Zobel networks, each comprising a 2.2 Ω resistor and parallel inductor shunted via a 220nF capacitor. The components are included to guarantee stability (ie, stop any

tendency to supersonic oscillation) when driving reactive loads.

Power for the circuit comes from a 12V 7 amp-hour battery which is fed via switch S1 and a 7.5A fuse. Diode D3 is included should the battery be connected the wrong way around. If that happens, the diode will conduct and blow the fuse.

Next month

In the April issue, we will present the charger circuit for the PortaPAL. This can be built as a general-purpose charger, as well as the power supply for this amplifier.

We will also present the full construction details of the PortaPAL PA amplifier.

EPE

Reproduced by arrangement
with SILICON CHIP
magazine 2006.
www.siliconchip.com.au

ANDRE LAMOTHE'S
XGAMESTATION
LEARN STEP-BY-STEP HOW TO DESIGN
AND BUILD YOUR OWN VIDEO GAME CONSOLE!
Design Inspired by the Atari 800/2600,
Sinclair ZX Spectrum, Apple II & Commodore 64!

Complete Package eBook Integrated IDE

SX52 CPU
80 MIPS!

OPEN SOURCE!

FEATURES:

- Great for Hobbyists AND Students!
- Complete Software Development Kit!
- eBook on Designing the XGS Console!
- Parallax SX-Key Compatible!
- Fully Assembled XGS Micro Edition Unit!
- The Fun Way to Learn Embedded Systems!

PAL & NTSC
COMPATIBLE!

WWW.XGAMESTATION.COM
SUPPORT@NURVE.NET | PH 925.736.2078(USA)

- Innovative iButton and 1-wire products.
- Bespoke Design Consultancy.

Visit our website:
www.fernelectronics.co.uk



FERN Electronics

EPE EVERYDAY PRACTICAL
ELECTRONICS

Back Issues

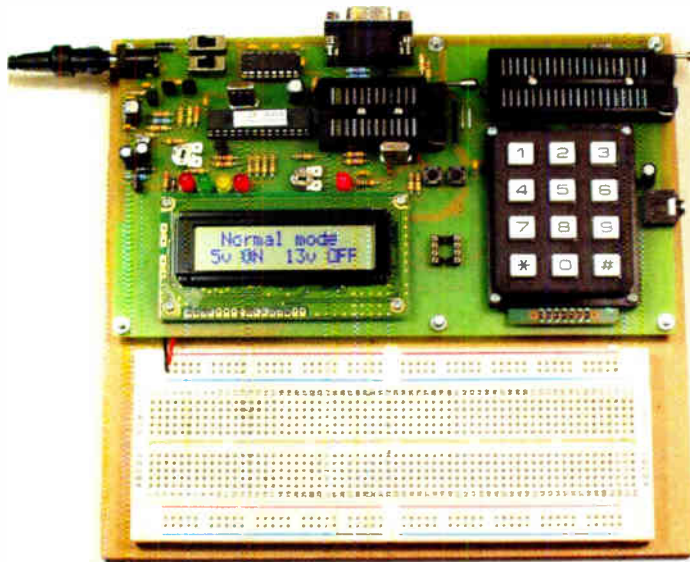
Most copies of EPE from the last few years are still available and issues from Jan 1999 to June 2005 can be purchased on CDROM.

See our websites for availability and to order:

www.epemag.co.uk

(www.epemag.com for US dollar prices)

Learn About Microcontrollers



PIC Training & Development System

The best place to start learning about microcontrollers is the PIC16F84 with its simple easy to understand internal structure. Then continue on using the more sophisticated PIC16F877 family.

At the heart of our system are two real books which lie open on your desk while you use your computer to type in the programme and control the hardware. Start with four simple programmes. Run the simulator to see how they work. Test them with real hardware. Follow on with a little theory.....

Our PIC training course consists of our mid range PIC programmer, a 298 page book teaching the fundamentals of PIC programming in assembly language, a 274 page book introducing the C programming language for PICs, and a suite of programmes to run on a PC. The module is an advanced design using a 28 pin PIC16F870 to handle the timing, programming and voltage switching requirements. Two ZIF sockets and an 8 pin socket allow most mid range 8, 18, 28 and 40 pin PICs to be programmed. The plugboard is wired with a 5 volt supply. The programming is performed at 5 volts. verified with 2 volts or 3 volts applied and verified again with 5.5 volts applied to ensure that the PIC is programmed correctly over its full operating voltage. UK orders include a plugtop power supply.

- Universal mid range PIC programmer module
 - + Book *Experimenting with PIC Microcontrollers*
 - + Book *Experimenting with PIC C*
 - + PIC assembler and C compiler software suite
 - + PIC16F84 and PIC16F870 test PICs. £159.00
- (Postage & insurance UK £10, Europe £15, Rest of world £25)

Which Language to Learn

Everyone should start programming PICs using assembly language. That is the only way to fully understand what happens. Then there are good arguments in some applications to change over to using a high level language, but, BASIC or C? At the beginning BASIC is easy to learn while C can seem very strange, but the weakness of BASIC comes from its ease of use, while the power of C lurks in its strangeness. Once the early stages are past programmes are easier to write in C than in BASIC.

Experimenting with PIC Microcontrollers

This book introduces PIC assembly language programming using the PIC16F84, and is the best way to get started for anyone who is new to PIC programming. We begin with four easy experiments, the first of which is explained over ten and a half pages assuming no starting knowledge of PICs. Then having gained some practical experience we study the basic principles of PIC programming, learn about the 8 bit timer, how to drive the liquid crystal display, create a real time clock, experiment with the watchdog timer, sleep mode, beeps and music, including a rendition of Beethoven's *Fur Elise*. Finally there are two projects to work through, using the PIC16F84 as a sinewave generator and investigating using the PIC16F88 (from the PIC16F877 family) to monitor the power taken by domestic appliances. In the space of 24 experiments, two projects and 56 exercises the book works through from absolute beginner to experienced engineer level.

Web site:- www.brunningssoftware.co.uk

PIC C Language

The second book *Experimenting with PIC C* starts with an easy to understand explanation of how to write simple PIC programmes in C. The first few programmes are written for a PIC16F84 to keep continuity with the first book *Experimenting with PIC Microcontrollers*. Then we see how to use the same C programmes with the PIC16F627 and the PIC16F877 family.

We study how to create programme loops using C, we experiment with the IF statement, use the 8 bit and 16 bit timers, write text, integer and floating point variables to the liquid crystal display, and use the keypad to enter numbers.

Then its time for 25 pages of pure study, which takes us much deeper into C than is directly useful with PICs as we know them - we are studying for the future as well as the present. We are not expected to understand everything that is presented in these 25 pages, the idea is to begin the learning curve for a deep understanding of C.

In chapter 9 we use C to programme the PIC to produce a siren sound and in the following chapter we create the circuit and software for a freezer thaw warning device. Through the last four chapters we experiment with using the PIC to measure temperature, create a torch light with white LEDs, control the speed of one then two motors, study how to use a PIC to switch mains voltages, and finally experiment with serial communication using the PIC's USART.

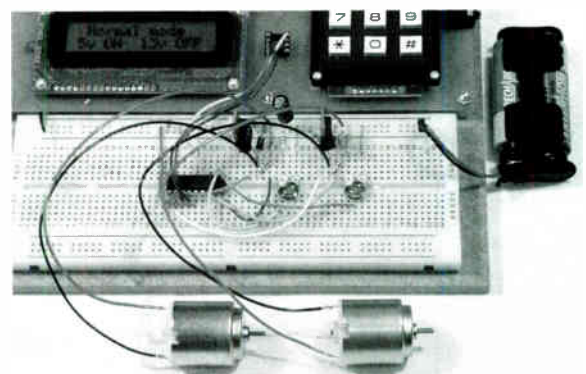
Some of the programmes towards the end of *Experimenting with PIC C* are shown in assembler and C to enable the process to be fully explained, and in the torch light experiments, due to the fast switching speed, the programmes are written only in assembler.

As you work through this book you will be pleasantly surprised how C makes light work of calculations and how easy it is to display the answers.

Ordering Information

The programmer module connects to the serial port of your PC (COM1 or COM2). All our software referred to in this advertisement will operate within Windows 98, XP, NT, 2000 etc.

Telephone with Visa, Mastercard or Switch, or send cheque/PO. All prices include VAT if applicable.



White LED and Motors

Our PIC training system uses a very practical approach. Towards the end of the second book circuits need to be built on the plugboard. The 5 volt supply which is already wired to the plugboard has a current limit setting which ensures that even the most severe wiring errors will not be a fire hazard and are very unlikely to damage PICs or other ICs.

We use a PIC16F627 as a freezer thaw monitor, as a step up switching regulator to drive 3 ultra bright white LEDs, and to control the speed of a DC motor with maximum torque still available. A kit of parts can be purchased (£30) to build the circuits using the white LEDs and the two motors. See our web site for details.

Mail order address:

Brunning Software 138 The Street, Little Clacton, Clacton-on-sea, Essex, CO16 9LS. Tel 01255 862308

BODY CELLS

Fed up with paying an arm and a leg for batteries to go in portable gadgets? Body cells could be the answer, as Mark Nelson explains.

THE smaller the battery, the bigger the price – or so it seems. However handy they are to have, it seems that the Walkmen, BlackBerries, GPS gizmos and other gadgets we rely on seem to be eating us out of house and home in running costs. How much better it would be if we could harness the heat of our own bodies to generate electricity for free!

Unlikely as that may sound, it's already a reality and whilst the price is far from pocket money just now, it's entirely possible that technology transfer and mass production could one day bring the price of body power down to consumer levels.

Electric Personality

One of the reasons why body heat has not been exploited for power to any great degree so far is the limit to the power that can be generated. Even state-of-the-art devices manage only 100 microwatts at 1.5V, even for someone with an utterly electric personality. This means that research effort must be applied to ways of reducing power consumption as well as power generation.

One of the leaders in this field is the Belgian firm IMEC, which focuses its micropower research on medical applications such as monitoring heartbeats, brainwaves and the health of muscles and the nerves that control them. It is already producing third-generation devices for monitoring human health and is also working on even more advanced projects of this kind.

The ultra low-power wireless body area networks (WBANs) that IMEC is developing require patients to wear a combined sensor, microcontroller and radio transmitter (operating on 433MHz or 2.4GHz). About the size of a normal wristwatch, this is worn on the underside of the wrist, directly over an artery.

Because people's temperatures vary over time, the telemetry device cannot rely on a constant power supply and two NiMH cells are used to stabilise the power. Raw power comes from a four-stage thermopile employing several thousand thermocouples, each of which develops approximately 0.2mV per degree centigrade of temperature difference and producing up to 500 microwatts in all. Dependant on converter efficiency, up to 70 per cent of this energy can be used for practical purposes if the thermopile generator is matched with the load.

Mechanical Means

Further improvements to IMEC's thermal generators are expected to investigate thermal modelling of the human body to determine the optimum place and design of the

generator and design of power conditioning circuitry. The company is also working on mechanical micropower generators that convert vibrations from movement into electricity electrostatically. A preliminary generator that produces 10 microwatts per cubic centimetre has been developed and current efforts will further improve this device to tune the resonance frequency, increase power output and build in a fixed voltage bias in the design, making an external voltage source obsolete.

Lab-on-a-Chip

Status monitoring is not the only application of body heat generators, however. Thermoelectric power can also be used to power heart pacemakers and other devices, such as the tiny neuro-transmitters that are implanted in the brains of some people with Parkinson's disease. A company active in this field is Biophan Technologies of New York, which is developing a "biothermal battery" that employs body heat for generating electricity.

Unlike the IMEC design, this one is implanted in the body for better heat conduction, meaning its uses are strictly medical unless the government insists on equipping us with RFID identity tags or someone comes up with a thought-controlled radio receiver for the brain! Biophan's approach is developing power systems for pacemakers and lab-on-a-chip devices that will run entirely on body heat emission, which will lengthen the useful life of the implanted devices.

Michael Weiner, the company's chief executive officer, states: "The objective is to extend the time between surgeries that are often performed to replace a battery that has run down – a period of five to seven years for pacemakers, but shorter for implants such as neuro-stimulators and drug pumps. Ideally, we'd like to give the patient a device that potentially never has to be explanted to replace a power source."

Old Technology Revived

The technology being used, he continues, is the Seebeck effect, using semiconductor devices that are not batteries but arrays of tiny elements that convert heat flow directly into electrical current. This mechanism was discovered as far back as 1821 and produces electricity when you join two different metals (or semiconductors) maintained at different temperatures. This is the basis of the thermocouple that was used to power radio receivers in gas-only homes before the war. Weiner concedes that for Biophan there is a challenge to find materials and novel designs that maximize efficiency of power conversion (the

temperature gradient between the hot and cold side is pretty small inside the body).

The British Heart Foundation sees considerable potential in this the project to relieve the anxiety for people who rely on pacemakers (more than 26,000 people in the UK had one implanted last year). Quoted in *New Scientist* magazine, Dr Tim Bowker, the Foundation's associate medical director, declared: "We would welcome any advance in technology which could prolong the pacemaker's battery life, and which was safe and acceptable to the patient. If the battery could be replaced less frequently, patients would need fewer surgical procedures, which are both stressful and carry a risk of infection."

Central Heating for Free

Whatever you spend on batteries, you can bet that your household heating costs are far greater, especially when you consider that some 20 per cent of the bills go straight up the chimney – or through poorly insulated walls and lofts and through single-glazed windows. Imagine then a house that has no heating bills at all, or rather don't bother because it's not imagination at all.

This house where no heat is wasted is the Wates House in Mid Wales, built 29 years ago and still the best insulated building in Britain.

Although it's a normal family-type home, what sets it apart is triple glazing and 450mm (18 inches for old fogeys like me) of cavity wall insulation. So efficient is this house that even in the depths of winter the heat from electrical appliances, lamp bulbs and human bodies is enough to avoid the need for additional heating.

If you find this unbelievable, you can see the house for yourself any time after this Easter, when it reopens following refurbishing. It's at the Centre for Alternative Technology, a few miles from Machynlleth and a wonderful place to see ecological ways of generating electricity from wind, water and sunlight power. The site attracts 75,000 visitors a year and as a contribution to environmental transport, visitors enter the site by a cliff railway propelled by water.

CAT makes a superb day out and you can see some of the world's most energy-efficient buildings, including its new £600,000 environmental information centre, which produces more energy than it consumes and achieves energy standards 20 times better than official definitions of best practice. Every exhibit is explained clearly and you can obtain information sheets in the bookshop. There's a superb wholefood restaurant there too!

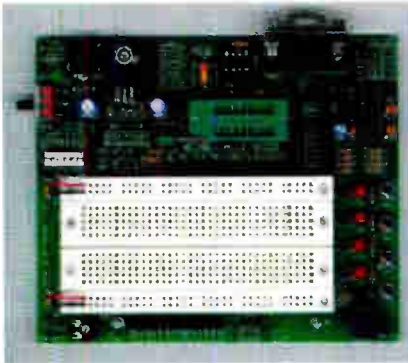
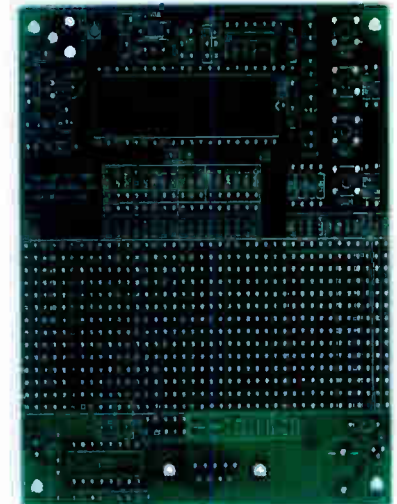
The contact details are: Centre for Alternative Technology, Machynlleth, Powys, SY20 9AZ, Wales. (01654) 705991. www.cat.org.uk.

New PIC Products from Forest Electronics Low Cost Development Boards, New Programmer, Lite version of our C Compiler



A range of New PIC development boards priced from just £4.00 !

We have a range of 5 new PIC project boards - all available as bare PCB's or as pre-built boards with components. They all have space for the PIC microcontroller, (from 8 to 40 pins). Support circuitry includes the 5V power regulator, decoupling components, reset circuitry and a crystal oscillator. Included are basic I/O components including, LEDs, push-buttons, and a piezo buzzer plus RS232 drivers and DB9F serial connectors. All boards have a large circuit prototyping areas for your designs. The boards all feature a compatible 6 pin in circuit programming connector.



The most comprehensive board (lower left) offers a ZIF socket and breadboard area, plus LCD connection which is ideal for experimental and educational users.

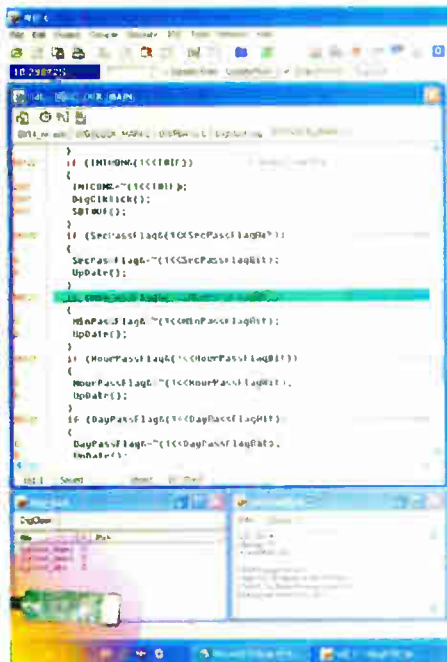
Ideal for use with WIZ-C Lite (below).

See www.fored.co.uk for further details



Serial+ Programmer (Right). New programmer handles 12C, 12F, 16C, 16F, 18F devices from 8 to 40 pins includes In Circuit Serial Programming connector and In Circuit Debugger function. Fully built and tested at just £35.00

WIZ-C Lite – complete ANSI C Compiler for the PIC together with RAD front end Lighting fast C development at an affordable price



- WIZ-C is more than a C Compiler for the PIC – it is a complete development environment with rapid access to library components with point and click set up.
- Ideal for beginners, includes full tutorial manuals and an introductory manual to the C language.
- Syntax highlighting editor.
- Full ANSI C Compiler
- Large libraries included for displays, ports, data transfer, keypads, graphics, bootloader and C standard functions.
- Extensive simulation capabilities, very rapid program execution, includes simulation of LCD, LED' switches, I2C, RS232 terminals etc. Inspect C variables in C format
- Logic analyser can display waveforms of PIC pins and internal registers simplifying debugging.
- Includes assembler to allow you to develop assembler projects in their own right, or as part of C projects
- LITE version supports the most popular PIC devices – academic users may choose these types.
- UK written and supported.
- **LITE Version available for only £35.00**

We accept major credit cards and Switch.

Order securely from our site www.fored.co.uk or contact us by phone or fax on 01590-681511. email info@fored.co.uk
Forest Electronic Developments, 12 Buldowne Walk, Sway, Lymington Hampshire. SO41 6DU

www.fored.co.uk

info@fored.co.uk

- * GPS to Meade Interface
- * PIC based, PC compatible



Telescope Interface

Automate the manual setting of the time, date and global coordinates for your Meade telescope.

By JOHN BECKER

SOME months ago *EPE* reader Jason Kotecki of Grand Rapids, Michigan, USA emailed the author asking:

"How easy would it be to have your *GPS To PIC and PC Interface* of Jan '04 send out GPS serial data to a Meade telescope LX200 I have, to set the latitude, longitude and time values that it needs? At present these have to be set manually each time the telescope is switched on."

Although Meade have their own separate GPS interface available for this electronically controlled telescope, Jason's requirements were for his existing GPS handset to be used with his telescope. The GPS would be interfaced to a PIC, which would extract from the GPS signal the following data, local to where the telescope was positioned:

- Current time in UTC (Universal Time Coordinate), effectively the same as GMT (Greenwich Meridian Time)

- Calendar data
- Latitude and Longitude

The PIC would then convert the GPS data to Meade protocol codes and output them to the telescope.

Chatting with Editor Mike, we agreed that this would be a project suitable to *EPE*. So the author entered into detailed discussions with Jason by email, and in due course sent him a p.c.b. so that two units were under development and test across "the pond".

Heavenly Viewing

For the uninitiated reader who is reading this only for interest, it is worth pointing out that an astronomer's view of the heavens depends on where the telescope is positioned on the earth's surface and the angle at which it is pointing, vertically and horizontally. As the earth rotates, the telescope's angular view also changes,

and the telescope must be told where to point in order to view a particular stellar region.

In order to do this, the telescope's controls must know the latitude and longitude of its position, and the local time of day there in relation to the international standard time at the Greenwich meridian, London, UK.

Once the telescope knows its position and local time factors, it can be told to automatically point to any required stellar zone with considerable accuracy. Normally the Meade LX200 has to be manually set with its location and current time on each occasion that it is switched on.

A suitably interfaced GPS (Global Positioning Satellite) navigation receiver can provide most of the positioning and time data needed to replace the manual setting. The remaining data is set into the PIC either manually or by a PC. It remains there indefinitely, even after the PIC is switched off, and is available to be output automatically to the telescope when required.

Interface Line-Up

The unit described here allows the telescope's manual setting to be automated

and can be assembled and used in three versions:

Basic Unit: Interfaces between GPS and telescope (does not need PC)

GPS-less Unit: The PIC has a real time clock chip (RTC) connected. The latter is kept powered by a longlife (10 years) battery and keeps time updated even when the main power is switched off. The pair have initial data loaded into them by a PC. The unit then becomes standalone, outputting data to the telescope when required.

Full Unit: Comprises both the above versions.

GPS to Meade Conversion

As explained in the GPS article of Jan '04, GPS handsets typically output several sentences of positional and related data in several sentences, each prefixed by an ID code. The one appropriate to the Meade has a prefix ID of \$GPRMC and is structured according to the NMEA 0183 standard (NMEA stands for National Marine Electronics Association). An example is shown in Table 1.

The fields which the telescope needs to know are 1, 3, 4, 5, 6 and 9, but they first need to be converted to the Meade protocol.

Field 1, time, needs to be converted from UTC to local time, but only the hours and minutes are used. Local time in respect of UTC depends on two factors:

- The number of hours difference between the Greenwich meridian and the time zone in which the telescope is positioned. This is known as the UTC Offset. The value is positive for locations east of Greenwich, and negative for locations west of Greenwich.

- Whether or not Daylight Saving Time applies (DST) – as for example whether the UK is currently in BST (British Summer Time) or GMT (Greenwich Meridian Time)

UTC Offset and DST values are not supplied by the GPS, but are entered by the user.

In the case of the example sentence, the UTC offset is zero as the local time zone is in the UK, and the DST Value is 1 (BST applies). DST would be 0 if GMT applied. Local time is therefore:

Table 1: Example coding for an NMEA 0183 \$GPRMC sentence

\$GPRMC,102618,A,5048.349,N,00154.706,W,000.0,315.2,062905,003.8,W*7A											
0	1	2 3	4 5	6 7	8	9	10	11	12		
Field	Data	Description	Meaning								
0	\$GPRMC	sentence identifier	Information type								
1	102618	time of fix	10:26:18 UTC								
2	A	validity	OK (A = OK, V = invalid)								
3	5048.349	current latitude	50°48.349								
4	N	North/South	North								
5	00154.706	current longitude	001°54.706								
6	W	West/East	West								
7	000.0	speed in knots	0.0 knots								
8	315.2	true course	315.2°								
9	062905	date stamp	29 June 2005								
10	003.8	magnetic variation	3.8°								
11	W	West/East	West								
12	*7A	checksum	7A (in hex)								

The location which this represents is *EPE HQ*.

10:26:18 UTC + 0 (Offset) + 1 (DST) = 11:26:18

If the UTC had been in relation to Jason's locality, Grand Canyon, the UTC Offset would be -5 hours and his equivalent local time would be 06:26.11 (DST applying).

Only the local hours and minutes are sent to the telescope, with seconds ignored.

Fields 3 and 4, latitude. Only the degrees and whole minutes of the latitude are used, in this case 50°48', but they need to be related to the hemisphere in Field 4 (N/S). Northern latitude is considered positive, and southern is negative.

Fields 5 and 6, longitude. Again only the degrees and whole minutes of the longitude are used, in this case 01°54', and now related to the W/E position given in Field 6 and in respect of 360°. Westerly values remain unchanged, but easterly values are deducted from 360°. Thus, if the longitude were to be

01°54 east, the angular position would be expressed as 358°06'.

Field 9, date. Normally all three date values apply as received, but a complication arises if the difference in UTC and local time results in a date change, as in the case of 01:00:00 UTC on 28 June 05. In this case Jason's local time and date would be 21:00:00 on the 27 June 05.

The conversion from one date to another also requires that both the month and year may need to be changed in the case of UTC and local time being in different date zones. In this case the number of days in a given month must be taken into account, and also a leap year in relation to February. It is not particularly complicated, but it does require a fair amount of PIC code.

Having extracted and converted the field data, it is then formatted to the Meade's own code. The equivalent for the example GPS sentence is given in Table 2.

Table 2: Example Meade code format

Subject	GPS	Meade Format	Meade Code
Local Time	10:26:18	HH:MM:SS	:SL 10:26:18#
Local Date	06:29:05	MM:DD:YY	:SC 06:29:05#
Latitude	50°48.349'N	sDD:MM	:St +50:48#
Longitude	001°54.706'W	DDD:MM	:Sg 001:54#
UTC Offset - (DST applies)		sHH	:SG +01#

Circuit Diagram

The complete circuit diagram for the Telescope Interface is shown in Fig.1. In this application, the PIC16F876 is used as the microcontroller, IC2. It is run at 3.2768MHz, as set by crystal X1. Via Port B, it controls the 2-line 16-characters per line alphanumeric l.c.d. module, X2, which is operated in standard 4-bit mode. It is connected via the terminal pins notated as TB1. Preset VR1 adjusts the l.c.d.'s screen contrast. An l.c.d. with l.e.d. backlighting can be used if preferred – see below.

PIC interfacing to the PC is via an RS232 serial converter IC3 and socket SK1. Data to the telescope is sent via socket SK3 (select the type suitable to the cable used – Meade's own cable details are shown in Fig.3). Communication with the PC is bidirectional, whereas data is only output to the telescope, not received from it.

Data routing from the GPS handset or PC is selected by switch S2a. The GPS handset data is inverted by Schmitt inverter IC5a prior to being fed to IC2. PIC pins RC6 and RC7 are those dedicated by the PIC for serial communication according to RS232 protocol.

Real Time

The real time clock chip (RTC) is IC4. Once it has been programmed with date and calendar data originating from the PC, it keeps it updated for as long its 3V Lithium backup battery B2 remains charged – about 10 years in normal service. Crystal X3 controls the RTC's clock at 32.768kHz. The best accuracy is provided by a clock crystal specified as a 72pF device.

The RTC's current time and date information can be read whenever needed. It is accessed by PIC lines RC3 and RC4, which are allocated for I²C protocol communications such as this. Resistors R2 and R3 bias these lines normally high.

Pushswitches S3 and S4 have several functions which will be described later. Switch S2b informs the PIC which mode has been selected by S2a. All three switches are biased normally high, S2b and S3 by the PIC's Port B internal pull-ups, and S4 by resistor R4.

LCD Backlight

Provision has been made for an l.c.d. with a backlight to be controlled by the

PIC via pin RA2. It is suggested that an l.c.d. with red l.e.d. back-lighting is chosen, so assisting night-time vision when using the telescope.

The backlight is automatically controlled. When the unit is first switched on, the backlight is turned on for 20 seconds, and then goes off. If either switch S3 or S4 is pressed the backlight again comes on, stays on while the switch is pressed, and then goes off 10 seconds after it is released. It also comes on if the GPS signal is not received, going off again when the signal has been regained.

When the PIC takes pin RA2 high, it turns on transistor TR1 via buffer resistor R6. This connects the backlight l.e.d. cathode (k) to the 0V line, allowing current to flow through ballast resistor R6, TR1, and the l.e.d. anodes (a), turning them on. The intensity of the backlighting can be lowered by reducing the value of resistor R5.

An *npn* transistor other than the BC549 shown may be used, providing it can switch at least 100mA of current.

Note that the backlight turn-off timing is linked to the RTC and will not time-out if the RTC has not been initialised.

Power Switch

Power to the full unit is provided by a 9V battery, B1 (e.g. a PP3 type), with S1 as the On/Off switch. The voltage is regulated down to 5V by voltage regulator IC1 to suit the rest of the circuit. When power is on, the RTC (IC4) uses the 5V line rather than its 3V backup battery B2.

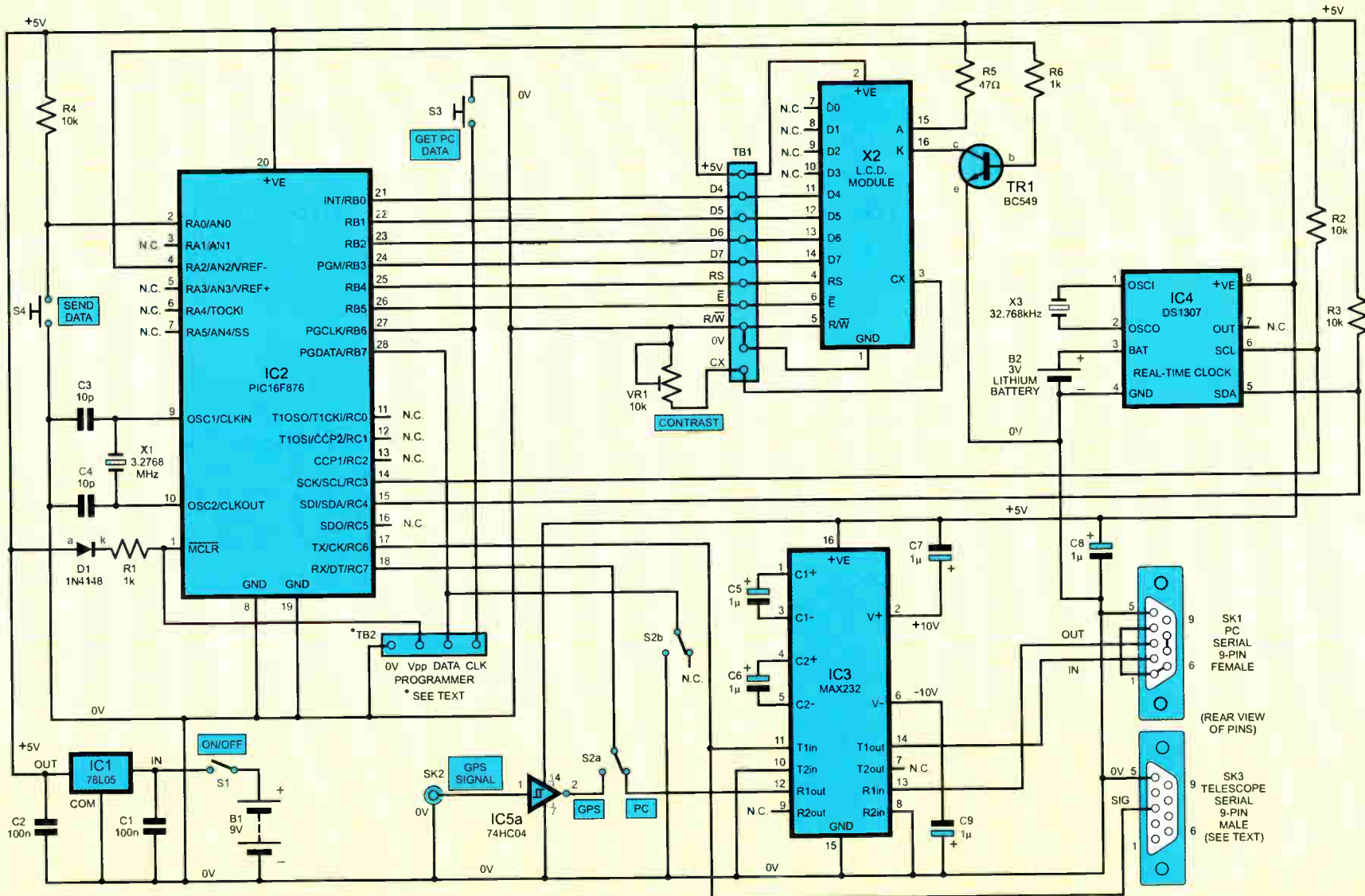
The four terminal pins notated as TB2 allowed the PIC to be programmed in situ by the author during development. Diode D1 and resistor R1 prevent the 5V supply line from being adversely affected by PIC programming voltages.

Construction

The printed circuit board component layout and tracking details for the Telescope Interface are shown in Fig.2. This board is available from the *EPE PCB Service*, code 559.

Parts List – Telescope Interface

- | | |
|---|--|
| 1 PC board, code 559, 98 x 58mm available from the <i>EPE PCB Service</i> | – preprogrammed PICs are obtainable from Magenta Electronics |
| 1 plastic case, 150 x 80 x 50mm approx. | 1 MAX232 RS232 serial interface (see text) |
| 1 s.p.s.t. min. toggle switch | 1 DS1307 real time clock (see text) |
| 1 d.p.d.t. toggle switch (S2 – see text) | 1 74HC04 hex Schmitt inverter (see text) |
| 2 min. pushswitches push-to-make | 1 78L05 +5V 100mA voltage regulator |
| 1 9-pin serial connector, female (see text) | 1 BC549 <i>npn</i> transistor, or similar (minimum 100mA) |
| 1 9-pin serial connector, male (see text) | 1 1N4148 signal diode |
| 1 socket to suit GPS handset cable connector | 1 2-line 16-character (per line) alphanumeric l.c.d., with red l.e.d. back-lighting (see text) |
| 1 8-pin d.i.l. socket | 1 3.2768MHz crystal |
| 1 14-pin d.i.l. socket | 1 32.768kHz clock crystal, 72pF |
| 1 16-pin d.i.l. socket | |
| 1 28-pin d.i.l. socket | |
| 1 9V PP3-type battery, with clips | Capacitors |
| 1 3V Lithium battery (see text) | 5 1 μ radial elect. 10V (see text) |
| connecting wire, link wire; 4 self-adhesive pcb stand-offs; solder etc. | 2 100n ceramic disc, 0.5mm pitch |
| | 2 10p ceramic disc, 0.5mm pitch |
| Semiconductors | Resistors (0.25W 5% except where indicated) |
| 1 PIC16F876 microcontroller, preprogrammed (software, including source code, is available from the downloads section of our website at www.epemag.co.uk) | 3 10k (see text) |
| | 2 1k |
| | 1 47 Ω 0.5W |
| | Potentiometers |
| | 1 min. round carbon preset |



NOTE: UNUSED INPUT PINS OF ICs ARE TIED TO 0V LINE

Fig.1. Complete circuit diagram for the Telescope Interface. Note: The unused input pins of ICs are taken to the 0V line

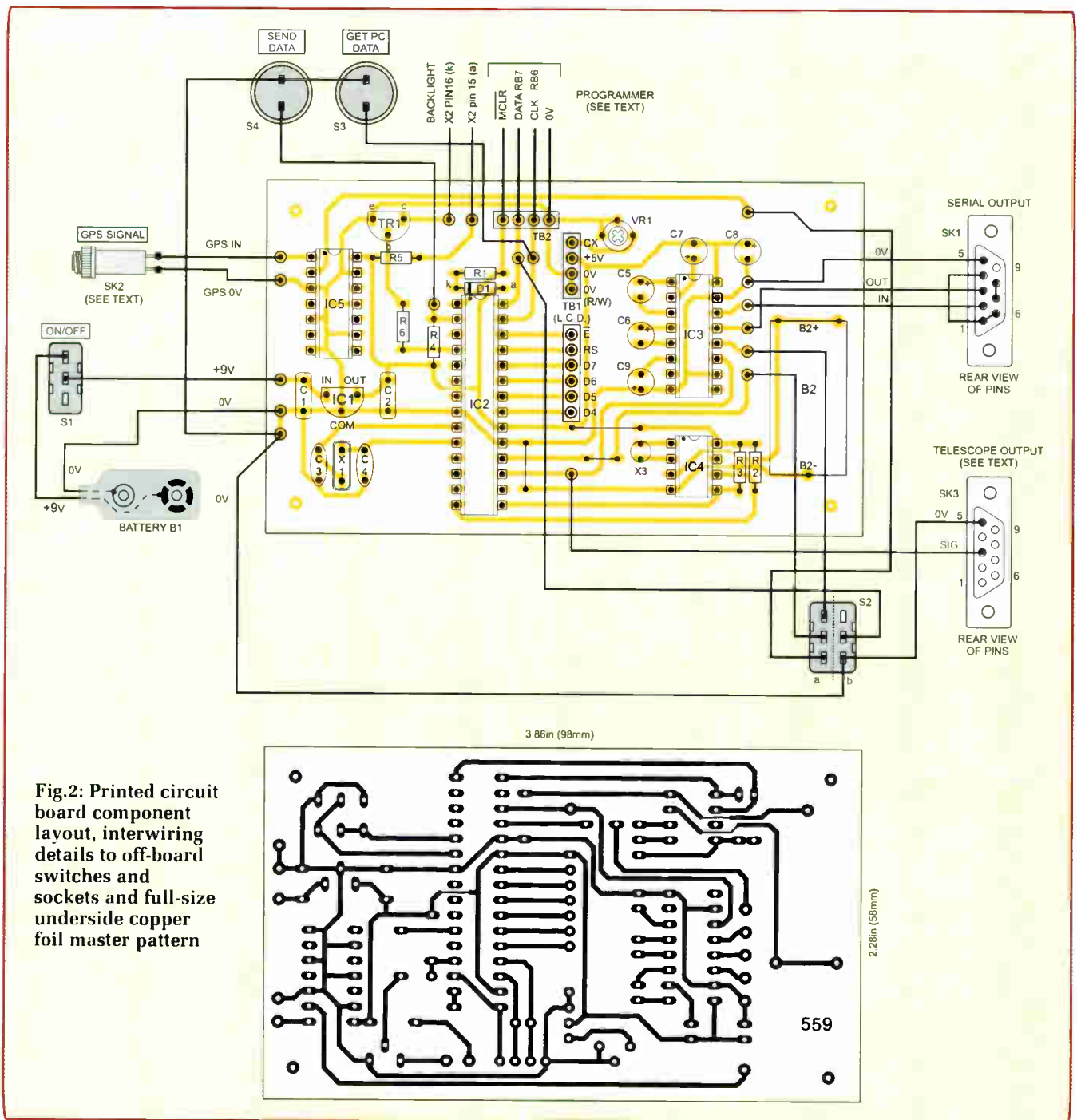


Fig.2: Printed circuit board component layout, interwiring details to off-board switches and sockets and full-size underside copper foil master pattern

If you wish to use the Basic unit only (with GPS, but without PC), omit RTC IC4, resistors R2 and R3. Lithium battery B2, crystal X3, socket SK1, RS232 chip IC3, capacitors C5 to C9 and switch S2. Link IC2 pin 28 (RC7) to IC5 pin 2. Leave RB7 unconnected (it is biased high internally).

For use without a GPS unit, but with a PC, omit IC5, omit switch S2a but retain switch S2b (use an s.p.s.t. switch). Link IC2 pin 18 (RC7) to IC3 pin 12.

Assemble the circuit board in the usual order of ascending component size, on-board link wires first. Use

sockets for the d.i.l. (dual-in-line) i.c.s but do not insert these i.c.s or connect the l.c.d. until the board has been fully checked and the output voltage from regulator IC1 proved to be at +5V, within a few millivolts.

When soldering the Lithium 3V battery (B2) to the p.c.b., take special care not to short its terminals.

Boxing-Up

The prototype was housed in a plastic case measuring 150mm x 80mm x 50mm. A slot for the l.c.d. screen needs to be cut in the case's lid, using

the traditional technique of drilling a perimeter of holes, and then cutting between them and filing smooth the rough edges. The author used double-sided adhesive foam strip (Fixer Strip) to secure the l.c.d. behind the panel.

Drill switch and socket holes in the case to suit your preference.

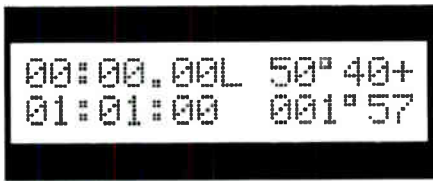
Details of obtaining the PIC and PC software, and pre-programmed PICs, are given later. The PIC program (ASM) was written using *Toolkit TK3* and a variant of the TASM dialect.

The hex code is MPASM-compatible and can be programmed into the PIC

using any standard PIC programmer. Configuration values are embedded in the hex code. You do not need to use the ASM code unless you wish to modify it.

Testing

Having proved the accuracy of the power lines, connect the l.c.d. and insert the d.i.l. i.c.s, including the pre-programmed PIC, correctly observing their orientation.



Typical LCD screen at very first switch on

With switch S2 set to PC mode, check that when power is switched on the l.c.d. displays data similar to:

It will be necessary to adjust preset VR1 for a reasonable display contrast. At this time the latitude and longitude details will be those last used by the author. The clock and calendar data will be as above, with the RTC inactive until programmed for the first time by the PC.

The complete checking and use of the system follows in itemised sections. The earlier part assumes that the complete unit has been built.

PC Software

The PC software for the Telescope Interface should be copied onto the C:\ drive of your PC. Do not attempt to "install" it using Internet Explorer or similar – just copy it using Windows own Copy facility.

Within the folder are the PC software source code, written in Visual Basic 6 (VB6), and a standalone file Telescope Interface.EXE. Note that in order to examine the source code, you need not only VB6 installed, but also Joe Farr's excellent Serial OCX interface, discussed in *EPE* October '03. The source code will crash if Joe's software is not installed. It is available via the *EPE* Downloads site.

To run the standalone .EXE file, double-click on its icon, a moon symbol. The PC will show a screen similar to that in the screen dump, although the numerical values may be different.

When first run, this program's screen

will show the settings last used by the author. After they have been changed as described below, the new settings will be loaded each time the program is then loaded and run.

Note that most options on the PC screen are only available when the PIC unit is connected to the PC.

Each screen button option will be discussed below, but first the Baud rate needs to be set identically for the PC, the PIC, the GPS and the telescope.

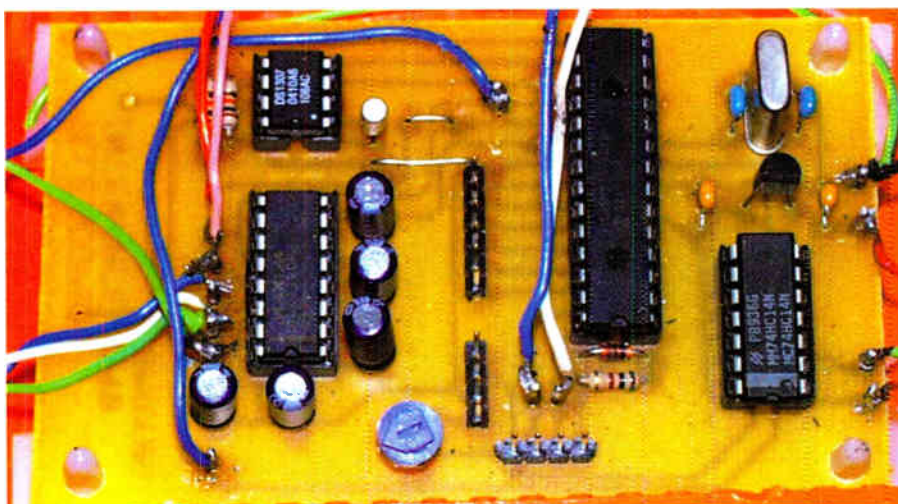
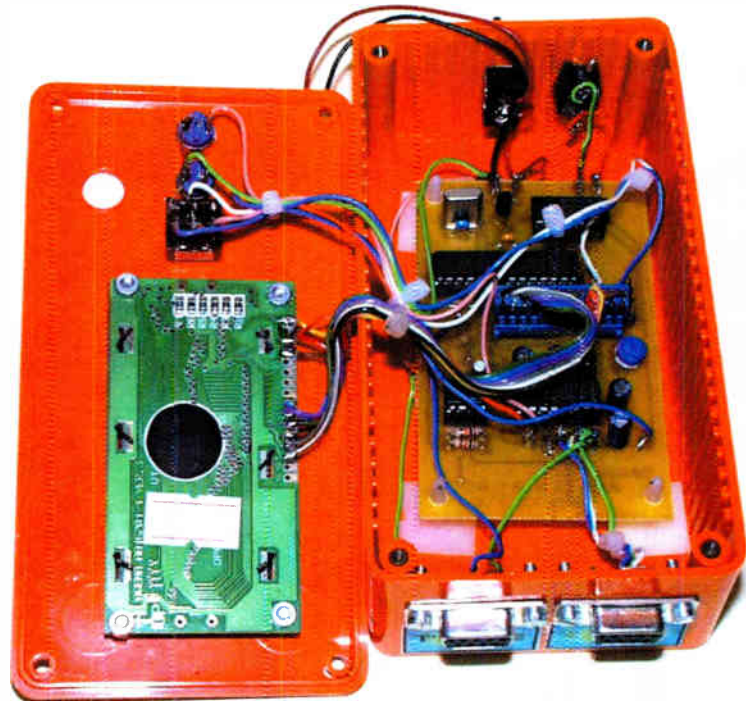
Set Baud Rate

Any one of four Baud rates may be used with this system (provided the GPS and telescope can also handle the selected rate):

- 2400 Baud
- 4800 Baud
- 9600 Baud
- 19200 Baud

The default when the PC program is run for the first time is 9600. To select the PC's Baud rate desired, click on the Baud Rate combo box on the screen and click on the required rate. Then click the Save Settings button in order to store it to disk for future use.

To select the PIC's Baud rate, first switch off the PIC. Then press switch S4 and hold it pressed. Switch on the power to PIC. The screen will show the message Set Baud and the current Baud rate. The latter changes its value approximately once a second.



Prototype circuit board, before the l.c.d. backlight components were added. The lithium backup battery is also omitted

Constructional Project



It continues to cycle through the four possible rates until S4 is released. When the Baud rate you want is seen, release S4. The Baud rate is then stored for future recall.

To select the Baud rate for the GPS and the telescope, consult their manuals.

The Baud rates may be changed by the same methods whenever desired.

Note that all four units must be set for the same Baud rate. A failure of communications will occur if they are not.

COM1 and COM2 Buttons

Next select the PC COM port you wish to use to communicate with the PIC, by clicking either the COM1 or COM2 button. The PIC unit cannot be used with a USB port. The selected setting is saved to PC disk when the Save Settings or Send To PIC buttons are pressed (see later).

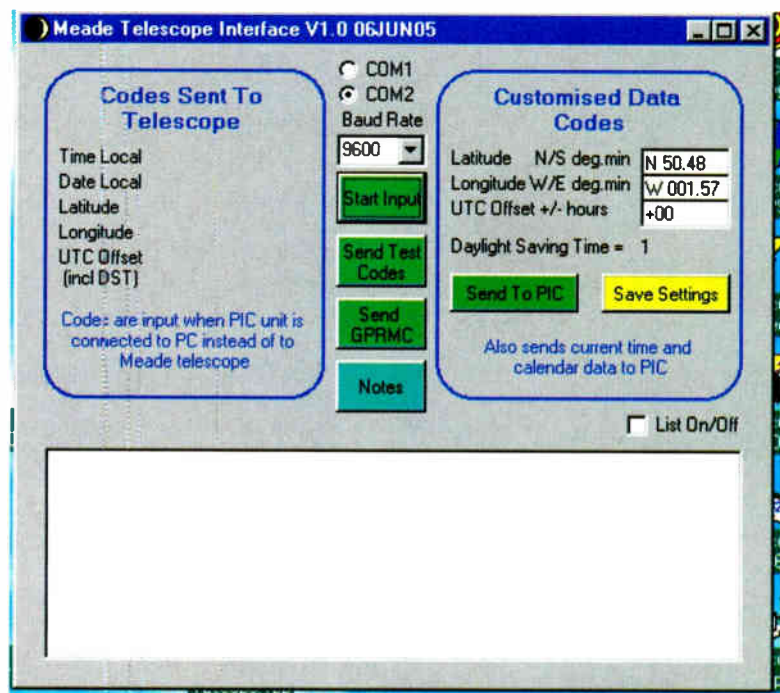
Connect the PC to the PIC unit via a suitable standard "straight through" cable, such as is normally used with a typical modem.

Customised Codes Panel

It is into the Customised Codes panel that you enter the latitude, longitude and UTC offset values for your locality. They are used when the PIC unit is in RTC control mode (GPS not used). Latitude and longitude can be derived from a map of your area, or a GPS handset screen.

Latitude is prefixed by N or S, depending on whether you are in the northern or southern hemisphere. It is followed by a space, then the degrees as two digits (prefixed by 0 if less than

ten), then a decimal point, followed by the minutes (segments of a degree), also as two digits.



PC screen shot showing the main setting-up buttons and the Code and Custom panels

Longitude is prefixed by W or E, depending on whether you are west or east of the Greenwich meridian). It is followed by a space, then the degrees as three digits (prefixed by 00 if less than ten, or 0 if otherwise less than 100), then a decimal point, followed by the minutes (segments of a degree), also as two digits.

The UTC Offset gives the basic number of hours difference between your time zone and the Greenwich

meridian. It does not include any correction for Daylight Saving Time (DST). The value is preceded by plus or minus symbols depending whether you are west (-) or east (+) of Greenwich, thus the USA requires a minus (-) sign, and Australia needs a plus (+) sign.

Time zone differences are to be found via various sites on the web. Some geographical maps will give the information. A local bank should also be able to tell you.

Daylight Saving Time

Information for Daylight Saving Time is normally taken direct from the PC, which automatically updates its settings twice a year when DST is started or ended. When DST is on (1) one hour is added to the basic local time. When DST is off (0), standard time applies.

You do not need to take any action in respect of DST, the PC program itself

obtains the information from the PC system. (Thanks to Joe Farr for providing the author with the VB6 code for doing this.)

Send to PIC Button

The data in the Custom panel is sent to the PIC by clicking the Send to PIC button. This action also sends the current time and date as known to the PC. It is important that the PC's clock is correct before the data

is sent. The basic data is stored to the PIC's non-volatile memory, with the time and date data being set into the unit's RTC chip. The PIC retains the data indefinitely until changed, even after main power switch-off. The RTC also retains its data after switch-off, providing the 3V Lithium battery (B2) has been installed.

The action also stores the Latitude, Longitude, Offset, Baud and COM port data to the PC's disk as file **Telescope-Settings.txt**, held within the same folder as the main code.

To send the data to the PIC, switch off its power, then switch S2 (GPS/PC) to PC, and switch on again. In this mode, the PIC's l.c.d. screen shows data held within the PIC's non-volatile memory, with the clock being updated from the RTC.

When this data is seen, press switch S3 (Get PC Data) to display the message Waiting PC Data, plus the currently selected Baud rate. Now click the Send to PIC button. The PIC handshakes with the PC in response to receiving this data, and the PC confirms it in its List panel.

The PIC confirms data receipt with the message Data Recd OK, plus the Baud rate. Release S3 when this message appears. The clock will then be seen to be updating with the current local time, and the date display will show the current calendar data. The latitude and longitude values will be those you have selected via the PC screen.

It should be noted that the first time the PIC unit is ever switched on, or if the 3V backup battery (B2) is not installed, or is flat, the RTC will at first be inactive, and the time will appear unchanging as 00:00.00L (L stands for

Local), with the date as 01:01:00. The Send To PIC option must be used to start the RTC running.

Save Settings Button

Clicking the Save Settings button stores the latitude, longitude, UTC offset, Baud rate and COM port data to the PC's disk as file **TelescopeSettings.txt**, as with the Send To PIC button, but without sending it to the PIC. It is recalled next time the program is run.

Start Input Button

The Start Input button allows data processed by the PIC, for normally sending to the telescope, to be input to the PC for display in the left-hand panel.

To set the PIC unit for outputting data to its RS232 connector (SK1), first switch off the unit, switch S2 (GPS/PC) to the PC setting and then switch on the unit again. Plug the selected PC COM port (see above) into socket SK1. Now click the Start Input button. The button then disappears and is replaced by a Stop button.

When switch S4 (Data Output) is pressed, data is now sent from the PIC to the PC in the code format required by the telescope. It is received by the PC as a non-synchronous stream of data. After each block of 64 bytes is received, the sentence is split into its various sub-sections. Using the prefix codes of these sections, they are allocated to the respective display lines in the left-hand panel.

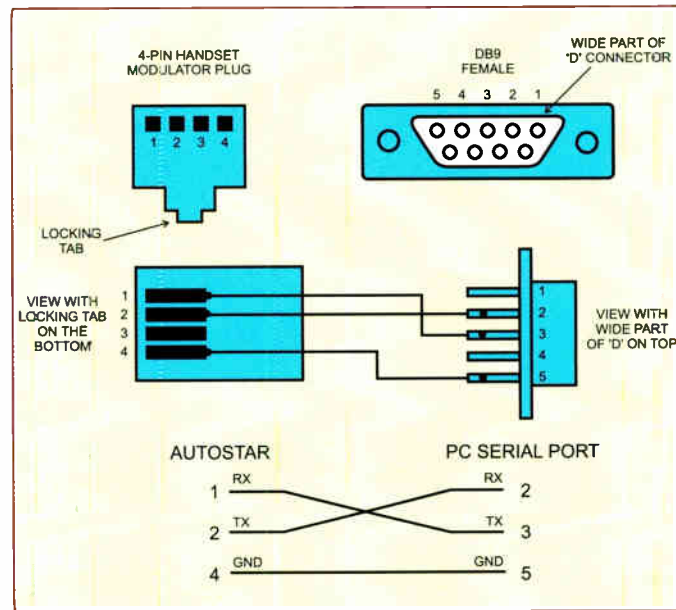


Fig.3: Meade's own cable wiring details



The two ends of the case showing the GPS input socket and the Telescope and PC serial connectors

You may also examine each data block and its sub-sections by clicking the List On/Off box so that a tick appears. Data is then also output to the List area as text. Clicking the List On/Off box again turns the listing facility off. It is an alternating cycle.

To stop data input, click the Stop button.

When the PIC is in this mode, the data may also be input by the PC through its Hyperterminal function (Baud rate as selected, 8 data bits, 1 stop bit, no parity).

Telescope Codes Panel

The Time, Date and UTC Offset data output from the PIC to the Telescope Codes panel (as well as to the telescope) is corrected to Local Time, as discussed earlier.

Time is shown in order of hours (24-hour clock), minutes, seconds. Date is shown in order of month, day of month, year.

Latitude is shown prefixed by plus or minus symbols. A plus symbol indicates that the latitude is in the northern hemisphere, with minus for the southern. Longitude is expressed relative to 360 degrees.

The UTC Offset received from the PIC includes the DST value. If DST is active (1), the offset value will be one greater than the offset value set into the Custom Codes panel.

Send Test Button

Clicking the Send Test button loads a pre-recorded data file to the program, which then outputs various GPS sentence codes to the PIC for processing as though they were real GPS data coming in from a handset. This allows the unit to be tested without a GPS handset connected.

The file was recorded in June 2003 and shows data applying at that time. It includes all the possible GPS code sentences which are likely to be received by GPS receivers. It was recorded via a Garmin GPS12 handset. The \$GPRMC sentence is the one which includes the data used by this Telescope Interface.

To use this option, first switch off the PIC unit, then switch S2 (GPS/PC) to the GPS setting, after which switch on the unit. When the l.c.d. screen shows the Waiting For Signal message, switch S2 back to the PC setting. Now click the Send Test button. The unit will receive the data from the PC, but process it as

Mode Summary	
SET PIC BAUD RATE Switch off PIC Press S4 and hold it pressed Switch on power to PIC Release S4 when required Baud shown	Switch S2 (GPS/PC) to GPS Switch on power to PIC Switch S2 (GPS/PC) to PC Click PC's Send Test button
SET RTC DATA Switch off PIC Switch S2 (GPS/PC) to PC Switch on power to PIC Press S3 (Get PC Data) and release Click PC's Send to PIC button	SEND GPRMC DATA TO PIC Switch off PIC Switch S2 (GPS/PC) to GPS Switch on power to PIC Switch S2 (GPS/PC) to PC Click PC's Send GPRMC button
SET DST MANUALLY Switch off PIC Press S3 and hold it pressed Switch on power to PIC Release S3 when required DST shown	OUTPUT TO TELESCOPE OR PC (GPS use) Switch off PIC Switch S2 (GPS/PC) to GPS Switch on power to PIC Press S4 (Data output) to output data Release S4 to stop output
SET UTC OFFSET MANUALLY Switch off PIC Press S3 and S4 together and hold them pressed Switch on power to PIC Release S4 when required Offset shown Release S3	OUTPUT TO TELESCOPE OR PC (no GPS) (RTC must be installed for this mode) Switch off PIC Switch S2 (GPS/PC) to PC Switch on power to PIC Press S4 (Data output) to output data Release S4 to stop output
SEND TEST DATA TO PIC Switch off PIC	

if it were from a GPS unit, displaying the information on the l.c.d.

Having output the data block to the PIC, it starts from the beginning again, so only two different times are ever shown. Click the Stop button to end the output.

The purpose of this option is to test the PIC, not for sending code to the telescope.

Send GPRMC Button

The function of the Send GPRMC Button is similar to the Send Test Button, but the GPS sentence sent is just SGPRMC data with your current local time converted to UTC. Because the data sending is not fully synchronised, a Checksum error may occasionally be reported by the l.c.d. Correct receipt should resume automatically.

During this mode, the list box is hidden and instead the GPS sentence details plus UTC and PC time are displayed.

The purpose of this option is to test the PIC, not for sending code to the telescope.

Be aware that as data transfer is asynchronous, the clock's seconds value may sometimes miss a second, jumping, say, from 1 to 3.

Just for interest and not for use by the telescope, in this mode the Sidereal Time is also displayed. On one line is shown the current time in relation to the Greenwich meridian (GMST), the other line is the sidereal time in relation to the user's location (LMST).

GPS Interfacing

Before connecting the GPS handset to the PIC unit, check its manual for the output connections. Only those for the output signal and 0V are required. Connect the GPS unit via a suitable socket (SK2), plug and cable.

Set the GPS handset to output GPS data according to NMEA 0183 protocol at the same Baud rate selected for the PC, PIC and telescope.

With the PIC unit switched off, set switch S2 to the GPS position, then switch on the power.

Once the GPS has acquired signals from the "local" satellites, data is output from it and assuming connections between the PIC and GPS are correct, the PIC will select the SGPRMC data sentences, extracting the codes discussed earlier.

Display

Data will be displayed on the l.c.d. screen similar to the following, with local time showing (subject to DST and UTC Offset having been set).



L.C.D. screen receiving test codes from PC

Following the conversion, data is ready to be output to the telescope. This can be sent when required by pressing switch S3 on the unit. It is output at the selected Baud Rate, formatted for the Meade as discussed earlier.

Manually Set DST

For those who wish to set DST manually, i.e. those who have not installed the RTC and do not wish to interface to a PC, the procedure is similar to setting the Baud rate.

To select the PIC's DST value, first switch off the PIC. Then press switch S3 and hold it pressed. Switch on the power to the PIC. The screen will show the message Set DST and the current DST value. The latter changes its value approximately every one second. It continues to cycle through the values 0 and 1 until S3 is released. When the DST value you want is seen, release S3. The DST value is then stored for future recall.

Manually Set UTC Offset

To set the UTC Offset manually, switch off the PIC. Press switches S3 and S4 together and hold them pressed, then switch on the power. Do not release the switches.

The screen will show the message OFFSET and the offset value, initially as +00. The latter increments its value approximately once a second. It continues to cycle through the values +00 to +12, and then -00 to -12 and then to +00 etc again until S4 is released. When the Offset value you want is seen, release S4. Then release S3. The Offset value is then stored for future recall.

Self Contained Unit

This Telescope Interface may be used to send data to the telescope without a GPS unit connected, provided the required settings and time/date data have been sent to the PIC.

To set the PIC unit for outputting to the telescope, first switch off the unit, switch S2 (GPS/PC) to the PC setting and then switch on the unit again. Plug the telescope into the PIC unit. The PC does not need to be connected for outputting to the telescope in this mode.

When switch S4 (Data output) is pressed, data is now sent from the PIC to the telescope in the code format required. Check that the telescope confirms that it has received the data.

GPS Only Unit

The unit may be used without the RTC and PC interfacing, relying on GPS handset data input only. All data then comes from the GPS handset, except for DST and UTC Offset, which must be set manually, as described earlier.

Resources

Software, including source code files, for the Telescope Interface is

available for free download from the *EPE* Downloads page, accessible via the home page at www.epemag.co.uk. It is held in the PICs folder, under Telescope Interface. Download all the files within that folder.

Ready-to-go programmed PIC16F876 microcontrollers for the Interface project are available from Magenta Electronics

The PIC program source code (ASM) was written using *TK3* software (also available via the Downloads page) and a variant of the TASM dialect. It may be translated to MPASM via *TK3* if preferred.

The Meade website is at www.meade.com. Information on GPS handset manufacturers can be found by searching on their name via www.google.com. Finally, if you are looking for sources of live sidereal time, try: <http://tycho.usno.navy.mil/sidereal.html>

www.jgiesen.de/astro/astroJS/siderealClock

The sidereal code used in the PC software was adapted from Keith Burnett's web information accessible via: <http://bodmas.org/kepler/sidinfo.htm>.

It is worth a browse as it explains clearly what sidereal time is, and provides a worked example in Basic of it in use.

Another site you may find useful is at www.qsl.net/SARA/educ/tutor1.htm.

For ex demo and refurbished Meade telescopes browse www.telescopehouse.co.uk.

Acknowledgements

The author gratefully thanks Jason Kotecki for inspiring this idea and field testing the design with his Meade LX200 telescope. Jarr Farr is also warmly thanked for his DST VB6 code. **EPE**

EPE EVERYDAY PRACTICAL ELECTRONICS

PIC Information and Education on CD-ROM

See our website for full information and ordering details for our *PIC Resources* and *PIC Projects* CD-ROMs

www.epemag.co.uk and www.epemag.com (US dollar prices)





New B² Spice V5 Our hottest Spice ever

New B² Spice Version 5 has all the power and functions you expect from a professional Spice package, but without the high cost:

- Real design flexibility with over 30,000 models, unlimited circuit size and a huge range of new virtual instruments
- New Circuit Wizard saves time by auto-generating many designs for you
- Sweep all parameters for any component and simulation type with the powerful new Scenario Editor
- Live Circuit feature allows values to be adjusted while simulations are running, displaying the results in real time

Professional standard Spice simulation for just £229 + VAT. Plus educational and multi-user licence discounts available and FREE comprehensive telephone technical support. **Try the full version completely free for 30 days.**

www.spice-software.com
Tel: 01603 872331

Research House, Norwich Road, Eastgate
Norwich, NR10 4HA. Fax: 01603 879010
Email info@looking.co.uk



Using the RS485 Protocol for Serial Comms

Although many advances have been made in wireless communications, long distance wired links still have their place. There are many reasons to avoid an RF solution: cost, complexity and interference being some of the more obvious ones.

The RS232 protocol is probably the most ubiquitous wired communication solution and is certainly not difficult to implement on a PIC using a device such as the MAX232 chip. RS232, however, does have some significant limitations. The standard defines the maximum cable length to be only 15 metres, and while you will probably achieve greater distances with good wiring, you will need to use low data rates and be in a noise free environment.

The main problem is that the data signals are defined relative to a common ground; as the distance increases, noise induced on the ground signal will cause data corruption. When the communicating devices are close together, such as a PC and a modem, this is unlikely to be a problem. But imagine if the devices are a mile apart – a lightning strike or mains surge close to one unit will cause a significant imbalance in the ground potential, easily perturbing communications reliability.

Another limitation of RS232 is that it is a point-to-point standard. Only two devices may be connected together. So if you want to talk to a device a mile away, or talk to a network of devices in an electrically noisy environment such as a factory, you need another solution.

RS485 Protocol

RS485 protocol is one of the standards introduced to solve that problem. It's not the only standard, but has been one of the most popular in recent years, and is very easy and cheap to implement – hence its popularity.

RS485 was introduced in 1983 as an improvement to the similar standard RS422. The main difference between RS485 and RS232 is that RS485 uses a two wire differential voltage method to transmit data. The polarity of the signal between the two wires determines the logic level; the ground signal is only used as a return path for the current. If the differential signals were exactly complimentary then they would cancel out and there would be no return current, but the real world dictates that there are some small imbalances, hence a common ground signal is required – more on this requirement later.

RS485 is specified to work at up to 10Mbps and a distance of up to 4000 feet – but not both at the same time! With 24awg twisted-pair wire and just two devices you can expect under ideal conditions to get up

to 1Mbps at 200 feet falling to 100Kbps at 4000 feet.

As a differential voltage based system, two wires are required for each signal. There are no control signals such as RTS or DTR specified, so all flow control and handshaking must be done within the application. To help reduce the effect of noise the pair of wires should be twisted, although it is not essential over shorter distances.

Topologies

There are several topologies (layouts) for how devices can be connected together. Fig.1 shows the simplest setup using five wires. One pair for transmitted data in each direction, plus ground. The resistors R_t in Fig.1 are termination resistors.

Why are they required? The cabling (bus) connecting the devices is a transmission line, and will typically have an impedance of between 100Ω to 120Ω , assuming you are using twisted pairs. The RS485 receiver's input impedance will be very high, typically about $12k\Omega$, and if the transmission line is not terminated with a similar impedance then the signals will be reflected back towards the transmitter, corrupting the data in subsequent signals.

This setup will generally provide the greatest range/speed combination but does require five wires which can be costly over long distances. This problem is eased by using a single twisted-pair for both transmit and receive data with the use of driver ICs that can place the transmitter into a high impedance state. Fig.2 shows a typical multi-device setup.

Note now that there is a termination resistor R_t at both ends of the transmission line, since data is travelling in both directions. Two further resistors (R_b) provide bias to the differential signals for when there is no transmitter driving the bus line. Without these the receivers will effectively "float" and produce random data.

This combination of biasing, additional termination and the presence of multiple receivers on the bus will naturally reduce the maximum distance/bit rates achievable compared to Fig.1, so don't expect 100Kbits at 4000 feet if you have multiple devices on a single twisted-pair!

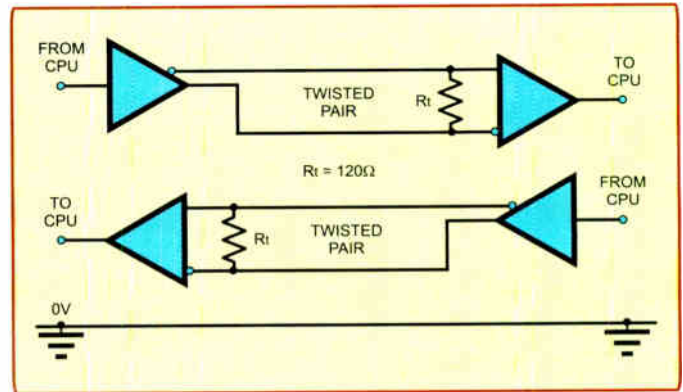


Fig.1. Simplest RS485 setup

Multiple Device Care

If you build a multiple device network you need to be careful how you connect devices to the bus. The distance between "midway" devices and the main transmission line (such as B and C in Fig.2) must be kept short, otherwise your setup will look more like a star connected network than a chain. Midway devices will appear to be at the end of un-terminated transmission lines, and reflections will occur.

Although unlikely to be a problem on short networks, as the distance increases so more attention should be paid to transmission line termination. The simple rule: keep your midway connection "stub" wiring as short as you can, daisy chaining if possible.

The RS485 standard states that "up to 32 devices may be connected on a bus". Driver IC manufacturers, however, have produced devices with 1/4 and 1/8 the load of a standard device, so actually up to 256 devices may be connected. You will often see manufacturers' datasheets quoting parts as being "1/4th Load Unit" (MAX1487 for example) and these devices should be used if you expect to have many devices on the bus.

Tx/Rx Handshaking

The lack of control signals means that handshaking and determining which transmitter should be active on the bus must be handled in the application software. Typically one device will be the master: it will talk to the other devices (slaves) and will place its transmitter into a high impedance state if the addressed slave is expected to reply. The slaves will monitor the data on the bus and only enable their transmitter driver when requested to by the master.

A PIC microcontroller's serial port module provides a very useful feature for handling multiple device addressing: a 9th bit option. This bit, used in conjunction with the PIC's receive interrupt, enables a PIC

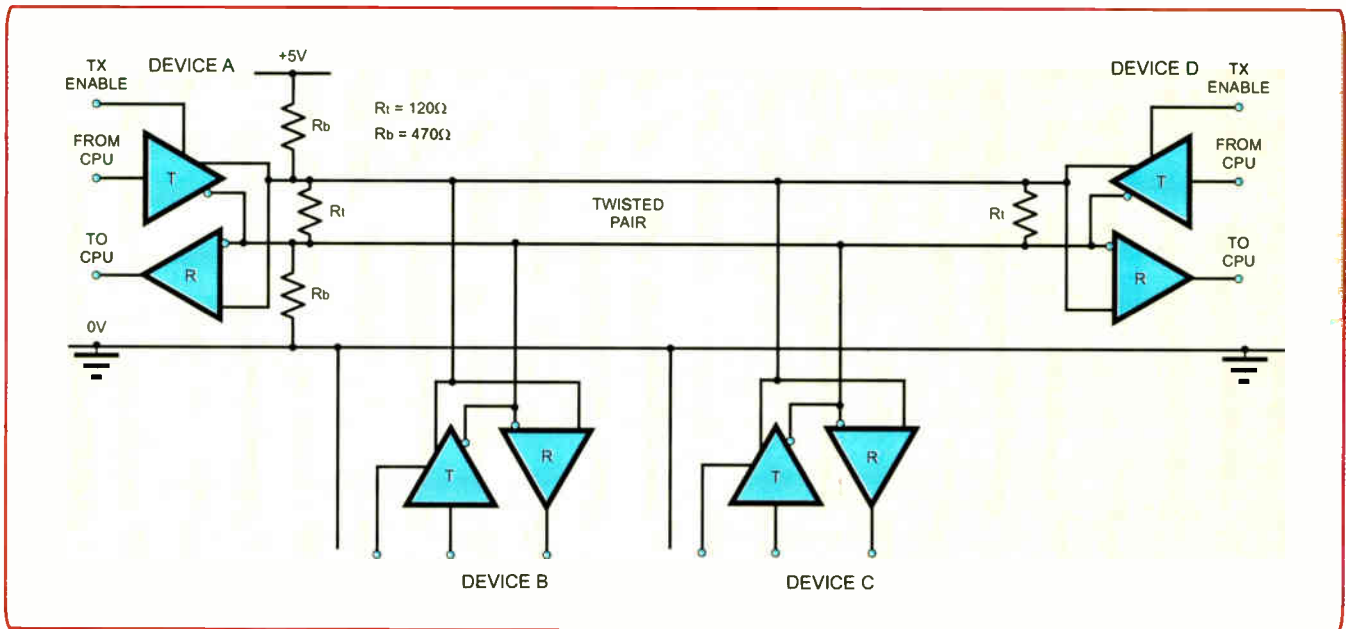


Fig.2. A typical RS485 multi-device setup

to ignore all serial data except address bytes. The PIC can remain in a low power state and only wake up fully when it is individually addressed. It's not essential, so you can use ordinary 8-bit serial communication if you wish, but it is certainly worth experimenting with if you want to reduce the amount of processor time spent monitoring bus communications.

RS485 Devices

There are plenty of RS485 transceiver ICs available, and many of them are pin compatible with each other. National Semiconductor's DS1487, DS75176, Texas Instruments' SN75LBC184, and Maxim's MAX483E and MAX1487, will all work in the same design. There are, however, some key differences between the parts. The important ones are to do with slew rate limiting and ESD protection.

Slew rate limiting is the shaping of the signal edges to reduce high frequency signals and consequently the amount of noise generated by the bus. It does, however, reduce the maximum data rate. The slew rate controlled MAX483E, for example, operates up to 250Kbs, while the MAX1487 can operate up to 2.5Mbps.

The ESD protection offered by these devices also varies enormously. While the DS75176 device is very cheap, it only offers up to 500V ESD protection compared to the (more expensive) MAX483E which offers 15kV! We have chosen the DS75176 as an example simply because it is cheap, easy to obtain and works fine in a domestic environment.

In Fig.3 are shown the microprocessor connections to the DS75176 when used in a multi-drop configuration such as that in Fig.2. It is very straightforward as (unlike RS232) the bus does not require higher voltages to be generated. Only the bus resistors and a couple of supply decoupling capacitors are required to complete the electronics.

The IC has independent enable signals for the transmitter and receiver but in most cases you can wire the receiver enable signal to ground as shown to permanently

enable it. A consequence of this is that all transmitted data is echoed back to the receiver, a kind of "local echo". Alternatively, the enable signals can be wired together so that when the transmitter is enabled, the receiver is automatically disabled.

Software

The microcontroller must only enable the transmitter while it is actually sending data, and it must be careful not to send data when another device on the bus might send data – the driver contention could destroy one or both ICs. Obviously you need to take care with the software at both ends of the wire!

A typical way to do this is to decide on a message transmission protocol to be implemented by the master and all slave devices. For example, precede any data to be sent with an address byte and data length byte. The master device will specify the device it wants to talk to in the first byte, and indicate how many bytes will follow in the second. This technique will work with ordinary 1-start bit, 8-data bits, 1-stop bit serial port setups. You can improve the reliability of the system by adding a check byte to the end of the message.

An example of a master/slave application is provided in this month's *PIC N' Mix* zip file on the Downloads section of the

EPE website (access via www.epemag.co.uk). In this design the master polls a number of slave devices on the bus, and each slave returns the values on an input port. Although the software does nothing useful it can be used to test an RS485 setup, and provide a framework for further experimentation.

Construction Consideration

When building the interface electronics, it is important to consider the vulnerability of the driver IC. Being on the end of a potentially long wire it may pick up excessive noise that may destroy it. Unless your bus is very short, you should always use an IC socket for the bus transceiver IC. Although the ICs are inexpensive, they will be a lot easier to replace if socketed!

You should also place 100nF and 10μF capacitors across the supply to the IC, and keep the leads of these as short as possible. More advanced techniques for use in very noisy areas are possible, including adding transorbs (voltage suppression diodes) across the bus wires to protect against very high voltage spikes.

Conclusion

So there you have it. Using RS485 to communicate with other microcontroller circuits can be quite simple and in some cases easier than RS232. Although we have only discussed 5V interface ICs here, 3V parts are also available for low power design. RS485 networking can appear complex and confusing, but hopefully this article will ease your entry into the application of this useful and versatile tool.

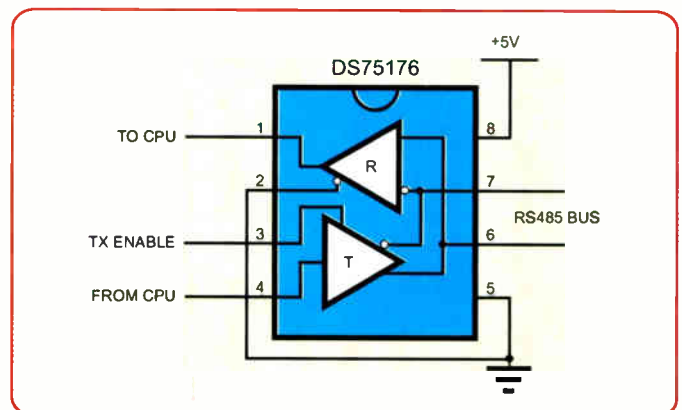


Fig.3. Connections to a DS75176 device

PCB-POOL

SERVICING YOUR COMPLETE PROTOTYPE NEEDS

- Prototypes at a fraction of the cost
- Industry standard quality
- Tooling and setup included
- Fofoil up series runs
- Any contour
- CAM / CAD consulting
- Fr4 1.6mm, 35µm Cu

PRICE EXAMPLE
1 EUROCARD DS15FH
 + Tooling
 + Photoplots
 + VAT
 = £ 29.89*

*Sterling rates may vary. Price = D 49

€49

FREE



Freephone
0800-389 8560

Tel - 353 (0)61 701170
 Fax - 353 (0)61 701164
 E-Mail: sales@lbtbf-foolpool.com

Simply send your files and order ONLINE:

WWW.PCB-POOL.COM

Protel orcad EDWIN GraphiCode

Build Your Own Weather Station



- Measure Wind Speed
- Measure Wind Direction
- Measure Temperature
- Easy Build Kit
- FREE Software
- USB or RS232
- Optional Humidity Module
- Optional Pressure Module
- Optional Rainfall Gauge
- Simple 1-wire® connection
- Build and add your own devices

Weather Starter Kit £59
 RS232 Interface £25
 USB Interface £29
 Humidity Module £39
 Pressure Module £49
 Rainfall Gauge £59

Prices exclude VAT and delivery

For more information, manuals and downloads on this and other interesting products see www.audon.co.uk

audon Electronics

www.audon.co.uk | +44 (0)115 925 8412 | Fax +44 (0)115 925 9757

PLEASE ENSURE YOU TELEPHONE TO CHECK AVAILABILITY OF EQUIPMENT BEFORE ORDERING OR CALLING.

SPECIAL OFFERS

OSCILLOSCOPES

TEKTRONIX 22474 4 Channel 100MHz Counter/Timer Voltmeter £275
 TEKTRONIX 2335 Dual Trace 100MHz Delay Sweep £125
 TEKTRONIX 465 Dual Trace 350MHz Delay Sweep £300
 IWATSU SS5711 4 Channel 100MHz Delay Sweep £150
 PHILIPS 3065 2-1 Channel 100MHz Dual TB Delay - Autoset £200
 PHILIPS 3065 2-1 Channel 60MHz Dual TB Delay - Autoset £150
 PHILIPS PM3217 Dual Trace 50MHz Delay Sweep £125
 KIKUSUI CO56100 5 Trace 100MHz Delay £150
 TEKTRONIX 475A Dual Trace 250MHz Delay Sweep £175
 TEKTRONIX 475 Dual Trace 200MHz Delay Sweep £154
 TEKTRONIX 465B Dual Trace 100MHz Delay Sweep £125
 TEKTRONIX 465 Dual Trace 100MHz Delay Sweep £99
 PHILIPS PM3209 Dual Trace 50MHz Delay £125
 PHILIPS PM3215 Dual Trace 50MHz £77
 KENWOOD CS4035 Dual Trace 40MHz £59
 PANASONIC VP5564A Dual Trace 40MHz £59
 HITACHI V525 Dual Trace 50MHz Cursors £39
 HITACHI V523 Dual Trace 50MHz Delay £39
 HITACHI V425 Dual Trace 40MHz Cursors £77
 HITACHI V422 Dual Trace 40MHz £64
 HITACHI V223 Dual Trace 20MHz Delay £66
 HITACHI V222 Dual Trace 20MHz £50
 HITACHI V212 Dual Trace 20MHz £50
 FARNELL DTV12-14 Dual Trace 12MHz £40

STORAGE

PHILIPS PM3320 Dual Trace 200MHz 250Ms S £300
 LECROY 9400 Dual Trace 125MHz £325
 TEKTRONIX 468 Dual Trace 100MHz Delay Sweep Digital Storage £200
 VELLEMAN HPS5 1MHz 5MHz Sampling Handheld Unused £80

ANALYSERS

ADVANTEST R3285A 100Hz-80Hz £450
 TEKTRONIX 492P 50kHz-21GHz £2250
 HP8560A 50Hz-2.9GHz Built In Tracking Gen £3250
 HP 8560A 50Hz-2.9GHz £2950
 HP 8569A 1MHz-22GHz £950
 HP 8565A 10MHz-22GHz £750
 HP 853A with 8559A 100kHz-21GHz £1100
 HP 182T with 8559A 100kHz-21GHz £750
 HP182T with 8558B 100kHz-150MHz £690

HP 182T with 8557A 10kHz-350MHz £300-£400
 HP 140T with 8555A 10MHz-18GHz £500
 ADVANTEST TR4131 10kHz-3.5GHz £350
 WAYNE KERR SSA1000A 150kHz-1GHz £350
 MARCONI 2382 20Hz-400MHz High Resolution £1250
 MARCONI 2370 10Hz-110MHz £500
 HP 8754A Network Analyser 4-130MHz £500
 MARCONI 6500A Amplitude Analyser with head £750
 HP 334A Distortion Analyser 5Hz-400kHz £100

SIGNAL GENERATORS

HP 8350B Sweeper with 83592B 10MHz-20GHz £1500
 HP 8350A Sweeper with 83592A 10MHz-20GHz £1250
 HP 8350B Man Frame Only £125
 HP 83525B RF Plug-in for 8350 0.1-1.8 4GHz £580
 HP 83590A RF Plug-in for 8350 2-20GHz £900
 HP 8660C Sig Gen 1-3GHz £450
 HP 8660C Sig Gen 2-6GHz £750
 HP 86603A RF Plug-in for 8660C 1-260MHz £1250
 HP86631B Auxiliary Section for 8660C £1250
 HP86632B Modulation Section for 8660C £1250
 MARCONI 2017 0.1-124MHz Low Phase Noise £500
 MARCONI 2019 Synthesised AM/FM 80kHz-1040MHz £325
 FLUKE 6060B AM/FM Syn Sig Gen 10kHz-1050MHz £300
 LEADER LSG221B Sig Gen 25-960MHz £200
 HP 8656B Synthesised 0.1-990MHz £500
 HP 8656A Synthesised 0.1-990MHz £400
 HP 8640A AM/FM 50kHz-512MHz £150
 HP 8620C Sweeper Osc with 86282B 2.19-6GHz £300
 HP8620C Sweeper Osc with 86222A 0.1-2.4GHz £400
 HP8620C/B/A with any of the following plug-ins £150-£200
 HP 86220A Plug-in 10-1300MHz
 HP 86230B Plug-in 1.5-4GHz
 HP 86235A Plug-in 1.7-4.3GHz
 HP 86240A Plug-in 2-8.5GHz
 HP 86240B Plug-in 3-6-9.6GHz
 HP 86245A Plug-in 5.9-12.4GHz
 HP86250B Plug-in 8-12.4GHz
 HP 86250D Plug-in 8-12.4GHz
 HP 86260A Plug-in 12.4-18GHz
 MARCONI TF2015 AM/FM 10-52MHz £95
 MARCONI TF2016 AM/FM 10kHz-120MHz £95
 PHILIPS PM5328 180kHz-180MHz with 300kHz Prng. Counter IEE £225
 PANASONIC VP8117A AM/FM 100kHz-110MHz ±M 0.1-10kHz Digital Display etc. Unused £225

HP 1816A Programmable-Signal Source 1MHz-50kHz Pulse Function £225
 HP 3325A Synthesised Function Gen 2MHz £350
 HP 3312A Function Gen 1MHz-130MHz AM/FM Sweep TrF Burst etc £200
 WAVETEK 23 Synthesised Function Gen 11MHz £225
 WAVETEK 23 Synthesised Function Gen 1MHz £275
 EXACT 529 AM/FM Function Gen 20MHz £150
 ANALOGUE 2030 Synthesised Multi Function Waveform £195
 THANDER TG504 Pulse Function Gen 5MHz £195
 THANDER TG504 Sweep Function Gen 5MHz £195
 KRONHITE 5204A Sweeper Func Gen 0.0003Hz-3MHz £120
 HP 3310B Imp. Imp. 2310A etc £120
 HP 3310A Func Gen 0.002Hz-5MHz Sine Sq/Tri Ramp/Pulse £80
 PHILIPS PMS132 Function Gen 0.1Hz-2MHz £95
 PHILIPS PMS131 Function Gen 0.1Hz-2MHz £75
 FEEDBACK FG601 Func Gen 0.001Hz-1MHz £60
 HP 8112A Pulse Gen 50MHz £150
 HP 8111A Pulse Generator 20MHz £400
 LYONS PG73M Pulse Gen 20MHz £250
 LEADER LAG120B Sine Sq Aux Gen Generator 10Hz-1MHz £30
 FARNELL LF74 True Sig Osc 10Hz-1MHz Low Distortion TTL Output 1/4 Wave Meter £260
 GOULD JB True Sig Osc 10Hz-100kHz Low Distortion £50-£75
 FARNELL LF True Sig Osc for 10Hz-1MHz £50
 MARCONI SANDERS 6056C Signal Source 850-2000MHz £125
 MARCONI SANDERS 6056B Signal Source 850-2150MHz £125
 MARCONI SANDERS 6057B Signal Source 4-5-9.5GHz £375
 MARCONI SANDERS 6059A Signal Source 1-16GHz £125
 MARCONI SANDERS 6070A Signal Source 40-1200MHz £125
 FLUKE 8111A Synthesised 1MHz £125
 PHILIPS 1614V Ultra Bar Generator Video £195
 BLACK STAR ORION Colour Bar Gen £50
 BLACK STAR ORION Laser Vision Metal Case £75

HP 5316A Universal Counter 3-10MHz 12MHz £95
 THANDER TF810 Frequency Counter 1Hz-200MHz B. Unit £50
 THANDER TF200 Frequency Meter 1Hz-200MHz 0.01 £40
 BLACK STAR Meter 100 Counts 1Hz-100MHz £50
 BLACK STAR 1325 Counter Timer 1-600Hz £150
 BECKMAN UC10A Universal Counter 120MHz £60
 LEADER LDC9043 Digital Counter 100MHz £125

DIGITAL MULTIMETERS etc

SOLARTRON 7150 6 1/2 digit Blue RMS IEEE £75
 SOLARTRON 10615 Plus AC Above Temp Measurement £100
 DATRON 1065 5 1/2 digit Absolute AC/DC Resistance IEEE £95
 FLUKE 77 3 1/2 digit Handheld £35
 FLUKE 77 Series 2 1/2 digit Handheld £45
 FLUKE 8060A 2 1/2 digit True RMS Handheld £75
 BECKMAN HD110 2 1/2 digit Handheld in Carry Case £30
 TT1 1905A 3 1/2 digit Bench £80
 SOLARTRON 7045 4 1/2 digit Bench £30
 AVO OA116 3 1/2 digit auto Batteries & Leads £20
 AVO 8 Mk6 in Ever Ready Case with Leads etc £75
 AVO 8 Mk5 with Leads etc £30
 RACAL 9301A True RMS 8 1/2 digit Multimeter 10Hz-200MHz usable to 500Hz £125
 RACAL 9301B 8 1/2 digit £45
 GOODWILL GVT427 Dual Chan AC Millivoltmeter 10mV in 12 ranges 10Hz-1MHz Unused £75
 KENWOOD VT176 Dual Chan Multimeter £40

POWER SUPPLIES

FARNELL XA35.2T 0-35V 0.2A True Digital £95
 FARNELL LT30-2 0-30V 1-2A True £110
 FARNELL B30120 30V 20A Variable No. Meters £115
 FARNELL B30110 30V 10A Variable No. Meters £85
 FARNELL LT30-1 0-30V 1A True £75
 FARNELL L30-2 2-30V 0.2A £55
 FARNELL L30-1 0-30V 0.1A £40
 FARNELL E350 0-35V 0-2A 200mA £125
 FARNELL Q30-2T 0-30V 2-2A True Digital £95
 THURBY PL330 0-30V 0.2A 2-2A (Kenwood badged) £75
 THURBY TS3015 0-30V 0.2A CD £95
 THURBY PL320 0-30V 0.2A £85
 TAKASAGO GMO35-3 3 1/2 digit 0.2A Meters £55
 TAKASAGO TMO35-2 2 1/2 digit 0.2A Meters £35
 ISOLATING TRANSFORMER 500VA with 13amp Socket £35

FREQUENCY COUNTERS/TIMERS

EIP 371 Source Locking Meter-Wave Counter 10Hz-18GHz £225
 EIP 331 Autoheld Microwave Counter 825MHz-8GHz £195
 HP 5396A Counter 10Hz-20MHz £350
 FEEDBACK I-C236 Counter 4-3GHz £75
 RACAL 9916 Counter 10Hz-20MHz £75
 RACAL 9906 Universal Counter 200MHz £95
 RACAL 9904 Counter Timer 50MHz £50
 RACAL 9991 Counter Timer 10GHz-9 digit £135
 MARCONI 2431A Frequency Meter 200MHz £50
 MARCONI 2437 Counter/Timer 10MHz £75
 HP 5340A Autornet Microwave Counter 10Hz-8GHz £250

STEWART of READING

17A King Street, Mortimer, Near Reading RG7 3RS

Telephone: (0118) 933 1111. Fax: (0118) 933 2375

www.stewart-of-reading.co.uk

Open 9am-5.00pm Monday to Friday (other times by arrangement)



Net Work



Alan Winstanley

AT the time of writing, High Street retailers are licking their post-Christmas wounds. There is no doubt about it – the Internet’s time has come, helped by the increasing availability of broadband and dirt-cheap computer equipment. Taking the car, beating the traffic, scouring the High Street and fighting through thronging crowds is so yesterday!

One third of all UK seasonal shopping was done online last year with a vast increase of Internet trade compared with 2004. Amazon UK peaked at up to 3.6 million items per day in the run-up to Christmas. In comparison, it was reported by YouGov that users’ perception of quality and value provided by eBay sellers actually fell during the Christmas 2005 period.

Mind you, all is not quite perfect at **Amazon.co.uk**: the writer still finds it impossible to pay by Maestro because the checkout form contains fields that ask for non-existent card data. And when trying to increase an order value to achieve free P&P, it can take ages scouring for other appealing products that may turn out to be out of stock anyway. Sometimes, nothing beats the tactile experience of real shopping.

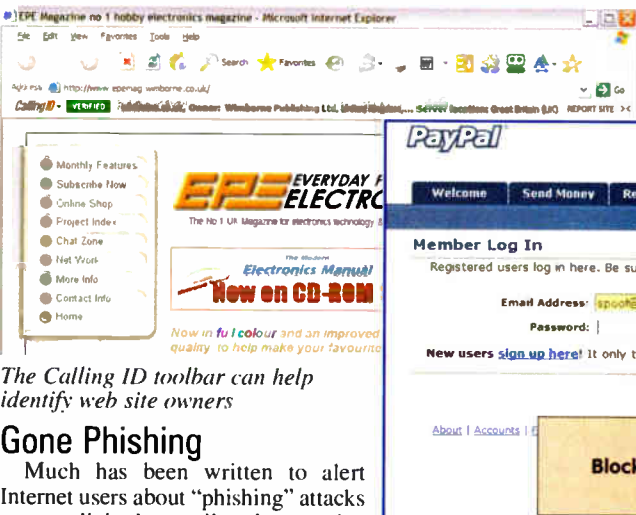
details. Also, if you were a genuine customer anyway, then they would always address you by name, and not by “Dear PayPal Customer”. If eBay wishes to communicate with you, messages are copied to your eBay account that you can view when you log in the usual way.

CallingID Toolbar

A new toolbar that runs in Internet Explorer has been produced by CallingID which displays web site ownership details where available (see screenshots). If the address has previously been assessed as high risk (e.g. a phishing site) then a popup warns you before you enter a login. The results aren’t always entirely useful, because they depend on the accuracy of domain name databases, but the CallerID offers the tool for free and it has produced some interesting results during tests. Check www.callerid.com for details of the free download. Another anti-phishing toolbar that has also been tested is available free from <http://toolbar.netcraft.com>.

Perhaps the tide is starting to turn against the phishers. In the UK a phishing scammer named as David Levi was convicted late last year of defrauding eBay customers out of some £200,000, and he received a four year jail sentence for his trouble. His brother was jailed for 21 months for conspiring to defraud.

Another form of fraud that has hopefully been all but eliminated is “second chance” fraud, in which eBay bidders who narrowly missed out on an item are contacted by fraudsters posing as the



The Calling ID toolbar can help identify web site owners

Gone Phishing

Much has been written to alert Internet users about “phishing” attacks – unsolicited emails that entice recipients into logging into deceptive versions of their online accounts, thereby enabling fraudsters to capture password details. Phishing attempts are still widespread and whilst some efforts are truly risible, some are deceptively authentic-looking. Even battle-hardened users occasionally have to stop and slap their foreheads, just before they type their passwords into the login page of an enterprising Romanian’s interpretation of HSBC Bank’s global website.

One clue that a phishing web site cannot be authentic may be contained in the address (URL) of the phisher’s target site. It is intended to fool inexperienced users sufficiently into thinking they are accessing the real thing. Also, such sites are usually insecure and therefore have no golden padlock icon. A phisher may try, for example, <http://https-paypal-secure//access.loginwibble.com> or similar device. The author’s preferred Eudora Email software (free download from www.eudora.com) warns when hopping to these deceptive URLs.

It is worth re-emphasising that no online institution will ever email you asking you to log in to a web site to re-confirm your

Calling ID tries to warn when logging into suspicious sites

original seller, to offer the losing bidder a second chance. A funds transfer by Western Union would be requested. Needless to say, the thieves would then disappear with the money into the night. It was reported that a couple from Romania made nearly £1/3rd million this way before they were caught in London and jailed for six years. eBay no longer permits Western Union payments for items.

I round off this month with a handy tip for eBay users: if you wish to track a particular item, then apart from storing it in “My eBay” you can drag and drop the weblink from your web browser, directly to the desktop underneath. The shortcut on your desktop (see graphic) shows the item number, description and expiry time, and it is just a double click away. The same trick applies to any other web site.

You can email the writer at alan@epemag.demon.co.uk



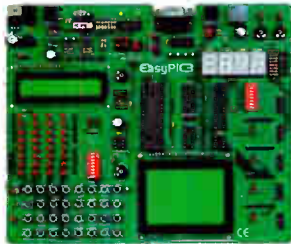
An eBay item can be linked as a shortcut so that it is a double click away

MikroElektronika

MICROCONTROLLER DEVELOPMENT TOOLS

PICmicro

EasyPIC3 PICmicro Starter Pack £99.00



- High quality development board
- Built-in USB 2.0 programmer
- Windows 98/ME/2000/XP compatible
- Supports 8, 14, 18, 28 and 40-pin DIP microcontrollers from the 10F, 12F, 16F and 18F PICmicro families
- On-board LEDs, switches, 7-segment displays, potentiometers, RS-232 interface, USB and PS/2 connectors
- All I/O lines available for expansion
- EasyPIC3 Starter Pack includes:
 - ✓ PIC18F452 microcontroller
 - ✓ 16x2 character LCD
 - ✓ 128x64 pixel graphic LCD
 - ✓ DS18S20 temperature sensor
 - ✓ USB programming/power lead
 - ✓ Programming software and examples

BIGPIC3 80-pin PICmicro Starter Pack £119.00



- High quality development board
- Built-in USB 2.0 programmer
- Windows 98/ME/2000/XP compatible
- Supports the latest 80-pin microcontrollers from the 18F PICmicro family
- On-board LEDs, switches, potentiometers, two RS-232 interfaces, PS/2 connector, and MMC/SD and Compact Flash card slots
- All I/O lines available for expansion
- BIGPIC3 Starter Pack includes:
 - ✓ PIC18F8520 MCU module
 - ✓ 16x2 character LCD
 - ✓ 128x64 pixel graphic LCD
 - ✓ DS18S20 temperature sensor
 - ✓ USB programming/power lead
 - ✓ Programming software and examples

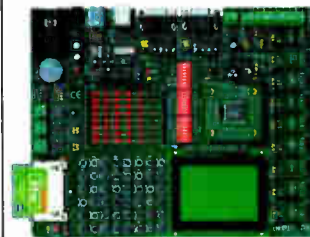
dsPIC

EasydsPIC2 dsPIC Starter Pack £99.00



- High quality development board
- Built-in USB 2.0 programmer
- Windows 98/ME/2000/XP compatible
- Supports 18, 28 and 40-pin DIP digital signal controllers from the dsPIC30 family
- On-board LEDs, switches, potentiometers, RS-232 interface, PS/2 and ICD2 connectors, and MMC/SD card slot
- All I/O lines available for expansion
- EasydsPIC2 Starter Pack includes:
 - ✓ dsPIC30F4013 digital signal controller
 - ✓ 16x2 character LCD
 - ✓ 128x64 pixel graphic LCD
 - ✓ USB programming/power lead
 - ✓ Programming software and examples

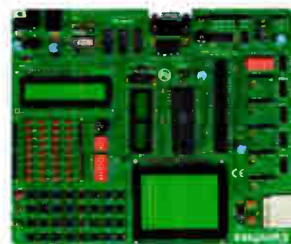
dsPICPRO 64/80-pin dsPIC Starter Pack £149.00



- High quality development board
- Built-in USB 2.0 programmer
- Windows 98/ME/2000/XP compatible
- Supports 64 and 80-pin digital signal controllers from the dsPIC30 family
- On-board LEDs, switches, two RS-232 interfaces, RS-485 interface, two CAN interfaces, real-time clock, 12-bit A/D and D/A, and CF card slot
- All I/O lines available for expansion
- dsPICPRO Starter Pack includes:
 - ✓ dsPIC30F6014 DSC module
 - ✓ 16x2 character LCD
 - ✓ 128x64 pixel graphic LCD
 - ✓ DS18S20 temperature sensor
 - ✓ USB programming/power lead
 - ✓ Programming software and examples

AVR

EasyAVR3 AVR Starter Pack £99.00



- High quality development board
- Built-in USB 2.0 programmer
- Windows 98/ME/2000/XP compatible
- Supports 8, 20, 28 and 40-pin DIP AVR microcontrollers
- On-board LEDs, switches, potentiometer, RS-232 interface, 12-bit A/D and D/A, and MMC/SD card slot
- All I/O lines available for expansion
- EasyAVR3 Starter Pack includes:
 - ✓ ATmega8535 microcontroller
 - ✓ 16x2 character LCD
 - ✓ 128x64 pixel graphic LCD
 - ✓ DS18S20 temperature sensor
 - ✓ USB programming/power lead
 - ✓ Programming software and examples

BIGAVR 64-pin AVR Starter Pack £119.00



- High quality development board
- Built-in USB 2.0 programmer
- Windows 98/ME/2000/XP compatible
- Supports 64-pin AVR microcontrollers
- On-board LEDs, switches, potentiometers, two RS-232 interfaces, PS/2 connector, and MMC/SD and Compact Flash card slots
- All I/O lines available for expansion
- BIGAVR Starter Pack includes:
 - ✓ ATmega128 MCU module
 - ✓ 16x2 character LCD
 - ✓ 128x64 pixel graphic LCD
 - ✓ DS18S20 temperature sensor
 - ✓ USB programming/power lead
 - ✓ Programming software and examples

8051

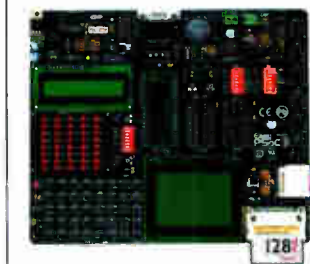
Easy8051 8051 Starter Pack £99.00



- High quality development board
- Built-in USB 2.0 programmer
- Windows 98/ME/2000/XP compatible
- Supports 20 and 40-pin DIP Atmel 8051 Flash microcontrollers
- On-board LEDs, switches, potentiometer, RS-232 interface, 12-bit A/D and D/A, and two additional 8-bit I/O ports
- All I/O lines available for expansion
- Easy8051 Starter Pack includes:
 - ✓ 40-pin 8051 microcontroller
 - ✓ 16x2 character LCD
 - ✓ 128x64 pixel graphic LCD
 - ✓ DS18S20 temperature sensor
 - ✓ USB programming/power lead
 - ✓ Programming software and examples

PSoC

EasyPSoC3 PSoC Starter Pack £119.00



- High quality development board
- Built-in USB 2.0 programmer
- Windows 98/ME/2000/XP compatible
- Supports 8, 20, 28 and 48-pin DIP PSoC mixed-signal controllers
- On-board LEDs, switches, potentiometers, RS-232 interface, RS-485 interface, CAN interface, real-time clock, and MMC/SD and CF card slots
- All I/O lines available for expansion
- EasyPSoC3 Starter Pack includes:
 - ✓ 48-pin PSoC microcontroller
 - ✓ 16x2 character LCD
 - ✓ 128x64 pixel graphic LCD
 - ✓ DS18S20 temperature sensor
 - ✓ USB programming/power lead
 - ✓ Programming software and examples



Breadboarding Systems can supply all MikroElektronika products from stock. Credit and debit cards accepted. Prices shown exclude delivery and VAT.

Breadboarding Systems
Software and hardware development tools

Tel: 0845 226 9451
Web: www.breadboarding.co.uk

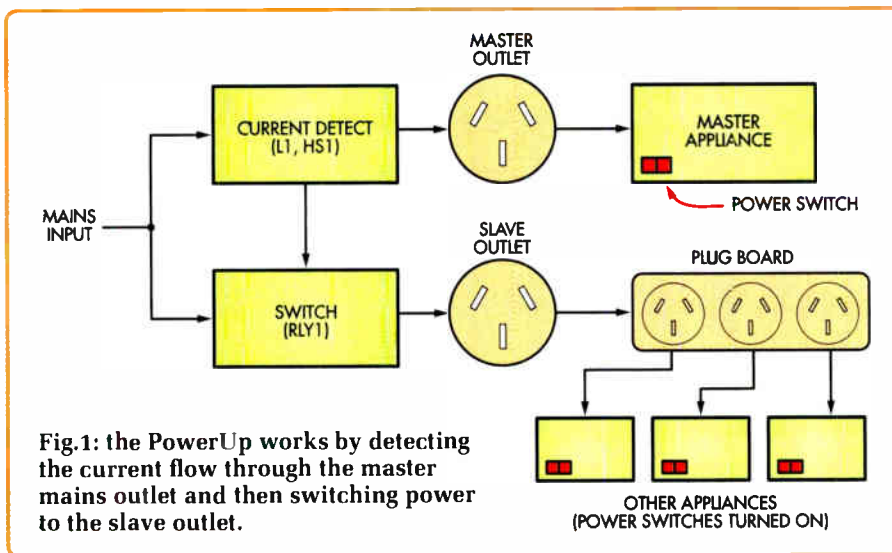
PowerUp

Turns on all your equipment
at the flick of a switch



By JOHN CLARKE

Switch on your PC and your peripherals will come on as well. Switch on your amplifier and all your hifi gear will come on too. Switch on your TV and the rest of your home theatre system will power up as well. That's the beauty of this "PowerUp" unit.



YOU CAN ALSO USE PowerUp in your workshop. Switch on your router or bench saw and the vacuum cleaner will suck away the sawdust straightaway. Doubtless there are other applications to save you switching on numerous other items of equipment when you want to get straight into work or play.

The PowerUp connects to the main unit such as an amplifier and switches on power to the remaining units whenever the main unit is switched on. This saves having to power up the other units separately.

PowerUp is a small box with two mains outlets, one for the master appliance and the other to run the slave appliances. This second outlet would provide power to a multi-way power-board for the remaining appliances. (The sockets shown in the photographs are Australian mains sockets but these can be replaced by whatever sockets are used in your country i.e. 13A mains sockets or IEC sockets in the UK.) When the master appliance is switched on, the other appliances will be powered up also.

PowerUp works by detecting the current flow through the master mains outlet and then switching power to the slave outlet. The general scheme is shown in the block diagram of Fig.1. The current detector is a toroidal coil combined with a Hall effect device.

Circuit description

The full circuit is shown in Fig.2. Besides the Hall effect device, it uses just two ICs and a relay. The Hall sensor is placed in a slot (air gap) in a

toroidal core. The master outlet current flows through the toroidal coil and generates a corresponding AC signal from the Hall sensor (HS1).

Its output is filtered with a 1k Ω resistor and 1 μ F capacitor which rolls off frequencies above 159Hz. The filtered output is then AC-coupled to pin 3 of op amp IC1a. Pin 3 is biased at +5V via

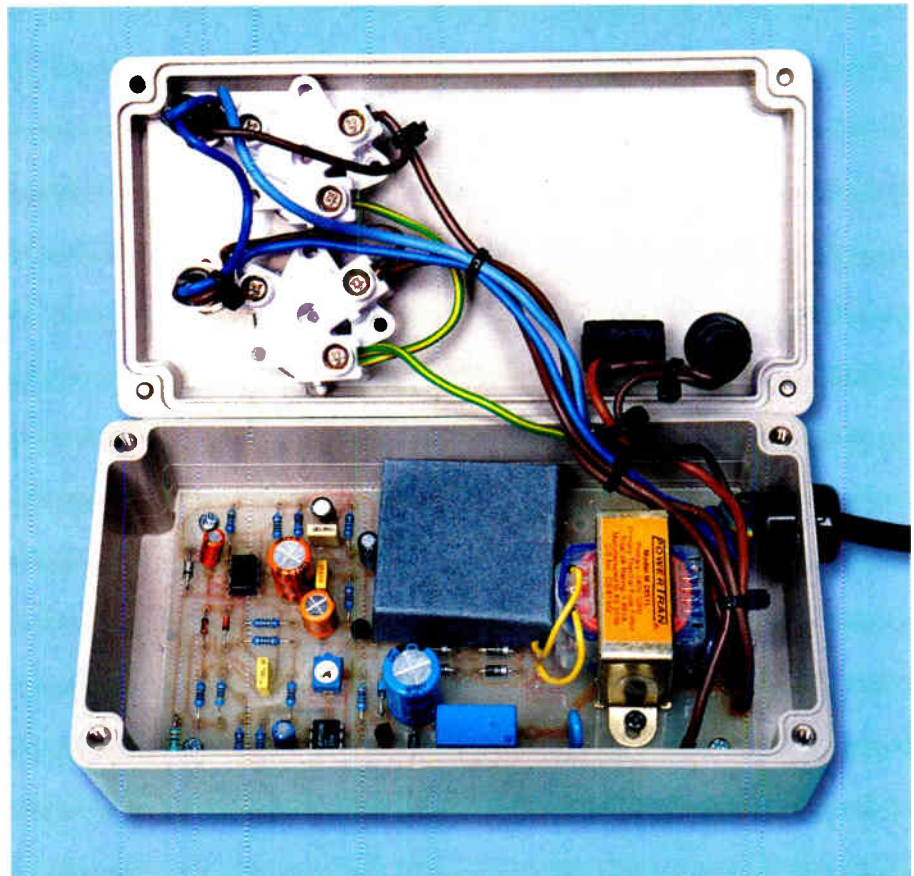
the 100k Ω resistor from the +5V rail.

Op amp IC1a is set for a gain of 471 using the 470k Ω feedback resistor from pin 1 to pin 2 and the series 1k Ω and 10 μ F capacitor to the +5V rail. The 10 μ F capacitor rolls off frequencies below 16Hz. Frequencies above 154Hz are rolled off by the 2.2nF capacitor across the 470k Ω feedback resistor between pins 1 & 2.

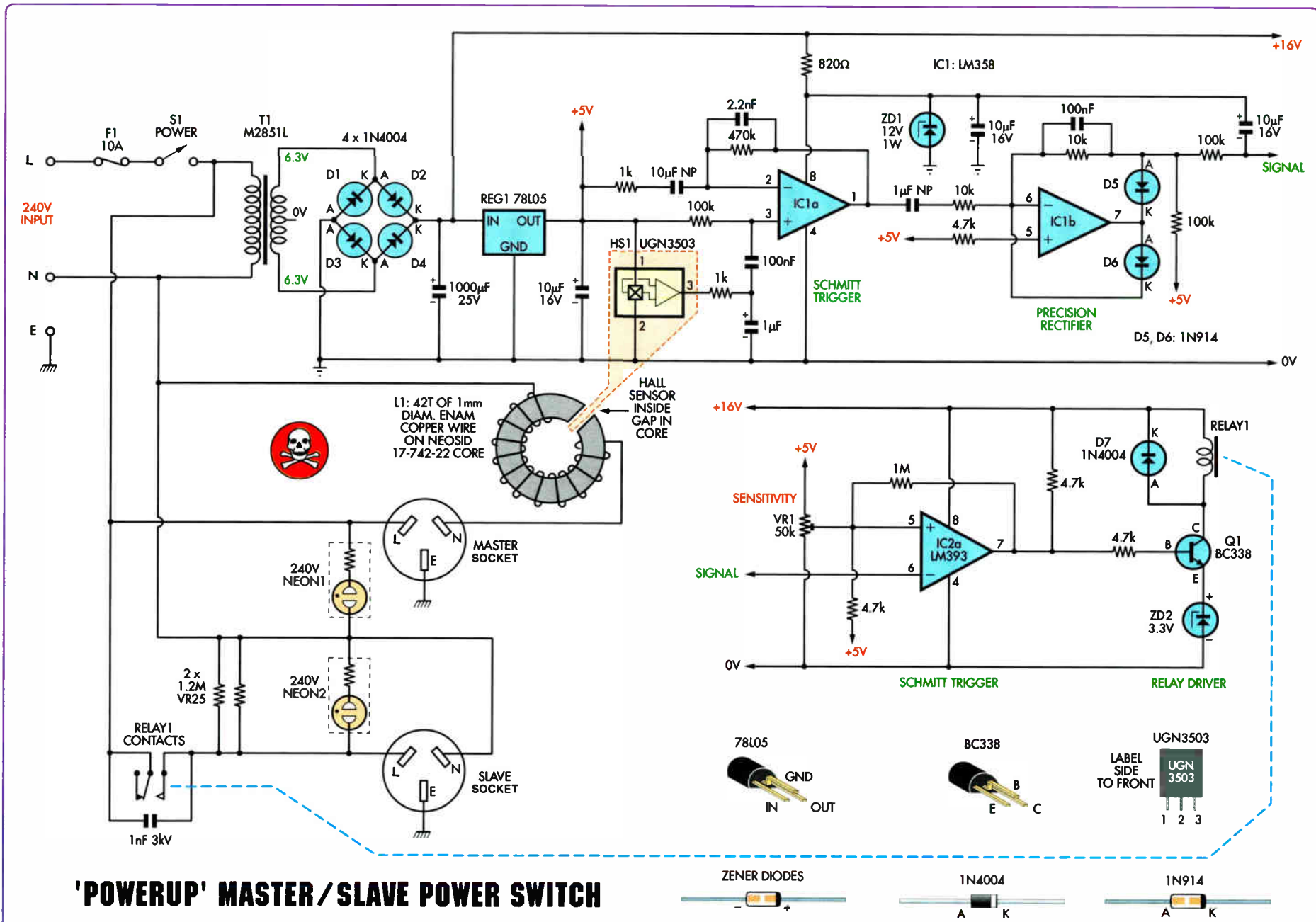
Op amp IC1b is wired as a precision half-wave rectifier by virtue of diodes D5 and D6 which are connected within the feedback loop. The rectified signal at D5's anode is filtered with a 100k Ω resistor and 10 μ F capacitor so that the result is a DC voltage proportional to the signal from the Hall sensor.

IC2a is half an LM393 dual comparator wired as a Schmitt trigger. It monitors the filtered DC signal at pin 6 and compares it to the threshold voltage at pin 5. Pin 5 is connected to the 5V rail via a 4.7k Ω resistor and also to trimpot VR1 across the 5V rail. A 1M Ω positive feedback resistor to pin 7 applies hysteresis.

Hysteresis means that the pin 5 voltage is at a different level, depending on whether the output at pin 7 is high

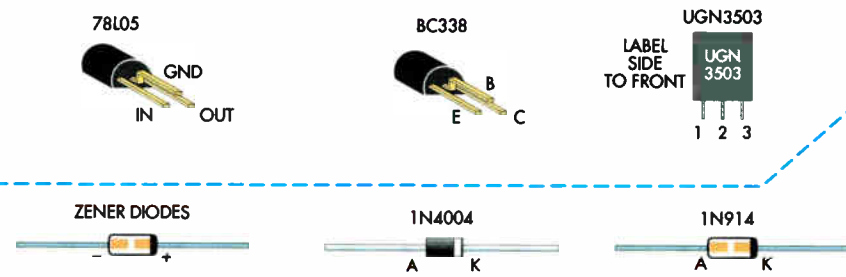


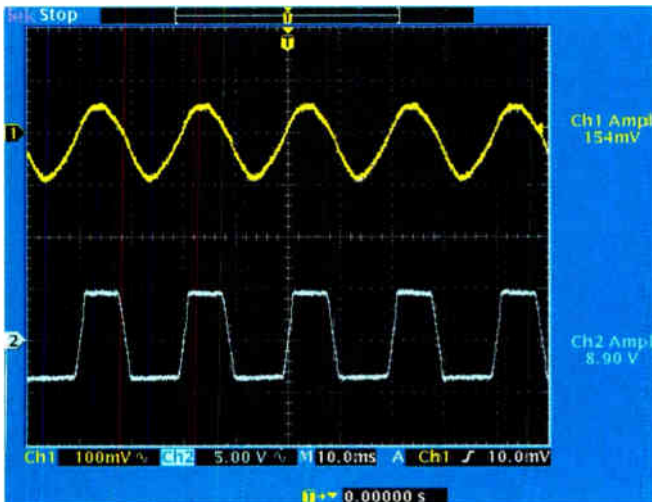
This is the view inside the prototype. The toroidal coil on the PC board operates at mains potential and is protected by a plastic insulation cover (see text).



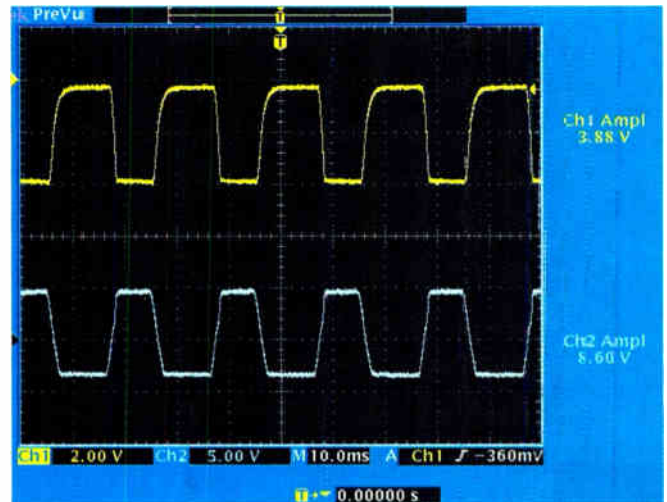
'POWERUP' MASTER/SLAVE POWER SWITCH

Fig.2: the complete circuit diagram. IC1a amplifies the signal from the Hall sensor and feeds it to precision rectifier stage IC1b. IC1b's output is then fed to Schmitt trigger stage IC2a which drives Q1 and the relay to switch in the slave socket.





In this oscillogram, the top trace shows the Hall effect signal when connected to a 60W mains load. This is amplified to 8.9V peak-to-peak by IC1a (lower trace).



IC1a's output (lower trace) is rectified by IC1b (top trace). This rectified signal is filtered and fed to the Schmitt trigger to control the relay.

or low. When pin 7 is low, pin 5 is pulled a few millivolts lower via the 1M Ω resistor and if pin 7 is high, pin 5 is pulled a few millivolts higher. This ensures that small variations in DC input voltage to pin 6 do not cause the output to oscillate high and low.

Trimpot VR1 sets the trigger threshold for IC2a. This is normally set at around mid-position. Setting it slightly towards the 5V supply will trigger the Schmitt at small signal levels from IC1b, while setting it towards the 0V rail will mean that the signal needs to be greater before IC2a's output will go high.

When pin 7 of IC2a does go high, it drives transistor Q1 to turn on relay RLY1 which then applies 240V AC to the slave socket.

The 3.3V Zener diode in Q1's emitter to ground connection reduces the voltage applied to the relay to around 12V rather than above 15V.

Power for the circuit comes from a 12.6V transformer. It drives a bridge rectifier (D1-D4) and a 1000 μ F capacitor to provide about 16V DC. This supplies IC2 and the relay. IC1 is powered from +12V, derived using a series 820 Ω resistor and 12V Zener diode (ZD1). The Hall effect sensor is fed with 5V from a 78L05 regulator (REG1) and this also provides the input reference for IC1a, IC1b and IC2a. IC2b is not used.

Mains power indication

Both mains sockets have a neon indicator wired across them to indicate when power is present. Neon 2, across Live and Neutral for the slave outlet,

lights when the relay contacts are closed. The relay contacts are shunted with a 1nF 3kV capacitor which prevents contact arcing when power is removed. The capacitor also allows a small amount of current to flow when the relay is open and this is sufficient to dimly light Neon 2 even though it has two 1.2M Ω resistors connected across it.

In practice though, this is not a problem because Neon 2 lights quite brightly when it should; ie, when power is available at the salve socket.

Construction

The PowerUP circuit is built on a PC board measuring 79 x 140mm (available from the *EPE PCB Service*, code 557). It is housed in a plastic case measuring 165 x 85 x 55mm, with two chassis-mount mains sockets on the lid.

Note that you must use a plastic case for this project and there must be no exposed metal parts that pass through

to the live wiring area inside. DO NOT use a metal case for this project – that would be too dangerous.

You can begin assembly by checking the PC board against the published pattern of Fig.6. There should not be any shorts or breaks between tracks. If there are, repair these as necessary.

Next, insert and solder the PC pins and the resistors. Use Table 2 as a guide to the colour codes for the resistors. **Note that the two 1.2M Ω resistors must be high-voltage Philips VR25 types or equivalents. Do not substitute for these.**

Next, insert and solder in the Zener diodes, diodes and trimpot VR1, taking care with the positioning of ZD1 and ZD2. The ICs can be installed next, taking care with their orientation. The LM393 is placed adjacent to Q1.

When installing transistor Q1 and the 78L05 regulator, take care that you don't get them confused; they look the same!

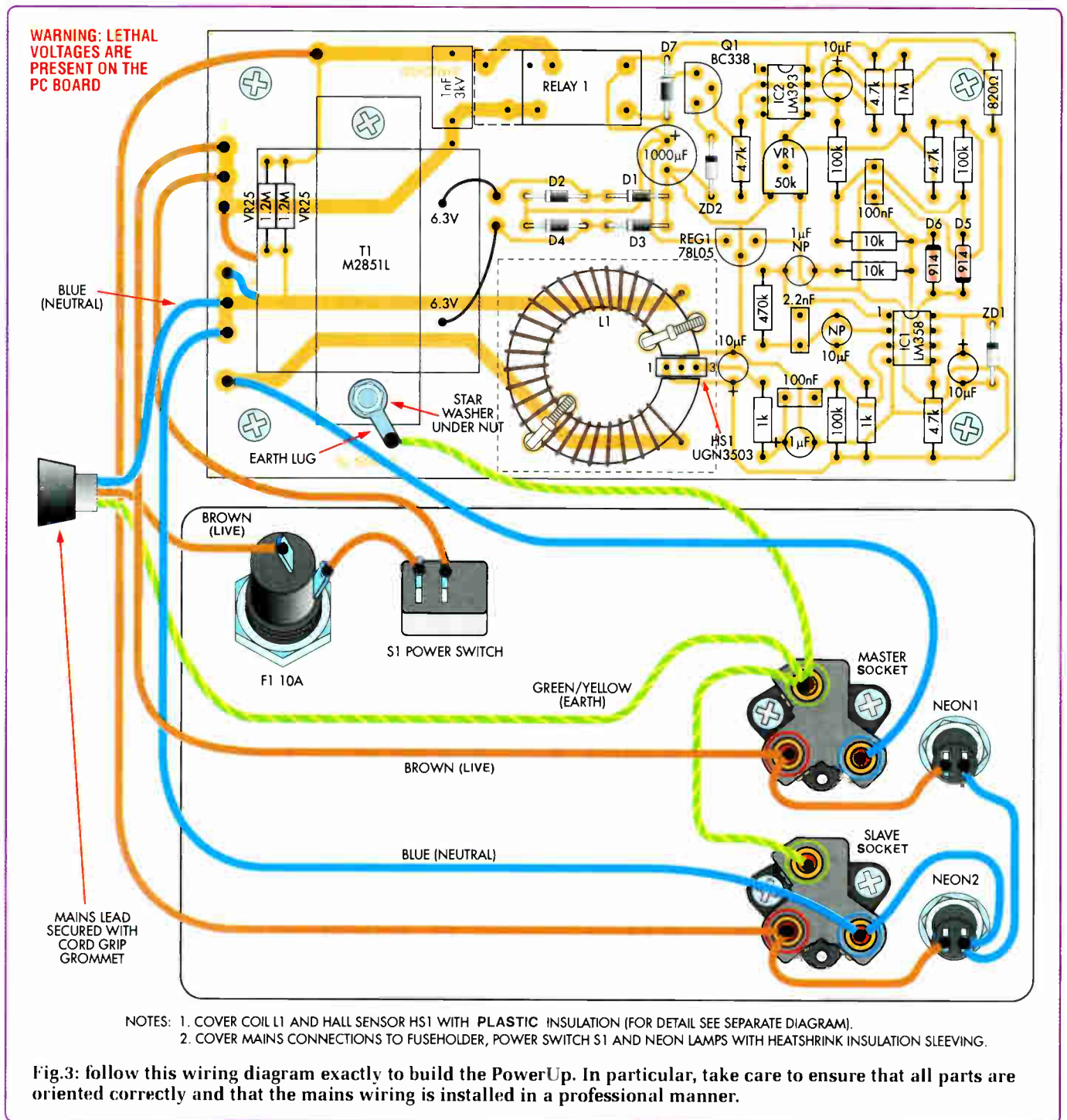
WARNING: MAINS VOLTAGES!

Note that this circuit is connected to the 240V AC mains supply and is potentially lethal. While most of the electronics circuitry is isolated from the mains, it is possible that you could make contact with a live part. In particular, note that inductor L1, the two 1.2M Ω resistors, the 1nF 3kV capacitor, the relay contacts and the Neon indicators all operate at 240V AC.

Do not apply power to this circuit unless it is fully enclosed in a plastic case and DO NOT TOUCH ANY PART OF THE CIRCUIT when it is plugged into a mains outlet. Always remove the plug from the mains before working on the circuit or making any adjustments.

Finally, do not build this project unless you are completely familiar with mains wiring practices and techniques.

Constructional Project



The capacitors can be installed next. Table 1 shows the codes on the MKT and ceramic types. **Make sure that the leads of the 3kV ceramic capacitor are covered with 5mm long insulating sleeving, before inserting it into the PC board.**

The electrolytic capacitors must be oriented with the polarity as shown, except for the two non-polarised (NP) types which can be mounted either way around. The relay is mounted

next. We have provided PCB holes for different relays.

Making the toroidal inductor

As noted above, the toroid inductor (L1) is slotted to take the Hall sensor. Cutting a 2mm slot in a ferrite toroid is almost impossible because the material is so brittle but the specified powdered iron toroid is quite easy to cut with a hacksaw.

Clamp the toroid lightly in a vice; if you over-tighten the vice, it is likely to crack the core. After you have cut through one side of the toroid, you will need to enlarge the slot to about 2mm with a small file. Just make it sufficiently wide so that the Hall sensor can easily slide into the slot.

Now wind 42 turns of 1mm diameter enamelled copper wire onto the toroid and strip the insulation from the wire ends. That done, place this assembly

Table 1: Capacitor Codes

Value	μF Code	EIA Code	IEC Code
100nF	0.1 μF	100n	104
2.2nF	(0.0022 μF)	2n2	222
1nF	(0.001 μF)	1n0	102

in position on the PC board with the slot directly over the position for the Hall sensor (see Fig.3). Finally, solder the wires in position and secure the inductor with cable ties.

You can now insert and solder in the Hall sensor, taking care with its orientation. The correct position is with the sensor body centrally located in the toroid slot.

Working on the case

The first step here is to drill out and file the hole in the end of the case for the cordgrip grommet. This hole must be a tight fit to make sure that it securely anchors the mains cord.

Next, mark out and drill the front panel for the mains outlets, switch, Neon indicators and fuseholder. If there is not room for two mains sockets on the front panel (sockets for different countries vary in size) either use IEC sockets or hard wire a distribution panel to the unit in place of the slave socket.

Note that the fuseholder must be a safety type, as specified in the parts list. Do not use a standard fuseholder.

The PC board can now be mounted in position. Once it's in, you can complete the wiring as shown in Fig.3.

Note that all mains wiring must be run in 7.5A 250V AC-wire. The earth connections are soldered or crimped to the solder lugs using green/yellow mains wire and secured to the transformer case using an M3 x 10mm metal screw, nut and star washer.

Parts List

- 1 PC board, code 557, 79 x 140mm available from the *EPE PCB Service*
- 1 plastic case, 165 x 85 x 55mm
- 2 chassis-mount mains sockets (see text)
- 1 12-6V 150mA mains transformer
- 1 10A 250V AC SPST (or SPDT) relay
- 1 6A SPST 250V AC mini mains rocker switch
- 2 250V AC Neon indicators
- 1 M205 panel-mount safety fuse holder (F1)
- 1 M205 10A fuse
- 1 7.5A mains cord and 3-pin plug
- 1 ring type crimp lug for 1.5-2.5mm diameter wire
- 1 70 x 70mm piece of plastic insulating material
- 1 powdered iron toroidal core 33mm OD x 20 ID x 10mm (Neosid 17-742-22; or similar)
- 1 50k Ω horizontal trimpot (coded 503) (VR1)
- 2 M3 x 10mm screws
- 2 M3 nuts
- 2 3mm star washers
- 1 2m length of 1mm enamelled copper wire
- 1 400mm length of 7.5A Brown 250V AC-rated wire
- 1 400mm length of 7.5A Blue 250V AC-rated wire
- 10 100mm long cable ties
- 10 PC stakes
- 1 80mm length of 3mm diameter heatshrink sleeving for mains to PC stake connections

- 1 40mm length of 6mm diameter heatshrink sleeving for switch terminals
- 1 100mm length of 13mm diameter heatshrink sleeving for fuseholder and Neon indicators

Semiconductors

- 1 LM358 dual op amp (IC1)
- 1 LM393 dual comparator (IC2)
- 1 UGN3503 Hall sensor (HS1)
- 1 78L05 3-terminal regulator (REG1)
- 1 BC338 NPN transistor (Q1)
- 1 12V 1W Zener diode (ZD1)
- 1 3.3V 1W Zener diode (ZD2)
- 5 1N4004 1A diodes (D1-D4,D7)
- 2 1N914 diodes (D5,D6)

Capacitors

- 1 1000 μF 25V electrolytic
- 3 10 μF 16V electrolytic
- 1 10 μF 50V NP (non-polarised) electrolytic
- 1 1 μF 16V electrolytic
- 1 1 μF 50V NP (non-polarised) electrolytic
- 2 100nF (0.1 μF) MKT polyester
- 1 2.2nF (0.0022 μF) MKT polyester
- 1 1nF (0.001 μF) 3kV ceramic

Resistors (1%, 0.25W)

- 2 1.2M Ω Philips VR25 (don't substitute)
- 1 1M Ω 4 4.7k Ω
- 1 470k Ω 2 1k Ω
- 3 100k Ω 1 820 Ω
- 2 10k Ω

Table 2: Resistor Colour Codes

No.	Value	4-Band Code (1%)	5-Band Code (1%)
2	1.2M Ω (VR25)	brown red green yellow	N/A
1	1M Ω	brown black green brown	brown black black yellow brown
1	470k Ω	yellow violet yellow brown	yellow violet black orange brown
3	100k Ω	brown black yellow brown	brown black black orange brown
2	10k Ω	brown black orange brown	brown black black red brown
4	4.7k Ω	yellow violet red brown	yellow violet black brown brown
2	1k Ω	brown black red brown	brown black black brown brown
1	820 Ω	grey red brown brown	grey red black black brown



KITS

Call or log on to our website and apply for a FREE 400 page catalogue. You can purchase from our website 24/7/365 through our secure encrypted system. Post and packing charges are modest and you can have any of 8000+ unique products delivered to your door within 7-10 days of your order.



High Performance Electronic Projects for Cars

BS-5080 £7.00 + post & packing

Australia's leading electronics magazine Silicon Chip, has developed a range of projects for performance cars. There are 16 projects in total, ranging from devices for remapping fuel curves, to nitrous controllers. The book includes all instructions, components lists, colour pictures, and circuit layouts. There are also chapters on engine management, advanced systems and DIY modifications. Over 150 pages! All the projects are available in kit form.



Intelligent Turbo Timer

KC-5383 £14.75 + post & packing

This great module uses input from an airflow, oxygen, or MAP sensor to determine how hard the car has been driven. It then uses this information to calculate how long the car needs to idle, reducing unnecessary idle time. The sensitivity and maximum idle time are both adjustable, so you can be sure your turbo will cool properly. Kit supplied with PCB, and all electronic components.



Hand Controller for Digital Adjusters

KC-5386 £25.95 + post & packing

This hand controller is used for the mapping/programming of both Digital Adjuster kits. It features a two line LCD, and easy to use pushbuttons. It can be used to program the adjusters then removed, or left permanently connected to display the adjuster's operation. It is designed as an interface and display, and is not required for general adjuster functions after they have been programmed. Kit supplied with silk screened and machined case, PCB, LCD, and all electronic components.



All these projects work off 12VDC

Nitrous Fuel Mixture / Motor Speed Controller

KC-5382 £7.95 + post & packing

When activated, it will fire the injector at a preset duty cycle, adding a fixed amount of nitrous fuel. It also makes a great motor controller, to control an electronic water pump, additional fuel pump, cooling fans and more. Suitable for use with most fuel injectors, or pumps and motors up to 10 amps. Kit supplied with PCB and all electronic components.



Smart Fuel Mixture Display

KC-5374 £8.95 + post & packing

This kit features auto dimming for night driving, emergency lean-out alarm, and better circuit protection, and a 'dancing' display which operates when the ECU is operating in closed loop. Kit supplied with PCB and all electronic components.

- Car must be fitted with air flow and EGO sensors (standard on all EFI systems) for full functionality.



Recommended box UB3 (HB-6014) £1.40 each

Independent Electronic Boost Controller

KC-5387 £25.95 + post & packing

Superb control over your turbo boost curve. It can be used in cars fitted with factory electronic boost control using the factory control solenoid, or cars without electronic boost control using a solenoid from a wrecker etc. It has two different completely programmable boost curves. This is ideal for switching between say, a race / street mode, or a performance / wet weather mode. Boost curve selection is via a dashboard switch, and it is all programmed using the Handheld Digital Controller - KC-5386. Kit supplied with PCB, machined case, and all electronic components.

- Suitable for EFI and engine management systems only.



STOP PRESS

EPE are publishing a series of popular projects by Silicon Chip Magazine, Australia. The projects are well designed, 'bullet proof' and already tested down under. Watch out for these projects in future Jaycar advertisements.

AV Booster Kit

KC-5350 £31.95 + post & packing

When running AV cables for your home theatre system, you may experience some signal loss over longer runs. This kit will boost your video and audio signals preserving them for the highest quality transmission to your projector or large screen TV. It boosts composite, S-Video, and stereo audio signals. Kit includes case, PCB, silk screened & punched panels and all electronic components.

- Boosts: Composite, S-Video and Stereo Audio.
- As published in *Everyday Practical Electronics* (March)



Video Enhancer/Stabiliser MkII

KC-5360 £31.95 + post & packing

Get the video quality you paid for. Copy protection is put in place on videos and DVDs for a good reason, but this robs you of the true high quality reproduction that it is capable of. It supports composite and S-video signals and can be configured for NTSC or PAL format. Kit includes case, circuit board, all electronic components, and clear English instructions. Note: Some SMD soldering required.

Caution. During signal conditioning, this unit removes copyright protection. Piracy is a crime & Jaycar Electronics takes no responsibility for its potential for unlawful use.

Requires 9VAC wall adaptor (Maplin #GU09K £9.99).



DOWN UNDER

Remote Control Extender

KC-5209 £7.50 + post & packing

Many households have two or more TV sets which are linked to a single DVD via antenna cable. The problem is, you can't directly control the DVD from another room in the house. This amazing kit will let you control a DVD or hi-fi system using a remote control from another room in the house. It picks up the signal from the remote control and sends it via 2-wire cable to an infrared LED located close to the DVD or IR receiving equipment. The kit is a breeze to construct and will work with virtually any remote control system. The Jaycar kit is complete with case, silk screened front panel, PCB, hardware plus all electronic components.

- 2 Wire Cable required



Requires 9VDC wall adaptor (Maplin #GS74R £9.99).



Gear Shift Indicator

KC-5265 £11.50 - post & packing

Reaching or exceeding the RPM 'red line' of your engine can cause severe damage. This rev limiter will restrict the RPM at an adjustable preset limit so that 'red line' will not be exceeded. Two lamps will illuminate consecutively before the 'red line'.

- Case not included.
- Kit supplied short-form including PCB, lamps and electronic components.



3 Stage FM Transmitter Kit

KJ-8750 £6.50 + post & packing



The circuit board may measure just 51(L) x 27(W)mm, but it can transmit signals over half a km in the open. It has flexible power requirements, with 6 to 12VDC input voltage (so a 9V battery would be suitable). It is quick to build, and fun to use.

- Kit supplied with circuit board, electronic components, and clear English instructions.

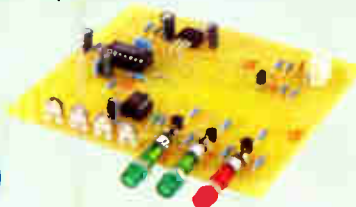


Gear Shift Indicator

KC-5265 £11.50 + post & packing

Reaching or exceeding the RPM 'red line' of your engine can cause severe damage. This rev limiter will restrict the RPM at an adjustable preset limit so that 'red line' will not be exceeded. Two lamps will illuminate consecutively before the 'red line'.

- Case not included.
- Kit supplied short-form including PCB, lamps and electronic components.



Universal High Energy Ignition

KC-5419 £27.75 - post & packing

New and Improved!

The new Electronic Ignition completely supersedes our previous transistor assisted design and employs a high temperature microcontroller to control the switching transistor and sense the trigger signal. This versatile kit can be connected to conventional points, twin points or Reluctor ignition systems. 4 to 22V operating voltage, fixed 0.9ms spark duration and tachometer output are just some of the many features. A small investment that will pay for itself many times over.

- Kit supplied with diecast case, PCB and all electronic components.



Lead-Acid Battery Zapper Kit

KC-5414 £11.75 + post & packing

This simple circuit is designed to produce bursts of high-energy pulses to help reverse the damaging effects of sulphation in wet lead acid cells. The effects are dependant of the battery's condition and type, but the results can be quite good indeed.

- Kit supplied with case, silk screened lid, leads, inductors, all electronic components, and clear English instructions
- Reverse sulphation



NOW WITH PIC!

Theremin Synthesiser Kit

KC-5295 £14.75 + post & packing

The Theremin is a weird musical instrument that was invented early last century but is still used today. The Beach Boys' classic hit "Good Vibrations" featured a Theremin. By moving your hand between the antenna and the metal plate, you create strange sound effects. Kit includes a machined, silk screened, and pre drilled case, circuit board, all electronic components, and clear English instructions.



Requires 9VDC wall adaptor (Maplin #GS74R £9.99).



Icon Explanation

Indicates an approximate construction time for a competent constructor. It does not however, include any installation that may be required.



"Clock Watchers" LED Clock Kits

KC-5404 £41.75 - post & packing

KC-5416 £55.25 + post & packing

They consist of an AVR driven clock circuit, that also produces a dazzling display with the 60 LEDs around the perimeter. It looks amazing, but can't be properly explained here. We have filmed it in action so you can see for yourself on our website! Kit supplied with double sided silkscreened plated through hole PCB and all board components as well as the special clock housing! Available in Red (KC-5404) and Blue (KC-5416).

THESE CLOCKS ARE HYPNOTIC!

Requires 12VAC wall adapter (Maplin #GU10L £9.99)

EXCLUSIVE TO JAYCAR



400+ page Catalogue

Jaycar Electronics

Post and Packing Charges:

Order Value	Cost
£20 - £49.99	£5
£50 - £99.99	£10
£100 - £199.99	£20
£200 - £499.99	£30
£500+	£40

Max weight 12lb (5kg) - heavier parcels POA.
Minimum order £20.

Log on to
www.jaycarelectronics.co.uk/catalogue
for your FREE catalogue!

0800 032 7241

(Monday - Friday 09.00 to 17.30 GMT + 10 hours only).

For those who want to write:
100 Silverwater Rd Silverwater NSW 2128
Sydney AUSTRALIA

TEACH-IN 2006

Part Five – Introducing Magnetism and Inductance, Introducing Inductors, Transformers, Rectifiers and Voltage Regulation

MIKE TOOLEY BA



Our Teach-In 2006 series provides a broad-based introduction to electronics for the complete newcomer. The series also provides the more experienced reader with an opportunity to “brush up” on topics which may be less familiar. This month we investigate the theory that underpins inductors, transformers and power supplies.

Magnetism

Magnetism is an effect created by moving the elementary atomic particles in certain materials such as iron, nickel and cobalt. Iron has outstanding magnetic properties and materials that behave magnetically, in a similar manner to iron, are known as *ferromagnetic materials*. Such materials experience forces that act on them when placed near a magnet.

The atoms within these materials group in such a way that they produce tiny individual magnets with their own *North* and *South* poles. When subject to the influence of a magnet or when an electric current is passed through a coil surrounding them, these individual tiny magnets line up and the material as a whole exhibits magnetic properties.

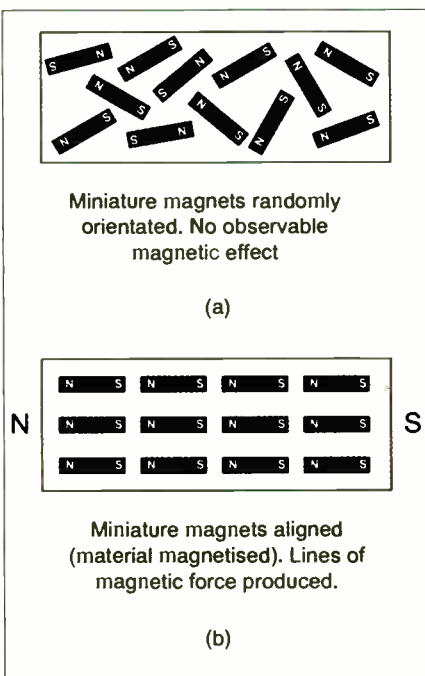


Fig.5.1. The behaviour of ferromagnetic materials

A ferromagnetic material that has not been influenced by the forces generated from another magnet is shown in Fig. 5.1a. In this case, the miniature magnets are oriented in a random manner. Once the material is subject to the influence of another magnet, then these miniature magnets line up, as shown in Fig. 5.1b, and the material itself becomes magnetic with its own North and South poles.

The space surrounding the magnet (in which the magnet exerts an influence on other magnetic materials) becomes filled with lines of magnetic flux which travel from North to South (indicating the movement of a free North pole).

Electromagnetism

Whenever an electric current flows in a conductor a magnetic field is set up around the conductor in the form of a series of concentric circles, as shown in Fig.5.2.

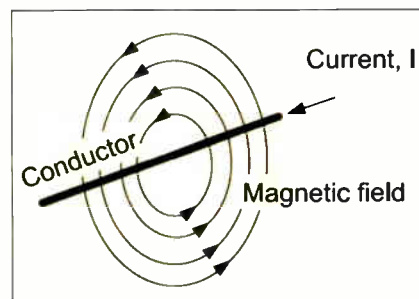


Fig.5.2. The magnetic field around a straight conductor

The field is present along the whole length of the conductor and is strongest nearest to the conductor. In order to concentrate and intensify the magnetic flux, the conductor may be wound into a coil or solenoid as shown in Fig. 5.3. It is important to note that the magnetic field around a solenoid is similar to that which surrounds a permanent magnet, as shown in Fig. 5.3.

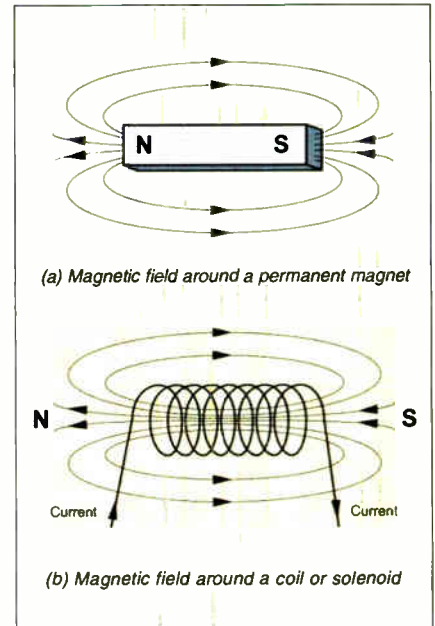


Fig.5.3. Magnetic field surrounding a permanent magnet and a solenoid

Check Point 5.1

Whenever an electric current flows in a conductor a magnetic field is set up in the space surrounding the conductor. The field spreads out around the conductor in concentric circles with the greatest density of magnetic flux nearest to the conductor.

The solenoid that we have just met has an important property that is known as *inductance* (or, more correctly *self-inductance*). This property results from the fact that a changing current (i.e. a current that doesn't remain constant) produces a changing magnetic flux in the space surrounding

Table 5.1. Comparison between electric and magnetic circuits

Electric circuit	Magnetic circuit
Electromotive force, e.m.f. = V	Magnetomotive force, m.m.f. = $N \times I$
Resistance = R	Reluctance = S
Current = I	Flux = Φ
e.m.f. = current \times resistance	m.m.f. = flux \times reluctance
$V = IR$	$NI = S\Phi$

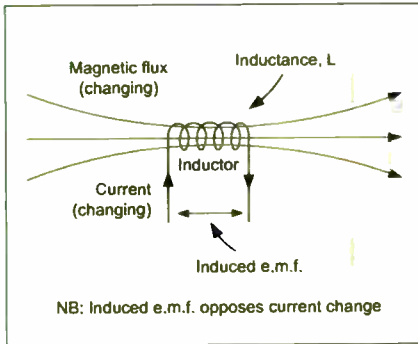


Fig.5.4. Induced e.m.f.

the solenoid. This, in turn, results in a small electromotive force (or e.m.f.) appearing across the terminals of the solenoid.

This induced e.m.f. is directly proportional to the rate at which the current changes (see Fig. 5.4). In other words, the faster the current changes the greater the induced voltage. Furthermore, because the induced e.m.f. acts in opposition to the current change that creates it, induced e.m.f. is sometimes referred to as *back e.m.f.*

Check Point 5.2

Induced e.m.f. tends to oppose any change of current and because of this we often refer to it as a *back e.m.f.*

The relationship between inductance, L , and induced e.m.f., e , is given by:

$$e = -L \frac{di}{dt}$$

where L is the self-inductance, $\frac{di}{dt}$ is the rate of change of current and the minus sign indicates the polarity of the generated e.m.f. (recall that this opposes the change that creates it).

The unit of inductance is the Henry (H) and a coil is said to have an inductance of 1H if a voltage of 1V is induced across it when a current changing at the rate of 1A/s is flowing in it.

Example 5.1

A coil has a self-inductance of 10H and is subject to a current that changes at a rate of 4A/s. What e.m.f. is produced?

Now $e = -L \frac{di}{dt}$ and hence:

$$e = -10 \times 4 = -40V$$

Note the minus sign. This tells us that a back e.m.f. of 40V is produced.

Example 5.2

A current increases at a uniform rate from 2A to 6A in a time of 250ms. If this current is applied to an inductor determine the value of inductance if a back e.m.f. of 15V is produced across its terminals.

Now $e = -L \frac{di}{dt}$ and hence $L = -e \frac{dt}{di}$

Thus:

$$L = -(-15) \times \frac{250 \times 10^{-3}}{(6-2)} = 15 \times 62.5 \times 10^{-3} = 937.5 \times 10^{-3} = 0.94H$$

Magnetic Circuits

Materials such as iron and steel possess considerably enhanced magnetic properties. Hence they are employed in applications where it is necessary to increase the flux density produced by an electric current. In effect, they allow us to concentrate and channel the electric flux into a closed magnetic circuit, as shown in Fig.5.5b.

In the circuit of Fig.5.5b the reluctance of the magnetic core is analogous to the resistance present in the electric circuit shown in Fig.5.5a and we can make comparisons as in Table 5.1:

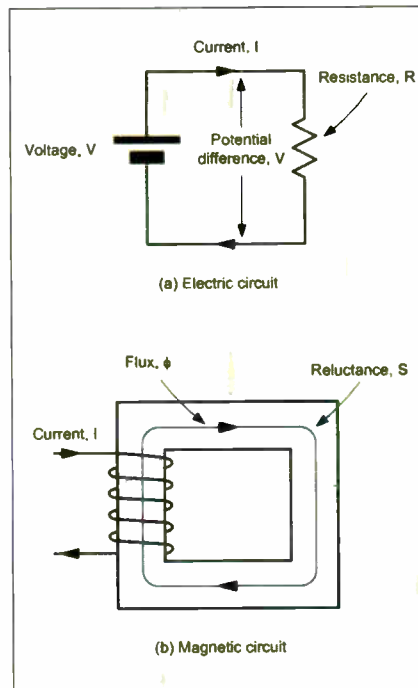


Fig.5.5. Comparison of (a) electric and (b) magnetic circuits

Reluctance and Permeability

The reluctance of a magnetic circuit is directly proportional to its length and inversely proportional to its cross-sectional area. The reluctance is also inversely proportional to the absolute permeability of the magnetic material.

Thus:

$$S = \frac{l}{\mu A}$$

where S is the reluctance of the magnetic path, l is the length of the path (in m), A is the cross-sectional area of the path (in m^2), and μ is the absolute permeability of the magnetic material.

Now the absolute permeability of a magnetic material is the product of the permeability of free space (μ_0) and the relative permeability of the magnetic medium (μ_r).

Thus:

$$\mu = \mu_0 \times \mu_r$$

and:

$$S = \frac{l}{\mu_r \mu_0 A}$$

One way of thinking about permeability is that it is a measure of a magnetic medium's ability to support magnetic flux when subjected to a magnetising force. Thus absolute permeability μ , is given by:

$$\mu = \frac{B}{H}$$

where B is the flux density (T) and H is the magnetising force (A/m).

The term "magnetising force" needs a little explanation. We have already said that, in order to generate a magnetic flux we need to have a current flowing in a conductor and that we can increase the field produced by winding the conductor into a coil which has a number of turns of wire.

The product of the number of turns, N , and the current flowing, I , is known as *magnetomotive force*, or m.m.f (look back at the comparison table of electric and magnetic circuits if this is still difficult to understand). The magnetising force, H , is the m.m.f. (i.e. $N \times I$) divided by the length of the magnetic path, l . Thus:

$$H = \frac{m.m.f.}{l} = \frac{NI}{l}$$

where H is the magnetising force (in A/m), N is the number of turns, I is the current (in A), and l is the length of the magnetic path (in m).

Check Point 5.3

The magnetomotive force (m.m.f.) produced in a coil can be determined from the product of the number of turns, N , and the current flowing, I . The units of m.m.f. are "Ampere-turns" or simply A (as "turns" strictly has no units). Magnetising force, on the other hand, is determined from the m.m.f. divided by the length of the magnetic circuit, l , and its units are "Ampere turns per metre" or simply A/m.

Energy Storage

The energy stored in an inductor is proportional to the product of the inductance and the square of the current flowing in it. Thus:

$$W = 0.5 L I^2$$

where W is the energy (in J), L is the inductance (in H), and I is the current (in A).

Example 5.3

A current of 2A flows in an inductor of 10H. Determine the energy stored.

Solution

$$\text{Now } W = 0.5 L I^2 = 0.5 \times 10 \times 2^2 = 20\text{J}$$

Factors Determining Inductance

The inductance of an inductor depends upon the physical dimensions of the inductor (e.g. the length and diameter of the winding), the number of turns, and the permeability of the material of the core. The inductance of an inductor is given by:

$$L = \frac{\mu_0 \mu_r n^2 A}{l}$$

where L is the inductance (in H), μ_0 is the permeability of free space (12.57×10^{-7} H/m), μ_r is the relative permeability of the magnetic core, l is the length of the core (in m), n is the number of turns, and A is the cross-sectional area of the core (in m^2).

Example 5.3

An inductor of 200mH is required. If a closed magnetic core of length 20cm, cross sectional area 15cm^2 and relative permeability 400 is available, determine the number of turns required.

Solution

$$\text{Now } L = \frac{\mu_0 \mu_r n^2 A}{l} \text{ and hence } n = \sqrt{\frac{Ll}{\mu_0 \mu_r A}}$$

Thus

$$n = \sqrt{\frac{Ll}{\mu_0 \mu_r A}} = \sqrt{\frac{200 \times 10^{-3} \times 20 \times 10^{-2}}{12.57 \times 10^{-7} \times 400 \times 15 \times 10^{-4}}} \\ = \sqrt{\frac{4 \times 10^{-2}}{75420 \times 10^{-11}}} = \sqrt{53036} = 230$$

Hence the inductor requires 230 turns of wire.

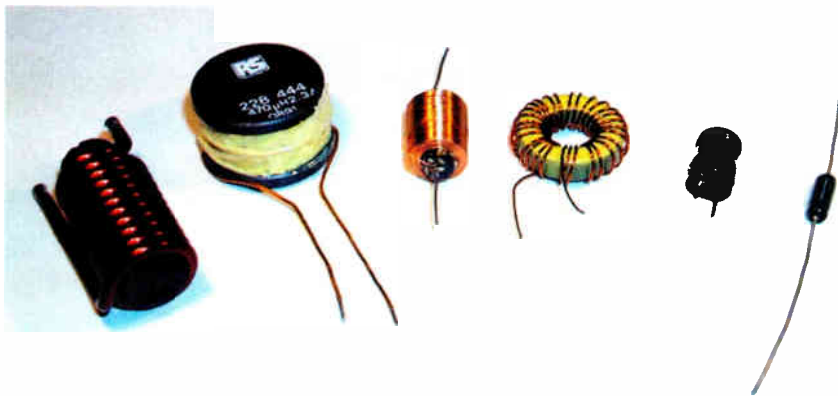


Photo 5.1. Various inductors with values ranging from $10\mu\text{H}$ to 1mH at current ratings from 100mA to 25A

Now see if you can answer the following questions on inductors:

Questions 5.1

Q5.1. An inductor comprises 150 turns of wire wound on a closed magnetic core of length 16cm, cross sectional area 1cm^2 and relative permeability 600. Determine the inductance.

Q5.2. A current changing at the rate of 0.5A per second is flowing through a 500mH inductor. What voltage will be produced?

Q5.3. A 1H inductor is required to store 500mJ of energy. What current should be flowing in the inductor?

deviation from the marked value). Other considerations may include the temperature coefficient of the inductance (usually expressed in parts per million, p.p.m., per unit temperature change), the stability of the inductor, the DC resistance of the coil windings (ideally zero), the Q-factor (quality factor) of the coil, and the recommended working frequency range.

The following table summarises the properties of commonly available types of inductor.

Several manufacturers supply fixed and variable inductors for operation at high and radio frequencies. Fixed components are generally available in the E6 series between $1\mu\text{H}$ and 10mH . Variable components have ferrite dust cores that can be adjusted in order to obtain a precise value of inductance.

The larger inductance values generally exhibit a larger DC resistance due to the greater number of turns and relatively small diameter of wire used in their construction.

At medium and low frequencies inductors are often manufactured using one of a range of ferrite pot cores. The core material of these inductors is commonly available in several types and the complete pot core assembly comprises a matched pair of core halves, a single-section bobbin, a pair of retaining clips, and a core adjuster. Effectively, the coil winding is totally enclosed in a high

Introducing Inductors

Inductor specifications normally include the value of inductance (expressed in H, mH, μH , or nH), the current rating (i.e. the maximum current which can be continuously applied to the inductor under a given set of conditions), and the accuracy or tolerance (quoted as the maximum permissible percentage

Table 5.2. Inductor types

Characteristics	Core material	Single-layer open		Multi-layer open		Multi-layer pot cored	Multi-layer iron cored
		Air	Ferrite	Air	Ferrite	Ferrite	Iron
Capacitance range	50nH to $10\mu\text{H}$	$1\mu\text{H}$ to $100\mu\text{H}$	$5\mu\text{H}$ to $500\mu\text{H}$	$10\mu\text{H}$ to 1mH	1mH to 100mH	20mH to 20H	
Typical Tolerance	$\pm 10\%$	$\pm 10\%$	$\pm 10\%$	$\pm 10\%$	$\pm 10\%$	$\pm 10\%$	
Typical current rating	0.1A	0.1A	0.2A	0.5A	0.5A	0.2A	
Typical DC resistance	0.05Ω to 1Ω	0.1Ω to 10Ω	1Ω to 20Ω	2Ω to 100Ω	2Ω to 100Ω	10Ω to 400Ω	
Typical Q-factor	60	80	100	80	40	20	
Typical frequency range	5MHz to 500MHz	1MHz to 500MHz	200kHz to 20MHz	100kHz to 10MHz	1kHz to 1MHz	50Hz to 1kHz	
Typical applications	Tuned circuits		Filters and HF transformers		LF and MF chokes and transformers	LF chokes and transformers	

permeability ferrite pot. Typical values of inductance for these components range between 100 μ H and 100mH with a typical saturation flux density of 250mT.

Inductance values of iron cored inductors are very much dependent upon the applied direct current and tend to fall rapidly as the value of applied direct current increases and saturation is approached. Maximum current ratings for larger inductors are related to operating temperatures and should be de-rated when high ambient temperatures are expected. Where reliability is important, inductors should be operated at well below their nominal maximum current ratings.

Finally, ferrite (a high permeability non-conductive magnetic material) is often used as the core material for inductors used in high-frequency filters and as broadband transformers at frequencies of up to 30MHz. At these frequencies, inductors can be realised very easily using these cores with just a few turns of wire.

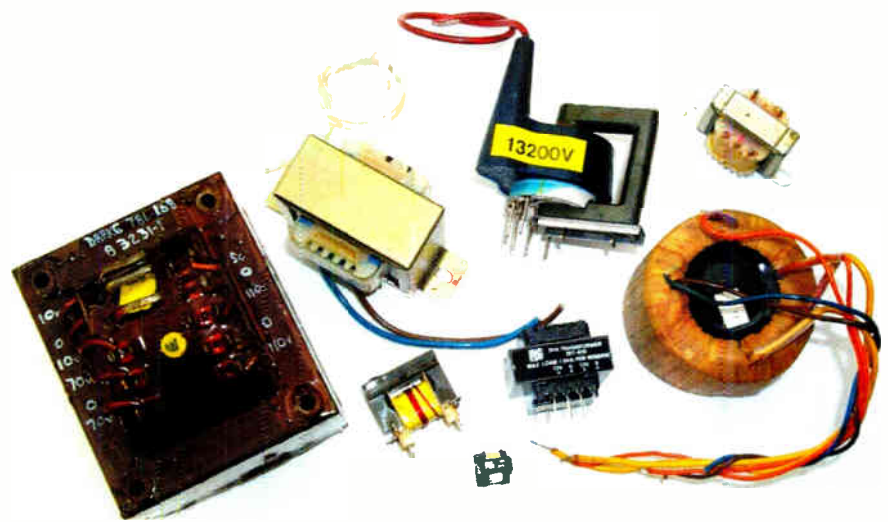


Photo 5.2. Various types of transformers

Check Point 5.4

The specifications for an inductor usually include the value of inductance (expressed in H, mH or μ H), the current rating (quoted as the maximum permissible percentage deviation from the marked value), the DC resistance (this is the resistance of the coil windings measured in ohms (Ω)).

The Q-factor and frequency range are also important considerations for certain types of inductor.

Introducing Transformers

It's now time to introduce another useful electronic component, the *transformer*. A selection of transformers is shown in Photo 5.2.

The principle of the transformer is illustrated in Fig.5.6. The primary (input) and secondary (output) coil windings are wound on a common low-reluctance magnetic core consisting of a number of steel laminations. All of the alternating flux generated by the primary winding is therefore coupled into the secondary winding (very little flux escapes due to leakage).

A sinusoidal current flowing in the primary winding will produce a sinusoidal flux within the transformer core which will link with the secondary winding and induce an alternating voltage in it. The basic transformer arrangement shown in Fig.5.6 is shown in symbolic (circuit) form in Fig.5.7.

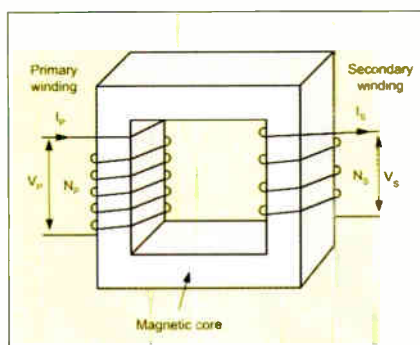


Fig.5.6. Basic transformer arrangement

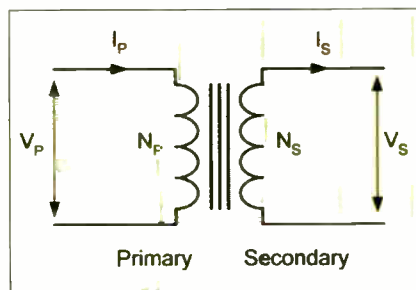


Fig.5.7. Voltage, current and turns

Since the same magnetic flux appears in both the primary and secondary windings we can infer the following relationship between the primary and secondary voltages and turns:

$$\frac{V_p}{V_s} = \frac{N_p}{N_s}$$

Furthermore, assuming that no power is lost in the transformer (i.e. as long as the primary and secondary powers are the same) we can conclude that:

$$\frac{I_s}{I_p} = \frac{N_p}{N_s}$$

The ratio of primary turns to secondary turns (N_p/N_s) is known as the *turns ratio*. Note also that, since the ratio of primary voltage to primary turns is the same as the ratio of secondary turns to secondary voltage, we can conclude that, for a particular transformer:

$$\text{Turns-per-volt (t.p.v.)} = \frac{V_p}{N_p} = \frac{V_s}{N_s}$$

The turns-per-volt rating can be quite useful when it comes to designing transformers with multiple secondary windings.

Example 5.4

A transformer has 2,000 primary turns and 120 secondary turns. If the primary is

connected to a 220V AC mains supply, determine the secondary voltage.

Since $\frac{V_p}{V_s} = \frac{N_p}{N_s}$ we can conclude that:

$$V_s = \frac{V_p N_s}{N_p} = \frac{220 \times 120}{2000} = 13.2\text{V}$$

Example 5.5

A transformer has 1,200 primary turns and is designed to operate with a 110V AC supply. If the transformer is required to produce an output of 10V, determine the number of secondary turns required.

Since $\frac{V_p}{V_s} = \frac{N_p}{N_s}$ we can conclude that:

$$N_s = \frac{N_p V_s}{V_p} = \frac{1200 \times 10}{110} = 109\text{turns}$$

Transformers provide us with a means of coupling AC power from one circuit to another without a direct connection between the two. A further advantage of transformers is that voltage may be stepped-up (secondary voltage *greater* than primary voltage) or stepped-down (secondary voltage *less* than primary voltage).

Since no increase in power is possible (like resistors, capacitors and inductors, transformers are passive components) an increase in secondary voltage can only be achieved at the expense of a corresponding reduction in secondary current, and vice versa (in fact, the secondary power will be very slightly less than the primary power due to losses within the transformer).

The specifications for a transformer usually include the rated primary and secondary voltages and currents, the required power rating (i.e. the rated power, usually expressed in Volt-Amperes,

VA) which can be continuously delivered by the transformer under a given set of conditions), the frequency range for the component (usually stated as upper and lower working frequency limits), and the per-unit regulation of a transformer.

This last specification is a measure of the ability of a transformer to maintain its rated output when a load is imposed on it.

Questions 5.2

Q5.4. A transformer has 880 primary turns and is designed to operate with a 220V AC supply. How many secondary turns will be required to produce an output of 18V?

Q5.5. A transformer has 1,200 primary turns and 200 secondary turns. The transformer delivers a secondary current of 4A into a 10Ω load resistor. Assuming that no power is lost in the transformer, determine the primary voltage and current.

Check Point 5.4

Transformers provide a convenient means of coupling AC power from one circuit to another without having to make a direct connection. The power is coupled through the magnetic flux that links the primary and secondary windings. The ratio of primary to secondary turns determines the ratio of input (primary) to output (secondary) voltage and so a transformer can be used to step-up or step-down an AC voltage.

Rectifiers

Semiconductor diodes are commonly used to convert alternating current (AC) to direct current (DC), in which case they are referred to as *rectifiers*. The simplest form of rectifier circuit makes use of a single diode and, since it operates on only either positive or negative half-cycles of the supply, it is known as a *half-wave rectifier*. Fig.5.8 shows a simple half-wave rectifier circuit.

The AC supply at 220V is applied to the primary of a step-down transformer (T1). The secondary of T1 steps down the 220V 50Hz supply to 12V RMS (the turns ratio of T1 will thus be 220/12 or 18.3:1). Diode D1 will only allow the current to flow in the

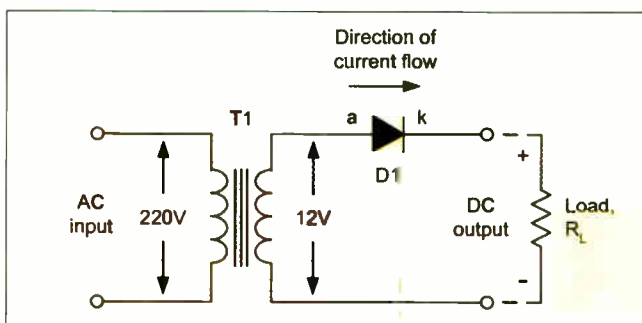


Fig.5.8. A simple half-wave rectifier circuit

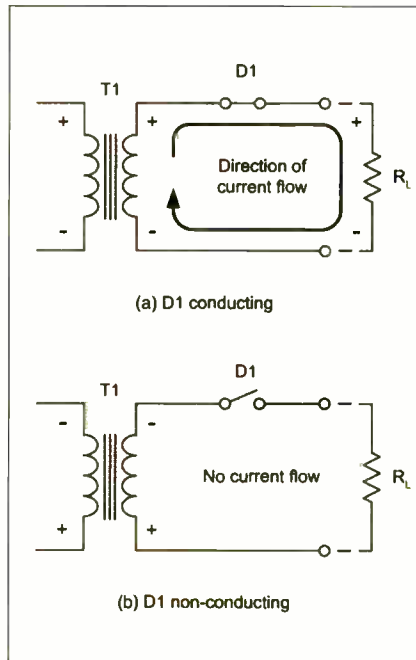


Fig.5.9. Switching action of the diode in the half-wave rectifier (a) D1 forward biased (b) D1 reverse biased

direction shown (i.e. from anode to cathode). Diode D1 will be forward biased during each positive half-cycle and will effectively behave like a closed switch, as shown in Fig.5.9a.

When the circuit current tries to flow in the opposite direction, the voltage bias across the diode will be reversed, causing the diode to act like an open switch, as shown in Fig.5.9b.

The switching action of D1 results in a pulsating output voltage, which is developed across the load resistor (R_L). Since the supply is at 50Hz, the pulses of voltage developed across R_L will also be at 50Hz even if only half the AC cycle is present.

During the positive half-cycle, the diode will drop the 0.6V forward threshold voltage normally associated with silicon diodes. However, during the negative half-cycle the peak AC voltage will be dropped across D1 when it is reverse biased. This is an important consideration when selecting a diode for a particular application. Assuming that the secondary of T1 provides 12V RMS, the peak

voltage output from the transformer's secondary winding will be given by:

$$V_{pk} = 1.414 \times V_{RMS} = 1.414 \times 12V = 16.97V$$

The peak voltage applied to D1 will thus be approximately 17V. The negative half-cycles are blocked by D1 and thus only the positive half-cycles appear across R_L . Note, however, that the actual peak voltage across R_L will be the 16.97V positive peak being supplied from the secondary on T1, minus the 0.6V forward threshold voltage dropped by D1. In other words, positive half-cycle pulses having a peak amplitude of approximately 17V will appear across R_L . The waveforms of voltages in the simple half-wave power supply are shown in Fig.5.10.

The circuit Fig.5.11 shows a considerable improvement to the simple rectifier circuit in Fig.5.8. The capacitor, C1, has been added to ensure that the output voltage remains at, or near, the peak voltage even when the diode is not conducting.

When the primary voltage is first applied to transformer T1, the first positive half-cycle output from the secondary will charge C1 to the peak value seen across R_L . Hence C1 charges to approximately 17V at the peak of the positive half-cycle.

Because C1 and R_L are in parallel, the voltage across R_L will be the same as that developed across C1 (see Fig.5.12).

Charge and Discharge Timing Constant

The time required for capacitor C1 to charge to the maximum (peak) level is determined by the charging circuit time constant (the series resistance multiplied by the capacitance value). In this circuit, the series resistance comprises the secondary winding resistance together with the forward resistance of the diode and the (minimal) resistance of the wiring and connections.

The time required for C1 to discharge is, in contrast, very much greater. The discharge time constant is determined by the capacitance value and the load resistance, R_L . In practice, R_L is very much larger than the resistance of the secondary circuit and hence C1 takes an

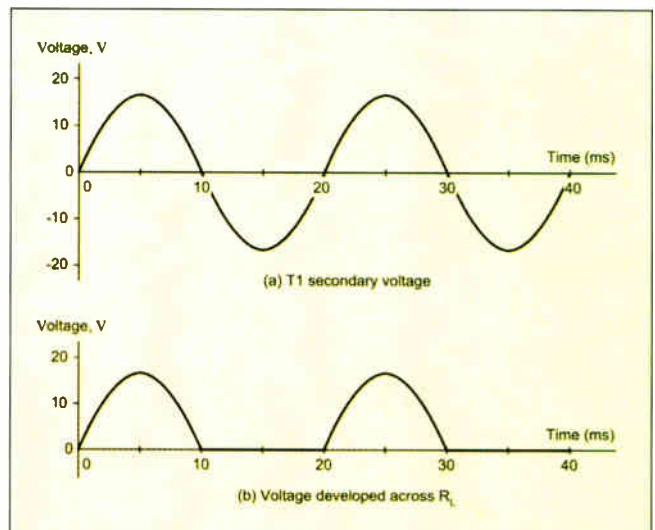


Fig.5.10. Waveforms of voltages in the simple half-wave power supply of Fig.5.8

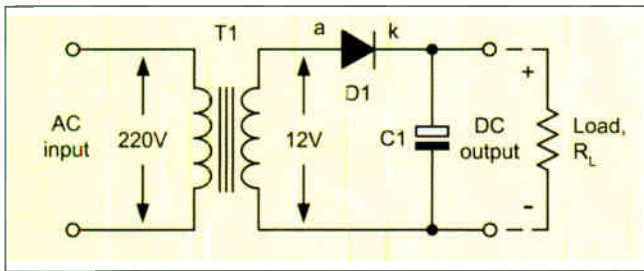


Fig.5.11. Effect of adding a reservoir capacitor to the output of the simple half-wave power supply

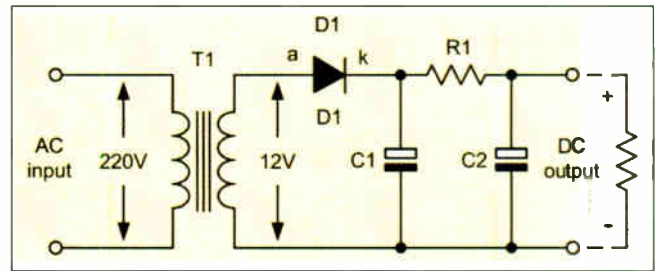


Fig.5.13. Half-wave power supply with reservoir capacitor and smoothing filter

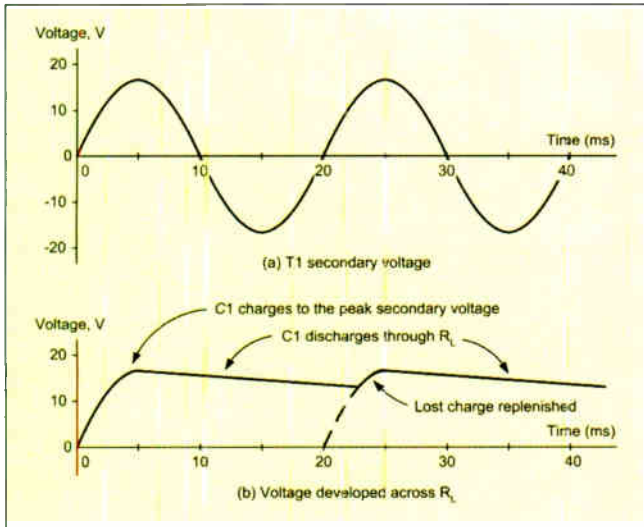


Fig.5.12. Waveforms of voltages in the half-wave power supply with reservoir capacitor, Fig.5.11.

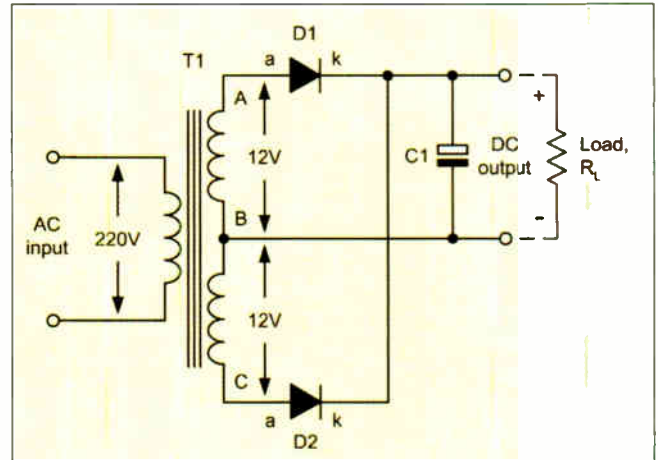


Fig.5.14. A simple bi-phase rectifier circuit with reservoir capacitor

appreciable time to discharge. During this time, diode D1 will be reverse biased and will thus be held in its non-conducting state. As a consequence, the only discharge path for C1 is through R_L .

Capacitor C1 is referred to as a *reservoir capacitor*. It stores charge during the positive half-cycles of secondary voltage and releases it during the negative half-cycles. The circuit shown in Fig.5.11 is thus able to maintain a reasonably constant output voltage across R_L . Even so, C1 will discharge by a small amount during the negative half-cycle periods from the transformer secondary.

The waveforms in Fig.5.12 show the secondary voltage together with the voltage developed across R_L with and without C1 present. This gives rise to a small variation in the DC output voltage (known as *ripple*).

Since ripple is undesirable we must take additional precautions to reduce it. One obvious method of reducing the amplitude of the ripple is that of simply increasing the discharge time constant. This can be achieved either by increasing the value of C1 or by increasing the resistance value of R_L . In practice, however, the latter is not really an option because R_L is the effective resistance of the circuit being supplied and we don't usually have the ability to change it!

Increasing the value of C1 is a more practical alternative and very large capacitor values (often in excess of $1,000\mu\text{F}$) are typical.

The circuit in Fig.5.13 shows a further refinement of the simple power supply. This circuit employs two additional components, R1 and C2, which act as a filter to remove the ripple.

Full-wave Rectifier

The half-wave rectifier circuit is relatively inefficient as conduction takes place only on alternate half-cycles. A better rectifier arrangement would make use of both positive and negative half-cycles. These *full-wave rectifier* circuits offer a considerable improvement over their half-wave counterparts. They are not only more efficient but are significantly less demanding in terms of the reservoir and smoothing components.

There are two basic forms of full-wave rectifier; the bi-phase type and the bridge rectifier type. A simple *bi-phase rectifier* circuit is shown in Fig.5.14. The AC supply at 220V is applied to the primary of a step-down transformer (T1). This has two identical secondary windings, each providing 12V RMS (the turns ratio of T1 will still be 220/12 or 18.3 for each secondary winding).

On positive half-cycles, point A will be positive with respect to point B. Similarly, point B will be positive with respect to point C. In this condition D1 will allow conduction (its anode will be positive with respect to its cathode) while D2 will not allow

conduction (its anode will be negative with respect to its cathode). Thus D1 alone conducts on positive half-cycles.

On negative half-cycles, point C will be positive with respect to point B. Similarly, point B will be positive with respect to point A. In this condition D2 will allow conduction (its anode will be positive with respect to its cathode) while D1 will not allow conduction (its anode will be negative with respect to its cathode). Thus D2 alone conducts on negative half-cycles.

As with the half-wave rectifier, the switching action of the two diodes results in a pulsating output voltage being developed across the load resistor (R_L).

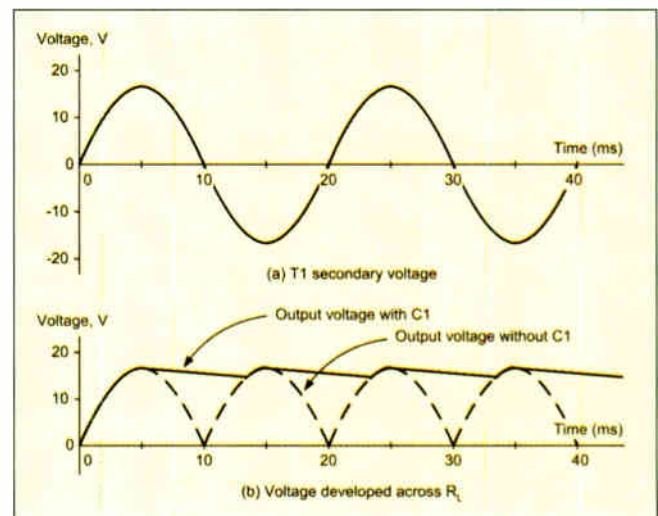


Fig.5.15. Waveforms of voltages in the bi-phase power supply with reservoir capacitor, Fig.5.14.

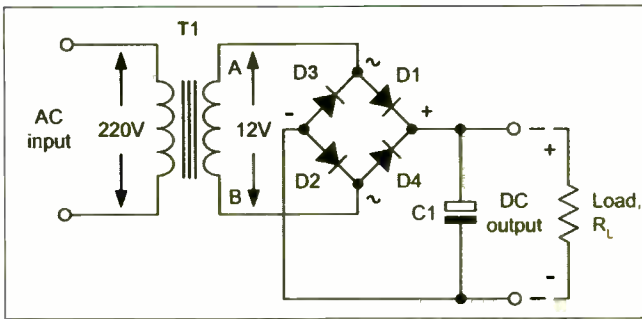


Fig.5.16. A full-wave rectifier circuit using a bridge rectifier

However, unlike the half-wave circuit, the pulses of voltage developed across R_L will occur at a frequency of 100Hz (not 50Hz).

This doubling of the ripple frequency allows us to use smaller values of reservoir and smoothing capacitor to obtain the same degree of ripple reduction (recall that the reactance of a capacitor is reduced as frequency increases).

As before, the peak voltage produced by each of the secondary windings will be approximately 17V. The reservoir capacitor (C1) acts in exactly the same way as for the half-wave rectifier circuit that we met earlier, i.e. it charges to approximately 17V at the peak of the positive half-cycle and holds the voltage at this level when the diodes are in their non-conducting states. The waveforms of voltages in the bi-phase power supply with reservoir capacitor are shown in Fig.5.15.

Bridge Rectifier

An alternative to the use of the bi-phase circuit is that of using a four-diode *bridge rectifier* in which opposite pairs of diode conduct on alternate half-cycles. This arrangement avoids the need to have two separate secondary windings. A full-wave bridge rectifier arrangement is shown in Fig.5.16.

The 220V AC supply at 50Hz is applied to the primary of a step-down transformer (T1). As before, the secondary winding provides 12V RMS (approximately 17V peak) and has a turns ratio of 18:3:1. On positive half-cycles, point A will be positive with respect to point B. In this condition D1 and D2 will allow conduction while D3 and D4 will not allow conduction. Conversely, on negative half-cycles, point B will be positive with respect to point A. In this condition D3 and D4 will allow conduction while D1 and D2 will not allow conduction.

As with the bi-phase rectifier, the switching action of the two diodes results in a pulsating output voltage being developed across the load resistor (R_L). The

peak output voltage is approximately 15.8V (i.e. 17V less the $2 \times 0.6V$ forward threshold voltage of the two diodes).

The reservoir capacitor (C1) is again added to the circuit in order to ensure that the output voltage remains at, or near, the peak voltage even when the diodes are not conducting. This component operates in exactly the same way as for the bi-phase circuit, i.e. it charges to approximately 16V at the peak of the positive half-cycle and holds the voltage at this level when the diodes are in their non-conducting states. The voltage waveforms are similar to those that we met earlier for the bi-phase rectifier.

Voltage Regulation

In a practical power supply we usually need some means of maintaining the DC output voltage constant regardless of changes in the AC supply or the load current demanded from the supply. A simple *voltage regulator* is shown in Fig.5.17.

The series resistor, R_S is included to limit the Zener diode (D1) current to a safe value when the load is disconnected. When a load (R_L) is connected, the Zener current will fall as current is diverted into the load resistance (it is usual to allow a minimum current of 2mA to 5mA in order to ensure that the diode regulates).

The output voltage will remain at the Zener voltage (V_Z) until regulation fails at the point at which the potential divider formed by R_S and R_L produces an output

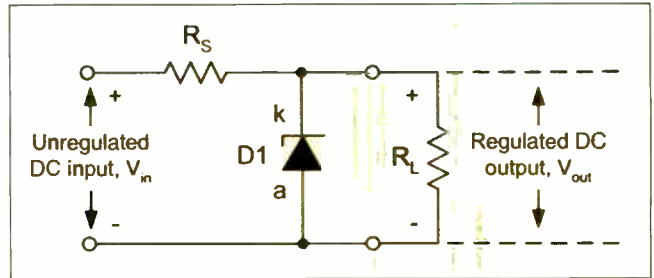


Fig.5.17. A simple Zener diode voltage regulator

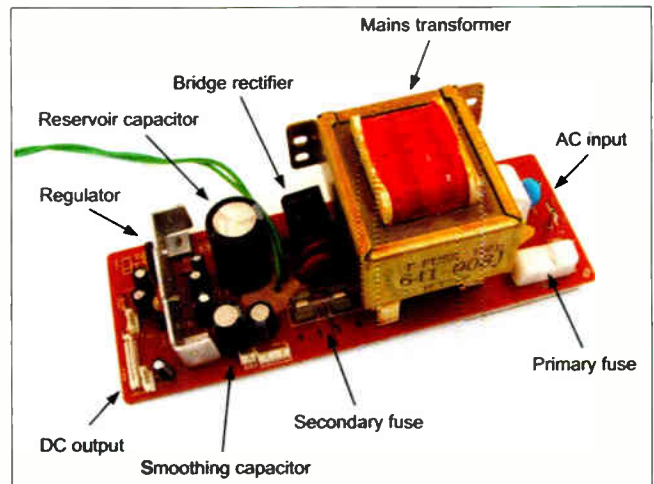


Fig.5.18. A complete power supply

voltage that is less than V_Z . The ratio of R_S to R_L is thus important.

Finally, a practical power supply is shown in Fig.5.18. This circuit uses a step-down transformer, bridge rectifier, reservoir capacitor and voltage regulator. It provides a smoothed and regulated DC output voltage of 18V at 2A.

Answers To Questions

- Q5.1 10-6mH
- Q5.2 -0.25V
- Q5.3 1A
- Q5.4 72 turns
- Q5.5 240V, 0.67A

Next Month

In Part 6, next month, we shall be introducing transistors and investigating their use in amplifier circuits. In the meantime you might like to see how you get on with our on-line quiz for Part 5. You will find this at:

www.miketooley.info/teach-in/quiz5.htm

EP
Online
www.epemag.com

Get your magazine "instantly" anywhere
in the world – buy and download from the web.
TAKE A LOOK, A FREE ISSUE IS AVAILABLE
A one year subscription (12 issues) costs just
\$15.99 (US)
www.epemag.com

Rapid

Proud to be this year's
prize sponsor for the
EPE Tutorial Series 'Teach-In' 2006

- New Industry catalogue available January 2006
- Competitive prices on the Components Kits and all our products
- Dedicated technical team
- Over 32,000 products in stock
- Same day despatch
- No minimum order value
- Free carriage for orders over £25 (excluding VAT, UK mainland only)

FIRST PRIZE

72 piece
Electronics
Tool Kit
worth £275
plus 21
runner-up prizes

Order code:
85-0075



Order code:
85-1130
18W iron with
13A plug

£10.95
+VAT



Order code: **85-0595**
0.5k reel 22swg solder

£6.00
+VAT



Order code: **01-0400**
100m reel black 7/0.2 wire

£2.45
+VAT



Order code: **70-1258**

**The complete set
(Kits 1, 2 and 3
together)**

For contents see
www.rapideducation.co.uk

£41.95
+VAT

FREE Despatch

www.rapidelectronics.co.uk

Rapid Electronics Limited
Severalls Lane, Colchester
Essex CO4 5JS

Telephone: 01206 751166

Fax: 01206 751188

Email: sales@rapidelec.co.uk

Website: www.rapidelectronics.co.uk

World Radio History

defining the standard

PRACTICALLY SPEAKING

Robert Penfold looks at the Techniques of Actually Doing It!

PREVIOUSLY we looked at using computer programs to design computer labels and front panel overlays. As pointed out in the earlier article, the range of free and low-cost drawing programs seems to be somewhat reduced from the large range that was on offer a few years ago.

To be more accurate, the range of good but free or cheap drawing programs has reduced. However, as explained previously, there are still some worthwhile candidates.

With traditional materials for graphic designers becoming harder to obtain, the computerised approach is becoming increasingly attractive. For most of us, results using a computer based approach are far better than those obtained using traditional methods.

Practicalities

Having obtained suitable software there is the minor matter of getting it to do something. In many ways the task is much the same whether a front panel design is produced using pencil and paper or a computer and printer. Either way, you have to produce a design that is functional as well as being neat and attractive. It is easy to come up with a design that looks impressive but is either impossible to make or difficult to use.

A design will be impossible to realise in practice unless great care is taken to ensure that there is space for everything to fit correctly. Most problems can be avoided by making careful measurements and drawing the layout accurately to scale. Any modern drawing program should enable scale drawings to be produced and printed out at actual size.

Make sure that the spacing of the controls leaves sufficient room for the control knobs. Remember that most types of control knob will be very difficult to use unless a reasonable gap is left between each one in a row of controls. Ideally there should be a gap of about 10mm between each control knob.

The classic mistake when designing a front panel layout is to only consider the front side of the panel, and leave insufficient space for a potentiometer, switch, or whatever. In many cases there will not be any chance of this occurring, because the control knobs on the front of the panel will be larger than the controls on the rear side. The small physical size of modern components helps in this respect, but some components are still relatively large. Take particular care when designing the front panel for a project that uses rotary switches or any other rotary control that is fairly large.

A good way of working out a layout is to have the case with the front panel facing upwards and then place the control knobs on it and try various layouts. The fixing nuts can be used to represent things like

toggle switches, a washer can be used to represent something like a LED, and so on (Fig.1). With this method you get a good idea of what the finished project will look like, and it is easy to judge whether sufficient space is being allowed for each component. Having found a neat and practical layout, take some careful measurements and make an actual size drawing of the layout. Include things like the dimensions of cut-outs, the diameters of mounting holes, etc. This will make life much easier when you start work on the panel.

When producing a front panel layout I prefer to see it "in the flesh", but there is an alternative method available when using a drawing program. You can "cut to the chase" and produce the layout using the drawing program. Any drawing program should have a facility for producing symbols that can be added to a drawing and moved around easily. In this context the symbols are representations of things like control knobs and lights that are drawn accurately to scale, and they should also be reasonable likenesses of the real thing.

Using a 3D drawing program it is possible to produce a 3D representation of the finished gadget that can be viewed from any angle. In fact most commercial



Fig.1. Producing a dummy front panel layout gives a good idea of what the finished project will look like

products start out as 3D models in a computer.

However, the 3D approach requires some fairly advanced software in order to do a good job. It also requires much more skill than 2D drawing and a lot more time to set up the program with suitable symbols.

Hobson's Choice

With some projects your choice of front panel layout will be strictly limited because the controls, sockets, LEDs, etc. will be mounted on the circuit board. The layout of the front panel is therefore already designed for you to a large extent. The spacing of the mounting holes in the front panel must accurately match up with the spacing of the controls on the circuit board or it will not be possible to fit the board assembly onto the front panel.

The article might include details of the distances between the front panel

components, but if not it is just a matter of making some careful measurements. It has to be emphasised that accuracy is all-important with this type of thing. One or two quite small errors can make it impossible to fit the circuit board assembly on to the front panel.

Of course, where the original design has the controls, etc., mounted on the board it is not essential to do things this way. You can "do your own thing" and hard wire the front panel components to the circuit board. With complex projects this would have to be regarded as doing things the hard way, but with the more simple projects it gives greater versatility and could be a worthwhile approach. For beginners though, it is advisable to keep it simple and mount the front panel components on the circuit board.

A final and important point to keep in mind is that modern cases in general, and the plastic variety in particular, tend to have a variety of obstructions inside. In some cases these are essential items that are needed to help fix the two halves of the case together, or something of this nature. The obstructions are often intended to be mounting pillars for the circuit board, but they will not necessarily be of any use with the particular project you are building. Some cases have "mystery" obstructions that serve no apparent purpose and are probably part of the manufacturing process.

Any obstructions inside the case will be of little consequence if they are well away from the front panel, but it is quite common for some of them to be located close to the ends of the panel. This effectively produces a "no-go" area at each end of the front panel where large components cannot be accommodated, and with some cases there will not even be sufficient space for small sockets and switches. Unwanted mounting pillars and odd mouldings can be carefully cut or drilled away if they become a serious nuisance, but you just have to work the design around anything that is an essential part of the case.

Long and Short Of It

In general, a front panel layout will be neater if the controls, etc., are in one or two rows rather than liberally scattered all over the place. In theory, you can use any desired front panel layout if the controls, etc., are hard wired to the circuit board. In reality it is not always as simple as that, and there are a few practical considerations that have to be taken into account. It is not a good idea to have lots of long wires trailing all over the place inside the case.

This is not just a matter of making the interior of the project look pretty. Long

wires can give problems with poor performance and could even result in a project failing to work. This type of thing tends to be more of an issue with analogue circuits where it is definitely a good idea to keep the input and output wiring well separated. Digital circuits are not immune to problems due to long wires, so it is advisable to keep the wiring reasonably short with digital designs.

Drawing

In order to draw up a front panel you are unlikely to need the more advanced drawing tools. Most front panels are rectangular, and there should be a tool for drawing basic shapes such as rectangles and circles. As pointed out in the previous article, it is essential to make use of rulers and (or) grids in order to get things the right size and positioned accurately. There is often the option of entering dimensions and angles from the keyboard, but it is generally quicker and easier to place an initial point on the screen and then drag the object to the required size. Complex shapes can be built up from individual lines and arcs, or there might be a Polygon or Polyline tool specifically for this type of thing.

Objects in drawing programs usually have outline and fill properties. In Serif DrawPlus 4.0 these are controlled by the panel in the right-hand section of the window (Fig.2). The main outline properties are the colour and line width. Very thin lines do not print well on most printers and might even fail to appear, but thick lines can effectively make the finished drawing a bit approximate. Use a line width that prints well but is thick enough to give "crisp" printouts. About 0.5 points is suitable for normal lines with one or two points being used for "heavy" lines. There will probably be various line types (dotted, dashed, etc.) which can be useful.

In-Fill

It will not be essential to use a fill colour. If you require a plain panel it is just a matter of opting for a suitably blank fill colour, which will usually be "white", "none", or "transparent". Drawn objects that mysteriously disappear are a common problem when first using a drawing program. What has usually happened is that a white fill has been used for the outline of the panel, and the missing objects are notionally behind this filling. This will not happen if a "transparent" fill or none at all is used. It is easily rectified anyway, and there is an Arrange menu that enables objects to be moved back or forwards so that the desired appearance is obtained. In this case the easiest solution is to select the panel's outline and then use the Send to Back option in the Arrange menu.

Of course, you are not limited to plain panels. When using a black and white printer you are limited to black and shades of grey, but a wide range of colours are available when using an inkjet type.

With most drawing programs you are not restricted to a simple solid fill. There is usually the option of using various graduated

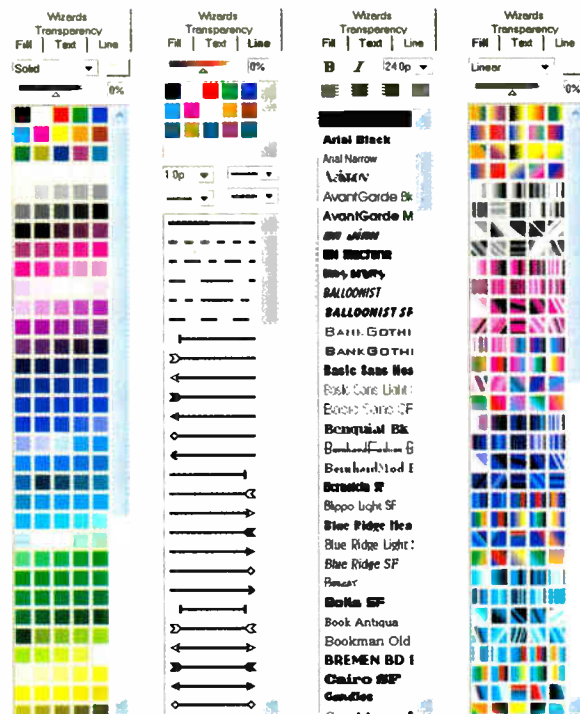


Fig.2. Serif DrawPlus 4 has a tabbed control panel that provides numerous line and fill options, plus a range of text features. Graduated fills (extreme right) are available but are best used sparingly

fills where there is a gradual transition from one tone to another, or even from one colour to another (Fig.2 extreme right). This type of thing can be quite effective when used sparingly, but psychedelic front panels are inappropriate for most projects.

Text

Initially it is probably best to draw up a simple template that can be used when drilling the front panel. This can be printed out and gummed to the panel. The panel and template can be soaked in water once the drilling has been completed, and it should then be easy to remove the template.

It is best not to use anything other than water based adhesives for this type of thing, especially when a plastic panel is involved. Apart from the likely difficulty in removing the template and adhesive, there is a risk of the adhesive damaging plastic panels.

Having designed the template, the drawing can be saved under another name and then worked on further to produce the proper overlay. Modern projects are often quite small, which means that the legends will frequently have to be in small type. Modern laser and inkjet printers are quite good at handling small type, but it is still advisable not to use a text size of less than about eight points.

Circles of the appropriate size can be used to represent the control knobs, and

large front panel components such as meters or displays can also be drawn onto the design. This enables you to see precisely how much space is available for the labels, and should avoid having any partially obscured on the finished unit. The unwanted objects simply act as guides and are deleted once all the labels have been added.

The Text tool should have various alignment options, and in this case it is a centre or middle alignment option that is required so that the labels can be accurately centred above their respective controls. This is not guaranteed to provide perfect looking results every time, but some manual "fine tuning" can be used if you prefer to position things "by eye". Initially you have to guess at suitable text sizes, but any drawing program should enable text objects to be edited, including font and size changes.

The full range of installed fonts is normally available, so fancy lettering can be used if desired. However, with most projects a simple and "light" font such as Arial is a good choice. A full range of colours will be available if you are using a colour printer, but due care has to be taken when using coloured lettering. For lettering to be clearly legible it is important to have good tonal contrast between the text and background. In other words, use either dark lettering on a light panel or vice versa.

Contrasting colours with little tonal contrast tend to make text difficult to read. For example, mid-green text on a mid-red background (Fig.3 left) is likely to be hard on the user's eyes. Something like dark blue text on a light blue background (Fig.3 right) makes the text much easier to read. Good tonal contrast is especially important with

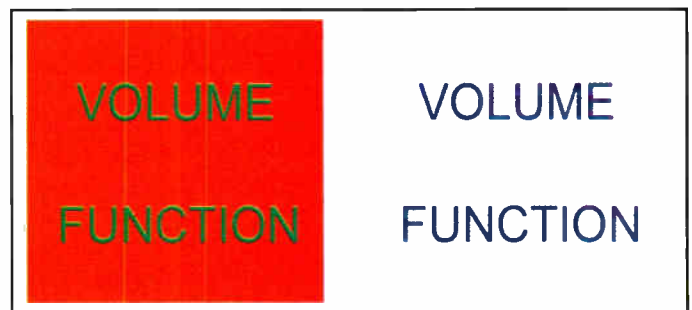


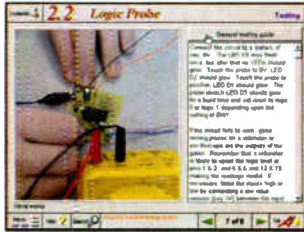
Fig.3. Good colour contrast (left) does not necessarily produce text that is easy to read. High tonal contrast (right) usually provides good legibility

small text. Some printers have problems with "bleeding" and poor results if light text is printed on a dark background. Dark text on a light background is a safer option, and this is again something that is much more important with small text.

Probably the most important thing when designing a front panel is to be in no hurry. Take a critical look at the finished design. Ultimately it is usability and practicality that are more important than good looks. There is no point in producing pretty designs where the components will not all fit into place properly or you need to be a contortionist in order to use the finished unit!

EPE IS PLEASED TO BE ABLE TO OFFER YOU THESE ELECTRONICS CD-ROMS

ELECTRONICS PROJECTS

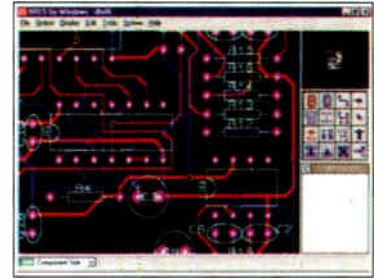


Logic Probe testing

Electronic Projects is split into two main sections: **Building Electronic Projects** contains comprehensive information about the components, tools and techniques used in developing projects from initial concept through to final circuit board production. Extensive use is made of video presentations showing soldering and construction techniques. The second section contains a set of ten projects for students to build, ranging from simple sensor circuits through to power amplifiers. A shareware version of Matrix's CADPACK **schematic capture, circuit simulation and p.c.b. design** software is included.

The projects on the CD-ROM are: Logic Probe; Light, Heat and Moisture Sensor; NE555 Timer; Egg Timer; Dice Machine; Bike Alarm; Stereo Mixer; Power Amplifier; Sound Activated Switch; Reaction Tester. Full parts lists, schematics and p.c.b. layouts are included on the CD-ROM.

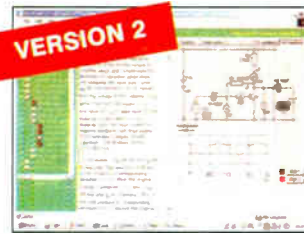
ELECTRONICS CAD PACK



PCB Layout

Electronics CADPACK allows users to design complex circuit schematics, to view circuit animations using a unique SPICE-based simulation tool, and to design printed circuit boards. CADPACK is made up of three separate software modules. (These are restricted versions of the full Labcenter software.) **ISIS Lite** which provides full schematic drawing features including full control of drawing appearance, automatic wire routing, and over 6,000 parts. **PROSPICE Lite** (integrated into ISIS Lite) which uses unique animation to show the operation of any circuit with mouse-operated switches, pots, etc. The animation is compiled using a full mixed mode SPICE simulator. **ARES Lite** PCB layout software allows professional quality PCBs to be designed and includes advanced features such as 16-layer boards, SMT components, and an autorouter operating on user generated Net Lists.

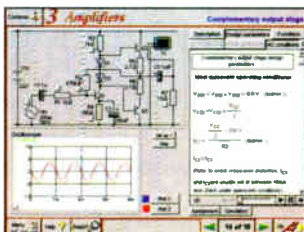
ELECTRONIC CIRCUITS & COMPONENTS V2.0



Circuit simulation screen

Provides an introduction to the principles and application of the most common types of electronic components and shows how they are used to form complete circuits. The virtual laboratories, worked examples and pre-designed circuits allow students to learn, experiment and check their understanding. Version 2 has been considerably expanded in almost every area following a review of major syllabuses (GCSE, GNVQ, A level and HNC). It also contains both European and American circuit symbols. Sections include: **Fundamentals**: units & multiples, electricity, electric circuits, alternating circuits. **Passive Components**: resistors, capacitors, inductors, transformers. **Semiconductors**: diodes, transistors, op.amps, logic gates. **Passive Circuits**. **Active Circuits**. **The Parts Gallery** will help students to recognise common electronic components and their corresponding symbols in circuit diagrams. Included in the Institutional Versions are multiple choice questions, exam style questions, fault finding virtual laboratories and investigations/worksheets.

ANALOGUE ELECTRONICS

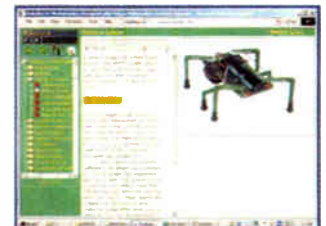


Complimentary output stage

Analogue Electronics is a complete learning resource for this most difficult branch of electronics. The CD-ROM includes a host of virtual laboratories, animations, diagrams, photographs and text as well as a SPICE electronic circuit simulator with over 50 pre-designed circuits.

Sections on the CD-ROM include: **Fundamentals** – Analogue Signals (5 sections), Transistors (4 sections), Waveshaping Circuits (6 sections). **Op.Amps** – 17 sections covering everything from Symbols and Signal Connections to Differentiators. **Amplifiers** – Single Stage Amplifiers (8 sections), Multi-stage Amplifiers (3 sections). **Filters** – Passive Filters (10 sections), Phase Shifting Networks (4 sections), Active Filters (6 sections). **Oscillators** – 6 sections from Positive Feedback to Crystal Oscillators. **Systems** – 12 sections from Audio Pre-Amplifiers to 8-Bit ADC plus a gallery showing representative p.c.b. photos.

ROBOTICS & MECHATRONICS



Case study of the Milford Instruments Spider

Robotics and Mechatronics is designed to enable hobbyists/students with little previous experience of electronics to design and build electromechanical systems. The CD-ROM deals with all aspects of robotics from the control systems used, the transducers available, motors/actuators and the circuits to drive them. Case study material (including the NASA Mars Rover, the Milford Spider and the Furby) is used to show how practical robotic systems are designed. The result is a highly stimulating resource that will make learning, and building robotics and mechatronic systems easier. The Institutional versions have additional worksheets and multiple choice questions.

- Interactive Virtual Laboratories
- Little previous knowledge required
- Mathematics is kept to a minimum and all calculations are explained
- Clear circuit simulations

DIGITAL ELECTRONICS V2.0

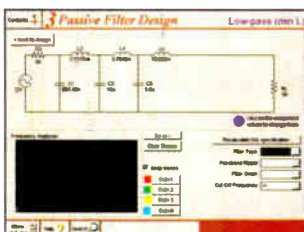


Virtual laboratory – Traffic Lights

Digital Electronics builds on the knowledge of logic gates covered in *Electronic Circuits & Components* (opposite), and takes users through the subject of digital electronics up to the operation and architecture of microprocessors. The virtual laboratories allow users to operate many circuits on screen.

Covers binary and hexadecimal numbering systems, ASCII, basic logic gates, monostable action and circuits, and bistables – including JK and D-type flip-flops. Multiple gate circuits, equivalent logic functions and specialised logic functions. Includes sequential logic including clocks and clock circuitry, counters, binary coded decimal and shift registers. A/D and D/A converters, traffic light controllers, memories and microprocessors – architecture, bus systems and their arithmetic logic units. Sections on Boolean Logic and Venn diagrams, displays and chip types have been expanded in Version 2 and new sections include shift registers, digital fault finding, programmable logic controllers, and microcontrollers and microprocessors. The Institutional versions now also include several types of assessment for supervisors, including worksheets, multiple choice tests, fault finding exercises and examination questions.

ANALOGUE FILTERS



Filter synthesis

Analogue Filters is a complete course in designing active and passive filters that makes use of highly interactive virtual laboratories and simulations to explain how filters are designed. It is split into five chapters: **Revision** which provides underpinning knowledge required for those who need to design filters. **Filter Basics** which is a course in terminology and filter characterization, important classes of filter, filter order, filter impedance and impedance matching, and effects of different filter types. **Advanced Theory** which covers the use of filter tables, mathematics behind filter design, and an explanation of the design of active filters. **Passive Filter Design** which includes an expert system and filter synthesis tool for the design of low-pass, high-pass, band-pass, and band-stop Bessel, Butterworth and Chebyshev ladder filters. **Active Filter Design** which includes an expert system and filter synthesis tool for the design of low-pass, high-pass, band-pass, and band-stop Bessel, Butterworth and Chebyshev

PRICES

Prices for each of the CD-ROMs above are:

(Order form on third page)

(UK and EU customers add VAT at 17.5% to "plus VAT" prices)

Hobbyist/Student	£45 inc VAT
Institutional (Schools/HE/FE/Industry).....	£99 plus VAT
Institutional 10 user (Network Licence)	£249 plus VAT
Site Licence.....	£499 plus VAT

PICmicro TUTORIALS AND PROGRAMMING

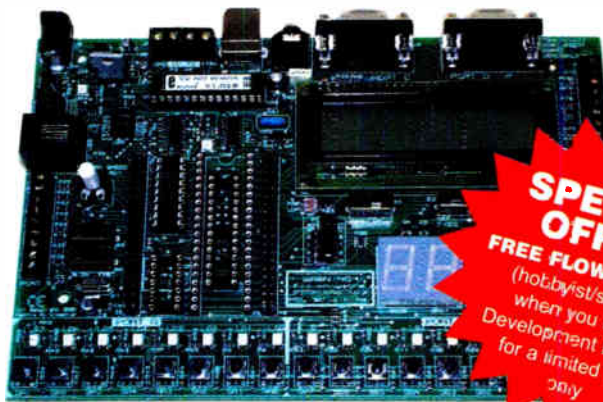
HARDWARE

VERSION 3 PICmicro MCU DEVELOPMENT BOARD

Suitable for use with the three software packages listed below.

This flexible development board allows students to learn both how to program PICmicro microcontrollers as well as program a range of 8, 18, 28 and 40-pin devices from the 12, 16 and 18 series PICmicro ranges. For experienced programmers all programming software is included in the PPP utility that comes with the development board. For those who want to learn, choose one or all of the packages below to use with the Development Board.

- Makes it easier to develop PICmicro projects
- Supports low cost Flash-programmable PICmicro devices
- Fully featured integrated displays – 16 individual i.e.d.s, quad 7-segment display and alphanumeric i.c.d. display
- Supports PICmicro microcontrollers with A/D converters
- Fully protected expansion bus for project work
- USB programmable
- Can be powered by USB (no power supply required)



SPECIAL OFFER
FREE FLOWCODE V2
(hobbyist/student)
when you buy a
Development Board –
for a limited time
only

£158 including VAT and postage

supplied with USB cable and programming software

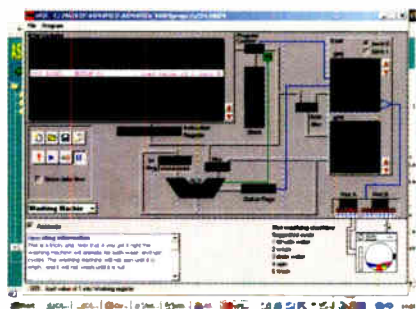
SOFTWARE

Suitable for use with the Development Board shown above.

ASSEMBLY FOR PICmicro V3 (Formerly PICtutor)

Assembly for PICmicro microcontrollers V3.0 (previously known as PICtutor) by John Becker contains a complete course in programming the PIC16F84 PICmicro microcontroller from Arizona Microchip. It starts with fundamental concepts and extends up to complex programs including watchdog timers, interrupts and sleep modes. The CD makes use of the latest simulation techniques which provide a superb tool for learning: the Virtual PICmicro microcontroller. This is a simulation tool that allows users to write and execute MPASM assembler code for the PIC16F84 microcontroller on-screen. Using this you can actually see what happens inside the PICmicro MCU as each instruction is executed which enhances understanding.

- Comprehensive instruction through 45 tutorial sections
- Includes Vlab, a Virtual PICmicro microcontroller: a fully functioning simulator
- Tests, exercises and projects covering a wide range of PICmicro MCU applications
- Includes MPLAB assembler
- Visual representation of a PICmicro showing architecture and functions
- Expert system for code entry helps first time users
- Shows data flow and fetch execute cycle and has challenges (washing machine, lift, crossroads etc.)
- Imports MPASM files.

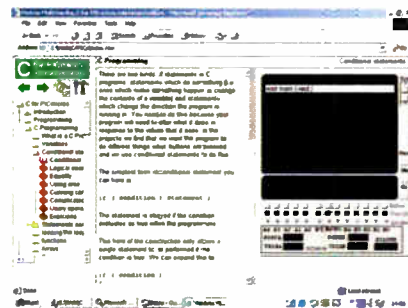


'C' FOR PICmicro VERSION 2

The C for PICmicro microcontrollers CD-ROM is designed for students and professionals who need to learn how to program embedded microcontrollers in C. The CD contains a course as well as all the software tools needed to create Hex code for a wide range of PICmicro devices – including a full C compiler for a wide range of PICmicro devices.

Although the course focuses on the use of the PICmicro microcontrollers, this CD-ROM will provide a good grounding in C programming for any microcontroller.

- Complete course in C as well as C programming for PICmicro microcontrollers
- Highly interactive course
- Virtual C PICmicro improves understanding
- Includes a C compiler for a wide range of PICmicro devices
- Includes full Integrated Development Environment
- Includes MPLAB software
- Compatible with most PICmicro programmers
- Includes a compiler for all the PICmicro devices.



Minimum system requirements for these items: Pentium PC running Windows 98, NT, 2000, ME, XP; CD-ROM drive; 64MB RAM; 10MB hard disk space.

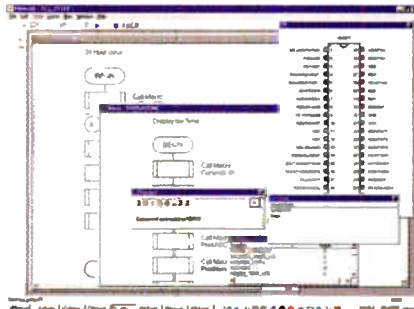
FLOWCODE FOR PICmicro V2

Flowcode is a very high level language programming system for PICmicro microcontrollers based on flowcharts. Flowcode allows you to design and simulate complex robotics and control systems in a matter of minutes.

Flowcode is a powerful language that uses macros to facilitate the control of complex devices like 7-segment displays, motor controllers and i.c.d. displays. The use of macros allows you to control these electronic devices without getting bogged down in understanding the programming involved.

Flowcode produces MPASM code which is compatible with virtually all PICmicro programmers. When used in conjunction with the Version 2 development board this provides a seamless solution that allows you to program chips in minutes.

- Requires no programming experience
- Allows complex PICmicro applications to be designed quickly
- Uses international standard flow chart symbols (ISO5807)
- Full on-screen simulation allows debugging and speeds up the development process
- Facilitates learning via a full suite of demonstration tutorials
- Produces ASM code for a range of 18, 28 and 40-pin devices
- Professional versions include virtual systems (burglar alarm, buggy and maze, plus RS232, IrDa etc.)



PRICES

Prices for each of the CD-ROMs above are:

(Order form on next page)

Hobbyist/Student
Flowcode V2 Hobbyist/Student
Institutional (Schools/HE/FE/Industry)
Flowcode Professional
Institutional/Professional 10 user (Network Licence)
Site Licence

£45 inc VAT
£57 inc VAT
£99 plus VAT
£99 plus VAT
£300 plus VAT
£599 plus VAT

(UK and EU customers add VAT at 17.5% to "plus VAT" prices)

TEACH-IN 2000 – LEARN ELECTRONICS WITH EPE

EPE's own *Teach-In* CD-ROM, contains the full 12-part *Teach-In 2000* series by John Becker in PDF form plus the *Teach-In* interactive software (Win 95, 98, ME and above) covering all aspects of the series. We have also added Alan Winstanley's highly acclaimed *Basic Soldering Guide* which is fully illustrated and which also includes *Desoldering*. The *Teach-In* series covers: Colour Codes and Resistors, Capacitors, Potentiometers, Sensor Resistors, Ohm's Law, Diodes and L.E.D.s, Waveforms, Frequency and Time, Logic Gates, Binary and Hex Logic, Op.amps, Comparators, Mixers, Audio and Sensor Amplifiers, Transistors, Transformers and Rectifiers, Voltage Regulation, Integration, Differentiation, 7-segment Displays, L.C.D.s, Digital-to-Analogue. Each part has an associated practical section and the series includes a simple PC interface (Win 95, 98, ME ONLY) so you can use your PC as a basic oscilloscope with the various circuits.



Sine wave relationship values

FREE TWO BOOKLETS PLUS CD-ROM WITH TEACH-IN 2000

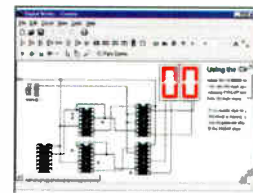


A hands-on approach to electronics with numerous breadboard circuits to try out.

£12.45 including VAT and postage. Requires Adobe Acrobat (available free from the Internet – www.adobe.com/acrobat).

FREE WITH EACH TEACH-IN CD-ROM – *Understanding Active Components* booklet, *Identifying Electronic Components* booklet and *The Best Of Circuit Surgery* CDROM.

DIGITAL WORKS 3.0



Counter project

Digital Works Version 3.0 is a graphical design tool that enables you to construct digital logic circuits and analyze their behaviour. It is so simple to use that it will take you less than 10 minutes to make your first digital design. It is so powerful that you will never outgrow its capability ● Software for simulating digital logic circuits ● Create your own macros – highly scalable ● Create your own circuits, components, and i.c.s ● Easy-to-use digital interface ● Animation brings circuits to life ● Vast library of logic macros and 74 series i.c.s with data sheets ● Powerful tool for designing and learning. **Hobbyist/Student £45 inc. VAT. Institutional £99 plus VAT. Individual 10 user £249 plus VAT. Site Licence £599 plus VAT.**

NEW PROJECT DESIGN WITH CROCODILE TECHNOLOGY An Interactive Guide to Circuit Design

An interactive CD-ROM to guide you through the process of circuit design. Choose from an extensive range of input, process and output modules, including CMOS Logic, Op-Amps, PIC/PICAXE, Remote Control Modules (IR and Radio), Transistors, Thyristors, Relays and much more.

Click Data for a complete guide to the pin layouts of i.c.s, transistors etc. Click More Information for detailed background information with many animated diagrams.

Nearly all the circuits can be instantly simulated in Crocodile Technology* (not included on the CD-ROM) and you can customise the designs as required.

WHAT'S INCLUDED

Light Modules, Temperature Modules, Sound Modules, Moisture Modules, Switch Modules, Astables including 555, Remote Control (IR & Radio), Transistor Amplifiers, Thyristor, Relay, Op-Amp Modules, Logic Modules, 555 Timer, PIC/PICAXE, Output Devices, Transistor Drivers, Relay Motor Direction & Speed Control, 7 Segment Displays. Data sections with pinouts etc., Example Projects, Full Search Facility, Further Background Information and Animated Diagrams.

Runs in Microsoft Internet Explorer

*All circuits can be viewed, but can only be simulated if your computer has Crocodile Technology version 410 or later. A free trial version of Crocodile Technology can be downloaded from: www.crocodile-clips.com. Animated diagrams run without Crocodile Technology.

Single User £39.00 inc. VAT.

Multiple Educational Users (under 500 students) £59.00 plus VAT. Over 500 students £79.00 plus VAT.

(UK and EU customers add VAT at 17.5% to "plus VAT" prices)



Over 150 pages Over 600 images

ELECTRONIC COMPONENTS PHOTOS

A high quality selection of over 200 JPG images of electronic components. This selection of high resolution photos can be used to enhance projects and presentations or to help with training and educational material. They are royalty free for use in commercial or personal printed projects, and can also be used royalty free in books, catalogues, magazine articles as well as worldwide web pages (subject to restrictions – see licence for full details).

Also contains a **FREE** 30-day evaluation of Paint Shop Pro 6 – Paint Shop Pro image editing tips and on-line help included!

Price £19.95 inc. VAT



Minimum system requirements for these CD-ROMs: Pentium PC, CD-ROM drive, 32MB RAM, 10MB hard disk space. Windows 95/98/NT/2000/ME/XP, mouse, sound card, web browser.

Please send me: CD-ROM ORDER FORM

- Electronic Projects
- Electronic Circuits & Components V2.0
- Analogue Electronics
- Digital Electronics V2.0
- Analogue Filters
- Electronics CAD Pack
- Robotics & Mechatronics
- Assembly for PICmicro V3
- 'C' for PICmicro V2
- Flowcode V2 for PICmicro
- Digital Works 3.0

Version required:

- Hobbyist/Student
- Institutional
- Institutional/Professional 10 user
- Site licence



PICmicro Development Board V3 (hardware)

- Teach-In 2000 + FREE BOOK
- Electronic Components Photos
- Project Design – Single User
- Project Design – Multiple User (under 500 students)
- Project Design – Multiple User (over 500 students)

Note: The software on each version is the same, only the licence for use varies.

Full name:

Address:

Post code: Tel. No:

Signature:

I enclose cheque/PO in £ sterling payable to WIMBORNE PUBLISHING LTD for £

Please charge my Visa/Mastercard/Amex/Diners Club/Switch: £

Valid From: Card expiry date:

Card No: Switch Issue No.

Card Security Code (The last 3 digits on or just under the signature strip)

ORDERING

ALL PRICES INCLUDE UK POSTAGE

Student/Single User/Standard Version price includes postage to most countries in the world EU residents outside the UK add £5 for airmail postage per order

Institutional, Multiple User and Deluxe Versions – overseas readers add £5 to the basic price of each order for airmail postage (do not add VAT unless you live in an EU (European Union) country, then add 17½% VAT or provide your official VAT registration number).

Send your order to:

**Direct Book Service
Wimborne Publishing Ltd
408 Wimborne Road East
Ferndown, Dorset BH22 9ND**

To order by phone ring

01202 873872. Fax: 01202 874562

Goods are normally sent within seven days

E-mail: orders@wimborne.co.uk

Online shop:

www.epemag.wimborne.co.uk/shopdoor.htm



EPE EVERYDAY PRACTICAL ELECTRONICS



UK readers you can
SAVE 55p
on every issue of *EPE*

How would you like to pay £2.75 instead of £3.30 for your copy of *EPE*?
Well you can – just take out a one year subscription and save 55p an issue,
or £6.60 over the year

You can even save over 75p an issue if you subscribe for two years
– a total saving of £18.20

Overseas rates also represent exceptional value

You also:

- Avoid any cover price increase for the duration of your subscription
- Get your magazine delivered to your door each month
- Ensure your copy, even if the newsagents sell out

Order by phone or fax with a credit card or by post with a cheque or postal order, or buy on-line from www.epemag.co.uk (click on “Subscribe Now”)

EPE SUBSCRIPTION PRICES

Subscriptions for delivery direct to any address in the UK: 6 months £17.50, 12 months £33, two years £61; Overseas: 6 months £20.50 standard air service or £29.50 express airmail, 12 months £39 standard air service or £57 express airmail, 24 months £73 standard air service or £109 express airmail. Cheques or bank drafts (in £ sterling only) payable to *Everyday Practical Electronics* and sent to *EPE* Subs. Dept., Wimborne Publishing Ltd., 408 Wimborne Road East, Ferndown, Dorset BH22 9ND. Tel: 01202 873872. Fax: 01202 874562. Email: subs@epemag.wimborne.co.uk. Also via the Web at <http://www.epemag.co.uk>. Subscriptions start with the next available issue. We accept MasterCard, Amex, Diners Club, Maestro or Visa. (For past issues see the *Back Issues* page.)

ONLINE SUBSCRIPTIONS

Online subscriptions, for downloading the magazine via the Internet, \$15.99US (approx. £9.50) for one year available from www.epemag.com.

USA/CANADA SUBSCRIPTIONS

To subscribe to *EPE* from the USA or Canada please telephone Express Mag toll free on 1877 363-1310 and have your credit card details ready. Or fax (514) 355 3332 or write to Express Mag, PO Box 2769, Plattsburgh, NY 12901-0239 or Express Mag, 8155 Larrey Street, Anjou, Quebec, H1J 2L5. Email address: expsmag@expressmag.com. Web site: www.expressmag.com.

USA price \$60(US) per annum, Canada price \$97(Can) per annum – 12 issues per year.

Everyday Practical Electronics, periodicals pending, ISSN 0262 3617 is published twelve times a year by Wimborne Publishing Ltd., USA agent USACAN at 1320 Route 9, Champlain, NY 12919. Subscription price in US \$60(US) per annum. Periodicals postage paid at Champlain NY and at additional mailing offices. POSTMASTER: Send USA and Canada address changes to *Everyday Practical Electronics*, c/o Express Mag., PO Box 2769, Plattsburgh, NY, USA 12901-0239.

SUBSCRIPTION ORDER FORM



- 6 Months: UK £17.50, Overseas £20.50 (standard air service), £29.50 (express airmail)
- 1 Year: UK £33.00, Overseas £39.00 (standard air service) £57 (express airmail)
- 2 Years: UK £61.00, Overseas £73.00 (standard air service) £109 (express airmail)
- To: *Everyday Practical Electronics*, Wimborne Publishing Ltd., 408 Wimborne Road East, Ferndown, Dorset BH22 9ND
Tel: 01202 873872 Fax: 01202 874562
E-mail: subs@epemag.wimborne.co.uk

I enclose payment of £ (cheque/PO in £ sterling only), payable to *Everyday Practical Electronics*

My card number is:
Please print clearly, and check that you have the number correct

Signature

Card Security Code (The last 3 digits on or just under the signature strip)

Card Ex. Date Maestro Issue No.

Name

Address

Post code Tel.

Subscriptions can only start with the next available issue.

Clean up your video signals with this:



Video-audio booster for home theatre

If your home theatre setup involves sending video signals over fairly long cables, you'll really appreciate this project. It's a wideband amplifier that can boost both composite and S-video signals, or even component video signals with the right cables. And it handles stereo audio signals as well.

By JIM ROWE

WHEN SETTING UP a home theatre, there's often a need to run fairly long video cables between your signal sources (DVD player, VCR and/or satellite receiver) and your big screen display. The reason for this is simple – it isn't always convenient to

have the signal sources and the display at the same end of the room.

Of course, there's no great problem feeding audio signals over long cables, provided that the cables are of reasonable quality. However, that's not the case with video signals due to their

much greater bandwidth. Video signal frequencies can range up to 5MHz or more (as against just 20kHz for audio) and can suffer quite noticeable degradation when fed through cables longer than about five metres.

This signal degradation is due mainly to cable capacitance. This causes high-frequency losses and occurs even when you use high-quality coaxial cable that has been correctly terminated at each end. The resulting pictures lack contrast and colour saturation, and also become noticeably "softer" (ie, lacking in fine detail) due to the lower bandwidth.

Video booster

The best way to tackle this kind of problem is to use a video "booster" every five metres or so. Basically, you take a 5-metre cable run and plug it into

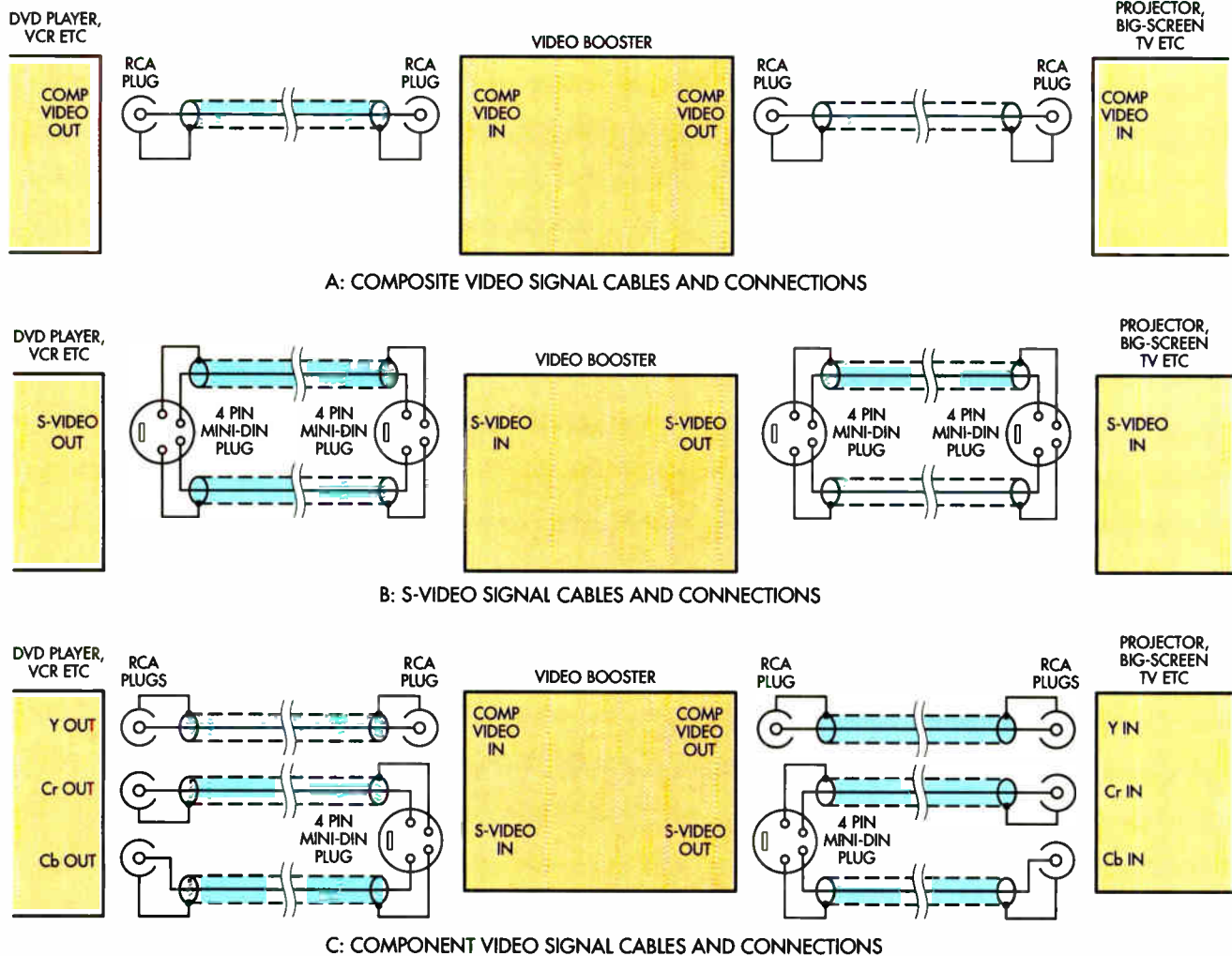


Fig.1: this diagram shows how the video booster is connected for composite video signals (top), S-video signals (centre) and component video signals (bottom). It's basically a matter of buying (or making up) the necessary cables.

the booster – essentially a wideband video amplifier. The booster restores the incoming signal so that it is close to the original before feeding it to the next 5-metre cable run and so on.

A booster for conventional “composite” video signals needs just a single wideband video amplifier channel. However, if you want to take advantage of the higher quality available from the “S-video” output of your DVD player, the booster needs two channels. That’s because, in S-video, the luminance (“Y”) or black-and-white picture information is not combined with the chrominance (“C”) or colour information. Instead, the two signals are fed along separate cables to prevent them interacting – see Fig.1(b).

The video booster described here can handle either composite or S-video signals as required, because it uses an IC

which actually contains four wideband amplifier channels. This allows us to devote one channel to the composite video input and output, while two more are dedicated to the S-video input and output sockets. This means that there’s no switching and the composite video and S-video channels can even be used at the same time; eg, to pipe composite signals to another room while you’re watching S-video signals on your home theatre display.

The fourth channel is spare and can only be accessed internally.

What about handling the even higher quality “component video” signal outputs? With this type of signal, as well as the luminance (Y) being kept separate, the two “colour difference” signals (R-Y or “Cr” and B-Y or “Cb”) are also kept separate – ie, instead of being combined as the chrominance (C) signal.

If your DVD player provides these outputs and your display can also handle them, the video booster can help here too. All you need to do is buy or make up some adaptor cables, so that the three component video signals can be fed through the three main booster channels – see Fig.1(c).

Audio amplifier

As well as the video amplifier channels, the booster also includes a pair of low-noise audio line amplifiers. This means that it can also be used to handle any stereo audio signals which accompany the video, so these too will reach the far end of the cables in good condition.

Probably the main use for the audio channels will be where you’re feeding the video and audio to a different room. They’ll also come in handy if

Parts List

- 1 PC board, code 558, 117 x 102mm, available from the EPE PCB Service
- 1 plastic instrument case, 140 x 110 x 35mm
- 2 PC-mount 4-pin mini-DIN sockets
- 6 PC-mount RCA sockets
- 1 PC-mount 2.5mm concentric male "DC" connector
- 1 9V AC plugpack (500mA) with 2.5mm female connector

Semiconductors

- 1 MAX497 quad video amplifier (IC1)
- 1 LM833 dual op amp (IC2)
- 1 LM7809 +9V regulator (REG1)
- 1 LM7909 -9V regulator (REG2)
- 1 LM7805 +5V regulator (REG3)
- 1 LM7905 -5V regulator (REG4)
- 1 3mm green or red LED (LED1)
- 2 1N4004 1A diodes (D1,D2)

Capacitors

- 2 2200 μ F 16V PC electrolytic
- 2 100 μ F 16V PC electrolytic
- 2 10 μ F 10V PC electrolytic or tantalum
- 2 2.2 μ F 35V tantalum
- 2 1.0 μ F MKT
- 2 220nF MKT
- 4 100nF monolithic ceramic

Resistors (0.25W, 1%)

- 4 100k Ω 8 75 Ω
- 2 47k Ω 2 10 Ω
- 3 1k Ω

Where to buy a kit

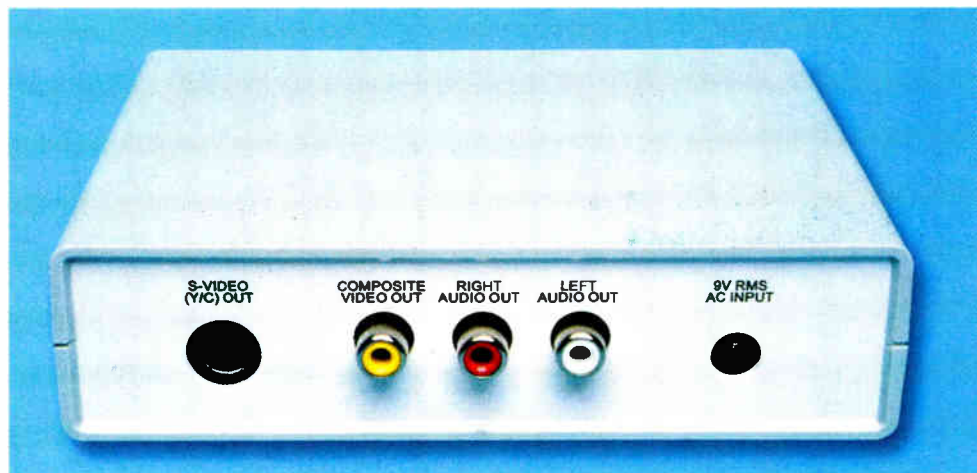
The design copyright for this project is owned by Jaycar Electronics. Complete kits are available from Jaycar Electronics.

you need to send one or more of the signals in a 5.1, 6.1 or 7.1-channel surround sound system to remote power amplifiers; eg, you might want to send the SB (surround back) signals from your 6.1/7.1-channel decoder to the rear of your home theatre room, to drive a power amplifier for the rear centre speaker.

Alternatively, you might want to drive an active subwoofer with the LFE (low frequency effects) channel signals.

Presentation

As you can see from the photos, the



The A/V output sockets are all accessible from the rear of the unit. They include a 4-pin mini-DIN socket for the S-video signals, plus three RCA sockets for the composite video and left & right channel audio output sockets. The socket at far right is the DC power connector.

booster is very compact. Everything fits in a small ABS instrument case measuring just 140 x 110 x 35mm. Power comes from a 9V AC plugpack.

Incidentally, Jaycar Electronics are making a complete kit for the booster available, so you should be able to build it up very easily and at an attractive price.

How it works

The booster's video amplifier channels are all provided by IC1, a Maxim MAX497. This high-performance device is designed expressly for handling video signals. It includes four closed-loop buffer amplifiers, each operating with a fixed voltage gain of 2.0.

Other features of the MAX497 include a full-power -3dB bandwidth of over 200MHz, exceptional gain flatness (± 0.1 dB up to 120MHz), low distortion, very low differential phase/gain error between the four channels and the ability to drive four back-terminated 75 Ω (or 50 Ω) output cables simultaneously.

As shown in Fig.1, we're using one amplifier for the composite video channel and another two amplifiers for the Y and C channels for S-video. Each amplifier has a 75 Ω resistor across its input and these ensure correct termination of the cables from the video source. In addition, 75 Ω resistors are used in series with each output to give correct "back termination" of the output cables.

As mentioned, the amplifiers in the MAX497 have a feedback-controlled gain of exactly two. This compensates

for the attenuation produced by the interaction between the back termination resistors and the termination resistors at the far end of the output cables.

In effect, the Video Booster "restores" the incoming signal before feeding it to the next cable segment.

The input and output connections to the composite video amp channel are made via RCA sockets, as these are now standard for domestic equipment. Similarly, the connections for the S-video channels are made via 4-pin "mini DIN" sockets, as these too are the accepted standard for S-video.

Note that the fourth "spare" amplifier in the MAX497 is also provided with input and output termination resistors. This is done to ensure that it doesn't interact with the three active channels. The resistors will also make it easy to use the spare channel if you ever need it.

The two audio line amplifier channels are provided by the two halves of an LM833 dual low-noise op amp (IC2). As shown in Fig.2, these two stages are identically connected as non-inverting buffers, with the 100k Ω resistors providing negative feedback for a gain of two.

The performance of these audio buffers is quite respectable. They have a frequency response from 30Hz to 120kHz at the -1dB points, a THD (total harmonic distortion) below 0.006% for 2V RMS output, a signal-to-noise ratio of better than 91dB relative to 2V RMS output, and an output clipping level of just on 14V peak-to-peak (5V RMS).

The audio buffers operate with a gain of two to ensure sufficient signal to drive your remote power amplifiers, etc. However there may be cases where even this small amount of gain could cause problems – producing distortion due to input stage overloading, for example.

If that turns out to be the case with your particular application, there's a simple modification which can be done to solve the problem. All you need do is remove the 100kΩ resistors connecting pins 2 and 6 of IC2 to ground. This turns the buffers into unity-gain voltage followers, increasing the overload margin by 6dB.

Power supply

The power supply section is quite straightforward, even though the video and audio amplifiers require four separate DC supply rails. The MAX497 requires ±5V supply rails, while the LM833 require ±9V rails.

Because the overall current drain is quite low (about 100mA total), two simple half-wave rectifier circuits (D1 & D2) are used to derive nominal ±12-8V DC rails from a 9V AC plug-pack. These rails are filtered using two 2200µF capacitors and then fed to 3-terminal regulators REG1 and REG2.

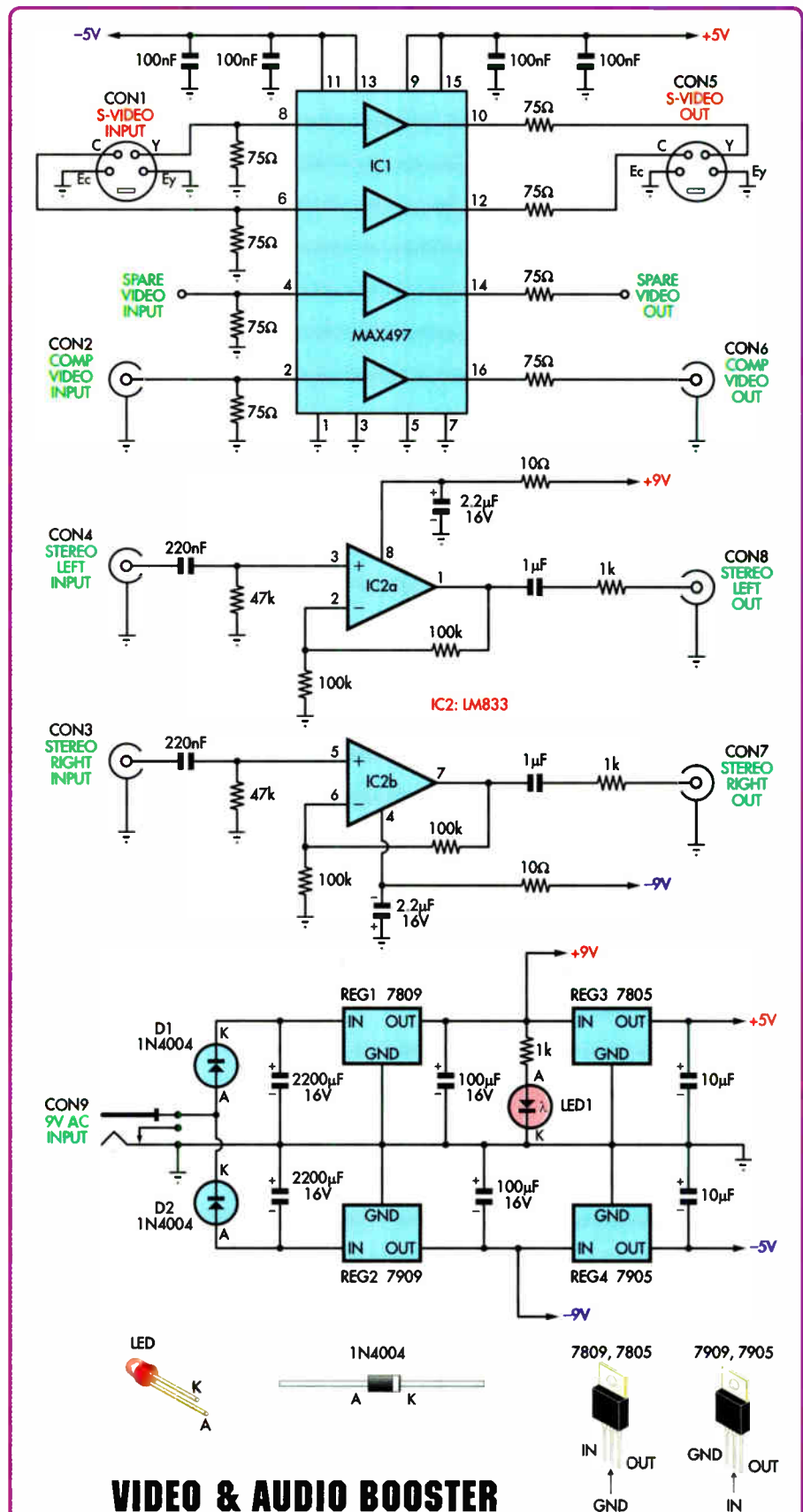
REG1 and REG2 produce the +9V and -9V rails respectively. They also drive 3-terminal regulators REG3 and REG4 which produce the ±5V rails. LED1 is driven from the +9V rail via a 1kΩ current-limiting resistor and provides power on/off indication.

The associated 100µF and 10µF capacitors are used to filter the regulator outputs. The ±9V supply rails are then further decoupled using 10Ω resistors and 2.2µF capacitors before being fed to IC2. Four 100nF capacitors provide additional filtering for the ±5V rails to IC1.

Construction

All the parts are mounted directly on a small PC board, so the unit is easy to build. This includes all the connectors, so there's no off-board wiring at all inside the booster box.

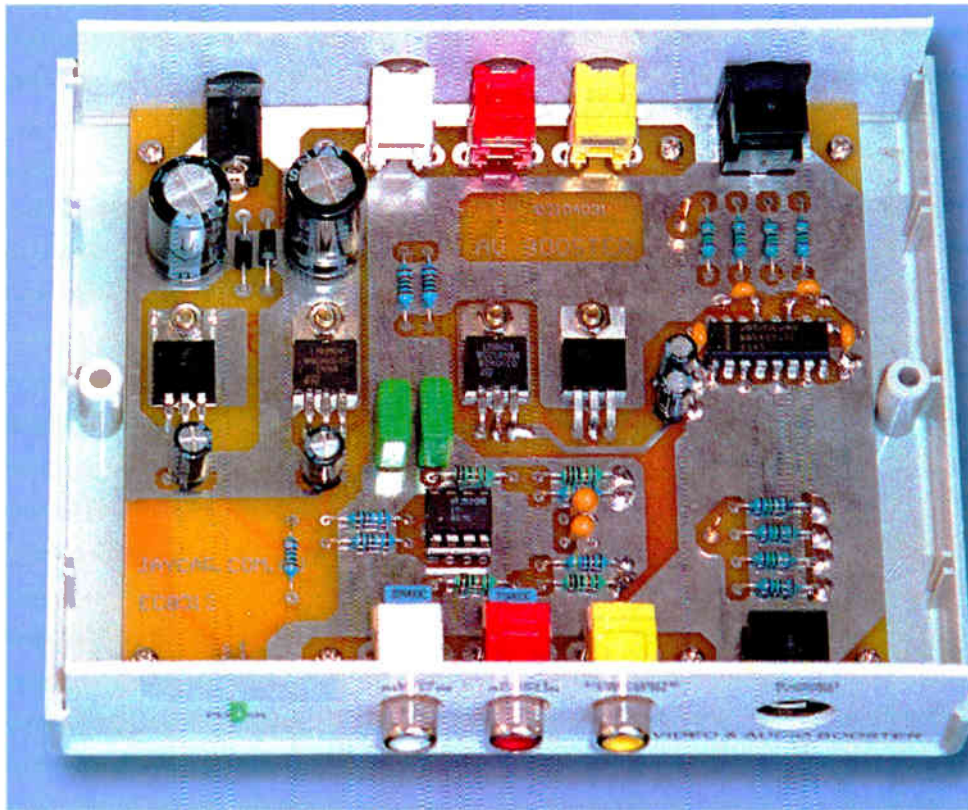
The PC board measures 117 × 102mm and is coded 558. It's double sided, with copper tracks on both top and bottom, but the top pattern is mainly an earthed ground plane. Only a handful of component leads are soldered to this top pattern, so we



VIDEO & AUDIO BOOSTER

Fig.2: the booster circuit is based on a Maxim MAX497 quad video buffer IC (IC1). One amplifier in IC1 is used for the composite video channel, while another two are used for the Y and C channels for S-video. Op amps IC2a & IC2b (LM833) boost the left and right channel audio signals.

Constructional Project



This photo shows how the power indicator LED is mounted on the PC board and pushed through a matching hole in the front panel.

Left: inside the completed booster unit. Keep all component leads as short as possible and be sure to solder the leads to both sides of the board where necessary, as indicated by the red dots on Fig.3.

Reproduced by arrangement with SILICON CHIP magazine 2006.
www.siliconchip.com.au

don't need a board with expensive plated-through holes.

Fig.3 shows the assembly details. Begin by fitting all the input and output connectors, as they often need a small amount of juggling and pin straightening before they'll mount without stress. Make sure that they're pushed down hard against the board, while you make the solder connections underneath.

Next, fit the two PC board terminal pins (for the input and output of the spare video channel), followed by the resistors and the diodes D1 and D2. Be sure to fit each diode the correct way around as shown on Fig.3.

Note that some of the resistors have their "earthy" ends soldered to the top copper pattern as well as to the pad underneath. The leads concerned are shown with a red dot on the board overlay diagram.

The four voltage regulators can go in next. These are all TO-220 packages and are mounted horizontally on the top of the board. Be sure to fit each one in the correct position, as all four are different and mixing them up could result in component damage when you apply power.

All regulator leads are bent downwards 6mm from the package body. This allows you to mount them by pushing the leads down through the mating holes and then fastening their tabs down against the copper using 6mm x M3 machine screws and nuts. The leads are then soldered to the pads underneath and, in some cases, to the top pads as well – see Fig.3.

The two 2200µF capacitors and the two 100µF capacitors adjacent to REG1 and REG2 can go in next. Make sure you fit all of these polarised parts

the correct way around, as shown in Fig.3.

LED1 is fitted with its "flat" cathode side to the left (ie, furthest away from CON4). To install it, first bend both its leads down 90 degrees, 6mm away from the LED body. That done, it can then be soldered into place with its axis exactly 8mm above the board.

Power supply checks

At this stage, it's a good idea to check all of the power supply wiring by plugging the lead from your 9V AC plugpack into CON9 and turning on the power. LED1 should immediately light and you can now check the regulator outputs. You should get +9V from REG1, -9V from REG2, +5V from REG3 and -5V from REG4. These voltages are all measured relative to board earth and at the righthand

Table 1: Resistor Colour Codes

	No.	Value	4-Band Code (1%)	5-Band Code (1%)
□	4	100kΩ	brown black yellow brown	brown black black orange brown
□	2	47kΩ	yellow violet orange brown	yellow violet black red brown
□	3	1kΩ	brown black red brown	brown black black brown brown
□	8	75Ω	violet green black brown	violet green black gold brown
□	2	10Ω	brown black black brown	brown black black gold brown

Table 2: Capacitor Codes

Value	IEC Code	EIA Code
1.0µF	1u0	105
220nF	220n	224
100nF	100n	104

pin of each regulator, as indicated on Fig.3.

If everything is correct, you can switch off and continue fitting the remaining parts to the PC board. Conversely, if one or more of the regulator outputs is incorrect, switch off immediately and check for wiring errors. Most likely, you'll have made a mistake fitting D1 or D2, one of the electrolytic capacitors or one of the regulators. With a bit of luck, you'll be able to fix the problem and not have to replace any parts.

Completing the PC board

The remaining parts can now be fitted to the board, starting with the MKT audio coupling capacitors, the 2.2µF tantalum bypass capacitors and the 10µF electrolytic capacitors. The two ICs can then be installed, taking care that you fit each one the correct way around.

Note that the pins for IC2 (the LM833) are only soldered to the copper pads underneath, while some of the pins for IC1 (the MAX497) are soldered to the top copper pattern as well. This applies to pins 1, 3, 5, 7, 9, 11 & 13.

The next components to fit are the two 100nF bypass capacitors, which are at each end of IC1. These mount with their "earthy" leads soldered to the top copper pattern as well as the pads underneath. That done, fit the two remaining 100nF bypass capacitors for IC1 and the remaining 10µF electrolytic capacitor for the -5V rail. As before their leads are soldered to pads on the top of the board, with their "earthy" leads soldered to the bottom pads as well.

Final assembly

All that remains now is to fit the booster board to the case.

First, you have to fit the front and rear panels over their respective RCA connectors, before lowering the three items together into the bottom of the case. That done, LED1 can be pushed into its 3mm mating hole on the front

NOTE: RED DOTS INDICATE COMPONENT LEADS SOLDERED TO TOP COPPER (USUALLY AS WELL AS UNDERNEATH)

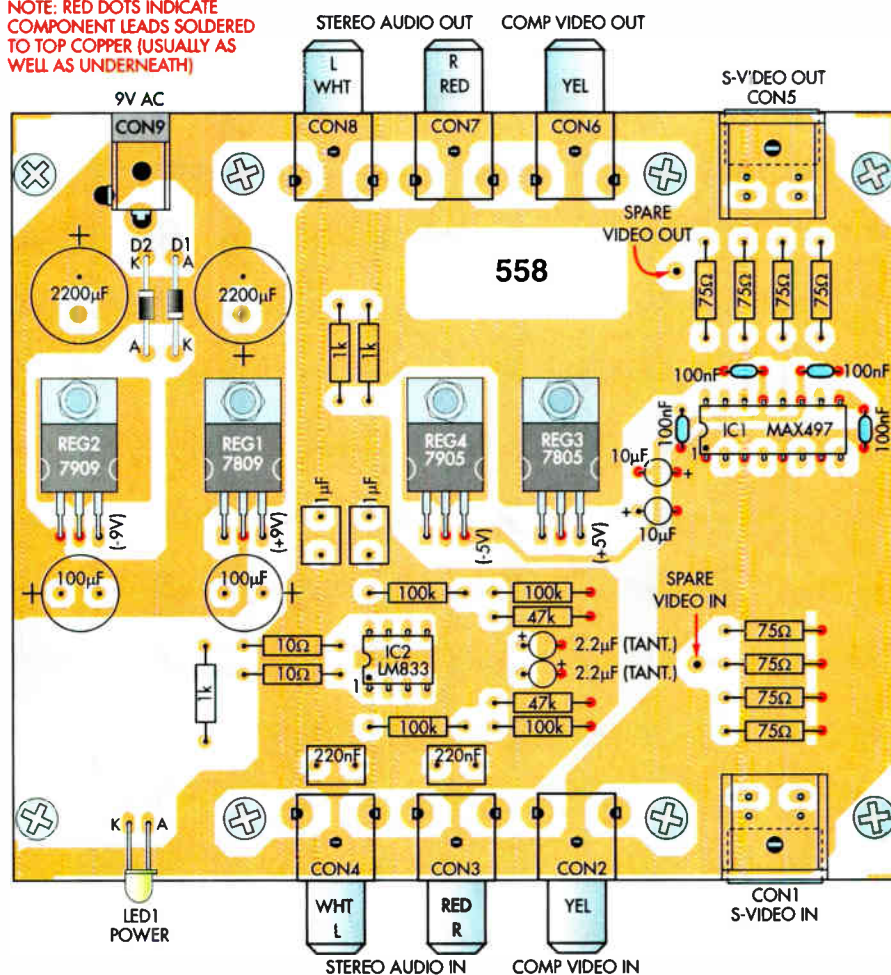


Fig.3: install the parts on the double-sided PC board as shown here. The red dots indicate where component leads must be soldered to the copper tracks on the top of the board (and usually underneath as well).

panel and the board secured to integral pillars in the bottom of the case using eight 6mm self-tapping screws.

Be sure to use all eight screws to secure the board. These give the board added support in the vicinity of the various input and output connectors.

The final step of all is to fit the top of the case, using the two long counter-sink-head self tappers provided. Don't lose these screws by the way, because they're a special size and surprisingly hard to get.

Your Video & Audio Booster is now finished and ready for use.

Component video cables

Before we end up, let's take a look at the adaptor cables required if you want to use the booster for component video signals.

There's nothing terribly complicated about this. All you need to do is buy or make up four cables – two for the luminance (Y) signals and two for the chrominance (Cb and Cr) signals.

The cables for the Y signals each consist of single lengths of coax with an RCA plug at each end. These connect to the booster's composite video channel, as shown in Fig.1(c).

The other two cables are each of double coax, with a mini-DIN plug connected at one end and a pair of RCA plugs at the other. They are used to carry the Cb and Cr chrominance signals and are connected to the booster's S-video channels.

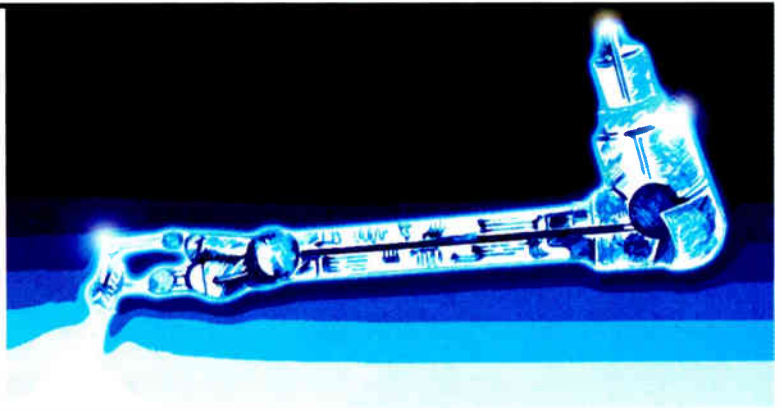
Note that both RCA-RCA and 2 x RCA-miniDIN video cables are available from many suppliers. However, you may want to make up your own using high quality coaxial cable, to ensure lower signal degradation – especially if you have fairly long cable runs. Some prewired cables leave a bit to be desired in this respect.

By using the correct adaptor cables, the booster will operate just as effectively with component video as it does with composite video or S-video.

Happy home theatre viewing! **EPE**

Circuit Surgery

Ian Bell



Shift registers can extend PIC output capabilities

AFTER several months of analogue topics, *Circuit Surgery* goes digital in response to a question *Paul Goodson* recently posted about shift registers on the *EPE Chatzone* (access via www.epemag.co.uk):

I would like somewhere to start on shift registers. I would like to use them to expand the output capabilities of PICs. Basically what I am after is to address different pulse width modulators (PWM) to an array of LEDs. I need 51 (17 x 3) outputs.

I have never used shift registers as such and I need to learn how to from scratch. I have looked up a lot of types and would like to play around with some, but it's just knowing where to start, as there seem to be a lot.

There were various contributions discussing the merits of different shift register devices and methods of driving LED arrays, but we will look at the basics of shift registers and go on to consider their use in expanding the output capabilities of microcontrollers such as PICs.

Serial Data

Serial data transfer, where data is sent one bit at a time down a single wire, or via some other medium, such as a radio link, is being used to an ever increasing extent for moving data both within and between electronic systems. Where radio and phone links are involved the reason is obvious – you would need multiple phone lines or transceivers/channels to send data in parallel.

In other cases, maybe the reason may seem less obvious – why do PCs use serial buses such as USB to connect to peripherals rather than parallel links? Surely parallel transfer would be faster as more data could be sent at once? There are various reasons for using serial for such purposes.

Firstly, the wiring is simpler and smaller – you need typically two to five conductors to send data, whatever its size is (8-, 32-, 64-bit etc), and possibly power as well. Secondly, although parallel transfer seems simpler there are technical difficulties at very high speeds, including making sure that all lines have the same delay so that

the data bits are not skewed, and the difficulties which can occur with supply current transients if large numbers of bits are switched at once.

Paul's idea of using serial data transfer to extend the output capabilities of a PIC is by no means unusual. Many microcontrollers, including the PIC series, have standard serial interfaces – namely the Inter Integrated Circuit (I²) bus and the Serial Peripheral Bus Interface (SPI). You can of course also send and receive serial data by appropriately “bit bashing” any digital I/O pins in software.

Serial Examples

Readers of John Becker's and Mike Hibbert's articles in *EPE's PIC n' Mix* column will recall that a serial approach is often used to transfer data between the PIC to peripheral devices. In recent months we have seen the DS1307 real time clock which uses the I²C serial bus, the DS1267 digital potentiometer, which uses a shift register approach and the 25C256 EEPROM which uses the SPI interface. The SPI bus was described in detail in *PIC n' Mix* January and February 2006.

The shift register is a key component in serial data systems. We can use shift registers to convert serial data to parallel by loading in serial data and outputting in parallel. We can also use shift registers to convert parallel data to serial by loading the data in parallel (as in a multi-bit normal register) and shifting out in serial form.

Flip-Flop

The basic building block from which shift registers are made is the “flip-flop”. The flip-flop is a 1-bit memory and occurs in a variety of forms. Here we will just look at the *edge triggered D-type flip-flop with asynchronous reset*, symbols for which are shown in Fig.1.

It has three inputs, R, D and C and two outputs Q and \bar{Q} . The Q output is equal to the value stored by the flip-flop and \bar{Q} is the complement (logical inversion) of this value. The R (Reset) input when asserted (it may be either active high or active low) causes the stored value, and hence the Q output, to go to logic 0 (typically 0V). The

\bar{Q} output will go to logic 1 (typically the supply voltage) when it is reset. The reset is described as “asynchronous” because it is not under the control of the C (Clock) input.

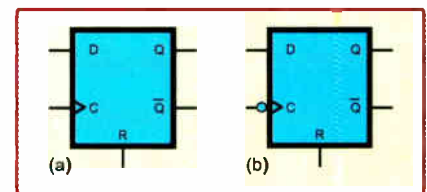


Fig.1. Edge D-type flip-flop schematic symbols: a) positive edge-triggered; b) negative edge-triggered

On the other hand, the D (Data) input can only change the stored value (and outputs) under the control of the clock (C). Specifically, the flip-flop will store the logic value present on D when C changes. This is why the device is called “edge-triggered”. The little triangle by the C input on the schematic symbol indicates that the input is edge-triggered.

If the device is a positive edge-triggered flip-flop, D will be stored on the 0 to 1 transition of C. If it is a negative edge-triggered flip-flop, D will be stored on the 1 to 0 transition of C. Negative edge triggering is indicated by the inversion bubble at the clock input as shown in Fig.1b.

Basic Shift Registers

The most basic form of the shift register is called a SISO (Serial In Serial Out) shift register and is simply a “chain” of D-type flip-flops as shown in Fig.2a. On each clock edge data is passed from each flip-flop to the next one in the chain. Note that although all the flip-flops change at the same time there is a delay from the clock edge to the Q outputs actually changing, this holds the old data on the input of the next flip-flop in the chain long enough for it to be read. The data in the final flip-flop is “lost” unless it is stored in another part of the circuit. The first flip-flop is connected to the serial input (labelled SDI - Serial Data In) in Fig.2b, and the last flip-flop's Q output is the serial output (labelled SDO).

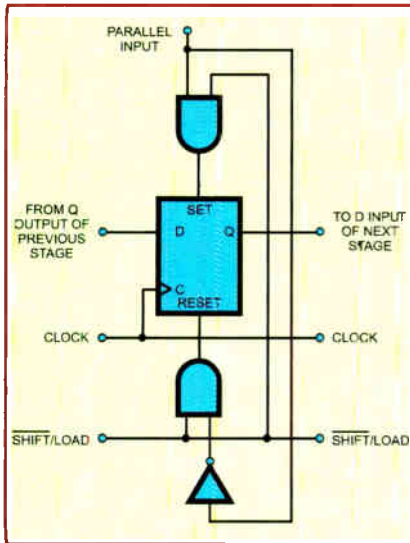
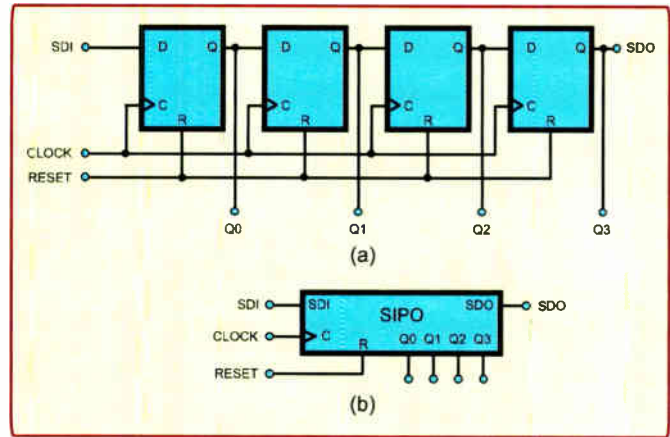
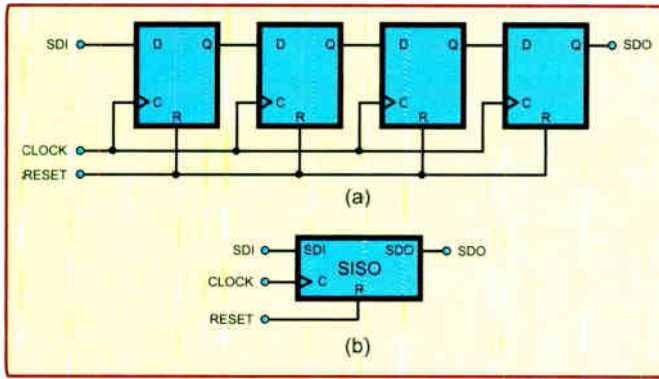


Fig.4. One stage of a parallel (PISO) load shift register

To obtain a parallel output from a shift register, we take the Q outputs from all of the flip-flops, giving us a Serial In Parallel Out or SIPO shift register. This is shown in Fig.3. This can convert serial data into parallel outputs and is the form of shift register most likely to be used for extending PIC or other microcontroller outputs.

Shift registers may also have parallel inputs (so that we get PISO and PIPO shift registers) and could be used to extend the input capabilities of a PIC or other microcontroller. Parallel input requires some extra circuitry, and one form of this is shown in Fig.4 (one stage is shown, these are repeated to form the complete shift register).

If the shift/load line is low, the circuit acts as a shift register, shifting data on the clock edge. When the shift/load line is high, the parallel input directly influences the asynchronous set/reset inputs of the flip-flops. On the negative transition of the shift/load, the data at the parallel inputs is latched into the shift register irrespective of the state of the clock input.

Another approach to parallel loading uses a multiplexer on the D input of each flip-flop. This is shown in Fig.5 where shift/load selects either the previous stage (when it is high) or the parallel input (when it is low) for connection to the flip-flop's input. Unlike Fig.5, the loading is synchronous. When shift/load is low, data is loaded on the clock edge.

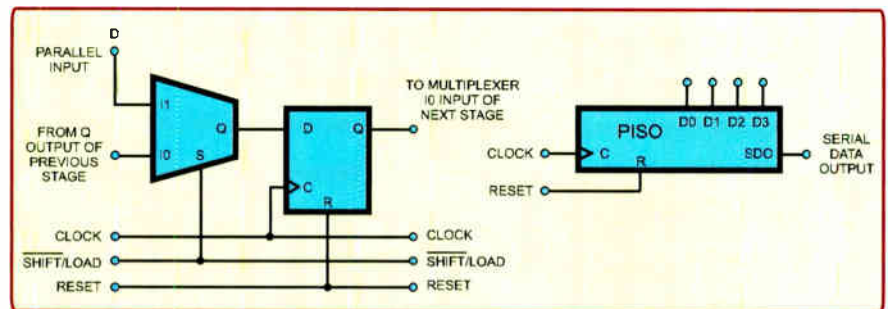


Fig.5. Alternative parallel load shift register and 4-bit PISO symbol

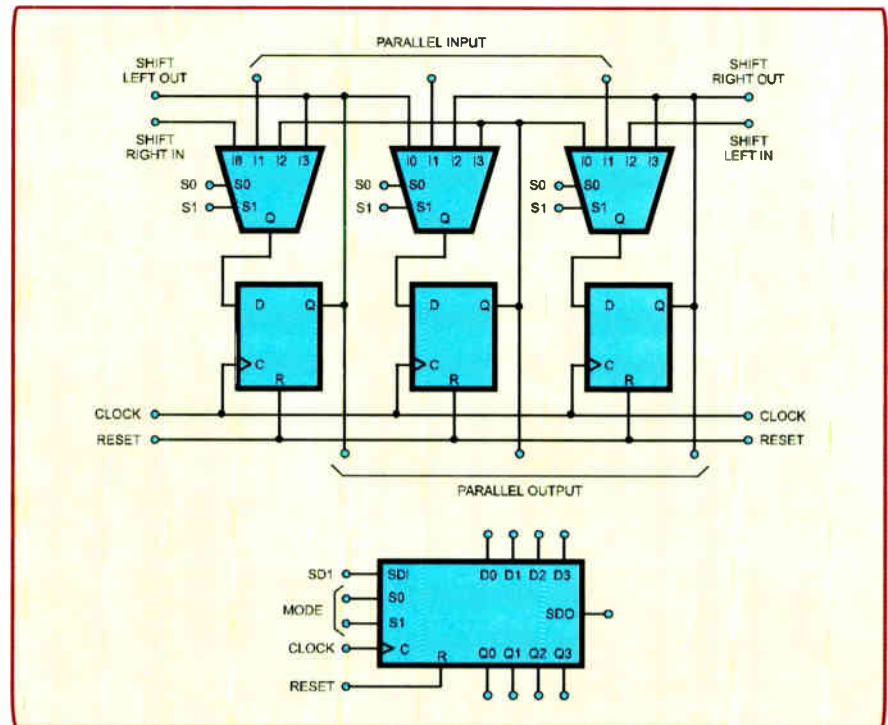


Fig.6. Three-stage (parallel/serial, in/out left/right), four mode shift register

Two-way Traffic

Sometimes we may want to shift in both directions using the same register. This is

Table 1. Universal shift register operations

SO	SI	Operation	Input
0	0	Shift right	10
0	1	Parallel load	11
1	0	Shift left	12
1	1	Hold	13

easily achieved by using an extension of the multiplexer arrangement. Three stages of a shift register which has four modes of operation are shown in Fig.6. The four modes are selected by the four inputs of the multiplexers connected to the flip-flops' inputs. The mode controls are common to all the multiplexers. The modes of operation are shown in Table 1. This type of multi-function shift register is sometimes called a universal shift register.

The "story" continues next month.

Ingenuity Unlimited



WIN A PICO PC BASED OSCILLOSCOPE WORTH £586

- 5GS/s Dual Channel Storage Oscilloscope
- 50MHz Spectrum Analyser
- Multimeter
- Frequency Meter
- USB Interface.

If you have a novel circuit idea which would be of use to other readers then a Pico Technology PC-based oscilloscope could be yours. Every 12 months, Pico Technology will be awarding a PicoScope 3205 digital storage oscilloscope for the best IU submission. In addition a DrDAQ Data Logger/Scope worth £59 will be presented to the runner up.

Our regular round-up of readers' own circuits. We pay between £10 and £50 for all material published, depending on length and technical merit. We're looking for novel applications and circuit designs, not simply mechanical, electrical or software ideas. Ideas *must be the reader's own work and must not have been published or submitted for publication elsewhere*. The circuits shown have NOT been proven by us. *Ingenuity Unlimited* is open to ALL abilities, but items for consideration in this column should be typed or word-processed, with a brief circuit description (between 100 and 500 words maximum) and include a full circuit diagram showing all component values. **Please draw all circuit schematics as clearly as possible.** Send your circuit ideas to: *Ingenuity Unlimited*, Wimborne Publishing Ltd., 408 Wimborne Road East, Ferndown, Dorset BH22 9ND. (We do not accept submissions for IU via email). Your ideas could earn you some cash and a prize!

Dog Alert – Reinforced Intruder Hounding

THE inspiration for this circuit came in the middle of the night when the dog next door began barking at something that disturbed it. Now that's what good watchdogs do, and the reason that, apart from the companionship, so many people keep a dog in or around the home as a deterrent to would-be intruders.

To reinforce that deterrent, it seemed it would be a good idea to have a light switch on at the same time to give the impression that the occupants have been alerted to their dog's warning bark. The Dog-Alert does just that. It will switch on a porch or interior light when the dog barks, and remain on for a short period of time. It could also be a boon for the hearing impaired person.

Circuit Details

The simple circuit diagram shown in Fig.1 uses readily-available components. MIC1 is an electret microphone whose sensitivity is set by the value of resistor R1. These two components form a voltage divider.

Op.amp IC1 is connected as a differential amplifier. When its two inputs receive an equal voltage, there is no voltage at output pin 6. But if, say, one input is 2.2V and the other is 2.3V, the difference is 0.1V. By the same token, if one is 5.4V and the other 5.5V, the result is still the same 0.1V. When there's a voltage differential between the two inputs, caused by MIC1 responding to sounds, this is detected and amplified to provide an output voltage. Capacitor C1 and resistor R4 provide a momentary lag at inverting input pin 2 to obtain the differential, which produces a negative-going pulse at output pin 6.

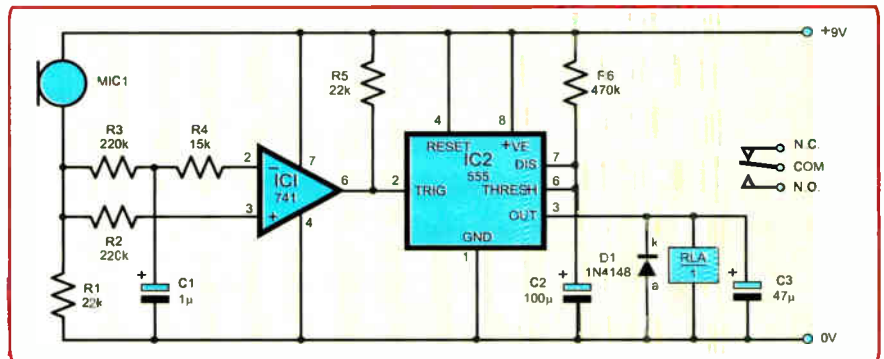


Fig. 1. Full circuit diagram for the Dog Alert

Timer IC2 is configured conventionally. Its timing cycle commences when trigger pin 2, biased normally-high by resistor R5, is taken low by the op.amp's output. Capacitor C2 and resistor R6 determine the timing period. With the values shown, this will be approximately 50 seconds. Other timing periods may be obtained by increasing or decreasing the value of C2 and/or R6.

Relay RLA interfaces the circuitry with mains lighting or other equipment. The mains connections should only be made by someone suitably experienced or qualified.

For reliable results, the Dog-Alert should be operated from a mains power pack and be located within proximity of Fido's sleeping quarters.

Tony Lee, Old Reynella, South Australia

PICO PRIZE WINNERS

Once more it's time to decide the lucky winners of superb PC-based Oscilloscopes, generously donated by Pico Technology, to whom we extend our appreciation for sponsoring the column again. For more information about Pico's range of test equipment visit their web site at <http://www.picotech.com>, or see their advertisement elsewhere in this issue.

Mike Kenward and John Becker considered all Ingenuity Unlimited entries published over the last twelve months, and the prizewinners are: **Winner** – receives a superb PicoScope 3205 Digital Storage Oscilloscope worth £586: *GPS/Audio Selector* by George Caldwell, Londonderry (*EPE* June 2005) – **Runner-Up** – a Pico DrDAQ Data Logger/Scope worth £59: *TV Standby Monitor* by A.D. Beech and M. Robertson, Chasetown (*EPE* July 2005)

READOUT

WIN AN ATLAS LCR ANALYSER WORTH £79

Email: john.becker@wimborne.co.uk

John Becker addresses some of the general points readers have raised. Have you anything interesting to say? Drop us a line!

All letters quoted here have previously been replied to directly.

An Atlas LCR Passive Component Analyser, kindly donated by Peak Electronic Design Ltd., will be awarded to the author of the *Letter Of The Month* each month.

The Atlas LCR automatically measures inductance from 1 μ H to 10H, capacitance from 1pF to 10,000 μ F and resistance from 1 Ω to 2M Ω with a basic accuracy of 1%.
www.peakelec.co.uk



Pond Side Greetings

Dear EPE,

I refund your magazine in a book store in Kingman Arizona USA. The reason I say "refund", is that I read your magazine years ago, and am glad that it still exists. Alas, many of the US publications, *Radio Craft*, *Popular Electronics*, etc. went extinct years ago. Just glad to see that you are still around.

I am fascinated by all facets of radio, including ham 49MHz radio, F.R.S. radio, crystal radio sets, etc., and am interested in the state of the art for hobby electronics as it exists now. Radio Shack (they should change the name) has passed electronic hobbyists here in the US. I know that you have Radio Shack in UK.

Allan Egleston, KF6UXJ, USA, via email.

Thank you Allan, welcome back!. Unfortunately Radio Shack no longer operate in the UK either.

★ LETTER OF THE MONTH ★

Talking Santa

Dear EPE,

Attached is a photo of a Talking Santa which I have made, based around Mike Hibbett's *Halloween Howler* project in the October '05 issue. It uses a pair of 5mm blue LEDs for the eyes and when an unsuspecting person walks past it, they are greeted with "Ho Ho Ho Ho Ho! Merry Christmas Everyone!" and the eyes lighting up!

The project was an interesting surprise to relatives who visited over Christmas, since it is not obvious that it "speaks" (especially when placed among other Christmas decorations).

Jonathan Grainger, via email

Hi Jonathan, how splendid that is. I sent it on to Mike Hibbett as well.



EPE's New Format

Our change of format has produced reader response. Thank you all for your feedback. Here are a few of the comments.

Regarding the *EPE* format, my experience is similar to that of David Parkins (Jan '06 *Readout*). Many of my favourite magazines revised their format shortly before they ceased publication, so like David I get a bit apprehensive every time a magazine changes its format. Fortunately, many magazines stay in business after a format change, and going out of business does not follow a format change quite as often as thunder follows lightning.

Probably like David and many other readers, I seek a relatively "serious" magazine rather than an "entertaining" magazine. I began subscribing to *EPE* precisely because the old format announced: "the content is more important than the facade", and for me, the change of format is relatively unimportant. I particularly dislike "glamorous" magazines that are little more than press releases urging me to buy something. Fortunately, you seem to have designed the new format very carefully, and it probably announces:

"the content is important, and with modern technology we can give you a pretty facade too".

I think it is useful for all readers to remind ourselves that magazines don't only need us, they need advertisers, and to recruit and retain advertisers the publishers need to convince those advertisers that the magazine has lots of readers that will buy lots of stuff.

This I'm sure is a big motivator behind the format change. Although readers like David and I are very nice people, because we are a bit "serious" we think a lot about anything we might buy, and we probably aren't the ideal reader to attract advertisers. I think all publishers do their homework and have discovered that people who buy "entertaining" magazines are bigger spenders than people who buy "serious" ones.

I think we "serious" readers should be grateful for this. If the magazine can attract more "big spenders" it can attract more advertisers and then it can publish more interesting articles and we can enjoy a better magazine. I am sure that the new design isn't perfect, but it seems very suitable and I think it is reasonable for us all to be optimistic.

Keith Anderson, Tasmania

I think we can now see why you are preferring to publish articles in association with *Silicon Chip* rather than reader submissions.

I'm sorry to see that you have dropped the "where do you get awkward components" mini column. If *SC* is sourcing components in Oz, you may need to restore it!

I really enjoy reading *EPE* from cover to cover and support many of your advertisers, and buy binders, CDs, PCBs from you too!

Phil Warn, Orpington, Kent

With most components now being available from advertisers and distributors like Rapid, Conrad, Farnell and RS we hope you won't have any buying problems. We are also encouraging advertisers like Jaycar and Magenta to make kits for projects available.

Wooaw! I like the new look of the magazine, especially the cover. It looks more modern and better related to new technology/electronics than before. Congratulations and kepe up with the good work. Now we can judge the magazine by its cover.

Kypros Vassiliou, Cyprus

All at C Feedback

We have received a fair bit of response to the letters from David Parkins and Dr Jim Arlow in the Jan '06 issue, both as direct mail, and via our Chat Zone (access via www.epemag.co.uk). Here is a selection of the feedback:

I have been following the C vs assembler debate with much interest, it looks like it could become almost religious in the zealotry with which the extremists in each camp attack the opposition. I have a point of view which is in between, so probably both sides will attack it with equal fever.

The best way of learning about programming a micro is to understand at the instruction level what is going on, to do that you have to learn to program in assembler, it also helps that debuggers and single stepping program code are nearer to the action so to speak when the source code is in assembler. That said, for complex programs us humans work better with abstracted models and so C or Java make for quicker code development and less systematic errors.

There is, however, a big IF in all this, that is knowing how what you write will actually affect the microcontroller. In large machines with operating systems, high level languages make a lot of sense because the operating system is there to sort out the detail of hardware and memory access and the operating system interface is protected by access checking and address checking routines and the like. It is important to remember that there is a lot of assembly language programming in device drivers even on the PC, both Win XP and Linux, just look at the libraries that ship with your compiler.

Small PICs like the 10F, 12F and most of the 16F range are best programmed in assembler simply because they don't have the resources to make C perform efficiently. Of course, for the large devices like the 18F and the new 24F and dsPIC, C becomes a very good option. Even more so for devices like the ARM7 etc.

However, there is a halfway house, the Microchip assembler is a macro assembler and supports many compile time directives, this means that you can write code that is just abstracted enough to make the human writer comfortable but still compact, efficient and easy to debug on the target machine.

Let's not argue and abuse each other, we all are after the same thing, enjoying practical electronics, try to see the other side's point of view. Most engineering is a compromise in order to find a way of making the materials to hand do what we want at a reasonable cost, so if a 12F508 will do the job with 300 bytes of assembler should we really use a 16F628 with 2k of C? Conversely if you find yourself struggling with a 50 page assembler listing then try C, it might save your sanity.

Finally, please don't abandon assembler, introduce C alongside it. Anyone who is trying to debug some time critical

function in C will eventually resort to the assembler that the compiler has produced, and having found that the general case is slowing them down, have to write that routine specifically in assembler, the alternative would be faster clocks and bigger processors.

In industry we have to cost reduce products to make a profit in the competitive market, one of the first places that we look is can we make the processor as small and cheap as possible and yes we write in assembler to get there – silicon area costs in every product shipped, the programmer's time is amortised over the life of the product, it is just another engineering compromise.

John Dunton, Haverhill, Suffolk

I realise that JB prefers PIC assembly language to C or Delphi, etc. but it would be nice if perhaps in a special or supplement you could also give prominence to C.

As some one who lives for computers and started off with KDF9 assembly, then System 4 assembler, then ICL 1900 assembler, then Z80, then 808X8 assembler, I am not exactly biased towards C, Delphi, Fortran, Algol, etc.

But, C is out there, in your advertisers' pages, etc. Not all can get on with Assembler, you know! Don't just stick to assembler.

Phil. Warn, Orpington, Kent

As mentioned by Dr. Arlow, memory space is available to consume (rather than conserve) but what if the object code is close to the limit and then modifications/additions present themselves later? Also, in the case of volume production, disregard for memory size might entail moving up to a larger, more expensive member of the PIC family and could also lengthen the time to download the code from PC to PIC.

The most important argument for me, though, is first to consider the type of application. Embedded "firmware" (that's really what PIC code is) will be chosen as a means of directly controlling/accessing an electronic circuit but without recourse to a vast array of conventional logic chips. The individual steps in that control procedure are significant and also the PIC runs at low speed compared to a PC.

Timing is often an important part of firmware design. If the requirement is non-critical as far as timing goes and if the high-level language offers access to the necessary PIC facilities, fine. For other applications where timing has to be of known precision, writing in assembler gives the programmer full control over the number of cycles taken by the chosen sequence of instructions.

Many years ago I was briefly involved in a hospital computer system programmed in Coral-66. This looks like a structured high-level third-generation

language but, in truth, it's unusable unless there is a good understanding of the way that it compiles into machine code. There aren't any input/output instructions, machine-dependant low-level subroutines need to be provided by the programmer for these functions.

So what's the answer? Depends on what you're trying to achieve. If the high-level language produces inefficient code at a place where a compact routine is required, then this is where assembler is still needed. The worst case would be a high-level programmer, familiar with the wide-open-spaces and huge resources of a fast PC, writing in this same style for embedded firmware on a slow processor with limited memory, but where the input/output interface requires direct control.

Godfrey Manning BSc, G4GLM, Edgware, Middx

I am a professional programmer who has taken up PIC programming as a hobby. I have used many low and high level programming languages over the years. I concur wholeheartedly with the readers who have written in and stated that C is preferable to assembler.

After building the AmQRP PIC Elmer 160 Project Board (www.amqrp.org/elmer160/board/index.html) and taking the excellent PIC Elmer Tutorial (www.amqrp.org/elmer160/board/index.html) I thought I was ready to program my PIC projects in assembler. I built a PIC16F84A based time delay circuit that replaced a big hunk of equipment containing transformers and time delay relays. I built a digital thermometer using a PIC16F684 and an LCD readout, then switched to a 3-digit LED readout just to see how it was done. These projects were all coded in assembler and I thought I was doing well.

I chose the PIC16F877A for my current project because I needed lots of I/O. The 877A has plenty of code and data memory, but there are four pages of code and four banks of data memory. After writing a few thousand lines of code, my program was crashing and I was spending all my time figuring out what code page and data bank to select.

It had become a nightmare. So I decided to shop around for a C compiler, and purchased a full-featured one at a very reasonable cost for a single user. I rewrote my code in C and what a difference! Small, compact modules. No worries about where the code and data are. And it's easy to insert chunks of assembler code. My nightmare was gone and I was able to finish my project.

I can also say that high level languages are far easier to understand and maintain than low level. And the code is far more portable. Consider how hard it would be to port a PIC assembler program to another type of processor, compared to C code.

Thanks for the interesting magazine, and keep up the PIC projects!

Jack Botner, VE3LNY

YOU WON'T GET YOUR FINGERS BURNT

It may surprise you but buying an Antex soldering iron costs less than you think in the long run. British made to exacting standards, they last significantly longer than imported brands. And with a wide range of thermally balanced soldering irons, you can pick up a "fixed temperature" or "in-handle" temperature model that will suit your needs perfectly.

None of which will burn a hole in your pocket.

If your hobby demands the best iron for the job but you don't want to get your fingers burnt by the cost, visit our website or your electronics retailer for the coolest models around.

Pick up an

ANTEX
Not just any old iron.



www.antex.co.uk

2 Westbridge Industrial Estate Tavistock
Devon PL19 8DE Tel 01822 613565

Easy SYNC™ USB and CAN Bus Solutions

£61.00

CAN-232
RS232 to CAN Bus Adapter

£81.50

CAN-USB
USB to CAN Converter cable

from £26.00

COM-M Series
Industrial USB Serial Converters

CAN Bus Solutions

CAN-232 and CAN-USB

CAN-USB is a very small dongle that plugs into any PC USB Port and gives an instant CAN connectivity. Priced at only £61 each, CAN-232 is the affordable but powerful solution for providing CAN connectivity via RS232.

Industrial USB Serial

USB-COM-M and USB-COMI-M range

The USB-COM-M and USB-COMI-M range are industrial strength: USB to RS232 / RS422 / RS485 converters housed in rugged metal enclosures with removable wall mounting plates. Perfect for rugged environments these converters are available in standard and opto-isolated versions. Priced from only £26 (USB-COM-M)

EasySync Ltd

373 Scotland Street,
Glasgow G5 8CB,
United Kingdom

Tel : 0141 418 0181
Fax : 0141 418 0110

Web : <http://www.easysync.co.uk>
E-Mail : sales@easysync.co.uk

* Prices shown exclude PP and VAT where applicable

Rechargeable Batteries With Solder Tags

NIMH

NICAD

AA 2000mAh	£2.82	AA 650mAh	£1.41
C 4Ah	£4.70	C 2.5Ah	£3.60
D 9Ah	£7.60	D 4Ah	£4.95
PP3 150mAh	£4.95		

Instrument case with edge connector and screw terminals

Size 112mm x 52mm x 105mm tall

This box consists of a cream base with a PCB slot, a cover plate to protect your circuit, a black lid with a 12 way edge connector and 12 screw terminals built in (8mm pitch) and 2 screws to hold the lid on. The cream bases have minor marks from dust and handling price £2.00 + VAT(=£2.35) for a sample or £44.00+VAT (=£51.70) for a box of 44.



866 battery pack originally intended to be used with an orbital mobile telephone it contains 10 1.6Ah sub C batteries (42 x 22 dia. the size usually used in cordless screwdrivers etc.) the pack is new and unused and can be broken open quite easily £7.46 + VAT = £8.77



Please add £1.66 + VAT = £1.95 postage & packing per order

JPG Electronics

Shaws Row, Old Road, Chesterfield, S40 2RB.
Tel 01246 211202 Fax 01246 550959

www.JPGElectronics.com

Mastercard/Visa/Switch

Callers welcome 9.30 a.m. to 5.30 p.m. Monday to Saturday

DIRECT BOOK SERVICE

NOTE: ALL PRICES INCLUDE UK POSTAGE

FREE: Two booklets and a *Circuit Surgery* CD-ROM with *Teach-In 2000* CD-ROM



EPE TEACH-IN 2000 CD-ROM

The whole of the 12-part *Teach-In 2000* series by John Becker (published in *EPE* Nov '99 to Oct 2000) is now available on CD-ROM. Plus the *Teach-In 2000* interactive software (Win 95, 98, ME and above) covering all aspects of the series and Alan Winstanley's *Basic Soldering Guide* (including illustrations and Desoldering).

Teach-In 2000 covers all the basic principles of electronics from Ohm's Law to Displays, including Op.Amps, Logic Gates etc. Each part has its own section on the interactive software where you can also change component values in the various on-screen demonstration circuits.

The series gives a hands-on approach to electronics with numerous breadboard circuits to try out, plus a simple computer interface (Win 95, 98, ME only) which allows a PC to be used as a basic oscilloscope.

ONLY **£12.45** including VAT and p&p

Order code Teach-In CD-ROM

Circuits and Design

A BEGINNER'S GUIDE TO TTL DIGITAL ICs R. A. Penfold

This book first covers the basics of simple logic circuits in general, and then progresses to specific TTL logic integrated circuits. The devices covered include gates, oscillators, timers, flip/flops, dividers, and decoder circuits. Some practical circuits are used to illustrate the use of TTL devices in the "real world".

142 pages Order code BP332 £5.45

PRACTICAL ELECTRONICS CALCULATIONS AND FORMULAE

F. A. Wilson, C.G.I.A., C.Eng., F.I.E.E., F.I.E.R.E., F.B.I.M.
Bridges the gap between complicated technical theory, and "cut-and-try" methods which may bring success in design but leave the experimenter unfulfilled. A strong practical bias – tedious and higher mathematics have been avoided where possible and many tables have been included.

The book is divided into six basic sections: Units and Constants, Direct-Current Circuits, Passive Components, Alternating-Current Circuits, Networks and Theorems, Measurements.

256 pages Order code BP53 £5.49

MICROCONTROLLER COOKBOOK Mike James

The practical solutions to real problems shown in this cookbook provide the basis to make PIC and 8051 devices really work. Capabilities of the variants are examined, and ways to enhance these are shown. A survey of common interface devices, and a description of programming models, lead on to a section on development techniques. The cookbook offers an introduction that will allow any user, novice or experienced, to make the most of microcontrollers.

240 pages Order code NE26 £23.99

The books listed have been selected by *Everyday Practical Electronics* editorial staff as being of special interest to everyone involved in electronics and computing. They are supplied by mail order direct to your door. Full ordering details are given on the last book page.

FOR A FURTHER SELECTION OF BOOKS SEE THE NEXT TWO ISSUES OF *EPE*

All prices include UK postage

Computing & Robotics

WINDOWS XP EXPLAINED N. Kantaris and P. R. M. Oliver

If you want to know what to do next when confronted with Microsoft's Windows XP screen, then this book is for you. It applies to both the Professional and Home editions. The book was written with the non-expert, busy person in mind. It explains what hardware requirements you need in order to run Windows XP successfully, and gives an overview of the Windows XP environment.

The book explains: How to manipulate Windows, and how to use the Control Panel to add or change your printer, and control your display; How to control information using WordPad, Notepad and Paint, and how to use the Clipboard facility to transfer information between Windows applications; How to be in control of your filing system using Windows Explorer and My Computer; How to control printers, fonts, characters, multimedia and images, and how to add hardware and software to your system; How to configure your system to communicate with the outside world, and use Outlook Express for all your email requirements; How to use the Windows Media Player 8 to play your CDs, burn CDs with your favourite tracks, use the Radio Tuner, transfer your videos to your PC, and how to use the Sound Recorder and Movie Maker; How to use the System Tools to restore your system to a previously working state, using Microsoft's Website to update your Windows set-up, how to clean up, defragment and scan your hard disk, and how to backup and restore your data; How to successfully transfer text from those old but cherished MS-DOS programs.

268 pages Order code BP514 £7.99

INTRODUCING ROBOTICS WITH LEGO MINDSTORMS Robert Penfold

Shows the reader how to build a variety of increasingly sophisticated computer controlled robots using the brilliant Lego Mindstorms Robotic Invention System (RIS). Initially covers fundamental building techniques and mechanics needed to construct strong and efficient robots using the various "click-together" components supplied in the basic RIS kit. Explains in simple terms how the "brain" of the robot may be programmed on screen using a PC and "zapped" to the robot over an infra-red link. Also, shows how a more sophisticated Windows programming language such as Visual BASIC may be used to control the robots.

Detailed building and programming instructions provided, including numerous step-by-step photographs.

288 pages – large format Order code BP901 £14.99

MORE ADVANCED ROBOTICS WITH LEGO MINDSTORMS – Robert Penfold

Covers the Vision Command System

Shows the reader how to extend the capabilities of the brilliant Lego Mindstorms Robotic Invention System (RIS) by using Lego's own accessories and some simple home constructed units. You will be able to build robots that can provide you with 'waiter service' when you clap your hands, perform tricks, 'see' and avoid objects by using 'bats radar', or accurately follow a line marked on

the floor. Learn to use additional types of sensors including rotation, light, temperature, sound and ultrasonic and also explore the possibilities provided by using an additional (third) motor. For the less experienced, RCX code programs accompany most of the featured robots. However, the more adventurous reader is also shown how to write programs using Microsoft's VisualBASIC running with the ActiveX control (Spirit.OCX) that is provided with the RIS kit.

Detailed building instructions are provided for the featured robots, including numerous step-by-step photographs. The designs include rover vehicles, a virtual pet, a robot arm, an 'intelligent' sweet dispenser and a colour conscious robot that will try to grab objects of a specific colour.

298 pages Order code BP902 £14.99

PIC YOUR PERSONAL INTRODUCTORY COURSE SECOND EDITION John Morton

Discover the potential of the PIC microcontroller through graded projects – this book could revolutionise your electronics construction work!

A uniquely concise and practical guide to getting up and running with the PIC Microcontroller. The PIC is one of the most popular of the microcontrollers that are transforming electronic project work and product design.

Assuming no prior knowledge of microcontrollers and introducing the PICs capabilities through simple projects, this book is ideal for use in schools and colleges. It is the ideal introduction for students, teachers, technicians and electronics enthusiasts. The step-by-step explanations make it ideal for self-study too: this is not a reference book – you start work with the PIC straight away.

The revised second edition covers the popular reprogrammable EEPROM PICs: P16C84/16F84 as well as the P54 and P71 families.

270 pages Order code NE36 £16.99

INTRODUCTION TO MICROPROCESSORS John Crisp

If you are, or soon will be, involved in the use of microprocessors, this practical introduction is essential reading. This book provides a thoroughly readable introduction to microprocessors, assuming no previous knowledge of the subject, nor a technical or mathematical background. It is suitable for students, technicians, engineers and hobbyists, and covers the full range of modern microprocessors.

After a thorough introduction to the subject, ideas are developed progressively in a well-structured format. All technical terms are carefully introduced and subjects which have proved difficult, for example 2's complement, are clearly explained. John Crisp covers the complete range of microprocessors from the popular 4-bit and 8-bit designs to today's super-fast 32-bit and 64-bit versions that power PCs and engine management systems etc.

222 pages Order code NE31 £21.99

EASY PC CASE MODDING R.A Penfold

Why not turn that anonymous grey tower, that is the heart of your computer system, into a source of visual wonderment and fascination. To start, you need to change the case or some case panels for ones that are transparent. This will then allow the inside of your computer and it's working parts to be clearly visible.

There are now numerous accessories that are relatively inexpensive and freely available, for those wishing to customise their PC with added colour and light. Cables and fans can be made to glow, interior lights can be added, and it can all be seen to good effect through the transparent case. Exterior lighting and many other attractive accessories may also be fitted.

This, in essence, is case modding or PC Customising as it is sometimes called and this book provides all the practical details you need for using the main types of case modding components including: Electro luminescent (EL) 'go-faster' stripes; Internal lighting units; Fancy EL panels; Data cables with built-in lighting; Data cables that glow with the aid of 'black' light from an ultraviolet (UV) tube; Digital display panels; LED case and heatsink fans; Coloured power supply covers.

192 pages Order code BP542 £8.99

NEWNES PC TROUBLESHOOTING POCKET BOOK – THIRD EDITION

Howard Anderson, Mike Tooley

All the essential data for PC fault-finding and upgrading. This book provides a concise and compact reference that describes, in a clear and straightforward manner, the principles and practice of fault-finding and upgrading PCs and peripherals. The book is aimed at anyone who is involved with the installation, configuration, maintenance, upgrading, repair or support of PC systems. It also provides non-technical users with sufficient background information, charts and checklists to enable the diagnosis of faults and help to carry out simple modifications and repairs. In order to reflect rapid changes in computer technology (both hardware and software) this new edition has been completely revised and rewritten.

256 pages Order code NE41 £19.99

NEWNES INTERFACING COMPANION Tony Fischer-Cripps

A uniquely concise and practical guide to the hardware, applications and design issues involved in computer interfacing and the use of transducers and instrumentation.

Newnes Interfacing Companion presents the essential information needed to design a PC-based interfacing system from the selection of suitable transducers, to collection of data, and the appropriate signal processing and conditioning.

Contents: Part 1 – Transducers; Measurement systems; Temperature; Light; Position and motion; Force, pressure and flow. Part 2 – Interfacing; Number systems; Computer architecture; Assembly language; Interfacing; A to D and D to A conversions; Data communications; Programmable logic controllers; Data acquisition project. Part 3 – Signal processing; Transfer function; Active filters; Instrumentation amplifier; Noise; Digital signal processing.

320 pages Order code NE38 £26.99

Testing, Theory and Reference

THE AMATEUR SCIENTIST CD-ROM

The complete collection of The Amateur Scientist articles from *Scientific American* magazine. Over 1,000 classic science projects from a renowned source of winning projects. All projects are rated for cost, difficulty and possible hazards.

Plus over 1,000 pages of helpful science techniques that never appeared in *Scientific American*.

Exciting science projects in: Astronomy; Earth Science; Biology; Physics; Chemistry; Weather... and much more! The most complete resource ever assembled for hobbyists, and professionals looking for novel solutions to research problems. Includes extensive Science Software Library with even more science tools.

Suitable for Mac, Windows, Linux or UNIX. 32MB RAM minimum, Netscape 4.0 or higher or Internet Explorer 4.0 or higher. Over 1,000 projects

Order code AS1 CD-ROM £19.95



BEBOP BYTES BACK (and the Beboputer Computer Simulator) CD-ROM

Clive (Max) Maxfield and Alvin Brown

This follow-on to *Bebop to the Boolean Boogie* is a multimedia extravaganza of information about how computers work. It picks up where "Bebop I" left off, guiding you through the fascinating world of computer design... and you'll have a few chuckles, if not belly laughs, along the way. In addition to over 200 megabytes of mega-cool multimedia, the CD-ROM contains a virtual microcomputer, simulating the motherboard and standard computer peripherals in an extremely realistic manner. In addition to a wealth of technical information, myriad nuggets of trivia, and hundreds of carefully drawn illustrations, the CD-ROM contains a set of lab experiments for the virtual microcomputer that let you recreate the experiences of early computer pioneers. If you're the slightest bit interested in the inner workings of computers, then don't dare to miss this!

Over 800 pages in Adobe Acrobat format Order code BEB2 CD-ROM £21.95



GETTING THE MOST FROM YOUR MULTIMETER

R. A. Penfold

This book is primarily aimed at beginners and those of limited experience of electronics. Chapter 1 covers the basics of analogue and digital multimeters, discussing the relative merits and the limitations of the two types. In Chapter 2 various methods of component checking are described, including tests for transistors, thyristors, resistors, capacitors and diodes. Circuit testing is covered in Chapter 3, with subjects such as voltage, current and continuity checks being discussed.

In the main little or no previous knowledge or experience is assumed. Using these simple component and circuit testing techniques the reader should be able to confidently tackle servicing of most electronic projects. 96 pages

Order code BP239 £5.49

OSCILLOSCOPES - FIFTH EDITION

Ian Hickman

Oscilloscopes are essential tools for checking circuit operation and diagnosing faults, and an enormous range of models are available.

This handy guide to oscilloscopes is essential reading for anyone who has to use a 'scope for their work or hobby; electronics designers, technicians, anyone in industry involved in test and measurement, electronics enthusiasts... Ian Hickman's review of all the latest types of 'scope currently available will prove especially useful for anyone planning to buy - or even build - an oscilloscope.

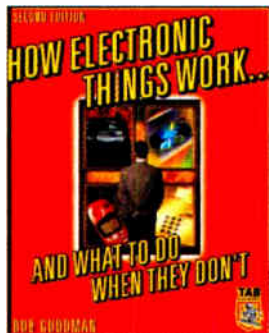
The contents include a description of the basic oscilloscope; Advanced real-time oscilloscope; Accessories; Using oscilloscopes; Sampling oscilloscopes; Digital storage oscilloscopes; Oscilloscopes for special purposes; How oscilloscopes work (1): the CRT; How oscilloscopes work (2): circuitry; How oscilloscopes work (3): storage CRTs; plus a listing of Oscilloscope manufacturers and suppliers. 288 pages

Order code NE37 £22.99

PRACTICAL ELECTRONIC FAULT FINDING AND TROUBLESHOOTING

Robin Pain

To be a real fault finder, you must be able to get a feel for what is going on in the circuit you are examining. In this book Robin Pain explains the basic techniques needed to be a fault finder.



Simple circuit examples are used to illustrate principles and concepts fundamental to the process of fault finding. This is not a book of theory, it is a book of practical tips, hints and rules of thumb, all of which will equip the reader to tackle any job. You may be an engineer or technician in search of information and guidance, a college student, a hobbyist building a project from a magazine, or simply a keen self-taught amateur who is interested in electronic fault finding but finds books on the subject too mathematical or specialised.

The fundamental principles of analogue and digital fault finding are described (although, of course, there is no such thing as a "digital fault" - all faults are by nature analogue). This book is written entirely for a fault finder using only the basic fault-finding equipment: a digital multimeter and an oscilloscope. The treatment is non-mathematical (apart from Ohm's law) and all jargon is strictly avoided. 274 pages

Order code NE22 £25.99

ELECTRONIC TEST EQUIPMENT HANDBOOK

Steve Money

In most applications of electronics, test instruments are essential for checking the performance of a system or for diagnosing faults in operation, and so it is important for engineers, technicians, students and hobbyists to understand how the basic test instruments work and how they can be used.

The principles of operation of the various types of test instrument are explained in simple terms with a minimum of mathematical analysis. The book covers analogue and digital meters, bridges, oscilloscopes, signal generators, counters, timers and frequency measurement. The practical uses of these instruments are also examined. 206 pages

Order code PC109 £9.95

DIGITAL GATES AND FLIP-FLOPS

Ian R. Sinclair

This book, intended for enthusiasts, students and technicians, seeks to establish a firm foundation in digital electronics by treating the topics of gates and flip-flops thoroughly and from the beginning.

Topics such as Boolean algebra and Karnaugh mapping are explained, demonstrated and used extensively, and more attention is paid to the subject of synchronous counters than to the simple but less important ripple counters.

No background other than a basic knowledge of electronics is assumed, and the more theoretical topics are explained from the beginning, as also are many working practices. The book concludes with an explanation of micro-processor techniques as applied to digital logic. 200 pages

Order code PC106 £9.95

UNDERSTANDING ELECTRONIC CONTROL SYSTEMS

Owen Bishop

Owen Bishop has produced a concise, readable text to introduce a wide range of students, technicians and professionals to an important area of electronics. Control is a highly mathematical subject, but here maths is kept to a minimum, with flow charts to illustrate principles and techniques instead of equations.

Cutting edge topics such as microcontrollers, neural networks and fuzzy control are all here, making this an ideal refresher course for those working in industry. Basic principles, control algorithms and hardwired control systems are also fully covered so the resulting book is a comprehensive text and well suited to college courses or background reading for university students.

The text is supported by questions under the headings Keeping Up and Test Your Knowledge so that the reader can develop a sound understanding and the ability to apply the techniques they are learning. 228 pages

Order code NE35 £20.99

HOW ELECTRONIC THINGS WORK - AND WHAT TO DO WHEN THEY DON'T

Robert Goodman

You never again have to be flummoxed, flustered or taken for a ride by a piece of electronics equipment. With this fully illustrated, simple-to-use guide, you will get a grasp on the workings of the electronic world that surrounds you - and even learn to make your own repairs.

You don't need any technical experience. This book gives you: Clear explanations of how things work, written in everyday language. Easy-to-follow, illustrated instructions on using test equipment to diagnose problems. Guidelines to help you decide for or against professional repair. Tips on protecting your expensive equipment from lightning and other electrical damage. Lubrication and maintenance suggestions.

Covers: colour TVs, VCRs, radios, PCs, CD players, printers, telephones, monitors, camcorders, satellite dishes, and much more! 394 pages

Order code MGH3 £21.99

VINTAGE RADIOS - COLLECTING • SERVICING • RESTORING

Tony Thompson

The essential guide to collecting, repairing and restoring vintage valve radios. These receivers are becoming ever more popular as collectibles, this is a good thing because it means that a very large piece of technological history is being reclaimed when at one time many thought it lost forever. If you look around, you will find plenty of valve radio sets just waiting for a loving restoration. They may not yet be the most highly prized, and they are unlikely to be in top condition, but they can be yours and, if you develop the skills outlined in this book, you will possess radio receivers to be proud of.

The book covers radio history, styling, faultfinding, chassis and cabinet restoration, types of set. 124 pages spiral bound

Order code TT1 £13.50

All prices include UK P&P

Project Building

ELECTRONIC PROJECT BUILDING FOR BEGINNERS

R. A. Penfold

This book is for complete beginners to electronic project building. It provides a complete introduction to the practical side of this fascinating hobby, including the following topics:

Component identification, and buying the right parts; resistor colour codes, capacitor value markings, etc; advice on buying the right tools for the job; soldering; making easy work of the hard wiring; construction methods, including stripboard, custom printed circuit boards, plain matrix boards, surface mount boards and wire-wrapping; finishing off, and adding panel labels; getting "problem" projects to work, including simple methods of fault-finding.

In fact everything you need to know in order to get started in this absorbing and creative hobby.

135 pages

Order code BP392

£5.49

BUILDING VALVE AMPLIFIERS

Morgan Jones

The practical guide to building, modifying, fault-finding and repairing valve amplifiers. A hands-on approach to valve electronics – classic and modern – with a minimum of theory. Planning, fault-finding, and testing are each illustrated by step-by-step examples.

A unique hands-on guide for anyone working with valve (tube in USA) audio equipment – as an electronics experimenter, audiophile or audio engineer.

Particular attention has been paid to answering questions commonly asked by newcomers to the world of the vacuum tube, whether audio enthusiasts tackling their first build, or more experienced amplifier designers seeking to learn the ropes of working with valves. The practical side of this book is reinforced by numerous clear illustrations throughout.

368 pages

Order code NE40

£21.99

STARTING ELECTRONICS, THIRD EDITION KEITH BRINDLEY

A punchy practical introduction to self-build electronics. The ideal starting point for home experimenters, technicians and students who want to develop the real hands-on skills of electronics construction.

A highly practical introduction for hobbyists, students, and technicians. Keith Brindley introduces readers to the functions of the main component types, their uses, and the basic principles of building and designing electronic circuits.

Breadboarding layouts make this very much a ready-to-run book for the experimenter, and the use of multimeter, but not oscilloscopes, and readily available, inexpensive components makes the practical work achievable in a home or school setting as well as a fully equipped lab.

288 pages

Order code NE42

£10.99

Theory and Reference

COIL DESIGN AND CONSTRUCTIONAL MANUAL B. B. Babani

A complete book for the home constructor on "how to make" RF, IF, audio and power coils, chokes and transformers. Practically every possible type is discussed and calculations necessary are given and explained in detail. Although this book is now twenty years old, with the exception of toroids and pulse transformers little has changed in coil design since it was written.

96 pages

Order code BP160

£4.49

PRACTICAL ELECTRONIC FILTERS

Owen Bishop

This book deals with the subject in a non-mathematical way. It reviews the main types of filter, explaining in simple terms how each type works and how it is used.

The book also presents a dozen filter-based projects with applications in and around the home or in the constructor's workshop. These include a number of audio projects such as a rhythm sequencer and a multi-voiced electronic organ.

Concluding the book is a practical step-by-step guide to designing simple filters for a wide range of purposes, with circuit diagrams and worked examples.

188 pages

Order code BP299

£5.49

ELECTRONIC PROJECTS FOR EXPERIMENTERS

R. A. Penfold

Many electronic hobbyists who have been pursuing their hobby for a number of years seem to suffer from the dreaded "seen it all before" syndrome. This book is fairly and squarely aimed at sufferers of this complaint, plus any other electronics enthusiasts who yearn to try something a bit different.

The subjects covered include:- Magnetic field detector, Basic Hall effect compass, Hall effect audio isolator, Voice scrambler/descrambler, Bat detector, Bat style echo location, Noise cancelling, LED stroboscope, Infra-red "torch", Electronic breeze detector, Class D power amplifier, Strain gauge amplifier, Super hearing aid.

138 pages

Order code BP371

£5.45

PRACTICAL FIBRE-OPTIC PROJECTS

R. A. Penfold

While fibre-optic cables may have potential advantages over ordinary electric cables, for the electronics enthusiast it is probably their novelty value that makes them worthy of exploration. Fibre-optic cables provide an innovative interesting alternative to electric cables, but in most cases they also represent a practical approach to the problem. This book provides a number of tried and tested circuits for projects that utilize fibre-optic cables.

The projects include:- Simple audio links, F.M. audio link, P.W.M. audio links, Simple d.c. links, P.W.M. d.c. link, P.W.M. motor speed control, RS232C data links, MIDI link, Loop alarms, R.P.M. meter.

All the components used in these designs are readily available, none of them require the constructor to take out a second mortgage.

132 pages

Order code BP374

£5.45

ELECTRONIC MUSIC AND MIDI PROJECTS

R. A. Penfold

Whether you wish to save money, boldly go where no musician has gone before, rekindle the pioneering spirit,

or simply have fun building some electronic music gadgets, the designs featured in this book should suit your needs. The projects are all easy to build, and some are so simple that even complete beginners at electronic project construction can tackle them with ease. Stripboard layouts are provided for every project, together with a wiring diagram. The mechanical side of construction has largely been left to the individual constructors to sort out, simply because the vast majority of project builders prefer to do their own thing.

None of the designs requires the use of any test equipment in order to get them set up properly. Where any setting up is required, the procedures are very straightforward, and they are described in detail.

Projects covered: Simple MIDI tester, Message grabber, Byte grabber, THRU box, MIDI auto switcher, Auto/manual switcher, Manual switcher, MIDI patchbay, MIDI controlled switcher, MIDI lead tester, Program change pedal, Improved program change pedal, Basic mixer, Stereo mixer, Electronic swell pedal, Metronome, Analogue echo unit.

138 pages

Order code PC116

£5.45

VIDEO PROJECTS FOR THE ELECTRONICS CONSTRUCTOR

R. A. Penfold

Written by highly respected author R. A. Penfold, this book contains a collection of electronic projects specially designed for video enthusiasts. All the projects can be simply constructed, and most are suitable for the newcomer to project construction, as they are assembled on stripboard.

There are faders, wipers and effects units which will add sparkle and originality to your video recordings, an audio mixer and noise reducer to enhance your soundtracks and a basic computer control interface. Also, there's a useful selection on basic video production techniques to get you started.

Circuits include: video enhancer, improved video enhancer, video fader, horizontal wiper, improved video wiper, negative video unit, fade to grey unit, black and white keyer, vertical wiper, audio mixer, stereo headphone amplifier, dynamic noise reducer, automatic fader, pushbutton fader, computer control interface, 12 volt mains power supply.

124 pages

Order code PC115

£5.45

BOOK ORDERING DETAILS

All prices include UK postage. For postage to Europe (air) and the rest of the world (surface) please add £2 per book. For the rest of the world airmail add £3 per book. CD-ROM prices include VAT and/or postage to anywhere in the world. Send a PO, cheque, international money order (£ sterling only) made payable to **Direct Book Service** or card details, Visa, Mastercard, Amex, Diners Club or Maestro to:

**DIRECT BOOK SERVICE, WIMBORNE PUBLISHING LTD.,
408 WIMBORNE ROAD EAST, FERNDOWN, DORSET BH22 9ND.**

Books are normally sent within seven days of receipt of order, but please allow 28 days for delivery – more for overseas orders. Please check price and availability (see latest issue of *Everyday Practical Electronics*) before ordering from old lists.

For a further selection of books see the next two issues of *EPE*.

Tel 01202 873872 Fax 01202 874562. Email: dbs@wimborne.co.uk

Order from our online shop at: www.epemag.co.uk

BOOK ORDER FORM

Full name:

Address:

.....

.....

..... Post code: Telephone No:

Signature:

I enclose cheque/PO payable to DIRECT BOOK SERVICE for £

Please charge my card £ Card expiry date.....

Card Number Switch/Maestro Issue No.....

Card Security Code (the last three digits on or just under the signature strip)

Please send book order codes:

.....

Please continue on separate sheet of paper if necessary
If you do not wish to cut your magazine, send a letter or copy of this form



agar
Circuits



PCB DESIGN & MANUFACTURE
for both the Hobbyist and Professional

PCBs designed and produced from :

- Notes
- Schematics
- Specifications
- Descriptions
- Print - outs
- Gerbers

Available With or without component assembly

* **FREE** * PCB PROTOTYPE With Quantity Orders

Email: adinfo@agarcircuits.com
Tel: 028 (90) 738 897

X-10® Home Automation

We put you in control™

Why tolerate when you can automate?

An extensive range of 230V X-10 products and starter kits available. Uses proven Power Line Carrier technology, no wires required.

Products Catalogue available Online.

Worldwide delivery.

Laser Business Systems Ltd.

E-Mail: info@laser.com

<http://www.laser.com>

Tel: (020) 8441 9788

Fax: (020) 8449 0430



Lichfield Electronics

For electronic kits, components and tools



Aoyue 909 All in one

The 909 repair system contains a high quality closed circuit 0 to 15V 1.5A power supply, 35W temp controlled 24V soldering iron (200-480C) and a 450W 100-500C Hot air gun for SMD work
£99.99

Aoyue 936 Soldering Iron

This temperature controlled 35W soldering iron Has a range of between 200C-480C and comes complete with spare heating element and iron holder. Very simple to use and only **£24.99**



WWW.LICHFIELDELECTRONICS.CO.UK



Work station & 0-15V PSU

The Aoyue 398 Power Source Platform is a combined 0-15V closed circuit power supply & work table with stepless PCB clamps.
£34.99

Autoranging RS232 multimeter

The UT60 is an autoranging multimeter with RS232 interface enabling readings to be displayed on a PC. Features include fused 10A range, frequency, capacitance, data hold, selectable auto manual ranging, continuity buzzer and full icon display. **£64.99**



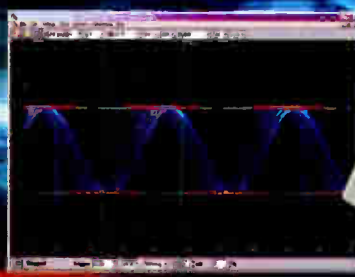
Open Mon-Sat: 9.00-5.00

Lichfield Electronics, The Corn Exchange, Conduit Street, Lichfield, Staffordshire, WS13 6JU

PicoScope 3000 Series PC Oscilloscopes

The PicoScope 3000 series oscilloscopes are the latest offerings from the market leader in PC oscilloscopes combining high bandwidths with large buffer memories. Using the latest advances in electronics, the oscilloscopes connect to the USB port of any modern PC, making full use of the PCs' processing capabilities, large screens and familiar graphical user interfaces.

- High performance: 10GS/s sampling rate & 200MHz bandwidth
- 1MB buffer memory
- High speed USB 2.0 interface
- Advanced display & trigger modes
- Compact & portable
- Supplied with PicoScope & PicoLog software



PicoScope	3204	3205	3206
Bandwidth	50MHz	100MHz	200MHz
Sampling rate (repetitive)	2.5GS/s	5GS/s	10GS/s
Sampling rate (single shot)	50MS/s	100MS/s	200MS/s
Channels	2+Ext trigger	2+Ext trigger Sig gen	2+Ext trigger Sig gen
Oscilloscope timebases	5ns/div to 50µs/div	2ns/div to 50µs/div	1ns/div to 50µs/div
Timebase accuracy	50ppm	50ppm	50ppm
Spectrum ranges	0 to 25MHz	0 to 50MHz	0 to 100MHz
Buffer memory size	256KB	512KB	1MB
Resolution / accuracy		8 bits / 3%	
Range		±100mV to ±20V	
PC Connection		USB2.0 (USB1.1 compatible)	

Tel: 01480 396395
www.picotech.com/scope323

pico
Technology Limited

PCB SERVICE

Printed circuit boards for most recent *EPE* constructional projects are available from the PCB Service, see list. These are fabricated in glass fibre, and are fully drilled and roller tinned. All prices include VAT and postage and packing. Add £1 per board for airmail outside of Europe. Remittances should be sent to **The PCB Service, Everyday Practical Electronics, Wimborne Publishing Ltd., 408 Wimborne Road East, Ferndown, Dorset BH22 9ND. Tel: 01202 873872; Fax 01202 874562; Email: orders@epemag.wimborne.co.uk. On-line Shop: www.epemag.wimborne.co.uk/shopdoor.htm.** Cheques should be crossed and made payable to *Everyday Practical Electronics* (Payment in £ sterling only).

NOTE: While 95% of our boards are held in stock and are dispatched within seven days of receipt of order, please allow a maximum of 28 days for delivery – overseas readers allow extra if ordered by surface mail. Back numbers or photocopies of articles are available if required – see the *Back Issues* page for details. We do not supply kits or components for our projects.

Please check price and availability in the latest issue.
A large number of older boards are listed on our website.
 Boards can only be supplied on a payment with order basis.

PROJECT TITLE	Order Code	Cost
Keyring L.E.D. Torch	AUG '04 456	£4.12
★Teach-In '04 Part 10 – PIC Curtain or Blind Winder	457	£5.39
Simple F.M. Radio – F.M. Tuner	458	£5.07
– Tone Control	459	£4.75
– Audio Power Amp (TDA2003)	347	£4.60
– Power Supply	460	£5.39
★EPE Scorer – Control Board	461	£6.66
– Display Board	462	£7.93
– Slave Board	463	£5.55
★PIC to Mouse/Keyboard – Software only	–	–
EPE Wart Zapper	SEPT '04 464	£4.60
★Radio Control Failsafe	465	£4.76
★AlphaMouse Game	466	£4.60
★Rainbow Lighting Controller – Software only	–	–
★Moon and Tide Clock Calendar	OCT '04 467	£5.55
Volts Checker	468	£4.20
★Smart Karts – Software only	–	–
Logic Probe	NOV '04 469	£4.76
Thunderstorm Monitor	470	£5.39
MW Amplitude Modulator	–	–
– V.F.O./Buffer	471	£4.76
– Modulator/PA	472	£5.07
– Power Supply	473	£4.76
Super Vibration Switch	DEC '04 474	£4.75
Wind Direction Indicator	475	£6.18
★PIC Flasher Mk2 – Control Board	476	£4.75
– Transmitter	477	£4.44
– Multipurpose Board	478	£4.75
– Simple Cyclor	479	£4.44
– Luxeon V Controller	480	£4.44
– Power Supply	473	£4.76
Light Detector	JAN '05 481	£4.44
★Camera Watch	482	£6.03
Gate Alarm – Oscillator	483	£4.92
– Delay/Timer	484	£4.92
★Sneaky – Transmitter	FEB '05 485	£4.60
– Receiver	486	£4.91
★PIC Electric Mk2 – Control	487	£5.87
– Sensor	488	£5.71
Sound Card Mixer	489	£7.29
Headphone Monitor	MAR '05 490	£5.71
EPE Cat Flap	491	£6.02
★Bingo Box – Main	492	£9.04
– Big Digit Display	493	£10.31
Spontaflex Radio– Tuner	APR '05 494	£5.55
– Coil Pack	495	£5.71
– Audio Amplifier	496	£5.55
– Tuning Capacitor Board	406	£4.28
★Safety Interface	497	£6.18
Back-To-Basics 1 – Fridge/Freezer Door Alarm	498	£5.39
★Crossword Solver	MAY '05 499	£6.66
20W Amplifier Module	500	£5.14
Back-To-Basics 2 – Water Level Alarm	501	£5.39
– Burglar Alarm	502	£5.87
★PIC Ultrasonic Scanner	JUN '05 503	£6.66
★Radio Control Model Switcher	504	£5.87
Back-To-Basics 3 – Scarecrow	505	£5.55
– Digital Lock	506	£6.66
CompactFlash Interface Board	507	£6.66
LF/VLF Converter	JUL '05 508	£5.71
– Fixed Capacitor Board	509	£5.86
– Mixer/Oscillator Board	510	£5.23
– Buffer Amplifier	511	£5.23
– Q-Multiplier	406	£4.28
– Tuning Capacitor Board	512	£6.34
Back-To-Basics 4 – Doorchime	513	£6.02
– Electronic Dice	514	£6.82
★Cybervox	515	£6.66
Multi-Clap Switch	–	–
Audio System	AUG '05 516	£6.02
– Pre-amplifier	517	£5.23
– Mic. Supply Board	518	£6.02

PROJECT TITLE	Order Code	Cost
★Pain Monitor	AUG '05 519	£7.14
MotorAmp	520	£7.45
Back-To-Basics 5 – Kitchen Timer	521	£5.87
– Room Thermometer	522	£6.02
All-Band Radio – Full Version	SEPT '05 523	£5.71
– Mini Version	524	£5.23
★Multicore Cable Tester – Main	525	£6.19
– Active	526	£5.55
Back-To-Basics 6 – Daily Reminder	527	£6.19
– Whistle Switch	528	£5.87
★Model Railway Signal Control	529	£6.19
★Snooker/Darts Scoreboard	530	£8.72
Photic Phone – Transmitter	OCT '05 531	} pair £6.98
– Receiver	532	
Back-To-Basics 7 – Parking Radar	533	£5.71
– Telephone Switch	534	£5.55
★Haloween Howler	535	£6.02
★PIC-Based USB Interface	536	£6.19
★PIC Chromatone	NOV '05 537	£6.82
Back-To-Basics 8 – Noughts and Crosses Enigma	538	£6.66
– Weather Vane Repeater	539	£6.18
★Multi-Function R/C Switch	540	£5.87
★Speed Camera Watch Mk2	541	£6.35
Solid-State Valve Power Supply	DEC '05 542	£6.35
★Vehicle Frost Box Mk2	543	£5.71
★Propeller Monitor	544	£6.02
Solid-State Hammond	545	£6.18
★PIC Ambilux	JAN '06 546	£5.71
Sunset Switch	547	£6.98
Current Clamp Adaptor for Multimeters	548	£5.39
★Tiptronic-Style Gear Indicator	–	–
– Micro Board	549	} per set £7.61
– Display Board	550	
– Hall Speed Board	551	
★Keypad Alarm	FEB '06 552	£6.02
3-Way Active Crossover	553	£9.20
Jazzy Heart	554	£6.02
Status Monitor – Transmitter	555	} pair £7.61
– Receiver	556	
Power Up	MAR '06 557	£6.82
Video/Audio Booster (double-sided)	558	£12.00
★Telescope Interface	559	£6.50

EPE SOFTWARE

★ All software programs for *EPE* Projects marked with an asterisk, and others previously published, can be downloaded *free* from our Downloads site, accessible via our home page at: www.epemag.co.uk.

EPE PRINTED CIRCUIT BOARD SERVICE


Order Code	Project	Quantity	Price
------------	---------	----------	-------

Name


Address

Tel. No.

I enclose payment of £..... (cheque/PO in £ sterling only) to:





Everyday Practical Electronics

MasterCard, Amex, Diners Club, Visa or Switch/Maestro

Card No.

Valid From Expiry Date

Card Security Code Switch/Maestro Issue No

(The last 3 digits on or just under the signature strip)

Signature

NOTE: You can also order p.c.b.s by phone, Fax, Email or via our Web site on a secure server:
<http://www.epemag.wimborne.co.uk/shopdoor.htm>

Everyday Practical Electronics reaches twice as many UK readers as any other UK monthly hobby electronics magazine, our sales figures prove it. We have been the leading monthly magazine in this market for the last twenty one years.

If you want your advertisements to be seen by the largest readership at the most economical price our classified and semi-display pages offer the best value. The prepaid rate for semi-display space is £10 (+VAT) per single column centimetre (minimum 2.5cm). The prepaid rate for classified adverts is 40p (+VAT) per word (minimum 12 words).

All cheques, postal orders, etc., to be made payable to Everyday Practical Electronics. **VAT must be added.** Advertisements, together with remittance, should be sent to Everyday Practical Electronics Advertisements, 408 Wimborne Road East, Ferndown, Dorset BH22 9ND. Phone: 01202 873872. Fax: 01202 874562. Email: epeads@wimborne.co.uk. For rates and information on display and classified advertising please contact our Advertisement Manager, Stewart Kearn as above.

BOWOOD ELECTRONICS LTD
Suppliers of Electronic Components
 Place a secure order on our website or call our sales line
 All major credit cards accepted
 Web: www.bowood-electronics.co.uk
 Unit 1, McGregor's Way, Turnoaks Business Park,
 Chesterfield, S40 2WB. Sales: 01246 200222
 Send 60p stamp for catalogue

**BTEC ELECTRONICS
 TECHNICIAN TRAINING**
**NATIONAL ELECTRONICS
 VCE ADVANCED ICT
 HNC AND HND ELECTRONICS
 FOUNDATION DEGREES
 NVQ ENGINEERING AND IT
 DESIGN AND TECHNOLOGY**
LONDON ELECTRONICS COLLEGE
 20 PENYWERN ROAD
 EARLS COURT, LONDON SW5 9SU
 TEL: (020) 7373 8721
www.lec.org.uk

N.R. BARDWELL Ltd – est 1948
Electronic Component Supplies
 LED's, Semis, IC's Resistors, Caps, etc
 send 44p for lists. 1000's bargains at our
 secure site: www.bardwells.co.uk
 288, Abbeydale Rd. Sheffield. S7 1FL
 0845 188 2329 (local rate)

Oldwest Innovations
 Electrical, Electronic and Software Engineering Services
 Creating solutions that actually work.
 Professional PIC software development and hardware
 design. Large and small project work undertaken.
 Free quotes.
 Email: info@oldwest.freereserve.co.uk

VVT TRANSFORMERS
 Transformers and Chokes for all types
 of circuits including specialist valve units
 Custom design or standard range
 High and low voltage
Variable Voltage Technology Ltd
 Unit 3, Sheat Manor Farm, Chillerton,
 Newport, Isle of Wight, PO30 3HP
 Tel: 0870 243 0414 Fax: 01983 721572
 email: sales@vvt-cowes.freereserve.co.uk
www.vvttransformers.co.uk

Your own complete
 eCommerce 24/7 site
 for only £10 per week!
 Domain, secure hosting, emails,
 shopping basket, etc, included.
 details: www.eConcept.co.uk

**The Versatile, Programmable
 On Screen Display System**
www.STV5730A.co.uk



- Fully programmable
- PIC 16F628 microcontroller
- Demo software code available
- OSD IC 28 by 11 screen
- I/O lines free to connect sensors or buttons
- Serial or PC keyboard interface versions

TEXT, GPS or DATA

CPS Solar
 Solar panels, solar cells, and many
 more alternative energy products for
 battery charging etc. please visit our
 website for further info or call
 Tel: 0870 765 2334.
www.solarpanelonline.co.uk

**THIS SPACE COULD BE
 YOURS FOR JUST £30**
Contact Stewart
01202 873872
stewart.kearn@wimborne.co.uk

EPE Online
www.epemag.com

Get your magazine "instantly"
 anywhere in the world – buy
 and download from the web.

**TAKE A LOOK, A FREE
 ISSUE IS AVAILABLE**
 A one year subscription (12
 issues) costs just
\$15.99 (US)
www.epemag.com

Miscellaneous

**½ PRICE VALVES AND RADIO &
 ELECTRONIC COMPONENTS**
 Over 1480 different valves and over 500
 radio/electronic components. Either cata-
 logue available for £1, refundable on 1st
 order. W. Burcher, 676 Foxhall Road,
 Ipswich, Suffolk, IP3 8NQ. Tel: 01473
 272218

**VALVES AND ALLIED COMPO-
 NENTS IN STOCK.** Phone for free list.
 Valves, books and magazines wanted.
 Geoff Davies (Radio), tel. 01788 574774.

LPG ELECTRONICS For Photoelectric
 controls, timers, electricity meters and
 other interesting miscellaneous items visit
 our eBay store
<http://stores.ebay.co.uk/electricalspares>

**INNOVATIVE iBUTTON AND 1-WIRE
 PRODUCTS.** Add security/intelligence to
 your projects instantly with our modules.
 Bespoke Design Consultancy. Mid-High
 volume PCB production. Technical books.
Visit our website: www.fernelectronics.co.uk

**WANTED OLD HALF INCH FERRITE
 RODS.** Must be half inch in diameter and be
 six inches long or more, will pay good
 money for the rods. Contact Peter Tankard on
 0114 2316321 between 9am and 10pm. No
 time wasters please

KITS, TOOLS, COMPONENTS, S.A.E.
 catalogue. SIR-KIT ELECTRONICS, 52
 Severn Road, Clacton, CO15 3RB.
www.geocities.com/sirkitut

CD PLAYER £12.95. Radio/Cassette +
 CD's (240V) + parcel of module's/compo-
 nents. KIA 1 Regent Road, Ilkley LS29

4mm BANANA PLUG TEST LEAD:
 £0.75 EACH. A 300mm (approx) lead termi-
 nated both ends with a stackable 4mm
 banana plug. Available in red or black. Used
 but in good condition. Limited stock. Sold on
 a first come first served basis. FREE UK
 DELIVERY. Email your order to:
banana_leads@hotmail.com

**EPE EVERYDAY PRACTICAL
 ELECTRONICS**

**VISIT OUR ONLINE SHOP
 TO ORDER BACK ISSUES,
 CDROMS, BOOKS, PCBS,
 AND
 MANUALS**

www.epemag.co.uk



Europe's Largest Surplus Store

20,000,000 Items on line NOW !
New items added daily

Established for over 25 years, UK company Display Electronics prides itself on offering a massive range of electronic and associated electro-mechanical equipment and parts to the Hobbyist, Educational and Industrial user. Many current and obsolete hard to get parts are available from our vast stocks, which include:

- ◆ 6,000,000 Semiconductors
- ◆ 5,000 Power Supplies
- ◆ 25,000 Electric Motors
- ◆ 10,000 Connectors
- ◆ 100,000 Relays & Contactors
- ◆ 2000 Rack Cabinets & Accessories
- ◆ 4000 Items of Test Equipment
- ◆ 5000 Hard Disk Drives

We Ship Worldwide

Surplus Wanted

www.distel.co.uk

Display Electronics
29 / 35 Osborne Road
Thornton Heath
Surrey UK CR7 8PD

Telephone
[44] 020 8653 3333
Fax **[44] 020 8653 8888**

SHERWOOD ELECTRONICS

FREE COMPONENTS

Buy 10 x £1 Special Packs and choose another one FREE

SP1 15 x 5mm Red LEDs	SP136 3 x BFY50 transistors
SP2 12 x 5mm Green LEDs	SP137 4 x W005 1.5A bridge rectifiers
SP3 12 x 5mm Yellow LEDs	SP138 20 x 2.2/63V radial elect. caps.
SP5 25 x 5mm 1 part LED clips	SP140 3 x W04 1.5A bridge rectifiers
SP6 15 x 3mm Red LEDs	SP142 2 x CMOS 4017
SP7 12 x 3mm Green LEDs	SP143 5 Pairs min. crocodile clips (Red & Black)
SP8 10 x 3mm Yellow LEDs	SP144 5 Pairs min. crocodile clips (assorted colours)
SP9 25 x 3mm 1 part LED clips	SP146 10 x 2N3704 transistors
SP10 100 x 1N4148 diodes	SP147 5 x Stripboard 9 strips x 25 holes
SP11 30 x 1N4001 diodes	SP151 4 x 8mm Red LEDs
SP12 30 x 1N4002 diodes	SP152 4 x 8mm Green LEDs
SP18 20 x BC182 transistors	SP153 4 x 8mm Yellow LEDs
SP20 20 x BC184 transistors	SP154 15 x BC548 transistors
SP23 20 x BC549 transistors	SP156 3 x Stripboard, 14 strips x 27 holes
SP24 4 x CMOS 4001	SP160 10 x 2N3904 transistors
SP25 4 x 555 timers	SP161 10 x 2N3906 transistors
SP26 4 x 741 Op Amps	SP164 2 x C106D thyristors
SP28 4 x CMOS 4011	SP165 2 x LF351 Op.Amps
SP29 3 x CMOS 4013	SP166 20 x 1N4003 diodes
SP33 4 x CMOS 4081	SP167 5 x BC107 transistors
SP34 20 x 1N914 diodes	SP168 5 x BC108 transistors
SP36 25 x 10/25V radial elect. caps.	SP171 8 Metres 16SWG solder
SP37 12 x 100/35V radial elect. caps.	SP172 4 x Standard slide switches
SP38 15 x 47/25V radial elect. caps.	SP173 10 x 220/25V radial elect. caps
SP39 10 x 470/16V radial elect. caps.	SP174 20 x 22/25V radial elect. caps.
SP40 15 x BC237 transistors	SP175 20 x 1/63V radial elect. caps.
SP41 20 x Mixed transistors	SP177 10 x 1A 20mm quick blow fuses
SP42 200 x Mixed 0.25W C.F. resistors	SP178 10 x 2A 20mm quick blow fuses
SP47 5 x Min. PB switches	SP181 5 x Phono plugs - asstd colours
SP49 4 x 5 metres stranded core wire	SP182 20 x 4-7/63V radial elect. caps.
SP101 8 Metres 22SWG solder	SP183 20 x BC647 transistors
SP102 20 x 8-pin DIL sockets	SP187 15 x BC239 transistors
SP103 15 x 14-pin DIL sockets	SP189 4 x 5 metres solid core wire
SP104 15 x 16-pin DIL sockets	SP192 3 x CMOS 4066
SP105 4 x 74LS00	SP195 3 x 10mm Yellow LEDs
SP109 15 x BC557 transistors	SP197 6 x 20 pin DIL sockets
SP112 4 x CMOS 4093	SP198 5 x 24 pin DIL sockets
SP115 3 x 10mm Red LEDs	SP199 5 x 2.5mm mono jack plugs
SP116 3 x 10mm Green LEDs	SP200 5 x 2.5mm mono jack sockets
SP118 2 x CMOS 4047	
SP124 20 x Assorted ceramic disc caps	
SP126 6 x Battery clips - 3 ea. PP3 + PP9	
SP130 100 x Mixed 0.5W C.F. resistors	
SP131 2 x TL071 Op.Amps	
SP133 20 x 1N4004 diodes	
SP134 15 x 1N4007 diodes	
SP135 5 x Miniature slide switches	

RESISTOR PACKS - C.Film

RP3 5 each value - total 365 0.25W
£3.30
RP7 10 each value - total 730 0.25W
£4.55
RP10 1000 popular values 0.25W
£6.45

2006 Catalogue available £1 inc. P&P or FREE with first order. P&P £1.50 per order. NO VAT
Cheques and Postal Orders to: Sherwood Electronics, 7 Williamson St., Mansfield, Notts. NG19 6TD.

EPE EVERYDAY PRACTICAL ELECTRONICS

NEXT MONTH

A "SMART" SLAVE FLASH TRIGGER

Want to use an external flash unit with your new hi-res digital or film camera but it doesn't have a trigger socket or "hot shoe"? Cheer up, this new slave flash trigger will let you do it and it will cope with those cameras which only work in multiple-flash "red-eye reduction" mode. You can build it for a fraction of the cost of similar "smart" trigger units, too.

PROGRAMMABLE CONTINUITY TESTER

No matter how high-faultin' is your involvement with electronics, one of the most common bench tests is for continuity. You can always rake out the multimeter but this little tester does a better job, with selectable resistances. It makes an ideal Go/No Go Tester.

OMNI PENDULUM

Swing in all directions with this fascinating design. The Omni Pendulum is one of those projects that "keeps on giving", since it offers a highly visible display of one's electronic skills. Note, also, that the circuit need not only impel a pendulum. It may also impel a wheel, or a roundabout, or a so-called "boinger" (an upside-down pendulum), or a hanging spring, or a see-saw on a fulcrum, etc.

PORTAPAL PART 2

The full construction details of our compact and powerful Portable Public Address Amplifier.

APRIL '06 ON SALE MARCH 9

ADVERTISERS INDEX

AGAR	77
ANTEX	73
AUDON ELECTRONICS	35
BETA-LAYOUT	35
BREADBOARDING SYSTEMS	37
BRUNNING SOFTWARE	19
BULL GROUP	Cover (ii)
DISPLAY ELECTRONICS	80
EASYSYNC	73
ESR ELECTRONIC COMPONENTS	6
FERN ELECTRONICS	18
FOREST ELECTRONIC DEVELOPMENTS	21
JAYCAR ELECTRONICS	46/47
JPG ELECTRONICS	73
LABCENTER	Cover (iv)
LASER	77
LICHFIELD ELECTRONICS	77
MAGENTA ELECTRONICS	4/5
NURVE NETWORKS LLC	18
OBD CABLES	45
PEAK ELECTRONIC DESIGN	Cover (iii)
PICO TECHNOLOGY	77
QUASAR ELECTRONICS	2/3
RAPID ELECTRONICS	55
RD RESEARCH	32
SHERWOOD ELECTRONICS	80
STEWART OF READING	35

ADVERTISEMENT OFFICES:

408 WIMBORNE ROAD EAST, FERNDOWN, DORSET BH22 9ND

PHONE: 01202 873872

FAX: 01202 874562

EMAIL: epeds@wimborne.co.uk

For Editorial address and phone numbers see page 7

Everyday Practical Electronics, periodicals pending, ISSN 0262 3617 is published twelve times a year by Wimborne Publishing Ltd., USA agent USACAN at 1320 Route 9, Champlain, NY 12919. Subscription price in US \$60(US) per annum. Periodicals postage paid at Champlain NY and at additional mailing offices. POSTMASTER: Send USA and Canada address changes to Everyday Practical Electronics, c/o Express Mag., PO Box 2769, Plattsburgh, NY, USA 12901-0239.

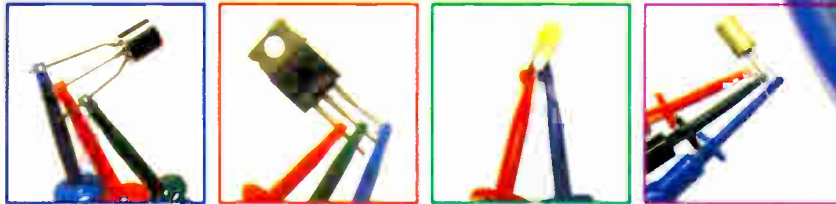
Atlas DCA Semiconductor Analyser

- Connect any way round.
- Automatically identify type of part.
- Automatically identify pinout.
- Measures lots of component data.
- Supports Bipolar transistors, Darlingtons, JFETs, MOSFETs, Sensitive Triacs and Thyristors, LEDs, diodes and diodes networks.
- Supplied complete with probes, battery and a comprehensive illustrated user guide.

£55.00

including VAT and UK Delivery!

**Model
DCA55**



Made in Buxton, UK.

£79.00

including VAT and UK Delivery!

**Model
LCR40**

Atlas LCR Passive Component Analyser

- Automatically identify Inductors, Capacitors and Resistors.
- Automatic test frequency selection (DC, 1kHz, 15kHz and 200kHz Sine Waves).
- 1% Basic accuracy.
- Inductance from 1uH to 10 Henries!
- Capacitance from 1pf to 10,000uF.
- Resistance from 1 ohm to 2 Megohms.
- Compatible with optional SMD tweezers.
- Supplied complete with probes, battery and a comprehensive user guide.



Made in Buxton, UK.



New Atlas Star Pack!

Includes the following items:

- Atlas DCA Semiconductor Component Analyser.
- Atlas LCR Passive Component Analyser.
- *New* Improved user guides.
- *New* Long-Reach Clutch probes for LCR.
- *New* Stainless Steel Keyring.
- Microhook probes for LCR and DCA.
- Extra spare battery.
- Premium dual carry case.

£130.00

including VAT and UK Delivery!



PROTEUS

ELECTRONIC DESIGN

FROM CONCEPT

TO COMPLETION

SCHEMATIC CAPTURE **PROSPICE** **EMBEDDED SIMULATION** **PCB DESIGN**

ISIS SCHEMATIC CAPTURE

A powerful capture package tailored for today's engineer and designed to allow rapid entry of complex schematics for simulation and PCB Layout.

PROSPICE MIXED MODE SIMULATOR

A customised implementation of the industry standard Berkeley SPICE 3F5 engine with extensive optimisations and enhancements for true mixed mode simulation and circuit animation.

VSM VIRTUAL SYSTEM MODELLING

The world's first and best schematic based microcontroller co-simulation software. Proteus VSM allows you to simulate the interaction between software running on a microcontroller and any analog or digital electronics connected to it. This streamlines the project lifecycle and obviates the need for expensive hardware analysis tools.

ARES PCB DESIGN

A modern and professional layout package which seamlessly integrates with the ISIS capture software. Features such as autoplacement and autorouting, interactive DRC and an intuitive interface all serve to maximise productivity and reduce time to market.

LABCENTER ELECTRONICS LTD.

A technology pioneer in the EDA industry since 1988.
Technical support direct from the program authors.
Flexible packages and pricing tailored to customer requirements.

CONTACT US NOW
to discuss requirements or
request a **FREE** evaluation copy.

Tel: 01756 753440
Fax: 01756 752857
Email: info@labcenter.co.uk

labcenter  www.labcenter.co.uk
Electronics

Labcenter Electronics Ltd., 53-55 Main Street, Grassington,
North Yorks, BD23 5AA. Registered in England 4692454
World Radio History